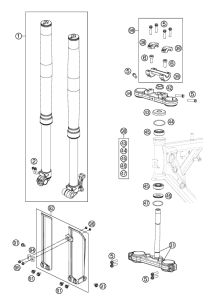
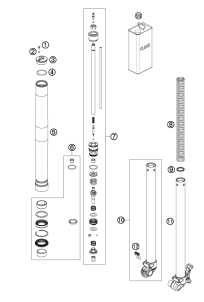
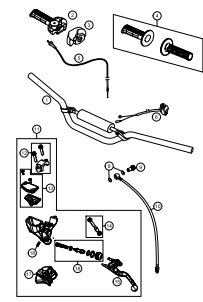
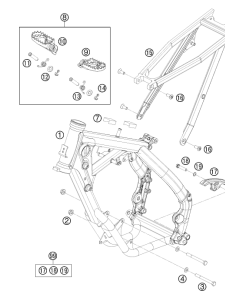
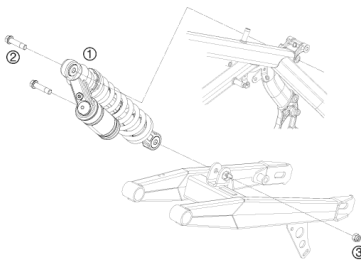
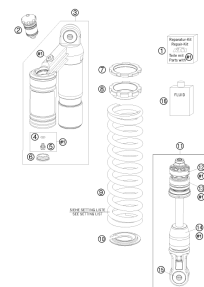
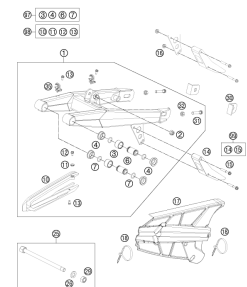
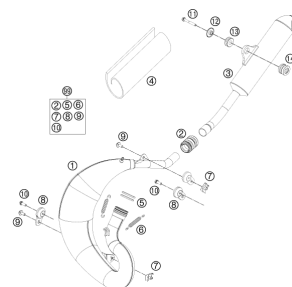
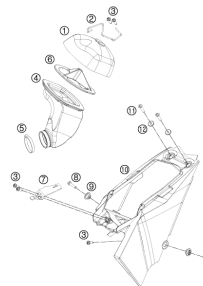
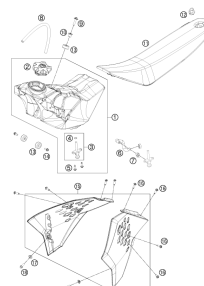
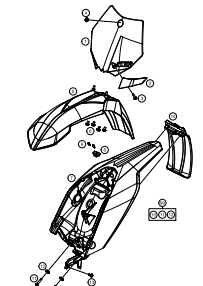
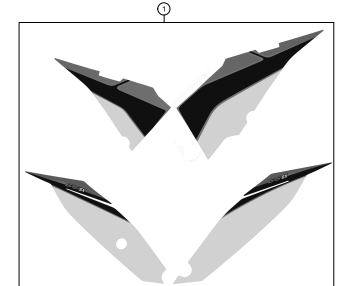


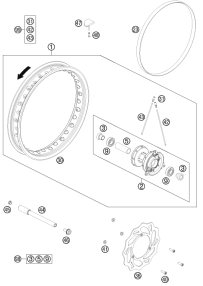
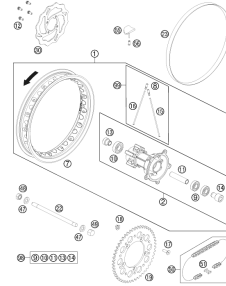
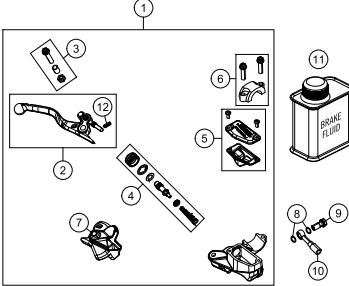
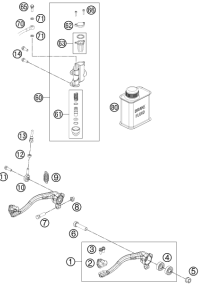
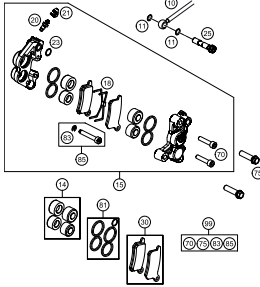
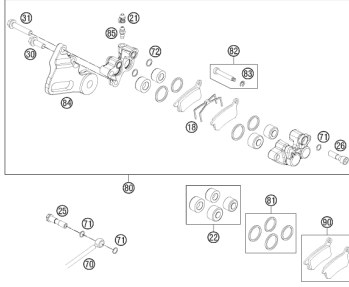
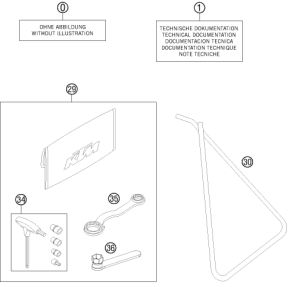

# 65 SX 2014

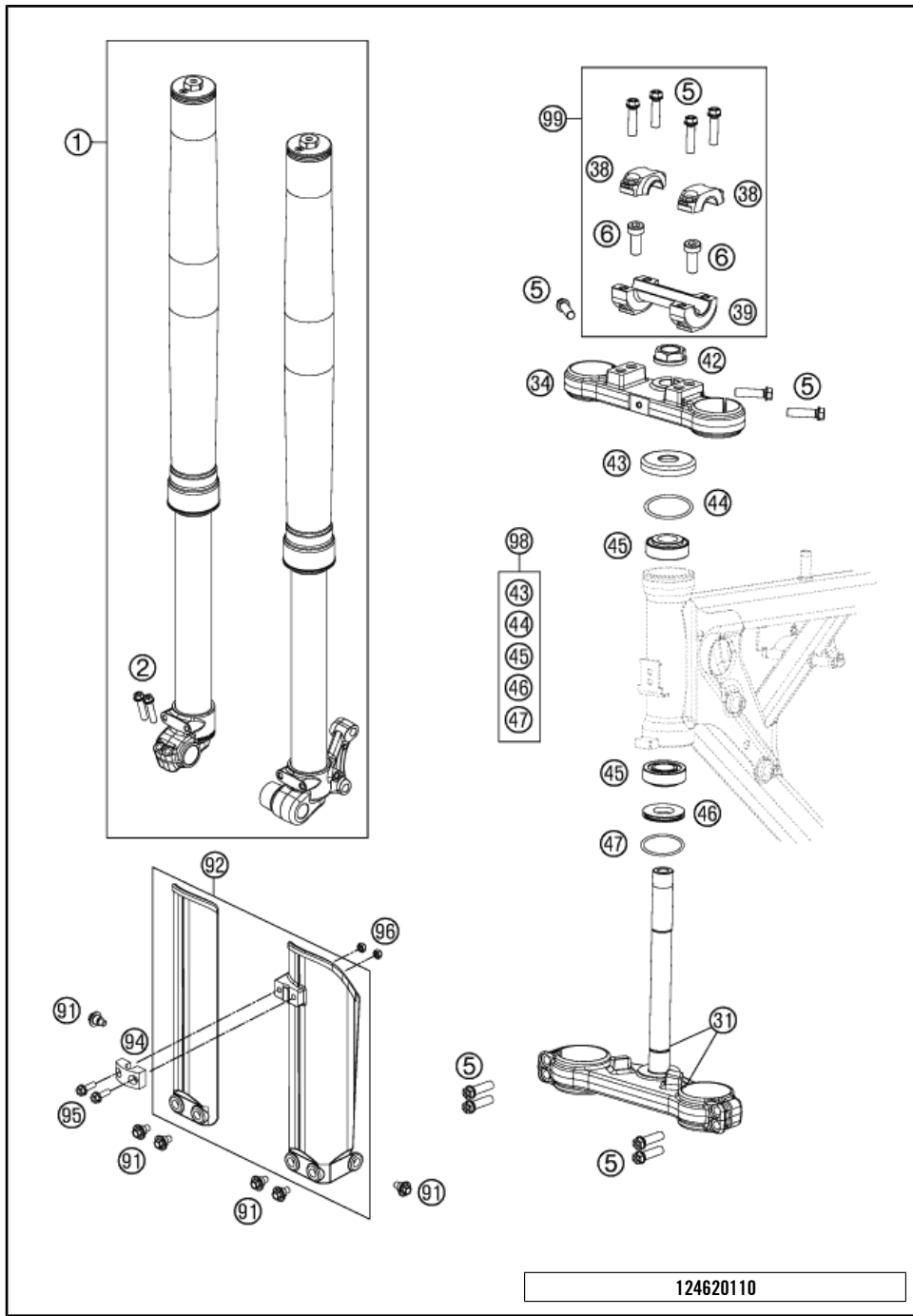
ART.-NR.: 3CFF6001N6EN





<p><b>FRONT FORK, TRIPLE CLAMP</b></p>  <p><b>3</b></p>	<p><b>FRONT FORK DISASSEMBLED</b></p>  <p><b>4</b></p>	<p><b>HANDLEBAR, CONTROLS</b></p>  <p><b>5</b></p>	<p><b>FRAME</b></p>  <p><b>6</b></p>
<p><b>MONOSHOCK</b></p>  <p><b>7</b></p>	<p><b>MONOSHOCK DISASSEMBLED</b></p>  <p><b>8</b></p>	<p><b>SWING ARM</b></p>  <p><b>9</b></p>	<p><b>EXHAUST SYSTEM</b></p>  <p><b>10</b></p>
<p><b>AIR FILTER BOX</b></p>  <p><b>11</b></p>	<p><b>TANK, SEAT, COVER</b></p>  <p><b>12</b></p>	<p><b>MASK, FENDER</b></p>  <p><b>13</b></p>	<p><b>DECAL</b></p>  <p><b>14</b></p>

<p><b>FRONT WHEEL</b></p>  <p style="text-align: right;"><b>15</b></p>	<p><b>REAR WHEEL</b></p>  <p style="text-align: right;"><b>16</b></p>	<p><b>HAND BRAKE CYLINDER</b></p>  <p style="text-align: right;"><b>17</b></p>	<p><b>REAR BREKA CONTROL</b></p>  <p style="text-align: right;"><b>18</b></p>
<p><b>BRAKE CALIPER FRONT</b></p>  <p style="text-align: right;"><b>19</b></p>	<p><b>BRAKE CALIPER REAR</b></p>  <p style="text-align: right;"><b>20</b></p>	<p><b>ACCESSORIES KIT</b></p>  <p style="text-align: right;"><b>21</b></p>	
	<div style="display: flex; align-items: center;">  <p>                     All information contained is without obligation. KTM Sportmotorcycle GmbH particularly reserves the right to modify any equipment, technical specifications, prices, colors, shapes, materials, services, service work, constructions, equipment and the like so as to adapt them to local conditions or to cancel any of the above items, all without previous announcement and without giving reasons. KTM may stop manufacturing certain models without previous notice. KTM shall not be held liable for any deviations of availability and/or ability to deliver, illustrations, descriptions, printing and/or other errors. The illustrated models partly contain extra equipment, which is not applied to standard models.                       © by KTM Sportmotorcycle GmbH, Mattighofen AUSTRIA; All rights reserved; Reprint, also in extracts, with written allowance of KTM Sportmotorcycle GmbH, Mattighofen only.                 </p> </div>		

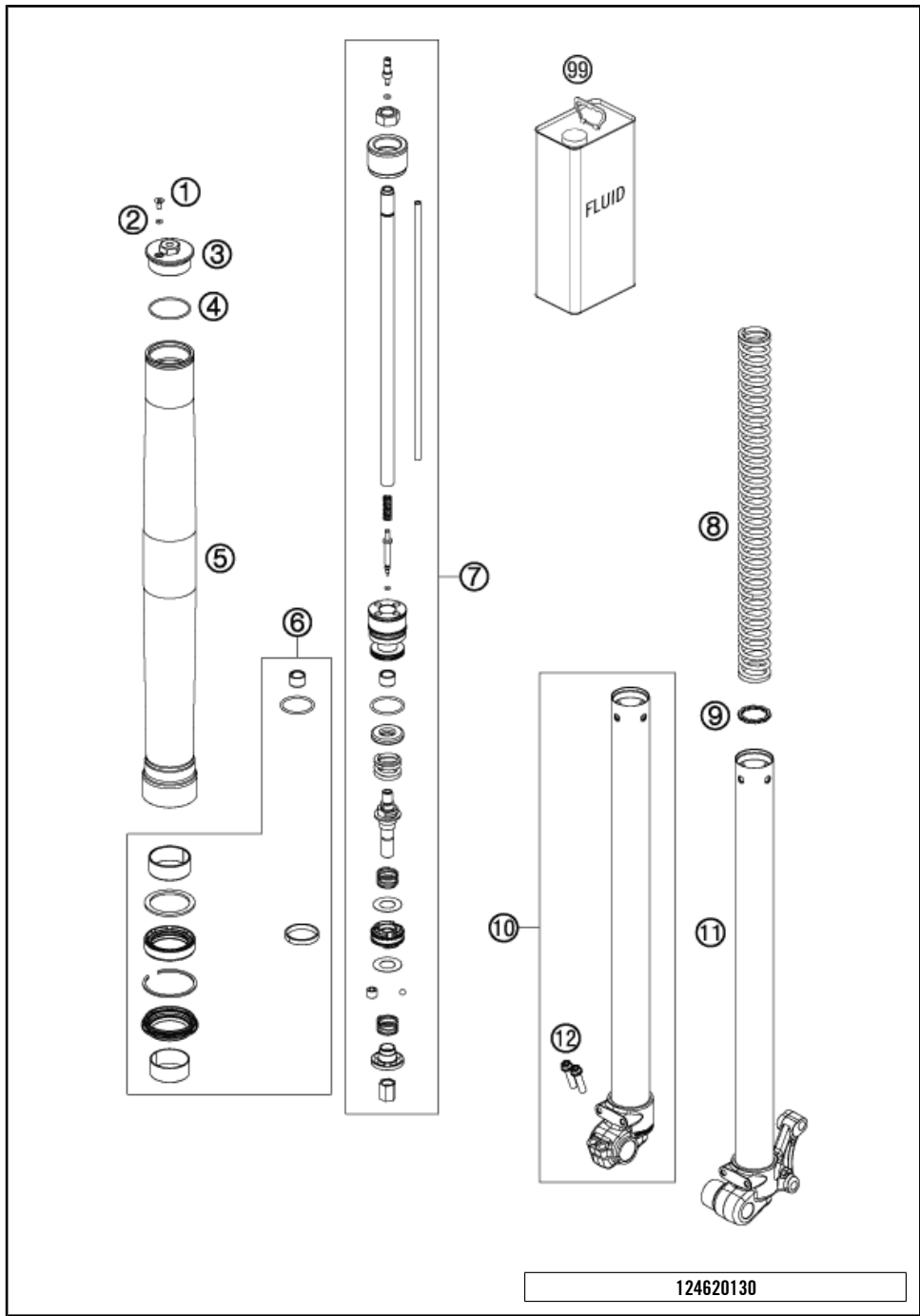


POS	PARTNUMBER	PARTNAME	PIECE
1	07187L0401	FORK WP 65SX 2012	1
2	0025060306	HH COLLAR SCREW M6X30 TX30	2
5	0025080306	HH COLLAR SCREW M8X30 TX40	11
6	0032100256S	AH-COLLAR SCREW M10X25 ISA45	2
31	46201032022	BOT.FORK PLATE CPL.	1
34	45201034022	TOP TRIPLE CLAMP	1
38	50301038000	HANDLEBAR CLAMP D=22MM 2001	2
39	45201039000	HANDLEBAR SUPPORT 50SX D=22MM	1
42	59030029000	HH NUT M20X1,5 WS=27 RIGHT	1
43	49001086000	COVERING CAP	1
44	0770021300	O-RING 40,94X2,62 NBR70	1
45	49001081000	TAPERED ROLLER BEARING 32004X	2
46	46001086000	PROTECTION RING 20,1X39X5	1
47	0770360030	O-RING 36,00X3,00 NBR	1
91	59001092050	SPECIAL SCREW M6X12,5 WS=8	6
92	4610109400028	FORK PROTECTOR SET 65 SX WHITE	1
94	5460108500028	BRAKE HOSE CLIP	1
95	0025050166	HH COLLAR SCREW M5X16 TX30	2
96	0985050003	SELF LOCKING NUT DIN0985-M 5	2
98	00050000931	STEERING HEAD REP. KIT MINI	x
99	00050000925	HANDLEBAR SUPPORT KIT 50SX '12	1

124620110

C134620110

\* NEW PART X ON DEMAND



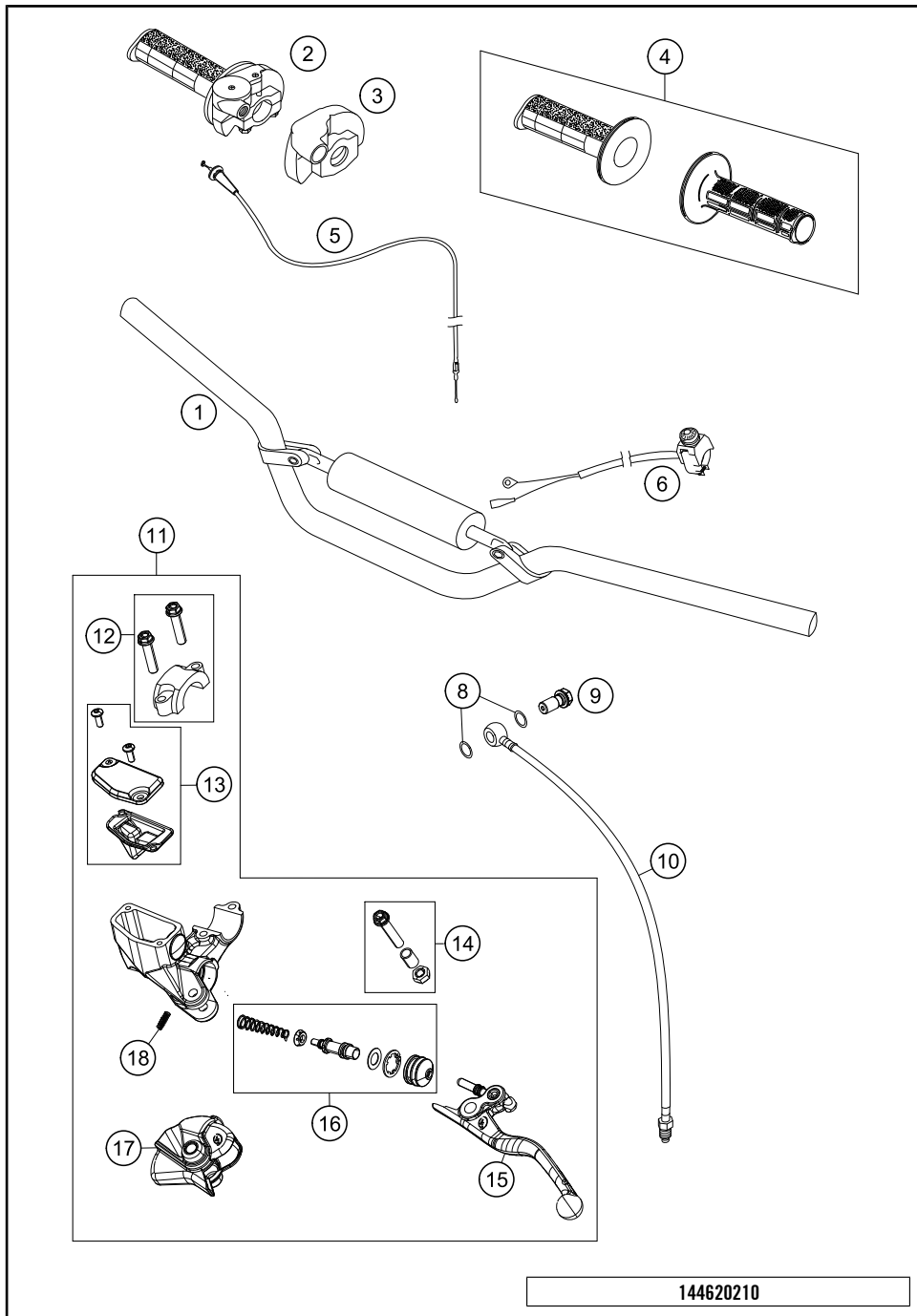
POS	PARTNUMBER	PARTNAME	PIECE
1	48600481	VENT SCREW M4X8	2
2	48600046	O-RING NBR 3X1,5	2
3	35480496S	SCREW CAP M38X1,5 ADJ. REB	1
3	35480496S1	SCREW CAP M38X1,5 ADJ. COM	1
4	46180581	O-RING 35X1.5 NBR70	2
5	35480472	OUTER TUBE L=465	2
6	R703	REPAIR KIT 50SX 2012	1
7	35480477S	PISTON ROD L/S CPL.	1
7	35480477S3	PISTON ROD R/S CPL.	1
8	95010056S	SPRING 2,6 N/MM SET	x
8	95010044S	SPRING 2,8N/MM D3,6 SET	1
8	95010057S	SPRING 3,0 N/MM SET	x
9	35480497	WASHER 22X30X2.5	x
10	35480455S2	AXLE CLAMP KTM 65SX R/S. CPL.	1
11	35480466S2	AXLE CLAMP KTM 65SX L/S CPL.	1
12	0025060256	HH COLLAR SCREW M6X25 TX30	2
99	48600765	FORK OIL SAE5	1

124620130

C134620130

\* NEW PART

X ON DEMAND

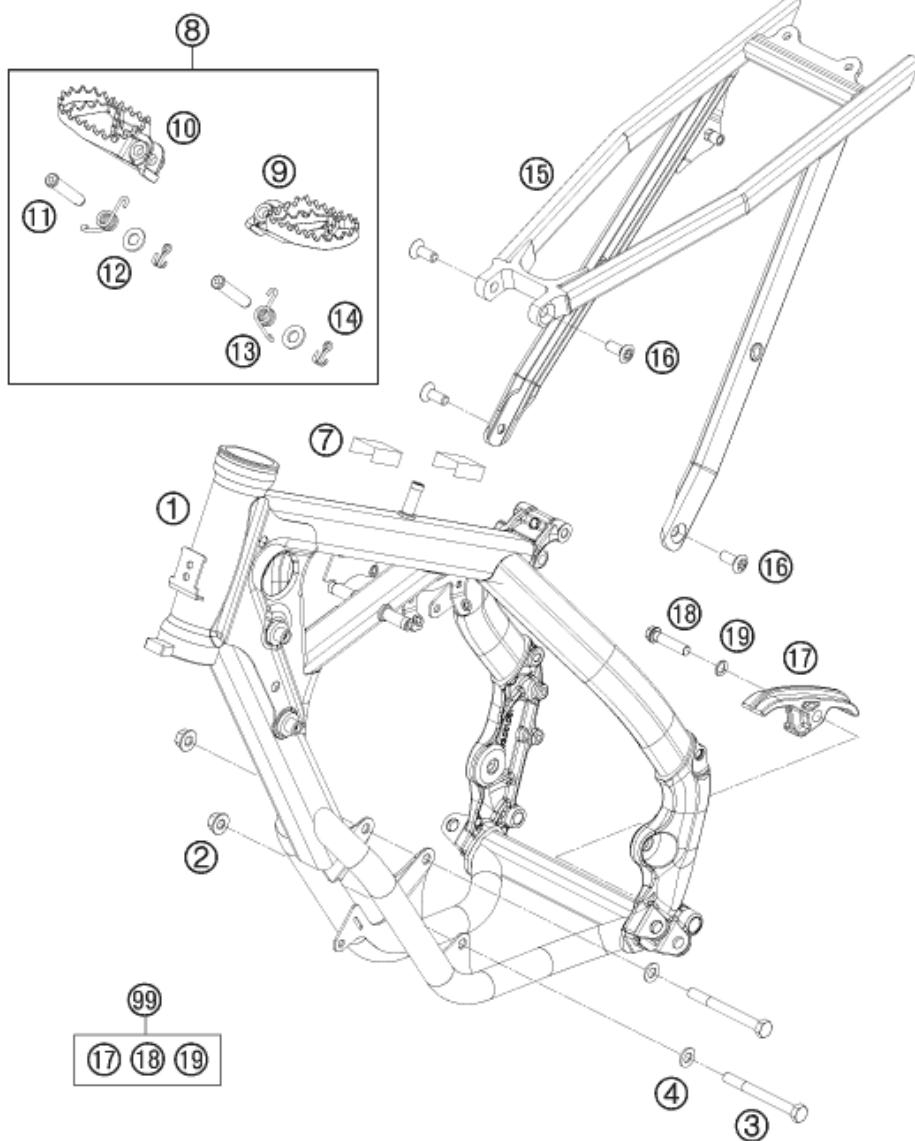


POS	PARTNUMBER	PARTNAME	PIECE
1	46202001100	% HANDLEBAR 65SX 2012	1
2	46202010000	THROTTLE GRIP 65SX 09	1
3	50302020000	PROTECTION COVER '97	1
4	63002021100	GRIP SET DUAL COMPOUND	1
5	46202091000	THROTTLE CABLE 65 SX 2009	1
6	50311089200	SHORT CIRCUIT BUTTON 02	1
8*	0770080019	O-RING 8,00X1,00 FORMULA	2
9*	47013025000	HOLLOW SCREW BRAKE CYLINDER 03	1
10*	47132063000	CLUTCH PIPE	1
11*	72002030100	MASTER CYLINDER CPL. 10MM	1
12*	72013005000	CLAMP	1
13*	72002003000	COVER F. MASTER CYLINDER CPL.	1
14*	70002038000	LEVER SCREW CPL.	1
15*	72013002000	LEVER CPL.	1
16*	72002032000	REP. KIT PISTON 10MM	1
17*	72002037000	MUDCOVER CLUTCH LEVER	1
18*	72002035000	SPRING FOR CLUTCH LEVER	1

144620210

C144620210

\* NEW PART X ON DEMAND



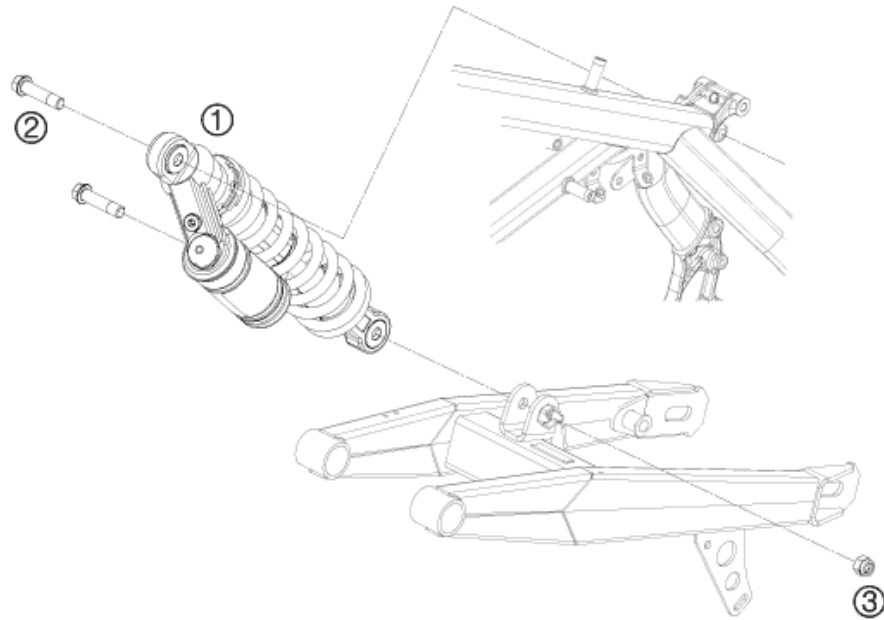
POS	PARTNUMBER	PARTNAME	PIECE
1	46203001200BE	FRAME "462L3" ANTHR.-MET.	1
2	54310086200	SELF LOCKING NUT M8 10.9	2
3	0931080805	HH SCREW DIN 931 M8X80 10.9	2
4	0125080003	WASHER DIN0125-A 8,4	2
7	50307012000	ADH. FOIL TRANSP. 80X80 MM 04	2
8*	47103040033	FOOTREST CPL. 14	1
9*	47103040000	FOOTREST L/S	1
10*	47103041000	FOOTREST R/S	1
11	54803044000	PIN FOR FOOT PED 51.5X9.8 MM	2
12	0125100003	WASHER DIN0125-A10,5	2
13	54603041000	FOOTREST SPRING L/S & R/S	2
14	0094032253	PIN DIN0094-3,2X25 STEEL	2
15	46203002000	SUB FRAME 65 SX 2009	1
16	0019080206S	FLAT HEAD SCREW M. ISA45 M8X20	4
17	77303053000	CHAIN SLIDING PIECE BELOW 07	1
18	0025080356	HH COLLAR SCREW M8X35 TX40	1
19	36003014000	LOCK WASHER 8MM	1
99	77303053110	CHAIN SLIDING KIT BELOW 09-15	1

124620310

C144620310

\* NEW PART X ON DEMAND





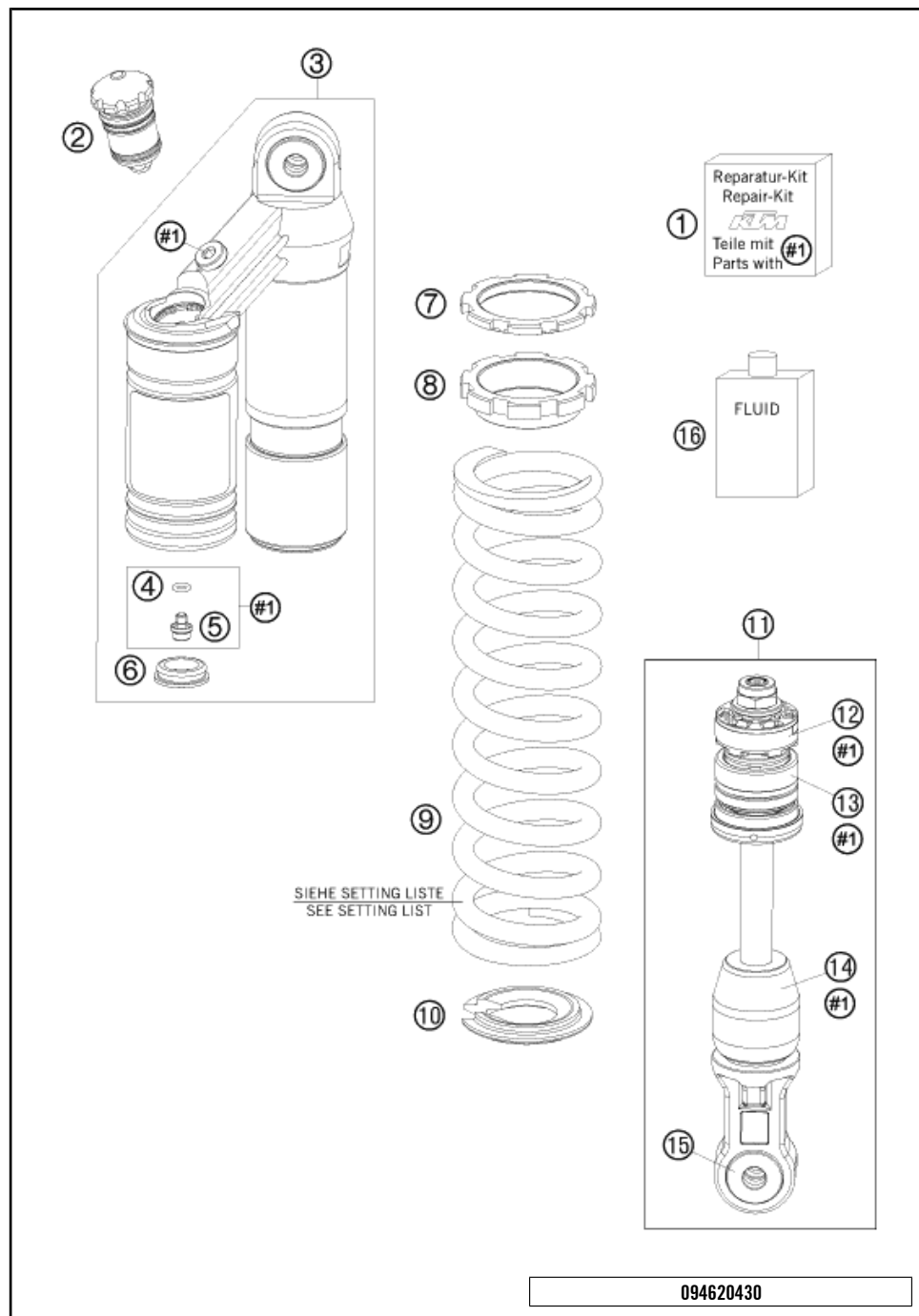
POS	PARTNUMBER	PARTNAME	PIECE
1	03187L0301	SHOCK ABSORBER 65 SX	1
2	69004089000	HH COLLAR SCREW M10X42 WS13 08	2
3	54310086100	SELF LOCKING NUT M10 CU WS=14	1

094620410

C134620410

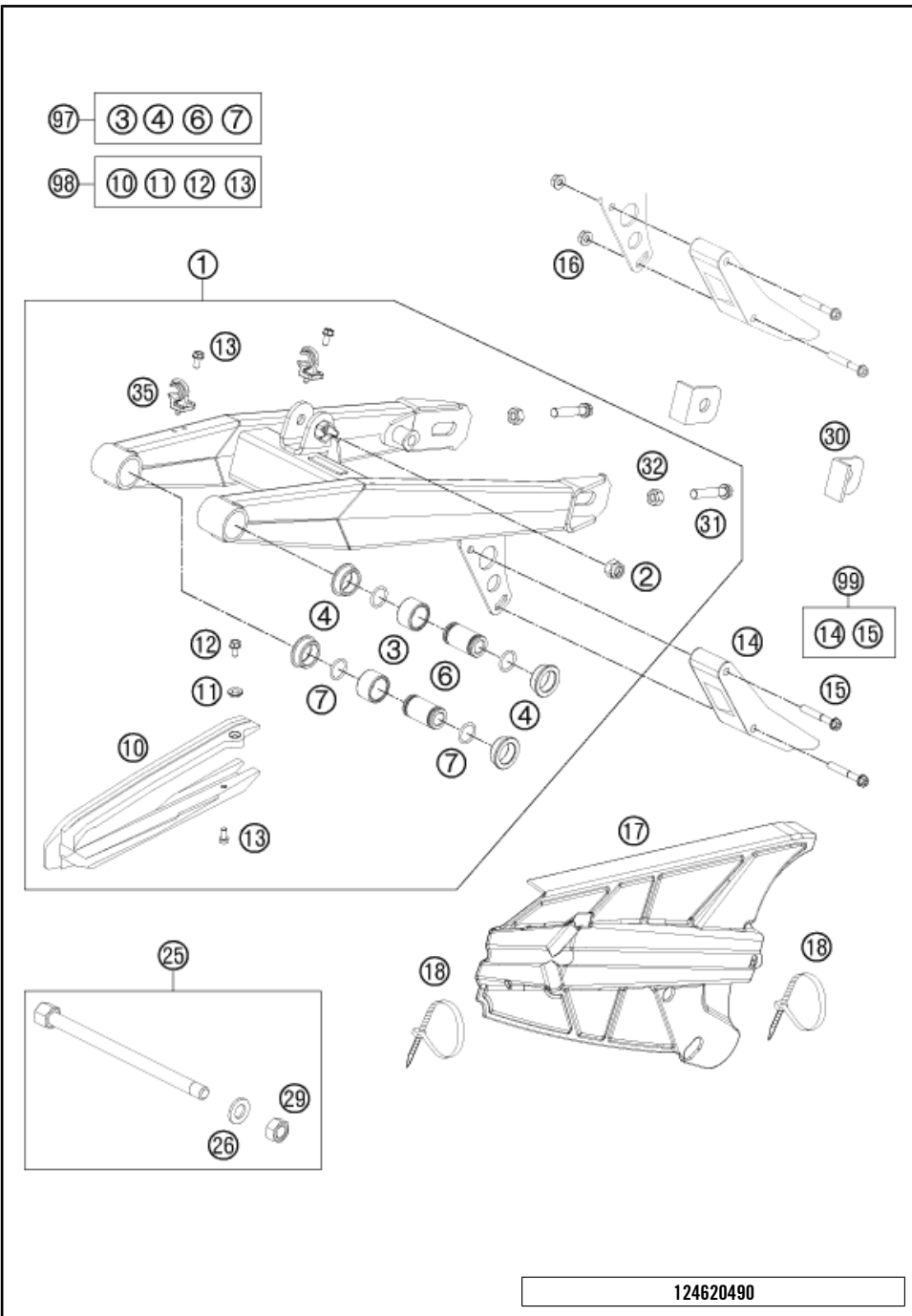
\* NEW PART

X ON DEMAND



POS	PARTNUMBER	PARTNAME	PIECE
1	R308	REPAIR-KIT	1
2	46810850S9	CC-COMPRES. DAMPING CONTROL CPL.	1
3	36120817S1	MONOSHOCK TOP PART CPL.	1
4	46810893	O-RING NBR 5,28X1,78	1
5	36120151	SCREW PLUG M5X6	1
6	46811208	RUBBER CAP "DO NOT OPEN"	1
7	36120015	COUNTERNUT	1
8	36120418	ADJUSTING NUT	1
9	93010181S	SPRING 40N/MM 40-220 220MM ORA	x
9	93010182S	SPRING 35N/MM 35-220 220MM ORA	x
9	93010183S	SPRING 45N/MM 45-220 220MM ORA	x
10	36120386	SPRING RET. H=3, D=14,5	1
11	36120781S10	MONOSHOCK LOWER PART CPL.	1
12	36120040	PISTON RING 8X1X108,3	1
13	36120787S	ADAPTOR 36MM H26,6 CPL. 07	1
14	36120799	BUMP RUBBER	1
15	R309	REPAIR KIT BEARINGS 65 SX 09	2
16	50180751S1	SHOCK ABSORBER FLUID 5 LT	1

\* NEW PART X ON DEMAND

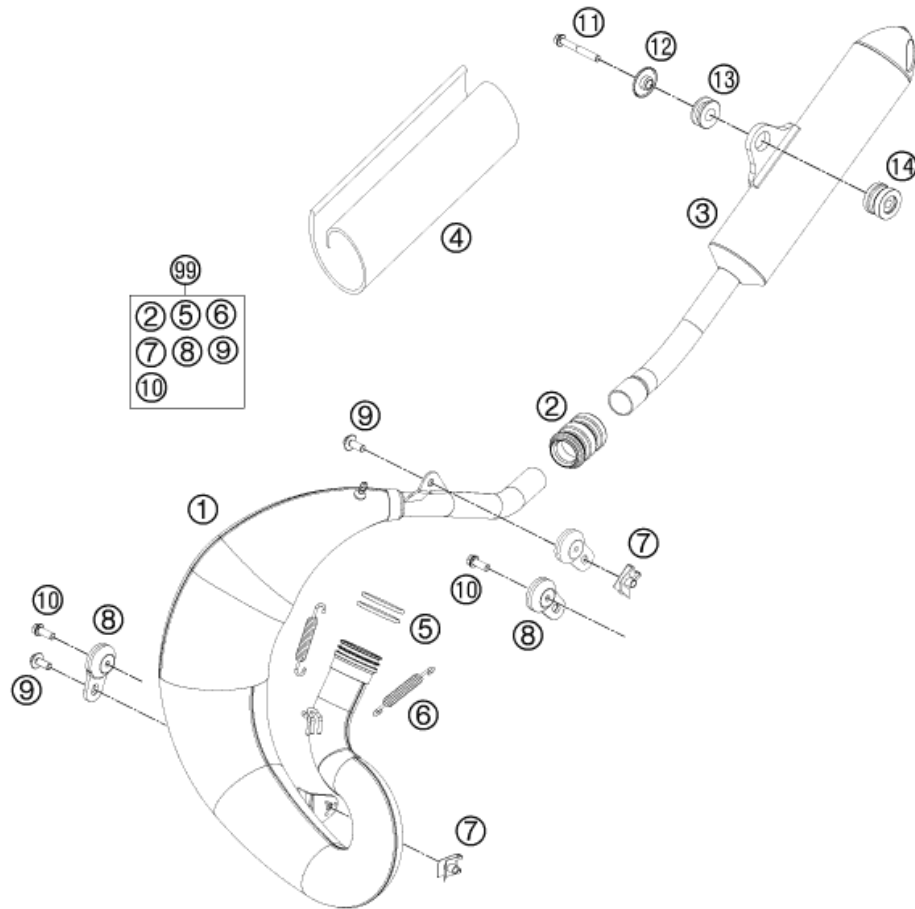


POS	PARTNUMBER	PARTNAME	PIECE
1	46104030144	SWING ARM CPL. 65 SX 2008	1
2	54310086100	SELF LOCKING NUT M10 CU WS=14	1
3	54603097000	NEEDLE BUSH HK 2016	2
4	46004030070	SPACER BUSHING 20X26X30X9,7	4
6	46004030071	BUSHING BOX 12X20X36,5	2
7	0770160021	O-RING 16,00X2,00 VITON	4
10	46104066000	CHAIN SLID. GUARD FRO. 65SX 02	1
11	46104066050	BUSH FOR CHAINSLIDER GUARD 02	1
12	0010050103	SPECIAL SCREW M 5,0X10	1
13	0009050106	EJOT SPIRAL SCREW SF M5X10-K	3
14	46007066000	CHAIN GUIDE REAR 60/65 '98	1
15	0025060406	HH COLLAR SCREW M6X40 TX30	2
16	56509064100	SELF LOCKING NUT M6 10.9	2
17	46104061000	CHAIN GUARD 08	1
18	44011076305	CABLE TIE 300/4,8MM BLACK	2
25	46204037033	SWINGARM BOLT CPL. 201MM	1
26	0125120003	FLAT WASHER DIN0125-A13	1
29	0934120103	HEXAGON NUT DIN0934-M12X1	1
30	46010083000	CHAIN ADJUSTER 60/65 '98	2
31	50203030090	HH SCREW M8X40 WS=10	2
32	0934080003	HEXAGON NUT DIN0934-M 8	2
35	54611076100	RETAIN.CLAMP FOR BRAKE HOSE'96	2
97	45204230010	SWINGARM REP. KIT 50/65 SX	1
98	46104066010	CHAIN GUARD KIT 09-14	1
99	46007066010	CHAIN GUIDE KIT REAR 09-14	1

124620490

C134620490

\* NEW PART X ON DEMAND



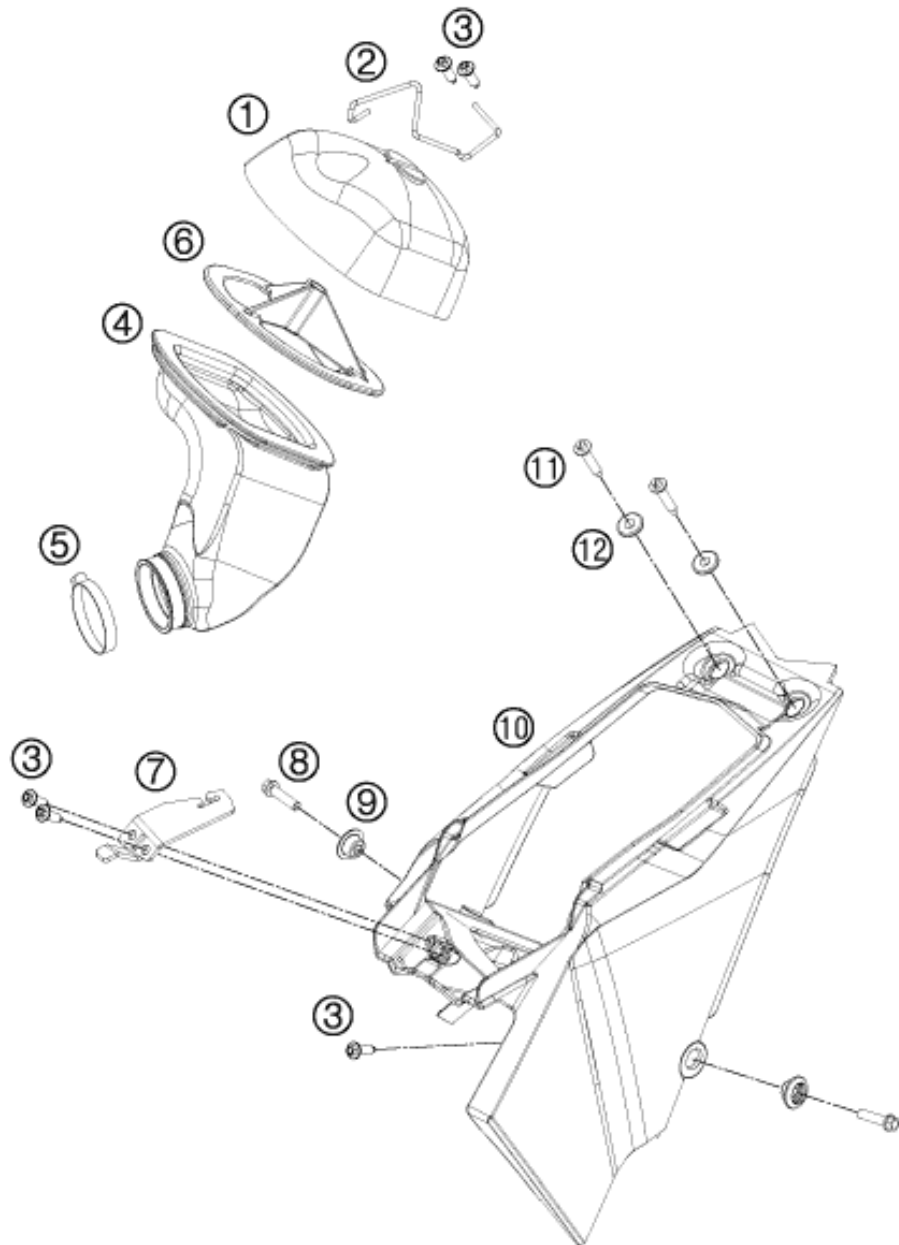
124620510

POS	PARTNUMBER	PARTNAME	PIECE
1	46205007000	EXHAUST PIPE 65 SX 2009	1
2	54605057000	RUBBER SLEEVE D=21MM/23MM '93	1
3	46205079000	SILENCER 65 SX 2009	1
4	45105079056	ROCKWOOL PREFOMED 50 2002	1
5	0770350030	O-RING 35,00X3,00 VITON	2
6	50305016000	TEN.SPRING L=62MM EY.MOVEABLE	2
7	54603048100	RANGE CHANGE METAL NUT M6	2
8	50305012000	SWINGELEMENT FOR EXHAUST PIPE	2
9	0024060156	HH COLLAR SCREW M6X15 TX30	2
10	0025060166	HH COLLAR SCREW M6X16 TX30	2
11	0025060456	HH COLLAR SCREW M6X45 TX30	1
12	46205169000	BUSHING 7.5X12X28X7.6	1
13	77205068000	DAMP. COMPON. BLACK	1
14	46205069100	BUSHING 7.5X12X28X23.6	1
99	00050000812	EXHAUST HARDWARE KIT MINI	1

C134620510

\* NEW PART

X ON DEMAND



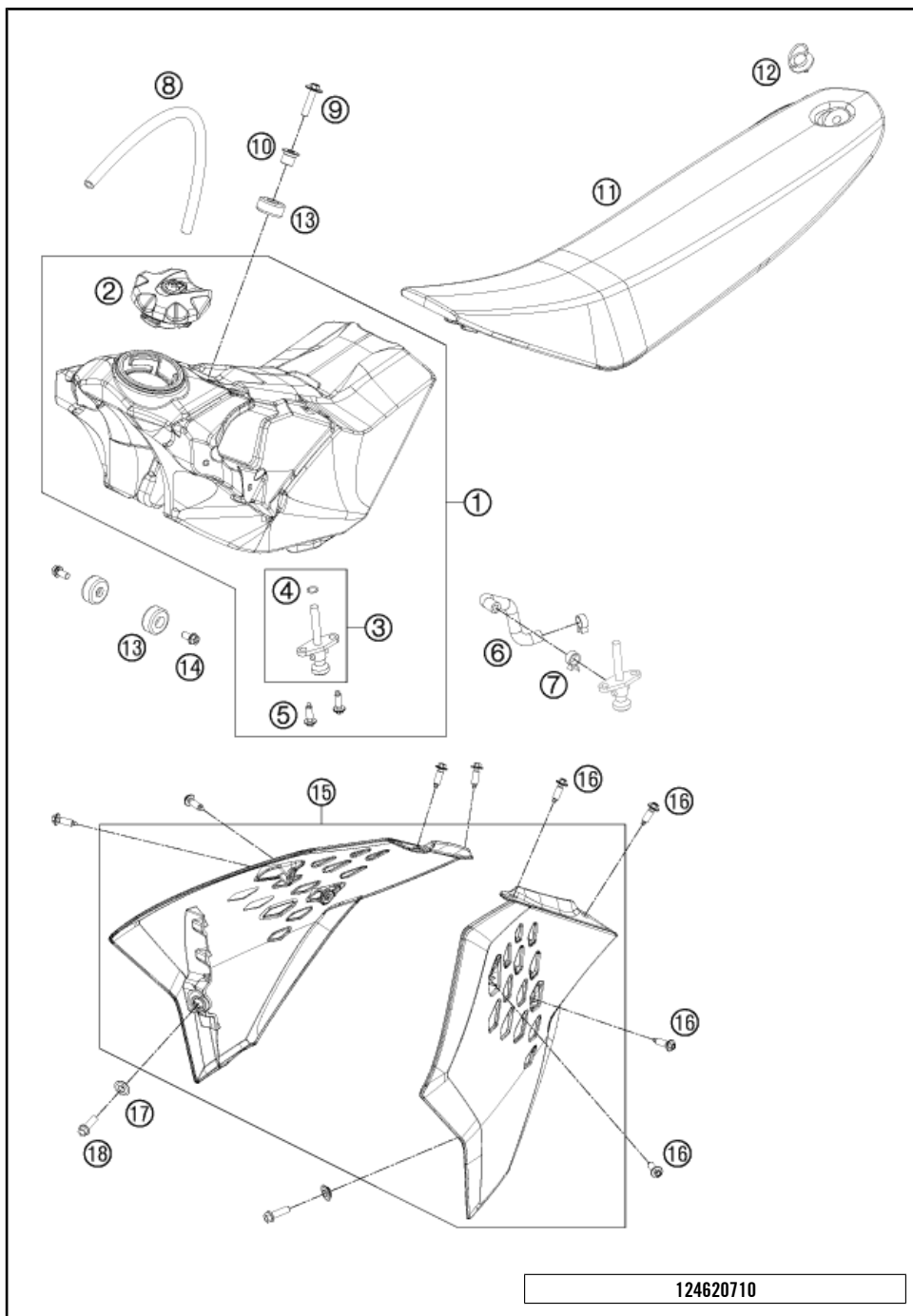
124620610

POS	PARTNUMBER	PARTNAME	PIECE
1	58406015100	AIR FILTER	1
2	46206017000	FILTER BOW 65 SX 2009	1
3*	0017060205	SCREW FOR PLASTIC K60X20 SW6	5
4	46206026000	CARBURETOR CONN. BOOT 65 SX 09	1
5	78006027000	HOSE CLAMP 45-65MM	1
6	58406016000	FILTER CARRIER '97	1
7	46206017050	AIR FILTER BOW PANEL 65SX 2009	1
8	0025060256	HH COLLAR SCREW M6X25 TX30	2
9	46208013010	COLLARED BUSHING 65SX 09	2
10	4620600100030	AIR FILTER BOX 65 SX 09	1
11*	0017060305	SPECIAL SCREW K60X30 WS=6	2
12	54808020000	SPACER BUSHING 03	2

C144620610

\* NEW PART

X ON DEMAND



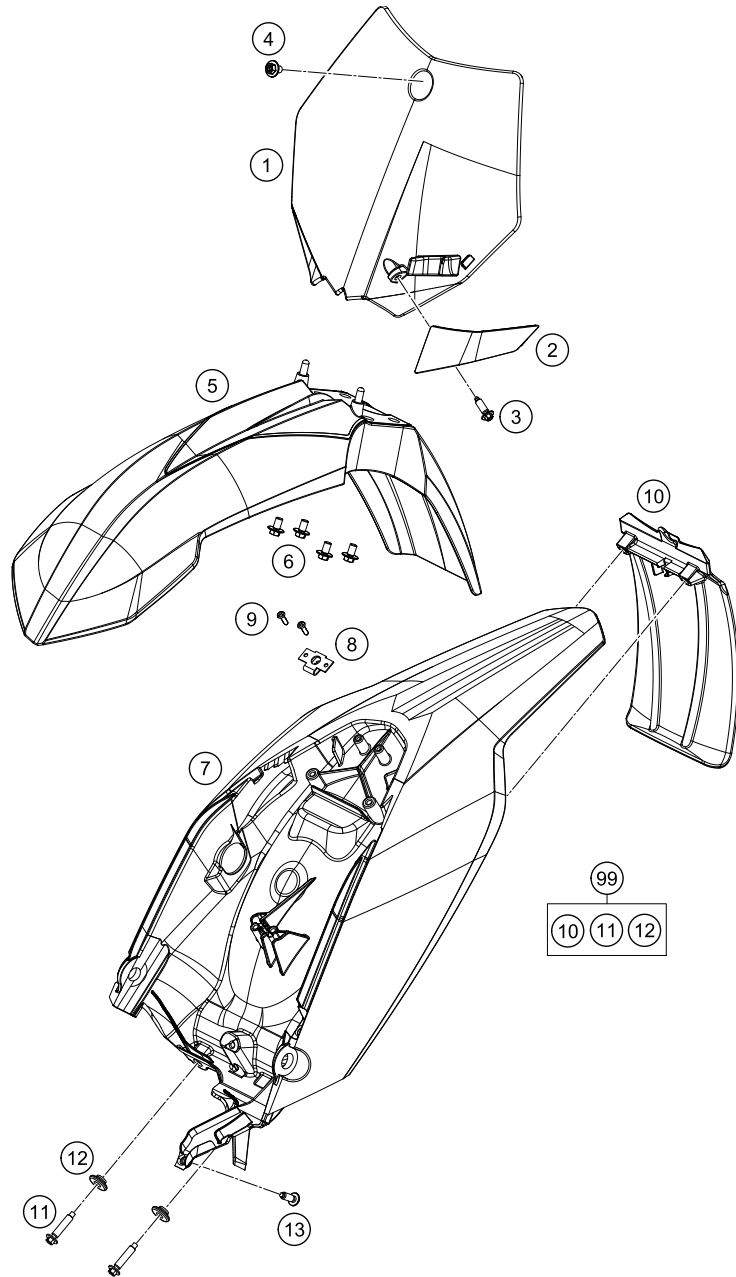
POS	PARTNUMBER	PARTNAME	PIECE
1*	4620701313330	FUEL TANK CPL. 3L 2014	1
2*	78107008044X4	TANK PLUG CPL. 14	1
3	58507003200	FUEL COCK CPL.	1
4	0770020130	O-RING 1,78x10,82x14,38 2-013	1
5*	0017060205	SCREW FOR PLASTIC K60X20 SW6	2
6	46207016000	FUEL PREFORMED HOSE 65 SX 2009	1
7	58007117000	YDNAC-CLAMP 10107 10MM	2
8	78007000270	PVC-HOSE 5,6X10X270MM	1
9	0024060273	COLLAR SCREW M6X27 TX	1
10	77307026000	TANK BUSHING 07	1
11	46207040000	SEAT 65 SX 2009	1
12	45007040051	QUICK RELEASE CPL. 50 SXR '97	1
13	50307014000	TANK ROLLER 12X26X12 '98	3
14	0025060126	HH COLLAR SCREW M6X12 TX30	2
15*	4620805400004C	SPOILER SET 65 SX 2014 WITH DECAL	1
16*	0017060206	SCREW F. PLASTIC K60X20AL SW6	8
17	50308052000	BUSH FOR SPOILER 6X11X16X5 MM	2
18	0025060206	HH COLLAR SCREW M6X20 TX30	2

124620710

C144620710

\* NEW PART

X ON DEMAND



144620810

POS	PARTNUMBER	PARTNAME	PIECE
1	4620800700028	START NUMBER PLATE	1
2	4620802200030	BRAKE HOSE GUIDE	1
3*	0017060206	SCREW F. PLASTIC K60X20AL SW6	1
4	0024060106	HH COLLAR SCREW M6X10 TX30	1
5	4620801010004	FRONT FENDER ORANGE	1
6	0024060136	HH COLLAR SCREW M6X13 TX30	4
7	4620801300004	REAR PART 65 SX ORANGE 2009	1
8	45007040050	QUICK RELEASE LATCHPLATE	1
9	0981350163	SHEET MET.SCR.DIN7981- 3,5X16	2
10	46206010000	SPLASH PROTECTION 65 SX 2009	1
11*	0017060305	SPECIAL SCREW K60X30 WS=6	2
12	54808020000	SPACER BUSHING 03	2
13*	0017060205	SCREW FOR PLASTIC K60X20 SW6	1
99	46206010010	SPLASH PROTECTOR KIT 65 SX	x

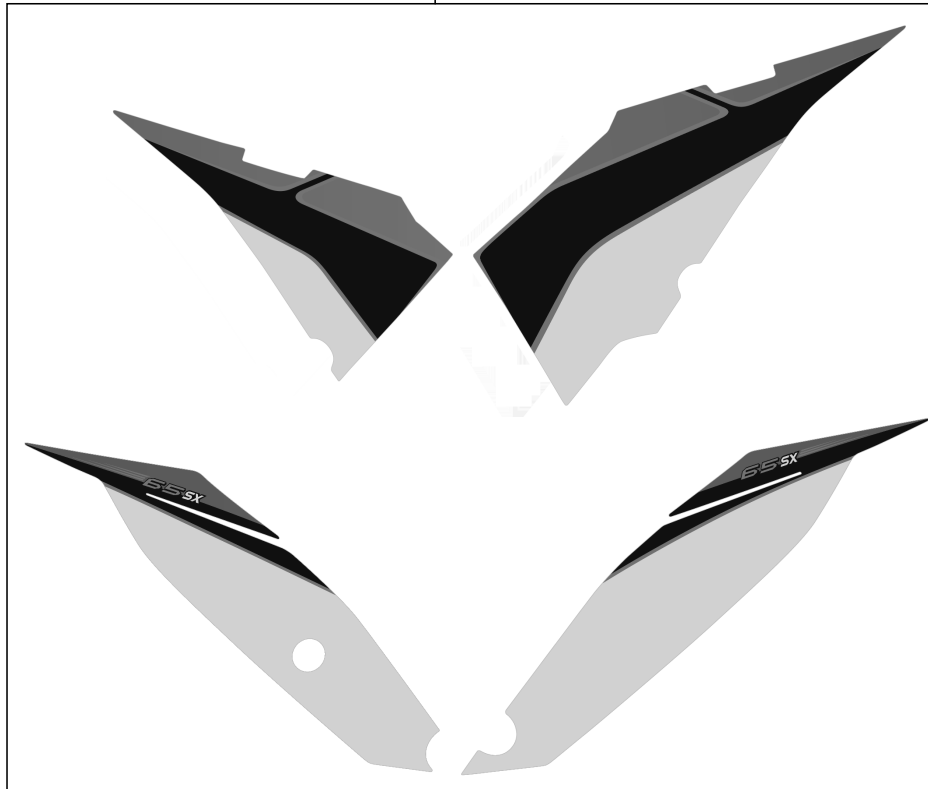
C144620810

\* NEW PART

X ON DEMAND

POS	PARTNUMBER	PARTNAME	PIECE
1*	46208097244	DECALSET 65 SX 2014	1

1



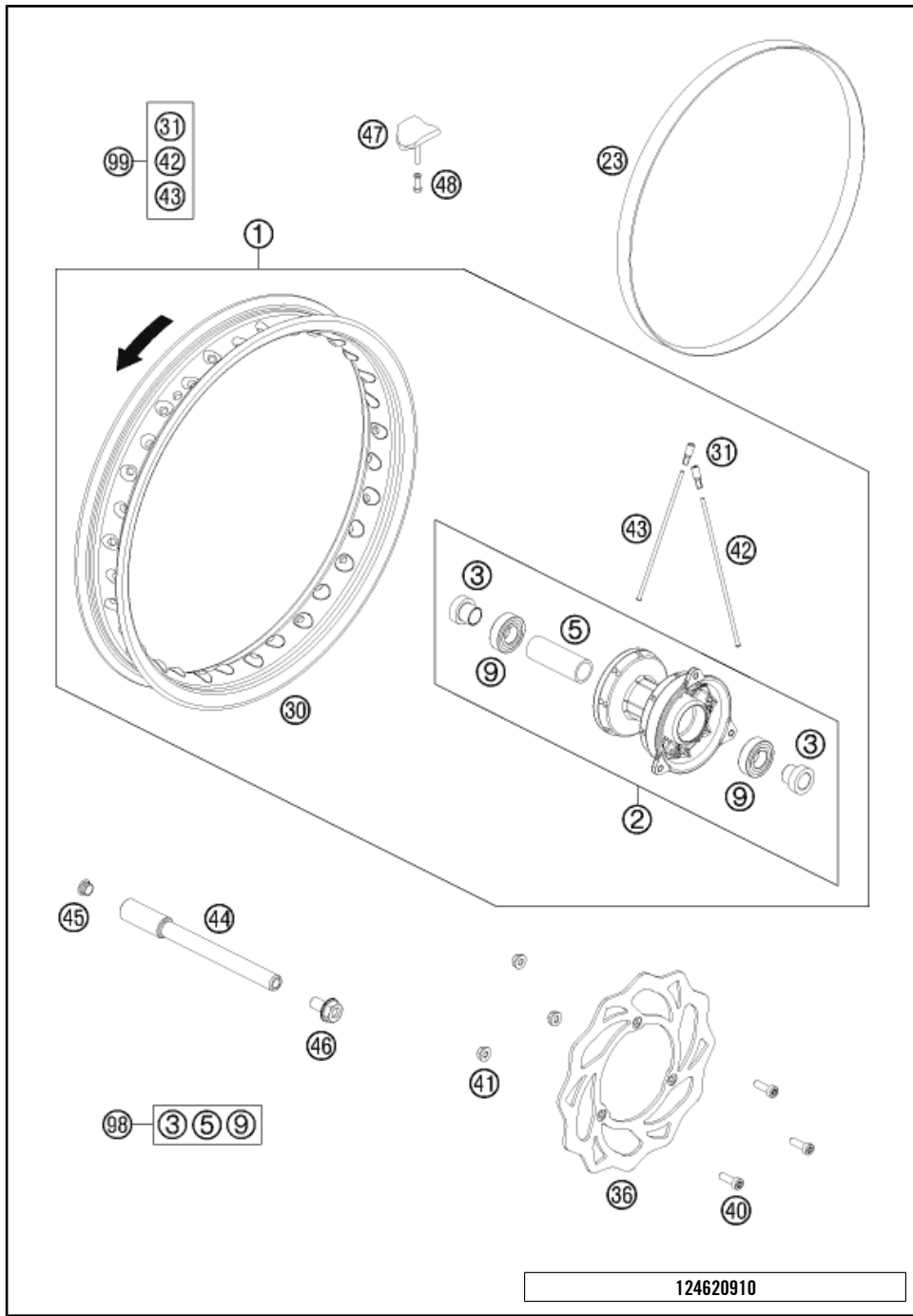
144620830

C144620830

\* NEW PART

X ON DEMAND





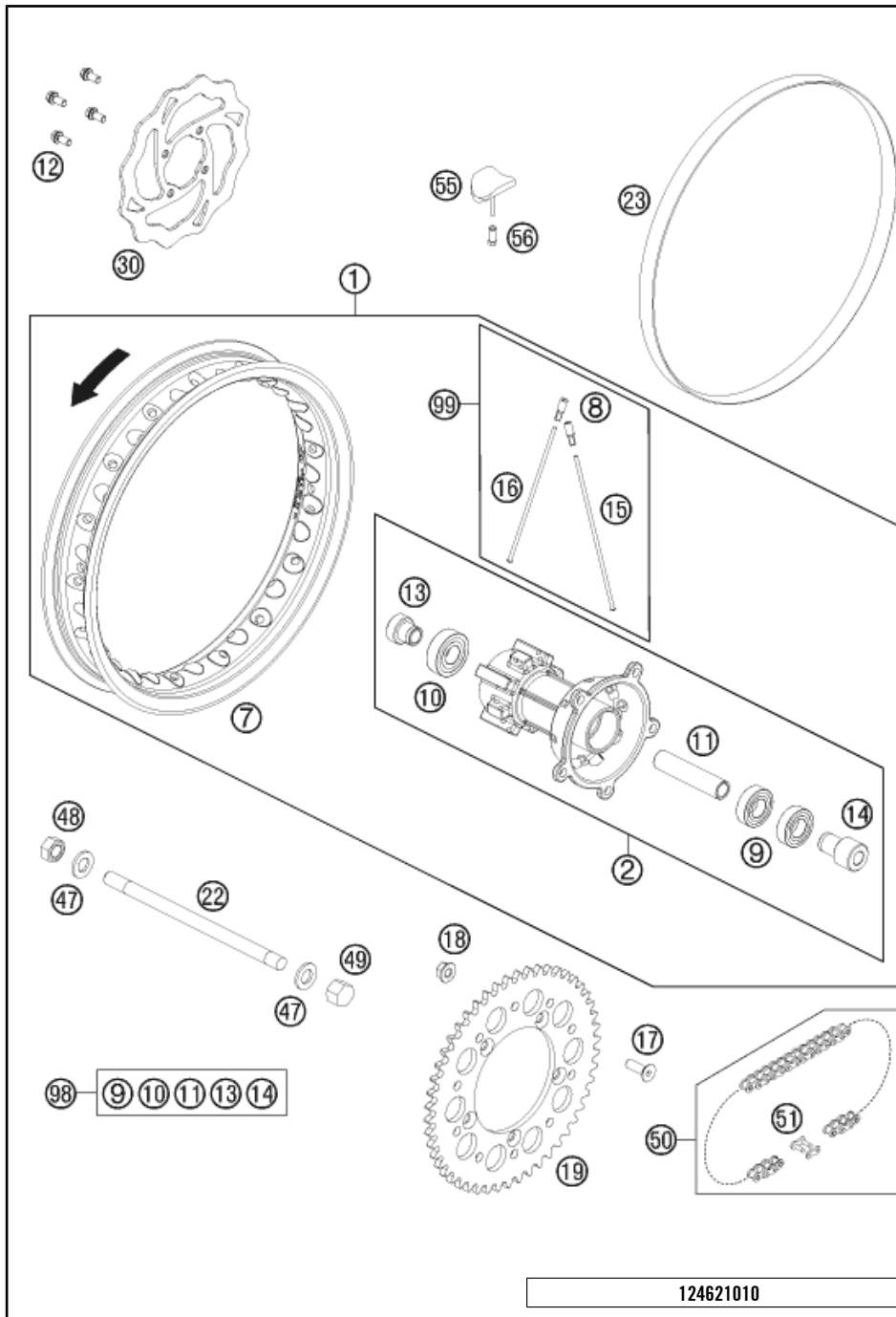
POS	PARTNUMBER	PARTNAME	PIECE
1	46209001144	FRONT WHEEL ET 65SX 2012	1
2	46209010044	FRONT WHEEL HUB CPL. 65SX 2012	1
3	46209012000	DISTANCE BUSHING FRONT 65SX	2
5	46009011100	BEARING SPACER TUBE	1
9	0625060037	GR.BALL BEAR. 6003-2RSH/C3HMTF	2
23	47010073000	RIM BAND 85 SX 14" 2003	1
30	4620907000030	RIM FRONT 14"X1,6 BLACK 2009	1
31	46210072000	SPOKE NIPPLE ALU	32
36	46209060100	BRAKE DISC FRONT 65 SX 2012	1
40	59009062016	SPECIAL SCREW M6X16 WS=8 10.9	3
41	56509064100	SELF LOCKING NUT M6 10.9	3
42	46209071148	SPOKE 3X148 C.165° C.3,3	16
43	46209071150	SPOKE 3X150 C.166° C.2,6	16
44	45209081000	AXLE FRONT	1
45	50210086000	COVERING CAP SFL16	1
46	49032011000	HH COLLAR SCREW M10X20 WS=17	1
47	45110090000	RIM LOCK CPL. 2004	1
48	50310090050	% NUT FOR WHEEL HOLDER '96	1
98	46209015000	FRONT WHEEL REP. KIT 65 SX	x
99	00050000918	SPOKE KIT FRONT 14" '12	x

\* NEW PART

X ON DEMAND

# REAR WHEEL

65 SX 2014



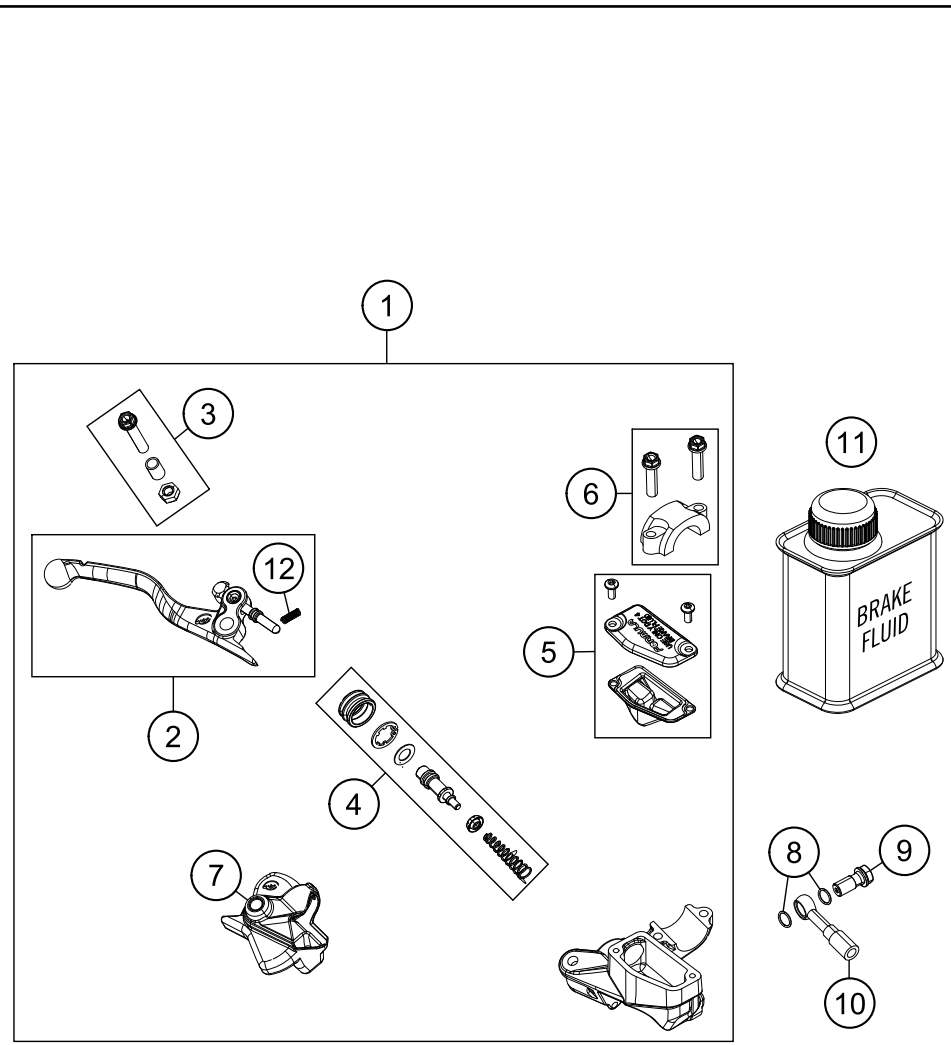
POS	PARTNUMBER	PARTNAME	PIECE
1	46210001144	REAR WHEEL ET 65SX 2012	1
2	46010010144	REAR WHEEL HUB CPL.60/65 2000	1
7	4621007000030	RIM REAR 12"X1,6 BLACK 2009	1
8	46210072000	SPOKE NIPPLE ALU	32
9	0625060037	GR.BALL BEAR. 6003-2RSH/C3HMTF	2
10	0625062032	GR.BALL BEAR. 6203-2RSHC3HMTF	1
11	46010011000	BEAR.SPACER TUBE REAR SX 60/65	1
12	59009062016	SPECIAL SCREW M6X16 WS=8 10.9	4
13	46010013000	SPACER BUSH R/S SX 60/65 2000	1
14	46010014000	SPACER BUSH L/S SX 60/65 2000	1
15	46210071140	SPOKE 3X140 C. 150° C.5 Zinc	16
16	46210071133	SPOKE 3X133 C.161 C.4 Zinc	16
17	0991080253	FLAT HEAD SCREW DIN7991-M 8X25	5
18	54310086200	SELF LOCKING NUT M8 10.9	5
19	46010051046	REAR SPROCKET 46-T	x
19	46010051048	REAR SPROCKET 48-T	x
19	46010051050	REAR SPROCKET 50-T	x
22	46010085100	AXLE REAR 213MM M12X1	1
23	45109073100	RIM BAND 12"	1
30	46210060000	BRAKE DISC REAR 65 SX 09	1
47	45010081062	WASHER 20X12,2X2	2
48	45010081061	HEXAGON NUT 12X1 WS19	1
49	0917120103	NUT DIN917-M12X1	1
50	46110165112	CHAIN 1/2X1/4" 65 SX	1
51	46110166000	CONNECTING LINK 1/2X1/4"	1
55	51009100100	RIM LOCK VM1 (1,60")	1
56	50310090050	% NUT FOR WHEEL HOLDER '96	1
98	46210015000	REAR WHEEL REP. KIT 65 SX	x
99	00050000919	SPOKE KIT REAR 12" '12	x

124621010

C134621010

\* NEW PART

X ON DEMAND

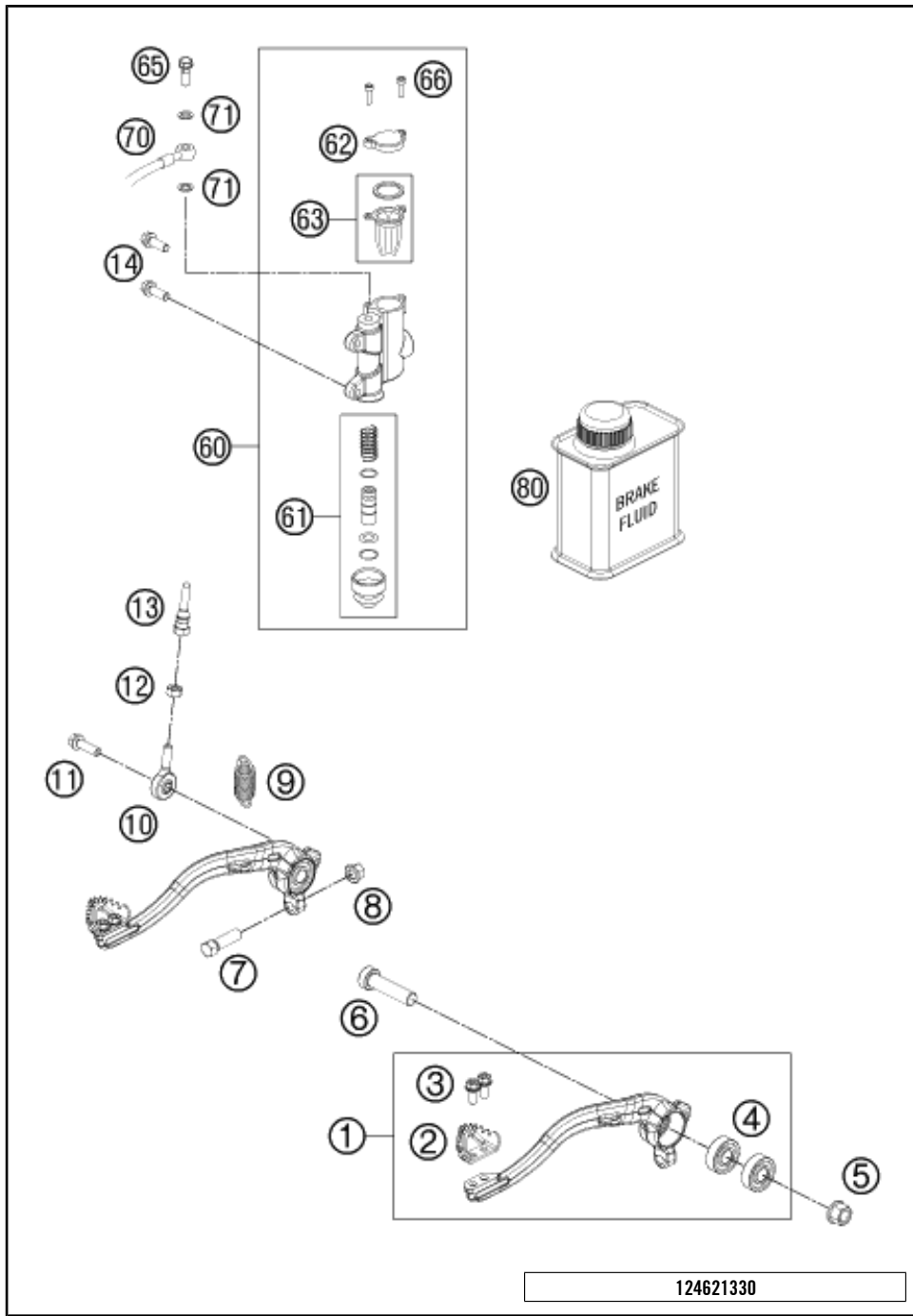


POS	PARTNUMBER	PARTNAME	PIECE
1*	47113001100	HAND BRAKE CYLINDER CPL. 10 MM	1
2*	72013002000	LEVER CPL.	1
3	70002038000	LEVER SCREW CPL.	1
4*	72002032000	REP. KIT PISTON 10MM	1
5	70013003000	COVER HAND BRAKE CYLINDER CPL.	1
6*	72013005000	CLAMP	1
7	70013004000	MUDCOVER HANDBRAKE LEVER	1
8	0770080019	O-RING 8,00X1,00 FORMULA	2
9	47013025000	HOLLOW SCREW BRAKE CYLINDER 03	1
10	46213010000	BRAKE HOSE FRONT 65 SX 2012	1
11	00062030000	BRAKE FLUID DOT5.1 0,25L	1
12*	72002035000	SPRING FOR CLUTCH LEVER	1

144621310

C144621310

\* NEW PART X ON DEMAND



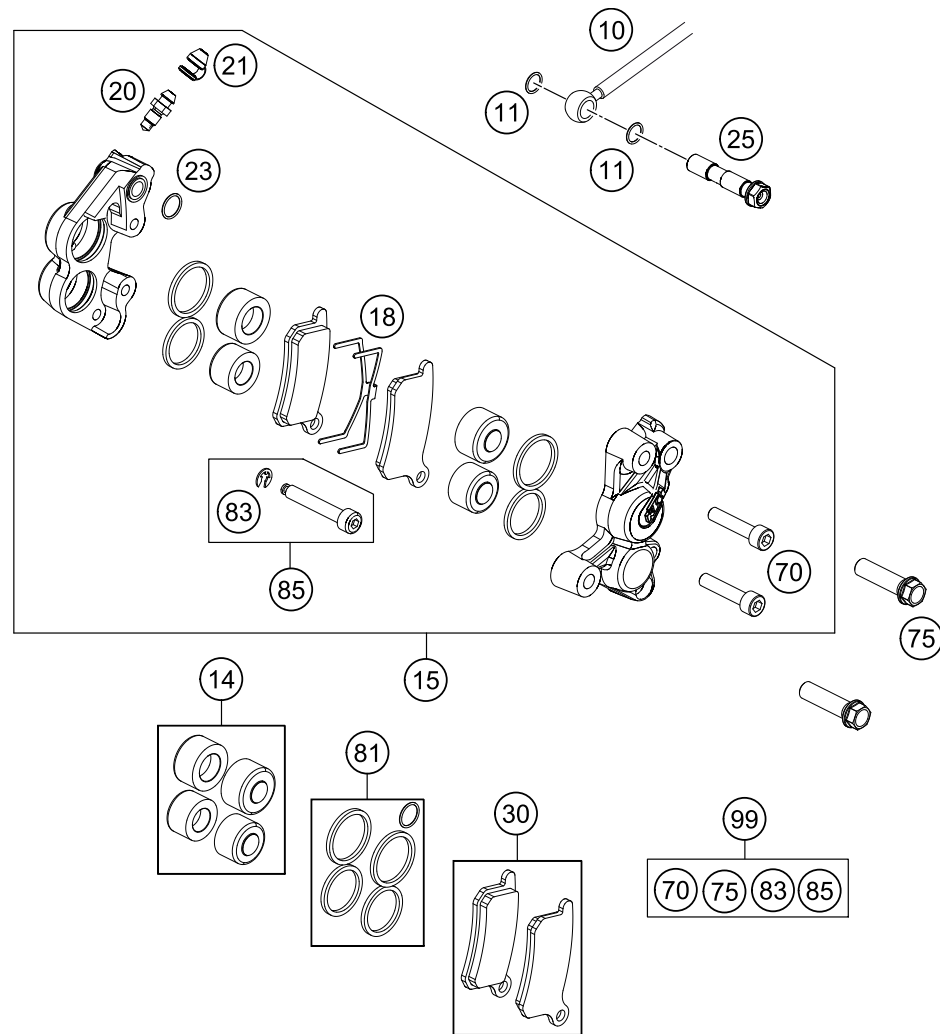
124621330

POS	PARTNUMBER	PARTNAME	PIECE
1	46213050044	FOOT BRAKE LEVER 65SX CPL.	1
2	54813051000	STEP PLATE FOR BRAKE LEVER	1
3	0025050126	HH COLLAR SCREW M5X12 TX30	2
4	0625060002	BALL BEARING SKF 6000-2RS1	2
5	54630044000	COLLAR NUT M10 WS=13	1
6	0032100406S	AH-COLLAR SCREW M10X40 ISA45	1
7	59001037000	SPECIAL SCREW M8X26 WS=10	1
8	46030045000	COLLAR NUT M8 WS=10	1
9	54603062000	% RETURN SPRING FOR BRAKELEVER	1
10	46213055000	SWIVEL HEAD KA6 INNOX	1
11	0025060206	HH COLLAR SCREW M6X20 TX30	1
12	0934060003	HEXAGON NUT DIN0934-M 6	1
13	46213056000	PUSH ROD	1
14	0025060166	HH COLLAR SCREW M6X16 TX30	2
60	47013060300	% FOOTBRAKECYL.R. CPL. D=12 05	1
61	47013061100	REP. SET PISTON REAR D=12 2004	1
62	47013062000	CYLINDER COVER REAR 85 SX 03	1
63	47013063000	GASKET CYLINDER COVER REAR 03	1
65	47013025000	HOLLOW SCREW BRAKE CYLINDER 03	1
66	0912040103	AH.SCREW DIN0912-M 4X10	2
70	46213070000	BRAKE HOSE REAR 65 SX 09	1
71	0770080019	O-RING 8,00X1,00 FORMULA	2
80	00062030000	BRAKE FLUID DOT5.1 0,25L	1

C124621330

\* NEW PART

X ON DEMAND



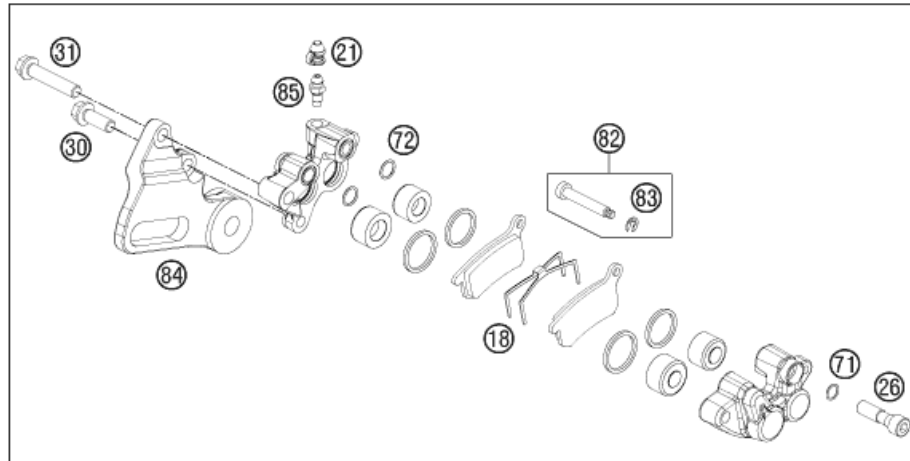
POS	PARTNUMBER	PARTNAME	PIECE
10	46213010000	BRAKE HOSE FRONT 65 SX 2012	1
11	0770080019	O-RING 8,00X1,00 FORMULA	2
14	46213019000	REPAIR KIT BRAKEPISTON	1
15	46213015100	BRAKE CALIPER	1
18	46213018000	RETAINING SPRING 65 SX	1
20	47013085000	BLEEDER SCREW M8X1	1
21	47013021000	CAP FOR BLEEDER SCREW	1
23	0770100019	O-RING 10X1 EPDM	1
25	47013025000	HOLLOW SCREW BRAKE CYLINDER 03	1
30	46213030000	BRAKE PAD SET FRONT 2012	1
70	0912060283	AH SCREW DIN0912-M 6X28	2
75	0025080306	HH COLLAR SCREW M8X30 TX40	2
81	46213021000	REPAIR KIT SEAL RING 2012	1
83	0799040009	TAB WASHER DIN6799-RA 4,0	1
85	46113125000	AH SCREW + CIRCLIP 2002	1
99	46213017000	CALIPER SCREW CPL.	1

134621360

C134621360

\* NEW PART

X ON DEMAND



POS	PARTNUMBER	PARTNAME	PIECE
18	46113018000	% RETAINING SPRING 65 SX	1
21	47013021000	CAP FOR BLEEDER SCREW	1
22	47013083100	REPAIR KIT BRAKEPISTON	1
25	47013225000	HOLLOW SCREW REAR 85 SX 2003	1
26	47013325000	HOLLOW SCREW REAR 85 SX 2003	1
30	0025080206	HH COLLAR SCREW M8X20 TX40	1
31	0025080406	HH COLLAR SCREW M8X40 TX40	1
70	46213070000	BRAKE HOSE REAR 65 SX 09	1
71	0770080019	O-RING 8,00X1,00 FORMULA	3
72	0770100019	O-RING 10X1 EPDM	2
80	46213080000	BRAKE CALIPER REAR CPL.65SX 09	1
81	47013081000	REPAIR KIT SEAL RING REAR 03	1
82	47013425000	AH SCREW + CIRCLIP 85/105	1
83	0799040009	TAB WASHER DIN6799-RA 4,0	1
84	46213075000	BRAKE CALIPER SUPPORT	1
85	47013085000	BLEEDER SCREW M8X1	1
90	47013090200	BRAKE PADS REAR SINTER 85SX 08	1

124621390

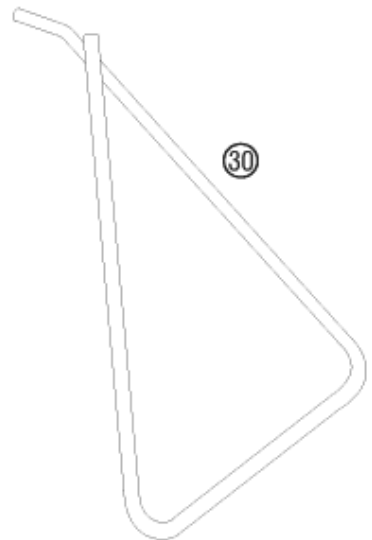
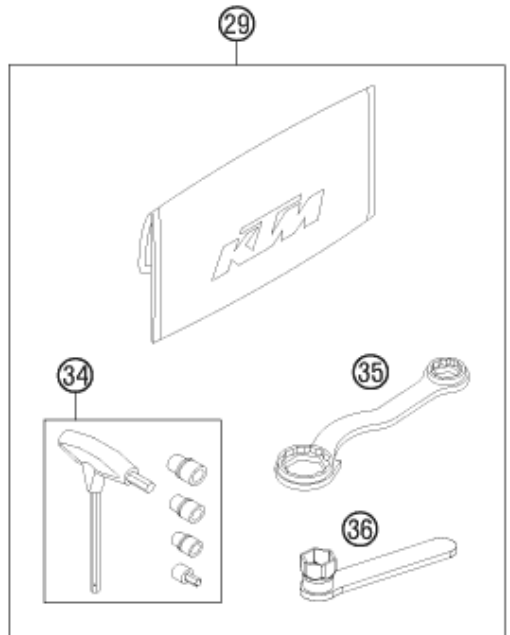
C124621390

\* NEW PART

X ON DEMAND

0  
OHNE ABBILDUNG  
WITHOUT ILLUSTRATION

1  
TECHNISCHE DOKUMENTATION  
TECHNICAL DOCUMENTATION  
DOCUMENTACION TECNICA  
DOCUMENTATION TECHNIQUE  
NOTE TECNICHE

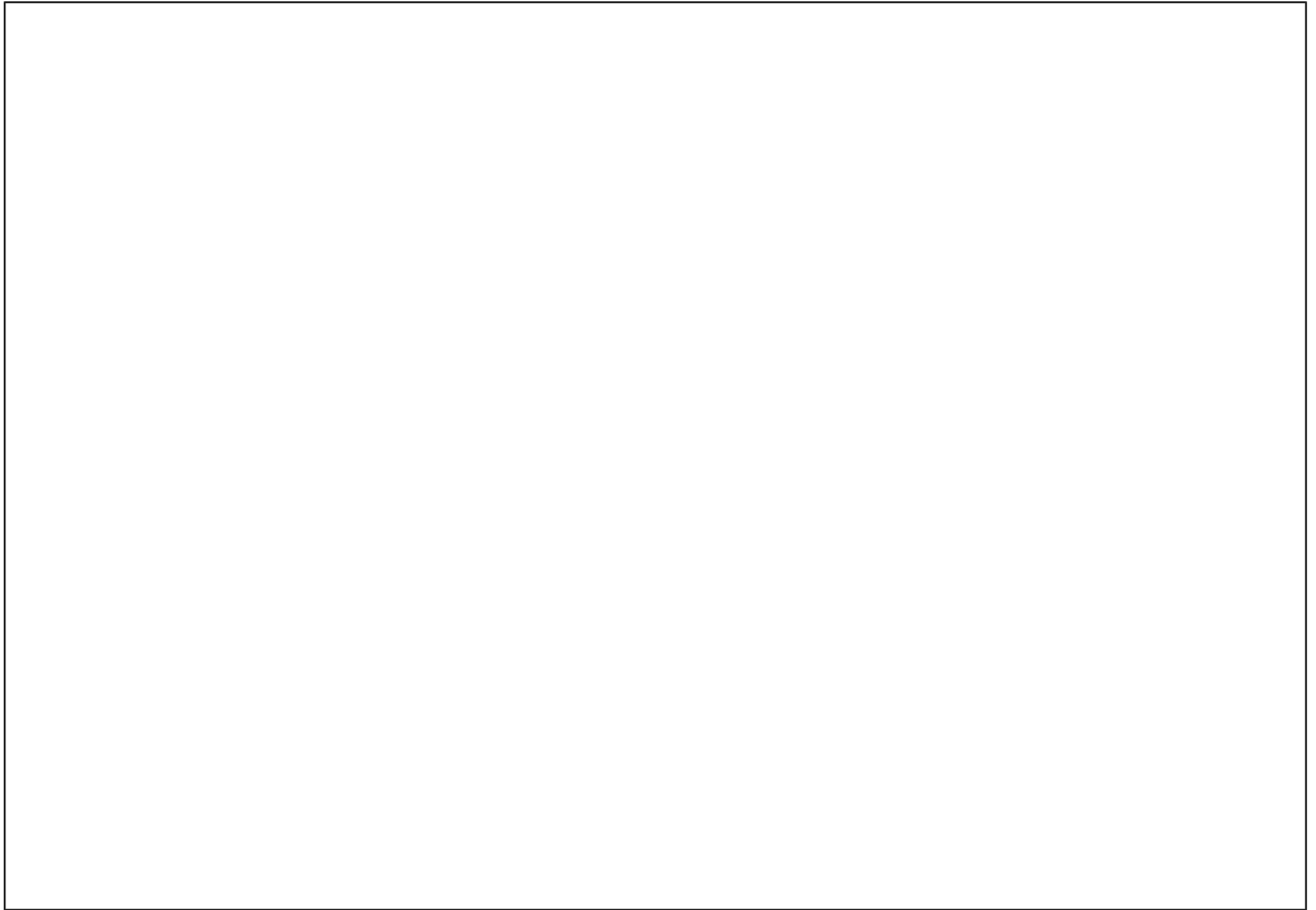


124622000

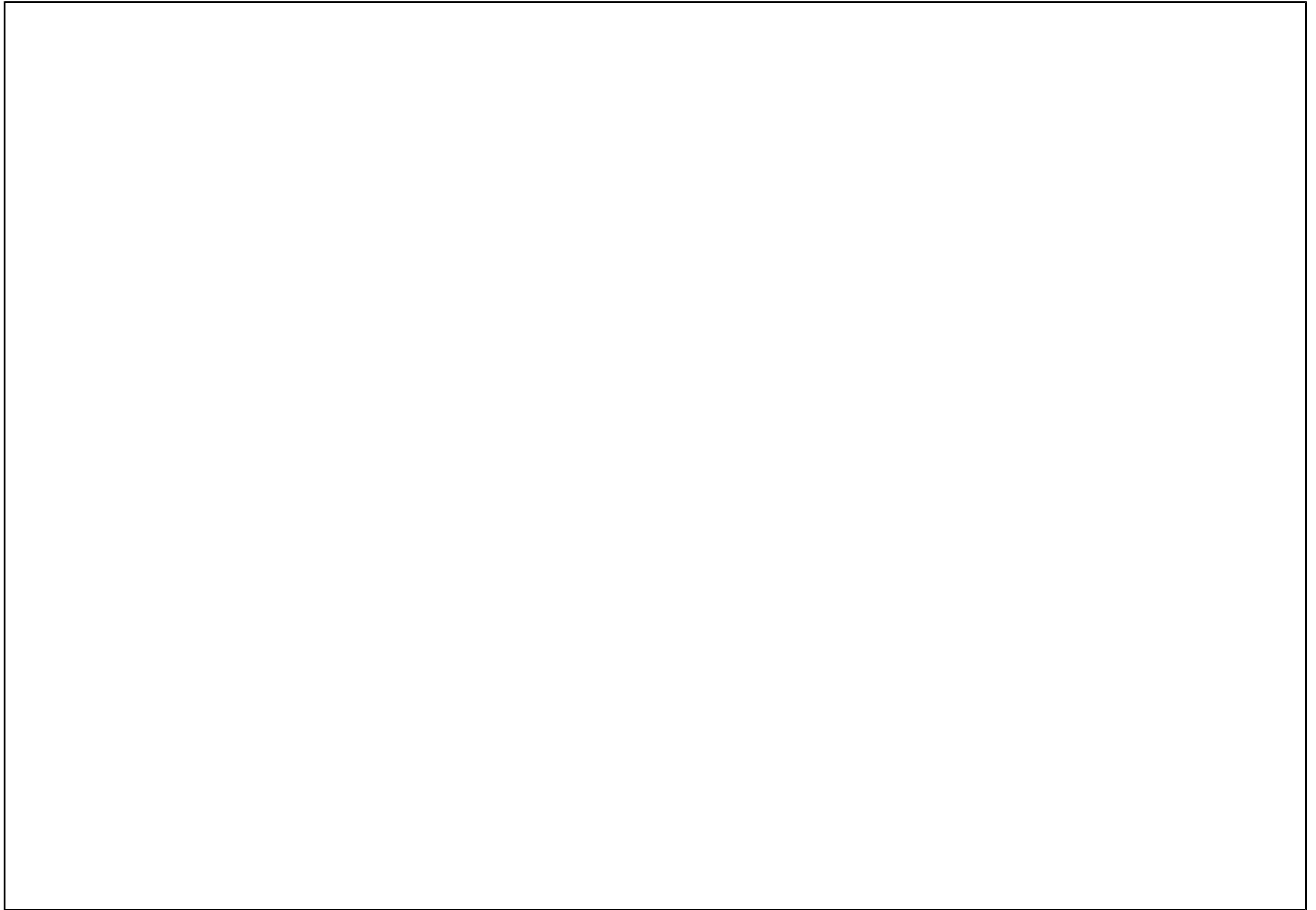
POS	PARTNUMBER	PARTNAME	PIECE
0	3212525DE/GB	PP OFFROAD FOLDER 2014	1
0	3212521GB	POWER WEAR FOLDER 2014	1
0	312313	KTM BALLPOINT PEN ORANGE	1
0	312305	DOCUMENTS BAG 2006	1
0	3210039	* CUSTOMER WELCOME LETTER	1
0	44011076200	CABLE TIE 200/3,6MM BLACK	2
0	4620801010004	FRONT FENDER ORANGE	1
0	0024060136	HH COLLAR SCREW M6X13 TX30	4
1	3213028EN	OWN. MANUAL 65 SX 2014	1
1	322000	SAFETY BROCHURES SPORTMINICYC.	1
29	46229099000	% TOOL KIT 65 SX 09	1
30	47003020000	PLUG IN STAND SX 85 2003	1
34	60029070300	T-WRENCH WS=6/8/10/TX45/SK4X1	1
35	50329080100	WRENCH SW=17/21/27/32 B&F	1
36	45229073000	SPARK PLUG WRENCH	1

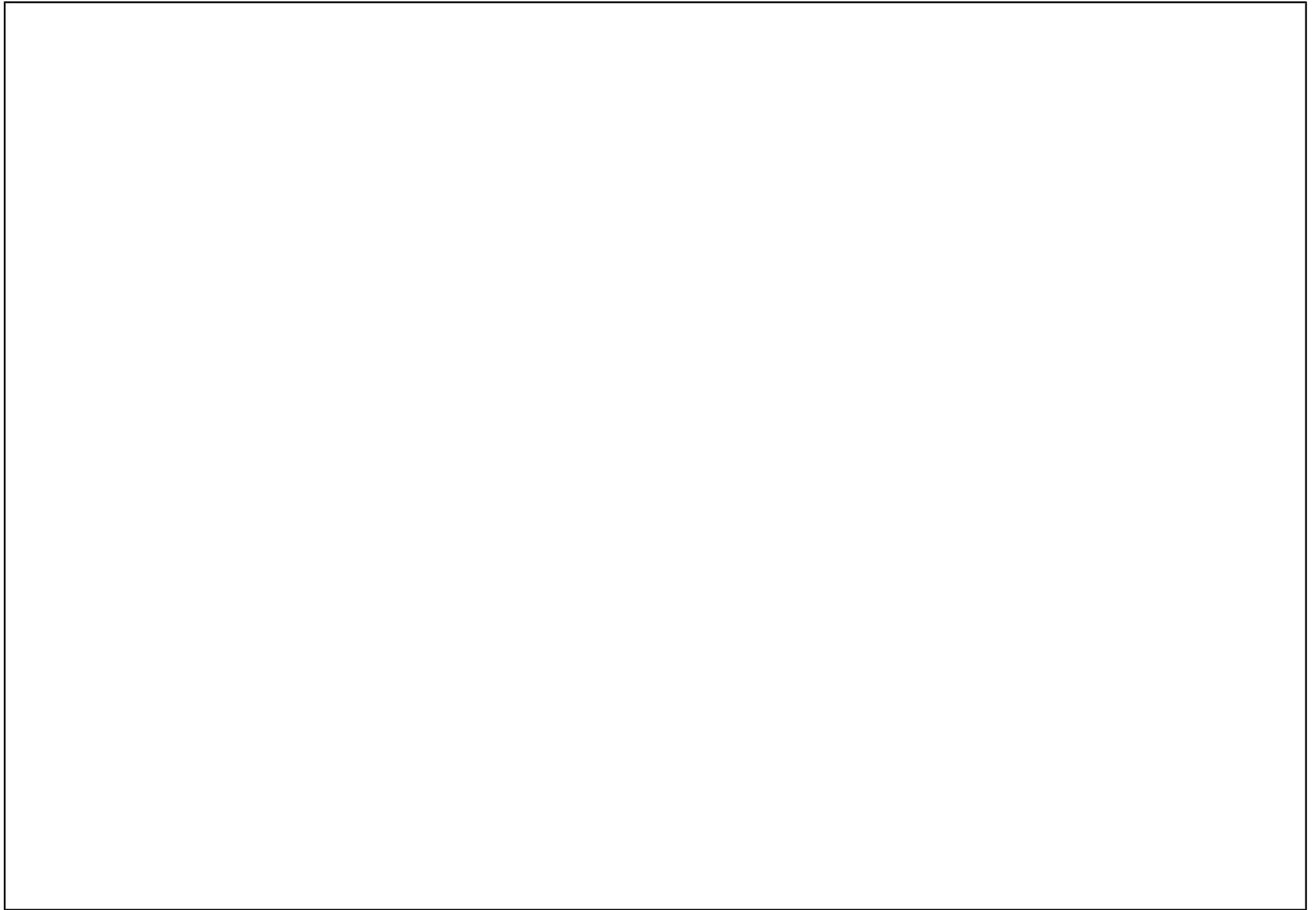
C144622000

\* NEW PART X ON DEMAND











WWW.KTM.COM



KTM Sportmotorcycle GmbH  
5230 Mattighofen, Austria  
www.ktm.com



**KTM**\_POWERPARTS

**KTM**\_POWERWEAR

**KTM**\_ORIGINAL SPARE PARTS



3CFF6001N6EN

Art. Nr.: 3CFF6001N6EN 2. Jul 2015