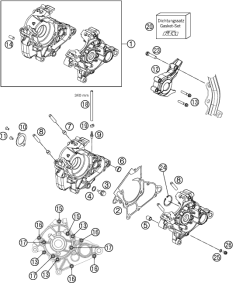
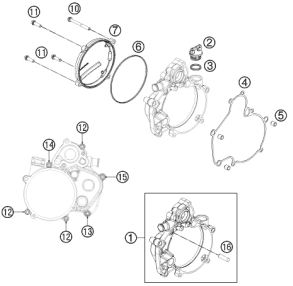
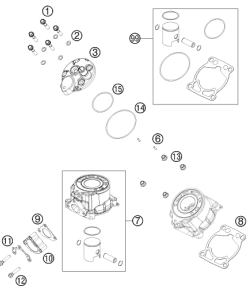
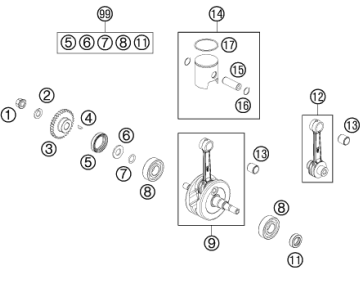
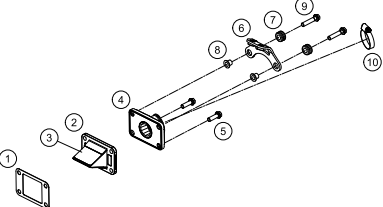
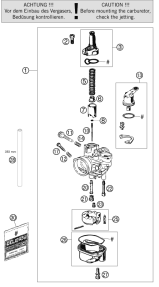
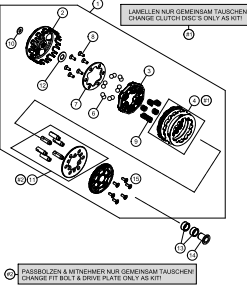
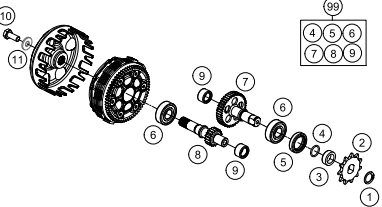
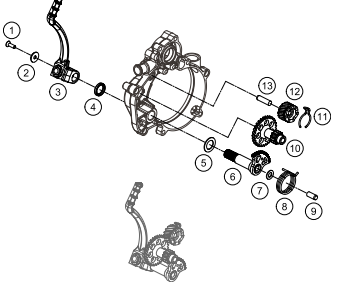
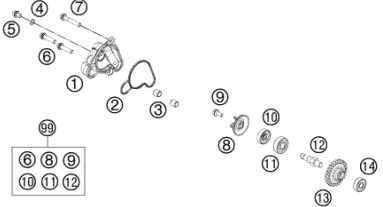
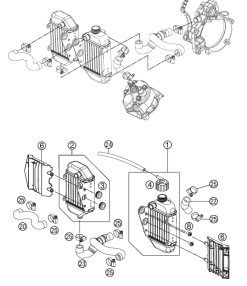
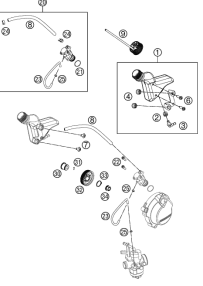
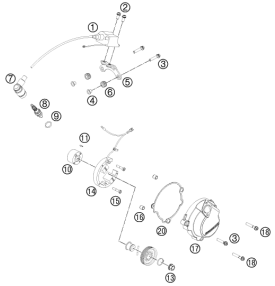


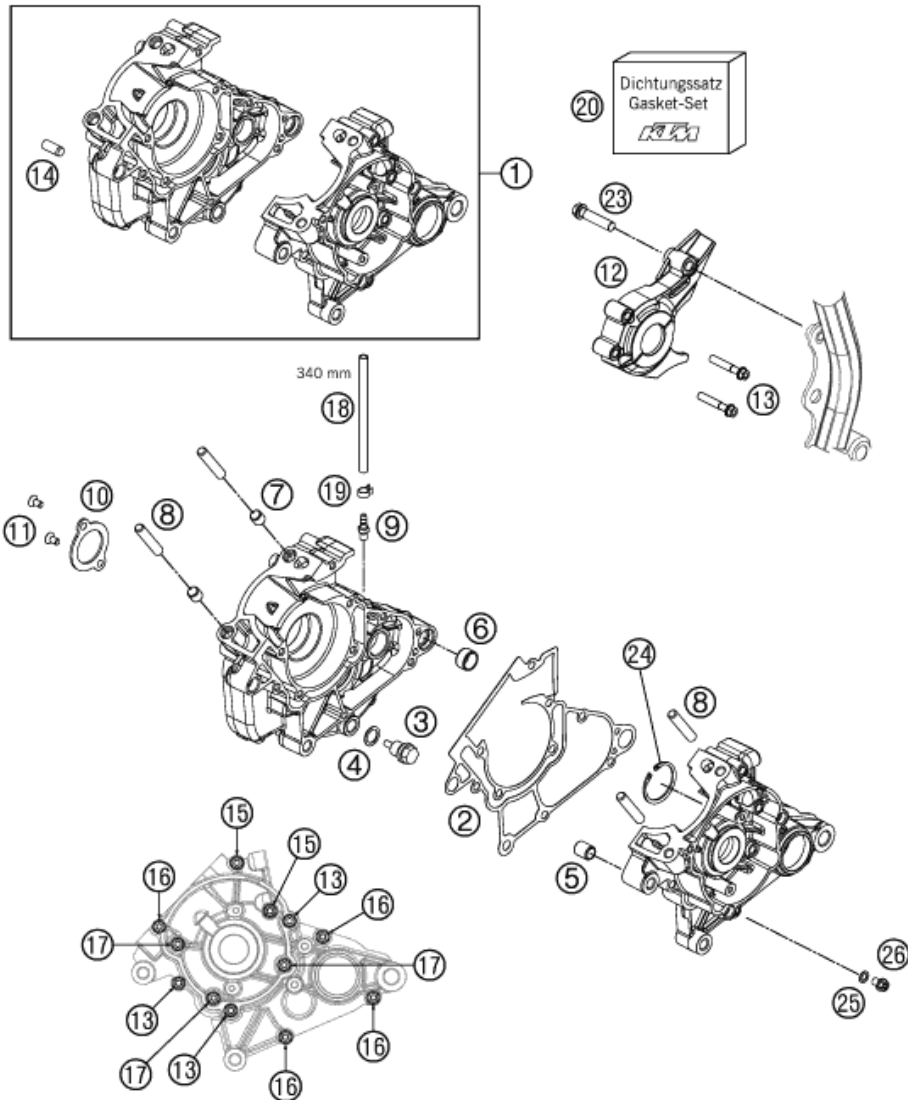
50 SX MINI 2015

ART.-NR.: 3CM0808580EN



| | | | |
|---------------------------------------------------------------------------------------------------------------------------------|--------------------------------------------------------------------------------------------------------------------------------|------------------------------------------------------------------------------------------------------------------------------------------|-----------------------------------------------------------------------------------------------------------------------------------------|
| <p>ENGINE CASE</p>  <p>3</p> | <p>CLUTCH COVER</p>  <p>4</p> | <p>CYLINDER, CYLINDERHEAD</p>  <p>5</p> | <p>CRANKSHAFT, PISTON</p>  <p>6</p> |
| <p>REED VALVE CASE</p>  <p>7</p> | <p>CARBURETOR</p>  <p>8</p> | <p>CLUTCH</p>  <p>9</p> | <p>TRANSMISSION</p>  <p>10</p> |
| <p>KICK STARTER</p>  <p>11</p> | <p>WATER PUMP</p>  <p>12</p> | <p>COOLING SYSTEM</p>  <p>13</p> | <p>LUBRICATING SYSTEM</p>  <p>14</p> |

| | | | |
|-------------------------------------------------------------------------------------------------------------------------------------------------------------|---------------------------------------------------------------------------------------------------------------------------------------------------------------------------------------------------------------------------------------------------------------------------------------------------------------------------------------------------------------------------------------------------------------------------------------------------------------------------------------------------------------------------------------------------------------------------------------------------------------------------------------------------------------------------------------------------------------------------------------------------------------------------------------------------------------------------------------------------------------------------------------------------------------------------------------------------------------------------------------------------------------------------------------------------------------------------------------------------------------------------------------------------------------|--|--|
| <p>IGNITION SYSTEM</p>  <p style="text-align: right;">15</p> | | | |
| | | | |
| | <div style="display: flex; align-items: flex-start;"> <div style="background-color: #cccccc; padding: 10px; margin-right: 10px; text-align: center;"> ! </div> <div> <p>All information contained is without obligation. KTM-Sportmotorcycle AG particularly reserves the right to modify any equipment, technical specifications, prices, colors, shapes, materials, services, service work, constructions, equipment and the like so as to adapt them to local conditions or to cancel any of the above items, all without previous announcement and without giving reasons. KTM may stop manufacturing certain models without previous notice. KTM shall not be held liable for any deviations of availability and/or ability to deliver, illustrations, descriptions, printing and/or other errors. The illustrated models partly contain extra equipment, which is not applied to standard models.</p> <p>© by KTM-SPORTMOTORCYCLE AG, Mattighofen AUSTRIA; All rights reserved; Reprint, also in extracts, with written allowance of KTMSPORTMOTORCYCLE AG, Mattighofen only.</p> </div> </div> | | |



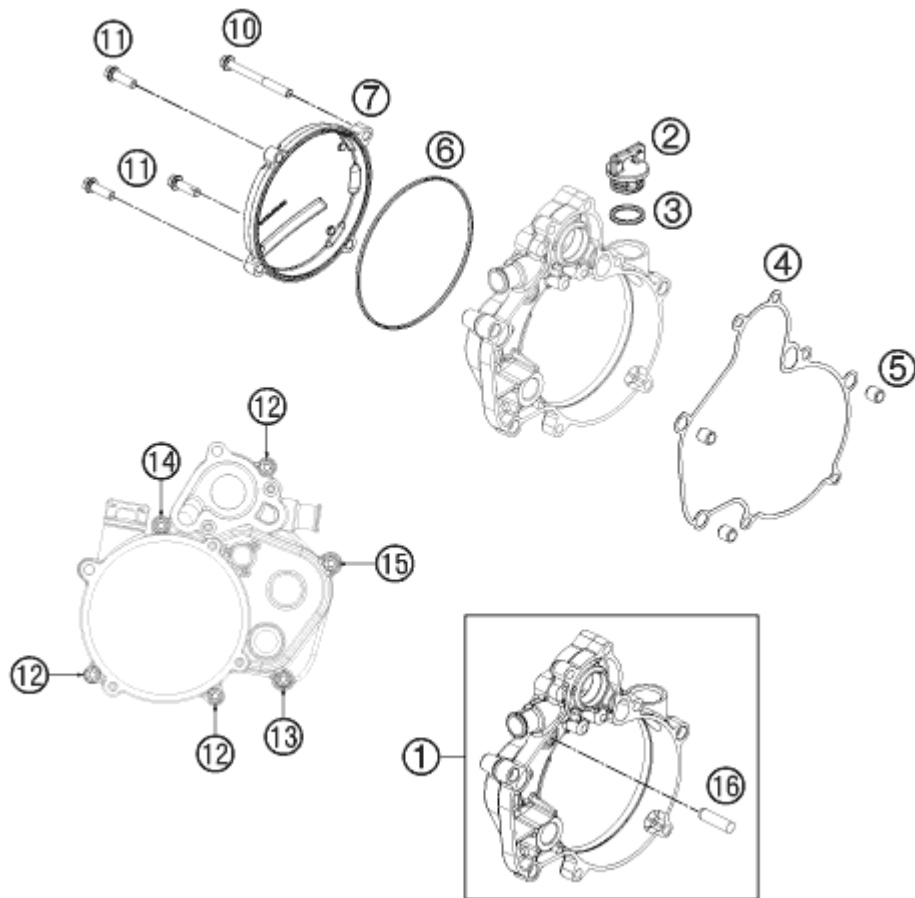
| POS | PARTNUMBER | PARTNAME | PIECE |
|-----|-------------|--------------------------------|-------|
| 1 | 4523000233 | ENGINE CASE CPL.50SX 13 | 1 |
| 2 | 45230039000 | ENGINE CASE GASKET | 1 |
| 3 | 58030021000 | OILDRAIN PLUG W.MAG. M 12X1,5 | 1 |
| 4 | 58038022000 | CU-SEAL RING DIN7603-12X18X1,5 | 1 |
| 5 | 46230024000 | DOWEL 12X9X14,5 | 1 |
| 6 | 58330023000 | DOWEL 17 X 14 X 9,5 | 1 |
| 7 | 46230023000 | DOWEL 10X8,2X10 | 2 |
| 8 | 46030043000 | STUD M8X41 | 4 |
| 9 | 58336020190 | VACUUM CONECTION M6/3MM '97 | 1 |
| 10 | 45230017000 | BEARING BRACKET | 1 |
| 11 | 0019050106S | INT. TORX FLAT HEAD M5X10 10.9 | 2 |
| 12 | 45230060000 | CHAIN GUARD | 1 |
| 13 | 0025060356 | HH COLLAR SCREW M6X35 TX30 | 5 |
| 14 | 0325080200 | CYLINDER STUD DIN6325 8X20 M6 | 1 |
| 15 | 0025060556 | HH COLLAR SCREW M6X55 TX30 | 2 |
| 16 | 0025060306 | HH COLLAR SCREW M6X30 TX30 | 4 |
| 17 | 0025060406 | HH COLLAR SCREW M6X40 TX30 | 3 |
| 18 | 31007007101 | PVC-HOSE 4X6MM | x |
| 19 | 45230089000 | YDNAC-CLAMP 10068 (6,8MM) | 1 |
| 20 | 45230099000 | GASKET SET 50 SX 2009 | 1 |
| 23 | 0025080356 | HH COLLAR SCREW M8X35 TX40 | 1 |
| 24 | 0472035150 | CIRCLIP DIN0472-35X1,5 | 1 |
| 25 | 0603061001 | CU-SEAL RING DIN7603-6X10X1 | 1 |
| 26 | 0025060086 | HH COLLAR SCREW M6X8 TX30 | 1 |

134523011

C154523011

* NEW PART

X ON DEMAND



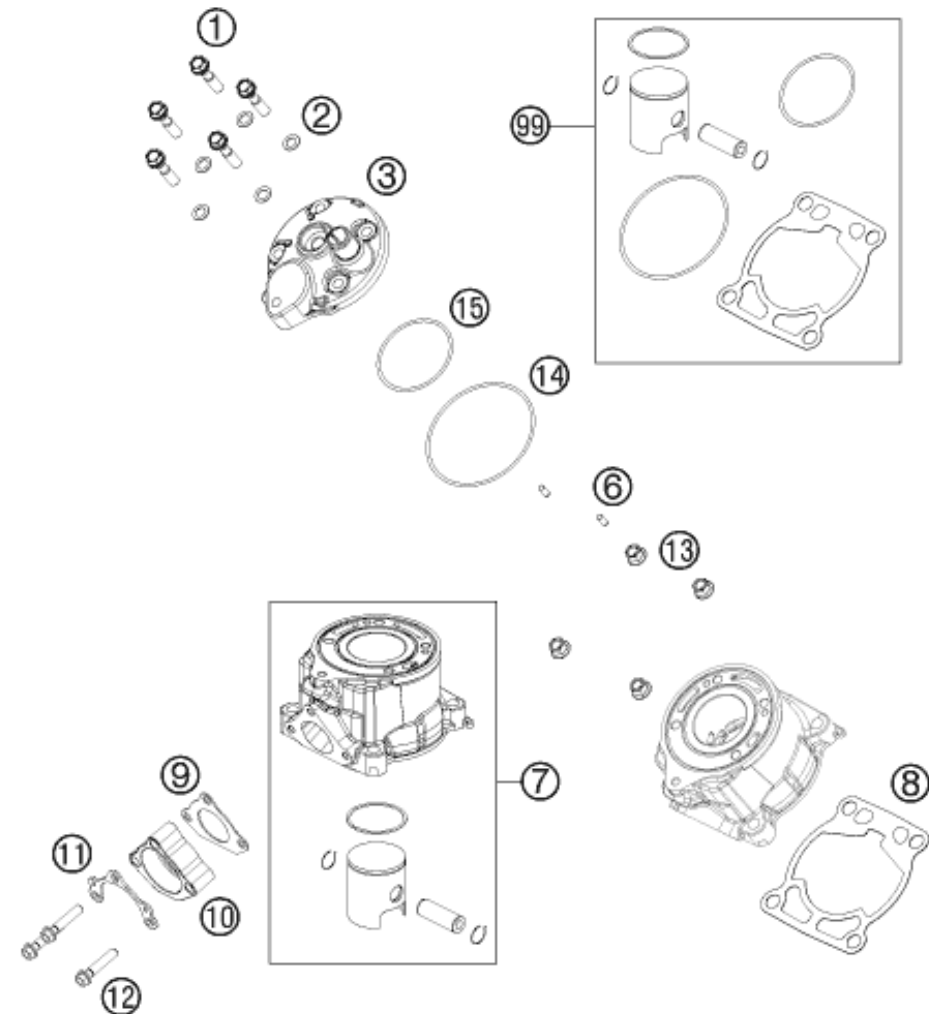
| POS | PARTNUMBER | PARTNAME | PIECE |
|-----|-------------|-------------------------------|-------|
| 1 | 45230001044 | CLUTCH COVER INNER CPL. | 1 |
| 2 | 58030020100 | PLUG CPL. M24X3 | 1 |
| 3 | 0770191015 | O-RING 19,00X3,00 NBR | 1 |
| 4 | 45230025000 | CLUTCH COVER GASKET INSIDE | 1 |
| 5 | 49030090000 | DOWEL 9,8 X 7 X 10 | 3 |
| 6 | 45230027000 | CLUTCH COVER GASKET | 1 |
| 7 | 45230026100 | CLUTCH COVER OUTSIDE | 1 |
| 10 | 0025060606 | HH COLLAR SCREW M6X60 TX30 | 1 |
| 11 | 0025060206 | HH COLLAR SCREW M6X20 TX30 | 3 |
| 12 | 0025060256 | HH COLLAR SCREW M6X25 TX30 | 3 |
| 13 | 0025060306 | HH COLLAR SCREW M6X30 TX30 | 1 |
| 14 | 0025060356 | HH COLLAR SCREW M6X35 TX30 | 1 |
| 15 | 0025060506 | HH COLLAR SCREW M6X50 TX30 | 1 |
| 16 | 0325080300 | CYLINDER STUD DIN6325 8X30 M6 | 1 |

134523020

C144523020

* NEW PART

X ON DEMAND



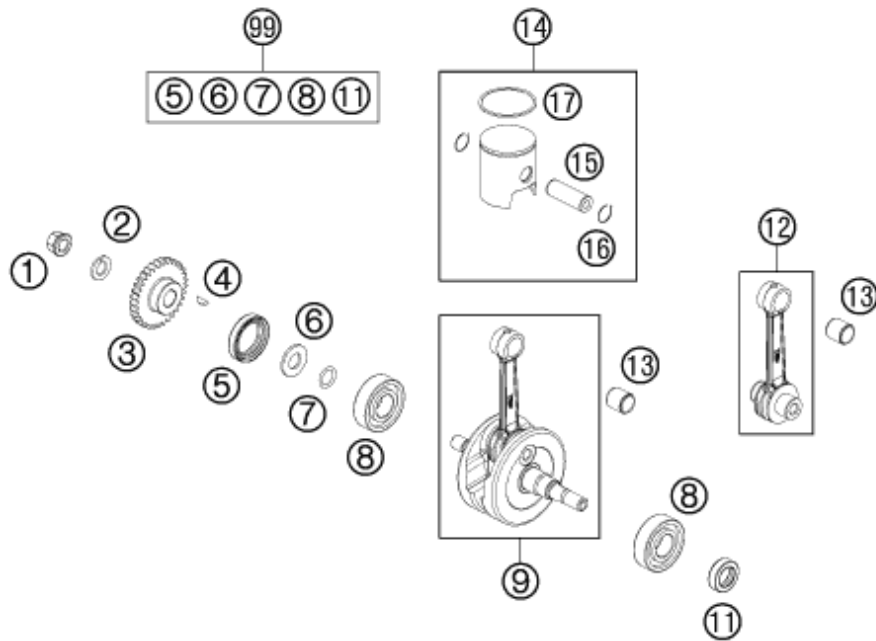
124523050

| POS | PARTNUMBER | PARTNAME | PIECE |
|-----|-------------|--------------------------------|-------|
| 1 | 50330079000 | CYL. HEAD BOLT M 7X30 WS=10 | 5 |
| 2 | 0603070121 | CU-SEAL RING DIN7603- 7,3X12X1 | 5 |
| 3 | 45230006000 | CYLINDER HEAD | 1 |
| 6 | 0402040980 | NEEDLE ROL.DIN5402 NRB 4X9,8 | 2 |
| 7 | 45230038000 | CYLINDER + PISTON | 1 |
| 8 | 46230035060 | CYLINDER BASE GASKET 0,6MM | x |
| 8 | 46230035050 | CYLINDER BASE GASKET 0,5 MM | x |
| 8 | 46230035040 | CYLINDER BASE GASKET 0,4 MM | x |
| 8 | 46230035020 | CYLINDER BASE GASKET 0,2 MM | x |
| 9 | 45205004000 | EXHAUST FLANGE GASKET | 1 |
| 10 | 45205003000 | EXHAUST FLANGE | 1 |
| 11 | 46205003050 | BRACKET FOR SPRINGHOLDER | 1 |
| 12 | 0025060306 | HH COLLAR SCREW M6X30 TX30 | 3 |
| 13 | 46030045000 | COLLAR NUT M8 WS=10 | 4 |
| 14 | 0770078020 | O-RING 78,00X2,00 VIT. BLACK | 1 |
| 15 | 0770052020 | O-RING 52,00X2,0 VITON 75 | 1 |
| 99 | 00050000208 | PISTON KIT GR.I 50 SX 09-14 | x |
| 99 | 00050000209 | PISTON KIT GR.II 50 SX 09-14 | x |

C124523050

* NEW PART

X ON DEMAND



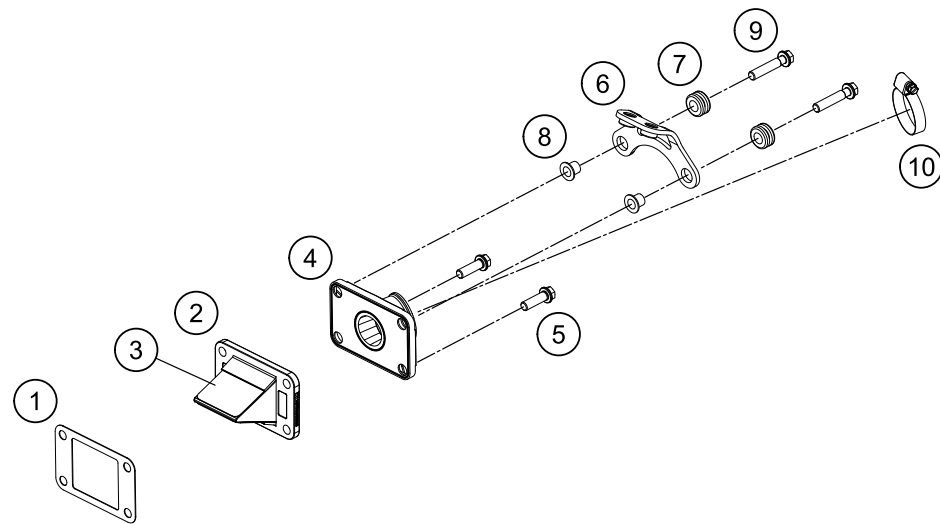
| POS | PARTNUMBER | PARTNAME | PIECE |
|-----|----------------|--------------------------------|-------|
| 1 | 58414030000 | HH COLLAR NUT M10X1,25 WS=13 | 1 |
| 2 | 45230072000 | LOCKING RING VSK 10 | 1 |
| 3 | 45232023033 | PRIMARY DRIVE 33T | 1 |
| 4 | 0888030037 | WOODRUFF KEY DIN6888-3X3,7 | 1 |
| 5 | 0760263561 | SHAFT SEAL RING 26X35X6BSL NB | 1 |
| 6 | 45230016000 | SPACER WASHER - CRANKSHAFT | 1 |
| 7 | 0770120020 | O-RING 12,00X2,00 NBR 70 | 1 |
| 8 | 0625062035 | BALL BEARING 6203 JR2 C3 | 2 |
| 9 | 45230018100 | CRANKSHAFT GS CPL. | 1 |
| 11 | 0760152472 | SHAFT SEAL RING 15X24X7 A-DUO | 1 |
| 12 | 45230015000 | PISTON ROD REP-SET 09 | 1 |
| 13 | 45130034000 | NEEDLE BEAR.PISTONPIN 12X15X15 | 1 |
| 14 | 45230007000 I | PISTON CPL. I 2009 | 1 |
| 14 | 45230007000 II | PISTON CPL. II 2009 | 1 |
| 15 | 45230033000 | PISTON BOLT 09 | 1 |
| 16 | 45230074000 | CIRCLIP 09 | 2 |
| 17 | 45230030000 | PISTONRING 09 | 1 |
| 99 | 00050002313 | CRANKSHAFT REP. KIT 50 SX 13 | x |

124523060

C124523060

* NEW PART

X ON DEMAND



| POS | PARTNUMBER | PARTNAME | PIECE |
|-----|-------------|--------------------------------|-------|
| 1 | 46230049000 | GASKET MEMBRAN CASE | 1 |
| 2* | 46230151044 | REED VALVE ASSY CPL. | 1 |
| 3* | 46230152028 | MEMBRAN | 2 |
| 4* | 45230250000 | INTAKE FLANGE | 1 |
| 5 | 0025060206 | HH COLLAR SCREW M6X20 TX30 | 2 |
| 6 | 45239010000 | IGNIT. COIL RETAIN. PLATE CPL. | 1 |
| 7 | 31008060000 | RUBBER SLEEVE D=8MM OPEN | 2 |
| 8 | 45239060050 | COLLAR BUSHING 6,3X8X13X9,5 | 2 |
| 9 | 0025060306 | HH COLLAR SCREW M6X30 TX30 | 2 |
| 10 | 10001120000 | CLAMP 25-40 SGT 4 | 1 |

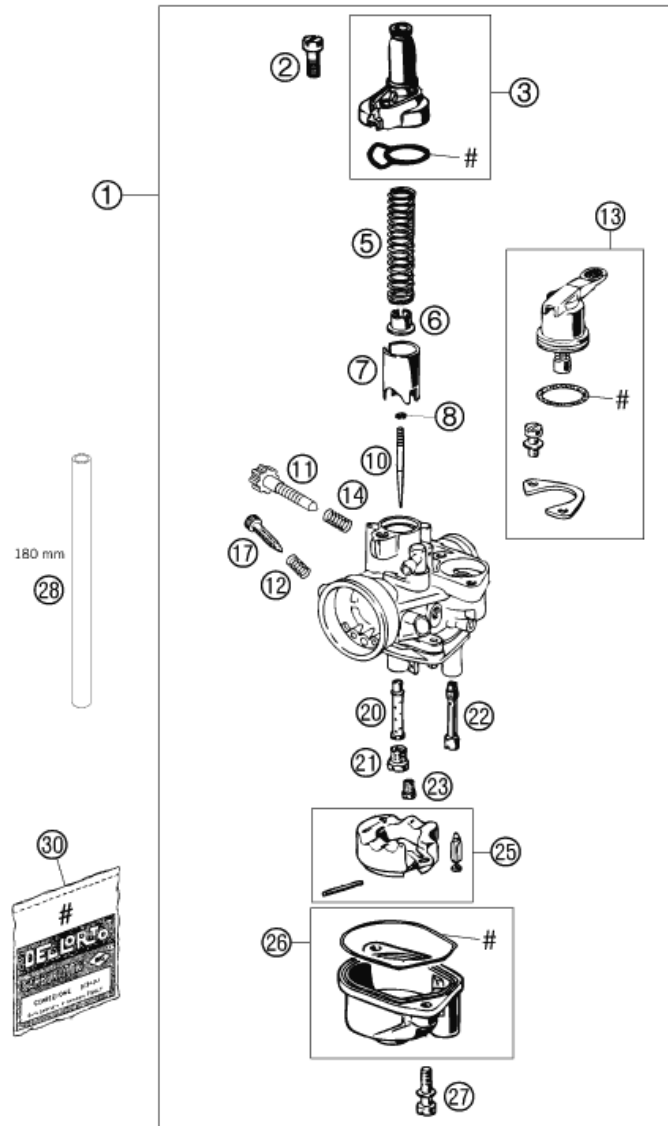
154523070

C154523070

* NEW PART

X ON DEMAND

ACHTUNG !!! **CAUTION !!!**
 Vor dem Einbau des Vergasers, **!** Before mounting the carburetor,
 Bedüsung kontrollieren. **■** check the jetting.



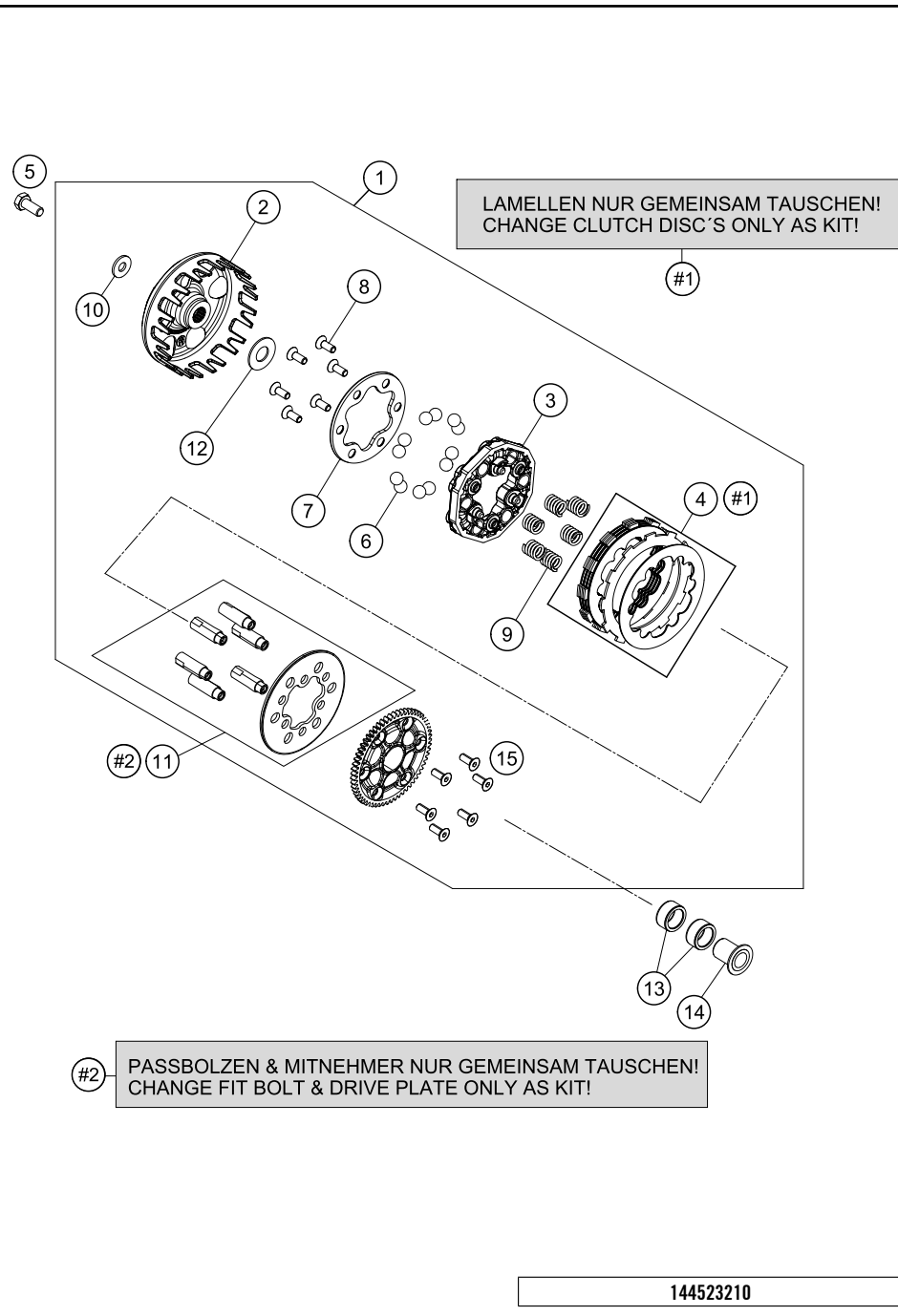
124523110

| POS | PARTNUMBER | PARTNAME | PIECE |
|-----|-------------|------------------------------------------------|-------|
| 1 | 45231001300 | CARBURETOR PHVA 12XS 2009 CHECK THE JETTING | 1 |
| 2 | 0084050163 | CYL.HEAD SCREW DIN0084-M 5X16A | 1 |
| 3 | 45131527000 | CARBURETOR COVER DELLOR. 12-14 | 1 |
| 5 | 45131530000 | SPRING | 1 |
| 6 | 45131531000 | SPRING CAP | 1 |
| 7 | 45131535000 | THROTTLE VALVE 40 | 1 |
| 8 | 45131545000 | CLAMP SPRING | 1 |
| 10* | 45131534008 | JET NEEDLE A8 | 1 |
| 10 | 45131534010 | JET NEEDLE A10 | x |
| 11 | 45131517000 | IDLE ADJUST SCREW | 1 |
| 12 | 45131516000 | SPRING | 1 |
| 13 | 45131548000 | STARTING LEVER CPL. DELL.12-14 | 1 |
| 14 | 45131518000 | SPRING | 1 |
| 17 | 45131617000 | ADJUST SCREW | 1 |
| 20 | 45131536000 | ATOMIZER 211FA | 1 |
| 21 | 59030054000 | JET 60 DELLORTO M6X0,75 | x |
| 21 | 45131023065 | MAIN JET 65 DELLORTO | x |
| 21 | 45131023070 | MAIN JET 70 DELLORTO | x |
| 21 | 45131023075 | MAIN JET 75 DELLORTO | x |
| 21 | 57031523080 | MAIN JET 80 | x |
| 22 | 45131551060 | STARTING JET 60 | 1 |
| 23 | 45131507035 | IDLING JET 35 | x |
| 23 | 45131507038 | IDLING JET 38 | x |
| 23 | 45131507045 | IDLING JET 45 | x |
| 25 | 45131509000 | FLOAT CPL. | 1 |
| 26 | 45131511000 | FLOAT BOWL DELLORTO 12-14 | 1 |
| 27 | 0084040203 | CYL.SCREW DIN0084-M 4X20 A | 2 |
| 28 | 58307016001 | FUEL HOSE VITON 6X1,5 PER/M | x |
| 30 | 45131599000 | GASKET SET DELLORTO 12-14 PHVA | 1 |

C154523110

* NEW PART

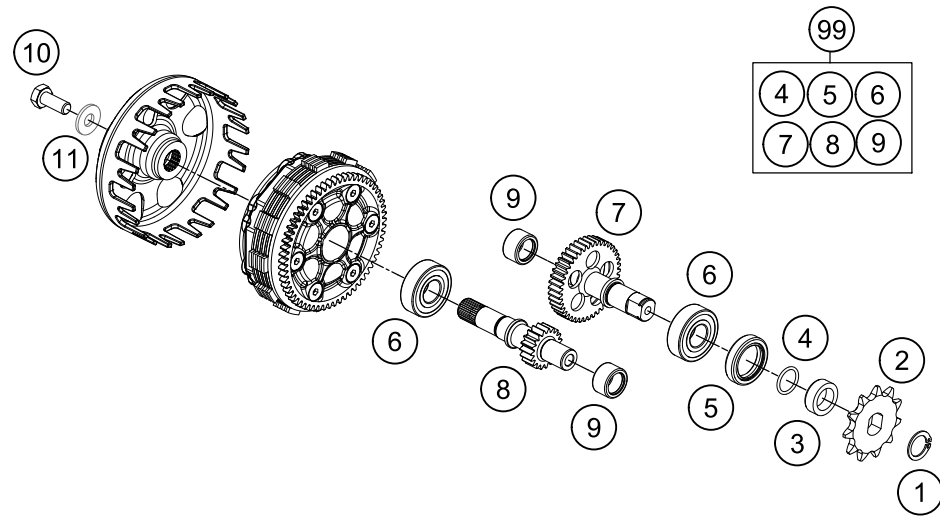
X ON DEMAND



| POS | PARTNUMBER | PARTNAME | PIECE |
|-----|--------------|--------------------------------|-------|
| 1 | 45232100144 | AXIAL CLUTCH ASSEMBLY | 1 |
| 2 | 45232101000 | CLUTCH BASKET | 1 |
| 3 | 45232139044 | BALL CAGE ASSEMBLY | 1 |
| 4 | 45232110033 | CLUTCH DISC KIT | 1 |
| 5 | 0035080206S | AH-COLLAR SCREW M8X20 ISA45 | 1 |
| 6 | 0401110000 | BALL D=11MM | 12 |
| 7 | 45232103000 | PRESSURE PLATE | 1 |
| 8 | 0991060166S | FL.HEAD SCR.DIN7991-M6X16 10.9 | 6 |
| 9 | 45232105000 | CLUTCH SPRING 15,9MM | 6 |
| 9 | 45232105100 | CLUTCH SPRINGS 15.9MM HARD | x |
| 10 | 0340084234 | WASHER DIN 6340 8,4X23X4 | 1 |
| 11 | 45232107244 | FIT BOLT WITH DRIVE PLATE | 1 |
| 12 | 75034050000 | STOP DISK 14X30X1,5 STEEL | 1 |
| 13 | 0402182412 | NEEDLE BEARING 18X24X12A | 2 |
| 14 | 45232013000 | INNER RING WITH COLLAR | 1 |
| 15 | 09910601661S | FL.HEAD SCR.DIN7991-M6X16 10.9 | 6 |

C154523210

* NEW PART X ON DEMAND



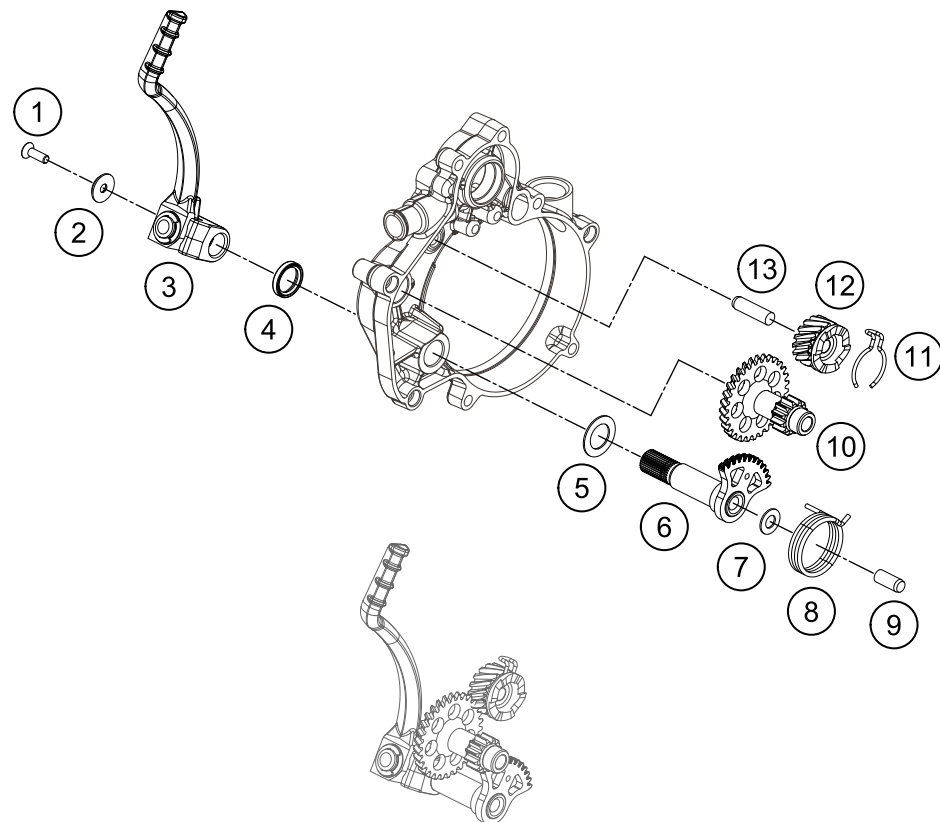
| POS | PARTNUMBER | PARTNAME | PIECE |
|-----|-------------|--------------------------------------------|-------|
| 1 | 0471150010 | CIRCLIP DIN0471-15X1 | 1 |
| 2 | 45233029011 | SPROCKET 11 T. | x |
| 2 | 45233029010 | SPROCKET 10 T. | x |
| 3 | 45233030000 | DISANCESPACER F. SPROCKET | 1 |
| 4 | 0770015018 | O-RING 15,00X1,80 | 1 |
| 5 | 0760223270 | SHAFT SEAL RING 22X32X7 BSL | 1 |
| 6 | 45133028000 | BALL BEARING 15X35X11 | 2 |
| 7 | 45233010200 | COUNTER SHAFT ONLY USE WITH 45233001200 | 1 |
| 8 | 45233001200 | MAIN SHAFT ONLY USE WITH 45233010200 | 1 |
| 9 | 54632095000 | NEEDLE BEAR.HK 1412 14X20X12 | 2 |
| 10 | 0035080206S | AH-COLLAR SCREW M8X20 ISA45 | 1 |
| 11 | 0340084234 | WASHER DIN 6340 8,4X23X4 | 1 |
| 99 | 00050000948 | COUNTER SHAFT REP. KIT 50 SX | x |

144523310

C144523310

* NEW PART

X ON DEMAND



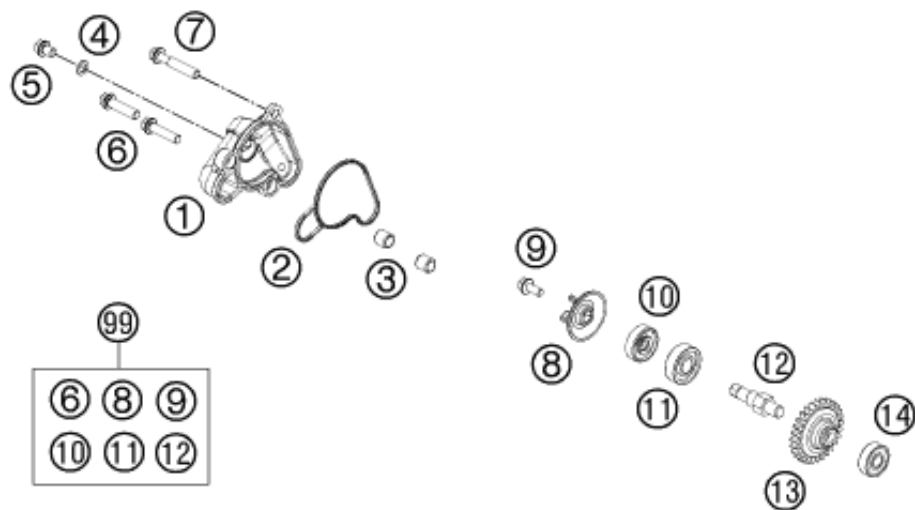
| POS | PARTNUMBER | PARTNAME | PIECE |
|-----|-------------|-------------------------------|-------|
| 1 | 0019050163S | INT. TORX FLAT HEAD M5X16 8.8 | 1 |
| 2 | 60008045100 | SPECIAL WASHER FOR M5 03 | 1 |
| 3 | 45233070044 | KICKSTARTER CPL. | 1 |
| 4 | 0760162240 | SHAFT SEAL RING BALANC. SHAFT | 1 |
| 5 | 45233058000 | WASHER 16,3X25,8X1 | 1 |
| 6 | 45233050044 | KICK START SHAFT CPL. | 1 |
| 7 | 45233057000 | WASHER 8,2X16X1 | 1 |
| 8 | 45233054000 | KICKSTARTER SPRING | 1 |
| 9 | 0325080200 | CYLINDER STUD DIN6325 8X20 M6 | 1 |
| 10 | 45233053000 | KICKSTARTER SHAFT | 1 |
| 11 | 45233056100 | SPRING RATCHET GEAR | 1 |
| 12 | 45233052016 | RATCHET GEAR | 1 |
| 13 | 0325080300 | CYLINDER STUD DIN6325 8X30 M6 | 1 |

124523390

C134523390

* NEW PART

X ON DEMAND



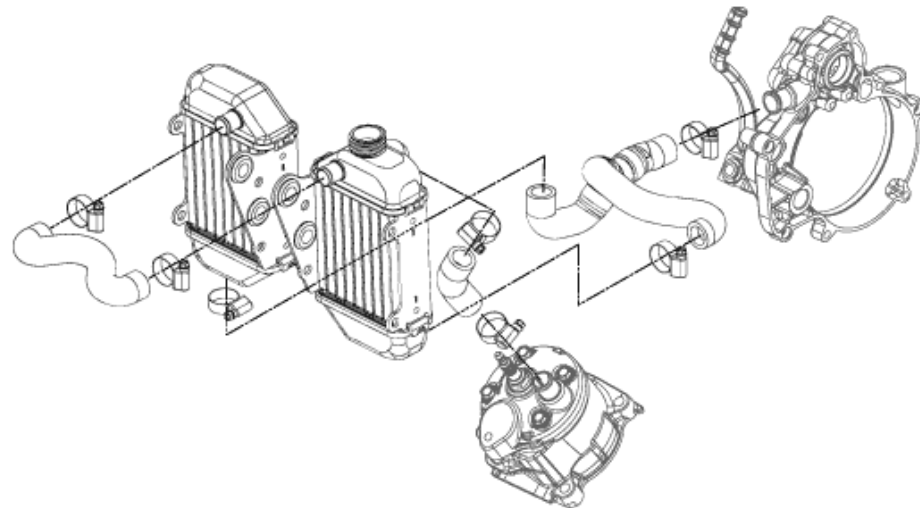
| POS | PARTNUMBER | PARTNAME | PIECE |
|-----|-------------|-------------------------------|-------|
| 1 | 45235052000 | WATERPUMP COVER | 1 |
| 2 | 45235053000 | WATER PUMP COVER GASKET | 1 |
| 3 | 49030090000 | DOWEL 9,8 X 7 X 10 | 2 |
| 4 | 0603061001 | CU-SEAL RING DIN7603-6X10X1 | 1 |
| 5 | 0025060086 | HH COLLAR SCREW M6X8 TX30 | 1 |
| 6 | 0025060256 | HH COLLAR SCREW M6X25 TX30 | 2 |
| 7 | 0025060406 | HH COLLAR SCREW M6X40 TX30 | 1 |
| 8 | 45235055000 | WATER PUMP WHEEL | 1 |
| 9 | 0014050123 | HH COLLAR SCREW M 5X12 WS=6 | 1 |
| 10 | 0760082472 | SHAFT SEAL RING 8X24X7 A DUO | 1 |
| 11 | 0625060001 | BALL BEARING 6000/C3 | 1 |
| 12 | 50335054150 | WATER PUMP SHAFT | 1 |
| 13 | 45235054028 | DRIVE WHEEL | 1 |
| 14 | 0625006087 | GROOVED BALL BEAR. 608 2RS C3 | 1 |
| 99 | 54835055010 | WATER PUMP REP. KIT 50/65 SX | 1 |

124523510

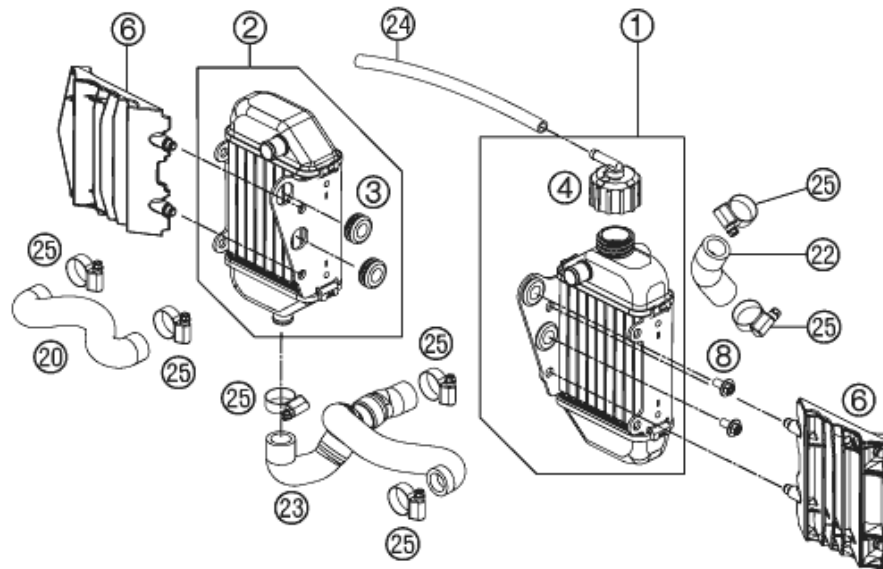
C124523510

* NEW PART

X ON DEMAND



| POS | PARTNUMBER | PARTNAME | PIECE |
|-----|-------------|--------------------------------|-------|
| 1 | 45235007200 | RADIATOR L/S 50 SX | 1 |
| 2 | 45235008200 | RADIATOR R/S 50 SX | 1 |
| 3 | 41001052000 | RUBBER SLEEVE D=12MM | 4 |
| 4 | 45235009000 | RADIATOR CAP 1,8 BAR | 1 |
| 6 | 45235034100 | RADIATOR PROTECTION | 2 |
| 8 | 0024060123 | COLLAR SCREW M6X12 TX | 4 |
| 20 | 45235026300 | PRE-FORM.HOSE TOP | 1 |
| 22 | 45235025400 | PREF. HOSE RADIATOR- CYL.HEAD | 1 |
| 23 | 45235027133 | RADIAT. HOSE CPL. W. Y-CONNEC. | 1 |
| 24 | 55007016001 | PVC-HOSE 7X10 PER METER | 1 |
| 25 | 42013037400 | HOSE CLAMP NORMA 12/24 | 7 |

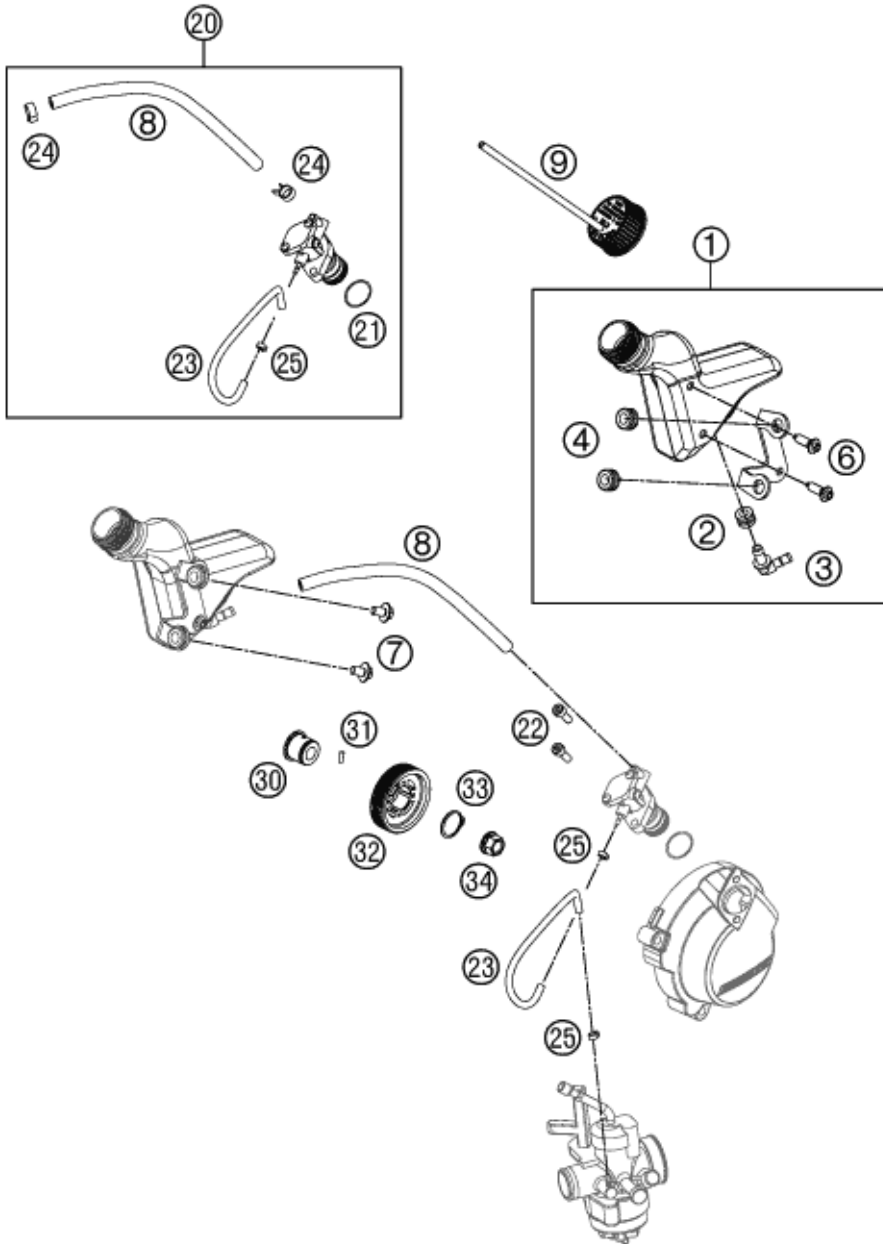


124523530

C134523530

* NEW PART

X ON DEMAND



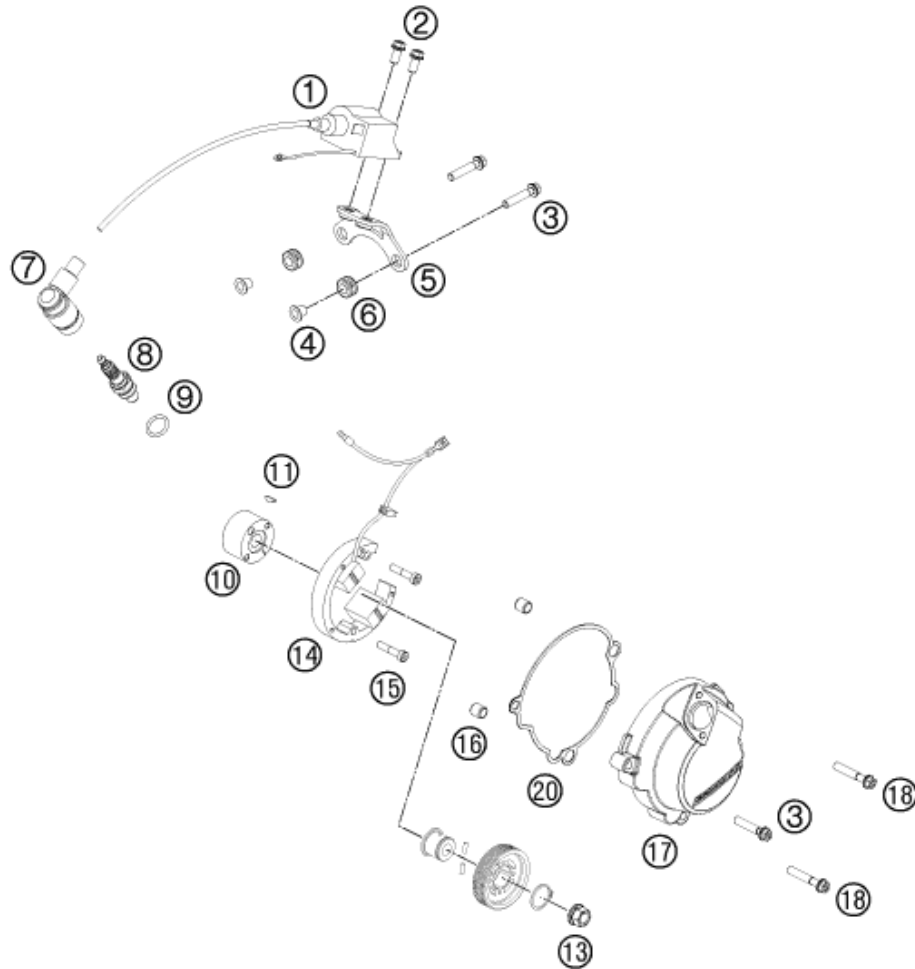
124523810

| POS | PARTNUMBER | PARTNAME | PIECE |
|-----|-------------|--------------------------------|-------|
| 1 | 45238061133 | OIL TANK CPL. 50SX MINI 2012 | 1 |
| 2 | 60035069000 | RUBBER GROMMET 6X9X13MM 04 | 1 |
| 3 | 60035068000 | ANGLE CONNECTION EXPANS. TANK | 1 |
| 4 | 31008060000 | RUBBER SLEEVE D=8MM OPEN | 2 |
| 6 | 0017060205 | SCREW FOR PLASTIC K6X20 SW6 | 2 |
| 7 | 0024060106 | HH COLLAR SCREW M6X10 TX30 | 2 |
| 8 | 45138067000 | HOSE 5X9MM | 1 |
| 9 | 45238063033 | OIL TANK SCREW SX MINI | 1 |
| 20 | 45138067100 | OIL PUMP | 1 |
| 21 | 0770191016 | O-RING 19,10X1,60 NBR 70 | 1 |
| 22 | 0912050163 | AH SCREW DIN0912-M 5X16 | 2 |
| 23 | 45138068000 | PREFORM. HOSE CARB.-PUMP 2X5MM | 1 |
| 24 | 58007017000 | YDNAC CLAMP 10101 (10,4MM) | 2 |
| 25 | 45138069000 | CLAMP 5 FOR OIL PUMP | 2 |
| 30 | 45138064000 | SPACER FOR OIL PUMP GEAR | 1 |
| 31 | 0402030780 | NEEDLE PIN DIN5402 NRB3X7,8 G2 | 1 |
| 32 | 45238065000 | OIL PUMP DRIVE WHEEL | 1 |
| 33 | 0471190120 | CIRCLIP DIN0471-19X1,2 | 1 |
| 34 | 58414030000 | HH COLLAR NUT M10X1,25 WS=13 | 1 |

C134523810

* NEW PART

X ON DEMAND



| POS | PARTNUMBER | PARTNAME | PIECE |
|-----|-------------|--------------------------------|-------|
| 1 | 45139006000 | IGNITION COIL 50CCM LC 2001 | 1 |
| 2 | 0025060126 | HH COLLAR SCREW M6X12 TX30 | 2 |
| 3 | 0025060306 | HH COLLAR SCREW M6X30 TX30 | 3 |
| 4 | 45239060050 | COLLAR BUSHING 6,3X8X13X9,5 | 2 |
| 5 | 45239010000 | IGNIT. COIL RETAIN. PLATE CPL. | 1 |
| 6 | 31008060000 | RUBBER SLEEVE D=8MM OPEN | 2 |
| 7 | 46239090000 | SPARK PLUG CONNECTOR | 1 |
| 8 | 45239093000 | SPARK PLUG LR8B | 1 |
| 9 | 0770012030 | O-RING 12,00X3,0 VITON 75 | 1 |
| 10 | 45139005100 | FLYWEEL ROTOR 50 2004 | 1 |
| 11 | 0888025030 | WOODRUFF KEY DIN6888-2,5X3 | 1 |
| 13 | 58414030000 | HH COLLAR NUT M10X1,25 WS=13 | 1 |
| 14 | 45139004000 | FLYWHEEL STATOR 50CCM LC 2001 | 1 |
| 15 | 0012050253 | AH SCREW DIN6912 M5X25 | 2 |
| 16 | 49030090000 | DOWEL 9,8 X 7 X 10 | 2 |
| 17 | 45230002100 | IGNITION COVER | 1 |
| 18 | 0025060356 | HH COLLAR SCREW M6X35 TX30 | 2 |
| 20 | 45230040000 | GASKET - IGNITION COVER | 1 |

124523911

C124523911

* NEW PART

X ON DEMAND



WWW.KTM.COM



KTM-Sportmotorcycle AG
5230 Mattighofen, Austria
www.ktm.com



KTM_POWERPARTS

KTM_POWERWEAR

KTM_ORIGINAL SPARE PARTS



3CM0808580EN

Art. Nr.: 3CM0808580EN 4. Apr 2014