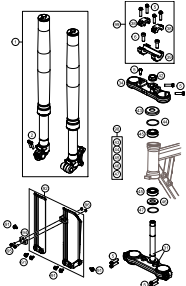
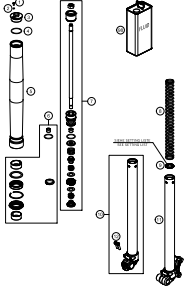
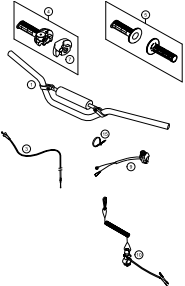
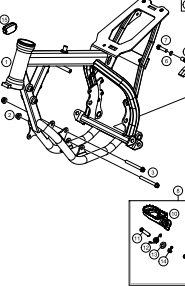
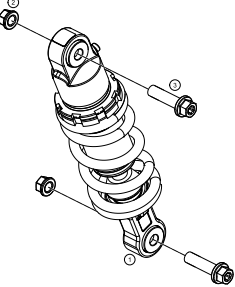
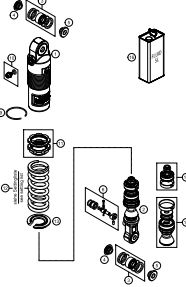
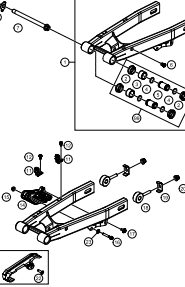
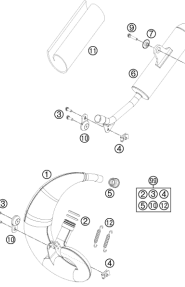
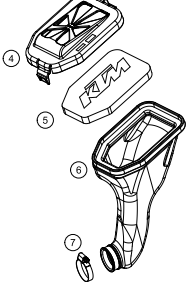
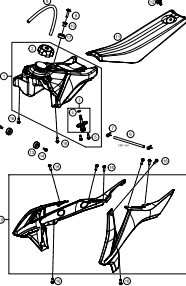
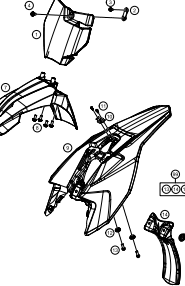
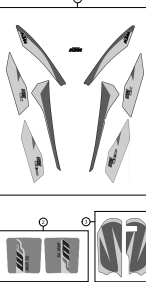
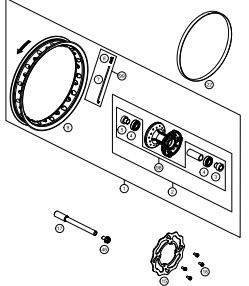
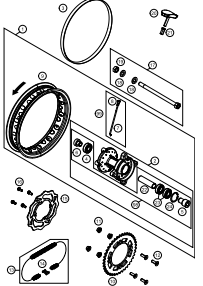
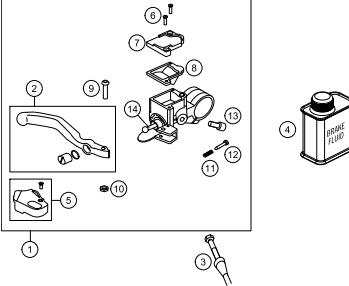
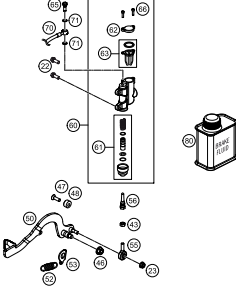
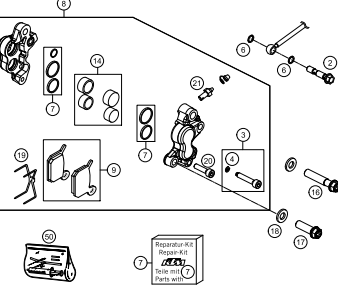
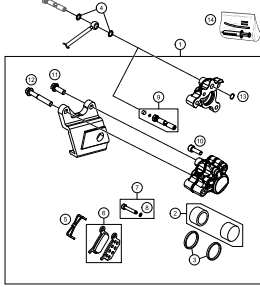
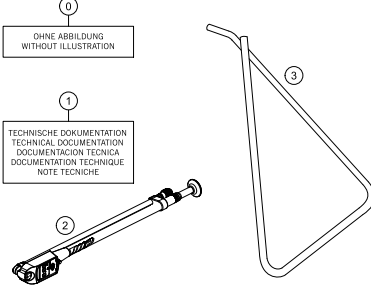



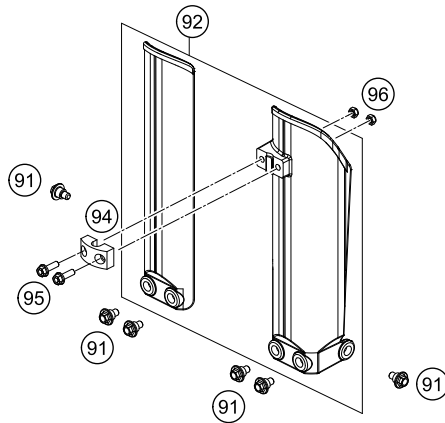
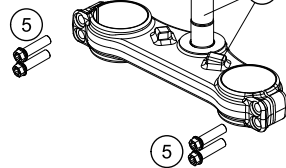
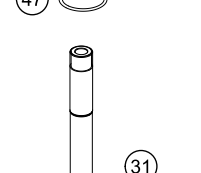
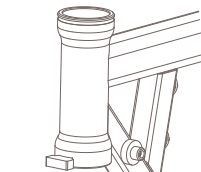
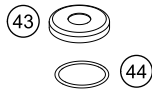
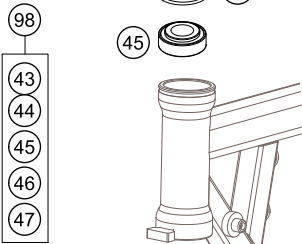
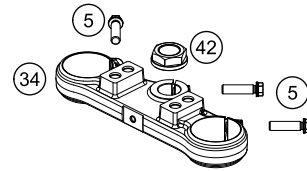
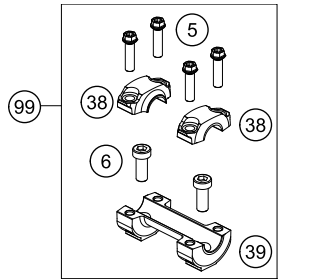
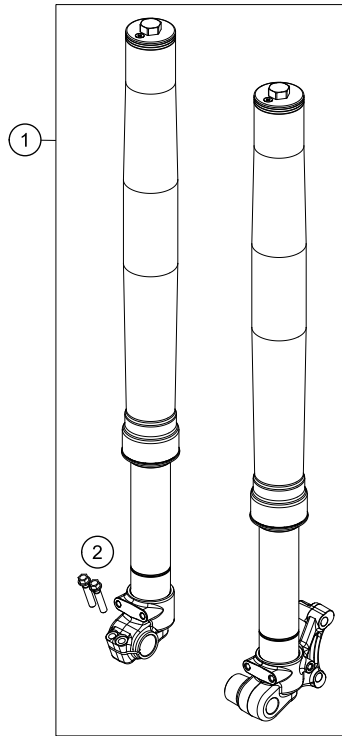
50 SX Mini 2018

ART.-NR.: F6001R5EN



<p>FRONT FORK, TRIPLE CLAMP</p>  <p>3</p>	<p>FRONT FORK DISASSEMBLED</p>  <p>4</p>	<p>HANDLEBAR, CONTROLS</p>  <p>5</p>	<p>FRAME</p>  <p>6</p>
<p>SHOCK ABSORBER</p>  <p>7</p>	<p>SHOCK ABSORBER DISASSEMBLED</p>  <p>8</p>	<p>SWING ARM</p>  <p>9</p>	<p>EXHAUST SYSTEM</p>  <p>10</p>
<p>AIR FILTER</p>  <p>11</p>	<p>TANK, SEAT, COVER</p>  <p>12</p>	<p>MASK, FENDERS</p>  <p>13</p>	<p>DECAL</p>  <p>14</p>

<p>FRONT WHEEL</p>  <p>15</p>	<p>REAR WHEEL</p>  <p>16</p>	<p>HAND BRAKE CYLINDER</p>  <p>17</p>	<p>REAR BRAKE CONTROL</p>  <p>18</p>
<p>BRAKE CALIPER FRONT</p>  <p>19</p>	<p>BRAKE CALIPER REAR</p>  <p>20</p>	<p>SEPERATE ENCLOSURE</p>  <p>21</p>	
<div style="display: flex; align-items: center;">  <div> <p>All information contained is without obligation. KTM Sportmotorcycle GmbH particularly reserves the right to modify any equipment, technical specifications, prices, colors, shapes, materials, services, service work, constructions, equipment and the like so as to adapt them to local conditions or to cancel any of the above items, all without previous announcement and without giving reasons. KTM may stop manufacturing certain models without previous notice. KTM shall not be held liable for any deviations of availability and/or ability to deliver, illustrations, descriptions, printing and/or other errors. The illustrated models partly contain extra equipment, which is not applied to standard models.</p> <p>© by KTM Sportmotorcycle GmbH, Mattighofen AUSTRIA; All rights reserved; Reprint, also in extracts, with written allowance of KTM Sportmotorcycle GmbH, Mattighofen only.</p> </div> </div>			



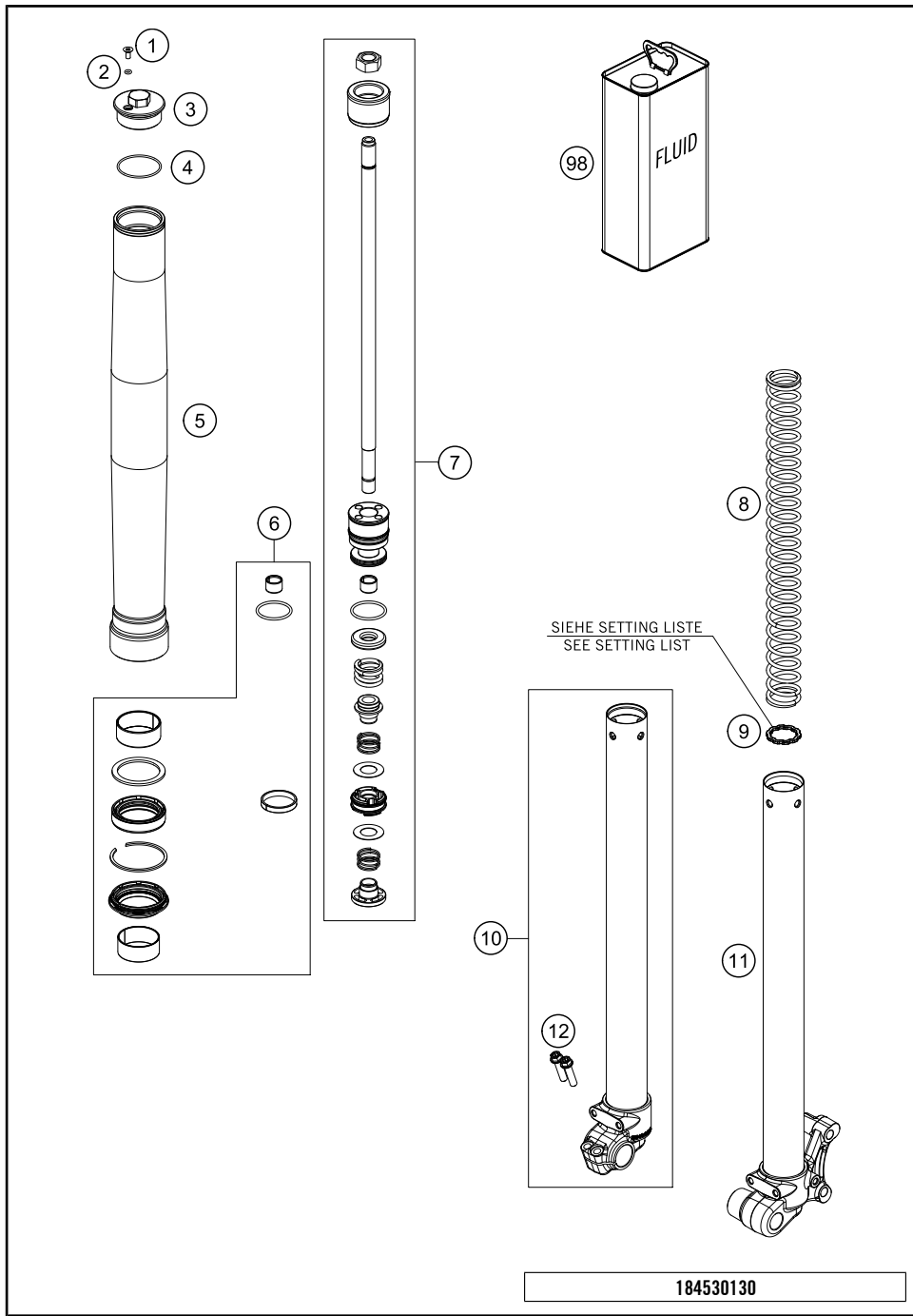
184530110

POS	PARTNUMBER	PARTNAME	PIECE
1	07181Q0101	FORK 50SX MINI 2017	1
2	0025060256	HH COLLAR SCREW M6X25 TX30	2
5	0025080306	HH COLLAR SCREW M8X30 TX40	11
6	0032100256S	AH-COLLAR SCREW M10X25 ISA45	2
31	45201132022	BOT.FORK PLATE CPL.	1
34	45201034022	TOP TRIPLE CLAMP	1
38	50301038000	HANDLEBAR CLAMP D=22MM 2001	2
39	45201039000	HANDLEBAR SUPPORT 50SX D=22MM	1
42	59030029000	HH NUT M20X1,5 WS=27 RIGHT	1
43	49001086000	COVERING CAP	1
44	0770049025	O-RING 49,00X2,50 NBR	1
45	49001081000	TAPERED ROLLER BEARING 32004X	2
46	46001086000	PROTECTION RING 20,1X39X5	1
47	0770360030	O-RING 36,00X3,00 NBR	1
91	59001092050	SPECIAL SCREW M6X12,5 WS=8	6
92	4610109400028	FORK PROTECTOR SET 65 SX WHITE	1
94	5460108500028	BRAKE HOSE CLIP	1
95	0025050166	HH COLLAR SCREW M5X16 TX30	2
96	0985050003	SELF LOCKING NUT DIN0985-M 5	2
98	00050000931	STEERING HEAD REP. KIT MINI	x
99	00050000925	HANDLEBAR SUPPORT KIT 50SX '12	1

19037

* NEW PART

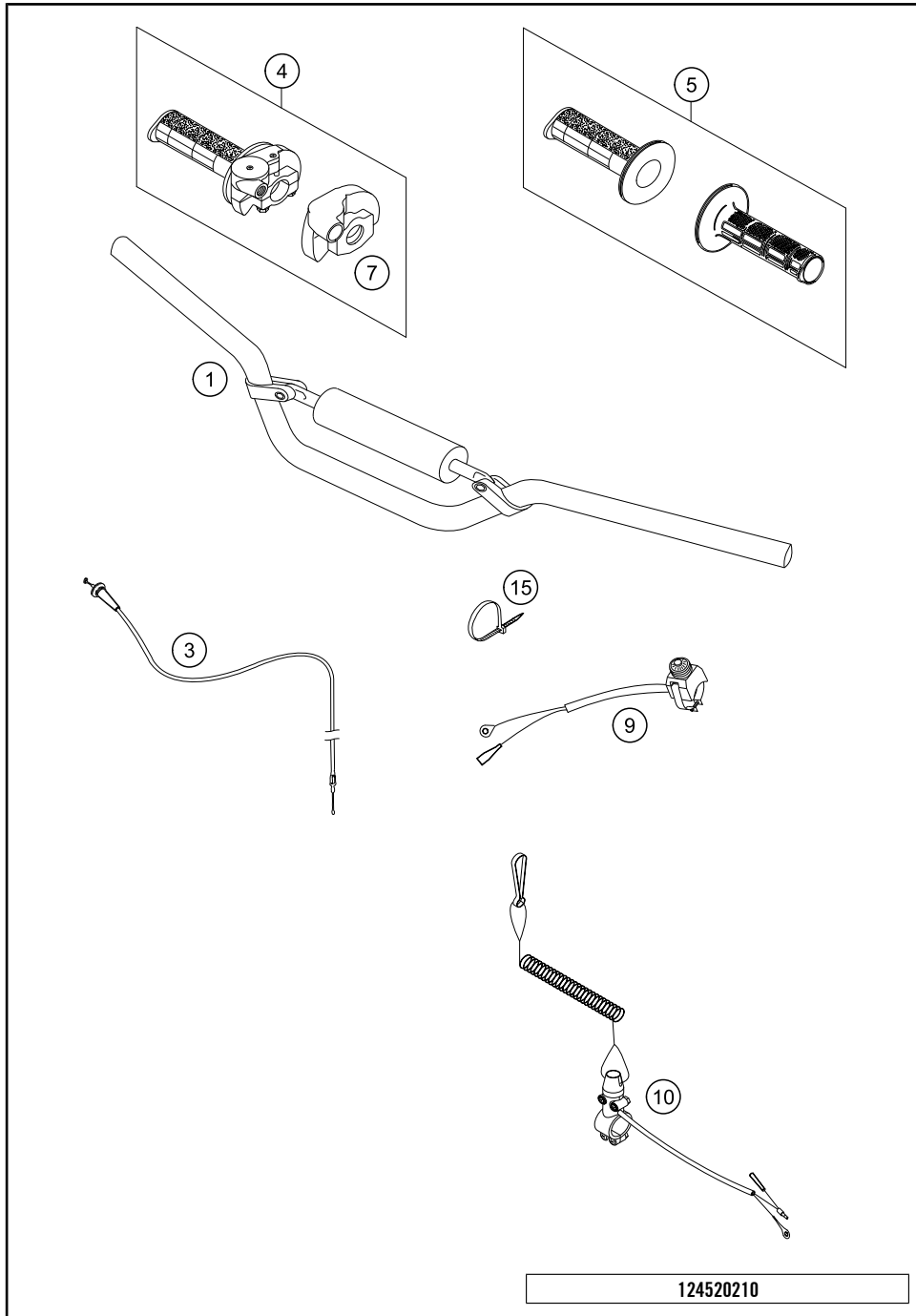
X ON DEMAND



POS	PARTNUMBER	PARTNAME	PIECE
1	48600481	VENT SCREW M4X8	2
2	48600046	O-RING NBR 3X1,5	2
3	35480459	SCREW CAP M38X1.5	2
4	46180581	O-RING 35X1.5 NBR70	2
5	35480556	OUTER TUBE L=425	2
6	RP10010	WP REVISION KIT SX50 MINI 35MM	1
7	35480495S1	PISTON ROD 50SX MINI CPL.	2
8	95010055S	SPRING 1,8 N/MM SET	x
8	95010051S	SPRING 2.0N/MM SET D=3.1MM	2
8	95010052S	SPRING 2,2 N/MM SET	x
9	35480497	WASHER 22X30X2.5	x
10	35480455S1	AXLE CLAMP R/S CPL. W. TUBE	1
11	35480456S1	AXLE CLAMP L/S CPL. W. TUBE	1
12	0025060256	HH COLLAR SCREW M6X25 TX30	2
98	48600765	FORK OIL SAE5	1

19039

* NEW PART X ON DEMAND

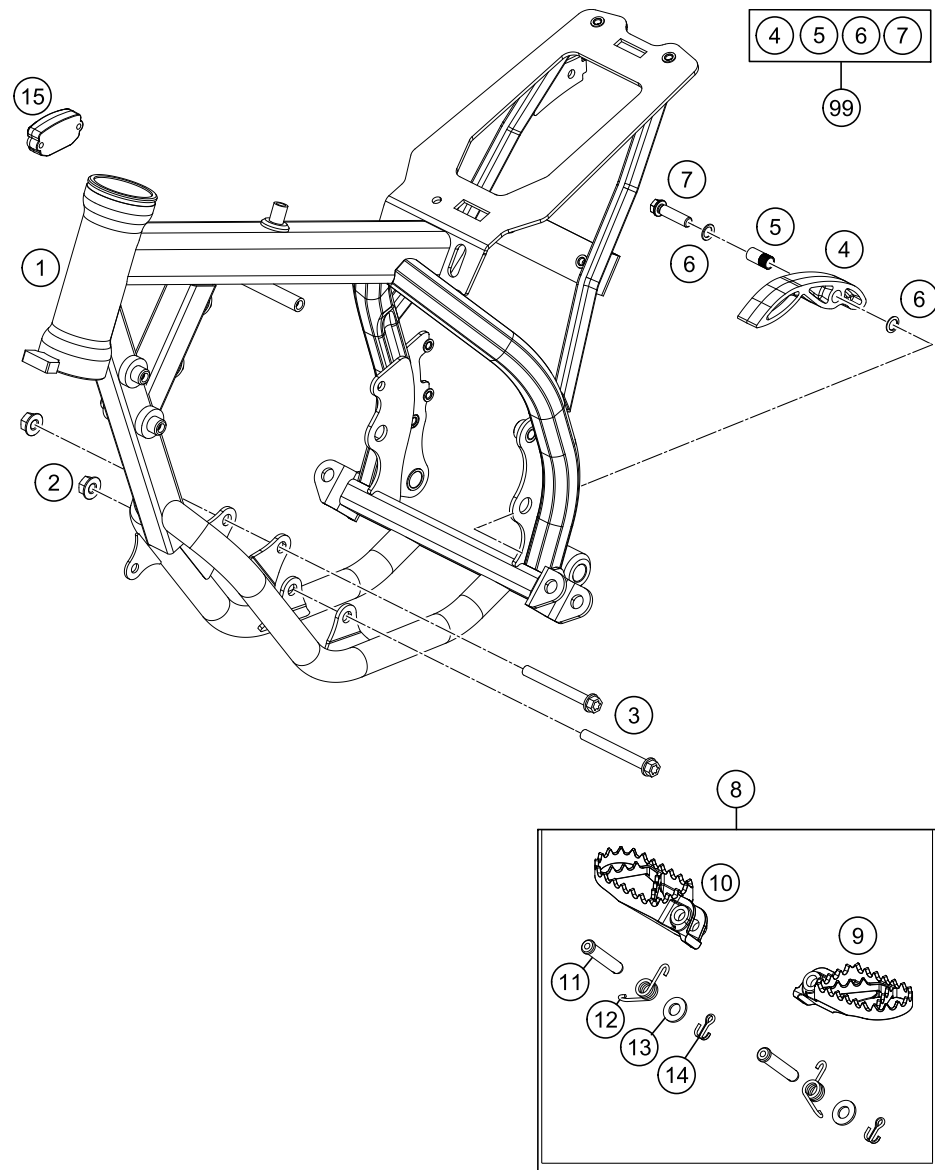


POS	PARTNUMBER	PARTNAME	PIECE
1	45302001000	HANDLEBAR D=22	1
3	45202091200	THROTTLE CABLE 50 SX MINI 2012	1
4	46202010000	THROTTLE GRIP 65SX 09	1
5	63002021100	GRIP SET DUAL COMPOUND	1
7	50302020000	PROTECTION COVER '97	1
9	50311089200	SHORT CIRCUIT BUTTON 02	1
10	45011089044	S.CIRCUIT BUTTON W. RIP CORD ACCESSORY	x
15	44011076200	CABLE TIE 200/3,6MM BLACK	x
15	44011076140	CABLE TIE 140/2,5MM BLACK	x

11141

* NEW PART

X ON DEMAND



POS	PARTNUMBER	PARTNAME	PIECE
1	45303001100EB	Frame "453P5" elec. orange	1
2	54310086200	SELF LOCKING NUT M8 10.9	2
3	0025080656	HH COLLAR SCREW M8X65 TX40	2
4	51103053000	CHAIN SLIDING PIECE BELOW '97	1
5	51103053051	BUSHING 8,2X10X20	1
6	36003014000	LOCK WASHER 8MM	2
7	0025080306	HH COLLAR SCREW M8X30 TX40	1
8	47103040033	FOOTREST CPL. 14	1
9	47103040000	FOOTREST L/S	1
10	47103041000	FOOTREST R/S	1
11	54803044000	PIN FOR FOOT PED 51.5X9.8 MM	2
12	0125100003	WASHER DIN0125-A10,5	2
13	54603041000	FOOTREST SPRING L/S & R/S	2
14	0094032253	PIN DIN0094-3,2X25 STEEL	2
15	78112920000	HOUR METER KTM	1
99	51103053110	CHAIN SLIDING KIT BELOW MINI	1

174530311

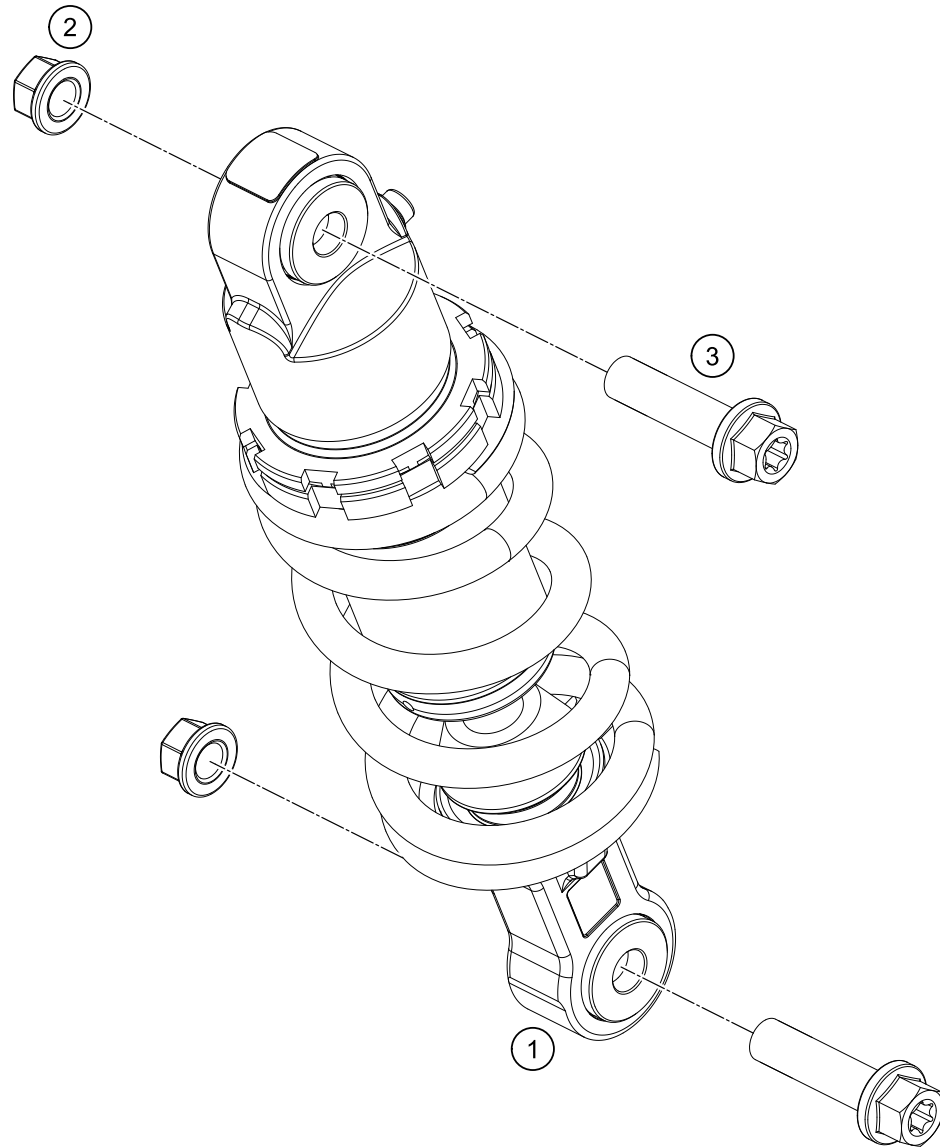
19040

* NEW PART

X ON DEMAND

SHOCK ABSORBER

50 SX Mini 2018



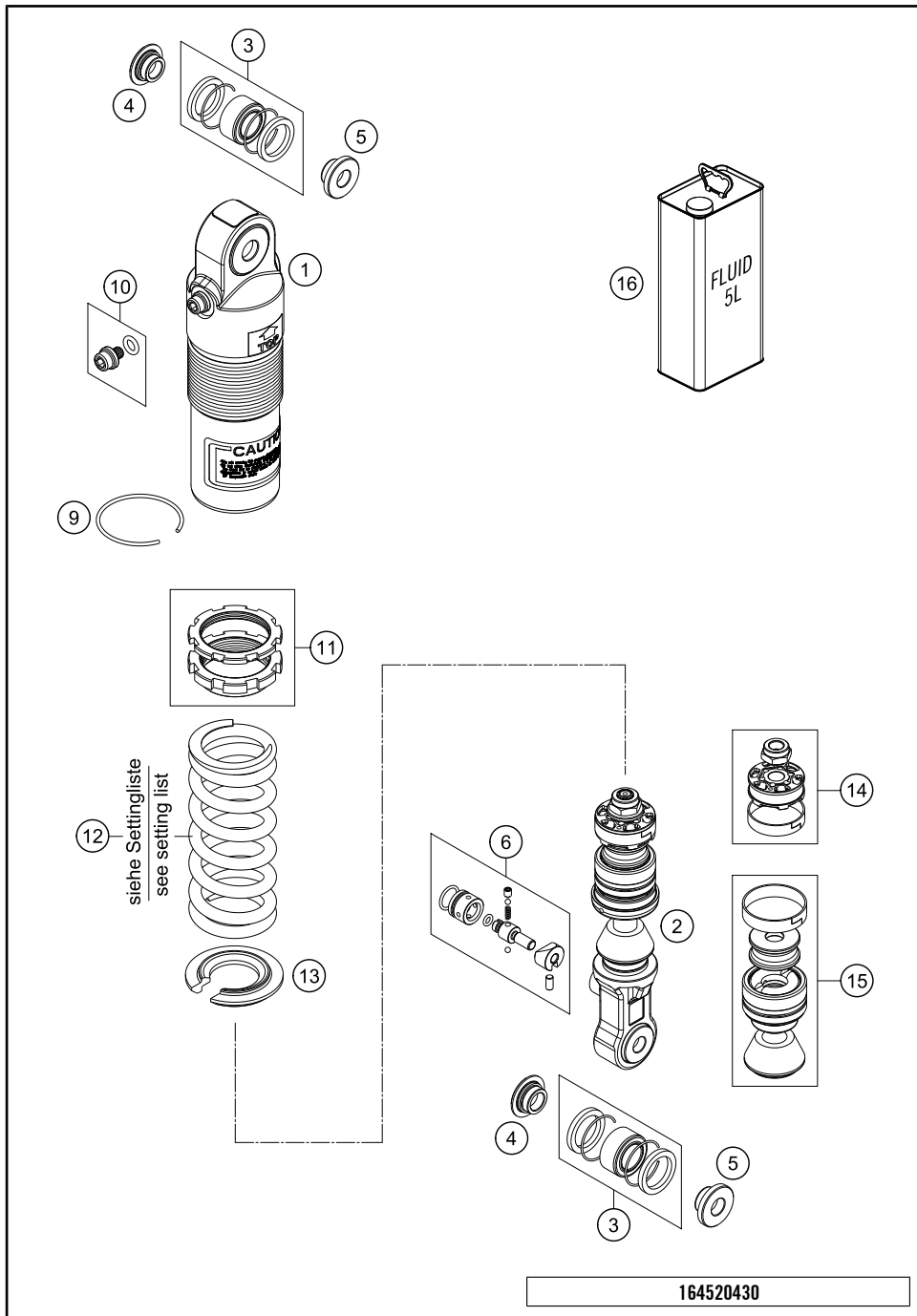
POS	PARTNUMBER	PARTNAME	PIECE
1	03189Q0101	MONOSHOCK 50 SX MINI 2017	1
2	54630044000	COLLAR NUT M10 WS=13	2
3	0025100406S	COLLAR SCREW M10X40 ISA45	2

174530411

19041

* NEW PART

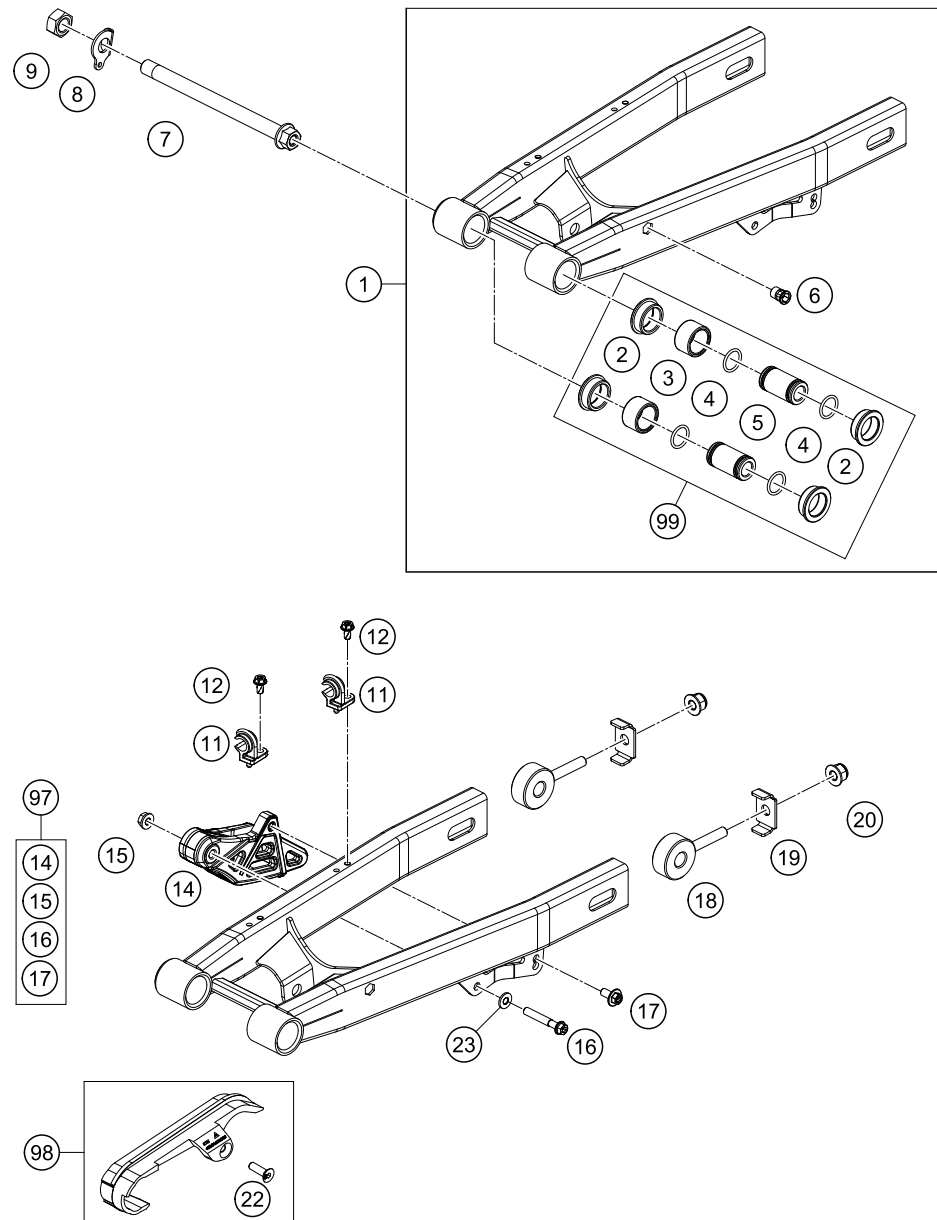
X ON DEMAND



POS	PARTNUMBER	PARTNAME	PIECE
1	36120861S1	MONOSHOCK UPPER PART CPL.WHITE	1
2	36120781S15	MONOSHOCK LOW.PART CPL.SX MINI	1
3	R12012	REP. KIT BEAR./SEAL UP. 07	2
4	46180008	SPACER BUSHING KGW 10X20	2
5	46180010	BUSH KGW 10X24	2
6	46180522S1	TAP ADJ. REBOUND	1
9	40540015	CIRCLIP 38X1,5	1
10	36120151S	PLUG SCREW M5X6 CPL.	1
11	36120418S	ADJUSTING NUT CPL.	1
12	93010221S	SHOCK SPRING 65N/MM - 120MM	x
12	93010222S	SHOCK SPRING 75N/MM - 120MM	1
12	93010223S	SHOCK SPRING 85N/MM - 120MM	x
13	36120461	SPRING RETAINER D=39	1
14	R310	MONOSHOCK PISTON SET SX MINI	1
15	R311	MONOSHOCK REP. KIT SX MINI	1
16	50180751S1	SHOCK ABSORBER FLUID 5 LT	1

19047

* NEW PART X ON DEMAND



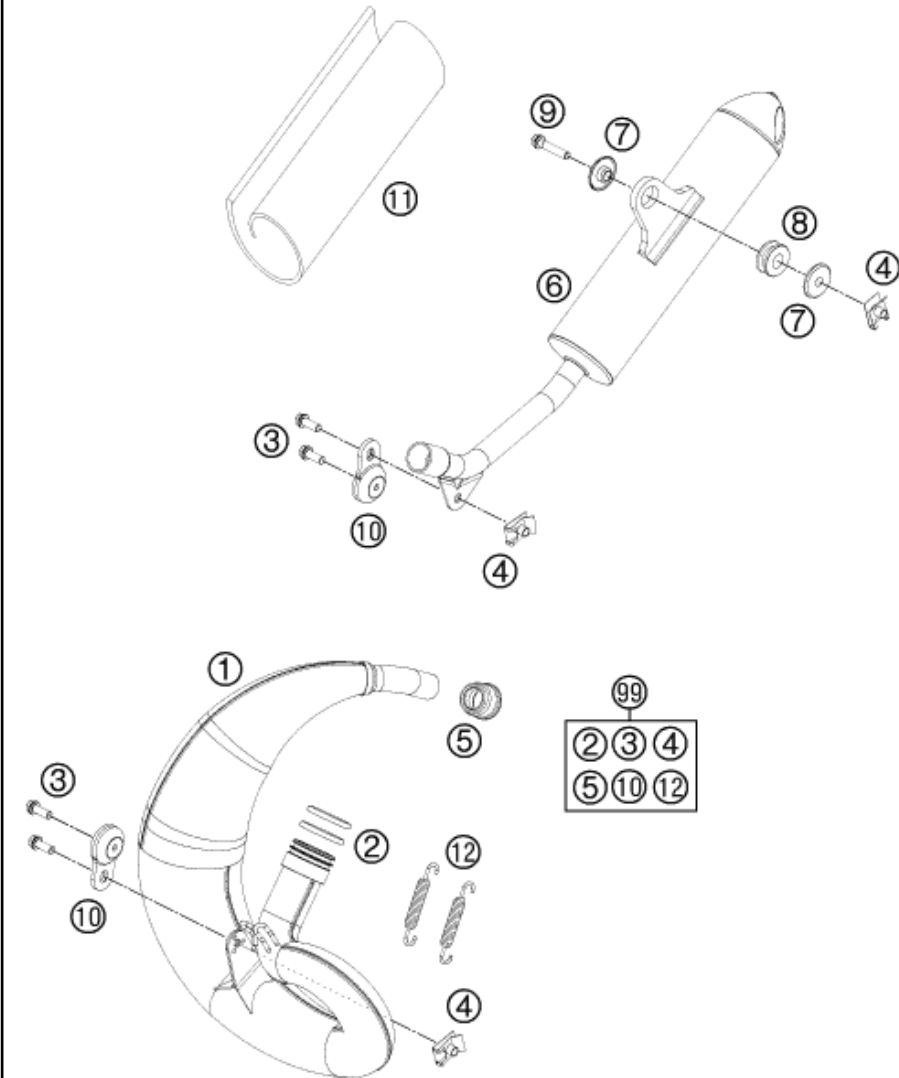
POS	PARTNUMBER	PARTNAME	PIECE
1	4530403014491	SWING ARM CPL. 50 SX MINI 16	1
2	46004030070	SPACER BUSHING 20X26X30X9,7	4
3	54603097000	NEEDLE BUSH HK 2016	2
4	0770160021	O-RING 16,00X2,00 VITON	4
5	46004030071	BUSHING BOX 12X20X36,5	2
6	55003139900	BLIND RIVET THREAD M6 STE. 4MM	1
7	45103014144	SWING ARM BOLT CPL. 2004	1
8	45213053000	LOCK WASHER 50 SX	1
9	0934120103	HEXAGON NUT DIN0934-M12X1	1
11	54611076100	RETAIN.CLAMP FOR BRAKE HOSE'96	2
12	0009050106	EJOT SPIRAL SCREW SF M5X10-K	2
14	46304070000	CHAIN GUIDE	1
15	56509064100	SELF LOCKING NUT M6 10.9	1
16	0025060406	HH COLLAR SCREW M6X40 TX30	1
17	0024060136	HH COLLAR SCREW M6X13 TX30	1
18	45010083000	CHAIN ADJUSTER	2
19	45010083060	SUPPORTING BRACKET	2
20	0926080003	STOP NUT DIN6926 M8 SS	2
22	0991060202	FLAT HEAD DIN7991-M 6X20	1
23	0125060003	WASHER DIN0125-A 6,4	1
97	46304070044	CHAIN GUIDE KIT MINI	1
98	45204066010	CHAIN GUARD KIT 50 SX	1
99	45204230010	SWINGARM REP. KIT 50/65 SX	1

184530490

19066

* NEW PART

X ON DEMAND



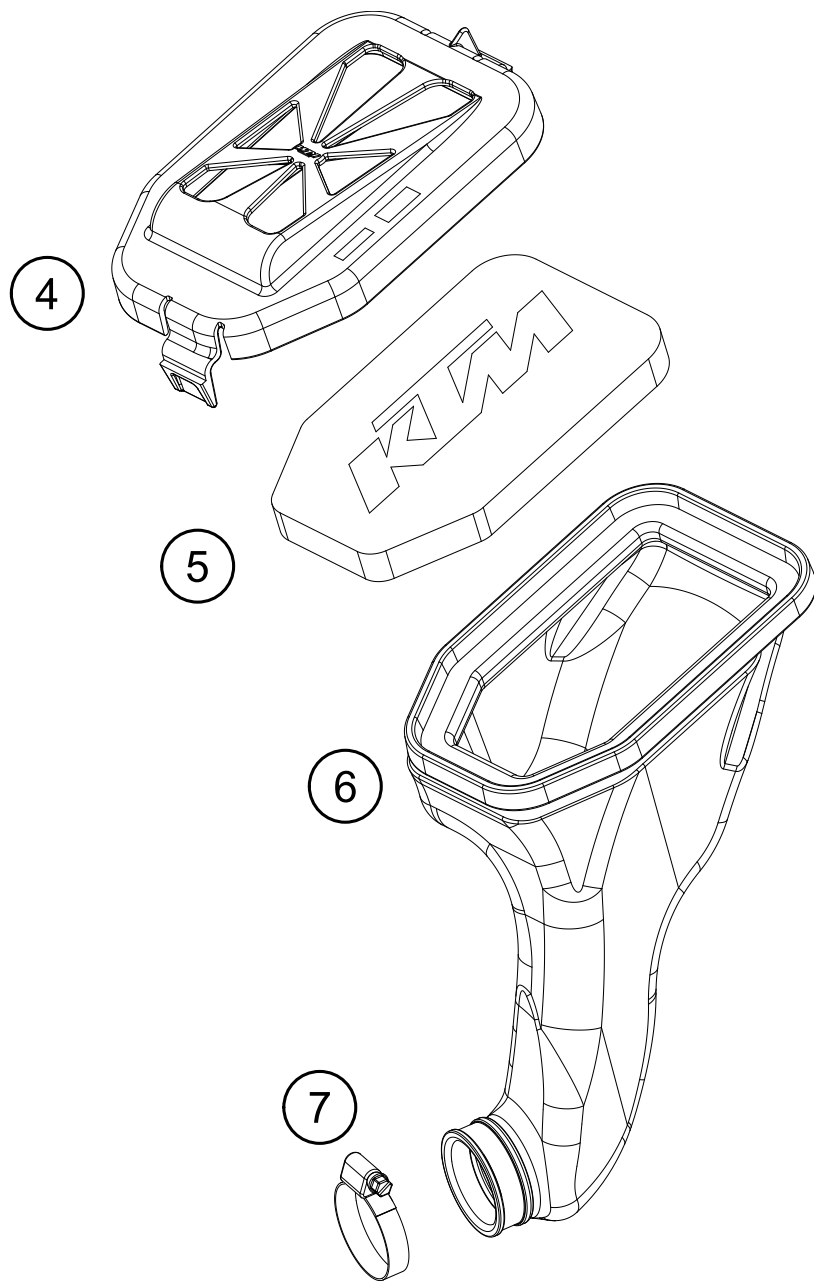
POS	PARTNUMBER	PARTNAME	PIECE
1	45205007000	EXHAUST MANIFOLD JUN/MINI 2009	1
2	0770300030	O-RING 30X3 VITON	2
3	0025060166	HH COLLAR SCREW M6X16 TX30	4
4	54603048100	RANGE CHANGE METAL NUT M6	3
5	45105057000	EXHAUST RUBBER MINI 2002	1
6	45305079100	SILENCER 50 SX MINI 2016	1
7	54605069000	BUSHING 7,5X12X28X7,8 '96	2
8	77205068000	DAMP. COMPON. BLACK	1
9	0025060306	HH COLLAR SCREW M6X30 TX30	1
10	50305012000	SWINGELEMENT FOR EXHAUST PIPE	2
11	45105079056	ROCKWOOL PREFOMED 50 2002	1
12	50305016000	TEN.SPRING L=62MM EY.MOVEABLE	2
99	00050000813	EXHAUST HARDWARE KIT MINI	1

124520510

11166

* NEW PART

X ON DEMAND



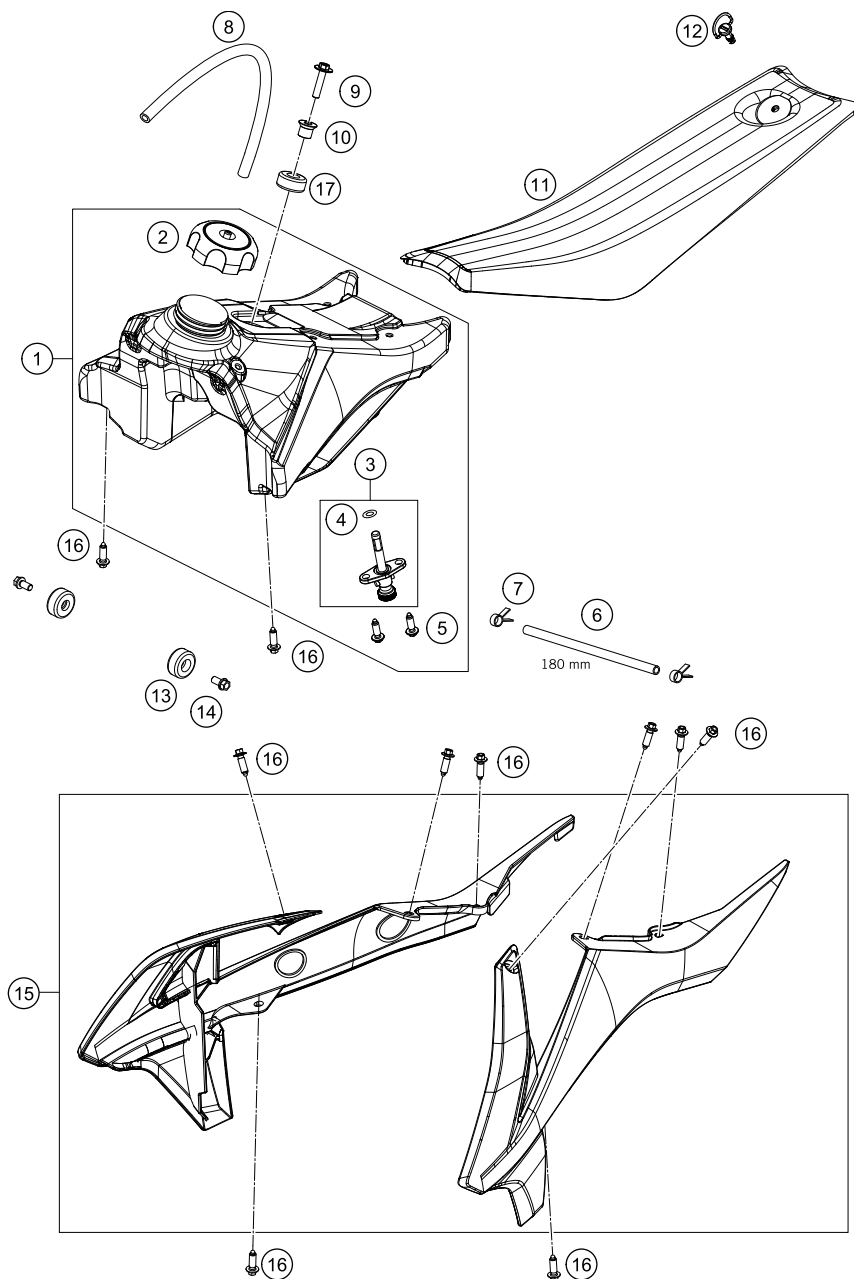
POS	PARTNUMBER	PARTNAME	PIECE
4	45206002000	FILTER BOX COVER 50 SX 09	1
5	45206015000	AIR FILTER 50 SX 09	1
6	45206026100	CARBURETOR CONNECT. 50 SX	1
7	76235028000	HOSE CLAMP GEMI 20-32 MM	1

154520610

15735

* NEW PART

X ON DEMAND



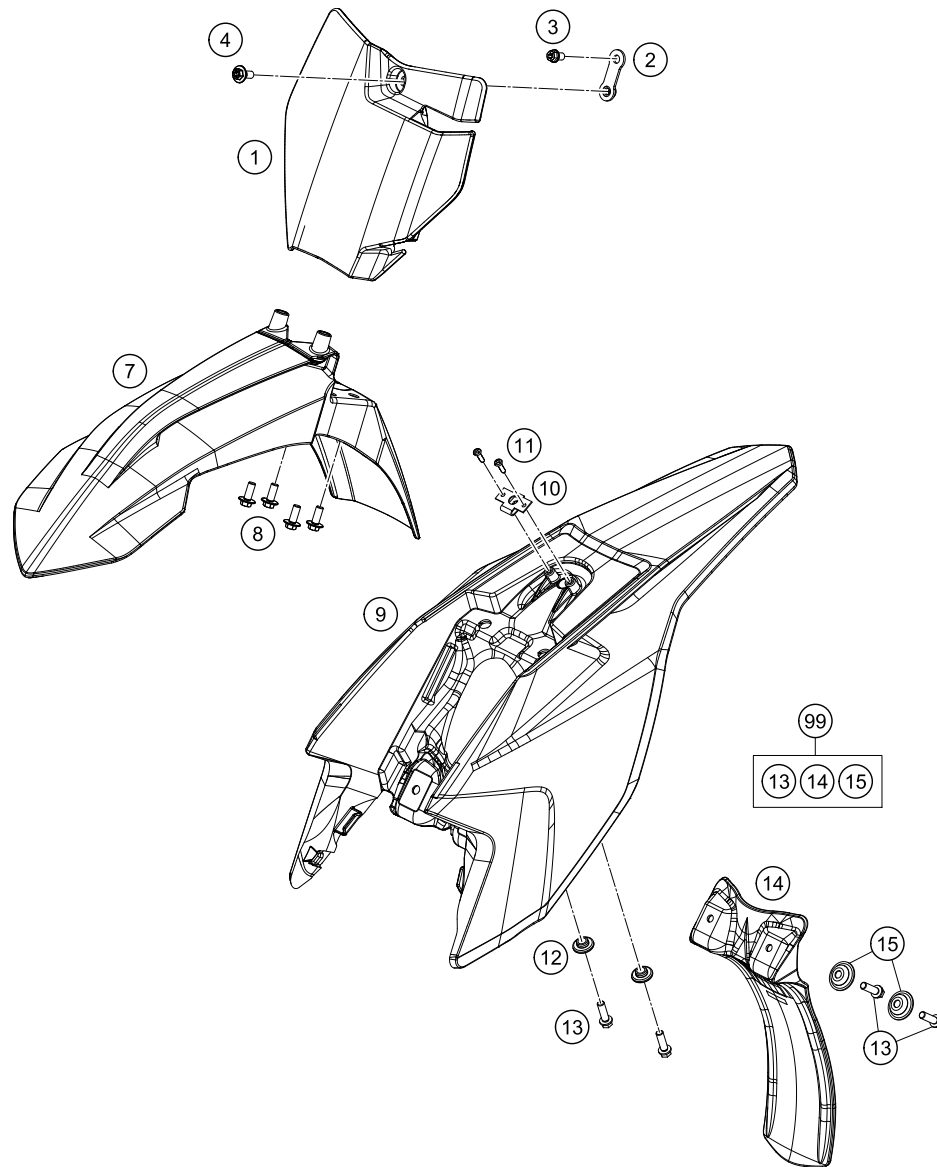
POS	PARTNUMBER	PARTNAME	PIECE
1	4530701313330	FUEL TANK CPL. MINI 2016	1
2	49007008044	FILLER CAP CPL. SMALL	1
3	58507003200	FUEL COCK CPL.	1
4	0770020130	O-RING 1,78x10,82x14,38 2-013	1
5	0017060205	SCREW FOR PLASTIC K60X20 SW6	2
6	58307016001	FUEL HOSE VITON 6X1,5 PER/M	1
7	45031005000	YDNAC-CLAMP FUEL HOSE (8MM)	2
8	78007000270	PVC-HOSE 5,6X10X270MM	1
9	0024060273	COLLAR SCREW M6X27 TX	1
10	77307026000	TANK BUSHING 07	1
11	45307040000	SEAT	1
12	45007040051	QUICK RELEASE CPL. 50 SXR '97	1
13	50307014000	TANK ROLLER 12X26X12 '98	2
14	0025060126	HH COLLAR SCREW M6X12 TX30	2
15	45308054000EBB	Spoilerset orange 50SX/MINI 18 WITH DECAL	1
16	0017060206	SCREW F. PLASTIC K60X20AL SW6	6
17	50307014000	TANK ROLLER 12X26X12 '98	1

174530710

19048

* NEW PART

X ON DEMAND



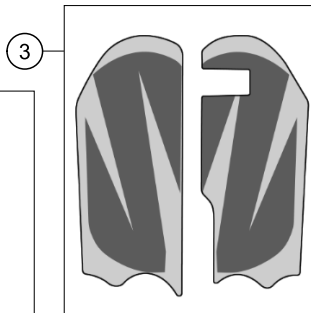
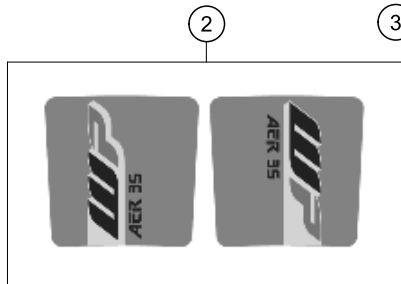
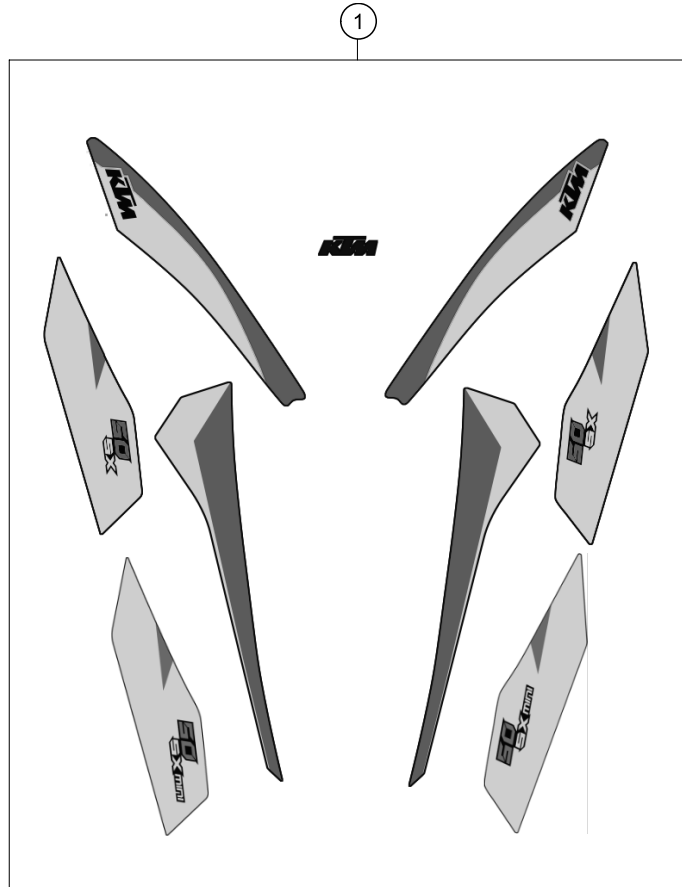
POS	PARTNUMBER	PARTNAME	PIECE
1	4530800700028	START NUMBER PLATE 50 SX WHITE	1
2	45208007050	RETAINING PLATE F. NUMBER PL.	1
3	0025060106	HH COLLAR SCREW M6X10 TX30	1
4	0024060106	HH COLLAR SCREW M6X10 TX30	1
7	45308010000EB	FENDER 50 SX ORANGE	1
8	0024060156	HH COLLAR SCREW M6X15 TX30	4
9	4530801300028B	REARPART 50SX 2017 WITH DECAL	1
10	45007040050	QUICK RELEASE LATCHPLATE	1
11	0981350133	SHEET MET.SCR.DIN7981-3,5X13	2
12	54808020000	SPACER BUSHING 03	2
13	0025060206	HH COLLAR SCREW M6X20 TX30	4
14	45206010100	SPLASH PROTECT. 50SX JUN./MINI	1
15	72210079000	BUCKET	2
99	45206010010	SPLASH PROTECTOR KIT 50 SX	x

154520811

19049

* NEW PART

X ON DEMAND



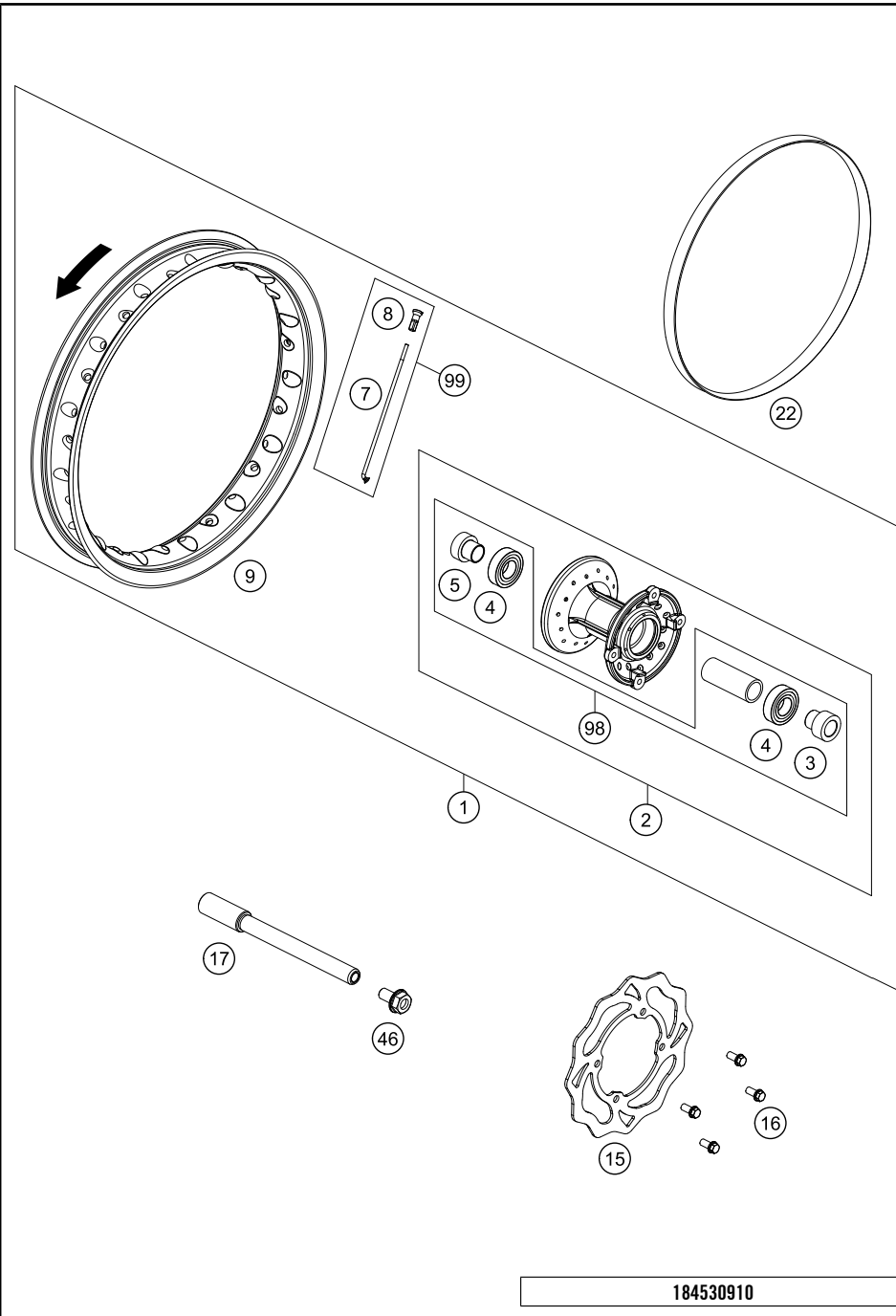
184530830

POS	PARTNUMBER	PARTNAME	PIECE
1	45308099100	Decal 50SX/Mini 2018	1
2	52000141	FORK DECAL SET "AER35"	1
3	46308094010	Decal fork protection 50/65 2018	1

19006

* NEW PART

X ON DEMAND



POS	PARTNUMBER	PARTNAME	PIECE
1	45309001144	VORDERRAD 10X1,6" KPL. 2018	1
2	45209010044	FRONT WHEEL HUB CPL.	1
3	45209012000	SPACER BUSHING LEFT	1
4	0625060037	GR.BALL BEAR. 6003-2RSH/C3HMTF	2
5	45209013000	SPACER BUSHING RIGHT	1
7	45109071102	SPOKE 3X100X6MM-110°	28
8	46210072000	SPOKE NIPPLE ALU	28
9	4520907050033	Front rim 1,6x10"	1
15	45209060000	BRAKE DISC FRONT JUN/SEN 09	1
16	59009062013	SPECIAL SCREW M6X13 WS=8 10.9	4
17	45209081000	AXLE FRONT	1
22	45009073000	RIM BAND 10" 22MM	1
46	49032011000	HH COLLAR SCREW M10X20 WS=17	1
98	45209015000	FRONT WHEEL REP. KIT 50 SX	x
99	00050000952	SPOKE KIT FRONT 10" '12-'14	x

184530910

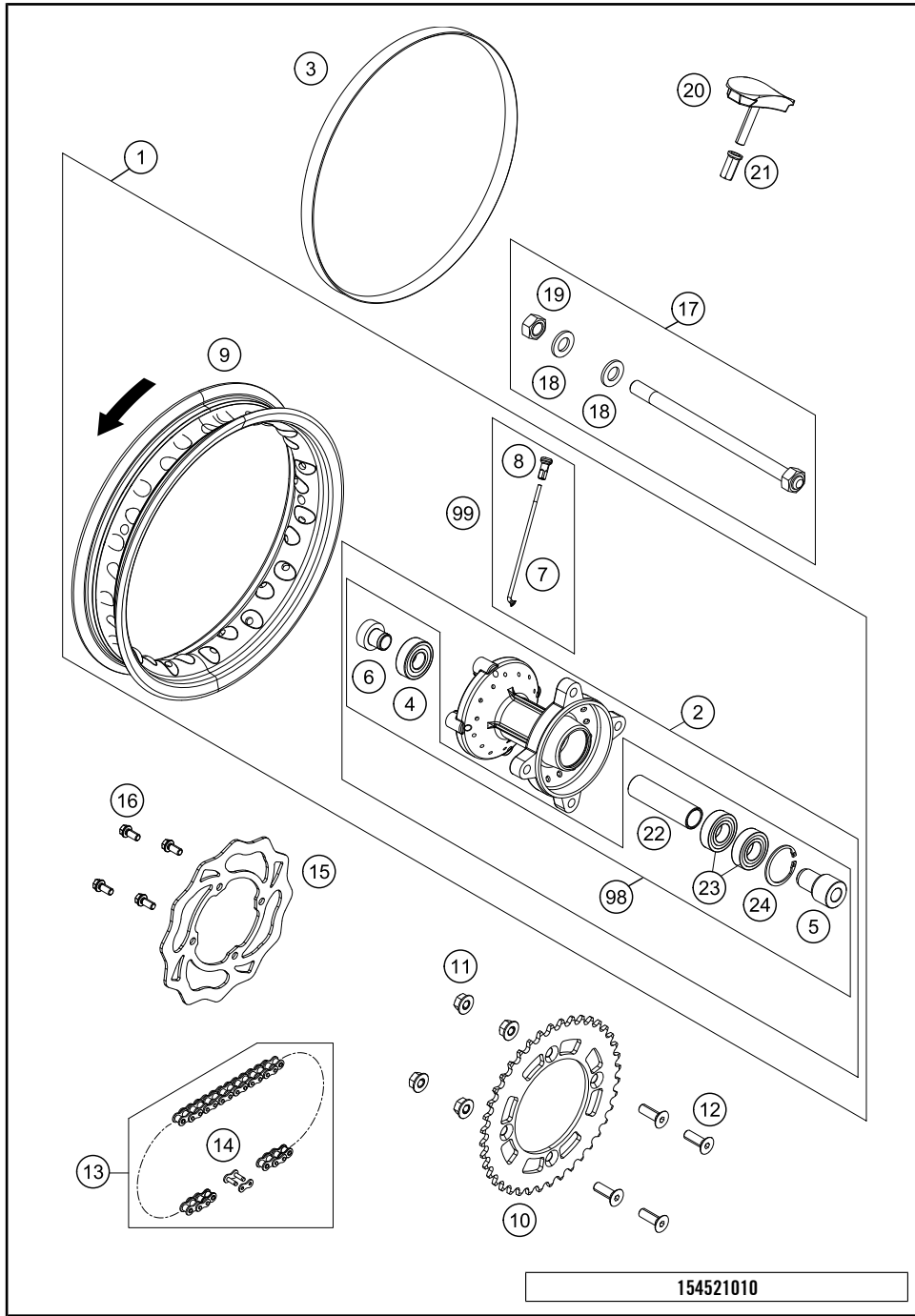
19050

* NEW PART

X ON DEMAND

REAR WHEEL

50 SX Mini 2018



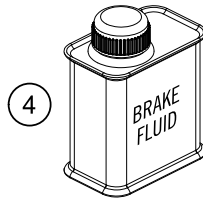
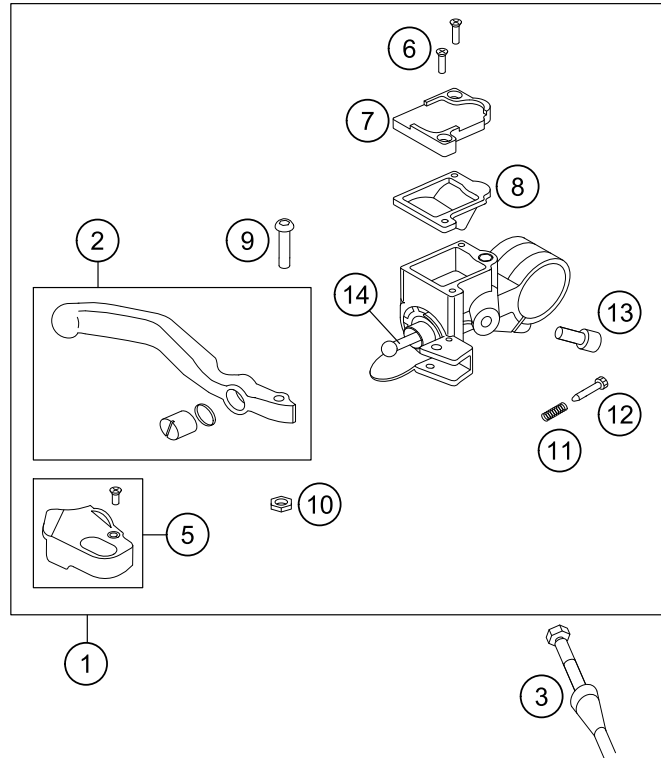
POS	PARTNUMBER	PARTNAME	PIECE
1	45310001144	Hinterrad 50SX-Mini 2018	1
2	45210010144	REAR WHEEL HUB CPL. 50SX 2015	1
3	45009073000	RIM BAND 10" 22MM	1
4	0625062028	BALL BEARING 6202-2RSH/C3	1
5	45210013100	SPACER BUSHING LEFT 2015	1
6	45210014000	SPACER BUSHING REAR R/S	1
7	45210071101	SPOKE 3X101 C.113°	28
8	46210072000	SPOKE NIPPLE ALU	28
9	4521007020033	Rear rim 1,6x10"	1
10	45210151038	SPROCKET 38-T 50SX '13	x
10	45210151039	SPROCKET 39-T 50SX '13	x
10	45210151040	SPROCKET 40-T 50SX '13	x
10	45210151041	SPROCKET 41-T 50SX '13	x
10	45210151042	SPROCKET 42-T 50SX '13	x
11	54310086200	SELF LOCKING NUT M8 10.9	4
12	0991080256	SENKKOPFSCHR. ISR45 M8X25 10.9	4
13	45110265104	RACING CHAIN 1/2X3/16" 50 SX	1
14	45110266000	CONNECTING LINK 1/2X3/16" 90RS	1
15	45209060000	BRAKE DISC FRONT JUN/SEN 09	1
16	59009062016	SPECIAL SCREW M6X16 WS=8 10.9	4
17	46010085044	AXLE CPL. 207MM M12X1	1
18	0125120003	FLAT WASHER DIN0125-A13	2
19	0934120103	HEXAGON NUT DIN0934-M12X1	2
20	45110090000	RIM LOCK CPL. 2004	1
21	77110090050	NUT FOR WHEEL HOLDER	1
22	45210011100	BEARING DISTANCE TUBE 2015	1
23	0625060037	GR.BALL BEAR. 6003-2RSH/C3HMTF	2
24	0472035150	CIRCLIP DIN0472-35X1,5	1
98	45210015100	REAR WHEEL REP. KIT 50 SX 15	x
99	00050000969	SPOKE KIT REAR 10" '14	1

154521010

19051

* NEW PART

X ON DEMAND



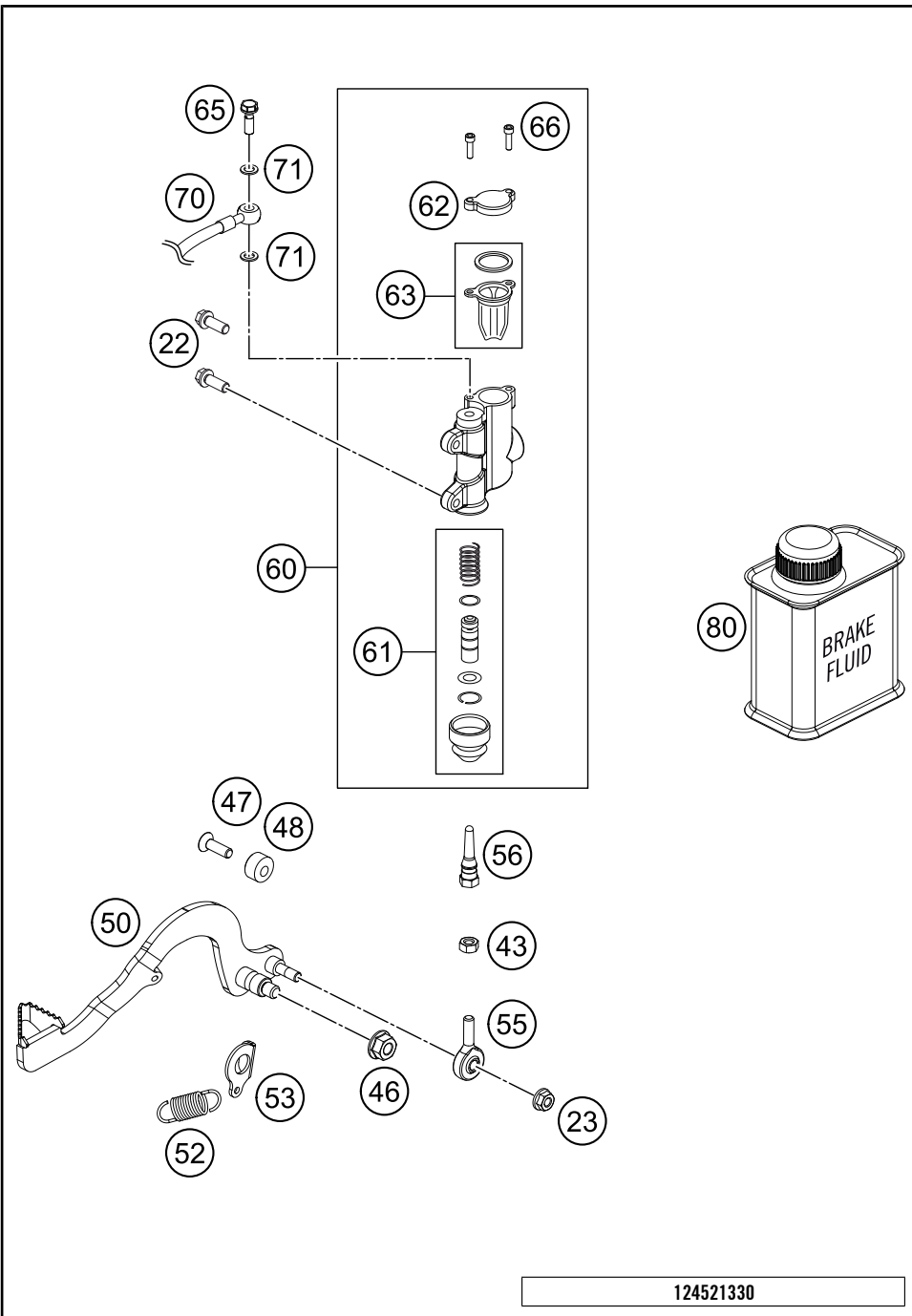
POS	PARTNUMBER	PARTNAME	PIECE
1	45113101044	HAND BRAKE CYLIND.CPL.50 LC 02	1
2	45113002000	HANDBRAKE LEVER CPL. R/S 02	1
3	45213012000	BRAKE HOSE FR. 50SX MINI	1
4	00062030000	BRAKE FLUID DOT5.1 0,25L	1
5	45113004000	PROT.CAP HAND BRAKE CYL. 50 LC	1
6	0966030083	OVAL HEAD SCREW DIN0966-M 3X8	2
7	45113003000	HAND BRAKE CYLINDER COVER 04	1
8	45113009000	GASKET HAND BRAKE CYLINDER 04	1
9	45113006000	SPECIAL-AH SCREW M 5X18	1
10	45113013000	NUT M5 DIN 6334	1
11	45113021000	SPRING FOR HAND BRAKE LEVER 04	1
12	45113007000	ADJUSTING SCREW M 3X16 04	1
13	0912050103	AH SCREW DIN0912-M 5X10	1
14	45113008000	REP.KIT PISTON FRONT 50 04	1

124521310

11198

* NEW PART

X ON DEMAND



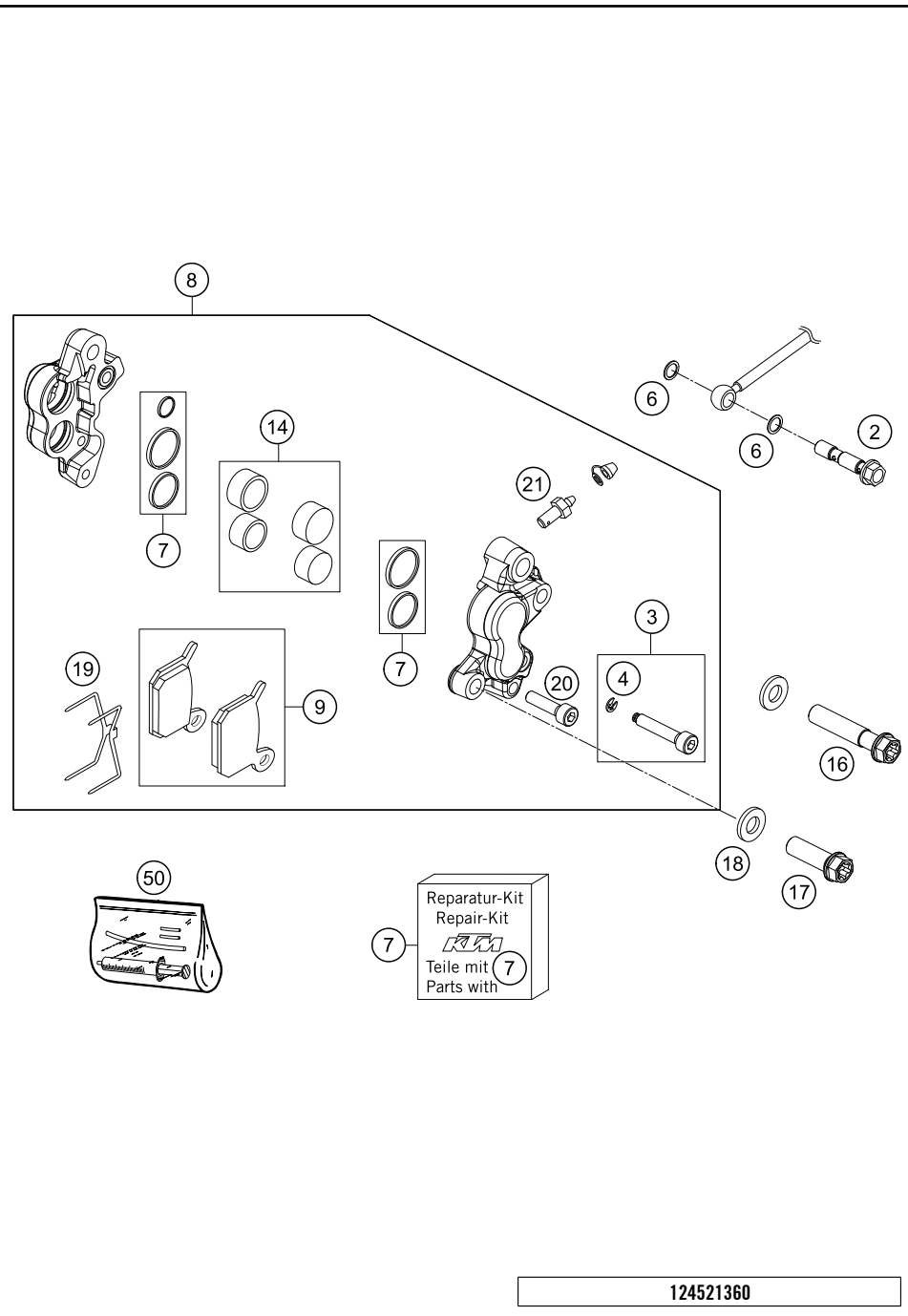
124521330

POS	PARTNUMBER	PARTNAME	PIECE
22	0025060166	HH COLLAR SCREW M6X16 TX30	2
23	56509064100	SELF LOCKING NUT M6 10.9	3
43	0934060003	HEXAGON NUT DIN0934-M 6	1
46	54310086200	SELF LOCKING NUT M8 10.9	1
47	0991060202	FLAT HEAD DIN7991-M 6X20	1
48	45203063000	BRAKE LEVER STOP	1
50	45213050000	FOOT BRAKE LEVER	1
52	54603062100	RETURN SPRING FOR BRAKE LEVER	1
53	45213053000	LOCK WASHER 50 SX	1
55	46213055000	SWIVEL HEAD KA6 INNOX	1
56	46213056000	PUSH ROD	1
60	46113060000	REAR BRAKE CYL. 50+65 04	1
61	47013061000	REP. SET PISTON REAR D=11 2003	1
62	47013062000	CYLINDER COVER REAR 85 SX 03	1
63	47013063000	GASKET CYLINDER COVER REAR 03	1
65	46113325000	HOLLOW SCREW M6	1
66	0912040103	AH.SCREW DIN0912-M 4X10	2
70	45213170100	BRAKE TUBE REAR	1
71	0770060019	O-RING 6,00X1,00 FORMULA	2
80	00062030000	BRAKE FLUID DOT5.1 0,25L	1

11203

* NEW PART

X ON DEMAND

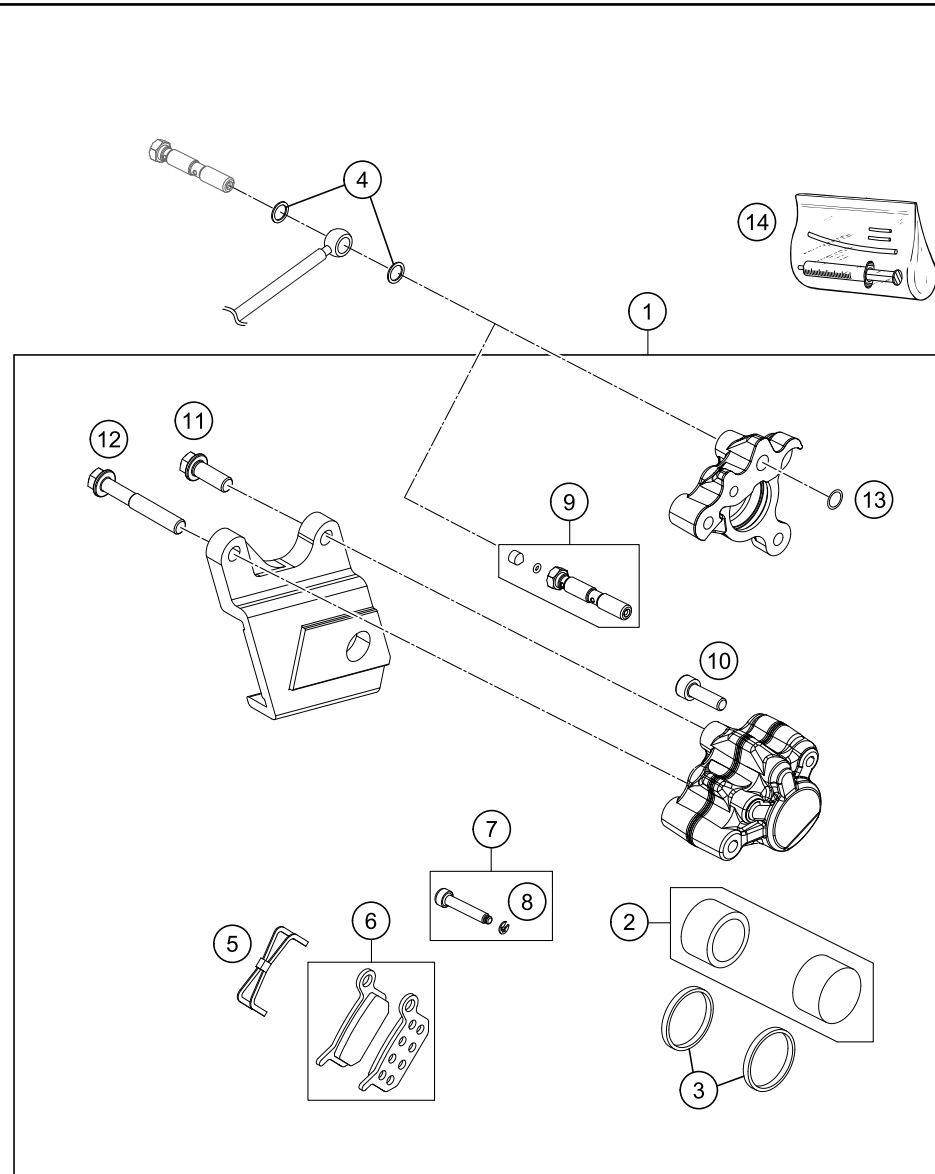


POS	PARTNUMBER	PARTNAME	PIECE
2	45113025000	HOLLOW SCREW M6X34 50 LC 2002	1
3	45113125000	AH SCREW+CIRCLIP LC 50 02	1
4	0799025000	TAB WASHER DIN6799 RS2,5	1
6	0770060019	O-RING 6,00X1,00 FORMULA	2
7	45113019000	REP.KIT SEAL RING 50LC 2002	1
8	45113015000	BRAKE CALIPER CPL.FR. 50 LC 02	1
9	45113030000	BRAKE PAD SET 50 LC 2002	1
14	45113019050	REPAIR KIT BRAKEPISTON	1
16	0025080606	HH COLLAR SCREW M8x60 TX40	1
17	0025080406	HH COLLAR SCREW M8X40 TX40	1
18	0125080003	WASHER DIN0125-A 8,4	2
19	45113018000	RETAINING SPRING 50 LC	1
20	0912050203	AH SCREW DIN0912-M 5X20	1
21	45113020000	BREATHER SCREW 50 2002	1
50	45119050000	BLEEDER INJECTION-SET 50-65	x

124521360

11206

* NEW PART X ON DEMAND



POS	PARTNUMBER	PARTNAME	PIECE
1	45213080000	BRAKE CALIPER REAR	1
2	45113019100	REPAIR KIT BRAKEPISTON	1
3	0770022020	O-RING 22X2X2 EPDM	2
4	0770060019	O-RING 6,00X1,00 FORMULA	2
5	45113018000	RETAINING SPRING 50 LC	1
6	45113030000	BRAKE PAD SET 50 LC 2002	1
7	45113225000	AH SCREW + CIRCLIP 50/65 04	1
8	0799025000	TAB WASHER DIN6799 RS2,5	1
9	46113225000	HOLLOW SCREW CPL.	1
10	0912050163	AH SCREW DIN0912-M 5X16	1
11	0025060166	HH COLLAR SCREW M6X16 TX30	1
12	0025060406	HH COLLAR SCREW M6X40 TX30	1
13	0770080019	O-RING 8,00X1,00 FORMULA	1
14	45119050000	BLEEDER INJECTION-SET 50-65	x

144521390

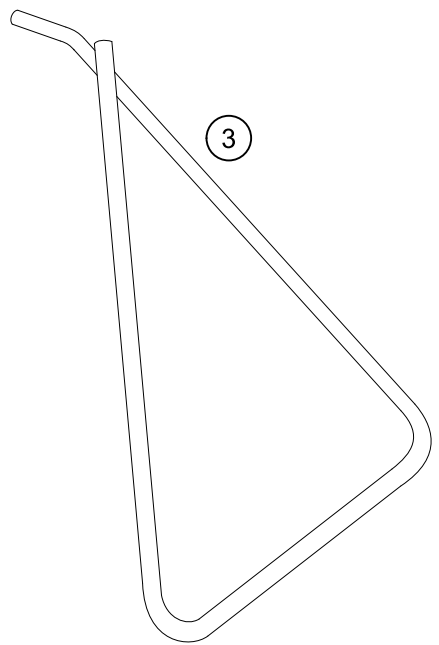
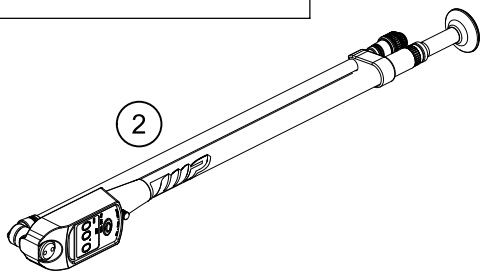
14243

* NEW PART

X ON DEMAND

0
OHNE ABBILDUNG
WITHOUT ILLUSTRATION

1
TECHNISCHE DOKUMENTATION
TECHNICAL DOCUMENTATION
DOCUMENTACION TECNICA
DOCUMENTATION TECHNIQUE
NOTE TECNICHE

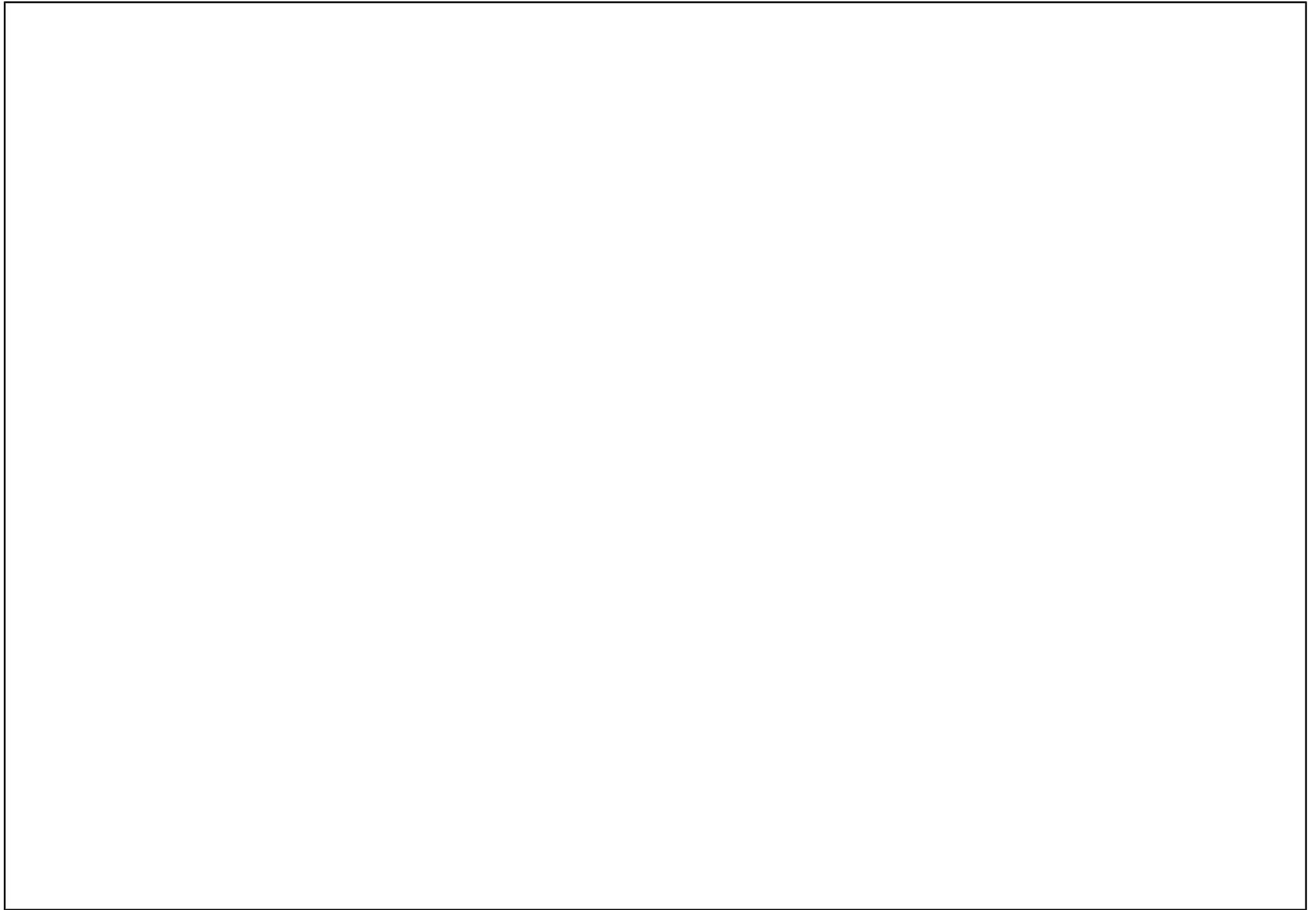


174532001

POS	PARTNUMBER	PARTNAME	PIECE
0	50306009000	STICKER "TWIN AIR"	1
0	78112920000	HOUR METER KTM	1
0	44011076140	CABLE TIE 140/2,5MM BLACK	2
0	3212702DE/ENE	PP offroad folder 2017	1
0	3212704ENE	PW Offroad Folder 2017	1
0	52000144	FORK DECAL SET	1
0	3210039	CUSTOMER WELCOME LETTER	1
0	50203098000	Sticker "Warning label 4"	1
0	45229073000	SPARK PLUG WRENCH	1
0	312313	KTM BALLPOINT PEN ORANGE	1
0	312305	DOCUMENTS BAG 2006	1
1	3213634EN	Bed.-Anl. 50SX/50SX Mini 2018	1
1	322000	SAFETY BROCHURES SPORTMINICYC.	1
2	79412966000	AIRPUMP FOR AIRFORK	1
3	45103023300	PLUG-IN STAND 50 SEN LC 03	1

19053

* NEW PART X ON DEMAND







WWW.KTM.COM



KTM Sportmotorcycle GmbH
5230 Mattighofen, Austria
www.ktm.com



KTM_POWERPARTS

KTM_POWERWEAR

KTM_ORIGINAL SPARE PARTS



F6001R5EN

Art. Nr.: F6001R5EN 1.3. Mär 2017