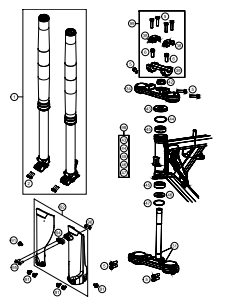
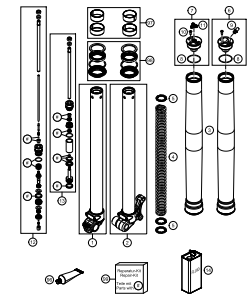
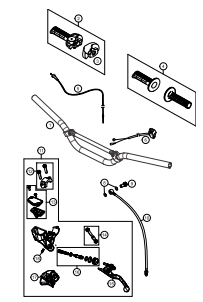
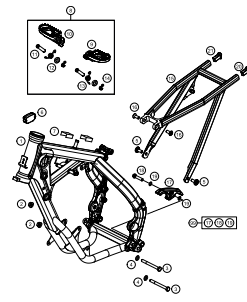
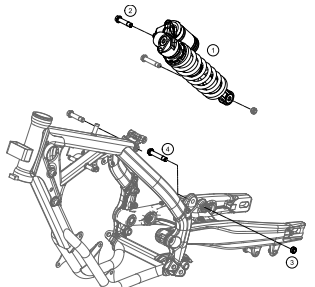
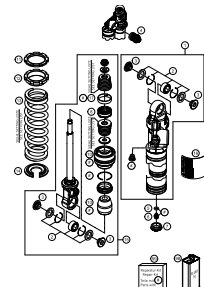
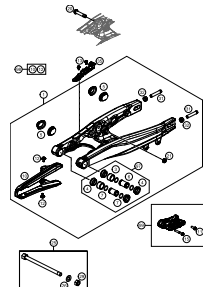
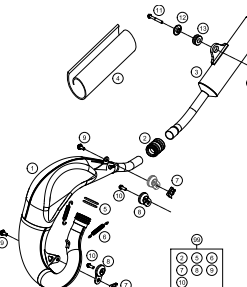
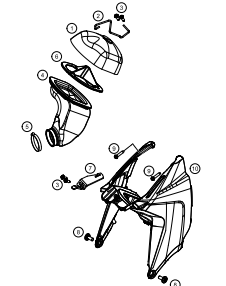
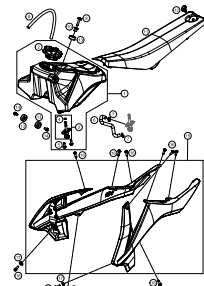
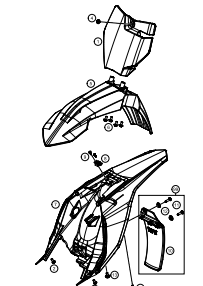
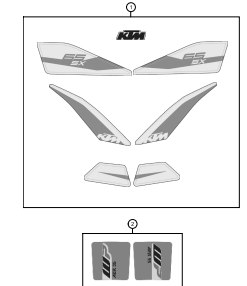
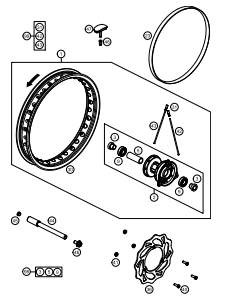
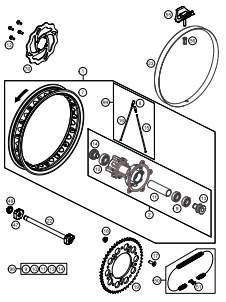
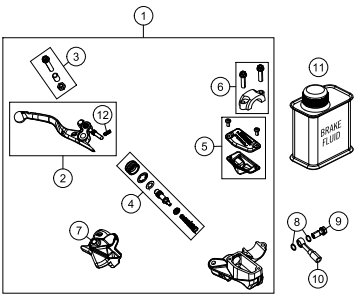
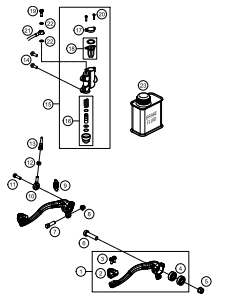
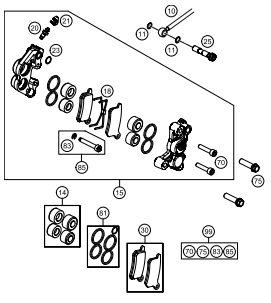
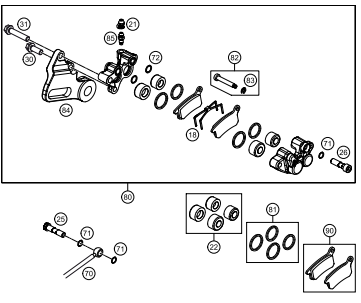
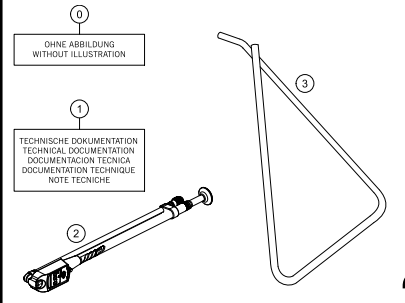


65 SX 2019 EU 2019

ART.-NR.: F6001S6EN

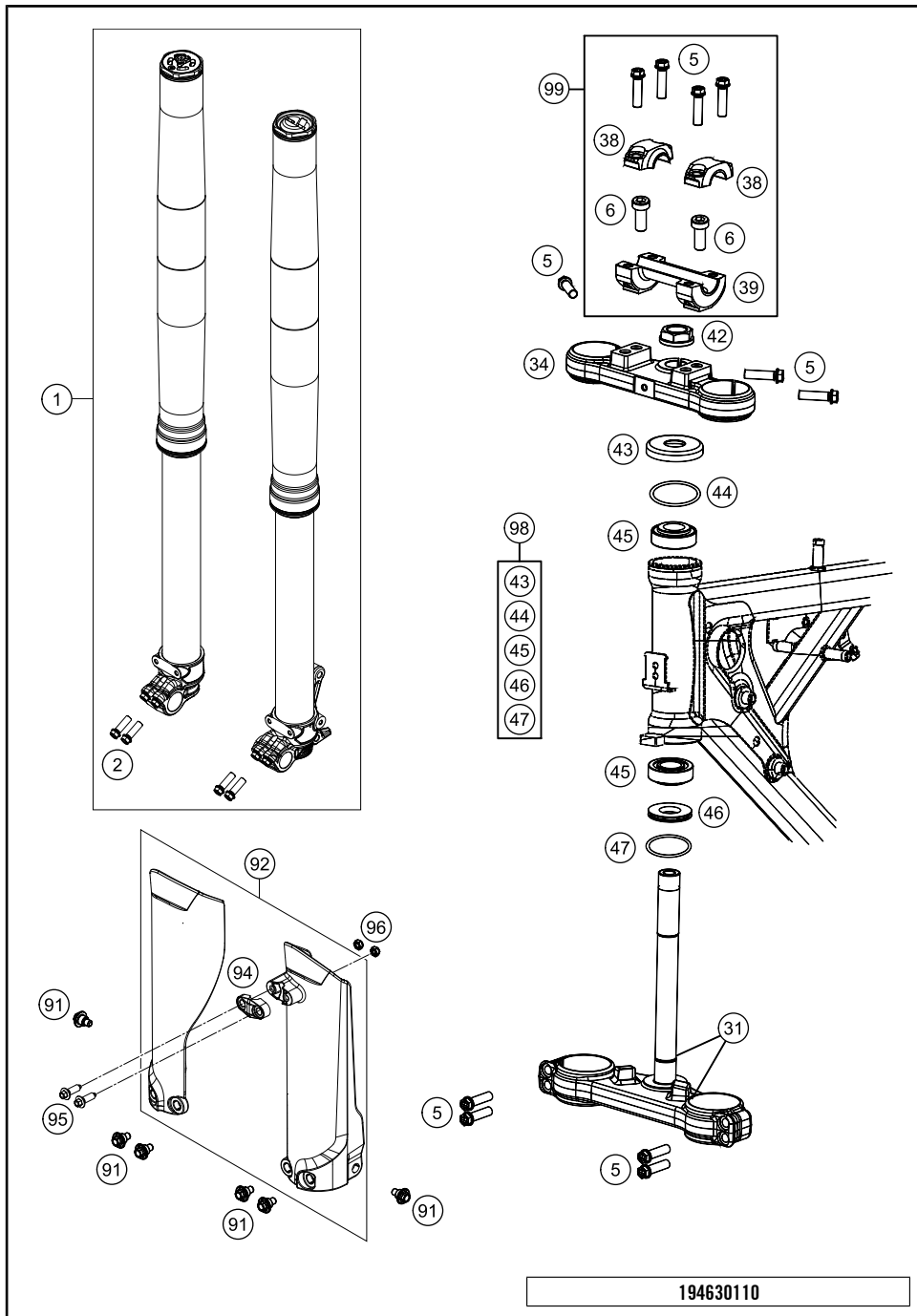


<p>FRONT FORK, TRIPLE CLAMP</p>  <p>3</p>	<p>FRONT FORK DISASSEMBLED</p>  <p>4</p>	<p>HANDLEBAR, CONTROLS</p>  <p>5</p>	<p>FRAME</p>  <p>6</p>
<p>SHOCK ABSORBER</p>  <p>7</p>	<p>SHOCK ABSORBER DISASSEMBLED</p>  <p>8</p>	<p>SWING ARM</p>  <p>9</p>	<p>EXHAUST SYSTEM</p>  <p>10</p>
<p>AIR FILTER</p>  <p>11</p>	<p>TANK, SEAT</p>  <p>12</p>	<p>MASK, FENDERS</p>  <p>13</p>	<p>DECAL</p>  <p>14</p>

<p>FRONT WHEEL</p>  <p style="text-align: right;">15</p>	<p>REAR WHEEL</p>  <p style="text-align: right;">16</p>	<p>FRONT BRAKE CONTROL</p>  <p style="text-align: right;">17</p>	<p>REAR BRAKE CONTROL</p>  <p style="text-align: right;">18</p>
<p>FRONT BRAKE CALIPER</p>  <p style="text-align: right;">19</p>	<p>REAR BRAKE CALIPER</p>  <p style="text-align: right;">20</p>	<p>SEPERATE ENCLOSURE</p>  <p style="text-align: right;">21</p>	
<div style="display: flex; align-items: center;"> <div style="background-color: #cccccc; width: 50px; height: 100px; display: flex; align-items: center; justify-content: center; margin-right: 20px;"> ! </div> <div> <p>All information contained is without obligation. KTM Sportmotorcycle GmbH particularly reserves the right to modify any equipment, technical specifications, prices, colors, shapes, materials, services, service work, constructions, equipment and the like so as to adapt them to local conditions or to cancel any of the above items, all without previous announcement and without giving reasons. KTM may stop manufacturing certain models without previous notice. KTM shall not be held liable for any deviations of availability and/or ability to deliver, illustrations, descriptions, printing and/or other errors. The illustrated models partly contain extra equipment, which is not applied to standard models.</p> <p>© by KTM Sportmotorcycle GmbH, Mattighofen AUSTRIA; All rights reserved; Reprint, also in extracts, with written allowance of KTM Sportmotorcycle GmbH, Mattighofen only.</p> </div> </div>			

FRONT FORK, TRIPLE CLAMP

65 SX 2019 EU 2019



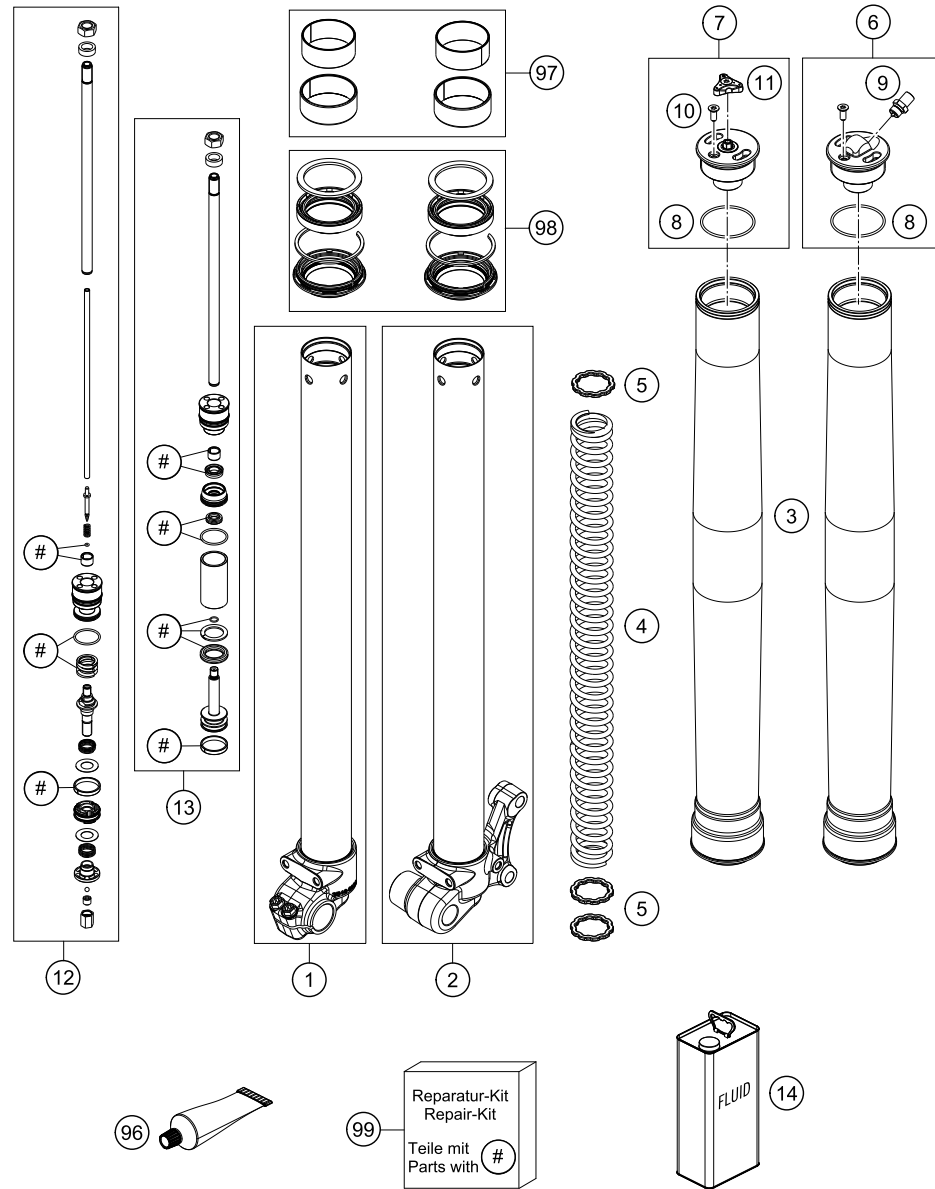
POS	PARTNUMBER	PARTNAME	PIECE
1	07186Q0301	FORK 65SX 17	1
2	0025060306	HH collar screw M6x30 TX30	2
5	0025080306	HH collar screw M8x30	11
6	0032100256S	AH-COLLAR SCREW M10X25 ISA45	2
31	46201032022	BOT.FORK PLATE CPL.	1
34	45201034022	TOP TRIPLE CLAMP	1
38	50301038000	HANDLEBAR CLAMP D=22MM 2001	2
39	45201039000	HANDLEBAR SUPPORT 50SX D=22MM	1
42	59030029000	HH NUT M20X1,5 WS=27 RIGHT	1
43	49001086000	COVERING CAP	1
44	0770049025	O-RING 49,00X2,50 NBR	1
45	49001081000	TAPERED ROLLER BEARING 32004X	2
46	46001086000	PROTECTION RING 20,1X39X5	1
47	0770360030	O-RING 36,00X3,00 NBR	1
91	59001092050	SPECIAL SCREW M6X12,5 WS=8	6
92*	4630109400028A	Fork protection kit 50/65	1
94*	4630108500028	Clamp for brake hose	1
95*	0017060206	SCREW F. PLASTIC K60X20AL SW6	2
96	0985050003	SELF LOCKING NUT DIN0985-M 5	2
98	00050000931	STEERING HEAD REP. KIT MINI	x
99	00050000925	HANDLEBAR SUPPORT KIT 50SX '12	1

194630110

50178

* NEW PART

X ON DEMAND



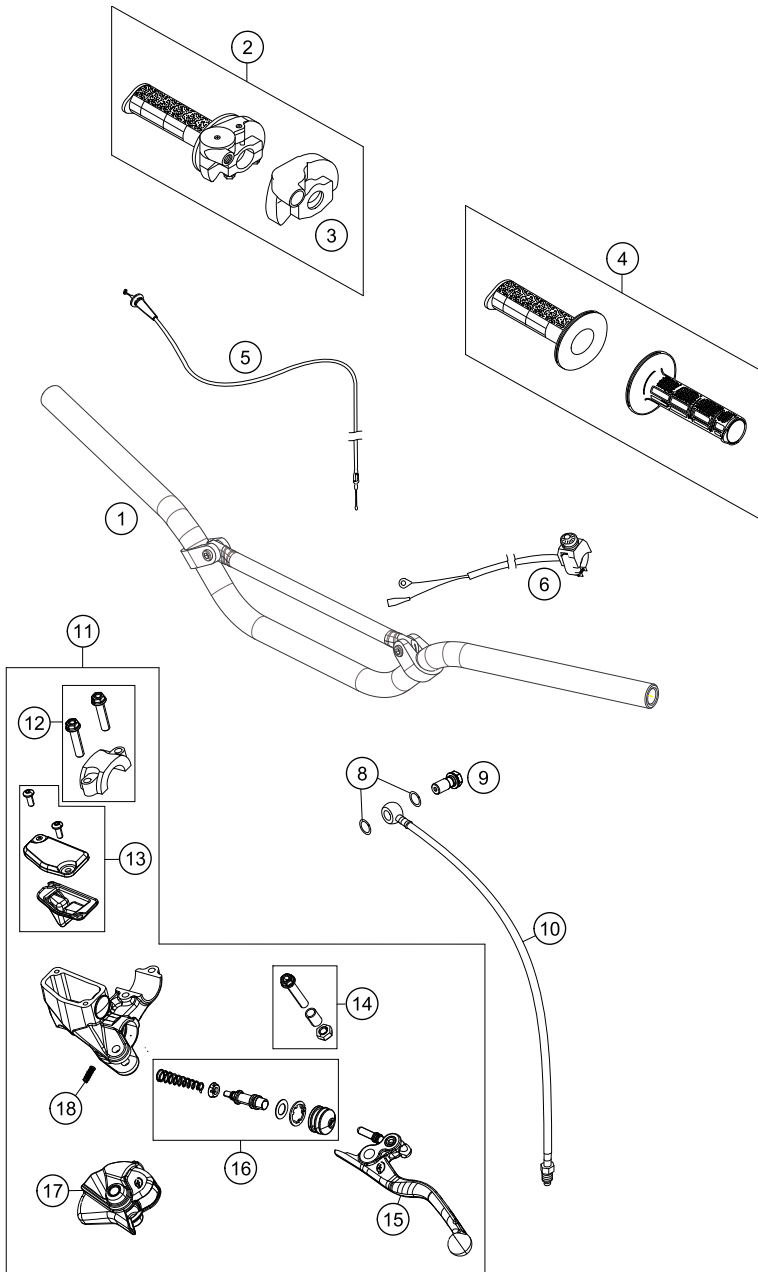
POS	PARTNUMBER	PARTNAME	PIECE
1	35480455S4	AXLE CLAMP KTM 65SX R/S. CPL.	1
2	35480466S3	AXLE CLAMP KTM 65SX L/S CPL.	1
3	35480564	Fork outer tube 36x465 dt44 db48	2
4	95010044S	SPRING 2,8N/MM D3,6 SET	1
5	35480497	Washer 22x30x2,5	3
6	35480548S	Screw cap M38x1,5 air cpl.	1
7	35480507S1	Screw cap M38x1,5 air rebound cpl.	1
8	46180581	O-ring 35x1,5 NBR70 yellow	2
9	48601494S	VALVE M8X1 INCL. SCREW CAP	1
10	00600003	ISA countersunk head screw M4x10 DIN7991	1
11	48601118S	ADJUSTER REB. RED CPL.	1
12	35480551S4	PISTON ROD SX 65 CPL. RIGHT	1
13	35480551S5	PISTON ROD SX 65 CPL. LEFT	1
14	48601166S1	FORK OIL SAE4 5L	1
96	00062010053	Spezial Fett AER Fork 50g	1
97	RP10006	BUSHING KIT 35MM	x
98	RP10007	GASKET KIT 35MM RED	x
99	RP10008	REPAIR KIT 50+65SX AIR 2017	x

174630130

19011

* NEW PART

X ON DEMAND



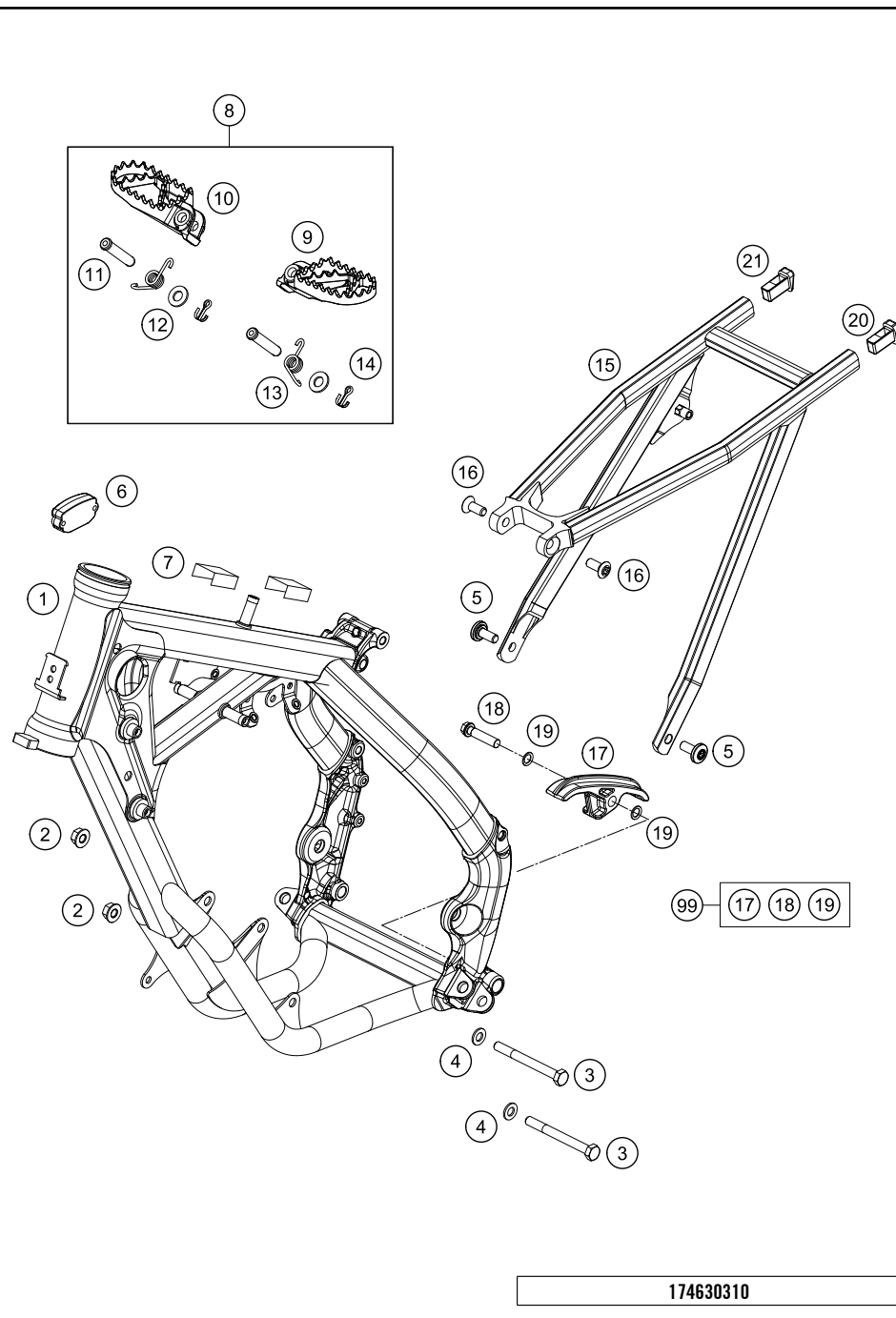
POS	PARTNUMBER	PARTNAME	PIECE
1	46302001000	HANDLEBAR 65 SX 2016	1
2*	46102010100	THROTTLE GRIP 65 SX 02	1
3	50302020000	PROTECTION COVER '97	1
4*	46302021000	Grip-Set	1
5	46202091000	THROTTLE CABLE 65 SX 2009	1
6	50311089200	SHORT CIRCUIT BUTTON 02	1
8	0770080019	O-RING 8,00X1,00 FORMULA	2
9	47013025000	HOLLOW SCREW BRAKE CYLINDER 03	1
10	47132063000	CLUTCH PIPE	1
11	72002030100	MASTER CYLINDER CPL. 10MM	1
12	72013005000	CLAMP	1
13	72002003000	COVER F. MASTER CYLINDER CPL.	1
14	70002038000	LEVER SCREW CPL.	1
15	72013002000	LEVER CPL.	1
16	72002032000	REP. KIT PISTON 10MM	1
17	72002037000	MUDCOVER CLUTCH LEVER	1
18	72002035000	SPRING FOR CLUTCH LEVER	1

164630210

50189

* NEW PART

X ON DEMAND



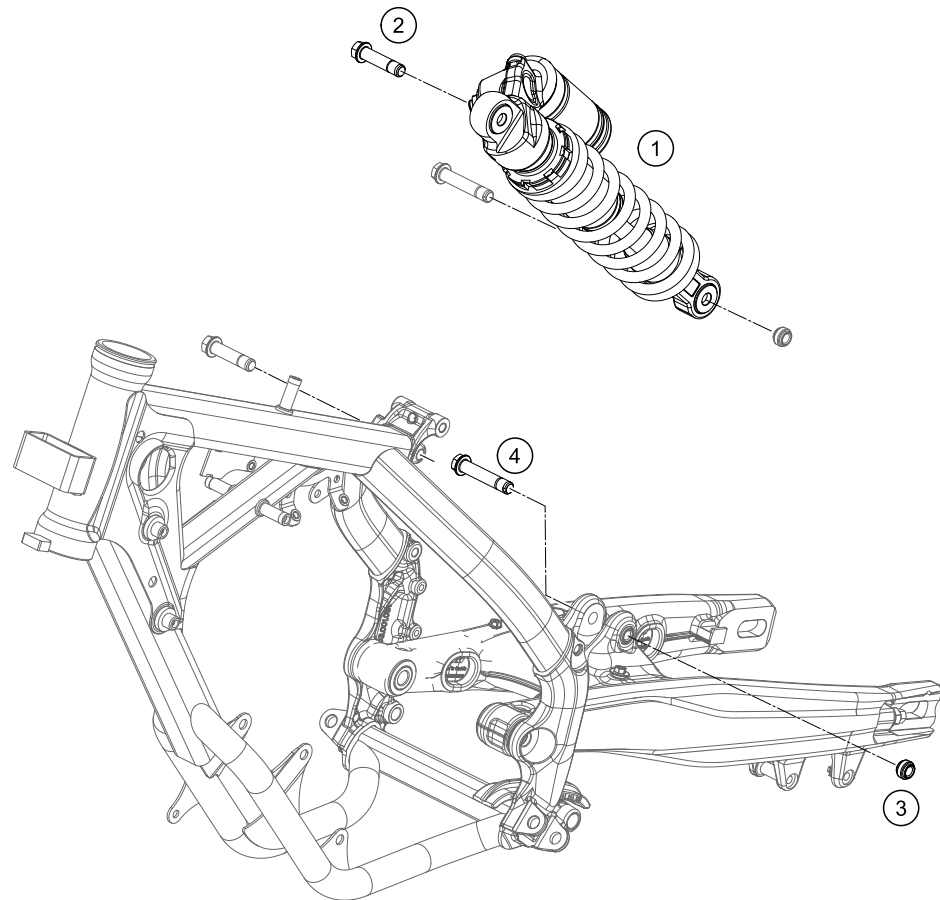
174630310

POS	PARTNUMBER	PARTNAME	PIECE
1	46303001000EB	Frame "463P3" elec. orange	1
2	06923080003	hex nut EN 1661 M8 WS13	2
3	0931080805S	HH SCREW DIN931 M8X80 SS	2
4	0125080003	washer DIN 125 A -8.4	2
5	79003003000	SPECIAL SCREW M8X18 TORX45 SS	2
6	78112920000	HOUR METER KTM	1
7	50307012000	ADH. FOIL TRANSP. 80X80 MM 04	2
8	47103040033	FOOTREST CPL. 14	1
9	47103040000	FOOTREST L/S	1
10	47103041000	FOOTREST R/S	1
11	54803044000	PIN FOR FOOT PED 51.5X9.8 MM	2
12	0125100003	washer DIN 125 A 10.5	2
13	54603041000	FOOTREST SPRING L/S & R/S	2
14	0094032253	PIN DIN0094-3,2X25 STEEL	2
15	46303002000	SUBFRAME 65SX 2016	1
16	0019080206S	FLAT HEAD SCREW M. ISA45 M8X20	2
17	77303053000	CHAIN SLIDING PIECE BELOW 07	1
18	0025080356	HH collar screw M8x35 TX40	1
19	36003014000	LOCK WASHER 8MM	2
20	78103002010	SUB FRAME APPLICATION LEFT	1
21	78103002020	SUB FRAME APPLICATION RIGHT	1
99	77303053110	CHAIN SLIDING KIT BELOW 09-15	1

50190

* NEW PART

X ON DEMAND



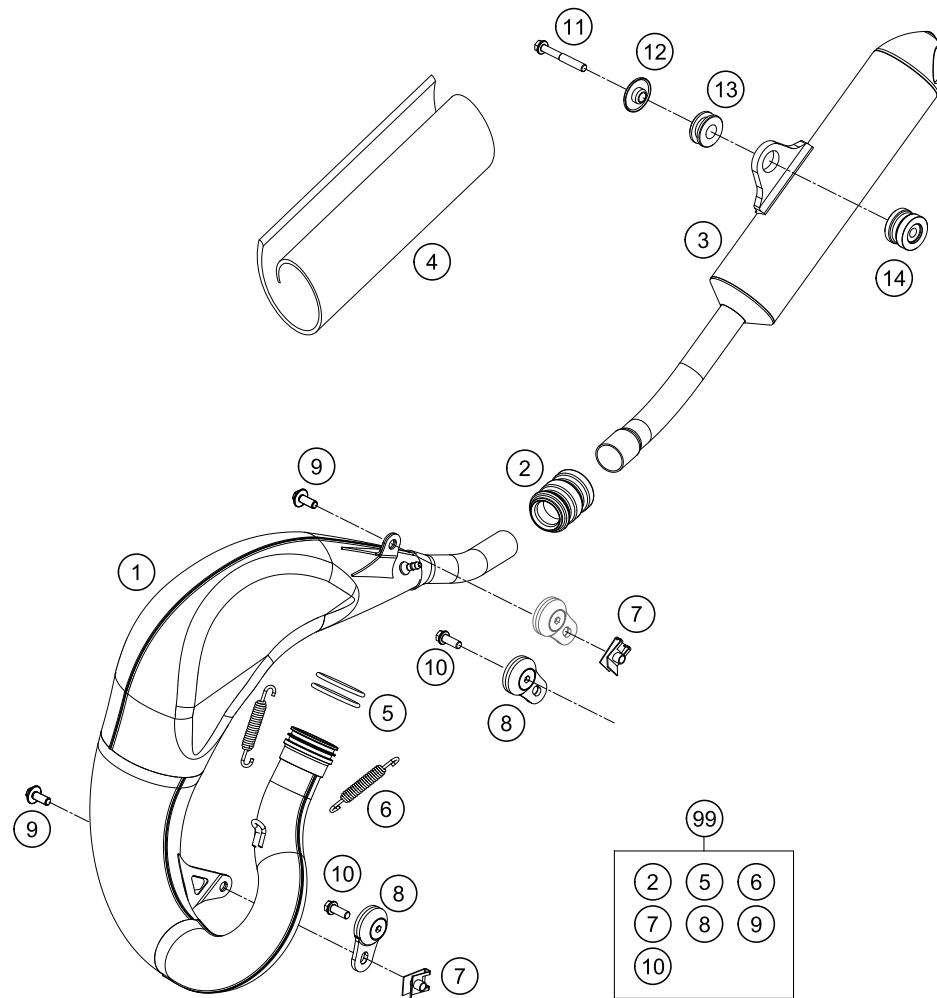
POS	PARTNUMBER	PARTNAME	PIECE
1	03187Q0301	MONOSHOCK 65SX 2017	1
2	69004089000	HH COLLAR SCREW M10X42 WS13 08	1
3	69004095000	ADAPTOR NUT M10	1
4	77204089000	HH COLLAR SCREW M10X52 SW13	1

164630410

19014

* NEW PART

X ON DEMAND



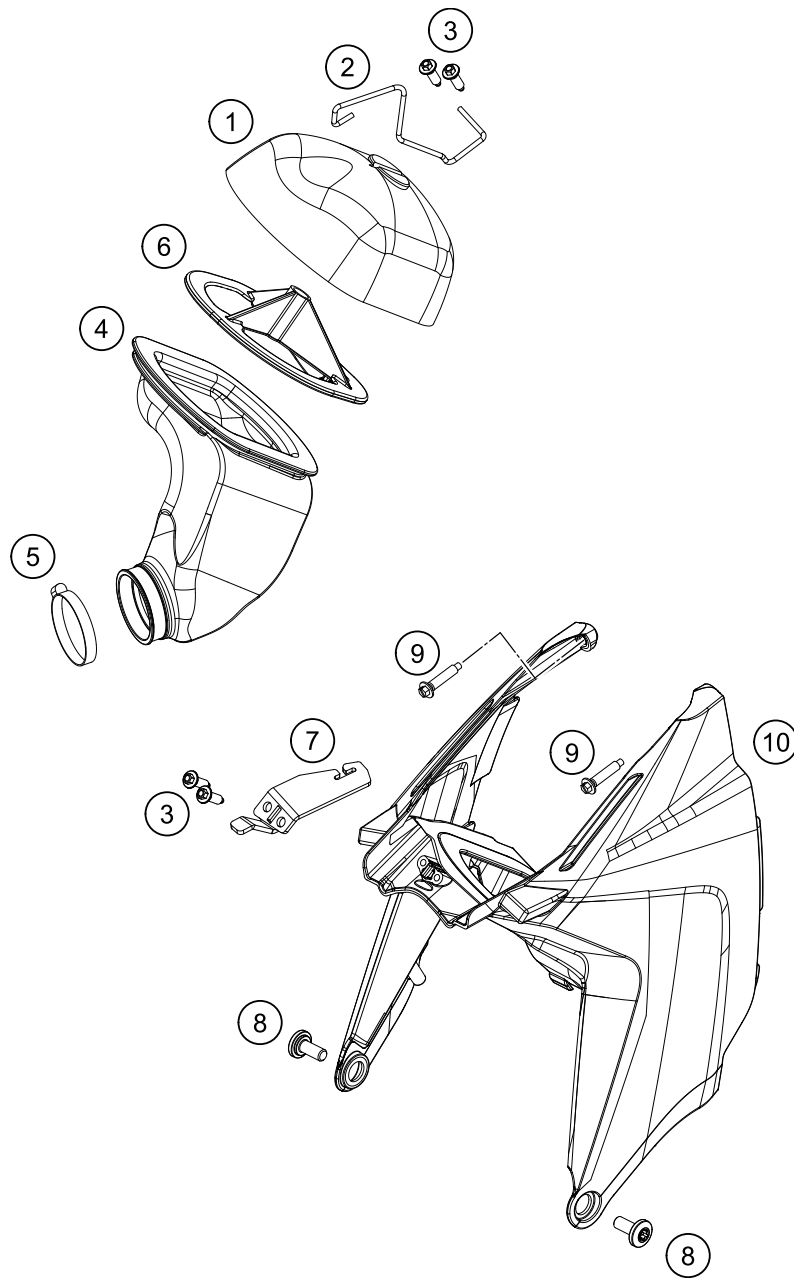
POS	PARTNUMBER	PARTNAME	PIECE
1	46305007000	EXHAUST PIPE CPL.	1
2	54605057000	RUBBER SLEEVE D=21MM/23MM '93	1
3	46305079000	SILENCER 65 SX	1
4	45105079056	ROCKWOOL PREFOMED 50 2002	1
5	0770350030	O-RING 35,00X3,00 VITON	2
6	50305016000	TEN.SPRING L=62MM EY.MOVEABLE	2
7	54603048100	clip nut M6	2
8	50305012000	SWINGELEMENT FOR EXHAUST PIPE	2
9	0024060156	HH collar screw M6x15 TX30	2
10	0025060166	HH collar screw M6x16 TX30	2
11	0025060456	HH COLLAR SCREW M6X45 TX30	1
12	46205169000	BUSHING 7.5X12X28X7.6	1
13	77205068000	DAMP. COMPON. BLACK	1
14	46205069100	BUSHING 7.5X12X28X23.6	1
99	00050000812	EXHAUST HARDWARE KIT MINI	1

164630510

17061

* NEW PART

X ON DEMAND



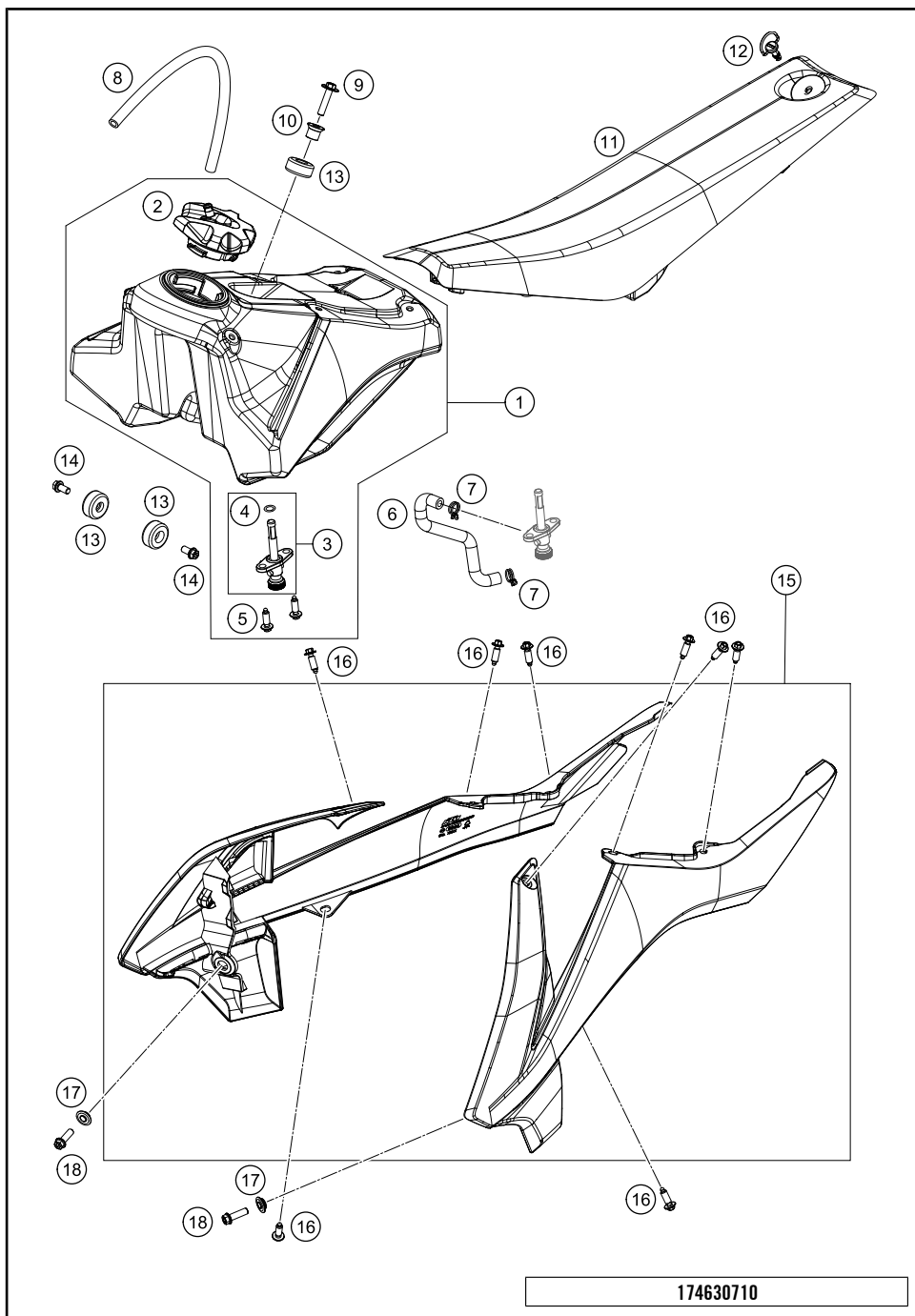
POS	PARTNUMBER	PARTNAME	PIECE
1	58406015100	AIR FILTER	1
2	46206017000	FILTER BOW 65 SX 2009	1
3	0017060205	SCREW FOR PLASTIC K60X20 SW6	4
4	46206026000	CARBURETOR CONN. BOOT 65 SX 09	1
5	78006027000	HOSE CLAMP 45-65MM	1
6	58406016000	FILTER CARRIER '97	1
7	46206017050	AIR FILTER BOW PANEL 65SX 2009	1
8	79003003000	SPECIAL SCREW M8X18 TORX45 SS	2
9	0017060305	SPECIAL SCREW K60X30 WS=6	2
10	4630600100028	AIR FILTER BOX 65 SX	1

164630610

17063

* NEW PART

X ON DEMAND

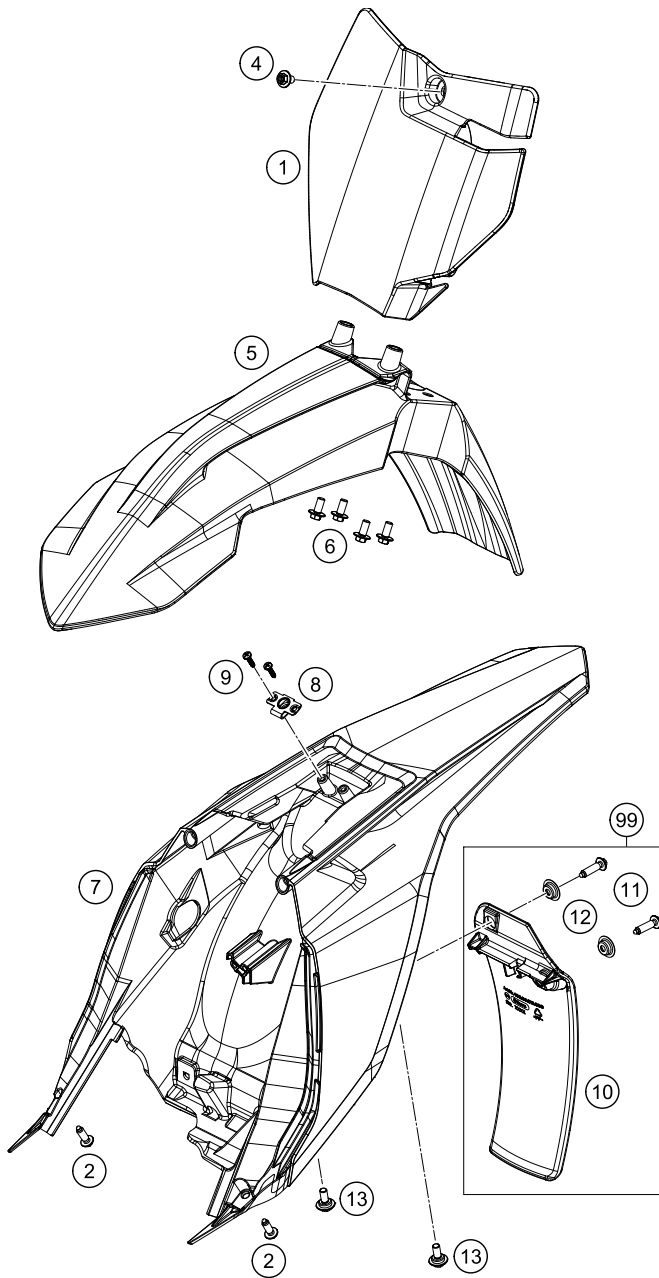


POS	PARTNUMBER	PARTNAME	PIECE
1	4630701303330	FUEL TANK CPL. 3L 2016	1
2	78107008044X4	TANK PLUG CPL. 14	1
3	58507003200	FUEL COCK CPL.	1
4	0770020130	O-RING 1,78x10,82x14,38 2-013	1
5	0017060205	SCREW FOR PLASTIC K60X20 SW6	2
6	46307016000	FUEL HOSE 65SX 2016	1
7	58007117000	YDNAC-CLAMP 10107 10MM	2
8	78007000270	PVC-HOSE 5,6X10X270MM	1
9	0024060273	COLLAR SCREW M6X27 TX	1
10	77307026000	TANK BUSHING 07	1
11	46307040000	SEAT	1
12	45007040051	QUICK RELEASE CPL. 50 SXR '97	1
13	50307014000	TANK ROLLER 12X26X12 '98	3
14	0025060126	HH collar screw M6x12 TX30	2
15*	4630805400028B	Spoilerset 65SX WITH DECAL	1
16	0017060206	SCREW F. PLASTIC K60X20AL SW6	8
17	79608052000	BUSH 6X11X16X5 MM	2
18	0025060206	HH collar screw M6x20 TX30	2

174630710

50191

* NEW PART X ON DEMAND



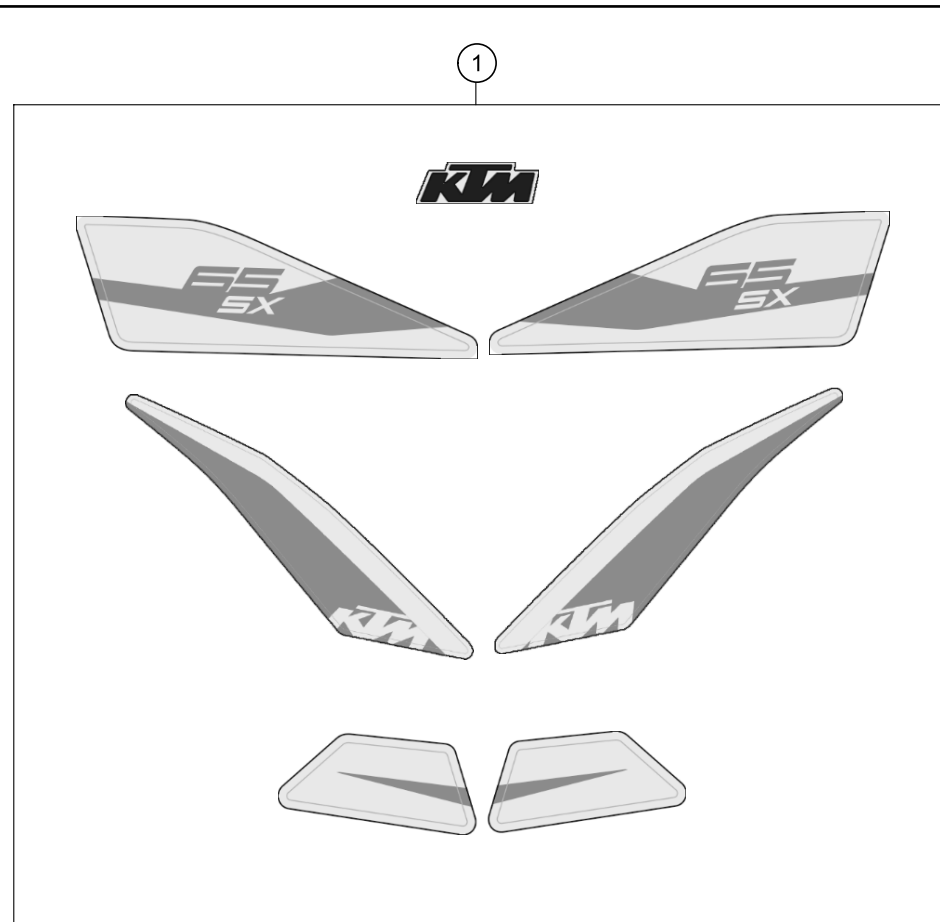
164630810

POS	PARTNUMBER	PARTNAME	PIECE
1	4630800700028	NUMBER PLATE 65SX WHITE	1
2	0017060205	SCREW FOR PLASTIC K60X20 SW6	2
4	0024060106	HH COLLAR SCREW M6X10 TX30	1
5	46308010000EB	FRONT FENDER 65SX ORANGE	1
6	0024060136	HH collar screw M6x13 TX30	4
7*	4630801300028C	Rear fender 65SX	1
8	45007040050	QUICK RELEASE LATCHPLATE	1
9	0981350133	SHEET MET.SCR.DIN7981-3,5X13	2
10	46306010000	SPLASH PROTECTION 65SX 2016	1
11	0017060255	EJOT PT SCREW K60X25-Z SW6	2
12	46104066050	BUSH FOR CHAINSLIDER GUARD 02	2
13	83008000015	SPECIAL SCREW M6X15X3	2
99	46306010010	SPLASH PROTECTION KIT	x

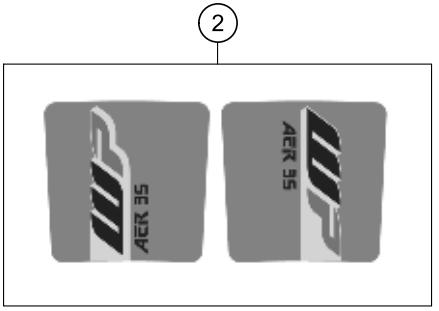
50193

* NEW PART

X ON DEMAND



1



2

POS	PARTNUMBER	PARTNAME	PIECE
1*	46308099300	Decal Set 65 SX 2019	1
2*	52000142	Sticker set 65 Sx 171x145	1

194630830

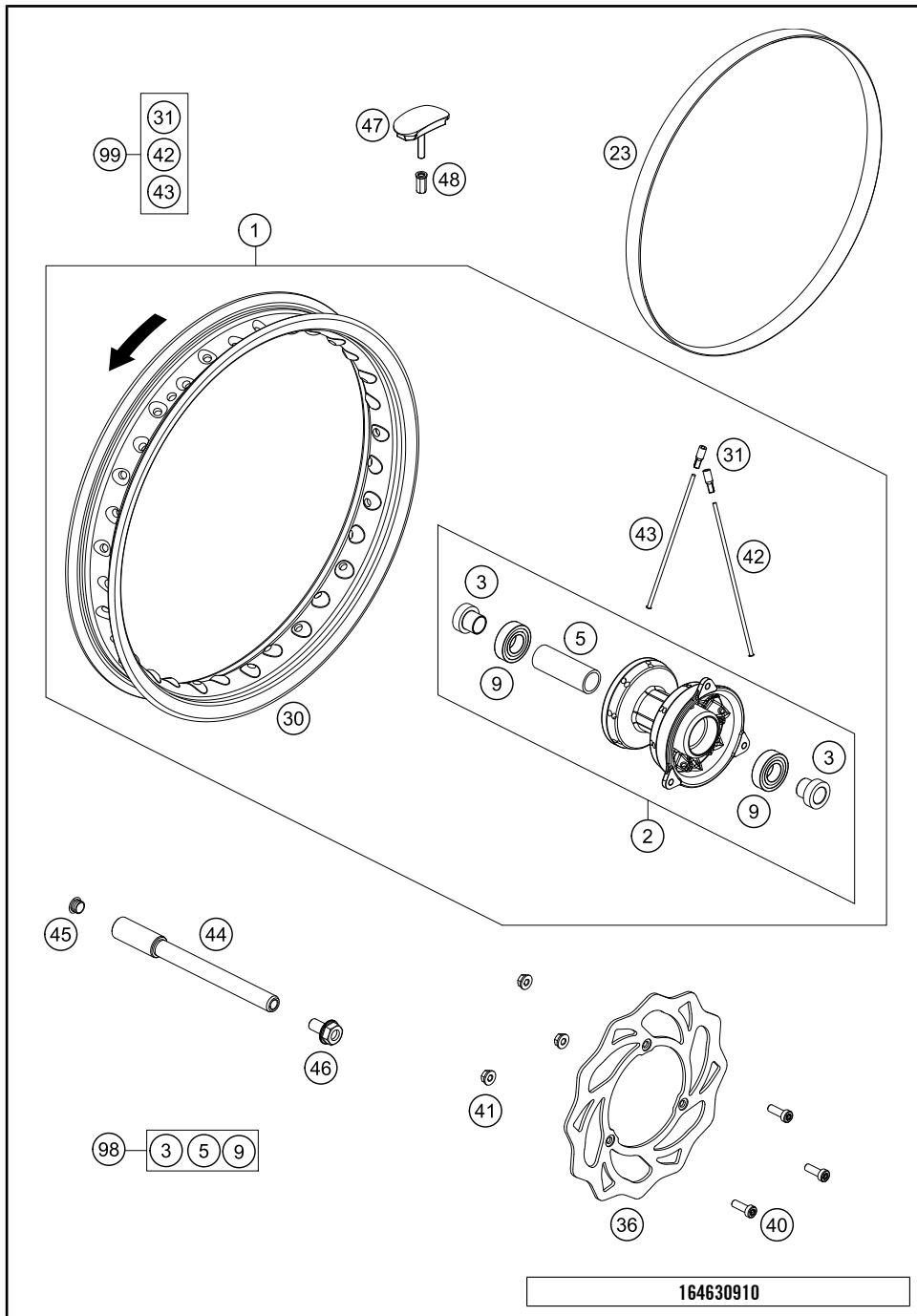
50214

* NEW PART

X ON DEMAND

FRONT WHEEL

65 SX 2019 EU 2019



POS	PARTNUMBER	PARTNAME	PIECE
1	46309001144	Front wheel 65SX 2018	1
2	46209010044	FRONT WHEEL HUB CPL. 65SX 2012	1
3	46209012000	DISTANCE BUSHING FRONT 65SX	2
5	46009011100	BEARING SPACER TUBE	1
9	0625060037	GR.BALL BEAR. 6003-2RSH/C3HMTF	2
23	46009073000	RIM BAND 14"	1
30	4620907010033	"Front rim 1,6x14""	1
31	46210072000	SPOKE NIPPLE ALU	32
36	46209060100	BRAKE DISC FRONT 65 SX 2012	1
40	59009062016	SPECIAL SCREW M6X16 WS=8 10.9	3
41	56509064100	SELF LOCKING NUT M6 10.9	3
42	46209071148	SPOKE 3X148 C.165° C.3,3	16
43	46209071150	SPOKE 3X150 C.166° C.2,6	16
44	45209081000	AXLE FRONT	1
45	50210086000	COVERING CAP SFL16	1
46	49032011000	HH COLLAR SCREW M10X20 WS=17	1
47	45110090000	RIM LOCK CPL. 2004	1
48	77110090050	NUT FOR WHEEL HOLDER	1
98	46209015000	FRONT WHEEL REP. KIT 65 SX	x
99	00050000918	SPOKE KIT FRONT 14" '12	x

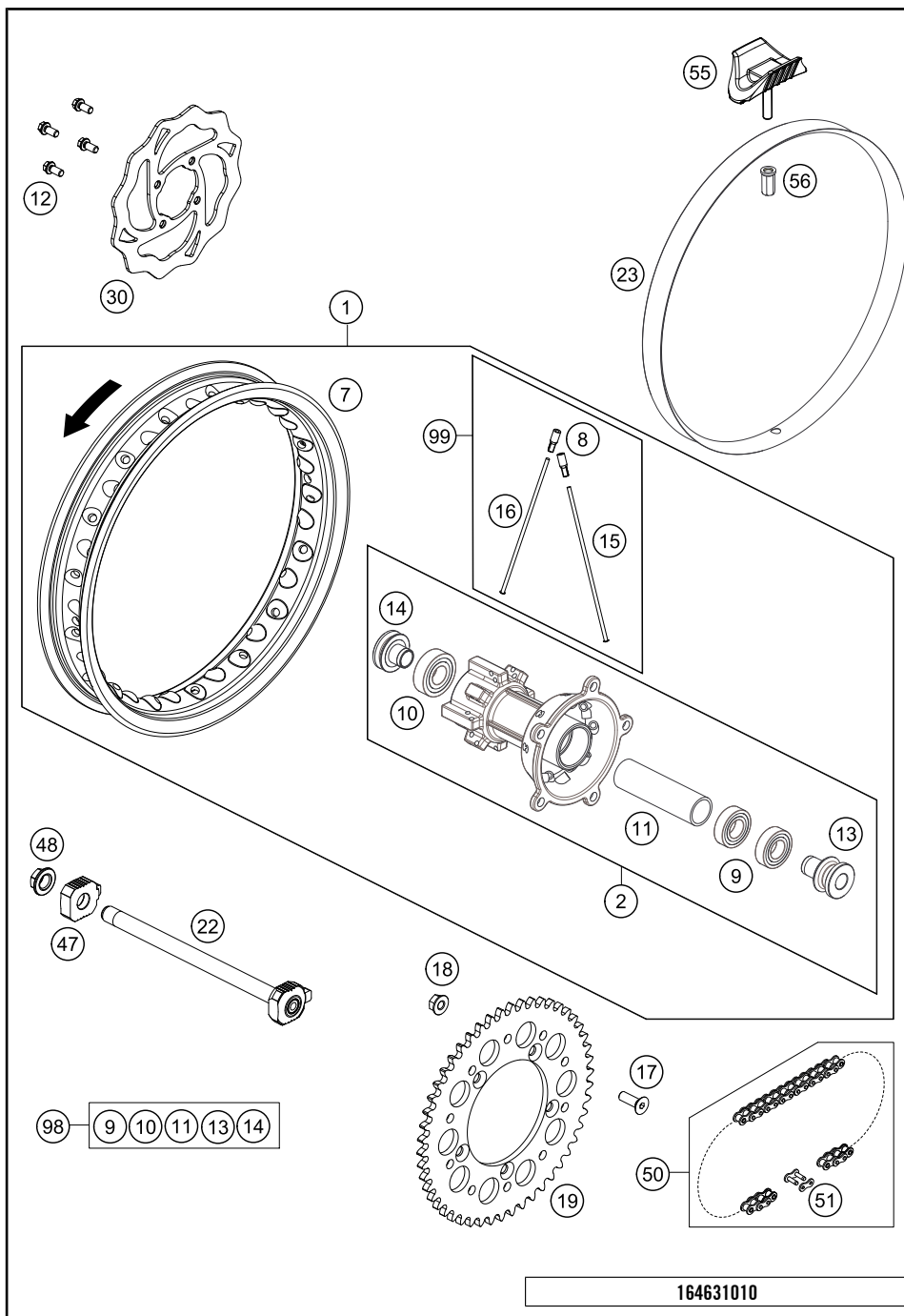
164630910

50194

* NEW PART X ON DEMAND

REAR WHEEL

65 SX 2019 EU 2019

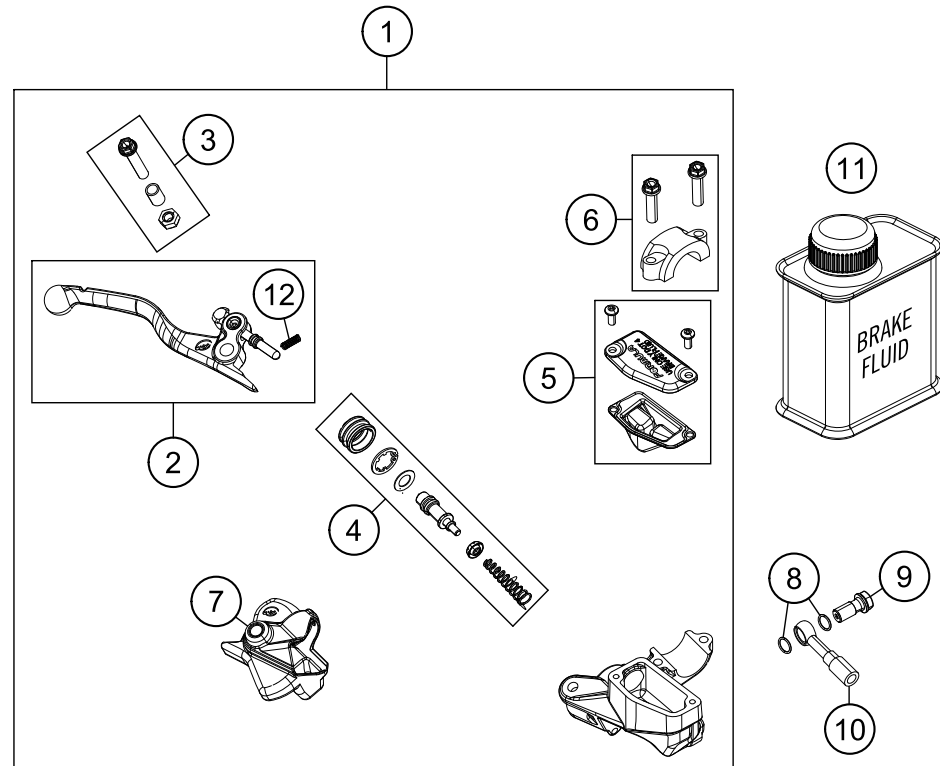


POS	PARTNUMBER	PARTNAME	PIECE
1*	46310001244	Rearwheel 65SX 2018	1
2	46310010044	REAR WHEEL HUB CPL. 65SX 2016	1
7	4621007010033	"Rear rim 1,6x12""	1
8	46210072000	SPOKE NIPPLE ALU	32
9	0625060037	GR.BALL BEAR. 6003-2RSH/C3HMTF	2
10	0625062032	GR.BALL BEAR. 6203-2RSHC3HMTF	1
11	46010011000	BEAR.SPACER TUBE REAR SX 60/65	1
12	59009062016	SPECIAL SCREW M6X16 WS=8 10.9	4
13	46310013000	SPACER BUSHING L/S	1
14	46310014000	SPACER BUSHING R/S	1
15	46210071140	SPOKE 3X140 C. 150° C.5 Zinc	16
16	46210071133	SPOKE 3X133 C.161 C.4 Zinc	16
17	0019080266S	COUNTER-SUNK SCREW ISA45 M8X26	5
18	54310086200	SELF LOCKING NUT M8 10.9	5
19	46010051046	REAR SPROCKET 46-T	x
19	46010051048	REAR SPROCKET 48-T	x
19	46010051050	REAR SPROCKET 50-T	x
22	46310085044	AXLE REAR CPL. 2016	1
23	45109073100	RIM BAND 12"	1
30	46210060000	BRAKE DISC REAR 65 SX 09	1
47	46310084000	CHAIN TENSIONER R/S	1
48	77204087000	hex nut M14x1.5 WS17	1
50	46110165112	CHAIN 1/2X1/4" 65 SX	1
51	46110166000	CONNECTING LINK 1/2X1/4"	1
55	51009100100	RIM LOCK VM1 (1,60")	1
56	77110090050	NUT FOR WHEEL HOLDER	1
98	46310015000	REAR WHEEL REP. KIT 65 SX 2016	x
99	00050000919	SPOKE KIT REAR 12" '12	x

164631010

50195

* NEW PART X ON DEMAND



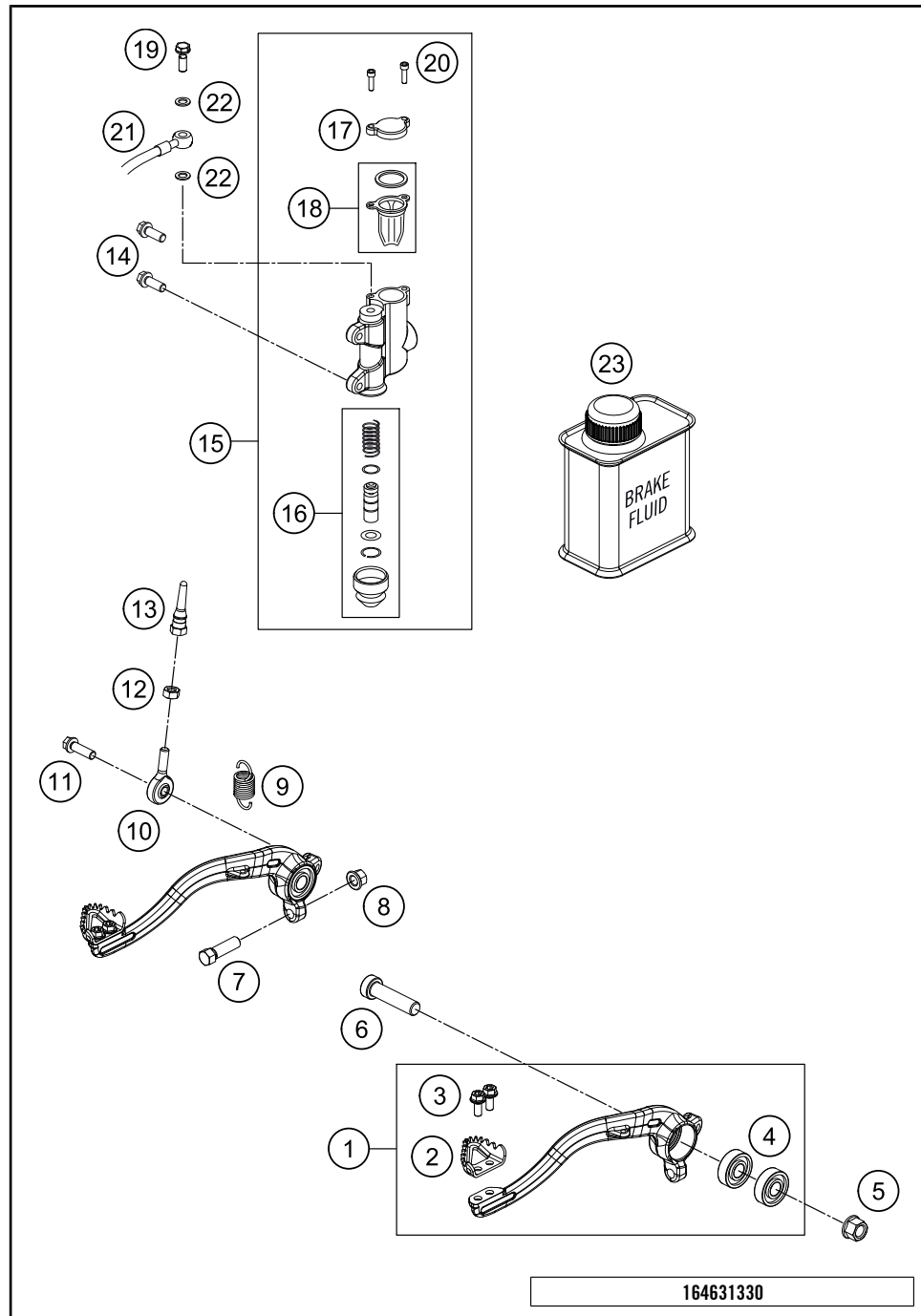
POS	PARTNUMBER	PARTNAME	PIECE
1	47113001100	HAND BRAKE CYLINDER CPL. 10 MM	1
2	72013002000	LEVER CPL.	1
3	70002038000	LEVER SCREW CPL.	1
4	72002032000	REP. KIT PISTON 10MM	1
5	70013003000	COVER HAND BRAKE CYLINDER CPL.	1
6	72013005000	CLAMP	1
7	70013004000	MUDCOVER HANDBRAKE LEVER	1
8	0770080019	O-RING 8,00X1,00 FORMULA	2
9	47013025000	HOLLOW SCREW BRAKE CYLINDER 03	1
10	46213010000	BRAKE HOSE FRONT 65 SX 2012	1
11	00062030000	BRAKE FLUID DOT5.1 0,25L	1
12	72002035000	SPRING FOR CLUTCH LEVER	1

144621310

14254

* NEW PART

X ON DEMAND



164631330

POS	PARTNUMBER	PARTNAME	PIECE
1	46213050044	FOOT BRAKE LEVER 65SX CPL.	1
2	54813051000	STEP PLATE FOR BRAKE LEVER	1
3	0025050126	HH collar screw M5x12 TX30	2
4	0625060002	deep groove ball bearing SKF 6000-2RS1	2
5	54630044000	COLLAR NUT M10 WS=13	1
6	0032100406S	AH-COLLAR SCREW M10X40 ISA45	1
7	59001037000	SPECIAL SCREW M8X26 WS=10	1
8	46030045000	flanged nut M8 WS10	1
9	54603062100	RETURN SPRING FOR BRAKE LEVER	1
10	46213055000	SWIVEL HEAD KA6 INNOX	1
11	0025060206	HH collar screw M6x20 TX30	1
12	0934060003	hex nut DIN 934 M6	1
13	46213056000	PUSH ROD	1
14	0025060166	HH collar screw M6x16 TX30	2
15	4701306030001S	FOOT BRAKE CYL. REAR CPL. D=12	1
16	47013061100	REP. SET PISTON REAR D=12 2004	1
17	47013062000	CYLINDER COVER REAR 85 SX 03	1
18	47013063000	GASKET CYLINDER COVER REAR 03	1
19	47013025000	HOLLOW SCREW BRAKE CYLINDER 03	1
20	0912040103	AH.SCREW DIN0912-M 4X10	2
21	46213070000	BRAKE HOSE REAR 65 SX 09	1
22	0770080019	O-RING 8,00X1,00 FORMULA	2
23	00062030000	BRAKE FLUID DOT5.1 0,25L	1

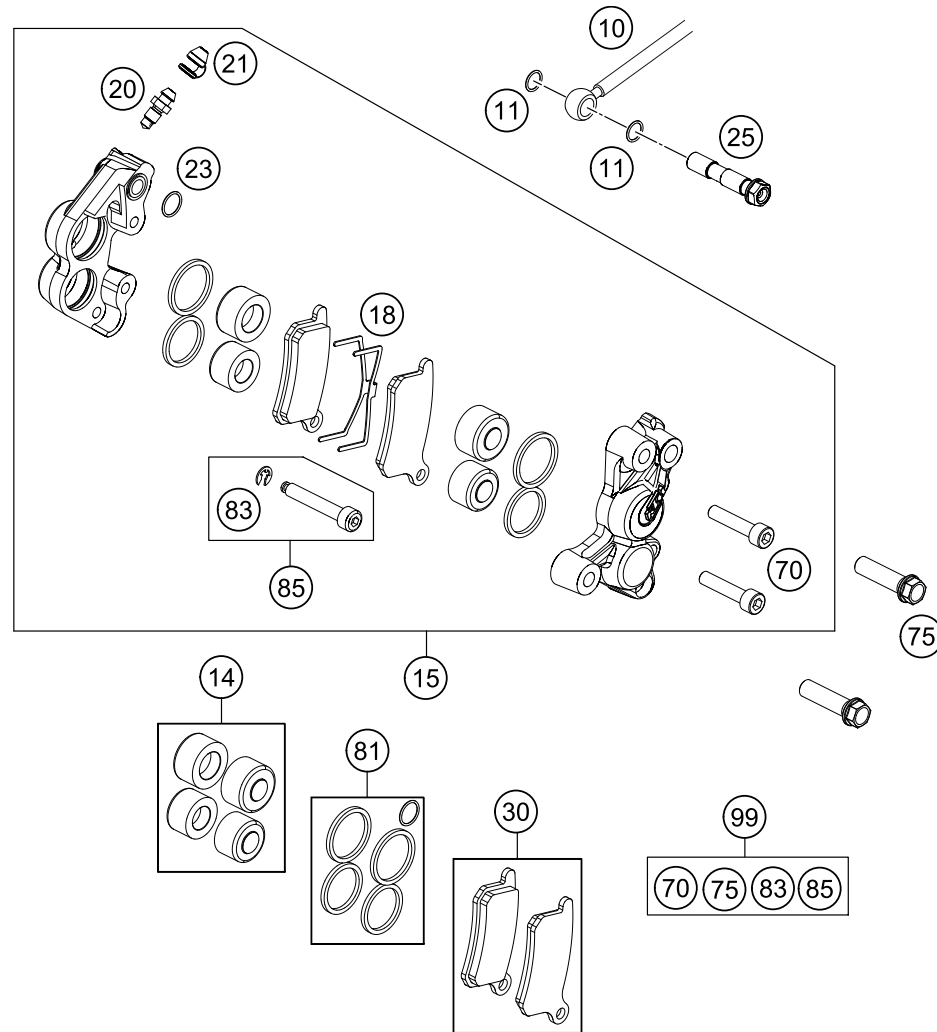
17072

* NEW PART

X ON DEMAND

FRONT BRAKE CALIPER

65 SX 2019 EU 2019



POS	PARTNUMBER	PARTNAME	PIECE
10	46213010000	BRAKE HOSE FRONT 65 SX 2012	1
11	0770080019	O-RING 8,00X1,00 FORMULA	2
14	46213019000	REPAIR KIT BRAKEPISTON	1
15	46213015100	BRAKE CALIPER	1
18	46213018000	RETAINING SPRING 65 SX	1
20	47013085000	BLEEDER SCREW M8X1	1
21	47013021000	CAP FOR BLEEDER SCREW	1
23	0770100019	O-RING 10X1 EPDM	1
25	47013025000	HOLLOW SCREW BRAKE CYLINDER 03	1
30	46213030000	BRAKE PAD SET FRONT 2012	1
70	0912060283	AH SCREW DIN0912-M 6X28	2
75	0025080356S	HH COLLAR SCREW M8X35 TX40	2
81	46213021000	REPAIR KIT SEAL RING 2012	1
83	0799040009	TAB WASHER DIN6799-RA 4,0	1
85	46113125000	AH SCREW + CIRCLIP 2002	1
99	46213017000	CALIPER SCREW CPL.	1

134621360

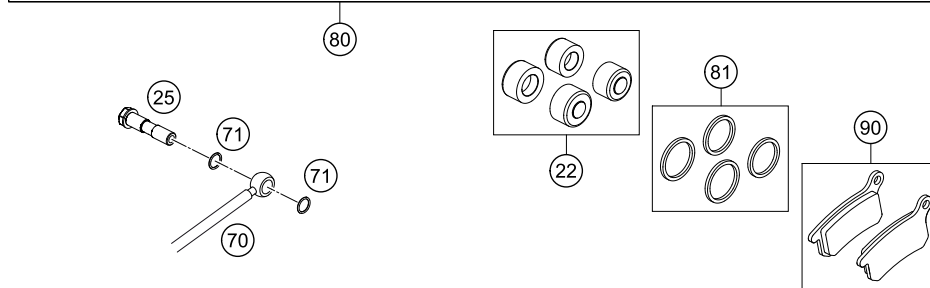
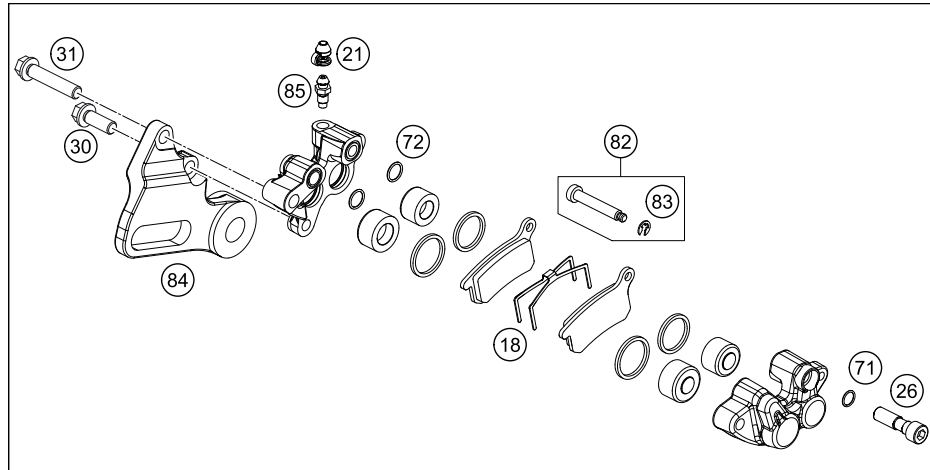
12855

* NEW PART

X ON DEMAND

REAR BRAKE CALIPER

65 SX 2019 EU 2019



POS	PARTNUMBER	PARTNAME	PIECE
18	46213018000	RETAINING SPRING 65 SX	1
21	47013021000	CAP FOR BLEEDER SCREW	1
22	47013083100	REPAIR KIT BRAKEPISTON	1
25	47013225000	HOLLOW SCREW REAR 85 SX 2003	1
26	47013325000	HOLLOW SCREW REAR 85 SX 2003	1
30	0025080206	HH collar screw M8x20	1
31	0025080406	HH COLLAR SCREW M8X40 TX40	1
70	46213070000	BRAKE HOSE REAR 65 SX 09	1
71	0770080019	O-RING 8,00X1,00 FORMULA	3
72	0770100019	O-RING 10X1 EPDM	2
80	46313080000	BRAKE CALIPER R. CPL. 65SX 16	1
81	47013081000	REPAIR KIT SEAL RING REAR 03	1
82	47013425000	AH SCREW + CIRCLIP 85/105	1
83	0799040009	TAB WASHER DIN6799-RA 4,0	1
84	46313075000	BRAKE CALIPER REAR SUPPORT 16	1
85	47013085000	BLEEDER SCREW M8X1	1
90	47013090200	BRAKE PADS REAR SINTER 85SX 08	1

164631390

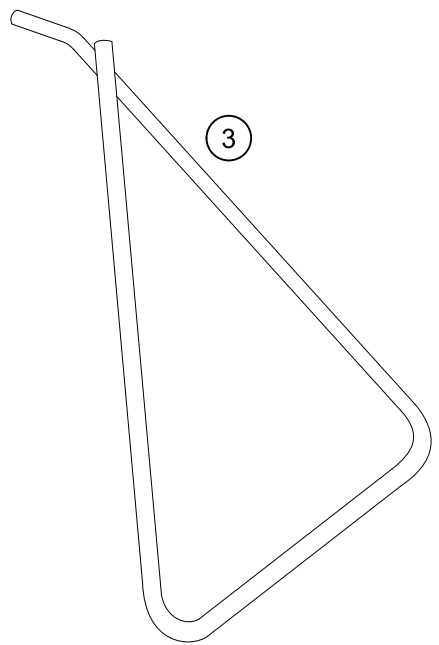
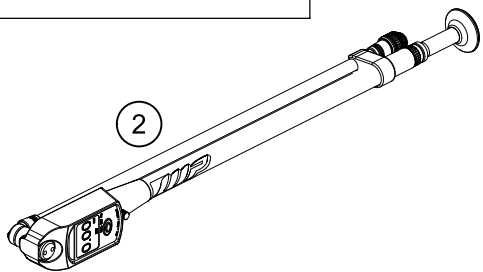
17074

* NEW PART

X ON DEMAND

0
OHNE ABBILDUNG
WITHOUT ILLUSTRATION

1
TECHNISCHE DOKUMENTATION
TECHNICAL DOCUMENTATION
DOCUMENTACION TECNICA
DOCUMENTATION TECHNIQUE
NOTE TECNICHE

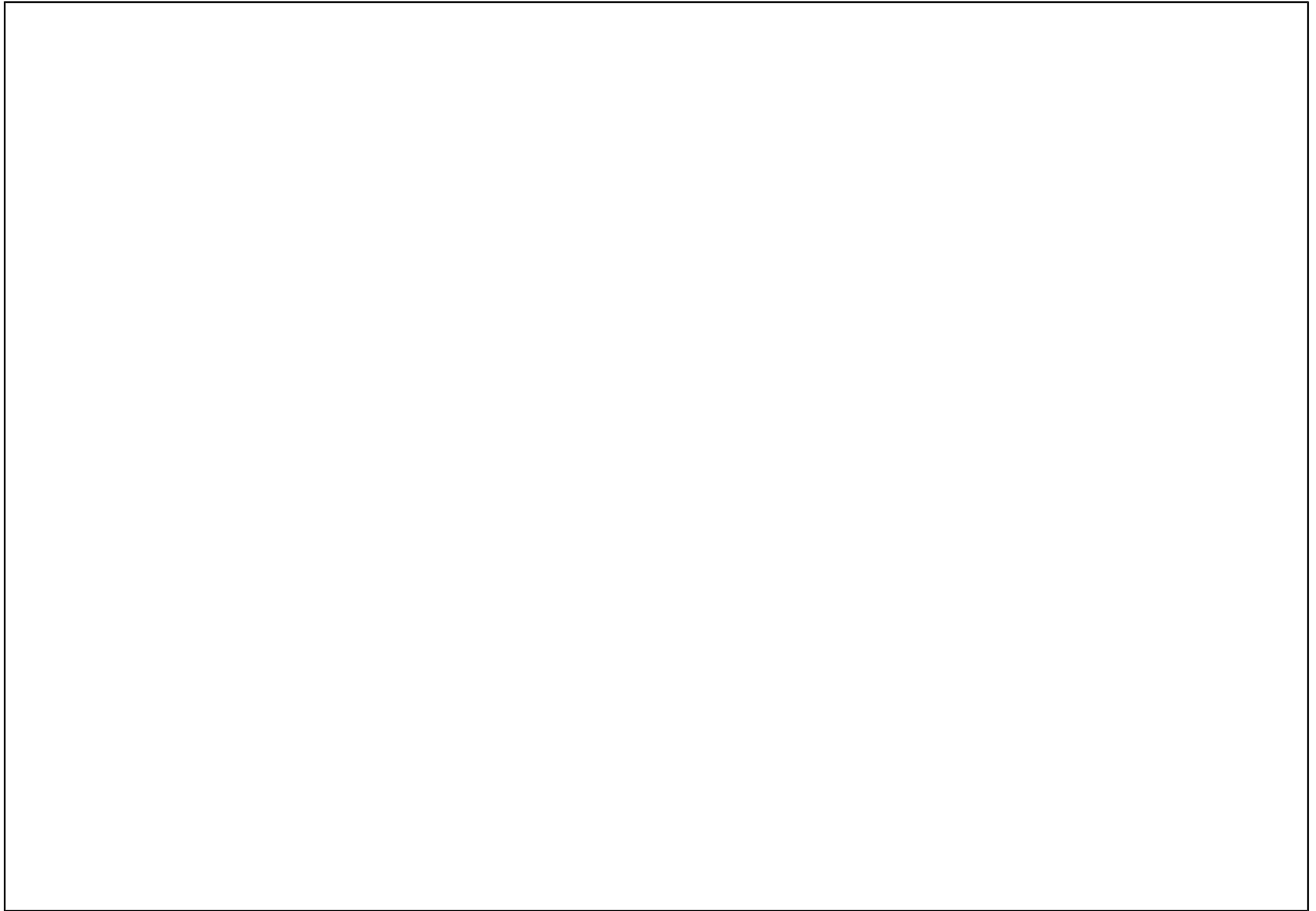


174532001

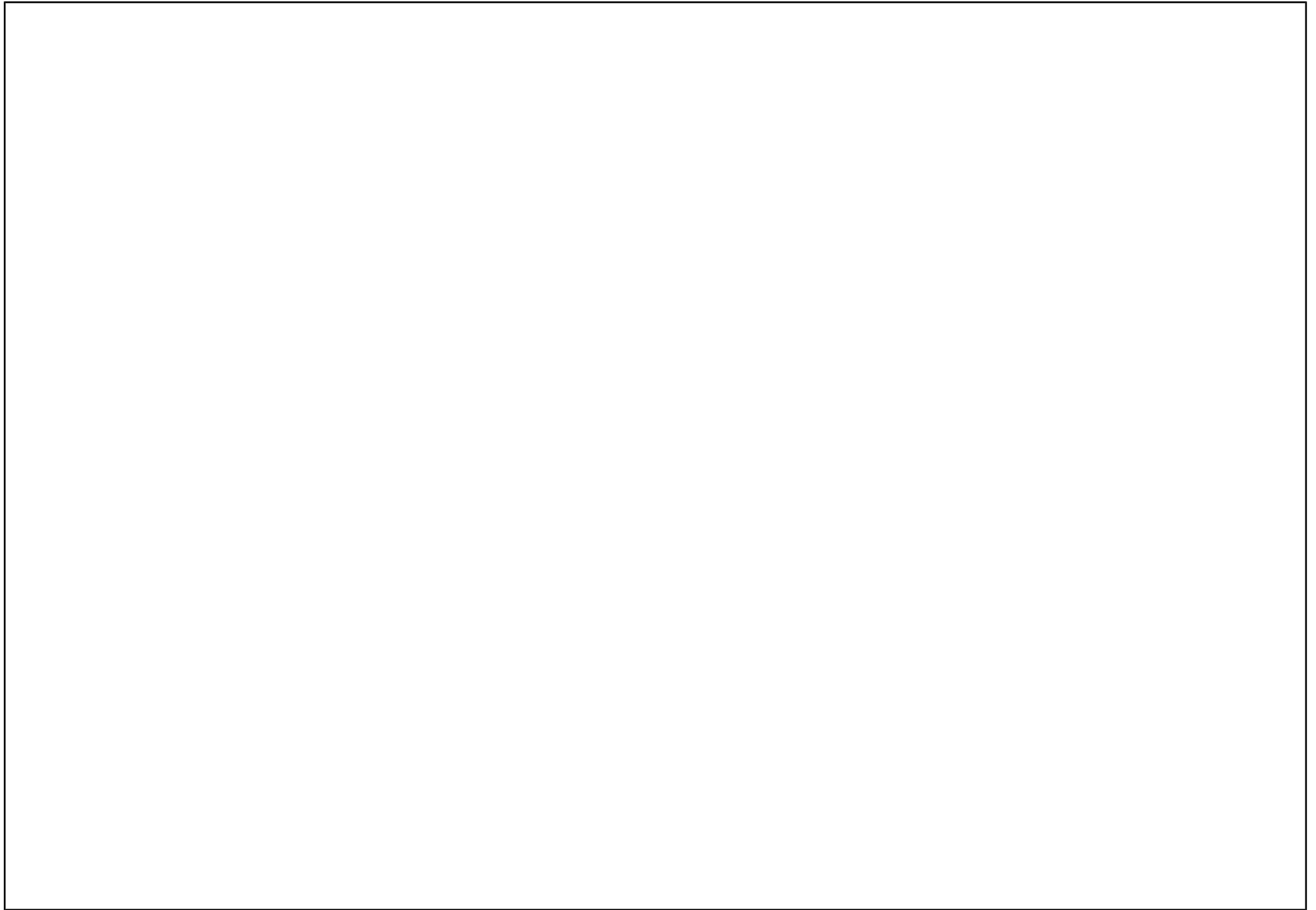
POS	PARTNUMBER	PARTNAME	PIECE
0	3212702DE/ENE	PP offroad folder 2017	1
0	3212704ENE	PW Offroad Folder 2017	1
0	50203098000	Sticker "Warning label 4"	1
0	312313	KTM BALLPOINT PEN ORANGE	1
0	312305	DOCUMENTS BAG 2006	1
0	52000142	Sticker set 65 Sx 171x145	1
0	3210039	CUSTOMER WELCOME LETTER	1
0	45229073000	SPARK PLUG WRENCH	1
0	44011076140	CABLE TIE 140/2,5MM BLACK	2
0	44011076200	CABLE TIE 200/3,6MM BLACK	3
0	78112920000	HOUR METER KTM	1
0	46308010000EB	FRONT FENDER 65SX ORANGE	1
0	0024060136	HH collar screw M6x13 TX30	4
1	3213845EN	Owner's Manual 65 SX 2019	1
1	322000	SAFETY BROCHURES SPORTMINICYC.	1
2	79412966000	AIRPUMP FOR AIRFORK	1
3	47003020000	PLUG IN STAND SX 85 2003	1

50196

* NEW PART X ON DEMAND







WWW.KTM.COM



KTM Sportmotorcycle GmbH
5230 Mattighofen, Austria
www.ktm.com



KTM_POWERPARTS

KTM_POWERWEAR

KTM_ORIGINAL SPARE PARTS



F6001S6EN

Art. Nr.: F6001S6EN 12. Jun 2018