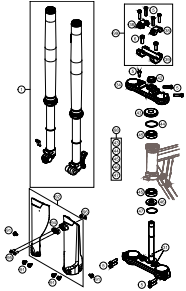
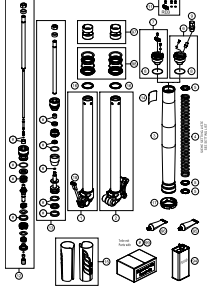
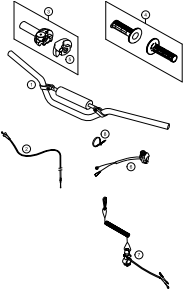
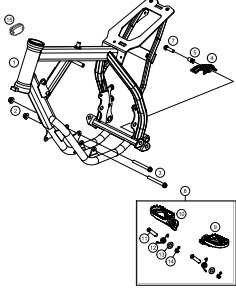
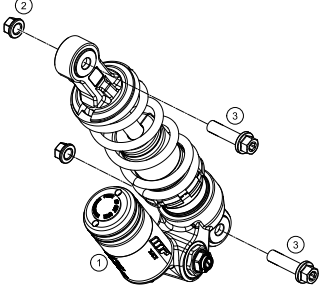
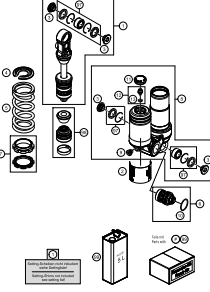
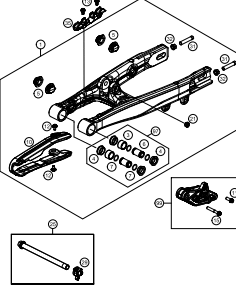
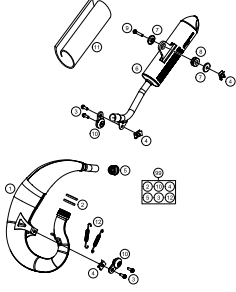
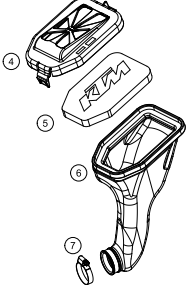
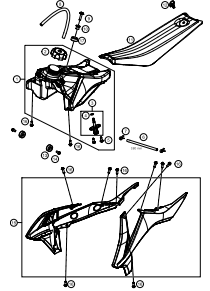
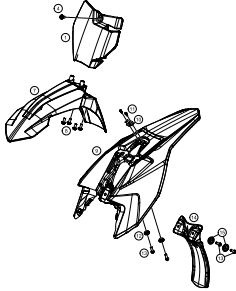
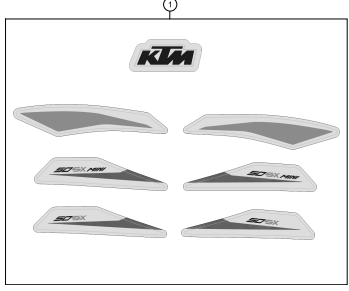


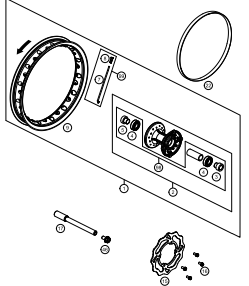
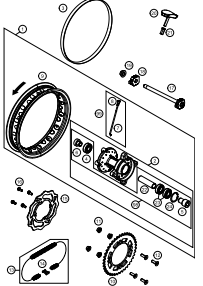
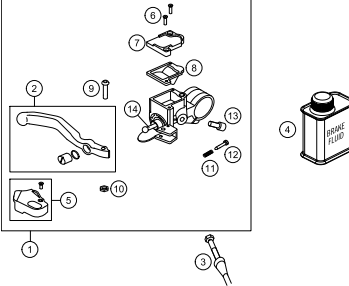
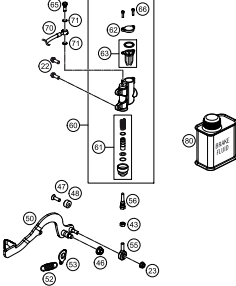
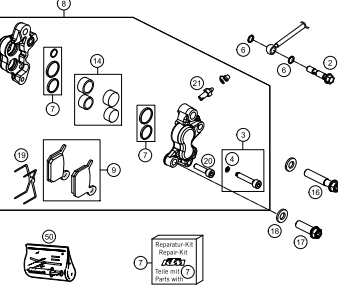
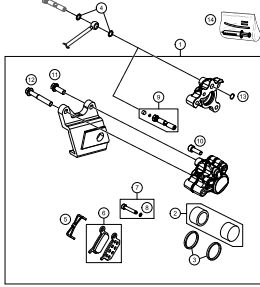
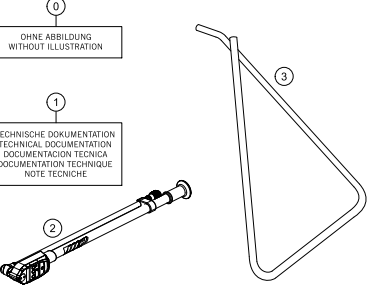
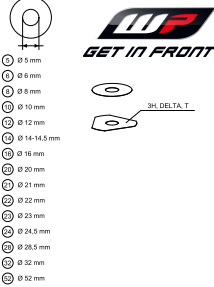
# 50 SX 2020 2020

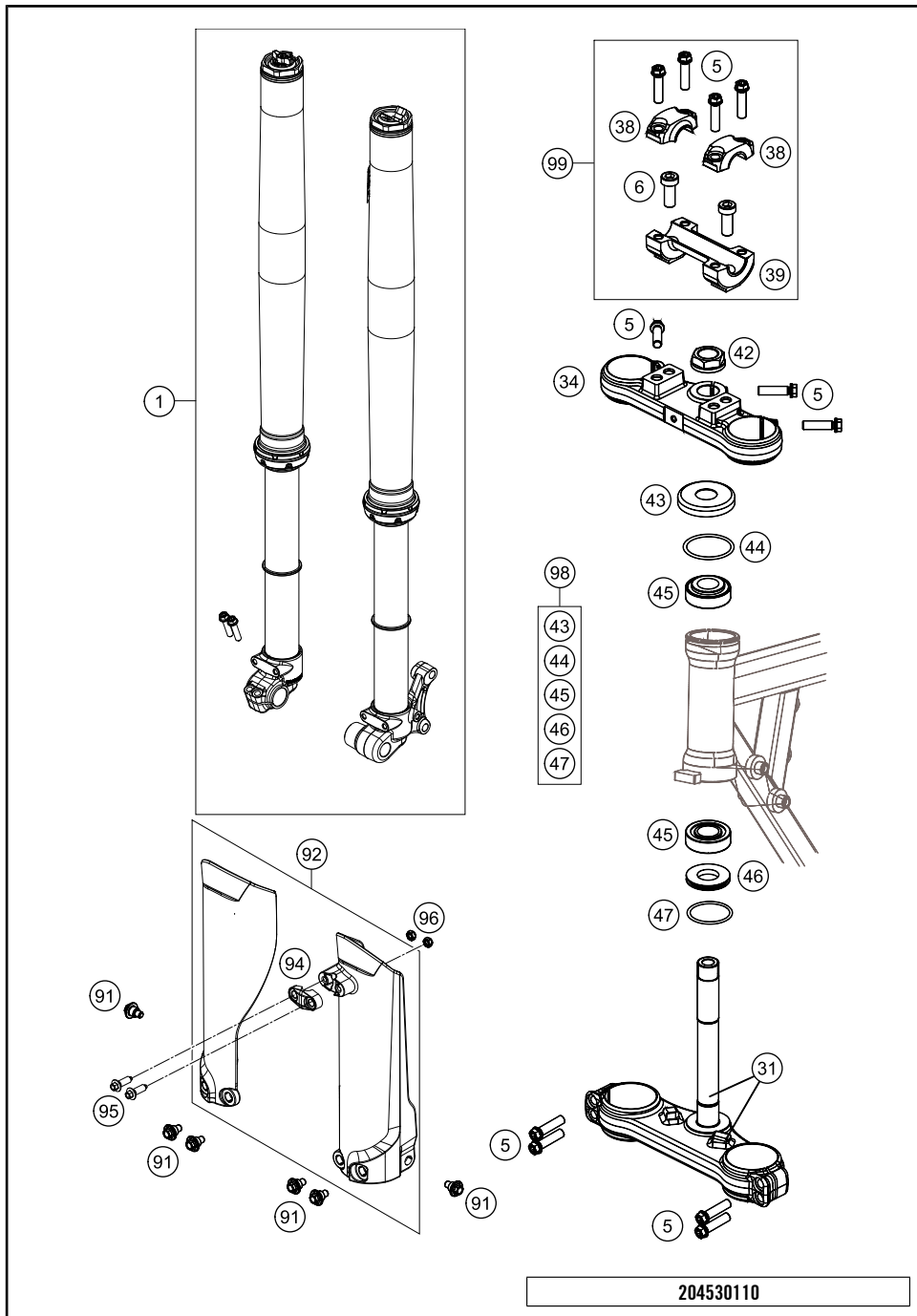
ART.-NR.: F6001T4EN





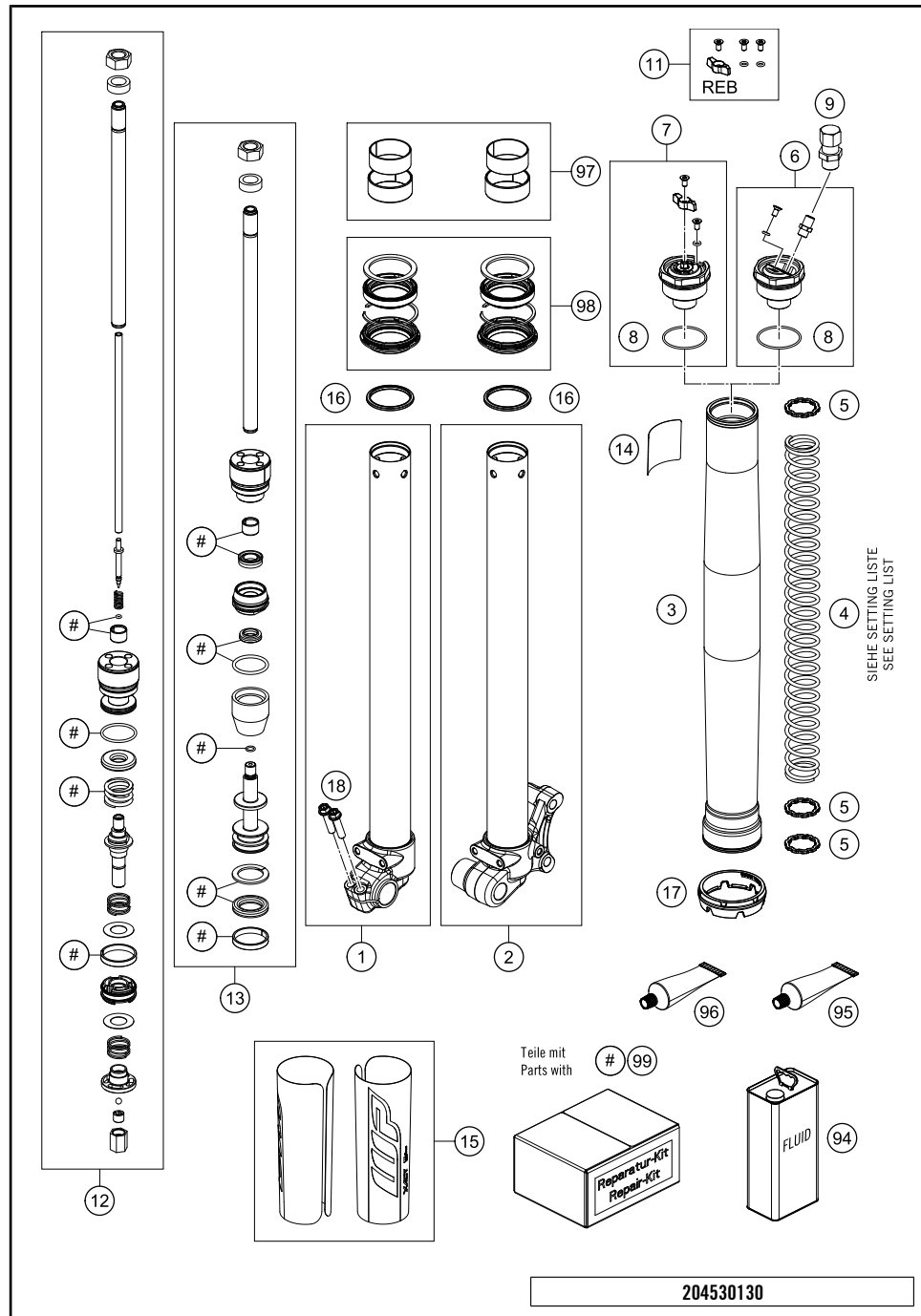
<p><b>FRONT FORK, TRIPLE CLAMP</b></p>  <p><b>3</b></p>	<p><b>FRONT FORK DISASSEMBLED</b></p>  <p><b>4</b></p>	<p><b>HANDLEBAR, CONTROLS</b></p>  <p><b>5</b></p>	<p><b>FRAME</b></p>  <p><b>6</b></p>
<p><b>SHOCK ABSORBER</b></p>  <p><b>7</b></p>	<p><b>SHOCK ABSORBER DISASSEMBLED</b></p>  <p><b>8</b></p>	<p><b>SWING ARM</b></p>  <p><b>9</b></p>	<p><b>EXHAUST SYSTEM</b></p>  <p><b>10</b></p>
<p><b>AIR FILTER</b></p>  <p><b>11</b></p>	<p><b>TANK, SEAT</b></p>  <p><b>12</b></p>	<p><b>MASK, FENDERS</b></p>  <p><b>13</b></p>	<p><b>DECAL</b></p>  <p><b>14</b></p>

<p><b>FRONT WHEEL</b></p>  <p><b>15</b></p>	<p><b>REAR WHEEL</b></p>  <p><b>16</b></p>	<p><b>FRONT BRAKE CONTROL</b></p>  <p><b>17</b></p>	<p><b>REAR BRAKE CONTROL</b></p>  <p><b>18</b></p>
<p><b>FRONT BRAKE CALIPER</b></p>  <p><b>19</b></p>	<p><b>REAR BRAKE CALIPER</b></p>  <p><b>20</b></p>	<p><b>SEPERATE ENCLOSURE</b></p>  <p><b>21</b></p>	<p><b>WP SHIMS FOR SETTING</b></p>  <p><b>22</b></p>
<div style="display: flex; align-items: center;"> <div style="background-color: #cccccc; width: 50px; height: 100px; display: flex; align-items: center; justify-content: center; margin-right: 20px;"> <span style="font-size: 40px; font-weight: bold;">!</span> </div> <div> <p>All information contained is without obligation. KTM Sportmotorcycle GmbH particularly reserves the right to modify any equipment, technical specifications, prices, colors, shapes, materials, services, service work, constructions, equipment and the like so as to adapt them to local conditions or to cancel any of the above items, all without previous announcement and without giving reasons. KTM may stop manufacturing certain models without previous notice. KTM shall not be held liable for any deviations of availability and/or ability to deliver, illustrations, descriptions, printing and/or other errors. The illustrated models partly contain extra equipment, which is not applied to standard models.</p> <p>© by KTM Sportmotorcycle GmbH, Mattighofen AUSTRIA; All rights reserved; Reprint, also in extracts, with written allowance of KTM Sportmotorcycle GmbH, Mattighofen only.</p> </div> </div>			



POS	PARTNUMBER	PARTNAME	PIECE
1	07186T0201	Fork 50 SX/TC 20	1
5	0025080306	HH collar screw M8x30	11
6	0032100256S	AH-COLLAR SCREW M10X25 ISA45	2
31	45201032022	BOT. TRIPLE CLAMP CPL.	1
34	45201034022	TOP TRIPLE CLAMP	1
38	50301038000	HANDLEBAR CLAMP D=22MM 2001	2
39	45201039000	HANDLEBAR SUPPORT 50SX D=22MM	1
42	59030029000	HH NUT M20X1,5 WS=27 RIGHT	1
43	49001086000	COVERING CAP	1
44	0770021300	O-RING 40,94X2,62 NBR70	1
45	49001081000	TAPERED ROLLER BEARING 32004X	2
46	46001086000	PROTECTION RING 20,1X39X5	1
47	0770360030	O-RING 36,00X3,00 NBR	1
91	59001092050	SPECIAL SCREW M6X12,5 WS=8	6
92	46301094000ABA	Fork protection kit 50 65 20	1
94	46301085000AB	Clamp brake hose	1
95	0017060206	SCREW F. PLASTIC K60X20AL SW6	2
96	0985050003	SELF LOCKING NUT DIN0985-M 5	2
98	00050000931	STEERING HEAD REP. KIT MINI	x
99	00050000925	HANDLEBAR SUPPORT KIT 50SX '12	1

\* NEW PART X ON DEMAND

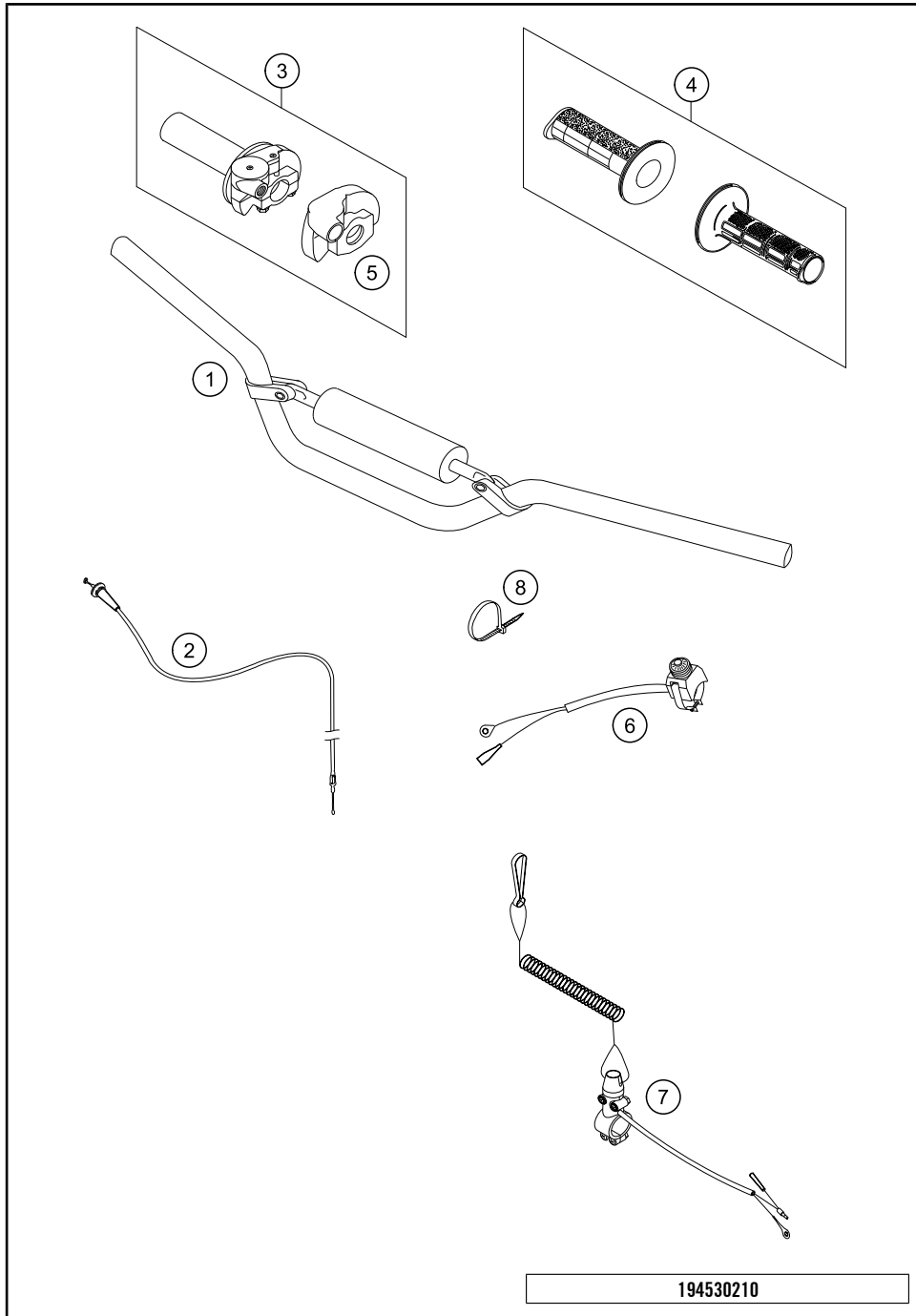


POS	PARTNUMBER	PARTNAME	PIECE
1	35480455S3	AXLE CLAMP R/S CPL. W. TUBE	1
2	35480456S2	AXLE CLAMP L/S CPL. W. TUBE	1
3	35480556	Fork outer tube 36x425 dt44 db48	2
4	95010055S	SPRING 1,8 N/MM SET	x
4	95010051S	SPRING 2.0N/MM SET D=3.1MM	1
4	95010052S	SPRING 2,2 N/MM SET	x
5	35480497	Washer 22x30x2,5	x
6	35480591S	screw cap M38x1,5 air cpl.	1
7	35480592S	Screw cover M38x1,5 cpl.	1
8	46180581	O-ring 35x1,5 NBR70 yellow	2
9	48601494S	VALVE M8X1 INCL. SCREW CAP	1
11	RP10021	Adjuster kit screw cap	1
12	35480551S6	pistonrod cpl. Right	1
13	35480551S7	pistonrod cpl. Left	1
14	52000271	Sticker warning 40x40	1
15	52000223SET	Sticker set XACT AER 140x141	1
16	35480583	Stroke indicator d35 red	2
17	35480581	Fork Protection ring 48.1mm	2
18	0025060256	HH collar screw M6x25 TX30	2
94	48601166S1	FORK OIL SAE4 5L	x
95	T14034	Fuchs grease IPR (250g)	x
96	00062010053	spezial grease AER Fork 50g	x
97	RP10006	BUSHING KIT 35MM	x
98	RP10027	gasket kit 35mm black	x
99	RP10008	REPAIR KIT 50+65SX AIR 2017	x

204530130

51889

\* NEW PART X ON DEMAND



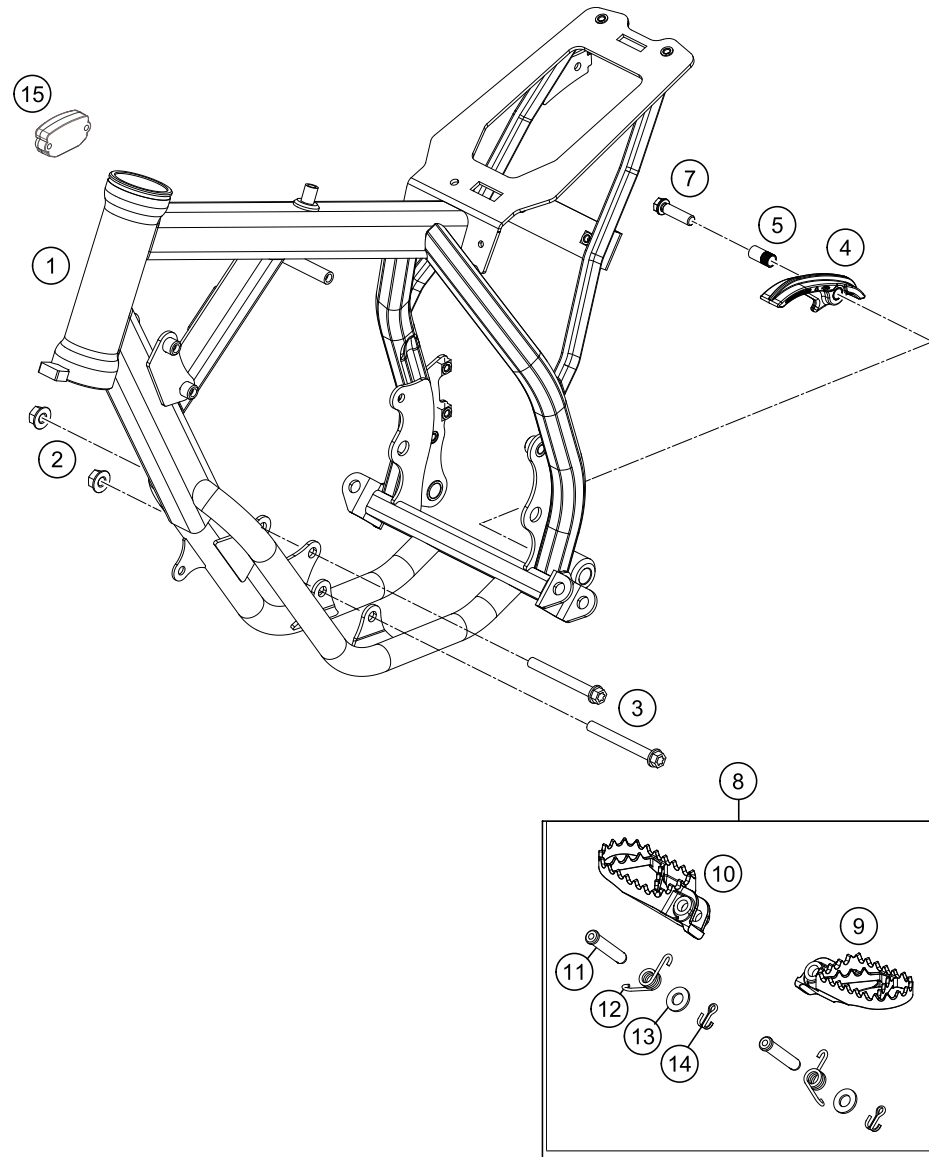
POS	PARTNUMBER	PARTNAME	PIECE
1	45302001000	HANDLEBAR D=22	1
2	45202091000	THROTTLE CABLE 50SX 2012	1
3*	46102010100	THROTTLE GRIP 65 SX 02	1
4*	46302021000	Grip-Set	1
5	50302020000	PROTECTION COVER '97	1
6	50311089200	SHORT CIRCUIT BUTTON 02	1
7	45011089044	S.CIRCUIT BUTTON W. RIP CORD	x
8	44011076140	CABLE TIE 140/2,5MM BLACK	x
8	44011076200	CABLE TIE 200/3,6MM BLACK	x

194530210

50136

\* NEW PART

X ON DEMAND



POS	PARTNUMBER	PARTNAME	PIECE
1	45303001400EB	Frame 453T3	1
2	54310086200	SELF LOCKING NUT M8 10.9	2
3	0025080656	HH collar screw M8x65 TX40	2
4	45303053000	Chain slider bottom	1
5	77303053051	BUSH 8,2X10X22	1
7	0025080306	HH collar screw M8x30	1
8	47103040033	FOOTREST CPL. 14	1
9	47103040000	FOOTREST L/S	1
10	47103041000	FOOTREST R/S	1
11	54803044000	PIN FOR FOOT PED 51.5X9.8 MM	2
12	54603041000	FOOTREST SPRING L/S & R/S	2
13	0125100003	washer DIN 125 A 10.5	2
14	0094032253	PIN DIN0094-3,2X25 STEEL	2
15	78112920000	HOUR METER KTM	1

204530310

52182

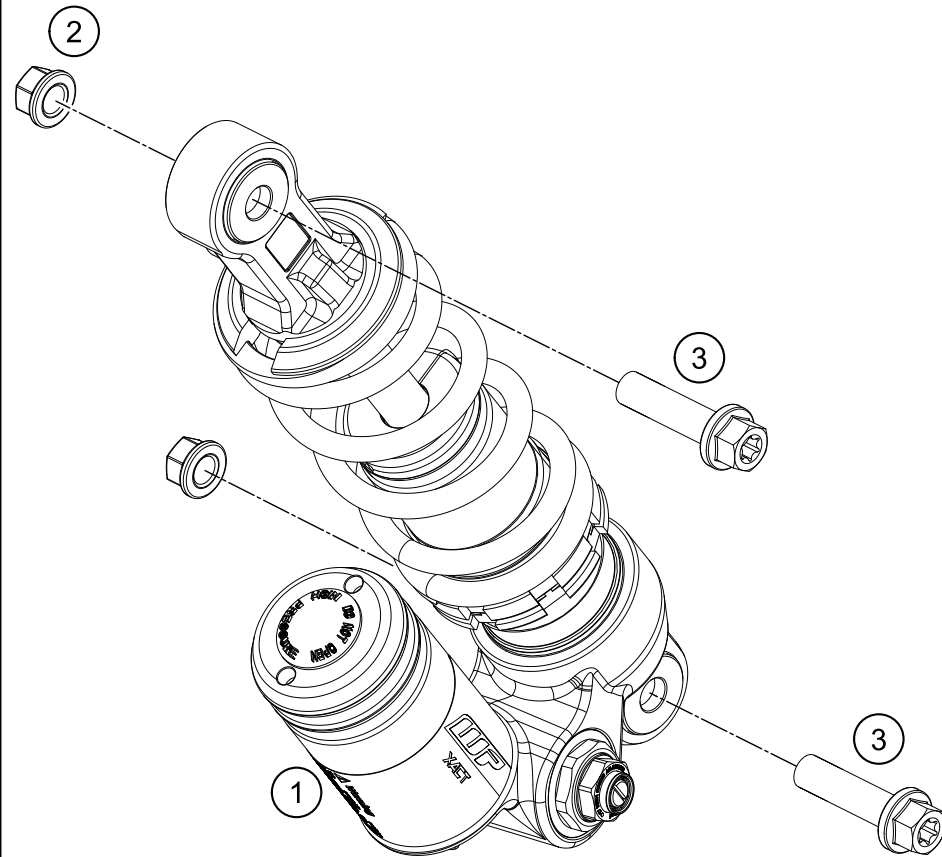
\* NEW PART

X ON DEMAND



# SHOCK ABSORBER

50 SX 2020 2020



POS	PARTNUMBER	PARTNAME	PIECE
1	03187T0201	Monoshock 50 SX/TC 20	1
2	54630044000	COLLAR NUT M10 WS=13	2
3	0025100406S	COLLAR SCREW M10X40 ISA45	2

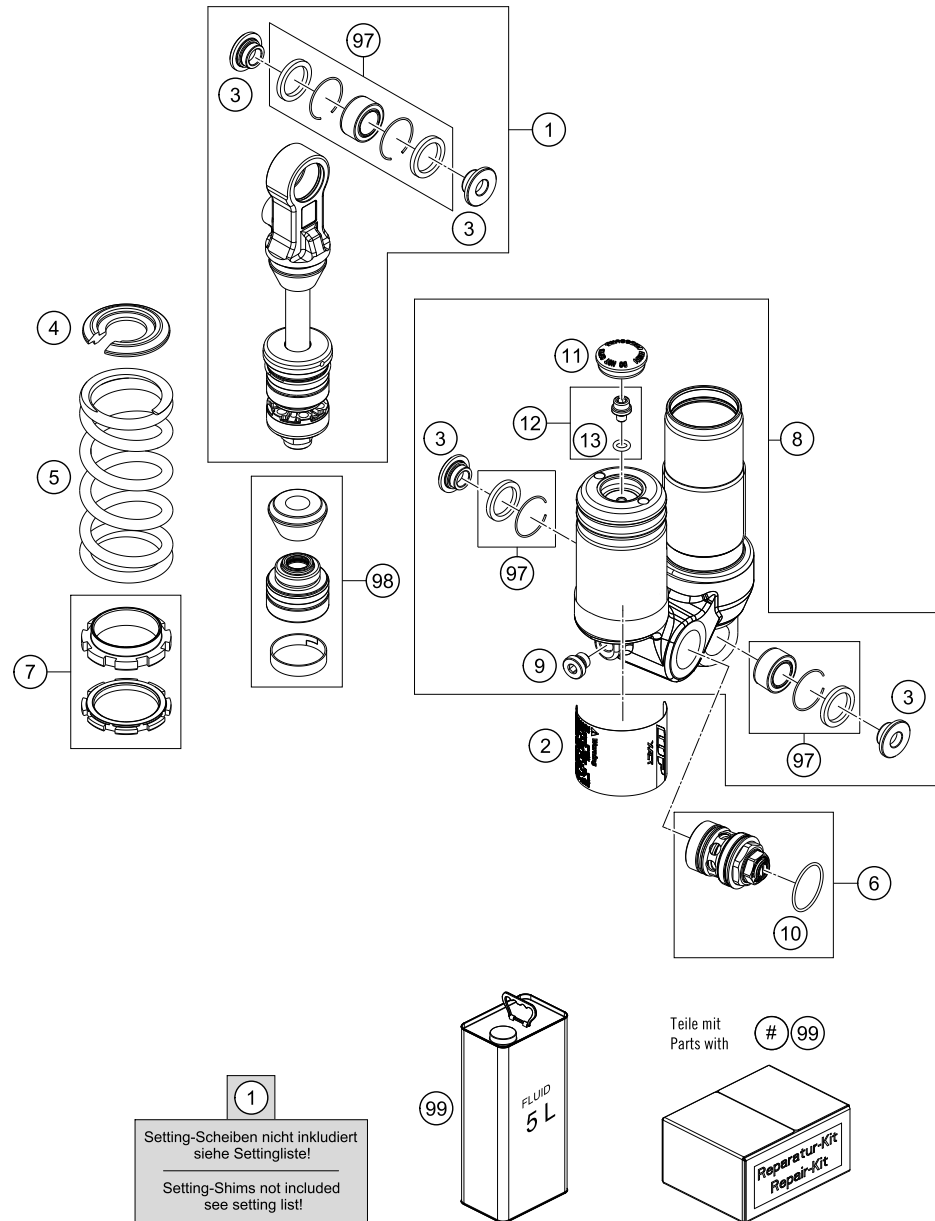
204530410

52208

\* NEW PART

X ON DEMAND

CHASSIS 7



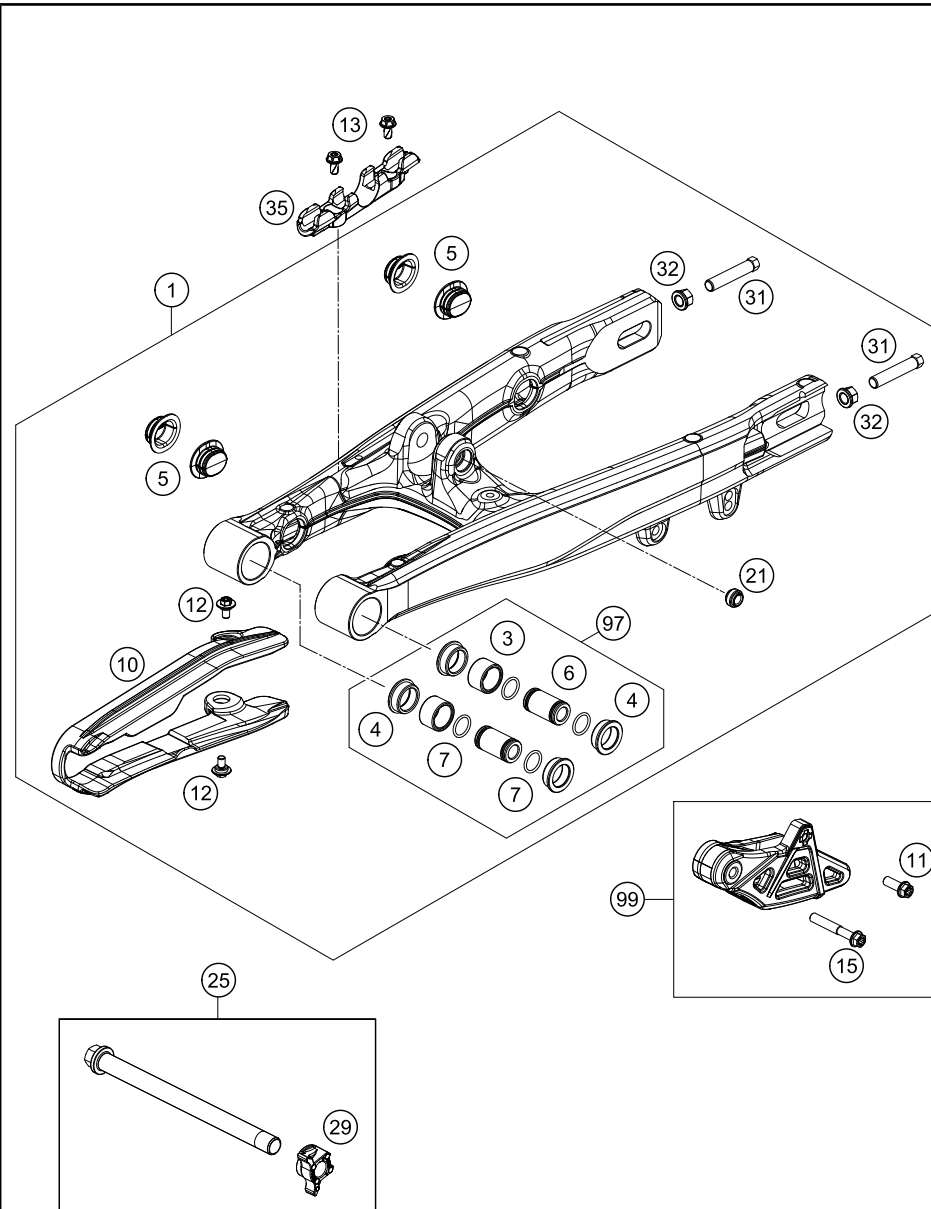
POS	PARTNUMBER	PARTNAME	PIECE
1	36120781S17	bottom part cpl. Setting-Shims not included	1
2	52000263	sticker XACT 90x40	1
3	46180009	Distance bush 10x15/18/24,5x9,5	4
4	36120386	Spring retainer 27x57x2	1
5	93010217S	SHOCK SPRING 35N/MM - 130MM WH	1
5	93010218S	SHOCK SPRING 30N/MM - 130MM WH	x
5	93010219S	SHOCK SPRING 40N/MM - 130MM WH	x
6	50181101S38	compression cpl.	1
7	36120418S	ADJUSTING NUT CPL.	1
8	36120858S2	Top part cpl.	1
9	50180095	HS cylinder-head screw R1/8 l8	1
10	50180217	O-ring 27x1,5 Viton70 green ISO 3601-3S	1
11	46811208	Rubber cap do not open 22x5,5 NBR	1
12	36120151S	PLUG SCREW M5X6 CPL.	1
13	46810893	O-ring 5,28x1,78 NBR70 black	1
97	R12012	Ball joint bearing kit top 12mm	2
98	RP10003	REP. KIT MONOSHOCK MINI 17	1
99	50180751S1	SHOCK ABSORBER FLUID 5 LT	1

204530430

51894

\* NEW PART

X ON DEMAND



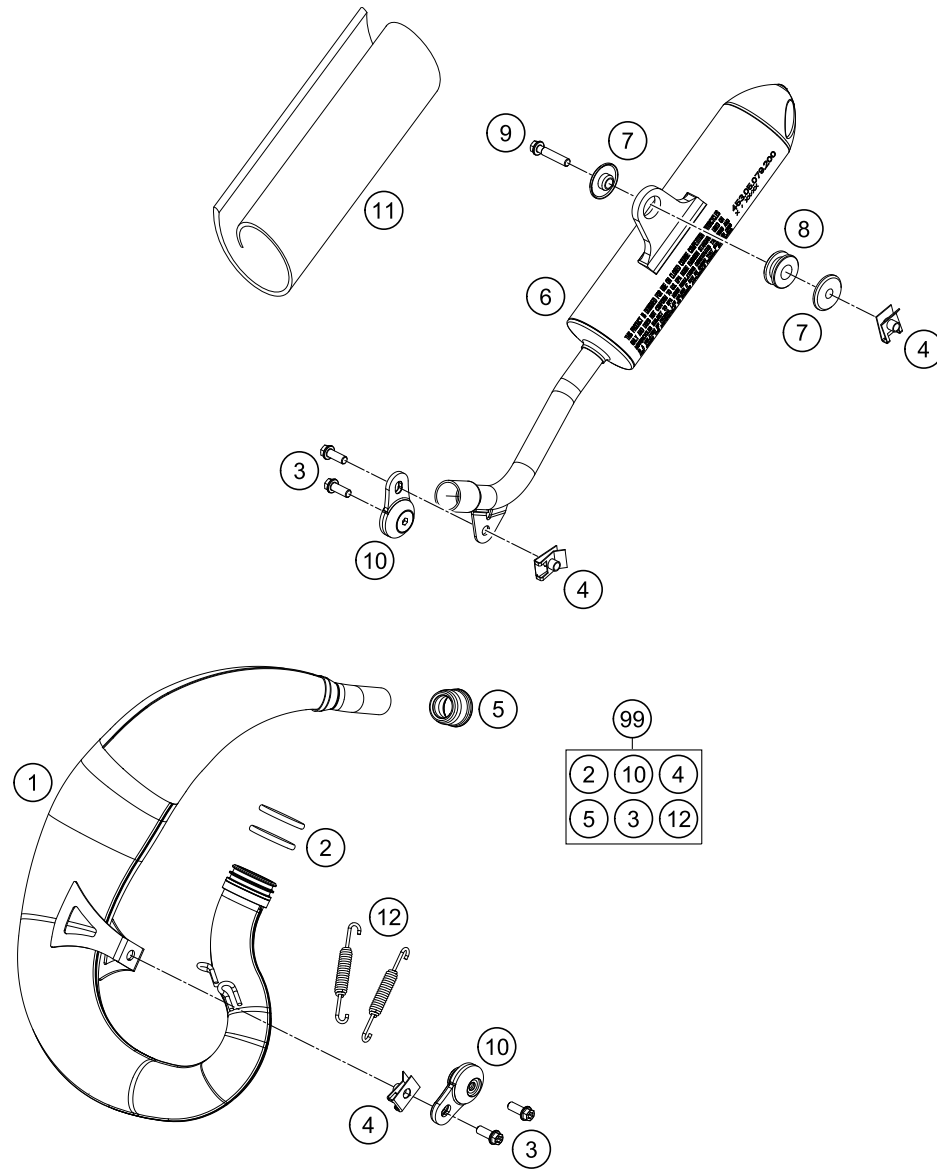
POS	PARTNUMBER	PARTNAME	PIECE
1	45404030044	Schwing arm cpl	1
3	54603097000	NEEDLE BUSH HK 2016	2
4	46004030070	SPACER BUSHING 20X26X30X9,7	4
5	45404041000	Locking cap, swingarm	4
6	46004030071	BUSHING BOX 12X20X36,5	2
7	0770160021	O-RING 16,00X2,00 VITON	4
10	45404066000	Chain sliding protection	1
11	0025060166	HH collar screw M6x16 TX30	1
12	83008000012	special screw M6x12x3	2
13	0009050106	EJOT SPIRAL SCREW SF M5X10-K	2
15	0025060406	HH collar screw M6x40 TX30	1
21	69004095000	ADAPTOR NUT M10	1
25	45404037033	Swingarm pivot cpl.	1
29	45404038000	Nut with anti-rotation lock	1
31	50203030090	HH SCREW M8X40 WS=10	2
32	46030045000	flanged nut M8 WS10	2
35	47113047000	BRAKE HOSE GUIDE	1
97	45204230010	SWINGARM REP. KIT 50/65 SX	1
99	46307066010	CHAIN GUIDE KIT REAR 2016	1

204530490

52164

\* NEW PART

X ON DEMAND



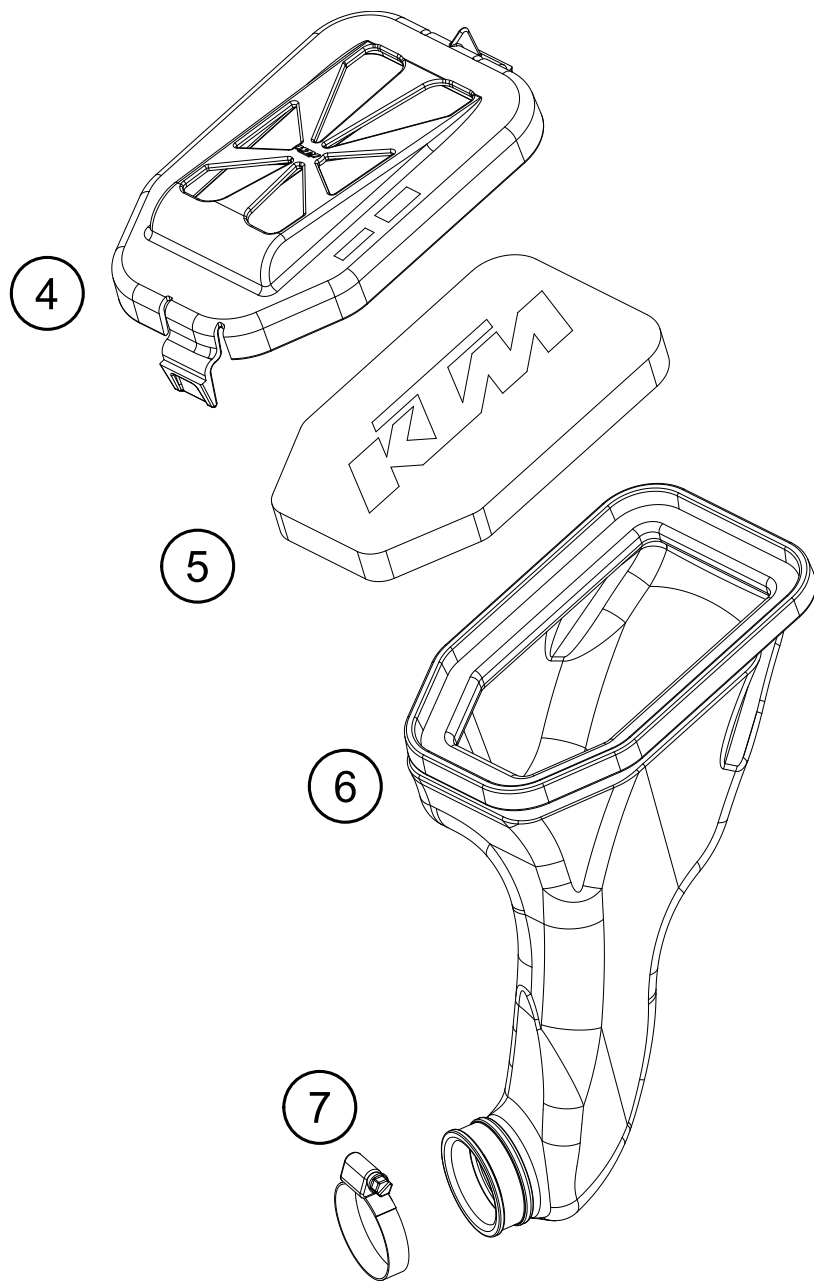
POS	PARTNUMBER	PARTNAME	PIECE
1	45305007000	EXHAUST PIPE	1
2	0770300030	O-RING 30X3 VITON	2
3	0025060166	HH collar screw M6x16 TX30	4
4	54603048100	clip nut M6	3
5	45105057000	EXHAUST RUBBER MINI 2002	1
6	45305079200	Muffler 50 SX	1
7	54605069000	BUSHING 7,5X12X28X7,8 '96	2
8	77205068000	DAMP. COMPON. BLACK	1
9	0025060306	HH collar screw M6x30 TX30	1
10	50305012000	SWINGELEMENT FOR EXHAUST PIPE	2
11	45105079056	ROCKWOOL PREFOMED 50 2002	1
12	50305016000	TEN.SPRING L=62MM EY.MOVEABLE	2
99	00050000813	EXHAUST HARDWARE KIT MINI	1

204530510

52209

\* NEW PART

X ON DEMAND



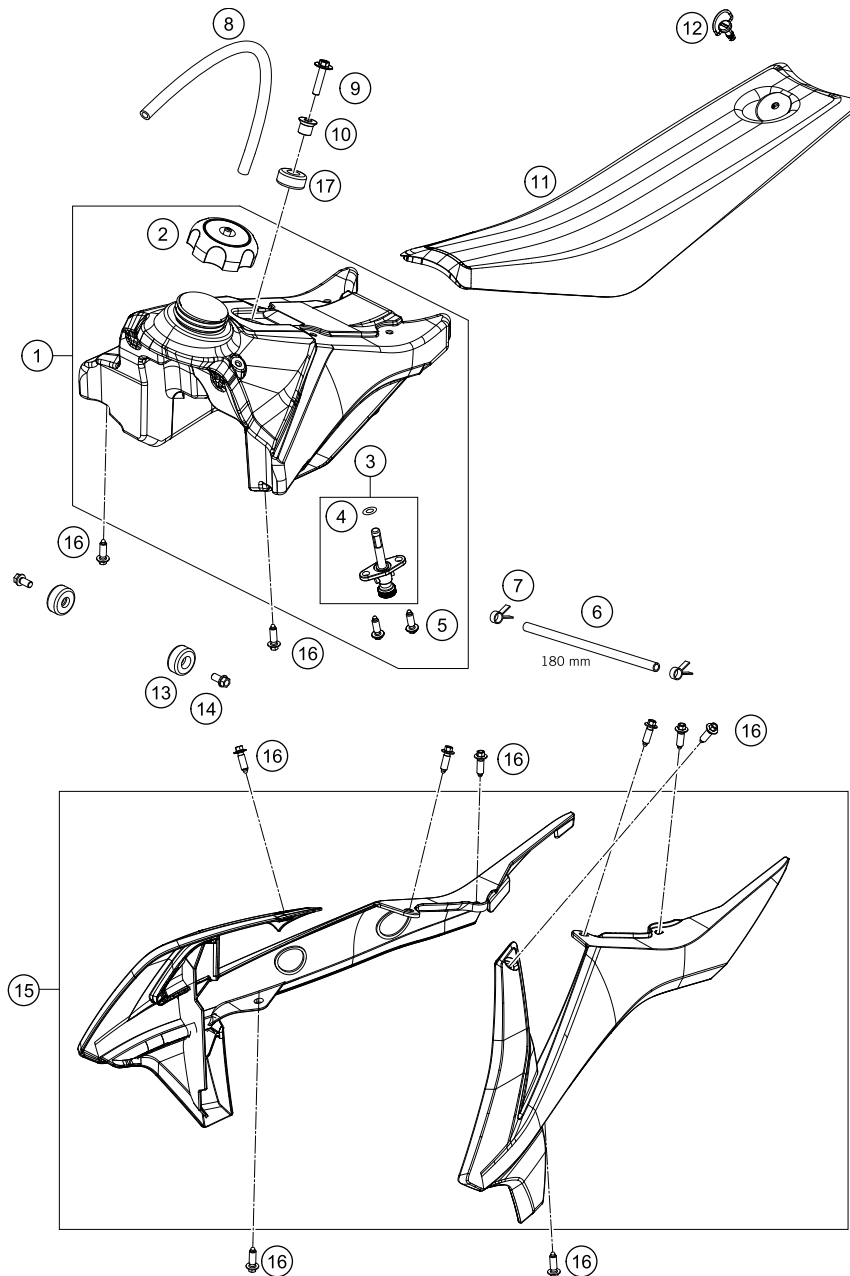
POS	PARTNUMBER	PARTNAME	PIECE
4	45206002000	FILTER BOX COVER 50 SX 09	1
5	45206015000	AIR FILTER 50 SX 09	1
6	45206026000	CARBURETOR CONNECT. 50 SX	1
7	10001120000	CLAMP 25-40 SGT 4	1

154520610

18629

\* NEW PART

X ON DEMAND



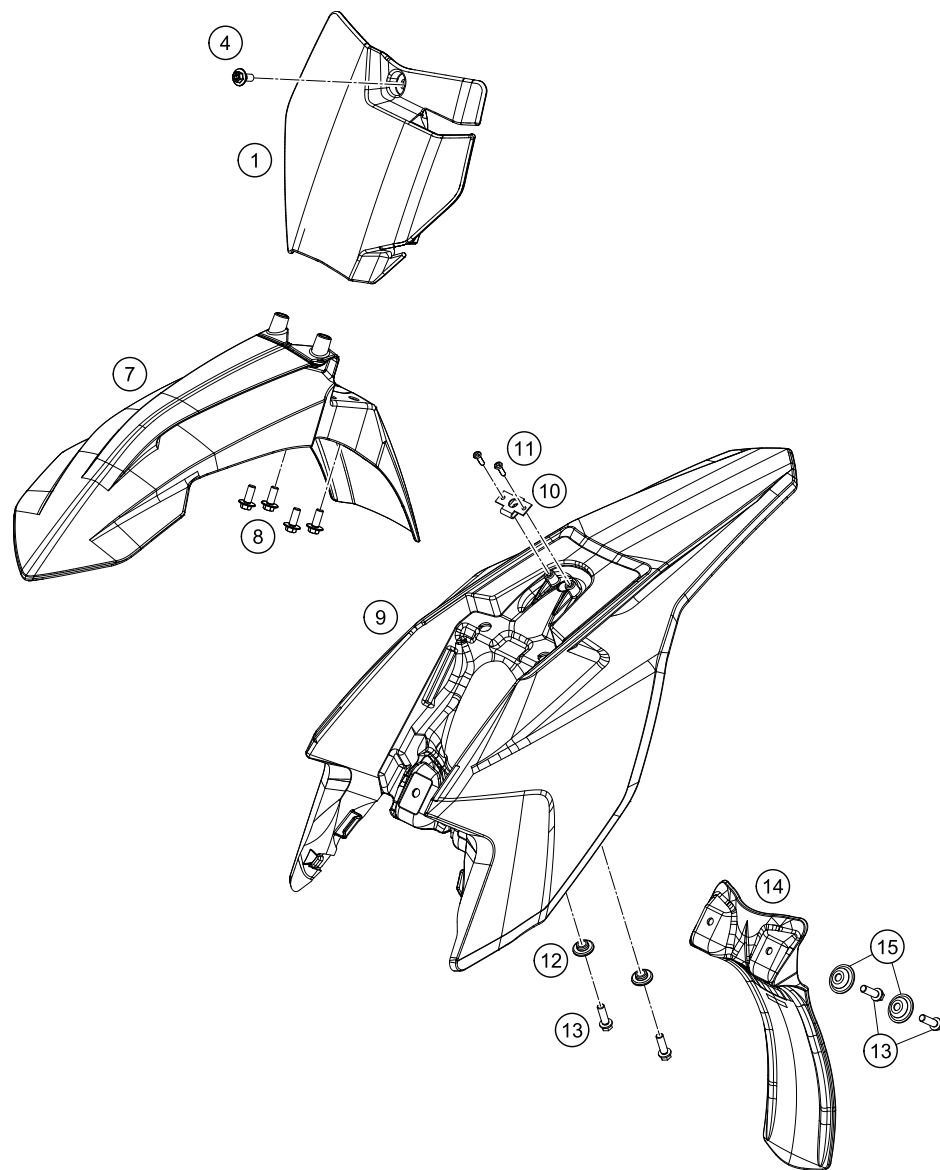
POS	PARTNUMBER	PARTNAME	PIECE
1	4530701303330	FUEL TANK CPL. 2,3 L 2016	1
2	49007008044	FILLER CAP CPL. SMALL	1
3	58507003200	FUEL COCK CPL.	1
4	0770020130	O-RING 1,78x10,82x14,38 2-013	1
5	0017060205	SCREW FOR PLASTIC K60X20 SW6	2
6	58307016001	FUEL HOSE VITON 6X1,5 PER/M	1
7	45031005000	YDNAC-CLAMP FUEL HOSE (8MM)	2
8	78007000270	PVC-HOSE 5,6X10X270MM	1
9	0024060273	COLLAR SCREW M6X27 TX	1
10	77307026000	TANK BUSHING 07	1
11	45307040000	SEAT	1
12	45007040051	QUICK RELEASE CPL. 50 SXR '97	1
13	50307014000	TANK ROLLER 12X26X12 '98	2
14	0025060126	HH collar screw M6x12 TX30	2
15	45308054000ABA	Spoiler Set white 50SX/MINI 20 with deca WITH DECAL	1
16	0017060206	SCREW F. PLASTIC K60X20AL SW6	8
17	50307014000	TANK ROLLER 12X26X12 '98	1

174530710

52210

\* NEW PART

X ON DEMAND



POS	PARTNUMBER	PARTNAME	PIECE
1	45308007000AB	Number Plate white	1
4	0024060106	HH COLLAR SCREW M6X10 TX30	1
7	45308010000EB	FENDER 50 SX ORANGE	1
8	0024060156	HH collar screw M6x15 TX30	4
9	45308013000ABA	Tail section white 20	1
10	45007040050	QUICK RELEASE LATCHPLATE	1
11	0981350133	SHEET MET.SCR.DIN7981-3,5X13	2
12	54808020000	SPACER BUSHING 03	2
13	0025060206	HH collar screw M6x20 TX30	4
14	45206010000	SPLASH PROTECT. 50 SX 2009	1
15	72210079000	BUCKET	2

154520810

52211

\* NEW PART X ON DEMAND

POS	PARTNUMBER	PARTNAME	PIECE
1	45308099300	Graphic kit 50 SX/SX Mini 2020	1



204530830

52213

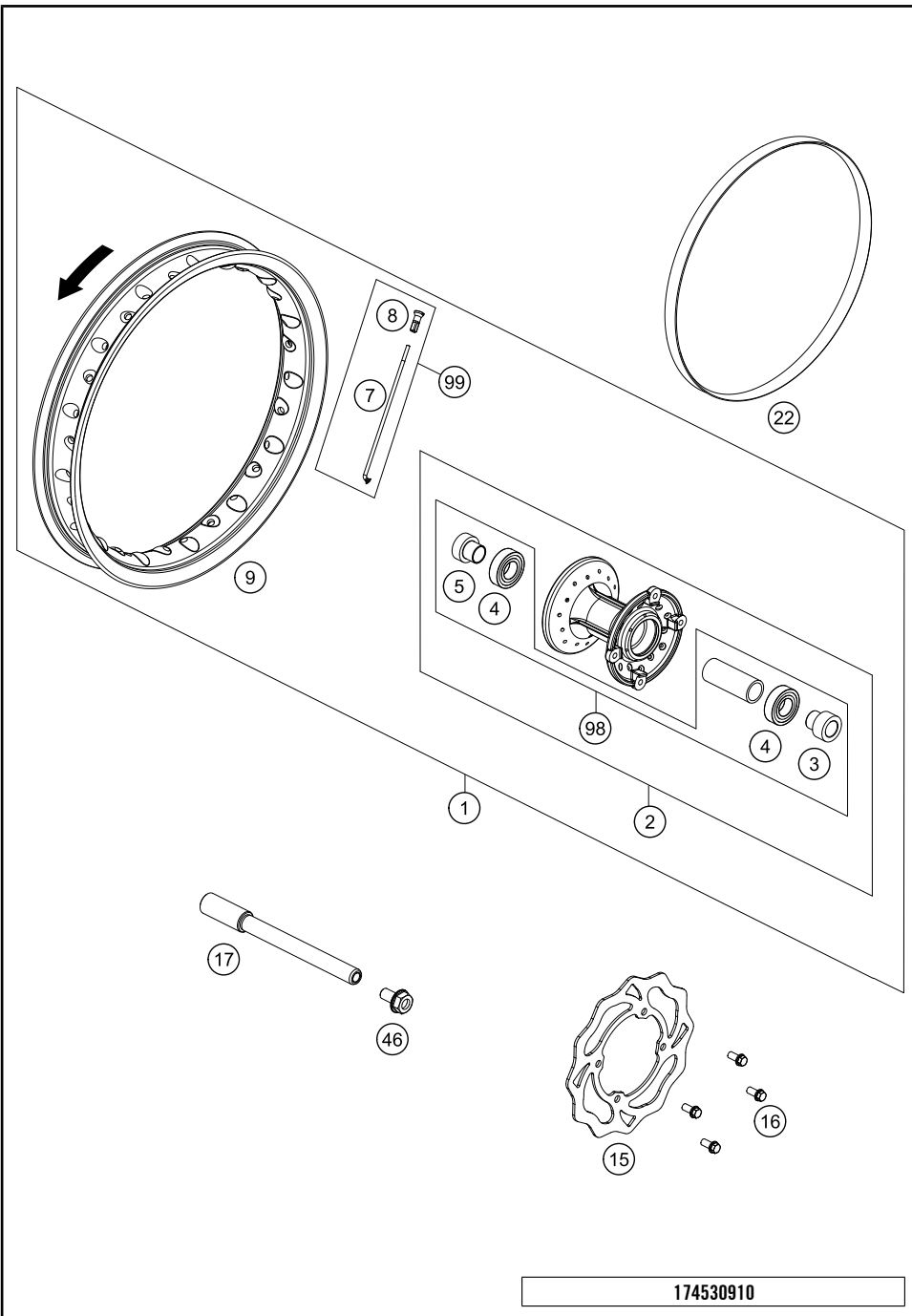
\* NEW PART

X ON DEMAND



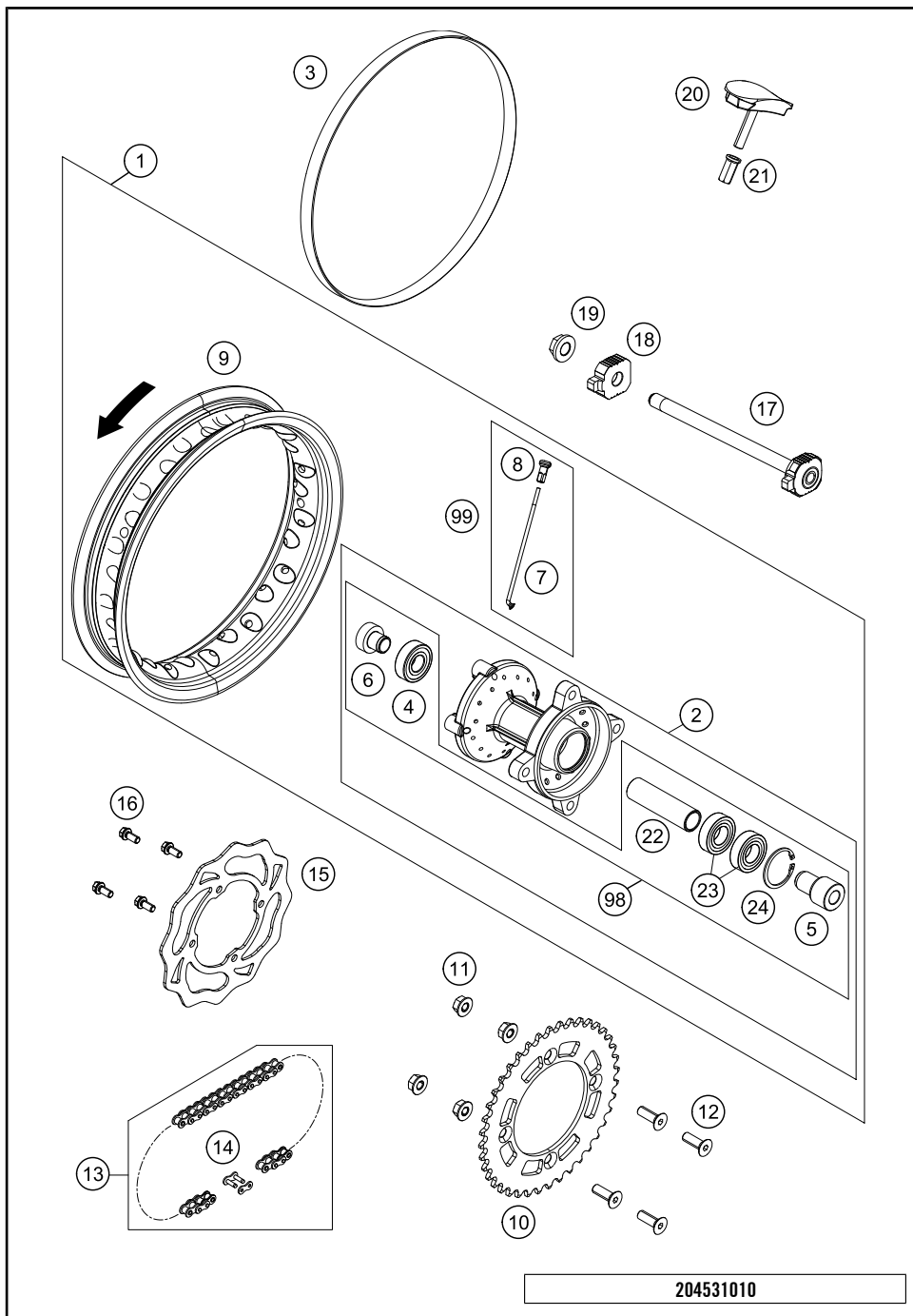
# FRONT WHEEL

50 SX 2020 2020



POS	PARTNUMBER	PARTNAME	PIECE
1	45309001044	"Front wheel 12x1,5"" cpl."	1
2	45209010044	FRONT WHEEL HUB CPL.	1
3	45209012000	SPACER BUSHING LEFT	1
4	0625060037	GR.BALL BEAR. 6003-2RSH/C3HMTF	2
5	45209013000	SPACER BUSHING RIGHT	1
7	45209071126	SPOKE 3X126C.110°C.5 Zinc 2012	28
8	46210072000	SPOKE NIPPLE ALU	28
9	4520907040033	"Front rim 1,5x12""	1
15	45209060000	BRAKE DISC FRONT JUN/SEN 09	1
16	59009062013	SPECIAL SCREW M6X13 WS=8 10.9	4
17	45209081000	AXLE FRONT	1
22	45109073100	RIM BAND 12"	1
46	49032011000	HH COLLAR SCREW M10X20 WS=17	1
98	45209015000	FRONT WHEEL REP. KIT 50 SX	x
99	00050000964	SPOKE KIT FRONT 12" '12-'14	x

\* NEW PART X ON DEMAND

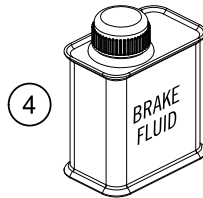
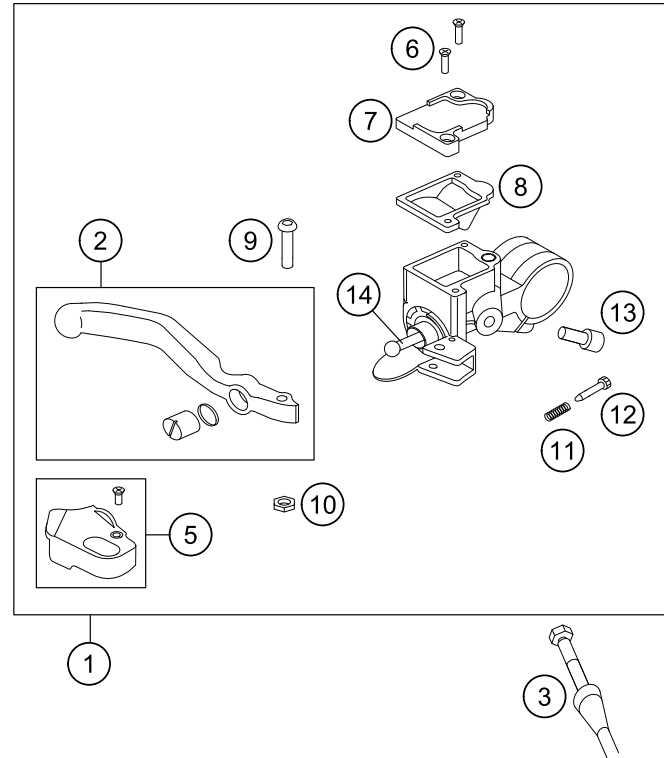


POS	PARTNUMBER	PARTNAME	PIECE
1	45310001044	Rearwheel cpl. 50SX-Mini 2018	1
2	45210010144	REAR WHEEL HUB CPL. 50SX 2015	1
3	45009073000	RIM BAND 10" 22MM	1
4	0625062028	BALL BEARING 6202-2RSH/C3	1
5	45210013100	SPACER BUSHING LEFT 2015	1
6	45210014000	SPACER BUSHING REAR R/S	1
7	45210071101	SPOKE 3X101 C.113°	28
8	46210072000	SPOKE NIPPLE ALU	28
9	4521007020033	"Rear rim 1,6x10""	1
10	45210151038	SPROCKET 38-T 50SX '13	x
10	45210151039	SPROCKET 39-T 50SX '13	x
10	45210151040	SPROCKET 40-T 50SX '13	x
10	45210151041	SPROCKET 41-T 50SX '13	x
10	45210151042	SPROCKET 42-T 50SX '13	1
11	54310086200	SELF LOCKING NUT M8 10.9	4
12	0019080266S	COUNTER-SUNK SCREW ISA45 M8X26	4
13	45110265104	RACING CHAIN 1/2X3/16" 50 SX	1
14	45110266000	CONNECTING LINK 1/2X3/16" 90RS	1
15	45209060000	BRAKE DISC FRONT JUN/SEN 09	1
16	59009062016	SPECIAL SCREW M6X16 WS=8 10.9	4
17	45410085044	Rear wheel spindle cpl.	1
18	45410084000	Chain tension adjuster right	1
19	49030021000	COLLAR NUT M12X1 R/S	1
20	45110090000	RIM LOCK CPL. 2004	1
21	77110090050	NUT FOR WHEEL HOLDER	1
22	45210011100	BEARING DISTANCE TUBE 2015	1
23	0625060037	GR.BALL BEAR. 6003-2RSH/C3HMTF	2
24	0472035150	CIRCLIP DIN0472-35X1,5	1
98	45210015100	REAR WHEEL REP. KIT 50 SX 15	x
99	00050000969	SPOKE KIT REAR 10" '14	1

204531010

52242

\* NEW PART X ON DEMAND



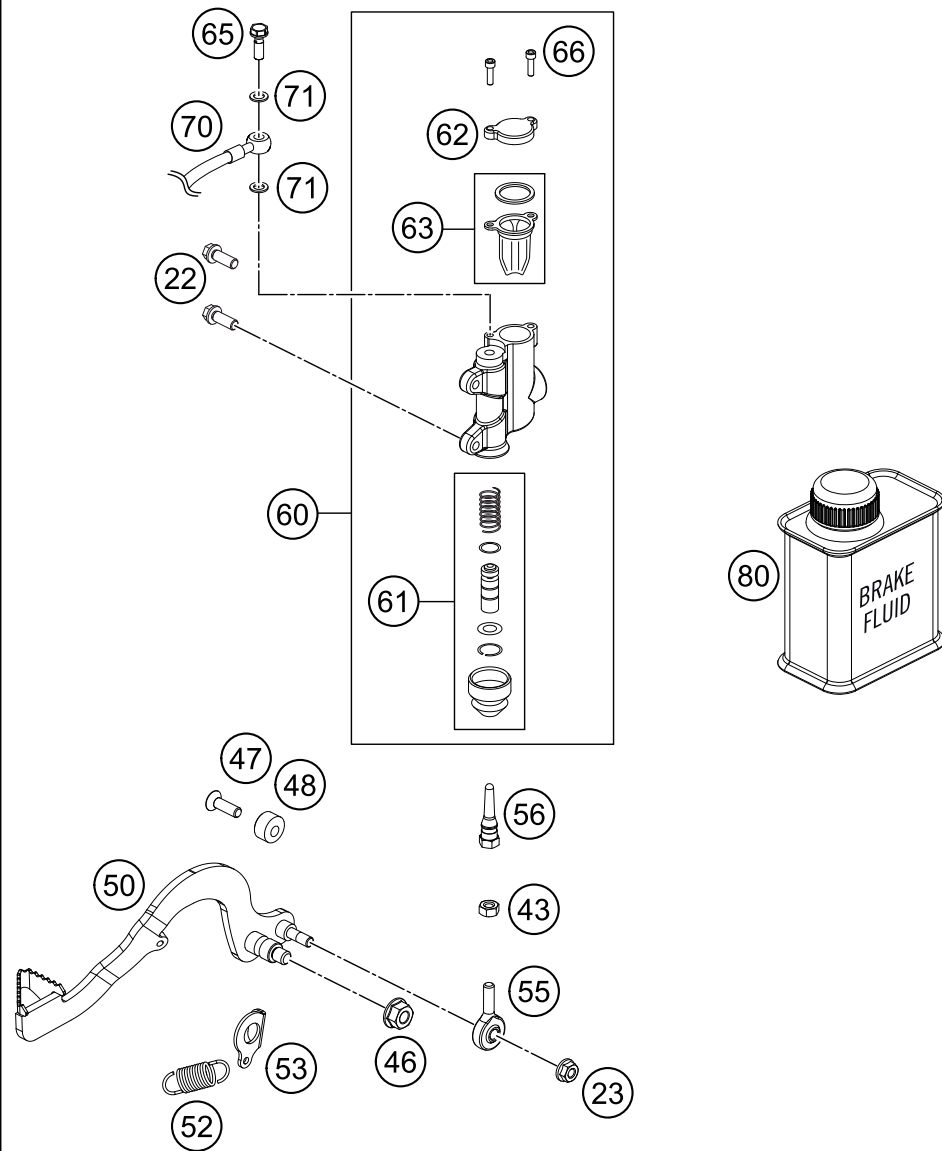
POS	PARTNUMBER	PARTNAME	PIECE
1	45113101044	HAND BRAKE CYLIND.CPL.50 LC 02	1
2	45113002000	HANDBRAKE LEVER CPL. R/S 02	1
3	45213012100	BRAKE HOSE FR. 50SX	1
4	00062030000	BRAKE FLUID DOT5.1 0,25L	1
5	45113004000	PROT.CAP HAND BRAKE CYL. 50 LC	1
6	0966030083	OVAL HEAD SCREW DIN0966-M 3X8	2
7	45113003000	HAND BRAKE CYLINDER COVER 04	1
8	45113009000	GASKET HAND BRAKE CYLINDER 04	1
9	45113006000	SPECIAL-AH SCREW M 5X18	1
10	45113013000	NUT M5 DIN 6334	1
11	45113021000	SPRING FOR HAND BRAKE LEVER 04	1
12	45113007000	ADJUSTING SCREW M 3X16 04	1
13	0912050103	AH SCREW DIN0912-M 5X10	1
14	45113008000	REP.KIT PISTON FRONT 50 04	1

124521310

11199

\* NEW PART

X ON DEMAND



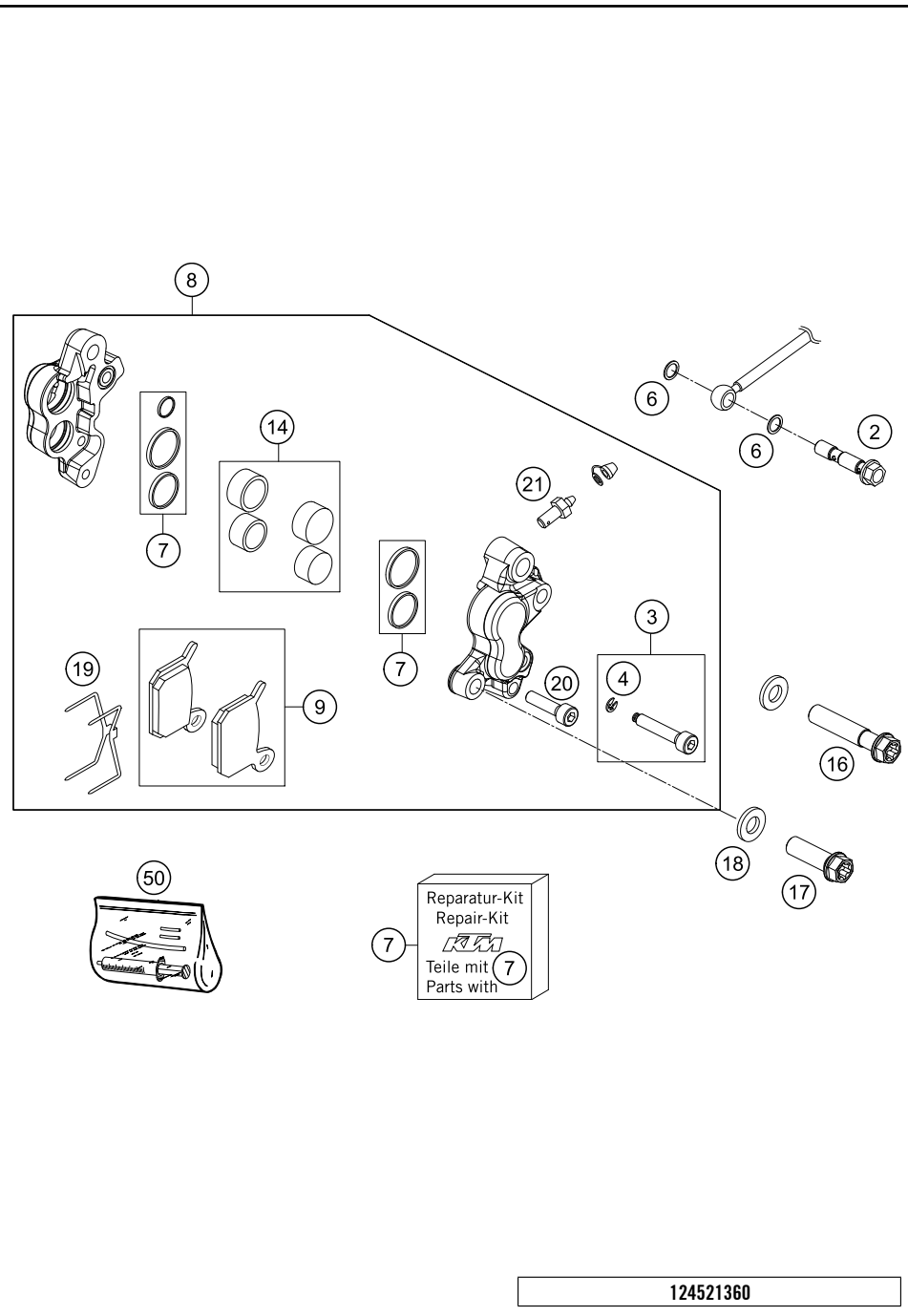
POS	PARTNUMBER	PARTNAME	PIECE
22	59009062019	SPECIAL SCREW M6X19 WS=8 10.9	2
23	56509064100	SELF LOCKING NUT M6 10.9	3
43	0934060003	hex nut DIN 934 M6	1
46	54310086200	SELF LOCKING NUT M8 10.9	1
47	0991060202	FLAT HEAD DIN7991-M 6X20	1
48	45203063000	BRAKE LEVER STOP	1
50	45213050000	FOOT BRAKE LEVER	1
52	54603062100	RETURN SPRING FOR BRAKE LEVER	1
53	45213053000	LOCK WASHER 50 SX	1
55	46213055000	SWIVEL HEAD KA6 INNOX	1
56	46213056000	PUSH ROD	1
60	46113060000	REAR BRAKE CYL. 50+65 04	1
61	47013061000	REP. SET PISTON REAR D=11 2003	1
62	47013062000	CYLINDER COVER REAR 85 SX 03	1
63	47013063000	GASKET CYLINDER COVER REAR 03	1
65	46113325000	HOLLOW SCREW M6	1
66	0912040103	AH.SCREW DIN0912-M 4X10	2
70	45113170000	BRAKE HOSE REAR 50 LC 04	1
71	0770060019	O-RING 6,00X1,00 FORMULA	2
80	00062030000	BRAKE FLUID DOT5.1 0,25L	1

124521330

52253

\* NEW PART

X ON DEMAND



POS	PARTNUMBER	PARTNAME	PIECE
2	45113025000	HOLLOW SCREW M6X34 50 LC 2002	1
3	45113125000	AH SCREW+CIRCLIP LC 50 02	1
4	0799025000	TAB WASHER DIN6799 RS2,5	1
6	0770060019	O-RING 6,00X1,00 FORMULA	2
7	45113019000	REP.KIT SEAL RING 50LC 2002	1
8	45113015000	BRAKE CALIPER CPL.FR. 50 LC 02	1
9	45113030000	BRAKE PAD SET 50 LC 2002	1
14	45113019050	REPAIR KIT BRAKEPISTON	1
16	0025080606	HH COLLAR SCREW M8x60 TX40	1
17	0025080406	HH COLLAR SCREW M8X40 TX40	1
18	0125080003	washer DIN 125 A -8.4	2
19	45113018000	RETAINING SPRING 50 LC	1
20	0912050203	AH SCREW DIN0912-M 5X20	1
21	45113020000	BREATHER SCREW 50 2002	1
50	45119050000	BLEEDER INJECTION-SET 50-65	x

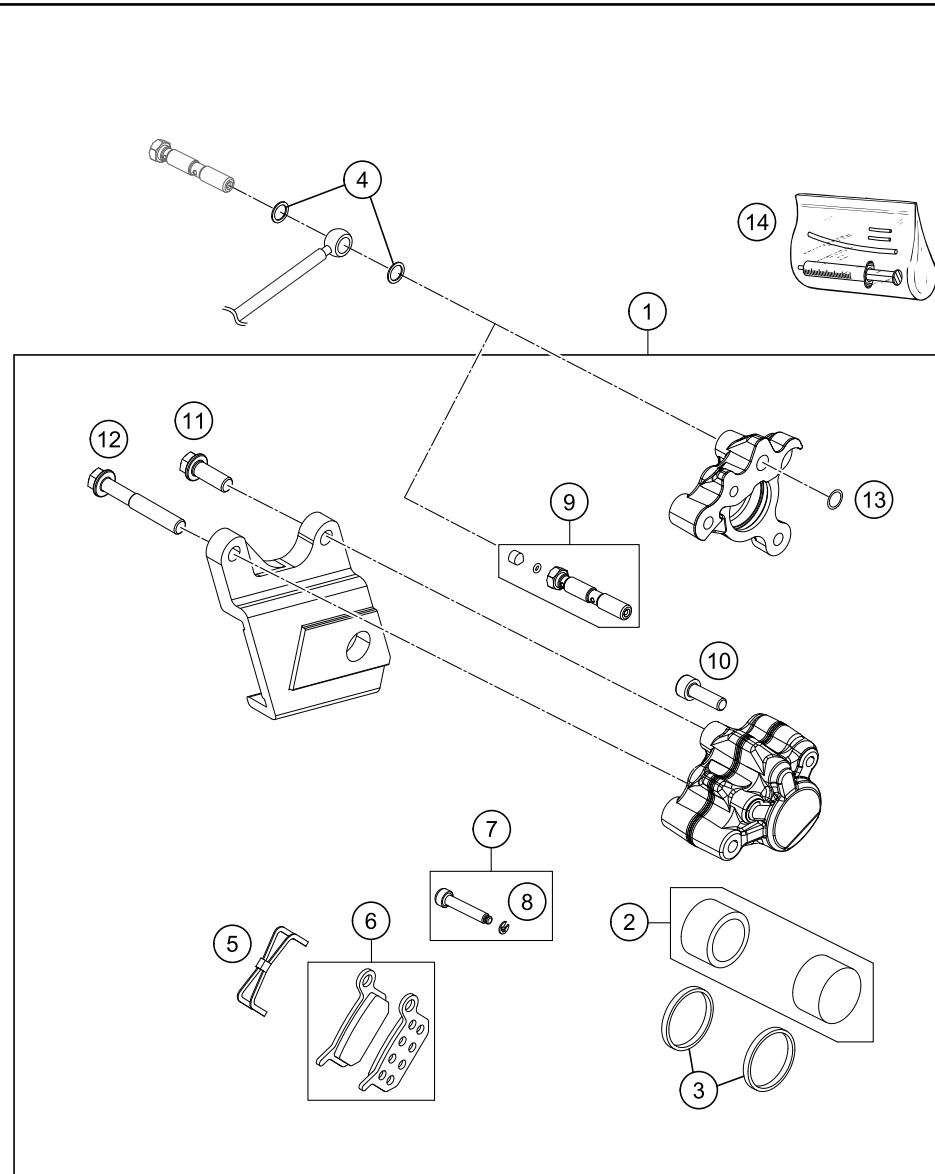
124521360

11206

\* NEW PART X ON DEMAND

# REAR BRAKE CALIPER

50 SX 2020 2020



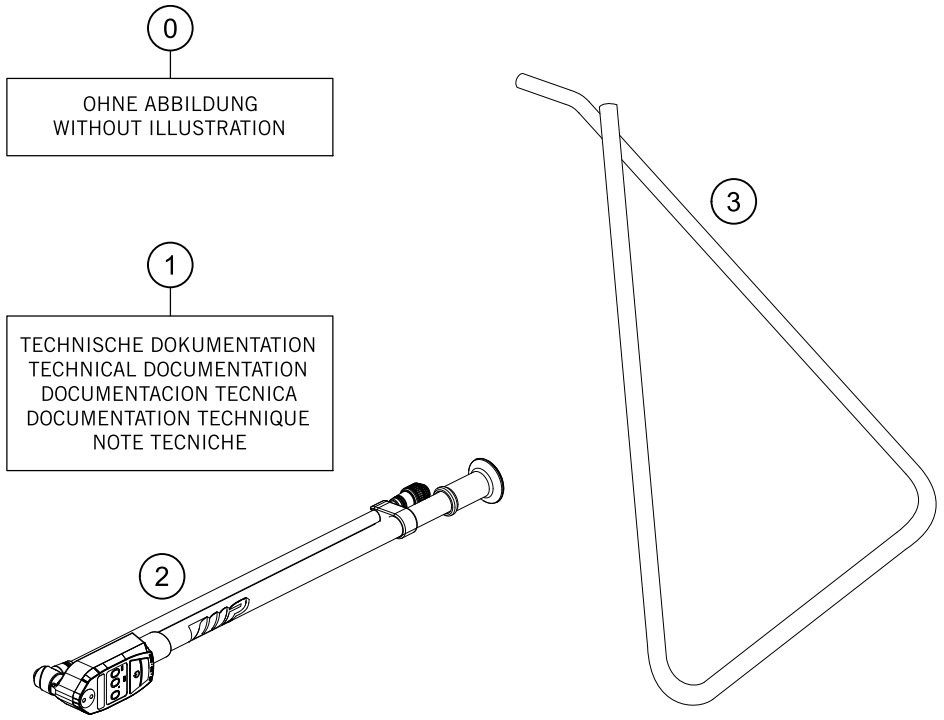
POS	PARTNUMBER	PARTNAME	PIECE
1	45213080000	BRAKE CALIPER REAR	1
2	45113019100	REPAIR KIT BRAKEPISTON	1
3	0770022020	O-RING 22X2X2 EPDM	2
4	0770060019	O-RING 6,00X1,00 FORMULA	2
5	45113018000	RETAINING SPRING 50 LC	1
6	45113030000	BRAKE PAD SET 50 LC 2002	1
7	45113225000	AH SCREW + CIRCLIP 50/65 04	1
8	0799025000	TAB WASHER DIN6799 RS2,5	1
9	46113225000	HOLLOW SCREW CPL.	1
10	0912050163	AH SCREW DIN0912-M 5X16	1
11	0025060166	HH collar screw M6x16 TX30	1
12	0025060406	HH collar screw M6x40 TX30	1
13	0770080019	O-RING 8,00X1,00 FORMULA	1
14	45119050000	BLEEDER INJECTION-SET 50-65	x

144521390

14243

\* NEW PART

X ON DEMAND



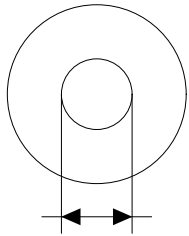
204532001

52264

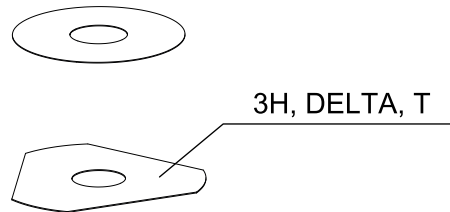
POS	PARTNUMBER	PARTNAME	PIECE
0	50306009000	STICKER "TWIN AIR"	1
0	78112920000	HOUR METER KTM	1
0	3210917	NOTEPAD	1
0	52000223SET	Sticker set XACT AER 140x141	1
0	20180189INT	Sticker accessory kit	1
0	47103040033	FOOTREST CPL. 14	1
0	45229073000	SPARK PLUG WRENCH	1
0	44011076140	CABLE TIE 140/2,5MM BLACK	2
0	20180204INT	KTM Bypack Folder Offroad	1
0	50203098000	Sticker "Warning label 4"	1
0	312313	KTM BALLPOINT PEN ORANGE	1
0	312305	DOCUMENTS BAG 2006	1
1	3213996EN	Owner's manual	1
1	322000	SAFETY BROCHURES SPORTMINICYC.	1
2	79412966100	Fork pump	1
3	45103023300	PLUG-IN STAND 50 SEN LC 03	1

\* NEW PART

X ON DEMAND



- ⑤ Ø 5 mm
- ⑥ Ø 6 mm
- ⑧ Ø 8 mm
- ⑩ Ø 10 mm
- ⑫ Ø 12 mm
- ⑭ Ø 14-14,5 mm
- ⑯ Ø 16 mm
- ⑳ Ø 20 mm
- ㉑ Ø 21 mm
- ㉒ Ø 22 mm
- ㉓ Ø 23 mm
- ㉔ Ø 24,5 mm
- ㉘ Ø 28,5 mm
- ㉚ Ø 32 mm
- ㉜ Ø 52 mm



POS	PARTNUMBER	PARTNAME	PIECE
5	44906890	WASHER 5X15X2	X
6	40540400	Shim 6x12x0,10	X
6	40540401	Shim 6x14x0,10	X
6	40540402	Shim 6x16x0,10	X
6	40540403	Shim 6x18x0,10	X
6	40540404	Shim 6x12x0,15	X
6	40540405	Shim 6x14x0,15	X
6	40540406	Shim 6x16x0,15	X
6	40540407	SHIM 6X18X0,15	X
6	40540408	Shim 6x12x0,20	X
6	40540409	Shim 6x14x0,20	X
6	40540410	Shim 6x16x0,20	X
6	40540411	Shim 6x18x0,20	X
6	48600095	SHIM 6X20X0,20	X
6	40540412	Shim 6x12x0,25	X
6	40540413	Shim 6x14x0,25	X
6	40540414	Shim 6x16x0,25	X
6	40540415	Shim 6x18x0,25	X
6	40540417	SHIM 6X8,5X0,10	X
6	40540418	SHIM 6X9X0,10	X
6	40540419	SHIM 6X9,5X0,10	X
6	40540423	SHIM 6X9,5X0,15	X
6	40540425	SHIM 6X8,5X0,20	X
6	40540426	SHIM 6X9X0,20	X
6	40540427	SHIM 6X9,5X0,20	X
6	40540447	Shim 6x10x0,30	X
6	40540449	Shim 6x9x0,30	X
6	40540450	Shim 6x9,5x0,30	X
6	40540494	Shim 6x18x0,40	X
6	40540774	Shim 6x18x0,10	X
6	40541383	Shim 6X11X0,10	X
6	40541391	Shim 6x11x0,30	X
6	40541402	Shim 6x11x0,20	X
6	40541403	SHIM 6X10X0,20	X
6	40541404	Shim 6x10x0,10	X
6	40541405	Shim 6x10x0,15	X
6	40541406	SHIM 6X11X0,15	X
6	40541408	SHIM 6X8,0X0,30	X

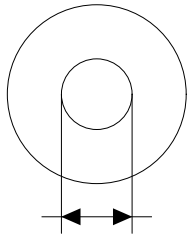
080000190

4668

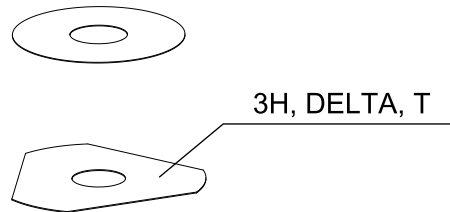
\* NEW PART

X ON DEMAND





- ⑤ Ø 5 mm
- ⑥ Ø 6 mm
- ⑧ Ø 8 mm
- ⑩ Ø 10 mm
- ⑫ Ø 12 mm
- ⑭ Ø 14-14,5 mm
- ⑯ Ø 16 mm
- ⑳ Ø 20 mm
- ㉑ Ø 21 mm
- ㉒ Ø 22 mm
- ㉓ Ø 23 mm
- ㉔ Ø 24,5 mm
- ㉘ Ø 28,5 mm
- ㉚ Ø 32 mm
- ㉜ Ø 52 mm



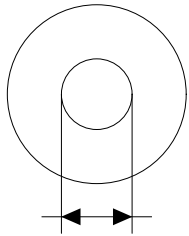
POS	PARTNUMBER	PARTNAME	PIECE
6	40541414	Shim 6x8x0,1	X
6	40541416	SHIM 6X8X0,3	X
6	40541417	SHIM 6X11X0,25	X
6	48600102	SHIM 6X24X0,25	X
6	48600063	Shim 6x24x0,10	X
6	48600064	Shim 6x22x0,10	X
6	48600065	Shim 6x20x0,10	X
6	48600069	Shim 6x20x0,15	X
6	48600100	Shim 6x24x0,15	X
6	48600116	Shim 6x24x0,10 delta	X
6	48600139	Shim 6x22x0,1 delta	X
6	48600217	Shim 6x10x0,25	X
6	48600325	Shim 6x13x0,10	X
6	48600327	SHIM 6X15X0,1	X
6	48600329	Shim 6x17x0,10	X
6	48600331	Shim 6x19x0,10	X
6	48600096	Shim 6x20x0,25	X
6	48600097	Shim 6x22x0,15	X
6	48600099	Shim 6x22x0,25	X
6	40540448	Shim 6x8,5x0,30	X
6	48600479	Shim 6x20x0,10 DELTA	X
6	48600332	SHIM 6X21X0,1	X
6	48600333	SHIM 6X23X0,1	X
6	40541393	Shim 6x12x0,30	X
6	48600330	SHIM 6X17X0,15	X
6	48600988	Shim 6x28x0,10	X
6	48600989	Shim 6x26x0,10	X
6	48601091	Shim 6x28x0,15	X
6	48601093	Shim 6x26x0,15	X
6	48600328	Shim 6x15x0,15	X
6	48600326	Shim 6x13x0,15	X
6	48601548	Shim 6x17x1,5	X
6	48601693	Washer 6x18x3	X
6	48600098	Shim 6x22x0,20	X
6	48601300	Washer 6x25x1,5	X
6	48601692	Shim 6x30x0,15	X
6	48601550	Shim 6x30x0,10	X
6	40541392	Shim 6x8x0,2	X

080000190

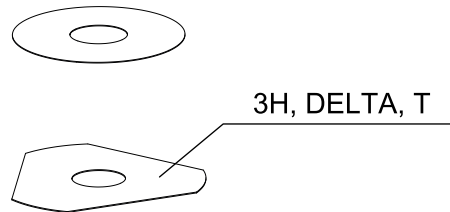
4668

\* NEW PART

X ON DEMAND



- ⑤ Ø 5 mm
- ⑥ Ø 6 mm
- ⑧ Ø 8 mm
- ⑩ Ø 10 mm
- ⑫ Ø 12 mm
- ⑭ Ø 14-14,5 mm
- ⑯ Ø 16 mm
- ⑳ Ø 20 mm
- ㉑ Ø 21 mm
- ㉒ Ø 22 mm
- ㉓ Ø 23 mm
- ㉔ Ø 24,5 mm
- ㉘ Ø 28,5 mm
- ㉚ Ø 32 mm
- ㉜ Ø 52 mm



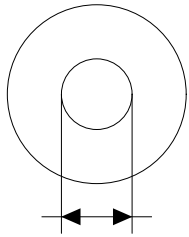
POS	PARTNUMBER	PARTNAME	PIECE
6	50180009	DISTANCER PLATE 16X23X0,10	X
6	48601917	Washer 6x18x4	X
6	48601916	Washer 6x18x4	X
6	40540399	Shim 6x16x0,30	X
6	48601584	Shim 6x30x0,4 spring shim	X
6	48601459	Washer check valve 6x31x0,4	X
6	48601849	Check valve plate 2,5mm hub	X
6	48600101	SHIM 6X24X0,20	X
6	48601094	Shim 6x26x0,20	X
6	40540422	Shim 6X9X0,15	X
6	48601841	Washer check valve 6x31x0,4	X
6	48601850	Shim 6x30x0,4 spring shim	X
8	40540477	Shim 8x18x0,40	X
8	43570120	Shim 8x18x0,10	X
8	44916098	WASHER 8,4X16X0,8	X
8	44916130	WASHER 8,2X15X1	X
8	44916180	WASHER 8,2X11X1	X
8	48600214	Shim 8x16x0,10	X
8	48600385	SHIM 8x14x0,25	X
8	48600346	Shim 8x11x0,20	X
8	48600215	Shim 8x20x0,10	X
8	48600485	SHIM 8X10X0,10	X
8	48601402	SHIM 8X13X0,10	X
8	48600350	Shim 8x16x0,15	X
8	48600061	Shim 8x24x0,40	X
8	48600062	CHECK VALVE 8X24X0,1	X
8	48600216	Shim 8x22x0,10	X
8	48600480	Shim 8x10x0,20	X
8	48600555	SHIM 8X16X0,20	X
8	48600213	SHIM 8X14X0,10	X
8	48600357	Shim 8x11x0,10	X
8	48600351	Shim 8x12x0,10	X
8	48600607	Shim 8x20x0,40	X
8	48601095	Shim 8x17x0,10	X
8	48600352	CHECK VALVE 8X11X0,4	X
8	48601860	Washer 8x11x0,15	X
8	48601266	Shim 8x26x0,40	X
8	46180640	Shim 8x16x0,3	X

080000190

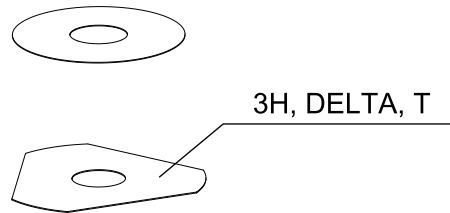
4668

\* NEW PART

X ON DEMAND



- ⑤ Ø 5 mm
- ⑥ Ø 6 mm
- ⑧ Ø 8 mm
- ⑩ Ø 10 mm
- ⑫ Ø 12 mm
- ⑭ Ø 14-14,5 mm
- ⑯ Ø 16 mm
- ⑳ Ø 20 mm
- ㉑ Ø 21 mm
- ㉒ Ø 22 mm
- ㉓ Ø 23 mm
- ㉔ Ø 24,5 mm
- ㉘ Ø 28,5 mm
- ㉚ Ø 32 mm
- ㉜ Ø 52 mm



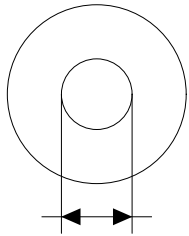
POS	PARTNUMBER	PARTNAME	PIECE
8	43578166	Washer 8x20x1	X
10	36120284	SHIM 10X16X0,10	X
10	36120298	SHIM 10X16X0,2	X
10	36120312	SHIM 10X16X0,30	X
10	36120314	SHIM 10X18X0,30	X
10	36120325	SHIM 10X19X0,15	X
10	36120327	SHIM 10X23X0,15	X
10	36120328	SHIM 10X25X0,15	X
10	36120329	SHIM 10X27X0,15	X
10	36120330	SHIM 10X29X0,15	X
10	36120331	SHIM 10X31X0,15	X
10	36120332	SHIM 10X33X0,15	X
10	36120334	SHIM 10X21X0,20	X
10	36120335	SHIM 10X23X0,20	X
10	36120336	SHIM 10X25X0,20	X
10	36120337	SHIM 10X27X0,20	X
10	36120338	SHIM 10X29X0,20	X
10	36120339	SHIM 10X31X0,20	X
10	36120340	SHIM 10X33X0,20	X
10	36120342	SHIM 10X21X0,25	X
10	36120343	SHIM 10X23X0,25	X
10	36120344	SHIM 10X25X0,25	X
10	36120345	SHIM 10X27X0,25	X
10	36120349	SHIM 10X19X0,30	X
10	36120350	SHIM 10X21X0,30	X
10	36120313	SHIM 10X17X0,30	X
10	36120354	SHIM 10X29X0,30	X
10	40140275	WASHER 10X35X0,15	X
10	48601708	Shim 10x30x0,40	X
10	36120346	SHIM 10X29X0,25	X
10	36120355	SHIM 10X31X0,30	X
10	36120348	SHIM 10X33X0,25	X
10	36120311	SHIM 10X15X0,30	X
10	36120292	SHIM 10X17X0,15	X
10	36120326	SHIM 10X21X0,15	X
10	36120286	SHIM 10X18X0,10	X
10	36120347	SHIM 10X31X0,25	X
10	36120333	SHIM 10X19X0,20	X

080000190

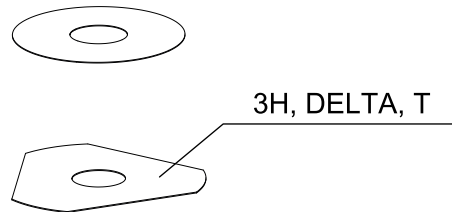
4668

\* NEW PART

X ON DEMAND



- ⑤ Ø 5 mm
- ⑥ Ø 6 mm
- ⑧ Ø 8 mm
- ⑩ Ø 10 mm
- ⑫ Ø 12 mm
- ⑭ Ø 14-14,5 mm
- ⑯ Ø 16 mm
- ⑰ Ø 20 mm
- ⑱ Ø 21 mm
- ⑳ Ø 22 mm
- ㉑ Ø 23 mm
- ㉒ Ø 24,5 mm
- ㉔ Ø 28,5 mm
- ㉖ Ø 32 mm
- ㉘ Ø 52 mm



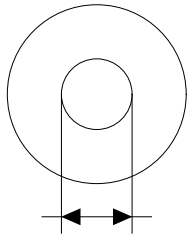
POS	PARTNUMBER	PARTNAME	PIECE
10	36120604	Washer 10x22x2,5	X
12	46810490	SHIM 12X24X0,20	X
12	46810491	Shim 12x26x0,20	X
12	46810492	Shim 12x28x0,20	X
12	46810493	SHIM 12X30X0,20	X
12	46810494	Shim 12x32x0,20	X
12	46810495	Shim 12x34x0,20	X
12	46810496	SHIM 12X36X0,20	X
12	46810497	SHIM 12X38X0,20	X
12	46810498	Shim 12x40x0,20	X
12	46810499	Shim 12x24x0,25	X
12	46810500	SHIM 12X26X0,25	X
12	46810501	SHIM 12X28X0,25	X
12	46810502	Shim 12x30x0,25	X
12	46810504	SHIM 12X34X0,25	X
12	46810505	SHIM 12X36X0,25	X
12	46810507	Shim 12x40x0,25	X
12	46810508	SHIM 12X24X0,30	X
12	46810509	SHIM 12X26X0,30	X
12	46810510	SHIM 12X28X0,30	X
12	46810512	SHIM 12X32X0,30	X
12	46810513	SHIM 12X34X0,30	X
12	46810518	SHIM 12X26X0,15	X
12	46810519	SHIM 12X28X0,15	X
12	46810520	SHIM 12X30X0,15	X
12	46810521	SHIM 12X32X0,15	X
12	46810522	SHIM 12X34X0,15	X
12	46810523	SHIM 12X36X0,15	X
12	46810524	SHIM 12X38X0,15	X
12	46810525	SHIM 12X40X0,15	X
12	46810604	SHIM 12X20X0,10	X
12	46810606	SHIM 12X22X0,10	X
12	46810607	SHIM 12X23X0,10	X
12	46810608	SHIM 12X24X0,10	X
12	46810610	Shim 12x17x0,15	X
12	46810611	SHIM 12X18X0,15	X
12	46810612	SHIM 12X19X0,15	X
12	46810615	SHIM 12X22X0,15	X

080000190

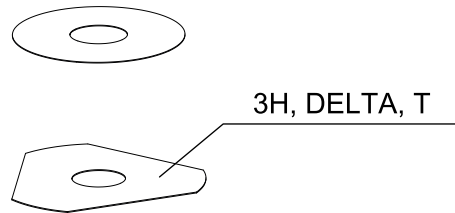
4668

\* NEW PART

X ON DEMAND



- ⑤ Ø 5 mm
- ⑥ Ø 6 mm
- ⑧ Ø 8 mm
- ⑩ Ø 10 mm
- ⑫ Ø 12 mm
- ⑭ Ø 14-14,5 mm
- ⑯ Ø 16 mm
- ⑳ Ø 20 mm
- ㉑ Ø 21 mm
- ㉒ Ø 22 mm
- ㉓ Ø 23 mm
- ㉔ Ø 24,5 mm
- ㉘ Ø 28,5 mm
- ㉚ Ø 32 mm
- ㉜ Ø 52 mm



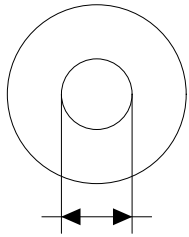
POS	PARTNUMBER	PARTNAME	PIECE
12	46810636	BACKPLATE 12X16X0,30	X
12	46810637	Shim 12x17x0,30	X
12	46810638	Shim 12x18x0,30	X
12	46810639	SHIM 12X19X0,30	X
12	46810641	Shim 12X21X0,30	X
12	46811582	Shim 12x30x0,10	X
12	46810631	SHIM 12X20X0,25	X
12	46810633	SHIM 12X22X0,25	X
12	46811580	Shim 12x32x0,10	X
12	46810503	SHIM 12X32X0,25	X
12	46810517	SHIM 12X24X0,15	X
12	46810856	Shim 12x20x0,30	X
12	46811258	Washer 12x24x2,5	X
12	46812018	Shim 12x42x0,25	X
12	46812015	Shim 12x44x0,20	X
12	46810613	SHIM 12X20X0,15	X
12	46810623	SHIM 12X21X0,20	X
12	46810624	SHIM 12X22X0,20	X
12	46810642	SHIM 12X22X0,30	X
12	46810643	SHIM 12X23X0,30	X
12	46811629	Shim 12x28x0,10	X
12	46810511	SHIM 12X30X0,30	X
12	46810514	SHIM 12X36X0,30	X
12	46810506	SHIM 12X38X0,25	X
12	46810515	SHIM 12X38X0,30	X
12	46812017	Shim 12x42x0,20	X
12	46812016	Shim 12x44x0,25	X
12	46810622	SHIM 12X20X0,20	X
12	46811635	Shim 12x26x0,10	X
12	50181296	Shim 12x45x0,20	X
12	46810620	Shim 12x18x0,2	X
12	46810616	Shim 12x32x0,15	X
14	35480479	Shim 14x26x0,40	X
14	46811046	Washer 14,5x35,4x1,25	X
16	50180023	SHIM 16X23X0,20	X
16	50180030	Shim 16x23x0,25	X
16	50180006	Shim 16x20x0,10	X
16	50180007	SHIM 16X21X0,10	X

080000190

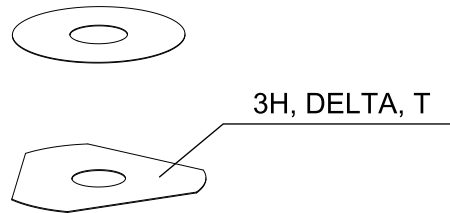
4668

\* NEW PART

X ON DEMAND



- ⑤ Ø 5 mm
- ⑥ Ø 6 mm
- ⑧ Ø 8 mm
- ⑩ Ø 10 mm
- ⑫ Ø 12 mm
- ⑭ Ø 14-14,5 mm
- ⑯ Ø 16 mm
- ⑳ Ø 20 mm
- ㉑ Ø 21 mm
- ㉒ Ø 22 mm
- ㉓ Ø 23 mm
- ㉔ Ø 24,5 mm
- ㉘ Ø 28,5 mm
- ㉚ Ø 32 mm
- ㉜ Ø 52 mm



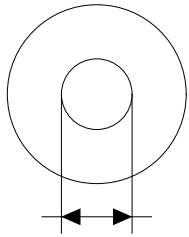
POS	PARTNUMBER	PARTNAME	PIECE
16	50180028	SHIM 16X21X0,25	X
16	50180210	Washer 16x21x1	X
16	50180008	SHIM 16X22X0,10	X
16	50180022	Shim 16x22x0,20	X
16	50180037	SHIM 16X23X0,30	X
16	50180038	SHIM 16X24X0,30	X
16	50180032	Shim 16x25x0,25	X
16	50180039	SHIM 16X25X0,30	X
16	50180012	SHIM 16X26X0,10	X
16	50180019	SHIM 16X26X0,15	X
16	50180026	SHIM 16X26X0,20	X
16	50180040	SHIM 16X26X0,30	X
16	50180041	SHIM 16X28X0,10	X
16	50180045	Shim 16x28x0,15	X
16	50180054	Shim 16x28x0,2	X
16	50180063	SHIM 16X28X0,25	X
16	50180072	SHIM 16X28X0,30	X
16	50180046	SHIM 16X30X0,15	X
16	50180055	SHIM 16X30X0,20	X
16	50180064	Shim 16x30x0,25	X
16	50180073	SHIM 16X30X0,30	X
16	50180047	Shim 16X32X0,15	X
16	50180056	Shim 16x32x0,2	X
16	50180065	SHIM 16X32X0,25	X
16	50180074	SHIM 16X32X0,30	X
16	50180044	SHIM 16X34X0,10	X
16	50180048	SHIM 16X34X0,15	X
16	50180057	Shim 16x34x0,2 y5	X
16	50180066	SHIM 16X34X0,25	X
16	50180075	SHIM 16X34X0,30	X
16	50180049	Shim 16x36x0,15	X
16	50180058	Shim 16x36x0,20	X
16	50180067	SHIM 16X36X0,25	X
16	50180076	SHIM 16X36X0,30	X
16	50180050	SHIM 16X38X0,15	X
16	50180059	SHIM 16X38X0,20	X
16	50180068	SHIM 16X38X0,25	X
16	50180077	SHIM 16X38X0,30	X

080000190

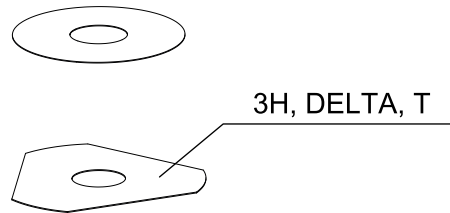
4668

\* NEW PART

X ON DEMAND



- ⑤ Ø 5 mm
- ⑥ Ø 6 mm
- ⑧ Ø 8 mm
- ⑩ Ø 10 mm
- ⑫ Ø 12 mm
- ⑭ Ø 14-14,5 mm
- ⑯ Ø 16 mm
- ⑳ Ø 20 mm
- ㉑ Ø 21 mm
- ㉒ Ø 22 mm
- ㉓ Ø 23 mm
- ㉔ Ø 24,5 mm
- ㉘ Ø 28,5 mm
- ㉚ Ø 32 mm
- ㉜ Ø 52 mm



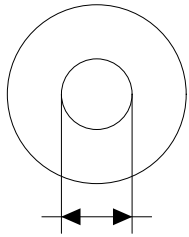
POS	PARTNUMBER	PARTNAME	PIECE
16	50180051	Shim 16x40x0,15	X
16	50180060	Shim 16x40x0,2	X
16	50180069	SHIM 16X40X0,25	X
16	50180078	SHIM 16X40X0,30	X
16	50180052	SHIM 16X42X0,15	X
16	50180061	Shim 16x52x0,2	X
16	50180070	SHIM 16X42X0,25	X
16	50180079	SHIM 16X42X0,30	X
16	50180053	SHIM 16X44X0,15	X
16	50180062	Shim 16X44X0,20	X
16	50180071	SHIM 16X44X0,25	X
16	50180080	SHIM 16X44X0,30	X
16	50180177	Springwasher 8,2x16x0,6	X
16	50180033	Shim 16x26x0,25	X
16	50180034	Shim 16x20x0,30	X
16	50180035	Shim 16x21x0,30	X
16	50180036	Shim 16x22x0,30	X
16	50180043	SHIM 16X32X0,10	X
16	50180024	Shim 16x24x0,20	X
16	50180027	SHIM 16X20X0,25	X
16	50180031	Shim 16x24x0,25	X
16	50180029	SHIM	X
16	50180010	SHIM 16X24X0,10	X
16	50180021	SHIM 16X21X0,20	X
16	50180025	SHIM 16X25X0,20	X
16	50180383	Washer 16x19x0,9	X
20	48600212	PRESSURE-RING 20X16,25X0,20	X
20	50180666	SHIM 20X24X0,30	X
20	50180654	SHIM 20X36X0,20	X
20	50180655	SHIM 20X38X0,20	X
20	50180656	SHIM 20X40X0,20	X
20	50180665	SHIM 20X40X0,25	X
20	50180662	SHIM 20X34X0,25	X
20	50180657	SHIM 20X24X0,25	X
20	50180653	SHIM 20X34X0,20	X
20	50180634	RING 20X22,9X1	X
20	50180650	SHIM 20,2X28X0,20	X
20	50180663	SHIM 20X36X0,25	X

080000190

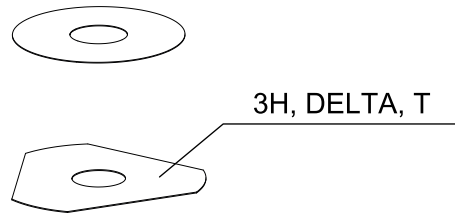
4668

\* NEW PART

X ON DEMAND



- ⑤ Ø 5 mm
- ⑥ Ø 6 mm
- ⑧ Ø 8 mm
- ⑩ Ø 10 mm
- ⑫ Ø 12 mm
- ⑭ Ø 14-14,5 mm
- ⑯ Ø 16 mm
- ⑳ Ø 20 mm
- ㉑ Ø 21 mm
- ㉒ Ø 22 mm
- ㉓ Ø 23 mm
- ㉔ Ø 24,5 mm
- ㉘ Ø 28,5 mm
- ㉚ Ø 32 mm
- ㉜ Ø 52 mm



POS	PARTNUMBER	PARTNAME	PIECE
20	50180664	SHIM 20X38X0,25	X
20	50180659	SHIM 20,2X28X0,25	X
21	50180209	Shim 21x36x0,25	X
22	50180330	Shim 18x22x0,3	X
23	50180635	SHUTTLE VALVE 23X38X0,25	X
23	50180578	SHIM D23XD16X2	X
24	40541061	WASHER 24,5X34X2	X
28	36120469	SHIM 28,5X14X2	X
28	36120471	SHIM 28,5X14X5	X
32	48600460	WASHER 32X42X2,5	X
32	50600065	SHIM 32X45X2	X
32	46811637	Shim 32,25x36x0,30	X
52	50600002	Washer 52x59x2,2	X

080000190

4668

\* NEW PART

X ON DEMAND



A large, empty rectangular box with a thin black border, occupying the majority of the page. It is intended for the user to write their notes.

A large, empty rectangular box with a thin black border occupies the central portion of the page. It is positioned below the 'NOTES' header and above the '50 SX 2020 2020' header. The interior of the box is completely blank, providing space for handwritten or typed notes.



WWW.KTM.COM



KTM Sportmotorcycle GmbH  
5230 Mattighofen, Austria  
[www.ktm.com](http://www.ktm.com)



**KTM**\_POWERPARTS

**KTM**\_POWERWEAR

**KTM**\_ORIGINAL SPARE PARTS



F6001T4EN

Art. Nr.: F6001T4EN 13. Mär 2019