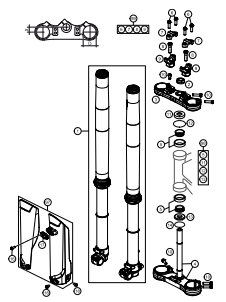
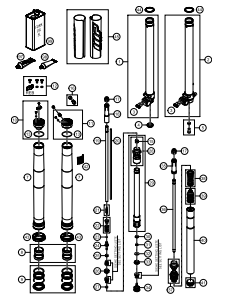
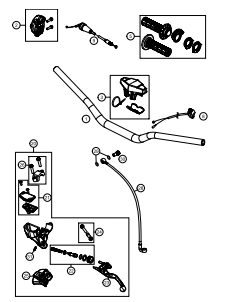
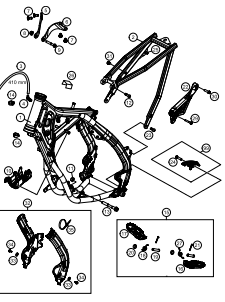
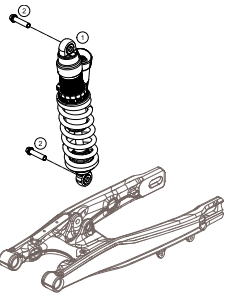
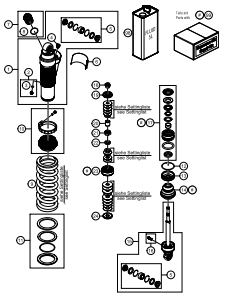
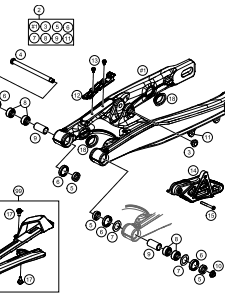
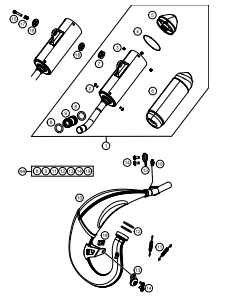
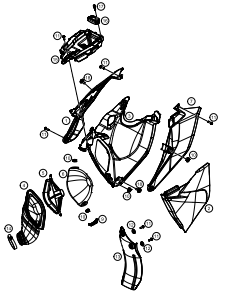
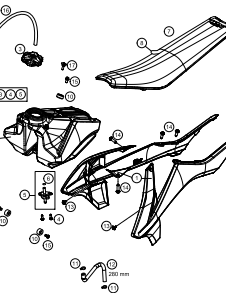
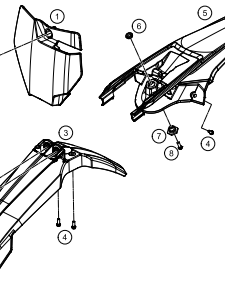

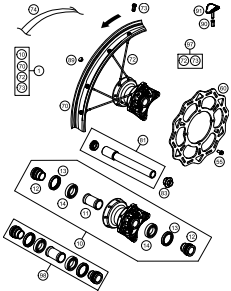
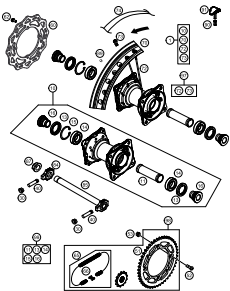
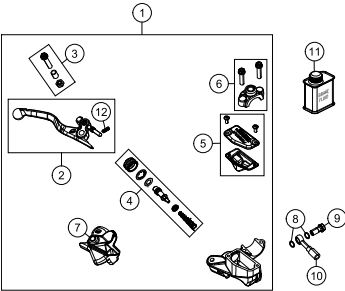
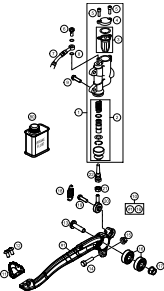
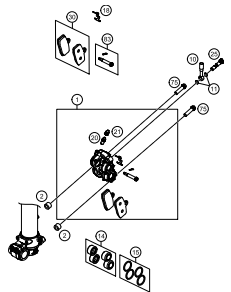
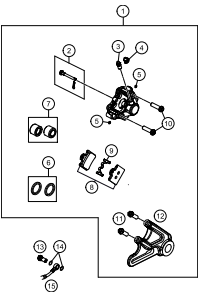
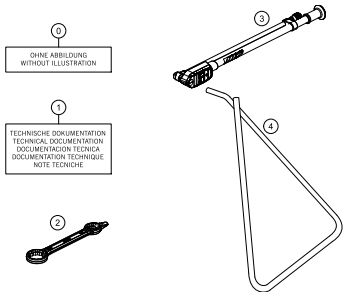
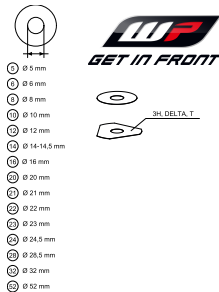


85 SX 17/14 2020 2020

ART.-NR.: F6001T8EN

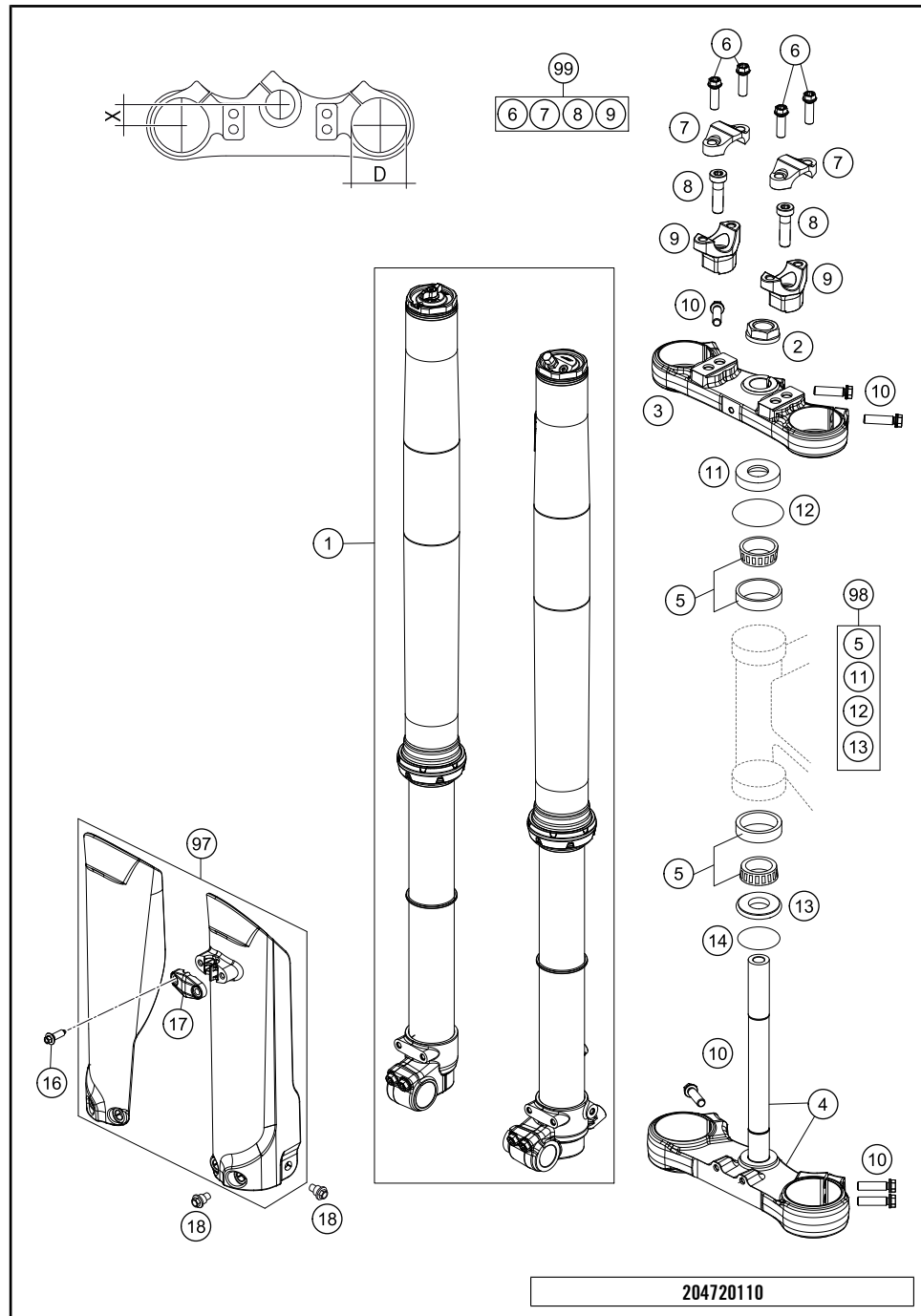


<p>FRONT FORK, TRIPLE CLAMP</p>  <p>3</p>	<p>FRONT FORK DISASSEMBLED</p>  <p>4</p>	<p>HANDLEBAR, CONTROLS</p>  <p>6</p>	<p>FRAME</p>  <p>7</p>
<p>SHOCK ABSORBER</p>  <p>8</p>	<p>SHOCK ABSORBER DISASSEMBLED</p>  <p>9</p>	<p>SWING ARM</p>  <p>10</p>	<p>EXHAUST SYSTEM</p>  <p>11</p>
<p>AIR FILTER</p>  <p>12</p>	<p>TANK, SEAT</p>  <p>13</p>	<p>MASK, FENDERS</p>  <p>14</p>	<p>DECAL</p>  <p>15</p>

<p>FRONT WHEEL</p>  <p style="text-align: right;">16</p>	<p>REAR WHEEL</p>  <p style="text-align: right;">17</p>	<p>FRONT BRAKE CONTROL</p>  <p style="text-align: right;">18</p>	<p>REAR BRAKE CONTROL</p>  <p style="text-align: right;">19</p>
<p>FRONT BRAKE CALIPER</p>  <p style="text-align: right;">20</p>	<p>REAR BRAKE CALIPER</p>  <p style="text-align: right;">21</p>	<p>SEPERATE ENCLOSURE</p>  <p style="text-align: right;">22</p>	<p>WP SHIMS FOR SETTING</p>  <p style="text-align: right;">23</p>
<div style="display: flex; align-items: center;"> <div style="background-color: #cccccc; width: 50px; height: 100px; display: flex; align-items: center; justify-content: center; margin-right: 20px;"> ! </div> <div> <p>All information contained is without obligation. KTM Sportmotorcycle GmbH particularly reserves the right to modify any equipment, technical specifications, prices, colors, shapes, materials, services, service work, constructions, equipment and the like so as to adapt them to local conditions or to cancel any of the above items, all without previous announcement and without giving reasons. KTM may stop manufacturing certain models without previous notice. KTM shall not be held liable for any deviations of availability and/or ability to deliver, illustrations, descriptions, printing and/or other errors. The illustrated models partly contain extra equipment, which is not applied to standard models.</p> <p>© by KTM Sportmotorcycle GmbH, Mattighofen AUSTRIA; All rights reserved; Reprint, also in extracts, with written allowance of KTM Sportmotorcycle GmbH, Mattighofen only.</p> </div> </div>			

FRONT FORK, TRIPLE CLAMP

85 SX 17/14 2020 2020

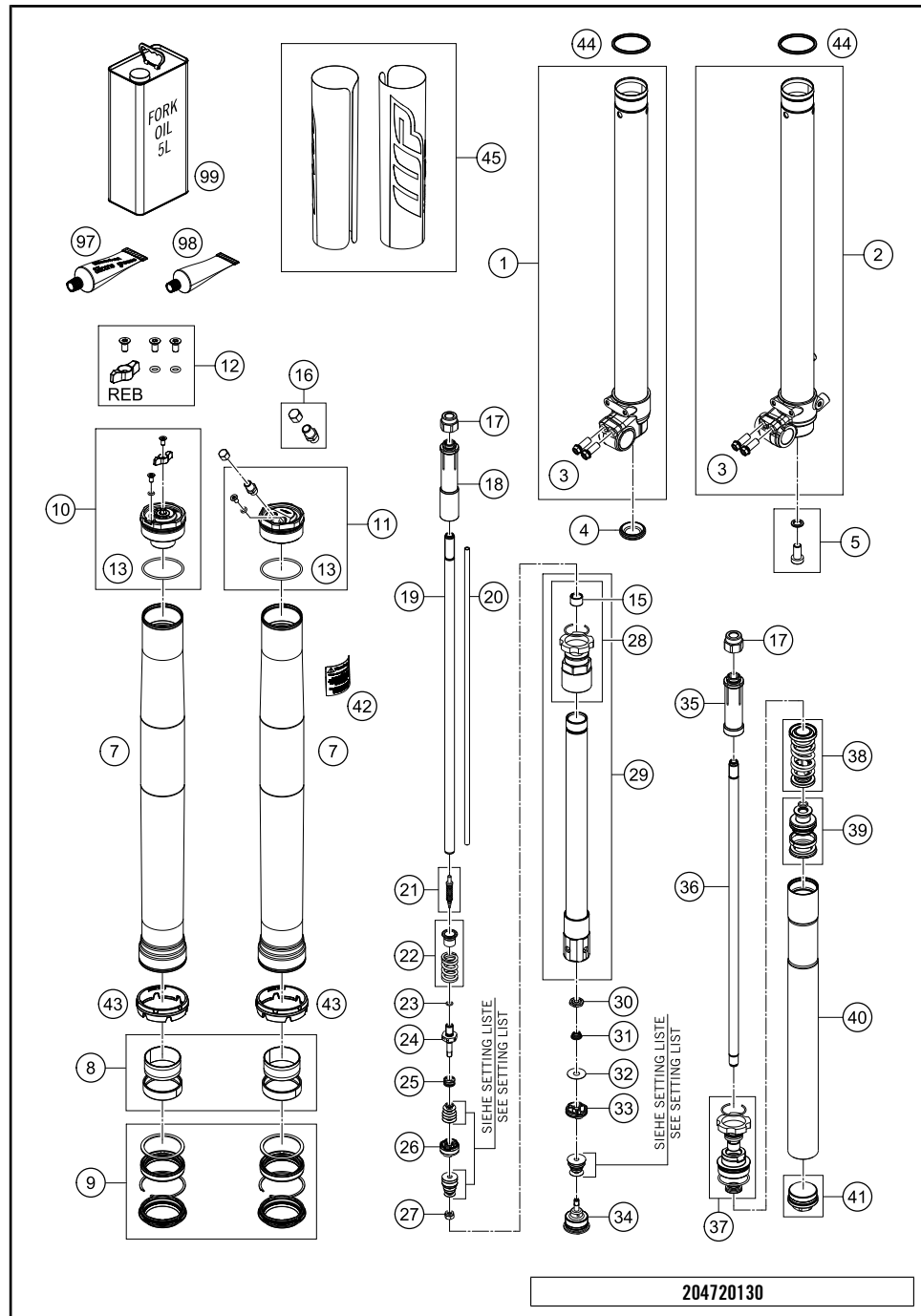


POS	PARTNUMBER	PARTNAME	PIECE
1	43188T0401	Fork 85SX/TC 2020	1
2	59030029000	HH NUT M20X1,5 WS=27 RIGHT	1
3	47101034214	upper triple clamp	1
4	47101032214	Compl. lower triple clamp	1
5	49001081000	TAPERED ROLLER BEARING 32004X	2
6	0025080256	HH collar screw M8x25	4
7	77201038000	HANDLEBAR CLAMP 28MM	2
8	0032100356S	AH-COLLAR SCREW M10X35 ISA45	2
9	59401039037	HANDLEB.SUPP. D=28MM H=37MM 05	2
10	0025080306	HH collar screw M8x30	7
11	49001086000	COVERING CAP	1
12	0770021300	O-RING 40,94X2,62 NBR70	1
13	46001086000	PROTECTION RING 20,1X39X5	1
14	0770360030	O-RING 36,00X3,00 NBR	1
16	0017060206	SCREW F. PLASTIC K60X20AL SW6	2
17	77701085100AB	Clamp for brake hose	1
18	59001092050	SPECIAL SCREW M6X12,5 WS=8	6
97	47201094000ABA	Fork Protection kit 85 SX 2020	1
98	00050000931	STEERING HEAD REP. KIT MINI	x
99	00050000921	HANDLEBAR SUPPORT KIT D28/H37	x

204720110

52326

* NEW PART X ON DEMAND

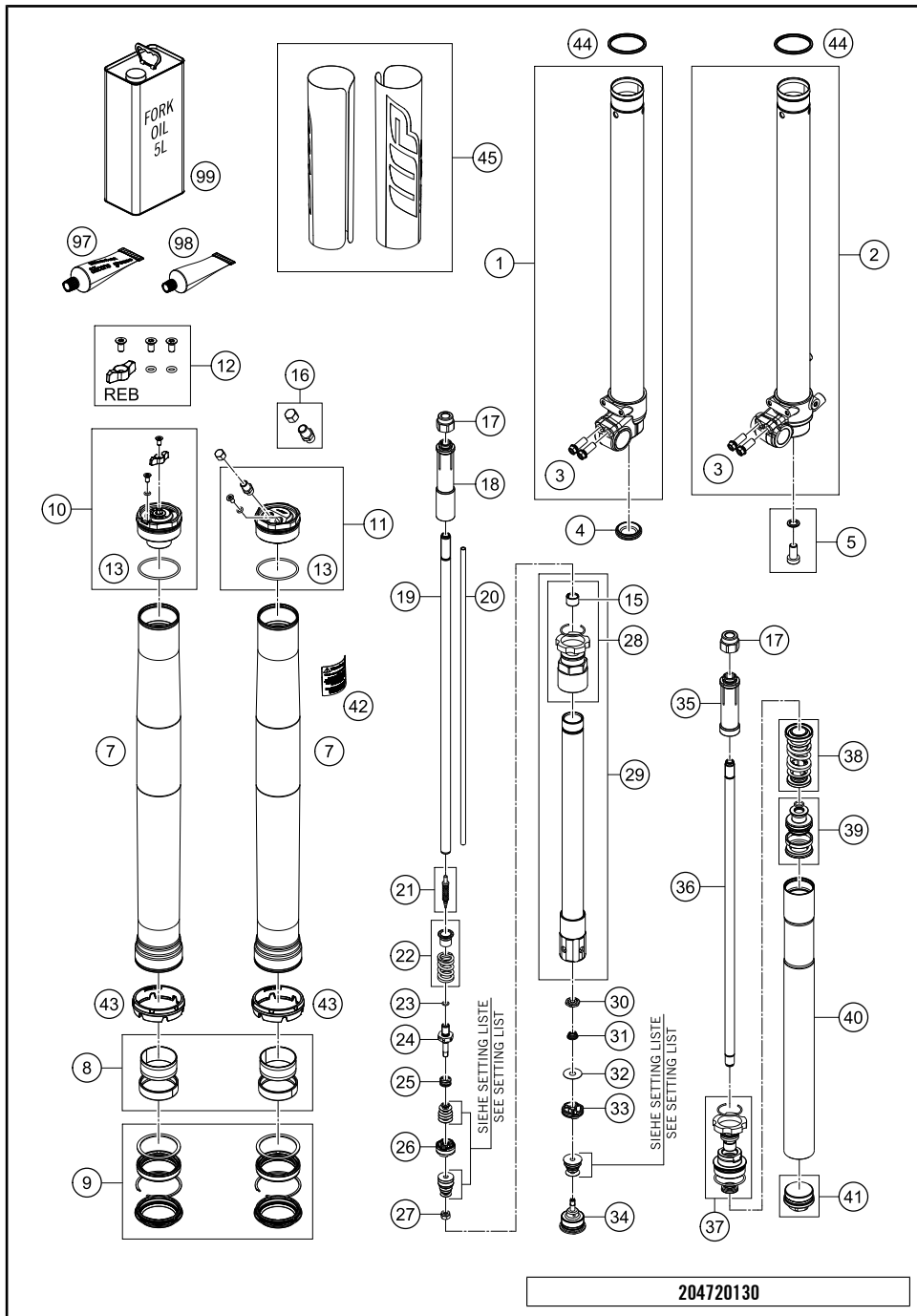


POS	PARTNUMBER	PARTNAME	PIECE
1	43570818S1	Axle clamp right + tube 85SX cpl.	1
2	43570817S1	Axle clamp left + tube 85SX cpl.	1
3	0025080206	HH collar screw M8x20	4
4	48600141	Rubber cap 35x10 NBR80	1
5	00501020S1	AH SCREW M10X20 SET	1
7	43570935	Fork outer tube 44x510 dt49 db 53 natur	2
8	R14042	GUIDE BUSHING SET	1
9	R513	GASKET SET	1
10	43570928S	Schraubdeckel M46x1,5 kpl.	1
11	43570927S	screw cap M46x1,5 Luft cpl.	1
12	RP10021	Adjuster kit screw cap	1
13	43570023	O-ring 41x2 NBR70 siliconized yellow	2
15	48600430	Guide bushing 12x14x10	1
16	48601494S	VALVE M8X1 INCL. SCREW CAP	1
17	43570859	Lock nut M12x1 h20 WAF22	2
18	43570856	Stop 12,2x25x115	1
19	48601811	Piston rod 12x477,5	1
20	43570929	adjustment tube 6x445,1	1
21	48600277S	Needle 4,5x43,6 cpl.	1
22	48600578S	Spring (13,9) 37-32 rebound cpl.	1
23	48600299	O-ring 6x1,2 NBR70	1
24	48600576	Tap 6x46 rebound	1
25	35480377	Spring (11,7) 1,5-8 valve	1
26	48602002S	Midvalve piston assembly d23	1
27	40540486	Nut M6x0,5 h6,5 WAF10 rebound	1
28	43570936S	Screwsleeve M27x0,8 cpl.	1
29	48600870S7	Cartridge tube cpl.	1
30	48600163	Nut valve M6x0,5 h6,5 WAF17	1
31	48600202	Spring (8,5) 16,5 valve	1
32	48600061	Shim 8x24x0,40	1
33	48601934S	Piston 6x27,3x9 compression cpl.	1
34	48600586S	Tap compression cpl.	1
35	43570819	Stop 12,2x25x78,5	1
36	48601501	Piston rod 12x430	1
37	48601452S1	Screw sleeve M35,5x0,8	1
38	48601820S1	Spring (22) 60-30 rebound cpl.	1
39	43570844S	Piston 3x34x31,5 mainpiston Freude cpl.	1
40	48601571S2	Tube incl. mounting 410mm air	1

204720130

51911

* NEW PART X ON DEMAND



POS	PARTNUMBER	PARTNAME	PIECE
41	43570845S	Adapter M10xM35,5x0,8x25 cpl.	1
42	52000158	Sticker warning 40x40	1
43	43570915	Fork protection ring 55,1mm	2
44	43570926	Stroke indicator d43 red	2
45	52000229SET	Sticker XAXT AER OC 161x214	1
97	T14034	Fuchs grease IPR (250g)	1
98	00062010053	spezial grease AER Fork 50g	1
99	48601166S1	FORK OIL SAE4 5L	1

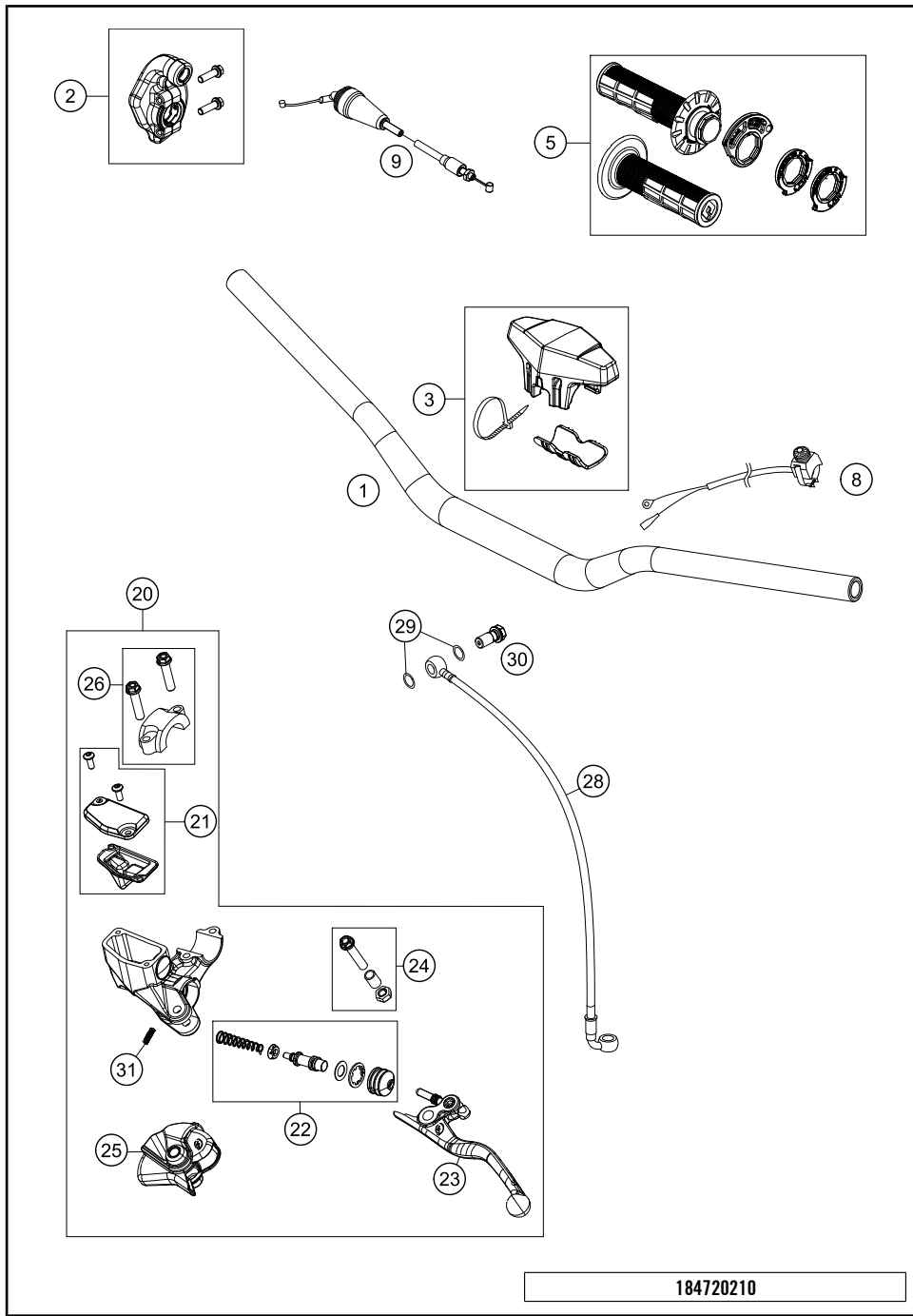
204720130

51911

* NEW PART X ON DEMAND

HANDLEBAR, CONTROLS

85 SX 17/14 2020 2020



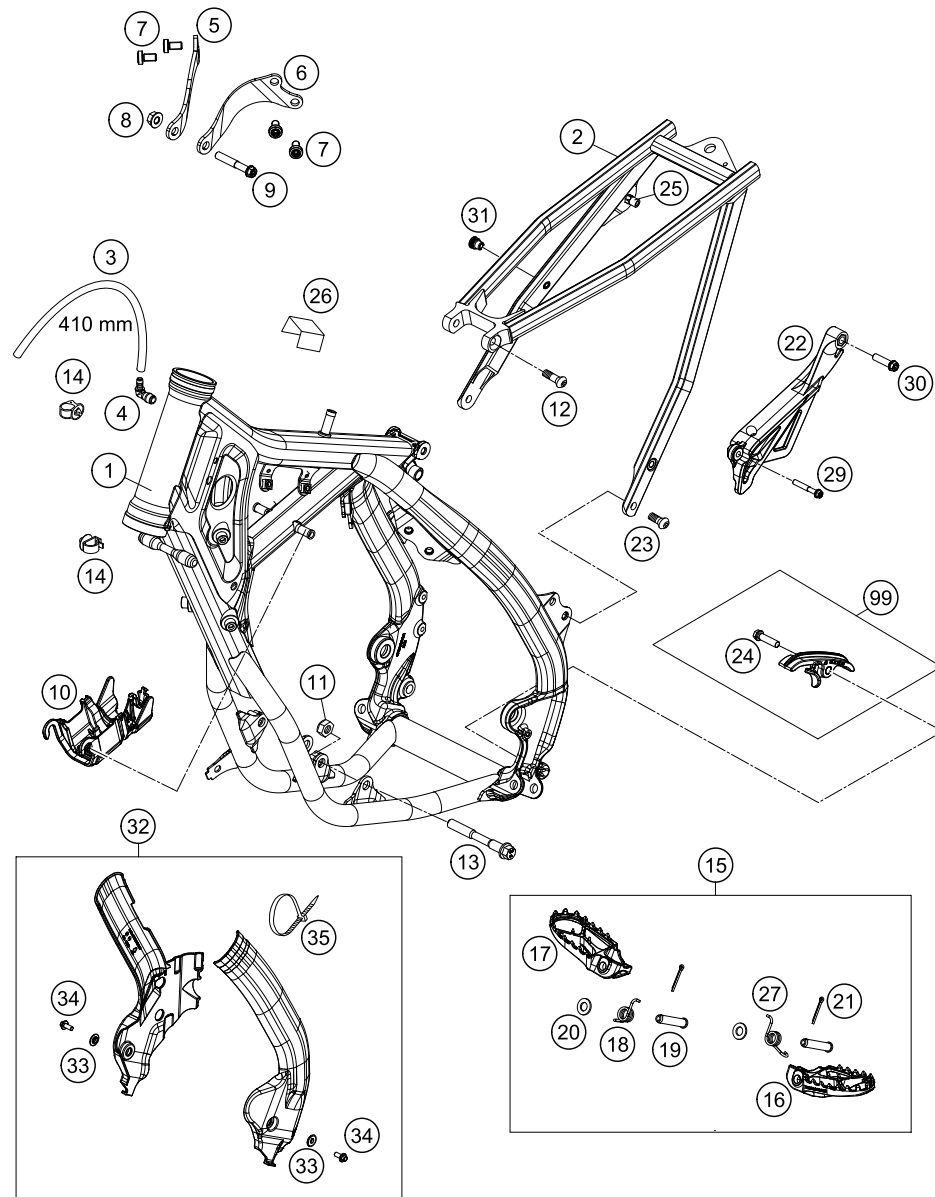
POS	PARTNUMBER	PARTNAME	PIECE
1	47102001000	HANDLEBAR 85SX 2013	1
2	50402010025	THROTTLE BODY CPL.	1
3	77202002144	BAR PAD CPL.	1
5	79002021100	GRIP SET	1
8	50311089200	SHORT CIRCUIT BUTTON 02	1
9	47202091000	Throttle cable	1
20	72002030100	MASTER CYLINDER CPL. 10MM	1
21	72002003000	COVER F. MASTER CYLINDER CPL.	1
22	72002032000	REP. KIT PISTON 10MM	1
23	72013002000	LEVER CPL.	1
24	70002038000	LEVER SCREW CPL.	1
25	72002037000	MUDCOVER CLUTCH LEVER	1
26	72013005000	CLAMP	1
28	72032063000	CLUTCH PIPE	1
29	0770080019	O-RING 8,00X1,00 FORMULA	2
30	47013025000	HOLLOW SCREW BRAKE CYLINDER 03	1
31	72002035000	SPRING FOR CLUTCH LEVER	1

184720210

45014

* NEW PART

X ON DEMAND



POS	PARTNUMBER	PARTNAME	PIECE
1	47203001200EB	Frame 472T3	1
2	47203002000	Subframe	1
3	50335030001	PVC-HOSE 6X9	1
4	51030022000	ANGLE PIECE 90 DEGREE M10X1	1
5	47203014000	MOTORSTREBE RECHTS	1
6	47203013000	Motorbracket left	1
7	0035080156S	AH-COLLAR SCREW M8X15 TORX45	4
8	54310086200	SELF LOCKING NUT M8 10.9	1
9	0025080506	HH collar screw M8x50 TX40	1
10	47211095000	Cable compartment	1
11	54310086100	SELF LOCKING NUT M10 CU WS=14	2
12	0019080206S	FLAT HEAD SCREW M. ISA45 M8X20	2
13	47003013000	ENGINE BRACKET SCREW 85 SX	2
14	57013072100	WIRING HOLDER 16MM	2
15	79003040033	FOOT PEGS SET CPL. 2016	1
16	79003040000	FOOTREST L/S 2016	1
17	79003041000	FOOTREST R/S 2016	1
18	79003044000	FOOTREST SPRING R/S 2016	1
19	54803044000	PIN FOR FOOT PED 51.5X9.8 MM	2
20	0125100003	washer DIN 125 A 10.5	2
21	0094032253	PIN DIN0094-3,2X25 STEEL	2
22	47203096000	Sprocket cover 85	1
23	79003003000	SPECIAL SCREW M8X18 TORX45 SS	2
24	0025080306	HH collar screw M8x30	1
25	77303139000	BLIND RIVET NUT EM6-6OLF/HX	2
26	50307012000	ADH. FOIL TRANSP. 80X80 MM 04	1
27	79003045000	FOOTREST SPRING L/S 2016	1
29	0025060406	HH collar screw M6x40 TX30	1
30	0025080256	HH collar screw M8x25	1
31	79003002080	BLIND RIVET NUT M6 KNURLED	2
32	47203094000EB	Frame protector set	1
33	54803092060	BUSH F. FRAME PROTECTION 03	2
34	0014050123	HH COLLAR SCREW M 5X12 WS=6	2
35	44011076305	CABLE TIE 300/4,8MM BLACK	3
99	79003053010	CHAIN SLIDING KIT BELOW CPL.16	1

204720310

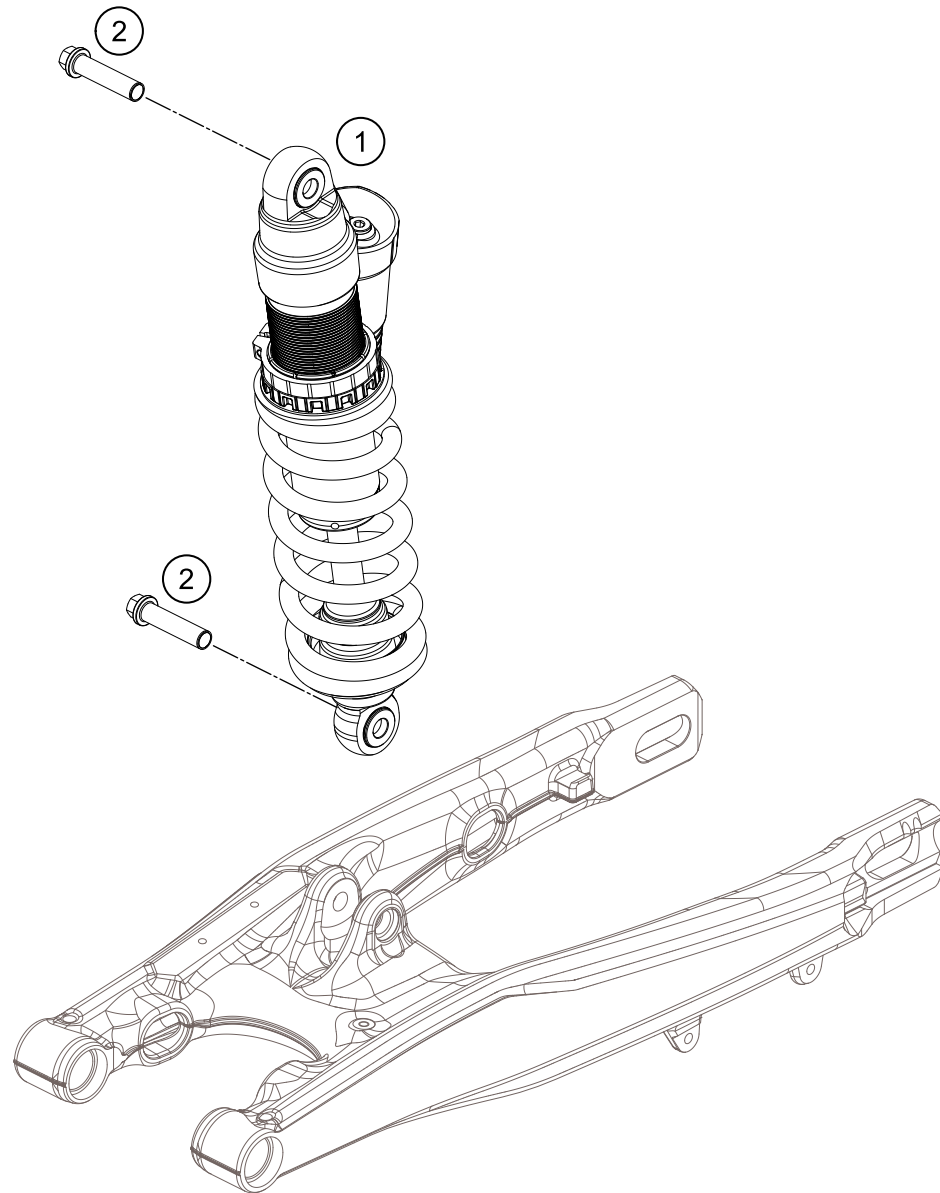
52329

* NEW PART

X ON DEMAND

SHOCK ABSORBER

85 SX 17/14 2020 2020



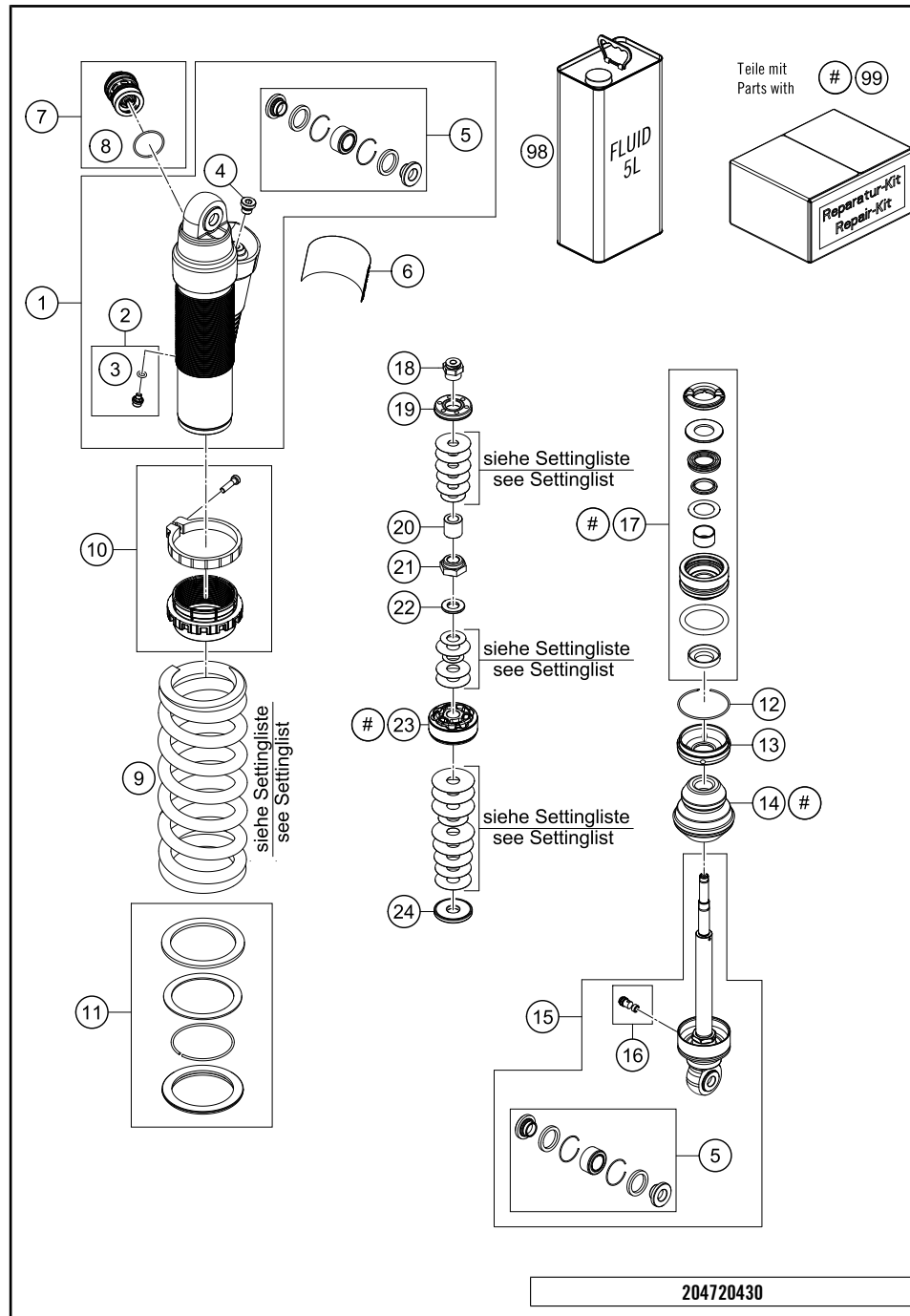
POS	PARTNUMBER	PARTNAME	PIECE
1	12187T0401	Monoshock 85 SX/TC20	1
2	0025120506S	HH COLLAR SCREW M12X50 TX45	2

184720410

52336

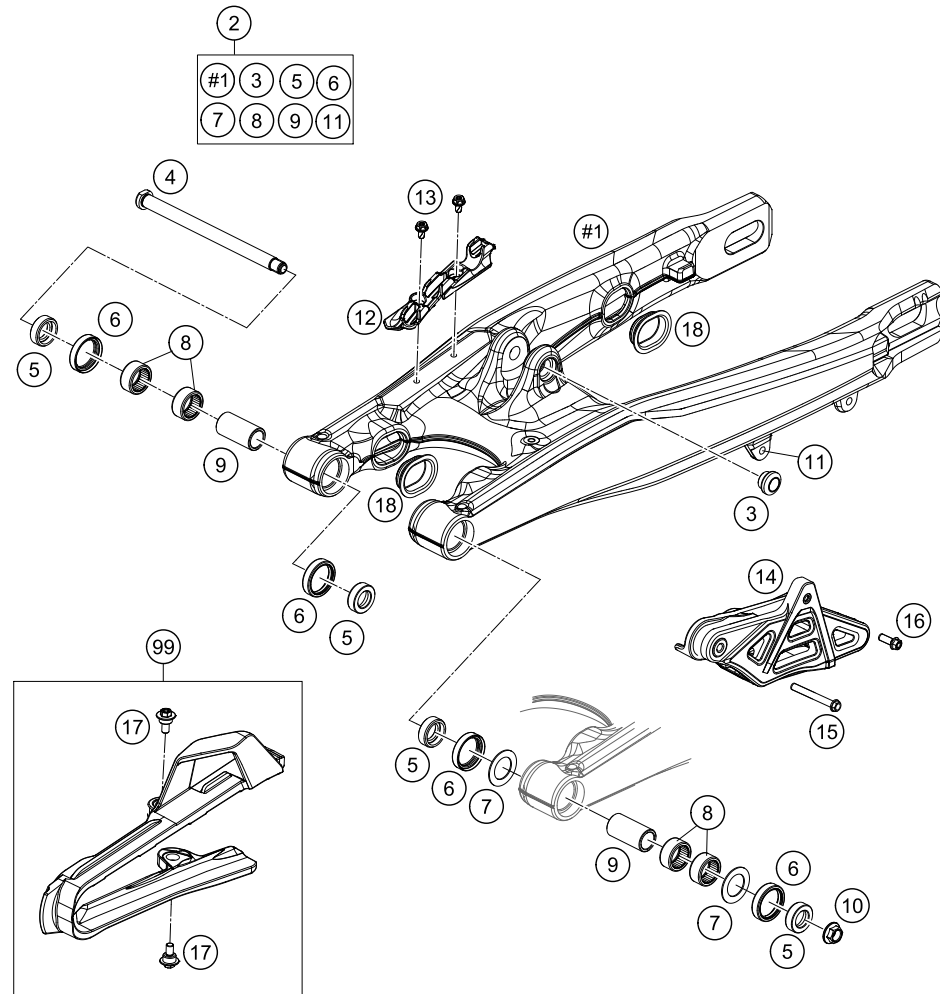
* NEW PART

X ON DEMAND



POS	PARTNUMBER	PARTNAME	PIECE
1	46181242S5	Shock housing cpl.	1
2	36120151S	PLUG SCREW M5X6 CPL.	1
3	46810893	O-ring 5,28x1,78 NBR70 black	1
4	50180095	HS cylinder-head screw R1/8 l8	1
5	RP10011	Ball joint bearing kit 12mm	2
6	52000230	Sticker XACT 85 SX	1
7	50181101S40	Compression cpl.	1
8	50180217	O-ring 27x1,5 Viton70 green ISO 3601-3S	1
9	91010271S	SPRING (59) 215 30 N/MM	x
9	91010240S	SPRING (59) 215 35 N/MM D=9,25	x
9	91010161S	SPRING (59) 215 40 N/MM D=9,5	1
9	91010201	Mainspring (59) 45-215 damper white	x
9	91010080	Mainspring (59) 50-215 damper white	x
9	91010170S	SPRING 55 N/MM	x
10	46181382S	Plastic Spring Retainer D46 cpl.	1
11	RP10005	SPRING CUP SET PDS 17	1
12	46810010	Round-wire snap ring 49x1,8	1
13	46181351	Cover 46,12x15 h5,5 red	1
14	46181237	Rubber pad 17x48x55	1
15	46181301S1	Shock absorber bot. cpl.	1
16	50181094S	ADJUSTING SCREW M8X0,5 CPL.	1
17	46180669S	Sealholder 46x28 cpl.	1
18	46181183S	Piston rod nut M10x1 PDS cpl.	1
19	46181184	Piston 15x35,4x6 4	1
20	46181249	Bush 10x17x23	1
21	46810474	Piston rod nut M12x1	1
22	46811258	Washer 12x24x2,5	1
23	46181328S	Piston 12x46x20 cpl.	1
24	46181194	Rebound disc 12x36x4 h0	1
98	50180751S1	SHOCK ABSORBER FLUID 5 LT	1
99	RP10020	Repairing kit shock absorber PDS 19	1

* NEW PART X ON DEMAND



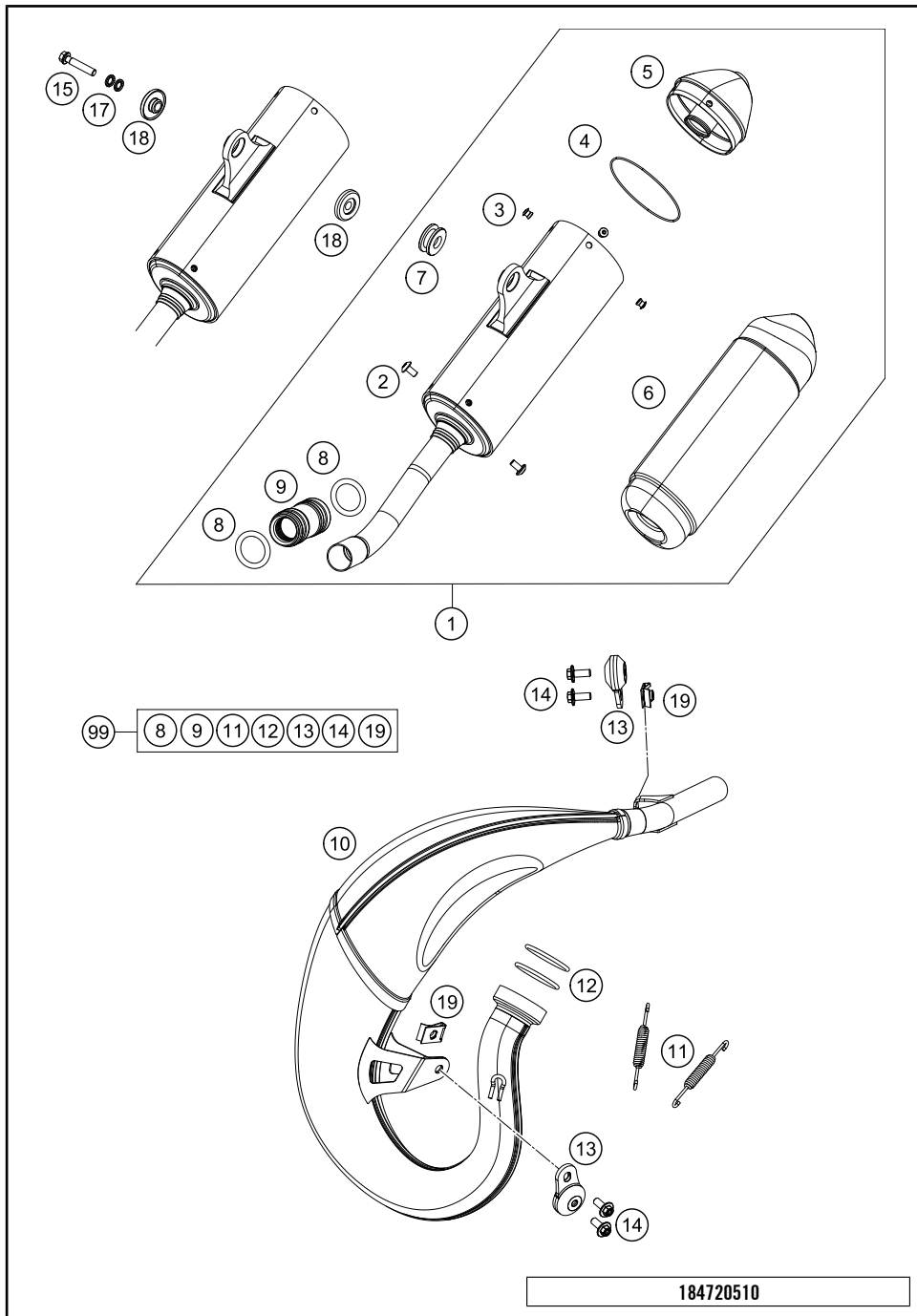
POS	PARTNUMBER	PARTNAME	PIECE
2	47104030144	Swing arm cpl. 85 SX/TC 18	1
3	50180105	Threaded bush M12 d20	1
4	47104037000	SWING ARM BOLT 85 SX	1
5	54603090000	BUCKET F.SHAFTSEALRING 15X25X9	4
6	0760253270	radial shaft seal 25x32x7	4
7	59033080000	SHIM 20X32X1	2
8	50203097000	NEEDLE BUSH HK 2012	4
9	50203081700	BUSHING SLEEVE 15X20X38,75	2
10	77204087000	hex nut M14x1.5 WS17	1
11	54603055051	PRESS IN NUT M6 STEEL ZINC	1
12	47113047000	BRAKE HOSE GUIDE	1
13	0009050106	EJOT SPIRAL SCREW SF M5X10-K	2
14	78104070100	CHAIN GUIDE EXC	1
15	0025060456	HH COLLAR SCREW M6X45 TX30	1
16	0025060206	HH collar screw M6x20 TX30	1
17	83008000015	SPECIAL SCREW M6X15X3	2
18	77204041000	CLOSING COVER	4
99	47104066010	CHAIN GUARD KIT 85 SX 15	1

184720490

44920

* NEW PART

X ON DEMAND

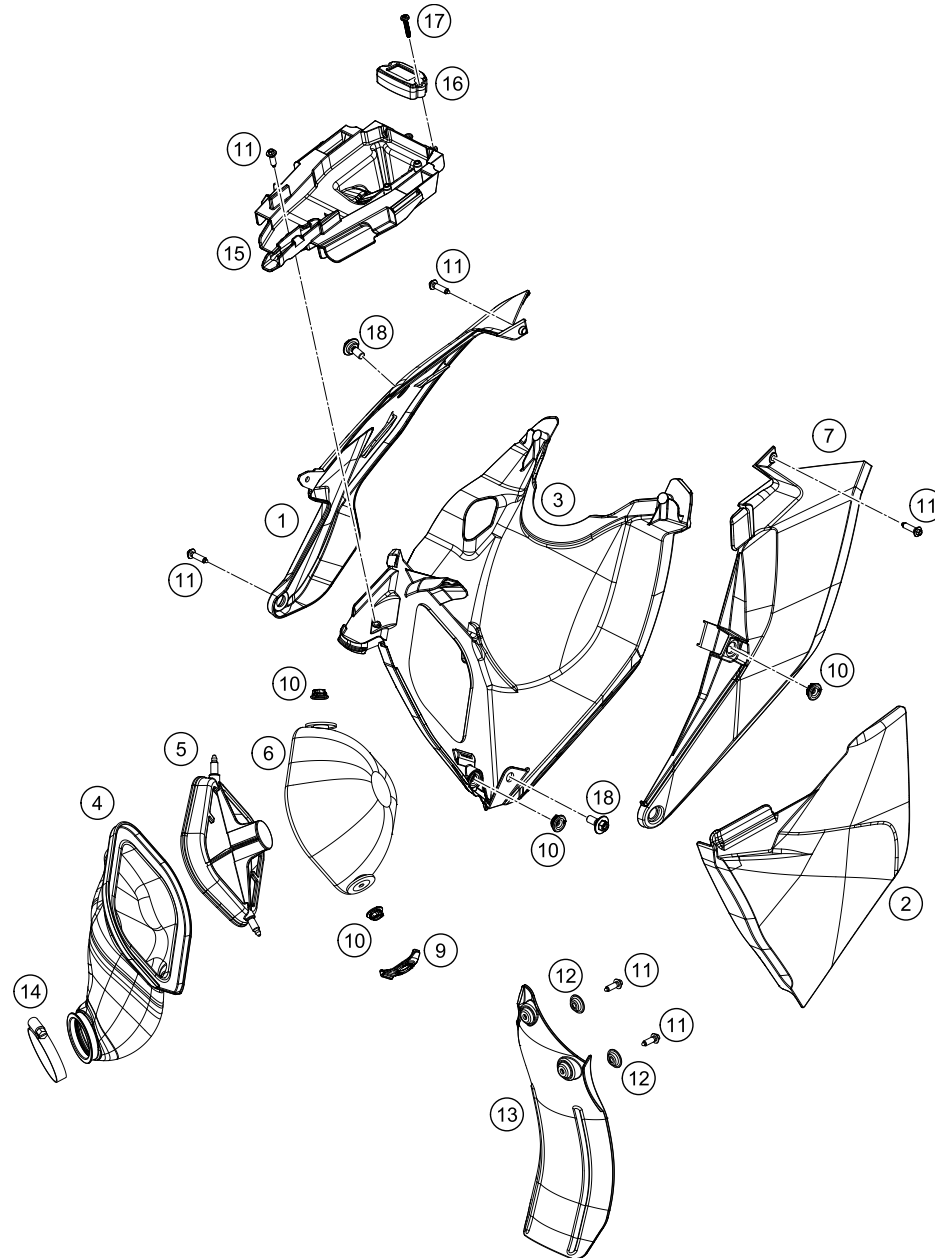


POS	PARTNUMBER	PARTNAME	PIECE
1	47205079000	Silencer 85 SX	1
2	78105081010	SCREW TORX M5X10	4
3	0011480800	DUMMY RIVET 4,8X 8 NIRO	4
4	0770740015	O-RING 74,00X1,50 FKM 75SH	1
5	47205079060	Endcap cpl.	1
6	47205078165	stuffingyarn package 165g	1
7	77205068000	DAMP. COMPON. BLACK	1
8	47205058000	Hose spring	2
9	47205057000	Exhaust rubber	1
10	47205007000	Manifold	1
11	50305016000	TEN.SPRING L=62MM EY.MOVEABLE	2
12	0770380030	O-RING 38,00X3,00 VITON	2
13	50305012000	SWINGELEMENT FOR EXHAUST PIPE	2
14	0024060156	HH collar screw M6x15 TX30	4
15	0025060356	HH collar screw M6x35 TX30	1
17	50233041000	PAIR OF WASHERS M 6 NORDLOCK	1
18	77205169000	BUSHING 7.5x12x28x8.3 11	2
19	54603048100	clip nut M6	2
99	00050000812	EXHAUST HARDWARE KIT MINI	1

184720510

44884

* NEW PART X ON DEMAND



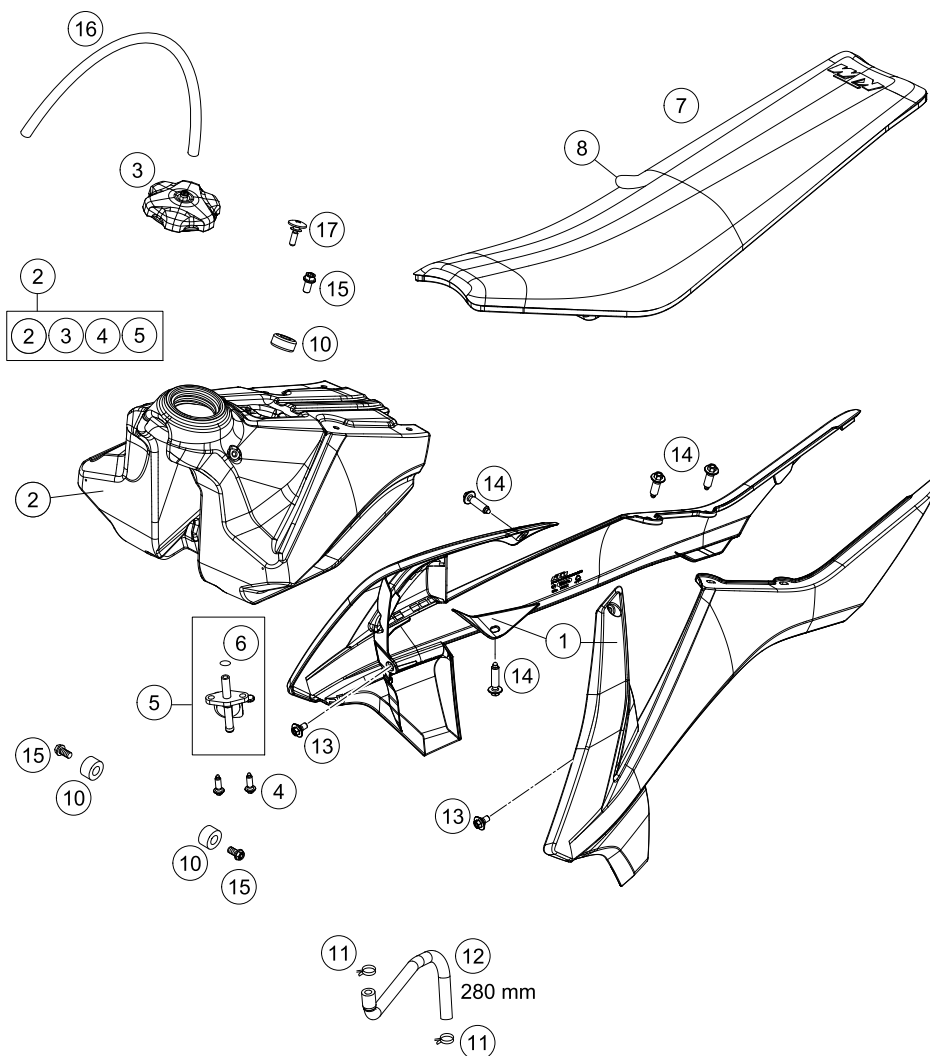
POS	PARTNUMBER	PARTNAME	PIECE
1	47206004000ABA	Air filter cover right 85SX 20 WITH DECAL	1
2	47206003000ABA	Air filter cover left 85SX 20 WITH DECAL	1
3	47206001000AB	Air filter box white	1
4	47206026000	Airbox rubber	1
5	47206016000	Air filter carrier	1
6	47206015000	Air filter	1
7	47206005000AB	Air filter cover white	1
9	79006017000	FILTER MOUNTING BRACKET	1
10	47106003160	quick release rubber grommet	4
11	0017060205	SCREW FOR PLASTIC K60X20 SW6	6
12	77304066050	chain slider bushing	2
13	47206010000	Splash protection	1
14	78006027000	HOSE CLAMP 45-65MM	1
15	47211094000	Electric compartment	1
16	78112020050	HOUR METER	1
17	0081035183	Ejot delta PT screw 35X18	2
18	83008000015	SPECIAL SCREW M6X15X3	2

184720610

52337

* NEW PART

X ON DEMAND



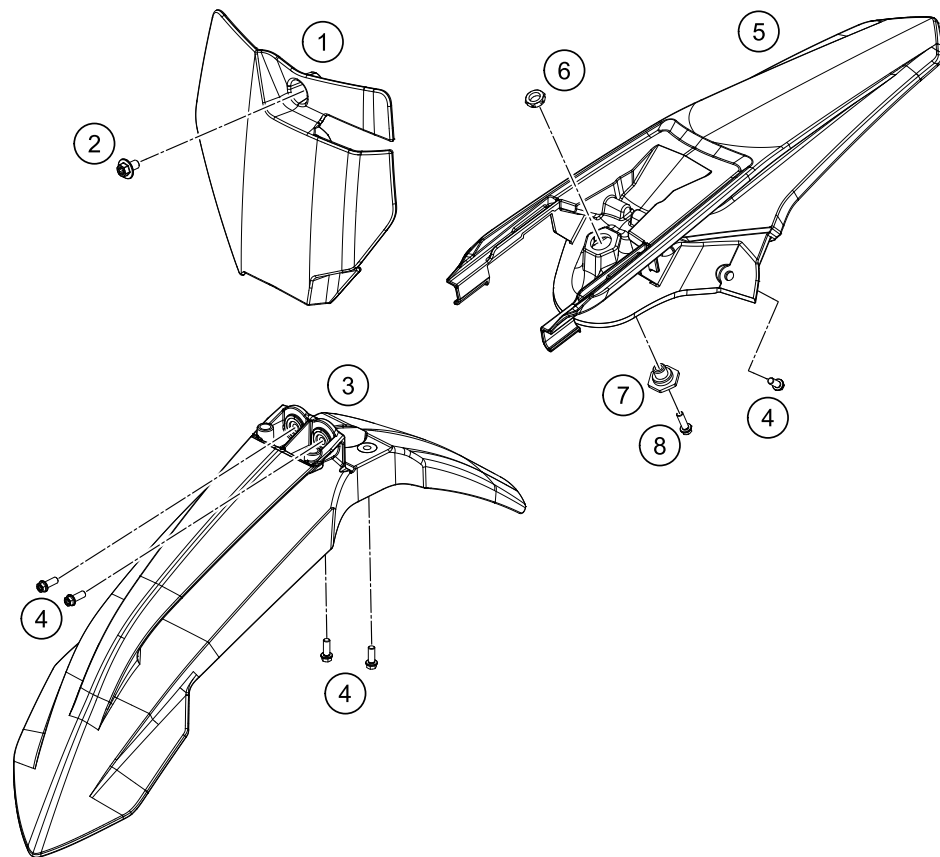
POS	PARTNUMBER	PARTNAME	PIECE
1	47208054000ABA	Spoiler Kit 85SX 2020	1
2	47207013033	Fueltank asm.	1
3	77707008144	TANK PLUG CPL. 2014	1
4	0017060205	SCREW FOR PLASTIC K60X20 SW6	2
5	50307005000	GAS COCK MIKUNI ON/OFF 2001	1
6	0770130023	O-RING 13,00X2,30	1
7	47207040100	Seat	1
8	47207040050	Seat cover SX 85 2019	1
10	50307014000	TANK ROLLER 12X26X12 '98	3
11	45031005000	YDNAC-CLAMP FUEL HOSE (8MM)	2
12	58307016001	FUEL HOSE VITON 6X1,5 PER/M	1
13	83008000012	special screw M6x12x3	2
14	0017060206	SCREW F. PLASTIC K60X20AL SW6	8
15	0026060136	COLLAR SCREW M6X13 ISA30	3
16	78007000270	PVC-HOSE 5,6X10X270MM	1
17	50307011000	SCREW SEAT FASTENING D=6X23/18	1

184720710

52358

* NEW PART

X ON DEMAND



POS	PARTNUMBER	PARTNAME	PIECE
1	47208007000AB	Start number plate 85SX	1
2	0024060106	HH COLLAR SCREW M6X10 TX30	1
3	47208010000EB	Front fender	1
4	0025060166	HH collar screw M6x16 TX30	6
5	47208013000ABA	Rear fender 85SX 2020	1
6	50314057050	COLLAR NUT M12X1/WS17 H=5MM	1
7	54807048000	BUSHING FOR SEAT FASTENING 03	1
8	0025060256	HH collar screw M6x25 TX30	1

184720810

52362

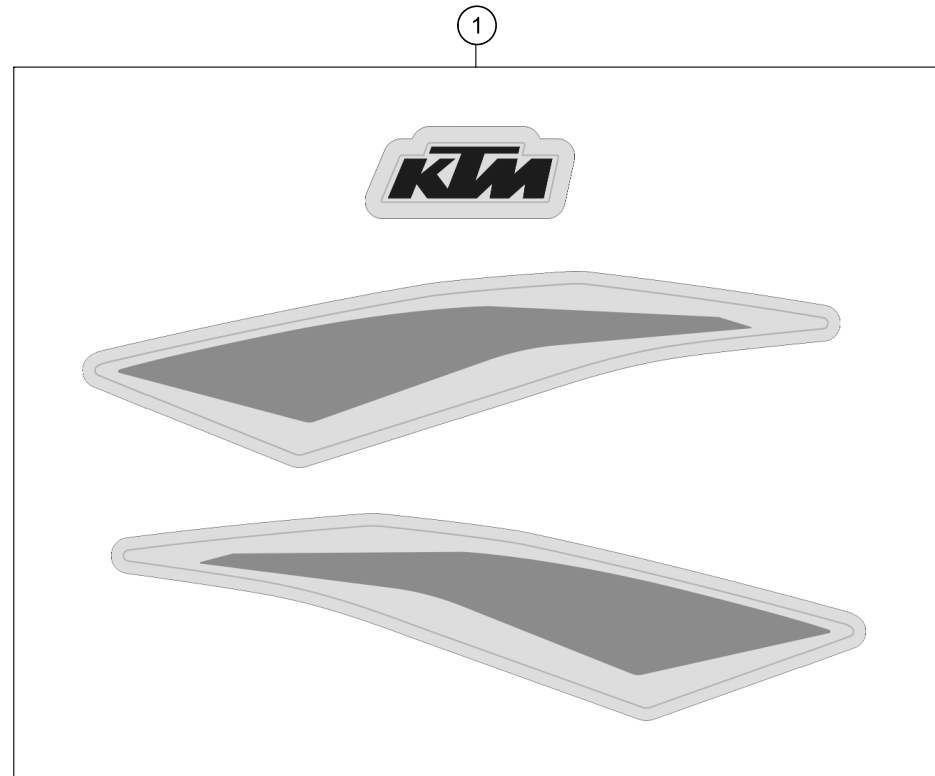
* NEW PART

X ON DEMAND

DECAL

85 SX 17/14 2020 2020

POS	PARTNUMBER	PARTNAME	PIECE
1	47208099200	Graphics kit 85SX 2020	1



204720830

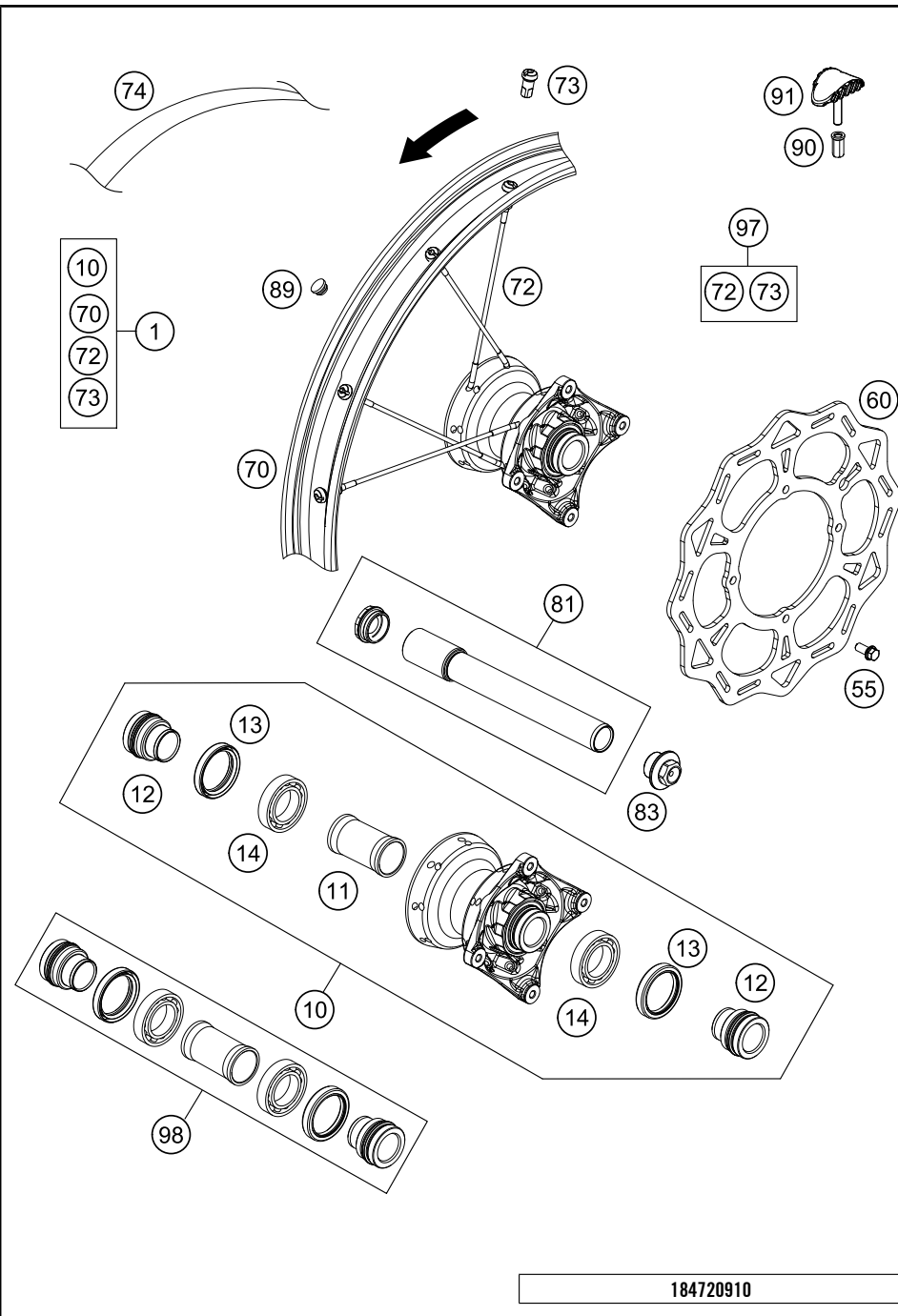
52388

* NEW PART

X ON DEMAND

FRONT WHEEL

85 SX 17/14 2020 2020

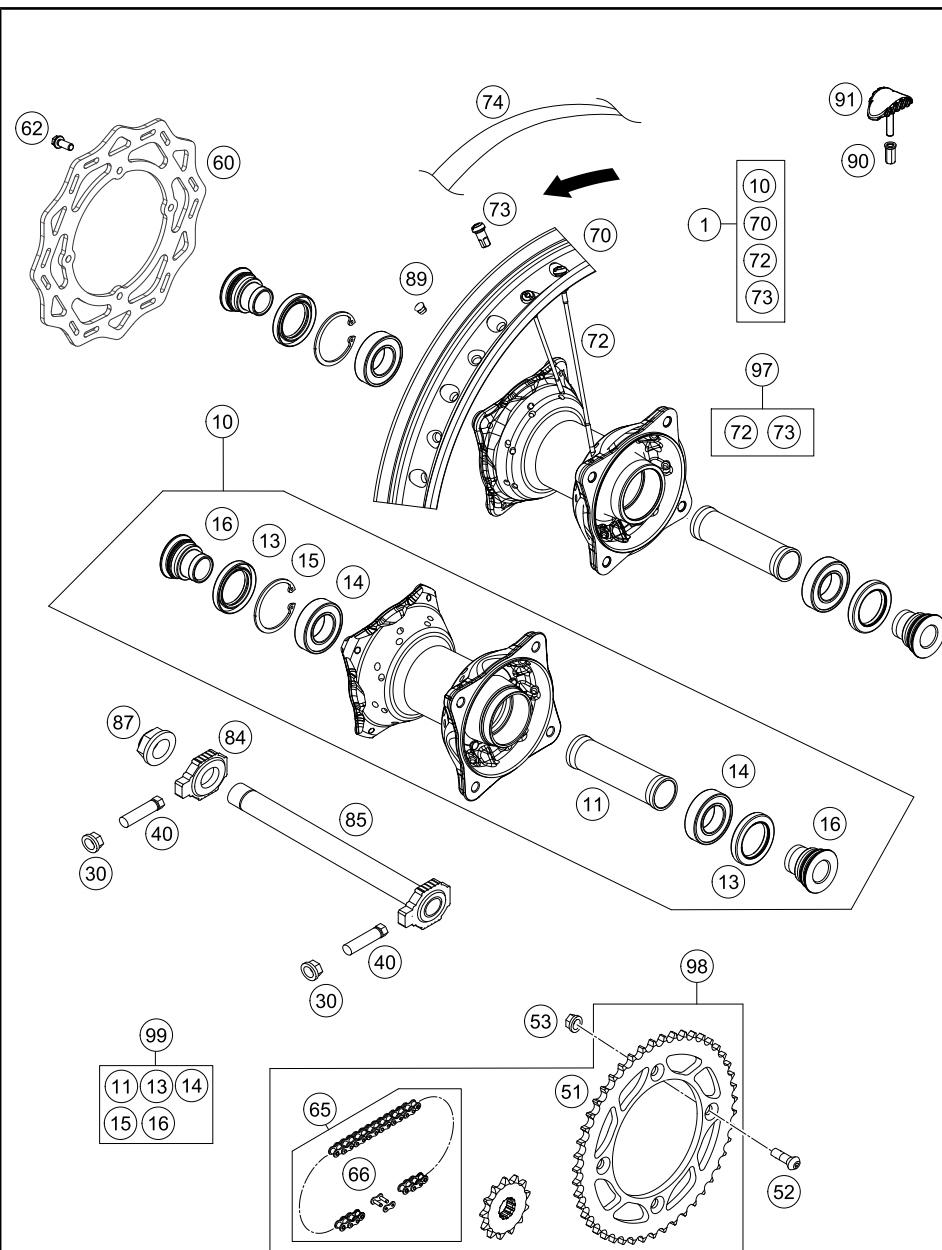


POS	PARTNUMBER	PARTNAME	PIECE
1	4710900144430	FRONT WHEEL CPL. 17" BLACK 17	1
10	70009010044	FRONT WHEEL HUB CPL. 12	1
11	70009011000	BEAR.SPACER TUBE FRONT D22MM	1
12	70009012000	SPACER BUSHING D=22MM	2
13	0760324271	SHAFT SEAL RING 32X42X7 BSL	2
14	0625069050	BALL BEARING 6905 J1LLUC3	2
55	59009062013	SPECIAL SCREW M6X13 WS=8 10.9	4
60	47209060000	BRAKE DISC FRONT D=240MM	1
70	2350907040030	Front Rim 17x1.40	1
72	4710907118330	SPOKE M4,5X183-17" BLACK	32
73	79109072000	Spoke nipple M4.5	32
74	47009073000	RIM BAND 85 SX 17" 2003	1
81	70009081033	Front axle cpl. '12	1
83	70009082000	AXLESCREW M20X1.5 SW17	1
89	55003135000	PLUG FOR RIM	x
90	77110090050	NUT FOR WHEEL HOLDER	x
91	78109090000	RIM LOCK 1,60"	x
97	00050000965	SPOKE KIT FRONT "17" 85 SX 13	x
98	70009015000	FRONT WHEEL REP. KIT	x

52383

* NEW PART

X ON DEMAND



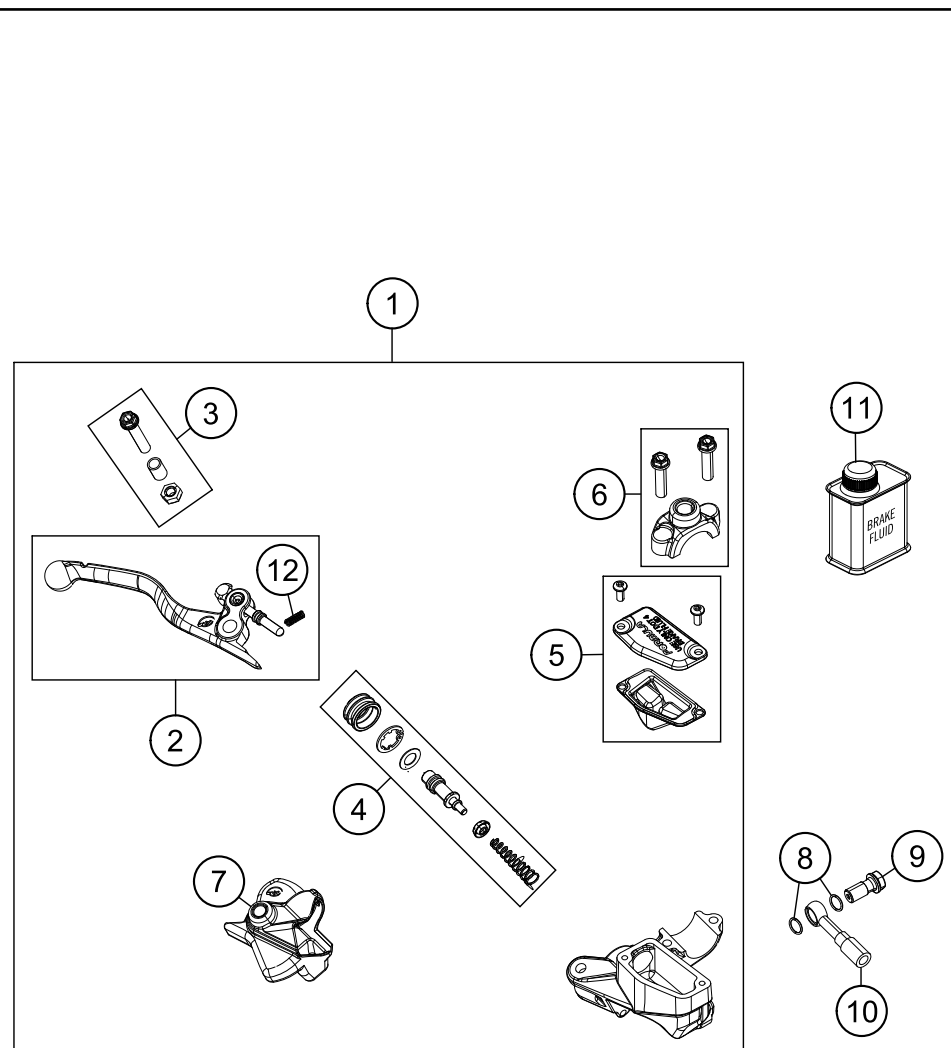
POS	PARTNUMBER	PARTNAME	PIECE
1	4711000184430	"Rear wheel cmpl. 14"" KTM 85SX 2019"	1
10	70010010144	Rear wheel hub cpl.	1
11	70010011000	BEAR.SPACER TUBE '12	1
13	0760324771	SHAFT SEAL RING 32X47X7 BSL	2
14	0625060058	GR.BALL BEAR.6005 DDU2CG23S6NM	2
15	0472047175	CIRCLIP DIN0472-47X1,75	1
16	78010016000	BUSHING FOR HUB 08	2
30	46030045000	flanged nut M8 WS10	2
40	50203030090	HH SCREW M8X40 WS=10	2
51	47210051044	Sprocket 44-t	x
51	47210051045	Sprocket 45-t	x
51	47210051046	Sprocket 46-t	x
51	47210051047	Sprocket 47-t	x
51	47210051048	Sprocket 48-t	x
51	47210051049	Sprocket 49-t	1
51	47210051050	Sprocket 50-t	x
51	47210051051	Sprocket 51-t	x
52	0019080266S	COUNTER-SUNK SCREW ISA45 M8X26	4
53	06923080003	hex nut EN 1661 M8 WS13	4
60	23610060000	REAR DISC D=210MM	1
62	59009062016	SPECIAL SCREW M6X16 WS=8 10.9	4
65	47010165124	CHAIN 124 ROLLS 85 SX	1
66	47010166000	CONNECTING LINK 85 SX	1
70	2351007040030	rim back 14x1.60	1
72	4711007114730	SPOKE M4,5X147-14" BLACK	32
73	79109072000	Spoke nipple M4.5	32
74	47010073000	RIM BAND 85 SX 14" 2003	1
84	70010084000	CHAIN TENSIONER R/S 12	1
85	70010085044	WHEEL SPINDLE REAR CPL. 12	1
87	50310099000	HEXAGON NUT M20X1,5 '98	1
89	55003135000	PLUG FOR RIM	x
90	77110090050	NUT FOR WHEEL HOLDER	1
91	78109090000	RIM LOCK 1,60"	1
97	00050000966	SPOKE KIT REAR "14" 85 SX 13	x
98	00050002091	Drivetrain kit 13t/46t	x
99	70010015000	REAR WHEEL REP. KIT	x

184721010

52384

* NEW PART

X ON DEMAND

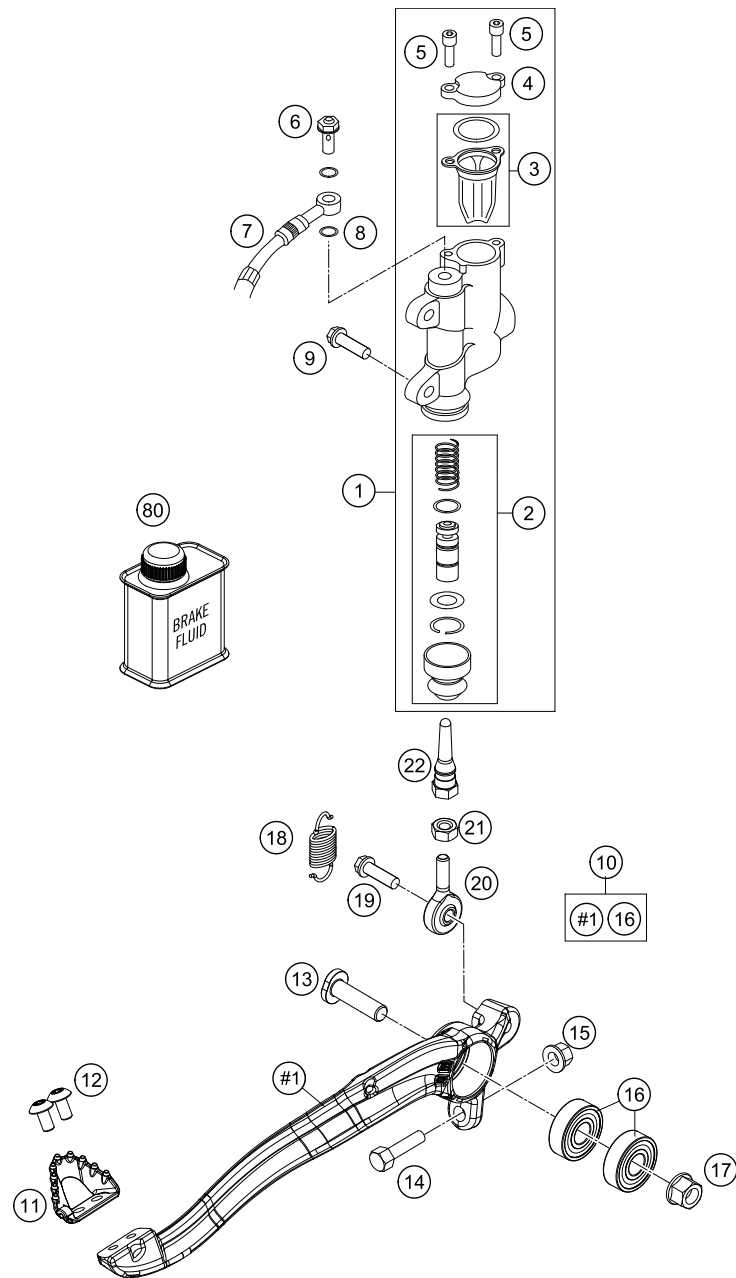


POS	PARTNUMBER	PARTNAME	PIECE
1	47113001100	HAND BRAKE CYLINDER CPL. 10 MM	1
2	72013002000	LEVER CPL.	1
3	70002038000	LEVER SCREW CPL.	1
4	72002032000	REP. KIT PISTON 10MM	1
5	70013003000	COVER HAND BRAKE CYLINDER CPL.	1
6	72013005000	CLAMP	1
7	70013004000	MUDCOVER HANDBRAKE LEVER	1
8	0770080019	O-RING 8,00X1,00 FORMULA	2
9	47013025000	HOLLOW SCREW BRAKE CYLINDER 03	1
10	47213010000	Brake hose front	1
11	00062030000	BRAKE FLUID DOT5.1 0,25L	1
12	72002035000	SPRING FOR CLUTCH LEVER	1

144711310

48061

* NEW PART X ON DEMAND



184721330

POS	PARTNUMBER	PARTNAME	PIECE
1	47013060300	FOOTBRAKECYL.R. CPL. D=12 05	1
2	47013061100	REP. SET PISTON REAR D=12 2004	1
3	47013063000	GASKET CYLINDER COVER REAR 03	1
4	47013062000	CYLINDER COVER REAR 85 SX 03	1
5	0912040103	AH.SCREW DIN0912-M 4X10	2
6	47013025000	HOLLOW SCREW BRAKE CYLINDER 03	1
7	47013070000	BRAKE HOSE REAR 85 SX 03	1
8	0770080019	O-RING 8,00X1,00 FORMULA	2
9	0025060166	HH collar screw M6x16 TX30	2
10	47213050044	Foot brake lever kpl.	1
11	55413051000	STEP PLATE FOOT BRAKE LEVER	1
12	58605083010	SCREW TORX M5X10 05	2
13	47213054000	Screw foot brake lever	1
14	59001037000	SPECIAL SCREW M8X26 WS=10	1
15	46030045000	flanged nut M8 WS10	1
16	0625060002	deep groove ball bearing SKF 6000-2RS1	2
17	54630044000	COLLAR NUT M10 WS=13	1
18	79003062000	RETURN SPRING F. BRAKE LEVER	1
19	0025060206S	HH collar screw M6x20 TX30	1
20	54813055100	Joint head CMP6	1
21	0934060003	hex nut DIN 934 M6	1
22	47013056100	PRESSURE ROD 85 SX 06	1
80	00062030000	BRAKE FLUID DOT5.1 0,25L	1

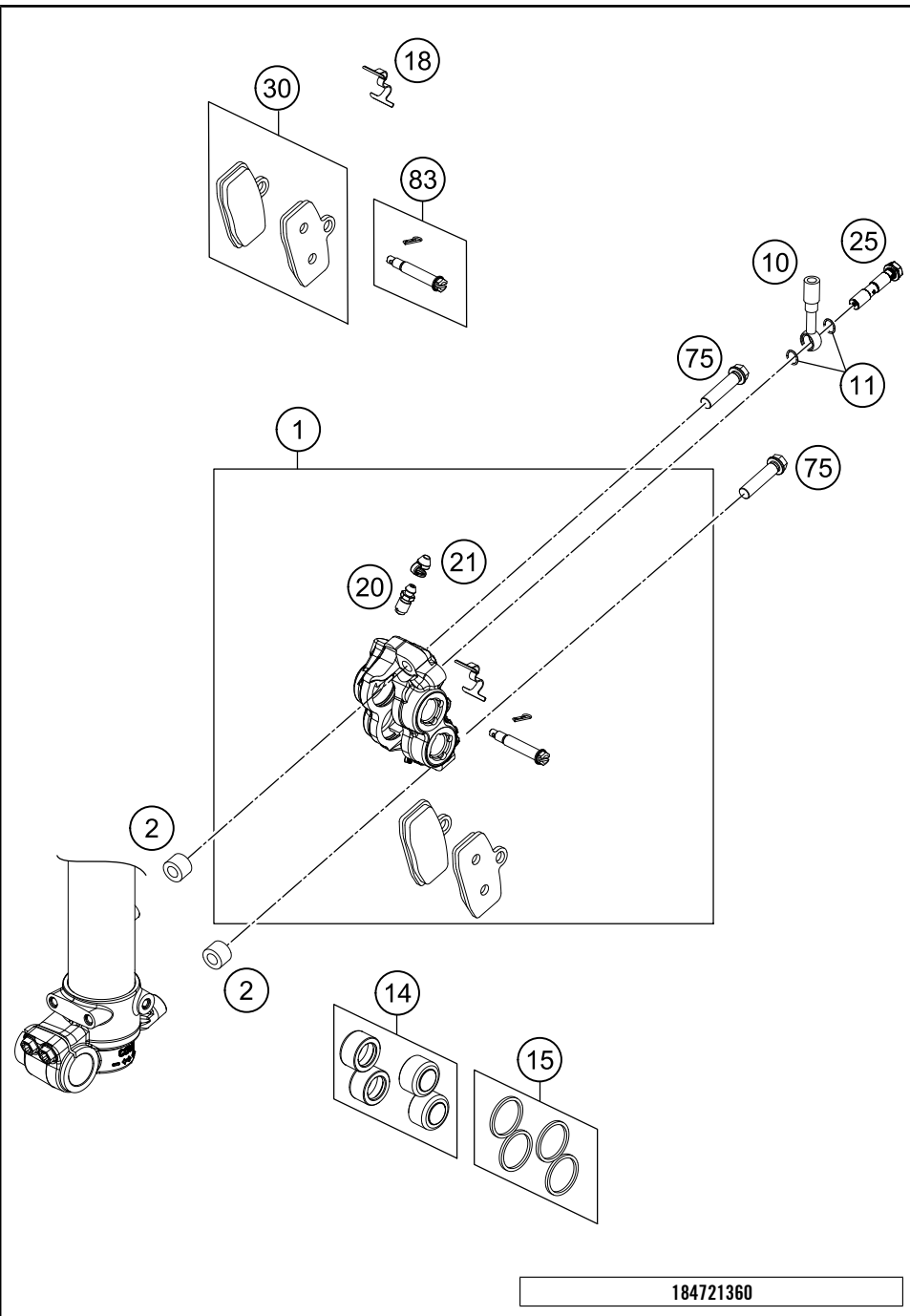
44975

* NEW PART

X ON DEMAND

FRONT BRAKE CALIPER

85 SX 17/14 2020 2020



POS	PARTNUMBER	PARTNAME	PIECE
1	47013015100	BRAKE CALIPER FRONT	1
2	70013098050	SPACER SLEEVE F. BRAKE FRONT	2
10	47213010000	Brake hose front	1
11	0770080019	O-RING 8,00X1,00 FORMULA	2
14	47013019100	REPAIR KIT BRAKEPISTON 2017	1
15	47013022000	REP. KIT SEALS	1
18	47013018100	RETAINING SPRING FRONT 85SX	1
20	47013020000	BLEEDER SCREW M6	1
21	47013021000	CAP FOR BLEEDER SCREW	1
25	47013025000	HOLLOW SCREW BRAKE CYLINDER 03	1
30	47013030000	BRAKE PAD SET FRONT 2012	1
75	0025080356S	HH COLLAR SCREW M8X35 TX40	2
83	47013030050	PIN BRAKE PAD CPL. 2012	1

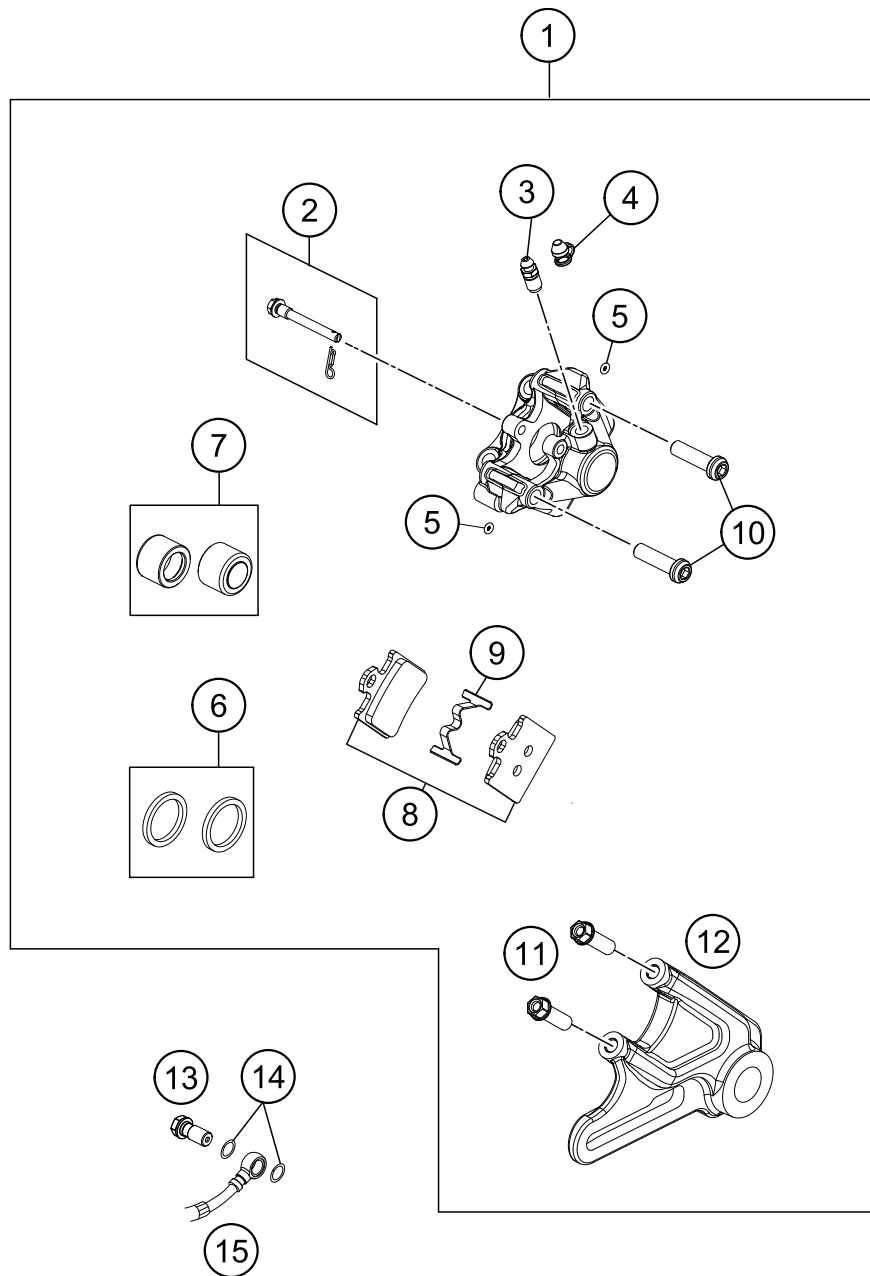
184721360

44971

* NEW PART X ON DEMAND

REAR BRAKE CALIPER

85 SX 17/14 2020 2020



POS	PARTNUMBER	PARTNAME	PIECE
1	47213080000	Caliper rear cpl. 85 TC/SX 18	1
2	47013092000	SPECIAL SCREW WITH SPLINT PIN	1
3	47013085000	BLEEDER SCREW M8X1	1
4	47013021000	CAP FOR BLEEDER SCREW	1
5	07700257178	O-RING 2,57X1,78	2
6	47213081000	Repair kit seal ring 22mm	1
7	47213083000	Repair kit brakepiston 22mm	1
8	47013090300	BRAKE PADS REAR 85 SX 2011	1
9	47013018000	RETAINING SPRING 85 SX 2011	1
10	47013084000	SPECIAL SCREW CALIPER M8X30	2
11	0025080256	HH collar screw M8x25	2
12	47013075000	BRAKE CALIPER SUPPORT CPL.	1
13	47013025000	HOLLOW SCREW BRAKE CYLINDER 03	1
14	0770080019	O-RING 8,00X1,00 FORMULA	2
15	47013070000	BRAKE HOSE REAR 85 SX 03	1

184721390

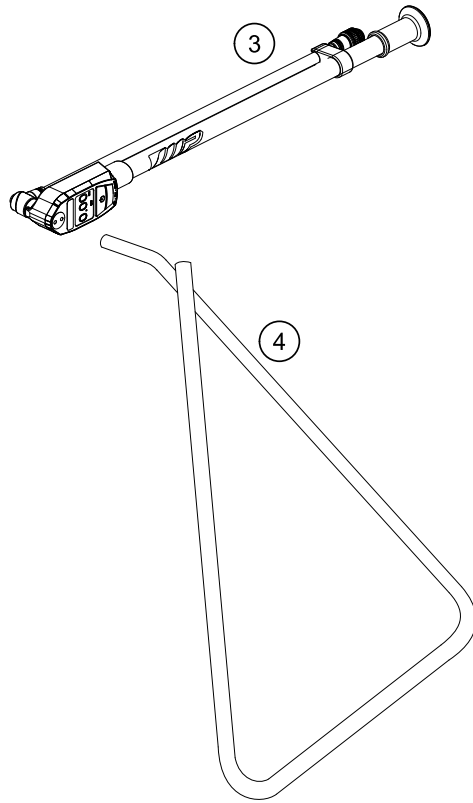
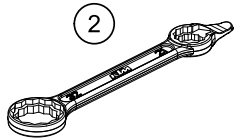
44987

* NEW PART

X ON DEMAND

0
OHNE ABBILDUNG
WITHOUT ILLUSTRATION

1
TECHNISCHE DOKUMENTATION
TECHNICAL DOCUMENTATION
DOCUMENTACION TECNICA
DOCUMENTATION TECHNIQUE
NOTE TECNICHE



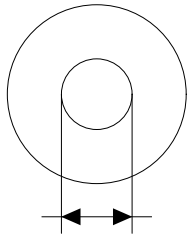
204722000

POS	PARTNUMBER	PARTNAME	PIECE
0	312305	DOCUMENTS BAG 2006	1
0	312313	KTM BALLPOINT PEN ORANGE	1
0	3210039	CUSTOMER WELCOME LETTER	1
0	3210917	NOTEPAD	1
0	79003040033	FOOT PEGS SET CPL. 2016	1
0	00063004012	HEADLIGHT MASK BOX	1
0	00063004107	SPIRALHÜLSEN EXC	2
0	00063004108	LUFTPOLSTERZUSCHNITTE 80MY	2
0	47203094000EB	Frame protector set	1
0	78112020050	HOUR METER	1
0	0081035183	Ejot delta PT screw 35X18	2
0	47208010000EB	Front fender	1
0	0025060166	HH collar screw M6x16 TX30	4
0	77202002144	BAR PAD CPL.	1
0	20180189INT	Sticker accessory kit	1
0	20180204INT	KTM Bypack Folder Offroad	1
0	50203098000	Sticker "Warning label 4"	1
0	52000229SET	Sticker XAXT AER OC 161x214	1
0	44011076140	CABLE TIE 140/2,5MM BLACK	2
0	44011076200	CABLE TIE 200/3,6MM BLACK	1
0	47235033000	Radiator cover full	1
0	47235033100	Radiator cover half	1
1	3213998EN	Owner's manual	1
1	322000	SAFETY BROCHURES SPORTMINICYC.	1
2	50329080100	WRENCH SW=17/21/27/32 B&F	1
3	79412966100	Fork pump	1
4	47003020000	PLUG IN STAND SX 85 2003	1

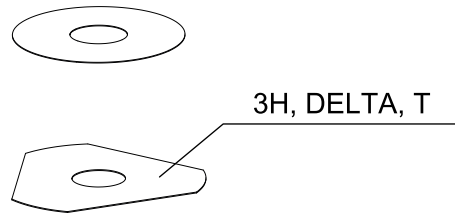
52385

* NEW PART

X ON DEMAND



- ⑤ Ø 5 mm
- ⑥ Ø 6 mm
- ⑧ Ø 8 mm
- ⑩ Ø 10 mm
- ⑫ Ø 12 mm
- ⑭ Ø 14-14,5 mm
- ⑯ Ø 16 mm
- ⑳ Ø 20 mm
- ㉑ Ø 21 mm
- ㉒ Ø 22 mm
- ㉓ Ø 23 mm
- ㉔ Ø 24,5 mm
- ㉘ Ø 28,5 mm
- ㉚ Ø 32 mm
- ㉜ Ø 52 mm



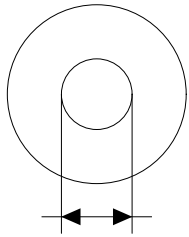
POS	PARTNUMBER	PARTNAME	PIECE
5	44906890	WASHER 5X15X2	X
6	40540400	Shim 6x12x0,10	X
6	40540401	Shim 6x14x0,10	X
6	40540402	Shim 6x16x0,10	X
6	40540403	Shim 6x18x0,10	X
6	40540404	Shim 6x12x0,15	X
6	40540405	Shim 6x14x0,15	X
6	40540406	Shim 6x16x0,15	X
6	40540407	SHIM 6X18X0,15	X
6	40540408	Shim 6x12x0,20	X
6	40540409	Shim 6x14x0,20	X
6	40540410	Shim 6x16x0,20	X
6	40540411	Shim 6x18x0,20	X
6	48600095	SHIM 6X20X0,20	X
6	40540412	Shim 6x12x0,25	X
6	40540413	Shim 6x14x0,25	X
6	40540414	Shim 6x16x0,25	X
6	40540415	Shim 6x18x0,25	X
6	40540417	SHIM 6X8,5X0,10	X
6	40540418	SHIM 6X9X0,10	X
6	40540419	SHIM 6X9,5X0,10	X
6	40540423	SHIM 6X9,5X0,15	X
6	40540425	SHIM 6X8,5X0,20	X
6	40540426	SHIM 6X9X0,20	X
6	40540427	SHIM 6X9,5X0,20	X
6	40540447	Shim 6x10x0,30	X
6	40540449	Shim 6x9x0,30	X
6	40540450	Shim 6x9,5x0,30	X
6	40540494	Shim 6x18x0,40	X
6	40540774	Shim 6x18x0,10	X
6	40541383	Shim 6X11X0,10	X
6	40541391	Shim 6x11x0,30	X
6	40541402	Shim 6x11x0,20	X
6	40541403	SHIM 6X10X0,20	X
6	40541404	Shim 6x10x0,10	X
6	40541405	Shim 6x10x0,15	X
6	40541406	SHIM 6X11X0,15	X
6	40541408	SHIM 6X8,0X0,30	X

080000190

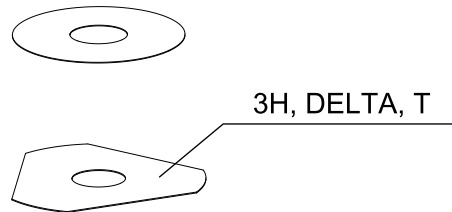
4668

* NEW PART

X ON DEMAND



- ⑤ Ø 5 mm
- ⑥ Ø 6 mm
- ⑧ Ø 8 mm
- ⑩ Ø 10 mm
- ⑫ Ø 12 mm
- ⑭ Ø 14-14,5 mm
- ⑯ Ø 16 mm
- ⑰ Ø 20 mm
- ⑱ Ø 21 mm
- ⑳ Ø 22 mm
- ㉑ Ø 23 mm
- ㉒ Ø 24,5 mm
- ㉔ Ø 28,5 mm
- ㉖ Ø 32 mm
- ㉘ Ø 52 mm



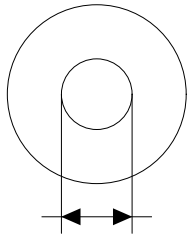
POS	PARTNUMBER	PARTNAME	PIECE
6	40541414	Shim 6x8x0,1	X
6	40541416	SHIM 6X8X0,3	X
6	40541417	SHIM 6X11X0,25	X
6	48600102	SHIM 6X24X0,25	X
6	48600063	Shim 6x24x0,10	X
6	48600064	Shim 6x22x0,10	X
6	48600065	Shim 6x20x0,10	X
6	48600069	Shim 6x20x0,15	X
6	48600100	Shim 6x24x0,15	X
6	48600116	Shim 6x24x0,10 delta	X
6	48600139	Shim 6x22x0,1 delta	X
6	48600217	Shim 6x10x0,25	X
6	48600325	Shim 6x13x0,10	X
6	48600327	SHIM 6X15X0,1	X
6	48600329	Shim 6x17x0,10	X
6	48600331	Shim 6x19x0,10	X
6	48600096	Shim 6x20x0,25	X
6	48600097	Shim 6x22x0,15	X
6	48600099	Shim 6x22x0,25	X
6	40540448	Shim 6x8,5x0,30	X
6	48600479	Shim 6x20x0,10 DELTA	X
6	48600332	SHIM 6X21X0,1	X
6	48600333	SHIM 6X23X0,1	X
6	40541393	Shim 6x12x0,30	X
6	48600330	SHIM 6X17X0,15	X
6	48600988	Shim 6x28x0,10	X
6	48600989	Shim 6x26x0,10	X
6	48601091	Shim 6x28x0,15	X
6	48601093	Shim 6x26x0,15	X
6	48600328	Shim 6x15x0,15	X
6	48600326	Shim 6x13x0,15	X
6	48601548	Shim 6x17x1,5	X
6	48601693	Washer 6x18x3	X
6	48600098	Shim 6x22x0,20	X
6	48601300	Washer 6x25x1,5	X
6	48601692	Shim 6x30x0,15	X
6	48601550	Shim 6x30x0,10	X
6	40541392	Shim 6x8x0,2	X

080000190

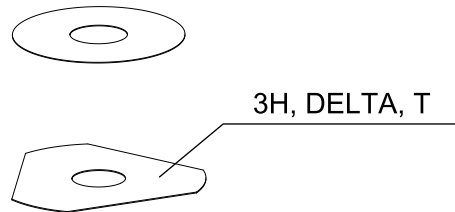
4668

* NEW PART

X ON DEMAND



- ⑤ Ø 5 mm
- ⑥ Ø 6 mm
- ⑧ Ø 8 mm
- ⑩ Ø 10 mm
- ⑫ Ø 12 mm
- ⑭ Ø 14-14,5 mm
- ⑯ Ø 16 mm
- ⑳ Ø 20 mm
- ㉑ Ø 21 mm
- ㉒ Ø 22 mm
- ㉓ Ø 23 mm
- ㉔ Ø 24,5 mm
- ㉘ Ø 28,5 mm
- ㉚ Ø 32 mm
- ㉜ Ø 52 mm



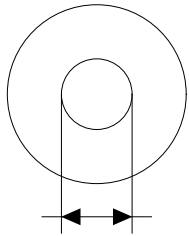
POS	PARTNUMBER	PARTNAME	PIECE
6	50180009	DISTANCER PLATE 16X23X0,10	X
6	48601917	Washer 6x18x4	X
6	48601916	Washer 6x18x4	X
6	40540399	Shim 6x16x0,30	X
6	48601584	Shim 6x30x0,4 spring shim	X
6	48601459	Washer check valve 6x31x0,4	X
6	48601849	Check valve plate 2,5mm hub	X
6	48600101	SHIM 6X24X0,20	X
6	48601094	Shim 6x26x0,20	X
6	40540422	Shim 6X9X0,15	X
6	48601841	Washer check valve 6x31x0,4	X
6	48601850	Shim 6x30x0,4 spring shim	X
8	40540477	Shim 8x18x0,40	X
8	43570120	Shim 8x18x0,10	X
8	44916098	WASHER 8,4X16X0,8	X
8	44916130	WASHER 8,2X15X1	X
8	44916180	WASHER 8,2X11X1	X
8	48600214	Shim 8x16x0,10	X
8	48600385	SHIM 8x14x0,25	X
8	48600346	Shim 8x11x0,20	X
8	48600215	Shim 8x20x0,10	X
8	48600485	SHIM 8X10X0,10	X
8	48601402	SHIM 8X13X0,10	X
8	48600350	Shim 8x16x0,15	X
8	48600061	Shim 8x24x0,40	X
8	48600062	CHECK VALVE 8X24X0,1	X
8	48600216	Shim 8x22x0,10	X
8	48600480	Shim 8x10x0,20	X
8	48600555	SHIM 8X16X0,20	X
8	48600213	SHIM 8X14X0,10	X
8	48600357	Shim 8x11x0,10	X
8	48600351	Shim 8x12x0,10	X
8	48600607	Shim 8x20x0,40	X
8	48601095	Shim 8x17x0,10	X
8	48600352	CHECK VALVE 8X11X0,4	X
8	48601860	Washer 8x11x0,15	X
8	48601266	Shim 8x26x0,40	X
8	46180640	Shim 8x16x0,3	X

080000190

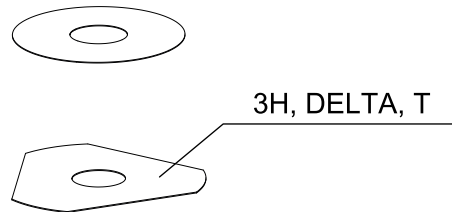
4668

* NEW PART

X ON DEMAND



- ⑤ Ø 5 mm
- ⑥ Ø 6 mm
- ⑧ Ø 8 mm
- ⑩ Ø 10 mm
- ⑫ Ø 12 mm
- ⑭ Ø 14-14,5 mm
- ⑯ Ø 16 mm
- ⑳ Ø 20 mm
- ㉑ Ø 21 mm
- ㉒ Ø 22 mm
- ㉓ Ø 23 mm
- ㉔ Ø 24,5 mm
- ㉘ Ø 28,5 mm
- ㉚ Ø 32 mm
- ㉜ Ø 52 mm



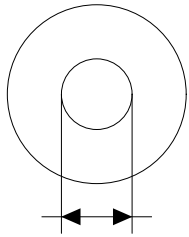
POS	PARTNUMBER	PARTNAME	PIECE
8	43578166	Washer 8x20x1	X
10	36120284	SHIM 10X16X0,10	X
10	36120298	SHIM 10X16X0,2	X
10	36120312	SHIM 10X16X0,30	X
10	36120314	SHIM 10X18X0,30	X
10	36120325	SHIM 10X19X0,15	X
10	36120327	SHIM 10X23X0,15	X
10	36120328	SHIM 10X25X0,15	X
10	36120329	SHIM 10X27X0,15	X
10	36120330	SHIM 10X29X0,15	X
10	36120331	SHIM 10X31X0,15	X
10	36120332	SHIM 10X33X0,15	X
10	36120334	SHIM 10X21X0,20	X
10	36120335	SHIM 10X23X0,20	X
10	36120336	SHIM 10X25X0,20	X
10	36120337	SHIM 10X27X0,20	X
10	36120338	SHIM 10X29X0,20	X
10	36120339	SHIM 10X31X0,20	X
10	36120340	SHIM 10X33X0,20	X
10	36120342	SHIM 10X21X0,25	X
10	36120343	SHIM 10X23X0,25	X
10	36120344	SHIM 10X25X0,25	X
10	36120345	SHIM 10X27X0,25	X
10	36120349	SHIM 10X19X0,30	X
10	36120350	SHIM 10X21X0,30	X
10	36120313	SHIM 10X17X0,30	X
10	36120354	SHIM 10X29X0,30	X
10	40140275	WASHER 10X35X0,15	X
10	48601708	Shim 10x30x0,40	X
10	36120346	SHIM 10X29X0,25	X
10	36120355	SHIM 10X31X0,30	X
10	36120348	SHIM 10X33X0,25	X
10	36120311	SHIM 10X15X0,30	X
10	36120292	SHIM 10X17X0,15	X
10	36120326	SHIM 10X21X0,15	X
10	36120286	SHIM 10X18X0,10	X
10	36120347	SHIM 10X31X0,25	X
10	36120333	SHIM 10X19X0,20	X

080000190

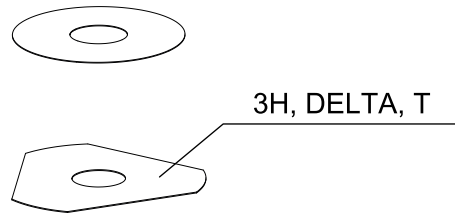
4668

* NEW PART

X ON DEMAND



- ⑤ Ø 5 mm
- ⑥ Ø 6 mm
- ⑧ Ø 8 mm
- ⑩ Ø 10 mm
- ⑫ Ø 12 mm
- ⑭ Ø 14-14,5 mm
- ⑯ Ø 16 mm
- ⑳ Ø 20 mm
- ㉑ Ø 21 mm
- ㉒ Ø 22 mm
- ㉓ Ø 23 mm
- ㉔ Ø 24,5 mm
- ㉘ Ø 28,5 mm
- ㉚ Ø 32 mm
- ㉜ Ø 52 mm



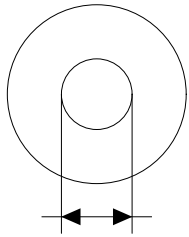
POS	PARTNUMBER	PARTNAME	PIECE
10	36120604	Washer 10x22x2,5	X
12	46810490	SHIM 12X24X0,20	X
12	46810491	Shim 12x26x0,20	X
12	46810492	Shim 12x28x0,20	X
12	46810493	SHIM 12X30X0,20	X
12	46810494	Shim 12x32x0,20	X
12	46810495	Shim 12x34x0,20	X
12	46810496	SHIM 12X36X0,20	X
12	46810497	SHIM 12X38X0,20	X
12	46810498	Shim 12x40x0,20	X
12	46810499	Shim 12x24x0,25	X
12	46810500	SHIM 12X26X0,25	X
12	46810501	SHIM 12X28X0,25	X
12	46810502	Shim 12x30x0,25	X
12	46810504	SHIM 12X34X0,25	X
12	46810505	SHIM 12X36X0,25	X
12	46810507	Shim 12x40x0,25	X
12	46810508	SHIM 12X24X0,30	X
12	46810509	SHIM 12X26X0,30	X
12	46810510	SHIM 12X28X0,30	X
12	46810512	SHIM 12X32X0,30	X
12	46810513	SHIM 12X34X0,30	X
12	46810518	SHIM 12X26X0,15	X
12	46810519	SHIM 12X28X0,15	X
12	46810520	SHIM 12X30X0,15	X
12	46810521	SHIM 12X32X0,15	X
12	46810522	SHIM 12X34X0,15	X
12	46810523	SHIM 12X36X0,15	X
12	46810524	SHIM 12X38X0,15	X
12	46810525	SHIM 12X40X0,15	X
12	46810604	SHIM 12X20X0,10	X
12	46810606	SHIM 12X22X0,10	X
12	46810607	SHIM 12X23X0,10	X
12	46810608	SHIM 12X24X0,10	X
12	46810610	Shim 12x17x0,15	X
12	46810611	SHIM 12X18X0,15	X
12	46810612	SHIM 12X19X0,15	X
12	46810615	SHIM 12X22X0,15	X

080000190

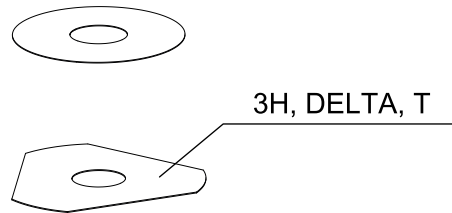
4668

* NEW PART

X ON DEMAND



- ⑤ Ø 5 mm
- ⑥ Ø 6 mm
- ⑧ Ø 8 mm
- ⑩ Ø 10 mm
- ⑫ Ø 12 mm
- ⑭ Ø 14-14,5 mm
- ⑯ Ø 16 mm
- ⑳ Ø 20 mm
- ㉑ Ø 21 mm
- ㉒ Ø 22 mm
- ㉓ Ø 23 mm
- ㉔ Ø 24,5 mm
- ㉘ Ø 28,5 mm
- ㉚ Ø 32 mm
- ㉜ Ø 52 mm



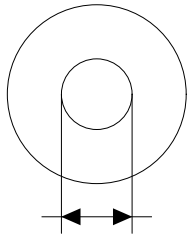
POS	PARTNUMBER	PARTNAME	PIECE
12	46810636	BACKPLATE 12X16X0,30	X
12	46810637	Shim 12x17x0,30	X
12	46810638	Shim 12x18x0,30	X
12	46810639	SHIM 12X19X0,30	X
12	46810641	Shim 12X21X0,30	X
12	46811582	Shim 12x30x0,10	X
12	46810631	SHIM 12X20X0,25	X
12	46810633	SHIM 12X22X0,25	X
12	46811580	Shim 12x32x0,10	X
12	46810503	SHIM 12X32X0,25	X
12	46810517	SHIM 12X24X0,15	X
12	46810856	Shim 12x20x0,30	X
12	46811258	Washer 12x24x2,5	X
12	46812018	Shim 12x42x0,25	X
12	46812015	Shim 12x44x0,20	X
12	46810613	SHIM 12X20X0,15	X
12	46810623	SHIM 12X21X0,20	X
12	46810624	SHIM 12X22X0,20	X
12	46810642	SHIM 12X22X0,30	X
12	46810643	SHIM 12X23X0,30	X
12	46811629	Shim 12x28x0,10	X
12	46810511	SHIM 12X30X0,30	X
12	46810514	SHIM 12X36X0,30	X
12	46810506	SHIM 12X38X0,25	X
12	46810515	SHIM 12X38X0,30	X
12	46812017	Shim 12x42x0,20	X
12	46812016	Shim 12x44x0,25	X
12	46810622	SHIM 12X20X0,20	X
12	46811635	Shim 12x26x0,10	X
12	50181296	Shim 12x45x0,20	X
12	46810620	Shim 12x18x0,2	X
12	46810616	Shim 12x32x0,15	X
14	35480479	Shim 14x26x0,40	X
14	46811046	Washer 14,5x35,4x1,25	X
16	50180023	SHIM 16X23X0,20	X
16	50180030	Shim 16x23x0,25	X
16	50180006	Shim 16x20x0,10	X
16	50180007	SHIM 16X21X0,10	X

080000190

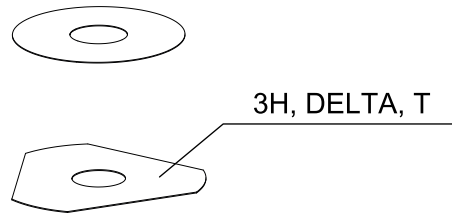
4668

* NEW PART

X ON DEMAND



- ⑤ Ø 5 mm
- ⑥ Ø 6 mm
- ⑧ Ø 8 mm
- ⑩ Ø 10 mm
- ⑫ Ø 12 mm
- ⑭ Ø 14-14,5 mm
- ⑯ Ø 16 mm
- ⑳ Ø 20 mm
- ㉑ Ø 21 mm
- ㉒ Ø 22 mm
- ㉓ Ø 23 mm
- ㉔ Ø 24,5 mm
- ㉘ Ø 28,5 mm
- ㉚ Ø 32 mm
- ㉜ Ø 52 mm



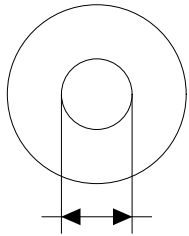
POS	PARTNUMBER	PARTNAME	PIECE
16	50180028	SHIM 16X21X0,25	X
16	50180210	Washer 16x21x1	X
16	50180008	SHIM 16X22X0,10	X
16	50180022	Shim 16x22x0,20	X
16	50180037	SHIM 16X23X0,30	X
16	50180038	SHIM 16X24X0,30	X
16	50180032	Shim 16x25x0,25	X
16	50180039	SHIM 16X25X0,30	X
16	50180012	SHIM 16X26X0,10	X
16	50180019	SHIM 16X26X0,15	X
16	50180026	SHIM 16X26X0,20	X
16	50180040	SHIM 16X26X0,30	X
16	50180041	SHIM 16X28X0,10	X
16	50180045	Shim 16x28x0,15	X
16	50180054	Shim 16x28x0,2	X
16	50180063	SHIM 16X28X0,25	X
16	50180072	SHIM 16X28X0,30	X
16	50180046	SHIM 16X30X0,15	X
16	50180055	SHIM 16X30X0,20	X
16	50180064	Shim 16x30x0,25	X
16	50180073	SHIM 16X30X0,30	X
16	50180047	Shim 16X32X0,15	X
16	50180056	Shim 16x32x0,2	X
16	50180065	SHIM 16X32X0,25	X
16	50180074	SHIM 16X32X0,30	X
16	50180044	SHIM 16X34X0,10	X
16	50180048	SHIM 16X34X0,15	X
16	50180057	Shim 16x34x0,2 y5	X
16	50180066	SHIM 16X34X0,25	X
16	50180075	SHIM 16X34X0,30	X
16	50180049	Shim 16x36x0,15	X
16	50180058	Shim 16x36x0,20	X
16	50180067	SHIM 16X36X0,25	X
16	50180076	SHIM 16X36X0,30	X
16	50180050	SHIM 16X38X0,15	X
16	50180059	SHIM 16X38X0,20	X
16	50180068	SHIM 16X38X0,25	X
16	50180077	SHIM 16X38X0,30	X

080000190

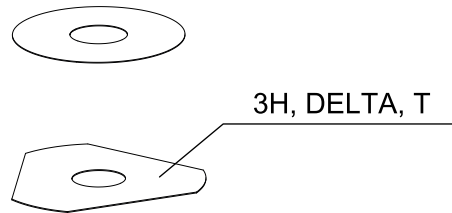
4668

* NEW PART

X ON DEMAND



- ⑤ Ø 5 mm
- ⑥ Ø 6 mm
- ⑧ Ø 8 mm
- ⑩ Ø 10 mm
- ⑫ Ø 12 mm
- ⑭ Ø 14-14,5 mm
- ⑯ Ø 16 mm
- ⑳ Ø 20 mm
- ㉑ Ø 21 mm
- ㉒ Ø 22 mm
- ㉓ Ø 23 mm
- ㉔ Ø 24,5 mm
- ㉘ Ø 28,5 mm
- ㉚ Ø 32 mm
- ㉜ Ø 52 mm



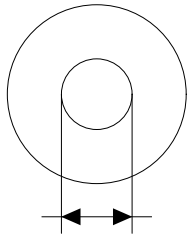
POS	PARTNUMBER	PARTNAME	PIECE
16	50180051	Shim 16x40x0,15	X
16	50180060	Shim 16x40x0,2	X
16	50180069	SHIM 16X40X0,25	X
16	50180078	SHIM 16X40X0,30	X
16	50180052	SHIM 16X42X0,15	X
16	50180061	Shim 16x52x0,2	X
16	50180070	SHIM 16X42X0,25	X
16	50180079	SHIM 16X42X0,30	X
16	50180053	SHIM 16X44X0,15	X
16	50180062	Shim 16X44X0,20	X
16	50180071	SHIM 16X44X0,25	X
16	50180080	SHIM 16X44X0,30	X
16	50180177	Springwasher 8,2x16x0,6	X
16	50180033	Shim 16x26x0,25	X
16	50180034	Shim 16x20x0,30	X
16	50180035	Shim 16x21x0,30	X
16	50180036	Shim 16x22x0,30	X
16	50180043	SHIM 16X32X0,10	X
16	50180024	Shim 16x24x0,20	X
16	50180027	SHIM 16X20X0,25	X
16	50180031	Shim 16x24x0,25	X
16	50180029	SHIM	X
16	50180010	SHIM 16X24X0,10	X
16	50180021	SHIM 16X21X0,20	X
16	50180025	SHIM 16X25X0,20	X
16	50180383	Washer 16x19x0,9	X
20	48600212	PRESSURE-RING 20X16,25X0,20	X
20	50180666	SHIM 20X24X0,30	X
20	50180654	SHIM 20X36X0,20	X
20	50180655	SHIM 20X38X0,20	X
20	50180656	SHIM 20X40X0,20	X
20	50180665	SHIM 20X40X0,25	X
20	50180662	SHIM 20X34X0,25	X
20	50180657	SHIM 20X24X0,25	X
20	50180653	SHIM 20X34X0,20	X
20	50180634	RING 20X22,9X1	X
20	50180650	SHIM 20,2X28X0,20	X
20	50180663	SHIM 20X36X0,25	X

080000190

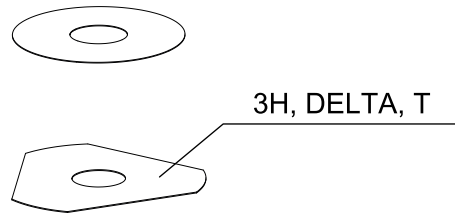
4668

* NEW PART

X ON DEMAND



- ⑤ Ø 5 mm
- ⑥ Ø 6 mm
- ⑧ Ø 8 mm
- ⑩ Ø 10 mm
- ⑫ Ø 12 mm
- ⑭ Ø 14-14,5 mm
- ⑯ Ø 16 mm
- ⑳ Ø 20 mm
- ㉑ Ø 21 mm
- ㉒ Ø 22 mm
- ㉓ Ø 23 mm
- ㉔ Ø 24,5 mm
- ㉘ Ø 28,5 mm
- ㉚ Ø 32 mm
- ㉜ Ø 52 mm



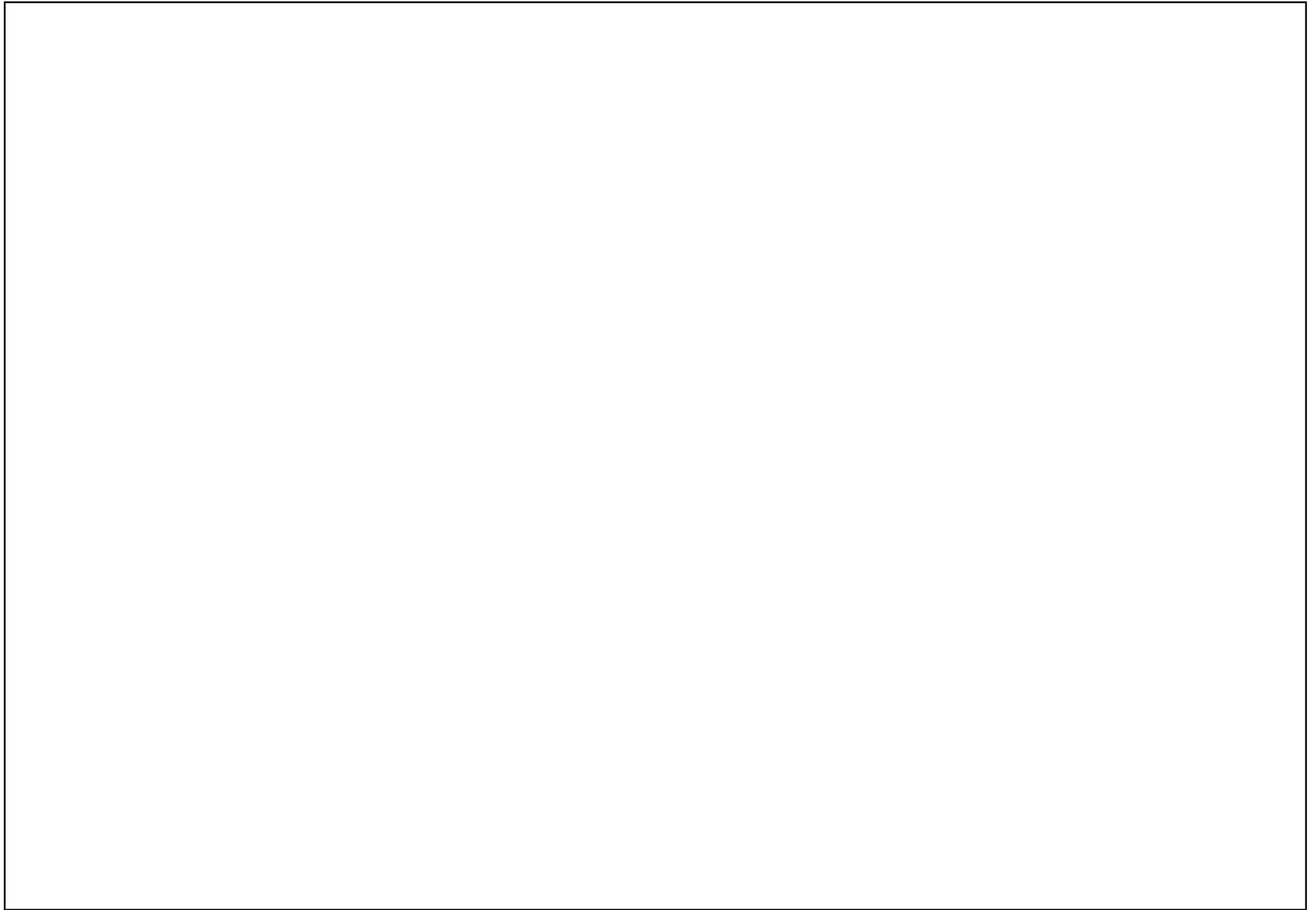
POS	PARTNUMBER	PARTNAME	PIECE
20	50180664	SHIM 20X38X0,25	X
20	50180659	SHIM 20,2X28X0,25	X
21	50180209	Shim 21x36x0,25	X
22	50180330	Shim 18x22x0,3	X
23	50180635	SHUTTLE VALVE 23X38X0,25	X
23	50180578	SHIM D23XD16X2	X
24	40541061	WASHER 24,5X34X2	X
28	36120469	SHIM 28,5X14X2	X
28	36120471	SHIM 28,5X14X5	X
32	48600460	WASHER 32X42X2,5	X
32	50600065	SHIM 32X45X2	X
32	46811637	Shim 32,25x36x0,30	X
52	50600002	Washer 52x59x2,2	X

080000190

4668

* NEW PART

X ON DEMAND



WWW.KTM.COM



KTM Sportmotorcycle GmbH
5230 Mattighofen, Austria
www.ktm.com



KTM_POWERPARTS

KTM_POWERWEAR

KTM_ORIGINAL SPARE PARTS



F6001T8EN

Art. Nr.: F6001T8EN 13. Mär 2019