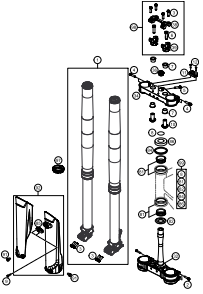
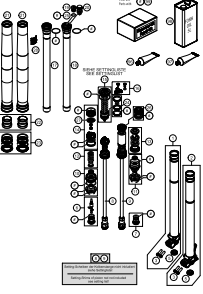
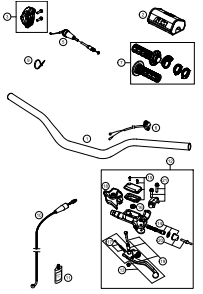
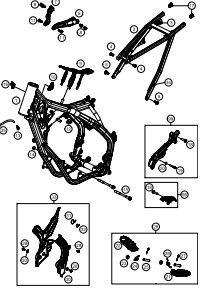
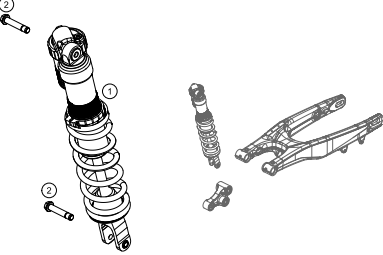
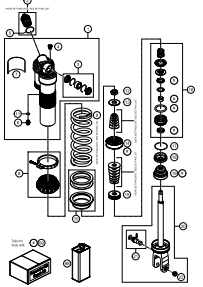
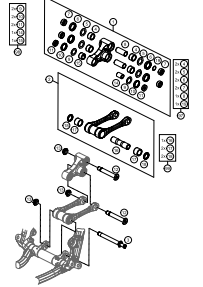
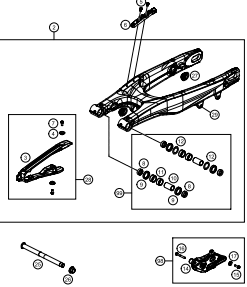
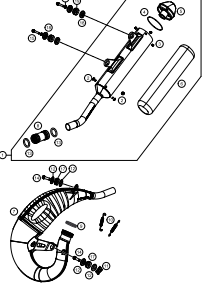
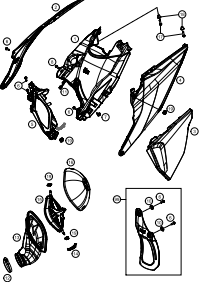
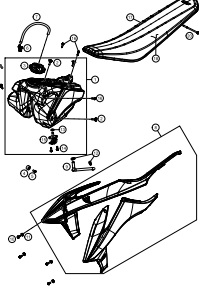
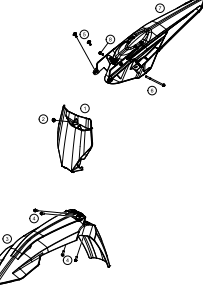


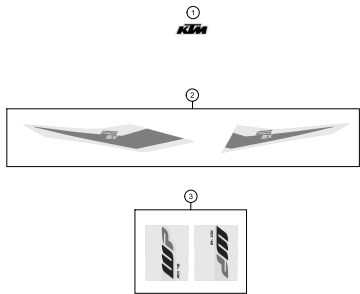
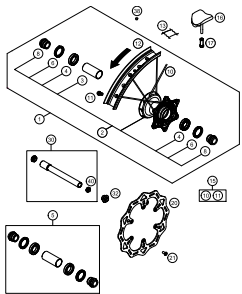
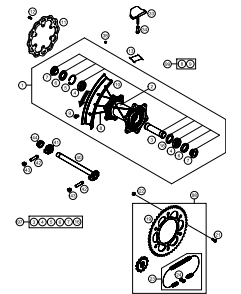
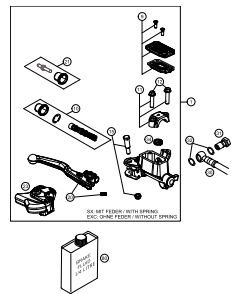
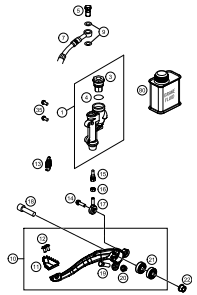
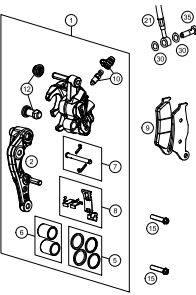
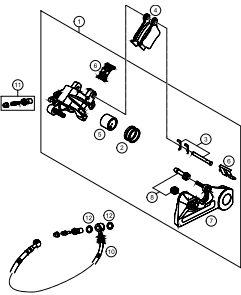
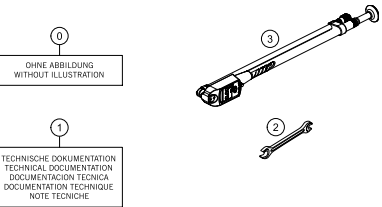
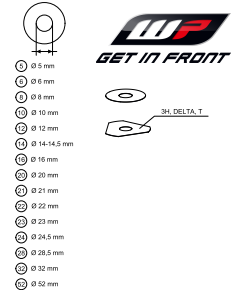

# 125 SX 2019

ART.-NR.: F6101S0EN

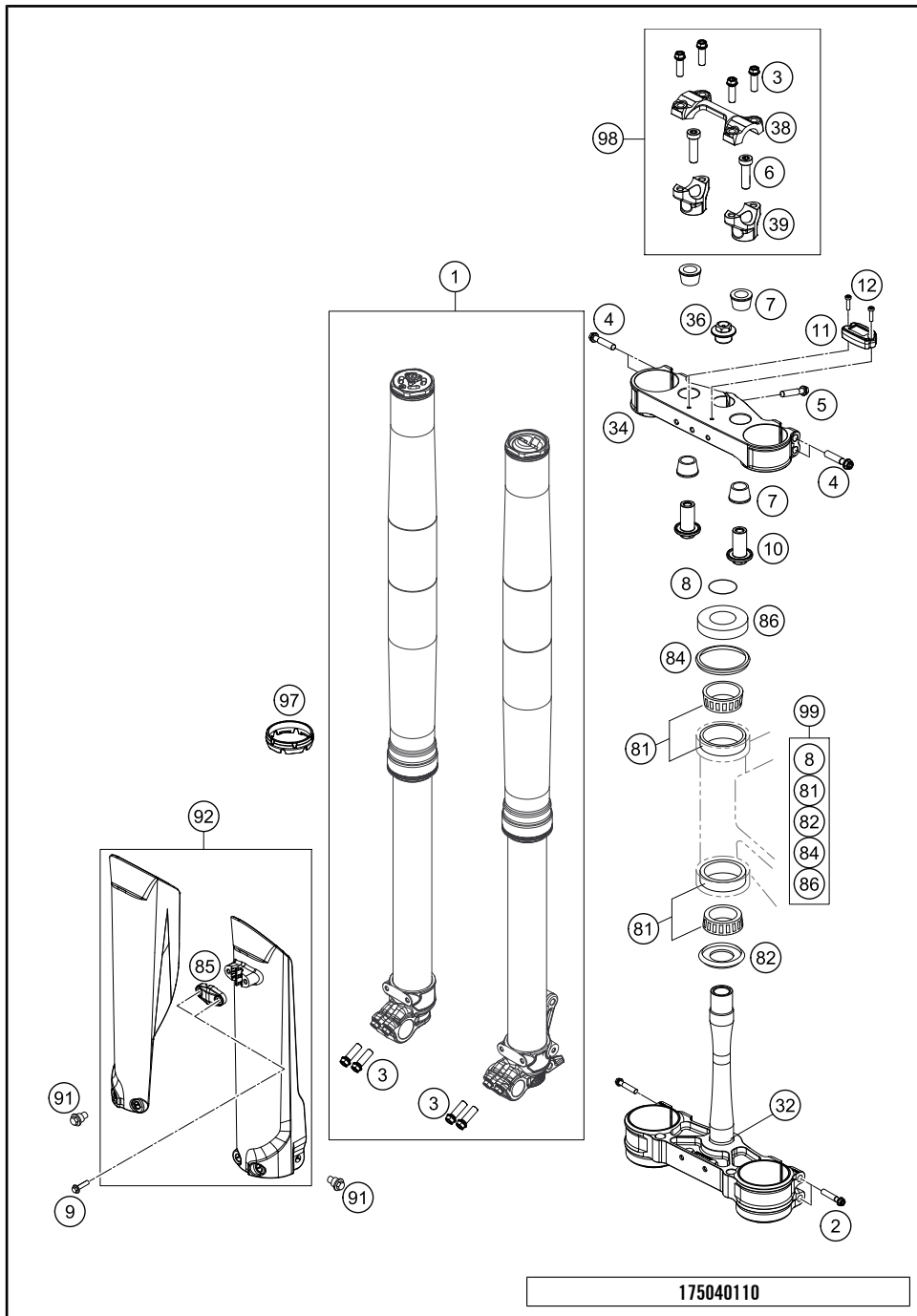




<p><b>FRONT FORK, TRIPLE CLAMP</b></p>  <p><b>3</b></p>	<p><b>FRONT FORK DISASSEMBLED</b></p>  <p><b>4</b></p>	<p><b>HANDLEBAR, CONTROLS</b></p>  <p><b>5</b></p>	<p><b>FRAME</b></p>  <p><b>6</b></p>
<p><b>SHOCK ABSORBER</b></p>  <p><b>7</b></p>	<p><b>SHOCK ABSORBER DISASSEMBLED</b></p>  <p><b>8</b></p>	<p><b>PRO LEVER LINKING</b></p>  <p><b>9</b></p>	<p><b>SWING ARM</b></p>  <p><b>10</b></p>
<p><b>EXHAUST SYSTEM</b></p>  <p><b>11</b></p>	<p><b>AIR FILTER</b></p>  <p><b>12</b></p>	<p><b>TANK, SEAT</b></p>  <p><b>13</b></p>	<p><b>MASK, FENDERS</b></p>  <p><b>14</b></p>

<p><b>DECAL</b></p>  <p><b>15</b></p>	<p><b>FRONT WHEEL</b></p>  <p><b>16</b></p>	<p><b>REAR WHEEL</b></p>  <p><b>17</b></p>	<p><b>FRONT BRAKE CONTROL</b></p>  <p><b>18</b></p>
<p><b>REAR BRAKE CONTROL</b></p>  <p><b>19</b></p>	<p><b>FRONT BRAKE CALIPER</b></p>  <p><b>20</b></p>	<p><b>REAR BRAKE CALIPER</b></p>  <p><b>21</b></p>	<p><b>SEPERATE ENCLOSURE</b></p>  <p><b>22</b></p>
<p><b>WP SHIMS FOR SETTING</b></p>  <p><b>23</b></p>	 <p>All information contained is without obligation. KTM Sportmotorcycle GmbH particularly reserves the right to modify any equipment, technical specifications, prices, colors, shapes, materials, services, service work, constructions, equipment and the like so as to adapt them to local conditions or to cancel any of the above items, all without previous announcement and without giving reasons. KTM may stop manufacturing certain models without previous notice. KTM shall not be held liable for any deviations of availability and/or ability to deliver, illustrations, descriptions, printing and/or other errors. The illustrated models partly contain extra equipment, which is not applied to standard models.</p> <p>© by KTM Sportmotorcycle GmbH, Mattighofen AUSTRIA; All rights reserved; Reprint, also in extracts, with written allowance of KTM Sportmotorcycle GmbH, Mattighofen only.</p>		



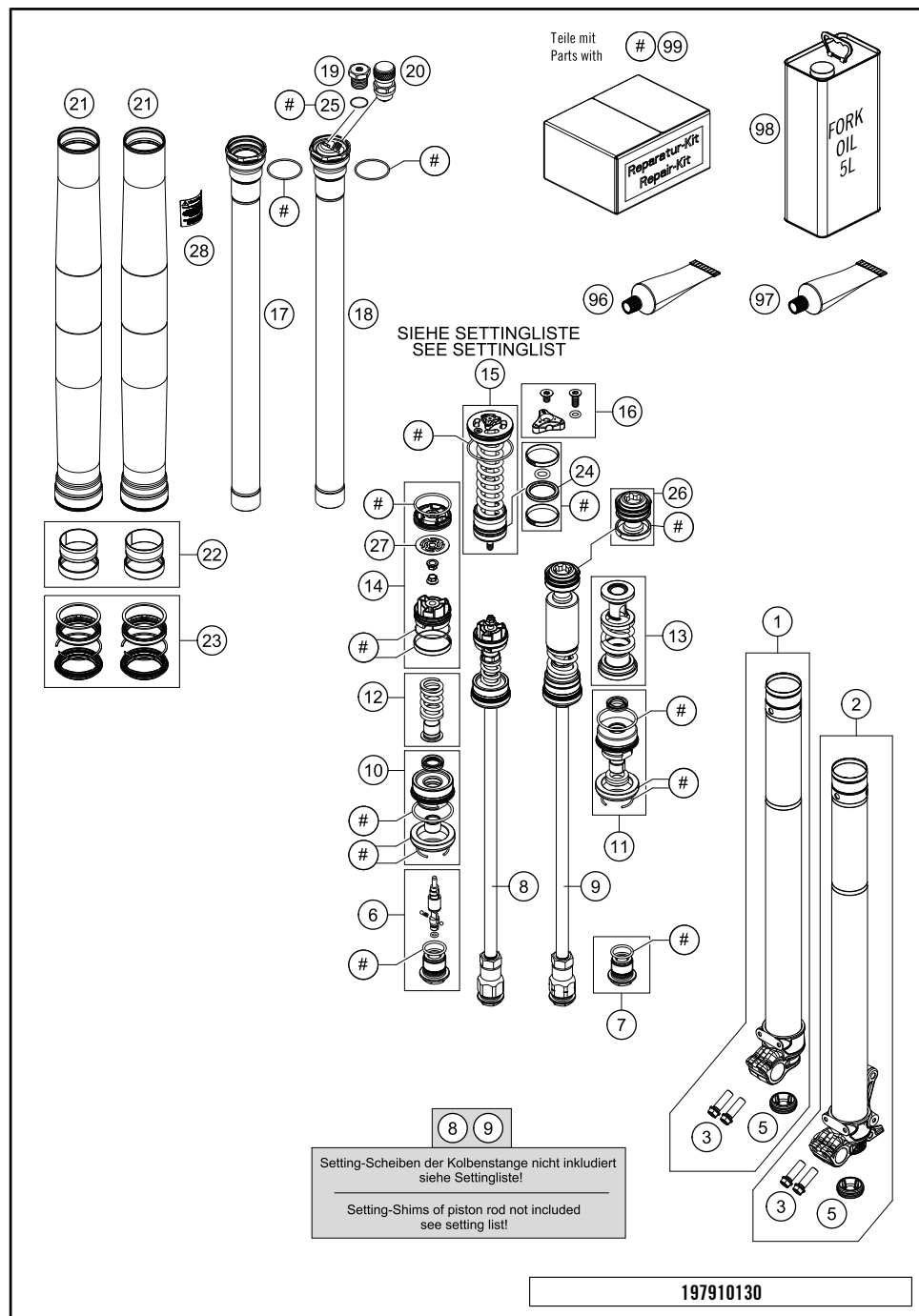


POS	PARTNUMBER	PARTNAME	PIECE
1*	34188S0101	Fork 125/150 SX 19	1
2	0025080506	HH collar screw M8x50 TX40	4
3	0025080256	HH collar screw M8x25 TX40	8
4	0025080406	HH COLLAR SCREW M8X40 TX40	4
5	0015080256S	HH COLLAR SCREW M8X25 WS=10	1
6	0032100356S	AH-COLLAR SCREW M10X35 ISA45	2
7	83001040000	RUBBER BUSH	4
8	0770025035	O-RING 25X3,55 NBR70 05	1
9	0017060206	SCREW F. PLASTIC K60X20AL SW6	2
10	79001037034	HANDLEBAR SUPPORT LOWER PART	2
11	78112020050	HOUR METER	1
12	0912040163	AH SCREW DIN0912-M 4X16	2
32	7900103202230	LOWER TRIPLE CLAMP CPL. 16	1
34*	7910103502230	upper triple clamp X = 22mm 19	1
36	70009082000	AXLESCREW M20X1.5; SW17	1
38	79001038000	HANDLEBAR CLAMP 28MM	1
39	79001039136	HANDLEBAR SUPPORT D28MM-H36MM	2
81	54201081100	TAPERED ROLLER BEARING CPL. 06	2
82	77701084000	O-RING SUPPORT W. SEALING LIP	1
84	54601184000	STEERING HEAD GASKET TOP	1
85*	7770108510028	CLAMP BRAKE HOSE	1
86	78101086000	STEERING HEAD COVER	1
91	59001092050	SPECIAL SCREW M6X12,5 WS=8	6
92*	7770109410028G	Fork Protection Set SX 2019	1
97	48600698	FORK PROTECTION RING 08	2
98	00050000929	HANDLEBAR SUPPORT KIT D28/H36	x
99	00050000930	STEERING HEAD REP. KIT 06-15	x

175040110

50231

\* NEW PART X ON DEMAND

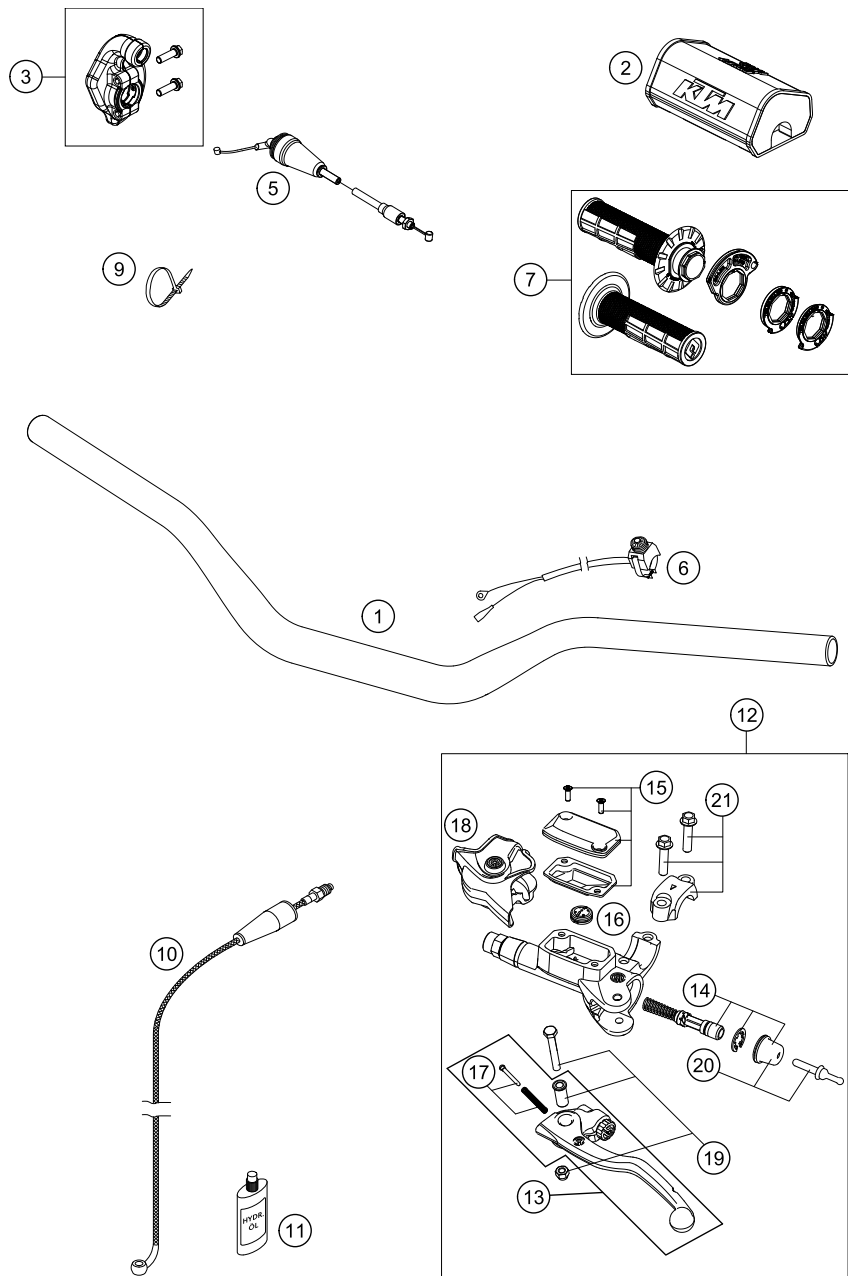


POS	PARTNUMBER	PARTNAME	PIECE
1	48601408S2	FORK LEG R/S + TUBE CPL.	1
2	48601407S2	FORK LEG L/S + TUBE CPL.	1
3	0025080256	HH collar screw M8x25 TX40	4
5	48600692	RUBBER CAP D=26,4	2
6	48601484S	ADJUSTING CAP M20 CPL.	1
7	48601533S	PLUG M20 CPL.	1
8*	48601574S3	Piston Rod D12 M9x1 L385 kpl.	1
9*	48601501S1	Piston Rod left kpl. M12x1	1
10	48601462S1	SCREW SLEEVE OIL CPL.	1
11	48601452S1	SCREW SLEEVE AIR CPL.	1
12	48600578S	SPRING REBOUND + SPRING GUIDE	1
13	48601820S	Spring rebound + spring guide	1
14	RP10015	Piston set air fork D34 MY18	1
15*	48601485S4	Druckstufeneinheit kpl.	1
15	48601485S3	Druckstufe kpl.	1
16	R14062	SMALL PARTS KIT SCREW CAP	1
17	48601454S1	SCREW CAP + TUBE CPL. R/S	1
18	48601453S1	SCREW CAP + TUBE CPL. L/S	1
19	48601495	PLUG SCREW M8X1 BN44	1
20	48601494S	VALVE M8X1 INCL. SCREW CAP	1
21	48601671	OUTER TUBE L577 D54/60MM 2L	2
22	R14047	REP. KIT GUIDE BUSHINGS	1
23	R14046	REPAIR KIT 4860 PACK	1
24	04100002	X-RING 26,57X3,53 FKM 80SH.	1
25	48600044	O-RING NBR 6X1,5	1
26	48601628S	Main piston Ø34 incl. gasket	1
27	48601459	Checkvalve shim	1
28	52000158	STICKER WARNINH 40X40	1
96	T14034	Fuchs grease IPR (250g)	1
97*	00062010053	Spezial Fett AER Fork 50g	1
98	48601166S1	FORK OIL SAE4 5L	1
99	R14060	SEALING KIT	1

50044

\* NEW PART

X ON DEMAND



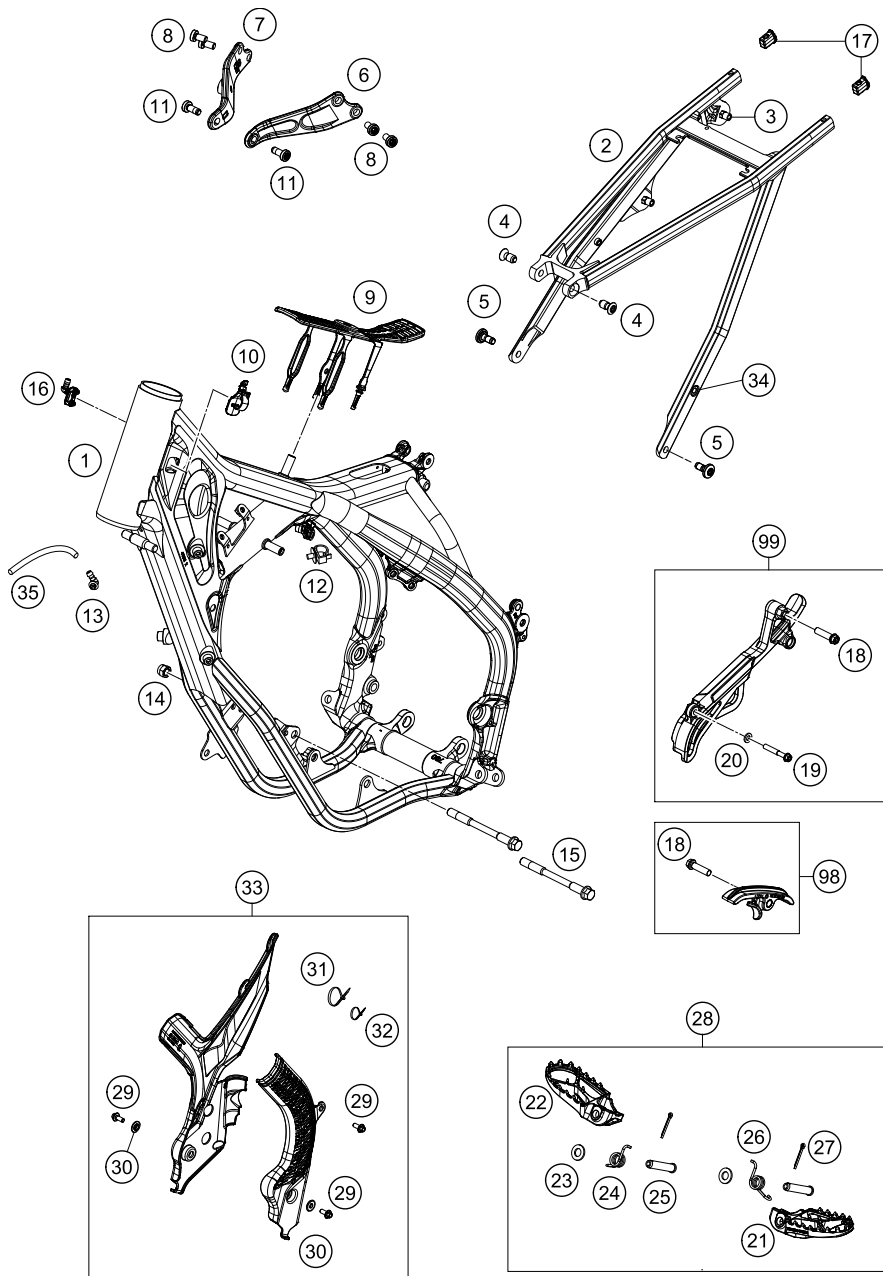
POS	PARTNUMBER	PARTNAME	PIECE
1	7900200100030	HANDLEBAR D=28MM	1
2	79002002000	BAR PAD	1
3	50402010025	THROTTLE BODY CPL.	1
5*	50502091000	Throttle cable wire 2T	1
6	50311089200	SHORT CIRCUIT BUTTON 02	1
7	79002021100	GRIP SET	1
9	44011076200	CABLE TIE 200/3,6MM BLACK	1
10	79232063000	CLUTCH PIPE	1
11	50302036200	OIL FOR HYD. CLUTCH 100 ML	1
12	79202030044	MASTER CYLINDER CPL.	1
13	54802031000	CLUTCH LEVER CPL. BREMBO 06	1
14	79202032044	REP. KIT PISTON 9MM	1
15	5480200310030	COVER HYD. CLUTCH CPL. 2014	1
16	54802051000	VALVE	1
17	54802052000	BOLT KPL.	1
18	54802037000	PROTECTION CAP 06	1
19	54802038100	LEVER SCREW CPL. 06	1
20	54802046000	PUSH ROD CPL.	1
21	54802005100	CLAMP CPL. 06	1

175040211

50230

\* NEW PART

X ON DEMAND



POS	PARTNUMBER	PARTNAME	PIECE
1*	5050300100033	Frame 505S3	1
2*	79103002000	Subframe	1
3	77303139000	BLIND RIVET NUT EM6-60LF/HX	2
4	0019080206S	FLAT HEAD SCREW M. ISA45 M8X20	2
5	79003003000	SPECIAL SCREW M8X18 TORX45 SS	2
6*	50503013000	Engine brace, left	1
7*	50503014000	Engine brace, right	1
8	0035080206S	SHCS M8x20 TX45	2
9*	79607012000	TANK REST RUBBER	1
10*	79111093000	wire holder le 19	1
11*	0035080156S	AH-COLLAR SCREW M8X15 TORX45	4
12	58111076000	CABLE SUPPORT KHS NR.150-47610	1
13	50303089000	ANGLE PIECE '97	2
14	54310086100	SELF LOCKING NUT M10 CU WS=14	2
15	77203014000	engine brac.scr. M10x115	2
16*	79107013010	wire holder / fuel ventilation	1
17*	79103002010	Rear frame bit	2
18	0025080306	HH collar screw M8x30 TX40	2
19	0025060406	HH collar screw M6x40 TX30	1
20	0125060003	WASHER DIN0125-A 6,4	1
21	79003040000	FOOTREST L/S 2016	1
22	79003041000	FOOTREST R/S 2016	1
23	0125100003	washer DIN 125 A 10.5	2
24	79003044000	FOOTREST SPRING R/S 2016	1
25	54803044000	PIN FOR FOOT PED 51.5X9.8 MM	2
26	79003045000	FOOTREST SPRING L/S 2016	1
27	0094032253	PIN DIN0094-3,2X25 STEEL	2
28	79003040033	FOOT PEGS SET CPL. 2016	1
29	0014050123	HH COLLAR SCREW M 5X12 WS=6	4
30	54803092060	BUSH F. FRAME PROTECTION 03	2
31	44011076305	CABLE TIE 300/4,8MM BLACK	2
32	44011076140	CABLE TIE 140/2,5MM BLACK	1
33*	7910309400030	Frame protection set	1
34	79003002080	BLIND RIVET NUT M6 KNURLED	2
35	50335030001	PVC-HOSE 6X9	x
98	79003053010	CHAIN SLIDING KIT BELOW CPL.16	1
99	50403096010	SPROCKET COVER KIT	1

195050310

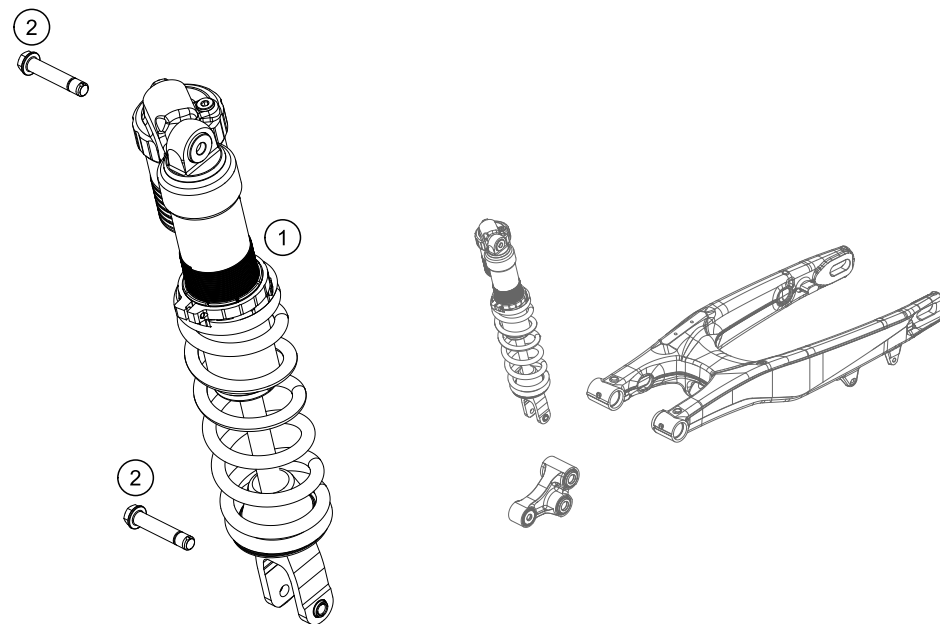
50206

\* NEW PART

X ON DEMAND

# SHOCK ABSORBER

125 SX 2019



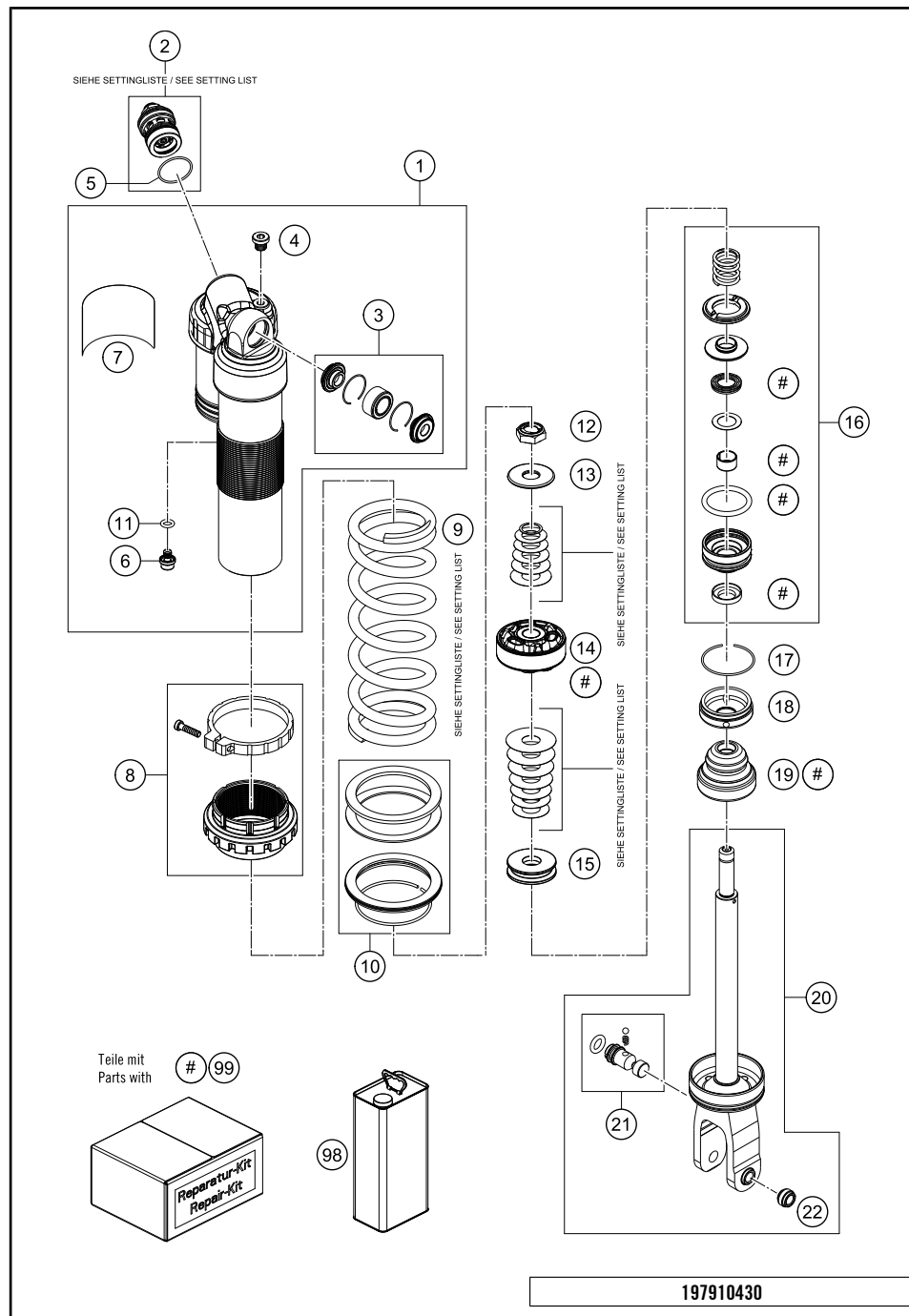
POS	PARTNUMBER	PARTNAME	PIECE
1*	18187S0101	Fork 125/150 SX 19	1
2	77204089000	HH COLLAR SCREW M10X52 SW13	2

165040410

50284

\* NEW PART

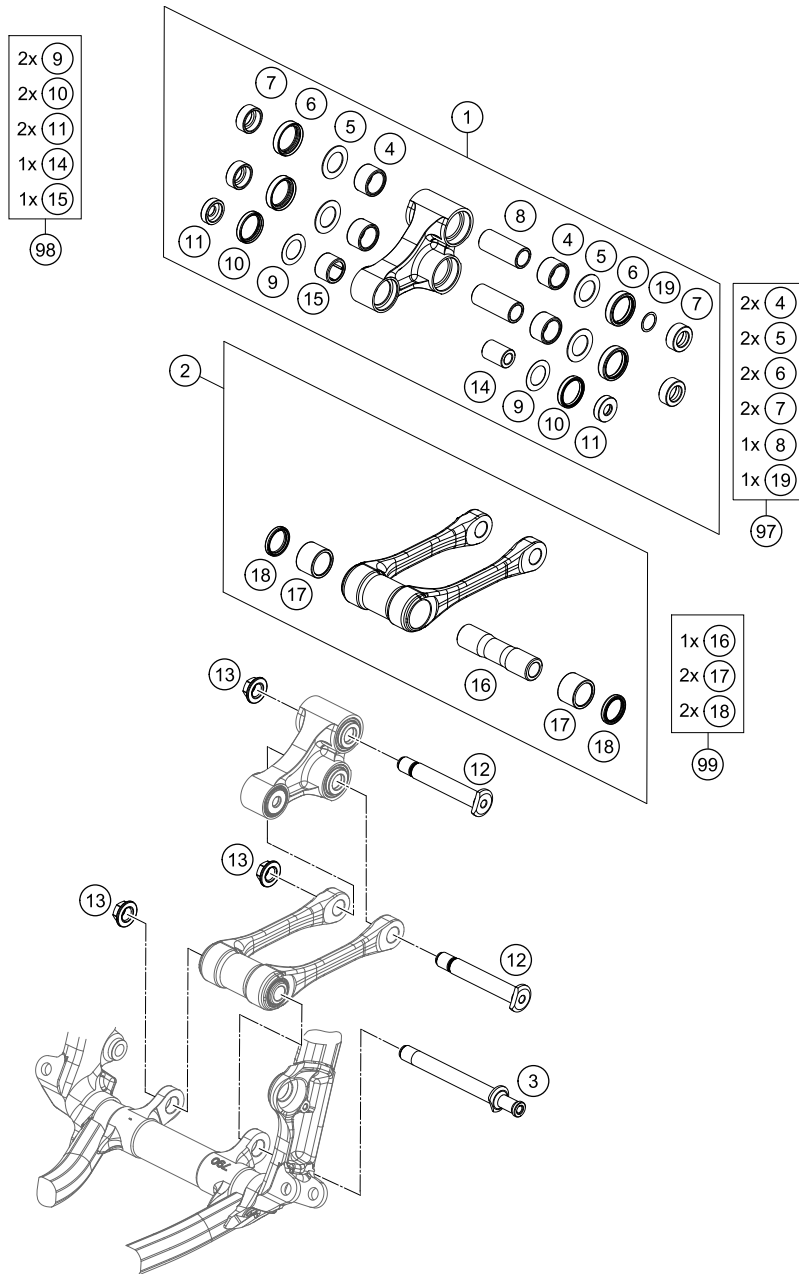
X ON DEMAND



POS	PARTNUMBER	PARTNAME	PIECE
1	50181144S1	MONOSHOCK UPPER PART CPL.	1
2	50181101S23	DCC cpl.	x
2*	50181101S29	Druckstufe kpl.	x
2*	50181101S30	DCC Link 2019 US kpl.	x
2*	50181101S33	Druckstufe kpl.	x
3	R12025	REP.KIT BEAR./SEAL KGW 1525 HD	1
4	50180095	BLEED PLUG R 1/8	1
5	50180218	O-RING 25X1,5 VITON	1
6	36120151	SCREW PLUG M5X6	1
7	52000146	STICKER WP WARNING 92X53MM	1
8	50180991S	SPRING ADJUSTER PLASTIC CPL.	1
9	91210128S	Spring 260 36 N/MM	x
9	91210123S	SPRING 260 39 N/MM	x
9	91210124S	SPRING 260 42 N/MM	x
9	91210100S	SPRING 260 45 N/MM	x
9	91210101S	SPRING 260 48 N/MM	x
10	50180824S	SPRING PLATE SET	1
11	46810893	O-RING NBR 5,28X1,78	1
12*	50181207	Sicherungsmutter M12x1 h9 SW19	1
13	50181092	REBOUND DISC 12X34 T2 H0	1
14*	50181255S	Kolben iØ12 aØ50 kpl. MY18	1
15	50181091	REBOUND DISC 12X43 H8	1
16	50180603SA	ADAPTER D50 H28 CPL.	1
17	50180126	CIRCLIP 53X1,75	1
18	50180626	RESERVOIR CAP D=50 H=10 O9	1
19	50181100	BUMP RUBBER Ø57/18 H46	1
20	50181148S1	MONOSHOCK BOTTOM PART CPL.	1
21	50181094S	ADJUSTING SCREW M8X0,5 CPL.	1
22	46811205	ADAPTOR-BUSH M10x1,50, D=15	1
98	50180751S1	SHOCK ABSORBER FLUID 5 LT	1
99*	RP10019	Revisionskit 5018 Link 2019	1

\* NEW PART

X ON DEMAND



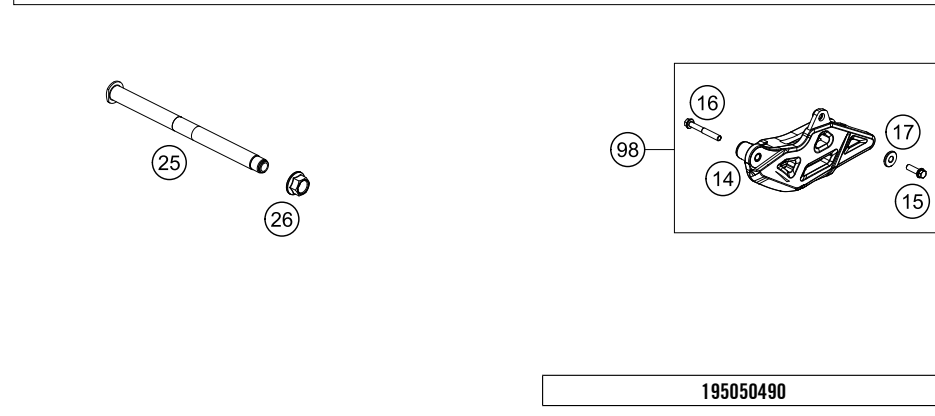
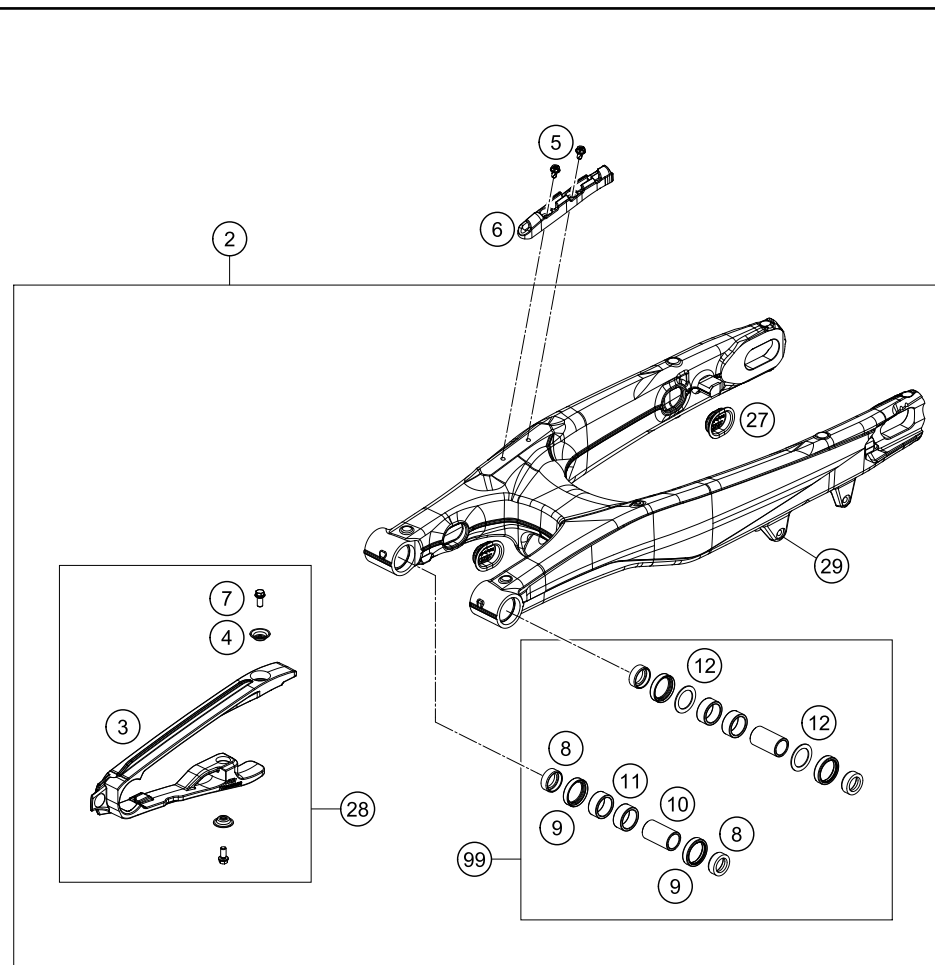
POS	PARTNUMBER	PARTNAME	PIECE
1	7900408014401	TRIANGLE LEVER CPL. SX 2017	1
2	7900408304401	PULLROD CPL. SX 2016	1
3	79004084000	BOLT TIE-ROD BEARING M14X1,5	1
4	54603097000	NEEDLE BUSH HK 2016	4
5	59033080000	SHIM 20X32X1	4
6	0760253270	radial shaft seal 25x32x7	4
7	77204080130	BUCKET SHAFT SEAL RING 25X11	4
8	54603081000	BUSHING SLEEVE 15 X 20 X 48	2
9	50180604	SHIM D29,75 X D19 X T0,4 08	2
10	0760243050	SHAFT SEAL RING 24X30X5	2
11	77204080020	BUCKET FOR SHAFT SEAL RING	2
12	77204085000	BOLT FOR CANTILEVER M14	2
13	77204087000	hex nut M14x1.5 WS17	3
14	77204080010	BEARING SLEEVE 10X18X25,5	1
15	0618182416	NEEDLE BUSH HN1816 RS 18/24/16	1
16	79004084010	BEARING SLEEVE F. TIE-ROD 16	1
17	0618222820	NEEDLE BEARING HK2220 22X28X20	2
18	0760222841	SHAFT SEAL RING G22x28x4	2
19	54603090010	STEEL WASHER 15,2X19X0,1	x
19	54603090020	STEEL WASHER 15,2X19X0,2	x
19	54603090030	STEEL WASHER 15,2X19X0,3	x
97	77204080110	TRIANGLE LEVER REP. KIT REAR	x
98	77204080090	TRIANGLE LEVER REP. KIT FRONT	x
99	79004083010	PULL ROD REP. KIT SX-F	x

157890460

19114

\* NEW PART

X ON DEMAND



195050490

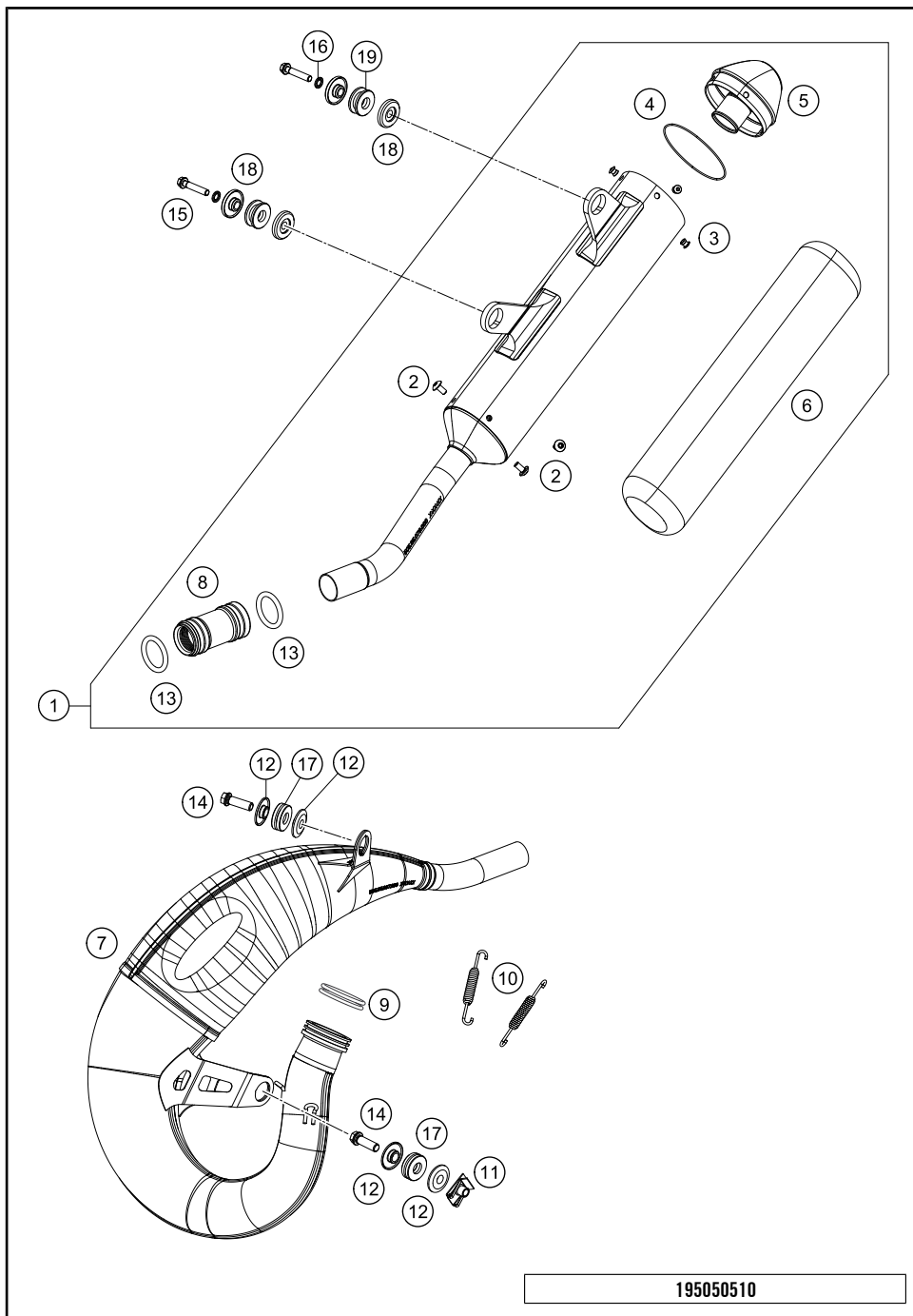
POS	PARTNUMBER	PARTNAME	PIECE
2*	79104030044	Swingarm cmpl. 2019	1
3	77204066100	CHAIN SLIDING PROTECTION	1
4	77304066050	chain slider bushing	2
5	0009050106	EJOT SPIRAL SCREW SF M5X10-K	2
6	79004042000	BRAKE HOSE GUIDE	1
7*	83008000015	SPECIAL SCREW M6X15X3	2
8	77704034000	SUPPORT F. SHAFT SEAL RING 16	4
9	0760253270	radial shaft seal 25x32x7	4
10	59404032000	BEARING SLEEVE 17X22X38,7 03	2
11	0618222812	NEEDLEBEAR HK2212V 22/28/12 MB	4
12	54603036000	STOP DISK 22,2X31,7X1	2
14	79004070000	CHAIN GUIDE	1
15	59009062019	SPECIAL SCREW M6X19 WS=8 10.9	1
16	0025060456	HH COLLAR SCREW M6X45 TX30	1
17	77304070130	BUSH. F. CHAIN FAIL. PROT. 07	1
25	79004037000	SWING ARM M16X1,5 2016	1
26	54804038000	SELF LOCK.NUT M16X1,5 WS=19 03	1
27	77204041000	CLOSING COVER	4
28	77204066010	CHAIN GUARD CPL. 11-15	1
29	54603055051	PRESS IN NUT M6 STEEL ZINC	1
98	77704070210	CHAIN GUIDE KIT REAR SX-F 14	1
99	79004030010	SWING ARM REPAIR KIT SX-F	x

50163

\* NEW PART

X ON DEMAND



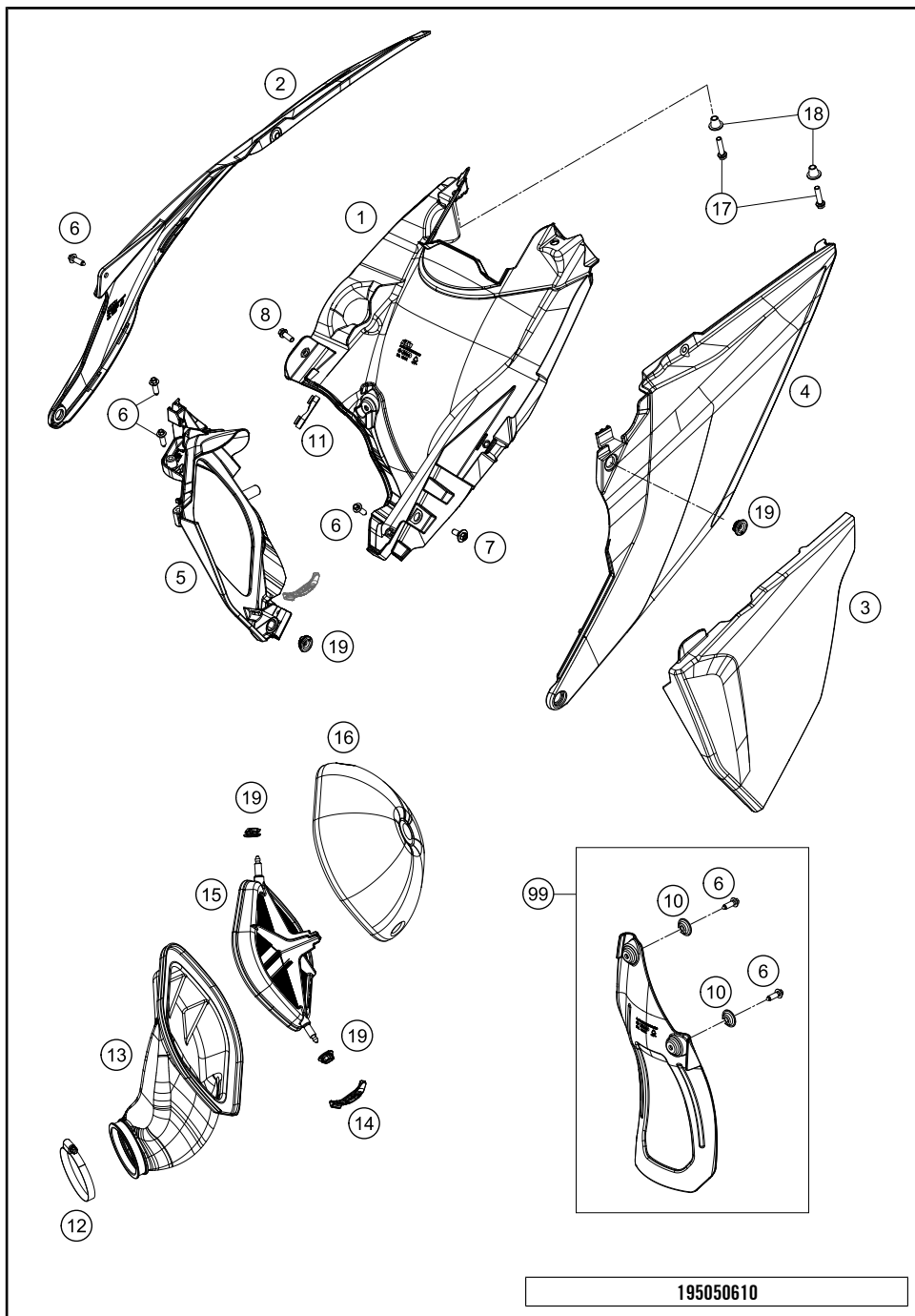


POS	PARTNUMBER	PARTNAME	PIECE
1*	50505079000	Main silencer SX	1
2	78105081010	SCREW TORX M5X10	4
3	0011480800	DUMMY RIVET 4,8X 8 NIRO	4
4	0770740015	O-RING 74,00X1,50 FKM 75SH	1
5	50305083260	END CAP CPL.	1
6*	50505078160	Damping material 160g	1
7*	50505007000	Header KTM 125/150 SX	1
8	50405057000	exhaust rubber	1
9	0770380030	O-RING 38,00X3,00 VITON	2
10	50305016000	TEN.SPRING L=62MM EY.MOVEABLE	2
11*	54603048000	RANGE CHANGE METAL NUT M8	2
12*	59405069000	BUSHING FOR EXHAUST SUPPORT 03	2
13	50405058000	Hose spring	2
14*	0024060256	HH COLLAR SCREW M6X25 TX30	2
15*	0025060306	HH collar screw M6x30 TX30	2
16*	50233041000	PAIR OF WASHERS M 6 NORDLOCK	2
17*	79105068000	Damper gray	2
18*	77205169000	BUSHING 7.5x12x28x8.3 11	4
19*	77205068000	DAMP. COMPON. BLACK	2

195050510

50288

\* NEW PART X ON DEMAND

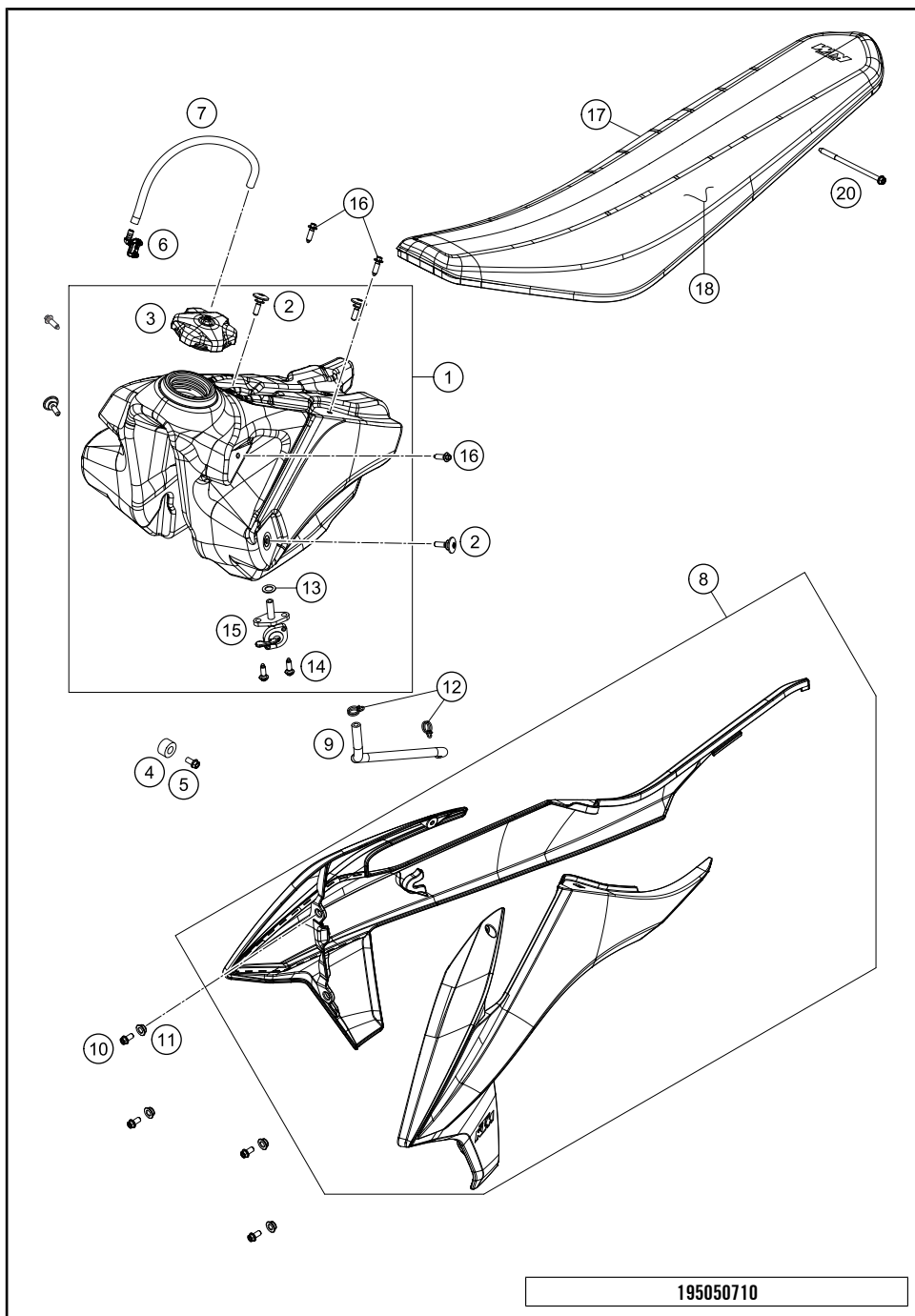


POS	PARTNUMBER	PARTNAME	PIECE
1*	7910600100028	Air box	1
2*	7910600400028	airbox cover right	1
3*	7910600300028B	Air filter box cover, left	1
4*	7910600500028	air box cover left white	1
5*	7910600101028	Air cleaner box front	1
6	0017060206	SCREW F. PLASTIC K60X20AL SW6	6
7*	83008000015	SPECIAL SCREW M6X15X3	1
8	0025080166	HH COLLAR SCREW M8X16 TX40	1
10	77304066050	chain slider bushing	2
11*	79105098000	exhaust spacer	1
12	51006027000	HOSE CLAMP 50-70MM	1
13	50406026000	AIRBOX RUBBER	1
14	79006017000	FILTER MOUNTING BRACKET	1
15	50406016000	AIR FILTER SUPPORT	1
16	79006015000	AIR FILTER	1
17	0025060126	HH collar screw M6x12 TX30	2
18	59001092050	SPECIAL SCREW M6X12,5 WS=8	2
19	47106003160	quick release rubber grommet	4
99	79006010010	SPLASH PROTECTOR KIT	x

195050610

50325

\* NEW PART X ON DEMAND

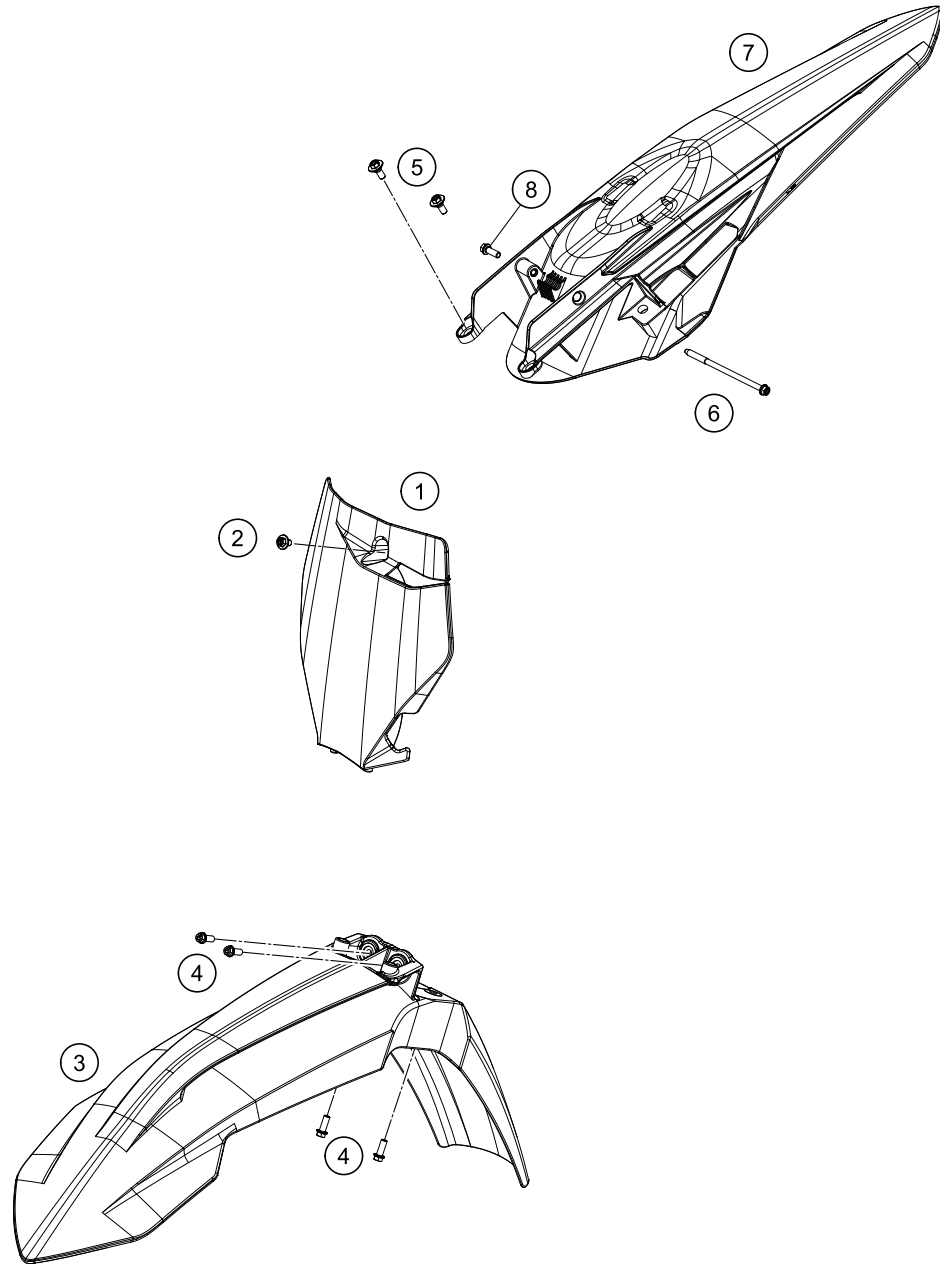


POS	PARTNUMBER	PARTNAME	PIECE
1	5050701303330	Fuel tank cpl.	1
2	79107011000	Seat holder screw	4
3	7770700814404	TANK PLUG CPL. 2014	1
4	50307014000	TANK ROLLER 12X26X12 '98	3
5	0025060126	HH collar screw M6x12 TX30	3
6	51030022000	ANGLE PIECE 90 DEGREE M10X1	1
7	78007000270	PVC-HOSE 5,6X10X270MM	1
8*	7910805400028A	Spoiler-Set SX 2019	1
9*	50507016000	Pre-formed fuel hose SX	1
10	0025060126	HH collar screw M6x12 TX30	4
11	79108050022	Bushing	4
12	58031005000	CLAMP YDNAC 10128 12MM	2
13	0770130023	O-RING 13,00X2,30	1
14	0017060205	SCREW FOR PLASTIC K60X20 SW6	2
15	50307005000	GAS COCK MIKUNI ON/OFF 2001	1
16	0017060206	SCREW F. PLASTIC K60X20AL SW6	4
17*	79107040000	KTM seat cpl.	1
18*	79107040060	seat cover	1
20*	79107040010	Seat screw	1

195050710

50330

\* NEW PART X ON DEMAND



POS	PARTNUMBER	PARTNAME	PIECE
1*	7910800700028B	Start number plate	1
2	0024060106	HH COLLAR SCREW M6X10 TX30	1
3	79008010000EB	FRONT FENDER ORANGE 15	1
4	0025060166	HH collar screw M6x16 TX30	4
5*	83008000015	SPECIAL SCREW M6X15X3	2
6*	79107040010	Seat screw	1
7*	7910801300028	Fender rear white	1
8*	0025060166	HH collar screw M6x16 TX30	1

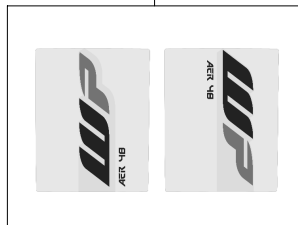
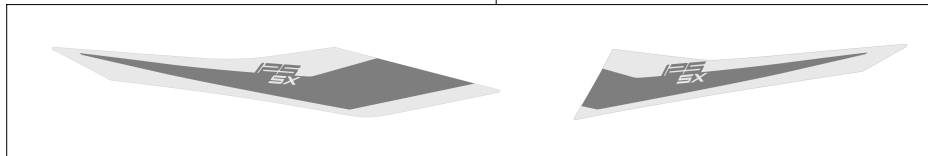
195050810

50337

\* NEW PART

X ON DEMAND

POS	PARTNUMBER	PARTNAME	PIECE
1*	79108095000	Sticker number plate	1
2*	79108098001	Decal Set 125 SX 2019	1
3	52000145	FORK DECAL-SET "AER48"	1

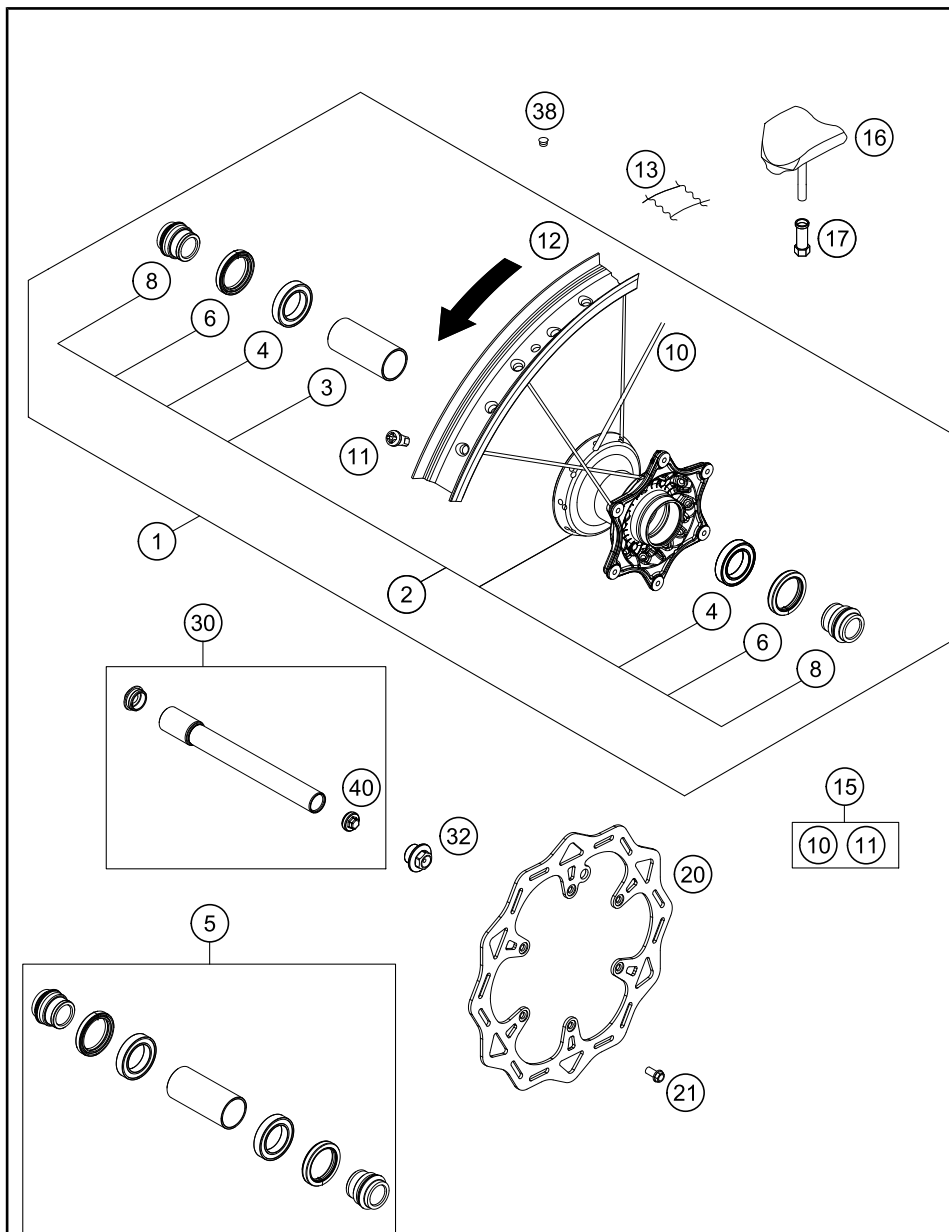


195050830

50339

\* NEW PART

X ON DEMAND



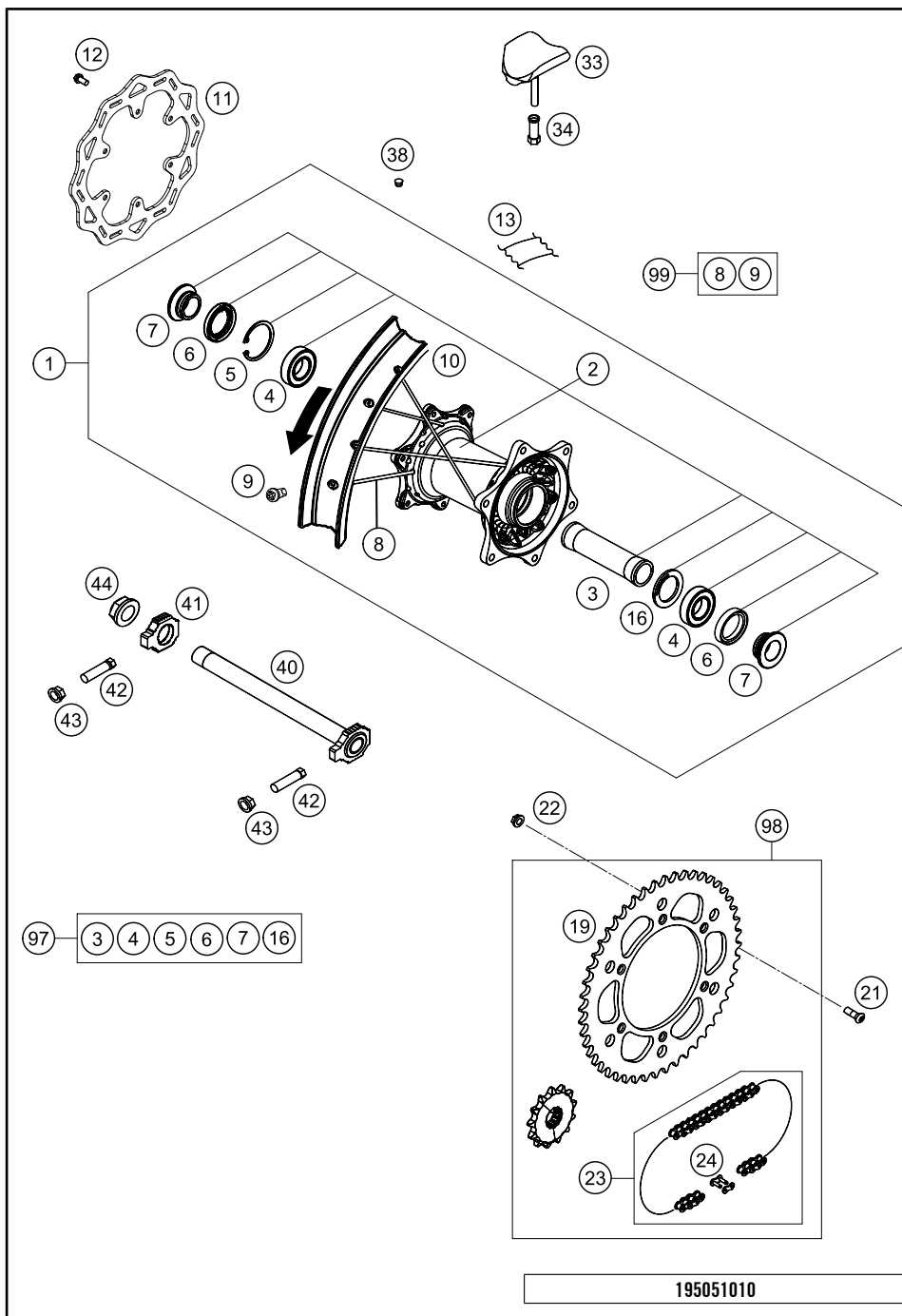
POS	PARTNUMBER	PARTNAME	PIECE
1*	7900900144430	FRONT WHEEL Cmpl. 1.6X21" DID	1
2	77709010144	FRONT WHEEL HUB CPL.	1
3	54809011000	BEA.SPACERTUBE 35X2 L=79,4 03	1
4	0625069068	GR.BALL BEAR.6906 DDU2CG23S6NM	2
5	77709015000	FRONT WHEEL REP. KIT SX-F USA	1
6	0760354771	SHAFT SEAL RING 35X47X7 TC	2
8	77709012000	SPACER BUSHING F. FR. WHEEL	2
10	7710907122630	SPOKE M4,5X226- 21" BLACK 12	36
11*	79109072000	Spoke nipple M4.5	36
12	7910907000030	rim front 21x1.60	1
13	50309073000	RIM BAND 21"	1
15	00050000954	SPOKE KIT FRONT "21" BLACK	x
16	78109090000	RIM LOCK 1,60"	1
17	77110090050	NUT FOR WHEEL HOLDER	1
20	79009060000	BRAKE DISC FRONT 260MM 16	1
21	59009062013	SPECIAL SCREW M6X13 WS=8 10.9	6
30	77709081033	WHEEL SPIN.FR. CPL. D=22 15	1
32	70009082000	AXLESCREW M20X1.5; SW17	1
38	55003135000	PLUG FOR RIM	x
40	7770908107055	AUXILIARY SCREW FRONT	1

195050910

50164

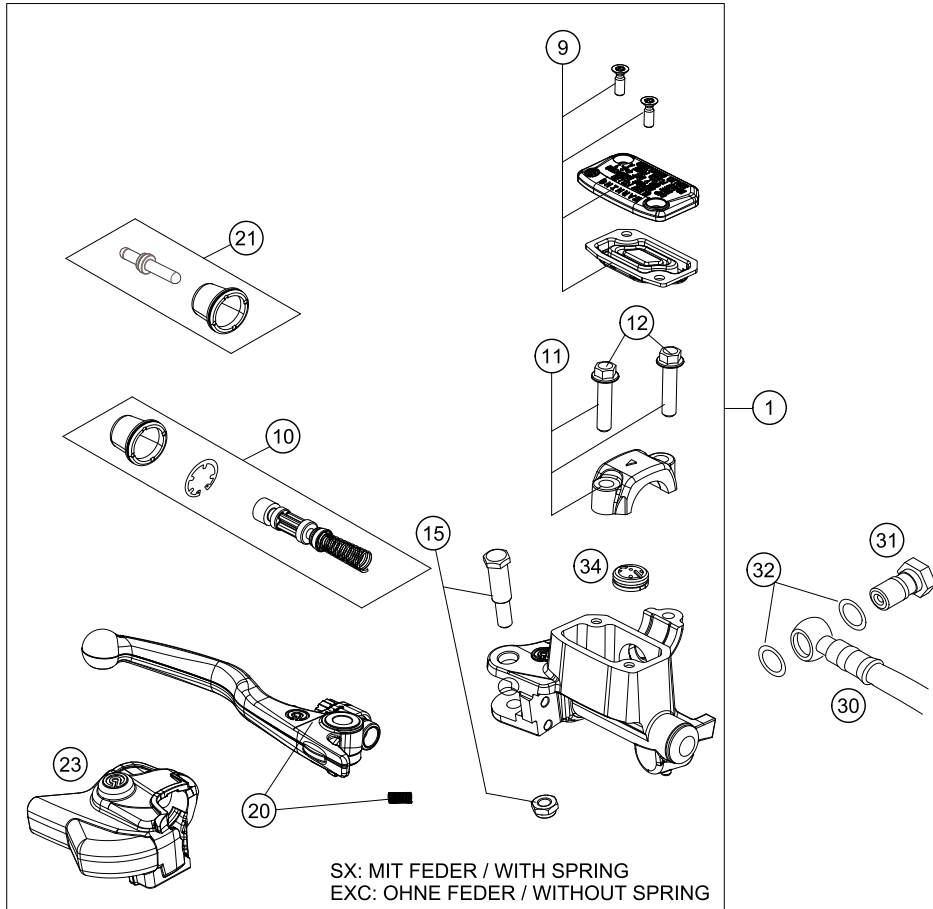
\* NEW PART

X ON DEMAND

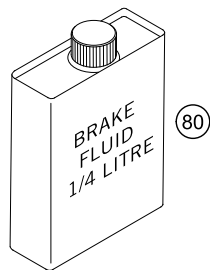


POS	PARTNUMBER	PARTNAME	PIECE
1*	7901000134430	REAR WHEEL Cmpl. 2.15X19" DID	1
2	78010010244	REAR WHEEL HUB CPL. 2013	1
3	77710011000	BEARING DISTANCE TUBE 121,5MM	1
4	0625060058	GR.BALL BEAR.6005 DDU2CG23S6NM	2
5	0472047175	CIRCLIP DIN0472-47X1,75	1
6	0760324771	SHAFT SEAL RING 32X47X7 BSL	2
7	77710016000	DISTANCE BUSHING REAR WHEEL	2
8	7901007120530	SPOKE M4,5X205-19" BLACK 16	36
9*	79109072000	Spoke nipple M4.5	36
10*	7911007000030	Rear rim 19x2.15	1
11	79010060000	BRAKE DISC REAR 220MM 16	1
12	59009062013	SPECIAL SCREW M6X13 WS=8 10.9	6
13	50310073200	RIM BAND 18" AND 19"	1
16	77710015000	DISTANCE RING	1
19	7771015104801	REAR SPROCKET 48-T	1
19	7771015105001	REAR SPROCKET 50-T	x
19	7771015105201	REAR SPROCKET 52-T	x
21	0019080266S	COUNTER-SUNK SCREW ISA45 M8X26	6
22	06923080003	hex nut EN 1661 M8 WS13	6
23	50310165118	CHAIN 5/8X1/4" MX	1
24	50310166000	CONNECTING LINK F. 50310165118	1
33	78110090000	RIM LOCK 2,15"	1
34	77110090050	NUT FOR WHEEL HOLDER	1
38	55003135000	PLUG FOR RIM	x
40	77710085044	WHEEL SPINDLE CPL. '13	1
41	77710084000	CHAIN TENSIONER R/S	1
42	50304040100	screw M10x1.25x50 WS10	2
43	58414030000	HH COLLAR NUT M10X1,25 WS=13	2
44	61010086000	COLLAR NUT M25X1,5 WS=32 05	1
97	77710015010	REAR WHEEL REP. KIT	x
98	00050002042	DRIVETRAIN KIT SX 13T/48T	x
99	00050000975	SPOKE KIT REAR '19' BLACK	x

\* NEW PART X ON DEMAND



POS	PARTNUMBER	PARTNAME	PIECE
1	77713001044	HAND BRAKE CYLIND. CPL. SX 2014	1
9	77713003000	HAND BRAKE CYL. COVER	1
10	77713008000	REPAIR KIT PISTON SX 2014	1
11	54802005100	CLAMP CPL. 06	1
12	0025060256	HH collar screw M6x25 TX30	2
15	77713006000	LEVER SCREW	1
20	77713002000	HAND BRAKE LEVER +SPRING SX 14 SX WITH SPRING, EXC WITHOUT SP	1
21	77713007000	PUSH ROD CPL. SX 2014	1
23	77713004000	PROTECTION CAP HAND BRAKE CYL.	1
30	59013010000	BRAKEHO. FRONT 1235MM 2000	1
31	54813020100	banjo bolt M10x1x19 black	1
32	0603100141	sealing ring DIN 7603 10x14x1	2
34	54802051000	VALVE	1
80	00062030000	BRAKE FLUID DOT5.1 0,25L	1



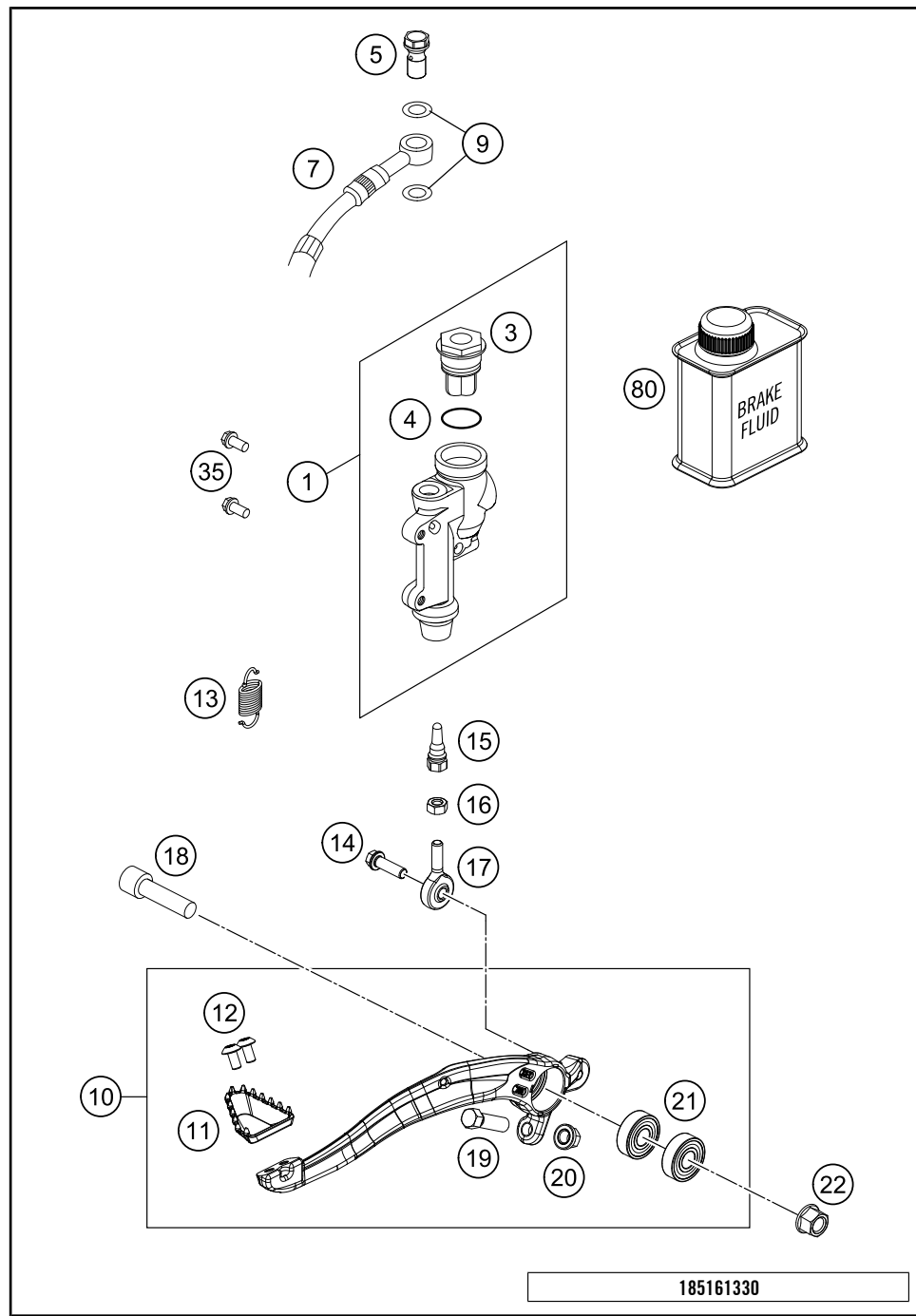
147781310

15050

\* NEW PART

X ON DEMAND





POS	PARTNUMBER	PARTNAME	PIECE
1	77013060044	REAR BRAKE CYLINDER CPL.SX 09	1
3	54813062100	REAR BRAKE CYL. COVER CPL. 04	1
4	54813063000	FOOT-BRAKE CYL. GASKET SX 03	1
5	54813020200	BANJO SCREW 08	1
7	77213070200	Brake hose rear	1
9	0603100141	sealing ring DIN 7603 10x14x1	2
10	79413050044	FOOT BRAKE LEVER CPL.	1
11	79413051000	STEP BRAKE LEVER 16	1
12	78105081010	SCREW TORX M5X10	2
13	79003062000	RETURN SPRING F. BRAKE LEVER	1
14	0025060206S	HH collar screw M6x20 TX30	1
15	54813056000	PUSH ROD L=28MM 03	1
16	0934060003	hex nut DIN 934 M6	1
17*	54813055100	Joint head CMP6	1
18*	0032100356S	AH-COLLAR SCREW M10X35 ISA45	1
19	59001037000	SPECIAL SCREW M8X26 WS=10	1
20	46030045000	flanged nut M8 WS10	1
21	0625060002	deep groove ball bearing SKF 6000-2RS1	2
22	54630044000	COLLAR NUT M10 WS=13	1
35	0025060126	HH collar screw M6x12 TX30	2
80	00062030000	BRAKE FLUID DOT5.1 0,25L	1

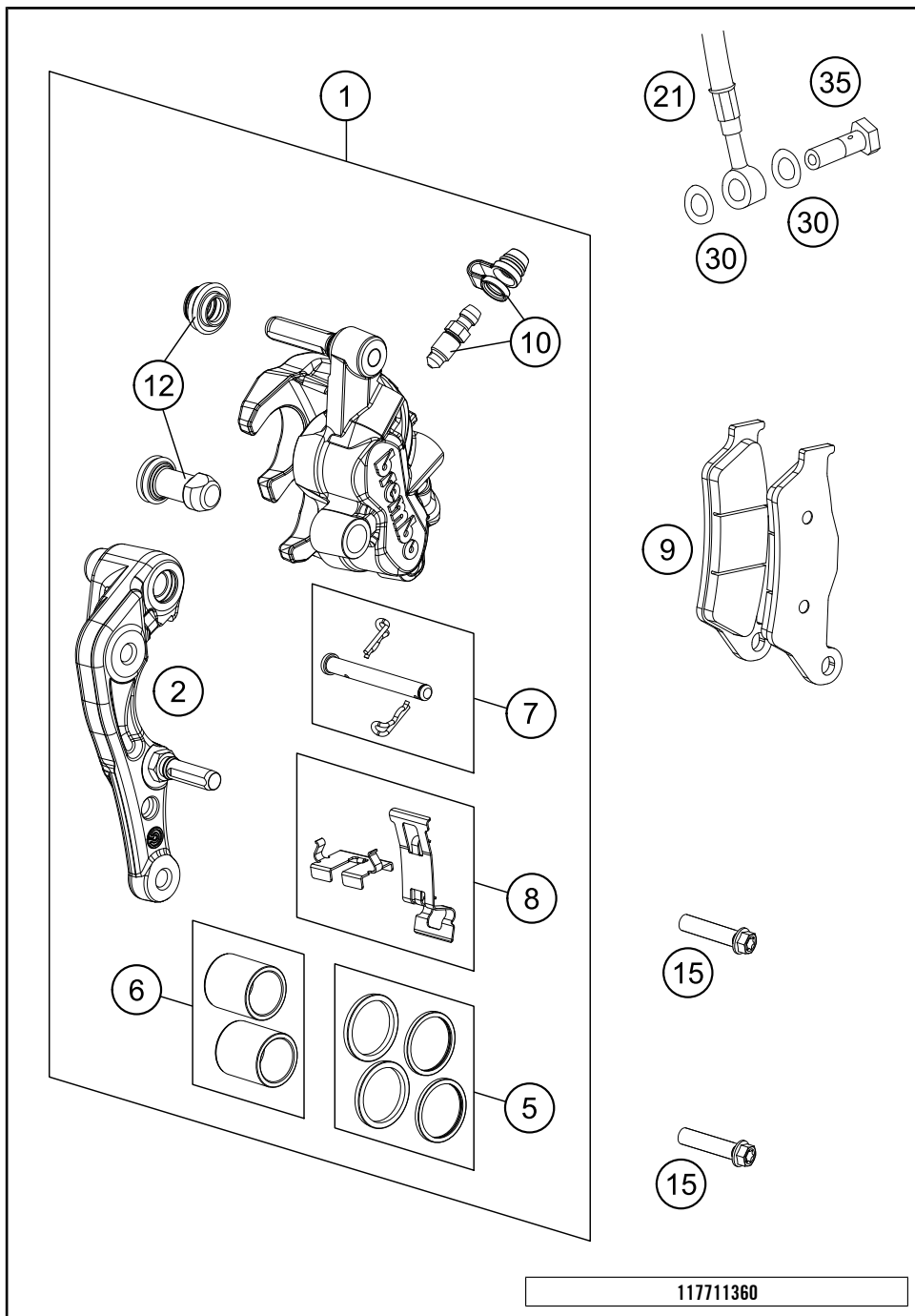
185161330

19110

\* NEW PART X ON DEMAND

# FRONT BRAKE CALIPER

125 SX 2019

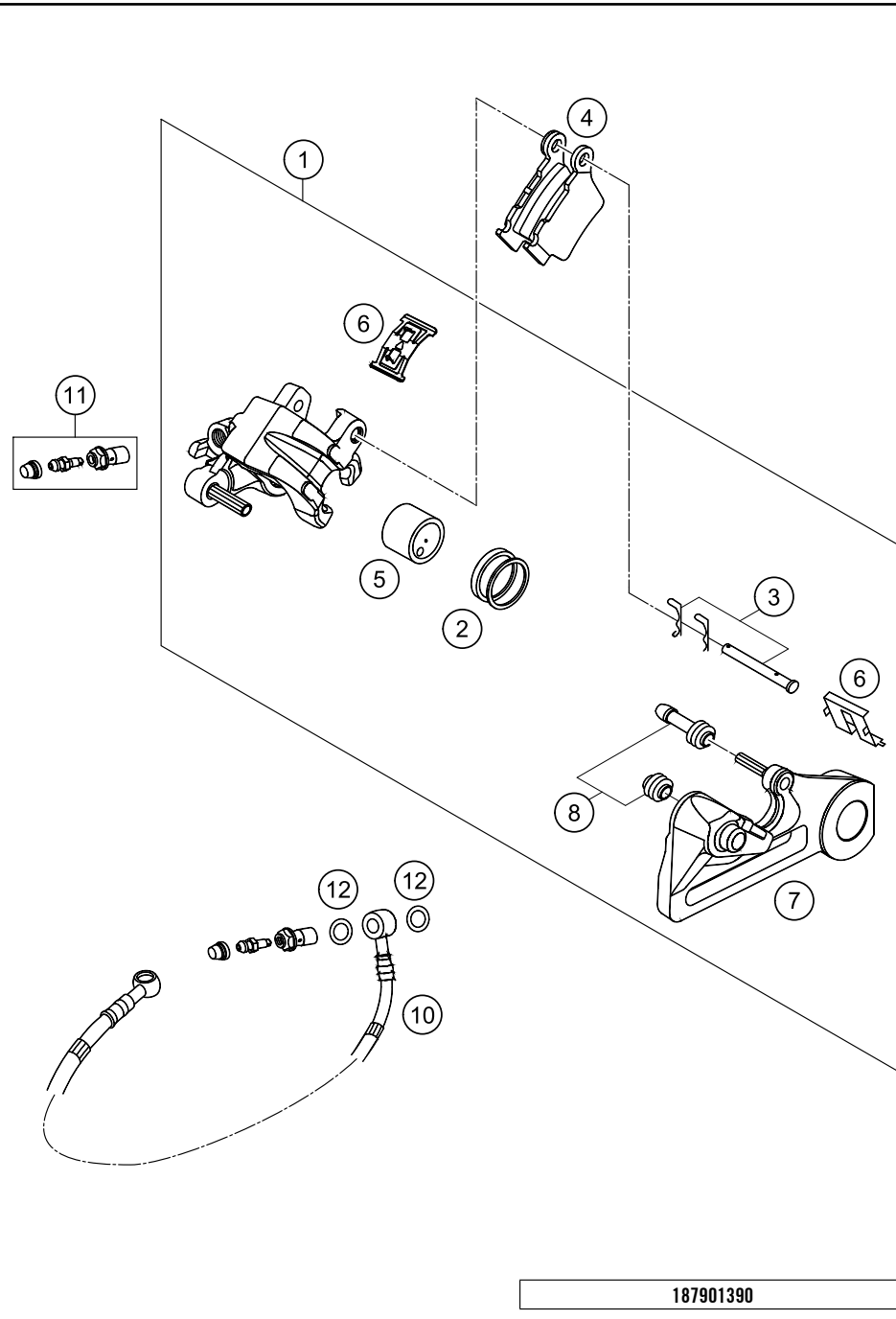


POS	PARTNUMBER	PARTNAME	PIECE
1	7701301500101	CALIPER NAT. WITHOUT PADS	1
2	77013014000	BRAKE CALIPER SUPPORT FRONT 09	1
5	77013021000	REP. KIT SEALS 24MM	1
6	77013019000	REP. KIT PISTON 24MM	1
7	77013017000	BOLT CPL. 09	1
8	77013018000	RETAINING PLATE SET BREMBO	1
9	77713030000	BRAKE PADS FRONT	1
10	61013020100	BLEEDER SCREW WITH CAP	1
12	54613218000	CUP SET SHORT	1
15	0025080306S	HH COLLAR SCREW M8X30 TX40	2
21	59013010000	BRAKEHO. FRONT 1235MM 2000	1
30	0603100141	sealing ring DIN 7603 10x14x1	2
35	50213025000	HOLLOW SCREW M10X1X19	1

117711360

10685

\* NEW PART X ON DEMAND



POS	PARTNUMBER	PARTNAME	PIECE
1	77713080001	BRAKE CAL. REAR - WITHOUT PADS	1
2	50313081200	REPAIR KIT SEALING RINGS 26MM	1
3	54813082000	BOLT SET FOR BRAKE CALIPER 03	1
4	54813090300	BRAKE PAD SET REAR TOYO	x
4	79013090000	BRAKE PAD REAR TOYO B204	1
5	77713083000	BRAKE PISTON 26MM 2013	1
6	54813018000	RETAINING SPRING SET 2003	1
7	77713075000	BRAKE CALIPER BRACKET REAR	1
8	54613218000	CUP SET SHORT	1
10*	77213070200	Brake hose rear	1
11	62513020000	BLEEDER SCREW CPL. 05	1
12	0603100141	sealing ring DIN 7603 10x14x1	2

187901390

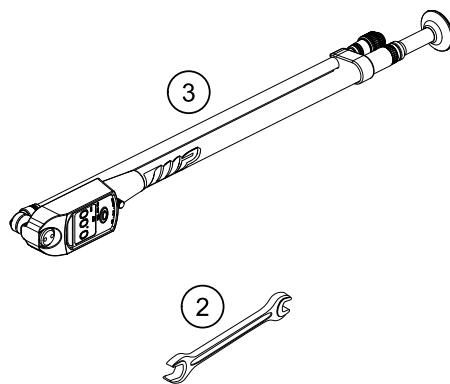
19076

\* NEW PART

X ON DEMAND

0  
OHNE ABBILDUNG  
WITHOUT ILLUSTRATION

1  
TECHNISCHE DOKUMENTATION  
TECHNICAL DOCUMENTATION  
DOCUMENTACION TECNICA  
DOCUMENTATION TECHNIQUE  
NOTE TECNICHE



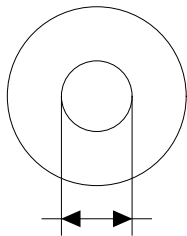
175042000

POS	PARTNUMBER	PARTNAME	PIECE
0	312313	KTM BALLPOINT PEN ORANGE	1
0	3210039	CUSTOMER WELCOME LETTER	1
0	312305	DOCUMENTS BAG 2006	1
0	79003040033	FOOT PEGS SET CPL. 2016	1
0	79003094000EB	FRAME PROTECTION SET ORANGE	1
0	79002002000	BAR PAD	1
0	50435033000	RADIATOR COVER FULL	1
0	50435033100	RADIATOR COVER HALF	1
0	00063004202	PRINT LABEL 60X51 MM	1
0	3212702DE/ENE	PP offroad folder 2017	1
0	3212704ENE	PW Offroad Folder 2017	1
0	52000145	FORK DECAL-SET "AER48"	1
0	00063004012	HEADLIGHT MASK BOX	1
0	50203098000	Sticker "Warning label 4"	1
1	3213424ENE	QUICK INFO KTM SX	1
1	3213636EN	Own. manual 125/150 SX 2018	1
2	50329072000	SPOKE-SPANNER WS 7/10	1
3	79412966000	AIRPUMP FOR AIRFORK	1

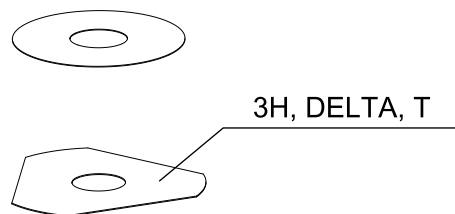
19122

\* NEW PART

X ON DEMAND



- ⑤ Ø 5 mm
- ⑥ Ø 6 mm
- ⑧ Ø 8 mm
- ⑩ Ø 10 mm
- ⑫ Ø 12 mm
- ⑭ Ø 14-14,5 mm
- ⑯ Ø 16 mm
- ⑰ Ø 20 mm
- ⑱ Ø 21 mm
- ⑳ Ø 22 mm
- ㉑ Ø 23 mm
- ㉒ Ø 24,5 mm
- ㉔ Ø 28,5 mm
- ㉖ Ø 32 mm
- ㉘ Ø 52 mm



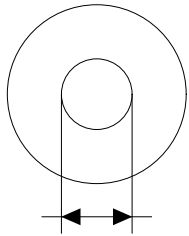
POS	PARTNUMBER	PARTNAME	PIECE
5	44906890	WASHER 5X15X2	X
6	40540400	SHIM 6X12X0,1	X
6	40540401	SHIM 6X14X0,1	X
6	40540402	SHIM 6X16X0,1	X
6	40540403	SHIM 6X18X0,1	X
6	40540404	SHIM 6X12X0,15	X
6	40540405	SHIM 6X14X0,15	X
6	40540406	SHIM 6X16X0,15	X
6	40540407	SHIM 6X18X0,15	X
6	40540408	SHIM 6X12X0,2	X
6	40540409	SHIM 6X14X0,2	X
6	40540410	SHIM 6X16X0,2	X
6	40540411	SHIM 6X18X0,2	X
6	48600095	SHIM 6X20X0,20	X
6	40540412	SHIM 6X12X0,25	X
6	40540413	SHIM 6X14X0,25	X
6	40540414	SHIM 6X16X0,25	X
6	40540415	SHIM 6X18X0,25	X
6	40540417	SHIM 6X8,5X0,10	X
6	40540418	SHIM 6X9X0,10	X
6	40540419	SHIM 6X9,5X0,10	X
6	40540423	SHIM 6X9,5X0,15	X
6	40540425	SHIM 6X8,5X0,20	X
6	40540426	SHIM 6X9X0,20	X
6	40540427	SHIM 6X9,5X0,20	X
6	40540447	SHIM 6X10X0,3	X
6	40540449	SHIM 6X9X0,3	X
6	40540450	SHIM 6X9,5X0,3	X
6	40540494	SHIM 6X18X0,4	X
6	40540774	SHIM 6X18X0,1 DELTA	X
6	40541383	SHIM 6X11X0,1	X
6	40541391	SHIM 6X11X0,3	X
6	40541402	SHIM 6X11X0,2	X
6	40541403	SHIM 6X10X0,20	X
6	40541404	SHIM 6X10X0,1	X
6	40541405	SHIM 6X10X0,15	X
6	40541406	SHIM 6X11X0,15	X
6	40541408	SHIM 6X8,0X0,30	X

080000190

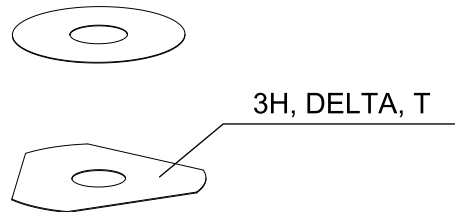
4668

\* NEW PART

X ON DEMAND



- ⑤ Ø 5 mm
- ⑥ Ø 6 mm
- ⑧ Ø 8 mm
- ⑩ Ø 10 mm
- ⑫ Ø 12 mm
- ⑭ Ø 14-14,5 mm
- ⑯ Ø 16 mm
- ⑰ Ø 20 mm
- ⑱ Ø 21 mm
- ⑳ Ø 22 mm
- ㉑ Ø 23 mm
- ㉒ Ø 24,5 mm
- ㉔ Ø 28,5 mm
- ㉖ Ø 32 mm
- ㉘ Ø 52 mm



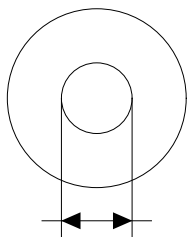
POS	PARTNUMBER	PARTNAME	PIECE
6	40541414	SHIM 6X8,0X0,10	X
6	40541416	SHIM 6X8X0,3	X
6	40541417	SHIM 6X11X0,25	X
6	48600102	SHIM 6X24X0,25	X
6	48600063	SHIM 6X24X0,1	X
6	48600064	SHIM 6X22X0,1	X
6	48600065	SHIM 6X20X0,1	X
6	48600069	SHIM 6X20X0,15	X
6	48600100	SHIM 6X24X0,15	X
6	48600116	SHIM 6X24X0,1 DELTA	X
6	48600139	SHIM 6X22X0,1 DELTA	X
6	48600217	BACKPLATE 6X10X0,25	X
6	48600325	SHIM 6X13X0,1	X
6	48600327	SHIM 6X15X0,1	X
6	48600329	SHIM 6X17X0,1	X
6	48600331	SHIM 6X19X0,1	X
6	48600096	SHIM 6X20X0,25	X
6	48600097	SHIM 6X22X0,15	X
6	48600099	SHIM 6X22X0,25	X
6	40540448	BACKPLATE 6X8,5X0,30	X
6	48600479	SHIM 6X20X0,1 T/3H	X
6	48600332	SHIM 6X21X0,1	X
6	48600333	SHIM 6X23X0,1	X
6	40541393	SHIM 6X12X0,3	X
6	48600330	SHIM 6X17X0,15	X
6	48600988	SHIM 6X28X0,10	X
6	48600989	SHIM 6X26X0,10	X
6	48601091	SHIM 6X28X0,15	X
6	48601093	SHIM 6X26X0,15	X
6	48600328	SHIM 6X15X0,15	X
6	48600326	SHIM 6X13X0,15	X
6	48601548	SHIM 6X17X1,5	X
6	48601693	SHIM 6X18X3	X
6	48600098	SHIM 6X22X0,20	X
6	48601300	WASHER 6X25X1,5	X
6	48601692	SHIM 6X30X0,15	X
6	48601550	SHIM 6X30X0,10	X
6	40541392	SHIM 6X8X0,20	X

080000190

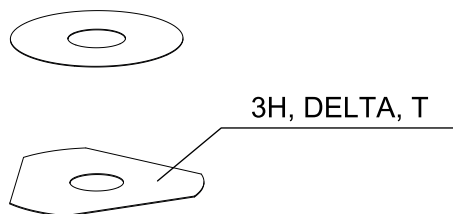
4668

\* NEW PART

X ON DEMAND



- ⑤ Ø 5 mm
- ⑥ Ø 6 mm
- ⑧ Ø 8 mm
- ⑩ Ø 10 mm
- ⑫ Ø 12 mm
- ⑭ Ø 14-14,5 mm
- ⑯ Ø 16 mm
- ⑰ Ø 20 mm
- ⑱ Ø 21 mm
- ⑳ Ø 22 mm
- ㉑ Ø 23 mm
- ㉒ Ø 24,5 mm
- ㉔ Ø 28,5 mm
- ㉖ Ø 32 mm
- ㉘ Ø 52 mm



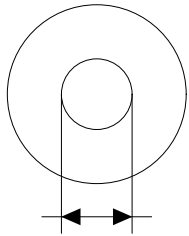
POS	PARTNUMBER	PARTNAME	PIECE
6	50180009	DISTANCER PLATE 16X23X0,10	X
6	48601917	Scheibe 6x25x4	X
6	48601916	Scheibe 6x18x4	X
6	40540399	SHIM 6X16X0,30	X
6	48601584	Spring washer Ø30	X
6	48601459	Checkvalve shim	X
6	48601849	Backplate 2,5mm liftheight	X
8	40540477	SHIM 8X18X0,4	X
8	43570120	SHIM 8X18X0,10	X
8	44916098	WASHER 8,4X16X0,8	X
8	44916130	WASHER 8,2X15X1	X
8	44916180	WASHER 8,2X11X1	X
8	48600214	SHIM 8X16X0,1	X
8	48600385	SHIM 8x14x0,25	X
8	48600346	SHIM 8X11X0,2	X
8	48600215	CHECK VALVE 8X20X0,1	X
8	48600485	SHIM 8X10X0,10	X
8	48601402	SHIM 8X13X0,10	X
8	48600350	CHECK VALVE 8X16X0,15	X
8	48600061	CHECK VALVE 8X24X0,4	X
8	48600062	CHECK VALVE 8X24X0,1	X
8	48600216	CHECK VALVE 8X22X0,1	X
8	48600480	SHIM 8X10X0,20	X
8	48600555	SHIM 8X16X0,20	X
8	48600213	SHIM 8X14X0,10	X
8	48600357	CHECK VALVE 8X11X0,1	X
8	48600351	CHECK VALVE 8X12X0,1	X
8	48600607	Steering damper washer	X
8	48601095	SHIM 8X17X0,10	X
8	48600352	CHECK VALVE 8X11X0,4	X
8	48601860	Washer 8x11x0,15	X
10	36120284	SHIM 10X16X0,10	X
10	36120298	SHIM 10X16X0,2	X
10	36120312	SHIM 10X16X0,30	X
10	36120314	SHIM 10X18X0,30	X
10	36120325	SHIM 10X19X0,15	X
10	36120327	SHIM 10X23X0,15	X
10	36120328	SHIM 10X25X0,15	X

080000190

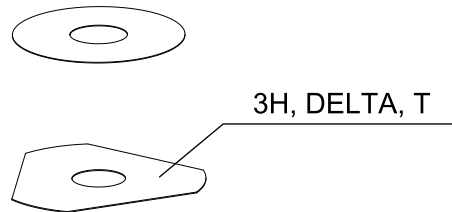
4668

\* NEW PART

X ON DEMAND



- ⑤ Ø 5 mm
- ⑥ Ø 6 mm
- ⑧ Ø 8 mm
- ⑩ Ø 10 mm
- ⑫ Ø 12 mm
- ⑭ Ø 14-14,5 mm
- ⑯ Ø 16 mm
- ⑳ Ø 20 mm
- ㉑ Ø 21 mm
- ㉒ Ø 22 mm
- ㉓ Ø 23 mm
- ㉔ Ø 24,5 mm
- ㉘ Ø 28,5 mm
- ㉚ Ø 32 mm
- ㉜ Ø 52 mm



POS	PARTNUMBER	PARTNAME	PIECE
10	36120329	SHIM 10X27X0,15	X
10	36120330	SHIM 10X29X0,15	X
10	36120331	SHIM 10X31X0,15	X
10	36120332	SHIM 10X33X0,15	X
10	36120334	SHIM 10X21X0,20	X
10	36120335	SHIM 10X23X0,20	X
10	36120336	SHIM 10X25X0,20	X
10	36120337	SHIM 10X27X0,20	X
10	36120338	SHIM 10X29X0,20	X
10	36120339	SHIM 10X31X0,20	X
10	36120340	SHIM 10X33X0,20	X
10	36120342	SHIM 10X21X0,25	X
10	36120343	SHIM 10X23X0,25	X
10	36120344	SHIM 10X25X0,25	X
10	36120345	SHIM 10X27X0,25	X
10	36120349	SHIM 10X19X0,30	X
10	36120350	SHIM 10X21X0,30	X
10	36120313	SHIM 10X17X0,30	X
10	36120354	SHIM 10X29X0,30	X
10	40140275	WASHER 10X35X0,15	X
10	48601708	SHIM 10X30X0,40	X
10	36120346	SHIM 10X29X0,25	X
10	36120355	SHIM 10X31X0,30	X
10	36120348	SHIM 10X33X0,25	X
10	36120604	SHIM D10XD22X2,5	X
12	46810490	SHIM 12X24X0,20	X
12	46810491	SHIM 12X26X0,20	X
12	46810492	SHIM 12X28X0,20	X
12	46810493	SHIM 12X30X0,20	X
12	46810494	SHIM 12X32X0,20	X
12	46810495	SHIM 12X34X0,20	X
12	46810496	SHIM 12X36X0,20	X
12	46810497	SHIM 12X38X0,20	X
12	46810498	SHIM 12X40X0,20	X
12	46810499	SHIM 12X24X0,25	X
12	46810500	SHIM 12X26X0,25	X
12	46810501	SHIM 12X28X0,25	X
12	46810502	SHIM 12X30X0,25	X

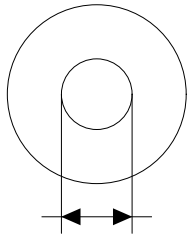
080000190

4668

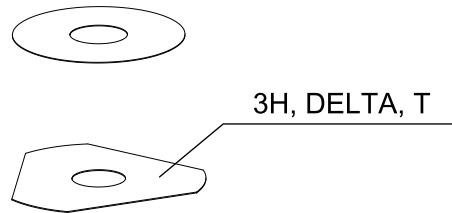
\* NEW PART

X ON DEMAND





- ⑤ Ø 5 mm
- ⑥ Ø 6 mm
- ⑧ Ø 8 mm
- ⑩ Ø 10 mm
- ⑫ Ø 12 mm
- ⑭ Ø 14-14,5 mm
- ⑯ Ø 16 mm
- ⑳ Ø 20 mm
- ㉑ Ø 21 mm
- ㉒ Ø 22 mm
- ㉓ Ø 23 mm
- ㉔ Ø 24,5 mm
- ㉘ Ø 28,5 mm
- ㉚ Ø 32 mm
- ㉜ Ø 52 mm



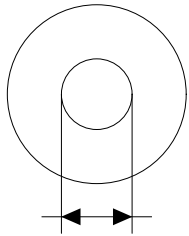
POS	PARTNUMBER	PARTNAME	PIECE
12	46810504	SHIM 12X34X0,25	X
12	46810505	SHIM 12X36X0,25	X
12	46810507	SHIM 12X40X0,25	X
12	46810508	SHIM 12X24X0,30	X
12	46810509	SHIM 12X26X0,30	X
12	46810510	SHIM 12X28X0,30	X
12	46810512	SHIM 12X32X0,30	X
12	46810513	SHIM 12X34X0,30	X
12	46810518	SHIM 12X26X0,15	X
12	46810519	SHIM 12X28X0,15	X
12	46810520	SHIM 12X30X0,15	X
12	46810521	SHIM 12X32X0,15	X
12	46810522	SHIM 12X34X0,15	X
12	46810523	SHIM 12X36X0,15	X
12	46810524	SHIM 12X38X0,15	X
12	46810525	SHIM 12X40X0,15	X
12	46810604	SHIM 12X20X0,10	X
12	46810606	SHIM 12X22X0,10	X
12	46810607	SHIM 12X23X0,10	X
12	46810608	SHIM 12X24X0,10	X
12	46810610	SHIM 12X27X0,15	X
12	46810611	SHIM 12X18X0,15	X
12	46810612	SHIM 12X19X0,15	X
12	46810615	SHIM 12X22X0,15	X
12	46810636	BACKPLATE 12X16X0,30	X
12	46810637	BACKPLATE 12X17X0,30	X
12	46810638	BACKPLATE 12X18X0,30	X
12	46810639	SHIM 12X19X0,30	X
12	46810641	BACKPLATE 12X21X0,30	X
12	46811582	BACKPLATE 12X30X0,10	X
12	46810631	SHIM 12X20X0,25	X
12	46810633	SHIM 12X22X0,25	X
12	46811580	SHIM 12X32X0,10	X
12	46810503	SHIM 12X32X0,25	X
12	46810517	SHIM 12X24X0,15	X
12	46810856	SHIM 12X20X0,3 CC	X
12	46811258	RING 12X24X2,5	X
12	46812018	SHIM 12X42X0,25	X

080000190

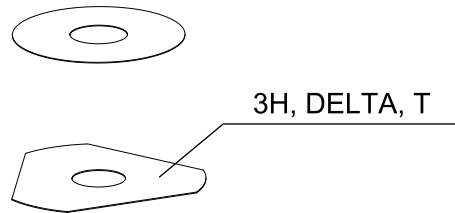
4668

\* NEW PART

X ON DEMAND



- ⑤ Ø 5 mm
- ⑥ Ø 6 mm
- ⑧ Ø 8 mm
- ⑩ Ø 10 mm
- ⑫ Ø 12 mm
- ⑭ Ø 14-14,5 mm
- ⑯ Ø 16 mm
- ⑳ Ø 20 mm
- ㉑ Ø 21 mm
- ㉒ Ø 22 mm
- ㉓ Ø 23 mm
- ㉔ Ø 24,5 mm
- ㉘ Ø 28,5 mm
- ㉚ Ø 32 mm
- ㉜ Ø 52 mm



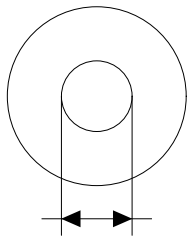
POS	PARTNUMBER	PARTNAME	PIECE
12	46812015	SHIM 12X44X0,20	X
12	46810613	SHIM 12X20X0,15	X
12	46810623	SHIM 12X21X0,20	X
12	46810624	SHIM 12X22X0,20	X
12	46810642	SHIM 12X22X0,30	X
12	46810643	SHIM 12X23X0,30	X
12	46811629	SHIM 12X28X0,10	X
12	46810511	SHIM 12X30X0,30	X
12	46810514	SHIM 12X36X0,30	X
12	46810506	SHIM 12X38X0,25	X
12	46810515	SHIM 12X38X0,30	X
12	46812017	SHIM 12X42X0,20	X
12	46812016	SHIM 12X44X0,25	X
12	46810622	SHIM 12X20X0,20	X
12	46811635	BENDING DISK 12X26X0,10	X
14	46811046	SHIM 14,5X35,4X1,25	X
16	50180023	SHIM 16X23X0,20	X
16	50180030	SHIM	X
16	50180006	BACKPLATE 16X20X0,10	X
16	50180007	SHIM 16X21X0,10	X
16	50180028	SHIM 16X21X0,25	X
16	50180210	WASHER 16X21X1	X
16	50180008	SHIM 16X22X0,10	X
16	50180022	SHIM 16X22X0,20	X
16	50180037	SHIM 16X23X0,30	X
16	50180038	SHIM 16X24X0,30	X
16	50180032	SHIM 15X25X0,25	X
16	50180039	SHIM 16X25X0,30	X
16	50180012	SHIM 16X26X0,10	X
16	50180019	SHIM 16X26X0,15	X
16	50180026	SHIM 16X26X0,20	X
16	50180040	SHIM 16X26X0,30	X
16	50180041	SHIM 16X28X0,10	X
16	50180045	SHIM 16X28X0,15	X
16	50180054	SHIM 16X28X0,20	X
16	50180063	SHIM 16X28X0,25	X
16	50180072	SHIM 16X28X0,30	X
16	50180046	SHIM 16X30X0,15	X

080000190

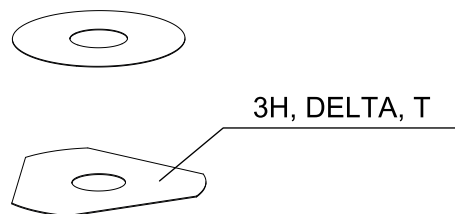
4668

\* NEW PART

X ON DEMAND



- ⑤ Ø 5 mm
- ⑥ Ø 6 mm
- ⑧ Ø 8 mm
- ⑩ Ø 10 mm
- ⑫ Ø 12 mm
- ⑭ Ø 14-14,5 mm
- ⑯ Ø 16 mm
- ⑳ Ø 20 mm
- ㉑ Ø 21 mm
- ㉒ Ø 22 mm
- ㉓ Ø 23 mm
- ㉔ Ø 24,5 mm
- ㉘ Ø 28,5 mm
- ㉚ Ø 32 mm
- ㉜ Ø 52 mm



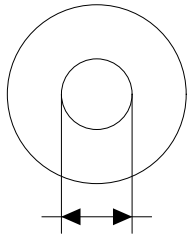
POS	PARTNUMBER	PARTNAME	PIECE
16	50180055	SHIM 16X30X0,20	X
16	50180064	SHIM 16X30X0,25	X
16	50180073	SHIM 16X30X0,30	X
16	50180047	SHIM 16X32X0,15	X
16	50180056	SHIM 16X32X0,20	X
16	50180065	SHIM 16X32X0,25	X
16	50180074	SHIM 16X32X0,30	X
16	50180044	SHIM 16X34X0,10	X
16	50180048	SHIM 16X34X0,15	X
16	50180057	SHIM 16X34X0,20	X
16	50180066	SHIM 16X34X0,25	X
16	50180075	SHIM 16X34X0,30	X
16	50180049	SHIM 16X36X0,15	X
16	50180058	SHIM 16X36X0,20	X
16	50180067	SHIM 16X36X0,25	X
16	50180076	SHIM 16X36X0,30	X
16	50180050	SHIM 16X38X0,15	X
16	50180059	SHIM 16X38X0,20	X
16	50180068	SHIM 16X38X0,25	X
16	50180077	SHIM 16X38X0,30	X
16	50180051	SHIM 16X40X0,15	X
16	50180060	SHIM 16X40X0,20	X
16	50180069	SHIM 16X40X0,25	X
16	50180078	SHIM 16X40X0,30	X
16	50180052	SHIM 16X42X0,15	X
16	50180061	SHIM 16X42X0,20	X
16	50180070	SHIM 16X42X0,25	X
16	50180079	SHIM 16X42X0,30	X
16	50180053	SHIM 16X44X0,15	X
16	50180062	SHIM 16X44X0,20	X
16	50180071	SHIM 16X44X0,25	X
16	50180080	SHIM 16X44X0,30	X
16	50180177	WASHER 16X8,2X0,6	X
16	50180033	SHIM 16X26X0,25	X
16	50180034	BACKPLATE 16X20X0,30	X
16	50180035	BACKPLATE 16X21X0,30	X
16	50180036	BACKPLATE 16X22X0,30	X
16	50180043	SHIM 16X32X0,10	X

080000190

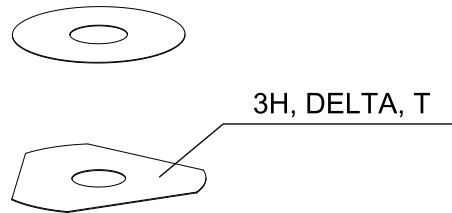
4668

\* NEW PART

X ON DEMAND



- ⑤ Ø 5 mm
- ⑥ Ø 6 mm
- ⑧ Ø 8 mm
- ⑩ Ø 10 mm
- ⑫ Ø 12 mm
- ⑭ Ø 14-14,5 mm
- ⑯ Ø 16 mm
- ⑳ Ø 20 mm
- ㉑ Ø 21 mm
- ㉒ Ø 22 mm
- ㉓ Ø 23 mm
- ㉔ Ø 24,5 mm
- ㉘ Ø 28,5 mm
- ㉚ Ø 32 mm
- ㉜ Ø 52 mm



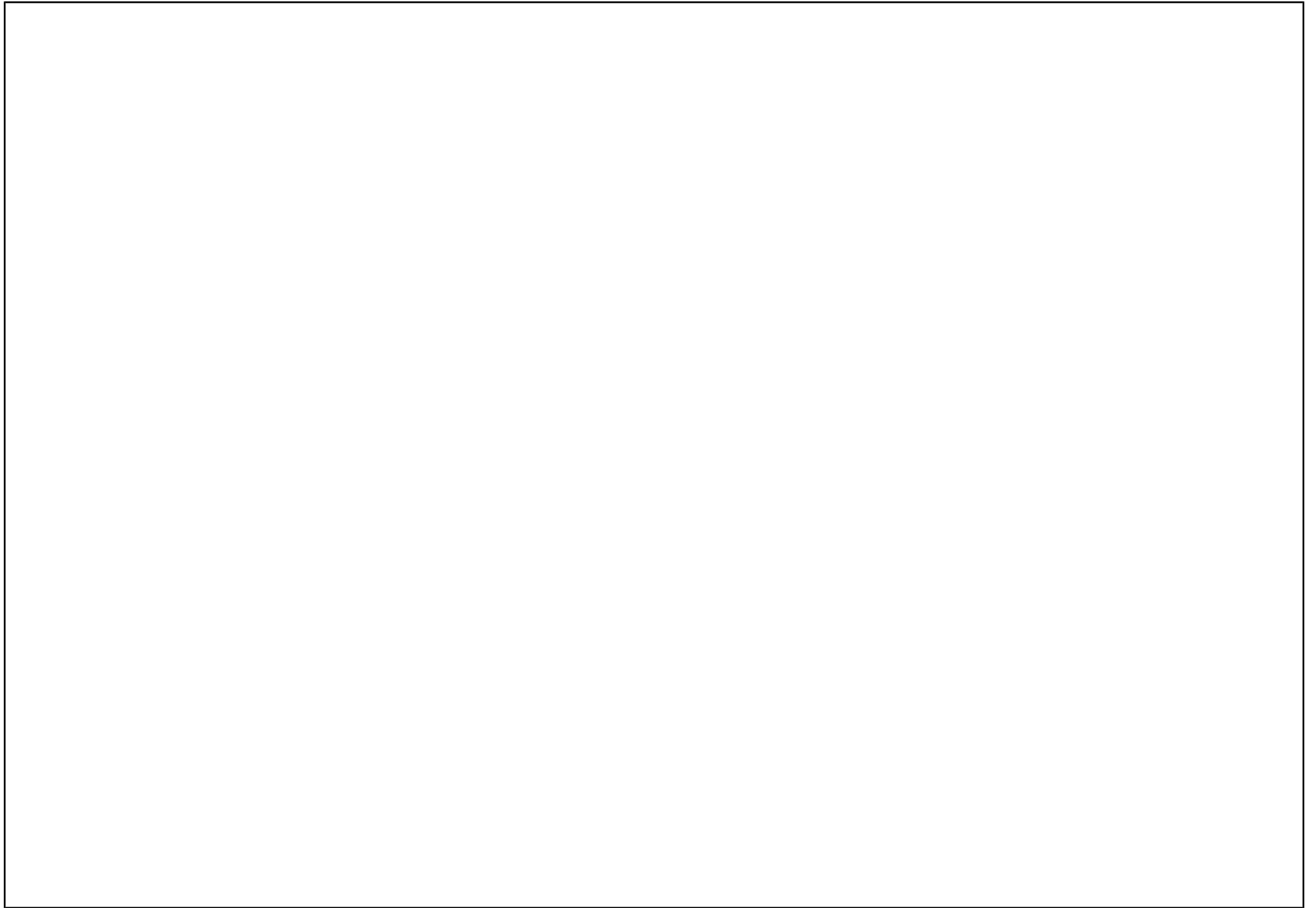
POS	PARTNUMBER	PARTNAME	PIECE
16	50180024	SHIM 16X24X0,20	X
16	50180027	SHIM 16X20X0,25	X
16	50180031	SHIM	X
16	50180029	SHIM	X
16	50180010	SHIM 16X24X0,10	X
20	48600212	PRESSURE-RING 20X16,25X0,20	X
20	50180666	SHIM 20X24X0,30	X
20	50180654	SHIM 20X36X0,20	X
20	50180655	SHIM 20X38X0,20	X
20	50180656	SHIM 20X40X0,20	X
20	50180665	SHIM 20X40X0,25	X
20	50180662	SHIM 20X34X0,25	X
20	50180657	SHIM 20X24X0,25	X
20	50180653	SHIM 20X34X0,20	X
20	50180634	RING 20X22,9X1	X
20	50180650	SHIM 20,2X28X0,20	X
20	50180663	SHIM 20X36X0,25	X
20	50180664	SHIM 20X38X0,25	X
20	50180659	SHIM 20,2X28X0,25	X
21	50180209	WASHER 21X36X0,25	X
22	50180330	PRESS. RING 22X18X0,30	X
23	50180635	SHUTTLE VALVE 23X38X0,25	X
23	50180578	SHIM D23XD16X2	X
24	40541061	WASHER 24,5X34X2	X
28	36120469	SHIM 28,5X14X2	X
28	36120471	SHIM 28,5X14X5	X
32	48600460	WASHER 32X42X2,5	X
32	50600065	SHIM 32X45X2	X
32	46811637	PRESSURE RING 36X32,25	X
52	50600002	SHIM 52X59X2,2	X

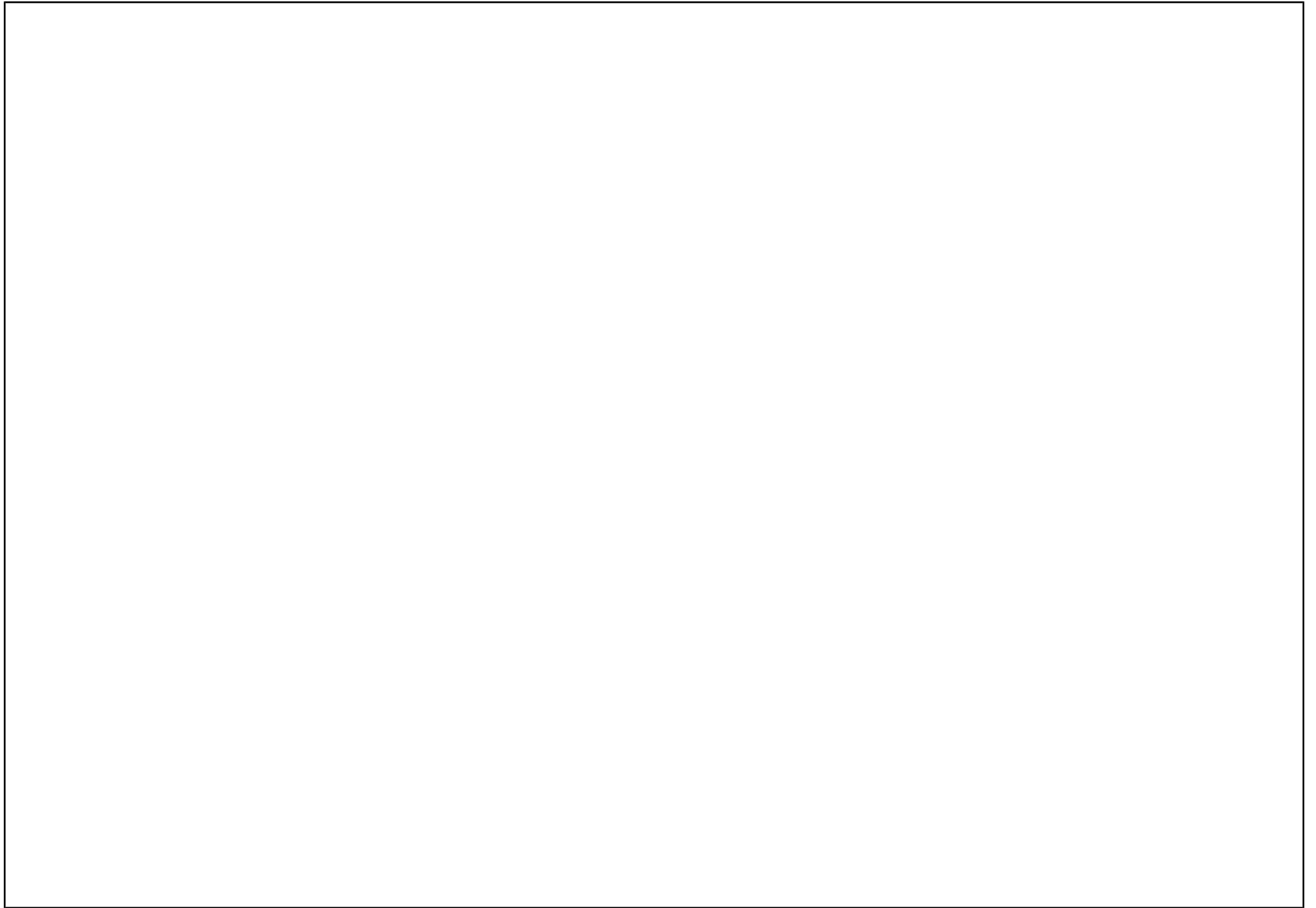
080000190

4668

\* NEW PART

X ON DEMAND







WWW.KTM.COM



KTM Sportmotorcycle GmbH  
5230 Mattighofen, Austria  
[www.ktm.com](http://www.ktm.com)



**KTM**\_POWERPARTS

**KTM**\_POWERWEAR

**KTM**\_ORIGINAL SPARE PARTS



F6101S0EN

Art. Nr.: F6101S0EN 23. Feb 2018