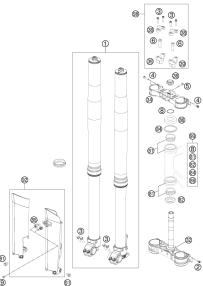
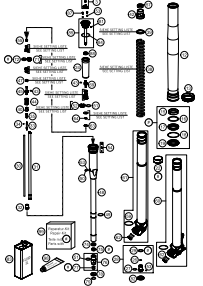
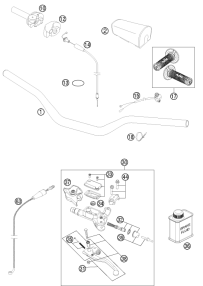
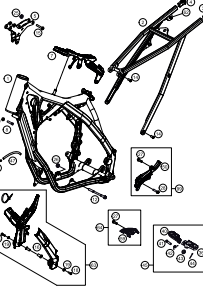
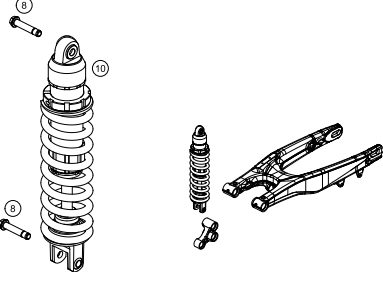
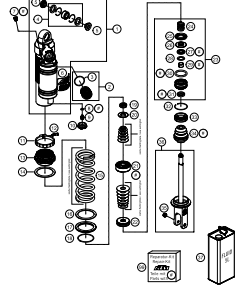
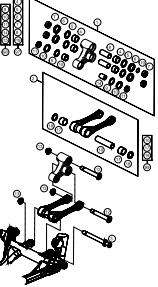
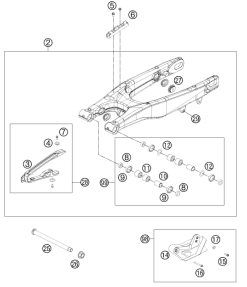
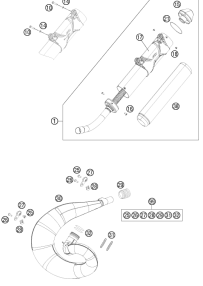
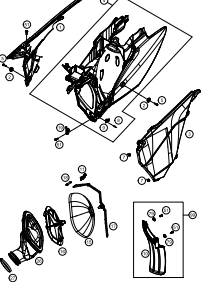
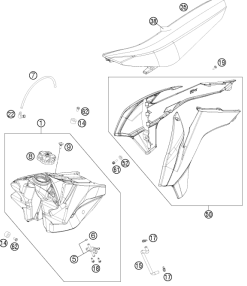
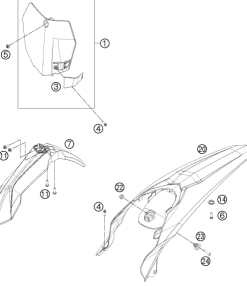
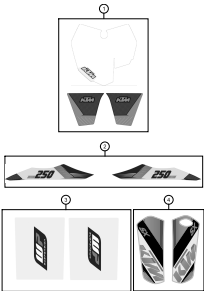
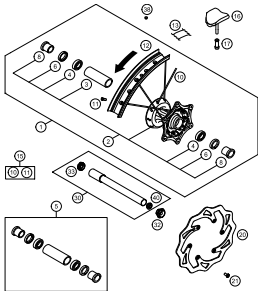
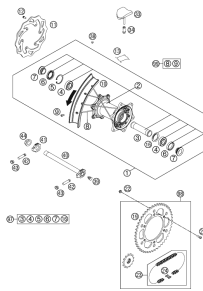
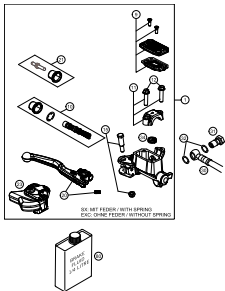
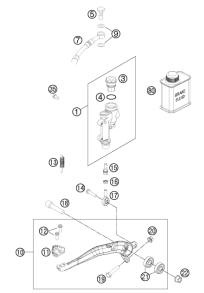
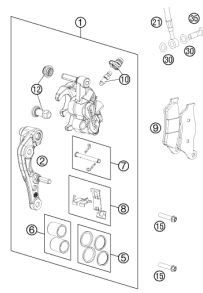
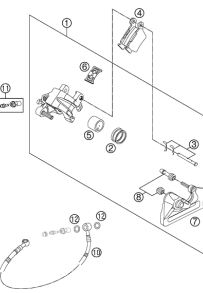
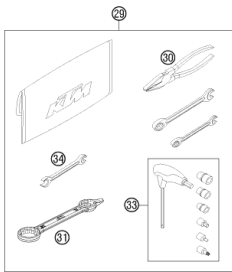
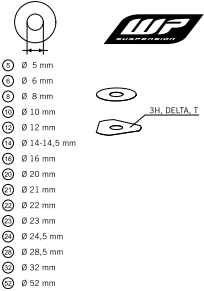



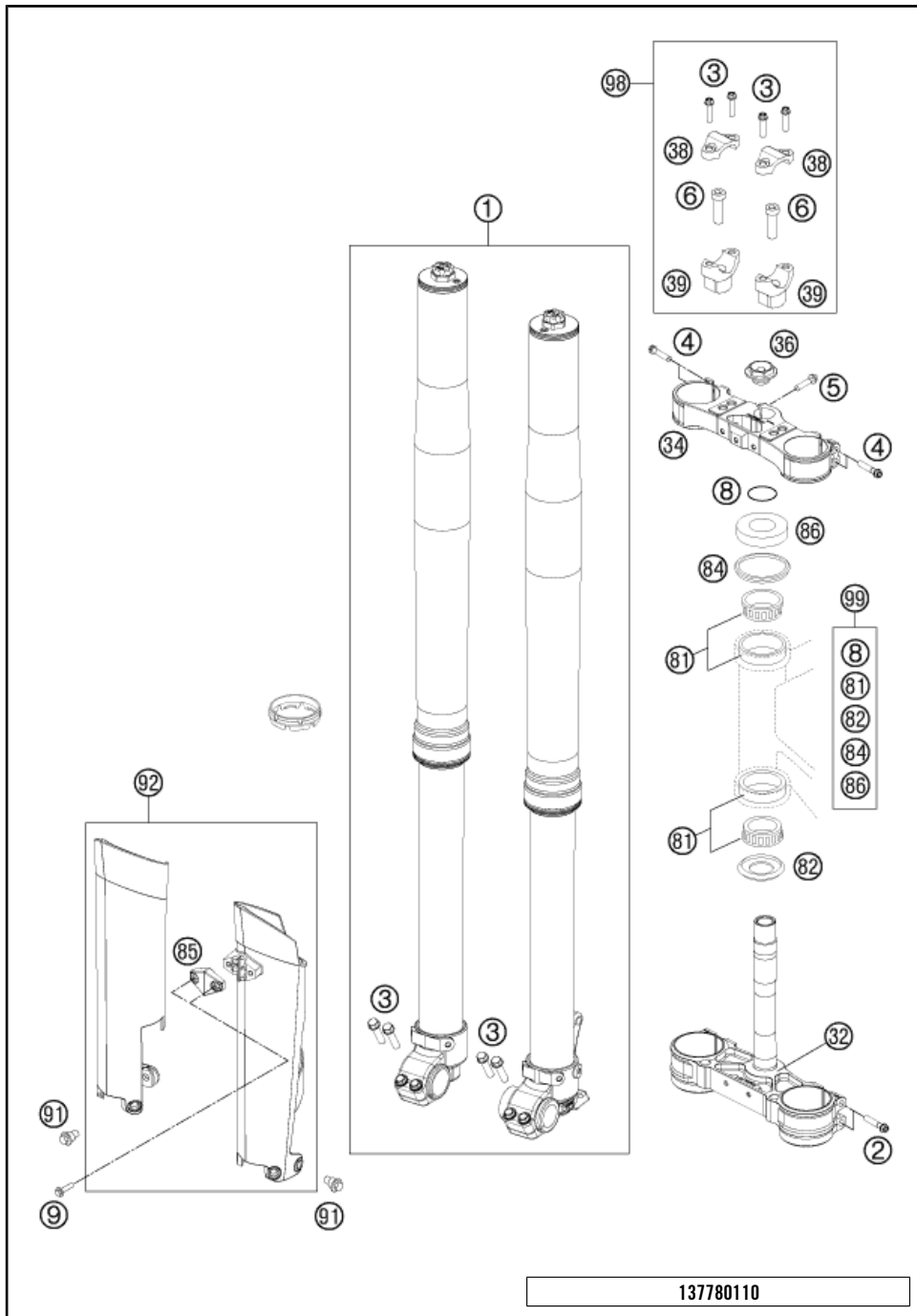
250 SX EU 2015

ART.-NR.: 3CFF630100EN



<p>FRONT FORK, TRIPLE CLAMP</p>  <p>3</p>	<p>FRONT FORK DISASSEMBLED</p>  <p>4</p>	<p>HANDLEBAR, CONTROLS</p>  <p>6</p>	<p>FRAME</p>  <p>7</p>
<p>SHOCK ABSORBER</p>  <p>8</p>	<p>SHOCK ABSORBER DISASSEMBLED</p>  <p>9</p>	<p>PRO LEVER LINKING</p>  <p>11</p>	<p>SWING ARM</p>  <p>12</p>
<p>EXHAUST SYSTEM</p>  <p>13</p>	<p>AIR FILTER</p>  <p>14</p>	<p>TANK, SEAT, COVER</p>  <p>15</p>	<p>MASK, FENDERS</p>  <p>16</p>

<p>DECAL</p>  <p>17</p>	<p>FRONT WHEEL</p>  <p>18</p>	<p>REAR WHEEL</p>  <p>19</p>	<p>HAND BRAKE CYLINDER</p>  <p>21</p>
<p>REAR BRAKE CONTROL</p>  <p>22</p>	<p>BRAKE CALIPER FRONT</p>  <p>23</p>	<p>BRAKE CALIPER REAR</p>  <p>24</p>	<p>ACCESSORIES KIT</p>  <p>25</p>
<p>WP SHIMS FOR SETTING</p>  <p>26</p>	 <p>All information contained is without obligation. KTM-Sportmotorcycle AG particularly reserves the right to modify any equipment, technical specifications, prices, colors, shapes, materials, services, service work, constructions, equipment and the like so as to adapt them to local conditions or to cancel any of the above items, all without previous announcement and without giving reasons. KTM may stop manufacturing certain models without previous notice. KTM shall not be held liable for any deviations of availability and/or ability to deliver, illustrations, descriptions, printing and/or other errors. The illustrated models partly contain extra equipment, which is not applied to standard models.</p> <p>© by KTM-SPORTMOTORCYCLE AG, Mattighofen AUSTRIA; All rights reserved; Reprint, also in extracts, with written allowance of KTMSPORTMOTORCYCLE AG, Mattighofen only.</p>		



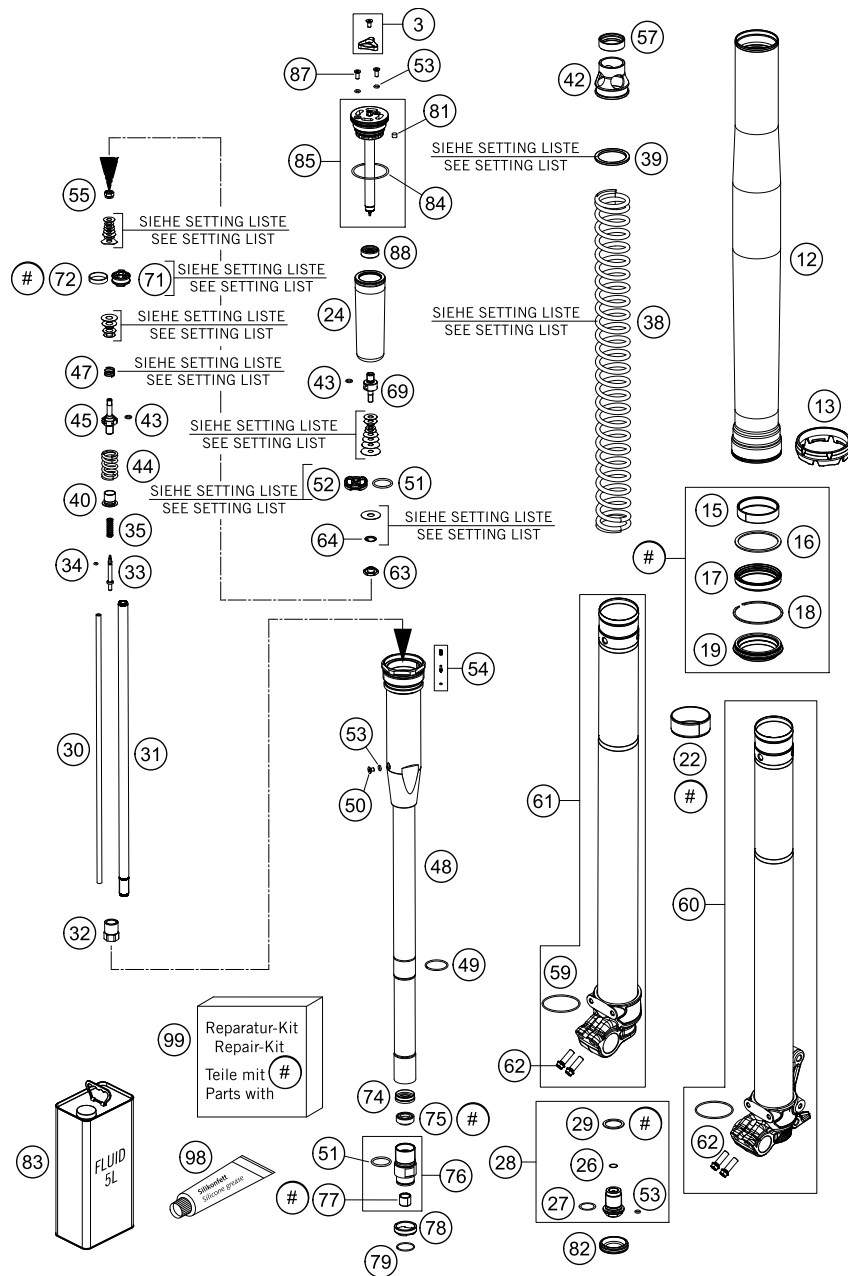
137780110

POS	PARTNUMBER	PARTNAME	PIECE
1*	1418700301	FORK 250SX 15	1
2	0025080506	HH COLLAR SCREW M8X50 TX40	4
3	0025080256	HH COLLAR SCREW M8X25 TX40	8
4	0025080406	HH COLLAR SCREW M8X40 TX40	4
5	0025080256S	HH COLLAR SCREW M8X25 TX40	1
6	0032100356S	AH-COLLAR SCREW M10X35 ISA45	2
8	0770025035	O-RING 25X3,55 NBR70 05	1
9	0017060206	SCREW F. PLASTIC K60X20AL SW6	2
32	7770103202230	TRIPLE CL. BOTT. CPL. X=22 BL.	1
34	7770103402230	% TRIPLE CLAMP TOP X=22 BLACK	1
36*	70009082000	AXLESCREW M20X1.5; SW17	1
38	77201038000	HANDLEBAR CLAMP 28MM	2
39	59401039032	HANDLEB.SUPP. D=28MM H=32MM 05	x
39	59401039037	HANDLEB.SUPP. D=28MM H=37MM 05	2
39	59401039042	HANDLEB.SUPP. D=28MM H=42MM 05	x
81	54201081100	TAPERED ROLLER BEARING CPL. 06	2
82	77701084000	O-RING SUPPORT W. SEALING LIP	1
84	54601184000	STEERING HEAD GASKET TOP	1
85*	7770108500028	CLAMP BRAKE HOSE	1
86	78101086000	STEERING HEAD COVER	1
91	59001092050	SPECIAL SCREW M6X12,5 WS=8	6
92*	7770109400028	FORK PROTECTION L/S+R/S SX	1
98	00050000921	HANDLEBAR SUPPORT KIT D28/H37	x
99	00050000930	STEERING HEAD REP. KIT 06-15	x

C155480110

* NEW PART

X ON DEMAND

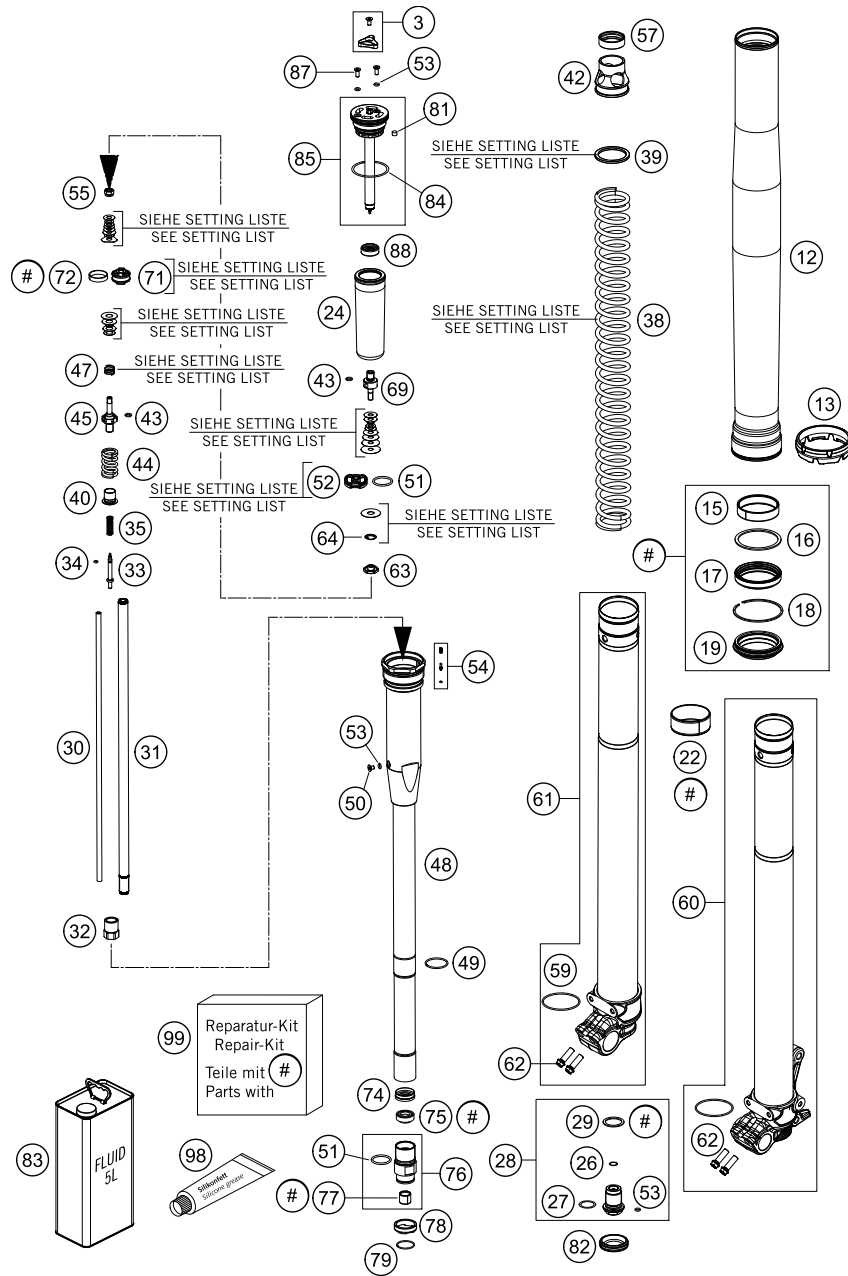


POS	PARTNUMBER	PARTNAME	PIECE
3	48601117S	ADJUSTING KNOB + SCREW	2
12	48600736	OUTER TUBE L577 D54/60MM 2L	2
13	48600698	FORK PROTECTION RING 08	2
15	48601009	GUIDING BUSH 48X52X12 R11	2
16	48600013	SUPPORT RING 50 X 57,6 X 1,5	2
17	48601179	OIL SEALRING D48X57,9X11,4 RED	2
18	48600070	LOCK WASHER SB58	2
19	48601178	DUST SEAL DL48X58,4X5,7 RED	2
22	48601008	GUIDING BUSH 47X49X20 R11	2
24	48600281	MEMBRANE	2
26	48600301	O-RING NBR 9,5X1,5	2
27	46810811	O-RING NBR 17X2 PA	2
28	48600280E	SCREW BUSH M20X1 L=33 CPL.	2
29	48600275	COPPER WASHER 20,5X26X1	2
30	48600269	ADJUSTING TUBE L=371	2
31	48600464	PISTON ROD SXS 2005	2
32	48600459	COUNTERNUT M12X1 WS17	2
33	48600887	REBOUND NEEDLE SX	2
34	48600298	O-RING 2X1,5 NBR	2
35	48600444	REBOUND SPRING C=4N/MM	2
38	91410010S	SPRING D43.2 L485 5.2N/MM	x
38	91410027S	SPRING 4,4 N/MM SET D=5,1MM	x
38	91410028S	SPRING 4,6 N/MM SET D=5,1MM	x
38	91410029S	%POLISHED SPRING 4,8 N/MM	x
38	91410030S	SPRING 5,0 N/MM	x
38	91410059S	SPRING 4,0 N/MM SET	x
38	91410060S	SPRING 4,2 N/MM SET D=5,0MM	x
39	48600456	SPACER 43X35X2,5	x
39	48600457	SPACER 43X35X5	x
39	48600458	SPACER 43X35X1,5	x
40	48600525	GUIDING BUSH REBOUND SPRING	2
42	48601298	SPRING SUPPORT	2
43	48600299	O-RING 6X1,2 NBR	4
44	48600578	SPRING REB. L=32 C=37 DI=13,9	2
45	48600576	PISTON ROD REBOUND	2
47	48600382	SHUTTLE VALVE SPRING C=0,4	2
48	48600519S3	MEMBRANE HOLDER INKL. PIN SET	2
49	48600512	LOCK WASHER D=25,5	2

155030130

C155030130

* NEW PART X ON DEMAND



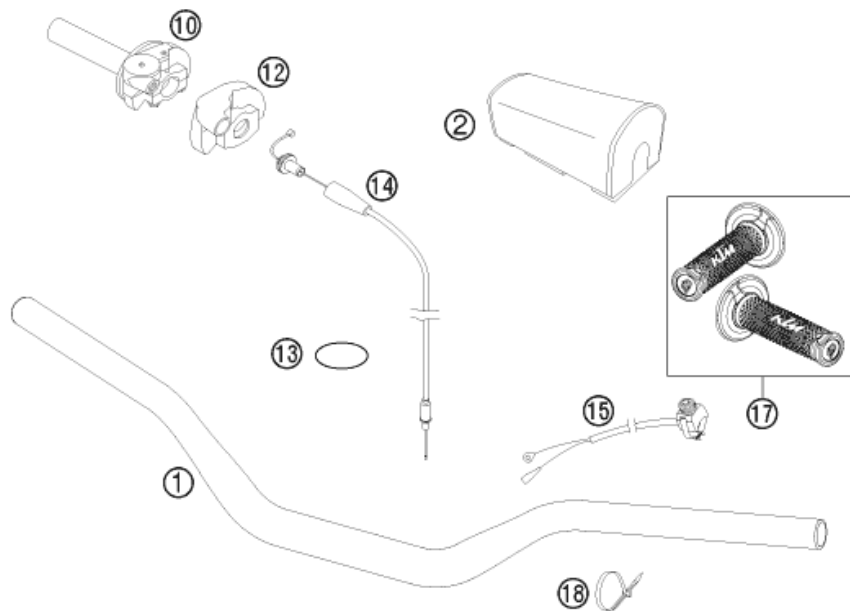
POS	PARTNUMBER	PARTNAME	PIECE
50	48600542	AH SCREW M4X6	2
51	46811499	O-RING NBR 21X2	4
52	48600047	PISTON COMPRESSION D=27,9	2
53	50180222	O-RING NBR 4X1,5	8
54	48600977S	PIN KIT	2
55	40540486	NUT M6X0,5 REBOUND	2
57	48600577	RING SPRING-SUPPORT	2
59	48600113	WASHER 32X42X2,5	2
60	48601407S1	AXLE CLAMP LEFT + TUBE CPL.	1
61	48601408S1	AXLE CLAMP RIGHT + TUBE CPL.	1
62	0025080256	HH COLLAR SCREW M8X25 TX40	4
63	48601169	NUT VALVE M6X0,5	2
64	48600202	SPRING CHECK VALVE D=0,7	2
69	48600509	PISTON ROD COMPRESSION	2
71	48600575	PISTON REBOUND SX 2007	2
72	48600455	PISTON RING 5X1X68	2
74	48601056	RING 23,45X8,9	2
75	48600829	SHAFT SEAL RING 12MM	2
76	48601055S	SCREW SLEEVE M24,5X1 CPL.	2
77	48600430	DU BUSH FOR PISTON ROD	2
78	48600709	CHECK VALVE STOP	2
79	48600446	LOCK WASHER D=20	2
81	15080017	SILICON CAP	2
82	48600692	RUBBER CAP D=26,4	2
83	48601166S1	FORK OIL SAE4 5L	1
84	40140024	O-RING NBR 43X2	2
85	48601409S	SCREW CAP CPL. L=125	2
87	48600526	SCREW M4X10	4
88	48600514	MEMBRANE SLEEVE	2
98	T511	SILICONE GREASE F. DUST STRI	1
99	R14053	REPAIR KIT FORK	1

155030130

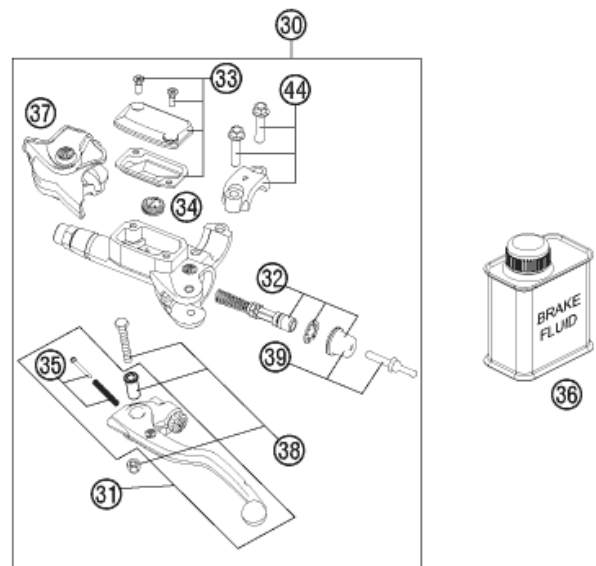
C155030130

* NEW PART

X ON DEMAND



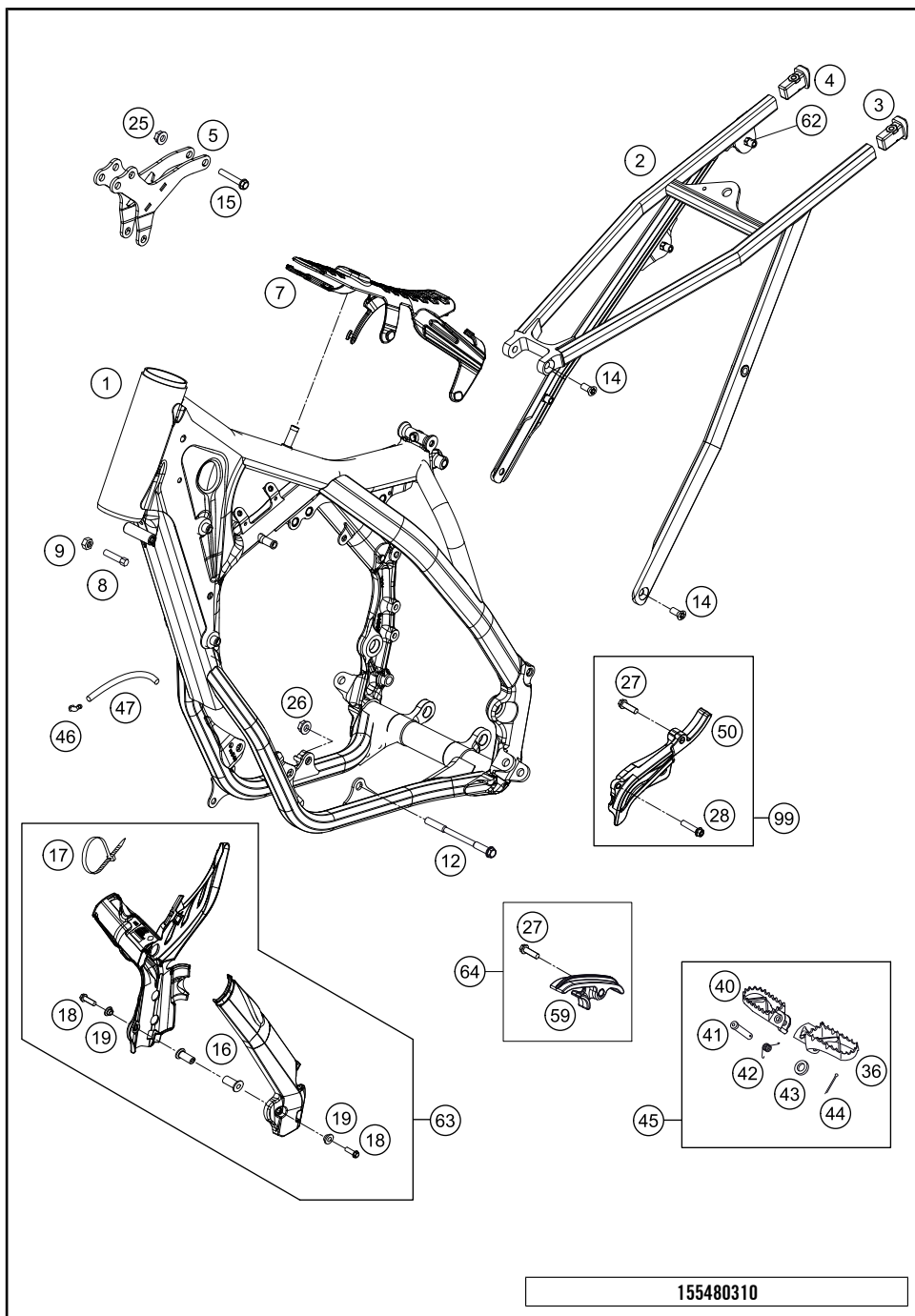
POS	PARTNUMBER	PARTNAME	PIECE
1	7770200100030	HANDLEBAR RENTHAL BLACK 13	1
2*	SXS07250800	FATBAR PAD PHDS	1
10	51502010200	THROTTLE GRIP CPL. 2ST. 13	1
12	50302020000	PROTECTION COVER '97	1
13*	0770049025	O-RING 49,00X2,50 NBR	1
14*	51502091200	THROTTLE CABLE 2-ST. 2014	1
15	50311089200	SHORT CIRCUIT BUTTON 02	1
17	78102021000	GRIP SET	1
18	44011076200	CABLE TIE 200/3,6MM BLACK	x
30	54802030144	MASTER CYLINDER CPL.	1
31	54802031000	CLUTCH LEVER CPL. BREMBO 06	1
32	54802032000	REP. KIT PISTON 06	1
33	5480200310030	COVER HYD. CLUTCH CPL. 2014	1
34	54802051000	VALVE	1
35	54802052000	BOLT KPL.	1
36	00062030000	BRAKE FLUID DOT5.1 0,25L	1
37	54802037000	PROTECTION CAP 06	1
38	54802038100	LEVER SCREW CPL. 06	1
39	54802046000	PUSH ROD CPL.	1
44	54802005100	CLAMP CPL. 06	2
63	54832063000	CLUTCH PIPE 06	1



135480210

C155480210

* NEW PART X ON DEMAND

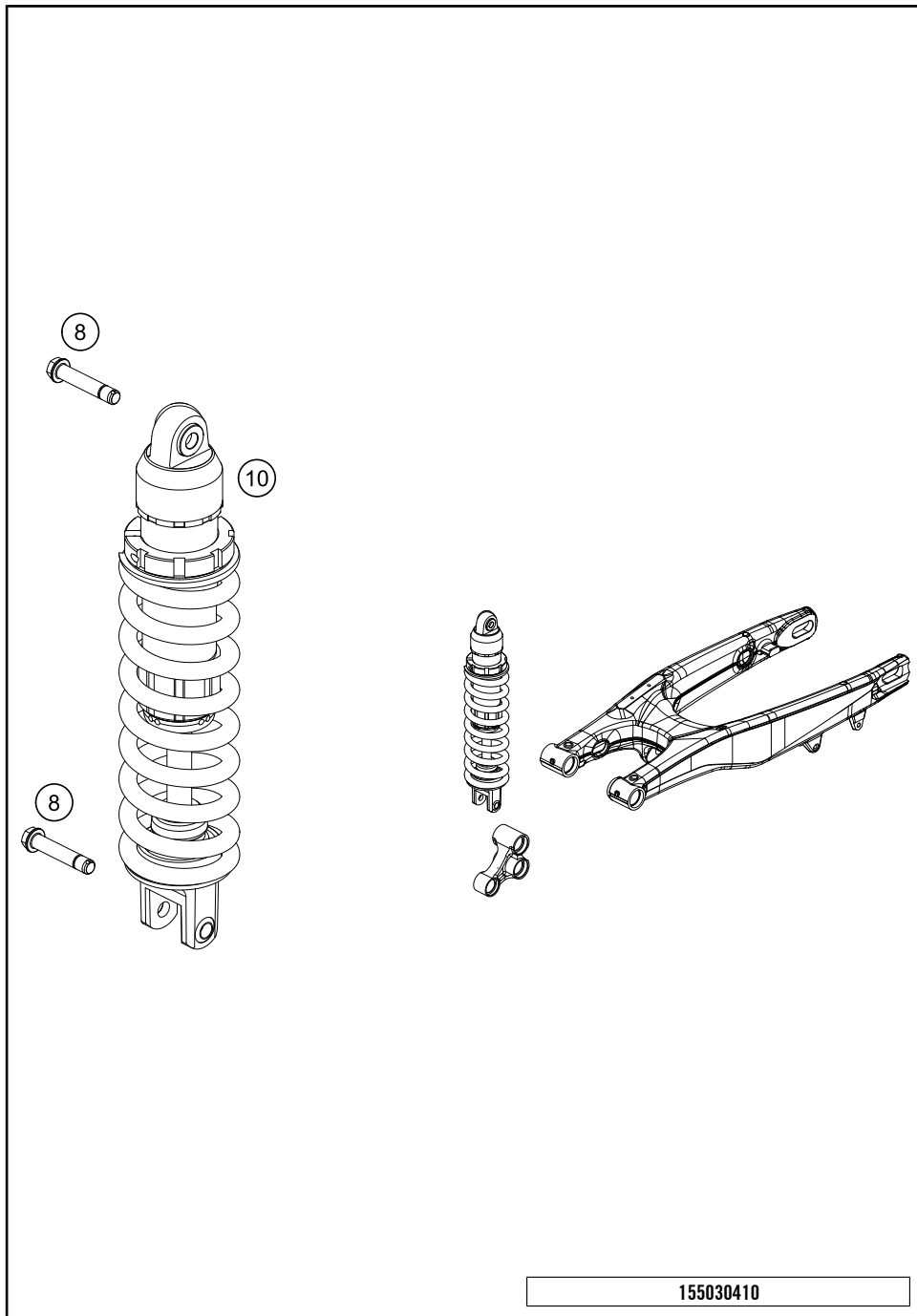


POS	PARTNUMBER	PARTNAME	PIECE
1*	5480360130004	FRAME "548N3" ORANGE 2014	1
2	77203002000	SUB FRAME SX	1
3	78103002010	SUB FRAME APPLICATION LEFT	1
4	78103002020	SUB FRAME APPLICATION RIGHT	1
5	54803613000	REINFORCING 250 SX CPL.	1
7	77207012000	TANK REST RUBBER	1
8	59001037000	SPECIAL SCREW M8X26 WS=10	2
9	0934080003	HEXAGON NUT DIN0934-M 8	2
12	54603013000	ENGINE BRAC.SCR. M10X105 WS=13	2
14	0019080206S	FLAT HEAD SCREW M. ISA45 M8X20	4
15	56530079000S	HH COLLAR SCREW M8X44 WS13	4
16	54803092050	BLIND PLUG-IN NUT M5 WN 22A 03	2
17	44011076140	CABLE TIE 140/2,5MM BLACK	1
17	44011076305	CABLE TIE 300/4,8MM BLACK	3
18	0738050250	COU.SUNK SCR. AH ISO7380 M5X25	2
19	54803092060	BUSH F. FRAME PROTECTION 03	2
25	06923080003	HEXAGON NUT DIN EN1661 M8 SW13	4
26	54310086100	SELF LOCKING NUT M10 CU WS=14	2
27	0025080306	HH COLLAR SCREW M8X30 TX40	2
28	0025060306	HH COLLAR SCREW M6X30 TX30	1
36	59003040250	% FOOT PEG L/S SILVER 02	1
40	59003041250	FOOT PEG R/S SILVER 02	1
41	54803044000	BOLT FOR FOOT PED 03	2
42	54603041000	FOOTREST SPRING L/S & R/S	2
43	0125100003	WASHER DIN0125-A10,5	2
44	0094032253	PIN DIN0094-3,2X25 STEEL	2
45	78003040033	FOOTREST L/S + R/S CPL. 09	1
46	50303089000	ANGLE PIECE '97	2
47	55007016001	PVC-HOSE 7X10 PER METER	0
50	54803096000	SPROCKET COVER 250 SX 07	1
59	77203053000	CHAIN SLIDING PIECE BELOW	1
62	77303139000	BLIND RIVET NUT EM6-60LF/HX	4
63	77203094000	PLASTIC FRAME PROTECTION SET	1
64	77203053010	CHAIN SLIDING KIT BELOW CPL.11	1
99	54803096010	SPROCKET COVER KIT	1

155480310

C155480310

* NEW PART X ON DEMAND



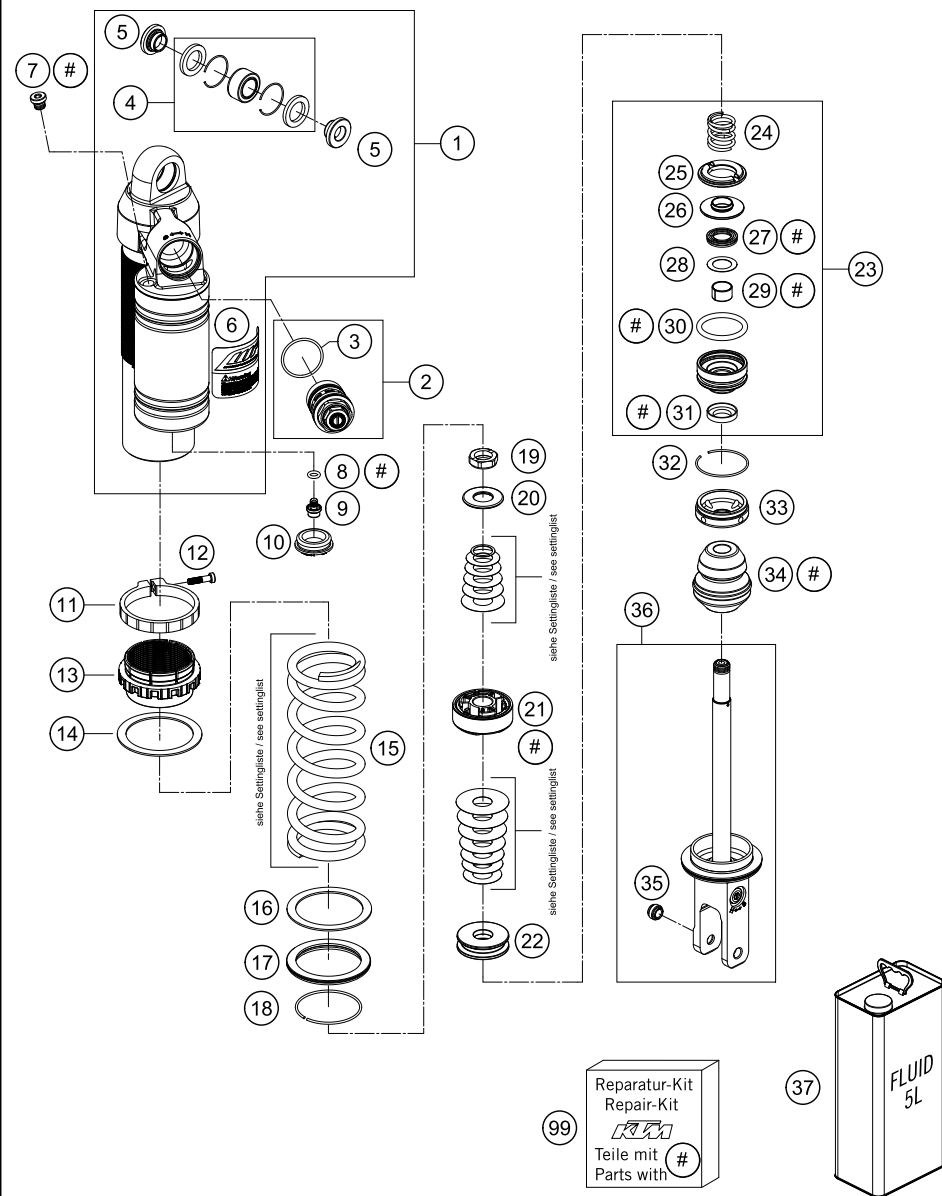
POS	PARTNUMBER	PARTNAME	PIECE
8	77204089000	HH COLLAR SCREW M10X52 SW13	2
10*	1818700301	MONOSHOCK 250 SX 15	1

155030410

C155480410

* NEW PART

X ON DEMAND



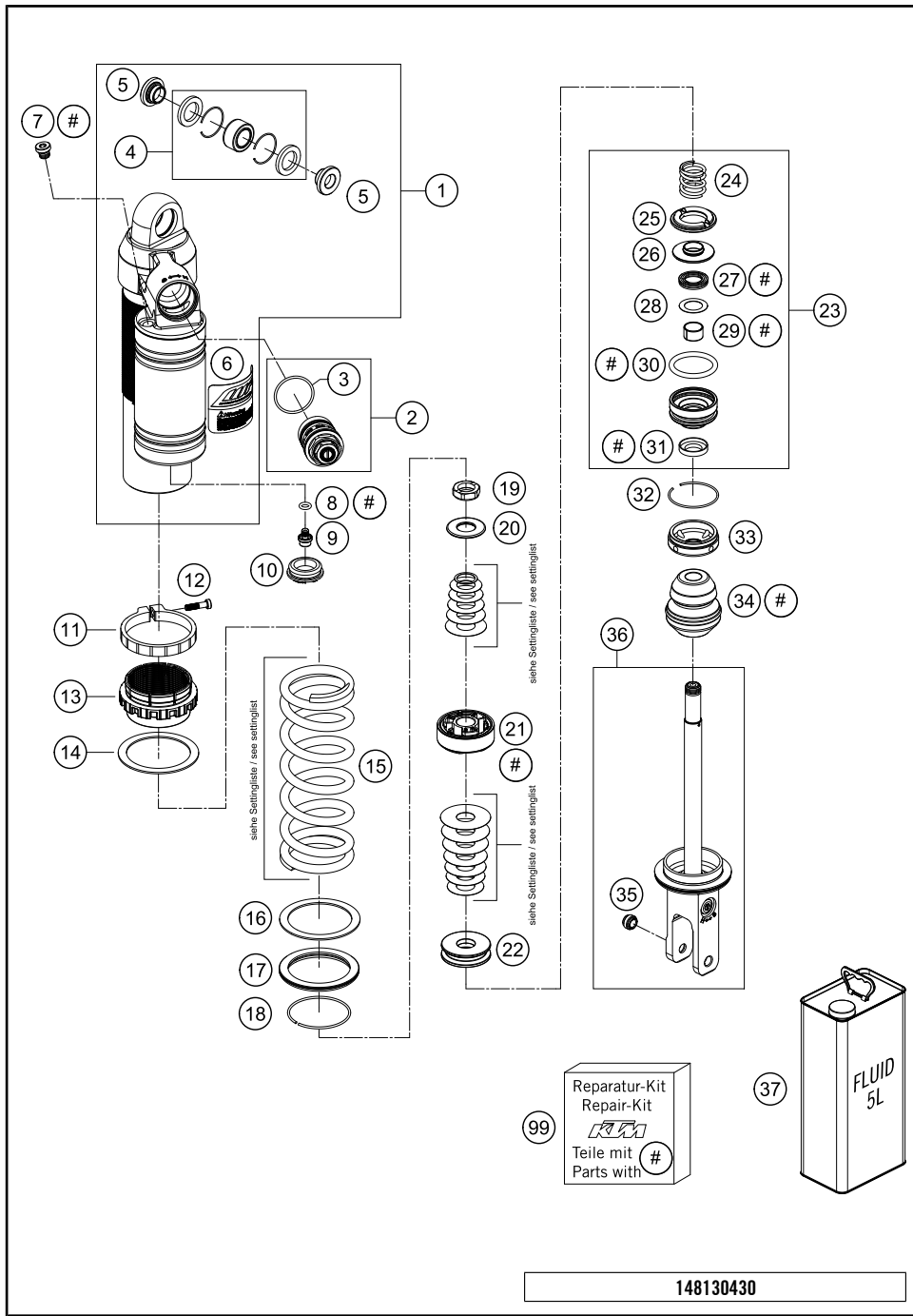
POS	PARTNUMBER	PARTNAME	PIECE
1	50180944S1	MONOSHOCK UPPER PART CPL.	1
2	50180213S21	DCC COMPR. DAMP. CON. CPL. 13	1
3	50180218	O-RING 25X1,5 VITON	1
4	R12012	REP. KIT BEAR./SEAL UP. 07	1
5	46180010	BUSH KGW 10X24	2
6	52000087	STICKER WP MONOSHOCK	1
7	50180095	BLEED PLUG R 1/8	1
8	46810893	O-RING NBR 5,28X1,78	1
9	36120151	SCREW PLUG M5X6	1
10	46811208	RUBBER CAP "DO NOT OPEN"	1
11	50180937	TENSIONING RING D64 H10	1
12	14460042	%ALLENHEAD SCREW M5 L=20 STAIN	1
13	50180938	ADJUSTING NUT PLASTIC	1
14	50180114	SPACER RING FOR SPRING	1
15	91210102S	SPRING 260 51 N/MM	x
15	91210103S	SPRING 260 54 N/MM	x
15	91210104S	SPRING 260 57 N/MM	x
16	50180793	SPACER RING ADJUSTING NUT	1
17	50180824	VALVE SPRING D80 CLOSED	1
18	50180273	CIRCLIP 58,2X2	1
19	50180141	PISTON ROD NUT M16X1	1
20	50180836	REBOUND DISC 16X34 T2 H0	1
21	50180786E	PISTON D50	1
22	50180801	REBOUND DISC D16X43 H8	1
23	50180603S3	ADAPTER D50 H28 CPL.	1
24	50180780	REBOUND SPRING	1
25	50180798	REBOUND RUBBER	1
26	50180800	SPRING RING	1
27	50180605S	SEAL D18X30X5 08	1
28	50180604	SHIM D29,75 X D19 X T0,4 08	1
29	50180974	DU-BUSHING 18X20X12	1
30	50180103	O-RING 41X5	1
31	50180606	DUST SEAL 1828 08	1
32	50180126	CIRCLIP 53X1,75	1
33	50180626	RESERVOIR CAP D=50 H=10 09	1
34	50180775	BUMP RUBBER	1
35	46811205	ADAPTOR-BUSH M10x1,50, D=15	1
36	50180773SA	MONOSHOCK BOTTOM PART CPL.	1

148130430

C155030430

* NEW PART

X ON DEMAND

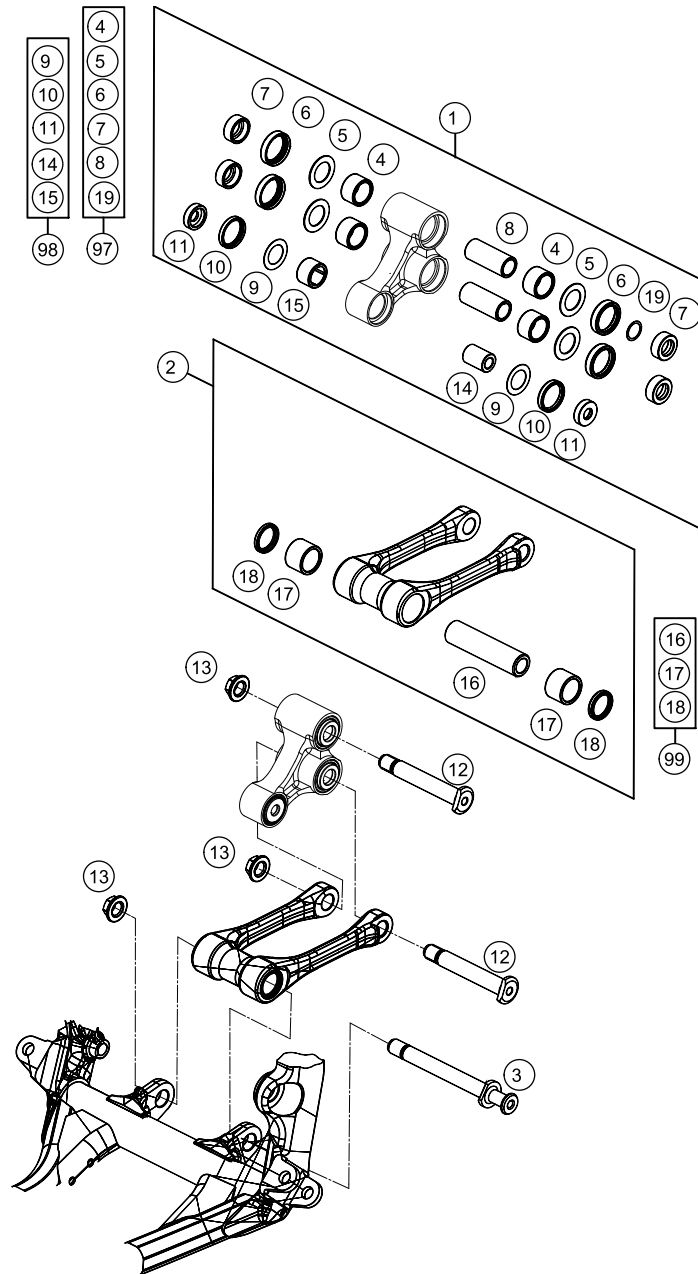


POS	PARTNUMBER	PARTNAME	PIECE
37	50180751S1	SHOCK ABSORBER FLUID 5 LT	1
99	R12020	REPAIR KIT	X

148130430

C155030430

* NEW PART X ON DEMAND



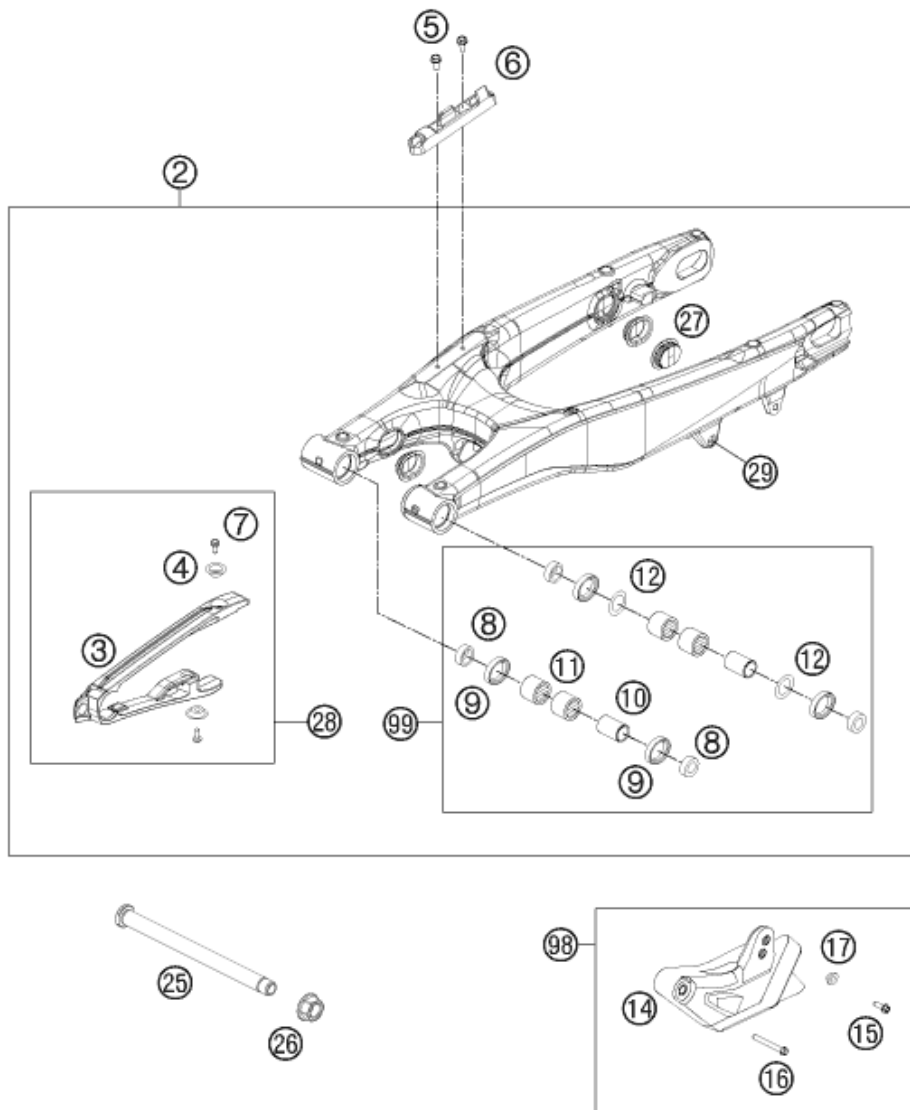
POS	PARTNUMBER	PARTNAME	PIECE
1*	7770408004401	TRIANGLE LEVER CPL. SX 2014	1
2*	7770408304401	PULL ROD CPL. SX 15	1
3	77204084000	PULL ROD ANCHOR BOLT	1
4	54603097000	NEEDLE BUSH HK 2016	4
5	59033080000	SHIM 20X32X1	4
6	0760253270	SHAFT SEAL RING 25X32X7	4
7	77204080130	BUCKET SHAFT SEAL RING 25X11	4
8	54603081000	BUSHING SLEEVE 15 X 20 X 48	2
9	50180604	SHIM D29,75 X D19 X T0,4 08	2
10	0760243050	SHAFT SEAL RING 24X30X5	2
11	77204080020	BUCKET FOR SHAFT SEAL RING	2
12	77204085000	BOLT FOR CANTILEVER M14	2
13	77204087000	HEX NUT M14X1.5 SW17	3
14	77204080010	BEARING SLEEVE 10X18X25,5	1
15	0618182416	NEEDLE BUSH HN1816 RS 18/24/16	1
16	77204084010	BEARING SLEEVE	1
17	0618222820	NEEDLE BEARING HK2220 22X28X20	2
18	0760222841	SHAFT SEAL RING G22x28x4	2
19	54603090010	STEEL WASHER 15,2X19X0,1	x
19	54603090020	STEEL WASHER 15,2X19X0,2	x
19	54603090030	STEEL WASHER 15,2X19X0,3	x
97	77204080110	TRIANGLE LEVER REP. KIT REAR	x
98	77204080090	TRIANGLE LEVER REP. KIT FRONT	x
99	77204083010	PULL ROD REP. KIT SX/SX-F	x

155030460

C155480460

* NEW PART

X ON DEMAND



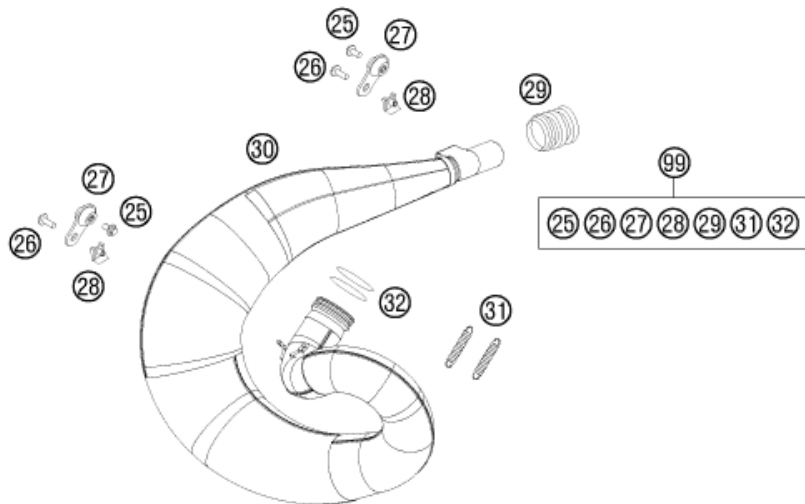
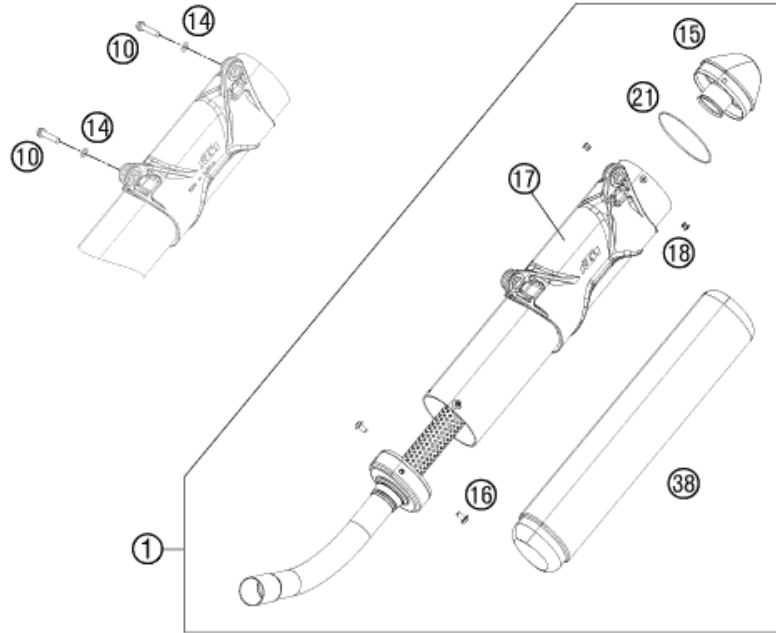
POS	PARTNUMBER	PARTNAME	PIECE
2	77704030144	SWINGARM CPL. 2014	1
3*	77204066100	CHAIN SLIDING PROTECTION	1
4	77304066050	BUSHING F. CHAIN SLIDING PR.07	2
5	0009050106	EJOT SPIRAL SCREW SF M5X10-K	2
6	76504042000	BRAKE LINE GUIDE 08	1
7	59009062013	SPECIAL SCREW M6X13 WS=8 10.9	2
8	54804034000	BUCKET F. SHAFT SEAL RING 03	4
9	0760253270	SHAFT SEAL RING 25X32X7	4
10	54804032000	BUSHING SLEEVE F. SWING ARM 03	2
11	58033097000	NEEDLE BEARING HK 2216	4
12	54603036000	STOP DISK 22,2X31,7X1	2
14	77704070000	CHAIN GUIDE REAR CPL. SX 2013	1
15	59009062019	SPECIAL SCREW M6X19 WS=8 10.9	1
16	0025060456	HH COLLAR SCREW M6X45 TX30	1
17	77304070130	BUSH. F. CHAIN FAIL. PROT. 07	1
25	77304037000	SWINGARM BOLT M16X1,5 07	1
26	54804038000	SELF LOCK.NUT M16X1,5 WS=19 03	1
27	77204041000	CLOSING COVER	4
28	77204066110	CHAIN GUARD CPL. 450 SX-F 15	1
29	54603055051	PRESS IN NUT M6 STEEL ZINC	1
98	77704070210	CHAIN GUIDE KIT REAR SX-F 14	1
99	54804230210	SWINGARM REPAIR KIT 05-15	x

137780490

C155480490

* NEW PART

X ON DEMAND



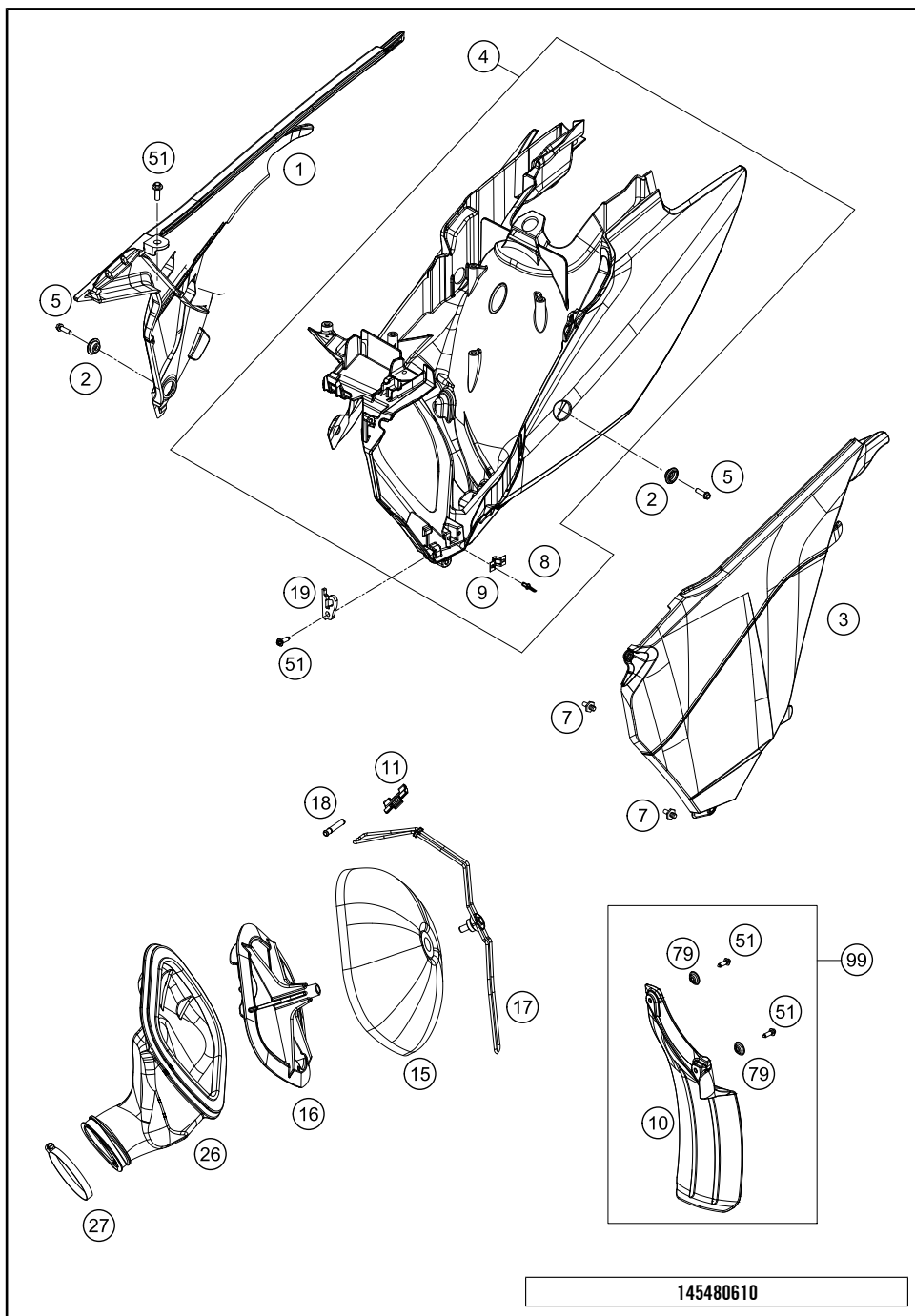
POS	PARTNUMBER	PARTNAME	PIECE
1	54805079200	SILENCER 250-300 SX	1
10	0025060356	HH COLLAR SCREW M6X35 TX30	2
14	0137060003	SPRING WASHER DIN0137-B 6	2
15	54805083260	ENDCAP CPL.	1
16	58605083010	SCREW TORX M5X10 05	4
17	54805179085	SILENCER HOUS. CPL. W. HANGING	1
18	0011480800	DUMMY RIVET 4,8X 8 NIRO	4
21	0770740015	O-RING 74,00X1,50 FKM 75SH	1
25	0024060106	HH COLLAR SCREW M6X10 TX30	2
26	0024060156	HH COLLAR SCREW M6X15 TX30	2
27	50305012000	SWINGELEMENT FOR EXHAUST PIPE	2
28	54603048100	RANGE CHANGE METAL NUT M6	2
29	50205057000	SILICON SLEEVE D=29/31MM	1
30	54805107000	EXHAUST MANIFOLD	1
31	50305016000	TEN.SPRING L=62MM EY.MOVEABLE	2
32	0770440030	O-RING 44,00X3,00 VITON	2
38	54805078265	ROCK WOOL 265G	1
99	00050000811	EXHAUST HARDWARE KIT 11-14	x

115480512

C125480510

* NEW PART

X ON DEMAND

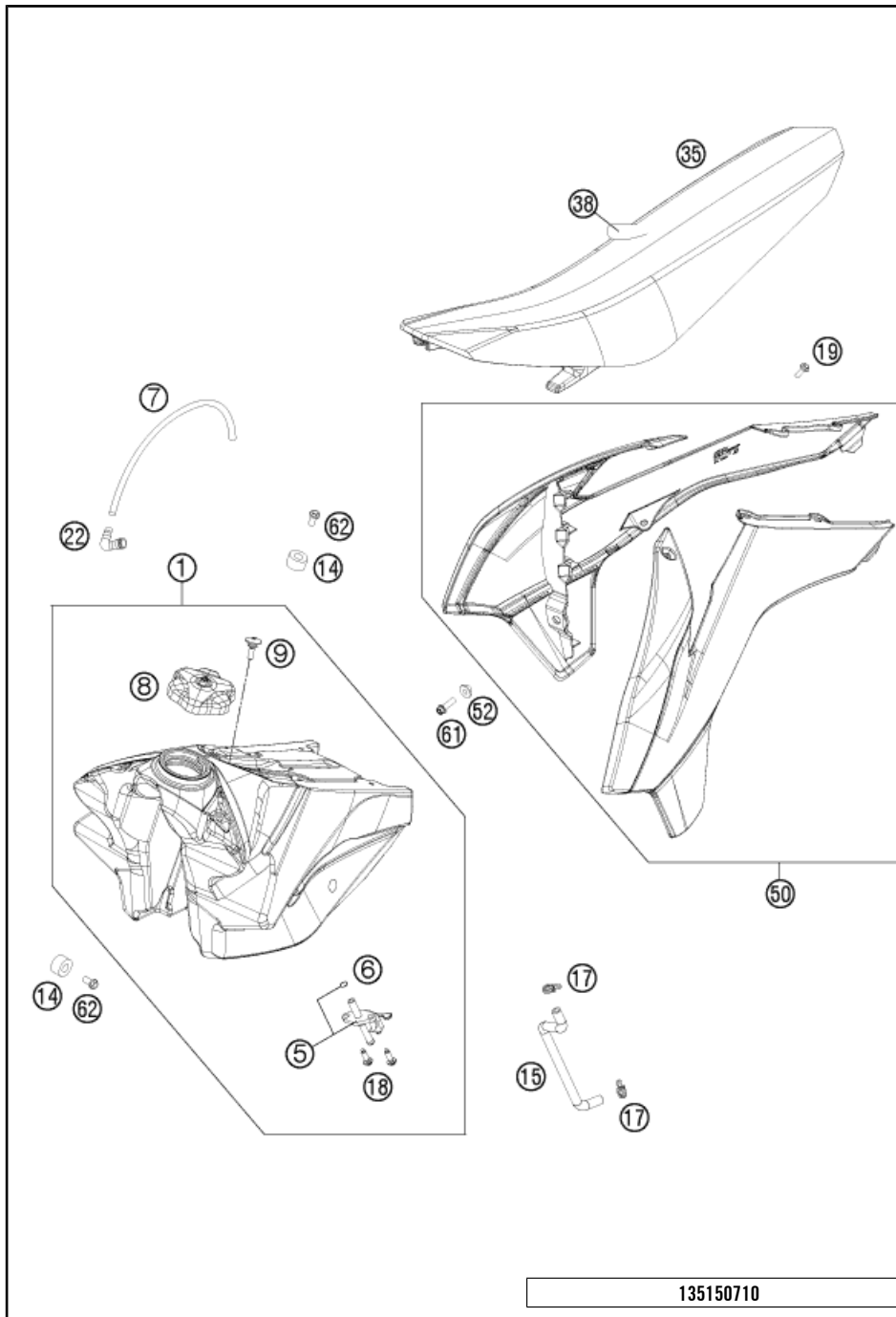


POS	PARTNUMBER	PARTNAME	PIECE
1*	7770600430028A	AIR BOX COVER R/S SX 15	1
2	77308013010	COLLAR BUSH. F.REAR FENDER 07	2
3*	7770600310028C	AIR BOX COVER L/S SX 15	1
4	7770600104428	FILTER BOX CPL. WHITE 13	1
5	0025060206	HH COLLAR SCREW M6X20 TX30	2
7	54806008051	QUICK RELEASE-NIPPLE 03	2
8	54806108052	BLIND RIVET 3,3X9,7 GROOVED 04	4
9	54806008050	QUICK RELEASE-SPRING HANGER	2
10	77306010000	FENDER FOR FILTER BOX	1
11	77706017052	AIR BOX CLIP	1
15	77206015000	AIR FILTER	1
16	54806516000	FILTER CARRIER	1
17	77206017000	FILTER SUPPORT CPL. 11	1
18	77306018000	FILTER SUPPORT BUSH 07	1
19	77206019000	FASTEN. DEVICE FILTER S. SX 11	1
26	54806626000	CARBURETOR CONNECTING	1
27	51006027000	HOSE CLAMP 50-70MM	1
51	0017060206	SCREW F. PLASTIC K60X20AL SW6	4
79	77304066050	BUSHING F. CHAIN SLIDING PR.07	2
99	77306010010	SPLASH PROTECTOR KIT SX/EXC	x

145480610

C155480610

* NEW PART X ON DEMAND



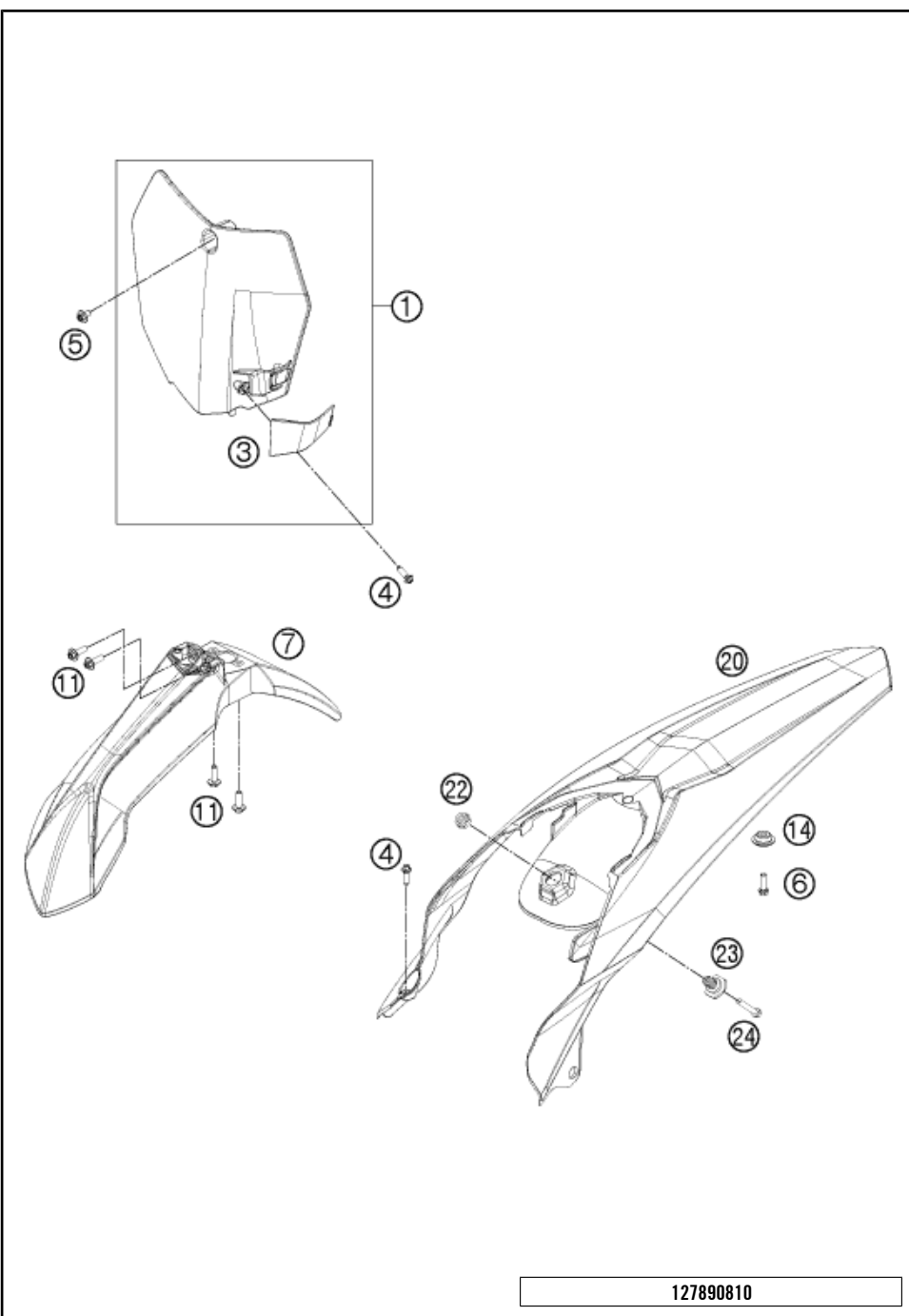
135150710

POS	PARTNUMBER	PARTNAME	PIECE
1	5150701313330	FUEL TANK CPL. 7,5L SX 14	1
5	50307005000	GAS COCK MIKUNI ON/OFF 2001	1
6	0770130023	O-RING 13,00X2,30	1
7	78007000270	PVC-HOSE 5,6X10X270MM	1
8*	7770700814404	TANK PLUG CPL. 2014	1
9	50307011000	SCREW SEAT FASTENING D=6X23/18	1
14	50307014000	TANK ROLLER 12X26X12 '98	3
15	54807516000	FUEL HOSE 6X2,5	1
17	58031005000	CLAMP YDNAC 10128 12MM	2
18	0017060205	SCREW FOR PLASTIC K60X20 SW6	2
19	0017060206	SCREW F. PLASTIC K60X20AL SW6	8
22	51030022000	ANGLE PIECE 90 DEGREE M10X1	1
35	77207040200	SEAT 2014	1
38	77207040050	SEAT COVER	1
50*	7770805410028A	SPOILER KIT SX 2015 WITH DECAL	1
52	50308052000	BUSH FOR SPOILER 6X11X16X5 MM	2
61	0025060206	HH COLLAR SCREW M6X20 TX30	2
62	0025060126	HH COLLAR SCREW M6X12 TX30	3

C155480710

* NEW PART

X ON DEMAND

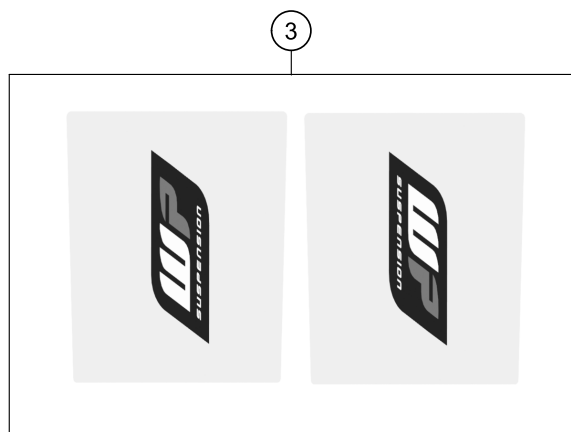
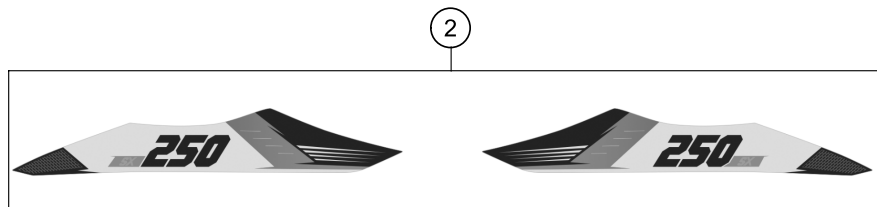
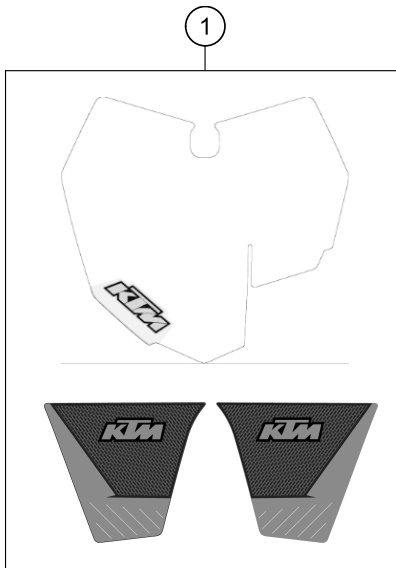


POS	PARTNUMBER	PARTNAME	PIECE
1	7770800704428	START NUMBER PLATE WHITE SX 13	1
3	7770802200030	BRAKE HOSE GUIDE BLACK 13	1
4	0017060206	SCREW F. PLASTIC K60X20AL SW6	2
5	0024060106	HH COLLAR SCREW M6X10 TX30	1
6	0025060166	HH COLLAR SCREW M6X16 TX30	2
7	7770801000004	FRONT FENDER ORANGE 13	1
11	0025060166	HH COLLAR SCREW M6X16 TX30	4
14	77308013010	COLLAR BUSH. F.REAR FENDER 07	2
20	7720801300004	REARPART ORANGE SX 11	1
22	50314057050	COLLAR NUT M12X1/WS17 H=5MM	1
23	54807048000	BUSHING FOR SEAT FASTENING 03	1
24	0025060256	HH COLLAR SCREW M6X25 TX30	1

127890810

C155480810

* NEW PART X ON DEMAND



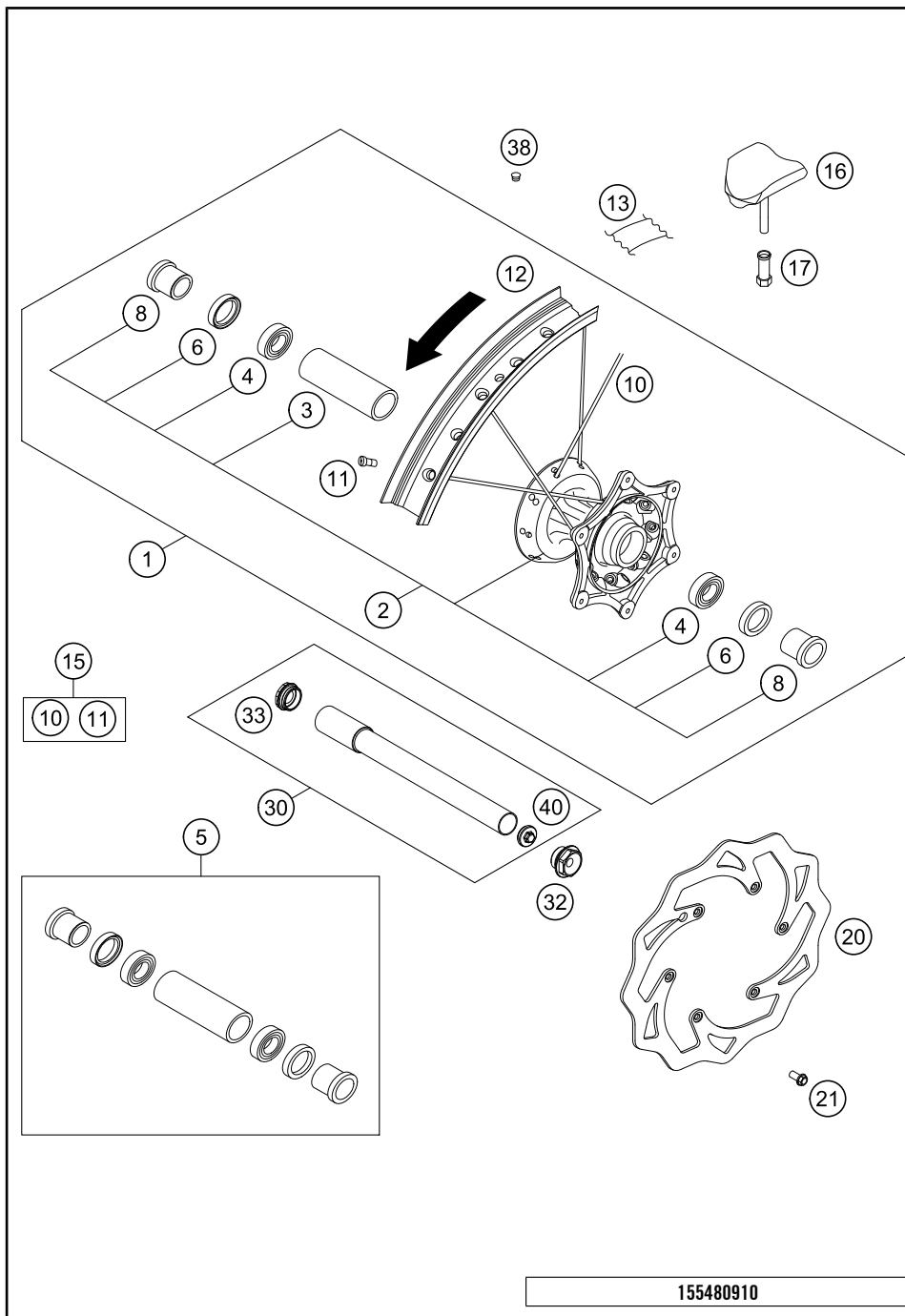
155480840

POS	PARTNUMBER	PARTNAME	PIECE
1*	78908099200	DECAL KIT SX/XC	1
2*	54808698200	STICKER REARPART 250 SX 2015	1
3*	52000091	STICKER FRONT FORK-SET WP 48	x
4*	77708094000	DECAL FORK PROTECTION SX 15	x

C155480838

* NEW PART

X ON DEMAND

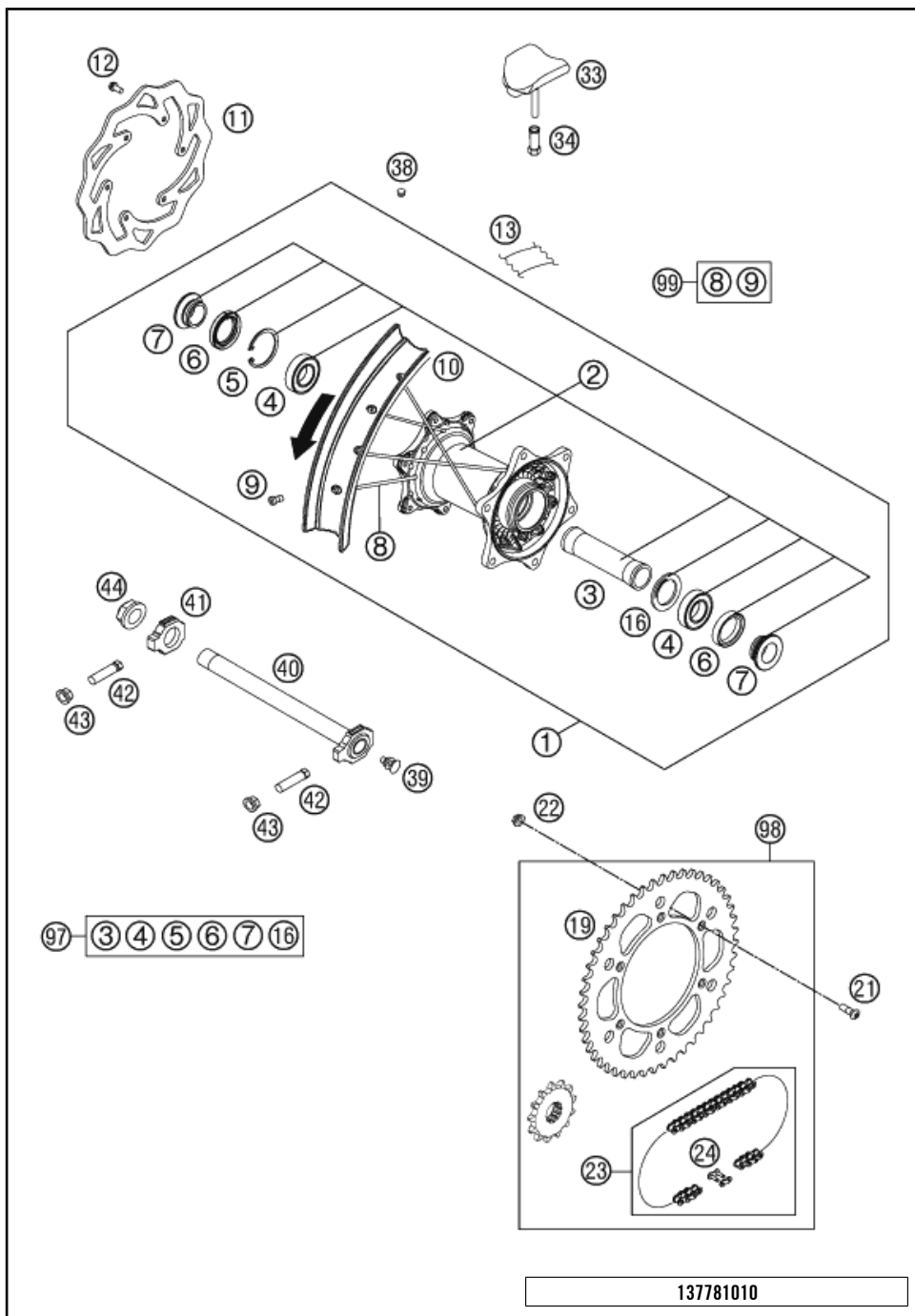


POS	PARTNUMBER	PARTNAME	PIECE
1*	7770900124430	FRONTWHEEL CPL.1,6X21"EXC.22MM	1
2*	25009010044	FRONT WHEEL HUB CPL. 22MM 15	1
3	54809011000	BEA.SPACERTUBE 35X2 L=79,4 03	1
4	0625069068	GR.BALL BEAR.6906 DDU2CG23S6NM	2
5*	77709015000	FRONT WHEEL REP. KIT SX-F USA	1
6	0760354771	SHAFT SEAL RING 35X47X7 TC	2
8*	77709012000	SPACER BUSHING F. FR. WHEEL	2
10	7710907122630	SPOKE M4,5X226- 21" BLACK 12	36
11	77109072000	SPOKE NIPPLE M4,5 AL 11	36
12*	7710907000030	RIM 1,6"X21" EXCEL BLACK	1
13	50309073000	RIM BAND 21"	1
15	00050000954	SPOKE KIT FRONT "21" BLACK	x
16	78109090000	RIM LOCK 1,60"	1
17	77110090050	NUT FOR WHEEL HOLDER	1
20	77309060000	BRAKE DISC FRONT 260	1
21	59009062013	SPECIAL SCREW M6X13 WS=8 10.9	6
30*	77709081033	WHEEL SPIN.FR. CPL. D=22 15	1
32*	70009082000	AXLESCREW M20X1.5; SW17	1
33*	70009081050	PLUG BUSHING SW17 '12	1
38	55003135000	PLUG FOR RIM	x
40*	7770908107055	AUXILIARY SCREW FRONT	1

155480910

C155480910

* NEW PART X ON DEMAND

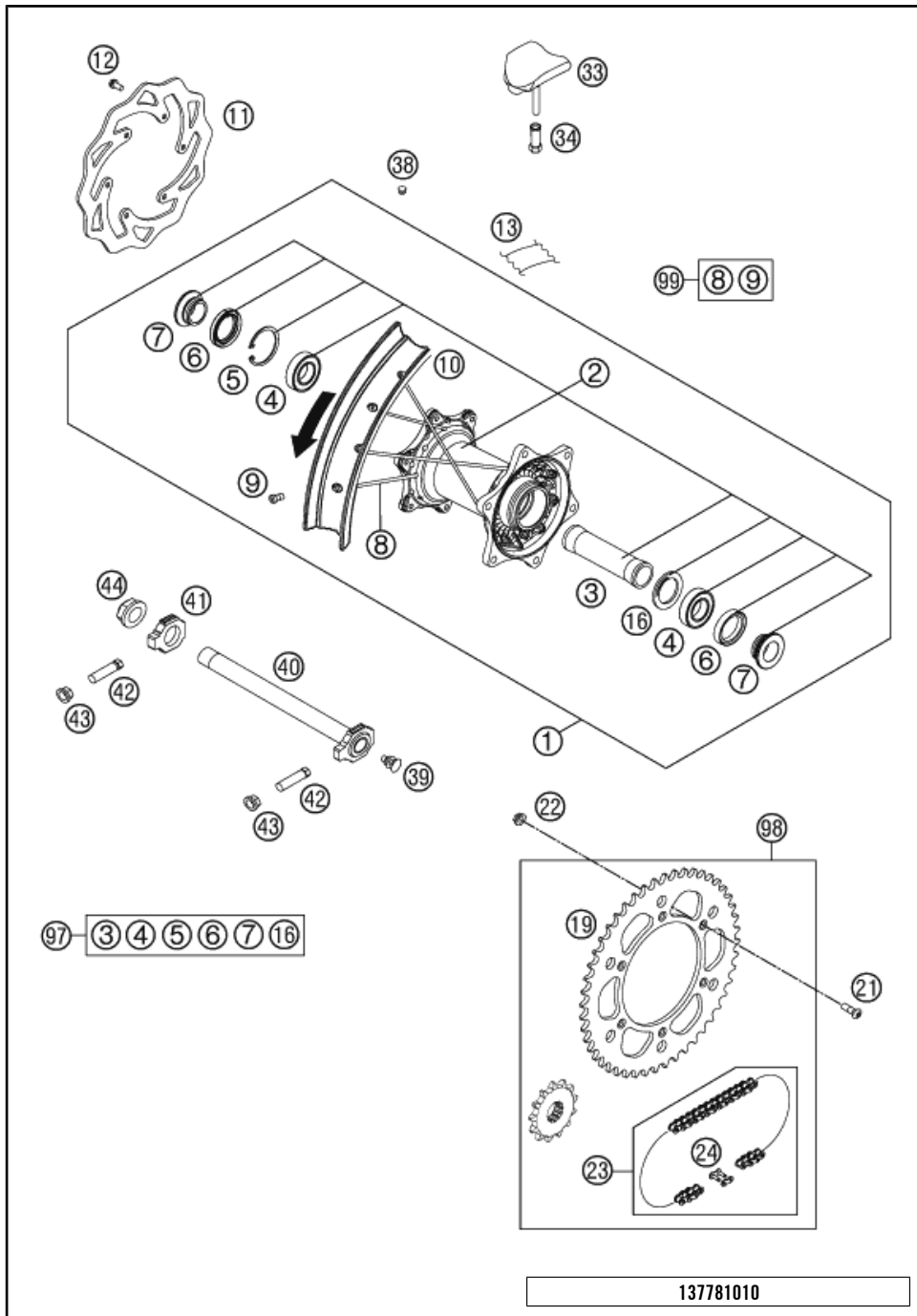


POS	PARTNUMBER	PARTNAME	PIECE
1	77710001044	REAR WHEEL CPL.2,15X19"EXC.13	1
2	78010010244	REAR WHEEL HUB CPL. 2013	1
3	77710011000	BEARING DISTANCE TUBE 121,5MM	1
4	0625060058	GR.BALL BEAR.6005 DDU2CG23S6NM	2
5	0472047175	CIRCLIP DIN0472-47X1,75	1
6	0760324771	SHAFT SEAL RING 32X47X7 BSL	2
7	77710016000	DISTANCE BUSHING REAR WHEEL	2
8	7711007120530	SPOKE M4,5x205-19" BLACK	36
9	77109072000	SPOKE NIPPLE M4,5 AL 11	36
10	77110070000	RIM 2,15"X19" EXCEL 11	1
11	77310060000	BRAKE DISC REAR 220	1
12	59009062013	SPECIAL SCREW M6X13 WS=8 10.9	6
13	50310073200	RIM BAND 18" AND 19"	1
16	77710015000	DISTANCE RING	1
19	58310051038	REAR SPROCKET 38-T	x
19	58310151040	REAR SPROCKET 40-T	x
19	58310051042	REAR SPROCKET 42-T	x
19	58310151045	REAR SPROCKET 45-T	x
19	58310151048	REAR SPROCKET 48-T	1
19	58310151049	REAR SPROCKET 49-T	x
19	58310151050	REAR SPROCKET 50-T	x
19	58310151051	REAR SPROCKET 51-T	x
19	58310151052	REAR SPROCKET 52-T	x
21	0019080266S	COUNTER-SUNK SCREW ISA45 M8X26	6
22	06923080003	HEXAGON NUT DIN EN1661 M8 SW13	6
23	50310165118	CHAIN 5/8X1/4" MX	1
24	50310166000	CONNECTING LINK F. 50310165118	1
33	78110090000	RIM LOCK 2,15"	1
34	77110090050	NUT FOR WHEEL HOLDER	1
38	55003135000	PLUG FOR RIM	x
39	50210086000	COVERING CAP SFL16	x
40	77710085044	WHEEL SPINDLE CPL. '13	1
41	77710084000	CHAIN TENSIONER R/S	1
42	50304040100	SCREW M10X1,25X50 WS=10	2
43	58414030000	HH COLLAR NUT M10X1,25 WS=13	2
44	61010086000	COLLAR NUT M25X1,5 WS=32 05	1
97	77710015010	REAR WHEEL REP. KIT	x

137781010

C145481010

* NEW PART X ON DEMAND

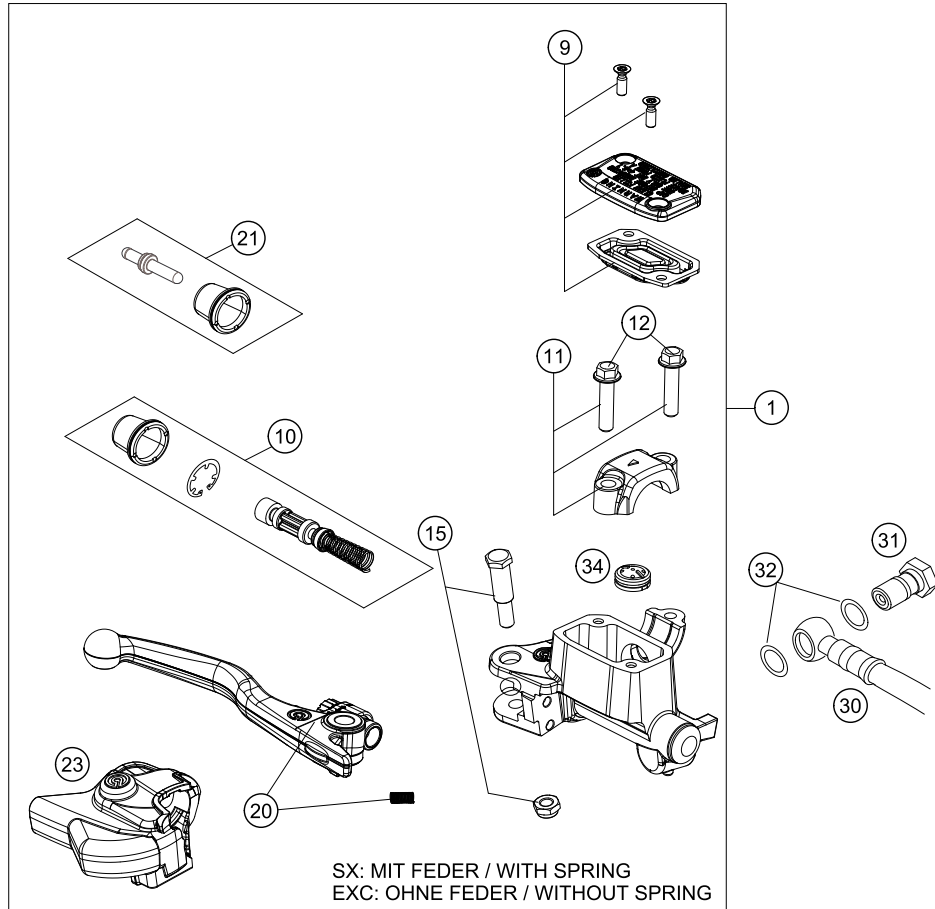


POS	PARTNUMBER	PARTNAME	PIECE
98	00050002004	DRIVETRAIN KIT 250SX/-F 13/48T	X
99	00050000963	SPOKE KIT REAR '19'	X

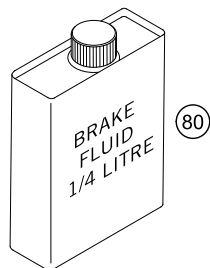
137781010

C145481010

* NEW PART X ON DEMAND



POS	PARTNUMBER	PARTNAME	PIECE
1	77713001044	HAND BREAK CYLIND. CPL. X 2014	1
9	77713003000	HAND BRAKE CYL. COVER	1
10	77713008000	REPAIR KIT PISTON SX 2014	1
11	54802005100	CLAMP CPL. 06	1
12	0025060256	HH COLLAR SCREW M6X25 TX30	2
15	77713006000	LEVER SCREW	1
20	77713002000	HAND BRAKE LEVER +SPRING SX 14 SX WITH SPRING, EXC WITHOUT SP	1
21	77713007000	PUSH ROD CPL. SX 2014	1
23	77713004000	PROTECTION CAP HAND BRAKE CYL.	1
30	59013010000	BRAKEHO. FRONT 1235MM 2000	1
31	54813020100	HOLLOW SCREW BLACK M10X1X19	1
32	0603100141	COPPER GASKET DIN7603-10X14X1	2
34	54802051000	VALVE	1
80	00062030000	BRAKE FLUID DOT5.1 0,25L	1

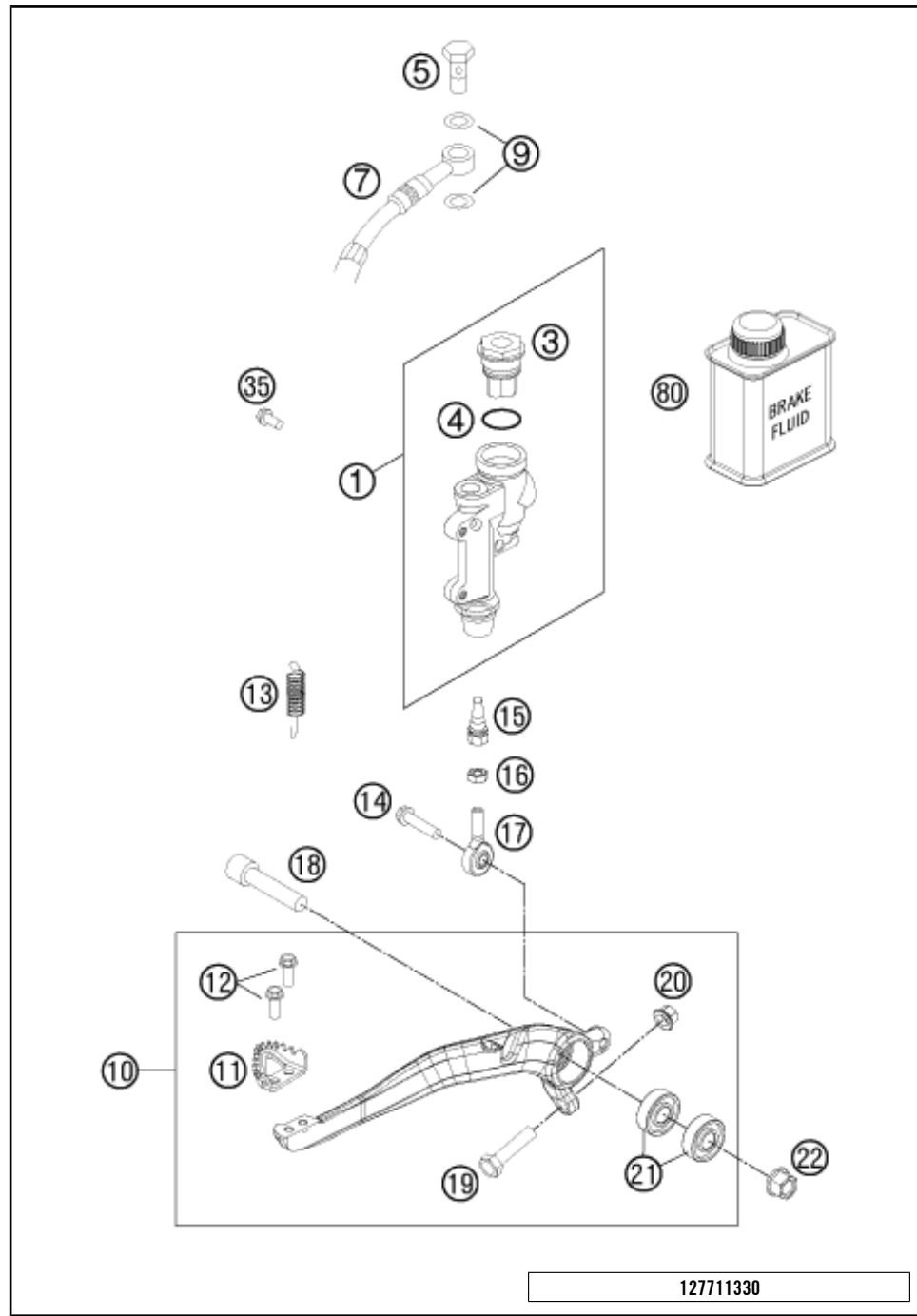


147781310

C155481310

* NEW PART

X ON DEMAND

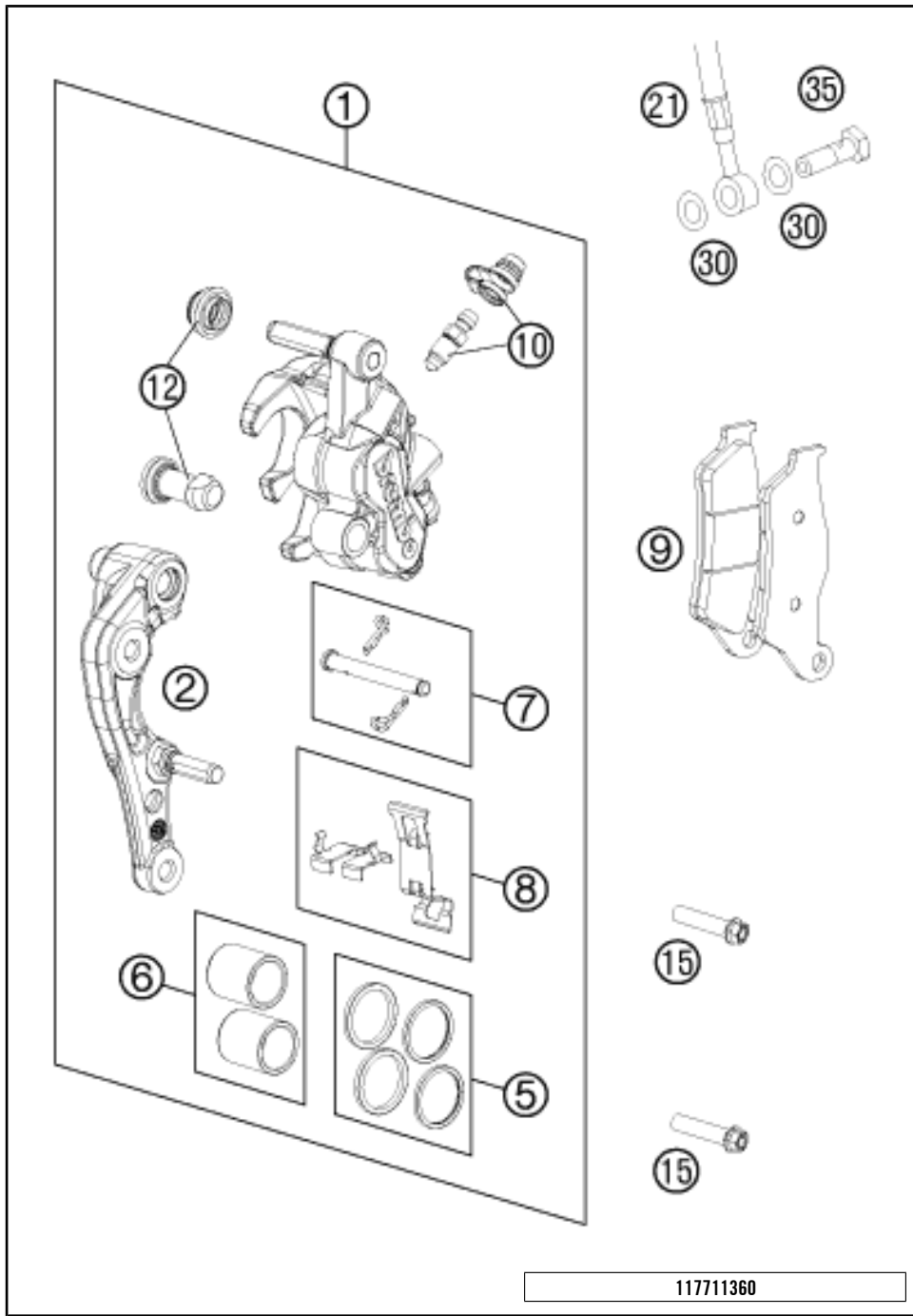


POS	PARTNUMBER	PARTNAME	PIECE
1	77013060044	REAR BRAKE CYLINDER CPL.SX 09	1
3	54813062100	REAR BRAKE CYL. COVER CPL. 04	1
4	54813063000	FOOT-BRAKE CYL. GASKET SX 03	1
5	54813020100	HOLLOW SCREW BLACK M10X1X19	1
7	77213070000	BRAKE HOSE REAR XXXMM 11	1
9	0603100141	COPPER GASKET DIN7603-10X14X1	2
10	77213050044	FOOT BRAKE LEVER CPL.	1
11	54813051000	STEP PLATE FOR BRAKE LEVER	1
12	0025050126	HH COLLAR SCREW M5X12 TX30	2
13	54603062000	RETURN SPRING FOR BRAKE LEVER	1
14	0025060206S	HH COLLAR SCREW M6X20 TX30	1
15	54813056000	PUSH ROD L=28MM 03	1
16	0985060003	SELF LOCK. NUT DIN0985-M 6	1
17	54813055000	SWIVEL HEAD KA6 03	1
18	0032100406S	AH-COLLAR SCREW M10X40 ISA45	1
19	59001037000	SPECIAL SCREW M8X26 WS=10	1
20	46030045000	COLLAR NUT M8 WS=10	1
21	0625060002	BALL BEARING SKF 6000-2RS1	2
22	54630044000	COLLAR NUT M10 WS=13	1
35	0025060126	HH COLLAR SCREW M6X12 TX30	2
80	00062030000	BRAKE FLUID DOT5.1 0,25L	1

127711330

C137781330

* NEW PART X ON DEMAND



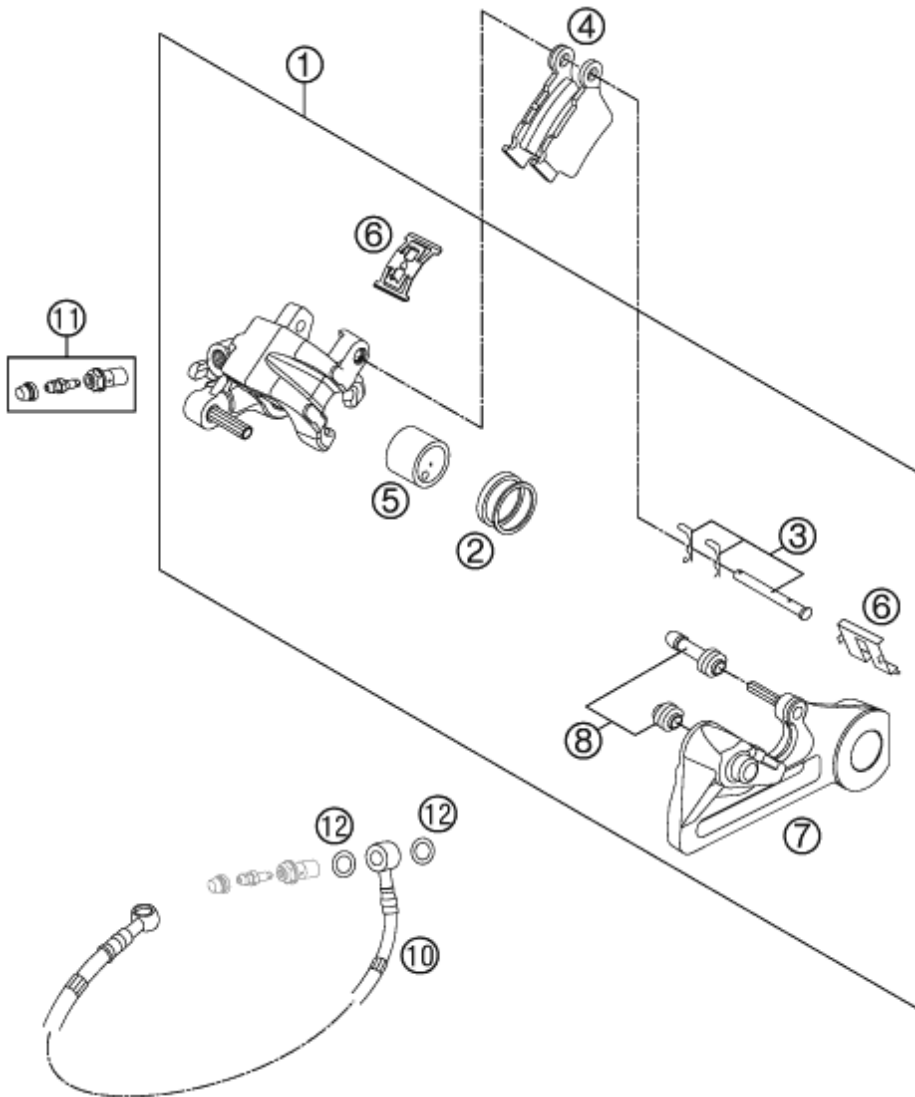
POS	PARTNUMBER	PARTNAME	PIECE
1	7701301500101	CALIPER NAT. WITHOUT PADS	1
2	77013014000	BRAKE CALIPER SUPPORT FRONT 09	1
5	77013021000	REP. KIT SEALS 24MM	1
6	77013019000	REP. KIT PISTON 24MM	1
7	77013017000	BOLT CPL. 09	1
8	77013018000	RETAINING PLATE SET BREMBO	1
9	77713030000	BRAKE PADS FRONT	1
10	61013020100	BLEEDER SCREW WITH CAP	1
12	54613218000	CUP SET SHORT	1
15*	0025080306S	HH COLLAR SCREW M8X30 TX40	2
21	59013010000	BRAKEHO. FRONT 1235MM 2000	1
30	0603100141	COPPER GASKET DIN7603-10X14X1	2
35	50213025000	HOLLOW SCREW M10X1X19	1

117711360

C155481360

* NEW PART

X ON DEMAND



POS	PARTNUMBER	PARTNAME	PIECE
1	77713080001	BRAKE CAL. REAR - WITHOUT PADS	1
2	50313081200	REPAIR KIT SEALING RINGS 26MM	1
3	54813082000	BOLT SET FOR BRAKE CALIPER 03	1
4	54813090300	BRAKE PAD SET REAR TOYO	1
5	77713083000	BRAKE PISTON 26MM 2013	1
6	54813018000	RETAINING SPRING SET 2003	1
7	77713075000	BRAKE CALIPER BRACKET REAR	1
8	54613218000	CUP SET SHORT	1
10	77213070000	BRAKE HOSE REAR XXXMM 11	1
11	62513020000	BLEEDER SCREW CPL. 05	1
12	0603100141	COPPER GASKET DIN7603-10X14X1	2

117711390

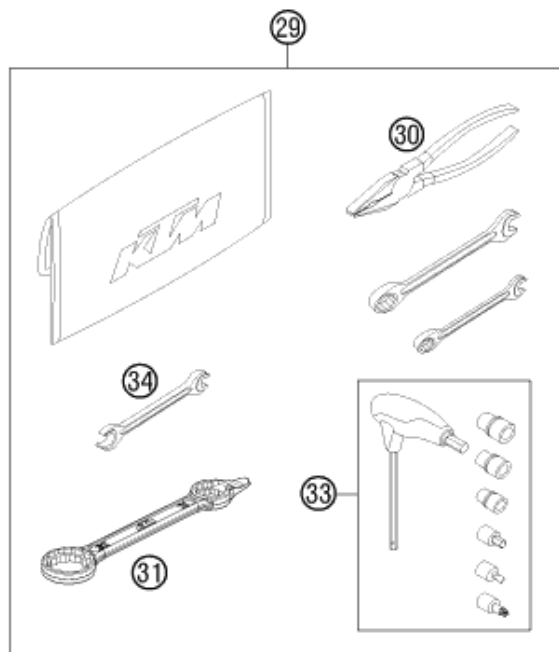
C147781390

* NEW PART

X ON DEMAND

0
OHNE ABBILDUNG
WITHOUT ILLUSTRATION

1
TECHNISCHE DOKUMENTATION
TECHNICAL DOCUMENTATION
DOCUMENTACION TECNICA
DOCUMENTATION TECHNIQUE
NOTE TECNICHE



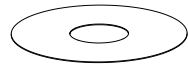
POS	PARTNUMBER	PARTNAME	PIECE
0	312313	KTM BALLPOINT PEN ORANGE	1
0	3210039	* CUSTOMER WELCOME LETTER	1
0	312305	DOCUMENTS BAG 2006	1
0	78003040033	FOOTREST L/S + R/S CPL. 09	1
0	77203094000	PLASTIC FRAME PROTECTION SET	1
0	00062030019	AIR FILTER OIL 100ML	1
0	SXS07250800	FATBAR PAD PHDS	1
0	00063004202	PRINT LABEL 60X51 MM	1
0	3212521GB	POWER WEAR FOLDER 2014	1
0	3212525DE/GB	PP OFFROAD FOLDER 2014	1
0	77703020000	PLUG-IN STAND	1
1	3213174EN	OWN. MAN. 250 SX-F/XC-F 2015	1
29	77729099000	TOOL KIT 2013	1
30	53012028200	GRIP ORANGE B&F	1
31	50329080100	WRENCH SW=17/21/27/32 B&F	1
33	60029070300	T-WRENCH WS=6/8/10/TX45/SK4X1	1
34	50329072000	SPOKE-SPANNER WS 7/10	1

135482000

C155482000

* NEW PART

X ON DEMAND



3H, DELTA, T

- ⑤ Ø 5 mm
- ⑥ Ø 6 mm
- ⑧ Ø 8 mm
- ⑩ Ø 10 mm
- ⑫ Ø 12 mm
- ⑭ Ø 14-14,5 mm
- ⑯ Ø 16 mm
- ⑳ Ø 20 mm
- ㉑ Ø 21 mm
- ㉒ Ø 22 mm
- ㉓ Ø 23 mm
- ㉔ Ø 24,5 mm
- ㉘ Ø 28,5 mm
- ㉚ Ø 32 mm
- ㉜ Ø 52 mm

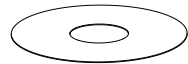
POS	PARTNUMBER	PARTNAME	PIECE
5	44906890	WASHER 5X15X2	X
6	40540400	SHIM 6X12X0,1	X
6	40540401	SHIM 6X14X0,1	X
6	40540402	SHIM 6X16X0,1	X
6	40540403	SHIM 6X18X0,1	X
6	40540404	SHIM 6X12X0,15	X
6	40540405	SHIM 6X14X0,15	X
6	40540406	SHIM 6X16X0,15	X
6	40540407	SHIM 6X18X0,15	X
6	40540408	SHIM 6X12X0,2	X
6	40540409	SHIM 6X14X0,2	X
6	40540410	SHIM 6X16X0,2	X
6	40540411	SHIM 6X18X0,2	X
6	48600095	* SHIM 6X20X0,20	X
6	40540412	SHIM 6X12X0,25	X
6	40540413	SHIM 6X14X0,25	X
6	40540414	SHIM 6X16X0,25	X
6	40540415	SHIM 6X18X0,25	X
6	40540417	SHIM 6X8,5X0,10	X
6	40540418	SHIM 6X9X0,10	X
6	40540419	SHIM 6X9,5X0,10	X
6	40540423	SHIM 6X9,5X0,15	X
6	40540425	SHIM 6X8,5X0,20	X
6	40540426	SHIM 6X9X0,20	X
6	40540427	SHIM 6X9,5X0,20	X
6	40540447	SHIM 6X10X0,3	X
6	40540449	SHIM 6X9X0,3	X
6	40540450	SHIM 6X9,5X0,3	X
6	40540494	SHIM 6X18X0,4	X
6	40540774	SHIM 6X18X0,1 DELTA	X
6	40541383	SHIM 6X11X0,1	X
6	40541391	SHIM 6X11X0,3	X
6	40541402	SHIM 6X11X0,2	X
6	40541403	SHIM 6X10X0,20	X
6	40541404	SHIM 6X10X0,1	X
6	40541405	SHIM 6X10X0,15	X
6	40541406	SHIM 6X11X0,15	X
6	40541408	SHIM 6X8,0X0,30	X

080000190

C130009090

* NEW PART

X ON DEMAND



3H, DELTA, T

- ⑤ Ø 5 mm
- ⑥ Ø 6 mm
- ⑧ Ø 8 mm
- ⑩ Ø 10 mm
- ⑫ Ø 12 mm
- ⑭ Ø 14-14,5 mm
- ⑯ Ø 16 mm
- ⑳ Ø 20 mm
- ㉑ Ø 21 mm
- ㉒ Ø 22 mm
- ㉓ Ø 23 mm
- ㉔ Ø 24,5 mm
- ㉘ Ø 28,5 mm
- ㉚ Ø 32 mm
- ㉜ Ø 52 mm

POS	PARTNUMBER	PARTNAME	PIECE
6	40541414	SHIM 6X8,0X0,10	X
6	40541416	SHIM 6X8X0,3	X
6	40541417	SHIM 6X11X0,25	X
6	48600102	* SHIM 6X24X0,25	X
6	48600063	SHIM 6X24X0,1	X
6	48600064	SHIM 6X22X0,1	X
6	48600065	SHIM 6X20X0,1	X
6	48600069	SHIM 6X20X0,15	X
6	48600100	SHIM 6X24X0,15	X
6	48600116	SHIM 6X24X0,1 DELTA	X
6	48600139	SHIM 6X22X0,1 DELTA	X
6	48600217	BACKPLATE 6X10X0,25	X
6	48600325	SHIM 6X13X0,1	X
6	48600327	SHIM 6X15X0,1	X
6	48600329	SHIM 6X17X0,1	X
6	48600331	SHIM 6X19X0,1	X
6	48600096	* SHIM 6X20X0,25	X
6	48600097	SHIM 6X22X0,15	X
6	48600099	* SHIM 6X22X0,25	X
6	40540448	BACKPLATE 6X8,5X0,30	X
6	48600479	SHIM 6X20X0,1 T/3H	X
6	48600332	SHIM 6X21X0,1	X
6	48600333	SHIM 6X23X0,1	X
6	40541393	* SHIM 6X12X0,3	X
6	48600330	SHIM 6X17X0,15	X
6	48600988	SHIM 6X28X0,10	X
6	48600989	SHIM 6X26X0,10	X
6	48601091	SHIM 6X28X0,15	X
6	48601093	SHIM 6X26X0,15	X
8	40540477	SHIM 8X18X0,4	X
8	43570120	SHIM 8X18X0,10	X
8	44916098	WASHER 8,4X16X0,8	X
8	44916130	WASHER 8,2X15X1	X
8	44916180	WASHER 8,2X11X1	X
8	48600214	SHIM 8X16X0,1	X
8	48600346	SHIM 8X11X0,2	X
8	48600215	CHECK VALVE 8X20X0,1	X
8	48600061	CHECK VALVE 8X24X0,4	X

080000190

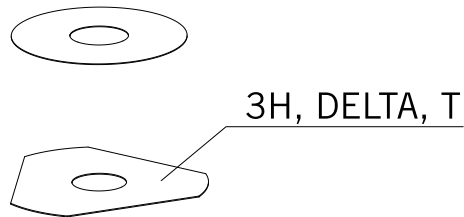
C130009090

* NEW PART

X ON DEMAND



- ⑤ Ø 5 mm
- ⑥ Ø 6 mm
- ⑧ Ø 8 mm
- ⑩ Ø 10 mm
- ⑫ Ø 12 mm
- ⑭ Ø 14-14,5 mm
- ⑯ Ø 16 mm
- ⑳ Ø 20 mm
- ㉑ Ø 21 mm
- ㉒ Ø 22 mm
- ㉓ Ø 23 mm
- ㉔ Ø 24,5 mm
- ㉘ Ø 28,5 mm
- ㉚ Ø 32 mm
- ㉜ Ø 52 mm



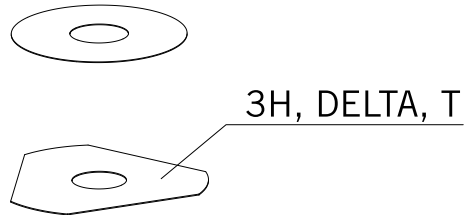
POS	PARTNUMBER	PARTNAME	PIECE
8	4860062	CHECK VALVE 8X24X0,1	X
8	48600216	CHECK VALVE 8X22X0,1	X
8	48600480	SHIM 8X10X0,20	X
8	48600555	SHIM 8X16X0,20	X
8	48600213	SHIM 8X14X0,10	X
8	48600357	CHECK VALVE 8X11X0,1	X
8	48600351	CHECK VALVE 8X12X0,1	X
8	48600607	SHUTTLE VALVE 8X20X0,4	X
8	48601095	SHIM 8X17X0,10	X
8	48600218	BACKPLATE 8X11X0,40	X
10	36120284	SHIM 10X16X0,10	X
10	36120298	SHIM 10X16X0,2	X
10	36120312	SHIM 10X16X0,30	X
10	36120314	SHIM 10X18X0,30	X
10	36120325	SHIM 10X19X0,15	X
10	36120327	SHIM 10X23X0,15	X
10	36120328	SHIM 10X25X0,15	X
10	36120329	SHIM 10X27X0,15	X
10	36120330	SHIM 10X29X0,15	X
10	36120331	SHIM 10X31X0,15	X
10	36120332	SHIM 10X33X0,15	X
10	36120334	SHIM 10X21X0,20	X
10	36120335	SHIM 10X23X0,20	X
10	36120336	SHIM 10X25X0,20	X
10	36120337	SHIM 10X27X0,20	X
10	36120338	SHIM 10X29X0,20	X
10	36120339	SHIM 10X31X0,20	X
10	36120340	SHIM 10X33X0,20	X
10	36120342	SHIM 10X21X0,25	X
10	36120343	SHIM 10X23X0,25	X
10	36120344	SHIM 10X25X0,25	X
10	36120345	SHIM 10X27X0,25	X
10	36120349	SHIM 10X19X0,30	X
10	36120350	SHIM 10X21X0,30	X
10	40140275	WASHER 10X35X0,15	X
10	36120346	* SHIM 10X29X0,25	X
10	50180010	* SHIM 16X24X0,10	X
10	36120604	SHIM D10XD22X2,5	X

080000190

C130009090

* NEW PART

X ON DEMAND



- ⑤ Ø 5 mm
- ⑥ Ø 6 mm
- ⑧ Ø 8 mm
- ⑩ Ø 10 mm
- ⑫ Ø 12 mm
- ⑭ Ø 14-14,5 mm
- ⑯ Ø 16 mm
- ⑳ Ø 20 mm
- ㉑ Ø 21 mm
- ㉒ Ø 22 mm
- ㉓ Ø 23 mm
- ㉔ Ø 24,5 mm
- ㉘ Ø 28,5 mm
- ㉚ Ø 32 mm
- ㉜ Ø 52 mm

POS	PARTNUMBER	PARTNAME	PIECE
12	46810490	SHIM 12X24X0,20	X
12	46810491	SHIM 12X26X0,20	X
12	46810492	SHIM 12X28X0,20	X
12	46810493	SHIM 12X30X0,20	X
12	46810494	SHIM 12X32X0,20	X
12	46810495	SHIM 12X34X0,20	X
12	46810496	SHIM 12X36X0,20	X
12	46810497	SHIM 12X38X0,20	X
12	46810498	SHIM 12X40X0,20	X
12	46810499	SHIM 12X24X0,25	X
12	46810500	SHIM 12X26X0,25	X
12	46810501	SHIM 12X28X0,25	X
12	46810502	SHIM 12X30X0,25	X
12	46810504	SHIM 12X34X0,25	X
12	46810505	SHIM 12X36X0,25	X
12	46810507	SHIM 12X40X0,25	X
12	46810508	SHIM 12X24X0,30	X
12	46810509	SHIM 12X26X0,30	X
12	46810510	SHIM 12X28X0,30	X
12	46810512	SHIM 12X32X0,30	X
12	46810513	SHIM 12X34X0,30	X
12	46810518	SHIM 12X26X0,15	X
12	46810519	SHIM 12X28X0,15	X
12	46810520	SHIM 12X30X0,15	X
12	46810521	SHIM 12X32X0,15	X
12	46810522	SHIM 12X34X0,15	X
12	46810523	SHIM 12X36X0,15	X
12	46810524	SHIM 12X38X0,15	X
12	46810525	SHIM 12X40X0,15	X
12	46810604	SHIM 12X20X0,10	X
12	46810606	SHIM 12X22X0,10	X
12	46810607	SHIM 12X23X0,10	X
12	46810608	SHIM 12X24X0,10	X
12	46810610	SHIM 12X27X0,15	X
12	46810611	SHIM 12X18X0,15	X
12	46810612	SHIM 12X19X0,15	X
12	46810615	SHIM 12X22X0,15	X
12	46810636	BACKPLATE 12X16X0,30	X

080000190

C130009090

* NEW PART

X ON DEMAND



3H, DELTA, T

- ⑤ Ø 5 mm
- ⑥ Ø 6 mm
- ⑧ Ø 8 mm
- ⑩ Ø 10 mm
- ⑫ Ø 12 mm
- ⑭ Ø 14-14,5 mm
- ⑯ Ø 16 mm
- ⑳ Ø 20 mm
- ㉑ Ø 21 mm
- ㉒ Ø 22 mm
- ㉓ Ø 23 mm
- ㉔ Ø 24,5 mm
- ㉘ Ø 28,5 mm
- ㉚ Ø 32 mm
- ㉜ Ø 52 mm

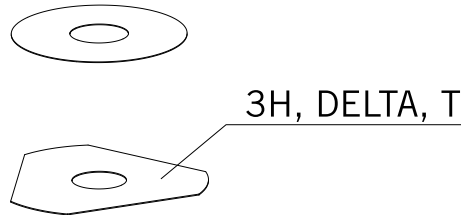
POS	PARTNUMBER	PARTNAME	PIECE
12	46810637	BACKPLATE 12X17X0,30	X
12	46810638	BACKPLATE 12X18X0,30	X
12	46810639	SHIM 12X19X0,30	X
12	46810641	BACKPLATE 12X21X0,30	X
12	46811582	BACKPLATE 12X30X0,10	X
12	46810631	SHIM 12X20X0,25	X
12	46810633	SHIM 12X22X0,25	X
12	46811580	SHIM 12X32X0,10	X
12	46810503	SHIM 12X32X0,25	X
12	46810517	* SHIM 12X24X0,15	X
12	46810640	SHIM 12X20X0,30	X
12	46811258	RING 12X24X2,5	X
14	46811046	SHIM 14,5X35,4X1,25	X
16	50180023	* SHIM 16X23X0,20	X
16	50180030	SHIM	X
16	50180006	BACKPLATE 16X20X0,10	X
16	50180007	SHIM 16X21X0,10	X
16	50180028	SHIM 16X21X0,25	X
16	50180210	WASHER 16X21X1	X
16	50180008	SHIM 16X22X0,10	X
16	50180022	SHIM 16X22X0,20	X
16	50180037	SHIM 16X23X0,30	X
16	50180038	SHIM 16X24X0,30	X
16	50180032	SHIM 15X25X0,25	X
16	50180039	SHIM 16X25X0,30	X
16	50180012	SHIM 16X26X0,10	X
16	50180019	SHIM 16X26X0,15	X
16	50180026	SHIM 16X26X0,20	X
16	50180040	SHIM 16X26X0,30	X
16	50180041	SHIM 16X28X0,10	X
16	50180045	SHIM 16X28X0,15	X
16	50180054	SHIM 16X28X0,20	X
16	50180063	SHIM 16X28X0,25	X
16	50180072	SHIM 16X28X0,30	X
16	50180046	SHIM 16X30X0,15	X
16	50180055	SHIM 16X30X0,20	X
16	50180064	SHIM 16X30X0,25	X
16	50180073	SHIM 16X30X0,30	X

080000190

C130009090

* NEW PART

X ON DEMAND



- ⑤ Ø 5 mm
- ⑥ Ø 6 mm
- ⑧ Ø 8 mm
- ⑩ Ø 10 mm
- ⑫ Ø 12 mm
- ⑭ Ø 14-14,5 mm
- ⑯ Ø 16 mm
- ⑳ Ø 20 mm
- ㉑ Ø 21 mm
- ㉒ Ø 22 mm
- ㉓ Ø 23 mm
- ㉔ Ø 24,5 mm
- ㉘ Ø 28,5 mm
- ㉚ Ø 32 mm
- ㉜ Ø 52 mm

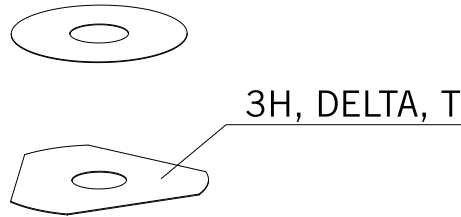
POS	PARTNUMBER	PARTNAME	PIECE
16	50180047	SHIM 16X32X0,15	X
16	50180056	SHIM 16X32X0,20	X
16	50180065	SHIM 16X32X0,25	X
16	50180074	SHIM 16X32X0,30	X
16	50180044	SHIM 16X34X0,10	X
16	50180048	SHIM 16X34X0,15	X
16	50180057	SHIM 16X34X0,20	X
16	50180066	SHIM 16X34X0,25	X
16	50180075	SHIM 16X34X0,30	X
16	50180049	SHIM 16X36X0,15	X
16	50180058	SHIM 16X36X0,20	X
16	50180067	SHIM 16X36X0,25	X
16	50180076	SHIM 16X36X0,30	X
16	50180050	SHIM 16X38X0,15	X
16	50180059	SHIM 16X38X0,20	X
16	50180068	SHIM 16X38X0,25	X
16	50180077	SHIM 16X38X0,30	X
16	50180051	SHIM 16X40X0,15	X
16	50180060	SHIM 16X40X0,20	X
16	50180069	SHIM 16X40X0,25	X
16	50180078	SHIM 16X40X0,30	X
16	50180052	SHIM 16X42X0,15	X
16	50180061	SHIM 16X42X0,20	X
16	50180070	SHIM 16X42X0,25	X
16	50180079	SHIM 16X42X0,30	X
16	50180053	SHIM 16X44X0,15	X
16	50180062	SHIM 16X44X0,20	X
16	50180071	SHIM 16X44X0,25	X
16	50180080	SHIM 16X44X0,30	X
16	50180177	WASHER 16X8,2X0,6	X
16	50180033	SHIM 16X26X0,25	X
16	50180034	BACKPLATE 16X20X0,30	X
16	50180035	BACKPLATE 16X21X0,30	X
16	50180036	BACKPLATE 16X22X0,30	X
16	50180043	SHIM	X
16	50180024	* SHIM 16X24X0,20	X
16	50180027	* SHIM 16X20X0,25	X
16	50180031	SHIM	X

080000190

C130009090

* NEW PART

X ON DEMAND



- ⑤ Ø 5 mm
- ⑥ Ø 6 mm
- ⑧ Ø 8 mm
- ⑩ Ø 10 mm
- ⑫ Ø 12 mm
- ⑭ Ø 14-14,5 mm
- ⑯ Ø 16 mm
- ⑳ Ø 20 mm
- ㉑ Ø 21 mm
- ㉒ Ø 22 mm
- ㉓ Ø 23 mm
- ㉔ Ø 24,5 mm
- ㉘ Ø 28,5 mm
- ㉚ Ø 32 mm
- ㉜ Ø 52 mm

POS	PARTNUMBER	PARTNAME	PIECE
20	48600212	PRESSURE-RING 20X16,25X0,20	X
20	50180666	SHIM 20X24X0,30	X
20	50180654	SHIM 20X36X0,20	X
20	50180655	SHIM 20X38X0,20	X
20	50180656	SHIM 20X40X0,20	X
20	50180665	SHIM 20X40X0,25	X
20	50180662	SHIM 20X34X0,25	X
20	50180657	SHIM 20X24X0,25	X
20	50180653	SHIM 20X34X0,20	X
20	50180634	RING 20X22,9X1	X
20	50180650	SHIM 20,2X28X0,20	X
20	50180663	SHIM 20X36X0,25	X
20	50180664	SHIM 20X38X0,25	X
20	50180659	SHIM 20,2X28X0,25	X
21	50180209	WASHER 21X36X0,25	X
22	50180330	* PRESS. RING 22X18X0,30	X
23	50180635	SHUTTLE VALVE 23X38X0,25	X
23	50180578	SHIM D23XD16X2	X
24	40541061	WASHER 24,5X34X2	X
28	36120469	SHIM 28,5X14X2	X
28	36120471	SHIM 28,5X14X5	X
32	48600460	WASHER 32X42X2,5	X
32	50600065	SHIM 32X45X2	X
32	46811637	PRESSURE RING 36X32,25	X
52	50600002	SHIM 52X59X2,2	X

080000190

C130009090

* NEW PART

X ON DEMAND

WWW.KTM.COM



KTM-Sportmotorcycle AG
5230 Mattighofen, Austria
www.ktm.com



KTM_POWERPARTS

KTM_POWERWEAR

KTM_ORIGINAL SPARE PARTS



3CFF630100EN

Art. Nr.: 3CFF630100EN 27. Mai 2014