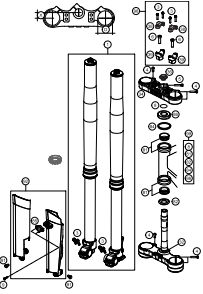
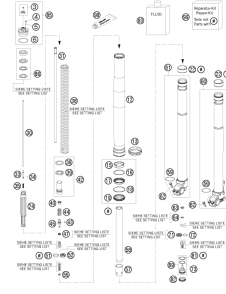
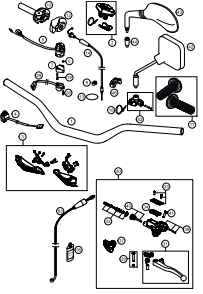
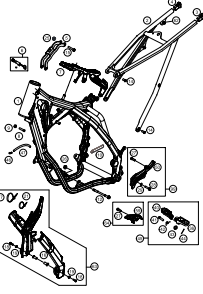
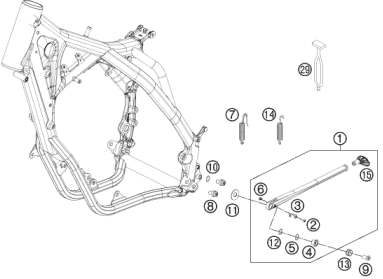
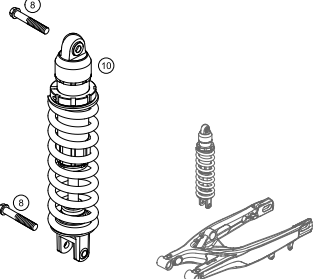
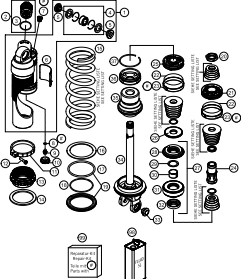
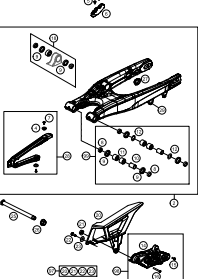
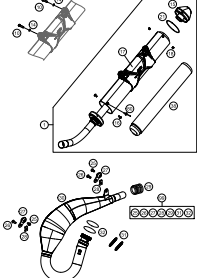
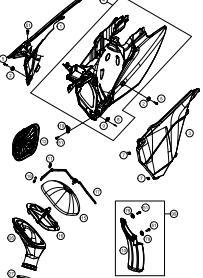
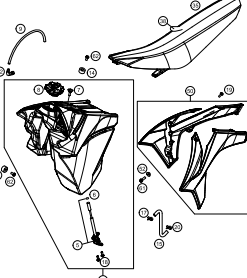
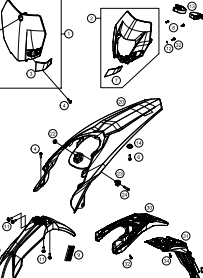


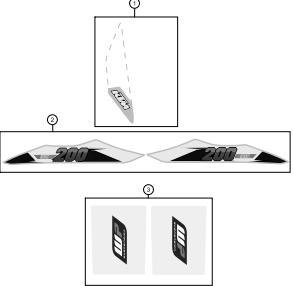
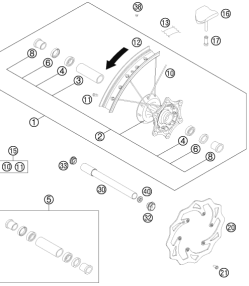
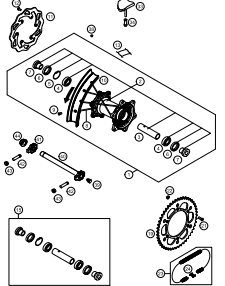
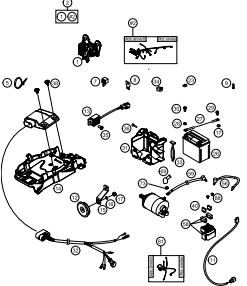
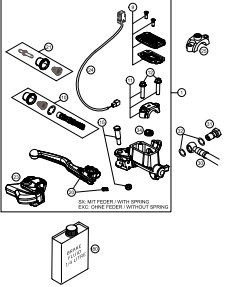
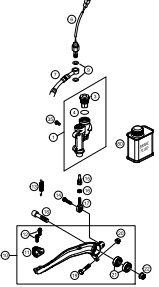
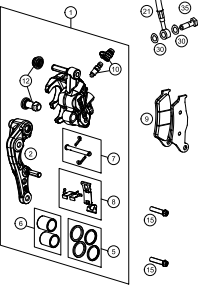
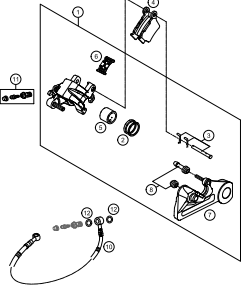
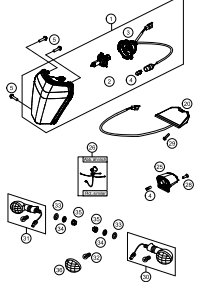
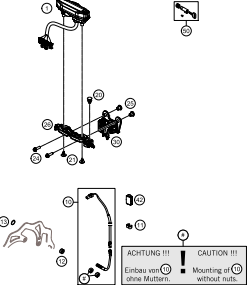
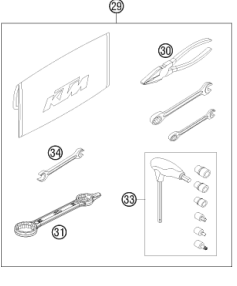
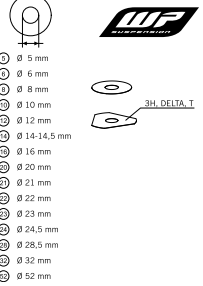
# 200 EXC EU 2015

ART.-NR.: 3CFF720306EN

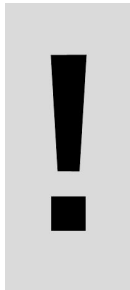


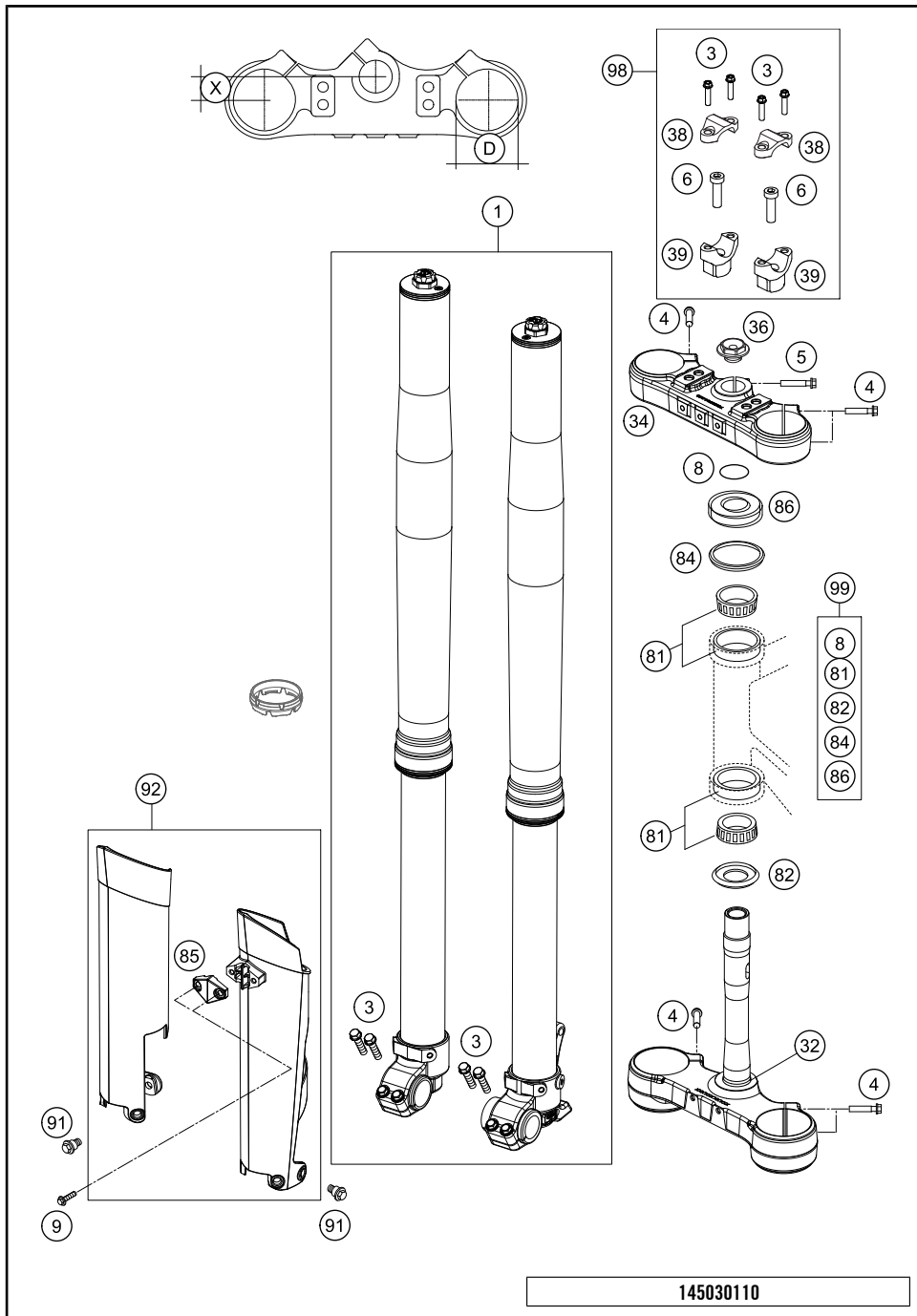


|  |   |  |   |
|--|---|--|---|
| <p><b>FRONT FORK, TRIPLE CLAMP</b></p>  <p><b>4</b></p> | <p><b>FRONT FORK DISASSEMBLED</b></p>  <p><b>5</b></p> | <p><b>HANDLEBAR, CONTROLS</b></p>  <p><b>7</b></p>          | <p><b>FRAME</b></p>  <p><b>8</b></p>           |
| <p><b>SIDE / CENTER STAND</b></p>  <p><b>9</b></p>      | <p><b>MONOSHOCK</b></p>  <p><b>10</b></p>              | <p><b>SHOCK ABSORBER DISASSEMBLED</b></p>  <p><b>11</b></p> | <p><b>SWINGARM</b></p>  <p><b>13</b></p>       |
| <p><b>EXHAUST SYSTEM</b></p>  <p><b>14</b></p>        | <p><b>AIR FILTER</b></p>  <p><b>15</b></p>           | <p><b>TANK, SEAT, COVER</b></p>  <p><b>16</b></p>         | <p><b>MASK, FENDER</b></p>  <p><b>17</b></p> |

|  |   |  |   |
|--|---|--|---|
| <p><b>DECAL</b></p>  <p><b>18</b></p>               | <p><b>FRONT WHEEL</b></p>  <p><b>19</b></p>                | <p><b>REAR WHEEL</b></p>  <p><b>20</b></p>          | <p><b>WIRING HARNESS</b></p>  <p><b>21</b></p>         |
| <p><b>HAND BRAKE CYLINDER</b></p>  <p><b>22</b></p> | <p><b>REAR BRAKE CONTROL</b></p>  <p><b>23</b></p>         | <p><b>BRAKE CALIPER FRONT</b></p>  <p><b>24</b></p> | <p><b>BRAKE CALIPER REAR</b></p>  <p><b>25</b></p>     |
| <p><b>LIGHTING SYSTEM</b></p>  <p><b>26</b></p>   | <p><b>INSTRUMENTS, LOCK SYSTEM</b></p>  <p><b>27</b></p> | <p><b>ACCESSORIES KIT</b></p>  <p><b>28</b></p>   | <p><b>WP SHIMS FOR SETTING</b></p>  <p><b>29</b></p> |



|  |   |  |  |
|--|---|--|--|
|  |   |  |  |
|  |   |  |  |
|  |  | <p>All information contained is without obligation. KTM-Sportmotorcycle AG particularly reserves the right to modify any equipment, technical specifications, prices, colors, shapes, materials, services, service work, constructions, equipment and the like so as to adapt them to local conditions or to cancel any of the above items, all without previous announcement and without giving reasons. KTM may stop manufacturing certain models without previous notice. KTM shall not be held liable for any deviations of availability and/or ability to deliver, illustrations, descriptions, printing and/or other errors. The illustrated models partly contain extra equipment, which is not applied to standard models.</p> <p>© by KTM-SPORTMOTORCYCLE AG, Mattighofen AUSTRIA; All rights reserved; Reprint, also in extracts, with written allowance of KTMSPORTMOTORCYCLE AG, Mattighofen only.</p> |  |

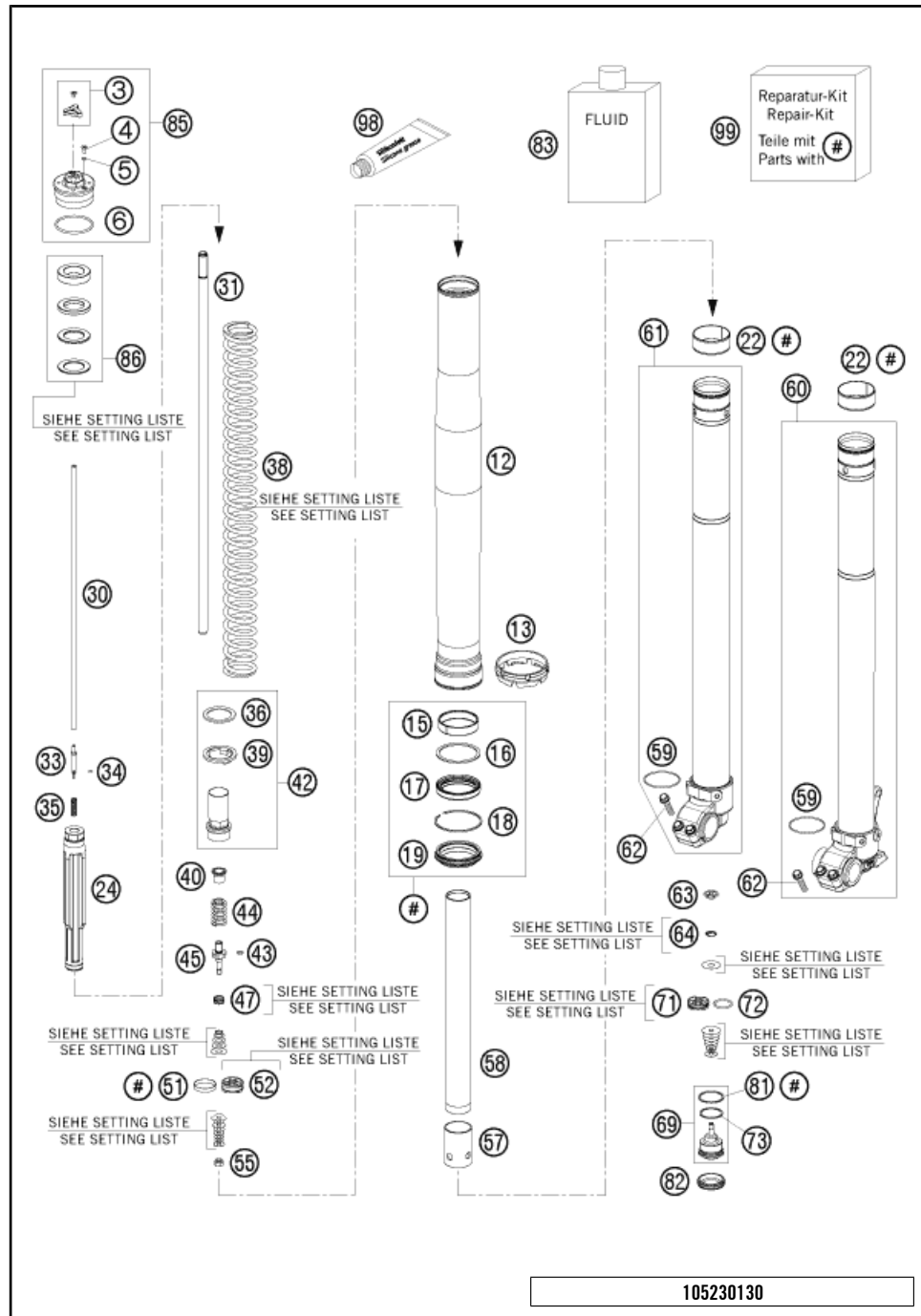


| POS | PARTNUMBER    | PARTNAME                       | PIECE |
|-----|---------------|--------------------------------|-------|
| 1   | 14187L6101    | GABEL WP 125/200 EXC 2012      | 1     |
| 3   | 0025080256    | HH COLLAR SCREW M8X25 TX40     | 8     |
| 4   | 0025080306    | HH COLLAR SCREW M8X30 TX40     | 8     |
| 5   | 0025080356    | HH COLLAR SCREW M8X35 TX40     | 1     |
| 6   | 0032100356S   | AH-COLLAR SCREW M10X35 ISA45   | 2     |
| 8   | 0770025035    | O-RING 25X3,55 NBR70 05        | 1     |
| 9   | 0017060206    | SCREW F. PLASTIC K60X20AL SW6  | 2     |
| 32  | 78101132122   | BOTTOM TRIPLE CLAMP CPL.       | 1     |
| 34  | 78101034022   | TOP TRIPLE CLAMP X=22MM        | 1     |
| 36* | 70009082000   | AXLESCREW M20X1.5; SW17        | 1     |
| 38  | 77201038000   | HANDLEBAR CLAMP 28MM           | 2     |
| 39  | 59401039032   | HANDLEB.SUPP. D=28MM H=32MM 05 | x     |
| 39  | 59401039037   | HANDLEB.SUPP. D=28MM H=37MM 05 | 2     |
| 39  | 59401039042   | HANDLEB.SUPP. D=28MM H=42MM 05 | x     |
| 81  | 54201081100   | TAPERED ROLLER BEARING CPL. 06 | 2     |
| 82* | 77701084000   | O-RING SUPPORT W. SEALING LIP  | 1     |
| 84  | 54601184000   | STEERING HEAD GASKET TOP       | 1     |
| 85  | 7800108500028 | CLAMP F. SPEED. CABLE D=6MM 08 | 1     |
| 86  | 78101086000   | STEERING HEAD COVER            | 1     |
| 91  | 59001092050   | SPECIAL SCREW M6X12,5 WS=8     | 6     |
| 92  | 7800109420028 | FORK PROTECT. L/S+R/S WHITE    | 1     |
| 98  | 00050000921   | HANDLEBAR SUPPORT KIT D28/H37  | x     |
| 99  | 00050000930   | STEERING HEAD REP. KIT 06-15   | x     |

145030110

C155240110

\* NEW PART X ON DEMAND

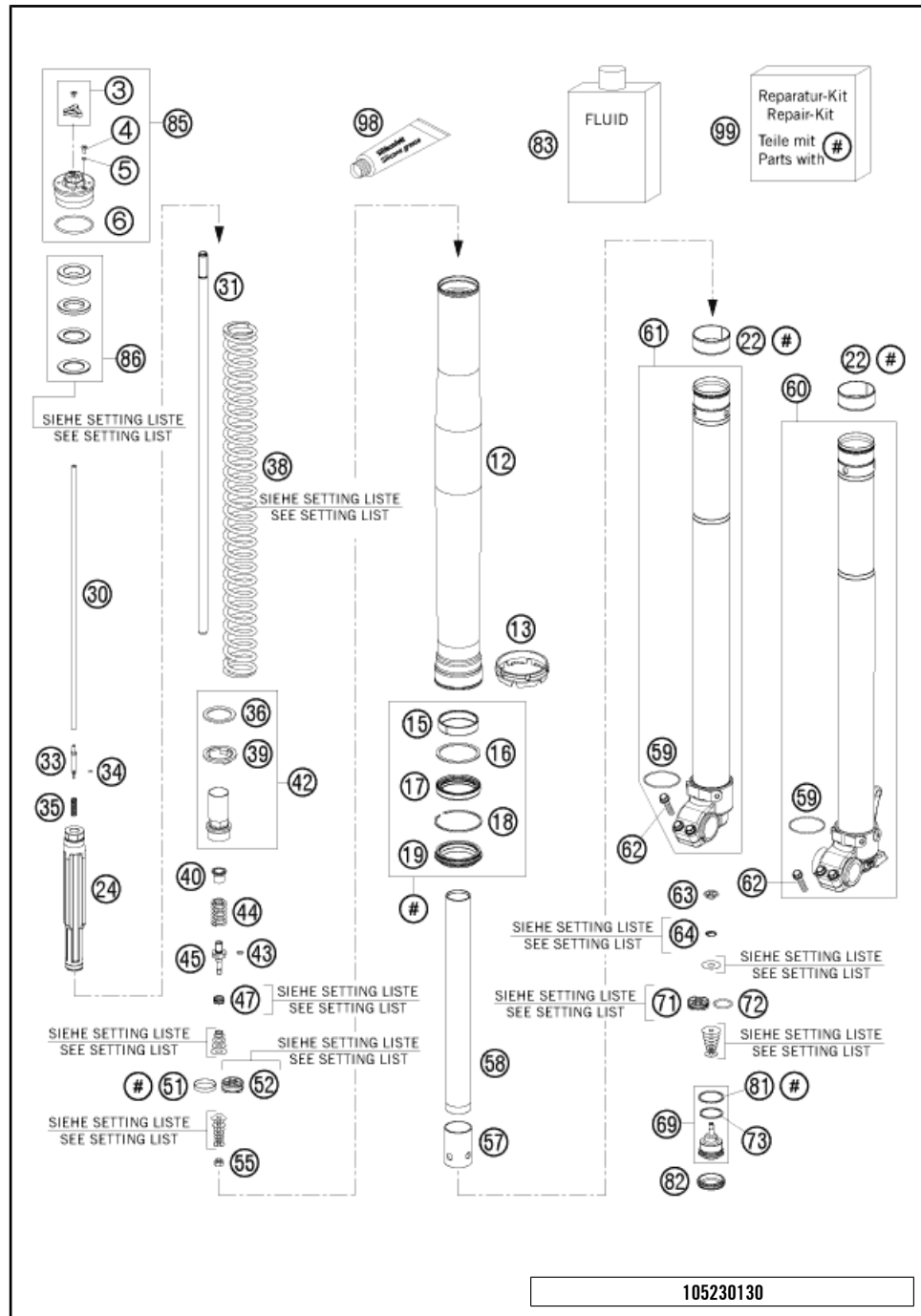


| POS | PARTNUMBER  | PARTNAME                       | PIECE |
|-----|-------------|--------------------------------|-------|
| 3   | 48600812S   | ADJUSTING KNOB + SCREW         | 2     |
| 4   | 48600481    | VENT SCREW M4X8                | 2     |
| 5   | 48600046    | O-RING NBR 3X1,5               | 2     |
| 6   | 46810340    | O-RING NBR 45X2                | 1     |
| 12  | 48600736    | OUTER TUBE L577 D54/60MM 2L    | 2     |
| 13  | 48600698    | FORK PROTECTION RING 08        | 2     |
| 15  | 48601009    | GUIDING BUSH 48X52X12 R11      | 2     |
| 16  | 48600013    | SUPPORT RING 50 X 57,6 X 1,5   | 2     |
| 17  | 48600969    | OIL SEAL RING D48 SKF          | 2     |
| 18  | 48600070    | LOCK WASHER SB58               | 2     |
| 19  | 48600968    | DUST SEAL DL D48 SKF           | 2     |
| 22  | 48601008    | GUIDING BUSH 47X49X20 R11      | 2     |
| 24  | 48600557S   | HYDR.STOP L=200 D=31,9 CPL. 07 | 2     |
| 30  | 48600559    | ADJUSTING TUBE L=520 07        | 2     |
| 31  | 48600568    | PISTON ROD D=12 L=554 ALU      | 2     |
| 33  | 48600277    | ADJUSTER NEEDLE 07             | 2     |
| 34  | 48600298    | O-RING 2X1,5 NBR               | 2     |
| 35  | 48600444    | REBOUND SPRING C=4N/MM         | 2     |
| 36  | 48600113    | WASHER 32X42X2,5               | 2     |
| 38  | 91410012S   | SPRING 3,8N/MM SET D=4,9MM     | x     |
| 38  | 91410013S   | SPRING 4,0N/MM SET D=5,0MM     | x     |
| 38  | 91410014S   | SPRING 4,2N/MM SET D=5,0MM     | x     |
| 38  | 91410015S   | SPRING 4,4N/MM SET D=5,1MM     | x     |
| 38  | 91410016S   | SPRING 4,6N/MM SET             | x     |
| 39  | 48600021    | INTERM. RING 26,2 X 43 X 3     | 2     |
| 40  | 48600525    | GUIDING BUSH REBOUND SPRING    | 2     |
| 42  | 48600830S   | SCREW SLEEVE M27X0,8           | 2     |
| 43  | 48600299    | O-RING 6X1,2 NBR               | 2     |
| 44  | 48600511    | REBOUND SPRING L=32 C=17       | 2     |
| 45  | 48600576    | PISTON ROD REBOUND             | 2     |
| 47  | 48600382    | SHUTTLE VALVE SPRING C=0,4     | 2     |
| 51  | 48600455    | PISTON RING 5X1X68             | 2     |
| 52  | 48600575    | PISTON REBOUND SX 2007         | 2     |
| 55  | 40540486    | NUT M6X0,5 REBOUND             | 2     |
| 57  | 48600764    | ADAPTER SLEEVE D23/D28         | 2     |
| 58  | 48600763    | PIPE D23/L350 09               | 2     |
| 59  | 48600048    | O-RING NBR 46 X 2              | 2     |
| 60  | 48600860SA2 | AXLE CLAMP L/S + TUBE CPL.     | 1     |

105230130

C127740130

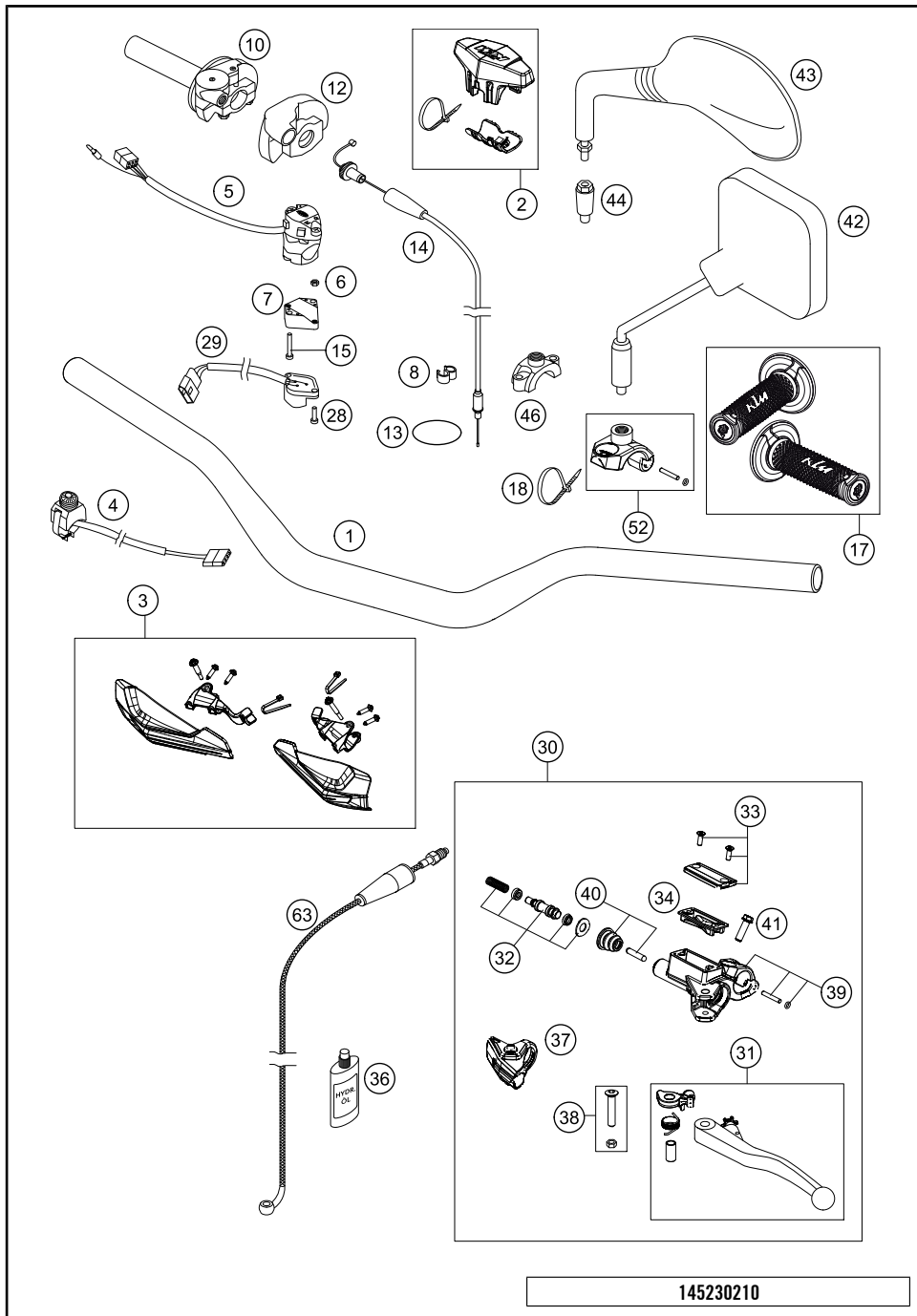
\* NEW PART X ON DEMAND



| POS | PARTNUMBER | PARTNAME                      | PIECE |
|-----|------------|-------------------------------|-------|
| 61  | 48600861S1 | AXLE CLAMP R/S + TUBE CPL. 09 | 1     |
| 62  | 0025080256 | HH COLLAR SCREW M8X25 TX40    | 4     |
| 63  | 48600163   | CHECK VALVE NUT M6X0,5 D=2    | 2     |
| 64  | 48600202   | SPRING CHECK VALVE D=0,7      | 2     |
| 69  | 48600586S  | TAP COMPRESSION CPL. 07       | 2     |
| 71  | 48600047   | PISTON COMPRESSION D=27,9     | 2     |
| 72  | 46811499   | O-RING NBR 21X2               | 2     |
| 73  | 35480320   | O-RING NBR 24X2               | 2     |
| 81  | 48600004   | COPPER WASHER 29,5X33,5X1     | 2     |
| 82  | 48600141   | RUBBER CAP D=35MM             | 2     |
| 83  | 48601166S1 | FORK OIL SAE4 5L              | 1     |
| 85  | 48600431S2 | PRE-LOAD ADJ. M51X1,5 09      | 2     |
| 86  | 48600038   | SPACER 42X26,5X10             | x     |
| 86  | 48600037   | SPACER 42X26,5X5              | x     |
| 86  | 48600036   | SPACER 42X26,5X2,5            | x     |
| 86  | 48600053   | SPACER 42X26,5X1,5            | x     |
| 98  | T511       | SILICONE GREASE F. DUST STRI  | 1     |
| 99  | R14020     | SXS SERVICE KIT               | 1     |

C127740130

\* NEW PART X ON DEMAND



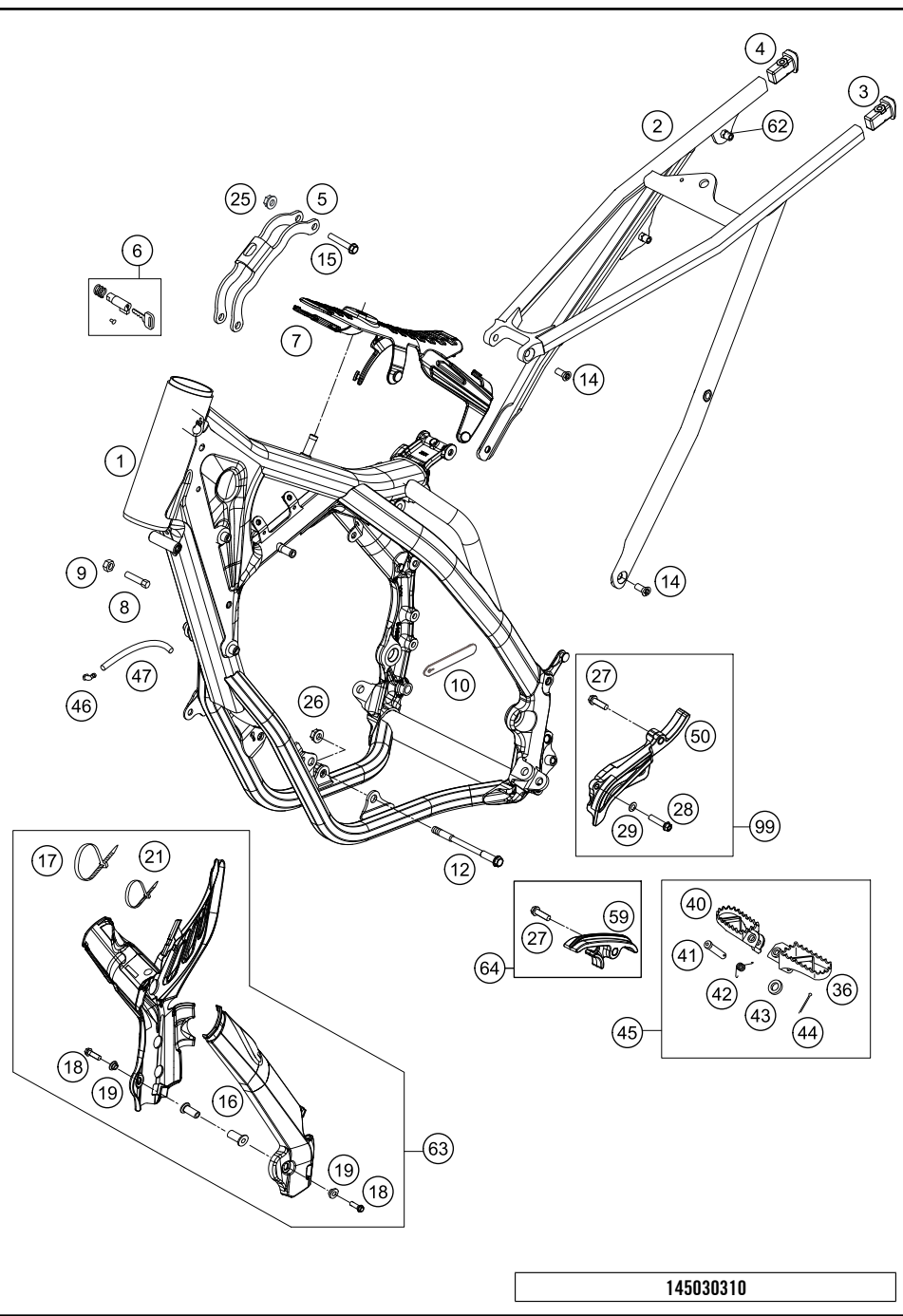
145230210

| POS | PARTNUMBER    | PARTNAME                       | PIECE |
|-----|---------------|--------------------------------|-------|
| 1*  | 7800200100030 | HANDLEBAR                      | 1     |
| 2   | 77202002144   | BAR PAD CPL.                   | 1     |
| 3*  | 7770217900004 | HANDGUARDS CPL. L+R ORANGE     | 1     |
| 4   | 78111074000   | STARTER BUTTON GREY 13         | 1     |
| 5   | 50311070000   | H.LIGHT SWITCH CEV 2/4TAKT '98 | 1     |
| 6   | 0934040003    | HEXAGON NUT DIN0934-M 4        | 2     |
| 7   | 13011070060   | ADAPTER FOR FLASHER SWITCH '98 | 1     |
| 8   | 60111094000   | Clip 5/7 MM 06                 | 2     |
| 10  | 51502010200   | THROTTLE GRIP CPL. 2ST. 13     | 1     |
| 12  | 50302020000   | PROTECTION COVER '97           | 1     |
| 13  | 0770021300    | O-RING 40,94X2,62 NBR70        | 1     |
| 14  | 51502091100   | THROTTLE CABLE 2T.DOM/KEIH. 13 | 1     |
| 15  | 0084040223    | CYL.HEAD SCREW DIN0084-M 4X22A | 2     |
| 17  | 78102021000   | GRIP SET                       | 1     |
| 18  | 44011076200   | CABLE TIE 200/3,6MM BLACK      | 1     |
| 28  | 0985040203    | FLAT HEAD SCREW DIN7985-M 4X20 | 2     |
| 29  | 50311029000   | FLASHER SWITCH CEV '98         | 1     |
| 30  | 50302030300   | MASTER CYLINDER CPL. 9,5MM 09  | 1     |
| 31  | 50302031300   | CLUTCH LEVER CPL. 2009         | 1     |
| 32  | 50302032100   | REP.KIT PISTON 9,5MM 09        | 1     |
| 33  | 50302033200   | COVER HYDR. CLUTCH CPL. 09     | 1     |
| 34  | 50302034100   | RUBBER FOR RESERVOIR 09        | 1     |
| 36  | 50302036200   | OIL FOR HYD. CLUTCH 100 ML     | 1     |
| 37* | 76502037000   | PROTECT.CAP FOR LEVER PERCH 13 | 1     |
| 38  | 50302038200   | LEVER SCREW SHORT CPL. 09      | 1     |
| 39  | 83013005000   | CLAMP, CYL. PIN, O-RING        | 1     |
| 40  | 50302046000   | PUSH ROD CPL. 09               | 1     |
| 41  | 0025060166    | HH COLLAR SCREW M6X16 TX30     | 1     |
| 42  | 58012040000   | REAR MIRROR L/S                | x     |
| 42  | 58012140000   | REAR MIRROR R/S                | x     |
| 43  | 58412040000   | MIRROR L/S 98                  | x     |
| 43  | 58412041000   | MIRROR R/S 98                  | x     |
| 44  | 58412040050   | SUPPORT FOR MIRROR LC4 '98     | 2     |
| 46  | 58012040150   | CLAMP FOR MIRROR '94           | 1     |
| 52  | 50302044000   | CLAMP FOR MIRROR CPL. 09       | 1     |
| 63  | 50332063200   | CLUTCH PIPE L=970MM 04         | 1     |

C155240211

\* NEW PART

X ON DEMAND



145030310

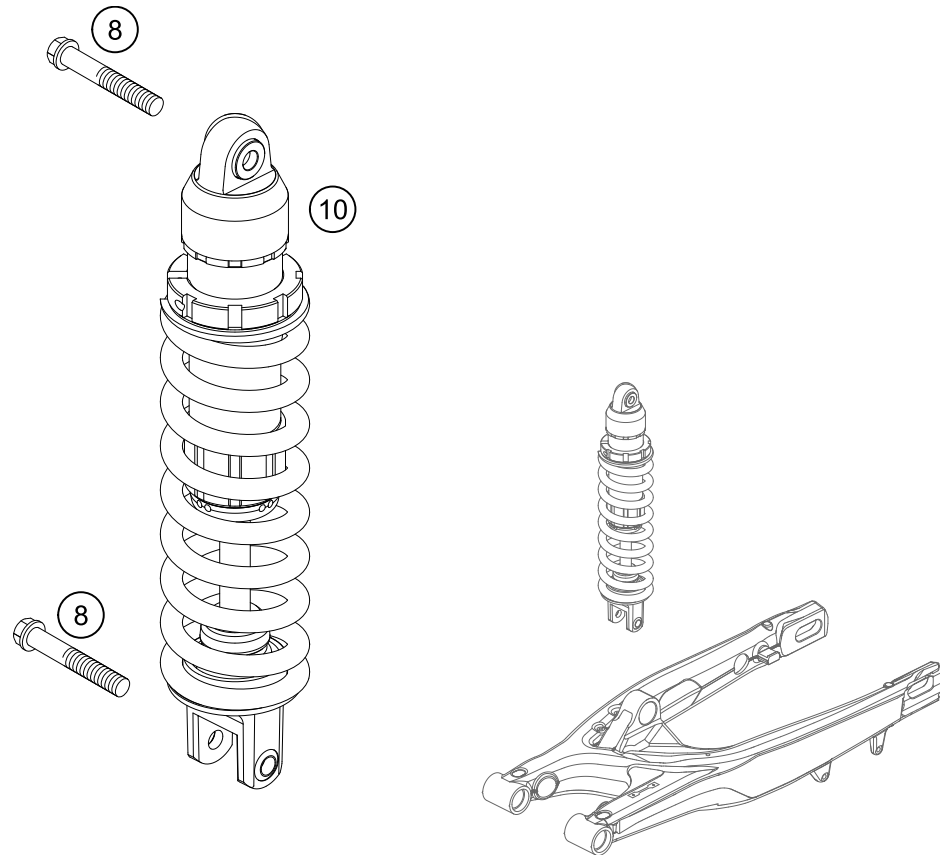
| POS | PARTNUMBER    | PARTNAME                       | PIECE |
|-----|---------------|--------------------------------|-------|
| 1*  | 5150310130004 | FRAME "515N1" ORANGE 2014      | 1     |
| 2   | 77203002000   | SUB FRAME SX                   | 1     |
| 3*  | 78103002010   | SUB FRAME APPLICATION LEFT     | 1     |
| 4*  | 78103002020   | SUB FRAME APPLICATION RIGHT    | 1     |
| 5   | 52303513000   | REINFORCING B. 200 EXC 12      | 2     |
| 6   | 78003035000   | STEERING HEAD LOCK 08          | 1     |
| 7   | 77207012000   | TANK REST RUBBER               | 1     |
| 8   | 59001037000   | SPECIAL SCREW M8X26 WS=10      | 2     |
| 9   | 0934080003    | HEXAGON NUT DIN0934-M 8        | 2     |
| 10* | 60011093075   | RUBBER CABLE TIE 75MM 03       | 1     |
| 12  | 54603013000   | ENGINE BRAC.SCR. M10X105 WS=13 | 2     |
| 14  | 0019080206S   | FLAT HEAD SCREW M. ISA45 M8X20 | 4     |
| 15  | 56530079000S  | HH COLLAR SCREW M8X44 WS13     | 2     |
| 16  | 54803092050   | BLIND PLUG-IN NUT M5 WN 22A 03 | 2     |
| 17  | 44011076305   | CABLE TIE 300/4,8MM BLACK      | 3     |
| 18  | 0738050250    | COU.SUNK SCR. AH ISO7380 M5X25 | 2     |
| 19  | 54803092060   | BUSH F. FRAME PROTECTION 03    | 2     |
| 21  | 44011076140   | CABLE TIE 140/2,5MM BLACK      | x     |
| 25  | 06923080003   | HEXAGON NUT DIN EN1661 M8 SW13 | 2     |
| 26  | 54310086100   | SELF LOCKING NUT M10 CU WS=14  | 2     |
| 27  | 0025080306    | HH COLLAR SCREW M8X30 TX40     | 2     |
| 28  | 0025060406    | HH COLLAR SCREW M6X40 TX30     | 1     |
| 29  | 0125060003    | WASHER DIN0125-A 6,4           | 1     |
| 36  | 78003040050   | FOOTREST L/S 08                | 1     |
| 40  | 78003041050   | FOOTREST R/S 08                | 1     |
| 41  | 54803044000   | BOLT FOR FOOT PED 03           | 2     |
| 42  | 54603041000   | FOOTREST SPRING L/S & R/S      | 2     |
| 43  | 0125100003    | WASHER DIN0125-A10,5           | 2     |
| 44  | 0094032253    | PIN DIN0094-3,2X25 STEEL       | 2     |
| 45  | 78003040033   | FOOTREST L/S + R/S CPL. 09     | 1     |
| 46  | 50303089000   | ANGLE PIECE '97                | 1     |
| 47  | 55007016001   | PVC-HOSE 7X10 PER METER        | 0     |
| 50  | 54803096000   | SPROCKET COVER 250 SX 07       | 1     |
| 59  | 77203053000   | CHAIN SLIDING PIECE BELOW      | 1     |
| 62  | 77303139000   | BLIND RIVET NUT EM6-60LF/HX    | 4     |
| 63  | 77203094000   | PLASTIC FRAME PROTECTION SET   | 1     |
| 64  | 77203053010   | CHAIN SLIDING KIT BELOW CPL.11 | 1     |
| 99  | 54803096010   | SPROCKET COVER KIT             | 1     |

C155240311

\* NEW PART

X ON DEMAND





| POS | PARTNUMBER  | PARTNAME                    | PIECE |
|-----|-------------|-----------------------------|-------|
| 8   | 0025120506S | HH COLLAR SCREW M12X50 TX45 | 2     |
| 10* | 1218706101  | MONOSHOCK PDS 125 EXC 15    | 1     |

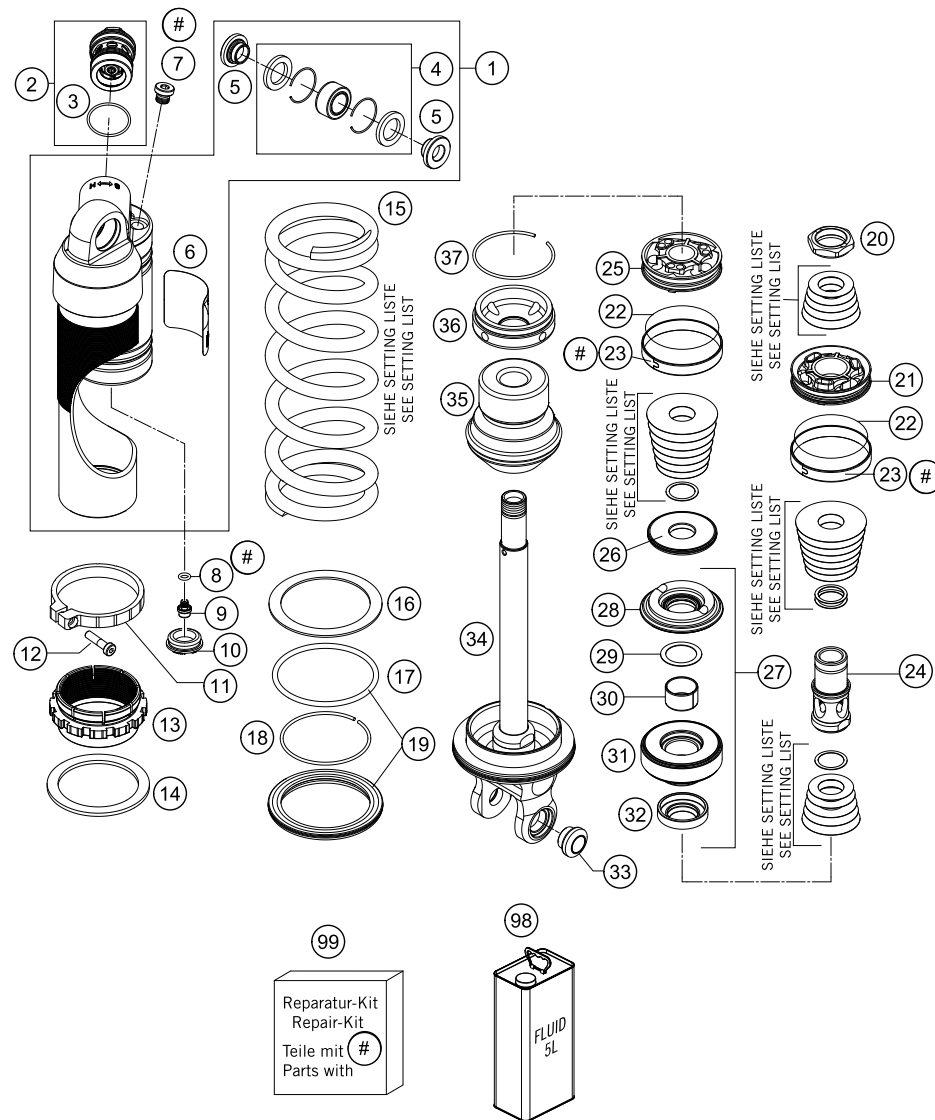
155240410

C155240410

\* NEW PART

X ON DEMAND





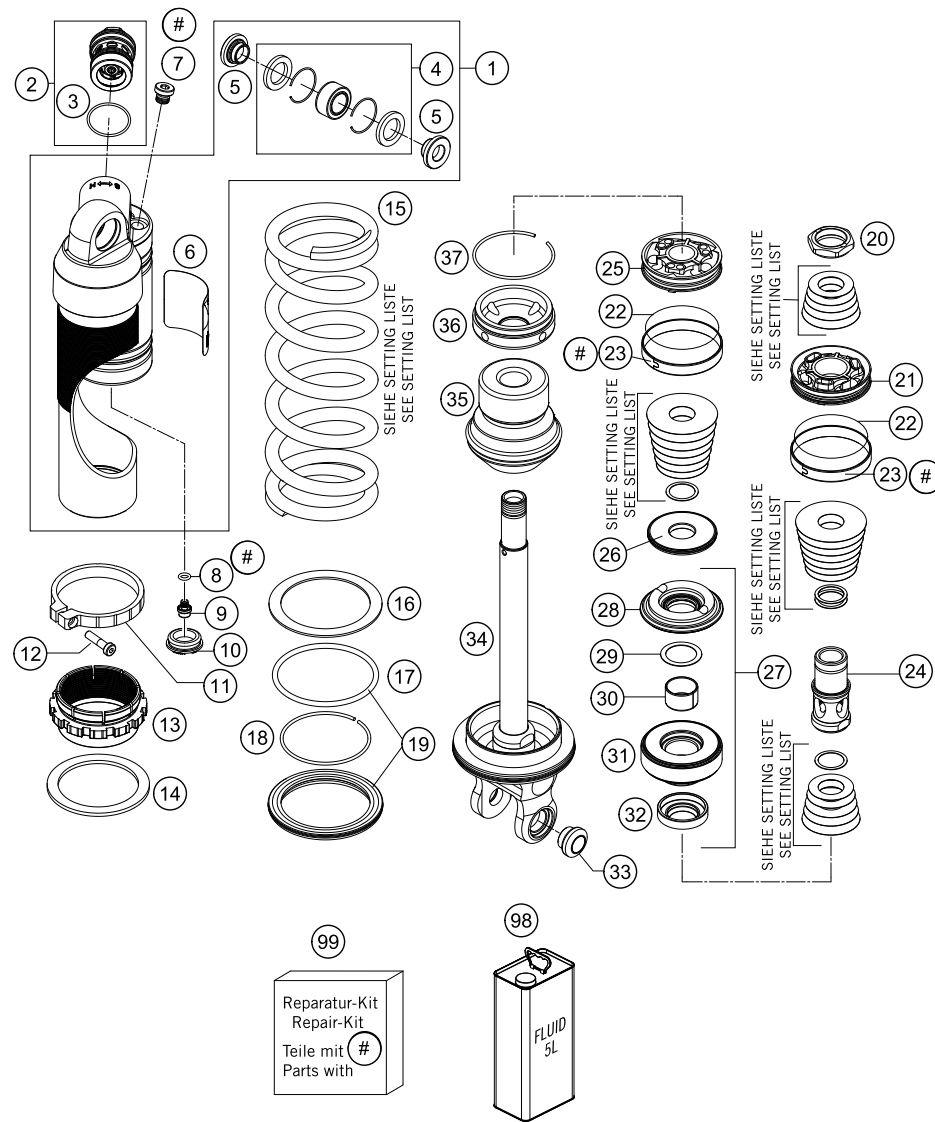
| POS | PARTNUMBER  | PARTNAME                       | PIECE |
|-----|-------------|--------------------------------|-------|
| 1   | 50180833SA2 | MONOSHOCK UPPER PART CPL.      | 1     |
| 2   | 50180213S10 | DCC-COMPR.DAMP.CONTROL CPL. 07 | 1     |
| 3   | 50180218    | O-RING 25X1,5 VITON            | 1     |
| 4   | R12012      | REP. KIT BEAR./SEAL UP. 07     | 1     |
| 5   | 46180007    | ADAPTOR BUSH KGW 12X24         | 2     |
| 6   | 52000085    | WP CAUTION (PDS KTM)           | 1     |
| 7   | 50180095    | BLEED PLUG R 1/8               | 1     |
| 8   | 46810893    | O-RING NBR 5,28X1,78           | 1     |
| 9   | 36120151    | SCREW PLUG M5X6                | 1     |
| 10  | 46811208    | RUBBER CAP "DO NOT OPEN"       | 1     |
| 11  | 50180937    | TENSIONING RING D64 H10        | 1     |
| 12  | 14460042    | %ALLENHEAD SCREW M5 L=20 STAIN | 1     |
| 13  | 50180938    | ADJUSTING NUT PLASTIC          | 1     |
| 14  | 50180965    | SPACER RING SPRING 61,3X78X3   | 1     |
| 15  | 91210053S   | SPRING 250 63N/MM ORANGE       | x     |
| 15  | 91210054S   | SPRING 250 66N/MM ORANGE       | x     |
| 15  | 91210068S   | SPRING 250 69N/MM ORANGE       | x     |
| 16  | 50180114    | SPACER RING FOR SPRING         | 1     |
| 17  | 50180352    | O-RING VITON 66,27X3,53        | 1     |
| 18  | 50180273    | CIRCLIP 58,2X2                 | 1     |
| 19* | 50180463S   | SPRING RET. D=80 W. O-RING 05  | 1     |
| 20  | 50180627    | PISTON ROD NUT M20X1           | 1     |
| 21  | 50180675    | PISTON D=20                    | 1     |
| 22  | 50180099    | O-RING VITON 44,17X1,78        | 1     |
| 23  | 50180135    | PISTON RING 50-8               | 1     |
| 24  | 50180973    | SUPPORT D20 M20X1 L51,3 PDS    | 1     |
| 25  | 50180197    | PISTON 6+6X7/4,5               | 1     |
| 26  | 50180970    | REBOUND DISC D43               | 1     |
| 27  | 50180953S1  | ADAPTOR CPL. D=50 H=25 14      | 1     |
| 28  | 50180993    | MONO GASKET D50 PDS            | 1     |
| 29  | 50180995    | SHIM D25,30 X D19 X T0,4 14    | 1     |
| 30  | 46180119    | DU-BUSH 18X20X12               | 1     |
| 31  | 50180953    | SUPPORT D50 H23                | 1     |
| 32  | 50180994    | DUST SEAL D18 RED 14           | 1     |
| 33  | 50180105    | THREADED BUSH M12 PDS          | 1     |
| 34  | 50180512S1  | MONOSHOCK LOWER PART CPL. 07   | 1     |
| 35  | 50180600    | BUMP RUBBER D58 D17 H59 2008   | 1     |
| 36  | 50180626    | RESERVOIR CAP D=50 H=10 09     | 1     |

155240430

C155240430

\* NEW PART

X ON DEMAND



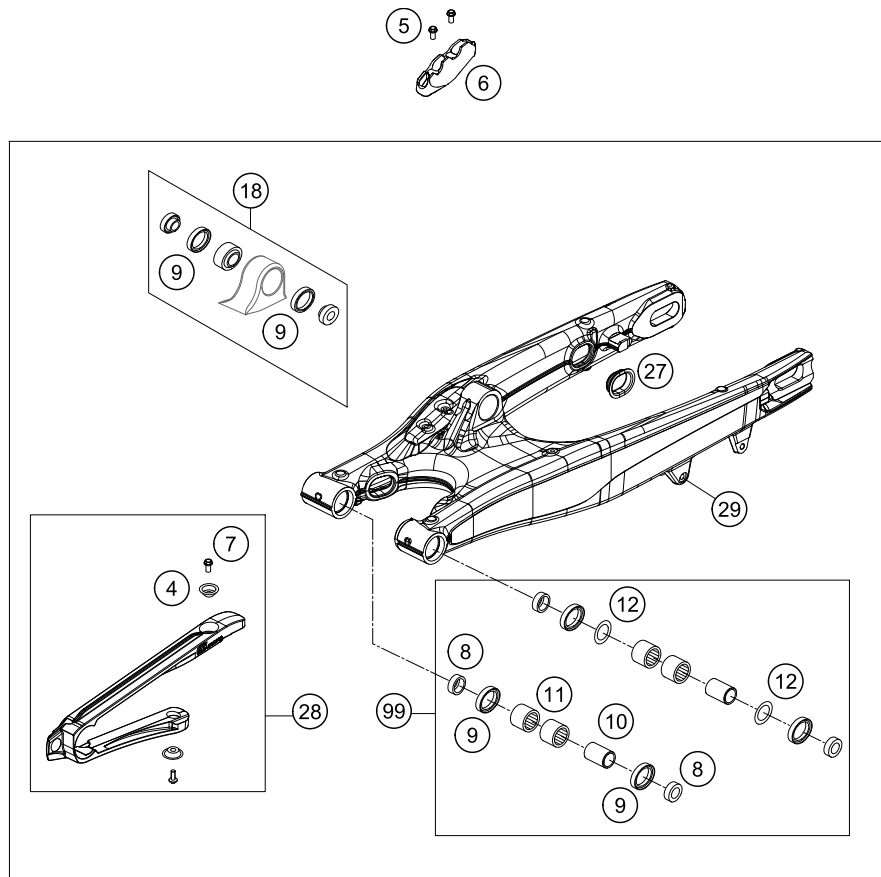
| POS | PARTNUMBER | PARTNAME                  | PIECE |
|-----|------------|---------------------------|-------|
| 37  | 50180126   | CIRCLIP 53X1,75           | 1     |
| 98  | 50180751S1 | SHOCK ABSORBER FLUID 5 LT | 1     |
| 99  | R12024     | REPAIR KIT                | 1     |

155240430

C155240430

\* NEW PART

X ON DEMAND



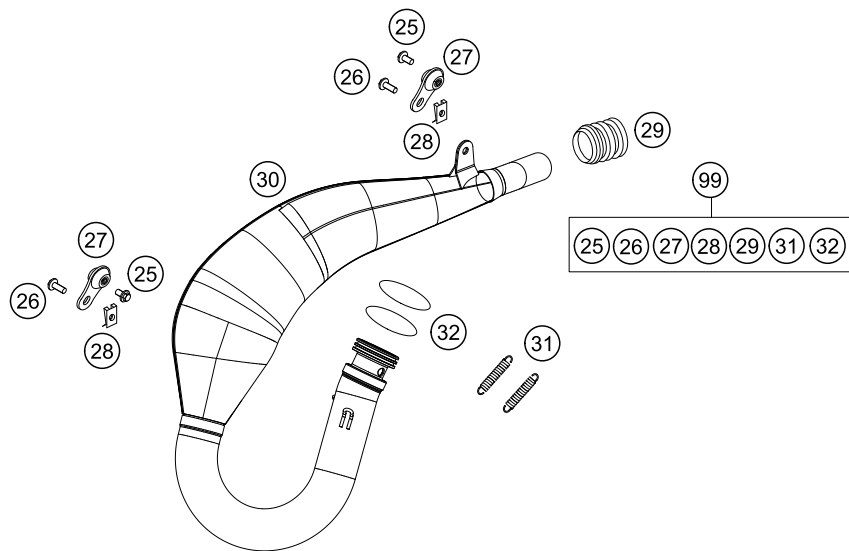
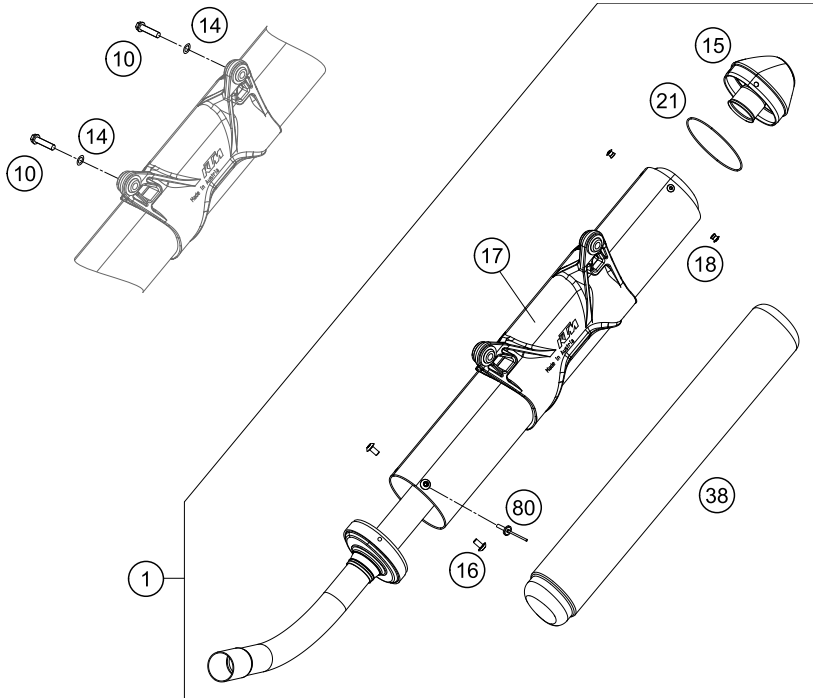
| POS | PARTNUMBER  | PARTNAME                       | PIECE |
|-----|-------------|--------------------------------|-------|
| 2   | 51504030044 | SWING ARM CPL. PDS 2011        | 1     |
| 4   | 77304066050 | BUSHING F. CHAIN SLIDING PR.07 | 2     |
| 5   | 0009050106  | EJOT SPIRAL SCREW SF M5X10-K   | 2     |
| 6   | 77313047000 | BRAKE HOSE GUIDE LOWER 07      | 1     |
| 7   | 59009062013 | SPECIAL SCREW M6X13 WS=8 10.9  | 2     |
| 8   | 54804034000 | BUCKET F. SHAFT SEAL RING 03   | 4     |
| 9   | 0760253270  | SHAFT SEAL RING 25X32X7        | 6     |
| 10  | 54804032000 | BUSHING SLEEVE F. SWING ARM 03 | 2     |
| 11  | 58033097000 | NEEDLE BEARING HK 2216         | 4     |
| 12  | 54603036000 | STOP DISK 22,2X31,7X1          | 2     |
| 14  | 78104070100 | CHAIN GUIDE EXC                | 1     |
| 15  | 59009062019 | SPECIAL SCREW M6X19 WS=8 10.9  | 1     |
| 16  | 0025060506  | HH COLLAR SCREW M6X50 TX30     | 1     |
| 18  | 50304090144 | PIVOT BEARING+BUSH. PDS '11    | 1     |
| 20  | 78104060000 | CHAINGUARD                     | 1     |
| 21  | 56509064100 | SELF LOCKING NUT M6 10.9       | 1     |
| 22  | 0017060205  | SCREW FOR PLASTIC K60X20 SW6   | 1     |
| 23  | 0021060003  | WASHER DIN9021-A 6,4           | 1     |
| 25  | 77304037000 | SWINGARM BOLT M16X1,5 07       | 1     |
| 26  | 54804038000 | SELF LOCK.NUT M16X1,5 WS=19 03 | 1     |
| 27  | 77204041000 | CLOSING COVER                  | 4     |
| 28  | 51504066044 | CHAIN SLIDING GUARD KIT 11-14  | 1     |
| 29  | 54603055051 | PRESS IN NUT M6 STEEL ZINC     | 1     |
| 97  | 78104060010 | CHAIN PROTECTION KIT EXC 12-14 | x     |
| 98  | 78104070010 | CHAIN GUIDE KIT EXC 14         | x     |
| 99  | 54804230210 | SWINGARM REPAIR KIT 05-15      | x     |

145030490

C155240491

\* NEW PART

X ON DEMAND



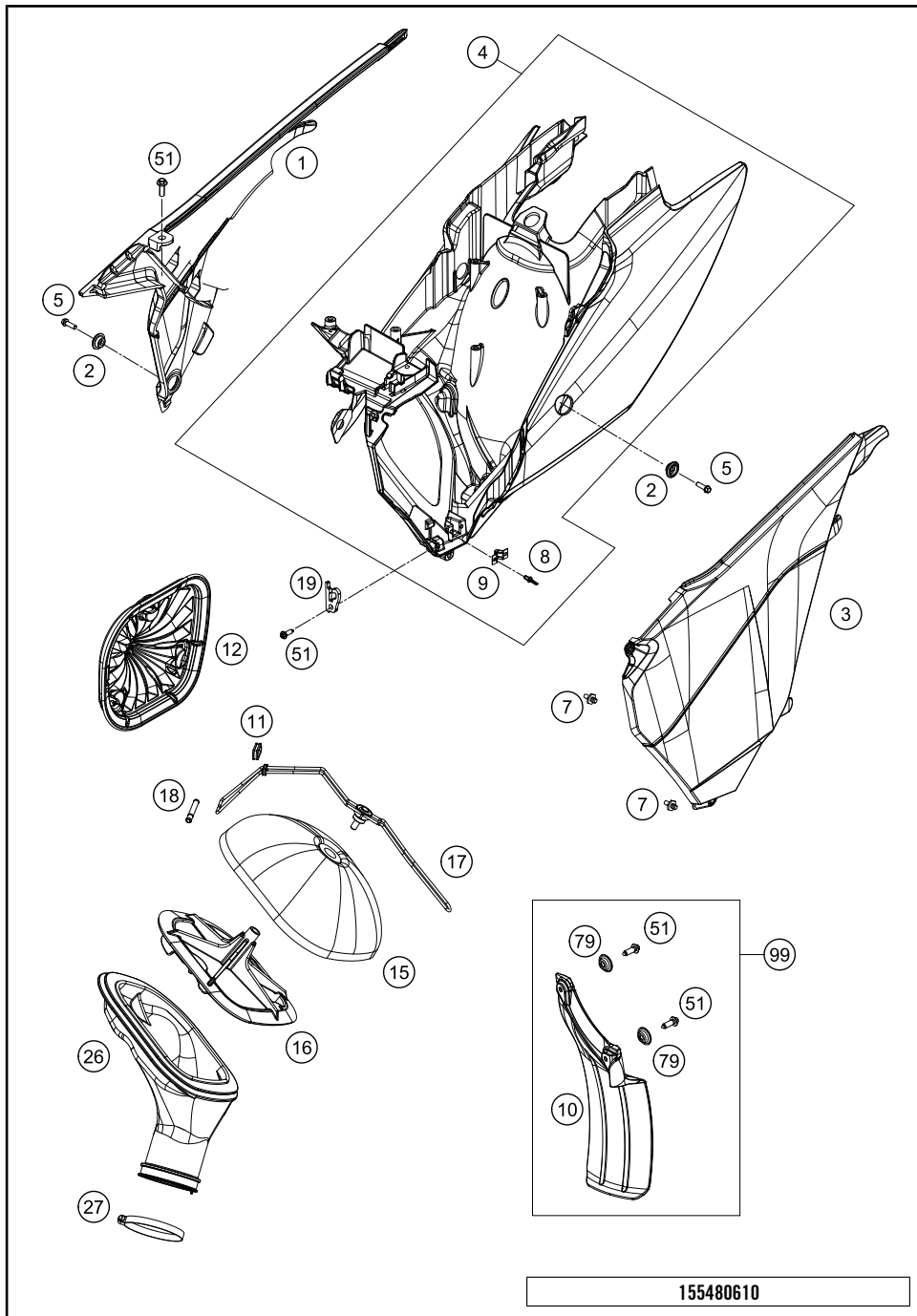
| POS | PARTNUMBER  | PARTNAME                       | PIECE |
|-----|-------------|--------------------------------|-------|
| 1   | 54805083200 | MAIN SILENCER 250-300 EXC      | 1     |
| 10  | 0025060306  | HH COLLAR SCREW M6X30 TX30     | 2     |
| 14  | 0137060003  | SPRING WASHER DIN0137-B 6      | 2     |
| 15  | 54805083260 | ENDCAP CPL.                    | 1     |
| 16  | 58605083010 | SCREW TORX M5X10 05            | 4     |
| 17  | 54805183085 | SILENCER HOUS. CPL. W. HANGING | 1     |
| 18  | 0011480800  | DUMMY RIVET 4,8X 8 NIRO        | 4     |
| 21  | 0770740015  | O-RING 74,00X1,50 FKM 75SH     | 1     |
| 25  | 0024060106  | HH COLLAR SCREW M6X10 TX30     | 2     |
| 26  | 0024060156  | HH COLLAR SCREW M6X15 TX30     | 2     |
| 27  | 50305012000 | SWINGELEMENT FOR EXHAUST PIPE  | 2     |
| 28  | 54603048100 | RANGE CHANGE METAL NUT M6      | 2     |
| 29  | 50205057000 | SILICON SLEEVE D=29/31MM       | 1     |
| 30  | 52305109000 | EXHAUST MANIFOLD               | 1     |
| 30  | 52305008600 | EXHAUST MANIFOLD               | x     |
| 31  | 50305016000 | TEN.SPRING L=62MM EY.MOVEABLE  | 2     |
| 32  | 0770440030  | O-RING 44,00X3,00 VITON        | 2     |
| 38  | 54805078315 | ROCKWOOL 315G                  | 1     |
| 80  | 0011401200  | DUMMY RIVET 4,0X12 ALU         | x     |
| 99  | 00050000811 | EXHAUST HARDWARE KIT 11-14     | x     |

125230510

C135230510

\* NEW PART

X ON DEMAND



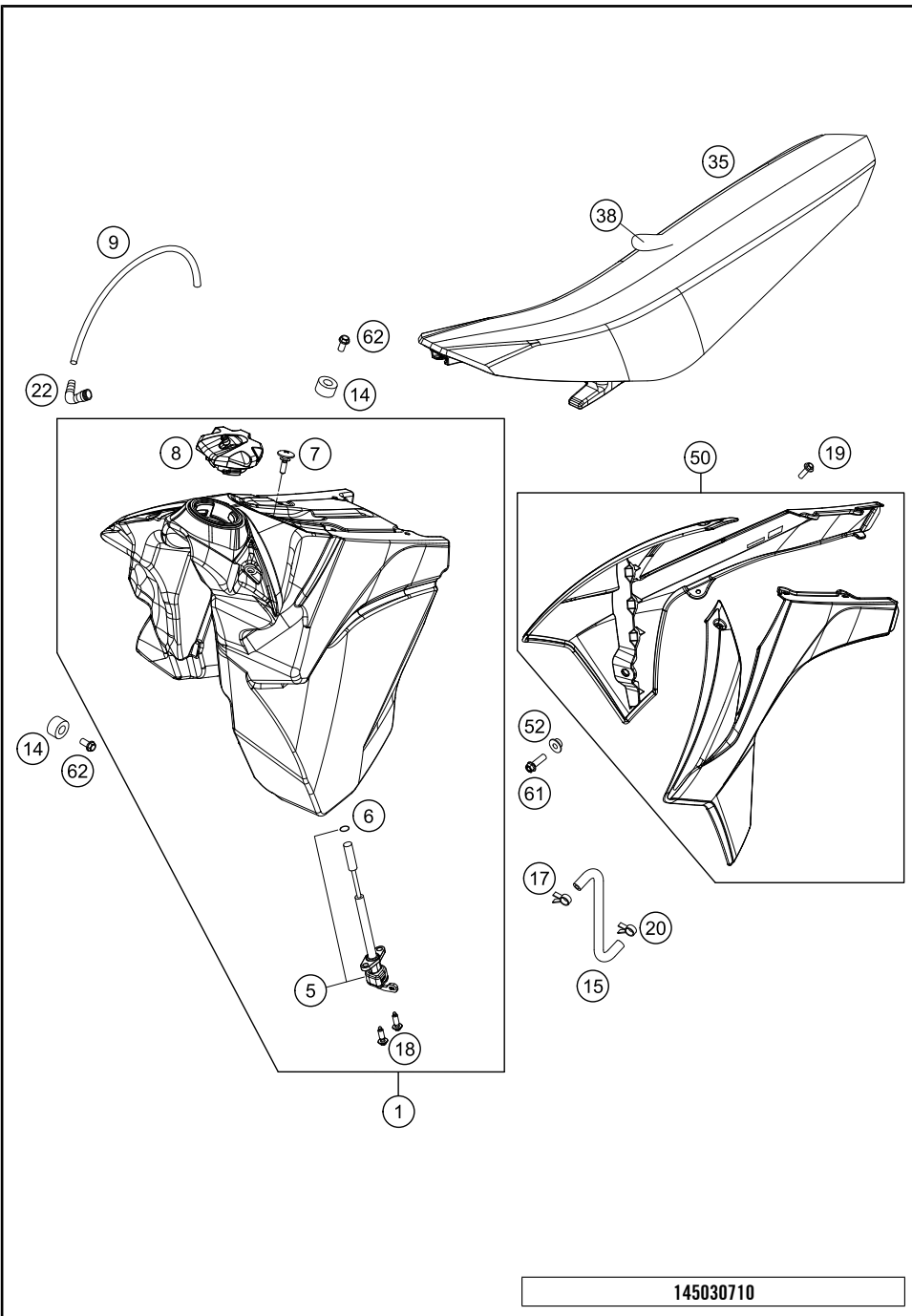
| POS | PARTNUMBER     | PARTNAME                              | PIECE |
|-----|----------------|---------------------------------------|-------|
| 1*  | 7770600420028A | AIR BOX COVER RS                      | 1     |
| 2   | 77308013010    | COLLAR BUSH. F.REAR FENDER 07         | 2     |
| 3*  | 7770600310028A | AIR BOX COVER LS                      | 1     |
| 4   | 7770600104428  | FILTER BOX CPL. WHITE 13              | 1     |
| 5   | 0025060206     | HH COLLAR SCREW M6X20 TX30            | 2     |
| 7   | 54806008051    | QUICK RELEASE-NIPPLE 03               | 2     |
| 8   | 54806108052    | BLIND RIVET 3,3X9,7 GROOVED 04        | 4     |
| 9   | 54806008050    | QUICK RELEASE-SPRING HANGER           | 2     |
| 10  | 77306010000    | FENDER FOR FILTER BOX                 | 1     |
| 11* | 50306017055    | RUBBER SLEEVE 15X22X26                | 1     |
| 12  | 78106012000    | THROTTLE VALVE CAP<br>ONLY FOR EU+AUS | 1     |
| 15  | 77206015000    | AIR FILTER                            | 1     |
| 16  | 54806516000    | FILTER CARRIER                        | 1     |
| 17  | 77206017000    | FILTER SUPPORT CPL. 11                | 1     |
| 18  | 77306018000    | FILTER SUPPORT BUSH 07                | 1     |
| 19  | 77206019000    | FASTEN. DEVICE FILTER S. SX 11        | 1     |
| 26  | 51506026000    | CABURETOR CONNECTING                  | 1     |
| 27  | 51006027000    | HOSE CLAMP 50-70MM                    | 1     |
| 51  | 0017060206     | SCREW F. PLASTIC K60X20AL SW6         | 4     |
| 79  | 77304066050    | BUSHING F. CHAIN SLIDING PR.07        | 2     |
| 99  | 77306010010    | SPLASH PROTECTOR KIT SX/EXC           | x     |

155480610

C155480612

\* NEW PART

X ON DEMAND



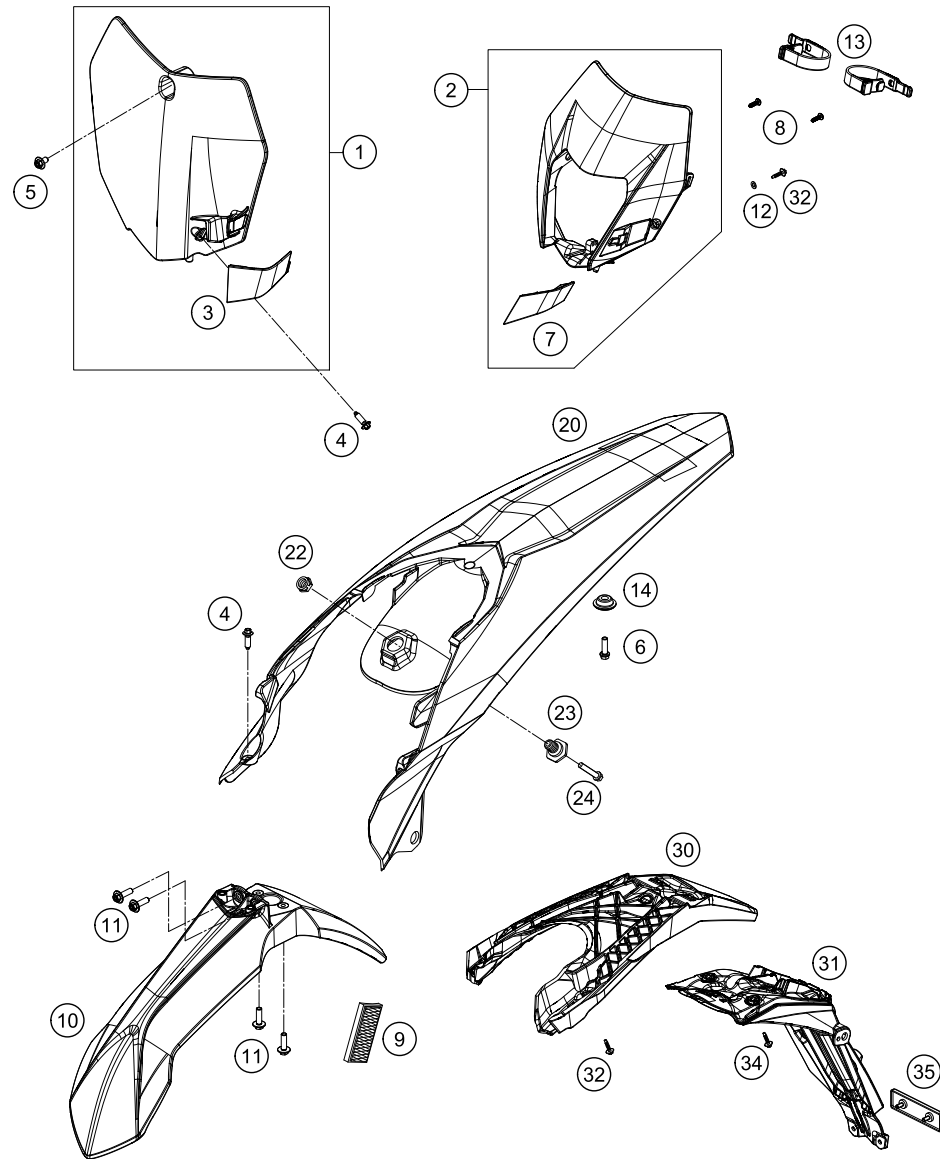
145030710

| POS | PARTNUMBER     | PARTNAME                        | PIECE |
|-----|----------------|---------------------------------|-------|
| 1   | 5480761313399  | FUEL TANK CPL. 9,5 L 2014       | 1     |
| 5   | 54807004000    | GAS COCK ON/OFF/RES 03          | 1     |
| 6   | 0770110021     | O-RING 11X2 VITON               | 1     |
| 7   | 50307011000    | SCREW SEAT FASTENING D=6X23/18  | 1     |
| 8   | 78107008044X4  | TANK PLUG CPL. 14               | 1     |
| 9   | 78007000270    | PVC-HOSE 5,6X10X270MM           | 1     |
| 14  | 50307014000    | TANK ROLLER 12X26X12 '98        | 3     |
| 15  | 54807016100    | FUEL HOSE 2ST EXC 08            | 1     |
| 17  | 58031005000    | CLAMP YDNAC 10128 12MM          | 1     |
| 18  | 0017060205     | SCREW FOR PLASTIC K60X20 SW6    | 2     |
| 19  | 0017060206     | SCREW F. PLASTIC K60X20AL SW6   | 8     |
| 20  | 50231005000    | HOSE CLAMP YDNAC 10119 11MM     | 1     |
| 22  | 51030022000    | ANGLE PIECE 90 DEGREE M10X1     | 1     |
| 35  | 77207040200    | SEAT 2014                       | 1     |
| 38  | 77207040050    | SEAT COVER                      | 1     |
| 50* | 7770805410028B | SPOILER KIT EXC 2015 WITH DECAL | 1     |
| 52  | 50308052000    | BUSH FOR SPOILER 6X11X16X5 MM   | 2     |
| 61  | 0025060206     | HH COLLAR SCREW M6X20 TX30      | 2     |
| 62  | 0026060136     | COLLAR SCREW M6X13 ISA30        | 3     |

C155030711

\* NEW PART

X ON DEMAND



145030812

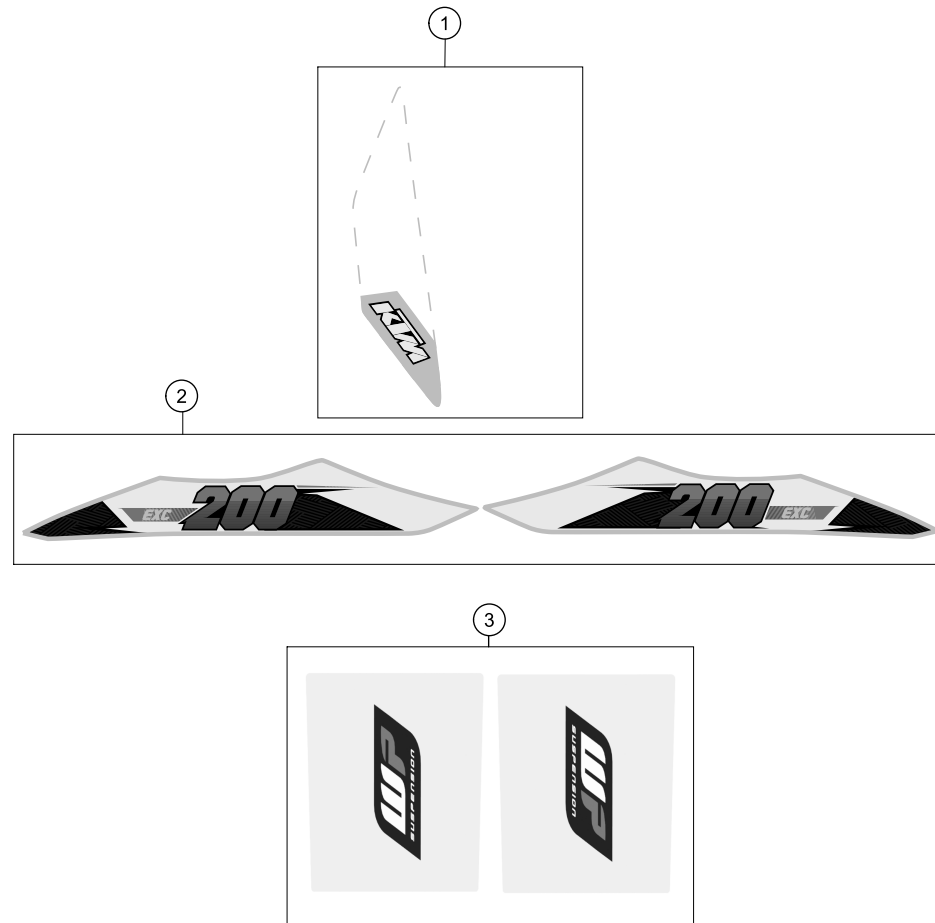
| POS | PARTNUMBER    | PARTNAME                              | PIECE |
|-----|---------------|---------------------------------------|-------|
| 1   | 7770800704428 | START NUMBER PLATE WHITE SX 13        | 1     |
| 2   | 7810800100028 | HEAD LIGHT MASK WHITE 2014            | 1     |
| 3   | 7770802200030 | BRAKE HOSE GUIDE BLACK 13             | 1     |
| 4   | 0017060206    | SCREW F. PLASTIC K60X20AL SW6         | 2     |
| 5   | 0024060106    | HH COLLAR SCREW M6X10 TX30            | 1     |
| 6   | 0025060206    | HH COLLAR SCREW M6X20 TX30            | 2     |
| 7   | 7810802200028 | BRAKE HOSE GUIDE WHITE                | 1     |
| 8   | 0081050181    | SCREW FOR PLASTIC K50X18 T20          | 3     |
| 9   | 58412080100   | REFLECTOR YELLOW '99<br>NUR USA & AUS | 2     |
| 10  | 7770801000004 | FRONT FENDER ORANGE 13                | 1     |
| 11  | 0025060166    | HH COLLAR SCREW M6X16 TX30            | 4     |
| 12  | 0125060003    | WASHER DIN0125-A 6,4                  | 1     |
| 13  | 78108003000   | MASK RUBBER                           | 2     |
| 14  | 77308013010   | COLLAR BUSH. F.REAR FENDER 07         | 2     |
| 20  | 7810801300004 | REAR PART ORANGE                      | 1     |
| 22  | 50314057050   | COLLAR NUT M12X1/WS17 H=5MM           | 1     |
| 23  | 54807048000   | BUSHING FOR SEAT FASTENING 03         | 1     |
| 24  | 0025060256    | HH COLLAR SCREW M6X25 TX30            | 1     |
| 30  | 78108016000   | NUMBER PLATE CARRIER TOP              | 1     |
| 31  | 78108016050   | NUMB.PLATE CARRIER BOTTOM             | 1     |
| 32  | 0017060205    | SCREW FOR PLASTIC K60X20 SW6          | 3     |
| 34  | 0017060305    | SPECIAL SCREW K60X30 WS=6             | 2     |
| 35  | 58412080000   | REFLECTOR RED LC4 '98                 | 1     |

C155030811

\* NEW PART

X ON DEMAND

| POS | PARTNUMBER  | PARTNAME                       | PIECE |
|-----|-------------|--------------------------------|-------|
| 1*  | 78108091200 | STICKER HEADLIGHT MASK 15      | 1     |
| 2*  | 52308098600 | DECAL SET REAR PART 200 EXC 15 | 1     |
| 3*  | 520000091   | STICKER FRONT FORK-SET WP 48   | 1     |



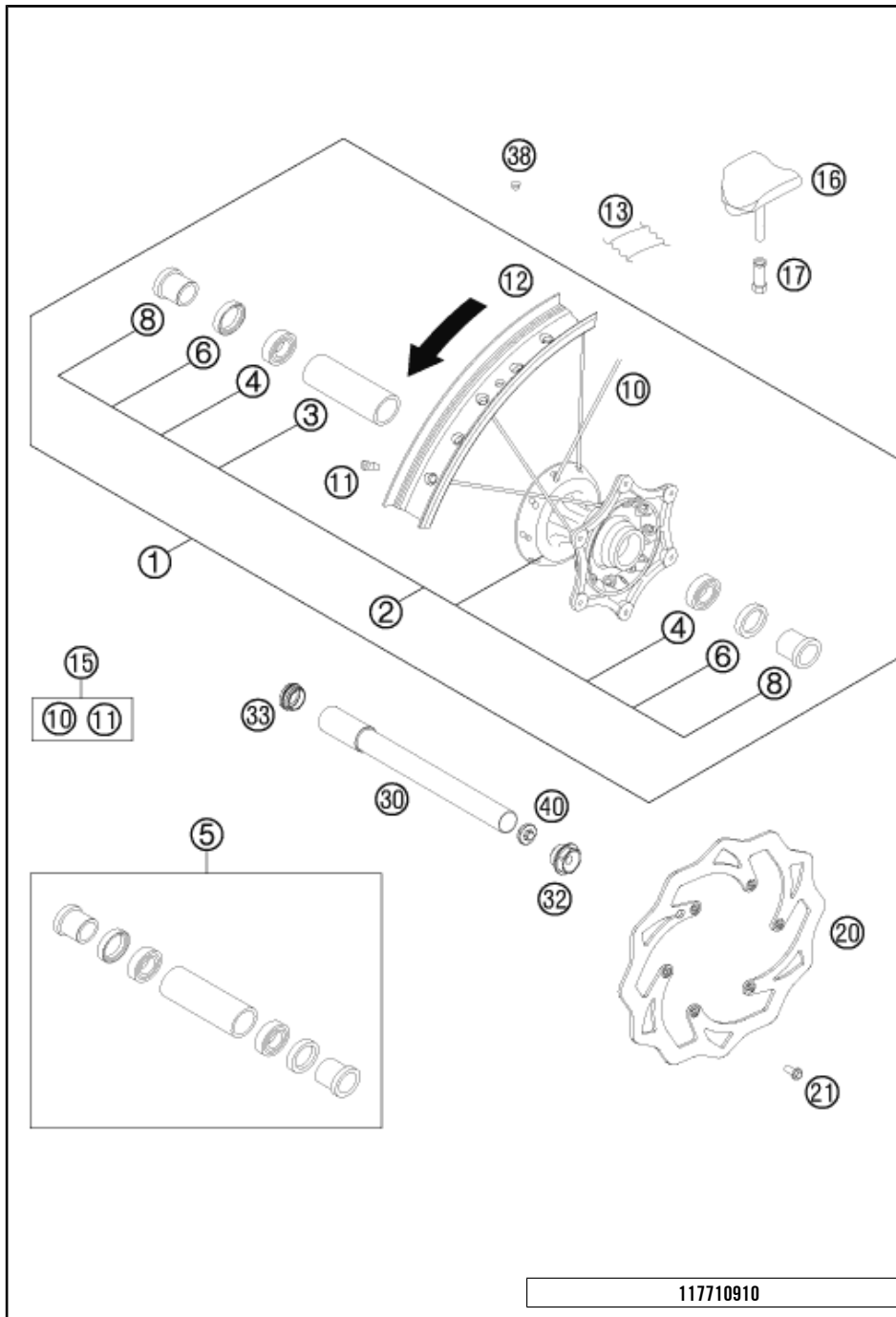
155240831

C155240831

\* NEW PART

X ON DEMAND





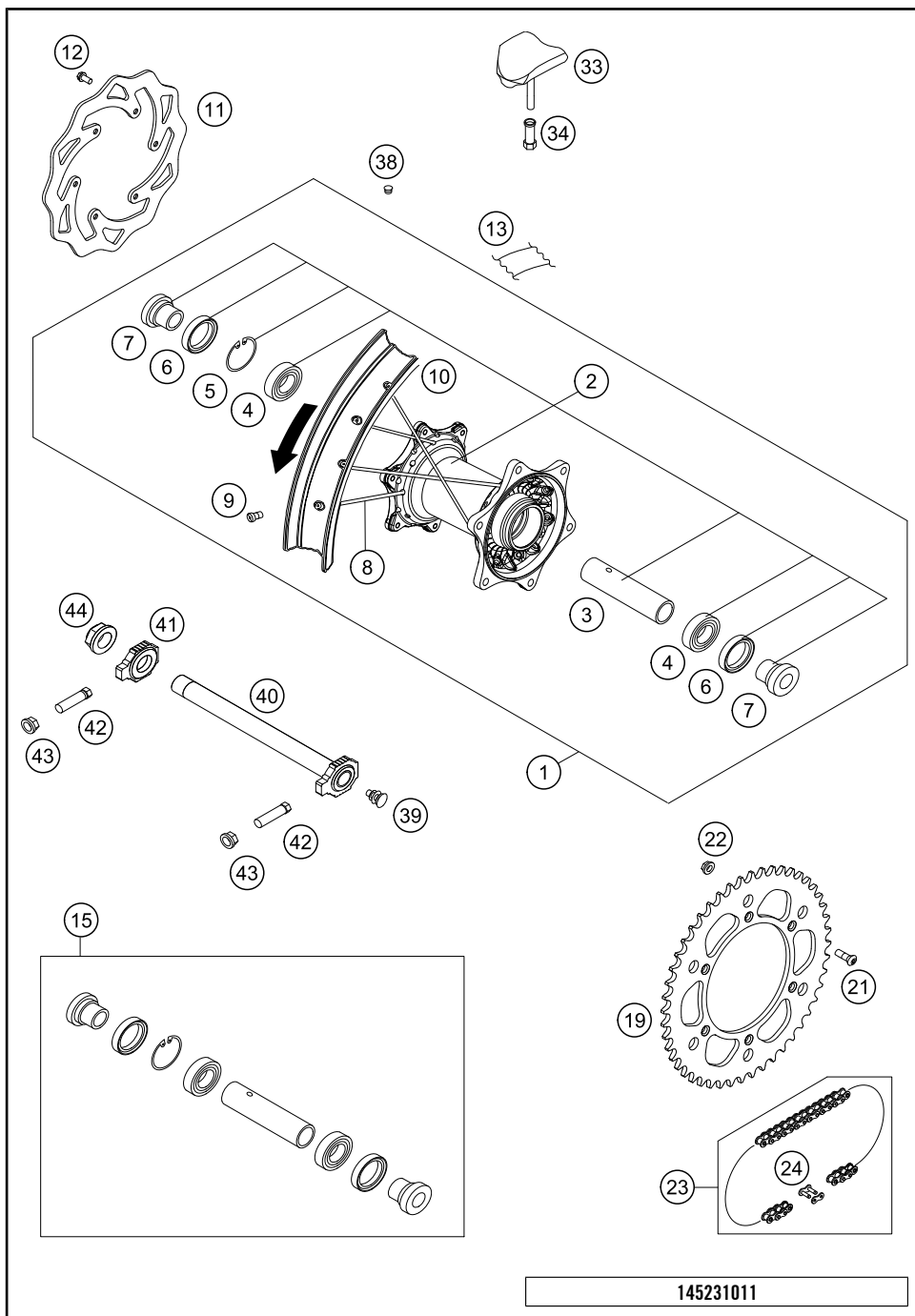
| POS | PARTNUMBER    | PARTNAME                       | PIECE |
|-----|---------------|--------------------------------|-------|
| 1*  | 7810900134430 | FRONTWHEEL CPL.1,6X21"GIANT 26 | 1     |
| 2*  | 77709010044   | FRONT WHEEL HUB CPL.           | 1     |
| 3   | 54809011000   | BEA.SPACERTUBE 35X2 L=79,4 03  | 1     |
| 4   | 0625069068    | GR.BALL BEAR.6906 DDU2CG23S6NM | 2     |
| 5   | 78009015000   | FRONT WHEEL REP. KIT           | 1     |
| 6   | 0760354771    | SHAFT SEAL RING 35X47X7 TC     | 2     |
| 8   | 78009012000   | SPACER BUSHING F. FR. WHEEL 08 | 2     |
| 10  | 7710907122630 | SPOKE M4,5X226- 21" BLACK 12   | 36    |
| 11  | 77109072000   | SPOKE NIPPLE M4,5 AL 11        | 36    |
| 12* | 7810907000030 | % RIM FRONT 1,6X21" BLACK      | 1     |
| 13  | 50309073000   | RIM BAND 21"                   | 1     |
| 15  | 00050000954   | SPOKE KIT FRONT "21" BLACK     | x     |
| 16  | 78109090000   | RIM LOCK 1,60"                 | 1     |
| 17  | 77110090050   | NUT FOR WHEEL HOLDER           | 1     |
| 20  | 77309060000   | BRAKE DISC FRONT 260           | 1     |
| 21  | 59009062013   | SPECIAL SCREW M6X13 WS=8 10.9  | 6     |
| 30  | 77309081000   | WHEEL SPIN.FR. D=26 M24x1,5 07 | 1     |
| 32  | 54809082000   | SPINDLE SCREW M24X1,5 WS=27 03 | 1     |
| 33  | 54809081050   | PLUG BUSHING WS=27 03          | 1     |
| 38  | 55003135000   | PLUG FOR RIM                   | x     |
| 40  | 54809081070   | AUXILIARY SCREW FRONT 06       | 1     |

117710910

C155240910

\* NEW PART

X ON DEMAND

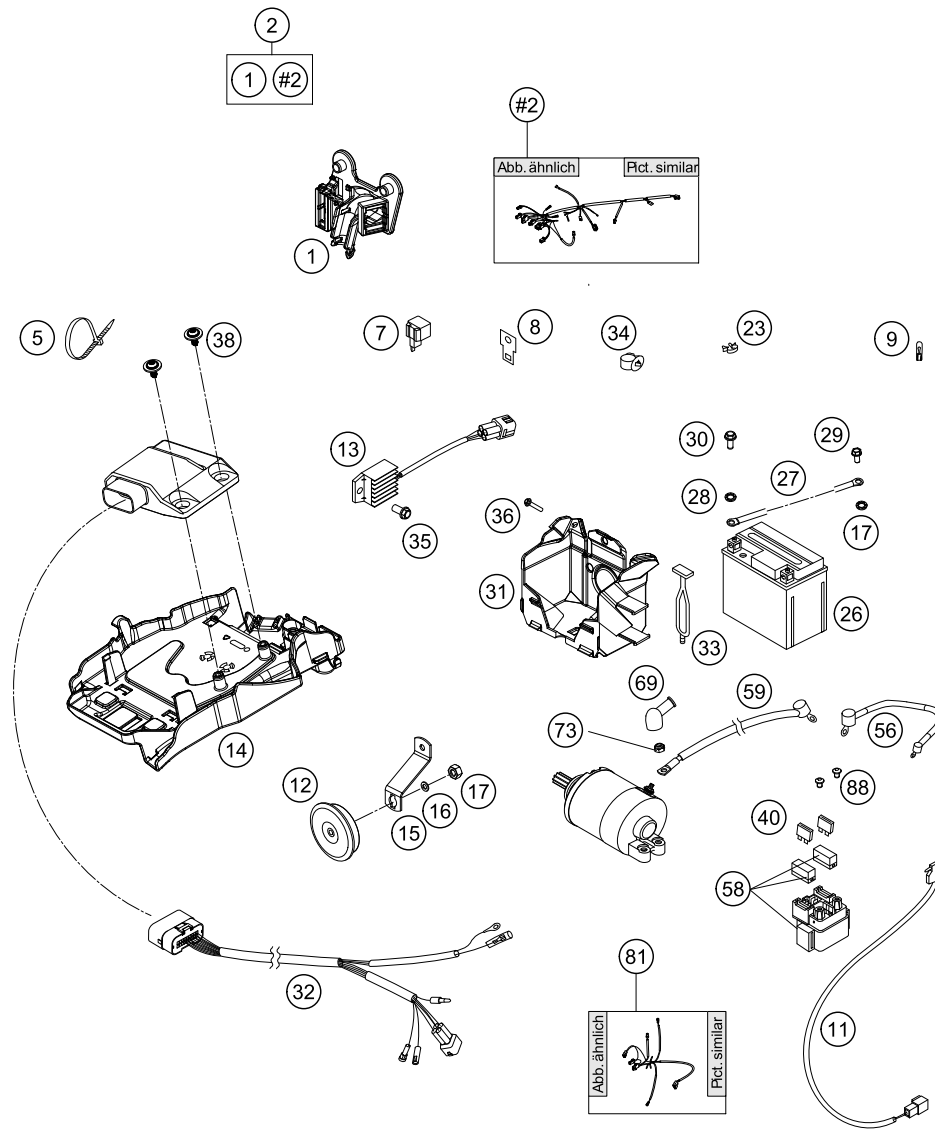


| POS | PARTNUMBER    | PARTNAME                       | PIECE |
|-----|---------------|--------------------------------|-------|
| 1*  | 7811000104430 | REAR WHEEL 2,15X18"BLACK SD 12 | 1     |
| 2   | 78010010144   | REAR WHEEL HUB CPL.            | 1     |
| 3   | 59010011000   | BUSHING SPACER TUBE 121,5MM 01 | 1     |
| 4   | 0625060058    | GR.BALL BEAR.6005 DDU2CG23S6NM | 2     |
| 5   | 0472047175    | CIRCLIP DIN0472-47X1,75        | 1     |
| 6   | 0760324771    | SHAFT SEAL RING 32X47X7 BSL    | 2     |
| 7   | 78010016000   | BUSHING FOR HUB 08             | 2     |
| 8   | 7711007119330 | SPOKE M4,5X193- 18" BLACK 12   | 36    |
| 9   | 77109072000   | SPOKE NIPPLE M4,5 AL 11        | 36    |
| 10* | 7811007000030 | % RIM REAR 2,15X18" BLACK      | 1     |
| 11  | 77310060000   | BRAKE DISC REAR 220            | 1     |
| 12  | 59009062013   | SPECIAL SCREW M6X13 WS=8 10.9  | 6     |
| 13  | 50310073200   | RIM BAND 18" AND 19"           | 1     |
| 15  | 50310073200   | RIM BAND 18" AND 19"           | 1     |
| 19  | 58310051038   | REAR SPROCKET 38-T             | x     |
| 19  | 58310151040   | REAR SPROCKET 40-T             | x     |
| 19  | 58310051042   | REAR SPROCKET 42-T             | x     |
| 19  | 58310151044   | REAR SPROCKET 44-T             | x     |
| 19  | 58310151045   | REAR SPROCKET 45-T             | 1     |
| 19* | 58310151048   | REAR SPROCKET 48-T             | x     |
| 19* | 58310151049   | REAR SPROCKET 49-T             | x     |
| 19  | 58310151050   | REAR SPROCKET 50-T             | x     |
| 19  | 58310151051   | REAR SPROCKET 51-T             | x     |
| 19  | 58310151052   | REAR SPROCKET 52-T             | x     |
| 19  | 58310151054   | REAR SPROCKET 54-T             | x     |
| 21  | 0019080266S   | COUNTER-SUNK SCREW ISA45 M8X26 | 6     |
| 22  | 06923080003   | HEXAGON NUT DIN EN1661 M8 SW13 | 6     |
| 23  | 78010167118   | CHAIN DID 118 ROLLS            | 1     |
| 24  | 78010166000   | CONNECTING LINK F. 78010167118 | 1     |
| 33  | 78110090000   | RIM LOCK 2,15"                 | 1     |
| 34  | 77110090050   | NUT FOR WHEEL HOLDER           | 1     |
| 38  | 55003135000   | PLUG FOR RIM                   | x     |
| 39  | 50210086000   | COVERING CAP SFL16             | x     |
| 40  | 77310085044   | WHEEL SPINDLE RE. CPL.265MM 07 | 1     |
| 41  | 50310084000   | CHAIN TENSIONER R/S 2000       | 1     |
| 42  | 50304040100   | SCREW M10X1,25X50 WS=10        | 2     |
| 43  | 58414030000   | HH COLLAR NUT M10X1,25 WS=13   | 2     |
| 44  | 50310099000   | HEXAGON NUT M20X1,5 '98        | 1     |

145231011

C155241011

\* NEW PART X ON DEMAND



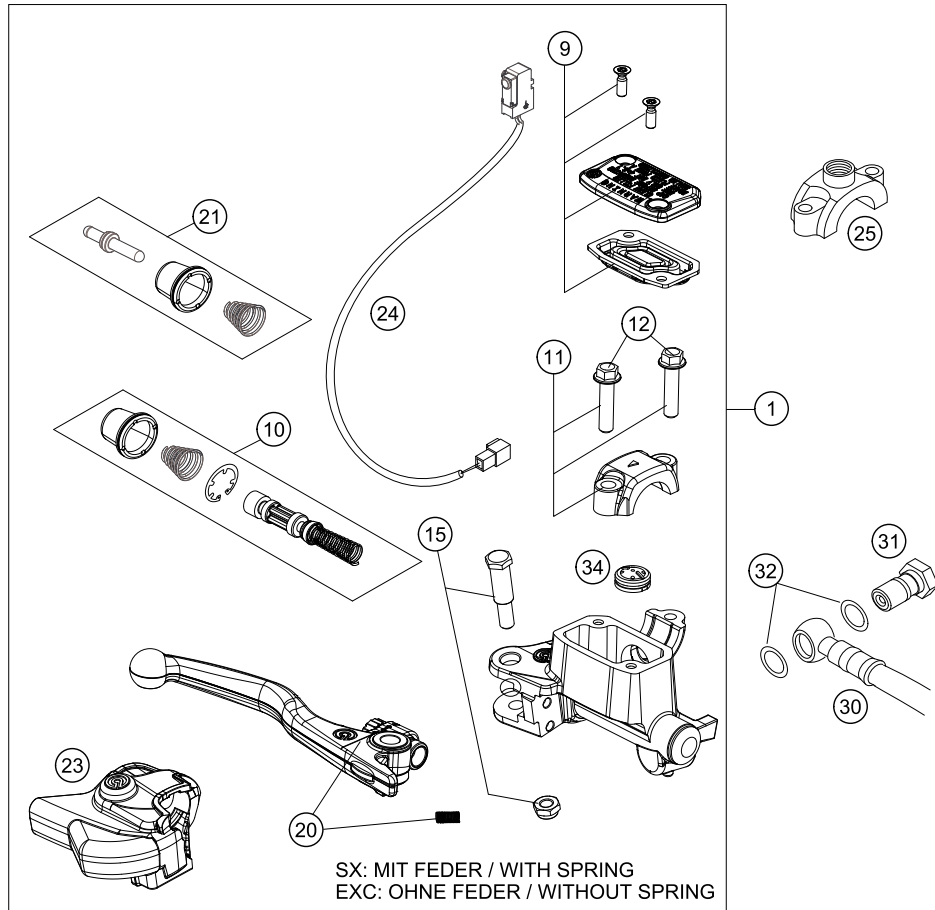
| POS | PARTNUMBER  | PARTNAME                       | PIECE |
|-----|-------------|--------------------------------|-------|
| 1   | 77711083000 | SUPPORT BRACKET                | 1     |
| 2   | 54811075700 | WIRING HARNESS 2T. EXC 14      | 1     |
| 5   | 44011076140 | CABLE TIE 140/2,5MM BLACK      | x     |
| 5   | 44011076200 | CABLE TIE 200/3,6MM BLACK      | x     |
| 5   | 44011076305 | CABLE TIE 300/4,8MM BLACK      | x     |
| 7*  | 76511030000 | FLASHER UNIT                   | 1     |
| 8   | 58211031100 | BRACKET FOR FLASHER RELAY      | 1     |
| 9   | 49111425200 | BULB 12V 2,3W (W2X4,6D)        | 2     |
| 11  | 77711050000 | BREAK LIGHT SWITCH FRONT 2014  | 1     |
| 12  | 50311060200 | DC HORN 12V 07                 | 1     |
| 13  | 80011034000 | VOLTAGE REGULATOR 04           | 1     |
| 14  | 77711094000 | ELECTRIC BOX                   | 1     |
| 15  | 78011061000 | HORN BRACKET EXC 08            | 1     |
| 16  | 0125050003  | WASHER DIN0125-A 5,3           | 1     |
| 17  | 0934050003  | HEXAGON NUT DIN0934-M 5        | 1     |
| 23  | 57013072000 | WIRING HOLDER 12MM             | x     |
| 23  | 57013072100 | WIRING HOLDER 16MM             | x     |
| 26* | 77311053000 | BATTERY 12V 3AH YTX4L-BS       | 1     |
| 27  | 58411097100 | GROUND CABLE D=6MM L=140MM '97 | 1     |
| 28  | 58411098100 | CONTACT WASHER M6 VSV-K6       | 3     |
| 29  | 0009050106  | EJOT SPIRAL SCREW SF M5X10-K   | 1     |
| 30  | 0025050126  | HH COLLAR SCREW M5X12 TX30     | 2     |
| 31* | 77211055000 | BATTERY BOX                    | 1     |
| 32  | 54839032200 | WIRING HARNESS FOR CDI 2-ST.07 | 1     |
| 33  | 50303018000 | RUBBER L=145MM                 | 1     |
| 34  | 58111076000 | CABLE SUPPORT KHS NR.150-47610 | 1     |
| 35  | 0023060123  | COLLAR SCREW M6X12 TX          | 1     |
| 36  | 0017060205  | SCREW FOR PLASTIC K60X20 SW6   | 3     |
| 38  | 0081645121  | EJOT DELTA PT SCREW 45X12-Z    | 2     |
| 40  | 58011109110 | FUSE 10 A 2000                 | 2     |
| 56  | 58711086000 | WIRING HARNESS BATTERY DUKE'99 | 1     |
| 58  | 58211058000 | STARTER RELAY 12V '99          | 1     |
| 59  | 55111059000 | STARTERCABLE 1100MM 07         | 1     |
| 69  | 58440099000 | PROTECTION CAP F. STARTER ENG. | 1     |
| 73  | 0985060003  | SELF LOCK. NUT DIN0985-M 6     | 1     |
| 81  | 77711081000 | FLASHER WIR. HARNESS 14        | 1     |
| 88  | 0902060083  | AH OVAL SCREW ISO 7380 M 6X8   | 2     |

155241110

C155241110

\* NEW PART

X ON DEMAND



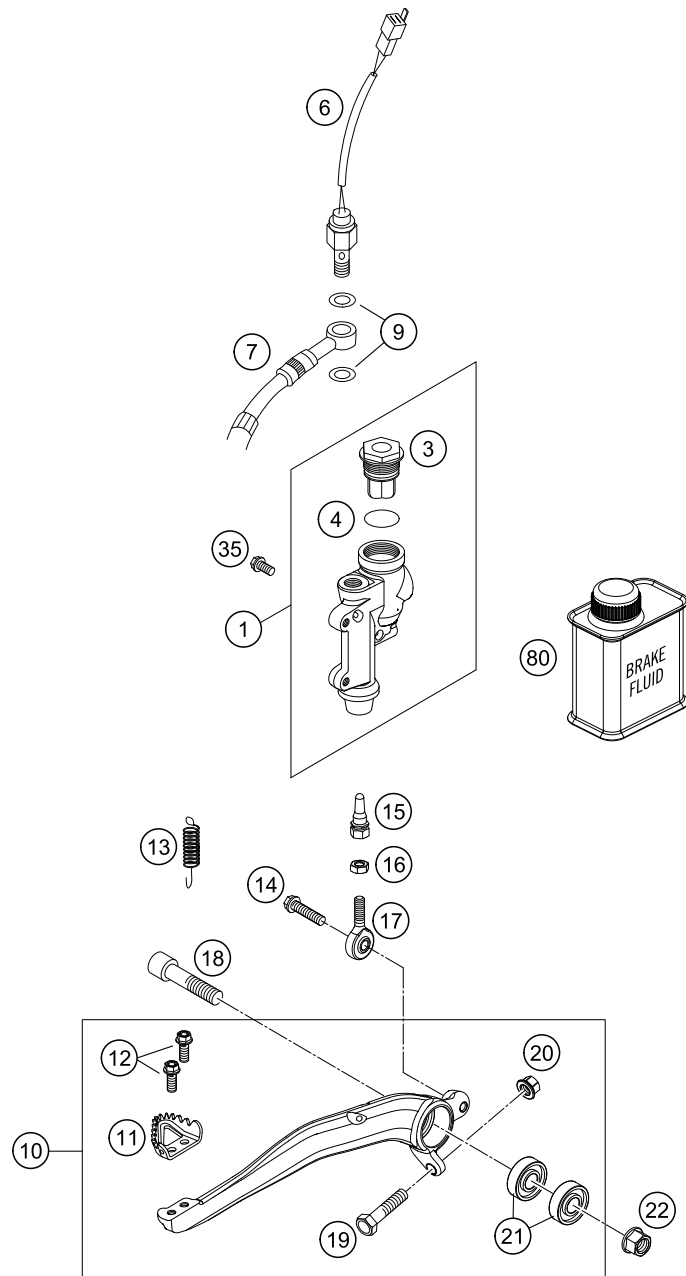
| POS | PARTNUMBER  | PARTNAME  | PIECE |
|-----|-------------|---|-------|
| 1   | 77713001144 | HAND BREAK CYLIND. CPL. EXC 14                                  | 1     |
| 9   | 77713003000 | HAND BRAKE CYL. COVER   | 1     |
| 10  | 77713008100 | REPAIR KIT PISTON EXC 2014                                      | 1     |
| 11  | 50313005000 | CLAMP CPL. NATURE   | 1     |
| 12  | 0025060256  | HH COLLAR SCREW M6X25 TX30                                      | 2     |
| 15  | 77713006000 | LEVER SCREW   | 1     |
| 20  | 77713002000 | HAND BRAKE LEVER +SPRING SX 14<br>SX WITH SPRING,EXC WITHOUT SP | 1     |
| 21  | 77713007100 | PUSH ROD CPL. EXC 2014  | 1     |
| 23  | 77713004000 | PROTECTION CAP HAND BRAKE CYL.                                  | 1     |
| 24  | 77711050000 | BREAK LIGHT SWITCH FRONT 2014                                   | 1     |
| 25  | 58012040150 | CLAMP FOR MIRROR '94  | 1     |
| 30  | 59013011000 | BRAKEHO. FRONT 1300MM 2000                                      | 1     |
| 31  | 54813020100 | HOLLOW SCREW BLACK M10X1X19                                     | 1     |
| 32  | 0603100141  | COPPER GASKET DIN7603-10X14X1                                   | 2     |
| 34  | 54802051000 | VALVE   | 1     |
| 80  | 00062030000 | BRAKE FLUID DOT5.1 0,25L  | 1     |

145031310

C148131310

\* NEW PART

X ON DEMAND



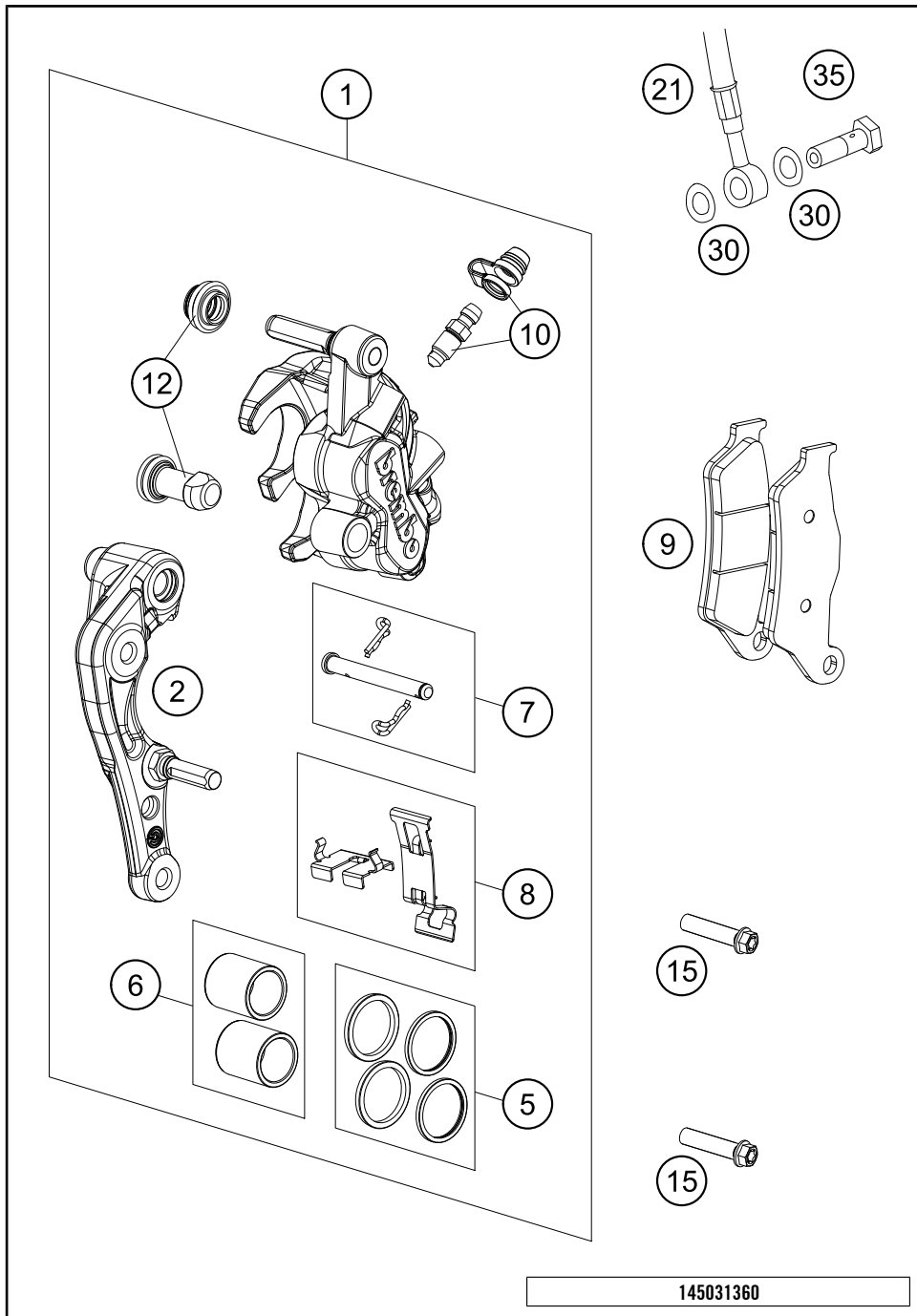
| POS | PARTNUMBER  | PARTNAME                      | PIECE |
|-----|-------------|-------------------------------|-------|
| 1   | 77013060044 | REAR BRAKE CYLINDER CPL.SX 09 | 1     |
| 3   | 54813062100 | REAR BRAKE CYL. COVER CPL. 04 | 1     |
| 4   | 54813063000 | FOOT-BRAKE CYL. GASKET SX 03  | 1     |
| 6   | 50311051100 | BRAKE LIGHT SWITCH REAR '98   | 1     |
| 7*  | 54813070100 | BRAKE HOSE REAR 655MM 15      | 1     |
| 9   | 0603100141  | COPPER GASKET DIN7603-10X14X1 | 2     |
| 10* | 78013050044 | FOOT BRAKE LEVER CPL.         | 1     |
| 11  | 54813051000 | STEP PLATE FOR BRAKE LEVER    | 1     |
| 12  | 0025050126  | HH COLLAR SCREW M5X12 TX30    | 2     |
| 13  | 54603062000 | RETURN SPRING FOR BRAKE LEVER | 1     |
| 14  | 0025060206  | HH COLLAR SCREW M6X20 TX30    | 1     |
| 15  | 54813056000 | PUSH ROD L=28MM 03            | 1     |
| 16  | 0934060003  | HEXAGON NUT DIN0934-M 6       | 1     |
| 17  | 54813055000 | SWIVEL HEAD KA6 03            | 1     |
| 18  | 0032100406S | AH-COLLAR SCREW M10X40 ISA45  | 1     |
| 19  | 59001037000 | SPECIAL SCREW M8X26 WS=10     | 1     |
| 20  | 46030045000 | COLLAR NUT M8 WS=10           | 1     |
| 21  | 0625060002  | BALL BEARING SKF 6000-2RS1    | 2     |
| 22  | 54630044000 | COLLAR NUT M10 WS=13          | 1     |
| 35  | 0025060126  | HH COLLAR SCREW M6X12 TX30    | 2     |
| 80  | 00062030000 | BRAKE FLUID DOT5.1 0,25L      | 1     |

155241331

C155241331

\* NEW PART

X ON DEMAND

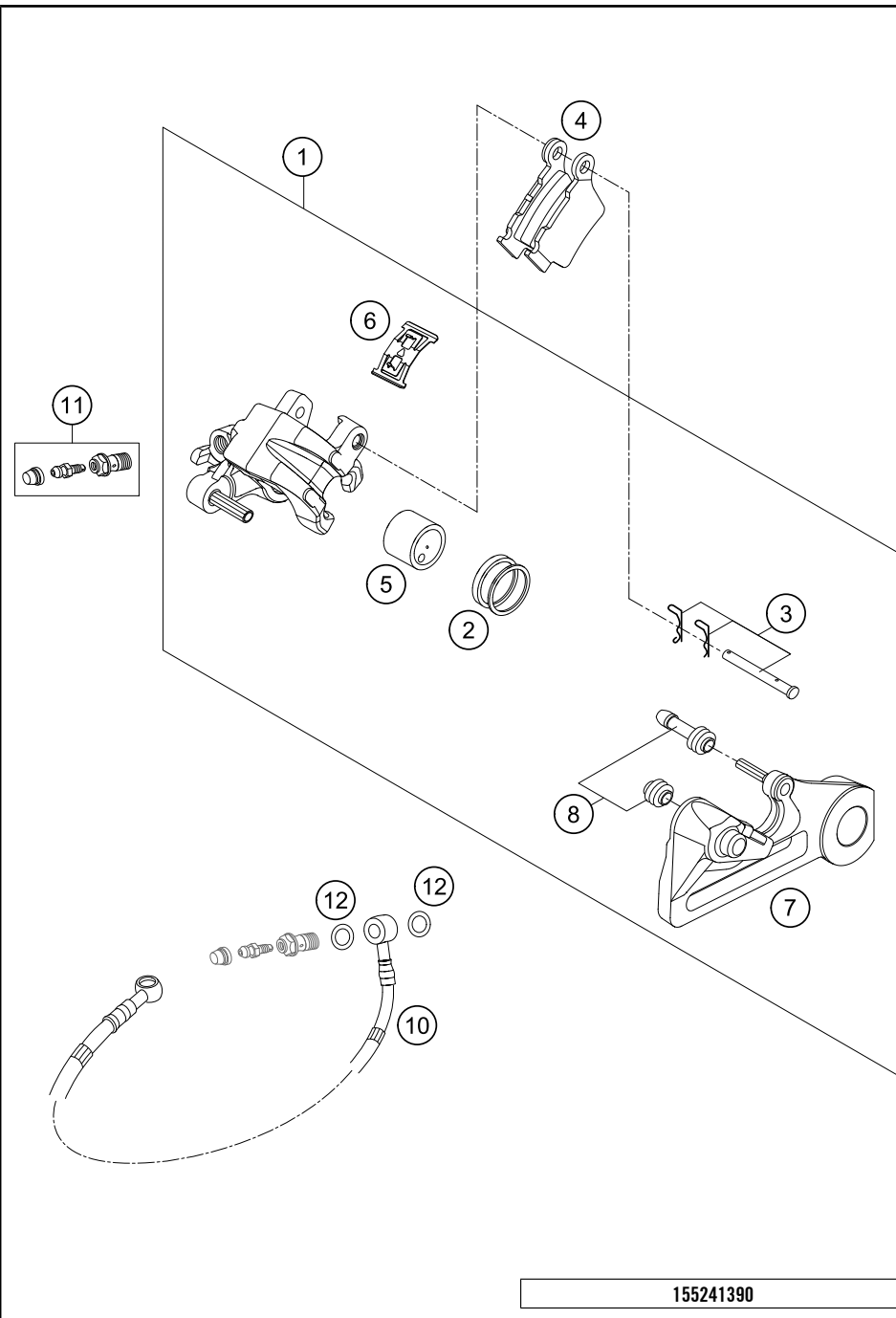


| POS | PARTNUMBER    | PARTNAME                       | PIECE |
|-----|---------------|--------------------------------|-------|
| 1   | 7701301500101 | CALIPER NAT. WITHOUT PADS      | 1     |
| 2   | 77013014000   | BRAKE CALIPER SUPPORT FRONT 09 | 1     |
| 5   | 77013021000   | REP. KIT SEALS 24MM            | 1     |
| 6   | 77013019000   | REP. KIT PISTON 24MM           | 1     |
| 7   | 77013017000   | BOLT CPL. 09                   | 1     |
| 8   | 77013018000   | RETAINING PLATE SET BREMBO     | 1     |
| 9   | 77713030000   | BRAKE PADS FRONT               | 1     |
| 10  | 61013020100   | BLEEDER SCREW WITH CAP         | 1     |
| 12  | 54613218000   | CUP SET SHORT                  | 1     |
| 15  | 0025080356S   | HH COLLAR SCREW M8X35 TX40     | 2     |
| 21  | 59013011000   | BRAKEHO. FRONT 1300MM 2000     | 1     |
| 30  | 0603100141    | COPPER GASKET DIN7603-10X14X1  | 2     |
| 35  | 50213025000   | HOLLOW SCREW M10X1X19          | 1     |

145031360

C148131360

\* NEW PART X ON DEMAND



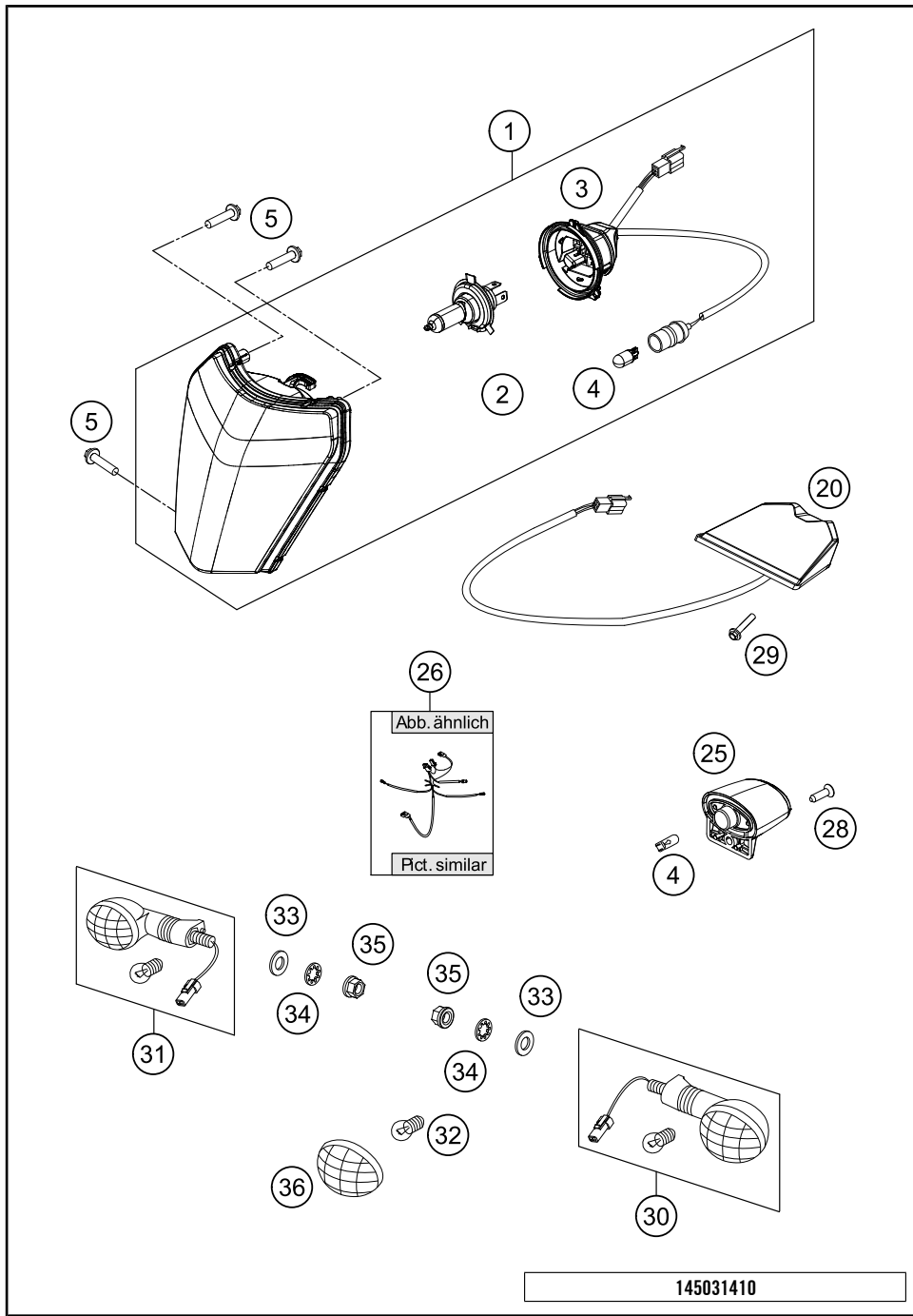
| POS | PARTNUMBER  | PARTNAME                      | PIECE |
|-----|-------------|-------------------------------|-------|
| 1   | 54813080101 | BRAKE CAL. RE. - WITHOUT PADS | 1     |
| 2   | 50313081200 | REPAIR KIT SEALING RINGS 26MM | 1     |
| 3   | 54813082000 | BOLT SET FOR BRAKE CALIPER 03 | 1     |
| 4   | 54813090300 | BRAKE PAD SET REAR TOYO       | 1     |
| 5*  | 77713083000 | BRAKE PISTON 26MM 2013        | 1     |
| 6   | 54813018000 | RETAINING SPRING SET 2003     | 1     |
| 7   | 54813075000 | BRAKE CALIPER SUPPORT REAR    | 1     |
| 8   | 54613218000 | CUP SET SHORT                 | 1     |
| 10  | 54813070100 | BRAKE HOSE REAR 655MM 15      | 1     |
| 11  | 62513020000 | BLEEDER SCREW CPL. 05         | 1     |
| 12  | 0603100141  | COPPER GASKET DIN7603-10X14X1 | 2     |

155241390

C155241390

\* NEW PART

X ON DEMAND



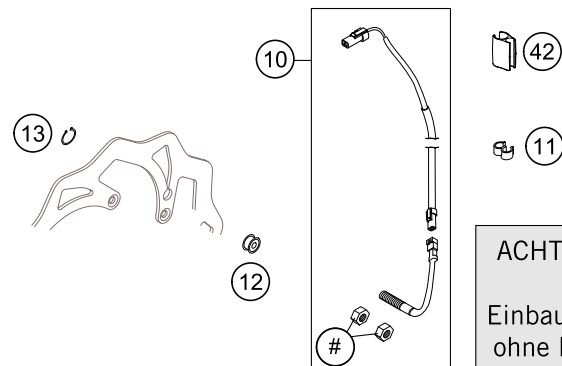
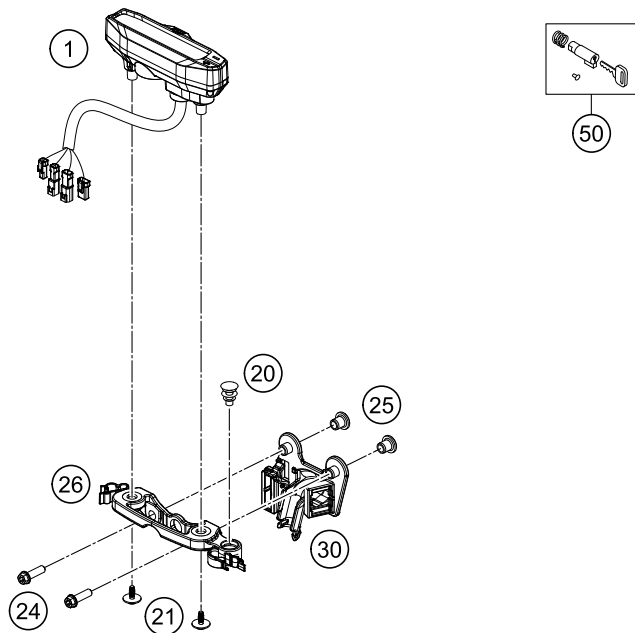
| POS | PARTNUMBER  | PARTNAME                      | PIECE |
|-----|-------------|-------------------------------|-------|
| 1   | 78114001000 | HEAD LIGHT CPL. 2013          | 1     |
| 2   | 54611038012 | BULB HS1 12V 35/35W WHITE     | 1     |
| 3   | 78114001050 | LAMP BRACKET CPL. 2014        | 1     |
| 4   | 49011435100 | BULB 12V 5W (W2,1X9,5D) PHIL. | 2     |
| 5   | 0081050181  | SCREW FOR PLASTIC K50X18 T20  | 3     |
| 20  | 78114040000 | REAR LIGHT                    | 1     |
| 25  | 75014047000 | LICENSE PLATE ILLUMINATION 07 | 1     |
| 26  | 77711081000 | FLASHER WIR. HARNESS 14       | 1     |
| 28  | 0081250181  | SCREW FOR PLASTIC 50X18 T20   | 1     |
| 29  | 0017060255  | EJOT PT SCREW K60X25-Z SW6    | 2     |
| 30  | 54814025200 | FLASHER CPL. FR.L/S RE.R/S 09 | 2     |
| 31  | 54814026200 | FLASHER CPL. FR.R/S RE.L/S 09 | 2     |
| 32  | 44111015100 | BULB 12V 10W (BA15S)          | 4     |
| 33  | 0125100003  | WASHER DIN0125-A10,5          | 4     |
| 34  | 0797100003  | LOCK WASHER DIN6797-J10,5 ZI  | 4     |
| 35  | 58414030000 | HH COLLAR NUT M10X1,25 WS=13  | 4     |
| 36  | 54814028000 | FLASHER LENS L/S R/S 05       | 4     |

145031410

C155241410

\* NEW PART X ON DEMAND





**ACHTUNG !!! CAUTION !!!**

Einbau von (10) ohne Muttern. **!** Mounting of (10) without nuts.

| POS | PARTNUMBER  | PARTNAME                                  | PIECE |
|-----|-------------|---|-------|
| 1*  | 77714069200 | SPEEDOMETER<br>REPROGRAMMABLE: KM/H - MPH | 1     |
| 10  | 54814068100 | CABLE FOR DIGITAL SPEEDOM. 06             | 1     |
| 11  | 55011022100 | CLAMP D=6/8MM, BLACK                      | 3     |
| 12  | 54814069050 | MAGNET FOR DIGITAL SPEEDOM. 03            | 1     |
| 13  | 0471009104  | CIRCLIP DIN0471- 9X1 INOX                 | 1     |
| 20  | 50210086000 | COVERING CAP SFL16                        | 1     |
| 21  | 0081645121  | EJOT DELTA PT SCREW 45X12-Z               | 2     |
| 24  | 0024060206  | HH COLLAR SCREW M6X20 TX30                | 2     |
| 25  | 59030060050 | BUSHING F. SPROCKET COVER RAC.            | 2     |
| 26* | 77714060000 | SPEEDOMETER BRACKET EXC/XCW 14            | 1     |
| 30  | 77711083000 | SUPPORT BRACKET                           | 1     |
| 42  | 54813026000 | CABLE SUPPORT 10/6MM 06                   | 2     |
| 50  | 78003035000 | STEERING HEAD LOCK 08                     | 1     |

155241430

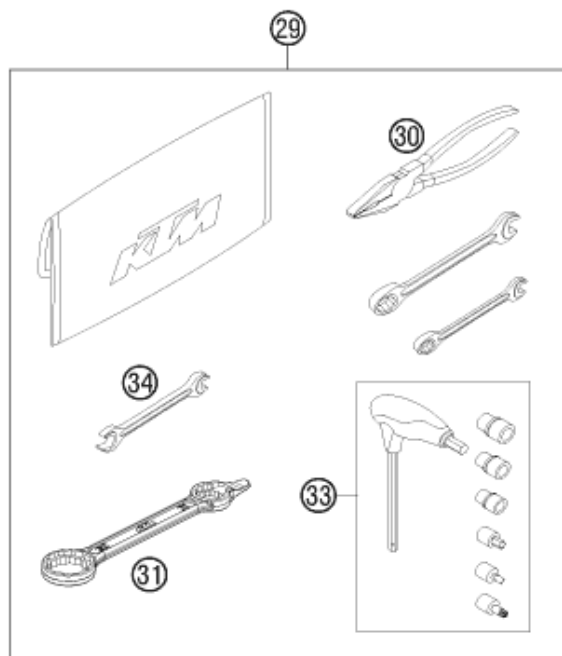
C155241430

\* NEW PART

X ON DEMAND

0  
OHNE ABBILDUNG  
WITHOUT ILLUSTRATION

1  
TECHNISCHE DOKUMENTATION  
TECHNICAL DOCUMENTATION  
DOCUMENTACION TECNICA  
DOCUMENTATION TECHNIQUE  
NOTE TECNICHE



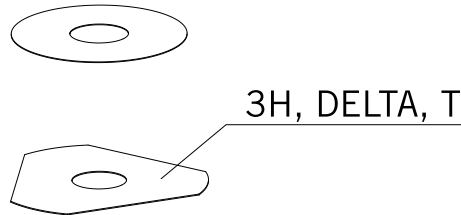
| POS | PARTNUMBER    | PARTNAME                       | PIECE |
|-----|---------------|--------------------------------|-------|
| 0   | 312313        | KTM BALLPOINT PEN ORANGE       | 1     |
| 0   | 78003040033   | FOOTREST L/S + R/S CPL. 09     | 1     |
| 0   | 77203094000   | PLASTIC FRAME PROTECTION SET   | 1     |
| 0   | 52305008600   | EXHAUST MANIFOLD               | 1     |
| 0   | 50305012000   | SWINGELEMENT FOR EXHAUST PIPE  | 1     |
| 0   | 54603048100   | RANGE CHANGE METAL NUT M6      | 1     |
| 0   | 0024060156    | HH COLLAR SCREW M6X15 TX30     | 1     |
| 0   | 0024060106    | HH COLLAR SCREW M6X10 TX30     | 1     |
| 0   | 50302044000   | CLAMP FOR MIRROR CPL. 09       | 1     |
| 0   | 77712099400   | ACCESSORIES FLASHER            | 1     |
| 0   | 0025050126    | HH COLLAR SCREW M5X12 TX30     | 2     |
| 0   | 58411098100   | CONTACT WASHER M6 VSV-K6       | 2     |
| 0   | 77311053000   | BATTERY 12V 3AH YTX4L-BS       | 1     |
| 0   | 58012040000   | REAR MIRROR L/S                | 1     |
| 0   | 78108016050   | NUMB.Plate CARRIER BOTTOM      | 1     |
| 0   | 58012140000   | REAR MIRROR R/S                | 1     |
| 0   | 58012040150   | CLAMP FOR MIRROR '94           | 1     |
| 0   | 58412080000   | REFLECTOR RED LC4 '98          | 1     |
| 0   | 0019080206S   | FLAT HEAD SCREW M. ISA45 M8X20 | 1     |
| 0   | 3210039       | * CUSTOMER WELCOME LETTER      | 1     |
| 0   | 3212455GB     | POWER WEAR FOLDER 2013         | 1     |
| 0   | 3212457DE/GB  | PP OFFROAD FOLDER 2013         | 1     |
| 0   | 00063004202   | PRINT LABEL 60X51 MM           | 1     |
| 0   | 312305        | DOCUMENTS BAG 2006             | 1     |
| 0   | 7770217900004 | HANDGUARDS CPL. L+R ORANGE     | 1     |
| 0   | 00062030019   | AIR FILTER OIL 100ML           | 1     |
| 0   | 77202002144   | BAR PAD CPL.                   | 1     |
| 0   | 52000091      | STICKER FRONT FORK-SET WP 48   | 1     |
| 1   | 3213177EN     | OWN. MAN. 125-300 XC-W/EXC 15  | 1     |
| 29  | 77729099000   | TOOL KIT 2013                  | 1     |
| 30  | 53012028200   | GRIP ORANGE B&F                | 1     |
| 31  | 50329080100   | WRENCH SW=17/21/27/32 B&F      | 1     |
| 33  | 60029070300   | T-WRENCH WS=6/8/10/TX45/SK4X1  | 1     |
| 34  | 50329072000   | SPOKE-SPANNER WS 7/10          | 1     |

125482000

C155242001

\* NEW PART

X ON DEMAND



- ⑤ Ø 5 mm
- ⑥ Ø 6 mm
- ⑧ Ø 8 mm
- ⑩ Ø 10 mm
- ⑫ Ø 12 mm
- ⑭ Ø 14-14,5 mm
- ⑯ Ø 16 mm
- ⑳ Ø 20 mm
- ㉑ Ø 21 mm
- ㉒ Ø 22 mm
- ㉓ Ø 23 mm
- ㉔ Ø 24,5 mm
- ㉘ Ø 28,5 mm
- ㉚ Ø 32 mm
- ㉜ Ø 52 mm

| POS | PARTNUMBER | PARTNAME            | PIECE |
|-----|------------|---------------------|-------|
| 5   | 44906890   | WASHER 5X15X2       | X     |
| 6   | 40540400   | SHIM 6X12X0,1       | X     |
| 6   | 40540401   | SHIM 6X14X0,1       | X     |
| 6   | 40540402   | SHIM 6X16X0,1       | X     |
| 6   | 40540403   | SHIM 6X18X0,1       | X     |
| 6   | 40540404   | SHIM 6X12X0,15      | X     |
| 6   | 40540405   | SHIM 6X14X0,15      | X     |
| 6   | 40540406   | SHIM 6X16X0,15      | X     |
| 6   | 40540407   | SHIM 6X18X0,15      | X     |
| 6   | 40540408   | SHIM 6X12X0,2       | X     |
| 6   | 40540409   | SHIM 6X14X0,2       | X     |
| 6   | 40540410   | SHIM 6X16X0,2       | X     |
| 6   | 40540411   | SHIM 6X18X0,2       | X     |
| 6   | 48600095   | * SHIM 6X20X0,20    | X     |
| 6   | 40540412   | SHIM 6X12X0,25      | X     |
| 6   | 40540413   | SHIM 6X14X0,25      | X     |
| 6   | 40540414   | SHIM 6X16X0,25      | X     |
| 6   | 40540415   | SHIM 6X18X0,25      | X     |
| 6   | 40540417   | SHIM 6X8,5X0,10     | X     |
| 6   | 40540418   | SHIM 6X9X0,10       | X     |
| 6   | 40540419   | SHIM 6X9,5X0,10     | X     |
| 6   | 40540423   | SHIM 6X9,5X0,15     | X     |
| 6   | 40540425   | SHIM 6X8,5X0,20     | X     |
| 6   | 40540426   | SHIM 6X9X0,20       | X     |
| 6   | 40540427   | SHIM 6X9,5X0,20     | X     |
| 6   | 40540447   | SHIM 6X10X0,3       | X     |
| 6   | 40540449   | SHIM 6X9X0,3        | X     |
| 6   | 40540450   | SHIM 6X9,5X0,3      | X     |
| 6   | 40540494   | SHIM 6X18X0,4       | X     |
| 6   | 40540774   | SHIM 6X18X0,1 DELTA | X     |
| 6   | 40541383   | SHIM 6X11X0,1       | X     |
| 6   | 40541391   | SHIM 6X11X0,3       | X     |
| 6   | 40541402   | SHIM 6X11X0,2       | X     |
| 6   | 40541403   | SHIM 6X10X0,20      | X     |
| 6   | 40541404   | SHIM 6X10X0,1       | X     |
| 6   | 40541405   | SHIM 6X10X0,15      | X     |
| 6   | 40541406   | SHIM 6X11X0,15      | X     |
| 6   | 40541408   | SHIM 6X8,0X0,30     | X     |

080000190

C130009090

\* NEW PART

X ON DEMAND



3H, DELTA, T

- ⑤ Ø 5 mm
- ⑥ Ø 6 mm
- ⑧ Ø 8 mm
- ⑩ Ø 10 mm
- ⑫ Ø 12 mm
- ⑭ Ø 14-14,5 mm
- ⑯ Ø 16 mm
- ⑳ Ø 20 mm
- ㉑ Ø 21 mm
- ㉒ Ø 22 mm
- ㉓ Ø 23 mm
- ㉔ Ø 24,5 mm
- ㉘ Ø 28,5 mm
- ㉚ Ø 32 mm
- ㉜ Ø 52 mm

| POS | PARTNUMBER | PARTNAME             | PIECE |
|-----|------------|----------------------|-------|
| 6   | 40541414   | SHIM 6X8,0X0,10      | X     |
| 6   | 40541416   | SHIM 6X8X0,3         | X     |
| 6   | 40541417   | SHIM 6X11X0,25       | X     |
| 6   | 48600102   | * SHIM 6X24X0,25     | X     |
| 6   | 48600063   | SHIM 6X24X0,1        | X     |
| 6   | 48600064   | SHIM 6X22X0,1        | X     |
| 6   | 48600065   | SHIM 6X20X0,1        | X     |
| 6   | 48600069   | SHIM 6X20X0,15       | X     |
| 6   | 48600100   | SHIM 6X24X0,15       | X     |
| 6   | 48600116   | SHIM 6X24X0,1 DELTA  | X     |
| 6   | 48600139   | SHIM 6X22X0,1 DELTA  | X     |
| 6   | 48600217   | BACKPLATE 6X10X0,25  | X     |
| 6   | 48600325   | SHIM 6X13X0,1        | X     |
| 6   | 48600327   | SHIM 6X15X0,1        | X     |
| 6   | 48600329   | SHIM 6X17X0,1        | X     |
| 6   | 48600331   | SHIM 6X19X0,1        | X     |
| 6   | 48600096   | * SHIM 6X20X0,25     | X     |
| 6   | 48600097   | SHIM 6X22X0,15       | X     |
| 6   | 48600099   | * SHIM 6X22X0,25     | X     |
| 6   | 40540448   | BACKPLATE 6X8,5X0,30 | X     |
| 6   | 48600479   | SHIM 6X20X0,1 T/3H   | X     |
| 6   | 48600332   | SHIM 6X21X0,1        | X     |
| 6   | 48600333   | SHIM 6X23X0,1        | X     |
| 6   | 40541393   | * SHIM 6X12X0,3      | X     |
| 6   | 48600330   | SHIM 6X17X0,15       | X     |
| 6   | 48600988   | SHIM 6X28X0,10       | X     |
| 6   | 48600989   | SHIM 6X26X0,10       | X     |
| 6   | 48601091   | SHIM 6X28X0,15       | X     |
| 6   | 48601093   | SHIM 6X26X0,15       | X     |
| 8   | 40540477   | SHIM 8X18X0,4        | X     |
| 8   | 43570120   | SHIM 8X18X0,10       | X     |
| 8   | 44916098   | WASHER 8,4X16X0,8    | X     |
| 8   | 44916130   | WASHER 8,2X15X1      | X     |
| 8   | 44916180   | WASHER 8,2X11X1      | X     |
| 8   | 48600214   | SHIM 8X16X0,1        | X     |
| 8   | 48600346   | SHIM 8X11X0,2        | X     |
| 8   | 48600215   | CHECK VALVE 8X20X0,1 | X     |
| 8   | 48600061   | CHECK VALVE 8X24X0,4 | X     |

080000190

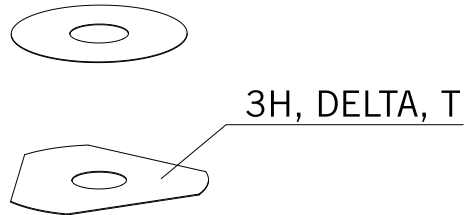
C130009090

\* NEW PART

X ON DEMAND



- ⑤ Ø 5 mm
- ⑥ Ø 6 mm
- ⑧ Ø 8 mm
- ⑩ Ø 10 mm
- ⑫ Ø 12 mm
- ⑭ Ø 14-14,5 mm
- ⑯ Ø 16 mm
- ⑳ Ø 20 mm
- ㉑ Ø 21 mm
- ㉒ Ø 22 mm
- ㉓ Ø 23 mm
- ㉔ Ø 24,5 mm
- ㉘ Ø 28,5 mm
- ㉚ Ø 32 mm
- ㉜ Ø 52 mm



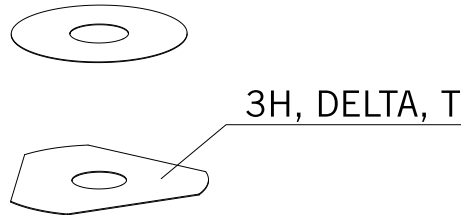
| POS | PARTNUMBER | PARTNAME               | PIECE |
|-----|------------|------------------------|-------|
| 8   | 4860062    | CHECK VALVE 8X24X0,1   | X     |
| 8   | 48600216   | CHECK VALVE 8X22X0,1   | X     |
| 8   | 48600480   | SHIM 8X10X0,20         | X     |
| 8   | 48600555   | SHIM 8X16X0,20         | X     |
| 8   | 48600213   | SHIM 8X14X0,10         | X     |
| 8   | 48600357   | CHECK VALVE 8X11X0,1   | X     |
| 8   | 48600351   | CHECK VALVE 8X12X0,1   | X     |
| 8   | 48600607   | SHUTTLE VALVE 8X20X0,4 | X     |
| 8   | 48601095   | SHIM 8X17X0,10         | X     |
| 8   | 48600218   | BACKPLATE 8X11X0,40    | X     |
| 10  | 36120284   | SHIM 10X16X0,10        | X     |
| 10  | 36120298   | SHIM 10X16X0,2         | X     |
| 10  | 36120312   | SHIM 10X16X0,30        | X     |
| 10  | 36120314   | SHIM 10X18X0,30        | X     |
| 10  | 36120325   | SHIM 10X19X0,15        | X     |
| 10  | 36120327   | SHIM 10X23X0,15        | X     |
| 10  | 36120328   | SHIM 10X25X0,15        | X     |
| 10  | 36120329   | SHIM 10X27X0,15        | X     |
| 10  | 36120330   | SHIM 10X29X0,15        | X     |
| 10  | 36120331   | SHIM 10X31X0,15        | X     |
| 10  | 36120332   | SHIM 10X33X0,15        | X     |
| 10  | 36120334   | SHIM 10X21X0,20        | X     |
| 10  | 36120335   | SHIM 10X23X0,20        | X     |
| 10  | 36120336   | SHIM 10X25X0,20        | X     |
| 10  | 36120337   | SHIM 10X27X0,20        | X     |
| 10  | 36120338   | SHIM 10X29X0,20        | X     |
| 10  | 36120339   | SHIM 10X31X0,20        | X     |
| 10  | 36120340   | SHIM 10X33X0,20        | X     |
| 10  | 36120342   | SHIM 10X21X0,25        | X     |
| 10  | 36120343   | SHIM 10X23X0,25        | X     |
| 10  | 36120344   | SHIM 10X25X0,25        | X     |
| 10  | 36120345   | SHIM 10X27X0,25        | X     |
| 10  | 36120349   | SHIM 10X19X0,30        | X     |
| 10  | 36120350   | SHIM 10X21X0,30        | X     |
| 10  | 40140275   | WASHER 10X35X0,15      | X     |
| 10  | 36120346   | * SHIM 10X29X0,25      | X     |
| 10  | 50180010   | * SHIM 16X24X0,10      | X     |
| 10  | 36120604   | SHIM D10XD22X2,5       | X     |

080000190

C130009090

\* NEW PART

X ON DEMAND



- ⑤ Ø 5 mm
- ⑥ Ø 6 mm
- ⑧ Ø 8 mm
- ⑩ Ø 10 mm
- ⑫ Ø 12 mm
- ⑭ Ø 14-14,5 mm
- ⑯ Ø 16 mm
- ⑳ Ø 20 mm
- ㉑ Ø 21 mm
- ㉒ Ø 22 mm
- ㉓ Ø 23 mm
- ㉔ Ø 24,5 mm
- ㉘ Ø 28,5 mm
- ㉚ Ø 32 mm
- ㉜ Ø 52 mm

| POS | PARTNUMBER | PARTNAME             | PIECE |
|-----|------------|----------------------|-------|
| 12  | 46810490   | SHIM 12X24X0,20      | X     |
| 12  | 46810491   | SHIM 12X26X0,20      | X     |
| 12  | 46810492   | SHIM 12X28X0,20      | X     |
| 12  | 46810493   | SHIM 12X30X0,20      | X     |
| 12  | 46810494   | SHIM 12X32X0,20      | X     |
| 12  | 46810495   | SHIM 12X34X0,20      | X     |
| 12  | 46810496   | SHIM 12X36X0,20      | X     |
| 12  | 46810497   | SHIM 12X38X0,20      | X     |
| 12  | 46810498   | SHIM 12X40X0,20      | X     |
| 12  | 46810499   | SHIM 12X24X0,25      | X     |
| 12  | 46810500   | SHIM 12X26X0,25      | X     |
| 12  | 46810501   | SHIM 12X28X0,25      | X     |
| 12  | 46810502   | SHIM 12X30X0,25      | X     |
| 12  | 46810504   | SHIM 12X34X0,25      | X     |
| 12  | 46810505   | SHIM 12X36X0,25      | X     |
| 12  | 46810507   | SHIM 12X40X0,25      | X     |
| 12  | 46810508   | SHIM 12X24X0,30      | X     |
| 12  | 46810509   | SHIM 12X26X0,30      | X     |
| 12  | 46810510   | SHIM 12X28X0,30      | X     |
| 12  | 46810512   | SHIM 12X32X0,30      | X     |
| 12  | 46810513   | SHIM 12X34X0,30      | X     |
| 12  | 46810518   | SHIM 12X26X0,15      | X     |
| 12  | 46810519   | SHIM 12X28X0,15      | X     |
| 12  | 46810520   | SHIM 12X30X0,15      | X     |
| 12  | 46810521   | SHIM 12X32X0,15      | X     |
| 12  | 46810522   | SHIM 12X34X0,15      | X     |
| 12  | 46810523   | SHIM 12X36X0,15      | X     |
| 12  | 46810524   | SHIM 12X38X0,15      | X     |
| 12  | 46810525   | SHIM 12X40X0,15      | X     |
| 12  | 46810604   | SHIM 12X20X0,10      | X     |
| 12  | 46810606   | SHIM 12X22X0,10      | X     |
| 12  | 46810607   | SHIM 12X23X0,10      | X     |
| 12  | 46810608   | SHIM 12X24X0,10      | X     |
| 12  | 46810610   | SHIM 12X27X0,15      | X     |
| 12  | 46810611   | SHIM 12X18X0,15      | X     |
| 12  | 46810612   | SHIM 12X19X0,15      | X     |
| 12  | 46810615   | SHIM 12X22X0,15      | X     |
| 12  | 46810636   | BACKPLATE 12X16X0,30 | X     |

080000190

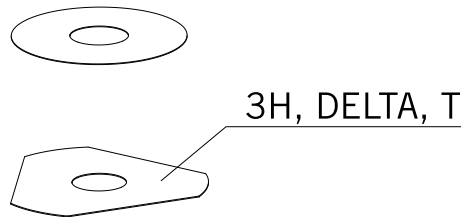
C130009090

\* NEW PART

X ON DEMAND



- ⑤ Ø 5 mm
- ⑥ Ø 6 mm
- ⑧ Ø 8 mm
- ⑩ Ø 10 mm
- ⑫ Ø 12 mm
- ⑭ Ø 14-14,5 mm
- ⑯ Ø 16 mm
- ⑳ Ø 20 mm
- ㉑ Ø 21 mm
- ㉒ Ø 22 mm
- ㉓ Ø 23 mm
- ㉔ Ø 24,5 mm
- ㉘ Ø 28,5 mm
- ㉚ Ø 32 mm
- ㉜ Ø 52 mm



| POS | PARTNUMBER | PARTNAME             | PIECE |
|-----|------------|----------------------|-------|
| 12  | 46810637   | BACKPLATE 12X17X0,30 | X     |
| 12  | 46810638   | BACKPLATE 12X18X0,30 | X     |
| 12  | 46810639   | SHIM 12X19X0,30      | X     |
| 12  | 46810641   | BACKPLATE 12X21X0,30 | X     |
| 12  | 46811582   | BACKPLATE 12X30X0,10 | X     |
| 12  | 46810631   | SHIM 12X20X0,25      | X     |
| 12  | 46810633   | SHIM 12X22X0,25      | X     |
| 12  | 46811580   | SHIM 12X32X0,10      | X     |
| 12  | 46810503   | SHIM 12X32X0,25      | X     |
| 12  | 46810517   | * SHIM 12X24X0,15    | X     |
| 12  | 46810640   | SHIM 12X20X0,30      | X     |
| 12  | 46811258   | RING 12X24X2,5       | X     |
| 14  | 46811046   | SHIM 14,5X35,4X1,25  | X     |
| 16  | 50180023   | * SHIM 16X23X0,20    | X     |
| 16  | 50180030   | SHIM                 | X     |
| 16  | 50180006   | BACKPLATE 16X20X0,10 | X     |
| 16  | 50180007   | SHIM 16X21X0,10      | X     |
| 16  | 50180028   | SHIM 16X21X0,25      | X     |
| 16  | 50180210   | WASHER 16X21X1       | X     |
| 16  | 50180008   | SHIM 16X22X0,10      | X     |
| 16  | 50180022   | SHIM 16X22X0,20      | X     |
| 16  | 50180037   | SHIM 16X23X0,30      | X     |
| 16  | 50180038   | SHIM 16X24X0,30      | X     |
| 16  | 50180032   | SHIM 15X25X0,25      | X     |
| 16  | 50180039   | SHIM 16X25X0,30      | X     |
| 16  | 50180012   | SHIM 16X26X0,10      | X     |
| 16  | 50180019   | SHIM 16X26X0,15      | X     |
| 16  | 50180026   | SHIM 16X26X0,20      | X     |
| 16  | 50180040   | SHIM 16X26X0,30      | X     |
| 16  | 50180041   | SHIM 16X28X0,10      | X     |
| 16  | 50180045   | SHIM 16X28X0,15      | X     |
| 16  | 50180054   | SHIM 16X28X0,20      | X     |
| 16  | 50180063   | SHIM 16X28X0,25      | X     |
| 16  | 50180072   | SHIM 16X28X0,30      | X     |
| 16  | 50180046   | SHIM 16X30X0,15      | X     |
| 16  | 50180055   | SHIM 16X30X0,20      | X     |
| 16  | 50180064   | SHIM 16X30X0,25      | X     |
| 16  | 50180073   | SHIM 16X30X0,30      | X     |

080000190

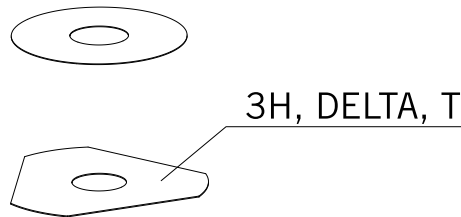
C130009090

\* NEW PART

X ON DEMAND



- ⑤ Ø 5 mm
- ⑥ Ø 6 mm
- ⑧ Ø 8 mm
- ⑩ Ø 10 mm
- ⑫ Ø 12 mm
- ⑭ Ø 14-14,5 mm
- ⑯ Ø 16 mm
- ⑳ Ø 20 mm
- ㉑ Ø 21 mm
- ㉒ Ø 22 mm
- ㉓ Ø 23 mm
- ㉔ Ø 24,5 mm
- ㉘ Ø 28,5 mm
- ㉚ Ø 32 mm
- ㉜ Ø 52 mm



| POS | PARTNUMBER | PARTNAME             | PIECE |
|-----|------------|----------------------|-------|
| 16  | 50180047   | SHIM 16X32X0,15      | X     |
| 16  | 50180056   | SHIM 16X32X0,20      | X     |
| 16  | 50180065   | SHIM 16X32X0,25      | X     |
| 16  | 50180074   | SHIM 16X32X0,30      | X     |
| 16  | 50180044   | SHIM 16X34X0,10      | X     |
| 16  | 50180048   | SHIM 16X34X0,15      | X     |
| 16  | 50180057   | SHIM 16X34X0,20      | X     |
| 16  | 50180066   | SHIM 16X34X0,25      | X     |
| 16  | 50180075   | SHIM 16X34X0,30      | X     |
| 16  | 50180049   | SHIM 16X36X0,15      | X     |
| 16  | 50180058   | SHIM 16X36X0,20      | X     |
| 16  | 50180067   | SHIM 16X36X0,25      | X     |
| 16  | 50180076   | SHIM 16X36X0,30      | X     |
| 16  | 50180050   | SHIM 16X38X0,15      | X     |
| 16  | 50180059   | SHIM 16X38X0,20      | X     |
| 16  | 50180068   | SHIM 16X38X0,25      | X     |
| 16  | 50180077   | SHIM 16X38X0,30      | X     |
| 16  | 50180051   | SHIM 16X40X0,15      | X     |
| 16  | 50180060   | SHIM 16X40X0,20      | X     |
| 16  | 50180069   | SHIM 16X40X0,25      | X     |
| 16  | 50180078   | SHIM 16X40X0,30      | X     |
| 16  | 50180052   | SHIM 16X42X0,15      | X     |
| 16  | 50180061   | SHIM 16X42X0,20      | X     |
| 16  | 50180070   | SHIM 16X42X0,25      | X     |
| 16  | 50180079   | SHIM 16X42X0,30      | X     |
| 16  | 50180053   | SHIM 16X44X0,15      | X     |
| 16  | 50180062   | SHIM 16X44X0,20      | X     |
| 16  | 50180071   | SHIM 16X44X0,25      | X     |
| 16  | 50180080   | SHIM 16X44X0,30      | X     |
| 16  | 50180177   | WASHER 16X8,2X0,6    | X     |
| 16  | 50180033   | SHIM 16X26X0,25      | X     |
| 16  | 50180034   | BACKPLATE 16X20X0,30 | X     |
| 16  | 50180035   | BACKPLATE 16X21X0,30 | X     |
| 16  | 50180036   | BACKPLATE 16X22X0,30 | X     |
| 16  | 50180043   | SHIM                 | X     |
| 16  | 50180024   | * SHIM 16X24X0,20    | X     |
| 16  | 50180027   | * SHIM 16X20X0,25    | X     |
| 16  | 50180031   | SHIM                 | X     |

080000190

C130009090

\* NEW PART

X ON DEMAND





- ⑤ Ø 5 mm
- ⑥ Ø 6 mm
- ⑧ Ø 8 mm
- ⑩ Ø 10 mm
- ⑫ Ø 12 mm
- ⑭ Ø 14-14,5 mm
- ⑯ Ø 16 mm
- ⑳ Ø 20 mm
- ㉑ Ø 21 mm
- ㉒ Ø 22 mm
- ㉓ Ø 23 mm
- ㉔ Ø 24,5 mm
- ㉘ Ø 28,5 mm
- ㉚ Ø 32 mm
- ㉜ Ø 52 mm

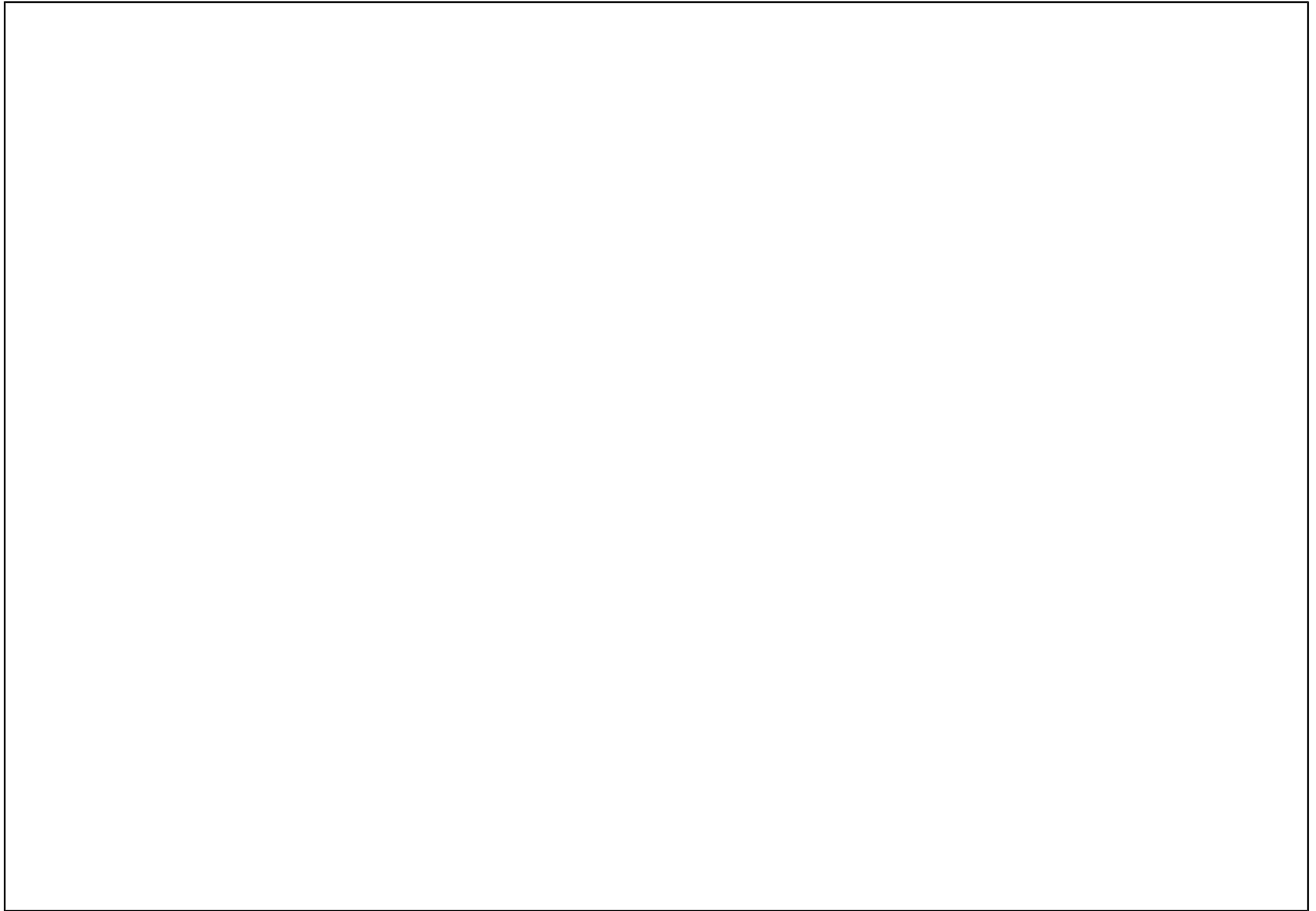
| POS | PARTNUMBER | PARTNAME                    | PIECE |
|-----|------------|-----------------------------|-------|
| 20  | 48600212   | PRESSURE-RING 20X16,25X0,20 | X     |
| 20  | 50180666   | SHIM 20X24X0,30             | X     |
| 20  | 50180654   | SHIM 20X36X0,20             | X     |
| 20  | 50180655   | SHIM 20X38X0,20             | X     |
| 20  | 50180656   | SHIM 20X40X0,20             | X     |
| 20  | 50180665   | SHIM 20X40X0,25             | X     |
| 20  | 50180662   | SHIM 20X34X0,25             | X     |
| 20  | 50180657   | SHIM 20X24X0,25             | X     |
| 20  | 50180653   | SHIM 20X34X0,20             | X     |
| 20  | 50180634   | RING 20X22,9X1              | X     |
| 20  | 50180650   | SHIM 20,2X28X0,20           | X     |
| 20  | 50180663   | SHIM 20X36X0,25             | X     |
| 20  | 50180664   | SHIM 20X38X0,25             | X     |
| 20  | 50180659   | SHIM 20,2X28X0,25           | X     |
| 21  | 50180209   | WASHER 21X36X0,25           | X     |
| 22  | 50180330   | * PRESS. RING 22X18X0,30    | X     |
| 23  | 50180635   | SHUTTLE VALVE 23X38X0,25    | X     |
| 23  | 50180578   | SHIM D23XD16X2              | X     |
| 24  | 40541061   | WASHER 24,5X34X2            | X     |
| 28  | 36120469   | SHIM 28,5X14X2              | X     |
| 28  | 36120471   | SHIM 28,5X14X5              | X     |
| 32  | 48600460   | WASHER 32X42X2,5            | X     |
| 32  | 50600065   | SHIM 32X45X2                | X     |
| 32  | 46811637   | PRESSURE RING 36X32,25      | X     |
| 52  | 50600002   | SHIM 52X59X2,2              | X     |

080000190

C130009090

\* NEW PART

X ON DEMAND





WWW.KTM.COM



KTM-Sportmotorcycle AG  
5230 Mattighofen, Austria  
www.ktm.com



**KTM**\_POWERPARTS

**KTM**\_POWERWEAR

**KTM**\_ORIGINAL SPARE PARTS



3CFF720306EN

Art. Nr.: 3CFF720306EN 22. Mai 2014