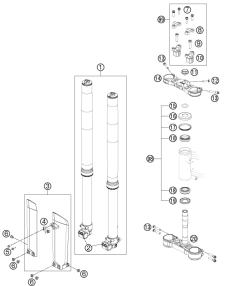
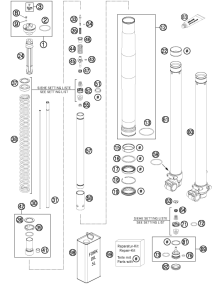
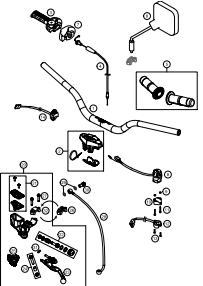
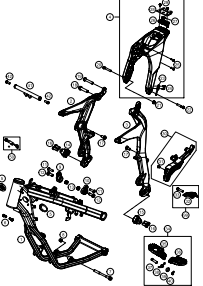
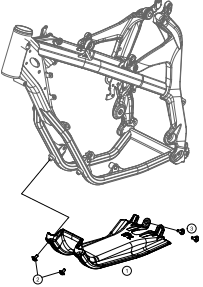
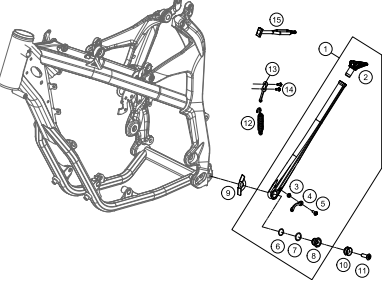
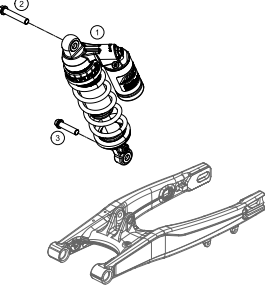
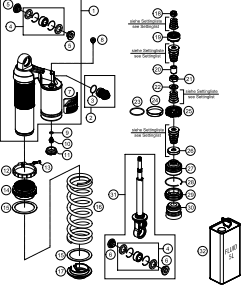
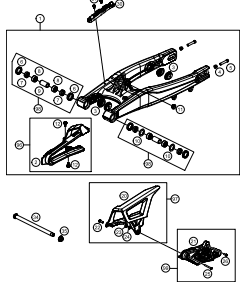
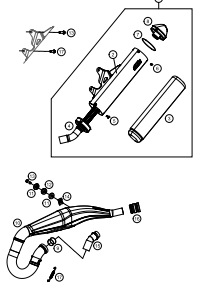
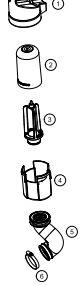
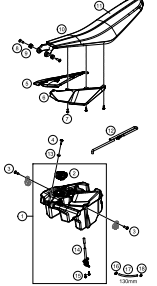


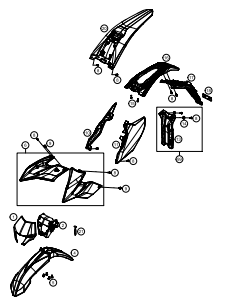
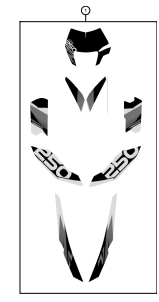
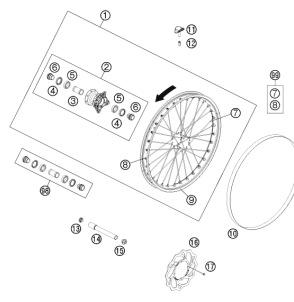
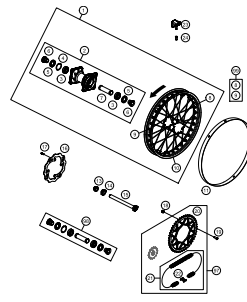
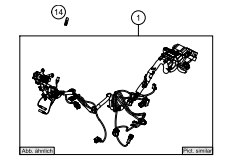
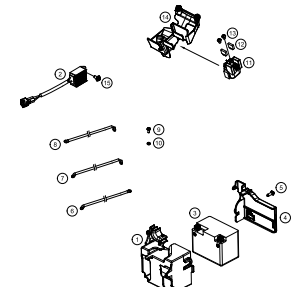
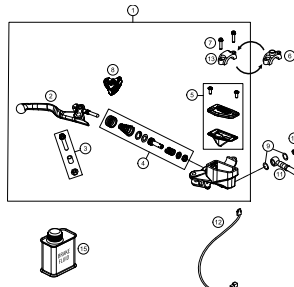
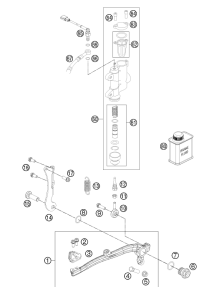
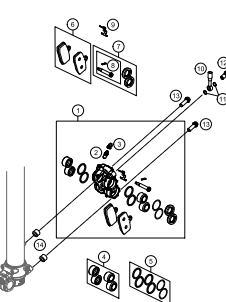
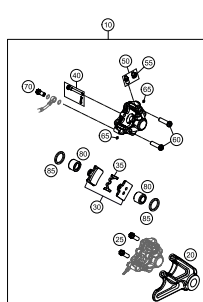
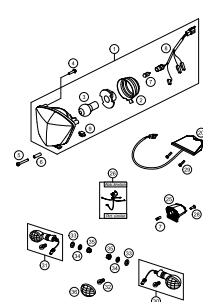
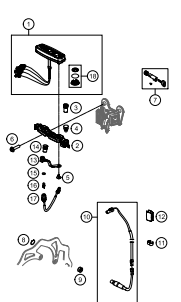
# FREERIDE 250 R EU 2014

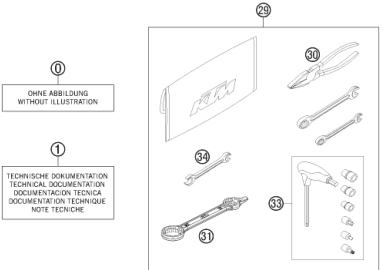
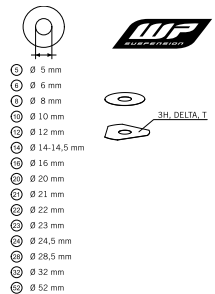

ART.-NR.: 3CFF7303N4EN

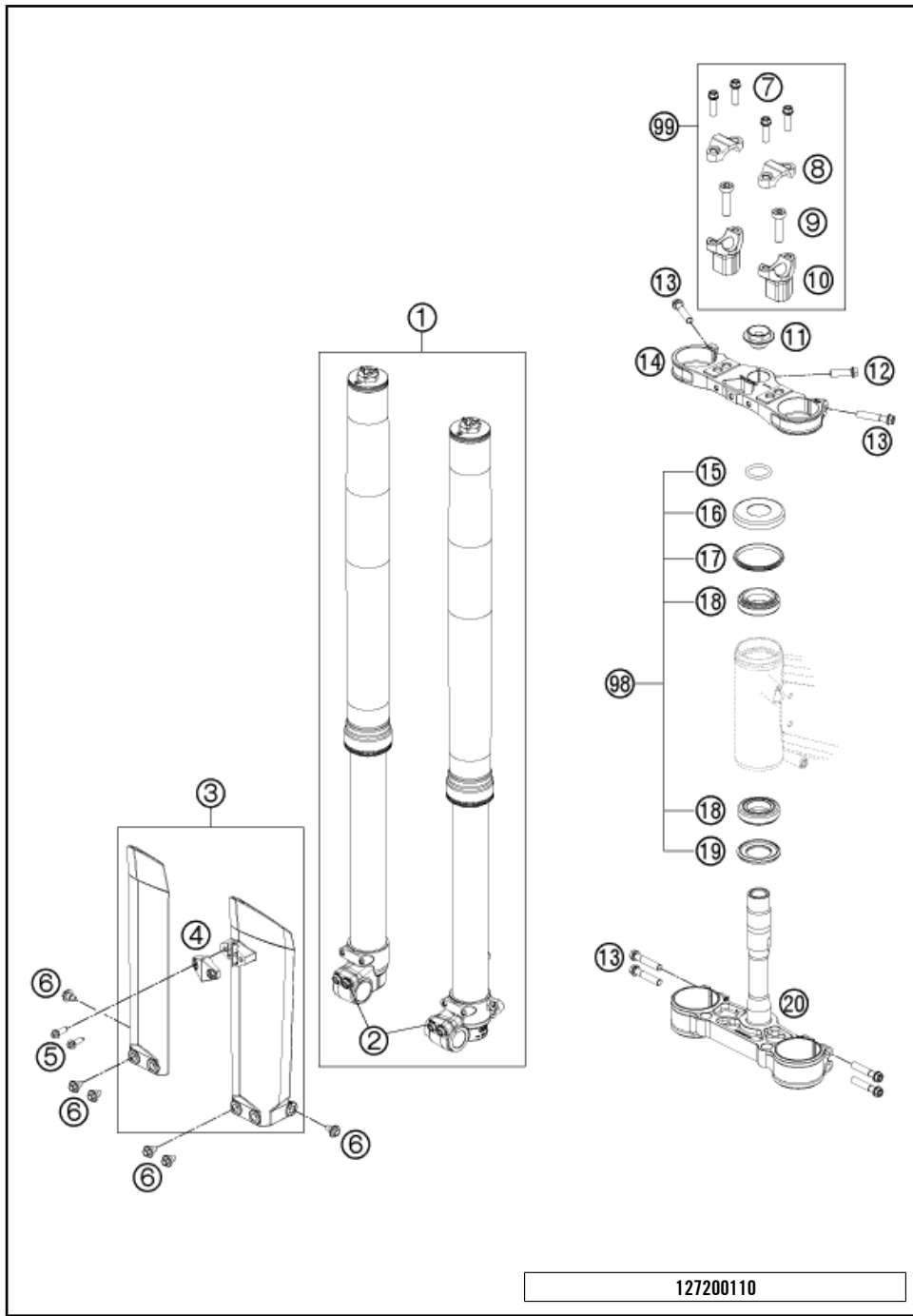




<p><b>FRONT FORK, TRIPLE CLAMP</b></p>  <p><b>4</b></p>	<p><b>FRONT FORK DISASSEMBLED</b></p>  <p><b>5</b></p>	<p><b>HANDLEBAR, CONTROLS</b></p>  <p><b>7</b></p>	<p><b>FRAME</b></p>  <p><b>8</b></p>
<p><b>ENGINE GUARD</b></p>  <p><b>10</b></p>	<p><b>SIDE STAND</b></p>  <p><b>11</b></p>	<p><b>SHOCK ABSORBER</b></p>  <p><b>12</b></p>	<p><b>SHOCK ABSORBER DISASSEMBLED</b></p>  <p><b>13</b></p>
<p><b>SWING ARM</b></p>  <p><b>14</b></p>	<p><b>EXHAUST SYSTEM</b></p>  <p><b>15</b></p>	<p><b>AIR FILTER</b></p>  <p><b>16</b></p>	<p><b>TANK, SEAT, COVER</b></p>  <p><b>17</b></p>

<p><b>MASK, FENDER</b></p>  <p><b>18</b></p>	<p><b>DECAL</b></p>  <p><b>19</b></p>	<p><b>FRONT WHEEL</b></p>  <p><b>20</b></p>	<p><b>REAR WHEEL</b></p>  <p><b>21</b></p>
<p><b>WIRING HARNESS</b></p>  <p><b>22</b></p>	<p><b>BATTERY</b></p>  <p><b>23</b></p>	<p><b>HAND BRAKE CYLINDER</b></p>  <p><b>24</b></p>	<p><b>REAR BRAKE CONTROL</b></p>  <p><b>25</b></p>
<p><b>BRAKE CALIPER FRONT</b></p>  <p><b>26</b></p>	<p><b>BRAKE CALIPER REAR</b></p>  <p><b>27</b></p>	<p><b>LIGHTING SYSTEM</b></p>  <p><b>28</b></p>	<p><b>INSTRUMENTS / LOCK SYSTEM</b></p>  <p><b>29</b></p>

<p><b>ACCESSORIES KIT</b></p>  <p>① OHNE ABBILDUNG WITHOUT ILLUSTRATION</p> <p>① TECHNISCHE DOKUMENTATION TECHNICAL DOCUMENTATION DOCUMENTAZIONE TECNICA DOCUMENTATION TECHNIQUE NOTE: TECHNICAL</p> <p><b>30</b></p>	<p><b>WP SHIMS FOR SETTING</b></p>  <p>① Ø 5 mm ② Ø 6 mm ③ Ø 8 mm ④ Ø 10 mm ⑤ Ø 12 mm ⑥ Ø 14-14,5 mm ⑦ Ø 16 mm ⑧ Ø 20 mm ⑨ Ø 21 mm ⑩ Ø 22 mm ⑪ Ø 23 mm ⑫ Ø 24,5 mm ⑬ Ø 28,5 mm ⑭ Ø 32 mm ⑮ Ø 52 mm</p> <p><b>31</b></p>		
	 <p>All information contained is without obligation. KTM Sportmotorcycle GmbH particularly reserves the right to modify any equipment, technical specifications, prices, colors, shapes, materials, services, service work, constructions, equipment and the like so as to adapt them to local conditions or to cancel any of the above items, all without previous announcement and without giving reasons. KTM may stop manufacturing certain models without previous notice. KTM shall not be held liable for any deviations of availability and/or ability to deliver, illustrations, descriptions, printing and/or other errors. The illustrated models partly contain extra equipment, which is not applied to standard models.</p> <p>© by KTM Sportmotorcycle GmbH, Mattighofen AUSTRIA; All rights reserved; Reprint, also in extracts, with written allowance of KTM Sportmotorcycle GmbH, Mattighofen only.</p>		



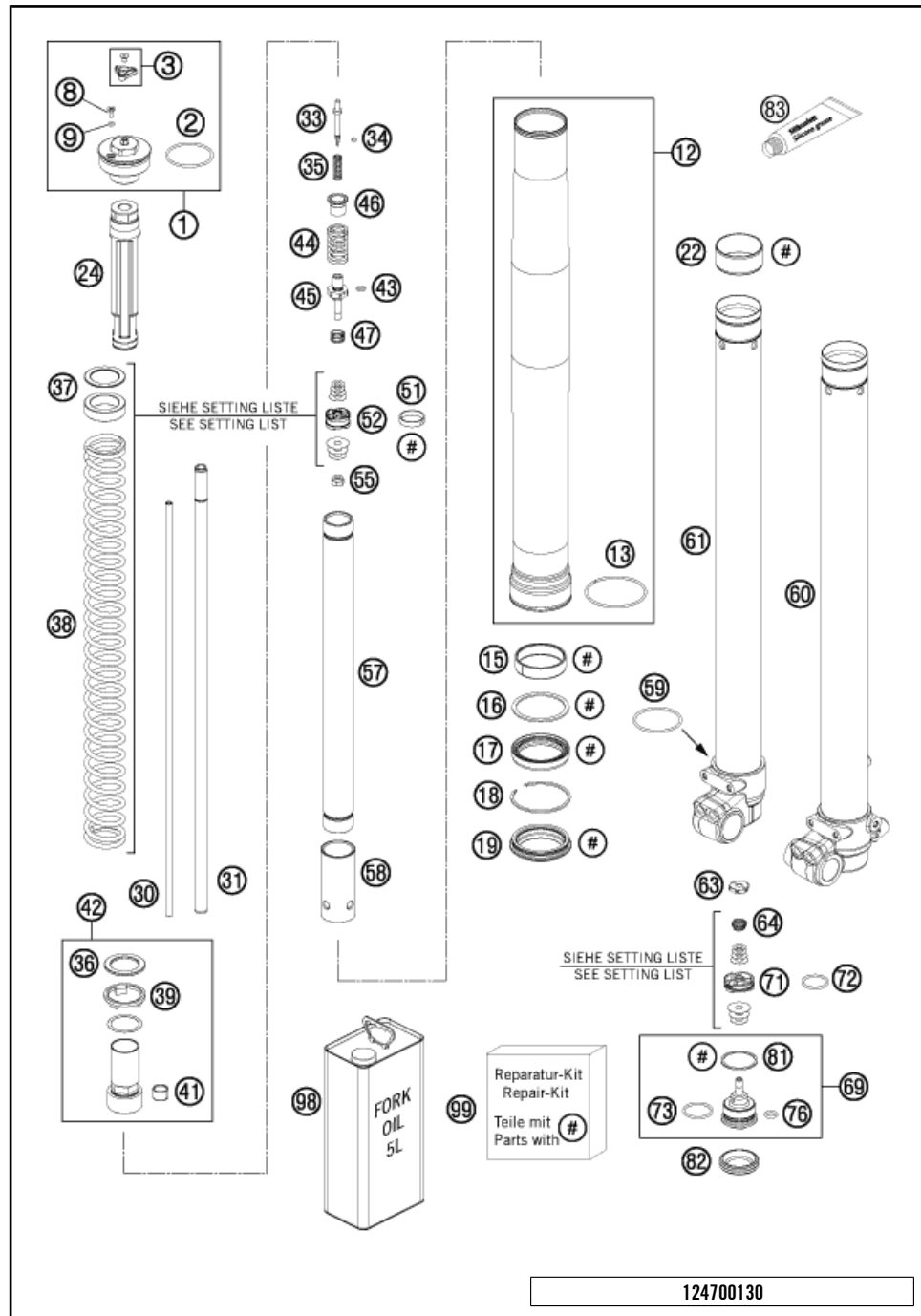
127200110

POS	PARTNUMBER	PARTNAME	PIECE
1	05187N4201	FORK FREERIDE 250	1
2	0025080206	HH COLLAR SCREW M8X20 TX40	4
3	4710109400028	FORK PROTECTOR SET 85SX WHITE	1
4	4710108500028	CLAMP FOR BRAKE HOSE	1
5	0017060206	SCREW F. PLASTIC K60X20AL SW6	2
6	59001092050	SPECIAL SCREW M6X12,5 WS=8	6
7	0025080256	HH COLLAR SCREW M8X25 TX40	4
8	77201038000	HANDLEBAR CLAMP 28MM	2
9	0032100356S	AH-COLLAR SCREW M10X35 ISA45	2
10	59401039047	HANDLEB.SUPP. D=28MM H=47MM 05	2
11	72001036000	COLLAR SCREW M20X1,5 WS17 AL	1
12	0025080256S	HH COLLAR SCREW M8X25 TX40	1
13	0025080406	HH COLLAR SCREW M8X40 TX40	6
14	7000103402030	TOP FORK PLATE BLACK	1
15	0770025035	O-RING 25X3,55 NBR70 05	1
16	78101086000	STEERING HEAD COVER	1
17	54601184000	STEERING HEAD GASKET TOP	1
18	54201081100	TAPERED ROLLER BEARING CPL. 06	2
19	77701084000	O-RING SUPPORT W. SEALING LIP	1
20	7000103202030	BOT.TRIPLE CLAMP CPL. BL. 20MM	1
98	00050000930	STEERING HEAD REP. KIT 06-15	x
99	00050000926	HANDLEBAR SUPPORT KIT FREERIDE	x

C147250110

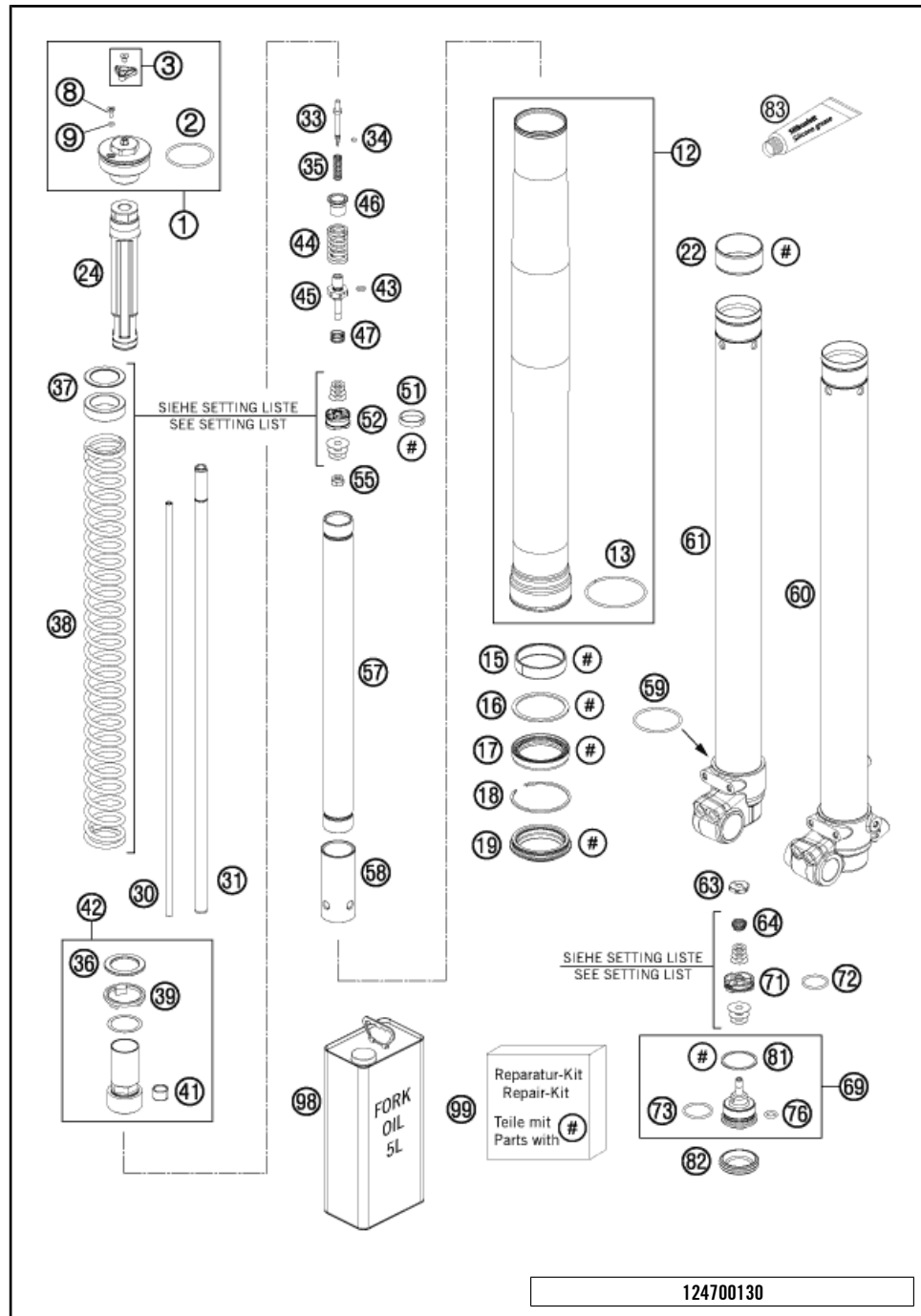
\* NEW PART

X ON DEMAND



POS	PARTNUMBER	PARTNAME	PIECE
1	43570395S1	SCREW CAP M4X1,5 CPL.	2
2	46811042	O-RING 40,00X2,00 WP	2
3	48600812S	ADJUSTING KNOB + SCREW	2
8	48600481	VENT SCREW M4X8	2
9	48600046	O-RING NBR 3X1,5	2
12	43570614E	OUTER TUBE L510 D49/53	2
13	43570099	GUIDING RING D=53MM	2
15	43570618	GUIDE BUSHING 43X47X12	2
16	43570092	SUPPORT RING 45 X 52,5 X 1,5	2
17	43570201	OIL SEAL RING 43 X 52,9 X 9,5	2
18	43570008	LOCK WASHER SB53	2
19	43570202	DUST STRIPPER 43 X 53,4 X 11,8	2
22	43570617	GUIDE BUSHING 42X44X20 R11	2
24	43570396S1	STOP L135 D28,6 D12 CPL.	2
30	48600695	ADJUSTMENT TUBE L=442 MM	2
31	48600694	PISTON ROD D=12MM L=476MM	2
33	48600277	ADJUSTER NEEDLE 07	2
34	48600298	O-RING 2X1,5 NBR	2
35	48600444	REBOUND SPRING C=4N/MM	2
36	43570133	SPACER 26X38X2,5	2
37	43570133	SPACER 26X38X2,5	2
37	43570134	SPACER 26X38X5	2
37	43570135	SPACER 26X38X10	2
37	43570136	SPACER 26X38X1,5	2
38	95010049S	SPRING 4,4 N/MM SET	x
38	95010050S	SPRING 4,6 N/MM SET	1
38	95010054S	SPRING 4,8 N/MM SET	x
39	43570131	INTERM. RING 26,2X38,5X3	2
41	48600430	DU BUSH FOR PISTON ROD	2
42	48600830S2	SCREW SLEEVE M27X0,8 CPL.	2
43	48600299	O-RING 6X1,2 NBR	2
44	48600511	REBOUND SPRING L=32 C=17	2
45	48600513	TAP REBOUND 07	2
46	48600525	GUIDING BUSH REBOUND SPRING	2
47	48600382	SHUTTLE VALVE SPRING C=0,4	2
51	48600455	PISTON RING 5X1X68	2
52	48600575	PISTON REBOUND SX 2007	2
55	40540486	NUT M6X0,5 REBOUND	2

C127200130 \* NEW PART X ON DEMAND



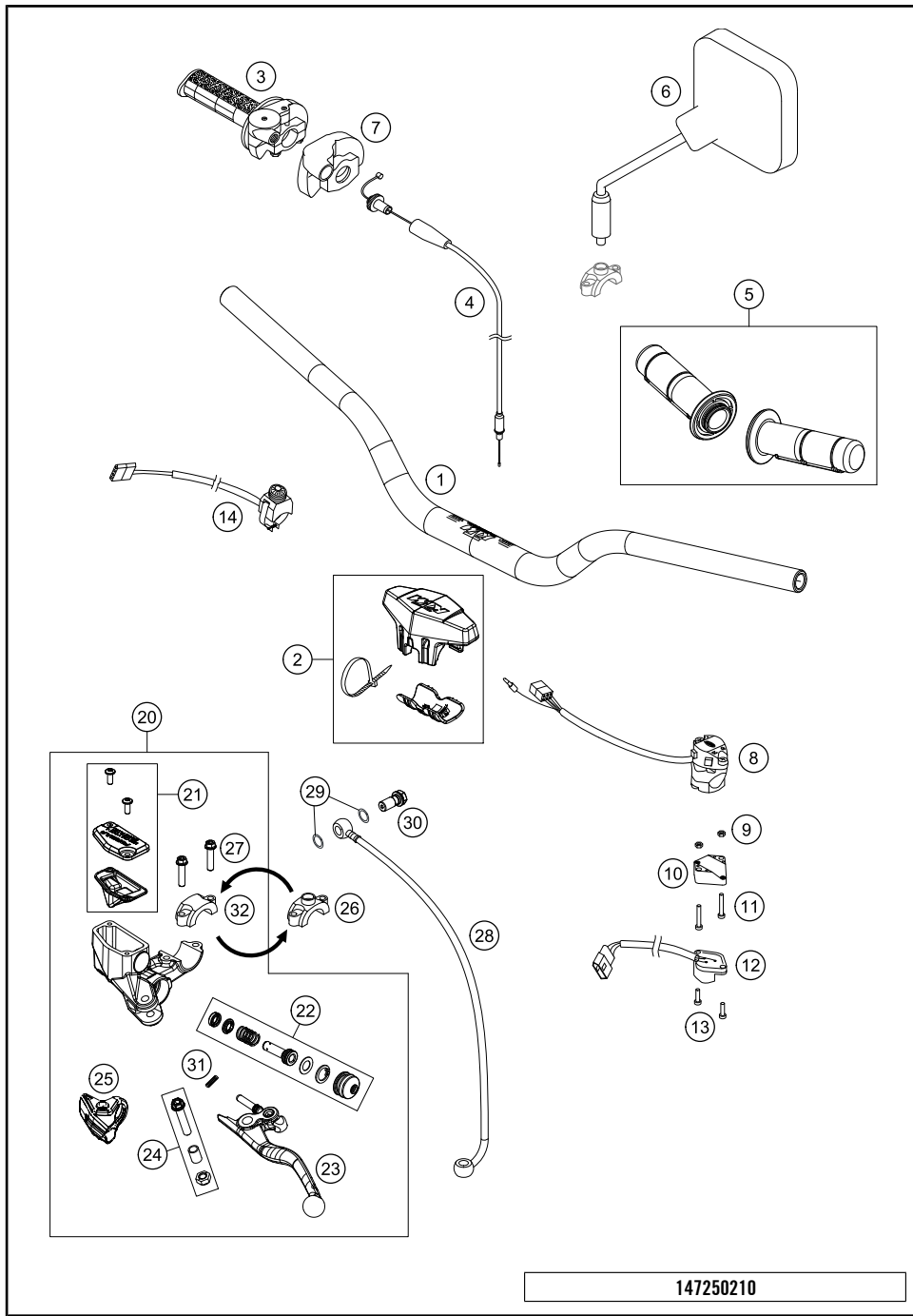
POS	PARTNUMBER	PARTNAME	PIECE
57	48600870	TUBE 23 L=330	2
58	48600764	ADAPTER SLEEVE D23/D28	2
59	43570023	O-RING NBR 41X2	2
60	43570559S1	AXLE CLAMP L/S + TUBE CPL.	1
61	43570558S1	AXLE CLAMP R/S + TUBE CPL.	1
63	48600163	CHECK VALVE NUT M6X0,5 D=2	2
64	48600202	SPRING CHECK VALVE D=0,7	2
69	48600586S	% TAP COMPRESSION CPL. 07	2
71	48600047	PISTON COMPRESSION D=27,9	2
72	46811499	O-RING NBR 21X2	2
73	35480320	O-RING NBR 24X2	2
76	48600049	O-RING NBR 8X2	2
81	48600004	COPPER WASHER 29,5X33,5X1	2
82	48600141	RUBBER CAP D=35MM	2
83	T511	SILICONE GREASE F. DUST STRI	1
98	48601166S1	FORK OIL SAE4 5L	1
99	R511	REPAIR-KIT	1

124700130

C127200130

\* NEW PART X ON DEMAND





POS	PARTNUMBER	PARTNAME	PIECE
1	7000200100030	HANDLEBAR BLACK D=28MM	1
2	77202002144	BAR PAD CPL.	1
3	51502010200	THROTTLE GRIP CPL. 2ST. 13	1
4	51502091100	% THROTTLE CABLE 2T.DOM/KEIH.	1
5	63002021100	GRIP SET DUAL COMPOUND	1
6	58012040000	REAR MIRROR L/S	1
6	58012140000	REAR MIRROR R/S	1
7	50302020000	PROTECTION COVER '97	1
8	50311070000	H.LIGHT SWITCH CEV 2/4TAKT '98	1
9	0934040003	HEXAGON NUT DIN0934-M 4	2
10	13011070060	ADAPTER FOR FLASHER SWITCH '98	1
11	0084040223	CYL.HEAD SCREW DIN0084-M 4X22A	2
12	50311029000	FLASHER SWITCH CEV '98	1
13	0985040203	FLAT HEAD SCREW DIN7985-M 4X20	2
14	78111074000	STARTER BUTTON GREY 13	1
20	72002030100	MASTER CYLINDER CPL. 10MM	1
21	72002003000	COVER F. MASTER CYLINDER CPL.	1
22	72002032000	REP. KIT PISTON 10MM	1
23	72013002000	LEVER CPL.	1
24	70002038000	LEVER SCREW CPL.	1
25	72002037000	MUDCOVER CLUTCH LEVER	1
26	58012040150	CLAMP FOR MIRROR '94	1
27	0025060256	HH COLLAR SCREW M6X25 TX30	2
28	47132063000	CLUTCH PIPE	1
29	0770080019	O-RING 8,00X1,00 FORMULA	2
30	47013025000	HOLLOW SCREW BRAKE CYLINDER 03	1
31	72002035000	SPRING FOR CLUTCH LEVER	1
32	72013005000	CLAMP	x

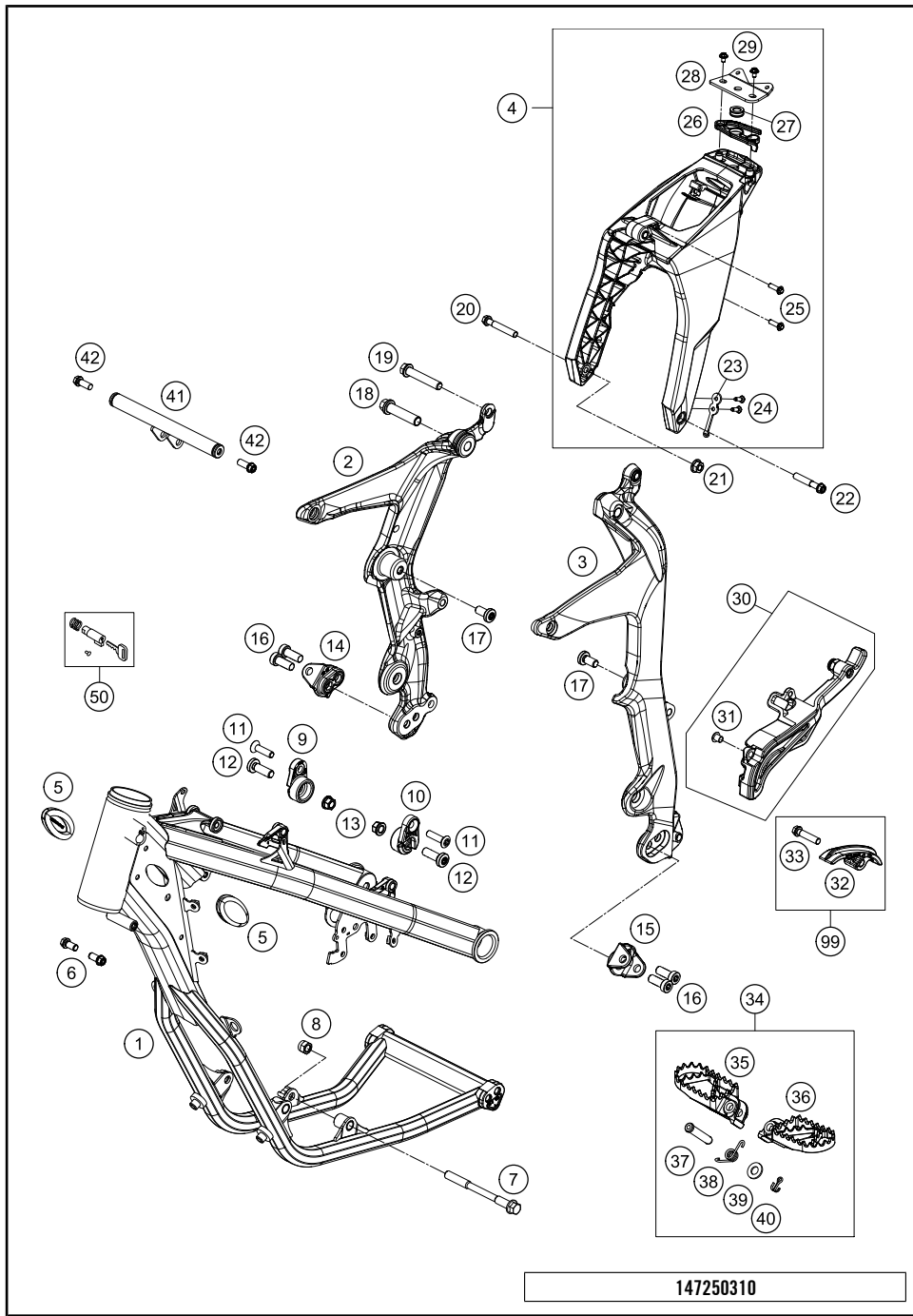
C147250210

C147250210

\* NEW PART

X ON DEMAND





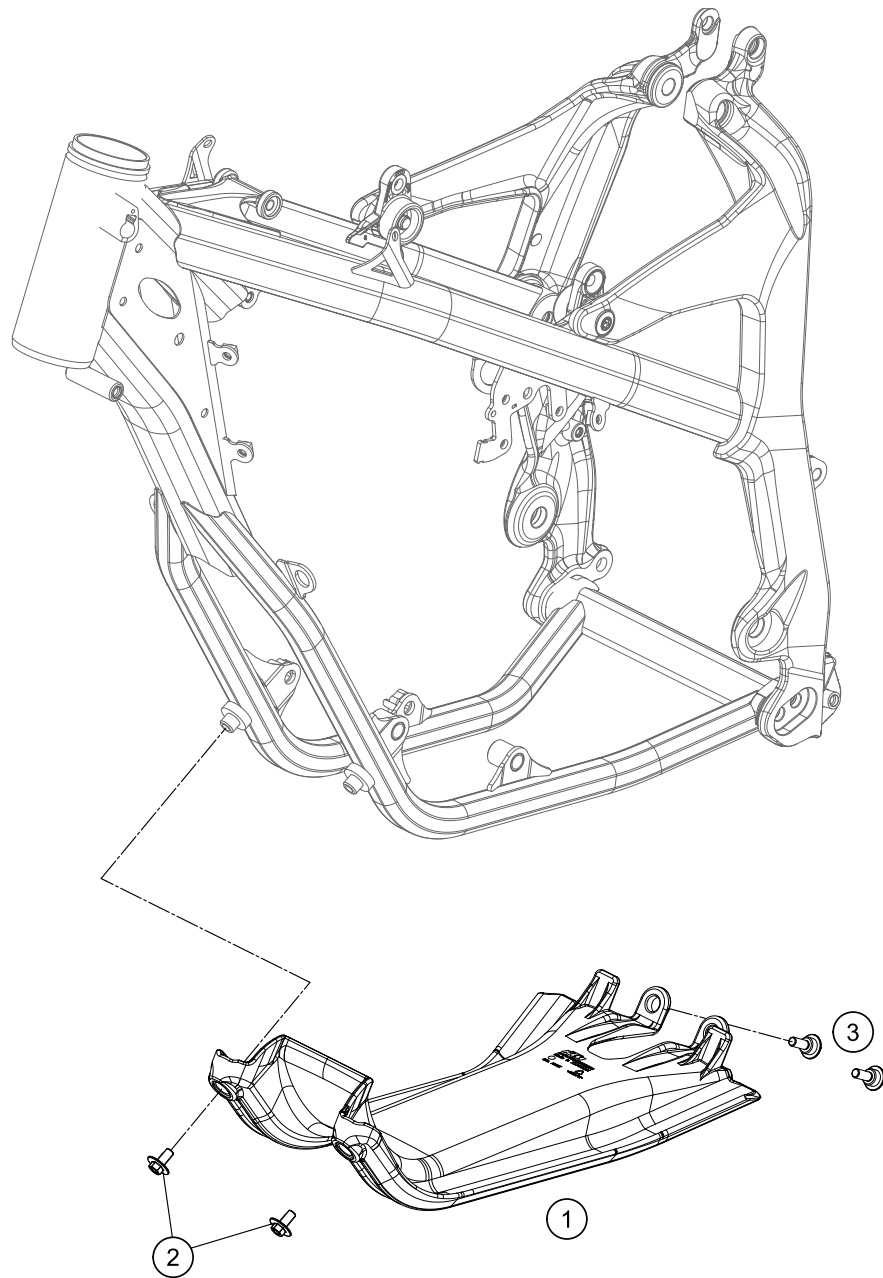
147250310

POS	PARTNUMBER	PARTNAME	PIECE
39	0125100003	WASHER DIN0125-A10,5	2
40	0094032253	PIN DIN0094-3,2X25 STEEL	2
41	72503013000	ENGINE BRACKET	1
42	0025080206S	HH COLLAR SCREW M8X20 ISA40	2
50	78003035000	STEERING HEAD LOCK 08	1
99	70003053010	CHAIN SLIDING KIT BELOW	x

C147250310

\* NEW PART

X ON DEMAND



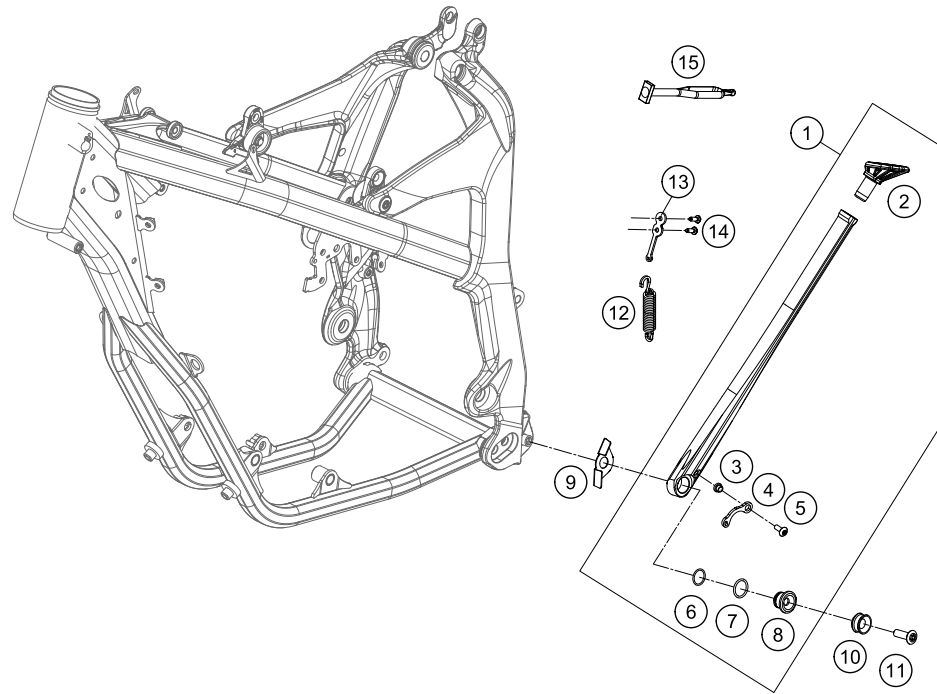
POS	PARTNUMBER	PARTNAME	PIECE
1	72503090000	ENGINE GUARD	1
2	0024060123	COLLAR SCREW M6X12 TX	2
3	83008100020	SCREW M6X20X5,5	2

147250330

C147250330

\* NEW PART

X ON DEMAND



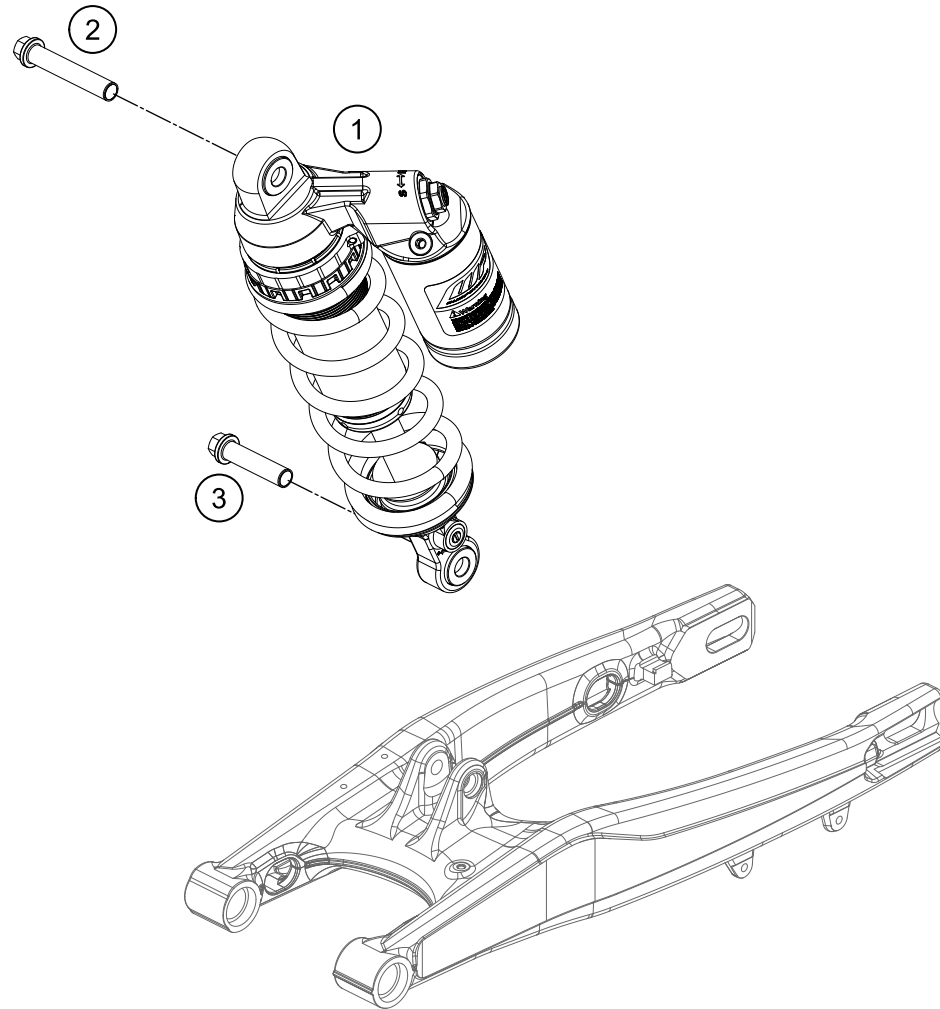
POS	PARTNUMBER	PARTNAME	PIECE
1	70003023044	SIDE STAND CPL. 2012	1
2	78003023155	STAND BASE	1
3	78003023070	SPACER BUSH. SPRING BRACKET	1
4	78003023090	SPRING BRACKET F. SIDE ST. 08	1
5	58605083014	SCREW M5X14 TORX 25 07	1
6	0770125015	O-RING 12,5X1,5 NBR	1
7	0770180020	O-RING 18,00X2,00 NBR 70	1
8	78003023080	SIDE STAND BUSHING EXC USA 08	1
9	47003023050	STOP SHEET SST	1
10	78003023081	SIDE STAND BUSHING EXC-EU 08	1
11	0019080356	COUNTERSUNK SCREW ISA45 M8X35	1
12	81203024000	SIDE STAND SPRING EYE MOVEABLE	1
13	70003024050	SIDE STAND SPRING PLATE 12	1
14	0017060205	SCREW FOR PLASTIC K60X20 SW6	2
15	50303018000	RUBBER L=145MM	1

147250360

C147250360

\* NEW PART

X ON DEMAND



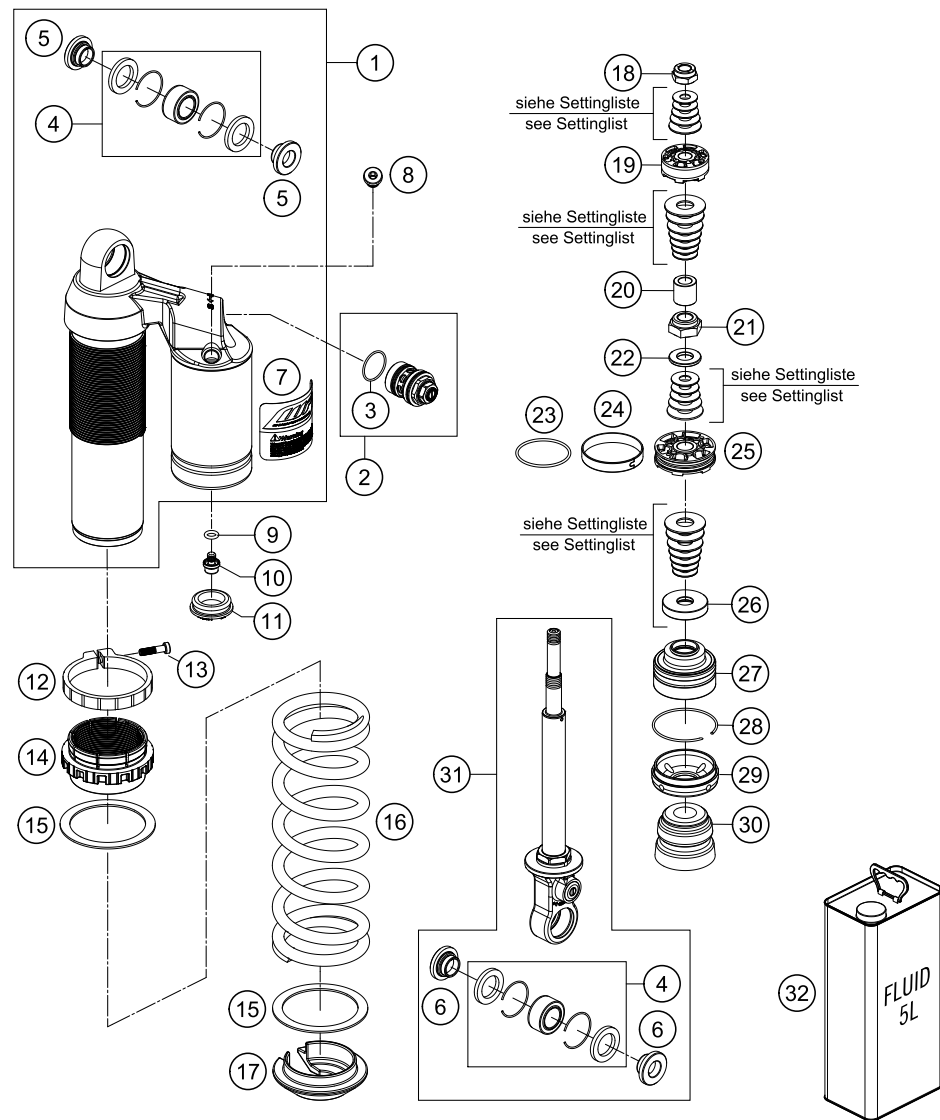
POS	PARTNUMBER	PARTNAME	PIECE
1	15187N4201	MONOSHOCK FREERIDE 250	1
2	70004016000	MONOSHOCK SCREW TOP M12X80	1
3	0025120506S	HH COLLAR SCREW M12X50 TX45	1

127200410

C147250410

\* NEW PART

X ON DEMAND

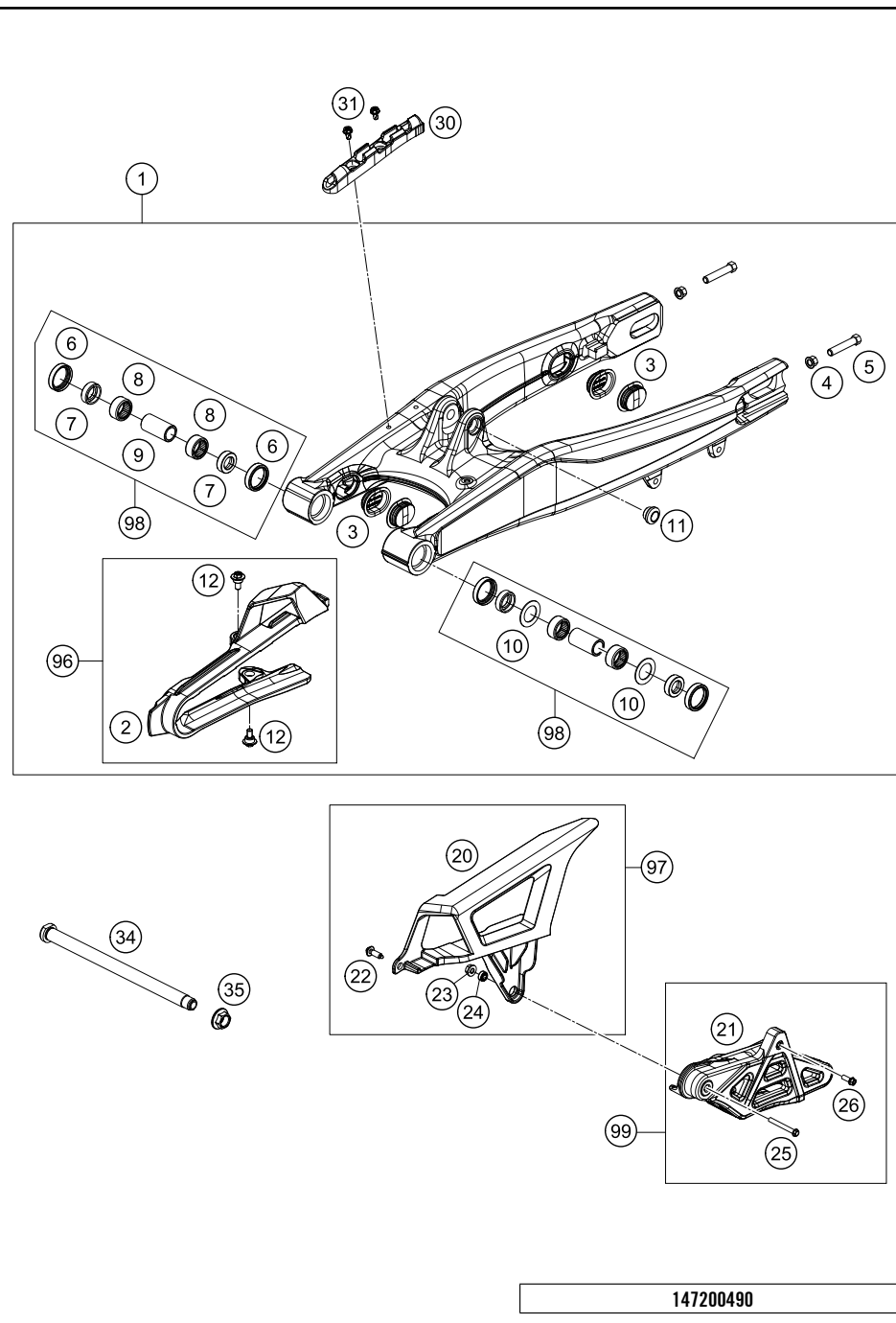


POS	PARTNUMBER	PARTNAME	PIECE
1	46181018S1	MONOSHOCK CASE CPL.	1
2	50180213S20	DCC-COMPR.DAMP.CONTROL CPL. 13	1
3	50180218	O-RING 25X1,5 VITON	1
4	R12012	REP. KIT BEAR./SEAL UP. 07	2
5	46181105	DISTANCE BUSH KGW 12X24	2
6	46180007	ADAPTOR BUSH KGW 12X24	2
7	52000087	STICKER WP MONOSHOCK	1
8	50180095	BLEED PLUG R 1/8	1
9	46810893	O-RING NBR 5,28X1,78	1
10	36120151	SCREW PLUG M5X6	1
11	46811208	RUBBER CAP "DO NOT OPEN"	1
12	46181014	TENSIONING RING D64 H10	1
13	14460042	%ALLENHEAD SCREW M5 L=20 STAIN	1
14	46181013	ADJUSTING NUT D46 PLASTIC	1
15	50180410	INTERM.RING D=58	2
16	91010324S	SPRING 55/63/71 N/MM SET	1
16	91010323S	SPRING 58/66/74 N/MM SET	x
16	91010170S	SPRING 55 N/MM	x
17	46180349	SPRING WASHER H=15 D=28	1
18	46180356	PISTON ROD NUT M10X1	1
19	14460016	PISTON + PISTON SPRING	1
20	46181016	SANDWICH BUSH 10X17X10	1
21	46810474	PISTON ROD NUT	1
22	46811258	RING 12X24X2,5	1
23	46810035	O-RING VITON 37,82X1,78	1
24	46811206	PISTON RING 8X46	1
25	46810560	PISTON 6+6D7	1
26	14460017	REBOUND DISC H=4	1
27	46180669S	ADAPTOR CPL. D=46 H=28 07	1
28	46810010	CIRCLIP 49X1,5	1
29	46180338	CAP D=46 H=9,5	1
30	50180276	BUMP RUBBER WP60 D=18-26	1
31	46181010S1	MONOSHOCK LOWER PART	1
32	50180751S1	SHOCK ABSORBER FLUID 5 LT	1

147250430

C147250430

\* NEW PART X ON DEMAND



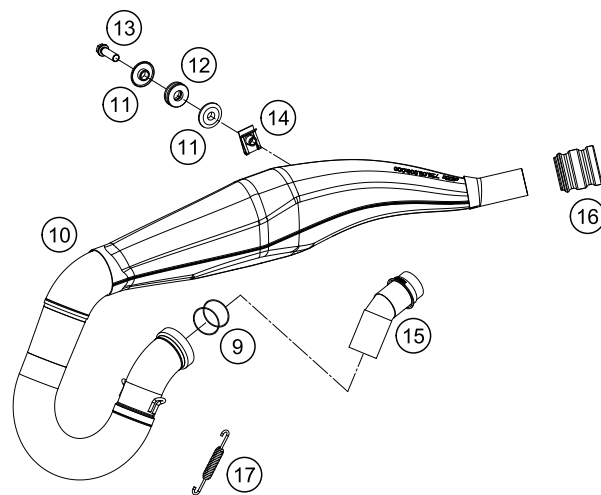
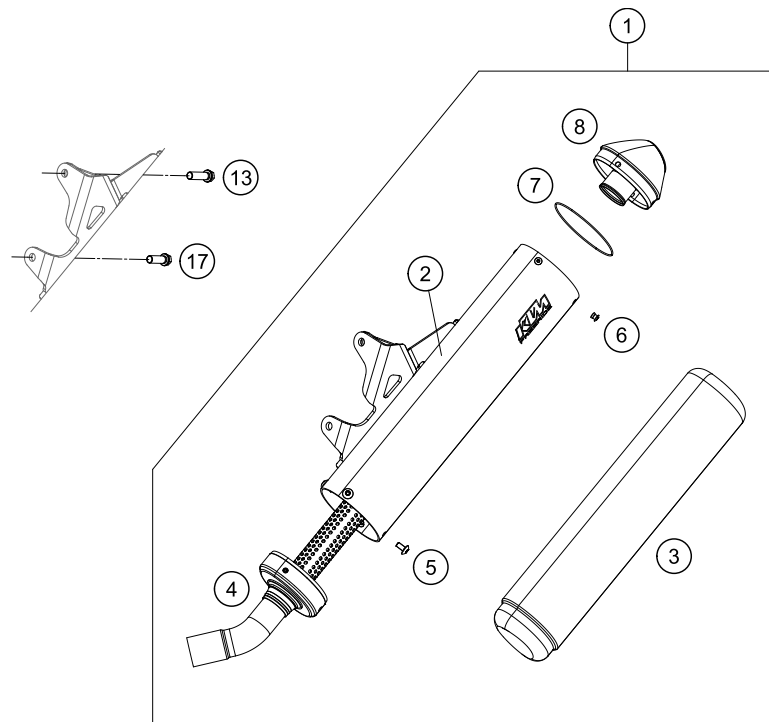
POS	PARTNUMBER	PARTNAME	PIECE
1	70004030044	SWINGARM CPL.	1
2	70004066000	CHAIN GUIDE GUARD	1
3	77204041000	CLOSING COVER	4
4	46030045000	COLLAR NUT M8 WS=10	2
5	50203030090	HH SCREW M8X40 WS=10	2
6	0760253270	SHAFT SEAL RING 25X32X7	4
7	54603090000	BUCKET F.SHAFTSEALRING 15X25X9	4
8	59004031000	NEEDLE BUSH HK2012V	4
9	50203081700	BUSHING SLEEVE 15X20X38,75	2
10	59033080000	SHIM 20X32X1	2
11	50180105	THREADED BUSH M12 PDS	1
12	83008100015	SPECIAL SCREW M6X15X5,5	2
20	70004060000	CHAIN GUARD	1
21	78104070100	CHAIN GUIDE EXC	1
22	0017060205	SCREW FOR PLASTIC K60X20 SW6	1
23	56509064100	SELF LOCKING NUT M6 10.9	1
24	54603055051	PRESS IN NUT M6 STEEL ZINC	1
25	0025060506	HH COLLAR SCREW M6X50 TX30	1
26	0025060206	HH COLLAR SCREW M6X20 TX30	1
30	70013047000	BRAKE HOSE GUIDE	1
31	0009050106	EJOT SPIRAL SCREW SF M5X10-K	2
34	70004037000	SWING ARM BOLT L=239 '12	1
35	77204087000	HEX NUT M14X1.5 SW17	1
96	70004066010	CHAIN GUARD KIT FREERIDE	x
97	70004060110	CHAIN PROTECTION KIT FREERIDE	x
98	47004230010	SWINGARM REP. KIT 105/85 SX	x
99	77304070310	CHAIN GUIDE KIT REAR 08-14	x

147200490

C147250490

\* NEW PART X ON DEMAND





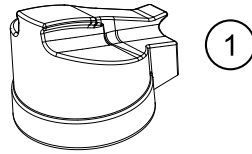
147250510

C147250510

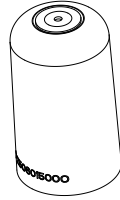
\* NEW PART

X ON DEMAND

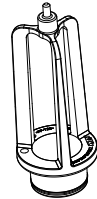
POS	PARTNUMBER	PARTNAME	PIECE
1	72505083000	SILENCER	1
2	72505083080	SILENCER HOUSING	1
3	54805078265	ROCK WOOL 265G	1
4	72505083050	CONNECTING CAP CPL.	1
5	78105081010	SCREW TORX M5X10	4
6	0011480800	DUMMY RIVET 4,8X 8 NIRO	4
7	0770740015	O-RING 74,00X1,50 FKM 75SH	1
8	54805083260	ENDCAP CPL.	1
9	0770380030	O-RING 38,00X3,00 VITON	2
10	72505009000	EXHAUST MANIFOLD	1
11	59405069000	BUSHING FOR EXHAUST SUPPORT 03	2
12	77205068000	DAMP. COMPON. BLACK	1
13	0025080256	HH COLLAR SCREW M8X25 TX40	1
14	54603048000	RANGE CHANGE METAL NUT M8	1
15	72505091000	PLUG IN CATALYZER	1
16	50205057000	SILICON SLEEVE D=29/31MM	1
17	50305016000	TEN.SPRING L=62MM EY.MOVEABLE	2



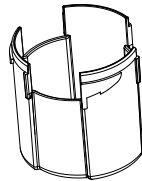
1



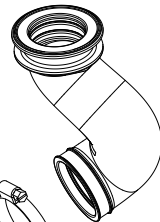
2



3



4



5



6

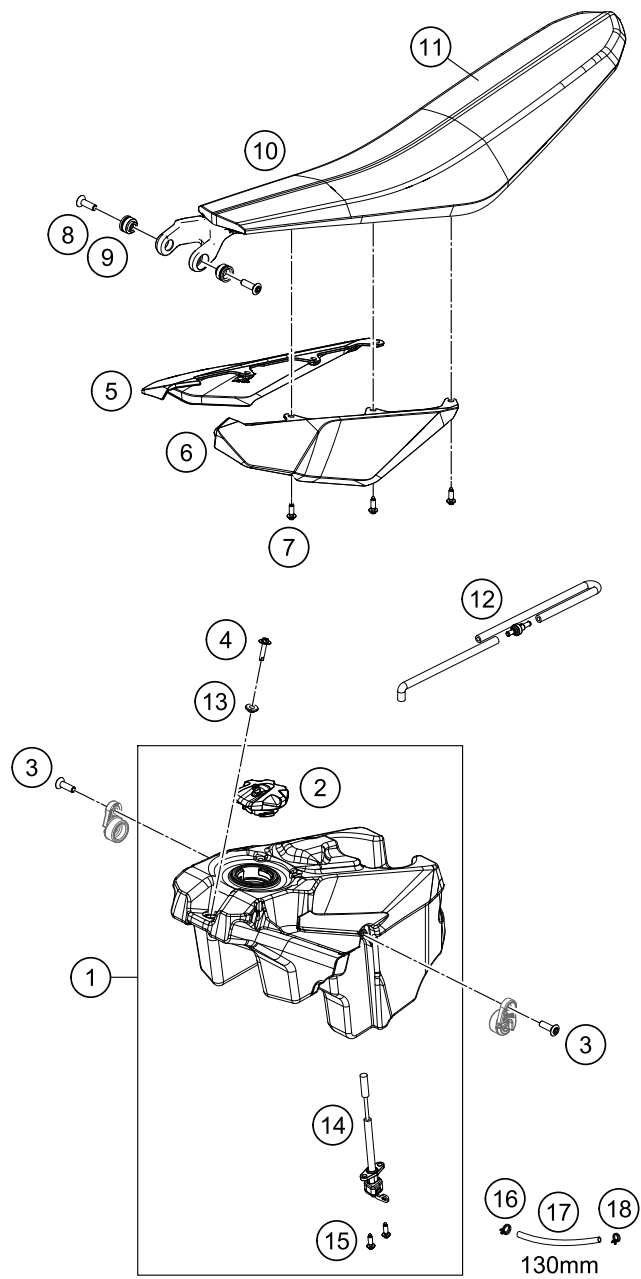
POS	PARTNUMBER	PARTNAME	PIECE
1	72006001050	AIRBOX UPPER-PART	1
2	72506015000	AIR FILTER	1
3	72506016000	FILTER CARRIER	1
4	72506001000	AIRBOX LOWER PART	1
5	72506026000	AIRBOX RUBBER	1
6	78006027000	HOSE CLAMP 45-65MM	1

147250610

C147250610

\* NEW PART

X ON DEMAND

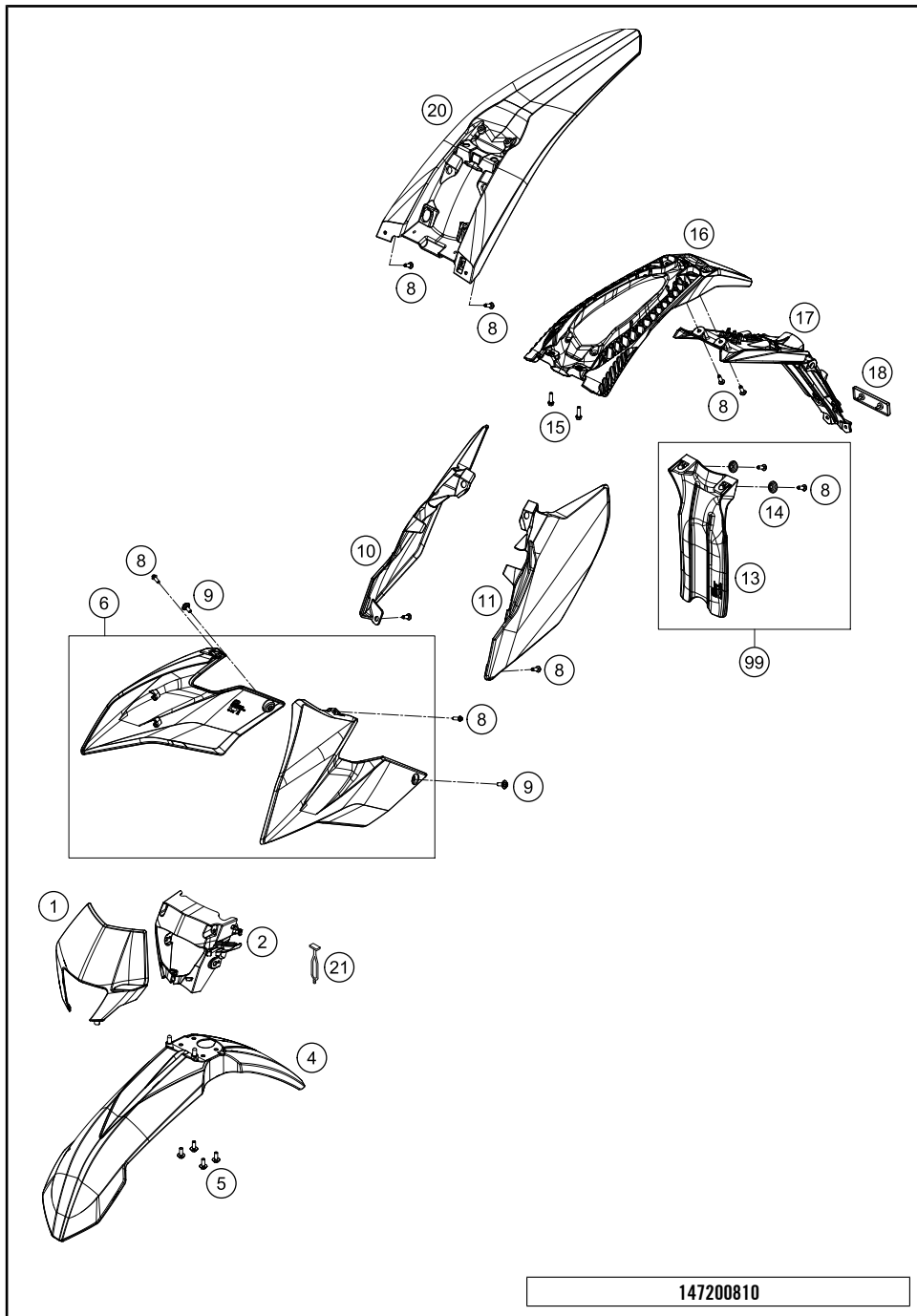


POS	PARTNUMBER	PARTNAME	PIECE
1	7250701303399	FUEL TANK CPL.	1
2	78107008044X4	TANK PLUG CPL. 14	1
3	0019080306S	COUNTER-SUNK SCREW ISA45 M8X30	2
4	0024060273	COLLAR SCREW M6X27 TX	1
5	7000702505130B	ACCU COVER R/S BLACK FREER. 14 WITH DECAL	1
6	7000702505030B	ACCU COVER L/S BLACK FREER. 14 WITH DECAL	1
7	0017060206	SCREW F. PLASTIC K60X20AL SW6	6
8	0019080266S	COUNTER-SUNK SCREW ISA45 M8X26	2
9	70003001057	BUSHING	2
10	70007040100	SEAT HIGH CPL. '13	1
11	70007040150	SEAT COVER	1
12	72007029000	TANK BREATHER HOSE+VALVE	1
13	54808020000	SPACER BUSHING 03	1
14	54807004000	GAS COCK ON/OFF/RES 03	1
15	0017060205	SCREW FOR PLASTIC K60X20 SW6	2
16	45031005000	YDNAC-CLAMP FUEL HOSE (8MM)	1
17	58307016001	FUEL HOSE VITON 6X1,5 PER/M	x
18	58007117000	YDNAC-CLAMP 10107 10MM	1

147250710

C147250710

\* NEW PART X ON DEMAND

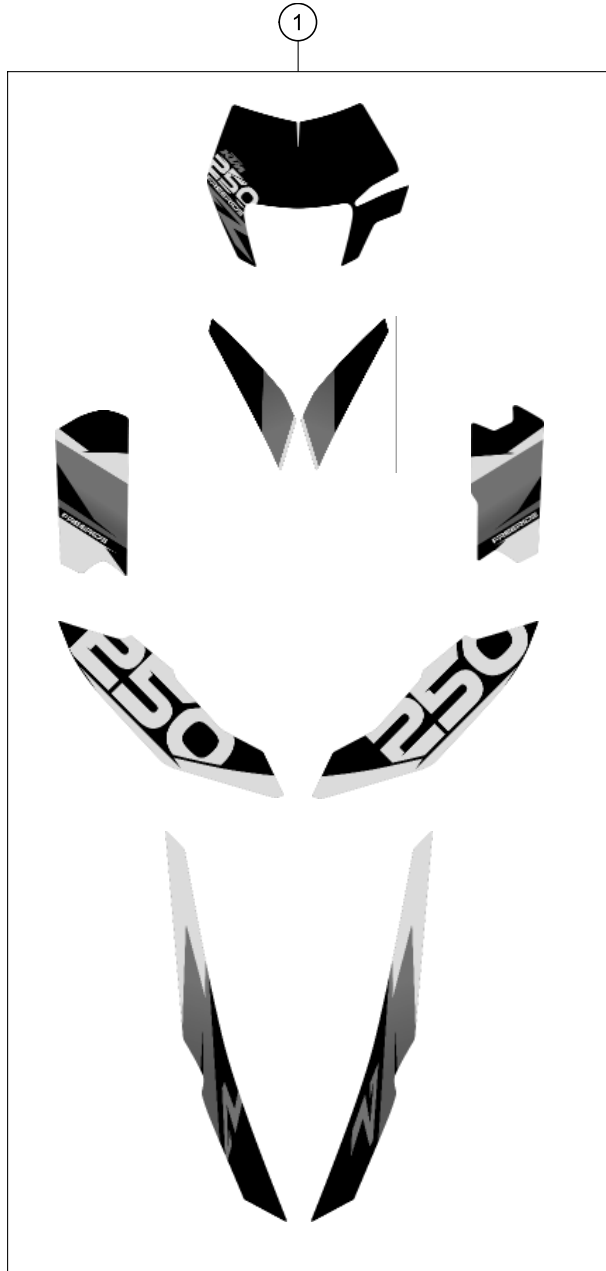


POS	PARTNUMBER	PARTNAME	PIECE
1	7000800200028	HEADLIGHT MASK TOP PART WHITE	1
2	7200800100030	HEAD LIGHT MASK LOWER PART	1
4	4710801000028	FRONT FENDER WHITE	1
5	0024060156	HH COLLAR SCREW M6X15 TX30	4
6	7000805400028B	SPOILER KIT FREERIDE WHITE WITH DECAL	1
8	0017060206	SCREW F. PLASTIC K60X20AL SW6	10
9	83008000012	SPECIAL SCREW M6X12X3	2
10	7000804200028	SIDE COVER R/S WHITE	1
11	7000804100028	SIDE COVER L/S WHITE	1
13	70004050000	SPLASHBACK	1
14	77304066050	BUSHING F. CHAIN SLIDING PR.07	2
15	0025060206	HH COLLAR SCREW M6X20 TX30	2
16	70008016000	NUMBER PLATE CARRIER TOP	1
17	70008016050	NUMBER PLATE CARRIER BOTTOM	1
18	58412080000	REFLECTOR RED	1
20	7000801310028	% REAR PART FREERIDE WHITE	1
21	50303018000	RUBBER L=145MM	2
99	70006010010	SPLASH PROTECTOR KIT FREERIDE	x

147200810

C147250810

\* NEW PART X ON DEMAND



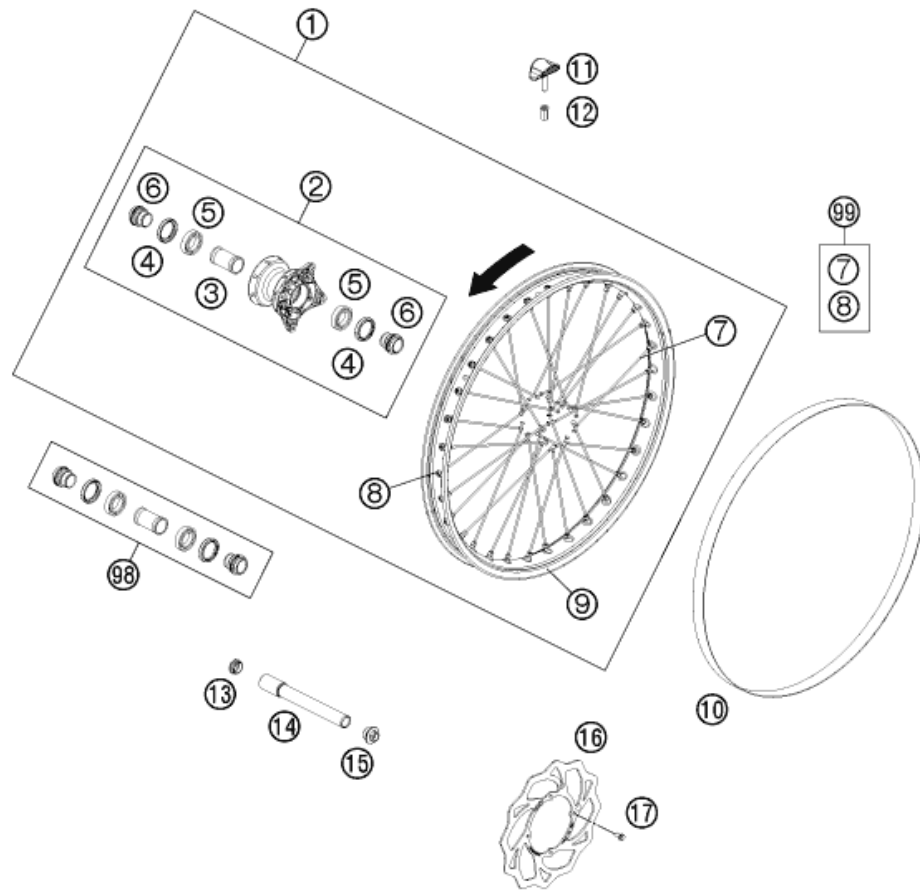
POS	PARTNUMBER	PARTNAME	PIECE
1	72508099000	DECAL KIT 250 FREERIDE	1

147250830

C147250830

\* NEW PART

X ON DEMAND



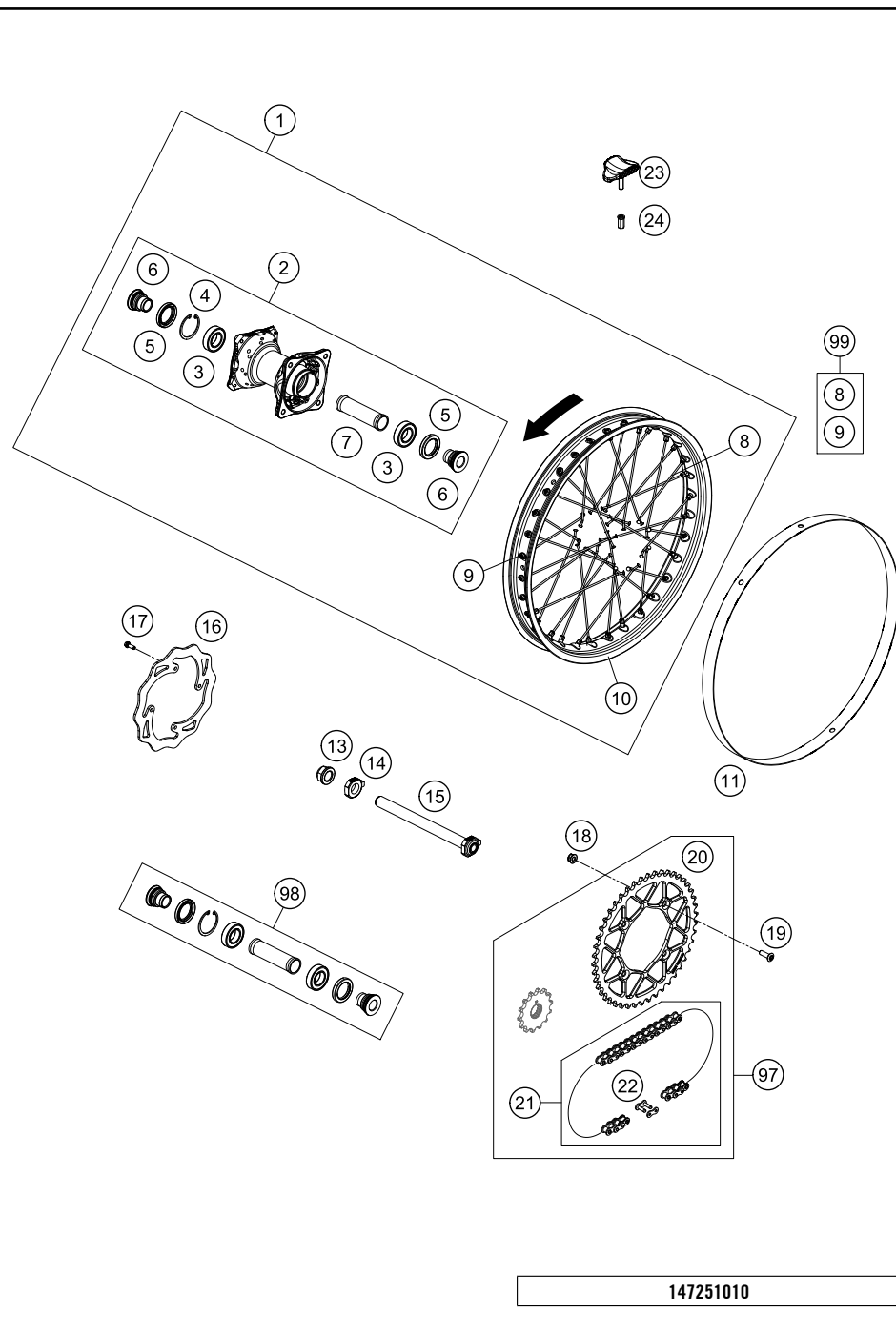
POS	PARTNUMBER	PARTNAME	PIECE
1	70009001144	FRONT WHEEL CPL. 14	1
2	70009010044	FRONT WHEEL HUB CPL. 12	1
3	70009011000	BEAR.SPACER TUBE FRONT D22MM	1
4	0760324271	SHAFT SEAL RING 32X42X7 BSL	2
5	0625069050	BALL BEARING 6905 J1LLUC3	2
6	70009012000	SPACER BUSHING D=22MM	2
7	7000907123230	SPOKE FRONT 232MM BLACK	32
8	77109072000	SPOKE NIPPLE M4,5 AL 11	32
9	70009070100	FRONT RIM 21X1,6-32	1
10	50309073000	RIM BAND 21"	1
11	78109090000	RIM LOCK 1,60"	1
12	77110090050	NUT FOR WHEEL HOLDER	1
13	70009081050	PLUG BUSHING SW17 '12	1
14	70009081000	AXLE FRONT D=22 '12	1
15	70009082000	AXLESCREW M20X1.5; SW17	1
16	72009060000	BRAKE DISC FRONT D=260MM	1
17	59009062013	SPECIAL SCREW M6X13 WS=8 10.9	4
98	70009015000	FRONT WHEEL REP. KIT	x
99	00050000961	SPOKE KIT FRONT '21'	x

127200910

C147250910

\* NEW PART

X ON DEMAND

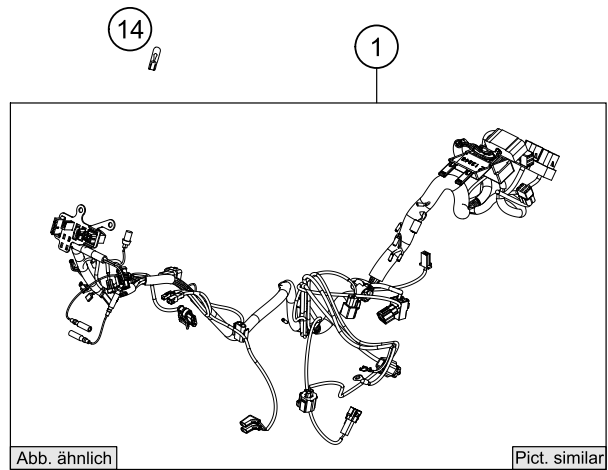


POS	PARTNUMBER	PARTNAME	PIECE
1	72010001244	REAR WHEEL CPL. 14	1
2	70010010044	REAR WHEEL HUB CPL. 12	1
3	0625060058	GR.BALL BEAR.6005 DDU2CG23S6NM	2
4	0472047175	CIRCLIP DIN0472-47X1,75	1
5	0760324771	SHAFT SEAL RING 32X47X7 BSL	2
6	78010016000	BUSHING FOR HUB 08	2
7	70010011000	BEAR.SPACER TUBE '12	1
8	7001007119330	SPOKE REAR 193 MM BLACK	32
9	77109072000	SPOKE NIPPLE M4,5 AL 11	32
10	72010070100	REAR RIM 2014	1
11	72010073000	RIM BAND 18"	1
13	50310099000	HEXAGON NUT M20X1,5 '98	1
14	70010084000	CHAIN TENSIONER R/S 12	1
15	70010085044	WHEEL SPINDLE REAR CPL. 12	1
16	47010060500	REAR BRAKE DISC	1
17	59009062016	SPECIAL SCREW M6X16 WS=8 10.9	4
18	06923080003	HEXAGON NUT DIN EN1661 M8 SW13	4
19	0019080266S	COUNTER-SUNK SCREW ISA45 M8X26	4
20	7201005104630	SPROCKET 46-T BLACK	1
20	7201005104830	SPROCKET 48-T BLACK	x
21	78010167118	CHAIN DID 118 ROLLS	1
22	78010166000	CONNECTING LINK F. 78010167118	1
23	78110090000	RIM LOCK 2,15"	1
24	77110090050	NUT FOR WHEEL HOLDER	1
97	00050002028	DRIVETRAIN KIT 14T/46T	x
98	70010015000	REAR WHEEL REP. KIT	x
99	00050000962	SPOKE KIT REAR '18'	x

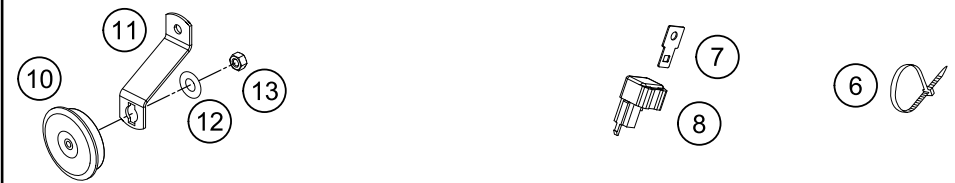
147251010

C147251010

\* NEW PART X ON DEMAND



POS	PARTNUMBER	PARTNAME	PIECE
1	72511075000	WIRING HARNESS	1
6	44011076140	CABLE TIE 140/2,5MM BLACK	x
6	44011076200	CABLE TIE 200/3,6MM BLACK	x
6	44011076305	CABLE TIE 300/4,8MM BLACK	x
7	58211031100	BRACKET FOR FLASHER RELAY	1
8	44611207200	FLASHER UNIT 97	1
10	50311060200	DC HORN 12V 07	1
11	78011061000	HORN BRACKET EXC 08	1
12	0125050003	WASHER DIN0125-A 5,3	1
13	0934050003	HEXAGON NUT DIN0934-M 5	1
14	49111425200	BULB 12V 2,3W (W2X4,6D)	3

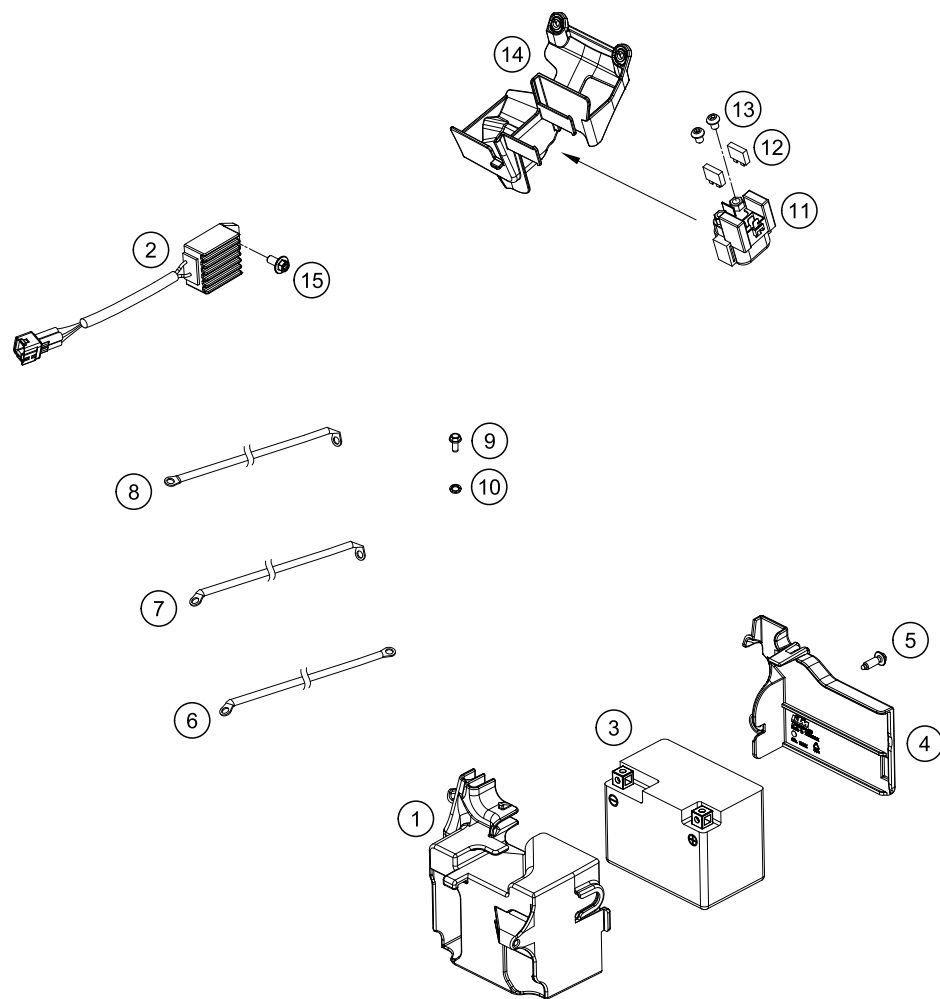


147251110

C147251110

\* NEW PART X ON DEMAND





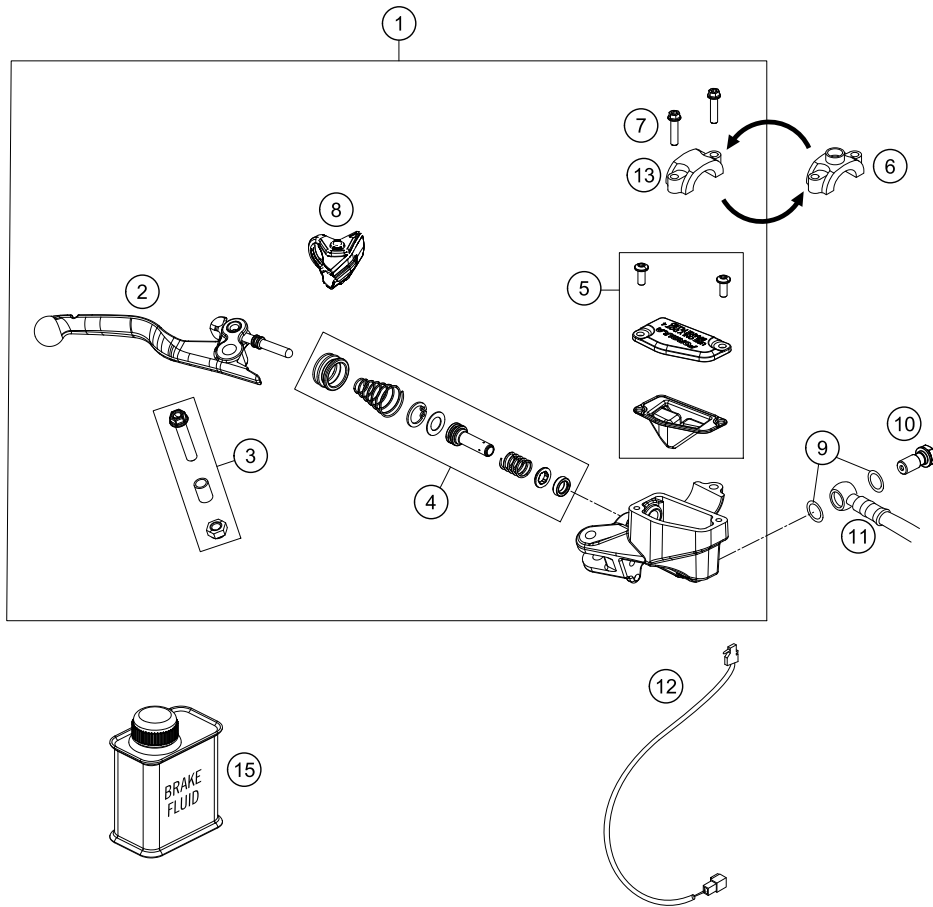
POS	PARTNUMBER	PARTNAME	PIECE
1	72511054000	BATTERY CASE	1
2	72511034000	VOLTAGE REGULATOR	1
3	77311053000	BATTERY 12V 3AH YTX4L-BS	1
4	72511054010	BATTERY MOUNTING STRAP	1
5	0017060205	SCREW FOR PLASTIC K60X20 SW6	1
6	72511097000	GROUND CABLE	1
7	72511059000	STARTER CABLE	1
8	72511059050	STARTER CABLE	1
9	0024060106	HH COLLAR SCREW M6X10 TX30	1
10	58411098100	CONTACT WASHER M6 VSV-K6	1
11	72511058000	STARTER RELAY	1
12	58011109110	FUSE 10 A 2000	2
13	0902060083	AH OVAL SCREW ISO 7380 M 6X8	2
14	72511094000	ELECTRIC BOX	1
15	0026060136	COLLAR SCREW M6X13 ISA30	1

147251130

C147251130

\* NEW PART

X ON DEMAND



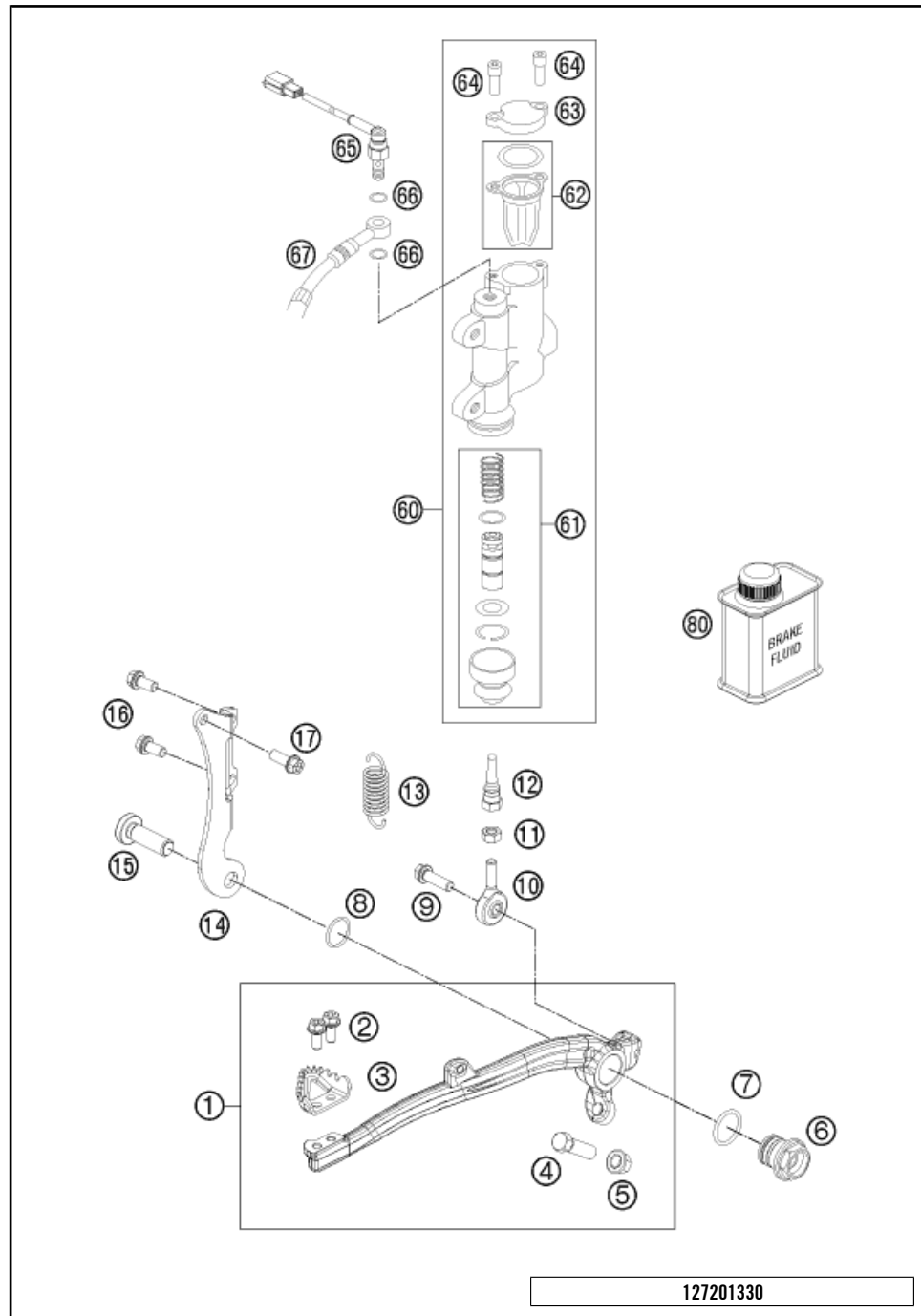
POS	PARTNUMBER	PARTNAME	PIECE
1	70013001100	HAND BRAKE CYLINDER CPL. 10MM	1
2	72013002000	LEVER CPL.	1
3	70002038000	LEVER SCREW CPL.	1
4	72013008000	REP. SET PISTON 10MM	1
5	70013003000	COVER HAND BRAKE CYLINDER CPL.	1
6	58012040150	CLAMP FOR MIRROR '94	1
7	0025060256	HH COLLAR SCREW M6X25 TX30	2
8	70013004000	MUDCOVER HANDBRAKE LEVER	1
9	0770080019	O-RING 8,00X1,00 FORMULA	2
10	47013025000	HOLLOW SCREW BRAKE CYLINDER 03	1
11	72013010000	FRONT BRAKE HOSE L=1165MM DOT	1
12	50311050100	BRAKE LIGHT SWITCH FRONT 2002	1
13	72013005000	CLAMP	x
15	00062030000	BRAKE FLUID DOT5.1 0,25L	1

127201310

C147251310

\* NEW PART

X ON DEMAND

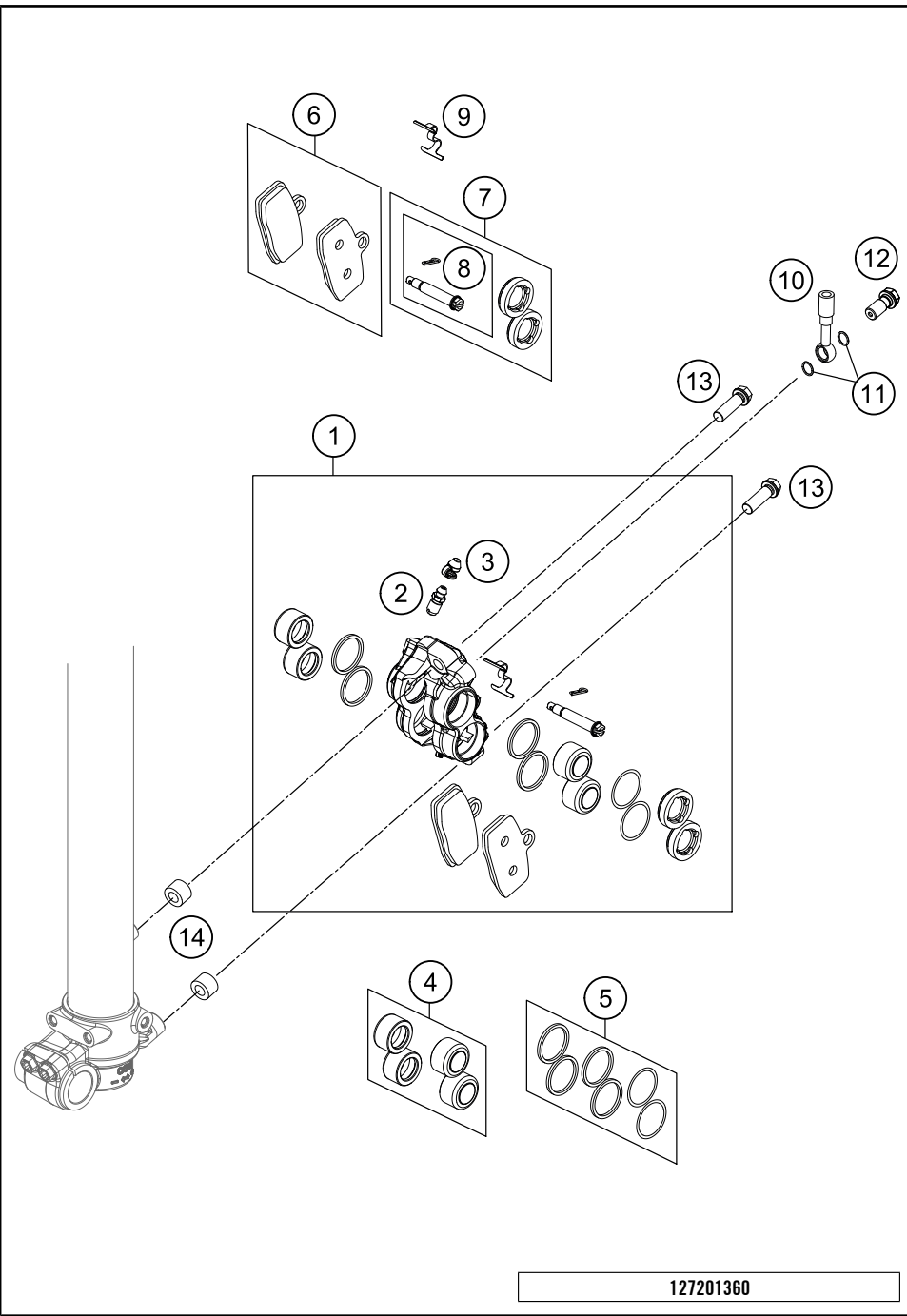


POS	PARTNUMBER	PARTNAME	PIECE
1	72013050044	FOOT BRAKE LEVER CPL. 12	1
2	0025050126	HH COLLAR SCREW M5X12 TX30	2
3	54813051000	STEP PLATE FOR BRAKE LEVER	1
4	59001037000	SPECIAL SCREW M8X26 WS=10	1
5	46030045000	COLLAR NUT M8 WS=10	1
6	72013053000	NUT FOOT BRAKE LEVER SW19 '12	1
7	0770180020	O-RING 18,00X2,00 NBR 70	1
8	0770125015	O-RING 12,5X1,5 NBR	1
9	0025060206S	HH COLLAR SCREW M6X20 TX30	1
10	54813055000	SWIVEL HEAD KA6 03	1
11	0934060003	HEXAGON NUT DIN0934-M 6	1
12	46213056000	PUSH ROD	1
13	54603062000	% RETURN SPRING FOR BRAKELEVER	1
14	72013065000	SUP. PLATE BRAKECYL. REAR 12	1
15	0035100309S	AH-COLLAR SCREW M10X30 ISA45	1
16	0025060126	HH COLLAR SCREW M6X12 TX30	2
17	59009062013	SPECIAL SCREW M6X13 WS=8 10.9	1
60	4701306030001S	FOOT BRAKE CYL. REAR CPL. D=12	1
61	47013061100	REP. SET PISTON REAR D=12 2004	1
62	47013063000	GASKET CYLINDER COVER REAR 03	1
63	47013062000	CYLINDER COVER REAR 85 SX 03	1
64	0912040103	AH.SCREW DIN0912-M 4X10	2
65	72011051000	BRAKE LIGHT SWITCH REAR	1
66	0770080019	O-RING 8,00X1,00 FORMULA	2
67	72513071000	BRAE HOSE REAR L=638MM	1
80	00062030000	BRAKE FLUID DOT5.1 0,25L	1

127201330

C147251330

\* NEW PART X ON DEMAND

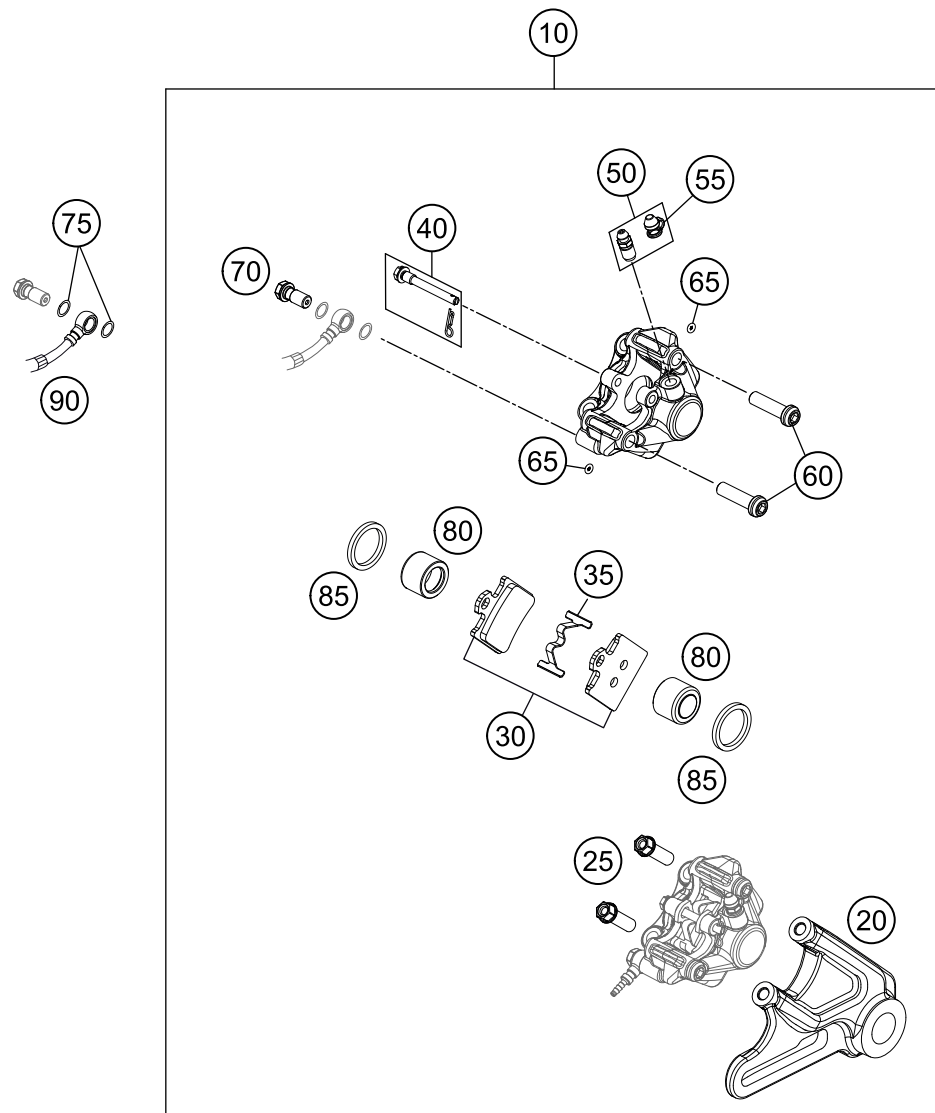


POS	PARTNUMBER	PARTNAME	PIECE
1	72013015000	BRAKE CALIPER FRONT CPL.	1
2	47013020000	BLEEDER SCREW M6	1
3	47013021000	CAP FOR BLEEDER SCREW	1
4	47013019000	REPAIR KIT BRAKEPISTON	1
5	47013022000	REP. KIT SEALS	1
6	72013030000	BRAKE PADS FRONT 12	1
6	47013030000	BRAKE PAD SET FRONT 2012	x
7	47013023000	PISTONCOVER 85SX 2012	1
8	47013030050	PIN BRAKE PAD CPL. 2012	1
9	47013018100	RETAINING SPRING FRONT 85SX	1
10	72013010000	FRONT BRAKE HOSE L=1165MM DOT	1
11	0770080019	O-RING 8,00X1,00 FORMULA	2
12	47013025000	HOLLOW SCREW BRAKE CYLINDER 03	1
13	0025080456S	HH COLLAR SCREW M8X45 ISA40	2
14	70013098150	DISTANCE SLEEVE 8,1X15X20,5MM	2

127201360

C147251360

\* NEW PART X ON DEMAND



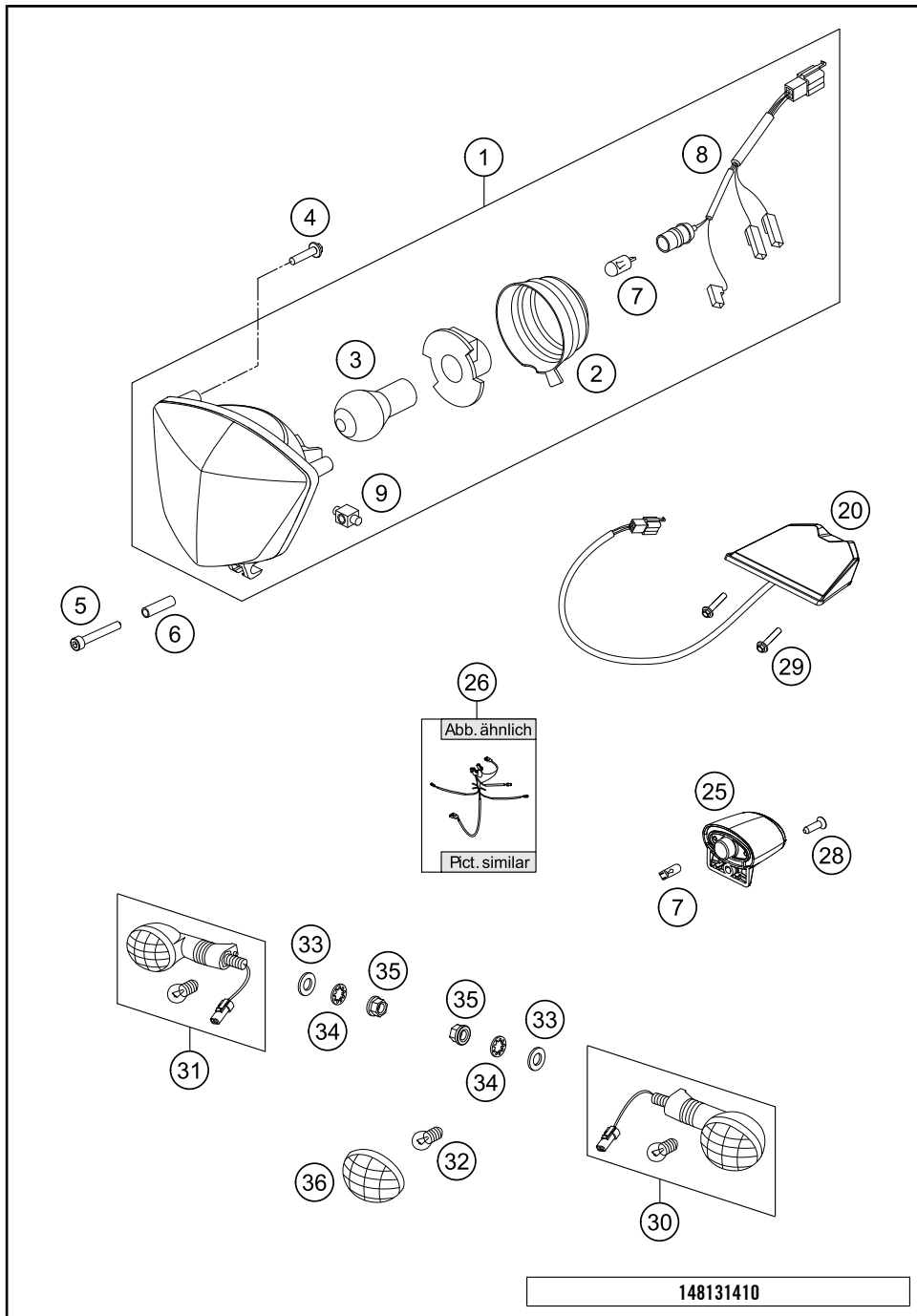
POS	PARTNUMBER	PARTNAME	PIECE
10	47013080300	BREAK CALIPER REAR CPL. 2011	1
20	47013075000	BRAKE CALIPER SUPPORT CPL.	1
25	0025080256	HH COLLAR SCREW M8X25 TX40	2
30	47013090300	BRAKE PADS REAR 85 SX 2011	1
35	47013018000	RETAINING SPRING 85 SX 2011	1
40	47013092000	SPECIAL SCREW WITH SPLINT PIN	1
50	47013085000	BLEEDER SCREW M8X1	1
55	47013021000	CAP FOR BLEEDER SCREW	1
60	47013084000	SPECIAL SCREW CALIPER M8X30	2
65	07700257178	O-RING 2,57X1,78	2
70	47013025000	HOLLOW SCREW BRAKE CYLINDER 03	1
75	0770080019	O-RING 8,00X1,00 FORMULA	2
80	47013083200	REPAIR KIT BRAKEPISTON 2011	1
85	47013081100	REP. KIT SEAL. RINGS REAR 2011	2
90	72513071000	BRAE HOSE REAR L=638MM	1

127201390

C147251390

\* NEW PART

X ON DEMAND

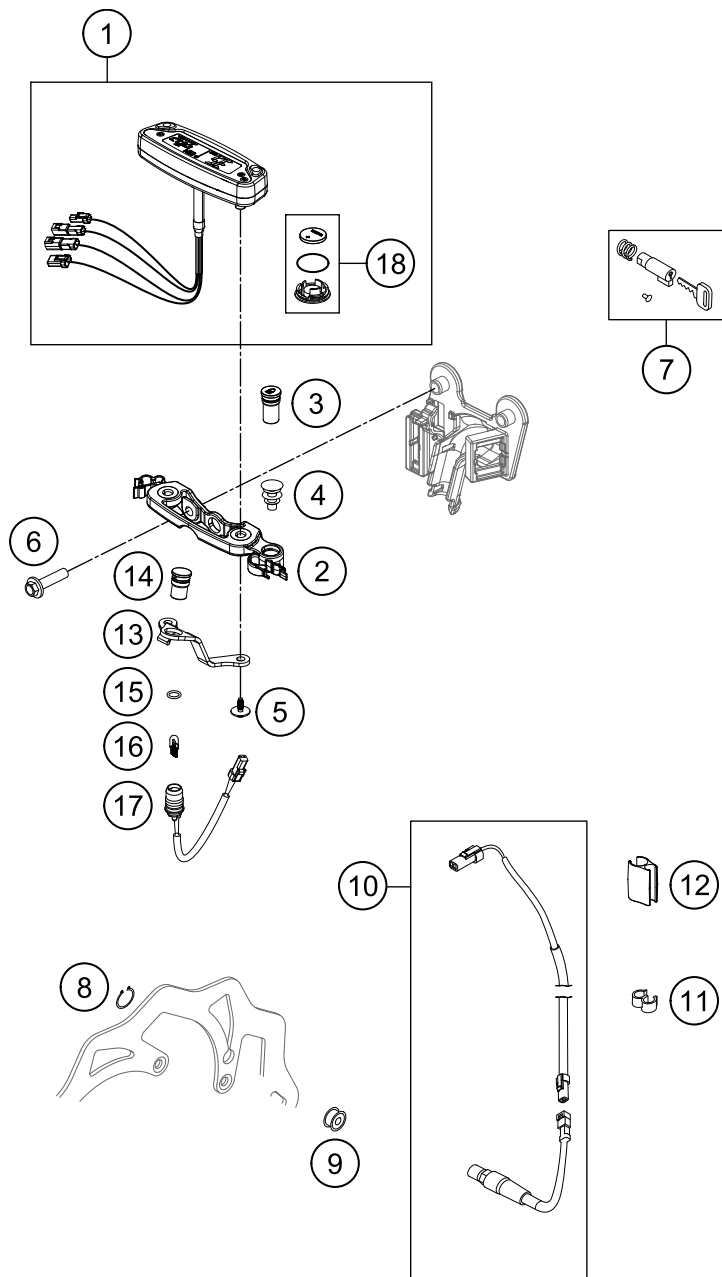


POS	PARTNUMBER	PARTNAME	PIECE
1	81214001000	HEAD LIGHT	1
2	54814001050	RUBBER CAP FOR HEAD LIGHT 05	1
3	44111038000	BILUX-BULB 12V 35/35W BA20D	1
4	0081050181	SCREW FOR PLASTIC K50X18 T20	2
5	0912050503	AH SCREW DIN912-M5X50 10.9	1
6	72008008000	DIST. HOSE F. HEAD LIGHT MASK	1
7	49011435100	BULB 12V 5W (W2,1X9,5D) PHIL.	2
8	54811001050	CABLE FOR HEAD LIGHT 2005	1
9	81208003010	INSERT FOR HEAD LIGHT SUPPORT	1
20	72514040000	REAR LIGHT	1
25	75014047000	LICENSE PLATE ILLUMINATION 07	1
26	72511081000	FLASHER HARNESS	1
28	0081250181	SCREW FOR PLASTIC 50X18 T20	1
29	0017060205	SCREW FOR PLASTIC K60X20 SW6	2
30	54814025200	FLASHER CPL. FR.L/S RE.R/S 09	2
31	54814026200	FLASHER CPL. FR.R/S RE.L/S 09	2
32	44111015100	BULB 12V 10W (BA15S)	4
33	0125100003	WASHER DIN0125-A10,5	4
34	0797100003	LOCK WASHER DIN6797-J10,5 ZI	4
35	58414030000	HH COLLAR NUT M10X1,25 WS=13	4
36	54814028000	FLASHER LENS L/S R/S 05	4

148131410

C147251410

\* NEW PART X ON DEMAND



POS	PARTNUMBER	PARTNAME	PIECE
1	81314069000	DIGITAL SPEEDOMETER	1
2	77714060000	SPEEDOMETER BRACKET EXC/XCW 14	1
3	58011021300	H.BEAM INDICATOR LIGHT BLUE'98	1
4	50210086000	COVERING CAP SFL16	1
5	0081645121	EJOT DELTA PT SCREW 45X12-Z	2
6	0025060206	HH COLLAR SCREW M6X20 TX30	2
7	78003035000	STEERING HEAD LOCK 08	1
8	0471009104	CIRCLIP DIN0471- 9X1 INOX	1
9	81314069050	MAGNET FOR SPEEDOMETER	1
10	81314068000	CABLE FOR SPEEDOMETER	1
11	60111094000	CLIP 5/7 MM 06	2
11	55011022100	CLAMP D=6/8MM, BLACK	2
12	54813026000	CABLE SUPPORT 10/6MM 06	2
13	72514087000	BRACKET FOR CONTROL LIGHT	1
14	58011024300	FLASHER INDICAT.LIGHT GREEN'98	1
15	0770080015	O-RING 8,00X1,5 NBR 70	1
16	49111425200	BULB 12V 2,3W (W2X4,6D)	1
17	77711091000	CABLE INDICATOR LIGHT	1
18	81314069010	BATTERY COVER F. SPEEDOMETER	1

147251430

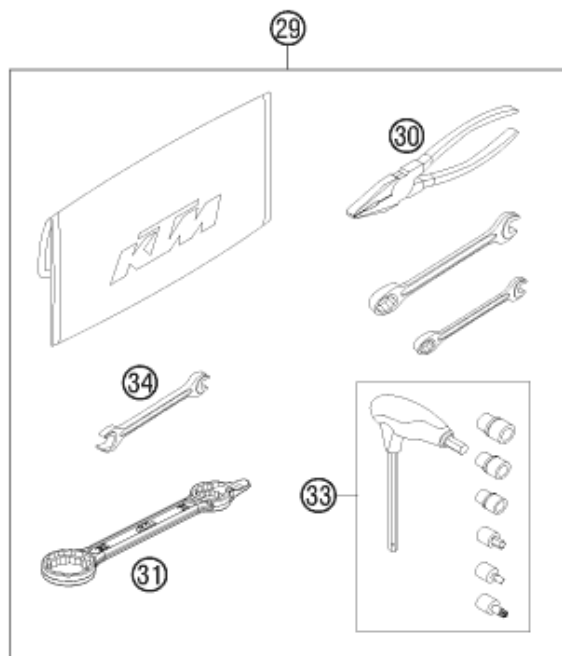
C147251430

\* NEW PART

X ON DEMAND

0  
OHNE ABBILDUNG  
WITHOUT ILLUSTRATION

1  
TECHNISCHE DOKUMENTATION  
TECHNICAL DOCUMENTATION  
DOCUMENTACION TECNICA  
DOCUMENTATION TECHNIQUE  
NOTE TECNICHE



POS	PARTNUMBER	PARTNAME	PIECE
0	72503090000	ENGINE GUARD	1
0	58412080000	REFLECTOR RED	1
0	0019080306S	COUNTER-SUNK SCREW ISA45 M8X30	1
0	58012040000	REAR MIRROR L/S	1
0	58012140000	REAR MIRROR R/S	1
0	58012040150	CLAMP FOR MIRROR '94	2
0	312305	DOCUMENTS BAG 2006	1
0	3210039	* CUSTOMER WELCOME LETTER	1
0	312313	KTM BALLPOINT PEN ORANGE	1
0	00063004202	PRINT LABEL 60X51 MM	2
0	3212457DE/GB	PP OFFROAD FOLDER 2013	1
0	3212455GB	POWER WEAR FOLDER 2013	1
0	72512099000	ACCESSORIES FLASHER 250 FREER.	1
0	70008016050	NUMBER PLATE CARRIER BOTTOM	1
0	78003040033	FOOTREST L/S + R/S CPL. 09	1
0	77311053000	BATTERY 12V 3AH YTX4L-BS	1
0	72511054010	BATTERY MOUNTING STRAP	1
0	77202002144	BAR PAD CPL.	1
0	0025050126	HH COLLAR SCREW M5X12 TX30	1
0	58411098100	CONTACT WASHER M6 VSV-K6	2
0	83008100020	SCREW M6X20X5,5	2
0	0024060123	COLLAR SCREW M6X12 TX	2
0	50033029012	FRONT SPROCKET 12-T	1
0	0017060205	SCREW FOR PLASTIC K60X20 SW6	1
1	3213043EN	OWN. MAN. FREERIDE R 250 14	1
29	77729099000	TOOL KIT 2013	1
30	53012028200	GRIP ORANGE B&F	1
31	50329080100	WRENCH SW=17/21/27/32 B&F	1
33	60029070300	T-WRENCH WS=6/8/10/TX45/SK4X1	1
34	50329072000	SPOKE-SPANNER WS 7/10	1

125482000

C147252000

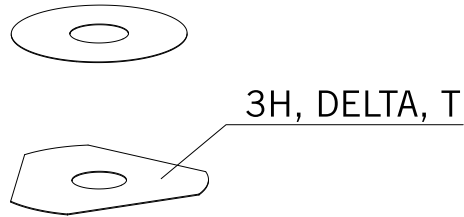
\* NEW PART

X ON DEMAND





- ⑤ Ø 5 mm
- ⑥ Ø 6 mm
- ⑧ Ø 8 mm
- ⑩ Ø 10 mm
- ⑫ Ø 12 mm
- ⑭ Ø 14-14,5 mm
- ⑯ Ø 16 mm
- ⑳ Ø 20 mm
- ㉑ Ø 21 mm
- ㉒ Ø 22 mm
- ㉓ Ø 23 mm
- ㉔ Ø 24,5 mm
- ㉘ Ø 28,5 mm
- ㉚ Ø 32 mm
- ㉜ Ø 52 mm



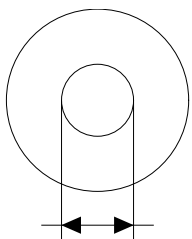
POS	PARTNUMBER	PARTNAME	PIECE
5	44906890	WASHER 5X15X2	X
6	40540400	SHIM 6X12X0,1	X
6	40540401	SHIM 6X14X0,1	X
6	40540402	SHIM 6X16X0,1	X
6	40540403	SHIM 6X18X0,1	X
6	40540404	SHIM 6X12X0,15	X
6	40540405	SHIM 6X14X0,15	X
6	40540406	SHIM 6X16X0,15	X
6	40540407	SHIM 6X18X0,15	X
6	40540408	SHIM 6X12X0,2	X
6	40540409	SHIM 6X14X0,2	X
6	40540410	SHIM 6X16X0,2	X
6	40540411	SHIM 6X18X0,2	X
6	48600095	* SHIM 6X20X0,20	X
6	40540412	SHIM 6X12X0,25	X
6	40540413	SHIM 6X14X0,25	X
6	40540414	SHIM 6X16X0,25	X
6	40540415	SHIM 6X18X0,25	X
6	40540417	SHIM 6X8,5X0,10	X
6	40540418	SHIM 6X9X0,10	X
6	40540419	SHIM 6X9,5X0,10	X
6	40540423	SHIM 6X9,5X0,15	X
6	40540425	SHIM 6X8,5X0,20	X
6	40540426	SHIM 6X9X0,20	X
6	40540427	SHIM 6X9,5X0,20	X
6	40540447	SHIM 6X10X0,3	X
6	40540449	SHIM 6X9X0,3	X
6	40540450	SHIM 6X9,5X0,3	X
6	40540494	SHIM 6X18X0,4	X
6	40540774	SHIM 6X18X0,1 DELTA	X
6	40541383	SHIM 6X11X0,1	X
6	40541391	SHIM 6X11X0,3	X
6	40541402	SHIM 6X11X0,2	X
6	40541403	SHIM 6X10X0,20	X
6	40541404	SHIM 6X10X0,1	X
6	40541405	SHIM 6X10X0,15	X
6	40541406	SHIM 6X11X0,15	X
6	40541408	SHIM 6X8,0X0,30	X

080000190

C130009090

\* NEW PART

X ON DEMAND



3H, DELTA, T

- ⑤ Ø 5 mm
- ⑥ Ø 6 mm
- ⑧ Ø 8 mm
- ⑩ Ø 10 mm
- ⑫ Ø 12 mm
- ⑭ Ø 14-14,5 mm
- ⑯ Ø 16 mm
- ⑳ Ø 20 mm
- ㉑ Ø 21 mm
- ㉒ Ø 22 mm
- ㉓ Ø 23 mm
- ㉔ Ø 24,5 mm
- ㉘ Ø 28,5 mm
- ㉚ Ø 32 mm
- ㉜ Ø 52 mm

POS	PARTNUMBER	PARTNAME	PIECE
6	40541414	SHIM 6X8,0X0,10	X
6	40541416	SHIM 6X8X0,3	X
6	40541417	SHIM 6X11X0,25	X
6	48600102	* SHIM 6X24X0,25	X
6	48600063	SHIM 6X24X0,1	X
6	48600064	SHIM 6X22X0,1	X
6	48600065	SHIM 6X20X0,1	X
6	48600069	SHIM 6X20X0,15	X
6	48600100	SHIM 6X24X0,15	X
6	48600116	SHIM 6X24X0,1 DELTA	X
6	48600139	SHIM 6X22X0,1 DELTA	X
6	48600217	BACKPLATE 6X10X0,25	X
6	48600325	SHIM 6X13X0,1	X
6	48600327	SHIM 6X15X0,1	X
6	48600329	SHIM 6X17X0,1	X
6	48600331	SHIM 6X19X0,1	X
6	48600096	* SHIM 6X20X0,25	X
6	48600097	SHIM 6X22X0,15	X
6	48600099	* SHIM 6X22X0,25	X
6	40540448	BACKPLATE 6X8,5X0,30	X
6	48600479	SHIM 6X20X0,1 T/3H	X
6	48600332	SHIM 6X21X0,1	X
6	48600333	SHIM 6X23X0,1	X
6	40541393	* SHIM 6X12X0,3	X
6	48600330	SHIM 6X17X0,15	X
6	48600988	SHIM 6X28X0,10	X
6	48600989	SHIM 6X26X0,10	X
6	48601091	SHIM 6X28X0,15	X
6	48601093	SHIM 6X26X0,15	X
6	48600328	SHIM 6X15X0,15	X
6	48600326	SHIM 6X13X0,15	X
6	48601548	SHIM 6X17X1,5	X
8	40540477	SHIM 8X18X0,4	X
8	43570120	SHIM 8X18X0,10	X
8	44916098	WASHER 8,4X16X0,8	X
8	44916130	WASHER 8,2X15X1	X
8	44916180	WASHER 8,2X11X1	X
8	48600214	SHIM 8X16X0,1	X

080000190

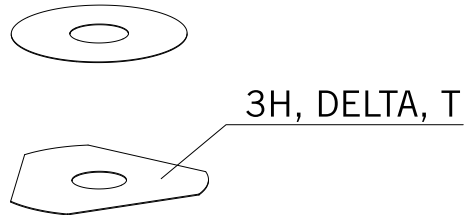
C130009090

\* NEW PART

X ON DEMAND



- ⑤ Ø 5 mm
- ⑥ Ø 6 mm
- ⑧ Ø 8 mm
- ⑩ Ø 10 mm
- ⑫ Ø 12 mm
- ⑭ Ø 14-14,5 mm
- ⑯ Ø 16 mm
- ⑳ Ø 20 mm
- ㉑ Ø 21 mm
- ㉒ Ø 22 mm
- ㉓ Ø 23 mm
- ㉔ Ø 24,5 mm
- ㉘ Ø 28,5 mm
- ㉚ Ø 32 mm
- ㉜ Ø 52 mm



POS	PARTNUMBER	PARTNAME	PIECE
8	48600385	SHIM 8x14x0.25	X
8	48600346	SHIM 8X11X0,2	X
8	48600215	CHECK VALVE 8X20X0,1	X
8	48600485	SHIM 8X10X0,10	X
8	48601402	SHIM 8X13X0,10	X
8	48600350	CHECK VALVE 8X16X0,15	X
8	48600061	CHECK VALVE 8X24X0,4	X
8	48600062	CHECK VALVE 8X24X0,1	X
8	48600216	CHECK VALVE 8X22X0,1	X
8	48600480	SHIM 8X10X0,20	X
8	48600555	SHIM 8X16X0,20	X
8	48600213	SHIM 8X14X0,10	X
8	48600357	CHECK VALVE 8X11X0,1	X
8	48600351	CHECK VALVE 8X12X0,1	X
8	48600607	SHUTTLE VALVE 8X20X0,4	X
8	48601095	SHIM 8X17X0,10	X
8	48600352	CHECK VALVE 8X11X0,4	X
10	36120284	SHIM 10X16X0,10	X
10	36120298	SHIM 10X16X0,2	X
10	36120312	SHIM 10X16X0,30	X
10	36120314	SHIM 10X18X0,30	X
10	36120325	SHIM 10X19X0,15	X
10	36120327	SHIM 10X23X0,15	X
10	36120328	SHIM 10X25X0,15	X
10	36120329	SHIM 10X27X0,15	X
10	36120330	SHIM 10X29X0,15	X
10	36120331	SHIM 10X31X0,15	X
10	36120332	SHIM 10X33X0,15	X
10	36120334	SHIM 10X21X0,20	X
10	36120335	SHIM 10X23X0,20	X
10	36120336	SHIM 10X25X0,20	X
10	36120337	SHIM 10X27X0,20	X
10	36120338	SHIM 10X29X0,20	X
10	36120339	SHIM 10X31X0,20	X
10	36120340	SHIM 10X33X0,20	X
10	36120342	SHIM 10X21X0,25	X
10	36120343	SHIM 10X23X0,25	X
10	36120344	SHIM 10X25X0,25	X

080000190

C130009090

\* NEW PART

X ON DEMAND



- ⑤ Ø 5 mm
- ⑥ Ø 6 mm
- ⑧ Ø 8 mm
- ⑩ Ø 10 mm
- ⑫ Ø 12 mm
- ⑭ Ø 14-14,5 mm
- ⑯ Ø 16 mm
- ⑳ Ø 20 mm
- ㉑ Ø 21 mm
- ㉒ Ø 22 mm
- ㉓ Ø 23 mm
- ㉔ Ø 24,5 mm
- ㉘ Ø 28,5 mm
- ㉚ Ø 32 mm
- ㉜ Ø 52 mm



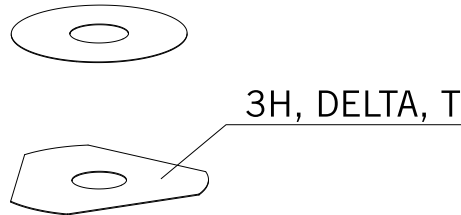
POS	PARTNUMBER	PARTNAME	PIECE
10	36120345	SHIM 10X27X0,25	X
10	36120349	SHIM 10X19X0,30	X
10	36120350	SHIM 10X21X0,30	X
10	40140275	WASHER 10X35X0,15	X
10	36120346	* SHIM 10X29X0,25	X
10	50180010	* SHIM 16X24X0,10	X
10	36120604	SHIM D10XD22X2,5	X
12	46810490	SHIM 12X24X0,20	X
12	46810491	SHIM 12X26X0,20	X
12	46810492	SHIM 12X28X0,20	X
12	46810493	SHIM 12X30X0,20	X
12	46810494	SHIM 12X32X0,20	X
12	46810495	SHIM 12X34X0,20	X
12	46810496	SHIM 12X36X0,20	X
12	46810497	SHIM 12X38X0,20	X
12	46810498	SHIM 12X40X0,20	X
12	46810499	SHIM 12X24X0,25	X
12	46810500	SHIM 12X26X0,25	X
12	46810501	SHIM 12X28X0,25	X
12	46810502	SHIM 12X30X0,25	X
12	46810504	SHIM 12X34X0,25	X
12	46810505	SHIM 12X36X0,25	X
12	46810507	SHIM 12X40X0,25	X
12	46810508	SHIM 12X24X0,30	X
12	46810509	SHIM 12X26X0,30	X
12	46810510	SHIM 12X28X0,30	X
12	46810512	SHIM 12X32X0,30	X
12	46810513	SHIM 12X34X0,30	X
12	46810518	SHIM 12X26X0,15	X
12	46810519	SHIM 12X28X0,15	X
12	46810520	SHIM 12X30X0,15	X
12	46810521	SHIM 12X32X0,15	X
12	46810522	SHIM 12X34X0,15	X
12	46810523	SHIM 12X36X0,15	X
12	46810524	SHIM 12X38X0,15	X
12	46810525	SHIM 12X40X0,15	X
12	46810604	SHIM 12X20X0,10	X
12	46810606	SHIM 12X22X0,10	X

080000190

C130009090

\* NEW PART

X ON DEMAND



- ⑤ Ø 5 mm
- ⑥ Ø 6 mm
- ⑧ Ø 8 mm
- ⑩ Ø 10 mm
- ⑫ Ø 12 mm
- ⑭ Ø 14-14,5 mm
- ⑯ Ø 16 mm
- ⑳ Ø 20 mm
- ㉑ Ø 21 mm
- ㉒ Ø 22 mm
- ㉓ Ø 23 mm
- ㉔ Ø 24,5 mm
- ㉘ Ø 28,5 mm
- ㉚ Ø 32 mm
- ㉜ Ø 52 mm

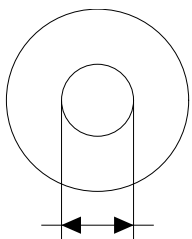
POS	PARTNUMBER	PARTNAME	PIECE
12	46810607	SHIM 12X23X0,10	X
12	46810608	SHIM 12X24X0,10	X
12	46810610	SHIM 12X27X0,15	X
12	46810611	SHIM 12X18X0,15	X
12	46810612	SHIM 12X19X0,15	X
12	46810615	SHIM 12X22X0,15	X
12	46810636	BACKPLATE 12X16X0,30	X
12	46810637	BACKPLATE 12X17X0,30	X
12	46810638	BACKPLATE 12X18X0,30	X
12	46810639	SHIM 12X19X0,30	X
12	46810641	BACKPLATE 12X21X0,30	X
12	46811582	BACKPLATE 12X30X0,10	X
12	46810631	SHIM 12X20X0,25	X
12	46810633	SHIM 12X22X0,25	X
12	46811580	SHIM 12X32X0,10	X
12	46810503	SHIM 12X32X0,25	X
12	46810517	* SHIM 12X24X0,15	X
12	46810640	SHIM 12X20X0,30	X
12	46811258	RING 12X24X2,5	X
12	46812018	SHIM 12X42X0,25	X
12	46812015	SHIM 12X44X0,20	X
14	46811046	SHIM 14,5X35,4X1,25	X
16	50180023	* SHIM 16X23X0,20	X
16	50180030	SHIM	X
16	50180006	BACKPLATE 16X20X0,10	X
16	50180007	SHIM 16X21X0,10	X
16	50180028	SHIM 16X21X0,25	X
16	50180210	WASHER 16X21X1	X
16	50180008	SHIM 16X22X0,10	X
16	50180022	SHIM 16X22X0,20	X
16	50180037	SHIM 16X23X0,30	X
16	50180038	SHIM 16X24X0,30	X
16	50180032	SHIM 15X25X0,25	X
16	50180039	SHIM 16X25X0,30	X
16	50180012	SHIM 16X26X0,10	X
16	50180019	SHIM 16X26X0,15	X
16	50180026	SHIM 16X26X0,20	X
16	50180040	SHIM 16X26X0,30	X

080000190

C130009090

\* NEW PART

X ON DEMAND



3H, DELTA, T

- ⑤ Ø 5 mm
- ⑥ Ø 6 mm
- ⑧ Ø 8 mm
- ⑩ Ø 10 mm
- ⑫ Ø 12 mm
- ⑭ Ø 14-14,5 mm
- ⑯ Ø 16 mm
- ⑳ Ø 20 mm
- ㉑ Ø 21 mm
- ㉒ Ø 22 mm
- ㉓ Ø 23 mm
- ㉔ Ø 24,5 mm
- ㉘ Ø 28,5 mm
- ㉚ Ø 32 mm
- ㉜ Ø 52 mm

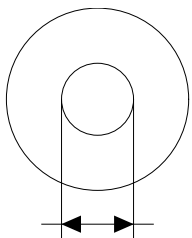
POS	PARTNUMBER	PARTNAME	PIECE
16	50180041	SHIM 16X28X0,10	X
16	50180045	SHIM 16X28X0,15	X
16	50180054	SHIM 16X28X0,20	X
16	50180063	SHIM 16X28X0,25	X
16	50180072	SHIM 16X28X0,30	X
16	50180046	SHIM 16X30X0,15	X
16	50180055	SHIM 16X30X0,20	X
16	50180064	SHIM 16X30X0,25	X
16	50180073	SHIM 16X30X0,30	X
16	50180047	SHIM 16X32X0,15	X
16	50180056	SHIM 16X32X0,20	X
16	50180065	SHIM 16X32X0,25	X
16	50180074	SHIM 16X32X0,30	X
16	50180044	SHIM 16X34X0,10	X
16	50180048	SHIM 16X34X0,15	X
16	50180057	SHIM 16X34X0,20	X
16	50180066	SHIM 16X34X0,25	X
16	50180075	SHIM 16X34X0,30	X
16	50180049	SHIM 16X36X0,15	X
16	50180058	SHIM 16X36X0,20	X
16	50180067	SHIM 16X36X0,25	X
16	50180076	SHIM 16X36X0,30	X
16	50180050	SHIM 16X38X0,15	X
16	50180059	SHIM 16X38X0,20	X
16	50180068	SHIM 16X38X0,25	X
16	50180077	SHIM 16X38X0,30	X
16	50180051	SHIM 16X40X0,15	X
16	50180060	SHIM 16X40X0,20	X
16	50180069	SHIM 16X40X0,25	X
16	50180078	SHIM 16X40X0,30	X
16	50180052	SHIM 16X42X0,15	X
16	50180061	SHIM 16X42X0,20	X
16	50180070	SHIM 16X42X0,25	X
16	50180079	SHIM 16X42X0,30	X
16	50180053	SHIM 16X44X0,15	X
16	50180062	SHIM 16X44X0,20	X
16	50180071	SHIM 16X44X0,25	X
16	50180080	SHIM 16X44X0,30	X

080000190

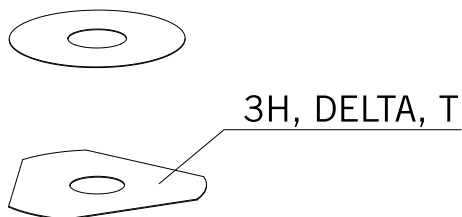
C130009090

\* NEW PART

X ON DEMAND



- ⑤ Ø 5 mm
- ⑥ Ø 6 mm
- ⑧ Ø 8 mm
- ⑩ Ø 10 mm
- ⑫ Ø 12 mm
- ⑭ Ø 14-14,5 mm
- ⑯ Ø 16 mm
- ⑳ Ø 20 mm
- ㉑ Ø 21 mm
- ㉒ Ø 22 mm
- ㉓ Ø 23 mm
- ㉔ Ø 24,5 mm
- ㉘ Ø 28,5 mm
- ㉚ Ø 32 mm
- ㉜ Ø 52 mm



POS	PARTNUMBER	PARTNAME	PIECE
16	50180177	WASHER 16X8,2X0,6	X
16	50180033	SHIM 16X26X0,25	X
16	50180034	BACKPLATE 16X20X0,30	X
16	50180035	BACKPLATE 16X21X0,30	X
16	50180036	BACKPLATE 16X22X0,30	X
16	50180043	SHIM	X
16	50180024	* SHIM 16X24X0,20	X
16	50180027	* SHIM 16X20X0,25	X
16	50180031	SHIM	X
16	50180029	SHIM	X
20	48600212	PRESSURE-RING 20X16,25X0,20	X
20	50180666	SHIM 20X24X0,30	X
20	50180654	SHIM 20X36X0,20	X
20	50180655	SHIM 20X38X0,20	X
20	50180656	SHIM 20X40X0,20	X
20	50180665	SHIM 20X40X0,25	X
20	50180662	SHIM 20X34X0,25	X
20	50180657	SHIM 20X24X0,25	X
20	50180653	SHIM 20X34X0,20	X
20	50180634	RING 20X22,9X1	X
20	50180650	SHIM 20,2X28X0,20	X
20	50180663	SHIM 20X36X0,25	X
20	50180664	SHIM 20X38X0,25	X
20	50180659	SHIM 20,2X28X0,25	X
21	50180209	WASHER 21X36X0,25	X
22	50180330	* PRESS. RING 22X18X0,30	X
23	50180635	SHUTTLE VALVE 23X38X0,25	X
23	50180578	SHIM D23XD16X2	X
24	40541061	WASHER 24,5X34X2	X
28	36120469	SHIM 28,5X14X2	X
28	36120471	SHIM 28,5X14X5	X
32	48600460	WASHER 32X42X2,5	X
32	50600065	SHIM 32X45X2	X
32	46811637	PRESSURE RING 36X32,25	X
52	50600002	SHIM 52X59X2,2	X

080000190

C130009090

\* NEW PART

X ON DEMAND

A large, empty rectangular box with a thin black border, occupying the majority of the page. It is intended for the user to write notes.



A large, empty rectangular box with a thin black border, occupying the majority of the page. It is intended for the user to write notes.

A large, empty rectangular box with a thin black border, occupying the majority of the page. It is intended for the user to write notes.



WWW.KTM.COM



KTM Sportmotorcycle GmbH  
5230 Mattighofen, Austria  
[www.ktm.com](http://www.ktm.com)



**KTM**\_POWERPARTS

**KTM**\_POWERWEAR

**KTM**\_ORIGINAL SPARE PARTS



3CFF7303N4EN

Art. Nr.: 3CFF7303N4EN 3. Jul 2015