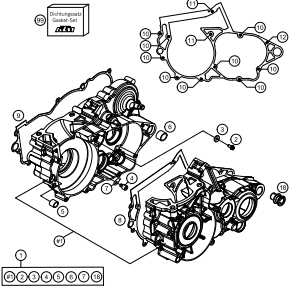
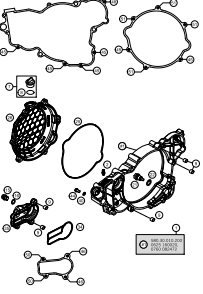
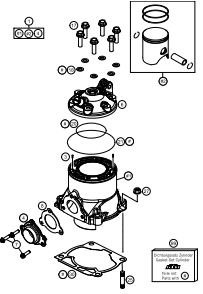
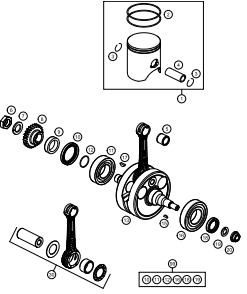
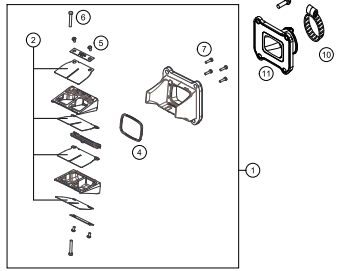
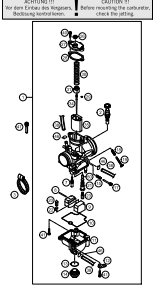
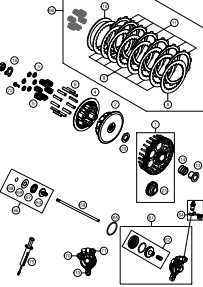
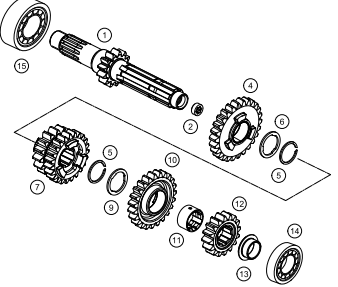
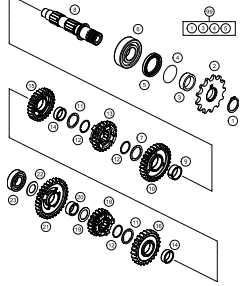
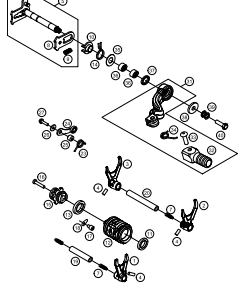
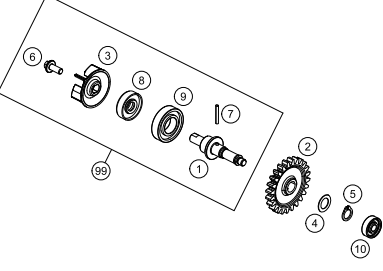
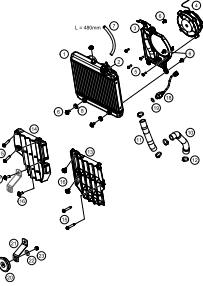
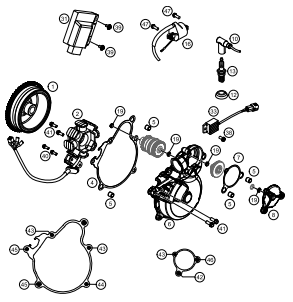
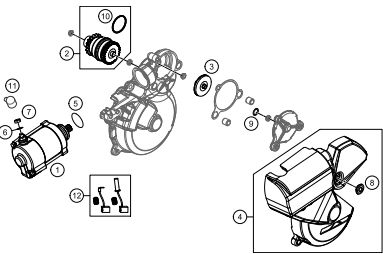



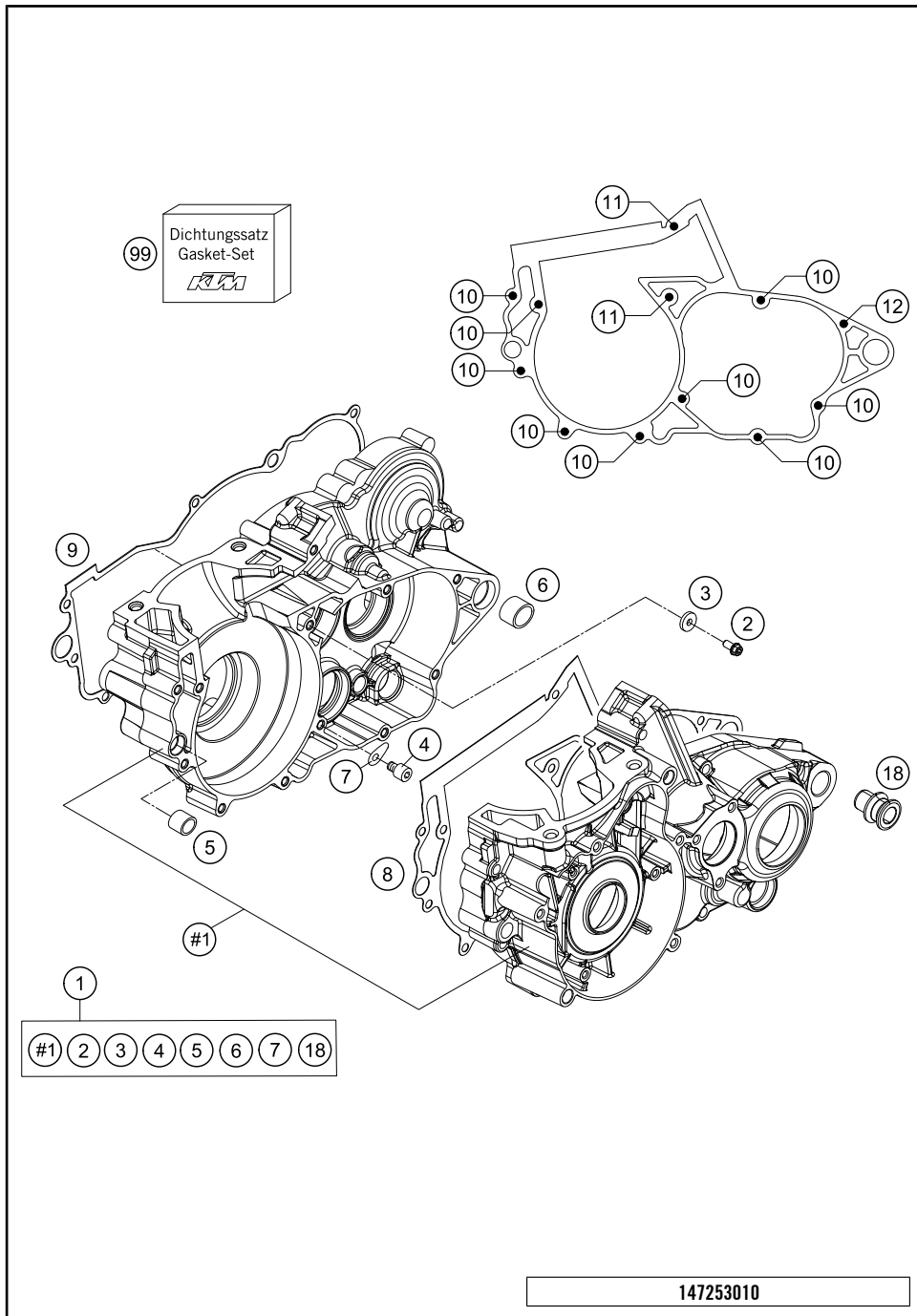
FREERIDE 250 R 2015

ART.-NR.: 3CM0836400EN



<p>ENGINE CASE</p>  <p>3</p>	<p>CLUTCH COVER</p>  <p>4</p>	<p>CYLINDER, CYLINDER HEAD</p>  <p>5</p>	<p>CRANKSHAFT, PISTON</p>  <p>6</p>
<p>REED VALVE CASE</p>  <p>7</p>	<p>CARBURETOR</p>  <p>8</p>	<p>CLUTCH</p>  <p>10</p>	<p>TRANSMISSION I - MAIN SHAFT</p>  <p>11</p>
<p>TRANSMISSION II - COUNTERSHAFT</p>  <p>12</p>	<p>SHIFTING MECHANISM</p>  <p>13</p>	<p>WATER PUMP</p>  <p>14</p>	<p>COOLING SYSTEM</p>  <p>15</p>

<p>IGNITION SYSTEM</p>  <p style="text-align: right;">16</p>	<p>ELECTRIC STARTER</p>  <p style="text-align: right;">17</p>		
	<div style="display: flex; align-items: center;">  <p> All information contained is without obligation. KTM Sportmotorcycle GmbH particularly reserves the right to modify any equipment, technical specifications, prices, colors, shapes, materials, services, service work, constructions, equipment and the like so as to adapt them to local conditions or to cancel any of the above items, all without previous announcement and without giving reasons. KTM may stop manufacturing certain models without previous notice. KTM shall not be held liable for any deviations of availability and/or ability to deliver, illustrations, descriptions, printing and/or other errors. The illustrated models partly contain extra equipment, which is not applied to standard models. </p> <p> © by KTM Sportmotorcycle GmbH, Mattighofen AUSTRIA; All rights reserved; Reprint, also in extracts, with written allowance of KTM Sportmotorcycle GmbH, Mattighofen only. </p> </div>		



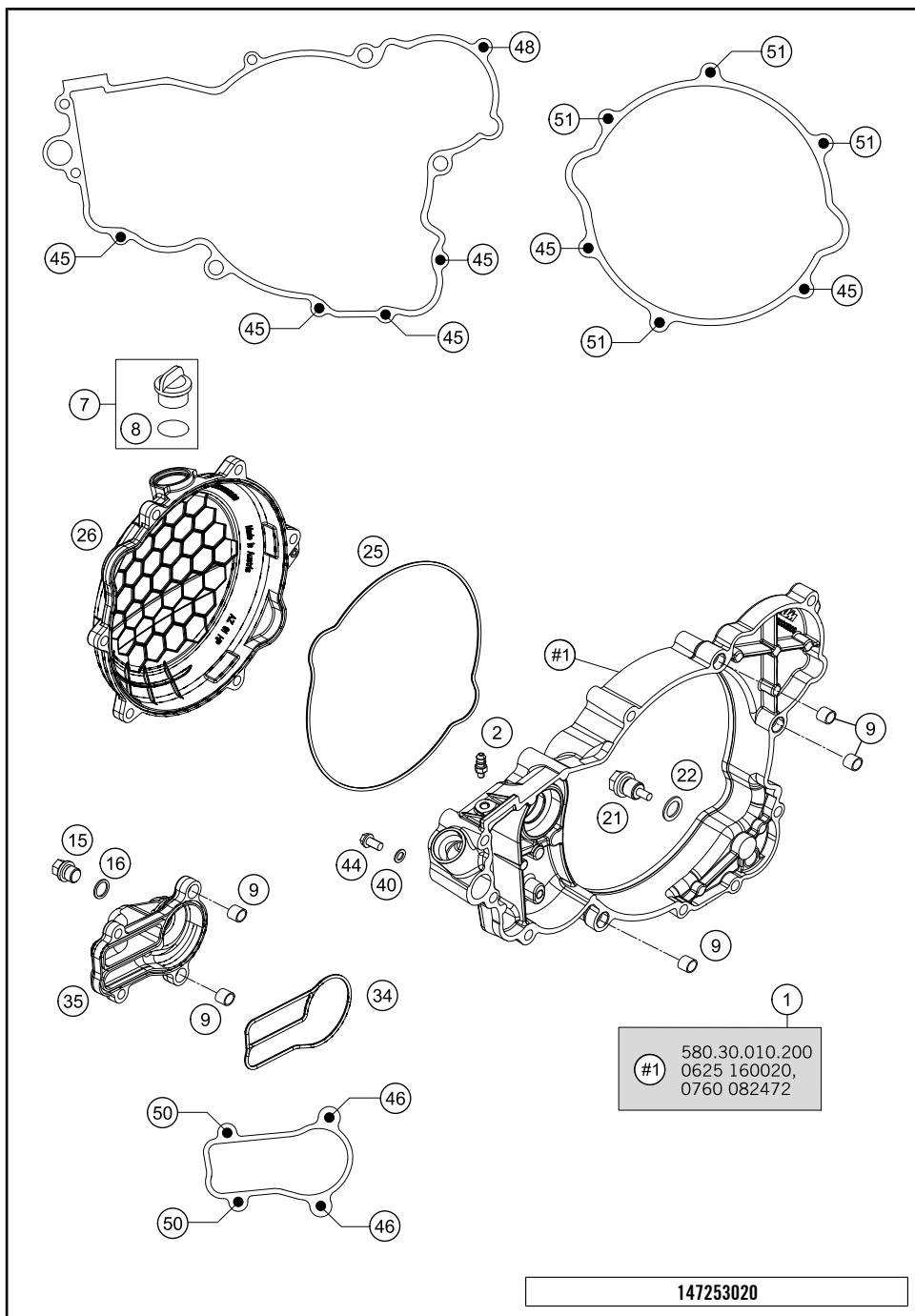
POS	PARTNUMBER	PARTNAME	PIECE
1	7253000033	ENGINE CASE FREERIDE 2S. 14	1
2	0025060126	HH COLLAR SCREW M6X12 TX30	1
3	50232050001	STEEL WASHER 6,4X17X3	1
4	0912060123	AH SCREW DIN0912-M 6X12	1
5	54630027000	DOWEL BUSHING 13,8X11X12	1
6	54830027000	DOWEL 21X12 03	1
7	54634049000	RETAINING PLATE	1
8	54830039000	ENGINE CASE GASKET 2003	1
9	54830024100	CLUTCH COVER GASKET INSIDE	1
10	0025060406	HH COLLAR SCREW M6X40 TX30	9
11	0025060556	HH COLLAR SCREW M6X55 TX30	2
12	0025060606	HH COLLAR SCREW M6X60 TX30	1
18	72530010000	CASE BUSH L/S	1
99	55130099000	% GASKET SET 250/300 08	x

147253010

C147253010

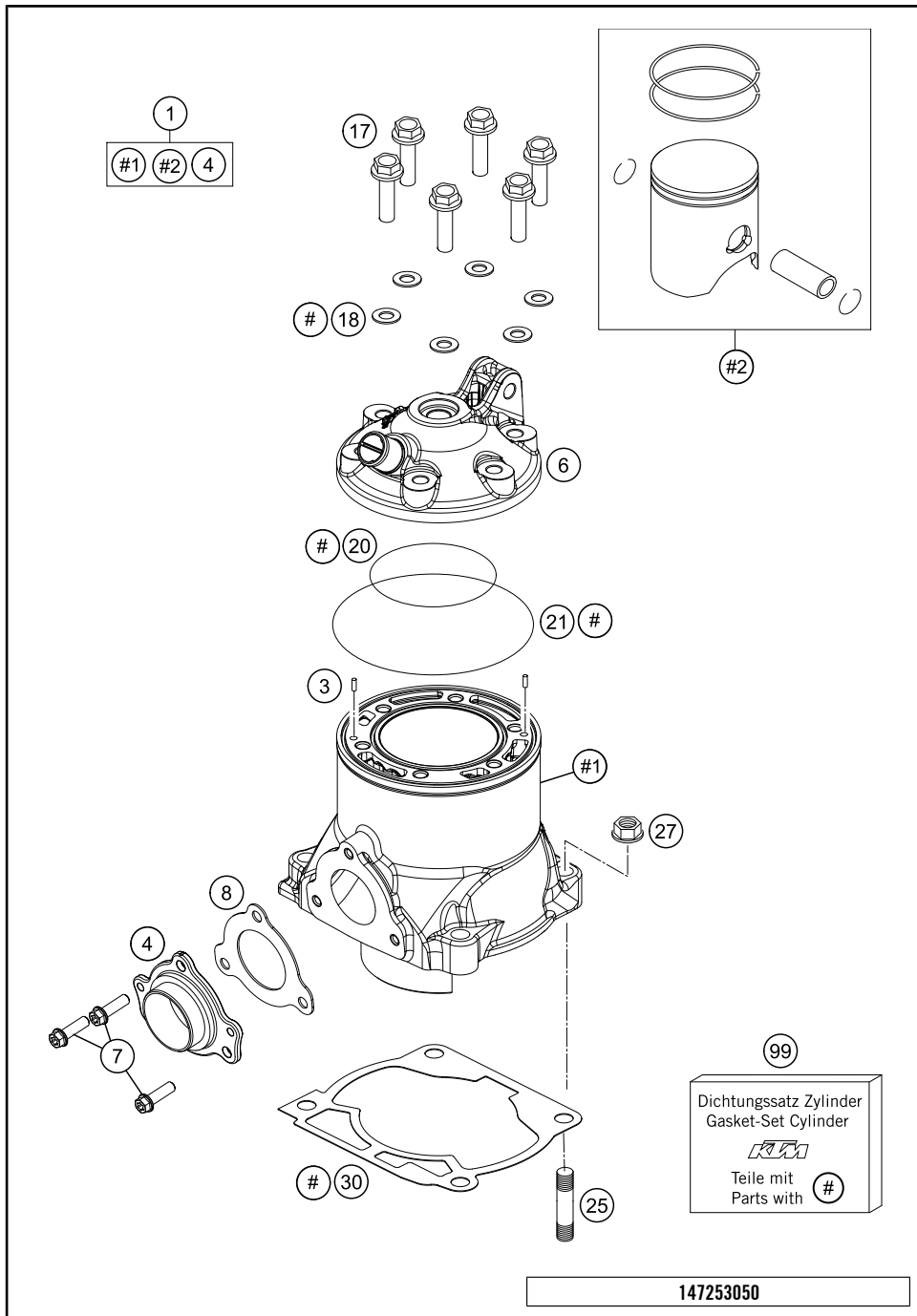
* NEW PART

X ON DEMAND



POS	PARTNUMBER	PARTNAME	PIECE
1	72530001044	INNER CLUTCH COVER CPL.	1
2	58336020290	VACUUM CONNECTION M6X1 ALU AH	1
7	58030120000	OIL FILLER CAP M24x3 WITH O-R	1
8	0770191015	O-RING 19,00X3,00 NBR	1
9	49030090000	DOWEL 9,8 X 7 X 10	5
15	0910100003	PLUG DIN0910-M 10X1	1
16	0603100141	COPPER GASKET DIN7603-10X14X1	1
21	58030021000	OILDRAIN PLUG W.MAG. M 12X1,5	1
22	58038022000	CU-SEAL RING DIN7603-12X18X1,5	1
25	55130027000	CLUTCH COVER GASKET	1
26	5513002610015	CLUTCH OUTSIDE COVER	1
34	54835003000	GASKET WAPU-COVER 250 2003	1
35	54835001100	WATERPUMP COVER 250/300	1
40	0603061001	CU-SEAL RING DIN7603-6X10X1	1
44	0025060126	HH COLLAR SCREW M6X12 TX30	1
45	0025060206	HH COLLAR SCREW M6X20 TX30	6
46	0025060256	HH COLLAR SCREW M6X25 TX30	2
48	0025060306	HH COLLAR SCREW M6X30 TX30	1
50	0025060556	HH COLLAR SCREW M6X55 TX30	2
51	0025060606	HH COLLAR SCREW M6X60 TX30	4

* NEW PART X ON DEMAND

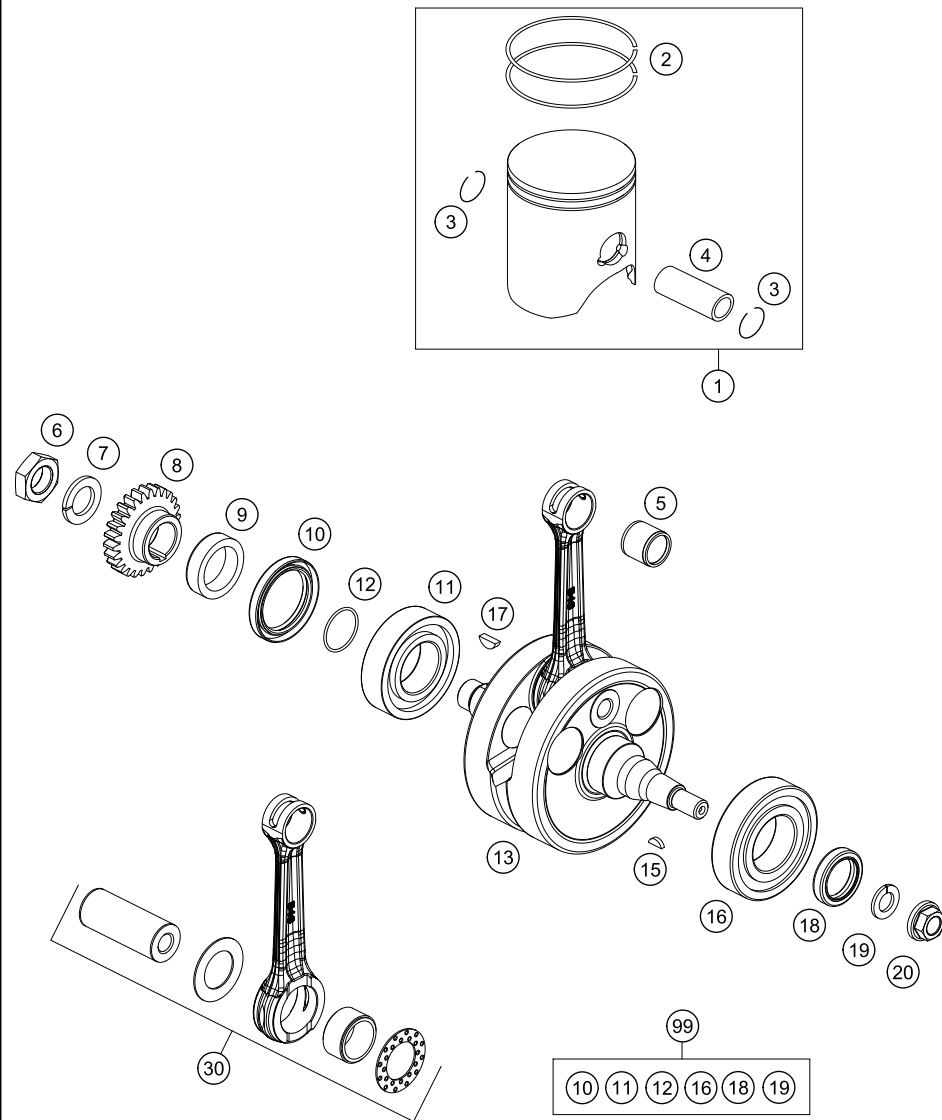


POS	PARTNUMBER	PARTNAME	PIECE
1	72530038044	CYLINDER + PISTON CPL.	1
3	0402040980	NEEDLE ROL.DIN5402 NRB 4X9,8	2
4	72536039000	EXHAUST FLANGE	1
6	54830706000	CYLINDER HEAD 250 FREERIDE 14	1
7	0025060166	HH COLLAR SCREW M6X16 TX30	3
8	72536041000	EXHAUST FLANGE GASKET	1
17	54830079000	COLLAR SCREW M 8X35 WS=13	6
18	56530080000	CU-SEAL RING 8 X 16 X 1	6
20	0770730020	O-RING 73,00X2,00 VITON	1
21	0770105020	O-RING 105,00X2,00 07	1
25	0835100351	STUD DIN0835-M10X35	4
27	54630044000	COLLAR NUT M10 WS=13	4
30	54830030002	GASKET CYLINDER BASE 0,2MM 03	x
30	54830030025	CYLINDER BASE GASKET 0.25MM	x
30	54830030004	GASKET CYLINDER BASE 0,4MM 03	x
30	54830030005	GASKET CYLINDER BASE 0,5MM 03	x
30	54830030075	GASKET CYLINDER BASE 0,75MM 03	x
99	72530097000	GASKET SET CYL. 250 FREERIDE	x

147253050

C147253050

* NEW PART X ON DEMAND



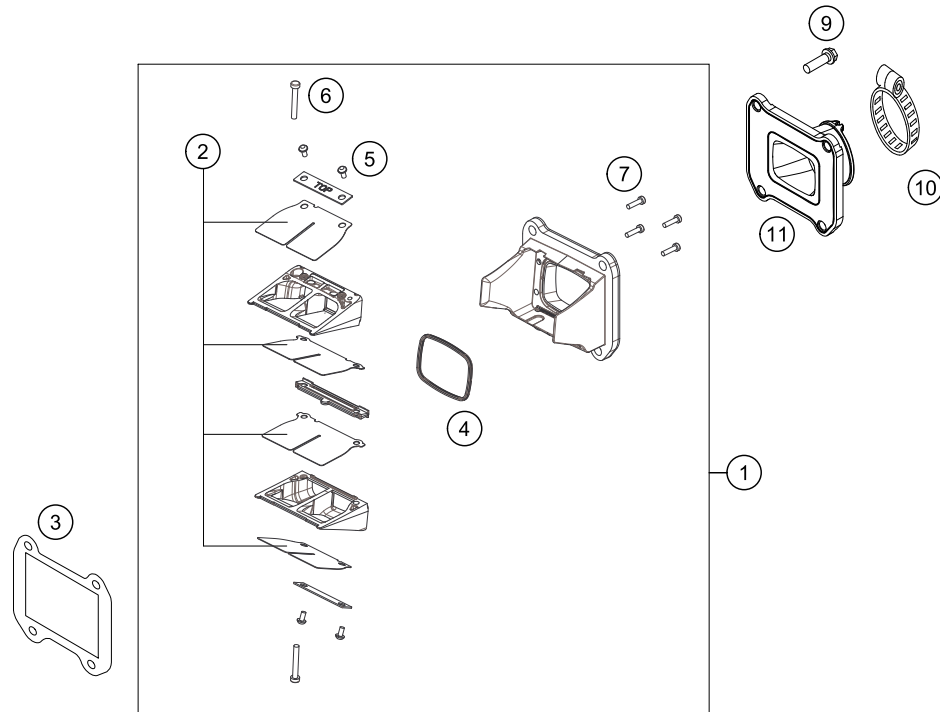
POS	PARTNUMBER	PARTNAME	PIECE
1	72530007000 I	PISTON I 250 FREERIDE CPL. 14	1
1	72530007000 II	PISTON II 250 FREERIDE CPL. 14	x
2	54830232000	TRAPEZOID RING 250 66,4 MM	2
3	54030074000	WIRE LOCK RING C18X1,5	2
4	54830233000	PISTON PIN	1
5	54430034000	NEEDLE BEARING KBK 18X22X20	1
6	54630029000	HEX.NUT L/SH M18X1,5	1
7	58132072000	LOCK WASHER VSK 18	1
8	54832000026	PRIMARY GEAR 26T 2003	1
9	54830016000	SPACER SLEEVE 28X38X10 03	1
10	0760385273	SHAFT SEAL RING 38X52X7BTSL	1
11	0625623204	BALL BEARING 32X65X17 NTN	1
12	0770250015	O-RING 25,00X1,50 NBR 70	1
13*	54830118300	CRANKSHAFT CPL. 250 EXC	1
15	0888030050	WOODRUFF KEY DIN6888-3X5X13	1
16	56530123200	CYLIND.ROL.BEAR. NJ207ET2XCS42	1
17	6946005	WOODRUFF KEY 5X6,5 HARDED	1
18	0760253570	SHAFT SEAL RING 25X35X7 BTSL	1
19	50230029012	LOCKING RING VSK 12	1
20	49030021000	COLLAR NUT M12X1 R/S	1
30	54830015144	% CONROD REP. KIT 250/300	1
99	00050002301	CRANKSHAF REP. KIT 250-300	x

147253060

C157253060

* NEW PART

X ON DEMAND



POS	PARTNUMBER	PARTNAME	PIECE
1	54830151044	REED VALVE ASSY CPL.	1
2	54830052344	REED VALVE SET	1
3	54830062200	GASKET REED VALVE CASE	1
4	54830153050	GASKET SUPPORTING PLATE	1
5	0081030063	EJOT DELTA PT SCREW 30X6	4
6	0081035253	EJOT DELTA PT SCREW 35X25	2
7	0081030124	EJOT DELTA PT SCREW 30X12	4
9	0025060206	HH COLLAR SCREW M6X20 TX30	4
10*	72530061000	CLAMP 45/12 GEMI	1
11*	54830050200	INTAKE FLANGE	1

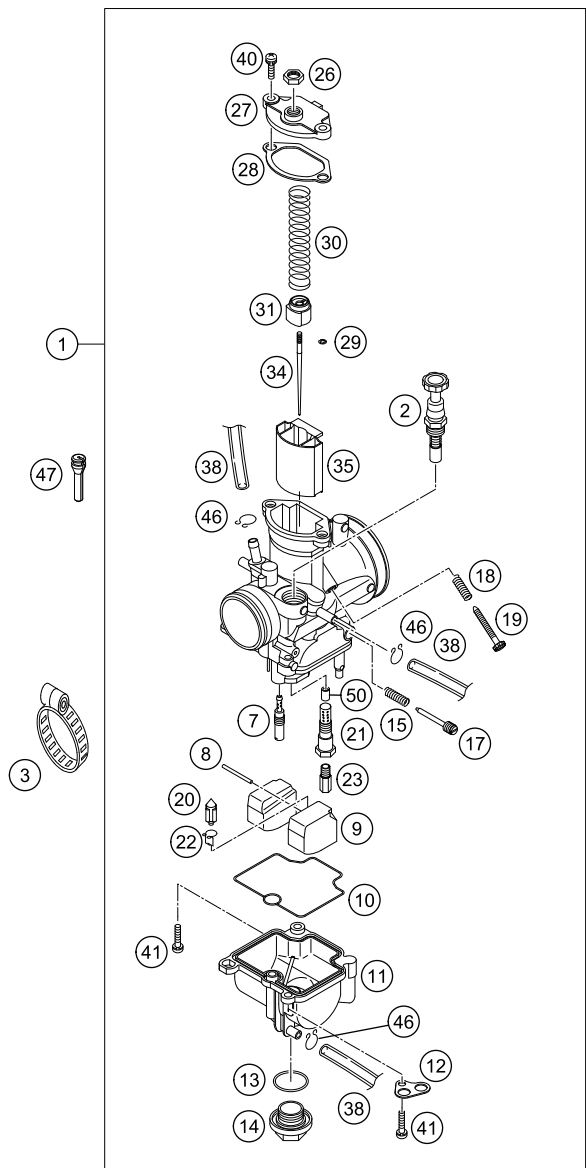
147253070

C157253070

* NEW PART

X ON DEMAND

ACHTUNG !!! **CAUTION !!!**
 Vor dem Einbau des Vergasers, **!** Before mounting the carburetor,
 Bedüsung kontrollieren. **■** check the jetting.



147253110

POS	PARTNUMBER	PARTNAME	PIECE
1	72531001044	CARBURETOR KEIH. PWK28	1
2	54631245000	STARTER PISTON CPL.	1
3*	72530061000	CLAMP 45/12 GEMI	1
7	54531607040	IDLE JET 40 KEIHIN	1
7	54531607042	IDLE JET 42 KEIHIN	x
7	54531607045	IDLE JET 45 KEIHIN	x
7	54531607048	IDLE JET 48 KEIHIN	x
7	54531607050	IDLE JET 50 KEIHIN	x
8	57331008000	ARM PIN FLOAT	1
9	47031009000	FLOAT CPL. PWK28 03	1
10	47031010000	FLOAT CHAMBER GASKET	1
11	72531011000	FLOAT CHAMBER BODY 14	1
12	54531612100	RETAINING PLATE FOR BLEEDER	1
13	0770180230	O-RING 18,00X2,30 NBR 70	1
14	54531699000	PLUG M 18X1	1
15	54531615000	SPRING FOR ADJUSTMENT SCREW	1
17	54531617000	ADJUSTMENT SCREW	1
18	54631118000	SPRING	1
19	54631219100	ADJUSTMENT SCREW M 5	1
20	47031020000	FLOAT NEEDLE CPL.	1
21	72531022000	NEEDLE JET HOLDER 14	1
22	54531621000	CLAMP	1
23	54531623110	MAIN JET 110 KEIHIN	1
23	54531623115	MAIN JET 115 KEIHIN	x
23	54531623118	MAIN JET 118 KEIHIN	x
23	54531623120	MAIN JET 120 KEIHIN	x
23	54531623122	MAIN JET 122 KEIHIN	x
23	54531623125	MAIN JET 125 KEIHIN	x
23	54531623128	MAIN JET 128 KEIHIN	x
23	54531623130	MAIN JET 130 KEIHIN	x
26	52031126000	HEXAGON NUT M 6X0,75 DIN0439	1
27	47031027000	CARBURETOR COVER PWK28 03	1
28	47031028000	CARBURETOR COVER GASKET PWK28	1
29	54531629000	CLIP FOR JET NEEDLE	1
30	47031030000	THROTTLE VALVE SPRING	1
31	47031031000	SPRING CAP	1
34	72531034000	JET NEEDLE KEIHIN JJK	x
34	72531034100	JET NEEDLE KEIHIN JJJ	x

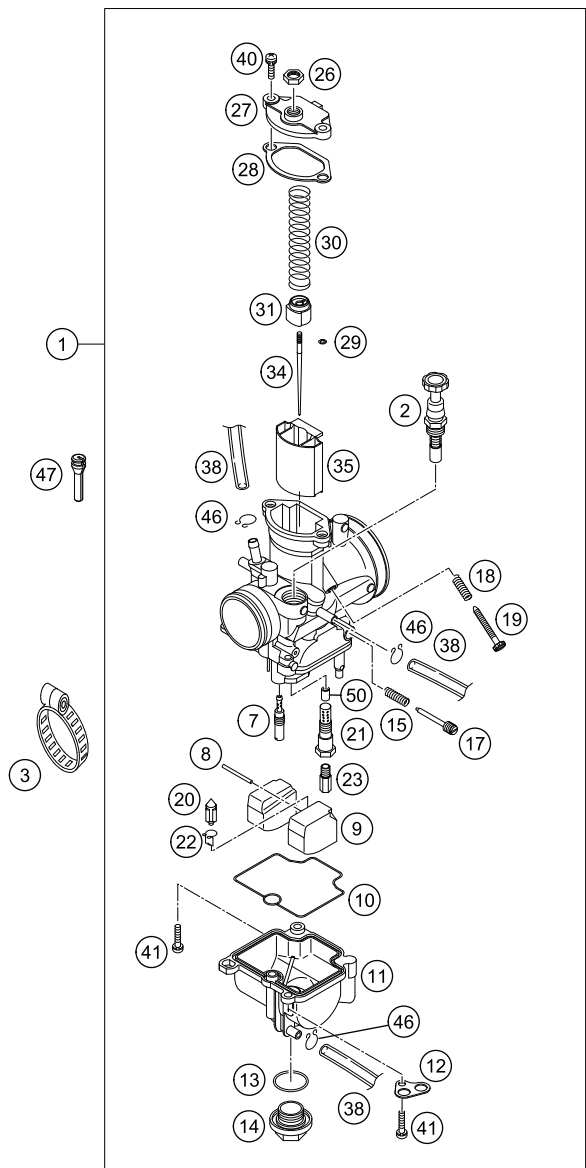
C157253110

* NEW PART

X ON DEMAND

ACHTUNG !!!
 Vor dem Einbau des Vergasers,
 Bedüsung kontrollieren.

CAUTION !!!
 Before mounting the carburetor,
 check the jetting.

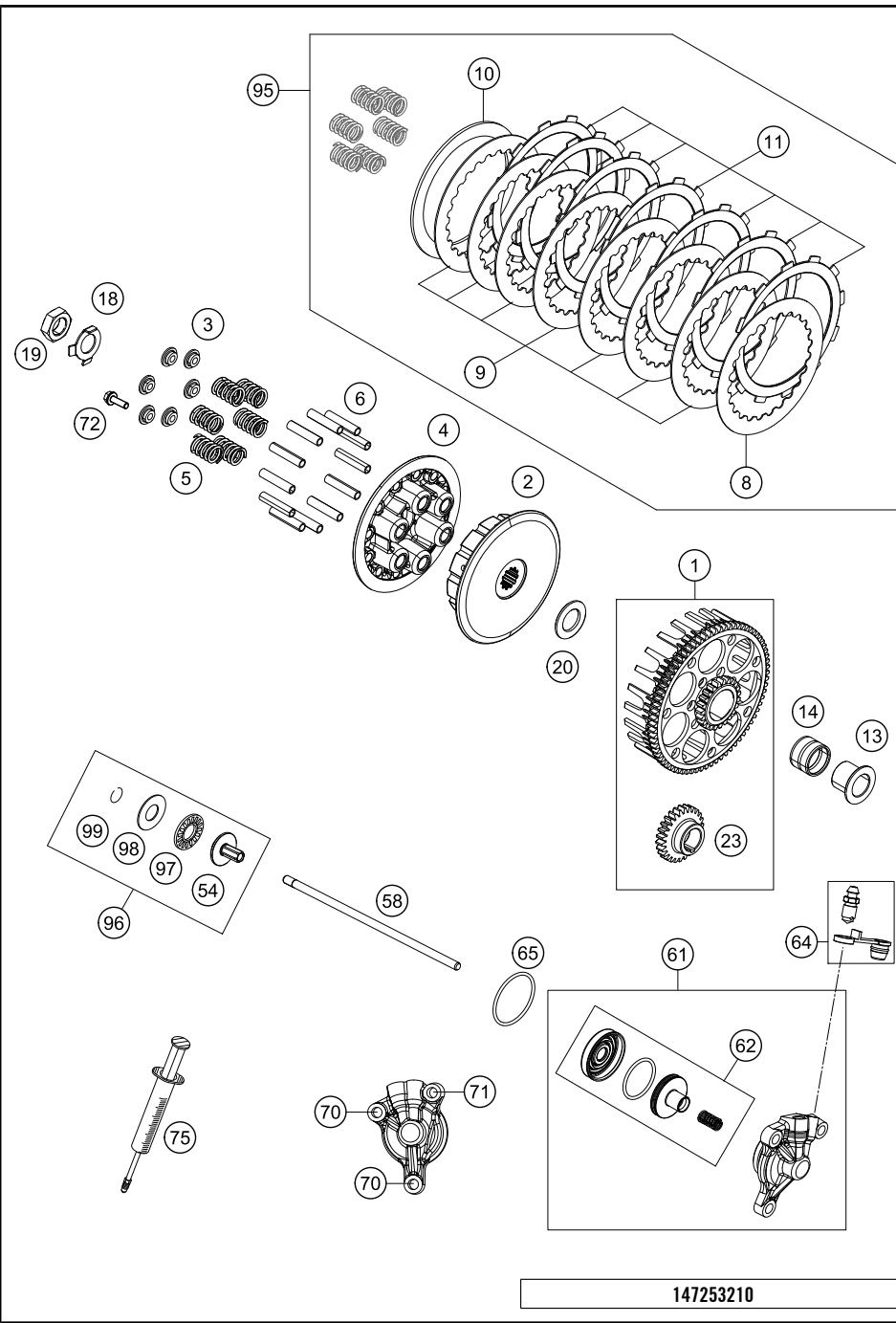


147253110

POS	PARTNUMBER	PARTNAME	PIECE
34	72531034200	JET NEEDLE KEIHIN JJH	1
34	72531034300	JET NEEDLE KEIHIN JJG	x
34	72531034400	JET NEEDLE KEIHIN JJF	x
34	72531034500	JET NEEDLE KEIHIN JJE	x
35	47031035000	THROTTLE VALVE 3,5	1
38	31007007101	PVC-HOSE 4X6MM	2
40	0016040163	HH COLLAR SCREW M 4X16 WS=6	2
41	0985040163	FLAT HEAD SCREW DIN7985-M 4X16	2
46	54531696000	CLAMP 6 MM	3
47	72531029015	SLIDE STOP FREERIDE 250	1
50	72531021000	NEEDLE JET 14	1

C157253110

* NEW PART X ON DEMAND



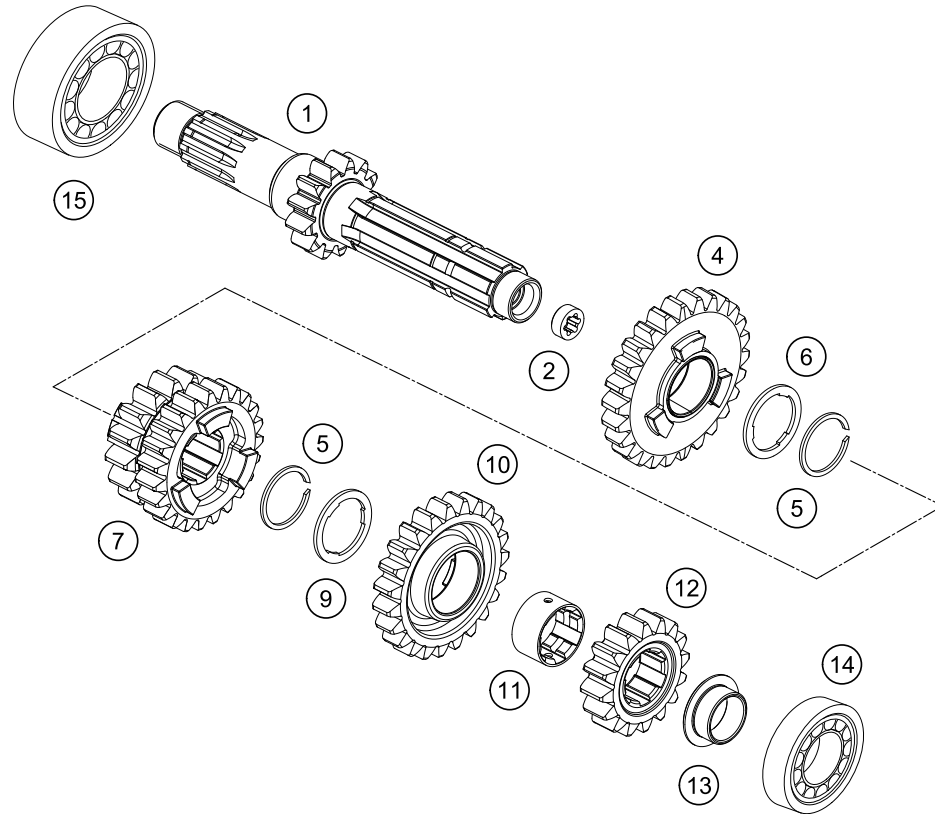
POS	PARTNUMBER	PARTNAME	PIECE
1	54832024044	CLUTCH CAGE INCL. PRIM. WHEEL	1
2	77232002000	INNER CLUTCH HUB	1
3	59032006050	SPRING RETAINER 6,2X12X18X5,2	6
4	77232003000	PRESSURE PLATE	1
5	77032005100	CLUTCH SPRING	6
6	77232004000	DRIVING SLEEVE D=7,95 L=38	12
8	59032010100	INTERMEDIATE DISC 1MM 2002	1
9	59032010200	INTERMEDIATE DISC 1,4MM 2002	7
10	72532010000	ALU DISC 3MM	1
11	54832011100	LINING DISC 1,95 MM	7
13	54832015100	INNER RING 21.65X26X24.5	1
14	56532095000	NEEDLE BEARING K26X30X22ZW.KSE	1
18	78132018000	TAB WASHER	1
19	0936181505	HEXAGON NUT DIN0936-M18X1,5 R.	1
20	54832009000	WASHER 21.7 X 37 X 2.5	1
23	54832000026	PRIMARY GEAR 26T 2003	1
54	47032054000	PRESSURE PLATE 85 SX 2003	1
58	54832054100	PUSH ROD	1
61	47132061044	OUTPUT CYLINDER CPL.	1
62	47132066000	PISTON CPL.	1
64	47132064000	BLEEDER SCREW WITH CAP	1
65	0770031018	O-RING 31,47X1,78	1
70	0025060166	HH COLLAR SCREW M6X16 TX30	2
71	0025060306	HH COLLAR SCREW M6X30 TX30	1
72	0025060256	HH COLLAR SCREW M6X25 TX30	6
75	50329050000	VENT INJEKTION HYDR. CLUTCH	1
95	72532010010	CLUTCH KIT 250 FREERIDE	x
96	78032057044	PRESSURE PIECE CPL. 08	1
97	54637097200	AXIAL NEEDLE BEARING AXK 1226	1
98	54637098200	AXIAL WASHER AS1226 12X26X1	1
99	0993012000	CIRCLIP DIN7993-RW12	1

147253210

C147253210

* NEW PART

X ON DEMAND



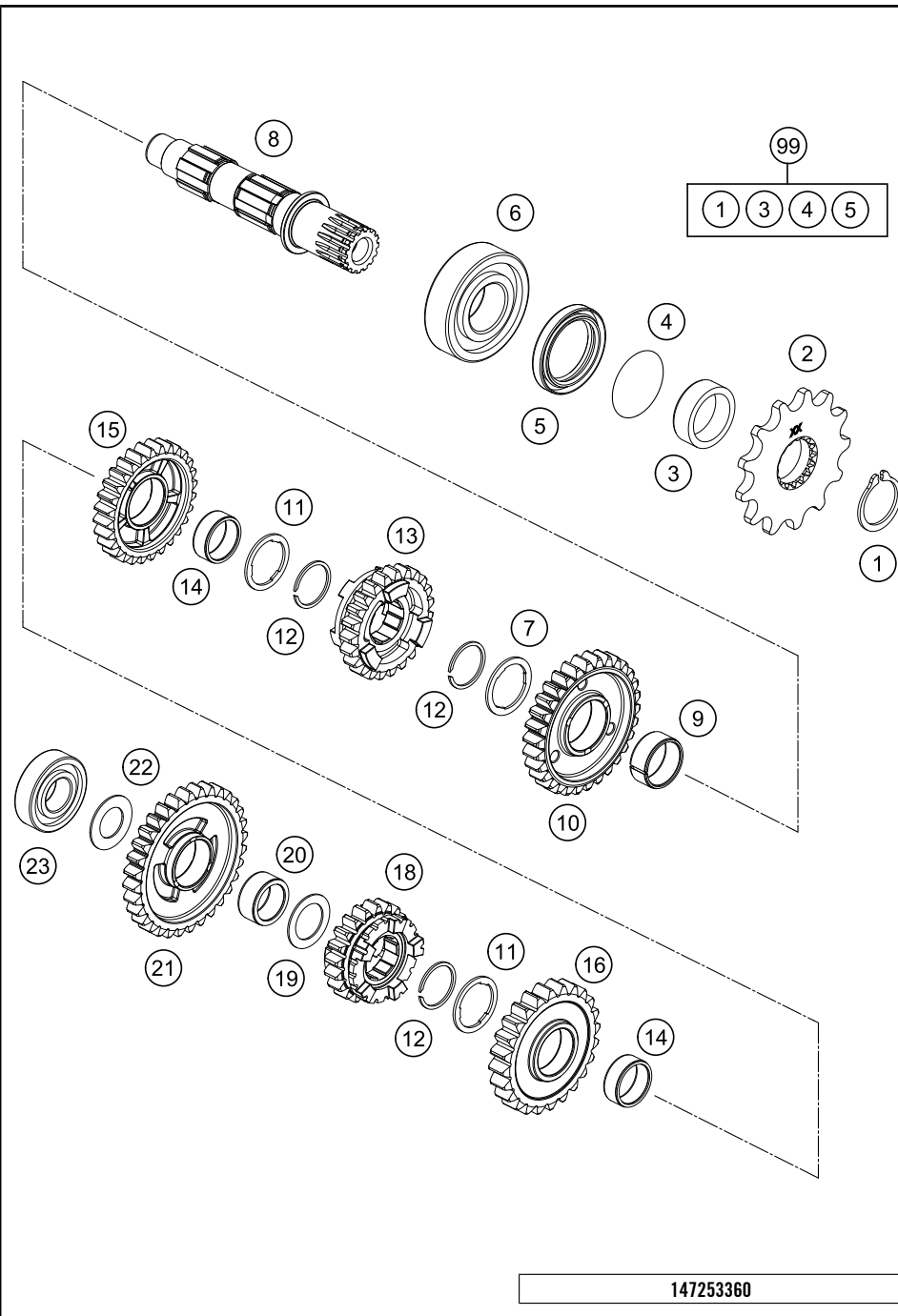
POS	PARTNUMBER	PARTNAME	PIECE
1	72533001000	MAIN SHAFT CPL. 13T	1
2	78033001110	BUSHING	1
4	72033006044	IDLER GEAR 6TH GEAR CPL.	1
5	50133090000	LOCK RING 22X1,2	2
6	77733022000	STOP DISC	1
7	77733103000	SLIDING GEAR 3/4 G. T="16/23"	1
9	77733021000	STOP DISC	1
10	77733105000	IDLER GEAR 5TH G. T=23	1
11	77733024000	IDLER GEAR BUSHING	1
12	77733102000	SOLID GEAR 2ND G. T=16	1
13	77733027000	BUSHING	1
14	0625160040	GROOVED BALL BEAR. TM 16004 C3	1
15	0625062054	BALL BEARING 6205 C3 NTN	1

147253330

C147253330

* NEW PART

X ON DEMAND



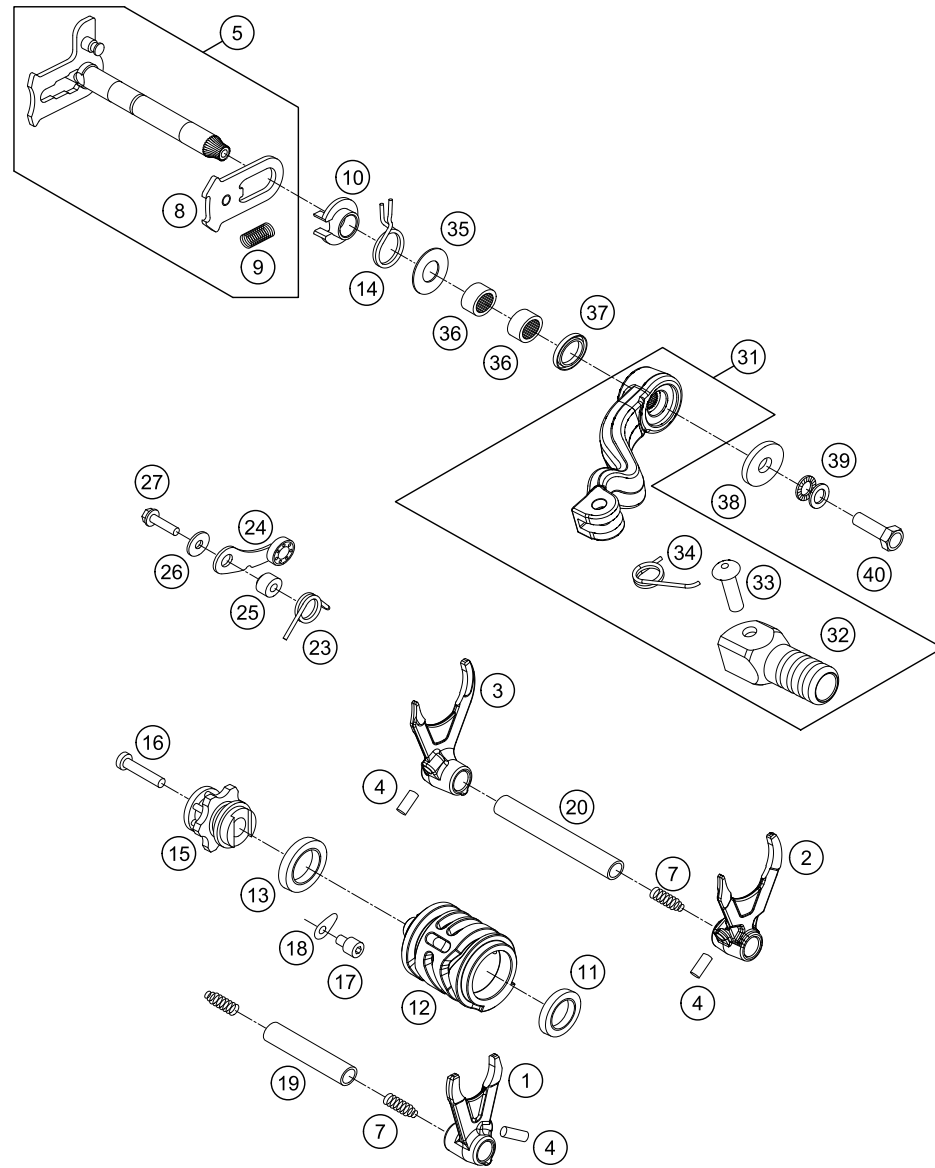
POS	PARTNUMBER	PARTNAME	PIECE
1	52033096000	LOCK RING DIN0471-25X1,64SD	1
2	50033029012	FRONT SPROCKET 12-T	x
2	50033029013	FRONT SPROCKET 13-T	x
2	50033029014	FRONT SPROCKET 14-T	1
3	54833032011	SPACER SLEEVE DRIVE END 2003	1
4	0770250020	O-RING 25,00X2,00 NBR 70	1
5	0760324571	SHAFT SEAL RING 32X45X7 BSLNBR	1
6	54833025000	BALL BEARING TM-SC05C20C4 NTN	1
7	77733044000	STOP DISC 24X32X1,5	1
8	72533010000	COUNTER SHAFT CPL.	1
9	0405242812	NEEDLE BEAR. K24X28X11,9 DIV.	1
10	77733112000	IDLER GEAR 2ND G. T=30	1
11	77733043000	STOP DISC 23,4X31X1,5	2
12	0417024000	CIRCLIP WS24	3
13	77733115100	SLIDING GEAR 5.G.,Z=23	1
14	0405222611	NEEDLE BEAR.K 22X26X10 DIVIDED	2
15	77733114100	IDLER GEAR 4.G. Z=28	1
16	77733113100	IDLER GEAR 3.G. Z=24	1
18	72033016000	SLIDING GEAR 6TH GEAR, 20T	1
19	54833080000	STOP DISC 20,2X30X1	1
20	0405202612	NEEDLE BEARING K 20X26X12	1
21	77733011000	IDLER GEAR 1ST G. T=32	1
22	56033030000	STOP DISC 17,2X30X1	1
23	0625062035	BALL BEARING 6203 JR2 C3	1
99	00050000940	COUNTER SHAFT REP.KIT 2 STROKE	x

147253360

C147253360

* NEW PART

X ON DEMAND



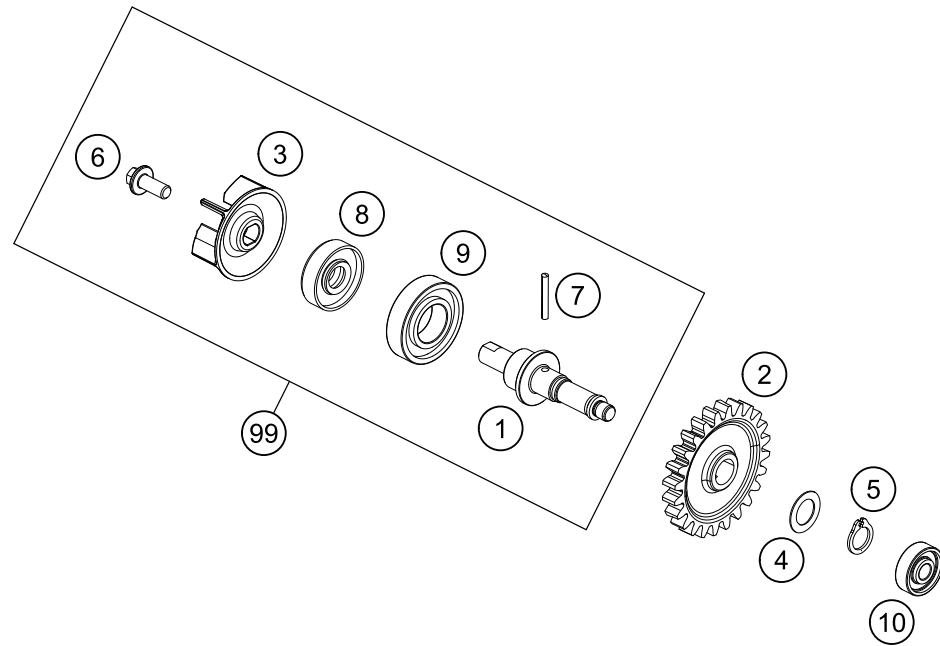
POS	PARTNUMBER	PARTNAME	PIECE
1	77734001000	SHIFTING FORK 5TH/6TH GEAR	1
2	54834202000	SHIFT FORK 2./4.G.	1
3	54834203000	SHIFT FORK 1./3. G.	1
4	0402061480	NEEDLE ROLLER DIN5402 6X14,8	3
5	54834005144	% SHIFT SHAFT CPL.	1
7	58038023200	PRESSURE SPRING 0,9MM	3
8	61234008044	SLIDING PLATE	1
9	56534013100	TENSIONING SPRING 0,8MM	1
10	54634020000	SPRING GUIDE	1
11	0625069034	BALL BEARING 6903 C4	1
12*	54834212200	GEAR SHIFT DRUM	1
13	0625618050	BALL BEARING 61805 C3	1
14	54834014000	RETURN SPRING 03	1
15	54834015133	SHIFT DRUM LOCATING CPL.	1
16	0912060303	AH SCREW DIN0912-M 6X30	1
17	0912060083	AH SCREW DIN0912-M 6X 8	1
18	54634049000	RETAINING PLATE	1
19	54834019000	SHIFT. RAIL MAIN SHAFT 250/300	1
20	54834020000	SHIFT. RAIL C. SHAFT 250/300	1
23	54834023000	LOCKING LEVER SPRING 03	1
24	50334024144	LOCATING LEVER CPL. 08	1
25	54634052300	SLEEVE FOR LOCKING LEVER	1
26	0349000050	WASHER DIN7349-5X15X2	1
27	0025050206	HH COLLAR SCREW M5X20 TX30	1
31	72034031000	SHIFTING LEVER CPL.	1
32	54634131000	STEP PLATE FOR SHIFT LEVER 250	1
33	54634031050	BOLT 6X25 FOR SHIFT LEVER	1
34	54634032100	SHIFTING LEVER SPRING 250	1
35	54634050000	STOP DISK 14X30X1	1
36	54632095000	NEEDLE BEAR.HK 1412 14X20X12	2
37	0760142460	SHAFT SEAL RING 14X24X6 B	1
38	50232050001	STEEL WASHER 6,4X17X3	1
39	50233041000	PAIR OF WASHERS M 6 NORDLOCK	1
40	0025060166S	HH COLLAR SCREW M6X16 ISA 30	1

147253410

C157253410

* NEW PART

X ON DEMAND



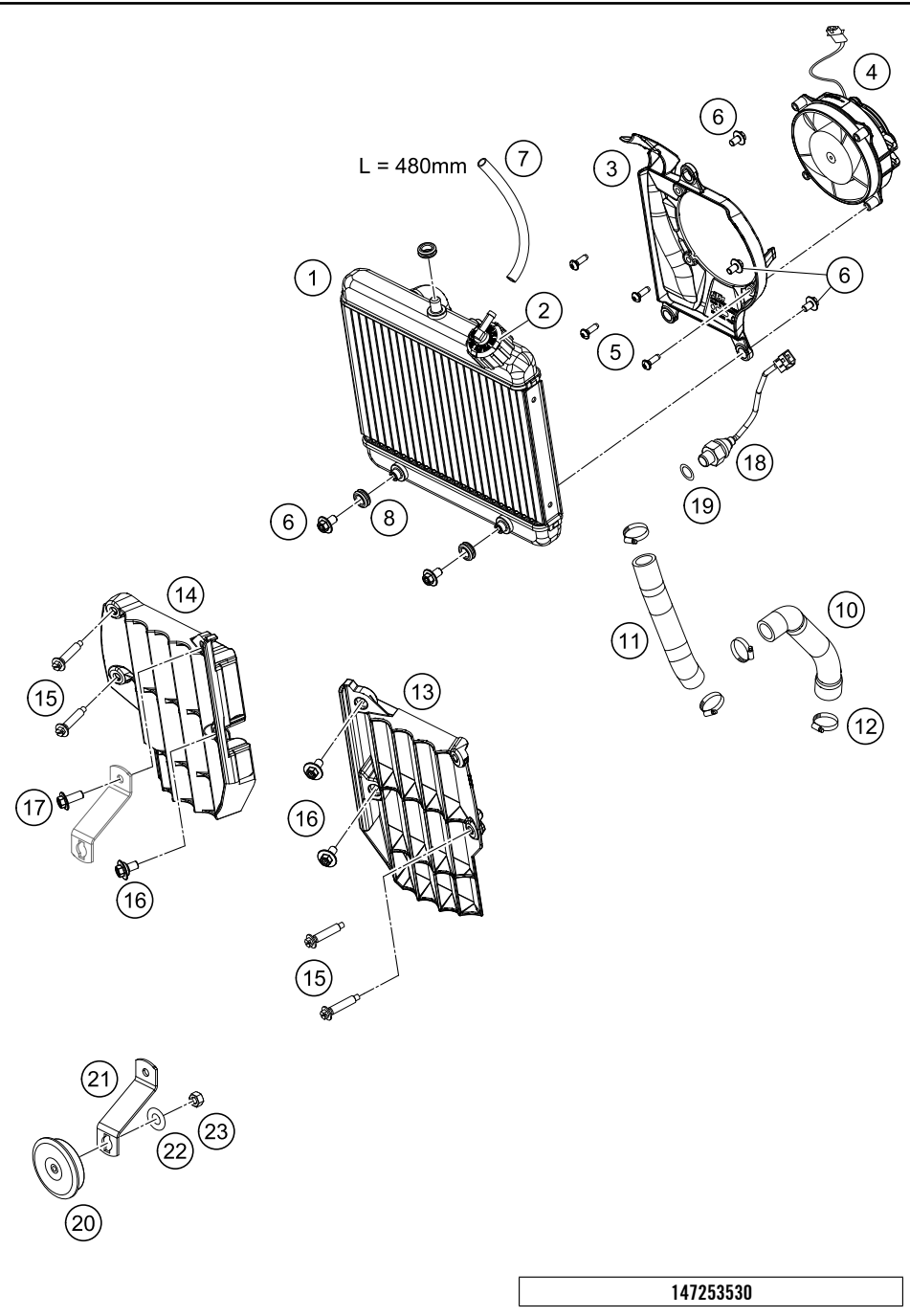
POS	PARTNUMBER	PARTNAME	PIECE
1	72535054000	WATER PUMP SHAFT	1
2	72535054024	WATER PUMP GEAR 24T	1
3	54835005000	WATER PUMP WHEEL 07	1
4	60038007010	WASHER 10X16X0,5 03	1
5	0471009104	CIRCLIP DIN0471- 9X1 INOX	1
6	0014050123	HH COLLAR SCREW M 5X12 WS=6	1
7	0402251980	NEEDLEROL.DIN5402 NRA 2,5X19,8	1
8	0760082472	SHAFT SEAL RING 8X24X7 A DUO	1
9	0625160020	BALL BEARING 16002 C3	1
10	54637098100	BALL BEARING 626LLBC3/5K	1
99	72535055010	WATERPUMP REP-KIT 250 FREERIDE	x

147253510

C147253510

* NEW PART

X ON DEMAND

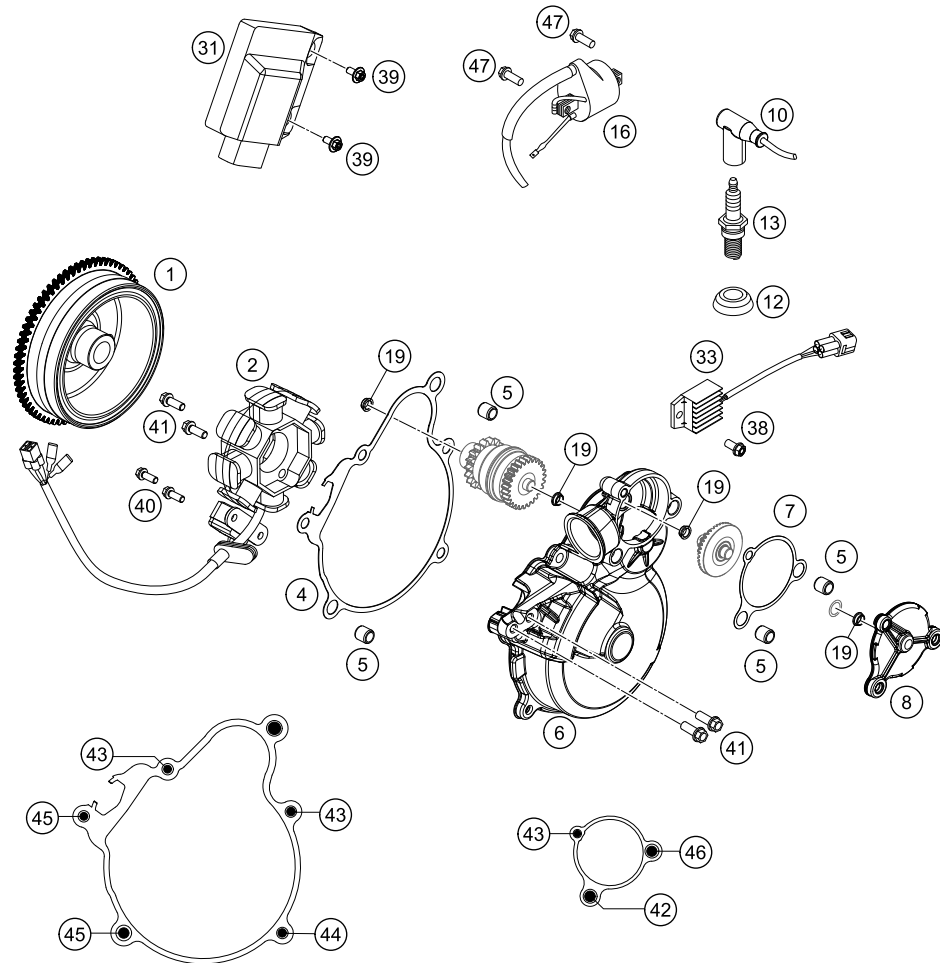


POS	PARTNUMBER	PARTNAME	PIECE
1	72035010200	RADIATOR "15691UE"	1
2	72035016000	RADIATOR CAP 1,8 BAR	1
3	72035044000	FAN COWL	1
4	58435041000	FAN CPL. 12V LC4 2000	1
5	0081050161	EJOT PT SCREW K50X16 1451	4
6	0024060106	HH COLLAR SCREW M6X10 TX30	5
7	50335030001	PVC-HOSE 6X9	1
8	58414019000	RUBBER GROMMET 11 X 19 X 9 '96	3
10	72535025000	PREFORMED HOSE ENG.-COOLER R/S	1
11	72535026000	PREFORMED HOSE CYL. - COOLER	1
12	10001020000	HOSE CLAMP GEMI 18-29	4
13	7203503400030	RADIATOR PROTECTOR L/S BLACK	1
14	7203503500030	RADIATOR PROTECTOR R/S BLACK	1
15	0017060305	SPECIAL SCREW K60X30 WS=6	4
16	83008000012	SPECIAL SCREW M6X12X3	3
17	0024060156	HH COLLAR SCREW M6X15 TX30	1
18	72035045000	THERMOSWITCH 95°C M14X1,5	1
19	07701300151	O-RING 13,00X1,5 75FKM 72NBR	1
20	50311060200	DC HORN 12V 07	1
21	78011061000	HORN BRACKET EXC 08	1
22	0125050003	WASHER DIN0125-A 5,3	1
23	0934050003	HEXAGON NUT DIN0934-M 5	1

147253530

C157253530

* NEW PART X ON DEMAND



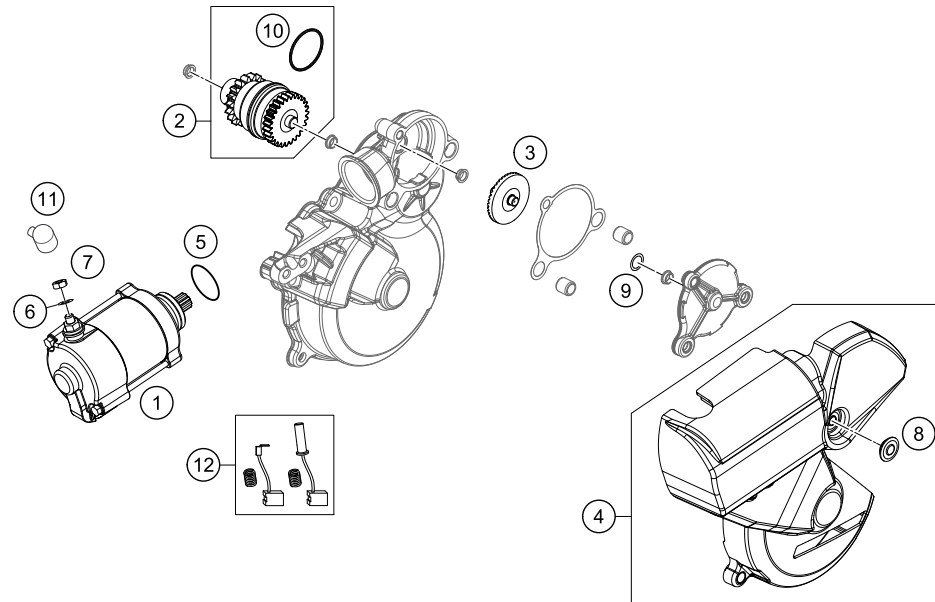
POS	PARTNUMBER	PARTNAME	PIECE
1	55139005000	FLYWHEEL KOKUSAN	1
2	55139004000	STATOR KOKUSAN	1
4*	55130040100	GASKET	1
5	49030090000	DOWEL 9,8 X 7 X 10	4
6	5513000234433	IGNITION COVER CPL.	1
7	55130041100	IGN. OUT SIDE COV. GASKET 07	1
8	5513004524433	OUTER IGNITION COVER CPL.	1
10	47039090000	SPARK PLUG CAP NGK REINFORC.04	1
12	50231012000	SEALING CUP FOR SPARK PLUG	1
13	54739093000	SPARK PLUG NGK BR7ES	1
16	59039006000	IGNITIONCOIL "IG5128"	1
19	55140030100	COLLAR BUSHING	4
31	72539031000	CDI UNIT 250 FREERIDE 14	1
33	72511034000	VOLTAGE REGULATOR	1
38	0025060126	HH COLLAR SCREW M6X12 TX30	1
39	0023060123	COLLAR SCREW M6X12 TX	2
40	0014050123	HH COLLAR SCREW M 5X12 WS=6	2
41	0025060206	HH COLLAR SCREW M6X20 TX30	4
42	0025060256	HH COLLAR SCREW M6X25 TX30	1
43	0025060166	HH COLLAR SCREW M6X16 TX30	3
44	0025060306	HH COLLAR SCREW M6X30 TX30	1
45	0025060356	HH COLLAR SCREW M6X35 TX30	2
46	0025060706	HH COLLAR SCREW M6X70 TX30	1
47	0026060186	COLLAR SCREW M6X18 ISA30	2

147253910

C157253910

* NEW PART

X ON DEMAND



POS	PARTNUMBER	PARTNAME	PIECE
1	55140001100	STARTER MORIC	1
2*	55140026400	BENDIX 16/28	1
3*	55140022300	CROWN WHEEL	1
4*	55140540044	STARTER DRIVE COVER CPL.	1
5	0770250030	O-RING 25,00X3,00 NBR 70	1
6	0125060003	WASHER DIN0125-A 6,4	1
7	0985060003	SELF LOCK. NUT DIN0985-M 6	1
8	50308052000	BUSH FOR SPOILER 6X11X16X5 MM	1
9	0988081401	THRUST WASHER 8X14X0,1	x
9	0988081402	THRUST WASHER 8X14X0,2	x
9	0988081403	THRUST WASHER 8X14X0,3	x
9	0988081405	THRUST WASHER 8X14X0,5	x
10	55140027000	BENDIXSPRING	1
11	58440099000	PROTECTION CAP F. STARTER ENG.	1
12	55140002144	BRUSH SET FOR STARTER ONLY FOR 55140001100	1

157254010

C157254010

* NEW PART

X ON DEMAND

A large, empty rectangular box with a thin black border, occupying the majority of the page. It is intended for the user to write their notes.

A large, empty rectangular box with a thin black border, occupying the majority of the page. It is intended for the user to write their notes.

A large, empty rectangular box with a thin black border, occupying the majority of the page. It is intended for the user to write their notes.

WWW.KTM.COM



KTM Sportmotorcycle GmbH
5230 Mattighofen, Austria
www.ktm.com



KTM_POWERPARTS

KTM_POWERWEAR

KTM_ORIGINAL SPARE PARTS



3CM0836400EN

Art. Nr.: 3CM0836400EN 10. Aug 2015