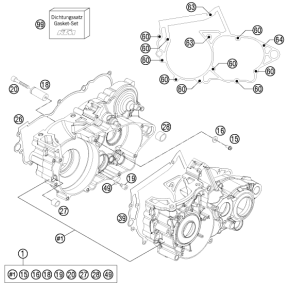
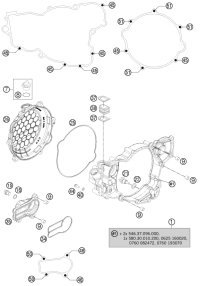
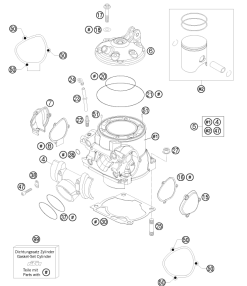
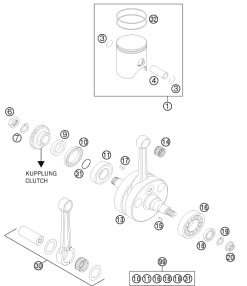
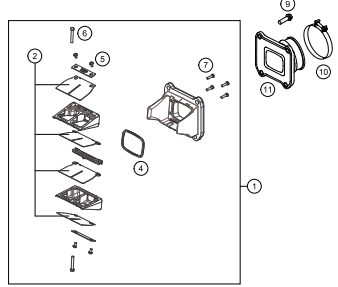
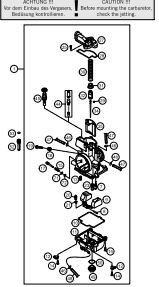
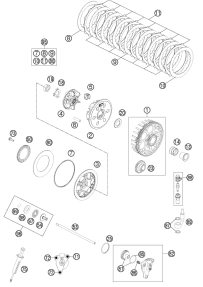
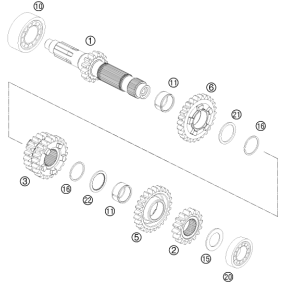
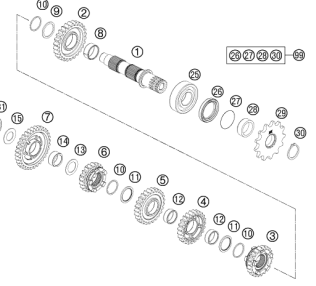
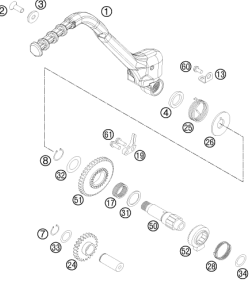
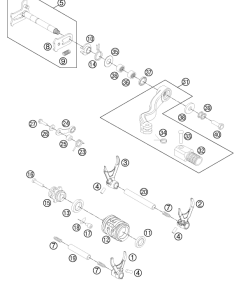
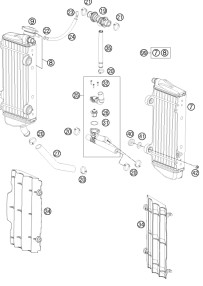
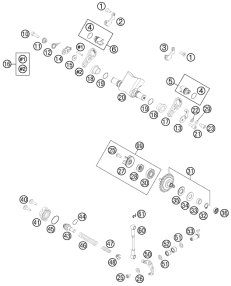
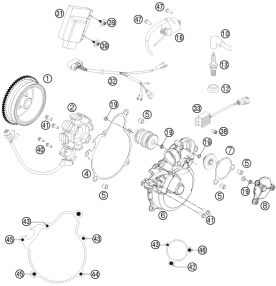
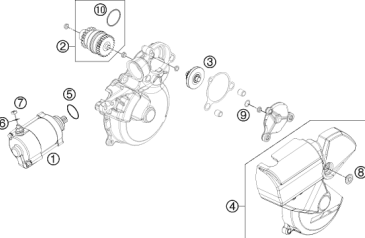



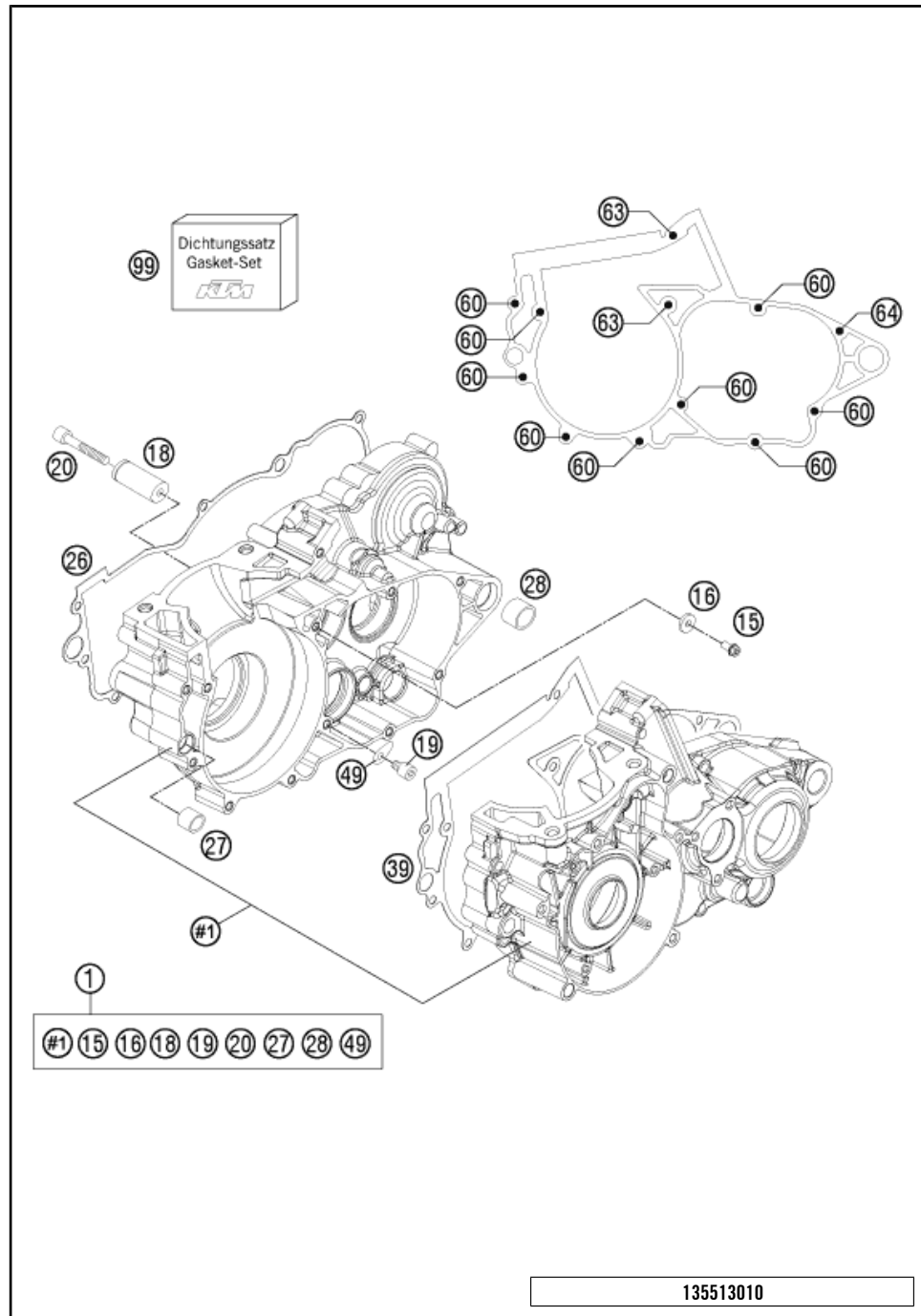
300 EXC 2014

ART.-NR.: 3CM084680NEN



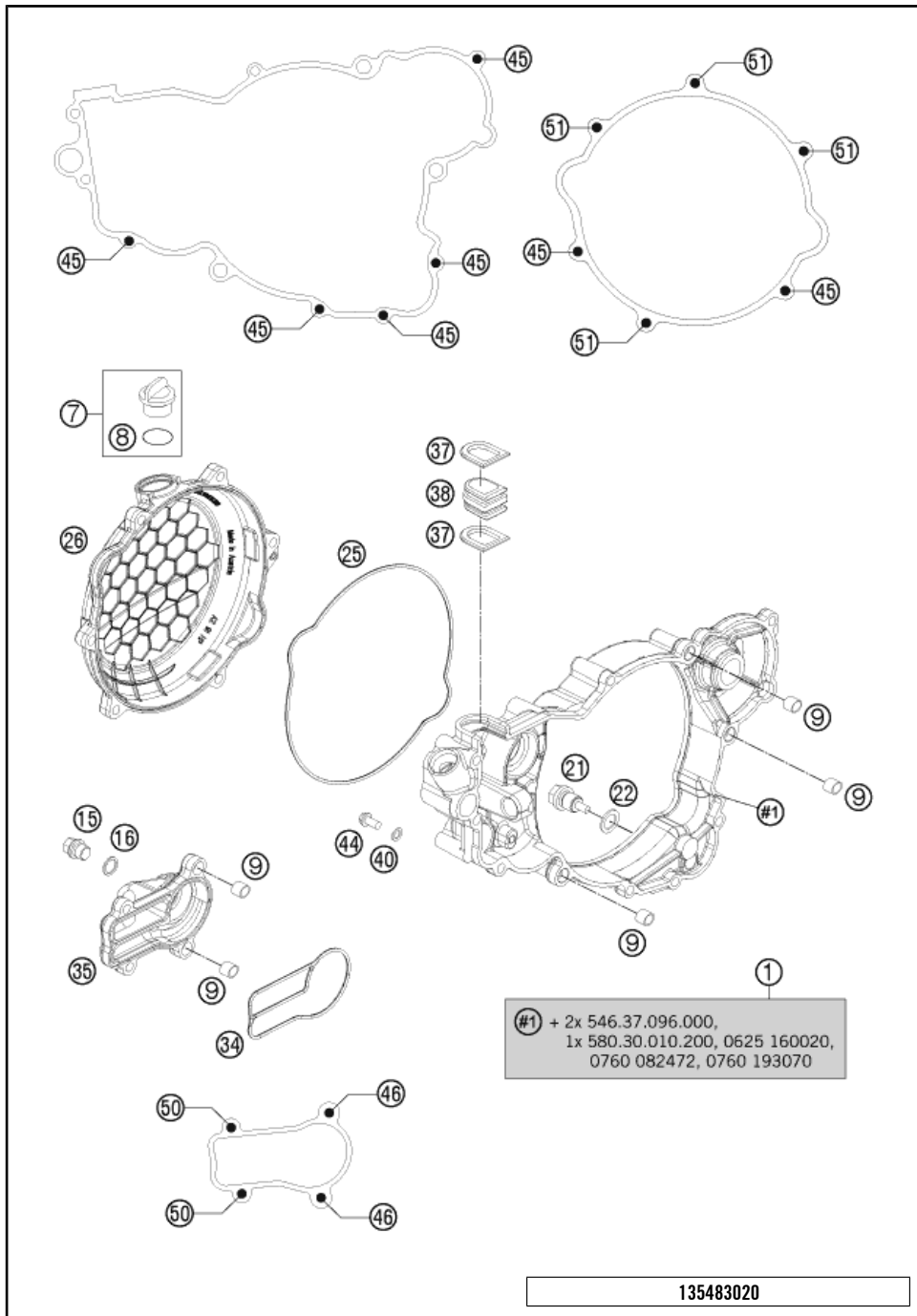
| | | | |
|---|---|---|--|
| <p>ENGINE CASE</p>  <p>3</p> | <p>CLUTCH COVER</p>  <p>4</p> | <p>CYLINDER, CYLINDER HEAD</p>  <p>5</p> | <p>CRANKSHAFT, PISTON</p>  <p>6</p> |
| <p>REED VALVE CASE</p>  <p>7</p> | <p>CARBURETOR</p>  <p>8</p> | <p>CLUTCH</p>  <p>10</p> | <p>TRANSMISSION I - MAIN SHAFT</p>  <p>11</p> |
| <p>TRANSMISSION II - COUNTERSHAFT</p>  <p>12</p> | <p>KICK STARTER</p>  <p>13</p> | <p>SHIFTING MECHANISM</p>  <p>14</p> | <p>COOLING SYSTEM</p>  <p>15</p> |

| | | | |
|---|--|--|--|
| <p>EXHAUST CONTROL</p>  <p style="text-align: right;">16</p> | <p>IGNITION SYSTEM</p>  <p style="text-align: right;">18</p> | <p>ELECTRIC STARTER</p>  <p style="text-align: right;">19</p> | |
| | | | |
| | <div style="display: flex; align-items: center;">  <p> All information contained is without obligation. KTM-Sportmotorcycle AG particularly reserves the right to modify any equipment, technical specifications, prices, colors, shapes, materials, services, service work, constructions, equipment and the like so as to adapt them to local conditions or to cancel any of the above items, all without previous announcement and without giving reasons. KTM may stop manufacturing certain models without previous notice. KTM shall not be held liable for any deviations of availability and/or ability to deliver, illustrations, descriptions, printing and/or other errors. The illustrated models partly contain extra equipment, which is not applied to standard models. © by KTM-SPORTMOTORCYCLE AG, Mattighofen AUSTRIA; All rights reserved; Reprint, also in extracts, with written allowance of KTMSPORTMOTORCYCLE AG, Mattighofen only. </p> </div> | | |



| POS | PARTNUMBER | PARTNAME | PIECE |
|-----|-------------|-----------------------------|-------|
| 1 | 5513000333 | ENGINE CASE CPL. 250/300 13 | 1 |
| 15 | 0025060126 | HH COLLAR SCREW M6X12 TX30 | 1 |
| 16 | 50232050001 | STEEL WASHER 6,4X17X3 | 1 |
| 18 | 59033018000 | BUSHING PIN 2000 | 1 |
| 19 | 0912060123 | AH SCREW DIN0912-M 6X12 | 1 |
| 20 | 0912060404 | AH SCREW DIN0912-M 6X40 A2 | 1 |
| 26 | 54830024000 | CLUTCH COVER GASKET 2003 | 1 |
| 27 | 54630027000 | DOWEL BUSHING 13,8X11X12 | 1 |
| 28 | 54830027000 | DOWEL 21X12 03 | 1 |
| 39 | 54830039000 | ENGINE CASE GASKET 2003 | 1 |
| 49 | 54634049000 | RETAINING PLATE | 1 |
| 60 | 0025060406 | HH COLLAR SCREW M6X40 TX30 | 9 |
| 63 | 0025060556 | HH COLLAR SCREW M6X55 TX30 | 2 |
| 64 | 0025060606 | HH COLLAR SCREW M6X60 TX30 | 1 |
| 99 | 55130099000 | GASKET SET 250/300 08 | x |

C145483011 * NEW PART X ON DEMAND

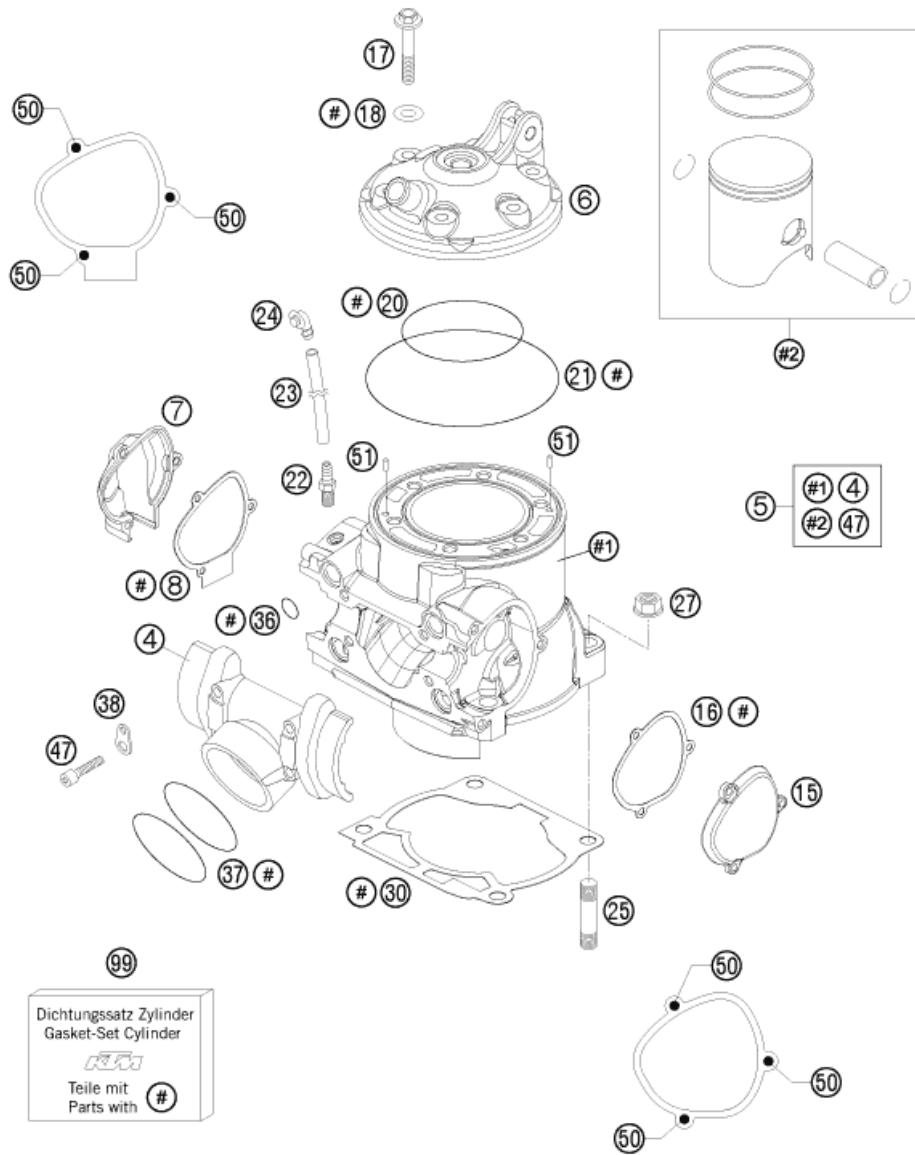


| POS | PARTNUMBER | PARTNAME | PIECE |
|-----|---------------|--------------------------------|-------|
| 1 | 54830001244 | INTERM. CLUTCH COVER CPL. | 1 |
| 7 | 58030120000 | OIL FILLER CAP M24x3 WITH O-R | 1 |
| 8 | 0770191015 | O-RING 19,00X3,00 NBR | 1 |
| 9 | 49030090000 | DOWEL 9,8 X 7 X 10 | 5 |
| 15 | 0910100003 | PLUG DIN0910-M 10X1 | 1 |
| 16 | 0603100141 | COPPER GASKET DIN7603-10X14X1 | 1 |
| 21 | 58030021000 | OILDRAIN PLUG W.MAG. M 12X1,5 | 1 |
| 22 | 58038022000 | CU-SEAL RING DIN7603-12X18X1,5 | 1 |
| 25 | 55130027000 | CLUTCH COVER GASKET | 1 |
| 26 | 5513002610015 | CLUTCH OUTSIDE COVER | 1 |
| 34 | 54835003000 | GASKET WAPU-COVER 250 2003 | 1 |
| 35 | 54835001100 | WATERPUMP COVER 250/300 | 1 |
| 37 | 54637107000 | SEALING ELEMENT BOTTOM | 2 |
| 38 | 54837091100 | SEALING CARRIER 07 | 1 |
| 40 | 0603061001 | CU-SEAL RING DIN7603-6X10X1 | 1 |
| 44 | 0025060126 | HH COLLAR SCREW M6X12 TX30 | 1 |
| 45 | 0025060206 | HH COLLAR SCREW M6X20 TX30 | 7 |
| 46 | 0025060256 | HH COLLAR SCREW M6X25 TX30 | 2 |
| 50 | 0025060556 | HH COLLAR SCREW M6X55 TX30 | 2 |
| 51 | 0025060606 | HH COLLAR SCREW M6X60 TX30 | 4 |

135483020

C145483020

* NEW PART X ON DEMAND



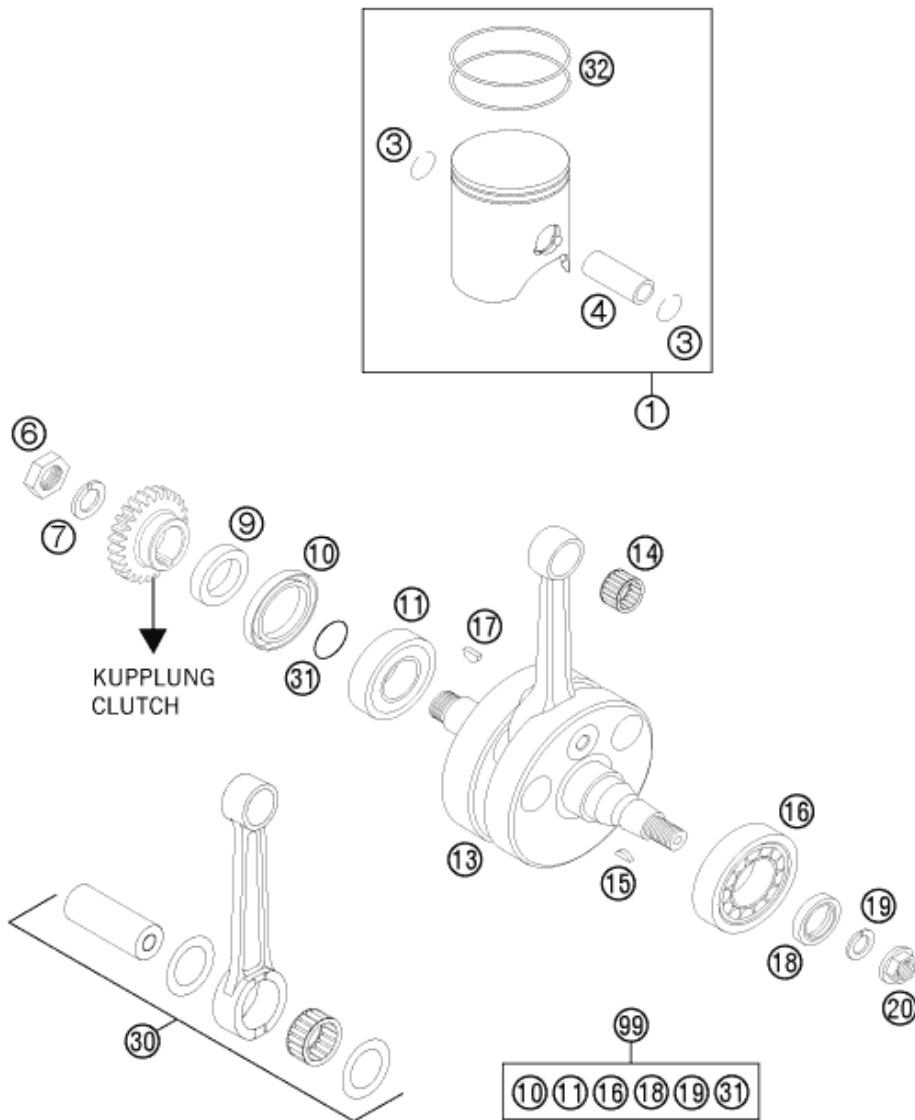
| POS | PARTNUMBER | PARTNAME | PIECE |
|-----|---------------|--------------------------------|-------|
| 4 | 54837001200 | INTERMEDIATE FLANGE 250/300 07 | 1 |
| 5 | 54830338300 | CYLINDER + PISTON CPL. 2012 | 1 |
| 6* | 54830306700 | CYLINDER HEAD 300 XC/EXC | 1 |
| 7 | 5483700700015 | CONTROL COVER R/S 09 | 1 |
| 8 | 54837008000 | GASKET FOR CONTROL COVER R/S | 1 |
| 15 | 5483700500015 | CONTROL COVER L/S 09 | 1 |
| 16 | 54837006000 | GASKET FOR CONTROL COVER L/S | 1 |
| 17 | 54830079000 | COLLAR SCREW M 8X35 WS=13 | 6 |
| 18 | 56530080000 | CU-SEAL RING 8 X 16 X 1 | 6 |
| 20 | 0770078020 | O-RING 78,00X2,00 VIT. BLACK | 1 |
| 21 | 0770105020 | O-RING 105,00X2,00 07 | 1 |
| 22 | 58336020090 | VACUUM CONNECTION M 6X1 | 1 |
| 23 | 50335030001 | PVC-HOSE 6X9 | x |
| 24 | 50303089000 | ANGLE PIECE '97 | 1 |
| 25 | 0835100351 | STUD DIN0835-M10X35 | 4 |
| 27 | 54630044000 | COLLAR NUT M10 WS=13 | 4 |
| 30 | 54830030002 | GASKET CYLINDER BASE 0,2MM 03 | x |
| 30 | 54830030004 | GASKET CYLINDER BASE 0,4MM 03 | x |
| 30 | 54830030005 | GASKET CYLINDER BASE 0,5MM 03 | x |
| 30 | 54830030075 | GASKET CYLINDER BASE 0,75MM 03 | x |
| 36 | 0770116241 | O-RING 11,3 X2,4 SILICON | 4 |
| 37 | 0770440030 | O-RING 44,00X3,00 VITON | 2 |
| 38 | 51005074000 | RETAINING PLATE | 2 |
| 47 | 0912060303 | AH SCREW DIN0912-M 6X30 | 4 |
| 50 | 58605083014 | SCREW M5X14 TORX 25 07 | 6 |
| 51 | 0402040980 | NEEDLE ROL.DIN5402 NRB 4X9,8 | 2 |
| 99 | 54830097300 | GASKET SET CYL. 300EX-E 08-12 | 1 |

105483050

C145513050

* NEW PART

X ON DEMAND



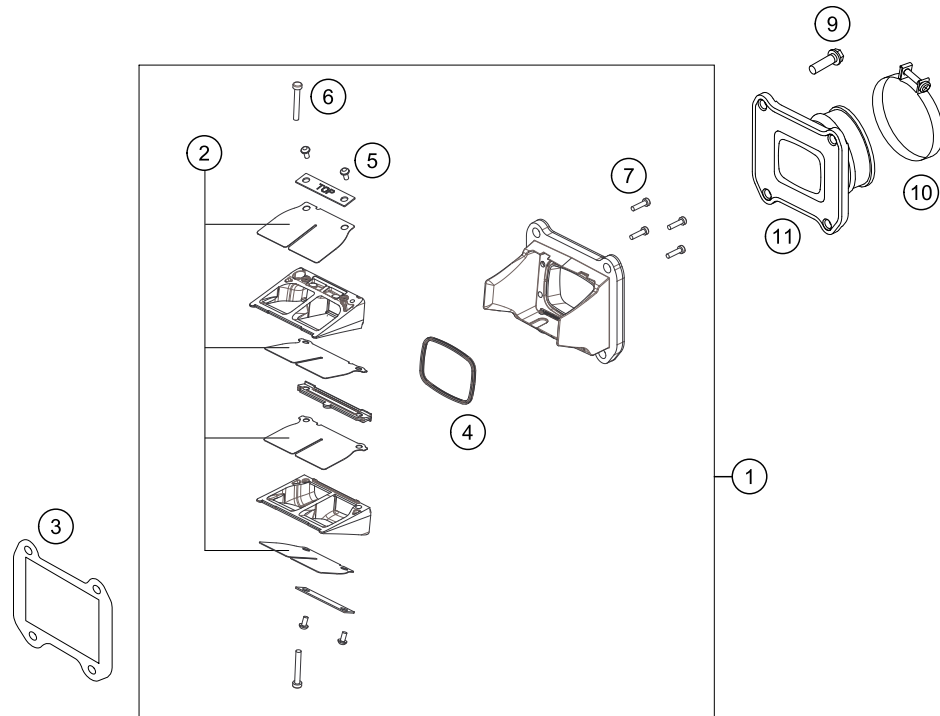
| POS | PARTNUMBER | PARTNAME | PIECE |
|-----|----------------|--------------------------------|-------|
| 1 | 54830107200 I | PISTON CPL. GR 1 D=71.925 | 1 |
| 1 | 54830107200 II | PISTON CPL. GR 2 D=71.935 | 1 |
| 3 | 54030074000 | WIRE LOCK RING C18X1,5 | 2 |
| 4 | 54830233000 | PISTON PIN | 1 |
| 6 | 54630029000 | HEX.NUT L/SH M18X1,5 | 1 |
| 7 | 58132072000 | LOCK WASHER VSK 18 | 1 |
| 9 | 54830016000 | SPACER SLEEVE 28X38X10 03 | 1 |
| 10 | 0760385273 | SHAFT SEAL RING 38X52X7BTSL | 1 |
| 11 | 0625623204 | BALL BEARING 32X65X17 NTN | 1 |
| 13 | 54830118200 | CRANKSHAFT 250/300 EXC-MXC 08 | 1 |
| 14 | 54430034000 | NEEDLE BEARING KBK 18X22X20 | 1 |
| 15 | 0888030050 | WOODRUFF KEY DIN6888-3X5X13 | 1 |
| 16 | 56530123200 | CYLIND.ROL.BEAR. NJ207ET2XCS42 | 1 |
| 17 | 6946005 | WOODRUFF KEY 5X6,5 HARDED | 1 |
| 18 | 0760253570 | SHAFT SEAL RING 25X35X7 BTSL | 1 |
| 19 | 50230029012 | LOCKING RING VSK 12 | 1 |
| 20 | 49030021000 | COLLAR NUT M12X1 R/S | 1 |
| 30 | 54830015144 | CONROD REP. KIT 250/300 | 1 |
| 31 | 0770250015 | O-RING 25,00X1,50 NBR 70 | 1 |
| 32 | 54830132000 | R-RING 72,0MM 300 2004 | 2 |
| 99 | 00050002301 | CRANKSHAF REP. KIT 250-300 | x |

115483060

C125483062

* NEW PART

X ON DEMAND



| POS | PARTNUMBER | PARTNAME | PIECE |
|-----|-------------|----------------------------|-------|
| 1* | 54830151044 | REED VALVE ASSY CPL. | 1 |
| 2* | 54830052344 | REED VALVE SET | 1 |
| 3 | 54830062200 | GASKET REED VALVE CASE | 1 |
| 4* | 54830153050 | GASKET SUPPORTING PLATE | 1 |
| 5* | 0081030063 | EJOT DELTA PT SCREW 30X6 | 4 |
| 6* | 0081035253 | EJOT DELTA PT SCREW 35X25 | 2 |
| 7* | 0081030124 | EJOT DELTA PT SCREW 30X12 | 4 |
| 9* | 0025060206 | HH COLLAR SCREW M6X20 TX30 | 4 |
| 10 | 54330061000 | CLAMP 52/12 GEMI | 1 |
| 11 | 54830050000 | INTAKE FLANGE V-FORCE 04 | 1 |

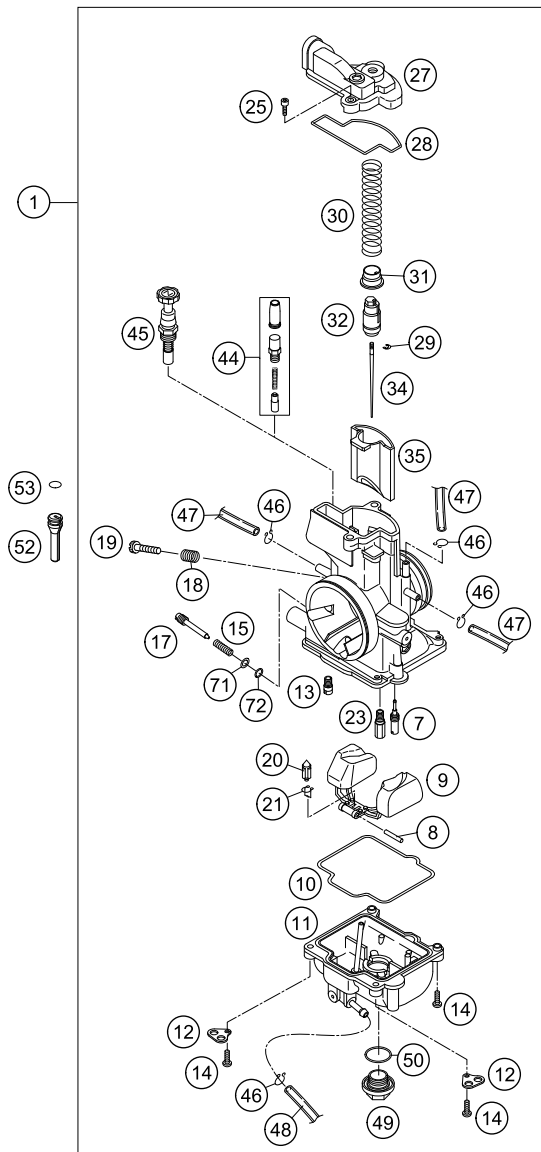
145483070

C145483070

* NEW PART

X ON DEMAND

ACHTUNG !!! **CAUTION !!!**
 Vor dem Einbau des Vergasers, **!** Before mounting the carburetor,
 Bedüsung kontrollieren. **■** check the jetting.



145243110

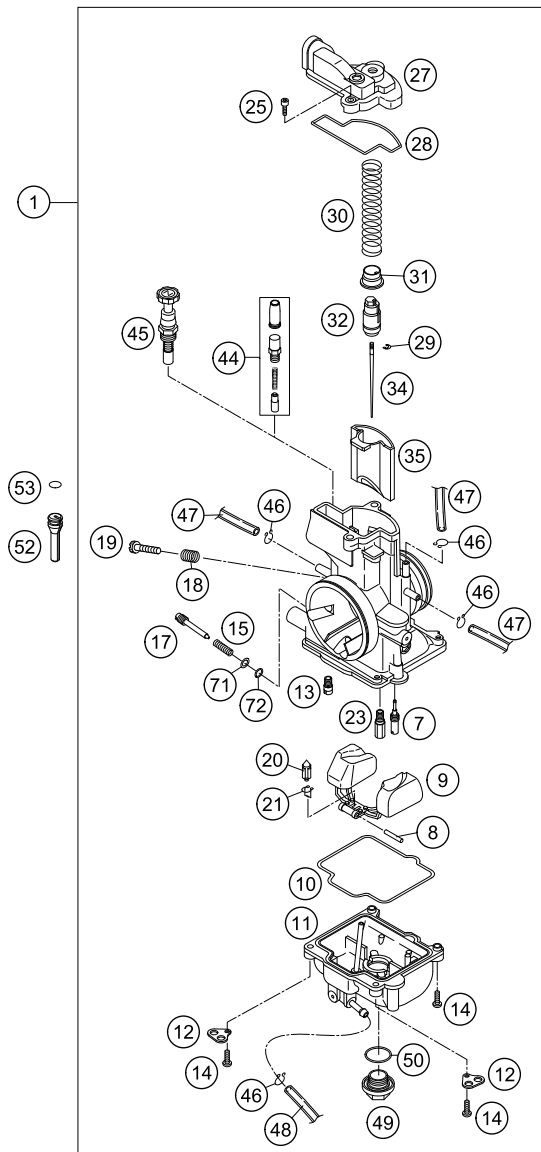
| POS | PARTNUMBER | PARTNAME | PIECE |
|-----|-------------|------------------------------|-------|
| 1 | 54831201544 | CARBURET.KEIH.PWK 36S AG BC5 | X |
| 7 | 54831007138 | IDLE JET SIZE 38X38 KEIHIN | X |
| 7 | 54531607035 | IDLE JET 35 KEIHIN | X |
| 7 | 54531607038 | IDLE JET 38 KEIHIN | X |
| 7 | 54531607040 | IDLE JET 40 KEIHIN | X |
| 7 | 54531607042 | IDLE JET 42 KEIHIN | X |
| 7 | 54531607045 | IDLE JET 45 KEIHIN | X |
| 7 | 54531607048 | IDLE JET 48 KEIHIN | X |
| 7 | 54531607050 | IDLE JET 50 KEIHIN | X |
| 8 | 57331008000 | ARM PIN FLOAT | 1 |
| 9 | 57331009000 | FLOAT CPL. | 1 |
| 10 | 54831010000 | GASKET FLOAT CHAMBER | 1 |
| 11 | 54831011000 | FLOAT CHAMBER PWK38-S AG | 1 |
| 12 | 54531612100 | RETAINING PLATE FOR BLEEDER | 2 |
| 13 | 54831051050 | STARTER JET 50 KEIHIN | X |
| 13 | 54831051085 | STARTER JET 85 KEIHIN | X |
| 14 | 0016040163 | HH COLLAR SCREW M 4X16 WS=6 | 4 |
| 15 | 54531615000 | SPRING FOR ADJUSTMENT SCREW | 1 |
| 17 | 54831017000 | STOP SCREW CPL. | 1 |
| 18 | 54631118000 | SPRING | 1 |
| 19 | 54631219100 | ADJUSTMENT SCREW M 5 | 1 |
| 20 | 54631220000 | FLOAT NEEDLE | 1 |
| 21 | 54531621000 | CLAMP | 1 |
| 23 | 54531623115 | MAIN JET 115 KEIHIN | X |
| 23 | 54531623150 | MAIN JET 150 KEIHIN | X |
| 23 | 54531623152 | MAIN JET 152 KEIHIN | X |
| 23 | 54531623155 | MAIN JET 155 KEIHIN | X |
| 23 | 54531623158 | MAIN JET 158 KEIHIN | X |
| 23 | 54531623160 | MAIN JET 160 KEIHIN | X |
| 23 | 54531623162 | MAIN JET 162 KEIHIN | X |
| 23 | 54531623165 | MAIN JET 165 KEIHIN | X |
| 23 | 54531623168 | MAIN JET 168 KEIHIN | X |
| 23 | 54531623170 | MAIN JET 170 KEIHIN | X |
| 23 | 54531623172 | MAIN JET 172 KEIHIN | X |
| 23 | 54531623175 | MAIN JET 175 KEIHIN | X |
| 25 | 54831025000 | SPECIAL-AH-SCREW M 4X12 | 2 |
| 27 | 54831127000 | CARBURETOR COVER PWK36-S AG | 1 |
| 28 | 54831028000 | GASKET FOR CARBURETOR COVER | 1 |

C145513110

* NEW PART X ON DEMAND

ACHTUNG !!!
Vor dem Einbau des Vergasers,
Bedüsung kontrollieren.

CAUTION !!!
Before mounting the carburetor,
check the jetting.

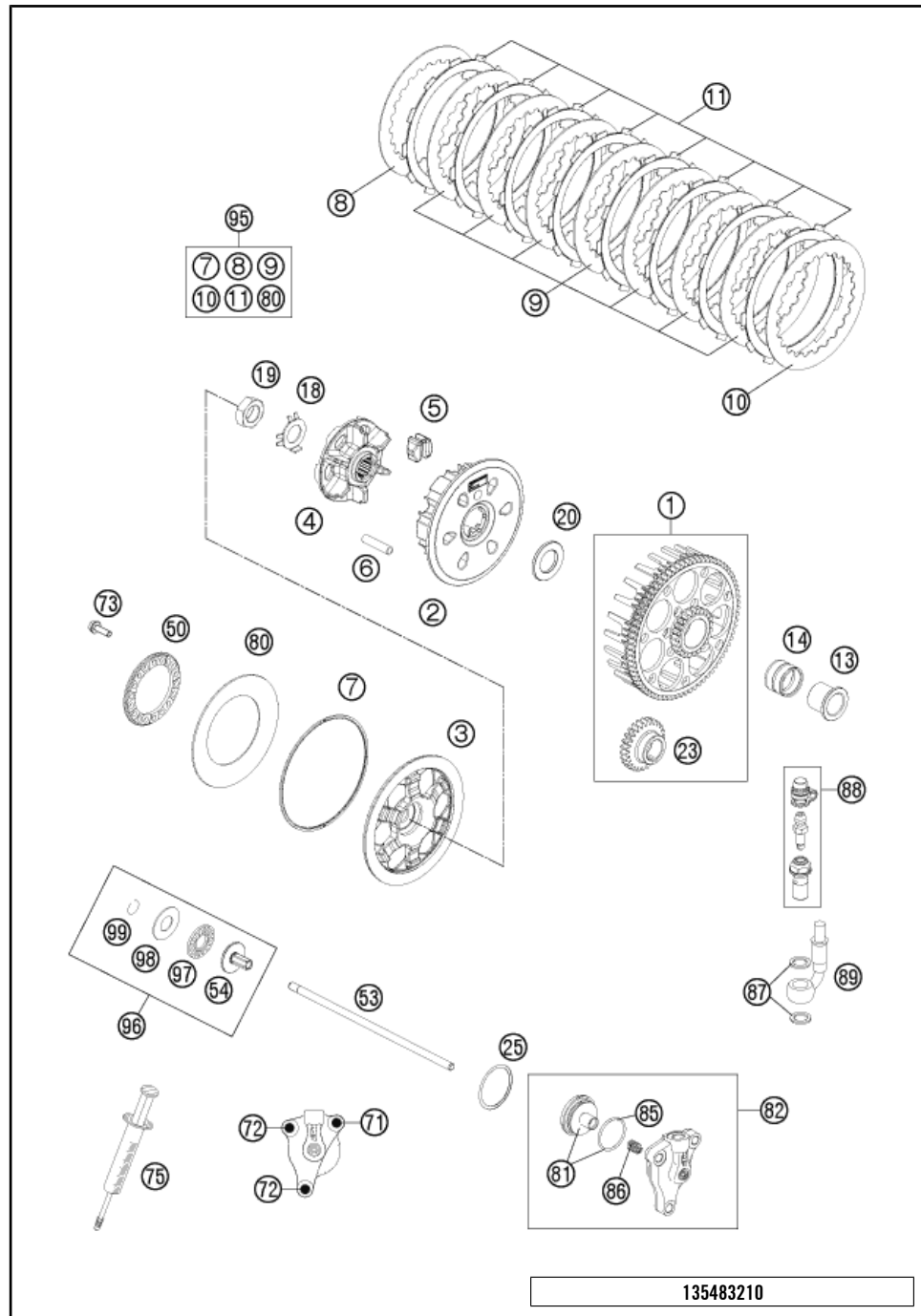


145243110

| POS | PARTNUMBER | PARTNAME | PIECE |
|-----|-------------|---|-------|
| 29 | 54531629000 | CLIP FOR JET NEEDLE | 1 |
| 30 | 54831030000 | SLIDING SPRING | 1 |
| 31 | 54631231000 | SPRING CAP | 1 |
| 32 | 54631232000 | NIPPLE | 1 |
| 34 | 54831134000 | JET NEEDLE N4DL | x |
| 34 | 54831134100 | JET NEEDLE N4DK | x |
| 34 | 54831134200 | JET NEEDLE N4DJ | x |
| 34 | 54831134300 | JET NEEDLE N4DW | x |
| 34 | 54831134400 | JET NEEDLE N4DH | x |
| 34 | 54831134500 | JET NEEDLE N4DG | x |
| 35 | 54631035000 | THROTTLE VALVE 7 FOR 38 PJ '00 | 1 |
| 44 | 58502096044 | CONNECT. COLD START CABLE CPL. ONLY FOR EU | 1 |
| 45 | 54631245000 | STARTER PISTON CPL. | 1 |
| 46 | 54531696000 | CLAMP 6 MM | 5 |
| 47 | 31007007101 | PVC-HOSE 4X6MM | 2 |
| 48 | 52031137001 | PVC-HOSE 3X5MM | 0 |
| 49 | 54531699000 | PLUG M 18X1 | 1 |
| 50 | 0770180230 | O-RING 18,00X2,30 NBR 70 | 1 |
| 52 | 52331029000 | SLIDE STOP L=36 08 | x |
| 52 | 50331029038 | SLIDE STOP L=38MM | x |
| 53 | 0770060018 | O-RING 6,00X1,78 | x |
| 71 | 54831071000 | WASHER ADJUSTING SCREW | 1 |
| 72 | 54831072000 | O-RING ADJUSTING SCREW | 1 |

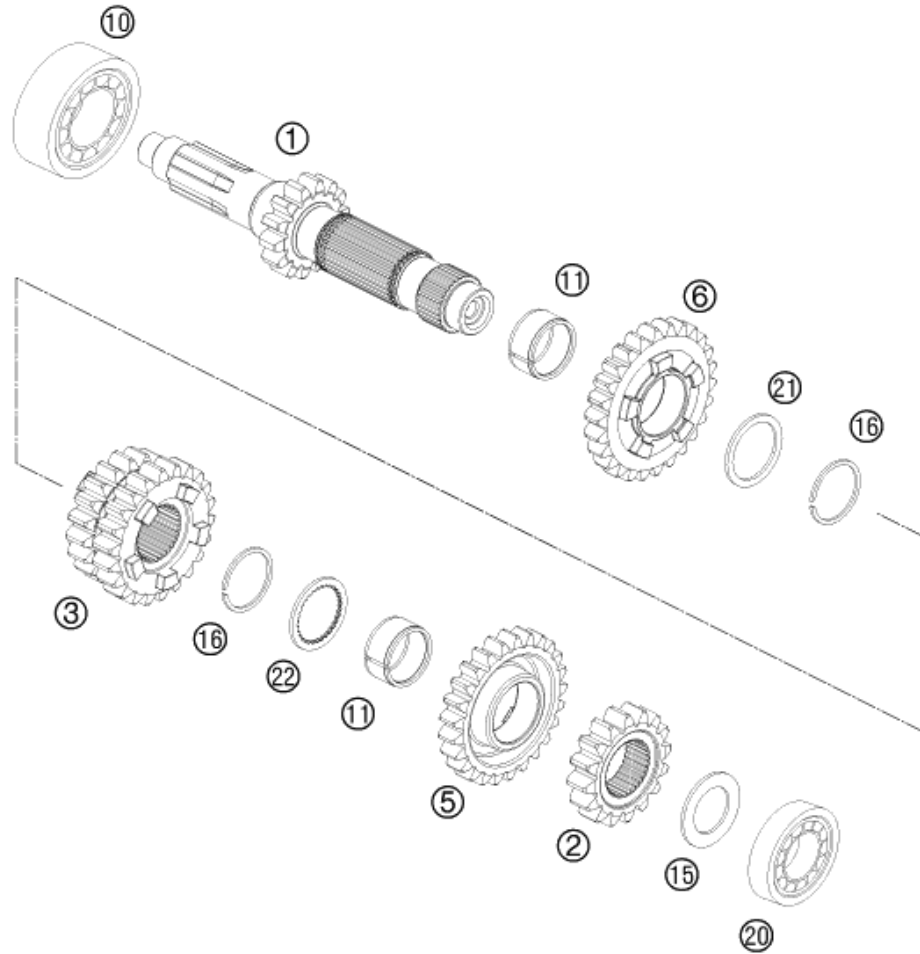
C145513110

* NEW PART X ON DEMAND



| POS | PARTNUMBER | PARTNAME | PIECE |
|-----|-------------|--------------------------------|-------|
| 1 | 54832024044 | CLUTCH CAGE INCL. PRIM. WHEEL | 1 |
| 2 | 54832002008 | INNER CLUTCH HUB | 1 |
| 3 | 78132003000 | PRESSURE PLATE | 1 |
| 4 | 54832002111 | CLUTCH HUB | 1 |
| 5 | 78132025100 | DAMPING RUBBER | 6 |
| 6 | 78132004000 | SLEEVE 7,5X33.4 | 6 |
| 7 | 78132013000 | WASHER 112X118X1.5 | 1 |
| 8 | 59032010100 | INTERMEDIATE DISC 1MM 2002 | 1 |
| 9 | 59032010200 | INTERMEDIATE DISC 1,4MM 2002 | 7 |
| 10 | 78932010000 | INTERMEDIATE DISC 1MM | 1 |
| 11 | 54832011100 | LINING DISC 1,95 MM | 8 |
| 13* | 54832015100 | INNER RING 21.65X26X24.5 | 1 |
| 14 | 56532095000 | NEEDLE BEARING K26X30X22ZW.KSE | 1 |
| 18 | 78132018000 | TAB WASHER | 1 |
| 19 | 0936181505 | HEXAGON NUT DIN0936-M18X1,5 R. | 1 |
| 20 | 54832009000 | WASHER 21.7 X 37 X 2.5 | 1 |
| 23 | 54832000026 | PRIMARY GEAR 26T 2003 | 1 |
| 25 | 0770300015 | O-RING 30,00X1,50 NBR 70 | 1 |
| 50 | 54832006000 | SPRING RING | 1 |
| 53 | 54832054100 | PUSH ROD | 1 |
| 54 | 78032057000 | PRESSURE PIECE | 1 |
| 71 | 0025060306 | HH COLLAR SCREW M6X30 TX30 | 1 |
| 72 | 0025060206 | HH COLLAR SCREW M6X20 TX30 | 2 |
| 73 | 0025050166 | HH COLLAR SCREW M5X16 TX30 | 6 |
| 75 | 50329050000 | VENT INJEKTION HYDR. CLUTCH | 1 |
| 80 | 78132005000 | BELLEVILLE SPRING 71X115X1,5 I | 1 |
| 81 | 54832066000 | PISTON CPL. | 1 |
| 82 | 54832061044 | OUTPUT CYLINDER CPL. 06 | 1 |
| 85 | 54832067000 | O-RING | 1 |
| 86 | 54832069000 | PRESSURE SPRING | 1 |
| 87 | 0603100141 | COPPER GASKET DIN7603-10X14X1 | 2 |
| 88 | 62513020000 | BLEEDER SCREW CPL. 05 | 1 |
| 89 | 54832063000 | CLUTCH PIPE 06 | 1 |
| 95 | 54832011110 | CLUTCH KIT 250/300 13-14 | x |
| 96 | 78032057044 | PRESSURE PIECE CPL. 08 | 1 |
| 97 | 54637097200 | AXIAL NEEDLE BEARING AXK 1226 | 1 |
| 98 | 54637098200 | AXIAL WASHER AS1226 12X26X1 | 1 |
| 99 | 0993012000 | CIRCLIP DIN7993-RW12 | 1 |

* NEW PART X ON DEMAND



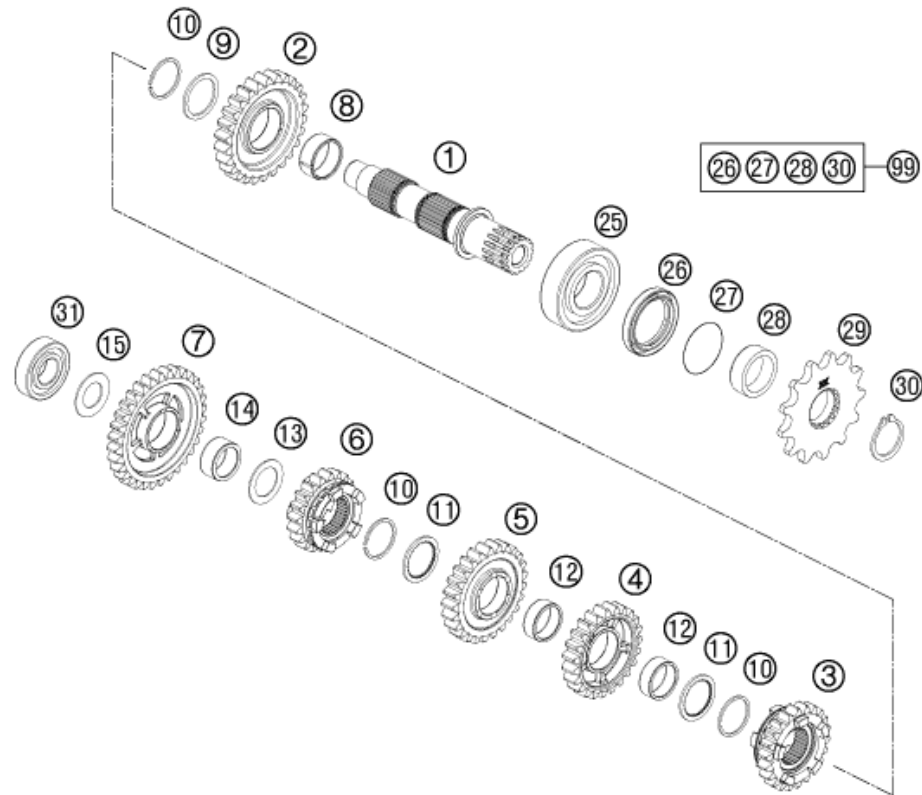
| POS | PARTNUMBER | PARTNAME | PIECE |
|-----|-------------|--------------------------------|-------|
| 1 | 54833201100 | MAIN SHAFT CPL. 14T | 1 |
| 2 | 54833202000 | SOLID GEAR | 1 |
| 3 | 54833203000 | SLIDING GEAR 3./4.GANG,Z=20/22 | 1 |
| 5 | 54833205000 | IDLER GEAR 5.G, Z =25 | 1 |
| 6 | 54833206000 | IDLER GEAR 6. G, Z=26 | 1 |
| 10 | 0625062054 | BALL BEARING 6205 C3 NTN | 1 |
| 11 | 0405222613 | NEEDLE BEAR. K 22X26X13 TN | 2 |
| 15 | 54633015000 | STOP DISK 20,2X33X1,5 | 1 |
| 16 | 0417024000 | CIRCLIP WS24 | 2 |
| 20 | 0625160040 | GROOVED BALL BEAR. TM 16004 C3 | 1 |
| 21 | 54833044000 | STOP DISC 25X31X1,5 | 1 |
| 22 | 54833043000 | STOP DISC 25X0,8X30X30X7H | 1 |

125483330

C145483331

* NEW PART

X ON DEMAND



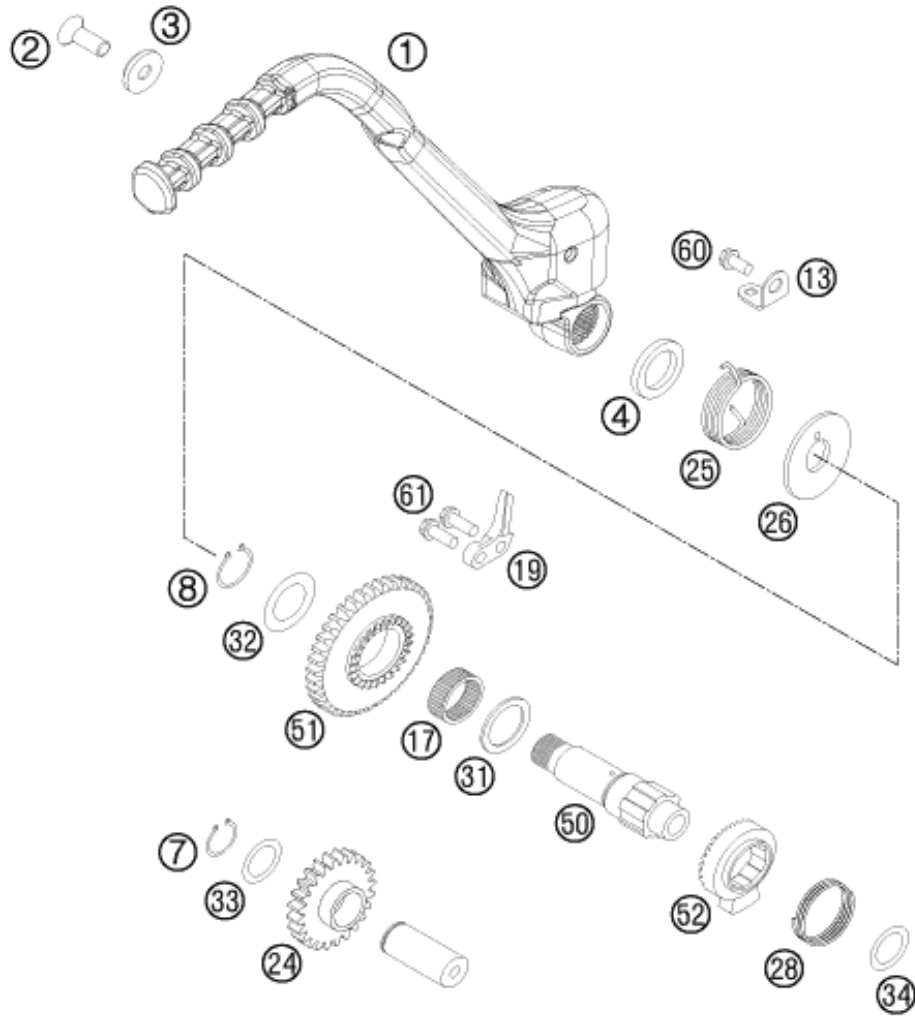
| POS | PARTNUMBER | PARTNAME | PIECE |
|-----|-------------|--------------------------------|-------|
| 1 | 54833210100 | COUNTER SHAFT CPL. | 1 |
| 2 | 54833212000 | IDLER GEAR 2. G., Z=26 | 1 |
| 3 | 54833215000 | SLIDING GEAR 5.G., Z=22 | 1 |
| 4 | 54833214000 | IDLER GEAR 4.G., Z=23 | 1 |
| 5 | 54833213000 | IDLER GEAR 3.G., Z= 25 | 1 |
| 6 | 54833216000 | SLIDING GEAR 6.G., Z=20 | 1 |
| 7 | 54833211000 | IDLER GEAR 1. G, Z=32 | 1 |
| 8 | 0405242812 | NEEDLE BEAR. K24X28X11,9 DIV. | 1 |
| 9 | 54833044000 | STOP DISC 25X31X1,5 | 1 |
| 10 | 0417024000 | CIRCLIP WS24 | 3 |
| 11 | 54833043000 | STOP DISC 25X0,8X30X30X7H | 2 |
| 12 | 0405222611 | NEEDLE BEAR.K 22X26X10 DIVIDED | 2 |
| 13 | 54833080000 | STOP DISC 20,2X30X1 | 1 |
| 14 | 0405202612 | NEEDLE BEARING K 20X26X12 | 1 |
| 15 | 56033030000 | STOP DISC 17,2X30X1 | 1 |
| 25 | 54833025000 | BALL BEARING TM-SC05C20C4 NTN | 1 |
| 26 | 0760324571 | SHAFT SEAL RING 32X45X7 BSLNBR | 1 |
| 27 | 0770250020 | O-RING 25,00X2,00 NBR 70 | 1 |
| 28 | 54833032011 | SPACER SLEEVE DRIVE END 2003 | 1 |
| 29 | 50033029013 | FRONT SPROCKET 13-T | x |
| 29 | 50033029014 | FRONT SPROCKET 14-T | x |
| 30 | 52033096000 | LOCK RING DIN0471-25X1,64SD | 1 |
| 31 | 0625062035 | BALL BEARING 6203 JR2 C3 | 1 |
| 99 | 00050000940 | COUNTER SHAFT REP.KIT 2 STROKE | x |

115483360

C145483360

* NEW PART

X ON DEMAND



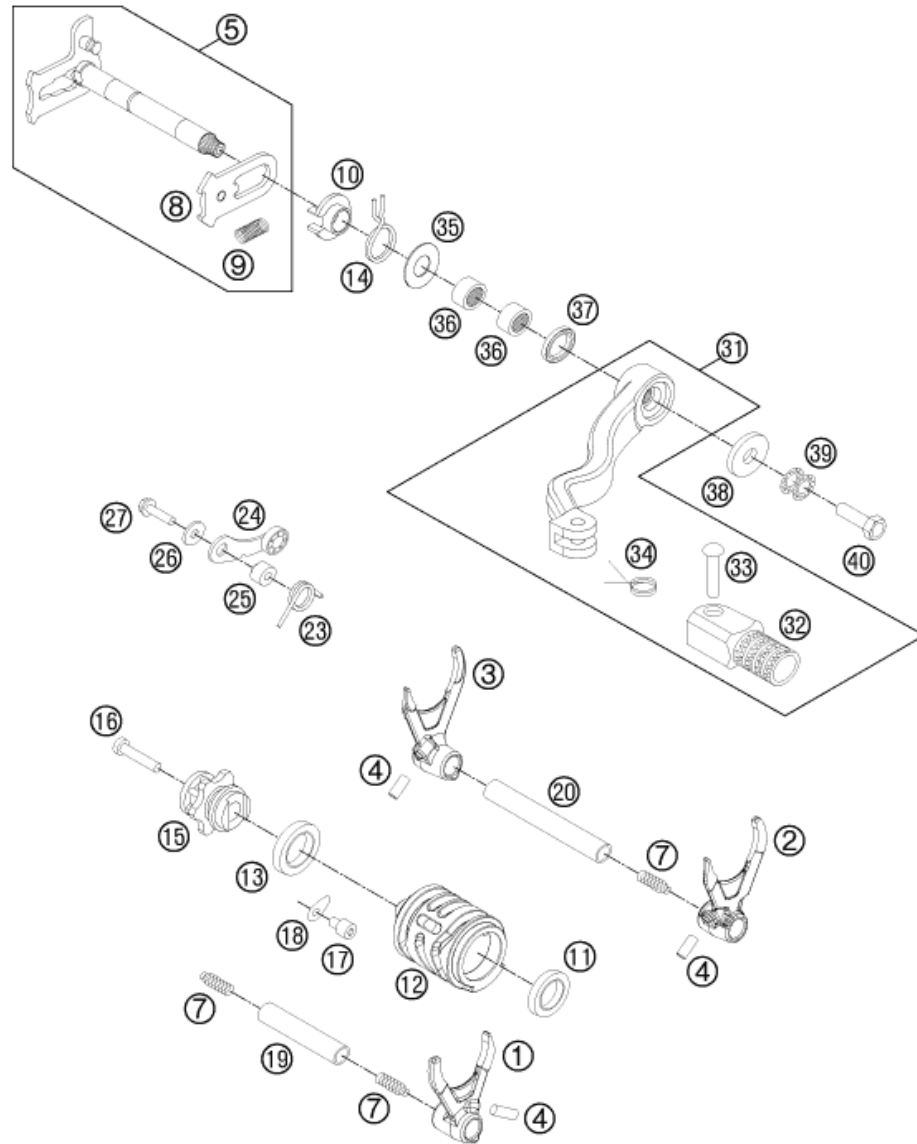
| POS | PARTNUMBER | PARTNAME | PIECE |
|-----|-------------|--------------------------------|-------|
| 1 | 77133070144 | KICKSTARTER CPL. | 1 |
| 2 | 0019080206S | FLAT HEAD SCREW M. ISA45 M8X20 | 1 |
| 3 | 54633037000 | WASHER 8MM GALVANIZED | 1 |
| 4 | 0760193070 | SHAFT SEAL RING 19X30X7 B | 1 |
| 7 | 0471170010 | CIRCLIP DIN0471-17X1 | 1 |
| 8 | 0471190120 | CIRCLIP DIN0471-19X1,2 | 1 |
| 13 | 54633074000 | SPRING HANGER | 1 |
| 17 | 0405222610 | % NEEDLE BEARING K 22X26X10 A | 1 |
| 19 | 59033069000 | BUMP PART | 1 |
| 24 | 54833024000 | INTERMEDIATE GEAR 2003 | 1 |
| 25 | 54633025000 | KICKSTARTER SPRING | 1 |
| 26 | 54633026000 | DRIVING HUB | 1 |
| 28 | 58033028000 | RATCHET GEAR SPRING 1,2 MM | 1 |
| 31 | 58033031000 | STOP DISK 22,2 X 30 X 1,5 | 1 |
| 32 | 59033080000 | SHIM 20X32X1 | 1 |
| 33 | 54633090000 | STOP DISK 17,2X25X1 | 1 |
| 34 | 0988172405 | SHIM WASHER DIN0988-17X24X0,5 | 1 |
| 50 | 59033050100 | KICKSTARTER SHAFT | 1 |
| 51 | 54833051034 | KICKSTARTER GEAR 34-T 03 | 1 |
| 52 | 59033052000 | RATCHET GEAR KICKSTARTER | 1 |
| 60 | 0025060106 | HH COLLAR SCREW M6X10 TX30 | 1 |
| 61 | 0025060206 | HH COLLAR SCREW M6X20 TX30 | 2 |

115483390

C125483390

* NEW PART

X ON DEMAND



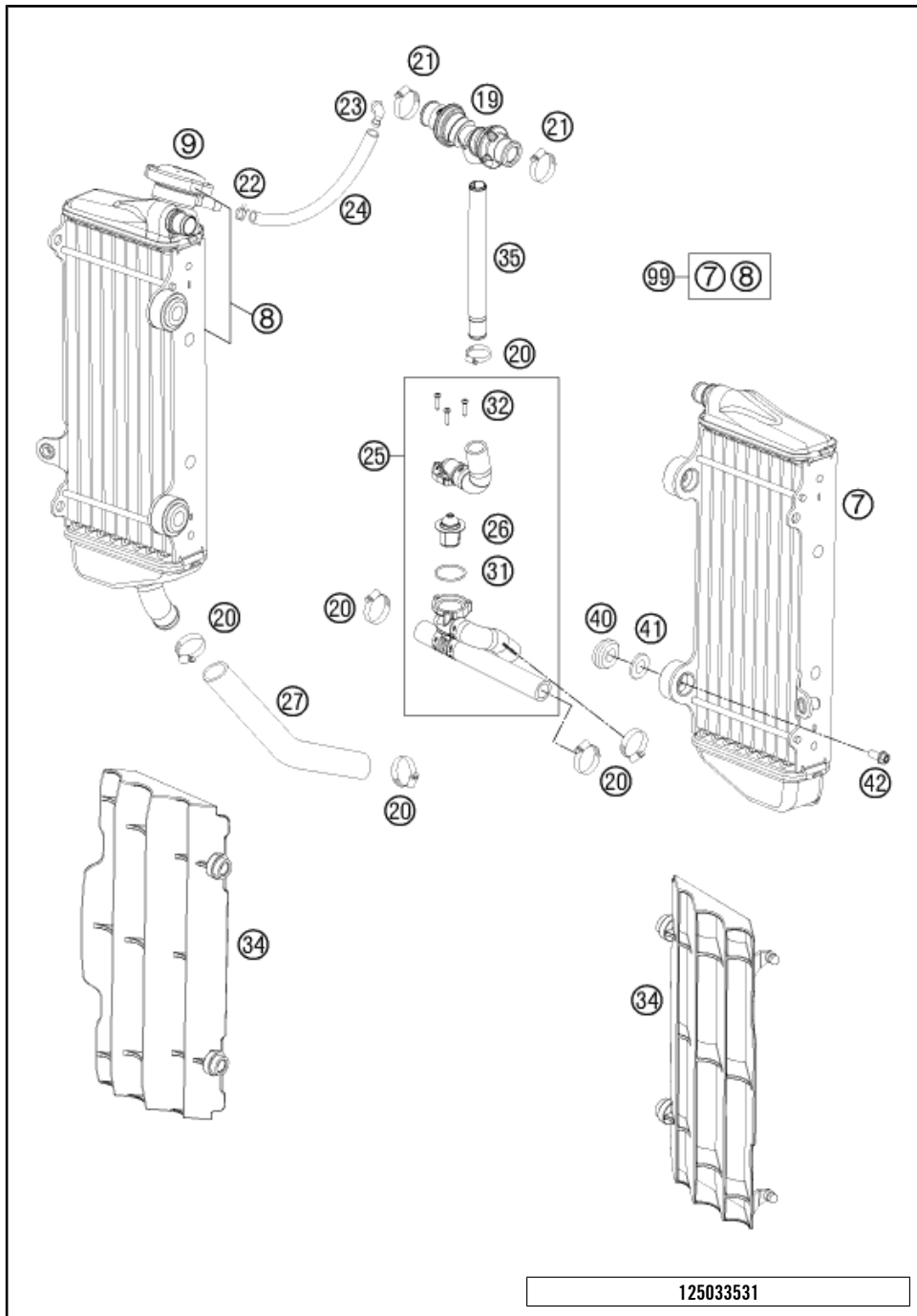
| POS | PARTNUMBER | PARTNAME | PIECE |
|-----|-------------|--------------------------------|-------|
| 1 | 54834201000 | SHIFT FORK 5./6.G. | 1 |
| 2 | 54834202000 | SHIFT FORK 2./4.G. | 1 |
| 3 | 54834203000 | SHIFT FORK 1./3. G. | 1 |
| 4 | 0402061480 | NEEDLE ROLLER DIN5402 6X14,8 | 3 |
| 5* | 54834005144 | SHIFT SHAFT CPL. | 1 |
| 7 | 58038023200 | PRESSURE SPRING 0,9MM | 3 |
| 8 | 54634008044 | SLIDING PLATE CPL. | 1 |
| 9 | 56534013100 | TENSIONING SPRING 0,8MM | 1 |
| 10 | 54634020000 | SPRING GUIDE | 1 |
| 11 | 0625069034 | BALL BEARING 6903 C4 | 1 |
| 12 | 54834212000 | SHIFTING DRUM | 1 |
| 13 | 0625618050 | BALL BEARING 61805 C3 | 1 |
| 14 | 54834014000 | RETURN SPRING 03 | 1 |
| 15 | 54834015133 | SHIFT DRUM LOCATING CPL. | 1 |
| 16 | 0912060303 | AH SCREW DIN0912-M 6X30 | 1 |
| 17 | 0912060083 | AH SCREW DIN0912-M 6X 8 | 1 |
| 18 | 54634049000 | RETAINING PLATE | 1 |
| 19 | 54834019000 | SHIFT. RAIL MAIN SHAFT 250/300 | 1 |
| 20 | 54834020000 | SHIFT. RAIL C. SHAFT 250/300 | 1 |
| 23 | 54834023000 | LOCKING LEVER SPRING 03 | 1 |
| 24 | 50334024144 | LOCATING LEVER CPL. 08 | 1 |
| 25 | 54634052300 | SLEEVE FOR LOCKING LEVER | 1 |
| 26 | 0349000050 | WASHER DIN7349-5X15X2 | 1 |
| 27 | 0025050206 | HH COLLAR SCREW M5X20 TX30 | 1 |
| 31 | 54834031000 | SHIFT LEVER CPL. 250/300 05 | 1 |
| 32 | 54634131000 | STEP PLATE FOR SHIFT LEVER 250 | 1 |
| 33 | 54634031050 | BOLT 6X25 FOR SHIFT LEVER | 1 |
| 34 | 54634032100 | SHIFTING LEVER SPRING 250 | 1 |
| 35 | 54634050000 | STOP DISK 14X30X1 | 1 |
| 36 | 54632095000 | NEEDLE BEAR.HK 1412 14X20X12 | 2 |
| 37 | 0760142460 | SHAFT SEAL RING 14X24X6 B | 1 |
| 38 | 50232050001 | STEEL WASHER 6,4X17X3 | 1 |
| 39 | 50233041000 | PAIR OF WASHERS M 6 NORDLOCK | 1 |
| 40* | 0025060166S | HH COLLAR SCREW M6X16 ISA 30 | 1 |

115483410

C145483411

* NEW PART

X ON DEMAND

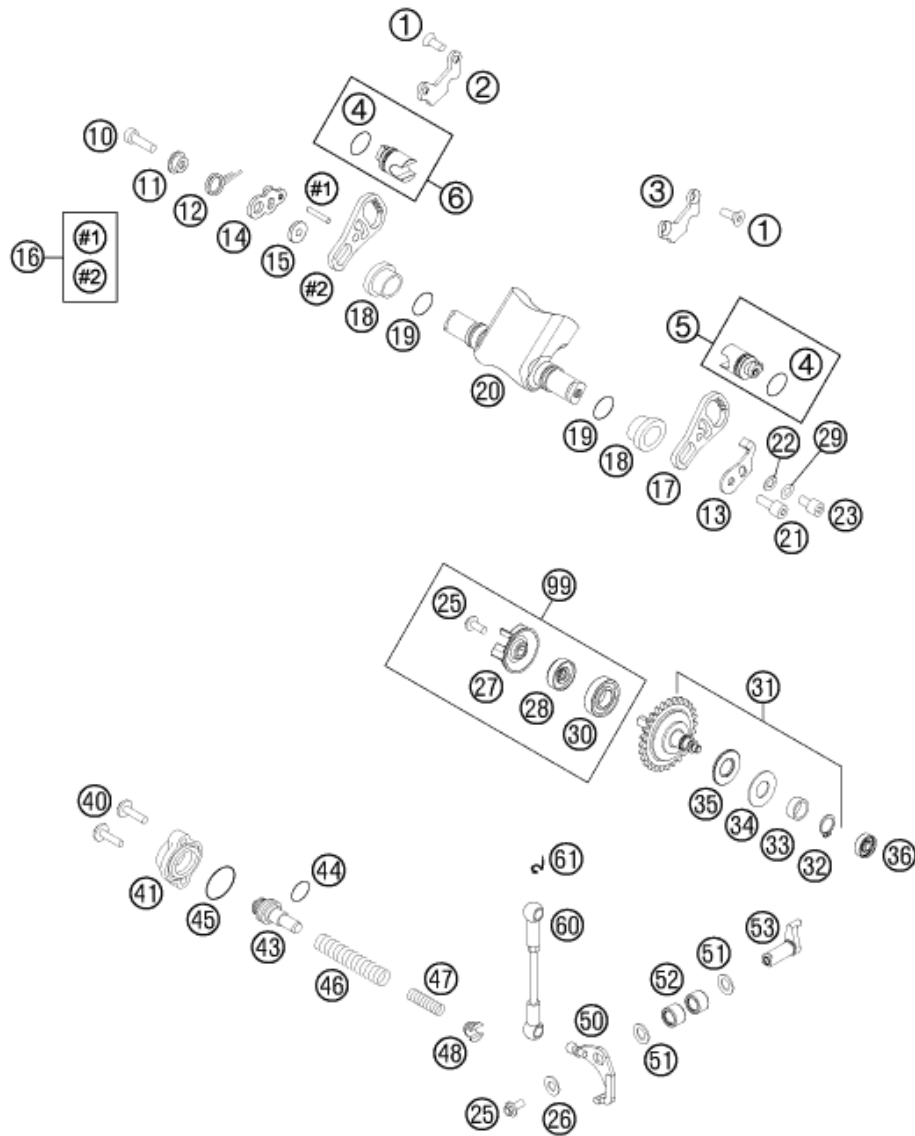


| POS | PARTNUMBER | PARTNAME | PIECE |
|-----|---------------|--------------------------------|-------|
| 7* | 54835007400 | RADIATOR L/S "15562U" 14 | 1 |
| 8* | 54835008600 | RADIATOR R/S "15620U" 14 | 1 |
| 9 | 77335016000 | RADIATOR CAP SMALL 1,8 BAR | 1 |
| 19 | 77235071044 | Y-CONNECTOR CPL. | 1 |
| 20 | 10001020000 | HOSE CLAMP GEMI 16-27 | 6 |
| 21 | 42013037400 | HOSE CLAMP NORMA 12/24 | 2 |
| 22 | 59007017000 | CLAMP YDNAC 10096F (9,6MM) | 1 |
| 23 | 50303089000 | ANGLE PIECE '97 | 1 |
| 24 | 50335030001 | PVC-HOSE 6X9 | x |
| 25* | 54835626033 | RADIATOR HOSE W. THERMO. '14 | 1 |
| 26* | 59435117000 | THERMOSTAT 70°C | 1 |
| 27 | 54835027000 | RADIATOR HOSE 18X25X130 MM 03 | 1 |
| 31 | 0770320020 | O-RING 32,00X2,00 | 1 |
| 32 | 0016040183 | SCREW FOR PLASTIC D=4X18 | 3 |
| 34 | 7733503400030 | RADIATOR PROTECTION BLACK 07 | 2 |
| 34 | 7733503400004 | RADIATOR PROTECTION L/S+R/S SX | x |
| 35 | 77235073000 | HOSE CONNECTOR L=172,5 | 1 |
| 40 | 41001052000 | RUBBER SLEEVE D=12MM | 4 |
| 41 | 77335001000 | WASHER FOR RADIATOR 08 | 4 |
| 42 | 0023060123 | COLLAR SCREW M6X12 TX | 4 |
| 99 | 00050000134 | RADIATOR KIT 10-13 | x |

125033531

C145483531

* NEW PART X ON DEMAND



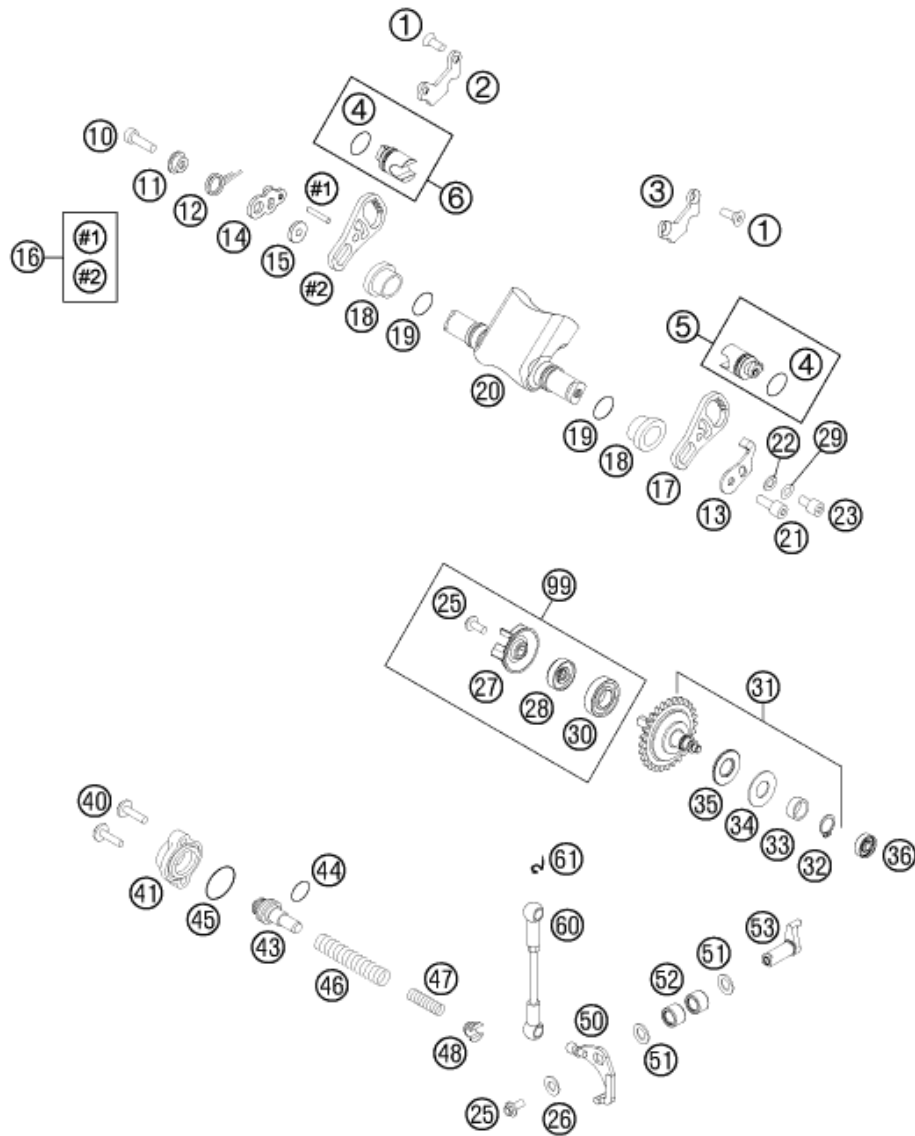
| POS | PARTNUMBER | PARTNAME | PIECE |
|-----|-------------|--------------------------------|-------|
| 1 | 0019050106 | INT. TORX FLAT HEAD M5X10 10.9 | 4 |
| 2 | 54837362000 | RETAINING PLATE 300 R/S 08 | 1 |
| 3 | 54837363000 | RETAINING PLATE 300 L/S 08 | 1 |
| 4 | 0770160021 | O-RING 16,00X2,00 VITON | 2 |
| 5 | 54837361044 | CONTROL VALVE 300 L/S CPL. 08 | 1 |
| 6 | 54837361144 | CONTROL VALVE 300 R/S CPL. 08 | 1 |
| 10 | 0912060203 | AH SCREW DIN0912-M 6X20 | 1 |
| 11 | 54637067000 | SPRING SLEEVE | 1 |
| 12 | 54637066000 | OVERLOAD SPRING | 1 |
| 13 | 54637085300 | RETAIN.PLATE CONTROL FLAP '92 | 1 |
| 14 | 54637065000 | CONTROL LEVER WITH BALL TYPE | 1 |
| 15 | 54637068100 | BUSHING SLEEVE | 1 |
| 16 | 54837364044 | GEAR SEGMENT RIGHT CPL. 08 | 1 |
| 17 | 54837364050 | GEAR SEGMENT 300 L/S 08 | 1 |
| 18 | 54737019000 | BEAR. SLEEVE F.CONTROL FLAP'97 | 2 |
| 19 | 0770150151 | O-RING 15,00X1,50 VITON | 2 |
| 20 | 54837320100 | CONTROL FLAP 300 08 | 1 |
| 21 | 0912060163 | AH SCREW DIN0912-M 6X16 | 1 |
| 22 | 54637056100 | WASHER 6,5X11X2 | 1 |
| 23 | 0912060083 | AH SCREW DIN0912-M 6X 8 | 1 |
| 25 | 0014050123 | HH COLLAR SCREW M 5X12 WS=6 | 2 |
| 26 | 03490000050 | WASHER DIN7349-5X15X2 | 1 |
| 27 | 54835005000 | WATER PUMP WHEEL 07 | 1 |
| 28 | 0760082472 | SHAFT SEAL RING 8X24X7 A DUO | 1 |
| 29 | 0137060003 | SPRING WASHER DIN0137-B 6 | x |
| 30 | 0625160020 | BALL BEARING 16002 C3 | 1 |
| 31 | 54837050044 | CENTRIFUGAL TIMER CPL. 250/300 | 1 |
| 32 | 0471120010 | CIRCLIP DIN0471-12X1 | 1 |
| 33 | 54837054000 | DISTANCE BUSH. CENTRIFUG.TIMER | 1 |
| 34 | 54637071010 | AXIAL WASHER AS1226 | 1 |
| 35 | 54637097200 | AXIAL NEEDLE BEARING AXK 1226 | 1 |
| 36 | 54637098100 | BALL BEARING 626LLBC3/5K | 1 |
| 40 | 0014050203 | HH COLLAR SCREW M 5X20 WS=6 | 2 |
| 41 | 54637070100 | COVER LID 250-380'98 | 1 |
| 43 | 54837075000 | SPRING GUIDE 250/300 | 1 |
| 44 | 0770021120 | O-RING 12,37X2,62 NBR70 | 1 |
| 45 | 0770240020 | O-RING 24,00X2,00 NBR70 | 1 |
| 46 | 54837069000 | ADJUST. SPRING 2003 | 1 |

115513710

C135513710

* NEW PART

X ON DEMAND



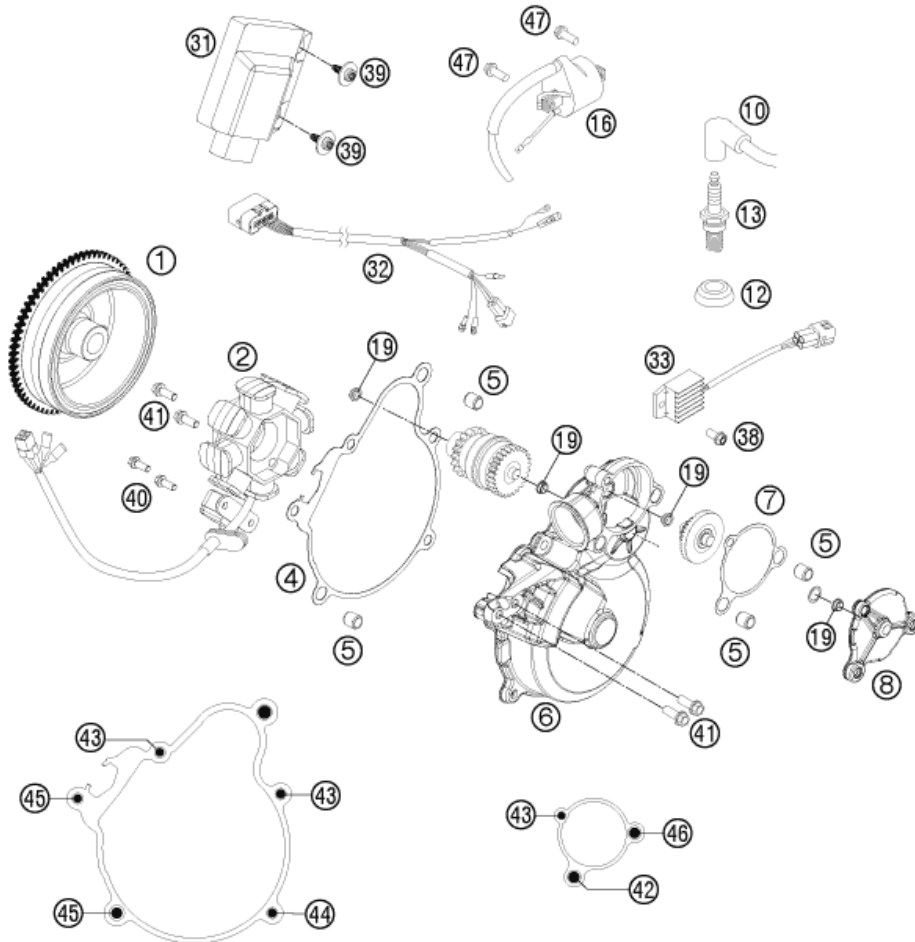
| POS | PARTNUMBER | PARTNAME | PIECE |
|-----|-------------|-------------------------------|-------|
| 47 | 54837072000 | AUXILIARY SPRING SOFT, RED | x |
| 47 | 54637072300 | AUXILIARY SPRING MID., YELLOW | 1 |
| 47 | 54837072100 | AUXILIARY SPRING HARD, GREEN | x |
| 48 | 54637071200 | SPRING INSERT | 1 |
| 50 | 54637055244 | ANGLE LEVER CPL. '91 | 1 |
| 51 | 0988101610 | SHIM WASHER DIN988 10X16X1 | 2 |
| 52 | 54637096000 | NEEDLE SLEEVE HK 1010 | 2 |
| 53 | 54837057000 | CONTROL LEVER 03 | 1 |
| 60 | 54637095444 | CONNECTING ROD CPL. | 1 |
| 61 | 50237195055 | SECURING DIN-71805-S-8 | 2 |
| 99 | 54835055110 | WATER PUMP REP. KIT SX 07-13 | x |

115513710

C135513710

* NEW PART

X ON DEMAND



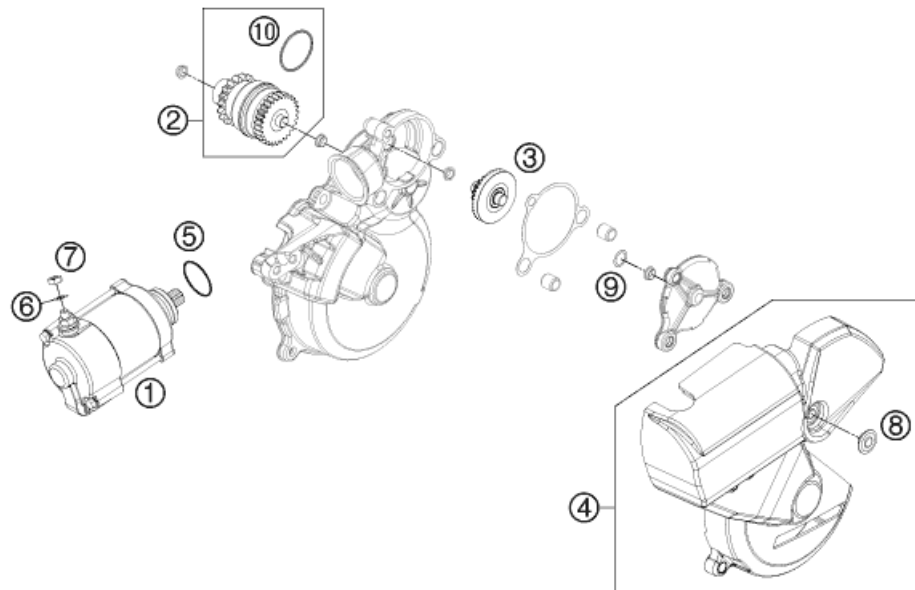
135513910

| POS | PARTNUMBER | PARTNAME | PIECE |
|-----|---------------|--------------------------------|-------|
| 1 | 55139005000 | FLYWHEEL KOKUSAN | 1 |
| 2 | 55139004000 | STATOR KOKUSAN | 1 |
| 4 | 55130040000 | IGNITI.COVER GASKET 07 | 1 |
| 5 | 49030090000 | DOWEL 9,8 X 7 X 10 | 4 |
| 6 | 5513000224433 | IGNITION COVER CPL. | 1 |
| 7 | 55130041100 | IGN. OUT SIDE COV. GASKET 07 | 1 |
| 8 | 5513004524433 | OUTER IGNITION COVER CPL. | 1 |
| 10 | 47039090000 | SPARK PLUG CAP NGK REINFORC.04 | 1 |
| 12 | 50231012000 | SEALING CUP FOR SPARK PLUG | 1 |
| 13 | 54739093000 | SPARK PLUG NGK BR7ES | 1 |
| 16 | 59039006000 | IGNITIONCOIL "IG5128" | 1 |
| 19 | 55140030100 | COLLAR BUSHING | 4 |
| 31* | 54839331500 | ELEKTRONICBOX 300EXC/XC 14 | 1 |
| 32 | 54839032300 | WIRING HARNESS F.CDI 2-ST.SX07 | 1 |
| 33 | 80011034000 | VOLTAGE REGULATOR 04 | 1 |
| 38 | 0025060126 | HH COLLAR SCREW M6X12 TX30 | 1 |
| 39 | 0081645121 | EJOT DELTA PT SCREW 45X12-Z | 2 |
| 40 | 0014050123 | HH COLLAR SCREW M 5X12 WS=6 | 2 |
| 41 | 0025060206 | HH COLLAR SCREW M6X20 TX30 | 4 |
| 42 | 0025060256 | HH COLLAR SCREW M6X25 TX30 | 1 |
| 43 | 0025060166 | HH COLLAR SCREW M6X16 TX30 | 3 |
| 44 | 0025060306 | HH COLLAR SCREW M6X30 TX30 | 1 |
| 45 | 0025060356 | HH COLLAR SCREW M6X35 TX30 | 2 |
| 46 | 0025060706 | HH COLLAR SCREW M6X70 TX30 | 1 |
| 47 | 0026060186 | COLLAR SCREW M6X18 ISA30 | 2 |

C145513910

* NEW PART

X ON DEMAND



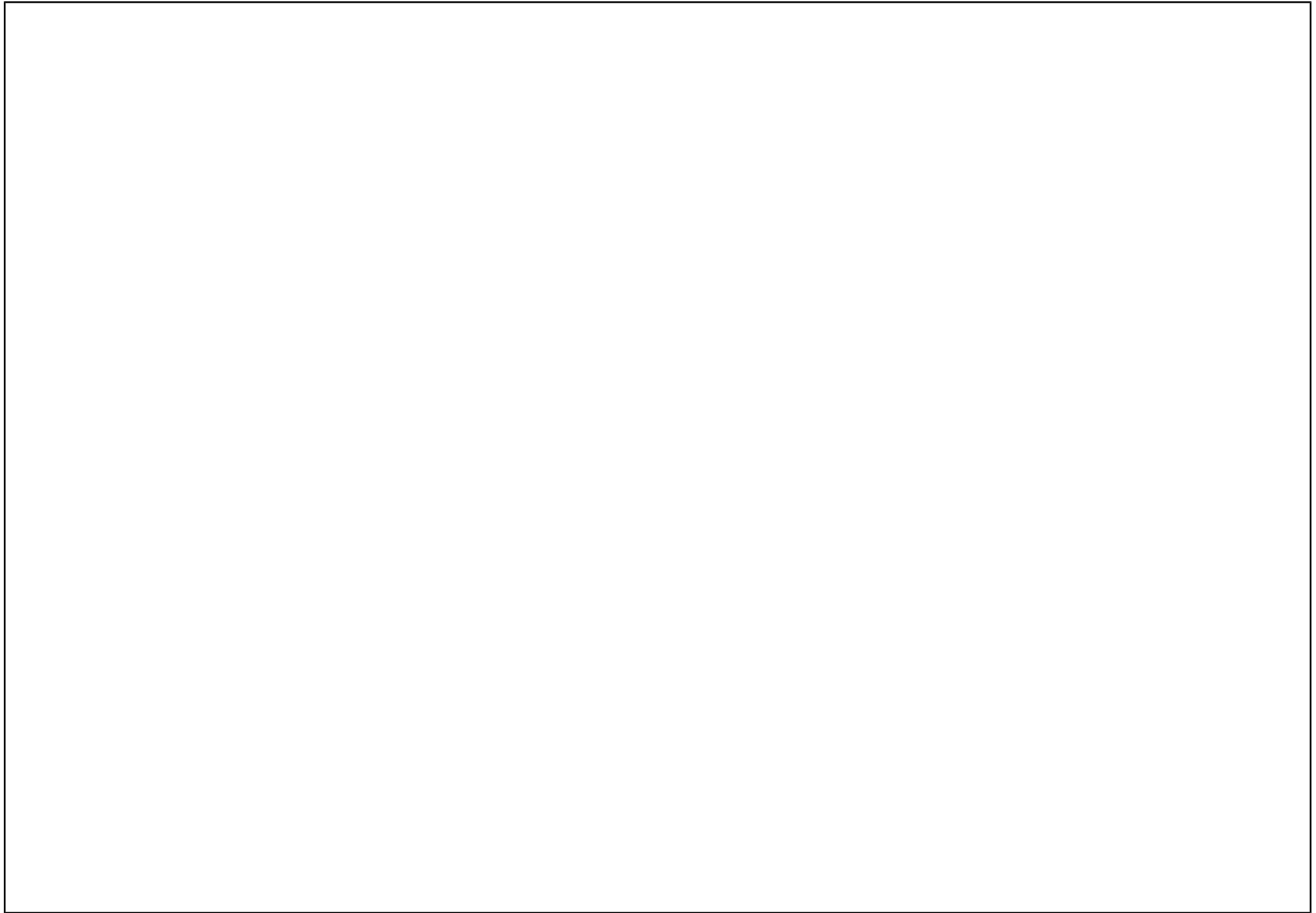
| POS | PARTNUMBER | PARTNAME | PIECE |
|-----|-------------|-------------------------------|-------|
| 1 | 55140001100 | STARTER MORIC | 1 |
| 2 | 55140026100 | BENDIX | 1 |
| 3 | 55140022100 | CROWN WHEEL E-STARTER | 1 |
| 4 | 55140040144 | STARTER DRIVE COVER CPL. | 1 |
| 5 | 0770250030 | O-RING 25,00X3,00 NBR 70 | 1 |
| 6 | 0125060003 | WASHER DIN0125-A 6,4 | 1 |
| 7 | 0985060003 | SELF LOCK. NUT DIN0985-M 6 | 1 |
| 8 | 50308052000 | BUSH FOR SPOILER 6X11X16X5 MM | 1 |
| 9 | 0988081401 | THRUST WASHER 8X14X0,1 | x |
| 9 | 0988081402 | THRUST WASHER 8X14X0,2 | x |
| 9 | 0988081403 | THRUST WASHER 8X14X0,3 | x |
| 9 | 0988081405 | THRUST WASHER 8X14X0,5 | x |
| 10 | 55140027000 | BENDIXSPRING | 1 |

135484010

C145484010

* NEW PART

X ON DEMAND



WWW.KTM.COM



KTM-Sportmotorcycle AG
5230 Mattighofen, Austria
www.ktm.com



KTM_POWERPARTS

KTM_POWERWEAR

KTM_ORIGINAL SPARE PARTS



3CM084680NEN

Art. Nr.: 3CM084680NEN 16. Mai 2013