

# 300 EXC SIX DAYS 2024 EU 2024

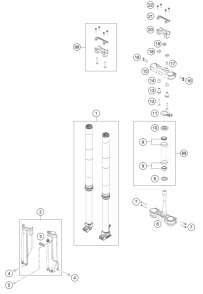
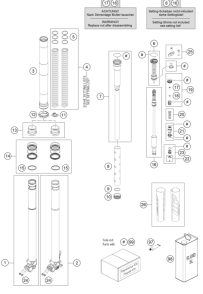
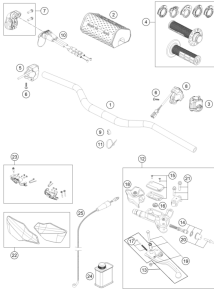
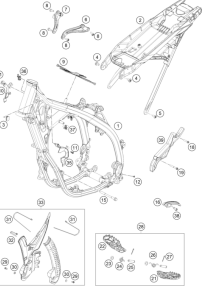
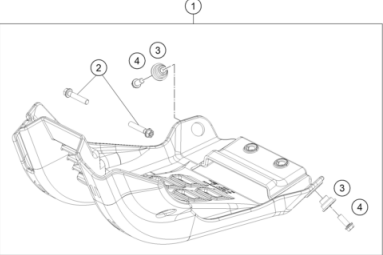
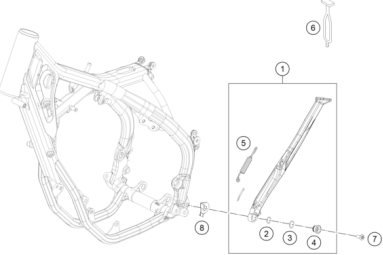

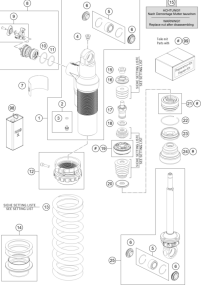
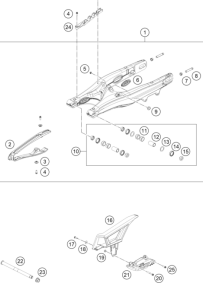
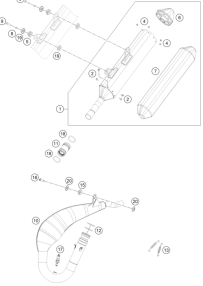
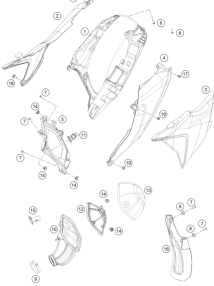
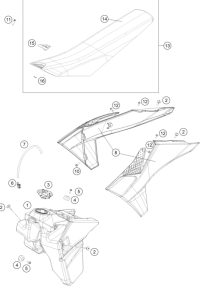
ART.-NR.: F7403X2EN

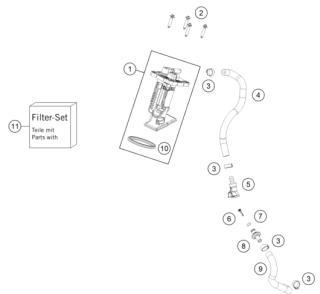
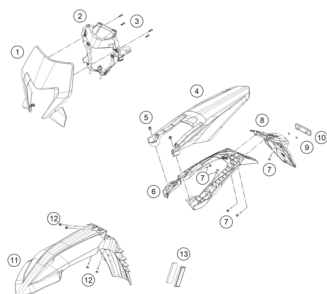
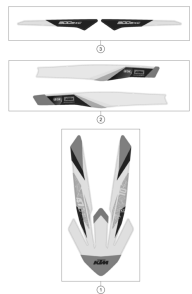
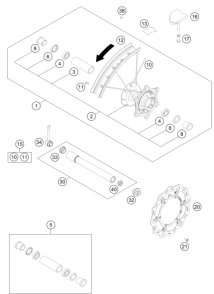
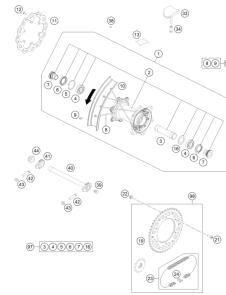
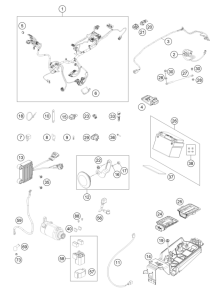
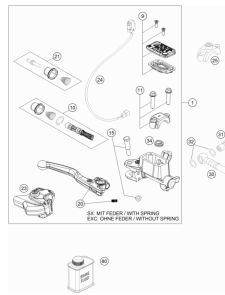
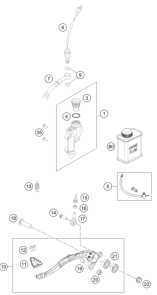
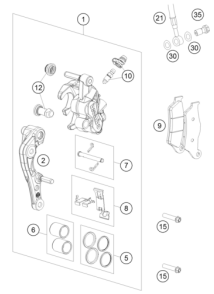
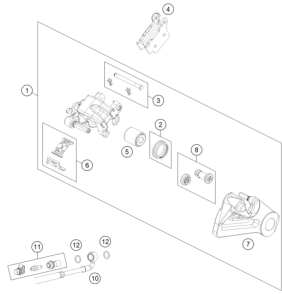
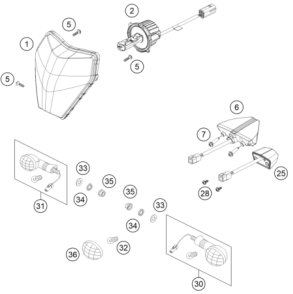
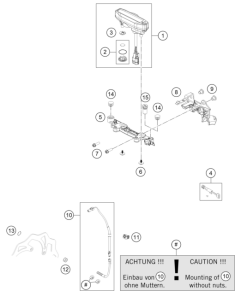


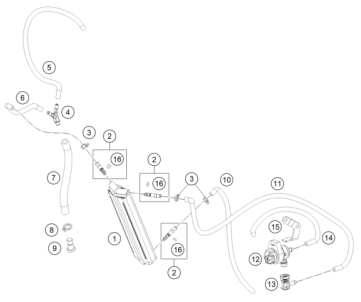

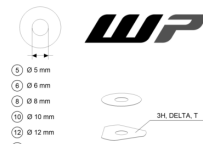


All information contained is without obligation. KTM Sportmotorcycle GmbH particularly reserves the right to modify any equipment, technical specifications, prices, colors, shapes, materials, services, service work, constructions, equipment and the like so as to adapt them to local conditions or to cancel any of the above items, all without previous announcement and without giving reasons. KTM may stop manufacturing certain models without previous notice. KTM shall not be held liable for any deviations of availability and/or ability to deliver, illustrations, descriptions, printing and/or other errors. The illustrated models partly contain extra equipment, which is not applied to standard models.

© by KTM Sportmotorcycle GmbH, Mattighofen AUSTRIA; All rights reserved; Reprint, also in extracts, with written allowance of KTM Sportmotorcycle GmbH, Mattighofen only.

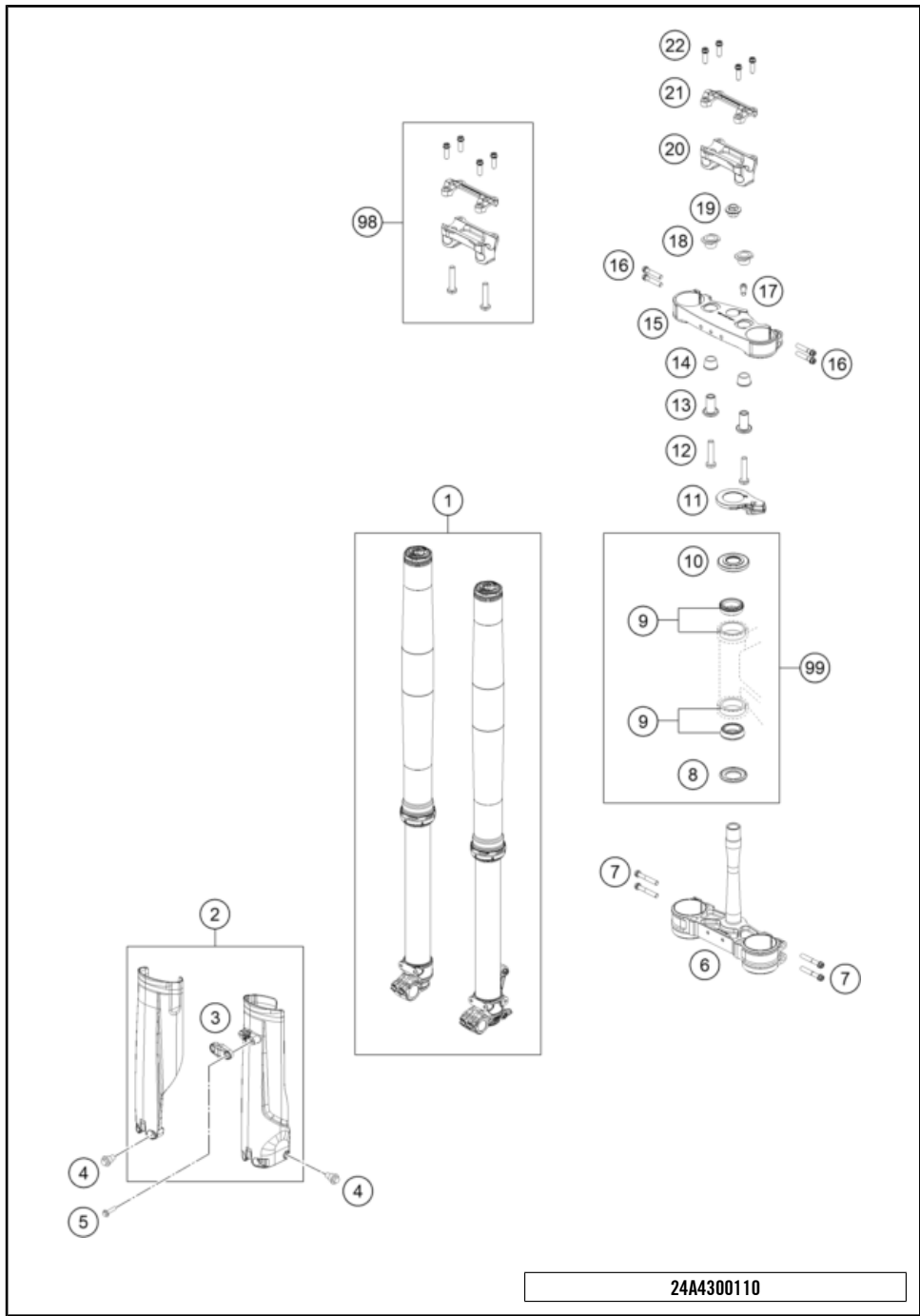
|  |   |   |  |
|--|---|---|--|
| <p><b>FRONT FORK, TRIPLE CLAMP</b></p>  <p><b>4</b></p> | <p><b>FRONT FORK DISASSEMBLED</b></p>  <p><b>5</b></p> | <p><b>HANDLEBAR, CONTROLS</b></p>  <p><b>7</b></p> | <p><b>FRAME</b></p>  <p><b>8</b></p>                        |
| <p><b>ENGINE GUARD</b></p>  <p><b>9</b></p>             | <p><b>SIDE / CENTER STAND</b></p>  <p><b>10</b></p>   | <p><b>SHOCK ABSORBER</b></p>  <p><b>11</b></p>     | <p><b>SHOCK ABSORBER DISASSEMBLED</b></p>  <p><b>12</b></p> |
| <p><b>SWING ARM</b></p>  <p><b>13</b></p>             | <p><b>EXHAUST SYSTEM</b></p>  <p><b>14</b></p>       | <p><b>AIR FILTER</b></p>  <p><b>15</b></p>       | <p><b>TANK, SEAT</b></p>  <p><b>16</b></p>                |

|  |   |  |  |
|--|---|--|--|
| <p><b>FUEL PUMP</b></p>  <p><b>17</b></p>             | <p><b>MASK, FENDERS</b></p>  <p><b>18</b></p>        | <p><b>DECAL</b></p>  <p><b>19</b></p>               | <p><b>FRONT WHEEL</b></p>  <p><b>20</b></p>                 |
| <p><b>REAR WHEEL</b></p>  <p><b>21</b></p>            | <p><b>WIRING HARNESS</b></p>  <p><b>22</b></p>       | <p><b>FRONT BRAKE CONTROL</b></p>  <p><b>24</b></p> | <p><b>REAR BRAKE CONTROL</b></p>  <p><b>25</b></p>          |
| <p><b>FRONT BRAKE CALIPER</b></p>  <p><b>26</b></p> | <p><b>REAR BRAKE CALIPER</b></p>  <p><b>27</b></p> | <p><b>LIGHTING SYSTEM</b></p>  <p><b>28</b></p>   | <p><b>INSTRUMENTS / LOCK SYSTEM</b></p>  <p><b>29</b></p> |

|  |  |  |  |
|--|--|--|--|
| <p><b>EVAPORATIVE CANISTER</b></p>  <p style="text-align: right;"><b>30</b></p> | <p><b>SEPERATE ENCLOSURE</b></p> <div style="display: flex; justify-content: space-around;"> <div style="text-align: center;"> <p>0</p> <p>OHNE ABBILDUNG<br/>WITHOUT ILLUSTRATION</p> </div> <div style="text-align: center;"> <p>1</p> <p>TECHNISCHE DOKUMENTATION<br/>TECHNICAL DOCUMENTATION<br/>DOCUMENTACION TECNICA<br/>DOCUMENTATION TECHNIQUE<br/>NOTE TECNICHE</p> </div> </div>  <p style="text-align: right;"><b>31</b></p> | <p><b>WP SHIMS FOR SETTING</b></p>  <p style="text-align: right;"><b>33</b></p> |  |
|  |  |  |  |
|  |  |  |  |

# FRONT FORK, TRIPLE CLAMP

300 EXC SIX DAYS 2024 EU 2024



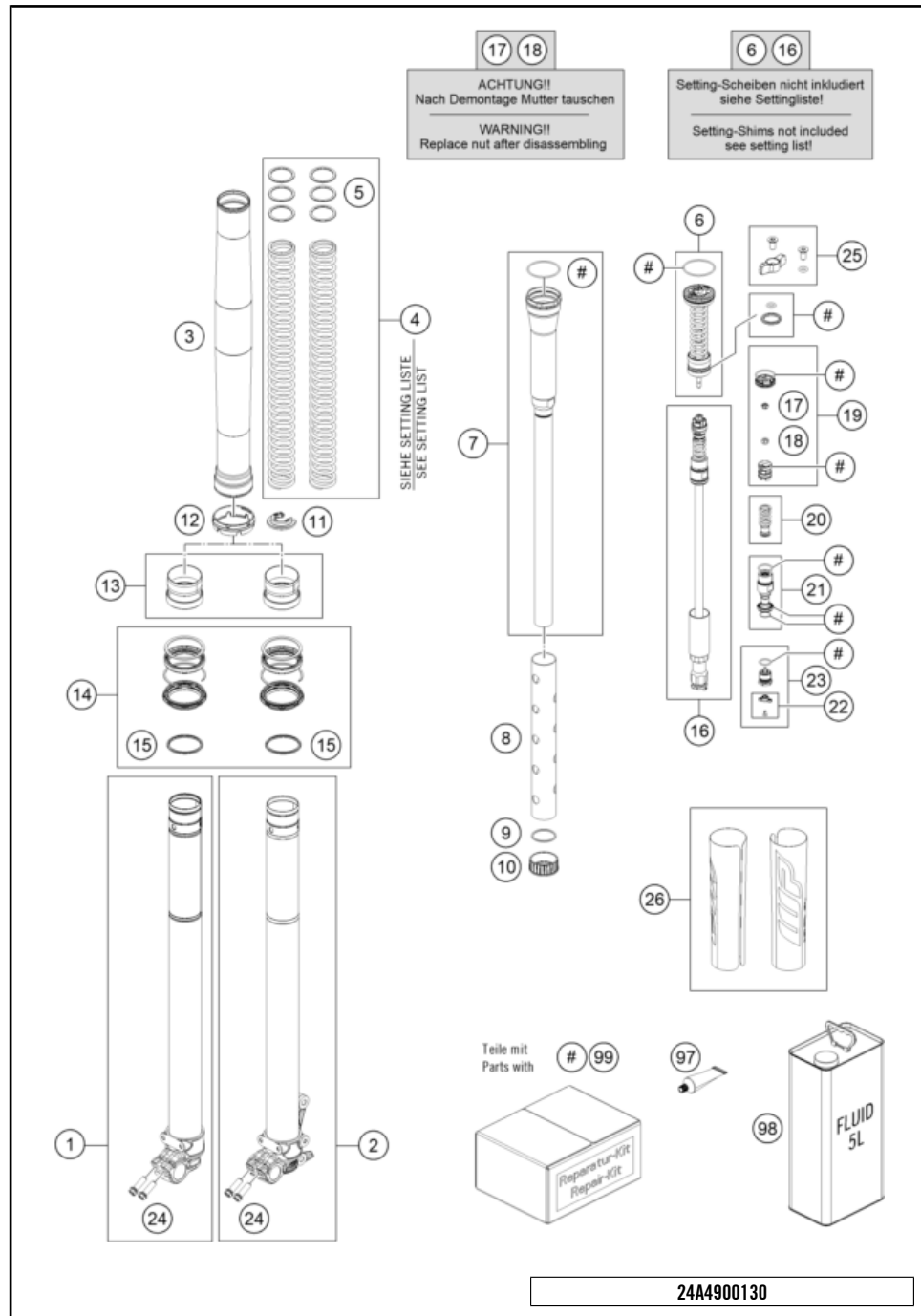
| POS | PARTNUMBER      |  | PIECE |
|-----|-----------------|--|-------|
| 1   | A490C163X402000 | fork KTM 250/300 EXC/XC-W/EXC-F 24           | 1     |
| 2   | A46001094000ABE | Fork protection kit Six Days 2024 with decal | 1     |
| 3   | 77701085100AB   | Clamp for brake hose                         | 1     |
| 4   | 59001092050     | SPECIAL SCREW M6X12,5 WS=8                   | 6     |
| 5   | 0017060206      | SCREW F. PLASTIC K60X20AL SW6                | 2     |
| 6   | A4600113202204  | Triple clamp bottom, press., X=22mm          | 1     |
| 7   | 0025080506      | HH collar screw M8x50 TX40                   | 4     |
| 8   | 77701084000     | O-RING SUPPORT W. SEALING LIP                | 1     |
| 9   | 54201081100     | TAPERED ROLLER BEARING CPL. 06               | 2     |
| 10  | A46001086000    | Steering head seal                           | 1     |
| 11  | A49002065000    | Steering lock                                | 1     |
| 12  | 0035100509S     | AH-COLLAR SCREW M10X50 ISA45                 | 2     |
| 13  | A46001139034    | Handlebar mount, bottom part                 | 2     |
| 14  | 83001040000     | RUBBER BUSH                                  | 2     |
| 15  | A4600113402204  | Upper Triple Clamp X=22MM                    | 1     |
| 16  | 0025080406      | HH COLLAR SCREW M8X40 TX40                   | 4     |
| 17  | 0015080256S     | HH COLLAR SCREW M8X25 WS=10                  | 1     |
| 18  | A46001035001    | Rubber bushing                               | 2     |
| 19  | A46009082000    | Collar screw M20x1.5 SW17 Al                 | 1     |
| 20  | A48001139036    | Handlebar mount D28 mm-H36 mm                | 1     |
| 21  | 79001038000     | HANDLEBAR CLAMP 28MM                         | 1     |
| 22  | 0025080256      | HH collar screw M8x25                        | 4     |
| 98  | A48001039010    | handlebar mount kit D28mm-H36mm              | x     |
| 99  | A46001081044    | Repair Kit steering head bearing             | x     |

24A4300110

67094

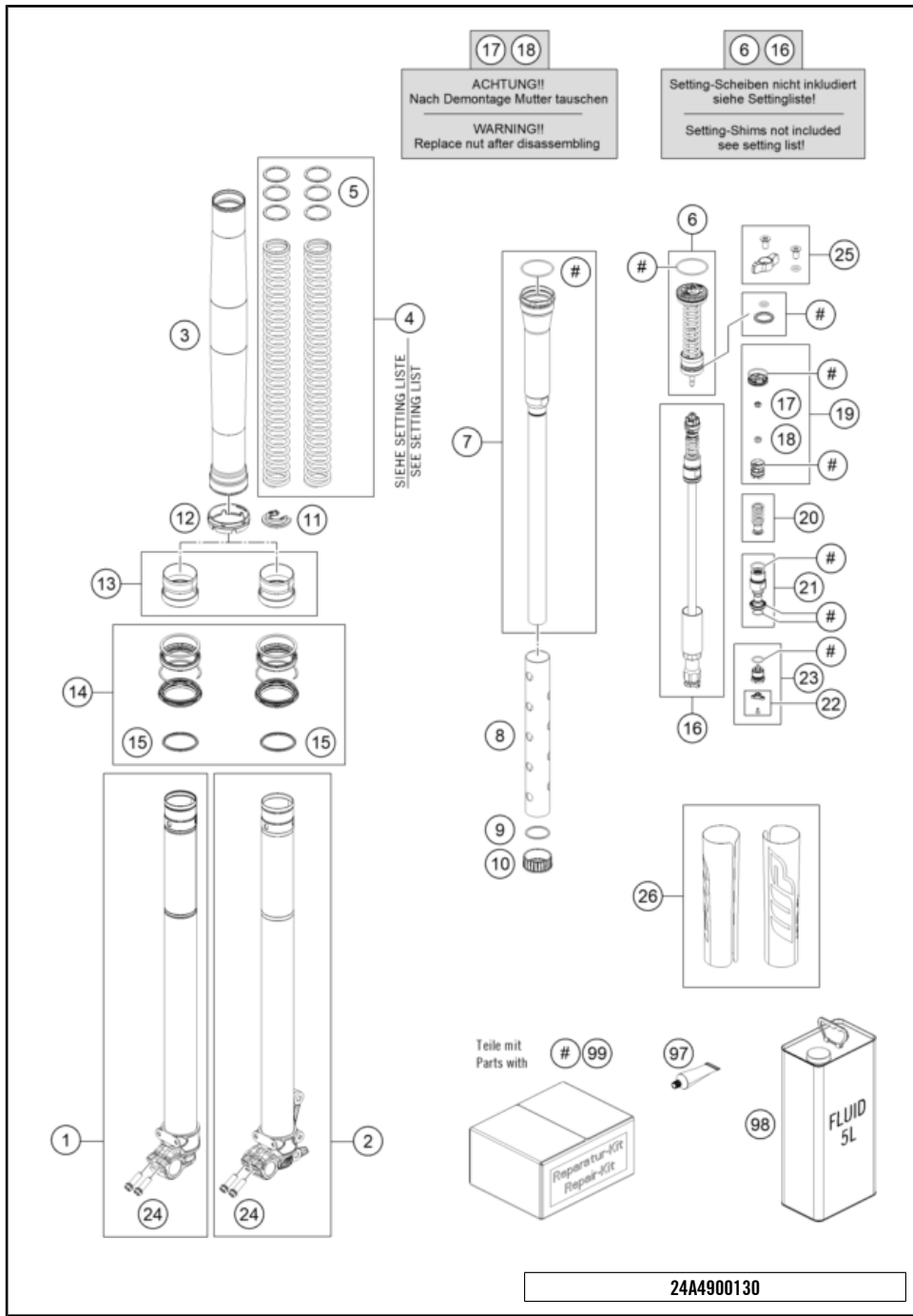
\* NEW PART

X ON DEMAND



| POS | PARTNUMBER      | PIECE                                  |
|-----|-----------------|--|
| 1   | 48602046S2      | Axle clamp ri. with inner tube cpl. 1  |
| 2   | 48602045S2      | Axle clamp le. with inner tube cpl. 1  |
| 3   | 48602096        | fork outer tube 49.13x577 dt54 db60 2  |
| 4   | S809900029S0000 | main spring (43.8) 3.6-470 fork cpl. x |
| 4   | S809900030S0000 | main spring (43.8) 3.8-470 fork cpl. x |
| 4   | S809900031S0000 | main spring (43.8) 4.0-470 fork cpl. x |
| 4   | S809900032S0000 | main spring (43.8) 4.2-470 fork cpl. x |
| 4   | S809900033S0000 | main spring (43.8) 4.4-470 fork cpl. x |
| 4   | S809900034S0000 | main spring (43.8) 4.6-470 fork cpl. x |
| 4   | S809900035S0000 | main spring (43.8) 4.8-470 fork cpl. x |
| 4   | S809900036S0000 | main spring (43.8) 5.0-470 fork cpl. x |
| 4   | S809900037S0000 | main spring (43.8) 5.2-470 fork cpl. x |
| 5   | 48600456        | Washer 35x43x2,5 plastic x             |
| 5   | 48600457        | Preload bush 35x43x3,5 x               |
| 5   | 48600458        | Washer 35x43x1,5 plastic x             |
| 6   | S043400000S0200 | Basevalve cpl. 2                       |
| 7   | S418900003S0100 | Reservoir M38x0.5 kpl 2                |
| 8   | S53360000000000 | Tube 36x38x277 2                       |
| 9   | 48600752        | Washer 33,5x38x1,5 2                   |
| 10  | S82890000200000 | Spring support 33.5x44.5x18.5 2        |
| 11  | S82890000100000 | Spring pad D44 Clip 2                  |
| 12  | S639200001000FA | Fork protection ring 59,8mm 2          |
| 13  | R14047T         | Guide bushing set fork 48mm 1          |
| 14  | RP10012T        | "Seal kit 48mm SKF black" 1            |
| 15  | 48602007        | Stroke indicator 48mm red 2            |
| 16  | S501200022S0000 | pistonrod 12,0x397,5 cpl. 2            |
| 17  | 48602128        | Nut M6 h5,4 SW10 2                     |
| 18  | 40540486        | Nut M6x0,5 h6,5 WAF10 rebound 2        |
| 19  | RP10054T        | Repair kit piston CC spring fork x     |
| 20  | 48600578S       | Spring (13,9) 37-32 rebound cpl. 2     |
| 21  | S408800002S0000 | Screw cap M24,5x1 cpl. 2               |
| 22  | RP10033T        | Repair kit adjuster rebound red x      |
| 23  | 48602052S       | adjuster housing M20x1 cpl. 2          |
| 24  | 0025080256      | HH collar screw M8x25 4                |
| 25  | RP10029T        | adjuster kit screw cap compression 2   |
| 26  | 52000318SET     | Sticker set, XACT CC 238x182.5 1       |
| 97  | T14034          | Fuchs grease IPR (250g) 1              |

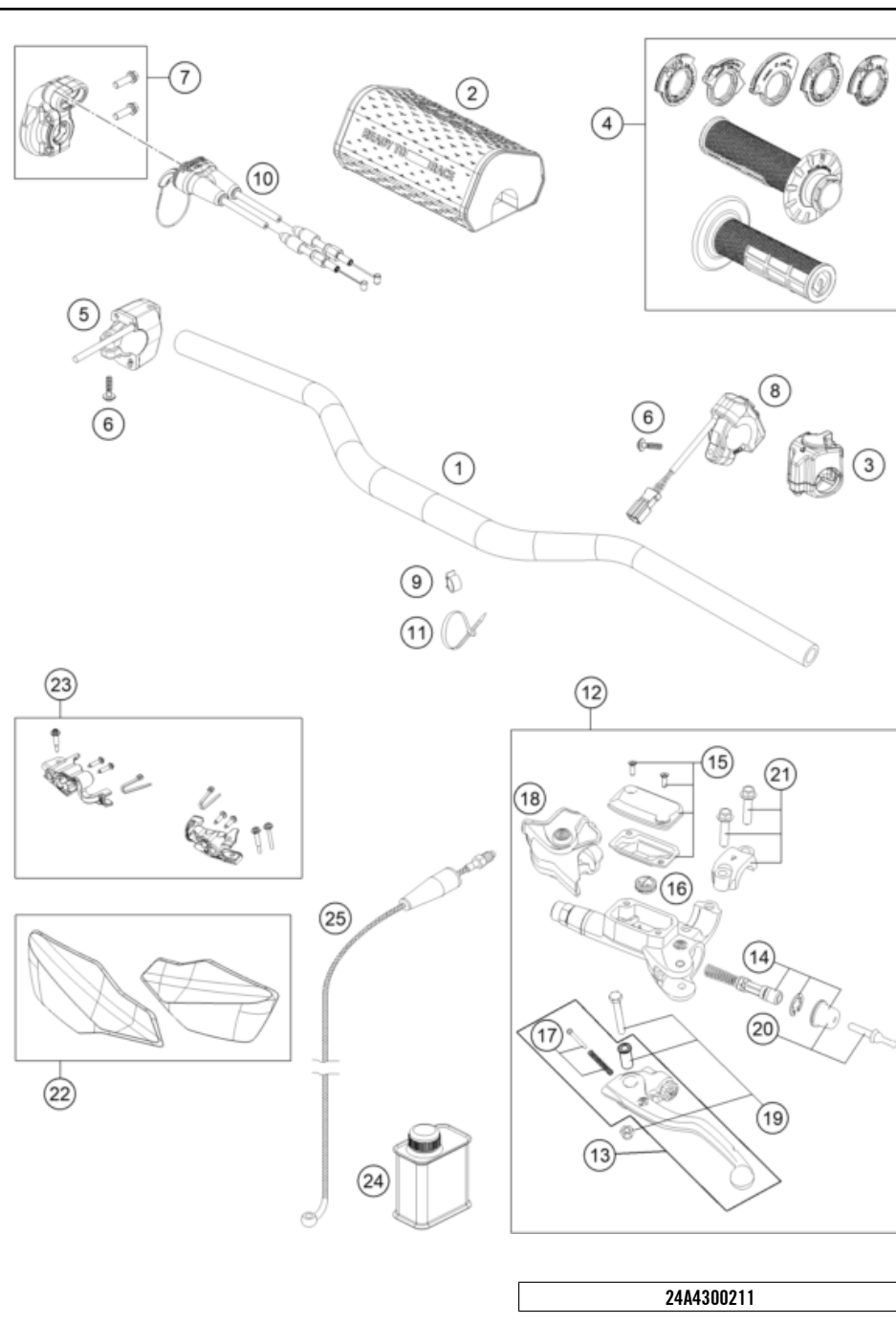
\* NEW PART X ON DEMAND



| POS | PARTNUMBER |                             | PIECE |
|-----|------------|-----------------------------|-------|
| 98  | 48601166S1 | Fork Fluid Viscosity 4.0 5L | 1     |
| 99  | RP10055T   | Seal kit CC spring fork     | x     |

61839 \* NEW PART X ON DEMAND





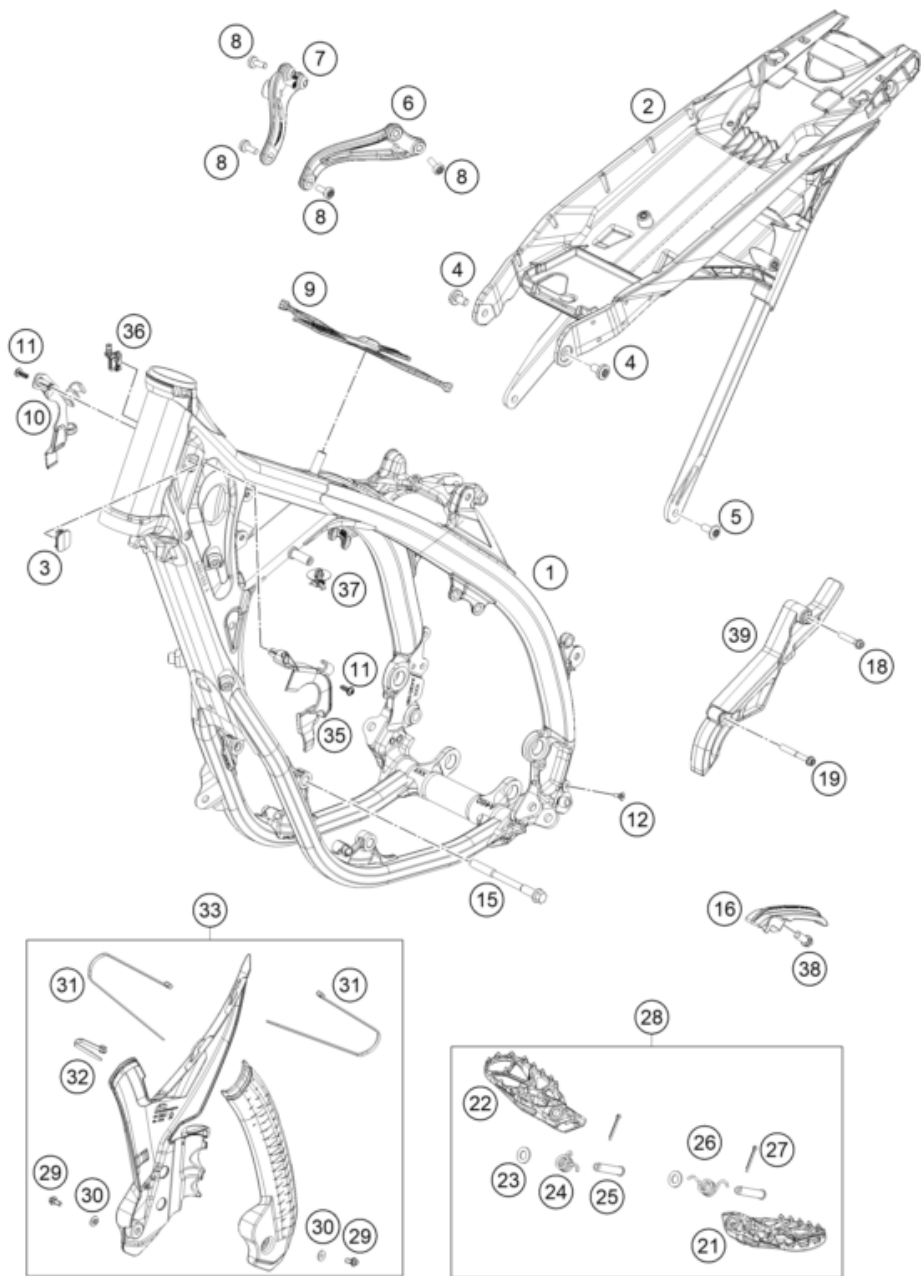
| POS | PARTNUMBER      |                                  | PIECE |
|-----|-----------------|----------------------------------|-------|
| 1   | A49002001000C1A | Handelbar D=28mm                 | 1     |
| 2   | A46002002044C1A | Handlebar pad compl.             | 1     |
| 3   | A49011070000    | Light switch                     | 1     |
| 4   | A46002921000BJ  | Lock-on grip set                 | 1     |
| 5   | A49011074000    | Start button/kill switch         | 1     |
| 6   | 0081050181      | SCREW FOR PLASTIC K50X18 T20     | 2     |
| 7   | A46002010025    | Housing throttle twist grip cpl. | 1     |
| 8   | A44039074000    | Combination switch               | 1     |
| 9   | 57013072100     | WIRING HOLDER 16MM               | 1     |
| 10  | A44002291000    | Throttle cable complete 2 stroke | 1     |
| 11  | 44011076305     | CABLE TIE 300/4,8MM BLACK        | 1     |
| 12  | 54802030144     | MASTER CYLINDER CPL.             | 1     |
| 13  | 54802031000     | CLUTCH LEVER CPL. BREMBO 06      | 1     |
| 14  | 54802032000     | REP. KIT PISTON 06               | 1     |
| 15  | 5480200310030   | COVER HYD. CLUTCH CPL. 2014      | 1     |
| 16  | 54802051000     | VALVE                            | 1     |
| 17  | 54802052000     | BOLT KPL.                        | 1     |
| 18  | 54802037000     | PROTECTION CAP 06                | 1     |
| 19  | 54802038100     | LEVER SCREW CPL. 06              | 1     |
| 20  | 54802046000     | PUSH ROD CPL.                    | 1     |
| 21  | 54802005100     | CLAMP CPL. 06                    | 1     |
| 22  | A49002082044AB  | Handguard compl.                 | 1     |
| 23  | 79602084044     | Handguard assembly kit           | 1     |
| 24  | 00062030000     | BRAKE FLUID DOT5.1 0,25L         | 1     |
| 25  | 79232063000     | CLUTCH PIPE                      | 1     |

24A4300211

67092

\* NEW PART

X ON DEMAND



237950310

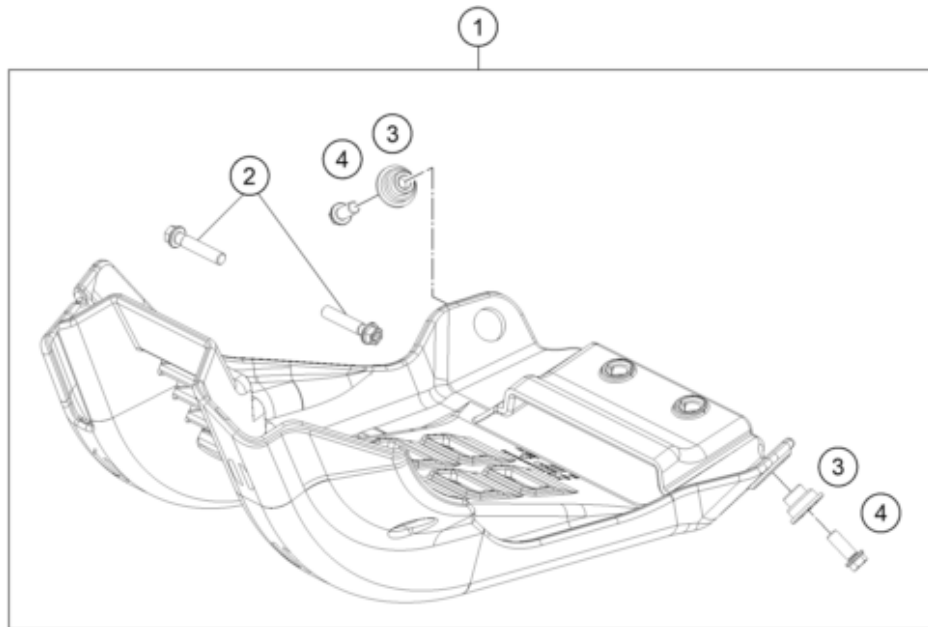
| POS | PARTNUMBER     |  | PIECE |
|-----|----------------|--|-------|
| 1   | A45003001000EB | Frame                                  | 1     |
| 2   | A46003002000   | Subframe                               | 1     |
| 3   | 79111013010    | Cover control head sheet               | 1     |
| 4   | 09000008016U0  | Special screw M8x16 ISA45 self-locking | 2     |
| 5   | 79003003000    | SPECIAL SCREW M8X18 TORX45 SS          | 2     |
| 6   | A42003013000   | Engine brace left                      | 1     |
| 7   | A42003014000   | Engine brace right                     | 1     |
| 8   | 0035080206S    | SHCS M8x20 TX45                        | 6     |
| 9   | A46007012000   | Tank support rubber                    | 1     |
| 10  | A46003099020   | Cable bracket/throttle cable guide     | 1     |
| 11  | 0081050141     | EJOT PT screw K50x14                   | 2     |
| 12  | 69013099050    | SCREW F. EXPANSION TANK                | 1     |
| 15  | 59003013000    | ENGINEBRAC.SCREW M10X123 WS=13         | 2     |
| 16  | A46003053000   | Chain slider below                     | 1     |
| 18  | 0025080206     | HH collar screw M8x20                  | 1     |
| 19  | 0025060456     | HH COLLAR SCREW M6X45 TX30             | 1     |
| 21  | A46003140000   | Footpeg left                           | 1     |
| 22  | A46003141000   | Footpeg right                          | 1     |
| 23  | 0125100003     | washer DIN 125 A 10.5                  | 2     |
| 24  | A46003045000   | Footrest spring right                  | 1     |
| 25  | 54803044000    | PIN FOR FOOT PED 51.5X9.8 MM           | 2     |
| 26  | A46003044000   | Footrest spring left                   | 1     |
| 27  | 0094032253     | PIN DIN0094-3,2X25 STEEL               | 2     |
| 28  | A46003137033   | Footpeg set                            | 1     |
| 29  | 0025050106     | HH collar screw M5x10 TX30             | 2     |
| 30  | 54803092060    | BUSH F. FRAME PROTECTION 03            | 2     |
| 31  | 44011076200    | CABLE TIE 200/3,6MM BLACK              | 2     |
| 32  | 44011076140    | CABLE TIE 140/2,5MM BLACK              | 1     |
| 33  | A46003094000EB | Frame protection set                   | 1     |
| 35  | A46003099010   | Cable bracket                          | 1     |
| 36  | 79107013010    | wire holder / fuel ventilation         | 1     |
| 37  | 79711013010    | Cable bracket d8                       | 1     |
| 38  | 0025080206     | HH collar screw M8x20                  | 1     |
| 39  | A44003096000   | Front sprocket cover                   | 1     |

67090

\* NEW PART

X ON DEMAND

| POS | PARTNUMBER   |                            | PIECE |
|-----|--------------|----------------------------|-------|
| 1   | A44003090044 | Skid plate                 | 1     |
| 2   | 0025060306   | HH collar screw M6x30 TX30 | 2     |
| 3   | A46003090030 | bushing skid plate         | 2     |
| 4   | 0025060166   | HH collar screw M6x16 TX30 | 2     |

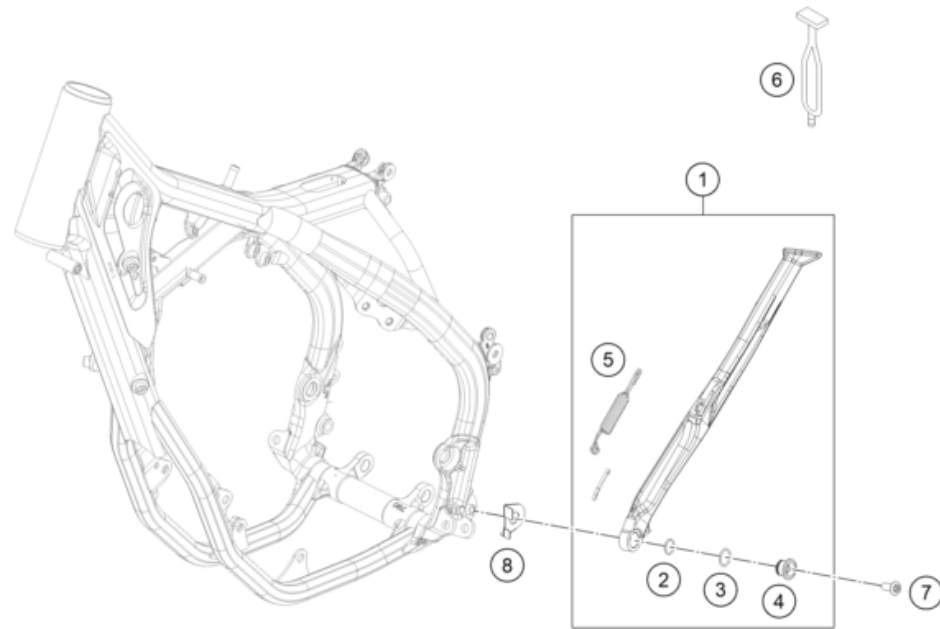


237950330

60137

\* NEW PART

X ON DEMAND



| POS | PARTNUMBER   |                                | PIECE |
|-----|--------------|--------------------------------|-------|
| 1   | A46003023044 | Side stand cmpl.               | 1     |
| 2   | 0770125015   | O-RING 12,5X1,5 NBR            | 1     |
| 3   | 0770180020   | o-ring 18.00x2.00 NBR70        | 1     |
| 4   | 78003023080  | SIDE STAND BUSHING EXC USA 08  | 1     |
| 5   | A46003024000 | Side stand spring              | 1     |
| 6   | A46003025000 | Side stand, rubber strap       | 1     |
| 7   | 0019080306S  | COUNTER-SUNK SCREW ISA45 M8X30 | 1     |
| 8   | A46003023050 | Side stand stopper sheet       | 1     |

23A4600360

59910

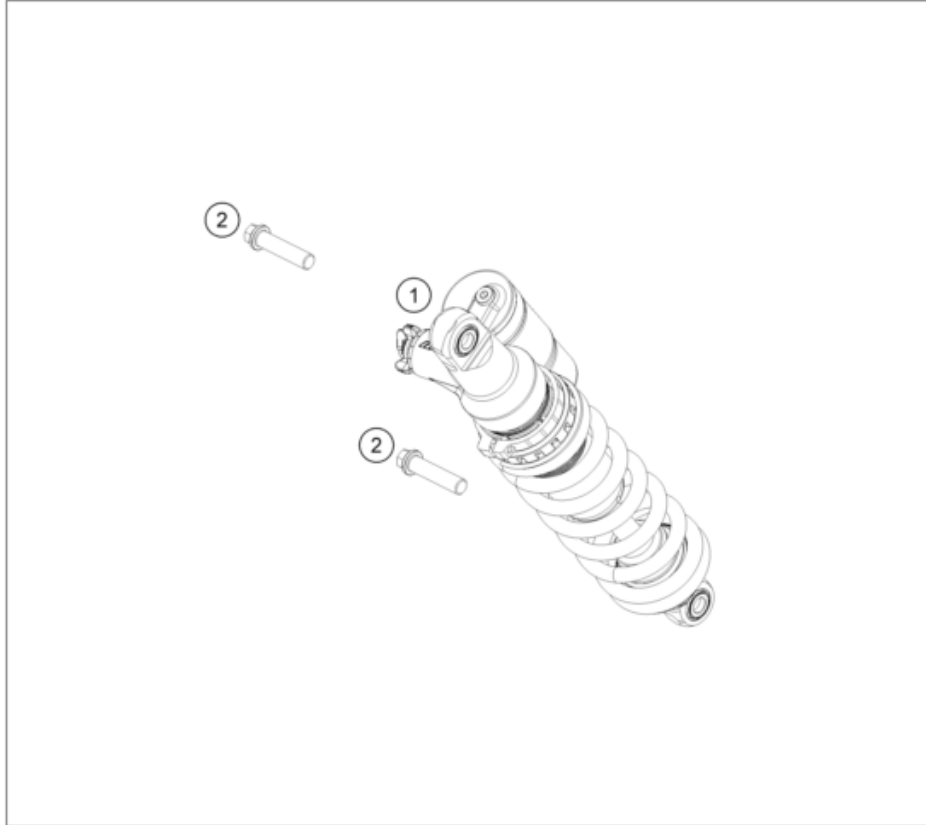
\* NEW PART

X ON DEMAND

# SHOCK ABSORBER

300 EXC SIX DAYS 2024 EU 2024

| POS | PARTNUMBER      |   | PIECE |
|-----|-----------------|---|-------|
| 1   | A490C463X305000 | Monoshock KTM 250/300 EXC/XC-W/EXC-F 24 | 1     |
| 2   | 0025120506S     | HH COLLAR SCREW M12X50 TX45             | 2     |

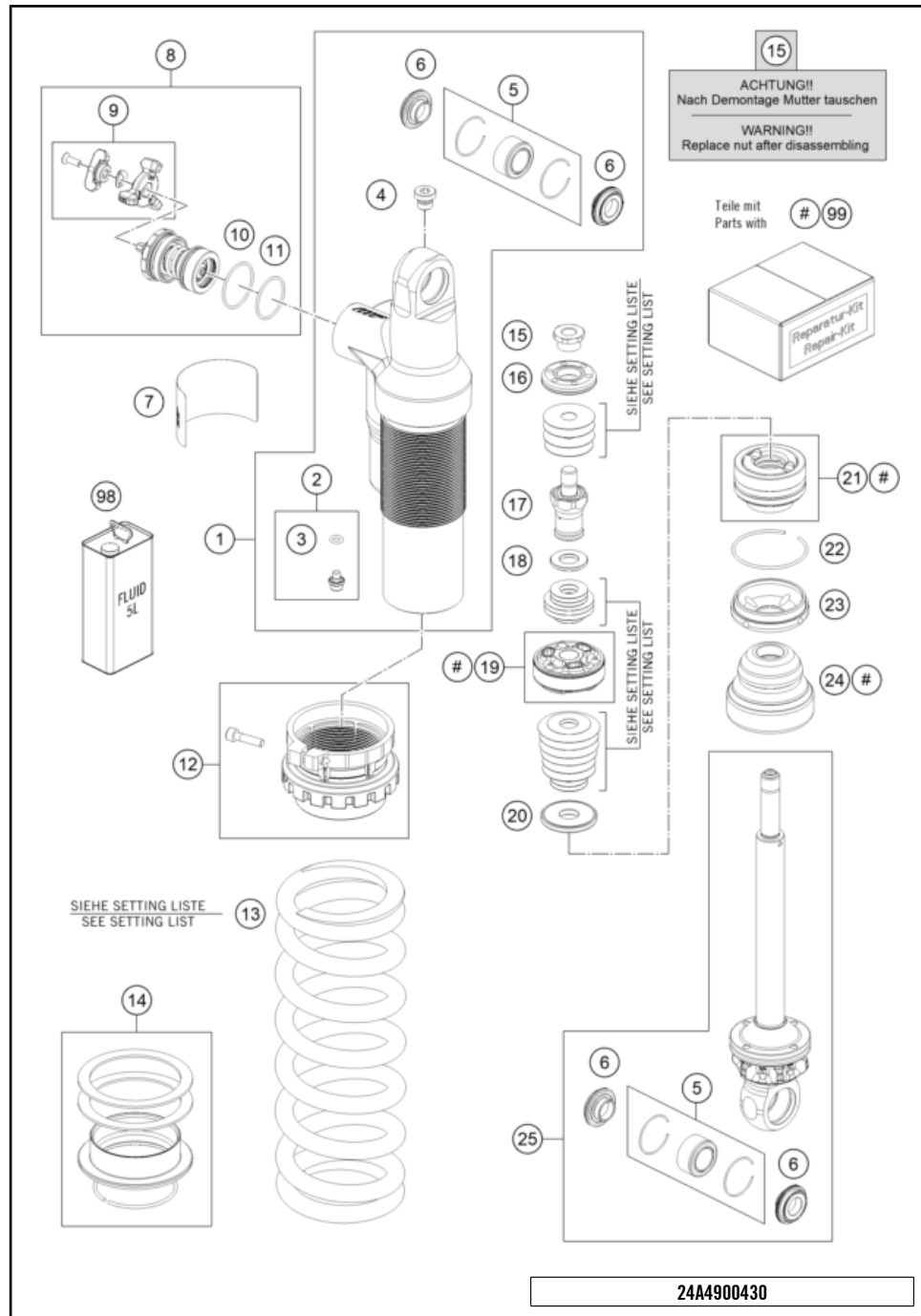


24A4900410

63860

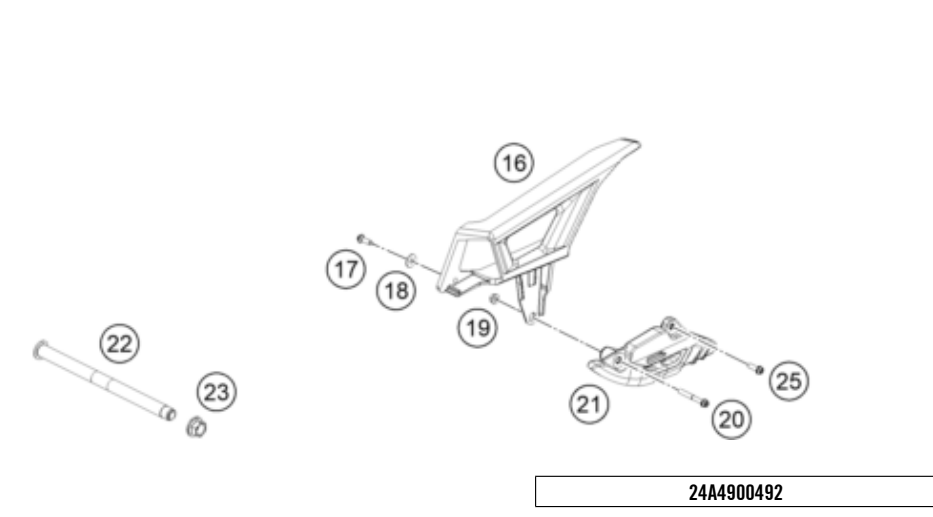
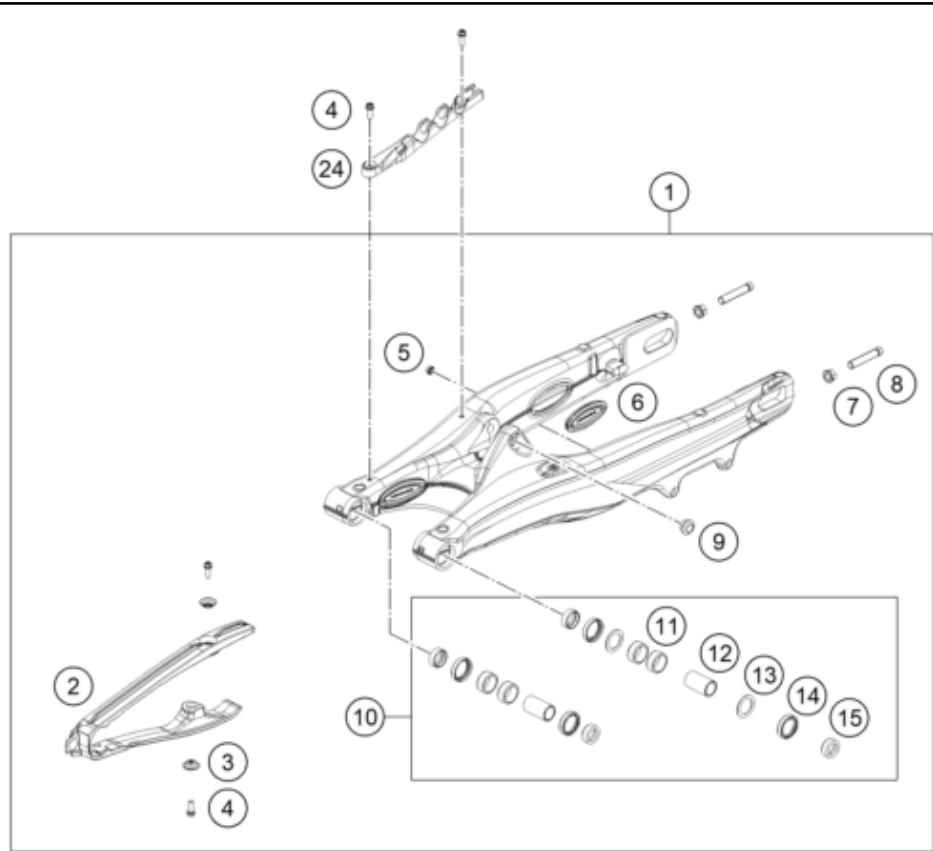
\* NEW PART

X ON DEMAND



| POS | PARTNUMBER       | PIECE                                     |
|-----|------------------|---|
| 1   | S454600000S0000  | shock housing cpl. 1                      |
| 2   | 36120151S        | PLUG SCREW M5X6 CPL. 1                    |
| 3   | 46810893         | O-ring 5,28x1,78 NBR70 black 1            |
| 4   | 50180095         | HS cylinder-head screw R1/8 I8 1          |
| 5   | RP10051T         | Ball bearing kit x                        |
| 6   | 46181193         | PIVOTSEAL Ø12X25,1 PDS 4                  |
| 7   | 52000233         | Sticker XPLOR PDS 90x40 1                 |
| 8   | S012900007S0300  | Compression cpl. 1                        |
| 9   | RP10044T         | Repair kit adjuster DCC 2023 x            |
| 10  | 50180217         | O-ring 27x1,5 Viton70 green ISO 3601-3S 1 |
| 11  | 50180218         | O-ring 25x1,5 Viton70 1                   |
| 12  | 46181382S        | Plastic Spring Retainer D46 cpl. 1        |
| 13  | 91010336         | SHOCK SPRING L= 225 63 N/MM WHITE x       |
| 13  | 91010337         | Mainspring (59/61) 66-225 damper white x  |
| 13  | 91010338S        | SPRING 225MM 69 N/MM x                    |
| 13  | 91010339         | Mainspring (59/61) 72-225 damper white x  |
| 13  | 91010363         | Mainspring (59/61) 75-225 damper white x  |
| 13  | 91010364         | Mainspring (59/61) 78-225 damper white x  |
| 13  | 91010367         | Mainspring (59/61) 81-225 damper white x  |
| 13  | 91010368         | Mainspring (59/61) 84-225 damper white x  |
| 14  | RP10052T         | Spring plate repair kit x                 |
| 15  | 46181656         | nut M10x1 h10,5 SW19 1                    |
| 16  | 46181416         | Piston 15,4x35,4x6 1                      |
| 17  | S71100000500000  | tap 10x48 compression 1                   |
| 18  | 46811258         | Washer 12x24x2,5 1                        |
| 19  | S624600000S0000  | piston d46 cpl. 1                         |
| 20  | 46181194         | Rebound disc 12x36x4 h0 1                 |
| 21  | S614620000S0100  | Sealholder 46x28 cpl. 1                   |
| 22  | S23902000000000  | round-wire snap ring 49x1,75 1            |
| 23  | S409000004000FA  | Cover 46,12x6,2 h14,2 1                   |
| 24  | S9218000000000C1 | Rubber pad 18x56x46 black 1               |
| 25  | S421800001S0100  | piston rod cpl. 1                         |
| 98  | 50180751S1       | SHOCK ABSORBER FLUID 5 LT x               |
| 99  | RP10053T         | Repair kit shock absorber x               |

24A4900430      62097      \* NEW PART      X ON DEMAND



24A4900492

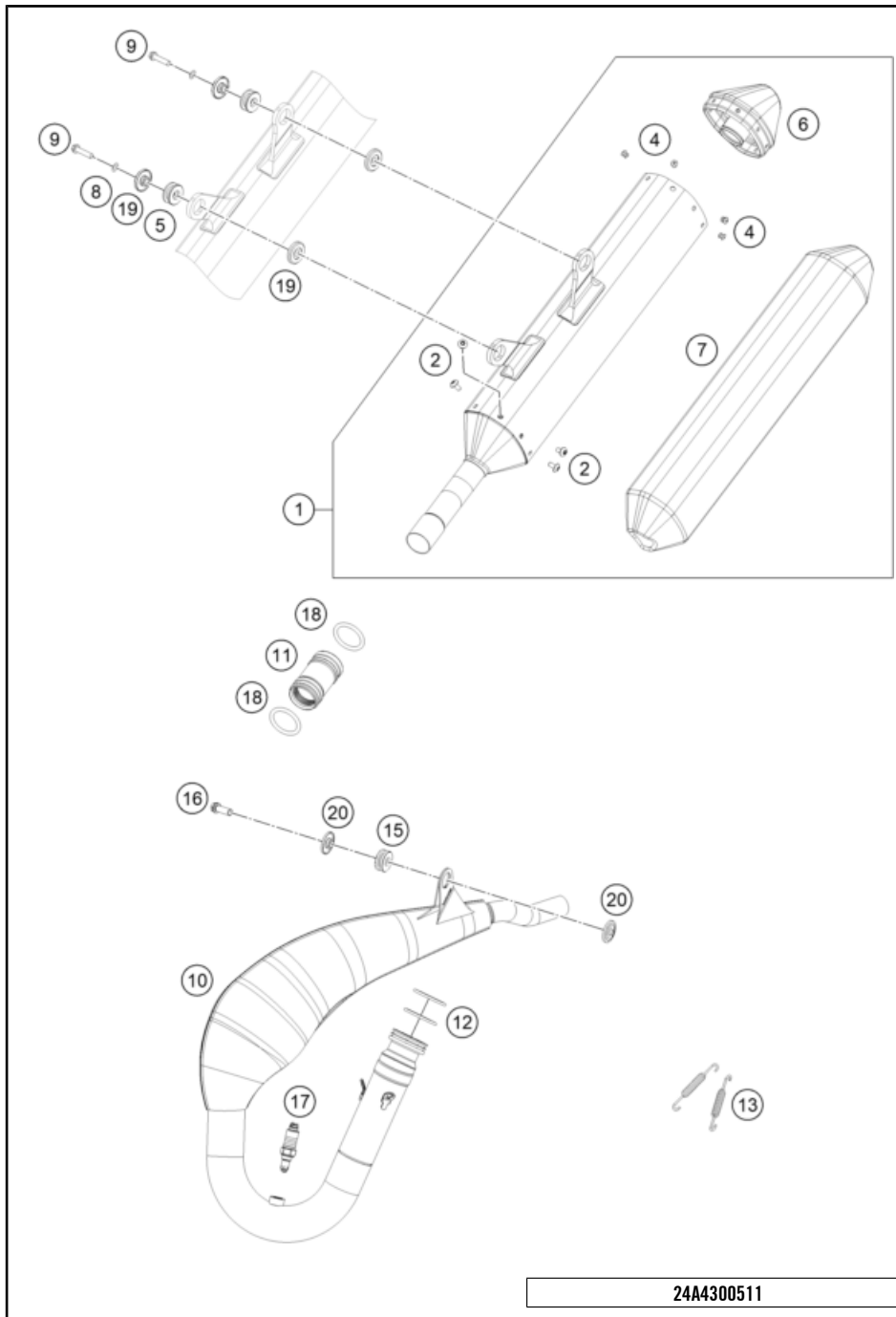
| POS | PARTNUMBER     |                                  | PIECE |
|-----|----------------|----------------------------------|-------|
| 1   | A49004230044   | Schwinge Enduro 2024             | 1     |
| 2   | A46004066000   | Chain slider, left               | 1     |
| 3   | 77304066150    | Chain slider bushing             | 2     |
| 4   | 0025060166S    | HH collar screw M6x16 TX30 SL    | 4     |
| 5   | 54603055051    | PRESS IN NUT M6 STEEL ZINC       | 1     |
| 6   | A46004041000   | Locking cap swingarm             | 4     |
| 7   | 58414030000    | HH COLLAR NUT M10X1,25 WS=13     | 2     |
| 8   | 50304040100    | screw M10x1.25x50 WS10           | 2     |
| 9   | 50180105       | Threaded bush M12 d20            | 1     |
| 10  | 79004030110    | Repair kit swingarm bearing      | 1     |
| 11  | 0618222812     | NEEDLEBEAR HK2212V 22/28/12 MB   | 4     |
| 12  | 59404032000    | BEARING SLEEVE 17X22X38,7 03     | 2     |
| 13  | 54603036000    | STOP DISK 22,2X31,7X1            | 2     |
| 14  | 0760253270     | radial shaft seal 25x32x7        | 4     |
| 15  | 77704034000    | SUPPORT F. SHAFT SEAL RING 16    | 4     |
| 16  | A49004060000   | Chainguard                       | 1     |
| 17  | 0017060205     | SCREW FOR PLASTIC K60X20 SW6     | 1     |
| 18  | 0021060003     | WASHER DIN9021-A 6,4             | 1     |
| 19  | 56509064100    | SELF LOCKING NUT M6 10.9         | 1     |
| 20  | 0025060506     | HH collar screw M6x50 TX30       | 1     |
| 21  | A46004070000EB | Chain guide                      | 1     |
| 22  | A46004037000   | Swingarm pivot                   | 1     |
| 23  | 54804038000    | Nut with flange M16X1,5 WS=19 03 | 1     |
| 24  | A46004042000   | Brake line guide                 | 1     |
| 25  | 59009062016    | SPECIAL SCREW M6X16 WS=8 10.9    | 1     |

67083

\* NEW PART X ON DEMAND

# EXHAUST SYSTEM

300 EXC SIX DAYS 2024 EU 2024



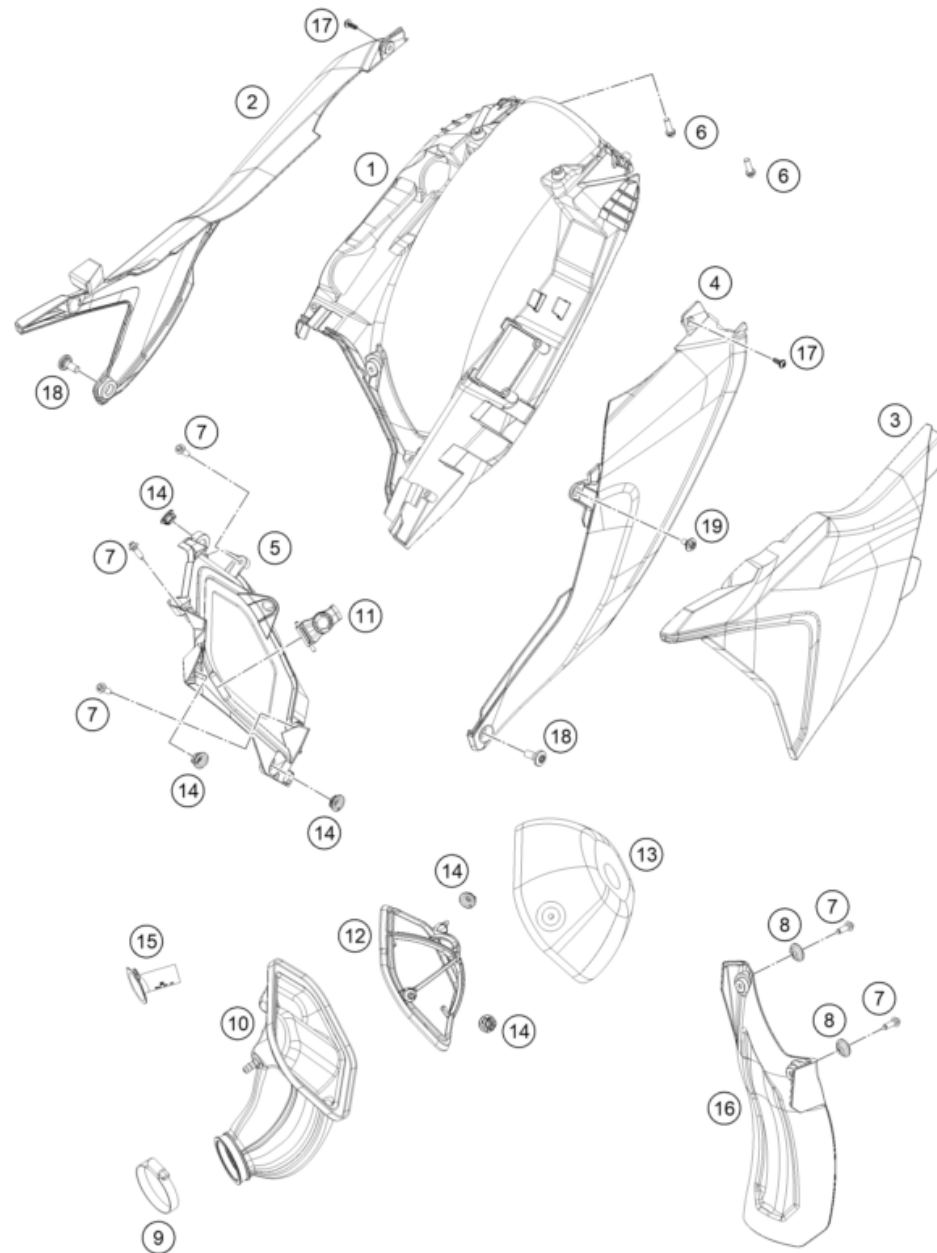
| POS | PARTNUMBER     |                                 | PIECE |
|-----|----------------|---------------------------------|-------|
| 1   | A4500508100059 | Silencer Six Days               | 1     |
| 2   | 78105081010    | SCREW TORX M5X10                | 7     |
| 4   | 0011480800     | DUMMY RIVET 4,8X 8 NIRO         | 7     |
| 5   | 77205068000    | DAMP. COMPON. BLACK             | 2     |
| 6   | A44005079060   | end cap cpl.                    | 1     |
| 7   | 55505083085    | stuffingyarn package            | 1     |
| 8   | 50233041000    | PAIR OF WASHERS M 6 NORDLOCK    | 2     |
| 9   | 0025060306     | HH collar screw M6x30 TX30      | 2     |
| 10  | A45005009000   | Header with catalytic converter | 1     |
| 11  | 55405057000    | exhaust rubber                  | 1     |
| 12  | 0770440030     | O-RING 44,00X3,00 VITON         | 2     |
| 13  | A46005016000   | Tension spring L=65mm           | 2     |
| 15  | 79105068000    | Damper gray                     | 1     |
| 16  | 0025080306     | HH collar screw M8x30           | 1     |
| 17  | 75041090200    | LAMBDA SENSOR                   | 1     |
| 18  | 55405058000    | hose spring                     | 2     |
| 19  | 77205169000    | BUSHING 7.5x12x28x8.3 11        | 4     |
| 20  | 77805069000    | BUSHING 8.5x12x28x8.3           | 2     |

24A4300511

67101

\* NEW PART X ON DEMAND





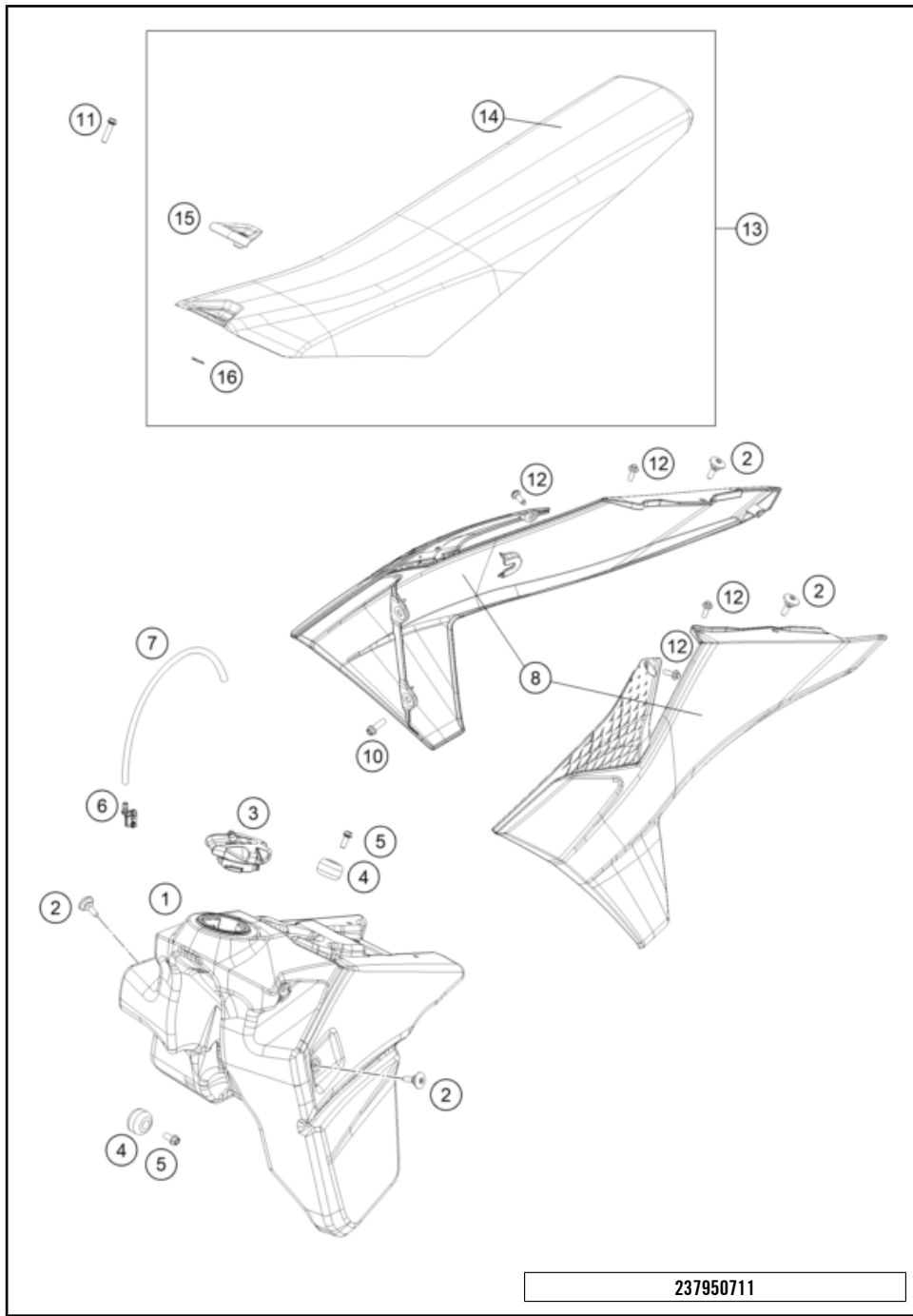
| POS | PARTNUMBER      |                                     | PIECE |
|-----|-----------------|-------------------------------------|-------|
| 1   | A46006101000AB  | Air filter box, bottom part         | 1     |
| 2   | A46006004000ABB | Air filter box lid right with decal | 1     |
| 3   | A46006003000ABD | Air filter box cover with decal     | 1     |
| 4   | A46006005000ABB | Air filter box lid left with decal  | 1     |
| 5   | A46006001010AB  | Air filter box front part           | 1     |
| 6   | 0025060206      | HH collar screw M6x20 TX30          | 2     |
| 7   | 0017060206      | SCREW F. PLASTIC K60X20AL SW6       | 5     |
| 8   | 77304066150     | Chain slider bushing                | 2     |
| 9   | 78006027000     | HOSE CLAMP 45-65MM                  | 1     |
| 10  | A45006026000    | Air boot                            | 1     |
| 11  | A46006017000    | Air filter holding bracket          | 1     |
| 12  | A42006016000    | Air filter support                  | 1     |
| 13  | A46006015000    | Air filter                          | 1     |
| 14  | 47106003160     | quick release rubber grommet        | 5     |
| 15  | A45006012050    | Air restrictor                      | 1     |
| 16  | A46004050000    | Splash protection                   | 1     |
| 17  | 0081050141      | EJOT PT screw K50x14                | 2     |
| 18  | 79003003000     | SPECIAL SCREW M8X18 TORX45 SS       | 2     |
| 19  | 83008000012     | special screw M6x12x3               | 1     |

24A4300610

67099

\* NEW PART

X ON DEMAND



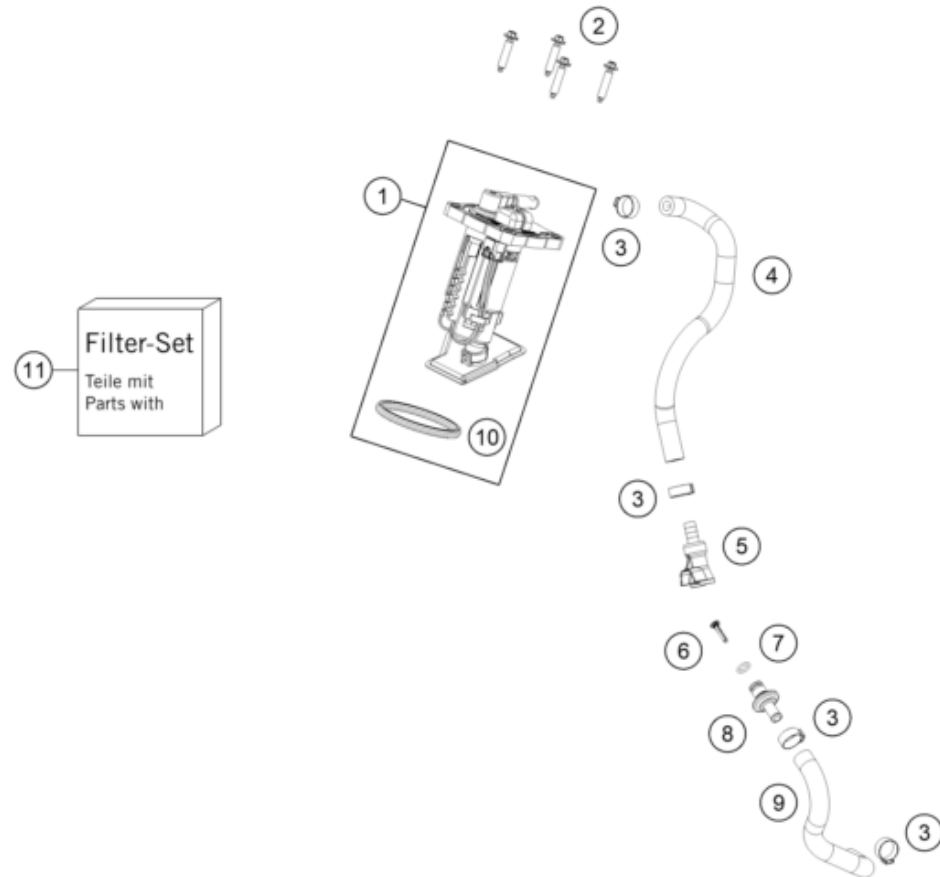
237950711

67106

| POS | PARTNUMBER      |   | PIECE |
|-----|-----------------|---|-------|
| 1   | A49007213000    | Fuel tank                               | 1     |
| 2   | 79107011000     | Seat holder screw                       | 4     |
| 3   | 78107008044C1   | Fuel cap cmpl. 14                       | 1     |
| 4   | A46007014000    | Fuel tank role                          | 3     |
| 5   | 0026060136      | COLLAR SCREW M6X13 ISA30                | 3     |
| 6   | 79107013010     | wire holder / fuel ventilation          | 1     |
| 7   | 78007100780     | Vent hose 5.6 x 10 x 780                | 1     |
| 8   | A46008054000ABC | Spoiler kit Six Days 2021<br>with decal | 1     |
| 10  | 0025060126      | HH collar screw M6x12 TX30              | 4     |
| 11  | 0025060256      | HH collar screw M6x25 TX30              | 1     |
| 12  | 0017060206      | SCREW F. PLASTIC K60X20AL SW6           | 4     |
| 13  | A46007040000HHB | Seat                                    | 1     |
| 14  | A46007040050HHB | Seat cover                              | 1     |
| 15  | A46007046000    | Seat installation                       | 1     |
| 16  | 0004711200100   | Lock ring DIN471 12x1                   | 1     |

\* NEW PART

X ON DEMAND



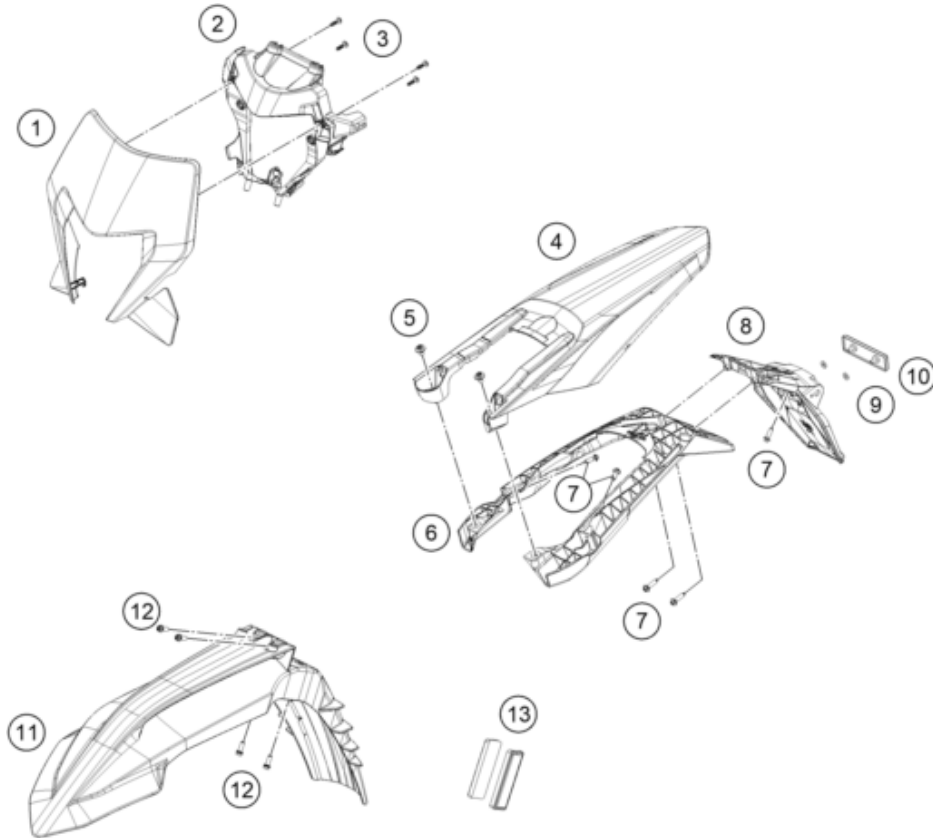
| POS | PARTNUMBER    |                               | PIECE |
|-----|---------------|-------------------------------|-------|
| 1   | A49007088200  | Fuel pump                     | 1     |
| 2   | 0017060305    | SPECIAL SCREW K60X30 WS=6     | 4     |
| 3   | 00050157706   | VARIABLE ONE-EAR CLAMP 15,7MM | 4     |
| 4   | A44007016000  | Fuel hose, tank               | 1     |
| 5   | 5850701050030 | CLUTCH CPC BLACK 05           | 1     |
| 6   | 78141013190   | FUEL FILTER                   | 1     |
| 7   | 58507012000   | O-RING VITON F. PLUG CPC 05   | 1     |
| 8   | 77707010000   | CONNECTOR FUEL PUMP           | 1     |
| 9   | A44007017000  | Fuel hose, tank               | 1     |
| 10  | A46007088050  | Fuel pump seal                | 1     |
| 11  | A46007018044  | Fuel pump filter kit          | 1     |

227950730

63914

\* NEW PART

X ON DEMAND



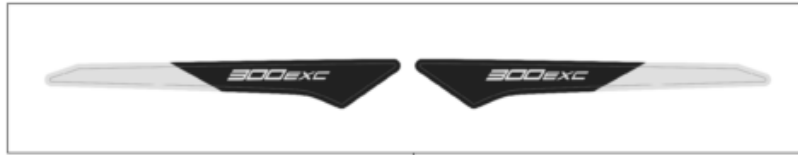
| POS | PARTNUMBER      |  | PIECE |
|-----|-----------------|--|-------|
| 1   | A49008001000ABA | Headlight mask with decal              | 1     |
| 2   | A49008001010C1  | Headlight mask bottom part             | 1     |
| 3   | 0081050181      | SCREW FOR PLASTIC K50X18 T20           | 4     |
| 4   | A49008013000ABA | Rear fender EXC with decal             | 1     |
| 5   | 83008000012     | special screw M6x12x3                  | 2     |
| 6   | A49008015000    | License plate holder support           | 1     |
| 7   | 0017060205      | SCREW FOR PLASTIC K60X20 SW6           | 5     |
| 8   | 79708016100     | License plate holder support extension | 1     |
| 9   | 60408061050     | RUBBER 14X6.5X2.3MM                    | 2     |
| 10  | 58412080000     | REFLECTOR RED                          | 1     |
| 11  | A46008010000AB  | Fender                                 | 1     |
| 12  | 0025060166      | HH collar screw M6x16 TX30             | 4     |
| 13  | 58412080300     | REFLECTOR YELLOW "CEV"                 | 2     |

24A4900810

67098

\* NEW PART

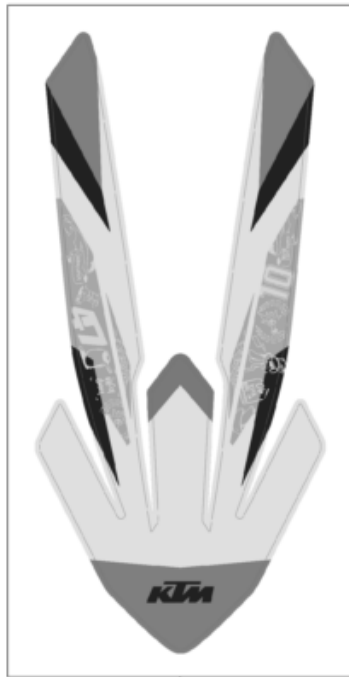
X ON DEMAND



3



2



1

24A4300832

| POS | PARTNUMBER   |                                    | PIECE |
|-----|--------------|------------------------------------|-------|
| 1   | A49008093001 | Aufkleber Kotflügel vorne Six Days | 1     |
| 2   | A49004055001 | Sticker set swingarm ISDE          | 1     |
| 3   | A49008078014 | Displac. sticker set 250 EXC ISDE  | 1     |

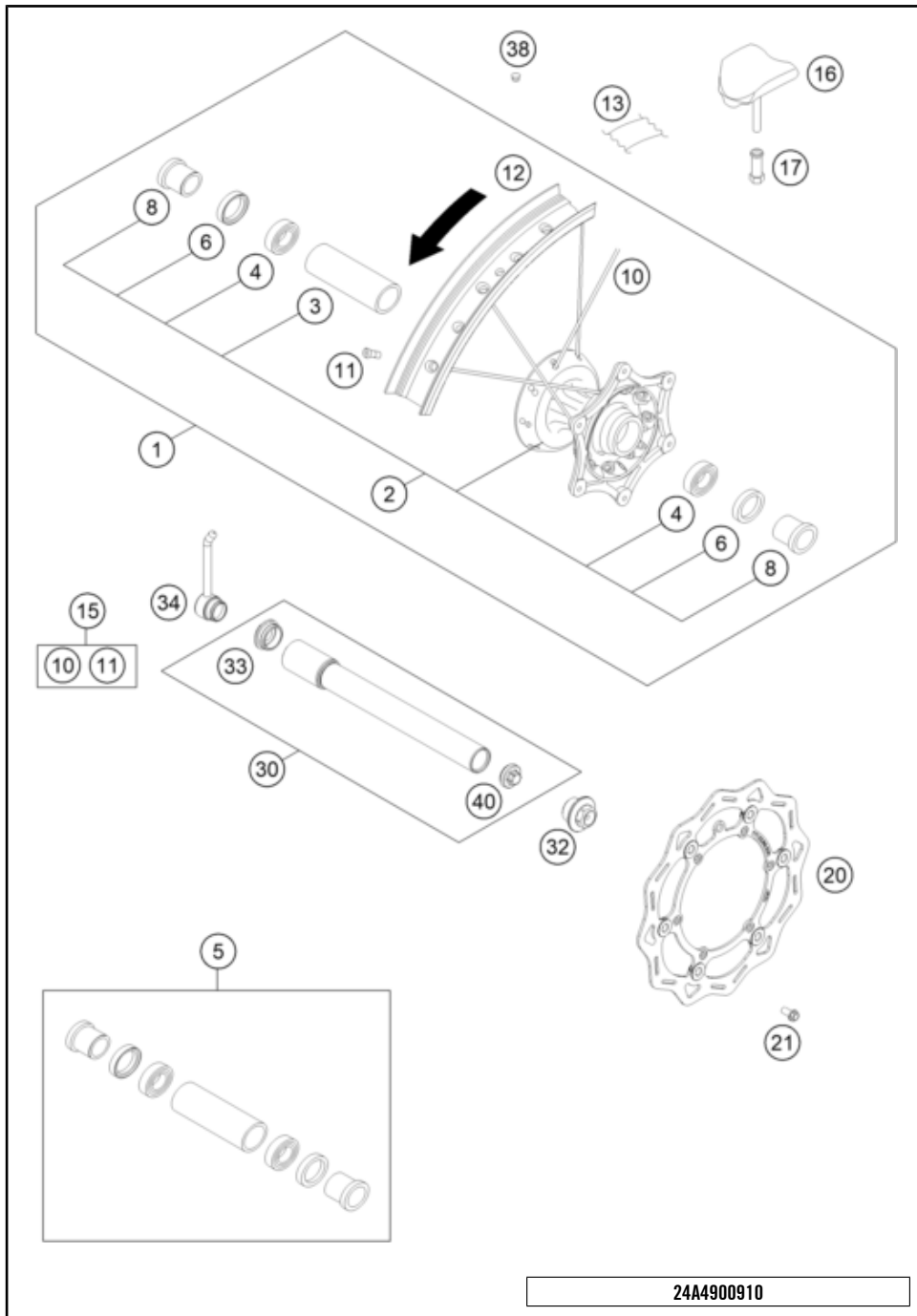
67124

\* NEW PART

X ON DEMAND

# FRONT WHEEL

300 EXC SIX DAYS 2024 EU 2024

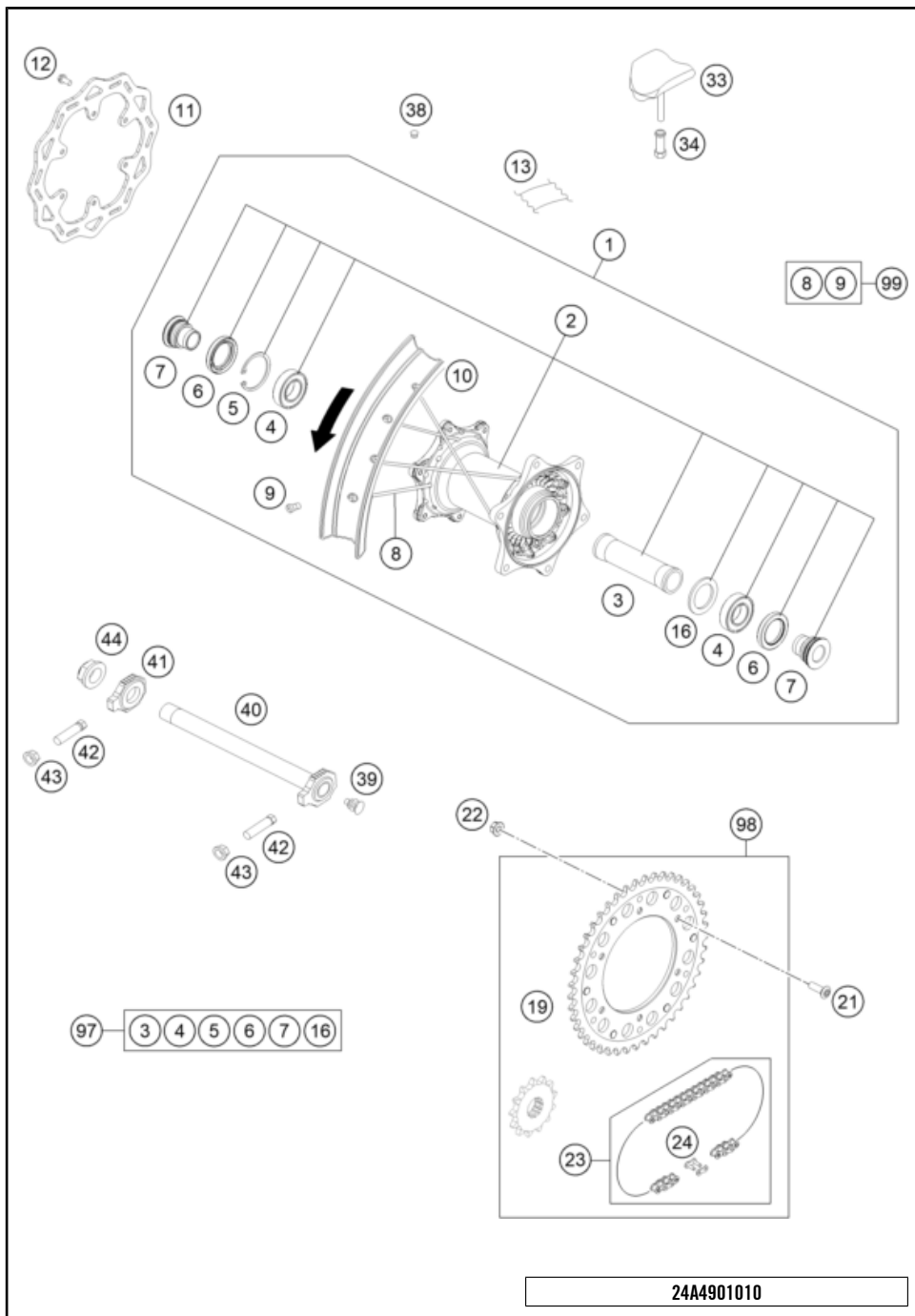


| POS | PARTNUMBER     |                                    | PIECE |
|-----|----------------|------------------------------------|-------|
| 1   | 78109101344C1B | Front wheel cmpl. 1.6x21" Giant 6D | 1     |
| 2   | 77709010144    | FRONT WHEEL HUB CPL.               | 1     |
| 3   | 54809011000    | BEA.SPACERTUBE 35X2 L=79,4 03      | 1     |
| 4   | 0625069068     | GR.BALL BEAR.6906 DDU2CG23S6NM     | 2     |
| 5   | 77709015000    | wheel bearing repair kit           | 1     |
| 6   | 0760354771     | SHAFT SEAL RING 35X47X7 TC         | 2     |
| 8   | 77709012000    | SPACER BUSHING F. FR. WHEEL        | 2     |
| 10  | 7710907122630  | SPOKE M4,5X226- 21" BLACK 12       | 36    |
| 11  | 77109072000    | SPOKE NIPPLE M4,5 AL 11            | 36    |
| 12  | 78109070300C1B | Front rim 1.6x21"                  | 1     |
| 13  | 50309073000    | RIM BAND 21"                       | 1     |
| 15  | 00050000954    | SPOKE KIT FRONT "21" BLACK         | x     |
| 16  | 78109090200    | Tyre locker 1,60"                  | 1     |
| 17  | 77110090050    | NUT FOR WHEEL HOLDER               | 1     |
| 20  | 77709160000    | BRAKE DISC FRONT D=260MM           | 1     |
| 21  | 59009062013    | SPECIAL SCREW M6X13 WS=8 10.9      | 6     |
| 30  | 79109081033    | Wheel spindle front cmpl, 2019     | 1     |
| 32  | 70009082000    | AXLESCREW M20X1.5 SW17             | 1     |
| 33  | 70009081050    | PLUG BUSHING SW17 '12              | 1     |
| 34  | 7900998116004  | Front axle puller                  | 1     |
| 38  | 55003135000    | PLUG FOR RIM                       | x     |
| 40  | 7770908107055  | AUXILIARY SCREW FRONT              | 1     |

24A4900910

67086

\* NEW PART X ON DEMAND



| POS | PARTNUMBER      |                                     | PIECE |
|-----|-----------------|-------------------------------------|-------|
| 1   | 78110001644C1B  | Rear wheel compl. 2.15x18" Giant 6D | 1     |
| 2   | A46010010044    | Rear wheel hub compl.               | 1     |
| 3   | A46010011000    | Bearing spacer tube 121.5mm         | 1     |
| 4   | 0625060058      | GR.BALL BEAR.6005 DDU2CG23S6NM      | 2     |
| 5   | 0472047175      | CIRCLIP DIN0472-47X1,75             | 1     |
| 6   | 0760354771      | SHAFT SEAL RING 35X47X7 TC          | 2     |
| 7   | A46010016000    | Spacing tube rear wheel             | 2     |
| 8   | 7901007119330   | SPOKE M4,5X193-18" BLACK 16         | 36    |
| 9   | 77109072000     | SPOKE NIPPLE M4,5 AL 11             | 36    |
| 10  | 78110070300C1B  | Rear rim 2.15x18"                   | 1     |
| 11  | 25010960000     | BRAKE DISC REAR D=220MM             | 1     |
| 12  | 59009062013     | SPECIAL SCREW M6X13 WS=8 10.9       | 6     |
| 13  | 50310073200     | RIM BAND 18" AND 19"                | 1     |
| 16  | 77710015000     | DISTANCE RING                       | 1     |
| 19  | 5841005104504   | Supersprox-Stealth rear sprocket    | 1     |
| 19  | 5841005104604   | REAR SPROCKET ORANGE 46 T.          | x     |
| 19  | 5841005104704   | Rear sprocket 47 teeth              | x     |
| 19  | 5841005104804   | REAR SPROCKET ORANGE 48-T           | x     |
| 19  | 5841005104904   | REAR SPROCKET ORANGE 49-T           | x     |
| 19  | 5841005105004   | REAR SPROCKET ORANGE 50-T           | x     |
| 19  | 5841005105104   | REAR SPROCKET ORANGE 51-T           | x     |
| 21  | 0019080266S     | COUNTER-SUNK SCREW ISA45 M8X26      | 6     |
| 22  | 06923080003     | hex nut EN 1661 M8 WS13             | 6     |
| 23  | 78010267118     | CHAIN DID 118 LINKS                 | 1     |
| 24  | 78010266000     | CONNECTING LINK F. 78010267118      | 1     |
| 33  | 78110090200     | Tyre locker 2,15"                   | 1     |
| 34  | 77110090050     | NUT FOR WHEEL HOLDER                | 1     |
| 38  | 55003135000     | PLUG FOR RIM                        | x     |
| 39  | 50210086000     | COVERING CAP SFL16                  | x     |
| 40  | A46010085044    | Wheel spindle rear wheel compl.     | 1     |
| 41  | A46010084000    | Chain tension adjuster right        | 1     |
| 42  | 50304040100     | screw M10x1.25x50 WS10              | 2     |
| 43  | 58414030000     | HH COLLAR NUT M10X1,25 WS=13        | 2     |
| 44  | A46010086000    | Collar nut M22x1,5 WS=30            | 1     |
| 97  | A46010015010    | wheel bearing repair kit            | x     |
| 98  | SPA113U45KM118A | Drivetrain kit 13Z/45Z              | x     |
| 99  | 00050000981     | SPOKE KIT REAR 18" EXC 17           | x     |

24A4901010

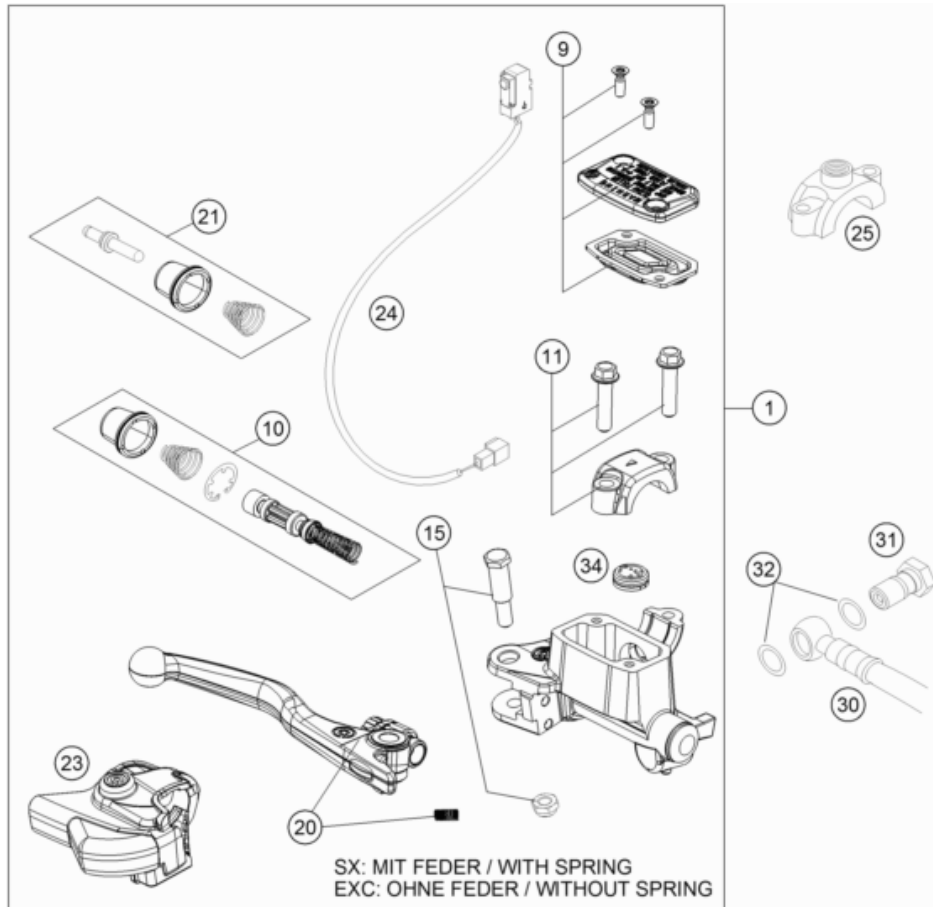
67088

\* NEW PART X ON DEMAND









| POS | PARTNUMBER  |                                | PIECE |
|-----|-------------|--------------------------------|-------|
| 1   | 77713001144 | HAND BREAK CYLIND. CPL. EXC 14 | 1     |
| 9   | 77713003000 | HAND BRAKE CYL. COVER          | 1     |
| 10  | 77713008100 | REPAIR KIT PISTON EXC 2014     | 1     |
| 11  | 50313005000 | CLAMP CPL. NATURE              | 1     |
| 15  | 77713006000 | LEVER SCREW                    | 1     |
| 20  | 77713002000 | HAND BRAKE LEVER +SPRING SX 14 | 1     |
| 21  | 77713007100 | PUSH ROD CPL. EXC 2014         | 1     |
| 23  | 77713004000 | PROTECTION CAP HAND BRAKE CYL. | 1     |
| 24  | 77711050000 | BRAKE LIGHT SWITCH FRONT 2014  | 1     |
| 25  | 58012040150 | CLAMP FOR MIRROR '94           | 1     |
| 30  | 77713010000 | BRAKE PIPE                     | 1     |
| 31  | 54813020100 | banjo bolt M10x1x19 black      | 1     |
| 32  | 0603100141  | sealing ring DIN 7603 10x14x1  | 2     |
| 34  | 54802051000 | VALVE                          | 1     |
| 80  | 00062030000 | BRAKE FLUID DOT5.1 0,25L       | 1     |

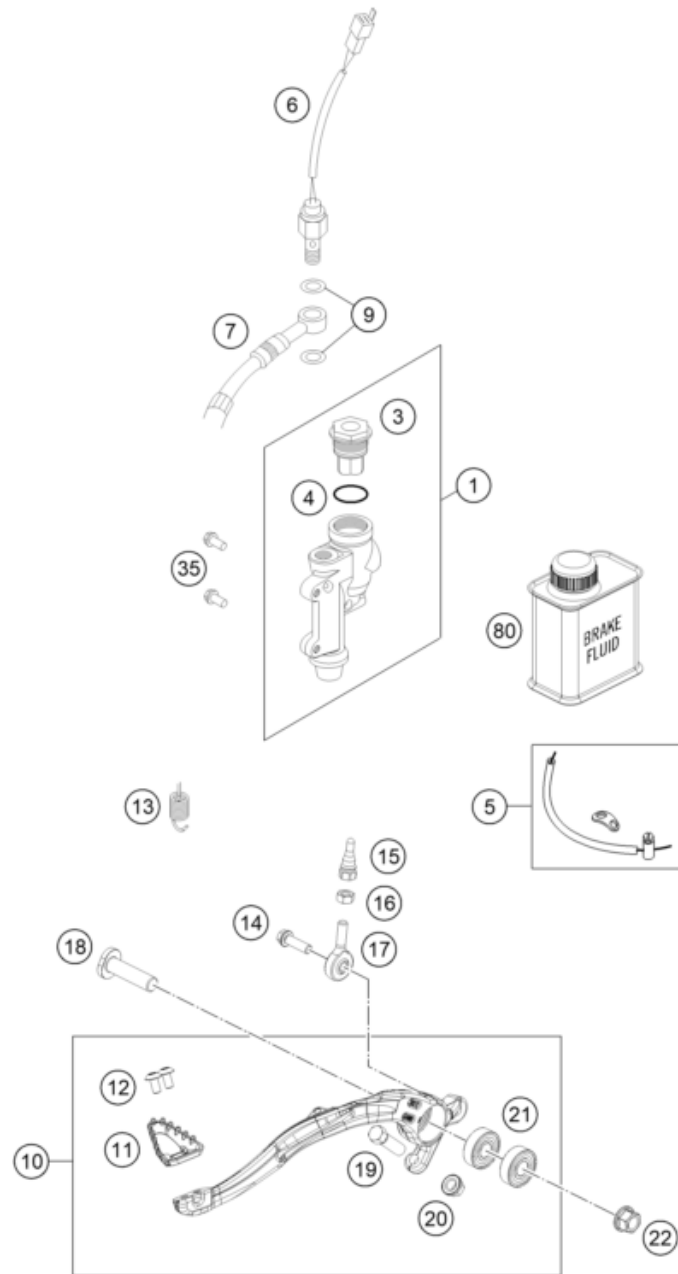


145031310

14388

\* NEW PART

X ON DEMAND



24A4301330

| POS | PARTNUMBER   |  | PIECE |
|-----|--------------|--|-------|
| 1   | 77013060044  | REAR BRAKE CYLINDER CPL.SX 09          | 1     |
| 3   | 54813062100  | REAR BRAKE CYL. COVER CPL. 04          | 1     |
| 4   | 54813063000  | FOOT-BRAKE CYL. GASKET SX 03           | 1     |
| 5   | 54812063044  | REAR BRAKE PEDAL SAFETY WIRE           | 1     |
| 6   | 50311051100  | BRAKE LIGHT SWITCH REAR '98            | 1     |
| 7   | 77213070300  | Rear Brakehose                         | 1     |
| 9   | 0603100141   | sealing ring DIN 7603 10x14x1          | 2     |
| 10  | A44013050044 | Rear brake lever preass.               | 1     |
| 11  | 55413051000  | STEP PLATE FOOT BRAKE LEVER            | 1     |
| 12  | 58605083010S | Torx hexagon socket screw M5x10 SS     | 2     |
| 13  | A46003062000 | Retracting spring                      | 1     |
| 14  | 0025060206S  | HH collar screw M6x20 TX30             | 1     |
| 15  | 54813056000  | PUSH ROD L=28MM 03                     | 1     |
| 16  | 0934060003   | hex nut DIN 934 M6                     | 1     |
| 17  | 54813055100  | Joint head CMP6                        | 1     |
| 18  | 47213054000  | Screw foot brake lever                 | 1     |
| 19  | 59001037000  | SPECIAL SCREW M8X26 WS=10              | 1     |
| 20  | 46030045000  | flanged nut M8 WS10                    | 1     |
| 21  | 0625060002   | deep groove ball bearing SKF 6000-2RS1 | 2     |
| 22  | 54630044000  | COLLAR NUT M10 WS=13                   | 1     |
| 35  | 0025060126   | HH collar screw M6x12 TX30             | 2     |
| 80  | 00062030000  | BRAKE FLUID DOT5.1 0,25L               | 1     |

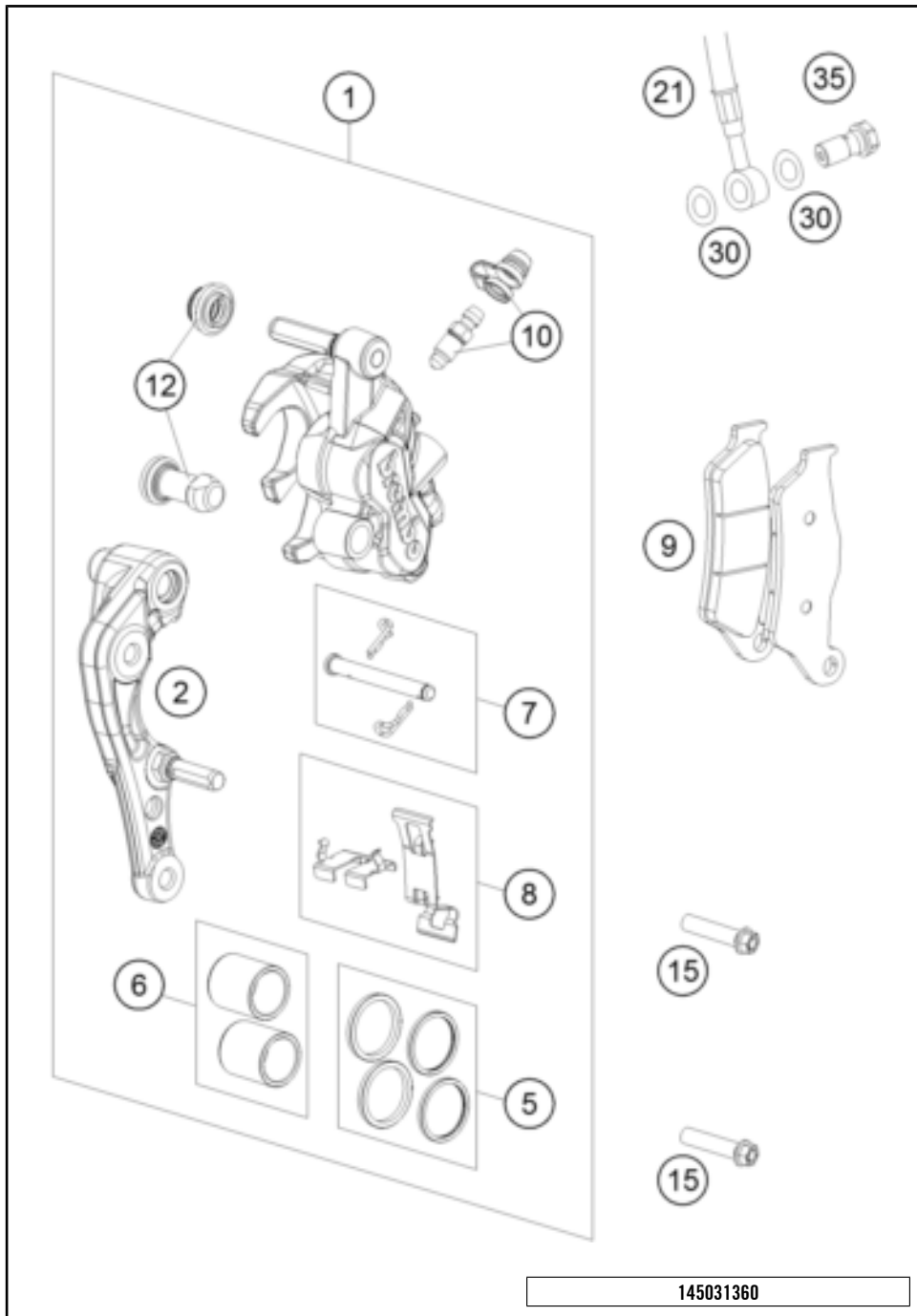
67107

\* NEW PART

X ON DEMAND

# FRONT BRAKE CALIPER

300 EXC SIX DAYS 2024 EU 2024



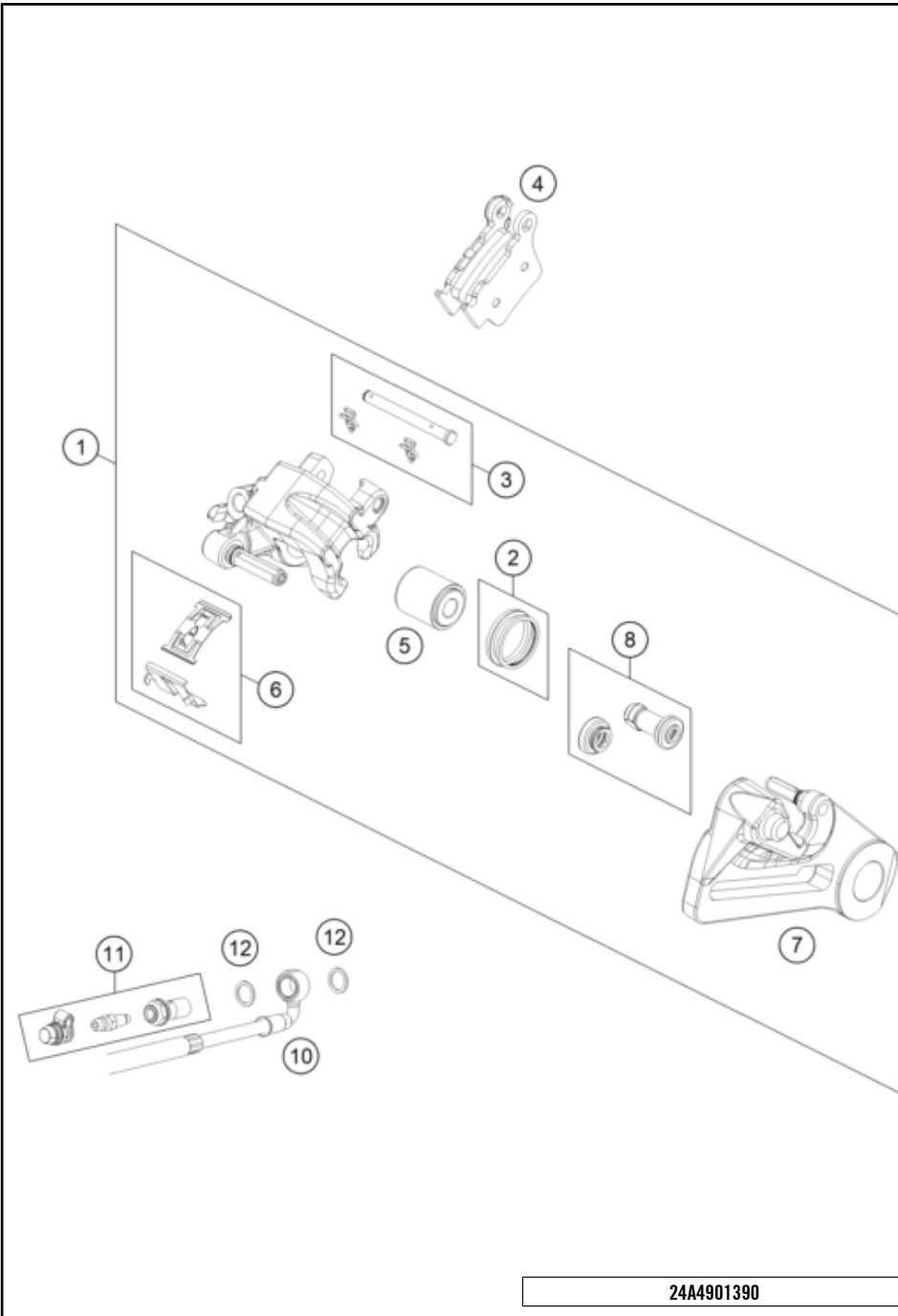
| POS | PARTNUMBER    |                                | PIECE |
|-----|---------------|--------------------------------|-------|
| 1   | 7701301500101 | CALIPER NAT. WITHOUT PADS      | 1     |
| 2   | 77013014000   | BRAKE CALIPER SUPPORT FRONT 09 | 1     |
| 5   | 77013021000   | REP. KIT SEALS 24MM            | 1     |
| 6   | 77013019000   | REP. KIT PISTON 24MM           | 1     |
| 7   | 77013017000   | BOLT CPL. 09                   | 1     |
| 8   | 77013018000   | RETAINING PLATE SET BREMBO     | 1     |
| 9   | 77713030000   | BRAKE PADS FRONT               | 1     |
| 10  | 61013020100   | BLEEDER SCREW WITH CAP         | 1     |
| 12  | 54613218000   | CUP SET SHORT                  | 1     |
| 15  | 0025080306S   | HH COLLAR SCREW M8X30 TX40     | 2     |
| 21  | 77713010000   | BRAKE PIPE                     | 1     |
| 30  | 0603100141    | sealing ring DIN 7603 10x14x1  | 2     |
| 35  | 54813020100   | banjo bolt M10x1x19 black      | 1     |

145031360

14399

\* NEW PART

X ON DEMAND



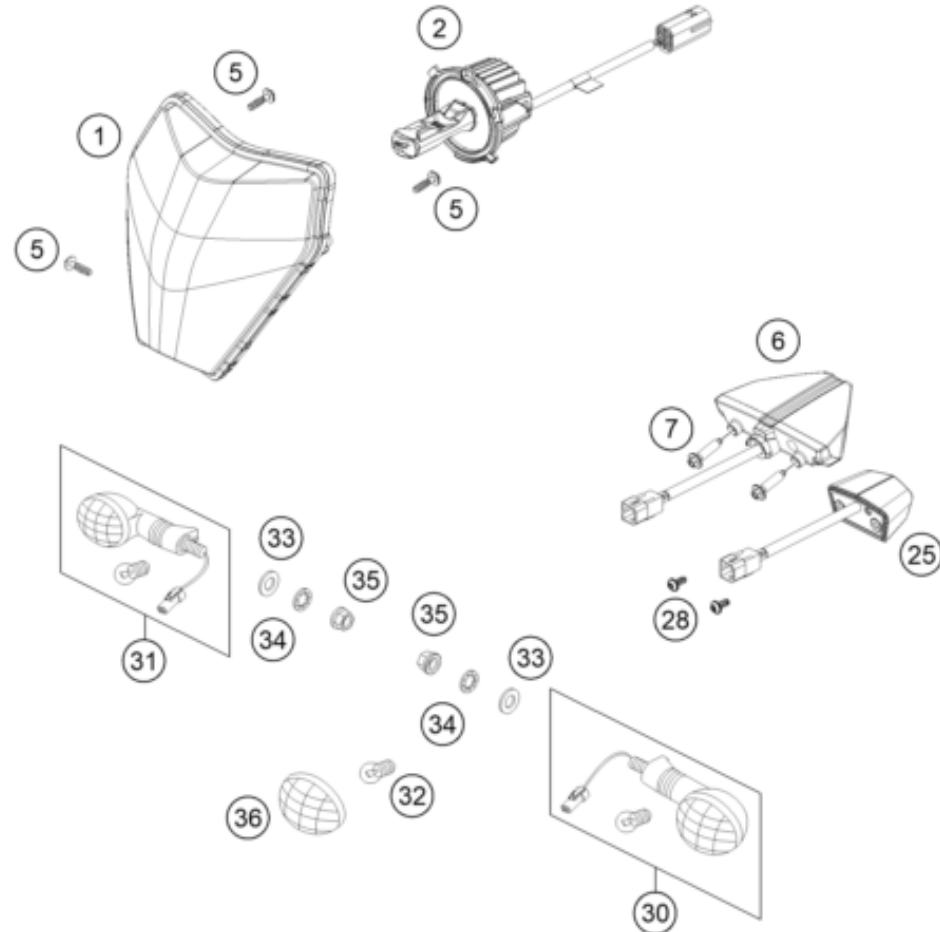
| POS | PARTNUMBER   |                                  | PIECE |
|-----|--------------|----------------------------------|-------|
| 1   | A46013080001 | Rear brake caliper PF 26 b cmpl. | 1     |
| 2   | 50313081200  | REPAIR KIT SEALING RINGS 26MM    | 1     |
| 3   | 54813082000  | BOLT SET FOR BRAKE CALIPER 03    | 1     |
| 4   | 79013090000  | BRAKE PAD REAR TOYO B204         | 1     |
| 5   | 77713083000  | BRAKE PISTON 26MM 2013           | 1     |
| 6   | 54813018000  | RETAINING SPRING SET 2003        | 1     |
| 7   | A46013075000 | Brake caliper support            | 1     |
| 8   | 54613218100  | CUP SET SHORT                    | 1     |
| 10  | 77213070300  | Rear Brakehose                   | 1     |
| 11  | 62513020000  | BLEEDER SCREW CPL. 05            | 1     |
| 12  | 0603100141   | sealing ring DIN 7603 10x14x1    | 2     |

24A4901390

63835

\* NEW PART

X ON DEMAND



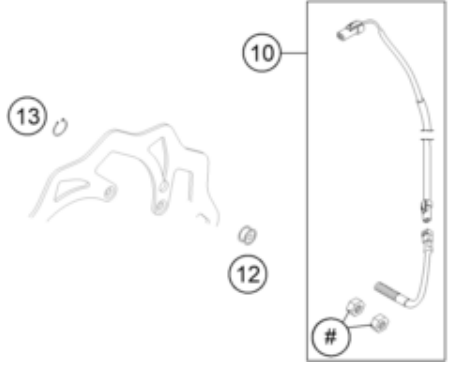
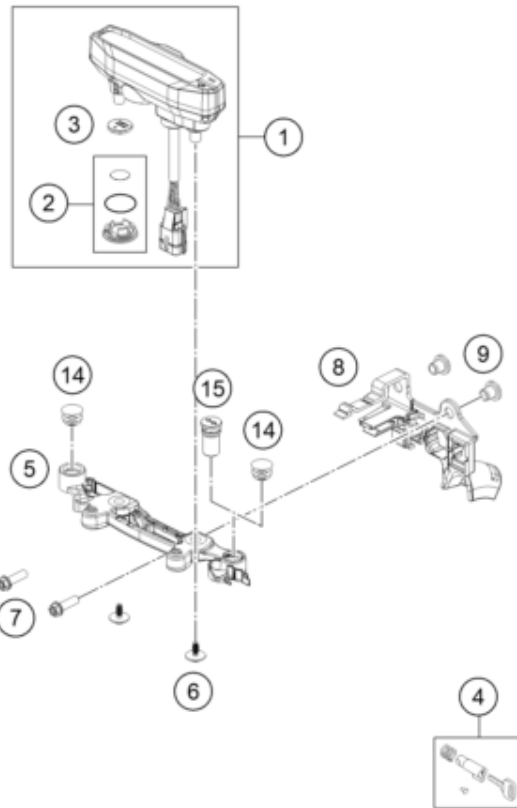
| POS | PARTNUMBER   |                               | PIECE |
|-----|--------------|-------------------------------|-------|
| 1   | A49014001080 | Headlamp KTM                  | 1     |
| 2   | A49014002000 | LED-Unit                      | 1     |
| 5   | 0081050181   | SCREW FOR PLASTIC K50X18 T20  | 3     |
| 6   | 79714040000  | Tail light                    | 1     |
| 7   | 0017060255   | EJOT PT SCREW K60X25-Z SW6    | 2     |
| 25  | 60314047000  | license plate lighting        | 1     |
| 28  | 0081050121   | EJOT PT screw K50x12          | 2     |
| 30  | 54814025200  | FLASHER CPL. FR.L/S RE.R/S 09 | 2     |
| 31  | 54814026200  | FLASHER CPL. FR.R/S RE.L/S 09 | 2     |
| 32  | 44111015100  | BULB 12V 10W (BA15S)          | 4     |
| 33  | 0125100003   | washer DIN 125 A 10.5         | 4     |
| 34  | 0797100003   | LOCK WASHER DIN6797-J10,5 ZI  | 4     |
| 35  | 58414030000  | HH COLLAR NUT M10X1,25 WS=13  | 4     |
| 36  | 54814028000  | FLASHER LENS L/S R/S 05       | 4     |

24A4901410

63893

\* NEW PART

X ON DEMAND



**ACHTUNG !!! CAUTION !!!**

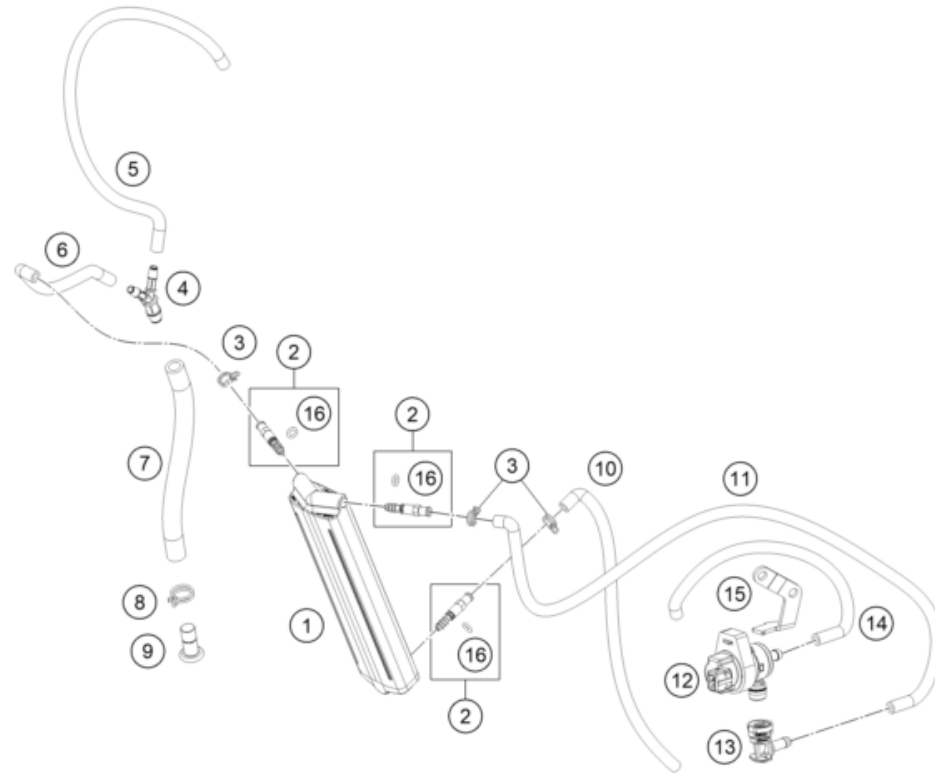
Einbau von 10 ohne Muttern. **!** Mounting of 10 without nuts.

| POS | PARTNUMBER   |                                | PIECE |
|-----|--------------|--------------------------------|-------|
| 1   | A49014069000 | Dashboard                      | 1     |
| 2   | 77714069010  | BATTERY COVER F. SPEEDOMETER   | 1     |
| 3   | 58314068000  | BATTERY F. SPEEDOM. M.A.E. 02  | 1     |
| 4   | 78003035100  | Steering lock                  | 1     |
| 5   | A49014060000 | Instrument cluster             | 1     |
| 6   | 0081645121   | EJOT DELTA PT SCREW 45X12-Z    | 2     |
| 7   | 0025060206   | HH collar screw M6x20 TX30     | 2     |
| 8   | A49011083000 | Connector support              | 1     |
| 9   | 77714060050  | Distanzbüchse Tachohalterung   | 2     |
| 10  | 54814068100  | CABLE FOR DIGITAL SPEEDOM. 06  | 1     |
| 11  | 83013026000  | CABLE GUIDE                    | 2     |
| 12  | 54814069050  | MAGNET FOR DIGITAL SPEEDOM. 03 | 1     |
| 13  | 0471009104   | CIRCLIP DIN0471- 9X1 INOX      | 1     |
| 14  | 50210086000  | COVERING CAP SFL16             | 2     |
| 15  | 58011024300  | FLASHER INDICAT.LIGHT GREEN'98 | 1     |

24A4901430

63867

\* NEW PART X ON DEMAND



| POS | PARTNUMBER   |                              | PIECE |
|-----|--------------|------------------------------|-------|
| 1   | A49015001000 | Activated charcoal filter    | 1     |
| 2   | A49015019044 | Hose connector with O-ring   | 3     |
| 3   | 58007017000  | YDNAC CLAMP 10101 (10,4MM)   | 3     |
| 4   | 61315028100  | Y-CONNECTOR YS 6-10-6        | 1     |
| 5   | 78015019425  | hose EPA d=6/10 l=425        | 1     |
| 6   | 79615021000  | PREFORMED HOSE 6X10 ECO      | 1     |
| 7   | 78015119200  | hose FPM/ECO 10x16 L=200     | 1     |
| 8   | 58431082100  | YDNAC-CLAMP 10173 (16MM) '98 | 1     |
| 9   | 61315026100  | Screw plug ACF               | 1     |
| 10  | 79615025000  | PREFORMED HOSE 6X10 ECO      | 1     |
| 11  | A49015024000 | Pre-formed hose 6x10 ECO     | 1     |
| 12  | 61115015000  | VALVE FOR CARBON CANISTER 07 | 1     |
| 13  | 61115016000  | FITTING PIECE NQV2 NW7 90°   | 1     |
| 14  | 79615024000  | PREFORMED HOSE 6X10 ECO      | 1     |
| 15  | A49015002000 | Purge valve bracket          | 1     |
| 16  | 46810893     | O-ring 5,28x1,78 NBR70 black | 3     |

24A4901510

63875

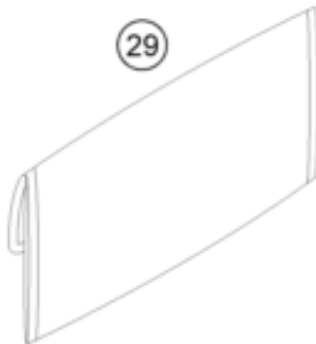
\* NEW PART

X ON DEMAND



0  
OHNE ABBILDUNG  
WITHOUT ILLUSTRATION

1  
TECHNISCHE DOKUMENTATION  
TECHNICAL DOCUMENTATION  
DOCUMENTACION TECNICA  
DOCUMENTATION TECHNIQUE  
NOTE TECNICHE



227002000

| POS | PARTNUMBER      |   | PIECE |
|-----|-----------------|---|-------|
| 0   | 54603048000     | RANGE CHANGE METAL NUT M8               | 1     |
| 0   | 58012040000     | REAR MIRROR L/S                         | 1     |
| 0   | 58012140000     | REAR MIRROR R/S                         | 1     |
| 0   | 58012040150     | CLAMP FOR MIRROR '94                    | 2     |
| 0   | 58412080300     | REFLECTOR YELLOW "CEV"                  | 2     |
| 0   | 79708016100     | License plate holder support extension  | 1     |
| 0   | 0017060255      | EJOT PT SCREW K60X25-Z SW6              | 1     |
| 0   | 58412080400     | Rear reflector red                      | 1     |
| 0   | 60408061050     | RUBBER 14X6.5X2.3MM                     | 2     |
| 0   | 000700000BH002  | Dummy plug magnetic pump 2 str.         | 1     |
| 0   | 000700000AN01   | Dummy plug 4-pins                       | 1     |
| 0   | 000700000LV001  | Dummy plug LV 2p/sealed                 | 1     |
| 0   | 79233029013     | SPROCKET 13T                            | 1     |
| 0   | 79615020010     | Locking cap evaporative canister        | 4     |
| 0   | 79602084144     | Mounting kit, handguard, right and left | 1     |
| 0   | A49002082044AB  | Handguard compl.                        | 1     |
| 0   | A44005007033    | Header preassembled                     | 1     |
| 0   | A44002014000    | Cam 2T 44 mm                            | 1     |
| 0   | A46003094000EB  | Frame protection set                    | 1     |
| 0   | A46003137033    | Footpeg set                             | 1     |
| 0   | 81212016100     | WASH CAP SET                            | 1     |
| 0   | A46002002044C1A | Handlebar pad compl.                    | 1     |
| 0   | 78141013190     | FUEL FILTER                             | 1     |
| 0   | 52000318SET     | Sticker set, XACT CC 238x182.5          | 1     |
| 0   | A49008078015    | Displac. sticker set 300 EXC ISDE       | 1     |
| 0   | 00063004012     | HEADLIGHT MASK BOX                      | 1     |
| 0   | 54814025200     | FLASHER CPL. FR./L/S RE./S 09           | 2     |
| 0   | 54814026200     | FLASHER CPL. FR./R/S RE./L/S 09         | 2     |
| 0   | 0125100003      | washer DIN 125 A 10.5                   | 4     |
| 0   | 0797100003      | LOCK WASHER DIN6797-J10,5 ZI            | 4     |
| 0   | 58414030000     | HH COLLAR NUT M10X1,25 WS=13            | 4     |
| 0   | 60314047000     | license plate lighting                  | 1     |
| 0   | 0017060205      | SCREW FOR PLASTIC K60X20 SW6            | 1     |
| 0   | 0081050121      | EJOT PT screw K50x12                    | 2     |
| 0   | 58011024300     | FLASHER INDICAT.LIGHT GREEN'98          | 1     |
| 0   | 49111425200     | BULB 12V 2,3W (W2X4,6D)                 | 1     |
| 0   | 78111029000     | FLASHER SWITCH                          | 1     |
| 0   | 0014050303      | HH COLLAR SCREW M5X30 SW=6              | 1     |

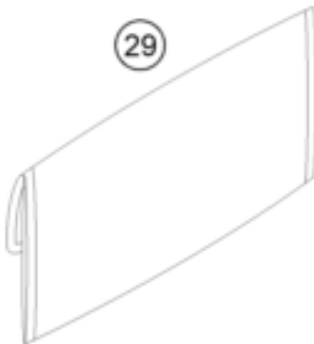
67125

\* NEW PART

X ON DEMAND

0  
OHNE ABBILDUNG  
WITHOUT ILLUSTRATION

1  
TECHNISCHE DOKUMENTATION  
TECHNICAL DOCUMENTATION  
DOCUMENTACION TECNICA  
DOCUMENTATION TECHNIQUE  
NOTE TECNICHE



227002000

| POS | PARTNUMBER    |                                   | PIECE |
|-----|---------------|-----------------------------------|-------|
| 0   | 00063004134   | BLINKERKARTON 270X100X80          | 1     |
| 0   | 00063099100   | BUTTON CLASP BAG F.SMALL PARTS    | 2     |
| 0   | A49011081000  | Turn signal wiring harness, rear  | 1     |
| 0   | A49011080000  | Turn signal wiring harness, front | 1     |
| 0   | 00063004202   | PRINT LABEL 60X51 MM              | 1     |
| 0   | A44003090044  | Skid plate                        | 1     |
| 0   | A49002065033  | Steering lock preass.             | 1     |
| 0   | A49004055001  | Sticker set swingarm ISDE         | 1     |
| 0   | 54812063044   | REAR BRAKE PEDAL SAFETY WIRE      | 1     |
| 0   | 7900998116004 | Front axle puller                 | 1     |
| 1   | 3214838EN     | Owner's manual 250 EXC '24        | 1     |
| 29  | A49029099000  | On-board tool kit                 | 1     |

67125

\* NEW PART

X ON DEMAND



5 Ø 5 mm

6 Ø 6 mm

8 Ø 8 mm

10 Ø 10 mm

12 Ø 12 mm

14 Ø 14-14,5 mm

16 Ø 16 mm

20 Ø 20 mm

21 Ø 21 mm

22 Ø 22 mm

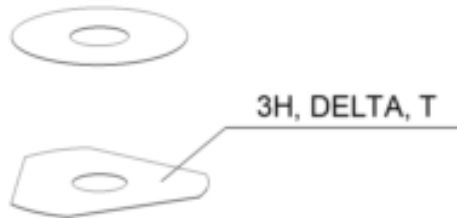
23 Ø 23 mm

24 Ø 24,5 mm

28 Ø 28,25-28,5 mm

32 Ø 32 mm

52 Ø 52 mm



| POS | PARTNUMBER |                              | PIECE |
|-----|------------|------------------------------|-------|
| 1   | 48600611   | Spring (10,2) I5 check valve | X     |
| 5   | 44906890   | WASHER 5X15X2                | X     |
| 6   | 40540400   | Shim 6x12x0,10               | X     |
| 6   | 40540401   | Shim 6x14x0,10               | X     |
| 6   | 40540402   | Shim 6x16x0,10               | X     |
| 6   | 40540403   | Shim 6x18x0,10               | X     |
| 6   | 40540404   | Shim 6x12x0,15               | X     |
| 6   | 40540405   | Shim 6x14x0,15               | X     |
| 6   | 40540406   | Shim 6x16x0,15               | X     |
| 6   | 40540407   | SHIM 6X18X0,15               | X     |
| 6   | 40540408   | Shim 6x12x0,20               | X     |
| 6   | 40540409   | Shim 6x14x0,20               | X     |
| 6   | 40540410   | Shim 6x16x0,20               | X     |
| 6   | 40540411   | Shim 6x18x0,20               | X     |
| 6   | 48600095   | SHIM 6X20X0,20               | X     |
| 6   | 40540412   | Shim 6x12x0,25               | X     |
| 6   | 40540413   | Shim 6x14x0,25               | X     |
| 6   | 40540414   | Shim 6x16x0,25               | X     |
| 6   | 40540415   | Shim 6x18x0,25               | X     |
| 6   | 40540417   | SHIM 6X8,5X0,10              | X     |
| 6   | 40540418   | SHIM 6X9X0,10                | X     |
| 6   | 40540419   | SHIM 6X9,5X0,10              | X     |
| 6   | 40540423   | SHIM 6X9,5X0,15              | X     |
| 6   | 40540425   | SHIM 6X8,5X0,20              | X     |
| 6   | 40540426   | SHIM 6X9X0,20                | X     |
| 6   | 40540427   | SHIM 6X9,5X0,20              | X     |
| 6   | 40540447   | Shim 6x10x0,30               | X     |
| 6   | 40540449   | Shim 6x9x0,30                | X     |
| 6   | 40540450   | Shim 6x9,5x0,30              | X     |
| 6   | 40540494   | Shim 6x18x0,40               | X     |
| 6   | 40540774   | Shim 6x18x0,10 delta         | X     |
| 6   | 40541383   | Shim 6X11X0,10               | X     |
| 6   | 40541391   | Shim 6x11x0,30               | X     |
| 6   | 40541402   | Shim 6x11x0,20               | X     |
| 6   | 40541403   | SHIM 6X10X0,20               | X     |
| 6   | 40541404   | Shim 6x10x0,10               | X     |
| 6   | 40541405   | Shim 6x10x0,15               | X     |
| 6   | 40541406   | SHIM 6X11X0,15               | X     |

080000190

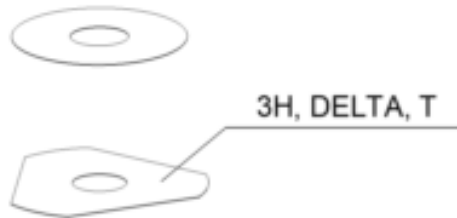
4668

\* NEW PART

X ON DEMAND



- 5 Ø 5 mm
- 6 Ø 6 mm
- 8 Ø 8 mm
- 10 Ø 10 mm
- 12 Ø 12 mm
- 14 Ø 14-14,5 mm
- 16 Ø 16 mm
- 20 Ø 20 mm
- 21 Ø 21 mm
- 22 Ø 22 mm
- 23 Ø 23 mm
- 24 Ø 24,5 mm
- 28 Ø 28,25-28,5 mm
- 32 Ø 32 mm
- 52 Ø 52 mm



| POS | PARTNUMBER |                      | PIECE |
|-----|------------|----------------------|-------|
| 6   | 40541408   | SHIM 6X8,0X0,30      | X     |
| 6   | 40541414   | Shim 6x8x0,1         | X     |
| 6   | 40541416   | SHIM 6X8X0,3         | X     |
| 6   | 40541417   | SHIM 6X11X0,25       | X     |
| 6   | 48600102   | SHIM 6X24X0,25       | X     |
| 6   | 48600063   | Shim 6x24x0,10       | X     |
| 6   | 48600064   | Shim 6x22x0,10       | X     |
| 6   | 48600065   | Shim 6x20x0,10       | X     |
| 6   | 48600069   | Shim 6x20x0,15       | X     |
| 6   | 48600100   | Shim 6x24x0,15       | X     |
| 6   | 48600116   | Shim 6x24x0,10 delta | X     |
| 6   | 48600139   | Shim 6x22x0,1 delta  | X     |
| 6   | 48600217   | Shim 6x10x0,25       | X     |
| 6   | 48600325   | Shim 6x13x0,10       | X     |
| 6   | 48600327   | SHIM 6X15X0,1        | X     |
| 6   | 48600329   | Shim 6x17x0,10       | X     |
| 6   | 48600331   | Shim 6x19x0,10       | X     |
| 6   | 48600096   | Shim 6x20x0,25       | X     |
| 6   | 48600097   | Shim 6x22x0,15       | X     |
| 6   | 48600099   | Shim 6x22x0,25       | X     |
| 6   | 40540448   | Shim 6x8,5x0,30      | X     |
| 6   | 48600479   | Shim 6x20x0,10 DELTA | X     |
| 6   | 48600332   | SHIM 6X21X0,1        | X     |
| 6   | 48600333   | SHIM 6X23X0,1        | X     |
| 6   | 40541393   | Shim 6x12x0,30       | X     |
| 6   | 48600330   | SHIM 6X17X0,15       | X     |
| 6   | 48600988   | Shim 6x28x0,10       | X     |
| 6   | 48600989   | Shim 6x26x0,10       | X     |
| 6   | 48601091   | Shim 6x28x0,15       | X     |
| 6   | 48601093   | Shim 6x26x0,15       | X     |
| 6   | 48600328   | Shim 6x15x0,15       | X     |
| 6   | 48600326   | Shim 6x13x0,15       | X     |
| 6   | 48601548   | Shim 6x17x1,5        | X     |
| 6   | 48601693   | Washer 6x18x3        | X     |
| 6   | 48600098   | Shim 6x22x0,20       | X     |
| 6   | 48601300   | Washer 6x25x1,5      | X     |
| 6   | 48601692   | Shim 6x30x0,15       | X     |
| 6   | 48601550   | Shim 6x30x0,10       | X     |

080000190

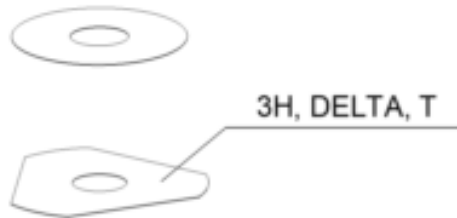
4668

\* NEW PART

X ON DEMAND



- 5 Ø 5 mm
- 6 Ø 6 mm
- 8 Ø 8 mm
- 10 Ø 10 mm
- 12 Ø 12 mm
- 14 Ø 14-14,5 mm
- 16 Ø 16 mm
- 20 Ø 20 mm
- 21 Ø 21 mm
- 22 Ø 22 mm
- 23 Ø 23 mm
- 24 Ø 24,5 mm
- 28 Ø 28,25-28,5 mm
- 32 Ø 32 mm
- 52 Ø 52 mm



| POS | PARTNUMBER      |                             | PIECE |
|-----|-----------------|-----------------------------|-------|
| 6   | 40541392        | Shim 6x8x0,2                | X     |
| 6   | 48601917        | Washer 6x25x4               | X     |
| 6   | 48601916        | Washer 6x18x4               | X     |
| 6   | 40540399        | Shim 6x16x0,30              | X     |
| 6   | 48601584        | Shim 6x30x0,4 spring shim   | X     |
| 6   | 48601459        | Washer check valve 6x31x0,4 | X     |
| 6   | 48601849        | Check valve plate 2,5mm hub | X     |
| 6   | 48600101        | SHIM 6X24X0,20              | X     |
| 6   | 48601094        | Shim 6x26x0,20              | X     |
| 6   | 40540422        | Shim 6X9X0,15               | X     |
| 6   | 48601841        | Washer check valve 6x31x0,4 | X     |
| 6   | 48601850        | Shim 6x30x0,4 spring shim   | X     |
| 6   | 48601092        | Shim 6x28x0,20              | X     |
| 6   | 48601264        | Shim 6x25x0,10              | X     |
| 6   | 48600967        | Shim 6x20x0,2 DELTA         | X     |
| 6   | 48601847        | Washer 6x25x1,5             | X     |
| 6   | 48601707        | Sinus shim plate 6X30       | X     |
| 6   | S64060000400000 | Shim 6x14x0.3               | X     |
| 6   | S64060000500000 | Shim 6x13x0.25              | X     |
| 6   | S64060000600000 | Shim 6x17x0,2               | X     |
| 6   | 40540421        | Shim 6x8.5x0.15             | X     |
| 6   | 48601262        | Washer 6x18x1,5             | X     |
| 6   | S64060001500000 | Shim 6x8x0,15               | X     |
| 8   | 40540477        | Shim 8x18x0,40              | X     |
| 8   | 43570120        | Shim 8x18x0,10              | X     |
| 8   | 44916098        | WASHER 8,4X16X0,8           | X     |
| 8   | 44916130        | WASHER 8,2X15X1             | X     |
| 8   | 44916180        | WASHER 8,2X11X1             | X     |
| 8   | 48600214        | Shim 8x16x0,10              | X     |
| 8   | 48600385        | SHIM 8x14x0.25              | X     |
| 8   | 48600346        | Shim 8x11x0,20              | X     |
| 8   | 48600215        | Shim 8x20x0,10              | X     |
| 8   | 48600485        | SHIM 8X10X0,10              | X     |
| 8   | 48601402        | SHIM 8X13X0,10              | X     |
| 8   | 48600350        | Shim 8x16x0,15              | X     |
| 8   | 48600061        | Shim 8x24x0,40              | X     |
| 8   | 48600062        | CHECK VALVE 8X24X0,1        | X     |
| 8   | 48600216        | Shim 8x22x0,10              | X     |

080000190

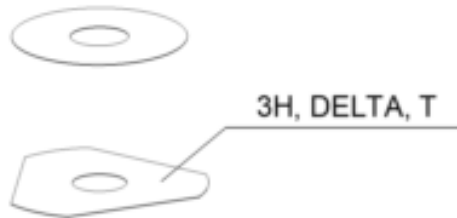
4668

\* NEW PART

X ON DEMAND



- 5 Ø 5 mm
- 6 Ø 6 mm
- 8 Ø 8 mm
- 10 Ø 10 mm
- 12 Ø 12 mm
- 14 Ø 14-14,5 mm
- 16 Ø 16 mm
- 20 Ø 20 mm
- 21 Ø 21 mm
- 22 Ø 22 mm
- 23 Ø 23 mm
- 24 Ø 24,5 mm
- 28 Ø 28,25-28,5 mm
- 32 Ø 32 mm
- 52 Ø 52 mm



| POS | PARTNUMBER      |                      | PIECE |
|-----|-----------------|----------------------|-------|
| 8   | 48600480        | Shim 8x10x0,20       | X     |
| 8   | 48600555        | SHIM 8X16X0,20       | X     |
| 8   | 48600213        | SHIM 8X14X0,10       | X     |
| 8   | 48600357        | Shim 8x11x0,10       | X     |
| 8   | 48600351        | Shim 8x12x0,10       | X     |
| 8   | 48600607        | Shim 8x20x0,40       | X     |
| 8   | 48601095        | Shim 8x17x0,10       | X     |
| 8   | 48600352        | CHECK VALVE 8X11X0,4 | X     |
| 8   | 48601860        | Washer 8x11x0,15     | X     |
| 8   | 48601266        | Shim 8x26x0,40       | X     |
| 8   | 46180640        | Shim 8x16x0,3        | X     |
| 8   | 43578166        | Washer 8x20x1        | X     |
| 8   | 48601113        | Shim 8x15x0,1        | X     |
| 8   | 48600218        | Shim 8X11X0,40       | X     |
| 8   | 48600964        | Shim 8x20x0,15       | X     |
| 8   | 89080008        | Shim 8x30x0,10       | X     |
| 8   | 48601859        | Shim 8x10x0,15       | X     |
| 8   | 48601863        | Shim 8x14x0,15       | X     |
| 8   | 89080001        | Shim 8x18x0,15       | X     |
| 8   | 89080002        | Shim 8x22x0,15       | X     |
| 8   | 89080003        | Shim 8x24x0,15       | X     |
| 8   | 89080005        | Shim 8x26x0,15       | X     |
| 8   | 89080007        | Shim 8x28x0,15       | X     |
| 8   | 89080009        | Shim 8x30x0,15       | X     |
| 8   | 48600386        | Shim 8X12X0,25       | X     |
| 8   | 48601862        | Shim 8x13x0,15       | X     |
| 8   | 89080004        | Shim 8x26x0,10       | X     |
| 8   | 89080006        | Shim 8x28x0,10       | X     |
| 8   | S64080000000000 | Shim 8x24x0,2        | X     |
| 8   | 48601864        | Shim 8x15x0,15       | X     |
| 8   | 48600965        | SHIM 8X20X0,2        | X     |
| 8   | S64080000300000 | Shim 8x18x0,2        | X     |
| 8   | S64080000100000 | Shim 8x12x0,2        | X     |
| 8   | S64080000900000 | shim 8x14x0,2        | X     |
| 8   | S64080000100000 | Shim 8x12x0,2        | X     |
| 8   | S64080000400000 | Shim 8x22x0,2        | X     |
| 10  | 36120284        | SHIM 10X16X0,10      | X     |
| 10  | 36120298        | SHIM 10X16X0,2       | X     |

080000190

4668

\* NEW PART

X ON DEMAND



5 Ø 5 mm

6 Ø 6 mm

8 Ø 8 mm

10 Ø 10 mm

12 Ø 12 mm

14 Ø 14-14,5 mm

16 Ø 16 mm

20 Ø 20 mm

21 Ø 21 mm

22 Ø 22 mm

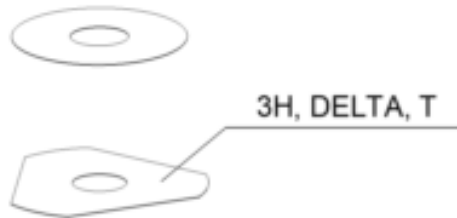
23 Ø 23 mm

24 Ø 24,5 mm

28 Ø 28,25-28,5 mm

32 Ø 32 mm

52 Ø 52 mm



| POS | PARTNUMBER |                   | PIECE |
|-----|------------|-------------------|-------|
| 10  | 36120312   | SHIM 10X16X0,30   | X     |
| 10  | 36120314   | SHIM 10X18X0,30   | X     |
| 10  | 36120325   | SHIM 10X19X0,15   | X     |
| 10  | 36120327   | SHIM 10X23X0,15   | X     |
| 10  | 36120328   | SHIM 10X25X0,15   | X     |
| 10  | 36120329   | SHIM 10X27X0,15   | X     |
| 10  | 36120330   | SHIM 10X29X0,15   | X     |
| 10  | 36120331   | SHIM 10X31X0,15   | X     |
| 10  | 36120332   | SHIM 10X33X0,15   | X     |
| 10  | 36120334   | SHIM 10X21X0,20   | X     |
| 10  | 36120335   | SHIM 10X23X0,20   | X     |
| 10  | 36120336   | SHIM 10X25X0,20   | X     |
| 10  | 36120337   | SHIM 10X27X0,20   | X     |
| 10  | 36120338   | SHIM 10X29X0,20   | X     |
| 10  | 36120339   | SHIM 10X31X0,20   | X     |
| 10  | 36120340   | SHIM 10X33X0,20   | X     |
| 10  | 36120342   | SHIM 10X21X0,25   | X     |
| 10  | 36120343   | SHIM 10X23X0,25   | X     |
| 10  | 36120344   | SHIM 10X25X0,25   | X     |
| 10  | 36120345   | SHIM 10X27X0,25   | X     |
| 10  | 36120349   | SHIM 10X19X0,30   | X     |
| 10  | 36120350   | SHIM 10X21X0,30   | X     |
| 10  | 36120313   | SHIM 10X17X0,30   | X     |
| 10  | 36120354   | SHIM 10X29X0,30   | X     |
| 10  | 40140275   | WASHER 10X35X0,15 | X     |
| 10  | 48601708   | Shim 10x30x0,40   | X     |
| 10  | 36120346   | SHIM 10X29X0,25   | X     |
| 10  | 36120355   | SHIM 10X31X0,30   | X     |
| 10  | 36120348   | SHIM 10X33X0,25   | X     |
| 10  | 36120311   | SHIM 10X15X0,30   | X     |
| 10  | 36120292   | SHIM 10X17X0,15   | X     |
| 10  | 36120326   | SHIM 10X21X0,15   | X     |
| 10  | 36120286   | SHIM 10X18X0,10   | X     |
| 10  | 36120347   | SHIM 10X31X0,25   | X     |
| 10  | 36120333   | SHIM 10X19X0,20   | X     |
| 10  | 36120351   | SHIM 10X23X0,30   | X     |
| 10  | 36120352   | SHIM 10X25X0,30   | X     |
| 10  | 36120353   | SHIM 10X27X0,30   | X     |

080000190

4668

\* NEW PART

X ON DEMAND



5 Ø 5 mm

6 Ø 6 mm

8 Ø 8 mm

10 Ø 10 mm

12 Ø 12 mm

14 Ø 14-14,5 mm

16 Ø 16 mm

20 Ø 20 mm

21 Ø 21 mm

22 Ø 22 mm

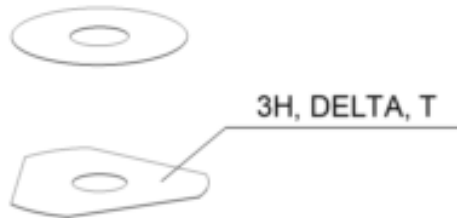
23 Ø 23 mm

24 Ø 24,5 mm

28 Ø 28,25-28,5 mm

32 Ø 32 mm

52 Ø 52 mm



| POS | PARTNUMBER |                  | PIECE |
|-----|------------|------------------|-------|
| 10  | 36120356   | SHIM 10X33X0,30  | X     |
| 10  | 50180395   | Washer 10x16x1   | X     |
| 10  | 36120291   | SHIM 10X16X0,15  | X     |
| 10  | 36120308   | Shim 10x13x0,30  | X     |
| 10  | 36120604   | Washer 10x22x2,5 | X     |
| 10  | 36120299   | SHIM 10X17X0,20  | X     |
| 12  | 46810605   | SHIM 12X21X0,10  | X     |
| 12  | 46810490   | SHIM 12X24X0,20  | X     |
| 12  | 46810491   | Shim 12x26x0,20  | X     |
| 12  | 46810492   | Shim 12x28x0,20  | X     |
| 12  | 46810493   | SHIM 12X30X0,20  | X     |
| 12  | 46810494   | Shim 12x32x0,20  | X     |
| 12  | 46810495   | Shim 12x34x0,20  | X     |
| 12  | 46810496   | SHIM 12X36X0,20  | X     |
| 12  | 46810497   | SHIM 12X38X0,20  | X     |
| 12  | 46810498   | Shim 12x40x0,20  | X     |
| 12  | 46810499   | Shim 12x24x0,25  | X     |
| 12  | 46810500   | SHIM 12X26X0,25  | X     |
| 12  | 46810501   | SHIM 12X28X0,25  | X     |
| 12  | 46810502   | Shim 12x30x0,25  | X     |
| 12  | 46810504   | SHIM 12X34X0,25  | X     |
| 12  | 46810505   | SHIM 12X36X0,25  | X     |
| 12  | 46810507   | Shim 12x40x0,25  | X     |
| 12  | 46810508   | SHIM 12X24X0,30  | X     |
| 12  | 46810509   | SHIM 12X26X0,30  | X     |
| 12  | 46810510   | SHIM 12X28X0,30  | X     |
| 12  | 46810512   | SHIM 12X32X0,30  | X     |
| 12  | 46810513   | SHIM 12X34X0,30  | X     |
| 12  | 46810518   | SHIM 12X26X0,15  | X     |
| 12  | 46810519   | SHIM 12X28X0,15  | X     |
| 12  | 46810520   | SHIM 12X30X0,15  | X     |
| 12  | 46810521   | SHIM 12X32X0,15  | X     |
| 12  | 46810522   | SHIM 12X34X0,15  | X     |
| 12  | 46810523   | SHIM 12X36X0,15  | X     |
| 12  | 46810524   | SHIM 12X38X0,15  | X     |
| 12  | 46810525   | SHIM 12X40X0,15  | X     |
| 12  | 46810604   | SHIM 12X20X0,10  | X     |
| 12  | 46810606   | SHIM 12X22X0,10  | X     |

080000190

4668

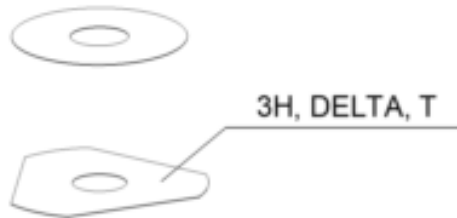
\* NEW PART

X ON DEMAND





- 5 Ø 5 mm
- 6 Ø 6 mm
- 8 Ø 8 mm
- 10 Ø 10 mm
- 12 Ø 12 mm
- 14 Ø 14-14,5 mm
- 16 Ø 16 mm
- 20 Ø 20 mm
- 21 Ø 21 mm
- 22 Ø 22 mm
- 23 Ø 23 mm
- 24 Ø 24,5 mm
- 28 Ø 28,25-28,5 mm
- 32 Ø 32 mm
- 52 Ø 52 mm



| POS | PARTNUMBER |                      | PIECE |
|-----|------------|----------------------|-------|
| 12  | 46810607   | SHIM 12X23X0,10      | X     |
| 12  | 46810608   | SHIM 12X24X0,10      | X     |
| 12  | 46810610   | Shim 12x17x0,15      | X     |
| 12  | 46810611   | SHIM 12X18X0,15      | X     |
| 12  | 46810612   | SHIM 12X19X0,15      | X     |
| 12  | 46810615   | SHIM 12X22X0,15      | X     |
| 12  | 46810636   | BACKPLATE 12X16X0,30 | X     |
| 12  | 46810637   | Shim 12x17x0,30      | X     |
| 12  | 46810638   | Shim 12x18x0,30      | X     |
| 12  | 46810639   | SHIM 12X19X0,30      | X     |
| 12  | 46810641   | Shim 12X21X0,30      | X     |
| 12  | 46811582   | Shim 12x30x0,10      | X     |
| 12  | 46810631   | SHIM 12X20X0,25      | X     |
| 12  | 46810633   | SHIM 12X22X0,25      | X     |
| 12  | 46811580   | Shim 12x32x0,10      | X     |
| 12  | 46810503   | SHIM 12X32X0,25      | X     |
| 12  | 46810517   | SHIM 12X24X0,15      | X     |
| 12  | 46810856   | Shim 12x20x0,30      | X     |
| 12  | 46811258   | Washer 12x24x2,5     | X     |
| 12  | 46812018   | Shim 12x42x0,25      | X     |
| 12  | 46812015   | Shim 12x44x0,20      | X     |
| 12  | 46810613   | SHIM 12X20X0,15      | X     |
| 12  | 46810623   | SHIM 12X21X0,20      | X     |
| 12  | 46810624   | SHIM 12X22X0,20      | X     |
| 12  | 46810642   | SHIM 12X22X0,30      | X     |
| 12  | 46810643   | SHIM 12X23X0,30      | X     |
| 12  | 46811629   | Shim 12x28x0,10      | X     |
| 12  | 46810511   | SHIM 12X30X0,30      | X     |
| 12  | 46810514   | SHIM 12X36X0,30      | X     |
| 12  | 46810506   | SHIM 12X38X0,25      | X     |
| 12  | 46810515   | SHIM 12X38X0,30      | X     |
| 12  | 46812017   | Shim 12x42x0,20      | X     |
| 12  | 46812016   | Shim 12x44x0,25      | X     |
| 12  | 46810622   | SHIM 12X20X0,20      | X     |
| 12  | 46811635   | Shim 12x26x0,10      | X     |
| 12  | 50181296   | Shim 12x45x0,20      | X     |
| 12  | 46810620   | Shim 12x18x0,2       | X     |
| 12  | 46810616   | Shim 12x23x0,15      | X     |

080000190

4668

\* NEW PART

X ON DEMAND



5 Ø 5 mm

6 Ø 6 mm

8 Ø 8 mm

10 Ø 10 mm

12 Ø 12 mm

14 Ø 14-14,5 mm

16 Ø 16 mm

20 Ø 20 mm

21 Ø 21 mm

22 Ø 22 mm

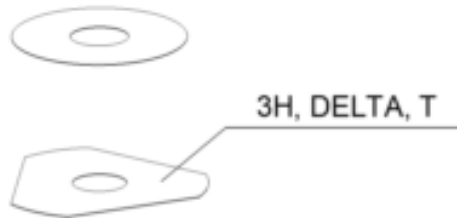
23 Ø 23 mm

24 Ø 24,5 mm

28 Ø 28,25-28,5 mm

32 Ø 32 mm

52 Ø 52 mm



| POS | PARTNUMBER      |                       | PIECE |
|-----|-----------------|-----------------------|-------|
| 12  | 46810625        | SHIM 12X23X0,20       | X     |
| 12  | 50181297        | Adjustment 12x45x0,25 | X     |
| 12  | 46810603        | SHIM 12X19X0,10       | X     |
| 12  | 46180712        | SHIM 12X36X0,10       | X     |
| 12  | 46810614        | SHIM 12X21X0,15       | X     |
| 12  | 46810628        | SHIM 12X17X0,25       | X     |
| 12  | 46810634        | SHIM 12X23X0,25       | X     |
| 12  | S64120000000000 | Shim 12x25x0,15       | X     |
| 12  | 46810516        | SHIM 12X40X0,30       | X     |
| 12  | S64120000800000 | Shim 12x34x0,1        | X     |
| 12  | 46810627        | SHIM 12X16X0,25       | X     |
| 12  | 46810632        | SHIM 12X21X0,25       | X     |
| 12  | 46810602        | SHIM 12X18X0,10       | X     |
| 14  | 35480479        | Shim 14x26x0,40       | X     |
| 14  | 46811046        | Washer 14,5x35,4x1,25 | X     |
| 16  | 50180023        | SHIM 16X23X0,20       | X     |
| 16  | 50180030        | Shim 16x23x0,25       | X     |
| 16  | 50180006        | Shim 16x20x0,10       | X     |
| 16  | 50180007        | SHIM 16X21X0,10       | X     |
| 16  | 50180028        | SHIM 16X21X0,25       | X     |
| 16  | 50180210        | Washer 16x21x1        | X     |
| 16  | 50180008        | SHIM 16X22X0,10       | X     |
| 16  | 50180022        | Shim 16x22x0,20       | X     |
| 16  | 50180037        | SHIM 16X23X0,30       | X     |
| 16  | 50180038        | SHIM 16X24X0,30       | X     |
| 16  | 50180032        | Shim 16x25x0,25       | X     |
| 16  | 50180039        | SHIM 16X25X0,30       | X     |
| 16  | 50180012        | SHIM 16X26X0,10       | X     |
| 16  | 50180019        | SHIM 16X26X0,15       | X     |
| 16  | 50180026        | SHIM 16X26X0,20       | X     |
| 16  | 50180040        | SHIM 16X26X0,30       | X     |
| 16  | 50180041        | SHIM 16X28X0,10       | X     |
| 16  | 50180045        | Shim 16x28x0,15       | X     |
| 16  | 50180054        | Shim 16x28x0,2        | X     |
| 16  | 50180063        | SHIM 16X28X0,25       | X     |
| 16  | 50180072        | SHIM 16X28X0,30       | X     |
| 16  | 50180046        | SHIM 16X30X0,15       | X     |
| 16  | 50180055        | SHIM 16X30X0,20       | X     |

080000190

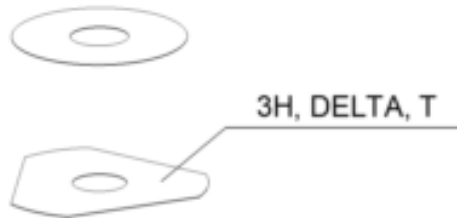
4668

\* NEW PART

X ON DEMAND



- ⑤ Ø 5 mm
- ⑥ Ø 6 mm
- ⑧ Ø 8 mm
- ⑩ Ø 10 mm
- ⑫ Ø 12 mm
- ⑭ Ø 14-14,5 mm
- ⑯ Ø 16 mm
- ⑳ Ø 20 mm
- ㉑ Ø 21 mm
- ㉒ Ø 22 mm
- ㉓ Ø 23 mm
- ㉔ Ø 24,5 mm
- ㉘ Ø 28,25-28,5 mm
- ㉚ Ø 32 mm
- ㉜ Ø 52 mm



| POS | PARTNUMBER |                         | PIECE |
|-----|------------|-------------------------|-------|
| 16  | 50180064   | Shim 16x30x0,25         | X     |
| 16  | 50180073   | SHIM 16X30X0,30         | X     |
| 16  | 50180047   | Shim 16X32X0,15         | X     |
| 16  | 50180056   | Shim 16x32x0,2          | X     |
| 16  | 50180065   | SHIM 16X32X0,25         | X     |
| 16  | 50180074   | SHIM 16X32X0,30         | X     |
| 16  | 50180044   | SHIM 16X34X0,10         | X     |
| 16  | 50180048   | SHIM 16X34X0,15         | X     |
| 16  | 50180057   | Shim 16x34x0,2 y5       | X     |
| 16  | 50180066   | SHIM 16X34X0,25         | X     |
| 16  | 50180075   | SHIM 16X34X0,30         | X     |
| 16  | 50180049   | Shim 16x36x0,15         | X     |
| 16  | 50180058   | Shim 16x36x0,20         | X     |
| 16  | 50180067   | SHIM 16X36X0,25         | X     |
| 16  | 50180076   | SHIM 16X36X0,30         | X     |
| 16  | 50180050   | SHIM 16X38X0,15         | X     |
| 16  | 50180059   | SHIM 16X38X0,20         | X     |
| 16  | 50180068   | SHIM 16X38X0,25         | X     |
| 16  | 50180077   | SHIM 16X38X0,30         | X     |
| 16  | 50180051   | Shim 16x40x0,15         | X     |
| 16  | 50180060   | Shim 16x40x0,2          | X     |
| 16  | 50180069   | SHIM 16X40X0,25         | X     |
| 16  | 50180078   | SHIM 16X40X0,30         | X     |
| 16  | 50180052   | SHIM 16X42X0,15         | X     |
| 16  | 50180061   | Shim 16x42x0,2          | X     |
| 16  | 50180070   | SHIM 16X42X0,25         | X     |
| 16  | 50180079   | SHIM 16X42X0,30         | X     |
| 16  | 50180053   | SHIM 16X44X0,15         | X     |
| 16  | 50180062   | Shim 16X44X0,20         | X     |
| 16  | 50180071   | SHIM 16X44X0,25         | X     |
| 16  | 50180080   | SHIM 16X44X0,30         | X     |
| 16  | 50180177   | Springwasher 8,2x16x0,6 | X     |
| 16  | 50180033   | Shim 16x26x0,25         | X     |
| 16  | 50180034   | Shim 16x20x0,30         | X     |
| 16  | 50180035   | Shim 16x21x0,30         | X     |
| 16  | 50180036   | Shim 16x22x0,30         | X     |
| 16  | 50180043   | SHIM 16X32X0,10         | X     |
| 16  | 50180024   | Shim 16x24x0,20         | X     |

080000190

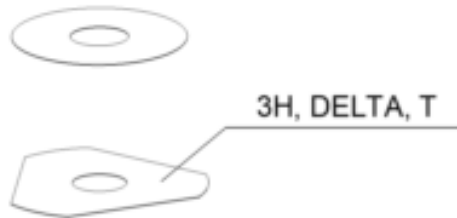
4668

\* NEW PART

X ON DEMAND



- ⑤ Ø 5 mm
- ⑥ Ø 6 mm
- ⑧ Ø 8 mm
- ⑩ Ø 10 mm
- ⑫ Ø 12 mm
- ⑭ Ø 14-14,5 mm
- ⑯ Ø 16 mm
- ⑳ Ø 20 mm
- ㉑ Ø 21 mm
- ㉒ Ø 22 mm
- ㉓ Ø 23 mm
- ㉔ Ø 24,5 mm
- ㉘ Ø 28,25-28,5 mm
- ㉚ Ø 32 mm
- ㉜ Ø 52 mm



| POS | PARTNUMBER |                             | PIECE |
|-----|------------|-----------------------------|-------|
| 16  | 50180027   | SHIM 16X20X0,25             | X     |
| 16  | 50180031   | Shim 16x24x0,25             | X     |
| 16  | 50180029   | SHIM                        | X     |
| 16  | 50180010   | SHIM 16X24X0,10             | X     |
| 16  | 50180021   | SHIM 16X21X0,20             | X     |
| 16  | 50180025   | SHIM 16X25X0,20             | X     |
| 16  | 50180383   | Washer 16x19x0,3            | X     |
| 16  | 50180014   | SHIM                        | X     |
| 16  | 50180013   | SHIM 16X20X0,15             | X     |
| 16  | 50180015   | DISTANCER PLATE 16X22X0,15  | X     |
| 16  | 50180017   | Shim 16x24x0,15             | X     |
| 16  | 50180009   | DISTANCER PLATE 16X23X0,10  | X     |
| 16  | 50180016   | SHIM 16X23X0,15             | X     |
| 16  | 50180020   | SHIM 16X20X0,20             | X     |
| 20  | 48600212   | PRESSURE-RING 20X16,25X0,20 | X     |
| 20  | 50180666   | SHIM 20X24X0,30             | X     |
| 20  | 50180654   | SHIM 20X36X0,20             | X     |
| 20  | 50180655   | SHIM 20X38X0,20             | X     |
| 20  | 50180656   | SHIM 20X40X0,20             | X     |
| 20  | 50180665   | SHIM 20X40X0,25             | X     |
| 20  | 50180662   | SHIM 20X34X0,25             | X     |
| 20  | 50180657   | SHIM 20X24X0,25             | X     |
| 20  | 50180653   | SHIM 20X34X0,20             | X     |
| 20  | 50180634   | RING 20X22,9X1              | X     |
| 20  | 50180650   | SHIM 20,2X28X0,20           | X     |
| 20  | 50180663   | SHIM 20X36X0,25             | X     |
| 20  | 50180664   | SHIM 20X38X0,25             | X     |
| 20  | 50180659   | SHIM 20,2X28X0,25           | X     |
| 21  | 50180209   | Shim 21x36x0,25             | X     |
| 22  | 50180330   | Shim 18x22x0,3              | X     |
| 23  | 50180635   | SHUTTLE VALVE 23X38X0,25    | X     |
| 23  | 50180578   | SHIM D23XD16X2              | X     |
| 24  | 40541061   | WASHER 24,5X34X2            | X     |
| 28  | 36120469   | SHIM 28,5X14X2              | X     |
| 28  | 36120471   | SHIM 28,5X14X5              | X     |
| 28  | 89000001   | Shim 28,25x34x0,30          | X     |
| 28  | 46811636   | Shim 28,25x32x0,30          | X     |
| 32  | 48600460   | WASHER 32X42X2,5            | X     |

080000190

4668

\* NEW PART

X ON DEMAND



- 5 Ø 5 mm
- 6 Ø 6 mm
- 8 Ø 8 mm
- 10 Ø 10 mm
- 12 Ø 12 mm
- 14 Ø 14-14,5 mm
- 16 Ø 16 mm
- 20 Ø 20 mm
- 21 Ø 21 mm
- 22 Ø 22 mm
- 23 Ø 23 mm
- 24 Ø 24,5 mm
- 28 Ø 28,25-28,5 mm
- 32 Ø 32 mm
- 52 Ø 52 mm



| POS | PARTNUMBER |                    | PIECE |
|-----|------------|--------------------|-------|
| 32  | 50600065   | SHIM 32X45X2       | X     |
| 32  | 46811637   | Shim 32,25x36x0,30 | X     |
| 52  | 50600002   | Washer 52x59x2,2   | X     |

080000190

4668

\* NEW PART

X ON DEMAND

A large, empty rectangular box with a thin black border, occupying most of the page. It is intended for the user to write notes. The box is completely blank and contains no text or other markings.



# KTM.COM



F7403X2EN

KTM Sportmotorcycle GmbH  
5230 Mattighofen, Austria  
[www.ktm.com](http://www.ktm.com)

**KTM** POWERPARTS

**KTM** POWERWEAR

**KTM** ORIGINAL SPARE PARTS

