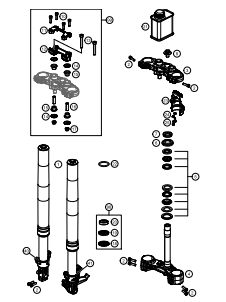
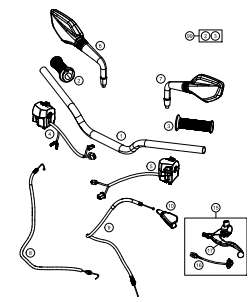
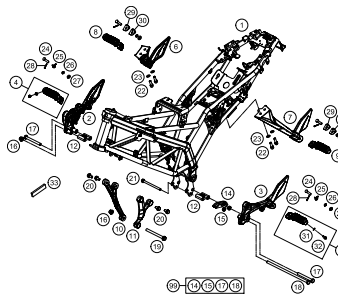
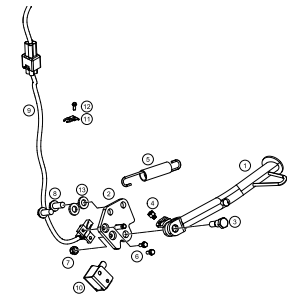
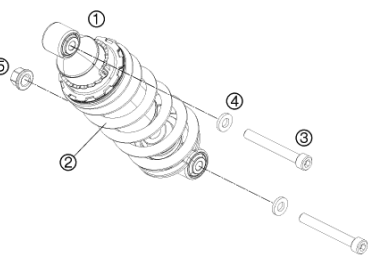
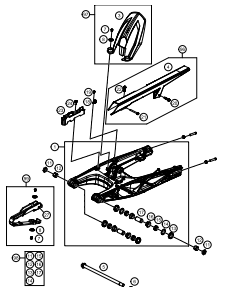
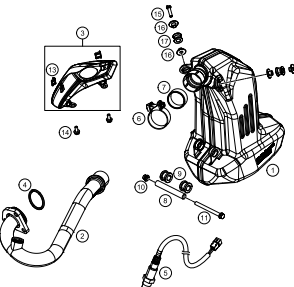
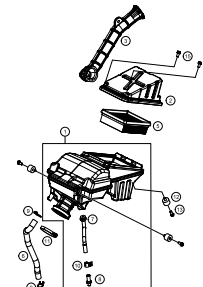
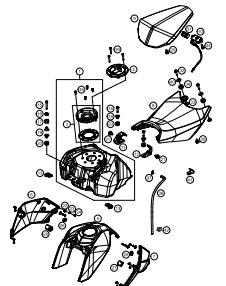
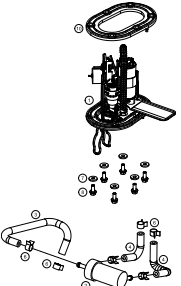
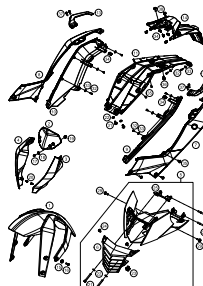
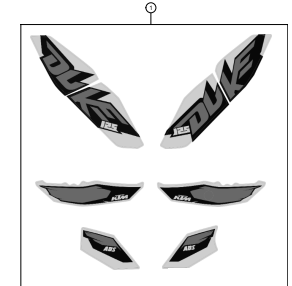


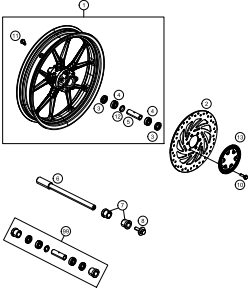
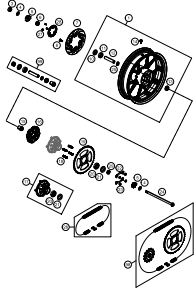
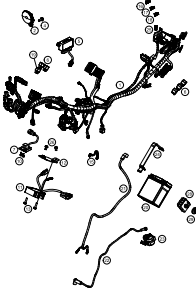
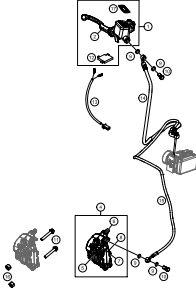
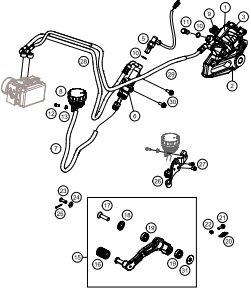
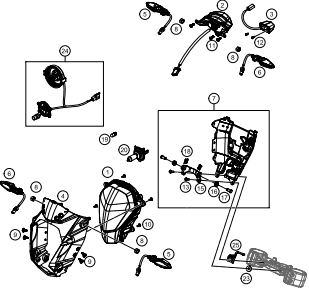
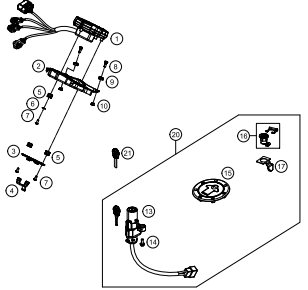
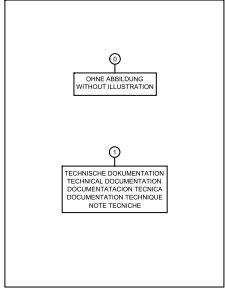
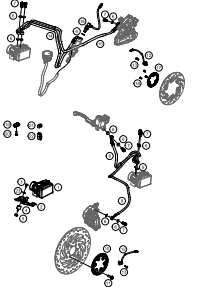

# 125 DUKE WHITE ABS EU 2013

ART.-NR.: 3CFF8003M5EN



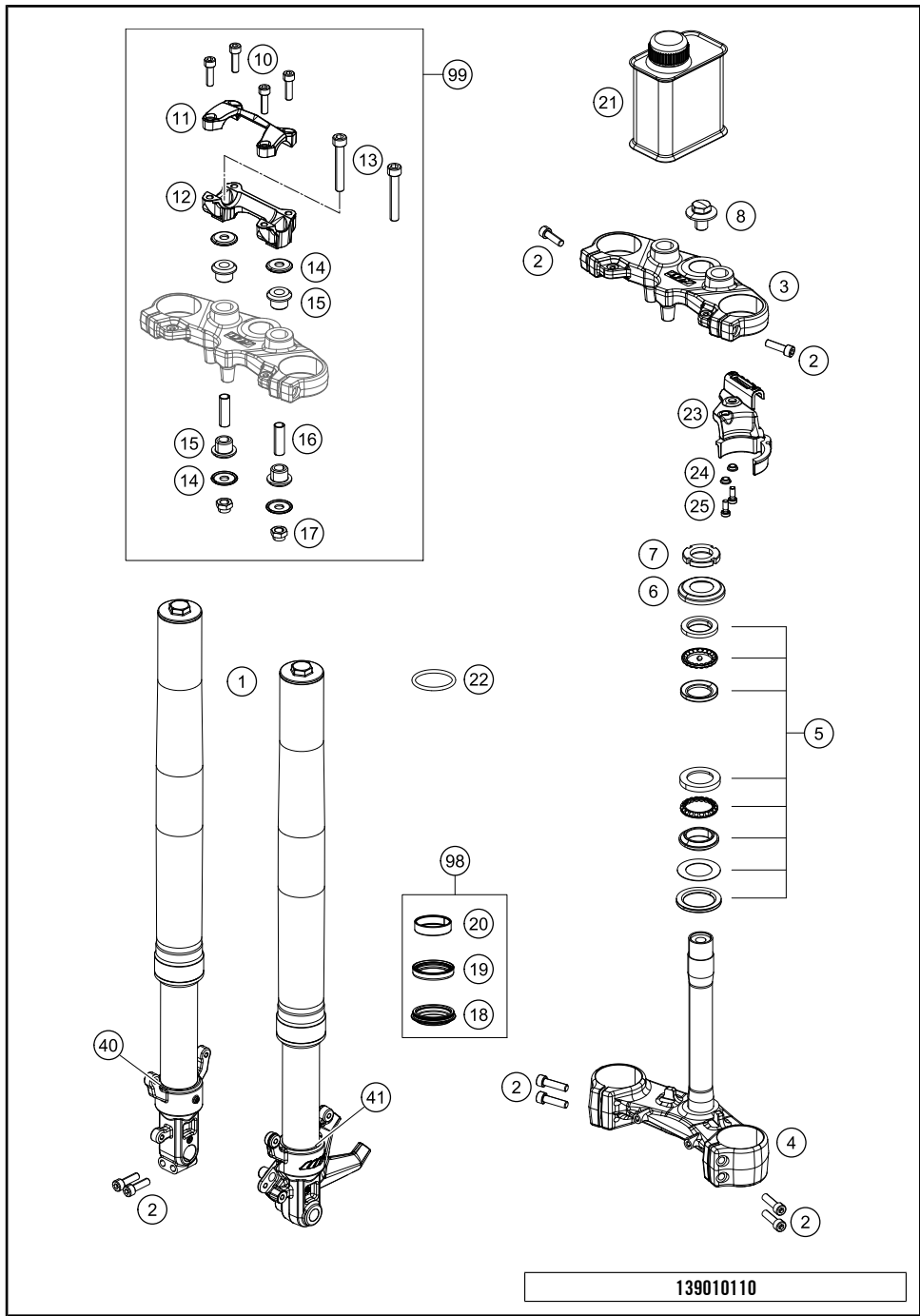


<p><b>TRIPLE CLAMP, FRONT FORK</b></p>  <p><b>3</b></p>	<p><b>HANDLEBAR, CONTROLS</b></p>  <p><b>4</b></p>	<p><b>FRAME</b></p>  <p><b>5</b></p>	<p><b>SIDE / CENTER STAND</b></p>  <p><b>6</b></p>
<p><b>SHOCK ABSORBER</b></p>  <p><b>7</b></p>	<p><b>SWING ARM</b></p>  <p><b>8</b></p>	<p><b>EXHAUST SYSTEM</b></p>  <p><b>9</b></p>	<p><b>AIR FILTER</b></p>  <p><b>10</b></p>
<p><b>TANK, SEAT, COVER</b></p>  <p><b>11</b></p>	<p><b>FUEL PUMP</b></p>  <p><b>13</b></p>	<p><b>MASK, FENDERS</b></p>  <p><b>14</b></p>	<p><b>DECAL</b></p>  <p><b>15</b></p>

<p><b>FRONT WHEEL</b></p>  <p><b>16</b></p>	<p><b>REAR WHEEL</b></p>  <p><b>17</b></p>	<p><b>WIRING HARNESS</b></p>  <p><b>18</b></p>	<p><b>BRAKE SYSTEM FRONT</b></p>  <p><b>19</b></p>
<p><b>BRAKE SYSTEM REAR</b></p>  <p><b>20</b></p>	<p><b>LIGHTING SYSTEM</b></p>  <p><b>21</b></p>	<p><b>INSTRUMENTS / LOCK SYSTEM</b></p>  <p><b>22</b></p>	<p><b>ACCESSORIES KIT</b></p>  <p><b>23</b></p>
<p><b>ANTIBLOCK SYSTEM ABS</b></p>  <p><b>24</b></p>	 <p>All information contained is without obligation. KTM Sportmotorcycle GmbH particularly reserves the right to modify any equipment, technical specifications, prices, colors, shapes, materials, services, service work, constructions, equipment and the like so as to adapt them to local conditions or to cancel any of the above items, all without previous announcement and without giving reasons. KTM may stop manufacturing certain models without previous notice. KTM shall not be held liable for any deviations of availability and/or ability to deliver, illustrations, descriptions, printing and/or other errors. The illustrated models partly contain extra equipment, which is not applied to standard models.</p> <p>© by KTM Sportmotorcycle GmbH, Mattighofen AUSTRIA; All rights reserved; Reprint, also in extracts, with written allowance of KTM Sportmotorcycle GmbH, Mattighofen only.</p>		

# TRIPLE CLAMP, FRONT FORK

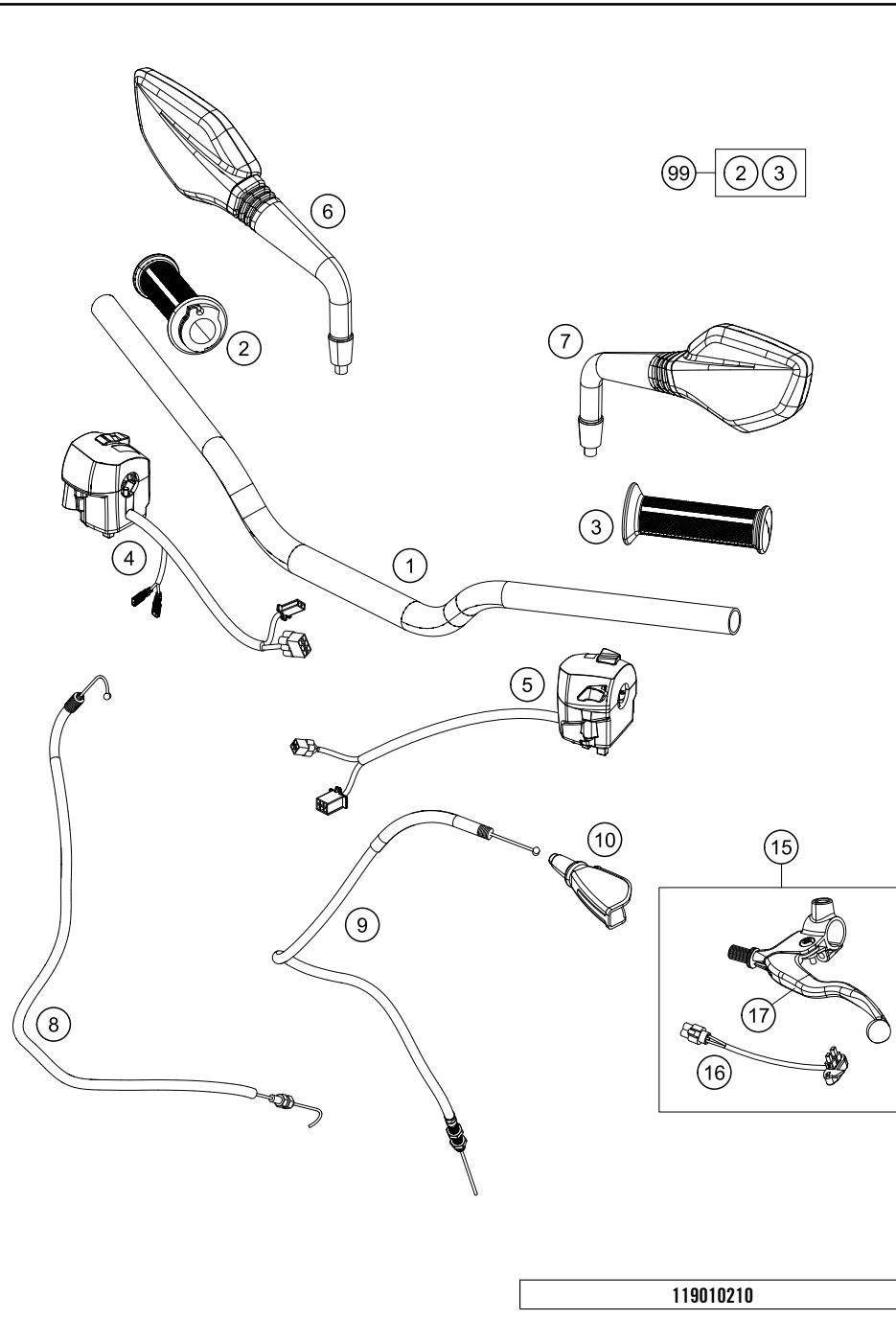
125 DUKE WHITE ABS EU 2013



POS	PARTNUMBER	PARTNAME	PIECE
1	90101001100	FORK LEG L/S CPL.	1
1	90101002100	FORK LEG R/S CPL.	1
2	J020080273	AH SCREW M8X27	8
3	90101034035	TOP TRIPLE CLAMP	1
4	90101032100	BOT. TRIPLE CLAMP CPL.	1
5	90101080044	STEERING HEAD BEARING-KIT	1
6	90101086000	PROTECTION CAP	1
7	90101036000	ADJUSTING RING STEERING HEAD	1
8	90101136000	CLAMP SCREW STEERING HEAD	1
10	90101044000	SPECIAL SCREW M8X29 SS	4
11	90101038000	HANDLEBAR CLAMP	1
12	90101039000	HANDLEBAR SUPPORT D=26MM	1
13	J022100643	AH SCREW M10X1,25X64	2
14	90101042000	WASHER 10,5X32X2	4
15	90101040000	RUBBER BUSHING	4
16	90101041000	SPACER TUBE	2
17	J982101253	SELF L. NUT M10X1,25 H11 WS17	1
18	43570624	DUST CAP 43X53,4X5,8	2
19	43570623	OIL SEAL RING 43X52,9X11,4	2
20	43570618	GUIDE BUSHING 43X47X12	2
21	48601166S1	FORK OIL SAE4 5L	1
22	40140024	O-RING NBR 43X2	2
23	90113055000	HOSE CLAMP	1
24	90113055010	SLEEVE FOR HOSE CLAMP	2
25	J021060156	AH SCREW M6X15 10.9	2
40	90101007044	WHEEL CLAMP CPL. WITH PIPE R/S WITH INNER PIPE	1
41	90101006144	AXLE CLAMP CPL. WITH PIPE L/S WITH INNER PIPE	1
98	90101000010	REP. KIT FORK KPL.	x
99	90101039010	HANDLEBAR SUPPORT KIT	x

\* NEW PART

X ON DEMAND



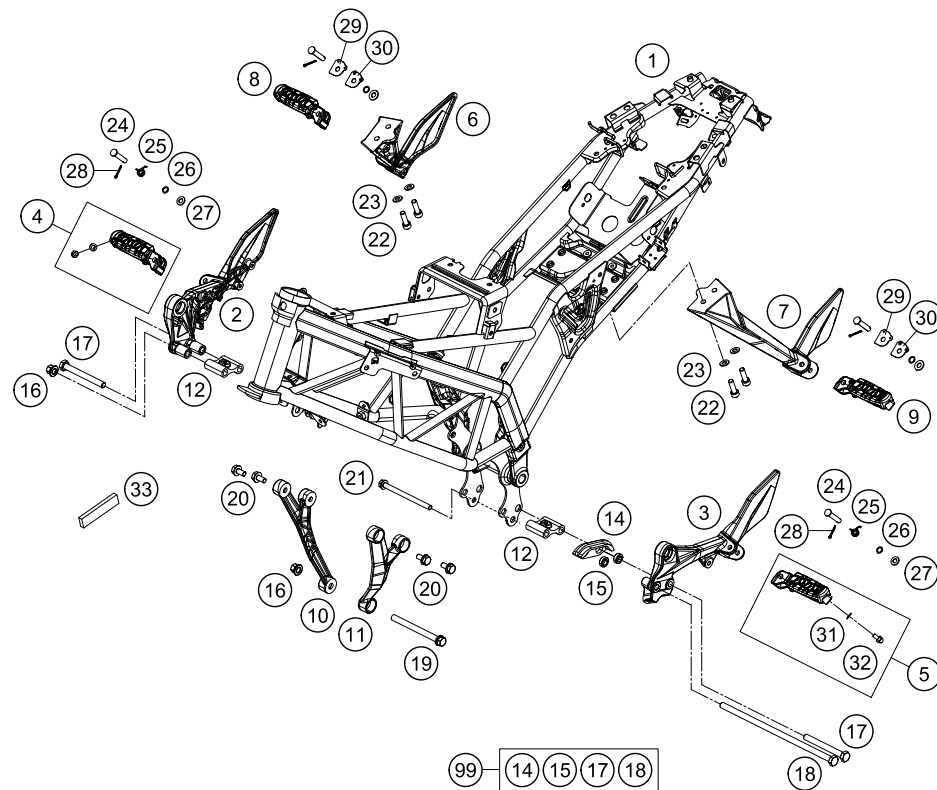
POS	PARTNUMBER	PARTNAME	PIECE
1	90102001000	HANDLEBAR	1
2	90102010000	THROTTLE GRIP CPL.	1
3	90102039000	FIXED GRIP	1
4	90111074000	START-EMERGENCY STOP SWITCH	1
5	90111070000	SWITCH	1
6	90112041000	MIRROR R/S	1
7	90112040000	MIRROR L/S	1
8	90102091000	THROTTLE CABLE	1
9	90102090000	CLUTCH CABLE	1
10	90102016000	PROTECTION CAP THROTTLE CABLE	1
15	90102031100	CLUTCH LEVER CPL.	1
16	90111049100	SWITCH CLUTCH	1
17	90102031150	CLUTCH LEVER	1
99	90102021000	GRIP-SET	x

119010210

C139010210

\* NEW PART

X ON DEMAND



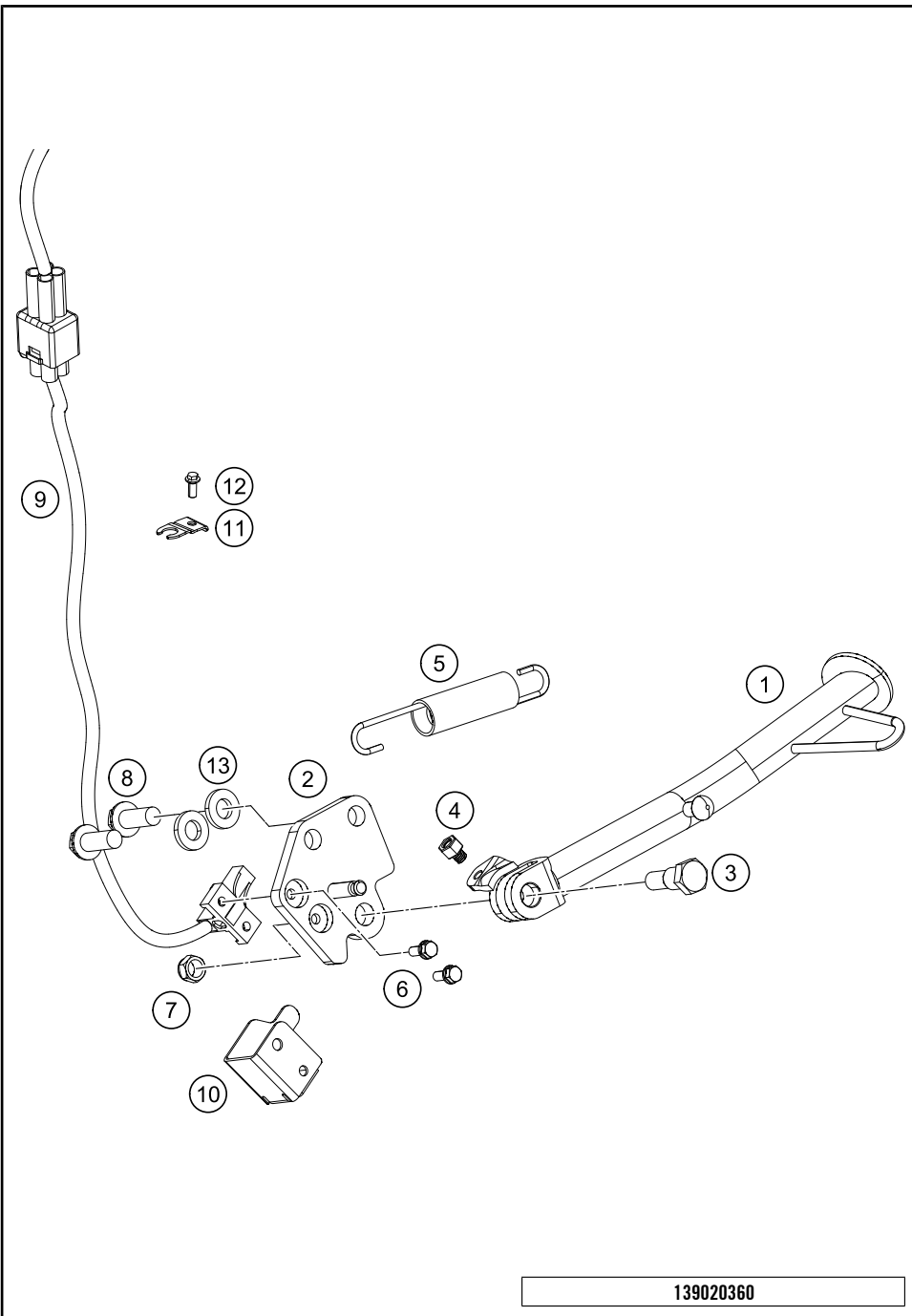
POS	PARTNUMBER	PARTNAME	PIECE
1	90103001100	FRAME	1
2	90103039000	FOOTR. BRACKET FRONT R/S	1
3	90103038000	FOOTREST BRACKET FRONT L/S	1
4	90103041033	FOOTREST FRONT R/S CPL.	1
5	90103040033	FOOTREST FRONT L/S CPL.	1
6	90103049000	FOOTREST BRACKET REAR R/S	1
7	90103048000	FOOTREST BRACKET REAR L/S	1
8	90103051033	FOOTREST REAR R/S CPL.	1
9	90103050033	FOOTREST REAR L/S CPL.	1
10	90103006000	ENGINE SUPPORT R/S	1
11	90103005000	ENGINE SUPPORT L/S	1
12	90103038001	TAP FOOTREST BRACKET FRONT	2
14	90104070000	CHAIN GUIDE	1
15	90104066010	SPACER CHAIN GUIDE	2
16	90103038002	FLANGED NUT M10X1,25 WS14	2
17	J025100926	HH COLLAR SCREW M10X1,25X92	2
18	J025102656	HH COLLAR SCREW M10X1,25X265	1
19	J025101103	HH COLLAR SCREW M10X110 WS14	1
20	J011080163	HH COLLAR SCREW M8X16 SW14	4
21	J027081053	HH COLLAR SCREW M8X105 SW12	1
22	J020080273	AH SCREW M8X27	4
23	J125080003	WASHER 8,2X16X1,5	4
24	90103044000	BOLT FOR FOOTREST	4
25	90103042000	RETURN SPRING FOOTREST	2
26	J770009015	O-RING 9X1,5	4
27	J125080004	WASHER M8	4
28	J094018250	PIN 25X1,8MM	4
29	90103052000	ENGAGE PANEL FOOTREST 1	2
30	90103053000	ENGAGE PANEL FOOTREST 2	2
31	90103040001	PLAIN WASHER 6,4X12X1	2
32	J029060103S	CAP SCREW M6X10 SS	2
33	90103000001	ANTI-ABRASIVE TAPE	x
33	90103000002	ANTI-ABRASIVE TAPE	x
33	90103000003	ANTI-ABRASIVE TAPE	x
99	90104070010	CHAIN GUIDE KIT 125 DUKE	x

139010310

C139010310

\* NEW PART

X ON DEMAND



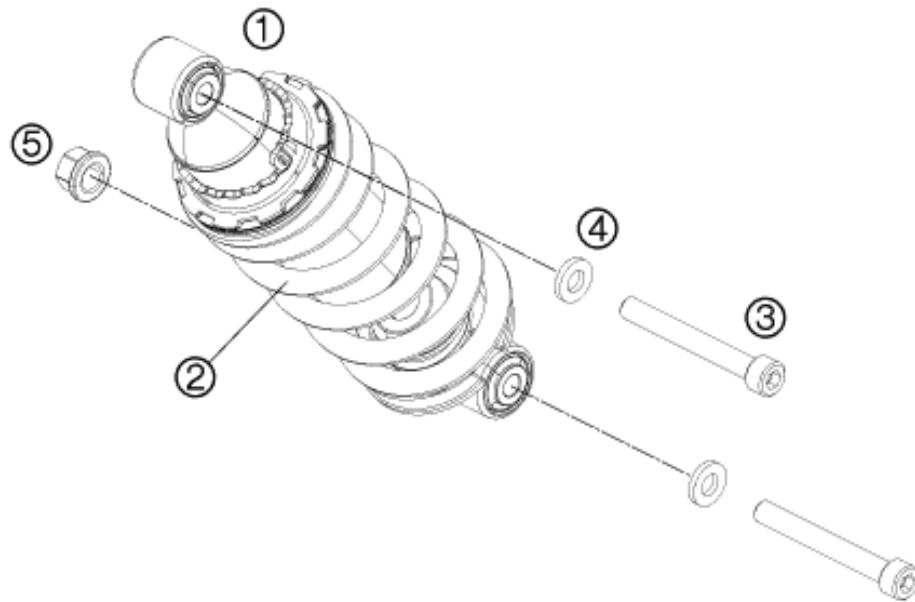
POS	PARTNUMBER	PARTNAME	PIECE
1	90103023000	SIDE STAND	1
2	90103026000	SIDE STAND BRACKET	1
3	90103027000	SCREW F. SIDE STAND	1
4	90103029000	MAGNET HOLDER	1
5	90603024000	SIDE STAND SPRING	1
6	J011050133	HH COLLAR SCREW M5X13 SW8	2
7	J982101253	SELF L. NUT M10X1,25 H11 WS17	1
8	J012100253S	HH COLLAR SCREW M10X1X25 SS	2
9	90111045000	SIDE STAND SWITCH	1
10	90111045010	GUARD F. SIDE STAND SWITCH	1
11	90111045050	CABLE BRACKET	1
12	90103032000	FLANGED BOLT M6X14	1
13	90104010003	PLAIN WASHER 10,2X20X3MM	2

139020360

C139020360

\* NEW PART X ON DEMAND





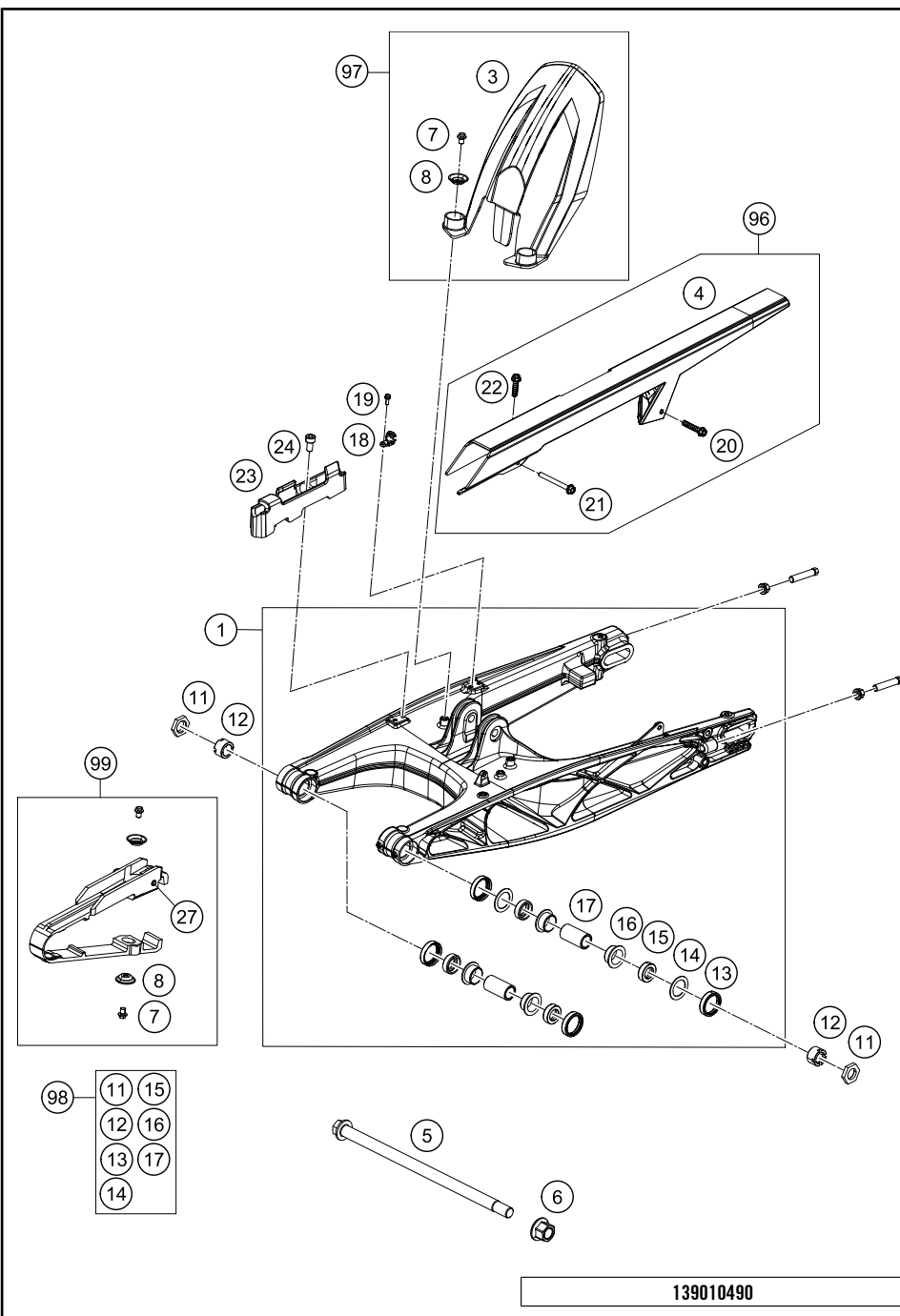
POS	PARTNUMBER	PARTNAME	PIECE
1	9060401000	SHOCK ABSORBER CPL.	1
2	90104011000	SPRING MONOSHOCK	1
3	J020100806	AH SCREW M10x1,25X80 10.9	2
4	90104010003	PLAIN WASHER 10,2X20X3MM	2
5	90104010002	NUT FLANGED M10X1,25 WS13	1

119010410

C129060410

\* NEW PART

X ON DEMAND

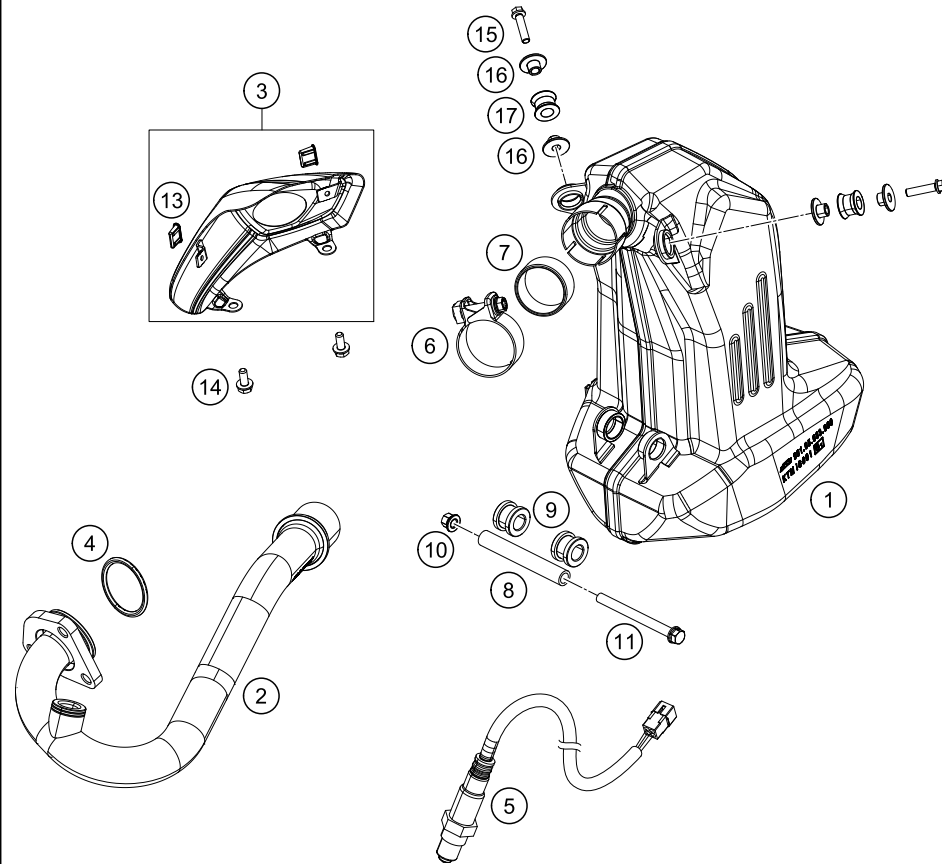


POS	PARTNUMBER	PARTNAME	PIECE
1	90504030044	SWING ARM CPL.	1
3	90104050000	SPLASH PROTECTOR	1
4	90104060000	CHAIN GUARD CPL.	1
5	90104037000	SWING ARM BOLT L=298MM	1
6	90104038000	FLANGED NUT M14X1,5	1
7	J025060083	HH COLLAR SCREW M6X8 SW8	4
8	90104067000	BUCKET	4
9	90104040000	BOLT HEX M10X1,25X50 WS10	2
10	90104010002	NUT FLANGED M10X1,25 WS13	2
11	90104042000	HEXAGONAL WASHER	2
12	90104046000	ADJUSTING RING SWING ARM	2
13	90104034001	OIL SEAL RING 25X32X7	4
14	90104036000	STOP DISK 22.2X31.7X1	2
15	90104034000	BUCKET FOR SHAFT SEAL RING	4
16	90104031000	IGUS SLIDE BEARING	4
17	90104032000	BUSHING SLEEVE 15.1X20X38	2
18	90113047000	BRAKE HOSE GUIDE	1
19	J011050133	HH COLLAR SCREW M5X13 SW8	1
20	0017060305	SPECIAL SCREW K60X30 WS=6	1
21	J025050503	HH COLLAR SCREW M5X50 WS8	1
22	0017060205	SCREW FOR PLASTIC K60X20 SW6	1
23	90113147000	CLAMP FOR BRAKE HOSE	1
24	J912050101	AH SCREW M5X10	1
27	90104070020	SLEEVE CHAIN GUARD	1
96	90104060110	CHAIN PROTECTION KIT DUKE	x
97	90106010010	SPLASH GUARD KIT 390 DUKE	x
98	90104230010	SWINGARM REP. KIT 11-15	x
99	90104066110	CHAIN GUARD KIT	x

139010490

C139010490

\* NEW PART X ON DEMAND



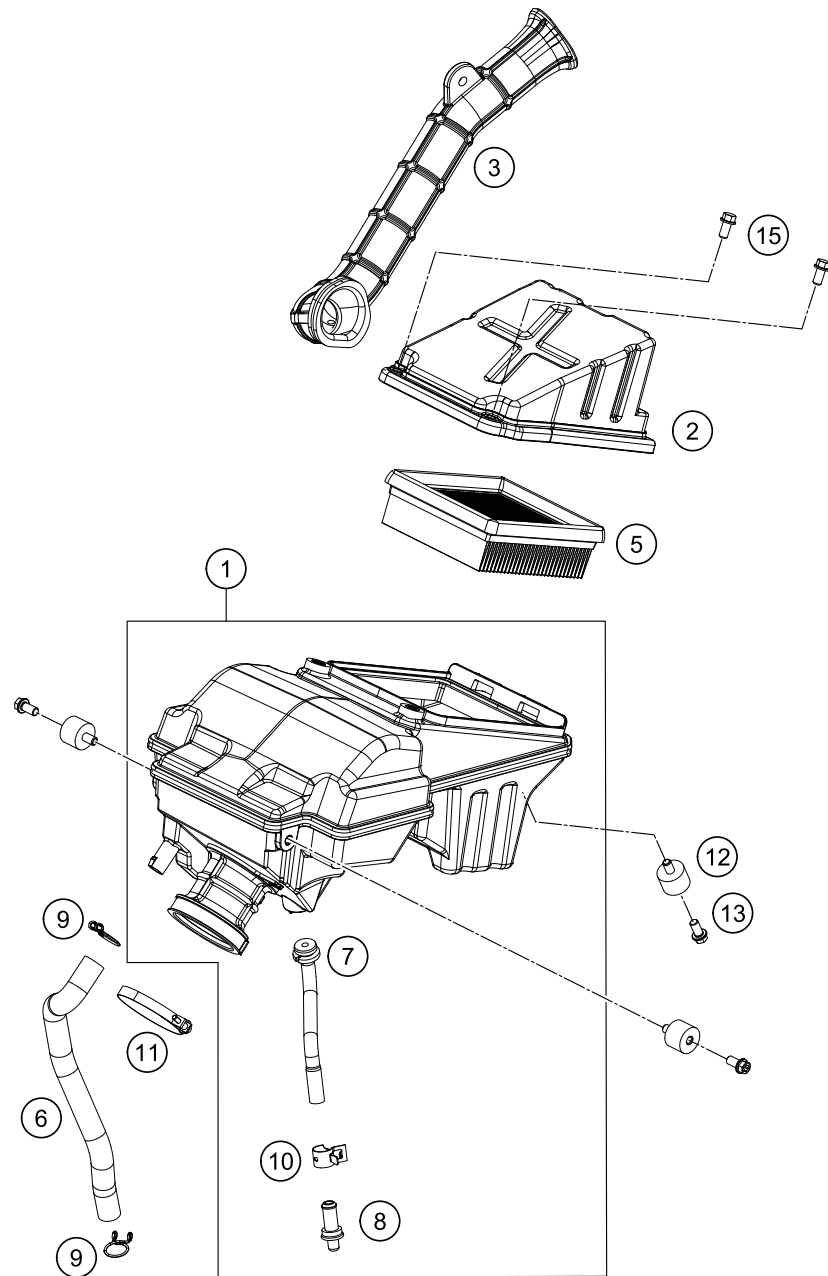
POS	PARTNUMBER	PARTNAME	PIECE
1	90105083000	SILENCER CPL.	1
2	90505007033	EXHAUST PIPE A CPL.	1
3	90105090033	HEAT SHIELD CPL.	1
4	90105004000	EXHAUST PIPE FLANGE GASKET	1
5	90141090000	LAMBDA SENSOR	1
6	90105051000	CLAMP CPL.	1
7	90105005000	SEAL RING EXHAUST PIPE A	1
8	90105084000	MOUNTING TUBE ED	1
9	90105068100	DAMPING ELEMENT LOWER	2
10	90103038002	FLANGED NUT M10X1,25 WS14	1
11	J027081053	HH COLLAR SCREW M8X105 SW12	1
13	90105085000	RUBBER CAP	2
14	J025060146	HH COLLAR SCREW M6X14 SW10	2
15	J025060256	HH COLLAR SCREW M6X25 SW10	2
16	90105069100	COLLAR BUSH	4
17	90105068200	DAMPING ELEMENT UPPER	2

139010510

C139010510

\* NEW PART

X ON DEMAND



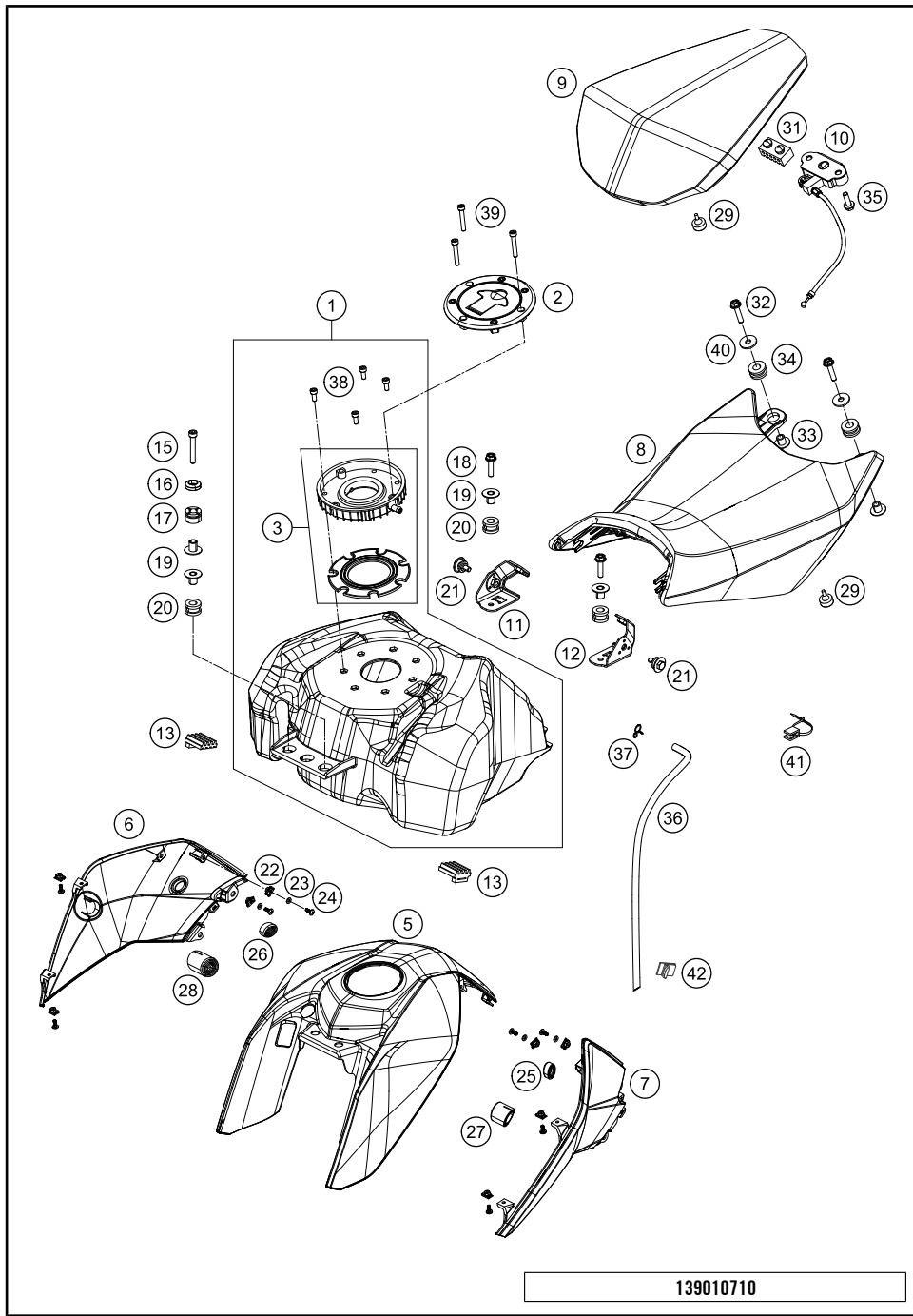
POS	PARTNUMBER	PARTNAME	PIECE
1	90106001144	AIR FILTER BOX CPL.	1
2	90106002000	AIRFILTER TOP PART CPL.	1
3	90106040000	AIR INTAKE	1
5	90106015000	AIRFILTER	1
6	90130087000	ENGINE BREATHER TUBE	1
7	90106000103	DRAINAGE HOSE	1
8	90106000001	PLUG DRAINAGE	1
9	90130087001	HOSE CLAMP	2
10	90106000004	HOSE CLAMP	1
11	90106027100	HOSE CLAMP	1
12	90135001001	RUBBER GROMMET	3
13	J025060086	HH COLLAR SCREW M6X8 SW10	3
15	J025060123	HH COLLAR SCREW M6X12 SW8	2

139060610

C129010610

\* NEW PART

X ON DEMAND

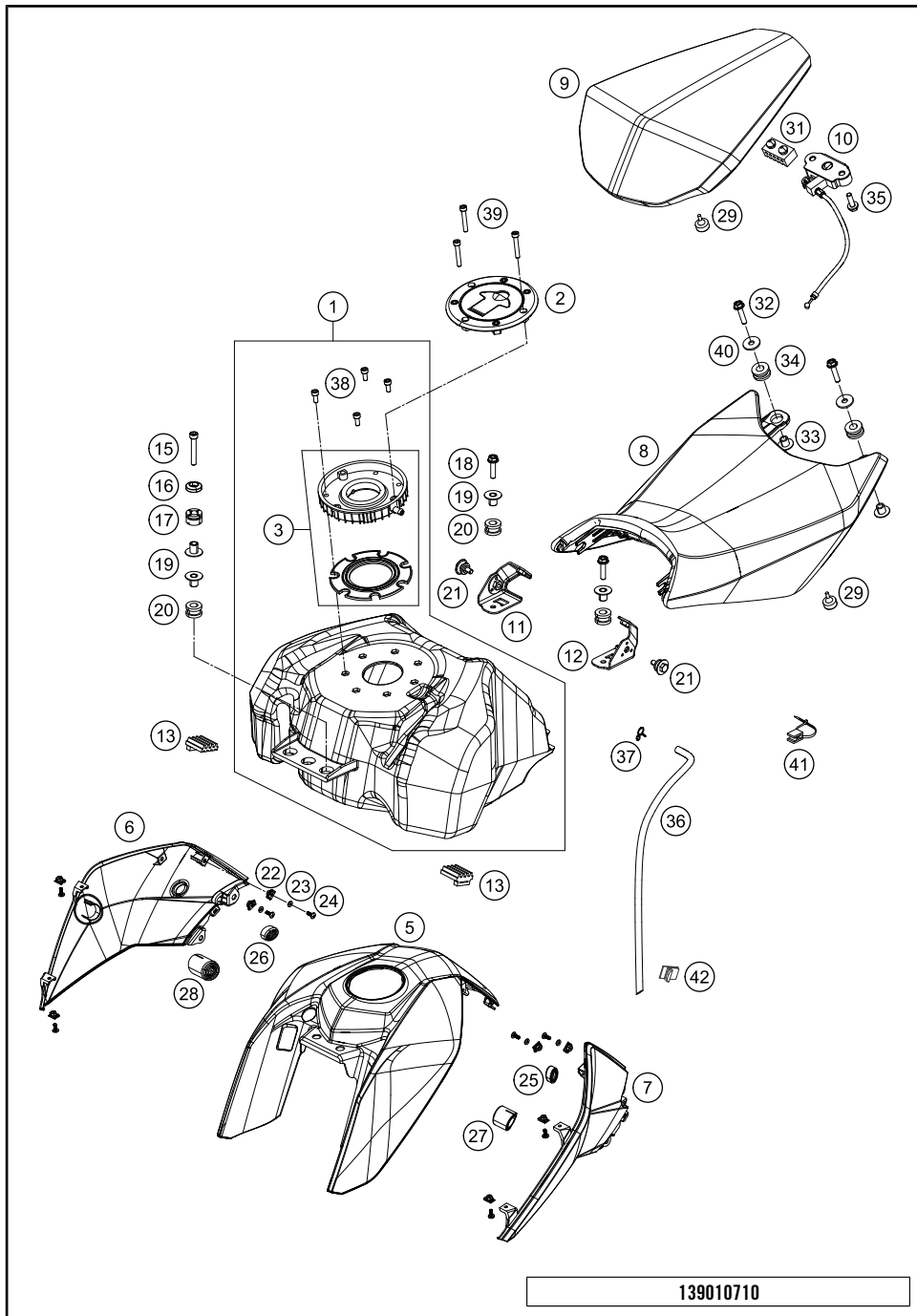


POS	PARTNUMBER	PARTNAME	PIECE
1	90607013144	FUEL TANK CPL.	1
2	90607008000	TANK CAP	1
3	90107008144	CUP CAP WITH GASKET	1
5	9010804900020	COVER FUEL TANK TOP WHITE	1
6	9010805100047	COVER FUEL TANK R/S BLACK MAT	1
7	9010805000047	COVER FUEL TANK L/S BLACK MAT	1
8	90107040000	SEAT	1
9	90107047000	PASSENGER SEAT	1
10	90107050000	SEAT UNLOCK SOZIUS	1
11	90107040020	MOUNTING BRACKET R/S -SEAT	1
12	90107040010	MOUNTING BRACKET L/S -SEAT	1
13	90107013003	TANK REST RUBBER	2
15	J025060406	HH COLLAR SCREW M6X40 SW10	2
16	90108045000	SPECIAL WASHER F. M6 D=20MM	2
17	90107013004	GROMMET TOP COVER	2
18	J025060253	HH COLLAR SCREW M6X25 SW10	2
19	90107013005	SLEEVE TANK MOUNTING	6
20	90107013006	GROMMET TANK MOUNTING	4
21	90107040003	SPECIAL SCREW	2
22	90108050001	CLIP NUT M5	8
23	J125050001	SHIM PVC 5,3X11,5X1,5	4
24	J031050153	CHEESE-HEAD SCREW M5X15	8
25	90107070000	TANK RUBBER PAD SMALL L/S	1
26	90107071000	TANK RUBBER PAD SMALL R/S	1
27	90107072000	TANK RUBBER PAD LARGE L/S	1
28	90107073000	TANK RUBBER PAD LARGE R/S	1
29	90107046000	SEAT RUBBER	8
31	90107046050	SEATRUBBER REAR	1
32	90107040004	SPECIAL SCREW M6X25	2
33	90107040002	COLLAR BUSHING SEAT BRACKET	2
34	90107040001	RUBBER SLEEVE	2
35	J025060203	HH COLLAR SCREW M6X20 SW10	2
36	90107013007	TUBE DRAIN CUP CAP	1
37	90107013008	CLAMP	1
38	J912050101	AH SCREW M5X10	4
39	J912050283	AH SCREW M5X28	3
40	J126072220	WASHER 7X22X2MM	2

139010710

C139010711

\* NEW PART X ON DEMAND



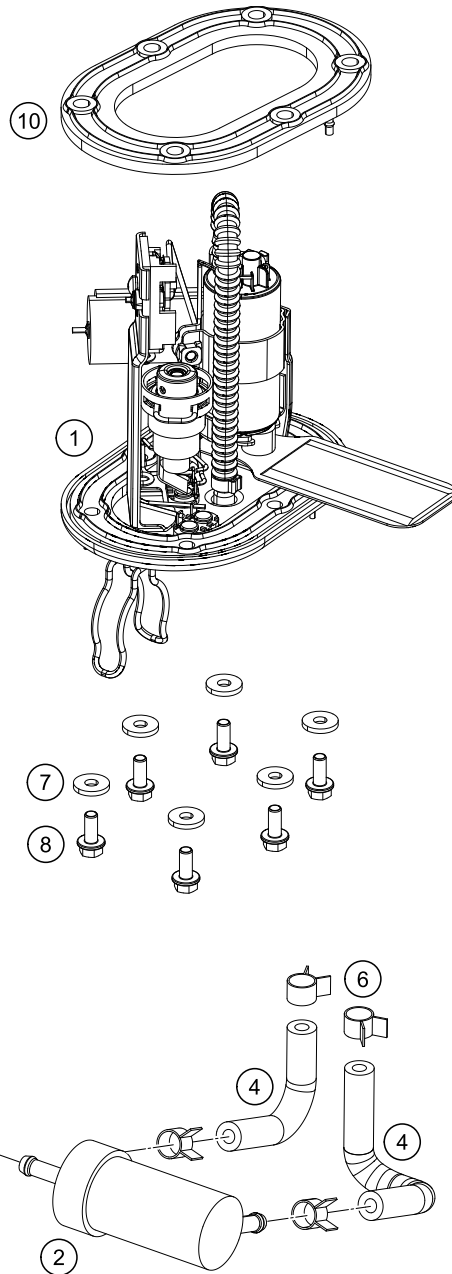
POS	PARTNUMBER	PARTNAME	PIECE
41	90603096000	CABLE TIE 190MM	1
42	90107029000	BRACKET DRAIN TUBE CPL.	1

139010710

C139010711

\* NEW PART

X ON DEMAND



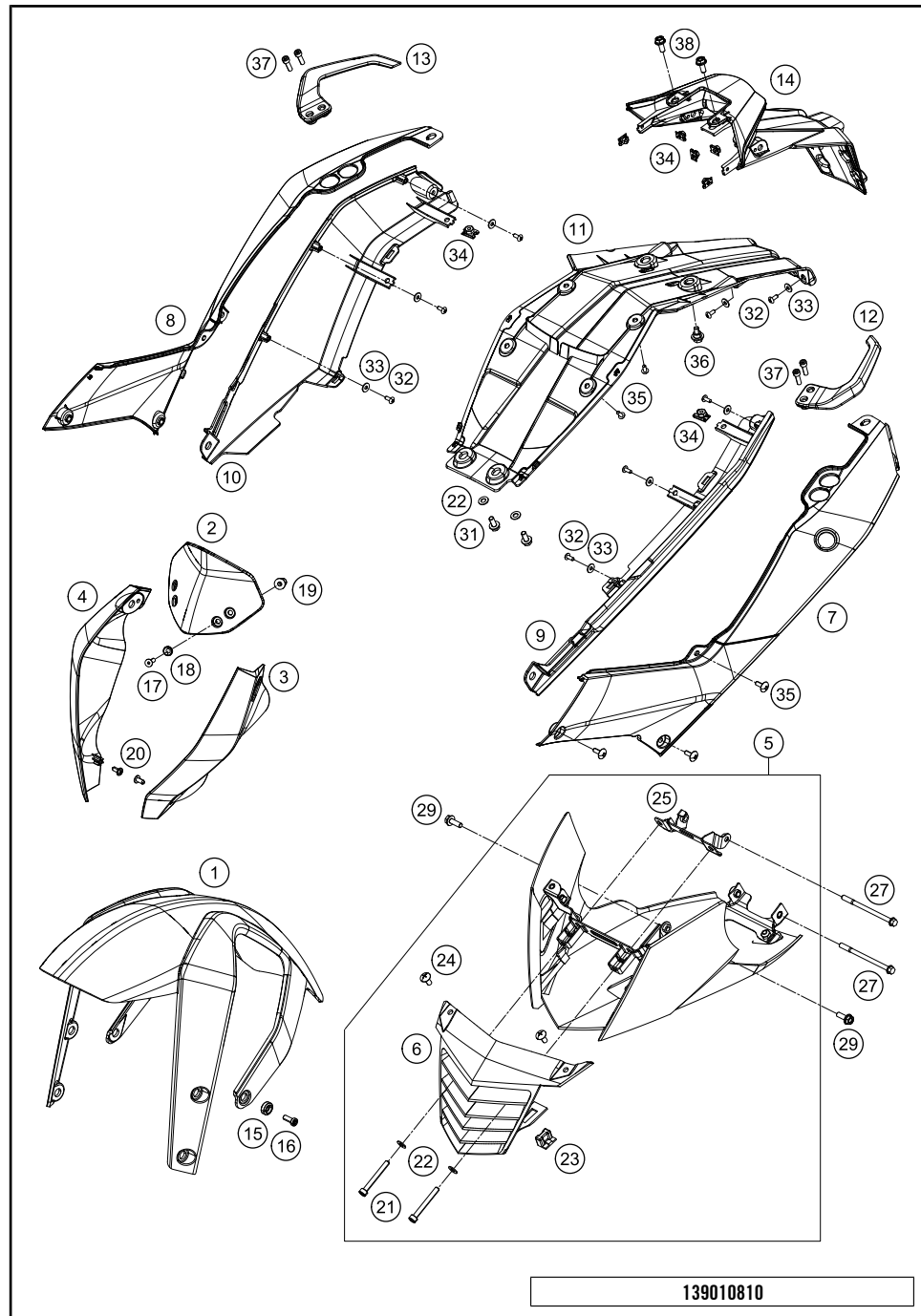
POS	PARTNUMBER	PARTNAME	PIECE
1	90107088000	FUEL PUMP	1
2	90107018000	FUEL FILTER	1
3	90107018010	FUEL HOSE R9	1
4	90107018020	FUEL HOSE	2
6	90107018011	CLAMP 10MM	6
7	90107088050	WASHER 5,2X14X2MM	6
8	J025050123	HH COLLAR SCREW M5X12 SW8	6
10	90107088002	GASKET F. FUEL PUMP	1

119010730

C119010730

\* NEW PART

X ON DEMAND



POS	PARTNUMBER	PARTNAME	PIECE
1	9010801000033	FRONT FENDER BLACK	1
2	90108008000	WIND SHIELD	1
3	9010800200020	MASK SPOILER L/S WHITE	1
4	9010800300020	MASK SPOILER R/S WHITE	1
5	90108020144	FRONTSPOILER LOWER PART CPL.	1
6	90108021000	FRONT SPOILER TOP PART	1
7	9010804100047	SIDE COVER L/S TOP WITHOUT DECAL	1
8	9010804200047	SIDE COVER R/S TOP WITHOUT DECAL	1
9	90108043000	SIDE COVER BOTTOM L/S	1
10	90108044000	SIDE COVER BOTTOM R/S	1
11	90108015010	REAR END LOWER PART	1
12	90112008033	GRIP L/S CPL.	1
13	90112009033	GRIP R/S CPL.	1
14	90108015000	% NUMBER PLATE SUPPORT	1
15	90108010050	BUSHING FRONT FENDER	4
16	J912060163	AH SCREW M6X16	4
17	J019050201	AH SCREW M5X20	4
18	90108008050	WASHER FOR WINDSHIELD	4
19	90108008060	WELL NUT M5 L16	4
20	0081050121	SCREW FOR PLASTIC K50X12 T20	2
21	J912060503	AH SCREW M6X50	2
22	J125060003	PLAIN WASHER 6,5X13X1	2
23	90108020001	GROMMET BELLY PAN	2
24	90108020050	SPECIAL SCREW BELLY PAN	2
25	90108025100	BRACKET BELLY PAN CPL.	1
27	J026060903	HH COLLAR SCREW M6X90	2
29	J025060183	HH COLLAR SCREW M6X18 SW10	2
31	J025060143	HH COLLAR SCREW M6X14 SW8	2
32	J081040121	CROSS PAN SCREW 4X12 PH	10
33	J021040003	WASHER 4,5X12X1MM	10
34	90108050001	CLIP NUT M5	9
35	J031050163	CHEESE-HEAD SCREW M5X16	10
36	90108015050	SPECIAL SCREW M6X12,5 WS8	2
37	J020080274	AH SCREW M8X27	4
38	J025060149	HH COLLAR SCREW M6X14 WS10	2

\* NEW PART

X ON DEMAND



POS	PARTNUMBER	PARTNAME	PIECE
1	90108199200	DECAL KIT 125 DUKE WHITE 2013	1

①



139010831

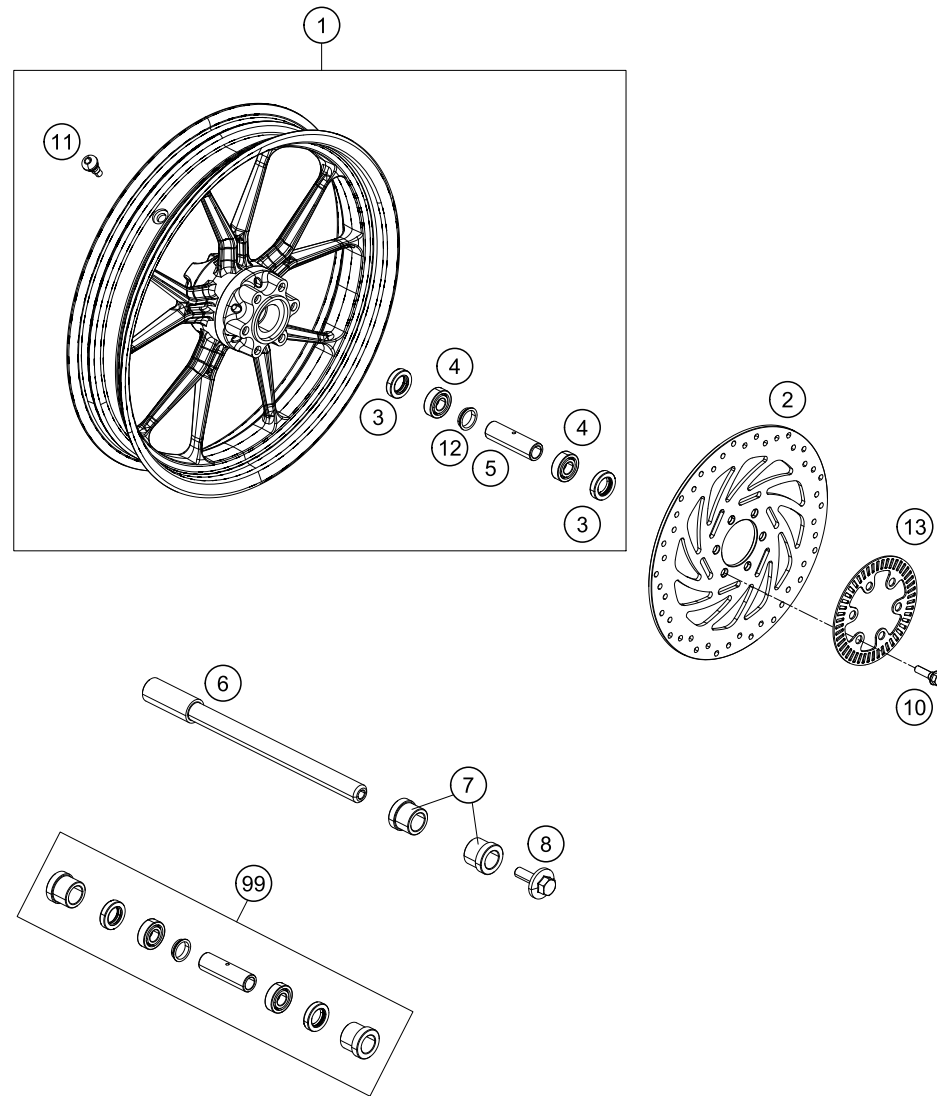
C139010831

\* NEW PART

X ON DEMAND

# FRONT WHEEL

125 DUKE WHITE ABS EU 2013



POS	PARTNUMBER	PARTNAME	PIECE
1	90109001044	FRONT WHEEL CPL.	1
2	90109060100	BRAKE DISC FRONT	1
3	J760223508	SHAFT SEAL RING 22X35X8	2
4	J625062021	BALL BEARING 6202	2
5	90109011000	BEARING SPACER TUBE FRONT	1
6	90109081000	AXLE FRONT D=15MM	1
7	90109012000	SPACER BUSHING FRONT WHEEL	2
8	90109082000	AXLESCREW M8	1
10	90109062000	SPECIAL SCREW M8X30 SELF LOCK.	6
11	90109076000	VALVE CPL.	1
12	90109011001	FIXATION BEARING SPACER TUBE	1
13	90142020000	SENSOR DISC FRONT	1
99	90109015000	FRONT WHEEL REP. KIT	x

139010910

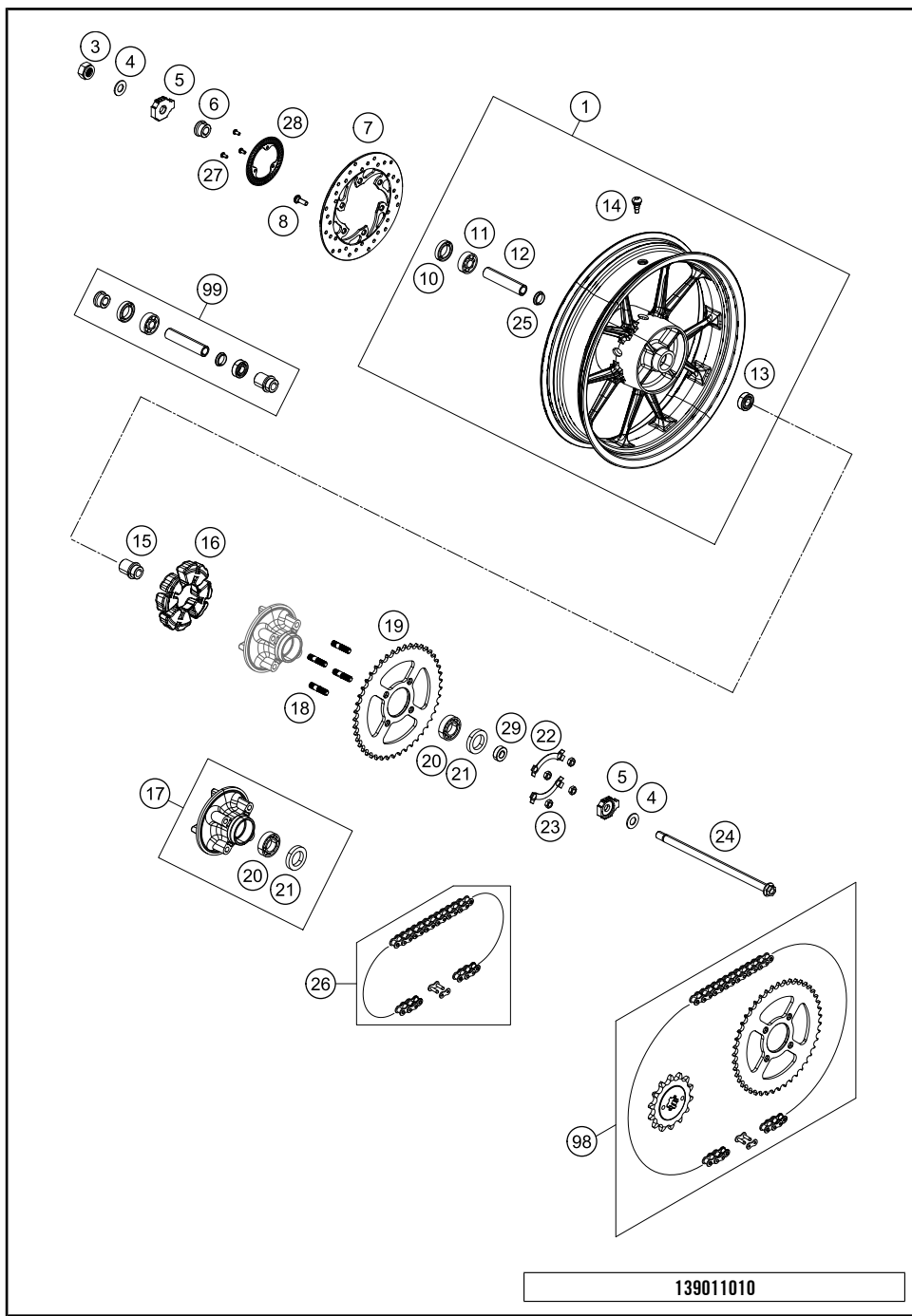
C139010910

\* NEW PART

X ON DEMAND

# REAR WHEEL

# 125 DUKE WHITE ABS EU 2013

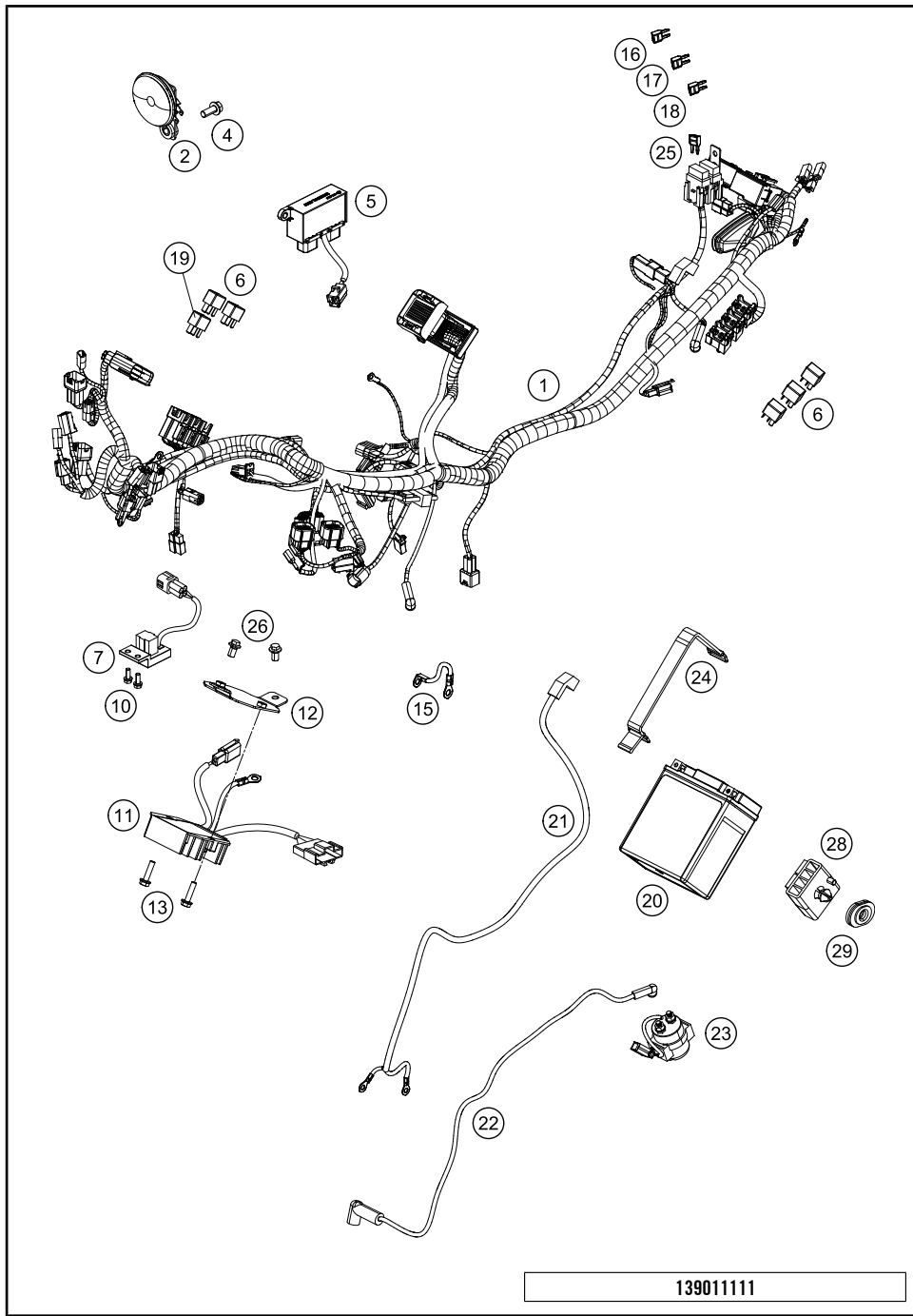


POS	PARTNUMBER	PARTNAME	PIECE
1	90110001144	REAR WHEEL CPL.	1
3	90210086000	NUT REAR AXLE	1
4	90110087000	WASHER 15,2X30X2MM	2
5	90110084000	CHAIN TENSIONER R/S	2
6	90110013000	SPACER BUSHING REAR WHEEL R/S	1
7	90110060000	WAVE BRAKE DISC REAR	1
8	90110062000	SPECIAL SCREW M8X25 SELF LOCK.	6
10	J760264208	SHAFT SEAL RING 26X42X8	1
11	J625063020	BALL BEARING 6302	1
12	90110011000	BEARING SPACER TUBE REAR	1
13	J625062021	BALL BEARING 6202	1
14	90109076000	VALVE CPL.	1
15	90110054000	SPACER BUSHING KRT INSIDE	1
16	90110059000	DAMPING RUBBER	1
17	90110050000	SPROCKET SUPPORT	1
18	90110052050	STUD M10	4
19	90110051045	SPROCKET 45 T.	1
20	J625060050	BALL BEARING 6005 RS	1
21	J760304708	SHAFT SEAL RING 30X47X8	1
22	90110051002	TWIST LOCK WASHER	2
23	90110052000	FLANGED NUT M10X1,25 H6 WS14	4
24	90210085000	REAR AXLE	1
25	90109011001	FIXATION BEARING SPACER TUBE	1
26	78010167118	CHAIN DID 118 LINKS	1
27	90142021001	SCREW FOR ABS	3
28	90142021000	SENSOR DISC REAR	1
29	90110053000	SPACER CHAIN WHEEL SUPPORT	1
98	00050002017	DRIVETRAIN KIT 125 DUKE14T/45T	x
99	90110015000	REAR WHEEL REP. KIT	x

139011010

C139011010

\* NEW PART X ON DEMAND

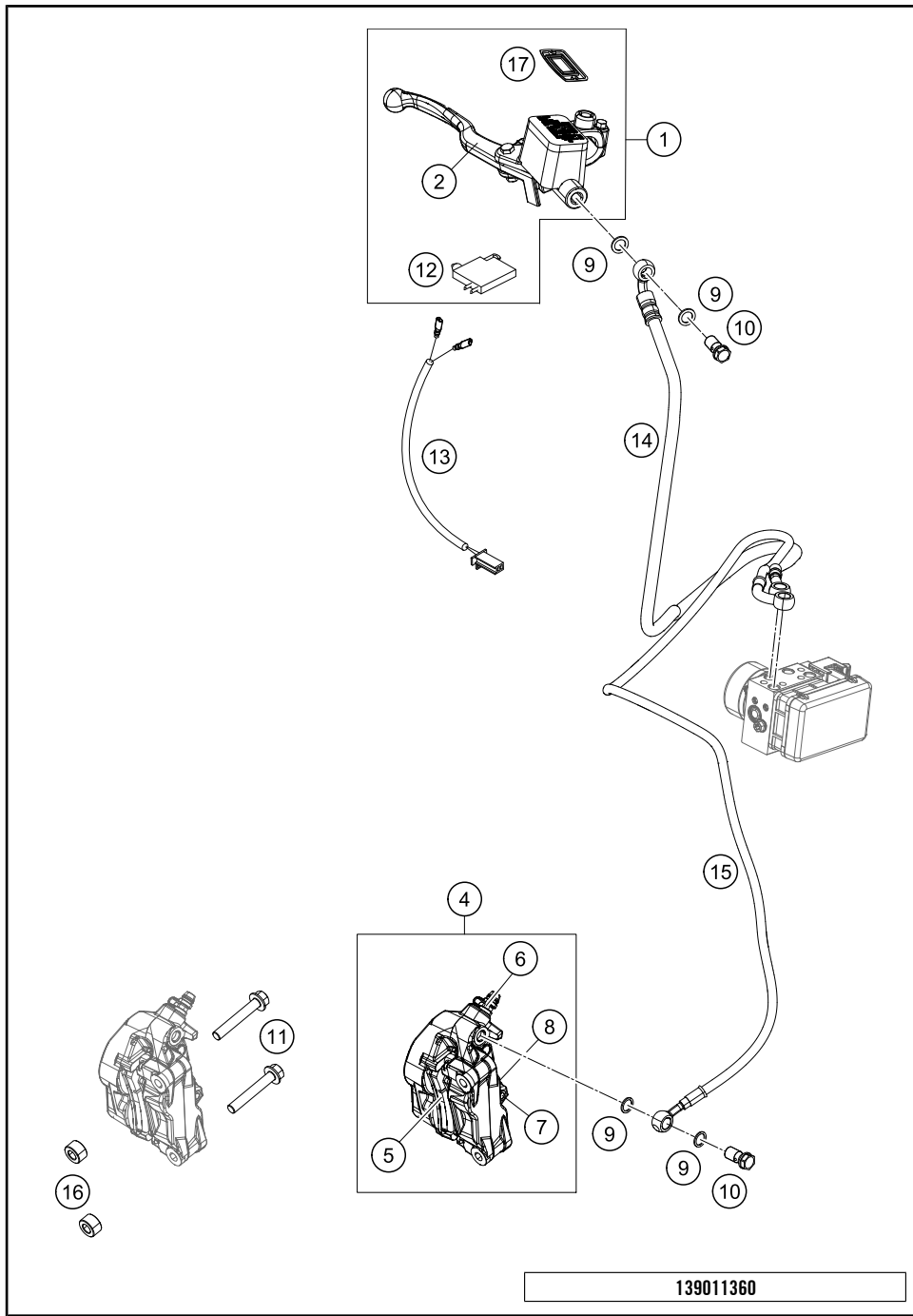


POS	PARTNUMBER	PARTNAME	PIECE
1	90111275000	WIRING HARNESS	1
2	90111060100	HORN 82 DIA	1
3	J125080003	WASHER 8,2X16X1,5	1
4	J025080203	HH COLLAR SCREW M8X20 SW12	1
5	90611035000	INTEGRAL UNIT	1
6	90611057000	RELAY (INTERLOCK)	5
7	90141088000	ROLL OVER SENSOR	1
10	J011050133	HH COLLAR SCREW M5X13 SW8	2
11	90111034000	VOLTAGE REGULATOR	1
12	90111134010	BRACKET REGULATOR MTG	1
13	J025060253	HH COLLAR SCREW M6X25 SW10	2
15	90111197000	GROUND CABLE	1
16	75011088010	FUSE 10A 07	1
17	75011088015	FUSE 15A 07	4
18	75011088030	FUSE 30A	1
19	90611157000	RELAY (AUX1DIODE)	1
20	90111053000	BATTERY	1
21	90111097000	GROUND CABLE	1
22	90111059000	STARTER CABLE	1
23	90111058000	STARTER RELAY	1
24	90111054000	BRACKET RUBBER FOR BATTERY	1
25	90111088025	FUSE 25A	2
26	J025060109	HH-COLLAR SCREW M6X10 SW8	2
28	90111055000	BATTERY RUBBER HOLDER	1
29	90108060003	GROMMET	2

139011111

C139011110

\* NEW PART X ON DEMAND



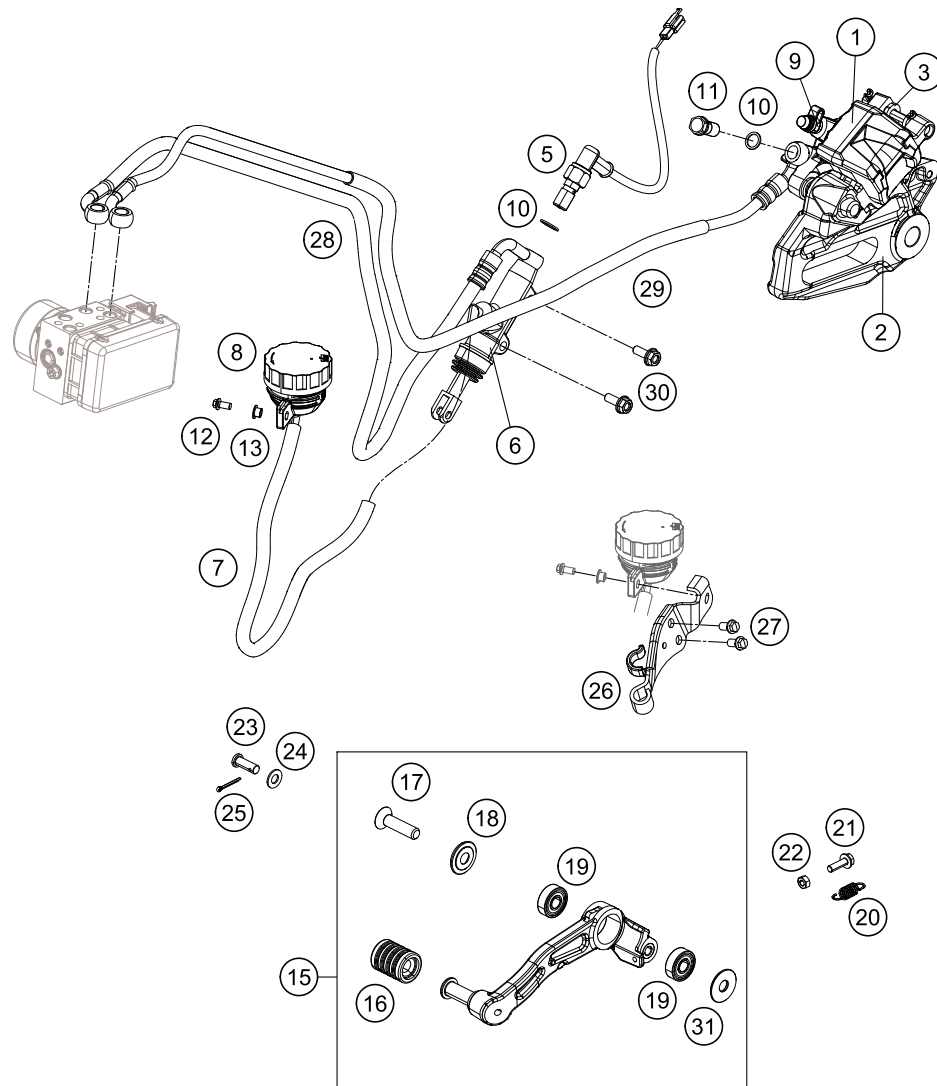
POS	PARTNUMBER	PARTNAME	PIECE
1	90113001044	HAND BRAKE CYLINDER CPL.	1
2	90113002000	HAND BRAKE LEVER	1
4	90113015000	BRAKE CALIPER RADIAL	1
5	90113030000	BRAKE PADS FRONT - SET	1
6	90113021000	BLEEDER SCREW	1
7	90113017000	BOLT F. BRAKE PADS	1
8	90113018000	SPRING CLIP	1
9	90113026000	COPPER GASKET	4
10	90113013000	BANJO SCREW	2
11	J01008060S	BOLT FLANGED M8X1X60	2
12	90111050000	BRAKE LIGHT SWITCH FRONT	1
13	90111050050	WIRE BRAKE LIGHT SWITCH FRONT	1
14	90642002000	BRAKE HOSE ABS/MASTER CYL. FR	1
15	90642004000	BRAKE HOSE FR ABS TO CALIPER	1
16	90613098150	SPACER FRONT CALIPER	2
17	90113001007	MEMBRANE	1

139011360

C139011360

\* NEW PART

X ON DEMAND



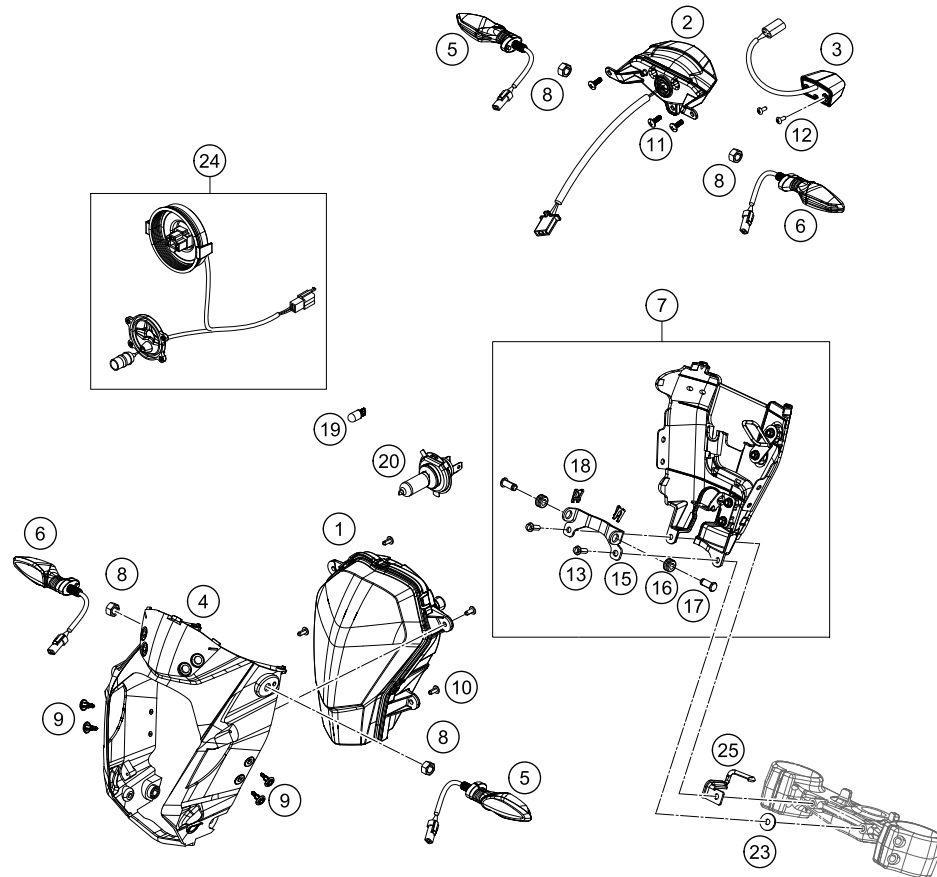
POS	PARTNUMBER	PARTNAME	PIECE
1	90113080000	BRAKE CALIPER REAR CPL.	1
2	90613075000	BRAKE CALIPER SUPPORT REAR ABS	1
3	90113090000	REAR BRAKE PADS - SET	1
5	90111051000	BRAKE LIGHT SWITCH REAR	1
6	90113060000	REAR BRAKE CYLINDER CPL.	1
7	90113069000	HOSE F. RESERVOIR	1
8	90113009000	BRAKE FLUID RESERVOIR CPL.	1
9	90113121000	BLEEDER SCREW	1
10	90113026000	COPPER GASKET	4
11	90113013000	BANJO SCREW	1
12	J025060163	HH COLLAR SCREW M6X16 SW10	1
13	90114060003	COLLAR BUSHING	1
15	90113050133	FOOT BRAKE LEVER CPL.	1
16	90134035000	RUBBER	1
17	90134034100	HH COLLAR SCREW M8X30 SW10	1
18	90134031103	SPACER SHIFTING LEVER	1
19	J625060800	BALL BEARING 608	2
20	90113052000	SPRING FOOT BRAKE LEVER	1
21	J025060203	HH COLLAR SCREW M6X20 SW10	1
22	J934060003	HEXAGON NUT M6	1
23	90113057000	PIN	1
24	J125060003	PLAIN WASHER 6,5X13X1	1
25	J094020153	PIN 2X15MM	1
26	90113168000	BRACKET RESERVOIR MOUNTING	1
27	90113168001	BOLT M6X10 PRECOATED	2
28	90642003000	BRAKE HOSE ABS/MASTER CYL. RR	1
29	90642001000	BRAKE HOSE RR ABS TO CALIPER	1
30	J025060163	HH COLLAR SCREW M6X16 SW10	2
31	90134031020	WASHER SHIFTING LEVER	1

139011390

C139011390

\* NEW PART

X ON DEMAND



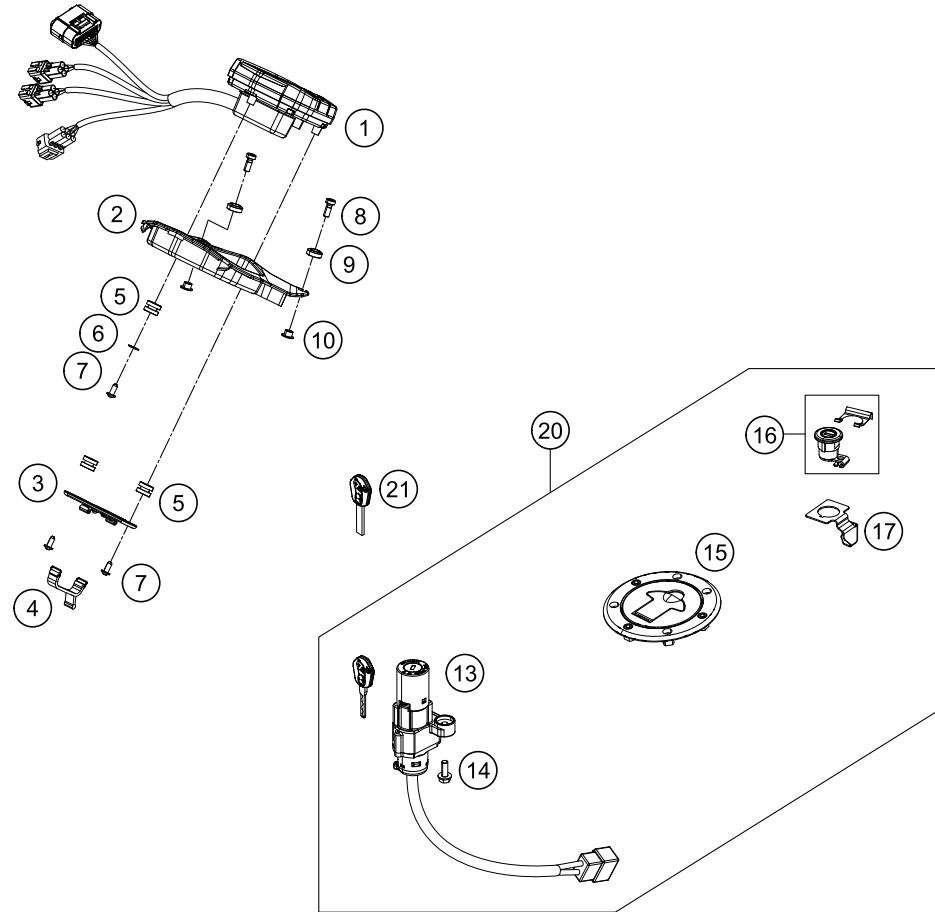
119011410

POS	PARTNUMBER	PARTNAME	PIECE
1	90114001000	% HEAD LIGHT CPL.	1
2	90114040000	REAR LIGHT LED	1
3	90114047000	LICENSE PLATE ILLUMINATION	1
4	90114062000	MASK BRACKET	1
5	90114025000	FLASHER CPL. RE. R/S	1
5	90114126000	FLASHER CPL. FR. L/S	1
6	90114026000	FLASHER CPL. RE. L/S	1
6	90114125000	FLASHER CPL. FR. R/S	1
7	90114064044	HEAD LIGHT COVER REAR CPL.	1
8	90114030000	HEX NUT M10X1,25	4
9	76503075100	EXPANDING RIVET CPL.	4
10	0081050121	SCREW FOR PLASTIC K50X12 T20	4
11	J031050153	CHEESE-HEAD SCREW M5X15	3
12	J081040121	CROSS PAN SCREW 4X12 PH	2
13	J025060163	HH COLLAR SCREW M6X16 SW10	2
15	90114064010	HINGE JOINT HEADL.-COVER	1
16	90114064011	GROMMET MASK CARR. PIVOT BKT	2
17	J070080150	SAFETY BOLT 8X1,5	2
18	90114064012	SEC. CLIP MASK CARR. PIVOT BKT	2
19	49011435100	BULB 12V 5W (W2,1X9,5D) PHIL.	1
20	57111038000	BULB H4 12V 60/55W (P43T)	1
23	J126061252	WASHER 6,5X2 MM	1
24	90111079000	HARNES F. HEADLAMP	1
25	90103001036	HOOK BRACKET ABS HOSE	1

C119011410

\* NEW PART

X ON DEMAND



POS	PARTNUMBER	PARTNAME	PIECE
1	90114169000	SPEEDOMETER WITH ABS	1
2	90114060000	SPEEDOMETER SUPPORT	1
3	90114063000	BRACKET F. SPEEDOM.CONN.	1
4	90114063050	RUB. STRAP F. BKT SPEEDOM.CONN	1
5	90114060050	GROMMET DASHBOARD	3
6	90114064013	PLAIN WASHER	1
7	0081050121	SCREW FOR PLASTIC K50X12 T20	3
8	J021060156	AH SCREW M6X15 10.9	2
9	90114060002	SPECIAL WASHER	2
10	90114060003	COLLAR BUSHING	2
13	90111066000	IGNITION LOCK	1
14	J025060163	HH COLLAR SCREW M6X16 SW10	2
15	90607008000	TANK CAP	1
16	90107050050	SEAT LOCK	1
17	90107050051	BRACKET SEAT LOCK	1
20	90111066044	LOCK SET 3-PART	x
21	90111067100	BLANK KEY 125/200 DUKE	x

139011430

C139011430

\* NEW PART

X ON DEMAND



0  
OHNE ABBILDUNG  
WITHOUT ILLUSTRATION

1  
TECHNISCHE DOKUMENTATION  
TECHNICAL DOCUMENTATION  
DOCUMENTACION TECNICA  
DOCUMENTATION TECHNIQUE  
NOTE TECNICHE

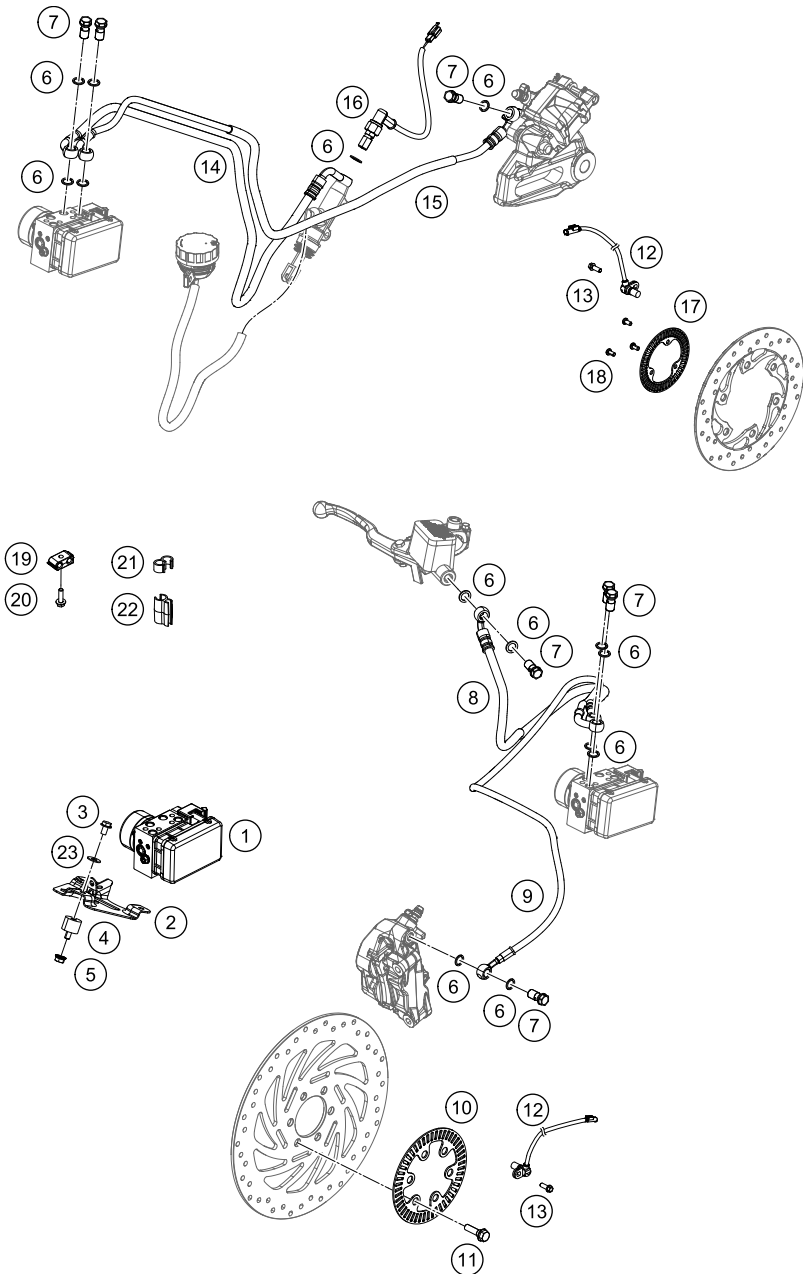
POS	PARTNUMBER	PARTNAME	PIECE
0	58412080000	REFLECTOR RED	1
0	58412080050	BRACKET FOR REFLECTOR	1
0	40006006000	WASHER 6MM	2
0	0966050163	OVAL HEAD SCREW DIN0966-M 5X16	2
0	0125050003	WASHER DIN0125-A 5,3	2
0	0985050003	SELF LOCKING NUT DIN0985-M 5	2
0	0024060156	HH COLLAR SCREW M6X15 TX30	4
0	0985060003	SELF LOCK. NUT DIN0985-M 6	4
0	0021060003	WASHER DIN0021-A 6,4	4
0	312305	DOCUMENTS BAG 2006	1
0	3210040	CUSTOMER WELCOME LETTER	1
0	312313	KTM BALLPOINT PEN ORANGE	1
0	3212521GB	POWER WEAR FOLDER 2014	1
0	3212472DE/GB	PP STREET FOLDER 2013	1
0	00063099111	BAG FOR INSTR. MANUAL 245X170	1
0	60012081200	LICENCE FITTING 06	1
0	90129099000	TOOL KIT	1
1	3211963EN	OWN. MAN. 125/200 DUKE 2013	1

139012000

C139012000

\* NEW PART

X ON DEMAND



POS	PARTNUMBER	PARTNAME	PIECE
1	90642031000	ABS-MODULE	1
2	90642040000	BRACKET ABS MOUNTING	1
3	J026060083	HH COLLAR SCREW M6X8 SW10	3
4	90135001001	RUBBER GROMMET	3
5	J926060000	FLANGED NUT M6 WS10 SELF LOCK.	3
6	90113026000	COPPER GASKET	16
7	90113013000	BANJO SCREW	7
8	90642002000	BRAKE HOSE ABS/MASTER CYL. FR	1
9	90642004000	BRAKE HOSE FR ABS TO CALIPER	1
10	90142020000	SENSOR DISC FRONT	1
11	90109062000	SPECIAL SCREW M8X30 SELF LOCK.	6
12	90142025000	ABS-SENSOR	2
13	J028060166	BOLT M6X16	2
14	90642003000	BRAKE HOSE ABS/MASTER CYL. RR	1
15	90642001000	BRAKE HOSE RR ABS TO CALIPER	1
16	90111051000	BRAKE LIGHT SWITCH REAR	1
17	90142021000	SENSOR DISC REAR	1
18	90142021001	SCREW FOR ABS	3
19	90113024000	CLAMP FOR ABS HOSE	1
20	J025050183	BOLT M5X18	1
21	90113035000	CLAMP SENSOR CABLE HOLDING	4
22	90113055100	HOSE CLAMP	2
23	90108015020	WASHER	3

139014210

C139014210

\* NEW PART

X ON DEMAND



WWW.KTM.COM



KTM Sportmotorcycle GmbH  
5230 Mattighofen, Austria  
[www.ktm.com](http://www.ktm.com)



**KTM**\_POWERPARTS

**KTM**\_POWERWEAR

**KTM**\_ORIGINAL SPARE PARTS



3CFF8003M5EN

Art. Nr.: 3CFF8003M5EN 27. Apr. 2016