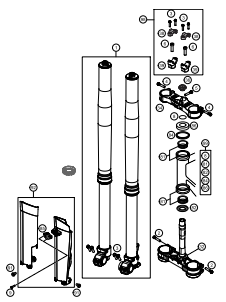
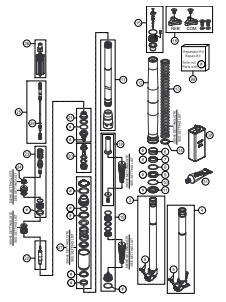
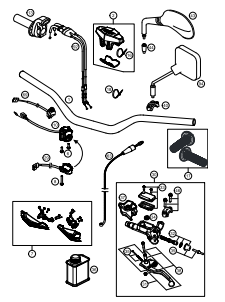
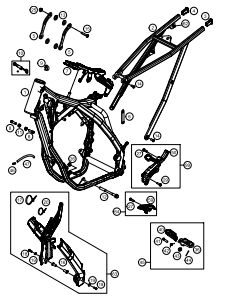
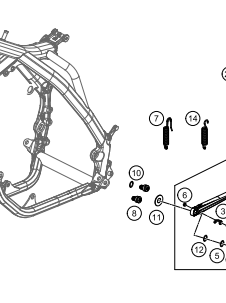
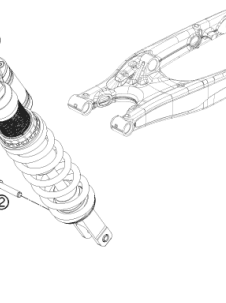
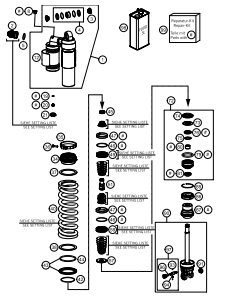
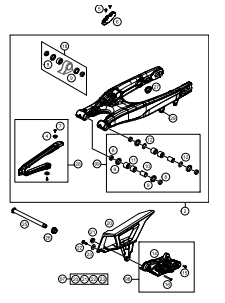
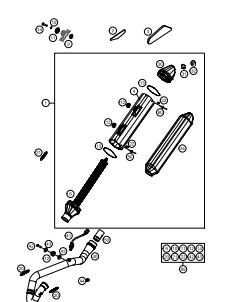
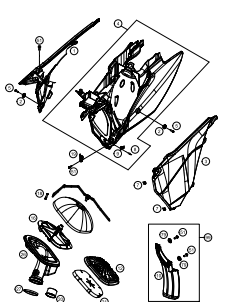
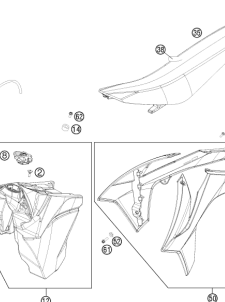
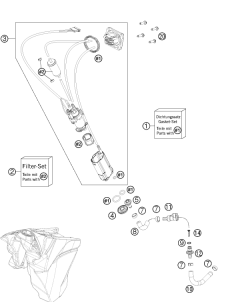


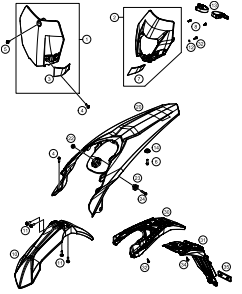
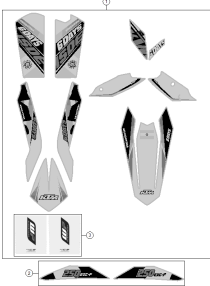
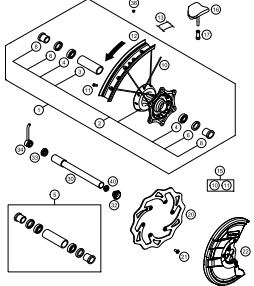
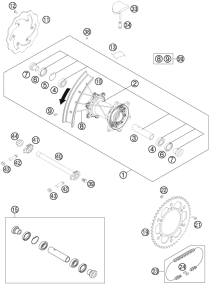
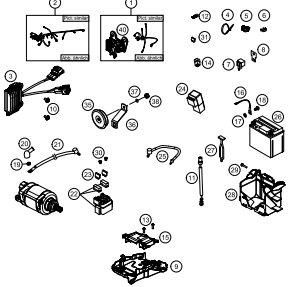
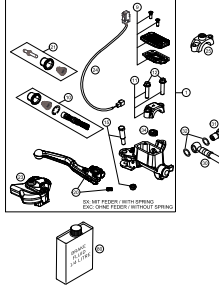
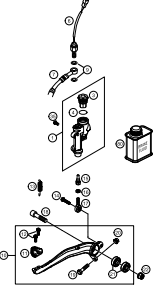
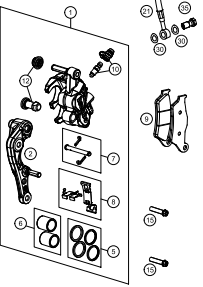
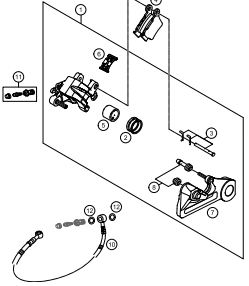
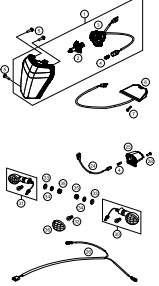
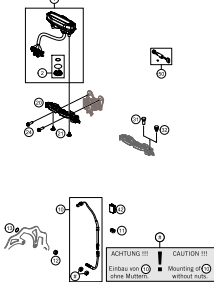
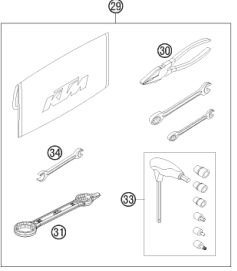
# 250 EXC-F SIXDAYS EU 2015

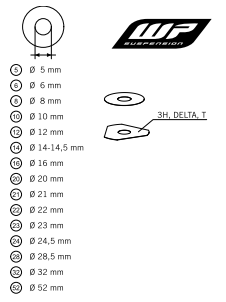

ART.-NR.: 3CFF810302EN

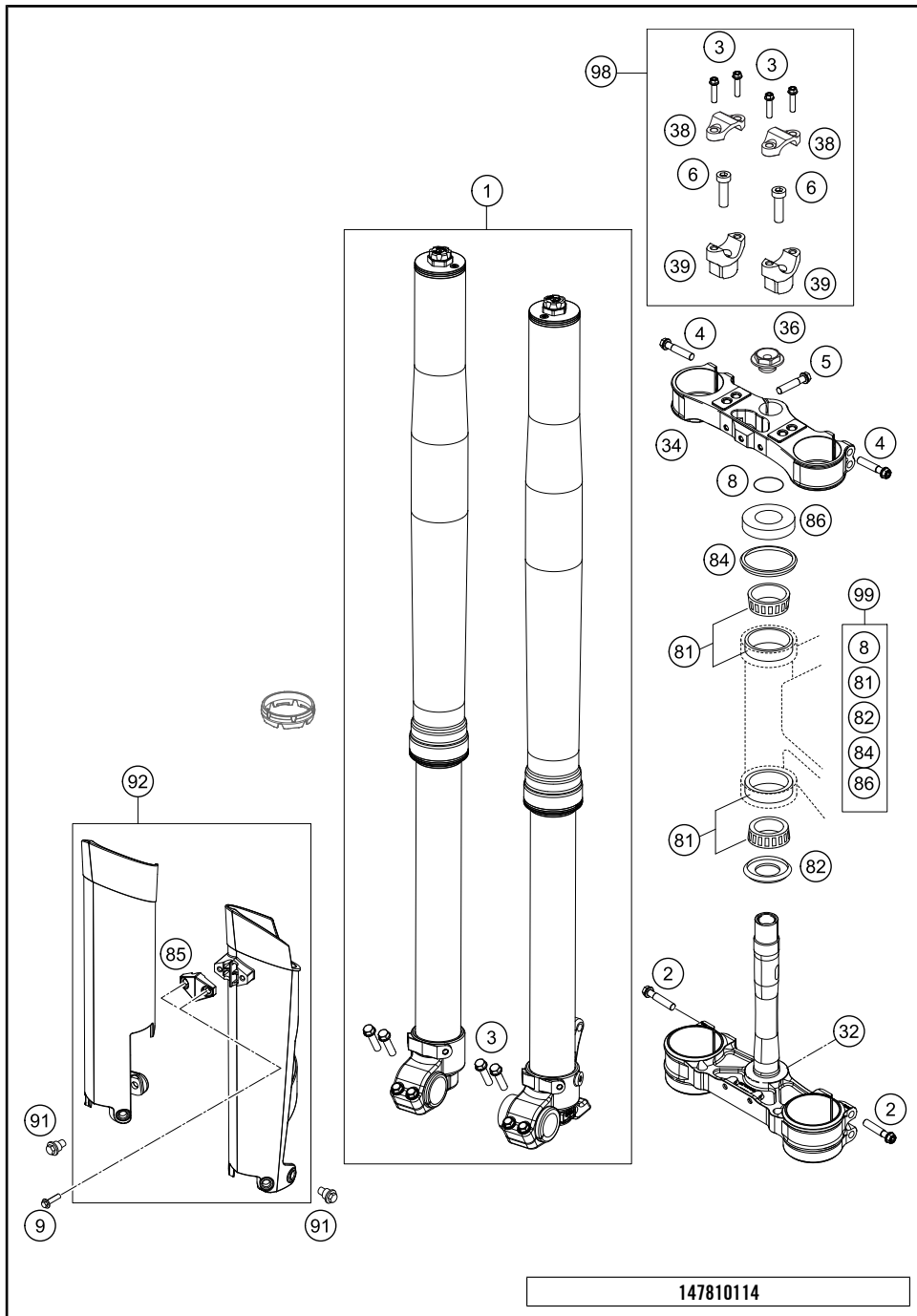




|  |   |  |  |
|--|---|--|--|
| <p><b>FRONT FORK, TRIPLE CLAMP</b></p>  <p><b>4</b></p> | <p><b>FRONT FORK DISASSEMBLED</b></p>  <p><b>5</b></p> | <p><b>HANDLEBAR, CONTROLS</b></p>  <p><b>7</b></p>          | <p><b>FRAME</b></p>  <p><b>8</b></p>        |
| <p><b>SIDE / CENTER STAND</b></p>  <p><b>10</b></p>     | <p><b>SHOCK ABSORBER</b></p>  <p><b>11</b></p>         | <p><b>SHOCK ABSORBER DISASSEMBLED</b></p>  <p><b>12</b></p> | <p><b>SWINGARM</b></p>  <p><b>14</b></p>    |
| <p><b>EXHAUST SYSTEM</b></p>  <p><b>15</b></p>        | <p><b>AIR BOX</b></p>  <p><b>16</b></p>              | <p><b>TANK, SEAT, COVER</b></p>  <p><b>17</b></p>         | <p><b>FUEL PUMP</b></p>  <p><b>18</b></p> |

|   |  |  |  |
|---|--|--|--|
| <p><b>MASK, FENDERS</b></p>  <p><b>19</b></p>        | <p><b>DECAL</b></p>  <p><b>20</b></p>               | <p><b>FRONT WHEEL</b></p>  <p><b>21</b></p>                 | <p><b>REAR WHEEL</b></p>  <p><b>22</b></p>          |
| <p><b>WIRING HARNESS</b></p>  <p><b>23</b></p>       | <p><b>HAND BRAKE CYLINDER</b></p>  <p><b>24</b></p> | <p><b>REAR BRAKE CONTROL</b></p>  <p><b>25</b></p>          | <p><b>BRAKE CALIPER FRONT</b></p>  <p><b>26</b></p> |
| <p><b>BRAKE CALIPER REAR</b></p>  <p><b>27</b></p> | <p><b>LIGHTING SYSTEM</b></p>  <p><b>28</b></p>   | <p><b>INSTRUMENTS / LOCK SYSTEM</b></p>  <p><b>29</b></p> | <p><b>ACCESSORIES KIT</b></p>  <p><b>30</b></p>   |

|   |   |  |  |
|---|---|--|--|
| <p><b>WP SHIMS FOR SETTING</b></p>  <p style="text-align: center; font-size: 2em;"><b>32</b></p> |   |  |  |
|   |   |  |  |
|   | <div style="display: flex; align-items: center;">  <p>                     All information contained is without obligation. KTM Sportmotorcycle GmbH particularly reserves the right to modify any equipment, technical specifications, prices, colors, shapes, materials, services, service work, constructions, equipment and the like so as to adapt them to local conditions or to cancel any of the above items, all without previous announcement and without giving reasons. KTM may stop manufacturing certain models without previous notice. KTM shall not be held liable for any deviations of availability and/or ability to deliver, illustrations, descriptions, printing and/or other errors. The illustrated models partly contain extra equipment, which is not applied to standard models.<br/><br/>                     © by KTM Sportmotorcycle GmbH, Mattighofen AUSTRIA; All rights reserved; Reprint, also in extracts, with written allowance of KTM Sportmotorcycle GmbH, Mattighofen only.                 </p> </div> |  |  |

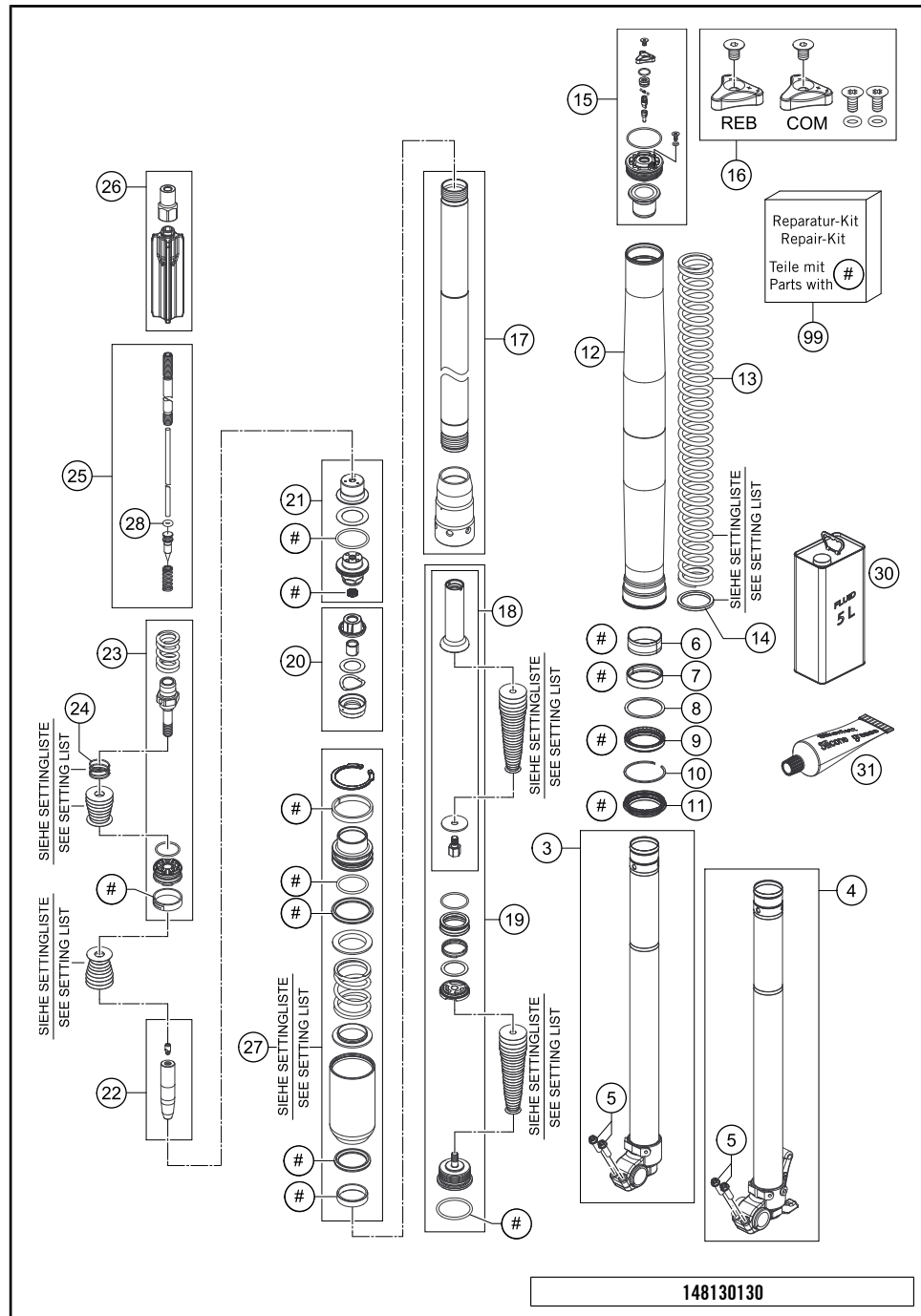


| POS | PARTNUMBER    | PARTNAME                       | PIECE |
|-----|---------------|--------------------------------|-------|
| 1   | 24187N6701    | FORK 250/300 2014              | 1     |
| 2   | 0025080506    | HH COLLAR SCREW M8X50 TX40     | 4     |
| 3   | 0025080256    | HH COLLAR SCREW M8X25 TX40     | 8     |
| 4   | 0025080406    | HH COLLAR SCREW M8X40 TX40     | 4     |
| 5   | 0025080256S   | HH COLLAR SCREW M8X25 TX40     | 1     |
| 6   | 0032100356S   | AH-COLLAR SCREW M10X35 ISA45   | 2     |
| 8   | 0770025035    | O-RING 25X3,55 NBR70 05        | 1     |
| 9   | 0017060206    | SCREW F. PLASTIC K60X20AL SW6  | 2     |
| 32  | 7770113202004 | BOTTOM TRIPLE CLAMP CPL.       | 1     |
| 34  | 7720103402004 | TOP TRIPLE CLAMP X=20MM ORANGE | 1     |
| 36* | 70009082000   | AXLESCREW M20X1.5; SW17        | 1     |
| 38  | 77201038000   | HANDLEBAR CLAMP 28MM           | 2     |
| 39  | 59401039032   | HANDLEB.SUPP. D=28MM H=32MM 05 | x     |
| 39  | 59401039037   | HANDLEB.SUPP. D=28MM H=37MM 05 | 2     |
| 39  | 59401039042   | HANDLEB.SUPP. D=28MM H=42MM 05 | x     |
| 81  | 54201081100   | TAPERED ROLLER BEARING CPL. 06 | 2     |
| 82* | 77701084000   | O-RING SUPPORT W. SEALING LIP  | 1     |
| 84  | 54601184000   | STEERING HEAD GASKET TOP       | 1     |
| 85  | 7800108500028 | CLAMP F. SPEED. CABLE D=6MM 08 | 1     |
| 86  | 78101086000   | STEERING HEAD COVER            | 1     |
| 91  | 59001092050   | SPECIAL SCREW M6X12,5 WS=8     | 6     |
| 92  | 7800109420028 | FORK PROTECT. L/S+R/S WHITE    | 1     |
| 98  | 00050000921   | HANDLEBAR SUPPORT KIT D28/H37  | x     |
| 99  | 00050000930   | STEERING HEAD REP. KIT 06-15   | x     |

147810114

C157750110

\* NEW PART X ON DEMAND



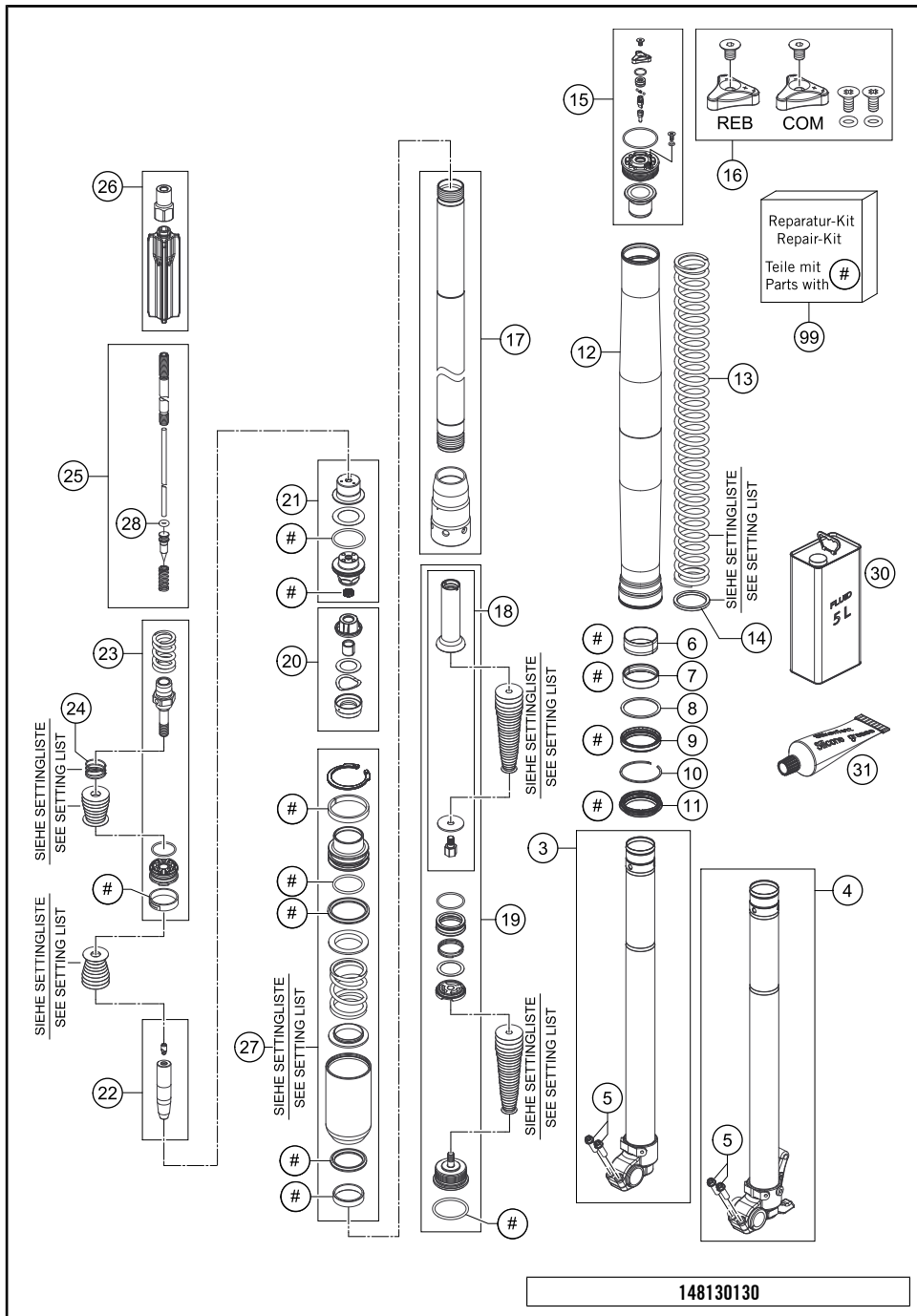
| POS | PARTNUMBER  | PARTNAME                       | PIECE |
|-----|-------------|--------------------------------|-------|
| 3   | 48601029S1  | AXLE CLAMP R/S WITH INNER TUBE | 1     |
| 4   | 48601028S1  | AXLE CLAMP L/S WITH INNER TUBE | 1     |
| 5   | 76009062000 | SPECIAL SCREW M8X25 SS TX40    | 4     |
| 6   | 48601008    | GUIDING BUSH 47X49X20 R11      | 2     |
| 7   | 48601009    | GUIDING BUSH 48X52X12 R11      | 2     |
| 8   | 48600013    | SUPPORT RING 50 X 57,6 X 1,5   | 2     |
| 9   | 48601179    | OIL SEALRING D48X57,9X11,4 RED | 2     |
| 10  | 48600070    | LOCK WASHER SB58               | 2     |
| 11  | 48601178    | DUST SEAL DL48X58,4X5,7 RED    | 2     |
| 12  | 48600736    | OUTER TUBE L577 D54/60MM 2L    | 2     |
| 13  | 91410081S   | SPRING D43,8 L465 3,6N/MM SET  | x     |
| 13  | 91410082S   | SPRING D43,8 L465 3,8N/MM SET  | x     |
| 13  | 91410083S   | SPRING D43,8 L465 4,0N/MM SET  | x     |
| 13  | 91410084S   | SPRING D43,8 L465 4,2N/MM SET  | x     |
| 13  | 91410085S   | SPRING D43,8 L465 4,4N/MM SET  | x     |
| 13  | 91410086S   | SPRING D43,8 L465 4,6N/MM SET  | x     |
| 13  | 91410092S   | SPRING D43,8 L465 4,8N/MM SET  | x     |
| 14  | 48600456    | SPACER 43X35X2,5               | x     |
| 14  | 48600458    | SPACER 43X35X1,5               | x     |
| 15  | 48601116E   | SCREW CAP M51X1,5 CPL.         | 1     |
| 15  | 48601050E   | SCREW CAP M51X1,5 REB. KPL.    | 1     |
| 16  | R14033      | SCREW CAP SMALL PART KIT       | 1     |
| 17  | 48601031S   | CARTRIDGE KIT                  | 2     |
| 18  | R14034      | HYDROSTOP KIT                  | 2     |
| 19  | 48601279S   | BASE VALVE KIT                 | 2     |
| 20  | 48601025S1  | CHECK VALVE D21 CPL.           | 2     |
| 21  | R14035      | SCREW SLEEVE KIT               | 2     |
| 22  | 48601123S   | NEEDLE KIT                     | 2     |
| 23  | R14036      | TAP KIT                        | 2     |
| 24  | 48600382    | SHUTTLE VALVE SPRING C=0,4     | 2     |
| 25  | 48601054S   | PISTON ROD CPL.                | 2     |
| 26  | 48601035S   | SPRING GUIDE CPL.              | 2     |
| 27  | 48601021S   | PRESSURE TANK L74,5 D36 S CPL. | x     |
| 27  | 48601021S2  | PRESSURE TANK L74,5 D36 S2 CPL | x     |
| 27  | 48601021S3  | PRESSURE TANK L74,5 D36 S3 CPL | x     |
| 27  | 48601021S4  | PRESSURE TANK L74,5 D36 S4 CPL | x     |
| 28  | 46811265    | O-RING VITON 2,2X1,6           | 2     |
| 30  | 48601166S1  | FORK OIL SAE4 5L               | 1     |

148130130

C148130131

\* NEW PART

X ON DEMAND



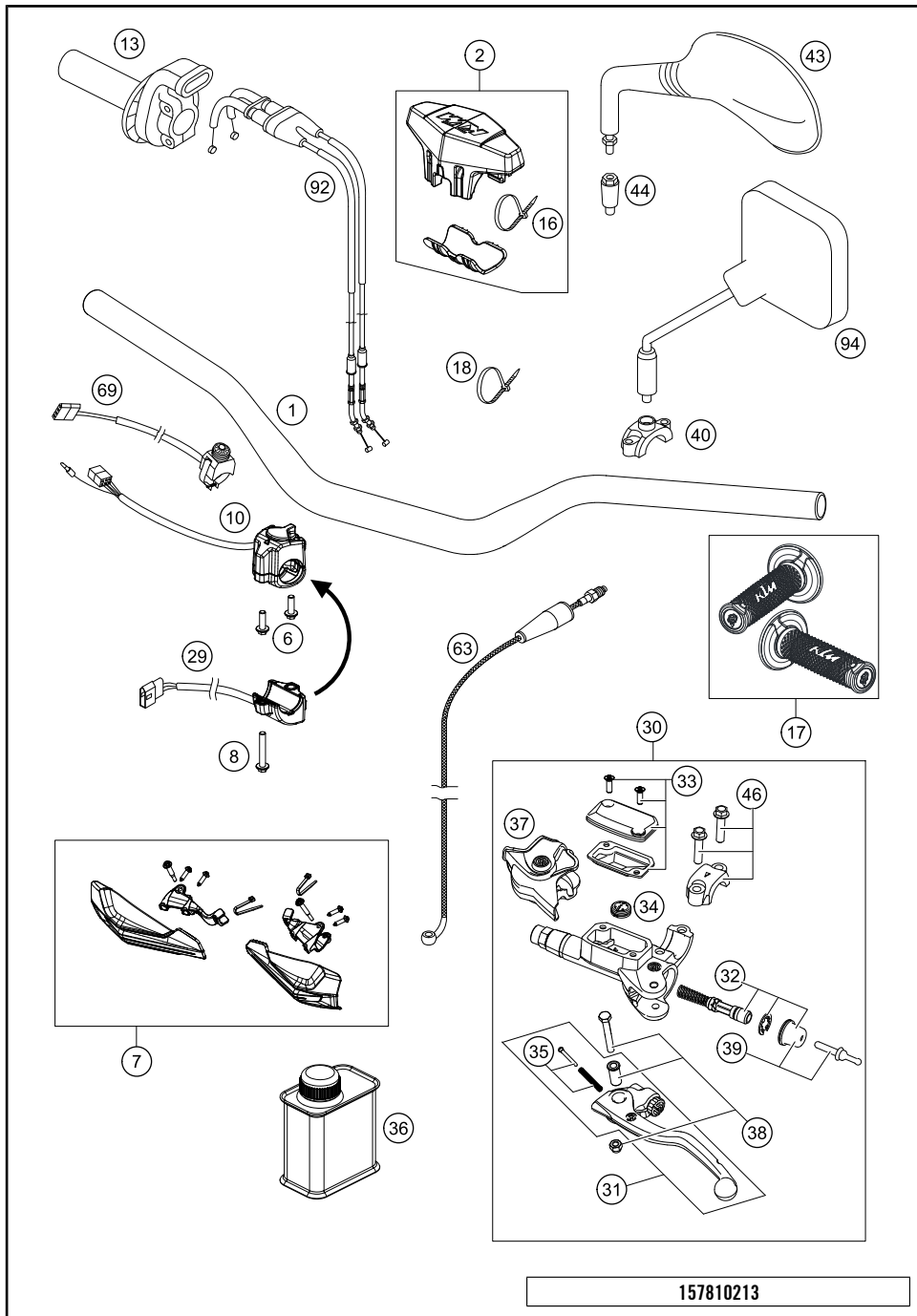
| POS | PARTNUMBER | PARTNAME                     | PIECE |
|-----|------------|------------------------------|-------|
| 31  | T511       | SILICONE GREASE F. DUST STRI | 1     |
| 99  | R24001     | REPAIR - KIT                 | X     |

148130130

C148130131

\* NEW PART X ON DEMAND



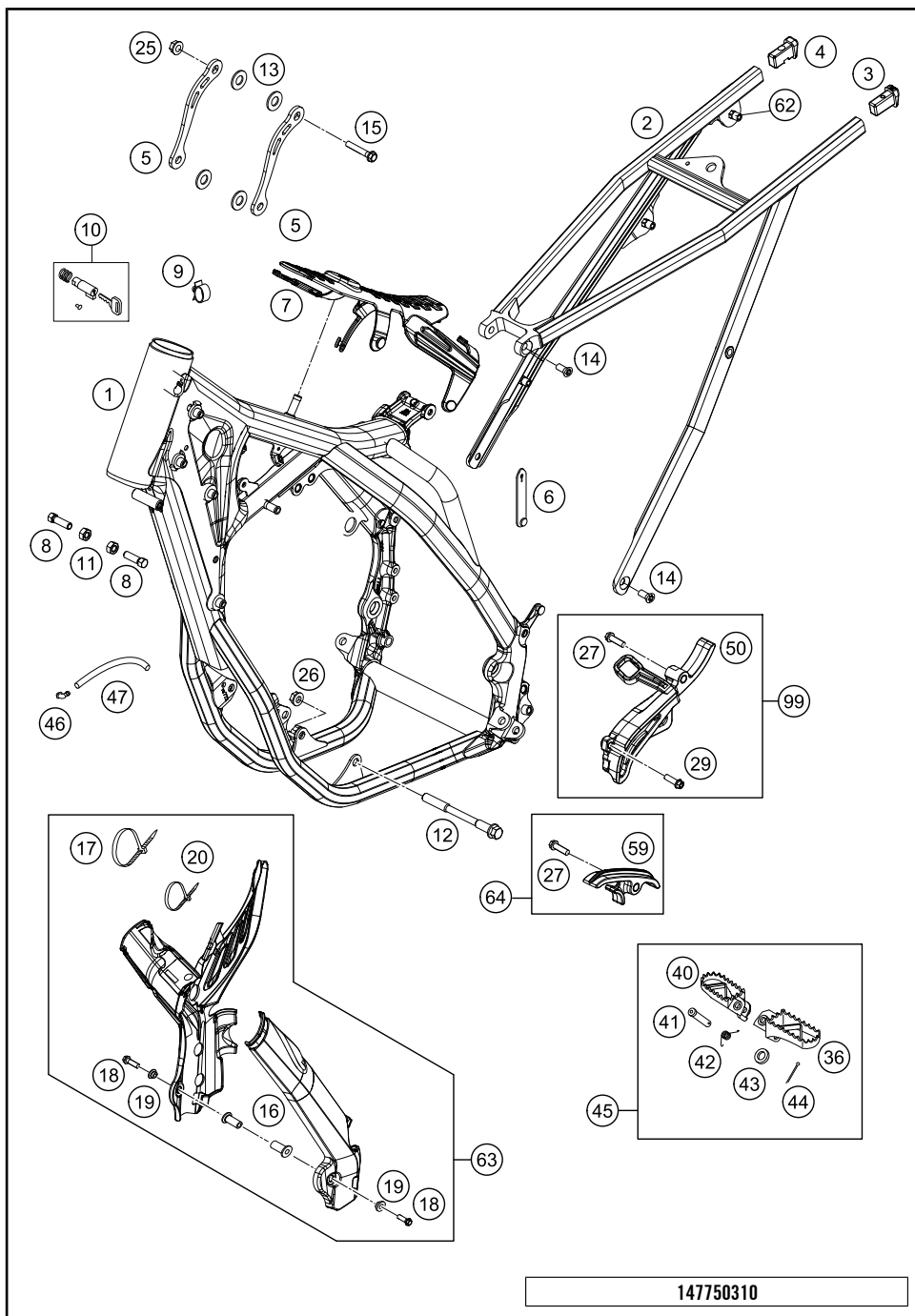


| POS | PARTNUMBER    | PARTNAME                       | PIECE |
|-----|---------------|--------------------------------|-------|
| 1   | 5480200130030 | HANDLEBAR D=28MM SX/EXC BLACK  | 1     |
| 2   | 77202002144   | BAR PAD CPL.                   | 1     |
| 6*  | 0014050163    | HH COLLAR SCREW M 5X16 WS=6    | 2     |
| 7*  | 7770217900028 | HAND GUARDS CPL. L/S+R/S WHITE | 1     |
| 8   | 0014050303    | HH COLLAR SCREW M5X30 SW=6     | 2     |
| 10* | 78111070000   | LIGHT SWITCH                   | 1     |
| 13  | 78102010000   | THROTTLE GRIP CPL.             | 1     |
| 16  | 44011076305   | CABLE TIE 300/4,8MM BLACK      | x     |
| 17  | 78102021000   | GRIP SET                       | 1     |
| 18  | 44011076200   | CABLE TIE 200/3,6MM BLACK      | x     |
| 18  | 44011076140   | CABLE TIE 140/2,5MM BLACK      | x     |
| 29* | 78111029000   | FLASHER SWITCH                 | 1     |
| 30  | 54802030144   | MASTER CYLINDER CPL.           | 1     |
| 31  | 54802031000   | CLUTCH LEVER CPL. BREMBO 06    | 1     |
| 32  | 54802032000   | REP. KIT PISTON 06             | 1     |
| 33  | 5480200310030 | COVER HYD. CLUTCH CPL. 2014    | 1     |
| 34  | 54802051000   | VALVE                          | 1     |
| 35  | 54802052000   | BOLT KPL.                      | 1     |
| 36  | 00062030000   | BRAKE FLUID DOT5.1 0,25L       | 1     |
| 37  | 54802037000   | PROTECTION CAP 06              | 1     |
| 38  | 54802038100   | LEVER SCREW CPL. 06            | 1     |
| 39  | 54802046000   | PUSH ROD CPL.                  | 1     |
| 40  | 58012040150   | CLAMP FOR MIRROR '94           | 2     |
| 43  | 58412040000   | MIRROR L/S 98                  | x     |
| 43  | 58412041000   | MIRROR R/S 98                  | x     |
| 44  | 58412040050   | SUPPORT FOR MIRROR LC4 '98     | x     |
| 46  | 54802005100   | CLAMP CPL. 06                  | 1     |
| 63  | 54832063000   | CLUTCH PIPE 06                 | 1     |
| 69  | 78111074000   | STARTER BUTTON GREY 13         | 1     |
| 92  | 78102091000   | THROTTLE CABLE 4ST. 13         | 1     |
| 94  | 58012040000   | REAR MIRROR L/S                | 1     |
| 94  | 58012140000   | REAR MIRROR R/S                | 1     |

157810213

C157810213

\* NEW PART X ON DEMAND



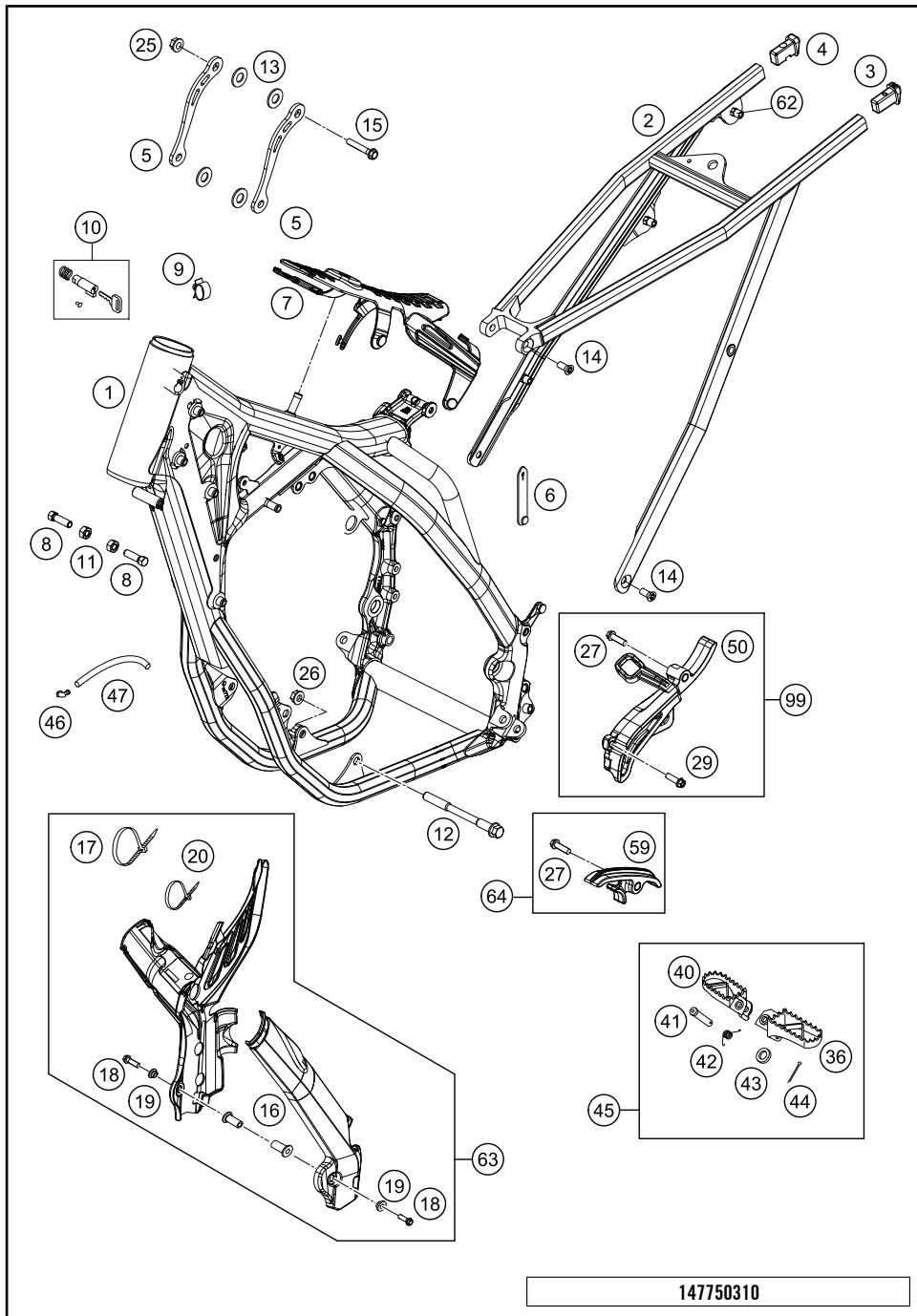
147750310

| POS | PARTNUMBER    | PARTNAME                       | PIECE |
|-----|---------------|--------------------------------|-------|
| 1*  | 7750310110004 | FRAME "775N1" ORANGE           | 1     |
| 2   | 77203002000   | SUB FRAME SX                   | 1     |
| 3*  | 78103002010   | SUB FRAME APPLICATION LEFT     | 1     |
| 4*  | 78103002020   | SUB FRAME APPLICATION RIGHT    | 1     |
| 5*  | 77503113000   | ENGINE BRACE 14                | 2     |
| 6   | 60011093075   | RUBBER CABLE TIE 75MM Ø3       | 1     |
| 7   | 77207012000   | TANK REST RUBBER               | 1     |
| 8   | 59001037000   | SPECIAL SCREW M8X26 WS=10      | 2     |
| 9   | 57013072100   | WIRING HOLDER 16MM             | 1     |
| 10  | 78003035000   | STEERING HEAD LOCK Ø8          | 1     |
| 11  | 0934080003    | HEXAGON NUT DINØ934-M 8        | 2     |
| 12  | 77203014000   | ENGINE BRAC.SCR. M10X115       | 2     |
| 13  | 77003013050   | WASHER 8,5X18X1 INOX           | 6     |
| 14  | 0019080206S   | FLAT HEAD SCREW M. ISA45 M8X20 | 4     |
| 15  | 56530079000S  | HH COLLAR SCREW M8X44 WS13     | 2     |
| 16  | 54803092050   | BLIND PLUG-IN NUT M5 WN 22A Ø3 | 2     |
| 17  | 44011076305   | CABLE TIE 300/4,8MM BLACK      | 3     |
| 18  | 0738050250    | COU.SUNK SCR. AH ISO7380 M5X25 | 2     |
| 19  | 54803092060   | BUSH F. FRAME PROTECTION Ø3    | 2     |
| 20  | 44011076140   | CABLE TIE 140/2,5MM BLACK      | 2     |
| 25  | 06923080003   | HEXAGON NUT DIN EN1661 M8 SW13 | 2     |
| 26  | 54310086100   | SELF LOCKING NUT M10 CU WS=14  | 2     |
| 27  | 0025080306    | HH COLLAR SCREW M8X30 TX40     | 2     |
| 29  | 0025060256    | HH COLLAR SCREW M6X25 TX30     | 1     |
| 36  | 78003040050   | FOOTREST L/S Ø8                | 1     |
| 40  | 78003041050   | FOOTREST R/S Ø8                | 1     |
| 41  | 54803044000   | PIN FOR FOOT PED 51.5X9.8 MM   | 2     |
| 42  | 54603041000   | FOOTREST SPRING L/S & R/S      | 2     |
| 43  | 0125100003    | WASHER DINØ125-A10,5           | 2     |
| 44  | 0094032253    | PIN DINØ94-3,2X25 STEEL        | 2     |
| 45  | 78003040033   | FOOTREST L/S + R/S CPL. Ø9     | 1     |
| 46  | 50303089000   | ANGLE PIECE '97                | 2     |
| 47  | 55007016001   | PVC-HOSE 7X10 PER METER        | 0     |
| 50  | 77203096000   | SPROCKET COVER 350 SX-F        | 1     |
| 59  | 77203053000   | CHAIN SLIDER LOWER PART CPL.   | 1     |
| 62  | 77303139000   | BLIND RIVET NUT EM6-60LF/HX    | x     |
| 63  | 77203094000   | PLASTIC FRAME PROTECTION SET   | 1     |

C147750312

\* NEW PART

X ON DEMAND

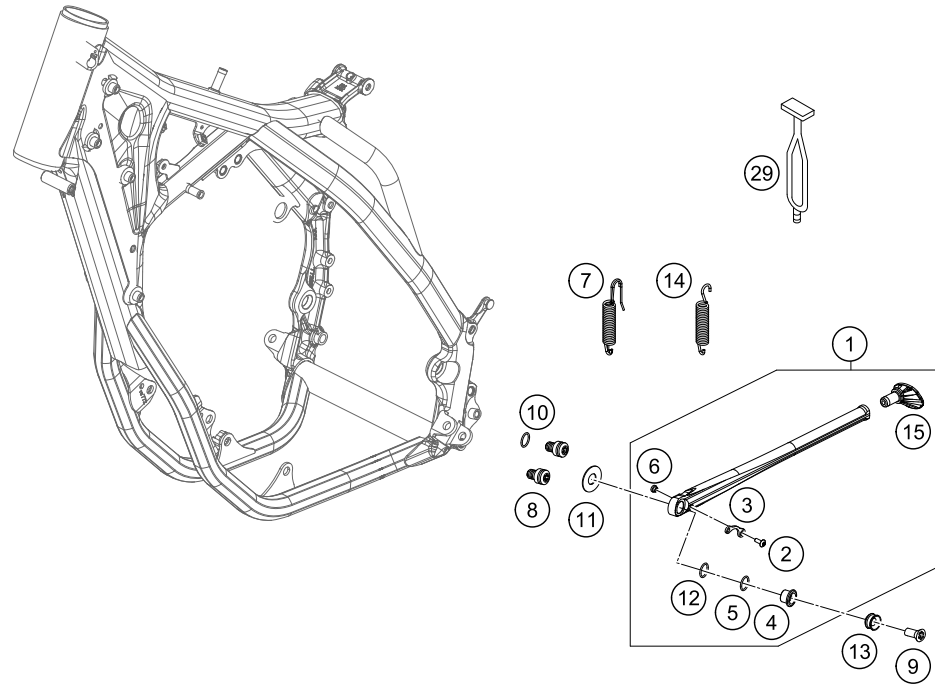


| POS | PARTNUMBER  | PARTNAME                       | PIECE |
|-----|-------------|--------------------------------|-------|
| 64  | 77203053010 | CHAIN SLIDING KIT BELOW CPL.11 | 1     |
| 99  | 77203096010 | SPROCKET COVER KIT             | X     |

147750310

C147750312

\* NEW PART X ON DEMAND



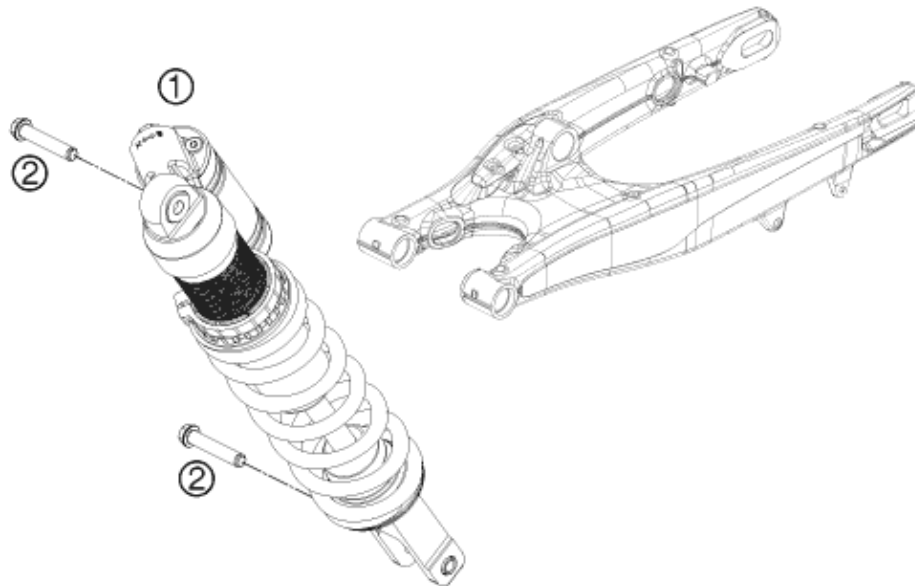
| POS | PARTNUMBER  | PARTNAME  | PIECE |
|-----|-------------|---|-------|
| 1   | 78003023044 | SIDE STAND CPL. 08                                  | 1     |
| 2   | 58605083014 | SCREW M5X14 TORX 25 07                              | 1     |
| 3   | 78003023090 | SPRING BRACKET F. SIDE ST. 08                       | 1     |
| 4   | 78003023080 | SIDE STAND BUSHING EXC USA 08                       | 1     |
| 5   | 0770180020  | O-RING 18,00X2,00 NBR 70                            | 1     |
| 6   | 78003023070 | SPACER BUSH. SPRING BRACKET                         | 1     |
| 7   | 81203024000 | SIDE STAND SPRING EYE MOVEABLE ONLY FOR EXC         | 1     |
| 8   | 78003023182 | SIDE STAND STOP SCREW M10X12                        | 2     |
| 9   | 0019080266S | COUNTER-SUNK SCREW ISA45 M8X26 ONLY FOR 78003023081 | 1     |
| 9   | 0019080206S | FLAT HEAD SCREW M. ISA45 M8X20                      | 1     |
| 10  | 0770120020  | O-RING 12,00X2,00 NBR 70                            | 1     |
| 11  | 78003023083 | WASHER F. SIDE STAND 12,2X29,5                      | 1     |
| 12  | 0770125015  | O-RING 12,5X1,5 NBR                                 | 1     |
| 13  | 78003023081 | SIDE STAND BUSHING EXC-EU 08                        | 1     |
| 14  | 78003024100 | SIDE STAND SPRING 08 ONLY FOR XC                    | 1     |
| 15  | 78003023155 | STAND BASE  | 1     |
| 29  | 50303018000 | RUBBER L=145MM                                      | 1     |

147750360

C147750360

\* NEW PART

X ON DEMAND



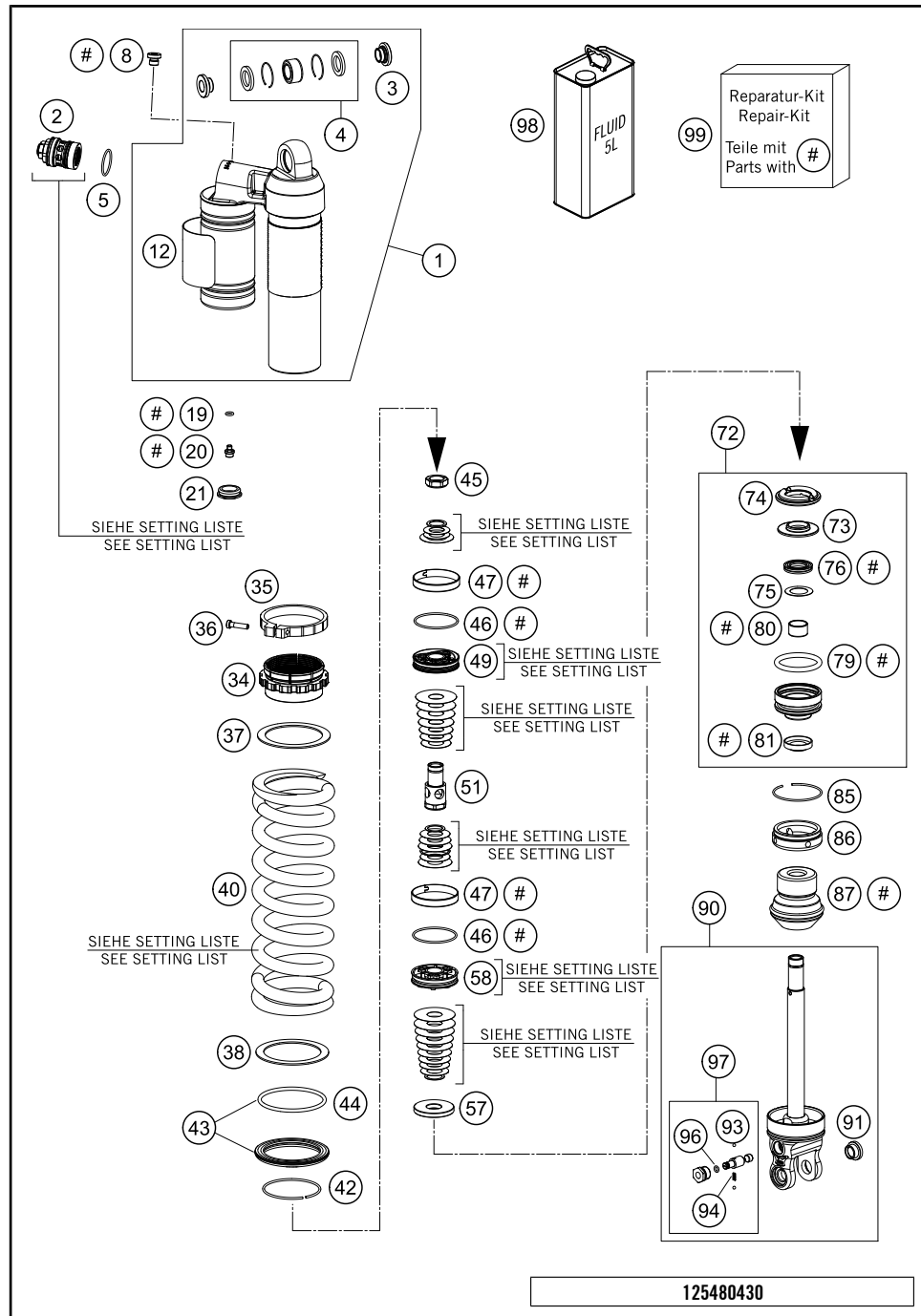
| POS | PARTNUMBER  | PARTNAME                      | PIECE |
|-----|-------------|-------------------------------|-------|
| 1   | 12187L6701  | MONOSH. 5018 PDS 350 EXC/XC-W | 1     |
| 2   | 0025120506S | HH COLLAR SCREW M12X50 TX45   | 2     |

127750410

C127750410

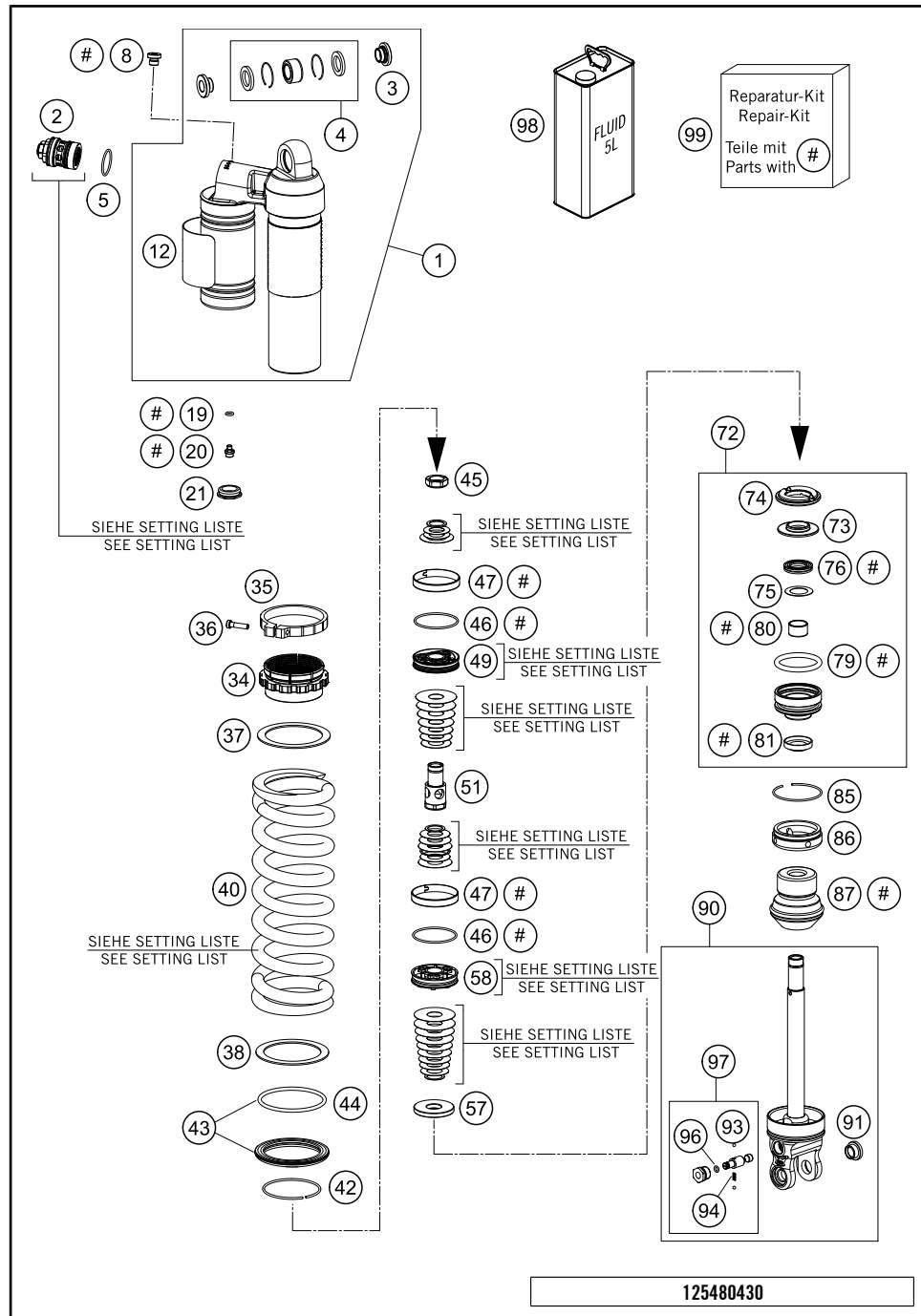
\* NEW PART

X ON DEMAND



| POS | PARTNUMBER  | PARTNAME                       | PIECE |
|-----|-------------|--------------------------------|-------|
| 1   | 50180833SA2 | MONOSHOCK UPPER PART CPL.      | 1     |
| 2   | 50180213S10 | DCC-COMPR.DAMP.CONTROL CPL. 07 | 1     |
| 3   | 46180007    | ADAPTOR BUSH KGW 12X24         | 2     |
| 4   | R12012      | REP. KIT BEAR./SEAL UP. 07     | 1     |
| 5   | 50180217    | O-RING 27X1,5 VITON            | 1     |
| 8   | 50180095    | BLEED PLUG R 1/8               | 1     |
| 12  | 52000085    | WP CAUTION (PDS KTM)           | 1     |
| 19  | 46810893    | O-RING NBR 5,28X1,78           | 1     |
| 20  | 36120151    | SCREW PLUG M5X6                | 1     |
| 21  | 46811208    | RUBBER CAP "DO NOT OPEN"       | 1     |
| 34  | 50180938    | ADJUSTING NUT PLASTIC          | 1     |
| 35  | 50180937    | TENSIONING RING D64 H10        | 1     |
| 36  | 14460042    | %ALLENHEAD SCREW M5 L=20 STAIN | 1     |
| 37  | 50180965    | SPACER RING SPRING 61,3X78X3   | 1     |
| 38  | 50180114    | SPACER RING FOR SPRING         | 1     |
| 40  | 91210053S   | SPRING 250 63N/MM ORANGE       | x     |
| 40  | 91210054S   | SPRING 250 66N/MM ORANGE       | x     |
| 40  | 91210068S   | SPRING 250 69N/MM ORANGE       | x     |
| 40  | 91210069S   | SPRING 250 72N/MM ORANGE       | x     |
| 40  | 91210070S   | SPRING 250 76N/MM              | x     |
| 42  | 50180273    | CIRCLIP 58,2X2                 | 1     |
| 43  | 50180463S   | SPRING RET. D=80 W. O-RING 05  | 1     |
| 44  | 50180352    | O-RING VITON 66,27X3,53        | 1     |
| 45  | 50180627    | PISTON ROD NUT M20X1           | 1     |
| 46  | 50180099    | O-RING VITON 44,17X1,78        | 2     |
| 47  | 50180135    | PISTON RING 50-8               | 2     |
| 49  | 50180675    | PISTON D=20                    | 1     |
| 51  | 50180973    | SUPPORT D20 M20X1 L51,3 PDS    | 1     |
| 57  | 50180970    | REBOUND DISC D43               | 1     |
| 58  | 50180197    | PISTON 6+6X7/4,5               | 1     |
| 72  | 50180603S   | ADAPTOR CPL. D=50 H=28 08      | 1     |
| 73  | 50180113    | STEEL DISC 18X,5X43,7X6        | 1     |
| 74  | 50180107    | REBOUND RUBBER                 | 1     |
| 75  | 50180604    | SHIM D29,75 X D19 X T0,4 08    | 1     |
| 76  | 50180605S   | SEAL D18X30X5 08               | 1     |
| 79  | 50180103    | O-RING 41X5                    | 1     |
| 80  | 46180119    | DU-BUSH 18X20X12               | 1     |
| 81  | 50180606    | DUST SEAL 1828 08              | 1     |

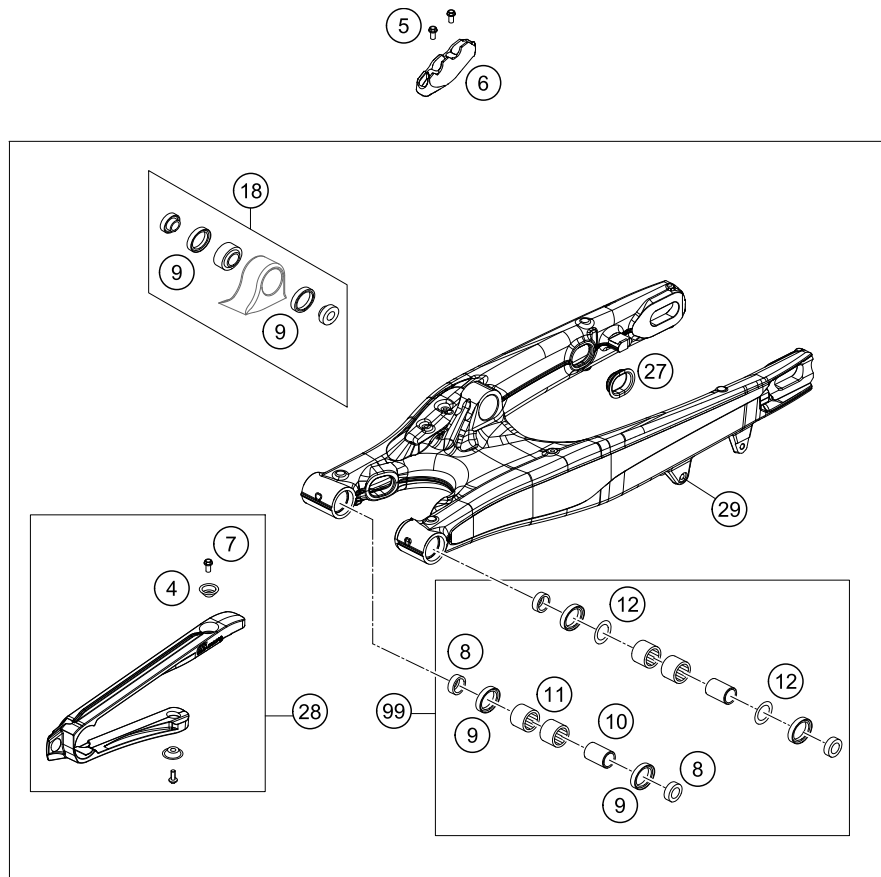
\* NEW PART X ON DEMAND



| POS | PARTNUMBER  | PARTNAME                       | PIECE |
|-----|-------------|--------------------------------|-------|
| 85  | 50180126    | CIRCLIP 53X1,75                | 1     |
| 86  | 50180626    | RESERVOIR CAP D=50 H=10 09     | 1     |
| 87  | 50180600    | BUMP RUBBER D58 D17 H59 2008   | 1     |
| 90  | 50180512SA4 | SHOCK ABS. LOWER PART CPL. 12  | 1     |
| 91  | 50180105    | THREADED BUSH M12 PDS          | 1     |
| 93  | 40540603    | STEEL BALL D=3MM               | 2     |
| 94  | 48600028    | SPRING D=2,9 L=7,9             | 1     |
| 96  | 50180222    | O-RING NBR 4X1,5               | 1     |
| 97  | 50180434S   | ADJUSTING SCREW REBOUND TRAVEL | 1     |
| 98  | 50180751S1  | SHOCK ABSORBER FLUID 5 LT      | 1     |
| 99  | R12015      | REPAIR KIT 5018 PDS 08         | 1     |

\* NEW PART

X ON DEMAND



| POS | PARTNUMBER  | PARTNAME                       | PIECE |
|-----|-------------|--------------------------------|-------|
| 2   | 51504030044 | SWING ARM CPL. PDS 2011        | 1     |
| 4   | 77304066050 | BUSHING F. CHAIN SLIDING PR.07 | 2     |
| 5   | 0009050106  | EJOT SPIRAL SCREW SF M5X10-K   | 2     |
| 6   | 77313047000 | BRAKE HOSE GUIDE LOWER 07      | 1     |
| 7   | 59009062013 | SPECIAL SCREW M6X13 WS=8 10.9  | 2     |
| 8   | 54804034000 | BUCKET F. SHAFT SEAL RING 03   | 4     |
| 9   | 0760253270  | SHAFT SEAL RING 25X32X7        | 6     |
| 10  | 54804032000 | BUSHING SLEEVE F. SWING ARM 03 | 2     |
| 11  | 58033097000 | NEEDLE BEARING HK 2216         | 4     |
| 12  | 54603036000 | STOP DISK 22,2X31,7X1          | 2     |
| 14  | 78104070100 | CHAIN GUIDE EXC                | 1     |
| 15  | 59009062019 | SPECIAL SCREW M6X19 WS=8 10.9  | 1     |
| 16  | 0025060506  | HH COLLAR SCREW M6X50 TX30     | 1     |
| 18  | 50304090144 | PIVOT BEARING+BUSH. PDS '11    | 1     |
| 20  | 78104060000 | CHAINGUARD                     | 1     |
| 21  | 56509064100 | SELF LOCKING NUT M6 10.9       | 1     |
| 22  | 0017060205  | SCREW FOR PLASTIC K6X20 SW6    | 1     |
| 23  | 0021060003  | WASHER DIN9021-A 6,4           | 1     |
| 25  | 77304037000 | SWINGARM BOLT M16X1,5 07       | 1     |
| 26  | 54804038000 | SELF LOCK.NUT M16X1,5 WS=19 03 | 1     |
| 27  | 77204041000 | CLOSING COVER                  | 4     |
| 28  | 51504066044 | CHAIN SLIDING GUARD KIT 11-15  | 1     |
| 29  | 54603055051 | PRESS IN NUT M6 STEEL ZINC     | 1     |
| 97  | 78104060010 | CHAIN PROTECTION KIT EXC 12-14 | x     |
| 98  | 78104070010 | CHAIN GUIDE KIT EXC 14-15      | x     |
| 99  | 54804230210 | SWINGARM REPAIR KIT 05-15      | x     |

145030490

C155480494

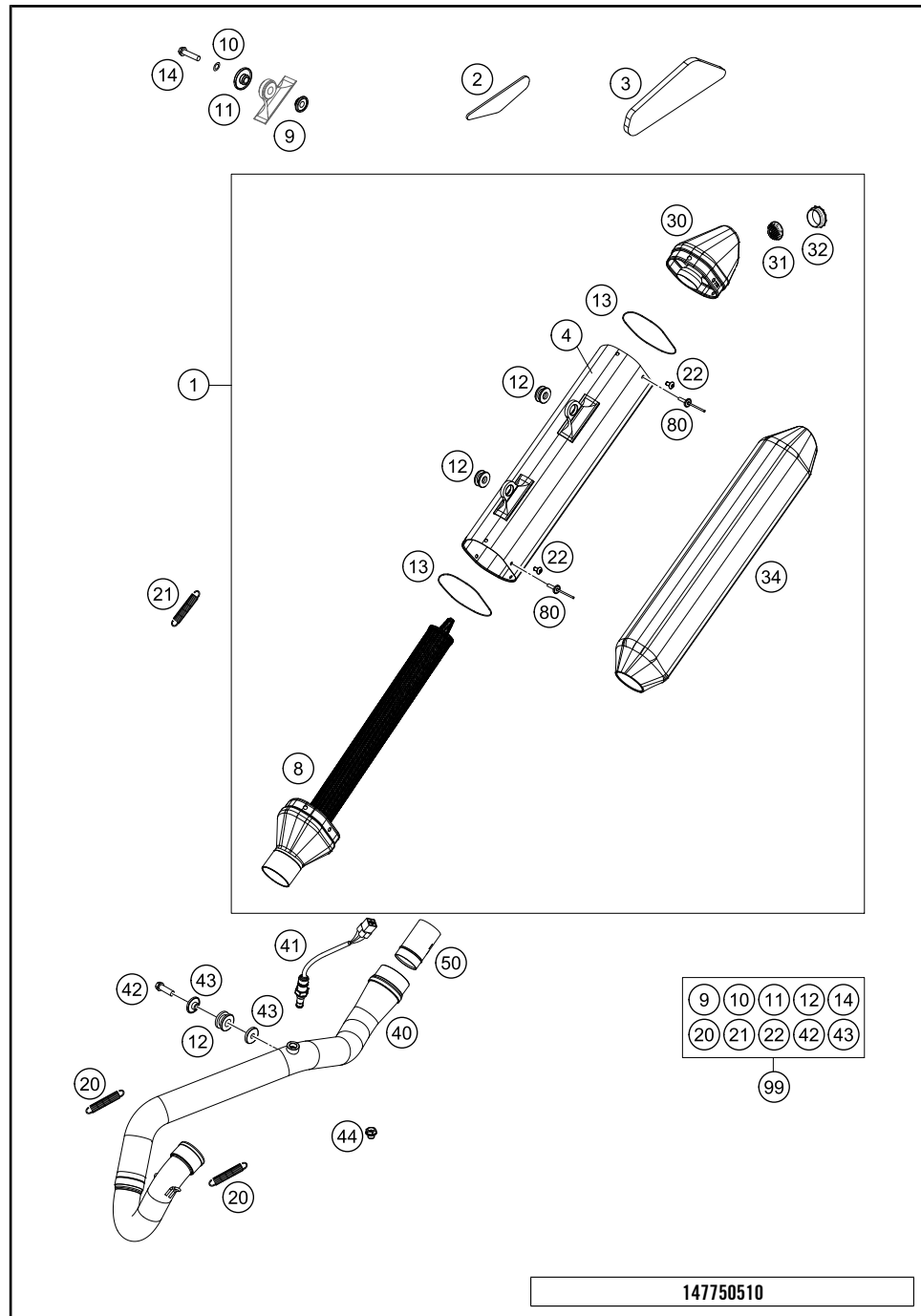
\* NEW PART

X ON DEMAND



# EXHAUST SYSTEM

250 EXC-F SIXDAYS EU 2015



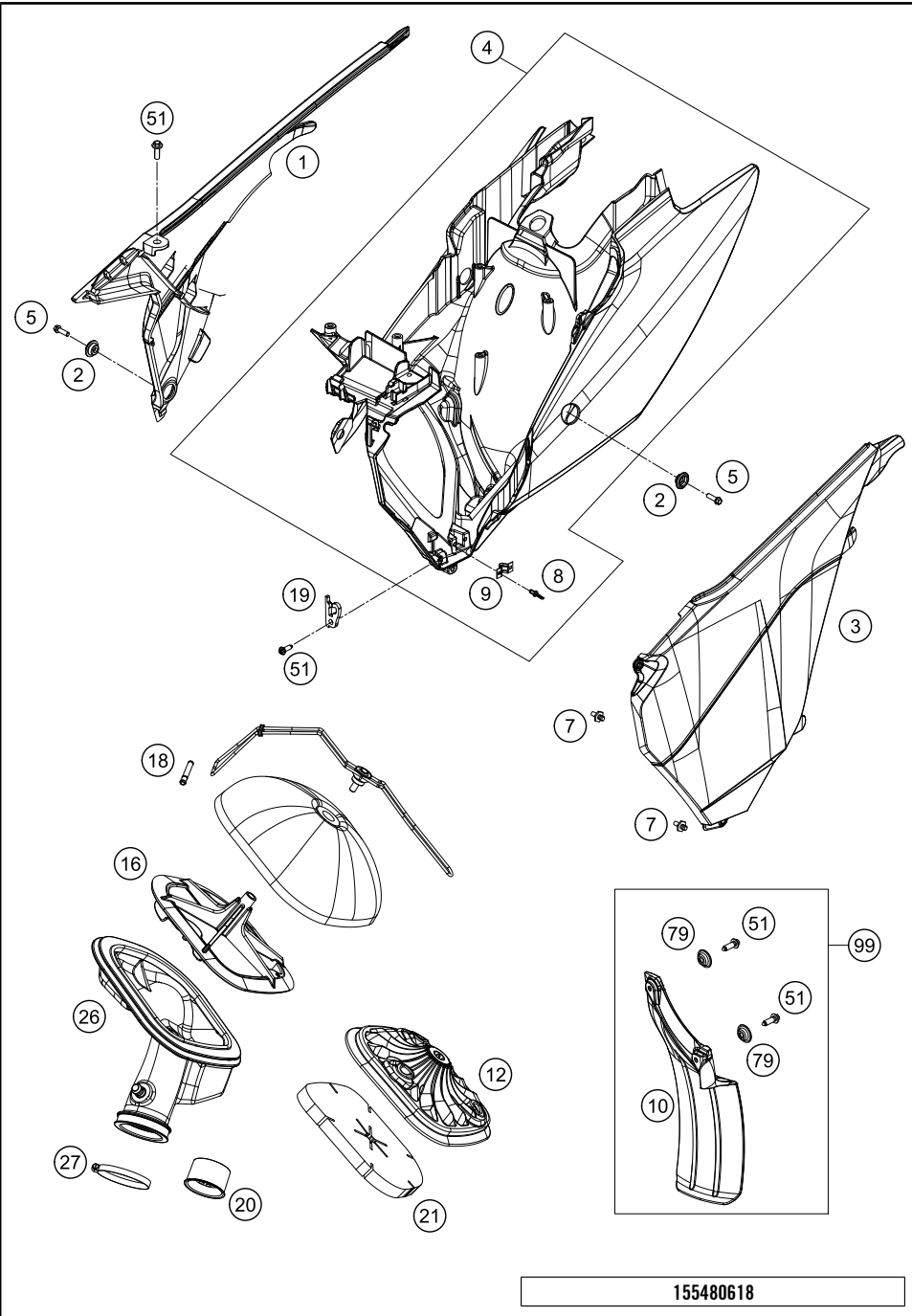
| POS | PARTNUMBER    | PARTNAME                       | PIECE |
|-----|---------------|--------------------------------|-------|
| 1   | 7770508100059 | SILENCER 250 EXC-F SIXDAYS 14  | 1     |
| 2   | 77308013050   | THERMAL PROTECTION FOIL 07     | 1     |
| 3   | 77208013050   | THERMAL PROTECTION FOIL        | 1     |
| 4   | 7770508108059 | SILENCER HOUSING TITAN LOOK    | 1     |
| 8   | 77705081050   | CONNECTING CAP CPL.            | 1     |
| 9   | 77205069000   | BUSHING 7.5x12x20x8.2 11       | 2     |
| 10  | 0137060003    | SPRING WASHER DIN0137-B 6      | 2     |
| 11  | 77205169000   | BUSHING 7.5x12x28x8.3 11       | 2     |
| 12  | 77205068000   | DAMP. COMPON. BLACK            | 3     |
| 13  | 0770740015    | O-RING 74,00X1,50 FKM 75SH     | 2     |
| 14  | 0025060306    | HH COLLAR SCREW M6X30 TX30     | 2     |
| 20  | 50305016000   | TEN.SPRING L=62MM EY.MOVEABLE  | 2     |
| 21  | 50305116000   | TEN.SPRING L=75MM EY.MOVEABLE  | 1     |
| 22  | 78105081010   | SCREW TORX M5X10               | 10    |
| 30  | 77705081060   | SILENCER CAP CPL.              | 1     |
| 31  | 77005081065   | THROTTLE ELEMENT CPL. EXC 07   | 1     |
| 32  | 77005081055   | SIL. ELEMENT EXC-F 07          | 1     |
| 34  | 78905078700   | ROCKWOOL PREFORMED             | 1     |
| 40  | 77705009000   | EXHAUST PIPE EXC-F             | 1     |
| 41  | 75041090100   | LAMBDA SENSOR                  | 1     |
| 42  | 0025080256    | HH COLLAR SCREW M8X25 TX40     | 1     |
| 43  | 59405069000   | BUSHING FOR EXHAUST SUPPORT 03 | 2     |
| 44  | 77405009065   | PLUG SCREW M12X1,25 WS17       | 1     |
| 50  | 78105091000   | PLUG IN CAT 2012               | 1     |
| 80  | 0011401200    | DUMMY RIVET 4,0X12 ALU         | x     |
| 99  | 00050000815   | EXHAUST PARTS KIT 12-14        | x     |

147750510

C157750513

\* NEW PART

X ON DEMAND



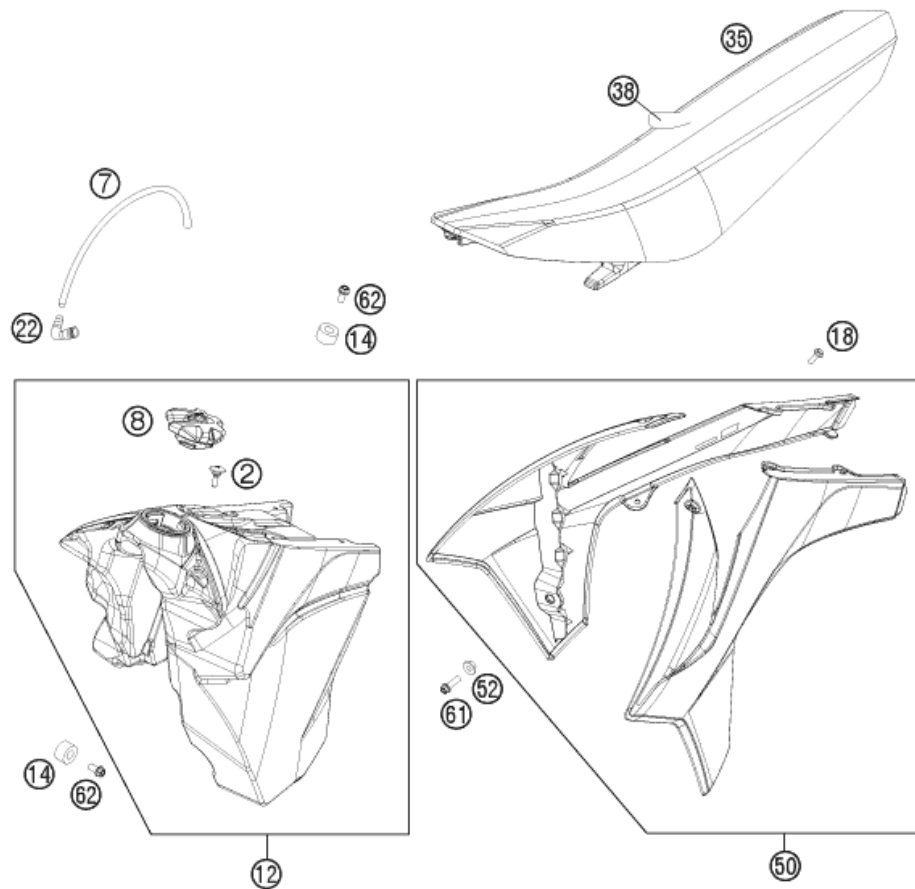
155480618

| POS | PARTNUMBER     | PARTNAME                              | PIECE |
|-----|----------------|---------------------------------------|-------|
| 1*  | 7770600410028B | AIR BOX COVER R/S SIX DAYS 15         | 1     |
| 2   | 77308013010    | COLLAR BUSH. F.REAR FENDER 07         | 2     |
| 3*  | 7770600300028D | AIR BOX COVER L/S SIX DAYS 15         | 1     |
| 4   | 7770600104428  | FILTER BOX CPL. WHITE 13              | 1     |
| 5   | 0025060206     | HH COLLAR SCREW M6X20 TX30            | 2     |
| 7   | 54806008051    | QUICK RELEASE-NIPPLE 03               | 2     |
| 8   | 54806108052    | BLIND RIVET 3,3X9,7 GROOVED 04        | 4     |
| 9   | 54806008050    | QUICK RELEASE-SPRING HANGER           | 2     |
| 10  | 77306010000    | FENDER FOR FILTER BOX                 | 1     |
| 11* | 50306017055    | RUBBER SLEEVE 15X22X26                | 1     |
| 12  | 78106012000    | THROTTLE VALVE CAP<br>ONLY FOR EU+AUS | 1     |
| 15  | 77206015000    | AIR FILTER                            | 1     |
| 16  | 77206016000    | FILTER CARRIER 11                     | 1     |
| 17  | 77206017000    | FILTER SUPPORT CPL. 11                | 1     |
| 18  | 77306018000    | FILTER SUPPORT BUSH 07                | 1     |
| 19  | 77206019000    | FASTEN. DEVICE FILTER S. SX 11        | 1     |
| 20  | 78106012050    | THROTTLE VALVE                        | 1     |
| 21  | 78106014000    | THROTTLE VALVE CAP FILTER             | 1     |
| 26  | 77506026000    | AIRBOXRUBBER 350 EFI                  | 1     |
| 27  | 51006027000    | HOSE CLAMP 50-70MM                    | 1     |
| 51  | 0017060206     | SCREW F. PLASTIC K60X20AL SW6         | 4     |
| 79  | 77304066050    | BUSHING F. CHAIN SLIDING PR.07        | 2     |
| 99  | 77306010010    | SPLASH PROTECTOR KIT SX/EXC           | x     |

C155480618

\* NEW PART

X ON DEMAND

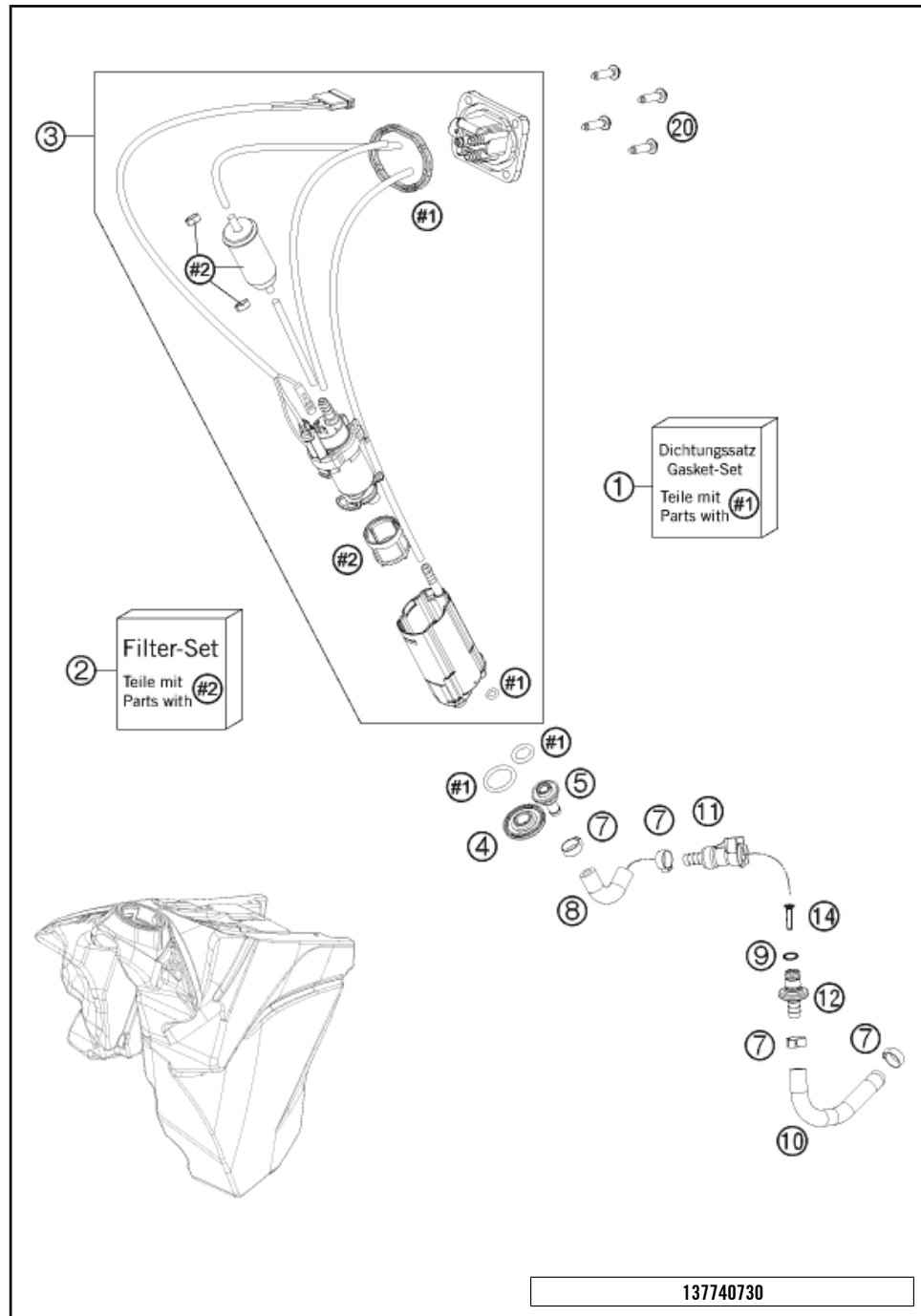


| POS | PARTNUMBER     | PARTNAME                             | PIECE |
|-----|----------------|--------------------------------------|-------|
| 2   | 50307011000    | SCREW SEAT FASTENING D=6X23/18       | 1     |
| 7   | 78007000270    | PVC-HOSE 5,6X10X270MM                | 1     |
| 8   | 78107008044X4  | TANK PLUG CPL. 14                    | 1     |
| 12  | 7740701304499  | FUEL TANK CPL. 9L EFI EXC            | 1     |
| 14  | 50307014000    | TANK ROLLER 12X26X12 '98             | 3     |
| 18  | 0017060206     | SCREW F. PLASTIC K60X20AL SW6        | 8     |
| 22  | 51030022000    | ANGLE PIECE 90 DEGREE M10X1          | 1     |
| 35  | 77207040300    | SEAT "SIXDAYS" 2014                  | 1     |
| 38  | 77207940550    | SEAT COVER                           | 1     |
| 50* | 7770805400028D | SPOILER KIT SIX DAYS 2015 WITH DECAL | 1     |
| 52  | 50308052000    | BUSH FOR SPOILER 6X11X16X5 MM        | 2     |
| 61  | 0025060206     | HH COLLAR SCREW M6X20 TX30           | 2     |
| 62  | 0026060136     | COLLAR SCREW M6X13 ISA30             | 3     |

127750710

C157770713

\* NEW PART X ON DEMAND

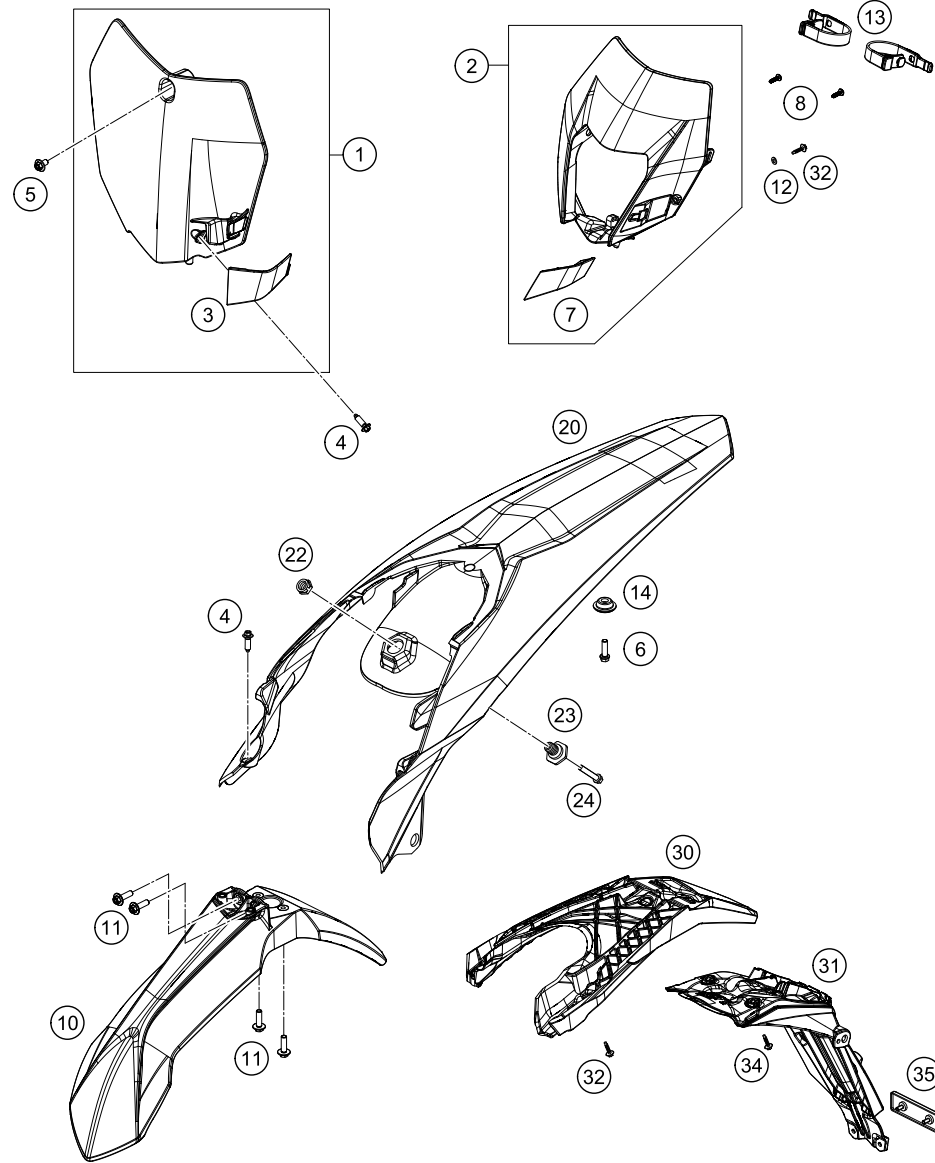


| POS | PARTNUMBER    | PARTNAME                      | PIECE |
|-----|---------------|-------------------------------|-------|
| 1   | 78107089000   | GASKET KIT                    | 1     |
| 2   | 81207090000   | FILTER KIT                    | 1     |
| 3   | 78107088000   | FUEL PUMP CPL. EXC            | 1     |
| 4   | 78107088014   | NUT F. FUEL PUMP M12          | 1     |
| 5   | 78107088017   | FUEL CONNECTOR M8             | 1     |
| 7   | 00050157706   | VARIABLE ONE-EAR CLAMP 15,7MM | 4     |
| 8   | 77407116100   | FUEL HOSE TANK                | 1     |
| 9   | 58507012000   | O-RING VITON F. PLUG CPC 05   | 1     |
| 10  | 77407016100   | FUEL HOSE PREFORMED DKK       | 1     |
| 11  | 5850701050030 | CLUTCH CPC BLACK 05           | 1     |
| 12  | 77707010000   | CONNECTOR FUEL PUMP           | 1     |
| 14  | 78141013190   | FUEL FILTER                   | 1     |
| 20  | 0017060255    | EJOT PT SCREW K60X25-Z SW6    | 4     |

C157740730

\* NEW PART

X ON DEMAND



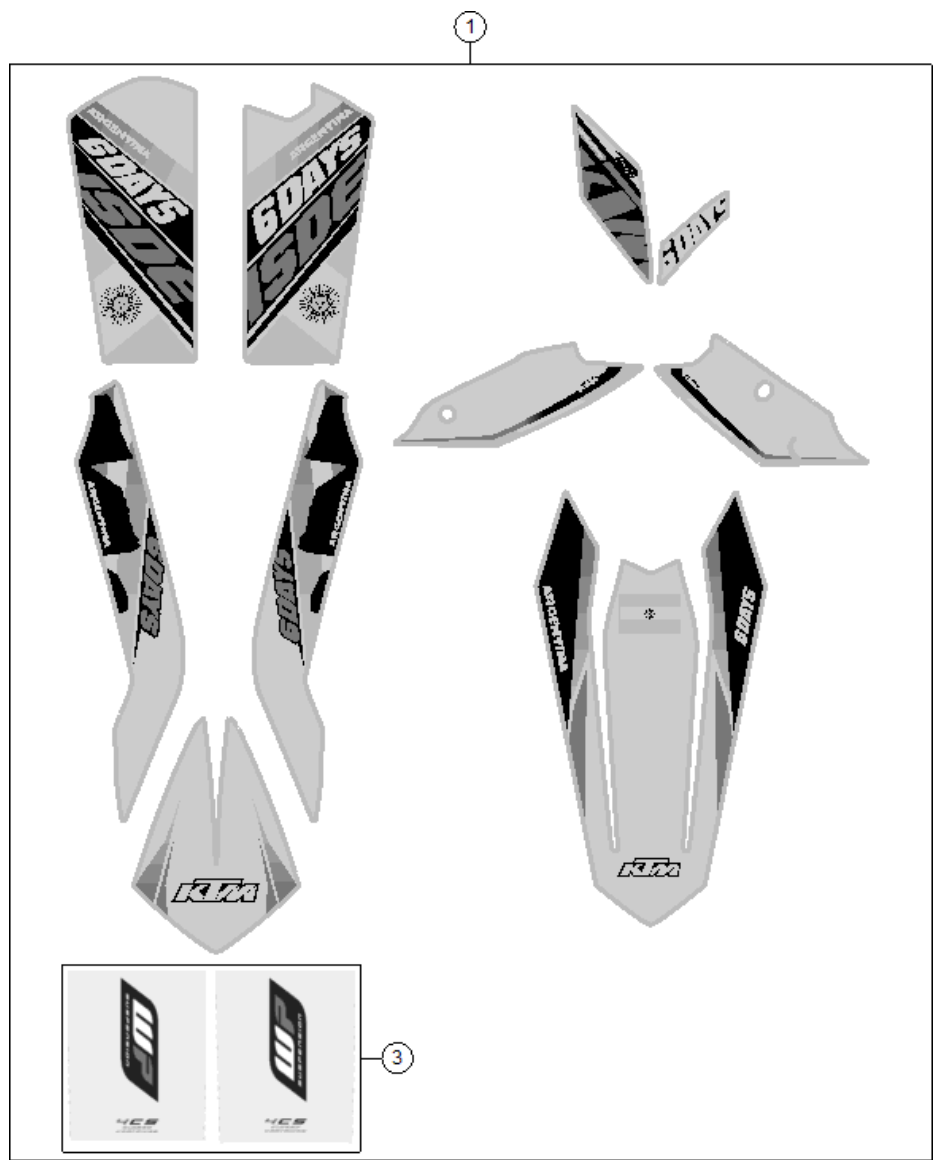
| POS | PARTNUMBER    | PARTNAME                       | PIECE |
|-----|---------------|--------------------------------|-------|
| 1   | 7770800704428 | START NUMBER PLATE WHITE SX 13 | 1     |
| 2   | 7810800100028 | HEAD LIGHT MASK WHITE 2014     | 1     |
| 3   | 7770802200030 | BRAKE HOSE GUIDE BLACK 13      | 1     |
| 4   | 0017060206    | SCREW F. PLASTIC K60X20AL SW6  | 2     |
| 5   | 0024060106    | HH COLLAR SCREW M6X10 TX30     | 1     |
| 6   | 0025060206    | HH COLLAR SCREW M6X20 TX30     | 2     |
| 7   | 7810802200028 | BRAKE HOSE GUIDE WHITE         | 1     |
| 8   | 0081050181    | SCREW FOR PLASTIC K50X18 T20   | 3     |
| 10  | 7770801000028 | FRONT FENDER WHITE             | 1     |
| 11  | 0025060166    | HH COLLAR SCREW M6X16 TX30     | 4     |
| 12  | 0125060003    | WASHER DIN0125-A 6,4           | 1     |
| 13  | 78108003000   | MASK RUBBER                    | 2     |
| 14  | 77308013010   | COLLAR BUSH. F.REAR FENDER 07  | 2     |
| 20  | 7810801300028 | REAR FENDER WHITE              | 1     |
| 22  | 50314057050   | COLLAR NUT M12X1/WS17 H=5MM    | 1     |
| 23  | 54807048000   | BUSHING FOR SEAT FASTENING 03  | 1     |
| 24  | 0025060256    | HH COLLAR SCREW M6X25 TX30     | 1     |
| 30  | 78108016000   | NUMBER PLATE CARRIER TOP       | 1     |
| 31  | 78108016050   | NUMB.PLATE CARRIER BOTTOM      | 1     |
| 32  | 0017060205    | SCREW FOR PLASTIC K60X20 SW6   | 3     |
| 34  | 0017060305    | SPECIAL SCREW K60X30 WS=6      | 2     |
| 35  | 58412080000   | REFLECTOR RED                  | 1     |

145030810

C155030812

\* NEW PART

X ON DEMAND

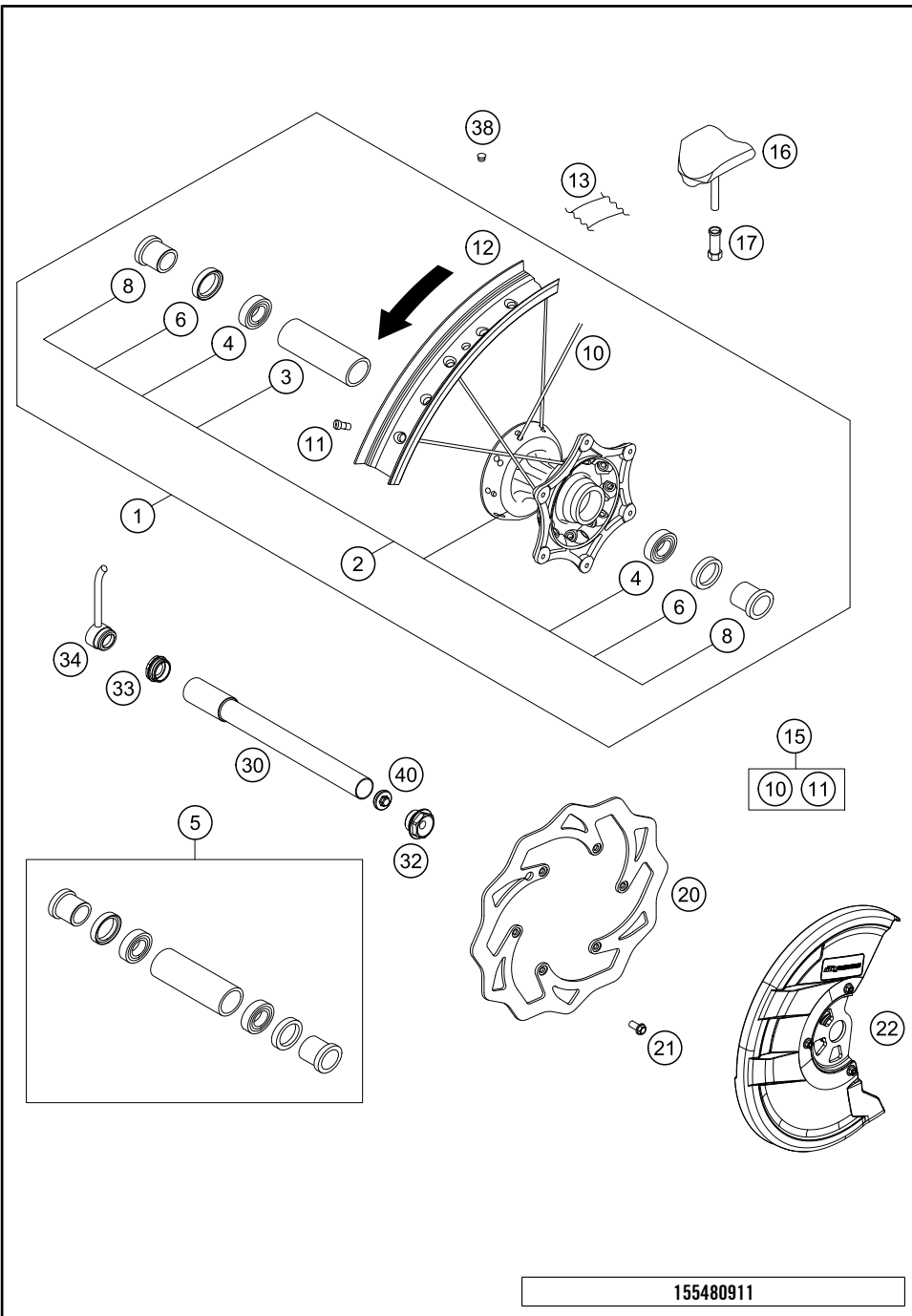


157740833

| POS | PARTNUMBER  | PARTNAME                       | PIECE |
|-----|-------------|--------------------------------|-------|
| 1*  | 78708990400 | DECAL KIT SIX DAYS ARGENTINIA  | 1     |
| 2*  | 78108196300 | DECAL REARPART 250 EXC-F SD 15 | 1     |
| 3   | 52000115    | STICKER FRONT FORK-SET WP"4CS" | 1     |

C157740833

\* NEW PART X ON DEMAND



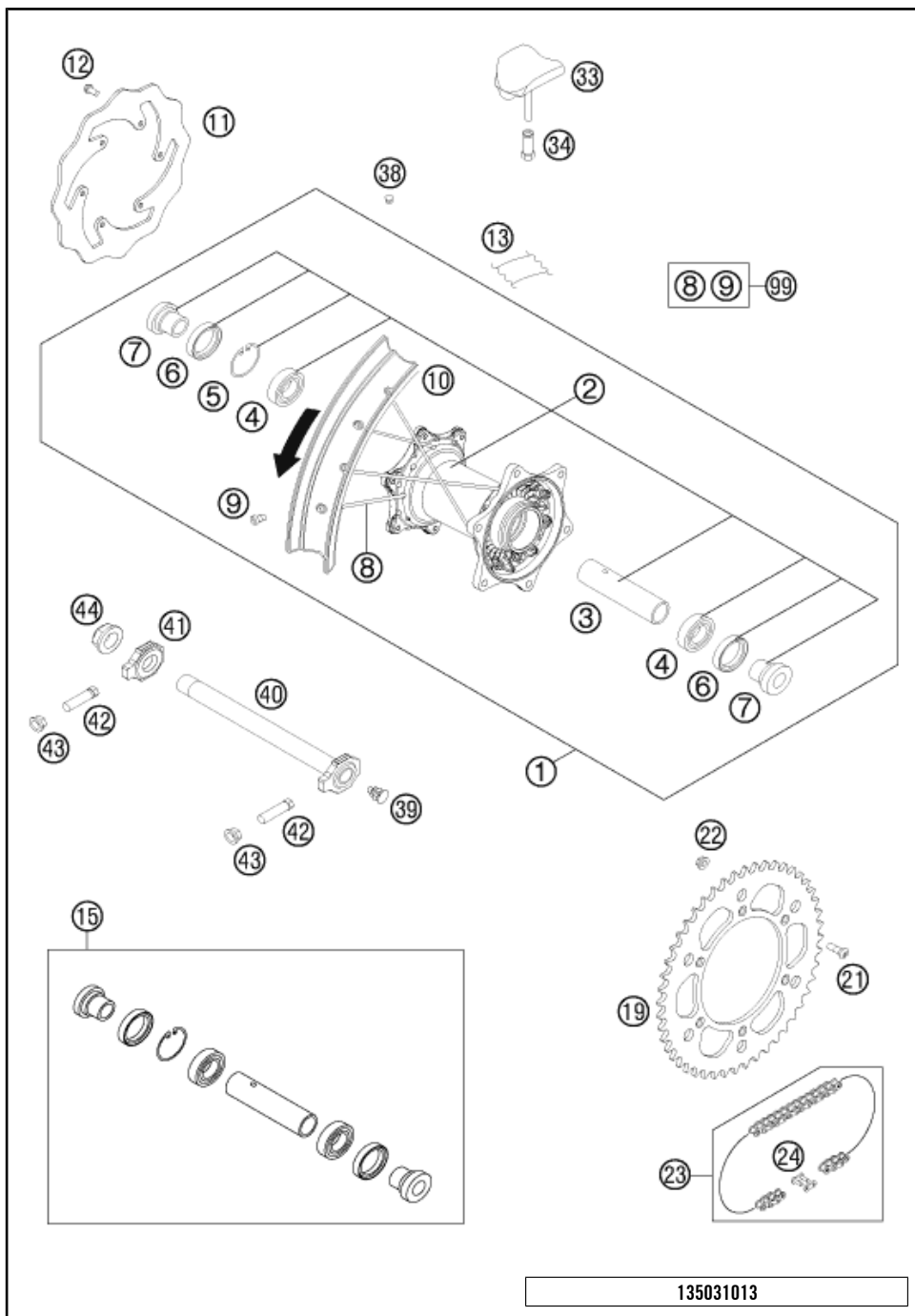
155480911

| POS | PARTNUMBER    | PARTNAME                       | PIECE |
|-----|---------------|--------------------------------|-------|
| 1*  | 7810900144430 | FRONT WHEEL CPL.1.6X21"GIANT6D | 1     |
| 2*  | 77709010044   | FRONT WHEEL HUB CPL.           | 1     |
| 3   | 54809011000   | BEA.SPACERTUBE 35X2 L=79,4 03  | 1     |
| 4   | 0625069068    | GR.BALL BEAR.6906 DDU2CG23S6NM | 2     |
| 5   | 78009015000   | FRONT WHEEL REP. KIT           | 1     |
| 6   | 0760354771    | SHAFT SEAL RING 35X47X7 TC     | 2     |
| 8   | 78009012000   | SPACER BUSHING F. FR. WHEEL 08 | 2     |
| 10  | 7710907122630 | SPOKE M4,5X226- 21" BLACK 12   | 36    |
| 11  | 77109072000   | SPOKE NIPPLE M4,5 AL 11        | 36    |
| 12  | 7810907010030 | RIM FRONT 1,6X21" BLACK        | 1     |
| 13  | 50309073000   | RIM BAND 21"                   | 1     |
| 15  | 00050000954   | SPOKE KIT FRONT "21" BLACK     | x     |
| 16  | 78109090000   | RIM LOCK 1,60"                 | 1     |
| 17  | 77110090050   | NUT FOR WHEEL HOLDER           | 1     |
| 20* | 77709160000   | BRAKE DISC FRONT D=260MM       | 1     |
| 21  | 59009062013   | SPECIAL SCREW M6X13 WS=8 10.9  | 6     |
| 22* | 7800906110030 | BRAKE DISC GUARD CPL.          | 1     |
| 30  | 77309081000   | WHEEL SPIN.FR. D=26 M24x1,5 07 | 1     |
| 32  | 54809082000   | SPINDLE SCREW M24X1,5 WS=27 03 | 1     |
| 33  | 54809081050   | PLUG BUSHING WS=27 03          | 1     |
| 34  | 54809081060   | FRONT AXLE PULL 26MM 04        | 1     |
| 38  | 55003135000   | PLUG FOR RIM                   | x     |
| 40  | 54809081070   | AUXILIARY SCREW FRONT 06       | 1     |

C155480912

\* NEW PART

X ON DEMAND



135031013

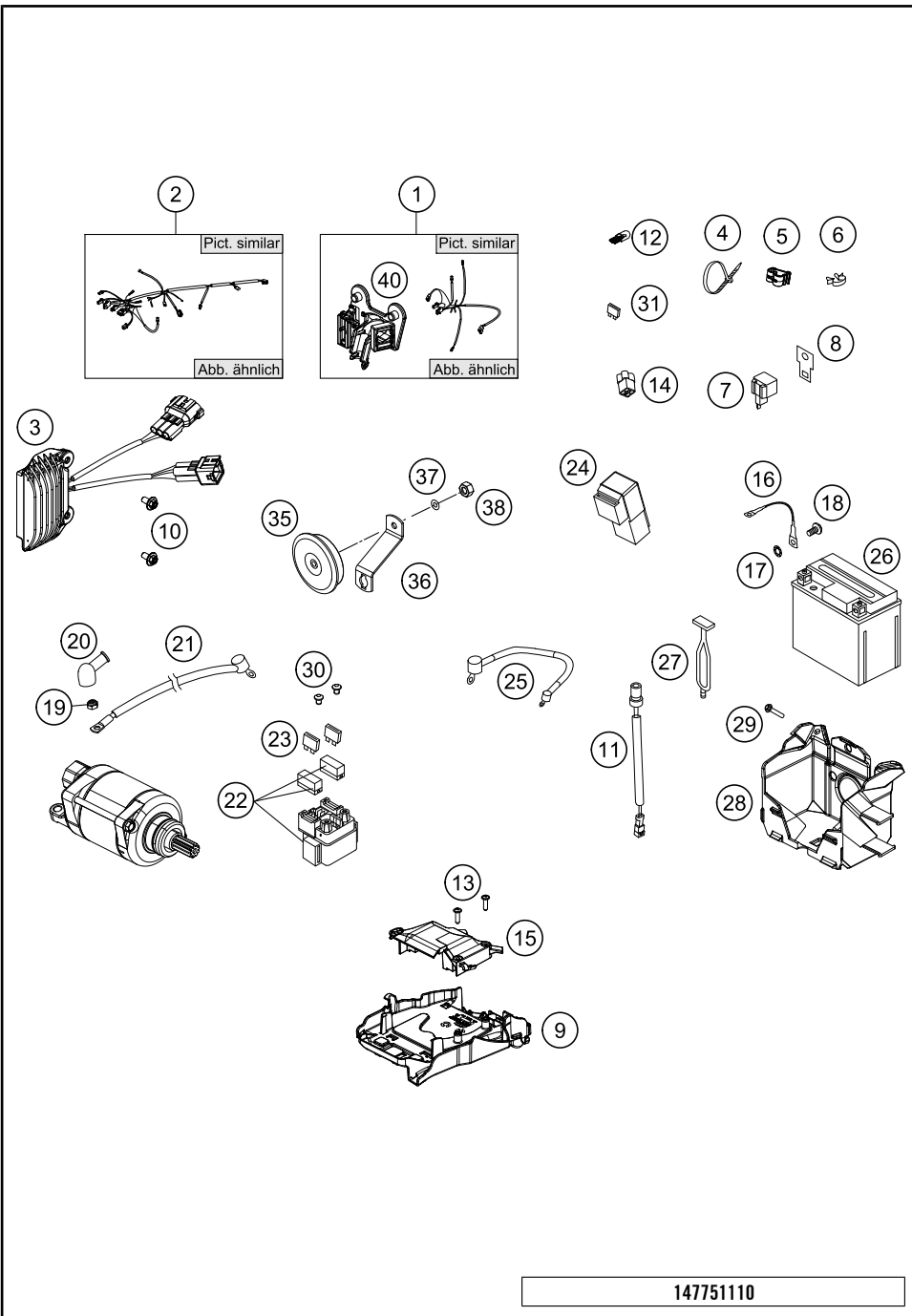
| POS | PARTNUMBER    | PARTNAME                       | PIECE |
|-----|---------------|--------------------------------|-------|
| 1   | 7811000114430 | RE.WHEEL CPL.2,15X18"BLK.SD 13 | 1     |
| 2   | 78010010144   | REAR WHEEL HUB CPL.            | 1     |
| 3   | 59010011000   | % BUSH. SPACER TUBE 121,5MM 01 | 1     |
| 4   | 0625060058    | GR.BALL BEAR.6005 DDU2CG23S6NM | 2     |
| 5   | 0472047175    | CIRCLIP DIN0472-47X1,75        | 1     |
| 6   | 0760324771    | SHAFT SEAL RING 32X47X7 BSL    | 2     |
| 7   | 78010016000   | BUSHING FOR HUB 08             | 2     |
| 8   | 7711007119330 | SPOKE M4,5X193- 18" BLACK 12   | 36    |
| 9   | 77109072000   | SPOKE NIPPLE M4,5 AL 11        | 36    |
| 10  | 7811007010030 | RIM REAR 2,15X18" BLACK        | 1     |
| 11  | 78010960000   | REAR BRAKE DISK                | 1     |
| 12  | 59009062013   | SPECIAL SCREW M6X13 WS=8 10.9  | 6     |
| 13  | 50310073200   | RIM BAND 18" AND 19"           | 1     |
| 15  | 78010015000   | REAR WHEEL REP. KIT            | x     |
| 19  | 5841005103804 | REAR SPROCKET ORANGE 38-T      | x     |
| 19  | 5841005104004 | REAR SPROCKET ORANGE 40-T      | x     |
| 19  | 5841005104204 | REAR SPROCKET ORANGE 42-T      | x     |
| 19  | 5841005104404 | REAR SPROCKET ORANGE 44-T      | x     |
| 19  | 5841005104804 | REAR SPROCKET ORANGE 48-T      | x     |
| 19  | 5841005104904 | REAR SPROCKET ORANGE 49-T      | x     |
| 19  | 5841005105004 | REAR SPROCKET ORANGE 50-T      | 1     |
| 19  | 5841005105104 | REAR SPROCKET ORANGE 51-T      | x     |
| 19  | 5841005105204 | REAR SPROCKET ORANGE 52-T      | x     |
| 21  | 0019080266S   | COUNTER-SUNK SCREW ISA45 M8X26 | 6     |
| 22  | 06923080003   | HEXAGON NUT DIN EN1661 M8 SW13 | 6     |
| 23  | 78010167118   | CHAIN DID 118 ROLLS            | 1     |
| 24  | 78010166000   | CONNECTING LINK F. 78010167118 | 1     |
| 33  | 78110090000   | RIM LOCK 2,15"                 | 1     |
| 34  | 77110090050   | NUT FOR WHEEL HOLDER           | 1     |
| 38  | 55003135000   | PLUG FOR RIM                   | x     |
| 39  | 50210086000   | COVERING CAP SFL16             | x     |
| 40  | 77310085044   | WHEEL SPINDLE RE. CPL.265MM 07 | 1     |
| 41  | 50310084000   | CHAIN TENSIONER R/S 2000       | 1     |
| 42  | 50304040100   | SCREW M10X1,25X50 WS=10        | 2     |
| 43  | 58414030000   | HH COLLAR NUT M10X1,25 WS=13   | 2     |
| 44  | 50310099000   | HEXAGON NUT M20X1,5 '98        | 1     |
| 99  | 00050000958   | SPOKE KIT REAR 18" BLACK       | x     |

C145031013

\* NEW PART

X ON DEMAND



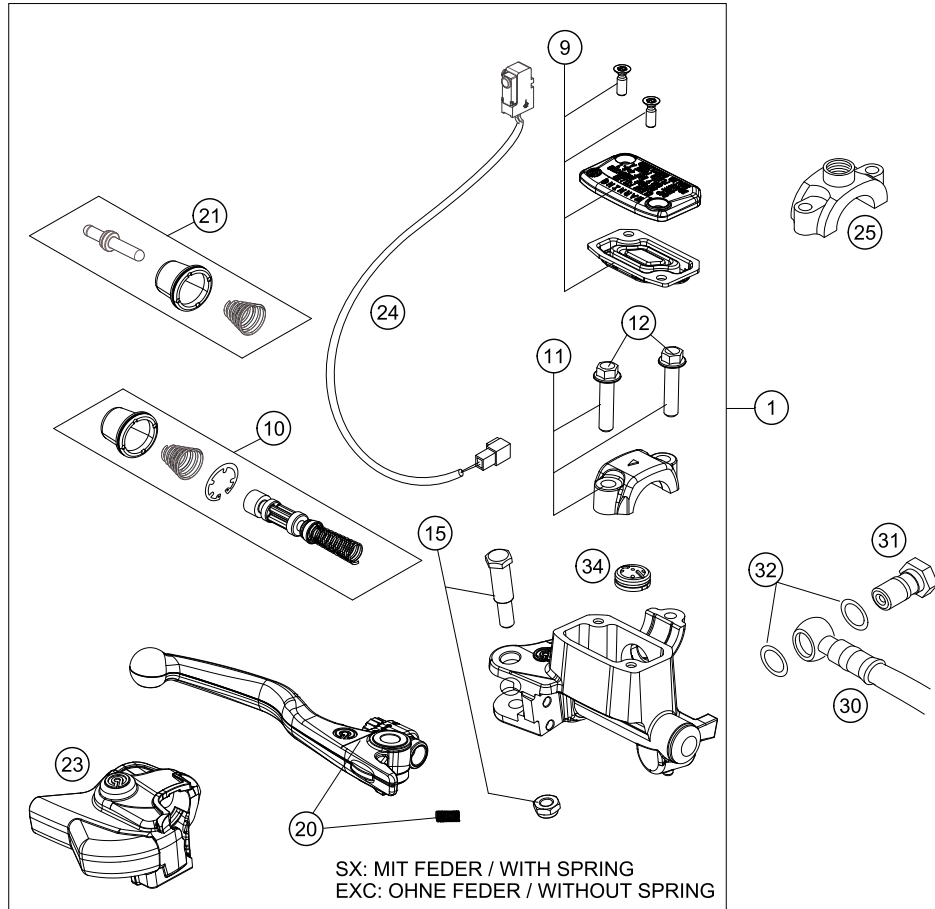


| POS | PARTNUMBER  | PARTNAME                       | PIECE |
|-----|-------------|--------------------------------|-------|
| 1   | 77711079000 | WIRING HARNESS LIGHT CPL. EU   | 1     |
| 2   | 77711175033 | WIRING HARNESS EFI 2014        | 1     |
| 3   | 78111034000 | VOLTAGE REGULATOR              | 1     |
| 4   | 44011076140 | CABLE TIE 140/2,5MM BLACK      | x     |
| 4   | 44011076200 | CABLE TIE 200/3,6MM BLACK      | x     |
| 4   | 44011076305 | CABLE TIE 300/4,8MM BLACK      | x     |
| 5   | 83013026000 | CABLE GUIDE                    | 2     |
| 6   | 57013072100 | WIRING HOLDER 16MM             | 1     |
| 7   | 76511030000 | FLASHER UNIT                   | 1     |
| 8   | 58211031100 | BRACKET FOR FLASHER RELAY      | 1     |
| 9   | 77711094000 | ELECTRIC BOX                   | 1     |
| 10  | 0023060123  | COLLAR SCREW M6X12 TX          | 2     |
| 12  | 49111425200 | BULB 12V 2,3W (W2X4,6D)        | 2     |
| 13  | 0081050181  | SCREW FOR PLASTIC K50X18 T20   | 2     |
| 14  | 81211096000 | DUMMY PLUG AN 4-PIN            | 1     |
| 15  | 77711094050 | ECU SPLASH PROTECT.            | 1     |
| 16  | 58411097100 | GROUND CABLE D=6MM L=140MM '97 | 1     |
| 17  | 58411098100 | CONTACT WASHER M6 VSV-K6       | 1     |
| 18  | 0009050106  | EJOT SPIRAL SCREW SF M5X10-K   | 1     |
| 19  | 0985060003  | SELF LOCK. NUT DIN0985-M 6     | 1     |
| 20  | 77240099000 | PROTECTION CAP F. STARTER ENG. | 1     |
| 21  | 58411059100 | STARTERCABLE 700 MM '97        | 1     |
| 22  | 58211058000 | STARTER RELAY 12V '99          | 1     |
| 23  | 58011109120 | FUSE 20 A                      | 2     |
| 24  | 61111057000 | RELAY CM1A-R-12V-H80 07        | 2     |
| 25  | 58711086000 | WIRING HARNESS BATTERY DUKE'99 | 1     |
| 26  | 77311053000 | BATTERY 12V 3AH YTX4L-BS       | 1     |
| 27  | 50303018000 | RUBBER L=145MM                 | 1     |
| 28  | 77211055000 | BATTERY BOX                    | 1     |
| 29  | 0017060205  | SCREW FOR PLASTIC K60X20 SW6   | 3     |
| 30  | 0902060083  | AH OVAL SCREW ISO 7380 M 6X8   | 2     |
| 31  | 75011088005 | FUSE MINI 5A                   | x     |
| 31  | 75011088010 | FUSE 10A 07                    | x     |
| 35  | 50311060200 | DC HORN 12V 07                 | 1     |
| 36  | 78011061000 | HORN BRACKET EXC 08            | 1     |
| 37  | 0125050003  | WASHER DIN0125-A 5,3           | 1     |
| 38  | 0934050003  | HEXAGON NUT DIN0934-M 5        | 1     |
| 40  | 77711083000 | SUPPORT BRACKET                | 1     |

147751110

C157741112

\* NEW PART X ON DEMAND



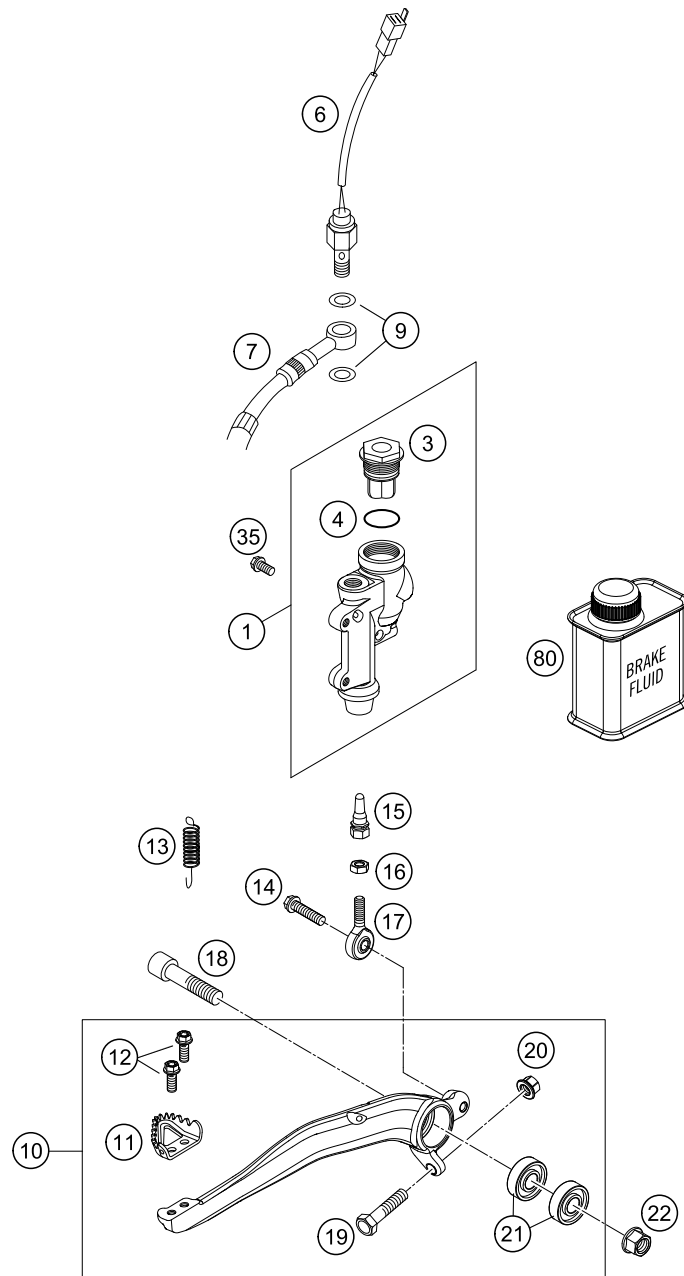
| POS | PARTNUMBER  | PARTNAME  | PIECE |
|-----|-------------|---|-------|
| 1   | 77713001144 | HAND BREAK CYLIND. CPL. EXC 14                                  | 1     |
| 9   | 77713003000 | HAND BRAKE CYL. COVER   | 1     |
| 10  | 77713008100 | REPAIR KIT PISTON EXC 2014                                      | 1     |
| 11  | 50313005000 | CLAMP CPL. NATURE   | 1     |
| 12  | 0025060256  | HH COLLAR SCREW M6X25 TX30                                      | 2     |
| 15  | 77713006000 | LEVER SCREW   | 1     |
| 20  | 77713002000 | HAND BRAKE LEVER +SPRING SX 14<br>SX WITH SPRING,EXC WITHOUT SP | 1     |
| 21  | 77713007100 | PUSH ROD CPL. EXC 2014  | 1     |
| 23  | 77713004000 | PROTECTION CAP HAND BRAKE CYL.                                  | 1     |
| 24  | 77711050000 | BREAK LIGHT SWITCH FRONT 2014                                   | 1     |
| 25  | 58012040150 | CLAMP FOR MIRROR '94  | 1     |
| 30  | 59013011000 | BRAKEHO. FRONT 1300MM 2000                                      | 1     |
| 31  | 54813020100 | HOLLOW SCREW BLACK M10X1X19                                     | 1     |
| 32  | 0603100141  | COPPER GASKET DIN7603-10X14X1                                   | 2     |
| 34  | 54802051000 | VALVE   | 1     |
| 80  | 00062030000 | BRAKE FLUID DOT5.1 0,25L  | 1     |

145031310

C148131310

\* NEW PART

X ON DEMAND



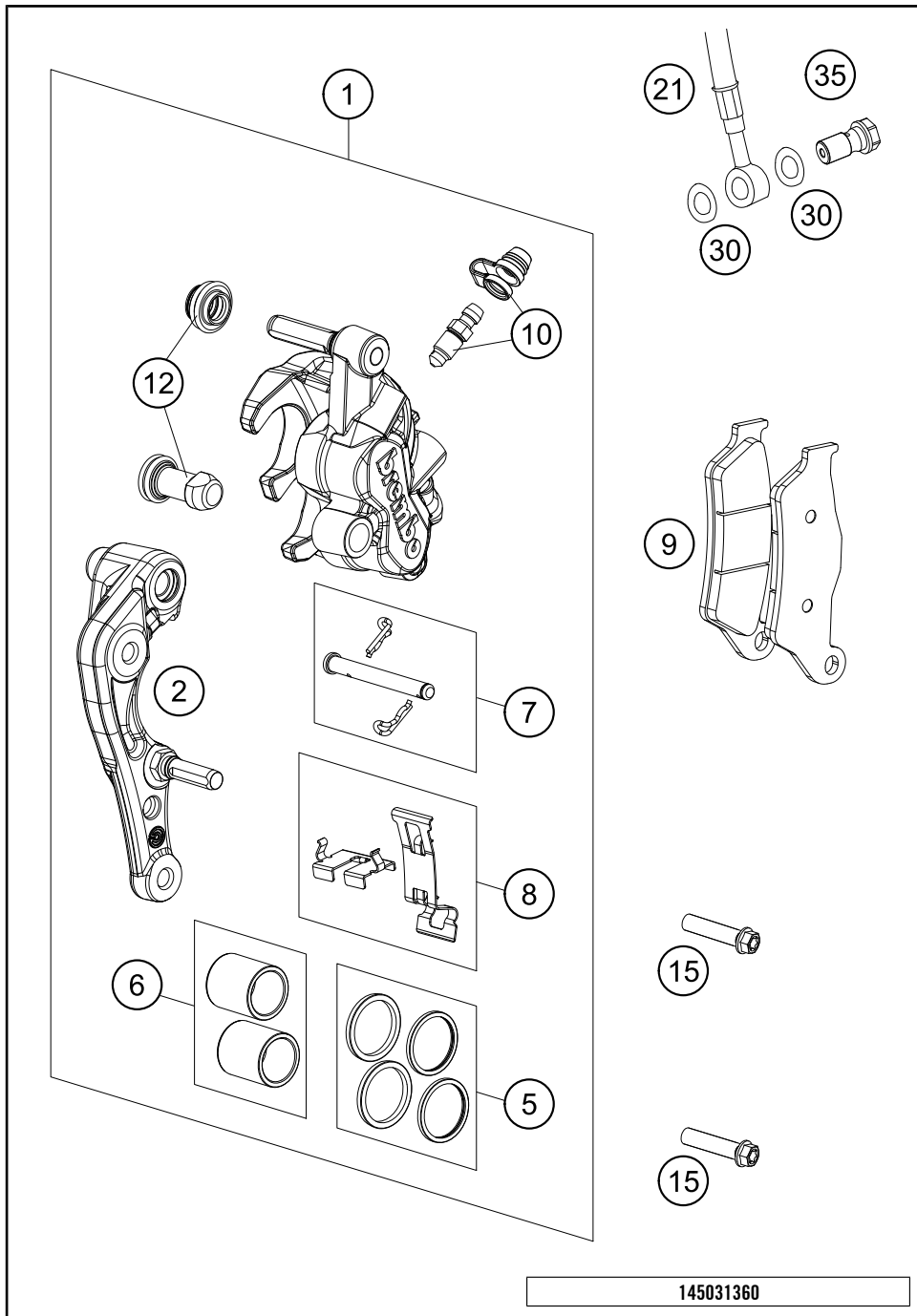
| POS | PARTNUMBER  | PARTNAME                       | PIECE |
|-----|-------------|--------------------------------|-------|
| 1   | 77013060044 | REAR BRAKE CYLINDER CPL.SX 09  | 1     |
| 3   | 54813062100 | REAR BRAKE CYL. COVER CPL. 04  | 1     |
| 4   | 54813063000 | FOOT-BRAKE CYL. GASKET SX 03   | 1     |
| 5   | 50311051100 | BRAKE LIGHT SWITCH REAR '98    | 1     |
| 7*  | 54813070100 | BRAKE HOSE REAR 655MM 15       | 1     |
| 9   | 0603100141  | COPPER GASKET DIN7603-10X14X1  | 2     |
| 10  | 77213050044 | FOOT BRAKE LEVER CPL.          | 1     |
| 11  | 54813051000 | STEP PLATE FOR BRAKE LEVER     | 1     |
| 12  | 0025050126  | HH COLLAR SCREW M5X12 TX30     | 2     |
| 13  | 54603062000 | % RETURN SPRING FOR BRAKELEVER | 1     |
| 14  | 0025060206S | HH COLLAR SCREW M6X20 TX30     | 1     |
| 15  | 54813056000 | PUSH ROD L=28MM 03             | 1     |
| 16  | 0985060003  | SELF LOCK. NUT DIN0985-M 6     | 1     |
| 17  | 54813055000 | SWIVEL HEAD KA6 03             | 1     |
| 18  | 0032100406S | AH-COLLAR SCREW M10X40 ISA45   | 1     |
| 19  | 59001037000 | SPECIAL SCREW M8X26 WS=10      | 1     |
| 20  | 46030045000 | COLLAR NUT M8 WS=10            | 1     |
| 21  | 0625060002  | BALL BEARING SKF 6000-2RS1     | 2     |
| 22  | 54630044000 | COLLAR NUT M10 WS=13           | 1     |
| 35  | 0025060126  | HH COLLAR SCREW M6X12 TX30     | 2     |
| 80  | 00062030000 | BRAKE FLUID DOT5.1 0,25L       | 1     |

155031330

C155031331

\* NEW PART

X ON DEMAND

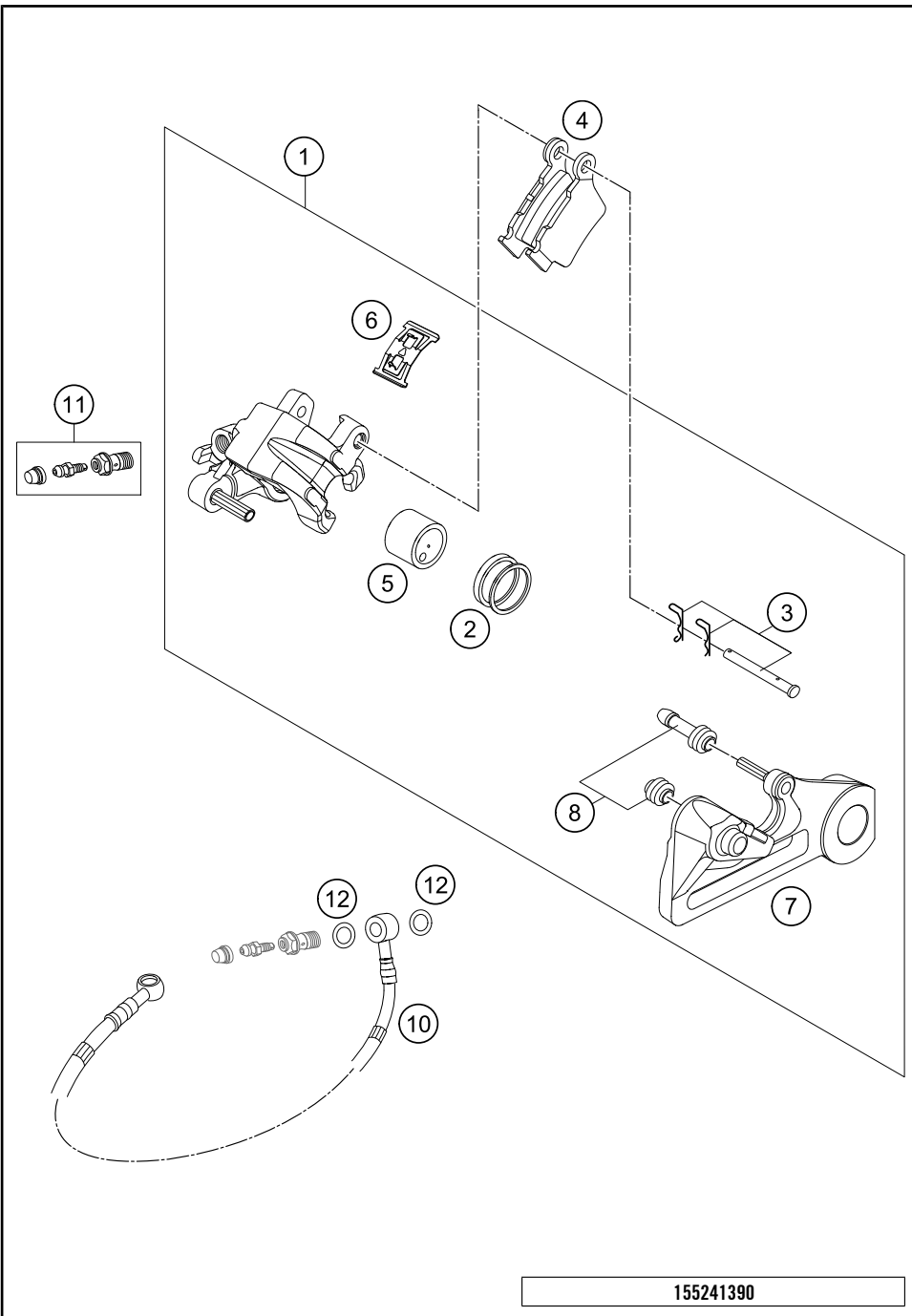


| POS | PARTNUMBER    | PARTNAME                       | PIECE |
|-----|---------------|--------------------------------|-------|
| 1   | 7701301500101 | CALIPER NAT. WITHOUT PADS      | 1     |
| 2   | 77013014000   | BRAKE CALIPER SUPPORT FRONT 09 | 1     |
| 5   | 77013021000   | REP. KIT SEALS 24MM            | 1     |
| 6   | 77013019000   | REP. KIT PISTON 24MM           | 1     |
| 7   | 77013017000   | BOLT CPL. 09                   | 1     |
| 8   | 77013018000   | RETAINING PLATE SET BREMBO     | 1     |
| 9   | 77713030000   | BRAKE PADS FRONT               | 1     |
| 10  | 61013020100   | BLEEDER SCREW WITH CAP         | 1     |
| 12  | 54613218000   | CUP SET SHORT                  | 1     |
| 15  | 0025080356S   | HH COLLAR SCREW M8X35 TX40     | 2     |
| 21  | 59013011000   | BRAKEHO. FRONT 1300MM 2000     | 1     |
| 30  | 0603100141    | COPPER GASKET DIN7603-10X14X1  | 2     |
| 35  | 50213025000   | HOLLOW SCREW M10X1X19          | 1     |

145031360

C155031361

\* NEW PART X ON DEMAND

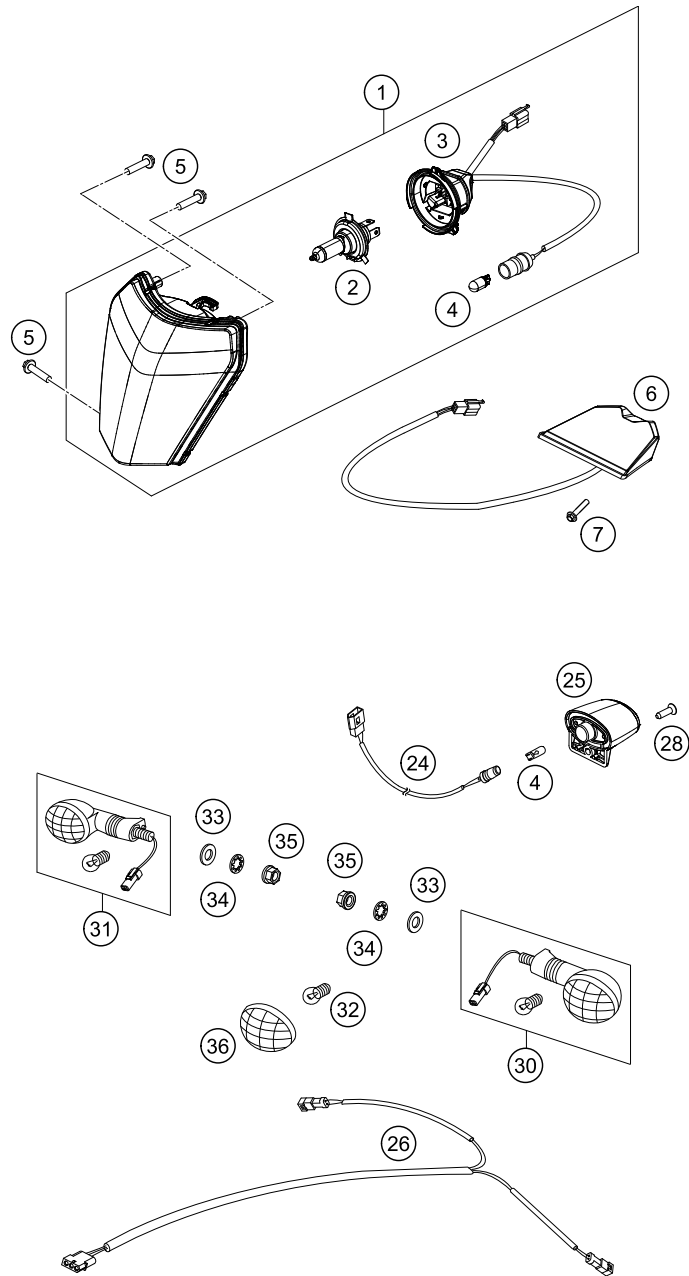


| POS | PARTNUMBER  | PARTNAME                      | PIECE |
|-----|-------------|-------------------------------|-------|
| 1   | 54813080101 | BRAKE CAL. RE. - WITHOUT PADS | 1     |
| 2   | 50313081200 | REPAIR KIT SEALING RINGS 26MM | 1     |
| 3   | 54813082000 | BOLT SET FOR BRAKE CALIPER 03 | 1     |
| 4   | 54813090300 | BRAKE PAD SET REAR TOYO       | 1     |
| 5*  | 77713083000 | BRAKE PISTON 26MM 2013        | 1     |
| 6   | 54813018000 | RETAINING SPRING SET 2003     | 1     |
| 7   | 54813075000 | BRAKE CALIPER SUPPORT REAR    | 1     |
| 8   | 54613218000 | CUP SET SHORT                 | 1     |
| 10* | 54813070100 | BRAKE HOSE REAR 655MM 15      | 1     |
| 11  | 62513020000 | BLEEDER SCREW CPL. 05         | 1     |
| 12  | 0603100141  | COPPER GASKET DIN7603-10X14X1 | 2     |

155241390

C155241390

\* NEW PART X ON DEMAND



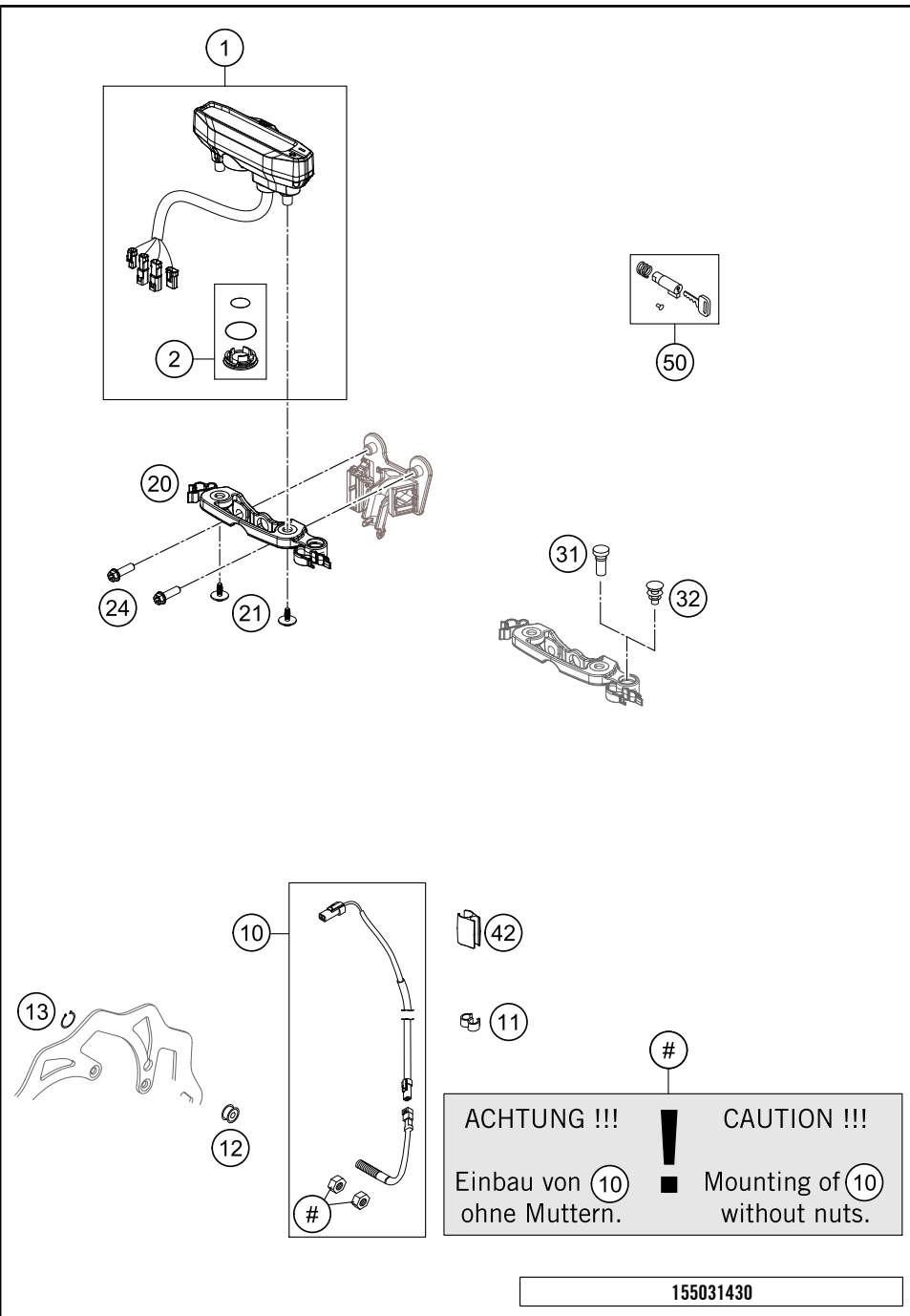
147751410

| POS | PARTNUMBER  | PARTNAME                       | PIECE |
|-----|-------------|--------------------------------|-------|
| 1   | 78114001000 | HEAD LIGHT CPL. 2013           | 1     |
| 2   | 54611038012 | BULB HS1 12V 35/35W WHITE      | 1     |
| 3   | 78114001050 | LAMP BRACKET CPL. 2014         | 1     |
| 4   | 49011435100 | BULB 12V 5W (W2,1X9,5D) PHIL.  | 2     |
| 5   | 0081050181  | SCREW FOR PLASTIC K50X18 T20   | 3     |
| 6   | 78114040000 | REAR LIGHT                     | 1     |
| 7   | 0017060255  | EJOT PT SCREW K60X25-Z SW6     | 2     |
| 24  | 76511078000 | WIRING HARN. LIC. PLATE ILLUM. | 1     |
| 25  | 75014047000 | LICENSE PLATE ILLUMINATION 07  | 1     |
| 26  | 77711081000 | FLASHER WIR. HARNESS 14        | 1     |
| 28  | 0081250181  | SCREW FOR PLASTIC 50X18 T20    | 1     |
| 29  | 0017060253  | %EJOT PT SCREW K60X25-Z SW6    | 2     |
| 30  | 54814025200 | FLASHER CPL. FR.L/S RE.R/S 09  | 2     |
| 31  | 54814026200 | FLASHER CPL. FR.R/S RE.L/S 09  | 2     |
| 32  | 44111015100 | BULB 12V 10W (BA15S)           | 4     |
| 33  | 0125100003  | WASHER DIN0125-A10,5           | 4     |
| 34  | 0797100003  | LOCK WASHER DIN6797-J10,5 ZI   | 4     |
| 35  | 58414030000 | HH COLLAR NUT M10X1,25 WS=13   | 4     |
| 36  | 54814028000 | FLASHER LENS L/S R/S 05        | 4     |

C157751413

\* NEW PART

X ON DEMAND



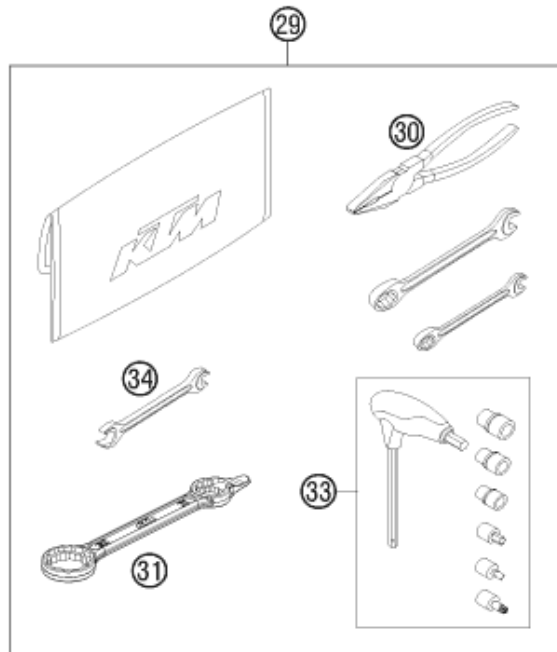
| POS | PARTNUMBER  | PARTNAME                                  | PIECE |
|-----|-------------|---|-------|
| 1*  | 77714069200 | SPEEDOMETER<br>REPROGRAMMABLE: KM/H - MPH | 1     |
| 2*  | 77714069010 | BATTERY COVER F. SPEEDOMETER              | 1     |
| 10  | 54814068100 | CABLE FOR DIGITAL SPEEDOM. 06             | 1     |
| 11  | 60111094000 | CLIP 5/7 MM 06                            | 3     |
| 12  | 54814069050 | MAGNET FOR DIGITAL SPEEDOM. 03            | 1     |
| 13  | 0471009104  | CIRCLIP DIN0471- 9X1 INOX                 | 1     |
| 20  | 77714060000 | SPEEDOMETER BRACKET EXC/XCW 14            | 1     |
| 21  | 0081645121  | EJOT DELTA PT SCREW 45X12-Z               | 2     |
| 24  | 0024060206  | HH COLLAR SCREW M6X20 TX30                | 2     |
| 31  | 58011024300 | FLASHER INDICAT.LIGHT GREEN'98            | 1     |
| 32  | 50210086000 | COVERING CAP SFL16                        | 1     |
| 42  | 54813026000 | CABLE SUPPORT 10/6MM 06                   | 2     |
| 50  | 78003035000 | STEERING HEAD LOCK 08                     | 1     |

C155031431

\* NEW PART X ON DEMAND

0  
OHNE ABBILDUNG  
WITHOUT ILLUSTRATION

1  
TECHNISCHE DOKUMENTATION  
TECHNICAL DOCUMENTATION  
DOCUMENTACION TECNICA  
DOCUMENTATION TECHNIQUE  
NOTE TECNICHE



| POS | PARTNUMBER    | PARTNAME                       | PIECE |
|-----|---------------|--------------------------------|-------|
| 0   | 312313        | KTM BALLPOINT PEN ORANGE       | 1     |
| 0   | 3210039       | * CUSTOMER WELCOME LETTER      | 1     |
| 0   | 312305        | DOCUMENTS BAG 2006             | 1     |
| 0   | 78003040033   | FOOTREST L/S + R/S CPL. 09     | 1     |
| 0   | 77311053000   | BATTERY 12V 3AH YTX4L-BS       | 1     |
| 0   | 58411098100   | CONTACT WASHER M6 VSV-K6       | 2     |
| 0   | 0025050126    | HH COLLAR SCREW M5X12 TX30     | 2     |
| 0   | 0025060306    | HH COLLAR SCREW M6X30 TX30     | 2     |
| 0   | 50208020000   | SPACER BUSHING 7X10X7,5        | 2     |
| 0   | 77203094000   | PLASTIC FRAME PROTECTION SET   | 1     |
| 0   | 77235936100   | % RADIATOR PROTECTOR CPL.      | 1     |
| 0   | 77503190000   | SKID PLATE CPL.                | 1     |
| 0   | 00062030019   | AIR FILTER OIL 100ML           | 1     |
| 0   | 58412080000   | REFLECTOR RED                  | 1     |
| 0   | 0019080206S   | FLAT HEAD SCREW M. ISA45 M8X20 | 1     |
| 0   | 77405009065   | PLUG SCREW M12X1,25 WS17       | 1     |
| 0   | 58012040000   | REAR MIRROR L/S                | 1     |
| 0   | 58012140000   | REAR MIRROR R/S                | 1     |
| 0   | 58012040150   | CLAMP FOR MIRROR '94           | 2     |
| 0   | 77229072000   | SPARK PLUG WRENCH              | 1     |
| 0   | 00063004202   | PRINT LABEL 60X51 MM           | 1     |
| 0   | 52000115      | STICKER FRONT FORK-SET WP"4CS" | 1     |
| 0   | 78108016050   | NUMB.Plate CARRIER BOTTOM      | 1     |
| 0   | 77712099300   | ACCESSORIES FLASHER SD 2015    | 1     |
| 0   | 54809081060   | FRONT AXLE PULL 26MM 04        | 1     |
| 0   | 50033029013   | FRONT SPROCKET 13-T            | 1     |
| 0   | 7770217900028 | HAND GUARDS CPL. L/S+R/S WHITE | 1     |
| 0   | 77202002144   | BAR PAD CPL.                   | 1     |
| 0   | 3212455GB     | POWER WEAR FOLDER 2013         | 1     |
| 0   | 3212457DE/GB  | PP OFFROAD FOLDER 2013         | 1     |
| 0   | 81212016100   | WASH CAP SET                   | 1     |
| 0   | 81211096000   | DUMMY PLUG AN 4-PIN            | 1     |
| 0   | 78107990100   | FUEL FILTER                    | 1     |
| 0   | 78141013190   | FUEL FILTER                    | 3     |
| 0   | 77203996000   | SPROCKET COVER 350 CPL.        | 1     |
| 0   | 7800906110030 | BRAKE DISC GUARD CPL.          | 1     |
| 0   | 77532975000   | CASE GUARD                     | 1     |
| 0   | 54812063044   | REAR BRAKE PEDAL SAFETY WIRE   | 1     |

125482000

C157752005

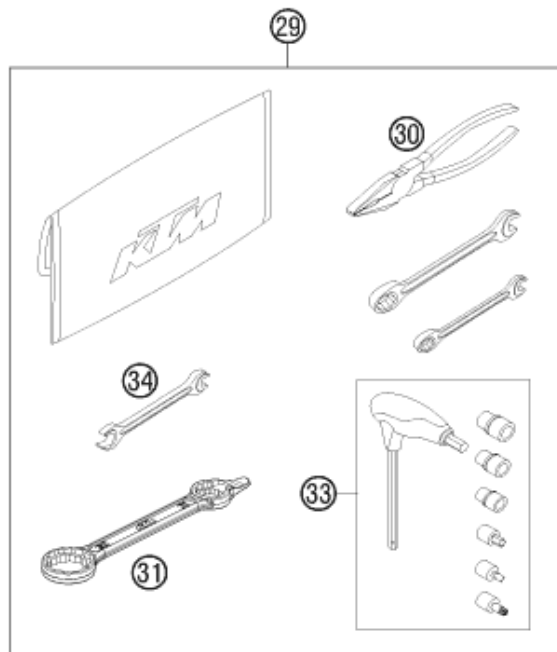
\* NEW PART

X ON DEMAND



①  
OHNE ABBILDUNG  
WITHOUT ILLUSTRATION

①  
TECHNISCHE DOKUMENTATION  
TECHNICAL DOCUMENTATION  
DOCUMENTACION TECNICA  
DOCUMENTATION TECHNIQUE  
NOTE TECNICHE



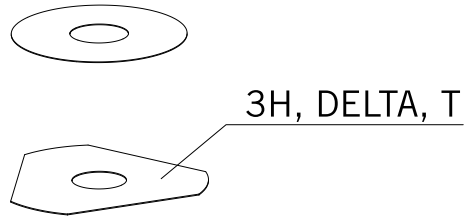
| POS | PARTNUMBER    | PARTNAME                      | PIECE |
|-----|---------------|-------------------------------|-------|
| 0   | 5021204000030 | MIRROR L/S BLACK ACERBIS '97  | 1     |
| 1   | 3213178EN     | OWN. MAN. 250 XCF-W/EXC-F 15  | 1     |
| 29  | 54829099100   | TOOL KIT 2012                 | 1     |
| 30  | 53012028200   | GRIP ORANGE B&F               | 1     |
| 31  | 50329080100   | WRENCH SW=17/21/27/32 B&F     | 1     |
| 33  | 60029070300   | T-WRENCH WS=6/8/10/TX45/SK4X1 | 1     |
| 34  | 50329072000   | SPOKE-SPANNER WS 7/10         | 1     |

125482000

C157752005

\* NEW PART

X ON DEMAND



- ⑤ Ø 5 mm
- ⑥ Ø 6 mm
- ⑧ Ø 8 mm
- ⑩ Ø 10 mm
- ⑫ Ø 12 mm
- ⑭ Ø 14-14,5 mm
- ⑯ Ø 16 mm
- ⑳ Ø 20 mm
- ㉑ Ø 21 mm
- ㉒ Ø 22 mm
- ㉓ Ø 23 mm
- ㉔ Ø 24,5 mm
- ㉘ Ø 28,5 mm
- ㉚ Ø 32 mm
- ㉜ Ø 52 mm

| POS | PARTNUMBER | PARTNAME            | PIECE |
|-----|------------|---------------------|-------|
| 5   | 44906890   | WASHER 5X15X2       | X     |
| 6   | 40540400   | SHIM 6X12X0,1       | X     |
| 6   | 40540401   | SHIM 6X14X0,1       | X     |
| 6   | 40540402   | SHIM 6X16X0,1       | X     |
| 6   | 40540403   | SHIM 6X18X0,1       | X     |
| 6   | 40540404   | SHIM 6X12X0,15      | X     |
| 6   | 40540405   | SHIM 6X14X0,15      | X     |
| 6   | 40540406   | SHIM 6X16X0,15      | X     |
| 6   | 40540407   | SHIM 6X18X0,15      | X     |
| 6   | 40540408   | SHIM 6X12X0,2       | X     |
| 6   | 40540409   | SHIM 6X14X0,2       | X     |
| 6   | 40540410   | SHIM 6X16X0,2       | X     |
| 6   | 40540411   | SHIM 6X18X0,2       | X     |
| 6   | 48600095   | * SHIM 6X20X0,20    | X     |
| 6   | 40540412   | SHIM 6X12X0,25      | X     |
| 6   | 40540413   | SHIM 6X14X0,25      | X     |
| 6   | 40540414   | SHIM 6X16X0,25      | X     |
| 6   | 40540415   | SHIM 6X18X0,25      | X     |
| 6   | 40540417   | SHIM 6X8,5X0,10     | X     |
| 6   | 40540418   | SHIM 6X9X0,10       | X     |
| 6   | 40540419   | SHIM 6X9,5X0,10     | X     |
| 6   | 40540423   | SHIM 6X9,5X0,15     | X     |
| 6   | 40540425   | SHIM 6X8,5X0,20     | X     |
| 6   | 40540426   | SHIM 6X9X0,20       | X     |
| 6   | 40540427   | SHIM 6X9,5X0,20     | X     |
| 6   | 40540447   | SHIM 6X10X0,3       | X     |
| 6   | 40540449   | SHIM 6X9X0,3        | X     |
| 6   | 40540450   | SHIM 6X9,5X0,3      | X     |
| 6   | 40540494   | SHIM 6X18X0,4       | X     |
| 6   | 40540774   | SHIM 6X18X0,1 DELTA | X     |
| 6   | 40541383   | SHIM 6X11X0,1       | X     |
| 6   | 40541391   | SHIM 6X11X0,3       | X     |
| 6   | 40541402   | SHIM 6X11X0,2       | X     |
| 6   | 40541403   | SHIM 6X10X0,20      | X     |
| 6   | 40541404   | SHIM 6X10X0,1       | X     |
| 6   | 40541405   | SHIM 6X10X0,15      | X     |
| 6   | 40541406   | SHIM 6X11X0,15      | X     |
| 6   | 40541408   | SHIM 6X8,0X0,30     | X     |

080000190

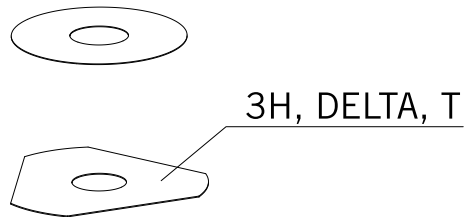
C130009090

\* NEW PART

X ON DEMAND



- ⑤ Ø 5 mm
- ⑥ Ø 6 mm
- ⑧ Ø 8 mm
- ⑩ Ø 10 mm
- ⑫ Ø 12 mm
- ⑭ Ø 14-14,5 mm
- ⑯ Ø 16 mm
- ⑳ Ø 20 mm
- ㉑ Ø 21 mm
- ㉒ Ø 22 mm
- ㉓ Ø 23 mm
- ㉔ Ø 24,5 mm
- ㉘ Ø 28,5 mm
- ㉚ Ø 32 mm
- ㉜ Ø 52 mm



| POS | PARTNUMBER | PARTNAME             | PIECE |
|-----|------------|----------------------|-------|
| 6   | 40541414   | SHIM 6X8,0X0,10      | X     |
| 6   | 40541416   | SHIM 6X8X0,3         | X     |
| 6   | 40541417   | SHIM 6X11X0,25       | X     |
| 6   | 48600102   | * SHIM 6X24X0,25     | X     |
| 6   | 48600063   | SHIM 6X24X0,1        | X     |
| 6   | 48600064   | SHIM 6X22X0,1        | X     |
| 6   | 48600065   | SHIM 6X20X0,1        | X     |
| 6   | 48600069   | SHIM 6X20X0,15       | X     |
| 6   | 48600100   | SHIM 6X24X0,15       | X     |
| 6   | 48600116   | SHIM 6X24X0,1 DELTA  | X     |
| 6   | 48600139   | SHIM 6X22X0,1 DELTA  | X     |
| 6   | 48600217   | BACKPLATE 6X10X0,25  | X     |
| 6   | 48600325   | SHIM 6X13X0,1        | X     |
| 6   | 48600327   | SHIM 6X15X0,1        | X     |
| 6   | 48600329   | SHIM 6X17X0,1        | X     |
| 6   | 48600331   | SHIM 6X19X0,1        | X     |
| 6   | 48600096   | * SHIM 6X20X0,25     | X     |
| 6   | 48600097   | SHIM 6X22X0,15       | X     |
| 6   | 48600099   | * SHIM 6X22X0,25     | X     |
| 6   | 40540448   | BACKPLATE 6X8,5X0,30 | X     |
| 6   | 48600479   | SHIM 6X20X0,1 T/3H   | X     |
| 6   | 48600332   | SHIM 6X21X0,1        | X     |
| 6   | 48600333   | SHIM 6X23X0,1        | X     |
| 6   | 40541393   | * SHIM 6X12X0,3      | X     |
| 6   | 48600330   | SHIM 6X17X0,15       | X     |
| 6   | 48600988   | SHIM 6X28X0,10       | X     |
| 6   | 48600989   | SHIM 6X26X0,10       | X     |
| 6   | 48601091   | SHIM 6X28X0,15       | X     |
| 6   | 48601093   | SHIM 6X26X0,15       | X     |
| 8   | 40540477   | SHIM 8X18X0,4        | X     |
| 8   | 43570120   | SHIM 8X18X0,10       | X     |
| 8   | 44916098   | WASHER 8,4X16X0,8    | X     |
| 8   | 44916130   | WASHER 8,2X15X1      | X     |
| 8   | 44916180   | WASHER 8,2X11X1      | X     |
| 8   | 48600214   | SHIM 8X16X0,1        | X     |
| 8   | 48600385   | SHIM 8x14x0.25       | X     |
| 8   | 48600346   | SHIM 8X11X0,2        | X     |
| 8   | 48600215   | CHECK VALVE 8X20X0,1 | X     |

080000190

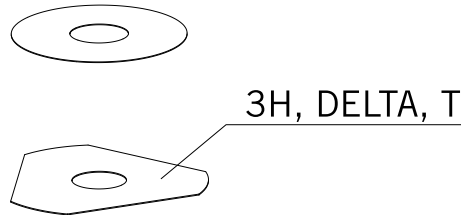
C130009090

\* NEW PART

X ON DEMAND



- ⑤ Ø 5 mm
- ⑥ Ø 6 mm
- ⑧ Ø 8 mm
- ⑩ Ø 10 mm
- ⑫ Ø 12 mm
- ⑭ Ø 14-14,5 mm
- ⑯ Ø 16 mm
- ⑳ Ø 20 mm
- ㉑ Ø 21 mm
- ㉒ Ø 22 mm
- ㉓ Ø 23 mm
- ㉔ Ø 24,5 mm
- ㉘ Ø 28,5 mm
- ㉚ Ø 32 mm
- ㉜ Ø 52 mm



| POS | PARTNUMBER | PARTNAME               | PIECE |
|-----|------------|------------------------|-------|
| 8   | 48600485   | SHIM 8X10X0,10         | X     |
| 8   | 48601402   | SHIM 8X13X0,10         | X     |
| 8   | 48600350   | CHECK VALVE 8X16X0,15  | X     |
| 8   | 48600061   | CHECK VALVE 8X24X0,4   | X     |
| 8   | 48600062   | CHECK VALVE 8X24X0,1   | X     |
| 8   | 48600216   | CHECK VALVE 8X22X0,1   | X     |
| 8   | 48600480   | SHIM 8X10X0,20         | X     |
| 8   | 48600555   | SHIM 8X16X0,20         | X     |
| 8   | 48600213   | SHIM 8X14X0,10         | X     |
| 8   | 48600357   | CHECK VALVE 8X11X0,1   | X     |
| 8   | 48600351   | CHECK VALVE 8X12X0,1   | X     |
| 8   | 48600607   | SHUTTLE VALVE 8X20X0,4 | X     |
| 8   | 48601095   | SHIM 8X17X0,10         | X     |
| 8   | 48600352   | CHECK VALVE 8X11X0,4   | X     |
| 10  | 36120284   | SHIM 10X16X0,10        | X     |
| 10  | 36120298   | SHIM 10X16X0,2         | X     |
| 10  | 36120312   | SHIM 10X16X0,30        | X     |
| 10  | 36120314   | SHIM 10X18X0,30        | X     |
| 10  | 36120325   | SHIM 10X19X0,15        | X     |
| 10  | 36120327   | SHIM 10X23X0,15        | X     |
| 10  | 36120328   | SHIM 10X25X0,15        | X     |
| 10  | 36120329   | SHIM 10X27X0,15        | X     |
| 10  | 36120330   | SHIM 10X29X0,15        | X     |
| 10  | 36120331   | SHIM 10X31X0,15        | X     |
| 10  | 36120332   | SHIM 10X33X0,15        | X     |
| 10  | 36120334   | SHIM 10X21X0,20        | X     |
| 10  | 36120335   | SHIM 10X23X0,20        | X     |
| 10  | 36120336   | SHIM 10X25X0,20        | X     |
| 10  | 36120337   | SHIM 10X27X0,20        | X     |
| 10  | 36120338   | SHIM 10X29X0,20        | X     |
| 10  | 36120339   | SHIM 10X31X0,20        | X     |
| 10  | 36120340   | SHIM 10X33X0,20        | X     |
| 10  | 36120342   | SHIM 10X21X0,25        | X     |
| 10  | 36120343   | SHIM 10X23X0,25        | X     |
| 10  | 36120344   | SHIM 10X25X0,25        | X     |
| 10  | 36120345   | SHIM 10X27X0,25        | X     |
| 10  | 36120349   | SHIM 10X19X0,30        | X     |
| 10  | 36120350   | SHIM 10X21X0,30        | X     |

080000190

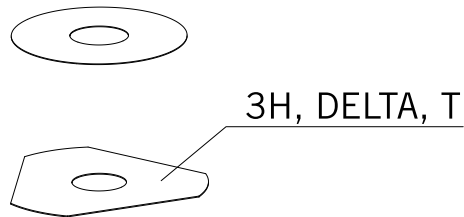
C130009090

\* NEW PART

X ON DEMAND



- ⑤ Ø 5 mm
- ⑥ Ø 6 mm
- ⑧ Ø 8 mm
- ⑩ Ø 10 mm
- ⑫ Ø 12 mm
- ⑭ Ø 14-14,5 mm
- ⑯ Ø 16 mm
- ⑳ Ø 20 mm
- ㉑ Ø 21 mm
- ㉒ Ø 22 mm
- ㉓ Ø 23 mm
- ㉔ Ø 24,5 mm
- ㉘ Ø 28,5 mm
- ㉚ Ø 32 mm
- ㉜ Ø 52 mm



| POS | PARTNUMBER | PARTNAME          | PIECE |
|-----|------------|-------------------|-------|
| 10  | 40140275   | WASHER 10X35X0,15 | X     |
| 10  | 36120346   | * SHIM 10X29X0,25 | X     |
| 10  | 50180010   | * SHIM 16X24X0,10 | X     |
| 10  | 36120604   | SHIM D10XD22X2,5  | X     |
| 12  | 46810490   | SHIM 12X24X0,20   | X     |
| 12  | 46810491   | SHIM 12X26X0,20   | X     |
| 12  | 46810492   | SHIM 12X28X0,20   | X     |
| 12  | 46810493   | SHIM 12X30X0,20   | X     |
| 12  | 46810494   | SHIM 12X32X0,20   | X     |
| 12  | 46810495   | SHIM 12X34X0,20   | X     |
| 12  | 46810496   | SHIM 12X36X0,20   | X     |
| 12  | 46810497   | SHIM 12X38X0,20   | X     |
| 12  | 46810498   | SHIM 12X40X0,20   | X     |
| 12  | 46810499   | SHIM 12X24X0,25   | X     |
| 12  | 46810500   | SHIM 12X26X0,25   | X     |
| 12  | 46810501   | SHIM 12X28X0,25   | X     |
| 12  | 46810502   | SHIM 12X30X0,25   | X     |
| 12  | 46810504   | SHIM 12X34X0,25   | X     |
| 12  | 46810505   | SHIM 12X36X0,25   | X     |
| 12  | 46810507   | SHIM 12X40X0,25   | X     |
| 12  | 46810508   | SHIM 12X24X0,30   | X     |
| 12  | 46810509   | SHIM 12X26X0,30   | X     |
| 12  | 46810510   | SHIM 12X28X0,30   | X     |
| 12  | 46810512   | SHIM 12X32X0,30   | X     |
| 12  | 46810513   | SHIM 12X34X0,30   | X     |
| 12  | 46810518   | SHIM 12X26X0,15   | X     |
| 12  | 46810519   | SHIM 12X28X0,15   | X     |
| 12  | 46810520   | SHIM 12X30X0,15   | X     |
| 12  | 46810521   | SHIM 12X32X0,15   | X     |
| 12  | 46810522   | SHIM 12X34X0,15   | X     |
| 12  | 46810523   | SHIM 12X36X0,15   | X     |
| 12  | 46810524   | SHIM 12X38X0,15   | X     |
| 12  | 46810525   | SHIM 12X40X0,15   | X     |
| 12  | 46810604   | SHIM 12X20X0,10   | X     |
| 12  | 46810606   | SHIM 12X22X0,10   | X     |
| 12  | 46810607   | SHIM 12X23X0,10   | X     |
| 12  | 46810608   | SHIM 12X24X0,10   | X     |
| 12  | 46810610   | SHIM 12X27X0,15   | X     |

080000190

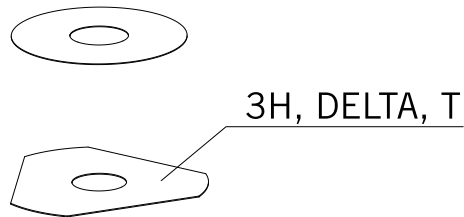
C130009090

\* NEW PART

X ON DEMAND



- ⑤ Ø 5 mm
- ⑥ Ø 6 mm
- ⑧ Ø 8 mm
- ⑩ Ø 10 mm
- ⑫ Ø 12 mm
- ⑭ Ø 14-14,5 mm
- ⑯ Ø 16 mm
- ⑳ Ø 20 mm
- ㉑ Ø 21 mm
- ㉒ Ø 22 mm
- ㉓ Ø 23 mm
- ㉔ Ø 24,5 mm
- ㉘ Ø 28,5 mm
- ㉚ Ø 32 mm
- ㉜ Ø 52 mm



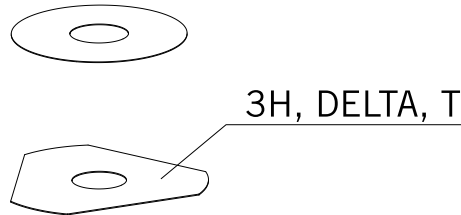
| POS | PARTNUMBER | PARTNAME             | PIECE |
|-----|------------|----------------------|-------|
| 12  | 46810611   | SHIM 12X18X0,15      | X     |
| 12  | 46810612   | SHIM 12X19X0,15      | X     |
| 12  | 46810615   | SHIM 12X22X0,15      | X     |
| 12  | 46810636   | BACKPLATE 12X16X0,30 | X     |
| 12  | 46810637   | BACKPLATE 12X17X0,30 | X     |
| 12  | 46810638   | BACKPLATE 12X18X0,30 | X     |
| 12  | 46810639   | SHIM 12X19X0,30      | X     |
| 12  | 46810641   | BACKPLATE 12X21X0,30 | X     |
| 12  | 46811582   | BACKPLATE 12X30X0,10 | X     |
| 12  | 46810631   | SHIM 12X20X0,25      | X     |
| 12  | 46810633   | SHIM 12X22X0,25      | X     |
| 12  | 46811580   | SHIM 12X32X0,10      | X     |
| 12  | 46810503   | SHIM 12X32X0,25      | X     |
| 12  | 46810517   | * SHIM 12X24X0,15    | X     |
| 12  | 46810640   | SHIM 12X20X0,30      | X     |
| 12  | 46811258   | RING 12X24X2,5       | X     |
| 12  | 46812018   | SHIM 12X42X0,25      | X     |
| 12  | 46812015   | SHIM 12X44X0,20      | X     |
| 14  | 46811046   | SHIM 14,5X35,4X1,25  | X     |
| 16  | 50180023   | * SHIM 16X23X0,20    | X     |
| 16  | 50180030   | SHIM                 | X     |
| 16  | 50180006   | BACKPLATE 16X20X0,10 | X     |
| 16  | 50180007   | SHIM 16X21X0,10      | X     |
| 16  | 50180028   | SHIM 16X21X0,25      | X     |
| 16  | 50180210   | WASHER 16X21X1       | X     |
| 16  | 50180008   | SHIM 16X22X0,10      | X     |
| 16  | 50180022   | SHIM 16X22X0,20      | X     |
| 16  | 50180037   | SHIM 16X23X0,30      | X     |
| 16  | 50180038   | SHIM 16X24X0,30      | X     |
| 16  | 50180032   | SHIM 15X25X0,25      | X     |
| 16  | 50180039   | SHIM 16X25X0,30      | X     |
| 16  | 50180012   | SHIM 16X26X0,10      | X     |
| 16  | 50180019   | SHIM 16X26X0,15      | X     |
| 16  | 50180026   | SHIM 16X26X0,20      | X     |
| 16  | 50180040   | SHIM 16X26X0,30      | X     |
| 16  | 50180041   | SHIM 16X28X0,10      | X     |
| 16  | 50180045   | SHIM 16X28X0,15      | X     |
| 16  | 50180054   | SHIM 16X28X0,20      | X     |

080000190

C130009090

\* NEW PART

X ON DEMAND



- ⑤ Ø 5 mm
- ⑥ Ø 6 mm
- ⑧ Ø 8 mm
- ⑩ Ø 10 mm
- ⑫ Ø 12 mm
- ⑭ Ø 14-14,5 mm
- ⑯ Ø 16 mm
- ⑳ Ø 20 mm
- ㉑ Ø 21 mm
- ㉒ Ø 22 mm
- ㉓ Ø 23 mm
- ㉔ Ø 24,5 mm
- ㉘ Ø 28,5 mm
- ㉚ Ø 32 mm
- ㉜ Ø 52 mm

| POS | PARTNUMBER | PARTNAME             | PIECE |
|-----|------------|----------------------|-------|
| 16  | 50180063   | SHIM 16X28X0,25      | X     |
| 16  | 50180072   | SHIM 16X28X0,30      | X     |
| 16  | 50180046   | SHIM 16X30X0,15      | X     |
| 16  | 50180055   | SHIM 16X30X0,20      | X     |
| 16  | 50180064   | SHIM 16X30X0,25      | X     |
| 16  | 50180073   | SHIM 16X30X0,30      | X     |
| 16  | 50180047   | SHIM 16X32X0,15      | X     |
| 16  | 50180056   | SHIM 16X32X0,20      | X     |
| 16  | 50180065   | SHIM 16X32X0,25      | X     |
| 16  | 50180074   | SHIM 16X32X0,30      | X     |
| 16  | 50180044   | SHIM 16X34X0,10      | X     |
| 16  | 50180048   | SHIM 16X34X0,15      | X     |
| 16  | 50180057   | SHIM 16X34X0,20      | X     |
| 16  | 50180066   | SHIM 16X34X0,25      | X     |
| 16  | 50180075   | SHIM 16X34X0,30      | X     |
| 16  | 50180049   | SHIM 16X36X0,15      | X     |
| 16  | 50180058   | SHIM 16X36X0,20      | X     |
| 16  | 50180067   | SHIM 16X36X0,25      | X     |
| 16  | 50180076   | SHIM 16X36X0,30      | X     |
| 16  | 50180050   | SHIM 16X38X0,15      | X     |
| 16  | 50180059   | SHIM 16X38X0,20      | X     |
| 16  | 50180068   | SHIM 16X38X0,25      | X     |
| 16  | 50180077   | SHIM 16X38X0,30      | X     |
| 16  | 50180051   | SHIM 16X40X0,15      | X     |
| 16  | 50180060   | SHIM 16X40X0,20      | X     |
| 16  | 50180069   | SHIM 16X40X0,25      | X     |
| 16  | 50180078   | SHIM 16X40X0,30      | X     |
| 16  | 50180052   | SHIM 16X42X0,15      | X     |
| 16  | 50180061   | SHIM 16X42X0,20      | X     |
| 16  | 50180070   | SHIM 16X42X0,25      | X     |
| 16  | 50180079   | SHIM 16X42X0,30      | X     |
| 16  | 50180053   | SHIM 16X44X0,15      | X     |
| 16  | 50180062   | SHIM 16X44X0,20      | X     |
| 16  | 50180071   | SHIM 16X44X0,25      | X     |
| 16  | 50180080   | SHIM 16X44X0,30      | X     |
| 16  | 50180177   | WASHER 16X8,2X0,6    | X     |
| 16  | 50180033   | SHIM 16X26X0,25      | X     |
| 16  | 50180034   | BACKPLATE 16X20X0,30 | X     |

080000190

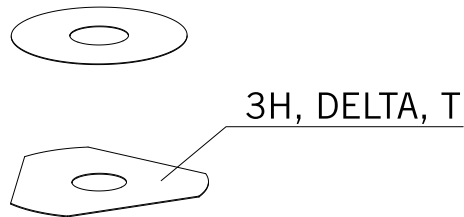
C130009090

\* NEW PART

X ON DEMAND



- ⑤ Ø 5 mm
- ⑥ Ø 6 mm
- ⑧ Ø 8 mm
- ⑩ Ø 10 mm
- ⑫ Ø 12 mm
- ⑭ Ø 14-14,5 mm
- ⑯ Ø 16 mm
- ⑳ Ø 20 mm
- ㉑ Ø 21 mm
- ㉒ Ø 22 mm
- ㉓ Ø 23 mm
- ㉔ Ø 24,5 mm
- ㉘ Ø 28,5 mm
- ㉚ Ø 32 mm
- ㉜ Ø 52 mm



| POS | PARTNUMBER | PARTNAME                    | PIECE |
|-----|------------|-----------------------------|-------|
| 16  | 50180035   | BACKPLATE 16X21X0,30        | X     |
| 16  | 50180036   | BACKPLATE 16X22X0,30        | X     |
| 16  | 50180043   | SHIM                        | X     |
| 16  | 50180024   | * SHIM 16X24X0,20           | X     |
| 16  | 50180027   | * SHIM 16X20X0,25           | X     |
| 16  | 50180031   | SHIM                        | X     |
| 16  | 50180029   | SHIM                        | X     |
| 20  | 48600212   | PRESSURE-RING 20X16,25X0,20 | X     |
| 20  | 50180666   | SHIM 20X24X0,30             | X     |
| 20  | 50180654   | SHIM 20X36X0,20             | X     |
| 20  | 50180655   | SHIM 20X38X0,20             | X     |
| 20  | 50180656   | SHIM 20X40X0,20             | X     |
| 20  | 50180665   | SHIM 20X40X0,25             | X     |
| 20  | 50180662   | SHIM 20X34X0,25             | X     |
| 20  | 50180657   | SHIM 20X24X0,25             | X     |
| 20  | 50180653   | SHIM 20X34X0,20             | X     |
| 20  | 50180634   | RING 20X22,9X1              | X     |
| 20  | 50180650   | SHIM 20,2X28X0,20           | X     |
| 20  | 50180663   | SHIM 20X36X0,25             | X     |
| 20  | 50180664   | SHIM 20X38X0,25             | X     |
| 20  | 50180659   | SHIM 20,2X28X0,25           | X     |
| 21  | 50180209   | WASHER 21X36X0,25           | X     |
| 22  | 50180330   | * PRESS. RING 22X18X0,30    | X     |
| 23  | 50180635   | SHUTTLE VALVE 23X38X0,25    | X     |
| 23  | 50180578   | SHIM D23XD16X2              | X     |
| 24  | 40541061   | WASHER 24,5X34X2            | X     |
| 28  | 36120469   | SHIM 28,5X14X2              | X     |
| 28  | 36120471   | SHIM 28,5X14X5              | X     |
| 32  | 48600460   | WASHER 32X42X2,5            | X     |
| 32  | 50600065   | SHIM 32X45X2                | X     |
| 32  | 46811637   | PRESSURE RING 36X32,25      | X     |
| 52  | 50600002   | SHIM 52X59X2,2              | X     |

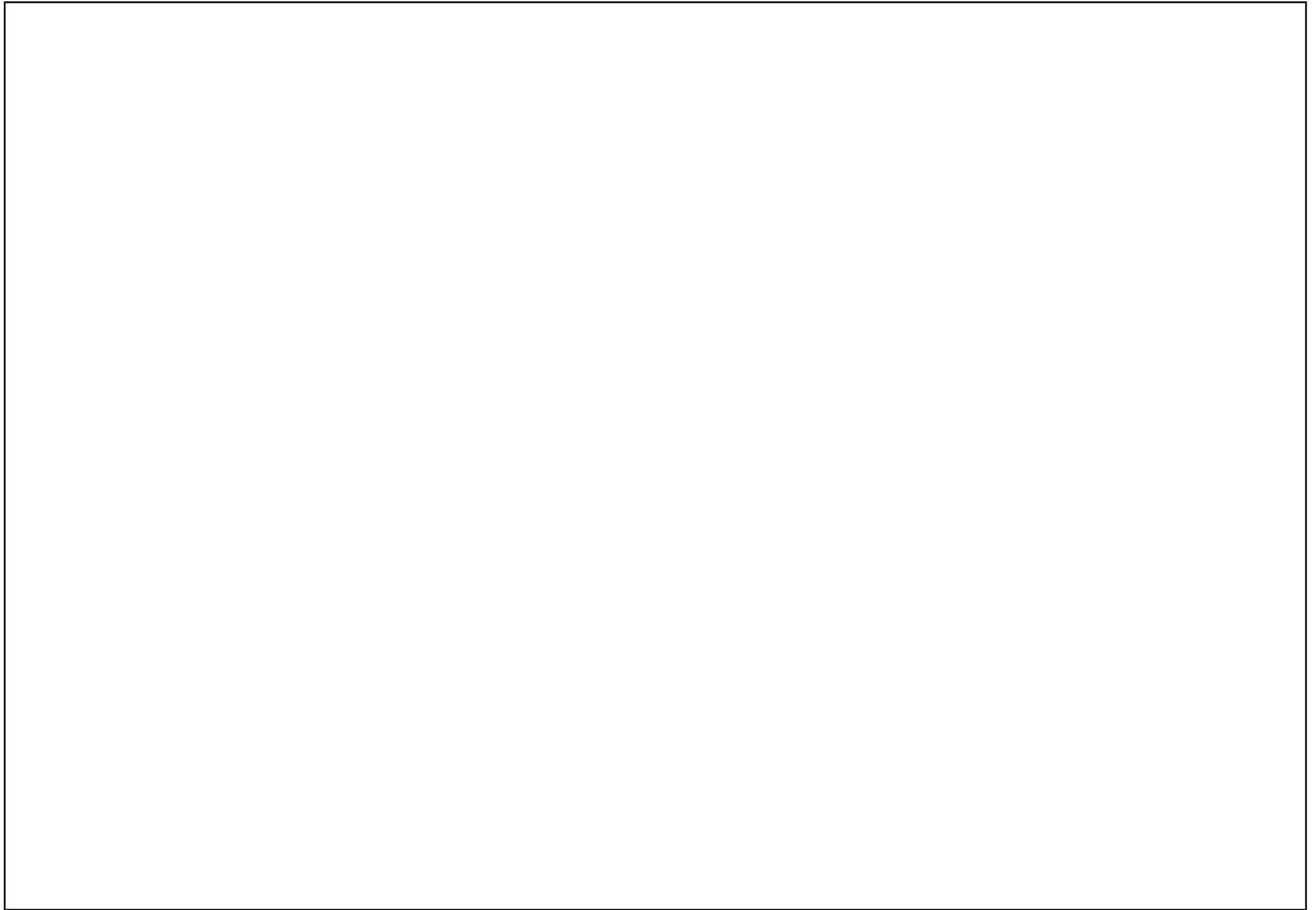
080000190

C130009090

\* NEW PART

X ON DEMAND









WWW.KTM.COM



KTM Sportmotorcycle GmbH  
5230 Mattighofen, Austria  
www.ktm.com



**KTM**\_POWERPARTS

**KTM**\_POWERWEAR

**KTM**\_ORIGINAL SPARE PARTS



3CFF810302EN

Art. Nr.: 3CFF810302EN 15. Apr 2015