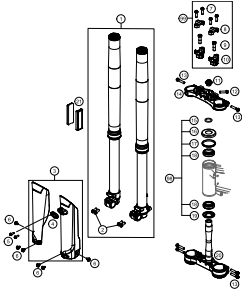
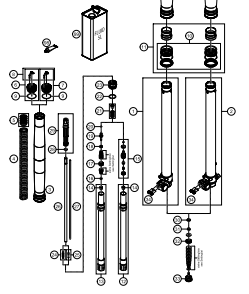
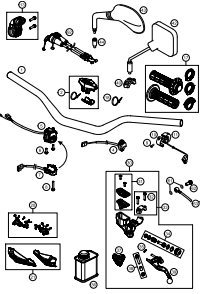
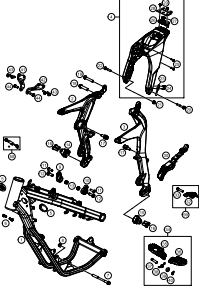
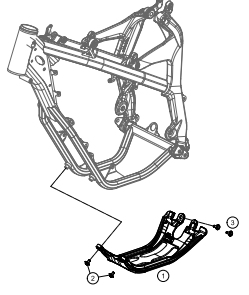
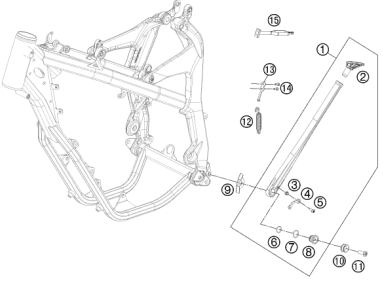
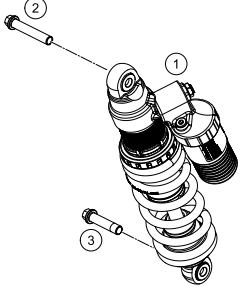
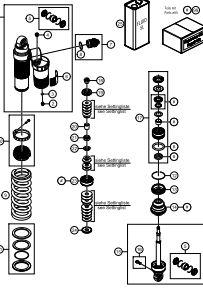
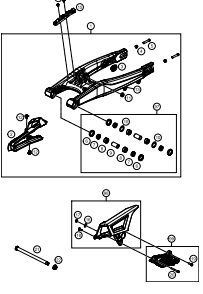
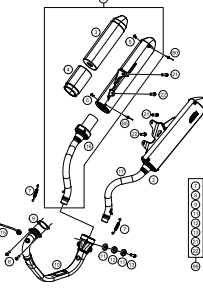

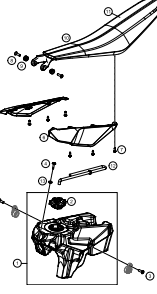


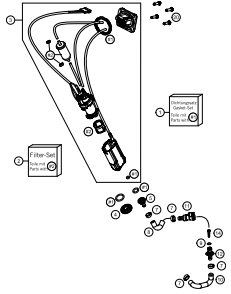
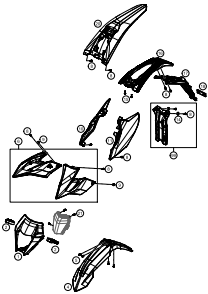
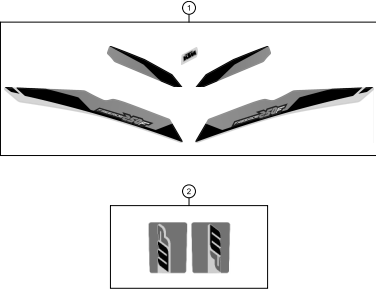
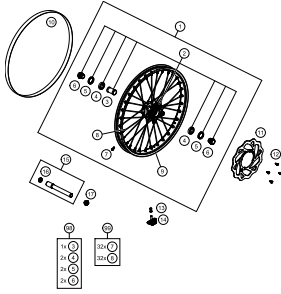
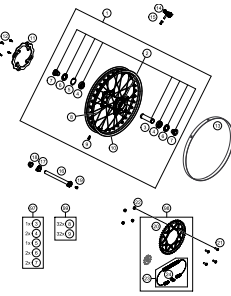
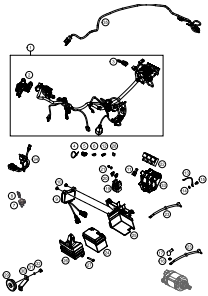
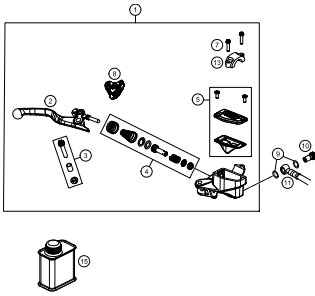
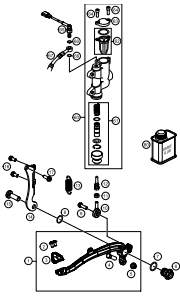
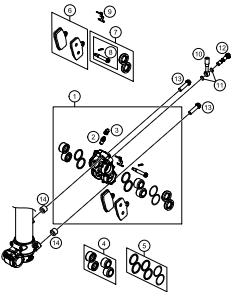
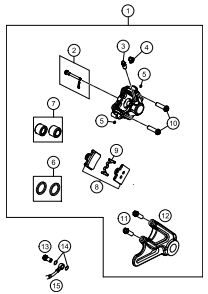
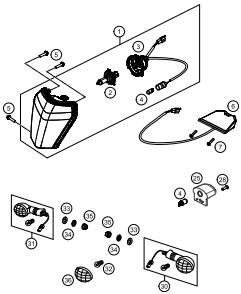
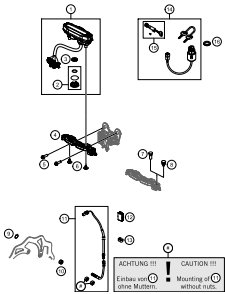
# Freeride 250 F 2018

ART.-NR.: F8103R4EN






<p><b>FRONT FORK, TRIPLE CLAMP</b></p>  <p><b>4</b></p>	<p><b>FRONT FORK DISASSEMBLED</b></p>  <p><b>5</b></p>	<p><b>HANDLEBAR, CONTROLS</b></p>  <p><b>6</b></p>	<p><b>FRAME</b></p>  <p><b>7</b></p>
<p><b>ENGINE GUARD</b></p>  <p><b>9</b></p>	<p><b>SIDE / CENTER STAND</b></p>  <p><b>10</b></p>	<p><b>SHOCK ABSORBER</b></p>  <p><b>11</b></p>	<p><b>SHOCK ABSORBER DISASSEMBLED</b></p>  <p><b>12</b></p>
<p><b>SWING ARM</b></p>  <p><b>13</b></p>	<p><b>EXHAUST SYSTEM</b></p>  <p><b>14</b></p>	<p><b>AIR FILTER</b></p>  <p><b>15</b></p>	<p><b>TANK, SEAT, COVER</b></p>  <p><b>16</b></p>

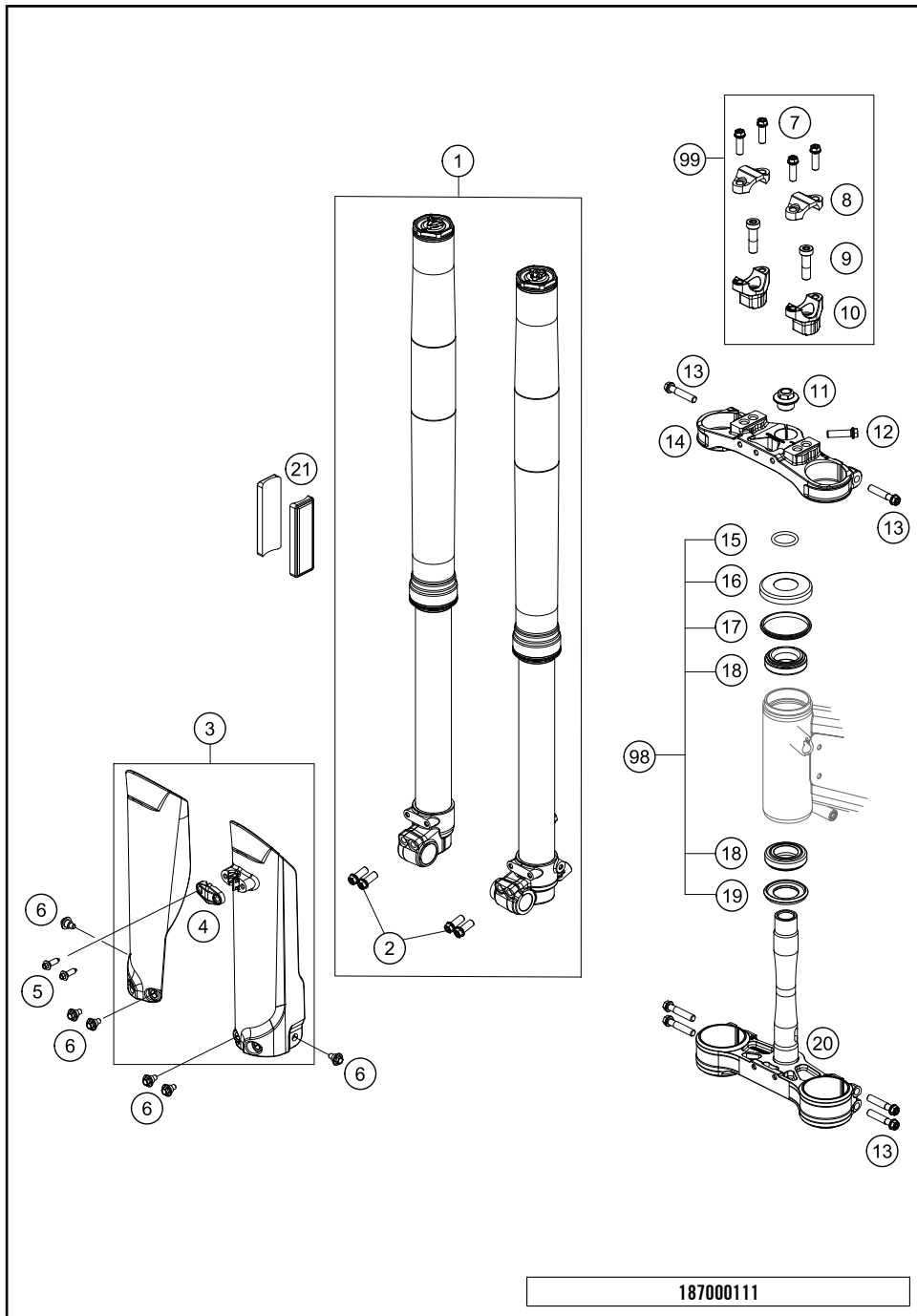
<p><b>FUEL PUMP</b></p>  <p><b>17</b></p>	<p><b>MASK, FENDERS</b></p>  <p><b>18</b></p>	<p><b>DECAL</b></p>  <p><b>19</b></p>	<p><b>FRONT WHEEL</b></p>  <p><b>20</b></p>
<p><b>REAR WHEEL</b></p>  <p><b>21</b></p>	<p><b>WIRING HARNESS</b></p>  <p><b>22</b></p>	<p><b>FRONT BRAKE CONTROL</b></p>  <p><b>23</b></p>	<p><b>REAR BRAKE CONTROL</b></p>  <p><b>24</b></p>
<p><b>FRONT BRAKE CALIPER</b></p>  <p><b>25</b></p>	<p><b>REAR BRAKE CALIPER</b></p>  <p><b>26</b></p>	<p><b>LIGHTING SYSTEM</b></p>  <p><b>27</b></p>	<p><b>INSTRUMENTS / LOCK SYSTEM</b></p>  <p><b>28</b></p>



<p><b>SEPERATE ENCLOSURE</b></p> <p><b>29</b></p>	<p><b>WP SHIMS FOR SETTING</b></p> <p><b>30</b></p>		
	 <p>All information contained is without obligation. KTM Sportmotorcycle GmbH particularly reserves the right to modify any equipment, technical specifications, prices, colors, shapes, materials, services, service work, constructions, equipment and the like so as to adapt them to local conditions or to cancel any of the above items, all without previous announcement and without giving reasons. KTM may stop manufacturing certain models without previous notice. KTM shall not be held liable for any deviations of availability and/or ability to deliver, illustrations, descriptions, printing and/or other errors. The illustrated models partly contain extra equipment, which is not applied to standard models.</p> <p>© by KTM Sportmotorcycle GmbH, Mattighofen AUSTRIA; All rights reserved; Reprint, also in extracts, with written allowance of KTM Sportmotorcycle GmbH, Mattighofen only.</p>		

# FRONT FORK, TRIPLE CLAMP

Freeride 250 F 2018



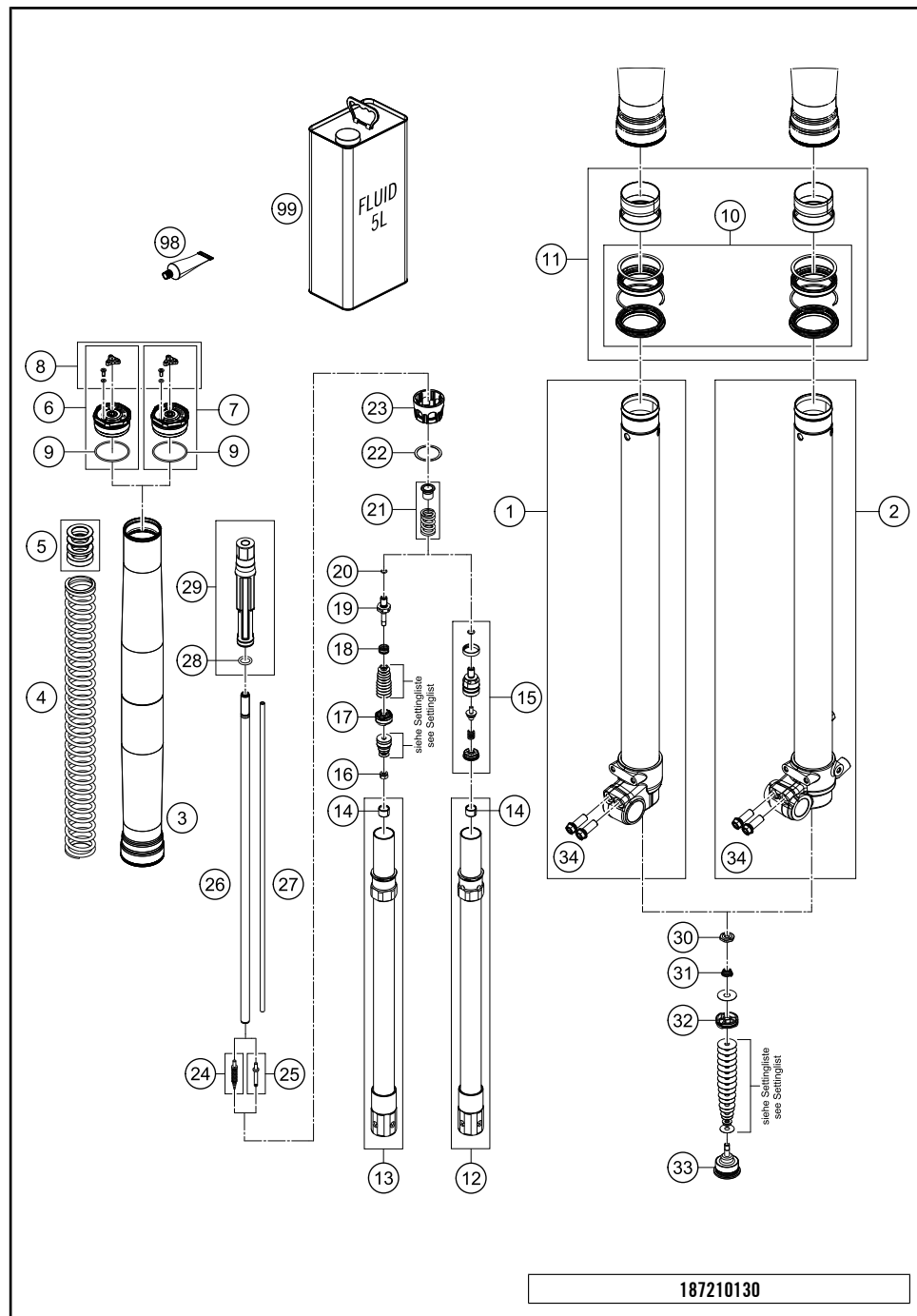
POS	PARTNUMBER	PARTNAME	PIECE
1	05188R4001	Fork 250 F Freeride 18	1
2	0025080206	HH collar screw M8x20 TX40	4
3	4720109400028A	Fork protection set freeride 250F 18	1
4	7770108510028	CLAMP BRAKE HOSE	1
5	0017060206	SCREW F. PLASTIC K60X20AL SW6	2
6	59001092050	SPECIAL SCREW M6X12,5 WS=8	6
7	0025080256	HH collar screw M8x25 TX40	4
8	77201038000	HANDLEBAR CLAMP 28MM	2
9	0032100356S	AH-COLLAR SCREW M10X35 ISA45	2
10	59401039037	HANDLEB.SUPP. D=28MM H=37MM 05	2
11	72001036000	COLLAR SCREW M20X1,5 WS17 AL	1
12	0015080256S	HH COLLAR SCREW M8X25 WS=10	1
13	0025080406	HH COLLAR SCREW M8X40 TX40	6
14	7210103402030	Upper fork crown	1
15	0770025035	O-RING 25X3,55 NBR70 05	1
16	78101086000	STEERING HEAD COVER	1
17	54601184000	STEERING HEAD GASKET TOP	1
18	54201081100	TAPERED ROLLER BEARING CPL. 06	2
19	77701084000	O-RING SUPPORT W. SEALING LIP	1
20	7210103202030	Bottom triple clamp cpl.	1
21	58412080300	REFLECTOR YELLOW "CEV"	2
98	00050000930	STEERING HEAD REP. KIT 06-15	x
99	59401039044	HANDLEBAR SUPPORT D=28MM/H=37	x

187000111

49150

\* NEW PART

X ON DEMAND



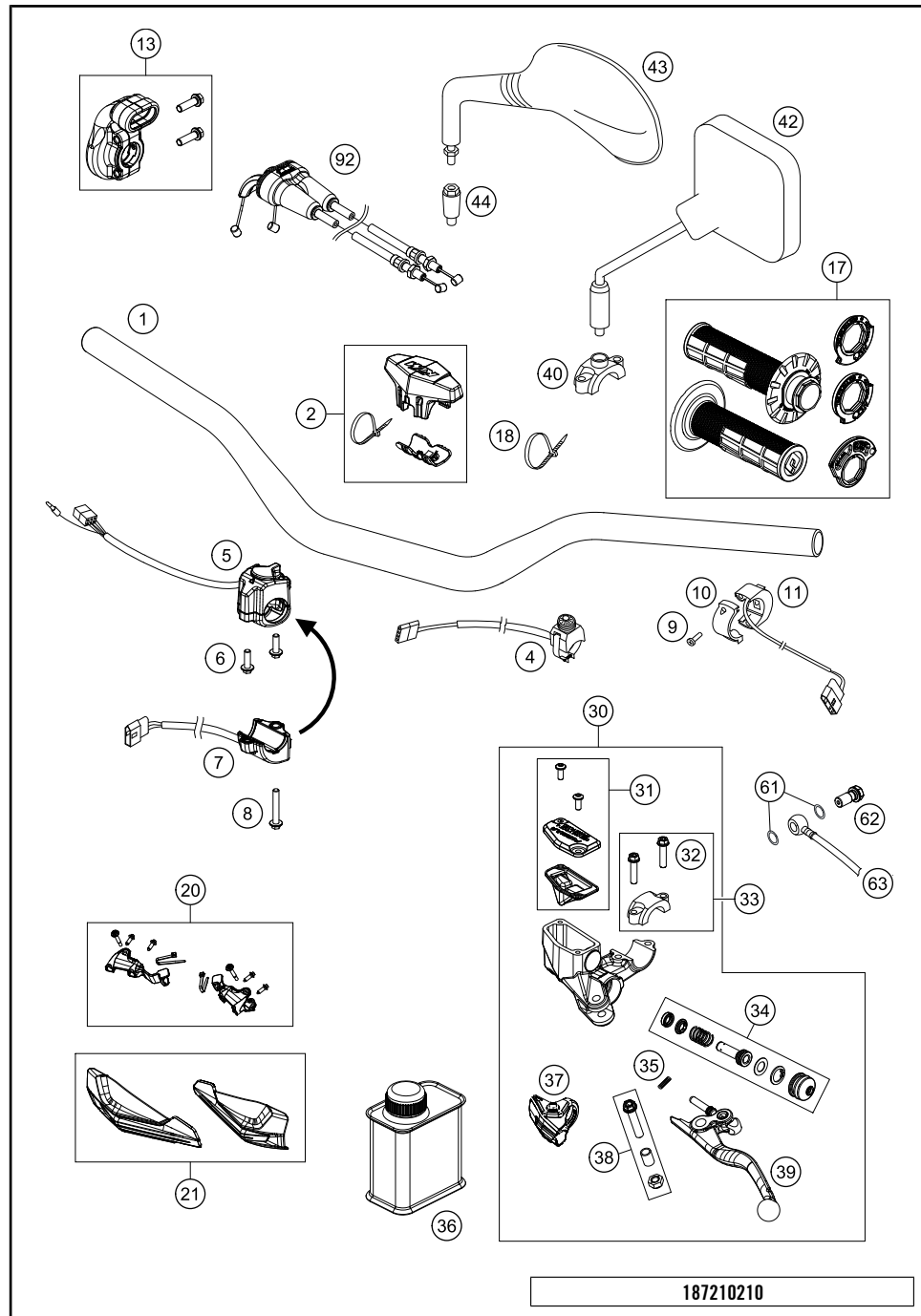
POS	PARTNUMBER	PARTNAME	PIECE
1	43570810S1	Axle clamp right + tube cpl.	1
2	43570809S1	Axle clamp left + tube cpl.	1
3	43570614E	OUTER TUBE L510 D49/53	2
4	95010054S	SPRING 4,8 N/MM SET	2
4	95010050S	SPRING 4,6 N/MM SET	x
4	95010087	Feder l=415mm 50N/mm	x
5	R14054	REP. KIT SPACER	1
6	43570807S	Screw cap M46x1,5 cpl.	1
7	43570806S	Screw cap M46x1,5 cpl.	1
8	R14033	SCREW CAP SMALL PART KIT	1
9	43570023	O-RING NBR 41X2	2
10	R516	Gasket Set 43mm HD+ red	1
11	RP10017	Revision Kit 43mm	1
12	48600870S2	Pipe incl. threaded sleeve with hole	1
13	48600870S1	Pipe incl. threaded sleeve	1
14	48600430	DU BUSH FOR PISTON ROD	2
15	48601843S	Tap compression cpl.	1
16	40540486	NUT M6X0,5 REBOUND	1
17	48600575S1	Piston cpl.	1
18	35480377	SPRING CHECK VALVE D=0,5	1
19	48600576	PISTON ROD REBOUND	1
20	48600299	O-RING 6X1,2 NBR	1
21	48600578S	SPRING REBOUND + SPRING GUIDE	2
22	48601702	washer 27,5x33x0,3	2
23	43570808	Spring compression D38 D27	2
24	48600277S	ADJUSTING NEEDLE CPL.	1
25	48601558S	COMPRESSION ADJ. NEEDLE CPL.	1
26	48601822	Piston rod Ø12 l=483	2
27	48601839	Adjustment tube l 450,6 D6	2
28	04500003	O-RING 11X2,5 NBR 70 SH PTFE	2
29	43570860S	Stop l=167 Ø28,6 Freeride cpl.	2
30	48600163	CHECK VALVE NUT M6X0,5 D=2	2
31	48600202	SPRING CHECK VALVE D=0,7	2
32	48600047S	PISTON + O-RING	2
33	48601553S	SCREW CAP OC SPLIT CPL.	2
34	0025080206	HH collar screw M8x20 TX40	4
98	T14034	Fuchs grease IPR (250g)	1
99	48601166S1	FORK OIL SAE4 5L	1

187210130

19125

\* NEW PART

X ON DEMAND



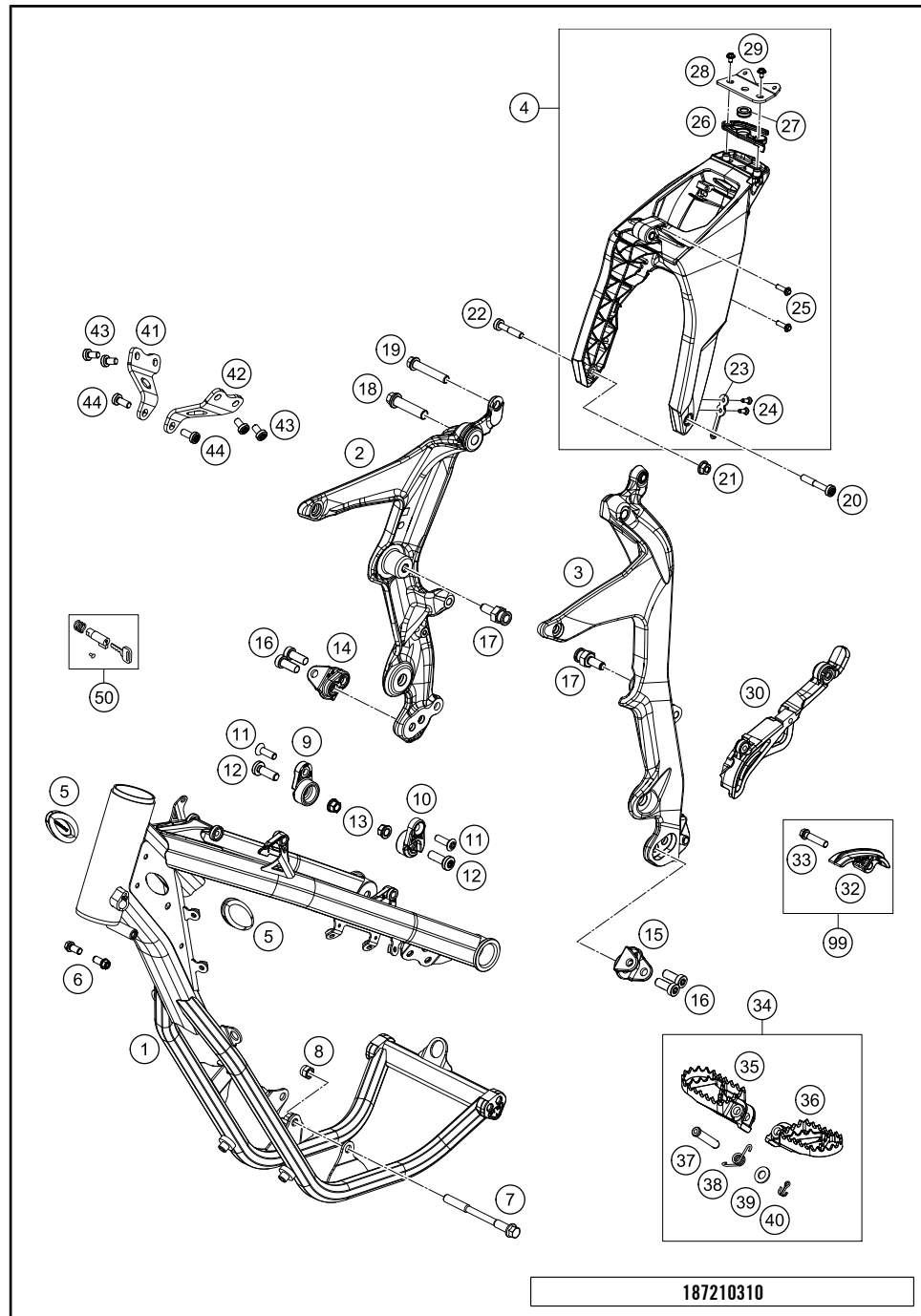
POS	PARTNUMBER	PARTNAME	PIECE
1	7800200100030	HANDLEBAR	1
2	77202002144	BAR PAD CPL.	1
4	78111074000	STARTER BUTTON GREY 13	1
5	78111070000	LIGHT SWITCH	1
6	0014050163	HH COLLAR SCREW M 5X16 WS=6	2
7	78111029000	FLASHER SWITCH	1
8	0014050303	HH COLLAR SCREW M5X30 SW=6	1
9	0985040203	FLAT HEAD SCREW DIN7985-M 4X20	2
10	50311074050	CLAMP ENGINE STOP SWITCH	1
11	50311074000	ENGINE STOP SWITCH CEV	1
13	79002010025	THROTTLE CONTROL CASING CPL.	1
17	79002021100	GRIP SET	1
18	44011076140	CABLE TIE 140/2,5MM BLACK	x
18	44011076200	CABLE TIE 200/3,6MM BLACK	x
20	72102084044	Assembly kit	1
21	79602182044EB	Handguard	1
30	70013001300	HAND BRAKE CYL. CPL. E-SX	1
31	72002003000	COVER F. MASTER CYLINDER CPL.	1
32	0025060256	HH collar screw M6x25 TX30	2
33	72013005000	CLAMP	1
34	70013008000	REP. KIT PISTON	1
35	72002035000	SPRING FOR CLUTCH LEVER	1
36	00062030000	BRAKE FLUID DOT5.1 0,25L	1
37	72002037000	MUDCOVER CLUTCH LEVER	1
38	70002038000	LEVER SCREW CPL.	1
39	70013002000	LEVER CPL.	1
40	58012040150	CLAMP FOR MIRROR '94	2
42	58012040000	REAR MIRROR L/S	1
42	58012140000	REAR MIRROR R/S	1
43	58412040000	MIRROR L/S 98	x
43	58412041000	MIRROR R/S 98	x
44	58412040050	SUPPORT FOR MIRROR LC4 '98	x
61	0770080019	O-RING 8,00X1,00 FORMULA	2
62	47013025000	HOLLOW SCREW BRAKE CYLINDER 03	1
63	72132063000	Clutch pipe	1
92	79002091000	THROTTLE CABLE CPL. 4STROKE	1

187210210

49174

\* NEW PART

X ON DEMAND



POS	PARTNUMBER	PARTNAME	PIECE
1	72103001000EB	Frame "721R1" elec. orange	1
2	72103001152	Connection support right	1
3	72103101051	Linkage bracket, left premount.	1
4	70003002033	SUBFRAME CPL.	1
5	58404041000	CLOSING COVER SWINGARM SM 03	2
6	0025080166S	HH collar screw M8x16 TX40 SL	2
7	77203014000	engine brac.scr. M10x115	2
8	54310086100	SELF LOCKING NUT M10 CU WS=14	2
9	72007015000	FUEL TANK CARRIER R/S	1
10	72007014000	FUEL TANK CARRIER L/S	1
11	0019080306S	COUNTER-SUNK SCREW ISA45 M8X30	2
12	0035100309S	SHCS M10x30 TX45	2
13	54630044000	COLLAR NUT M10 WS=13	2
14	70003039100	FOOTREST MOUNTING R/S '12	1
15	70003038100	FOOTREST MOUNTING L/S '12	1
16	0032100256S	AH-COLLAR SCREW M10X25 ISA45	4
17	72003001059	SPECIAL SCREW M10 SW19	2
18	70004016000	MONOSHOCK SCREW TOP M12X80	1
19	69004094000	HH COLLAR SCREW M10X56 WS13 08	1
20	0035080506S	AH-COLLAR SCREW M8X50 ISA45	1
21	54310086200	SELF LOCKING NUT M8 10.9	1
22	0035080406	AH-COLLAR SCREW M8X40 ISA45	1
23	70003024050	SIDE STAND SPRING PLATE 12	1
24	0017060205	SCREW FOR PLASTIC K60X20 SW6	2
25	0016070253	PLASTIC SCREW K7X25 PT1447	2
26	70007039000	SEAT LOCKING MECHANISM	1
27	70007039060	BUSHING QUICK LOCK	1
28	70007039050	BRACKET QUICK LOCK	1
29	0024060106	HH COLLAR SCREW M6X10 TX30	2
30	72103096000	Sprocket cover Freeride 350	1
32	70003053000	CHAIN SLIDING PIECE BELOW CPL.	1
33	0025080356	HH collar screw M8x35 TX40	1
34	78003040033	FOOTREST L/S + R/S CPL. 09	1
35	78003041050	FOOTREST R/S 08	1
36	78003040050	FOOTREST L/S 08	1
37	54803044000	PIN FOR FOOT PED 51.5X9.8 MM	2
38	54603041000	FOOTREST SPRING L/S & R/S	2
39	0125100003	washer DIN 125 A 10.5	2

187210310

49141

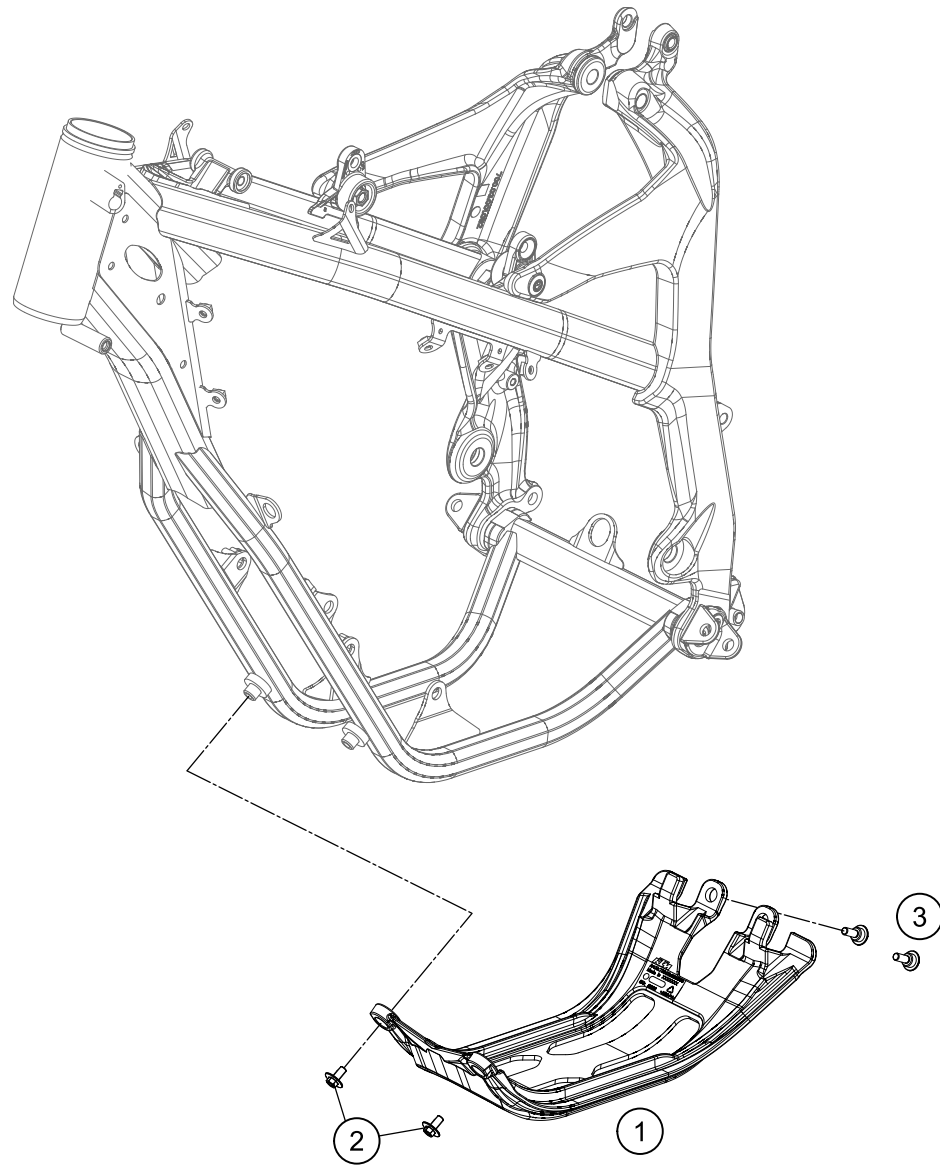
\* NEW PART

X ON DEMAND



# ENGINE GUARD

Freeride 250 F 2018



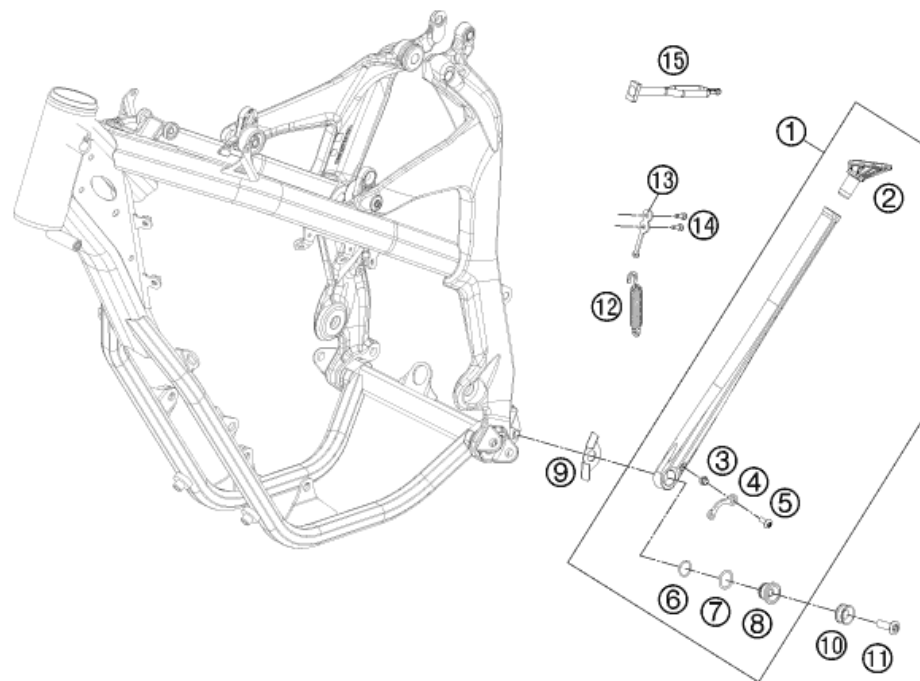
POS	PARTNUMBER	PARTNAME	PIECE
1	72003090000	ENGINE GUARD '13	1
2	0024060123	COLLAR SCREW M6X12 TX	2
3	83008100020	SCREW M6X20X5,5	2

127200330

11967

\* NEW PART

X ON DEMAND



POS	PARTNUMBER	PARTNAME	PIECE
1	70003023044	SIDE STAND CPL. 2012	1
2	78003023155	STAND BASE	1
3	78003023070	SPACER BUSH. SPRING BRACKET	1
4	78003023090	SPRING BRACKET F. SIDE ST. 08	1
5	58605083014	SCREW M5X14 TORX 25 07	1
6	0770125015	O-RING 12,5X1,5 NBR	1
7	0770180020	o-ring 18.00x2.00 NBR70	1
8	78003023080	SIDE STAND BUSHING EXC USA 08	1
9	47003023050	STOP SHEET SST	1
10	78003023081	SIDE STAND BUSHING EXC-EU 08	1
11	0019080356	COUNTERSUNK SCREW ISA45 M8X35	1
12	81203024000	SIDE STAND SPRING EYE MOVEABLE	1
13	70003024050	SIDE STAND SPRING PLATE 12	1
14	0017060205	SCREW FOR PLASTIC K60X20 SW6	2
15	50303018000	RUBBER L=145MM	1

127200360

11970

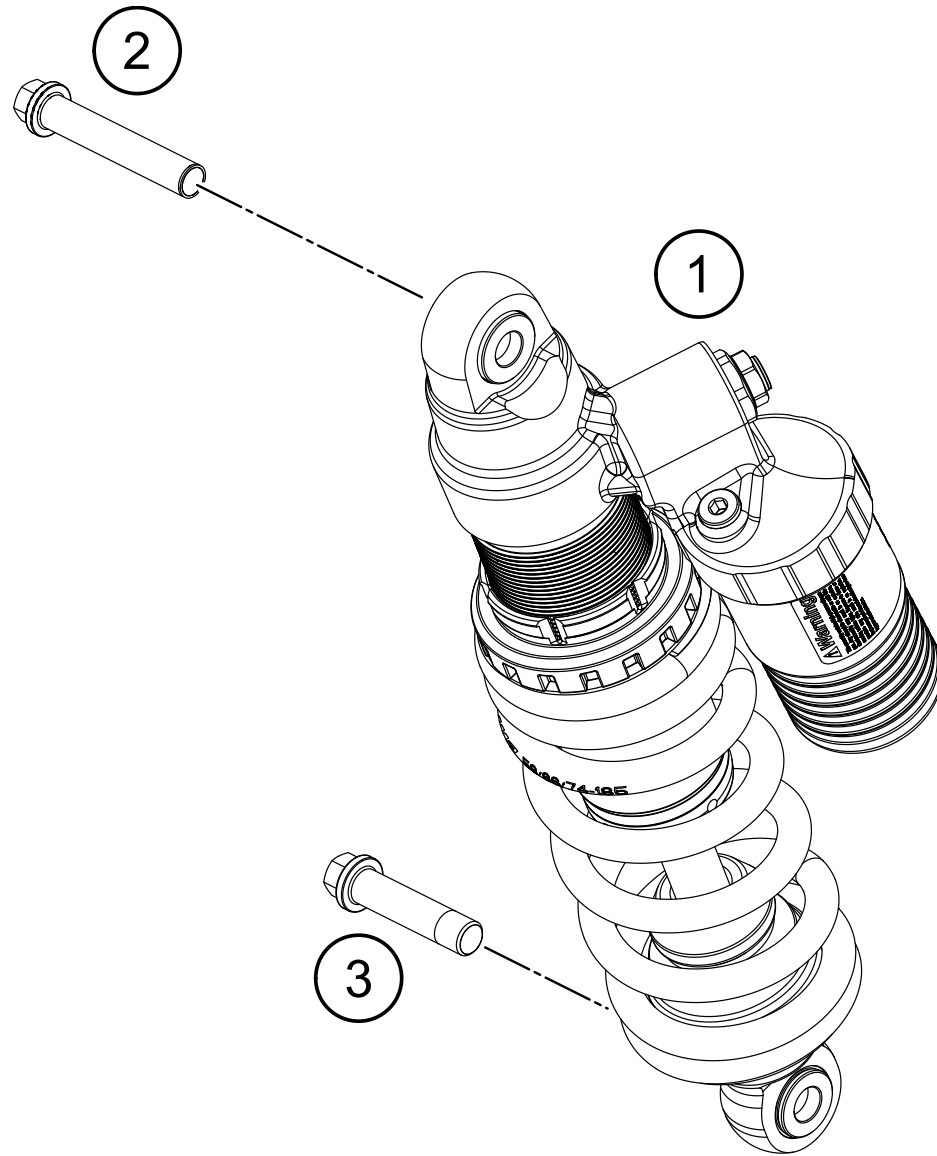
\* NEW PART

X ON DEMAND



# SHOCK ABSORBER

Freeride 250 F 2018



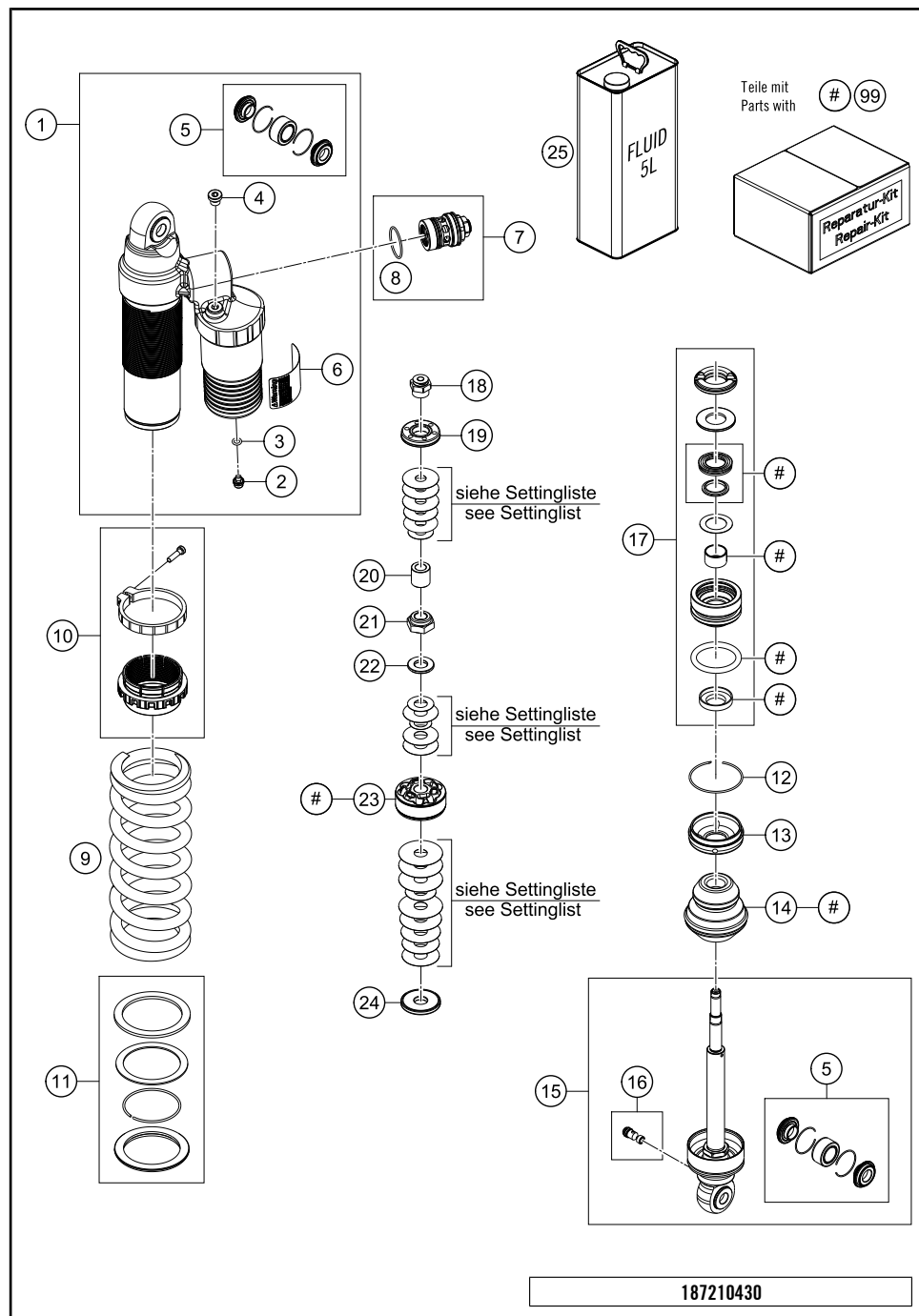
POS	PARTNUMBER	PARTNAME	PIECE
1	12187R4001	Monoshock Freeride 250F	1
2	70004016000	MONOSHOCK SCREW TOP M12X80	1
3	0025120506S	HH COLLAR SCREW M12X50 TX45	1

187000410

49147

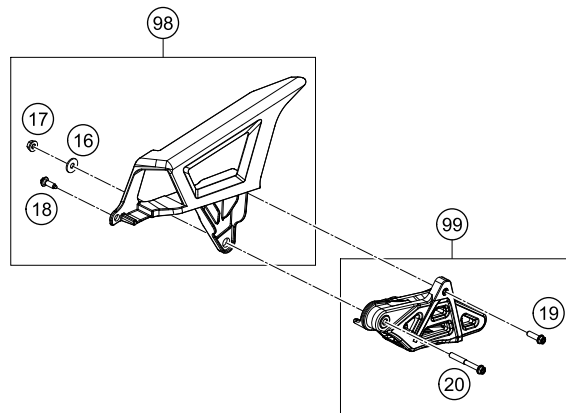
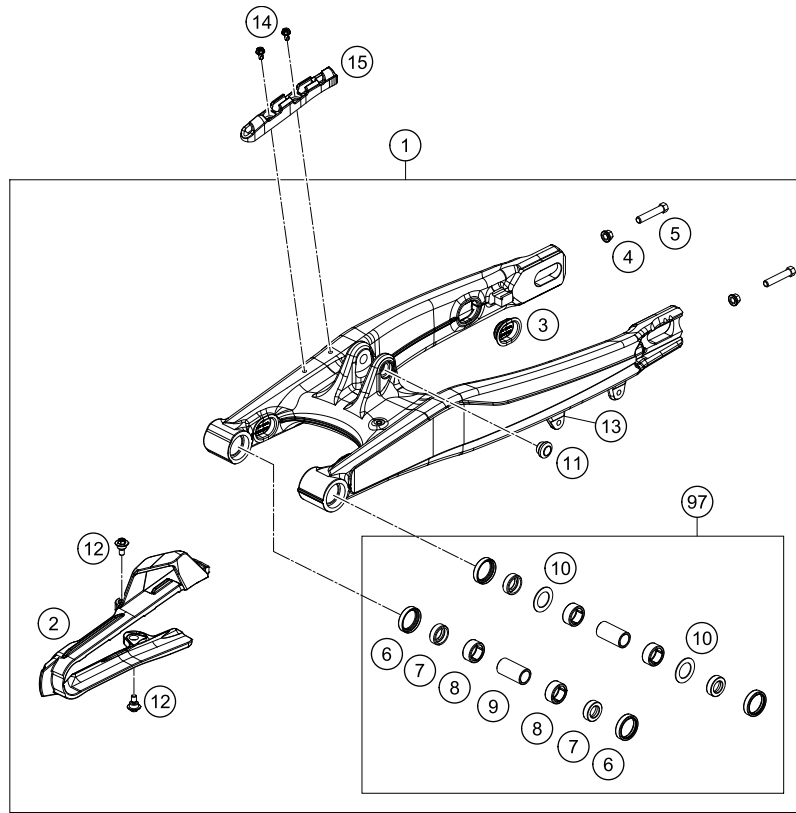
\* NEW PART

X ON DEMAND



POS	PARTNUMBER	PARTNAME	PIECE
1	46181267S1	Monoshock M53x1 with pipe cpl.	1
2	36120151	SCREW PLUG M5X6	1
3	46810893	O-RING NBR 5,28X1,78	1
4	50180095	BLEED PLUG R 1/8	1
5	RP10011	BEARING KIT KGW D12	2
6	52000143	STICKER WP WARNING 65X40	1
7	50181101S21	DCC cpl.	1
8	50180217	O-RING 27X1,5 VITON	1
9	91020028	Spring l=200mm 58-68-78N/mm white	1
9	91020027	Spring l=200mm 58-66-74N/mm white	x
9	91010378	Spring l=200mm 69N/mm white	x
10	46181228S	SPRING SUPPORT PLASTIC 46 CPL.	1
11	RP10005	SPRING CUP SET PDS 17	1
12	46810010	CIRCLIP 49X1,5	1
13	46180338	CAP D=46 H=9,5	1
14	46181237	BUMP RUBBER Ø58 Ø17 H55 PDS 2017	1
15	46181301S2	Shock absorber bot. cpl.	1
16	50181094S	ADJUSTING SCREW M8X0,5 CPL.	1
17	46180669S	ADAPTOR CPL. D=46 H=28 07	1
18	46181339S	Mutter M10x1 PDS kpl.	1
19	46181184	PISTON Ø35,5 PDS	1
20	46181025	SANDWICH BUSH 10X17X17	1
21	46810474	PISTON ROD NUT	1
22	46811258	RING 12X24X2,5	1
23	46181153ES	PISTON CPL. Ø12 Ø42 BLEED HOLE	1
24	46181194	REBOUND WASHER 12X36 T4 H0	1
25	50180751S1	SHOCK ABSORBER FLUID 5 LT	1
99	RP10004	REVISION KIT MONOSHOCK MINI 17	1

\* NEW PART X ON DEMAND



187210490

POS	PARTNUMBER	PARTNAME	PIECE
1	72104030044	Swing arm cpl.	1
2	72104066000	Chain glide protector	1
3	77204041000	CLOSING COVER	4
4	46030045000	flanged nut M8 WS10	2
5	50203030090	HH SCREW M8X40 WS=10	2
6	0760253270	radial shaft seal 25x32x7	4
7	54603090000	BUCKET F.SHAFTSEALRING 15X25X9	4
8	50203097000	NEEDLE BUSH HK 2012	4
9	50203081700	BUSHING SLEEVE 15X20X38,75	2
10	59033080000	SHIM 20X32X1	2
11	50180105	THREADED BUSH M12 PDS	1
12	83008100015	SPECIAL SCREW M6X15X5,5	2
13	54603055051	PRESS IN NUT M6 STEEL ZINC	1
14	0009050106	EJOT SPIRAL SCREW SF M5X10-K	2
15	70013047000	BRAKE HOSE GUIDE	1
16	0021060003	WASHER DIN9021-A 6,4	1
17	56509064100	SELF LOCKING NUT M6 10.9	1
18	0017060205	SCREW FOR PLASTIC K60X20 SW6	1
19	0025060206	HH collar screw M6x20 TX30	1
20	0025060506	HH collar screw M6x50 TX30	1
21	70004037000	SWING ARM BOLT L=239 '12	1
22	77204087000	hex nut M14x1.5 WS17	1
97	47004230010	SWINGARM REP. KIT 105/85 SX	1
98	70004060110	CHAIN PROTECTION KIT FREERIDE	1
99	77304070310	CHAIN GUIDE KIT REAR 08-14	1

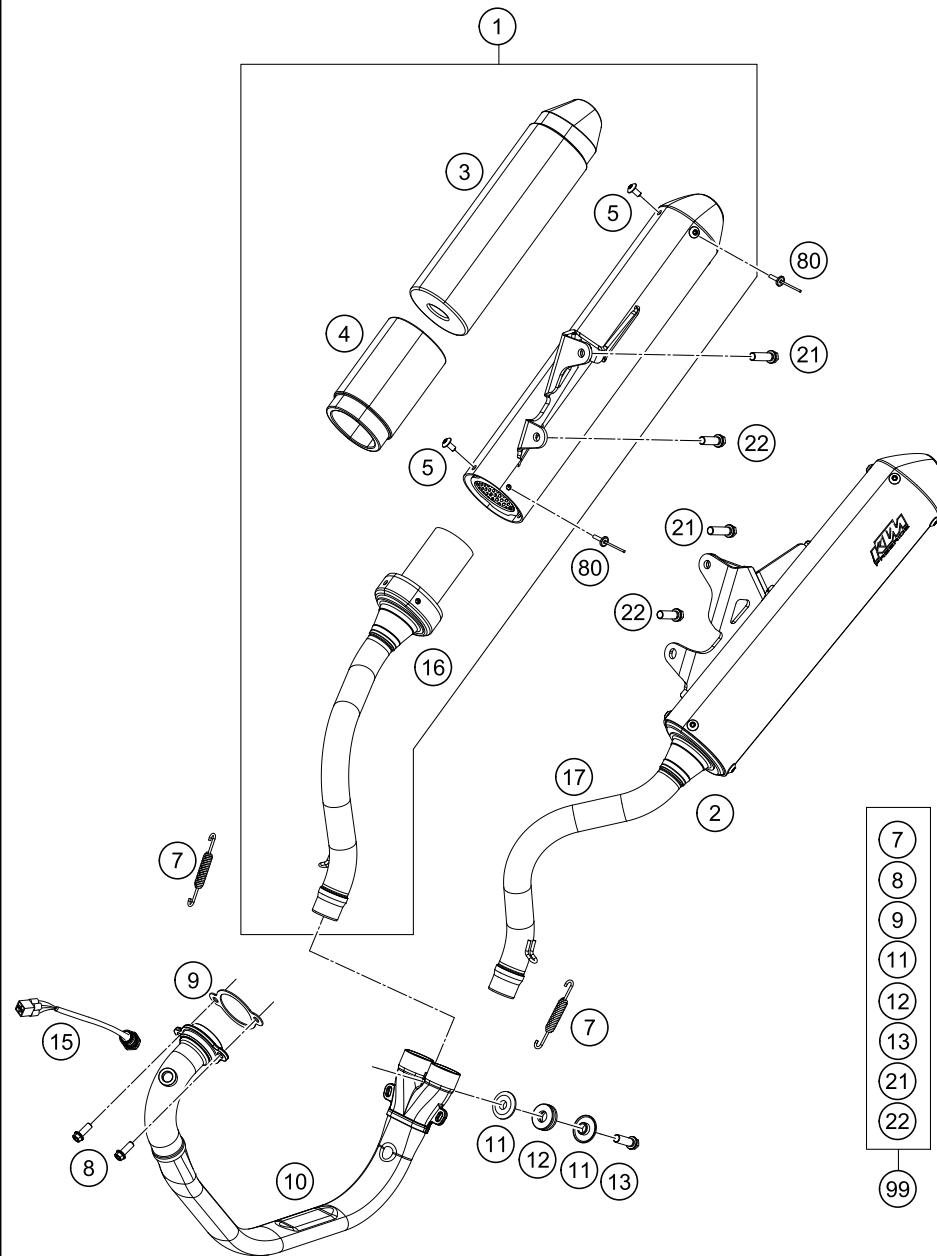
49118

\* NEW PART

X ON DEMAND

# EXHAUST SYSTEM

Freeride 250 F 2018



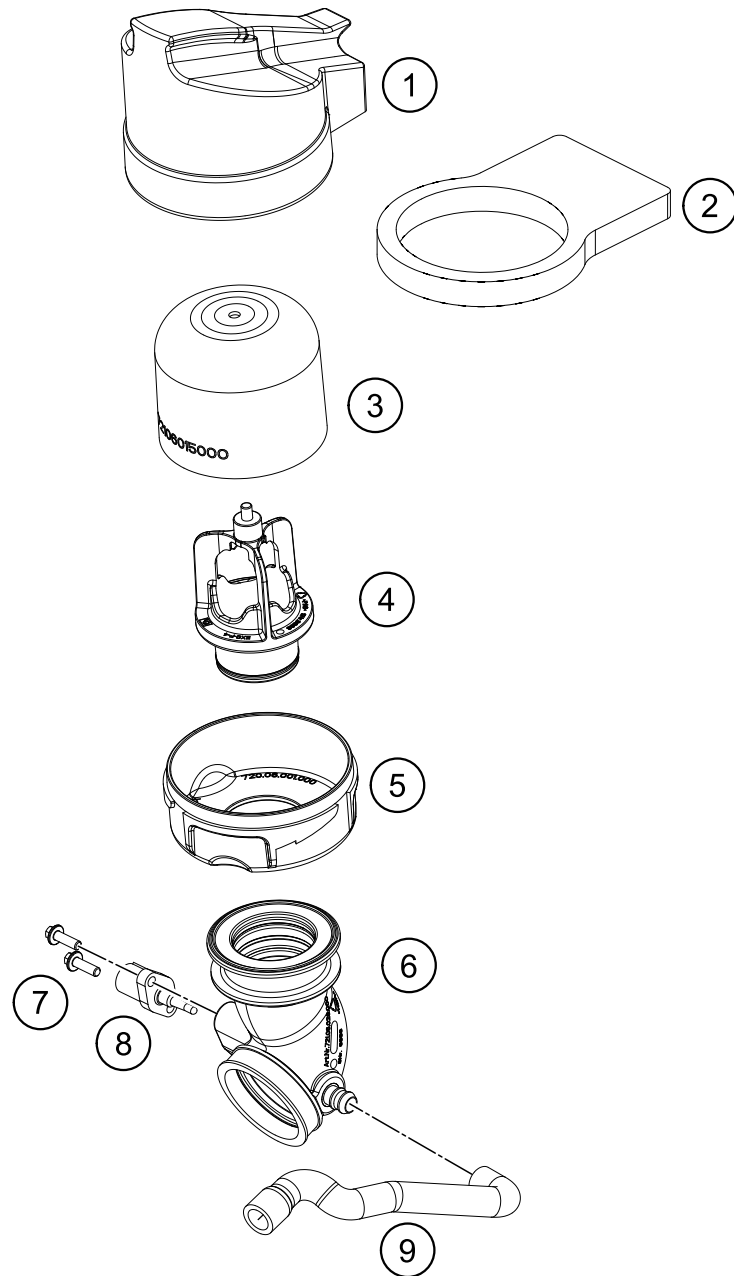
POS	PARTNUMBER	PARTNAME	PIECE
1	72105081000	Muffler right	1
2	72105080000	Muffler left	1
3	72005078200	ROCKWOOL PREFORMED REAR	2
4	72005078070	ROCKWOOL PREFORMED FRONT	2
5	78105081010	SCREW TORX M5X10	16
7	50305016000	TEN.SPRING L=62MM EY.MOVEABLE	2
8	0025060166	HH collar screw M6x16 TX30	2
9	77236041000	GASKET EXHAUST FLANGE	1
10	72105007000	Manifold cpl.	1
11	59405069000	BUSHING FOR EXHAUST SUPPORT 03	2
12	77205068000	DAMP. COMPON. BLACK	1
13	0025080256	HH collar screw M8x25 TX40	1
15	75041090200	LAMBDA SENSOR	1
16	72105081050	Connection cap right cpl.	1
17	72105080050	Connection cap left cpl.	1
21	0025080256S	HH COLLAR SCREW M8X25 TX40	2
22	0025080206S	HH collar screw M8x20 TX40 SL	2
80	0011401200	DUMMY RIVET 4,0X12 ALU	x
99	00050000816	EXHAUST PARTS KIT FREERIDE	x

187210510

49146

\* NEW PART

X ON DEMAND



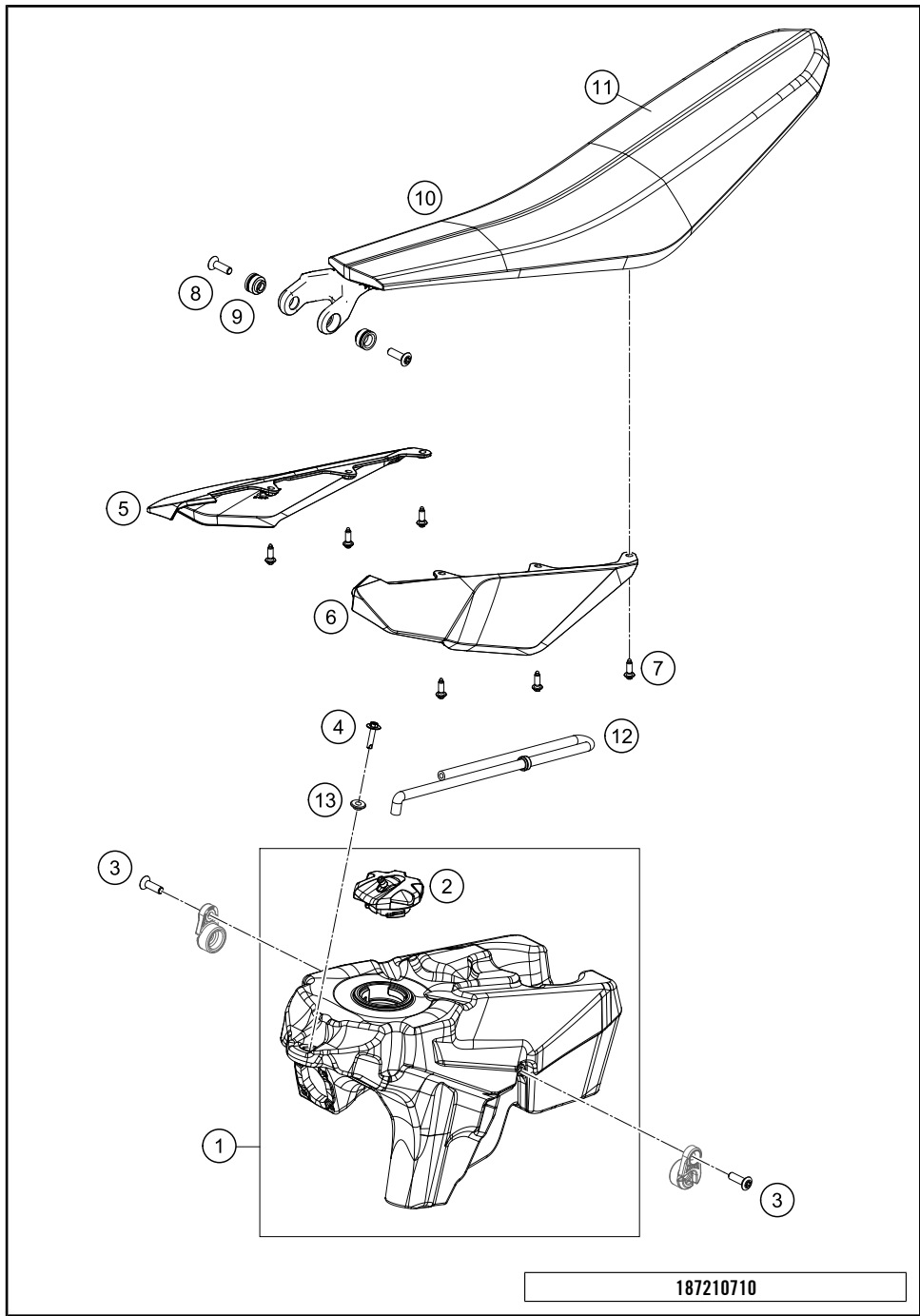
POS	PARTNUMBER	PARTNAME	PIECE
1	72006001050	AIRBOX UPPER-PART	1
2	72006021000	PRE-FILTER	1
3	72106015000	Air filter	1
4	72106016000	Filter support	1
5	72006001000	FILTER BOX LOWER PART	1
6	72106026000	Airbox rubber	1
7	0025050166	HH collar screw M5x16 TX30	2
8	61041080000	AMBIENT-AIR TEMPERATURE SENSOR	1
9	72030087000	ENGINE BREATHER HOSE	1

187210610

49168

\* NEW PART

X ON DEMAND



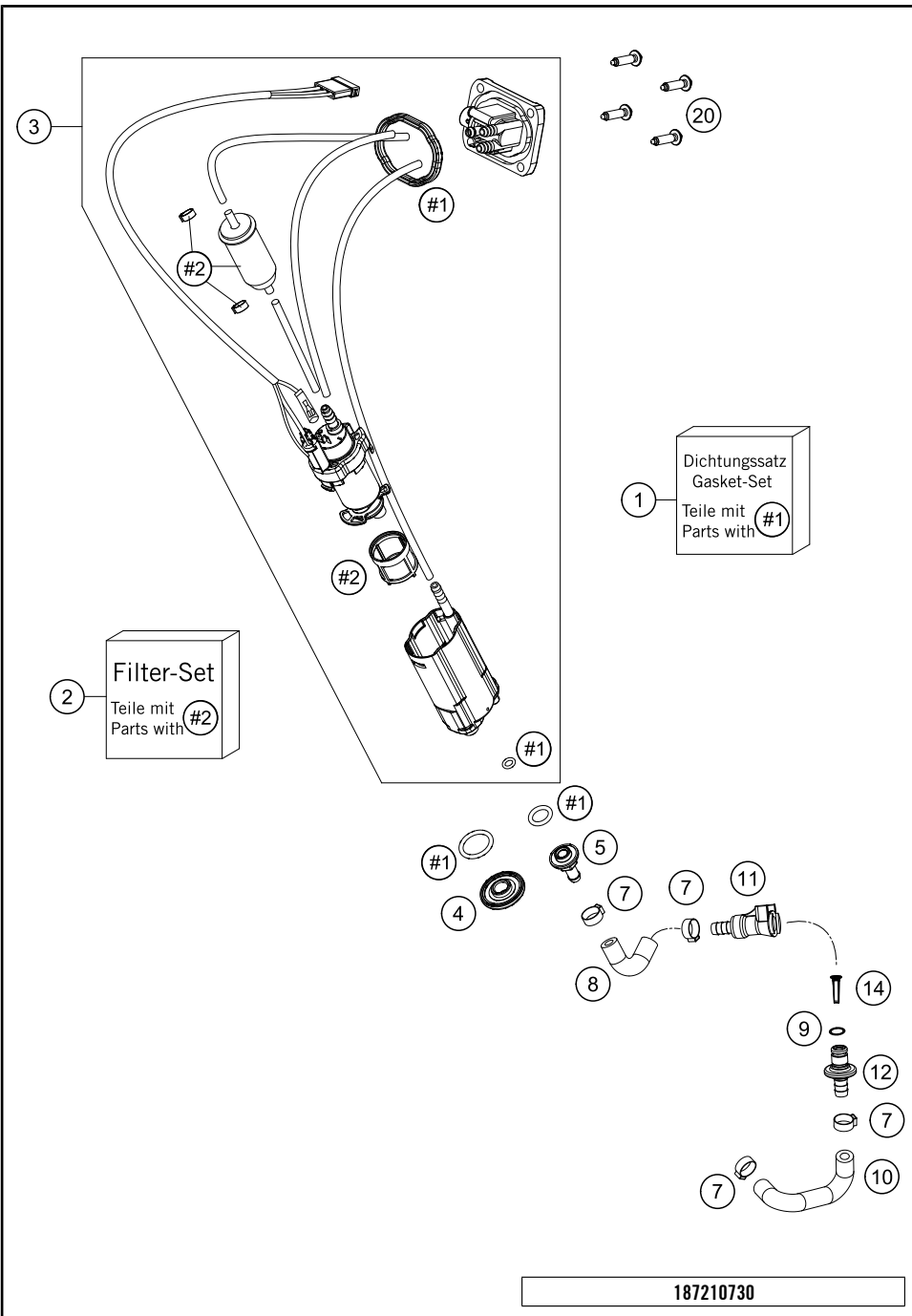
187210710

POS	PARTNUMBER	PARTNAME	PIECE
1	7200701304499	FUEL TANK CPL. FREERIDE	1
2	78107008044X4	TANK PLUG CPL. 14	1
3	0019080306S	COUNTER-SUNK SCREW ISA45 M8X30	2
4	0024060273	COLLAR SCREW M6X27 TX	1
5	7000702505128C	Batterycov.ri.wh.250F Freeride WITH DECAL	1
6	7000702505028C	Batterycov.le.wh.250F Freeride WITH DECAL	1
7	0017060204	EJOT PT SCREW K60X20 ALU WS=6	6
8	0019080266S	COUNTER-SUNK SCREW ISA45 M8X26	2
9	70003001057	BUSHING	2
10	70007040100	SEAT HIGH CPL. '13	1
11	70007040150	SEAT COVER	1
12	72007029000	TANK BREATHER HOSE+VALVE	1
13	54808020000	SPACER BUSHING 03	1

49169

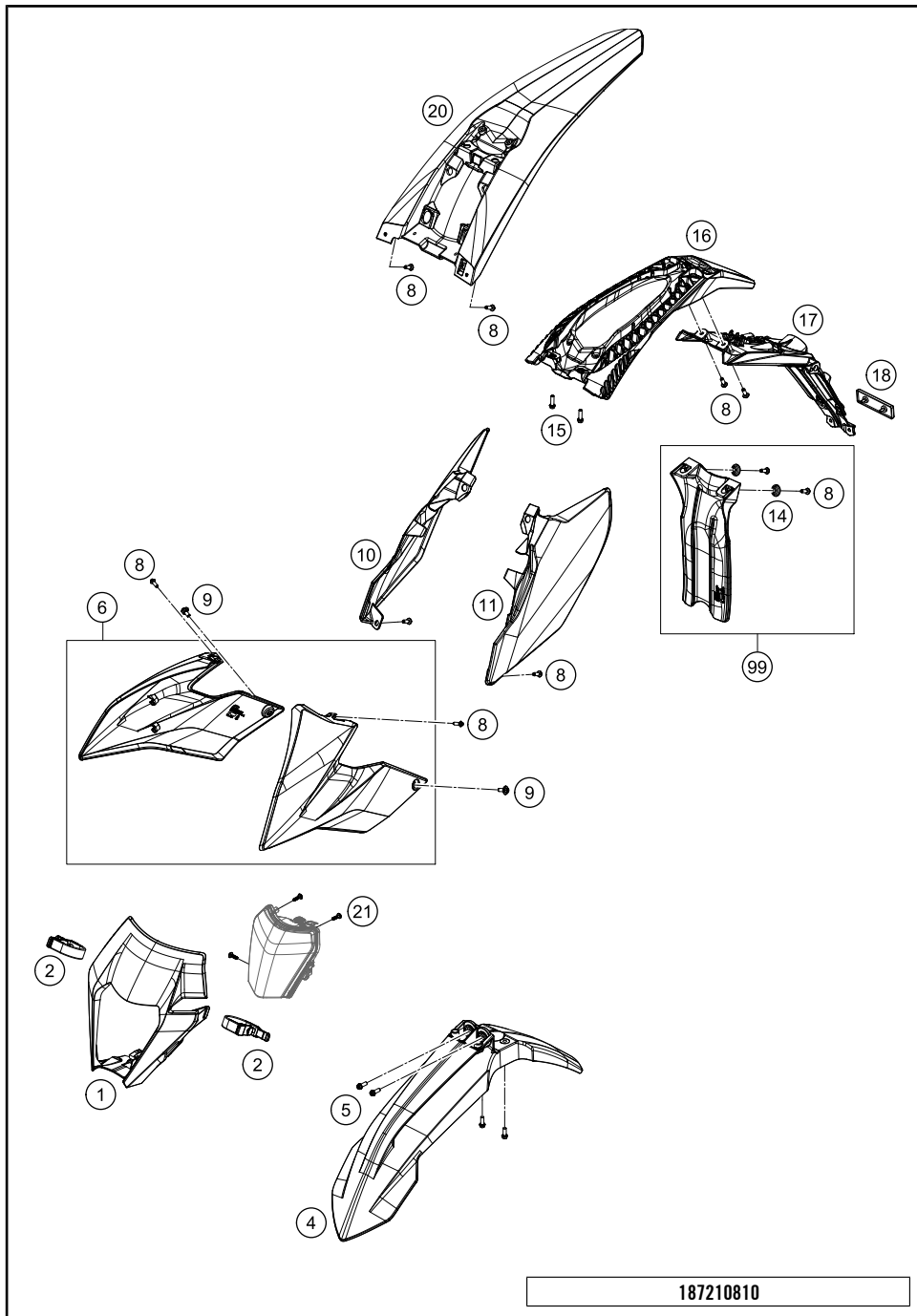
\* NEW PART

X ON DEMAND



POS	PARTNUMBER	PARTNAME	PIECE
1	78107089100	GASKET KIT	1
2	81207090100	FILTER KIT	1
3	78107088100	FUEL PUMP CPL.	1
4	78107088014	NUT F. FUEL PUMP M12	1
5	78107088017	FUEL CONNECTOR M8	1
7	00050157706	VARIABLE ONE-EAR CLAMP 15,7MM	4
8	78107116000	FUEL HOSE TANK	1
9	58507012000	O-RING VITON F. PLUG CPC 05	1
10	79007018100	FUEL HOSE THROTTLE BODY	1
11	5850701050030	CLUTCH CPC BLACK 05	1
12	77707010000	CONNECTOR FUEL PUMP	1
14	78141013190	FUEL FILTER	1
20	0017060255	EJOT PT SCREW K60X25-Z SW6	4

187210730
49133
\* NEW PART
X ON DEMAND



POS	PARTNUMBER	PARTNAME	PIECE
1	72108001000EB	Headlamp mask	1
2	72108003000	Mask rubber	1
4	4720801000028	Front fender	1
5	0025060166	HH collar screw M6x16 TX30	4
6	7000805400030E	Spoiler Kit Freeride 18 WITH DECAL	1
8	0017060206	SCREW F. PLASTIC K60X20AL SW6	10
9	83008000012	special screw M6x12x3	2
10	7000804200028	SIDE COVER R/S WHITE	1
11	7000804100028	SIDE COVER L/S WHITE	1
14	77304066050	chain slider bushing	2
15	0025060206	HH collar screw M6x20 TX30	2
16	70008016000	NUMBER PLATE CARRIER TOP	1
17	70008016050	NUMBER PLATE CARRIER BOTTOM	1
18	58412080400	Rear reflector red	1
20	7000811310028	REAR PART WHITE	1
21	0081050181	SCREW FOR PLASTIC K50X18 T20	3
99	70006010010	SPLASH PROTECTOR KIT FREERIDE	x

187210810

49152

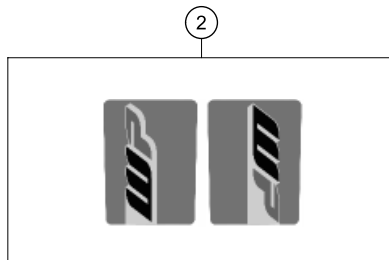
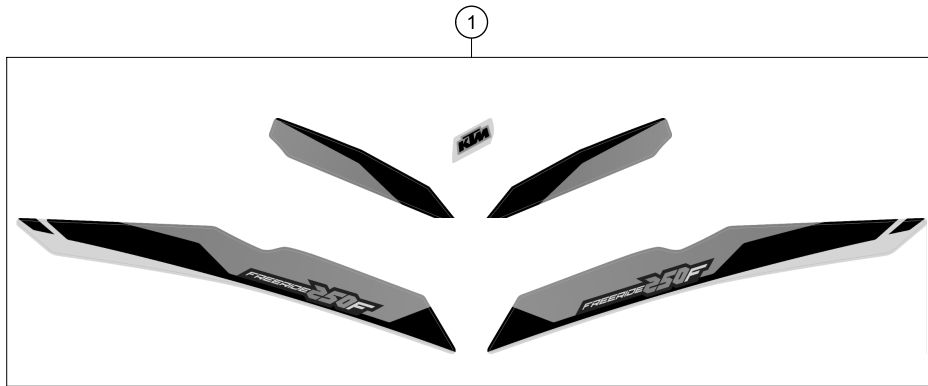
\* NEW PART X ON DEMAND



# DECAL

# Freeride 250 F 2018

POS	PARTNUMBER	PARTNAME	PIECE
1	72108099000	Decal Set 250 F Freeride 18	1
2	52000140	STICKER FRONT FORK-SET	1



187210830

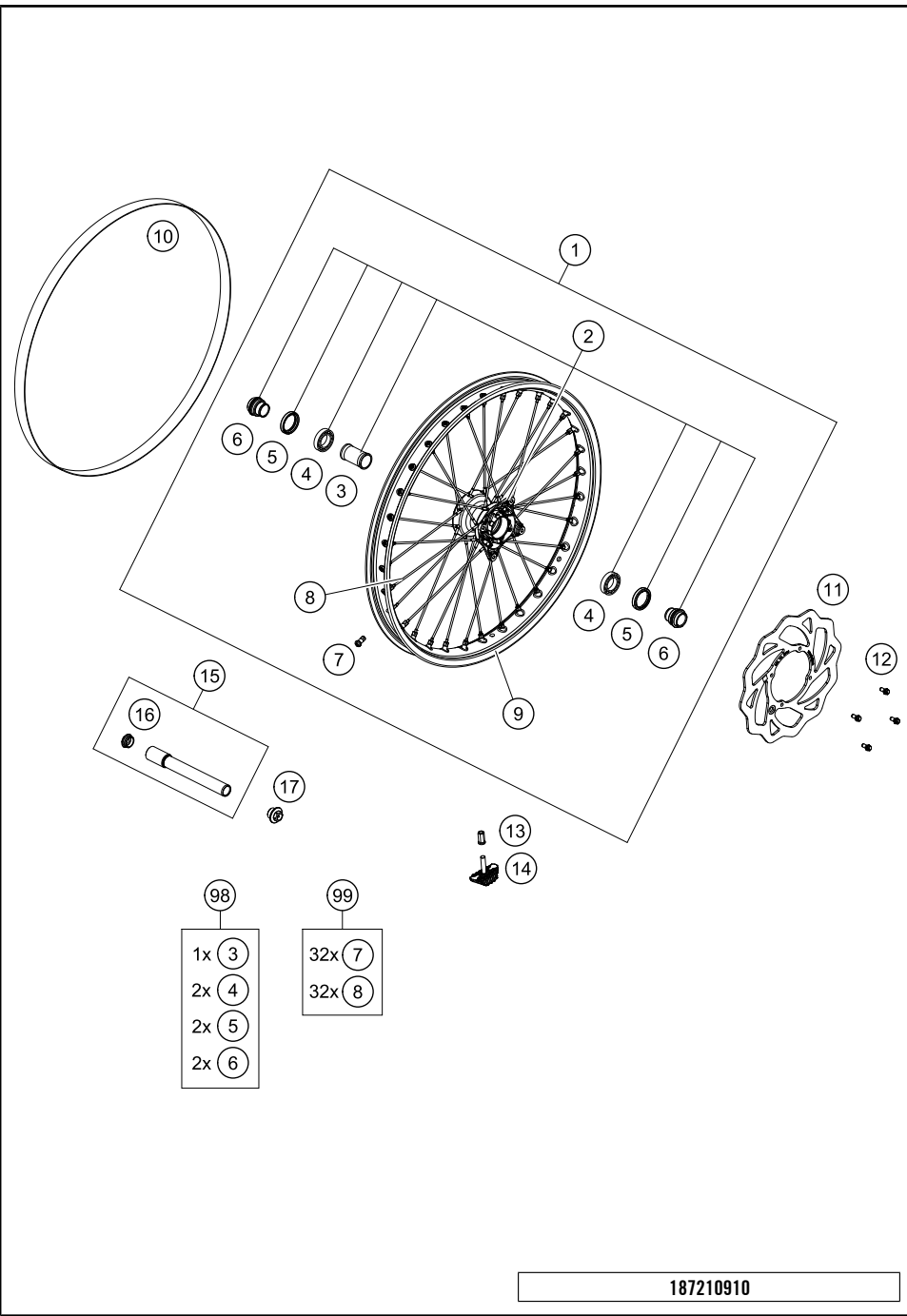
49175

\* NEW PART

X ON DEMAND

# FRONT WHEEL

Freeride 250 F 2018



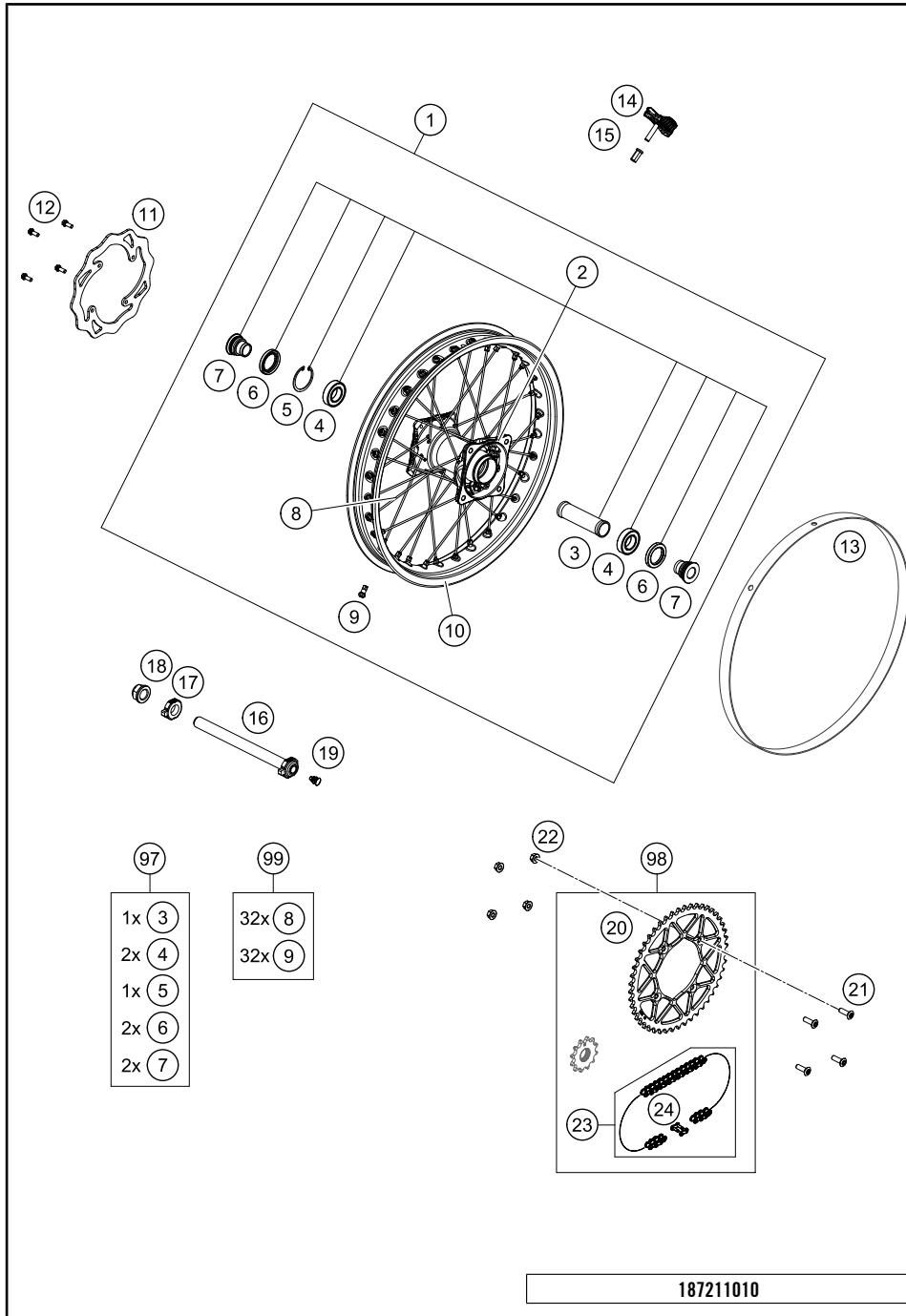
POS	PARTNUMBER	PARTNAME	PIECE
1	7210900104433	Front wheel cpl black 18	1
2	70009010044	FRONT WHEEL HUB CPL. 12	1
3	70009011000	BEAR.SPACER TUBE FRONT D22MM	1
4	0625069050	BALL BEARING 6905 J1LLUC3	2
5	0760324271	SHAFT SEAL RING 32X42X7 BSL	2
6	70009012000	SPACER BUSHING D=22MM	2
7	77109072000	SPOKE NIPPLE M4,5 AL 11	32
8	7000907123230	SPOKE FRONT 232MM BLACK	32
9	7210907000033	Rim front 21X1,6-32 "Freeride"	1
10	50309073000	RIM BAND 21"	1
11	72509060100	BRAKE DISK FRONT D=260MM D4	1
12	59009062013	SPECIAL SCREW M6X13 WS=8 10.9	4
13	77110090050	NUT FOR WHEEL HOLDER	1
14	78109090000	RIM LOCK 1,60"	1
15	70009081033	Front axle cpl. '12	1
16	70009081050	PLUG BUSHING SW17 '12	1
17	70009082000	AXLESCREW M20X1.5; SW17	1
98	70009015000	FRONT WHEEL REP. KIT	1
99	00050000961	SPOKE KIT FRONT '21'	1

49131

\* NEW PART X ON DEMAND

# REAR WHEEL

# Freeride 250 F 2018

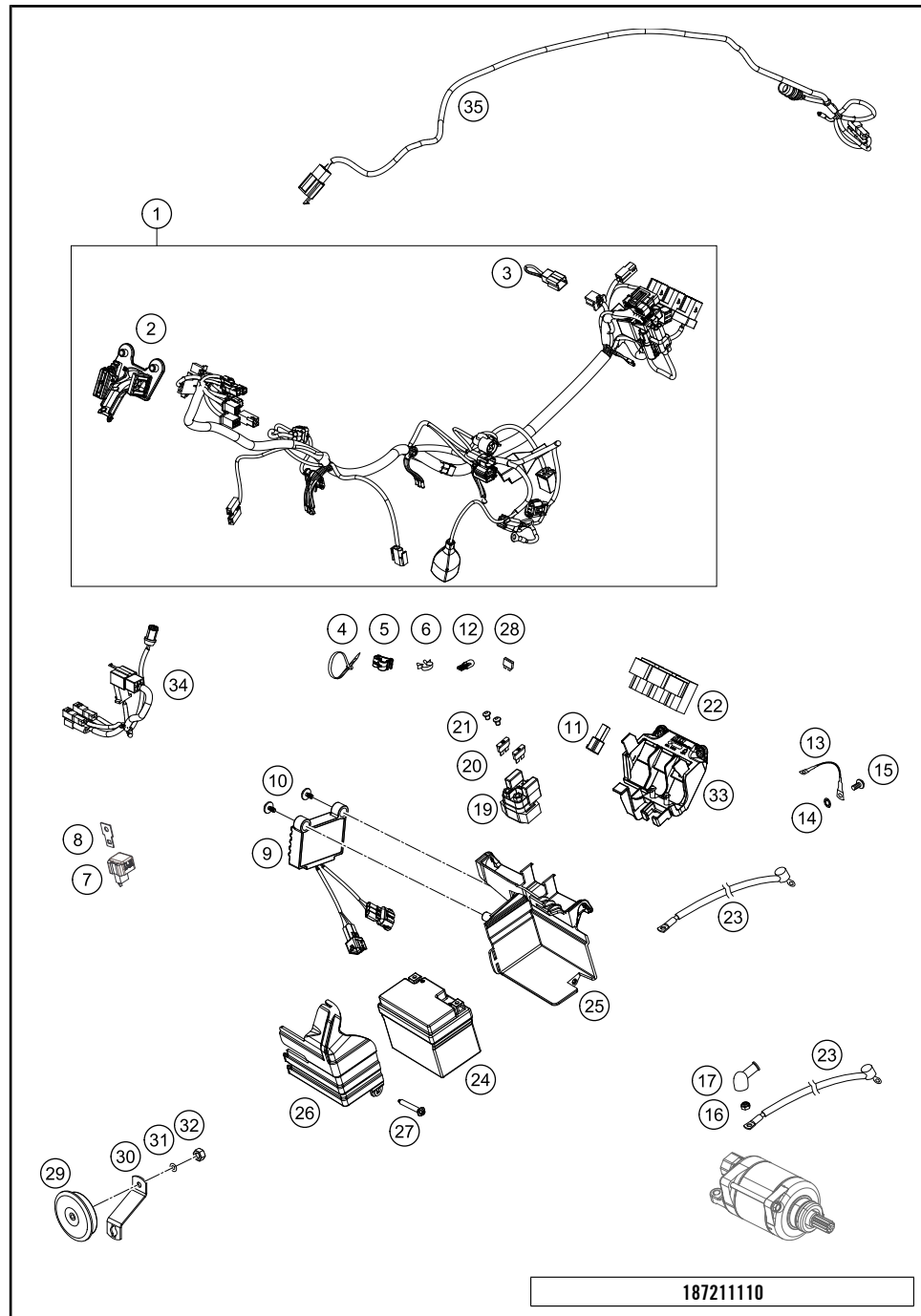


POS	PARTNUMBER	PARTNAME	PIECE
1	7211000104433	Rear wheel cpl. black 18	1
2	70010010144	Rear wheel hub cpl.	1
3	70010011000	BEAR.SPACER TUBE '12	1
4	0625060058	GR.BALL BEAR.6005 DDU2CG23S6NM	2
5	0472047175	CIRCLIP DIN0472-47X1,75	1
6	0760324771	SHAFT SEAL RING 32X47X7 BSL	2
7	78010016000	BUSHING FOR HUB 08	2
8	7001007119330	SPOKE REAR 193 MM BLACK	32
9	77109072000	SPOKE NIPPLE M4,5 AL 11	32
10	7211007000033	Rim back "Freeride KTM"	1
11	72510060000	BRAKE DISK REAR	1
12	59009062016	SPECIAL SCREW M6X16 WS=8 10.9	4
13	72010073000	RIM BAND 18"	1
14	78110090000	RIM LOCK 2,15"	1
15	77110090050	NUT FOR WHEEL HOLDER	1
16	70010085044	WHEEL SPINDLE REAR CPL. 12	1
17	70010084000	CHAIN TENSIONER R/S 12	1
18	50310099000	HEXAGON NUT M20X1,5 '98	1
19	50210086000	COVERING CAP SFL16	1
20	7201005104830	SPROCKET 48-T BLACK	1
21	0019080266S	COUNTER-SUNK SCREW ISA45 M8X26	4
22	06923080003	hex nut EN 1661 M8 WS13	4
23	78010167118	CHAIN DID 118 LINKS	1
24	78010166000	CONNECTING LINK F. 78010167118	1
97	70010015000	REAR WHEEL REP. KIT	1
98	00050002097	Drivetrain kit 12 /48	1
99	00050000962	SPOKE KIT REAR '18'	1

49127

\* NEW PART

X ON DEMAND



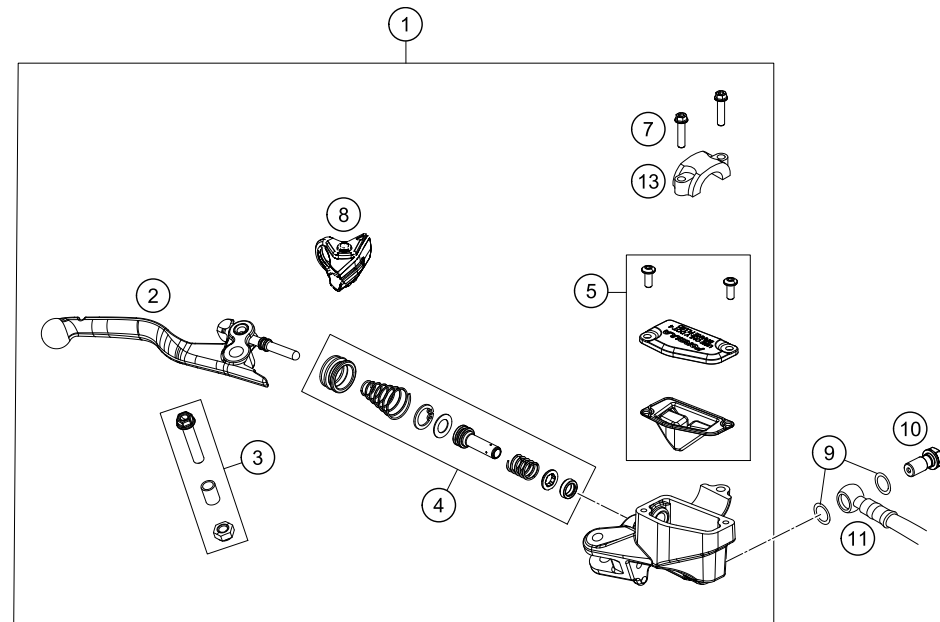
POS	PARTNUMBER	PARTNAME	PIECE
1	72111075033	Wiring harness cpl. Freeride 18	1
2	77711083000	SUPPORT BRACKET	1
3	79611020000	Plug Key Lock	1
4	44011076140	CABLE TIE 140/2,5MM BLACK	x
4	44011076200	CABLE TIE 200/3,6MM BLACK	x
4	44011076305	CABLE TIE 300/4,8MM BLACK	x
5	83013026000	CABLE GUIDE	1
6	57013072100	WIRING HOLDER 16MM	1
7	76511030000	FLASHER UNIT	1
8	58211031100	BRACKET FOR FLASHER RELAY	1
9	79611034000	VOLTAGE REGULATOR	1
10	0081650121	EJOT PT SCREW K50X12 WN5452	2
11	69011040000	END PLUG CAN-BUS 08	1
12	49111425200	BULB 12V 2,3W (W2X4,6D)	2
13	72511097000	GROUND CABLE	1
14	58411098100	CONTACT WASHER M6 VSV-K6	2
15	0024060123	COLLAR SCREW M6X12 TX	2
16	0985060003	SELF LOCK. NUT DIN0985-M 6	1
17	77240099000	PROTECTION CAP F. STARTER ENG.	1
19	76211058000	STARTER RELAY 07	1
20	58011109120	FUSE 20 A	2
21	0902060083	AH OVAL SCREW ISO 7380 M 6X8	2
22	61111057000	RELAY CM1A-R-12V-H80 07	3
23	58711086000	WIRING HARNESS BATTERY DUKE'99	2
24	77311953000	LITHIUM ION BATTERY 5S	1
25	72111054000	Battery holding compartment	1
26	72111054010	Battery mounting cap	1
27	0017060405	SPECIAL SCREW T60 6X40 WS=6	1
28	75011088005	FUSE MINI 5A	x
28	75011088010	FUSE 10A 07	x
29	50311060200	DC HORN 12V 07	1
30	78011061000	HORN BRACKET EXC 08	1
31	0125050003	WASHER DIN0125-A 5,3	1
32	0934050003	HEXAGON NUT DIN0934-M 5	1
33	72111052000	Electric tray	1
34	72111080000	Flasher harness front	1
35	72111081000	Flasher harness rear	1

187211110

49164

\* NEW PART

X ON DEMAND



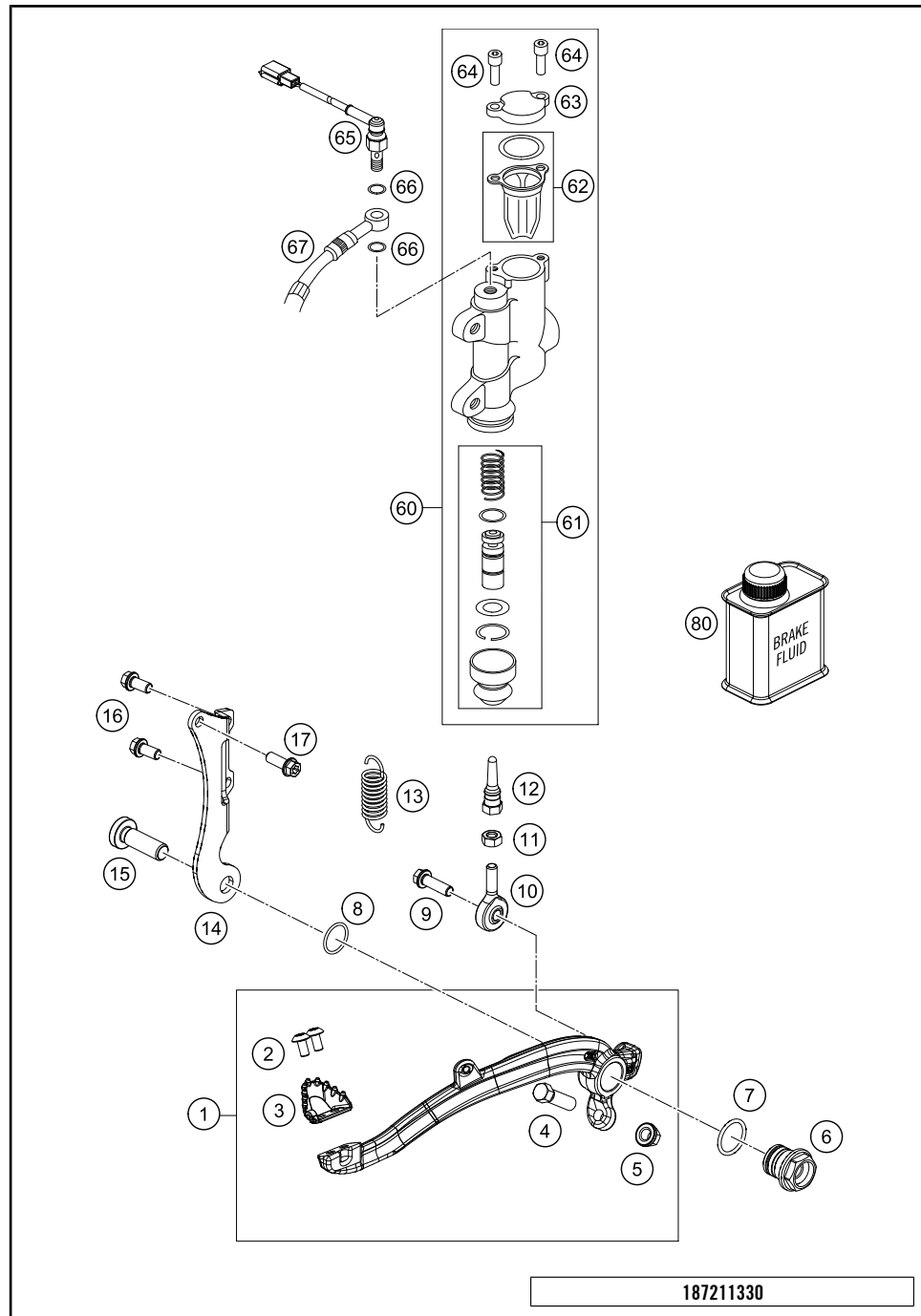
POS	PARTNUMBER	PARTNAME	PIECE
1	70013001100	HAND BRAKE CYLINDER CPL. 10MM	1
2	72013002000	LEVER CPL.	1
3	70002038000	LEVER SCREW CPL.	1
4	72013008000	REP. SET PISTON 10MM	1
5	70013003000	COVER HAND BRAKE CYLINDER CPL.	1
7	0025060256	HH collar screw M6x25 TX30	2
8	70013004000	MUDCOVER HANDBRAKE LEVER	1
9	0770080019	O-RING 8,00X1,00 FORMULA	2
10	47013025000	HOLLOW SCREW BRAKE CYLINDER 03	1
11	72113010000	Brake hose front	1
13	72013005000	CLAMP	x
15	00062030000	BRAKE FLUID DOT5.1 0,25L	1

157251310

49165

\* NEW PART

X ON DEMAND



POS	PARTNUMBER	PARTNAME	PIECE
1	72113050044	Rear brake lever cpl.	1
2	58605083010	SCREW TORX M5X10 05	2
3	55413051000	STEP PLATE FOOT BRAKE LEVER	1
4	59001037000	SPECIAL SCREW M8X26 WS=10	1
5	46030045000	flanged nut M8 WS10	1
6	72013053000	NUT FOOT BRAKE LEVER SW19 '12	1
7	0770180020	o-ring 18.00x2.00 NBR70	1
8	0770125015	O-RING 12,5X1,5 NBR	1
9	0025060206S	HH collar screw M6x20 TX30	1
10	54813055000	SWIVEL HEAD KA6 03	1
11	0934060003	hex nut DIN 934 M6	1
12	46213056000	PUSH ROD	1
13	54603062100	RETURN SPRING FOR BRAKE LEVER	1
14	72013065000	SUP. PLATE BRAKECYL. REAR 12	1
15	0035100309S	SHCS M10x30 TX45	1
16	0025060126	HH collar screw M6x12 TX30	2
17	59009062013	SPECIAL SCREW M6X13 WS=8 10.9	1
60	4701306030001S	FOOT BRAKE CYL. REAR CPL. D=12	1
61	47013061100	REP. SET PISTON REAR D=12 2004	1
62	47013063000	GASKET CYLINDER COVER REAR 03	1
63	47013062000	CYLINDER COVER REAR 85 SX 03	1
64	0912040103	AH.SCREW DIN0912-M 4X10	2
65	72011051000	BRAKE LIGHT SWITCH REAR	1
66	0770080019	O-RING 8,00X1,00 FORMULA	2
67	72013071100	REAR BRAKE HOSE L=540MM DOT	1
80	00062030000	BRAKE FLUID DOT5.1 0,25L	1

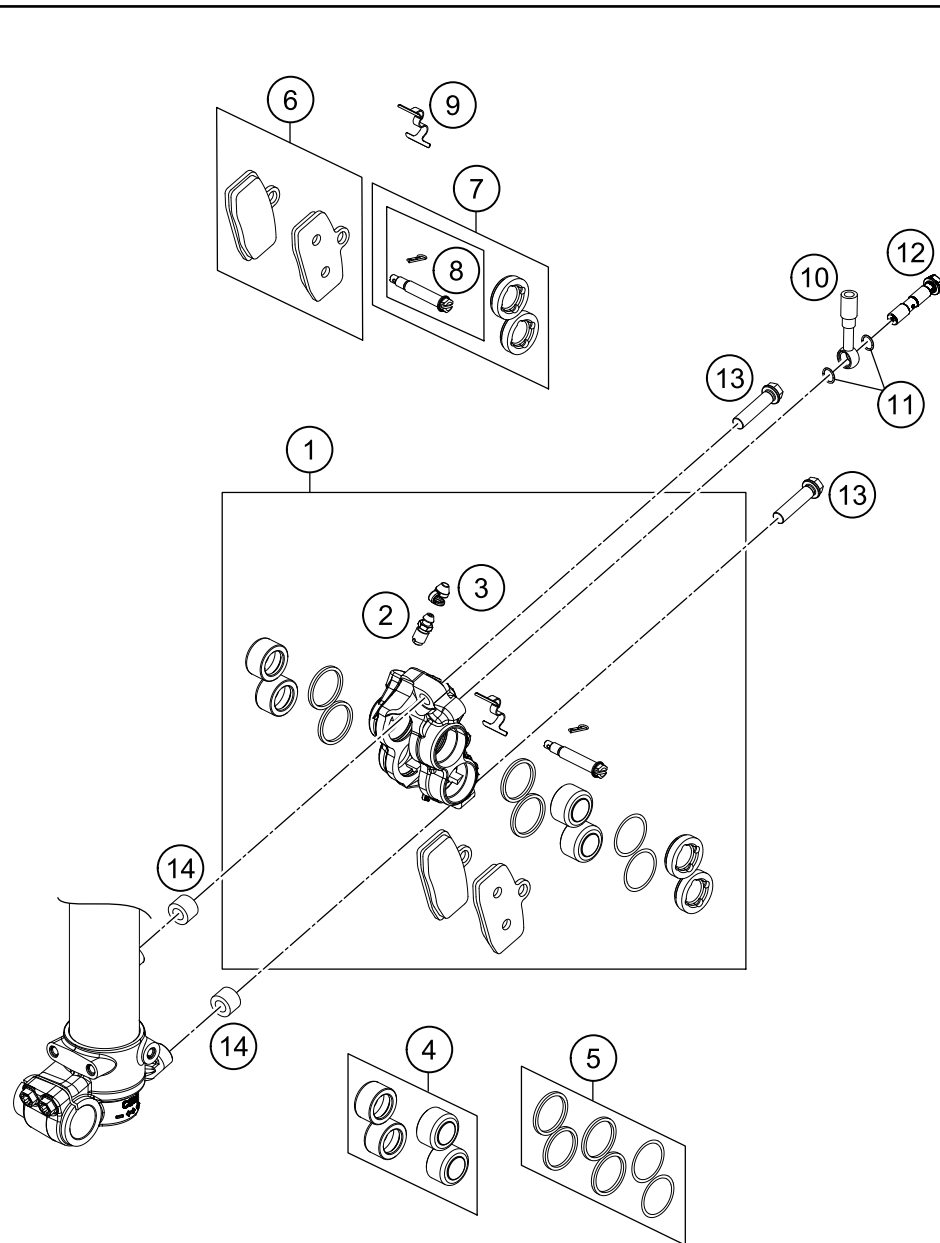
187211330

49144

\* NEW PART X ON DEMAND

# FRONT BRAKE CALIPER

Freeride 250 F 2018



POS	PARTNUMBER	PARTNAME	PIECE
1	72113015000	Brake caliper cpl.	1
2	47013020000	BLEEDER SCREW M6	1
3	47013021000	CAP FOR BLEEDER SCREW	1
4	47013019000	REPAIR KIT BRAKEPISTON	1
5	47013022000	REP. KIT SEALS	1
6	70013030000	BRAKE PADS FRONT 12	1
7	47013023000	PISTONCOVER 85SX 2012	1
8	47013030050	PIN BRAKE PAD CPL. 2012	1
9	47013018100	RETAINING SPRING FRONT 85SX	1
10	72113010000	Brake hose front	1
11	0770080019	O-RING 8,00X1,00 FORMULA	2
12	47013025000	HOLLOW SCREW BRAKE CYLINDER 03	1
13	0025080456S	HH COLLAR SCREW M8X45 ISA40	2
14	70013098150	DISTANCE SLEEVE 8,1X15X20,5MM	2

157001360

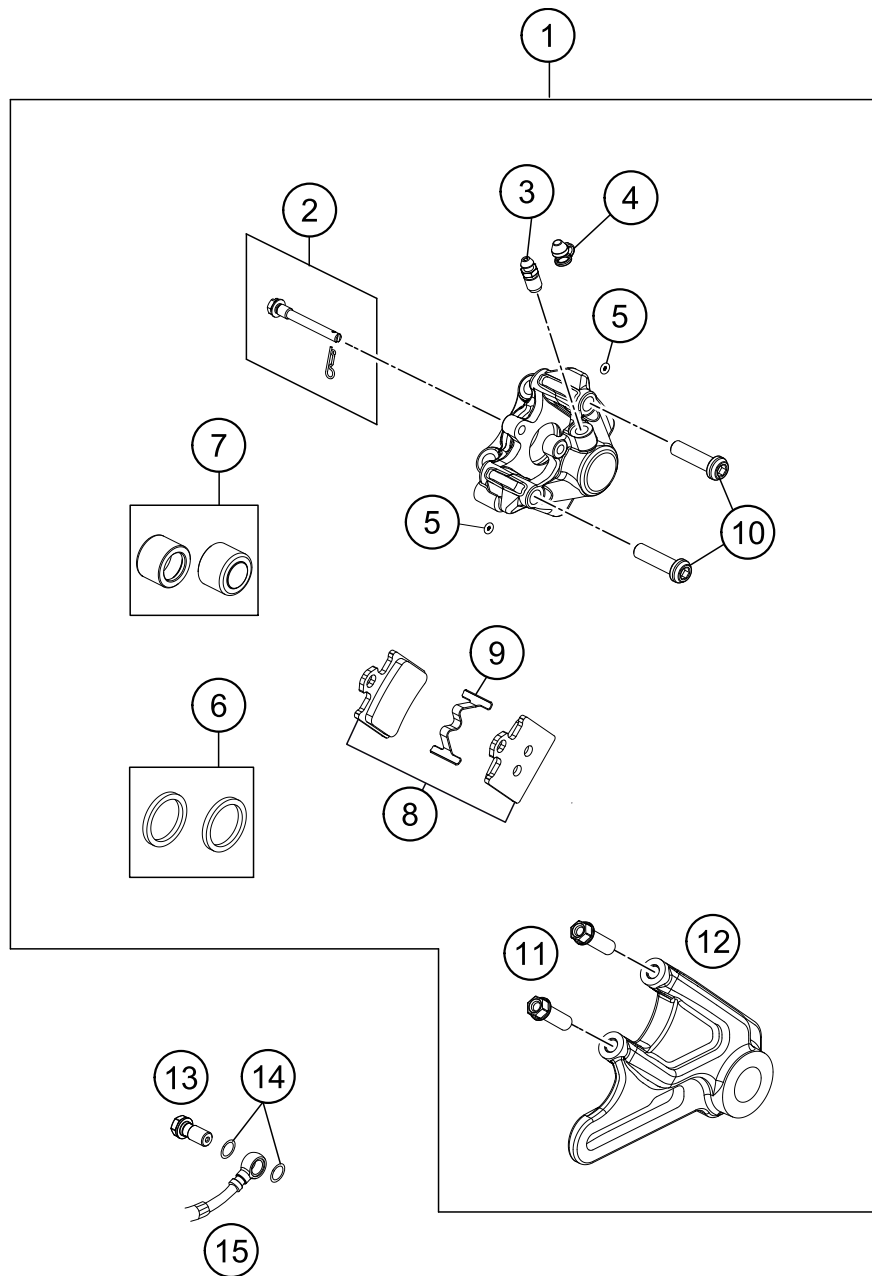
49166

\* NEW PART

X ON DEMAND

# REAR BRAKE CALIPER

Freeride 250 F 2018



POS	PARTNUMBER	PARTNAME	PIECE
1	47213080000	Caliper rear cpl. 85 TC/SX 18	1
2	47013092000	SPECIAL SCREW WITH SPLINT PIN	1
3	47013085000	BLEEDER SCREW M8X1	1
4	47013021000	CAP FOR BLEEDER SCREW	1
5	07700257178	O-RING 2,57X1,78	2
6	47213081000	Repair kit seal ring 22mm	1
7	47213083000	Repair kit brakepiston 22mm	1
8	47013090300	BRAKE PADS REAR 85 SX 2011	1
9	47013018000	RETAINING SPRING 85 SX 2011	1
10	47013084000	SPECIAL SCREW CALIPER M8X30	2
11	0025080256	HH collar screw M8x25 TX40	2
12	47013075000	BRAKE CALIPER SUPPORT CPL.	1
13	47013025000	HOLLOW SCREW BRAKE CYLINDER 03	1
14	0770080019	O-RING 8,00X1,00 FORMULA	2
15	72013071100	REAR BRAKE HOSE L=540MM DOT	1

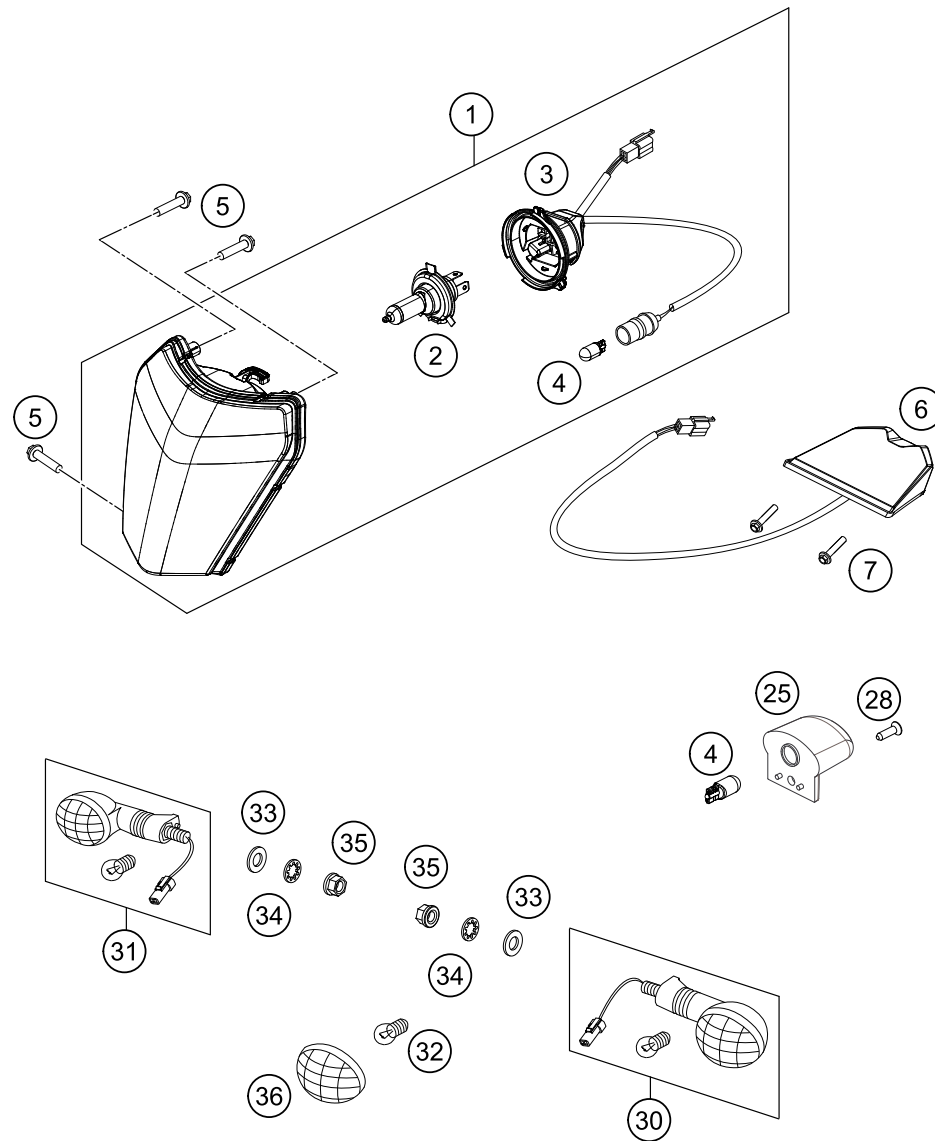
184721390

49143

\* NEW PART

X ON DEMAND





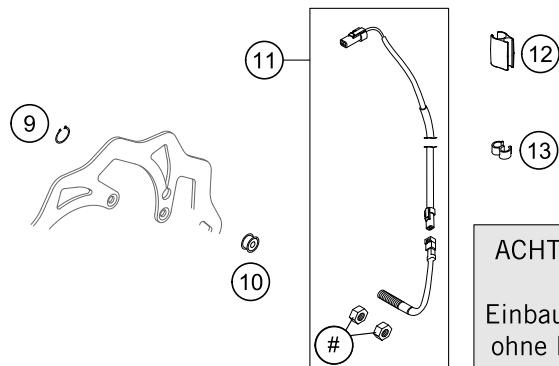
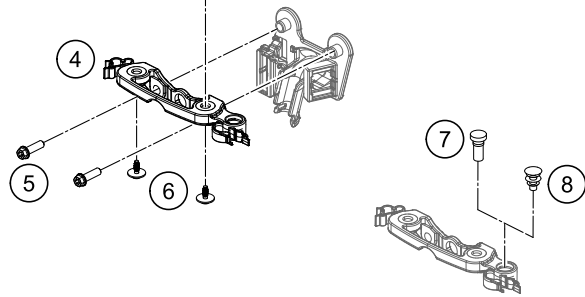
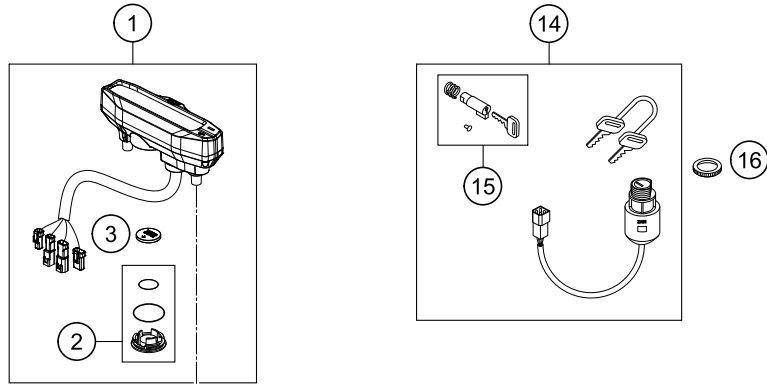
POS	PARTNUMBER	PARTNAME	PIECE
1	78114001000	HEAD LIGHT CPL. 2013	1
2	54611038012	BULB HS1 12V 35/35W WHITE	1
3	78114001050	LAMP BRACKET CPL. 2014	1
4	49011435100	BULB 12V 5W (W2,1X9,5D) PHIL.	2
5	0081050181	SCREW FOR PLASTIC K50X18 T20	3
6	78114040000	REAR LIGHT	1
7	0017060255	EJOT PT SCREW K60X25-Z SW6	2
25	75014047100	Number plate light	1
28	0081250181	SCREW FOR PLASTIC 50X18 T20	1
30	54814025200	FLASHER CPL. FR.L/S RE.R/S 09	2
31	54814026200	FLASHER CPL. FR.R/S RE.L/S 09	2
32	44111015100	BULB 12V 10W (BA15S)	4
33	0125100003	washer DIN 125 A 10.5	4
34	0797100003	LOCK WASHER DIN6797-J10,5 ZI	4
35	58414030000	HH COLLAR NUT M10X1,25 WS=13	4
36	54814028000	FLASHER LENS L/S R/S 05	4

187211410

49172

\* NEW PART

X ON DEMAND



ACHTUNG !!! CAUTION !!!  
 Einbau von (11) ohne Muttern. **!** Mounting of (11) without nuts.

POS	PARTNUMBER	PARTNAME	PIECE
1	77714069600	Speedometer digital km/h f. 21'' REPROGRAMMABLE: KM/H - MPH	1
2	77714069010	BATTERY COVER F. SPEEDOMETER	1
3	58314068000	BATTERY F. SPEEDOM. M.A.E. 02	1
4	77714060000	SPEEDOMETER BRACKET EXC/XCW 14	1
5	0024060206	HH collar screw M6x20 TX30	2
6	0081645121	EJOT DELTA PT SCREW 45X12-Z	2
7	58011024300	FLASHER INDICAT.LIGHT GREEN'98	1
8	50210086000	COVERING CAP SFL16	1
9	0471009104	CIRCLIP DIN0471- 9X1 INOX	1
10	54814069050	MAGNET FOR DIGITAL SPEEDOM. 03	1
11	54814068100	CABLE FOR DIGITAL SPEEDOM. 06	1
12	54813026000	CABLE SUPPORT 10/6MM 06	2
13	60111094000	CLIP 5/7 MM 06	2
14	78011065100	IGNITION LOCK SET STR.LE 08	1
15	78003035000	STEERING HEAD LOCK 08	1
16	50311066050	IGNITION LOCK NUT M24X1	1

187211430

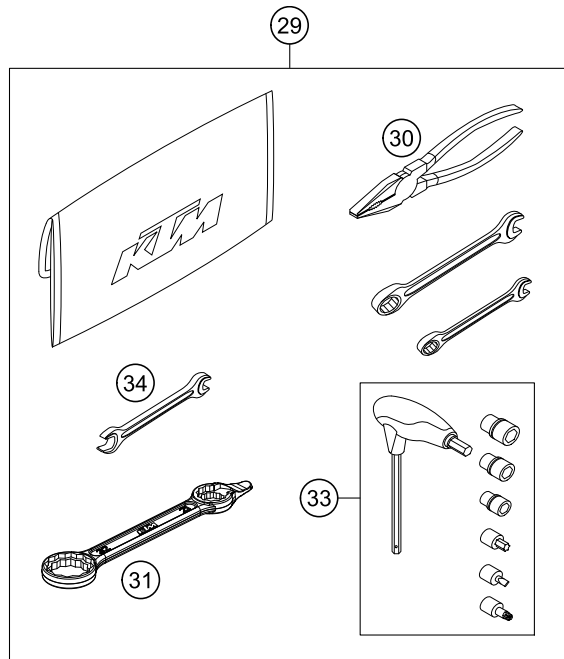
49173

\* NEW PART

X ON DEMAND

0  
OHNE ABBILDUNG  
WITHOUT ILLUSTRATION

1  
TECHNISCHE DOKUMENTATION  
TECHNICAL DOCUMENTATION  
DOCUMENTACION TECNICA  
DOCUMENTATION TECHNIQUE  
NOTE TECNICHE



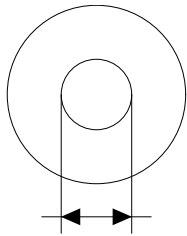
POS	PARTNUMBER	PARTNAME	PIECE
0	72003090000	ENGINE GUARD '13	1
0	58412080400	Rear reflector red	1
0	0019080266S	COUNTER-SUNK SCREW ISA45 M8X26	1
0	0025050126	HH collar screw M5x12 TX30	2
0	58411098100	CONTACT WASHER M6 VSV-K6	2
0	0024060123	COLLAR SCREW M6X12 TX	2
0	83008100020	SCREW M6X20X5,5	2
0	58012040000	REAR MIRROR L/S	1
0	58012140000	REAR MIRROR R/S	1
0	58012040150	CLAMP FOR MIRROR '94	2
0	77229072000	SPARK PLUG WRENCH	1
0	312305	DOCUMENTS BAG 2006	1
0	3210917	NOTEPAD	1
0	312313	KTM BALLPOINT PEN ORANGE	1
0	00063004202	PRINT LABEL 60X51 MM	1
0	3212702DE/ENE	PP offroad folder 2017	1
0	3212704ENE	PW Offroad Folder 2017	1
0	72112099100	Separate enclosure turn signal 2018	1
0	70008016050	NUMBER PLATE CARRIER BOTTOM	1
0	78003040033	FOOTREST L/S + R/S CPL. 09	1
0	52000140	STICKER FRONT FORK-SET	1
0	50033029012	FRONT SPROCKET 12-T	1
0	77202002144	BAR PAD CPL.	1
0	81212016100	WASH CAP SET	1
0	78141013190	FUEL FILTER	3
0	79002014100	SETTING 4-T 39,5 MM 16	1
0	72102979000EB	Handguard kit	1
0	58412080300	REFLECTOR YELLOW "CEV"	2
1	3213652EN	Owner's Manual Freeride 250 F 2018	1
29	54829099100	TOOL KIT 2012	1
30	53012028200	GRIP ORANGE B&F	1
31	50329080100	WRENCH SW=17/21/27/32 B&F	1
33	60029070300	T-WRENCH WS=6/8/10/TX45/SK4X1	1
34	50329072000	SPOKE-SPANNER WS 7/10	1

125482000

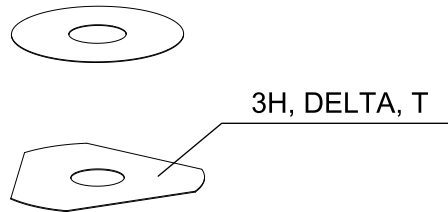
49182

\* NEW PART

X ON DEMAND



- ⑤ Ø 5 mm
- ⑥ Ø 6 mm
- ⑧ Ø 8 mm
- ⑩ Ø 10 mm
- ⑫ Ø 12 mm
- ⑭ Ø 14-14,5 mm
- ⑯ Ø 16 mm
- ⑰ Ø 20 mm
- ⑱ Ø 21 mm
- ⑳ Ø 22 mm
- ㉑ Ø 23 mm
- ㉒ Ø 24,5 mm
- ㉔ Ø 28,5 mm
- ㉖ Ø 32 mm
- ㉘ Ø 52 mm



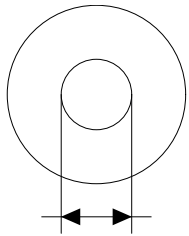
POS	PARTNUMBER	PARTNAME	PIECE
5	44906890	WASHER 5X15X2	X
6	40540400	SHIM 6X12X0,1	X
6	40540401	SHIM 6X14X0,1	X
6	40540402	SHIM 6X16X0,1	X
6	40540403	SHIM 6X18X0,1	X
6	40540404	SHIM 6X12X0,15	X
6	40540405	SHIM 6X14X0,15	X
6	40540406	SHIM 6X16X0,15	X
6	40540407	SHIM 6X18X0,15	X
6	40540408	SHIM 6X12X0,2	X
6	40540409	SHIM 6X14X0,2	X
6	40540410	SHIM 6X16X0,2	X
6	40540411	SHIM 6X18X0,2	X
6	48600095	SHIM 6X20X0,20	X
6	40540412	SHIM 6X12X0,25	X
6	40540413	SHIM 6X14X0,25	X
6	40540414	SHIM 6X16X0,25	X
6	40540415	SHIM 6X18X0,25	X
6	40540417	SHIM 6X8,5X0,10	X
6	40540418	SHIM 6X9X0,10	X
6	40540419	SHIM 6X9,5X0,10	X
6	40540423	SHIM 6X9,5X0,15	X
6	40540425	SHIM 6X8,5X0,20	X
6	40540426	SHIM 6X9X0,20	X
6	40540427	SHIM 6X9,5X0,20	X
6	40540447	SHIM 6X10X0,3	X
6	40540449	SHIM 6X9X0,3	X
6	40540450	SHIM 6X9,5X0,3	X
6	40540494	SHIM 6X18X0,4	X
6	40540774	SHIM 6X18X0,1 DELTA	X
6	40541383	SHIM 6X11X0,1	X
6	40541391	SHIM 6X11X0,3	X
6	40541402	SHIM 6X11X0,2	X
6	40541403	SHIM 6X10X0,20	X
6	40541404	SHIM 6X10X0,1	X
6	40541405	SHIM 6X10X0,15	X
6	40541406	SHIM 6X11X0,15	X
6	40541408	SHIM 6X8,0X0,30	X

080000190

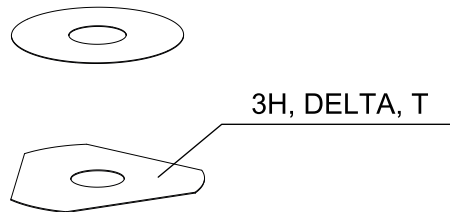
4668

\* NEW PART

X ON DEMAND



- ⑤ Ø 5 mm
- ⑥ Ø 6 mm
- ⑧ Ø 8 mm
- ⑩ Ø 10 mm
- ⑫ Ø 12 mm
- ⑭ Ø 14-14,5 mm
- ⑯ Ø 16 mm
- ⑳ Ø 20 mm
- ㉑ Ø 21 mm
- ㉒ Ø 22 mm
- ㉓ Ø 23 mm
- ㉔ Ø 24,5 mm
- ㉘ Ø 28,5 mm
- ㉚ Ø 32 mm
- ㉜ Ø 52 mm



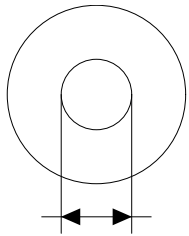
POS	PARTNUMBER	PARTNAME	PIECE
6	40541414	SHIM 6X8,0X0,10	X
6	40541416	SHIM 6X8X0,3	X
6	40541417	SHIM 6X11X0,25	X
6	48600102	SHIM 6X24X0,25	X
6	48600063	SHIM 6X24X0,1	X
6	48600064	SHIM 6X22X0,1	X
6	48600065	SHIM 6X20X0,1	X
6	48600069	SHIM 6X20X0,15	X
6	48600100	SHIM 6X24X0,15	X
6	48600116	SHIM 6X24X0,1 DELTA	X
6	48600139	SHIM 6X22X0,1 DELTA	X
6	48600217	BACKPLATE 6X10X0,25	X
6	48600325	SHIM 6X13X0,1	X
6	48600327	SHIM 6X15X0,1	X
6	48600329	SHIM 6X17X0,1	X
6	48600331	SHIM 6X19X0,1	X
6	48600096	SHIM 6X20X0,25	X
6	48600097	SHIM 6X22X0,15	X
6	48600099	SHIM 6X22X0,25	X
6	40540448	BACKPLATE 6X8,5X0,30	X
6	48600479	SHIM 6X20X0,1 T/3H	X
6	48600332	SHIM 6X21X0,1	X
6	48600333	SHIM 6X23X0,1	X
6	40541393	SHIM 6X12X0,3	X
6	48600330	SHIM 6X17X0,15	X
6	48600988	SHIM 6X28X0,10	X
6	48600989	SHIM 6X26X0,10	X
6	48601091	SHIM 6X28X0,15	X
6	48601093	SHIM 6X26X0,15	X
6	48600328	SHIM 6X15X0,15	X
6	48600326	SHIM 6X13X0,15	X
6	48601548	SHIM 6X17X1,5	X
6	48601693	SHIM 6X18X3	X
6	48600098	SHIM 6X22X0,20	X
6	48601300	WASHER 6X25X1,5	X
6	48601692	SHIM 6X30X0,15	X
6	48601550	SHIM 6X30X0,10	X
6	40541392	SHIM 6X8X0,20	X

080000190

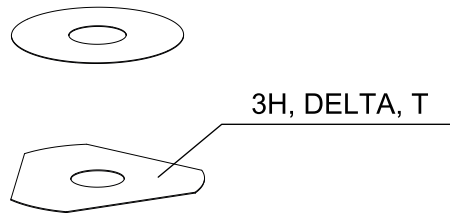
4668

\* NEW PART

X ON DEMAND



- ⑤ Ø 5 mm
- ⑥ Ø 6 mm
- ⑧ Ø 8 mm
- ⑩ Ø 10 mm
- ⑫ Ø 12 mm
- ⑭ Ø 14-14,5 mm
- ⑯ Ø 16 mm
- ⑳ Ø 20 mm
- ㉑ Ø 21 mm
- ㉒ Ø 22 mm
- ㉓ Ø 23 mm
- ㉔ Ø 24,5 mm
- ㉘ Ø 28,5 mm
- ㉚ Ø 32 mm
- ㉜ Ø 52 mm



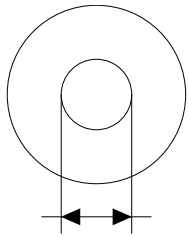
POS	PARTNUMBER	PARTNAME	PIECE
8	40540477	SHIM 8X18X0,4	X
8	43570120	SHIM 8X18X0,10	X
8	44916098	WASHER 8,4X16X0,8	X
8	44916130	WASHER 8,2X15X1	X
8	44916180	WASHER 8,2X11X1	X
8	48600214	SHIM 8X16X0,1	X
8	48600385	SHIM 8x14x0,25	X
8	48600346	SHIM 8X11X0,2	X
8	48600215	CHECK VALVE 8X20X0,1	X
8	48600485	SHIM 8X10X0,10	X
8	48601402	SHIM 8X13X0,10	X
8	48600350	CHECK VALVE 8X16X0,15	X
8	48600061	CHECK VALVE 8X24X0,4	X
8	48600062	CHECK VALVE 8X24X0,1	X
8	48600216	CHECK VALVE 8X22X0,1	X
8	48600480	SHIM 8X10X0,20	X
8	48600555	SHIM 8X16X0,20	X
8	48600213	SHIM 8X14X0,10	X
8	48600357	CHECK VALVE 8X11X0,1	X
8	48600351	CHECK VALVE 8X12X0,1	X
8	48600607	Steering damper washer	X
8	48601095	SHIM 8X17X0,10	X
8	48600352	CHECK VALVE 8X11X0,4	X
8	48601860	Washer 8x11x0,15	X
10	36120284	SHIM 10X16X0,10	X
10	36120298	SHIM 10X16X0,2	X
10	36120312	SHIM 10X16X0,30	X
10	36120314	SHIM 10X18X0,30	X
10	36120325	SHIM 10X19X0,15	X
10	36120327	SHIM 10X23X0,15	X
10	36120328	SHIM 10X25X0,15	X
10	36120329	SHIM 10X27X0,15	X
10	36120330	SHIM 10X29X0,15	X
10	36120331	SHIM 10X31X0,15	X
10	36120332	SHIM 10X33X0,15	X
10	36120334	SHIM 10X21X0,20	X
10	36120335	SHIM 10X23X0,20	X
10	36120336	SHIM 10X25X0,20	X

080000190

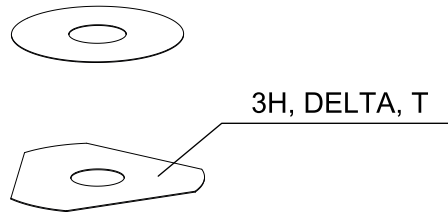
4668

\* NEW PART

X ON DEMAND



- ⑤ Ø 5 mm
- ⑥ Ø 6 mm
- ⑧ Ø 8 mm
- ⑩ Ø 10 mm
- ⑫ Ø 12 mm
- ⑭ Ø 14-14,5 mm
- ⑯ Ø 16 mm
- ⑳ Ø 20 mm
- ㉑ Ø 21 mm
- ㉒ Ø 22 mm
- ㉓ Ø 23 mm
- ㉔ Ø 24,5 mm
- ㉘ Ø 28,5 mm
- ㉚ Ø 32 mm
- ㉜ Ø 52 mm



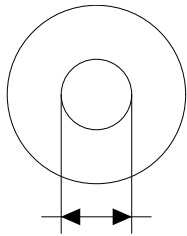
POS	PARTNUMBER	PARTNAME	PIECE
10	36120337	SHIM 10X27X0,20	X
10	36120338	SHIM 10X29X0,20	X
10	36120339	SHIM 10X31X0,20	X
10	36120340	SHIM 10X33X0,20	X
10	36120342	SHIM 10X21X0,25	X
10	36120343	SHIM 10X23X0,25	X
10	36120344	SHIM 10X25X0,25	X
10	36120345	SHIM 10X27X0,25	X
10	36120349	SHIM 10X19X0,30	X
10	36120350	SHIM 10X21X0,30	X
10	36120313	SHIM 10X17X0,30	X
10	36120354	SHIM 10X29X0,30	X
10	40140275	WASHER 10X35X0,15	X
10	48601708	SHIM 10X30X0,40	X
10	36120346	SHIM 10X29X0,25	X
10	36120355	SHIM 10X31X0,30	X
10	36120348	SHIM 10X33X0,25	X
10	36120604	SHIM D10XD22X2,5	X
12	46810490	SHIM 12X24X0,20	X
12	46810491	SHIM 12X26X0,20	X
12	46810492	SHIM 12X28X0,20	X
12	46810493	SHIM 12X30X0,20	X
12	46810494	SHIM 12X32X0,20	X
12	46810495	SHIM 12X34X0,20	X
12	46810496	SHIM 12X36X0,20	X
12	46810497	SHIM 12X38X0,20	X
12	46810498	SHIM 12X40X0,20	X
12	46810499	SHIM 12X24X0,25	X
12	46810500	SHIM 12X26X0,25	X
12	46810501	SHIM 12X28X0,25	X
12	46810502	SHIM 12X30X0,25	X
12	46810504	SHIM 12X34X0,25	X
12	46810505	SHIM 12X36X0,25	X
12	46810507	SHIM 12X40X0,25	X
12	46810508	SHIM 12X24X0,30	X
12	46810509	SHIM 12X26X0,30	X
12	46810510	SHIM 12X28X0,30	X
12	46810512	SHIM 12X32X0,30	X

080000190

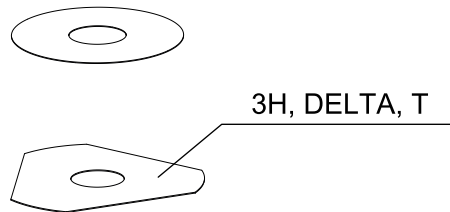
4668

\* NEW PART

X ON DEMAND



- ⑤ Ø 5 mm
- ⑥ Ø 6 mm
- ⑧ Ø 8 mm
- ⑩ Ø 10 mm
- ⑫ Ø 12 mm
- ⑭ Ø 14-14,5 mm
- ⑯ Ø 16 mm
- ⑳ Ø 20 mm
- ㉑ Ø 21 mm
- ㉒ Ø 22 mm
- ㉓ Ø 23 mm
- ㉔ Ø 24,5 mm
- ㉘ Ø 28,5 mm
- ㉚ Ø 32 mm
- ㉜ Ø 52 mm



POS	PARTNUMBER	PARTNAME	PIECE
12	46810513	SHIM 12X34X0,30	X
12	46810518	SHIM 12X26X0,15	X
12	46810519	SHIM 12X28X0,15	X
12	46810520	SHIM 12X30X0,15	X
12	46810521	SHIM 12X32X0,15	X
12	46810522	SHIM 12X34X0,15	X
12	46810523	SHIM 12X36X0,15	X
12	46810524	SHIM 12X38X0,15	X
12	46810525	SHIM 12X40X0,15	X
12	46810604	SHIM 12X20X0,10	X
12	46810606	SHIM 12X22X0,10	X
12	46810607	SHIM 12X23X0,10	X
12	46810608	SHIM 12X24X0,10	X
12	46810610	SHIM 12X27X0,15	X
12	46810611	SHIM 12X18X0,15	X
12	46810612	SHIM 12X19X0,15	X
12	46810615	SHIM 12X22X0,15	X
12	46810636	BACKPLATE 12X16X0,30	X
12	46810637	BACKPLATE 12X17X0,30	X
12	46810638	BACKPLATE 12X18X0,30	X
12	46810639	SHIM 12X19X0,30	X
12	46810641	BACKPLATE 12X21X0,30	X
12	46811582	BACKPLATE 12X30X0,10	X
12	46810631	SHIM 12X20X0,25	X
12	46810633	SHIM 12X22X0,25	X
12	46811580	SHIM 12X32X0,10	X
12	46810503	SHIM 12X32X0,25	X
12	46810517	SHIM 12X24X0,15	X
12	46810856	SHIM 12X20X0,3 CC	X
12	46811258	RING 12X24X2,5	X
12	46812018	SHIM 12X42X0,25	X
12	46812015	SHIM 12X44X0,20	X
12	46810613	SHIM 12X20X0,15	X
12	46810623	SHIM 12X21X0,20	X
12	46810624	SHIM 12X22X0,20	X
12	46810642	SHIM 12X22X0,30	X
12	46810643	SHIM 12X23X0,30	X
12	46811629	SHIM 12X28X0,10	X

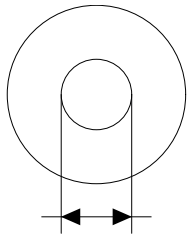
080000190

4668

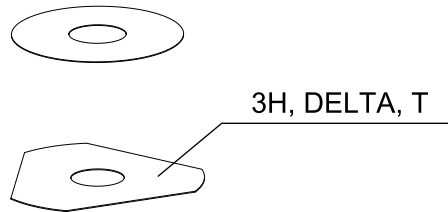
\* NEW PART

X ON DEMAND





- ⑤ Ø 5 mm
- ⑥ Ø 6 mm
- ⑧ Ø 8 mm
- ⑩ Ø 10 mm
- ⑫ Ø 12 mm
- ⑭ Ø 14-14,5 mm
- ⑯ Ø 16 mm
- ⑳ Ø 20 mm
- ㉑ Ø 21 mm
- ㉒ Ø 22 mm
- ㉓ Ø 23 mm
- ㉔ Ø 24,5 mm
- ㉘ Ø 28,5 mm
- ㉚ Ø 32 mm
- ㉜ Ø 52 mm



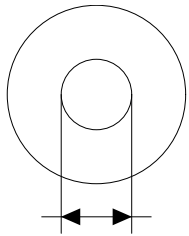
POS	PARTNUMBER	PARTNAME	PIECE
12	46810511	SHIM 12X30X0,30	X
12	46810514	SHIM 12X36X0,30	X
12	46810506	SHIM 12X38X0,25	X
12	46810515	SHIM 12X38X0,30	X
12	46812017	SHIM 12X42X0,20	X
12	46812016	SHIM 12X44X0,25	X
12	46810622	SHIM 12X20X0,20	X
12	46811635	BENDING DISK 12X26X0,10	X
14	46811046	SHIM 14,5X35,4X1,25	X
16	50180023	SHIM 16X23X0,20	X
16	50180030	SHIM	X
16	50180006	BACKPLATE 16X20X0,10	X
16	50180007	SHIM 16X21X0,10	X
16	50180028	SHIM 16X21X0,25	X
16	50180210	WASHER 16X21X1	X
16	50180008	SHIM 16X22X0,10	X
16	50180022	SHIM 16X22X0,20	X
16	50180037	SHIM 16X23X0,30	X
16	50180038	SHIM 16X24X0,30	X
16	50180032	SHIM 15X25X0,25	X
16	50180039	SHIM 16X25X0,30	X
16	50180012	SHIM 16X26X0,10	X
16	50180019	SHIM 16X26X0,15	X
16	50180026	SHIM 16X26X0,20	X
16	50180040	SHIM 16X26X0,30	X
16	50180041	SHIM 16X28X0,10	X
16	50180045	SHIM 16X28X0,15	X
16	50180054	SHIM 16X28X0,20	X
16	50180063	SHIM 16X28X0,25	X
16	50180072	SHIM 16X28X0,30	X
16	50180046	SHIM 16X30X0,15	X
16	50180055	SHIM 16X30X0,20	X
16	50180064	SHIM 16X30X0,25	X
16	50180073	SHIM 16X30X0,30	X
16	50180047	SHIM 16X32X0,15	X
16	50180056	SHIM 16X32X0,20	X
16	50180065	SHIM 16X32X0,25	X
16	50180074	SHIM 16X32X0,30	X

080000190

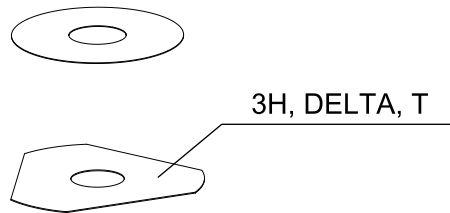
4668

\* NEW PART

X ON DEMAND



- ⑤ Ø 5 mm
- ⑥ Ø 6 mm
- ⑧ Ø 8 mm
- ⑩ Ø 10 mm
- ⑫ Ø 12 mm
- ⑭ Ø 14-14,5 mm
- ⑯ Ø 16 mm
- ⑳ Ø 20 mm
- ㉑ Ø 21 mm
- ㉒ Ø 22 mm
- ㉓ Ø 23 mm
- ㉔ Ø 24,5 mm
- ㉘ Ø 28,5 mm
- ㉚ Ø 32 mm
- ㉜ Ø 52 mm



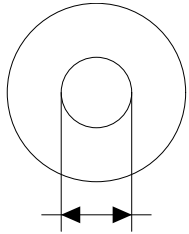
POS	PARTNUMBER	PARTNAME	PIECE
16	50180044	SHIM 16X34X0,10	X
16	50180048	SHIM 16X34X0,15	X
16	50180057	SHIM 16X34X0,20	X
16	50180066	SHIM 16X34X0,25	X
16	50180075	SHIM 16X34X0,30	X
16	50180049	SHIM 16X36X0,15	X
16	50180058	SHIM 16X36X0,20	X
16	50180067	SHIM 16X36X0,25	X
16	50180076	SHIM 16X36X0,30	X
16	50180050	SHIM 16X38X0,15	X
16	50180059	SHIM 16X38X0,20	X
16	50180068	SHIM 16X38X0,25	X
16	50180077	SHIM 16X38X0,30	X
16	50180051	SHIM 16X40X0,15	X
16	50180060	SHIM 16X40X0,20	X
16	50180069	SHIM 16X40X0,25	X
16	50180078	SHIM 16X40X0,30	X
16	50180052	SHIM 16X42X0,15	X
16	50180061	SHIM 16X42X0,20	X
16	50180070	SHIM 16X42X0,25	X
16	50180079	SHIM 16X42X0,30	X
16	50180053	SHIM 16X44X0,15	X
16	50180062	SHIM 16X44X0,20	X
16	50180071	SHIM 16X44X0,25	X
16	50180080	SHIM 16X44X0,30	X
16	50180177	WASHER 16X8,2X0,6	X
16	50180033	SHIM 16X26X0,25	X
16	50180034	BACKPLATE 16X20X0,30	X
16	50180035	BACKPLATE 16X21X0,30	X
16	50180036	BACKPLATE 16X22X0,30	X
16	50180043	SHIM 16X32X0,10	X
16	50180024	SHIM 16X24X0,20	X
16	50180027	SHIM 16X20X0,25	X
16	50180031	SHIM	X
16	50180029	SHIM	X
16	50180010	SHIM 16X24X0,10	X
20	48600212	PRESSURE-RING 20X16,25X0,20	X
20	50180666	SHIM 20X24X0,30	X

080000190

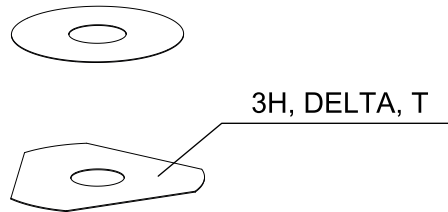
4668

\* NEW PART

X ON DEMAND



- ⑤ Ø 5 mm
- ⑥ Ø 6 mm
- ⑧ Ø 8 mm
- ⑩ Ø 10 mm
- ⑫ Ø 12 mm
- ⑭ Ø 14-14,5 mm
- ⑯ Ø 16 mm
- ⑳ Ø 20 mm
- ㉑ Ø 21 mm
- ㉒ Ø 22 mm
- ㉓ Ø 23 mm
- ㉔ Ø 24,5 mm
- ㉘ Ø 28,5 mm
- ㉚ Ø 32 mm
- ㉜ Ø 52 mm



POS	PARTNUMBER	PARTNAME	PIECE
20	50180654	SHIM 20X36X0,20	X
20	50180655	SHIM 20X38X0,20	X
20	50180656	SHIM 20X40X0,20	X
20	50180665	SHIM 20X40X0,25	X
20	50180662	SHIM 20X34X0,25	X
20	50180657	SHIM 20X24X0,25	X
20	50180653	SHIM 20X34X0,20	X
20	50180634	RING 20X22,9X1	X
20	50180650	SHIM 20,2X28X0,20	X
20	50180663	SHIM 20X36X0,25	X
20	50180664	SHIM 20X38X0,25	X
20	50180659	SHIM 20,2X28X0,25	X
21	50180209	WASHER 21X36X0,25	X
22	50180330	PRESS. RING 22X18X0,30	X
23	50180635	SHUTTLE VALVE 23X38X0,25	X
23	50180578	SHIM D23XD16X2	X
24	40541061	WASHER 24,5X34X2	X
28	36120469	SHIM 28,5X14X2	X
28	36120471	SHIM 28,5X14X5	X
32	48600460	WASHER 32X42X2,5	X
32	50600065	SHIM 32X45X2	X
32	46811637	PRESSURE RING 36X32,25	X
52	50600002	SHIM 52X59X2,2	X

080000190

4668

\* NEW PART

X ON DEMAND

A large, empty rectangular box with a thin black border, occupying the majority of the page. It is intended for the user to write their notes for the 'Freeride 250 F 2018' event.

A large, empty rectangular box with a thin black border, occupying the majority of the page. It is intended for the user to write their notes for the 'Freeride 250 F 2018' event.

A large, empty rectangular box with a thin black border, occupying the majority of the page. It is intended for the user to write their notes for the 'Freeride 250 F 2018' event.



WWW.KTM.COM



KTM Sportmotorcycle GmbH  
5230 Mattighofen, Austria  
[www.ktm.com](http://www.ktm.com)



**KTM**\_POWERPARTS

**KTM**\_POWERWEAR

**KTM**\_ORIGINAL SPARE PARTS



F8103R4EN

Art. Nr.: F8103R4EN 28. Aug 2017