

350 EXC-F WESS 2021 EU 2021

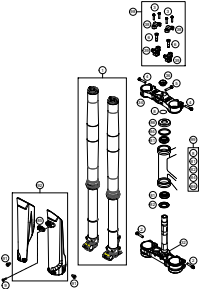
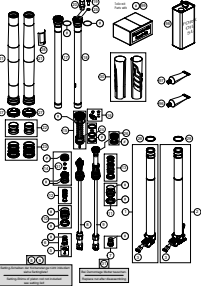
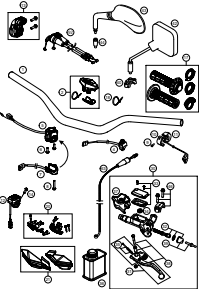
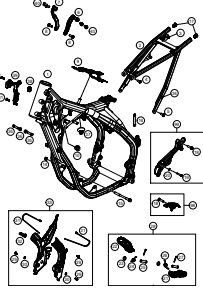
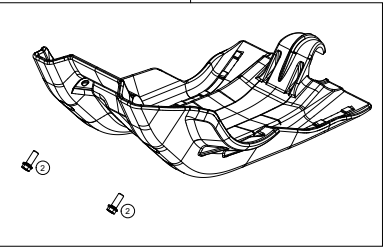
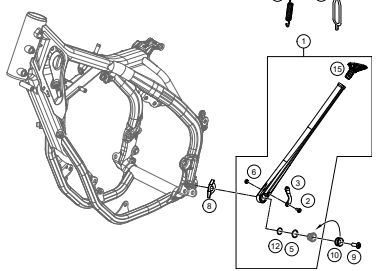
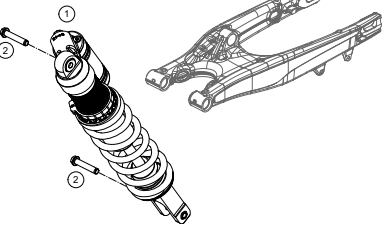
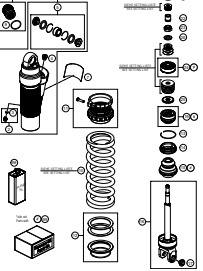
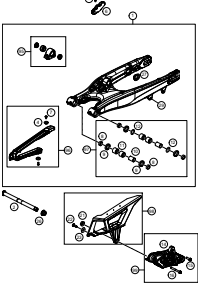
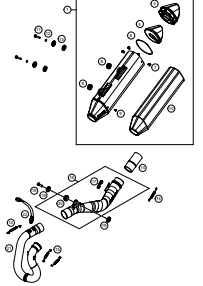
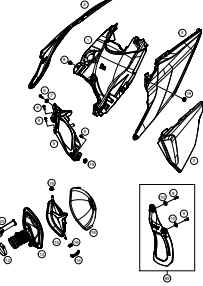
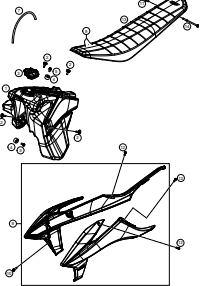
ART.-NR.: F8203U3EN

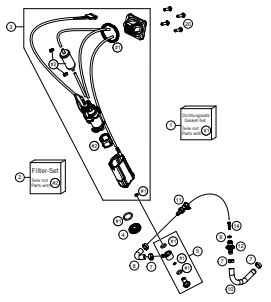
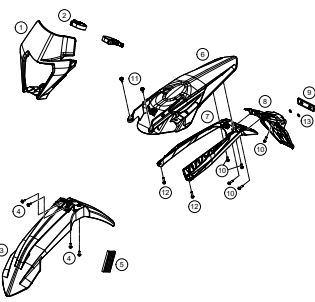
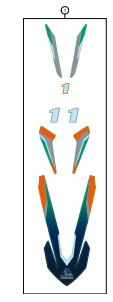
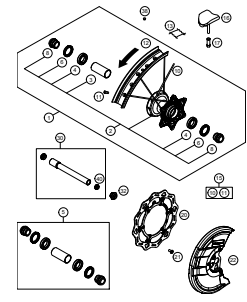
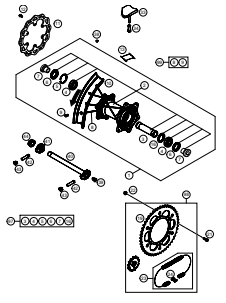
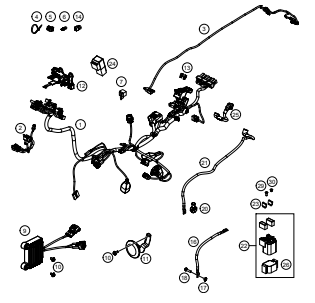
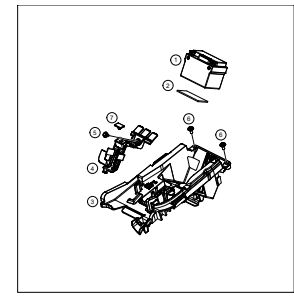
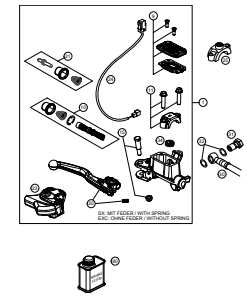
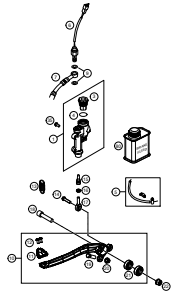
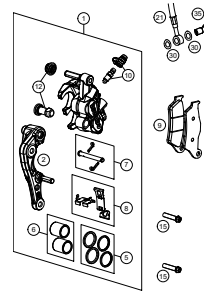
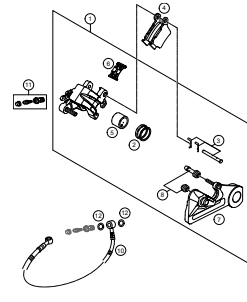
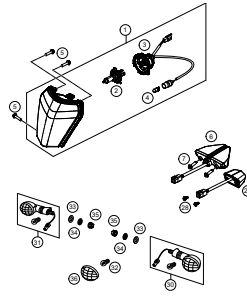


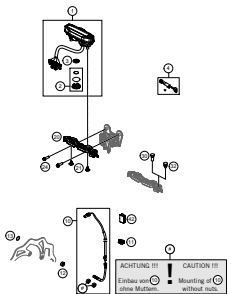
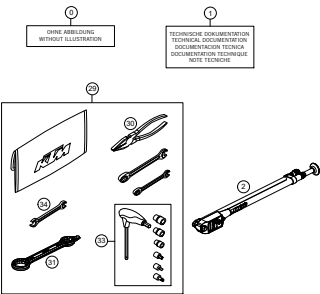
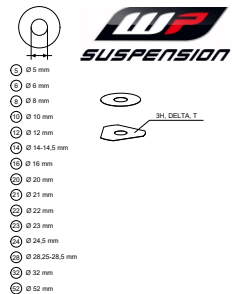


All information contained is without obligation. KTM Sportmotorcycle GmbH particularly reserves the right to modify any equipment, technical specifications, prices, colors, shapes, materials, services, service work, constructions, equipment and the like so as to adapt them to local conditions or to cancel any of the above items, all without previous announcement and without giving reasons. KTM may stop manufacturing certain models without previous notice. KTM shall not be held liable for any deviations of availability and/or ability to deliver, illustrations, descriptions, printing and/or other errors. The illustrated models partly contain extra equipment, which is not applied to standard models.

© by KTM Sportmotorcycle GmbH, Mattighofen AUSTRIA; All rights reserved; Reprint, also in extracts, with written allowance of KTM Sportmotorcycle GmbH, Mattighofen only.

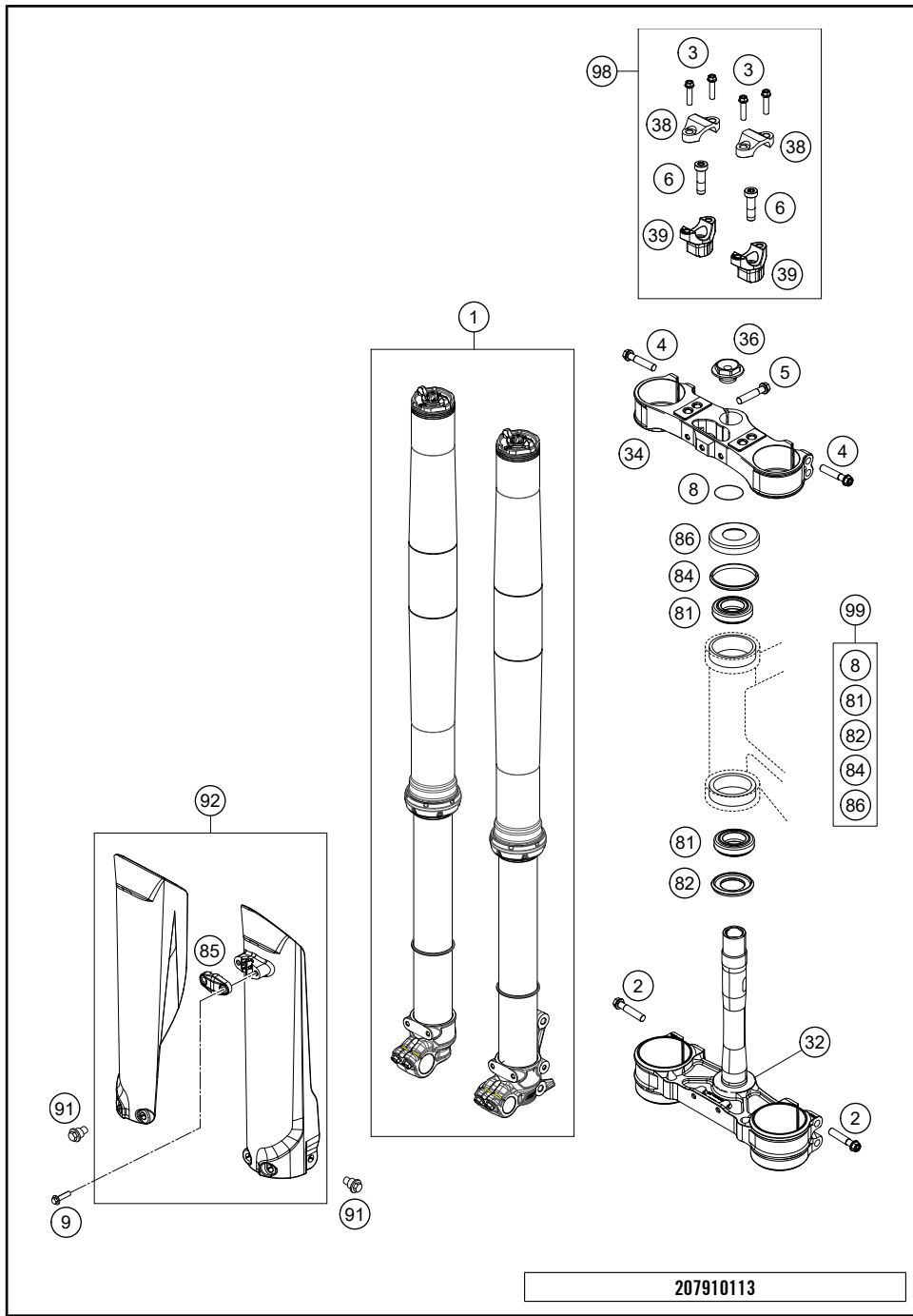
| | | | |
|--|---|---|--|
| <p>FRONT FORK, TRIPLE CLAMP</p>  <p>4</p> | <p>FRONT FORK DISASSEMBLED</p>  <p>5</p> | <p>HANDLEBAR, CONTROLS</p>  <p>6</p> | <p>FRAME</p>  <p>7</p> |
| <p>ENGINE GUARD</p>  <p>9</p> | <p>SIDE / CENTER STAND</p>  <p>10</p> | <p>SHOCK ABSORBER</p>  <p>11</p> | <p>SHOCK ABSORBER DISASSEMBLED</p>  <p>12</p> |
| <p>SWING ARM</p>  <p>13</p> | <p>EXHAUST SYSTEM</p>  <p>14</p> | <p>AIR FILTER</p>  <p>15</p> | <p>TANK, SEAT</p>  <p>16</p> |

| | | | |
|---|--|---|--|
| <p>FUEL PUMP</p>  <p>17</p> | <p>MASK, FENDERS</p>  <p>18</p> | <p>DECAL</p>  <p>19</p> | <p>FRONT WHEEL</p>  <p>20</p> |
| <p>REAR WHEEL</p>  <p>21</p> | <p>WIRING HARNESS</p>  <p>22</p> | <p>BATTERY</p>  <p>23</p> | <p>FRONT BRAKE CONTROL</p>  <p>24</p> |
| <p>REAR BRAKE CONTROL</p>  <p>25</p> | <p>FRONT BRAKE CALIPER</p>  <p>26</p> | <p>REAR BRAKE CALIPER</p>  <p>27</p> | <p>LIGHTING SYSTEM</p>  <p>28</p> |

| | | | |
|---|--|--|--|
| <p>INSTRUMENTS / LOCK SYSTEM</p>  <p style="text-align: right; font-size: 2em;">29</p> | <p>SEPERATE ENCLOSURE</p>  <p style="text-align: right; font-size: 2em;">30</p> | <p>WP SHIMS FOR SETTING</p>  <p style="text-align: right; font-size: 2em;">32</p> | |
| | | | |
| | | | |

FRONT FORK, TRIPLE CLAMP

350 EXC-F WESS 2021 EU 2021



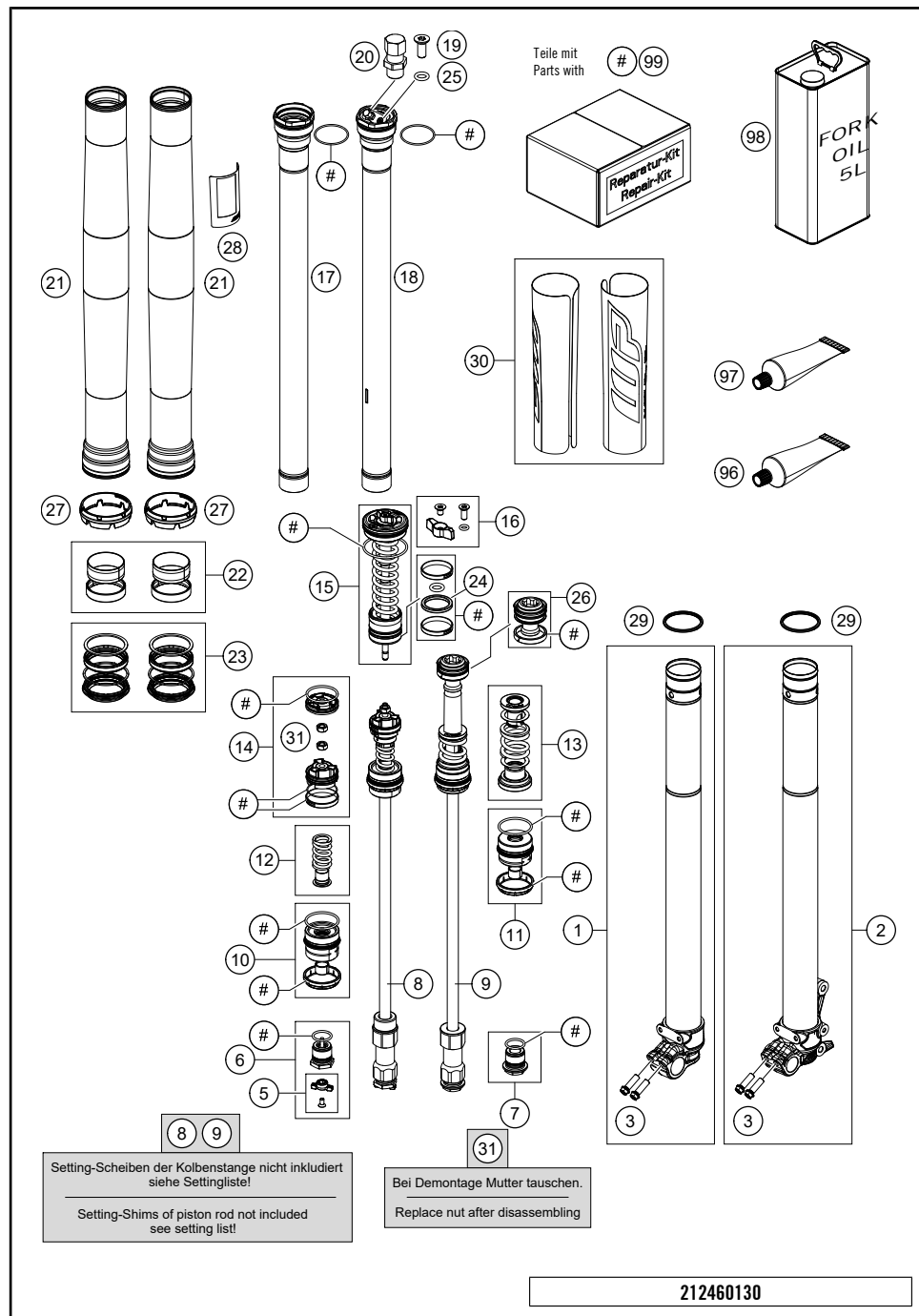
| POS | PARTNUMBER | PARTNAME | PIECE |
|-----|----------------|--|-------|
| 1 | 34158U6701 | Fork 350 EXC-F Wess Edition 2021 | 1 |
| 2 | 0025080506 | HH collar screw M8x50 TX40 | 4 |
| 3 | 0025080256 | HH collar screw M8x25 | 4 |
| 4 | 0025080406 | HH COLLAR SCREW M8X40 TX40 | 4 |
| 5 | 0015080256S | HH COLLAR SCREW M8X25 WS=10 | 1 |
| 6 | 0032100356S | AH-COLLAR SCREW M10X35 ISA45 | 2 |
| 8 | 0770025035 | O-RING 25X3,55 NBR70 05 | 1 |
| 9 | 0017060206 | SCREW F. PLASTIC K60X20AL SW6 | 2 |
| 32 | 7770113202204 | BOTTOM TRIPLE CLAMP CPL ORANGE | 1 |
| 34 | 7720103402204 | TOP TRIPLE CLAMP X=22MM OR | 1 |
| 36 | 70009082000 | AXLESCREW M20X1.5 SW17 | 1 |
| 38 | 77201038000 | HANDLEBAR CLAMP 28MM | 2 |
| 39 | 59401039032 | HANDLEB.SUPP. D=28MM H=32MM 05 | x |
| 39 | 59401039037 | HANDLEB.SUPP. D=28MM H=37MM 05 | 2 |
| 39 | 59401039042 | HANDLEB.SUPP. D=28MM H=42MM 05 | x |
| 81 | 54201081100 | TAPERED ROLLER BEARING CPL. 06 | 2 |
| 82 | 77701084000 | O-RING SUPPORT W. SEALING LIP | 1 |
| 84 | 54601184000 | STEERING HEAD GASKET TOP | 1 |
| 85 | 77701085100BJ | Clamp for brake hose | 1 |
| 86 | 78101086000 | STEERING HEAD COVER | 1 |
| 91 | 59001092050 | SPECIAL SCREW M6X12,5 WS=8 | 6 |
| 92 | 77701094100BJA | Fork protection kit Wess 2021 with decal | 1 |
| 98 | 00050000921 | HANDLEBAR SUPPORT KIT D28/H37 | x |
| 99 | 00050000930 | STEERING HEAD REP. KIT 06-15 | x |

207910113

55741

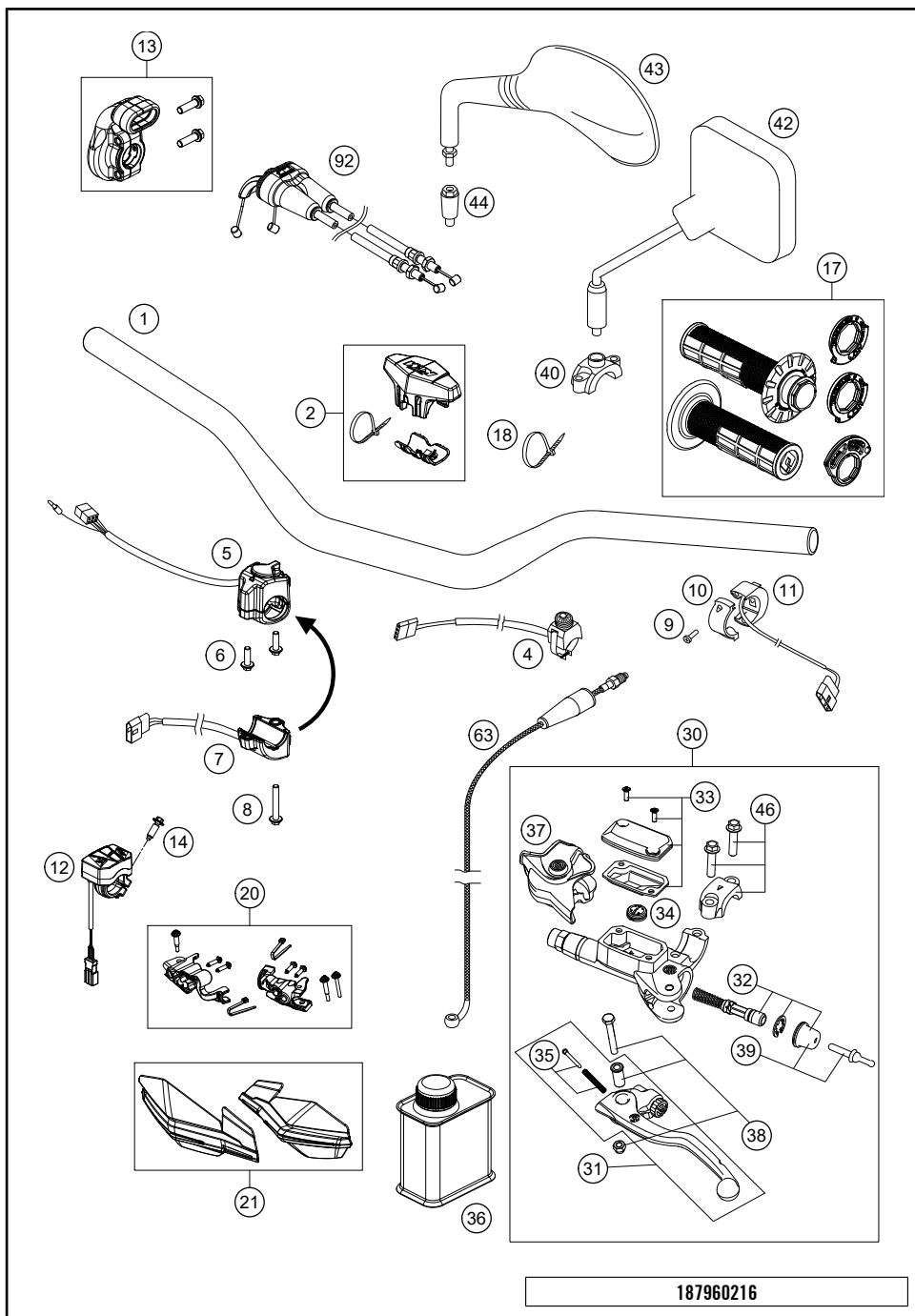
* NEW PART

X ON DEMAND



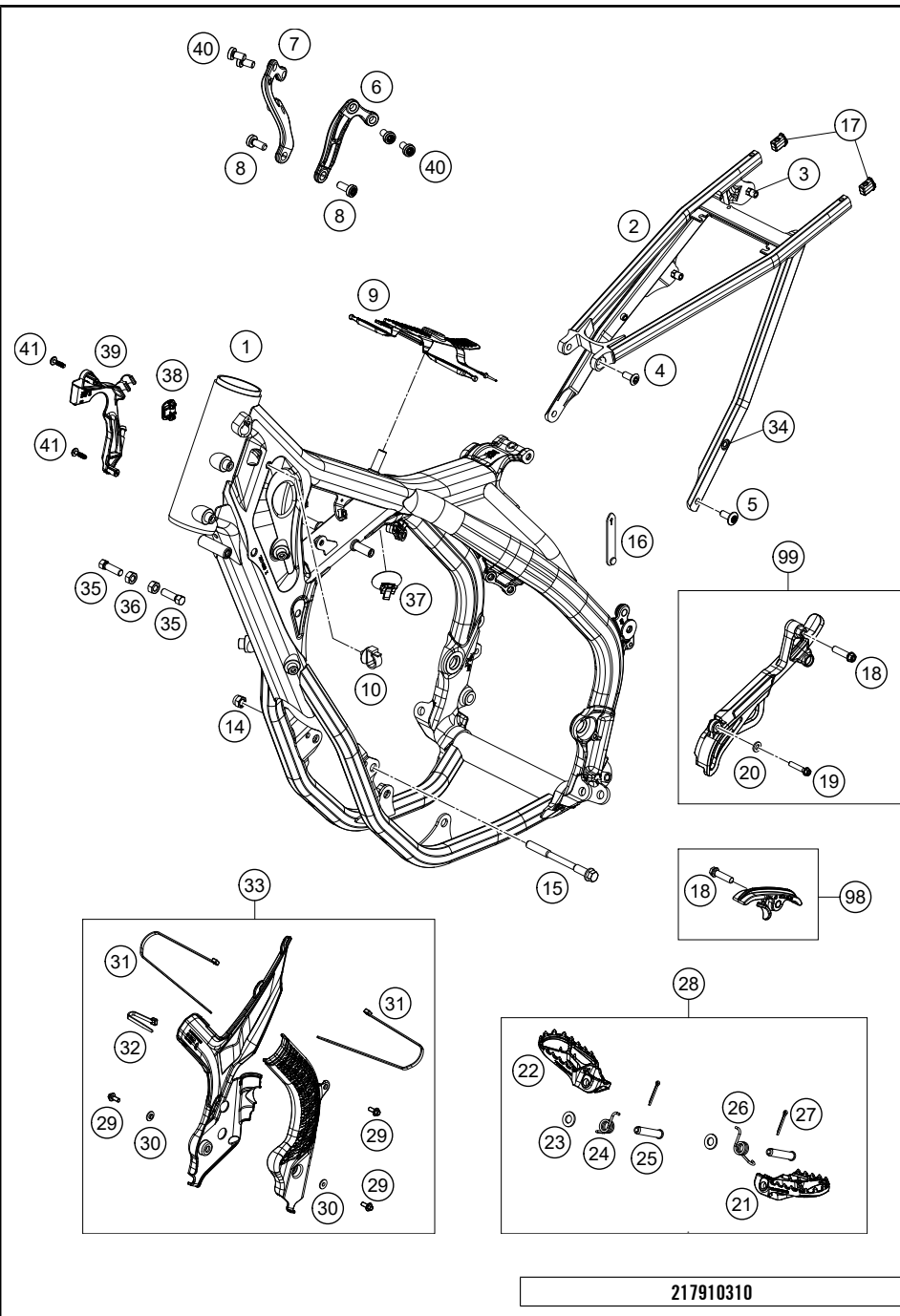
| POS | PARTNUMBER | PARTNAME | PIECE |
|-----|-------------|--|-------|
| 1 | 48602046S2 | Axle clamp ri. with inner tube cpl. | 1 |
| 2 | 48602045S2 | Axle clamp le. with inner tube cpl. | 1 |
| 3 | 0025080256 | HH collar screw M8x25 | 4 |
| 5 | RP10033T | Repair kit adjuster rebound red | x |
| 6 | 48602052S | adjuster housing M20x1 cpl. | 1 |
| 7 | 48601533S | HH collar screw M20x1x18 cpl. | 1 |
| 8 | 48601574S6 | Pistonrod D12 M9x1 L385 cpl. | 1 |
| 9 | 48601501S3 | Piston rod 12x470 cpl. | 1 |
| 10 | 48602131S2 | Screw sleeve M35,5x0,8 cpl | 1 |
| 11 | 48602138S2 | Screw sleeve M35,5x0,8 cpl. | 1 |
| 12 | 48600578S | Spring (13,9) 37-32 rebound cpl. | 1 |
| 13 | 48601820S | Spring (22) 60-30 rebound cpl. | 1 |
| 14 | RP10035T | Repair kit piston air fork | x |
| 15 | 48602049S2 | Basevalve cpl. | 1 |
| 16 | RP10029 | adjuster kit screw cap compression | x |
| 17 | 48602048S2 | Screw cap M51x1,5 cpl. | 1 |
| 18 | 48602047S3 | Screw cap M51x1,5 cpl. | 1 |
| 19 | 00700007 | ISA countersunk head screw M4x8 acc draw | 1 |
| 20 | 48601494S | VALVE M8X1 INCL. SCREW CAP | 1 |
| 21 | 48602148 | Outer fork tube 49.13x567 dt54 db60 | 2 |
| 22 | R14047 | Guide bushing set fork 48mm | x |
| 23 | RP10012 | Sealkit 48mm SKF black | x |
| 24 | 04100002 | X-ring 26,57x3,53 FKM80 | 1 |
| 25 | 50180222 | O-ring 4x1,5 NBR70 | 1 |
| 26 | 48602135S | Piston 33,6x35,4 cpl. | 1 |
| 27 | 48601948 | Fork protection ring 60,1mm | 2 |
| 28 | 52000247 | Sticker Warning | 1 |
| 29 | 48602007 | Stroke indicator 48mm red | 2 |
| 30 | 52000235SET | Sticker set XACT 5 AER CC 182.5x238 | 1 |
| 31 | 48602128 | Nut M6 h5,4 SW10 | 2 |
| 96 | T14034 | Fuchs grease IPR (250g) | x |
| 97 | 00062010053 | spezial grease AER Fork 50g | x |
| 98 | 48601166S1 | Fork Fluid Viscosity 4.0 5Lx4 | x |
| 99 | RP10034T | Gasket kit air fork | x |

* NEW PART X ON DEMAND



| POS | PARTNUMBER | PARTNAME | PIECE |
|-----|---------------|--------------------------------|-------|
| 1 | 7800200100030 | HANDLEBAR | 1 |
| 2 | 77202002144 | BAR PAD CPL. | 1 |
| 4 | 78111074000 | STARTER BUTTON GREY 13 | 1 |
| 5 | 78111070000 | LIGHT SWITCH | 1 |
| 6 | 0014050163 | HH COLLAR SCREW M 5X16 WS=6 | 2 |
| 7 | 78111029000 | FLASHER SWITCH | 1 |
| 8 | 0014050303 | HH COLLAR SCREW M5X30 SW=6 | 1 |
| 9 | 0985040203 | FLAT HEAD SCREW DIN7985-M 4X20 | 2 |
| 10 | 50311074050 | CLAMP ENGINE STOP SWITCH | 1 |
| 11 | 50311074000 | ENGINE STOP SWITCH CEV | 1 |
| 12 | 79039074100 | Map switch | 1 |
| 13 | 79002010025 | THROTTLE CONTROL CASING CPL. | 1 |
| 14 | 0081050181 | SCREW FOR PLASTIC K50X18 T20 | 1 |
| 17 | 79002021100 | GRIP SET | 1 |
| 18 | 44011076140 | CABLE TIE 140/2,5MM BLACK | x |
| 18 | 44011076200 | CABLE TIE 200/3,6MM BLACK | x |
| 20 | 79602084044 | Handguard assembly kit | 1 |
| 21 | 79602182044EB | Handguard | 1 |
| 30 | 54802030144 | MASTER CYLINDER CPL. | 1 |
| 31 | 54802031000 | CLUTCH LEVER CPL. BREMBO 06 | 1 |
| 32 | 54802032000 | REP. KIT PISTON 06 | 1 |
| 33 | 5480200310030 | COVER HYD. CLUTCH CPL. 2014 | 1 |
| 34 | 54802051000 | VALVE | 1 |
| 35 | 54802052000 | BOLT KPL. | 1 |
| 36 | 00062030000 | BRAKE FLUID DOT5.1 0,25L | 1 |
| 37 | 54802037000 | PROTECTION CAP 06 | 1 |
| 38 | 54802038100 | LEVER SCREW CPL. 06 | 1 |
| 39 | 54802046000 | PUSH ROD CPL. | 1 |
| 40 | 58012040150 | CLAMP FOR MIRROR '94 | 2 |
| 42 | 58012040000 | REAR MIRROR L/S | 1 |
| 42 | 58012140000 | REAR MIRROR R/S | 1 |
| 43 | 58412040000 | MIRROR L/S 98 | x |
| 43 | 58412041000 | MIRROR R/S 98 | x |
| 44 | 58412040050 | SUPPORT FOR MIRROR LC4 '98 | x |
| 46 | 54802005100 | CLAMP CPL. 06 | 1 |
| 63 | 79232063000 | CLUTCH PIPE | 1 |
| 92 | 79102091000 | Throttle cable wire | 1 |

* NEW PART X ON DEMAND



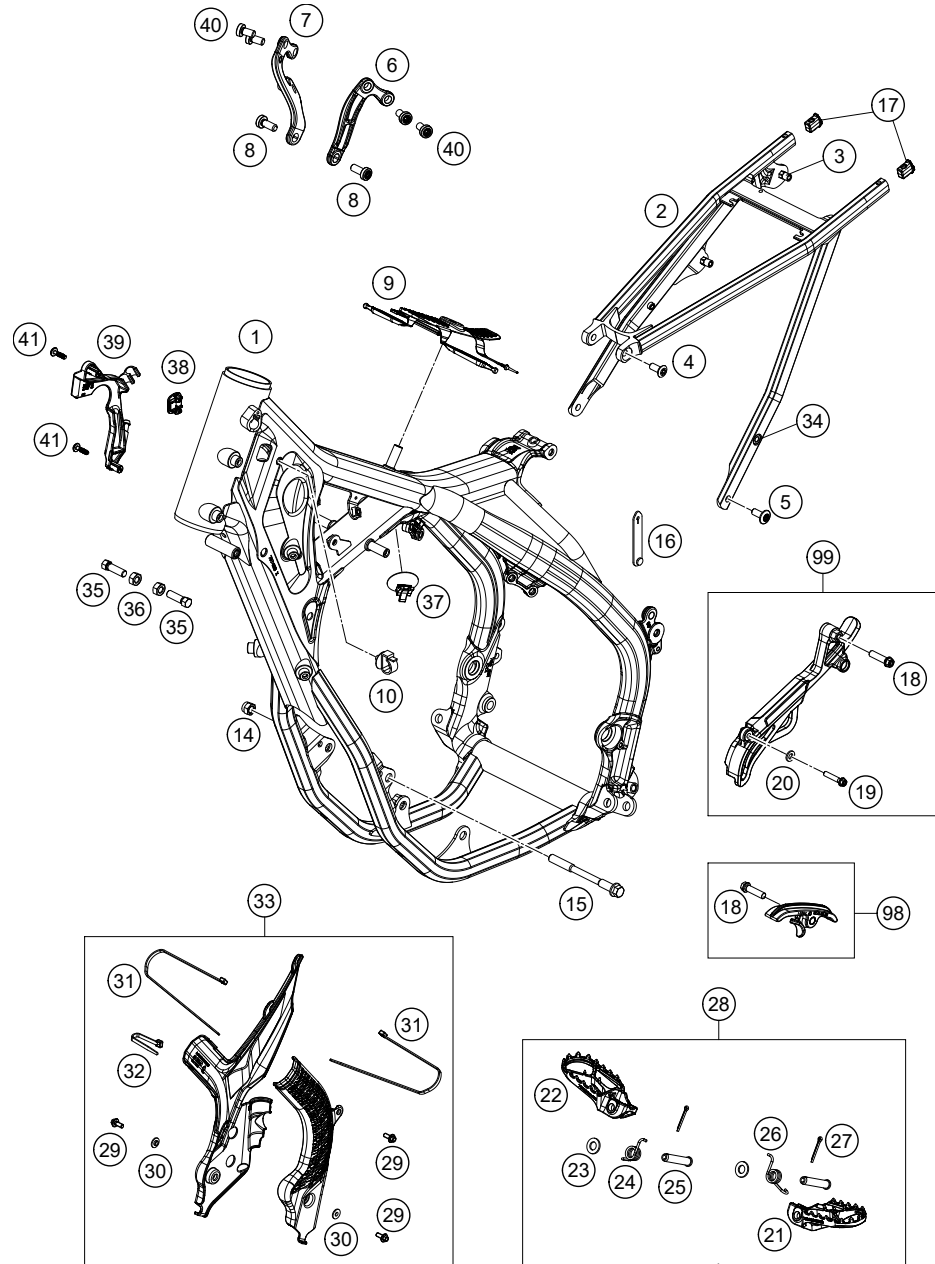
| POS | PARTNUMBER | PARTNAME | PIECE |
|-----|----------------|-----------------------------------|-------|
| 1 | 79303101100EB | Frame 793T1 | 1 |
| 2 | 79103002000 | Subframe | 1 |
| 3 | 77303139000 | BLIND RIVET NUT EM6-60LF/HX | 2 |
| 4 | 0019080206S | FLAT HEAD SCREW M. ISA45 M8X20 | 2 |
| 5 | 79003003000 | SPECIAL SCREW M8X18 TORX45 SS | 2 |
| 6 | 7930311300001S | Engine brace left | 1 |
| 7 | 7930311400001S | Engine brace right | 1 |
| 8 | 0035080206S | SHCS M8x20 TX45 | 2 |
| 9 | 79607012000 | TANK REST RUBBER | 1 |
| 10 | 58111076000 | CABLE SUPPORT KHS NR.150-47610 | 2 |
| 14 | 54310086100 | SELF LOCKING NUT M10 CU WS=14 | 2 |
| 15 | 77203014000 | engine brac.scr. M10x115 | 2 |
| 16 | 60011093075 | RUBBER CABLE TIE 75MM 03 | 1 |
| 17 | 79103002010 | Rear frame bit | 2 |
| 18 | 0025080306 | HH collar screw M8x30 | 2 |
| 19 | 0025060406 | HH collar screw M6x40 TX30 | 1 |
| 20 | 0125060003 | WASHER DIN0125-A 6,4 | 1 |
| 21 | 79603040000 | FOOTREST L/S EXC 2017 | 1 |
| 22 | 79603041000 | FOOTREST R/S EXC 2017 | 1 |
| 23 | 0125100003 | washer DIN 125 A 10.5 | 2 |
| 24 | 79003044000 | FOOTREST SPRING R/S 2016 | 1 |
| 25 | 54803044000 | PIN FOR FOOT PED 51.5X9.8 MM | 2 |
| 26 | 79003045000 | FOOTREST SPRING L/S 2016 | 1 |
| 27 | 0094032253 | PIN DIN0094-3,2X25 STEEL | 2 |
| 28 | 79603040033 | FOOTREST-SET | 1 |
| 29 | 0025050106 | HH collar screw M5x10 TX30 | 3 |
| 30 | 54803092060 | BUSH F. FRAME PROTECTION 03 | 2 |
| 31 | 44011076305 | CABLE TIE 300/4,8MM BLACK | 3 |
| 32 | 44011076140 | CABLE TIE 140/2,5MM BLACK | 1 |
| 33 | 7910309410030 | Frame protection set | 1 |
| 34 | 79003002080 | BLIND RIVET NUT M6 KNURLED | 2 |
| 35 | 59001037000 | SPECIAL SCREW M8X26 WS=10 | 2 |
| 36 | 0934080003 | HEXAGON NUT DIN0934-M 8 | 2 |
| 37 | 79711013010 | Cable bracket d8 | 1 |
| 38 | 79111013010 | Cover control head sheet | 1 |
| 39 | 79711013000 | Cable holder throttle cable guide | 1 |
| 40 | 0035080156S | AH-COLLAR SCREW M8X15 TORX45 | 4 |
| 41 | 0081050181 | SCREW FOR PLASTIC K50X18 T20 | 2 |

217910310

55080

* NEW PART

X ON DEMAND



| POS | PARTNUMBER | PARTNAME | PIECE |
|-----|-------------|--------------------------------|-------|
| 98 | 79003053010 | CHAIN SLIDING KIT BELOW CPL.16 | 1 |
| 99 | 79003096010 | SPROCKET COVER KIT | 1 |

217910310

55080

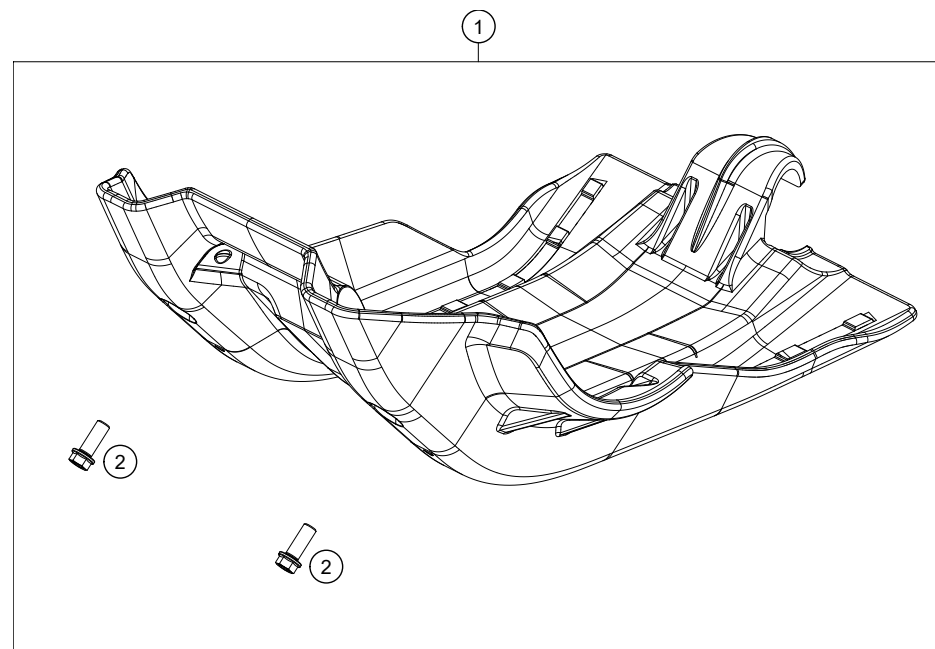
* NEW PART

X ON DEMAND

ENGINE GUARD

350 EXC-F WESS 2021 EU 2021

| POS | PARTNUMBER | PARTNAME | PIECE |
|-----|-------------|----------------------------|-------|
| 1 | 79203090044 | Skid plate 250/350 cpl. | 1 |
| 2 | 0025060166 | HH collar screw M6x16 TX30 | 2 |

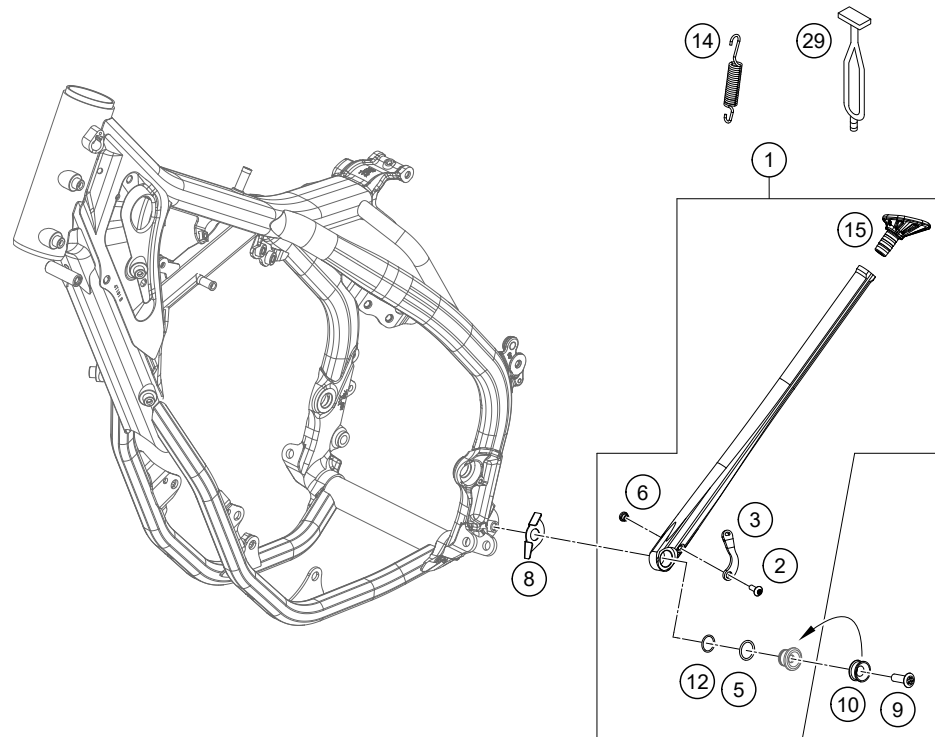


177960331

18226

* NEW PART

X ON DEMAND



| POS | PARTNUMBER | PARTNAME | PIECE |
|-----|-------------|--------------------------------|-------|
| 1 | 79003023044 | SIDE STAND CPL. EXC 16 | 1 |
| 2 | 58605083014 | SCREW M5X14 TORX 25 07 | 1 |
| 3 | 79003023090 | SPRING BRACKET EXC 16 | 1 |
| 5 | 0770180020 | o-ring 18.00x2.00 NBR70 | 1 |
| 6 | 78003023070 | SPACER BUSH. SPRING BRACKET | 1 |
| 8 | 79003023050 | SIDE STAND STOP PLATE | 1 |
| 9 | 0019080266S | COUNTER-SUNK SCREW ISA45 M8X26 | 1 |
| 10 | 78003023081 | SIDE STAND BUSHING EXC-EU 08 | 1 |
| 12 | 0770125015 | O-RING 12,5X1,5 NBR | 1 |
| 14 | 79003024000 | SIDESTAND SPRING EXC 16 | 1 |
| 15 | 78003023155 | STAND BASE | 1 |
| 29 | 50303018000 | RUBBER L=145MM | 1 |

187960360

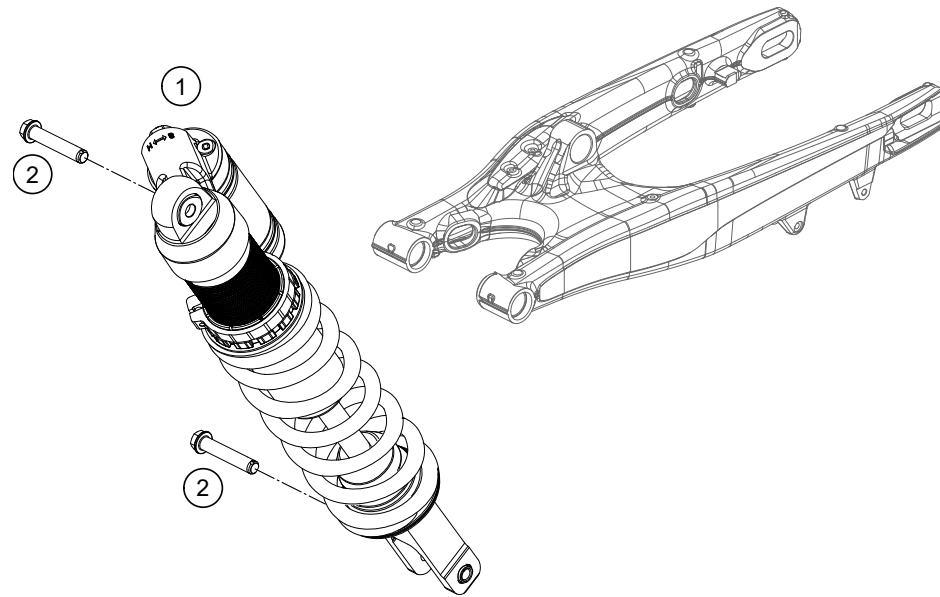
49783

* NEW PART

X ON DEMAND

SHOCK ABSORBER

350 EXC-F WESS 2021 EU 2021



| POS | PARTNUMBER | PARTNAME | PIECE |
|-----|-------------|--------------------------------|-------|
| 1 | 12187T6901 | Shock KTM 350/450/500 EXC-F 20 | 1 |
| 2 | 0025120506S | HH COLLAR SCREW M12X50 TX45 | 2 |

127750410

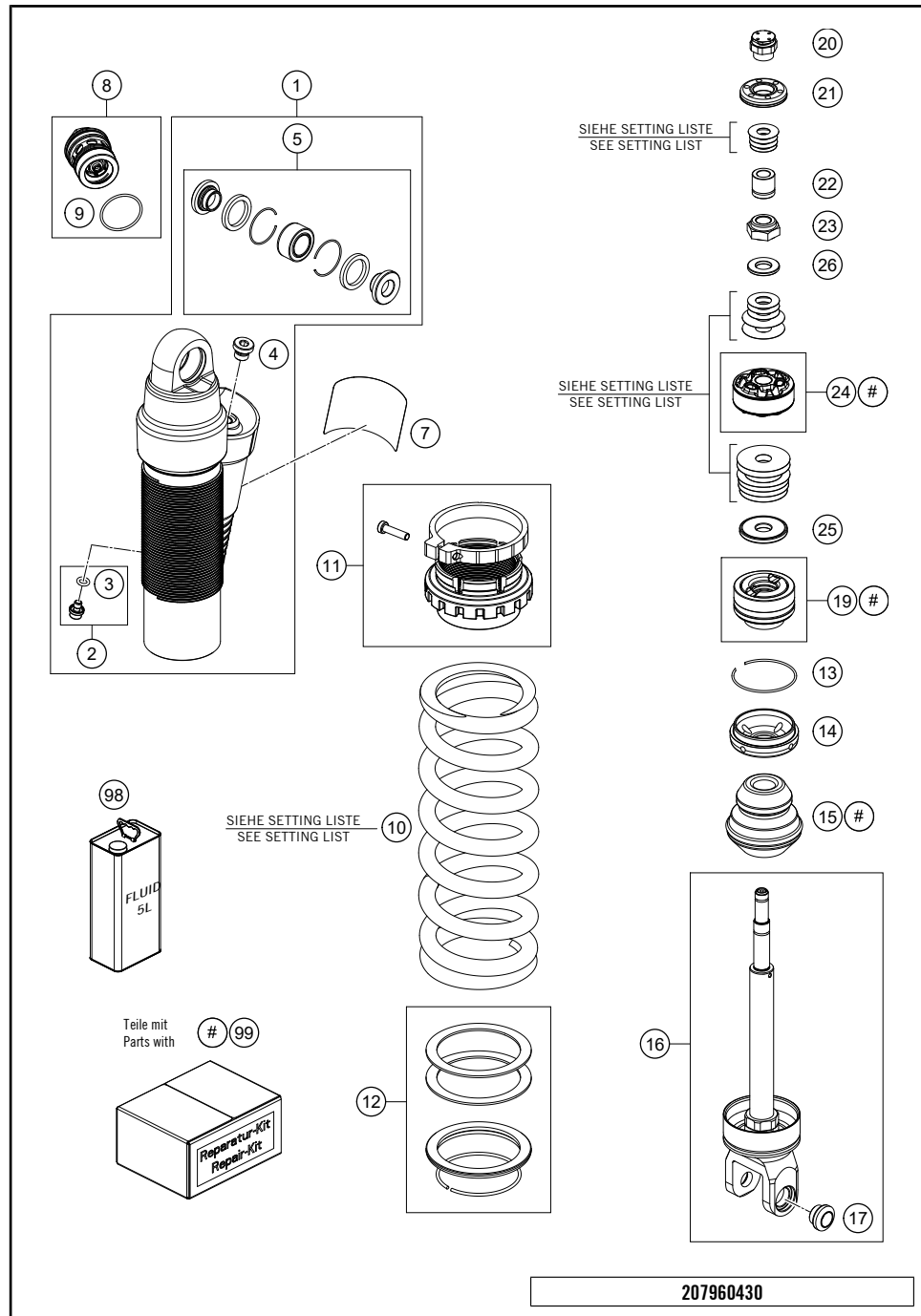
52235

* NEW PART

X ON DEMAND

SHOCK ABSORBER DISASSEMBLED

350 EXC-F WESS 2021 EU 2021



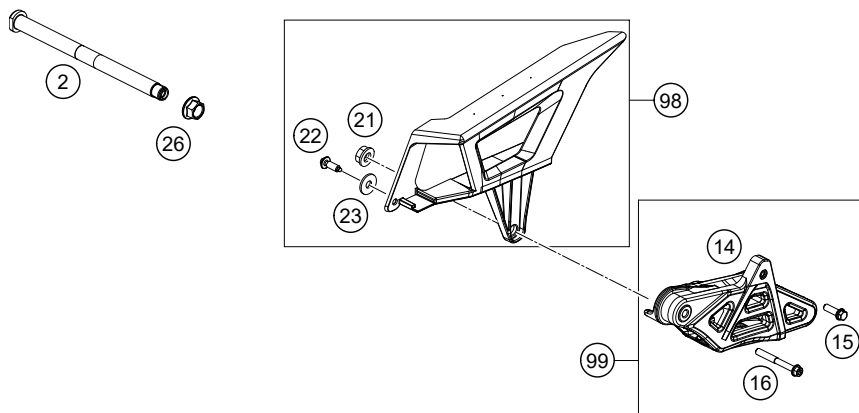
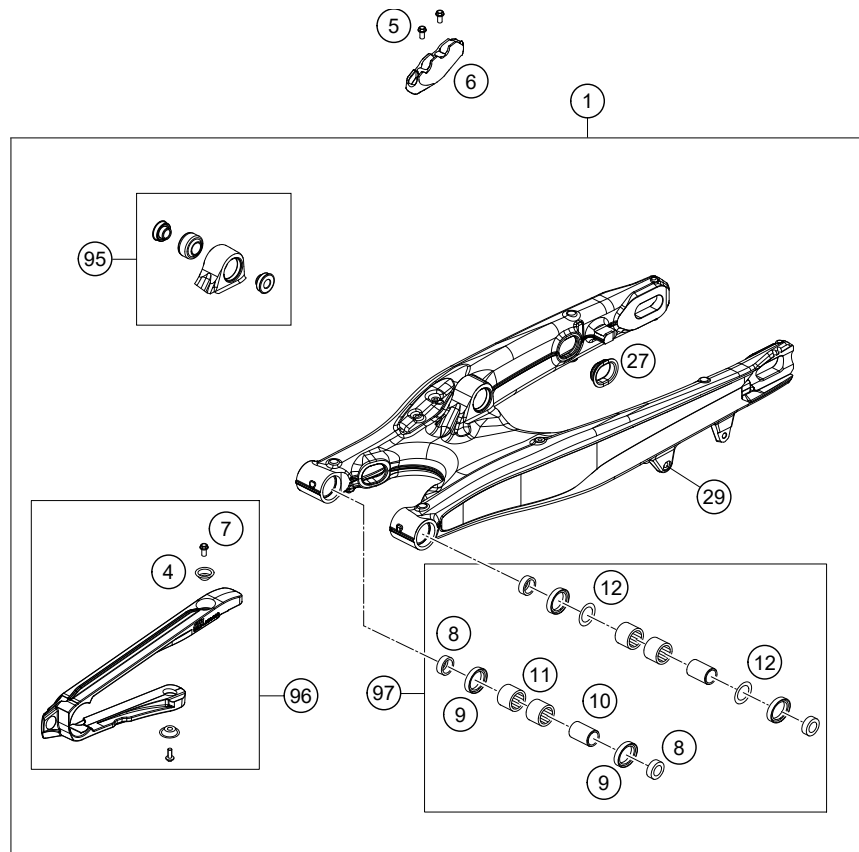
207960430

| POS | PARTNUMBER | PARTNAME | PIECE |
|-----|-------------|--|-------|
| 1 | 46181242S4 | shock housing M53x1 h56 cpl. | 1 |
| 2 | 36120151S | PLUG SCREW M5X6 CPL. | 1 |
| 3 | 46810893 | O-ring 5,28x1,78 NBR70 black | 1 |
| 4 | 50180095 | HS cylinder-head screw R1/8 I8 | 1 |
| 5 | RP10011 | Ball joint bearing kit 12mm | 1 |
| 7 | 52000233 | Sticker XPLOR PDS 90x40 | 1 |
| 8 | 50181101S35 | Compressionadjuster PDS cpl. 2020 | 1 |
| 9 | 50180217 | O-ring 27x1,5 Viton70 green ISO 3601-3S | 1 |
| 10 | 91010353 | Mainspring (59/61) 54-57-60-225 damp. w. | x |
| 10 | 91010348 | Mainspring (59/61) 57-60-63-225 damp. w. | x |
| 10 | 91010349 | Mainspring (59/61) 60-63-66-225 damp. w. | x |
| 10 | 91010350 | Mainspring (59/61) 63-66-69-225 damp. w. | x |
| 10 | 91010351 | Mainspring (59/61) 66-69-72-225 damp. w. | x |
| 10 | 91010352 | Mainspring (59/61) 69-72-76-225 damp. w. | x |
| 11 | 46181382S | Plastic Spring Retainer D46 cpl. | 1 |
| 12 | RP10005 | SPRING CUP SET PDS 17 | 1 |
| 13 | 46810010 | Round-wire snap ring 49x1,8 | 1 |
| 14 | 46181351 | Cover 46,12x15 h5,5 red | 1 |
| 15 | 46181237 | Rubber pad 17x48x55 | 1 |
| 16 | 46181236S1 | MONOSHOCK LOWER PART CPL. | 1 |
| 17 | 50180105 | Threaded bush M12 d20 | 1 |
| 19 | 46180669S | Sealholder 46x28 cpl. | 1 |
| 20 | 46181365S | Nut PDS M10x1 h17,2 WAF19 cpl. | 1 |
| 21 | 46181416 | Piston 15,4x35,4x6 | 1 |
| 22 | 46181025 | Bush 10x17x17 | 1 |
| 23 | 46810474 | Piston rod nut M12x1 | 1 |
| 24 | 46181328S | Piston 12x46x20 cpl. | 1 |
| 25 | 46181194 | Rebound disc 12x36x4 h0 | 1 |
| 26 | 46811258 | Washer 12x24x2,5 | 1 |
| 98 | 50180751S1 | SHOCK ABSORBER FLUID 5 LT | x |
| 99 | RP10020 | Repairing kit shock absorber PDS 19 | 1 |

52054

* NEW PART

X ON DEMAND



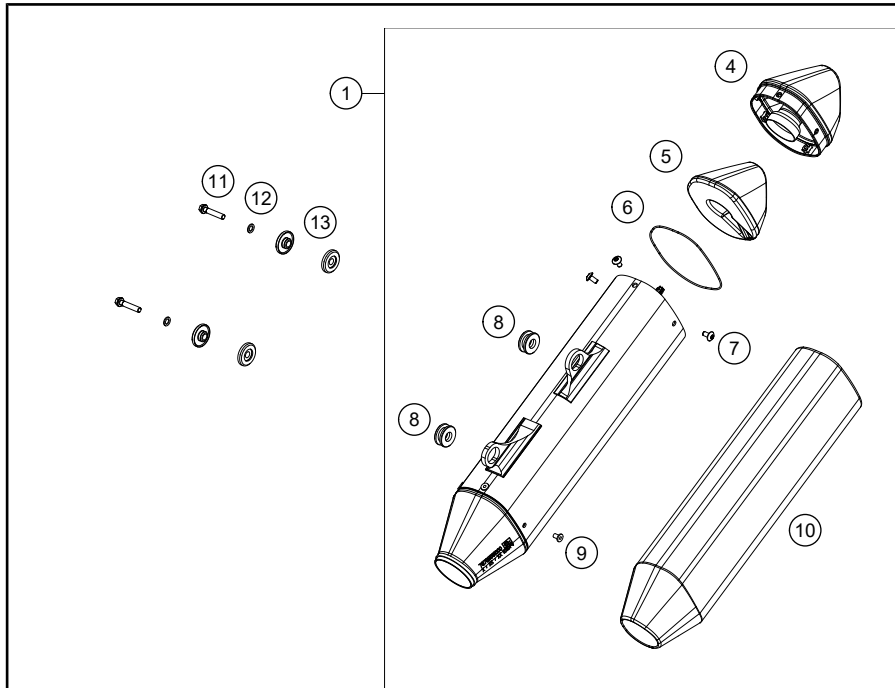
175040490

| POS | PARTNUMBER | PARTNAME | PIECE |
|-----|-------------|--------------------------------|-------|
| 1 | 79604030044 | SWING ARM CPL. PDS 2017 | 1 |
| 2 | 79004037000 | SWING ARM M16X1,5 2016 | 1 |
| 4 | 77304066050 | chain slider bushing | 2 |
| 5 | 0009050106 | EJOT SPIRAL SCREW SF M5X10-K | 2 |
| 6 | 77313047000 | BRAKE HOSE GUIDE LOWER 07 | 1 |
| 7 | 59009062013 | SPECIAL SCREW M6X13 WS=8 10.9 | 2 |
| 8 | 77704034000 | SUPPORT F. SHAFT SEAL RING 16 | 4 |
| 9 | 0760253270 | radial shaft seal 25x32x7 | 4 |
| 10 | 59404032000 | BEARING SLEEVE 17X22X38,7 03 | 2 |
| 11 | 0618222812 | NEEDLEBEAR HK2212V 22/28/12 MB | 4 |
| 12 | 54603036000 | STOP DISK 22,2X31,7X1 | 2 |
| 14 | 78104070100 | CHAIN GUIDE EXC | 1 |
| 15 | 59009062019 | SPECIAL SCREW M6X19 WS=8 10.9 | 1 |
| 16 | 0025060506 | HH collar screw M6x50 TX30 | 1 |
| 21 | 56509064100 | SELF LOCKING NUT M6 10.9 | 1 |
| 22 | 0017060205 | SCREW FOR PLASTIC K60X20 SW6 | 1 |
| 23 | 0021060003 | WASHER DIN9021-A 6,4 | 1 |
| 26 | 54804038000 | SELF LOCK.NUT M16X1,5 WS=19 03 | 1 |
| 27 | 77204041000 | CLOSING COVER | 4 |
| 29 | 54603055051 | PRESS IN NUT M6 STEEL ZINC | 1 |
| 95 | 79604090044 | PIVOT BEARING+BUSH. PDS '17 | 1 |
| 96 | 51504066044 | CHAIN SLIDING GUARD KIT 11-15 | 1 |
| 97 | 79004030110 | Repair kit swingarm bearing | x |
| 98 | 78104060010 | CHAIN PROTECTION KIT EXC 12-14 | x |
| 99 | 78104070010 | CHAIN GUIDE KIT EXC 14-15 | x |

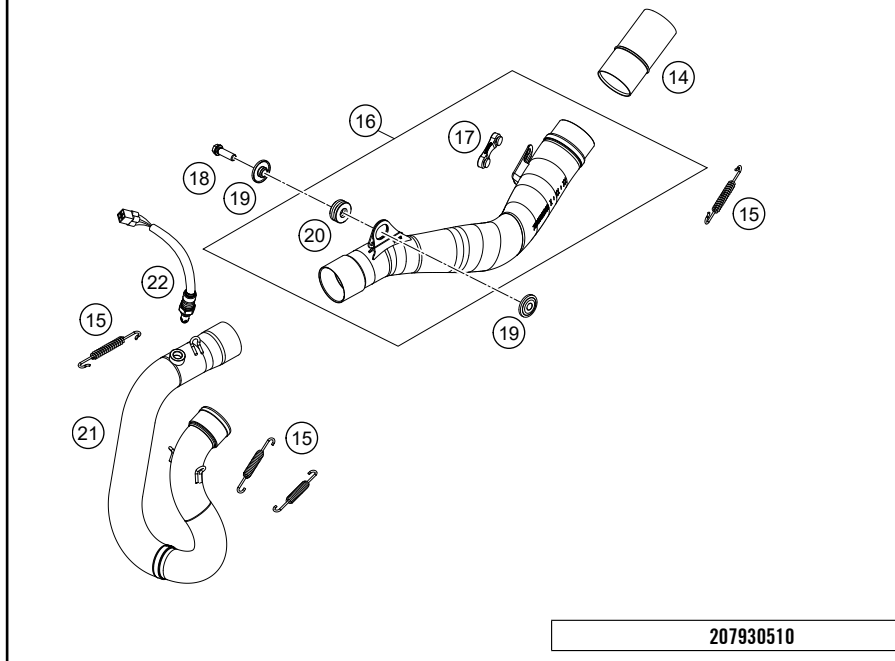
54626

* NEW PART

X ON DEMAND



| POS | PARTNUMBER | PARTNAME | PIECE |
|-----|-------------|----------------------------------|-------|
| 1 | 79705081100 | Silencer | 1 |
| 4 | 79105081060 | Endcap cpl. | 1 |
| 5 | 79105081086 | Insulating material formed part | 1 |
| 6 | 0770800021 | O-RING 80,00X2,00 VITON | 1 |
| 7 | 78105081010 | SCREW TORX M5X10 | 5 |
| 8 | 77205068000 | DAMP. COMPON. BLACK | 2 |
| 9 | 0011480800 | DUMMY RIVET 4,8X 8 NIRO | 5 |
| 10 | 79105081085 | insulating material formed part | 1 |
| 11 | 0025060356 | HH collar screw M6x35 TX30 | 2 |
| 12 | 50233041000 | PAIR OF WASHERS M 6 NORDLOCK | 2 |
| 13 | 77205169000 | BUSHING 7.5x12x28x8.3 11 | 4 |
| 14 | 79105091000 | Catalytic converter | 1 |
| 15 | 50305116000 | TEN.SPRING L=75MM EY.MOVEABLE | 4 |
| 16 | 79305010000 | Rear header 350 EXC-F | 1 |
| 17 | 79105098000 | exhaust spacer | 1 |
| 18 | 0025080306 | HH collar screw M8x30 | 1 |
| 19 | 77805069000 | BUSHING 8.5x12x28x8.3 | 2 |
| 20 | 79105068000 | Damper gray | 1 |
| 21 | 79305009000 | Exhaust manifold front 350 EXC-F | 1 |
| 22 | 75041090200 | LAMBDA SENSOR | 1 |

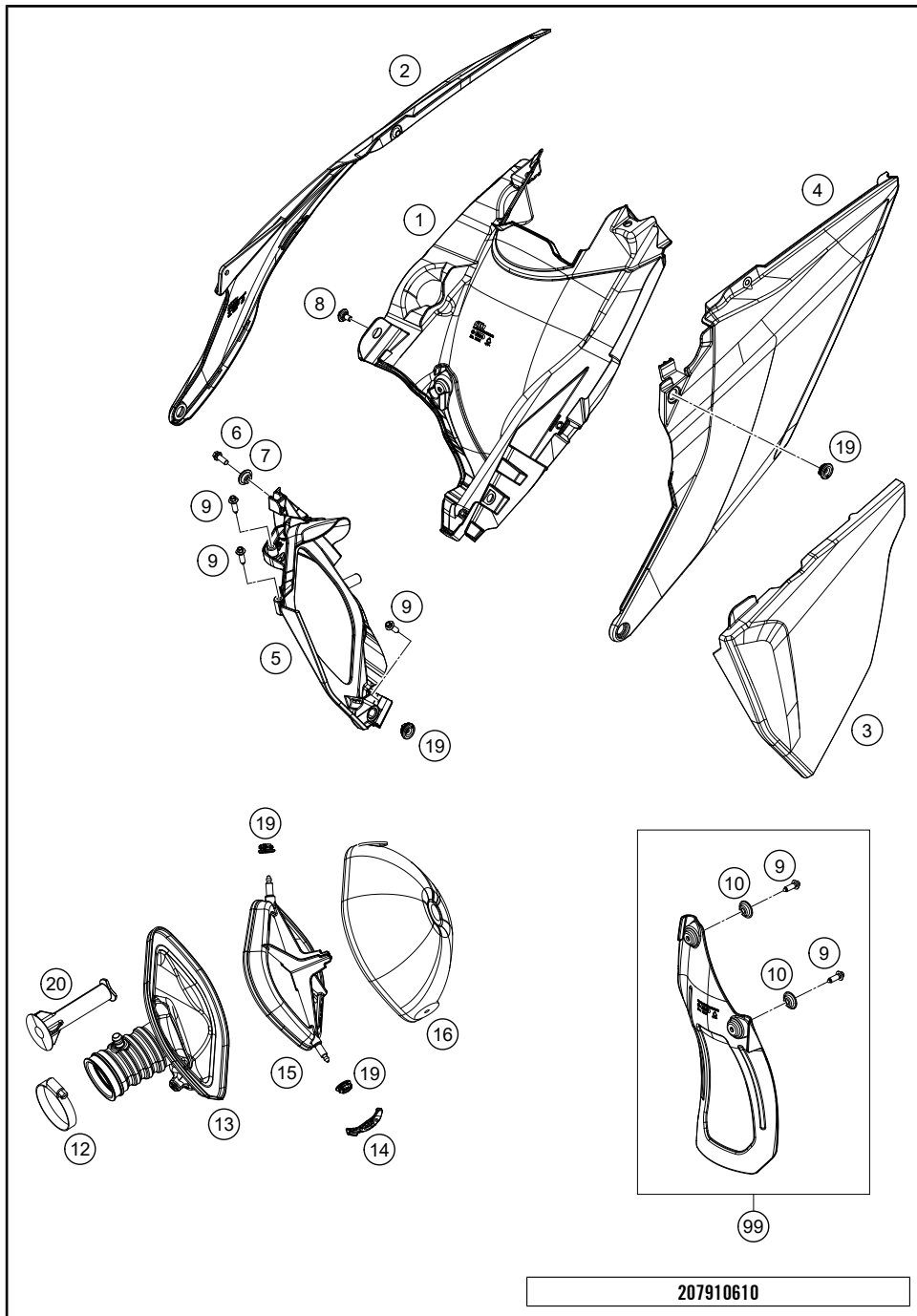


207930510

54339

* NEW PART

X ON DEMAND

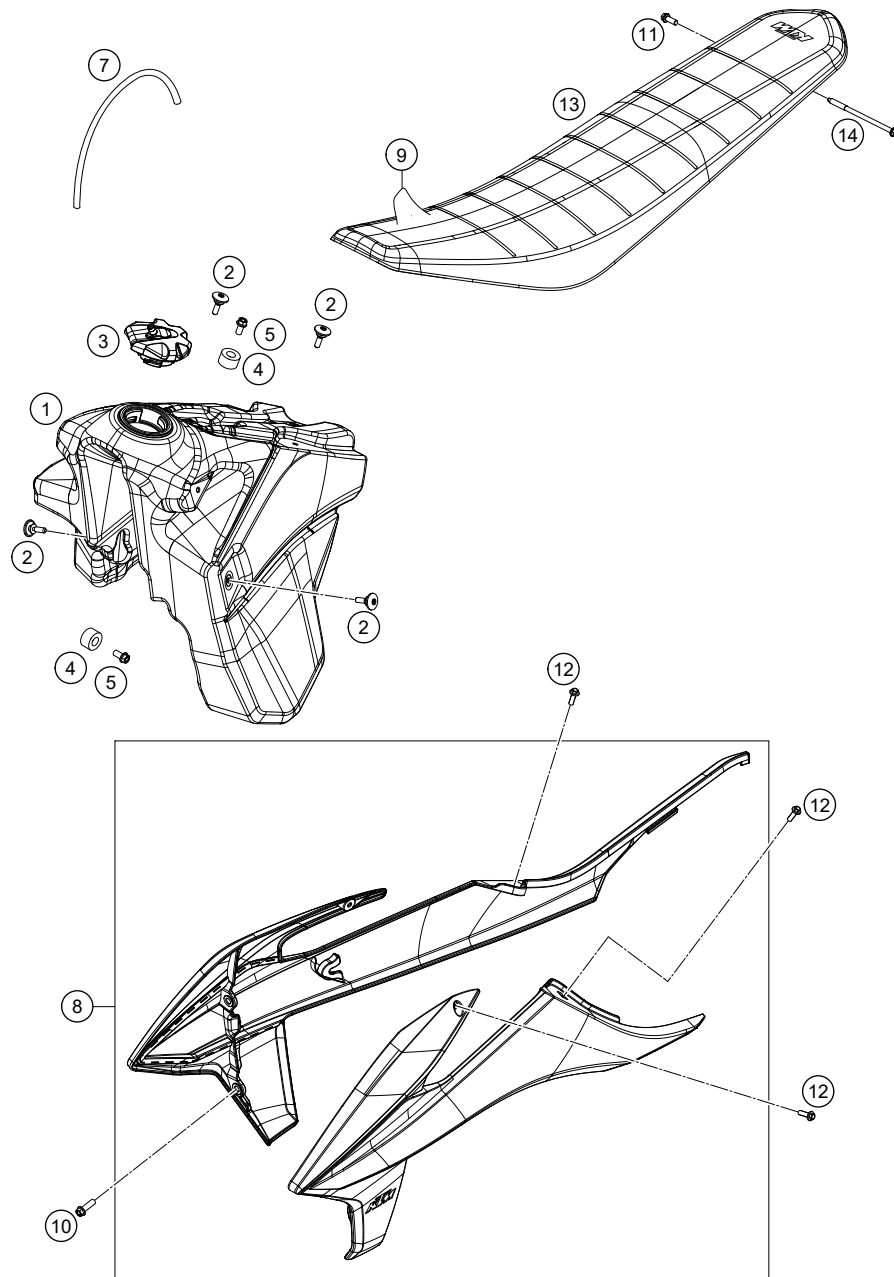


| POS | PARTNUMBER | PARTNAME | PIECE |
|-----|----------------|----------------------------------|-------|
| 1 | 79106001000BJ | Air filter box | 1 |
| 2 | 79106104000BJA | Air filter cover right | 1 |
| 3 | 79106103000BJA | Air filter cover left | 1 |
| 4 | 79106105000BJA | Air filter cover left with decal | 1 |
| 5 | 79106001010BJ | Filter box front | 1 |
| 6 | 0025060166 | HH collar screw M6x16 TX30 | 1 |
| 7 | 77308013010 | COLLAR BUSH. F.REAR FENDER 07 | 1 |
| 8 | 83008000015 | SPECIAL SCREW M6X15X3 | 1 |
| 9 | 0017060206 | SCREW F. PLASTIC K60X20AL SW6 | 3 |
| 10 | 77304066050 | chain slider bushing | 2 |
| 12 | 78006027000 | HOSE CLAMP 45-65MM | 1 |
| 13 | 79206026000 | INTAKE BELLOWS | 1 |
| 14 | 79006017000 | FILTER MOUNTING BRACKET | 1 |
| 15 | 79006016000 | AIR FILTER SUPPORT | 1 |
| 16 | 79006015000 | AIR FILTER | 1 |
| 19 | 47106003160 | quick release rubber grommet | 4 |
| 20 | 79406012050 | INTAKE THROTTLE D=16 | 1 |
| 99 | 79006010010 | SPLASH PROTECTOR KIT | 1 |

207910610

55761

* NEW PART X ON DEMAND



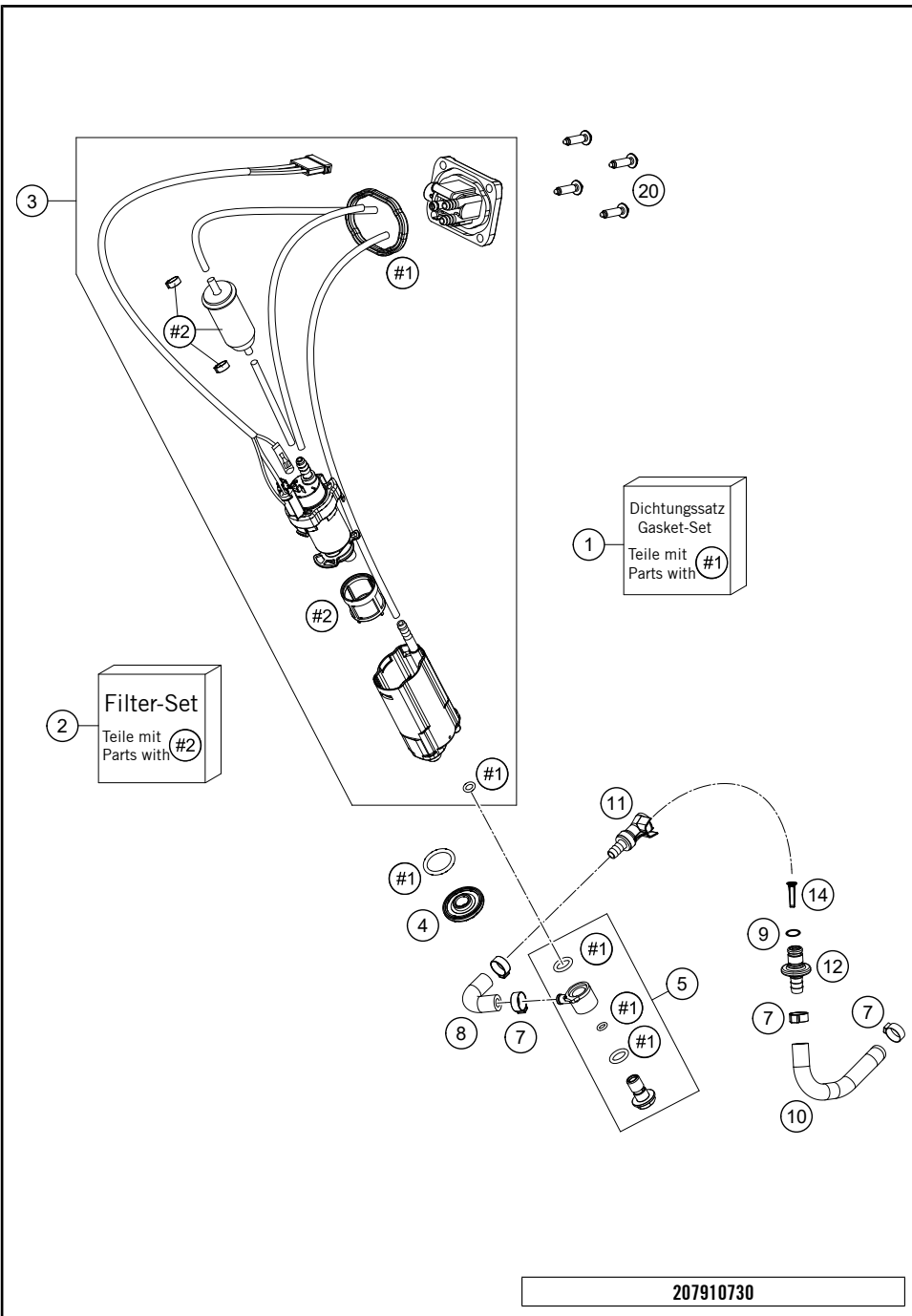
| POS | PARTNUMBER | PARTNAME | PIECE |
|-----|----------------|-------------------------------------|-------|
| 1 | 7910711300099 | Fuel tank | 1 |
| 2 | 79107011000 | Seat holder screw | 4 |
| 3 | 78107008044X4 | TANK PLUG CPL. 14 | 1 |
| 4 | 50307014000 | TANK ROLLER 12X26X12 '98 | 3 |
| 5 | 0026060136 | COLLAR SCREW M6X13 ISA30 | 3 |
| 7 | 78007000270 | PVC-HOSE 5,6X10X270MM | 1 |
| 8 | 79108154000BJA | Spoiler set Wess 2021 with decal | 1 |
| 9 | 79107040160 | Seat cover Factory 18 | 1 |
| 10 | 0025060126 | HH collar screw M6x12 TX30 | 4 |
| 11 | 0025060166 | HH collar screw M6x16 TX30 | 1 |
| 12 | 0017060206 | SCREW F. PLASTIC K60X20AL SW6 | 4 |
| 13 | 79107040100 | seat factory 18 | 1 |
| 14 | 79107040010 | Seat screw | 1 |

197910711

55762

* NEW PART

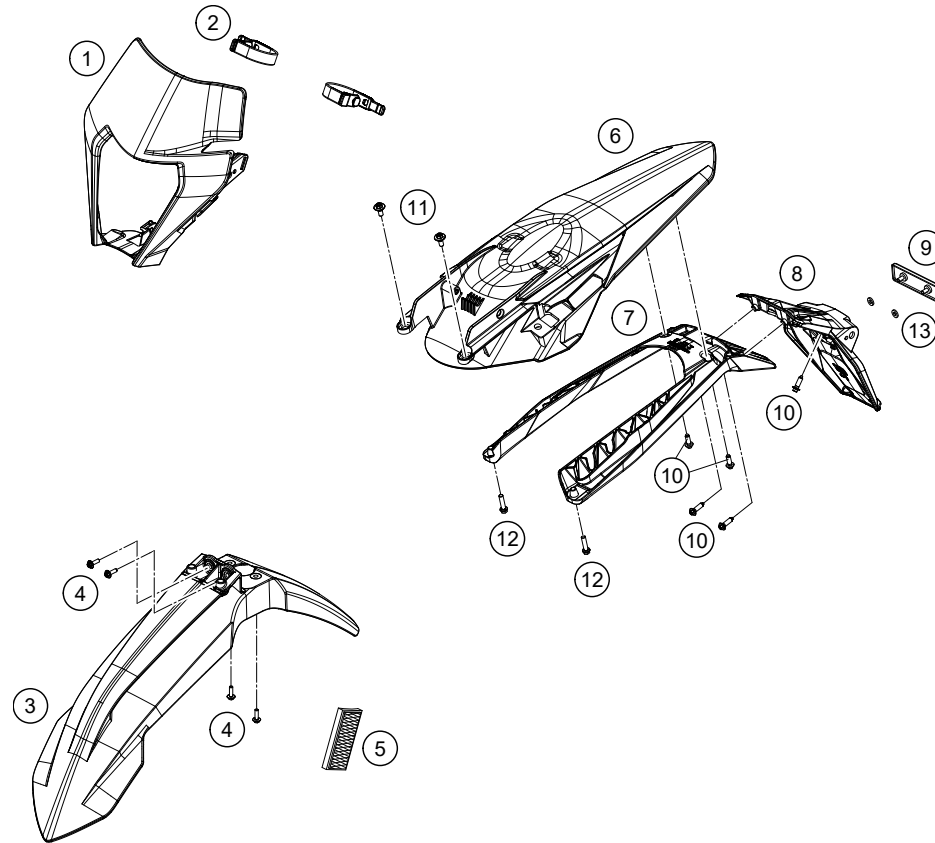
X ON DEMAND



| POS | PARTNUMBER | PARTNAME | PIECE |
|-----|---------------|-------------------------------|-------|
| 1 | 78107089100 | GASKET KIT | 1 |
| 2 | 81207090100 | FILTER KIT | 1 |
| 3 | 79707088100 | Fuel pump | 1 |
| 4 | 78107088014 | NUT F. FUEL PUMP M12 | 1 |
| 5 | 79107090044 | Fuel connection compl. | 1 |
| 7 | 00050157706 | VARIABLE ONE-EAR CLAMP 15,7MM | 4 |
| 8 | 77407116000 | FUEL HOSE TANK | 1 |
| 9 | 58507012000 | O-RING VITON F. PLUG CPC 05 | 1 |
| 10 | 79007216000 | FUEL HOSE THROTTLE BODY | 1 |
| 11 | 5850701050030 | CLUTCH CPC BLACK 05 | 1 |
| 12 | 77707010000 | CONNECTOR FUEL PUMP | 1 |
| 14 | 78141013190 | FUEL FILTER | 1 |
| 20 | 0017060255 | EJOT PT SCREW K60X25-Z SW6 | 4 |

52186

* NEW PART X ON DEMAND



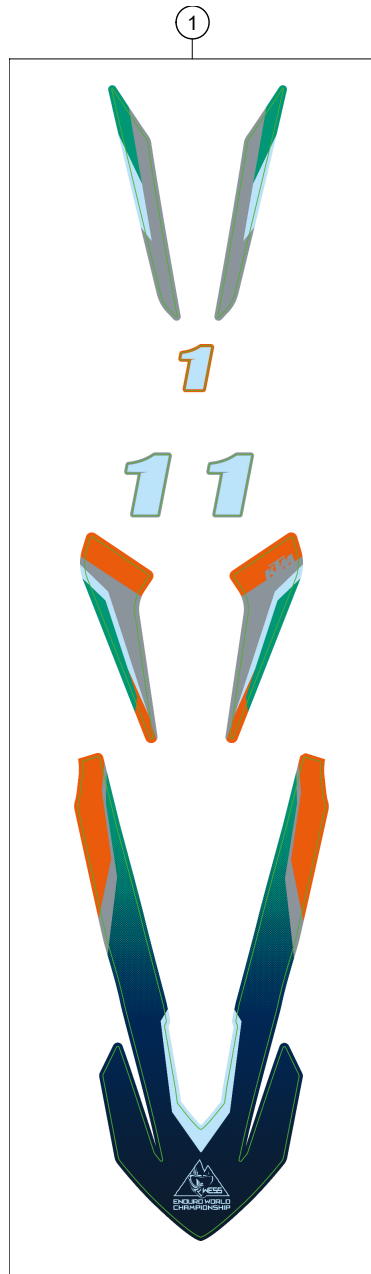
| POS | PARTNUMBER | PARTNAME | PIECE |
|-----|----------------|--------------------------------|-------|
| 1 | 79708001000EB | Headlight shroud | 1 |
| 2 | 78108003000 | MASK RUBBER | 2 |
| 3 | 79008010000EB | FRONT FENDER ORANGE 15 | 1 |
| 4 | 0025060166 | HH collar screw M6x16 TX30 | 4 |
| 5 | 58412080300 | REFLECTOR YELLOW "CEV" | 2 |
| 6 | 79708013000BJB | rear fender with decal | 1 |
| 7 | 79708015000 | License plate holder | 1 |
| 8 | 79708016000 | License plate holder extension | 1 |
| 9 | 58412080200 | reflector, red | 1 |
| 10 | 0017060205 | SCREW FOR PLASTIC K60X20 SW6 | 5 |
| 11 | 83008000015 | SPECIAL SCREW M6X15X3 | 2 |
| 12 | 0025060256S | SK-BUNDSCHRAUBE M6X25 ISA30 | 2 |
| 13 | 60408061050 | RUBBER 14X6.5X2.3MM | 2 |

207910810

55763

* NEW PART

X ON DEMAND



| POS | PARTNUMBER | PARTNAME | PIECE |
|-----|-------------|------------------------|-------|
| 1 | 79708099400 | Graphics kit Wess 2021 | 1 |

217970830

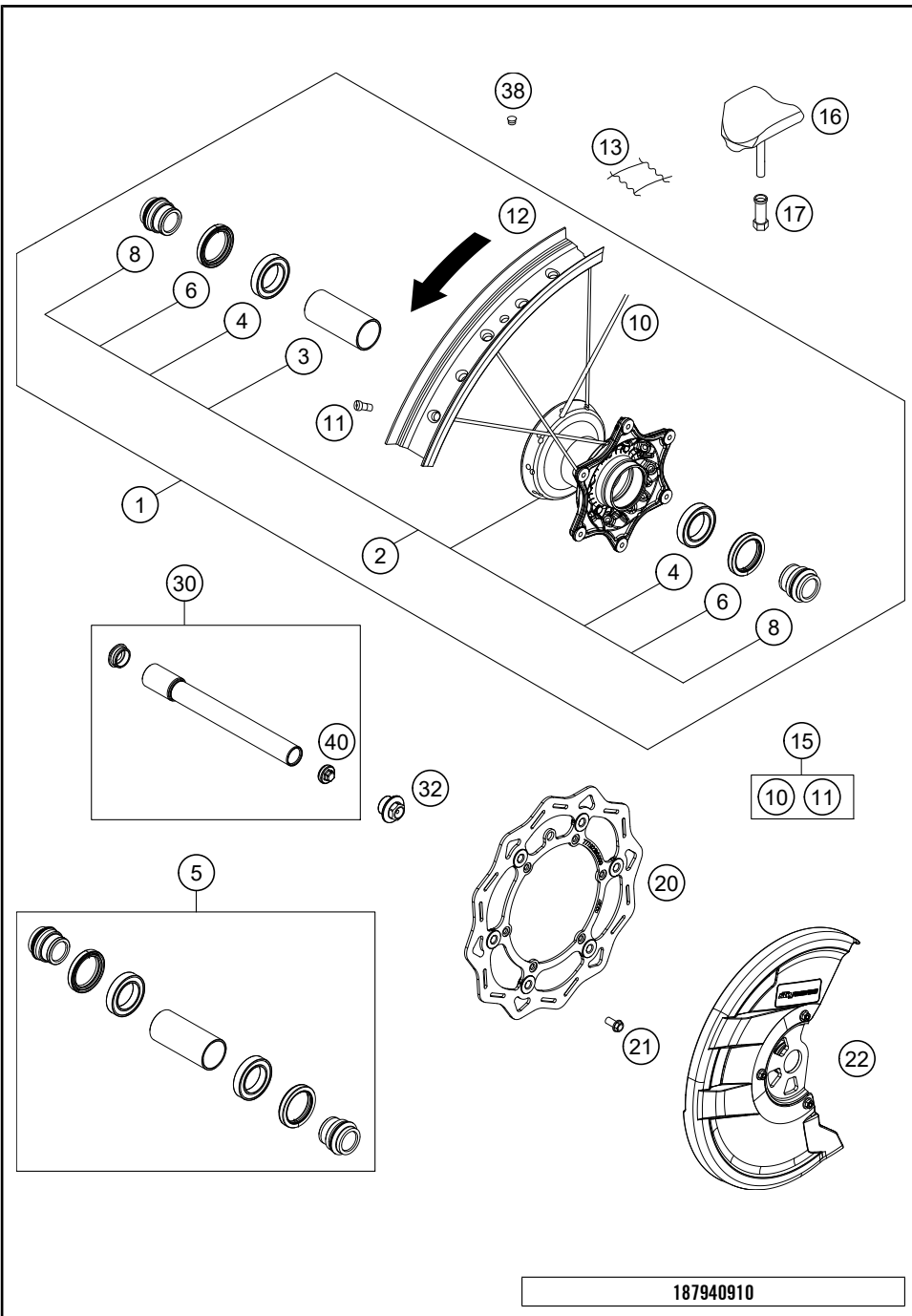
55764

* NEW PART

X ON DEMAND

FRONT WHEEL

350 EXC-F WESS 2021 EU 2021



| POS | PARTNUMBER | PARTNAME | PIECE |
|-----|----------------|---------------------------------|-------|
| 1 | 7900990114404 | Factory front wheel 21? | 1 |
| 2 | 7900991014404 | Front wheel hub compl. | 1 |
| 3 | 54809011000 | BEA.SPACERTUBE 35X2 L=79,4 03 | 1 |
| 4 | 0625069068 | GR.BALL BEAR.6906 DDU2CG23S6NM | 2 |
| 5 | 77709015000 | FRONT WHEEL REP. KIT SX-F USA | 1 |
| 6 | 0760354771 | SHAFT SEAL RING 35X47X7 TC | 2 |
| 8 | 77709012000 | SPACER BUSHING F. FR. WHEEL | 2 |
| 10 | 7900907124030 | Front spoke | 36 |
| 11 | 7910907200004S | Spoke nipple M4,5 orange | 36 |
| 12 | 8120907010030A | "front rim 1,60x21"" DID" | 1 |
| 13 | 50309073000 | RIM BAND 21" | 1 |
| 15 | 00050000986S | Spoke Kit front 21## | x |
| 16 | 78109090100 | RIM LOCK 1,60" | 1 |
| 17 | 77110090050 | NUT FOR WHEEL HOLDER | 1 |
| 20 | 77709160000 | BRAKE DISC FRONT D=260MM | 1 |
| 21 | 59009062013 | SPECIAL SCREW M6X13 WS=8 10.9 | 6 |
| 22 | 7900996100030 | BRAKE DISC GUARD CPL. | 1 |
| 30 | 79109081033 | Wheel spindle front compl, 2019 | 1 |
| 32 | 70009082000 | AXLESCREW M20X1.5 SW17 | 1 |
| 38 | 55003135000 | PLUG FOR RIM | x |
| 40 | 7770908107055 | AUXILIARY SCREW FRONT | 1 |

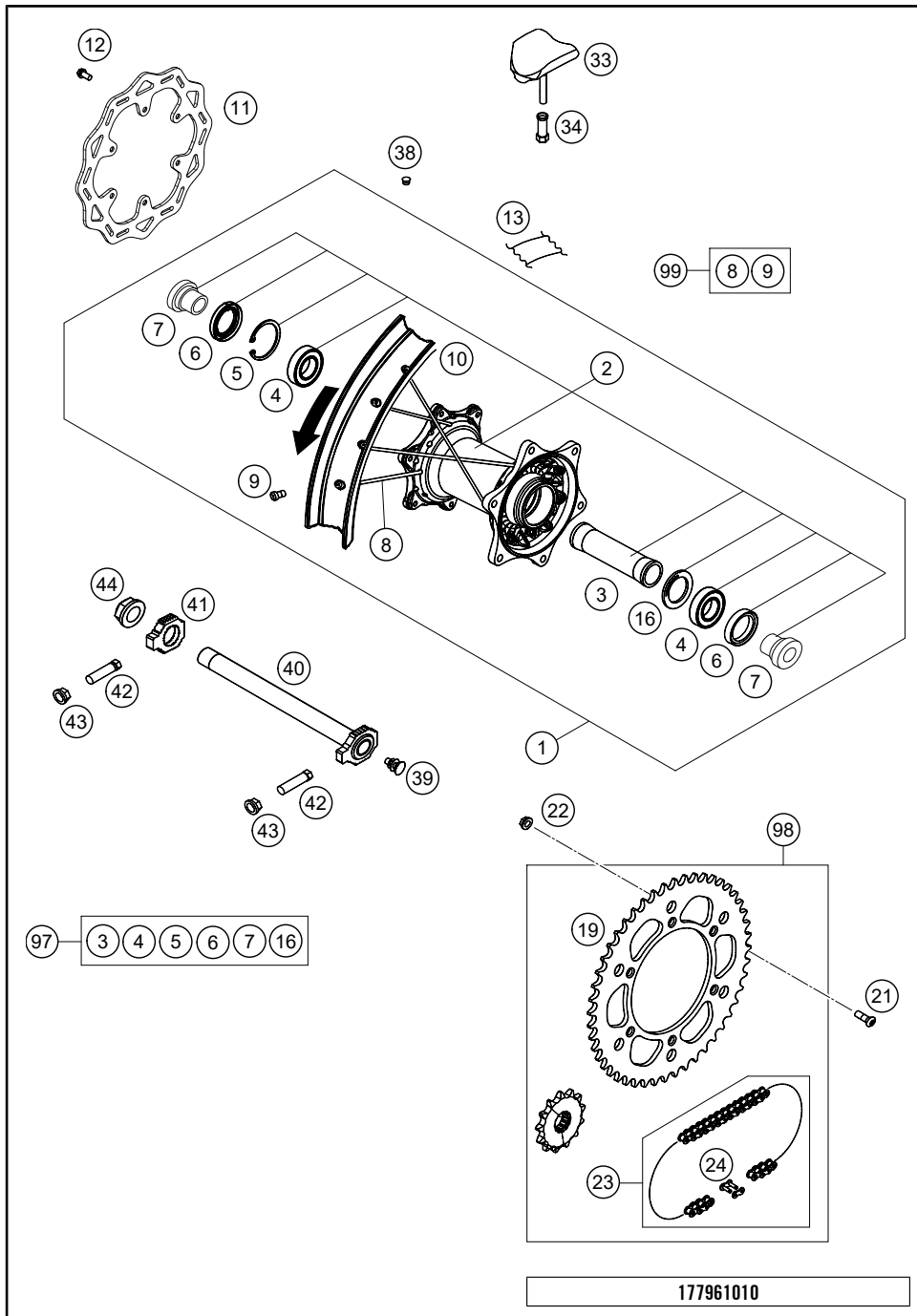
187940910

55413

* NEW PART X ON DEMAND

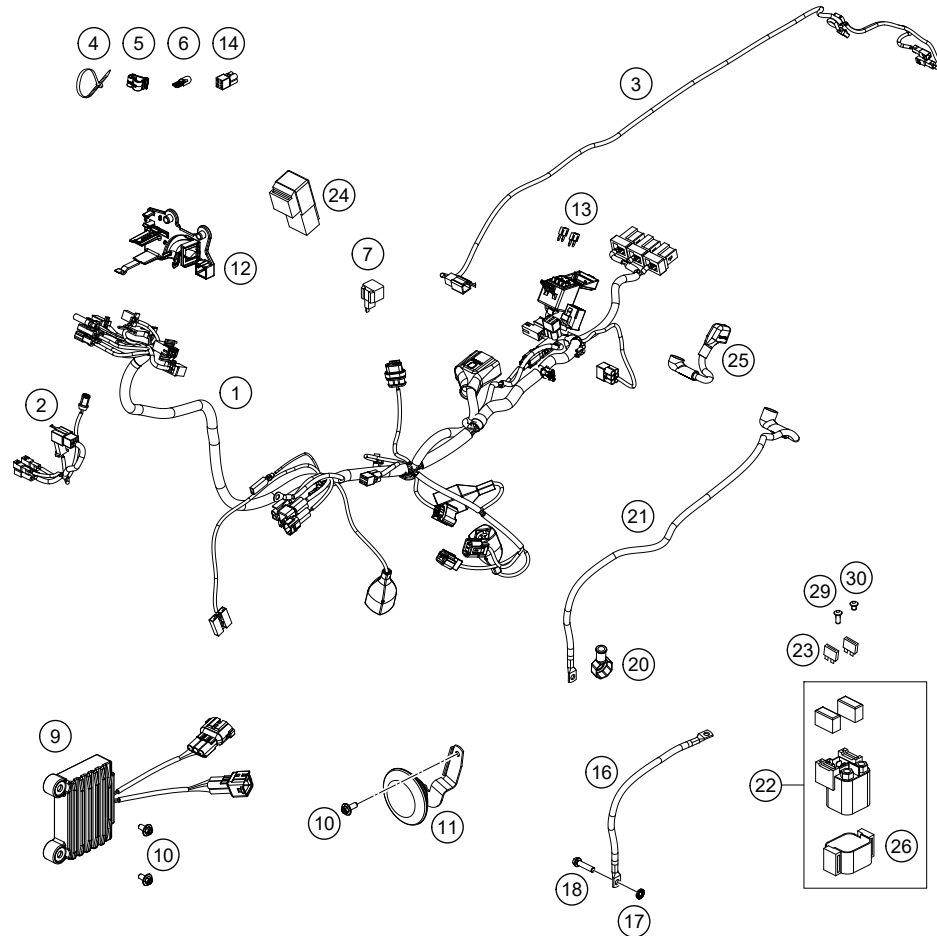
REAR WHEEL

350 EXC-F WESS 2021 EU 2021



| POS | PARTNUMBER | PARTNAME | PIECE |
|-----|----------------|--------------------------------|-------|
| 1 | 7901090214404 | Rear wheel compl. | 1 |
| 2 | 7901091034404 | rear wheel hub cpl. | 1 |
| 3 | 77710011000 | BEARING DISTANCE TUBE 121,5MM | 1 |
| 4 | 0625060058 | GR.BALL BEAR.6005 DDU2CG23S6NM | 2 |
| 5 | 0472047175 | CIRCLIP DIN0472-47X1,75 | 1 |
| 6 | 0760324771 | SHAFT SEAL RING 32X47X7 BSL | 2 |
| 7 | 78010016000 | BUSHING FOR HUB Ø8 | 2 |
| 8 | 7901007119330 | SPOKE M4,5X193-18" BLACK 16 | 36 |
| 9 | 7910907200004S | Spoke nipple M4,5 orange | 36 |
| 10 | 8121007010030A | rear rim 2,15x18" DID | 1 |
| 11 | 25010960000 | BRAKE DISC REAR D=220MM | 1 |
| 12 | 59009062013 | SPECIAL SCREW M6X13 WS=8 10.9 | 6 |
| 13 | 50310073200 | RIM BAND 18" AND 19" | 1 |
| 16 | 77710015000 | DISTANCE RING | 1 |
| 19 | 5841005104804 | REAR SPROCKET ORANGE 48-T | x |
| 19 | 5841005105004 | REAR SPROCKET ORANGE 50-T | x |
| 19 | 5841005105204 | REAR SPROCKET ORANGE 52-T | 1 |
| 21 | 0019080266S | COUNTER-SUNK SCREW ISA45 M8X26 | 6 |
| 22 | 06923080003 | hex nut EN 1661 M8 WS13 | 6 |
| 23 | 78010167118 | CHAIN DID 118 LINKS | 1 |
| 24 | 78010166000 | CONNECTING LINK F. 78010167118 | 1 |
| 33 | 78110090200 | Tyre locker 2,15" | 1 |
| 34 | 77110090050 | NUT FOR WHEEL HOLDER | 1 |
| 38 | 55003135000 | PLUG FOR RIM | x |
| 39 | 50210086000 | COVERING CAP SFL16 | x |
| 40 | 77310085044 | WHEEL SPINDLE RE. CPL.265MM Ø7 | 1 |
| 41 | 50310084000 | CHAIN TENSIONER R/S 2000 | 1 |
| 42 | 50304040100 | screw M10x1.25x50 WS10 | 2 |
| 43 | 58414030000 | HH COLLAR NUT M10X1,25 WS=13 | 2 |
| 44 | 50310099000 | HEXAGON NUT M20X1,5 '98 | 1 |
| 97 | 78010015010 | REAR WHEEL REP. KIT | x |
| 98 | 00050002083 | DRIVETRAIN KIT EXC-F SD 14/52 | x |
| 99 | 00050000994 | Spoke kit rear 18" | x |

* NEW PART X ON DEMAND



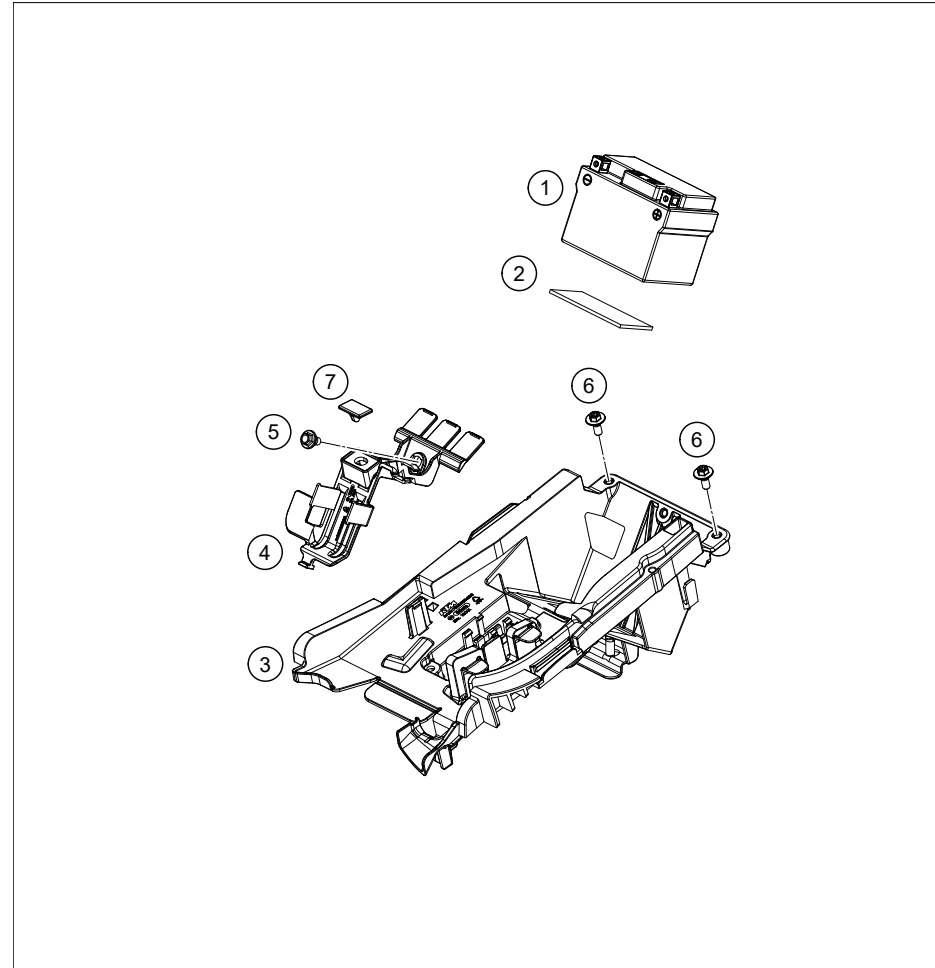
207911110

| POS | PARTNUMBER | PARTNAME | PIECE |
|-----|---------------|---------------------------------------|-------|
| 1 | 79711075000 | Main wiring harness | 1 |
| 2 | 72111080000 | Flasher harness front | 1 |
| 3 | 79711081000 | flasher harness rear | 1 |
| 4 | 44011076140 | CABLE TIE 140/2,5MM BLACK | x |
| 4 | 44011076200 | CABLE TIE 200/3,6MM BLACK | x |
| 4 | 44011076305 | CABLE TIE 300/4,8MM BLACK | x |
| 5 | 83013026000 | CABLE GUIDE | 2 |
| 6 | 49111425200 | BULB 12V 2,3W (W2X4,6D) | 1 |
| 7 | 76511030000 | FLASHER UNIT | 1 |
| 9 | 79611034000 | VOLTAGE REGULATOR | 1 |
| 10 | 0024060156 | HH collar screw M6x15 TX30 | 3 |
| 11 | 79711060033 | Horn, compl. | 1 |
| 12 | 79711083000 | Connector support | 1 |
| 13 | 75011088005 | FUSE MINI 5A | x |
| 13 | 75011088010 | FUSE 10A 07 | x |
| 14 | 000700000AN01 | Dummy plug 4-pins | 1 |
| 16 | 58411097100 | GROUND CABLE D=6MM L=140MM '97 | 1 |
| 17 | 58411098100 | CONTACT WASHER M6 VSV-K6 | 1 |
| 18 | 0025060256 | HH collar screw M6x25 TX30 | 2 |
| 20 | 77240099000 | PROTECTION CAP F. STARTER ENG. | 1 |
| 21 | 25111059000 | Starterkabel | 1 |
| 22 | 58211058000 | STARTER RELAY 12V '99 | 1 |
| 23 | 58011109120 | FUSE 20 A | 2 |
| 24 | 61111057000 | RELAY CM1A-R-12V-H80 07 | 2 |
| 25 | 25111059050 | Batteriekabel | 1 |
| 26 | 58211058050 | BRACKET RUBBER F.STARTRELAY 07 | 1 |
| 29 | 0738060167 | Oval head screw AH socket M6x16 A2-70 | 1 |
| 30 | 0902060083 | AH OVAL SCREW ISO 7380 M 6X8 | 1 |

52165

* NEW PART

X ON DEMAND



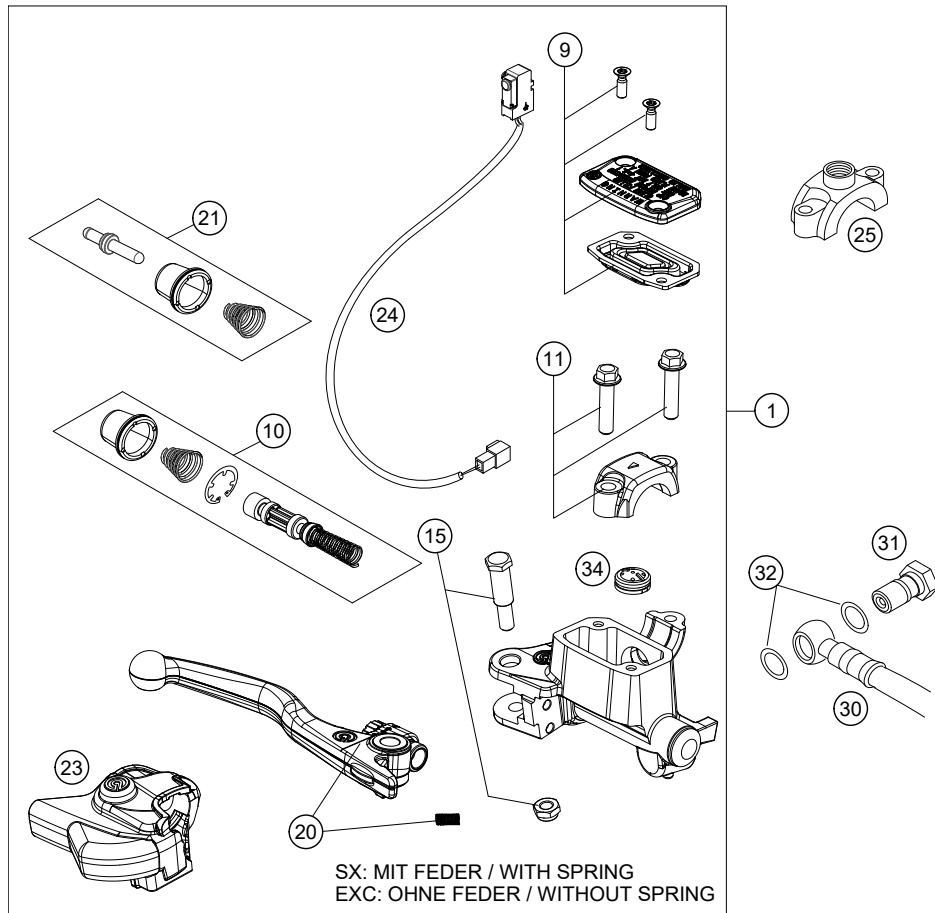
| POS | PARTNUMBER | PARTNAME | PIECE |
|-----|-------------|----------------------------|-------|
| 1 | 79111053000 | battery 12V/24Wh | 1 |
| 2 | 59003001099 | METAMOLL 90X45X3MM 03 | 1 |
| 3 | 79111055000 | Battery box | 1 |
| 4 | 79711056000 | battery support | 4 |
| 5 | 59001092050 | SPECIAL SCREW M6X12,5 WS=8 | 1 |
| 6 | 83008000015 | SPECIAL SCREW M6X15X3 | 2 |
| 7 | 77307040041 | Isolation pad | 1 |

207911130

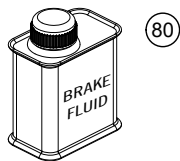
52167

* NEW PART

X ON DEMAND



| POS | PARTNUMBER | PARTNAME | PIECE |
|-----|-------------|--------------------------------|-------|
| 1 | 77713001144 | HAND BREAK CYLIND. CPL. EXC 14 | 1 |
| 9 | 77713003000 | HAND BRAKE CYL. COVER | 1 |
| 10 | 77713008100 | REPAIR KIT PISTON EXC 2014 | 1 |
| 11 | 50313005000 | CLAMP CPL. NATURE | 1 |
| 15 | 77713006000 | LEVER SCREW | 1 |
| 20 | 77713002000 | HAND BRAKE LEVER +SPRING SX 14 | 1 |
| 21 | 77713007100 | PUSH ROD CPL. EXC 2014 | 1 |
| 23 | 77713004000 | PROTECTION CAP HAND BRAKE CYL. | 1 |
| 24 | 77711050000 | BRAKE LIGHT SWITCH FRONT 2014 | 1 |
| 25 | 58012040150 | CLAMP FOR MIRROR '94 | 1 |
| 30 | 77713010000 | BRAKE PIPE | 1 |
| 31 | 54813020100 | banjo bolt M10x1x19 black | 1 |
| 32 | 0603100141 | sealing ring DIN 7603 10x14x1 | 2 |
| 34 | 54802051000 | VALVE | 1 |
| 80 | 00062030000 | BRAKE FLUID DOT5.1 0,25L | 1 |

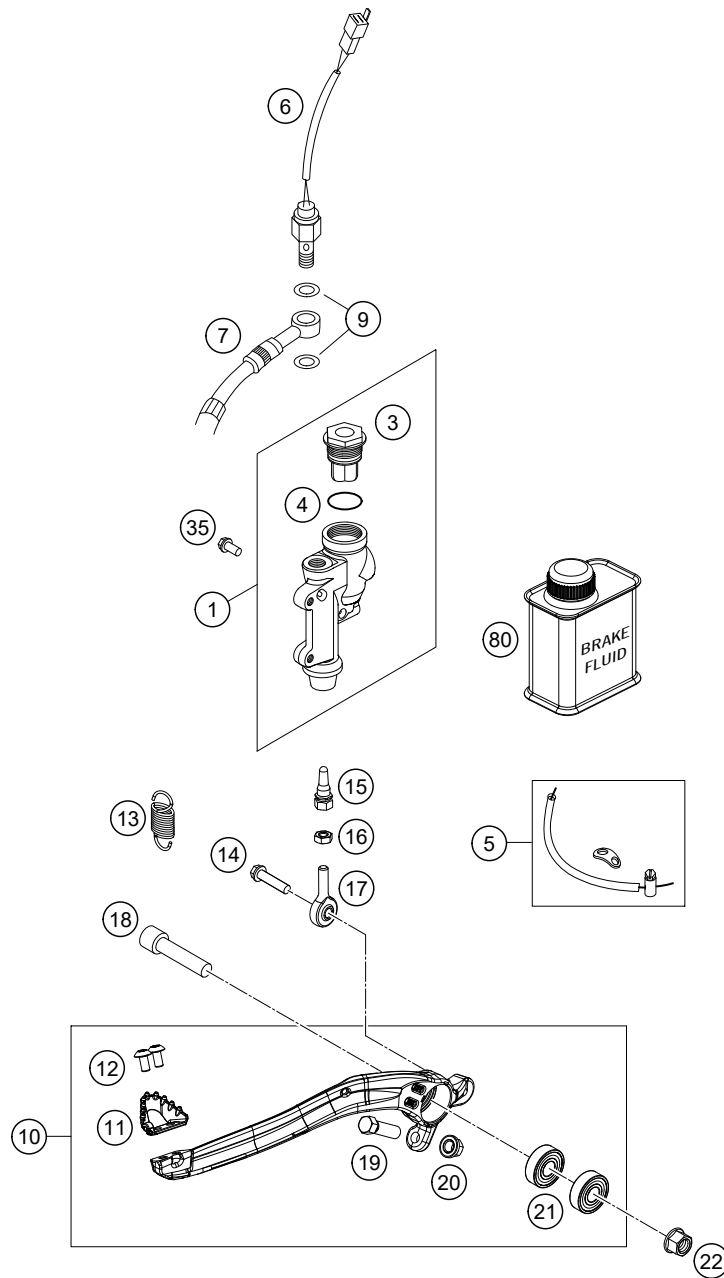


145031310

14388

* NEW PART

X ON DEMAND



| POS | PARTNUMBER | PARTNAME | PIECE |
|-----|-------------|--|-------|
| 1 | 77013060044 | REAR BRAKE CYLINDER CPL.SX 09 | 1 |
| 3 | 54813062100 | REAR BRAKE CYL. COVER CPL. 04 | 1 |
| 4 | 54813063000 | FOOT-BRAKE CYL. GASKET SX 03 | 1 |
| 5 | 54812063044 | REAR BRAKE PEDAL SAFETY WIRE | 1 |
| 6 | 50311051100 | BRAKE LIGHT SWITCH REAR '98 | 1 |
| 7 | 54813070200 | Brake hose rear 655 mm | 1 |
| 9 | 0603100141 | sealing ring DIN 7603 10x14x1 | 2 |
| 10 | 55413050044 | FOOT BRAKE LEVER CPL. | 1 |
| 11 | 55413051000 | STEP PLATE FOOT BRAKE LEVER | 1 |
| 12 | 78105081010 | SCREW TORX M5X10 | 2 |
| 13 | 79003062000 | RETURN SPRING F. BRAKE LEVER | 1 |
| 14 | 0025060206S | HH collar screw M6x20 TX30 | 1 |
| 15 | 54813056000 | PUSH ROD L=28MM 03 | 1 |
| 16 | 0934060003 | hex nut DIN 934 M6 | 1 |
| 17 | 54813055000 | SWIVEL HEAD KA6 03 | 1 |
| 18 | 0032100406S | AH-COLLAR SCREW M10X40 ISA45 | 1 |
| 19 | 59001037000 | SPECIAL SCREW M8X26 WS=10 | 1 |
| 20 | 46030045000 | flanged nut M8 WS10 | 1 |
| 21 | 0625060002 | deep groove ball bearing SKF 6000-2RS1 | 2 |
| 22 | 54630044000 | COLLAR NUT M10 WS=13 | 1 |
| 35 | 0025060126 | HH collar screw M6x12 TX30 | 2 |
| 80 | 00062030000 | BRAKE FLUID DOT5.1 0,25L | 1 |

187961330

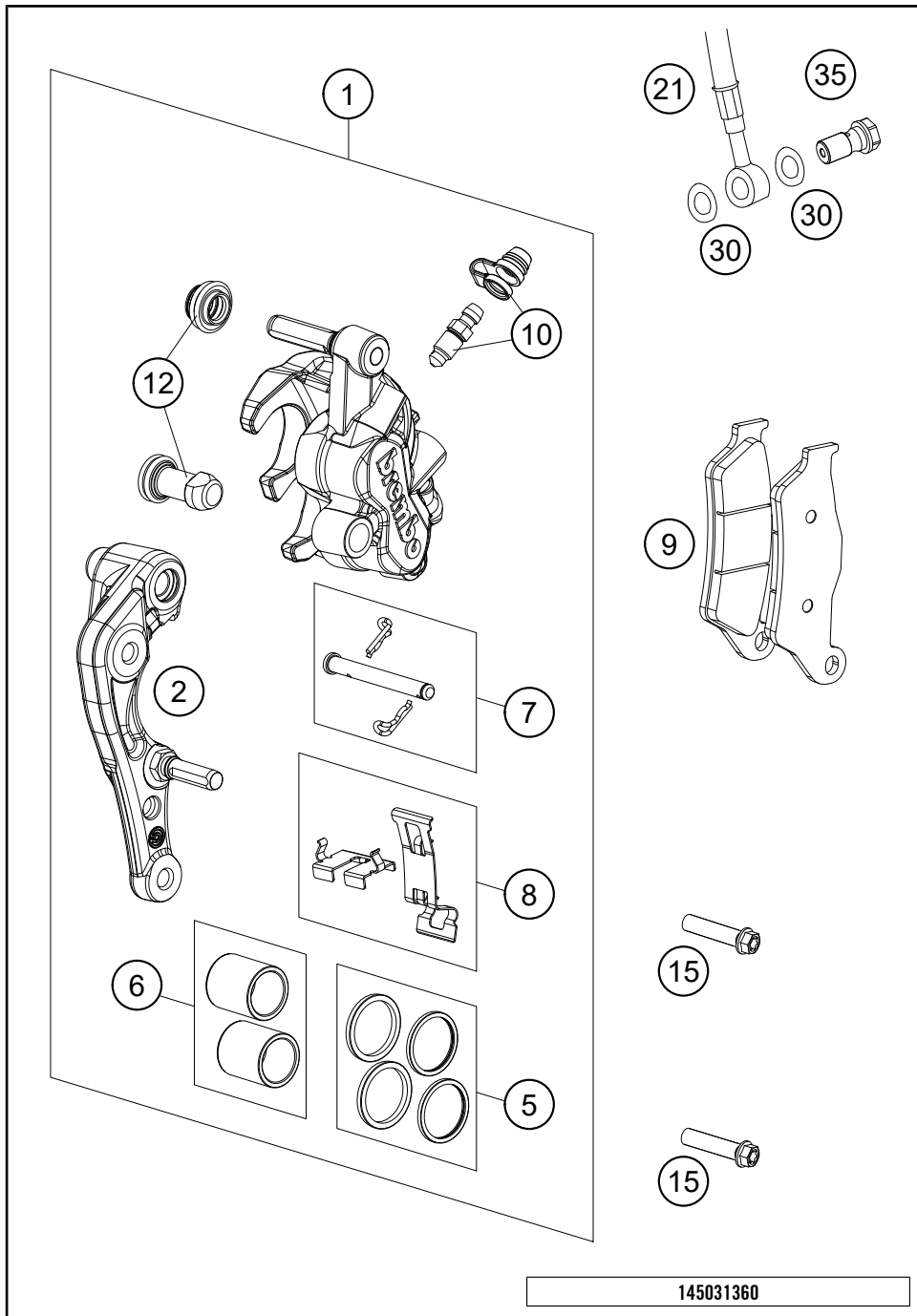
50772

* NEW PART

X ON DEMAND

FRONT BRAKE CALIPER

350 EXC-F WESS 2021 EU 2021



| POS | PARTNUMBER | PARTNAME | PIECE |
|-----|---------------|--------------------------------|-------|
| 1 | 7701301500101 | CALIPER NAT. WITHOUT PADS | 1 |
| 2 | 77013014000 | BRAKE CALIPER SUPPORT FRONT 09 | 1 |
| 5 | 77013021000 | REP. KIT SEALS 24MM | 1 |
| 6 | 77013019000 | REP. KIT PISTON 24MM | 1 |
| 7 | 77013017000 | BOLT CPL. 09 | 1 |
| 8 | 77013018000 | RETAINING PLATE SET BREMBO | 1 |
| 9 | 77713030000 | BRAKE PADS FRONT | 1 |
| 10 | 61013020100 | BLEEDER SCREW WITH CAP | 1 |
| 12 | 54613218000 | CUP SET SHORT | 1 |
| 15 | 0025080306S | HH COLLAR SCREW M8X30 TX40 | 2 |
| 21 | 77713010000 | BRAKE PIPE | 1 |
| 30 | 0603100141 | sealing ring DIN 7603 10x14x1 | 2 |
| 35 | 54813020100 | banjo bolt M10x1x19 black | 1 |

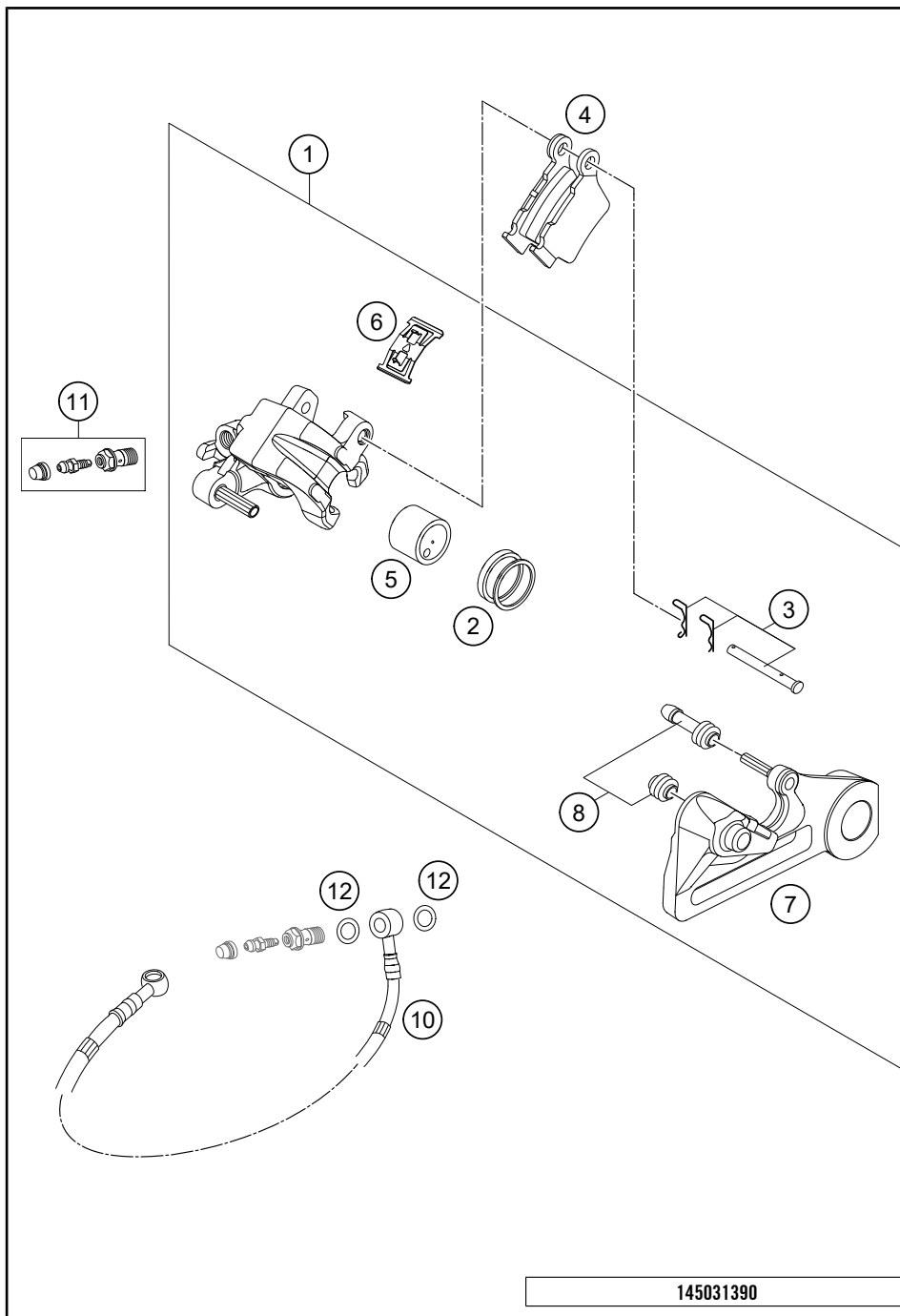
145031360

14399

* NEW PART X ON DEMAND

REAR BRAKE CALIPER

350 EXC-F WESS 2021 EU 2021



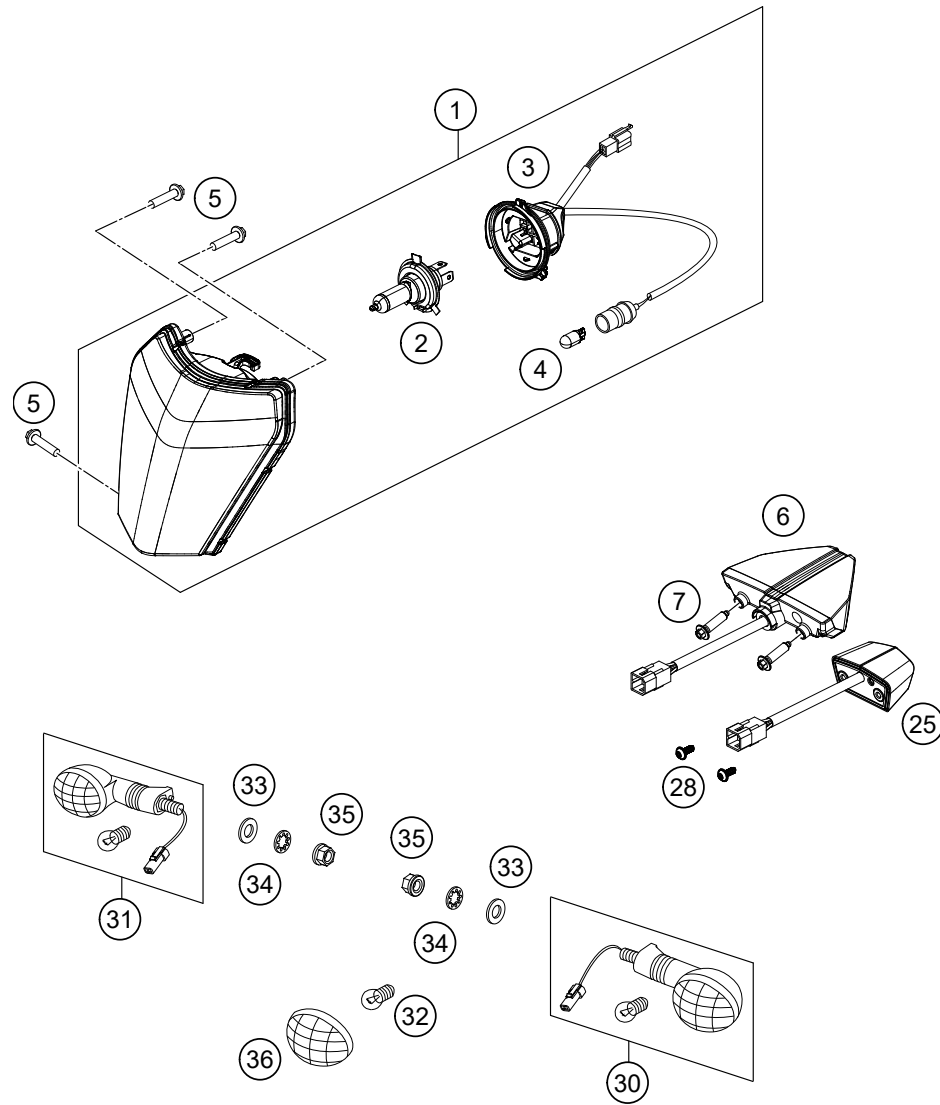
| POS | PARTNUMBER | PARTNAME | PIECE |
|-----|-------------|-------------------------------|-------|
| 1 | 79613080001 | BRAKE CALIPER REAR | 1 |
| 2 | 79013081000 | REPAIR KIT SEAL RING 24MM | 1 |
| 3 | 54813082000 | BOLT SET FOR BRAKE CALIPER 03 | 1 |
| 4 | 54813090300 | BRAKE PAD SET REAR TOYO | 1 |
| 5 | 79013083000 | BRAKE PISTON 24MM | 1 |
| 6 | 54813018000 | RETAINING SPRING SET 2003 | 1 |
| 7 | 54813075000 | BRAKE CALIPER SUPPORT REAR | 1 |
| 8 | 54613218000 | CUP SET SHORT | 1 |
| 10 | 54813070200 | Brake hose rear 655 mm | 1 |
| 11 | 62513020000 | BLEEDER SCREW CPL. 05 | 1 |
| 12 | 0603100141 | sealing ring DIN 7603 10x14x1 | 2 |

145031390

49341

* NEW PART

X ON DEMAND



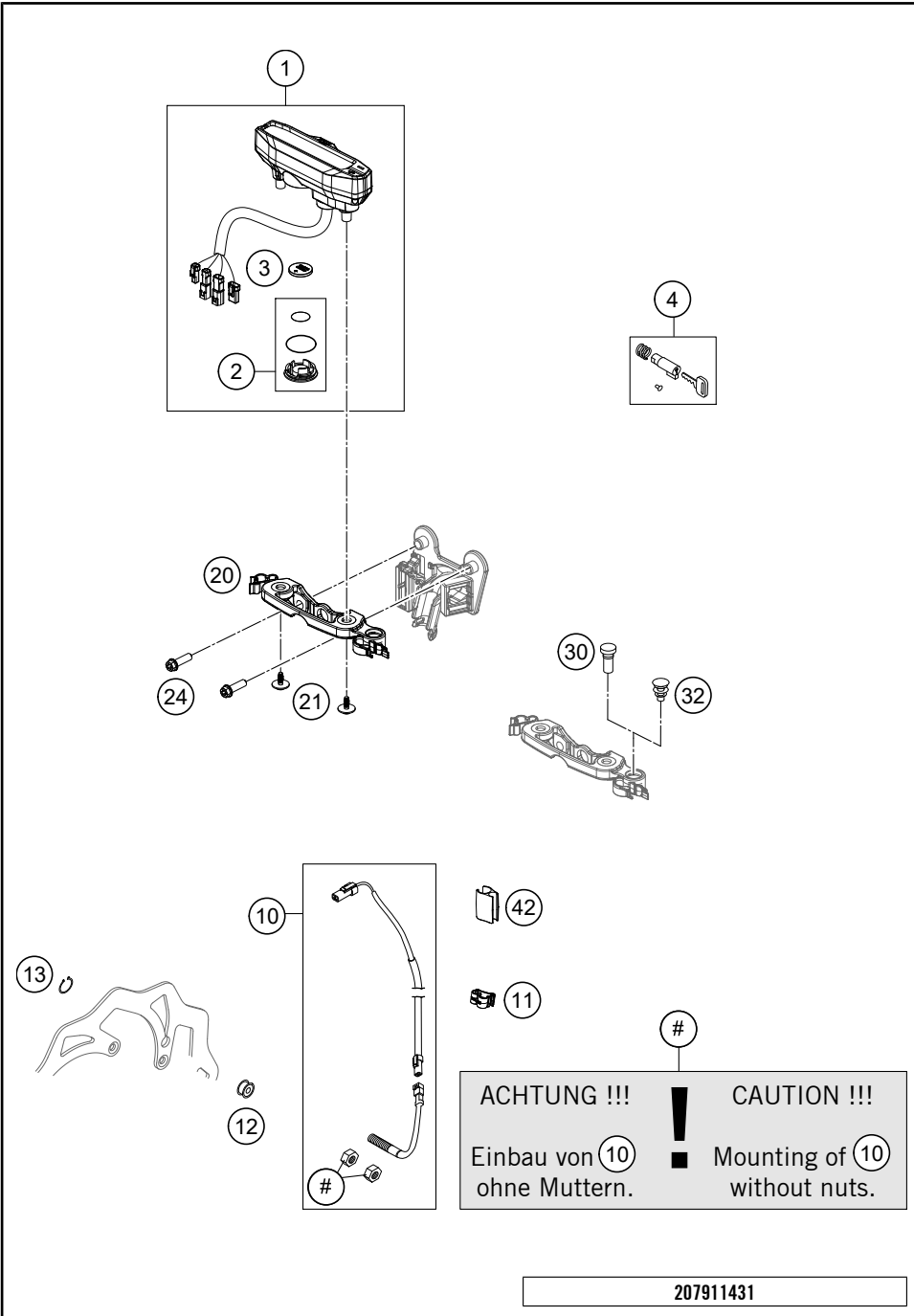
| POS | PARTNUMBER | PARTNAME | PIECE |
|-----|-------------|-------------------------------|-------|
| 1 | 78114001000 | HEAD LIGHT CPL. 2013 | 1 |
| 2 | 54611038012 | BULB HS1 12V 35/35W WHITE | 1 |
| 3 | 78114001050 | LAMP BRACKET CPL. 2014 | 1 |
| 4 | 49011435100 | BULB 12V 5W (W2,1X9,5D) PHIL. | 1 |
| 5 | 0081050181 | SCREW FOR PLASTIC K50X18 T20 | 3 |
| 6 | 79714040000 | Tail light | 1 |
| 7 | 0017060255 | EJOT PT SCREW K60X25-Z SW6 | 2 |
| 25 | 60314047000 | license plate lighting | 1 |
| 28 | 0081050121 | EJOT PT screw K50x12 | 2 |
| 30 | 54814025200 | FLASHER CPL. FR.L/S RE.R/S 09 | 2 |
| 31 | 54814026200 | FLASHER CPL. FR.R/S RE.L/S 09 | 2 |
| 32 | 44111015100 | BULB 12V 10W (BA15S) | 4 |
| 33 | 0125100003 | washer DIN 125 A 10.5 | 4 |
| 34 | 0797100003 | LOCK WASHER DIN6797-J10,5 ZI | 4 |
| 35 | 58414030000 | HH COLLAR NUT M10X1,25 WS=13 | 4 |
| 36 | 54814028000 | FLASHER LENS L/S R/S 05 | 4 |

207911410

52190

* NEW PART

X ON DEMAND



| POS | PARTNUMBER | PARTNAME | PIECE |
|-----|-------------|---|-------|
| 1 | 77714069600 | Speedometer digital km/h f. 21" REPROGRAMMABLE: KM/H - MPH | 1 |
| 2 | 77714069010 | BATTERY COVER F. SPEEDOMETER | 1 |
| 3 | 58314068000 | BATTERY F. SPEEDOM. M.A.E. 02 | 1 |
| 4 | 78003035000 | STEERING HEAD LOCK 08 | 1 |
| 10 | 54814068100 | CABLE FOR DIGITAL SPEEDOM. 06 | 1 |
| 11 | 83013026000 | CABLE GUIDE | 2 |
| 12 | 54814069050 | MAGNET FOR DIGITAL SPEEDOM. 03 | 1 |
| 13 | 0471009104 | CIRCLIP DIN0471- 9X1 INOX | 1 |
| 20 | 77714060000 | SPEEDOMETER BRACKET EXC/XCW 14 | 1 |
| 21 | 0081645121 | EJOT DELTA PT SCREW 45X12-Z | 2 |
| 24 | 0024060206 | HH collar screw M6x20 TX30 | 2 |
| 30 | 58011024300 | FLASHER INDICAT.LIGHT GREEN'98 | 1 |
| 32 | 50210086000 | COVERING CAP SFL16 | 1 |
| 42 | 54813026000 | CABLE SUPPORT 10/6MM 06 | 2 |

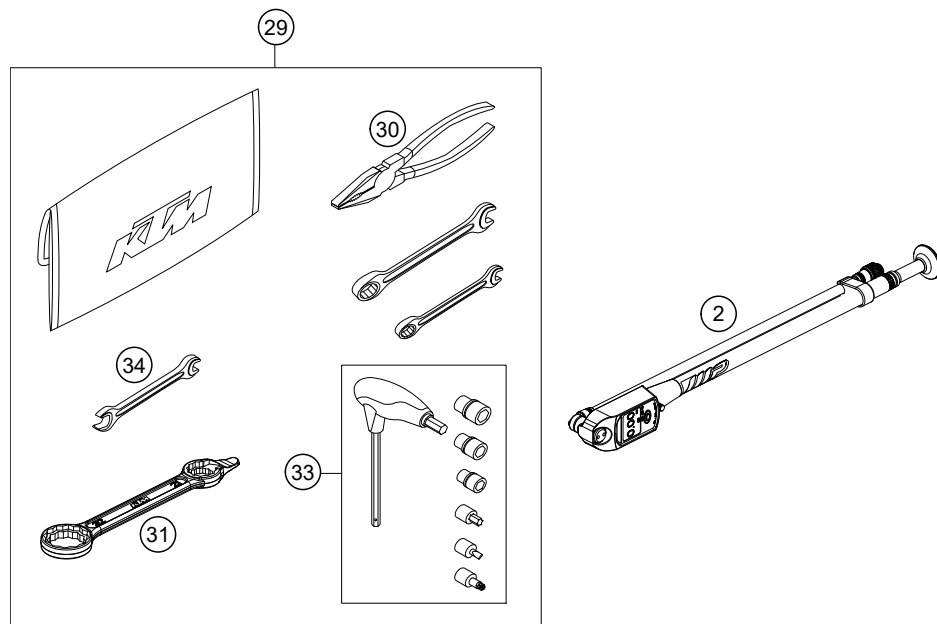
207911431

52975

* NEW PART X ON DEMAND

0
OHNE ABBILDUNG
WITHOUT ILLUSTRATION

1
TECHNISCHE DOKUMENTATION
TECHNICAL DOCUMENTATION
DOCUMENTACION TECNICA
DOCUMENTATION TECHNIQUE
NOTE TECNICHE



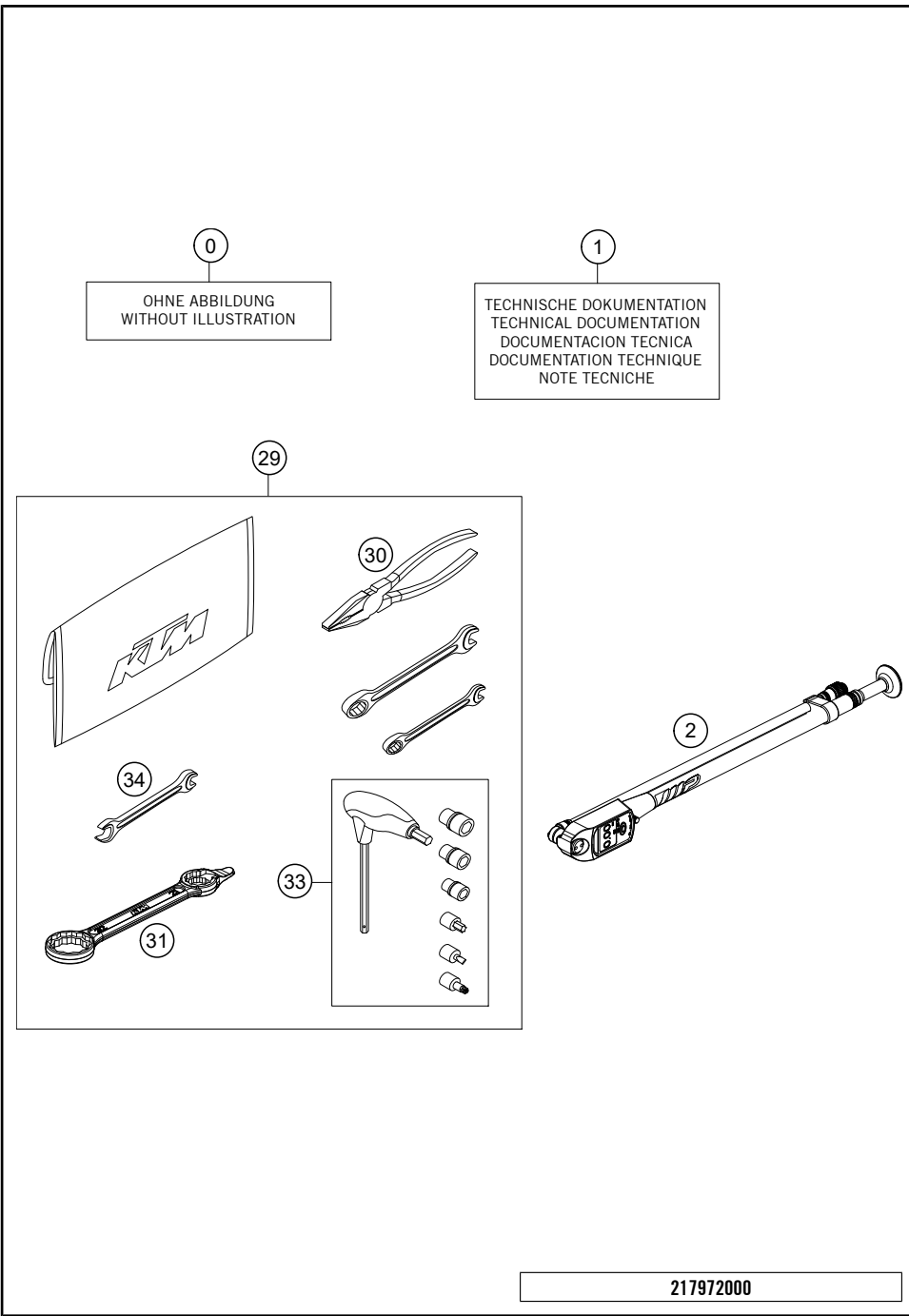
217972000

| POS | PARTNUMBER | PARTNAME | PIECE |
|-----|---------------|--|-------|
| 0 | 312313 | KTM BALLPOINT PEN ORANGE | 1 |
| 0 | 312305 | DOCUMENTS BAG 2006 | 1 |
| 0 | 3210917 | NOTEPAD | 1 |
| 0 | 79603040033 | FOOTREST-SET | 1 |
| 0 | 58411098100 | CONTACT WASHER M6 VSV-K6 | 2 |
| 0 | 0025050126 | HH collar screw M5x12 TX30 | 2 |
| 0 | 7910309400030 | Frame protection set | 1 |
| 0 | 50203098002 | Sticker "Warning Label 2" EXC | 1 |
| 0 | 58412080400 | Rear reflector red | 1 |
| 0 | 0019080206S | FLAT HEAD SCREW M. ISA45 M8X20 | 1 |
| 0 | 77405009065 | PLUG SCREW M12X1,25 WS17 | 1 |
| 0 | 58012040000 | REAR MIRROR L/S | 1 |
| 0 | 58012140000 | REAR MIRROR R/S | 1 |
| 0 | 58012040150 | CLAMP FOR MIRROR '94 | 2 |
| 0 | 77229072200 | Spark plug wrench | 1 |
| 0 | 00063004202 | PRINT LABEL 60X51 MM | 1 |
| 0 | 58412080300 | REFLECTOR YELLOW "CEV" | 2 |
| 0 | 20180189INT | Sticker accessory kit | 1 |
| 0 | 20180204INT | KTM Bypack Folder Offroad | 1 |
| 0 | 60408061050 | RUBBER 14X6.5X2.3MM | 2 |
| 0 | 00063004107 | SPIRALHÜLSEN EXC | 2 |
| 0 | 00063004108 | Bubble wrap blanks 80MY | 2 |
| 0 | 79708016000 | License plate holder extension | 1 |
| 0 | 79712099000 | Seperate enclosure for turn signal | 1 |
| 0 | 79233029013 | SPROCKET 13T | 1 |
| 0 | 79602182044EB | Handguard | 1 |
| 0 | 79602084044 | Handguard assembly kit | 1 |
| 0 | 77202002144 | BAR PAD CPL. | 1 |
| 0 | 00063004012 | HEADLIGHT MASK BOX | 1 |
| 0 | 79002014100 | CAM 4-T 39,5 MM | 1 |
| 0 | 81212016100 | WASH CAP SET | 1 |
| 0 | 000700000AN01 | Dummy plug 4-pins | 1 |
| 0 | 52000235SET | Sticker set XACT 5 AER CC 182.5x238 | 1 |
| 0 | 78141013190 | FUEL FILTER | 3 |
| 0 | 00063004204 | Self-ad. stkr. 100X200 mm, perf., art. 3 | 2 |
| 0 | 79430920044 | OIL PLUG CPL. | 1 |
| 0 | 54812063044 | REAR BRAKE PEDAL SAFETY WIRE | 1 |
| 0 | 7900996100030 | BRAKE DISC GUARD CPL. | 1 |

55768

* NEW PART

X ON DEMAND

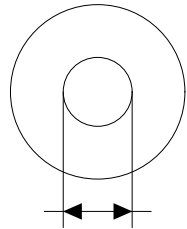


| POS | PARTNUMBER | PARTNAME | PIECE |
|-----|-------------|------------------------------------|-------|
| 0 | 79203090044 | Skid plate 250/350 cpl. | 1 |
| 0 | 79708091000 | Sticker set separate enclosure | 1 |
| 1 | 3214224EN | Owner's manual 350 EXC-F WESS 2021 | 1 |
| 2 | 79412966100 | Fork pump | 1 |
| 29 | 54829099100 | TOOL KIT 2012 | 1 |
| 30 | 53012028200 | GRIP ORANGE B&F | 1 |
| 31 | 50329080100 | WRENCH SW=17/21/27/32 B&F | 1 |
| 33 | 60029070300 | T-WRENCH WS=6/8/10/TX45/SK4X1 | 1 |
| 34 | 50329072000 | SPOKE-SPANNER WS 7/10 | 1 |

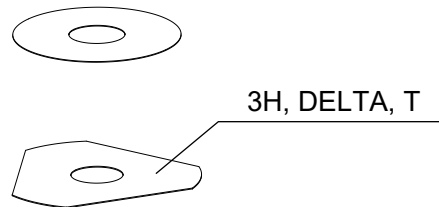
217972000

55768

* NEW PART X ON DEMAND



- ⑤ Ø 5 mm
- ⑥ Ø 6 mm
- ⑧ Ø 8 mm
- ⑩ Ø 10 mm
- ⑫ Ø 12 mm
- ⑭ Ø 14-14,5 mm
- ⑯ Ø 16 mm
- ⑳ Ø 20 mm
- ㉑ Ø 21 mm
- ㉒ Ø 22 mm
- ㉓ Ø 23 mm
- ㉔ Ø 24,5 mm
- ㉘ Ø 28,25-28,5 mm
- ㉚ Ø 32 mm
- ㉜ Ø 52 mm



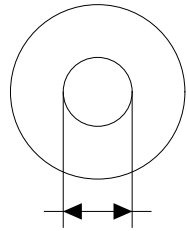
| POS | PARTNUMBER | PARTNAME | PIECE |
|-----|------------|----------------------|-------|
| 5 | 44906890 | WASHER 5X15X2 | X |
| 6 | 40540400 | Shim 6x12x0,10 | X |
| 6 | 40540401 | Shim 6x14x0,10 | X |
| 6 | 40540402 | Shim 6x16x0,10 | X |
| 6 | 40540403 | Shim 6x18x0,10 | X |
| 6 | 40540404 | Shim 6x12x0,15 | X |
| 6 | 40540405 | Shim 6x14x0,15 | X |
| 6 | 40540406 | Shim 6x16x0,15 | X |
| 6 | 40540407 | SHIM 6X18X0,15 | X |
| 6 | 40540408 | Shim 6x12x0,20 | X |
| 6 | 40540409 | Shim 6x14x0,20 | X |
| 6 | 40540410 | Shim 6x16x0,20 | X |
| 6 | 40540411 | Shim 6x18x0,20 | X |
| 6 | 48600095 | SHIM 6X20X0,20 | X |
| 6 | 40540412 | Shim 6x12x0,25 | X |
| 6 | 40540413 | Shim 6x14x0,25 | X |
| 6 | 40540414 | Shim 6x16x0,25 | X |
| 6 | 40540415 | Shim 6x18x0,25 | X |
| 6 | 40540417 | SHIM 6X8,5X0,10 | X |
| 6 | 40540418 | SHIM 6X9X0,10 | X |
| 6 | 40540419 | SHIM 6X9,5X0,10 | X |
| 6 | 40540423 | SHIM 6X9,5X0,15 | X |
| 6 | 40540425 | SHIM 6X8,5X0,20 | X |
| 6 | 40540426 | SHIM 6X9X0,20 | X |
| 6 | 40540427 | SHIM 6X9,5X0,20 | X |
| 6 | 40540447 | Shim 6x10x0,30 | X |
| 6 | 40540449 | Shim 6x9x0,30 | X |
| 6 | 40540450 | Shim 6x9,5x0,30 | X |
| 6 | 40540494 | Shim 6x18x0,40 | X |
| 6 | 40540774 | Shim 6x18x0,10 delta | X |
| 6 | 40541383 | Shim 6X11X0,10 | X |
| 6 | 40541391 | Shim 6x11x0,30 | X |
| 6 | 40541402 | Shim 6x11x0,20 | X |
| 6 | 40541403 | SHIM 6X10X0,20 | X |
| 6 | 40541404 | Shim 6x10x0,10 | X |
| 6 | 40541405 | Shim 6x10x0,15 | X |
| 6 | 40541406 | SHIM 6X11X0,15 | X |
| 6 | 40541408 | SHIM 6X8,0X0,30 | X |

080000190

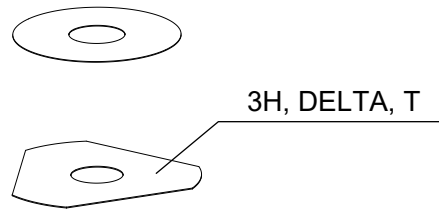
4668

* NEW PART

X ON DEMAND



- ⑤ Ø 5 mm
- ⑥ Ø 6 mm
- ⑧ Ø 8 mm
- ⑩ Ø 10 mm
- ⑫ Ø 12 mm
- ⑭ Ø 14-14,5 mm
- ⑯ Ø 16 mm
- ⑳ Ø 20 mm
- ㉑ Ø 21 mm
- ㉒ Ø 22 mm
- ㉓ Ø 23 mm
- ㉔ Ø 24,5 mm
- ㉘ Ø 28,25-28,5 mm
- ㉚ Ø 32 mm
- ㉜ Ø 52 mm



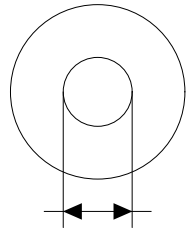
| POS | PARTNUMBER | PARTNAME | PIECE |
|-----|------------|----------------------|-------|
| 6 | 40541414 | Shim 6x8x0,1 | X |
| 6 | 40541416 | SHIM 6X8X0,3 | X |
| 6 | 40541417 | SHIM 6X11X0,25 | X |
| 6 | 48600102 | SHIM 6X24X0,25 | X |
| 6 | 48600063 | Shim 6x24x0,10 | X |
| 6 | 48600064 | Shim 6x22x0,10 | X |
| 6 | 48600065 | Shim 6x20x0,10 | X |
| 6 | 48600069 | Shim 6x20x0,15 | X |
| 6 | 48600100 | Shim 6x24x0,15 | X |
| 6 | 48600116 | Shim 6x24x0,10 delta | X |
| 6 | 48600139 | Shim 6x22x0,1 delta | X |
| 6 | 48600217 | Shim 6x10x0,25 | X |
| 6 | 48600325 | Shim 6x13x0,10 | X |
| 6 | 48600327 | SHIM 6X15X0,1 | X |
| 6 | 48600329 | Shim 6x17x0,10 | X |
| 6 | 48600331 | Shim 6x19x0,10 | X |
| 6 | 48600096 | Shim 6x20x0,25 | X |
| 6 | 48600097 | Shim 6x22x0,15 | X |
| 6 | 48600099 | Shim 6x22x0,25 | X |
| 6 | 40540448 | Shim 6x8,5x0,30 | X |
| 6 | 48600479 | Shim 6x20x0,10 DELTA | X |
| 6 | 48600332 | SHIM 6X21X0,1 | X |
| 6 | 48600333 | SHIM 6X23X0,1 | X |
| 6 | 40541393 | Shim 6x12x0,30 | X |
| 6 | 48600330 | SHIM 6X17X0,15 | X |
| 6 | 48600988 | Shim 6x28x0,10 | X |
| 6 | 48600989 | Shim 6x26x0,10 | X |
| 6 | 48601091 | Shim 6x28x0,15 | X |
| 6 | 48601093 | Shim 6x26x0,15 | X |
| 6 | 48600328 | Shim 6x15x0,15 | X |
| 6 | 48600326 | Shim 6x13x0,15 | X |
| 6 | 48601548 | Shim 6x17x1,5 | X |
| 6 | 48601693 | Washer 6x18x3 | X |
| 6 | 48600098 | Shim 6x22x0,20 | X |
| 6 | 48601300 | Washer 6x25x1,5 | X |
| 6 | 48601692 | Shim 6x30x0,15 | X |
| 6 | 48601550 | Shim 6x30x0,10 | X |
| 6 | 40541392 | Shim 6x8x0,2 | X |

080000190

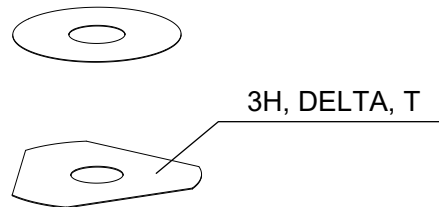
4668

* NEW PART

X ON DEMAND



- ⑤ Ø 5 mm
- ⑥ Ø 6 mm
- ⑧ Ø 8 mm
- ⑩ Ø 10 mm
- ⑫ Ø 12 mm
- ⑭ Ø 14-14,5 mm
- ⑯ Ø 16 mm
- ⑳ Ø 20 mm
- ㉑ Ø 21 mm
- ㉒ Ø 22 mm
- ㉓ Ø 23 mm
- ㉔ Ø 24,5 mm
- ㉘ Ø 28,25-28,5 mm
- ㉚ Ø 32 mm
- ㉜ Ø 52 mm



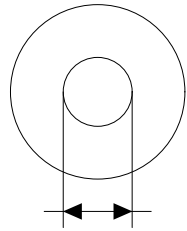
| POS | PARTNUMBER | PARTNAME | PIECE |
|-----|-----------------|-----------------------------|-------|
| 6 | 48601917 | Washer 6x25x4 | X |
| 6 | 48601916 | Washer 6x18x4 | X |
| 6 | 40540399 | Shim 6x16x0,30 | X |
| 6 | 48601584 | Shim 6x30x0,4 spring shim | X |
| 6 | 48601459 | Washer check valve 6x31x0,4 | X |
| 6 | 48601849 | Check valve plate 2,5mm hub | X |
| 6 | 48600101 | SHIM 6X24X0,20 | X |
| 6 | 48601094 | Shim 6x26x0,20 | X |
| 6 | 40540422 | Shim 6X9X0,15 | X |
| 6 | 48601841 | Washer check valve 6x31x0,4 | X |
| 6 | 48601850 | Shim 6x30x0,4 spring shim | X |
| 6 | 48601092 | Shim 6x28x0,20 | X |
| 6 | 48601264 | Shim 6x25x0,10 | X |
| 6 | 48600967 | Shim 6x20x0,2 DELTA | X |
| 6 | 48601847 | Washer 6x25x1,5 | X |
| 6 | 48601707 | Sinus shim plate 6X30 | X |
| 6 | S64060000400000 | Shim 6x14x0,3 | X |
| 6 | S64060000500000 | Shim 6x13x0,25 | X |
| 6 | S64060000600000 | Shim 6x17x0,2 | X |
| 8 | 40540477 | Shim 8x18x0,40 | X |
| 8 | 43570120 | Shim 8x18x0,10 | X |
| 8 | 44916098 | WASHER 8,4X16X0,8 | X |
| 8 | 44916130 | WASHER 8,2X15X1 | X |
| 8 | 44916180 | WASHER 8,2X11X1 | X |
| 8 | 48600214 | Shim 8x16x0,10 | X |
| 8 | 48600385 | SHIM 8x14x0,25 | X |
| 8 | 48600346 | Shim 8x11x0,20 | X |
| 8 | 48600215 | Shim 8x20x0,10 | X |
| 8 | 48600485 | SHIM 8X10X0,10 | X |
| 8 | 48601402 | SHIM 8X13X0,10 | X |
| 8 | 48600350 | Shim 8x16x0,15 | X |
| 8 | 48600061 | Shim 8x24x0,40 | X |
| 8 | 48600062 | CHECK VALVE 8X24X0,1 | X |
| 8 | 48600216 | Shim 8x22x0,10 | X |
| 8 | 48600480 | Shim 8x10x0,20 | X |
| 8 | 48600555 | SHIM 8X16X0,20 | X |
| 8 | 48600213 | SHIM 8X14X0,10 | X |
| 8 | 48600357 | Shim 8x11x0,10 | X |

080000190

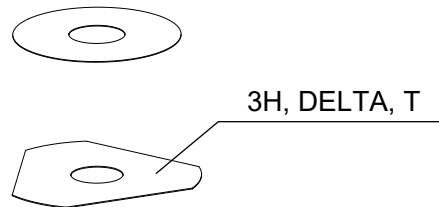
4668

* NEW PART

X ON DEMAND



- ⑤ Ø 5 mm
- ⑥ Ø 6 mm
- ⑧ Ø 8 mm
- ⑩ Ø 10 mm
- ⑫ Ø 12 mm
- ⑭ Ø 14-14,5 mm
- ⑯ Ø 16 mm
- ⑳ Ø 20 mm
- ㉑ Ø 21 mm
- ㉒ Ø 22 mm
- ㉓ Ø 23 mm
- ㉔ Ø 24,5 mm
- ㉘ Ø 28,25-28,5 mm
- ㉚ Ø 32 mm
- ㉜ Ø 52 mm



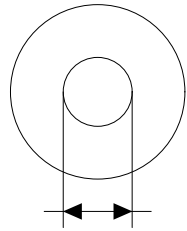
| POS | PARTNUMBER | PARTNAME | PIECE |
|-----|------------|----------------------|-------|
| 8 | 48600351 | Shim 8x12x0,10 | X |
| 8 | 48600607 | Shim 8x20x0,40 | X |
| 8 | 48601095 | Shim 8x17x0,10 | X |
| 8 | 48600352 | CHECK VALVE 8X11X0,4 | X |
| 8 | 48601860 | Washer 8x11x0,15 | X |
| 8 | 48601266 | Shim 8x26x0,40 | X |
| 8 | 46180640 | Shim 8x16x0,3 | X |
| 8 | 43578166 | Washer 8x20x1 | X |
| 8 | 48601113 | Shim 8x15x0,1 | X |
| 8 | 48600218 | Shim 8X11X0,40 | X |
| 8 | 48600964 | Shim 8x20x0,15 | X |
| 8 | 89080008 | Shim 8x30x0,10 | X |
| 8 | 48601859 | Shim 8x10x0,15 | X |
| 8 | 48601863 | Shim 8x14x0,15 | X |
| 8 | 89080001 | Shim 8x18x0,15 | X |
| 8 | 89080002 | Shim 8x22x0,15 | X |
| 8 | 89080003 | Shim 8x24x0,15 | X |
| 8 | 89080005 | Shim 8x26x0,15 | X |
| 8 | 89080007 | Shim 8x28x0,15 | X |
| 8 | 89080009 | Shim 8x30x0,15 | X |
| 8 | 48600386 | Shim 8X12X0,25 | X |
| 8 | 48601862 | Shim 8x13x0,15 | X |
| 8 | 89080004 | Shim 8x26x0,10 | X |
| 8 | 89080006 | Shim 8x28x0,10 | X |
| 10 | 36120284 | SHIM 10X16X0,10 | X |
| 10 | 36120298 | SHIM 10X16X0,2 | X |
| 10 | 36120312 | SHIM 10X16X0,30 | X |
| 10 | 36120314 | SHIM 10X18X0,30 | X |
| 10 | 36120325 | SHIM 10X19X0,15 | X |
| 10 | 36120327 | SHIM 10X23X0,15 | X |
| 10 | 36120328 | SHIM 10X25X0,15 | X |
| 10 | 36120329 | SHIM 10X27X0,15 | X |
| 10 | 36120330 | SHIM 10X29X0,15 | X |
| 10 | 36120331 | SHIM 10X31X0,15 | X |
| 10 | 36120332 | SHIM 10X33X0,15 | X |
| 10 | 36120334 | SHIM 10X21X0,20 | X |
| 10 | 36120335 | SHIM 10X23X0,20 | X |
| 10 | 36120336 | SHIM 10X25X0,20 | X |

080000190

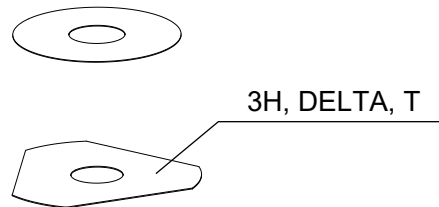
4668

* NEW PART

X ON DEMAND



- ⑤ Ø 5 mm
- ⑥ Ø 6 mm
- ⑧ Ø 8 mm
- ⑩ Ø 10 mm
- ⑫ Ø 12 mm
- ⑭ Ø 14-14,5 mm
- ⑯ Ø 16 mm
- ⑳ Ø 20 mm
- ㉑ Ø 21 mm
- ㉒ Ø 22 mm
- ㉓ Ø 23 mm
- ㉔ Ø 24,5 mm
- ㉘ Ø 28,25-28,5 mm
- ㉚ Ø 32 mm
- ㉜ Ø 52 mm



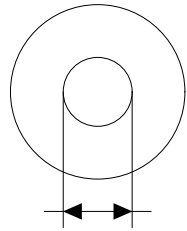
| POS | PARTNUMBER | PARTNAME | PIECE |
|-----|------------|-------------------|-------|
| 10 | 36120337 | SHIM 10X27X0,20 | X |
| 10 | 36120338 | SHIM 10X29X0,20 | X |
| 10 | 36120339 | SHIM 10X31X0,20 | X |
| 10 | 36120340 | SHIM 10X33X0,20 | X |
| 10 | 36120342 | SHIM 10X21X0,25 | X |
| 10 | 36120343 | SHIM 10X23X0,25 | X |
| 10 | 36120344 | SHIM 10X25X0,25 | X |
| 10 | 36120345 | SHIM 10X27X0,25 | X |
| 10 | 36120349 | SHIM 10X19X0,30 | X |
| 10 | 36120350 | SHIM 10X21X0,30 | X |
| 10 | 36120313 | SHIM 10X17X0,30 | X |
| 10 | 36120354 | SHIM 10X29X0,30 | X |
| 10 | 40140275 | WASHER 10X35X0,15 | X |
| 10 | 48601708 | Shim 10x30x0,40 | X |
| 10 | 36120346 | SHIM 10X29X0,25 | X |
| 10 | 36120355 | SHIM 10X31X0,30 | X |
| 10 | 36120348 | SHIM 10X33X0,25 | X |
| 10 | 36120311 | SHIM 10X15X0,30 | X |
| 10 | 36120292 | SHIM 10X17X0,15 | X |
| 10 | 36120326 | SHIM 10X21X0,15 | X |
| 10 | 36120286 | SHIM 10X18X0,10 | X |
| 10 | 36120347 | SHIM 10X31X0,25 | X |
| 10 | 36120333 | SHIM 10X19X0,20 | X |
| 10 | 36120351 | SHIM 10X23X0,30 | X |
| 10 | 36120352 | SHIM 10X25X0,30 | X |
| 10 | 36120353 | SHIM 10X27X0,30 | X |
| 10 | 36120356 | SHIM 10X33X0,30 | X |
| 10 | 50180395 | Washer 10x16x1 | X |
| 10 | 36120604 | Washer 10x22x2,5 | X |
| 10 | 36120299 | SHIM 10X17X0,20 | X |
| 12 | 46810490 | SHIM 12X24X0,20 | X |
| 12 | 46810491 | Shim 12x26x0,20 | X |
| 12 | 46810492 | Shim 12x28x0,20 | X |
| 12 | 46810493 | SHIM 12X30X0,20 | X |
| 12 | 46810494 | Shim 12x32x0,20 | X |
| 12 | 46810495 | Shim 12x34x0,20 | X |
| 12 | 46810496 | SHIM 12X36X0,20 | X |
| 12 | 46810497 | SHIM 12X38X0,20 | X |

080000190

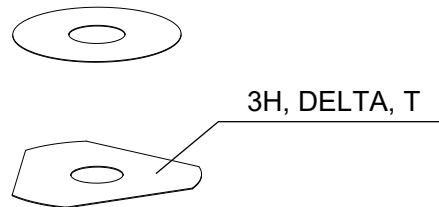
4668

* NEW PART

X ON DEMAND



- ⑤ Ø 5 mm
- ⑥ Ø 6 mm
- ⑧ Ø 8 mm
- ⑩ Ø 10 mm
- ⑫ Ø 12 mm
- ⑭ Ø 14-14,5 mm
- ⑯ Ø 16 mm
- ⑳ Ø 20 mm
- ㉑ Ø 21 mm
- ㉒ Ø 22 mm
- ㉓ Ø 23 mm
- ㉔ Ø 24,5 mm
- ㉘ Ø 28,25-28,5 mm
- ㉚ Ø 32 mm
- ㉜ Ø 52 mm



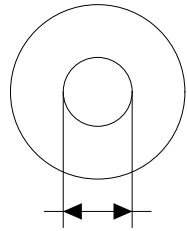
| POS | PARTNUMBER | PARTNAME | PIECE |
|-----|------------|----------------------|-------|
| 12 | 46810498 | Shim 12x40x0,20 | X |
| 12 | 46810499 | Shim 12x24x0,25 | X |
| 12 | 46810500 | SHIM 12X26X0,25 | X |
| 12 | 46810501 | SHIM 12X28X0,25 | X |
| 12 | 46810502 | Shim 12x30x0,25 | X |
| 12 | 46810504 | SHIM 12X34X0,25 | X |
| 12 | 46810505 | SHIM 12X36X0,25 | X |
| 12 | 46810507 | Shim 12x40x0,25 | X |
| 12 | 46810508 | SHIM 12X24X0,30 | X |
| 12 | 46810509 | SHIM 12X26X0,30 | X |
| 12 | 46810510 | SHIM 12X28X0,30 | X |
| 12 | 46810512 | SHIM 12X32X0,30 | X |
| 12 | 46810513 | SHIM 12X34X0,30 | X |
| 12 | 46810518 | SHIM 12X26X0,15 | X |
| 12 | 46810519 | SHIM 12X28X0,15 | X |
| 12 | 46810520 | SHIM 12X30X0,15 | X |
| 12 | 46810521 | SHIM 12X32X0,15 | X |
| 12 | 46810522 | SHIM 12X34X0,15 | X |
| 12 | 46810523 | SHIM 12X36X0,15 | X |
| 12 | 46810524 | SHIM 12X38X0,15 | X |
| 12 | 46810525 | SHIM 12X40X0,15 | X |
| 12 | 46810604 | SHIM 12X20X0,10 | X |
| 12 | 46810606 | SHIM 12X22X0,10 | X |
| 12 | 46810607 | SHIM 12X23X0,10 | X |
| 12 | 46810608 | SHIM 12X24X0,10 | X |
| 12 | 46810610 | Shim 12x17x0,15 | X |
| 12 | 46810611 | SHIM 12X18X0,15 | X |
| 12 | 46810612 | SHIM 12X19X0,15 | X |
| 12 | 46810615 | SHIM 12X22X0,15 | X |
| 12 | 46810636 | BACKPLATE 12X16X0,30 | X |
| 12 | 46810637 | Shim 12x17x0,30 | X |
| 12 | 46810638 | Shim 12x18x0,30 | X |
| 12 | 46810639 | SHIM 12X19X0,30 | X |
| 12 | 46810641 | Shim 12X21X0,30 | X |
| 12 | 46811582 | Shim 12x30x0,10 | X |
| 12 | 46810631 | SHIM 12X20X0,25 | X |
| 12 | 46810633 | SHIM 12X22X0,25 | X |
| 12 | 46811580 | Shim 12x32x0,10 | X |

080000190

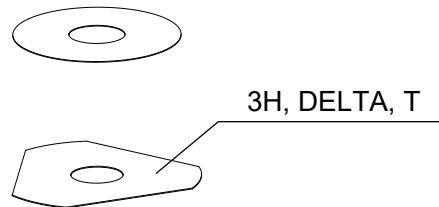
4668

* NEW PART

X ON DEMAND



- ⑤ Ø 5 mm
- ⑥ Ø 6 mm
- ⑧ Ø 8 mm
- ⑩ Ø 10 mm
- ⑫ Ø 12 mm
- ⑭ Ø 14-14,5 mm
- ⑯ Ø 16 mm
- ⑳ Ø 20 mm
- ㉑ Ø 21 mm
- ㉒ Ø 22 mm
- ㉓ Ø 23 mm
- ㉔ Ø 24,5 mm
- ㉘ Ø 28,25-28,5 mm
- ㉚ Ø 32 mm
- ㉜ Ø 52 mm



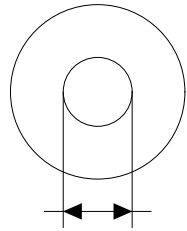
| POS | PARTNUMBER | PARTNAME | PIECE |
|-----|------------|-----------------------|-------|
| 12 | 46810503 | SHIM 12X32X0,25 | X |
| 12 | 46810517 | SHIM 12X24X0,15 | X |
| 12 | 46810856 | Shim 12x20x0,30 | X |
| 12 | 46811258 | Washer 12x24x2,5 | X |
| 12 | 46812018 | Shim 12x42x0,25 | X |
| 12 | 46812015 | Shim 12x44x0,20 | X |
| 12 | 46810613 | SHIM 12X20X0,15 | X |
| 12 | 46810623 | SHIM 12X21X0,20 | X |
| 12 | 46810624 | SHIM 12X22X0,20 | X |
| 12 | 46810642 | SHIM 12X22X0,30 | X |
| 12 | 46810643 | SHIM 12X23X0,30 | X |
| 12 | 46811629 | Shim 12x28x0,10 | X |
| 12 | 46810511 | SHIM 12X30X0,30 | X |
| 12 | 46810514 | SHIM 12X36X0,30 | X |
| 12 | 46810506 | SHIM 12X38X0,25 | X |
| 12 | 46810515 | SHIM 12X38X0,30 | X |
| 12 | 46812017 | Shim 12x42x0,20 | X |
| 12 | 46812016 | Shim 12x44x0,25 | X |
| 12 | 46810622 | SHIM 12X20X0,20 | X |
| 12 | 46811635 | Shim 12x26x0,10 | X |
| 12 | 50181296 | Shim 12x45x0,20 | X |
| 12 | 46810620 | Shim 12x18x0,2 | X |
| 12 | 46810616 | Shim 12x23x0,15 | X |
| 12 | 46810625 | SHIM 12X23X0,20 | X |
| 12 | 50181297 | Adjustment 12x45x0,25 | X |
| 12 | 46810603 | SHIM 12X19X0,10 | X |
| 12 | 46180712 | SHIM 12X36X0,10 | X |
| 12 | 46810614 | SHIM 12X21X0,15 | X |
| 12 | 46810628 | SHIM 12X17X0,25 | X |
| 12 | 46810634 | SHIM 12X23X0,25 | X |
| 14 | 35480479 | Shim 14x26x0,40 | X |
| 14 | 46811046 | Washer 14,5x35,4x1,25 | X |
| 16 | 50180023 | SHIM 16X23X0,20 | X |
| 16 | 50180030 | Shim 16x23x0,25 | X |
| 16 | 50180006 | Shim 16x20x0,10 | X |
| 16 | 50180007 | SHIM 16X21X0,10 | X |
| 16 | 50180028 | SHIM 16X21X0,25 | X |
| 16 | 50180210 | Washer 16x21x1 | X |

080000190

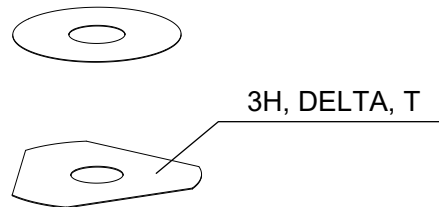
4668

* NEW PART

X ON DEMAND



- ⑤ Ø 5 mm
- ⑥ Ø 6 mm
- ⑧ Ø 8 mm
- ⑩ Ø 10 mm
- ⑫ Ø 12 mm
- ⑭ Ø 14-14,5 mm
- ⑯ Ø 16 mm
- ⑳ Ø 20 mm
- ㉑ Ø 21 mm
- ㉒ Ø 22 mm
- ㉓ Ø 23 mm
- ㉔ Ø 24,5 mm
- ㉘ Ø 28,25-28,5 mm
- ㉚ Ø 32 mm
- ㉜ Ø 52 mm



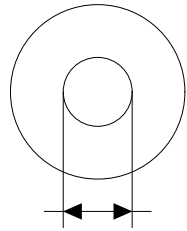
| POS | PARTNUMBER | PARTNAME | PIECE |
|-----|------------|-------------------|-------|
| 16 | 50180008 | SHIM 16X22X0,10 | X |
| 16 | 50180022 | Shim 16x22x0,20 | X |
| 16 | 50180037 | SHIM 16X23X0,30 | X |
| 16 | 50180038 | SHIM 16X24X0,30 | X |
| 16 | 50180032 | Shim 16x25x0,25 | X |
| 16 | 50180039 | SHIM 16X25X0,30 | X |
| 16 | 50180012 | SHIM 16X26X0,10 | X |
| 16 | 50180019 | SHIM 16X26X0,15 | X |
| 16 | 50180026 | SHIM 16X26X0,20 | X |
| 16 | 50180040 | SHIM 16X26X0,30 | X |
| 16 | 50180041 | SHIM 16X28X0,10 | X |
| 16 | 50180045 | Shim 16x28x0,15 | X |
| 16 | 50180054 | Shim 16x28x0,2 | X |
| 16 | 50180063 | SHIM 16X28X0,25 | X |
| 16 | 50180072 | SHIM 16X28X0,30 | X |
| 16 | 50180046 | SHIM 16X30X0,15 | X |
| 16 | 50180055 | SHIM 16X30X0,20 | X |
| 16 | 50180064 | Shim 16x30x0,25 | X |
| 16 | 50180073 | SHIM 16X30X0,30 | X |
| 16 | 50180047 | Shim 16X32X0,15 | X |
| 16 | 50180056 | Shim 16x32x0,2 | X |
| 16 | 50180065 | SHIM 16X32X0,25 | X |
| 16 | 50180074 | SHIM 16X32X0,30 | X |
| 16 | 50180044 | SHIM 16X34X0,10 | X |
| 16 | 50180048 | SHIM 16X34X0,15 | X |
| 16 | 50180057 | Shim 16x34x0,2 y5 | X |
| 16 | 50180066 | SHIM 16X34X0,25 | X |
| 16 | 50180075 | SHIM 16X34X0,30 | X |
| 16 | 50180049 | Shim 16x36x0,15 | X |
| 16 | 50180058 | Shim 16x36x0,20 | X |
| 16 | 50180067 | SHIM 16X36X0,25 | X |
| 16 | 50180076 | SHIM 16X36X0,30 | X |
| 16 | 50180050 | SHIM 16X38X0,15 | X |
| 16 | 50180059 | SHIM 16X38X0,20 | X |
| 16 | 50180068 | SHIM 16X38X0,25 | X |
| 16 | 50180077 | SHIM 16X38X0,30 | X |
| 16 | 50180051 | Shim 16x40x0,15 | X |
| 16 | 50180060 | Shim 16x40x0,2 | X |

080000190

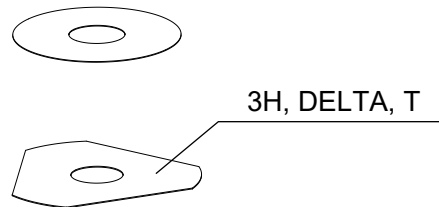
4668

* NEW PART

X ON DEMAND



- ⑤ Ø 5 mm
- ⑥ Ø 6 mm
- ⑧ Ø 8 mm
- ⑩ Ø 10 mm
- ⑫ Ø 12 mm
- ⑭ Ø 14-14,5 mm
- ⑯ Ø 16 mm
- ⑳ Ø 20 mm
- ㉑ Ø 21 mm
- ㉒ Ø 22 mm
- ㉓ Ø 23 mm
- ㉔ Ø 24,5 mm
- ㉘ Ø 28,25-28,5 mm
- ㉚ Ø 32 mm
- ㉜ Ø 52 mm



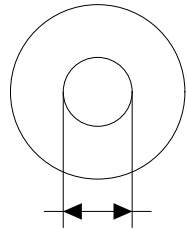
| POS | PARTNUMBER | PARTNAME | PIECE |
|-----|------------|-----------------------------|-------|
| 16 | 50180069 | SHIM 16X40X0,25 | X |
| 16 | 50180078 | SHIM 16X40X0,30 | X |
| 16 | 50180052 | SHIM 16X42X0,15 | X |
| 16 | 50180061 | Shim 16x42x0,2 | X |
| 16 | 50180070 | SHIM 16X42X0,25 | X |
| 16 | 50180079 | SHIM 16X42X0,30 | X |
| 16 | 50180053 | SHIM 16X44X0,15 | X |
| 16 | 50180062 | Shim 16X44X0,20 | X |
| 16 | 50180071 | SHIM 16X44X0,25 | X |
| 16 | 50180080 | SHIM 16X44X0,30 | X |
| 16 | 50180177 | Springwasher 8,2x16x0,6 | X |
| 16 | 50180033 | Shim 16x26x0,25 | X |
| 16 | 50180034 | Shim 16x20x0,30 | X |
| 16 | 50180035 | Shim 16x21x0,30 | X |
| 16 | 50180036 | Shim 16x22x0,30 | X |
| 16 | 50180043 | SHIM 16X32X0,10 | X |
| 16 | 50180024 | Shim 16x24x0,20 | X |
| 16 | 50180027 | SHIM 16X20X0,25 | X |
| 16 | 50180031 | Shim 16x24x0,25 | X |
| 16 | 50180029 | SHIM | X |
| 16 | 50180010 | SHIM 16X24X0,10 | X |
| 16 | 50180021 | SHIM 16X21X0,20 | X |
| 16 | 50180025 | SHIM 16X25X0,20 | X |
| 16 | 50180383 | Washer 16x19x0,3 | X |
| 16 | 50180014 | SHIM | X |
| 16 | 50180013 | SHIM 16X20X0,15 | X |
| 16 | 50180015 | DISTANCER PLATE 16X22X0,15 | X |
| 16 | 50180017 | Shim 16x24x0,15 | X |
| 16 | 50180009 | DISTANCER PLATE 16X23X0,10 | X |
| 16 | 50180016 | SHIM 16X23X0,15 | X |
| 20 | 48600212 | PRESSURE-RING 20X16,25X0,20 | X |
| 20 | 50180666 | SHIM 20X24X0,30 | X |
| 20 | 50180654 | SHIM 20X36X0,20 | X |
| 20 | 50180655 | SHIM 20X38X0,20 | X |
| 20 | 50180656 | SHIM 20X40X0,20 | X |
| 20 | 50180665 | SHIM 20X40X0,25 | X |
| 20 | 50180662 | SHIM 20X34X0,25 | X |
| 20 | 50180657 | SHIM 20X24X0,25 | X |

080000190

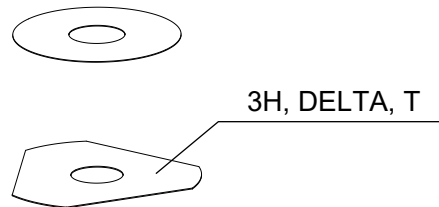
4668

* NEW PART

X ON DEMAND



- ⑤ Ø 5 mm
- ⑥ Ø 6 mm
- ⑧ Ø 8 mm
- ⑩ Ø 10 mm
- ⑫ Ø 12 mm
- ⑭ Ø 14-14,5 mm
- ⑯ Ø 16 mm
- ⑳ Ø 20 mm
- ㉑ Ø 21 mm
- ㉒ Ø 22 mm
- ㉓ Ø 23 mm
- ㉔ Ø 24,5 mm
- ㉘ Ø 28,25-28,5 mm
- ㉚ Ø 32 mm
- ㉜ Ø 52 mm



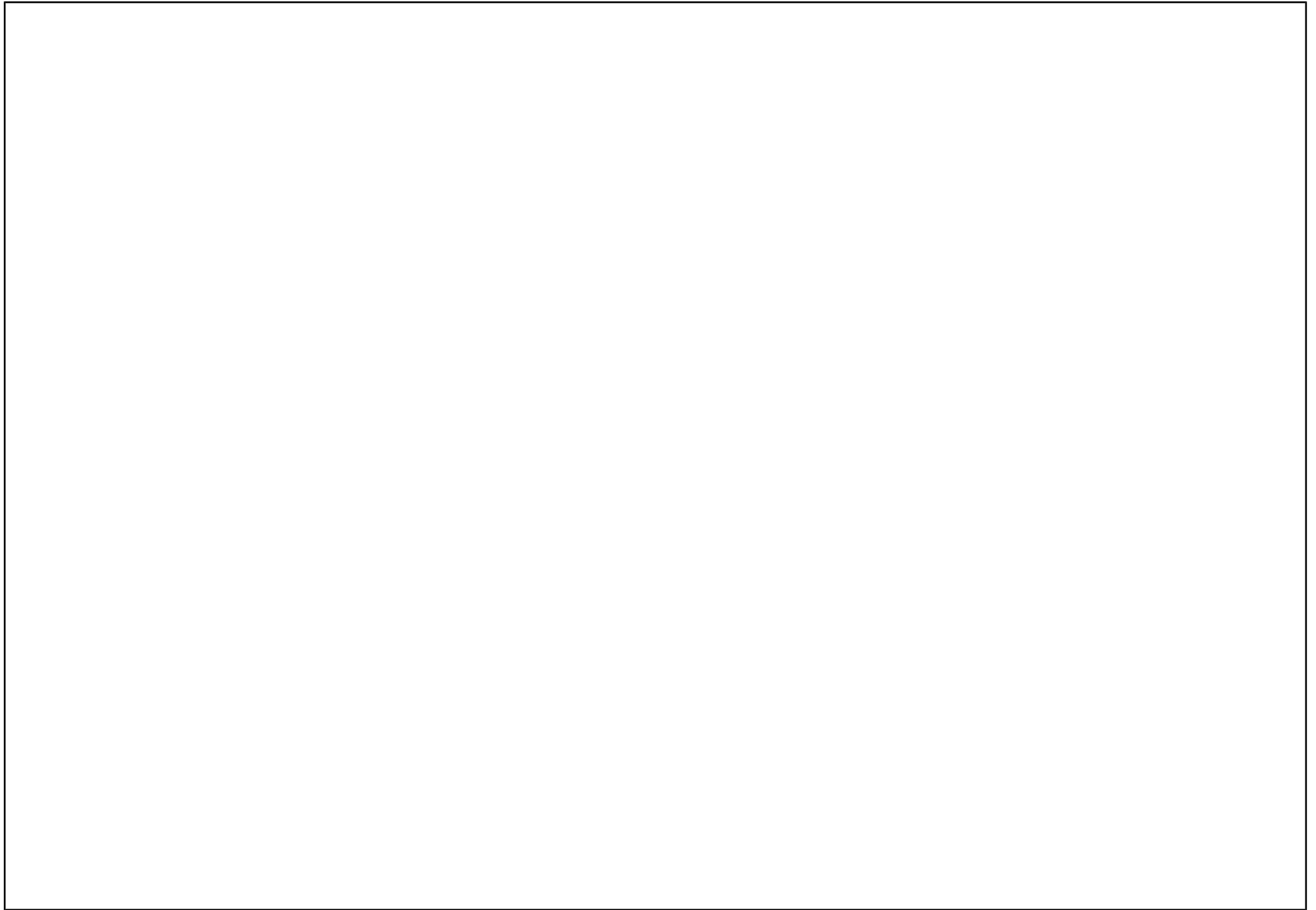
| POS | PARTNUMBER | PARTNAME | PIECE |
|-----|------------|--------------------------|-------|
| 20 | 50180653 | SHIM 20X34X0,20 | X |
| 20 | 50180634 | RING 20X22,9X1 | X |
| 20 | 50180650 | SHIM 20,2X28X0,20 | X |
| 20 | 50180663 | SHIM 20X36X0,25 | X |
| 20 | 50180664 | SHIM 20X38X0,25 | X |
| 20 | 50180659 | SHIM 20,2X28X0,25 | X |
| 21 | 50180209 | Shim 21x36x0,25 | X |
| 22 | 50180330 | Shim 18x22x0,3 | X |
| 23 | 50180635 | SHUTTLE VALVE 23X38X0,25 | X |
| 23 | 50180578 | SHIM D23XD16X2 | X |
| 24 | 40541061 | WASHER 24,5X34X2 | X |
| 28 | 36120469 | SHIM 28,5X14X2 | X |
| 28 | 36120471 | SHIM 28,5X14X5 | X |
| 28 | 89000001 | Shim 28,25x34x0,30 | X |
| 28 | 46811636 | Shim 28,25x32x0,30 | X |
| 32 | 48600460 | WASHER 32X42X2,5 | X |
| 32 | 50600065 | SHIM 32X45X2 | X |
| 32 | 46811637 | Shim 32,25x36x0,30 | X |
| 52 | 50600002 | Washer 52x59x2,2 | X |

080000190

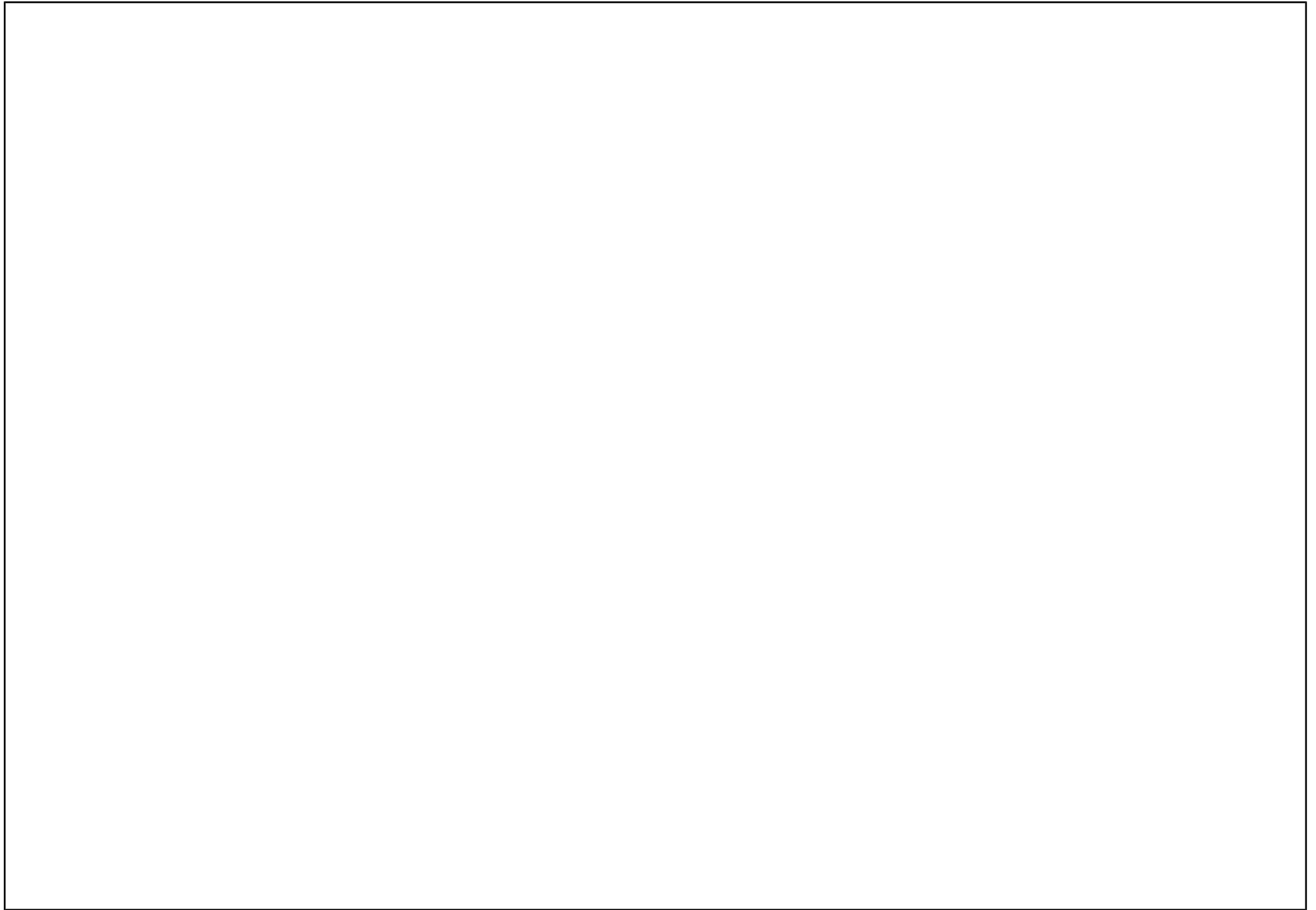
4668

* NEW PART

X ON DEMAND



A large, empty rectangular box with a thin black border occupies the central portion of the page. It is positioned below the 'NOTES' header and above the footer area, providing a designated space for handwritten or typed notes.



WWW.KTM.COM



KTM Sportmotorcycle GmbH
5230 Mattighofen, Austria
www.ktm.com



KTM_POWERPARTS

KTM_POWERWEAR

KTM_ORIGINAL SPARE PARTS



F8203U3EN

Art. Nr.: F8203U3EN 9. Okt 2020