

350 EXC-F CHAMPION EDITION 2025 2025

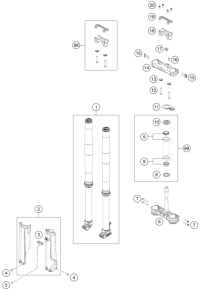
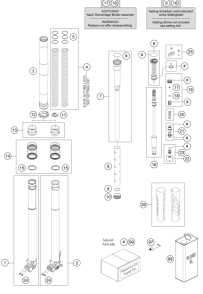
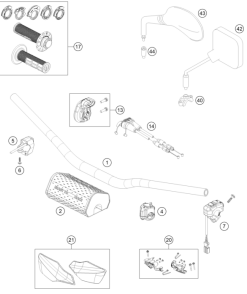
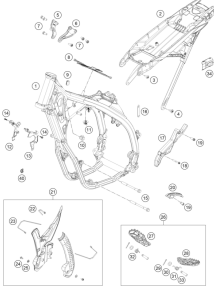
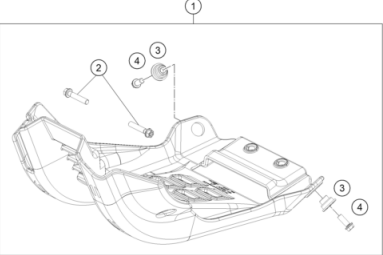
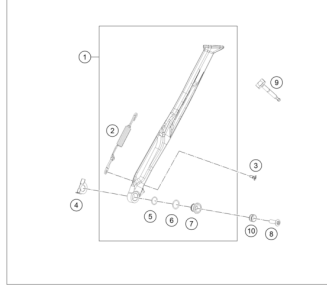

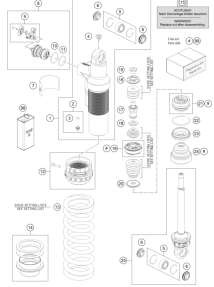
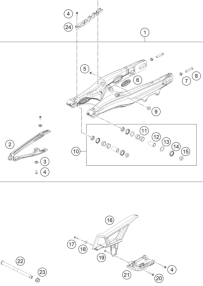
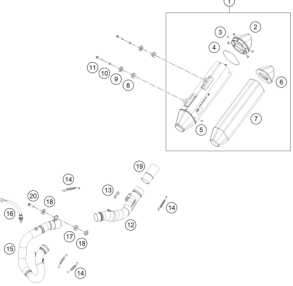
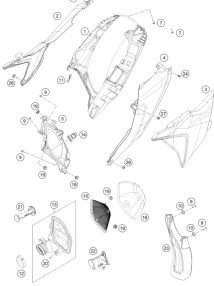
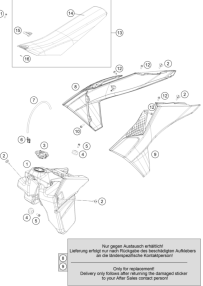
ART.-NR.: F8203YAEN

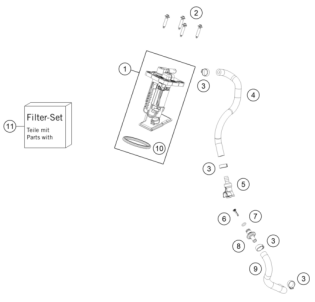
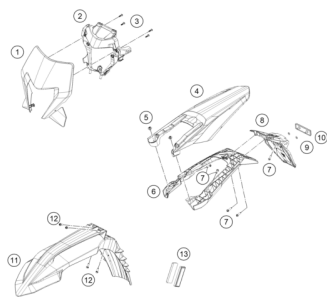
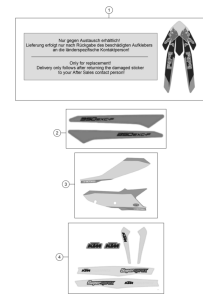
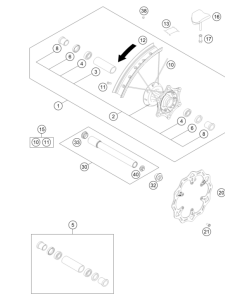
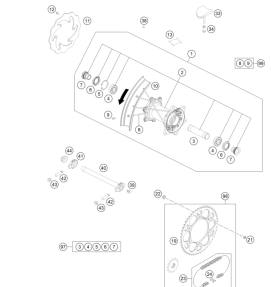

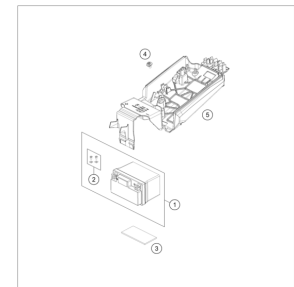
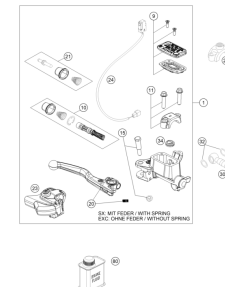
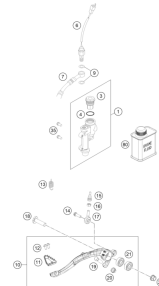
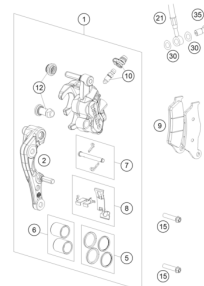
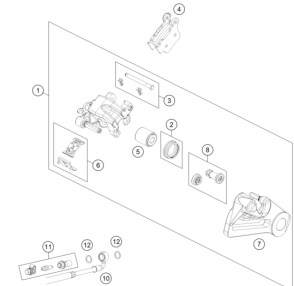
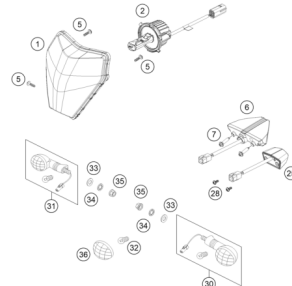


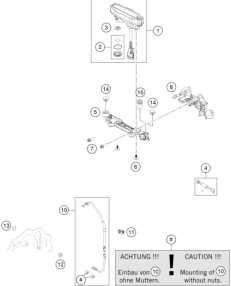
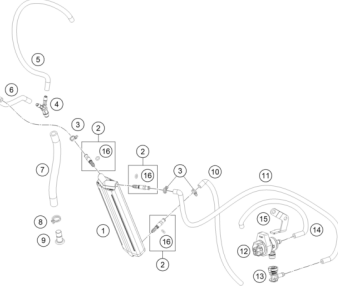

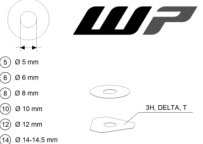


All information contained is without obligation. KTM Sportmotorcycle GmbH particularly reserves the right to modify any equipment, technical specifications, prices, colors, shapes, materials, services, service work, constructions, equipment and the like so as to adapt them to local conditions or to cancel any of the above items, all without previous announcement and without giving reasons. KTM may stop manufacturing certain models without previous notice. KTM shall not be held liable for any deviations of availability and/or ability to deliver, illustrations, descriptions, printing and/or other errors. The illustrated models partly contain extra equipment, which is not applied to standard models.

© by KTM Sportmotorcycle GmbH, Mattighofen AUSTRIA; All rights reserved; Reprint, also in extracts, with written allowance of KTM Sportmotorcycle GmbH, Mattighofen only.

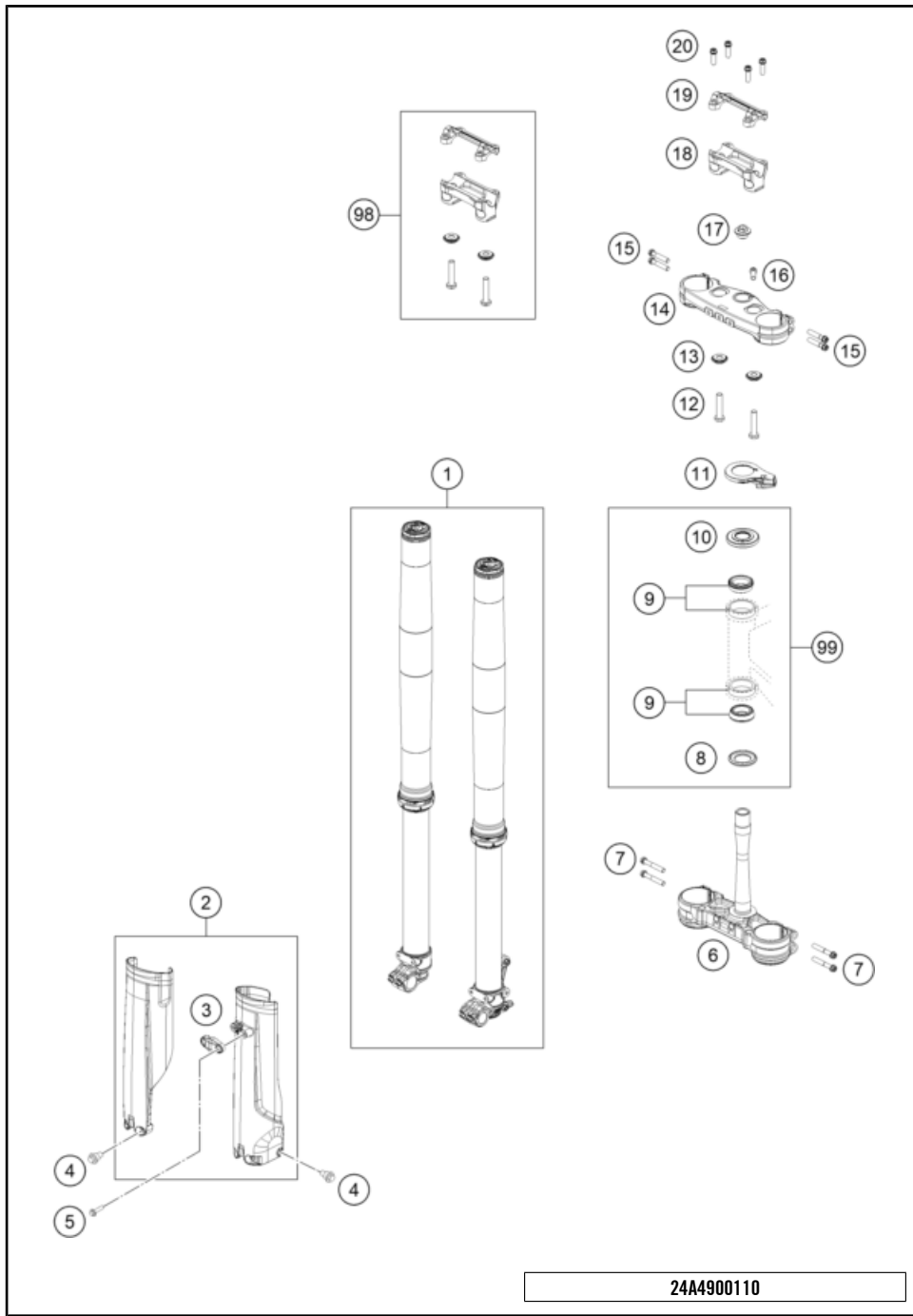
<p>FRONT FORK, TRIPLE CLAMP</p>  <p>4</p>	<p>FRONT FORK DISASSEMBLED</p>  <p>5</p>	<p>HANDLEBAR, CONTROLS</p>  <p>7</p>	<p>FRAME</p>  <p>8</p>
<p>ENGINE GUARD</p>  <p>9</p>	<p>SIDE / CENTER STAND</p>  <p>10</p>	<p>SHOCK ABSORBER</p>  <p>11</p>	<p>SHOCK ABSORBER DISASSEMBLED</p>  <p>12</p>
<p>SWING ARM</p>  <p>13</p>	<p>EXHAUST SYSTEM</p>  <p>14</p>	<p>AIR FILTER</p>  <p>15</p>	<p>TANK, SEAT</p>  <p>16</p>

<p>FUEL PUMP</p>  <p>17</p>	<p>MASK, FENDERS</p>  <p>18</p>	<p>DECAL</p>  <p>19</p>	<p>FRONT WHEEL</p>  <p>20</p>
<p>REAR WHEEL</p>  <p>21</p>	<p>WIRING HARNESS</p>  <p>22</p>	<p>BATTERY</p>  <p>23</p>	<p>FRONT BRAKE CONTROL</p>  <p>24</p>
<p>REAR BRAKE CONTROL</p>  <p>25</p>	<p>FRONT BRAKE CALIPER</p>  <p>26</p>	<p>REAR BRAKE CALIPER</p>  <p>27</p>	<p>LIGHTING SYSTEM</p>  <p>28</p>

<p>INSTRUMENTS / LOCK SYSTEM</p>  <p style="text-align: right;">29</p>	<p>EVAPORATIVE CANISTER</p>  <p style="text-align: right;">30</p>	<p>ACCESSORY PACK</p> <div style="display: flex; justify-content: space-around;"> <div style="border: 1px solid black; padding: 2px; text-align: center;"> <p>0 OHNE ABILDUNG WITHOUT ILLUSTRATION</p> </div> <div style="border: 1px solid black; padding: 2px; text-align: center;"> <p>1 TECHNISCHE DOKUMENTATION TECHNICAL DOCUMENTATION</p> </div> </div>  <p style="text-align: right;">31</p>	<p>WP SHIMS FOR SETTING</p>  <p> 1 Ø 5 mm 2 Ø 6 mm 3 Ø 8 mm 4 Ø 10 mm 5 Ø 12 mm 6 Ø 14-14.5 mm 7 Ø 16 mm 8 Ø 20 mm 9 Ø 21 mm 10 Ø 22 mm 11 Ø 23 mm 12 Ø 24.5 mm 13 Ø 26.25-26.5 mm 14 Ø 32 mm 15 Ø 52 mm </p> <p style="text-align: right;">33</p>

FRONT FORK, TRIPLE CLAMP

350 EXC-F CHAMPION EDITION 2025 2025

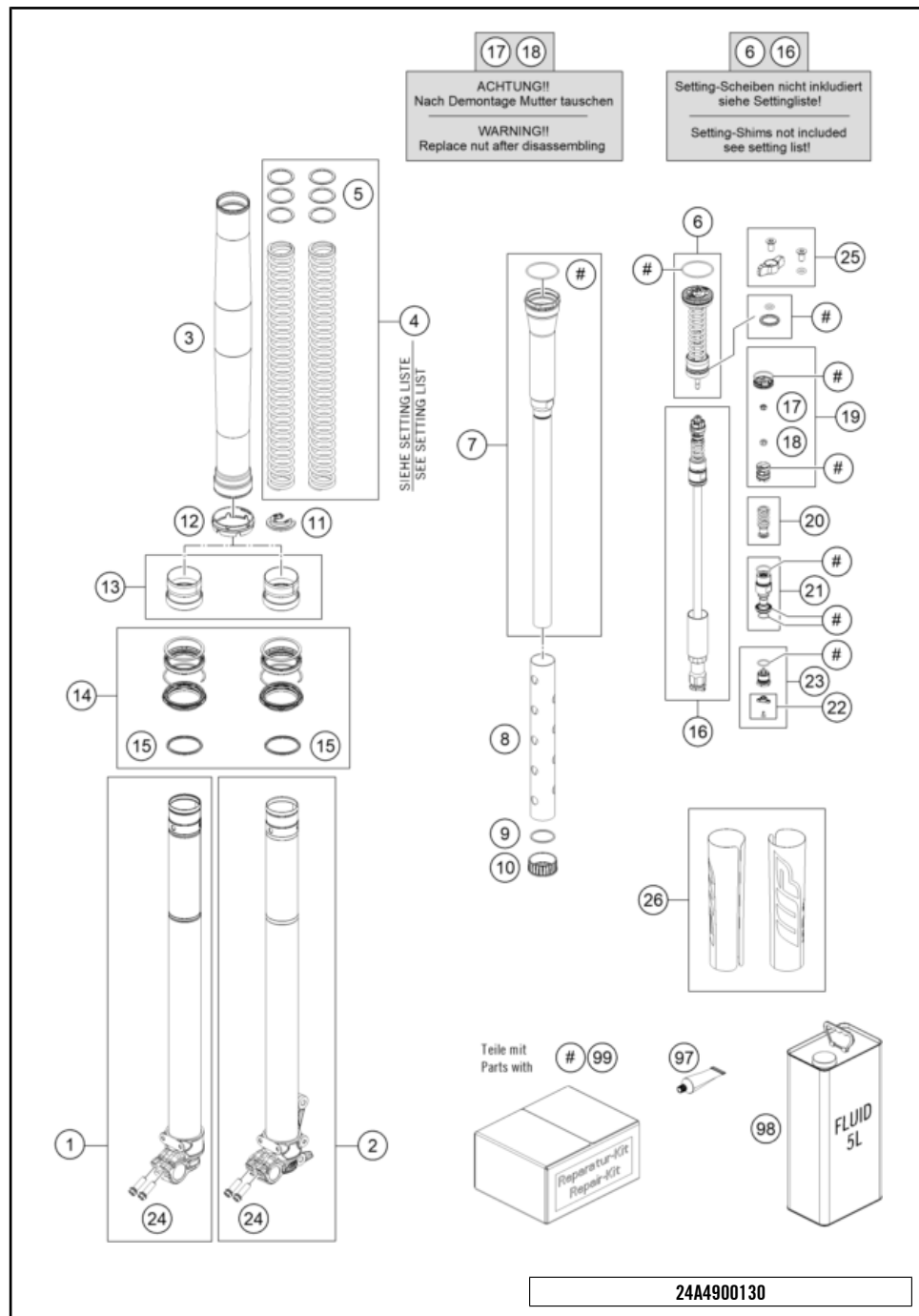


POS	PARTNUMBER		PIECE
1	A490C167X402000	fork KTM 350 EXC-F 24	1
2	A46001094000EBL	Fork protection kit Champion edition 25 with decal	1
3	77701085100EB	Clamp for brake line	1
4	59001092050	SPECIAL SCREW M6X12,5 WS=8	6
5	0017060206	SCREW F. PLASTIC K60X20AL SW6	2
6	A49001032022	Bottom triple clamp X=22mm	1
7	0025080506	HH collar screw M8x50 TX40	4
8	77701084000	O-RING SUPPORT W. SEALING LIP	1
9	54201081100	TAPERED ROLLER BEARING CPL. 06	2
10	A46001086000	Steering head seal	1
11	A49002065000	Steering lock	1
12	0035100509S	AH collar screw M10x50 ISA45	2
13	A46001038010	Rigid handlebar clamp bushing	2
14	A49001034022	upper triple clamp	1
15	0025080406	HH COLLAR SCREW M8X40 TX40	4
16	0015080256S	HH COLLAR SCREW M8X25 WS=10	1
17	A46009082000	Collar screw M20x1.5 SW17 Al	1
18	A48001139041	Handlebar mount D28 mm-H41 mm	1
19	79001038000	Handlebar clamp 28MM	1
20	0025080256	HH collar screw M8x25	4
98	A49001039010	Handlebar mount kit d28mm-h41mm	x
99	A46001081044	Repair Kit steering head bearing	x

24A4900110

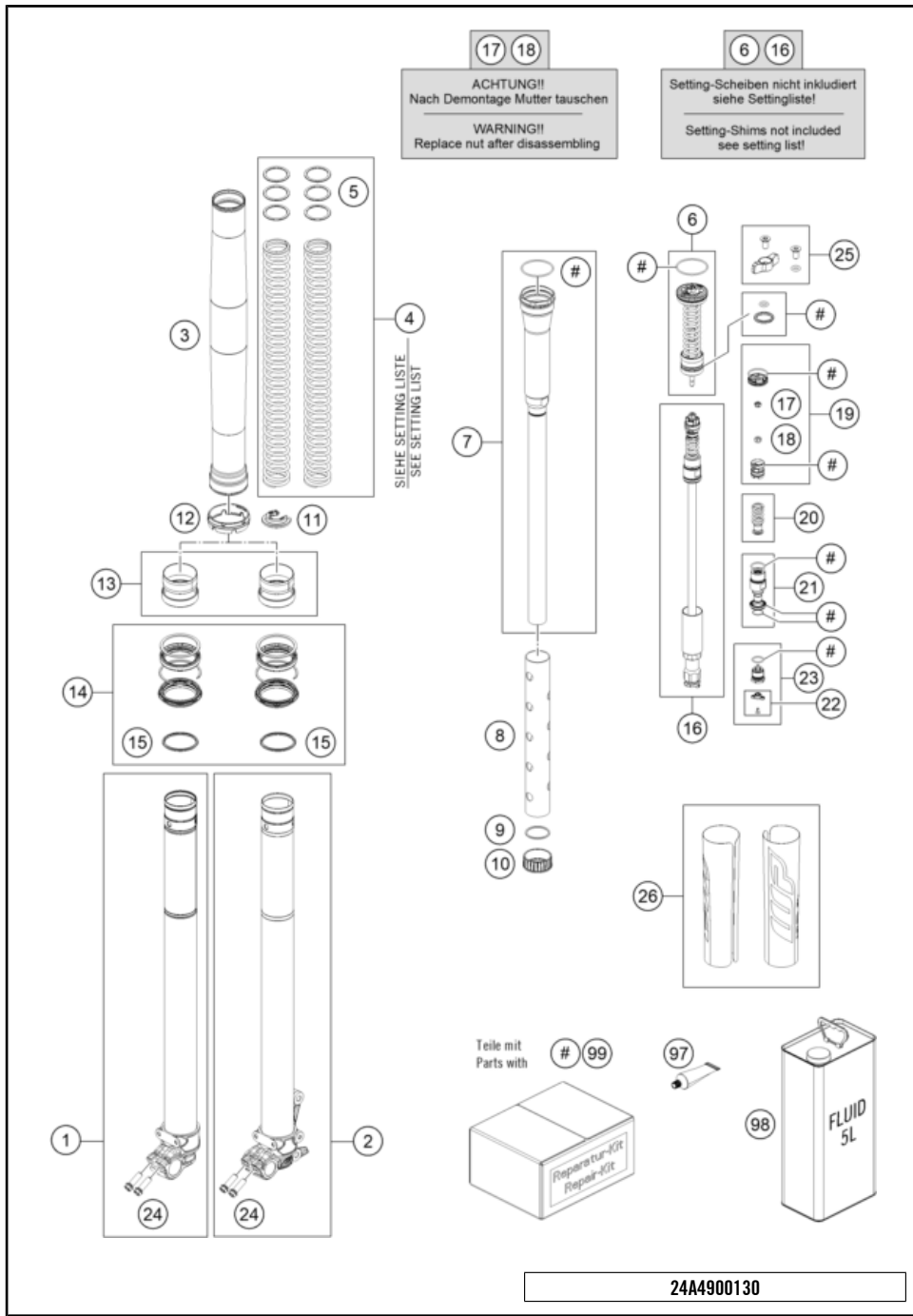
74316

* NEW PART X ON DEMAND



POS	PARTNUMBER	PIECE
1	48602046S2	Axle clamp ri. with inner tube cpl. 1
2	48602045S2	Axle clamp le. with inner tube cpl. 1
3	48602096	fork outer tube 49.13x577 dt54 db60 2
4	S809900029S0000	Main spring (43.8) 3.6-470 fork cpl. x
4	S809900030S0000	Main spring (43.8) 3.8-470 fork cpl. x
4	S809900031S0000	Main spring (43.8) 4.0-470 fork cpl. x
4	S809900032S0000	Main spring (43.8) 4.2-470 fork cpl. x
4	S809900033S0000	Main spring (43.8) 4.4-470 fork cpl. x
4	S809900034S0000	Main spring (43.8) 4.6-470 fork cpl. x
4	S809900035S0000	Main spring (43.8) 4.8-470 fork cpl. x
4	S809900036S0000	Main spring (43.8) 5.0-470 fork cpl. x
4	S809900037S0000	Main spring (43.8) 5.2-470 fork cpl. x
5	48600456	Washer 35x43x2,5 plastic x
5	48600457	Preload bush 35x43x3,5 x
5	48600458	Washer 35x43x1,5 plastic x
6	S043400000S0200	Compression cpl. 2
7	S418900003S0100	Pressure tank M38x0.5 cpl. 2
8	S533600000000000	Tube 35x38x277 2
9	48600752	Washer 33,5x38x1,5 2
10	S828900002000000	Spring seat 33.5x44.5x18.5 2
11	S828900001000000	Spring seat D44 clip 2
12	S639200001000FA	Fork protection ring 59,8mm 2
13	R14047T	Guide bushing set fork 48mm 1
14	RP10012T	"Seal kit 48mm SKF black" 1
15	48602007	Stroke indicator 48mm red 2
16	S501200022S0000	Piston rod 12.0x397.5 cpl. 2
17	48602128	Nut M6 h5,4 SW10 2
18	40540486	Nut M6x0,5 h6,5 WAF10 rebound 2
19	RP10054T	Repair kit piston CC spring fork x
20	48600578S	Spring (13,9) 37-32 rebound cpl. 2
21	S408800002S0000	Screw cap M24.5x1 cpl. 2
22	RP10033T	Repair kit adjuster rebound red x
23	48602052S	adjuster housing M20x1 cpl. 2
24	0025080256	HH collar screw M8x25 4
25	RP10029T	adjuster kit screw cap compression 2
26	52000318SET	Sticker set, XACT CC 238x182.5 1
97	T14034	Fuchs grease IPR (250g) 1

* NEW PART X ON DEMAND

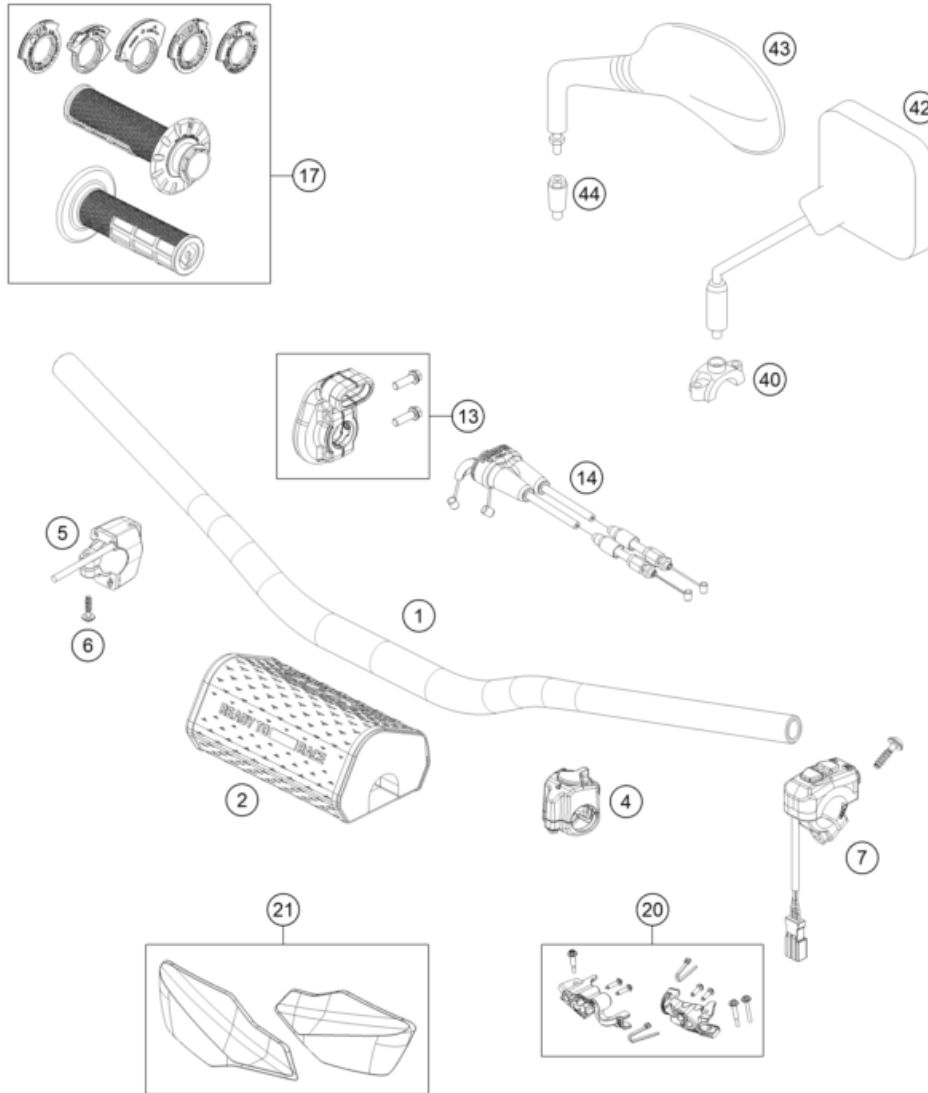


POS	PARTNUMBER		PIECE
98	48601166S1	Fork Fluid Viscosity 4.0 5L	1
99	RP10055T	Seal kit CC spring fork	x

61839 * NEW PART X ON DEMAND

HANDLEBAR, CONTROLS

350 EXC-F CHAMPION EDITION 2025 2025



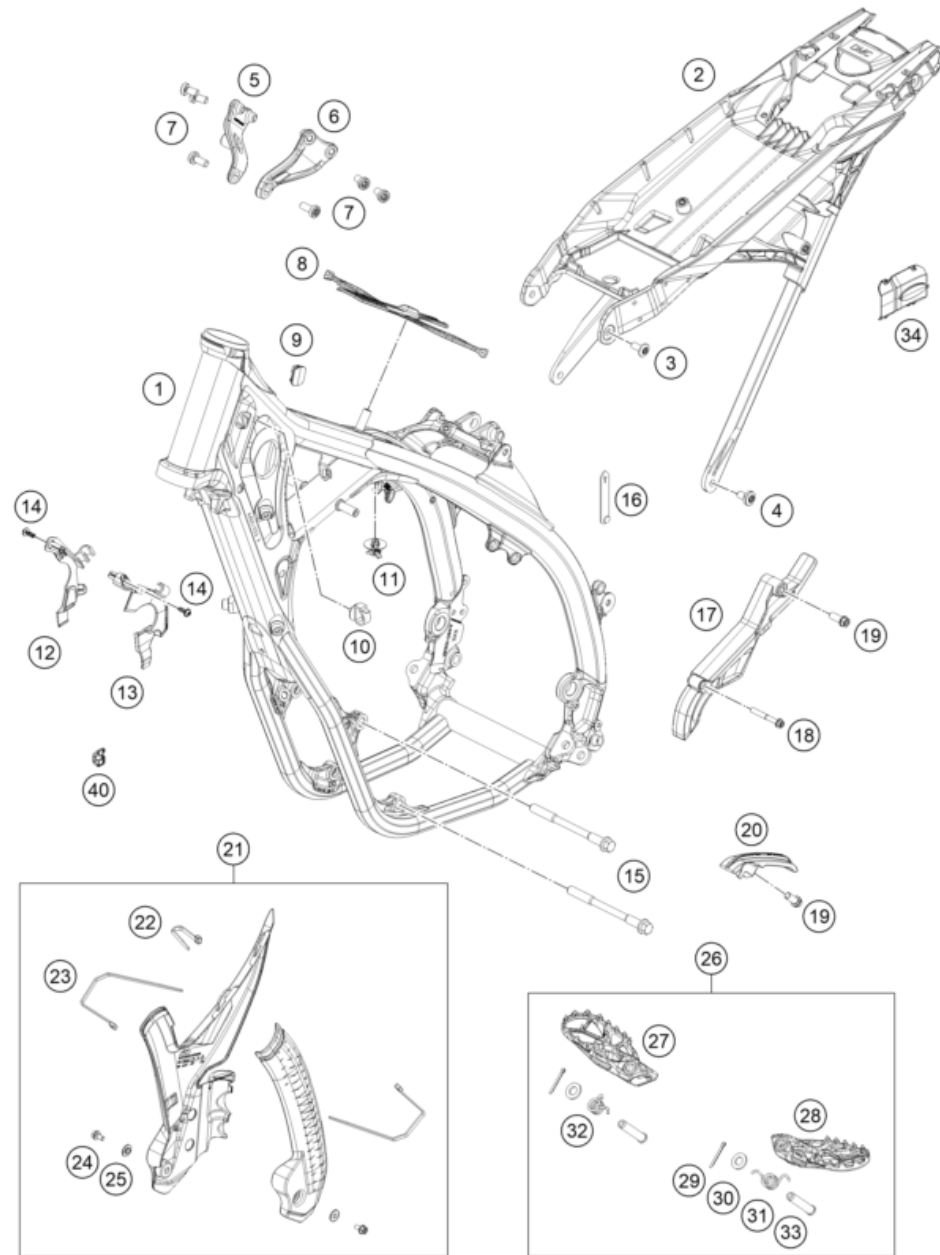
POS	PARTNUMBER		PIECE
1	7900200100030	Handlebar D=28MM	1
2	A46002002044C1A	Handlebar pad compl.	1
4	A49011070000	Light switch	1
5	A49011074000	Start button/kill switch	1
6	0081050181	SCREW FOR PLASTIC K50X18 T20	1
7	A46039974044	Ignition curve switch compl.	1
13	A46002010025	Housing throttle twist grip cpl.	1
14	A46002091000	Throttle cable complete 4 stroke	1
17	A46002921000C1	Grip set black	1
20	79602084144	Mounting kit, handguard, right and left	1
21	A49002082044EB	Handguard compl.	1
40	58012040150	Clamp for mirror	2
42	58012040000	Rear view mirror left	1
42	58012140000	Rear view mirror right	1
43	58412040000	MIRROR L/S 98	x
43	58412041000	MIRROR R/S 98	x
44	58412040050	SUPPORT FOR MIRROR LC4 '98	x

24A4900211

74334

* NEW PART

X ON DEMAND



POS	PARTNUMBER	PIECE
1	A49003001000EB	Frame
2	A46003002000	Subframe
3	79003003000	Special screw M8X18 TORX45 SL
4	09000008016U0	Special screw M8x16 ISA45 self-locking
5	A46003014000	Engine brace, right
6	A46003013000	Engine brace left
7	0035080206S	SHCS M8x20 TX45
8	A46007012100	Fuel tank rubber
9	79111013010	Cover control head sheet
10	58111076000	CABLE SUPPORT KHS NR.150-47610
11	79711013010	Cable bracket d8
12	A46003099020	Cable bracket/throttle cable guide
13	A46003099010	Cable bracket
14	0081050141	EJOT PT screw K50x14
15	59003013000	Enginebrac. screw M10X123 WS=13
16	60011093075	Rubber cable tie 75MM 03
17	A46003096000	Front sprocket cover
18	0025060456	HH COLLAR SCREW M6X45 TX30
19	0025080206	HH collar screw M8x20
20	A46003053000	Chain slider below
21	A46003094000EB	Frame protection set
22	44011176140	cable tie 140/ 3,5 mm Schwarz
23	44011076200	CABLE TIE 200/3,6MM BLACK
24	0025050106	HH collar screw M5x10 TX30
25	54803092060	Bush f. frame protection 03
26	A46003137033	Footpeg set
27	A46003141000	Footpeg right
28	A46003140000	Footpeg left
29	0094032253	PIN DIN0094-3,2X25 STEEL
30	0125100003	washer DIN 125 A 10.5
31	A46003044000	Footrest spring left
32	A46003045000	Footrest spring right
33	54803044000	PIN FOR FOOT PED 51.5X9.8 MM
34	A49003002050	Intake air cover
40	A49003099030	Cable protection

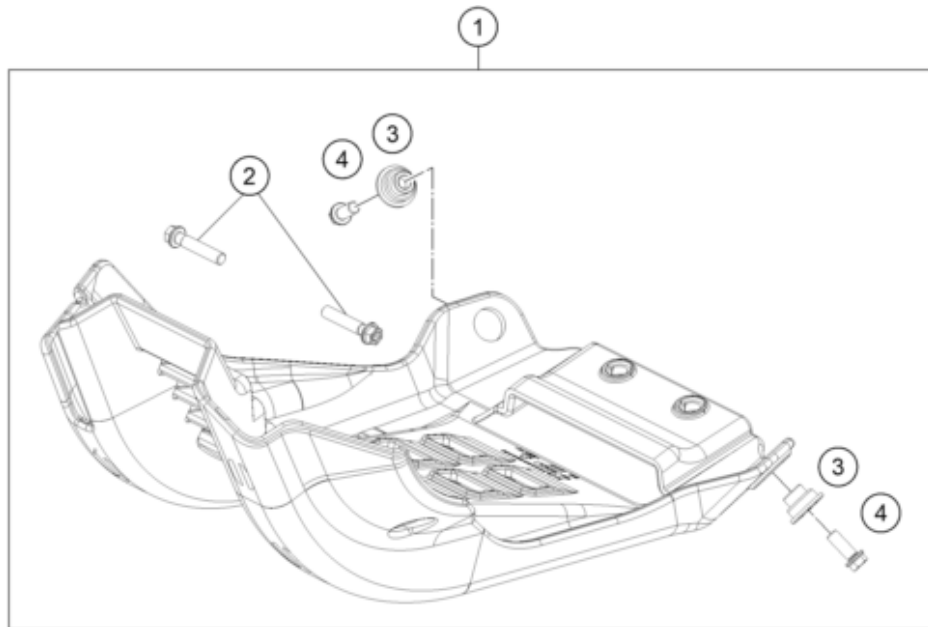
24A4900310

74338

* NEW PART

X ON DEMAND

POS	PARTNUMBER		PIECE
1	A44003090044	Skid plate	1
2	0025060306	HH collar screw M6x30 TX30	2
3	A46003090030	bushing skid plate	2
4	0025060166	HH collar screw M6x16 TX30	2

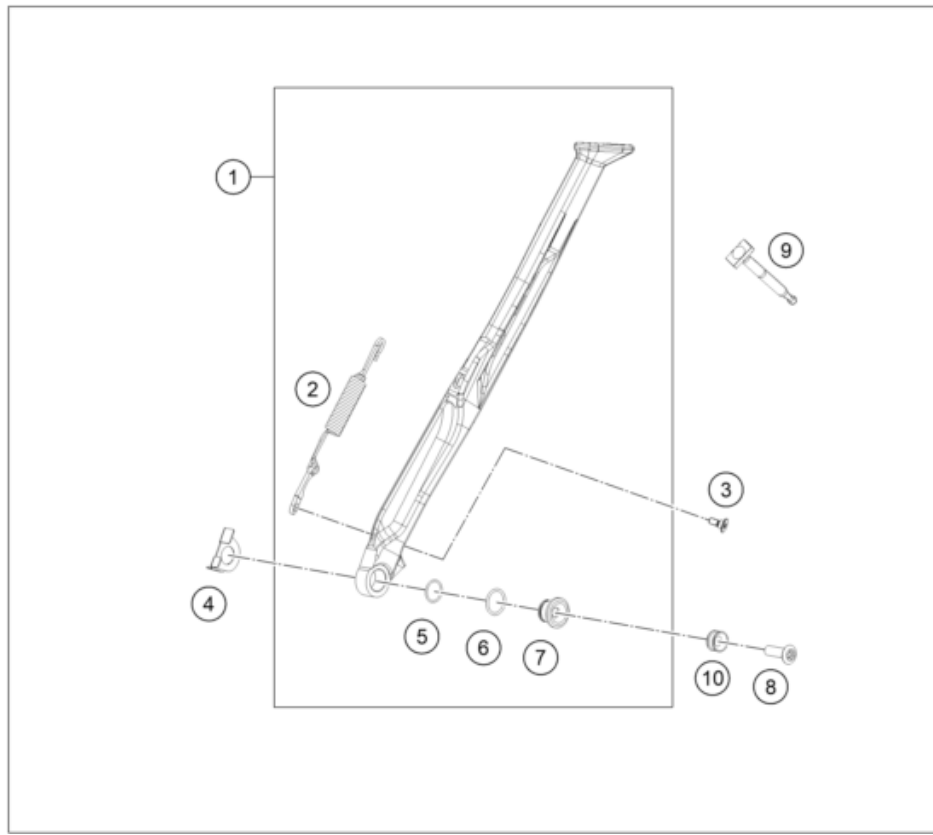


237950330

60137

* NEW PART

X ON DEMAND



POS	PARTNUMBER		PIECE
1	A46003023044	Side stand cmpl.	1
2	A46003024000	Side stand spring	1
3	69013099050	Screw for expansion tank	1
4	A46003023050	Side stand stopper sheet	1
5	0770125015	O-RING 12,5X1,5 NBR	1
6	0770180020	o-ring 18.00x2.00 NBR70	1
7	78003023080	SIDE STAND BUSHING EXC USA 08	1
8	0019080306S	COUNTER-SUNK SCREW ISA45 M8X30	1
9	A46003025000	Side stand, rubber strap	1
10	78003023081	Side stand bushing	1

24A4900360

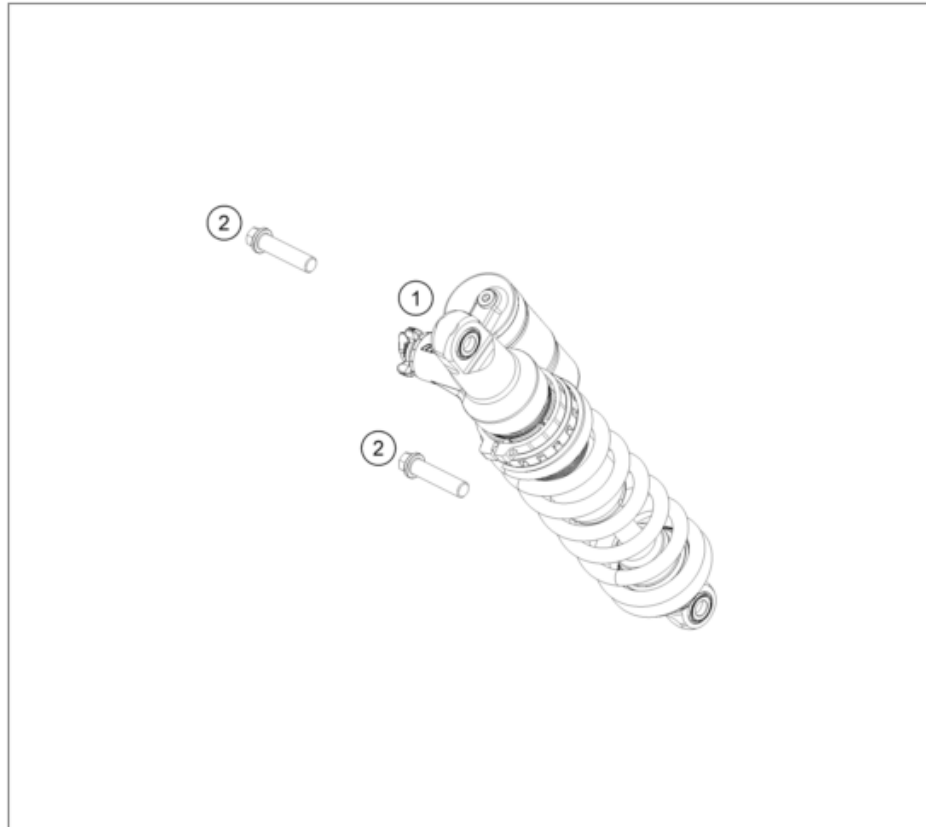
63830

* NEW PART X ON DEMAND

SHOCK ABSORBER

350 EXC-F CHAMPION EDITION 2025 2025

POS	PARTNUMBER		PIECE
1	SPNO	Non orderable part A490C467Y305000	1
2	0025120506S	HH COLLAR SCREW M12X50 TX45	2



24A4900410

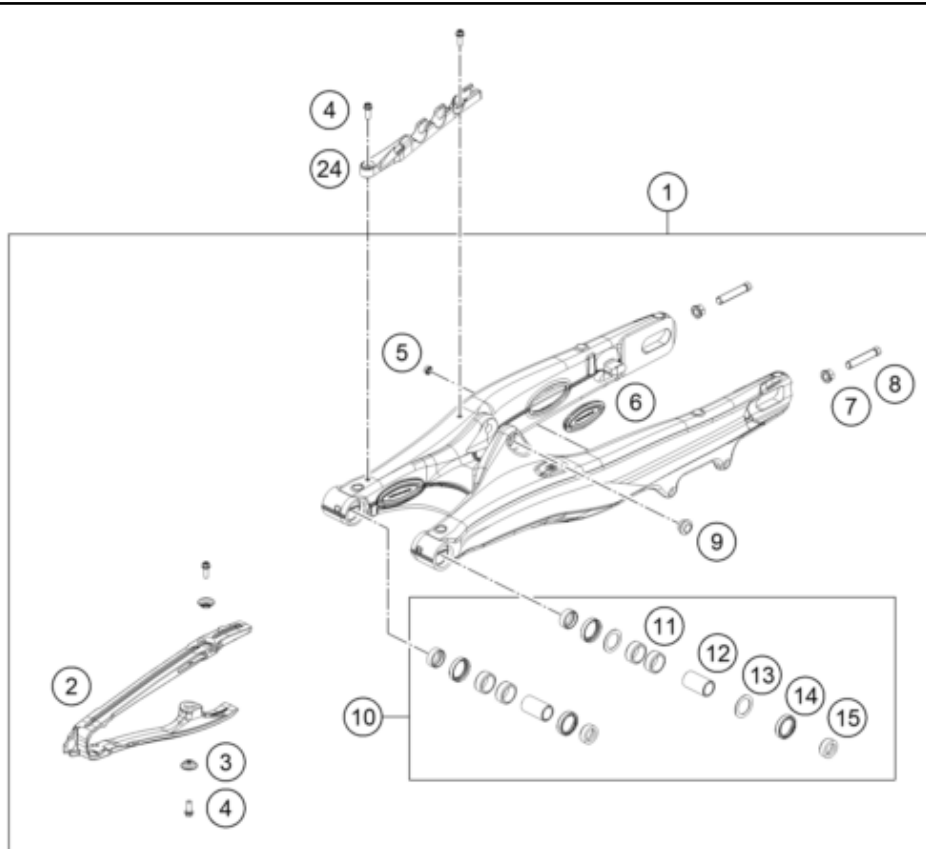
70747

* NEW PART

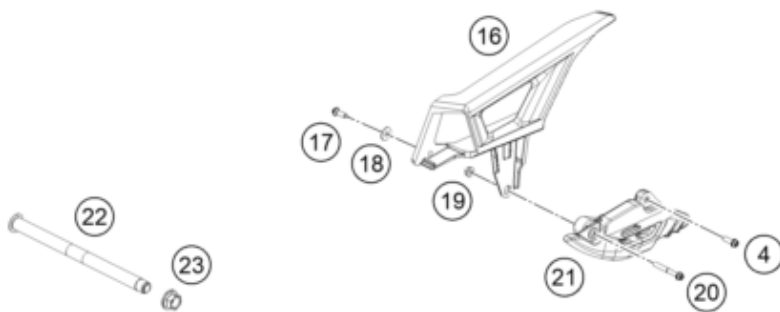
X ON DEMAND

SWING ARM

350 EXC-F CHAMPION EDITION 2025 2025



POS	PARTNUMBER		PIECE
1	A49004230144	Swingarm cmpl. Enduro 2025	1
2	A46004066100	Chain slider	1
3	77304066150	Chain slider bushing	2
4	0025060166S	HH collar screw M6x16 TX30 SL	5
5	54603055051	Press in nut M6 STEEL ZINC	1
6	A46004041000	Locking cap swingarm	4
7	58414030000	HH COLLAR NUT M10X1,25 WS=13	2
8	50304040100	Screw M10x1.25x50 WS10	2
9	50180105	Threaded bush M12 d20	1
10	79004030110	Repair kit swingarm bearing	1
11	0618222812	Needle bushing HK2212V 22/28/12 MB	4
12	59404032000	Bearing sleeve 17x22x38.7 03	2
13	54603036000	Stop disk 22,2X31,7X1	2
14	0760253270	Radial shaft seal 25x32x7	4
15	77704034000	Support f. shaft seal ring 16	4
16	A49004060000	Chainguard	1
17	0017060205	Screw for plastic K60X20 SW6	1
18	0021060003	Washer DIN9021-A 6.4	1
19	56509064100	Self locking nut M6 - 10	1
20	0025060506	HH collar screw M6x50 TX30	1
21	A49004070100C1	Chain guide EXC	1
22	A46004037000	Swingarm pivot	1
23	54804038000	Nut with flange M16X1,5 WS=19 03	1
24	A46004042000	Brake line guide	1



25A4900490

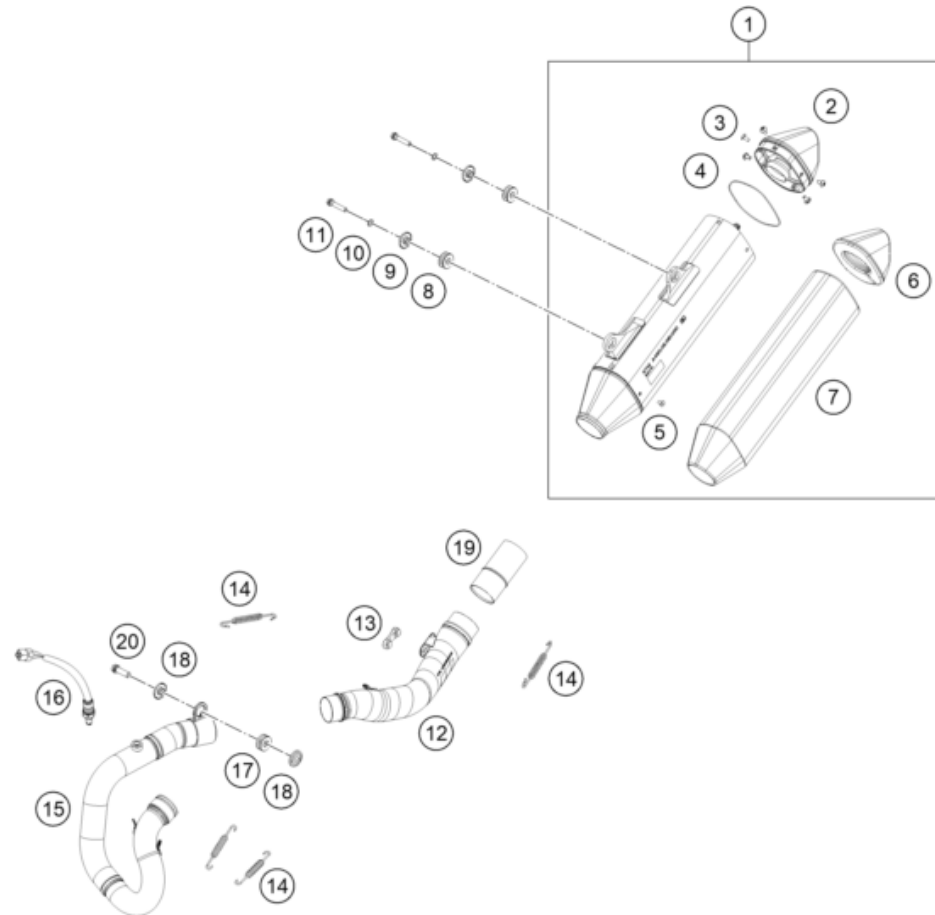
70707

* NEW PART

X ON DEMAND

EXHAUST SYSTEM

350 EXC-F CHAMPION EDITION 2025 2025



POS	PARTNUMBER		PIECE
1	A49005081000	silencer	1
2	79105081160	Endcap cpl.	1
3	78105081010	SCREW TORX M5X10	5
4	0770800021	O-RING 80,00X2,00 VITON	1
5	0011480800	DUMMY RIVET 4,8X 8 NIRO	5
6	A46005078080	Rockwool preformed	1
7	79105081085	insulating material formed part	1
8	77205068000	Damp. compon. black	2
9	77205169000	Bushing 7.5x12x28x8.3 11	2
10	50233041000	Pair of washers M6 NORDLOCK	2
11	0025060306	HH collar screw M6x30 TX30	2
12	A49005010000	exhaust manifold rear	1
13	79105098000	exhaust spacer	1
14	A46005016000	Tension spring L=62mm	4
15	A47005009000	Manifold EXC / FE 350	1
16	75041090200	LAMBDA SENSOR	1
17	79105068000	Damper gray	1
18	77805069000	Bushing 8.5x12x28x8.3	2
19	A49005091000	Catalytic converter	1
20	0025080206	HH collar screw M8x20	1

24A4900510

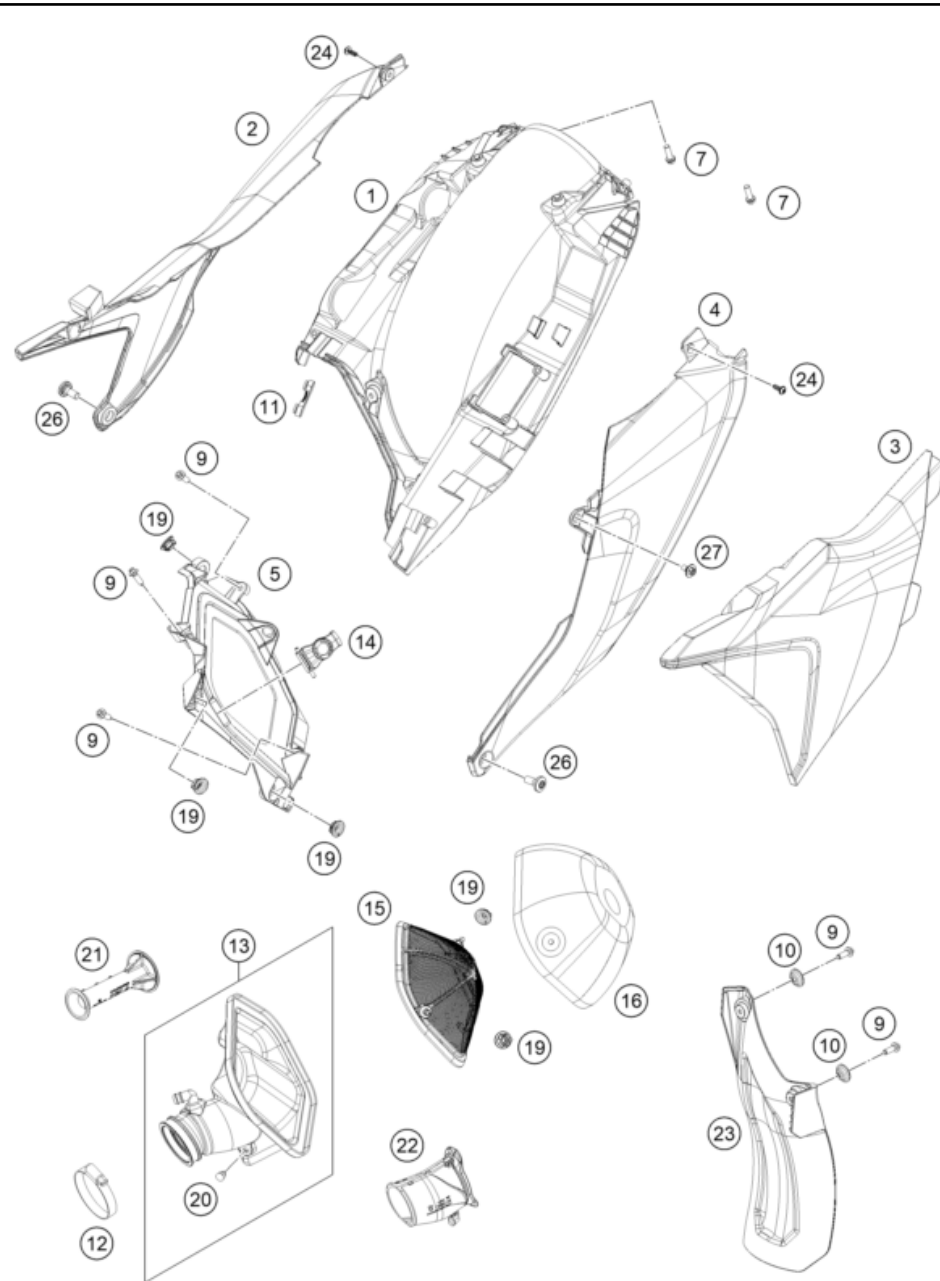
63956

* NEW PART

X ON DEMAND

AIR FILTER

350 EXC-F CHAMPION EDITION 2025 2025



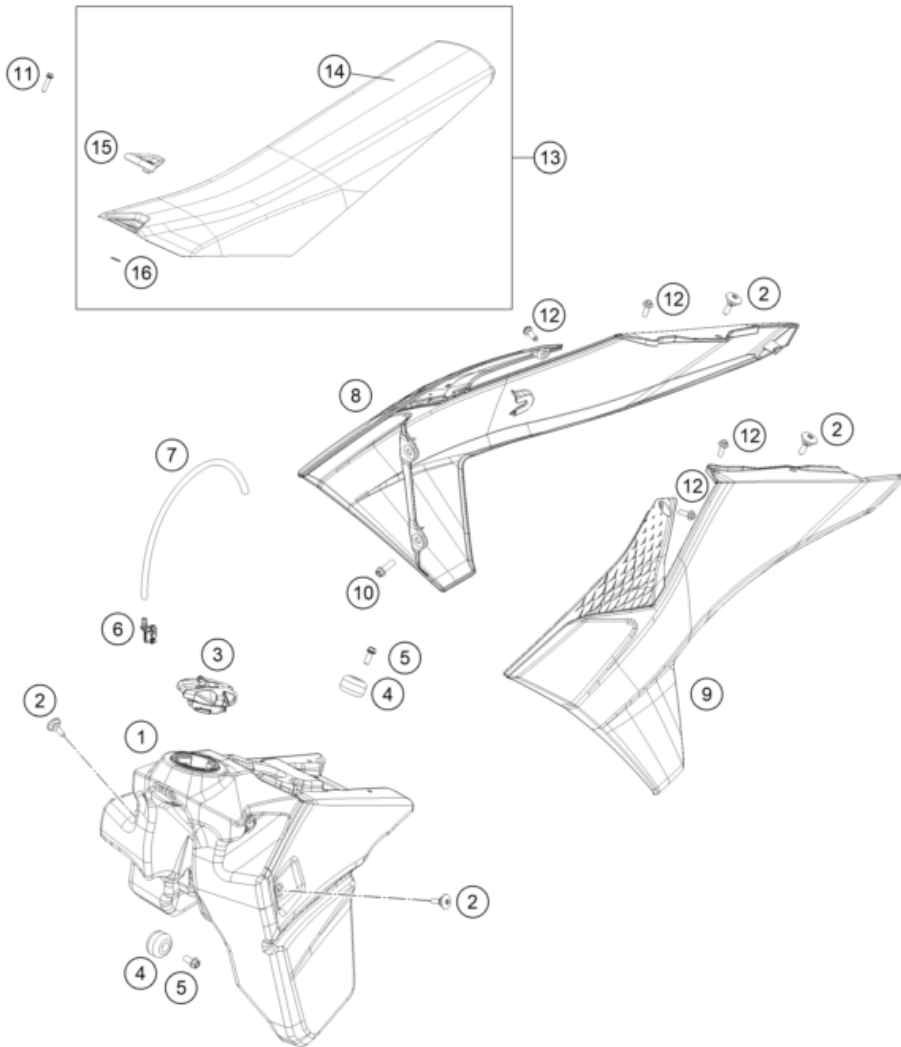
POS	PARTNUMBER		PIECE
1	A46006101000EB	Air filter box, bottom part XC	1
2	A46006004000EB	Air filter panel	1
3	A46006003000EBE	Air filter box cover	1
4	A46006005000EB	Side fairing	1
5	A46006001010EB	Air filter box front part	1
7	0025060206	HH collar screw M6x20 TX30	2
9	0017060206	SCREW F. PLASTIC K60X20AL SW6	5
10	77304066150	Chain slider bushing	2
11	79105098000	exhaust spacer	1
12	78006027000	HOSE CLAMP 45-65MM	1
13	A46006126033	Air boot cmpl.	1
14	A46006017000	Air filter holding bracket	1
15	A46006016000	Air filter support	1
16	A46006015000	Air filter	1
19	47106003160	quick release rubber grommet	5
20	54403135000	Plastic cap SFL10	1
21	A49006012150	Air restrictor	1
22	A47006140044	Intake snorkel cmpl.	1
23	A46004050000	Splash protection	1
24	0081050141	EJOT PT screw K50x14	2
26	79003003000	Special screw M8X18 TORX45 SL	2
27	83008000012	special screw M6x12x3	1

24A4900610

74339

* NEW PART

X ON DEMAND



POS	PARTNUMBER		PIECE
1	A49007013000	Fuel tank	1
2	79107011000	Seat holder screw	4
3	78107008044C1	Fuel cap compl. 14	1
4	A46007014000	Fuel tank role	3
5	0026060136	COLLAR SCREW M6X13 ISA30	3
6	79107013010	wire holder / fuel ventilation	1
7	0600000600000	Hose 5.5x9.5 NBR+PVC p. meter	1
8	A46008051000EBG	Spoiler right with decal	1
9	A46008050000EBG	Spoiler left with Decal	1
10	0025060126	HH collar screw M6x12 TX30	4
11	0025060256	HH collar screw M6x25 TX30	1
12	0017060205	Screw for plastic K60X20 SW6	4
13	A46007040000EBA	Factory seat	1
14	A46007040050EBA	Seat cover	1
15	A46007046000	Seat installation	1
16	0004711200100	Lock ring DIN471 12x1	1

Nur gegen Austausch erhältlich!
 Lieferung erfolgt nur nach Rückgabe des beschädigten Aufklebers
 an die länderspezifische Kontaktperson!

8
9

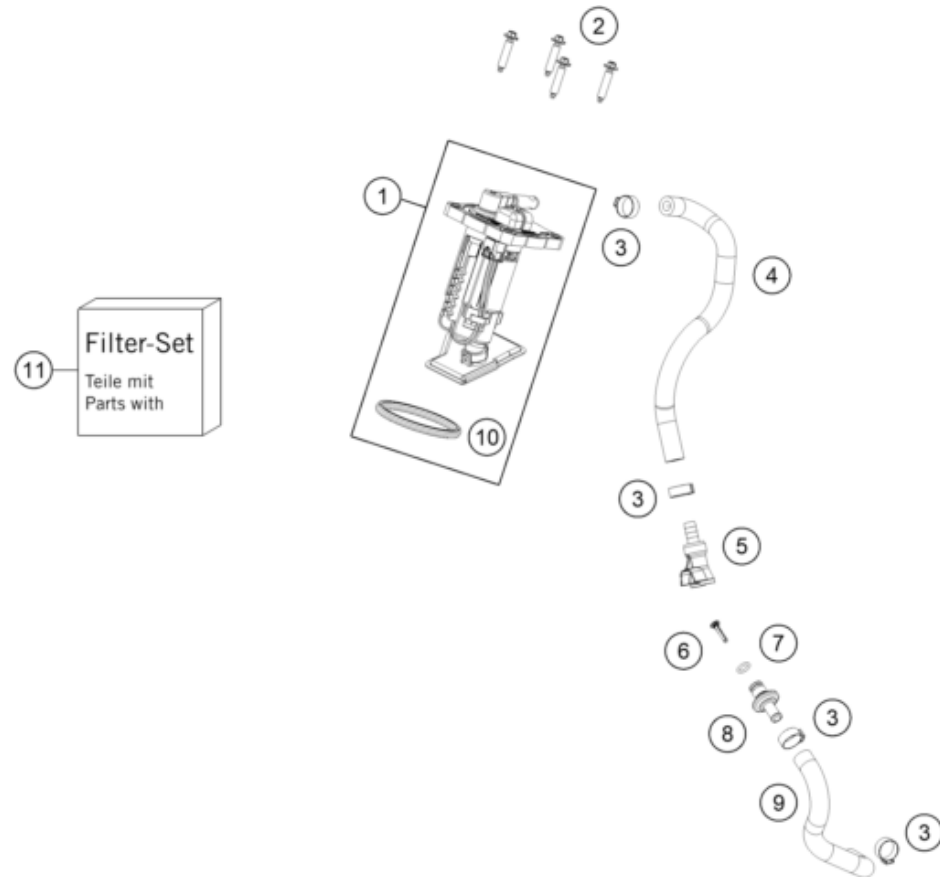
Only for replacement!
 Delivery only follows after returning the damaged sticker
 to your After Sales contact person!

237950712

74340

* NEW PART

X ON DEMAND



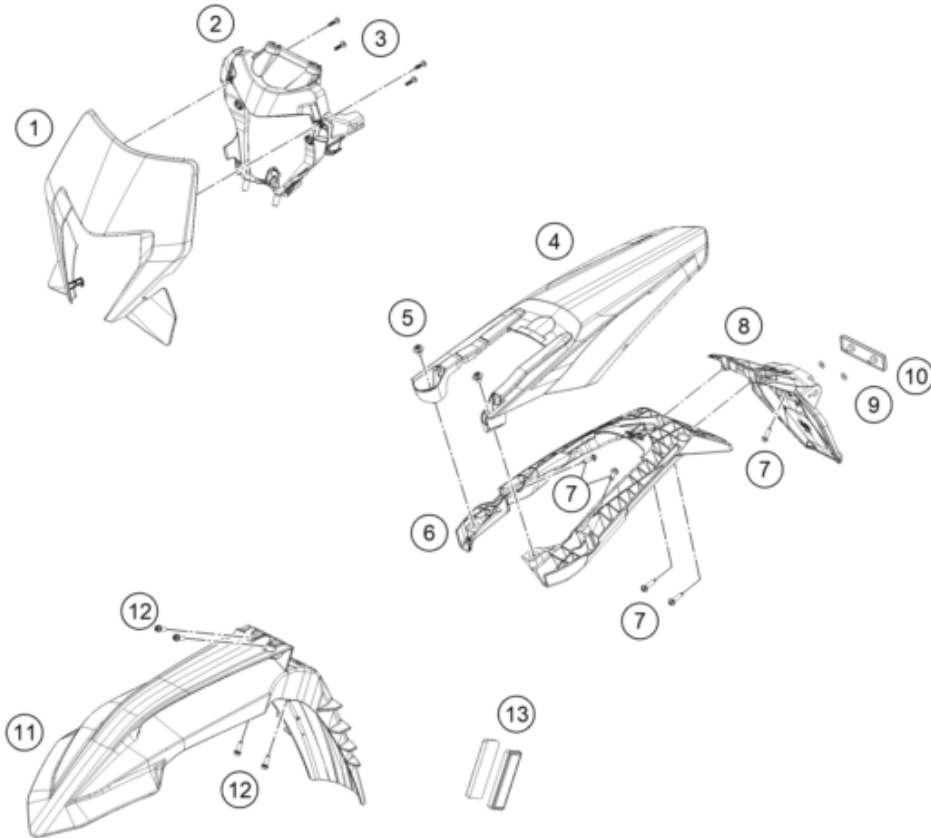
POS	PARTNUMBER		PIECE
1	A49007088200	Fuel pump	1
2	0017060305	Special screw K60X30 WS=6	4
3	00050157706	Variable one-ear clamp 15.7mm	4
4	A46007016000	Fuel hose tank	1
5	5850701050030	Clutch CPC PLCD17005, black	1
6	78141013190	Fuel filter	1
7	58507012000	O-ring VITON f. plug CPC 05	1
8	77707010000	Fuel connection	1
9	A46007017000	Fuel hose	1
10	A46007088050	Fuel pump seal	1
11	A46007018044	Fuel pump filter kit	1

227950730

60474

* NEW PART

X ON DEMAND



POS	PARTNUMBER		PIECE
1	A49008001000EBE	Headlight mask with decal	1
2	A49008001010C1	Headlight mask bottom part	1
3	0081050181	SCREW FOR PLASTIC K50X18 T20	4
4	A49008013000EBD	Rear fender EXC with decal	1
5	83008000012	special screw M6x12x3	2
6	A49008015000	License plate holder support	1
7	0017060205	Screw for plastic K60X20 SW6	5
8	79708016100	License plate holder support extension	1
9	60408061050	RUBBER 14X6.5X2.3MM	2
10	58412080000	REFLECTOR RED	1
11	A46008010000EB	Fender	1
12	0025060166	HH collar screw M6x16 TX30	4
13	58412080300	REFLECTOR YELLOW "CEV"	2

24A4900810

74107

* NEW PART

X ON DEMAND

1

Nur gegen Austausch erhältlich!
Lieferung erfolgt nur nach Rückgabe des beschädigten Aufklebers
an die länderspezifische Kontaktperson!

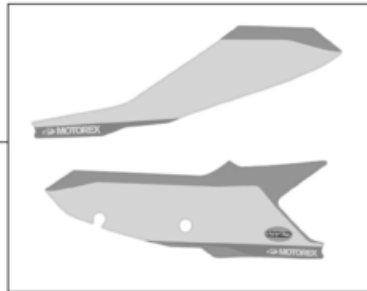
Only for replacement!
Delivery only follows after returning the damaged sticker
to your After Sales contact person!



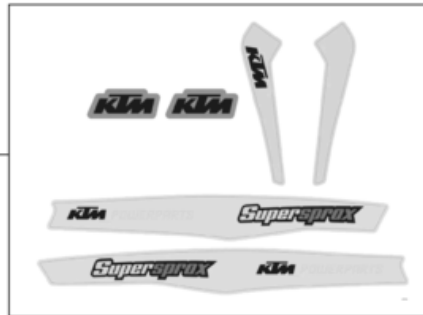
2



3



4



25A4900843

POS	PARTNUMBER		PIECE
1	A46008093200	sticker front fender	1
2	A49008078127	Displac. label set EXC-F 350 Champ. E.	1
3	A46008099400	Grafikkit Champ.Edt.'25	1
4	A46008192000	Sticker set for accessory pack	1

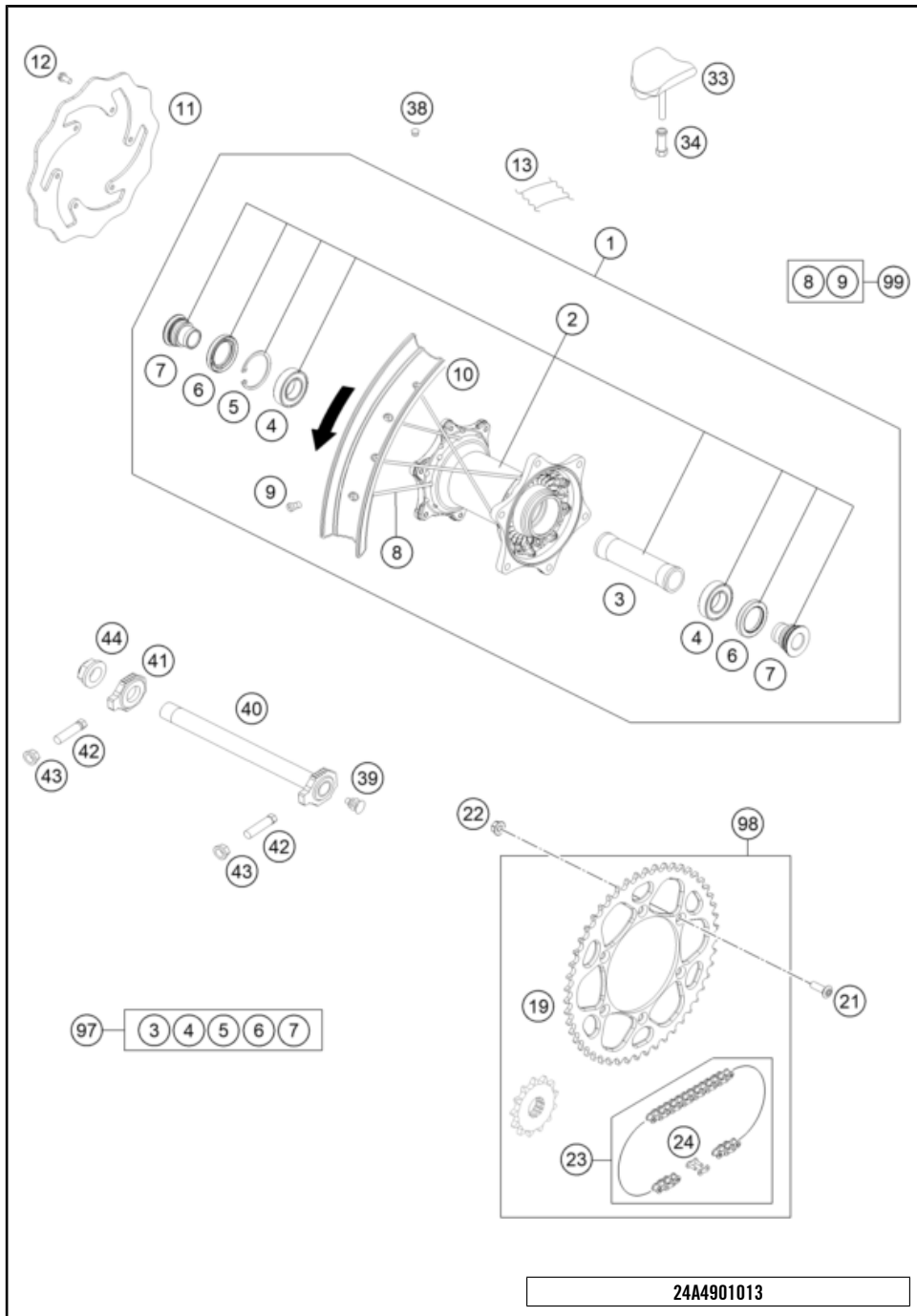
74341

* NEW PART

X ON DEMAND

REAR WHEEL

350 EXC-F CHAMPION EDITION 2025 2025



24A4901013

POS	PARTNUMBER	PIECE	
1	A49010001044C1	Rear wheel cmpl. 2.15x18# Giant 2024	1
2	A46010010044	Rear wheel hub cmpl.	1
3	A46010011000	Bearing spacer tube 121.5mm	1
4	0625060058	Grooved ball bear.6005 DDU2CG23S6NM	2
5	0472047175	CIRCLIP DIN0472-47X1,75	1
6	0760354771	Radial shaft seal 35X47X7 TC	2
7	A46010016000	Spacing tube rear wheel	2
8	7901007119330	SPOKE M4,5X193-18" BLACK 16	36
9	77109072000	Spoke nipple M4.5 AL	36
10	7811007000030	RIM REAR 2,15X18" BLACK	1
11	79010060000	Brake disc rear 220MM 16	1
12	59009062013	SPECIAL SCREW M6X13 WS=8 10.9	6
13	50310073200	Tube protector 18" and 19"	1
19	7771015104530	SPROCKET 45-T BLACK	x
19	5841005104604	REAR SPROCKET ORANGE 46 T.	1
19	7771015104730	Rear sprocket 47Z	x
19	7771015104830	SPROCKET 48-T BLACK	x
19	7771015104930	Sprocket 49-t	x
19	7771015105030	Rear sprocket 50-t, black	x
19	7771015105130	Rear sprocket 51-t	x
19	7771015105230	Rear sprocket 52-t, black	x
21	0019080266S	COUNTER-SUNK SCREW ISA45 M8X26	6
22	06923080003	Hex. nut DIN EN 1661 M8 WS13	6
23	78010267118	CHAIN DID 118 LINKS	1
24	78010266000	CONNECTING LINK F. 78010267118	1
33	78110090200	Tyre locker 2,15"	1
34	77110090050	Nut for wheel holder	1
38	55003135000	Plug for rim	x
39	50210086000	Plug SFL16	x
40	A46010085044	Wheel spindle rear wheel cmpl.	1
41	A46010084000	Chain tension adjuster right	1
42	50304040100	Screw M10x1.25x50 WS10	2
43	58414030000	HH COLLAR NUT M10X1,25 WS=13	2
44	A46010086000	Collar nut M22x1.5 WS=30	1
97	A46010015010	wheel bearing repair kit	x
98	SPA114G46KM118A	Drivetrain kit XC 14Z/46Z	x
99	00050000981	SPOKE KIT REAR 18" EXC 17	x

74343

* NEW PART

X ON DEMAND



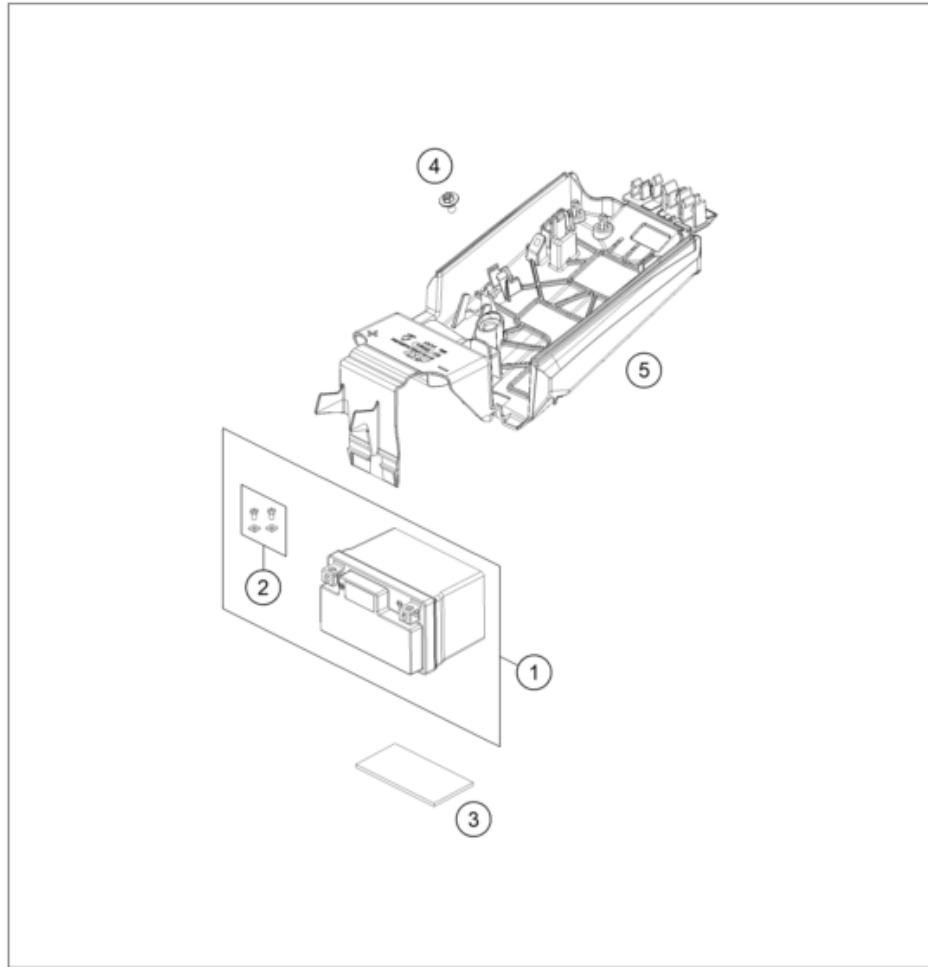
POS	PARTNUMBER		PIECE
1	A49011075000	Main wiring harness	1
2	A49011080000	Turn signal wiring harness, front	1
3	A49011081000	Turn signal wiring harness, rear	1
4	44011076140	CABLE TIE 140/2,5MM BLACK	x
4	44011076200	CABLE TIE 200/3,6MM BLACK	x
4	44011076305	Cable tie 300/4,8mm black	x
5	83013026000	Line guide	2
6	49111425200	BULB 12V 2,3W (W2X4,6D)	1
8	A49011033033	Offroad-control-unit 1.0	1
9	A49011034000	Voltage regulator	1
10	0024060156	HH collar screw M6x15 TX30	1
11	79711060033	Horn, compl.	1
13	0025050126	HH collar screw M5x12 TX30	2
14	000700000AN01	Dummy plug 4-pins	1
15	000700000LV001	Dummy plug LV 2p/sealed	1
16	75011097100	Ground wire	1
17	58411098100	Contact washer M6 VSV-K6	3
18	0900000601202	Roundhead screw w/ Tx M6x12 mm	1
19	0985060003	Self lock. nut DIN985-M6-A2	1
20	77240099000	Protection cap for starter engine	1
21	A46011059000	Starter cable	1
22	58211058000	Starter relay 12V 99	1
23	58011109120	Plug-in fuse, big 20A	2
25	A46011059050	Battery cable compl.	1
26	58211058050	BRACKET RUBBER F.STARTRELAY 07	1
29	0738060167	Oval head screw AH socket M6x16 A2-70	1
30	0902060083	Oval head screw ISO 7380 M 6X8 - A2	1
31	60011093075	Rubber cable tie 75MM 03	2

24A4901110

63878

* NEW PART

X ON DEMAND



POS	PARTNUMBER		PIECE
1	79111053000	battery 12V/24Wh	1
2	79111053010	screw kit only for 79111053000	1
3	59003001099	METAMOLL 90X45X3MM 03	1
4	83008000012	special screw M6x12x3	1
5	A46011055100	Battery holding bracket	1

24A4901130

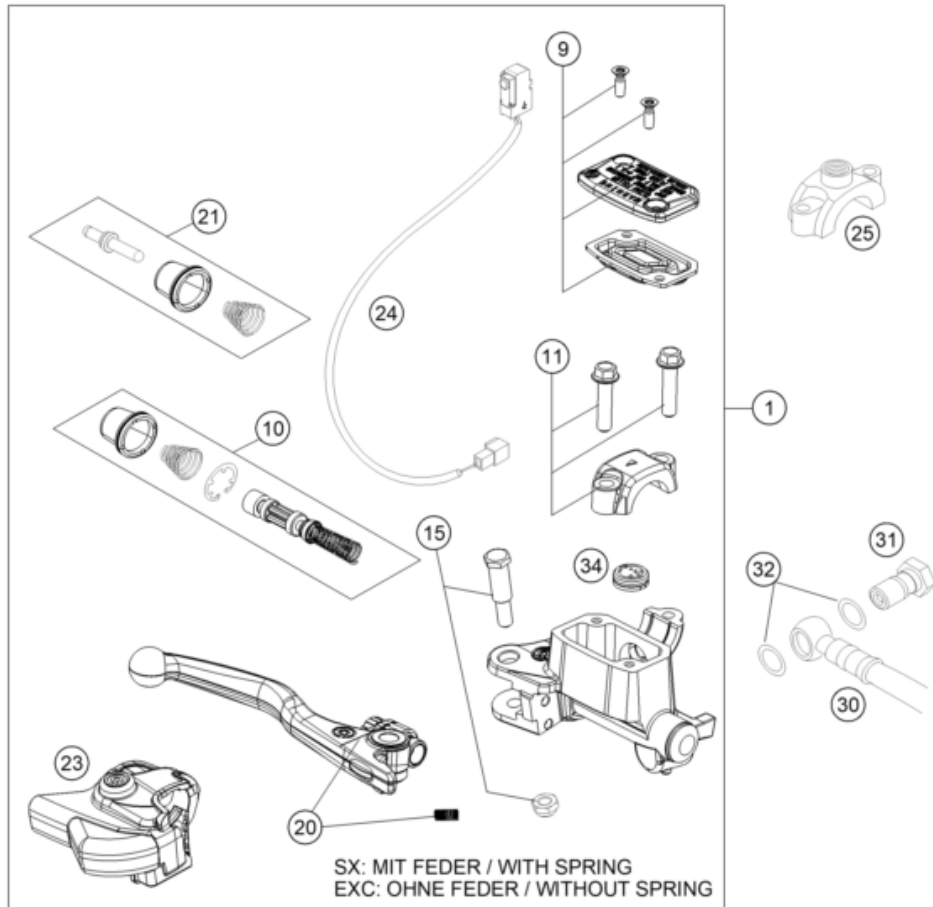
63879

* NEW PART

X ON DEMAND

FRONT BRAKE CONTROL

350 EXC-F CHAMPION EDITION 2025 2025



POS	PARTNUMBER		PIECE
1	77713001144	HAND BREAK CYLIND. CPL. EXC 14	1
9	77713003000	HAND BRAKE CYL. COVER	1
10	77713008100	REPAIR KIT PISTON EXC 2014	1
11	50313005000	CLAMP CPL. NATURE	1
15	77713006000	Lever screw	1
20	77713002000	Hand brake lever + spring SX 14	1
21	77713007100	PUSH ROD CPL. EXC 2014	1
23	77713004000	Protection cap, hand brake cylinder	1
24	77711050000	BRAKE LIGHT SWITCH FRONT 2014	1
25	58012040150	Clamp for mirror	1
30	77713010000	BRAKE PIPE	1
31	54813020100	banjo bolt M10x1x19 black	1
32	0603100141	sealing ring DIN 7603 10x14x1	2
34	54802051000	VALVE	1
80	00062030000	Brake fluid DOT5.1 0,25L	1



145031310

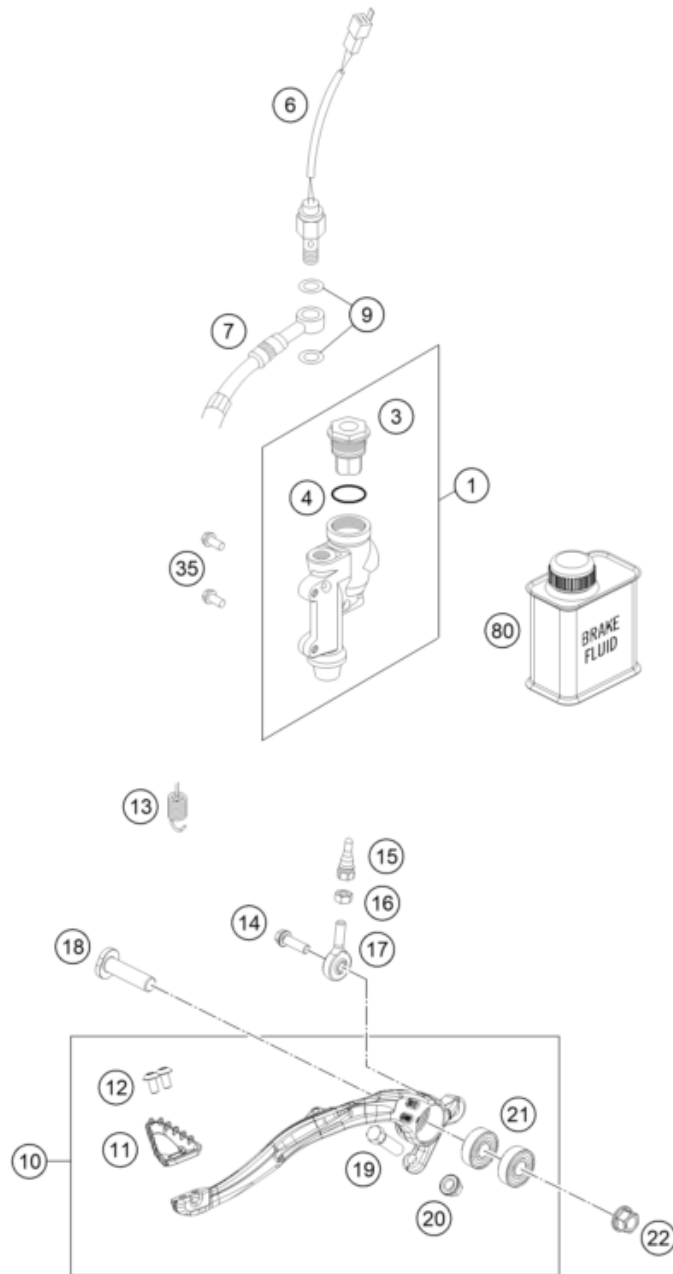
14388

* NEW PART

X ON DEMAND

REAR BRAKE CONTROL

350 EXC-F CHAMPION EDITION 2025 2025



POS	PARTNUMBER		PIECE
1	77013060044	REAR BRAKE CYLINDER CPL.SX 09	1
3	54813062100	REAR BRAKE CYL. COVER CPL. 04	1
4	54813063000	FOOT-BRAKE CYL. GASKET SX 03	1
6	50311051100	BRAKE LIGHT SWITCH REAR '98	1
7	77213070300	Rear Brakehose	1
9	0603100141	sealing ring DIN 7603 10x14x1	2
10	A46013050044	foot brake lever cpl	1
11	79413051000	Step brake lever 16	1
12	58605083010S	Torx hexagon socket screw M5x10 SS	2
13	A46003062000	Retracting spring	1
14	0025060206S	HH collar screw M6x20 TX30	1
15	54813056000	Push rod L=28MM 03	1
16	0934060003	Hex. nut DIN 934 M6	1
17	54813055100	Joint head CMP6	1
18	47213054000	Screw foot brake lever	1
19	59001037000	Special Screw M8X26 WS=10	1
20	46030045000	flanged nut M8 WS10	1
21	0625060002	deep groove ball bearing SKF 6000-2RS1	2
22	54630044000	COLLAR NUT M10 WS=13	1
35	0025060126	HH collar screw M6x12 TX30	2
80	00062030000	Brake fluid DOT5.1 0,25L	1

24A4901330

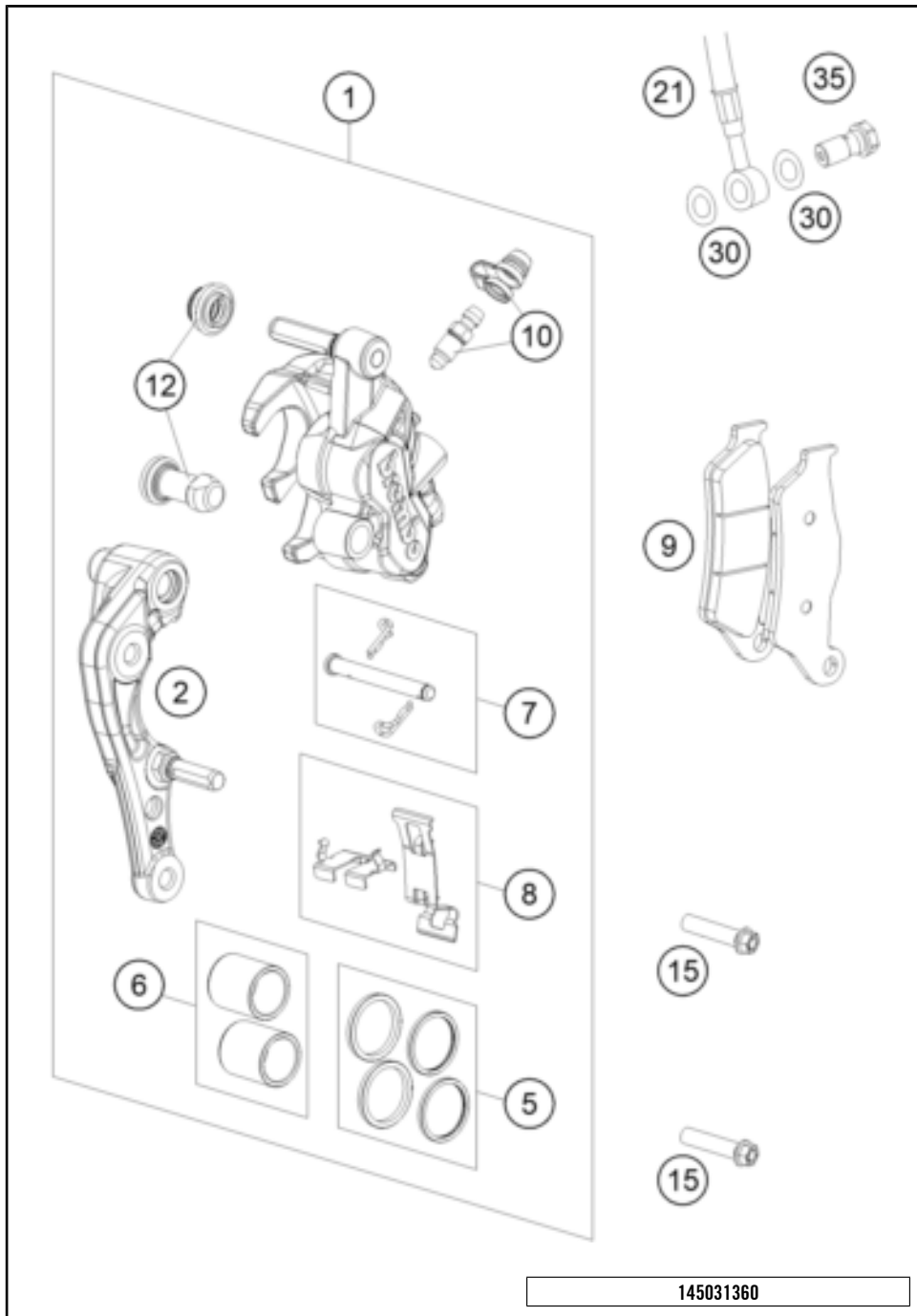
63833

* NEW PART

X ON DEMAND

FRONT BRAKE CALIPER

350 EXC-F CHAMPION EDITION 2025 2025



POS	PARTNUMBER		PIECE
1	7701301500101	CALIPER NAT. WITHOUT PADS	1
2	77013014000	BRAKE CALIPER SUPPORT FRONT 09	1
5	77013021000	REP. KIT SEALS 24MM	1
6	77013019000	REP. KIT PISTON 24MM	1
7	77013017000	BOLT CPL. 09	1
8	77013018000	Retaining plate set BREMBO	1
9	77713030000	Brake pad front	1
10	61013020100	BLEEDER SCREW WITH CAP	1
12	54613218000	CUP SET SHORT	1
15	0025080306S	HH COLLAR SCREW M8X30 TX40	2
21	77713010000	BRAKE PIPE	1
30	0603100141	sealing ring DIN 7603 10x14x1	2
35	54813020100	banjo bolt M10x1x19 black	1

145031360

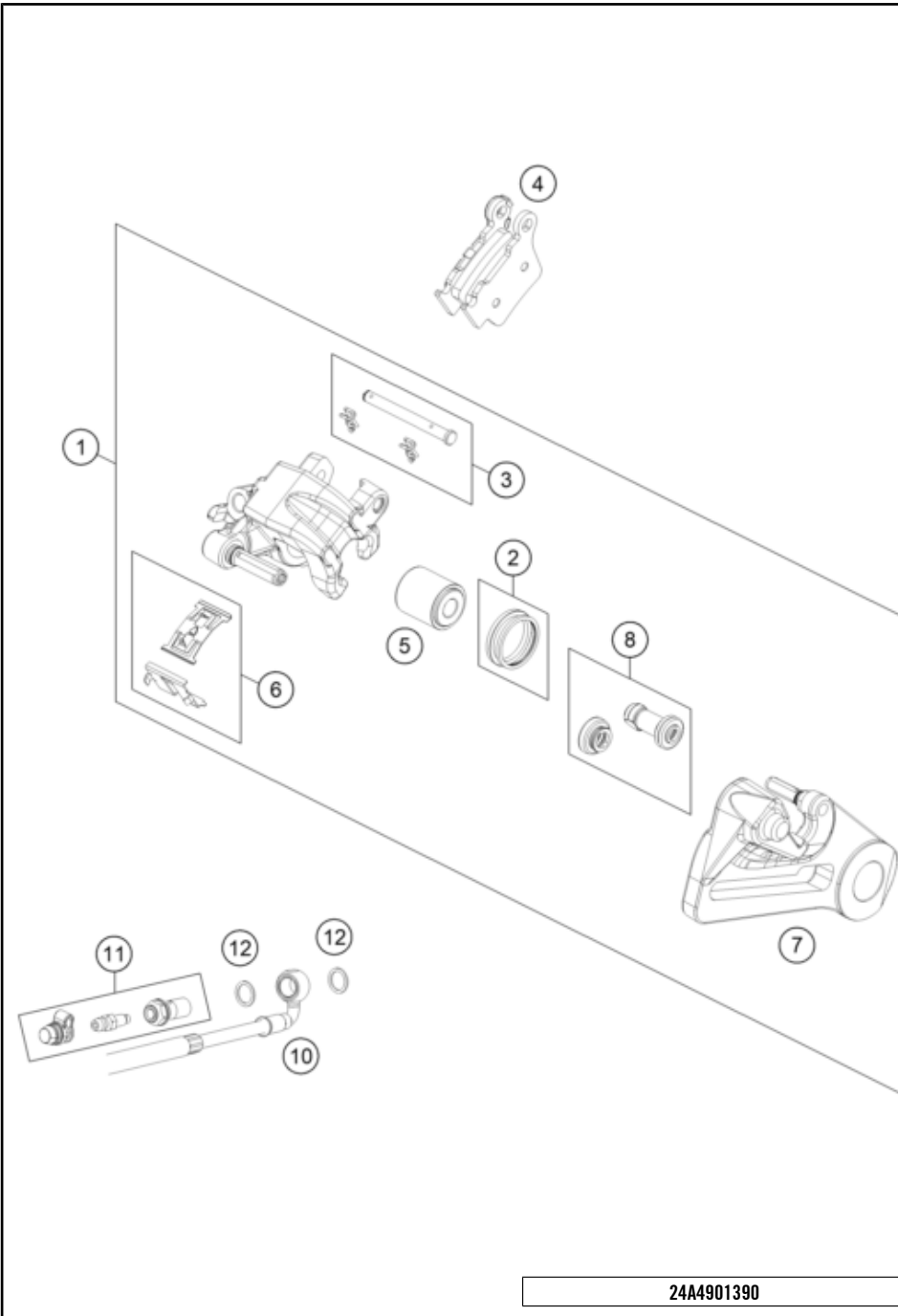
14399

* NEW PART

X ON DEMAND

REAR BRAKE CALIPER

350 EXC-F CHAMPION EDITION 2025 2025



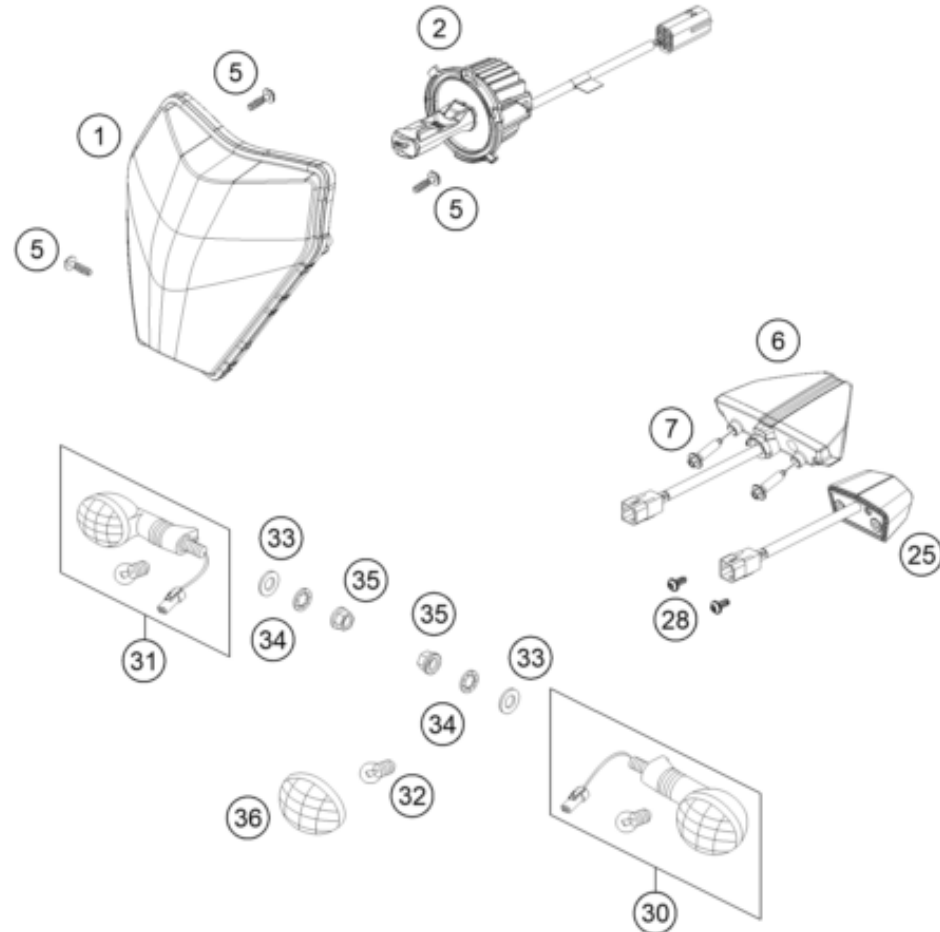
POS	PARTNUMBER		PIECE
1	A46013080001	Rear brake caliper PF 26 b cmpl.	1
2	50313081200	REPAIR KIT SEALING RINGS 26MM	1
3	54813082000	Bolt set for brake caliper 03	1
4	79013090000	Brake pad rear TOYO B204	1
5	77713083000	BRAKE PISTON 26MM 2013	1
6	54813018000	Retaining spring set 2003	1
7	A46013075000	Brake caliper support	1
8	54613218100	CUP SET SHORT	1
10	77213070300	Rear Brakehose	1
11	62513020000	BLEEDER SCREW CPL. 05	1
12	0603100141	sealing ring DIN 7603 10x14x1	2

24A4901390

63835

* NEW PART

X ON DEMAND



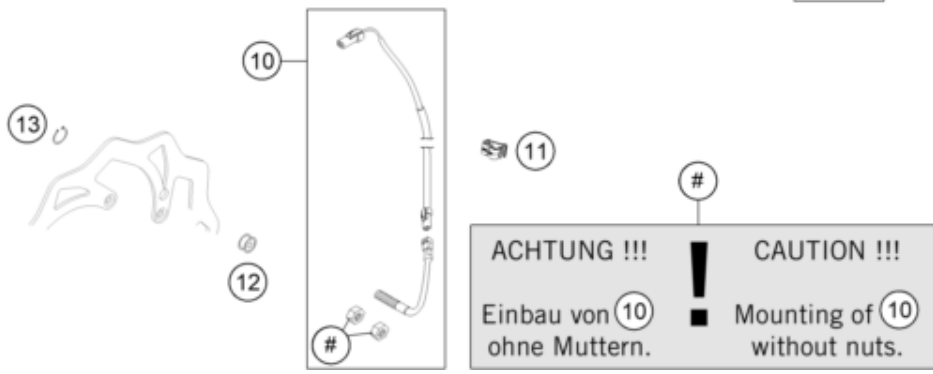
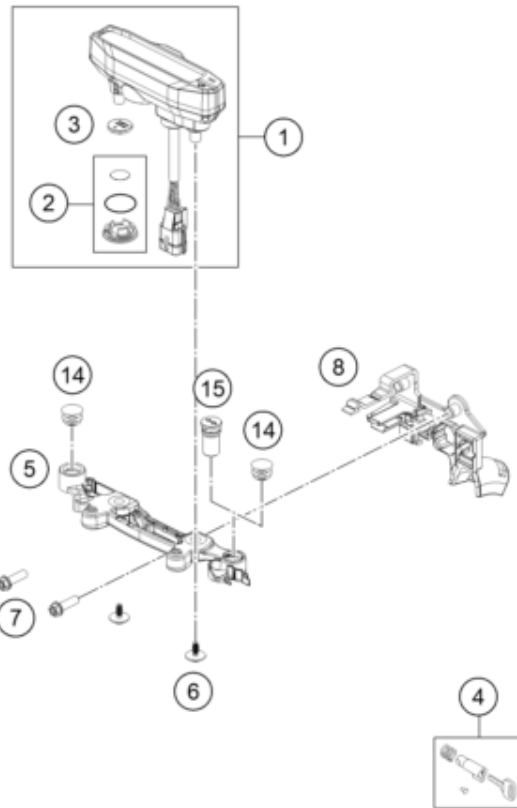
POS	PARTNUMBER		PIECE
1	A49014001080	Headlamp KTM	1
2	A49014002000	LED-Unit	1
5	0081050181	SCREW FOR PLASTIC K50X18 T20	3
6	79714040000	Tail light	1
7	0017060255	EJOT PT screw K60X25-Z SW6	2
25	60314047000	license plate lighting	1
28	0081050121	EJOT PT screw K50x12	2
30	54814025200	FLASHER CPL. FR.L/S RE.R/S 09	2
31	54814026200	FLASHER CPL. FR.R/S RE.L/S 09	2
32	44111015100	BULB 12V 10W (BA15S)	4
33	0125100003	washer DIN 125 A 10.5	4
34	0797100003	LOCK WASHER DIN6797-J10,5 ZI	4
35	58414030000	HH COLLAR NUT M10X1,25 WS=13	4
36	54814028000	FLASHER LENS L/S R/S 05	4

24A4901410

63893

* NEW PART

X ON DEMAND



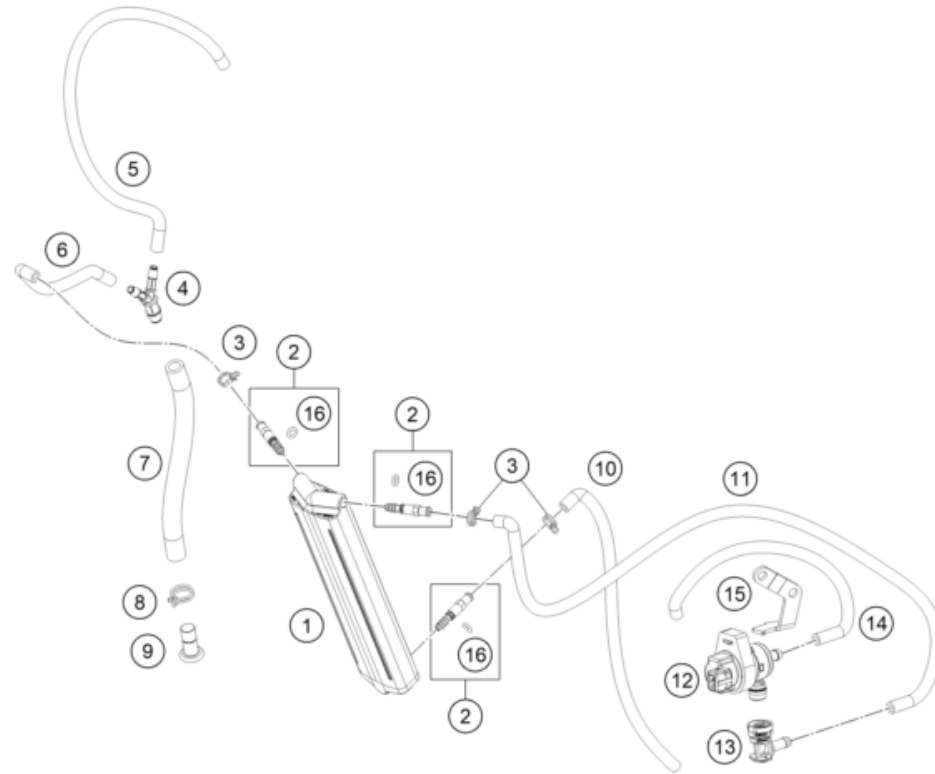
POS	PARTNUMBER		PIECE
1	A49014069000	Dashboard	1
2	77714069010	BATTERY COVER F. SPEEDOMETER	1
3	58314068000	BATTERY F. SPEEDOM. M.A.E. 02	1
4	78003035100	Steering lock	1
5	A49014060000	Instrument cluster	1
6	0081645121	EJOT DELTA PT SCREW 45X12-Z	2
7	0025060206	HH collar screw M6x20 TX30	2
8	A49011083000	Connector support	1
10	54814068100	CABLE FOR DIGITAL SPEEDOM. 06	1
11	83013026000	Line guide	2
12	54814069050	Magnet for digital Speedom. 03	1
13	0471009104	CIRCLIP DIN0471- 9X1 INOX	1
14	50210086000	Plug SFL16	2
15	58011024300	FLASHER INDICAT.LIGHT GREEN'98	1

24A4901430

63867

* NEW PART

X ON DEMAND



POS	PARTNUMBER		PIECE
1	A49015001000	Activated charcoal filter	1
2	A49015019044	Hose connector with O-ring	3
3	58007017000	YDNAC-clamp 10101 (10.4MM)	3
4	61315028100	Y-CONNECTOR YS 6-10-6	1
5	78015019425	Hose EPA d=6/10 l=425	1
6	79615021000	PREFORMED HOSE 6X10 ECO	1
7	78015119000	HOSE EPA D=10/16 L=2000MM	1
8	58431082100	YDNAC-clamp 10173 (16MM)	1
9	61315026100	Screw plug ACF	1
10	79615025000	Preformed hose 6X10 ECO	1
11	A49015023000	Pre-formed hose 6x10 ECO	1
12	61115015000	VALVE FOR CARBON CANISTER 07	1
13	61115016000	FITTING PIECE NQV2 NW7 90°	1
14	A49015024000	Pre-formed hose 6x10 ECO	1
15	A49015002000	Purge valve bracket	1
16	46810893	O-ring 5,28x1,78 NBR70 black	3

24A4901510

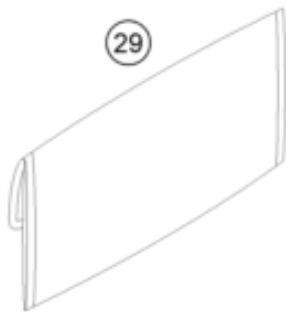
63875

* NEW PART

X ON DEMAND

0
OHNE ABBILDUNG
WITHOUT ILLUSTRATION

1
TECHNISCHE DOKUMENTATION
TECHNICAL DOCUMENTATION



227002000

POS	PARTNUMBER		PIECE
0	0017060205	Screw for plastic K60X20 SW6	1
0	0081050121	EJOT PT screw K50x12	2
0	58011024300	FLASHER INDICAT.LIGHT GREEN'98	1
0	49111425200	BULB 12V 2,3W (W2X4,6D)	1
0	78111029000	Flasher switch	1
0	0014050303	HH COLLAR SCREW M5X30 SW=6	1
0	00063004134	BLINKERKARTON 270X100X80	1
0	00063099100	BUTTON CLASP BAG F.SMALL PARTS	2
0	A49011081000	Turn signal wiring harness, rear	1
0	A49011080000	Turn signal wiring harness, front	1
0	0081050181	SCREW FOR PLASTIC K50X18 T20	2
0	A47006140044	Intake snorkel compl.	1
0	A46002014000	Gate 4-T 39,5mm	1
0	A46003094000EB	Frame protection set	1
0	A46003137033	Footpeg set	1
0	81212016100	Wash cap set	1
0	A46002002044C1A	Handlebar pad compl.	1
0	78141013190	Fuel filter	3
0	52000318SET	Sticker set, XACT CC 238x182.5	1
0	00063004012	HEADLIGHT MASK BOX	1
0	00063004202	PRINT LABEL 60X51 MM	1
0	00063004204	Self-ad. stkr. 100X200 mm, perf., art. 3	2
0	60314047000	license plate lighting	1
0	78007100780	Vent hose 5.6 x 10 x 780	1
0	58411098100	Contact washer M6 VSV-K6	2
0	0025050126	HH collar screw M5x12 TX30	2
0	77229072100	Spark plug wrench, WS=14	1
0	58012040000	Rear view mirror left	1
0	58012140000	Rear view mirror right	1
0	58012040150	Clamp for mirror	2
0	58412080300	REFLECTOR YELLOW "CEV"	2
0	79708016100	License plate holder support extension	1
0	0017060255	EJOT PT screw K60X25-Z SW6	1
0	58412080400	Rear reflector red	1
0	60408061050	RUBBER 14X6.5X2.3MM	2
0	0603061001	CU-seal ring DIN7603-6X10X1	1
0	0025060086S	Hex collar scr., M6x8, ISA 30, SL	1
0	000700000AN01	Dummy plug 4-pins	1

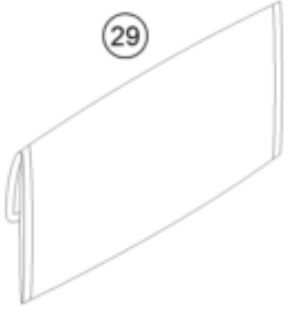
74344

* NEW PART

X ON DEMAND

0
OHNE ABBILDUNG
WITHOUT ILLUSTRATION

1
TECHNISCHE DOKUMENTATION
TECHNICAL DOCUMENTATION



227002000

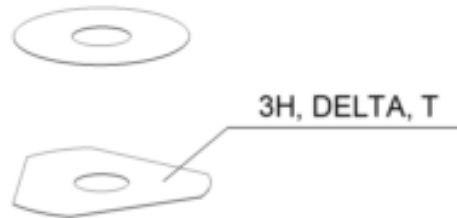
POS	PARTNUMBER		PIECE
0	000700000LV001	Dummy plug LV 2p/sealed	1
0	79233029013	Sprocket 13-t	1
0	79615020010	Locking cap evaporative canister	3
0	77405009065	Plug screw M12X1.25 WS17	1
0	79602084144	Mounting kit, handguard, right and left	1
0	A49002082044EB	Handguard compl.	1
0	54814025200	FLASHER CPL. FR.L/S RE.R/S 09	2
0	54814026200	FLASHER CPL. FR.R/S RE.L/S 09	2
0	0125100003	washer DIN 125 A 10.5	4
0	0797100003	LOCK WASHER DIN6797-J10,5 ZI	4
0	58414030000	HH COLLAR NUT M10X1,25 WS=13	4
0	A49002065133	Steering lock preass.	1
0	25006004050	Bushing 5.1X6.5X4	1
0	0019080266S	COUNTER-SUNK SCREW ISA45 M8X26	1
0	60011093075	Rubber cable tie 75MM 03	2
0	A46008192000	Sticker set for accessory pack	1
0	7900998126004	front axle puller	1
1	3240049EN	Owner's manual 350 EXC-F '25	1
29	A49029199000	On-board tool kit	1

74344

* NEW PART X ON DEMAND



- ⑤ Ø 5 mm
- ⑥ Ø 6 mm
- ⑧ Ø 8 mm
- ⑩ Ø 10 mm
- ⑫ Ø 12 mm
- ⑭ Ø 14-14,5 mm
- ⑯ Ø 16 mm
- ⑲ Ø 20 mm
- ⑳ Ø 21 mm
- ㉑ Ø 22 mm
- ㉒ Ø 23 mm
- ㉔ Ø 24,5 mm
- ㉖ Ø 28,25-28,5 mm
- ㉘ Ø 32 mm
- ㉚ Ø 52 mm



POS	PARTNUMBER		PIECE
1	48600611	Spring (10,2) l5 check valve	X
5	44906890	Washer 5X15X2	X
6	40540400	Shim 6x12x0,10	X
6	40540401	Shim 6x14x0,10	X
6	40540402	Shim 6x16x0,10	X
6	40540403	Shim 6x18x0,10	X
6	40540404	Shim 6x12x0,15	X
6	40540405	Shim 6x14x0,15	X
6	40540406	Shim 6x16x0,15	X
6	40540407	SHIM 6X18X0,15	X
6	40540408	Shim 6x12x0,20	X
6	40540409	Shim 6x14x0,20	X
6	40540410	Shim 6x16x0,20	X
6	40540411	Shim 6x18x0,20	X
6	48600095	SHIM 6X20X0,20	X
6	40540412	Shim 6x12x0,25	X
6	40540413	Shim 6x14x0,25	X
6	40540414	Shim 6x16x0,25	X
6	40540415	Shim 6x18x0,25	X
6	40540417	SHIM 6X8,5X0,10	X
6	40540418	SHIM 6X9X0,10	X
6	40540419	SHIM 6X9,5X0,10	X
6	40540423	SHIM 6X9,5X0,15	X
6	40540425	SHIM 6X8,5X0,20	X
6	40540426	SHIM 6X9X0,20	X
6	40540427	SHIM 6X9,5X0,20	X
6	40540447	Shim 6x10x0,30	X
6	40540449	Shim 6x9x0,30	X
6	40540450	Shim 6x9,5x0,30	X
6	40540494	Shim 6x18x0,40	X
6	40540774	Shim 6x18x0,10 delta	X
6	40541383	Shim 6X11X0,10	X
6	40541391	Shim 6x11x0,30	X
6	40541402	Shim 6x11x0,20	X
6	40541403	SHIM 6X10X0,20	X
6	40541404	Shim 6x10x0,10	X
6	40541405	Shim 6x10x0,15	X
6	40541406	SHIM 6X11X0,15	X

080000190

4668

* NEW PART

X ON DEMAND



- 5 Ø 5 mm
- 6 Ø 6 mm
- 8 Ø 8 mm
- 10 Ø 10 mm
- 12 Ø 12 mm
- 14 Ø 14-14,5 mm
- 16 Ø 16 mm
- 20 Ø 20 mm
- 21 Ø 21 mm
- 22 Ø 22 mm
- 23 Ø 23 mm
- 24 Ø 24,5 mm
- 28 Ø 28,25-28,5 mm
- 32 Ø 32 mm
- 52 Ø 52 mm



POS	PARTNUMBER		PIECE
6	40541408	SHIM 6X8,0X0,30	X
6	40541414	Shim 6x8x0,1	X
6	40541416	SHIM 6X8X0,3	X
6	40541417	SHIM 6X11X0,25	X
6	48600102	SHIM 6X24X0,25	X
6	48600063	Shim 6x24x0,10	X
6	48600064	Shim 6x22x0,10	X
6	48600065	Shim 6x20x0,10	X
6	48600069	Shim 6x20x0,15	X
6	48600100	Shim 6x24x0,15	X
6	48600116	Shim 6x24x0,10 delta	X
6	48600139	Shim 6x22x0,1 delta	X
6	48600217	Shim 6x10x0,25	X
6	48600325	Shim 6x13x0,10	X
6	48600327	SHIM 6X15X0,1	X
6	48600329	Shim 6x17x0,10	X
6	48600331	Shim 6x19x0,10	X
6	48600096	Shim 6x20x0,25	X
6	48600097	Shim 6x22x0,15	X
6	48600099	Shim 6x22x0,25	X
6	40540448	Shim 6x8,5x0,30	X
6	48600479	Shim 6x20x0,10 DELTA	X
6	48600332	SHIM 6X21X0,1	X
6	48600333	SHIM 6X23X0,1	X
6	40541393	Shim 6x12x0,30	X
6	48600330	SHIM 6X17X0,15	X
6	48600988	Shim 6x28x0,10	X
6	48600989	Shim 6x26x0,10	X
6	48601091	Shim 6x28x0,15	X
6	48601093	Shim 6x26x0,15	X
6	48600328	Shim 6x15x0,15	X
6	48600326	Shim 6x13x0,15	X
6	48601548	Shim 6x17x1,5	X
6	48601693	Washer 6x18x3	X
6	48600098	Shim 6x22x0,20	X
6	48601300	Washer 6x25x1,5	X
6	48601692	Shim 6x30x0,15	X
6	48601550	Shim 6x30x0,10	X

080000190

4668

* NEW PART

X ON DEMAND



- 5 Ø 5 mm
- 6 Ø 6 mm
- 8 Ø 8 mm
- 10 Ø 10 mm
- 12 Ø 12 mm
- 14 Ø 14-14,5 mm
- 16 Ø 16 mm
- 20 Ø 20 mm
- 21 Ø 21 mm
- 22 Ø 22 mm
- 23 Ø 23 mm
- 24 Ø 24,5 mm
- 28 Ø 28,25-28,5 mm
- 32 Ø 32 mm
- 52 Ø 52 mm



POS	PARTNUMBER		PIECE
6	40541392	Shim 6x8x0,2	X
6	48601917	Washer 6x25x4	X
6	48601916	Washer 6x18x4	X
6	40540399	Shim 6x16x0,30	X
6	48601584	Shim 6x30x0,4 spring shim	X
6	48601459	Washer check valve 6x31x0,4	X
6	48601849	Check valve plate 2,5mm hub	X
6	48600101	SHIM 6X24X0,20	X
6	48601094	Shim 6x26x0,20	X
6	40540422	Shim 6X9X0,15	X
6	48601841	Washer check valve 6x31x0,4	X
6	48601850	Shim 6x30x0,4 spring shim	X
6	48601092	Shim 6x28x0,20	X
6	48601264	Shim 6x25x0,10	X
6	48600967	Shim 6x20x0,2 DELTA	X
6	48601847	Washer 6x25x1,5	X
6	48601707	Sinus shim plate 6X30	X
6	S64060000400000	Shim 6x14x0.3	X
6	S64060000500000	Shim 6x13x0.25	X
6	S64060000600000	Shim 6x17x0,2	X
6	40540421	Shim 6x8.5x0.15	X
6	48601262	Washer 6x18x1,5	X
6	S64060001500000	Shim 6x8x0.15	X
6	S64882001800000	Shim T6x20x0.10x2.5	X
8	40540477	Shim 8x18x0,40	X
8	43570120	Shim 8x18x0,10	X
8	44916098		X
8	44916130		X
8	44916180	Washer 8.2X11X1	X
8	48600214	Shim 8x16x0,10	X
8	48600385	SHIM 8x14x0.25	X
8	48600346	Shim 8x11x0,20	X
8	48600215	Shim 8x20x0,10	X
8	48600485		X
8	48601402	SHIM 8X13X0,10	X
8	48600350	Shim 8x16x0,15	X
8	48600061	Shim 8x24x0,40	X
8	48600062	CHECK VALVE 8X24X0,1	X

080000190

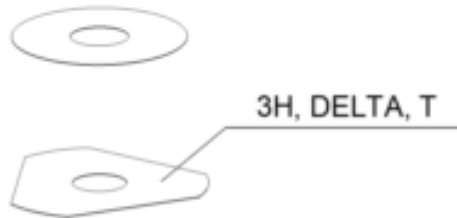
4668

* NEW PART

X ON DEMAND



- 5 Ø 5 mm
- 6 Ø 6 mm
- 8 Ø 8 mm
- 10 Ø 10 mm
- 12 Ø 12 mm
- 14 Ø 14-14,5 mm
- 16 Ø 16 mm
- 20 Ø 20 mm
- 21 Ø 21 mm
- 22 Ø 22 mm
- 23 Ø 23 mm
- 24 Ø 24,5 mm
- 28 Ø 28,25-28,5 mm
- 32 Ø 32 mm
- 52 Ø 52 mm



POS	PARTNUMBER		PIECE
8	48600216	Shim 8x22x0,10	X
8	48600480	Shim 8x10x0,20	X
8	48600555	SHIM 8X16X0,20	X
8	48600213	SHIM 8X14X0,10	X
8	48600357	Shim 8x11x0,10	X
8	48600351	Shim 8x12x0,10	X
8	48600607	Shim 8x20x0,40	X
8	48601095	Shim 8x17x0,10	X
8	48600352		X
8	48601860	Washer 8x11x0,15	X
8	48601266	Shim 8x26x0,40	X
8	46180640	Shim 8x16x0,3	X
8	43578166	Washer 8x20x1	X
8	48601113	Shim 8x15x0,1	X
8	48600218	Shim 8X11X0,40	X
8	48600964	Shim 8x20x0,15	X
8	89080008	Shim 8x30x0,10	X
8	48601859	Shim 8x10x0,15	X
8	48601863	Shim 8x14x0,15	X
8	89080001	Shim 8x18x0,15	X
8	89080002	Shim 8x22x0,15	X
8	89080003	Shim 8x24x0,15	X
8	89080005	Shim 8x26x0,15	X
8	89080007	Shim 8x28x0,15	X
8	89080009	Shim 8x30x0,15	X
8	48600386	Shim 8X12X0,25	X
8	48601862	Shim 8x13x0,15	X
8	89080004	Shim 8x26x0,10	X
8	89080006	Shim 8x28x0,10	X
8	S64080000000000	Shim 8x24x0,2	X
8	48601864	Shim 8x15x0,15	X
8	48600965	SHIM 8X20X0,2	X
8	S64080000300000	Shim 8x18x0,2	X
8	S64080000100000	Shim 8x12x0,2	X
8	S64080000900000	shim 8x14x0,2	X
8	S64080000100000	Shim 8x12x0,2	X
8	S64080000400000	Shim 8x22x0,2	X
8	48600384	Shim 8x22x0,30	X

080000190

4668

* NEW PART

X ON DEMAND



5 Ø 5 mm

6 Ø 6 mm

8 Ø 8 mm

10 Ø 10 mm

12 Ø 12 mm

14 Ø 14-14,5 mm

16 Ø 16 mm

20 Ø 20 mm

21 Ø 21 mm

22 Ø 22 mm

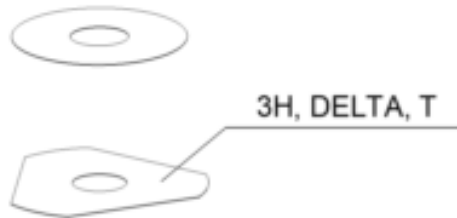
23 Ø 23 mm

24 Ø 24,5 mm

28 Ø 28,25-28,5 mm

32 Ø 32 mm

52 Ø 52 mm



POS	PARTNUMBER		PIECE
10	36120284	SHIM 10X16X0,10	X
10	36120298	SHIM 10X16X0,2	X
10	36120312	SHIM 10X16X0,30	X
10	36120314	SHIM 10X18X0,30	X
10	36120325	SHIM 10X19X0,15	X
10	36120327	SHIM 10X23X0,15	X
10	36120328	SHIM 10X25X0,15	X
10	36120329	SHIM 10X27X0,15	X
10	36120330	SHIM 10X29X0,15	X
10	36120331	SHIM 10X31X0,15	X
10	36120332	SHIM 10X33X0,15	X
10	36120334	SHIM 10X21X0,20	X
10	36120335	SHIM 10X23X0,20	X
10	36120336	SHIM 10X25X0,20	X
10	36120337	SHIM 10X27X0,20	X
10	36120338	SHIM 10X29X0,20	X
10	36120339	SHIM 10X31X0,20	X
10	36120340	SHIM 10X33X0,20	X
10	36120342	SHIM 10X21X0,25	X
10	36120343	SHIM 10X23X0,25	X
10	36120344	SHIM 10X25X0,25	X
10	36120345	SHIM 10X27X0,25	X
10	36120349	SHIM 10X19X0,30	X
10	36120350	SHIM 10X21X0,30	X
10	36120313	SHIM 10X17X0,30	X
10	36120354	SHIM 10X29X0,30	X
10	40140275	WASHER 10X35X0,15	X
10	48601708	Shim 10x30x0,40	X
10	36120346	SHIM 10X29X0,25	X
10	36120355	SHIM 10X31X0,30	X
10	36120348	SHIM 10X33X0,25	X
10	36120311	SHIM 10X15X0,30	X
10	36120292	SHIM 10X17X0,15	X
10	36120326	SHIM 10X21X0,15	X
10	36120286	SHIM 10X18X0,10	X
10	36120347	SHIM 10X31X0,25	X
10	36120333	SHIM 10X19X0,20	X
10	36120351	SHIM 10X23X0,30	X

080000190

4668

* NEW PART

X ON DEMAND



5 Ø 5 mm

6 Ø 6 mm

8 Ø 8 mm

10 Ø 10 mm

12 Ø 12 mm

14 Ø 14-14,5 mm

16 Ø 16 mm

20 Ø 20 mm

21 Ø 21 mm

22 Ø 22 mm

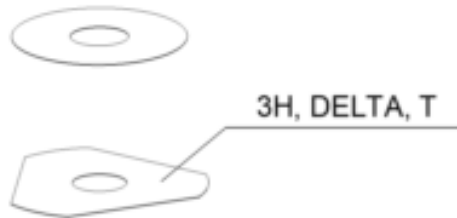
23 Ø 23 mm

24 Ø 24,5 mm

28 Ø 28,25-28,5 mm

32 Ø 32 mm

52 Ø 52 mm



POS	PARTNUMBER		PIECE
10	36120352	SHIM 10X25X0,30	X
10	36120353	SHIM 10X27X0,30	X
10	36120356	SHIM 10X33X0,30	X
10	50180395	Washer 10x16x1	X
10	36120291	SHIM 10X16X0,15	X
10	36120308	Shim 10x13x0,30	X
10	36120604	Washer 10x22x2,5	X
10	36120299	SHIM 10X17X0,20	X
12	46810605	SHIM 12X21X0,10	X
12	46810490	SHIM 12X24X0,20	X
12	46810491	Shim 12x26x0,20	X
12	46810492	Shim 12x28x0,20	X
12	46810493	SHIM 12X30X0,20	X
12	46810494	Shim 12x32x0,20	X
12	46810495	Shim 12x34x0,20	X
12	46810496	SHIM 12X36X0,20	X
12	46810497	SHIM 12X38X0,20	X
12	46810498	Shim 12x40x0,20	X
12	46810499	Shim 12x24x0,25	X
12	46810500	SHIM 12X26X0,25	X
12	46810501	SHIM 12X28X0,25	X
12	46810502	Shim 12x30x0,25	X
12	46810504	SHIM 12X34X0,25	X
12	46810505	SHIM 12X36X0,25	X
12	46810507	Shim 12x40x0,25	X
12	46810508	SHIM 12X24X0,30	X
12	46810509	SHIM 12X26X0,30	X
12	46810510	SHIM 12X28X0,30	X
12	46810512	SHIM 12X32X0,30	X
12	46810513	SHIM 12X34X0,30	X
12	46810518	SHIM 12X26X0,15	X
12	46810519	SHIM 12X28X0,15	X
12	46810520	SHIM 12X30X0,15	X
12	46810521	SHIM 12X32X0,15	X
12	46810522	SHIM 12X34X0,15	X
12	46810523	SHIM 12X36X0,15	X
12	46810524	SHIM 12X38X0,15	X
12	46810525	SHIM 12X40X0,15	X

080000190

4668

* NEW PART

X ON DEMAND



5 Ø 5 mm

6 Ø 6 mm

8 Ø 8 mm

10 Ø 10 mm

12 Ø 12 mm

14 Ø 14-14,5 mm

16 Ø 16 mm

20 Ø 20 mm

21 Ø 21 mm

22 Ø 22 mm

23 Ø 23 mm

24 Ø 24,5 mm

28 Ø 28,25-28,5 mm

32 Ø 32 mm

52 Ø 52 mm



POS	PARTNUMBER		PIECE
12	46810604	SHIM 12X20X0,10	X
12	46810606	SHIM 12X22X0,10	X
12	46810607	SHIM 12X23X0,10	X
12	46810608	SHIM 12X24X0,10	X
12	46810610	Shim 12x17x0,15	X
12	46810611	SHIM 12X18X0,15	X
12	46810612	SHIM 12X19X0,15	X
12	46810615	SHIM 12X22X0,15	X
12	46810636	BACKPLATE 12X16X0,30	X
12	46810637	Shim 12x17x0,30	X
12	46810638	Shim 12x18x0,30	X
12	46810639	SHIM 12X19X0,30	X
12	46810641	Shim 12X21X0,30	X
12	46811582	Shim 12x30x0,10	X
12	46810631	SHIM 12X20X0,25	X
12	46810633	SHIM 12X22X0,25	X
12	46811580	Shim 12x32x0,10	X
12	46810503	SHIM 12X32X0,25	X
12	46810517	SHIM 12X24X0,15	X
12	46810856	Shim 12x20x0,30	X
12	46811258	Washer 12x24x2,5	X
12	46812018	Shim 12x42x0,25	X
12	46812015	Shim 12x44x0,20	X
12	46810613	SHIM 12X20X0,15	X
12	46810623	SHIM 12X21X0,20	X
12	46810624	SHIM 12X22X0,20	X
12	46810642	SHIM 12X22X0,30	X
12	46810643	SHIM 12X23X0,30	X
12	46811629	Shim 12x28x0,10	X
12	46810511	SHIM 12X30X0,30	X
12	46810514	SHIM 12X36X0,30	X
12	46810506	SHIM 12X38X0,25	X
12	46810515	SHIM 12X38X0,30	X
12	46812017	Shim 12x42x0,20	X
12	46812016	Shim 12x44x0,25	X
12	46810622	SHIM 12X20X0,20	X
12	46811635	Shim 12x26x0,10	X
12	50181296	Shim 12x45x0,20	X

080000190

4668

* NEW PART

X ON DEMAND



- ⑤ Ø 5 mm
- ⑥ Ø 6 mm
- ⑧ Ø 8 mm
- ⑩ Ø 10 mm
- ⑫ Ø 12 mm
- ⑭ Ø 14-14,5 mm
- ⑯ Ø 16 mm
- ⑳ Ø 20 mm
- ㉑ Ø 21 mm
- ㉒ Ø 22 mm
- ㉓ Ø 23 mm
- ㉔ Ø 24,5 mm
- ㉘ Ø 28,25-28,5 mm
- ㉚ Ø 32 mm
- ㉜ Ø 52 mm



POS	PARTNUMBER		PIECE
12	46810620	Shim 12x18x0,2	X
12	46810616	Shim 12x23x0,15	X
12	46810625	SHIM 12X23X0,20	X
12	50181297	Adjustment 12x45x0,25	X
12	46810603	SHIM 12X19X0,10	X
12	46180712	SHIM 12X36X0,10	X
12	46810614	SHIM 12X21X0,15	X
12	46810628	SHIM 12X17X0,25	X
12	46810634	SHIM 12X23X0,25	X
12	S64120000000000	Shim 12x25x0.15	X
12	46810516	SHIM 12X40X0,30	X
12	S64120000800000	Shim 12x34x0,1	X
12	46810627	SHIM 12X16X0,25	X
12	46810632	SHIM 12X21X0,25	X
12	46810602	SHIM 12X18X0,10	X
14	35480479	Shim 14x26x0,40	X
14	46811046	Washer 14,5x35,4x1,25	X
16	50180023	SHIM 16X23X0,20	X
16	50180030	Shim 16x23x0,25	X
16	50180006	Shim 16x20x0,10	X
16	50180007	SHIM 16X21X0,10	X
16	50180028	SHIM 16X21X0,25	X
16	50180210	Washer 16x21x1	X
16	50180008	SHIM 16X22X0,10	X
16	50180022	Shim 16x22x0,20	X
16	50180037	SHIM 16X23X0,30	X
16	50180038	SHIM 16X24X0,30	X
16	50180032	Shim 16x25x0,25	X
16	50180039	SHIM 16X25X0,30	X
16	50180012	SHIM 16X26X0,10	X
16	50180019	SHIM 16X26X0,15	X
16	50180026	SHIM 16X26X0,20	X
16	50180040	SHIM 16X26X0,30	X
16	50180041	SHIM 16X28X0,10	X
16	50180045	Shim 16x28x0,15	X
16	50180054	Shim 16x28x0,2	X
16	50180063	SHIM 16X28X0,25	X
16	50180072	SHIM 16X28X0,30	X

080000190

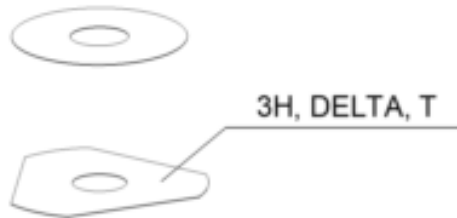
4668

* NEW PART

X ON DEMAND



- ⑤ Ø 5 mm
- ⑥ Ø 6 mm
- ⑧ Ø 8 mm
- ⑩ Ø 10 mm
- ⑫ Ø 12 mm
- ⑭ Ø 14-14,5 mm
- ⑯ Ø 16 mm
- ⑳ Ø 20 mm
- ㉑ Ø 21 mm
- ㉒ Ø 22 mm
- ㉓ Ø 23 mm
- ㉔ Ø 24,5 mm
- ㉘ Ø 28,25-28,5 mm
- ㉚ Ø 32 mm
- ㉜ Ø 52 mm



POS	PARTNUMBER		PIECE
16	50180046	SHIM 16X30X0,15	X
16	50180055	SHIM 16X30X0,20	X
16	50180064	Shim 16x30x0,25	X
16	50180073	SHIM 16X30X0,30	X
16	50180047	Shim 16X32X0,15	X
16	50180056	Shim 16x32x0,2	X
16	50180065	SHIM 16X32X0,25	X
16	50180074	SHIM 16X32X0,30	X
16	50180044	SHIM 16X34X0,10	X
16	50180048	SHIM 16X34X0,15	X
16	50180057	Shim 16x34x0,2 y5	X
16	50180066	SHIM 16X34X0,25	X
16	50180075	SHIM 16X34X0,30	X
16	50180049	Shim 16x36x0,15	X
16	50180058	Shim 16x36x0,20	X
16	50180067	SHIM 16X36X0,25	X
16	50180076	SHIM 16X36X0,30	X
16	50180050	SHIM 16X38X0,15	X
16	50180059	SHIM 16X38X0,20	X
16	50180068	SHIM 16X38X0,25	X
16	50180077	SHIM 16X38X0,30	X
16	50180051	Shim 16x40x0,15	X
16	50180060	Shim 16x40x0,2	X
16	50180069	SHIM 16X40X0,25	X
16	50180078	SHIM 16X40X0,30	X
16	50180052	SHIM 16X42X0,15	X
16	50180061	Shim 16x42x0,2	X
16	50180070	SHIM 16X42X0,25	X
16	50180079	SHIM 16X42X0,30	X
16	50180053	SHIM 16X44X0,15	X
16	50180062	Shim 16X44X0,20	X
16	50180071	SHIM 16X44X0,25	X
16	50180080	SHIM 16X44X0,30	X
16	50180177		X
16	50180033	Shim 16x26x0,25	X
16	50180034	Shim 16x20x0,30	X
16	50180035	Shim 16x21x0,30	X
16	50180036	Shim 16x22x0,30	X

080000190

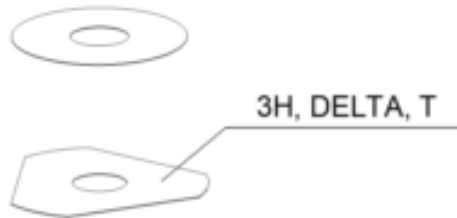
4668

* NEW PART

X ON DEMAND



- 5 Ø 5 mm
- 6 Ø 6 mm
- 8 Ø 8 mm
- 10 Ø 10 mm
- 12 Ø 12 mm
- 14 Ø 14-14,5 mm
- 16 Ø 16 mm
- 20 Ø 20 mm
- 21 Ø 21 mm
- 22 Ø 22 mm
- 23 Ø 23 mm
- 24 Ø 24,5 mm
- 28 Ø 28,25-28,5 mm
- 32 Ø 32 mm
- 52 Ø 52 mm



POS	PARTNUMBER		PIECE
16	50180043	SHIM 16X32X0,10	X
16	50180024	Shim 16x24x0,20	X
16	50180027	SHIM 16X20X0,25	X
16	50180031	Shim 16x24x0,25	X
16	50180029	SHIM	X
16	50180010	SHIM 16X24X0,10	X
16	50180021	SHIM 16X21X0,20	X
16	50180025	SHIM 16X25X0,20	X
16	50180383	Washer 16x19x0,3	X
16	50180014	SHIM	X
16	50180013	SHIM 16X20X0,15	X
16	50180015	DISTANCER PLATE 16X22X0,15	X
16	50180017	Shim 16x24x0,15	X
16	50180009	DISTANCER PLATE 16X23X0,10	X
16	50180016	SHIM 16X23X0,15	X
16	50180020	SHIM 16X20X0,20	X
20	48600212		X
20	50180666	SHIM 20X24X0,30	X
20	50180654	SHIM 20X36X0,20	X
20	50180655	SHIM 20X38X0,20	X
20	50180656	SHIM 20X40X0,20	X
20	50180665	SHIM 20X40X0,25	X
20	50180662	SHIM 20X34X0,25	X
20	50180657	SHIM 20X24X0,25	X
20	50180653	SHIM 20X34X0,20	X
20	50180634	RING 20X22,9X1	X
20	50180650		X
20	50180663	SHIM 20X36X0,25	X
20	50180664	SHIM 20X38X0,25	X
20	50180659	SHIM 20,2X28X0,25	X
21	50180209		X
22	50180330	Shim 18x22x0,3	X
23	50180635	SHUTTLE VALVE 23X38X0,25	X
23	50180578	SHIM D23XD16X2	X
24	40541061	Washer 24.5X34X2	X
28	36120469	SHIM 28,5X14X2	X
28	36120471		X
28	89000001	Shim 28,25x34x0,30	X

080000190

4668

* NEW PART

X ON DEMAND



- 5 Ø 5 mm
- 6 Ø 6 mm
- 8 Ø 8 mm
- 10 Ø 10 mm
- 12 Ø 12 mm
- 14 Ø 14-14,5 mm
- 16 Ø 16 mm
- 20 Ø 20 mm
- 21 Ø 21 mm
- 22 Ø 22 mm
- 23 Ø 23 mm
- 24 Ø 24,5 mm
- 28 Ø 28,25-28,5 mm
- 32 Ø 32 mm
- 52 Ø 52 mm



POS	PARTNUMBER	PIECE
28	46811636	X
32	48600460	X
32	50600065	X
32	46811637	X
52	50600002	X

Shim 32,25x36x0,30

080000190

4668

* NEW PART

X ON DEMAND

A large, empty rectangular box with a thin black border, occupying the majority of the page. It is intended for handwritten notes.

KTM.COM



F8203YAEN

KTM Sportmotorcycle GmbH
5230 Mattighofen, Austria
www.ktm.com

KTM POWERPARTS

KTM POWERWEAR

KTM ORIGINAL SPARE PARTS



Art. Nr.: F8203YAEN 21. Aug 2024