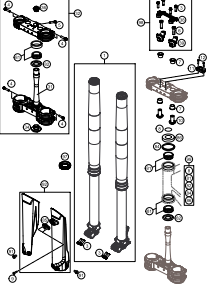
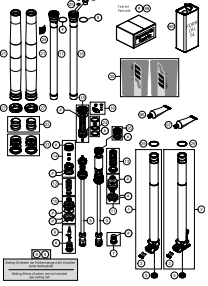
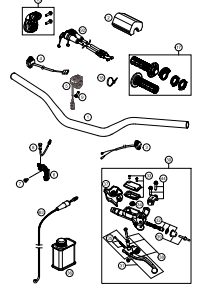
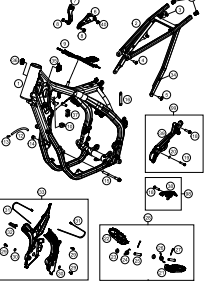
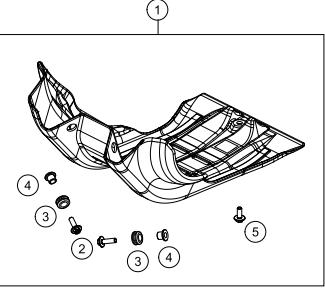
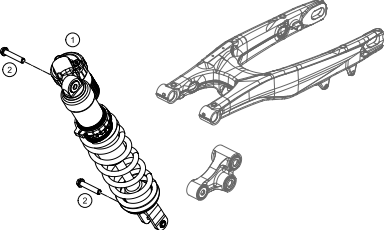
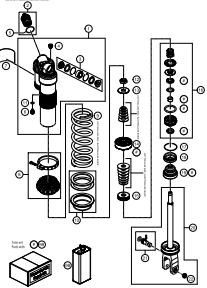
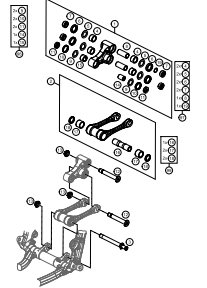
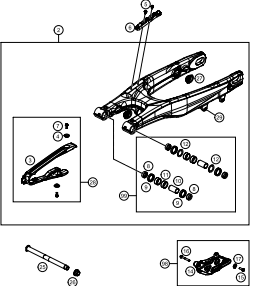
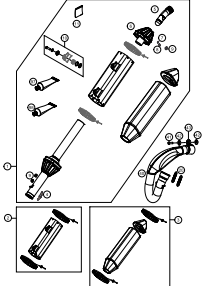
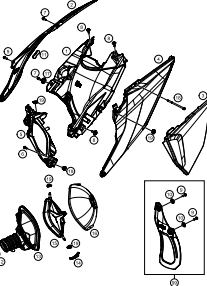
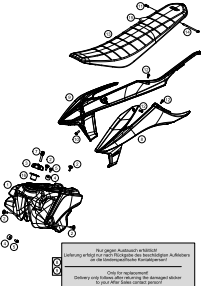
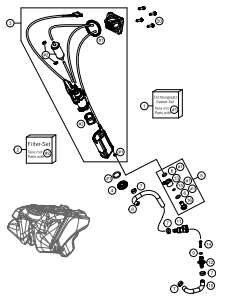
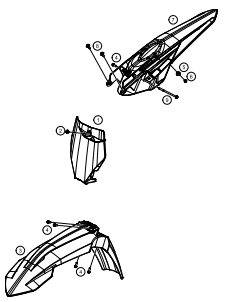

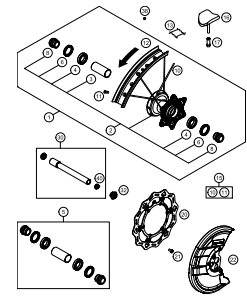
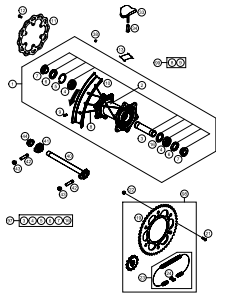
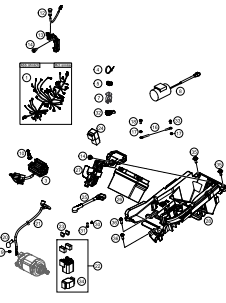
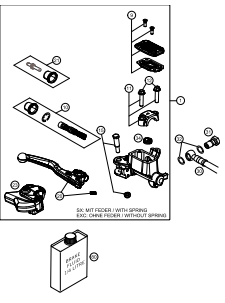
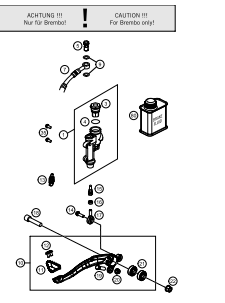
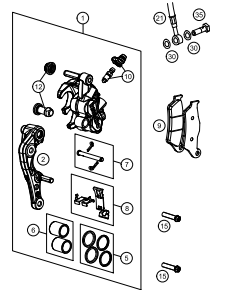
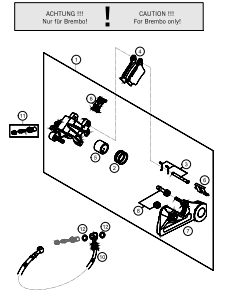
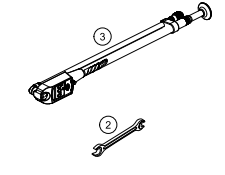



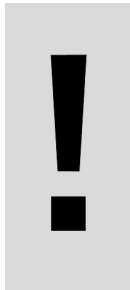
450 SX-F HERLINGS REPLICA 2019 2019

ART.-NR.: F8401S1EN



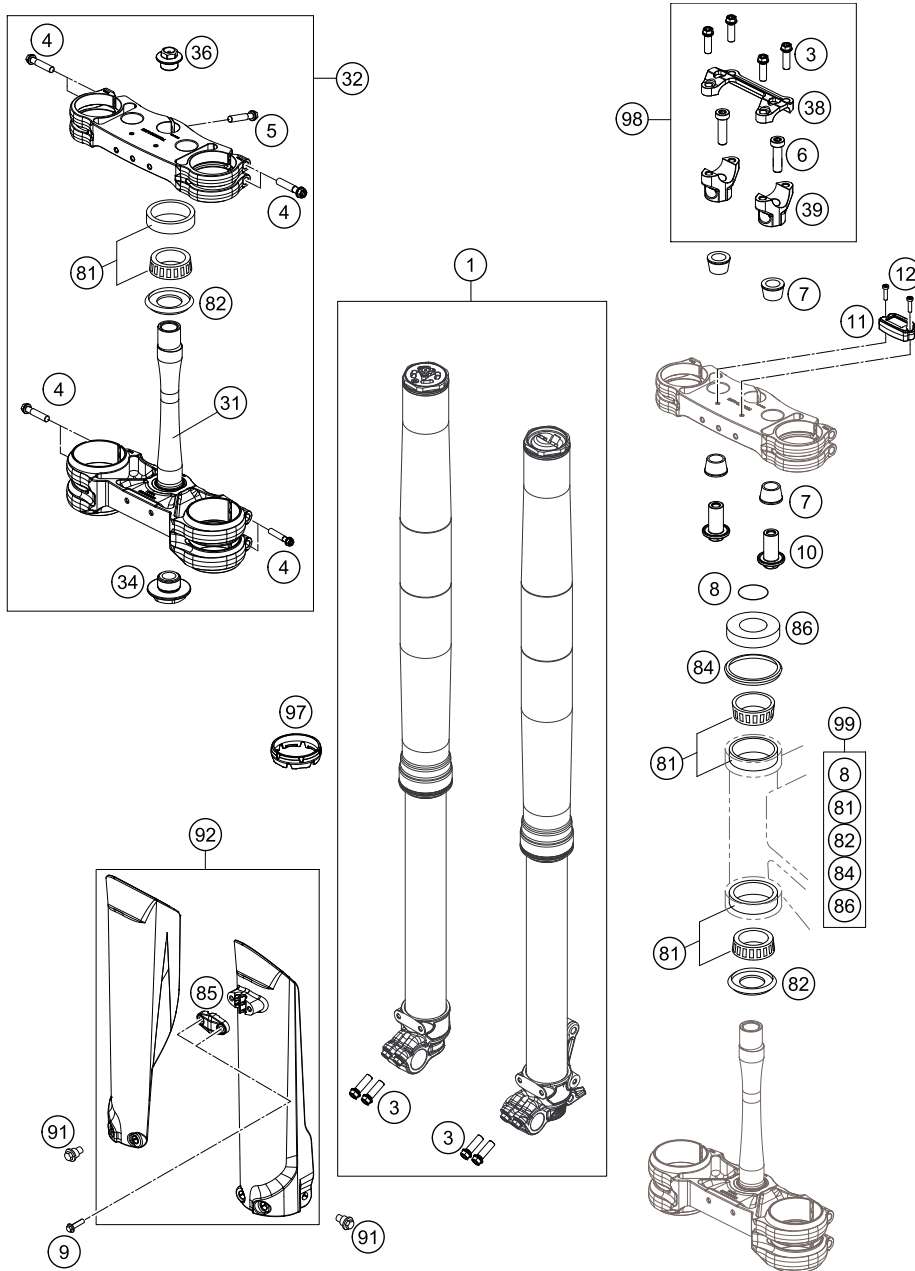
| | | | |
|--|---|--|--|
| <p>FRONT FORK, TRIPLE CLAMP</p>  <p>4</p> | <p>FRONT FORK DISASSEMBLED</p>  <p>5</p> | <p>HANDLEBAR, CONTROLS</p>  <p>6</p> | <p>FRAME</p>  <p>7</p> |
| <p>ENGINE GUARD</p>  <p>9</p> | <p>SHOCK ABSORBER</p>  <p>10</p> | <p>SHOCK ABSORBER DISASSEMBLED</p>  <p>11</p> | <p>PRO LEVER LINKING</p>  <p>12</p> |
| <p>SWING ARM</p>  <p>13</p> | <p>EXHAUST SYSTEM</p>  <p>14</p> | <p>AIR FILTER</p>  <p>15</p> | <p>TANK, SEAT</p>  <p>16</p> |

| | | | |
|--|---|---|---|
| <p>FUEL PUMP</p>  <p>17</p> | <p>MASK, FENDERS</p>  <p>18</p> | <p>DECAL</p>  <p>19</p> | <p>FRONT WHEEL</p>  <p>20</p> |
| <p>REAR WHEEL</p>  <p>21</p> | <p>WIRING HARNESS</p>  <p>22</p> | <p>FRONT BRAKE CONTROL</p>  <p>23</p> | <p>REAR BRAKE CONTROL</p>  <p>24</p> |
| <p>FRONT BRAKE CALIPER</p>  <p>25</p> | <p>REAR BRAKE CALIPER</p>  <p>26</p> | <p>SEPERATE ENCLOSURE</p>  <p>27</p> | <p>WP SHIMS FOR SETTING</p>  <p>28</p> |

| | | | |
|--|---|---|--|
| | | | |
| | | | |
| |  | <p>All information contained is without obligation. KTM Sportmotorcycle GmbH particularly reserves the right to modify any equipment, technical specifications, prices, colors, shapes, materials, services, service work, constructions, equipment and the like so as to adapt them to local conditions or to cancel any of the above items, all without previous announcement and without giving reasons. KTM may stop manufacturing certain models without previous notice. KTM shall not be held liable for any deviations of availability and/or ability to deliver, illustrations, descriptions, printing and/or other errors. The illustrated models partly contain extra equipment, which is not applied to standard models.</p> <p>© by KTM Sportmotorcycle GmbH, Mattighofen AUSTRIA; All rights reserved; Reprint, also in extracts, with written allowance of KTM Sportmotorcycle GmbH, Mattighofen only.</p> | |

FRONT FORK, TRIPLE CLAMP

450 SX-F HERLINGS REPLICA 2019 2019



| POS | PARTNUMBER | PARTNAME | PIECE |
|-----|----------------|---|-------|
| 1 | 34188T0901 | Fork 450 SX-F/FC 2020 | 1 |
| 3 | 0025080256 | HH collar screw M8x25 | 8 |
| 4 | 0025080406 | HH COLLAR SCREW M8X40 TX40 | 8 |
| 5 | 0015080256S | HH COLLAR SCREW M8X25 WS=10 | 1 |
| 6 | 0032100356S | AH-COLLAR SCREW M10X35 ISA45 | 2 |
| 7 | 83001040000 | RUBBER BUSH | 4 |
| 8 | 0770025035 | O-RING 25X3,55 NBR70 05 | 1 |
| 9 | 0017060206 | SCREW F. PLASTIC K60X20AL SW6 | 2 |
| 10 | 79001037034 | HANDLEBAR SUPPORT LOWER PART | 2 |
| 11 | 78112020050 | HOUR METER | 1 |
| 12 | 0912040163 | AH SCREW DIN0912-M 4X16 | 2 |
| 31 | 79101933000 | Steering stem | 1 |
| 32 | 7910199902104 | Factory triple clamp | 1 |
| 34 | 54801036100 | STE.HEAD SCR. M20X1,5 WS=27 SL | 1 |
| 36 | 70009082000 | AXLESCREW M20X1.5 SW17 | 1 |
| 38 | 79001038000 | HANDLEBAR CLAMP 28MM | 1 |
| 39 | 79001039036 | HANDLEBAR SUPPORT D28MM-H36MM | 2 |
| 81 | 54201081100 | TAPERED ROLLER BEARING CPL. 06 | 2 |
| 82 | 77701084000 | O-RING SUPPORT W. SEALING LIP | 1 |
| 84 | 54601184000 | STEARING HEAD GASKET TOP | 1 |
| 85 | 77701085100EB | CLAMP FOR BRAKEHOSE | 1 |
| 86 | 78101086000 | STEERING HEAD COVER | 1 |
| 91 | 59001092050 | SPECIAL SCREW M6X12,5 WS=8 | 6 |
| 92 | 77701094100EBH | Fork protection kit Herlings Replica 19 | 1 |
| 97 | 48600698 | Fork protection ring 62,1mm | 2 |
| 98 | 00050000929 | HANDLEBAR SUPPORT KIT D28/H36 | x |
| 99 | 00050000930 | STEARING HEAD REP. KIT 06-15 | x |

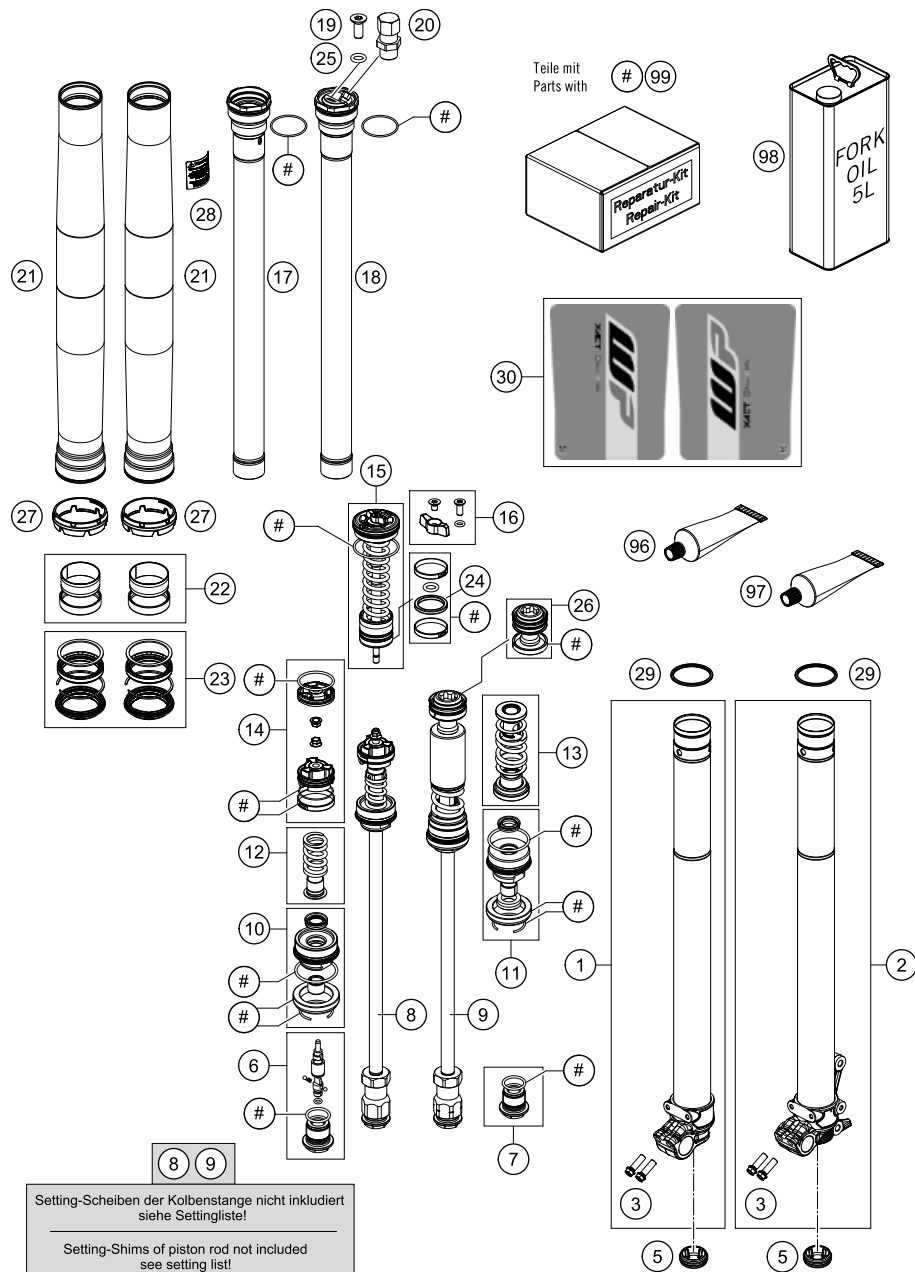
197950110

51745

* NEW PART X ON DEMAND

FRONT FORK DISASSEMBLED

450 SX-F HERLINGS REPLICA 2019 2019



| POS | PARTNUMBER | PARTNAME | PIECE |
|-----|-------------|--|-------|
| 1 | 48601408S2 | FORK LEG R/S + TUBE CPL. | 1 |
| 2 | 48601407S2 | FORK LEG L/S + TUBE CPL. | 1 |
| 3 | 0025080256 | HH collar screw M8x25 | 4 |
| 5 | 48600692 | Rubber cap 26,4x11 | 2 |
| 6 | 48601484S | Adjustment screw slot M20x1 cpl. | 1 |
| 7 | 48601533S | HH collar screw M20x1x18 cpl. | 1 |
| 8 | 48601574S4 | Kolbenstange D12 M9x1 L385 kpl. | 1 |
| 9 | 48601501S1 | Piston Rod left kpl. M12x1 | 1 |
| 10 | 48601462S1 | SCREW SLEEVE OIL CPL. | 1 |
| 11 | 48601452S1 | Screw sleeve M35,5x0,8 | 1 |
| 12 | 48600578S | Spring (13,9) 37-32 rebound cpl. | 1 |
| 13 | 48601820S | Spring (22) 60-30 rebound cpl. | 1 |
| 14 | RP10024 | Reparaturkit Kolben Luftfedergabel | x |
| 15 | 48602049S | Druckstufe kpl. | 1 |
| 16 | RP10025 | Einsteller Kit Schraubdeckel Druckstufe | x |
| 17 | 48602048S1 | Schraubdeckel M51x1,5 kpl. | 1 |
| 18 | 48602047S1 | Schraubdeckel M51x1,5 kpl. | 1 |
| 19 | 00600003 | ISA countersunk head screw M4x10 DIN7991 | 1 |
| 20 | 48601494S | VALVE M8X1 INCL. SCREW CAP | 1 |
| 21 | 48601671 | Fork outer tube 49,13x577 dt54 db60 natu | 2 |
| 22 | R14047 | Guide bushing set fork 48mm | x |
| 23 | RP10012 | Dichtungskit 48mm SKF Schwarz | x |
| 24 | 04100002 | X-ring 26,57x3,53 FKM80 | 1 |
| 25 | 50180222 | O-ring 4x1,5 NBR70 | 1 |
| 26 | 48601628S | Piston 34x35,4 mainpiston Freudenb cpl. | 1 |
| 27 | 48601948 | Fork protection ring 60,1mm | 2 |
| 28 | 52000158 | Sticker warning 40x40 | 1 |
| 29 | 48602007 | Stroke indicator 48mm red | 2 |
| 30 | 52000235SET | Sticker set XACT 5 AER CC 182.5x238 | 1 |
| 96 | T14034 | Fuchs grease IPR (250g) | x |
| 97 | 00062010053 | Spezial Fett AER Fork 50g | x |
| 98 | 48601166S1 | FORK OIL SAE4 5L | x |
| 99 | R14060 | SEALING KIT | x |

197950130

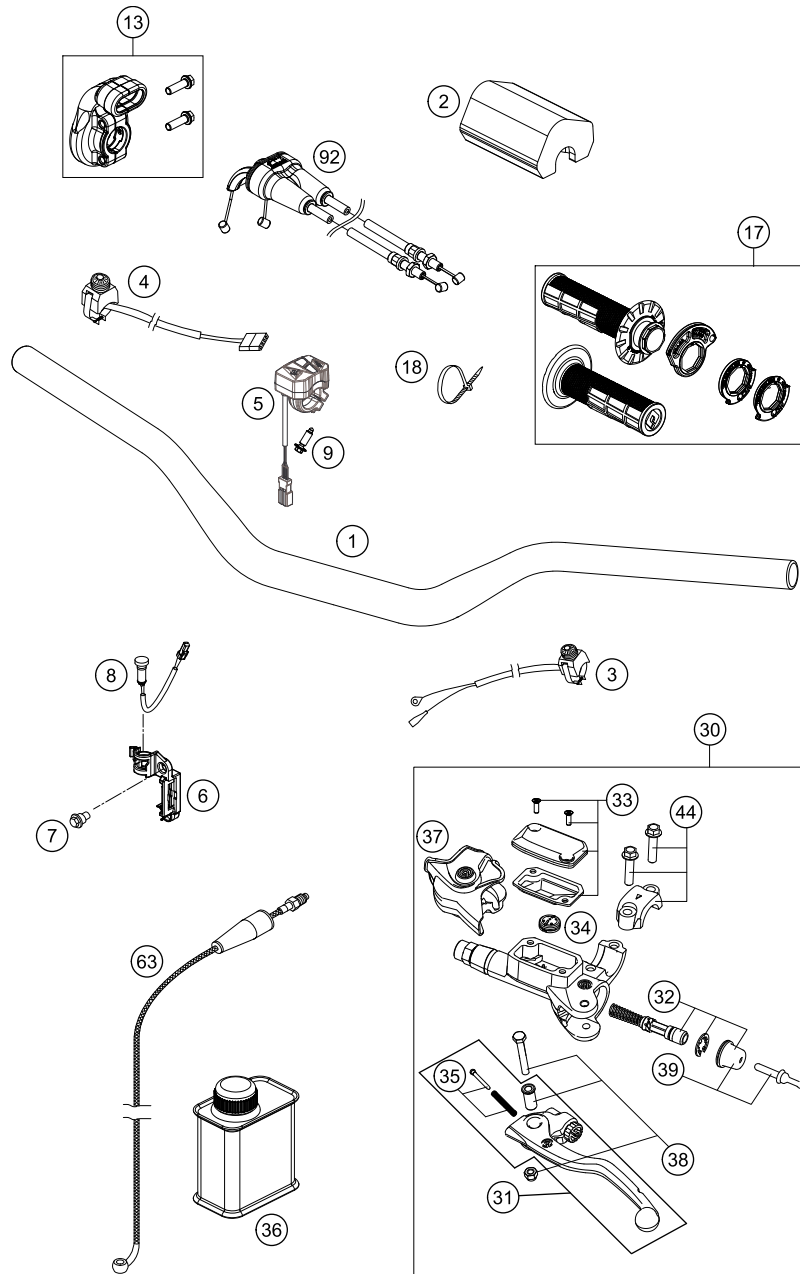
51746

* NEW PART

X ON DEMAND

HANDLEBAR, CONTROLS

450 SX-F HERLINGS REPLICA 2019 2019



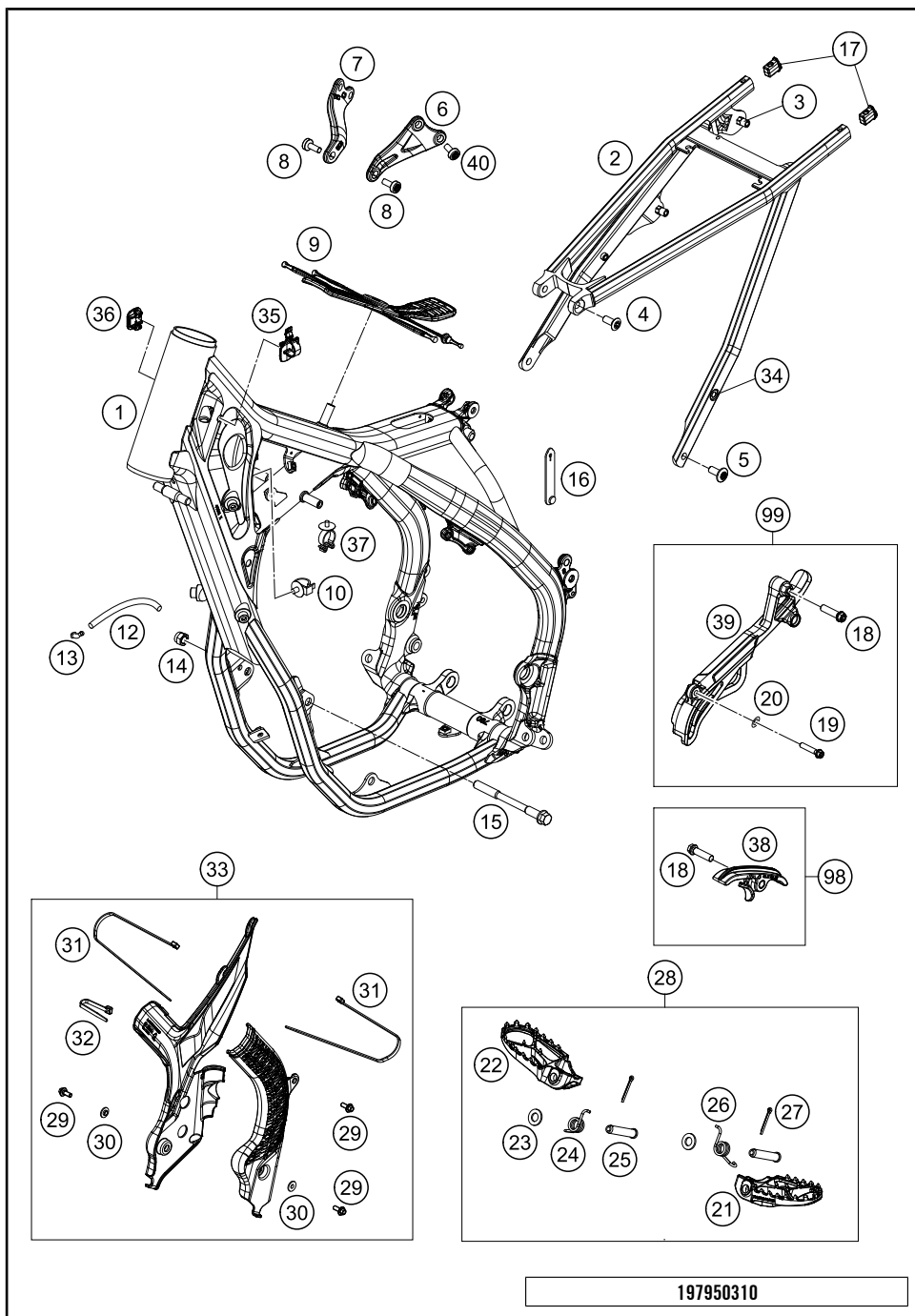
187940210

| POS | PARTNUMBER | PARTNAME | PIECE |
|-----|---------------|-------------------------------|-------|
| 1 | 7900200100030 | HANDLEBAR D=28MM | 1 |
| 2 | 79102002044 | Handlebar pad cpl. | 1 |
| 3 | 50311089200 | SHORT CIRCUIT BUTTON 02 | 1 |
| 4 | 78111074000 | STARTER BUTTON GREY 13 | 1 |
| 5 | 79039074100 | Map switch | 1 |
| 6 | 77214098000 | HOLDER INDICATOR LIGHT SX | 1 |
| 7 | 59001092050 | SPECIAL SCREW M6X12,5 WS=8 | 1 |
| 8 | 81214083000 | INDICATOR LIGHT LED YELLOW FI | 1 |
| 9 | 0081050181 | SCREW FOR PLASTIC K50X18 T20 | 1 |
| 13 | 79002010125 | Throttle control casing cpl. | 1 |
| 17 | 79002221100 | GRIP SET GREY 17 | 1 |
| 18 | 44011076200 | CABLE TIE 200/3,6MM BLACK | x |
| 18 | 44011076140 | CABLE TIE 140/2,5MM BLACK | x |
| 30 | 54802030144 | MASTER CYLINDER CPL. | 1 |
| 31 | 54802031000 | CLUTCH LEVER CPL. BREMBO 8 | 1 |
| 32 | 54802032000 | REP. KIT PISTON 06 | 1 |
| 33 | 5480200310030 | COVER HYD. CLUTCH CPL. 2014 | 1 |
| 34 | 54802051000 | VALVE | 1 |
| 35 | 54802052000 | BOLT KPL. | 1 |
| 36 | 00062030000 | BRAKE FLUID DOT5.1 0,25L | 1 |
| 37 | 54802037000 | PROTECTION CAP 06 | 1 |
| 38 | 54802038100 | LEVER SCREW CPL. 06 | 1 |
| 39 | 54802046000 | PUSH ROD CPL. | 1 |
| 44 | 54802005100 | CLAMP CPL. 06 | 1 |
| 63 | 78132063000 | CLUTCH PIPE | 1 |
| 92 | 79102091000 | Throttle cable wire | 1 |

51765

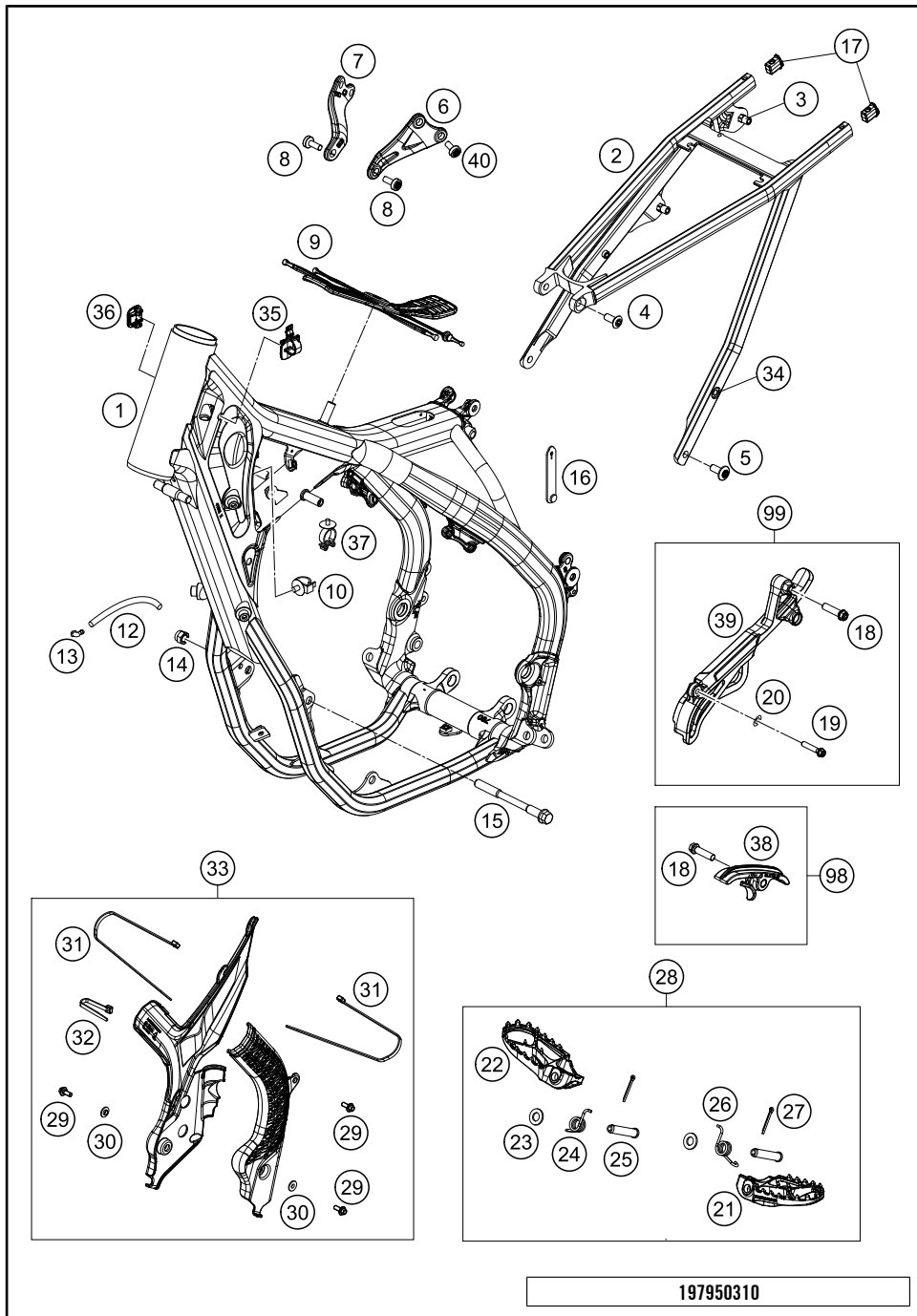
* NEW PART

X ON DEMAND



| POS | PARTNUMBER | PARTNAME | PIECE |
|-----|----------------|--------------------------------|-------|
| 1 | 79503001000EB | Frame 795S3 | 1 |
| 2 | 79103002000 | Subframe | 1 |
| 3 | 77303139000 | BLIND RIVET NUT EM6-60LF/HX | 2 |
| 4 | 0019080206S | FLAT HEAD SCREW M. ISA45 M8X20 | 2 |
| 5 | 79003003000 | SPECIAL SCREW M8X18 TORX45 SS | 2 |
| 6 | 7950301300001S | head hanger 450 left | 1 |
| 7 | 7950301400001S | Motor bracket right | 1 |
| 8 | 0035080206S | SHCS M8x20 TX45 | 2 |
| 9 | 79607012000 | TANK REST RUBBER | 1 |
| 10 | 58111076000 | CABLE SUPPORT KHS NR.150-47610 | 1 |
| 12 | 55007016001 | PVC-HOSE 7X10 PER METER | x |
| 13 | 50303089000 | ANGLE PIECE '97 | 1 |
| 14 | 54310086100 | SELF LOCKING NUT M10 CU WS=14 | 2 |
| 15 | 59003013000 | ENGINEBRAC.SCREW M10X123 WS=13 | 2 |
| 16 | 60011093075 | RUBBER CABLE TIE 75MM 03 | 1 |
| 17 | 79103002010 | Rear frame bit | 2 |
| 18 | 0025080306 | HH collar screw M8x30 | 2 |
| 19 | 0025060356 | HH collar screw M6x35 TX30 | 1 |
| 20 | 0125060003 | WASHER DIN0125-A 6,4 | 1 |
| 21 | 79003040000 | FOOTREST L/S 2016 | 1 |
| 22 | 79003041000 | FOOTREST R/S 2016 | 1 |
| 23 | 0125100003 | washer DIN 125 A 10.5 | 2 |
| 24 | 79003044000 | FOOTREST SPRING R/S 2016 | 1 |
| 25 | 54803044000 | PIN FOR FOOT PED 51.5X9.8 MM | 2 |
| 26 | 79003045000 | FOOTREST SPRING L/S 2016 | 1 |
| 27 | 0094032253 | PIN DIN0094-3,2X25 STEEL | 2 |
| 28 | 79003040033 | FOOT PEGS SET CPL. 2016 | 1 |
| 29 | 0014050123 | HH COLLAR SCREW M 5X12 WS=6 | 3 |
| 30 | 54803092060 | BUSH F. FRAME PROTECTION 03 | 2 |
| 31 | 44011076305 | CABLE TIE 300/4,8MM BLACK | 2 |
| 32 | 44011076140 | CABLE TIE 140/2,5MM BLACK | 1 |
| 33 | 79103094000EB | Frame protection set | 1 |
| 34 | 79003002080 | BLIND RIVET NUT M6 KNURLED | 2 |
| 35 | 79111093000 | wire holder le 19 | 1 |
| 36 | 79111013010 | Cover control head sheet | 1 |
| 37 | 61111041000 | CABLE SUPPORT 07 | 1 |
| 38 | 79003053000 | CHAIN SLIDER LOWER PART CPL. | 1 |
| 39 | 79403096000 | SPROCKET COVER 450 | 1 |

* NEW PART X ON DEMAND



| POS | PARTNUMBER | PARTNAME | PIECE |
|-----|-------------|--------------------------------|-------|
| 40 | 0035080156S | AH-COLLAR SCREW M8X15 TORX45 | 4 |
| 98 | 79003053010 | CHAIN SLIDING KIT BELOW CPL.16 | 1 |
| 99 | 79403096010 | SPROCKET COVER KIT | 1 |

197950310

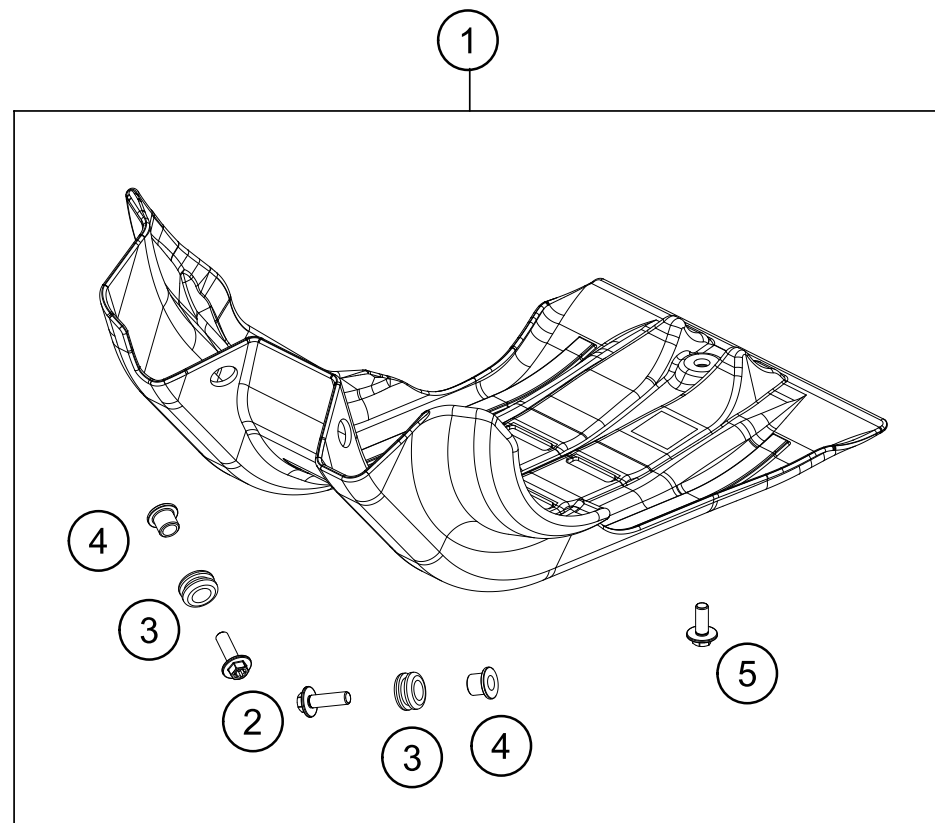
51813

* NEW PART

X ON DEMAND

ENGINE GUARD

450 SX-F HERLINGS REPLICA 2019 2019



| POS | PARTNUMBER | PARTNAME | PIECE |
|-----|----------------|-----------------------------|-------|
| 1 | 79503990044 | skid plate | 1 |
| 2 | 0024060206 | HH collar screw M6x20 TX30 | 2 |
| 3 | 78903090010M01 | RUBBER GROMMET 17,5X9X3 | 2 |
| 4 | 58408009050 | SPACER BUSHING FRONT FENDER | 2 |
| 5 | 0024060156 | HH collar screw M6x15 TX30 | 1 |

187940330

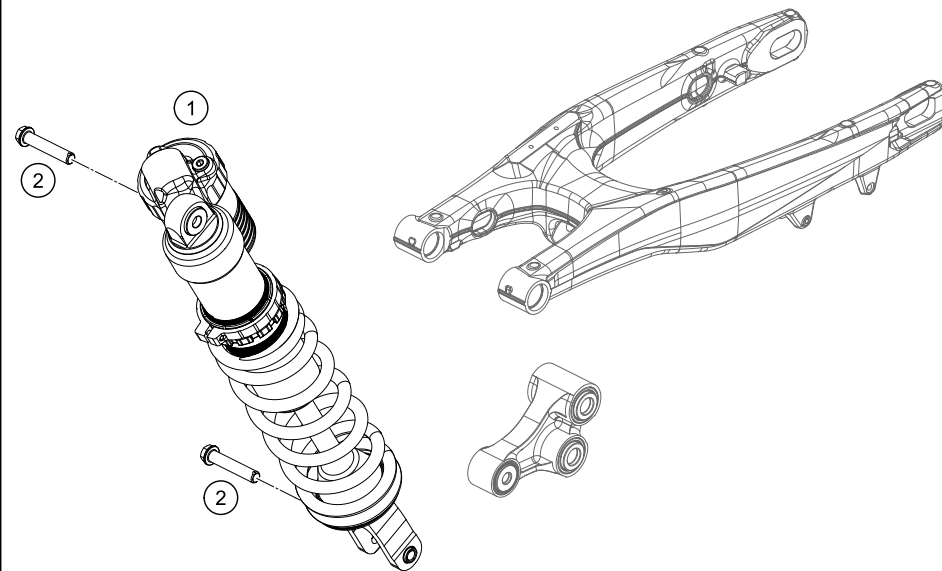
51453

* NEW PART

X ON DEMAND

SHOCK ABSORBER

450 SX-F HERLINGS REPLICA 2019 2019



| POS | PARTNUMBER | PARTNAME | PIECE |
|-----|-------------|------------------------------|-------|
| 1 | 18187T0901 | Shock absorber 450 SX-F 2020 | 1 |
| 2 | 77204089000 | HH COLLAR SCREW M10X52 SW13 | 2 |

157890410

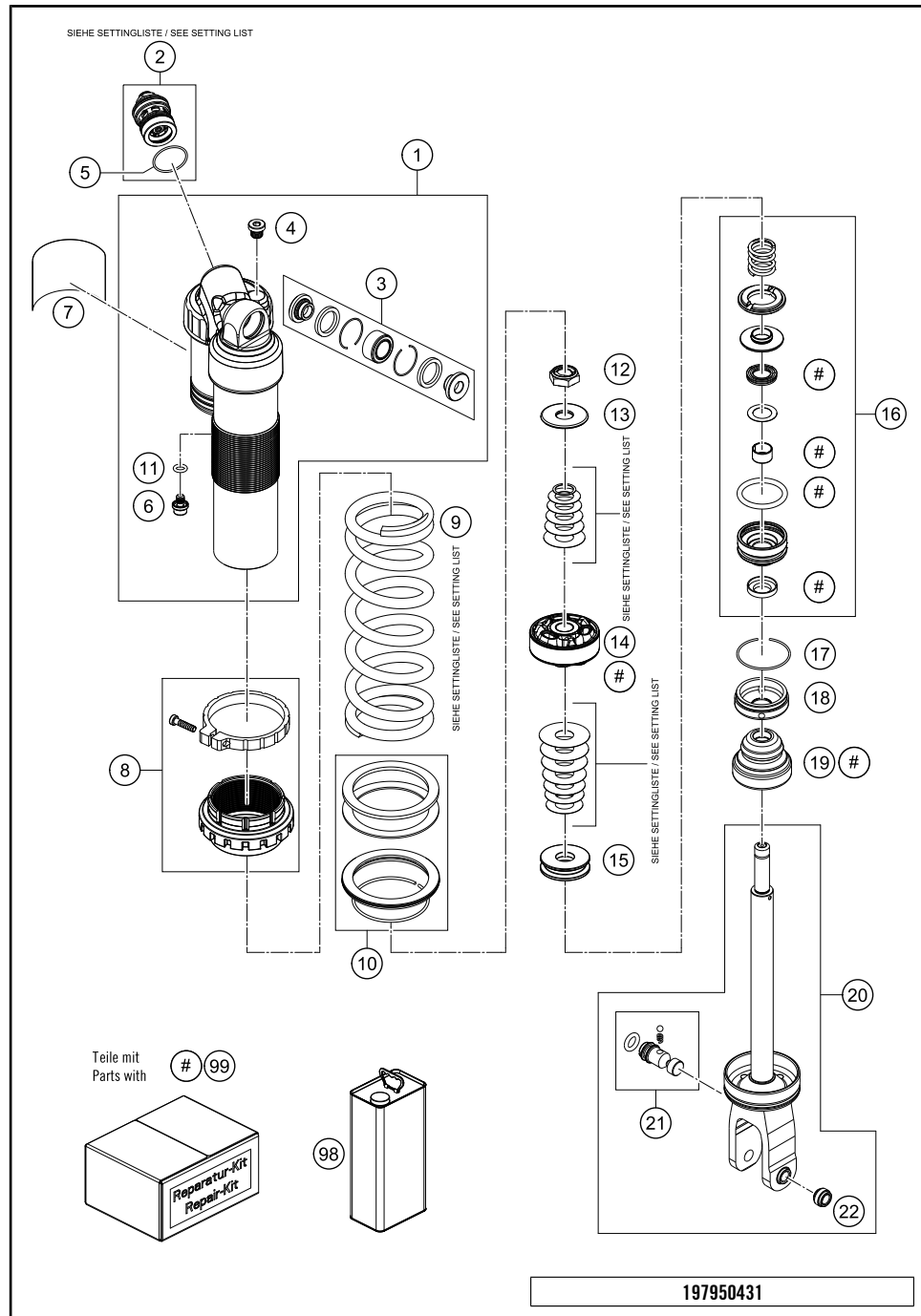
51772

* NEW PART

X ON DEMAND

SHOCK ABSORBER DISASSEMBLED

450 SX-F HERLINGS REPLICA 2019 2019



| POS | PARTNUMBER | PARTNAME | PIECE |
|-----|-------------|-------------------------------------|-------|
| 1 | 50181144S3 | Federbeingehäuse M57,5x1 h30,5 kpl. | 1 |
| 2 | 50181101S47 | Druckstufe kpl. | x |
| 2 | 50181101S46 | Druckstufe kpl. | x |
| 2 | 50181101S45 | Druckstufe kpl. | x |
| 2 | 50181101S37 | Druckstufe kpl. | x |
| 3 | R15006 | REPAIR KIT BEARINGS 07 | x |
| 4 | 50180095 | HS cylinder-head screw R1/8 l8 | 1 |
| 5 | 50180218 | O-ring 25x1,5 Viton70 | 1 |
| 6 | 36120151 | HS lock screw M5x6 | 1 |
| 7 | 52000239 | Aufkleber XACT 90x54 | 1 |
| 8 | 50181347S | Federnhalter Kunststoff kpl. | 1 |
| 9 | 91210128S | Spring 255 36 N/MM | x |
| 9 | 91210123S | SPRING 260 39 N/MM | x |
| 9 | 91210124S | SPRING 260 42 N/MM | x |
| 9 | 91210100S | SPRING 260 45 N/MM | x |
| 9 | 91210101S | SPRING 260 48 N/MM | x |
| 9 | 91210102S | SPRING 260 51 N/MM | x |
| 9 | 91210103S | SPRING 260 54 N/MM | x |
| 9 | 91210104S | SPRING 260 57 N/MM | x |
| 9 | 91210105S | SPRING 260 60 N/MM | x |
| 10 | 50180824S | SPRING PLATE SET | 1 |
| 11 | 46810893 | O-ring 5,28x1,78 NBR70 black | 1 |
| 12 | 50181207 | Locking nut M12x1 h9 WAF19 | 1 |
| 13 | 50181092 | Rebound disc 12x34x2 h0 | 1 |
| 14 | 50181255S | Piston 12x50x20 cpl. | 1 |
| 15 | 50181091 | Rebound disc 12x43x12,5 h8 | 1 |
| 16 | 50180603SA | Sealholder 50x28 cpl. | 1 |
| 17 | 50180126 | Round-wire snap ring 53x1,75 | 1 |
| 18 | 50181349 | Cap 50,12x16 h6 | 1 |
| 19 | 50181100 | Rubber pad 18x58x46 black | 1 |
| 20 | 50181148S1 | MONOSHOCK BOTTOM PART CPL. | 1 |
| 21 | 50181094S | ADJUSTING SCREW M8X0,5 CPL. | 1 |
| 22 | 46811205 | Bush M10x12/15/13x9,5 | 1 |
| 98 | 50180751S1 | SHOCK ABSORBER FLUID 5 LT | x |
| 99 | RP10019 | Rebuild kit 5018 Link 2019 | x |

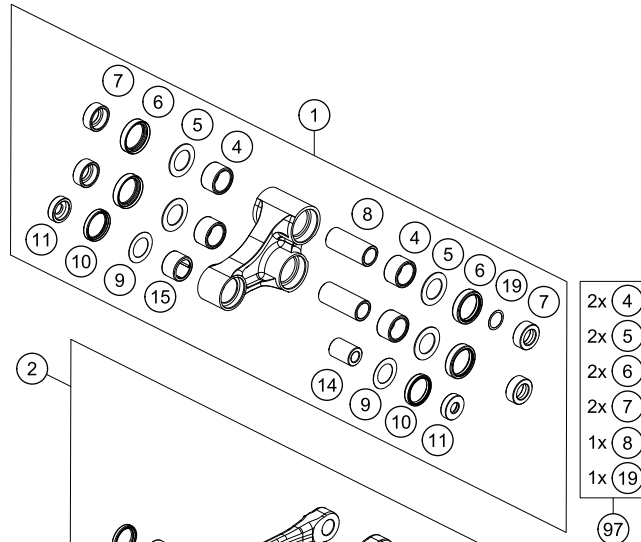
* NEW PART X ON DEMAND

PRO LEVER LINKING

450 SX-F HERLINGS REPLICA 2019 2019

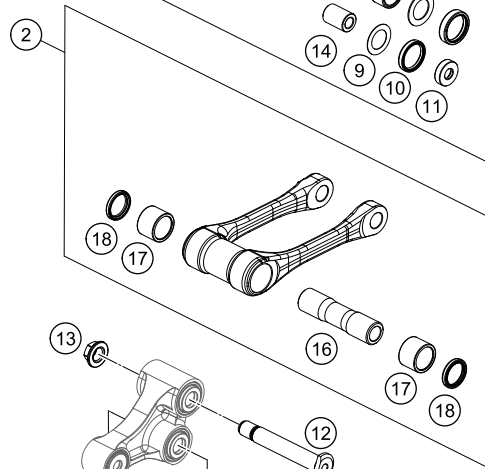
- 2x (9)
- 2x (10)
- 2x (11)
- 1x (14)
- 1x (15)

98



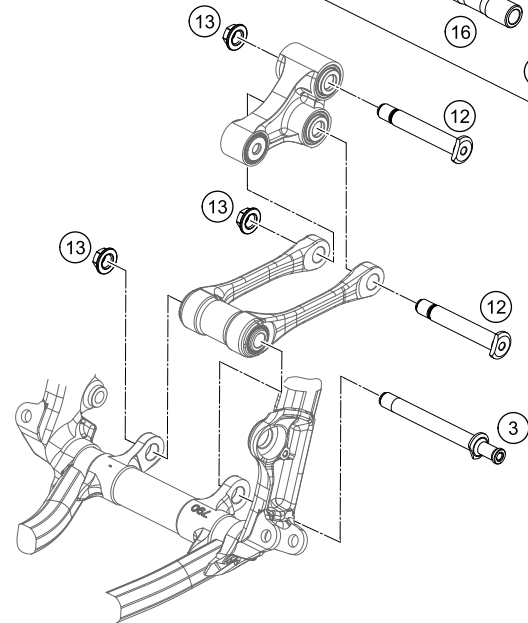
- 2x (4)
- 2x (5)
- 2x (6)
- 2x (7)
- 1x (8)
- 1x (19)

97



- 1x (16)
- 2x (17)
- 2x (18)

99



157890460

| POS | PARTNUMBER | PARTNAME | PIECE |
|-----|---------------|--------------------------------|-------|
| 1 | 7900408014401 | TRIANGLE LEVER CPL. SX 2017 | 1 |
| 2 | 7900408304401 | PULLROD CPL. SX 2016 | 1 |
| 3 | 79004084000 | BOLT TIE-ROD BEARING M14X1,5 | 1 |
| 4 | 54603097000 | NEEDLE BUSH HK 2016 | 4 |
| 5 | 59033080000 | SHIM 20X32X1 | 4 |
| 6 | 0760253270 | radial shaft seal 25x32x7 | 4 |
| 7 | 77204080130 | BUCKET SHAFT SEAL RING 25X11 | 4 |
| 8 | 54603081000 | BUSHING SLEEVE 15 X 20 X 48 | 2 |
| 9 | 50180604 | Shim 29,75x19x0,4 | 2 |
| 10 | 0760243050 | SHAFT SEAL RING 24X30X5 | 2 |
| 11 | 77204080020 | BUCKET FOR SHAFT SEAL RING | 2 |
| 12 | 77204085000 | BOLT FOR CANTILEVER M14 | 2 |
| 13 | 77204087000 | hex nut M14x1.5 WS17 | 3 |
| 14 | 77204080010 | BEARING SLEEVE 10X18X25,5 | 1 |
| 15 | 0618182416 | NEEDLE BUSH HN1816 RS 18/24/16 | 1 |
| 16 | 79004084010 | BEARING SLEEVE F. TIE-ROD 16 | 1 |
| 17 | 0618222820 | NEEDLE BEARING HK2220 22X28X20 | 2 |
| 18 | 0760222841 | SHAFT SEAL RING G22x28x4 | 2 |
| 19 | 54603090010 | STEEL WASHER 15,2X19X0,1 | x |
| 19 | 54603090020 | STEEL WASHER 15,2X19X0,2 | x |
| 19 | 54603090030 | STEEL WASHER 15,2X19X0,3 | x |
| 97 | 77204080110 | TRIANGLE LEVER REP. KIT REAR | x |
| 98 | 77204080090 | TRIANGLE LEVER REP. KIT FRONT | x |
| 99 | 79004083010 | PULL ROD REP. KIT SX-F | x |

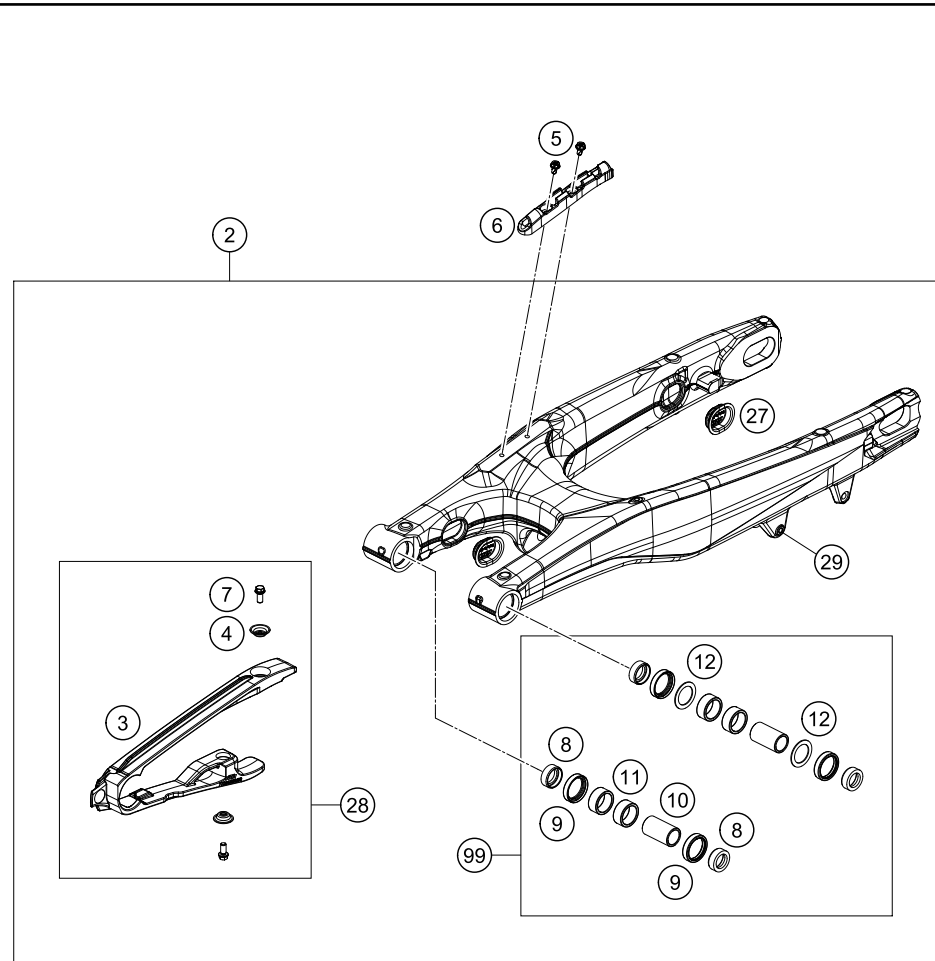
49585

* NEW PART

X ON DEMAND

SWING ARM

450 SX-F HERLINGS REPLICA 2019 2019



| POS | PARTNUMBER | PARTNAME | PIECE |
|-----|-------------|--------------------------------|-------|
| 2 | 79104030044 | Swingarm cmpl. 2019 | 1 |
| 3 | 77204066100 | CHAIN SLIDING PROTECTION | 1 |
| 4 | 77304066050 | chain slider bushing | 2 |
| 5 | 0009050106 | EJOT SPIRAL SCREW SF M5X10-K | 2 |
| 6 | 79004042000 | BRAKE HOSE GUIDE | 1 |
| 7 | 59009062013 | SPECIAL SCREW M6X13 WS=8 10.9 | 2 |
| 8 | 77704034000 | SUPPORT F. SHAFT SEAL RING 16 | 4 |
| 9 | 0760253270 | radial shaft seal 25x32x7 | 4 |
| 10 | 59404032000 | BEARING SLEEVE 17X22X38,7 03 | 2 |
| 11 | 0618222812 | NEEDLEBEAR HK2212V 22/28/12 MB | 4 |
| 12 | 54603036000 | STOP DISK 22,2X31,7X1 | 2 |
| 14 | 79004070000 | CHAIN GUIDE | 1 |
| 15 | 59009062019 | SPECIAL SCREW M6X19 WS=8 10.9 | 1 |
| 16 | 0025060456 | HH COLLAR SCREW M6X45 TX30 | 1 |
| 17 | 77304070130 | BUSH. F. CHAIN FAIL. PROT. 07 | 1 |
| 25 | 79004037000 | SWING ARM M16X1,5 2016 | 1 |
| 26 | 54804038000 | SELF LOCK.NUT M16X1,5 WS=19 03 | 1 |
| 27 | 77204041000 | CLOSING COVER | 4 |
| 28 | 77204066010 | CHAIN GUARD CPL. 11-15 | 1 |
| 29 | 54603055051 | PRESS IN NUT M6 STEEL ZINC | 1 |
| 98 | 77704070210 | CHAIN GUIDE KIT REAR SX-F 14 | 1 |
| 99 | 79004030010 | SWING ARM REPAIR KIT SX-F | x |

167940490

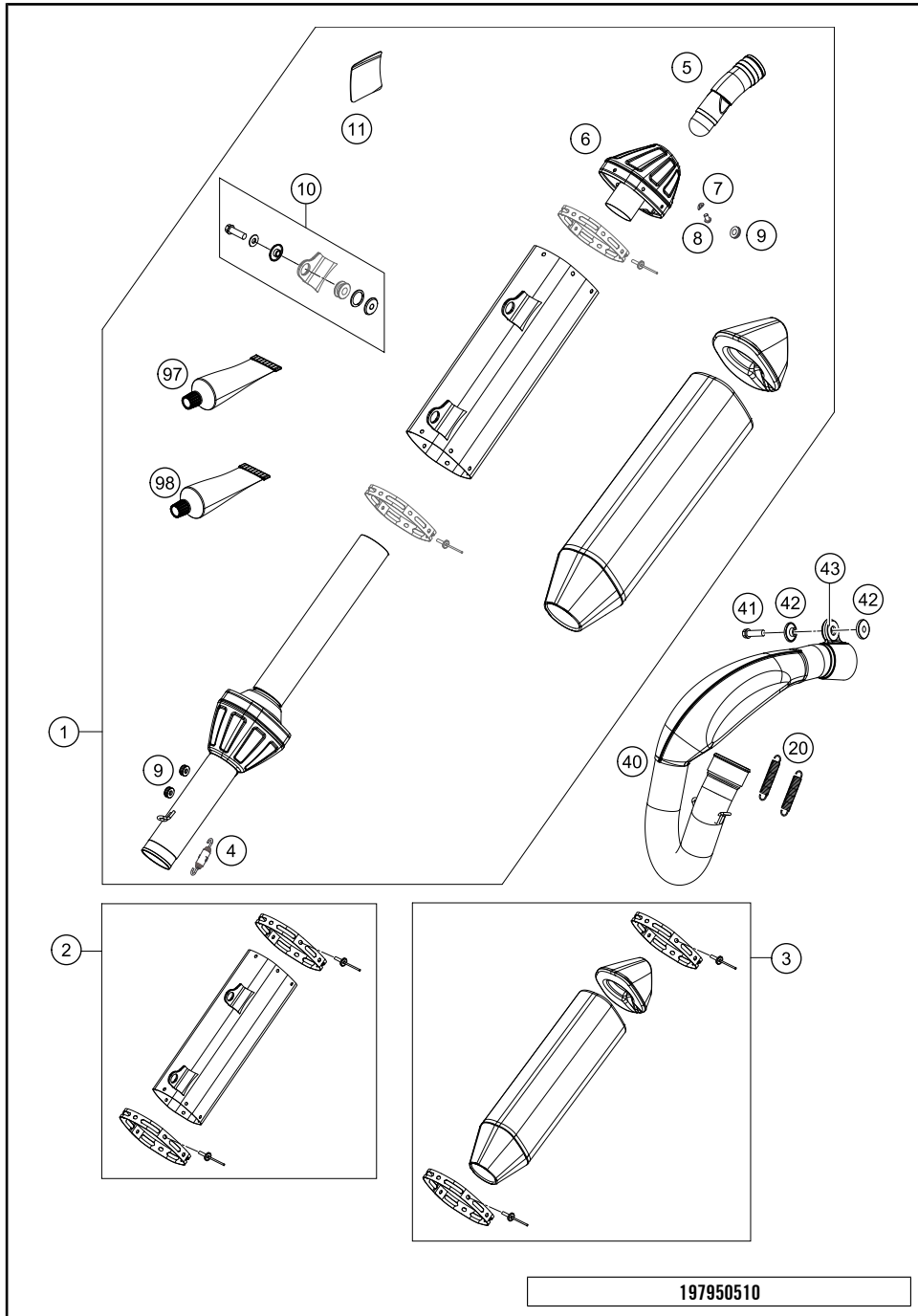
51455

* NEW PART

X ON DEMAND

EXHAUST SYSTEM

450 SX-F HERLINGS REPLICA 2019 2019



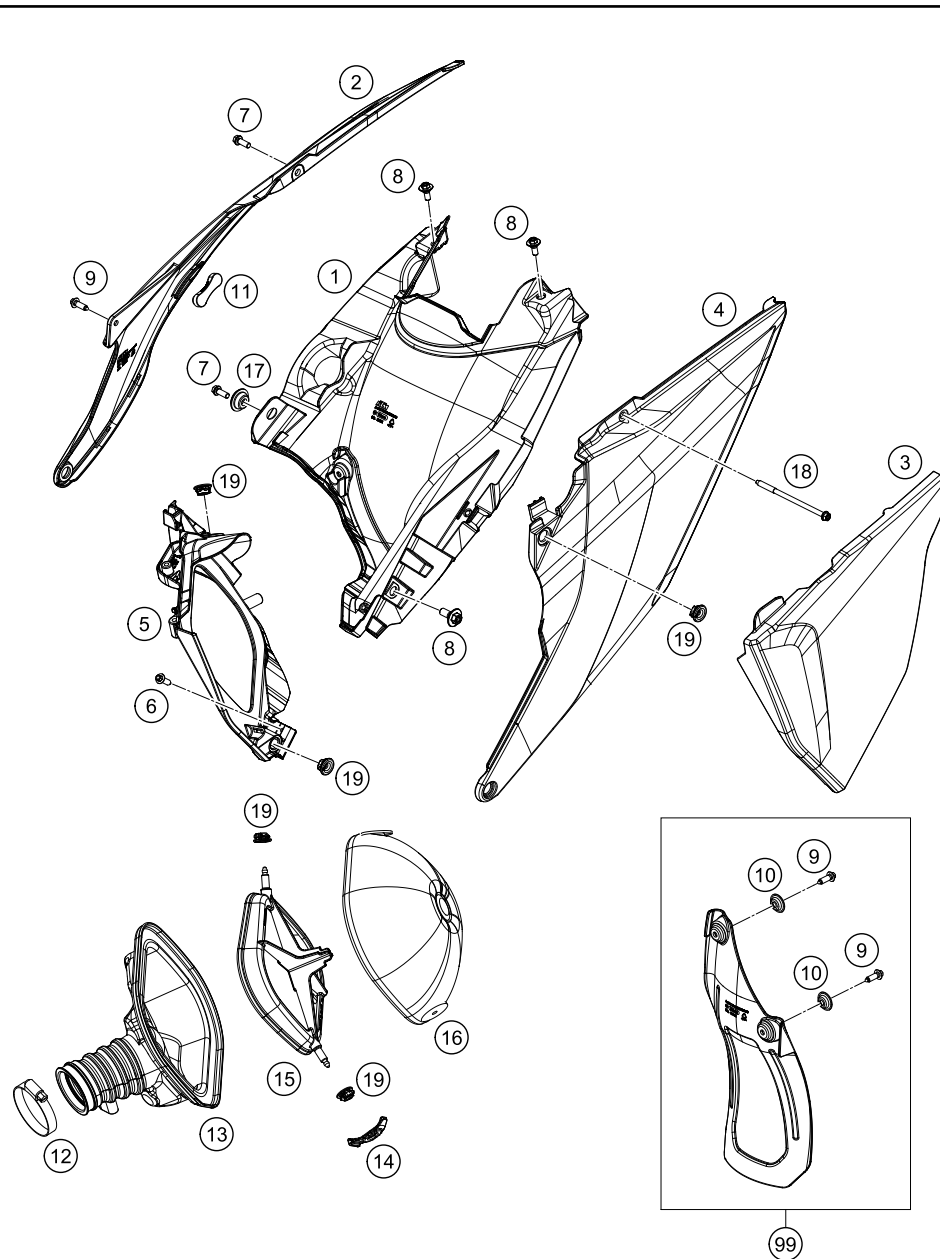
| POS | PARTNUMBER | PARTNAME | PIECE |
|-----|-------------|-------------------------------|-------|
| 1 | 79505979000 | Akrapovi# "Slip-on Line" | 1 |
| 2 | 79305979020 | Repair kit | 1 |
| 3 | 79305979010 | Insulation kit | 1 |
| 4 | 57305989100 | Exhaust spring | 1 |
| 5 | 79505979030 | noise insert | 1 |
| 6 | 77705979050 | ENDCAP | 1 |
| 7 | 79405062030 | WASHER | 1 |
| 8 | 79405062020 | BOLT | 1 |
| 9 | 76505099050 | RUBBER CAP | 3 |
| 10 | 79505979060 | Fitting kit muffler | 2 |
| 11 | SXS12350509 | STICKER AKRAP. | 2 |
| 20 | 50305016000 | TEN.SPRING L=62MM EY.MOVEABLE | 2 |
| 40 | 79505007000 | exhaust manifold 450 SX-F | 1 |
| 41 | 0025080256 | HH collar screw M8x25 | 1 |
| 42 | 77805069000 | BUSHING 8.5x12x28x8.3 | 2 |
| 43 | 79105068000 | Damper gray | 1 |
| 97 | 76505099060 | COPPER PASTE | 1 |
| 98 | 76505099070 | ceramic anti-seizing grease | 1 |

197950510

51778

* NEW PART

X ON DEMAND



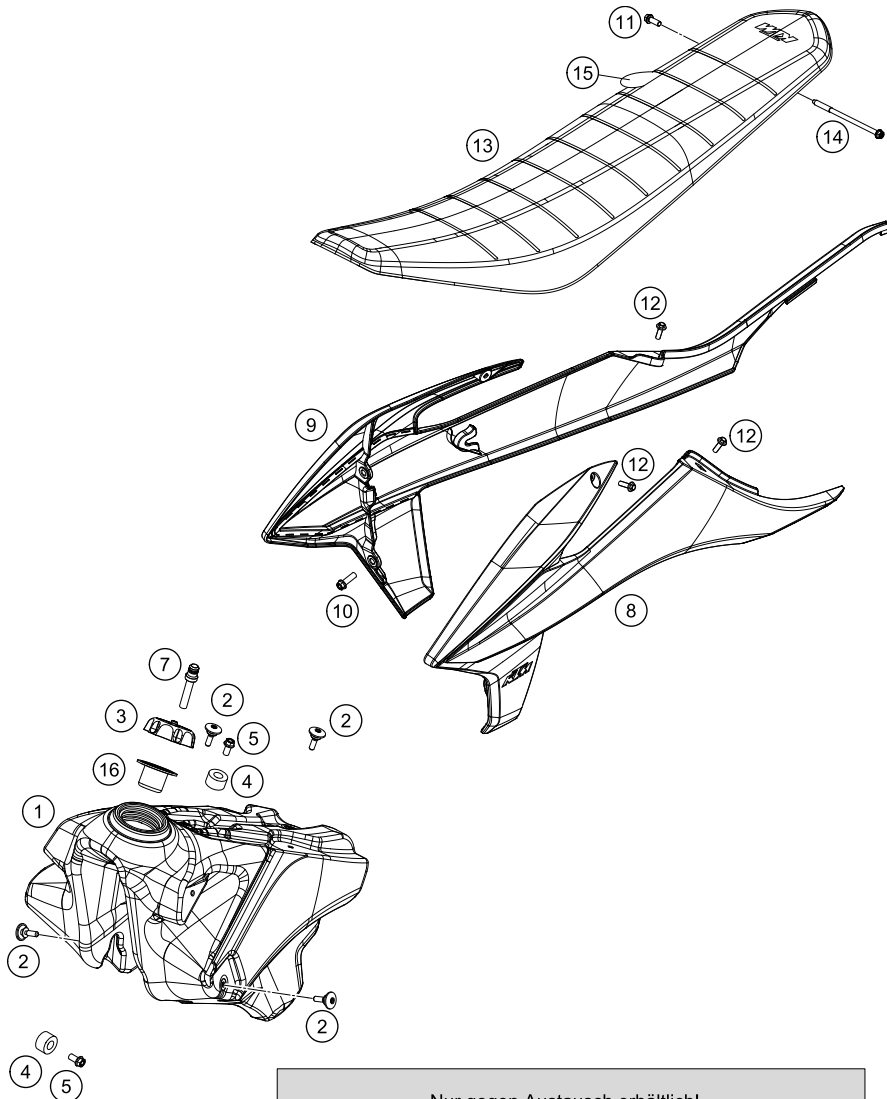
187940610

| POS | PARTNUMBER | PARTNAME | PIECE |
|-----|----------------|-------------------------------|-------|
| 1 | 79106001000AB | Air filter box | 1 |
| 2 | 79106004000AB | Filter box cover right | 1 |
| 3 | 79106003000ABC | Air filter cover left | 1 |
| 4 | 79106005000ABC | Air filter cover left | 1 |
| 5 | 79106001010AB | Air filter box front part | 1 |
| 6 | 0017060205 | SCREW FOR PLASTIC K60X20 SW6 | 1 |
| 7 | 0025060166 | HH collar screw M6x16 TX30 | 2 |
| 8 | 83008000015 | SPECIAL SCREW M6X15X3 | 2 |
| 9 | 0017060206 | SCREW F. PLASTIC K60X20AL SW6 | 3 |
| 10 | 77304066050 | chain slider bushing | 2 |
| 11 | 79105098000 | exhaust spacer | 1 |
| 12 | 78006027000 | HOSE CLAMP 45-65MM | 1 |
| 13 | 79506026000 | Airbox rubber | 1 |
| 14 | 79006017000 | FILTER MOUNTING BRACKET | 1 |
| 15 | 79006016000 | AIR FILTER SUPPORT | 1 |
| 16 | 79006015000 | AIR FILTER | 1 |
| 17 | 77308013010 | COLLAR BUSH. F.REAR FENDER 07 | 1 |
| 18 | 79107040010 | Seat screw | 1 |
| 19 | 47106003160 | quick release rubber grommet | 5 |
| 99 | 79006010010 | SPLASH PROTECTOR KIT | 1 |

51779

* NEW PART

X ON DEMAND



Nur gegen Austausch erhältlich!
 Lieferung erfolgt nur nach Rückgabe des beschädigten Aufklebers
 an die länderspezifische Kontaktperson!

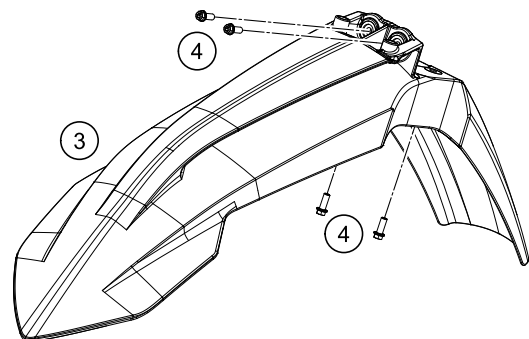
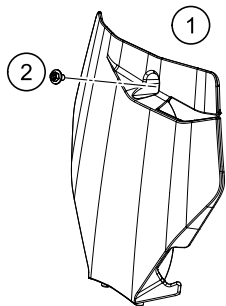
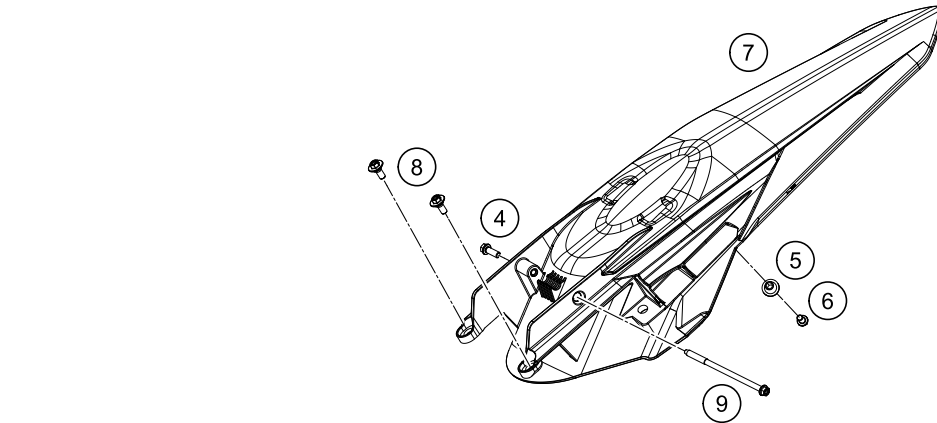
Only for replacement!
 Delivery only follows after returning the damaged sticker
 to your After Sales contact person!

| POS | PARTNUMBER | PARTNAME | PIECE |
|-----|----------------|-------------------------------|-------|
| 1 | 79307913044 | Fuel tank | 1 |
| 2 | 79107011000 | Seat holder screw | 4 |
| 3 | 76407108000 | TANK CAP | 1 |
| 4 | 50307014000 | TANK ROLLER 12X26X12 '98 | 3 |
| 5 | 0026060136 | COLLAR SCREW M6X13 ISA30 | 3 |
| 7 | U6951010 | FACTORY FUEL TANK CAP VENT | 1 |
| 8 | 79108050033ABB | Spoiler left | 1 |
| 9 | 79108051033ABB | Spoiler right | 1 |
| 10 | 0025060126 | HH collar screw M6x12 TX30 | 4 |
| 11 | 0025060166 | HH collar screw M6x16 TX30 | 1 |
| 12 | 0017060206 | SCREW F. PLASTIC K60X20AL SW6 | 4 |
| 13 | 79107040100 | seat factory 18 | 1 |
| 14 | 79107040010 | Seat screw | 1 |
| 15 | 79107040160 | Seat cover Factory 18 | 1 |
| 16 | 59007009000 | GASKET FOR FILLER CAP HIGH | 1 |

197950710

51793

* NEW PART X ON DEMAND



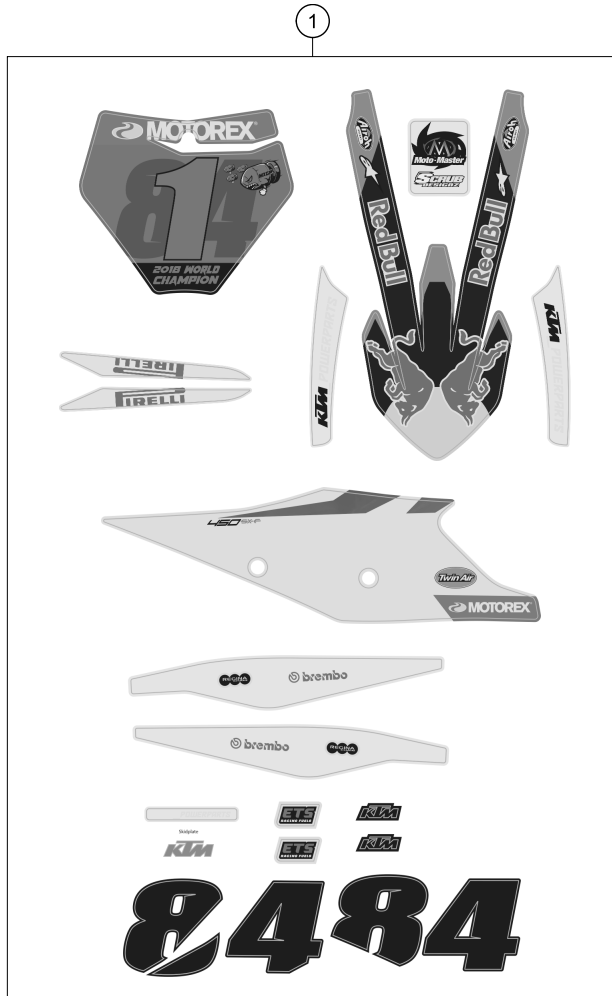
| POS | PARTNUMBER | PARTNAME | PIECE |
|-----|----------------|----------------------------|-------|
| 1 | 79108007000AB | Start number plate | 1 |
| 2 | 0024060106 | HH COLLAR SCREW M6X10 TX30 | 1 |
| 3 | 79008010000EB | FRONT FENDER ORANGE 15 | 1 |
| 4 | 0025060166 | HH collar screw M6x16 TX30 | 5 |
| 5 | 79103002020 | Subframe bush | 2 |
| 6 | 0025060256 | HH collar screw M6x25 TX30 | 2 |
| 7 | 79108013000ABB | Tail section SX | 1 |
| 8 | 83008000015 | SPECIAL SCREW M6X15X3 | 2 |
| 9 | 79107040010 | Seat screw | 1 |

187940810

51794

* NEW PART

X ON DEMAND



1

Nur gegen Austausch erhältlich!
 Lieferung erfolgt nur nach Rückgabe des beschädigten Aufklebers
 an die länderspezifische Kontaktperson!

Only for replacement!
 Delivery only follows after returning the damaged sticker
 to your After Sales contact person!

| POS | PARTNUMBER | PARTNAME | PIECE |
|-----|-------------|-------------------------------------|-------|
| 1 | 79508099100 | Graphic kit 450 Herlings Replica 19 | 1 |

197950831

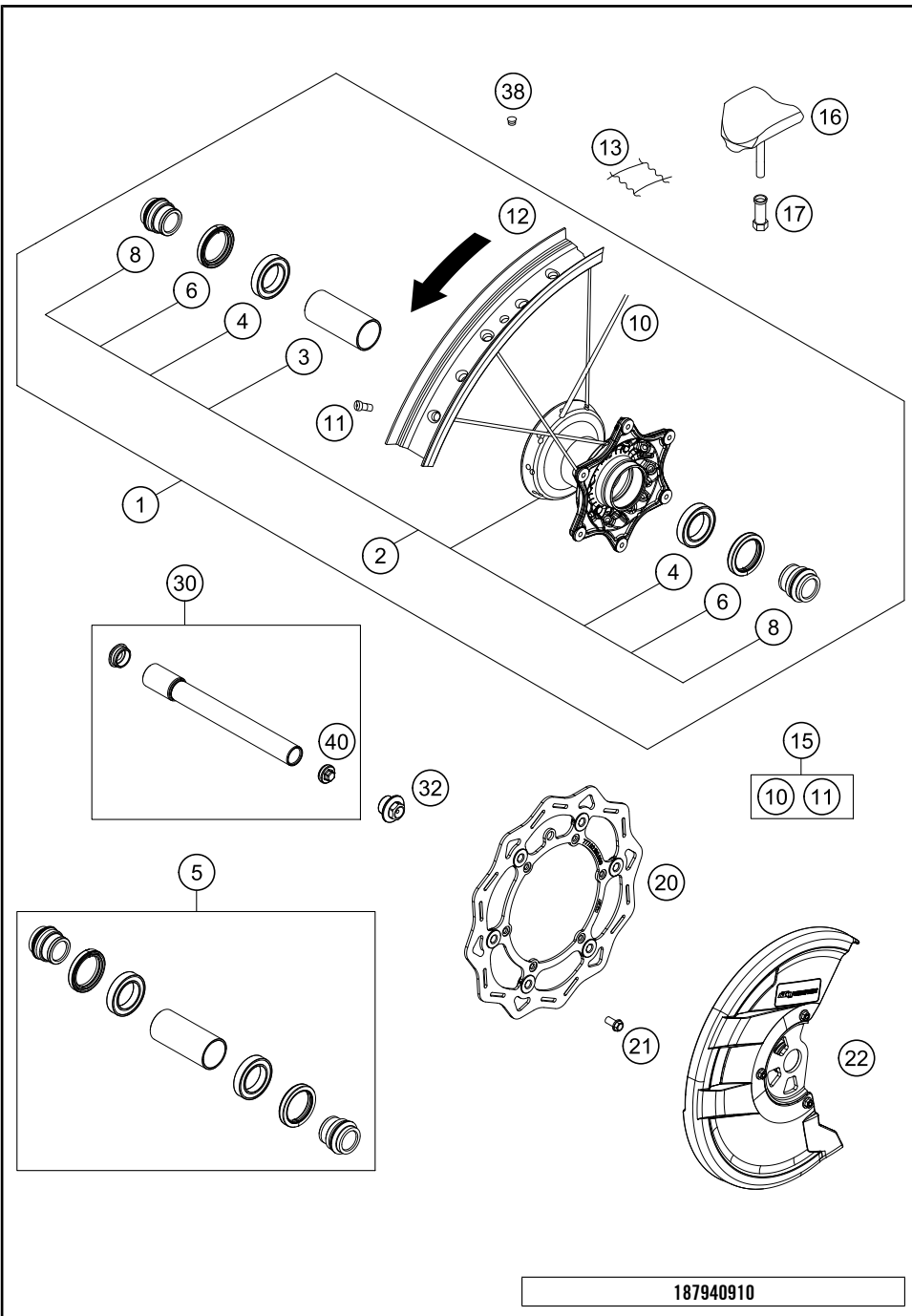
51811

* NEW PART

X ON DEMAND

FRONT WHEEL

450 SX-F HERLINGS REPLICA 2019 2019



| POS | PARTNUMBER | PARTNAME | PIECE |
|-----|----------------|--------------------------------|-------|
| 1 | 7900990104404 | Factory front wheel | 1 |
| 2 | 7900991004404 | Front wheel hub cpl. | 1 |
| 3 | 54809011000 | BEA.SPACERTUBE 35X2 L=79,4 03 | 1 |
| 4 | 0625069068 | GR.BALL BEAR.6906 DDU2CG23S6NM | 2 |
| 5 | 77709015000 | FRONT WHEEL REP. KIT SX-F USA | 1 |
| 6 | 0760354771 | SHAFT SEAL RING 35X47X7 TC | 2 |
| 8 | 77709012000 | SPACER BUSHING F. FR. WHEEL | 2 |
| 10 | 7900907124030 | Front spoke | 36 |
| 11 | 7910907200004S | Spoke nipple M4,5 orange | 36 |
| 12 | 8120907010030A | "front rim 1,60x21" DID" | 1 |
| 13 | 50309073000 | RIM BAND 21" | 1 |
| 15 | 00050000986S | Spoke Kit front 21## | x |
| 16 | 78109090100 | RIM LOCK 1,60" | 1 |
| 17 | 77110090050 | NUT FOR WHEEL HOLDER | 1 |
| 20 | 77709160000 | BRAKE DISC FRONT D=260MM | 1 |
| 21 | 59009062013 | SPECIAL SCREW M6X13 WS=8 10.9 | 6 |
| 22 | 7900996110030 | Brake disc guard | 1 |
| 30 | 79109081033 | Wheel spindle front cpl, 2019 | 1 |
| 32 | 70009082000 | AXLESCREW M20X1.5 SW17 | 1 |
| 38 | 55003135000 | PLUG FOR RIM | x |
| 40 | 7770908107055 | AUXILIARY SCREW FRONT | 1 |

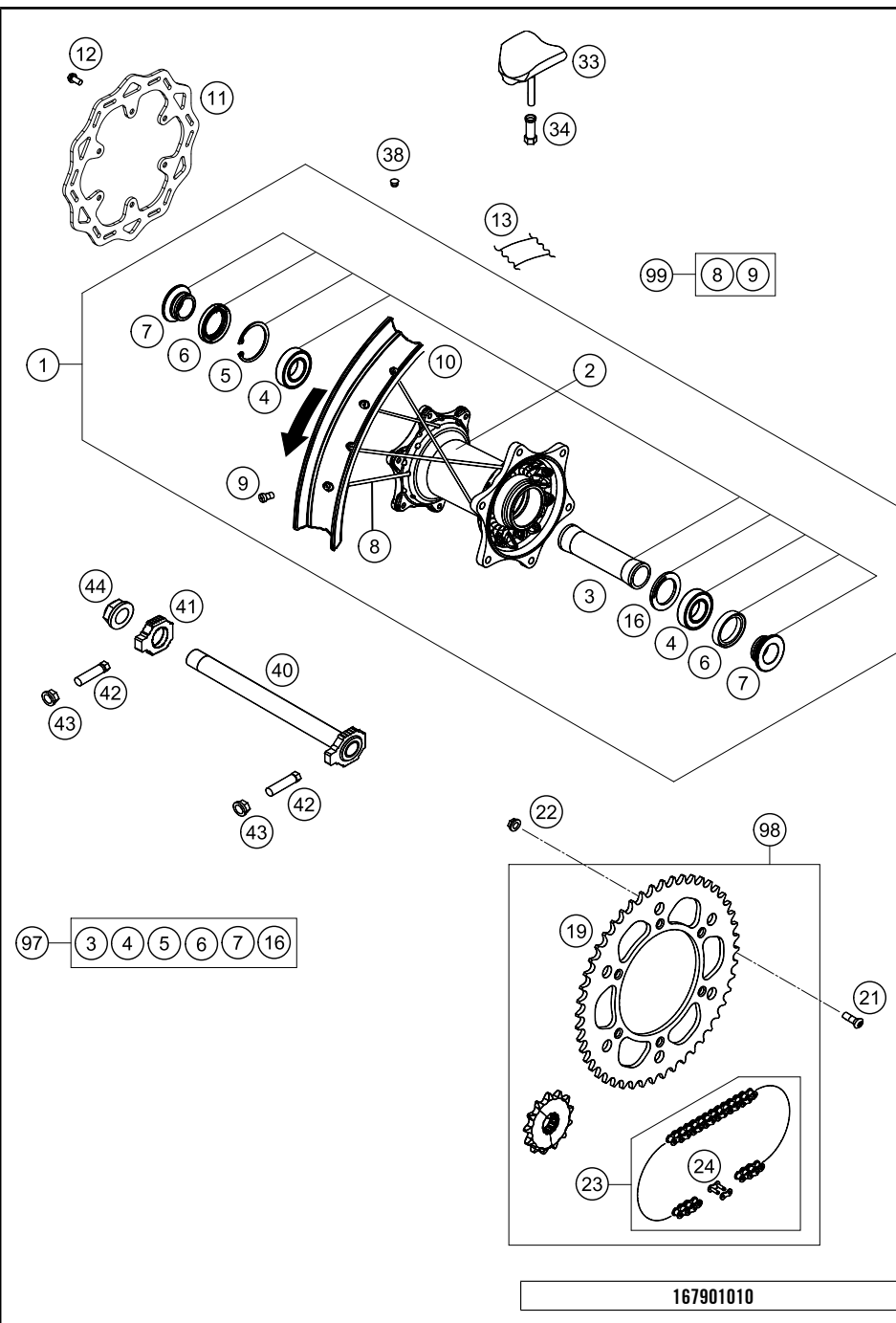
187940910

51798

* NEW PART X ON DEMAND

REAR WHEEL

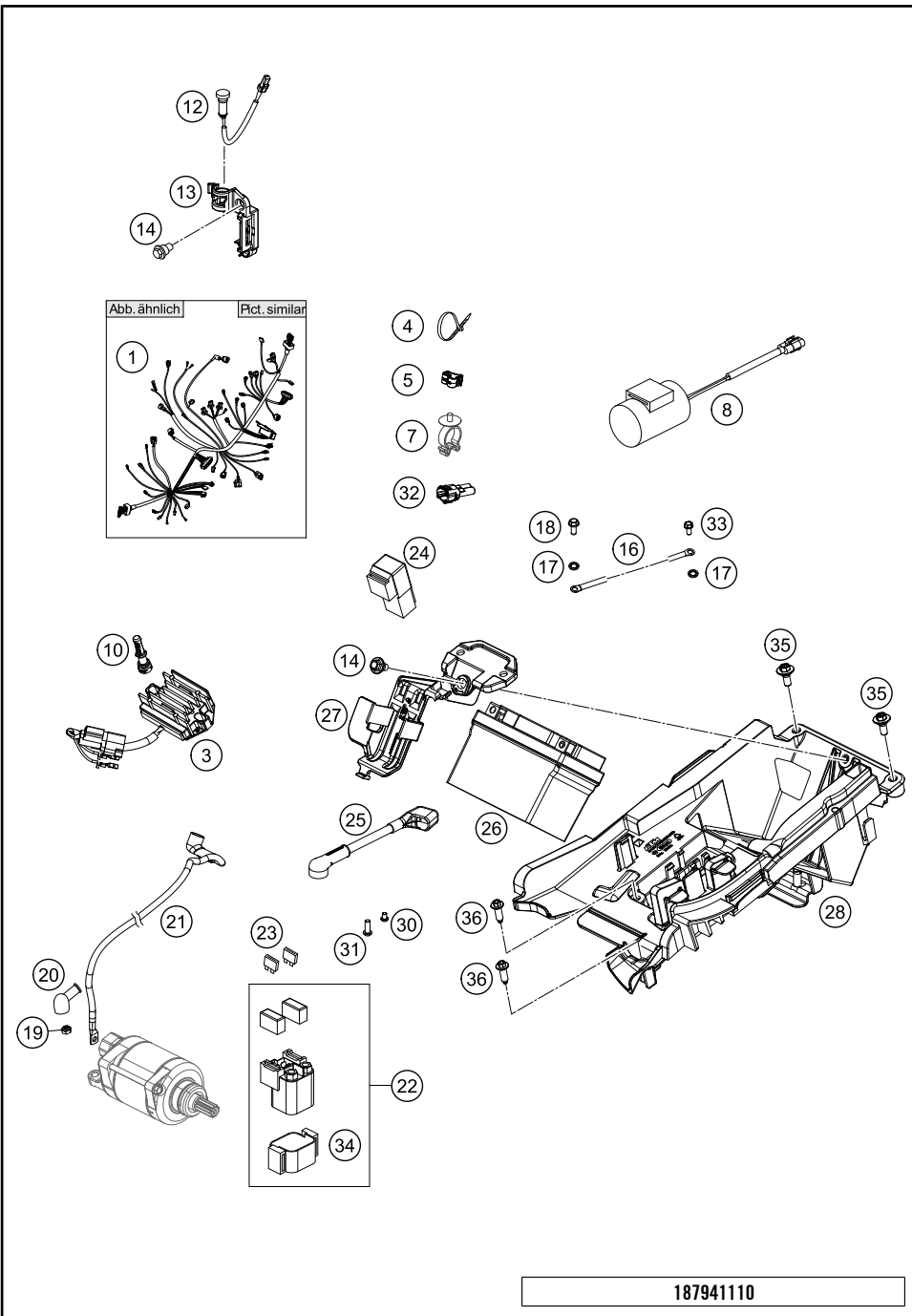
450 SX-F HERLINGS REPLICA 2019 2019



| POS | PARTNUMBER | PARTNAME | PIECE |
|-----|----------------|--------------------------------|-------|
| 1 | 7901090104404 | Factory rear wheel 19# | 1 |
| 2 | 7901091004404 | Rear wheel hub cpl. | 1 |
| 3 | 77710011000 | BEARING DISTANCE TUBE 121,5MM | 1 |
| 4 | 0625060058 | GR.BALL BEAR.6005 DDU2CG23S6NM | 2 |
| 5 | 0472047175 | CIRCLIP DIN0472-47X1,75 | 1 |
| 6 | 0760324771 | SHAFT SEAL RING 32X47X7 BSL | 2 |
| 7 | 77710016000 | DISTANCE BUSHING REAR WHEEL | 2 |
| 8 | 7901007120530 | SPOKE M4,5X205-19" BLACK 16 | 36 |
| 9 | 7910907200004S | Spoke nipple M4,5 orange | 36 |
| 10 | 2501007000030A | "rim 2,15x19"" DID" | 1 |
| 11 | 79010060000 | BRAKE DISC REAR 220MM 16 | 1 |
| 12 | 59009062013 | SPECIAL SCREW M6X13 WS=8 10.9 | 6 |
| 13 | 50310073200 | RIM BAND 18" AND 19" | 1 |
| 16 | 77710015000 | DISTANCE RING | 1 |
| 19 | 7771015104804 | REAR SPROCKET 48T ORANGE | 1 |
| 19 | 7771015105004 | REAR SPROCKET 50T ORANGE | x |
| 19 | 7771015105204 | REAR SPROCKET 52T ORANGE | x |
| 21 | 0019080266S | COUNTER-SUNK SCREW ISA45 M8X26 | 6 |
| 22 | 06923080003 | hex nut EN 1661 M8 WS13 | 6 |
| 23 | 78910065118 | CHAIN 520 GPXV GOLD | 1 |
| 24 | 78910066000 | CONNECTING LINK F. 78910065118 | 1 |
| 33 | 78110090100 | RIM LOCK 2,15" | 1 |
| 34 | 77110090050 | NUT FOR WHEEL HOLDER | 1 |
| 38 | 55003135000 | PLUG FOR RIM | x |
| 40 | 77710085044 | WHEEL SPINDLE CPL. '13 | 1 |
| 41 | 77710084000 | CHAIN TENSIONER R/S | 1 |
| 42 | 50304040100 | screw M10x1.25x50 WS10 | 2 |
| 43 | 58414030000 | HH COLLAR NUT M10X1,25 WS=13 | 2 |
| 44 | 61010086000 | COLLAR NUT M25X1,5 WS=32 05 | 1 |
| 97 | 77710015010 | REAR WHEEL REP. KIT | x |
| 98 | 00050002075 | DRIVETRAIN KIT SX 13T/48T | x |
| 99 | 00050000987S | Spoke kit back 19# | x |

* NEW PART

X ON DEMAND



| POS | PARTNUMBER | PARTNAME | PIECE |
|-----|----------------|---------------------------------------|-------|
| 1 | 79111075000 | wiring harness EFI SXF | 1 |
| 3 | 77211034000 | VOLTAGE REGULATOR 09 | 1 |
| 4 | 44011076140 | CABLE TIE 140/2,5MM BLACK | x |
| 4 | 44011076200 | CABLE TIE 200/3,6MM BLACK | x |
| 4 | 44011076305 | CABLE TIE 300/4,8MM BLACK | x |
| 5 | 83013026000 | CABLE GUIDE | 2 |
| 7 | 61111041000 | CABLE SUPPORT 07 | 1 |
| 8 | 77711035000 | CONDENSATOR | 1 |
| 10 | 55641030000 | Holder control unit | 2 |
| 12 | 81214083000 | INDICATOR LIGHT LED YELLOW FI | 1 |
| 13 | 77214098000 | HOLDER INDICATOR LIGHT SX | 1 |
| 14 | 59001092050 | SPECIAL SCREW M6X12,5 WS=8 | 1 |
| 16 | 58411097100 | GROUND CABLE D=6MM L=140MM '97 | 1 |
| 17 | 58411098100 | CONTACT WASHER M6 VSV-K6 | 3 |
| 18 | 0009050106 | EJOT SPIRAL SCREW SF M5X10-K | 1 |
| 19 | 0985060003 | SELF LOCK. NUT DIN0985-M 6 | 1 |
| 20 | 77240099000 | PROTECTION CAP F. STARTER ENG. | 1 |
| 21 | 25111059000 | Starterkabel | 1 |
| 22 | 58211058000 | STARTER RELAY 12V '99 | 1 |
| 23 | 58011109110 | FUSE 10 A 2000 | 2 |
| 24 | 61111057000 | RELAY CM1A-R-12V-H80 07 | 1 |
| 25 | 25111059050 | Batteriekabel | 1 |
| 26 | 79111053000 | battery 12V/24Wh | 1 |
| 27 | 79111056000 | battery support | 1 |
| 28 | 79111055000 | Battery box | 1 |
| 30 | 0902060083 | AH OVAL SCREW ISO 7380 M 6X8 | 1 |
| 31 | 0738060167 | Oval head screw AH socket M6x16 A2-70 | 1 |
| 32 | 000700000AL001 | Endconnector Can-Bus 2017 | 1 |
| 33 | 0025050126 | HH collar screw M5x12 TX30 | 2 |
| 34 | 58211058050 | BRACKET RUBBER F.STARTRELAY 07 | 1 |
| 35 | 83008000015 | SPECIAL SCREW M6X15X3 | 2 |
| 36 | 0017060206 | SCREW F. PLASTIC K60X20AL SW6 | 2 |

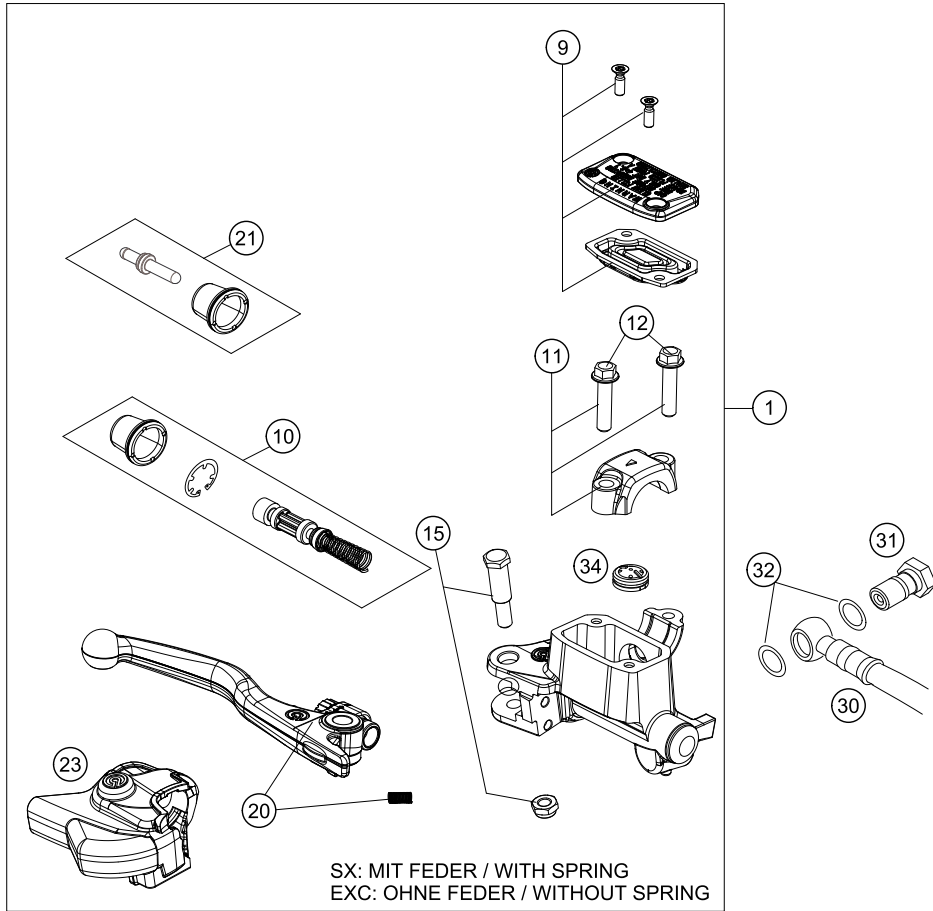
187941110

51467

* NEW PART X ON DEMAND

FRONT BRAKE CONTROL

450 SX-F HERLINGS REPLICA 2019 2019



| POS | PARTNUMBER | PARTNAME | PIECE |
|-----|-------------|--|-------|
| 1 | 77713001044 | HAND BRAKE CYLIND. CPL. SX 2014 | 1 |
| 9 | 77713003000 | HAND BRAKE CYL. COVER | 1 |
| 10 | 77713008000 | REPAIR KIT PISTON SX 2014 | 1 |
| 11 | 54802005100 | CLAMP CPL. 06 | 1 |
| 12 | 0025060256 | HH collar screw M6x25 TX30 | 2 |
| 15 | 77713006000 | LEVER SCREW | 1 |
| 20 | 77713002000 | HAND BRAKE LEVER +SPRING SX 14 SX WITH SPRING, EXC WITHOUT SP | 1 |
| 21 | 77713007000 | PUSH ROD CPL. SX 2014 | 1 |
| 23 | 77713004000 | PROTECTION CAP HAND BRAKE CYL. | 1 |
| 30 | 59013010000 | BRAKEHO. FRONT 1235MM 2000 | 1 |
| 31 | 54813020100 | banjo bolt M10x1x19 black | 1 |
| 32 | 0603100141 | sealing ring DIN 7603 10x14x1 | 2 |
| 34 | 54802051000 | VALVE | 1 |
| 80 | 00062030000 | BRAKE FLUID DOT5.1 0,25L | 1 |

147781310

15055

* NEW PART

X ON DEMAND

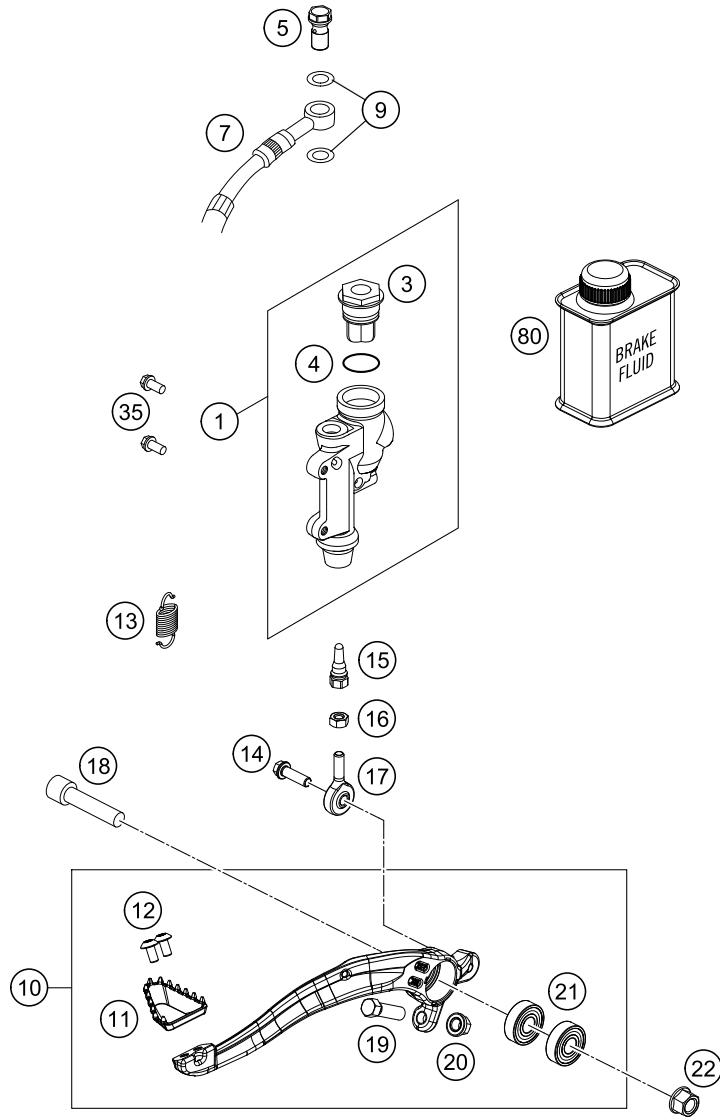
REAR BRAKE CONTROL

450 SX-F HERLINGS REPLICA 2019 2019

ACHTUNG !!!
Nur für Brembo!



CAUTION !!!
For Brembo only!



182351330

| POS | PARTNUMBER | PARTNAME | PIECE |
|-----|-------------|--|-------|
| 1 | 77013060044 | REAR BRAKE CYLINDER CPL.SX 09 | 1 |
| 3 | 54813062100 | REAR BRAKE CYL. COVER CPL. 04 | 1 |
| 4 | 54813063000 | FOOT-BRAKE CYL. GASKET SX 03 | 1 |
| 5 | 54813020200 | BANJO SCREW 08 | 1 |
| 7 | 77213070300 | Rear Brakehose | 1 |
| 9 | 0603100141 | sealing ring DIN 7603 10x14x1 | 2 |
| 10 | 79413050044 | FOOT BRAKE LEVER CPL. | 1 |
| 11 | 79413051000 | STEP BRAKE LEVER 16 | 1 |
| 12 | 78105081010 | SCREW TORX M5X10 | 2 |
| 13 | 79003062000 | RETURN SPRING F. BRAKE LEVER | 1 |
| 14 | 0025060206S | HH collar screw M6x20 TX30 | 1 |
| 15 | 54813056000 | PUSH ROD L=28MM 03 | 1 |
| 16 | 0934060003 | hex nut DIN 934 M6 | 1 |
| 17 | 54813055000 | SWIVEL HEAD KA6 03 | 1 |
| 18 | 0032100356S | AH-COLLAR SCREW M10X35 ISA45 | 1 |
| 19 | 59001037000 | SPECIAL SCREW M8X26 WS=10 | 1 |
| 20 | 46030045000 | flanged nut M8 WS10 | 1 |
| 21 | 0625060002 | deep groove ball bearing SKF 6000-2RS1 | 2 |
| 22 | 54630044000 | COLLAR NUT M10 WS=13 | 1 |
| 35 | 0025060126 | HH collar screw M6x12 TX30 | 2 |
| 80 | 00062030000 | BRAKE FLUID DOT5.1 0,25L | 1 |

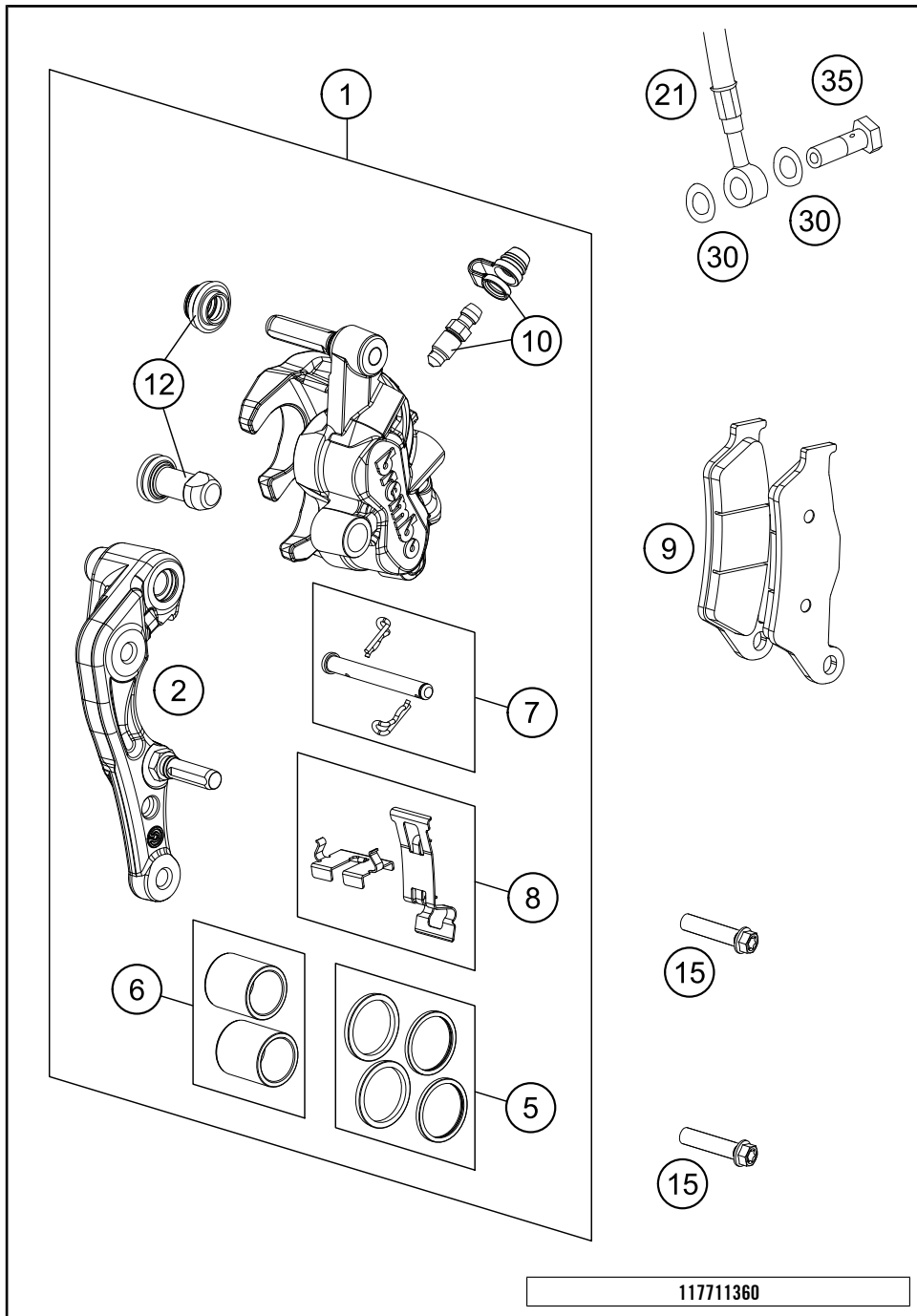
51801

* NEW PART

X ON DEMAND

FRONT BRAKE CALIPER

450 SX-F HERLINGS REPLICA 2019 2019



| POS | PARTNUMBER | PARTNAME | PIECE |
|-----|---------------|--------------------------------|-------|
| 1 | 7701301500101 | CALIPER NAT. WITHOUT PADS | 1 |
| 2 | 77013014000 | BRAKE CALIPER SUPPORT FRONT 09 | 1 |
| 5 | 77013021000 | REP. KIT SEALS 24MM | 1 |
| 6 | 77013019000 | REP. KIT PISTON 24MM | 1 |
| 7 | 77013017000 | BOLT CPL. 09 | 1 |
| 8 | 77013018000 | RETAINING PLATE SET BREMBO | 1 |
| 9 | 77713030000 | BRAKE PADS FRONT | 1 |
| 10 | 61013020100 | BLEEDER SCREW WITH CAP | 1 |
| 12 | 54613218000 | CUP SET SHORT | 1 |
| 15 | 0025080306S | HH COLLAR SCREW M8X30 TX40 | 2 |
| 21 | 59013010000 | BRAKEHO. FRONT 1235MM 2000 | 1 |
| 30 | 0603100141 | sealing ring DIN 7603 10x14x1 | 2 |
| 35 | 50213025000 | HOLLOW SCREW M10X1X19 | 1 |

117711360

10680

* NEW PART X ON DEMAND

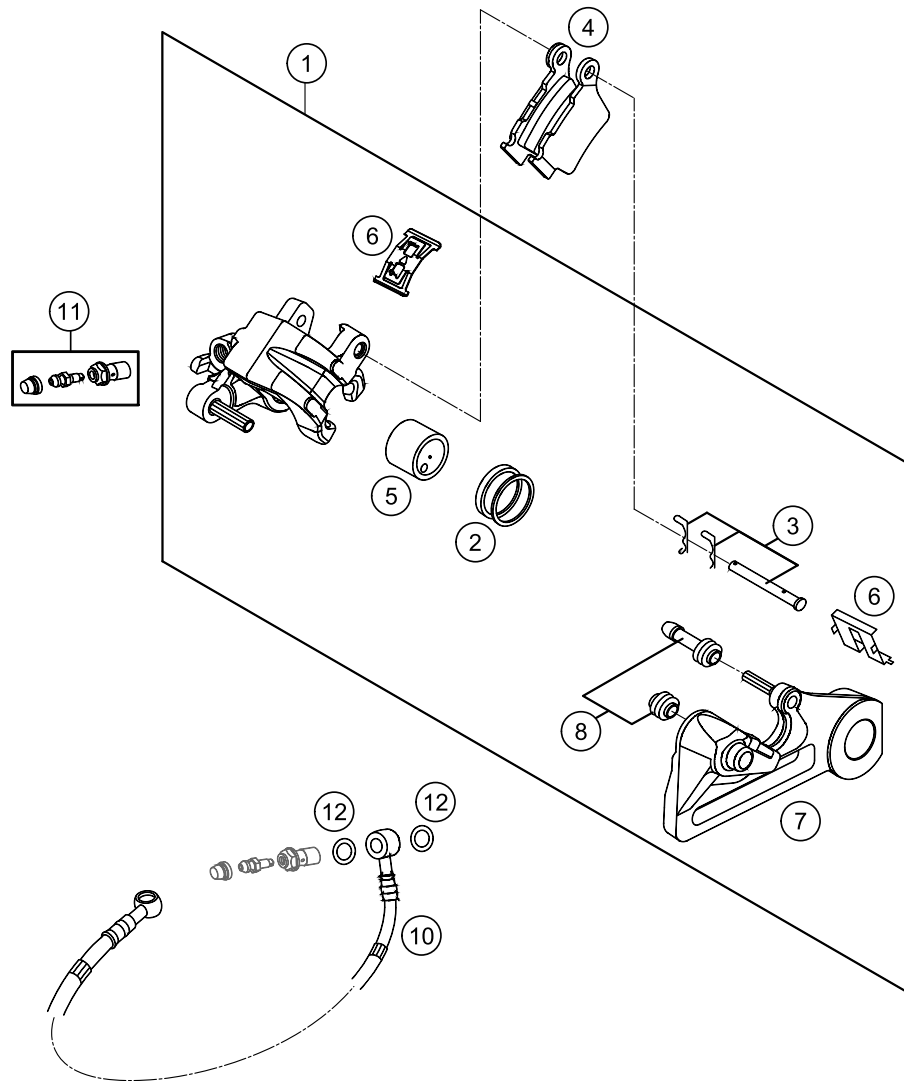
REAR BRAKE CALIPER

450 SX-F HERLINGS REPLICA 2019 2019

ACHTUNG !!!
Nur für Brembo!



CAUTION !!!
For Brembo only!



| POS | PARTNUMBER | PARTNAME | PIECE |
|-----|-------------|--------------------------------|-------|
| 1 | 77713080001 | BRAKE CAL. REAR - WITHOUT PADS | 1 |
| 2 | 50313081200 | REPAIR KIT SEALING RINGS 26MM | 1 |
| 3 | 54813082000 | BOLT SET FOR BRAKE CALIPER 03 | 1 |
| 4 | 54813090300 | BRAKE PAD SET REAR TOYO | x |
| 4 | 79013090000 | BRAKE PAD REAR TOYO B204 | 1 |
| 5 | 77713083000 | BRAKE PISTON 26MM 2013 | 1 |
| 6 | 54813018000 | RETAINING SPRING SET 2003 | 1 |
| 7 | 77713075000 | BRAKE CALIPER BRACKET REAR | 1 |
| 8 | 54613218000 | CUP SET SHORT | 1 |
| 10 | 77213070300 | Rear Brakehose | 1 |
| 11 | 62513020000 | BLEEDER SCREW CPL. 05 | 1 |
| 12 | 0603100141 | sealing ring DIN 7603 10x14x1 | 2 |

182351390

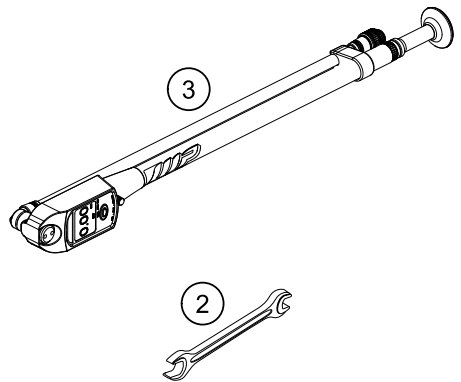
51803

* NEW PART

X ON DEMAND

0
OHNE ABBILDUNG
WITHOUT ILLUSTRATION

1
TECHNISCHE DOKUMENTATION
TECHNICAL DOCUMENTATION
DOCUMENTACION TECNICA
DOCUMENTATION TECHNIQUE
NOTE TECNICHE

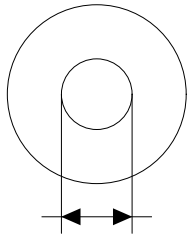


175042000

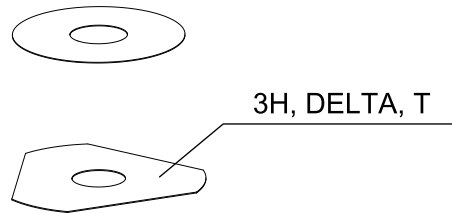
| POS | PARTNUMBER | PARTNAME | PIECE |
|-----|----------------|--|-------|
| 0 | 312313 | KTM BALLPOINT PEN ORANGE | 1 |
| 0 | 3210917 | NOTEPAD | 1 |
| 0 | 312305 | DOCUMENTS BAG 2006 | 1 |
| 0 | 20180204INT | KTM Bypack Folder Offroad | 1 |
| 0 | 79003040033 | FOOT PEGS SET CPL. 2016 | 1 |
| 0 | 81212016100 | WASH CAP SET | 1 |
| 0 | 79002014100 | SETTING 4-T 39,5 MM 16 | 1 |
| 0 | 79103094000EB | Frame protection set | 1 |
| 0 | 79102002044 | Handlebar pad compl. | 1 |
| 0 | 0025050126 | HH collar screw M5x12 TX30 | 2 |
| 0 | 58411098100 | CONTACT WASHER M6 VSV-K6 | 2 |
| 0 | 78141013190 | FUEL FILTER | 3 |
| 0 | 7900996110030 | Brake disc guard | 1 |
| 0 | 79503990044 | skid plate | 1 |
| 0 | 79001996000 | FACTORY START KTM | 1 |
| 0 | 52000235SET | Sticker set XACT 5 AER CC 182.5x238 | 1 |
| 0 | 79508092200 | Sticker set sep. enclosure 450 Fact.Herl | 1 |
| 0 | 0025060166 | HH collar screw M6x16 TX30 | 4 |
| 0 | 79008010033EBH | Front fender Fact. Herlings 19 | 1 |
| 0 | 00063004107 | SPIRALHÜLSEN EXC | 2 |
| 0 | 00063004202 | PRINT LABEL 60X51 MM | 1 |
| 0 | 78029072000 | SPARK PLUG SOCKET | 1 |
| 0 | 00063004108 | LUFTPOLSTERZUSCHNITTE 80MY | 2 |
| 0 | 00063004012 | HEADLIGHT MASK BOX | 1 |
| 1 | 3214029EN | Owner's Manual 450 SX-F Factory Edt. 19 | 1 |
| 2 | 50329072000 | SPOKE-SPANNER WS 7/10 | 1 |
| 3 | 79412966000 | AIRPUMP FOR AIRFORK | 1 |

51804

* NEW PART X ON DEMAND



- ⑤ Ø 5 mm
- ⑥ Ø 6 mm
- ⑧ Ø 8 mm
- ⑩ Ø 10 mm
- ⑫ Ø 12 mm
- ⑭ Ø 14-14,5 mm
- ⑯ Ø 16 mm
- ⑳ Ø 20 mm
- ㉑ Ø 21 mm
- ㉒ Ø 22 mm
- ㉓ Ø 23 mm
- ㉔ Ø 24,5 mm
- ㉘ Ø 28,5 mm
- ㉚ Ø 32 mm
- ㉜ Ø 52 mm



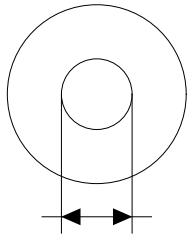
| POS | PARTNUMBER | PARTNAME | PIECE |
|-----|------------|-----------------|-------|
| 5 | 44906890 | WASHER 5X15X2 | X |
| 6 | 40540400 | Shim 6x12x0,10 | X |
| 6 | 40540401 | Shim 6x14x0,10 | X |
| 6 | 40540402 | Shim 6x16x0,10 | X |
| 6 | 40540403 | Shim 6x18x0,10 | X |
| 6 | 40540404 | Shim 6x12x0,15 | X |
| 6 | 40540405 | Shim 6x14x0,15 | X |
| 6 | 40540406 | Shim 6x16x0,15 | X |
| 6 | 40540407 | SHIM 6X18X0,15 | X |
| 6 | 40540408 | Shim 6x12x0,20 | X |
| 6 | 40540409 | Shim 6x14x0,20 | X |
| 6 | 40540410 | Shim 6x16x0,20 | X |
| 6 | 40540411 | Shim 6x18x0,20 | X |
| 6 | 48600095 | SHIM 6X20X0,20 | X |
| 6 | 40540412 | Shim 6x12x0,25 | X |
| 6 | 40540413 | Shim 6x14x0,25 | X |
| 6 | 40540414 | Shim 6x16x0,25 | X |
| 6 | 40540415 | Shim 6x18x0,25 | X |
| 6 | 40540417 | SHIM 6X8,5X0,10 | X |
| 6 | 40540418 | SHIM 6X9X0,10 | X |
| 6 | 40540419 | SHIM 6X9,5X0,10 | X |
| 6 | 40540423 | SHIM 6X9,5X0,15 | X |
| 6 | 40540425 | SHIM 6X8,5X0,20 | X |
| 6 | 40540426 | SHIM 6X9X0,20 | X |
| 6 | 40540427 | SHIM 6X9,5X0,20 | X |
| 6 | 40540447 | Shim 6x10x0,30 | X |
| 6 | 40540449 | Shim 6x9x0,30 | X |
| 6 | 40540450 | Shim 6x9,5x0,30 | X |
| 6 | 40540494 | Shim 6x18x0,40 | X |
| 6 | 40540774 | Shim 6x18x0,10 | X |
| 6 | 40541383 | Shim 6X11X0,10 | X |
| 6 | 40541391 | Shim 6x11x0,30 | X |
| 6 | 40541402 | Shim 6x11x0,20 | X |
| 6 | 40541403 | SHIM 6X10X0,20 | X |
| 6 | 40541404 | Shim 6x10x0,10 | X |
| 6 | 40541405 | Shim 6x10x0,15 | X |
| 6 | 40541406 | SHIM 6X11X0,15 | X |
| 6 | 40541408 | SHIM 6X8,0X0,30 | X |

080000190

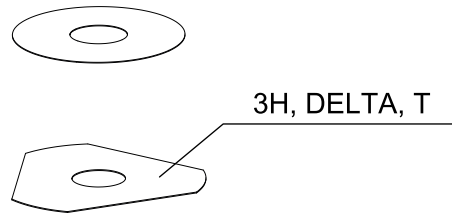
4668

* NEW PART

X ON DEMAND



- ⑤ Ø 5 mm
- ⑥ Ø 6 mm
- ⑧ Ø 8 mm
- ⑩ Ø 10 mm
- ⑫ Ø 12 mm
- ⑭ Ø 14-14,5 mm
- ⑯ Ø 16 mm
- ⑳ Ø 20 mm
- ㉑ Ø 21 mm
- ㉒ Ø 22 mm
- ㉓ Ø 23 mm
- ㉔ Ø 24,5 mm
- ㉘ Ø 28,5 mm
- ㉚ Ø 32 mm
- ㉜ Ø 52 mm



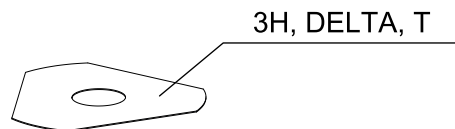
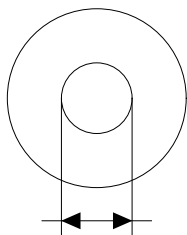
| POS | PARTNUMBER | PARTNAME | PIECE |
|-----|------------|----------------------|-------|
| 6 | 40541414 | Shim 6x8x0,1 | X |
| 6 | 40541416 | SHIM 6X8X0,3 | X |
| 6 | 40541417 | SHIM 6X11X0,25 | X |
| 6 | 48600102 | SHIM 6X24X0,25 | X |
| 6 | 48600063 | Shim 6x24x0,10 | X |
| 6 | 48600064 | Shim 6x22x0,10 | X |
| 6 | 48600065 | Shim 6x20x0,10 | X |
| 6 | 48600069 | Shim 6x20x0,15 | X |
| 6 | 48600100 | Shim 6x24x0,15 | X |
| 6 | 48600116 | Shim 6x24x0,10 delta | X |
| 6 | 48600139 | Shim 6x22x0,1 delta | X |
| 6 | 48600217 | Shim 6x10x0,25 | X |
| 6 | 48600325 | Shim 6x13x0,10 | X |
| 6 | 48600327 | SHIM 6X15X0,1 | X |
| 6 | 48600329 | Shim 6x17x0,10 | X |
| 6 | 48600331 | Shim 6x19x0,10 | X |
| 6 | 48600096 | Shim 6x20x0,25 | X |
| 6 | 48600097 | Shim 6x22x0,15 | X |
| 6 | 48600099 | Shim 6x22x0,25 | X |
| 6 | 40540448 | Shim 6x8,5x0,30 | X |
| 6 | 48600479 | Shim 6x20x0,10 DELTA | X |
| 6 | 48600332 | SHIM 6X21X0,1 | X |
| 6 | 48600333 | SHIM 6X23X0,1 | X |
| 6 | 40541393 | Shim 6x12x0,30 | X |
| 6 | 48600330 | SHIM 6X17X0,15 | X |
| 6 | 48600988 | Shim 6x28x0,10 | X |
| 6 | 48600989 | Shim 6x26x0,10 | X |
| 6 | 48601091 | Shim 6x28x0,15 | X |
| 6 | 48601093 | Shim 6x26x0,15 | X |
| 6 | 48600328 | Shim 6x15x0,15 | X |
| 6 | 48600326 | Shim 6x13x0,15 | X |
| 6 | 48601548 | Shim 6x17x1,5 | X |
| 6 | 48601693 | Washer 6x18x3 | X |
| 6 | 48600098 | Shim 6x22x0,20 | X |
| 6 | 48601300 | Washer 6x25x1,5 | X |
| 6 | 48601692 | Shim 6x30x0,15 | X |
| 6 | 48601550 | Shim 6x30x0,10 | X |
| 6 | 40541392 | Shim 6x8x0,2 | X |

080000190

4668

* NEW PART

X ON DEMAND



- ⑤ Ø 5 mm
- ⑥ Ø 6 mm
- ⑧ Ø 8 mm
- ⑩ Ø 10 mm
- ⑫ Ø 12 mm
- ⑭ Ø 14-14,5 mm
- ⑯ Ø 16 mm
- ⑳ Ø 20 mm
- ㉑ Ø 21 mm
- ㉒ Ø 22 mm
- ㉓ Ø 23 mm
- ㉔ Ø 24,5 mm
- ㉘ Ø 28,5 mm
- ㉚ Ø 32 mm
- ㉜ Ø 52 mm

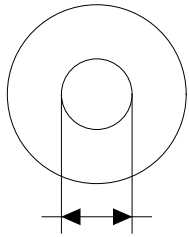
| POS | PARTNUMBER | PARTNAME | PIECE |
|-----|------------|-----------------------------|-------|
| 6 | 50180009 | DISTANCER PLATE 16X23X0,10 | X |
| 6 | 48601917 | Washer 6x25x4 | X |
| 6 | 48601916 | Washer 6x18x4 | X |
| 6 | 40540399 | Shim 6x16x0,30 | X |
| 6 | 48601584 | Shim 6x30x0,4 spring shim | X |
| 6 | 48601459 | Washer check valve 6x31x0,4 | X |
| 6 | 48601849 | Check valve plate 2,5mm hub | X |
| 6 | 48600101 | SHIM 6X24X0,20 | X |
| 6 | 48601094 | Shim 6x26x0,20 | X |
| 6 | 40540422 | Shim 6X9X0,15 | X |
| 6 | 48601841 | Washer check valve 6x31x0,4 | X |
| 6 | 48601850 | Shim 6x30x0,4 spring shim | X |
| 8 | 40540477 | Shim 8x18x0,40 | X |
| 8 | 43570120 | Shim 8x18x0,10 | X |
| 8 | 44916098 | WASHER 8,4X16X0,8 | X |
| 8 | 44916130 | WASHER 8,2X15X1 | X |
| 8 | 44916180 | WASHER 8,2X11X1 | X |
| 8 | 48600214 | Shim 8x16x0,10 | X |
| 8 | 48600385 | SHIM 8x14x0,25 | X |
| 8 | 48600346 | Shim 8x11x0,20 | X |
| 8 | 48600215 | Shim 8x20x0,10 | X |
| 8 | 48600485 | SHIM 8X10X0,10 | X |
| 8 | 48601402 | SHIM 8X13X0,10 | X |
| 8 | 48600350 | Shim 8x16x0,15 | X |
| 8 | 48600061 | Shim 8x24x0,40 | X |
| 8 | 48600062 | CHECK VALVE 8X24X0,1 | X |
| 8 | 48600216 | Shim 8x22x0,10 | X |
| 8 | 48600480 | Shim 8x10x0,20 | X |
| 8 | 48600555 | SHIM 8X16X0,20 | X |
| 8 | 48600213 | SHIM 8X14X0,10 | X |
| 8 | 48600357 | Shim 8x11x0,10 | X |
| 8 | 48600351 | Shim 8x12x0,10 | X |
| 8 | 48600607 | Shim 8x20x0,40 | X |
| 8 | 48601095 | Shim 8x17x0,10 | X |
| 8 | 48600352 | CHECK VALVE 8X11X0,4 | X |
| 8 | 48601860 | Washer 8x11x0,15 | X |
| 8 | 48601266 | Shim 8x26x0,40 | X |
| 8 | 46180640 | Shim 8x16x0,3 | X |

080000190

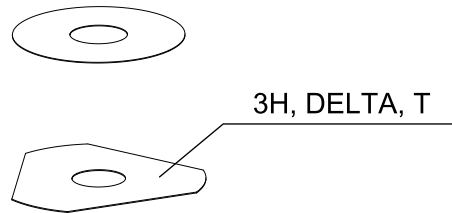
4668

* NEW PART

X ON DEMAND



- ⑤ Ø 5 mm
- ⑥ Ø 6 mm
- ⑧ Ø 8 mm
- ⑩ Ø 10 mm
- ⑫ Ø 12 mm
- ⑭ Ø 14-14,5 mm
- ⑯ Ø 16 mm
- ⑳ Ø 20 mm
- ㉑ Ø 21 mm
- ㉒ Ø 22 mm
- ㉓ Ø 23 mm
- ㉔ Ø 24,5 mm
- ㉘ Ø 28,5 mm
- ㉚ Ø 32 mm
- ㉜ Ø 52 mm



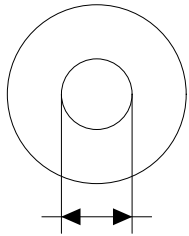
| POS | PARTNUMBER | PARTNAME | PIECE |
|-----|------------|-------------------|-------|
| 10 | 36120284 | SHIM 10X16X0,10 | X |
| 10 | 36120298 | SHIM 10X16X0,2 | X |
| 10 | 36120312 | SHIM 10X16X0,30 | X |
| 10 | 36120314 | SHIM 10X18X0,30 | X |
| 10 | 36120325 | SHIM 10X19X0,15 | X |
| 10 | 36120327 | SHIM 10X23X0,15 | X |
| 10 | 36120328 | SHIM 10X25X0,15 | X |
| 10 | 36120329 | SHIM 10X27X0,15 | X |
| 10 | 36120330 | SHIM 10X29X0,15 | X |
| 10 | 36120331 | SHIM 10X31X0,15 | X |
| 10 | 36120332 | SHIM 10X33X0,15 | X |
| 10 | 36120334 | SHIM 10X21X0,20 | X |
| 10 | 36120335 | SHIM 10X23X0,20 | X |
| 10 | 36120336 | SHIM 10X25X0,20 | X |
| 10 | 36120337 | SHIM 10X27X0,20 | X |
| 10 | 36120338 | SHIM 10X29X0,20 | X |
| 10 | 36120339 | SHIM 10X31X0,20 | X |
| 10 | 36120340 | SHIM 10X33X0,20 | X |
| 10 | 36120342 | SHIM 10X21X0,25 | X |
| 10 | 36120343 | SHIM 10X23X0,25 | X |
| 10 | 36120344 | SHIM 10X25X0,25 | X |
| 10 | 36120345 | SHIM 10X27X0,25 | X |
| 10 | 36120349 | SHIM 10X19X0,30 | X |
| 10 | 36120350 | SHIM 10X21X0,30 | X |
| 10 | 36120313 | SHIM 10X17X0,30 | X |
| 10 | 36120354 | SHIM 10X29X0,30 | X |
| 10 | 40140275 | WASHER 10X35X0,15 | X |
| 10 | 48601708 | Shim 10x30x0,40 | X |
| 10 | 36120346 | SHIM 10X29X0,25 | X |
| 10 | 36120355 | SHIM 10X31X0,30 | X |
| 10 | 36120348 | SHIM 10X33X0,25 | X |
| 10 | 36120604 | Washer 10x22x2,5 | X |
| 12 | 46810490 | SHIM 12X24X0,20 | X |
| 12 | 46810491 | Shim 12x26x0,20 | X |
| 12 | 46810492 | Shim 12x28x0,20 | X |
| 12 | 46810493 | SHIM 12X30X0,20 | X |
| 12 | 46810494 | Shim 12x32x0,20 | X |
| 12 | 46810495 | Shim 12x34x0,20 | X |

080000190

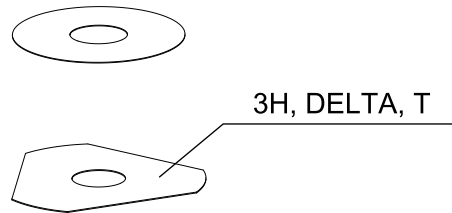
4668

* NEW PART

X ON DEMAND



- ⑤ Ø 5 mm
- ⑥ Ø 6 mm
- ⑧ Ø 8 mm
- ⑩ Ø 10 mm
- ⑫ Ø 12 mm
- ⑭ Ø 14-14,5 mm
- ⑯ Ø 16 mm
- ⑳ Ø 20 mm
- ㉑ Ø 21 mm
- ㉒ Ø 22 mm
- ㉓ Ø 23 mm
- ㉔ Ø 24,5 mm
- ㉘ Ø 28,5 mm
- ㉚ Ø 32 mm
- ㉜ Ø 52 mm



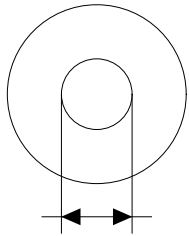
| POS | PARTNUMBER | PARTNAME | PIECE |
|-----|------------|----------------------|-------|
| 12 | 46810496 | SHIM 12X36X0,20 | X |
| 12 | 46810497 | SHIM 12X38X0,20 | X |
| 12 | 46810498 | Shim 12x40x0,20 | X |
| 12 | 46810499 | Shim 12x24x0,25 | X |
| 12 | 46810500 | SHIM 12X26X0,25 | X |
| 12 | 46810501 | SHIM 12X28X0,25 | X |
| 12 | 46810502 | Shim 12x30x0,25 | X |
| 12 | 46810504 | SHIM 12X34X0,25 | X |
| 12 | 46810505 | SHIM 12X36X0,25 | X |
| 12 | 46810507 | Shim 12x40x0,25 | X |
| 12 | 46810508 | SHIM 12X24X0,30 | X |
| 12 | 46810509 | SHIM 12X26X0,30 | X |
| 12 | 46810510 | SHIM 12X28X0,30 | X |
| 12 | 46810512 | SHIM 12X32X0,30 | X |
| 12 | 46810513 | SHIM 12X34X0,30 | X |
| 12 | 46810518 | SHIM 12X26X0,15 | X |
| 12 | 46810519 | SHIM 12X28X0,15 | X |
| 12 | 46810520 | SHIM 12X30X0,15 | X |
| 12 | 46810521 | SHIM 12X32X0,15 | X |
| 12 | 46810522 | SHIM 12X34X0,15 | X |
| 12 | 46810523 | SHIM 12X36X0,15 | X |
| 12 | 46810524 | SHIM 12X38X0,15 | X |
| 12 | 46810525 | SHIM 12X40X0,15 | X |
| 12 | 46810604 | SHIM 12X20X0,10 | X |
| 12 | 46810606 | SHIM 12X22X0,10 | X |
| 12 | 46810607 | SHIM 12X23X0,10 | X |
| 12 | 46810608 | SHIM 12X24X0,10 | X |
| 12 | 46810610 | Shim 12x17x0,15 | X |
| 12 | 46810611 | SHIM 12X18X0,15 | X |
| 12 | 46810612 | SHIM 12X19X0,15 | X |
| 12 | 46810615 | SHIM 12X22X0,15 | X |
| 12 | 46810636 | BACKPLATE 12X16X0,30 | X |
| 12 | 46810637 | Shim 12x17x0,30 | X |
| 12 | 46810638 | Shim 12x18x0,30 | X |
| 12 | 46810639 | SHIM 12X19X0,30 | X |
| 12 | 46810641 | Shim 12X21X0,30 | X |
| 12 | 46811582 | Shim 12x30x0,10 | X |
| 12 | 46810631 | SHIM 12X20X0,25 | X |

080000190

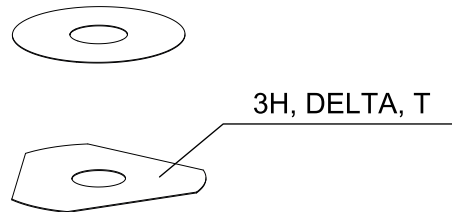
4668

* NEW PART

X ON DEMAND



- ⑤ Ø 5 mm
- ⑥ Ø 6 mm
- ⑧ Ø 8 mm
- ⑩ Ø 10 mm
- ⑫ Ø 12 mm
- ⑭ Ø 14-14,5 mm
- ⑯ Ø 16 mm
- ⑳ Ø 20 mm
- ㉑ Ø 21 mm
- ㉒ Ø 22 mm
- ㉓ Ø 23 mm
- ㉔ Ø 24,5 mm
- ㉘ Ø 28,5 mm
- ㉚ Ø 32 mm
- ㉜ Ø 52 mm



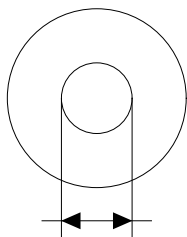
| POS | PARTNUMBER | PARTNAME | PIECE |
|-----|------------|-----------------------|-------|
| 12 | 46810633 | SHIM 12X22X0,25 | X |
| 12 | 46811580 | Shim 12x32x0,10 | X |
| 12 | 46810503 | SHIM 12X32X0,25 | X |
| 12 | 46810517 | SHIM 12X24X0,15 | X |
| 12 | 46810856 | Shim 12x20x0,30 | X |
| 12 | 46811258 | Washer 12x24x2,5 | X |
| 12 | 46812018 | Shim 12x42x0,25 | X |
| 12 | 46812015 | Shim 12x44x0,20 | X |
| 12 | 46810613 | SHIM 12X20X0,15 | X |
| 12 | 46810623 | SHIM 12X21X0,20 | X |
| 12 | 46810624 | SHIM 12X22X0,20 | X |
| 12 | 46810642 | SHIM 12X22X0,30 | X |
| 12 | 46810643 | SHIM 12X23X0,30 | X |
| 12 | 46811629 | Shim 12x28x0,10 | X |
| 12 | 46810511 | SHIM 12X30X0,30 | X |
| 12 | 46810514 | SHIM 12X36X0,30 | X |
| 12 | 46810506 | SHIM 12X38X0,25 | X |
| 12 | 46810515 | SHIM 12X38X0,30 | X |
| 12 | 46812017 | Shim 12x42x0,20 | X |
| 12 | 46812016 | Shim 12x44x0,25 | X |
| 12 | 46810622 | SHIM 12X20X0,20 | X |
| 12 | 46811635 | Shim 12x26x0,10 | X |
| 12 | 50181296 | Shim 12x45x0,20 | X |
| 12 | 46810620 | Shim 12x18x0,2 | X |
| 12 | 46810616 | Shim 12x32x0,15 | X |
| 14 | 46811046 | Washer 14,5x35,4x1,25 | X |
| 16 | 50180023 | SHIM 16X23X0,20 | X |
| 16 | 50180030 | Shim 16x23x0,25 | X |
| 16 | 50180006 | Shim 16x20x0,10 | X |
| 16 | 50180007 | SHIM 16X21X0,10 | X |
| 16 | 50180028 | SHIM 16X21X0,25 | X |
| 16 | 50180210 | Washer 16x21x1 | X |
| 16 | 50180008 | SHIM 16X22X0,10 | X |
| 16 | 50180022 | Shim 16x22x0,20 | X |
| 16 | 50180037 | SHIM 16X23X0,30 | X |
| 16 | 50180038 | SHIM 16X24X0,30 | X |
| 16 | 50180032 | Shim 16x25x0,25 | X |
| 16 | 50180039 | SHIM 16X25X0,30 | X |

080000190

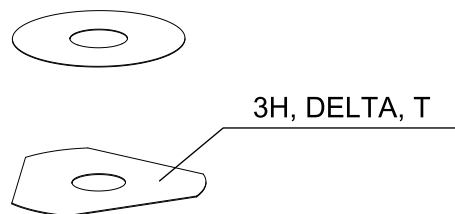
4668

* NEW PART

X ON DEMAND



- ⑤ Ø 5 mm
- ⑥ Ø 6 mm
- ⑧ Ø 8 mm
- ⑩ Ø 10 mm
- ⑫ Ø 12 mm
- ⑭ Ø 14-14,5 mm
- ⑯ Ø 16 mm
- ⑳ Ø 20 mm
- ㉑ Ø 21 mm
- ㉒ Ø 22 mm
- ㉓ Ø 23 mm
- ㉔ Ø 24,5 mm
- ㉘ Ø 28,5 mm
- ㉚ Ø 32 mm
- ㉜ Ø 52 mm



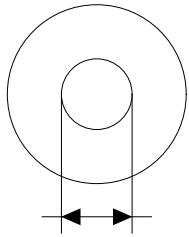
| POS | PARTNUMBER | PARTNAME | PIECE |
|-----|------------|-------------------|-------|
| 16 | 50180012 | SHIM 16X26X0,10 | X |
| 16 | 50180019 | SHIM 16X26X0,15 | X |
| 16 | 50180026 | SHIM 16X26X0,20 | X |
| 16 | 50180040 | SHIM 16X26X0,30 | X |
| 16 | 50180041 | SHIM 16X28X0,10 | X |
| 16 | 50180045 | Shim 16x28x0,15 | X |
| 16 | 50180054 | Shim 16x28x0,2 | X |
| 16 | 50180063 | SHIM 16X28X0,25 | X |
| 16 | 50180072 | SHIM 16X28X0,30 | X |
| 16 | 50180046 | SHIM 16X30X0,15 | X |
| 16 | 50180055 | SHIM 16X30X0,20 | X |
| 16 | 50180064 | Shim 16x30x0,25 | X |
| 16 | 50180073 | SHIM 16X30X0,30 | X |
| 16 | 50180047 | Shim 16X32X0,15 | X |
| 16 | 50180056 | Shim 16x32x0,2 | X |
| 16 | 50180065 | SHIM 16X32X0,25 | X |
| 16 | 50180074 | SHIM 16X32X0,30 | X |
| 16 | 50180044 | SHIM 16X34X0,10 | X |
| 16 | 50180048 | SHIM 16X34X0,15 | X |
| 16 | 50180057 | Shim 16x34x0,2 y5 | X |
| 16 | 50180066 | SHIM 16X34X0,25 | X |
| 16 | 50180075 | SHIM 16X34X0,30 | X |
| 16 | 50180049 | Shim 16x36x0,15 | X |
| 16 | 50180058 | Shim 16x36x0,20 | X |
| 16 | 50180067 | SHIM 16X36X0,25 | X |
| 16 | 50180076 | SHIM 16X36X0,30 | X |
| 16 | 50180050 | SHIM 16X38X0,15 | X |
| 16 | 50180059 | SHIM 16X38X0,20 | X |
| 16 | 50180068 | SHIM 16X38X0,25 | X |
| 16 | 50180077 | SHIM 16X38X0,30 | X |
| 16 | 50180051 | Shim 16x40x0,15 | X |
| 16 | 50180060 | Shim 16x40x0,2 | X |
| 16 | 50180069 | SHIM 16X40X0,25 | X |
| 16 | 50180078 | SHIM 16X40X0,30 | X |
| 16 | 50180052 | SHIM 16X42X0,15 | X |
| 16 | 50180061 | Shim 16x52x0,2 | X |
| 16 | 50180070 | SHIM 16X42X0,25 | X |
| 16 | 50180079 | SHIM 16X42X0,30 | X |

080000190

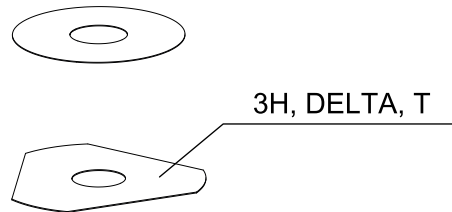
4668

* NEW PART

X ON DEMAND



- ⑤ Ø 5 mm
- ⑥ Ø 6 mm
- ⑧ Ø 8 mm
- ⑩ Ø 10 mm
- ⑫ Ø 12 mm
- ⑭ Ø 14-14,5 mm
- ⑯ Ø 16 mm
- ⑳ Ø 20 mm
- ㉑ Ø 21 mm
- ㉒ Ø 22 mm
- ㉓ Ø 23 mm
- ㉔ Ø 24,5 mm
- ㉘ Ø 28,5 mm
- ㉚ Ø 32 mm
- ㉜ Ø 52 mm



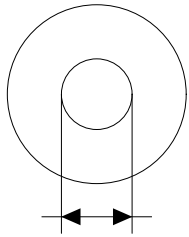
| POS | PARTNUMBER | PARTNAME | PIECE |
|-----|------------|-----------------------------|-------|
| 16 | 50180053 | SHIM 16X44X0,15 | X |
| 16 | 50180062 | Shim 16X44X0,20 | X |
| 16 | 50180071 | SHIM 16X44X0,25 | X |
| 16 | 50180080 | SHIM 16X44X0,30 | X |
| 16 | 50180177 | Springwasher 8,2x16x0,6 | X |
| 16 | 50180033 | Shim 16x26x0,25 | X |
| 16 | 50180034 | Shim 16x20x0,30 | X |
| 16 | 50180035 | Shim 16x21x0,30 | X |
| 16 | 50180036 | Shim 16x22x0,30 | X |
| 16 | 50180043 | SHIM 16X32X0,10 | X |
| 16 | 50180024 | Shim 16x24x0,20 | X |
| 16 | 50180027 | SHIM 16X20X0,25 | X |
| 16 | 50180031 | Shim 16x24x0,25 | X |
| 16 | 50180029 | SHIM | X |
| 16 | 50180010 | SHIM 16X24X0,10 | X |
| 16 | 50180021 | SHIM 16X21X0,20 | X |
| 16 | 50180025 | SHIM 16X25X0,20 | X |
| 16 | 50180383 | Washer 16x19x0,9 | X |
| 20 | 48600212 | PRESSURE-RING 20X16,25X0,20 | X |
| 20 | 50180666 | SHIM 20X24X0,30 | X |
| 20 | 50180654 | SHIM 20X36X0,20 | X |
| 20 | 50180655 | SHIM 20X38X0,20 | X |
| 20 | 50180656 | SHIM 20X40X0,20 | X |
| 20 | 50180665 | SHIM 20X40X0,25 | X |
| 20 | 50180662 | SHIM 20X34X0,25 | X |
| 20 | 50180657 | SHIM 20X24X0,25 | X |
| 20 | 50180653 | SHIM 20X34X0,20 | X |
| 20 | 50180634 | RING 20X22,9X1 | X |
| 20 | 50180650 | SHIM 20,2X28X0,20 | X |
| 20 | 50180663 | SHIM 20X36X0,25 | X |
| 20 | 50180664 | SHIM 20X38X0,25 | X |
| 20 | 50180659 | SHIM 20,2X28X0,25 | X |
| 21 | 50180209 | Shim 21x36x0,25 | X |
| 22 | 50180330 | Shim 18x22x0,3 | X |
| 23 | 50180635 | SHUTTLE VALVE 23X38X0,25 | X |
| 23 | 50180578 | SHIM D23XD16X2 | X |
| 24 | 40541061 | WASHER 24,5X34X2 | X |
| 28 | 36120469 | SHIM 28,5X14X2 | X |

080000190

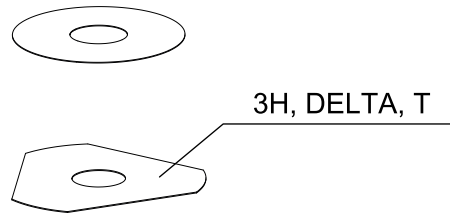
4668

* NEW PART

X ON DEMAND



- ⑤ Ø 5 mm
- ⑥ Ø 6 mm
- ⑧ Ø 8 mm
- ⑩ Ø 10 mm
- ⑫ Ø 12 mm
- ⑭ Ø 14-14,5 mm
- ⑯ Ø 16 mm
- ⑳ Ø 20 mm
- ㉑ Ø 21 mm
- ㉒ Ø 22 mm
- ㉓ Ø 23 mm
- ㉔ Ø 24,5 mm
- ㉘ Ø 28,5 mm
- ㉚ Ø 32 mm
- ㉜ Ø 52 mm



| POS | PARTNUMBER | PARTNAME | PIECE |
|-----|------------|--------------------|-------|
| 28 | 36120471 | SHIM 28,5X14X5 | X |
| 32 | 48600460 | WASHER 32X42X2,5 | X |
| 32 | 50600065 | SHIM 32X45X2 | X |
| 32 | 46811637 | Shim 32,25x36x0,30 | X |
| 52 | 50600002 | Washer 52x59x2,2 | X |

080000190

4668

* NEW PART

X ON DEMAND

WWW.KTM.COM



KTM Sportmotorcycle GmbH
5230 Mattighofen, Austria
www.ktm.com



KTM_POWERPARTS

KTM_POWERWEAR

KTM_ORIGINAL SPARE PARTS



F8401S1EN

Art. Nr.: F8401S1EN 20. Dez 2018