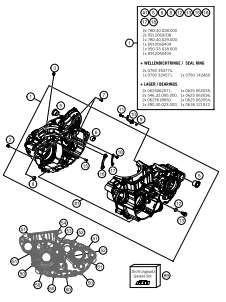
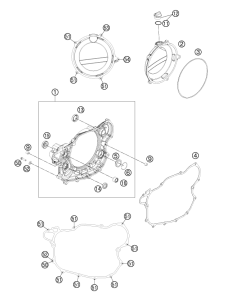
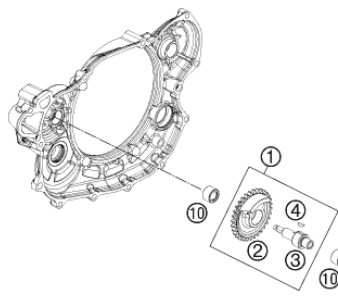
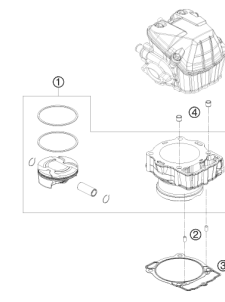
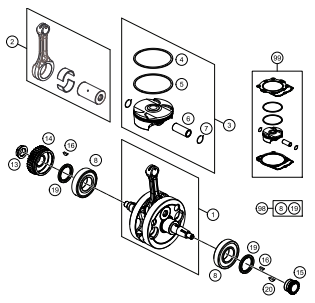
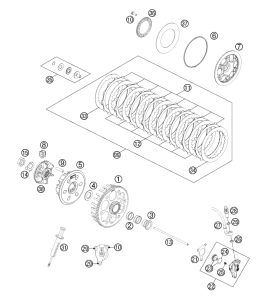
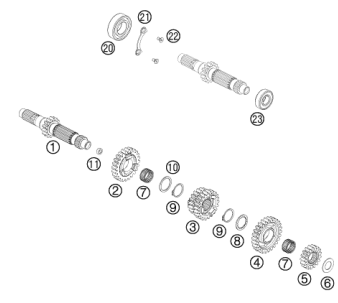
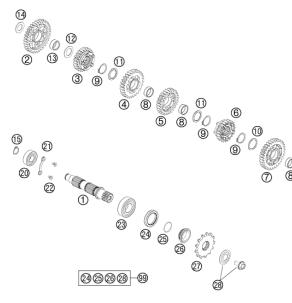
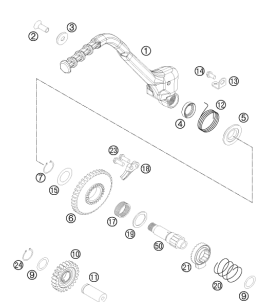
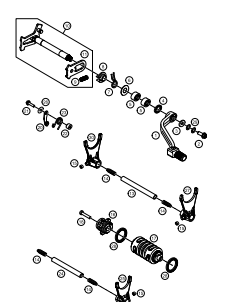
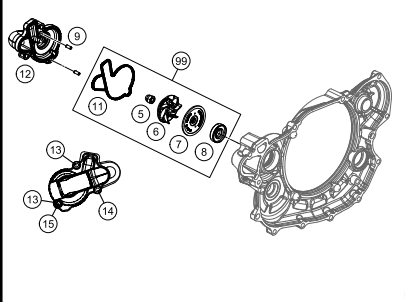
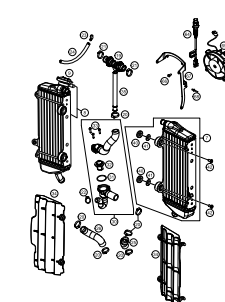
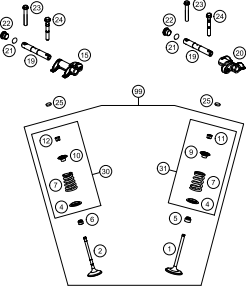
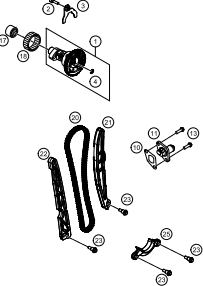
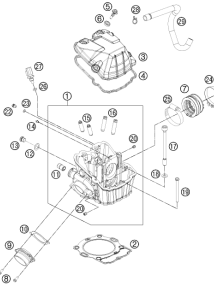
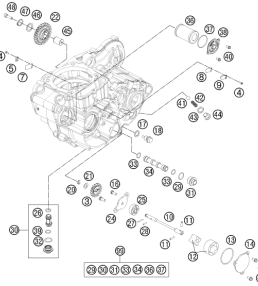
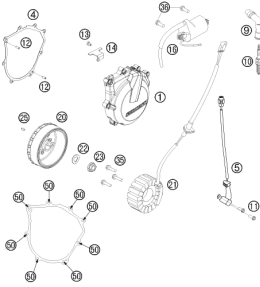
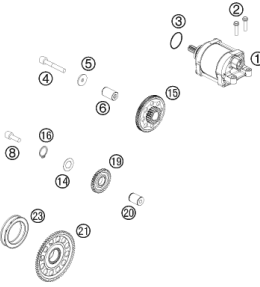
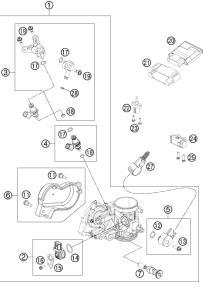


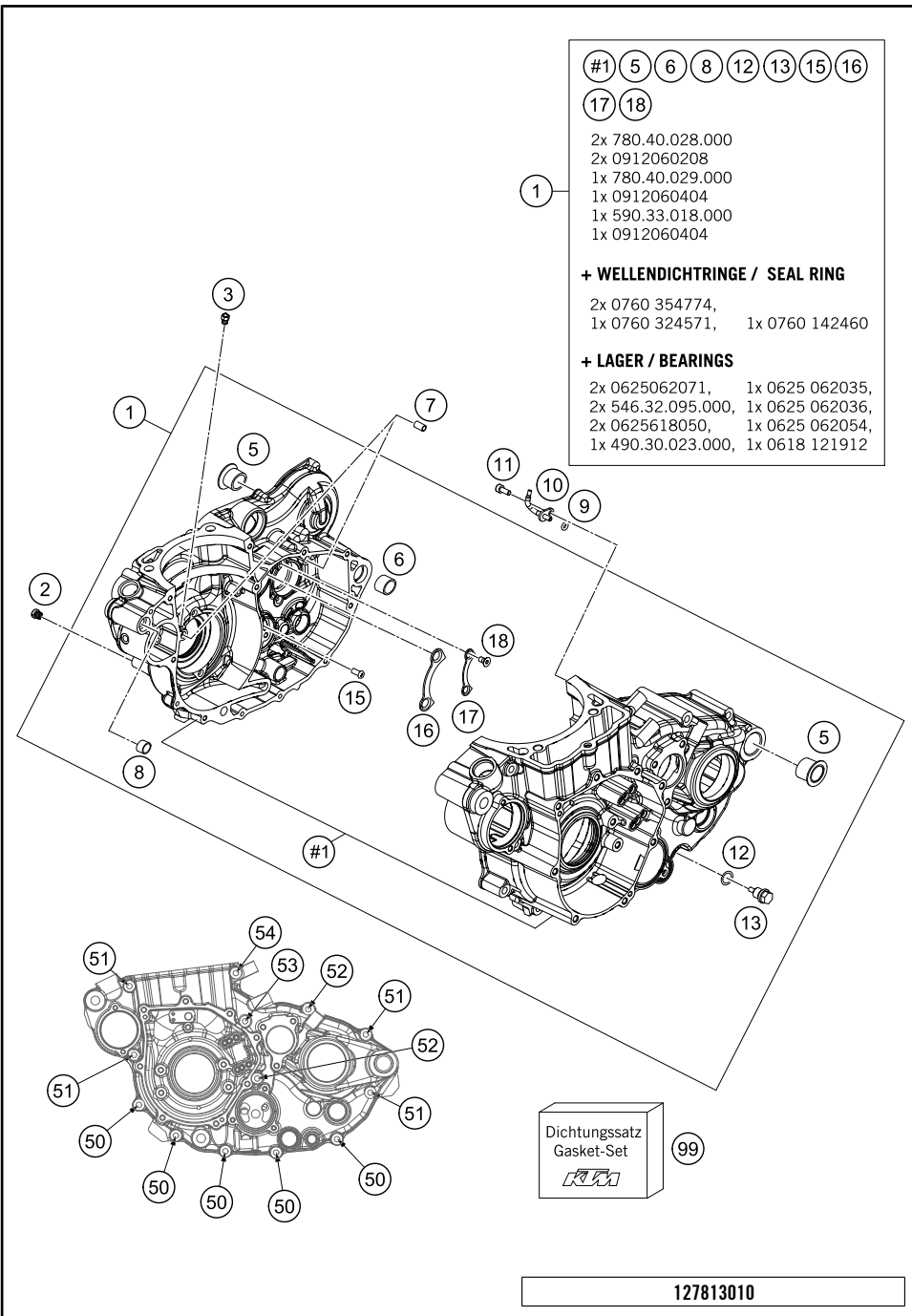
500 EXC 2015

ART.-NR.: 3CM0895500EN



| | | | |
|--|---|---|---|
| <p>ENGINE CASE</p>  <p>3</p> | <p>CLUTCH COVER</p>  <p>4</p> | <p>BALANCER SHAFT</p>  <p>5</p> | <p>CYLINDER</p>  <p>6</p> |
| <p>CRANKSHAFT, PISTON</p>  <p>7</p> | <p>CLUTCH</p>  <p>8</p> | <p>TRANSMISSION I - MAIN SHAFT</p>  <p>9</p> | <p>TRANSMISSION II - COUNTERSHAFT</p>  <p>10</p> |
| <p>KICK STARTER</p>  <p>11</p> | <p>SHIFTING MECHANISM</p>  <p>12</p> | <p>WATER PUMP</p>  <p>13</p> | <p>COOLING SYSTEM</p>  <p>14</p> |

| | | | |
|--|---|--|---|
| <p>VALVE DRIVE</p>  <p>15</p> | <p>TIMING DRIVE</p>  <p>17</p> | <p>CYLINDER HEAD</p>  <p>18</p> | <p>LUBRICATING SYSTEM</p>  <p>19</p> |
| <p>IGNITION SYSTEM</p>  <p>21</p> | <p>ELECTRIC STARTER</p>  <p>22</p> | <p>THROTTLE BODY</p>  <p>23</p> | |
| <div style="display: flex; align-items: center;"> <div style="background-color: #cccccc; width: 60px; height: 60px; display: flex; align-items: center; justify-content: center; margin-right: 20px;"> ! </div> <div> <p>All information contained is without obligation. KTM Sportmotorcycle GmbH particularly reserves the right to modify any equipment, technical specifications, prices, colors, shapes, materials, services, service work, constructions, equipment and the like so as to adapt them to local conditions or to cancel any of the above items, all without previous announcement and without giving reasons. KTM may stop manufacturing certain models without previous notice. KTM shall not be held liable for any deviations of availability and/or ability to deliver, illustrations, descriptions, printing and/or other errors. The illustrated models partly contain extra equipment, which is not applied to standard models.</p> <p>© by KTM Sportmotorcycle GmbH, Mattighofen AUSTRIA; All rights reserved; Reprint, also in extracts, with written allowance of KTM Sportmotorcycle GmbH, Mattighofen only.</p> </div> </div> | | | |



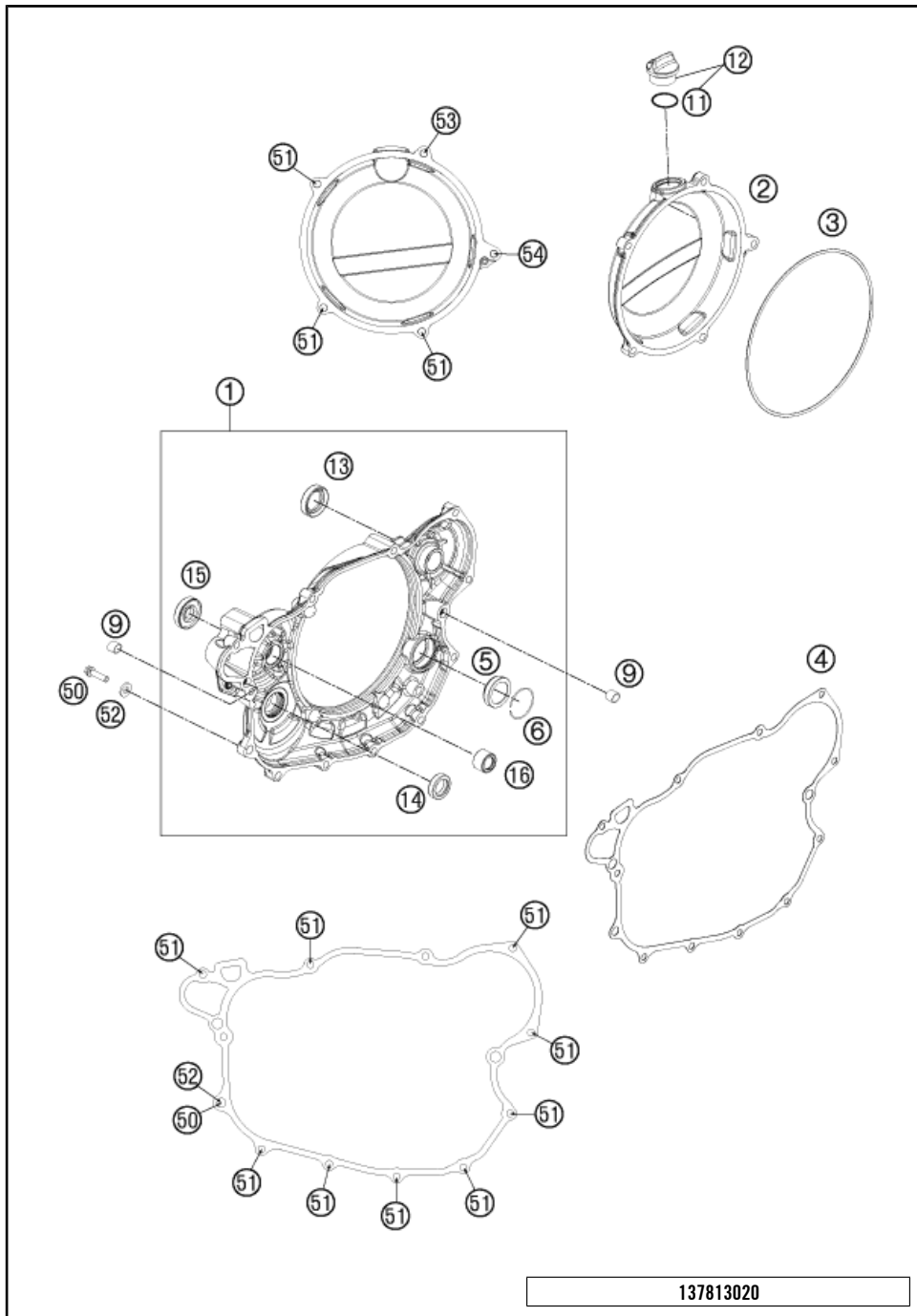
- | | | | | | | | |
|--------------------------------------|----|---|---|-----------------|----|----|----|
| #1 | 5 | 6 | 8 | 12 | 13 | 15 | 16 |
| 17 | 18 | | | | | | |
| 2x 780.40.028.000 | | | | | | | |
| 2x 0912060208 | | | | | | | |
| 1x 780.40.029.000 | | | | | | | |
| 1x 0912060404 | | | | | | | |
| 1x 590.33.018.000 | | | | | | | |
| 1x 0912060404 | | | | | | | |
| + WELLENDICHRINGE / SEAL RING | | | | | | | |
| 2x 0760 354774, | | | | | | | |
| 1x 0760 324571, 1x 0760 142460 | | | | | | | |
| + LAGER / BEARINGS | | | | | | | |
| 2x 0625062071, | | | | 1x 0625 062035, | | | |
| 2x 546.32.095.000, | | | | 1x 0625 062036, | | | |
| 2x 0625618050, | | | | 1x 0625 062054, | | | |
| 1x 490.30.023.000, | | | | 1x 0618 121912 | | | |

| POS | PARTNUMBER | PARTNAME | PIECE |
|-----|-------------|--------------------------------|-------|
| 1 | 78130000033 | ENGINE CASE CPL. | 1 |
| 2 | 57031523145 | MAIN JET 145 | 1 |
| 3 | 60030063070 | OIL JET 70 M5 | 1 |
| 5 | 75030010100 | CASE BUSH | 2 |
| 6 | 54830027000 | DOWEL 21X12 03 | 1 |
| 7 | 59030023000 | DOWEL 6X8X11,5 | 2 |
| 8 | 51030026100 | DOWEL 17 X 13 X 12 | 1 |
| 9 | 0770035020 | O-RING 3,5X2,00 NBR | 1 |
| 10 | 81230064000 | OIL JET ANGLED 70 | 1 |
| 11 | 0912040103 | AH.SCREW DIN0912-M 4X10 | 1 |
| 12 | 58038022000 | CU-SEAL RING DIN7603-12X18X1,5 | 1 |
| 13 | 58030021000 | OILDRAIN PLUG W.MAG. M 12X1,5 | 1 |
| 15 | 0018050103 | INT. TORX OVAL HEAD M 5X10 8.8 | 1 |
| 16 | 78033032000 | TAB WASHER BEARING MAIN SHAFT | 1 |
| 17 | 78033132000 | TAB WASHER BEARING COUNT.SHAFT | 1 |
| 18 | 0019050121S | INT. TORX FLAT HEAD M5X12 T25 | 4 |
| 50 | 0025060406 | HH COLLAR SCREW M6X40 TX30 | 5 |
| 51 | 0025060606 | HH COLLAR SCREW M6X60 TX30 | 4 |
| 52 | 0025060756 | HH COLLAR SCREW M6X75 TX30 | 2 |
| 53 | 0025060806 | HH COLLAR SCREW M6X80 TX30 | 1 |
| 54 | 0025060856 | HH COLLAR SCREW M6X85 TX30 | 1 |
| 99 | 78130099000 | GASKET SET 450/500 EXC 12 | 1 |

127813010

C127813010

* NEW PART X ON DEMAND

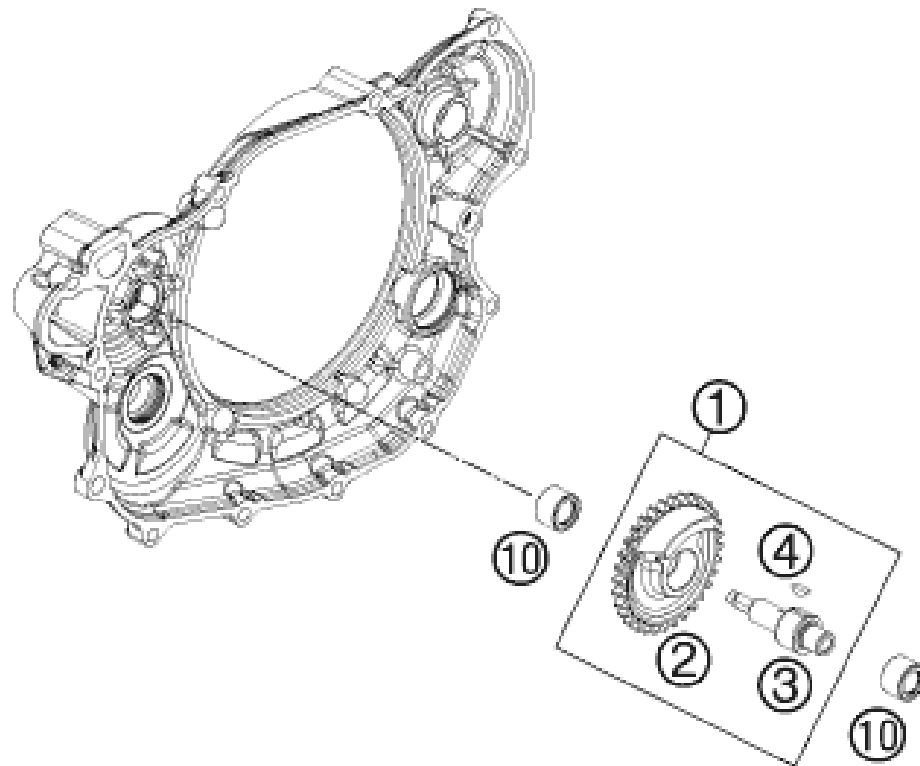


| POS | PARTNUMBER | PARTNAME | PIECE |
|-----|---------------|-------------------------------|-------|
| 1 | 78130001144 | CLUTCH COVER CPL. | 1 |
| 2 | 7813002600015 | CLUTCH COVER OUTSIDE | 1 |
| 3 | 78130027000 | GASKET - CLUTCH OUTER COVER | 1 |
| 4 | 78130025000 | CLUTCH COVER GASKET | 1 |
| 5 | 78030095100 | OIL LEVEL GLASS VITON | 1 |
| 6 | 61030019050 | CIRCLIP OIL LEVEL GLASS O3 | 1 |
| 9 | 49030090000 | DOWEL 9,8 X 7 X 10 | 2 |
| 11 | 0770191015 | O-RING 19,00X3,00 NBR | 1 |
| 12 | 58030120000 | OIL FILLER CAP M24x3 WITH O-R | 1 |
| 13 | 0760193070 | SHAFT SEAL RING 19X30X7 B | 1 |
| 14 | 0760142460 | SHAFT SEAL RING 14X24X6 B | 1 |
| 15 | 0760123073 | SHAFT SEAL RING 12X30X7 PTFE | 1 |
| 16 | 0618121912 | NEEDLE BUSH NK1212 | 1 |
| 50 | 78030080000 | LOCATING SCREW | 1 |
| 51 | 0025060256 | HH COLLAR SCREW M6X25 TX30 | 12 |
| 52 | 58030081000 | CU-SEAL RING 8 X 14 X 3 | 1 |
| 53 | 0025060556 | HH COLLAR SCREW M6X55 TX30 | 1 |
| 54 | 0025060606 | HH COLLAR SCREW M6X60 TX30 | 1 |

137813020

C147813020

* NEW PART X ON DEMAND



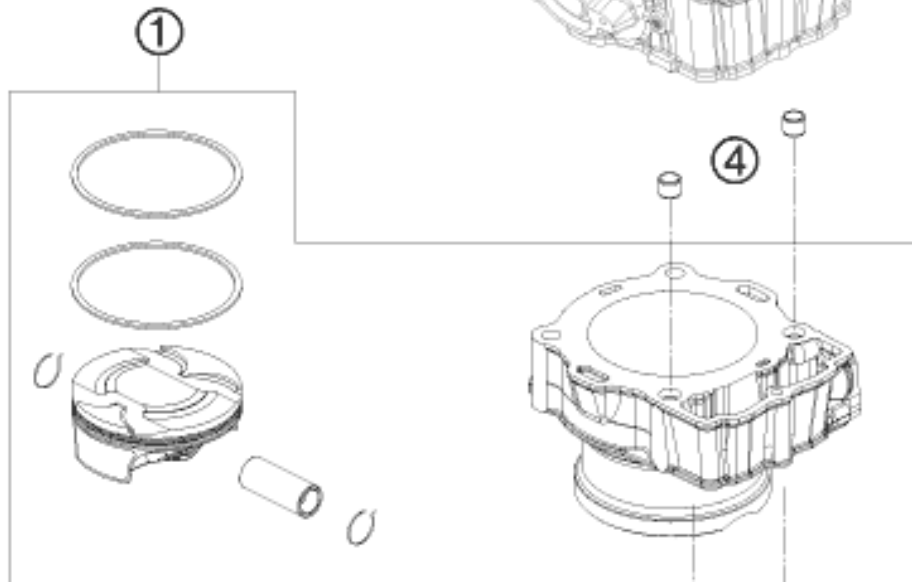
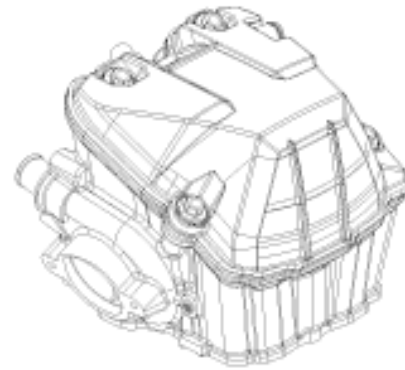
| POS | PARTNUMBER | PARTNAME | PIECE |
|-----|-------------|----------------------------|-------|
| 1 | 78130056100 | BALANCE SHAFT | 1 |
| 2 | 78130056132 | BALANCE SHAFT GEAR | 1 |
| 3 | 78130056101 | BALANCE SHAFT | 1 |
| 4 | 0888030037 | WOODRUFF KEY DIN6888-3X3,7 | 1 |
| 10 | 0618121912 | NEEDLE BUSH NK1212 | 2 |

137893030

C137893030

* NEW PART

X ON DEMAND



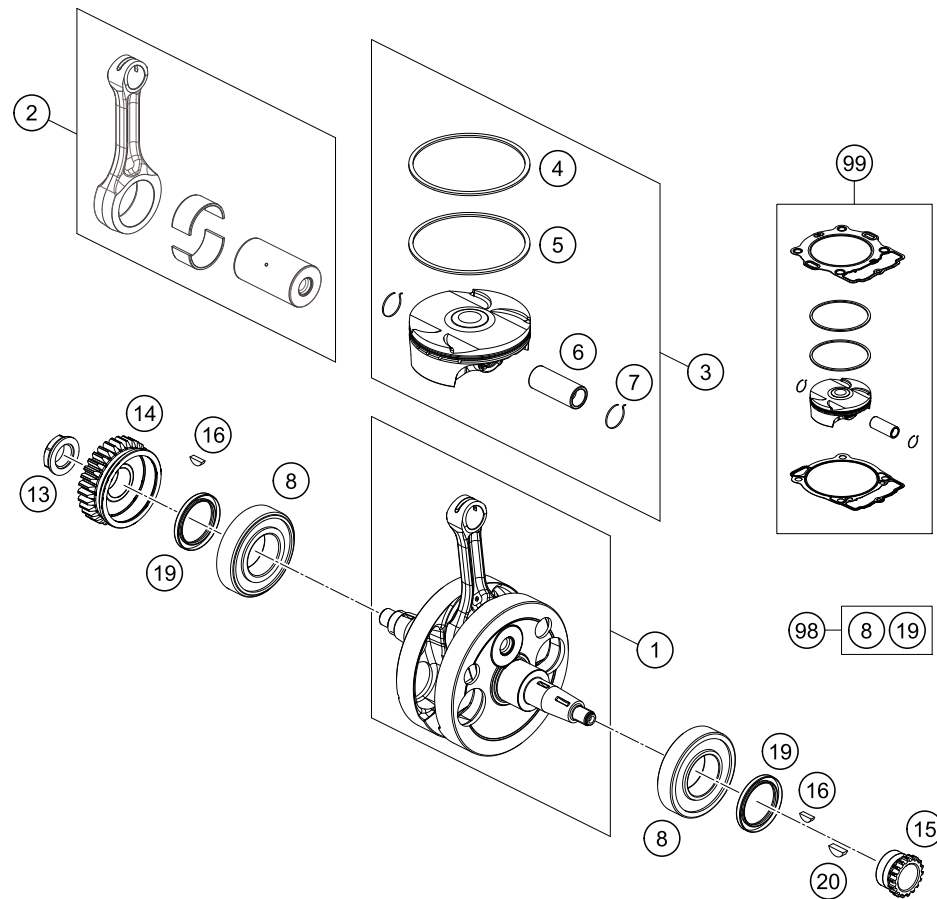
| POS | PARTNUMBER | PARTNAME | PIECE |
|-----|-------------|----------------------------|-------|
| 1 | 78730038200 | CYLINDER + PISTON CPL. | 1 |
| 2 | 59030023000 | DOWEL 6X8X11,5 | 2 |
| 3 | 78030035000 | CYLINDER BASE GASKET | 1 |
| 4 | 58530014100 | DOWEL BUSHING 10,2X12,5X10 | 2 |

137893040

C157813041

* NEW PART

X ON DEMAND



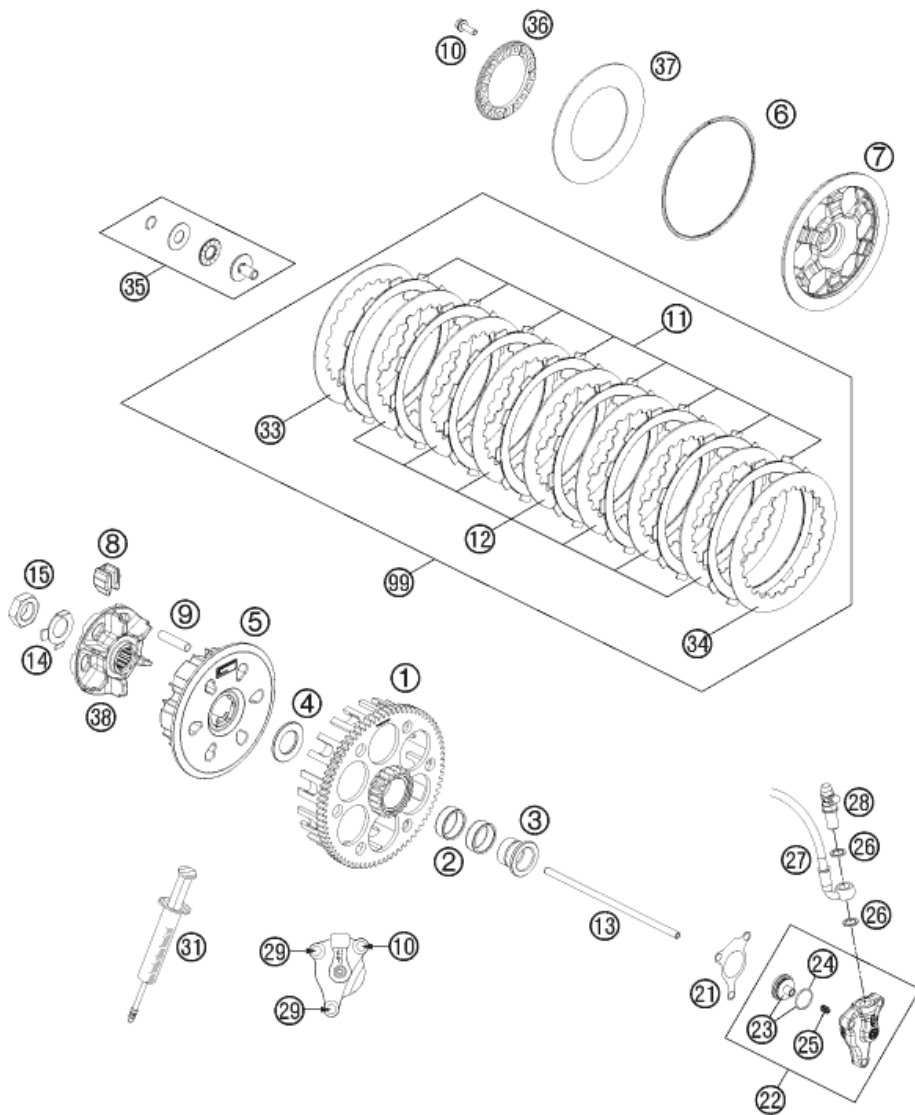
| POS | PARTNUMBER | PARTNAME | PIECE |
|-----|----------------|--------------------------------|-------|
| 1 | 78730218000 | CRANKSHAFT CPL. | 1 |
| 2 | 78730215044 | CON ROD REP. KIT | 1 |
| 3 | 78730007200 I | PISTON I D=95MM | 1 |
| 3 | 78730007200 II | PISTON II D=95MM | 1 |
| 4 | 78930030000 | COMPRESSION RING | 1 |
| 5 | 78930032000 | OIL SCRAPER RING | 1 |
| 6 | 78130033000 | PISTON PIN | 1 |
| 7 | 77330074000 | CIRCLIP | 2 |
| 8 | 0625062071 | BALL BEARING 6207 TM-SX07E 39 | 2 |
| 13 | 78030029200 | NUT PRIMARY WHEEL M20X1,5 | 1 |
| 14 | 78132000032 | PRIMARY GEAR | 1 |
| 15 | 78036014200 | TIMING GEAR 18T. | 1 |
| 16 | 0888030037 | WOODRUFF KEY DIN6888-3X3,7 | 2 |
| 19 | 0760354774 | SHAFT SEAL RING 35X47X7 VITON | 2 |
| 20 | 0888030050 | WOODRUFF KEY DIN6888-3X5X13 | 1 |
| 98 | 00050002308 | CRANKSHAFT REP. KIT 450/500 | x |
| 99 | 00050000211 | PISTON KIT GR. I 500 EXC 12-14 | x |
| 99 | 00050000212 | PISTON KIT GR. II 500 EXC12-14 | x |

147813060

C157813061

* NEW PART

X ON DEMAND



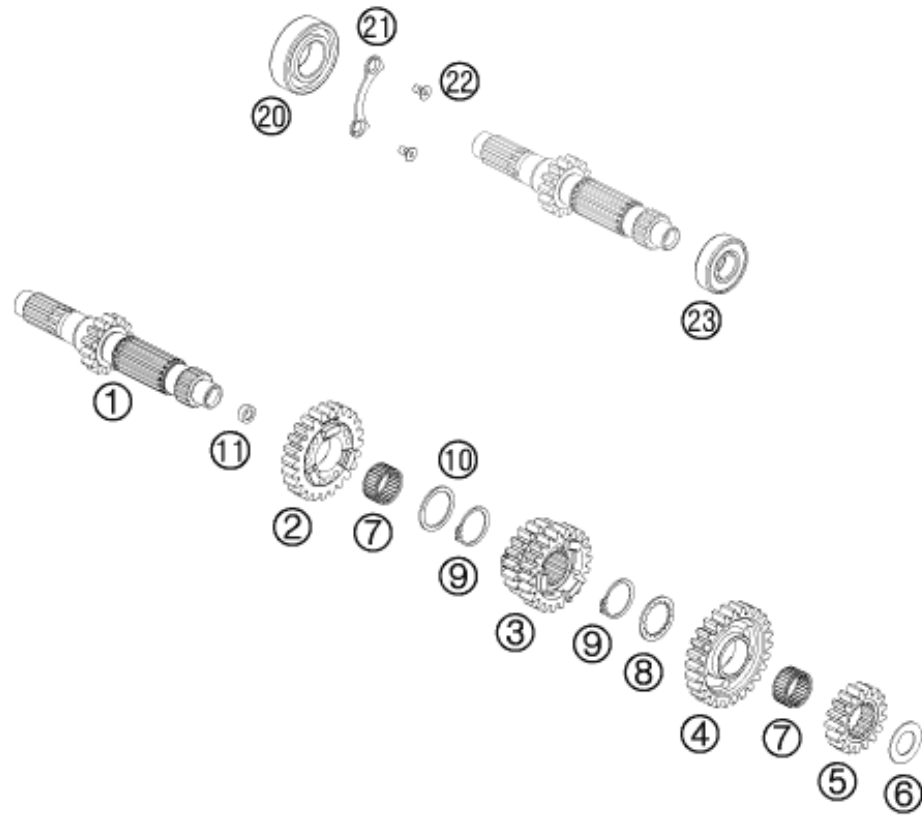
| POS | PARTNUMBER | PARTNAME | PIECE |
|-----|-------------|--------------------------------|-------|
| 1 | 78132001076 | CLUTCH CAGE | 1 |
| 2 | 0405252910 | NEEDLE BEAR K 25X29X10 | 2 |
| 3 | 78132015100 | COLLARSLEEVE | 1 |
| 4* | 78932009000 | WASHER 22 X 36,5 X 3 | 1 |
| 5 | 78132002200 | INNER CLUTCH HUB 450SX-F 2014 | 1 |
| 6 | 78132013000 | WASHER 112X118X1,5 | 1 |
| 7 | 78132003100 | CLUTCH PRESSURE CAP | 1 |
| 8 | 78132025100 | DAMPING RUBBER | 6 |
| 9 | 78132004000 | SLEEVE 7,5X33,4 | 6 |
| 10 | 0025050166 | HH COLLAR SCREW M5X16 TX30 | 6 |
| 11 | 59032011100 | LINING DISC 2MM 04 | 8 |
| 12 | 59032010200 | INTERMEDIATE DISC 1,4MM 2002 | 7 |
| 13 | 78132054100 | PUSH ROD | 1 |
| 14 | 78132018000 | TAB WASHER | 1 |
| 15 | 0936181505 | HEXAGON NUT DIN0936-M18X1,5 R. | 1 |
| 21 | 59032065000 | GASKET FOR SLAVE CYLINDER | 1 |
| 22 | 54832061044 | OUTPUT CYLINDER CPL. 06 | 1 |
| 23 | 54832066000 | PISTON CPL. | 1 |
| 24 | 54832067000 | O-RING | 1 |
| 25 | 54832069000 | PRESSURE SPRING | 1 |
| 26 | 0603100141 | COPPER GASKET DIN7603-10X14X1 | 2 |
| 27 | 78132063000 | CLUTCH PIPE | 1 |
| 28 | 62513020000 | BLEEDER SCREW CPL. 05 | 1 |
| 29 | 0025060206 | HH COLLAR SCREW M6X20 TX30 | 2 |
| 31 | 50329050000 | VENT INJEKTION HYDR. CLUTCH | 1 |
| 33 | 59032010100 | INTERMEDIATE DISC 1MM 2002 | 1 |
| 34 | 78932010000 | INTERMEDIATE DISC 1MM | 1 |
| 35* | 78132057144 | PRESSURE PIECE CPL. | 1 |
| 36 | 78132006100 | SPRING RING | 1 |
| 37 | 78132005000 | BELLEVILLE SPRING 71X115X1,5 I | 1 |
| 38 | 78132002111 | HUB | 1 |
| 99 | 78932010033 | CLUTCH DISC KIT | x |

137813210

C157813212

* NEW PART

X ON DEMAND



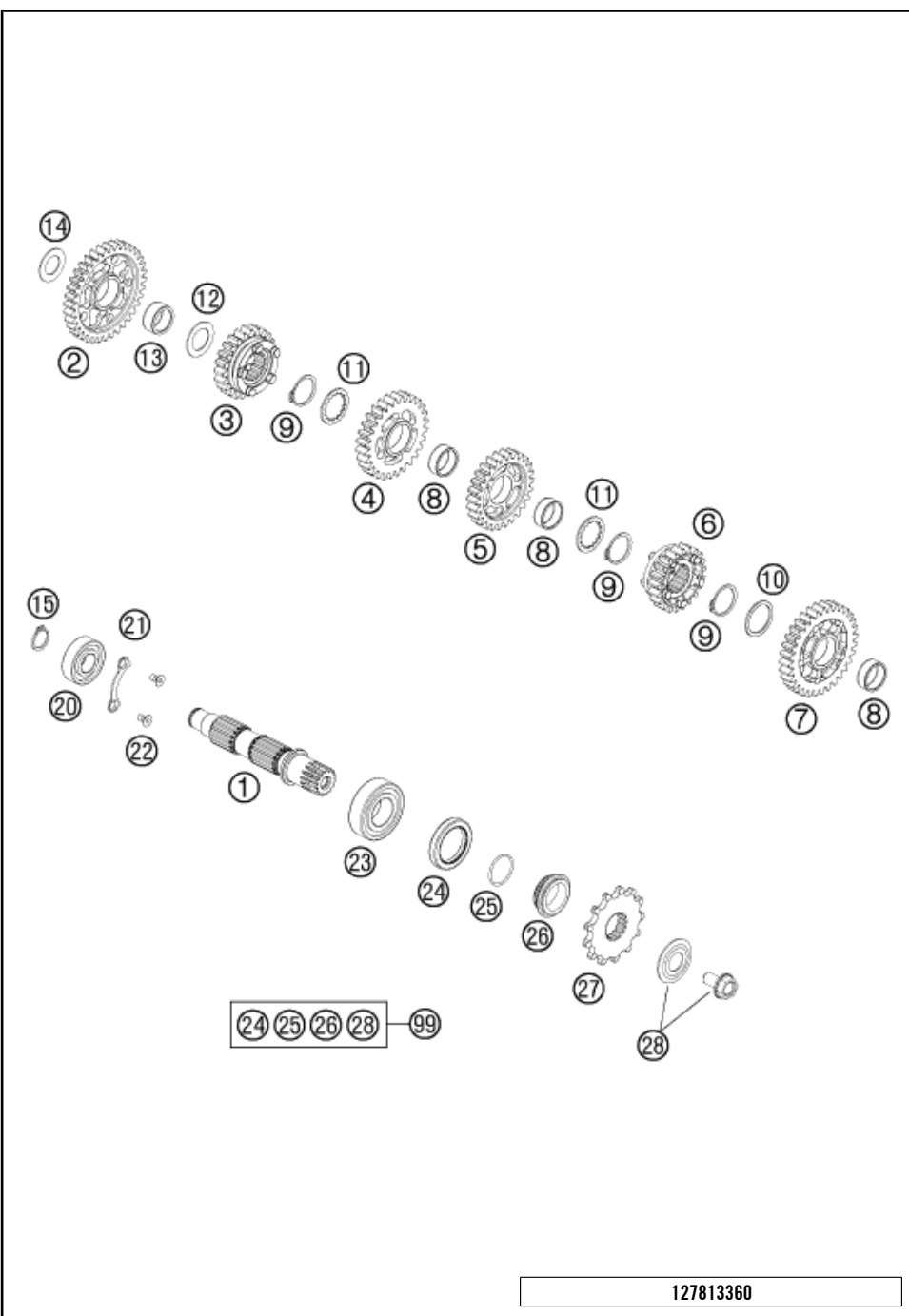
| POS | PARTNUMBER | PARTNAME | PIECE |
|-----|-------------|--------------------------------|-------|
| 1 | 78133001050 | MAIN SHAFT 14 T. | 1 |
| 2 | 78033005100 | IDLER GEAR 5. GEAR | 1 |
| 3 | 78033003000 | SLIDING GEAR 3/4 G. 08 | 1 |
| 4 | 78033006100 | IDLER GEAR 6. GEAR | 1 |
| 5 | 78033002000 | SOLID GEAR 2.G. 08 | 1 |
| 6 | 56033030000 | STOP DISC 17,2X30X1 | 1 |
| 7 | 0405222613 | NEEDLE BEAR. K 22X26X13 TN | 2 |
| 8 | 78033033000 | STOP DISK 23 X 32 X 1,5 | 1 |
| 9 | 0471250120 | CIRCLIP DIN0471-25X1,2 | 2 |
| 10 | 78033031000 | STOP DISK 26 X 32 X 1,5 | 1 |
| 11 | 78033001110 | BUSHING | 1 |
| 20 | 0625062054 | BALL BEARING 6205 C3 NTN | 1 |
| 21 | 78033032000 | TAB WASHER BEARING MAIN SHAFT | 1 |
| 22 | 0019050106S | INT. TORX FLAT HEAD M5X10 10.9 | 2 |
| 23 | 0625062036 | BALL BEARING 6203 RSH C3 | 1 |

127813330

C157813331

* NEW PART

X ON DEMAND

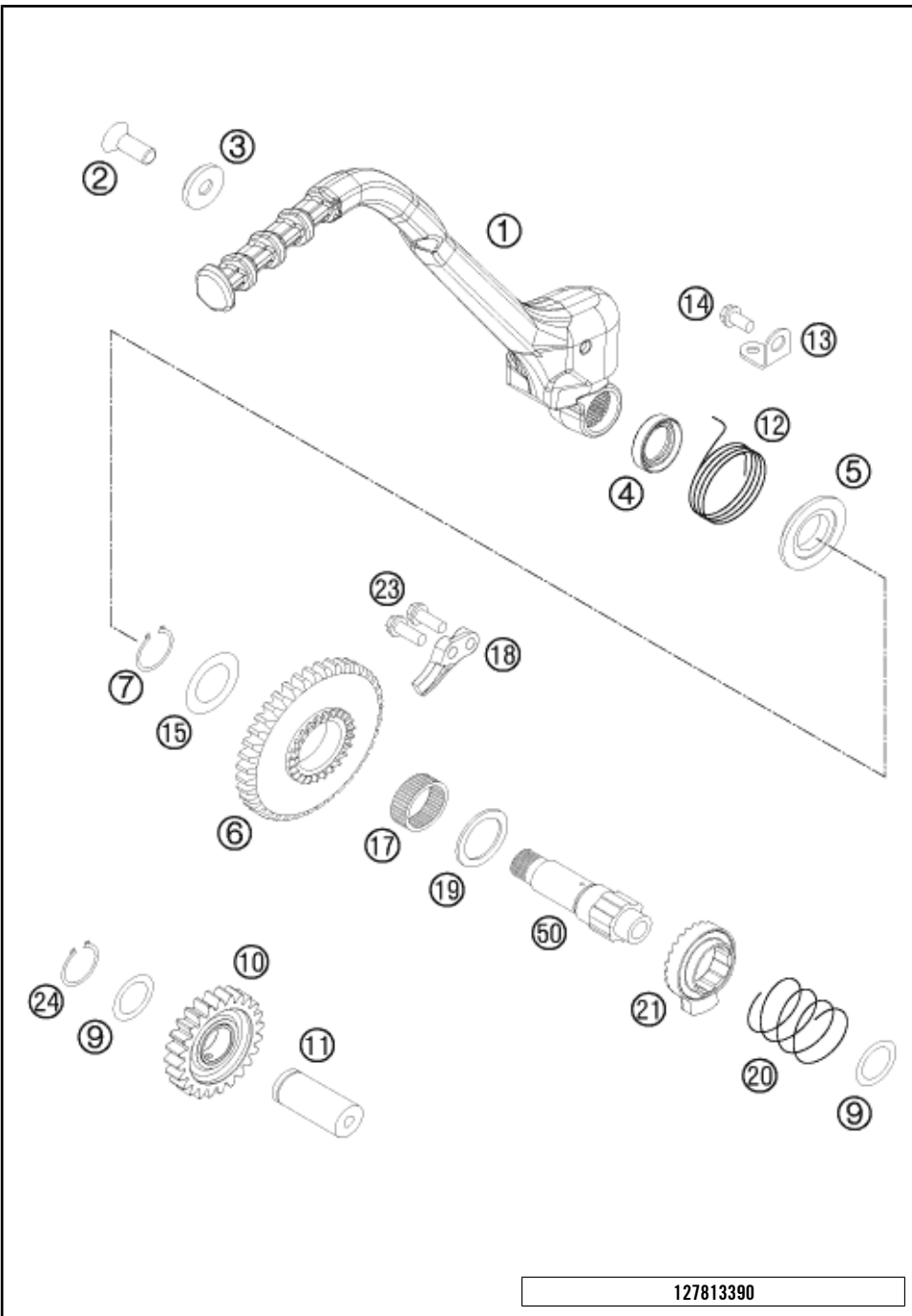


| POS | PARTNUMBER | PARTNAME | PIECE |
|-----|-------------|--------------------------------|-------|
| 1 | 78033010000 | COUNTERSHAFT 08 | 1 |
| 2 | 78033011100 | IDLER GEAR 1. GEAR | 1 |
| 3 | 78033015000 | SLIDING GEAR 5.G. 08 | 1 |
| 4 | 78033013000 | IDLER GEAR 3.G. 08 | 1 |
| 5 | 78033014000 | IDLER GEAR 4.G. 08 | 1 |
| 6 | 78033016000 | SLIDING GEAR 6.G. 08 | 1 |
| 7 | 78033012100 | IDLER GEAR 2. GEAR | 1 |
| 8 | 0405222611 | NEEDLE BEAR.K 22X26X10 DIVIDED | 3 |
| 9 | 0471250120 | CIRCLIP DIN0471-25X1,2 | 3 |
| 10 | 78033031000 | STOP DISK 26 X 32 X 1,5 | 1 |
| 11 | 78033033000 | STOP DISK 23 X 32 X 1,5 | 2 |
| 12 | 59033080000 | SHIM 20X32X1 | 1 |
| 13 | 0405202612 | NEEDLE BEARING K 20X26X12 | 1 |
| 14 | 56033030000 | STOP DISC 17,2X30X1 | 1 |
| 15 | 0471170015 | CIRCLIP DIN 0471-17X1, 5 | 1 |
| 20 | 0625062035 | BALL BEARING 6203 JR2 C3 | 1 |
| 21 | 78033132000 | TAB WASHER BEARING COUNT.SHAFT | 1 |
| 22 | 0019050106S | INT. TORX FLAT HEAD M5X10 10.9 | 2 |
| 23 | 49030023000 | CYL.ROLL BEARING NJ205 | 1 |
| 24 | 0760324571 | SHAFT SEAL RING 32X45X7 BSLNBR | 1 |
| 25 | 0770020220 | O-RING 25,12X1,78 NBR70 | 1 |
| 26 | 78133014000 | SPACER SLEEVE COUNTER | 1 |
| 27 | 50033029013 | FRONT SPROCKET 13-T | x |
| 27 | 50033029014 | FRONT SPROCKET 14-T | x |
| 27 | 50033029015 | FRONT SPROCKET 15-T | x |
| 28 | 59033034044 | SCREW 10.9+SPRING WASHER | 1 |
| 99 | 00050000941 | COUNTER SHAFT REP.KIT 4 STROKE | x |

127813360

C157813361

* NEW PART X ON DEMAND

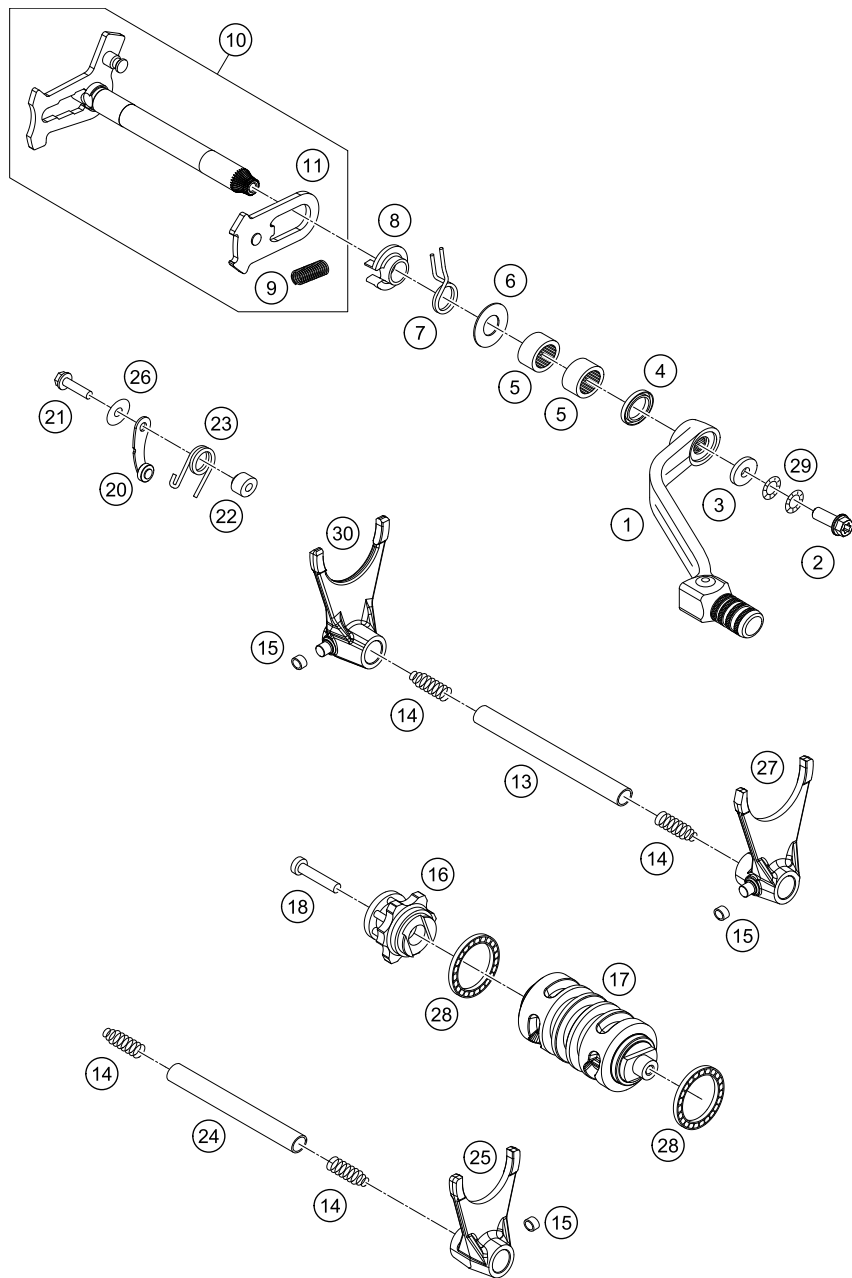


| POS | PARTNUMBER | PARTNAME | PIECE |
|-----|-------------|--------------------------------|-------|
| 1 | 77133070144 | KICKSTARTER CPL. | 1 |
| 2 | 0019080206S | FLAT HEAD SCREW M. ISA45 M8X20 | 1 |
| 3 | 54633037000 | WASHER 8MM GALVANIZED | 1 |
| 4 | 0760193070 | SHAFT SEAL RING 19X30X7 B | 1 |
| 5 | 59033055000 | DRIVING HUB | 1 |
| 6 | 59033051039 | KICKSTARTER GEAR 39-T | 1 |
| 7 | 0471190120 | CIRCLIP DIN0471-19X1,2 | 1 |
| 9 | 0988172405 | SHIM WASHER DIN0988-17X24X0,5 | 2 |
| 10 | 78033053200 | IDLER GEAR CPL. | 1 |
| 11 | 59033018000 | BUSHING PIN 2000 | 1 |
| 12 | 59033054000 | KICKSTARTER SPRING | 1 |
| 13 | 78033074000 | SPRINGHOLDER 08 | 1 |
| 14 | 0912060123 | AH SCREW DIN0912-M 6X12 | 1 |
| 15 | 59033080000 | SHIM 20X32X1 | 1 |
| 17 | 0405222610 | % NEEDLE BEARING K 22X26X10 A | 1 |
| 18 | 59033069000 | BUMP PART | 1 |
| 19 | 58033031000 | STOP DISK 22,2 X 30 X 1,5 | 1 |
| 20 | 58033028000 | RATCHET GEAR SPRING 1,2 MM | 1 |
| 21 | 78033052000 | RATCHET GEAR KICK STARTER | 1 |
| 23 | 0025060206S | HH COLLAR SCREW M6X20 TX30 | 2 |
| 24 | 0471170010 | CIRCLIP DIN0471-17X1 | 1 |
| 50 | 59033050100 | KICKSTARTER SHAFT | 1 |

127813390

C127813390

* NEW PART X ON DEMAND



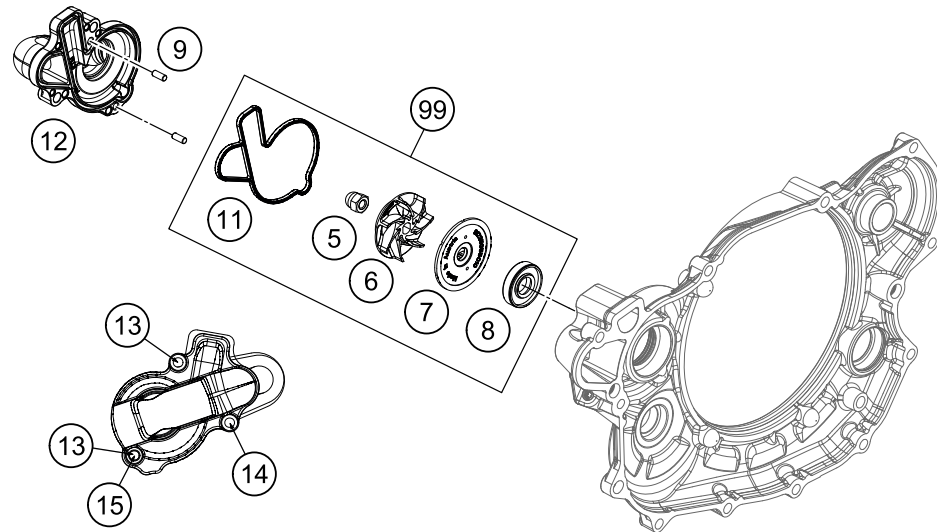
147813410

| POS | PARTNUMBER | PARTNAME | PIECE |
|-----|-------------|------------------------------|-------|
| 1 | 59034031000 | SHIFT LEVER CPL.RACING 2000 | 1 |
| 2 | 0025060166S | HH COLLAR SCREW M6X16 ISA 30 | 1 |
| 3 | 50232050001 | STEEL WASHER 6,4X17X3 | 1 |
| 4 | 0760142460 | SHAFT SEAL RING 14X24X6 B | 1 |
| 5 | 54632095000 | NEEDLE BEAR.HK 1412 14X20X12 | 2 |
| 6 | 54634050000 | STOP DISK 14X30X1 | 1 |
| 7 | 54634014100 | RETURN SPRING 2,2MM '95 | 1 |
| 8 | 54634020000 | SPRING GUIDE | 1 |
| 9 | 56534013100 | TENSIONING SPRING 0,8MM | 1 |
| 10 | 78034005233 | SHIFT SHAFT CPL. ASSY | 1 |
| 11 | 54634008044 | % SLIDING PLATE CPL. | 1 |
| 13 | 78034020000 | SHIFT RAIL 11,8X101,5 | 1 |
| 14 | 58038023200 | PRESSURE SPRING 0,9MM | 4 |
| 15 | 50334018100 | SHIFTING ROLLER 6X8X5,2 | 3 |
| 16 | 78134015044 | SHIFT DRUM LOCATING ALU CPL. | 1 |
| 17 | 78034012000 | SHIFT ROLLER | 1 |
| 18 | 0012060303 | % AH SCREW DIN6912 M6X30 8.8 | 1 |
| 20 | 78134024044 | LOCKING LEVER CPL. | 1 |
| 21 | 0025050206 | HH COLLAR SCREW M5X20 TX30 | 1 |
| 22 | 54634052300 | SLEEVE FOR LOCKING LEVER | 1 |
| 23 | 60034023000 | ARRESTING LEVER SPRING 03 | 1 |
| 24 | 78034019000 | SHIFT RAIL 11,8X85 | 1 |
| 25 | 59034001100 | SHIFTING FORK 5./6. GEAR | 1 |
| 26 | 0021050003 | WASHER DIN9021-A 5,3 | 1 |
| 27 | 59034002100 | SHIFTING FORK 2./4. GEAR | 1 |
| 28 | 0625618050 | BALL BEARING 61805 C3 | 2 |
| 29 | 50233041000 | PAIR OF WASHERS M 6 NORDLOCK | 1 |
| 30 | 78034003100 | SHIFTING FORK 1ST/3RD GEAR | 1 |

C157813411

* NEW PART

X ON DEMAND



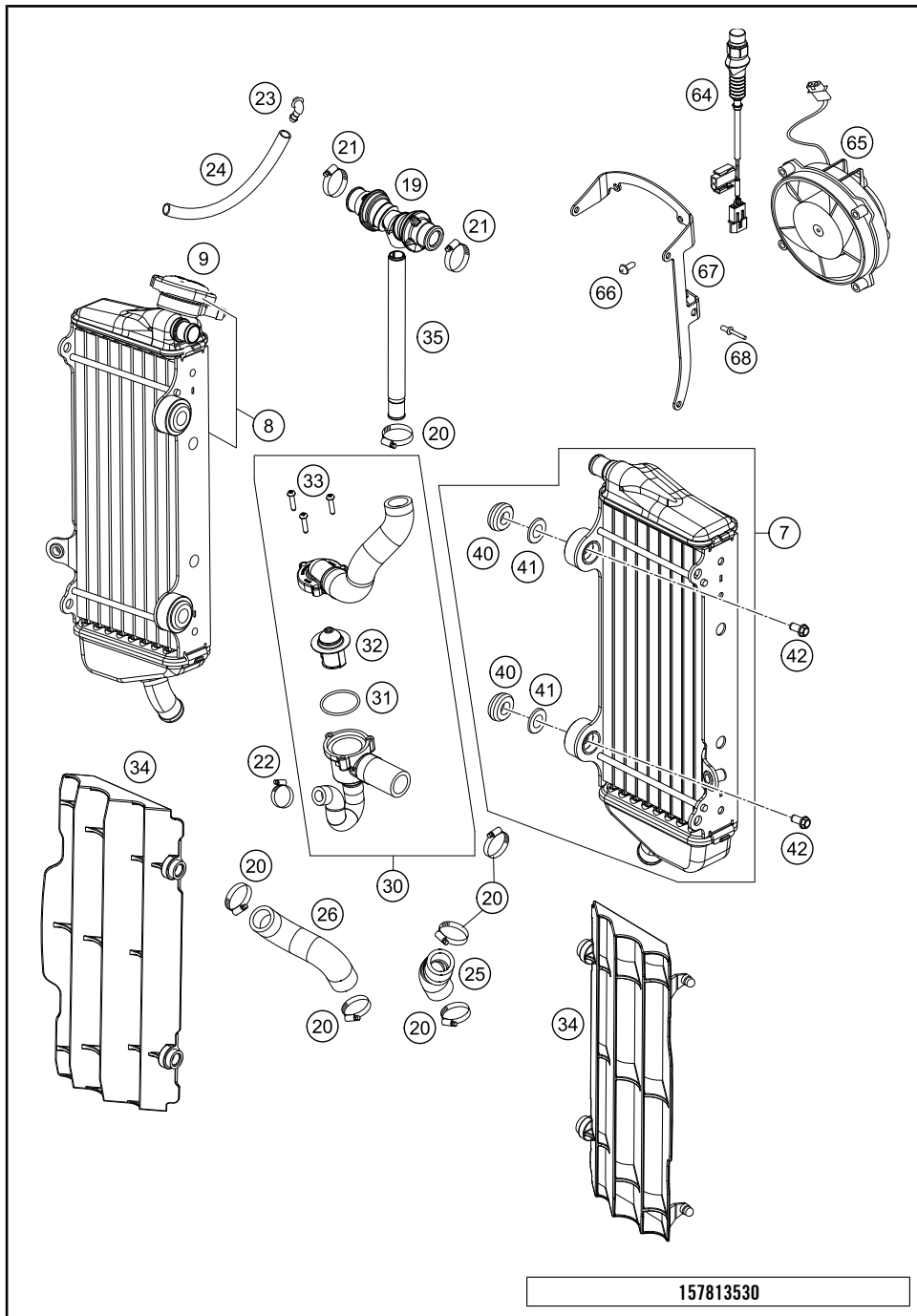
| POS | PARTNUMBER | PARTNAME | PIECE |
|-----|-------------|------------------------------|-------|
| 5 | 61230045000 | CAP NUT M6 STAINLESS STEEL | 1 |
| 6 | 81235055020 | WATER PUMP ROTOR | 1 |
| 7 | 81235055110 | DISC WATER PUMP | 1 |
| 8 | 0760123073 | SHAFT SEAL RING 12X30X7 PTFE | 1 |
| 9 | 0402040980 | NEEDLE ROL.DIN5402 NRB 4X9,8 | 2 |
| 11 | 78135053000 | WATER-PUMP GASKET | 1 |
| 12 | 78135052000 | WATER PUMP COVER CPL. | 1 |
| 13 | 0025060256 | HH COLLAR SCREW M6X25 TX30 | 2 |
| 14 | 0025060656 | HH COLLAR SCREW M6X65 TX30 | 1 |
| 15 | 0603061001 | CU-SEAL RING DIN7603-6X10X1 | 1 |
| 99 | 81235055015 | WATER PUMP REP. KIT 12-14 | x |

127813510

C127813510

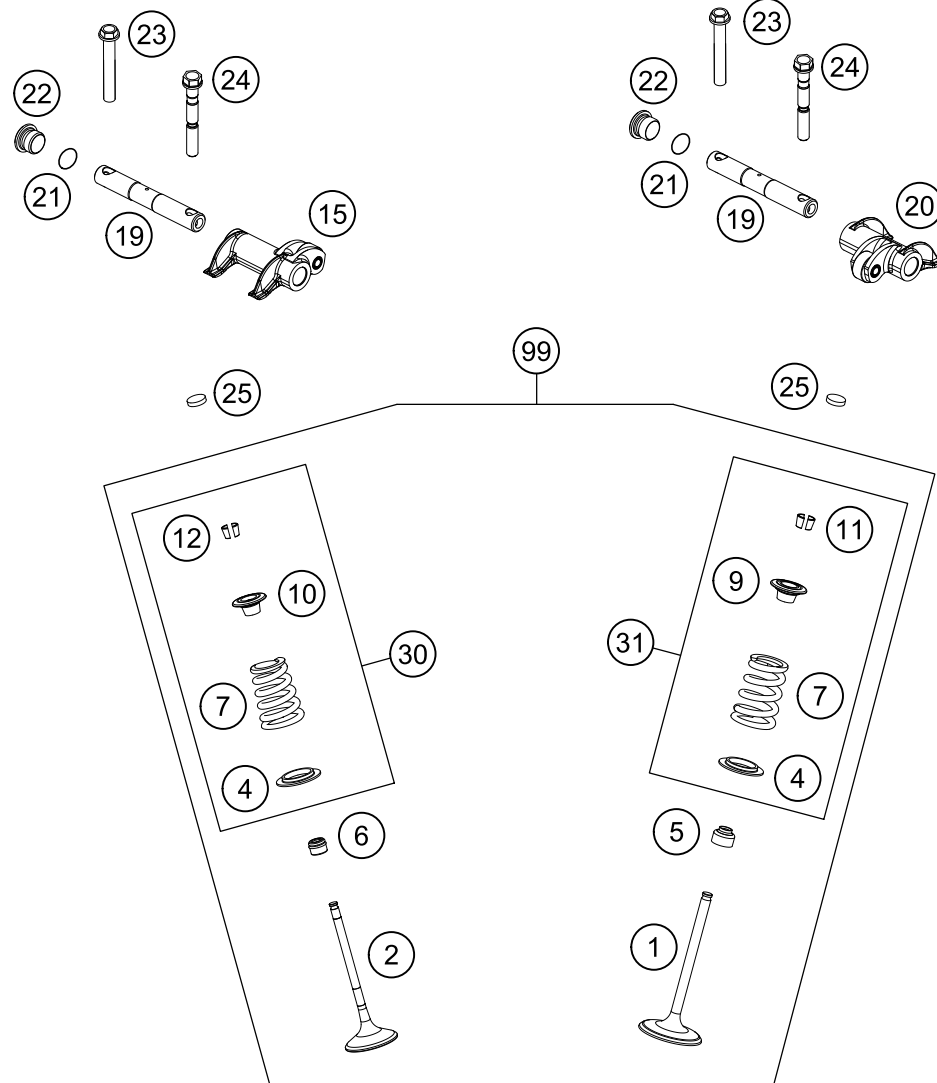
* NEW PART

X ON DEMAND



| POS | PARTNUMBER | PARTNAME | PIECE |
|-----|---------------|--------------------------------|-------|
| 7* | 77035007500 | RADIATOR L/S "15623U" | 1 |
| 8* | 78035008400 | RADIATOR R/S "15556U" | 1 |
| 9 | 77335016000 | RADIATOR CAP SMALL 1,8 BAR | 1 |
| 19 | 77235071044 | Y-CONNECTOR CPL. | 1 |
| 20 | 10001020000 | HOSE CLAMP GEMI 18-29 | 5 |
| 21 | 42013037400 | HOSE CLAMP NORMA 14/24 | 2 |
| 22 | 58335099000 | HOSE CLAMP GEMI 10-16 | 1 |
| 23 | 50303089000 | ANGLE PIECE '97 | 1 |
| 24 | 50335030001 | PVC-HOSE 6X9 | x |
| 25 | 78135025000 | RADIATOR HOSE L/S 2012 | 1 |
| 26 | 78135027000 | RADIATOR HOSE R/S 2012 | 1 |
| 30 | 78135126033 | RADIATOR HOSE CPL. W. THERM | 1 |
| 31 | 0770320020 | O-RING 32,00X2,00 | 1 |
| 32 | 59435117000 | % THERMOSTAT 70°C | 1 |
| 33 | 0016040183 | SCREW FOR PLASTIC D=4X18 | 3 |
| 34 | 7733503400030 | RADIATOR PROTECTION BLACK 07 | 2 |
| 34 | 7733503400004 | RADIATOR PROTECTION L/S+R/S SX | x |
| 35 | 77235073000 | HOSE CONNECTOR L=172,5 | 1 |
| 40 | 41001052000 | RUBBER SLEEVE D=12MM | 4 |
| 41 | 77335001000 | WASHER FOR RADIATOR 08 | 4 |
| 42 | 0023060123 | COLLAR SCREW M6X12 TX | 4 |
| 64 | 77735045000 | THERMO SWITCH 95°C M14X1,5 | 1 |
| 65 | 58435041000 | FAN CPL. 12V LC4 2000 | 1 |
| 66 | 0081050181 | SCREW FOR PLASTIC K50X18 T20 | 3 |
| 67 | 81235943000 | FAN SUPPORT | 1 |
| 68 | 0011400800 | RIVET 4,0X 8 ALU | 3 |

* NEW PART X ON DEMAND

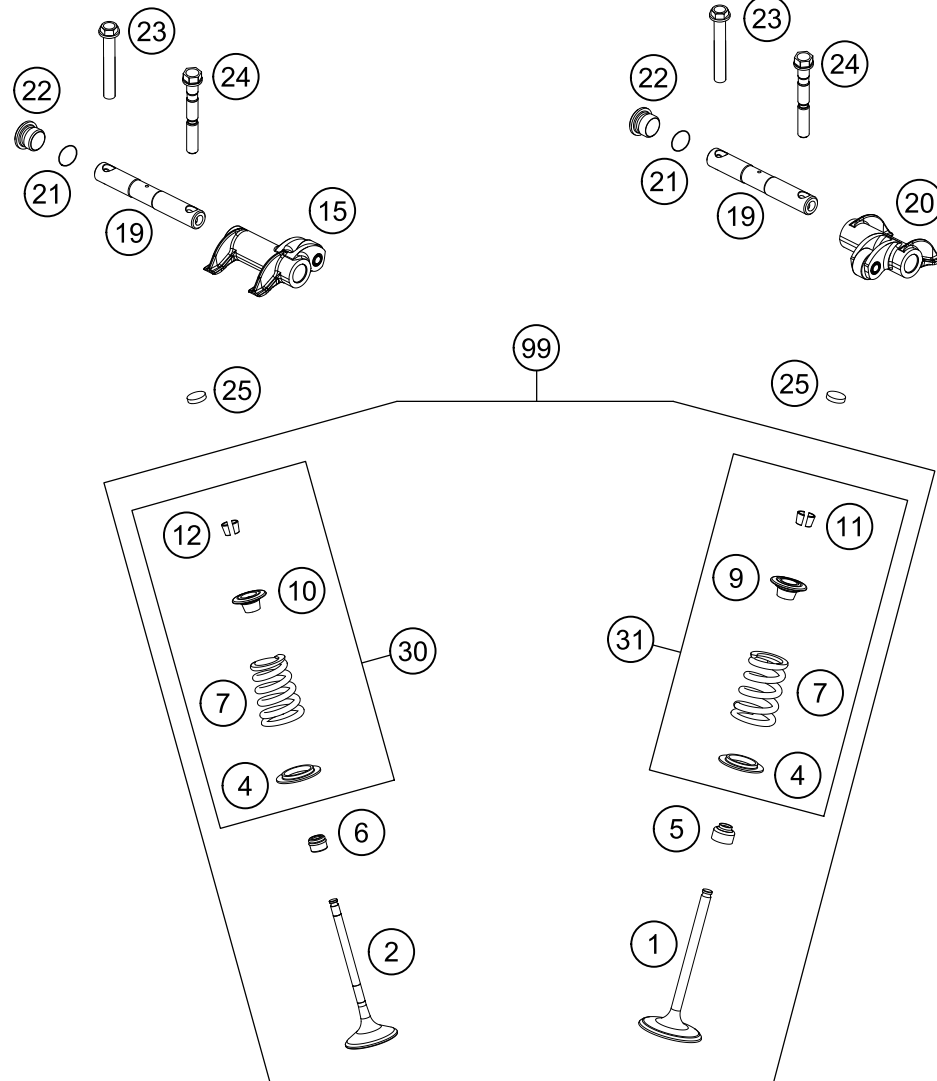


147813610

| POS | PARTNUMBER | PARTNAME | PIECE |
|-----|-------------|---------------------------|-------|
| 1 | 78936030100 | INTAKE VALVE | 2 |
| 2 | 78036031000 | EXHAUST VALVE | 2 |
| 4 | 78936036000 | VALVE SPRING HOLDER | 4 |
| 5 | 59036027000 | VALVE-STEM SEALING RACING | 2 |
| 6 | 77036027000 | VALVE-STEM SEALING 05 | 2 |
| 7 | 78936028000 | VALVE SPRING | 4 |
| 9 | 78936032000 | VALVE SPRING RETAINER | 2 |
| 10 | 78136032000 | VALVE SPRING SUPPORT | 2 |
| 11 | 77336033100 | VALVE COLLET 07 | 4 |
| 12 | 77036033000 | VALVE COLLET 05 | 4 |
| 15 | 78036061044 | ROCKER ARM EXHAUST CPL. | 1 |
| 19 | 78036056200 | ROCKER ARM SHAFT | 2 |
| 20 | 78036060044 | ROCKER ARM INTAKE CPL. | 1 |
| 21 | 0770110015 | O-RING 1,5x11 SILICON | 2 |
| 22 | 78036081000 | HOLDING BOLT M14X1,5 | 2 |
| 23 | 77036080000 | SPECIAL SCREW M7X40 WS10 | 2 |
| 24 | 78036080000 | FIT BOLT M7X1X55 | 2 |
| 25 | 77036035172 | SHIM D=8,9/1,72 | x |
| 25 | 77036035176 | SHIM D=8,9/1,76 | x |
| 25 | 77036035180 | SHIM D=8,9/1,80 | x |
| 25 | 77036035184 | SHIM D=8,9/1,84 | x |
| 25 | 77036035188 | SHIM D=8,9/1,88 | x |
| 25 | 77036035192 | SHIM D=8,9/1,92 | x |
| 25 | 77036035196 | SHIM D=8,9/1,96 | x |
| 25 | 77036035200 | SHIM D=8,9/2,00 | x |
| 25 | 77036035204 | SHIM D=8,9/2,04 | x |
| 25 | 77036035208 | SHIM D=8,9/2,08 | x |
| 25 | 77036035212 | SHIM D=8,9/2,12 | x |
| 25 | 77036035216 | SHIM D=8,9/2,16 | x |
| 25 | 77036035220 | SHIM D=8,9/2,20 | x |
| 25 | 77036035224 | SHIM D=8,9/2,24 | x |
| 25 | 77036035228 | SHIM D=8,9/2,28 | x |
| 25 | 77036035232 | SHIM D=8,9/2,32 | x |
| 25 | 77036035236 | SHIM D=8,9/2,36 | x |
| 25 | 77036035240 | SHIM D=8,9/2,40 | x |
| 25 | 77036035244 | SHIM D=8,9/2,44 | x |
| 25 | 77036035248 | SHIM D=8,9/2,48 | x |
| 25 | 77036035252 | SHIM D=8,9/2,52 | x |

C157813610

* NEW PART X ON DEMAND

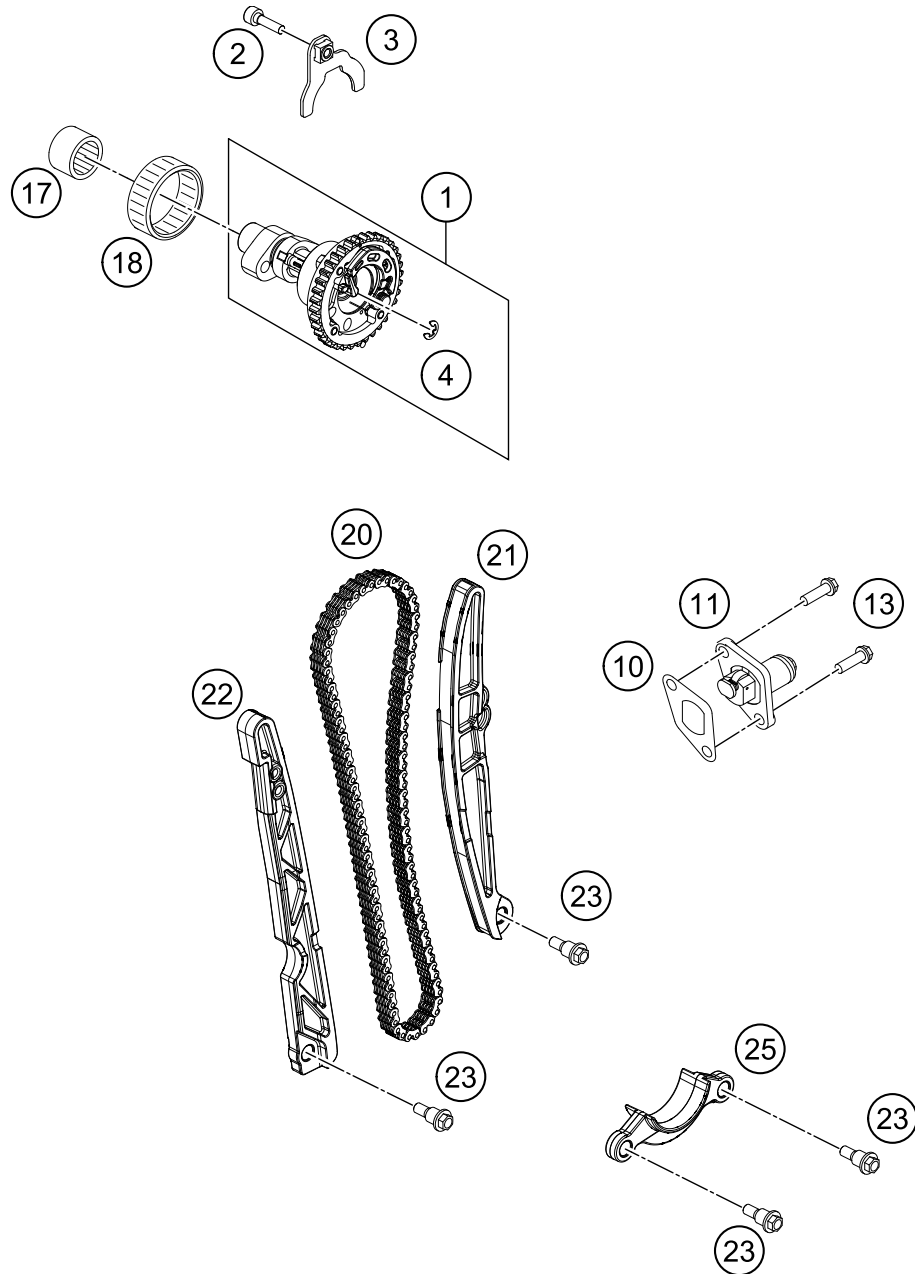


| POS | PARTNUMBER | PARTNAME | PIECE |
|-----|-------------|-----------------------------|-------|
| 25 | 77036035256 | SHIM D=8,9/2,56 | X |
| 25 | 77036035260 | SHIM D=8,9/2,60 | X |
| 30 | 78136029044 | VALVE SPRING KIT EXHAUST | 2 |
| 31 | 78136028044 | VALVE SPRING KIT INTAKE | 2 |
| 99 | 78136030010 | VALVE KIT 450/500 EXC 14-15 | X |

147813610

C157813610

* NEW PART X ON DEMAND



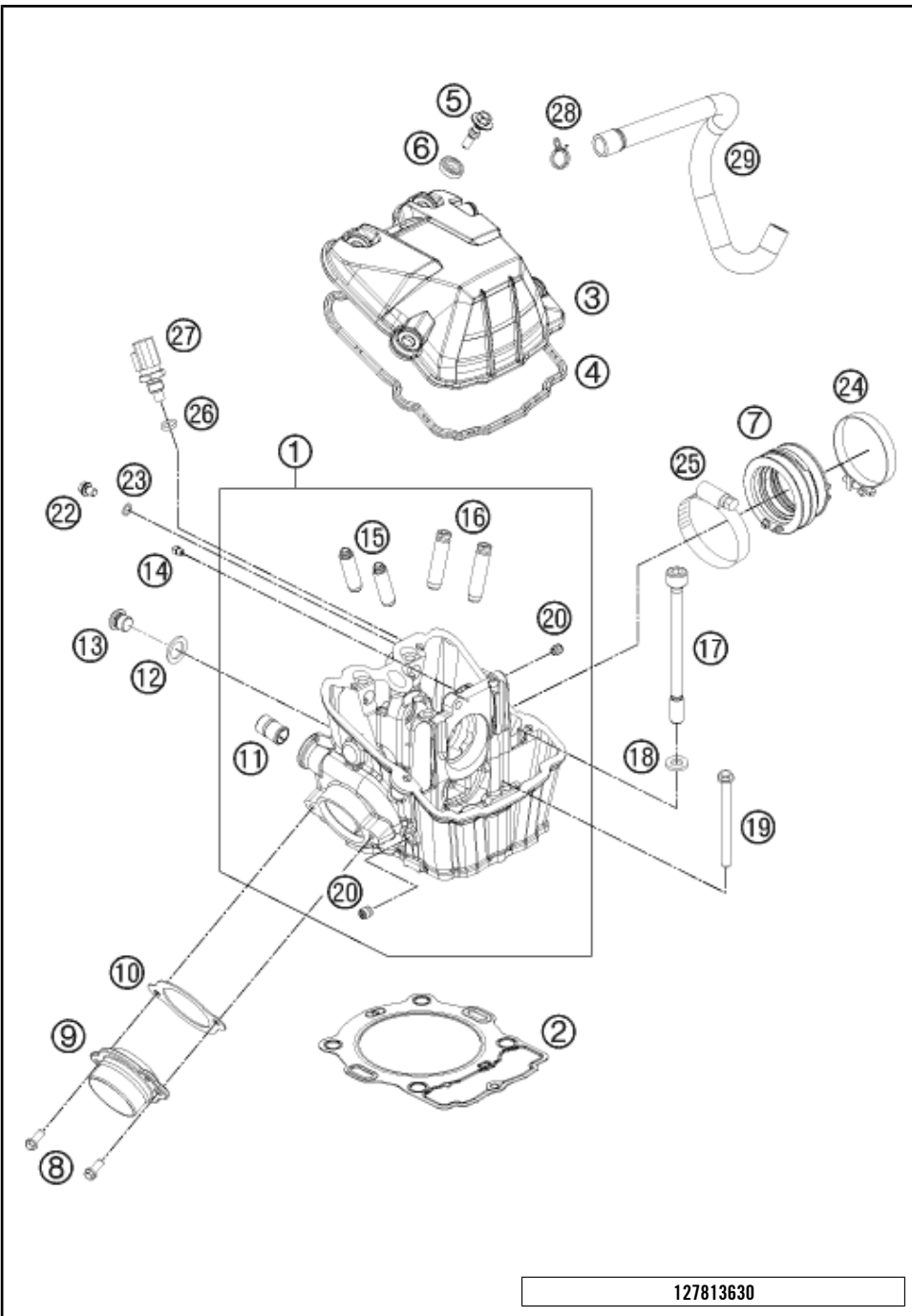
| POS | PARTNUMBER | PARTNAME | PIECE |
|-----|-------------|--------------------------------|-------|
| 1 | 78736010033 | CAMSHAFT WITH AUTODECO | 1 |
| 2 | 0025060206S | HH COLLAR SCREW M6X20 TX30 | 1 |
| 3 | 78036012033 | RETAINING PLATE CAMSHAFT CPL. | 1 |
| 4 | 0799050000 | TAB WASHER DIN6799 RS5 | 1 |
| 10 | 59036003050 | GASKET TIMING CHAIN TENSIONER | 1 |
| 11 | 59036003000 | TIMINGCHAIN TENSIONER CPL.RAC. | 1 |
| 13 | 0025060166 | HH COLLAR SCREW M6X16 TX30 | 2 |
| 17 | 0618182414 | NEEDLE SLEEVE HK1814RS18/24/14 | 1 |
| 18 | 0618404712 | NEEDLE SLEEVE HK4012B40X47X12 | 1 |
| 20 | 78636013000 | TIMING CHAIN 114T 08 | 1 |
| 21 | 78136002100 | TIMING CHAIN TENSIONER | 1 |
| 22 | 78136001000 | TIMING CHAIN GUIDE | 1 |
| 23 | 77236001160 | BUSHING SCREW M6 | 4 |
| 25 | 78136018000 | FAILURE PROTECTION | 1 |

147893620

C157813621

* NEW PART

X ON DEMAND

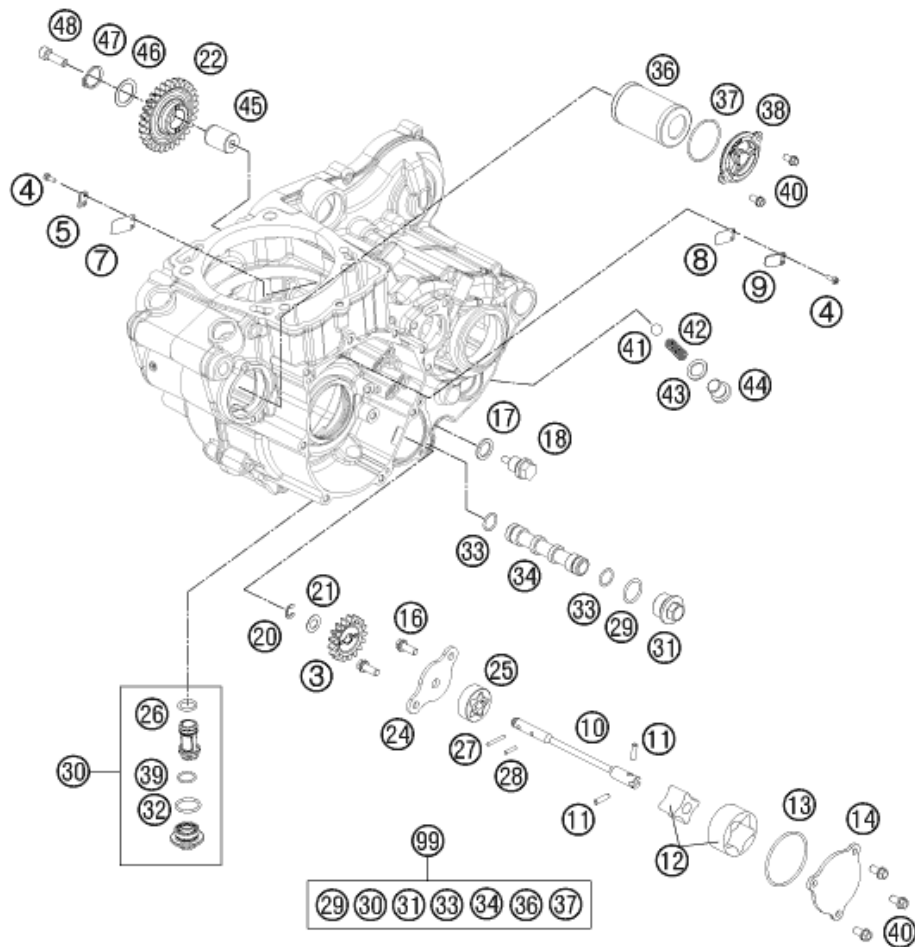


| POS | PARTNUMBER | PARTNAME | PIECE |
|-----|---------------|--------------------------------|-------|
| 1 | 78136120044 | CYLINDERHEAD CPL. | 1 |
| 2 | 78930036010 | CYLINDER HEAD GASKET S=1.0 | 1 |
| 3 | 7803605200033 | VALVE COVER BLACK MATT | 1 |
| 4 | 78036053100 | VALVE COVER GASKET | 1 |
| 5 | 78036054100 | VALVE COVER SCREW | 4 |
| 6 | 75036052010 | DECOUPLING ELEMENT 07 | 4 |
| 7 | 77236044000 | CONNECTION RUBBER EFI | 1 |
| 8 | 0025060166S | HH COLLAR SCREW M6X16 ISA 30 | 2 |
| 9 | 78136139000 | EXHAUST FLANGE | 1 |
| 10 | 78036041000 | EXHAUST FLANGE GASKET | 1 |
| 11 | 58030010200 | SCREW IN NOZZLE M20X1,5 | 1 |
| 12 | 58038022000 | CU-SEAL RING DIN7603-12X18X1,5 | 1 |
| 13 | 78036024000 | PLUG SCREW SAS M12X1,5 | 1 |
| 14 | 60030063070 | OIL JET 70 M5 | 1 |
| 15 | 77136026001 | VALVE GUIDE OUTLET | 2 |
| 16 | 78136025001 | VALVE GUIDE INTAKE | 2 |
| 17 | 78630044000 | CYL. HEAD SCREW M10X1,25 L=138 | 4 |
| 18 | 77336089010 | WASHER 19X10,5X2,5 | 4 |
| 19 | 0025060856 | HH COLLAR SCREW M6X85 TX30 | 1 |
| 20 | 59030296000 | SCREW PLUG | 3 |
| 22 | 0025060086 | HH COLLAR SCREW M6X8 TX30 | 1 |
| 23 | 0603061001 | CU-SEAL RING DIN7603-6X10X1 | 1 |
| 24 | 61036047000 | HOSE CLAMP GEMI 63MM 05 | 1 |
| 25 | 77236048000 | HOSE CLAMP GEMI 58MM | 1 |
| 26 | 0770100020 | O-RING 10,00X2,00 SILCONE | 1 |
| 27 | 60011252000 | TEMPERAT.-SENSOR WATER LC8 02 | 1 |
| 28 | 58431082300 | CLAMP YDNAC 10173 (18MM) | 1 |
| 29 | 78130087000 | ENGINE BREATHER TUBE | 1 |

127813630

C157813631

* NEW PART X ON DEMAND



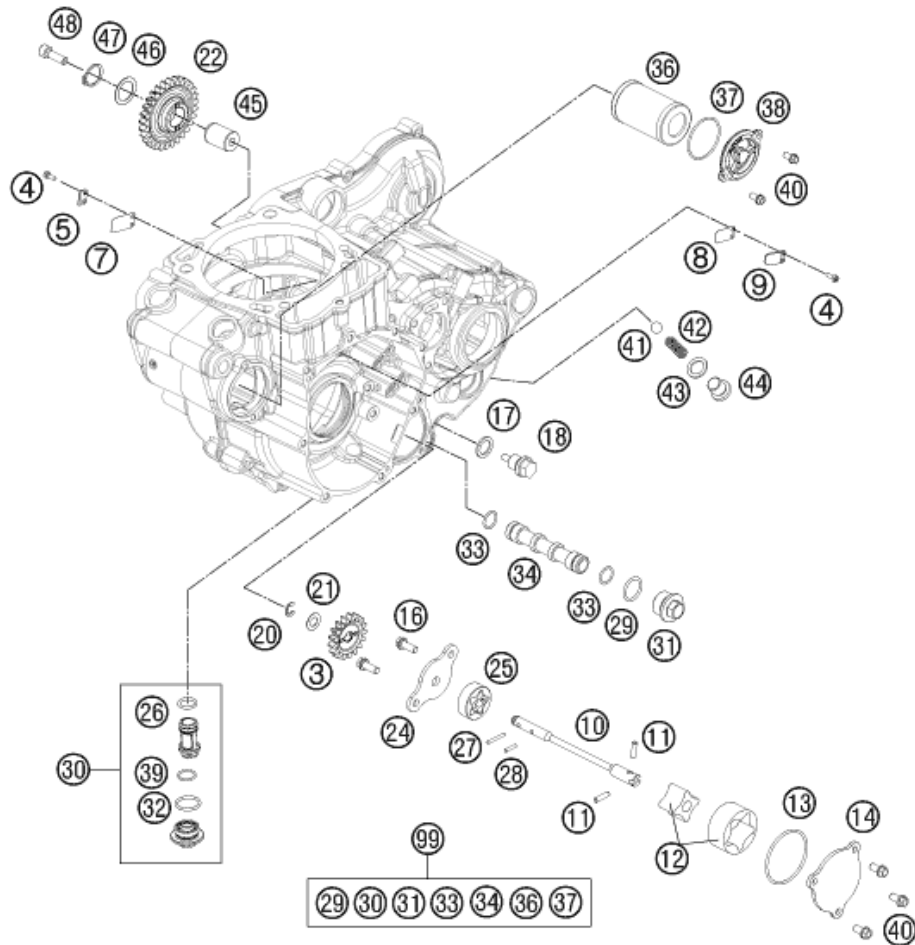
| POS | PARTNUMBER | PARTNAME | PIECE |
|-----|-------------|--------------------------------|-------|
| 3 | 78038001017 | OIL PUMP GEAR 17 T | 1 |
| 4 | 0458030080 | CYLIND.SCREW M3X8 ISO 14580 SS | 4 |
| 5 | 75030003050 | STOP SHEET MEMBRANE 07 | 1 |
| 7 | 75030003051 | MEMBRANE 07 | 1 |
| 8 | 81205027003 | MEMBRAN CRANKCASE | 1 |
| 9 | 81205027004 | TAB WASHER MEMBRAN CSC | 1 |
| 10 | 78138102000 | OIL PUMP SHAFT SP-DP | 1 |
| 11 | 0402041580 | NEEDLE ROLLER NRB 4X15,8 G2 | 2 |
| 12 | 61238111000 | ROTOR-SET CPL. 22MM | 1 |
| 13 | 0770440020 | O-RING 44,00X2,00 VITON | 1 |
| 14 | 78038004000 | OIL PUMP COVER SUCTION PUMP | 1 |
| 16 | 0025060166S | HH COLLAR SCREW M6X16 ISA 30 | 2 |
| 17 | 58038022000 | CU-SEAL RING DIN7603-12X18X1,5 | 1 |
| 18 | 58030021000 | OILDRAIN PLUG W.MAG. M 12X1,5 | 1 |
| 20 | 0799060000 | TAB WASHER DIN6799-RS 6,0 | 1 |
| 21 | 58038007755 | STOP DISK 8,1 X 15 X 0,5 | 1 |
| 22 | 78138001029 | IDLER GEAR 1 29Z | 1 |
| 24 | 78138003000 | OIL PUMP COVER | 1 |
| 25 | 59038011012 | OILPUMP ROTOR 12MM G-95R/003 | 1 |
| 26 | 0770012021 | O-RING 12X2 VITON GREEN | 1 |
| 27 | 0402251980 | NEEDLEROL.DIN5402 NRA 2,5X19,8 | 1 |
| 28 | 0402251180 | NEEDLE ROLLER DIN5402 2,5X11,8 | 1 |
| 29 | 0770020170 | O-RING 17,17X1,78 GLO | 1 |
| 30 | 78138015001 | OIL SCREEN CPL. | 1 |
| 31* | 59038017100 | PLUG M20X1,5 WS=13 | 1 |
| 32 | 0770170200 | O-RING 17,00X2,00 | 1 |
| 33 | 07701250151 | O-RING 12,5X1,5 VITON V75 | 2 |
| 34 | 59038016100 | OIL SCREEN | 1 |
| 36 | 77038005044 | OIL FILTER WITH GASKET 06 | 1 |
| 37 | 07700390261 | O-RING 39,34X2,62 | 1 |
| 38 | 75038041200 | OILFILTER CAP | 1 |
| 39 | 0770125015 | O-RING 12,5X1,5 NBR | 1 |
| 40 | 0025050166 | HH COLLAR SCREW M5X16 TX30 | 5 |
| 41 | 0401090003 | BALL DIN5401-9 | 1 |
| 42 | 58038023300 | PRESSURE SPRING L=25MM D=1MM | 1 |
| 43 | 58038022000 | CU-SEAL RING DIN7603-12X18X1,5 | 1 |
| 44 | 0908120153 | PLUG DIN0908-M12X1,5 | 1 |
| 45 | 78040028000 | BUSHING PIN | 1 |

127813810

C157813810

* NEW PART

X ON DEMAND



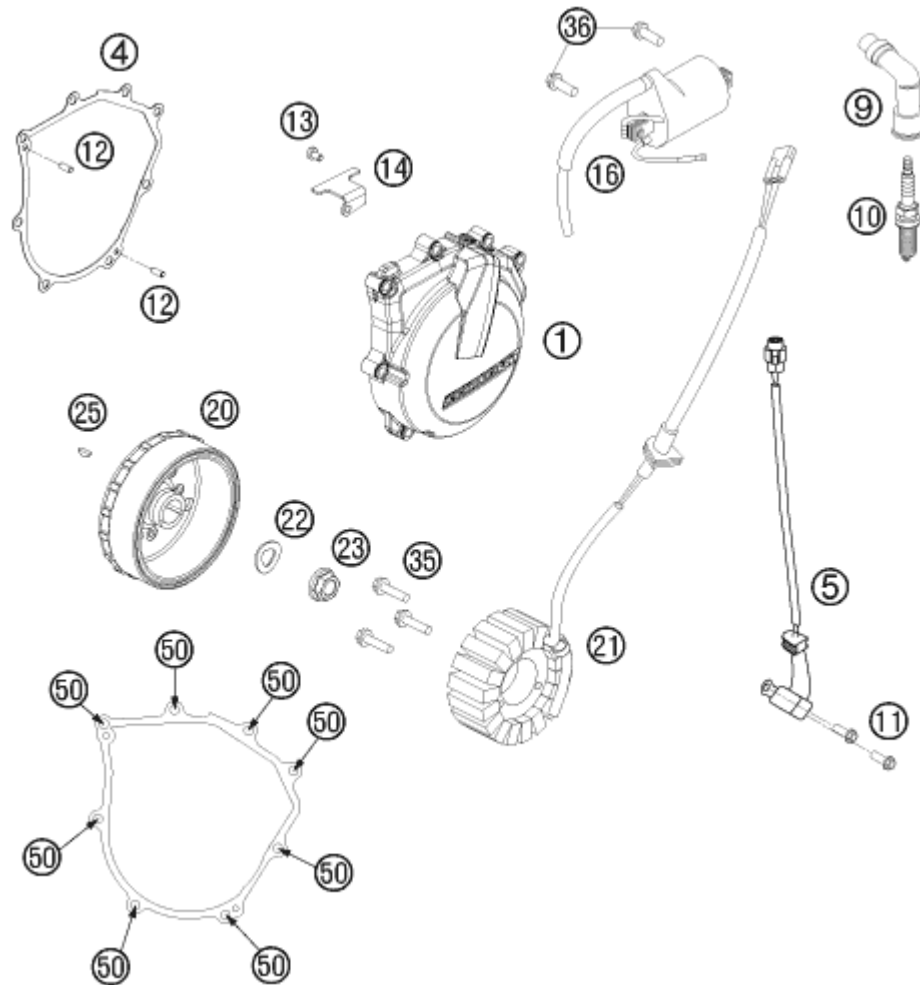
| POS | PARTNUMBER | PARTNAME | PIECE |
|-----|-------------|-------------------------------|-------|
| 46 | 0988172405 | SHIM WASHER DIN0988-17X24X0,5 | 1 |
| 47 | 0471170010 | CIRCLIP DIN0471-17X1 | 1 |
| 48 | 0912060208 | AH SCREW DIN0912-M 6X20 SS | 1 |
| 99 | 78938015010 | OILFILTER SERVICEKIT SX-F 15 | x |

127813810

C157813810

* NEW PART

X ON DEMAND



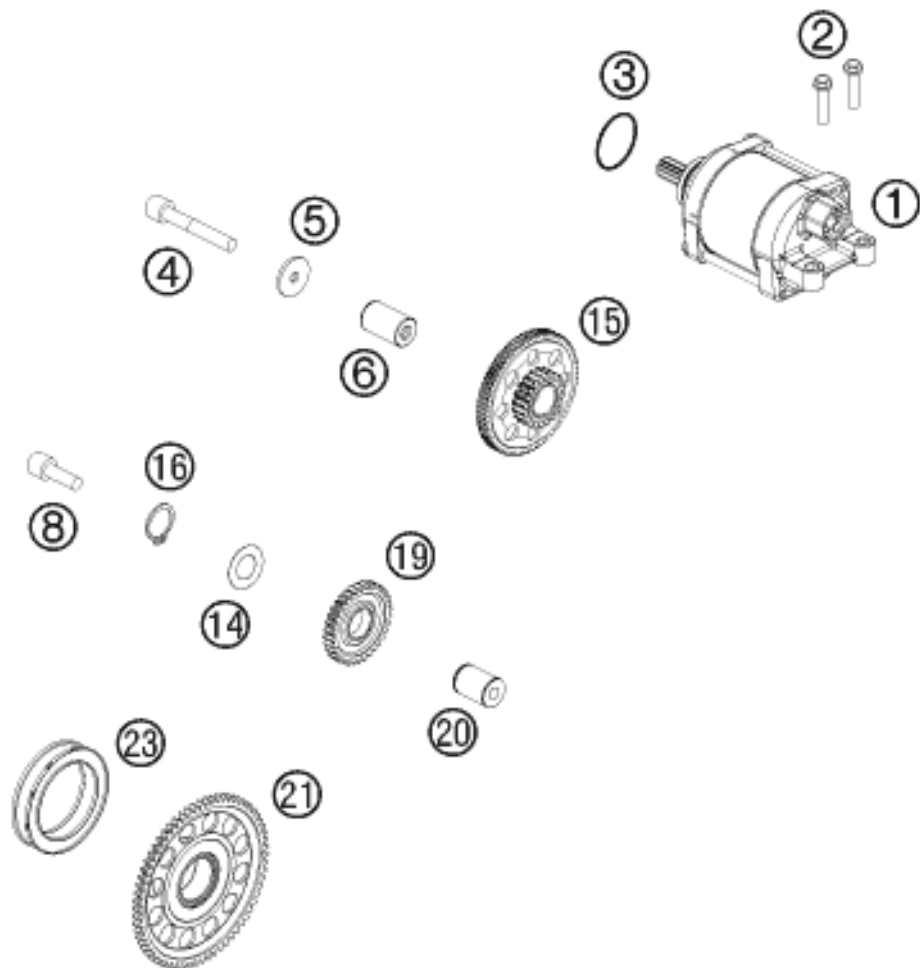
| POS | PARTNUMBER | PARTNAME | PIECE |
|-----|---------------|--------------------------------|-------|
| 1* | 7813000230015 | IGNITION COVER | 1 |
| 4 | 78130040000 | GASKET - IGNITION COVER | 1 |
| 5 | 59039034000 | PULSER COIL KOKUSAN 4K3-A/B | 1 |
| 9* | 78039090100 | SPARK PLUG CONNECTOR | 1 |
| 10 | 75039093000 | SPARK PLUG M12X1,25 LKAR8AI-9 | 1 |
| 11 | 0025050166 | HH COLLAR SCREW M5X16 TX30 | 2 |
| 12 | 0402040980 | NEEDLE ROL.DIN5402 NRB 4X9,8 | 2 |
| 13 | 0019040106S | FLAT HEAD SCREW ISA25 M4X10 | 1 |
| 14 | 81230002010 | RETAINING PLATE | 1 |
| 16 | 58439006000 | IGNITIONCOIL IG3826 KOKUSAN'96 | 1 |
| 20 | 78039205000 | ROTOR EXC 08 | 1 |
| 21 | 83039004000 | STATOR | 1 |
| 22 | 0137120000 | SPRING WASHER DIN0137-B12 | 1 |
| 23 | 49030021000 | COLLAR NUT M12X1 R/S | 1 |
| 25 | 0888030050 | WOODRUFF KEY DIN6888-3X5X13 | 1 |
| 35 | 0025050306 | HH COLLAR SCREW M5X30 TX30 | 3 |
| 36 | 0026060186 | COLLAR SCREW M6X18 ISA30 | 2 |
| 50 | 0025060256 | HH COLLAR SCREW M6X25 TX30 | 8 |

127813910

C157813910

* NEW PART

X ON DEMAND



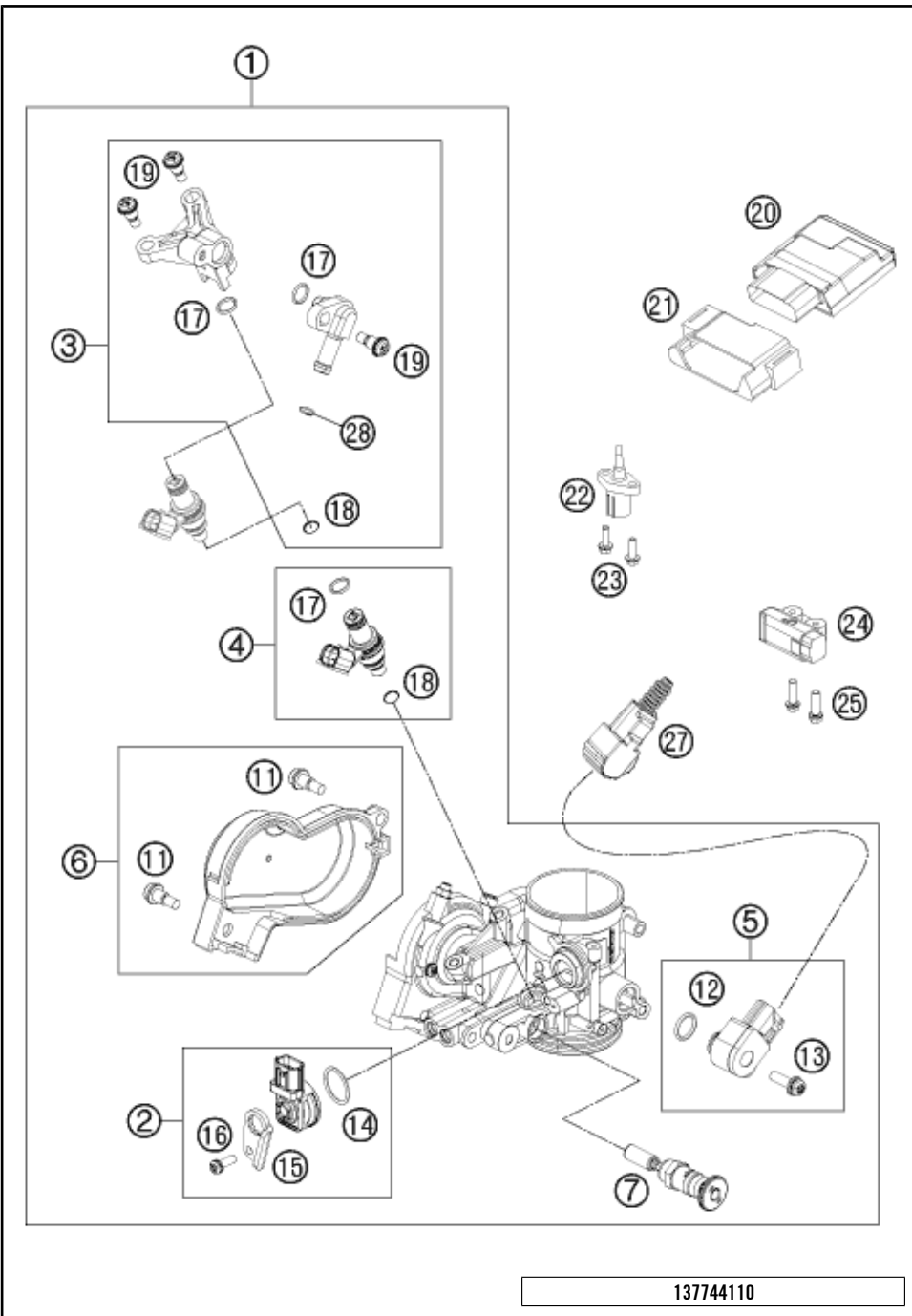
| POS | PARTNUMBER | PARTNAME | PIECE |
|-----|-------------|-------------------------------|-------|
| 1 | 78140001000 | E-STARTER CPL. 0,5KW | 1 |
| 2 | 0025060256 | HH COLLAR SCREW M6X25 TX30 | 2 |
| 3 | 0770250030 | O-RING 25,00X3,00 NBR 70 | 1 |
| 4 | 0912060404 | AH SCREW DIN0912-M 6X40 A2 | 1 |
| 5 | 78040016004 | STOP DISC 6X23X2 | 1 |
| 6 | 78040029000 | BEARING BOLT | 1 |
| 8 | 0912060208 | AH SCREW DIN0912-M 6X20 SS | 1 |
| 14 | 0988172405 | SHIM WASHER DIN0988-17X24X0,5 | 1 |
| 15 | 78040016100 | TORQUE LIMITER CPL. | 1 |
| 16 | 0471170010 | CIRCLIP DIN0471-17X1 | 1 |
| 19 | 78940022000 | IDLER GEAR 30-T CPL. | 1 |
| 20 | 78040028000 | BUSHING PIN | 1 |
| 21 | 78940020033 | FREEWHEEL GEAR 66 C CPL. | 1 |
| 23 | 75040026000 | FREE WHEEL | 1 |

137894010

C137894010

* NEW PART

X ON DEMAND



| POS | PARTNUMBER | PARTNAME | PIECE |
|-----|-------------|--------------------------------|-------|
| 1 | 77241001000 | THROTTLE BODY | 1 |
| 2 | 81241085044 | MAP SENSOR CPL. 09 | 1 |
| 3 | 81241013044 | FUEL RAIL CPL. 09 | 1 |
| 4 | 75041023144 | INJECTOR KIT CPL. | 1 |
| 5 | 81241077044 | TPS KPL. 09 | 1 |
| 6 | 81241056044 | THROTTLE COVER CPL. 09 | 1 |
| 7 | 81241060000 | STARTER VALVE COMP. | 1 |
| 11 | 81241056020 | SPECIAL SCREW AH | 2 |
| 12 | 61041077010 | O-RING THROTTLE POS. SENSOR | 1 |
| 13 | 81241077030 | SPECIAL SCREW | 1 |
| 14 | 75041085010 | O-RING | 1 |
| 15 | 81241085020 | PLATE 09 | 1 |
| 16 | 81241085030 | SPECIAL SCREW | 1 |
| 17 | 75041023020 | O-RING 7,2x2,2 | 2 |
| 18 | 75041023010 | SEAL RING | 1 |
| 19 | 75041013010 | SCREW SHOULDER | 3 |
| 20 | 81241031100 | ELECTRONIC CONTROL UNIT | 1 |
| 21 | 77241031050 | RUBBER BRACKET ECU | 1 |
| 22 | 61041080000 | AMBIENT-AIR TEMPERATURE SENSOR | 1 |
| 23 | 0025050166 | HH COLLAR SCREW M5X16 TX30 | 2 |
| 24 | 61041088000 | ROLLOVER SENSOR 05 | 1 |
| 25 | 0025060206 | HH COLLAR SCREW M6X20 TX30 | 2 |
| 27 | 77111014050 | PROTECTION CAP TPS | 1 |
| 28 | 77507017000 | CLAMP ABA 14MM | 1 |

137744110

C137814110

* NEW PART X ON DEMAND

A large, empty rectangular box with a thin black border, occupying the majority of the page. It is intended for handwritten notes.

WWW.KTM.COM



KTM Sportmotorcycle GmbH
5230 Mattighofen, Austria
www.ktm.com



KTM_POWERPARTS

KTM_POWERWEAR

KTM_ORIGINAL SPARE PARTS



3CM0895500EN

Art. Nr.: 3CM0895500EN 12. Aug 2015