

500 EXC-F 2026 EU 2026

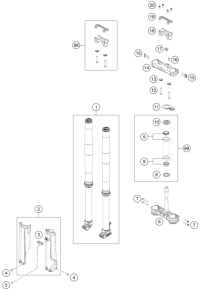
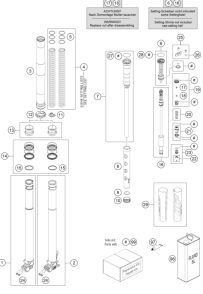
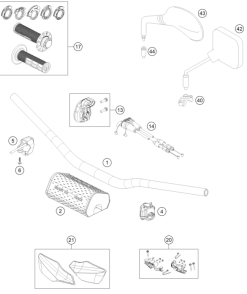
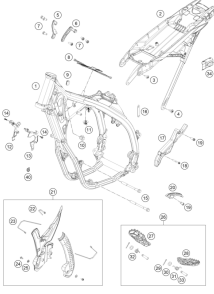
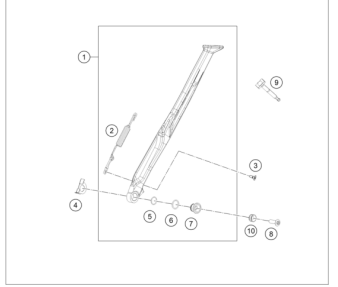

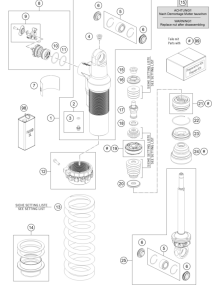
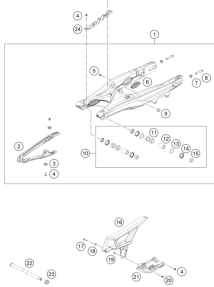
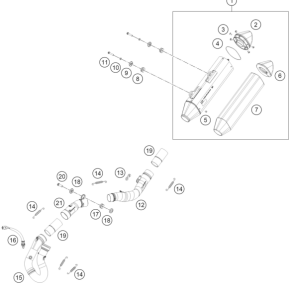
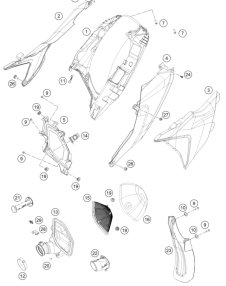
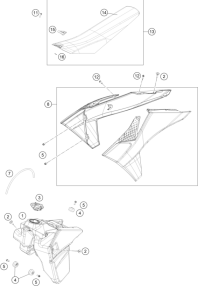
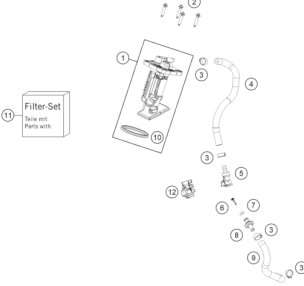
ART.-NR.: F8503Z9EN



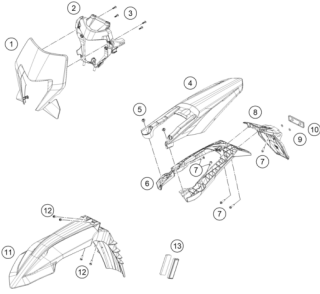


All information contained is without obligation. KTM Sportmotorcycle GmbH particularly reserves the right to modify any equipment, technical specifications, prices, colors, shapes, materials, services, service work, constructions, equipment and the like so as to adapt them to local conditions or to cancel any of the above items, all without previous announcement and without giving reasons. KTM may stop manufacturing certain models without previous notice. KTM shall not be held liable for any deviations of availability and/or ability to deliver, illustrations, descriptions, printing and/or other errors. The illustrated models partly contain extra equipment, which is not applied to standard models.

© by KTM Sportmotorcycle GmbH, Mattighofen AUSTRIA; All rights reserved; Reprint, also in extracts, with written allowance of KTM Sportmotorcycle GmbH, Mattighofen only.


| | | | |
|--|---|--|--|
| <p>FRONT FORK, TRIPLE CLAMP</p>  <p>4</p> | <p>FRONT FORK DISASSEMBLED</p>  <p>5</p> | <p>HANDLEBAR, CONTROLS</p>  <p>7</p> | <p>FRAME</p>  <p>8</p> |
| <p>SIDE / CENTER STAND</p>  <p>9</p> | <p>SHOCK ABSORBER</p>  <p>10</p> | <p>SHOCK ABSORBER DISASSEMBLED</p>  <p>11</p> | <p>SWING ARM</p>  <p>12</p> |
| <p>EXHAUST SYSTEM</p>  <p>13</p> | <p>AIR FILTER</p>  <p>14</p> | <p>TANK, SEAT</p>  <p>15</p> | <p>FUEL PUMP</p>  <p>16</p> |

MASK, FENDERS



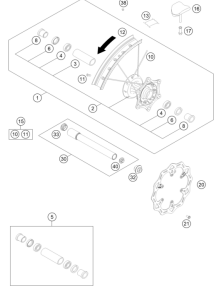
17

DECAL



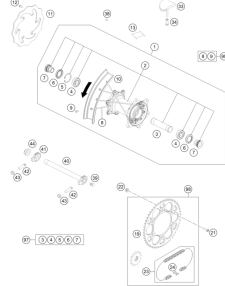
18

FRONT WHEEL




19

REAR WHEEL



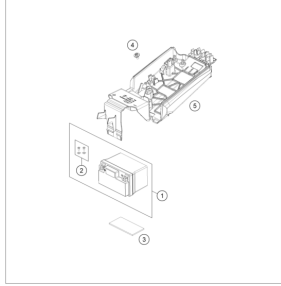
20

WIRING HARNESS



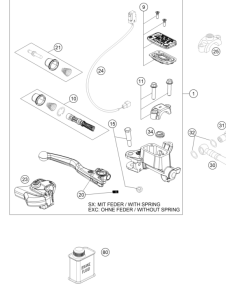
21

BATTERY



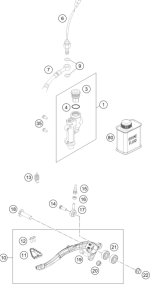
22

FRONT BRAKE CONTROL



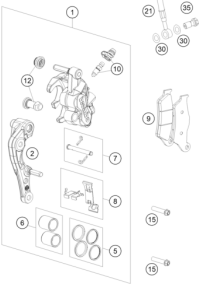
23

REAR BRAKE CONTROL



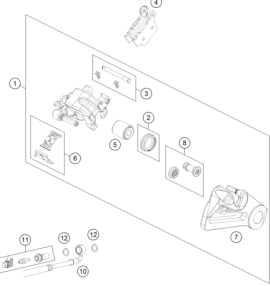
24

FRONT BRAKE CALIPER



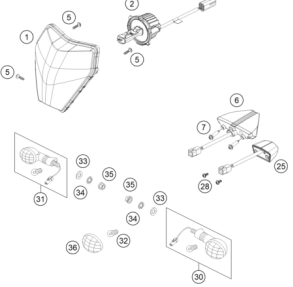
25

REAR BRAKE CALIPER



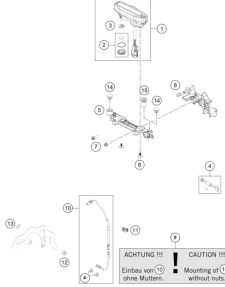
26

LIGHTING SYSTEM

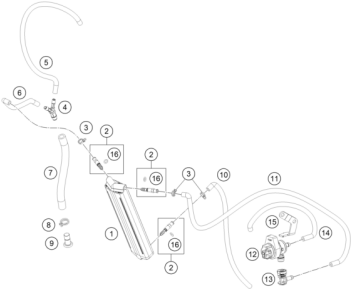
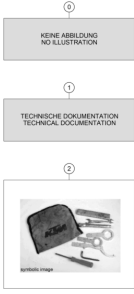
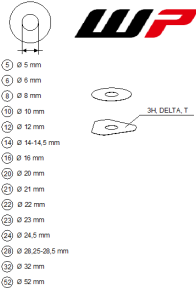


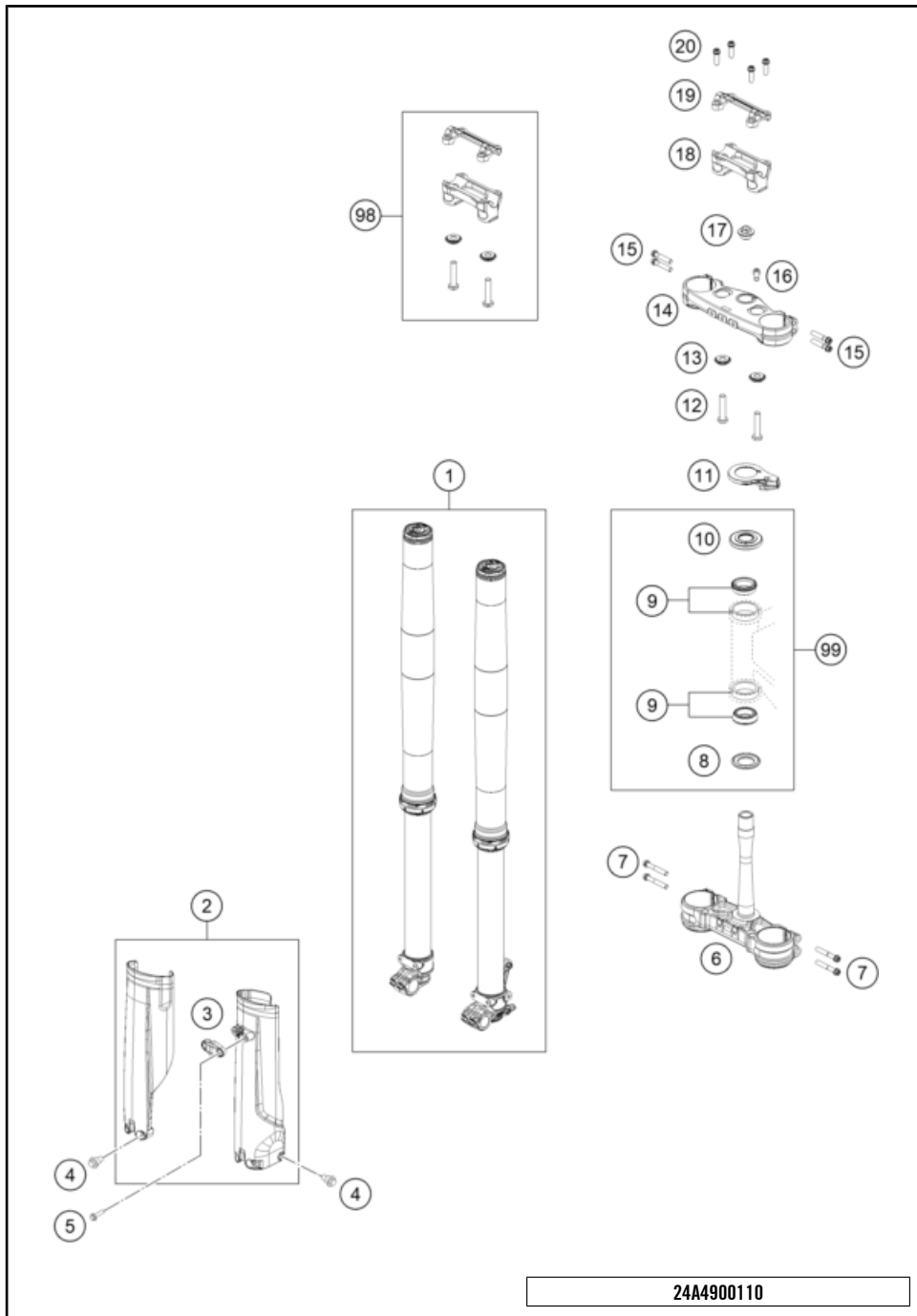
27

INSTRUMENTS / LOCK SYSTEM



28

| | | | |
|--|--|--|--|
| <p>EVAPORATIVE CANISTER</p>  <p style="text-align: right;">29</p> | <p>ACCESSORY PACK</p>  <p style="text-align: right;">30</p> | <p>WP SHIMS FOR SETTING</p>  <p style="text-align: right;">32</p> | |
| | | | |
| | | | |



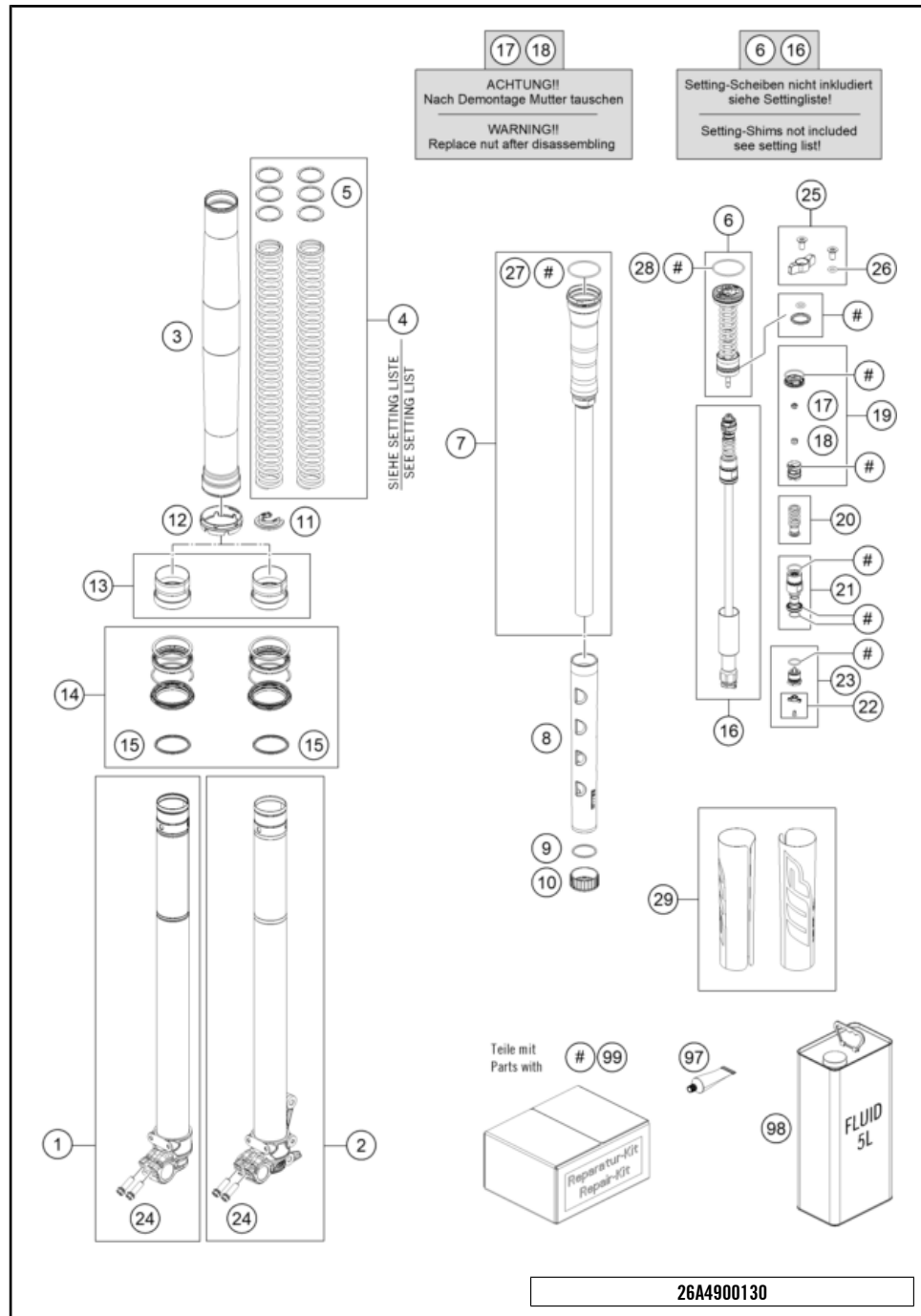
| POS | PARTNUMBER | | PIECE |
|-----|-----------------|--|-------|
| 1 | SPNO | Non orderable part A490C169Z402000 | 1 |
| 2 | A46001094000EBN | fork protector kit Enduro 26 with decal | 1 |
| 3 | 77701085100EB | Clamp for brake line | 1 |
| 4 | 59001092050 | SPECIAL SCREW M6X12,5 WS=8 | 6 |
| 5 | 0017060206 | SCREW F. PLASTIC K60X20AL SW6 | 2 |
| 6 | A49001032022 | Bottom triple clamp X=22mm | 1 |
| 7 | 0025080506 | HH collar screw M8x50 TX40 | 4 |
| 8 | 77701084000 | O-RING SUPPORT W. SEALING LIP | 1 |
| 9 | 54201081100 | TAPERED ROLLER BEARING CPL. 06 | 2 |
| 10 | A46001086000 | Steering head seal | 1 |
| 11 | A49002065000 | Steering lock | 1 |
| 12 | 0035100509S | AH collar screw M10x50 ISA45 | 2 |
| 13 | A46001038010 | Rigid handlebar clamp bushing | 2 |
| 14 | A49001034022 | upper triple clamp | 1 |
| 15 | 0025080406 | HH COLLAR SCREW M8X40 TX40 | 4 |
| 16 | 0015080256S | HH COLLAR SCREW M8X25 WS=10 | 1 |
| 17 | A46009082000 | Collar screw M20x1.5 SW17 Al | 1 |
| 18 | A48001139041 | Handlebar mount D28 mm-H41 mm | 1 |
| 19 | 79001038000 | Handlebar clamp 28MM | 1 |
| 20 | 0025080256 | HH collar screw M8x25 | 4 |
| 98 | A49001039010 | Handlebar mount kit d28mm-h41mm | x |
| 99 | A46001081044 | Repair Kit steering head bearing | x |

24A4900110

81138

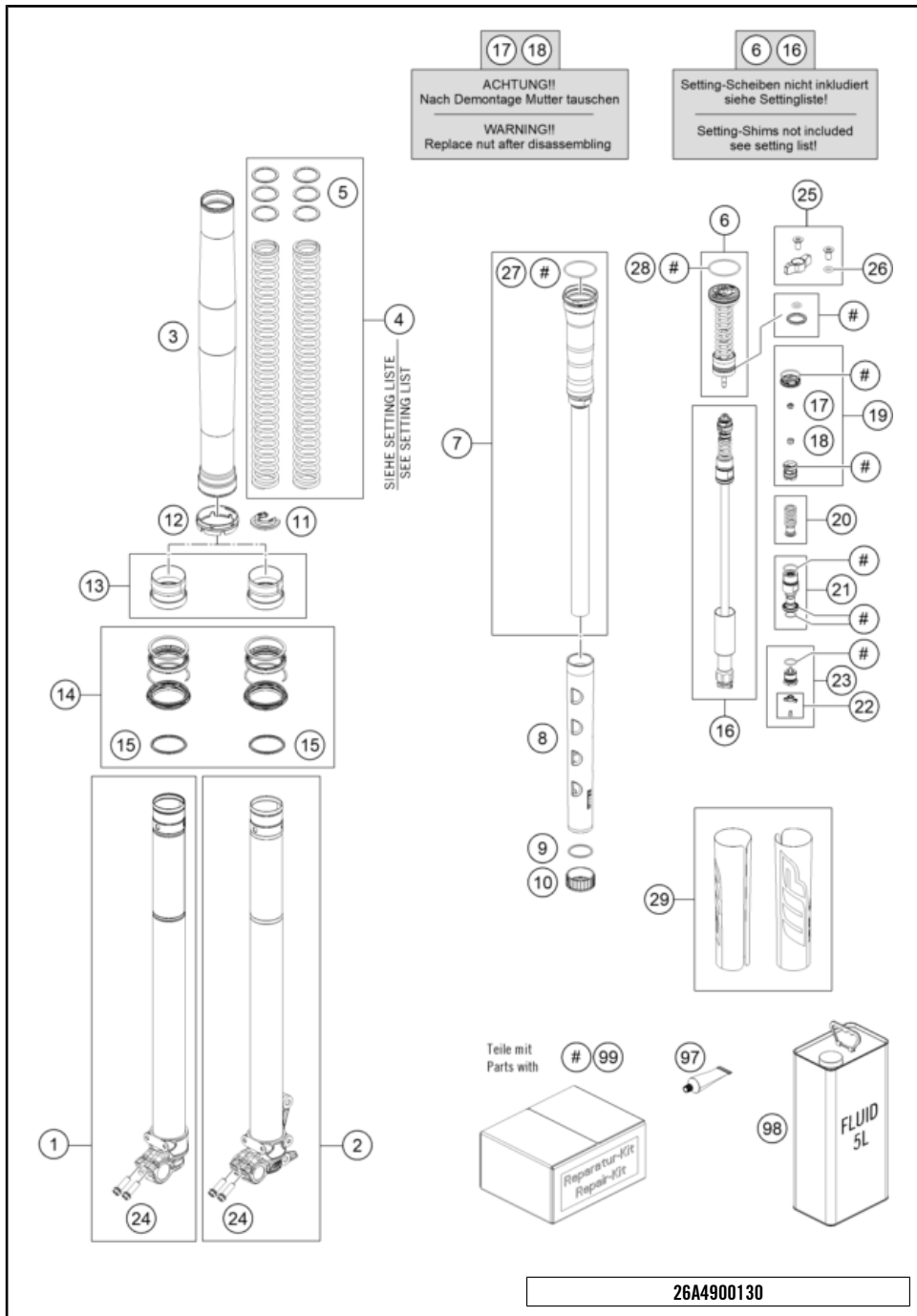
* NEW PART

X ON DEMAND



| POS | PARTNUMBER | PIECE |
|-----|-----------------|--|
| 1 | 48602046S2 | Axle clamp ri. with inner tube cpl. 1 |
| 2 | 48602045S2 | Axle clamp le. with inner tube cpl. 1 |
| 3 | 48602096 | fork outer tube 49.13x577 dt54 db60 2 |
| 4 | S809900042S0000 | Hauptfeder (43.8) 4.0-450 Gabel kpl. x |
| 4 | S809900043S0000 | Hauptfeder (43.8) 4.2-450 Gabel kpl. x |
| 4 | S809900044S0000 | Hauptfeder (43.8) 4.4-450 Gabel kpl. x |
| 4 | S809900045S0000 | Hauptfeder (43.8) 4.6-450 Gabel kpl. x |
| 4 | S809900046S0000 | main spring (43.8) 4.8-450 fork cpl. x |
| 4 | S809900047S0000 | main spring (43.8) 5.0-450 fork cpl. x |
| 4 | S809900048S0000 | main spring (43.8) 5.2-450 fork cpl. x |
| 5 | 48600456 | Washer 35x43x2,5 plastic x |
| 5 | 48600457 | Preload bush 35x43x3,5 x |
| 5 | 48600458 | Washer 35x43x1,5 plastic x |
| 6 | S043400000S0400 | Druckstufe kpl. 2 |
| 7 | S418900062S0100 | Druckbehälter M38x0,5 kpl. 2 |
| 8 | S82890002000000 | Federnspacer L=297mm 2 |
| 9 | 48600752 | Washer 33,5x38x1,5 2 |
| 10 | S82890000200000 | Spring seat 33.5x44.5x18.5 2 |
| 11 | S82890000100000 | Spring seat D44 clip 2 |
| 12 | S639200001000FA | Fork protection ring 59,8mm 2 |
| 13 | R14047T | Guide bushing set fork 48mm 1 |
| 14 | RP10048T | Seal kit 48mm SKF black 1 |
| 15 | 48602007 | Stroke indicator 48mm red 2 |
| 16 | S501200042S0000 | Kolbenstange 12,0x397,5 kpl. 2 |
| 17 | 48602128 | Nut M6 h5,4 SW10 2 |
| 18 | 40540486 | Nut M6x0,5 h6,5 WAF10 rebound 2 |
| 19 | RP10054T | Repair kit piston CC spring fork x |
| 20 | 48600578S | Spring (13,9) 37-32 rebound cpl. 2 |
| 21 | S408800002S0000 | Screw cap M24.5x1 cpl. 2 |
| 22 | RP10033T | Repair kit adjuster rebound red x |
| 23 | 48602052S | adjuster housing M20x1 cpl. 2 |
| 24 | 0025080256 | HH collar screw M8x25 4 |
| 25 | RP10029T | adjuster kit screw cap compression 2 |
| 26 | 50180222 | O-ring 4x1,5 NBR70 2 |
| 27 | 48600048 | O-ring 46x2 NBR70 siliconized yellow 2 |
| 28 | 40140024 | O-ring 43x2 NBR70 siliconized yellow 2 |
| 29 | 52000318SET | Sticker set, XACT CC 238x182.5 1 |
| 97 | T14034 | Fuchs grease IPR (250g) 1 |

79280 * NEW PART X ON DEMAND

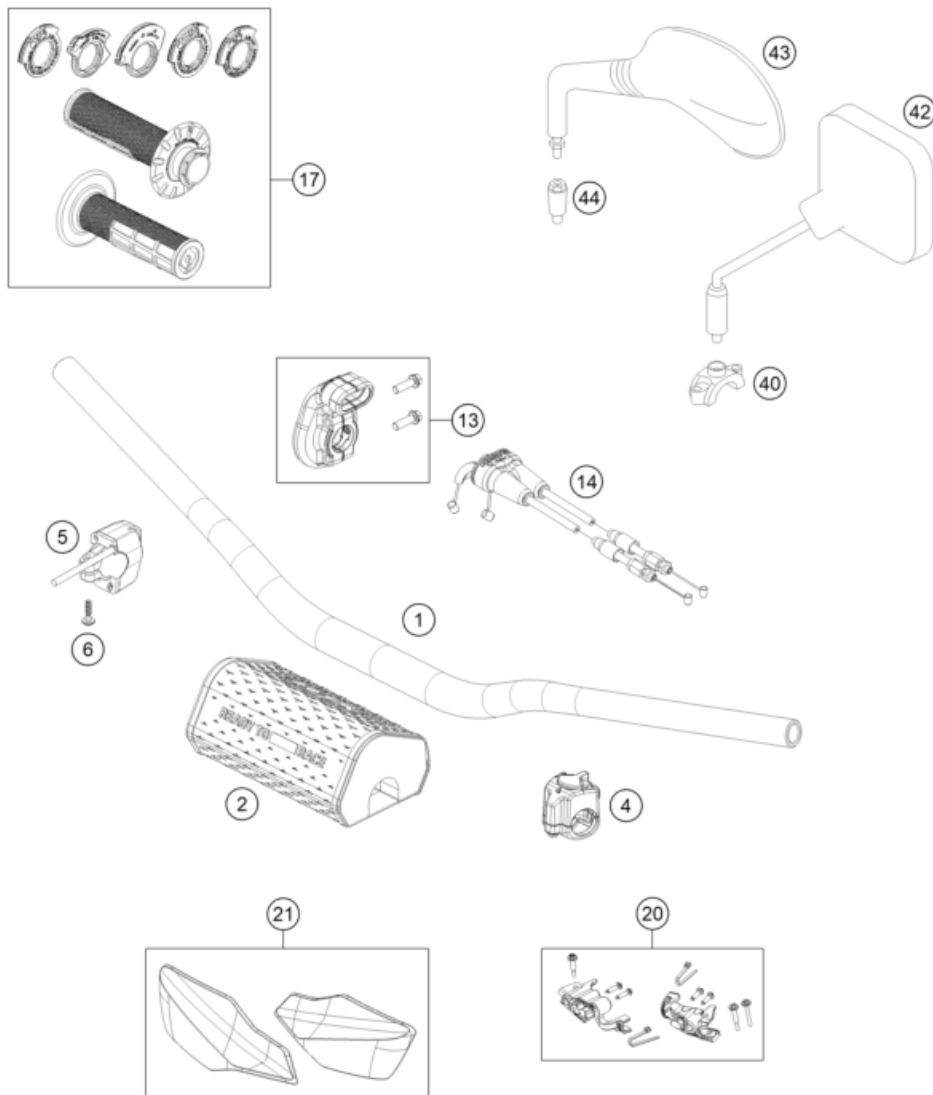


| POS | PARTNUMBER | | PIECE |
|-----|------------|-----------------------------|-------|
| 98 | 48601166S1 | Fork Fluid Viscosity 4.0 5L | 1 |
| 99 | RP10055T | Seal kit CC spring fork | x |

79280

* NEW PART

X ON DEMAND

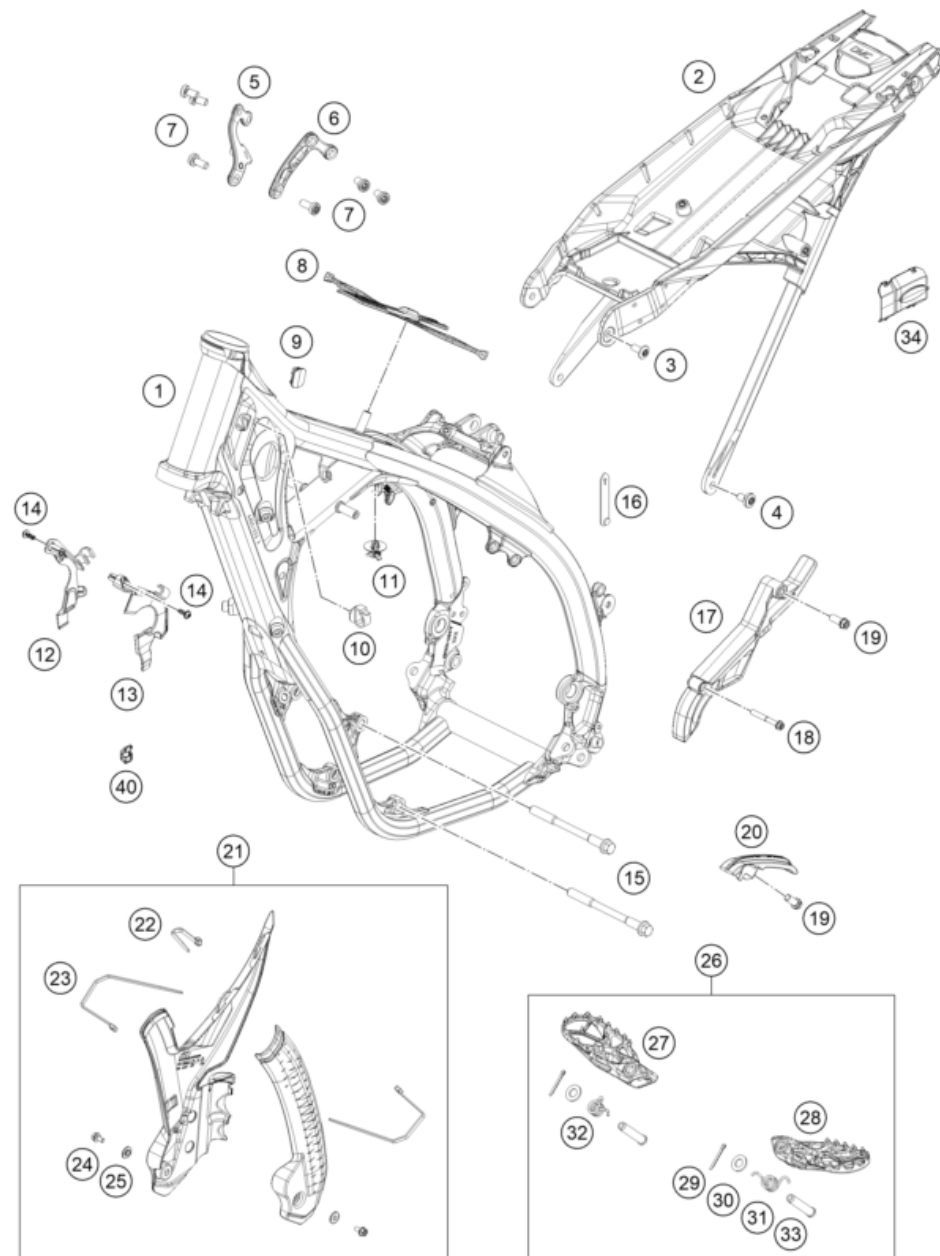


| POS | PARTNUMBER | | PIECE |
|-----|-----------------|---|-------|
| 1 | 7900200100030 | Handlebar D=28MM | 1 |
| 2 | A46002002044C1A | Handlebar pad compl. | 1 |
| 4 | A49011070000 | Light switch | 1 |
| 5 | A49011074000 | Start button/kill switch | 1 |
| 6 | 0081050181 | SCREW FOR PLASTIC K50X18 T20 | 1 |
| 13 | A46002010025 | Housing throttle twist grip cpl. | 1 |
| 14 | A46002091000 | Throttle cable complete 4 stroke | 1 |
| 17 | A46002921000C1 | Grip set black | 1 |
| 20 | 79602084144 | Mounting kit, handguard, right and left | 1 |
| 21 | A49002082044EB | Handguard compl. | 1 |
| 40 | 58012040150 | Clamp for mirror | 2 |
| 42 | 58012040000 | Rear view mirror left | 1 |
| 42 | 58012140000 | Rear view mirror right | 1 |
| 43 | 58412040000 | MIRROR L/S 98 | x |
| 43 | 58412041000 | MIRROR R/S 98 | x |
| 44 | 58412040050 | SUPPORT FOR MIRROR LC4 '98 | x |

24A4900210

63828

* NEW PART X ON DEMAND

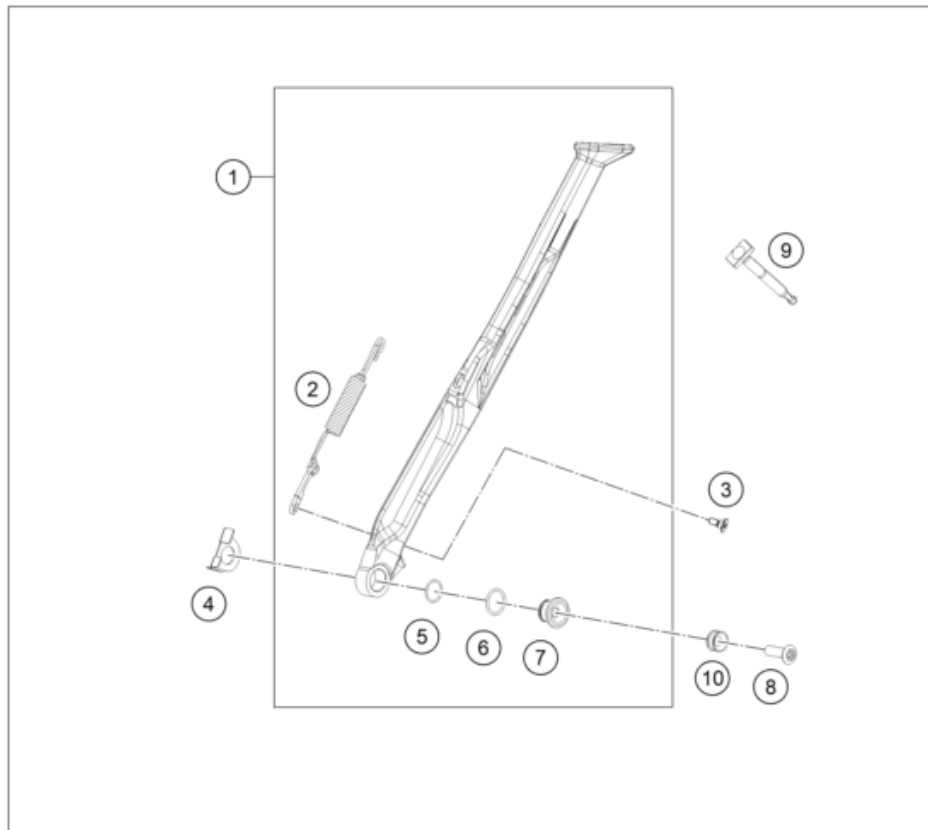


| POS | PARTNUMBER | | PIECE |
|-----|----------------|--|-------|
| 1 | A49003001000C1 | Frame | 1 |
| 2 | A46003002000 | Subframe | 1 |
| 3 | 79003003000 | Special screw M8X18 TORX45 SL | 2 |
| 4 | 09000008016U0 | Special screw M8x16 ISA45 self-locking | 2 |
| 5 | A49003014000 | Engine brace right | 1 |
| 6 | A49003013000 | Engine brace left | 1 |
| 7 | 0035080206S | SHCS M8x20 TX45 | 6 |
| 8 | A46007012100 | Fuel tank rubber | 1 |
| 9 | 79111013010 | Cover control head sheet | 2 |
| 10 | 58111076000 | CABLE SUPPORT KHS NR.150-47610 | 1 |
| 11 | 79711013010 | Cable bracket d8 | 1 |
| 12 | A46003099020 | Cable bracket/throttle cable guide | 1 |
| 13 | A46003099010 | Cable bracket | 1 |
| 14 | 0081050141 | EJOT PT screw K50x14 | 2 |
| 15 | 59003013000 | Enginebrac. screw M10X123 WS=13 | 2 |
| 16 | 60011093075 | Rubber cable tie 75MM 03 | 1 |
| 17 | A46003096000 | Front sprocket cover | 1 |
| 18 | 0025060456 | HH COLLAR SCREW M6X45 TX30 | 1 |
| 19 | 0025080206 | HH collar screw M8x20 | 2 |
| 20 | A46003053000 | Chain slider below | 1 |
| 21 | A46003094000C1 | Frame protection set | 1 |
| 22 | 44011176140 | cable tie 140/ 3,5 mm Schwarz | x |
| 23 | 44011076200 | Cable tie 200/4.6mm black | x |
| 24 | 0025050106 | HH collar screw M5x10 TX30 | 2 |
| 25 | 54803092060 | Bush f. frame protection 03 | 2 |
| 26 | A46003137033 | Footpeg set | 1 |
| 27 | A46003141000 | Footpeg right | 1 |
| 28 | A46003140000 | Footpeg left | 1 |
| 29 | 0094032253 | PIN DIN0094-3,2X25 STEEL | 2 |
| 30 | 0125100003 | washer DIN 125 A 10.5 | 2 |
| 31 | A46003044000 | Footrest spring left | 1 |
| 32 | A46003045000 | Footrest spring right | 1 |
| 33 | 54803044000 | PIN FOR FOOT PED 51.5X9.8 MM | 2 |
| 34 | A49003002050 | Intake air cover | 1 |
| 40 | A49003099030 | Cable protection | 2 |

24A4900311

70770

* NEW PART X ON DEMAND



| POS | PARTNUMBER | | PIECE |
|-----|--------------|--------------------------------|-------|
| 1 | A46003023044 | Side stand cmpl. | 1 |
| 2 | A46003024000 | Side stand spring | 1 |
| 3 | 69013099050 | Screw for expansion tank | 1 |
| 4 | A46003023050 | Side stand stopper sheet | 1 |
| 5 | 0770125015 | O-RING 12,5X1,5 NBR | 1 |
| 6 | 0770180020 | o-ring 18.00x2.00 NBR70 | 1 |
| 7 | 78003023080 | SIDE STAND BUSHING EXC USA 08 | 1 |
| 8 | 0019080306S | COUNTER-SUNK SCREW ISA45 M8X30 | 1 |
| 9 | A46003025000 | Side stand, rubber strap | 1 |
| 10 | 78003023081 | Side stand bushing | 1 |

24A4900360

63830

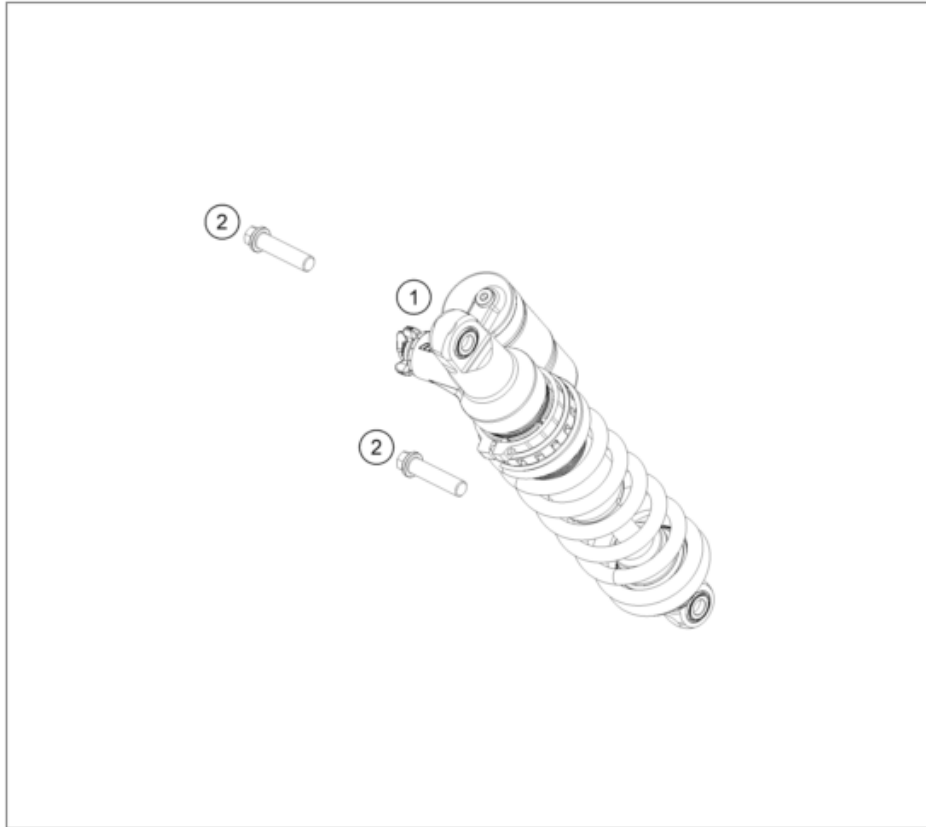
* NEW PART

X ON DEMAND

SHOCK ABSORBER

500 EXC-F 2026 EU 2026

| POS | PARTNUMBER | | PIECE |
|-----|-------------|---------------------------------------|-------|
| 1 | SPNO | Non orderable part A490C467Z305000 | 1 |
| 2 | 0025120506S | HH COLLAR SCREW M12X50 TX45 | 2 |

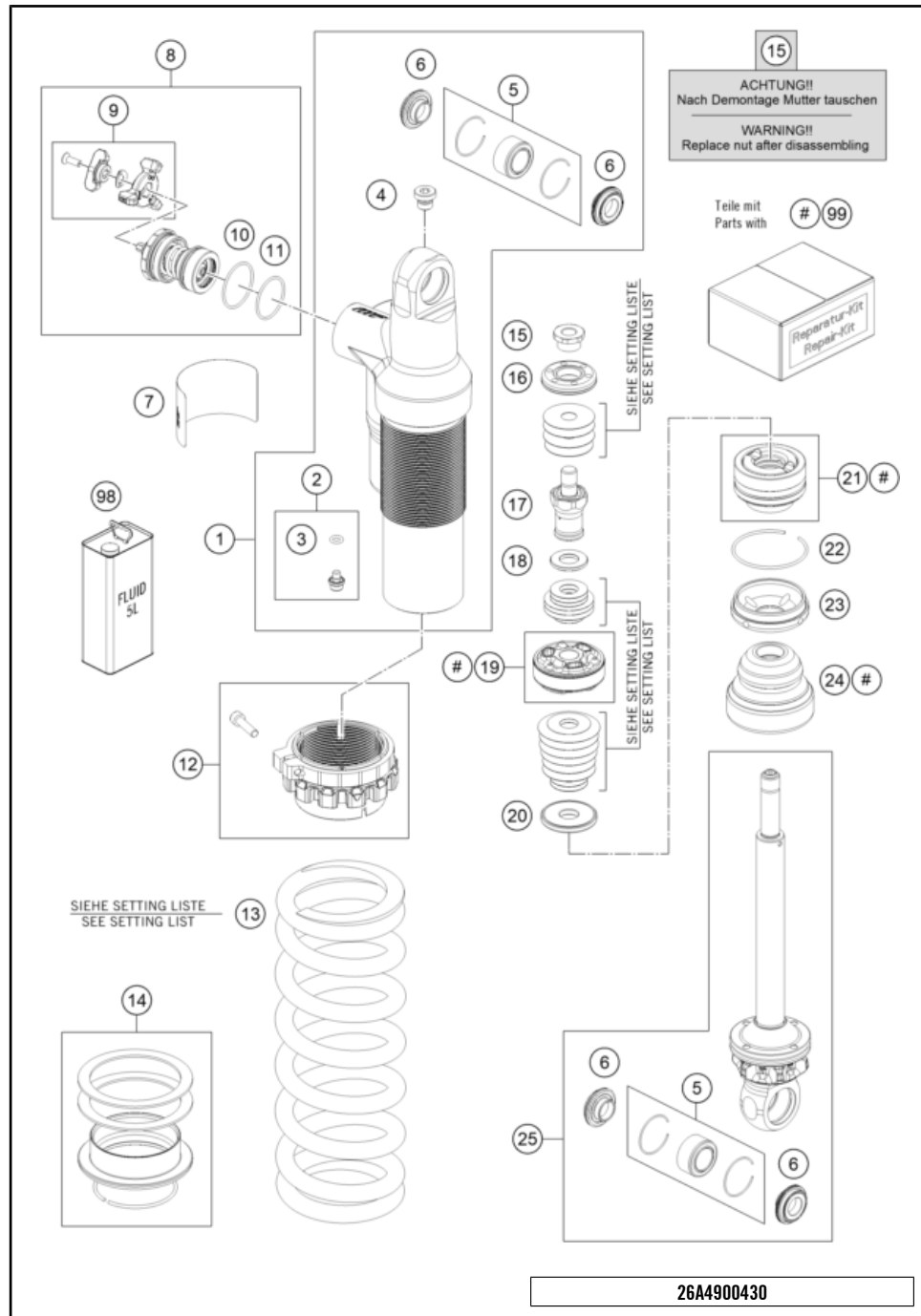


24A4900410

81127

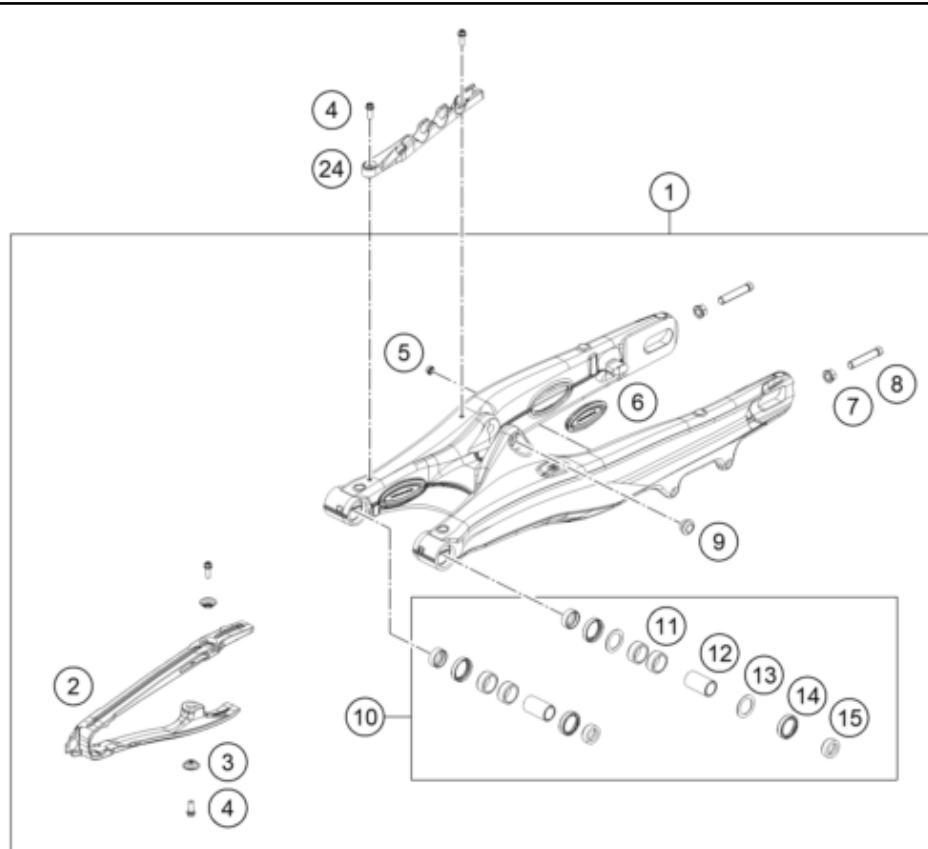
* NEW PART

X ON DEMAND



| POS | PARTNUMBER | PIECE |
|-----|-----------------|---|
| 1 | S454600000S0000 | Shock absorber case cpl. 1 |
| 2 | 36120151ST | PLUG SCREW M5X6 CPL. 1 |
| 3 | S208600003000FB | O-ring 5,28x1,78 HNBR70 red 1 |
| 4 | 50180095 | HS cylinder-head screw R1/8 I8 1 |
| 5 | RP10051T | Ball bearing kit x |
| 6 | 46181193 | PIVOTSEAL Ø12X25,1 PDS 4 |
| 7 | 52000233 | Sticker XPLOR PDS 90x40 1 |
| 8 | S012900007S0600 | Compression cpl 1 |
| 9 | RP10044T | Repair kit adjuster DCC 2023 x |
| 10 | 50180217 | O-ring 27x1,5 Viton70 green ISO 3601-3S 1 |
| 11 | 50180218 | O-ring 25x1,5 Viton70 1 |
| 12 | S938100027S0000 | Adjustment nut pds-shock plastik kpl 1 |
| 13 | 91010336 | SHOCK SPRING L= 225 63 N/MM WHITE x |
| 13 | 91010337 | Mainspring (59/61) 66-225 damper white x |
| 13 | 91010338S | SPRING 225MM 69 N/MM x |
| 13 | 91010339 | Mainspring (59/61) 72-225 damper white x |
| 13 | 91010363 | Mainspring (59/61) 75-225 damper white x |
| 13 | 91010364 | Mainspring (59/61) 78-225 damper white x |
| 14 | RP10052T | Spring plate repair kit x |
| 15 | 46181656 | nut M10x1 h10,5 SW19 1 |
| 16 | 46181416 | Piston 15,4x35,4x6 1 |
| 17 | S71100000500000 | Compression holder 10x48 1 |
| 18 | 46811258 | Washer 12x24x2,5 1 |
| 19 | S624600000S0000 | Piston d46 cpl. 1 |
| 20 | 46181194 | Rebound disc 12x36x4 h0 1 |
| 21 | S614620000S0100 | Seal support 46x28 cpl. 1 |
| 22 | S23902000000000 | round-wire snap ring 49x1,75 1 |
| 23 | S409000004000FA | Cover 46.12x6.2 h14.2 1 |
| 24 | S921800000000C1 | Rubber pad 18x56x46 black 1 |
| 25 | S421800001S0100 | Piston rod cpl. 1 |
| 98 | 50180751S1 | Shock absorber fluid 5 LT x |
| 99 | RP10053T | Repair kit shock absorber x |

* NEW PART X ON DEMAND



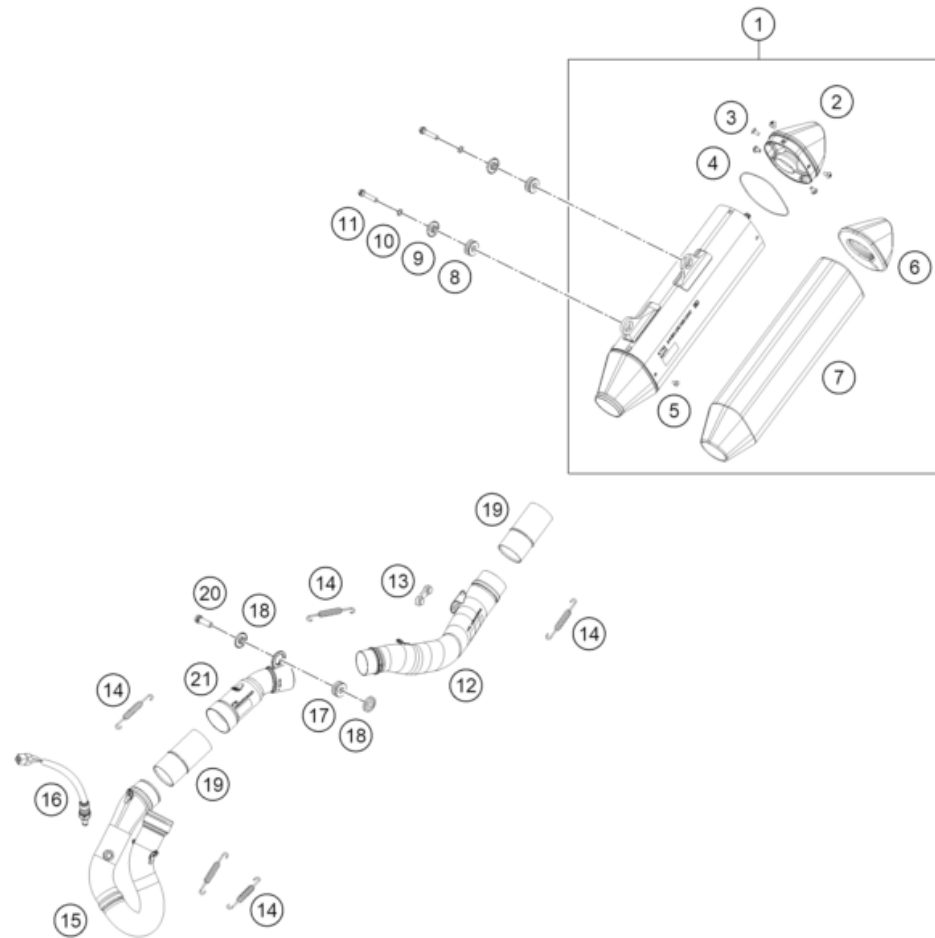
| POS | PARTNUMBER | | PIECE |
|-----|----------------|------------------------------------|-------|
| 1 | A49004230144 | Swingarm cmpl. Enduro 2025 | 1 |
| 2 | A46004066100 | Chain slider | 1 |
| 3 | 77304066150 | Chain slider bushing | 2 |
| 4 | 0025060166S | HH collar screw M6x16 TX30 SL | 5 |
| 5 | 54603055051 | Press in nut M6 STEEL ZINC | 1 |
| 6 | A46004041000 | Locking cap swingarm | 4 |
| 7 | 58414030000 | HH COLLAR NUT M10X1,25 WS=13 | 2 |
| 8 | 50304040100 | Screw M10x1.25x50 WS10 | 2 |
| 9 | 50180105 | Threaded bush M12 d20 | 1 |
| 10 | 79004030110 | Repair kit swingarm bearing | 1 |
| 11 | 0618222812 | Needle bushing HK2212V 22/28/12 MB | 4 |
| 12 | 59404032000 | Bearing sleeve 17x22x38.7 03 | 2 |
| 13 | 54603036000 | Stop disk 22,2X31,7X1 | 2 |
| 14 | 0760253270 | Radial shaft seal 25x32x7 | 4 |
| 15 | 77704034000 | Support f. shaft seal ring 16 | 4 |
| 16 | A49004060000 | Chainguard | 1 |
| 17 | 0017060205 | Screw for plastic K60X20 SW6 | 1 |
| 18 | 0021060003 | Washer DIN9021-A 6.4 | 1 |
| 19 | 56509064100 | Self locking nut M6 - 10 | 1 |
| 20 | 0025060506 | HH collar screw M6x50 TX30 | 1 |
| 21 | A49004070100C1 | Chain guide EXC | 1 |
| 22 | A46004037000 | Swingarm pivot | 1 |
| 23 | 54804038000 | Nut with flange M16X1,5 WS=19 03 | 1 |
| 24 | A46004042000 | Brake line guide | 1 |

25A4900490

70707

* NEW PART

X ON DEMAND



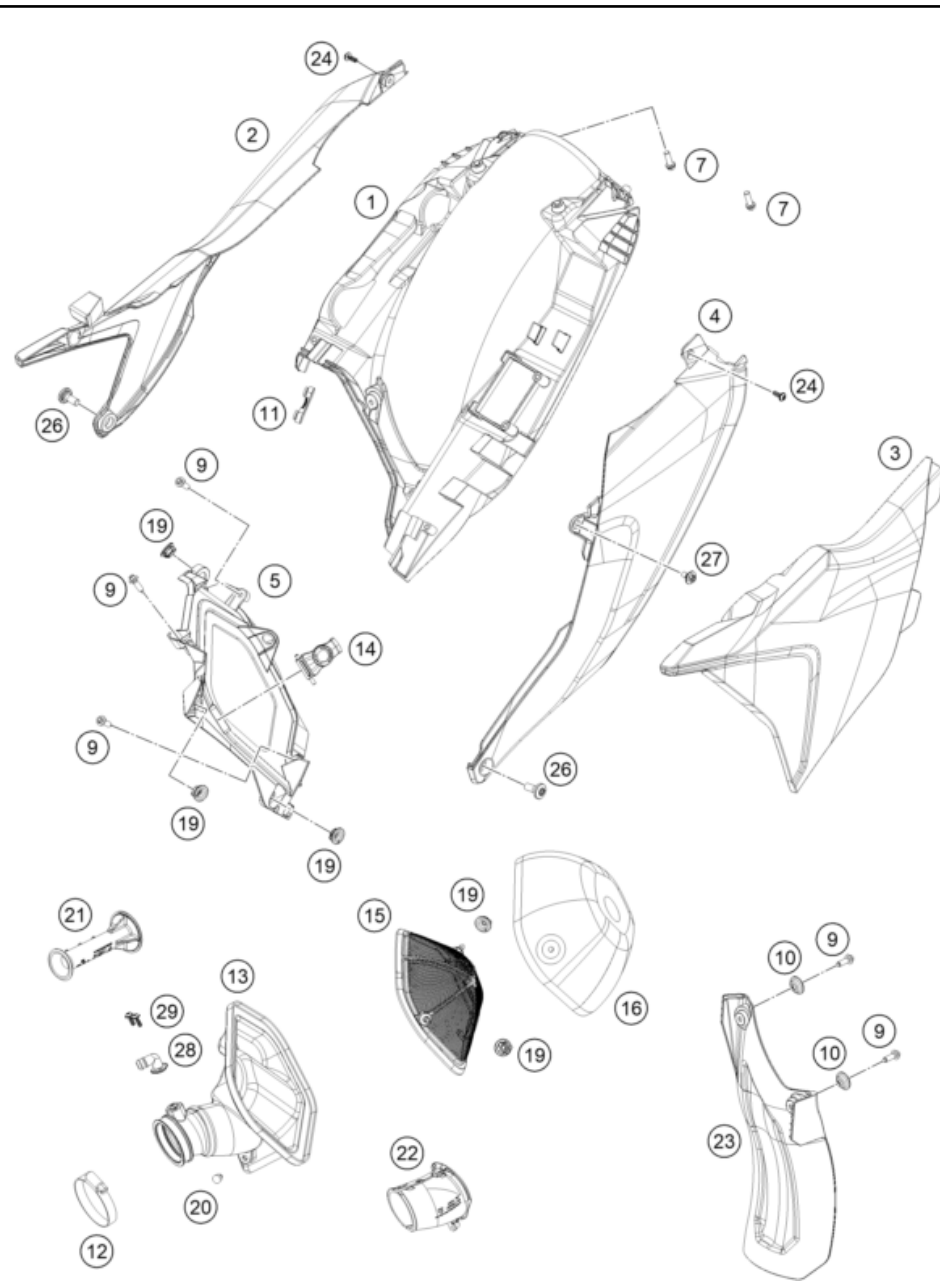
| POS | PARTNUMBER | | PIECE |
|-----|--------------|----------------------------------|-------|
| 1 | A49005081000 | silencer | 1 |
| 2 | 79105081160 | Endcap cpl. | 1 |
| 3 | 78105081010 | SCREW TORX M5X10 | 5 |
| 4 | 0770800021 | O-RING 80,00X2,00 VITON | 1 |
| 5 | 0011480800 | DUMMY RIVET 4,8X 8 NIRO | 5 |
| 6 | A46005078080 | Rockwool preformed | 1 |
| 7 | 79105081085 | insulating material formed part | 1 |
| 8 | 77205068000 | Damp. compon. black | 2 |
| 9 | 77205169000 | Bushing 7.5x12x28x8.3 11 | 2 |
| 10 | 50233041000 | Pair of washers M6 NORDLOCK | 2 |
| 11 | 0025060306 | HH collar screw M6x30 TX30 | 2 |
| 12 | A49005010000 | exhaust manifold rear | 1 |
| 13 | 79105098000 | exhaust spacer | 1 |
| 14 | A46005016000 | Tension spring L=62mm | 5 |
| 15 | A49005109000 | Manifold front EXC/FE 500 | 1 |
| 16 | 75041090200 | LAMBDA SENSOR | 1 |
| 17 | 79105068000 | Damper gray | 1 |
| 18 | 77805069000 | Bushing 8.5x12x28x8.3 | 2 |
| 19 | A49005191000 | Catalytic converter | 2 |
| 20 | 0025080206 | HH collar screw M8x20 | 1 |
| 21 | A48005006000 | Manifold Middle EXC / FE 450/500 | 1 |

26A4900511

81147

* NEW PART

X ON DEMAND



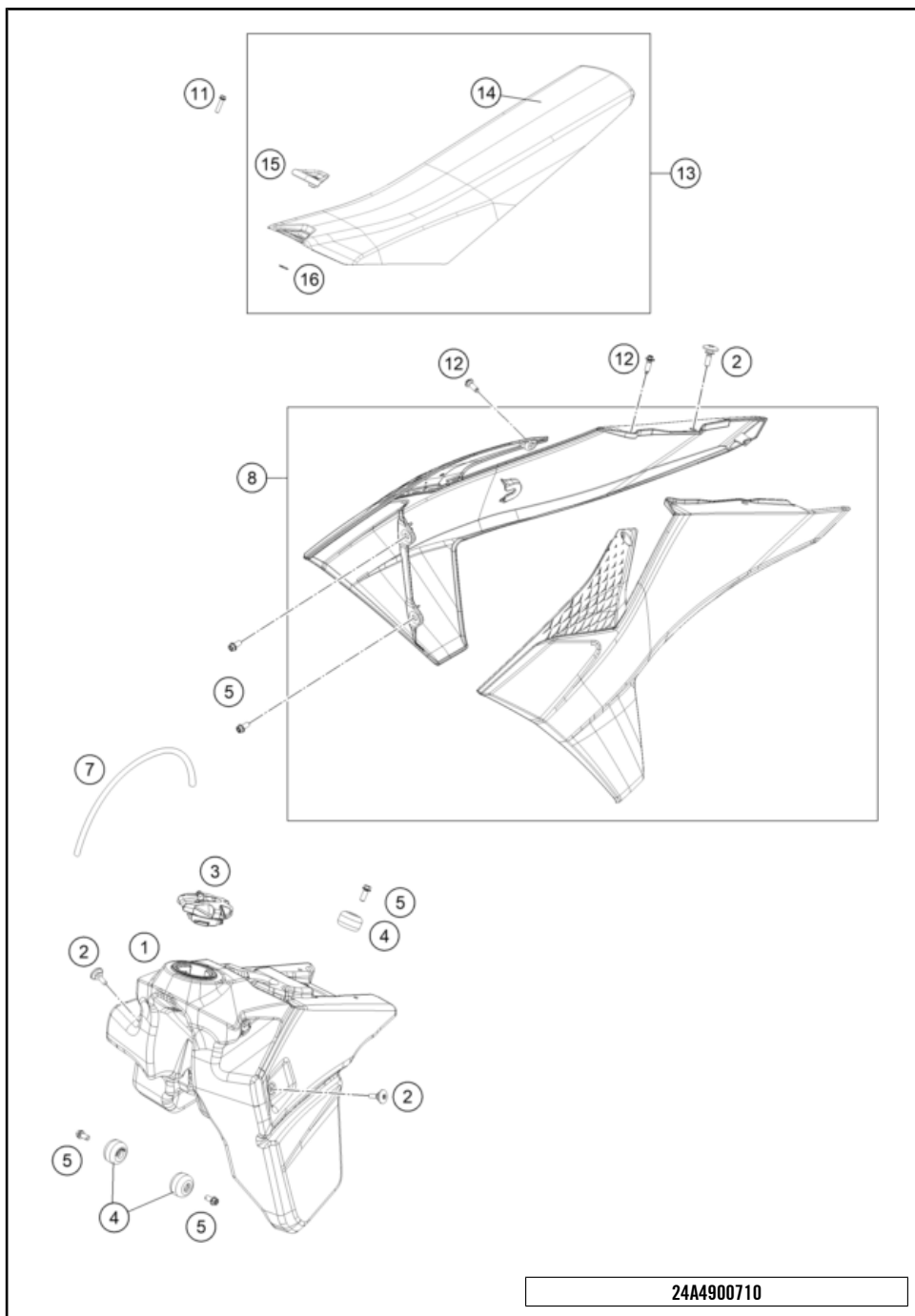
24A4900612

| POS | PARTNUMBER | | PIECE |
|-----|----------------|--------------------------------|-------|
| 1 | A46006101000EB | Air filter box, bottom part XC | 1 |
| 2 | A46006004000EB | Air filter panel | 1 |
| 3 | A46006003000EB | Air filter cover | 1 |
| 4 | A46006005000EB | Side fairing | 1 |
| 5 | A46006001010EB | Air filter box front part | 1 |
| 7 | 0025060206 | HH collar screw M6x20 TX30 | 2 |
| 9 | 0017060206 | SCREW F. PLASTIC K60X20AL SW6 | 5 |
| 10 | 77304066150 | Chain slider bushing | 2 |
| 11 | 79105098000 | exhaust spacer | 1 |
| 12 | 78006027000 | HOSE CLAMP 45-65MM | 1 |
| 13 | A49006026000 | Air boot | 1 |
| 14 | A46006017000 | Air filter holding bracket | 1 |
| 15 | A46006016000 | Air filter support | 1 |
| 16 | A46006015000 | Air filter | 1 |
| 19 | 47106003160 | quick release rubber grommet | 5 |
| 20 | 54403135000 | Plastic cap SFL10 | 1 |
| 21 | A49006012150 | Air restrictor | 1 |
| 22 | A49006040044 | Intake snorkel cmpl. | 1 |
| 23 | A46004050000 | Splash protection | 1 |
| 24 | 0081050141 | EJOT PT screw K50x14 | 2 |
| 26 | 79003003000 | Special screw M8X18 TORX45 SL | 2 |
| 27 | 83008000012 | special screw M6x12x3 | 1 |
| 28 | A49006026050 | Bleeder flange air filter box | 1 |
| 29 | 0081050121 | EJOT PT screw K50x12 | 2 |

70769

* NEW PART

X ON DEMAND



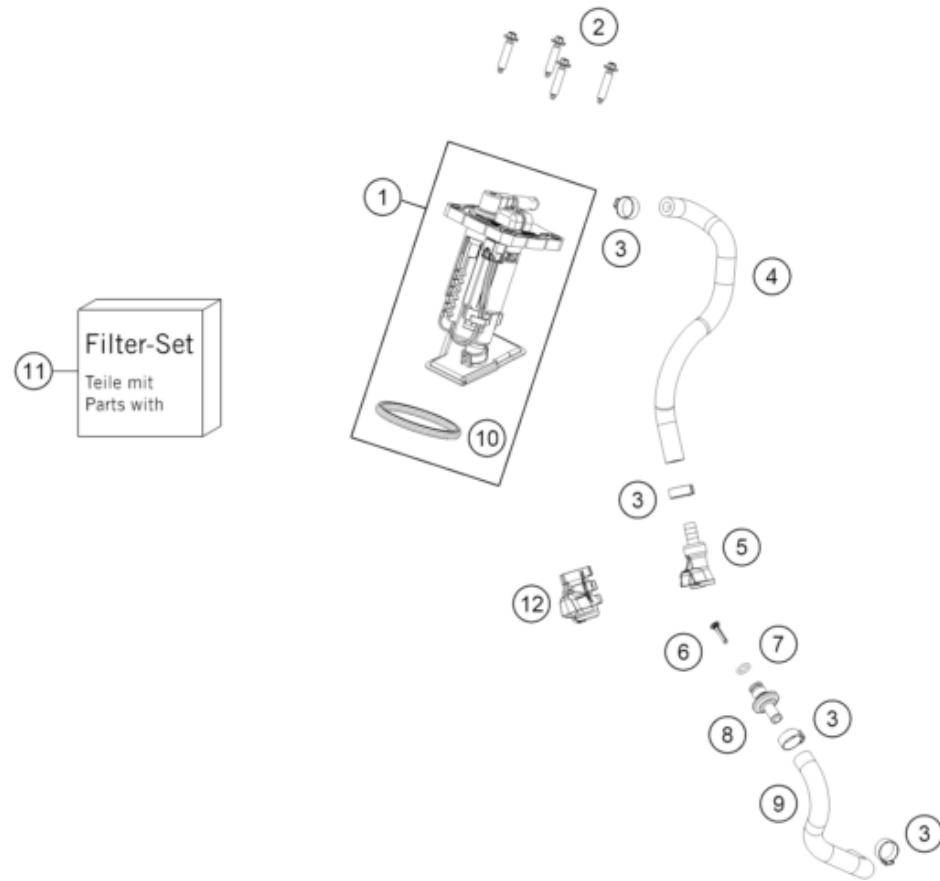
24A4900710

81108

* NEW PART

X ON DEMAND

| POS | PARTNUMBER | | PIECE |
|-----|-----------------|------------------------------------|-------|
| 1 | A49007013000 | Fuel tank | 1 |
| 2 | 79107011000 | Seat holder screw | 4 |
| 3 | 78107008044C1 | Fuel cap compl. 14 | 1 |
| 4 | A46007014000 | Fuel tank role | 3 |
| 5 | 0025060126 | HH collar screw M6x12 TX30 | 7 |
| 7 | 0600000600000 | Hose 5.5x9.5 NBR+PVC p. meter | 1 |
| 8 | A46008054100EBF | Spoilerset Enduro'26 with decal | 1 |
| 11 | 0025060306 | HH collar screw M6x30 TX30 | 1 |
| 12 | 0017060205 | Screw for plastic K60X20 SW6 | 4 |
| 13 | A46007040000C1 | Seat | 1 |
| 14 | A46007040050C1 | Seat cover | 1 |
| 15 | A46007046000 | Seat installation | 1 |
| 16 | 0004711200100 | Lock ring DIN471 12x1 | 1 |



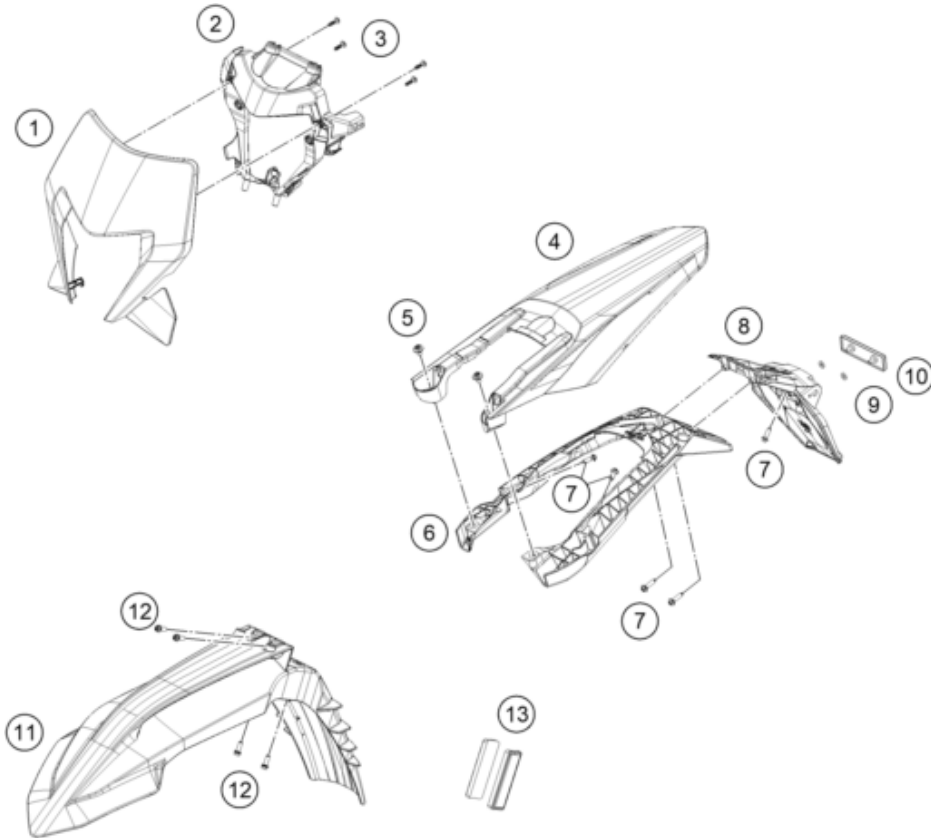
| POS | PARTNUMBER | | PIECE |
|-----|---------------|-------------------------------|-------|
| 1 | A49007088200 | Fuel pump | 1 |
| 2 | 0017060305 | Special screw K60X30 WS=6 | 4 |
| 3 | 00050157706 | Variable one-ear clamp 15.7mm | 4 |
| 4 | A46007016000 | Fuel hose tank | 1 |
| 5 | 5850701050030 | Clutch CPC PLCD17005, black | 1 |
| 6 | 78141013190 | Fuel filter | 1 |
| 7 | 58507012000 | O-ring VITON f. plug CPC 05 | 1 |
| 8 | 77707010000 | Fuel connection | 1 |
| 9 | A46007017000 | Fuel hose | 1 |
| 10 | A46007088050 | Fuel pump seal | 1 |
| 11 | A46007018044 | Fuel pump filter kit | 1 |
| 12 | A46007007000 | CPC protection cap | 1 |

26A4900730

81115

* NEW PART

X ON DEMAND



| POS | PARTNUMBER | | PIECE |
|-----|-----------------|--|-------|
| 1 | A49008001000EB | Headlight shroud | 1 |
| 2 | A49008001010C1 | Headlight mask bottom part | 1 |
| 3 | 0081050181 | SCREW FOR PLASTIC K50X18 T20 | 4 |
| 4 | A49008013000EBA | Rear fender EXC with decal | 1 |
| 5 | 83008000012 | special screw M6x12x3 | 2 |
| 6 | A49008015000 | License plate holder support | 1 |
| 7 | 0017060205 | Screw for plastic K60X20 SW6 | 5 |
| 8 | 79708016100 | License plate holder support extension | 1 |
| 9 | 60408061050 | RUBBER 14X6.5X2.3MM | 2 |
| 10 | 58412080000 | REFLECTOR RED | 1 |
| 11 | A46008010000EB | Fender | 1 |
| 12 | 0025060166 | HH collar screw M6x16 TX30 | 4 |
| 13 | 58412080300 | REFLECTOR YELLOW "CEV" | 2 |

24A4900810

81107

* NEW PART

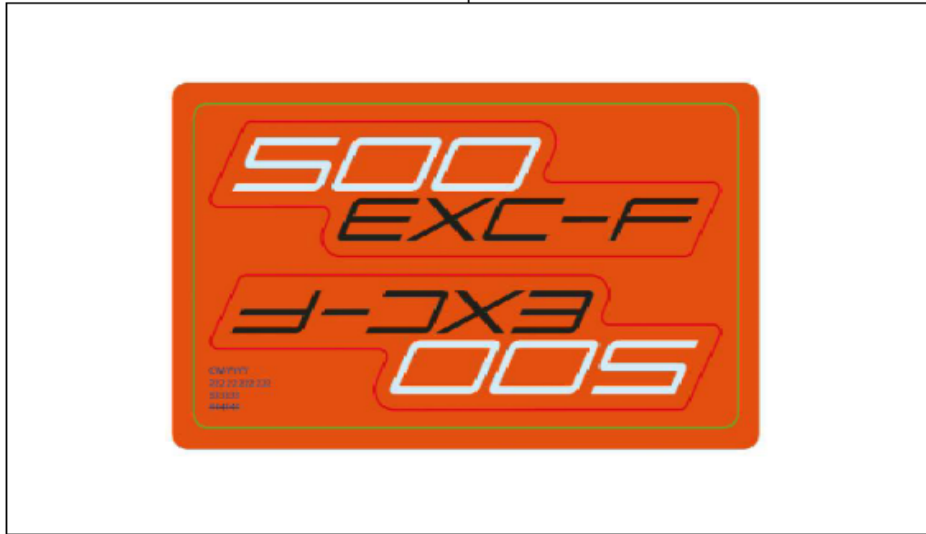
X ON DEMAND

DECAL

500 EXC-F 2026 EU 2026

| POS | PARTNUMBER | | PIECE |
|-----|--------------|----------------------------------|-------|
| 1 | A49008078207 | Displacement label set EXC-F 500 | 1 |

1

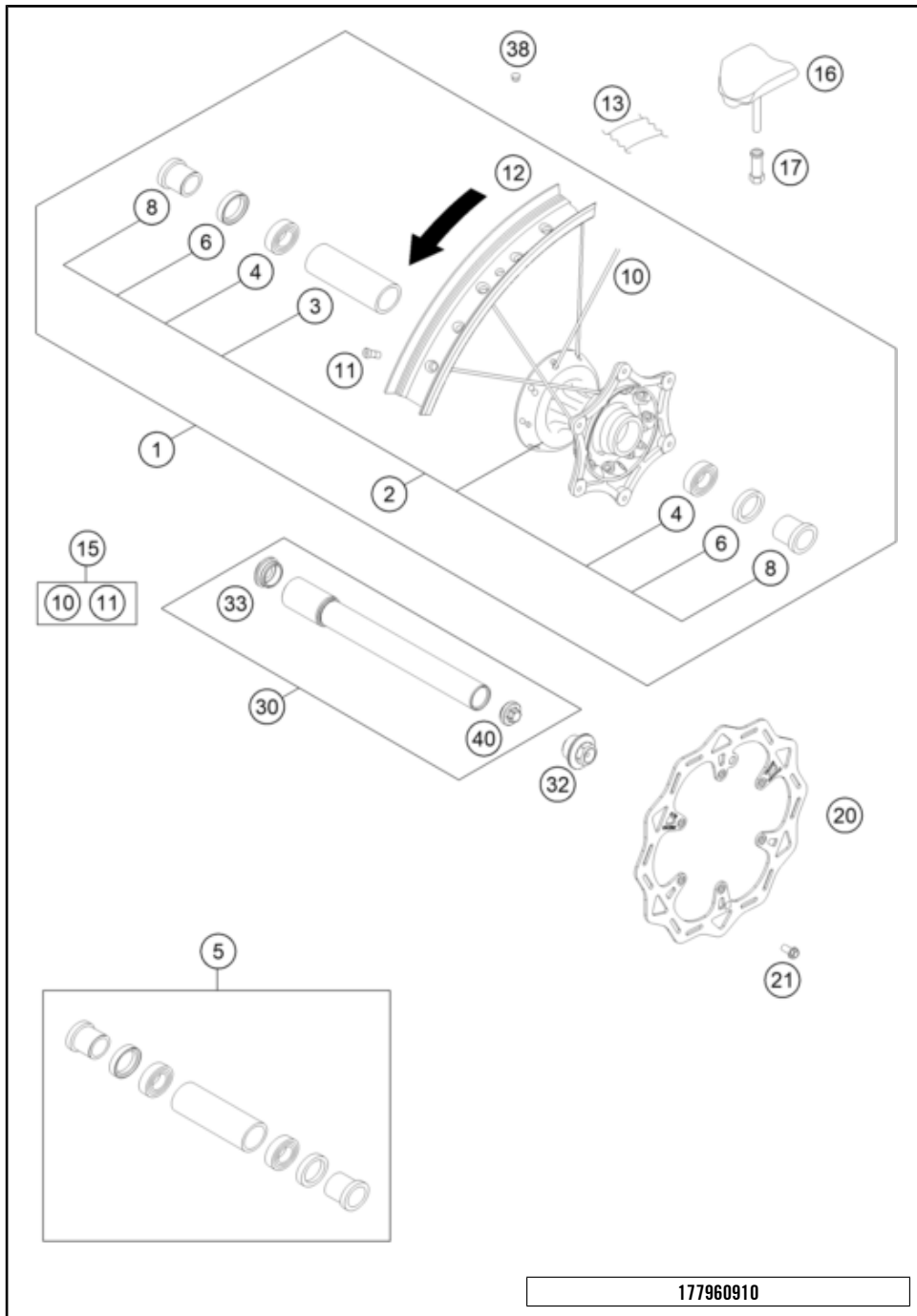


26A4900833

81159

* NEW PART

X ON DEMAND

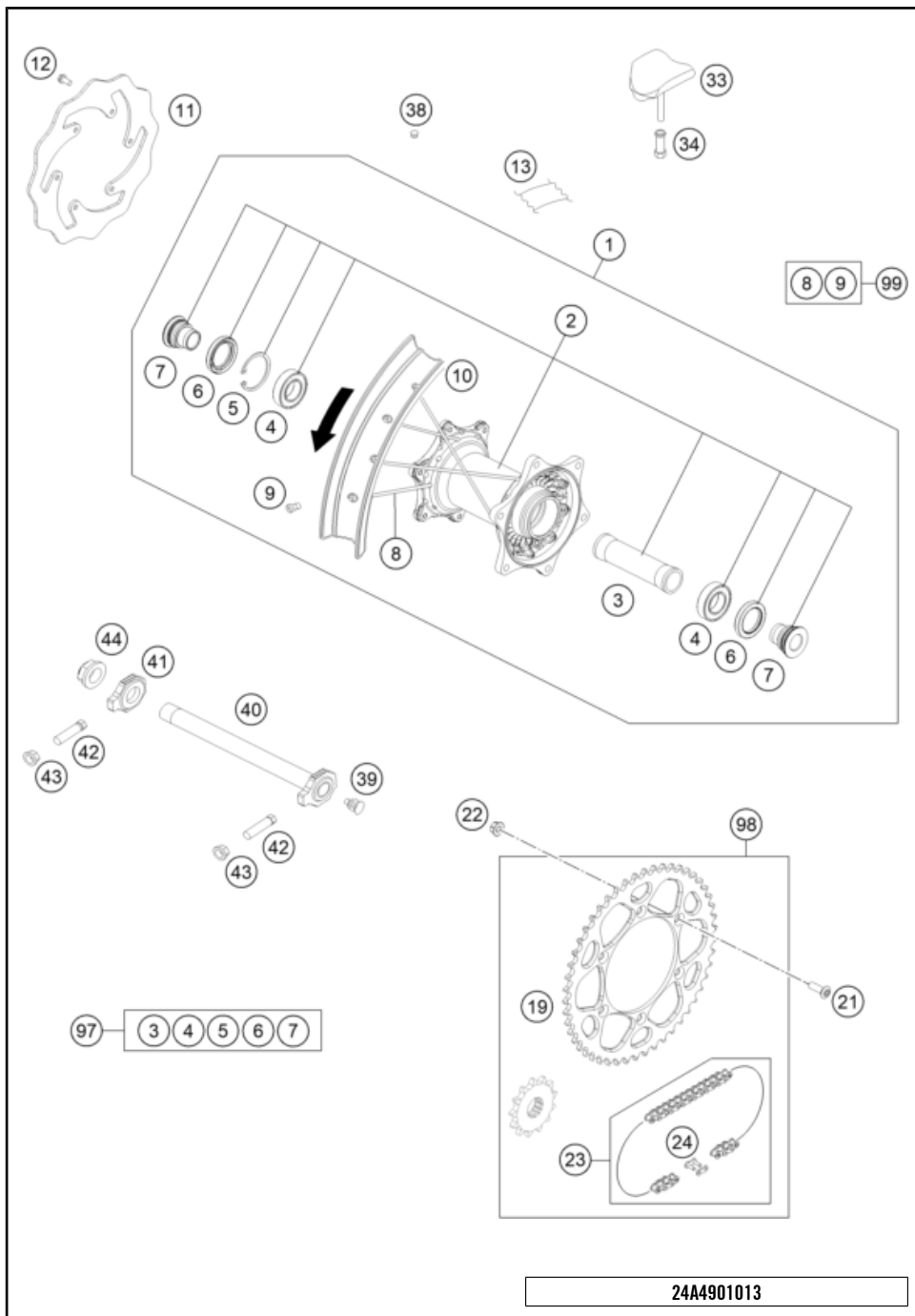


| POS | PARTNUMBER | | PIECE |
|-----|---------------|----------------------------------|-------|
| 1 | 7810910104430 | FRONT WHL.CMPL.1.6X21"GIANT 22MM | 1 |
| 2 | 25009010244 | FRONTHUB CPL. | 1 |
| 3 | 54809011000 | BEA.SPACERTUBE 35X2 L=79,4 03 | 1 |
| 4 | 0625069068 | Grooved ball bearing 6906 | 2 |
| 5 | 77709015000 | wheel bearing repair kit | 1 |
| 6 | 0760354771 | Radial shaft seal 35X47X7 TC | 2 |
| 8 | 77709012000 | SPACER BUSHING F. FR. WHEEL | 2 |
| 10 | 7710907122630 | SPOKE M4,5X226- 21" BLACK 12 | 36 |
| 11 | 77109072000 | Spoke nipple M4.5 AL | 36 |
| 12 | 7810907000030 | RIM FRONT 1,6X21" BLACK | 1 |
| 13 | 50309073000 | Tube protector 21" | 1 |
| 15 | 00050000954 | SPOKE KIT FRONT "21" BLACK | x |
| 16 | 78109090200 | Tyre locker 1,60" | 1 |
| 17 | 77110090050 | Nut for wheel holder | 1 |
| 20 | 79009060000 | Brake disc front 260MM 16 | 1 |
| 21 | 59009062013 | SPECIAL SCREW M6X13 WS=8 10.9 | 6 |
| 30 | 79109081033 | Wheel spindle front cmpl, 2019 | 1 |
| 32 | A46009082000 | Collar screw M20x1.5 SW17 Al | 1 |
| 33 | 70009081050 | PLUG BUSHING SW17 '12 | 1 |
| 38 | 55003135000 | Plug for rim | x |
| 40 | 7770908107055 | AUXILIARY SCREW FRONT | 1 |

177960910

81098

* NEW PART X ON DEMAND



| POS | PARTNUMBER | | PIECE |
|-----|----------------|--------------------------------------|-------|
| 1 | A49010001044C1 | Rear wheel cmpl. 2.15x18# Giant 2024 | 1 |
| 2 | A36010010044 | Rear wheel hub cmpl. | 1 |
| 3 | A46010011000 | Bearing spacer tube 121.5mm | 1 |
| 4 | 0625060058 | Grooved ball bear.6005 DDU2CG23S6NM | 2 |
| 5 | 0472047175 | CIRCLIP DIN0472-47X1,75 | 1 |
| 6 | 0760354771 | Radial shaft seal 35X47X7 TC | 2 |
| 7 | A46010016000 | Spacing tube rear wheel | 2 |
| 8 | 7901007119330 | SPOKE M4,5X193-18" BLACK 16 | 36 |
| 9 | 77109072000 | Spoke nipple M4.5 AL | 36 |
| 10 | 7811007000030 | RIM REAR 2,15X18" BLACK | 1 |
| 11 | 79010060000 | Brake disc rear 220MM 16 | 1 |
| 12 | 59009062013 | SPECIAL SCREW M6X13 WS=8 10.9 | 6 |
| 13 | 50310073200 | Tube protector 18" and 19" | 1 |
| 19 | 7771015104830 | SPROCKET 48-T BLACK | x |
| 19 | 7771015105030 | Rear sprocket 50-t, black | 1 |
| 19 | 7771015105230 | Rear sprocket 52-t, black | x |
| 21 | 0019080266S | COUNTER-SUNK SCREW ISA45 M8X26 | 6 |
| 22 | 06923080003 | Hex. nut DIN EN 1661 M8 WS13 | 6 |
| 23 | 78010267118 | CHAIN DID 118 LINKS | 1 |
| 24 | 78010266000 | CONNECTING LINK F. 78010267118 | 1 |
| 33 | 78110090200 | Tyre locker 2,15" | 1 |
| 34 | 77110090050 | Nut for wheel holder | 1 |
| 38 | 55003135000 | Plug for rim | x |
| 39 | 50210086000 | Plug SFL16 | x |
| 40 | A46010185044 | axle rear wheel cpl. | 1 |
| 41 | A46010184000 | chain tensioner right | 1 |
| 42 | 50304040100 | Screw M10x1.25x50 WS10 | 2 |
| 43 | 58414030000 | HH COLLAR NUT M10X1,25 WS=13 | 2 |
| 44 | A46010086000 | Collar nut M22x1.5 WS=30 | 1 |
| 97 | A46010015010 | wheel bearing repair kit | x |
| 98 | 00050002095 | Drive train kit 14t / 50t | x |
| 99 | 00050000981 | SPOKE KIT REAR 18" EXC 17 | x |

24A4901013

81146

* NEW PART

X ON DEMAND



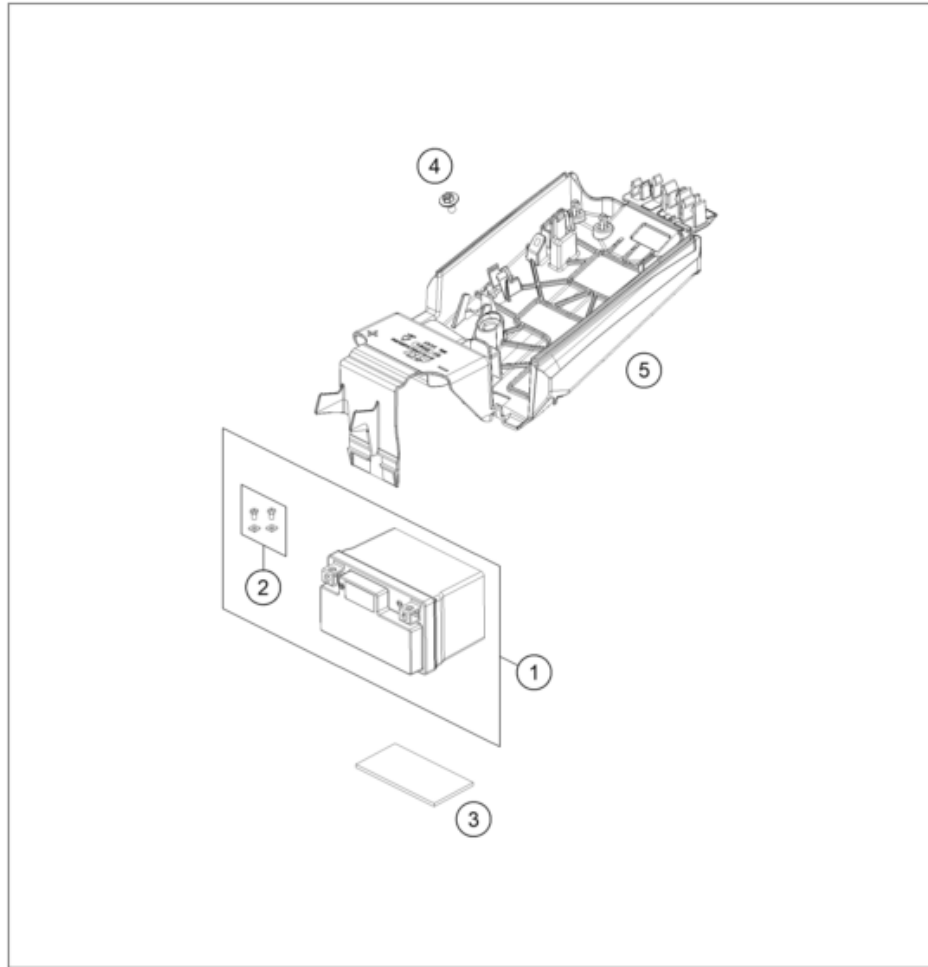
24A4901110

| POS | PARTNUMBER | | PIECE |
|-----|----------------|---------------------------------------|-------|
| 1 | A49011075000 | Main wiring harness | 1 |
| 2 | A49011080000 | Turn signal wiring harness, front | 1 |
| 3 | A49011081000 | Turn signal wiring harness, rear | 1 |
| 4 | 44011076140 | CABLE TIE 140/2,5MM BLACK | x |
| 4 | 44011076200 | Cable tie 200/4.6mm black | x |
| 4 | 44011076305 | Cable tie 300/4,8mm black | x |
| 5 | 83013026000 | Line guide | 2 |
| 6 | 49111425200 | BULB 12V 2,3W (W2X4,6D) | 1 |
| 8 | A49011033033 | Offroad-control-unit 1.0 | 1 |
| 9 | A49011034000 | Voltage regulator | 1 |
| 10 | 0024060156 | HH collar screw M6x15 TX30 | 1 |
| 11 | 79711060033 | Horn, compl. | 1 |
| 13 | 0025050126 | HH collar screw M5x12 TX30 | 2 |
| 14 | 000700000AN01 | Dummy plug 4-pins | 1 |
| 15 | 000700000LV001 | Dummy plug LV 2p/sealed | 1 |
| 16 | 75011097100 | Ground wire | 1 |
| 17 | 58411098100 | Contact washer M6 VSV-K6 | 3 |
| 18 | 0900000601202 | Roundhead screw w/ Tx M6x12 mm | 1 |
| 19 | 0985060003 | Self lock. nut DIN985-M6-A2 | 1 |
| 20 | 77240099000 | Protection cap for starter engine | 1 |
| 21 | A46011059000 | Starter cable | 1 |
| 22 | 58211058000 | Starter relay 12V 99 | 1 |
| 23 | 58011109120 | Plug-in fuse, big 20A | 2 |
| 25 | A46011059050 | Battery cable compl. | 1 |
| 26 | 58211058050 | BRACKET RUBBER F.STARTRELAY 07 | 1 |
| 29 | 0738060167 | Oval head screw AH socket M6x16 A2-70 | 1 |
| 30 | 0902060083 | Oval head screw ISO 7380 M 6X8 - A2 | 1 |
| 31 | 60011093075 | Rubber cable tie 75MM 03 | 2 |

63878

* NEW PART

X ON DEMAND



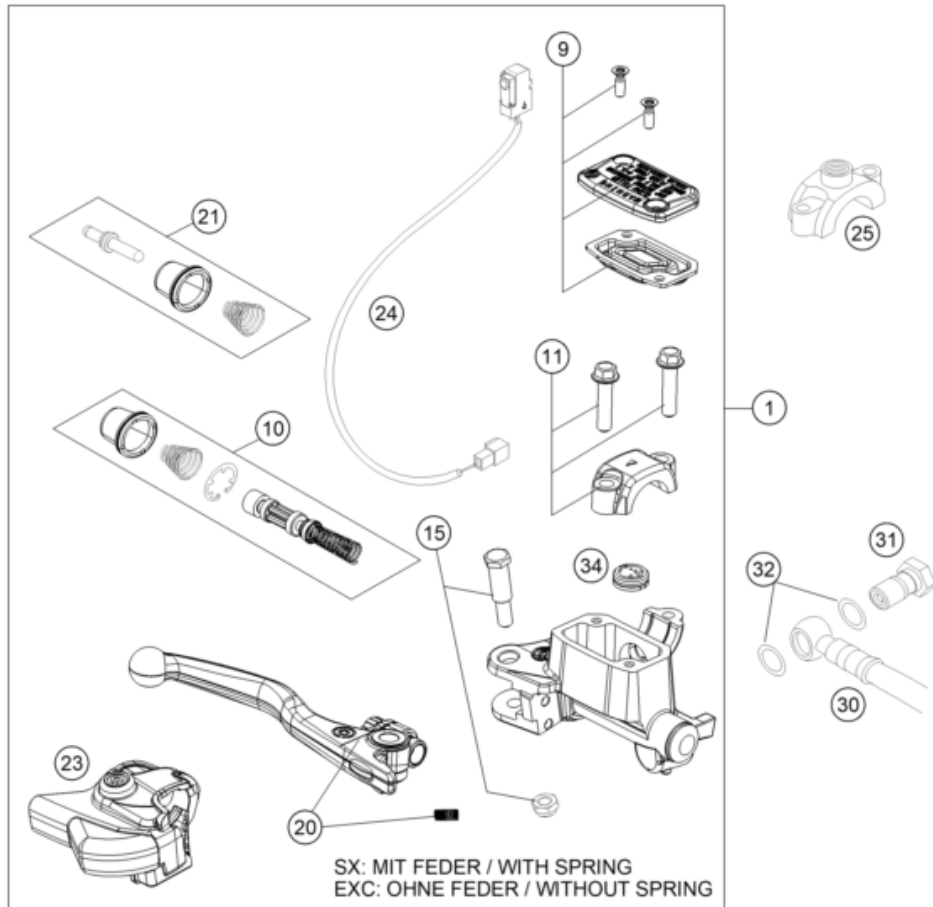
| POS | PARTNUMBER | | PIECE |
|-----|--------------|-----------------------------------|-------|
| 1 | 79111053000 | battery 12V/24Wh | 1 |
| 2 | 79111053010 | screw kit only for 79111053000 | 1 |
| 3 | 59003001099 | METAMOLL 90X45X3MM 03 | 1 |
| 4 | 83008000012 | special screw M6x12x3 | 1 |
| 5 | A46011055100 | Battery holding bracket | 1 |

24A4901130

63879

* NEW PART

X ON DEMAND



| POS | PARTNUMBER | | PIECE |
|-----|-------------|-------------------------------------|-------|
| 1 | 77713001144 | HAND BREAK CYLIND. CPL. EXC 14 | 1 |
| 9 | 77713003000 | HAND BRAKE CYL. COVER | 1 |
| 10 | 77713008100 | REPAIR KIT PISTON EXC 2014 | 1 |
| 11 | 50313005000 | CLAMP CPL. NATURE | 1 |
| 15 | 77713006000 | Lever screw | 1 |
| 20 | 77713002000 | Hand brake lever + spring SX 14 | 1 |
| 21 | 77713007100 | PUSH ROD CPL. EXC 2014 | 1 |
| 23 | 77713004000 | Protection cap, hand brake cylinder | 1 |
| 24 | 77711050000 | BRAKE LIGHT SWITCH FRONT 2014 | 1 |
| 25 | 58012040150 | Clamp for mirror | 1 |
| 30 | 77713010000 | BRAKE PIPE | 1 |
| 31 | 54813020100 | banjo bolt M10x1x19 black | 1 |
| 32 | 0603100141 | sealing ring DIN 7603 10x14x1 | 2 |
| 34 | 54802051000 | VALVE | 1 |
| 80 | 00062030000 | Brake fluid DOT5.1 0,25L | 1 |

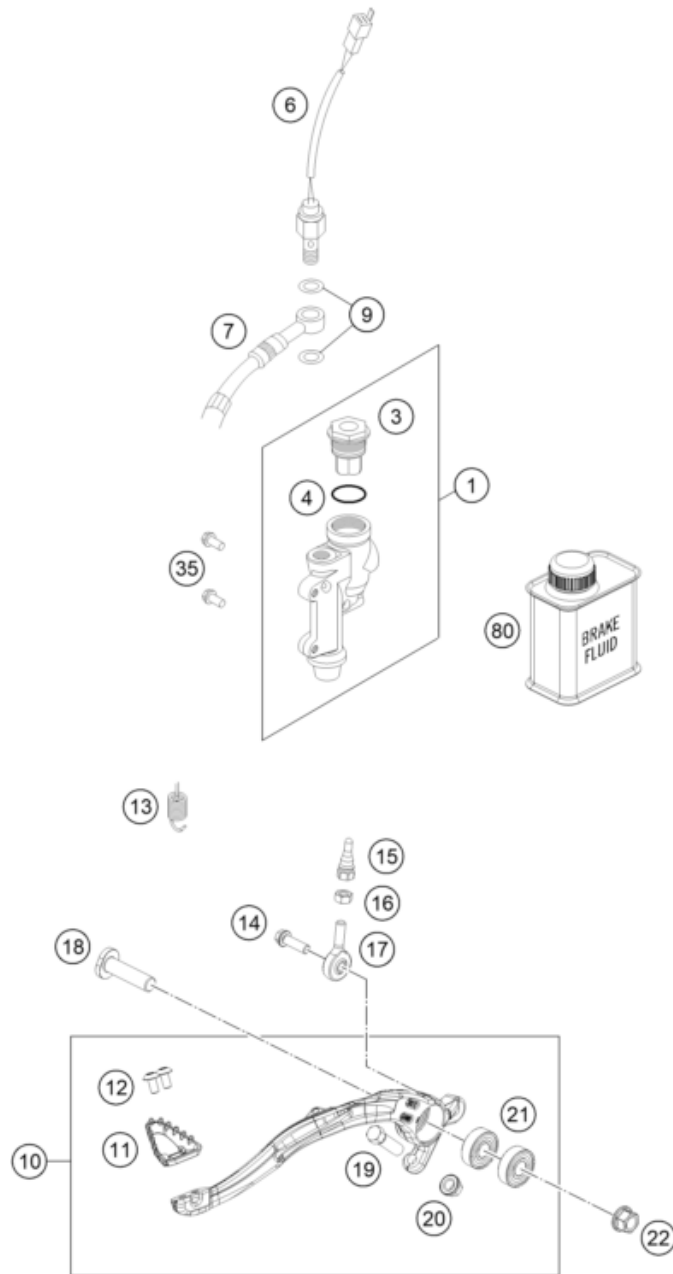


145031310

14388

* NEW PART

X ON DEMAND



| POS | PARTNUMBER | | PIECE |
|-----|--------------|--|-------|
| 1 | 77013060044 | REAR BRAKE CYLINDER CPL.SX 09 | 1 |
| 3 | 54813062100 | REAR BRAKE CYL. COVER CPL. 04 | 1 |
| 4 | 54813063000 | FOOT-BRAKE CYL. GASKET SX 03 | 1 |
| 6 | 50311051100 | BRAKE LIGHT SWITCH REAR '98 | 1 |
| 7 | 77213070300 | Rear Brakehose | 1 |
| 9 | 0603100141 | sealing ring DIN 7603 10x14x1 | 2 |
| 10 | A46013050044 | foot brake lever cpl | 1 |
| 11 | 79413051000 | Step brake lever 16 | 1 |
| 12 | 58605083010S | Torx hexagon socket screw M5x10 SS | 2 |
| 13 | A46003062000 | Retracting spring | 1 |
| 14 | 0025060206S | HH collar screw M6x20 TX30 | 1 |
| 15 | 54813056000 | Push rod L=28MM 03 | 1 |
| 16 | 0934060003 | Hex. nut DIN 934 M6 | 1 |
| 17 | 54813055100 | Joint head CMP6 | 1 |
| 18 | 47213054000 | Screw foot brake lever | 1 |
| 19 | 59001037000 | Special Screw M8X26 WS=10 | 1 |
| 20 | 46030045000 | flanged nut M8 WS10 | 1 |
| 21 | 0625060002 | deep groove ball bearing SKF 6000-2RS1 | 2 |
| 22 | 54630044000 | COLLAR NUT M10 WS=13 | 1 |
| 35 | 0025060126 | HH collar screw M6x12 TX30 | 2 |
| 80 | 00062030000 | Brake fluid DOT5.1 0,25L | 1 |

24A4901330

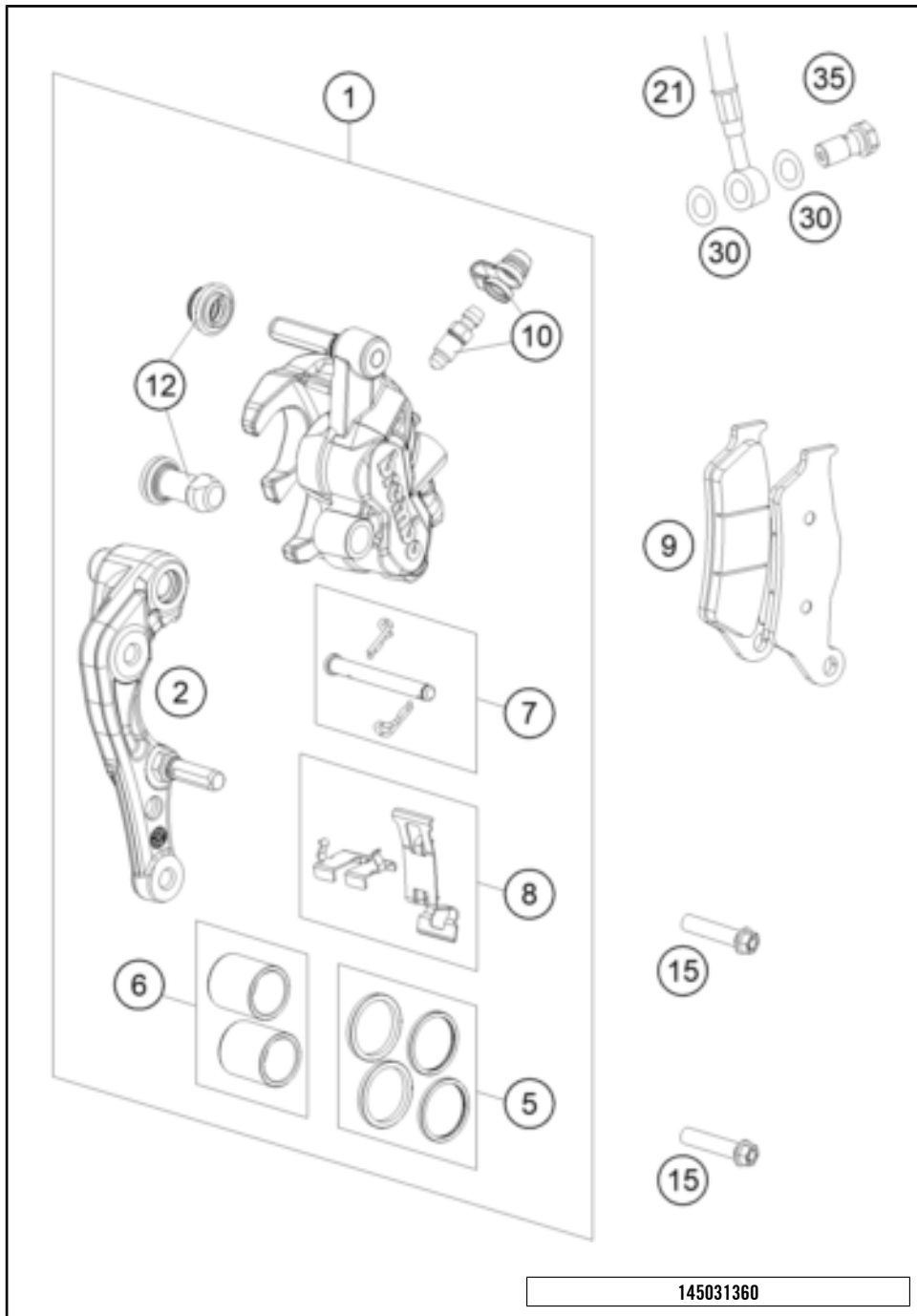
63833

* NEW PART

X ON DEMAND

FRONT BRAKE CALIPER

500 EXC-F 2026 EU 2026



| POS | PARTNUMBER | | PIECE |
|-----|---------------|--------------------------------|-------|
| 1 | 7701301500101 | CALIPER NAT. WITHOUT PADS | 1 |
| 2 | 77013014000 | BRAKE CALIPER SUPPORT FRONT 09 | 1 |
| 5 | 77013021000 | REP. KIT SEALS 24MM | 1 |
| 6 | 77013019000 | REP. KIT PISTON 24MM | 1 |
| 7 | 77013017000 | BOLT CPL. 09 | 1 |
| 8 | 77013018000 | Retaining plate set BREMBO | 1 |
| 9 | 77713030000 | Brake pad front | 1 |
| 10 | 61013020100 | BLEEDER SCREW WITH CAP | 1 |
| 12 | 54613218000 | CUP SET SHORT | 1 |
| 15 | 0025080306S | HH COLLAR SCREW M8X30 TX40 | 2 |
| 21 | 77713010000 | BRAKE PIPE | 1 |
| 30 | 0603100141 | sealing ring DIN 7603 10x14x1 | 2 |
| 35 | 54813020100 | banjo bolt M10x1x19 black | 1 |

145031360

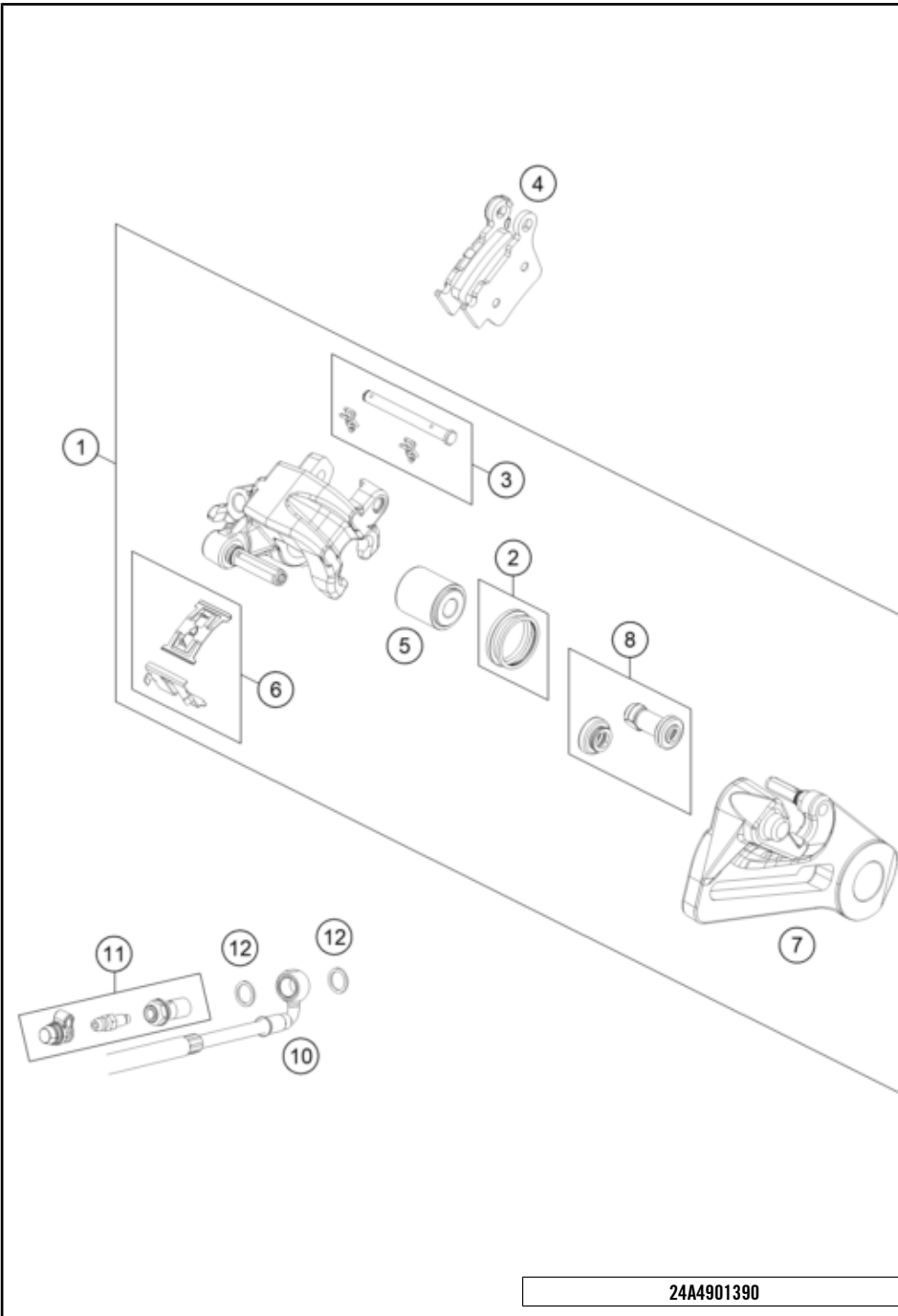
14399

* NEW PART

X ON DEMAND

REAR BRAKE CALIPER

500 EXC-F 2026 EU 2026



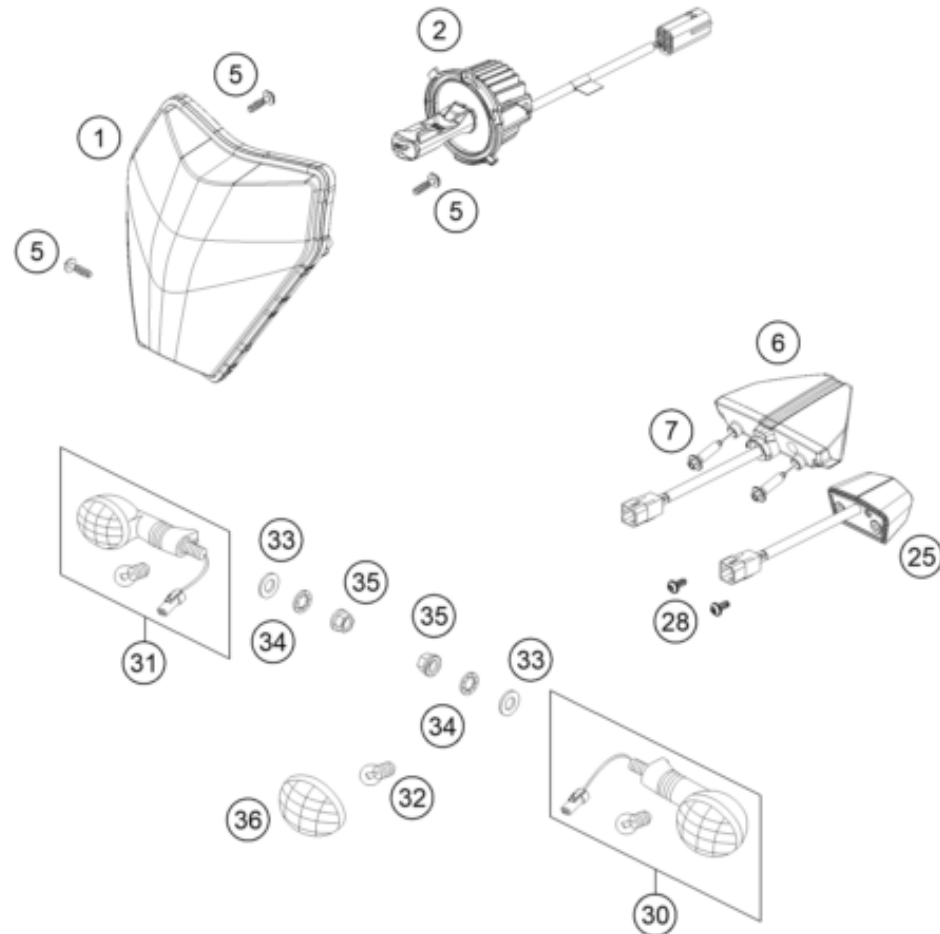
| POS | PARTNUMBER | | PIECE |
|-----|--------------|-----------------------------------|-------|
| 1 | A46013080001 | Rear brake caliper PF 26 b compl. | 1 |
| 2 | 50313081200 | REPAIR KIT SEALING RINGS 26MM | 1 |
| 3 | 54813082000 | Bolt set for brake caliper 03 | 1 |
| 4 | 79013090000 | Brake pad rear TOYO B204 | 1 |
| 5 | 77713083000 | BRAKE PISTON 26MM 2013 | 1 |
| 6 | 54813018000 | Retaining spring set 2003 | 1 |
| 7 | A46013075000 | Brake caliper support | 1 |
| 8 | 54613218100 | CUP SET SHORT | 1 |
| 10 | 77213070300 | Rear Brakehose | 1 |
| 11 | 62513020000 | BLEEDER SCREW CPL. 05 | 1 |
| 12 | 0603100141 | sealing ring DIN 7603 10x14x1 | 2 |

24A4901390

63835

* NEW PART

X ON DEMAND



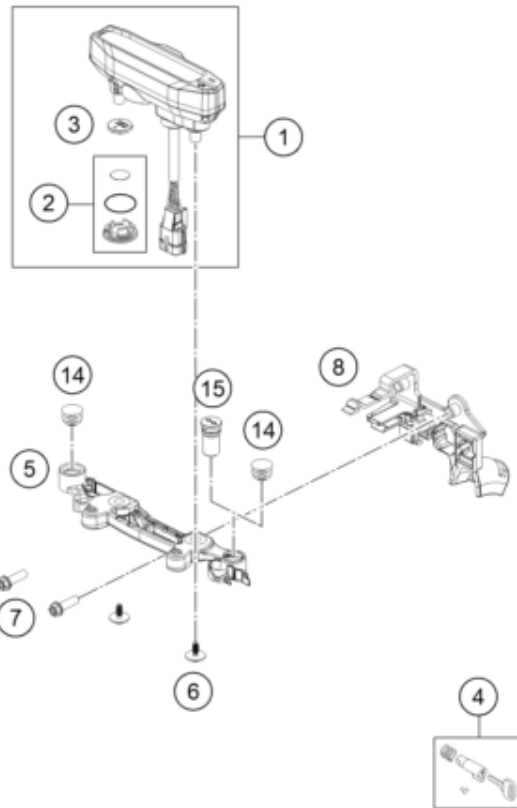
| POS | PARTNUMBER | | PIECE |
|-----|--------------|-------------------------------|-------|
| 1 | A49014001080 | Headlamp KTM | 1 |
| 2 | A49014002000 | LED-Unit | 1 |
| 5 | 0081050181 | SCREW FOR PLASTIC K50X18 T20 | 3 |
| 6 | 79714040000 | Tail light | 1 |
| 7 | 0017060255 | EJOT PT screw K60X25-Z SW6 | 2 |
| 25 | 60314047000 | license plate lighting | 1 |
| 28 | 0081050121 | EJOT PT screw K50x12 | 2 |
| 30 | 54814025200 | FLASHER CPL. FR.L/S RE.R/S 09 | 2 |
| 31 | 54814026200 | FLASHER CPL. FR.R/S RE.L/S 09 | 2 |
| 32 | 44111015100 | BULB 12V 10W (BA15S) | 4 |
| 33 | 0125100003 | washer DIN 125 A 10.5 | 4 |
| 34 | 0797100003 | LOCK WASHER DIN6797-J10,5 ZI | 4 |
| 35 | 58414030000 | HH COLLAR NUT M10X1,25 WS=13 | 4 |
| 36 | 54814028000 | FLASHER LENS L/S R/S 05 | 4 |

24A4901410

63893

* NEW PART

X ON DEMAND



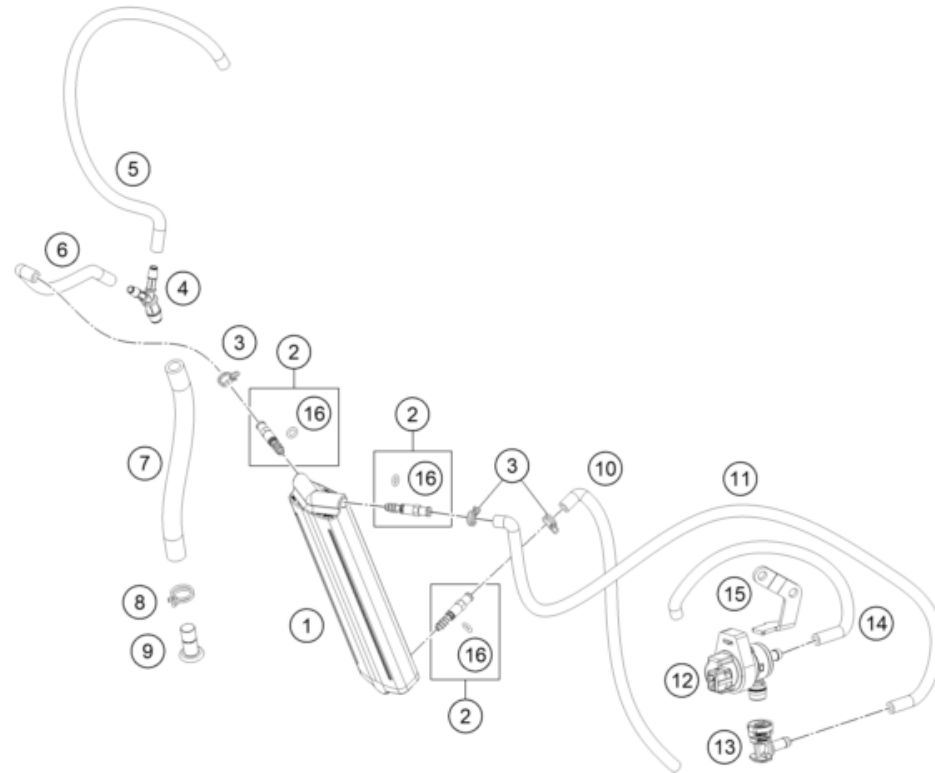
| POS | PARTNUMBER | | PIECE |
|-----|--------------|--------------------------------|-------|
| 1 | A49014069000 | Dashboard | 1 |
| 2 | 77714069010 | BATTERY COVER F. SPEEDOMETER | 1 |
| 3 | 58314068000 | BATTERY F. SPEEDOM. M.A.E. 02 | 1 |
| 4 | 78003035100 | Steering lock | 1 |
| 5 | A49014060000 | Instrument cluster | 1 |
| 6 | 0081645121 | EJOT DELTA PT SCREW 45X12-Z | 2 |
| 7 | 0025060206 | HH collar screw M6x20 TX30 | 2 |
| 8 | A49011083000 | Connector support | 1 |
| 10 | 54814068100 | CABLE FOR DIGITAL SPEEDOM. 06 | 1 |
| 11 | 83013026000 | Line guide | 2 |
| 12 | 54814069050 | Magnet for digital Speedom. 03 | 1 |
| 13 | 0471009104 | CIRCLIP DIN0471- 9X1 INOX | 1 |
| 14 | 50210086000 | Plug SFL16 | 2 |
| 15 | 58011024300 | FLASHER INDICAT.LIGHT GREEN'98 | 1 |

24A4901430

63867

* NEW PART

X ON DEMAND



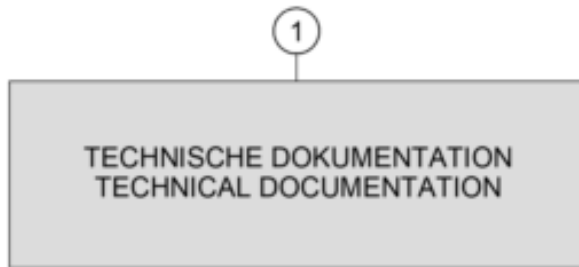
| POS | PARTNUMBER | | PIECE |
|-----|--------------|------------------------------|-------|
| 1 | A49015001000 | Activated charcoal filter | 1 |
| 2 | A49015019044 | Hose connector with O-ring | 3 |
| 3 | 58007017000 | YDNAC-clamp 10101 (10.4MM) | 3 |
| 4 | 61315028100 | Y-CONNECTOR YS 6-10-6 | 1 |
| 5 | 78015019425 | Hose EPA d=6/10 l=425 | 1 |
| 6 | 79615021000 | PREFORMED HOSE 6X10 ECO | 1 |
| 7 | 78015119000 | HOSE EPA D=10/16 L=2000MM | 1 |
| 8 | 58431082100 | YDNAC-clamp 10173 (16MM) | 1 |
| 9 | 61315026100 | Screw plug ACF | 1 |
| 10 | 79615025000 | Preformed hose 6X10 ECO | 1 |
| 11 | A49015023000 | Pre-formed hose 6x10 ECO | 1 |
| 12 | 61115015000 | VALVE FOR CARBON CANISTER 07 | 1 |
| 13 | 61115016000 | FITTING PIECE NQV2 NW7 90° | 1 |
| 14 | A49015024000 | Pre-formed hose 6x10 ECO | 1 |
| 15 | A49015002000 | Purge valve bracket | 1 |
| 16 | 46810893 | O-ring 5,28x1,78 NBR70 black | 3 |

24A4901510

63875

* NEW PART

X ON DEMAND



Beipack

| POS | PARTNUMBER | | PIECE |
|-----|-----------------|--|-------|
| 0 | 0017060205 | Screw for plastic K60X20 SW6 | 1 |
| 0 | 0081050121 | EJOT PT screw K50x12 | 2 |
| 0 | 58011024300 | FLASHER INDICAT.LIGHT GREEN'98 | 1 |
| 0 | 49111425200 | BULB 12V 2,3W (W2X4,6D) | 1 |
| 0 | 78111029000 | Flasher switch | 1 |
| 0 | 0014050303 | HH COLLAR SCREW M5X30 SW=6 | 1 |
| 0 | 00063004134 | BLINKERKARTON 270X100X80 | 1 |
| 0 | 0025060126 | HH collar screw M6x12 TX30 | 1 |
| 0 | A49011081000 | Turn signal wiring harness, rear | 1 |
| 0 | A49011080000 | Turn signal wiring harness, front | 1 |
| 0 | 0081050181 | SCREW FOR PLASTIC K50X18 T20 | 2 |
| 0 | A49006040044 | Intake snorkel compl. | 1 |
| 0 | A46002014000 | Gate 4-T 39,5mm | 1 |
| 0 | A46003094000C1 | Frame protection set | 1 |
| 0 | A46003137033 | Footpeg set | 1 |
| 0 | 81212016100 | Wash cap set | 1 |
| 0 | A46002002044C1A | Handlebar pad compl. | 1 |
| 0 | 78141013190 | Fuel filter | 3 |
| 0 | 52000318SET | Sticker set, XACT CC 238x182.5 | 1 |
| 0 | A49008078207 | Displacement label set EXC-F 500 | 1 |
| 0 | 00063004012 | HEADLIGHT MASK BOX | 1 |
| 0 | 00063004202 | PRINT LABEL 60X51 MM | 1 |
| 0 | 60314047000 | license plate lighting | 1 |
| 0 | 78007100780 | Vent hose 5.6 x 10 x 780 | 1 |
| 0 | 58411098100 | Contact washer M6 VSV-K6 | 2 |
| 0 | 0025050126 | HH collar screw M5x12 TX30 | 2 |
| 0 | 78029072000 | Spark plug wrench | 1 |
| 0 | 58012040000 | Rear view mirror left | 1 |
| 0 | 58012140000 | Rear view mirror right | 1 |
| 0 | 58012040150 | Clamp for mirror | 2 |
| 0 | 58412080300 | REFLECTOR YELLOW "CEV" | 2 |
| 0 | 79708016100 | License plate holder support extension | 1 |
| 0 | 0017060255 | EJOT PT screw K60X25-Z SW6 | 1 |
| 0 | 58412080400 | Rear reflector red | 1 |
| 0 | 60408061050 | RUBBER 14X6.5X2.3MM | 2 |
| 0 | 0603061001 | CU-seal ring DIN7603-6X10X1 | 1 |
| 0 | 0025060086S | Hex collar scr., M6x8, ISA 30, SL | 1 |
| 0 | 000700000AN01 | Dummy plug 4-pins | 1 |

81160

* NEW PART

X ON DEMAND

0

KEINE ABBILDUNG
NO ILLUSTRATION

1

TECHNISCHE DOKUMENTATION
TECHNICAL DOCUMENTATION

2



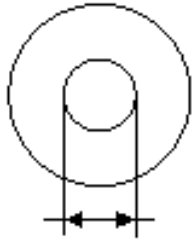
Beipack

| POS | PARTNUMBER | | PIECE |
|-----|----------------|---|-------|
| 0 | 000700000LV001 | Dummy plug LV 2p/sealed | 1 |
| 0 | A46033029013 | Front sprocket 13 teeth | 1 |
| 0 | 79615020010 | Locking cap evaporative canister | 3 |
| 0 | 77405009065 | Plug screw M12X1.25 WS17 | 1 |
| 0 | 79602084144 | Mounting kit, handguard, right and left | 1 |
| 0 | A49002082044EB | Handguard compl. | 1 |
| 0 | 54814025200 | FLASHER CPL. FR.L/S RE.R/S 09 | 2 |
| 0 | 54814026200 | FLASHER CPL. FR.R/S RE.L/S 09 | 2 |
| 0 | 0125100003 | washer DIN 125 A 10.5 | 4 |
| 0 | 0797100003 | LOCK WASHER DIN6797-J10,5 ZI | 4 |
| 0 | 58414030000 | HH COLLAR NUT M10X1,25 WS=13 | 4 |
| 0 | A49002065133 | Steering lock preass. | 1 |
| 0 | 25006004050 | Bushing 5.1X6.5X4 | 1 |
| 1 | 3240244EN | Bed.- Anl. 500 EXC-F 2026 | 1 |
| 2 | A49029199000 | On-board tool kit | 1 |

81160

* NEW PART

X ON DEMAND



5 Ø 5 mm

6 Ø 6 mm

8 Ø 8 mm

10 Ø 10 mm

12 Ø 12 mm

14 Ø 14-14,5 mm

16 Ø 16 mm

20 Ø 20 mm

21 Ø 21 mm

22 Ø 22 mm

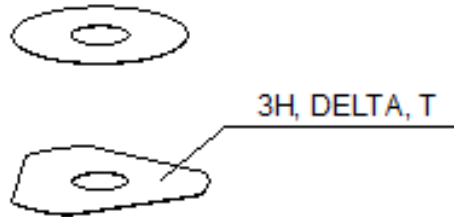
23 Ø 23 mm

24 Ø 24,5 mm

28 Ø 28,25-28,5 mm

32 Ø 32 mm

52 Ø 52 mm



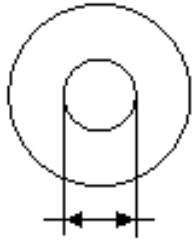
| POS | PARTNUMBER | | PIECE |
|-----|------------|------------------------------|-------|
| 1 | 48600611 | Spring (10,2) l5 check valve | X |
| 5 | 44906890 | Washer 5X15X2 | X |
| 6 | 40540400 | Shim 6x12x0,10 | X |
| 6 | 40540401 | Shim 6x14x0,10 | X |
| 6 | 40540402 | Shim 6x16x0,10 | X |
| 6 | 40540403 | Shim 6x18x0,10 | X |
| 6 | 40540404 | Shim 6x12x0,15 | X |
| 6 | 40540405 | Shim 6x14x0,15 | X |
| 6 | 40540406 | Shim 6x16x0,15 | X |
| 6 | 40540407 | SHIM 6X18X0,15 | X |
| 6 | 40540408 | Shim 6x12x0,20 | X |
| 6 | 40540409 | Shim 6x14x0,20 | X |
| 6 | 40540410 | Shim 6x16x0,20 | X |
| 6 | 40540411 | Shim 6x18x0,20 | X |
| 6 | 48600095 | SHIM 6X20X0,20 | X |
| 6 | 40540412 | Shim 6x12x0,25 | X |
| 6 | 40540413 | Shim 6x14x0,25 | X |
| 6 | 40540414 | Shim 6x16x0,25 | X |
| 6 | 40540415 | Shim 6x18x0,25 | X |
| 6 | 40540417 | SHIM 6X8,5X0,10 | X |
| 6 | 40540418 | SHIM 6X9X0,10 | X |
| 6 | 40540419 | SHIM 6X9,5X0,10 | X |
| 6 | 40540423 | SHIM 6X9,5X0,15 | X |
| 6 | 40540425 | SHIM 6X8,5X0,20 | X |
| 6 | 40540426 | SHIM 6X9X0,20 | X |
| 6 | 40540427 | SHIM 6X9,5X0,20 | X |
| 6 | 40540447 | Shim 6x10x0,30 | X |
| 6 | 40540449 | Shim 6x9x0,30 | X |
| 6 | 40540450 | Shim 6x9,5x0,30 | X |
| 6 | 40540494 | Shim 6x18x0,40 | X |
| 6 | 40540774 | Shim 6x18x0,10 delta | X |
| 6 | 40541383 | Shim 6X11X0,10 | X |
| 6 | 40541391 | Shim 6x11x0,30 | X |
| 6 | 40541402 | Shim 6x11x0,20 | X |
| 6 | 40541403 | SHIM 6X10X0,20 | X |
| 6 | 40541404 | Shim 6x10x0,10 | X |
| 6 | 40541405 | Shim 6x10x0,15 | X |
| 6 | 40541406 | SHIM 6X11X0,15 | X |

080000190

4668

* NEW PART

X ON DEMAND



5 Ø 5 mm

6 Ø 6 mm

8 Ø 8 mm

10 Ø 10 mm

12 Ø 12 mm

14 Ø 14-14,5 mm

16 Ø 16 mm

20 Ø 20 mm

21 Ø 21 mm

22 Ø 22 mm

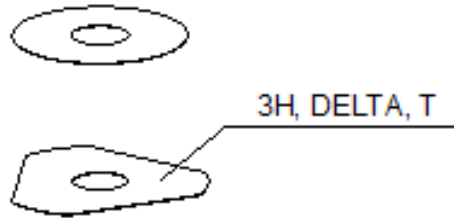
23 Ø 23 mm

24 Ø 24,5 mm

28 Ø 28,25-28,5 mm

32 Ø 32 mm

52 Ø 52 mm



3H, DELTA, T

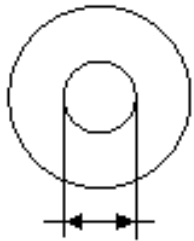
| POS | PARTNUMBER | | PIECE |
|-----|------------|----------------------|-------|
| 6 | 40541408 | SHIM 6X8,0X0,30 | X |
| 6 | 40541414 | Shim 6x8x0,1 | X |
| 6 | 40541416 | SHIM 6X8X0,3 | X |
| 6 | 40541417 | SHIM 6X11X0,25 | X |
| 6 | 48600102 | SHIM 6X24X0,25 | X |
| 6 | 48600063 | Shim 6x24x0,10 | X |
| 6 | 48600064 | Shim 6x22x0,10 | X |
| 6 | 48600065 | Shim 6x20x0,10 | X |
| 6 | 48600069 | Shim 6x20x0,15 | X |
| 6 | 48600100 | Shim 6x24x0,15 | X |
| 6 | 48600116 | Shim 6x24x0,10 delta | X |
| 6 | 48600139 | Shim 6x22x0,1 delta | X |
| 6 | 48600217 | Shim 6x10x0,25 | X |
| 6 | 48600325 | Shim 6x13x0,10 | X |
| 6 | 48600327 | SHIM 6X15X0,1 | X |
| 6 | 48600329 | Shim 6x17x0,10 | X |
| 6 | 48600331 | Shim 6x19x0,10 | X |
| 6 | 48600096 | Shim 6x20x0,25 | X |
| 6 | 48600097 | Shim 6x22x0,15 | X |
| 6 | 48600099 | Shim 6x22x0,25 | X |
| 6 | 40540448 | Shim 6x8,5x0,30 | X |
| 6 | 48600479 | Shim 6x20x0,10 DELTA | X |
| 6 | 48600332 | SHIM 6X21X0,1 | X |
| 6 | 48600333 | SHIM 6X23X0,1 | X |
| 6 | 40541393 | Shim 6x12x0,30 | X |
| 6 | 48600330 | SHIM 6X17X0,15 | X |
| 6 | 48600988 | Shim 6x28x0,10 | X |
| 6 | 48600989 | Shim 6x26x0,10 | X |
| 6 | 48601091 | Shim 6x28x0,15 | X |
| 6 | 48601093 | Shim 6x26x0,15 | X |
| 6 | 48600328 | Shim 6x15x0,15 | X |
| 6 | 48600326 | Shim 6x13x0,15 | X |
| 6 | 48601548 | Shim 6x17x1,5 | X |
| 6 | 48601693 | Washer 6x18x3 | X |
| 6 | 48600098 | Shim 6x22x0,20 | X |
| 6 | 48601300 | Washer 6x25x1,5 | X |
| 6 | 48601692 | Shim 6x30x0,15 | X |
| 6 | 48601550 | Shim 6x30x0,10 | X |

080000190

4668

* NEW PART

X ON DEMAND



5 Ø 5 mm

6 Ø 6 mm

8 Ø 8 mm

10 Ø 10 mm

12 Ø 12 mm

14 Ø 14-14,5 mm

16 Ø 16 mm

20 Ø 20 mm

21 Ø 21 mm

22 Ø 22 mm

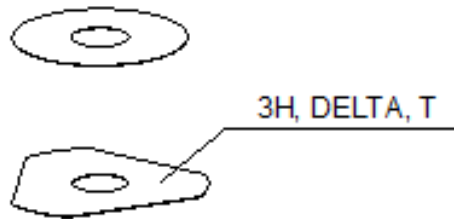
23 Ø 23 mm

24 Ø 24,5 mm

28 Ø 28,25-28,5 mm

32 Ø 32 mm

52 Ø 52 mm



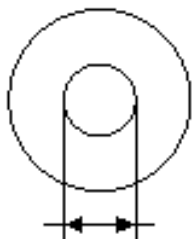
| POS | PARTNUMBER | | PIECE |
|-----|-----------------|-----------------------------|-------|
| 6 | 40541392 | Shim 6x8x0,2 | X |
| 6 | 48601917 | Washer 6x25x4 | X |
| 6 | 48601916 | Washer 6x18x4 | X |
| 6 | 40540399 | Shim 6x16x0,30 | X |
| 6 | 48601584 | Spring shim 6x30x0.4 | X |
| 6 | 48601459 | Washer check valve 6x31x0,4 | X |
| 6 | 48601849 | Check valve plate 2,5mm hub | X |
| 6 | 48600101 | SHIM 6X24X0,20 | X |
| 6 | 48601094 | Shim 6x26x0,20 | X |
| 6 | 40540422 | Shim 6X9X0,15 | X |
| 6 | 48601841 | Washer check valve 6x31x0,4 | X |
| 6 | 48601850 | Shim 6x30x0,4 spring shim | X |
| 6 | 48601092 | Shim 6x28x0,20 | X |
| 6 | 48601264 | Shim 6x25x0,10 | X |
| 6 | 48600967 | Shim 6x20x0,2 DELTA | X |
| 6 | 48601847 | Washer 6x25x1,5 | X |
| 6 | 48601707 | Sinus shim plate 6X30 | X |
| 6 | S64060000400000 | Shim 6x14x0.3 | X |
| 6 | S64060000500000 | Shim 6x13x0.25 | X |
| 6 | S64060000600000 | Shim 6x17x0,2 | X |
| 6 | 40540421 | Shim 6x8.5x0.15 | X |
| 6 | 48601262 | Washer 6x18x1,5 | X |
| 6 | S64060001500000 | Shim 6x8x0.15 | X |
| 8 | 40540477 | Shim 8x18x0,40 | X |
| 8 | 43570120 | Shim 8x18x0,10 | X |
| 8 | 44916098 | washer 8,4X16X0,8 | X |
| 8 | 44916130 | washer 8,2X15X1 | X |
| 8 | 44916180 | Washer 8.2X11X1 | X |
| 8 | 48600214 | Shim 8x16x0,10 | X |
| 8 | 48600385 | SHIM 8x14x0.25 | X |
| 8 | 48600346 | Shim 8x11x0,20 | X |
| 8 | 48600215 | Shim 8x20x0,10 | X |
| 8 | 48600485 | washer 8X10X0,10 | X |
| 8 | 48601402 | SHIM 8X13X0,10 | X |
| 8 | 48600350 | Shim 8x16x0,15 | X |
| 8 | 48600061 | Shim 8x24x0,40 | X |
| 8 | 48600062 | CHECK VALVE 8X24X0,1 | X |
| 8 | 48600216 | Shim 8x22x0,10 | X |

080000190

4668

* NEW PART

X ON DEMAND



5 Ø 5 mm

6 Ø 6 mm

8 Ø 8 mm

10 Ø 10 mm

12 Ø 12 mm

14 Ø 14-14,5 mm

16 Ø 16 mm

20 Ø 20 mm

21 Ø 21 mm

22 Ø 22 mm

23 Ø 23 mm

24 Ø 24,5 mm

28 Ø 28,25-28,5 mm

32 Ø 32 mm

52 Ø 52 mm



3H, DELTA, T

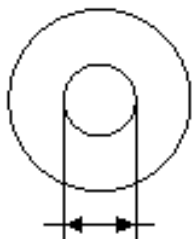
| POS | PARTNUMBER | | PIECE |
|-----|-----------------|-------------------------------|-------|
| 8 | 48600480 | Shim 8x10x0,20 | X |
| 8 | 48600555 | SHIM 8X16X0,20 | X |
| 8 | 48600213 | SHIM 8X14X0,10 | X |
| 8 | 48600357 | Shim 8x11x0,10 | X |
| 8 | 48600351 | Shim 8x12x0,10 | X |
| 8 | 48600607 | Shim 8x20x0,40 | X |
| 8 | 48601095 | Shim 8x17x0,10 | X |
| 8 | 48600352 | check valve 8X11X0,4 | X |
| 8 | 48601860 | Washer 8x11x0,15 | X |
| 8 | 48601266 | Shim 8x26x0,40 | X |
| 8 | 46180640 | Shim 8x16x0,3 | X |
| 8 | 43578166 | Washer 8x20x1 | X |
| 8 | 48601113 | Shim 8x15x0,1 | X |
| 8 | 48600218 | Shim 8X11X0,40 | X |
| 8 | 48600964 | Shim 8x20x0,15 | X |
| 8 | 89080008 | Shim 8x30x0,10 | X |
| 8 | 48601859 | Shim 8x10x0,15 | X |
| 8 | 48601863 | Shim 8x14x0,15 | X |
| 8 | 89080001 | Shim 8x18x0,15 | X |
| 8 | 89080002 | Shim 8x22x0,15 | X |
| 8 | 89080003 | Shim 8x24x0,15 | X |
| 8 | 89080005 | Shim 8x26x0,15 | X |
| 8 | 89080007 | Shim 8x28x0,15 | X |
| 8 | 89080009 | Shim 8x30x0,15 | X |
| 8 | 48600386 | Shim 8X12X0,25 | X |
| 8 | 48601862 | Shim 8x13x0,15 | X |
| 8 | 89080004 | Shim 8x26x0,10 | X |
| 8 | 89080006 | Shim 8x28x0,10 | X |
| 8 | S64080000000000 | Shim 8x24x0,2 | X |
| 8 | 48601864 | Shim 8x15x0,15 | X |
| 8 | 48600965 | SHIM 8X20X0,2 | X |
| 8 | S64080000300000 | Shim 8x18x0,2 | X |
| 8 | S64080000100000 | Shim 8x12x0,2 | X |
| 8 | S64080000900000 | shim 8x14x0,2 | X |
| 8 | S64080000100000 | Shim 8x12x0,2 | X |
| 8 | S64080000400000 | Shim 8x22x0,2 | X |
| 8 | 48600384 | Shim 8x22x0,30 | X |
| 8 | S25080000300000 | Trägerscheibe Sinus Shim 8x30 | X |

080000190

4668

* NEW PART

X ON DEMAND



5 Ø 5 mm

6 Ø 6 mm

8 Ø 8 mm

10 Ø 10 mm

12 Ø 12 mm

14 Ø 14-14,5 mm

16 Ø 16 mm

20 Ø 20 mm

21 Ø 21 mm

22 Ø 22 mm

23 Ø 23 mm

24 Ø 24,5 mm

28 Ø 28,25-28,5 mm

32 Ø 32 mm

52 Ø 52 mm



3H, DELTA, T

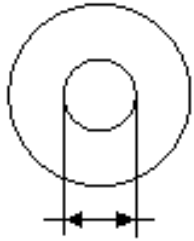
| POS | PARTNUMBER | | PIECE |
|-----|-----------------|-------------------|-------|
| 8 | S25080000500000 | Scheibe 8x25x2,5 | X |
| 10 | 36120284 | SHIM 10X16X0,10 | X |
| 10 | 36120298 | SHIM 10X16X0,2 | X |
| 10 | 36120312 | SHIM 10X16X0,30 | X |
| 10 | 36120314 | SHIM 10X18X0,30 | X |
| 10 | 36120325 | SHIM 10X19X0,15 | X |
| 10 | 36120327 | SHIM 10X23X0,15 | X |
| 10 | 36120328 | SHIM 10X25X0,15 | X |
| 10 | 36120329 | SHIM 10X27X0,15 | X |
| 10 | 36120330 | SHIM 10X29X0,15 | X |
| 10 | 36120331 | SHIM 10X31X0,15 | X |
| 10 | 36120332 | SHIM 10X33X0,15 | X |
| 10 | 36120334 | SHIM 10X21X0,20 | X |
| 10 | 36120335 | SHIM 10X23X0,20 | X |
| 10 | 36120336 | SHIM 10X25X0,20 | X |
| 10 | 36120337 | SHIM 10X27X0,20 | X |
| 10 | 36120338 | SHIM 10X29X0,20 | X |
| 10 | 36120339 | SHIM 10X31X0,20 | X |
| 10 | 36120340 | SHIM 10X33X0,20 | X |
| 10 | 36120342 | SHIM 10X21X0,25 | X |
| 10 | 36120343 | SHIM 10X23X0,25 | X |
| 10 | 36120344 | SHIM 10X25X0,25 | X |
| 10 | 36120345 | SHIM 10X27X0,25 | X |
| 10 | 36120349 | SHIM 10X19X0,30 | X |
| 10 | 36120350 | SHIM 10X21X0,30 | X |
| 10 | 36120313 | SHIM 10X17X0,30 | X |
| 10 | 36120354 | SHIM 10X29X0,30 | X |
| 10 | 40140275 | WASHER 10X35X0,15 | X |
| 10 | 48601708 | Shim 10x30x0,40 | X |
| 10 | 36120346 | SHIM 10X29X0,25 | X |
| 10 | 36120355 | SHIM 10X31X0,30 | X |
| 10 | 36120348 | SHIM 10X33X0,25 | X |
| 10 | 36120311 | SHIM 10X15X0,30 | X |
| 10 | 36120292 | SHIM 10X17X0,15 | X |
| 10 | 36120326 | SHIM 10X21X0,15 | X |
| 10 | 36120286 | SHIM 10X18X0,10 | X |
| 10 | 36120347 | SHIM 10X31X0,25 | X |
| 10 | 36120333 | SHIM 10X19X0,20 | X |

080000190

4668

* NEW PART

X ON DEMAND



5 Ø 5 mm

6 Ø 6 mm

8 Ø 8 mm

10 Ø 10 mm

12 Ø 12 mm

14 Ø 14-14,5 mm

16 Ø 16 mm

20 Ø 20 mm

21 Ø 21 mm

22 Ø 22 mm

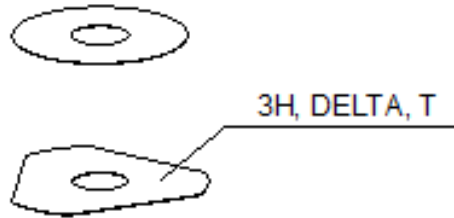
23 Ø 23 mm

24 Ø 24,5 mm

28 Ø 28,25-28,5 mm

32 Ø 32 mm

52 Ø 52 mm



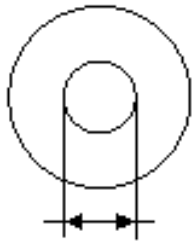
| POS | PARTNUMBER | | PIECE |
|-----|------------|------------------|-------|
| 10 | 36120351 | SHIM 10X23X0,30 | X |
| 10 | 36120352 | SHIM 10X25X0,30 | X |
| 10 | 36120353 | SHIM 10X27X0,30 | X |
| 10 | 36120356 | SHIM 10X33X0,30 | X |
| 10 | 50180395 | Washer 10x16x1 | X |
| 10 | 36120291 | SHIM 10X16X0,15 | X |
| 10 | 36120308 | Shim 10x13x0,30 | X |
| 10 | 36120604 | Washer 10x22x2,5 | X |
| 10 | 36120299 | SHIM 10X17X0,20 | X |
| 12 | 46810605 | SHIM 12X21X0,10 | X |
| 12 | 46810490 | SHIM 12X24X0,20 | X |
| 12 | 46810491 | Shim 12x26x0,20 | X |
| 12 | 46810492 | Shim 12x28x0,20 | X |
| 12 | 46810493 | SHIM 12X30X0,20 | X |
| 12 | 46810494 | Shim 12x32x0,20 | X |
| 12 | 46810495 | Shim 12x34x0,20 | X |
| 12 | 46810496 | SHIM 12X36X0,20 | X |
| 12 | 46810497 | SHIM 12X38X0,20 | X |
| 12 | 46810498 | Shim 12x40x0,20 | X |
| 12 | 46810499 | Shim 12x24x0,25 | X |
| 12 | 46810500 | SHIM 12X26X0,25 | X |
| 12 | 46810501 | SHIM 12X28X0,25 | X |
| 12 | 46810502 | Shim 12x30x0,25 | X |
| 12 | 46810504 | SHIM 12X34X0,25 | X |
| 12 | 46810505 | SHIM 12X36X0,25 | X |
| 12 | 46810507 | Shim 12x40x0,25 | X |
| 12 | 46810508 | SHIM 12X24X0,30 | X |
| 12 | 46810509 | SHIM 12X26X0,30 | X |
| 12 | 46810510 | SHIM 12X28X0,30 | X |
| 12 | 46810512 | SHIM 12X32X0,30 | X |
| 12 | 46810513 | SHIM 12X34X0,30 | X |
| 12 | 46810518 | SHIM 12X26X0,15 | X |
| 12 | 46810519 | SHIM 12X28X0,15 | X |
| 12 | 46810520 | SHIM 12X30X0,15 | X |
| 12 | 46810521 | SHIM 12X32X0,15 | X |
| 12 | 46810522 | SHIM 12X34X0,15 | X |
| 12 | 46810523 | SHIM 12X36X0,15 | X |
| 12 | 46810524 | SHIM 12X38X0,15 | X |

080000190

4668

* NEW PART

X ON DEMAND



5 Ø 5 mm

6 Ø 6 mm

8 Ø 8 mm

10 Ø 10 mm

12 Ø 12 mm

14 Ø 14-14,5 mm

16 Ø 16 mm

20 Ø 20 mm

21 Ø 21 mm

22 Ø 22 mm

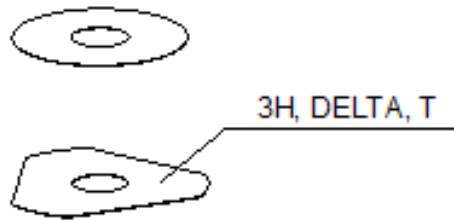
23 Ø 23 mm

24 Ø 24,5 mm

28 Ø 28,25-28,5 mm

32 Ø 32 mm

52 Ø 52 mm



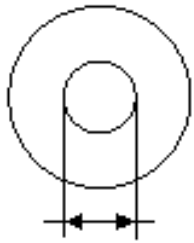
| POS | PARTNUMBER | | PIECE |
|-----|------------|----------------------|-------|
| 12 | 46810525 | SHIM 12X40X0,15 | X |
| 12 | 46810604 | SHIM 12X20X0,10 | X |
| 12 | 46810606 | SHIM 12X22X0,10 | X |
| 12 | 46810607 | SHIM 12X23X0,10 | X |
| 12 | 46810608 | SHIM 12X24X0,10 | X |
| 12 | 46810610 | Shim 12x17x0,15 | X |
| 12 | 46810611 | SHIM 12X18X0,15 | X |
| 12 | 46810612 | SHIM 12X19X0,15 | X |
| 12 | 46810615 | SHIM 12X22X0,15 | X |
| 12 | 46810636 | BACKPLATE 12X16X0,30 | X |
| 12 | 46810637 | Shim 12x17x0,30 | X |
| 12 | 46810638 | Shim 12x18x0,30 | X |
| 12 | 46810639 | SHIM 12X19X0,30 | X |
| 12 | 46810641 | Shim 12X21X0,30 | X |
| 12 | 46811582 | Shim 12x30x0,10 | X |
| 12 | 46810631 | SHIM 12X20X0,25 | X |
| 12 | 46810633 | SHIM 12X22X0,25 | X |
| 12 | 46811580 | Shim 12x32x0,10 | X |
| 12 | 46810503 | SHIM 12X32X0,25 | X |
| 12 | 46810517 | SHIM 12X24X0,15 | X |
| 12 | 46810856 | Shim 12x20x0,30 | X |
| 12 | 46811258 | Washer 12x24x2,5 | X |
| 12 | 46812018 | Shim 12x42x0,25 | X |
| 12 | 46812015 | Shim 12x44x0,20 | X |
| 12 | 46810613 | SHIM 12X20X0,15 | X |
| 12 | 46810623 | SHIM 12X21X0,20 | X |
| 12 | 46810624 | SHIM 12X22X0,20 | X |
| 12 | 46810642 | SHIM 12X22X0,30 | X |
| 12 | 46810643 | SHIM 12X23X0,30 | X |
| 12 | 46811629 | Shim 12x28x0,10 | X |
| 12 | 46810511 | SHIM 12X30X0,30 | X |
| 12 | 46810514 | SHIM 12X36X0,30 | X |
| 12 | 46810506 | SHIM 12X38X0,25 | X |
| 12 | 46810515 | SHIM 12X38X0,30 | X |
| 12 | 46812017 | Shim 12x42x0,20 | X |
| 12 | 46812016 | Shim 12x44x0,25 | X |
| 12 | 46810622 | SHIM 12X20X0,20 | X |
| 12 | 46811635 | Shim 12x26x0,10 | X |

080000190

4668

* NEW PART

X ON DEMAND



5 Ø 5 mm

6 Ø 6 mm

8 Ø 8 mm

10 Ø 10 mm

12 Ø 12 mm

14 Ø 14-14,5 mm

16 Ø 16 mm

20 Ø 20 mm

21 Ø 21 mm

22 Ø 22 mm

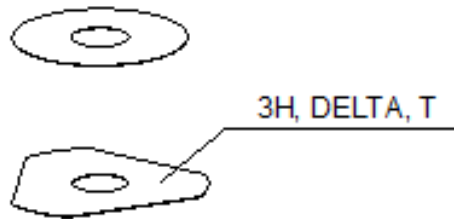
23 Ø 23 mm

24 Ø 24,5 mm

28 Ø 28,25-28,5 mm

32 Ø 32 mm

52 Ø 52 mm



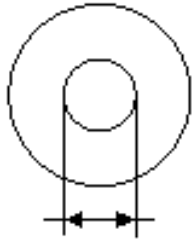
| POS | PARTNUMBER | | PIECE |
|-----|-----------------|-----------------------|-------|
| 12 | 50181296 | Shim 12x45x0,20 | X |
| 12 | 46810620 | Shim 12x18x0,2 | X |
| 12 | 46810616 | Shim 12x23x0,15 | X |
| 12 | 46810625 | SHIM 12X23X0,20 | X |
| 12 | 50181297 | Adjustment 12x45x0,25 | X |
| 12 | 46810603 | SHIM 12X19X0,10 | X |
| 12 | 46180712 | SHIM 12X36X0,10 | X |
| 12 | 46810614 | SHIM 12X21X0,15 | X |
| 12 | 46810628 | SHIM 12X17X0,25 | X |
| 12 | 46810634 | SHIM 12X23X0,25 | X |
| 12 | S64120000000000 | Shim 12x25x0.15 | X |
| 12 | 46810516 | SHIM 12X40X0,30 | X |
| 12 | S64120000800000 | Shim 12x34x0,1 | X |
| 12 | 46810627 | SHIM 12X16X0,25 | X |
| 12 | 46810632 | SHIM 12X21X0,25 | X |
| 12 | 46810602 | SHIM 12X18X0,10 | X |
| 14 | 35480479 | Shim 14x26x0,40 | X |
| 14 | 46811046 | Washer 14,5x35,4x1,25 | X |
| 16 | 50180023 | SHIM 16X23X0,20 | X |
| 16 | 50180030 | Shim 16x23x0,25 | X |
| 16 | 50180006 | Shim 16x20x0,10 | X |
| 16 | 50180007 | SHIM 16X21X0,10 | X |
| 16 | 50180028 | SHIM 16X21X0,25 | X |
| 16 | 50180210 | Washer 16x21x1 | X |
| 16 | 50180008 | SHIM 16X22X0,10 | X |
| 16 | 50180022 | Shim 16x22x0,20 | X |
| 16 | 50180037 | SHIM 16X23X0,30 | X |
| 16 | 50180038 | SHIM 16X24X0,30 | X |
| 16 | 50180032 | Shim 16x25x0,25 | X |
| 16 | 50180039 | SHIM 16X25X0,30 | X |
| 16 | 50180012 | SHIM 16X26X0,10 | X |
| 16 | 50180019 | SHIM 16X26X0,15 | X |
| 16 | 50180026 | SHIM 16X26X0,20 | X |
| 16 | 50180040 | SHIM 16X26X0,30 | X |
| 16 | 50180041 | SHIM 16X28X0,10 | X |
| 16 | 50180045 | Shim 16x28x0,15 | X |
| 16 | 50180054 | Shim 16x28x0,2 | X |
| 16 | 50180063 | SHIM 16X28X0,25 | X |

080000190

4668

* NEW PART

X ON DEMAND



5 Ø 5 mm

6 Ø 6 mm

8 Ø 8 mm

10 Ø 10 mm

12 Ø 12 mm

14 Ø 14-14,5 mm

16 Ø 16 mm

20 Ø 20 mm

21 Ø 21 mm

22 Ø 22 mm

23 Ø 23 mm

24 Ø 24,5 mm

28 Ø 28,25-28,5 mm

32 Ø 32 mm

52 Ø 52 mm



3H, DELTA, T

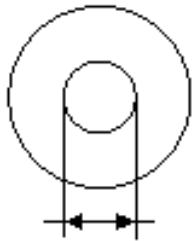
| POS | PARTNUMBER | | PIECE |
|-----|------------|--------------------------|-------|
| 16 | 50180072 | SHIM 16X28X0,30 | X |
| 16 | 50180046 | SHIM 16X30X0,15 | X |
| 16 | 50180055 | SHIM 16X30X0,20 | X |
| 16 | 50180064 | Shim 16x30x0,25 | X |
| 16 | 50180073 | SHIM 16X30X0,30 | X |
| 16 | 50180047 | Shim 16X32X0,15 | X |
| 16 | 50180056 | Shim 16x32x0,2 | X |
| 16 | 50180065 | SHIM 16X32X0,25 | X |
| 16 | 50180074 | SHIM 16X32X0,30 | X |
| 16 | 50180044 | SHIM 16X34X0,10 | X |
| 16 | 50180048 | SHIM 16X34X0,15 | X |
| 16 | 50180057 | Shim 16x34x0,2 y5 | X |
| 16 | 50180066 | SHIM 16X34X0,25 | X |
| 16 | 50180075 | SHIM 16X34X0,30 | X |
| 16 | 50180049 | Shim 16x36x0,15 | X |
| 16 | 50180058 | Shim 16x36x0,20 | X |
| 16 | 50180067 | SHIM 16X36X0,25 | X |
| 16 | 50180076 | SHIM 16X36X0,30 | X |
| 16 | 50180050 | SHIM 16X38X0,15 | X |
| 16 | 50180059 | SHIM 16X38X0,20 | X |
| 16 | 50180068 | SHIM 16X38X0,25 | X |
| 16 | 50180077 | SHIM 16X38X0,30 | X |
| 16 | 50180051 | Shim 16x40x0,15 | X |
| 16 | 50180060 | Shim 16x40x0,2 | X |
| 16 | 50180069 | SHIM 16X40X0,25 | X |
| 16 | 50180078 | SHIM 16X40X0,30 | X |
| 16 | 50180052 | SHIM 16X42X0,15 | X |
| 16 | 50180061 | Shim 16x42x0,2 | X |
| 16 | 50180070 | SHIM 16X42X0,25 | X |
| 16 | 50180079 | SHIM 16X42X0,30 | X |
| 16 | 50180053 | SHIM 16X44X0,15 | X |
| 16 | 50180062 | Shim 16X44X0,20 | X |
| 16 | 50180071 | SHIM 16X44X0,25 | X |
| 16 | 50180080 | SHIM 16X44X0,30 | X |
| 16 | 50180177 | spring washer 8,2x16x0,6 | X |
| 16 | 50180033 | Shim 16x26x0,25 | X |
| 16 | 50180034 | Shim 16x20x0,30 | X |
| 16 | 50180035 | Shim 16x21x0,30 | X |

080000190

4668

* NEW PART

X ON DEMAND



5 Ø 5 mm

6 Ø 6 mm

8 Ø 8 mm

10 Ø 10 mm

12 Ø 12 mm

14 Ø 14-14,5 mm

16 Ø 16 mm

20 Ø 20 mm

21 Ø 21 mm

22 Ø 22 mm

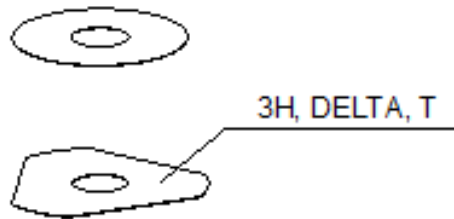
23 Ø 23 mm

24 Ø 24,5 mm

28 Ø 28,25-28,5 mm

32 Ø 32 mm

52 Ø 52 mm



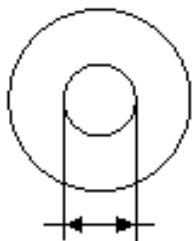
| POS | PARTNUMBER | | PIECE |
|-----|------------|-----------------------------|-------|
| 16 | 50180036 | Shim 16x22x0,30 | X |
| 16 | 50180043 | SHIM 16X32X0,10 | X |
| 16 | 50180024 | Shim 16x24x0,20 | X |
| 16 | 50180027 | SHIM 16X20X0,25 | X |
| 16 | 50180031 | Shim 16x24x0,25 | X |
| 16 | 50180029 | SHIM | X |
| 16 | 50180010 | SHIM 16X24X0,10 | X |
| 16 | 50180021 | SHIM 16X21X0,20 | X |
| 16 | 50180025 | SHIM 16X25X0,20 | X |
| 16 | 50180383 | Washer 16x19x0,3 | X |
| 16 | 50180014 | SHIM | X |
| 16 | 50180013 | SHIM 16X20X0,15 | X |
| 16 | 50180015 | DISTANCER PLATE 16X22X0,15 | X |
| 16 | 50180017 | Shim 16x24x0,15 | X |
| 16 | 50180009 | DISTANCER PLATE 16X23X0,10 | X |
| 16 | 50180016 | SHIM 16X23X0,15 | X |
| 16 | 50180020 | SHIM 16X20X0,20 | X |
| 20 | 48600212 | pressure ring 20X16,25X0,20 | X |
| 20 | 50180666 | SHIM 20X24X0,30 | X |
| 20 | 50180654 | SHIM 20X36X0,20 | X |
| 20 | 50180655 | SHIM 20X38X0,20 | X |
| 20 | 50180656 | SHIM 20X40X0,20 | X |
| 20 | 50180665 | SHIM 20X40X0,25 | X |
| 20 | 50180662 | SHIM 20X34X0,25 | X |
| 20 | 50180657 | SHIM 20X24X0,25 | X |
| 20 | 50180653 | SHIM 20X34X0,20 | X |
| 20 | 50180634 | RING 20X22,9X1 | X |
| 20 | 50180650 | Shim 20x28x0,2 | X |
| 20 | 50180663 | SHIM 20X36X0,25 | X |
| 20 | 50180664 | SHIM 20X38X0,25 | X |
| 20 | 50180659 | SHIM 20,2X28X0,25 | X |
| 21 | 50180209 | Shim 21x36x0,25 | X |
| 22 | 50180330 | Shim 18x22x0,3 | X |
| 23 | 50180635 | SHUTTLE VALVE 23X38X0,25 | X |
| 23 | 50180578 | SHIM D23XD16X2 | X |
| 24 | 40541061 | Washer 24.5X34X2 | X |
| 28 | 36120469 | SHIM 28,5X14X2 | X |
| 28 | 36120471 | washer 28,5X14X5 | X |

080000190

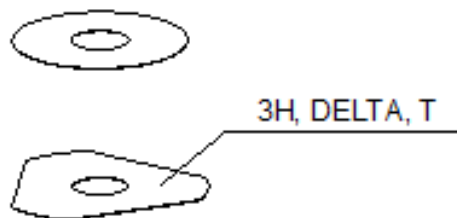
4668

* NEW PART

X ON DEMAND



- 5 Ø 5 mm
- 6 Ø 6 mm
- 8 Ø 8 mm
- 10 Ø 10 mm
- 12 Ø 12 mm
- 14 Ø 14-14,5 mm
- 16 Ø 16 mm
- 20 Ø 20 mm
- 21 Ø 21 mm
- 22 Ø 22 mm
- 23 Ø 23 mm
- 24 Ø 24,5 mm
- 28 Ø 28,25-28,5 mm
- 32 Ø 32 mm
- 52 Ø 52 mm



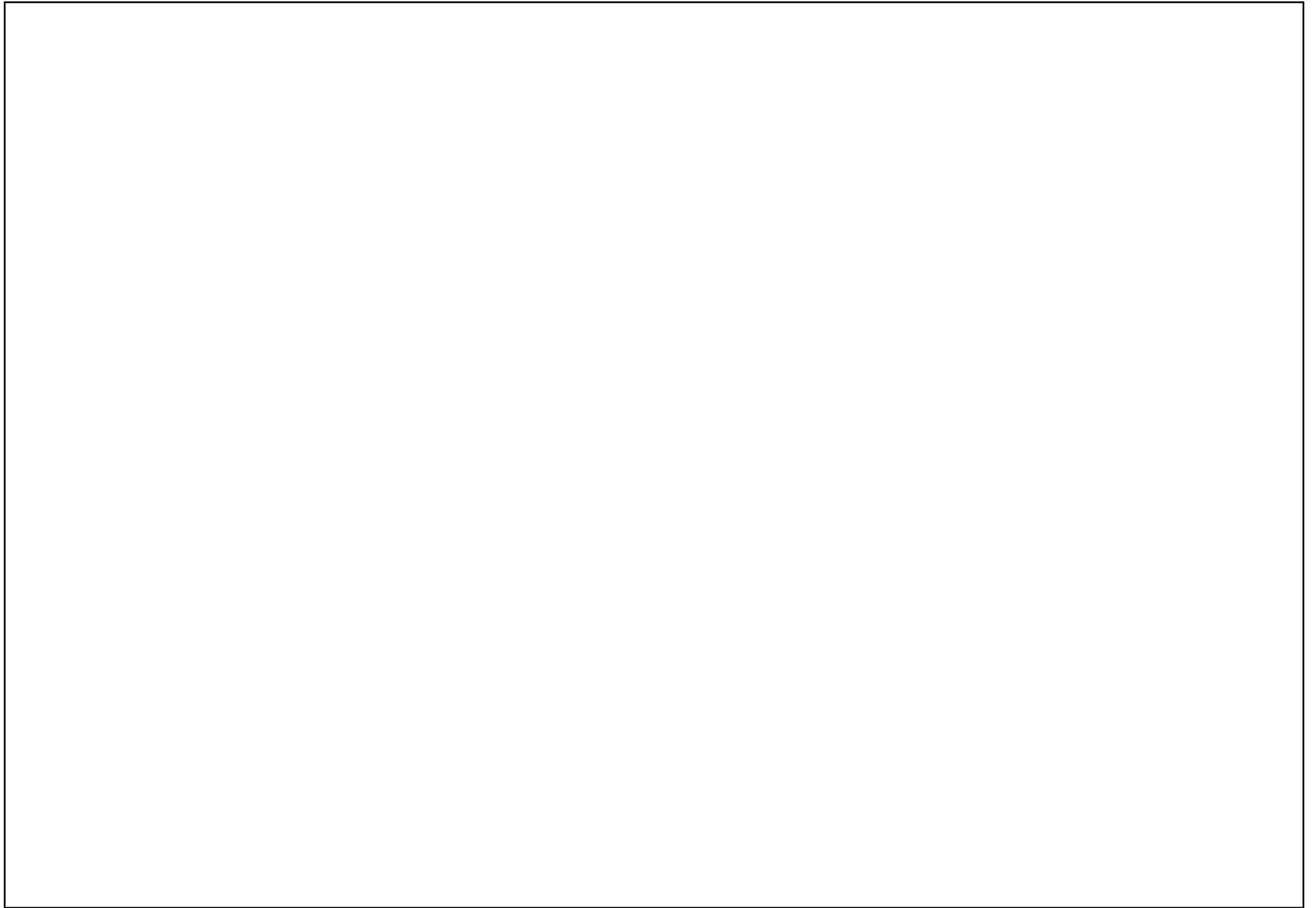
| POS | PARTNUMBER | | PIECE |
|-----|------------|--------------------|-------|
| 28 | 89000001 | Shim 28,25x34x0,30 | X |
| 28 | 46811636 | Shim 28,25x32x0,30 | X |
| 32 | 48600460 | washer 32X42X2,5 | X |
| 32 | 50600065 | washer 32X45X2 | X |
| 32 | 46811637 | Shim 32,25x36x0,30 | X |
| 52 | 50600002 | washer 52x59x2,2 | X |

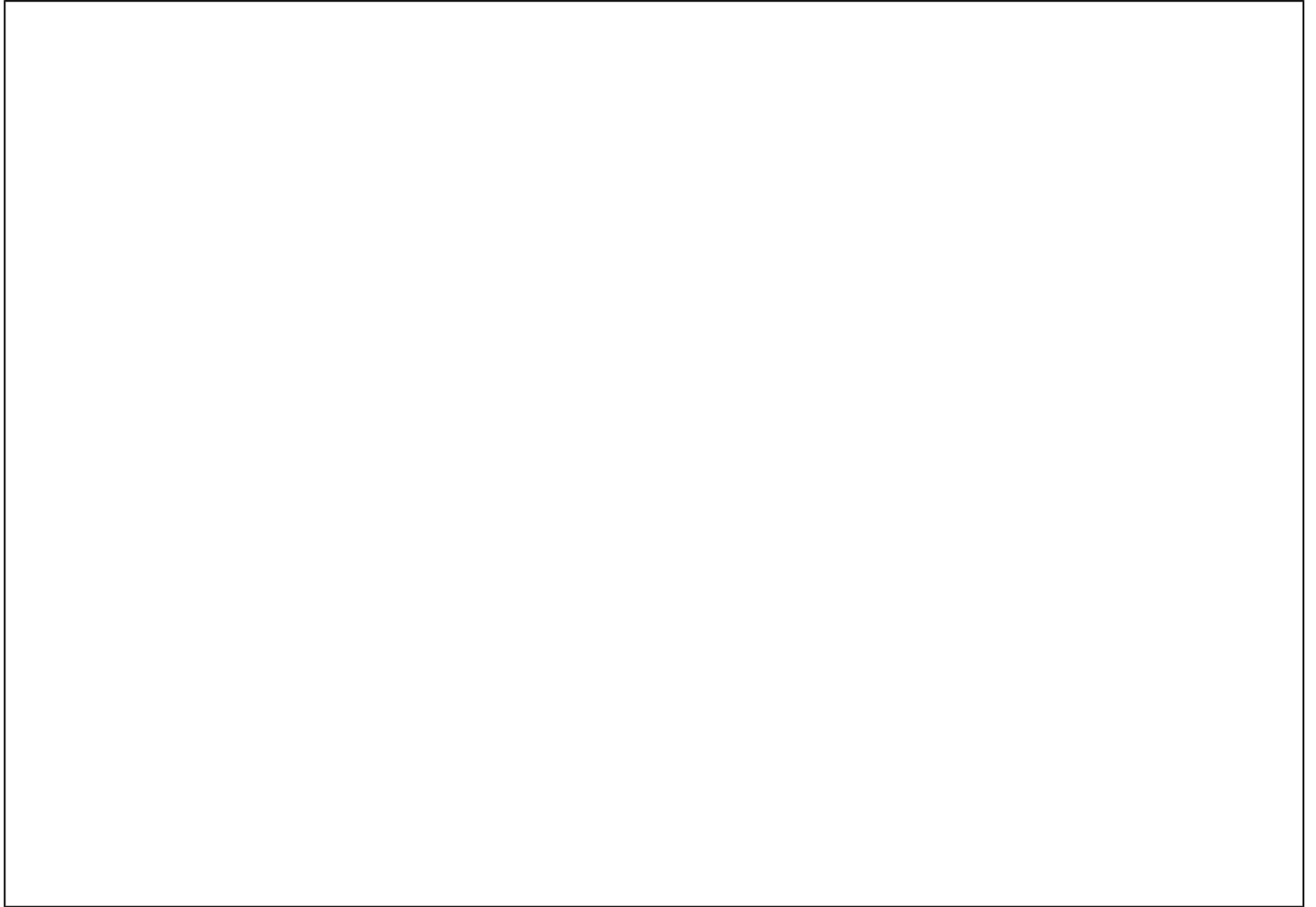
080000190

4668

* NEW PART

X ON DEMAND





KTM.COM



F8503Z9EN

KTM Sportmotorcycle GmbH
5230 Mattighofen, Austria
www.ktm.com

KTM POWERPARTS

KTM POWERWEAR

KTM ORIGINAL SPARE PARTS

