

# 790 DUKE L, black 2026 2026

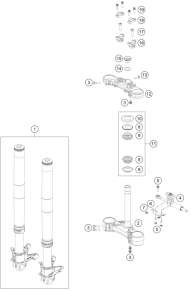
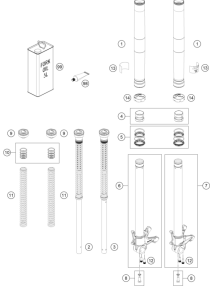
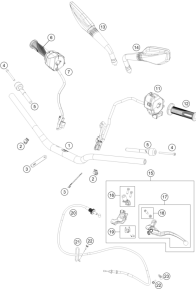
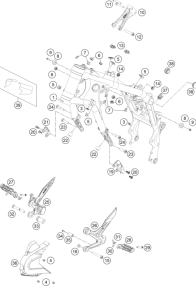
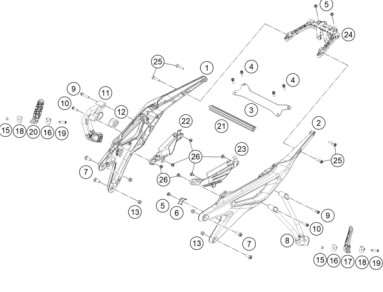
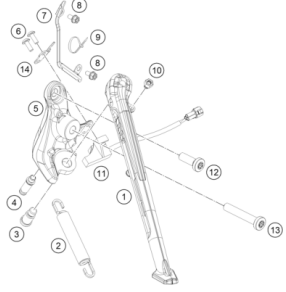
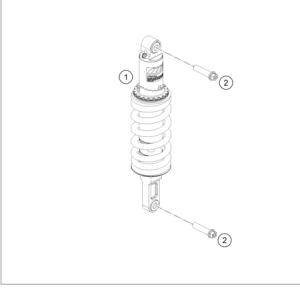
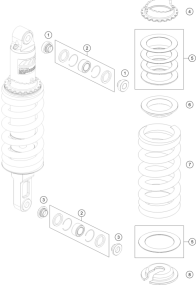
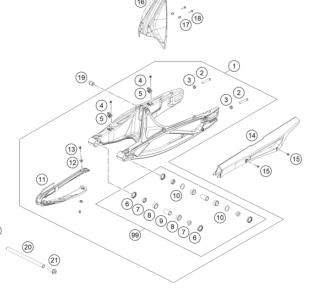
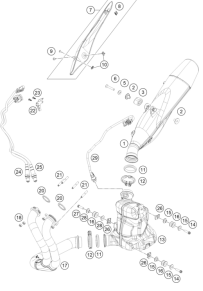
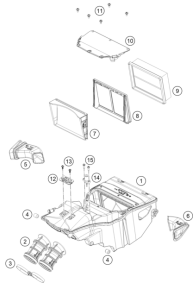
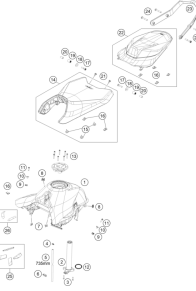
ART.-NR.: F9603ZPEN





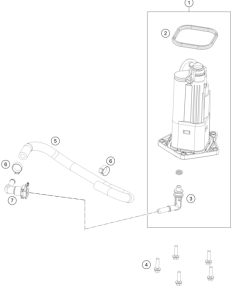
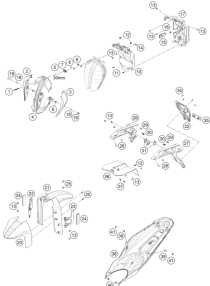
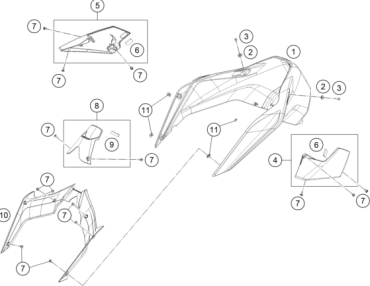

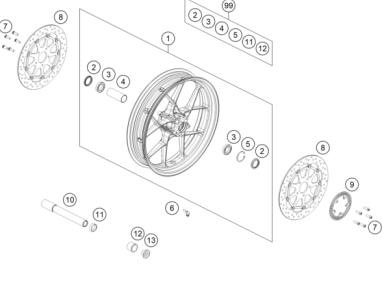
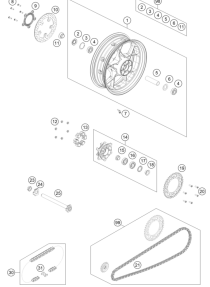

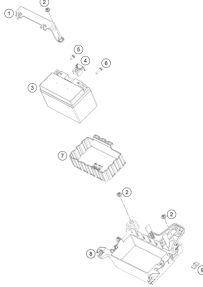
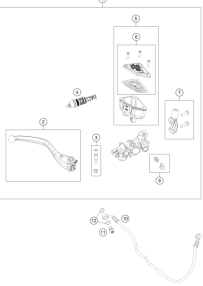
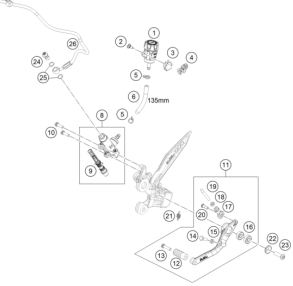
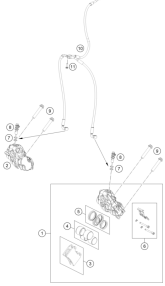
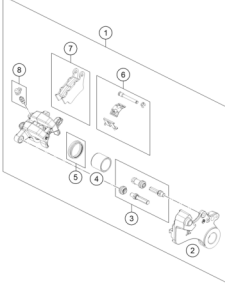
All information contained is without obligation. KTM Sportmotorcycle GmbH particularly reserves the right to modify any equipment, technical specifications, prices, colors, shapes, materials, services, service work, constructions, equipment and the like so as to adapt them to local conditions or to cancel any of the above items, all without previous announcement and without giving reasons. KTM may stop manufacturing certain models without previous notice. KTM shall not be held liable for any deviations of availability and/or ability to deliver, illustrations, descriptions, printing and/or other errors. The illustrated models partly contain extra equipment, which is not applied to standard models.

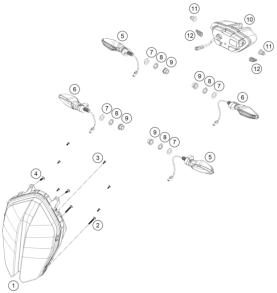
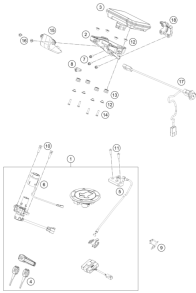
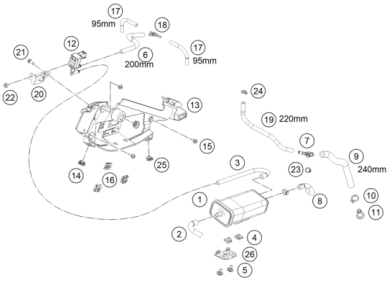
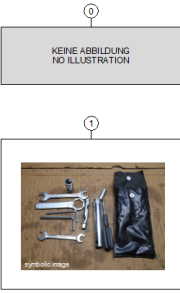
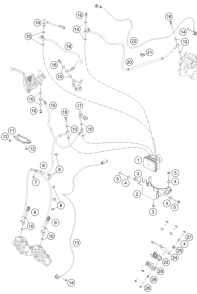
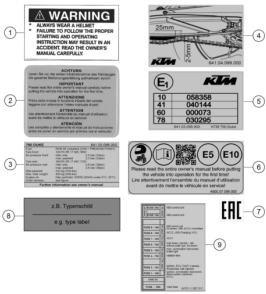
© by KTM Sportmotorcycle GmbH, Mattighofen AUSTRIA; All rights reserved; Reprint, also in extracts, with written allowance of KTM Sportmotorcycle GmbH, Mattighofen only.

<p><b>FRONT FORK, TRIPLE CLAMP</b></p>  <p><b>4</b></p>	<p><b>FRONT FORK DISASSEMBLED</b></p>  <p><b>5</b></p>	<p><b>HANDLEBAR, CONTROLS</b></p>  <p><b>6</b></p>	<p><b>FRAME</b></p>  <p><b>7</b></p>
<p><b>SUBFRAME</b></p>  <p><b>8</b></p>	<p><b>SIDE / CENTER STAND</b></p>  <p><b>9</b></p>	<p><b>SHOCK ABSORBER</b></p>  <p><b>10</b></p>	<p><b>SHOCK ABSORBER DISASSEMBLED</b></p>  <p><b>11</b></p>
<p><b>SWING ARM</b></p>  <p><b>12</b></p>	<p><b>EXHAUST SYSTEM</b></p>  <p><b>13</b></p>	<p><b>AIR FILTER</b></p>  <p><b>14</b></p>	<p><b>TANK, SEAT</b></p>  <p><b>15</b></p>

# CONTENT

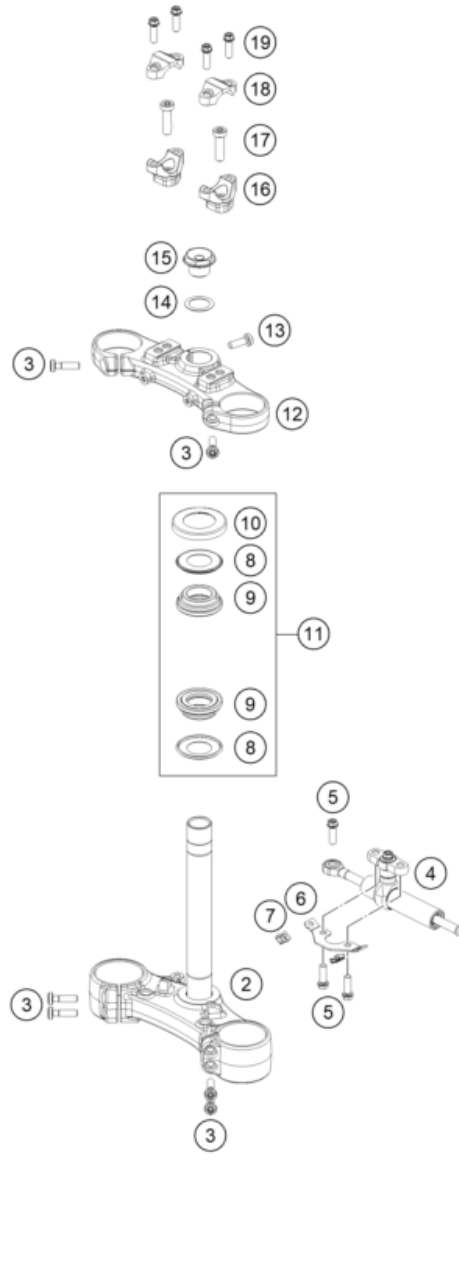
790 DUKE L, black 2026 2026

<p><b>FUEL PUMP</b></p>  <p><b>16</b></p>	<p><b>MASK, FENDERS</b></p>  <p><b>17</b></p>	<p><b>COVER</b></p>  <p><b>19</b></p>	<p><b>DECAL</b></p>  <p><b>20</b></p>
<p><b>FRONT WHEEL</b></p>  <p><b>21</b></p>	<p><b>REAR WHEEL</b></p>  <p><b>22</b></p>	<p><b>WIRING HARNESS</b></p>  <p><b>23</b></p>	<p><b>BATTERY</b></p>  <p><b>24</b></p>
<p><b>FRONT BRAKE CONTROL</b></p>  <p><b>25</b></p>	<p><b>REAR BRAKE CONTROL</b></p>  <p><b>26</b></p>	<p><b>FRONT BRAKE CALIPER</b></p>  <p><b>27</b></p>	<p><b>REAR BRAKE CALIPER</b></p>  <p><b>28</b></p>

<p><b>LIGHTING SYSTEM</b></p>  <p style="text-align: right;"><b>29</b></p>	<p><b>INSTRUMENTS / LOCK SYSTEM</b></p>  <p style="text-align: right;"><b>30</b></p>	<p><b>EVAPORATIVE CANISTER</b></p>  <p style="text-align: right;"><b>31</b></p>	<p><b>ACCESSORY PACK</b></p>  <p style="text-align: right;"><b>32</b></p>
<p><b>ABS</b></p>  <p style="text-align: right;"><b>33</b></p>	<p><b>TECHNIC INFORMATION STICKER</b></p>  <p style="text-align: right;"><b>34</b></p>		

# FRONT FORK, TRIPLE CLAMP

790 DUKE L, black 2026 2026



POS	PARTNUMBER		PIECE
1	A660C150Y201102	Fork KTM 790 Duke 25	1
2	C90701032032C1	Lower triple clamp X=32 mm black Compl.	1
3	C0000350803000	SHCS M8x30 TX45	4
4	16181R54E	Steering damper cpl.	1
5	C0000250802500S	HH COLLAR SCREW M8X25 TX40	3
6	C90701144000C1	Bracket brake line guide	1
7	69008021080	Clip nut M5	2
8	C90701084000	Steering head gasket	2
9	C90701080000	steering head bearing cpl.	2
10	C90701086000	PROT. RING STEER. HEAD BEARING	1
11	C90701081010	Steering head rep. Kit	1
12	C90701034032C1	Upper Triple Clamp	1
13	C0000350802500S	ISA collar screw M8x25 ISA45	1
14	C0009882505000	Thrust wash din0988-25x35x0,5	1
15	C90701036000C1	Steering head screw	1
16	C59401039037C1	Handlebar support d=28 h=32 bl	2
17	C0000351004001S	Ah collar screw m10x40 isa45	2
18	C90701038000C1	HANDLEBAR CLAMP 28MM	2
19	C0000250802500	HH collar screw M8x25	4

186410110

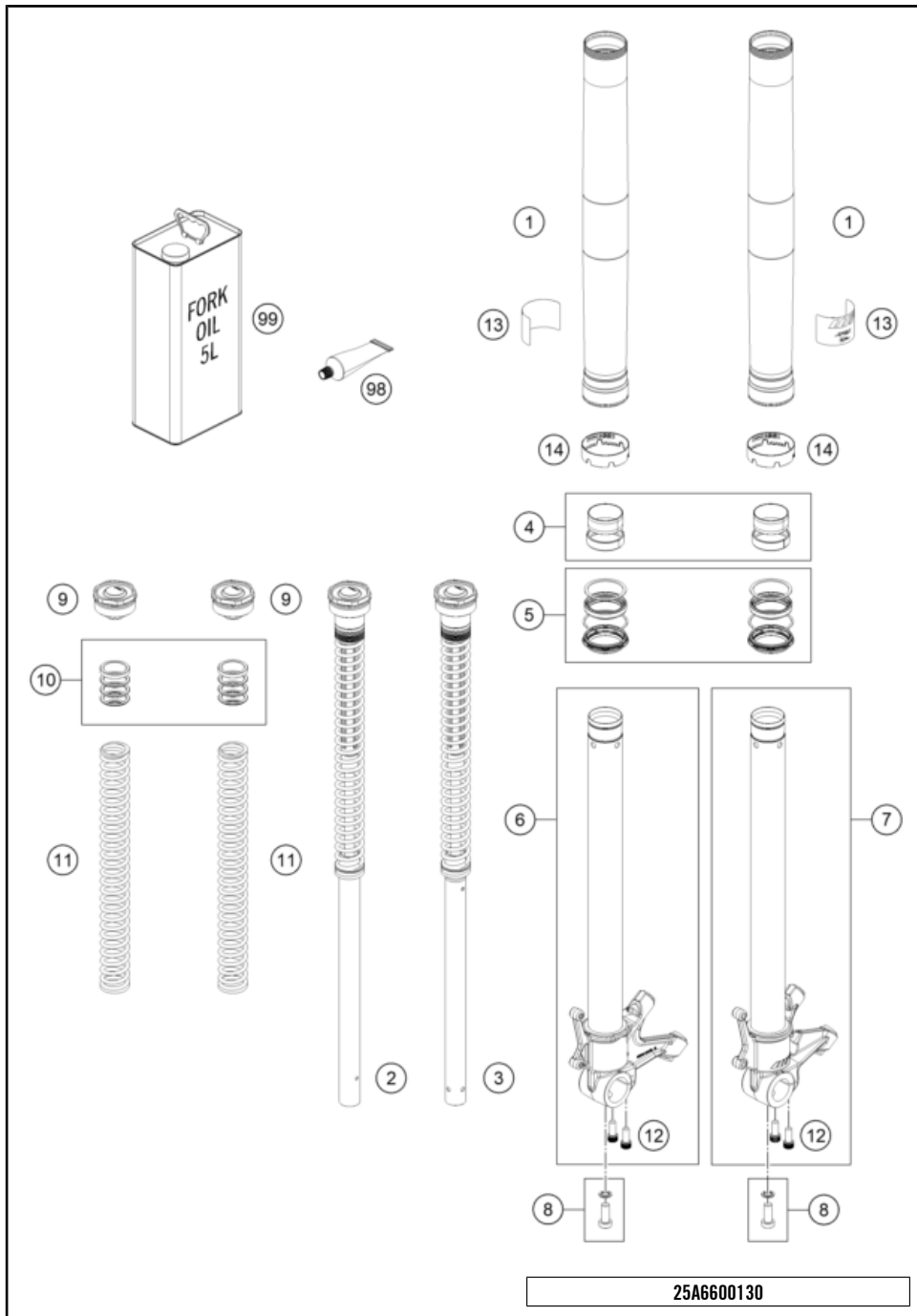
77670

\* NEW PART

X ON DEMAND

# FRONT FORK DISASSEMBLED

790 DUKE L, black 2026 2026



POS	PARTNUMBER		PIECE
1	43578257	fork outer tube 44.33x515 dt54 db57	2
2	43578176S12	Cartridge right KTM 790 Duke MY25 cpl.	1
3	43578195S12	Cartridge left KTM 790 Duke MY25 kpl.	1
4	R14042T	GUIDE BUSHING SET	x
5	R516T	Fork sealing kit 43mm	x
6	43578097S1	Fork shoe right d43mm cmpl.	1
7	43578096S1	Fork shoe left d43mm cmpl.	1
8	43578177S1	HS cylinder-head screw M10x25 set	1
9	43578209S1	screw cap M51x1.5 cpl.	2
10	RP80002	Shim Kit Fork	x
11	95020004S	main spring (38,2) 5-7.8-345 set fork	x
11	43578135	mainspring (37) 6-9 345 fork	1
11	95020005S	Main Spring (38.2) 7-10-345 set fork	x
12	0025080206	HH collar screw M8x20	4
13	52000209SET	Sticker set, APEX PRO OC 90x40	2
14	43578206	Fork protection ring d43	2
98	T14034	Fuchs grease IPR (250g)	1
99	48601166S1	Fork Fluid Viscosity 4.0 5L	1

25A6600130

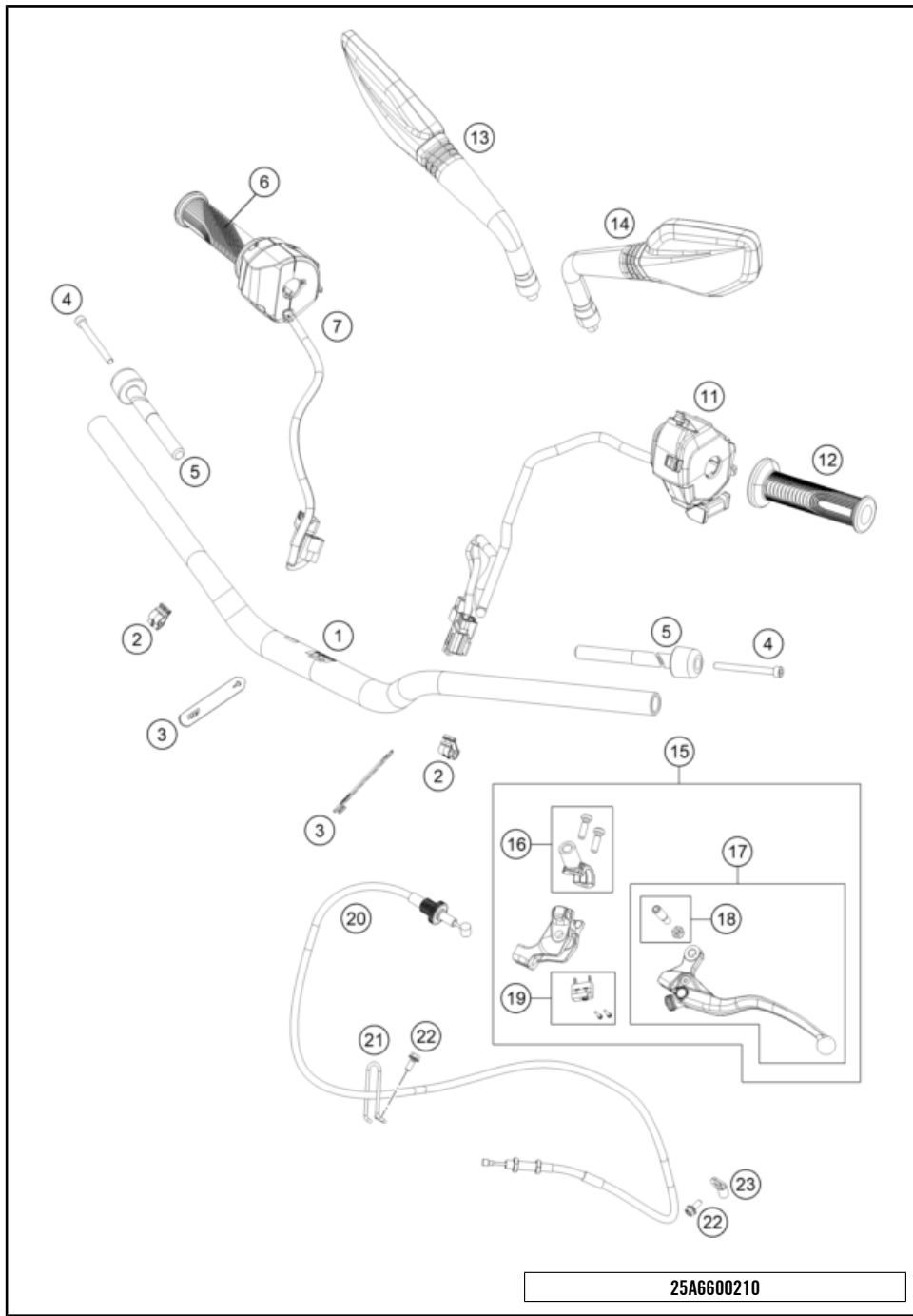
77790

\* NEW PART

X ON DEMAND

# HANDLEBAR, CONTROLS

790 DUKE L, black 2026 2026



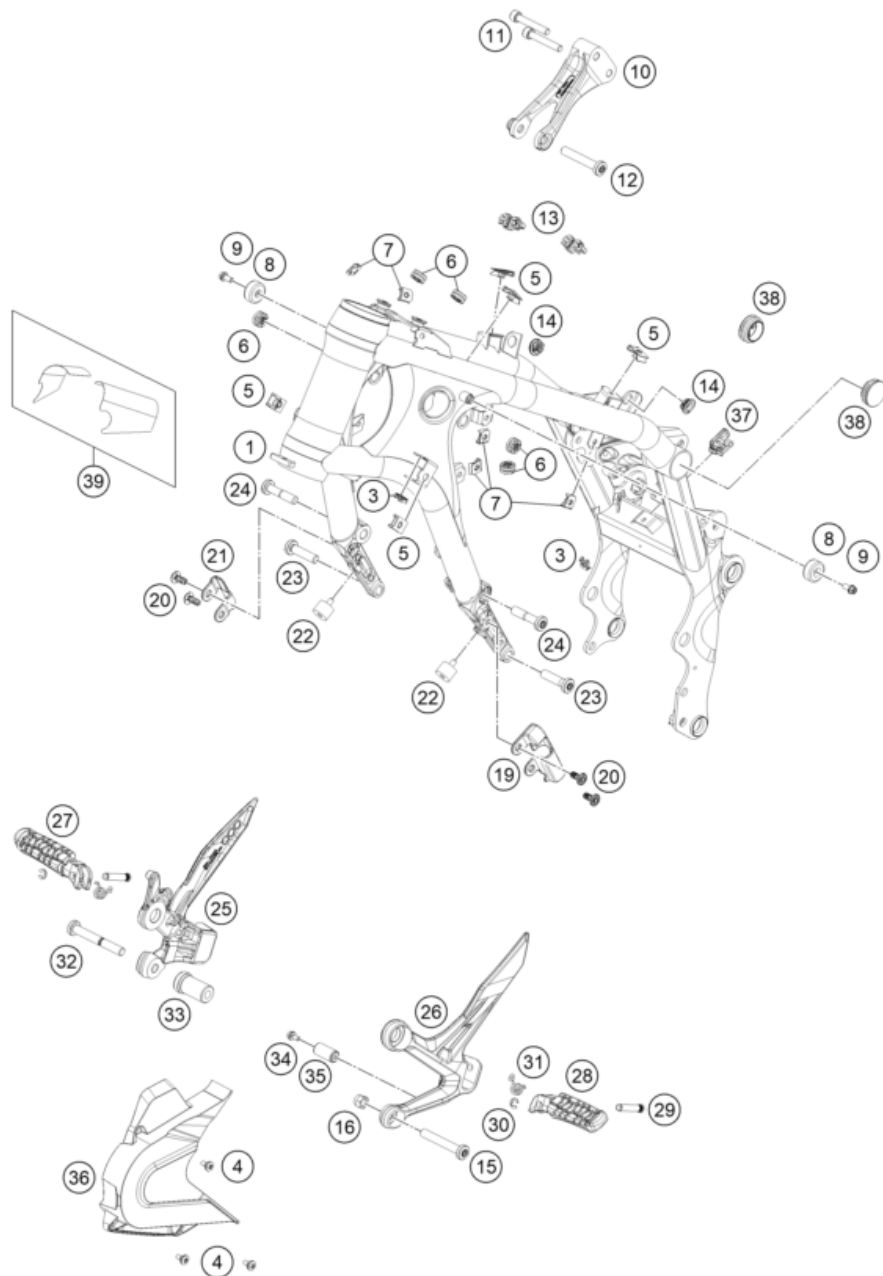
POS	PARTNUMBER		PIECE
1	A66002001000C1	handlebar L=760mm, Dk=28.5mm	1
2	C90713026000	Line guide	2
3	C90711093045	RUBBER CABLE TIE 45MM 03	2
4	0912060653	SHCS DIN 912 M6x65	2
5	C61002004000	Handlebar weight	2
6	96302010033	GRIP ASSEMBLY RH	1
7	96311012044	E-Throttle set w/o gripheater	1
11	96311170000	Left-hand combination steering switch	1
12	96302039000	grip left	1
13	C90712041000	Rear view mirror, right	1
14	C90712040000	Rear view mirror, left	1
15	A65402131000C1	Clutch lever cpl. Black	1
16	6410204400030	Clamp cpl.	1
17	6410204000030	Clutch lever cpl.	1
18	64102038000	Kit lever pin	1
19	64111049000	Lever switch	1
20	C66002090000	Clutch cable	1
21	C90702097000	Clutch cable wire guide	1
22	C0000250501200	HH collar screw M5x12 TX30	2
23	64132070000	PVC clamp 6.4 MM Heyman	1

25A6600210

77671

\* NEW PART

X ON DEMAND



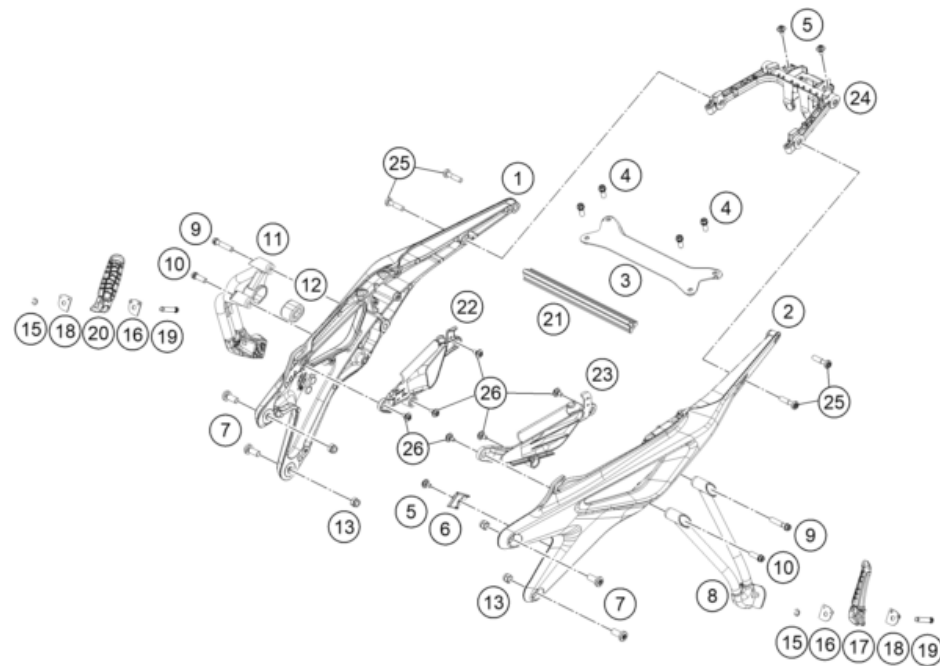
POS	PARTNUMBER		PIECE
1	C90103001000C1	Frame 641 RA black	1
3	69008021080	Clip nut M5	2
4	69008121160	Special screw M5x12	3
5	54603048100	clip nut M6	5
6	C90742041000	Damper ABS modulator	5
7	54603048200	RANGE CHANGE METAL NUT M5	5
8	C90707014000	Fuel tank role	2
9	C0000250601200S	Hex collar screw M6x12 ISA30 self-lockin	2
10	C90703013000C1	Engine strut black	1
11	C0145790805000S	CYL. SCREW DIN14579 M8X50 SS	2
12	C0000351006000S	AH-COLLAR SCREW M10X60 ISA45	1
13	C90742046000	Bracket ABS line d7.5	2
14	C90706003060	Quick-lock coupling	2
15	C0000351006500S	ISA screw, M10x65 ISA45	1
16	54310086100	SELF LOCKING NUT M10 CU WS=14	1
19	C90703034000	Cable guidance left	1
20	C90703034020	Fastening plug M8	4
21	C90703035000	Cable guidance right	1
22	C90705062000	silentbloc 20x15-M6x10-(1)	2
23	C0000351004000S	ISA collar screw M10x40 ISA45	2
24	C0000351004500S	ISA screw M10x45 ISA45	2
25	C90703039000C1	Front footpeg bracket, right	1
26	C90703038000C1	Front footpeg bracket left	1
27	C90703041000	FOOTREST FRONT R/S CPL. 05	1
28	C90703040000	FOOTREST FRONT L/S CPL. 05	1
29	C90703044000	footrest bolt, rear	2
30	0799060003	retaining washer DIN 6799 - 6	2
31	C90703042000	RETURN SPRING FOOTREST	2
32	C0000351008000S	ISA collar screw M10x80 ISA45	1
33	C90703039001C1	Distance piece	1
34	0025050106S	Hex coll. screw M5x10 ISA30 self-locking	1
35	C90703038001C1	Roller	1
36	C90703096000	Front sprocket cover	1
37	64111059020	Cable holder, attachable	1
38	C90703088000	Locking cap frame	2
39	C90703092044	Set protection sticker frame	1

25A6600310

77672

\* NEW PART

X ON DEMAND



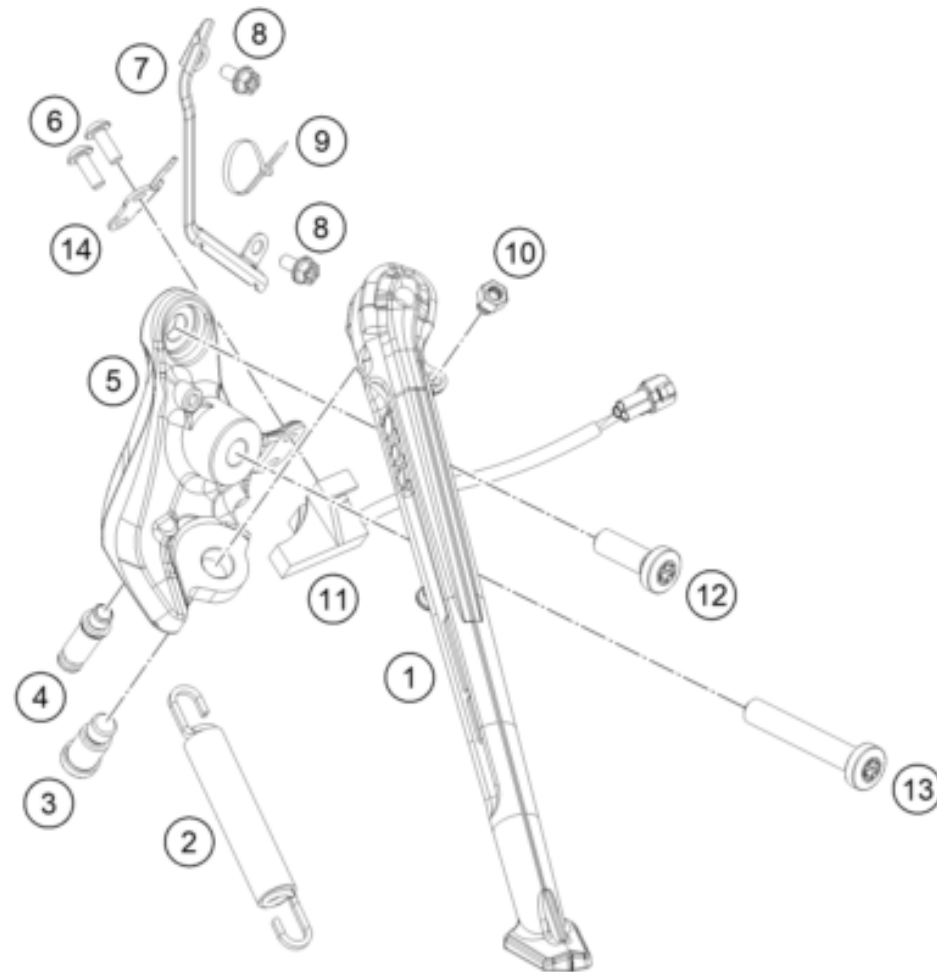
POS	PARTNUMBER		PIECE
1	C90703002006KC	Subframe right grey	1
2	C90703002005KC	Subframe left grey	1
3	C90703002004C1	Cross member	1
4	C0000250801800S	HH collar screw M8x18 ISA40 SS	4
5	C90708000012	special screw M6x12x3	3
6	C90703002010	Cable bracket	1
7	C0000351003000S	SHCS M10x30 TX45	4
8	C90703048000C1	Footrest carrier rear/left	1
9	C0000250804500S	HH COLLAR SCREW M8X45 ISA40	2
10	C0000250802500S	HH COLLAR SCREW M8X25 TX40	2
11	C90703049000C1	Footrest carrier rear/right	1
12	C90705068000	DAMPING RUBBER	1
13	54310086100	SELF LOCKING NUT M10 CU WS=14	4
15	0799060003	retaining washer DIN 6799 - 6	2
16	C90703152000	ENGAGE PANEL FOOTREST L/S 03	2
17	C90703050000	FOOTREST CPL. L/S REAR 03	1
18	C90703052000	ENGAGE PANEL FOOTREST R/S 03	2
19	C90703044000	footrest bolt, rear	2
20	C90703051000	FOOTREST CPL. R/S REAR 03	1
21	C64103004100	Brace subframe	1
22	C90706041050	Cover intake port right	1
23	C90706040050	Cover intake port left	1
24	C90708019050	rear reinforcement	1
25	C0000350803500S	SCREW M8X35 ISA45 SS	4
26	C90708000015	SPECIAL SCREW M6X15X3	6

206410315

77730

\* NEW PART

X ON DEMAND



POS	PARTNUMBER		PIECE
1	C90703023000C1	Sidestand	1
2	C61003024000	Feder L= 116 mm 05	1
3	C90703027200	SCREW FOR SIDE STAND M10X31,2	1
4	C90703028001	Special screw stand spring	1
5	C64103026100C1	Side stand bracket	1
6	C0900000501400	Oval head screw m5x14 tx25	2
7	C90703101099	Bracket side-stand-cable	1
8	C0000250501000	HH collar screw M5x10 TX30	2
9	C90011076140	CABLE TIE 140/2,5MM BLACK	3
10	90103029000	MAGNET HOLDER	1
11	93511045000	SWITCH SIDE STAND	1
12	C0000351003000S	SHCS M10x30 TX45	1
13	C0000351006000S	AH-COLLAR SCREW M10X60 ISA45	1
14	C63603023060	Cable holder, side stand	1

25A6600360

77674

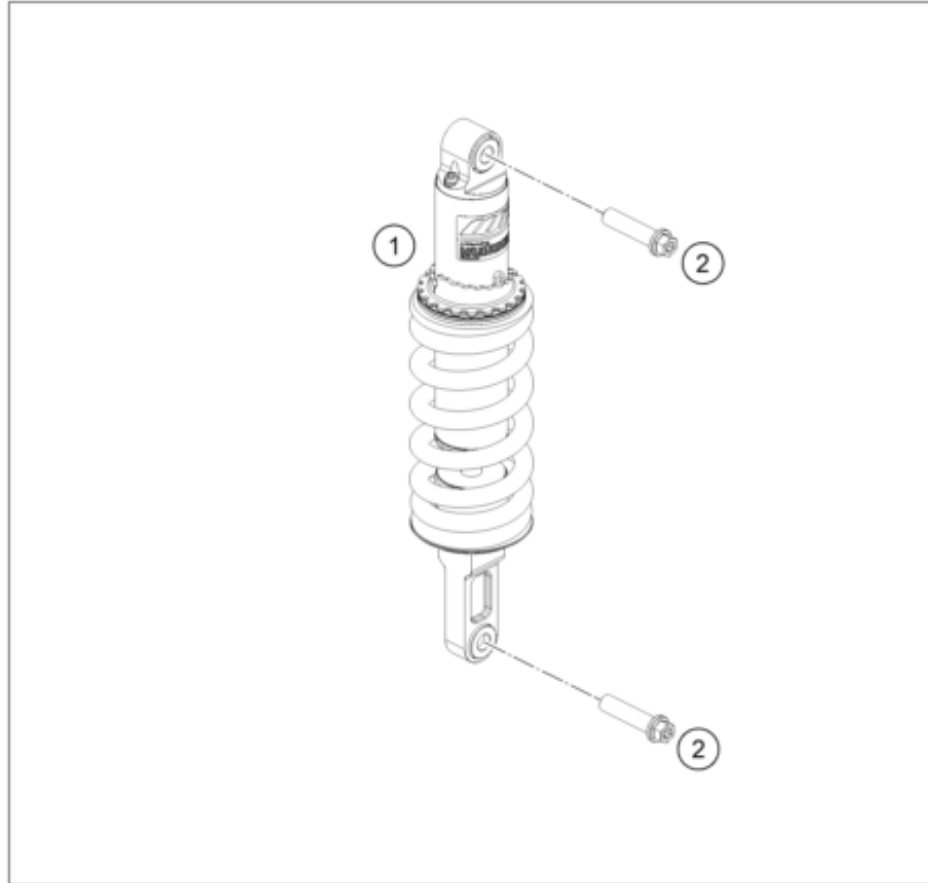
\* NEW PART

X ON DEMAND

# SHOCK ABSORBER

790 DUKE L, black 2026 2026

POS	PARTNUMBER		PIECE
1	C01584R2601	Shock absorber 790 DUKE S 18	1
2	C0000251205000S	HH COLLAR SCREW M12X50 TX45	2



186410410

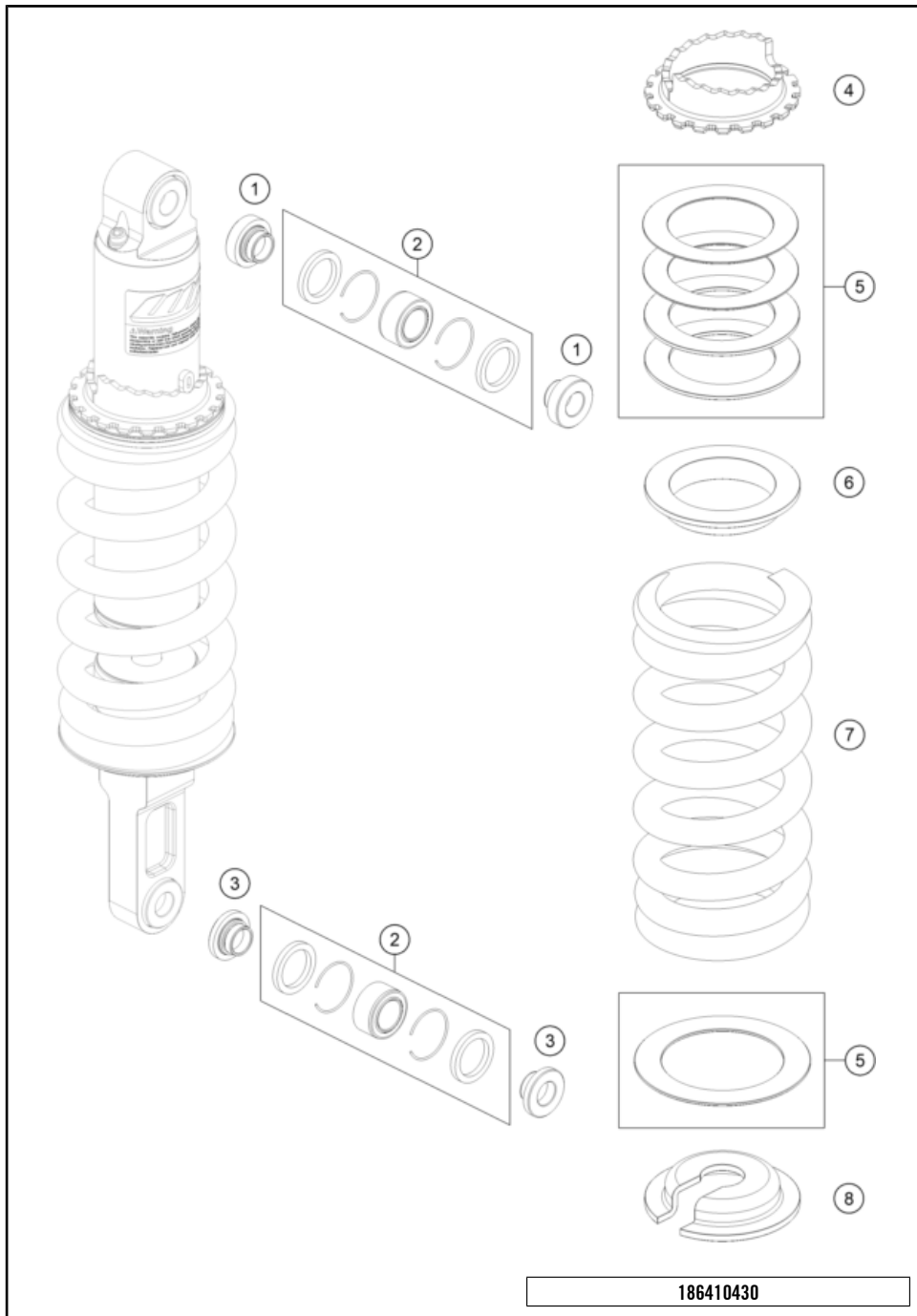
59428

\* NEW PART

X ON DEMAND

# SHOCK ABSORBER DISASSEMBLED

790 DUKE L, black 2026 2026



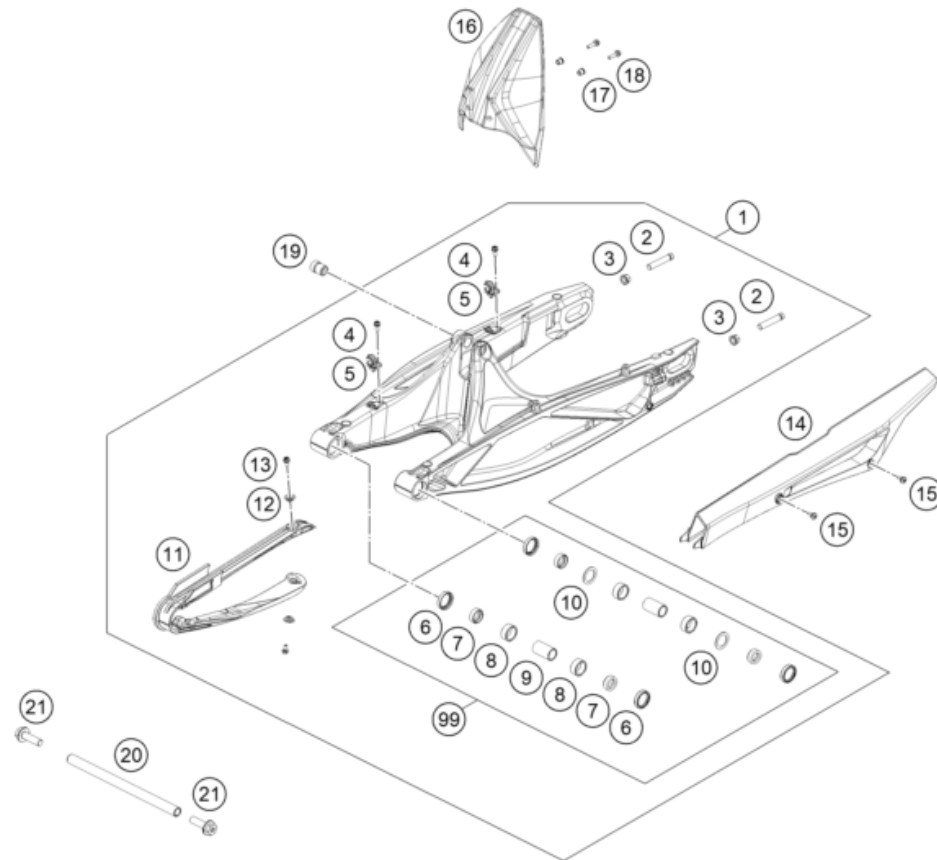
POS	PARTNUMBER		PIECE
1	46180064	Bearing bush 12x15/18/24,5x13,5	2
2	R12012	Ball joint bearing kit top 12mm	1
3	46180007	Distance bush 12x15/18/24,5x10,5	2
4	46148166	PA adjuster	1
5	RP80004	spacer disk kit shock absorber	1
6	46148041	spring retainer 50,5x56,5x3	1
7	91020031	Main spring (59) 115-140-185 shock white	x
7	46148204	Spring l=185mm 130-160N/mm	1
7	91020032	in spring (59) 145-180-185 shock white	x
8	46148098	spring retainer 21x54,8x-8	1

186410430

49901

\* NEW PART

X ON DEMAND



POS	PARTNUMBER		PIECE
1	C90704030044C1	Swingarm cpl. black	1
2	50304040100	Screw M10x1.25x50 WS10	2
3	C0910001001000	Hh collar nut m10x1,25 ws=13	2
4	C0000250501200	HH collar screw M5x12 TX30	2
5	C90704142000	Brake hose bracket	2
6	C0760002532000	radial shaft seal 25x32x7	4
7	C90704034000	BUCKET F. SHAFT SEAL RING 03	4
8	C0430002201200	Needle bushing 22x28x12	4
9	C90704032000	BEARING SLEEVE 17X22X38,7 03	2
10	C90703036000	Stop disk 22.2x31.7x1	2
11	C90704066000	Chain slide protection	1
12	C90704066050	Bushing chain slider	2
13	C0000250501000	HH collar screw M5x10 TX30	2
14	C90704061000	Chain guard	1
15	C90708021160	Special screw M5x12	2
16	C90704050000	Rear Fender	1
17	C90704050010	Bushing 5,5x8,3x9	2
18	C0000250502000	HH collar screw M5x20 TX30	2
19	C90704030120	BUSHING SHOCK MOUNTING	1
20	C64104037000	Swing arm bolt	1
21	C90704038000	Special screw M12x40 WS19	2
99	C90704030010	Swing arm repair kit	x

186410490

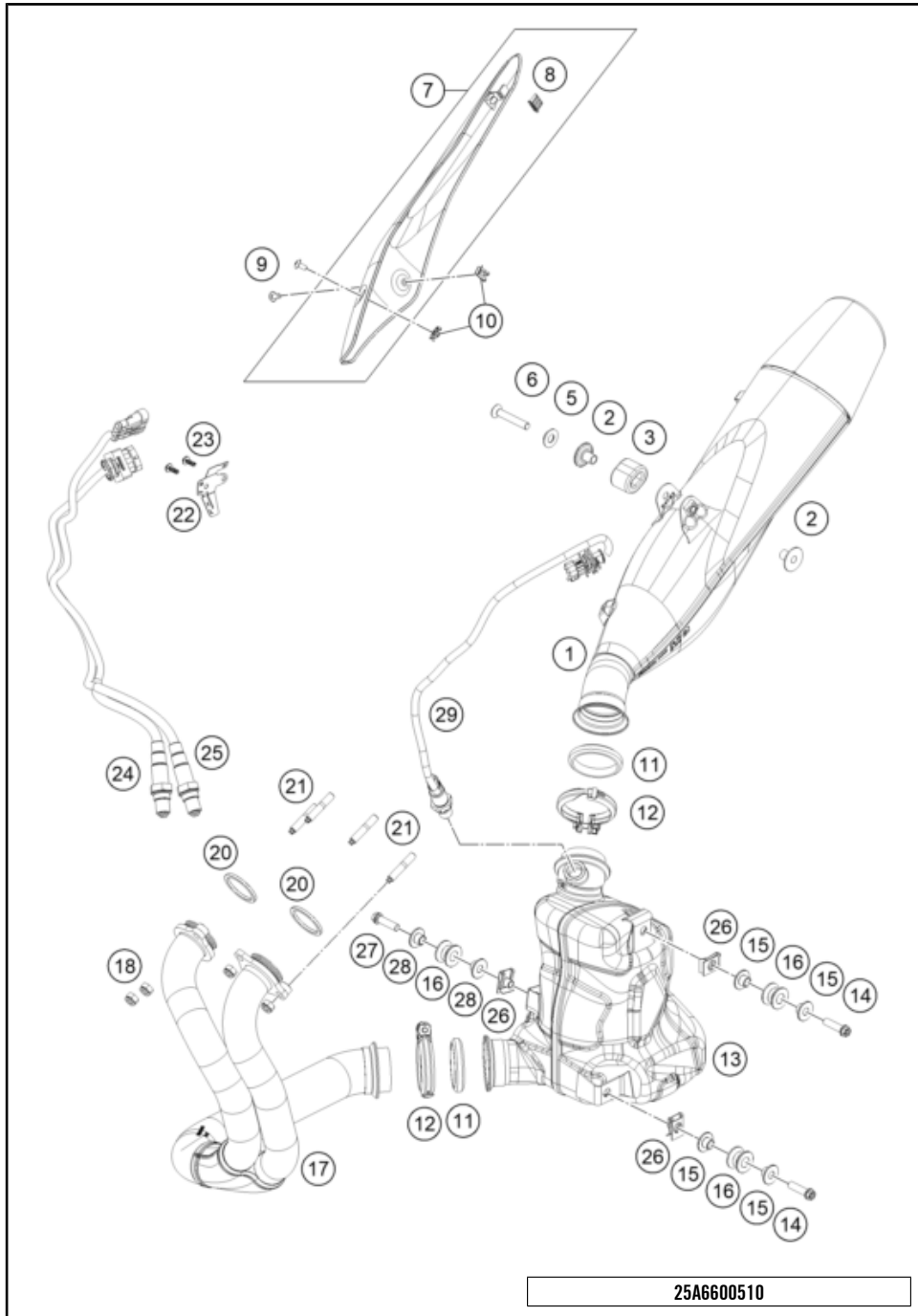
81365

\* NEW PART

X ON DEMAND

# EXHAUST SYSTEM

790 DUKE L, black 2026 2026



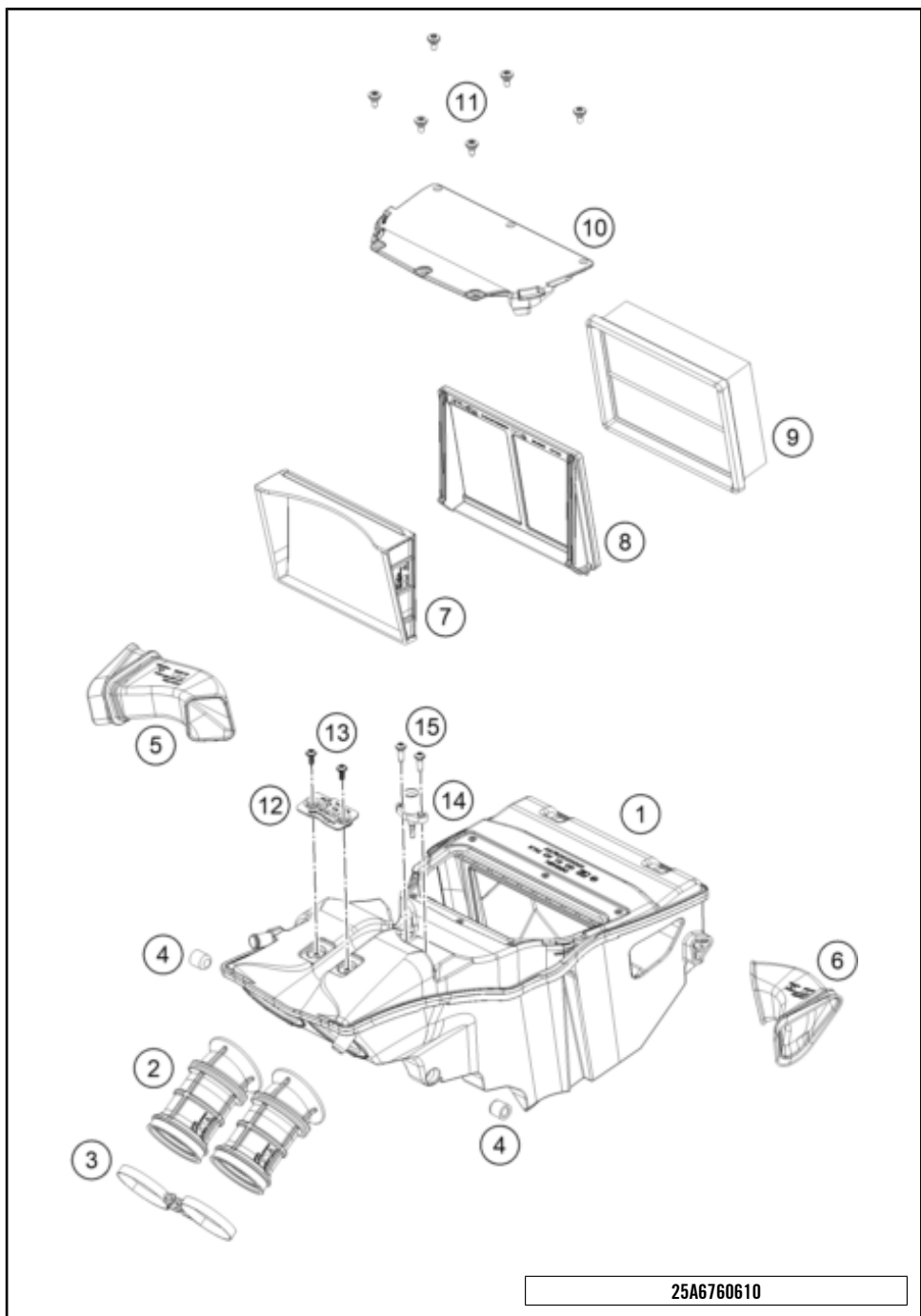
POS	PARTNUMBER		PIECE
1	C90705083100	Muffler eu&us	1
2	C90705169000	BUSHING 8,5X11X29	2
3	C90705068000	DAMPING RUBBER	1
5	C90705069000	conical seat Alu	1
6	C0000190805000	COUN.-SUNK SCREW M8X50 ISA10.9	1
7	C90705011000	Head Protection with mounting	1
8	C90705011011	Damping element silicon	1
9	C0900000501002	Torx screw m5x10	2
10	54603048600	RANGE CHANGE METAL NUT M5 INOX	2
11	C90705005005	Manifold gasket	2
12	C63605058200	Exhaust clamp tube 50 mm	2
13	A67605050000	Premuffler	1
14	C0000250803500S	HH COLLAR SCREW M8X35 TX40	2
15	C90705050065	Collar bushing 8.5x12x23.5x10	4
16	C90705067000	damp. component silicone grey	3
17	C64605007000	Header pipe	1
18	51010086100	Self-locking nut M8 CU	4
20	C90705005000	Exhaust gasket	2
21	C63505015000	stud screw 835 M8x25 - 10.9	4
22	C90742140020	Bracket lambda sensor plug	1
23	0081050141	EJOT PT screw K50x14	2
24	63541090000	O2 Sensor LSF 4	1
25	63541190100	Oxygen sensor	1
26	54603048000	RANGE CHANGE METAL NUT M8	3
27	C0000250804000S	Collar screw M8x40 ISA40 SS	1
28	C0800000901201	Collar bushing 8.5x12x23.5x11.5 black	2
29	A60741090000	Oxygen sensor	1

25A6600510

77682

\* NEW PART

X ON DEMAND



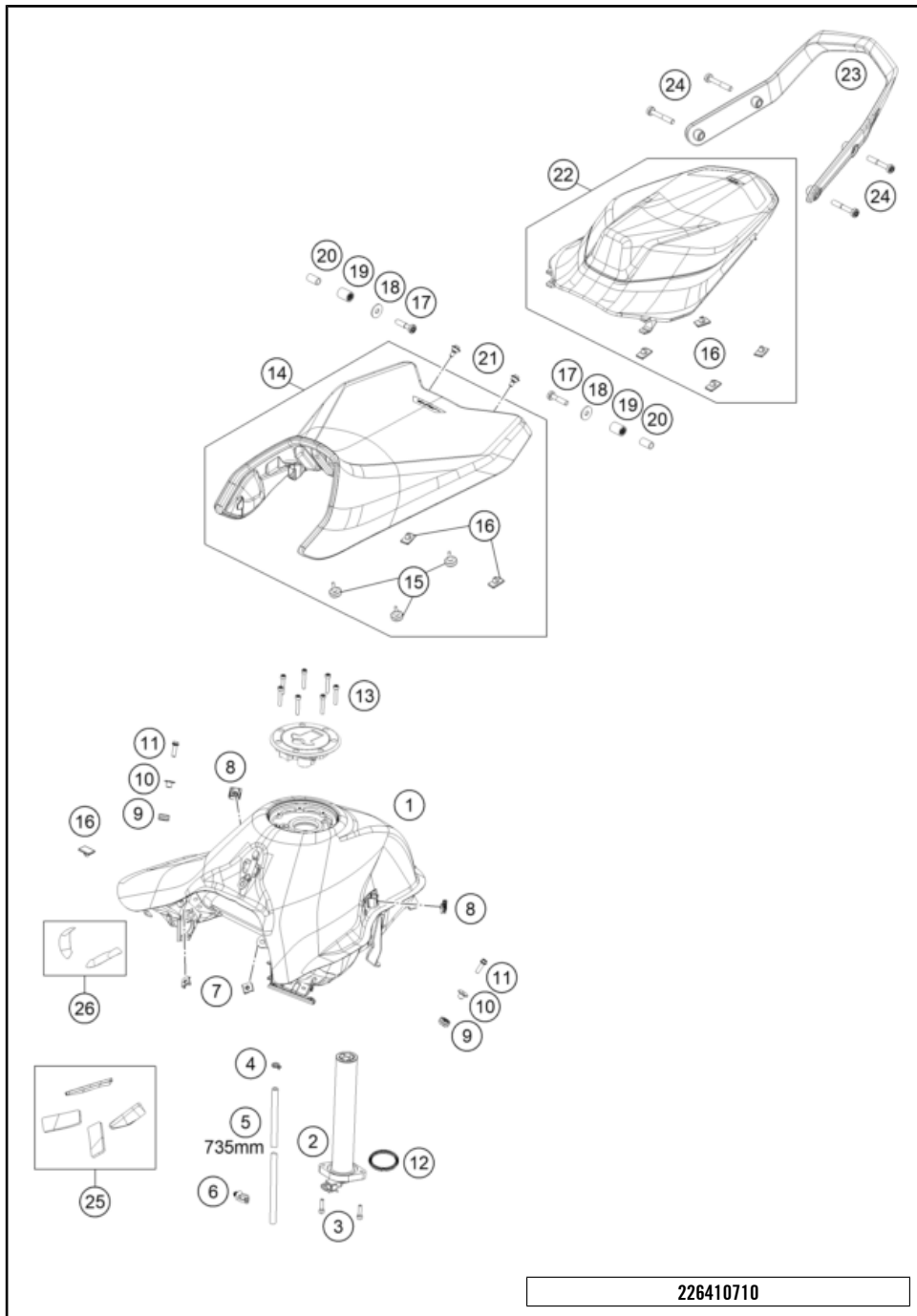
POS	PARTNUMBER		PIECE
1	A67606001000	Air filter box	1
2	C90706026000	Intake funnel'	2
3	C77236048200	HOSE CLAMP 58MM	2
4	C90706014000	Rubber grommet	2
5	C90706041000	Spout right	1
6	C90706040000	Spout left	1
7	C90706001050	Filter clamp, wedge	1
8	C90706016000	Filter clamp, frame	1
9	C90706015000	Air filter	1
10	C90706002000	Air filter box cover	1
11	69008021160	special screw M5x12	6
12	C90706001030	Cable bracket	1
13	0081050121	EJOT PT screw K50x12	2
14	C61041080000	Intake air temperature sensor	1
15	0081050161	EJOT PT screw K50X16 1451	2

25A6760610

81366

\* NEW PART

X ON DEMAND



226410710

POS	PARTNUMBER		PIECE
1	C66007013000CB	Fuel tank	1
2	64107080200	Fuel lever sensor	1
3	0912050203	AH SCREW DIN0912-M 5X20	2
4	59007017000	CLAMP YDNAC 10096F (9,6MM)	1
5	C90715019735	Hose 6x10 FKM/ECO L 735	1
6	C90711092000	CABLE TIE W. SOCKET D=6,5	1
7	54603048200	RANGE CHANGE METAL NUT M5	2
8	54603048300	RANGE CHANGE METAL NUT M6 INOX	2
9	C90742041000	Damper ABS modulator	2
10	C61342041100	Bund bushing 6,5x9x18x8,5	2
11	C0000250602000	HH collar screw M6x20 TX30	2
12	C90707080090	Gasket fuel level sensor	1
13	014579050166	Cap hd. screw ISO14579, M5x16-8.8, black	7
14	C66007040000	Rider seat cpl.	1
15	C90706001021	Spaxer rubber airbox	3
16	C90707040041	Isolation pad	7
17	C0000250804000S	Collar screw M8x40 ISA40 SS	2
18	0021080003	WASHER DIN9021-A 8,4	2
19	C90707046000	Rubber seat cowl pad	2
20	C90707049000	Bushing 8.4x12x21.5	2
21	C0900000601500S	Special screw m6x15x5.5-8.8 MK	2
22	C66007047033	Passenger seat cpl.	1
23	C90712008000	Grip handle passenger	1
24	C0000350805000S	Ah-collar screw m8x50 ISA45	4
25	C90707012000	Tank Protection Set Metamoll	1
26	C90707013040	protectionfoil tank set	1

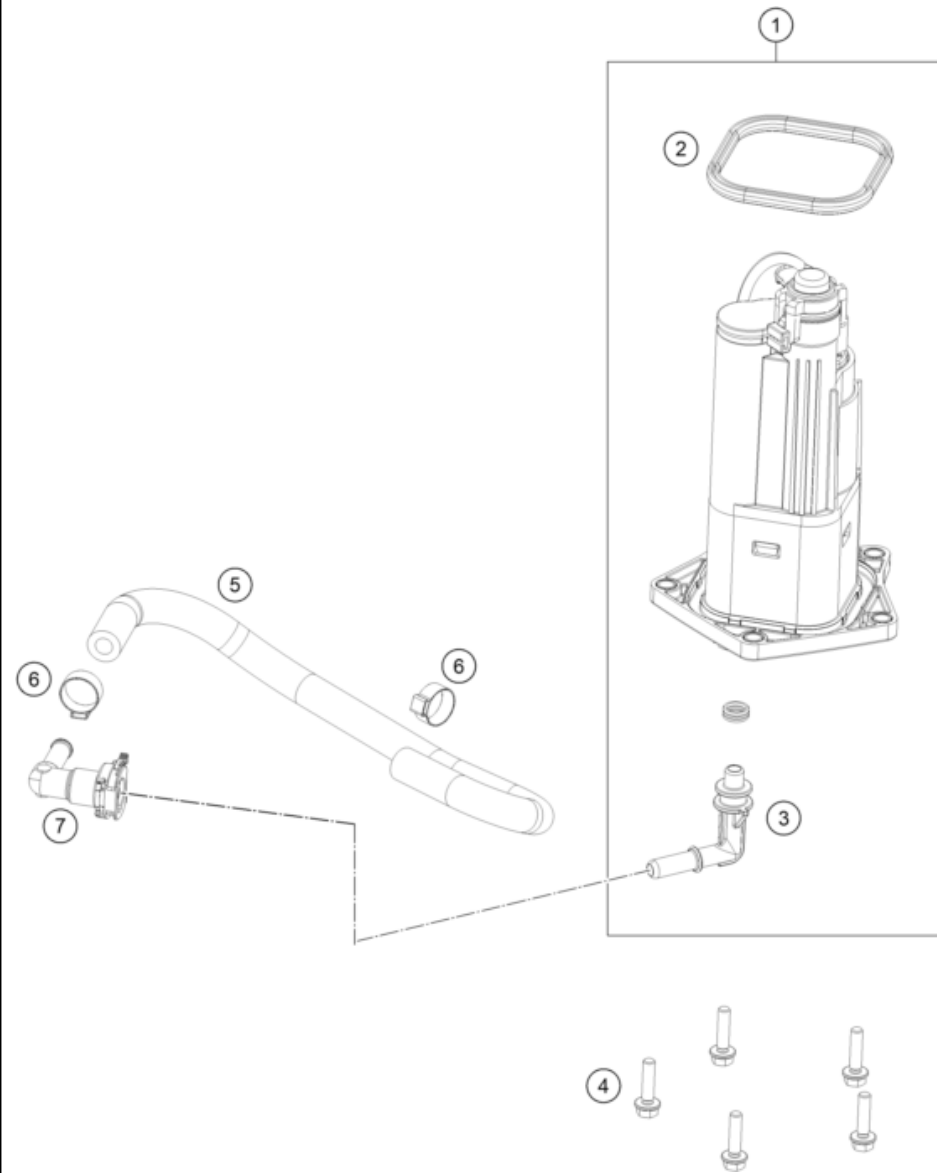
77687

\* NEW PART

X ON DEMAND

# FUEL PUMP

790 DUKE L, black 2026 2026



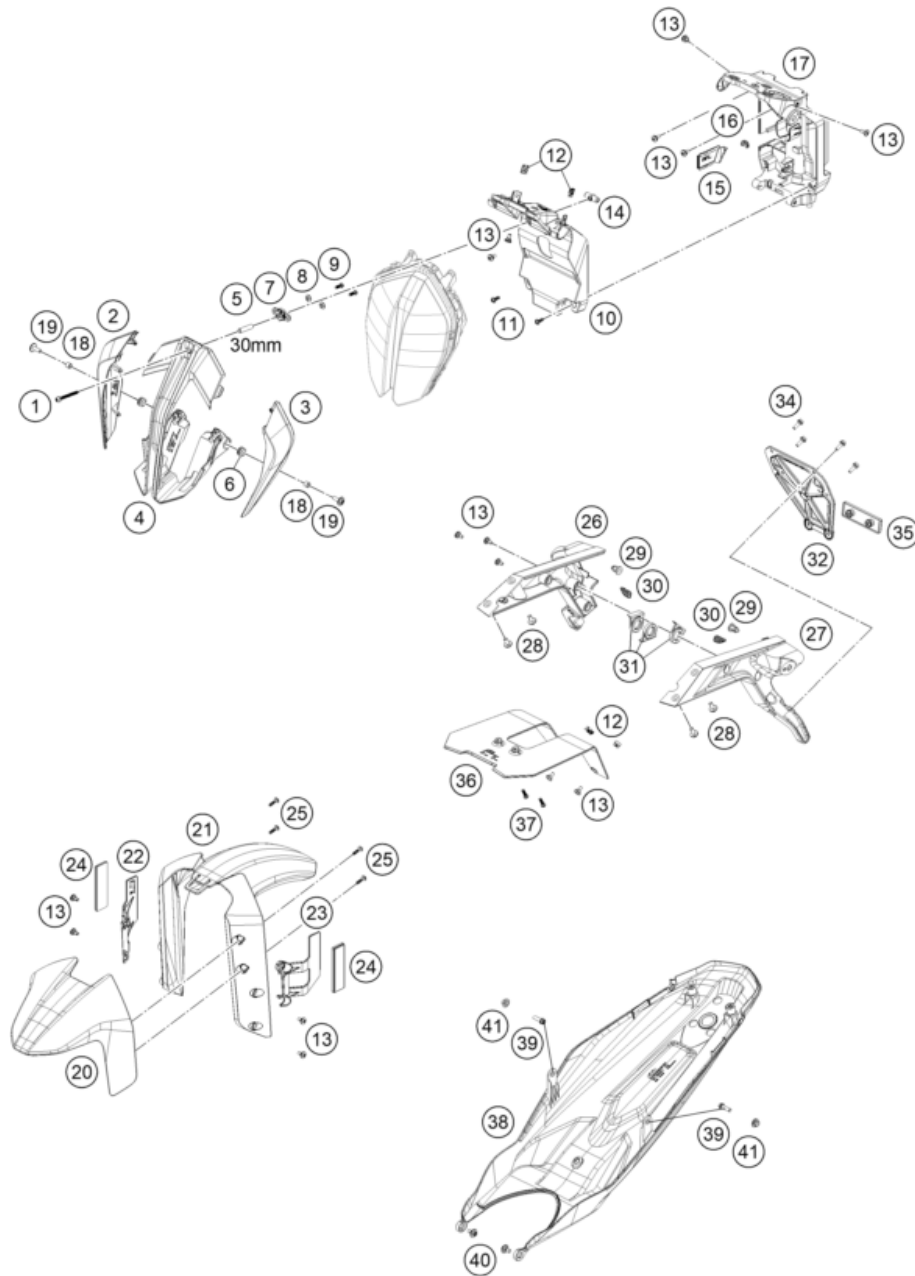
POS	PARTNUMBER		PIECE
1	A67607088000	Fuel pump	1
2	A67607088050	fuel pump gasket	1
3	A67607090000	fuel pump connection	1
4	C0000250502000	HH collar screw M5x20 TX30	5
5	C90007116040	fuel hose with protective cover	1
6	C00050157706	variable one-year clamp 15.7mm	2
7	C76007028000	ELBOW CONNECTOR	1

25A6760730

77703

\* NEW PART

X ON DEMAND



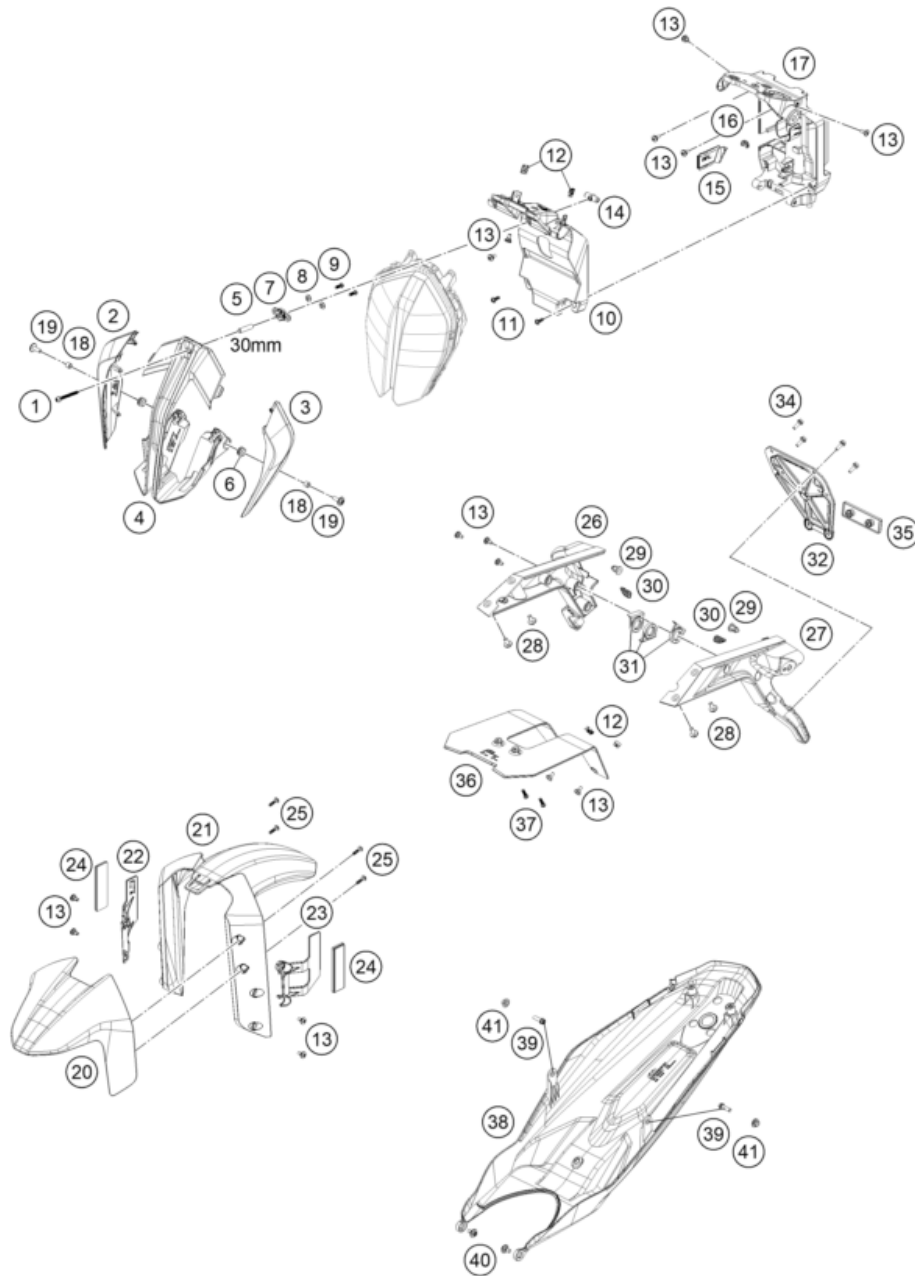
186410810

POS	PARTNUMBER		PIECE
1	61614020010	EJOT PT SCHRAUBE 50X54	1
2	C66008004000CB	Mask spoiler right	1
3	C66008003000CB	Mask spoiler left	1
4	C90708001000CB	headlightmask centerpart	1
5	C90714018030	hose D 6/8 EPDM L 30	1
6	C90706001022	Rubber grommet 9x11x16x8.5	2
7	C90714020000	Ballhead holder	1
8	C90712032010	BUSH 13X7X3,3	2
9	0081250141	Screw for plastic PT K50X14T25	2
10	C66014010010	Cover mask carrier	1
11	0081050141	EJOT PT screw K50x14	2
12	54603048600	RANGE CHANGE METAL NUT M5 INOX	4
13	C90708021160	Special screw M5x12	15
14	C90714019000	Screwshaft	1
15	C90714010030	Cable Cover Maskcarrier	1
16	C90714010040	Cable bushing mask carrier	1
17	C66014010044	Maskcarrier eu assembled	1
18	C90714014000	BUSHING 6,1X9,2X7,5 08	2
19	C90714017000	SPECIAL SCREW M6X18 ISA30 08	2
20	C66008010000CB	Fender front part	1
21	C90708011000	Fender rear Part	1
22	C90712084000	Bracket reflector right	1
23	C90712083000	Bracket reflector left	1
24	C90712080000	SIDE REFLECTOR YELLOW "CEV"	2
25	0081050181	SCREW FOR PLASTIC K50X18 T20	4
26	C90708015020	Numberplate holder right	1
27	C90708015010	Numberplate holder left	1
28	C0000250601600S	HH screw M6x16 TX30 SL	4
29	C90708015060	Rubber damper top	2
30	C90708015070	Rubber damper bottom	2
31	C90708015050	cable holder numberplate holder	3
32	C90712085000	Bracket reflector	1
34	C0000250501600S	HH Collar Screw M5x16 ISA30 SS	4
35	C90712082000	Rear reflector red	1
36	C90708023010	Splash protection	1
37	0081050121	EJOT PT screw K50x12	2
38	C90708019000	Tail Underpart	1
39	C0000250602000	HH collar screw M6x20 TX30	2

81375

\* NEW PART

X ON DEMAND



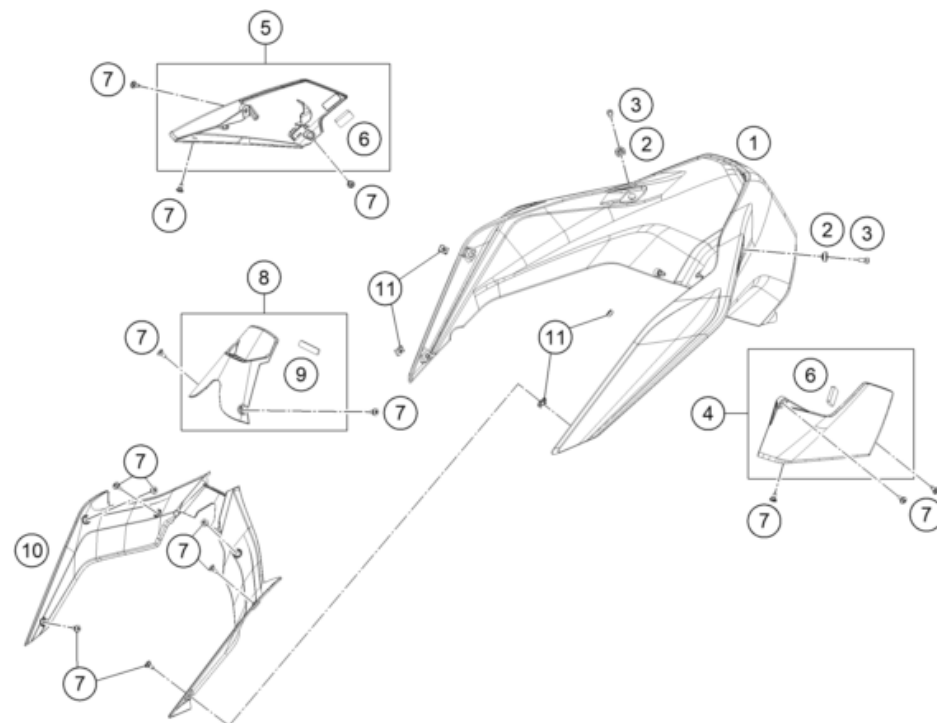
POS	PARTNUMBER		PIECE
40	C9070800012	special screw M6x12x3	2
41	C90708053000	Collar bushing 6x11x16x7.5	2

186410810

81375

\* NEW PART

X ON DEMAND



POS	PARTNUMBER		PIECE
1	C66008054000CC	Tank cover	1
2	C90708045000C1	Special washer D=16.5 black	2
3	C0145800601400	Cyl. screw iso 14580 m6x14	2
4	C90708070044	Side fairing left	1
5	C90708071044	Side fairing right	1
6	C90708070050	Metamoll for side cover	2
7	C90708021160	Special screw M5x12	14
8	C90711068044	Ignition lock cover compl.	1
9	64111068010	Cellular rubber 45x10x3	1
10	C90708064000	Fuel tank fairing front	1
11	69008021080	Clip nut M5	4

186410815

77731

\* NEW PART

X ON DEMAND

DECAL

790 DUKE L, black 2026 2026

POS	PARTNUMBER		PIECE
1	C66008099100	Decal Set 790 Duke black	1



25A6600831

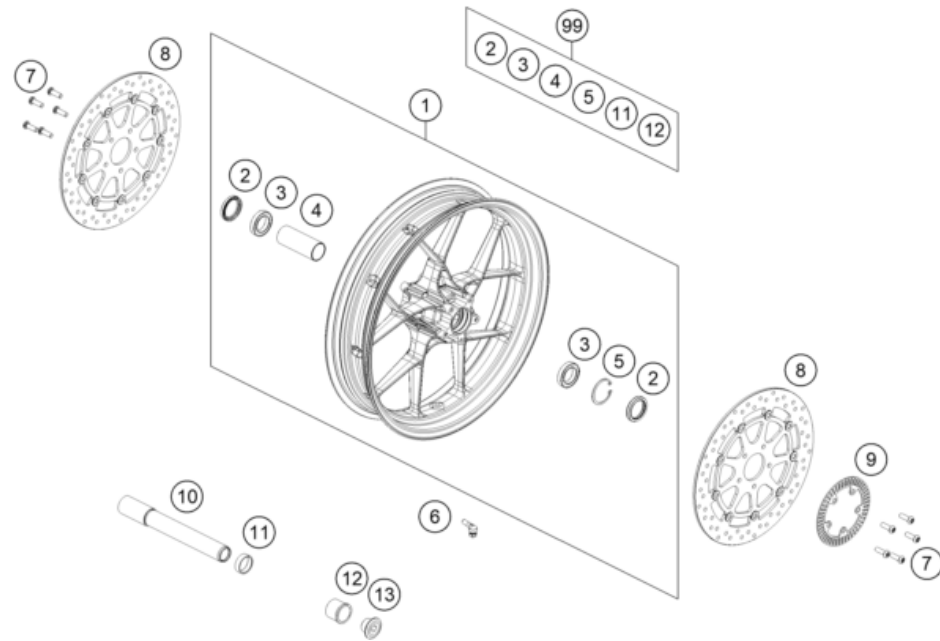
77734

\* NEW PART

X ON DEMAND

# FRONT WHEEL

790 DUKE L, black 2026 2026



POS	PARTNUMBER		PIECE
1	C66009001133EB	Front wheel 3,5x17" cpl.	1
2	0760354771	Radial shaft seal 35X47X7 TC	2
3	0625069068	Grooved ball bearing 6906	2
4	61009011000	Bearing spacing tube, front	1
5	0472047175	CIRCLIP DIN0472-47X1,75	1
6	C90709076000	Angle valve	1
7	C90709062000	SPECIAL SCREW M8X25 SS TX40	10
8	64109060000	brake disc front D=300 mm	2
9	C90742020000	Sensor wheel front	1
10	C61009081200	Wheel spindle, front wheel	1
11	C90709013000	SPACER BUSH. FR. WHEEL R/S 03	1
12	C90709012000	Spacer front wheel, left	1
13	C90709082000	AH SCREW M25X1,5 WS=12 05	1
99	C90709015000	Front Wheel Repair Kit	1

186410910

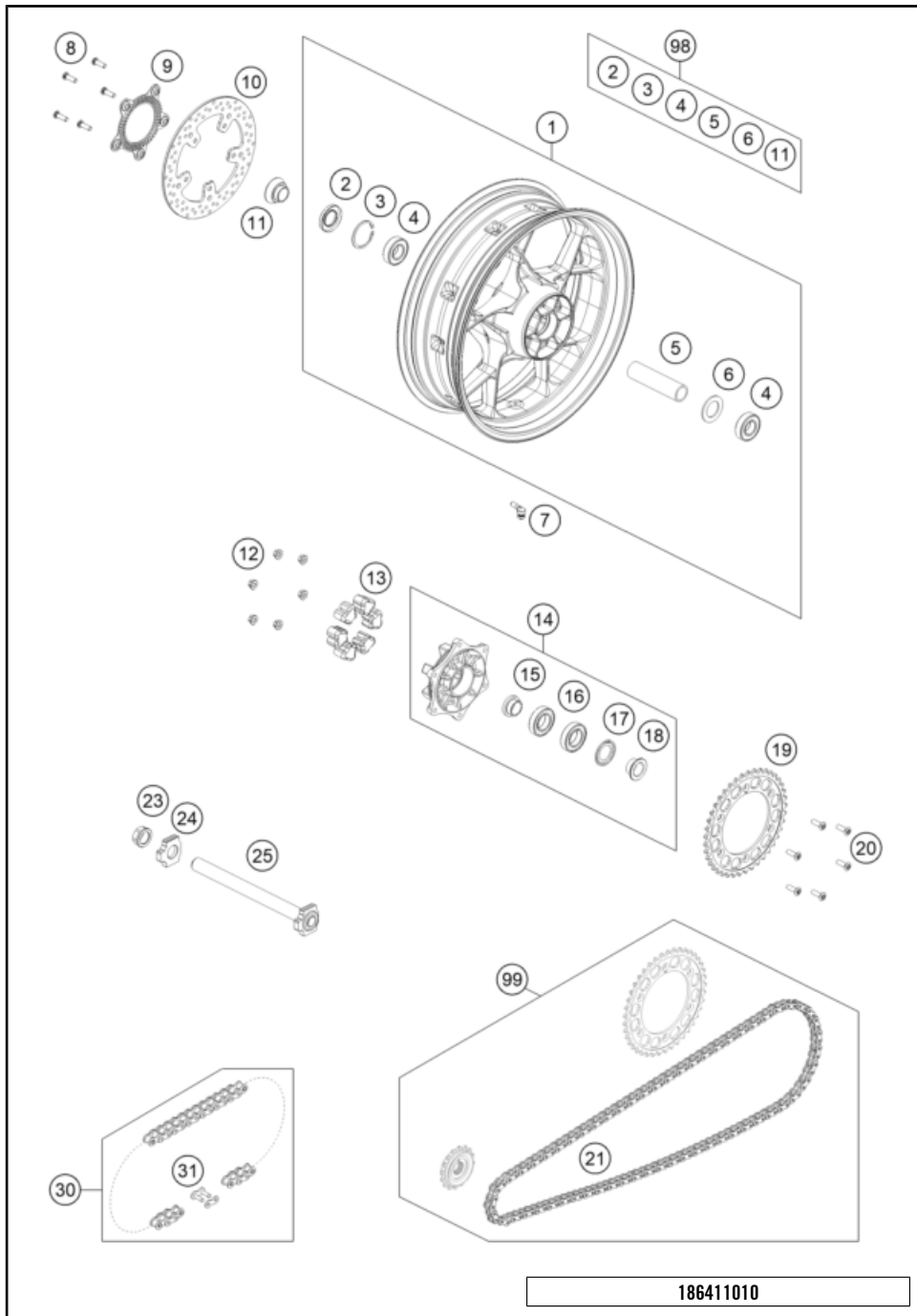
77732

\* NEW PART

X ON DEMAND

# REAR WHEEL

790 DUKE L, black 2026 2026



POS	PARTNUMBER		PIECE
1	C66010001133EB	Rear wheel 5,5x17 cpl.	1
2	0760305271	Radial shaft seal 30X52X7	1
3	0472052200	Circlip DIN0472-52X2	1
4	0625062052	Grooved ball bear. 6205-2RSHC3HMTF7	2
5	60010011000	Bearing spacing tube L=124.8mm 03	1
6	60010015000	Spacer ring 03	1
7	C90709076000	Angle valve	1
8	C90709062000	SPECIAL SCREW M8X25 SS TX40	5
9	C90742021000	Rear sensor wheel	1
10	64110060000	Rear brake disc 240x5mm	1
11	C90710013000	Spacer rear wheel right	1
12	06923080003	Hex. nut DIN EN 1661 M8 WS13	6
13	C90710459000	Rubber damping block 91	6
14	C90710050044C1	Rear sprocket carrier black complete	1
15	C90710014000	SPACER BUSH. SPR. SUPP. IN.	1
16	C0410003001300	BALL BEARING 6006 DDU2CG23S6NM	2
17	C90710016000	NILOS RING 6006AV	1
18	C90710012000	SPACER BUSH. SPROCKET SUPP.	1
19	C90710051041	Sprocket	1
20	C0000190802600S	COUNTER-SUNK SCREW ISA45 M8X26	6
21	64110065116	Chain x-ring 116 rolls endless	1
23	C90710086000	COLLAR NUT M25X1,5 WS=32 05	1
24	C60010084000	Chain tensioner r/s lc8	1
25	C69010181044	Rear axel cpl.	1
30	76910065118	chain DID 118 roll	x
31	76910066000	Rivet link chain DID 520 VP2-T	x
98	C90710015000	Rear Wheel Repair Kit	x
99	SPAB16G413M116E	Drivetrain kit 16Z/41Z	x

186411010

81384

\* NEW PART X ON DEMAND



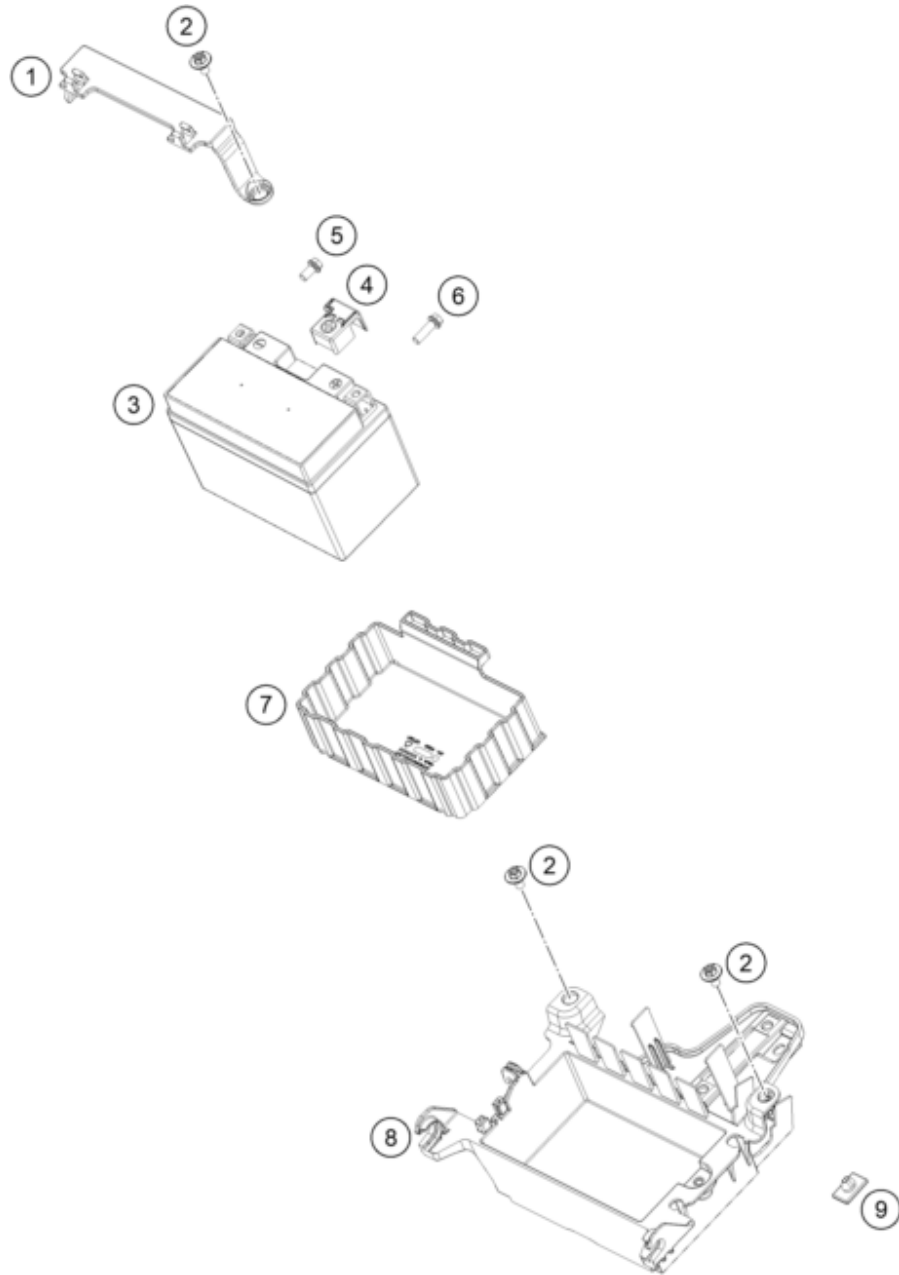
POS	PARTNUMBER		PIECE
1	A66011075000	Main wiring harness	1
2	61111057000	RELAY CM1A-R-12V-H80 07	4
3	61711087050	Fuse Box	1
4	75011088010	FUSE 10A 07	x
5	C61111018100	TEMPERATURE SENSOR	1
6	C90711197000	Ground wire tank/frame	1
7	C90011096000	mass cable starter-frame	1
8	C90711097000	mass cable starter-battery	1
9	C90711059000	Starter cable	1
10	C90111076033	Rear Harness cpl.	1
11	C90711059050	Battery cable	1
12	C90711058010	Protection cap starter relay	1
13	C0073800600800	AH OVAL SCREW ISO 7380 M 6X8	2
14	C90711109030	FUSE 30 A	2
15	C66111058000	Starter relay	1
17	63711085000	Engine wiring harness	1
18	C90711060133	Direct current horn cpl.	1
19	C0000240601000	Hh collar screw m6x10 tx30	1
20	60311034100	Regulator rectifier	1
21	C0000250602000S	HH collar screw M6x20 TX30	2
22	C90711093045	RUBBER CABLE TIE 45MM 03	x
23	C90011076140	CABLE TIE 140/2,5MM BLACK	x
23	C90711076250	CABLE TIE 250/4,8MM BLACK	x
24	C90711092000	CABLE TIE W. SOCKET D=6,5	1
25	C0000250601200	HH collar screw M6x12 TX30	1
26	C0690000600100	Contact washer m6 vsv-k6	2
27	C0000250601600	HH collar screw M6x16 TX30	1
28	96314086000	UNIT CONNECTIVITY	1

25A6601110

81368

\* NEW PART

X ON DEMAND



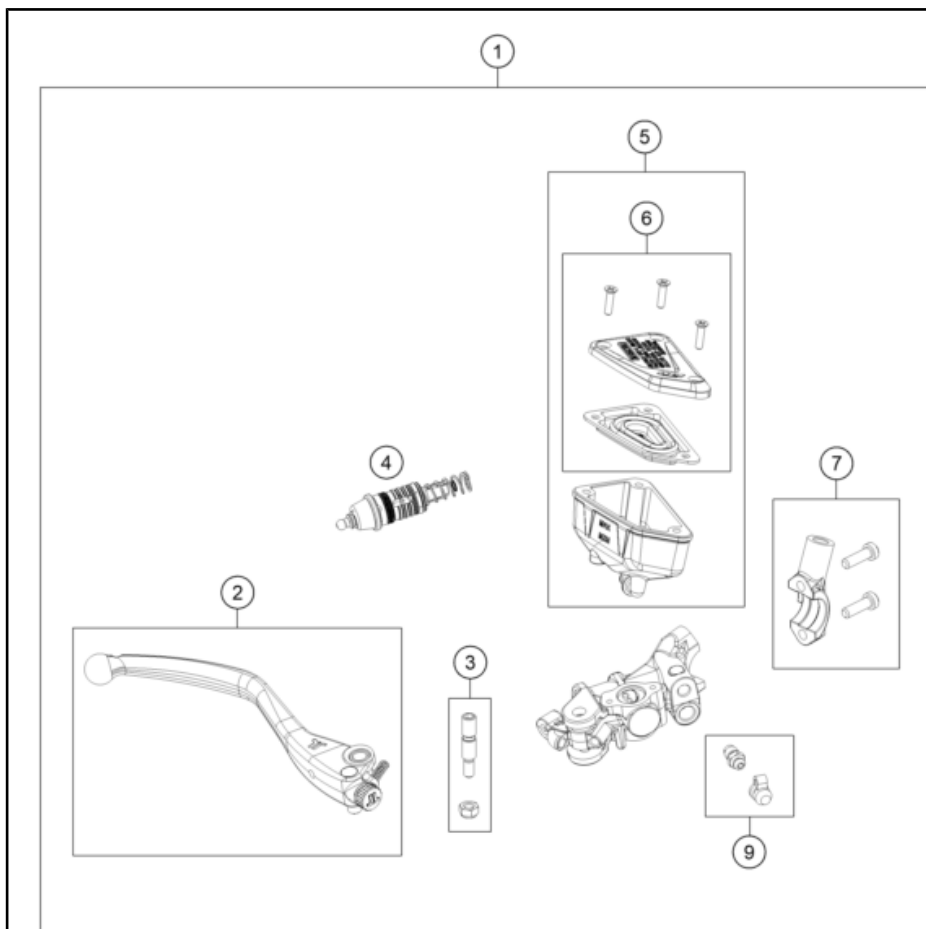
POS	PARTNUMBER		PIECE
1	C90711055100	Clamping Bracket	1
2	C90708000012	special screw M6x12x3	3
3	C90111053000	Battery HTZ12A-BS(DA) charged	1
4	C90711059060	Positive terminal cover	1
5	C0000250601200	HH collar screw M6x12 TX30	1
6	C0000250602000	HH collar screw M6x20 TX30	1
7	C90711053050	Accumulator Casing	1
8	C90711054100	battery holder	1
9	C90707040041	Isolation pad	1

186411130

59450

\* NEW PART

X ON DEMAND



POS	PARTNUMBER		PIECE
1	A65413101033C1	Front master cylinder cmpl. blk.	1
2	64113002000C1	Front brake lever	1
3	64113006000	Lever bolt cpl.	1
4	64113008000	Piston assembly	1
5	64113029044	Reservoir assembly	1
6	64113031000	Reservoir cap cpl.	1
7	6411300500030	Clamp	1
9	64113020000	Bleeder + cap	1
10	A65442005000	Brake line, front	1
11	62113020100	Banjo bolt M10x1x19.5	1
12	0603100141	sealing ring DIN 7603 10x14x1	2

186411310

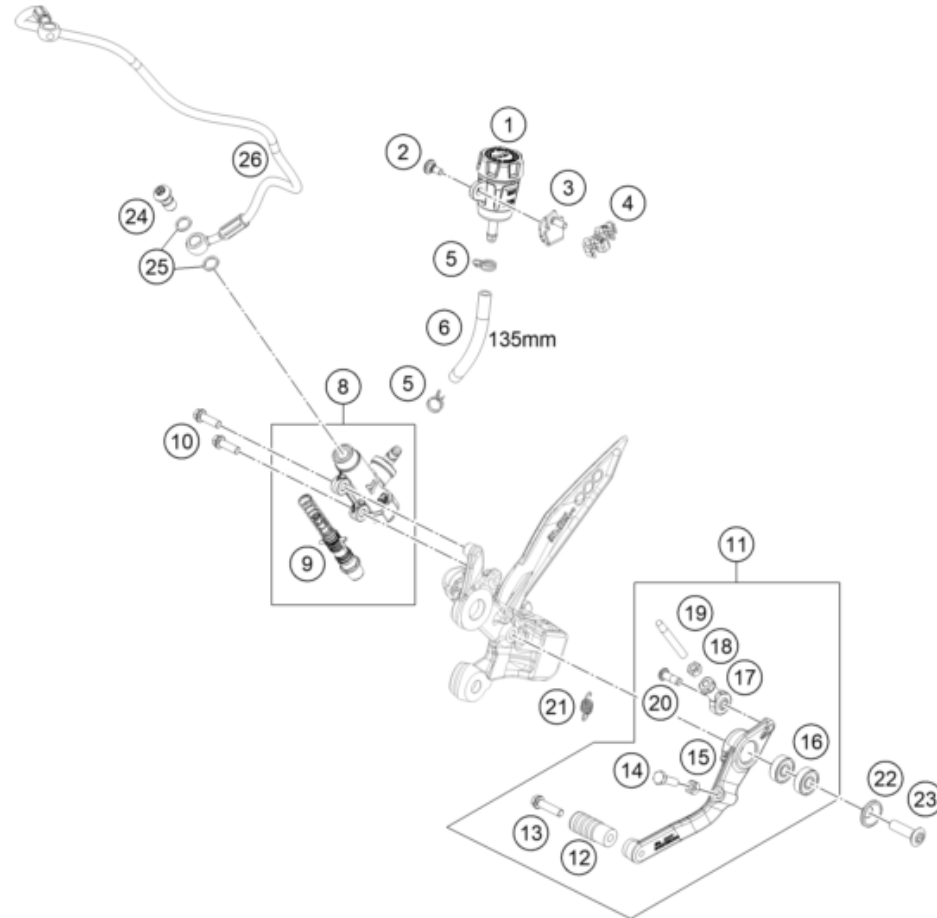
77701

\* NEW PART

X ON DEMAND

# REAR BRAKE CONTROL

790 DUKE L, black 2026 2026



POS	PARTNUMBER		PIECE
1	64113069100	Expansion Tank	1
2	69013099050	Screw for expansion tank	1
3	C90713226000	Brake line holder	1
4	C90742046000	Bracket ABS line d7.5	1
5	58007017000	YDNAC-clamp 10101 (10.4MM)	2
6	69013069001	HOSE FOR RESERVOIR 6X1,5	1
8	A65413060033	Rear master cylinder, compl.	1
9	64113061000	Piston assembly	1
10	C0000250602000	HH collar screw M6x20 TX30	2
11	C90713050044C1	Foot break lever cpl. black	1
12	C90703060051	Step foot break lever duke	1
13	C0000250602500S	Screw M6x25 10.9	1
14	C0040170602000	hexagon scrw ISO 4017-M6x20-8.8-black	1
15	C0009340600500	Hex nut M6 black	1
16	C0410000800700	Bearing 608 2RS	2
17	C90703069200	rod end M6 silver	1
18	C0009340600502	hexagon nut DIN 934 M6	1
19	C90703068000	rear brake push bar	1
20	C0073800601800S	oval head screw M6x18 A2-70 S	1
21	C90713052000	SPRING FOOT BRAKE LEVER 05	1
22	C90734031020	Fasson Disc D=23x5	1
23	C0000190803000S	COUNTER-SUNK SCREW ISA45 M8X30	1
24	C62113020100	banjo bolt M10x1x19.5	1
25	0603100141	sealing ring DIN 7603 10x14x1	2
26	A65442202000	Brake line, rear	1

186411330

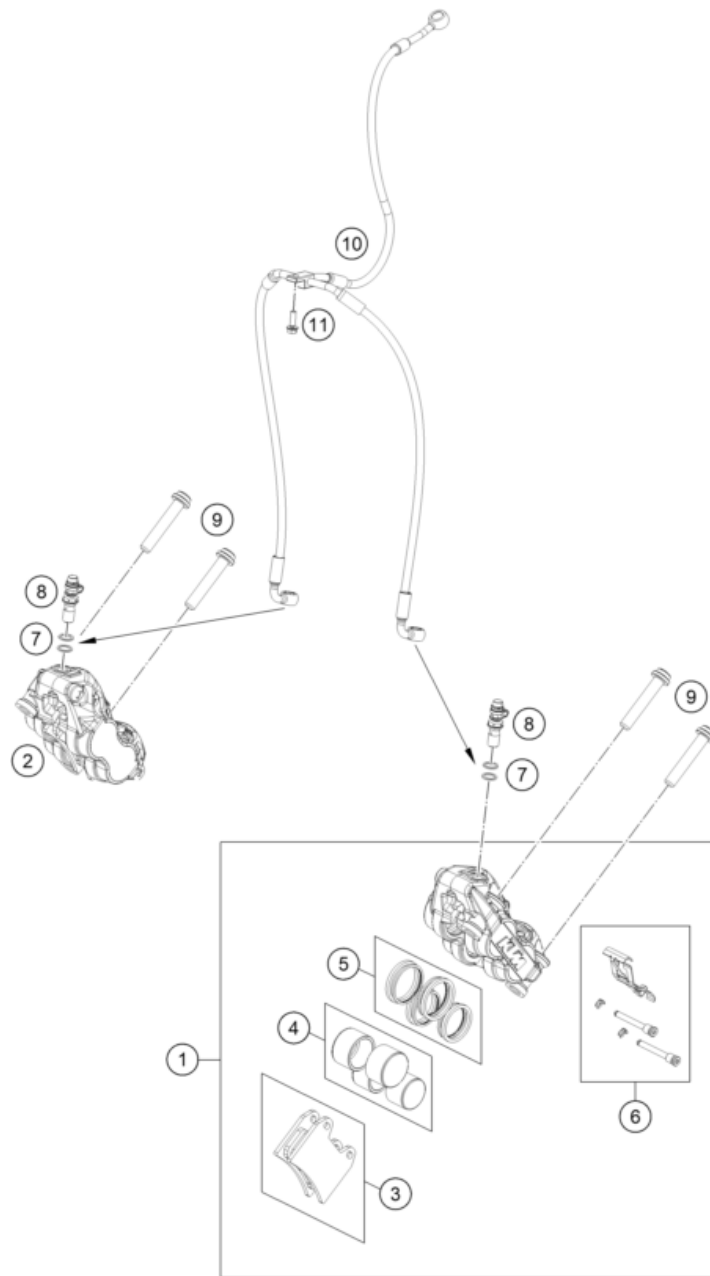
77694

\* NEW PART

X ON DEMAND

# FRONT BRAKE CALIPER

790 DUKE L, black 2026 2026



POS	PARTNUMBER		PIECE
1	A65413115000	Front brake caliper, left	1
2	A65413116000	Front brake caliper, right	1
3	63613030000	Front brake pad	2
4	63513019000	Piston set	2
5	63613021000	Seal set	2
6	64113017000	Retaining spring set	2
7	0603100141	sealing ring DIN 7603 10x14x1	4
8	C62513020000	Bleeder screw cpl. 05	2
9	C0000351005500S	AH-COLLAR SCREW M10X1,25X55SS	4
10	A65442003000	Brake line, front	1
11	C0000250601200	HH collar screw M6x12 TX30	1

186411360

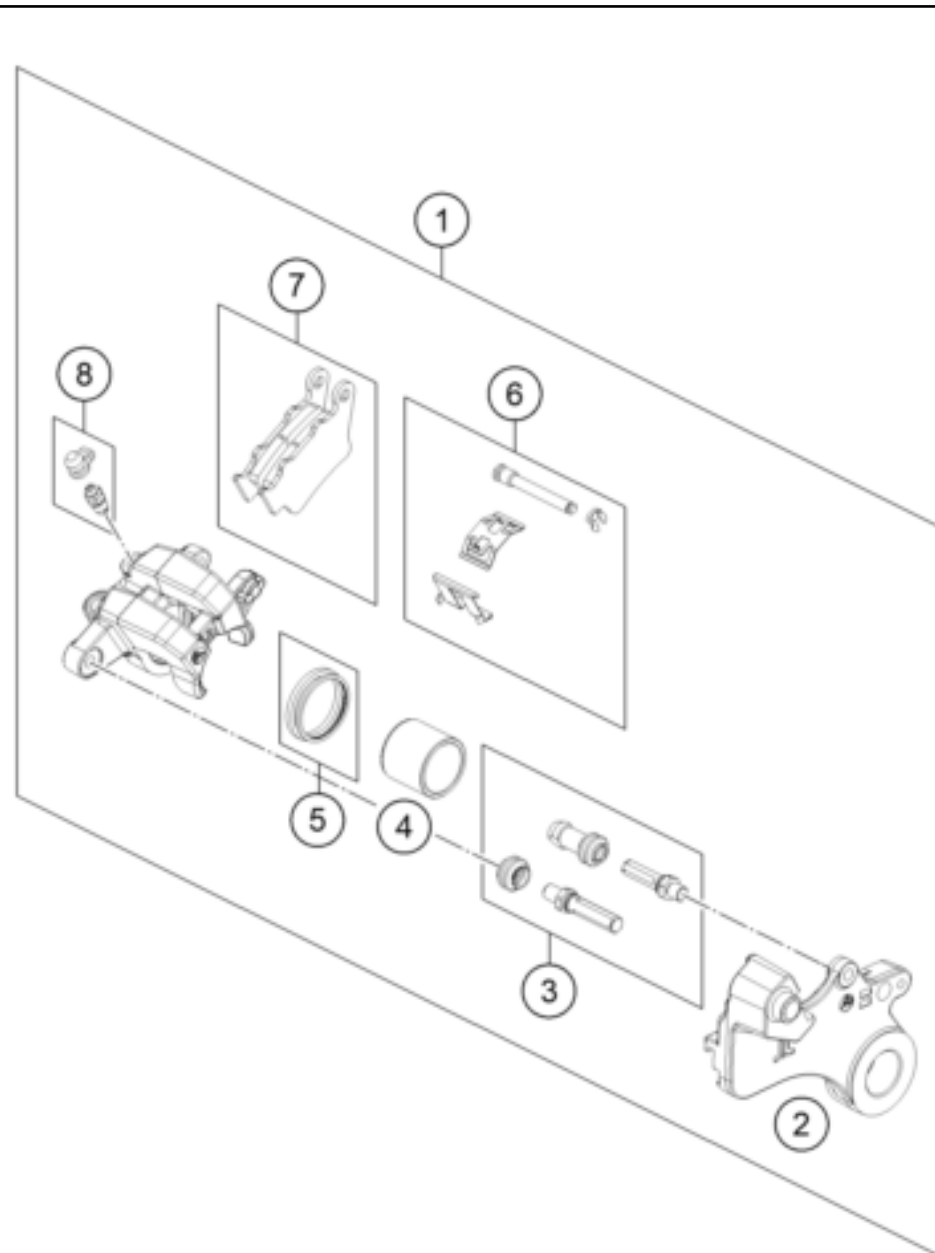
77693

\* NEW PART

X ON DEMAND

# REAR BRAKE CALIPER

790 DUKE L, black 2026 2026



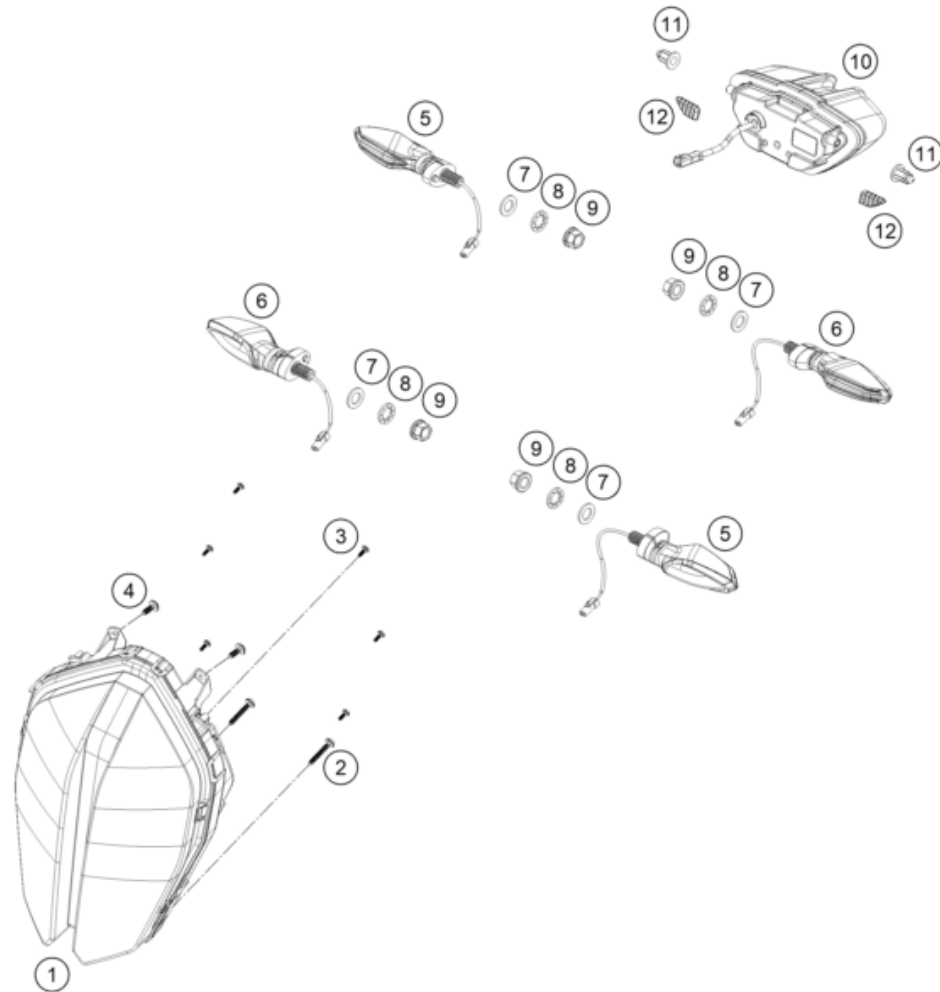
POS	PARTNUMBER		PIECE
1	A65413180000	brake caliper rear	1
2	64113075000	Brake caliper bracket rear	1
3	64113084000	Cup set	1
4	64113083000	Piston	1
5	64113081000	Square and dust seal set	1
6	64113085000	Retaining spring set	1
7	64113090000	Brake pad set	1
8	64113020000	Bleeder + cap	1

186411390

59458

\* NEW PART

X ON DEMAND



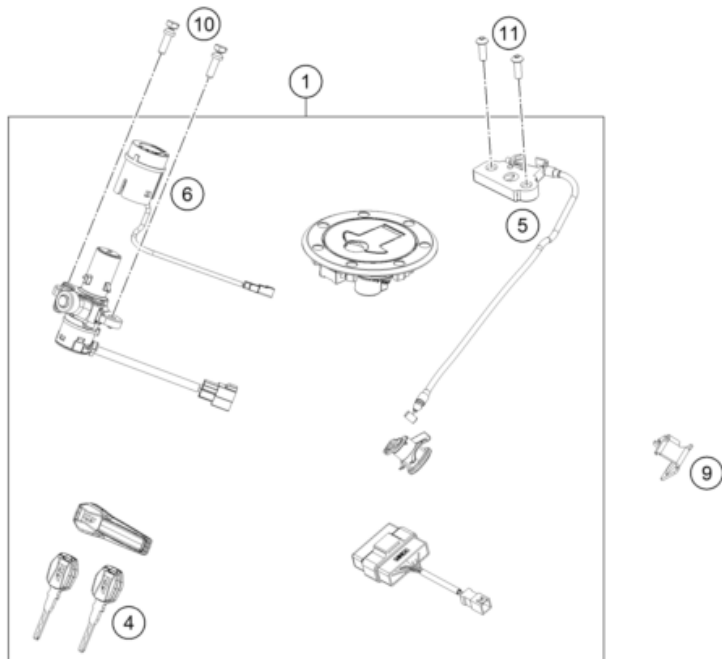
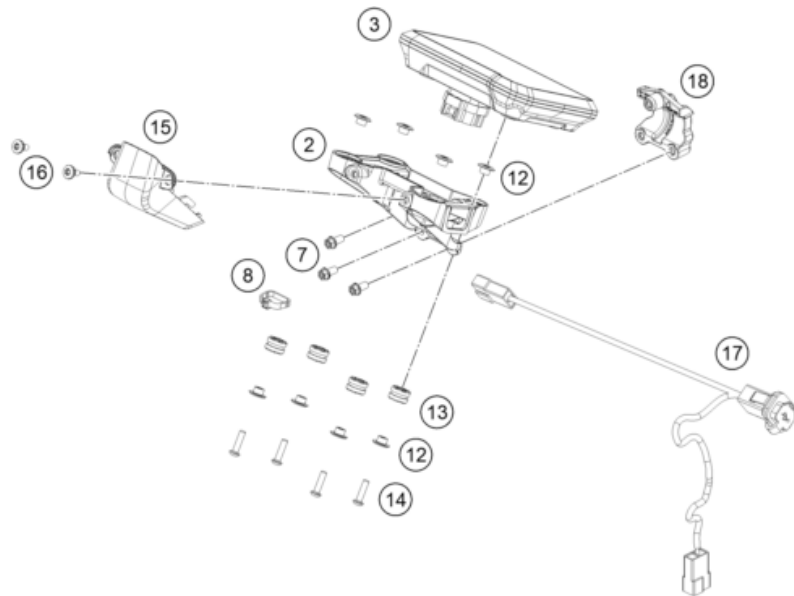
POS	PARTNUMBER		PIECE
1	A66014001000	Headlight	1
2	0081040253	Ejot PT screw 4x25 WN 5451	2
3	0081030081	Ejot PT screw 3x8 WN 5451 black	6
4	0081045121	SCREW FOR PLASTIC K45X12 T20	2
5	C90714025000	turn signal front left/rear right	2
6	C90714026000	turn signal front right/rear left	2
7	0433100003	Washer DIN0433-M10	4
8	0797100003	LOCK WASHER DIN6797-J10,5 ZI	4
9	C0910001001000	Hh collar nut m10x1,25 ws=13	4
10	64114040000	Tail light	1
11	C90708015060	Rubber damper top	2
12	C90708015070	Rubber damper bottom	2

186411410

77706

\* NEW PART

X ON DEMAND



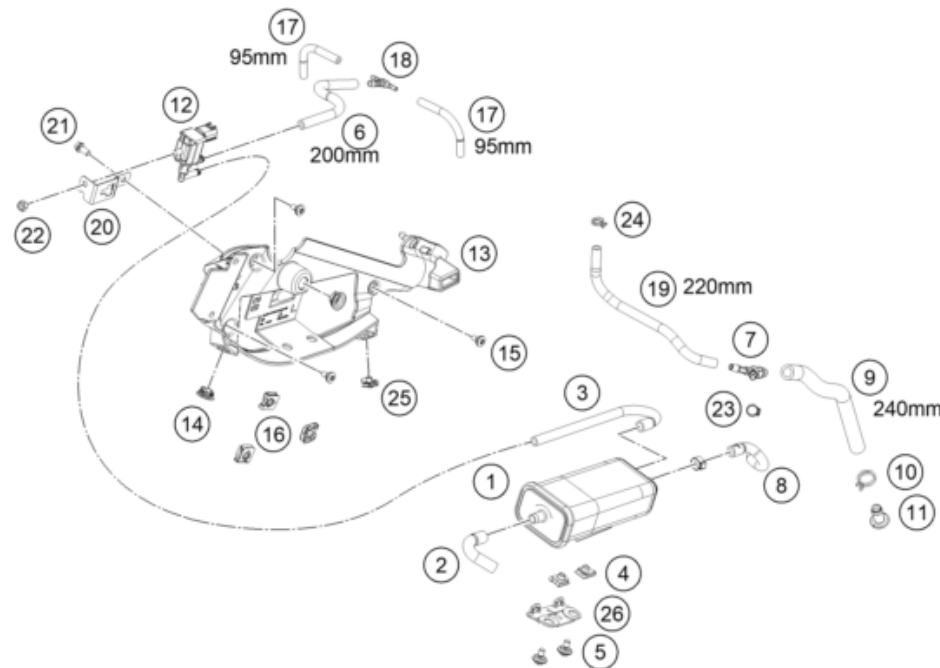
25A6601430

POS	PARTNUMBER		PIECE
1	64111066044	Lockset CPL.	1
2	C60714060000	Dashboardsupport	1
3	A66014069000	Dashboard	1
4	64111067000	KTM ignition key	1
4	64111067010	Blank Key KTM	x
5	64107050000	Seat lock	1
6	64111066020	ANTENNA	1
7	C0000250601200	HH collar screw M6x12 TX30	3
8	C90711076250	CABLE TIE 250/4,8MM BLACK	1
9	C90707051000	Cable bracket lock	1
10	76011064200	Tear-off screw M6 ignition lock ISA30 MK	2
11	C0079910602000	Flat h.screw din7991-m6x20	2
12	C90714069050C1	Bushing, speedometer bracket	8
13	C90714069051	DAMP. COMPONENT SPEEDOMETER	4
14	C0073800502000	Lens head screw iso 7380-m5x20a2	4
15	C60714070000	Dashboardcover	1
16	69008121160	Special screw M5x12	2
17	64111043000	USB power socket 12 V	1
18	C60714060010	Dashboardsupport clamp	1

77707

\* NEW PART

X ON DEMAND



POS	PARTNUMBER		PIECE
1	C90715001000	Evaporative canister	1
2	C90715021000	Hose evaporative canister bleeder	1
3	C67615021000	Pre-formed hose ACF	1
4	69008021080	Clip nut M5	2
5	69008121160	Special screw M5x12	2
6	78015019000	HOSE EPA D=6/10 L=2000MM	x
7	C90715028000	Y-junction YS 6-10-6	1
8	C90715023000	Formschlauch AKF	1
9	C90715019240	Schlauch 10x16 L=240	1
10	C90731082000	Hose clamp wire D=15.5	1
11	C90715026000	ACF plug	1
12	A62415015000	Purge valve	1
13	C66003081044	Cover left cpl.	1
14	47106003160	quick release rubber grommet	2
15	69008021160	special screw M5x12	3
16	54603048300	RANGE CHANGE METAL NUT M6 INOX	3
17	78015021000	HOSE EPA D=4/8 L=2000MM	x
18	64115026000	Hose connection nozzles	1
19	C90715019220	Schlauch 6x10 L=220	1
20	C66003081010	Bracket purge valve	1
21	0025060126	HH collar screw M6x12 TX30	1
22	0985060003	Self lock. nut DIN985-M6-A2	1
23	00050109706	stepless one-ear clamp	1
24	58007117000	YDNAC-CLAMP 10107 10MM	1
25	54603048600	RANGE CHANGE METAL NUT M5 INOX	1
26	C66003081020	3rd o2 conncetor bracket	1

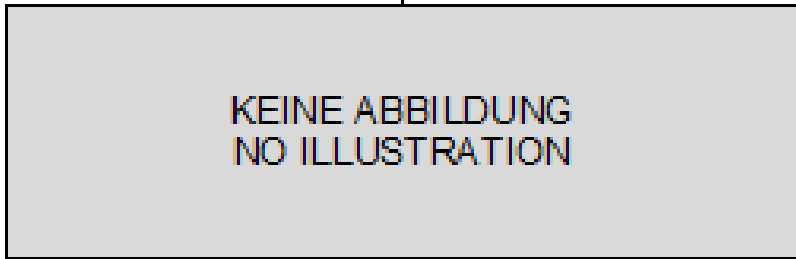
25A6601510

77709

\* NEW PART

X ON DEMAND

0



1



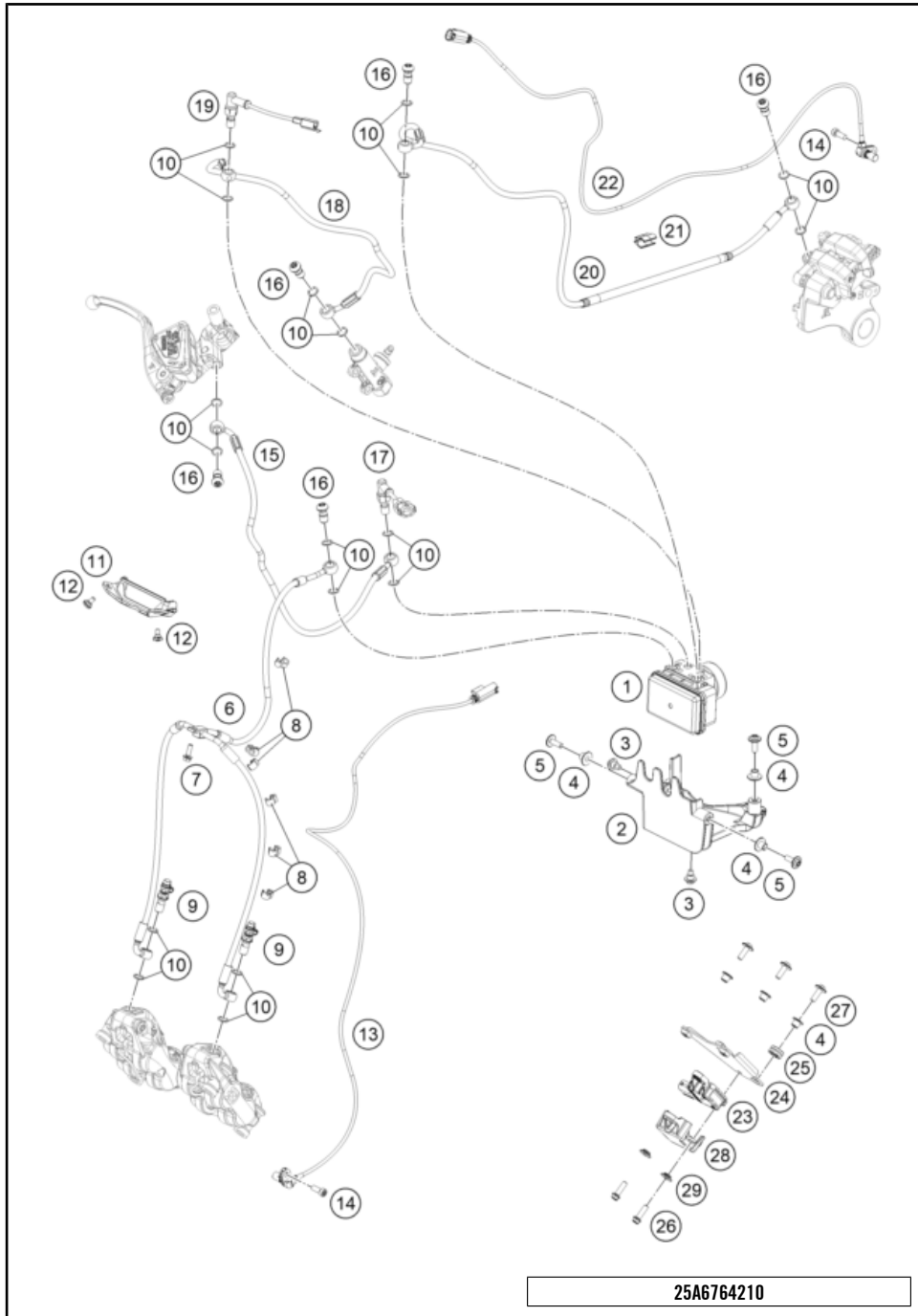
Beipack

POS	PARTNUMBER		PIECE
0	69008121160	Special screw M5x12	2
0	C90712008000	Grip handle passenger	1
0	C90708023010	Splash protection	1
0	54603048600	RANGE CHANGE METAL NUT M5 INOX	2
0	C90712085000	Bracket reflector	1
0	C90712082000	Rear reflector red	1
0	C90708061050	Rubber washer 6.5x14x2.3	2
0	C0000250501600S	HH Collar Screw M5x16 ISA30 SS	4
0	C0000350805000S	Ah-collar screw m8x50 ISA45	4
0	0081250181	SCREW FOR PLASTIC 50X18 T20	2
1	C63729099000	Tool set	1

81379

\* NEW PART

X ON DEMAND



25A6764210

POS	PARTNUMBER		PIECE
1	A61042031000	ABS modulator	1
2	C90742040000	Bracket ABS modulator	1
3	59001092050	SPECIAL SCREW M6X12,5 WS=8	2
4	61342041100	Collar bushing 6,5x9x18x8.5	3
5	C90714017000	SPECIAL SCREW M6X18 ISA30 08	3
6	A65442003000	Brake line, front	1
7	C0000250601200	HH collar screw M6x12 TX30	1
8	C90711094000	BAR SPACER 4/7 BLACK	6
9	C62513020000	Bleeder screw cpl. 05	2
10	0603100141	sealing ring DIN 7603 10x14x1	18
11	C90742003070	Brake line guide	1
12	C0000250501200	HH collar screw M5x12 TX30	2
13	A60742025000	Wheel speed sensor	1
14	C0145800601600	SHCS ISO 14580 M6x16	2
15	A654420050000	Brake line, front	1
16	C62113020100	banjo bolt M10x1x19.5	5
17	63711051100	Brake light switch	1
18	A65442202000	Brake line, rear	1
19	60311051000	Brake light switch rear	1
20	A65442204000	Brake line, rear	1
21	C90713026100	Hose bracket 10/4	1
22	A61042025000	Wheel speed sensor DF30	1
23	61542090000	Angle sensor	1
24	C90742090050	Retaining bracket 6D sensor	1
25	C90742041000	Damper ABS modulator	1
26	C0000250602000S	HH collar screw M6x20 TX30	3
27	C90714017000	SPECIAL SCREW M6X18 ISA30 08	5
28	C61342090050	COVER SENSOR BOX	1
29	C79608052000	Collar bushing 6x11x16x5 Al	2

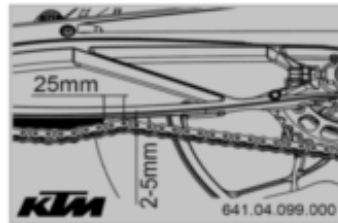
81370

\* NEW PART

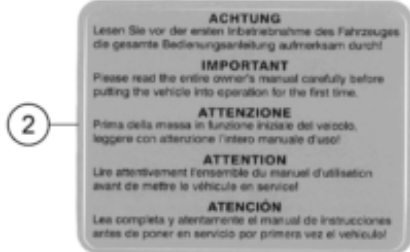
X ON DEMAND



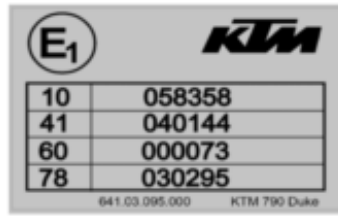
1



4



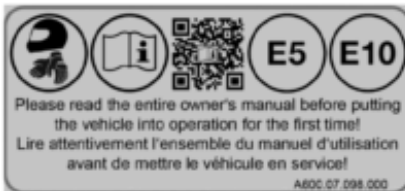
2



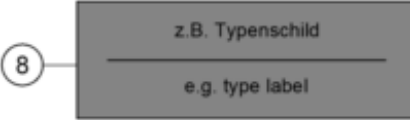
5



3



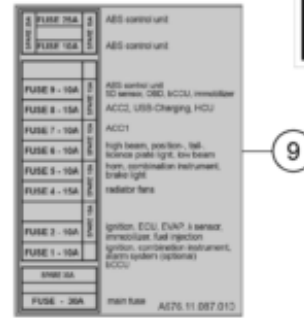
6



8



7



9

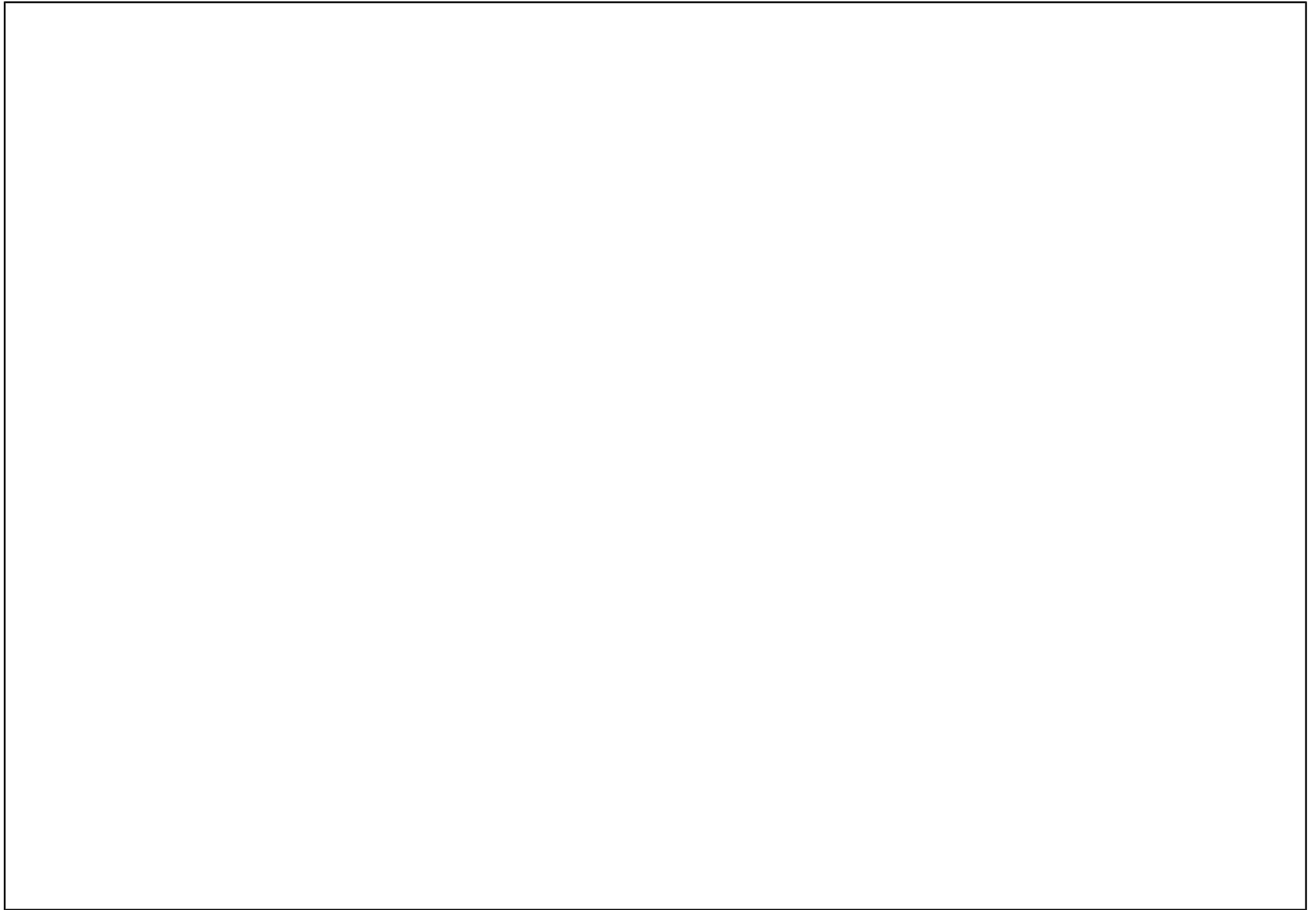
POS	PARTNUMBER		PIECE
1	C90703098003	Warning sticker 3	1
2	C90707098000	STICKER "OWNERS MANUAL"	1
3	C90703098000	Sticker technical information	1
4	C90704099000	decal chain tension	1
5	C66003095000	ECE sticker	1
6	C60007098000	Sticker fuel tank eu	1
7	C90703094000	Sticker EAC"	1
8	LI25-A660-2	Typenschild EU KTM	1
8	LI25-A660-2A	Typenschild EU KTM	1
8	C66041031090	Sticker 35KW	1
9	C67611087010	Sticker fuse	1

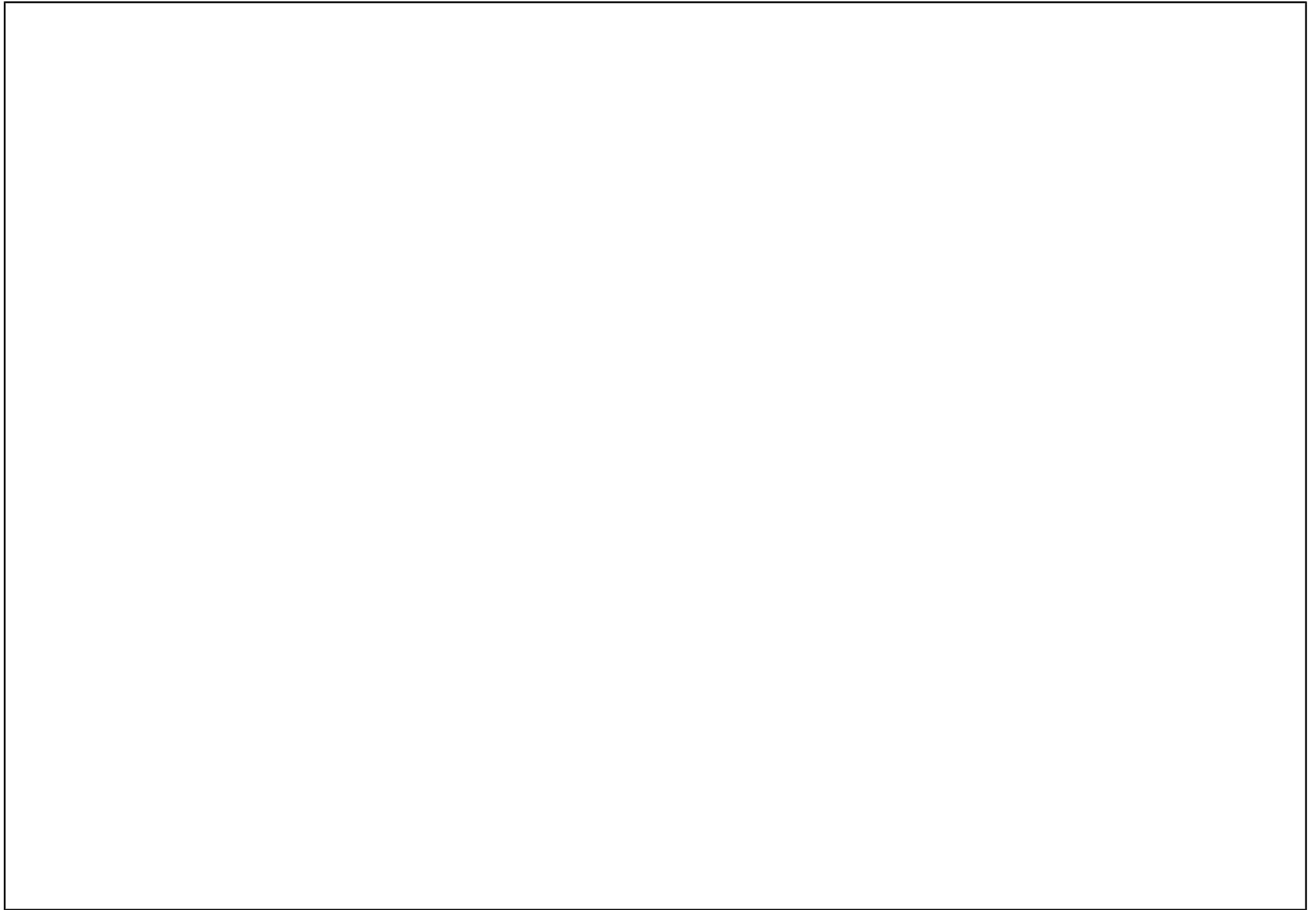
25A6608010

81371

\* NEW PART

X ON DEMAND







# KTM.COM



F9603ZPEN

KTM Sportmotorcycle GmbH  
5230 Mattighofen, Austria  
[www.ktm.com](http://www.ktm.com)

**KTM** POWERPARTS

**KTM** POWERWEAR

**KTM** ORIGINAL SPARE PARTS



Art. Nr.: F9603ZPEN 19. Sep 2025