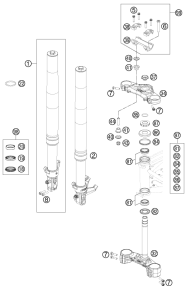
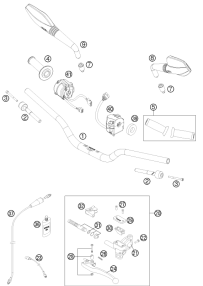
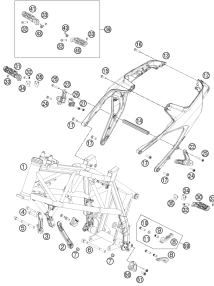
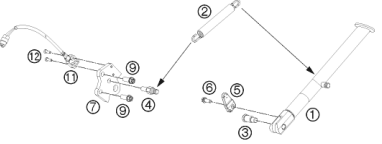
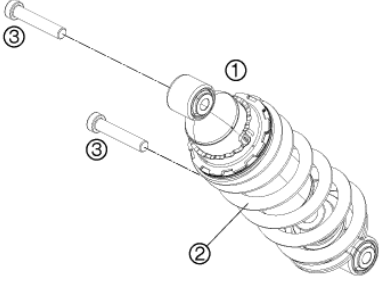
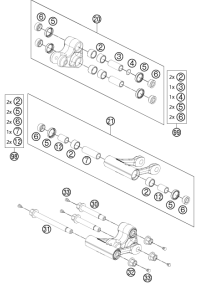
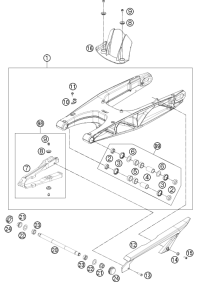
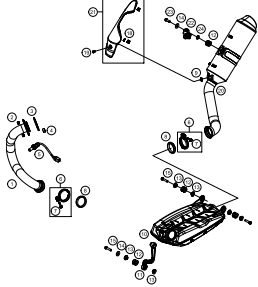
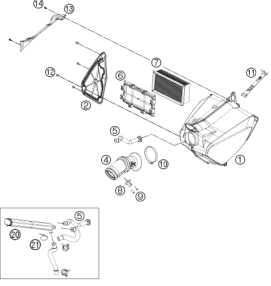
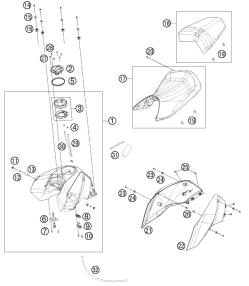
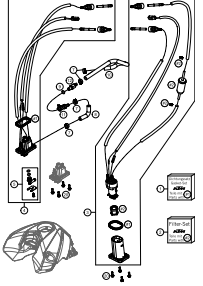
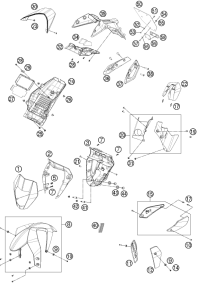
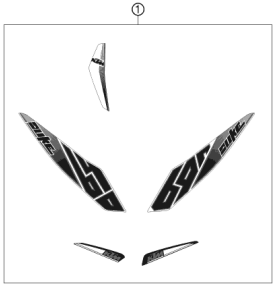
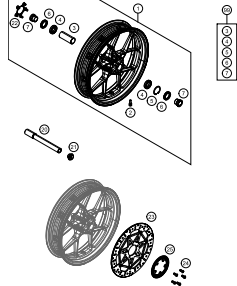
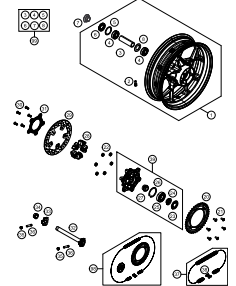
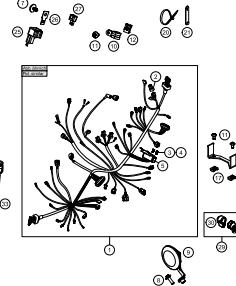
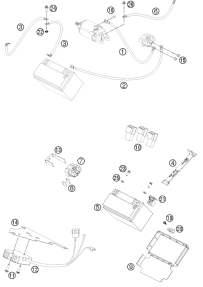
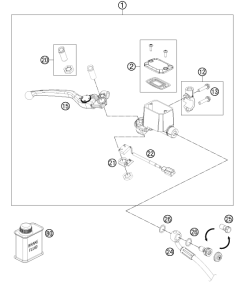
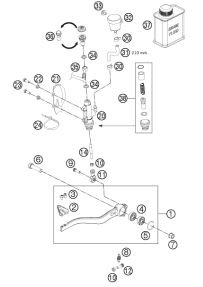
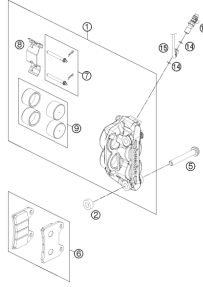
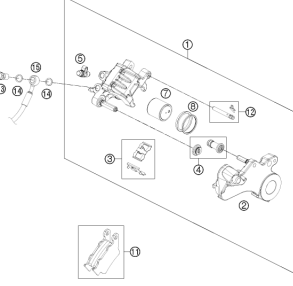
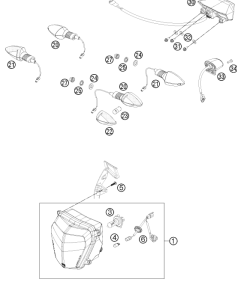
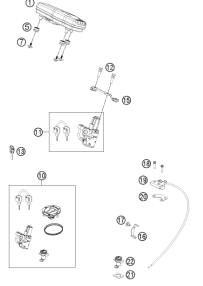
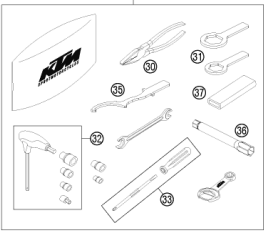


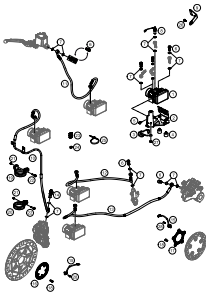
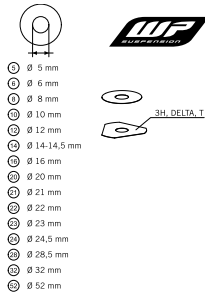

690 DUKE WHITE ABS EU 2013

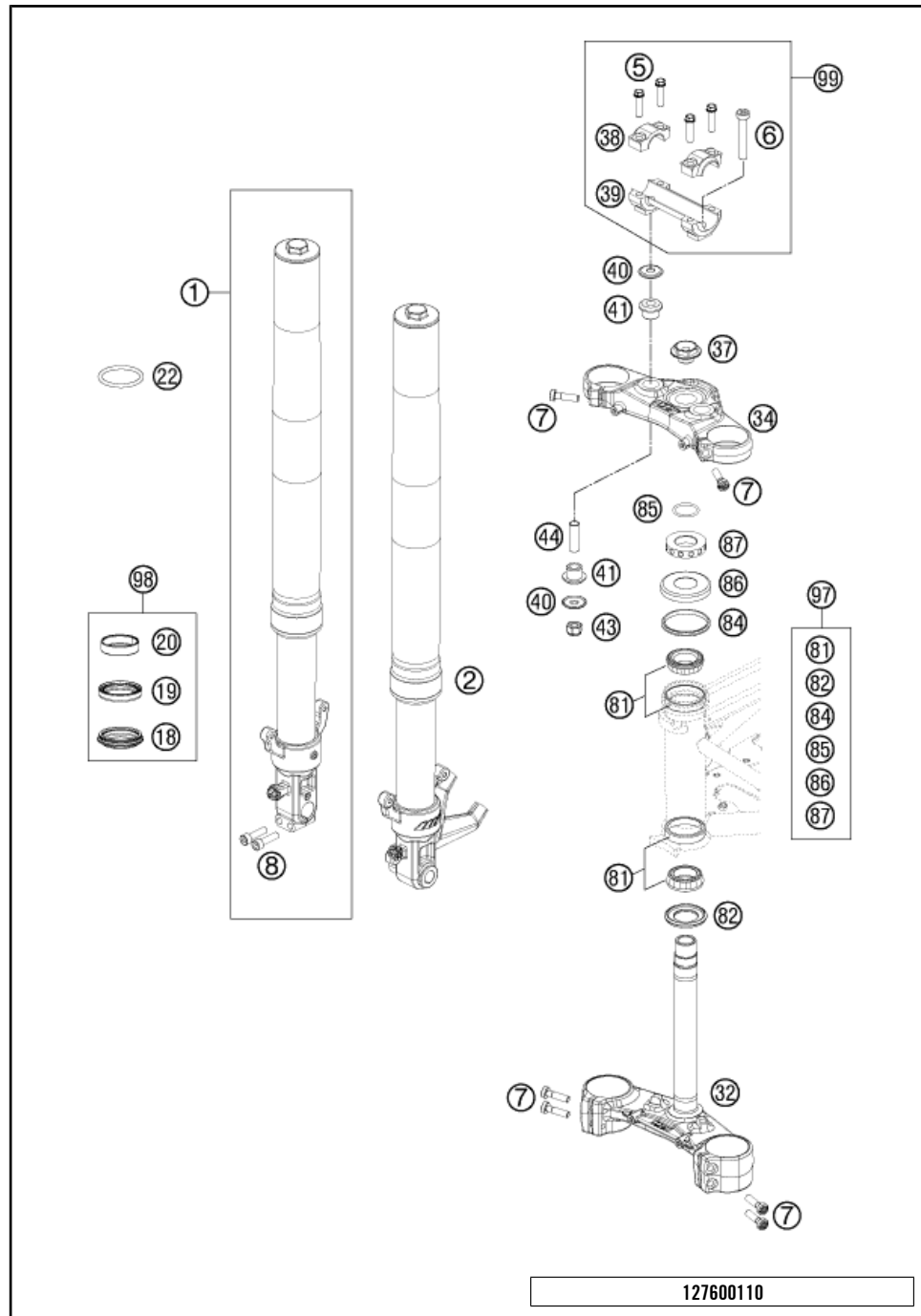
ART.-NR.: 3CFF9703M3EN



<p>FRONT FORK, TRIPLE CLAMP</p>  <p>4</p>	<p>HANDLEBAR, CONTROLS</p>  <p>5</p>	<p>FRAME</p>  <p>6</p>	<p>SIDE / CENTER STAND</p>  <p>7</p>
<p>MONOSHOCK</p>  <p>8</p>	<p>PRO LEVER LINKING</p>  <p>9</p>	<p>SWING ARM</p>  <p>10</p>	<p>EXHAUST SYSTEM</p>  <p>11</p>
<p>AIR FILTER</p>  <p>12</p>	<p>TANK, SEAT, COVER</p>  <p>13</p>	<p>FUEL PUMP</p>  <p>14</p>	<p>MASK, FENDERS</p>  <p>15</p>

<p>DECAL</p>  <p>17</p>	<p>FRONT WHEEL</p>  <p>18</p>	<p>REAR WHEEL</p>  <p>19</p>	<p>WIRING HARNESS</p>  <p>20</p>
<p>BATTERY</p>  <p>21</p>	<p>HAND BRAKE CYLINDER</p>  <p>22</p>	<p>REAR BRAKE CONTROL</p>  <p>23</p>	<p>BRAKE CALIPER FRONT</p>  <p>24</p>
<p>BRAKE CALIPER REAR</p>  <p>25</p>	<p>LIGHTING SYSTEM</p>  <p>26</p>	<p>INSTRUMENTS / LOCK SYSTEM</p>  <p>27</p>	<p>ACCESSORIES KIT</p>  <p>28</p>

<p>ANTIBLOCK SYSTEM</p>  <p style="text-align: right;">29</p>	<p>WP SHIMS FOR SETTING</p>  <p style="text-align: right;">30</p>		
	<div style="display: flex; align-items: center;">  <p> All information contained is without obligation. KTM-Sportmotorcycle AG particularly reserves the right to modify any equipment, technical specifications, prices, colors, shapes, materials, services, service work, constructions, equipment and the like so as to adapt them to local conditions or to cancel any of the above items, all without previous announcement and without giving reasons. KTM may stop manufacturing certain models without previous notice. KTM shall not be held liable for any deviations of availability and/or ability to deliver, illustrations, descriptions, printing and/or other errors. The illustrated models partly contain extra equipment, which is not applied to standard models. </p> <p> © by KTM-SPORTMOTORCYCLE AG, Mattighofen AUSTRIA; All rights reserved; Reprint, also in extracts, with written allowance of KTMSPORTMOTORCYCLE AG, Mattighofen only. </p> </div>		

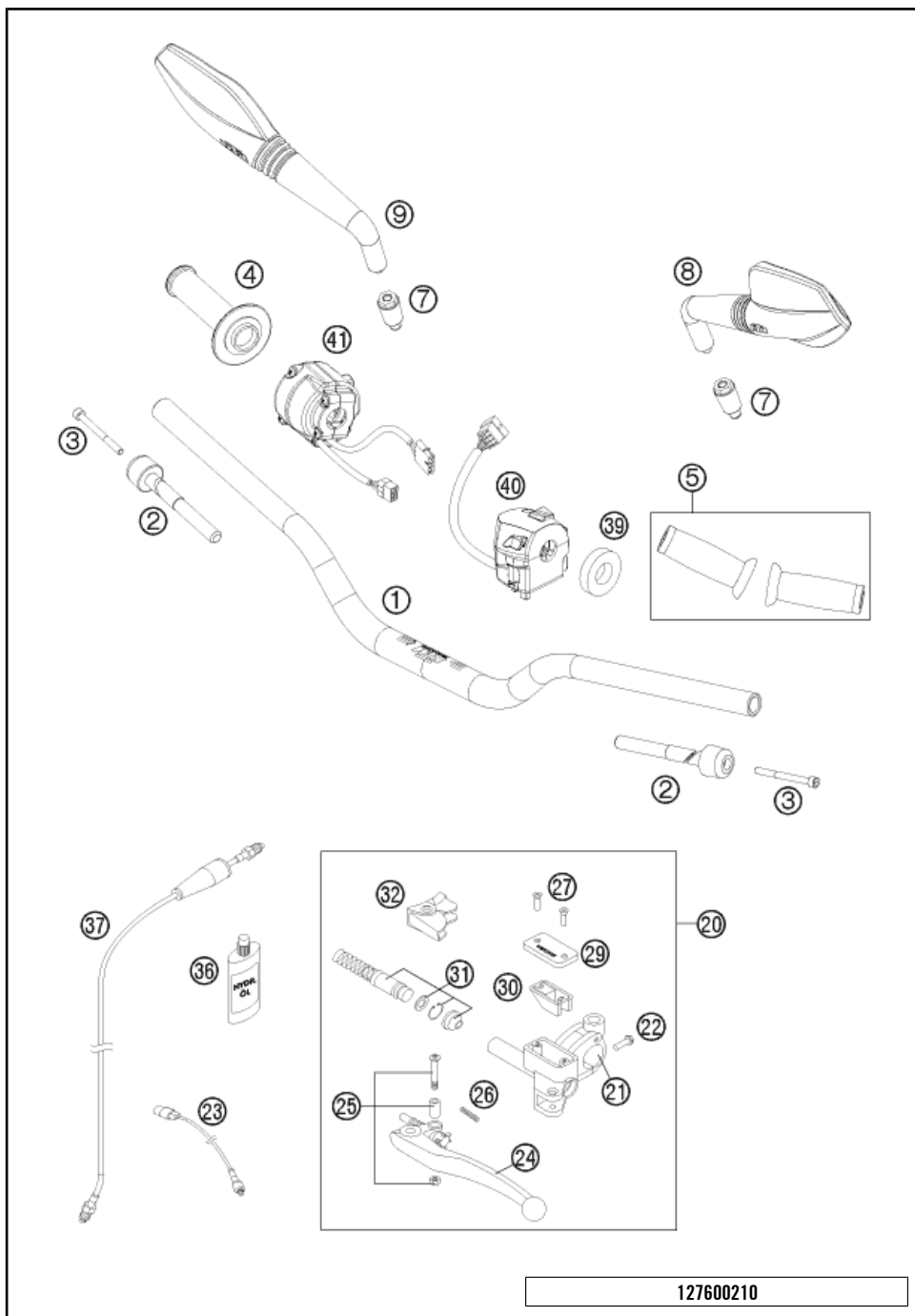


POS	PARTNUMBER	PARTNAME	PIECE
1	05187L19L01	FORK WP 690 DUKE L/S	1
2	05187L19R01	FORK WP 690 DUKE R/S	1
5	0025080306	HH COLLAR SCREW M8X30 TX40	4
6	0012100603	AH SCREW DIN6912-M10X60	2
7	0035080306	AH-COLLAR SCREW M8X30 ISA45	6
8	J020080273	AH SCREW M8X27	4
18	43570624	DUST CAP 43X53,4X5,8	2
19	43570623	OIL SEAL RING 43X52,9X11,4	2
20	43570204	DU-BUSH 43X47X12 DAIDO	2
22	40140024	O-RING NBR 43X2	2
32	7600103203201S	BOT.FORK PLATE CPL.	1
34	7600103403201S	TOP TRIPLE CLAMP	1
37	54801036000	STEER.HEAD SCREW M20X1,5 WS=27	1
38	5900103830001S	HANDLEBAR CLAMP 28MM 07	1
39	5900103920001S	HANDLEBAR SUPPORT 28MM 07	1
40	56401042000	WASHER 10,5X32X2	4
41	56401040000	RUBBER BUSHING	4
43	0982100003	SELF LOCK.NUT DIN0982-M10 HIGH	2
44	61001041000	SPACER TUBE 10,2X12X38 05	2
81	54201081100	TAPERED ROLLER BEARING CPL. 06	2
82	54601084100	O-RING SUPPORT W. SEALING LIP	1
84	54601184000	STEERING HEAD GASKET TOP	1
85	0770275025	O-RING 27,5X2,5 NBR	1
86	78101086000	STEERING HEAD COVER	1
87	57301036000	STEER.HEAD NUT 660SM 02	1
97	76001080044	STEERING HEAD REP. KIT	x
98	90101000010	REP. KIT FORK KPL.	x
99	00050000922	HANDLEBAR SUPPORT KIT	x

127600110

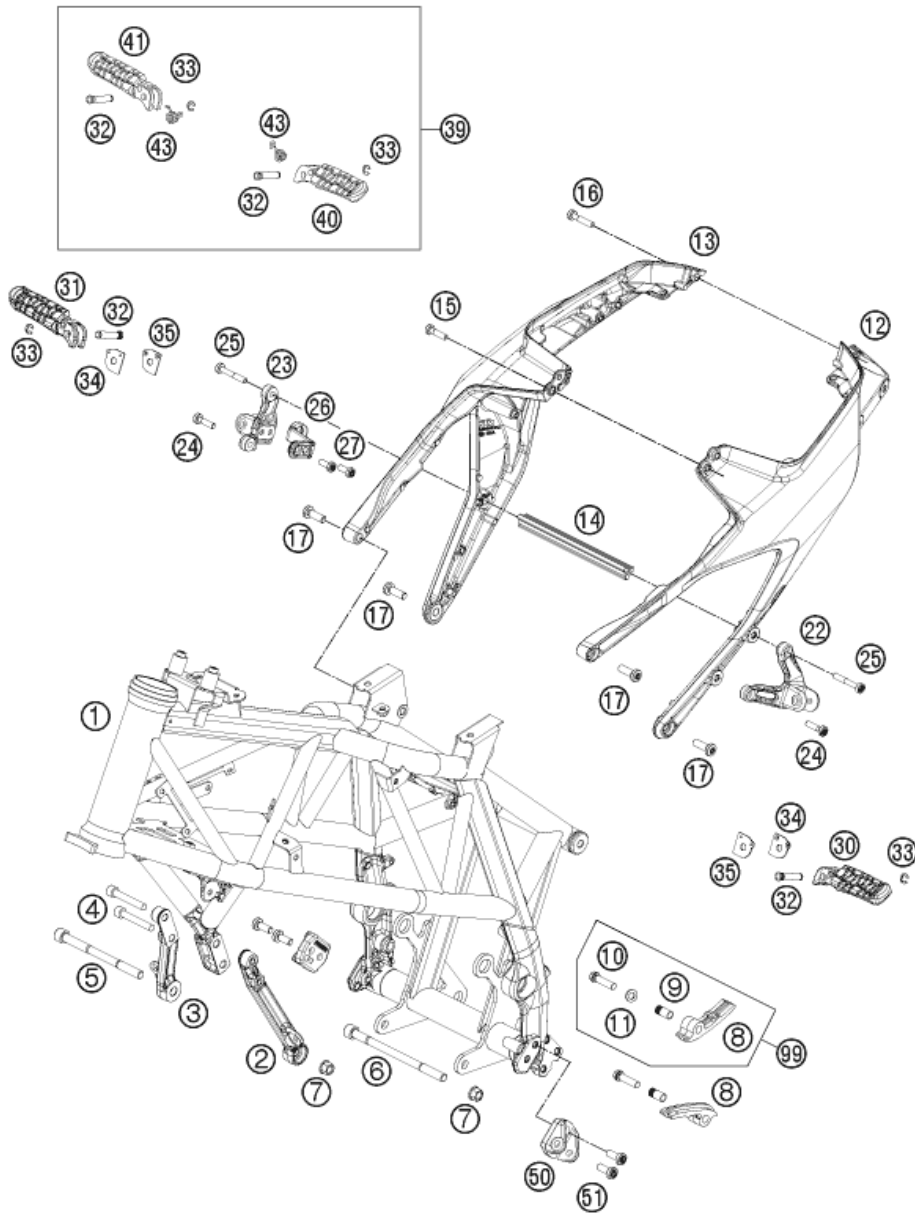
C127600110

* NEW PART X ON DEMAND



POS	PARTNUMBER	PARTNAME	PIECE
1	76002001000	HANDLEBAR D= 28MM	1
2	61002004000	VIBRATIONS ABSORBER 05	2
3	0912060653	AH SCREW DIN0912-M 6X65	2
4	76002010000	THROTTLE GRIP	1
5	76002021000	GRIP SET OPEN END	1
7	58412040050	SUPPORT FOR MIRROR LC4 '98	2
8	61112040000	REVIEW MIRROR L/S 07	1
9	61112041000	REVIEW MIRROR R/S 07	1
20	75002030000	MASTER CYLINDER CPL. 11MM 07	1
21	60002044000	CLAMP MIRROR WITH CLAMP	1
22	0025060206	HH COLLAR SCREW M6X20 TX30	1
23	58411049100	CLUTCH SWITCH 03	1
24	60002031000	CLUTCH LEVER LONG CPL. 2003	1
25	50302038000	LEVER SCREW CPL. 125-200 '98	1
26	59002035000	SPRING FOR CLUTCH LEVER 03	1
27	0965040123	FLAT HEAD SCREW DIN0965-M 4X12	2
29	50302033000	COVER FOR HYDR. CLUTCH '98	1
30	50302034000	RUBBER FOR RESERVOIR '98	1
31	75002032000	REP.SET PISTON 11MM 07	1
32	50302037000	PROTECT.CAP FOR LEVER PERCH'98	1
36	50302036200	OIL FOR HYD. CLUTCH 100 ML	1
37	75632063000	CLUTCH PIPE SM PRESTIGE 07	1
39	76002056000	DISTANCE RING LIGHT SWITCH	1
40	76011070000	HEAD LIGHT SWITCH 12	1
41	76011073000	START-STOP/E-GAS	1

* NEW PART X ON DEMAND



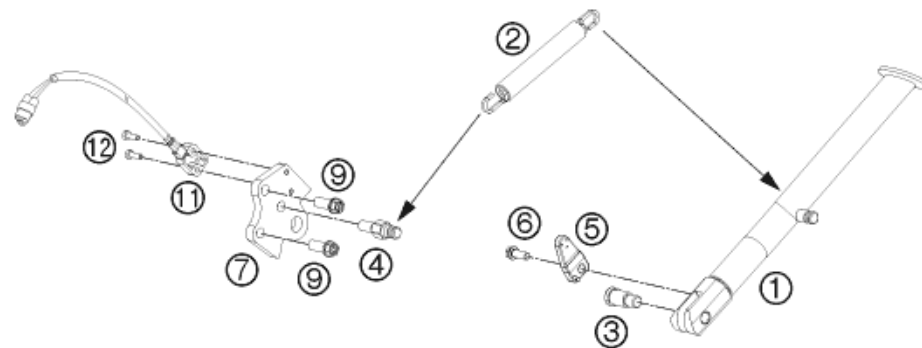
POS	PARTNUMBER	PARTNAME	PIECE
1	7600300100004	FRAME "760LA0" ORANGE	1
2	7500300104901	CONNECTION BRACKET ENG. L/S 07	1
3	7500310104901	CONNECTION BRACKET ENG. R/S 07	1
4	014579080506S	CYL. SCREW DIN14579 M8X50 SS	2
5	75603015000	SPECIAL SCREW M10X129 HEX8 08	1
6	75003014000	SPECIAL SCREW M10X152 ISK8 07	1
7	54630044000	COLLAR NUT M10 WS=13	2
8	54804067000	CHAIN SLIDING PIECE 03	2
9	51103053051	BUSHING 8,2X10X20	2
10	0025080306S	HH COLLAR SCREW M8X30 TX40	2
11	0125080003	WASHER DIN0125-A 8,4	1
12	7600300200192	TAILBOOM L/S	1
13	7600300200292	TAILBOOM R/S	1
14	76003002010	BRACE SUBFRAME	1
15	0035080256	AH-COLLAR SCREW M8X25 ISA45	2
16	0035080406	AH-COLLAR SCREW M8X40 ISA45	1
17	0035100309S	AH-COLLAR SCREW M10X30 ISA45	4
22	7600304800001S	FOOTREST BRACKET REAR L/S	1
23	7600304900001S	FOOTREST BRACKET REAR R/S	1
24	0035080306S	AH-COLLAR SCREW M8X30 ISA45	2
25	0035080506S	AH-COLLAR SCREW M8X50 ISA45	2
26	7600508400001S	BRACKET F. SILENCER	1
27	0035080206S	AH-COLLAR SCREW M8X20 ISA45	2
30	60003050000	FOOTREST CPL. L/S REAR 03	1
31	60003051000	FOOTREST CPL. R/S REAR 03	1
32	60003044000	BOLT FOR FOOTREST REAR 03	4
33	0799060003	TAB WASHER DIN6799-RS 6,0	4
34	60003052000	ENGAGE PANEL FOOTREST R/S 03	2
35	60003152000	ENGAGE PANEL FOOTREST L/S 03	2
39	76003040033	FOOTRESTS CPL.	1
40	61003050000	FOOTREST FRONT L/S CPL. 05	1
41	61003051000	FOOTREST FRONT R/S CPL. 05	1
43	76003042000	RETURN SPRING FOOTREST	2
50	76003101095	FOOTREST SUPPORT	2
51	0035080206S	AH-COLLAR SCREW M8X20 ISA45	4
99	54804067010	CHAIN SLIDING KIT UPPER CPL.	1

127600310

C127600310

* NEW PART

X ON DEMAND



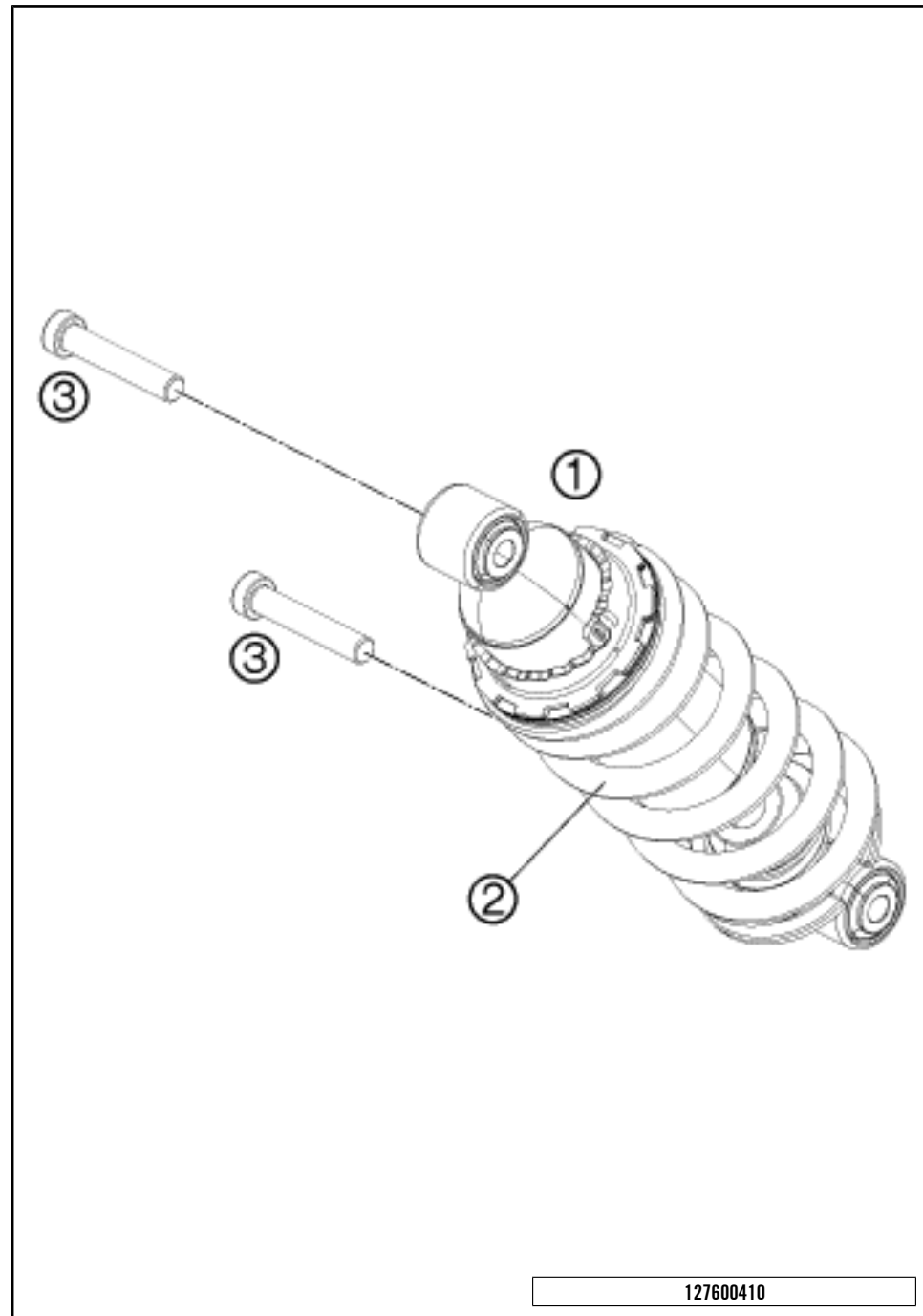
POS	PARTNUMBER	PARTNAME	PIECE
1	7600302300033	SIDE STAND	1
2	61003024000	SPRING L=116 MM 05	1
3	62503027200	SCREW FOR SIDE STAND M10X31,2	1
4	76503028001	SPECIAL SCR. SIDE STAND SPRING	1
5	76003029000	MAGNET HOLDER	1
6	0025060126	HH COLLAR SCREW M6X12 TX30	1
7	76003026000	SIDE STAND BRACKET	1
9	0025080206S	HH COLLAR SCREW M8X20 ISA40	2
11	61011045000	SIDE STAND SENSOR 05	1
12	0084040123	CYL.HEAD SCREW DIN84A M4x12	2

127600360

C127600360

* NEW PART

X ON DEMAND



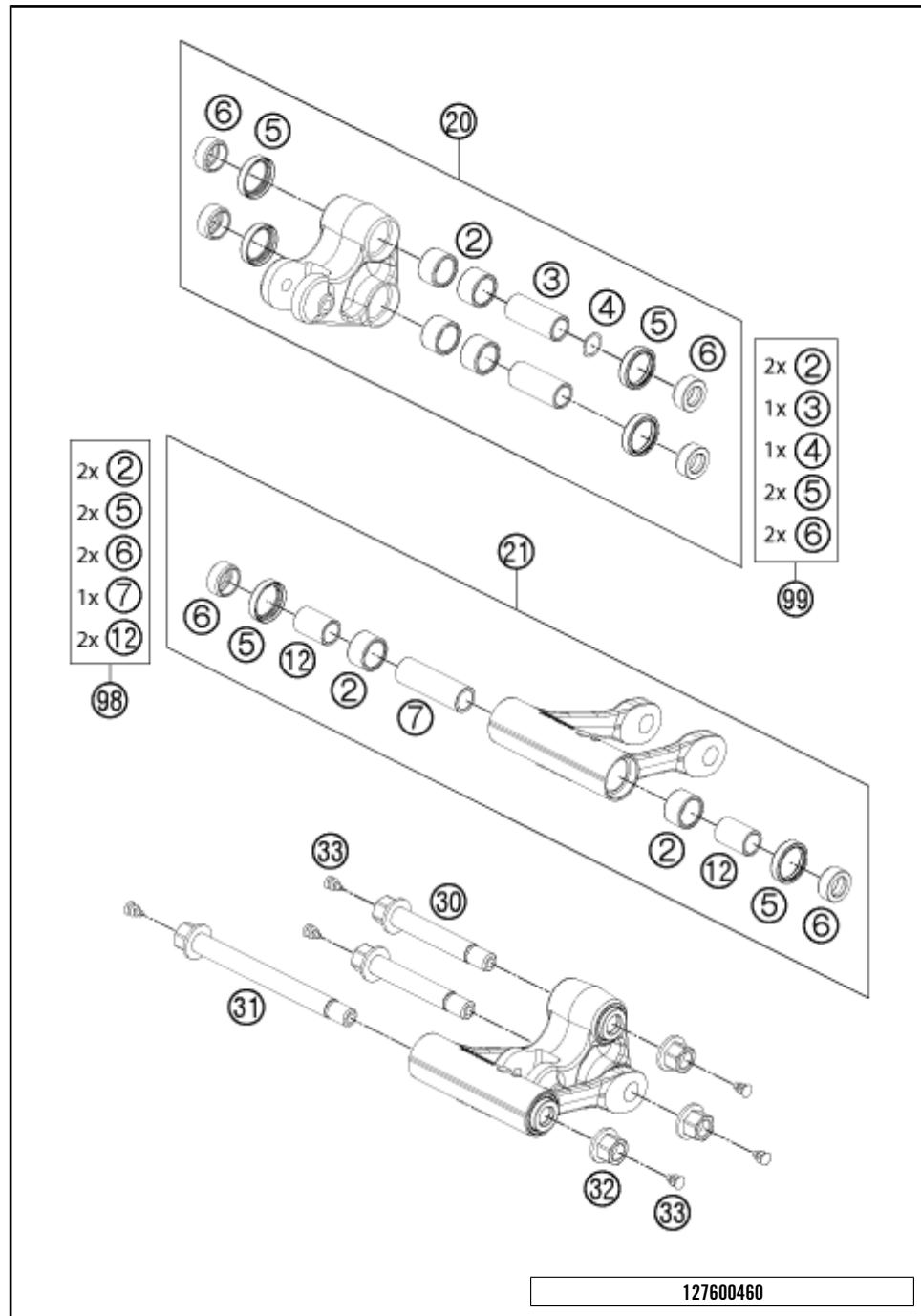
POS	PARTNUMBER	PARTNAME	PIECE
1	01187L1901	MONOSHOCK 690 DUKE 2012	1
2	92010032S	SPRING L=200MM D=11,5 WHITE	1
3	76504016000	CYL. SCREW M10X1,25 L=53	2

127600410

C127600410

* NEW PART

X ON DEMAND



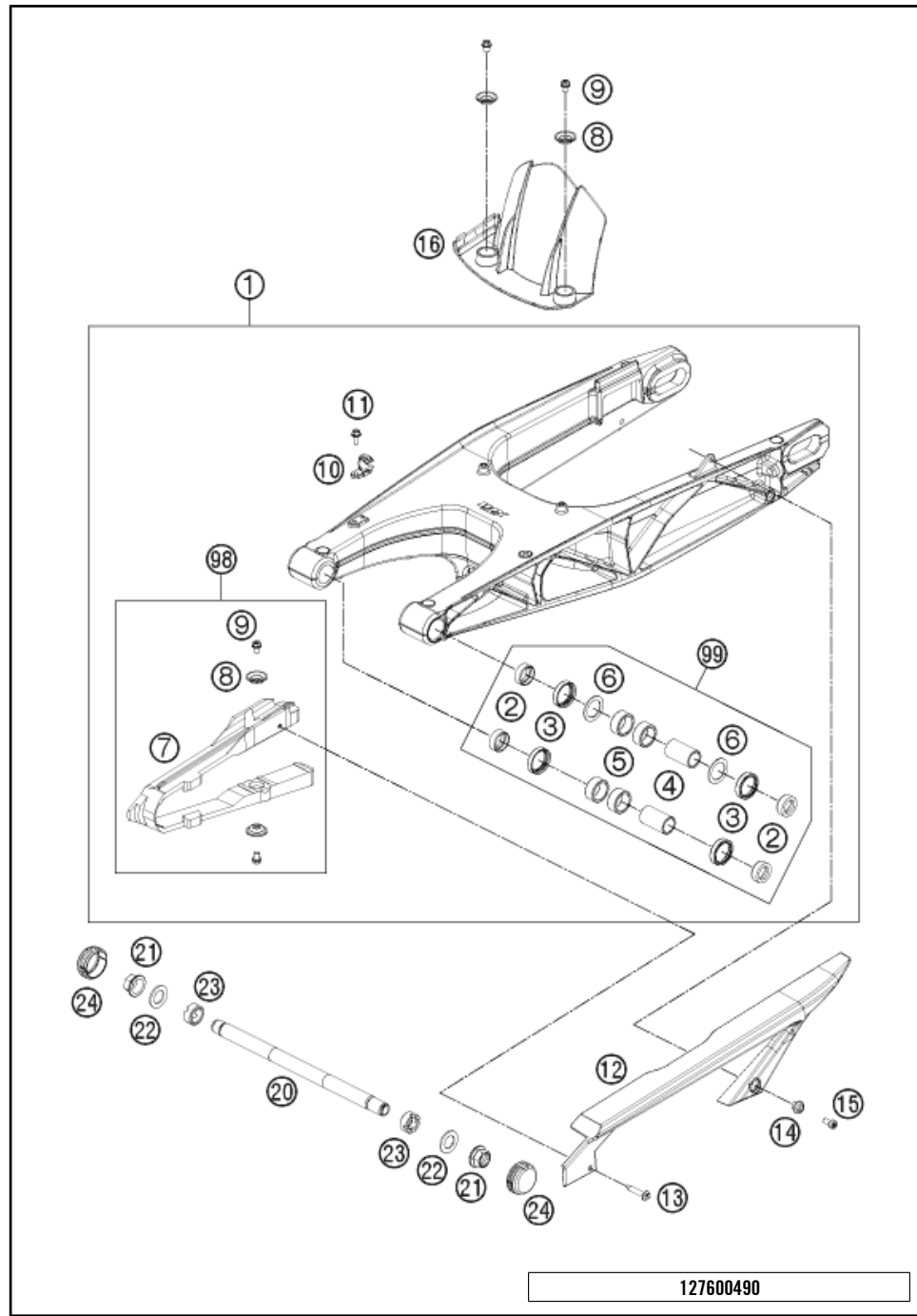
POS	PARTNUMBER	PARTNAME	PIECE
2	54603097000	NEEDLE BUSH HK 2016	6
3	54603081000	BUSHING SLEEVE 15 X 20 X 48	2
4	54603090010	STEEL WASHER 15,2X19X0,1	x
4	54603090020	STEEL WASHER 15,2X19X0,2	1
4	54603090030	STEEL WASHER 15,2X19X0,3	x
5	0760253270	SHAFT SEAL RING 25X32X7	6
6	58303090000	SPAC.F.SHAFT SEALRING 15X25X11	6
7	75004084000	SPACER SLEEVE 15X20X63 07	1
12	50203081800	BEARING BUSHING	2
20	7600408004401	SETTING LEVER CPL.	1
21	7500408304401	INTERMEDIATE LEVER CPL. 07	1
30	54603182000	BOLT LINKAGE ARM CPL.	2
31	75004085044	BOLT CPL. M14X1,5 L=175MM 07	1
32	54603015000	SELF LOCKING NUT M14X1,5 WS=19	3
33	54403135000	PLASTIC CAP SFL10	6
98	75004083010	PULL ROD REP. KIT 690 DUKE	x
99	75004080100	TRIANGLE LEVER REP. KIT REAR	x

127600460

C127600460

* NEW PART

X ON DEMAND

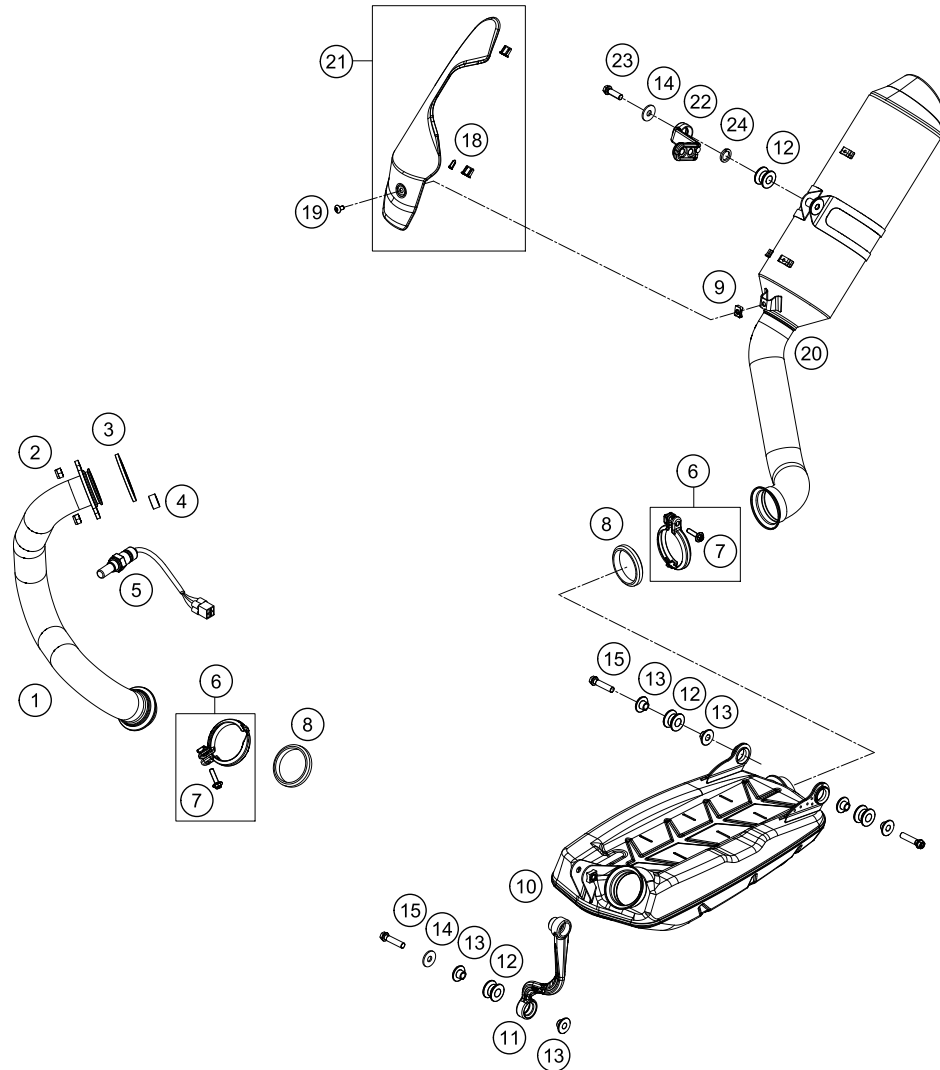


POS	PARTNUMBER	PARTNAME	PIECE
1	7500403004433	SWING SM CPL. 07	1
2	54804034000	BUCKET F. SHAFT SEAL RING 03	4
3	0760253270	SHAFT SEAL RING 25X32X7	4
4	59404032000	BEARING SLEEVE 17X22X38,7 03	2
5	59004031200	NEEDLE BUSH HK2212V	4
6	54603036000	STOP DISK 22,2X31,7X1	2
7	75004066000	CHAIN SLIDING PROTECTION 07	1
8	72210079000	BUCKET	4
9	0025060086	HH COLLAR SCREW M6X8 TX30	4
10	5461107610030	RET. CLAMP F. BRAKE HOSE BLACK	1
11	0009050106	EJOT SPIRAL SCREW SF M5X10-K	1
12	75004060000	CHAIN GUARD	1
13	0017060303	SPECIAL SCREW T60 6X30 WS=6	1
14	75001094010	BUSHING MUD FLAP 07	1
15	014580060126	CYL. SCREW DIN14580 M 6X12	1
16	75004050000	MUD FLAP 07	1
20	75004037000	SWING ARM BOLT L=272MM 07	1
21	54804038000	SELF LOCK.NUT M16X1,5 WS=19 03	2
22	75004042000	WASHER 07	2
23	75004046000	ADJUSTING RING M24X1 , 5 07	2
24	75003088000	PLASTIC CAP 07	2
98	75004066010	CHAIN GUARD KIT	1
99	54804230010	SWINGARM REP. KIT	1

127600490

C127600490

* NEW PART X ON DEMAND



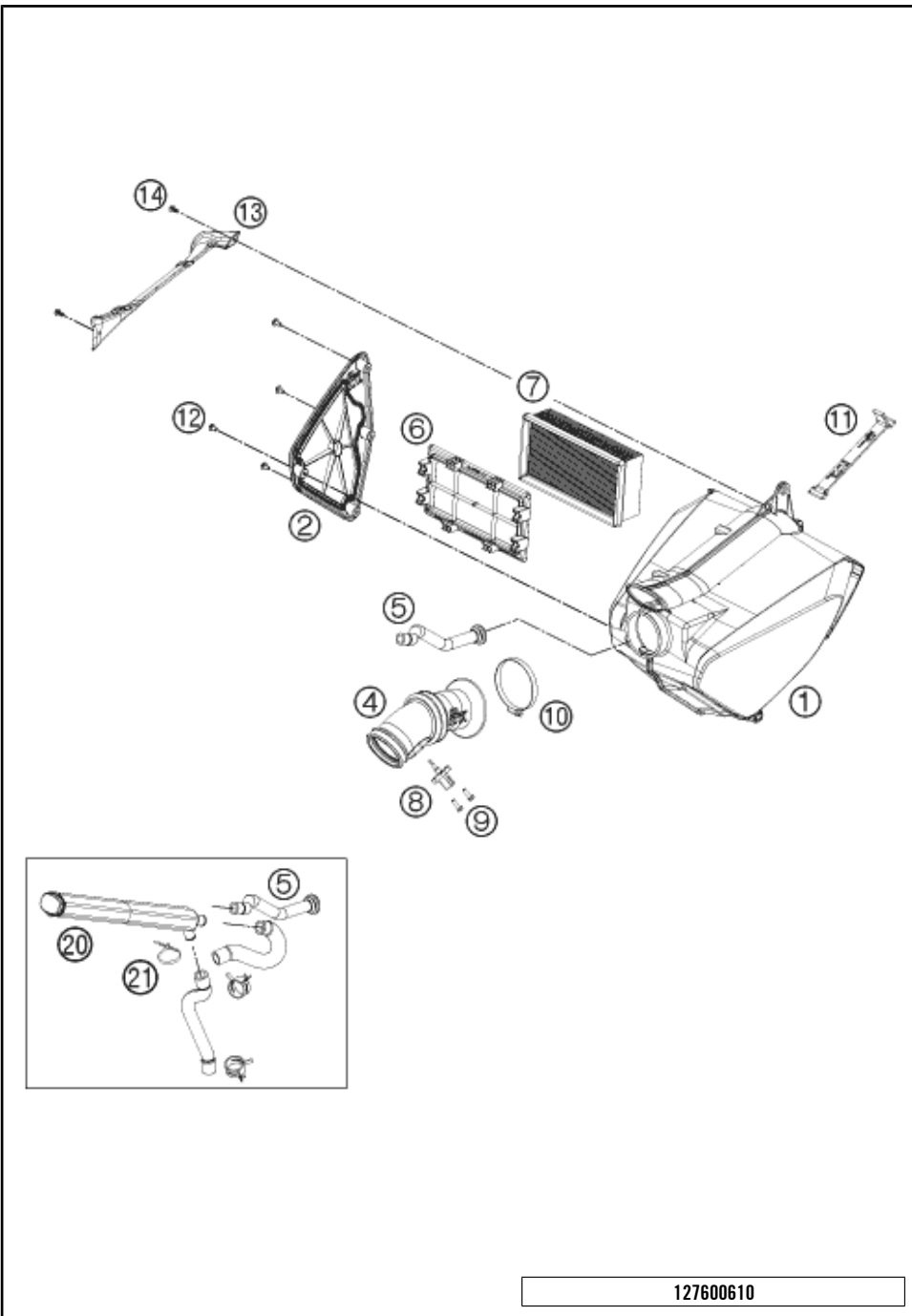
137600510

POS	PARTNUMBER	PARTNAME	PIECE
1	76005007000	EXHAUST MANIFOLD	1
2	51010086100	SELF LOCKING NUT M 8 CU	2
3	61005005000	EXHAUST GASKET 05	1
4	61005009000	SPACER BUSH. 8,5X15X7,5 05	1
5	75041090000	LAMBDA SENSOR 07	1
6	69005050000	CLAMP CPL.	2
7	0024060256	HH COLLAR SCREW M6X25 TX30	2
8	69005005005	MANIFOLD GASKET	2
10*	76005050100	PRE-SILENCER	1
11*	7560501410001	BRACKET F. SILENCER	1
12	54305068100	DAMP. COMPONENT SILICONE GREY	4
13	58405050065	COLLAR BUSH 8,5X12X23,5X10	6
14	0021080003	WASHER DIN9021-A 8,4	2
15	0025080356S	HH COLLAR SCREW M8X35 TX40	3
18	61005091000	DAMP. COMPON. SILICONE GREY 05	3
19	78105081010	SCREW TORX M5X10	1
20	76005083000	SILENCER	1
21	76005011000	HEAT SHIELD CPL.	1
22	7600508400001S	BRACKET F. SILENCER	1
23	0035080256	AH-COLLAR SCREW M8X25 ISA45	1
24	76005085000	SHIM 12X8.5X1.5 MM	1

C137600510

* NEW PART

X ON DEMAND

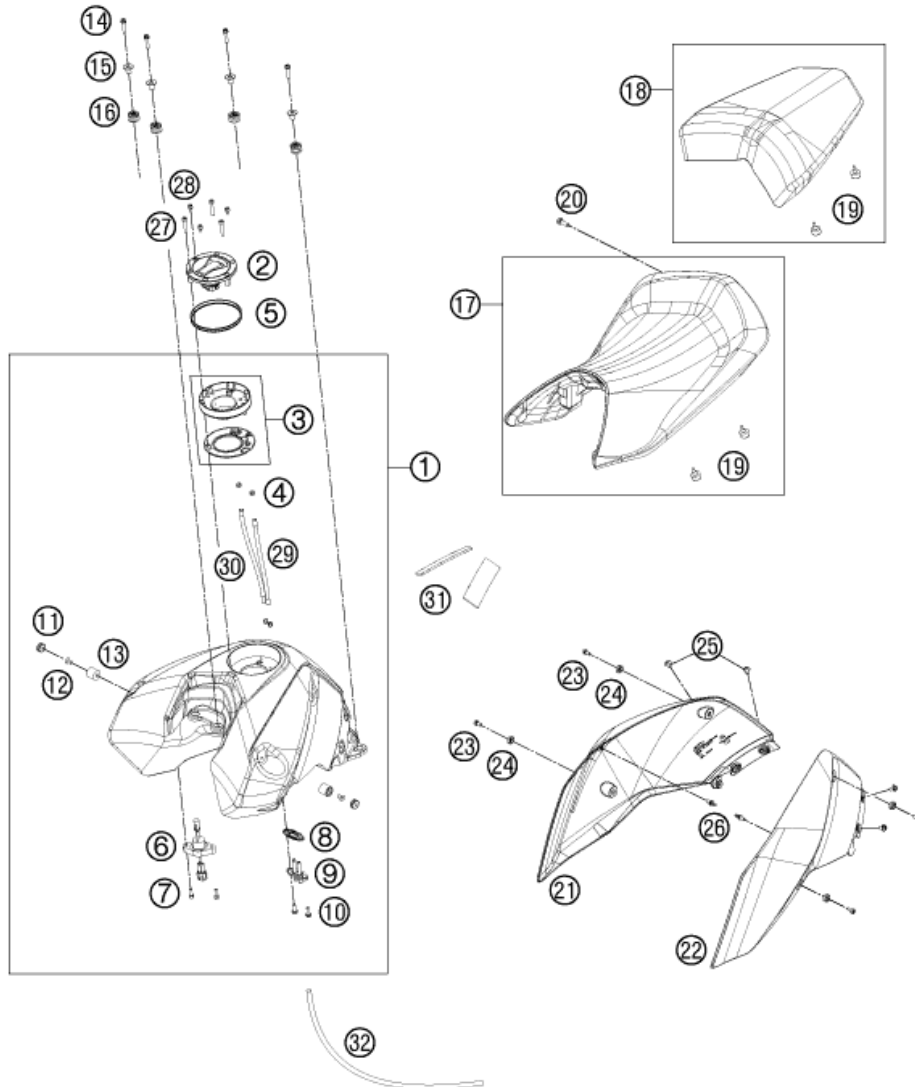


POS	PARTNUMBER	PARTNAME	PIECE
1	76006001000	AIRFILTERBOX	1
2	76006002000	FILTER BOX COVER	1
4	76006026000	INTAKE TRUMPET 760	1
5	76030088000	VENTILATION OIL SEPARATOR FOAM	1
6	76006016000	FILTER FRAME	1
7	75006015000	AIRFILTER	1
8	61041080000	AMBIENT-AIR TEMPERATURE SENSOR	1
9	0018050163	INT. TORX OVAL HEAD M5X16	2
10	55006028000	HOSE CLAMP 60-80MM	1
11	76011056000	RUBBER HOLDER BATTERY	1
12	78105081010	SCREW TORX M5X10	4
13	76008030000	CABLE SUPPORT	1
14	0081050121	SCREW FOR PLASTIC K50X12 T20	2
20	75030087000	OIL SEPARATOR FOAM 07	1
21	44011076200	CABLE TIE 200/3,6MM BLACK	3

127600610

C127600610

* NEW PART X ON DEMAND



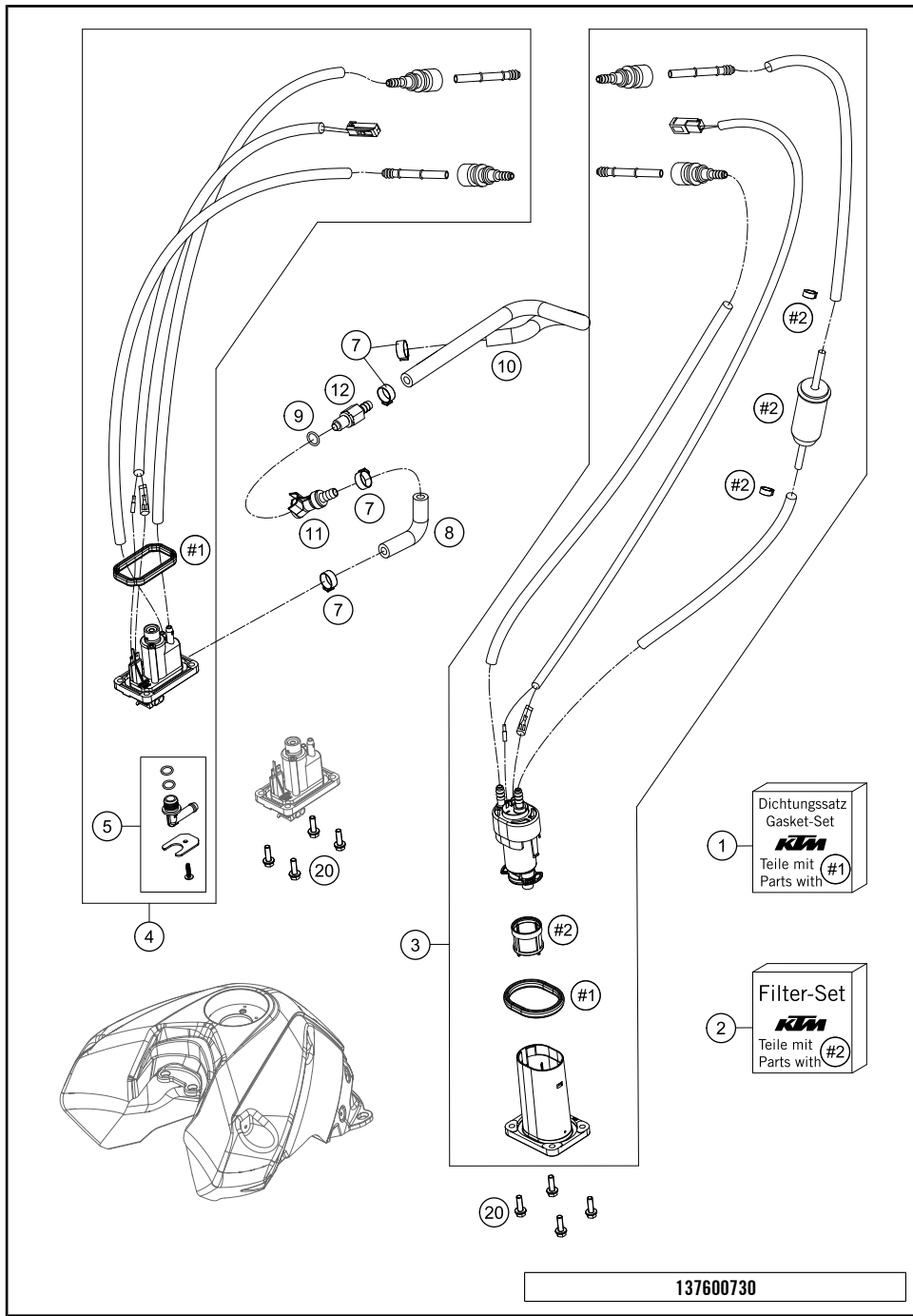
POS	PARTNUMBER	PARTNAME	PIECE
1	7600701304433A	FUEL TANK CPL. BLACK-MATT	1
2	76007008000	TANK PLUG	1
3	76007008060	TANK INSERT CPL.	1
4	76007013090	CLAMP OETIKER 8.6MM	4
5	76007008052	GASKET TANK PLUG	1
6	61007080000	GAS-LEVEL SENSOR 06	1
7	0912050163	AH SCREW DIN0912-M 5X16	2
8	76007027050	GASKET	1
9	76007027000	CONNECTION	1
10	0025050166	HH COLLAR SCREW M5X16 TX30	2
11	76008052050	RUBBER SLEEVE 5X7.6X13MM	2
12	0991060126	FLAT HEAD SCREW DIN7991-M 6X12	2
13	76008052000	BUSHING 13X20X18,5MM	2
14	0025060256	HH COLLAR SCREW M6X25 TX30	4
15	69007028000	COLLAR BUSH. 6,2X10X21X14MM 08	4
16	69007027000	RUBBER SLEEVE TANK MOUNT 08	4
17	76007140000	SEAT LOW	1
18	76007047000	SEAT SOZIUS	1
19	75007046010	SEAT RUBBER 10 MM	8
20	0035080256	AH-COLLAR SCREW M8X25 ISA45	1
21	7600805100028	SPOILER R/S WHITE	1
22	7600805000028	SPOILER L/S WHITE	1
23	014580060126	CYL. SCREW DIN14580 M 6X12	4
24	61108045000	SPECIAL WASHER	4
25	0024060106	HH COLLAR SCREW M6X10 TX30	4
26	54806008051	QUICK RELEASE-NIPPLE 03	2
27	0912050303	AH SCREW DIN0912-M 5X30	3
28	0912050083	AH SCREW DIN 912 M 5X8	3
29	76007013010	TUBE VENTILATION	1
30	76007013020	HOSE EVAPORATIVE CANISTER	1
31	54601097000	RUBBER STRIP 85X25X3 MM	2
32	60007026001	HOSE NBR 5,4X9,4 PER METER	1

127600710

C137600711

* NEW PART

X ON DEMAND



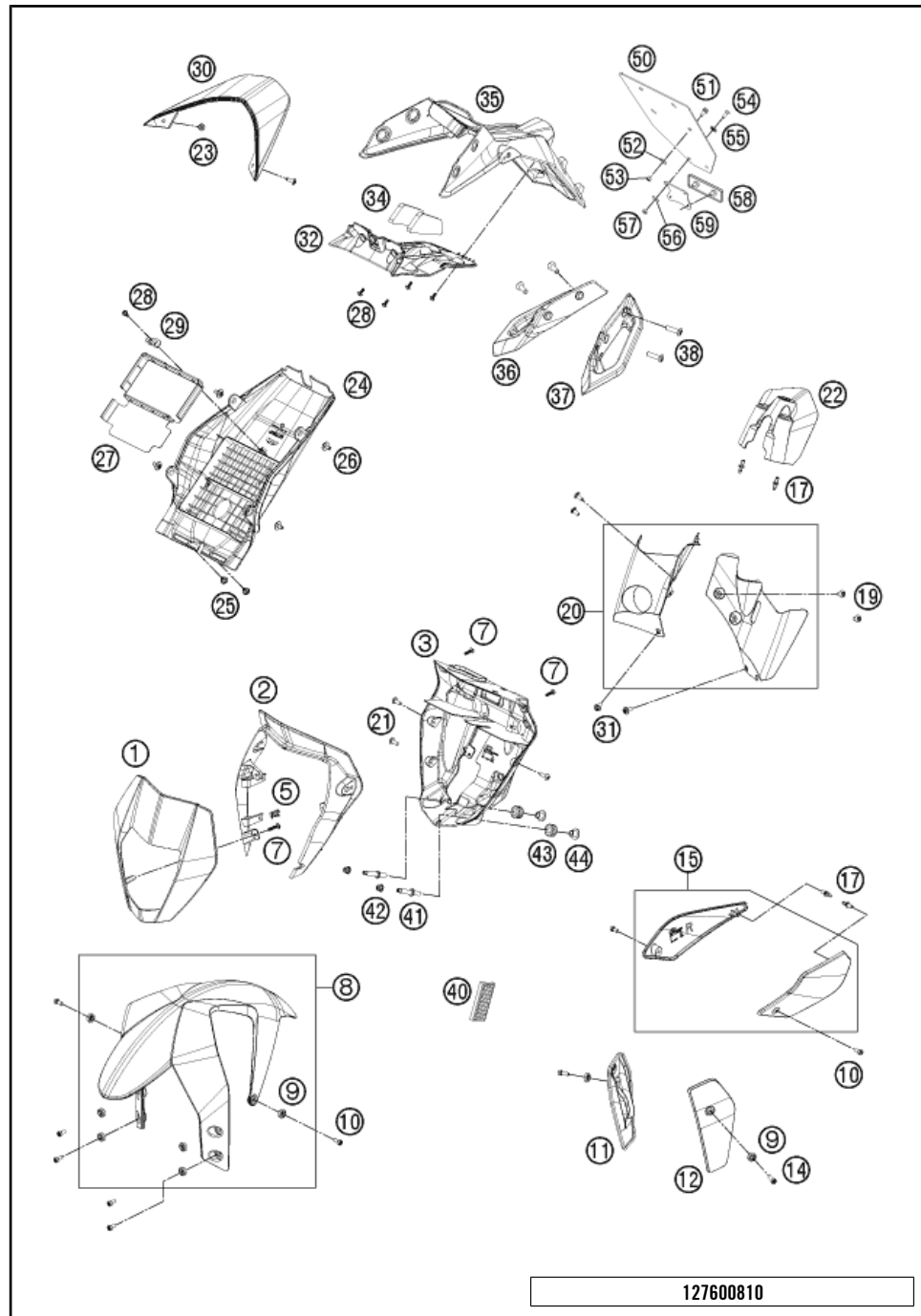
POS	PARTNUMBER	PARTNAME	PIECE
1	75007089000	SEALINGS KIT	1
2	75007090000	FILTER KIT	1
3	75007088011	FUEL PUMP WITH FLANGE CPL.	1
4	75007088012	PRESSURE REGULATOR CPL. 07	1
5	75007092000	HYDRAULIC CONNECTOR CPL.	1
7	00050157706	VARIABLE ONE-EAR CLAMP 15,7MM	4
8*	62507116070	FUEL HOSE 08	1
9	58507012000	O-RING VITON F. PLUG CPC 05	1
10*	76007016010	FUEL HOSE 7,5X3,5	1
11	5850701050030	CLUTCH CPC BLACK 05	1
12	5850701030030	PLUG CPC BLACK 05	1
20	0025050166	HH COLLAR SCREW M5X16 TX30	8

137600730

C137600730

* NEW PART

X ON DEMAND



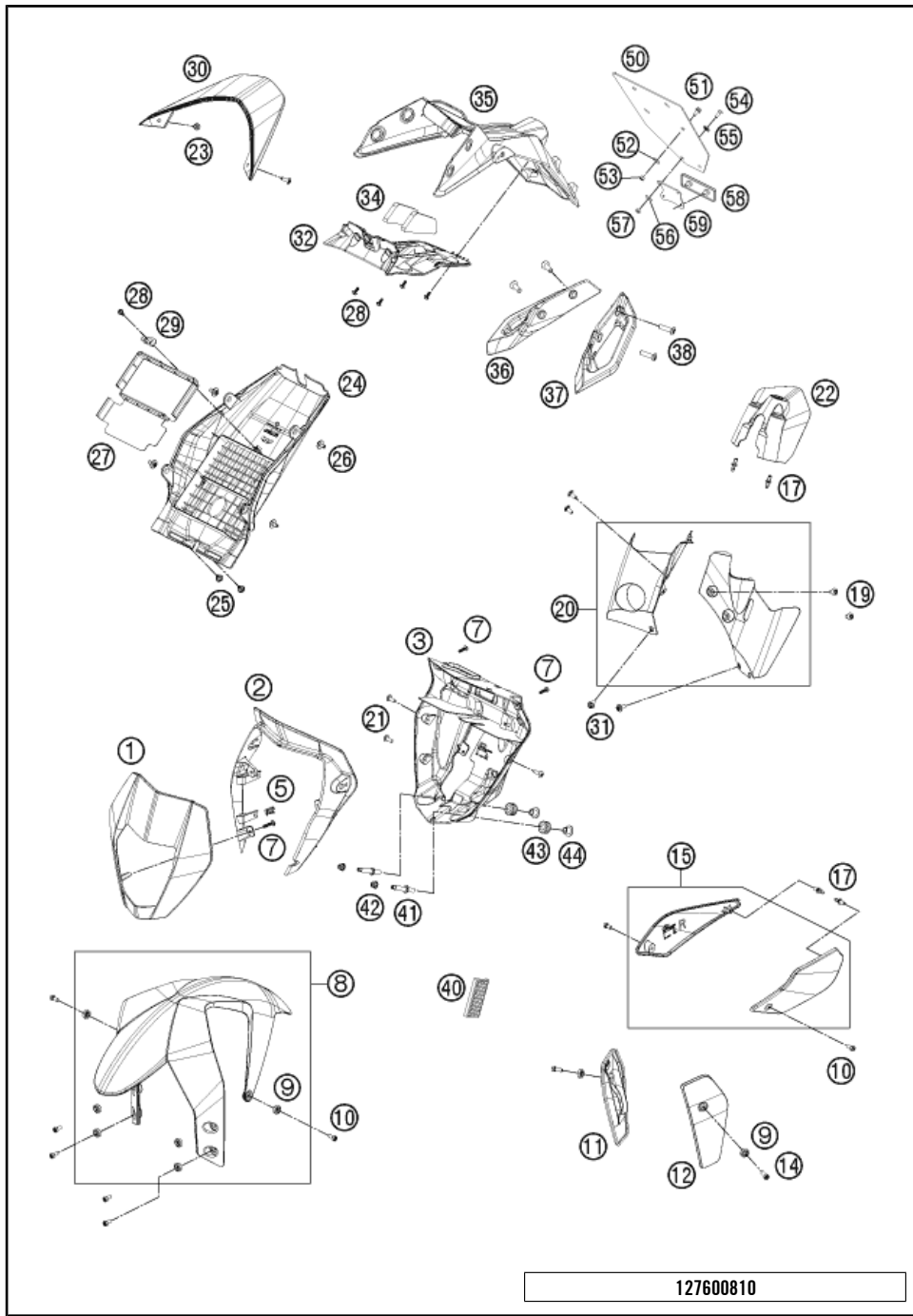
POS	PARTNUMBER	PARTNAME	PIECE
1	7600800100028	HEAD LIGHT MASK WHITE	1
2	76014061000	MASK MIDDLE PART	1
3	76014060000	MASK REAR PANEL	1
5	69008021080	RANGE CHANGE METAL NUT M5	4
7	0081050181	SCREW FOR PLASTIC K50X18 T20	8
8	7600801004428	FRONTFENDER CPL.	1
9	61108045000	SPECIAL WASHER	8
10	014580060126	CYL. SCREW DIN14580 M 6X12	8
11	7600806100030	RADIATOR SPOILER R/S	1
12	7600806000030	RADIATOR SPOILER L/S	1
14	014580060166	CYL. SCREW DIN14580 M 6X16	2
15	76003094000	FRAMECOVER-SET	1
17	54806008051	QUICK RELEASE-NIPPLE 03	4
19	78105081010	SCREW TORX M5X10	4
20	76003085044	FRAMECOVER-SET FRONT	1
21	58605083014	SCREW M5X14 TORX 25 07	4
22	76011066050	COVER IGNITION LOCK	1
23	014580060166	CYL. SCREW DIN14580 M 6X16	2
24	76008019000	REAR END LOWER PART	1
25	76503075100	EXPANDING RIVET CPL.	2
26	0024060123	COLLAR SCREW M6X12 TX	4
27	76011054050	BATTERY -BASE	1
28	0081050121	SCREW FOR PLASTIC K50X12 T20	5
29	76011055000	RETAINING PLATE BATTERY	1
30	7600801502030	COVER REARLIGHT BLACK	1
31	0024060136	HH COLLAR SCREW M6X13 TX30	2
32	76008015010	COVER NUMBER PLATE CARRIER	1
34	76014043000	METAMOLL FOR REARLIGHT	2
35	76008015000	NUMBER PLATE CARRIER	1
36	76012009000	HANDLE R/S	1
37	76012008000	HANDLE L/S	1
38	0019080306S	COUNTER-SUNK SCREW ISA45 M8X30	4
40	58412080100	REFLECTOR YELLOW '99 ONLY FOR AUS/UK	2
41*	76014060150	EJOMAT DOUBLE PIN 60X12/M6X28	4
42	0926060000	STOP NUT M6 DIN6926 A2-70	4
43*	76014069051	RUBBER SLEEVE 7X10,8X16MM	4
44*	76014062000	COLLAR BUSHING 6,2X7,5X13X12	4

127600810

C137600811

* NEW PART

X ON DEMAND



127600810

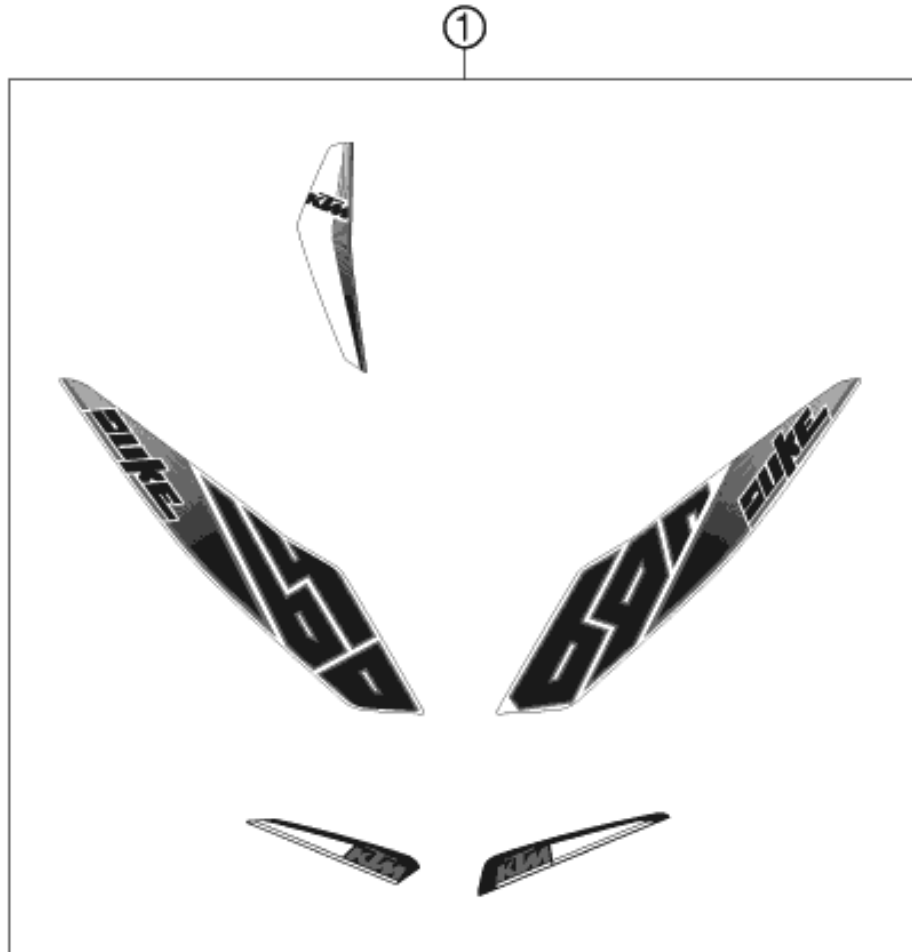
POS	PARTNUMBER	PARTNAME	PIECE
50	60012081200	LICENCE FITTING 06	1
51	0024060156	HH COLLAR SCREW M6X15 TX30	4
52	0021060003	WASHER DIN9021-A 6,4	4
53	0985060003	SELF LOCK. NUT DIN0985-M 6	4
54	0966050163	OVAL HEAD SCREW DIN0966-M 5X16	2
55	40006006000	WASHER 6MM	2
56	0125050003	WASHER DIN0125-A 5,3	2
57	0985050003	SELF LOCKING NUT DIN0985-M 5	2
58	58412080000	REFLECTOR RED LC4 '98	1
59	58412080050	BRACKET FOR REFLECTOR	1

C137600811

* NEW PART

X ON DEMAND

POS	PARTNUMBER	PARTNAME	PIECE
1	76008099000	DECAL KIT 690 DUKE WHITE 12	1



127600831

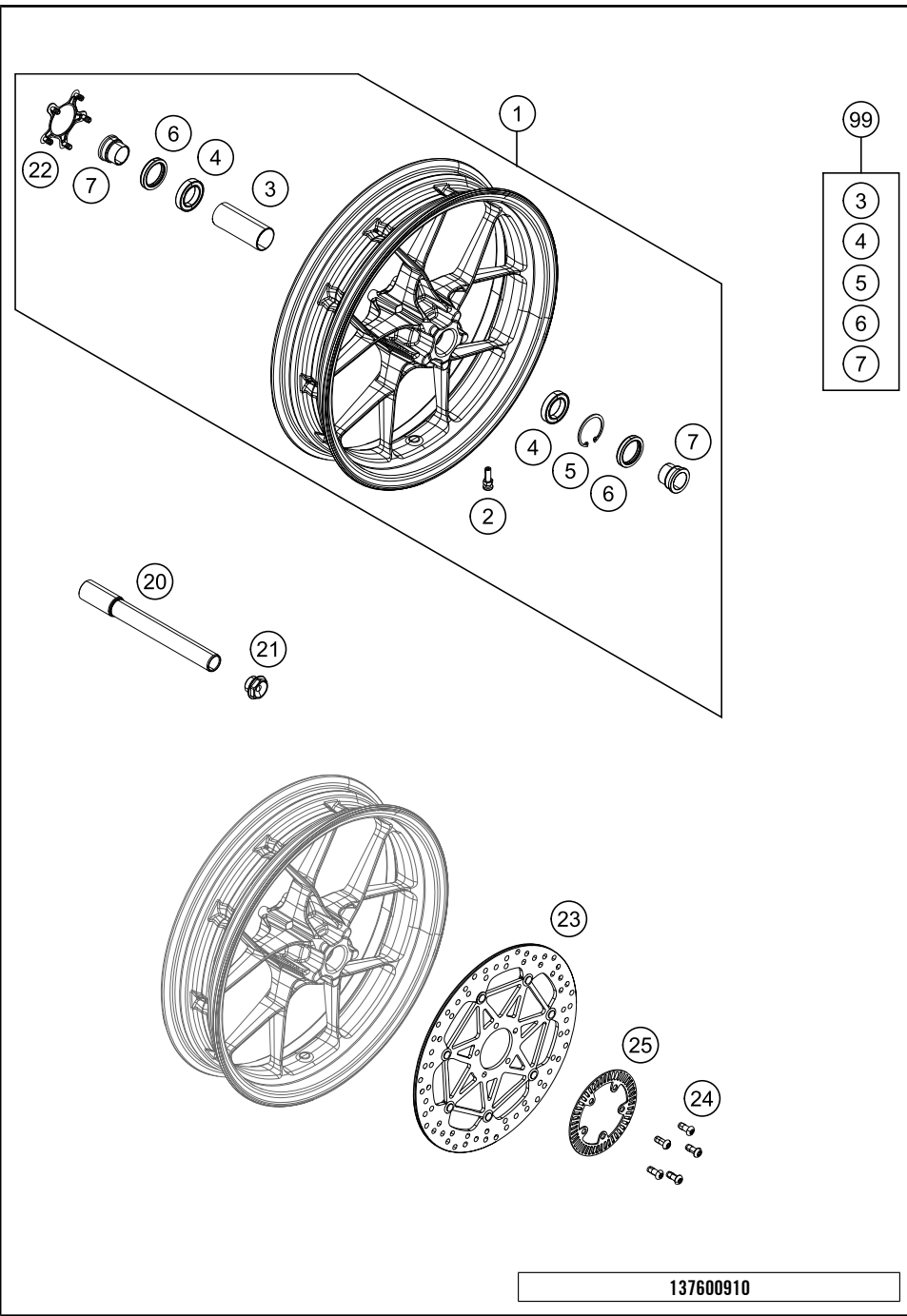
C127600831

* NEW PART

X ON DEMAND

FRONT WHEEL

690 DUKE WHITE ABS EU 2013

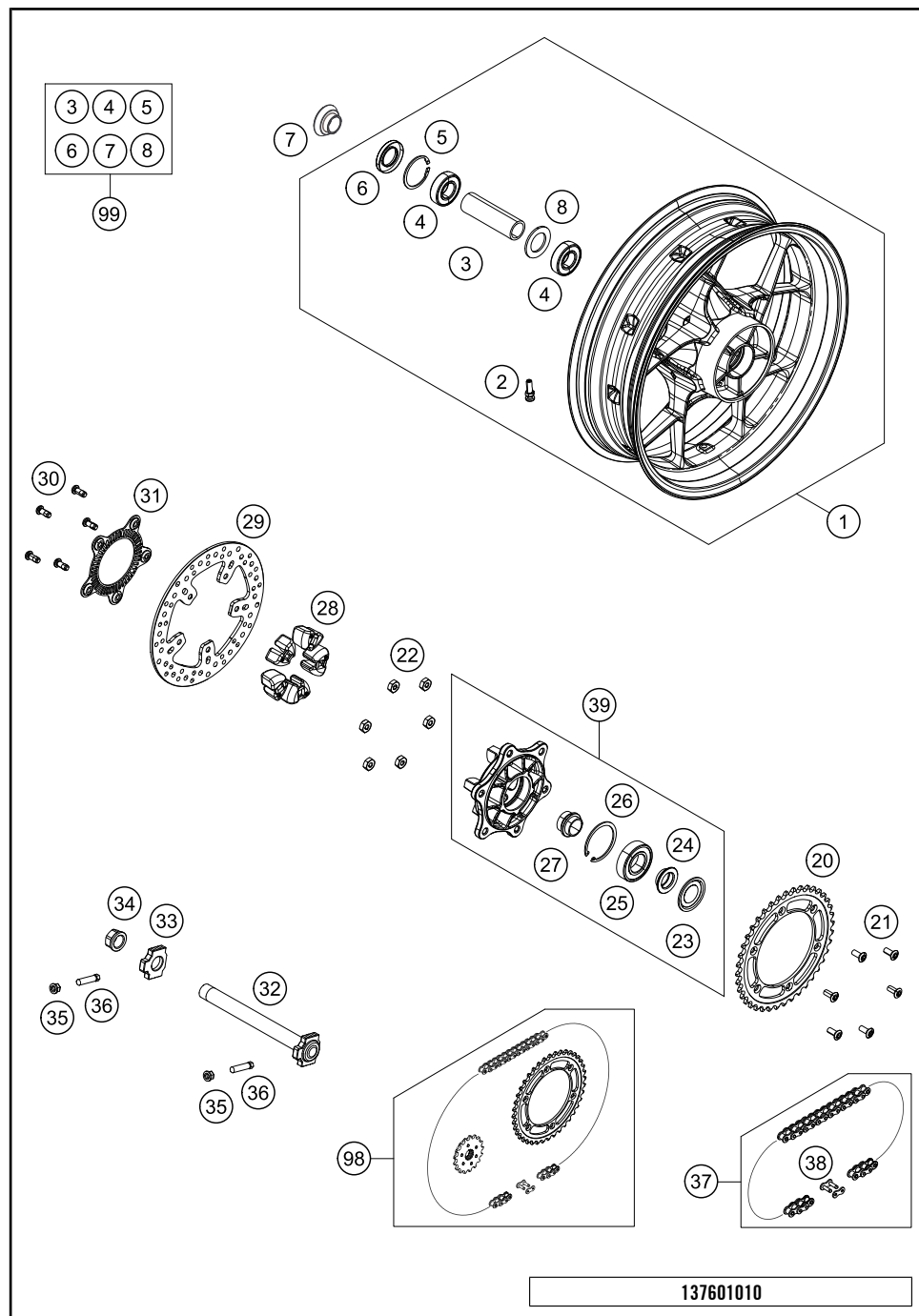


POS	PARTNUMBER	PARTNAME	PIECE
1*	7600900104430	FRONT WHEEL CPL. 3,5X17"	1
2	58709076000	VALVE CPL. BREMBO DUKE 2003	1
3	61009011000	BEARING SPACER TUBE FRONT 05	1
4	0625069068	GR.BALL BEAR.6906 DDU2CG23S6NM	2
5*	0472047175	CIRCLIP DIN0472-47X1,75	1
6	0760354771	SHAFT SEAL RING 35X47X7 TC	2
7	78009012000	SPACER BUSHING F. FR. WHEEL 08	2
20	75009081000	WHEEL SPINDLE FRONT D=26MM 07	1
21	54809082000	SPINDLE SCREW M24X1,5 WS=27 03	1
22*	76009001010	COVER BRAKE DISC SEAT	1
23*	7600906000033	BRAKE DISK D=320	1
24	76009062000	SPECIAL SCREW M8X25 SS TX40	5
25*	76042020000	SENSORGEAR FRONT	1
99	75609015000	FRONT WHEEL REP. KIT	x

137600910

C137600910

* NEW PART X ON DEMAND

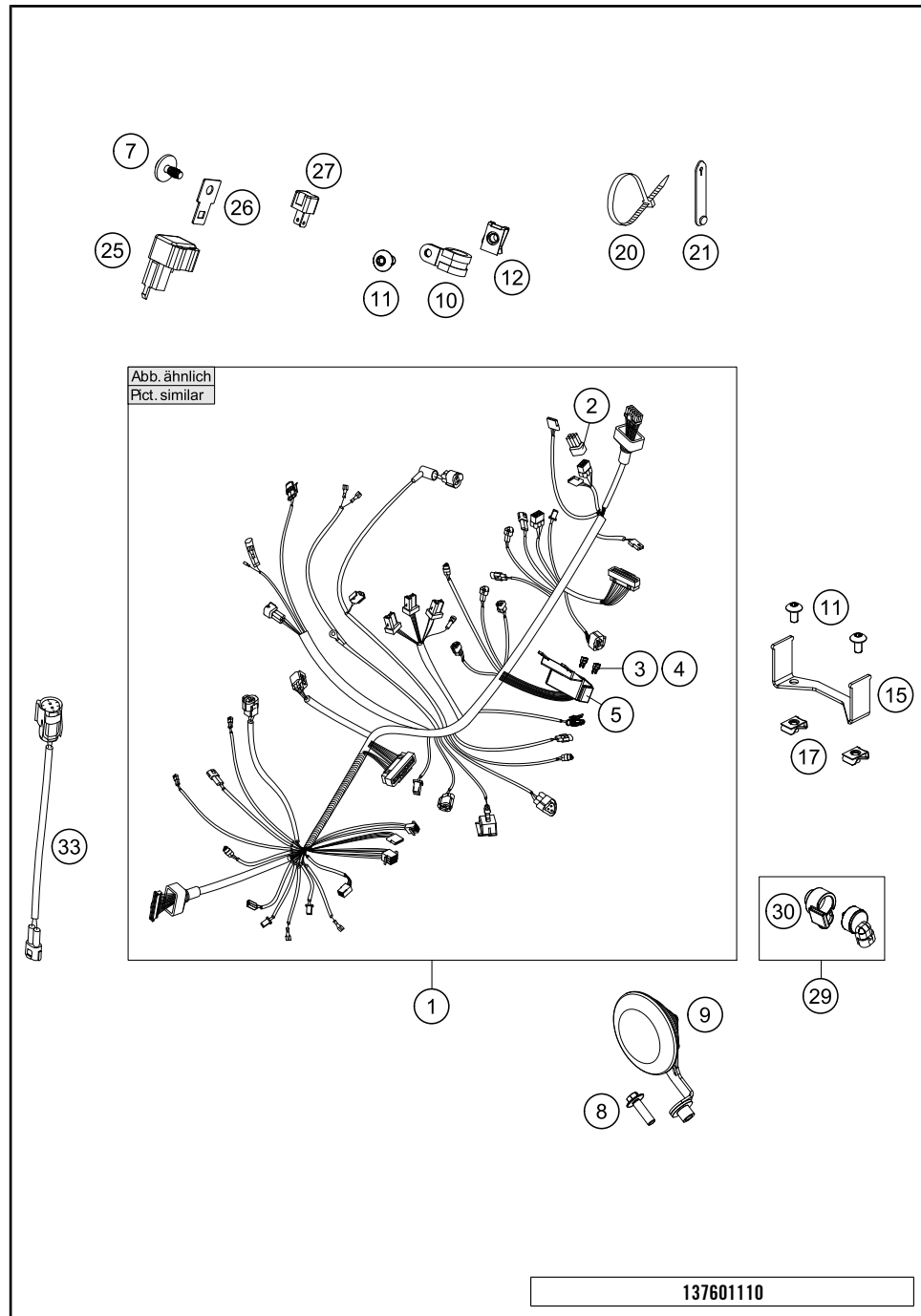


POS	PARTNUMBER	PARTNAME	PIECE
1*	7601000104430	REAR WHEEL CPL. 5X17" BLACK	1
2	58709076000	VALVE CPL. BREMBO DUKE 2003	1
3*	75310011000	BEARING SPACER TUBE L=106MM 07	1
4	0625062052	GR.BALL BEAR. 6205-2RSHC3HMTF7	2
5	0472052200	CIRCLIP DIN0472-52X2	1
6	0760305271	SHAFT SEAL RING 30X52X7	1
7*	60110013000	SPACER BUSH. REAR WHEEL R/S 06	1
8*	60010015000	SPACER RING 03	1
20	75010051040	SPROCKET STEALTH 40T 07	1
21*	0019080206S	FLAT HEAD SCREW M. ISA45 M8X20	6
22*	76010057000	HEX NUT M8 WS17	6
23*	76010020000	NILOS RING 6206AV	1
24*	76010012000	OUTER DISTANCE BUSHING	1
25*	0625062065	BALL BEARING 6206 TVH C4	1
26*	0472062200	CIRCLIP DIN472-62X2.0	1
27*	76010014000	INNER DISTANCE BUSHING	1
28*	76010059100	DAMPING RUBBER	5
29	76010060000	BRAKE DISC REAR 240MM	1
30	76009062000	SPECIAL SCREW M8X25 SS TX40	5
31	76042021000	SENSORGEAR REAR	1
32	75010085144	WHEEL SPINDLE REAR CPL.	1
33	60010084000	CHAIN TENSIONER R/S LC8 03	1
34	60010086000	COLLAR NUT WH. SPINDLE REAR 03	1
35	58414030000	HH COLLAR NUT M10X1,25 WS=13	2
36	50304040100	SCREW M10X1,25X50 WS=10	2
37	78010167118	CHAIN DID 118 ROLLS	1
38	78010166100	RIVETING LINK FOR 78010167118	1
39	7601005004433	SPROCKET SUPPORT CPL.	1
98	00050002025	DRIVETRAIN KIT 690DUKE 16T/42T	x
99*	76010015000	REAR WHEEL REPAIR KIT ADV	x

137601010

C137601010

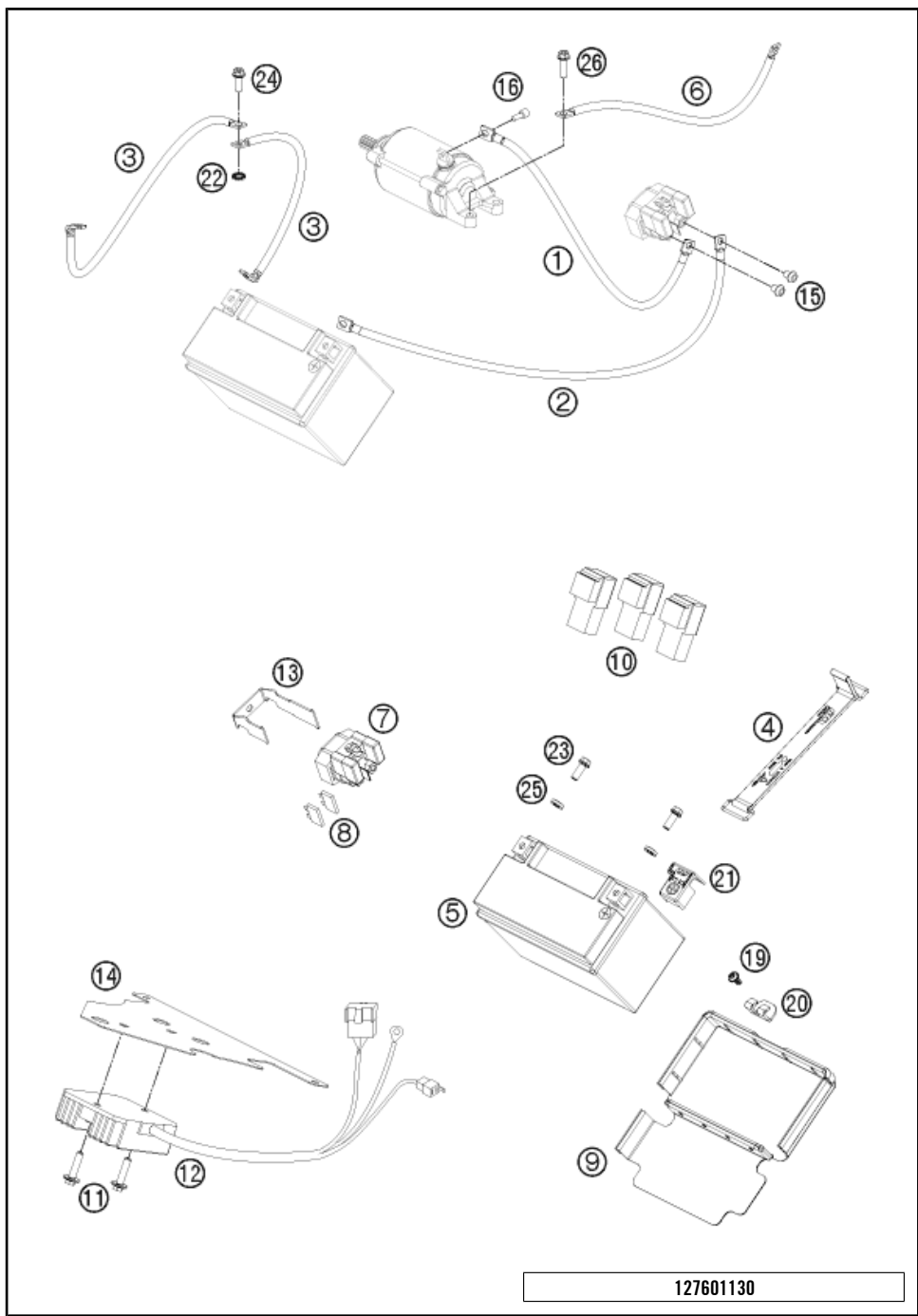
* NEW PART X ON DEMAND



POS	PARTNUMBER	PARTNAME	PIECE
1	76011075100	WIRING HARNESS	1
2	000700000BH	SPARE CONNECTOR BH 6-PINS	1
3	75011088010	FUSE 10A 07	x
4	75011088015	FUSE 15A 07	x
5	75011087050	RUBBER CASING FOR FUSE BOX	1
7	0081650121	EJOT PT SCREW K50X12 WN5452	1
8*	0024060206	HH COLLAR SCREW M6X20 TX30	1
9*	76011060100	DC HORN 12V	1
10	49007439000	CLAMP RSGU 15/12	1
11	78105081010	SCREW TORX M5X10	3
12	69008021080	RANGE CHANGE METAL NUT M5	1
15	76011057000	BRACKET F. FUSE BOX	1
17	69008021080	RANGE CHANGE METAL NUT M5	2
20	44011076200	CABLE TIE 200/3,6MM BLACK	x
21	60011093045	RUBBER CABLE TIE 45MM 03	x
25	44611207200	FLASHER UNIT 97	1
26	58211031100	BRACKET FOR FLASHER RELAY	1
27	58411096100	DIODE S3H-15 97	1
29	76511010000	MAP-SELECT-SWITCH	1
30	76511010050	RUBBER HOLDER F. MAP-SEL-SWIT.	1
33	76011048000	AMBIENT-AIR TEMP. SENSOR CABLE	1

C137601110

* NEW PART X ON DEMAND



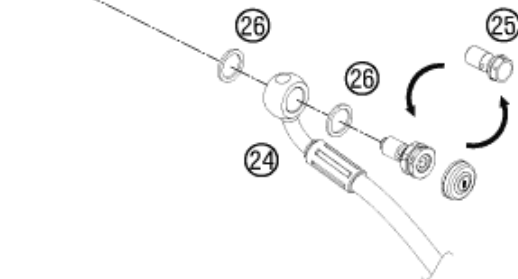
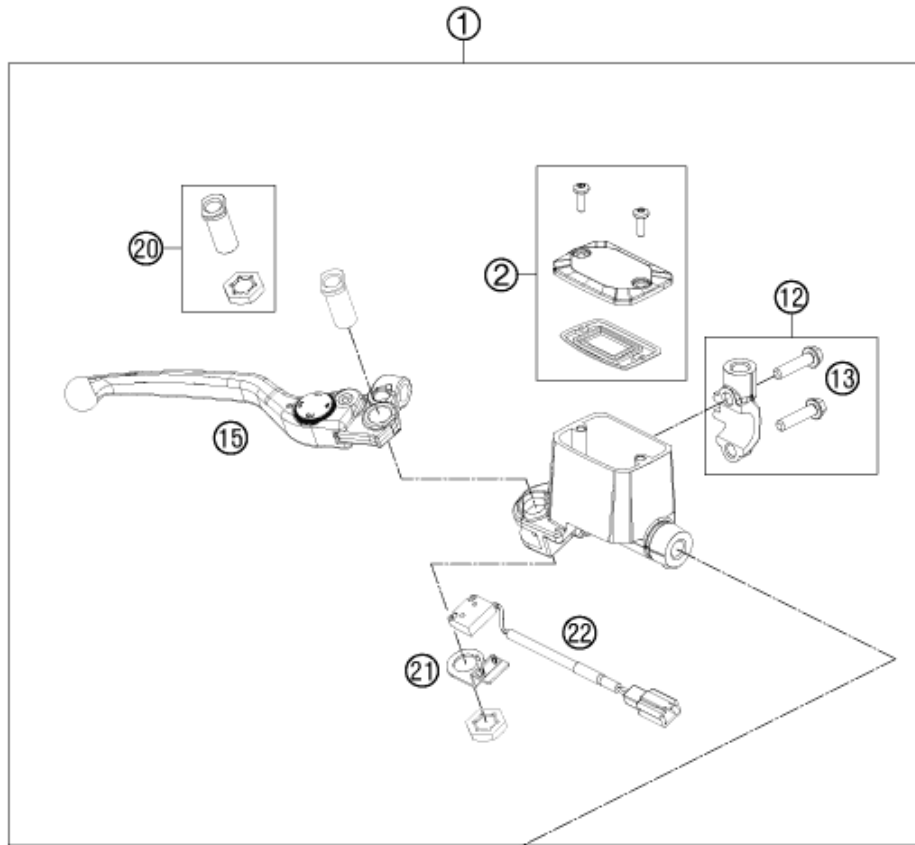
127601130

POS	PARTNUMBER	PARTNAME	PIECE
1	76011059000	STARTER CABLE L=730 MM	1
2	76011059050	BATTERY CABLE L=430 MM	1
3	60011097000	GROUND CABLE L=470MM 03	2
4	76011056000	RUBBER HOLDER BATTERY	1
5	76011053100	BATTERY 12V/8AH	1
6	61011097000	GROUND CABLE L=450MM 05	1
7	76211058000	STARTER RELAY 07	1
8	58011109130	FUSE 30 A	2
9	76011054050	BATTERY -BASE	1
10	61111057000	RELAY CM1A-R-12V-H80 07	3
11	0025060306	HH COLLAR SCREW M6X30 TX30	2
12	60011034100	VOLTAGE REGULATOR	1
13	76011058050	BRACKET STARTER RELAY	1
14	76003087000	SPLASH GUARD	1
15	0902060083	AH OVAL SCREW ISO 7380 M 6X8	2
16	0912050083	AH SCREW DIN 912 M 5X8	1
19	0081050121	SCREW FOR PLASTIC K50X12 T20	1
20	76011055000	RETAINING PLATE BATTERY	1
21	62111059060	COVER POSITIVE POLE	1
22	58411098100	CONTACT WASHER M6 VSV-K6	1
23	0025060166	HH COLLAR SCREW M6X16 TX30	2
24	0025060126	HH COLLAR SCREW M6X12 TX30	1
25	12011016000	WASHER 6 X 12 X 3	2
26	0025060206	HH COLLAR SCREW M6X20 TX30	1

C127601130

* NEW PART

X ON DEMAND



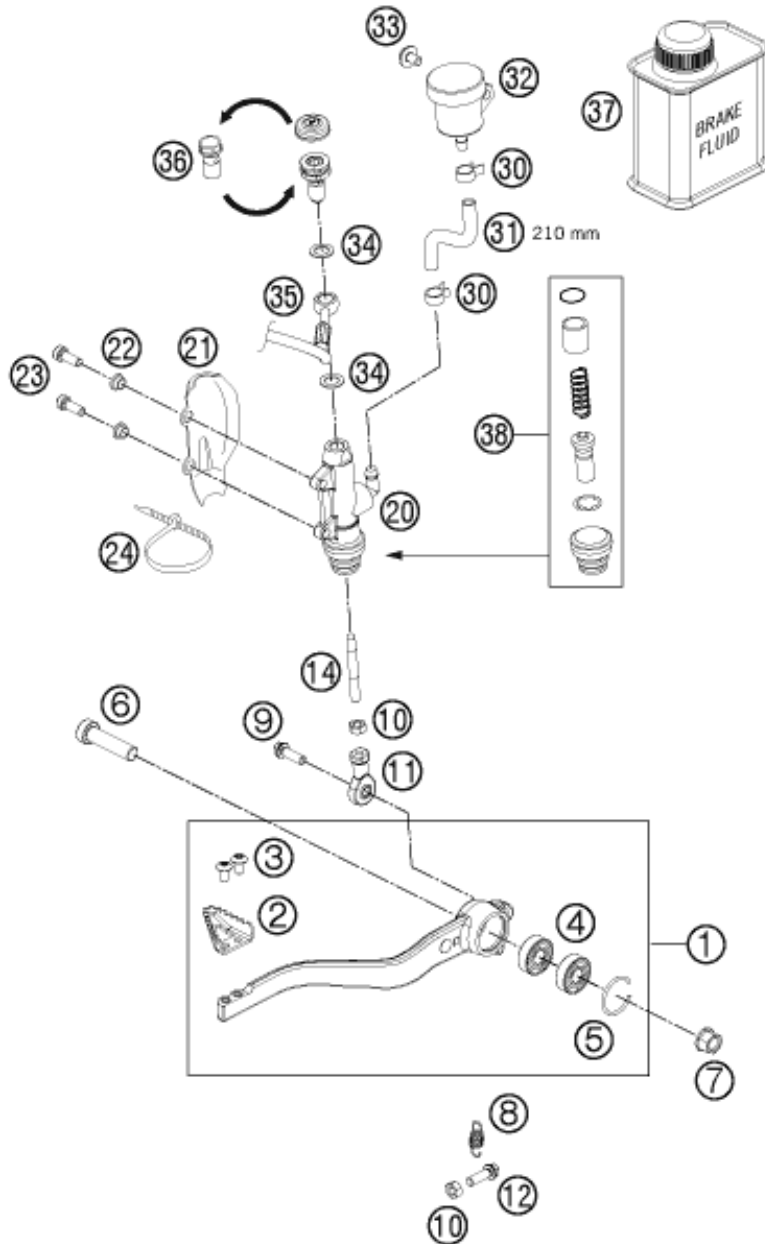
POS	PARTNUMBER	PARTNAME	PIECE
1	76013001033	HAND BRAKE CYLINDER ASSY	1
2	76013012000	COVER HAND BRAKE CYLINDER CPL.	1
12	76013005000	CLAMP CPL.	1
13	0025060256	HH COLLAR SCREW M6X25 TX30	2
15	58713002100	HAND BRAKE LEVER LOOSE ADJ. 03	1
20	76013006000	LEVER SCREW CPL.	1
21	76011040000	BRACKET F. BRAKE LIGHT SWITCH	1
22	76011050000	BRAKE LIGHT SWITCH FRONT	1
24	76042002000	BRAKE PIPE	1
25	54813020100	HOLLOW SCREW BLACK M10X1X19	1
26	0603100141	COPPER GASKET DIN7603-10X14X1	2
80	00062030000	BRAKE FLUID DOT5.1 0,25L	1

127601310

C127601310

* NEW PART

X ON DEMAND



POS	PARTNUMBER	PARTNAME	PIECE
1	7501305004401	FOOT BRAKE LEVER CPL. 07	1
2	60013051000	STEP PLATE FOOT BRAKE LEVER 03	1
3	58605083010	SCREW TORX M5X10 05	2
4	0625060002	BALL BEARING SKF 6000-2RS1	2
5	0993026500	LOCK RING DIN7993-B26	1
6	0032100406S	AH-COLLAR SCREW M10X40 ISA45	1
7	54630044000	COLLAR NUT M10 WS=13	1
8	61013052000	SPRING FOOT BRAKE LEVER 05	1
9	0025060206S	HH COLLAR SCREW M6X20 TX30	1
10	0934060003	HEXAGON NUT DIN0934-M 6	2
11	54603069000	SWIVEL HEAD M6 FOOT BRAKE LEV.	1
12	59009062019	SPECIAL SCREW M6X19 WS=8 10.9	1
14	54603068000	PRESSURE ROD ALU 250 '90	1
20	54513101044	MAIN BRAKE CYLINDER '89	1
21	54513038000	BRAKE CYL. PROTECTOR "BREMBO"	1
22	50213161000	COLLAR BUSHING	2
23	0025060206S	HH COLLAR SCREW M6X20 TX30	2
24	44011076200	CABLE TIE 200/3,6MM BLACK	1
30	58007017000	YDNAC CLAMP 10101 (10,4MM)	2
31	69013069001	HOSE FOR RESERVOIR 6X1,5	x
32	54513030044	BRAKE FLUID RESERVOIR '89	1
33	0024060106	HH COLLAR SCREW M6X10 TX30	1
34	0603100141	COPPER GASKET DIN7603-10X14X1	2
35	76042003000	BRAKE PIPE	1
36	54813020100	HOLLOW SCREW BLACK M10X1X19	1
37	00062030000	BRAKE FLUID DOT5.1 0,25L	1
38	54513150000	REPAIR KIT PISTON 13MM	1

127601330

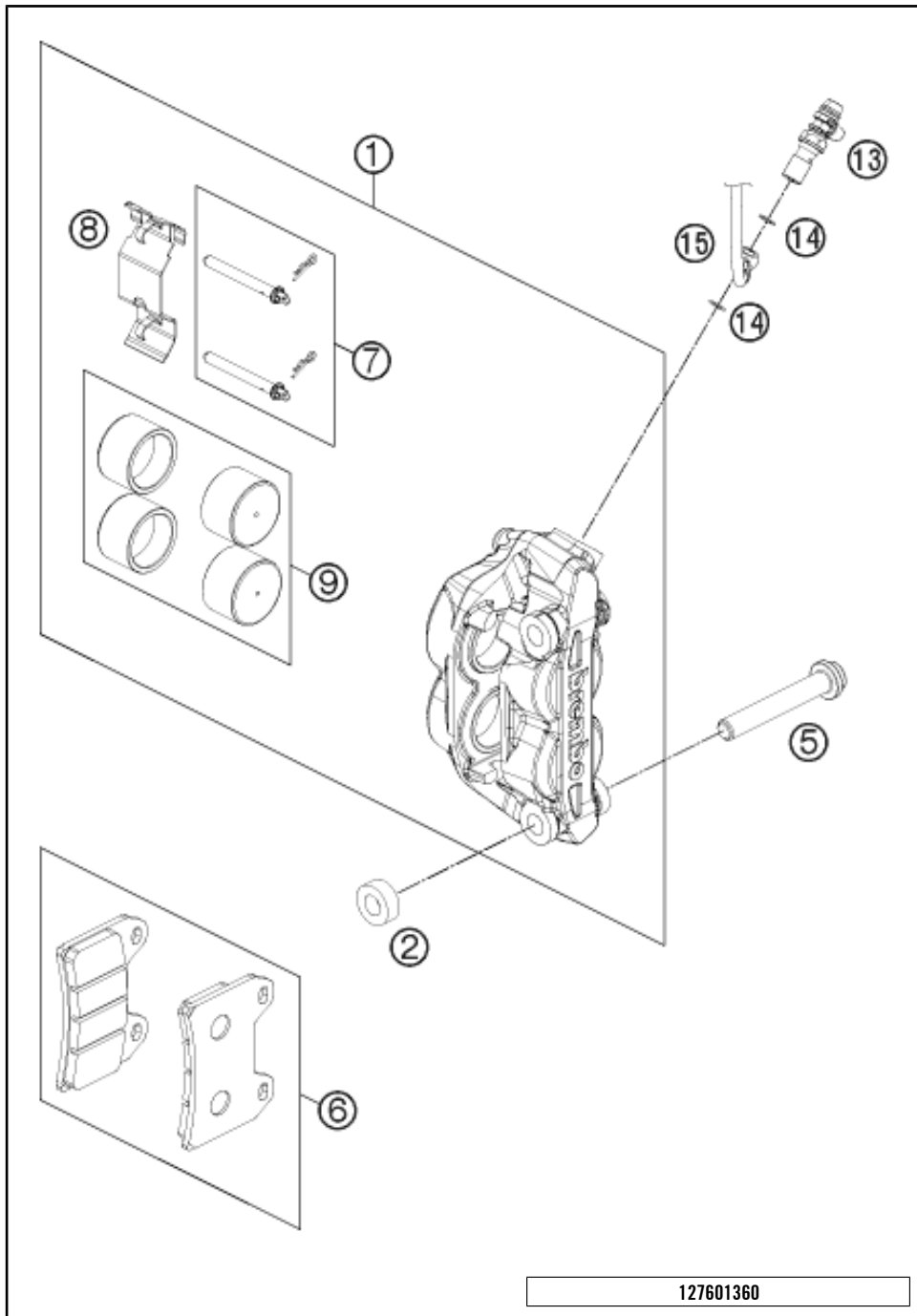
C127601330

* NEW PART

X ON DEMAND

BRAKE CALIPER FRONT

690 DUKE WHITE ABS EU 2013



POS	PARTNUMBER	PARTNAME	PIECE
1	7501301510101	CALIPER FRONT WITHOUT PADS	1
2	6111302200001	SPACER BUSH 10,1X20X7,5 07	2
5	0035100659	AH-COLLAR SCREW M10X1,25X65	2
6	75013030000	BRAKE PAD FR. HAWK 7342-49 HH	1
7	58713017000	BOLT WHITH CLIP '99	1
8	58713018000	RETAINING SPRING BREMBO '99	1
9	76013019000	BRAKE PISTON CPL.	1
13	62513020000	BLEEDER SCREW CPL. 05	1
14	0603100141	COPPER GASKET DIN7603-10X14X1	4
15	76042001000	BRAKE PIPE	1

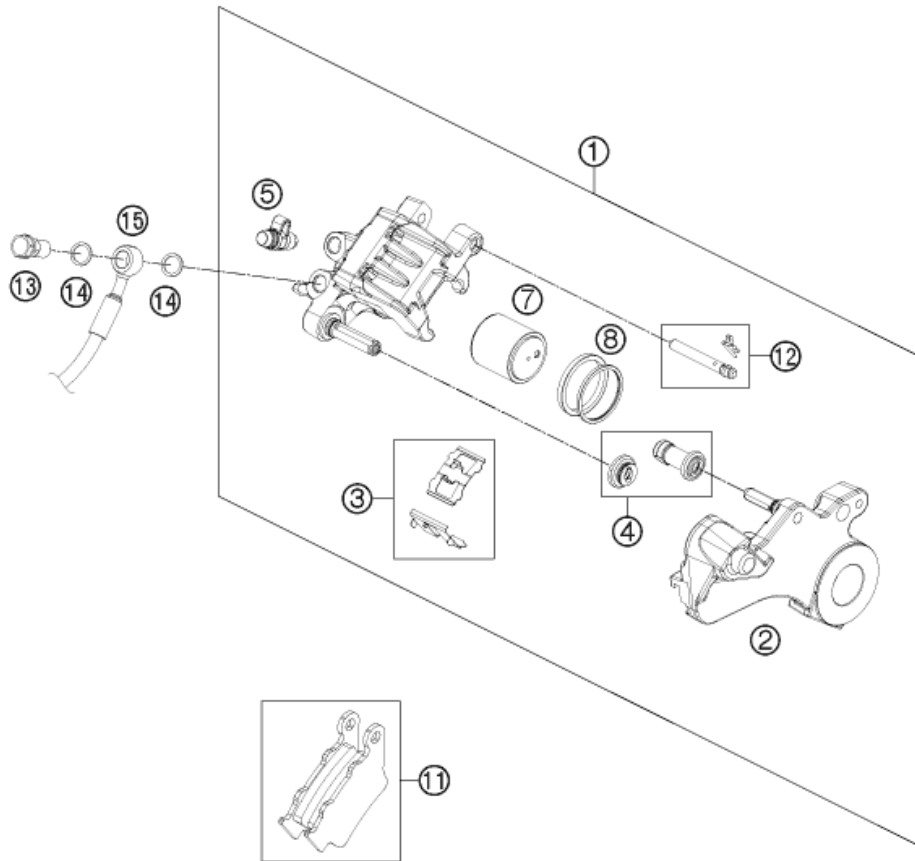
127601360

C127601360

* NEW PART X ON DEMAND

BRAKE CALIPER REAR

690 DUKE WHITE ABS EU 2013



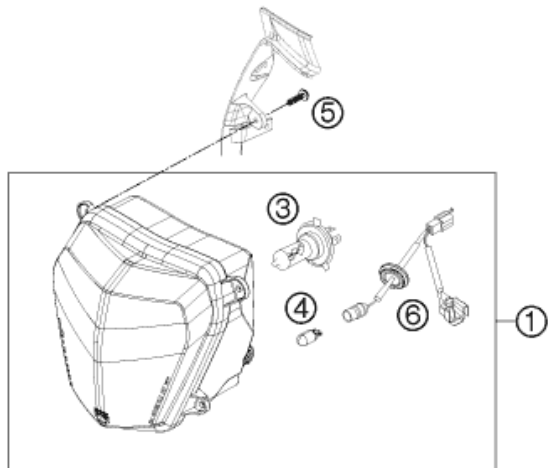
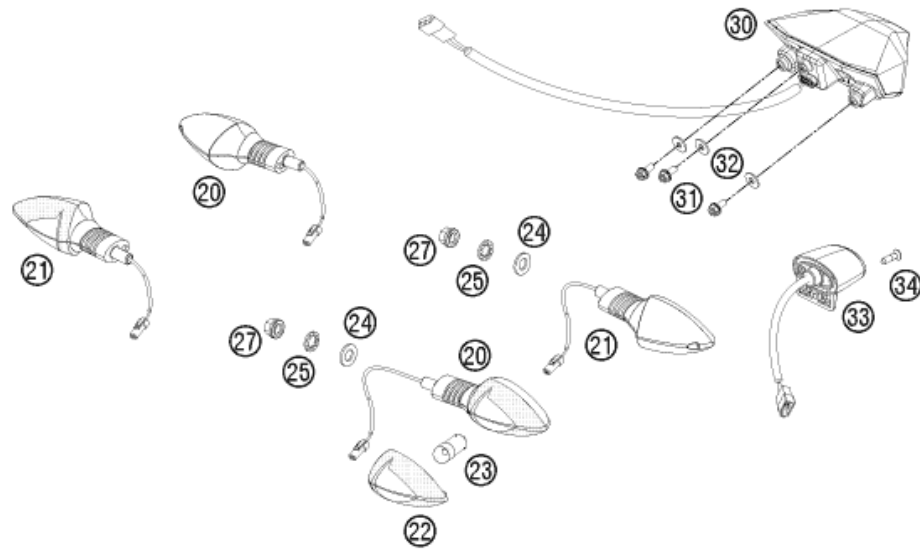
POS	PARTNUMBER	PARTNAME	PIECE
1	7601308000101	BRAKE CAL. RE. - WITHOUT PADS	1
2	7601317500001	BRAKE CALIPER BRACKET REAR	1
3	54613311200	RETAINING SPRING SET	1
4	54613218000	CUP SET SHORT	1
5	61013020200	BLEEDER SCREW WITH CAP	1
7	50313083000	BRAKE PISTON 32MM	1
8	50313081000	REPAIR KIT SEALING RINGS 32MM	1
11	75013090000	BRAKE PAD SET REAR SBS-S-40GF	1
12	61013082000	BOLT SET 05	1
13	54813020100	HOLLOW SCREW BLACK M10X1X19	1
14	0603100141	COPPER GASKET DIN7603-10X14X1	2
15	76042004000	BRAKE PIPE	1

127601390

C127601390

* NEW PART

X ON DEMAND



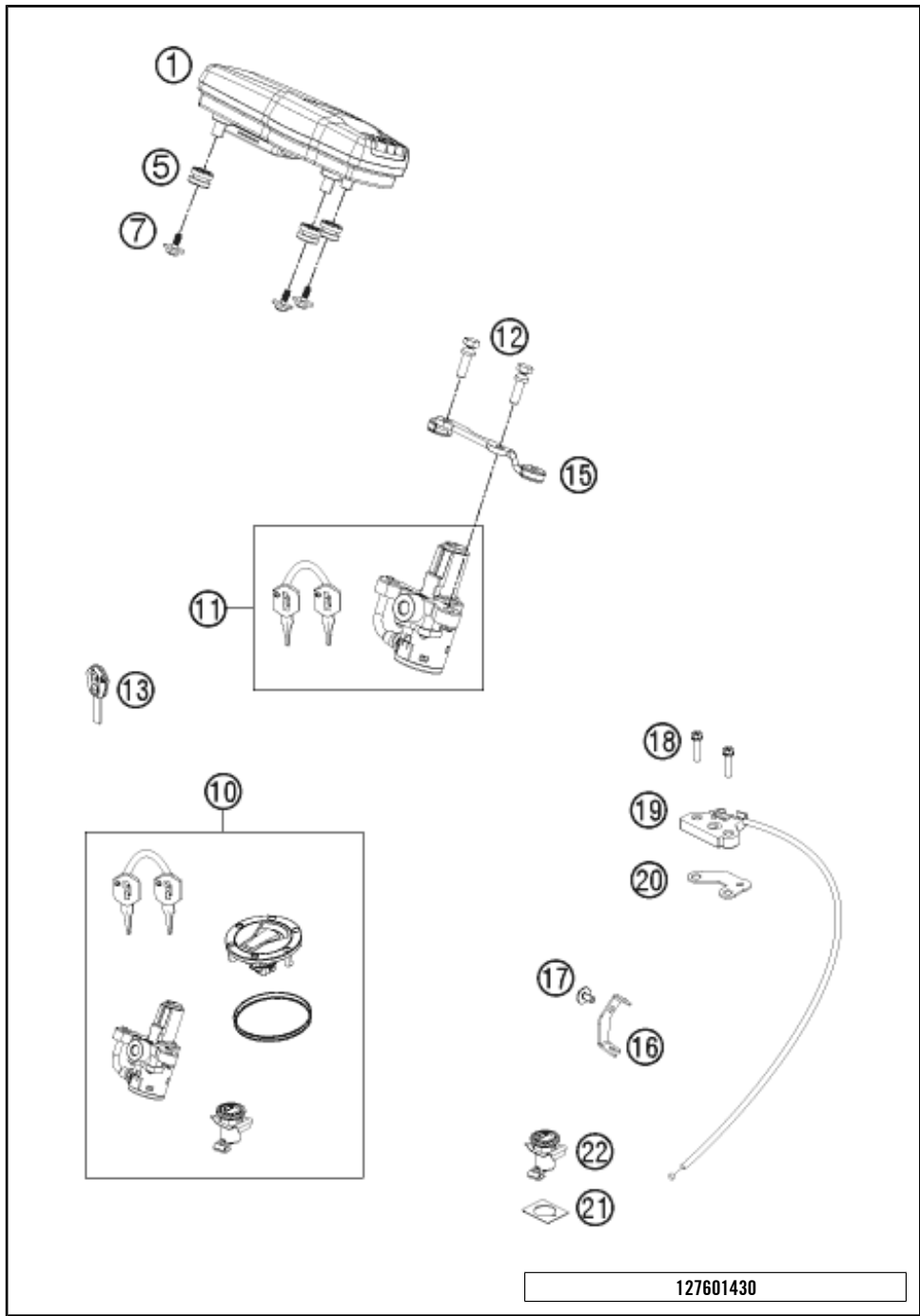
POS	PARTNUMBER	PARTNAME	PIECE
1	76014001044	HEAD LIGHT CPL.	1
3	57111038000	BULB H4 12V 60/55W (P43T)	1
4	49011435100	BULB 12V 5W (W2,1X9,5D) PHIL.	1
5	0081050181	SCREW FOR PLASTIC K50X18 T20	4
6	76011079000	HARNES HEAD LIGHT	1
20	60114025000	FLASHER CPL.FRONT L/S REAR R/S	2
21	60114026000	FLASHER CPL.FRONT R/S REAR L/S	2
22	60114028000	FLASHER LENS L/S R/S TRANSP.06	4
23	60114027000	BULB 12V ORANGE (RY10W)	4
24	0433100003	WASHER 18x10,5x1,6	4
25	0797100003	LOCK WASHER DIN6797-J10,5 ZI	4
27	58414030000	HH COLLAR NUT M10X1,25 WS=13	4
30	76014040000	REAR LIGHT	1
31	0025050126	HH COLLAR SCREW M5X12 TX30	3
32	0021050003	WASHER DIN9021-A 5,3	3
33	76014047000	LICENSE PLATE ILLUMINATION LED	1
34	0081250181	SCREW FOR PLASTIC 50X18 T20	1

127601410

C127601410

* NEW PART

X ON DEMAND



POS	PARTNUMBER	PARTNAME	PIECE
1*	76014069100	SPEEDOMETER	1
5	76014069051	RUBBER SLEEVE 7X10,8X16MM	3
7	0081645121	EJOT DELTA PT SCREW 45X12-Z	3
10	76011066044	LOCK SET	1
11	76011066000	IGNITION + STEERING LOCK	1
12	76011064000	TAMPERPROOF SCREW M6 IGN.LOCK	2
13	76011067100	BLANK KEY 690	x
15	76011066095	ALU PLATE IGNITION LOCK COVER	1
16	76007051000	SEAT LOCK BRACKET	1
17	0024060123	COLLAR SCREW M6X12 TX	1
18	0025060256	HH COLLAR SCREW M6X25 TX30	2
19	76007050050	SEAT LOCKING MECHANISM	1
20	76007052000	BRACKET SEAT LOCKING MECHANISM	1
21	76007053000	ANTI-ROTATION ELEMENT SEATLOCK	1
22	76007050000	SEAT LOCK	1

127601430

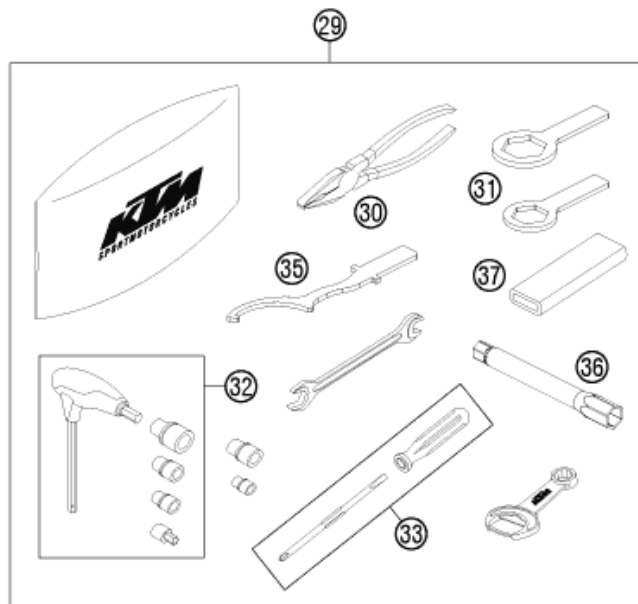
C137601430

* NEW PART

X ON DEMAND

0
OHNE ABBILDUNG
WITHOUT ILLUSTRATION

1
TECHNISCHE DOKUMENTATION
TECHNICAL DOCUMENTATION
DOCUMENTACION TECNICA
DOCUMENTATION TECHNIQUE
NOTE TECNICHE



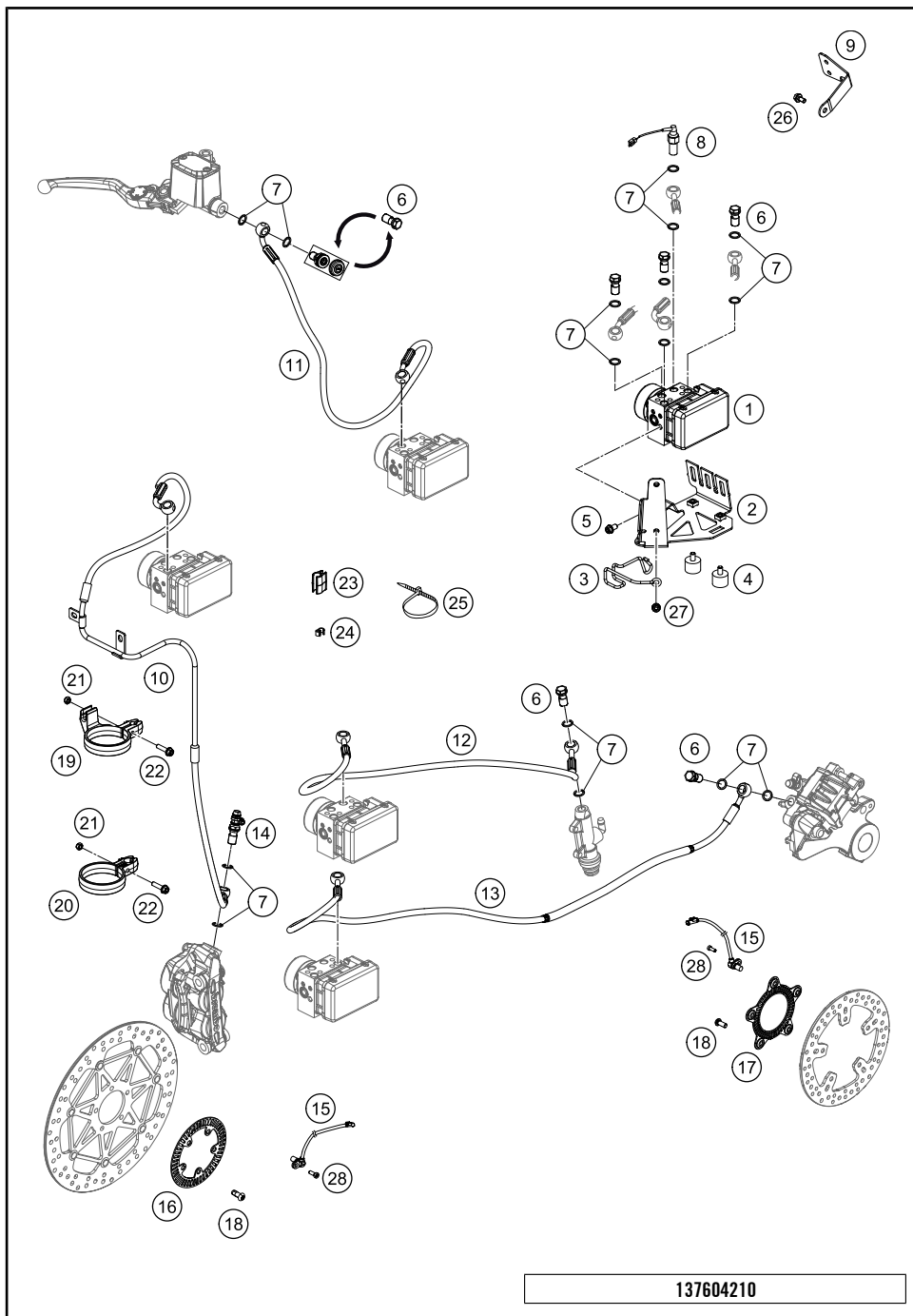
127602000

POS	PARTNUMBER	PARTNAME	PIECE
0	62111059060	COVER POSITIVE POLE	1
0	12011016000	WASHER 6 X 12 X 3	2
0	0025060166	HH COLLAR SCREW M6X16 TX30	2
0	3212455GB	POWER WEAR FOLDER 2013	1
0	76003040033	FOOTRESTS CPL.	1
0	61112040000	REVIEW MIRROR L/S 07	1
0	61112041000	REVIEW MIRROR R/S 07	1
0	58412040050	SUPPORT FOR MIRROR LC4 '98	2
0	312305	DOCUMENTS BAG 2006	1
0	3210040	CUSTOMER WELCOME LETTER	1
0	312313	KTM BALLPOINT PEN ORANGE	1
0	58412080000	REFLECTOR RED LC4 '98	1
0	58412080050	BRACKET FOR REFLECTOR	1
0	40006006000	WASHER 6MM	2
0	0966050163	OVAL HEAD SCREW DIN0966-M 5X16	2
0	0125050003	WASHER DIN0125-A 5,3	2
0	0985050003	SELF LOCKING NUT DIN0985-M 5	2
0	60012081200	LICENCE FITTING 06	1
0	0024060156	HH COLLAR SCREW M6X15 TX30	4
0	0985060003	SELF LOCK. NUT DIN0985-M 6	4
0	0021060003	WASHER DIN021-A 6,4	4
0	00063099111	BAG FOR INSTRUCTION MANUAL	1
0	00063004202	PRINT LABEL 60X51 MM	1
0	76011053000	BATTERY 12V ??AH	1
1	3211953EN	OWN. MANUAL 690 DUKE/-R 2013	1
29	76029099000	ORIGINAL EQUIPMENT TOOL KIT	1
30	53012028200	GRIP ORANGE B&F	1
31	76029063000	RING WRENCH SW27	1
31	60012060032	RING WRENCH 32MM	1
32	60029070200	% T-WRENCH WS=6/8/10 TX=45 B&F	1
33	53012024100	SCREW DRIVER L=105MM	1
35	76029062000	HOOK WRENCH F. SHOCK ABSORBER	1
36	75029072000	SPARK PLUG WRENCH	1
37	60012060000	GRIP FOR RING WRENCH	1

C137602000

* NEW PART

X ON DEMAND



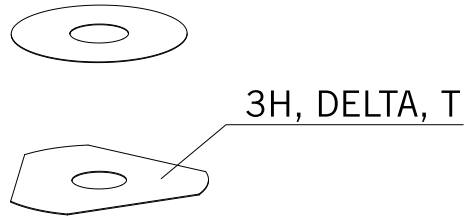
POS	PARTNUMBER	PARTNAME	PIECE
1	76042031044	PRESSURE MODULATOR FILLED	1
2	76042040000	ABS BRACKET CPL.	1
3	76042001050	BRAKE PIPE GUIDE	1
4	43205062100	RUBBER GROMMET 20X15-M6X10 (1)	3
5	0025050106	COLLAR SCREW M5X12 ISA30	2
6*	54813020100	HOLLOW SCREW BLACK M10X1X19	6
7	0603100141	COPPER GASKET DIN7603-10X14X1	16
8	62111051000	BRAKE LIGHT SWITCH REAR	1
9	76042080050	ABS RELAY BRACKET	1
10	76042001000	BRAKE PIPE	1
11	76042002000	BRAKE PIPE	1
12	76042003000	BRAKE PIPE	1
13	76042004000	BRAKE PIPE	1
14	62513020000	BLEEDER SCREW CPL. 05	1
15	76042025000	ABS-SENSOR	2
16*	76042020000	SENSORGEAR FRONT	1
17	76042021000	SENSORGEAR REAR	1
18	76009062000	SPECIAL SCREW M8X25 SS TX40	10
19*	76001071000	CLAMPING BRAKE PIPE	1
20	76001070000	CLAMPING BRAKE PIPE	1
21	0985050003	SELF LOCKING NUT DIN0985-M 5	2
22	0025050206	HH COLLAR SCREW M5X20 TX30	2
23	54813026000	CABLE SUPPORT 10/6MM 06	x
24	60111094000	CLAMP 5/7 MM 06	x
25	44011076200	CABLE TIE 200/3,6MM BLACK	x
25	44011076305	CABLE TIE 300/4,8MM BLACK	x
26	0025060106	HH COLLAR SCREW M6X10 TX30	1
27	0024060136	HH COLLAR SCREW M6X13 TX30	1
28	0984060163	AH SCREW DIN6912-M 6X16	2

C137604210

C137604210

* NEW PART

X ON DEMAND



- ⑤ Ø 5 mm
- ⑥ Ø 6 mm
- ⑧ Ø 8 mm
- ⑩ Ø 10 mm
- ⑫ Ø 12 mm
- ⑭ Ø 14-14,5 mm
- ⑯ Ø 16 mm
- ⑳ Ø 20 mm
- ㉑ Ø 21 mm
- ㉒ Ø 22 mm
- ㉓ Ø 23 mm
- ㉔ Ø 24,5 mm
- ㉘ Ø 28,5 mm
- ㉚ Ø 32 mm
- ㉜ Ø 52 mm

POS	PARTNUMBER	PARTNAME	PIECE
5	44906890	WASHER 5X15X2	X
6	40540400	SHIM 6X12X0,1	X
6	40540401	SHIM 6X14X0,1	X
6	40540402	SHIM 6X16X0,1	X
6	40540403	SHIM 6X18X0,1	X
6	40540404	SHIM 6X12X0,15	X
6	40540405	SHIM 6X14X0,15	X
6	40540406	SHIM 6X16X0,15	X
6	40540407	SHIM 6X18X0,15	X
6	40540408	SHIM 6X12X0,2	X
6	40540409	SHIM 6X14X0,2	X
6	40540410	SHIM 6X16X0,2	X
6	40540411	SHIM 6X18X0,2	X
6	48600095	* SHIM 6X20X0,20	X
6	40540412	SHIM 6X12X0,25	X
6	40540413	SHIM 6X14X0,25	X
6	40540414	SHIM 6X16X0,25	X
6	40540415	SHIM 6X18X0,25	X
6	40540417	SHIM 6X8,5X0,10	X
6	40540418	SHIM 6X9X0,10	X
6	40540419	SHIM 6X9,5X0,10	X
6	40540423	SHIM 6X9,5X0,15	X
6	40540425	SHIM 6X8,5X0,20	X
6	40540426	SHIM 6X9X0,20	X
6	40540427	SHIM 6X9,5X0,20	X
6	40540447	SHIM 6X10X0,3	X
6	40540449	SHIM 6X9X0,3	X
6	40540450	SHIM 6X9,5X0,3	X
6	40540494	SHIM 6X18X0,4	X
6	40540774	SHIM 6X18X0,1 DELTA	X
6	40541383	SHIM 6X11X0,1	X
6	40541391	SHIM 6X11X0,3	X
6	40541402	SHIM 6X11X0,2	X
6	40541403	SHIM 6X10X0,20	X
6	40541404	SHIM 6X10X0,1	X
6	40541405	SHIM 6X10X0,15	X
6	40541406	SHIM 6X11X0,15	X
6	40541408	SHIM 6X8,0X0,30	X

080000190

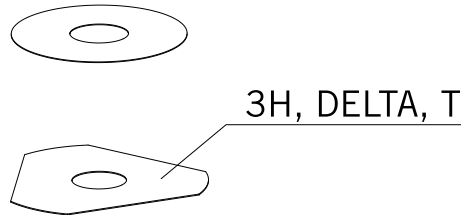
C130009090

* NEW PART

X ON DEMAND



- ⑤ Ø 5 mm
- ⑥ Ø 6 mm
- ⑧ Ø 8 mm
- ⑩ Ø 10 mm
- ⑫ Ø 12 mm
- ⑭ Ø 14-14,5 mm
- ⑯ Ø 16 mm
- ⑳ Ø 20 mm
- ㉑ Ø 21 mm
- ㉒ Ø 22 mm
- ㉓ Ø 23 mm
- ㉔ Ø 24,5 mm
- ㉘ Ø 28,5 mm
- ㉚ Ø 32 mm
- ㉜ Ø 52 mm



POS	PARTNUMBER	PARTNAME	PIECE
6	40541414	SHIM 6X8,0X0,10	X
6	40541416	SHIM 6X8X0,3	X
6	40541417	SHIM 6X11X0,25	X
6	48600102	* SHIM 6X24X0,25	X
6	48600063	SHIM 6X24X0,1	X
6	48600064	SHIM 6X22X0,1	X
6	48600065	SHIM 6X20X0,1	X
6	48600069	SHIM 6X20X0,15	X
6	48600100	SHIM 6X24X0,15	X
6	48600116	SHIM 6X24X0,1 DELTA	X
6	48600139	SHIM 6X22X0,1 DELTA	X
6	48600217	BACKPLATE 6X10X0,25	X
6	48600325	SHIM 6X13X0,1	X
6	48600327	SHIM 6X15X0,1	X
6	48600329	SHIM 6X17X0,1	X
6	48600331	SHIM 6X19X0,1	X
6	48600096	* SHIM 6X20X0,25	X
6	48600097	SHIM 6X22X0,15	X
6	48600099	* SHIM 6X22X0,25	X
6	40540448	BACKPLATE 6X8,5X0,30	X
6	48600479	SHIM 6X20X0,1 T/3H	X
6	48600332	SHIM 6X21X0,1	X
6	48600333	SHIM 6X23X0,1	X
6	40541393	* SHIM 6X12X0,3	X
6	48600330	SHIM 6X17X0,15	X
6	48600988	SHIM 6X28X0,10	X
6	48600989	SHIM 6X26X0,10	X
6	48601091	SHIM 6X28X0,15	X
6	48601093	SHIM 6X26X0,15	X
8	40540477	SHIM 8X18X0,4	X
8	43570120	SHIM 8X18X0,10	X
8	44916098	WASHER 8,4X16X0,8	X
8	44916130	WASHER 8,2X15X1	X
8	44916180	WASHER 8,2X11X1	X
8	48600214	SHIM 8X16X0,1	X
8	48600346	SHIM 8X11X0,2	X
8	48600215	CHECK VALVE 8X20X0,1	X
8	48600061	CHECK VALVE 8X24X0,4	X

080000190

C130009090

* NEW PART

X ON DEMAND



- ⑤ Ø 5 mm
- ⑥ Ø 6 mm
- ⑧ Ø 8 mm
- ⑩ Ø 10 mm
- ⑫ Ø 12 mm
- ⑭ Ø 14-14,5 mm
- ⑯ Ø 16 mm
- ⑳ Ø 20 mm
- ㉑ Ø 21 mm
- ㉒ Ø 22 mm
- ㉓ Ø 23 mm
- ㉔ Ø 24,5 mm
- ㉘ Ø 28,5 mm
- ㉚ Ø 32 mm
- ㉜ Ø 52 mm



POS	PARTNUMBER	PARTNAME	PIECE
8	4860062	CHECK VALVE 8X24X0,1	X
8	48600216	CHECK VALVE 8X22X0,1	X
8	48600480	SHIM 8X10X0,20	X
8	48600555	SHIM 8X16X0,20	X
8	48600213	SHIM 8X14X0,10	X
8	48600357	CHECK VALVE 8X11X0,1	X
8	48600351	CHECK VALVE 8X12X0,1	X
8	48600607	SHUTTLE VALVE 8X20X0,4	X
8	48601095	SHIM 8X17X0,10	X
10	36120284	SHIM 10X16X0,10	X
10	36120298	SHIM 10X16X0,2	X
10	36120312	SHIM 10X16X0,30	X
10	36120314	SHIM 10X18X0,30	X
10	36120325	SHIM 10X19X0,15	X
10	36120327	SHIM 10X23X0,15	X
10	36120328	SHIM 10X25X0,15	X
10	36120329	SHIM 10X27X0,15	X
10	36120330	SHIM 10X29X0,15	X
10	36120331	SHIM 10X31X0,15	X
10	36120332	SHIM 10X33X0,15	X
10	36120334	SHIM 10X21X0,20	X
10	36120335	SHIM 10X23X0,20	X
10	36120336	SHIM 10X25X0,20	X
10	36120337	SHIM 10X27X0,20	X
10	36120338	SHIM 10X29X0,20	X
10	36120339	SHIM 10X31X0,20	X
10	36120340	SHIM 10X33X0,20	X
10	36120342	SHIM 10X21X0,25	X
10	36120343	SHIM 10X23X0,25	X
10	36120344	SHIM 10X25X0,25	X
10	36120345	SHIM 10X27X0,25	X
10	36120349	SHIM 10X19X0,30	X
10	36120350	SHIM 10X21X0,30	X
10	40140275	WASHER 10X35X0,15	X
10	36120346	* SHIM 10X29X0,25	X
10	50180010	* SHIM 16X24X0,10	X
10	36120604	SHIM D10XD22X2,5	X
12	46810490	SHIM 12X24X0,20	X

080000190

C130009090

* NEW PART

X ON DEMAND



- ⑤ Ø 5 mm
- ⑥ Ø 6 mm
- ⑧ Ø 8 mm
- ⑩ Ø 10 mm
- ⑫ Ø 12 mm
- ⑭ Ø 14-14,5 mm
- ⑯ Ø 16 mm
- ⑳ Ø 20 mm
- ㉑ Ø 21 mm
- ㉒ Ø 22 mm
- ㉓ Ø 23 mm
- ㉔ Ø 24,5 mm
- ㉘ Ø 28,5 mm
- ㉚ Ø 32 mm
- ㉜ Ø 52 mm



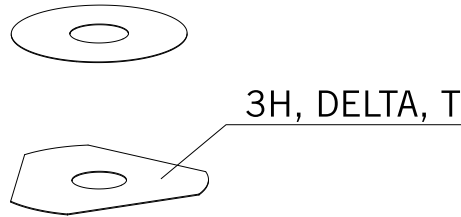
POS	PARTNUMBER	PARTNAME	PIECE
12	46810491	SHIM 12X26X0,20	X
12	46810492	SHIM 12X28X0,20	X
12	46810493	SHIM 12X30X0,20	X
12	46810494	SHIM 12X32X0,20	X
12	46810495	SHIM 12X34X0,20	X
12	46810496	SHIM 12X36X0,20	X
12	46810497	SHIM 12X38X0,20	X
12	46810498	SHIM 12X40X0,20	X
12	46810499	SHIM 12X24X0,25	X
12	46810500	SHIM 12X26X0,25	X
12	46810501	SHIM 12X28X0,25	X
12	46810502	SHIM 12X30X0,25	X
12	46810504	SHIM 12X34X0,25	X
12	46810505	SHIM 12X36X0,25	X
12	46810507	SHIM 12X40X0,25	X
12	46810508	SHIM 12X24X0,30	X
12	46810509	SHIM 12X26X0,30	X
12	46810510	SHIM 12X28X0,30	X
12	46810512	SHIM 12X32X0,30	X
12	46810513	SHIM 12X34X0,30	X
12	46810518	SHIM 12X26X0,15	X
12	46810519	SHIM 12X28X0,15	X
12	46810520	SHIM 12X30X0,15	X
12	46810521	SHIM 12X32X0,15	X
12	46810522	SHIM 12X34X0,15	X
12	46810523	SHIM 12X36X0,15	X
12	46810524	SHIM 12X38X0,15	X
12	46810525	SHIM 12X40X0,15	X
12	46810604	SHIM 12X20X0,10	X
12	46810606	SHIM 12X22X0,10	X
12	46810607	SHIM 12X23X0,10	X
12	46810608	SHIM 12X24X0,10	X
12	46810610	SHIM 12X27X0,15	X
12	46810611	SHIM 12X18X0,15	X
12	46810612	SHIM 12X19X0,15	X
12	46810615	SHIM 12X22X0,15	X
12	46810636	BACKPLATE 12X16X0,30	X
12	46810637	BACKPLATE 12X17X0,30	X

080000190

C130009090

* NEW PART

X ON DEMAND



- ⑤ Ø 5 mm
- ⑥ Ø 6 mm
- ⑧ Ø 8 mm
- ⑩ Ø 10 mm
- ⑫ Ø 12 mm
- ⑭ Ø 14-14,5 mm
- ⑯ Ø 16 mm
- ⑳ Ø 20 mm
- ㉑ Ø 21 mm
- ㉒ Ø 22 mm
- ㉓ Ø 23 mm
- ㉔ Ø 24,5 mm
- ㉘ Ø 28,5 mm
- ㉚ Ø 32 mm
- ㉜ Ø 52 mm

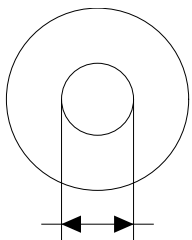
POS	PARTNUMBER	PARTNAME	PIECE
12	46810638	BACKPLATE 12X18X0,30	X
12	46810639	SHIM 12X19X0,30	X
12	46810641	BACKPLATE 12X21X0,30	X
12	46811582	BACKPLATE 12X30X0,10	X
12	46810631	SHIM 12X20X0,25	X
12	46810633	SHIM 12X22X0,25	X
12	46811580	SHIM 12X32X0,10	X
12	46810503	SHIM 12X32X0,25	X
12	46810517	* SHIM 12X24X0,15	X
12	46810640	SHIM 12X20X0,30	X
14	46811046	SHIM 14,5X35,4X1,25	X
16	50180023	* SHIM 16X23X0,20	X
16	50180030	SHIM	X
16	50180006	BACKPLATE 16X20X0,10	X
16	50180007	SHIM 16X21X0,10	X
16	50180028	SHIM 16X21X0,25	X
16	50180210	WASHER 16X21X1	X
16	50180008	SHIM 16X22X0,10	X
16	50180022	SHIM 16X22X0,20	X
16	50180037	SHIM 16X23X0,30	X
16	50180038	SHIM 16X24X0,30	X
16	50180032	SHIM 15X25X0,25	X
16	50180039	SHIM 16X25X0,30	X
16	50180012	SHIM 16X26X0,10	X
16	50180019	SHIM 16X26X0,15	X
16	50180026	SHIM 16X26X0,20	X
16	50180040	SHIM 16X26X0,30	X
16	50180041	SHIM 16X28X0,10	X
16	50180045	SHIM 16X28X0,15	X
16	50180054	SHIM 16X28X0,20	X
16	50180063	SHIM 16X28X0,25	X
16	50180072	SHIM 16X28X0,30	X
16	50180046	SHIM 16X30X0,15	X
16	50180055	SHIM 16X30X0,20	X
16	50180064	SHIM 16X30X0,25	X
16	50180073	SHIM 16X30X0,30	X
16	50180047	SHIM 16X32X0,15	X
16	50180056	SHIM 16X32X0,20	X

080000190

C130009090

* NEW PART

X ON DEMAND



3H, DELTA, T

- ⑤ Ø 5 mm
- ⑥ Ø 6 mm
- ⑧ Ø 8 mm
- ⑩ Ø 10 mm
- ⑫ Ø 12 mm
- ⑭ Ø 14-14,5 mm
- ⑯ Ø 16 mm
- ⑳ Ø 20 mm
- ㉑ Ø 21 mm
- ㉒ Ø 22 mm
- ㉓ Ø 23 mm
- ㉔ Ø 24,5 mm
- ㉘ Ø 28,5 mm
- ㉚ Ø 32 mm
- ㉜ Ø 52 mm

POS	PARTNUMBER	PARTNAME	PIECE
16	50180065	SHIM 16X32X0,25	X
16	50180074	SHIM 16X32X0,30	X
16	50180044	SHIM 16X34X0,10	X
16	50180048	SHIM 16X34X0,15	X
16	50180057	SHIM 16X34X0,20	X
16	50180066	SHIM 16X34X0,25	X
16	50180075	SHIM 16X34X0,30	X
16	50180049	SHIM 16X36X0,15	X
16	50180058	SHIM 16X36X0,20	X
16	50180067	SHIM 16X36X0,25	X
16	50180076	SHIM 16X36X0,30	X
16	50180050	SHIM 16X38X0,15	X
16	50180059	SHIM 16X38X0,20	X
16	50180068	SHIM 16X38X0,25	X
16	50180077	SHIM 16X38X0,30	X
16	50180051	SHIM 16X40X0,15	X
16	50180060	SHIM 16X40X0,20	X
16	50180069	SHIM 16X40X0,25	X
16	50180078	SHIM 16X40X0,30	X
16	50180052	SHIM 16X42X0,15	X
16	50180061	SHIM 16X42X0,20	X
16	50180070	SHIM 16X42X0,25	X
16	50180079	SHIM 16X42X0,30	X
16	50180053	SHIM 16X44X0,15	X
16	50180062	SHIM 16X44X0,20	X
16	50180071	SHIM 16X44X0,25	X
16	50180080	SHIM 16X44X0,30	X
16	50180177	WASHER 16X8,2X0,6	X
16	50180033	SHIM 16X26X0,25	X
16	50180034	BACKPLATE 16X20X0,30	X
16	50180035	BACKPLATE 16X21X0,30	X
16	50180036	BACKPLATE 16X22X0,30	X
16	50180043	SHIM	X
16	50180024	* SHIM 16X24X0,20	X
16	50180027	* SHIM 16X20X0,25	X
16	50180031	SHIM	X
20	48600212	PRESSURE-RING 20X16,25X0,20	X
20	50180666	SHIM 20X24X0,30	X

080000190

C130009090

* NEW PART

X ON DEMAND



3H, DELTA, T

- ⑤ Ø 5 mm
- ⑥ Ø 6 mm
- ⑧ Ø 8 mm
- ⑩ Ø 10 mm
- ⑫ Ø 12 mm
- ⑭ Ø 14-14,5 mm
- ⑯ Ø 16 mm
- ⑳ Ø 20 mm
- ㉑ Ø 21 mm
- ㉒ Ø 22 mm
- ㉓ Ø 23 mm
- ㉔ Ø 24,5 mm
- ㉘ Ø 28,5 mm
- ㉚ Ø 32 mm
- ㉜ Ø 52 mm

POS	PARTNUMBER	PARTNAME	PIECE
20	50180654	SHIM 20X36X0,20	X
20	50180655	SHIM 20X38X0,20	X
20	50180656	SHIM 20X40X0,20	X
20	50180665	SHIM 20X40X0,25	X
20	50180662	SHIM 20X34X0,25	X
20	50180657	SHIM 20X24X0,25	X
20	50180653	SHIM 20X34X0,20	X
20	50180634	RING 20X22,9X1	X
20	50180650	SHIM 20,2X28X0,20	X
20	50180663	SHIM 20X36X0,25	X
20	50180664	SHIM 20X38X0,25	X
20	50180659	SHIM 20,2X28X0,25	X
21	50180209	WASHER 21X36X0,25	X
22	50180330	* PRESS. RING 22X18X0,30	X
23	50180635	SHUTTLE VALVE 23X38X0,25	X
23	50180578	SHIM D23XD16X2	X
24	40541061	WASHER 24,5X34X2	X
28	36120469	SHIM 28,5X14X2	X
28	36120471	SHIM 28,5X14X5	X
32	48600460	WASHER 32X42X2,5	X
32	50600065	SHIM 32X45X2	X
32	46811637	PRESSURE RING 36X32,25	X
52	50600002	SHIM 52X59X2,2	X

080000190

C130009090

* NEW PART

X ON DEMAND

WWW.KTM.COM



KTM-Sportmotorcycle AG
5230 Mattighofen, Austria
www.ktm.com



KTM_POWERPARTS

KTM_POWERWEAR

KTM_ORIGINAL SPARE PARTS



3CFF9703M3EN

Art. Nr.: 3CFF9703M3EN 23. Apr. 2013