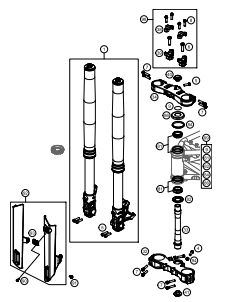
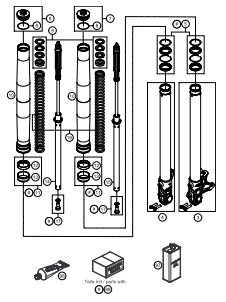
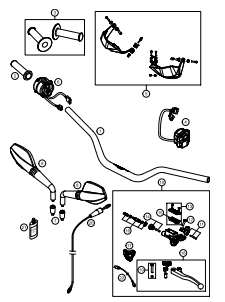
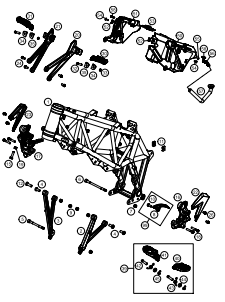
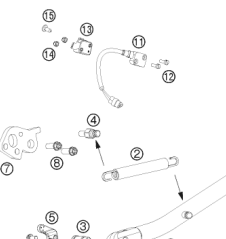
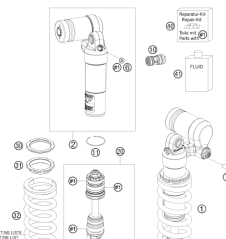
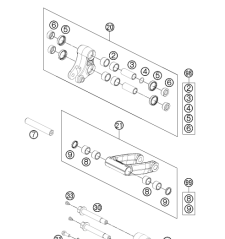
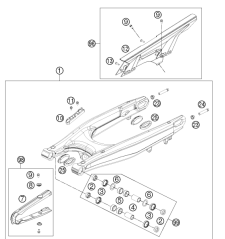
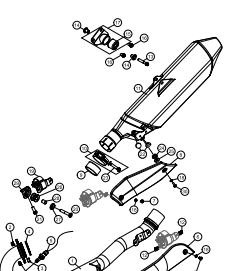
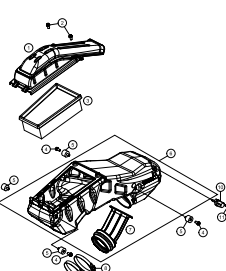
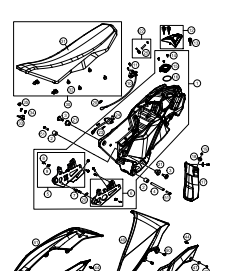
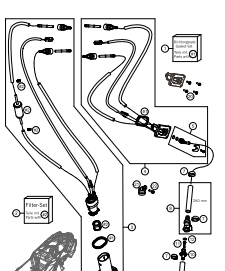
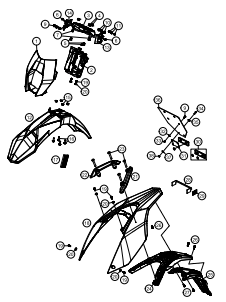
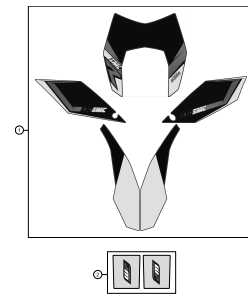
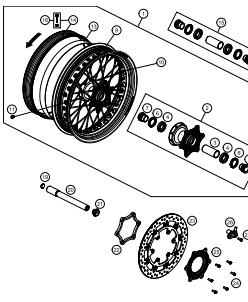
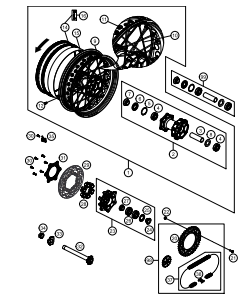
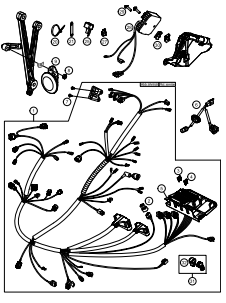
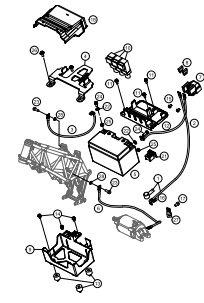
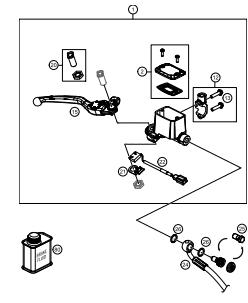
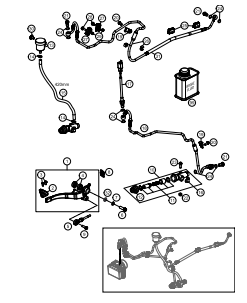
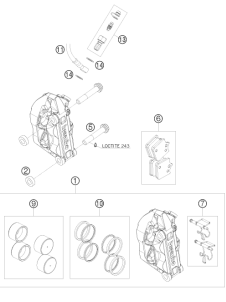
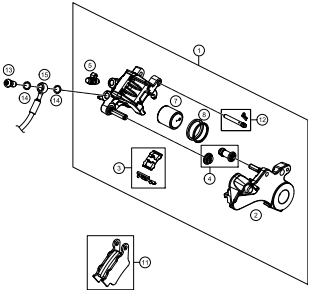
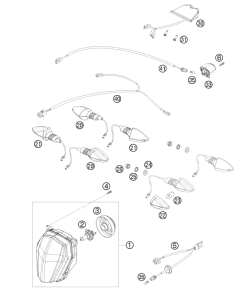
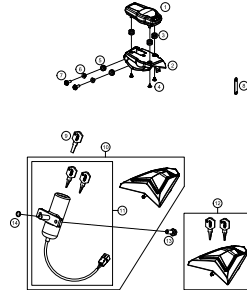



690 SMC R ABS EU 2014

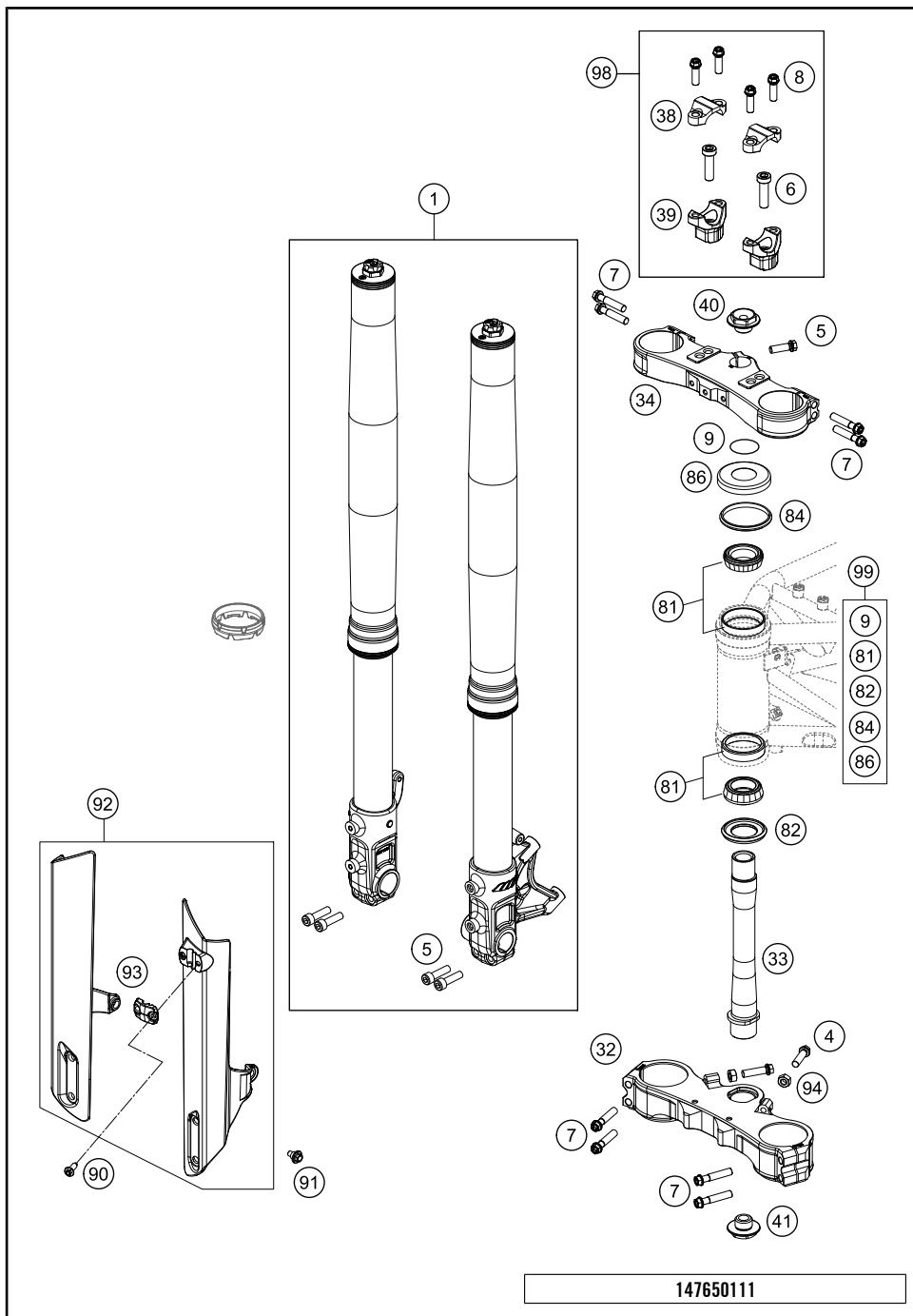
ART.-NR.: 3CFF9703N9EN



<p>FRONT FORK, TRIPLE CLAMP</p>  <p>4</p>	<p>FRONT FORK DISASSEMBLED</p>  <p>5</p>	<p>HANDLEBAR, CONTROLS</p>  <p>6</p>	<p>FRAME</p>  <p>7</p>
<p>SIDE / CENTER STAND</p>  <p>9</p>	<p>SHOCK ABSORBER</p>  <p>10</p>	<p>PRO LEVER LINKING</p>  <p>11</p>	<p>SWING ARM</p>  <p>12</p>
<p>EXHAUST SYSTEM</p>  <p>13</p>	<p>AIR FILTER</p>  <p>14</p>	<p>TANK, SEAT, COVER</p>  <p>15</p>	<p>FUEL PUMP</p>  <p>17</p>

<p>MASK, FENDER</p>  <p style="text-align: right;">18</p>	<p>DECAL</p>  <p style="text-align: right;">20</p>	<p>FRONT WHEEL</p>  <p style="text-align: right;">21</p>	<p>REAR WHEEL</p>  <p style="text-align: right;">22</p>
<p>WIRING HARNESS</p>  <p style="text-align: right;">23</p>	<p>BATTERY</p>  <p style="text-align: right;">24</p>	<p>HAND BRAKE CYLINDER</p>  <p style="text-align: right;">25</p>	<p>REAR BRAKE CONTROL</p>  <p style="text-align: right;">26</p>
<p>BRAKE CALIPER FRONT</p>  <p style="text-align: right;">27</p>	<p>BRAKE CALIPER REAR</p>  <p style="text-align: right;">28</p>	<p>LIGHTING SYSTEM</p>  <p style="text-align: right;">29</p>	<p>INSTRUMENTS / LOCK SYSTEM</p>  <p style="text-align: right;">30</p>

<p>ACCESSORIES KIT</p> <p>31</p>	<p>ANTILOCK BRAKING SYSTEM ABS</p> <p>32</p>	<p>WP SHIMS FOR SETTING</p> <p>33</p>	
	 <p>All information contained is without obligation. KTM Sportmotorcycle GmbH particularly reserves the right to modify any equipment, technical specifications, prices, colors, shapes, materials, services, service work, constructions, equipment and the like so as to adapt them to local conditions or to cancel any of the above items, all without previous announcement and without giving reasons. KTM may stop manufacturing certain models without previous notice. KTM shall not be held liable for any deviations of availability and/or ability to deliver, illustrations, descriptions, printing and/or other errors. The illustrated models partly contain extra equipment, which is not applied to standard models.</p> <p>© by KTM Sportmotorcycle GmbH, Mattighofen AUSTRIA; All rights reserved; Reprint, also in extracts, with written allowance of KTM Sportmotorcycle GmbH, Mattighofen only.</p>		



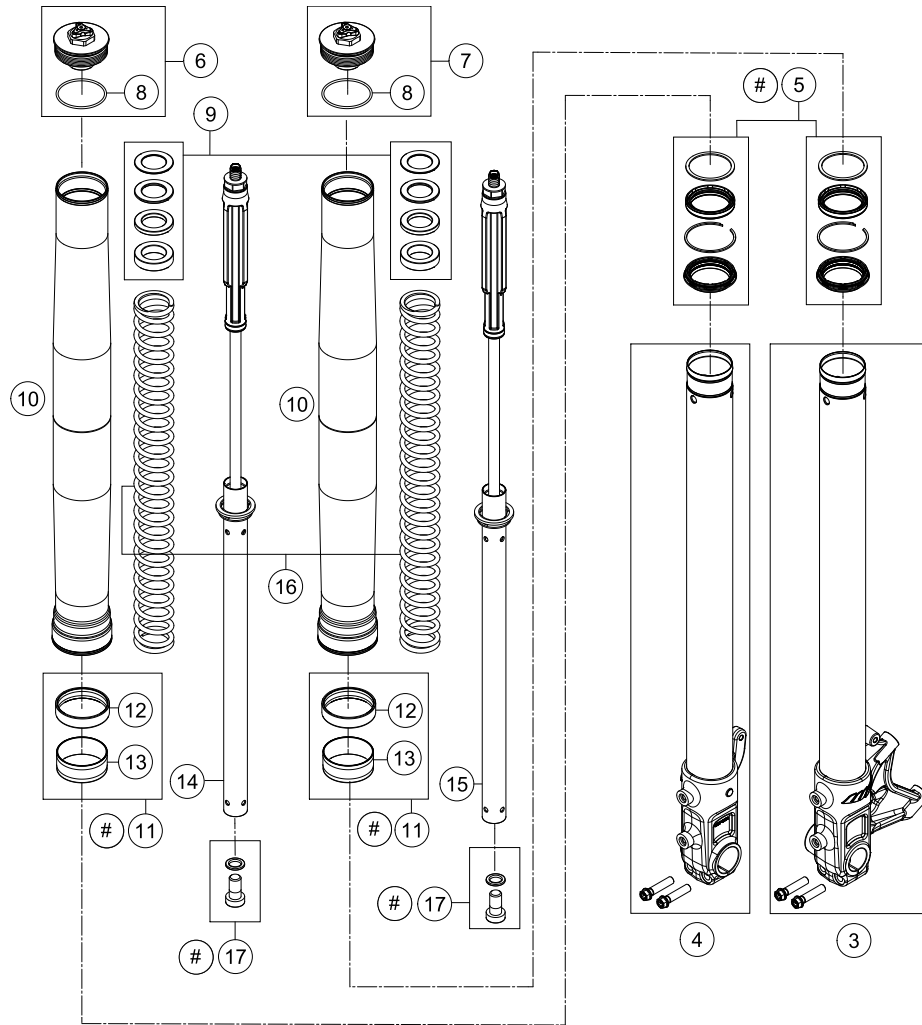
POS	PARTNUMBER	PARTNAME	PIECE
1*	14188N1201	FORK 690 SMC	1
4	0933080253	HH SCREW DIN0933-M 8X25	2
5	0025080306	HH COLLAR SCREW M8X30 TX40	5
6	0032100356S	AH-COLLAR SCREW M10X35 ISA45	2
7	0025080406	HH COLLAR SCREW M8X40 TX40	8
8	0025080256	HH COLLAR SCREW M8X25 TX40	4
9	0770025035	O-RING 25X3,55 NBR70 05	1
32	7650113113504	BOTTOM TRIPLE CLAMP	1
33	76501033000	FORK TUBE L=237MM 08	1
34	7650113413504	TOP TRIPLE CLAMP	1
38	77201038000	HANDLEBAR CLAMP 28MM	2
39	59401039042	HANDLEB.SUPP. D=28MM H=42MM 05	2
40	54801036000	STEER.HEAD SCREW M20X1,5 WS=27	1
41	54801036100	STE.HEAD SCR. M20X1,5 WS=27 SL	1
81	54201081100	TAPERED ROLLER BEARING CPL. 06	2
82	54601084100	%O-RING SUPPORT W. SEALING LIP	1
84	54601184000	STEERING HEAD GASKET TOP	1
86	54201086000	STEERING HEAD COVER	1
90*	0017060206	SCREW F. PLASTIC K60X20AL SW6	2
91	59001092050	SPECIAL SCREW M6X12,5 WS=8	6
92*	7650109410033	FORK PROTECT. L/S +R/S BLACK M	1
93*	7650108510033	CLAMP F. SPEED.CABLE BLACK M.	1
94	0934080003	HEXAGON NUT DIN0934-M 8	2
98	59401039010	HANDLEBAR SUPPORT KIT 690 SMC	x
99	00050000930	STEERING HEAD REP. KIT 06-15	x

147650111

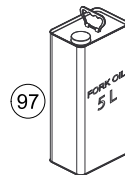
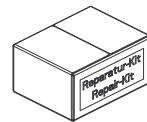
C147650111

* NEW PART

X ON DEMAND



POS	PARTNUMBER	PARTNAME	PIECE
3*	48601318S1	AXLE CLAMP L/S WITH TUBE CPL.	1
4*	48601317S1	AXLE CLAMP R/S WITH TUBE CPL.	1
5	R14040	GASKET KIT CPL.	1
6	48601062S2	SCREW CAP M51X1.5 REB	1
7	48601062S3	SCREW CAP M51X1.5 COM	1
8	46810340	O-RING NBR 45X2	2
9	R14026	SPRING SPACER KIT	2
10*	48601099	OUTER TUBE L=550 D54/D60 3L	2
11	R14028	GUIDING BUSH SET	2
12	48601009	GUIDING BUSH 48X52X12 R11	2
13	48601008	GUIDING BUSH 47X49X20 R11	2
14*	48600705S3	CARDRIDGE KIT CPL. R/S	1
15*	48601319S	CARDRIDGE KIT CPL. L/S	1
16	91410043S	SPRING C=5,3 L=450 D=5,5	1
17	00501020S1	AH SCREW M10X20 SET	2
97	48601166S1	FORK OIL SAE4 5L	1
98	T511	SILICONE GREASE F. DUST STRI	1
99	R14041	REP. KIT 1290 SD 2014	1



Teile mit / parts with

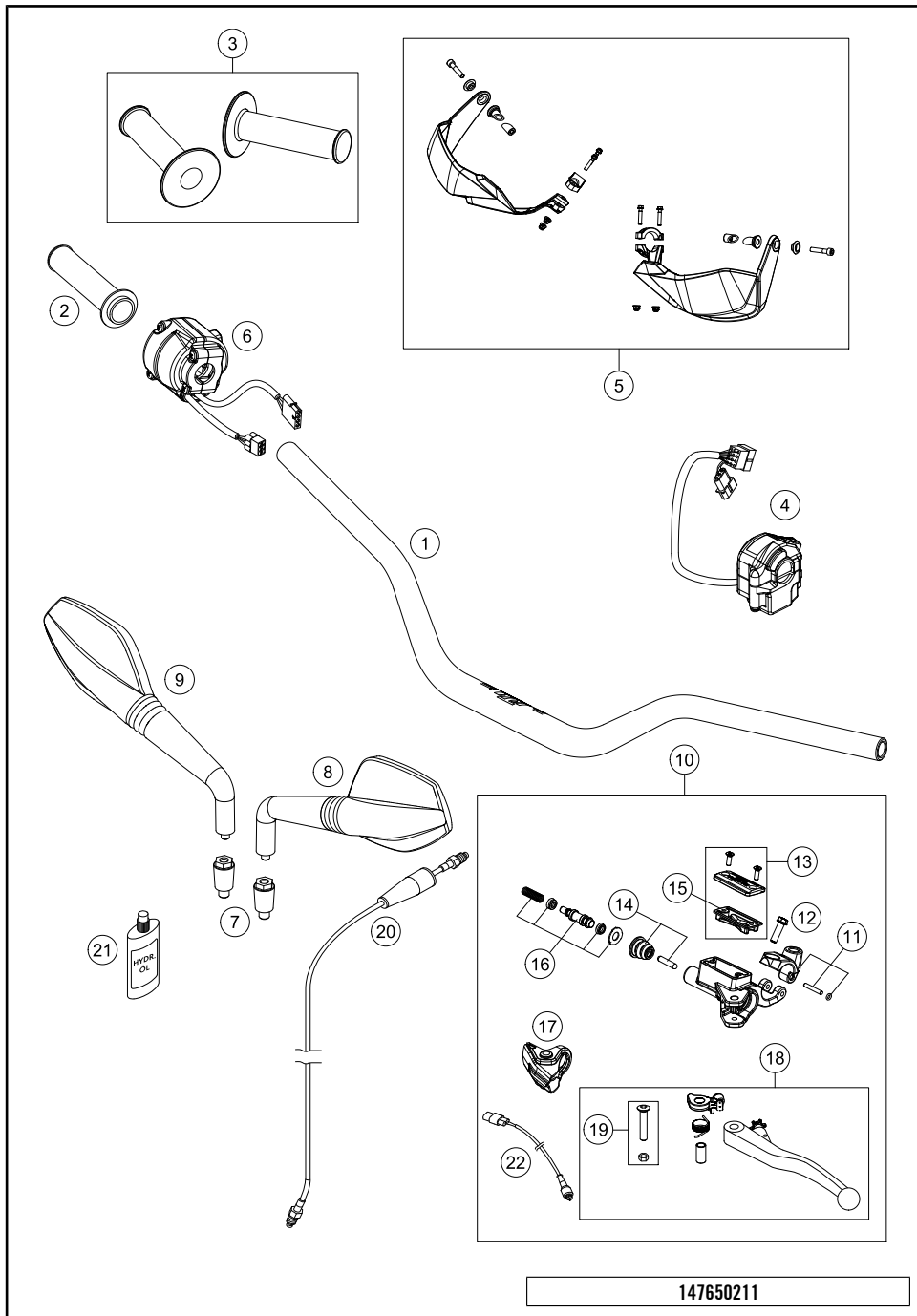
99

147650131

C147650131

* NEW PART

X ON DEMAND



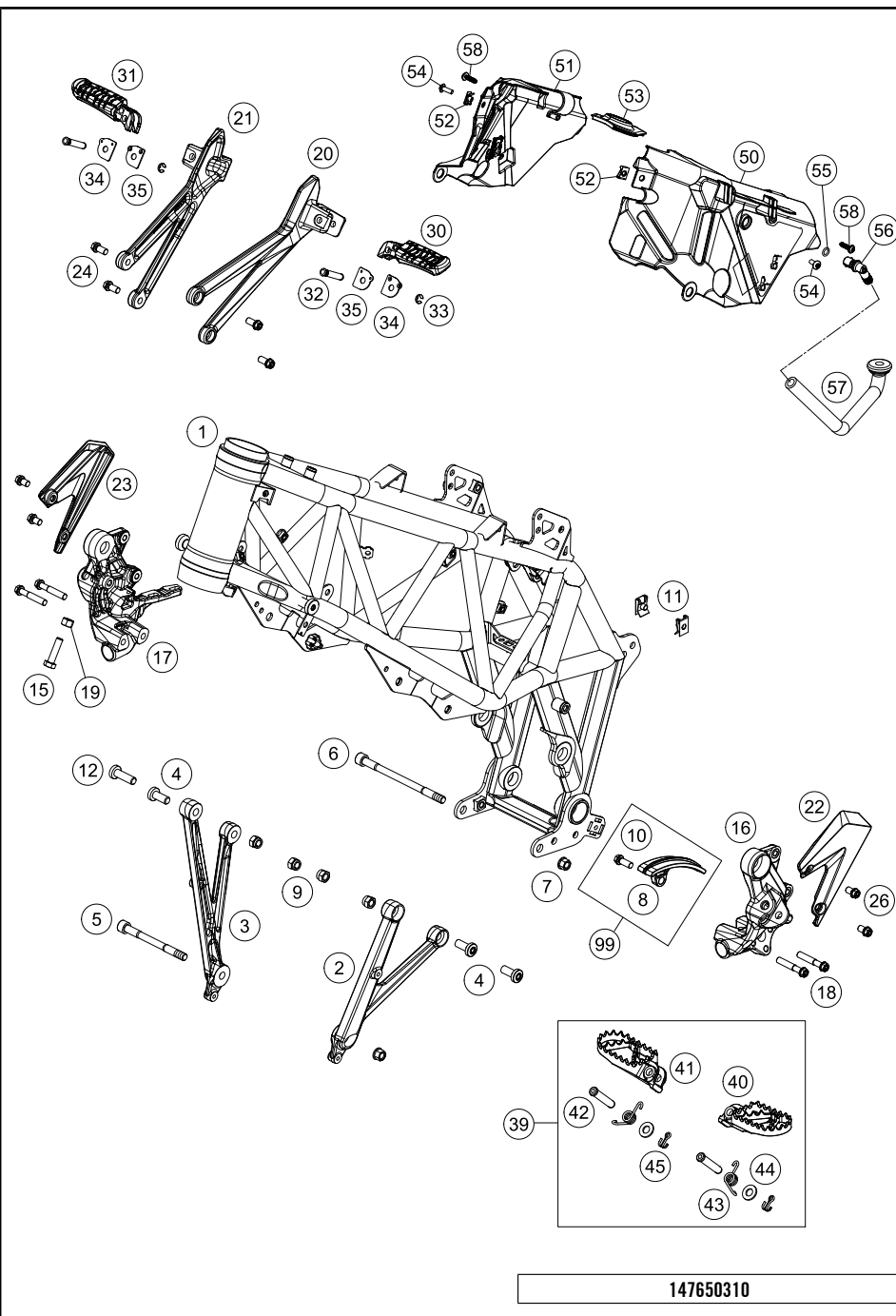
POS	PARTNUMBER	PARTNAME	PIECE
1	5480200120017	% HANDLEBAR D=28 MM RENTHAL796	1
2*	76502110000	THROTTLE GRIP E-GAS	1
3	63002021200	GRIP SET DUAL COMPOUND	1
4	76511070000	LIGHT SWITCH L/S 08	1
5*	6030217900030	% HANDGUARDS CLOSED BLACK	1
6*	76011073100	START-STOP/E-GAS	1
7	58412040050	SUPPORT FOR MIRROR LC4 '98	2
8	61112040000	REVIEW MIRROR L/S 07	1
9	61112041000	REVIEW MIRROR R/S 07	1
10	76502013000	MASTER CYLINDER MAGURA D=11MM	1
11	76513005000	CLAMP, CYL. PIN, O-RING	1
12	0025060206	HH COLLAR SCREW M6X20 TX30	1
13*	76502033144	PLASTIC COVER- SET	1
14	76502046000	PUSH ROD CPL. 13	1
15	50302034100	RUBBER FOR RESERVOIR 09	1
16	76502032000	REP. KIT PISTON 11MM 13	1
17	76502037000	PROTECT.CAP FOR LEVER PERCH 13	1
18	76502031000	CLUTCH LEVER CPL. LONG 13	1
19	50302038200	LEVER SCREW SHORT CPL. 09	1
20*	54732063100	CLUTCH PIPE 250/300 2003	1
21	50302036200	OIL FOR HYD. CLUTCH 100 ML	1
22	83111049000	CLUTCH SWITCH ATV	1

147650211

C147650211

* NEW PART

X ON DEMAND



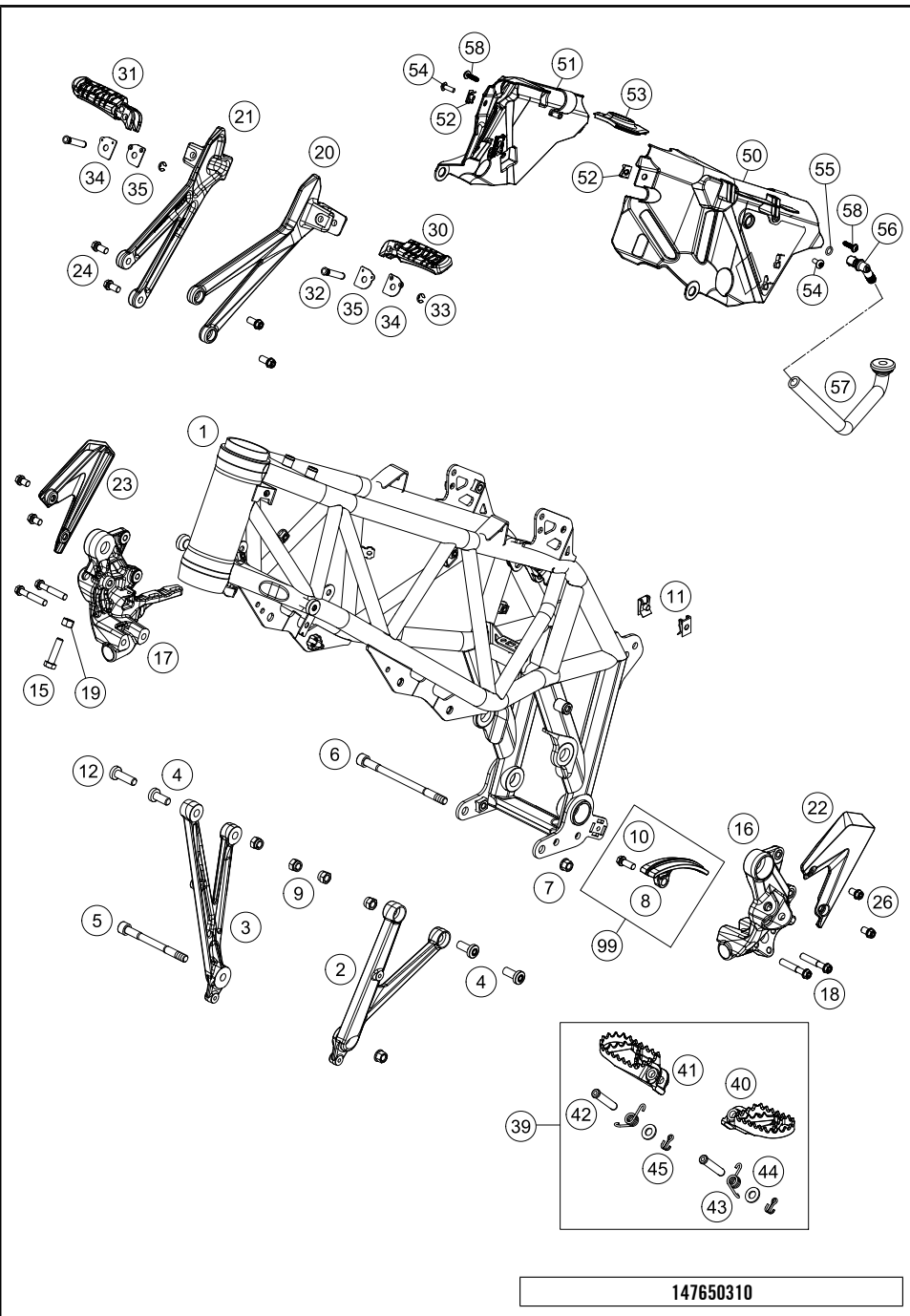
147650310

POS	PARTNUMBER	PARTNAME	PIECE
1*	7650300130004	FRAME "765NA" ORANGE	1
2*	7650300500033	ENGINE SUPPORT L/S BLACK	1
3*	7650300600033	ENGINE SUPPORT R/S BLACK	1
4	0035100249	AH-COLLAR SCREW M10X24 ISA45	3
5	75003015000	SPECIAL SCREW M10X115 ISK8 07	1
6	75003014000	SPECIAL SCREW M10X152 ISK8 07	1
7	54630044000	COLLAR NUT M10 WS=13	2
8	76504067000	CHAIN SLID. GUARD 08	1
9	54310086100	SELF LOCKING NUT M10 CU WS=14	4
10	0025080206	HH COLLAR SCREW M8X20 TX40	1
11	54603048500	RANGE CHANGE METAL NUT M4	2
12*	0035100309S	AH-COLLAR SCREW M10X30 ISA45	1
15	0933050203	HH SCREW DIN933 M5x20	1
16	7650303804401	FOOT REST BRACKET L/S	1
17	7650303914401	% FOOTREST CARRIER R/S	1
18	0025080456	HH COLLAR SCREW M8X45 TX40	4
19	0934050003	HEXAGON NUT DIN0934-M 5	1
20	7650304800001	FOOT REST BRACKET REAR L/S	1
21	7650304900001	FOOT REST BRACKET REAR R/S	1
22	76503038150	HEEL PROTECTOR LS 09	1
23	76503039050	HEEL PROTECTOR RS 08	1
24	0025080166	HH COLLAR SCREW M8X16 TX40	4
26	0025080126	HH COLLAR SCREW M8X12 TX40	4
30	60003050000	FOOTREST CPL. L/S REAR 03	1
31	60003051000	FOOTREST CPL. R/S REAR 03	1
32	60003044000	BOLT FOR FOOTREST REAR 03	2
33	0799060003	TAB WASHER DIN6799-RS 6,0	2
34	60003052000	ENGAGE PANEL FOOTREST R/S 03	2
35	60003152000	ENGAGE PANEL FOOTREST L/S 03	2
39*	78003040033	FOOTREST L/S + R/S CPL. 09	1
40*	78003040050	FOOTREST L/S 08	1
41*	78003041050	FOOTREST R/S 08	1
42*	54803044000	PIN FOR FOOT PED 51.5X9.8 MM	2
43	54603041000	FOOTREST SPRING L/S & R/S	2
44	0125100003	WASHER DIN0125-A10,5	2
45	0094032253	PIN DIN0094-3,2X25 STEEL	2
50*	76503083200	COVER FRAME L/S	1
51*	76503084200	COVER FRAME R/S	1

C147650311

* NEW PART

X ON DEMAND



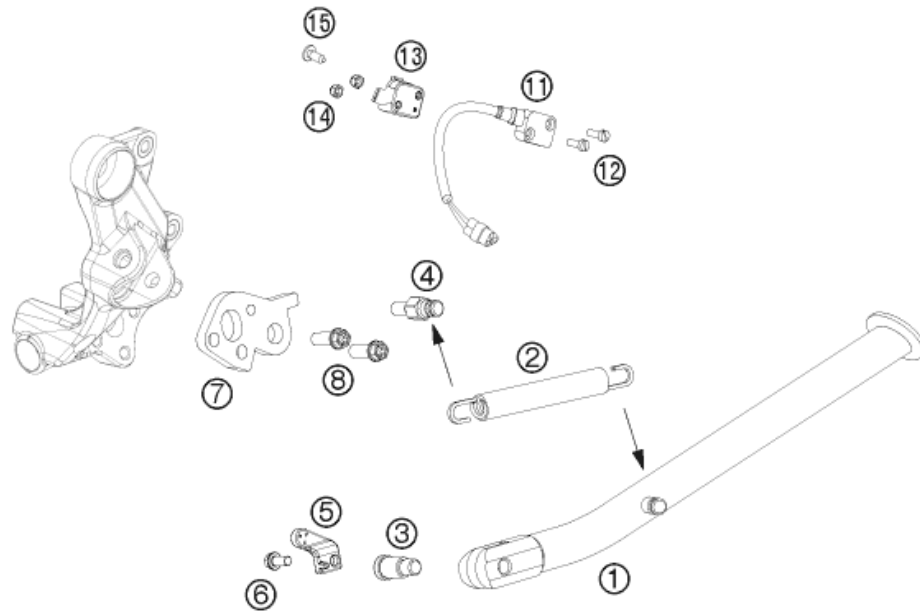
147650310

POS	PARTNUMBER	PARTNAME	PIECE
52	69008021080	RANGE CHANGE METAL NUT M5	2
53	76503085000	COVER FOR IGNITION LOCK	1
54*	58605083010	% SCREW TORX M5X10 05	2
55	0770080020	O-RING 8X2 SILICONE	1
56	60038082000	ANGLE CONNECTOR LC8 03	1
57	76530087100	VENTILATION OIL SEPARATOR FOAM	1
58	0081050181	SCREW FOR PLASTIC K50X18 T20	1
99	76504067010	CHAIN SLIDING BELOW 08-13	1

C147650311

* NEW PART

X ON DEMAND



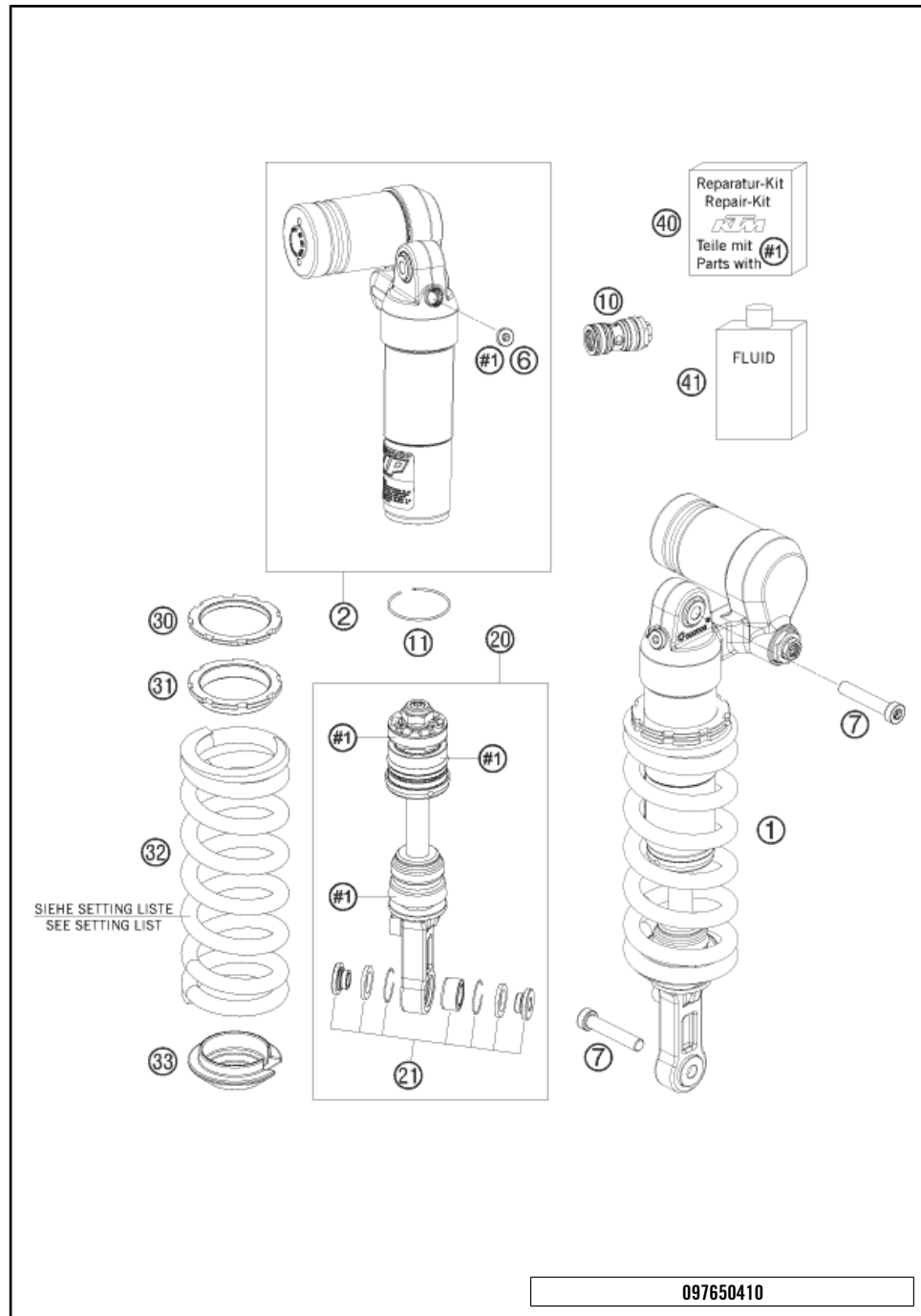
POS	PARTNUMBER	PARTNAME	PIECE
1	7650302300033	SIDE STAND L=306MM SMC 08	1
2	61003024000	SPRING L=116 MM 05	1
3	62503027200	SCREW FOR SIDE STAND M10X31,2	1
4	76503028001	SPECIAL SCR. SIDE STAND SPRING	1
5	76503029000	MAGNET HOLDER	1
6	0025060126	HH COLLAR SCREW M6X12 TX30	1
7	76503026000	SIDE STAND BRACKET 08	1
8	0025080206	HH COLLAR SCREW M8X20 TX40	2
11	61011045000	SIDE STAND SENSOR 05	1
12	0084040123	CYL.HEAD SCREW DIN84A M4x12	2
13	76511045050	HOLDER FOR SIDESTAND SWITCH 08	1
14	0985040003	SELF LOCKING NUT DIN0985-M 4	2
15	0081050121	SCREW FOR PLASTIC K50X12 T20	1

117650361

C127650360

* NEW PART

X ON DEMAND



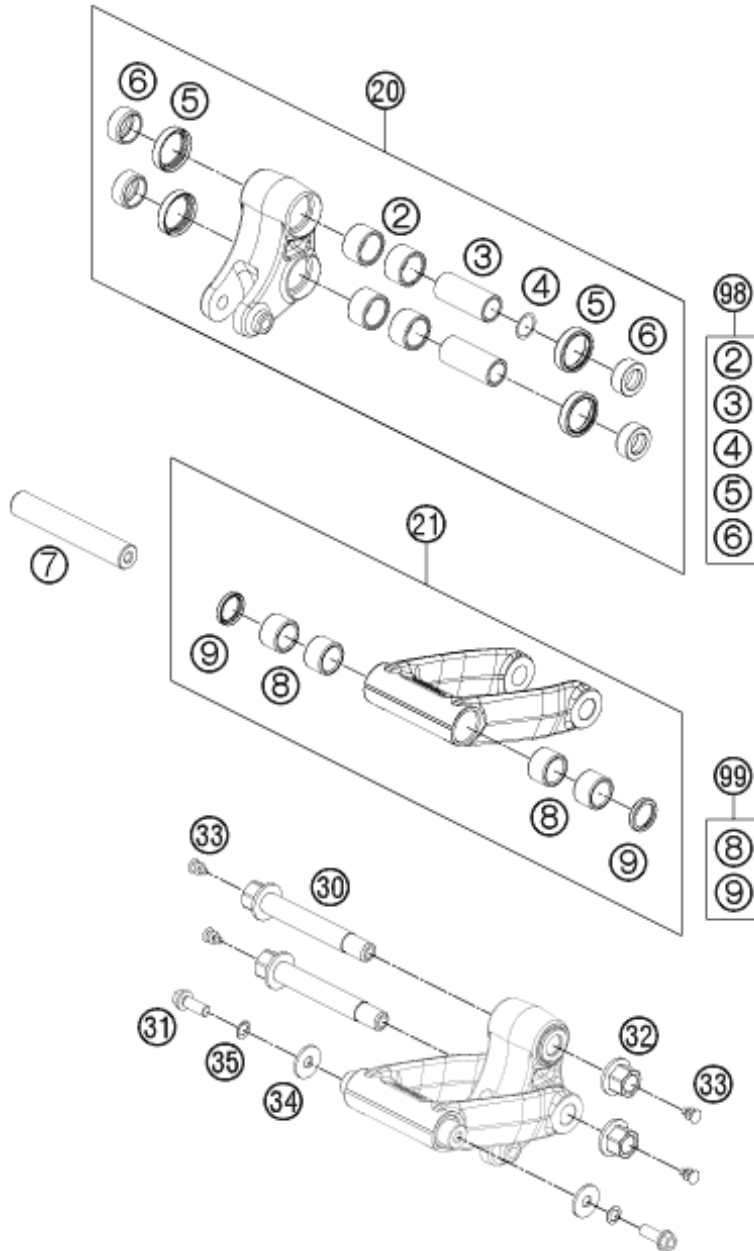
097650410

POS	PARTNUMBER	PARTNAME	PIECE
1	15187L1201	MONOSHOCK SMC 2012	1
2	46180776S1	SHOCK ABS. UPPER CPL. 09	1
6	50180095	BLEED PLUG R 1/8	1
7	76504016000	CYL. SCREW M10X1,25 L=53	2
10	46180533S1	DCC-COMPR.DAMP.CONTROL HS95	1
11	46810010	CIRCLIP 49X1,5	1
20	46180654S13	MONOSHOCK LOWER PART	1
21	R15006	REPAIR KIT BEARINGS 07	1
30	46180766	COUNTERNUT	1
31	46180855	ADJUSTING NUT	1
32	91110004S	SPRING 220MM 80N/MM (61)	x
32	91110005S	SPRING 220MM 85N/MM (61)	x
33	46180396	SPRING RETAINER H=15 D=28	1
40	R15004	REPAIR KIT GASKET 05	1
41	50180751S1	SHOCK ABSORBER FLUID 5 LT	1

C127650410

* NEW PART

X ON DEMAND



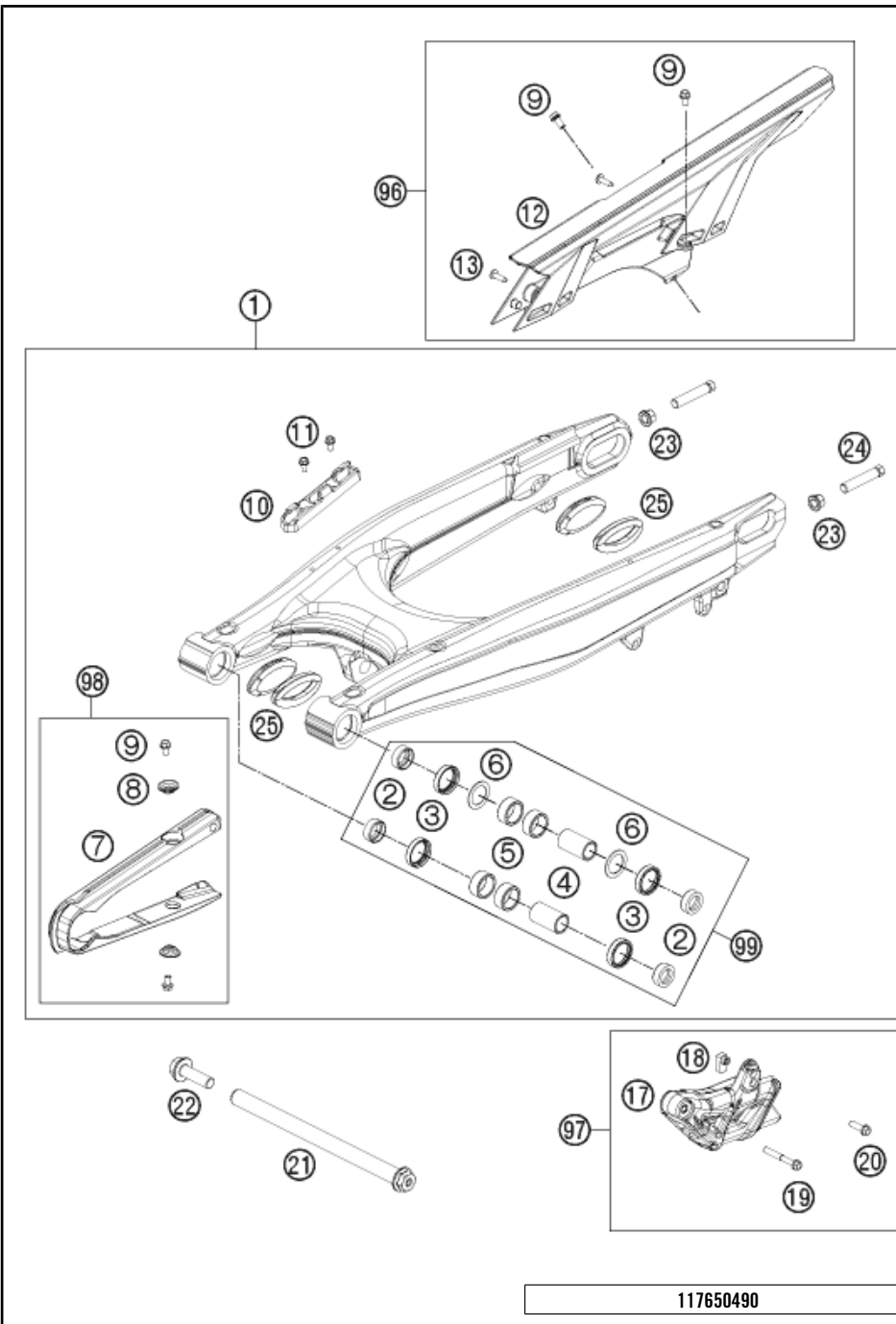
117650460

POS	PARTNUMBER	PARTNAME	PIECE
2	54603097000	NEEDLE BUSH HK 2016	4
3	54603081000	BUSHING SLEEVE 15 X 20 X 48	2
4	54603090010	STEEL WASHER 15,2X19X0,1	x
4	54603090020	STEEL WASHER 15,2X19X0,2	x
4	54603090030	STEEL WASHER 15,2X19X0,3	x
5	0760253270	SHAFT SEAL RING 25X32X7	4
6	76504089000	BUCKET FOR SHAFT SEAL RING	4
7	76504084000	PULL ROD ANCHOR BOLT	1
8	56503195100	NEEDLE BEARING HK 1816	4
9	0760182442	SHAFT SEAL RING 18X24X4	2
20	7650408104401	CANTILEVER CPL. 07	1
21	7650408304401	PULL ROD CPL. 08	1
30	76504082044	BOLT CPL. M14X1,5	2
31	0025080166S	HH COLLAR SCREW M8X16 TX40	2
32	54603015000	SELF LOCKING NUT M14X1,5 WS=19	2
33	54403135000	PLASTIC CAP SFL10	4
34	0021080003	WASHER DIN9021-A 8,4	2
35	36003014000	LOCK WASHER 8MM	2
98	76504080100	TRIANGLE LEVER REP. KIT REAR	x
99	76504083010	PULL ROD REP. KIT 690 END/SMC	x

C127650460

* NEW PART

X ON DEMAND



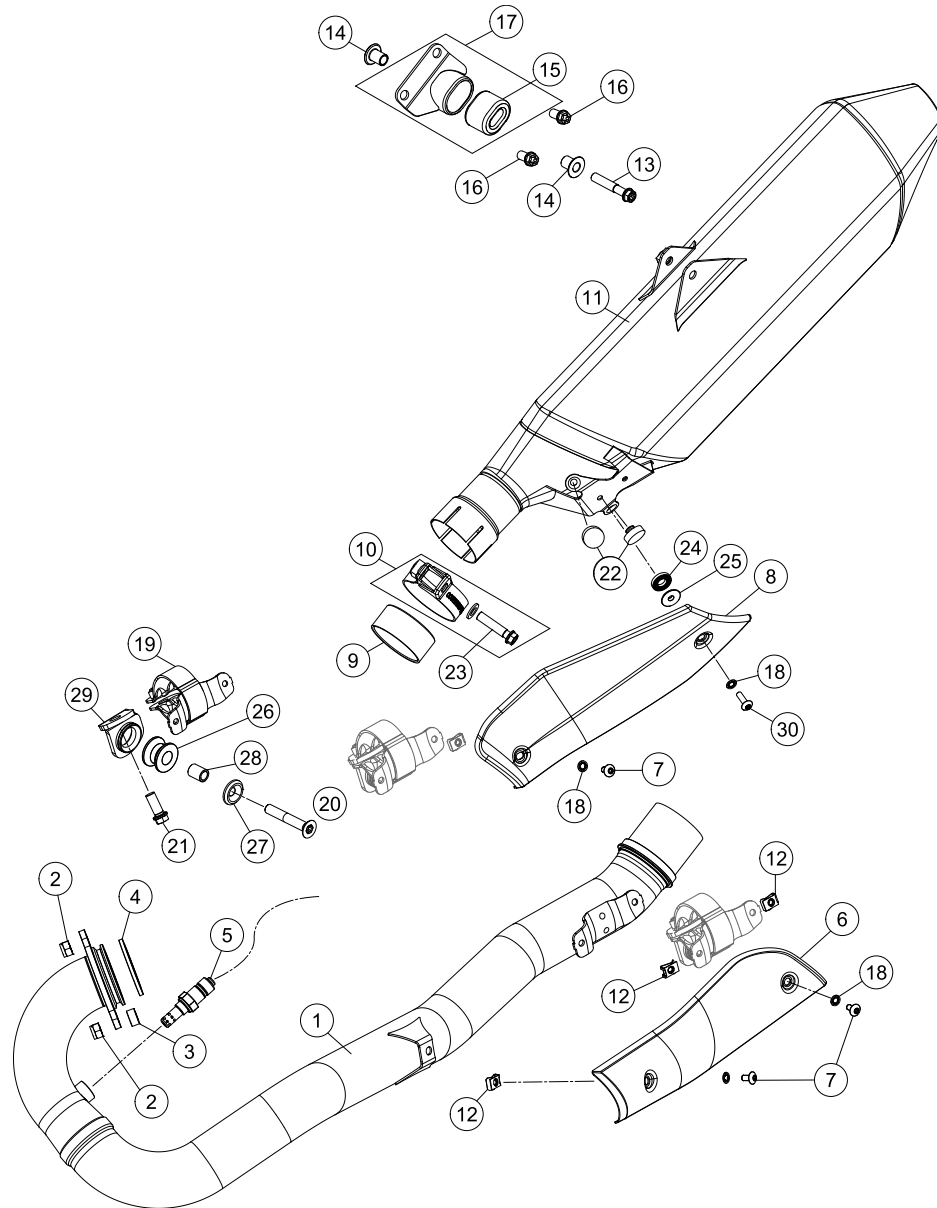
POS	PARTNUMBER	PARTNAME	PIECE
1	76504030144	SWING ARM CPL.	1
2	76504034000	BUCKET FOR SHAFT SEAL RING	4
3	0760253270	SHAFT SEAL RING 25X32X7	4
4	59404032000	BEARING SLEEVE 17X22X38,7 03	2
5*	0618222812	NEEDLEBEAR HK2212V 22/28/12 MB	4
6	54603036000	STOP DISK 22,2X31,7X1	2
7	76504066000	CHAIN SLIDING GUARD 07	1
8	77304066050	BUSHING F. CHAIN SLIDING PR.07	2
9	59009062013	SPECIAL SCREW M6X13 WS=8 10.9	4
10	76504042000	BRAKE LINE GUIDE 08	1
11	0009050106	EJOT SPIRAL SCREW SF M5X10-K	2
12	76504060000	CHAIN GUARD 08	1
13	0081050181	SCREW FOR PLASTIC K50X18 T20	2
17	78004070100	% CHAIN GUIDE CPL.	1
18	77304070030	INSERTION NUT F. CHAIN GUIDE	1
19	0025060456	HH COLLAR SCREW M6X45 TX30	1
20	0025060206	HH COLLAR SCREW M6X20 TX30	1
21	75304037044	SWINGARM BOLT L=246 M12X1,5	1
22	76504038000	SPECIAL SCREW M12X40 SW19	2
23	58414030000	HH COLLAR NUT M10X1,25 WS=13	2
24	50304040100	SCREW M10X1,25X50 WS=10	2
25	58404041000	CLOSING COVER SWINGARM SM 03	4
96	76504060010	CHAIN PROTECTION KIT 690 08-14	x
97	77304070310	CHAIN GUIDE KIT REAR 08-14	x
98	76504066010	CHAIN GUARD KIT 08-14	x
99	76504230010	% SWINGARM REPAIR KIT 08-13	x

117650490

C147650490

* NEW PART

X ON DEMAND



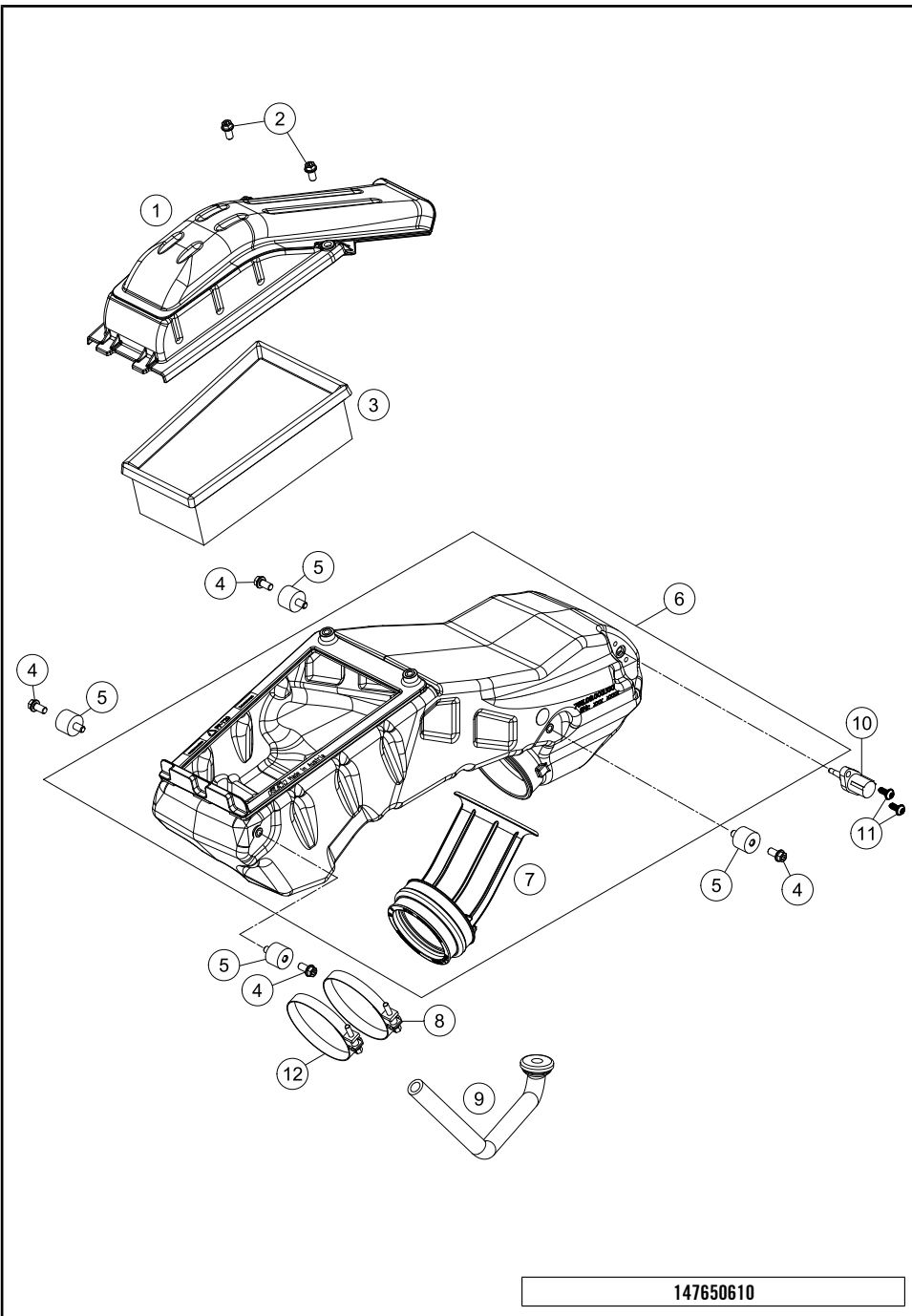
147650511

POS	PARTNUMBER	PARTNAME	PIECE
1*	76505107100	EXHAUST MANIFOLD CPL. SMC	1
2	51010086100	SELF LOCKING NUT M 8 CU	2
3	61005009000	SPACER BUSH. 8,5X15X7,5 05	1
4	61005005000	EXHAUST GASKET 05	1
5*	75041090100	LAMBDA SENSOR	1
6	76505090010	HEAT SHIELD EXHAUST MANIFOLD	1
7*	78105081010	SCREW TORX M5X10	3
8	76505090020	HEAT SHIELD SILENCER	1
9	58605005000	GRAPHIT RING 55X50X25 05	1
10	76505051000	CLAMP FOR SILENCER 57,4MM 08	1
11*	76505183100	SILENCER	1
12*	54603048600	RANGE CHANGE METAL NUT M5 INOX	3
13*	0025080456	HH COLLAR SCREW M8X45 TX40	1
14*	60305069000	BUSHING	2
15*	61305068000	DAMPING RUBBER	1
16	0025080166	HH COLLAR SCREW M8X16 TX40	2
17*	76505084100	HOLDER SILENCER CPL.	1
18	0797050000	TOOTH LOCK WASHER DIN6797-J	4
19	76505007025	CLAMP WELD ASSEMBLY	1
20*	0019080506	COUN.-SUNK SCREW M8X50 ISA10.9	1
21*	0025080206	HH COLLAR SCREW M8X20 TX40	1
22*	54308042000	RUBBER BUFFER	2
23*	0025080356	HH COLLAR SCREW M8X35 TX40	1
24*	75036052010	DECOUPLING ELEMENT 07	1
25*	76505069000	BUSH 5.5X9X19X3.5	1
26*	54305068100	DAMP. COMPONENT SILICONE GREY	1
27*	62603061000	SPECIAL WASHER 8X24 ALU H=4,2	1
28*	56505069000	SPACER BUSHING 8,4X12X16	1
29*	76505007027	EXHAUST SUPPORT	1
30*	58605083014	SCREW M5X14 TORX 25 07	1

C147650512

* NEW PART

X ON DEMAND



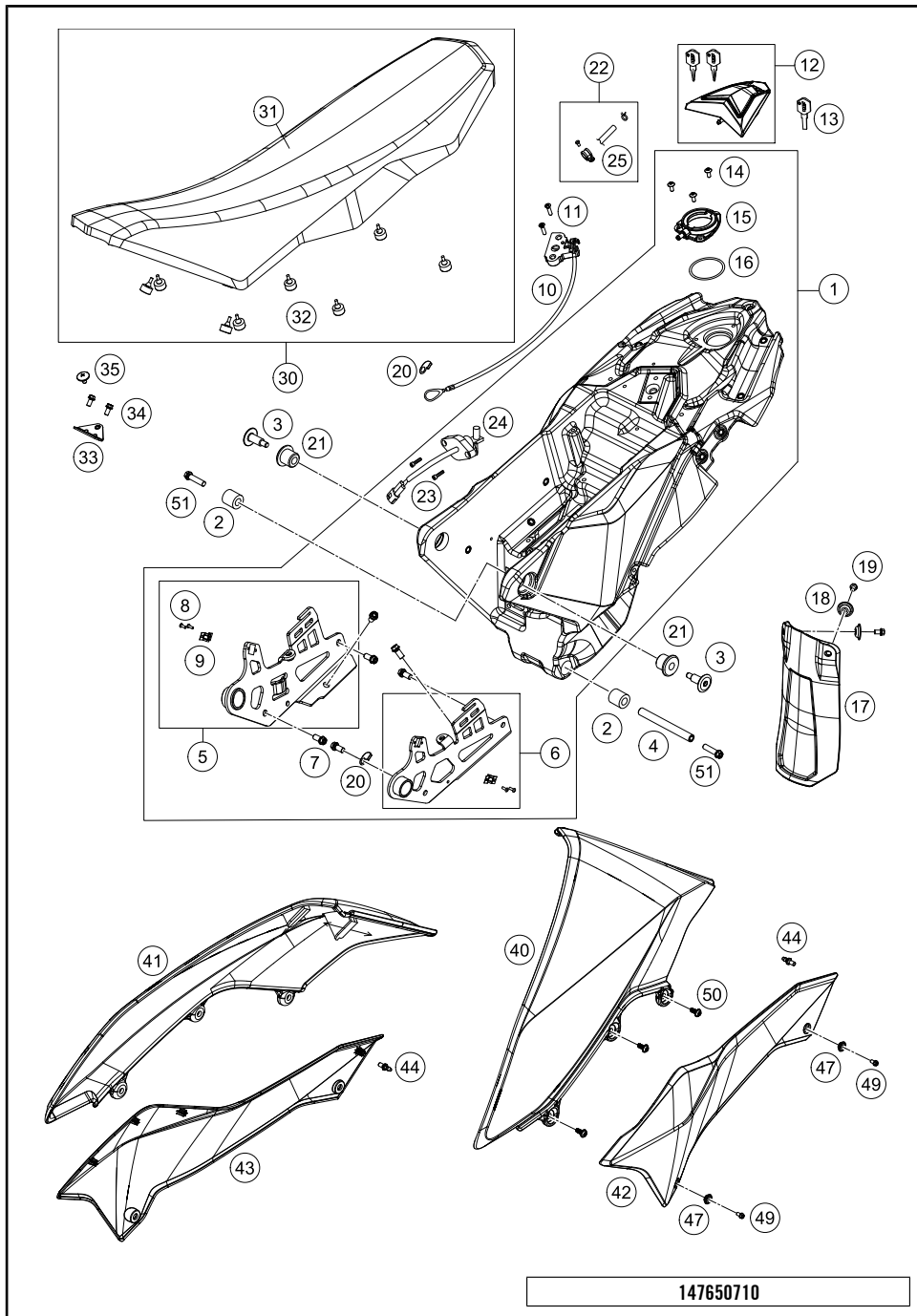
147650610

C147650610

POS	PARTNUMBER	PARTNAME	PIECE
1	76506002000	FILTER BOX-TOP PART 08	1
2	0025060126	HH COLLAR SCREW M6X12 TX30	2
3	76506015000	% AIRFILTER PAPER 200X120	1
4	0025060086	HH COLLAR SCREW M6X8 TX30	4
5	43205062100	RUBBER GROMMET 20X15-M6X10 (1)	4
6*	76506003144	FILTER BOX WITH INTAKE FLANGE	1
7*	76506026100	INTAKE FLANGE	1
8*	55006028000	HOSE CLAMP 60-80MM	1
9*	76530087100	VENTILATION OIL SEPARATOR FOAM	1
10*	61041080000	AMBIENT-AIR TEMPERATURE SENSOR	1
11*	0081050121	SCREW FOR PLASTIC K50X12 T20	2
12*	51006027000	HOSE CLAMP 50-70MM	1

* NEW PART

X ON DEMAND

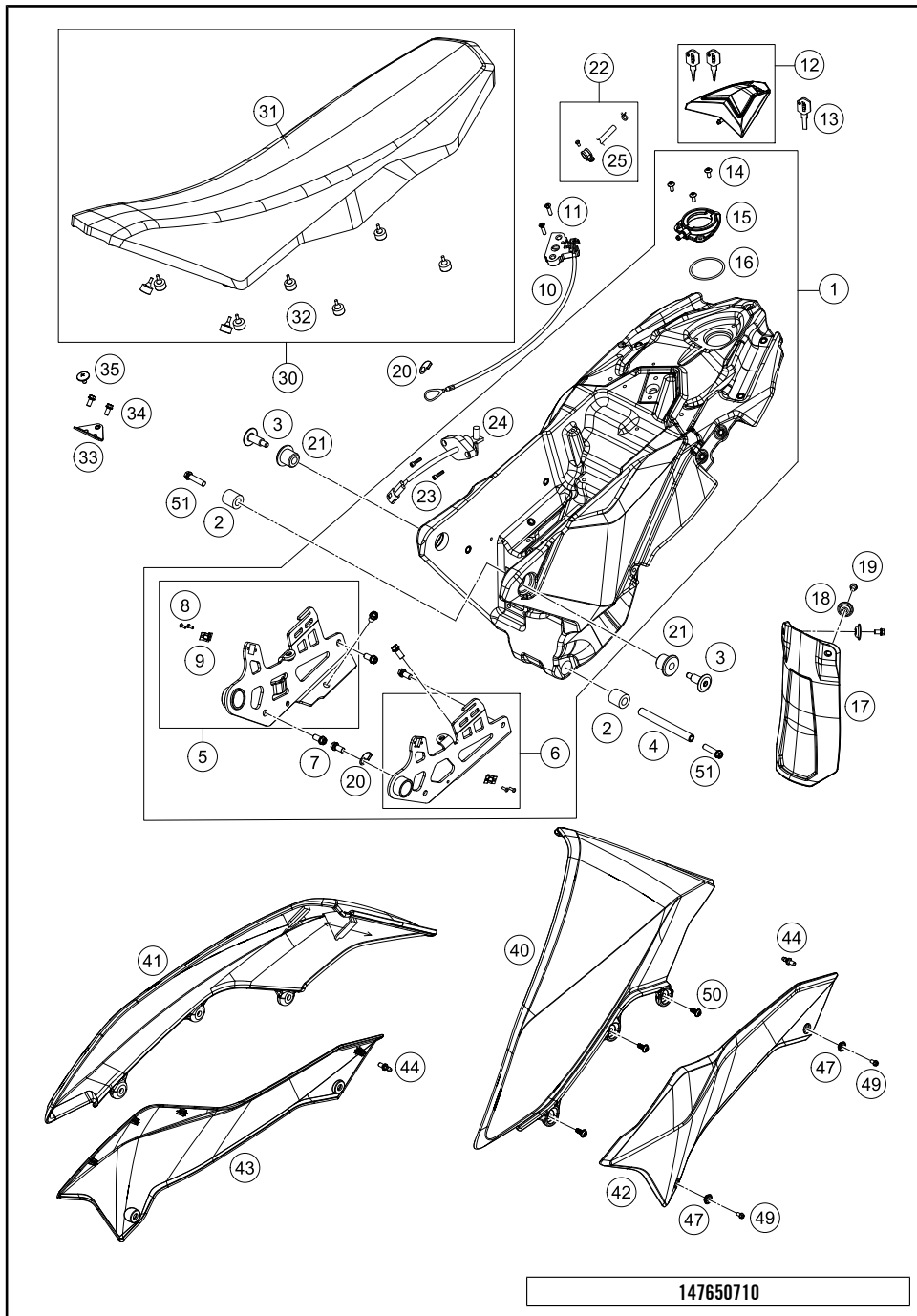


POS	PARTNUMBER	PARTNAME	PIECE
1*	7650701324433A	FUEL TANK CPL.	1
2	76507065100	RUBBER BUSHING 11,7X24,7 L=26	2
3	76507060000	BEARING BUSHING UP	2
4	76507061000	BEARING BUSHING DOWN	1
5	76507028000	TANK-RETAINING PLATE R/S 08	1
6*	76507027100	TANK-RETAINING PLATE L/S	1
7	0025080166	HH COLLAR SCREW M8X16 TX40	6
8	54806108052	BLIND RIVET 3,3X9,7 GROOVED 04	4
9	54806008050	QUICK RELEASE-SPRING HANGER	2
10	76507050000	SEAT LOCK	1
11	0738060181	COU.SUNK SCR. AH ISO7380 M6X18	2
12	76507008100	TANK CAP	1
13	40011166100	KEY BLANK LC4/DUKE/LC8	x
14	58605083010	% SCREW TORX M5X10 05	3
15	76507108050	CLOSING FLANGE	1
16	0770050030	O-RING 50,00X3,00 VITON	1
17	76506010000	% SPLASHBACK 08	1
18	72210079000	BUCKET	2
19	0025060106	HH COLLAR SCREW M6X10 TX30	2
20	76507053000	CLAMP F. CABLE SEAT LOCK	1
21	76507066000	RUBB.BEAR.BOX 12x24x35 L=24,5	2
22	76507031044	TANK BREAT. - MODIFICATION KIT	1
23	0912050163	AH SCREW DIN0912-M 5X16	2
24	58207080100	GAS-LEVEL SENSOR ADV. 2006	1
25	78015021000	HOSE EPA D=4/8 L=2000MM	x
30	76507140000	SEAT	1
31	76507140050	SEAT COVER 2012	1
32	75007046010	SEAT RUBBER 10 MM	8
33	76507048000	BRACKET F. SEAT	1
34	0023060123	COLLAR SCREW M6X12 TX	2
35	58407011100	SCREW FOR SEAT M6X11,5/8	1
40*	7650815010030	SPOILER L/S BLACK	1
41*	7650815110030	SPOILER R/S BLACK	1
42*	7650814100028C	SIDE COVER L/S WHITE 14 WITH DECAL	1
43*	7650814200028C	SIDE COVER R/S 14 WITH DECAL	1
44	54806008051	QUICK RELEASE-NIPPLE 03	2
47	76508043150	COLLAR BUSHING	4

147650710

C147650711

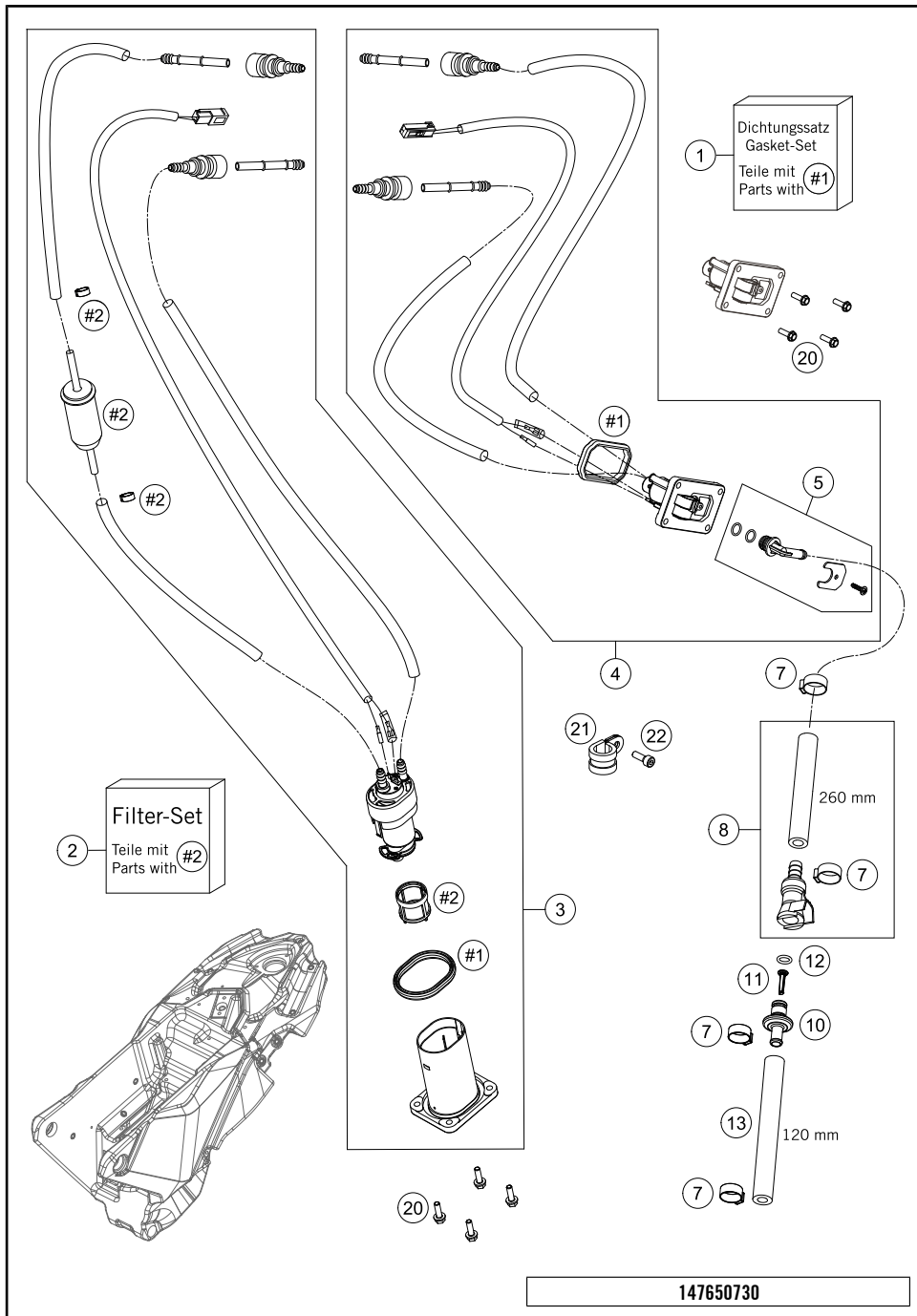
* NEW PART X ON DEMAND



POS	PARTNUMBER	PARTNAME	PIECE
49	0025060166	HH COLLAR SCREW M6X16 TX30	4
50	0081050121	SCREW FOR PLASTIC K50X12 T20	6
51	0025080306S	HH COLLAR SCREW M8X30 TX40	2

C147650711

* NEW PART X ON DEMAND

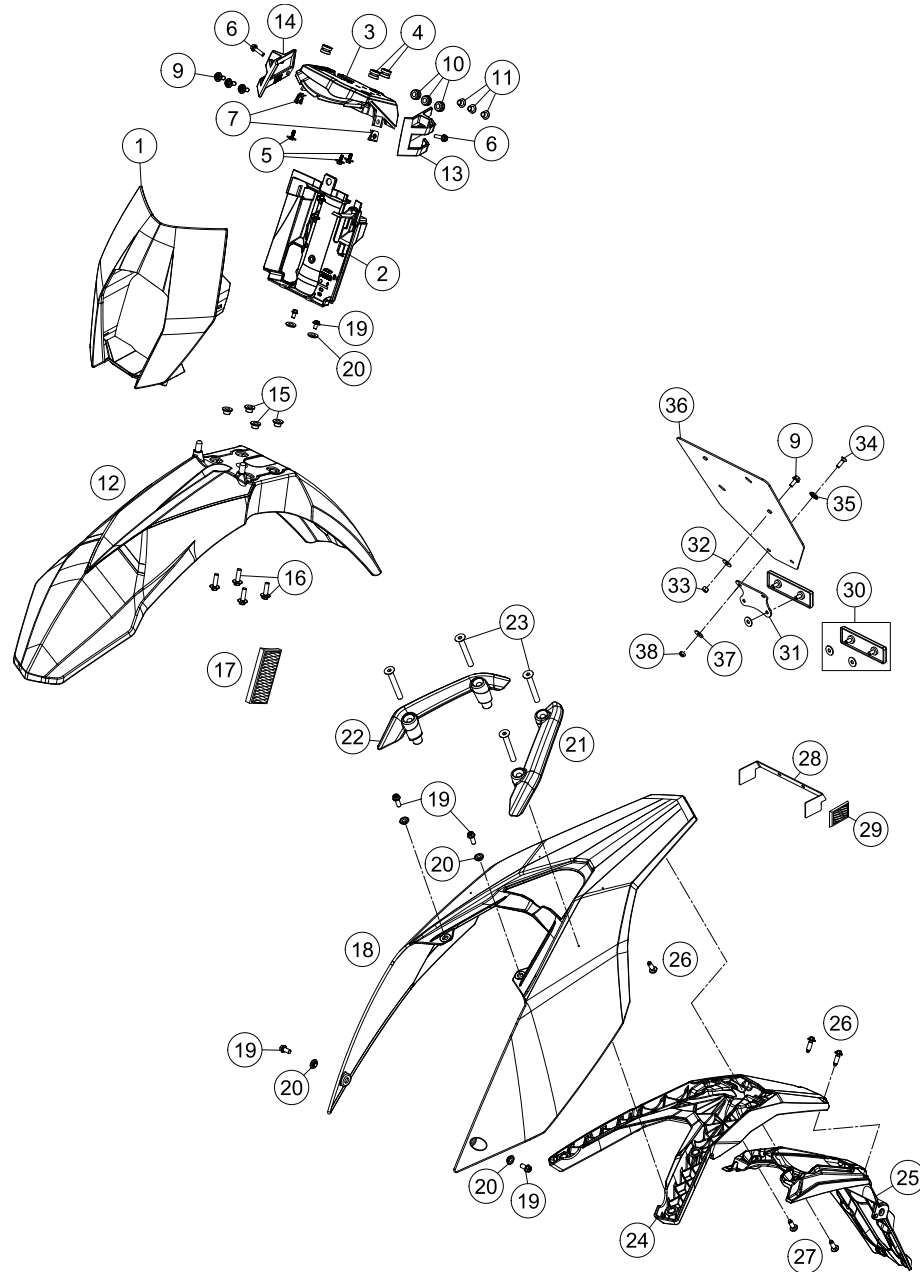


POS	PARTNUMBER	PARTNAME	PIECE
1	75007089000	SEALINGS KIT	1
2	81207090000	% FILTER KIT	1
3*	75007088111	FUEL PUMP WITH FLANGE CPL.	1
4	75007088012	PRESSURE REGULATOR CPL. 07	1
5	75007092000	HYDRAULIC CONNECTOR CPL.	1
7	00050157706	VARIABLE ONE-EAR CLAMP 15,7MM	4
8	75007116060	FUEL HOSE WITH CLUTCH	1
10*	77707010000	CONNECTOR FUEL PUMP	1
11*	78141013190	FUEL FILTER	1
12*	58507012000	O-RING VITON F. PLUG CPC 05	1
13	60007316120	FUEL HOSE 7,5X3,5 L=120	1
20	0025050166	HH COLLAR SCREW M5X16 TX30	8
21	49007439000	CLAMP RSGU 15/12	1
22*	0009050086	EJOT SPIRAL SCREW SF M5X8-K	1

147650730

C147650730

* NEW PART X ON DEMAND



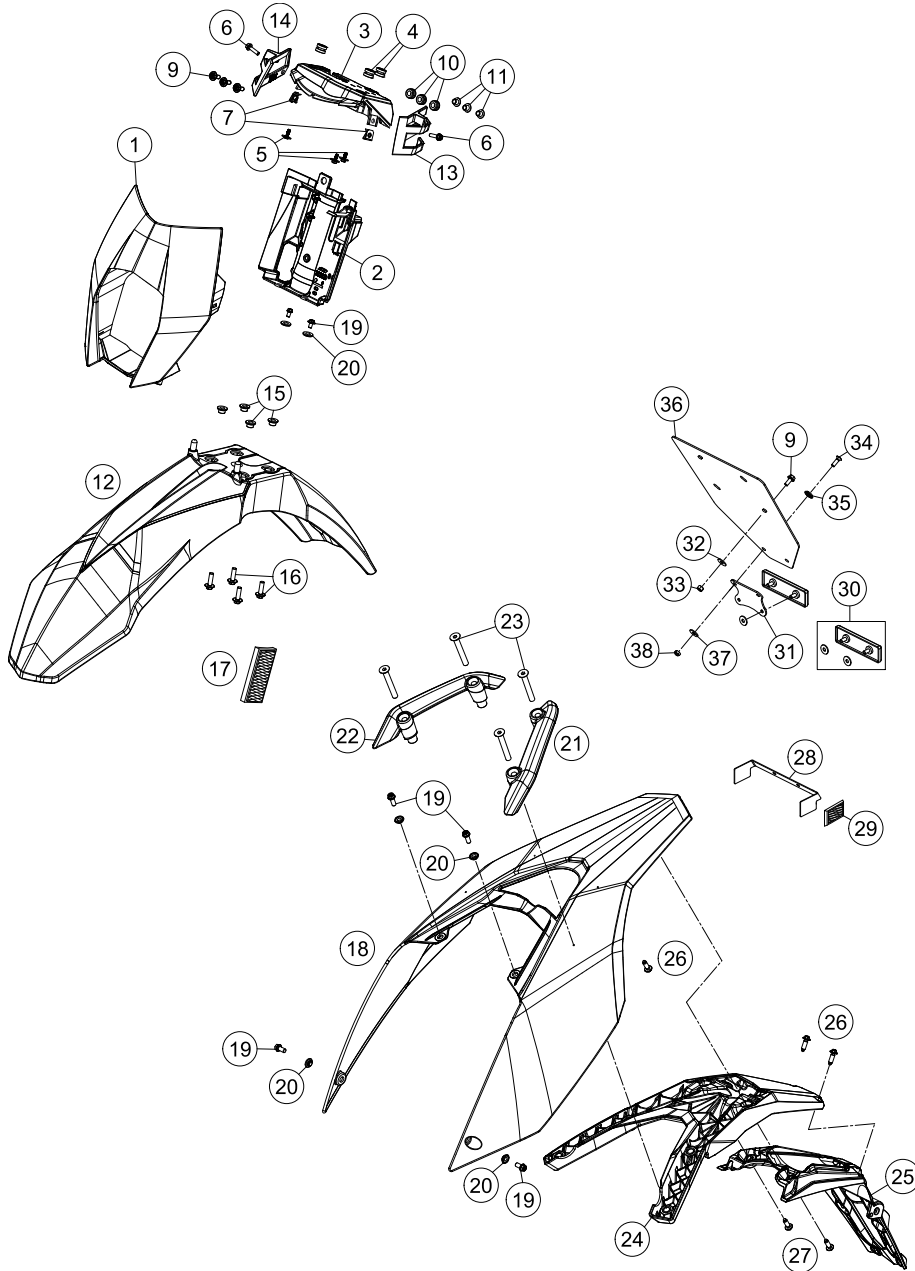
147650812

POS	PARTNUMBER	PARTNAME	PIECE
1*	7650800100028	HEAD LIGHT MASK 08	1
2	76514064000	COVER 08	1
3	76514060000	SPEEDOMETER BRACKET	1
4	58214069051	RUBBER GROMMET 16X10,8X3 02	3
5	0081645121	EJOT DELTA PT SCREW 45X12-Z	3
6	0025050206	HH COLLAR SCREW M5X20 TX30	2
7	54603048200	RANGE CHANGE METAL NUT M5	2
9	0024060156	HH COLLAR SCREW M6X15 TX30	5
10	31008060000	RUBBER SLEEVE D=8MM OPEN	3
11	75014010050	COLLAR BUSHING 6,1X8,1X14X8 07	3
12*	7730821000028	FRONT FENDER WHITE	1
13	76513025000	BRAKE HOSE GUIDE	1
14*	76513026000	BRAKE HOSE GUIDE	1
15	54808020000	SPACER BUSHING 03	4
16	0024060206	HH COLLAR SCREW M6X20 TX30	4
17	58412080100	REFLECTOR YELLOW '99 ONLY FOR USA+AUS/UK	2
18*	7650801300028	REAR PART WHITE	1
19*	0025060126	HH COLLAR SCREW M6X12 TX30	6
20	76508043050	COLLAR BUSHING	6
21	76512008000	HAND GRIP L/S	1
22	76512009000	HAND GRIP R/S	1
23	0019080756	COUNTERSUNK SCREW ISA45 M8X75	4
24	76508016000	NUMBER PLATE CARRIER TOP 08	1
25	76508016050	NUMBER PLATE LO. PART 08	1
26*	0017060205	SCREW FOR PLASTIC K60X20 SW6	4
27*	0017060305	SPECIAL SCREW K60X30 WS=6	2
28	62512081000	BRACKET SIDE REFLECTOR 06 ONLY USA	1
29	16512180100	SIDE REFLECTOR RED REAR ONLY USA	2
30	58412080000	% REFLECTOR RED	1
31	58412080050	BRACKET FOR REFLECTOR	1
32	0125060003	WASHER DIN0125-A 6,4	4
33	0985060003	SELF LOCK. NUT DIN0985-M 6	4
34	0966050163	OVAL HEAD SCREW DIN0966-M 5X16	2
35	40006006000	WASHER 6MM	2

C147650812

* NEW PART

X ON DEMAND



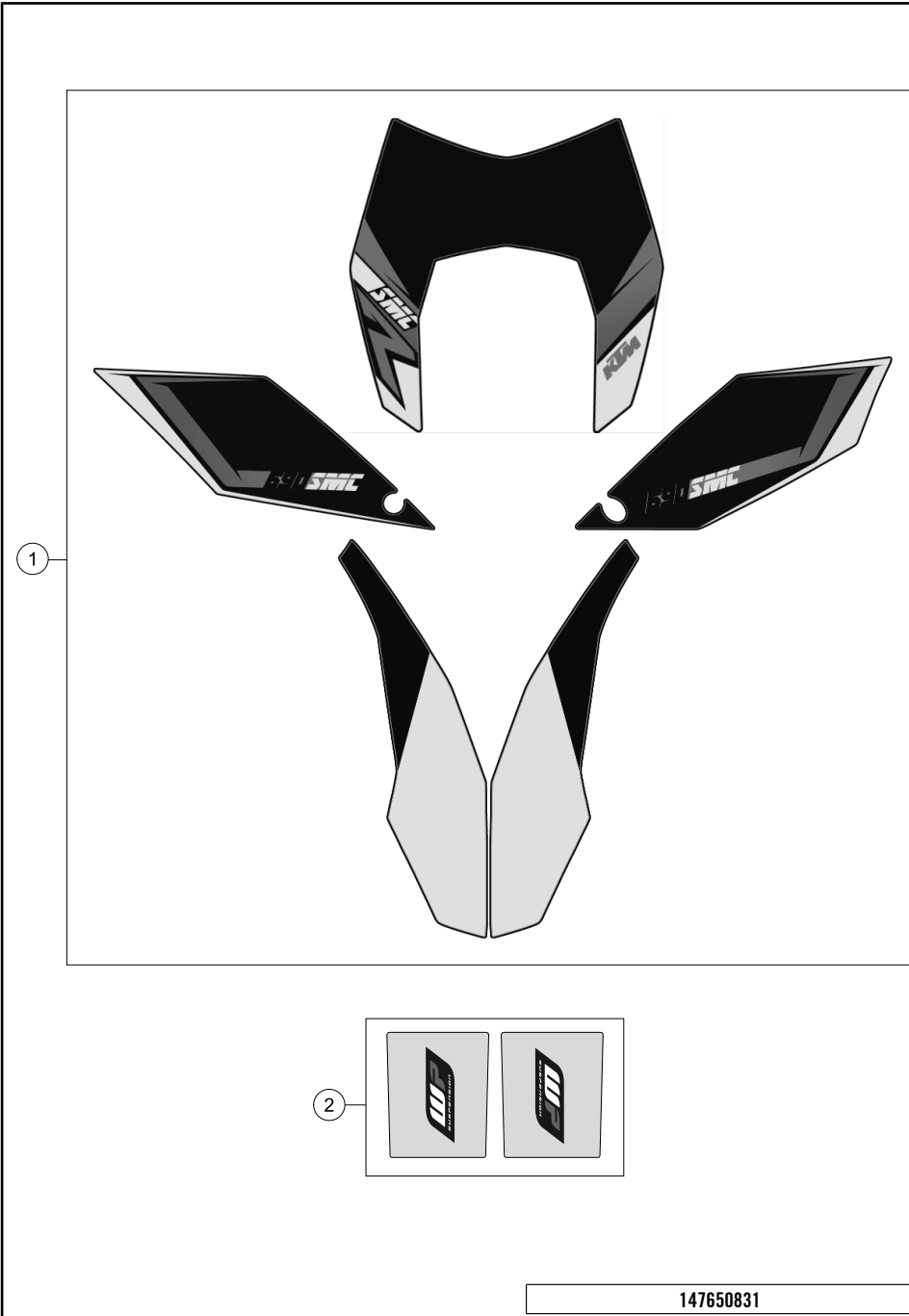
147650812

POS	PARTNUMBER	PARTNAME	PIECE
36	60012081200	LICENCE FITTING 06	1
37	0125050003	WASHER DIN0125-A 5,3	2
38	0985050003	SELF LOCKING NUT DIN0985-M 5	2

C147650812

* NEW PART

X ON DEMAND



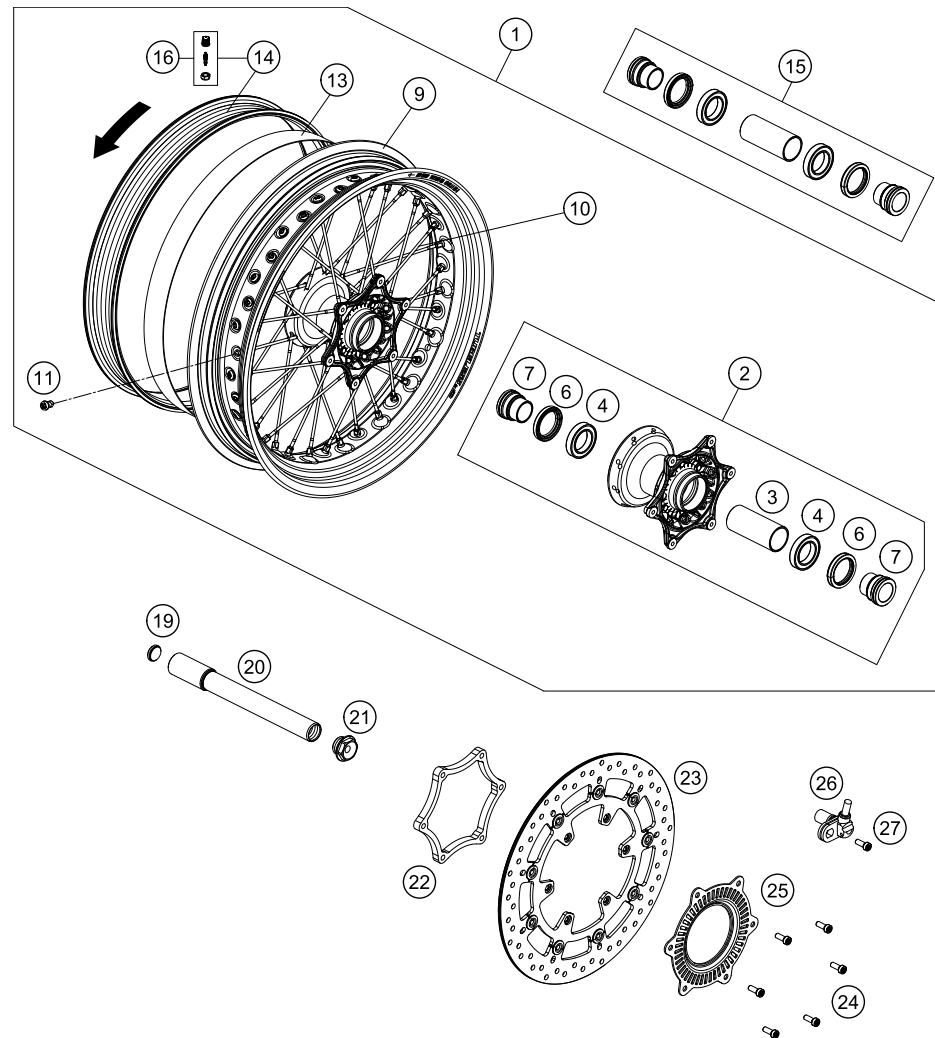
POS	PARTNUMBER	PARTNAME	PIECE
1*	76508099500	DECAL KIT 690 SMC-R 2014	1
2	52000091	STICKER FRONT FORK-SET WP 48	1

147650831

C147650831

* NEW PART

X ON DEMAND



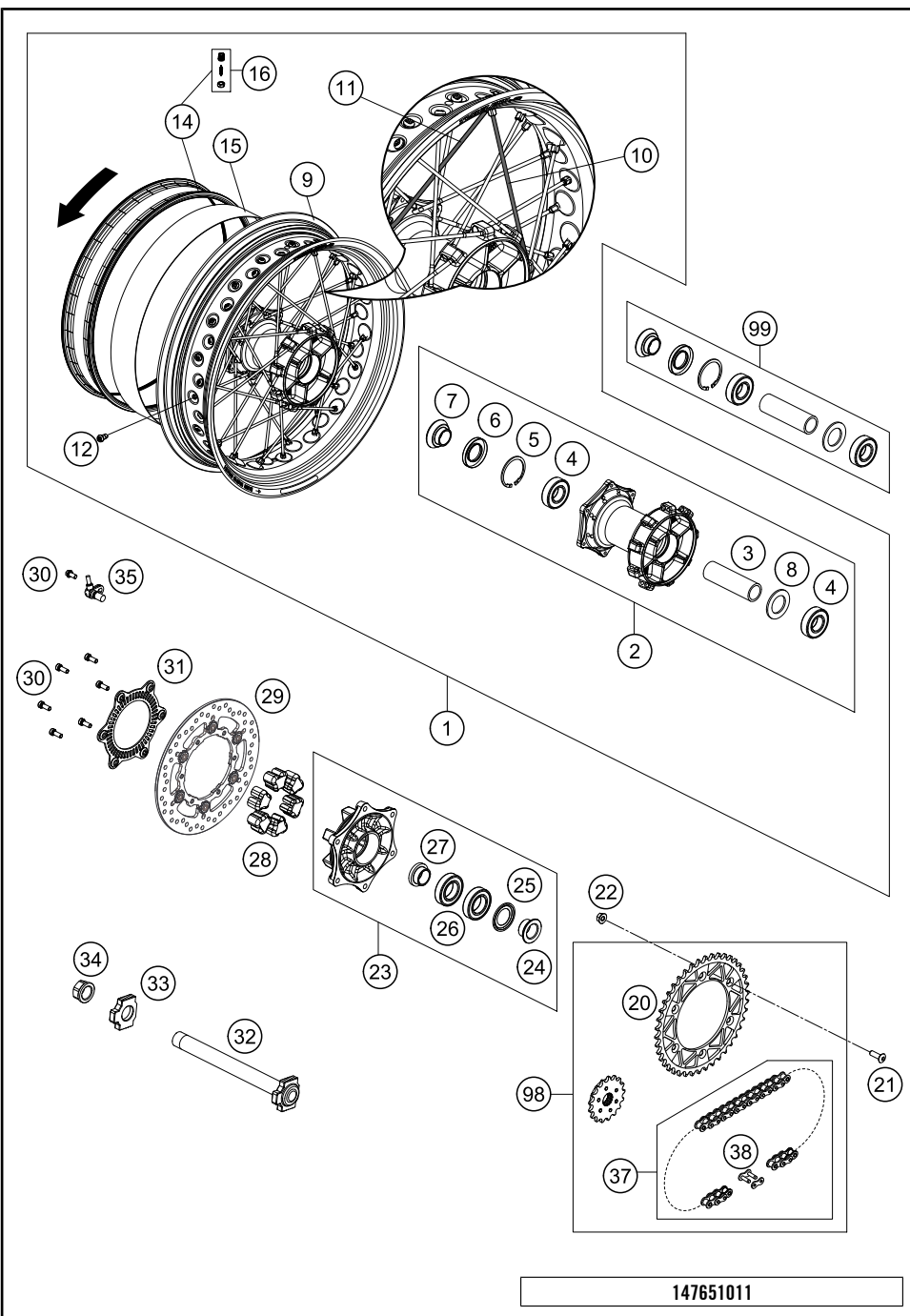
POS	PARTNUMBER	PARTNAME	PIECE
1*	7500910114404	% FR.WHEEL CPL.3,5X17TUBELESS	1
2*	7500901004433	FRONT HUB CPL.	1
3	54809011000	BEA.SPACERTUBE 35X2 L=79,4 03	1
4	0625069068	GR.BALL BEAR.6906 DDU2CG23S6NM	2
6	0760354771	SHAFT SEAL RING 35X47X7 TC	2
7	75009012000	SPACER BUSHING FRONT WHEEL 07	2
9	7500917000004	% TL-RIM 3,5X17" ORANGE	1
10	75009073170	SPOKE M4.5X170-9G 17" INOX	36
11	81210072000	SPOKE NIPPLE QUADRAX M4,5	36
13*	75009073000	RIM TAPE 17"X3.5"	1
14	75009177044	GASKET RUBBER 17" CPL. W.VALVE	1
15	75009015000	FRONT WHEEL REP. KIT	1
16	81210076000	VALVE CPL.	1
19	54809081070	AUXILIARY SCREW FRONT 06	1
20	75009081000	WHEEL SPINDLE FRONT D=26MM 07	1
21	54809082000	SPINDLE SCREW M24X1,5 WS=27 03	1
22	75009061000	BRAKE DISC ADAPTOR 07	1
23*	75009160000	BRAKE DISC FRONT 320MM	1
24*	59009062026	SPECIAL SCREW M6X26 SW=8 10.9	6
25*	60142020000	SENSOR WHEEL FRONT 06	1
26*	76542025000	ABS-SENSOR	1
27*	014580060166	CYL. SCREW DIN14580 M 6X16	1

147650911

C147650911

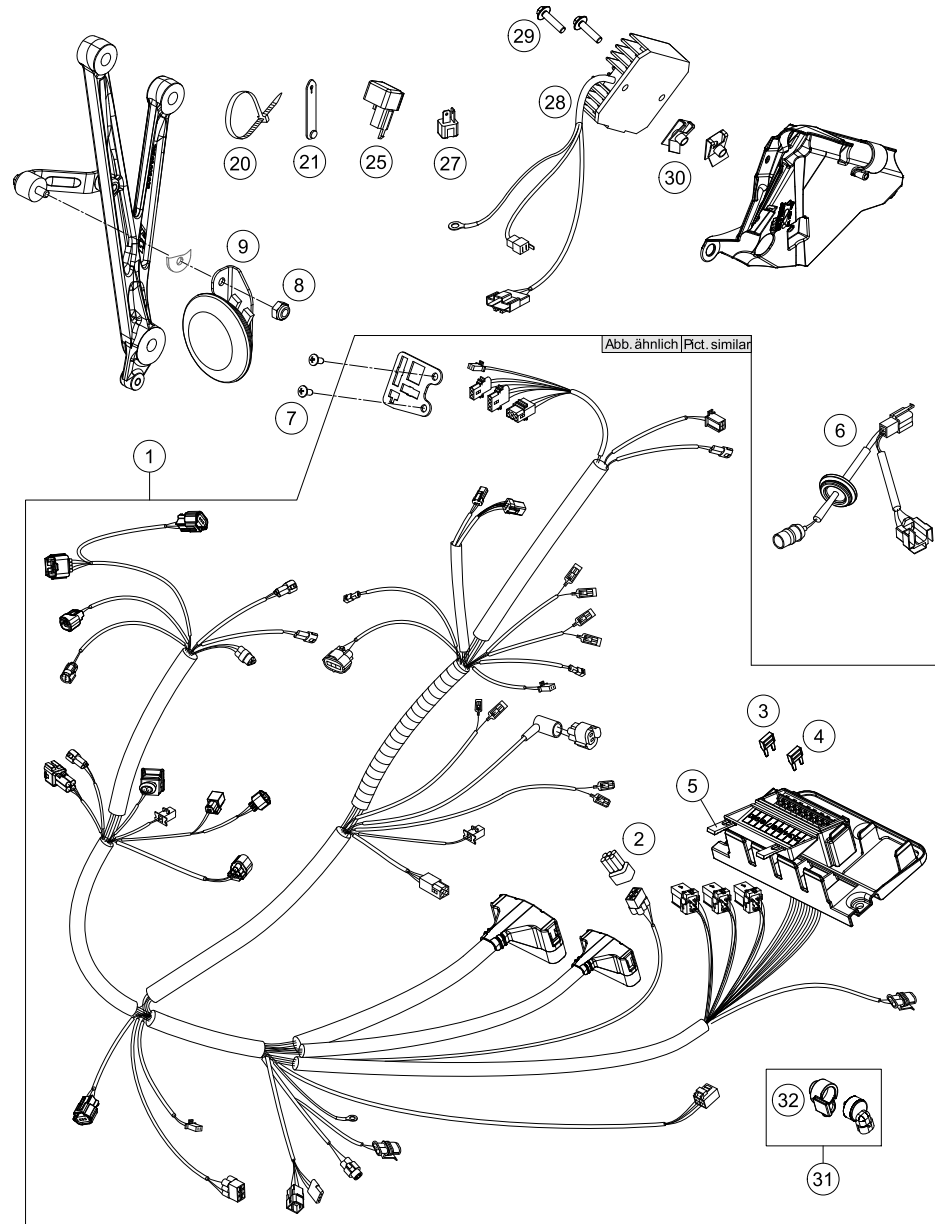
* NEW PART

X ON DEMAND



POS	PARTNUMBER	PARTNAME	PIECE
1*	7501010114404	% RE. WHEEL CPL.5X17" TUBELESS	1
2*	7531001004433	REAR WHEEL HUB CPL. BLACK	1
3	75310011000	BEARING SPACER TUBE L=106MM 07	1
4	0625062052	GR.BALL BEAR. 6205-2RSHC3HMTF7	2
5	0472052200	CIRCLIP DIN0472-52X2	1
6	0760305271	SHAFT SEAL RING 30X52X7	1
7	60110013000	SPACER BUSH. REAR WHEEL R/S 06	1
8	60010015000	SPACER RING 03	1
9	7501017000004	RIM TL 5"X17" ORANGE	1
10	75010073196	SPOKE M4,5X196-16G 17" INOX	18
11	81210171181	SPOKE M4,5X0,75X181	18
12	81210072000	SPOKE NIPPLE QUADRAX M4,5	36
14	75010177044	GASKET RUB. 17X5" CPL.W. VALVE	1
15*	75010073000	RIM BAND 17"X 5.00"	1
16	81210076000	VALVE CPL.	1
20	5841005104004	REAR SPROCKET ORANGE 40-T	x
20	5841005104204	REAR SPROCKET ORANGE 42-T	1
21	0019080266S	COUNTER-SUNK SCREW ISA45 M8X26	6
22	06923080003	HEXAGON NUT DIN EN1661 M8 SW13	6
23	7501005004491	SPROCKET SUPPORT CPL. SILVER	1
24	60110012000	SPACER BUSH. SPROCKET SUPP. 06	1
25	60110016000	NILOS RING 6006AV	1
26	0625060060	BALL BEARING 6006 DDU2CG23S6NM	2
27	60110014000	SPACER BUSH. SPR. SUPP. IN. 06	1
28	54610459000	RUBBER DAMPING BLOCK '91	6
29*	76510160000	BRAKE DISK REAR D=240	1
30*	014580060166S	CYL.HEAD SCREW DIN14580 M6X16	7
31*	76542021000	SENSOR WHEEL ABS REAR	1
32	75310085144	WHEEL SPINDLE CPL.	1
33	60010084000	CHAIN TENSIONER R/S LC8 03	1
34	60010086000	COLLAR NUT WH. SPINDLE REAR 03	1
35*	76042025000	ABS-SENSOR	1
37	78010167118	CHAIN DID 118 LINKS	1
38	78010166100	RIVETING LINK FOR 78010167118	1
98	00050002024	DRIVETRAIN KIT 690 SMC 16T/42T	x
99	75010015000	REAR WHEEL REP. KIT	x

* NEW PART X ON DEMAND



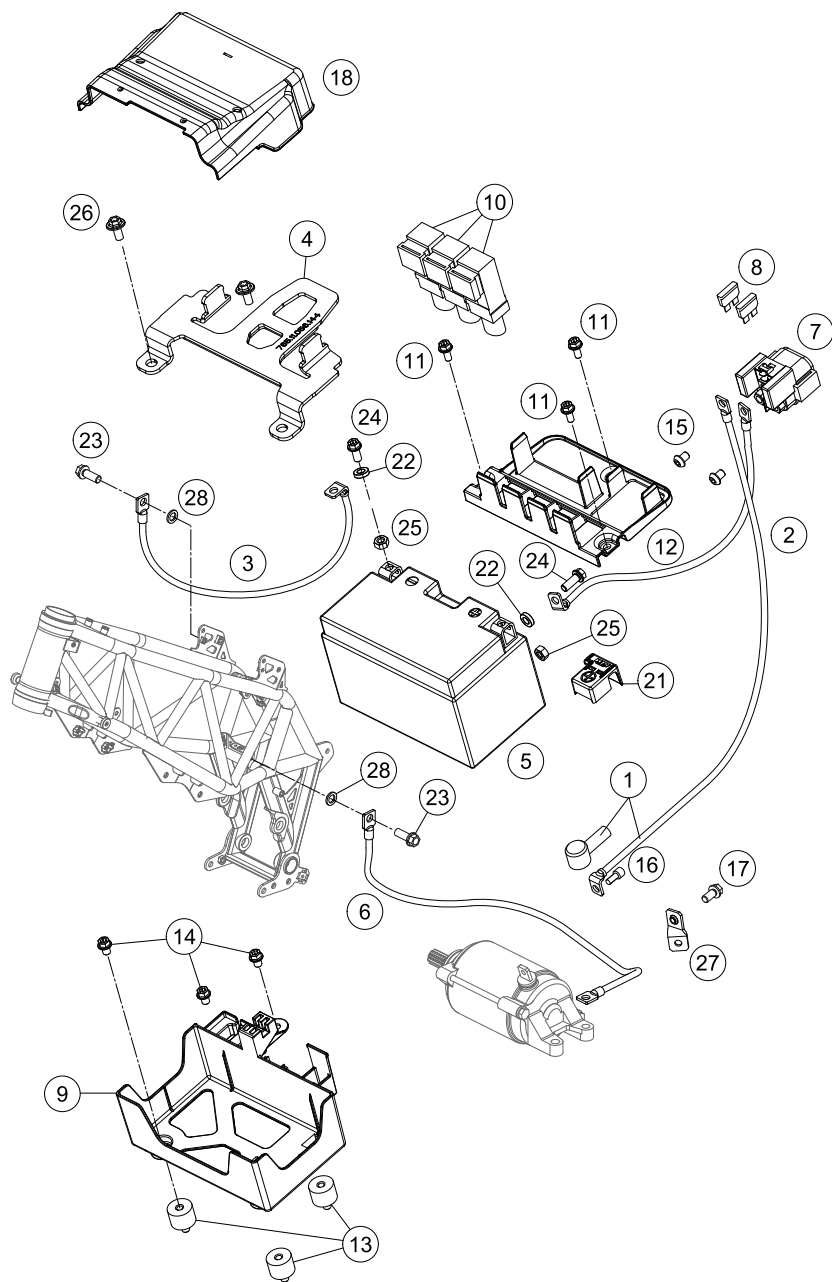
POS	PARTNUMBER	PARTNAME	PIECE
1*	76511275000	WIRING HARNESS	1
2	000700000BH	SPARE CONNECTOR BH 6-PINS	1
3	75011088010	FUSE 10A 07	x
4	75011088015	FUSE 15A 07	x
5	75011087050	RUBBER CASING FOR FUSE BOX	1
6	76511079000	WIRING HARNESS HEAD LIGHT	1
7	0081050121	SCREW FOR PLASTIC K50X12 T20	2
8	0985060003	SELF LOCK. NUT DIN0985-M 6	1
9	76511060000	DC HORN CPL.	1
20	44011076140	CABLE TIE 140/2,5MM BLACK	x
20	44011076200	CABLE TIE 200/3,6MM BLACK	x
20	44011076305	CABLE TIE 300/4,8MM BLACK	x
21	60011093045	RUBBER CABLE TIE 45MM 03	x
25*	76511030000	FLASHER UNIT	1
27	58411096100	DIODE S3H-15 97	3
28*	60011034100	VOLTAGE REGULATOR	1
29	0024060256	HH COLLAR SCREW M6X25 TX30	2
30	54603048100	RANGE CHANGE METAL NUT M6	2
31	76511010000	MAP-SELECT-SWITCH	1
32	76511010050	RUBBER HOLDER F. MAP-SEL-SWIT.	1

147651110

C147651110

* NEW PART

X ON DEMAND



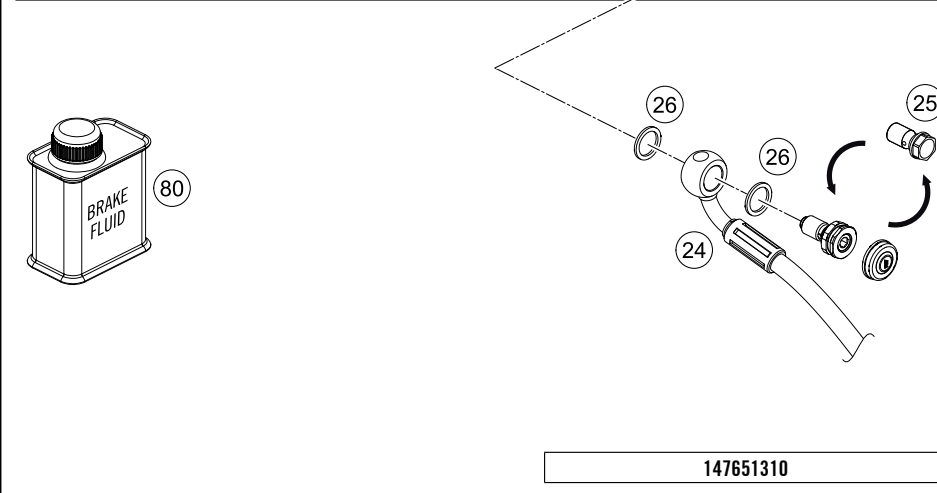
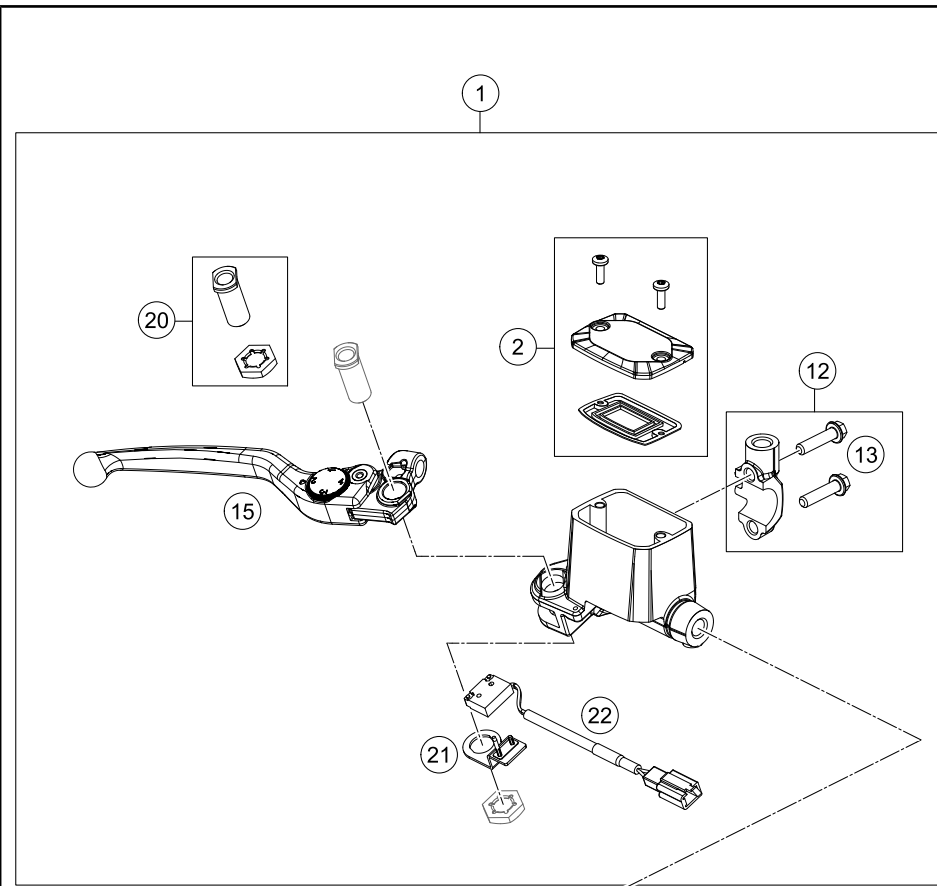
POS	PARTNUMBER	PARTNAME	PIECE
1	76511059000	STARTER-CABLE L=570MM 08	1
2	75011059150	BATTERY-CABLE L=170MM	1
3	76511097000	GROUND CABLE L=420MM 08	1
4*	76511056144	RETAINING PLATE BATTERY CPL.	1
5	58411053100	BATTERY 12V 8,6AH 03	1
6	58411097100	GROUND CABLE D=6MM L=140MM '97	1
7	58211058000	STARTER RELAY 12V '99	1
8	58011109130	FUSE 30 A	2
9*	76511054100	BATTERY BRACKET	1
10	61111057000	RELAY CM1A-R-12V-H80 07	3
11	0025050126	HH COLLAR SCREW M5X12 TX30	3
12	76511055000	HOLDER F.ELECTRIC 08	1
13	43205062100	RUBBER GROMMET 20X15-M6X10 (1)	3
14	0024060106	HH COLLAR SCREW M6X10 TX30	3
15	0902060083	AH OVAL SCREW ISO 7380 M 6X8	2
16	0912050083	AH SCREW DIN 912 M 5X8	1
17	0025050106	COLLAR SCREW M5X10 ISA30	1
18*	76511085000	COVER ELECTRIC	1
21*	62111059060	COVER POSITIVE POLE	1
22*	12011016000	WASHER 6 X 12 X 3	2
23	0025060126	HH COLLAR SCREW M6X12 TX30	2
24	0025060166	HH COLLAR SCREW M6X16 TX30	2
25	0934060003	HEXAGON NUT DIN0934-M 6	2
26	0024060136	HH COLLAR SCREW M6X13 TX30	2
27	76511059061	RETAINING PLATE STARTER CABLE	1
28	58411098100	CONTACT WASHER M6 VSV-K6	2

147651130

C147651131

* NEW PART

X ON DEMAND



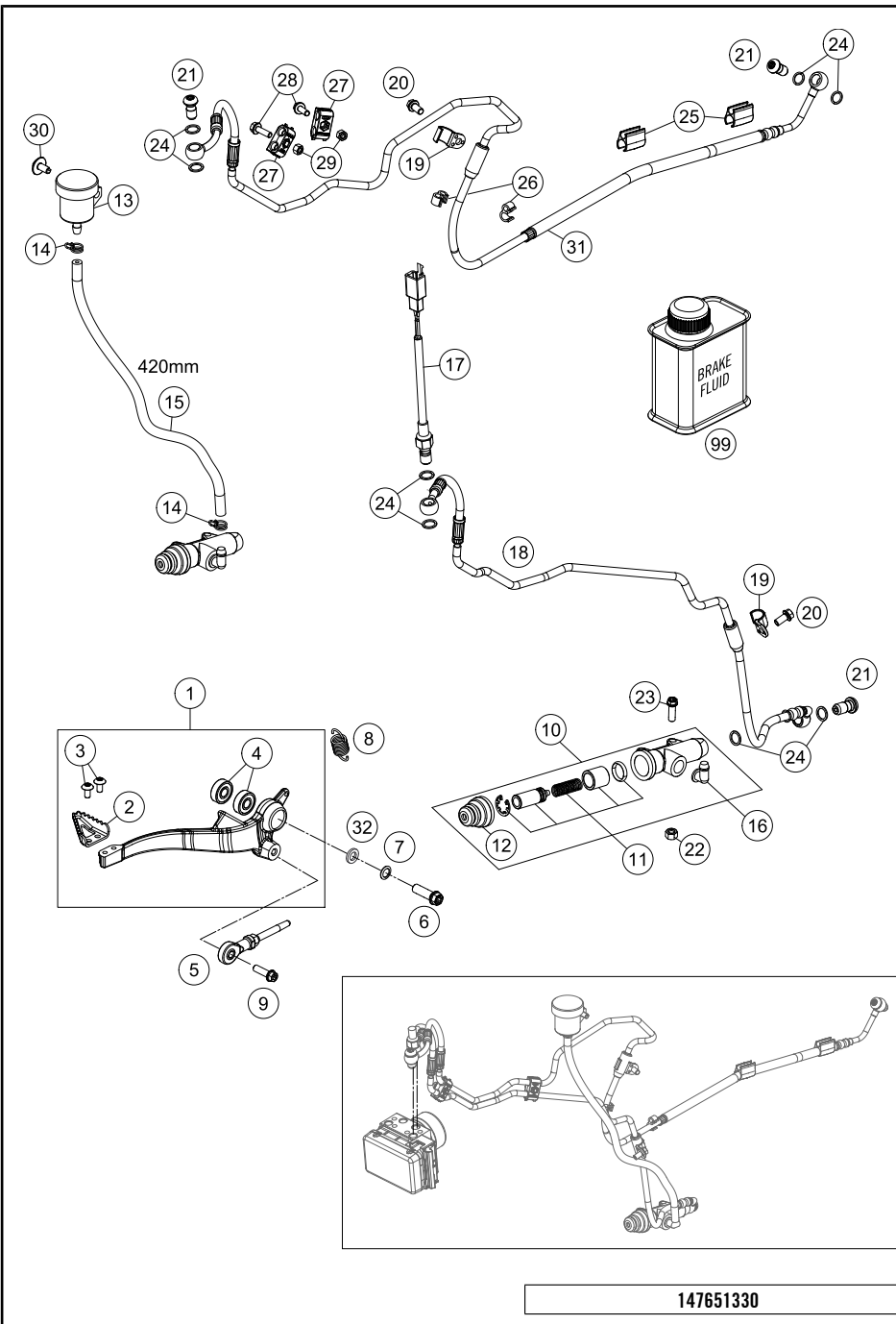
POS	PARTNUMBER	PARTNAME	PIECE
1*	76013001033	HAND BRAKE CYLINDER ASSY	1
2*	76013012000	COVER HAND BRAKE CYLINDER CPL.	1
12*	76013005000	CLAMP CPL.	1
13*	0025060256	HH COLLAR SCREW M6X25 TX30	2
15*	58713002100	HAND BRAKE LEVER LOOSE ADJ. 03	1
20*	76013006000	LEVER SCREW CPL.	1
21*	76011040000	BRACKET F. BRAKE LIGHT SWITCH	1
22*	76011050000	BRAKE LIGHT SWITCH FRONT	1
24*	76542005000	BRAKE HOSE HAND BRAKE CYLINDER	1
25*	62113020100	HOLL. SCREW M10X1X19.5	1
26*	0603100141	COPPER GASKET DIN7603-10X14X1	1
80	00062030000	BRAKE FLUID DOT5.1 0,25L	1

147651310

C147651310

* NEW PART

X ON DEMAND



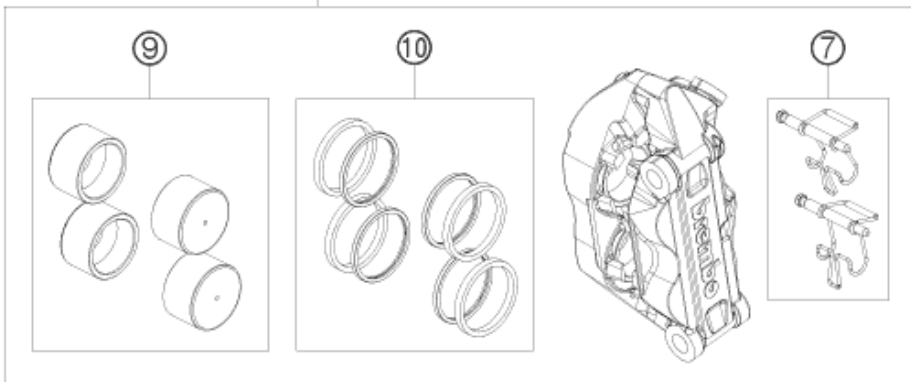
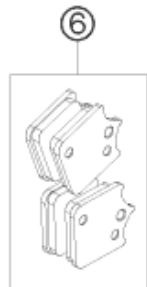
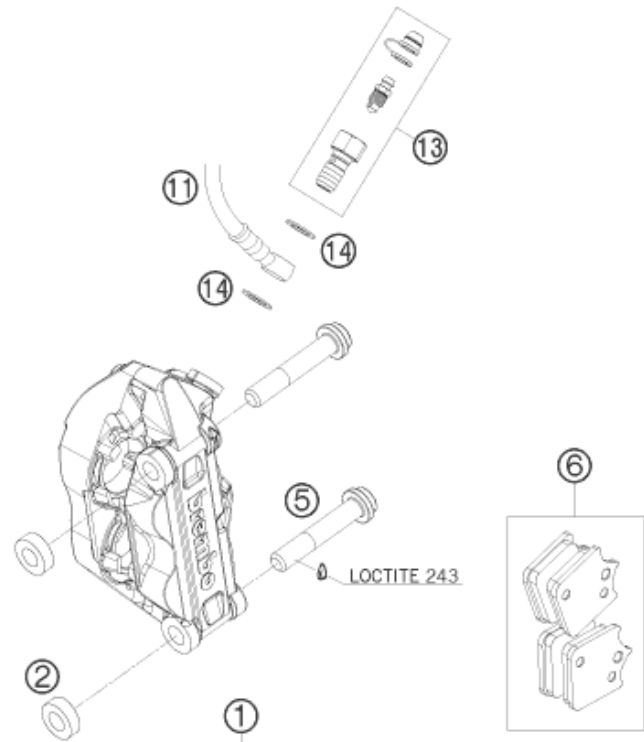
POS	PARTNUMBER	PARTNAME	PIECE
1	7651305024401	FOOT BRAKE LEVER CPL. 11	1
2	60013051000	STEP PLATE FOOT BRAKE LEVER 03	1
3	58605083010	% SCREW TORX M5X10 05	2
4	0625006087	GROOVED BALL BEAR. 608 2RS C3	2
5	76513056144	PUSH ROD CPL.	1
6	0025080306S	HH COLLAR SCREW M8X30 TX40	1
7	36003014000	LOCK WASHER 8MM	1
8	54603062000	% RETURN SPRING FOR BRAKELEVER	1
9	0025060206S	HH COLLAR SCREW M6X20 TX30	1
10*	54513101044	MAIN BRAKE CYLINDER '89	1
11	76513061000	REPAIR KIT PISTON 13MM	1
12	54513151000	RUBBER SLEEVE	1
13	54513030044	BRAKE FLUID RESERVOIR '89	1
14	58007017000	YDNAC CLAMP 10101 (10,4MM)	2
15	69013069001	HOSE FOR RESERVOIR 6X1,5	1
16	54513155000	ANGLE PIECE	1
17*	62111051000	BRAKE LIGHT SWITCH REAR	1
18*	76542003000	BRAKE HOSE REAR MASTER CYL.	1
19*	76542050000	CLAMP	2
20*	0025060126	HH COLLAR SCREW M6X12 TX30	2
21	62113020100	HOLL. SCREW M10X1X19.5	3
22	0926060000	STOP NUT M6 DIN6926 A2-70	2
23	0025060256	HH COLLAR SCREW M6X25 TX30	2
24	0603100141	COPPER GASKET DIN7603-10X14X1	8
25*	54813026000	CABLE SUPPORT 10/6MM 06	2
26*	60111094000	CLIP 5/7 MM 06	2
27*	60113146000	SUPPORT FOR BRAKE HOSE M5	2
28*	0025050166	HH COLLAR SCREW M5X16 TX30	2
29*	0934050003	HEXAGON NUT DIN0934-M 5	2
30*	0024060136	HH COLLAR SCREW M6X13 TX30	1
31*	76542001000	BRAKE HOSE REAR CALIPER	1
32	61112006080	WASHER 8,3X14X2 07	1
99	00062030000	BRAKE FLUID DOT5.1 0,25L	1

C147651330

C147651330

* NEW PART

X ON DEMAND



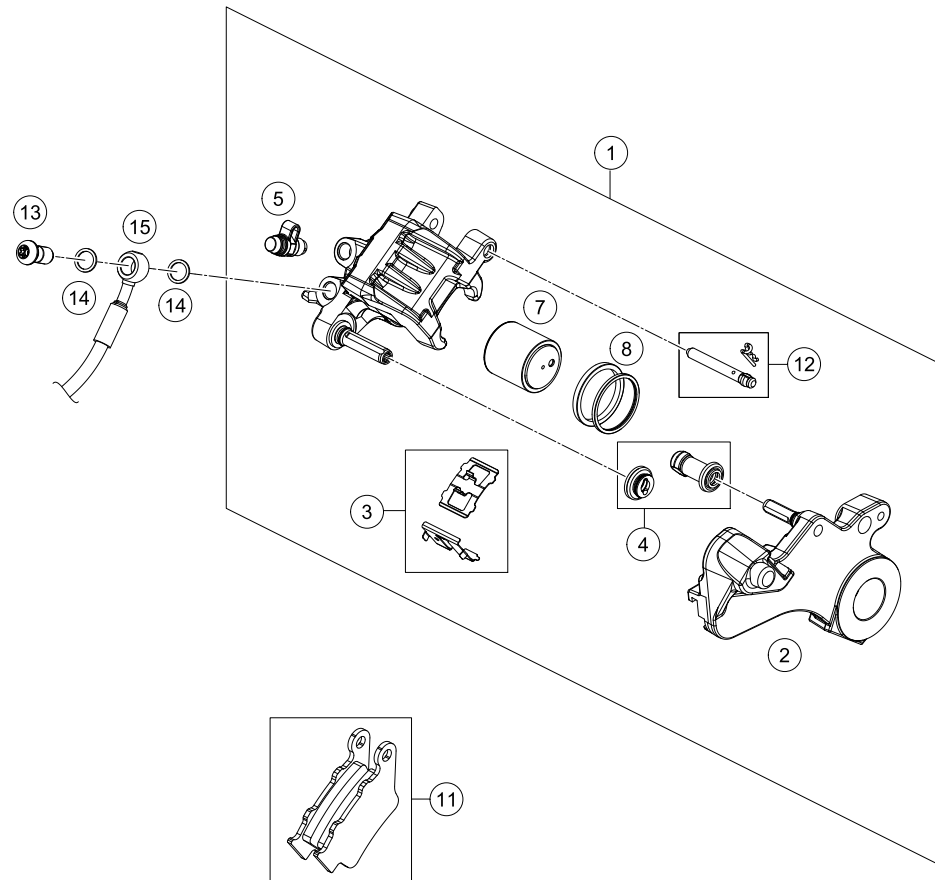
POS	PARTNUMBER	PARTNAME	PIECE
1	6251301510101	BRAKE CALIPER LE.NAT.WITHOUT	1
2	6111302200001	SPACER BUSH 10,1X20X7,5 07	2
5	0035100659	AH-COLLAR SCREW M10X1,25X65	2
6	76513030000	BRAKE PAD FR. TOSHIBA TT2182FF	1
7	61013018000	PINS + SPRINGS F. BRAKECALIPER	1
9	61013019000	BRAKE PISTONS 4X	1
10	61013019100	REP.KIT SEALING RINGS 4X	1
11*	76542106000	BRAKE HOSE FRONT CALIPER	1
13	62513020000	BLEEDER SCREW CPL. 05	1
14	0603100141	COPPER GASKET DIN7603-10X14X1	2

087651361

C147651361

* NEW PART

X ON DEMAND



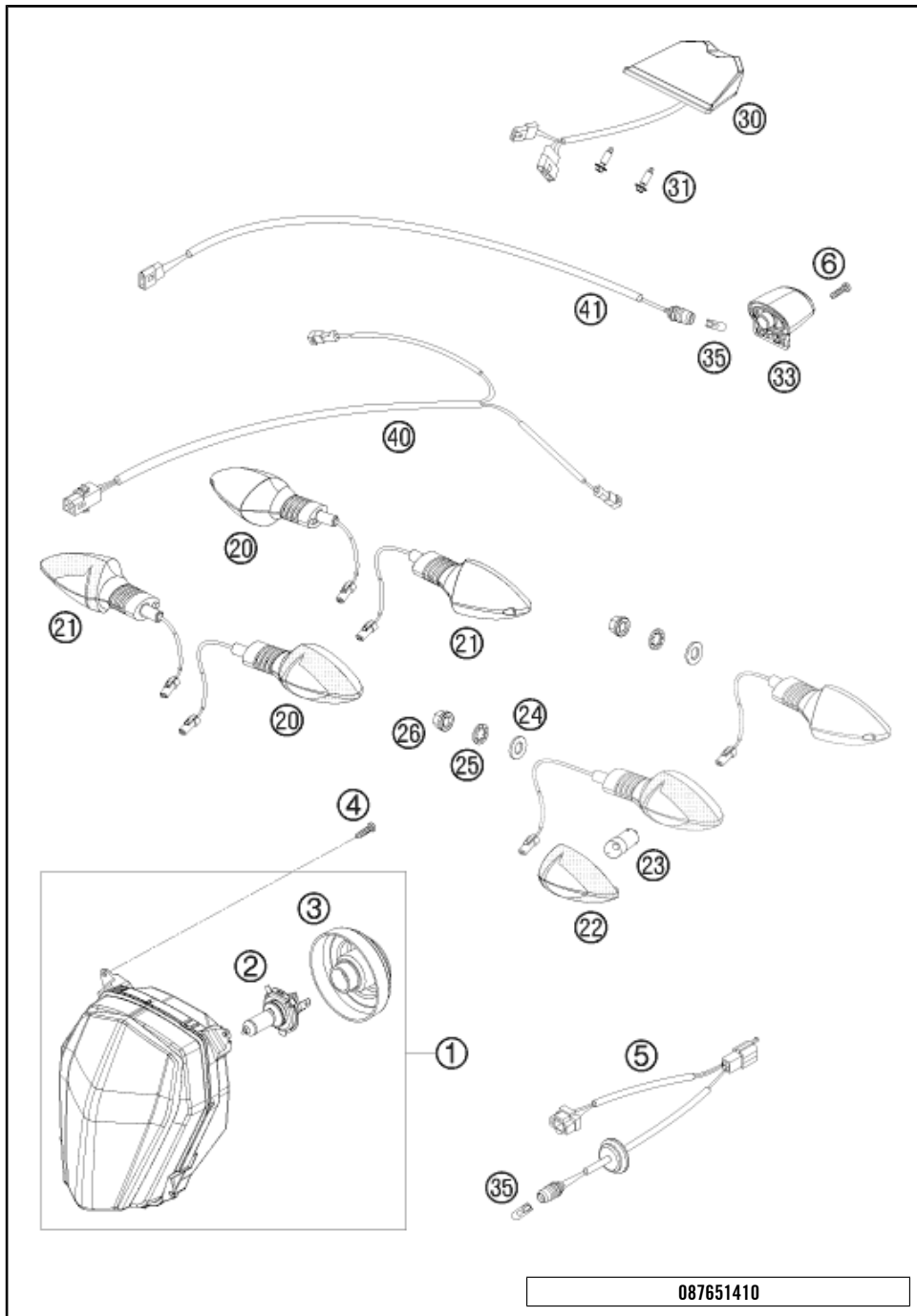
POS	PARTNUMBER	PARTNAME	PIECE
1*	7601308000101	BRAKE CAL. RE. - WITHOUT PADS	1
2*	7601317500001	BRAKE CALIPER BRACKET REAR	1
3	54613311200	RETAINING SPRING SET	1
4	54613218000	CUP SET SHORT	1
5	61013020200	BLEEDER SCREW WITH CAP	1
7	50313083000	BRAKE PISTON 32MM	1
8	50313081000	REPAIR KIT SEALING RINGS 32MM	1
11	75013090000	BRAKE PAD SET REAR SBS-S-40GF	1
12	61013082000	BOLT SET 05	1
13*	62113020100	HOLL. SCREW M10X1X19.5	1
14	0603100141	COPPER GASKET DIN7603-10X14X1	2
15*	76542001000	BRAKE HOSE REAR CALIPER	1

147651390

C147651390

* NEW PART

X ON DEMAND



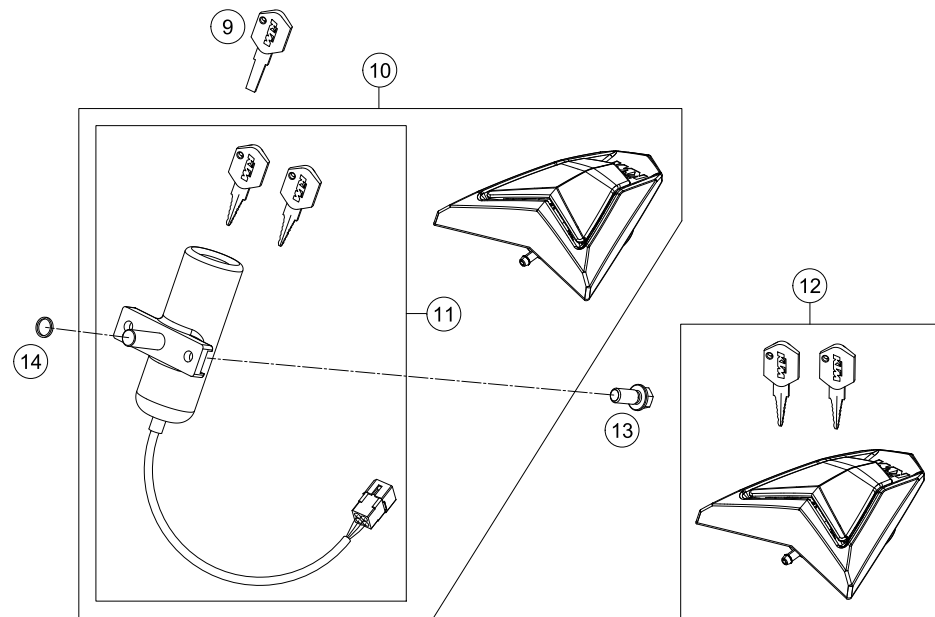
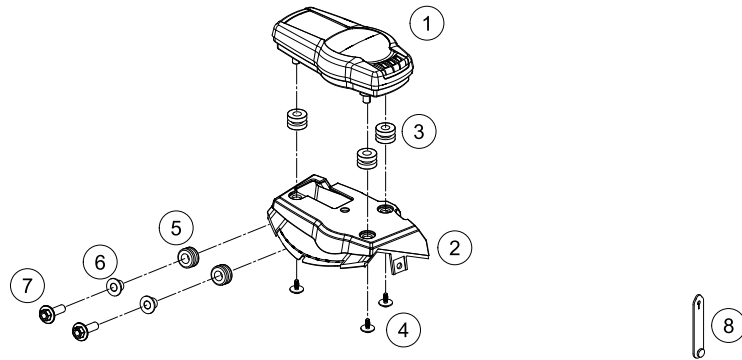
POS	PARTNUMBER	PARTNAME	PIECE
1	76514001000	HEAD LIGHT	1
2	57111038000	BULB H4 12V 60/55W (P43T)	1
3	76514001050	RUBBER CAP FOR HEAD LIGHT	1
4	0081050121	SCREW FOR PLASTIC K50X12 T20	4
5	76511079000	WIRING HARNESS HEAD LIGHT	1
6	0081250181	SCREW FOR PLASTIC 50X18 T20	1
20	60114025000	FLASHER CPL.FRONT L/S REAR R/S	2
21	60114026000	FLASHER CPL.FRONT R/S REAR L/S	2
22	60114028000	FLASHER LENS L/S R/S TRANSP.06	4
23	60114027000	BULB 12V ORANGE (RY10W)	4
24	0433100003	WASHER 18x10,5x1,6	4
25	0797100003	LOCK WASHER DIN6797-J10,5 ZI	4
26	58414030000	HH COLLAR NUT M10X1,25 WS=13	4
30	76514040000	REAR LIGHT	1
31	0017060205	SCREW FOR PLASTIC K60X20 SW6	2
33	75014047000	LICENSE PLATE ILLUMINATION 07	1
35	49011435100	BULB 12V 5W (W2,1X9,5D) PHIL.	2
40	76511076000	WIRING HARNESS FLASHER REAR 08	1
41	76511078000	WIRING HARN. LIC. PLATE ILLUM.	1

087651410

C127651410

* NEW PART

X ON DEMAND



POS	PARTNUMBER	PARTNAME	PIECE
1*	76014069100	SPEEDOMETER REPROGRAMMABLE KM/H - MPH	1
2	76514060000	SPEEDOMETER BRACKET	1
3	58214069051	RUBBER GROMMET 16X10,8X3 02	3
4	0081645121	EJOT DELTA PT SCREW 45X12-Z	3
5	31008060000	RUBBER SLEEVE D=8MM OPEN	2
6	75014010050	COLLAR BUSHING 6,1X8,1X14X8 07	2
7	0024060156	HH COLLAR SCREW M6X15 TX30	2
8	60011093045	RUBBER CABLE TIE 45MM 03	2
9	40011166100	KEY BLANK LC4/DUKE/LC8	x
10	76511066144	LOCK SET	1
11	76511066000	IGNITION LOCK 08	1
12	76507008100	TANK CAP	1
13	59009062013	SPECIAL SCREW M6X13 WS=8 10.9	2
14	0770100020	O-RING 10,00X2,00 SILCONE	1

147651430

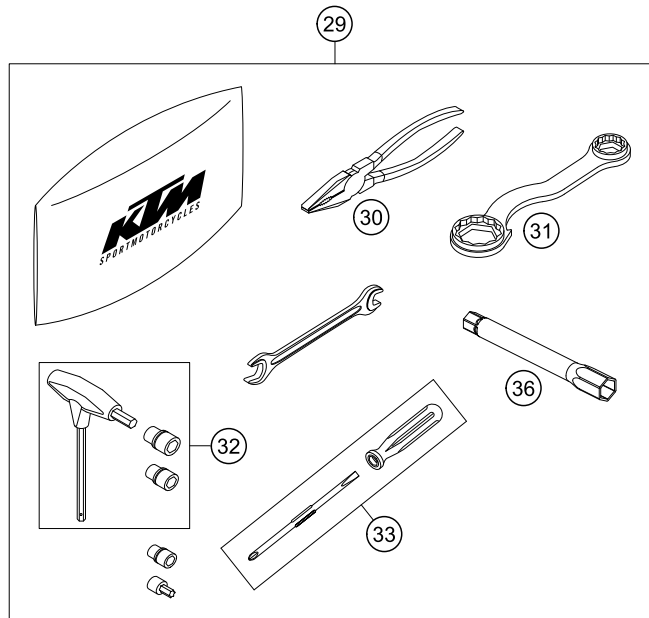
C147651431

* NEW PART

X ON DEMAND

0
OHNE ABBILDUNG
WITHOUT ILLUSTRATION

1
TECHNISCHE DOKUMENTATION
TECHNICAL DOCUMENTATION
DOCUMENTACION TECNICA
DOCUMENTATION TECHNIQUE
NOTE TECNICHE



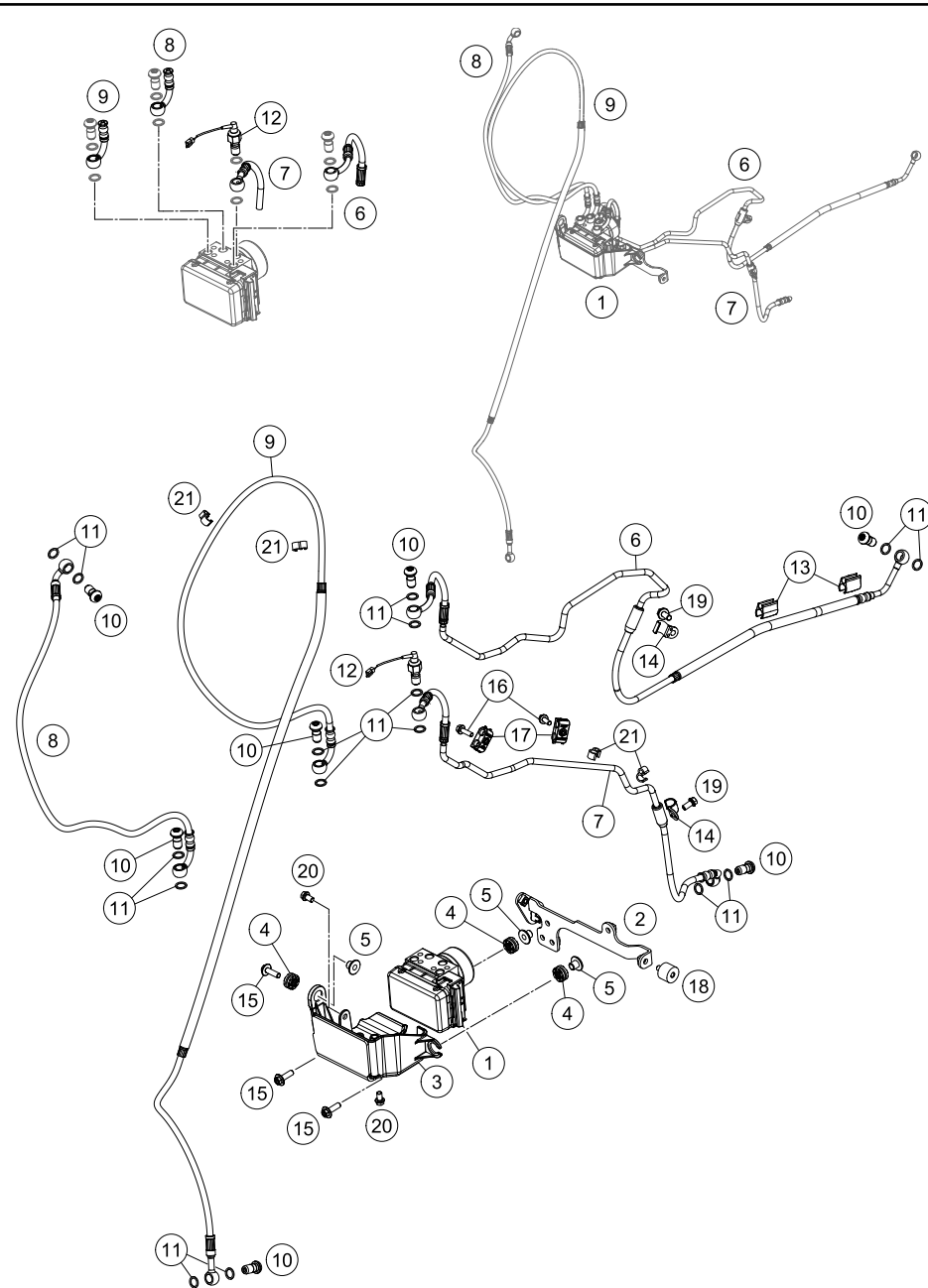
147652000

POS	PARTNUMBER	PARTNAME	PIECE
0	0019080756	COUNTERSUNK SCREW ISA45 M8X75	4
0	0025080126	HH COLLAR SCREW M8X12 TX40	4
0	78003040033	FOOTREST L/S + R/S CPL. 09	1
0	60012081200	LICENCE FITTING 06	1
0	0024060206	HH COLLAR SCREW M6X20 TX30	4
0	0985060003	SELF LOCK. NUT DIN0985-M 6	4
0	60035001000	SPECIAL SCREW M6X21 WS=8	2
0	58412080000	% REFLECTOR RED	1
0	58412080050	BRACKET FOR REFLECTOR	1
0	40006006000	WASHER 6MM	2
0	0966050163	OVAL HEAD SCREW DIN0966-M 5X16	2
0	0125050003	WASHER DIN0125-A 5,3	2
0	0125060003	WASHER DIN0125-A 6,4	4
0	0985050003	SELF LOCKING NUT DIN0985-M 5	2
0	312305	DOCUMENTS BAG 2006	1
0	3210039	* CUSTOMER WELCOME LETTER	1
0	3212521GB	POWER WEAR FOLDER 2014	1
0	312313	KTM BALLPOINT PEN ORANGE	1
0	00063099111	BAG FOR INSTR. MANUAL 245X170	1
0	7650304803301	FOOT REST SUPPORT REAR L/S	1
0	7650304903301	FOOT REST SUPPORT REAR R/S	1
0	0025080166	HH COLLAR SCREW M8X16 TX40	4
0	61112040000	REVIEW MIRROR L/S 07	1
0	61112041000	REVIEW MIRROR R/S 07	1
0	58412040050	SUPPORT FOR MIRROR LC4 '98	2
0	76512008000	HAND GRIP L/S	1
0	76512009000	HAND GRIP R/S	1
0	76503038150	HEEL PROTECTOR LS 09	1
0	76503039050	HEEL PROTECTOR RS 08	1
0	00063004202	PRINT LABEL 60X51 MM	1
1	3213104EN	OWN. MAN. 690 SMC R 14	1
29	75029099100	TOOL SET 08	1
30	53012028200	GRIP ORANGE B&F	1
31	50329080100	WRENCH SW=17/21/27/32 B&F	1
32	60029070200	% T-WRENCH WS=6/8/10 TX=45 B&F	1
33	53012024100	SCREW DRIVER L=105MM	1
36	75029072000	SPARK PLUG WRENCH	1

C147652002

* NEW PART

X ON DEMAND



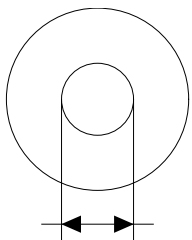
POS	PARTNUMBER	PARTNAME	PIECE
1*	76542131044	ABS-MODULE FILLED 14	1
2*	76542040000	BRACKET ABS-MODULE	1
3*	76542030000	COVER ABS-MODULE	1
4*	62142041000	DAMP. COMPONENT ABS MODUL	3
5*	61342041000	COLLAR BUSH 6,5X9X18X8,5	3
6*	76542001000	BRAKE HOSE REAR CALIPER	1
7*	76542003000	BRAKE HOSE REAR MASTER CYL.	1
8*	76542005000	BRAKE HOSE HAND BRAKE CYLINDER	1
9*	76542006000	BRAKE HOSE FRONT CALIPER	1
10*	62113020100	HOLL. SCREW M10X1X19.5	7
11*	0603100141	COPPER GASKET DIN7603-10X14X1	16
12*	62111051000	BRAKE LIGHT SWITCH REAR	1
13*	54813026000	CABLE SUPPORT 10/6MM 06	2
14*	76542050000	CLAMP	2
15*	0024060206	HH COLLAR SCREW M6X20 TX30	3
16*	0025050166	HH COLLAR SCREW M5X16 TX30	2
17*	60113146000	SUPPORT FOR BRAKE HOSE M5	2
18*	43205062100	RUBBER GROMMET 20X15-M6X10 (1)	1
19*	0025050126	HH COLLAR SCREW M5X12 TX30	2
20*	0025060106	HH COLLAR SCREW M6X10 TX30	1
21*	60111094000	CLIP 5/7 MM 06	4
22*	60142020000	SENSOR WHEEL FRONT 06	1
23*	76542025000	ABS-SENSOR	1
24*	76042025000	ABS-SENSOR	1
25*	76542021000	SENSOR WHEEL ABS REAR	1

147654210

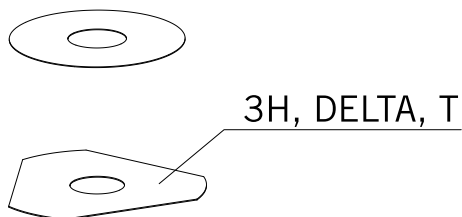
C147654211

* NEW PART

X ON DEMAND



- ⑤ Ø 5 mm
- ⑥ Ø 6 mm
- ⑧ Ø 8 mm
- ⑩ Ø 10 mm
- ⑫ Ø 12 mm
- ⑭ Ø 14-14,5 mm
- ⑯ Ø 16 mm
- ⑳ Ø 20 mm
- ㉑ Ø 21 mm
- ㉒ Ø 22 mm
- ㉓ Ø 23 mm
- ㉔ Ø 24,5 mm
- ㉘ Ø 28,5 mm
- ㉚ Ø 32 mm
- ㉜ Ø 52 mm



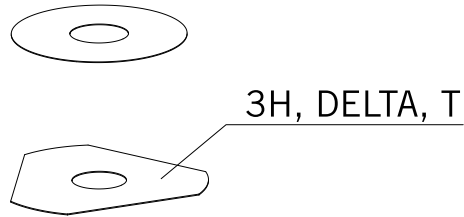
POS	PARTNUMBER	PARTNAME	PIECE
5	44906890	WASHER 5X15X2	X
6	40540400	SHIM 6X12X0,1	X
6	40540401	SHIM 6X14X0,1	X
6	40540402	SHIM 6X16X0,1	X
6	40540403	SHIM 6X18X0,1	X
6	40540404	SHIM 6X12X0,15	X
6	40540405	SHIM 6X14X0,15	X
6	40540406	SHIM 6X16X0,15	X
6	40540407	SHIM 6X18X0,15	X
6	40540408	SHIM 6X12X0,2	X
6	40540409	SHIM 6X14X0,2	X
6	40540410	SHIM 6X16X0,2	X
6	40540411	SHIM 6X18X0,2	X
6	48600095	* SHIM 6X20X0,20	X
6	40540412	SHIM 6X12X0,25	X
6	40540413	SHIM 6X14X0,25	X
6	40540414	SHIM 6X16X0,25	X
6	40540415	SHIM 6X18X0,25	X
6	40540417	SHIM 6X8,5X0,10	X
6	40540418	SHIM 6X9X0,10	X
6	40540419	SHIM 6X9,5X0,10	X
6	40540423	SHIM 6X9,5X0,15	X
6	40540425	SHIM 6X8,5X0,20	X
6	40540426	SHIM 6X9X0,20	X
6	40540427	SHIM 6X9,5X0,20	X
6	40540447	SHIM 6X10X0,3	X
6	40540449	SHIM 6X9X0,3	X
6	40540450	SHIM 6X9,5X0,3	X
6	40540494	SHIM 6X18X0,4	X
6	40540774	SHIM 6X18X0,1 DELTA	X
6	40541383	SHIM 6X11X0,1	X
6	40541391	SHIM 6X11X0,3	X
6	40541402	SHIM 6X11X0,2	X
6	40541403	SHIM 6X10X0,20	X
6	40541404	SHIM 6X10X0,1	X
6	40541405	SHIM 6X10X0,15	X
6	40541406	SHIM 6X11X0,15	X
6	40541408	SHIM 6X8,0X0,30	X

080000190

C130009090

* NEW PART

X ON DEMAND



- ⑤ Ø 5 mm
- ⑥ Ø 6 mm
- ⑧ Ø 8 mm
- ⑩ Ø 10 mm
- ⑫ Ø 12 mm
- ⑭ Ø 14-14,5 mm
- ⑯ Ø 16 mm
- ⑳ Ø 20 mm
- ㉑ Ø 21 mm
- ㉒ Ø 22 mm
- ㉓ Ø 23 mm
- ㉔ Ø 24,5 mm
- ㉘ Ø 28,5 mm
- ㉚ Ø 32 mm
- ㉜ Ø 52 mm

POS	PARTNUMBER	PARTNAME	PIECE
6	40541414	SHIM 6X8,0X0,10	X
6	40541416	SHIM 6X8X0,3	X
6	40541417	SHIM 6X11X0,25	X
6	48600102	* SHIM 6X24X0,25	X
6	48600063	SHIM 6X24X0,1	X
6	48600064	SHIM 6X22X0,1	X
6	48600065	SHIM 6X20X0,1	X
6	48600069	SHIM 6X20X0,15	X
6	48600100	SHIM 6X24X0,15	X
6	48600116	SHIM 6X24X0,1 DELTA	X
6	48600139	SHIM 6X22X0,1 DELTA	X
6	48600217	BACKPLATE 6X10X0,25	X
6	48600325	SHIM 6X13X0,1	X
6	48600327	SHIM 6X15X0,1	X
6	48600329	SHIM 6X17X0,1	X
6	48600331	SHIM 6X19X0,1	X
6	48600096	* SHIM 6X20X0,25	X
6	48600097	SHIM 6X22X0,15	X
6	48600099	* SHIM 6X22X0,25	X
6	40540448	BACKPLATE 6X8,5X0,30	X
6	48600479	SHIM 6X20X0,1 T/3H	X
6	48600332	SHIM 6X21X0,1	X
6	48600333	SHIM 6X23X0,1	X
6	40541393	* SHIM 6X12X0,3	X
6	48600330	SHIM 6X17X0,15	X
6	48600988	SHIM 6X28X0,10	X
6	48600989	SHIM 6X26X0,10	X
6	48601091	SHIM 6X28X0,15	X
6	48601093	SHIM 6X26X0,15	X
6	48600328	SHIM 6X15X0,15	X
6	48600326	SHIM 6X13X0,15	X
6	48601548	SHIM 6X17X1,5	X
6	48601693	SHIM 6X18X3	X
6	48600098	* SHIM 6X22X0,20	X
6	48601300	WASHER 6X25X1,5	X
6	48601692	SHIM 6X30X0,15	X
6	48601550	SHIM 6X30X0,10	X
8	40540477	SHIM 8X18X0,4	X

080000190

C130009090

* NEW PART

X ON DEMAND



- ⑤ Ø 5 mm
- ⑥ Ø 6 mm
- ⑧ Ø 8 mm
- ⑩ Ø 10 mm
- ⑫ Ø 12 mm
- ⑭ Ø 14-14,5 mm
- ⑯ Ø 16 mm
- ⑳ Ø 20 mm
- ㉑ Ø 21 mm
- ㉒ Ø 22 mm
- ㉓ Ø 23 mm
- ㉔ Ø 24,5 mm
- ㉘ Ø 28,5 mm
- ㉚ Ø 32 mm
- ㉜ Ø 52 mm



POS	PARTNUMBER	PARTNAME	PIECE
8	43570120	SHIM 8X18X0,10	X
8	44916098	WASHER 8,4X16X0,8	X
8	44916130	WASHER 8,2X15X1	X
8	44916180	WASHER 8,2X11X1	X
8	48600214	SHIM 8X16X0,1	X
8	48600385	SHIM 8x14x0.25	X
8	48600346	SHIM 8X11X0,2	X
8	48600215	CHECK VALVE 8X20X0,1	X
8	48600485	SHIM 8X10X0,10	X
8	48601402	SHIM 8X13X0,10	X
8	48600350	CHECK VALVE 8X16X0,15	X
8	48600061	CHECK VALVE 8X24X0,4	X
8	48600062	CHECK VALVE 8X24X0,1	X
8	48600216	CHECK VALVE 8X22X0,1	X
8	48600480	SHIM 8X10X0,20	X
8	48600555	SHIM 8X16X0,20	X
8	48600213	SHIM 8X14X0,10	X
8	48600357	CHECK VALVE 8X11X0,1	X
8	48600351	CHECK VALVE 8X12X0,1	X
8	48600607	Steering damper washer	X
8	48601095	SHIM 8X17X0,10	X
8	48600352	CHECK VALVE 8X11X0,4	X
10	36120284	SHIM 10X16X0,10	X
10	36120298	SHIM 10X16X0,2	X
10	36120312	SHIM 10X16X0,30	X
10	36120314	SHIM 10X18X0,30	X
10	36120325	SHIM 10X19X0,15	X
10	36120327	SHIM 10X23X0,15	X
10	36120328	SHIM 10X25X0,15	X
10	36120329	SHIM 10X27X0,15	X
10	36120330	SHIM 10X29X0,15	X
10	36120331	SHIM 10X31X0,15	X
10	36120332	SHIM 10X33X0,15	X
10	36120334	SHIM 10X21X0,20	X
10	36120335	SHIM 10X23X0,20	X
10	36120336	SHIM 10X25X0,20	X
10	36120337	SHIM 10X27X0,20	X
10	36120338	SHIM 10X29X0,20	X

080000190

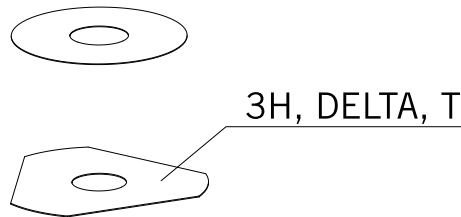
C130009090

* NEW PART

X ON DEMAND



- ⑤ Ø 5 mm
- ⑥ Ø 6 mm
- ⑧ Ø 8 mm
- ⑩ Ø 10 mm
- ⑫ Ø 12 mm
- ⑭ Ø 14-14,5 mm
- ⑯ Ø 16 mm
- ⑳ Ø 20 mm
- ㉑ Ø 21 mm
- ㉒ Ø 22 mm
- ㉓ Ø 23 mm
- ㉔ Ø 24,5 mm
- ㉘ Ø 28,5 mm
- ㉚ Ø 32 mm
- ㉜ Ø 52 mm



POS	PARTNUMBER	PARTNAME	PIECE
10	36120339	SHIM 10X31X0,20	X
10	36120340	SHIM 10X33X0,20	X
10	36120342	SHIM 10X21X0,25	X
10	36120343	SHIM 10X23X0,25	X
10	36120344	SHIM 10X25X0,25	X
10	36120345	SHIM 10X27X0,25	X
10	36120349	SHIM 10X19X0,30	X
10	36120350	SHIM 10X21X0,30	X
10	36120313	* SHIM 10X17X0,30	X
10	36120354	* SHIM 10X29X0,30	X
10	40140275	WASHER 10X35X0,15	X
10	48601708	SHIM 10X30X0,40	X
10	36120346	* SHIM 10X29X0,25	X
10	36120355	* SHIM 10X31X0,30	X
10	36120348	* SHIM 10X33X0,25	X
10	36120604	SHIM D10XD22X2,5	X
12	46810490	SHIM 12X24X0,20	X
12	46810491	SHIM 12X26X0,20	X
12	46810492	SHIM 12X28X0,20	X
12	46810493	SHIM 12X30X0,20	X
12	46810494	SHIM 12X32X0,20	X
12	46810495	SHIM 12X34X0,20	X
12	46810496	SHIM 12X36X0,20	X
12	46810497	SHIM 12X38X0,20	X
12	46810498	SHIM 12X40X0,20	X
12	46810499	SHIM 12X24X0,25	X
12	46810500	SHIM 12X26X0,25	X
12	46810501	SHIM 12X28X0,25	X
12	46810502	SHIM 12X30X0,25	X
12	46810504	SHIM 12X34X0,25	X
12	46810505	SHIM 12X36X0,25	X
12	46810507	SHIM 12X40X0,25	X
12	46810508	SHIM 12X24X0,30	X
12	46810509	SHIM 12X26X0,30	X
12	46810510	SHIM 12X28X0,30	X
12	46810512	SHIM 12X32X0,30	X
12	46810513	SHIM 12X34X0,30	X
12	46810518	SHIM 12X26X0,15	X

080000190

C130009090

* NEW PART

X ON DEMAND



- ⑤ Ø 5 mm
- ⑥ Ø 6 mm
- ⑧ Ø 8 mm
- ⑩ Ø 10 mm
- ⑫ Ø 12 mm
- ⑭ Ø 14-14,5 mm
- ⑯ Ø 16 mm
- ⑰ Ø 20 mm
- ⑱ Ø 21 mm
- ⑳ Ø 22 mm
- ㉑ Ø 23 mm
- ㉒ Ø 24,5 mm
- ㉔ Ø 28,5 mm
- ㉖ Ø 32 mm
- ㉘ Ø 52 mm



POS	PARTNUMBER	PARTNAME	PIECE
12	46810519	SHIM 12X28X0,15	X
12	46810520	SHIM 12X30X0,15	X
12	46810521	SHIM 12X32X0,15	X
12	46810522	SHIM 12X34X0,15	X
12	46810523	SHIM 12X36X0,15	X
12	46810524	SHIM 12X38X0,15	X
12	46810525	SHIM 12X40X0,15	X
12	46810604	SHIM 12X20X0,10	X
12	46810606	SHIM 12X22X0,10	X
12	46810607	SHIM 12X23X0,10	X
12	46810608	SHIM 12X24X0,10	X
12	46810610	SHIM 12X27X0,15	X
12	46810611	SHIM 12X18X0,15	X
12	46810612	SHIM 12X19X0,15	X
12	46810615	SHIM 12X22X0,15	X
12	46810636	BACKPLATE 12X16X0,30	X
12	46810637	BACKPLATE 12X17X0,30	X
12	46810638	BACKPLATE 12X18X0,30	X
12	46810639	SHIM 12X19X0,30	X
12	46810641	BACKPLATE 12X21X0,30	X
12	46811582	BACKPLATE 12X30X0,10	X
12	46810631	SHIM 12X20X0,25	X
12	46810633	SHIM 12X22X0,25	X
12	46811580	SHIM 12X32X0,10	X
12	46810503	SHIM 12X32X0,25	X
12	46810517	* SHIM 12X24X0,15	X
12	46810856	* SHIM 12X20X0,3 CC	X
12	46811258	RING 12X24X2,5	X
12	46812018	SHIM 12X42X0,25	X
12	46812015	SHIM 12X44X0,20	X
12	46810613	* SHIM 12X20X0,15	X
12	46810623	* SHIM 12X21X0,20	X
12	46810624	* SHIM 12X22X0,20	X
12	46810642	* SHIM 12X22X0,30	X
12	46810643	* SHIM 12X23X0,30	X
12	46811629	* SHIM 12X28X0,10	X
12	46810511	* SHIM 12X30X0,30	X
12	46810514	* SHIM 12X36X0,30	X

080000190

C130009090

* NEW PART

X ON DEMAND



- ⑤ Ø 5 mm
- ⑥ Ø 6 mm
- ⑧ Ø 8 mm
- ⑩ Ø 10 mm
- ⑫ Ø 12 mm
- ⑭ Ø 14-14,5 mm
- ⑯ Ø 16 mm
- ⑳ Ø 20 mm
- ㉑ Ø 21 mm
- ㉒ Ø 22 mm
- ㉓ Ø 23 mm
- ㉔ Ø 24,5 mm
- ㉘ Ø 28,5 mm
- ㉚ Ø 32 mm
- ㉜ Ø 52 mm



POS	PARTNUMBER	PARTNAME	PIECE
12	46810506	* SHIM 12X38X0,25	X
12	46810515	* SHIM 12X38X0,30	X
12	46812017	SHIM 12X42X0,20	X
12	46812016	SHIM 12X44X0,25	X
14	46811046	SHIM 14,5X35,4X1,25	X
16	50180023	* SHIM 16X23X0,20	X
16	50180030	SHIM	X
16	50180006	BACKPLATE 16X20X0,10	X
16	50180007	SHIM 16X21X0,10	X
16	50180028	SHIM 16X21X0,25	X
16	50180210	WASHER 16X21X1	X
16	50180008	SHIM 16X22X0,10	X
16	50180022	SHIM 16X22X0,20	X
16	50180037	SHIM 16X23X0,30	X
16	50180038	SHIM 16X24X0,30	X
16	50180032	SHIM 15X25X0,25	X
16	50180039	SHIM 16X25X0,30	X
16	50180012	SHIM 16X26X0,10	X
16	50180019	SHIM 16X26X0,15	X
16	50180026	SHIM 16X26X0,20	X
16	50180040	SHIM 16X26X0,30	X
16	50180041	SHIM 16X28X0,10	X
16	50180045	SHIM 16X28X0,15	X
16	50180054	SHIM 16X28X0,20	X
16	50180063	SHIM 16X28X0,25	X
16	50180072	SHIM 16X28X0,30	X
16	50180046	SHIM 16X30X0,15	X
16	50180055	SHIM 16X30X0,20	X
16	50180064	SHIM 16X30X0,25	X
16	50180073	SHIM 16X30X0,30	X
16	50180047	SHIM 16X32X0,15	X
16	50180056	SHIM 16X32X0,20	X
16	50180065	SHIM 16X32X0,25	X
16	50180074	SHIM 16X32X0,30	X
16	50180044	SHIM 16X34X0,10	X
16	50180048	SHIM 16X34X0,15	X
16	50180057	SHIM 16X34X0,20	X
16	50180066	SHIM 16X34X0,25	X

080000190

C130009090

* NEW PART

X ON DEMAND



3H, DELTA, T

- ⑤ Ø 5 mm
- ⑥ Ø 6 mm
- ⑧ Ø 8 mm
- ⑩ Ø 10 mm
- ⑫ Ø 12 mm
- ⑭ Ø 14-14,5 mm
- ⑯ Ø 16 mm
- ⑳ Ø 20 mm
- ㉑ Ø 21 mm
- ㉒ Ø 22 mm
- ㉓ Ø 23 mm
- ㉔ Ø 24,5 mm
- ㉘ Ø 28,5 mm
- ㉚ Ø 32 mm
- ㉜ Ø 52 mm

POS	PARTNUMBER	PARTNAME	PIECE
16	50180075	SHIM 16X34X0,30	X
16	50180049	SHIM 16X36X0,15	X
16	50180058	SHIM 16X36X0,20	X
16	50180067	SHIM 16X36X0,25	X
16	50180076	SHIM 16X36X0,30	X
16	50180050	SHIM 16X38X0,15	X
16	50180059	SHIM 16X38X0,20	X
16	50180068	SHIM 16X38X0,25	X
16	50180077	SHIM 16X38X0,30	X
16	50180051	SHIM 16X40X0,15	X
16	50180060	SHIM 16X40X0,20	X
16	50180069	SHIM 16X40X0,25	X
16	50180078	SHIM 16X40X0,30	X
16	50180052	SHIM 16X42X0,15	X
16	50180061	SHIM 16X42X0,20	X
16	50180070	SHIM 16X42X0,25	X
16	50180079	SHIM 16X42X0,30	X
16	50180053	SHIM 16X44X0,15	X
16	50180062	SHIM 16X44X0,20	X
16	50180071	SHIM 16X44X0,25	X
16	50180080	SHIM 16X44X0,30	X
16	50180177	WASHER 16X8,2X0,6	X
16	50180033	SHIM 16X26X0,25	X
16	50180034	BACKPLATE 16X20X0,30	X
16	50180035	BACKPLATE 16X21X0,30	X
16	50180036	BACKPLATE 16X22X0,30	X
16	50180043	SHIM	X
16	50180024	* SHIM 16X24X0,20	X
16	50180027	* SHIM 16X20X0,25	X
16	50180031	SHIM	X
16	50180029	SHIM	X
16	50180010	* SHIM 16X24X0,10	X
20	48600212	PRESSURE-RING 20X16,25X0,20	X
20	50180666	SHIM 20X24X0,30	X
20	50180654	SHIM 20X36X0,20	X
20	50180655	SHIM 20X38X0,20	X
20	50180656	SHIM 20X40X0,20	X
20	50180665	SHIM 20X40X0,25	X

080000190

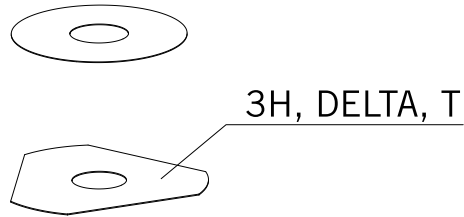
C130009090

* NEW PART

X ON DEMAND



- ⑤ Ø 5 mm
- ⑥ Ø 6 mm
- ⑧ Ø 8 mm
- ⑩ Ø 10 mm
- ⑫ Ø 12 mm
- ⑭ Ø 14-14,5 mm
- ⑯ Ø 16 mm
- ⑳ Ø 20 mm
- ㉑ Ø 21 mm
- ㉒ Ø 22 mm
- ㉓ Ø 23 mm
- ㉔ Ø 24,5 mm
- ㉘ Ø 28,5 mm
- ㉚ Ø 32 mm
- ㉜ Ø 52 mm



POS	PARTNUMBER	PARTNAME	PIECE
20	50180662	SHIM 20X34X0,25	X
20	50180657	SHIM 20X24X0,25	X
20	50180653	SHIM 20X34X0,20	X
20	50180634	RING 20X22,9X1	X
20	50180650	SHIM 20,2X28X0,20	X
20	50180663	SHIM 20X36X0,25	X
20	50180664	SHIM 20X38X0,25	X
20	50180659	SHIM 20,2X28X0,25	X
21	50180209	WASHER 21X36X0,25	X
22	50180330	* PRESS. RING 22X18X0,30	X
23	50180635	SHUTTLE VALVE 23X38X0,25	X
23	50180578	SHIM D23XD16X2	X
24	40541061	WASHER 24,5X34X2	X
28	36120469	SHIM 28,5X14X2	X
28	36120471	SHIM 28,5X14X5	X
32	48600460	WASHER 32X42X2,5	X
32	50600065	SHIM 32X45X2	X
32	46811637	PRESSURE RING 36X32,25	X
52	50600002	SHIM 52X59X2,2	X

080000190

C130009090

* NEW PART

X ON DEMAND

WWW.KTM.COM



KTM Sportmotorcycle GmbH
5230 Mattighofen, Austria
www.ktm.com



KTM_POWERPARTS

KTM_POWERWEAR

KTM_ORIGINAL SPARE PARTS



3CFF9703N9EN

Art. Nr.: 3CFF9703N9EN 30. Jun 2016