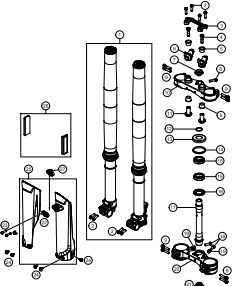
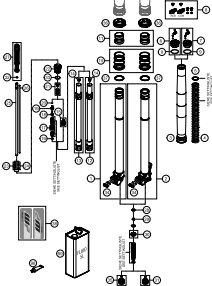
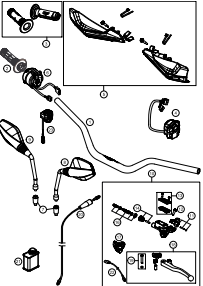
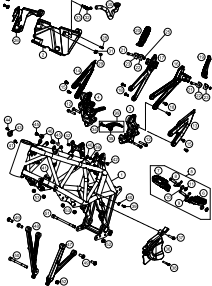
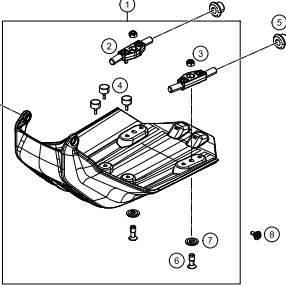
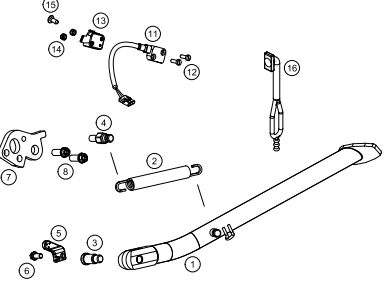
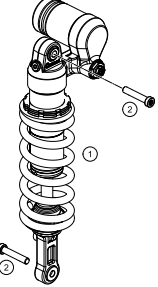
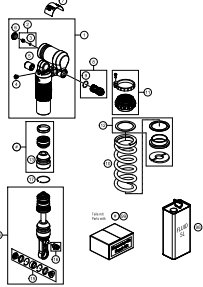
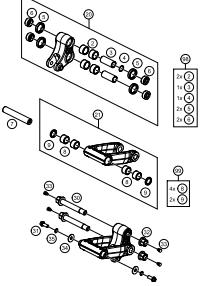
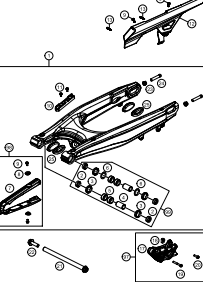
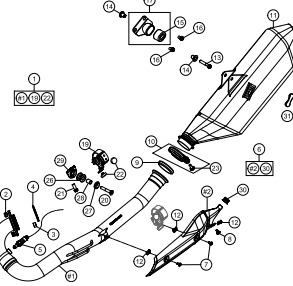
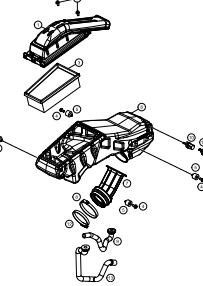
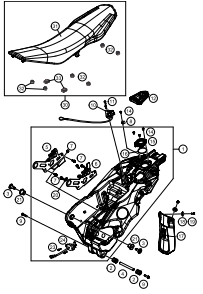
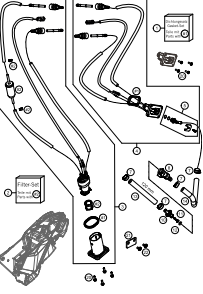
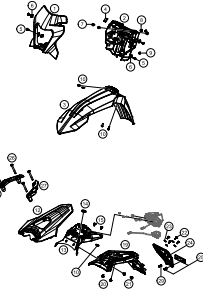

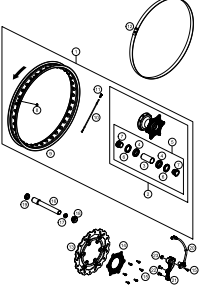
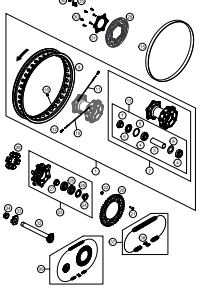
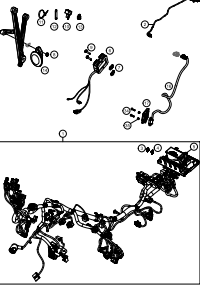
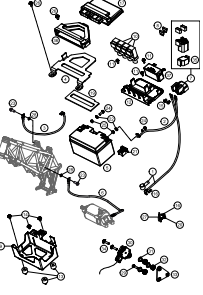
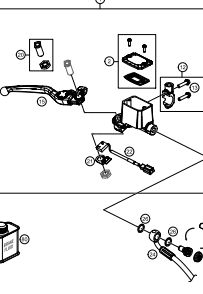
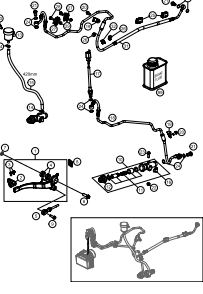
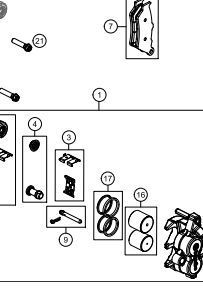
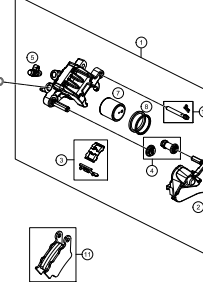


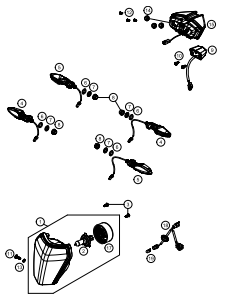
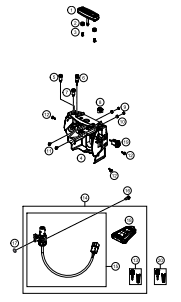
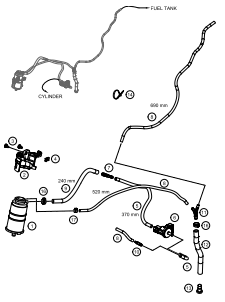
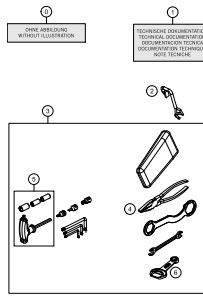
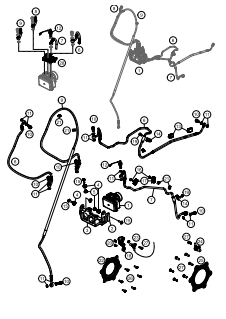
690 Enduro R 2020 EU 2020

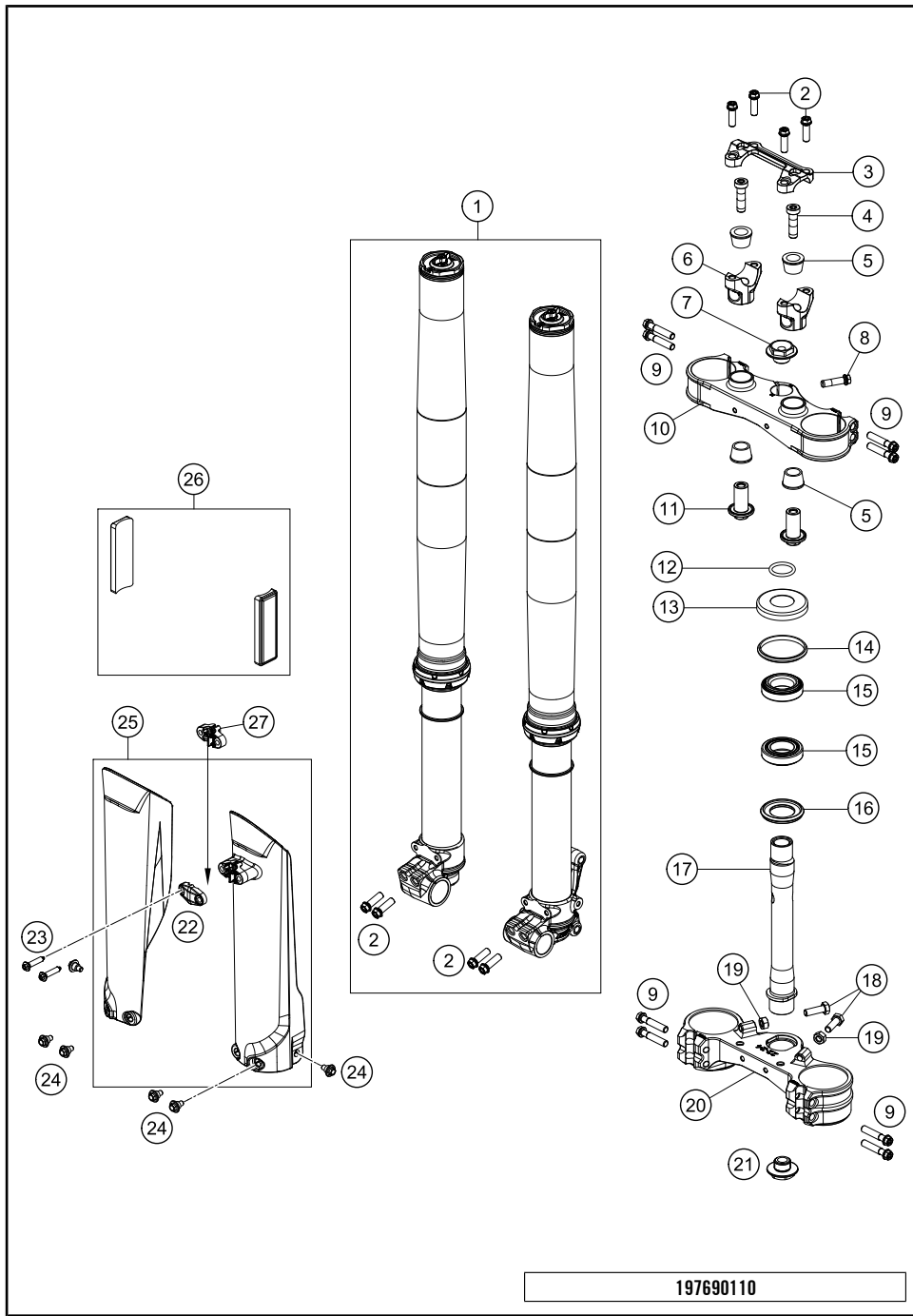
ART.-NR.: F9703T8EN



<p>FRONT FORK, TRIPLE CLAMP</p>  <p>4</p>	<p>FRONT FORK DISASSEMBLED</p>  <p>5</p>	<p>HANDLEBAR, CONTROLS</p>  <p>7</p>	<p>FRAME</p>  <p>8</p>
<p>ENGINE GUARD</p>  <p>10</p>	<p>SIDE / CENTER STAND</p>  <p>11</p>	<p>SHOCK ABSORBER</p>  <p>12</p>	<p>SHOCK ABSORBER DISASSEMBLED</p>  <p>13</p>
<p>PRO LEVER LINKING</p>  <p>14</p>	<p>SWING ARM</p>  <p>15</p>	<p>EXHAUST SYSTEM</p>  <p>16</p>	<p>AIR FILTER</p>  <p>17</p>

<p>TANK, SEAT</p>  <p>18</p>	<p>FUEL PUMP</p>  <p>19</p>	<p>MASK, FENDERS</p>  <p>20</p>	<p>COVER</p>  <p>21</p>
<p>FRONT WHEEL</p>  <p>22</p>	<p>REAR WHEEL</p>  <p>23</p>	<p>WIRING HARNESS</p>  <p>24</p>	<p>BATTERY</p>  <p>25</p>
<p>FRONT BRAKE CONTROL</p>  <p>26</p>	<p>REAR BRAKE CONTROL</p>  <p>27</p>	<p>FRONT BRAKE CALIPER</p>  <p>28</p>	<p>REAR BRAKE CALIPER</p>  <p>29</p>

<p>LIGHTING SYSTEM</p>  <p style="text-align: right;">30</p>	<p>INSTRUMENTS / LOCK SYSTEM</p>  <p style="text-align: right;">31</p>	<p>EVAPORATIVE CANISTER</p>  <p style="text-align: right;">32</p>	<p>SEPERATE ENCLOSURE</p>  <p style="text-align: right;">33</p>
<p>ANTIBLOCK SYSTEM ABS</p>  <p style="text-align: right;">34</p>	<div style="display: flex; align-items: center;"> <div style="background-color: #cccccc; width: 60px; height: 60px; display: flex; align-items: center; justify-content: center; margin-right: 20px;"> ! </div> <div> <p>All information contained is without obligation. KTM Sportmotorcycle GmbH particularly reserves the right to modify any equipment, technical specifications, prices, colors, shapes, materials, services, service work, constructions, equipment and the like so as to adapt them to local conditions or to cancel any of the above items, all without previous announcement and without giving reasons. KTM may stop manufacturing certain models without previous notice. KTM shall not be held liable for any deviations of availability and/or ability to deliver, illustrations, descriptions, printing and/or other errors. The illustrated models partly contain extra equipment, which is not applied to standard models.</p> <p>© by KTM Sportmotorcycle GmbH, Mattighofen AUSTRIA; All rights reserved; Reprint, also in extracts, with written allowance of KTM Sportmotorcycle GmbH, Mattighofen only.</p> </div> </div>		

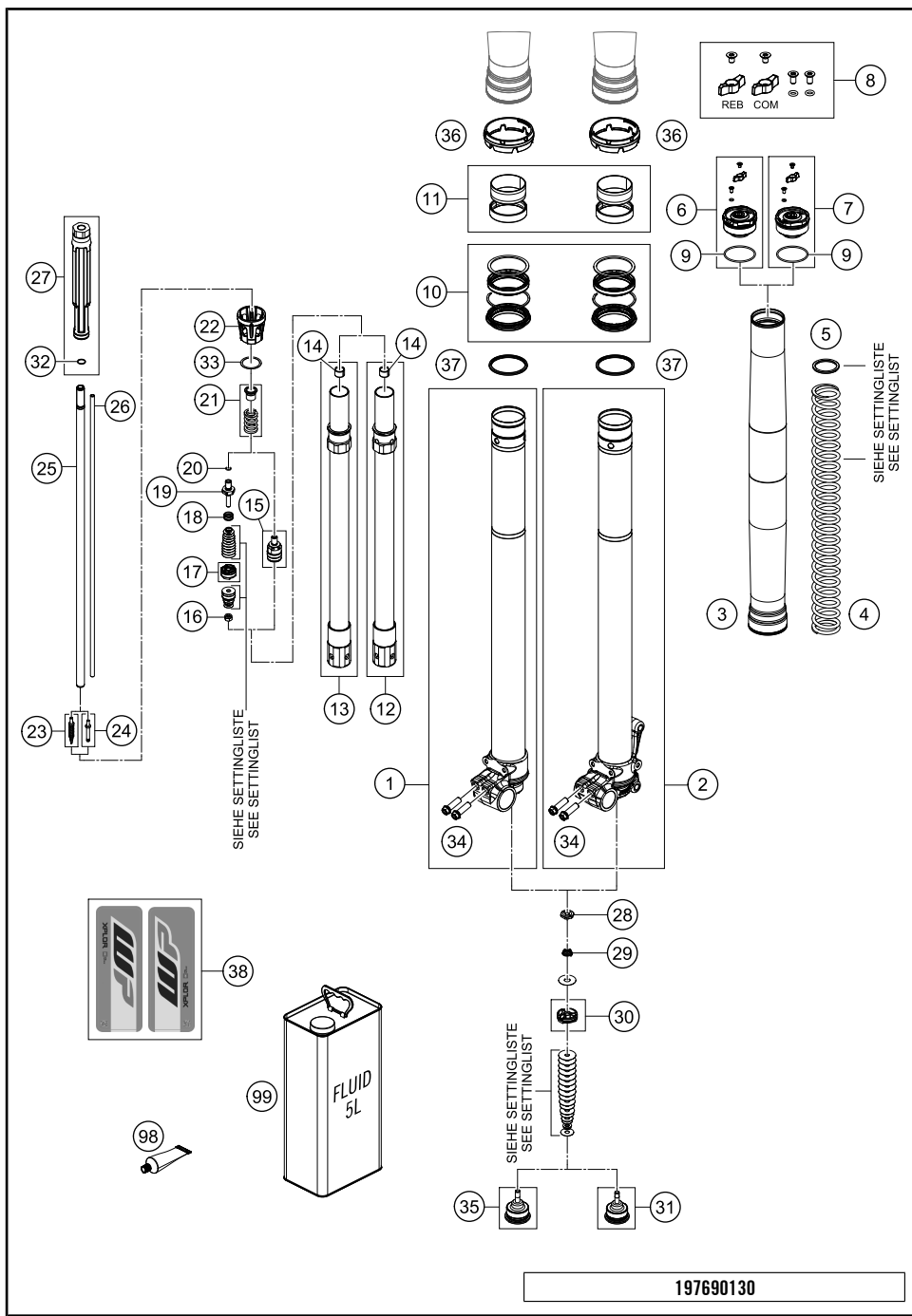


POS	PARTNUMBER	PARTNAME	PIECE
1	14188S1001	Fork KTM 690 Enduro R 19	1
2	0025080256	HH collar screw M8x25	4
3	79001038000C1	Handlebar clamp 28mm	1
4	0032100356S	AH-COLLAR SCREW M10X35 ISA45	4
5	83001040000	RUBBER BUSH	4
6	79001039136C1	Handlebar mount D28mm H36mm	2
7	54801036000C1	Steering head screw M20x1,5 WS_27	1
8	0025080306	HH collar screw M8x30	1
9	0025080406	HH COLLAR SCREW M8X40 TX40	8
10	2700103422330	UP. TRIPLE-CLAMP 22-24 OFFSET	1
11	79001037034	HANDLEBAR SUPPORT LOWER PART	2
12	0770025035	O-RING 25X3,55 NBR70 05	1
13	78101086000	STEERING HEAD COVER	1
14	54601184000	STEERING HEAD GASKET TOP	1
15	54201081100	TAPERED ROLLER BEARING CPL. 06	2
16	77701084000	O-RING SUPPORT W. SEALING LIP	1
17	76501033100	excentric head tube	1
18	0933080253	HH SCREW DIN0933-M 8X25	2
19	0934080003	HEXAGON NUT DIN0934-M 8	2
20	2700103112330	BOTTOM TRIPLE CLAMP 22-24	1
21	54801036100	STE.HEAD SCR. M20X1,5 WS=27 SL	1
22	77701085100EB	CLAMP FOR BRAKEHOSE	1
23	0017060305	SPECIAL SCREW K60X30 WS=6	2
24	59001092050	SPECIAL SCREW M6X12,5 WS=8	6
25	77701094100EBF	Fork protection kit Enduro R '19	1
26	58412080300	REFLECTOR YELLOW "CEV"	2
27	76901085050EB	Spacer brake hose clamp	1

197690110

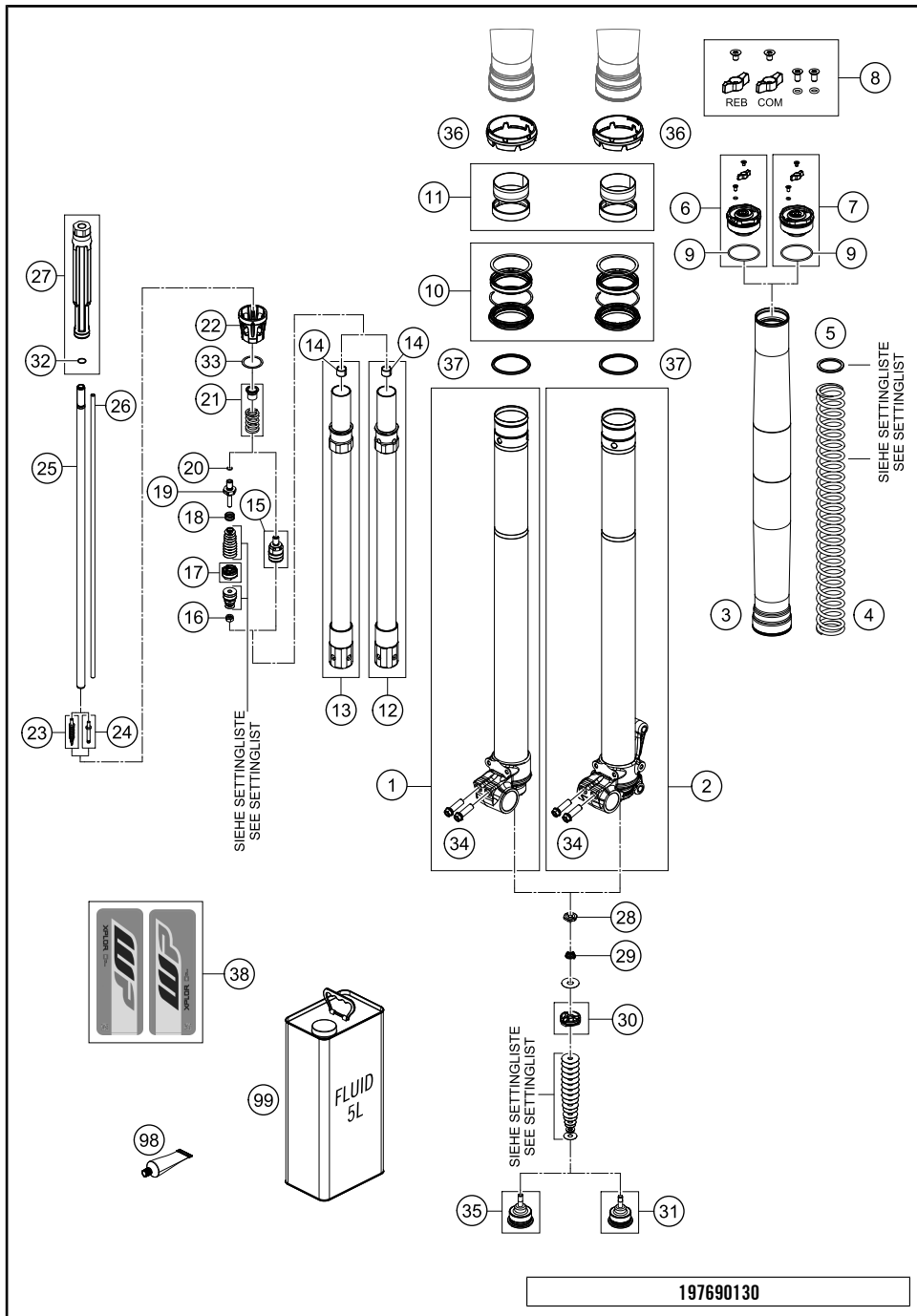
53628

* NEW PART X ON DEMAND



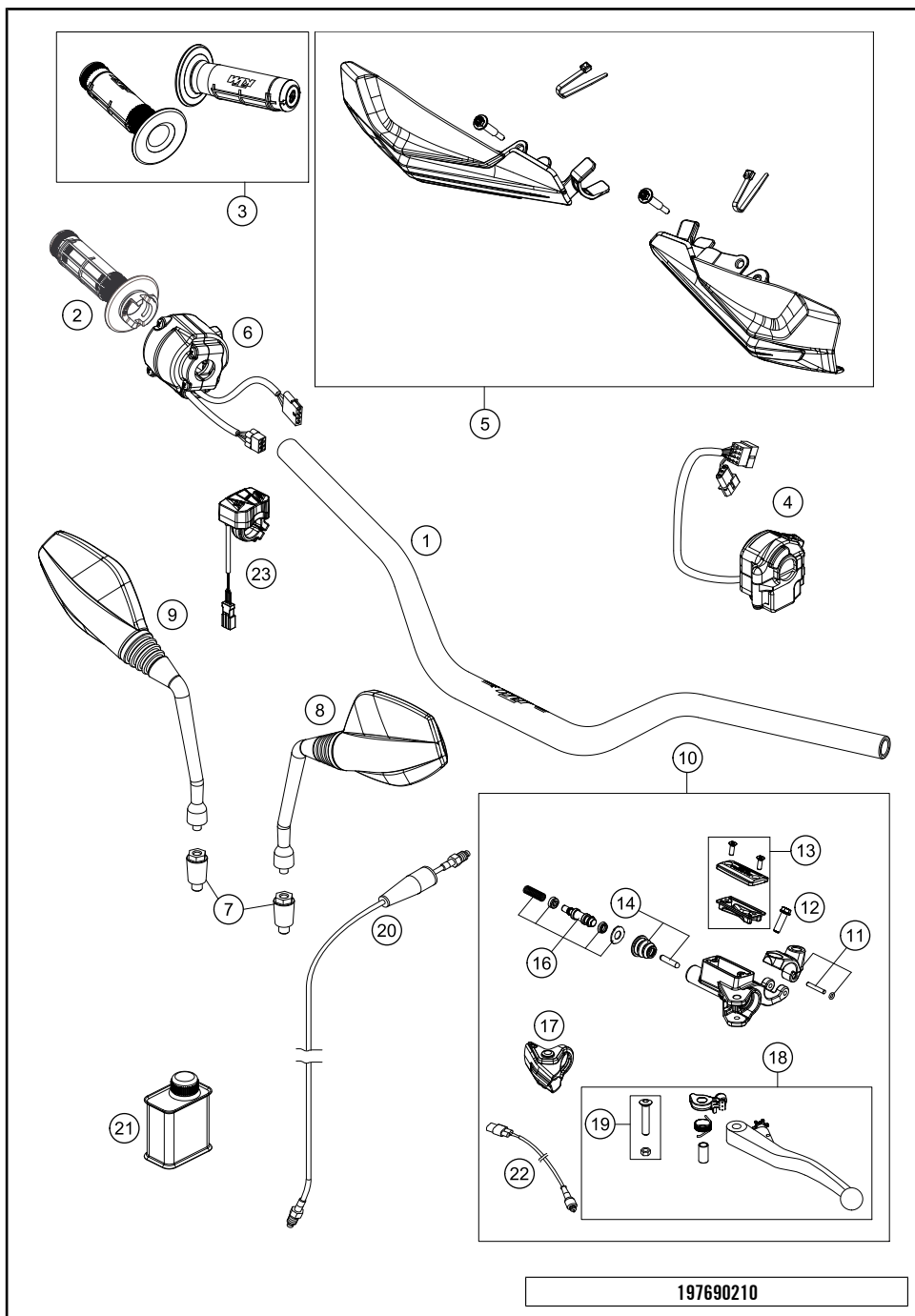
POS	PARTNUMBER	PARTNAME	PIECE
1	48601713S1	Axle Clamp R/S + Tube D48mm 35mm	1
2	48601712S1	Axle Clamp L/S + Tube D48mm 35mm	1
3	48600736	Fork outer tube 49,13x577 dt54 db60 natu	2
4	91410143	Mainspring (43,2) 5,9-430 fork	1
5	48600458	Washer 35x43x1,5 plastic	x
5	48600456	Washer 35x43x2,5 plastic	x
5	48600457	Preload bush 35x43x3,5	x
6	48601960S	Screw cap M51x1,5 rebound cpl.	1
7	48601961S	Screw cap M51x1,5 compression cpl.	1
8	RP10021	Adjuster kit screw cap	x
9	48600048	O-ring 46x2 NBR70 siliconized yellow	2
10	RP10012	Sealkit 48mm SKF black	x
11	R14047	Guide bushing set fork 48mm	x
12	48600763S5	Tube, including screw sleeve with hole	1
13	48600763S6	Tube with screwsleeve	1
14	48600430	Guide bushing 12x14x10	2
15	48601843S	Tap compression cpl.	1
16	40540486	Nut M6x0,5 h6,5 WAF10 rebound	1
17	48602002S	Midvalve piston assembly d23	1
18	48600382	Spring (11,4) 0,4-8 valve	1
19	48600576	Tap 6x46 rebound	1
20	48600299	O-ring 6x1,2 NBR70	1
21	48600578S	Spring (13,9) 37-32 rebound cpl.	2
22	48601298	Spring retainer 27,08x43x45	2
23	48600277S	Needle 4,5x43,6 cpl.	1
24	48601558S	Needle 4,5x38,2 cpl.	1
25	48601956	Piston rod 12x518	2
26	48601957	Adjuster Tube L488.5	2
27	48601958S	hydrostop I205 d31,9 cpl.	2
28	48600163	Nut valve M6x0,5 h6,5 WAF17	2
29	48600202	Spring (8,5) I6,5 valve	2
30	48601934S	Piston 6x27,3x9 compression cpl.	2
31	48601553S	Screw cap M29,3x1 OC split cpl.	1
32	04500003	O-ring 11x2,5 NBR70 PTFE yellow	2
33	48601702	Shim 27,5x33x0,3	2
34	0025080256	HH collar screw M8x25	4
35	48601980S	Screw cap M29,3x1	1
36	48601948	Fork protection ring 60,1mm	2

* NEW PART X ON DEMAND



POS	PARTNUMBER	PARTNAME	PIECE
37	48602007	Stroke indicator 48mm red	2
38	52000198SET	sticker set	1
98	T14034	Fuchs grease IPR (250g)	x
99	48601166S1	FORK OIL SAE4 5L	x

51262 * NEW PART X ON DEMAND

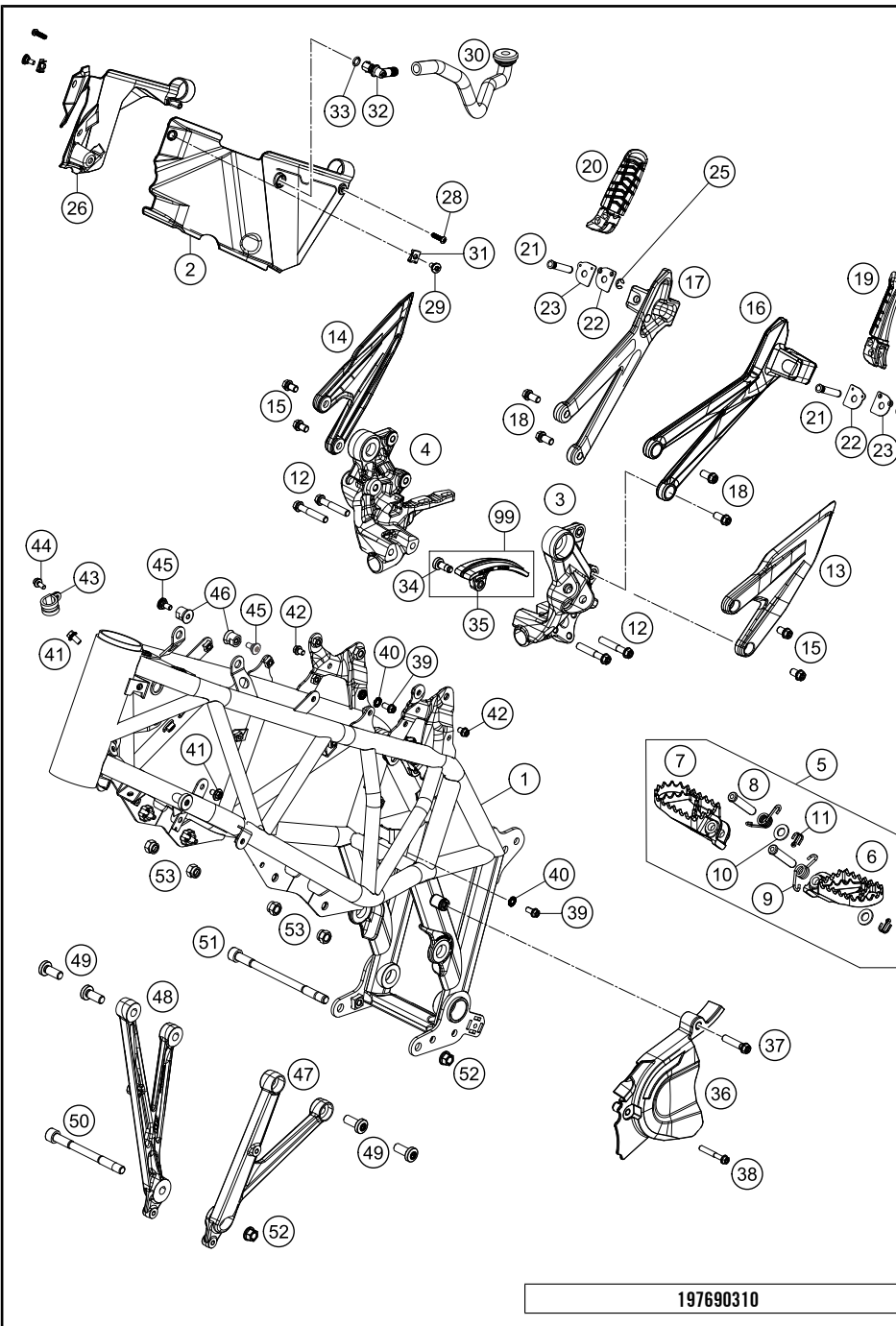


POS	PARTNUMBER	PARTNAME	PIECE
1	76902001000C1	Handelbar l=814mm, d=28,5mm	1
2	76502210000	Throttle Grip E-Gas closed	1
3	63002021100	GRIP SET DUAL COMPOUND	1
4	76511070100	Handlebar switch left	1
5	76902079000EB	Handguard Enduro-R cmpl. left+right oran	1
6	76011073100	START-STOP/E-GAS	1
7	58412040050	SUPPORT FOR MIRROR LC4 '98	2
8	76512040000	REVIEW MIRROR L/S	1
9	76512041000	REVIEW MIRROR R/S	1
10	27002030044	MASTER CYLINDER D=11 MM	1
11	76513005000	CLAMP, CYL. PIN, O-RING	1
12	0025060206	HH collar screw M6x20 TX30	1
13	25002033000	COVER HYDR. CLUTCH DOT CPL.	1
14	76502046000	PUSH ROD CPL. 13	1
16	27002032000	REP. KIT PISTON DOT 11MM	1
17	76502037000	PROTECT.CAP FOR LEVER PERCH 13	1
18	27002031000	CLUTCH LEVER CPL.	1
19	50302038200	LEVER SCREW SHORT CPL. 09	1
20	76032063000	CLUTCH PIPE 1100MM	1
21	00062030000	BRAKE FLUID DOT5.1 0,25L	1
22	83111049000	CLUTCH SWITCH ATV	1
23	76939074000	Ignition curve switch	1

197690210

53629

* NEW PART X ON DEMAND



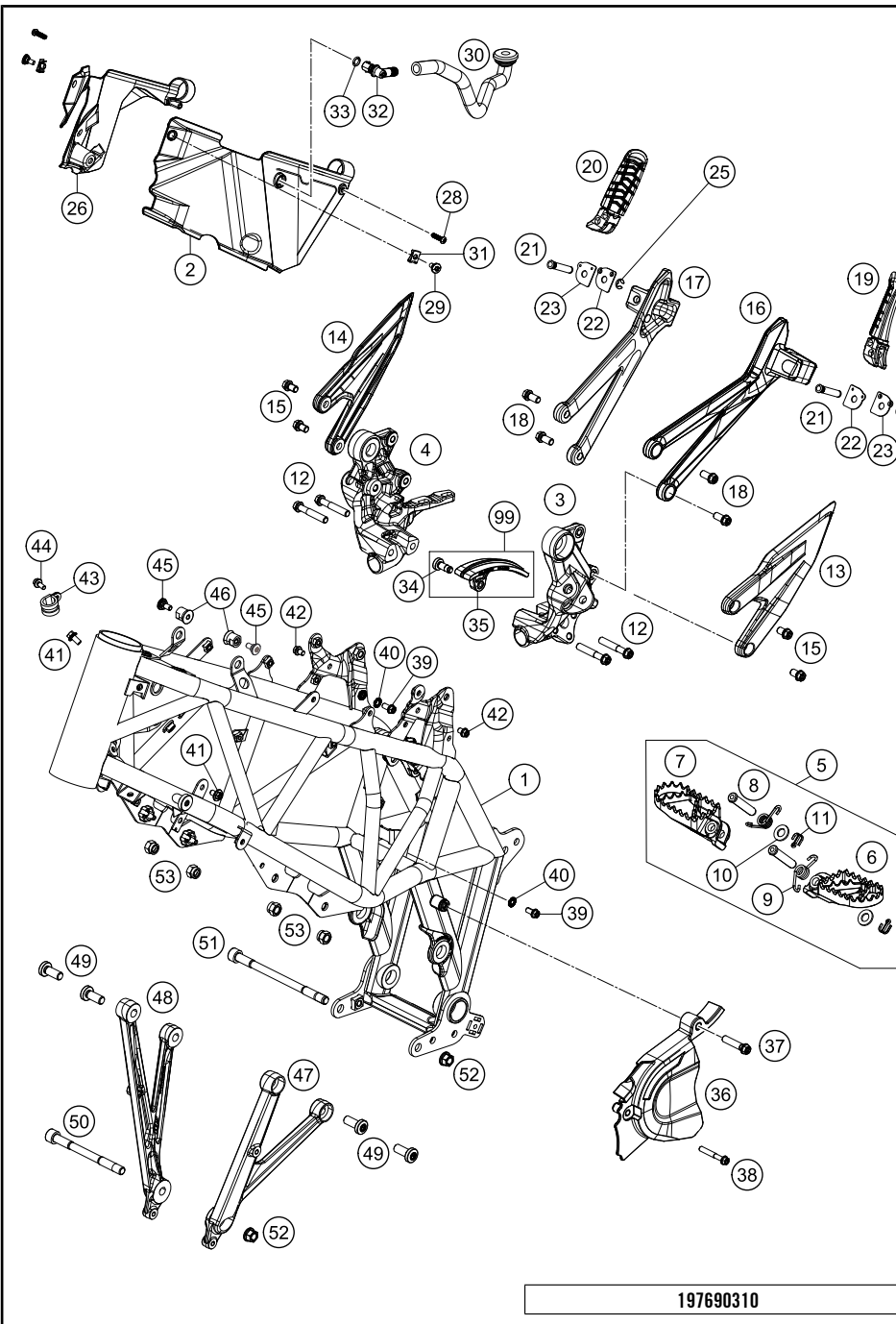
197690310

POS	PARTNUMBER	PARTNAME	PIECE
1	76903001000EB	Frame 769 el. orange	1
2	76903092000	Frame cover left	1
3	7690303804401	Front footpeg bracket left cmpl.	1
4	7690303904401	Footpeg bracket right cmpl.	3
5	78003040033	FOOTREST L/S + R/S CPL. 09	1
6	78003040050	FOOTREST L/S 08	1
7	78003041050	FOOTREST R/S 08	1
8	54803044000	PIN FOR FOOT PED 51.5X9.8 MM	2
9	54603041000	FOOTREST SPRING L/S & R/S	2
10	0125100003	washer DIN 125 A 10.5	2
11	0094032253	PIN DIN0094-3,2X25 STEEL	2
12	0025080456	HH collar screw M8x45 TX40	4
13	76903038050	Heel protector, left	1
14	76903039050	Heel protector, right	1
15	0025080126	HH collar screw M8x12 TX40	4
16	7690304800001	Rear footpeg bracket left	1
17	7690304900001	Rear footpeg bracket right	1
18	0025080166	HH COLLAR SCREW M8X16 TX40	4
19	60003050000	FOOTREST CPL. L/S REAR 03	1
20	60003051000	FOOTREST CPL. R/S REAR 03	1
21	60003044000	BOLT FOR FOOTREST REAR 03	2
22	60003152000	ENGAGE PANEL FOOTREST L/S 03	2
23	60003052000	ENGAGE PANEL FOOTREST R/S 03	2
25	0799060003	retaining washer DIN 6799 - 6	2
26	76903086000	Frame cover right	1
28	0081250181	SCREW FOR PLASTIC 50X18 T20	2
29	69008021160	special screw M5x12	2
30	76930088030	oil separator vent	1
31	69008021080	clip nut M5	2
32	60038082000	ANGLE CONNECTOR LC8 03	1
33	0770080020	O-RING 8X2 SILICONE	1
34	0035080206S	SHCS M8x20 TX45	1
35	76504067000	CHAIN SLID. GUARD 08	1
36	76530060044	CHAIN GUARD CPL. 08	1
37	0025080356	HH collar screw M8x35 TX40	1
38	0025060406	HH collar screw M6x40 TX30	1
39	0025060126	HH collar screw M6x12 TX30	2
40	58411098100	CONTACT WASHER M6 VSV-K6	2

53630

* NEW PART

X ON DEMAND



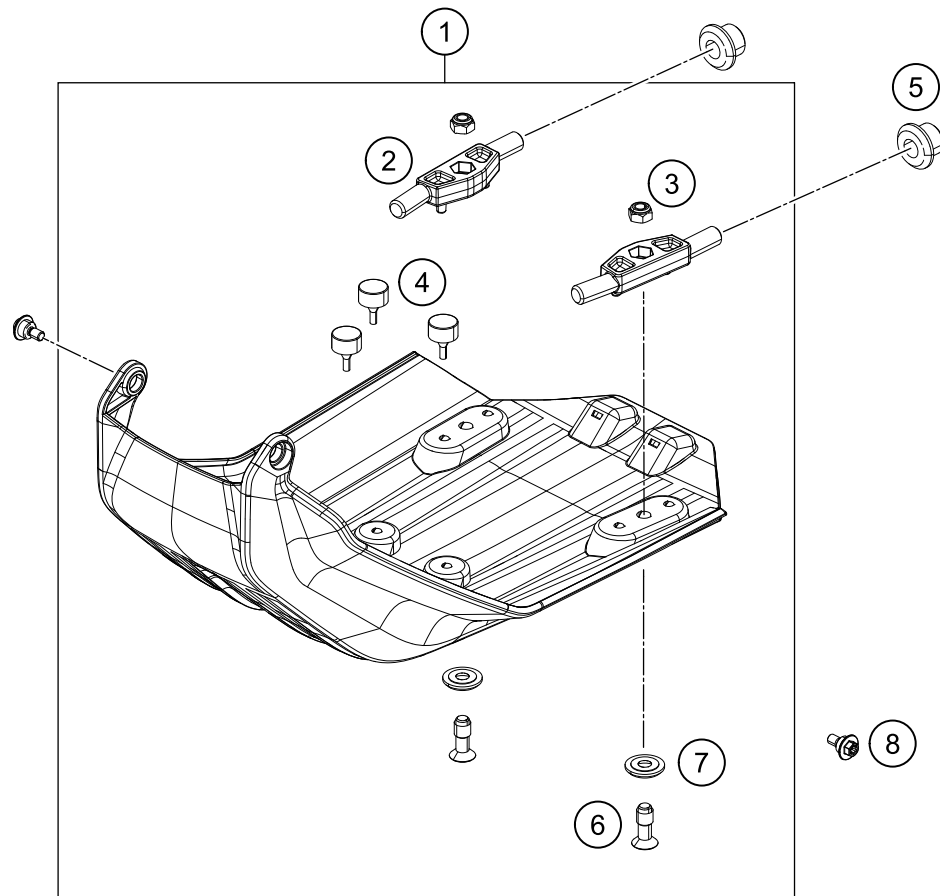
POS	PARTNUMBER	PARTNAME	PIECE
41	0024060106	HH COLLAR SCREW M6X10 TX30	2
42	0025060086	HH collar screw M6x8 TX30	2
43	49007439000	CLAMP RSGU 15/12	1
44	0025050126	HH collar screw M5x12 TX30	1
45	69008021040	special screw M6x14	2
46	76907026000	Seat holder	2
47	7650300500033	ENGINE SUPPORT L/S BLACK	1
48	7650300600033	ENGINE SUPPORT R/S BLACK	1
49	0035100249	SHCS M10x24 TX45	4
50	75003015000	SPECIAL SCREW M10X115 ISK8 07	1
51	75003014000	SPECIAL SCREW M10X152 ISK8 07	1
52	54630044000	COLLAR NUT M10 WS=13	2
53	54310086100	SELF LOCKING NUT M10 CU WS=14	4
99	76504067010	CHAIN SLIDING BELOW 08-13	x

197690310

53630

* NEW PART

X ON DEMAND



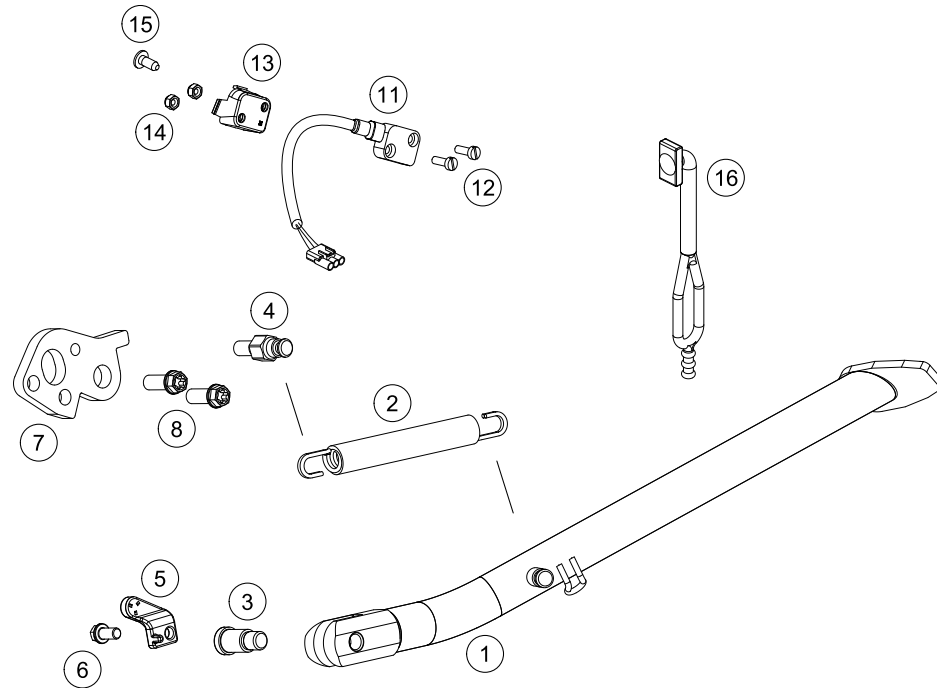
POS	PARTNUMBER	PARTNAME	PIECE
1	76903090044	Skid plate compl.	1
2	76503091000	CARTER SUPPORTER	2
3	0985080003	SELF LOCKING NUT DIN0985-M 8	2
4	75007046010	SEAT RUBBER 10 MM	3
5	56401040000	rubber bushing	2
6	0019080266S	COUNTER-SUNK SCREW ISA45 M8X26	2
7	58303061000	SPECIAL WASHER ALU 8 X 24 MM	2
8	83008100015	SPECIAL SCREW M6X15X5,5	2

197690330

53631

* NEW PART

X ON DEMAND



POS	PARTNUMBER	PARTNAME	PIECE
1	7690302300033	Side stand Enduro-R 2019	1
2	61003024000	SPRING L=116 MM 05	1
3	62503027200	SCREW FOR SIDE STAND M10X31,2	1
4	76503028001	SPECIAL SCR. SIDE STAND SPRING	1
5	76503029000	MAGNET HOLDER	1
6	0025060126	HH collar screw M6x12 TX30	1
7	76503026000	SIDE STAND BRACKET 08	1
8	0025080206	HH collar screw M8x20	2
11	60411045000	SIDE STAND SENSOR	1
12	0084040123	CYL.HEAD SCREW DIN84A M4x12	2
13	76511045050	HOLDER FOR SIDESTAND SWITCH 08	1
14	0985040003	SELF LOCKING NUT DIN0985-M 4	2
15	0081050121	EJOT PT screw K50x12	1
16	76503025000	RUBBER SIDE STAND	1

197690360

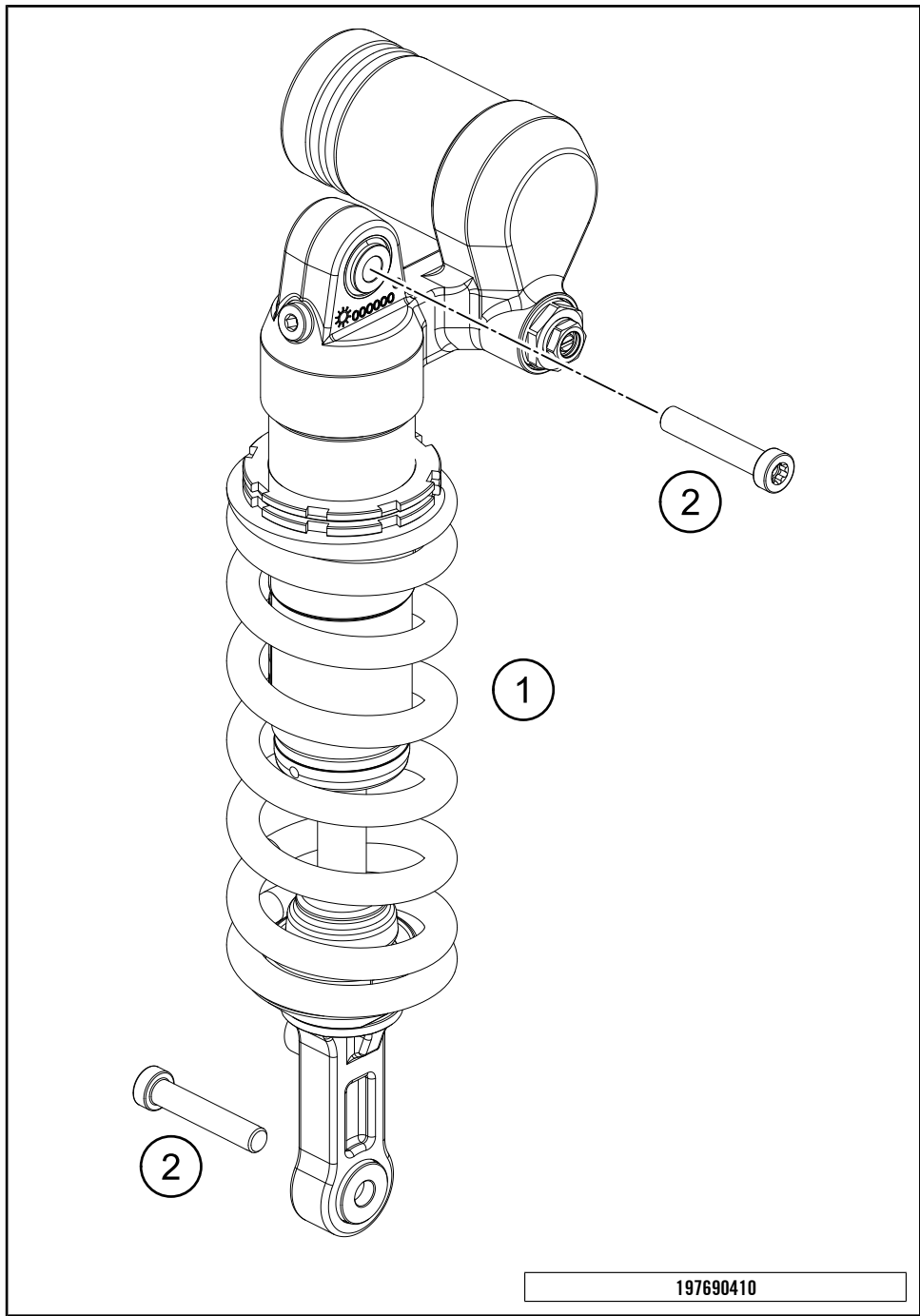
53470

* NEW PART

X ON DEMAND

SHOCK ABSORBER

690 Enduro R 2020 EU 2020

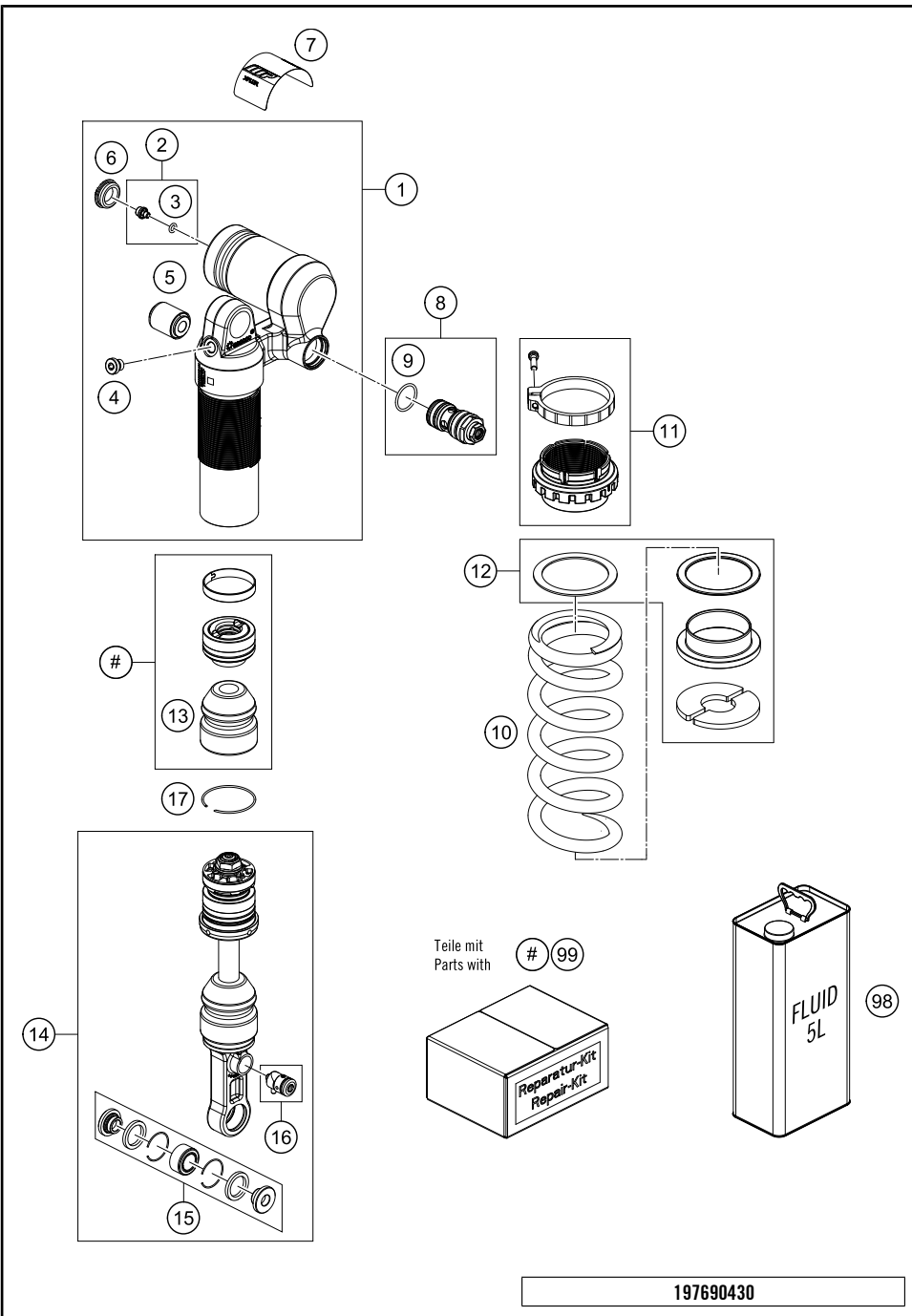


POS	PARTNUMBER	PARTNAME	PIECE
1	15187S1001	Monoshock KTM 690 Enduro R 19	1
2	76504016000	CYL. SCREW M10X1,25 L=53	2

53471

* NEW PART

X ON DEMAND

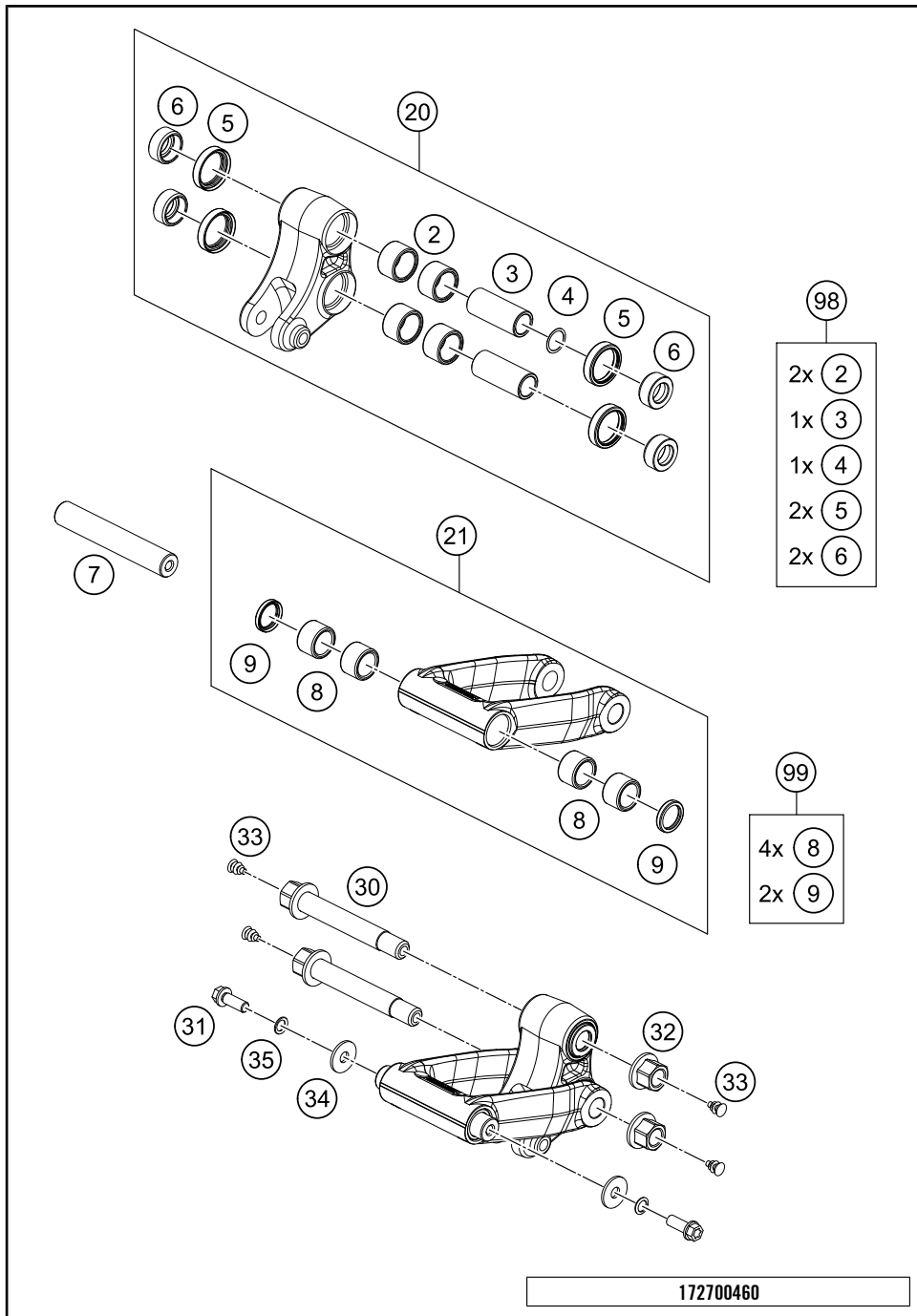


POS	PARTNUMBER	PARTNAME	PIECE
1	46181367S1	Shockhausung M53x1 cpl.	1
2	36120151S	PLUG SCREW M5X6 CPL.	1
3	46810893	O-ring 5,28x1,78 NBR70 black	1
4	50180095	HS cylinder-head screw R1/8 l8	1
5	14460161	Silentblock 10,05x25x32	1
6	46811208	Rubber cap do not open 22x5,5 NBR	1
7	52000219	Sticker Set XPLOR 90x40	1
8	46180533S4	Compression cpl. Silber	1
9	46180811	O-ring 22x2 Viton70	1
10	91010339	Mainspring (59/61) 72-225 damper white	1
11	46181382S	Plastic Spring Retainer D46 cpl.	1
12	RP10022	Repair kit spring retainer	x
13	50181080	Rubber pad 17x50x54	1
14	46180692S1	shock bottom part cpl.	1
15	R15006	REPAIR KIT BEARINGS 07	x
16	46180522S1	TAP ADJ. REBOUND	1
17	46810010	Round-wire snap ring 49x1,8	1
98	50180751S1	SHOCK ABSORBER FLUID 5 LT	x
99	RP10013	Repair kit ADV. R	x

197690430

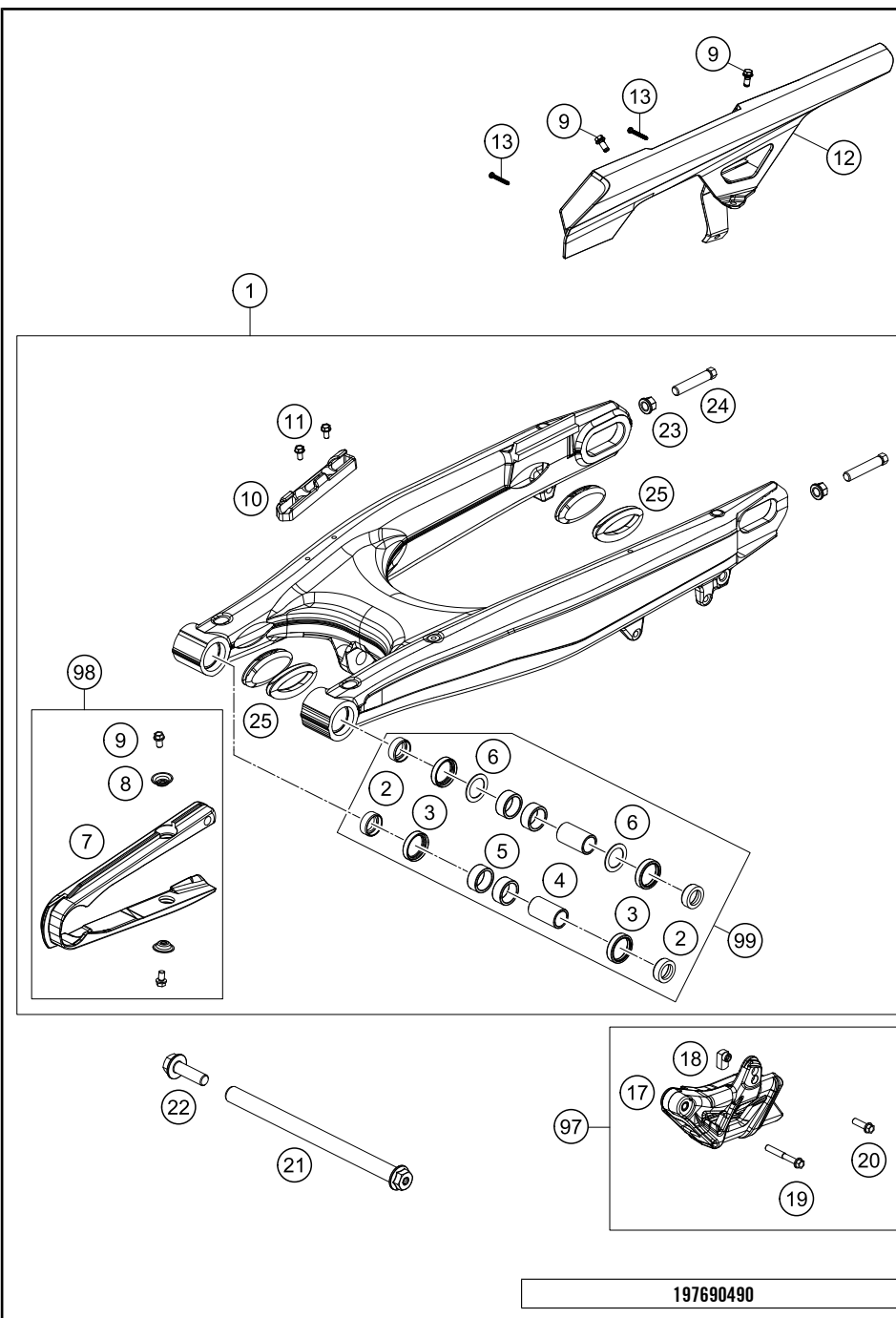
51263

* NEW PART X ON DEMAND



POS	PARTNUMBER	PARTNAME	PIECE
2	54603097000	NEEDLE BUSH HK 2016	4
3	54603081000	BUSHING SLEEVE 15 X 20 X 48	2
4	54603090010	STEEL WASHER 15,2X19X0,1	x
4	54603090020	STEEL WASHER 15,2X19X0,2	x
4	54603090030	STEEL WASHER 15,2X19X0,3	x
5	0760253270	radial shaft seal 25x32x7	4
6	76504089000	BUCKET FOR SHAFT SEAL RING	4
7	76504084100	Pin for pull rod bearing	1
8	56503195100	NEEDLE BEARING HK 1816	4
9	0760182442	SHAFT SEAL RING 18X24X4	2
20	2700408004401	TRIANGLE LEVER CPL.	1
21	2700408304401	PULL ROD CPL.	1
30	76504082044	BOLT CPL. M14X1,5	2
31	0025080166S	HH collar screw M8x16 TX40 SL	2
32	54603015000	SELF LOCKING NUT M14X1,5 WS=19	2
33	54403135000	PLASTIC CAP SFL10	4
34	0021080003	WASHER DIN9021-A 8,4	2
35	36003014000	LOCK WASHER 8MM	2
98	76504080100	TRIANGLE LEVER REP. KIT REAR	x
99	76504083010	PULL ROD REP. KIT 690 END/SMC	x

172700460 53393 * NEW PART X ON DEMAND



POS	PARTNUMBER	PARTNAME	PIECE
1	76504030144	SWING ARM CPL.	1
2	76504034000	BUCKET FOR SHAFT SEAL RING	4
3	0760253270	radial shaft seal 25x32x7	4
4	59404032000	BEARING SLEEVE 17X22X38,7 03	2
5	0618222812	NEEDLEBEAR HK2212V 22/28/12 MB	4
6	54603036000	STOP DISK 22,2X31,7X1	2
7	76504066000	CHAIN SLIDING GUARD 07	1
8	77304066050	chain slider bushing	2
9	59009062013	SPECIAL SCREW M6X13 WS=8 10.9	4
10	76504042000	BRAKE LINE GUIDE 08	1
11	0009050106	EJOT SPIRAL SCREW SF M5X10-K	2
12	76904060000	Chainguard	1
13	0081050181	SCREW FOR PLASTIC K50X18 T20	2
17	78004070100	CHAIN GUIDE CPL.	1
18	77304070030	INSERTION NUT F. CHAIN GUIDE	1
19	0025060456	HH COLLAR SCREW M6X45 TX30	1
20	0025060206	HH collar screw M6x20 TX30	1
21	75304037144	Swingarm pivot, L=246, M12x1.5	1
22	76504038000	SPECIAL SCREW M12X40 SW19	2
23	58414030000	HH COLLAR NUT M10X1,25 WS=13	2
24	50304040100	screw M10x1.25x50 WS10	2
25	58404041000	CLOSING COVER SWINGARM SM 03	4
97	77304070310	Chain guide kit	x
98	76504066010	CHAIN GUARD KIT 08-14	x
99	76504230010	SWINGARM REPAIR KIT 08-13	x

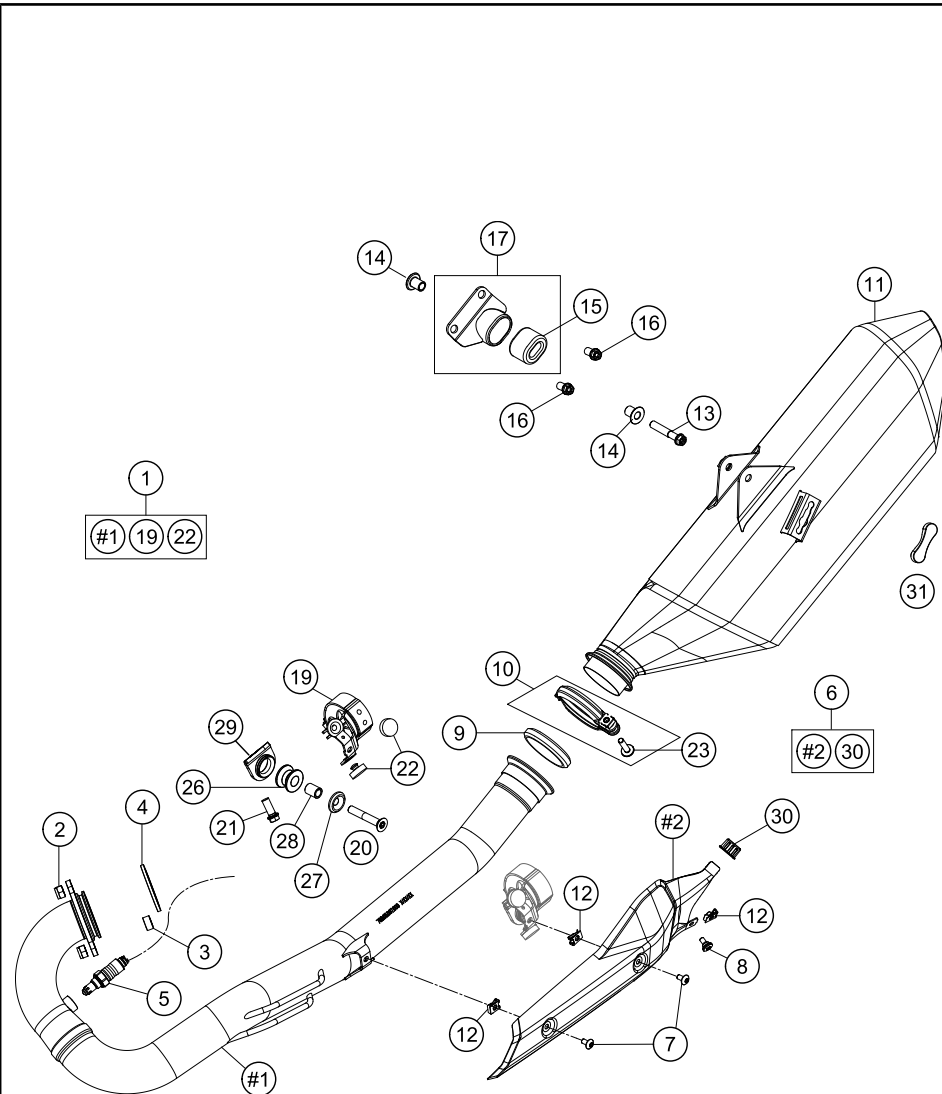
197690490

53394

* NEW PART X ON DEMAND

EXHAUST SYSTEM

690 Enduro R 2020 EU 2020



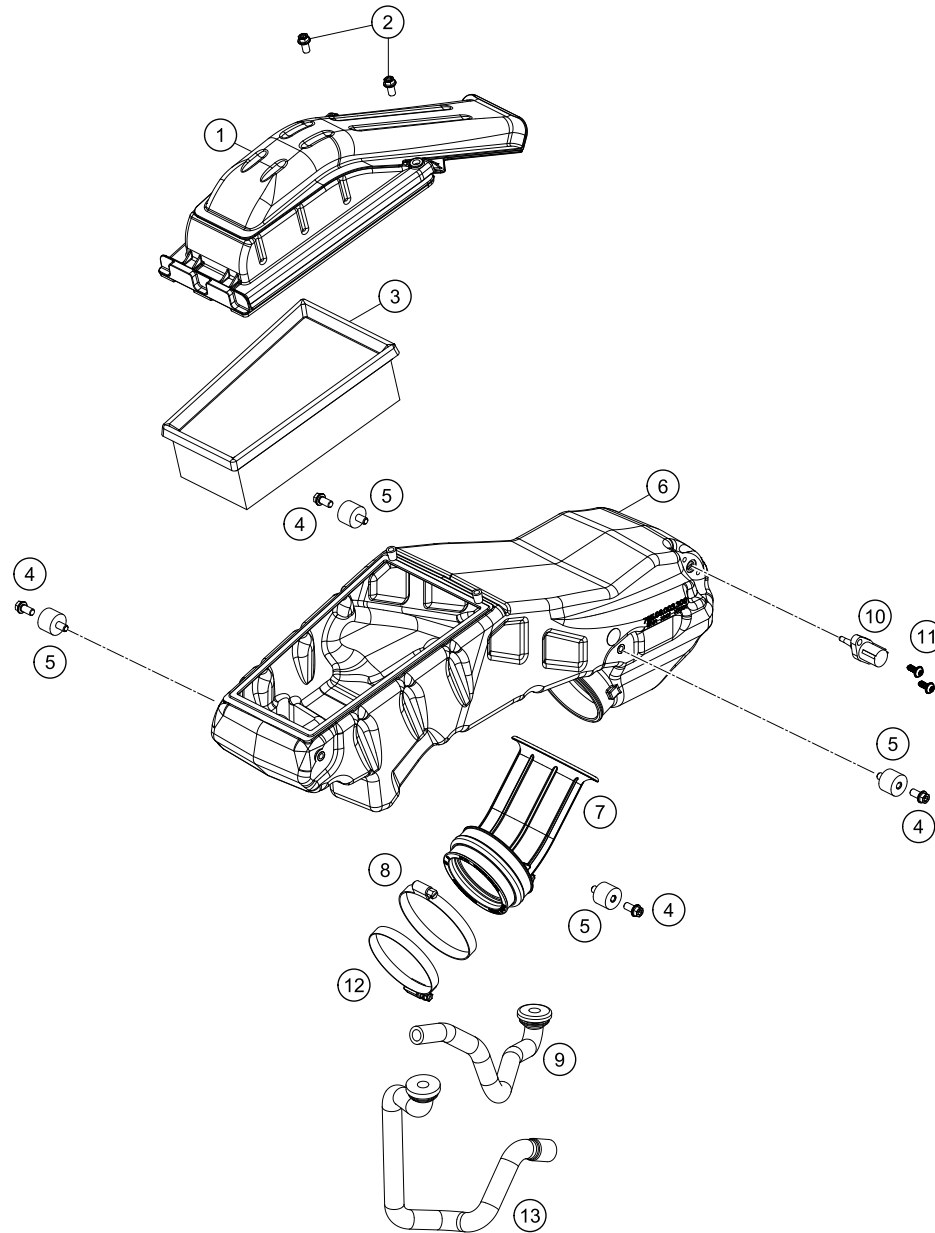
POS	PARTNUMBER	PARTNAME	PIECE
1	76905007000	Header cmpl.	1
2	51010086100	self-locking nut M8 Cu	2
3	61005009000	SPACER BUSH. 8,5X15X7,5 05	1
4	61005005000	EXHAUST GASKET 05	1
5	75041090200	LAMBDA SENSOR	1
6	76905011000	heat protecting metal plate	1
7	78105081010	SCREW TORX M5X10	2
8	69008021160	special screw M5x12	1
9	69005005005	MANIFOLD GASKET	1
10	69005050000	CLAMP CPL.	1
11	76905083000	Main silencer	1
12	54603048600	RANGE CHANGE METAL NUT M5 INOX	3
13	0025080456	HH collar screw M8x45 TX40	1
14	60305069000	BUSHING	2
15	61305068000	DAMPING RUBBER	1
16	0025080166	HH COLLAR SCREW M8X16 TX40	2
17	76505084100	HOLDER SILENCER CPL.	1
19	76505007025	CLAMP WELD ASSEMBLY	1
20	0019080506	COUN.-SUNK SCREW M8X50 ISA10.9	1
21	0025080206	HH collar screw M8x20	1
22	54308042000	RUBBER BUFFER	2
23	0024060256	HH COLLAR SCREW M6X25 TX30	1
26	54305068100	damp. component silicone grey	1
27	62603061000	SPECIAL WASHER 8X24 ALU H=4,2	1
28	56505069000	SPACER BUSHING 8,4X12X16	1
29	76505007027	EXHAUST SUPPORT	1
30	27005011011	DAMPING ELEMENT SILICON	1
31	79105098000	exhaust spacer	1

197690510

53421

* NEW PART

X ON DEMAND



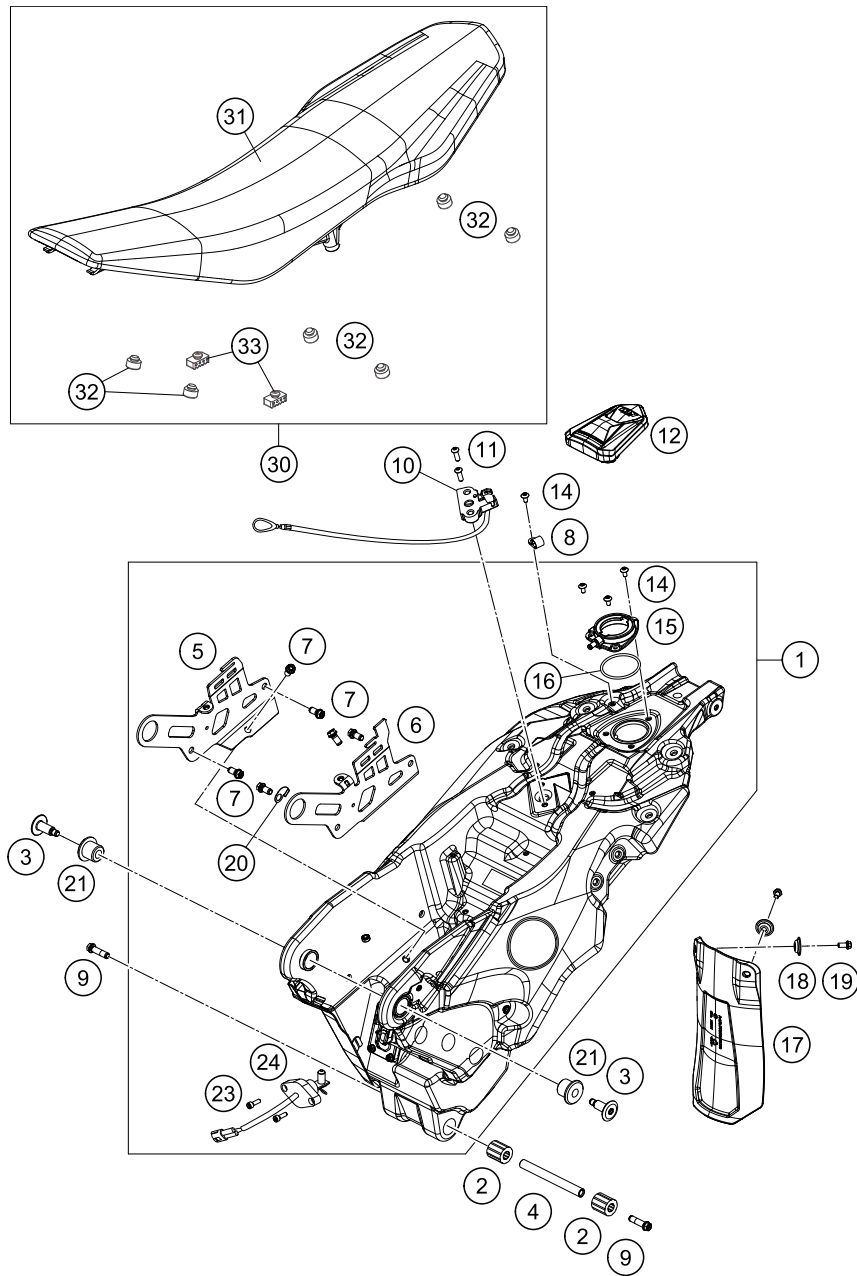
POS	PARTNUMBER	PARTNAME	PIECE
1	76506002000	FILTER BOX-TOP PART 08	1
2	0025060126	HH collar screw M6x12 TX30	2
3	76506015100	AIRFILTER PAPER 200X120	1
4	0025060106	HH collar screw M6x10 TX30	4
5	43205062100	silentbloc 20x15-M6x10-(1)	4
6	76506003344	FILTER BOX WITH INTAKE FLANGE	1
7	76506026100	INTAKE FLANGE	1
8	55006028000	HOSE CLAMP 60-80MM	2
9	76930088030	oil separator vent	1
10	61041080000	AMBIENT-AIR TEMPERATURE SENSOR	1
11	0081050121	EJOT PT screw K50x12	2
12	51006027000	HOSE CLAMP 50-70MM	1
13	27005026000	SAS hose to airbox	1

197690610

53423

* NEW PART

X ON DEMAND



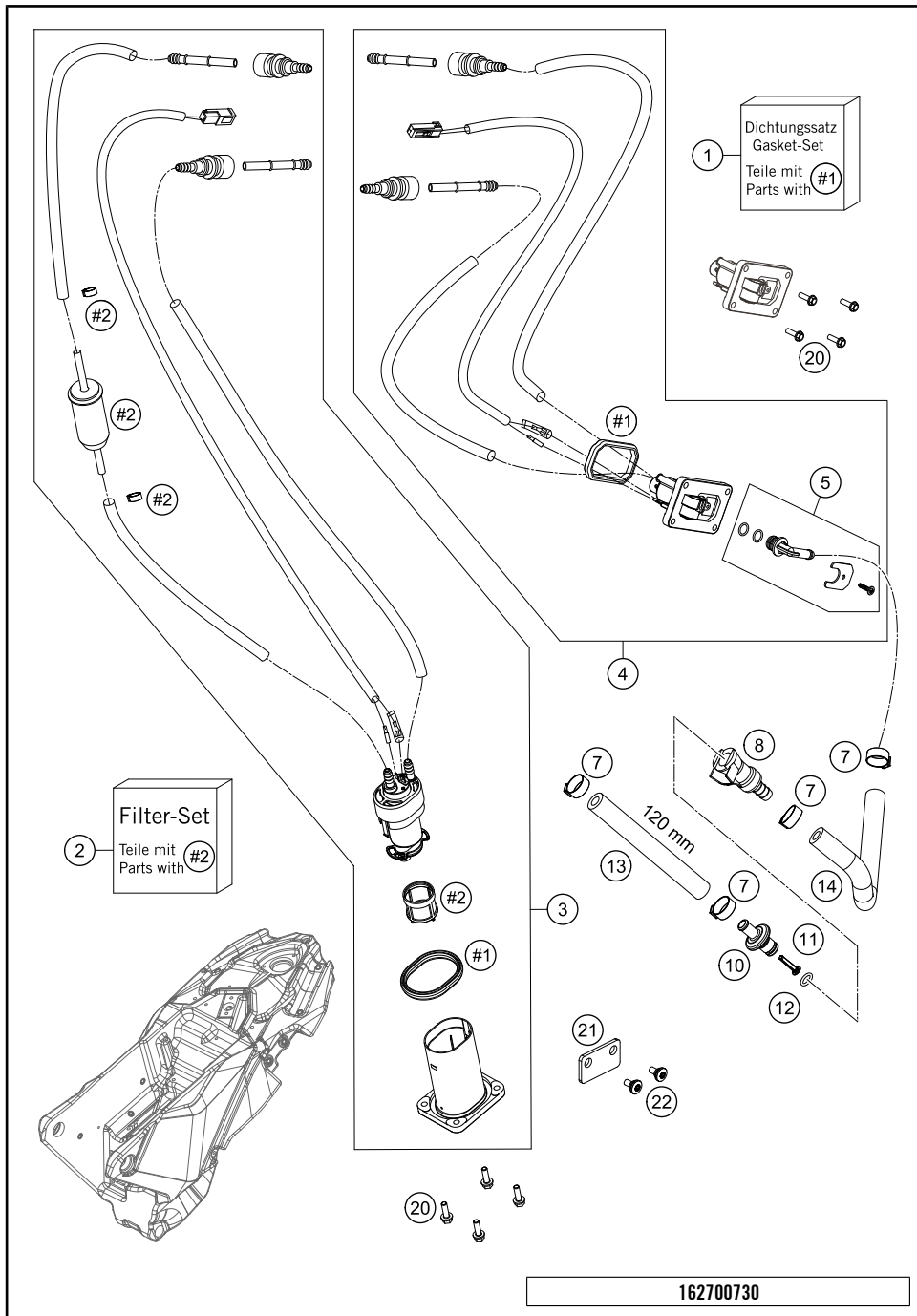
197690710

POS	PARTNUMBER	PARTNAME	PIECE
1	76907013044	Fuel tank cpl.	1
2	76507065100	RUBBER BUSHING 11,7X24,7 L=26	2
3	76507060100	attachement bolt top	2
4	76507061100	Bearing sleeve, bottom	1
5	27007028000	RIGHT FUEL-TANK SUPPORT PLATE	1
6	27007027100	Retaining bracket tank left	1
7	0025080166	HH COLLAR SCREW M8X16 TX40	6
8	57013070000	PVC-CLAMP 7/16" HEYCO 3377	1
9	0025080306S	HH COLLAR SCREW M8X30 TX40	2
10	76507050000	SEAT LOCK	1
11	0738060181	BHCS ISO 7380 M6X18	2
12	76907008000	Fuel tank cap	1
14	58605083010	SCREW TORX M5X10 05	4
15	76507108050	CLOSING FLANGE	1
16	0770050030	O-RING 50,00X3,00 VITON	1
17	76506010100	SPLASH PROTECTOR	1
18	72210079000	BUCKET	2
19	0025060106	HH collar screw M6x10 TX30	2
20	27007053000	CLAMP FOR SEAT LOCK LINKAGE	1
21	76507066000	RUBB.BEAR.BOX 12x24x35 L=24,5	2
23	0912050163	AH SCREW DIN0912-M 5X16	2
24	58207080100	GAS-LEVEL SENSOR ADV. 2006	1
30	76907040000	Front rider's seat CPL	1
31	76907040050	Seat cover	1
32	76907040045	Seat rubber	6
33	28503002010	rubber support	2

53619

* NEW PART

X ON DEMAND



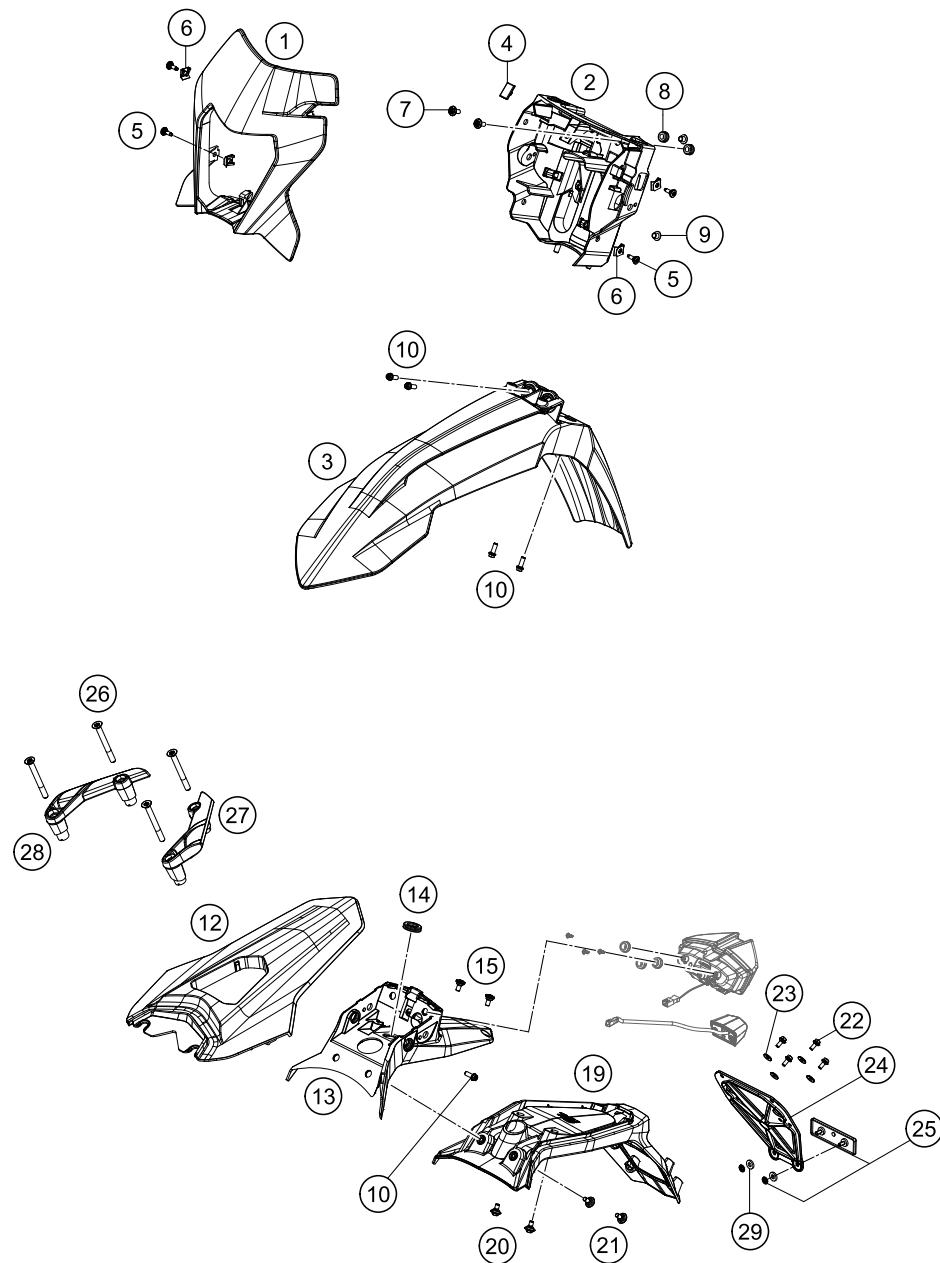
POS	PARTNUMBER	PARTNAME	PIECE
1	75007089000	SEALINGS KIT	1
2	81207090000	FILTER KIT	1
3	75007088211	FUEL PUMP WITH FLANGE	1
4	27007088012	pressure regulator flansch	1
5	75007092000	HYDRAULIC CONNECTOR CPL.	1
7	00050157706	VARIABLE ONE-EAR CLAMP 15,7MM	4
8	5850701050030	CLUTCH CPC BLACK 05	1
10	77707010000	CONNECTOR FUEL PUMP	1
11	78141013190	FUEL FILTER	1
12	58507012000	O-RING VITON F. PLUG CPC 05	1
13	60007316120	FUEL HOSE 7,5X3,5 L=120	1
14	27007016050	FUEL HOSE THROTTLE VALVE	1
20	0025050206	HH collar screw M5x20 TX30	8
21	27008047000	SIDE PANEL BRACKET	1
22	69008021160	special screw M5x12	2

162700730

51338

* NEW PART

X ON DEMAND



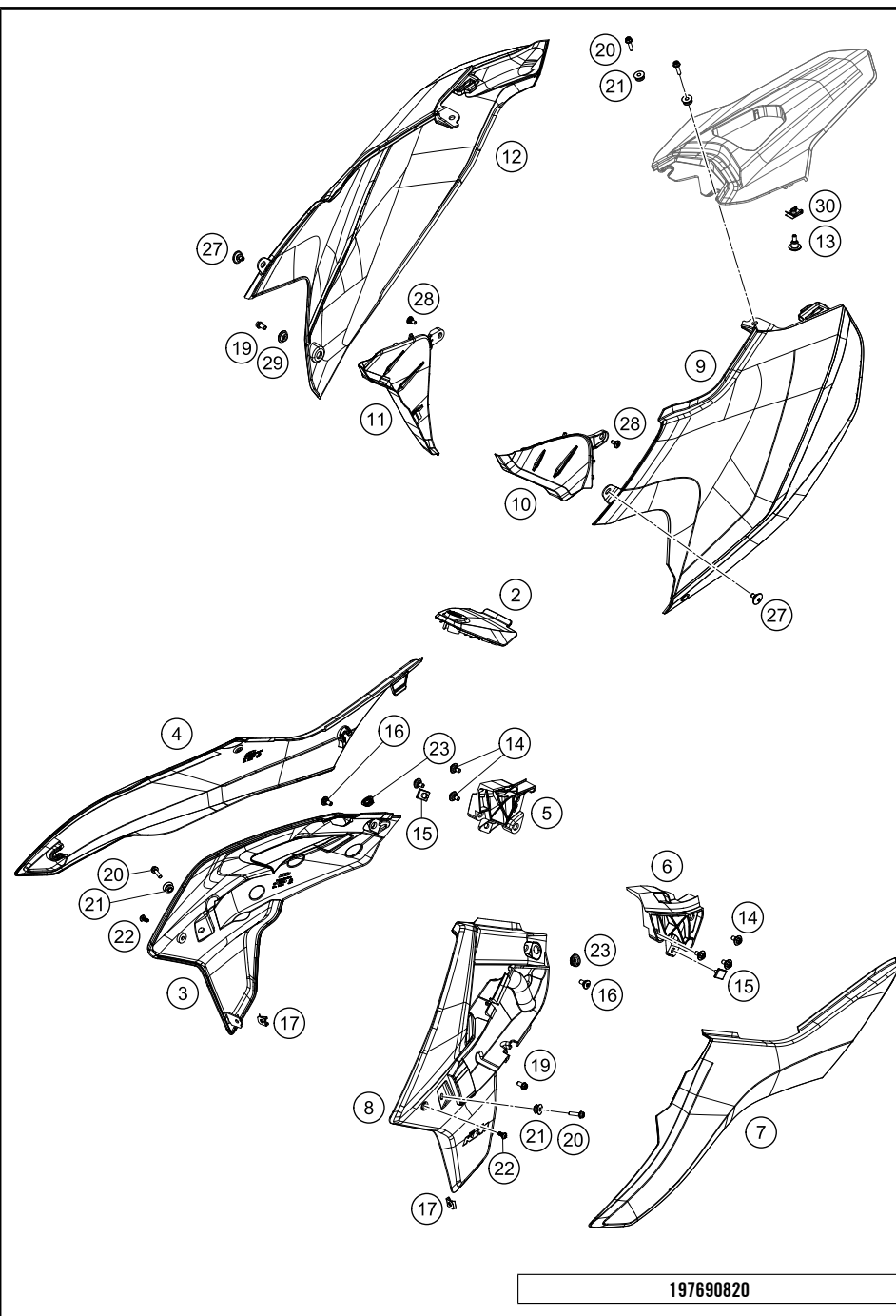
197690810

POS	PARTNUMBER	PARTNAME	PIECE
1	76908001000EB	Headlight shroud	1
2	76914060000	Combination instrument, bracket	1
3	79008010000EB	FRONT FENDER ORANGE 15	1
4	77307040041	Isolation pad	1
5	69008021060	special screw M5x17	4
6	54603048200	RANGE CHANGE METAL NUT M5	4
7	0024060156	HH collar screw M6x15 TX30	2
8	31008060000	rubber grommet D=8mm open	2
9	75014010050	COLLAR BUSHING 6,1X8,1X14X8 07	2
10	0025060166	HH collar screw M6x16 TX30	6
12	76908013000C1	Rear fender	1
13	76908015000	License plate holder, upper part	1
14	60006001023	RUBBER SLEEVE STOP SCREW	1
15	69008021040	special screw M6x14	2
19	76908016000	License plate holder, bottom part	1
20	83008000012	special screw M6x12x3	2
21	83008000015	SPECIAL SCREW M6X15X3	2
22	0025050126	HH collar screw M5x12 TX30	4
23	75008023000	WASHER REAR-UT D=14MM	4
24	64112181000	Bracket for reflector	1
25	58412080400	Rear reflector red	1
26	0019080756	COUNTERSUNK SCREW ISA45 M8X75	4
27	76912008000	passenger handle bar left	1
28	76912009000	passenger handle bar right	1
29	60408061050	RUBBER 14X6.5X2.3MM	2

53632

* NEW PART

X ON DEMAND

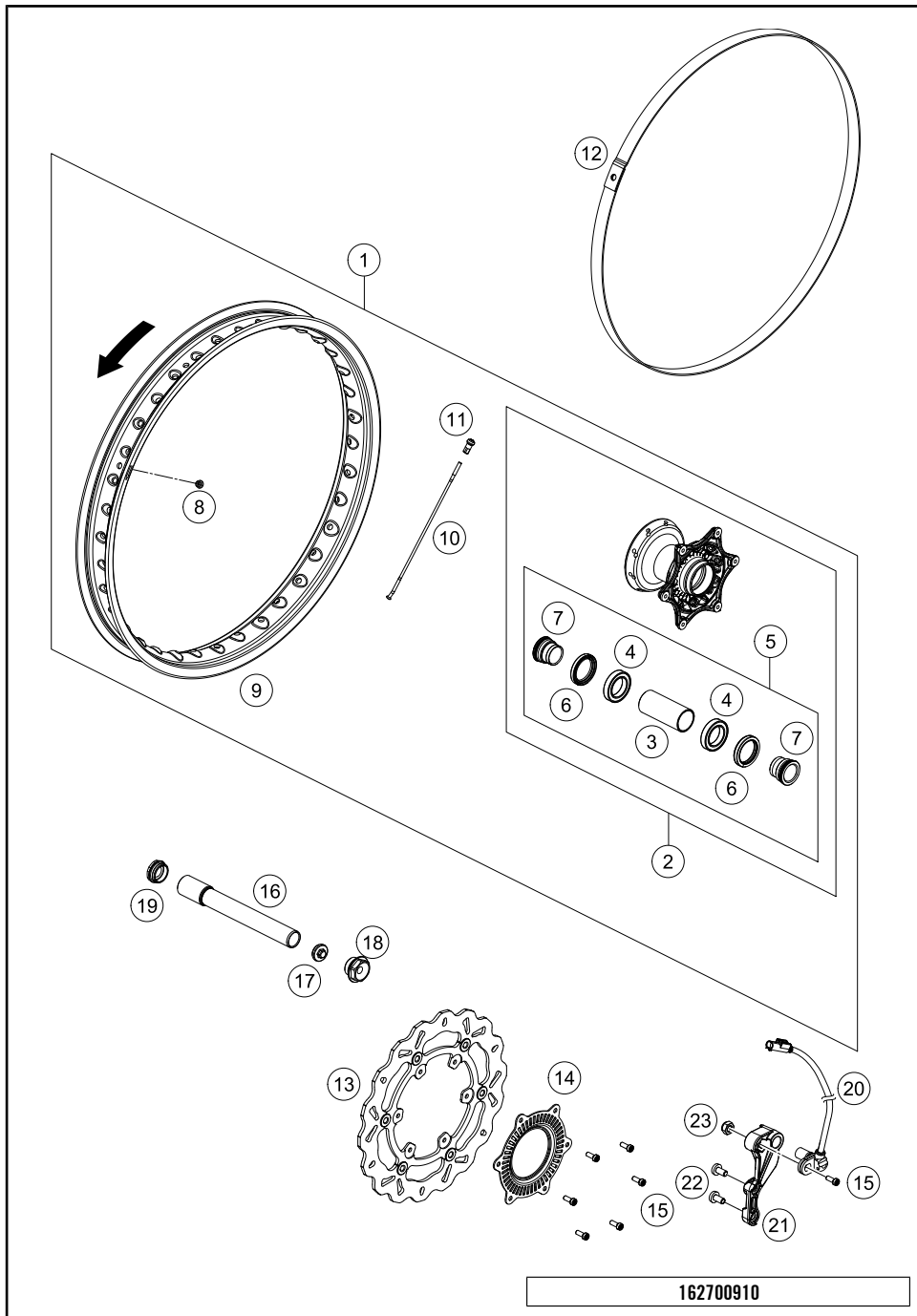


POS	PARTNUMBER	PARTNAME	PIECE
2	76911068000	Ignition lock cover	1
3	76908051000C1	Spoiler right	1
4	76908061000ABA	front fairing right	1
5	76907042000	Seat carrier, right	1
6	76907041000	Seat carrier, left	1
7	76908060000ABA	front fairing left	1
8	76908050000C1	spoiler left	1
9	76908041200ABA	Side fairing left	1
10	76908041030	side fairing, left front	1
11	76908042030	side fairing, right front	1
12	76908042200ABA	Side fairing right	1
13	60035001000	SPECIAL SCREW M6X21 WS=8	1
14	83008000012	special screw M6x12x3	6
15	77307040041	Isolation pad	2
16	69008021040	special screw M6x14	2
17	54603048200	RANGE CHANGE METAL NUT M5	2
19	0025060126	HH collar screw M6x12 TX30	2
20	0025050206	HH collar screw M5x20 TX30	4
21	21007046000	seat sleeve	4
22	0081050121	EJOT PT screw K50x12	2
23	47106003160	quick release rubber grommet	2
27	58407011100	SCREW FOR SEAT M6X11,5/8	2
28	69008021160	special screw M5x12	2
29	77308013010	COLLAR BUSH. F.REAR FENDER 07	1
30	54603048100	clip nut M6	1

53634

* NEW PART

X ON DEMAND



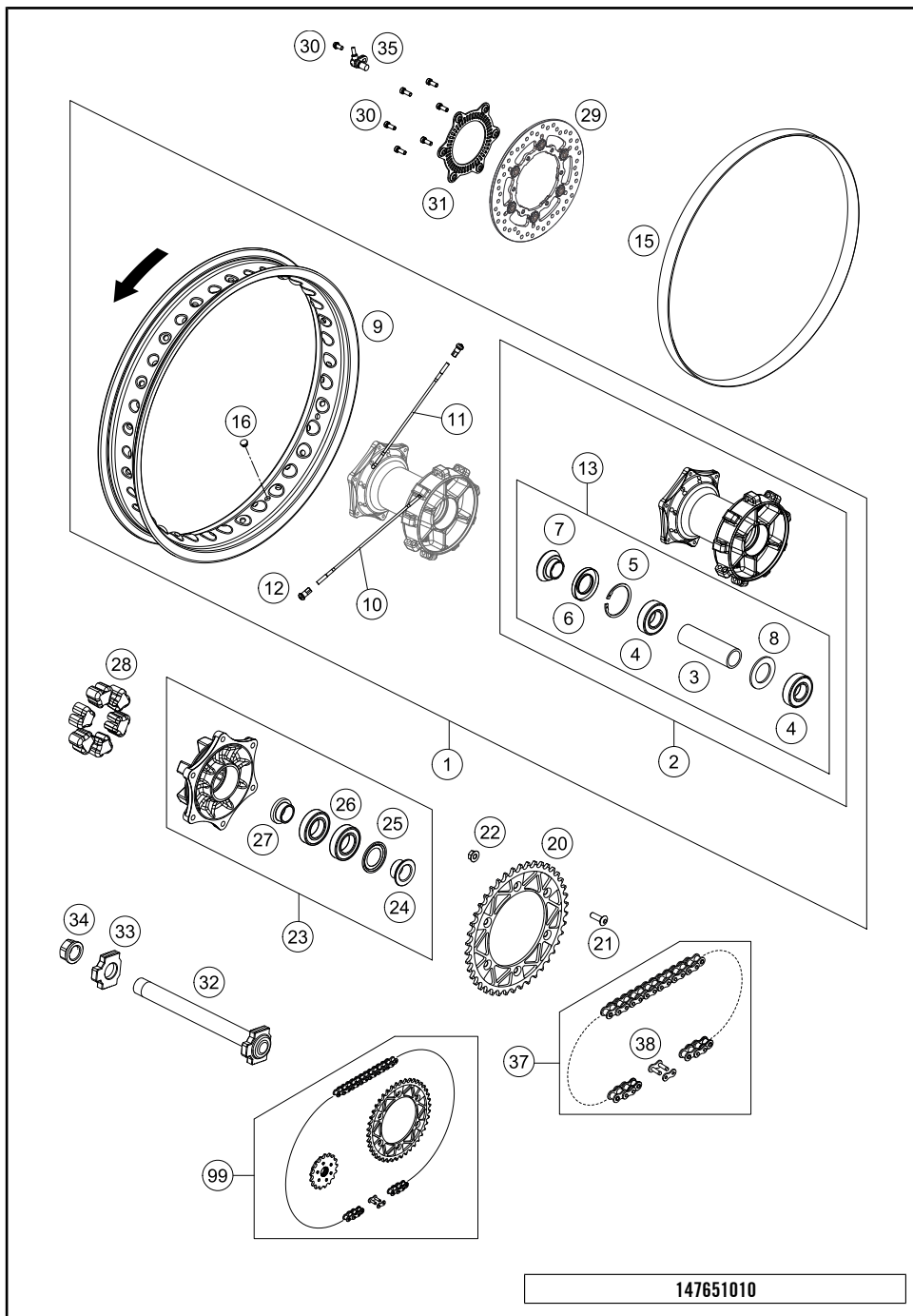
POS	PARTNUMBER	PARTNAME	PIECE
1	7650910104430	FRONT WHEEL CPL. 1,85X21" 16	1
2	7530901004491	FRONT HUB CPL.	1
3	54809011000	BEA.SPACERTUBE 35X2 L=79,4 03	1
4	0625069068	GR.BALL BEAR.6906 DDU2CG23S6NM	2
5	78009015000	FRONT WHEEL REP. KIT	1
6	0760354771	SHAFT SEAL RING 35X47X7 TC	2
7	78009012000	SPACER BUSHING F. FR. WHEEL 08	2
8	55003135000	PLUG FOR RIM	1
9	7650917000030	RIM 1,85X21" DID BLACK 16	1
10	75309073226	SPOKE M4,5X226-18" INOX	36
11	81210072100	SPOKE NIPPLE QUADRAX M4,5	36
12	58409073100	RIM BAND FRONT 2MM 2003	1
13	76509260000	FRONT BRAKE DISC D=300MM	1
14	60142020100	Front sensor wheel	1
15	014580060166S	SHCS ISO 14580 M6x16 SL	7
16	77309081100	Wheel spindle, front	1
17	54809081070	AUXILIARY SCREW FRONT 06	1
18	54809082000	SPINDLE SCREW M24X1,5 WS=27 03	1
19	54809081050	PLUG BUSHING WS=27 03	1
20	76542025000	ABS-SENSOR	1
21	27042024100	SENSOR BRACKET	1
22	0018050103	INT. TORX OVAL HEAD M 5X10 8.8	2
23	0985060003	SELF LOCK. NUT DIN0985-M 6	1

162700910

53620

* NEW PART

X ON DEMAND



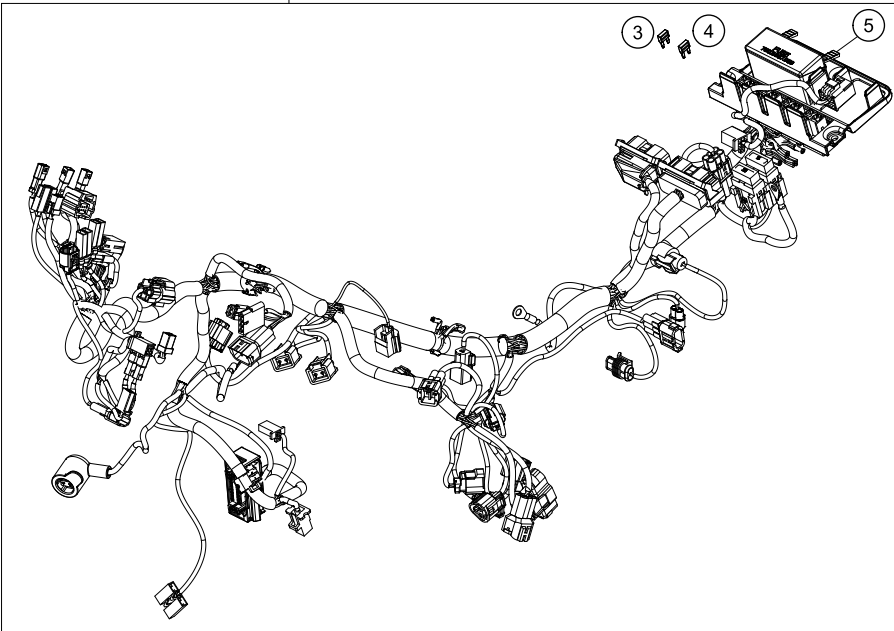
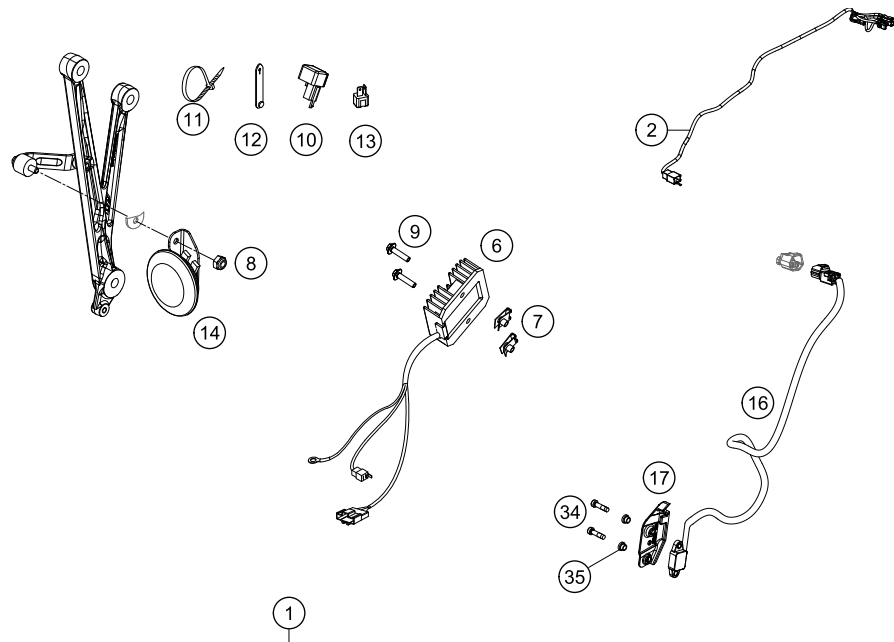
POS	PARTNUMBER	PARTNAME	PIECE
1	7651010104430	REAR WHEEL CPL. 2,50X18" 16	1
2	7531001004491	REAR WHEEL HUB CPL.	1
3	75310011000	BEARING SPACER TUBE L=106MM 07	1
4	0625062052	GR.BALL BEAR. 6205-2RSHC3HMTF7	2
5	0472052200	CIRCLIP DIN0472-52X2	1
6	0760305271	SHAFT SEAL RING 30X52X7	1
7	60110013000	SPACER BUSH. REAR WHEEL R/S 06	1
8	60010015000	SPACER RING 03	1
9	7651007000030	RIM 2,50X18" DID BLACK 08	1
10	75310073217	SPOKE M5X217 -17G 18" INOX	18
11	75310173207	SPOKE M5X207-27G 18" INOX	18
12	58309072100	SPOKE NIPPLE M5-TA 8X21MM	36
13	75010015000	REAR WHEEL REP. KIT	x
15	58410073200	RIM BAND REAR 2MM 2003	1
16	55003135000	PLUG FOR RIM	1
20	75010051046	SPROCKET T=46 STEEL	1
20	75010051042	SPROCKET STEALTH 42T 07	x
21	0019080266S	COUNTER-SUNK SCREW ISA45 M8X26	6
22	06923080003	hex nut EN 1661 M8 WS13	6
23	7501005004491	SPROCKET SUPPORT CPL. SILVER	1
24	60110012000	SPACER BUSH. SPROCKET SUPP. 06	1
25	60110016000	NILOS RING 6006AV	1
26	0625060060	BALL BEARING 6006 DDU2CG23S6NM	2
27	60110014000	SPACER BUSH. SPR. SUPP. IN. 06	1
28	54610459000	RUBBER DAMPING BLOCK '91	6
29	27010060000	BRAKE DISK REAR D=240MM	1
30	014580060166S	SHCS ISO 14580 M6x16 SL	7
31	76542021000	SENSOR WHEEL ABS REAR	1
32	75310085144	WHEEL SPINDLE CPL.	1
33	60010084000	CHAIN TENSIONER R/S LC8 03	1
34	60010086000	COLLAR NUT WH. SPINDLE REAR 03	1
35	76042125000	ABS-SENSOR	1
37	78010167118	CHAIN DID 118 LINKS	1
38	78010166100	RIVETING LINK FOR 78010167118	1
99	00050002090	Drivetrain kit 701 enduro 15Z/46Z	x

147651010

53635

* NEW PART

X ON DEMAND



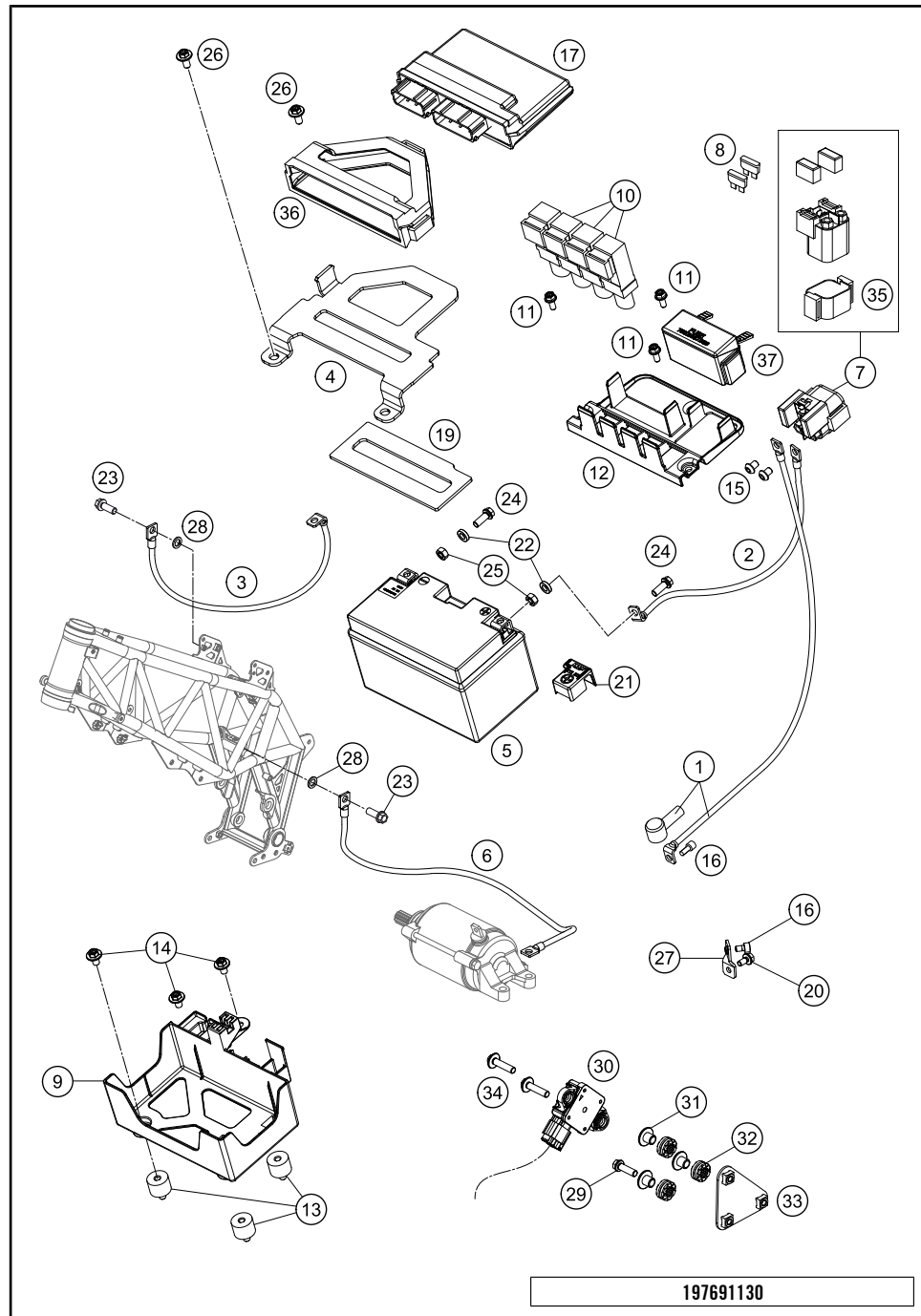
POS	PARTNUMBER	PARTNAME	PIECE
1	76911075000	main harness	1
2	76911076000	Rear part, wiring harness	1
3	75011088010	FUSE 10A 07	x
4	75011088015	FUSE 15A 07	x
5	75011087050	RUBBER CASING FOR FUSE BOX	1
6	62511034100	VOLTAGE REGULATOR	1
7	54603048100	clip nut M6	2
8	0985060003	SELF LOCK. NUT DIN0985-M 6	1
9	0024060256	HH COLLAR SCREW M6X25 TX30	2
10	76011030000	FLASHER UNIT LED 6,25W	1
11	44011076140	CABLE TIE 140/2,5MM BLACK	x
11	44011076200	CABLE TIE 200/3,6MM BLACK	x
11	44011076305	CABLE TIE 300/4,8MM BLACK	x
12	60011093045	RUBBER CABLE TIE 45MM 03	x
13	58411096100	DIODE S3H-15 97	3
14	64111060033	Direct current horn complete	1
16	61434051000	Shift shaft sensor	1
17	76834052000	Quickshifter sensor cover	1
34	014580050203S	Cap hd. screw DIN14580 M5x20 Precote30	2
35	78003123070	Spacing tube spring retaining bracket	2

197691110

53391

* NEW PART

X ON DEMAND



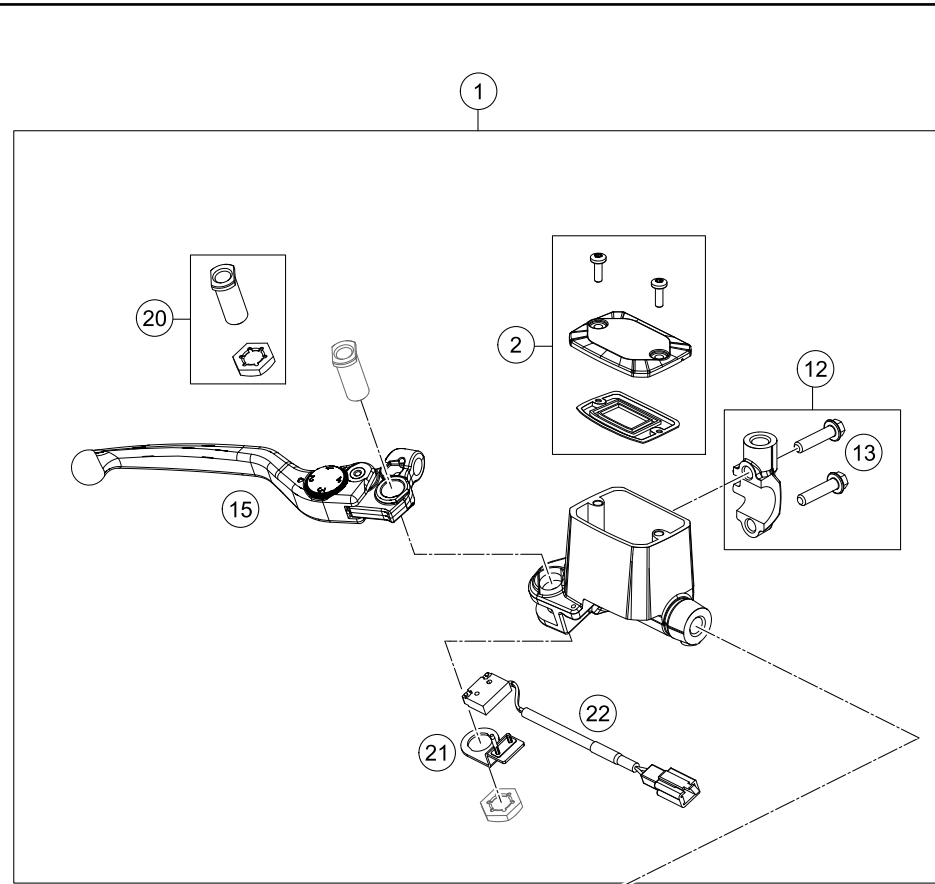
POS	PARTNUMBER	PARTNAME	PIECE
1	76511059000	STARTER-CABLE L=570MM 08	1
2	75011059150	BATTERY-CABLE L=170MM	1
3	76211097000	GROUND CABLE	1
4	27011056044	Retaining bracket	1
5	58411053100	BATTERY 12V 8,6AH 03	1
6	58411097100	GROUND CABLE D=6MM L=140MM '97	1
7	58211058000	STARTER RELAY 12V '99	1
8	58011109130	FUSE 30 A	2
8	58011109125	FUSE 25 A	1
8	58011109115	FUSE 15 A	x
9	76511054100	BATTERY BRACKET	1
10	61111057000	RELAY CM1A-R-12V-H80 07	4
11	0025050126	HH collar screw M5x12 TX30	3
12	76511055000	HOLDER F.ELECTRIC 08	1
13	43205062100	silentbloc 20x15-M6x10-(1)	3
14	0024060106	HH COLLAR SCREW M6X10 TX30	3
15	0902060083	AH OVAL SCREW ISO 7380 M 6X8	2
16	0912050083	SHCS DIN 912 M5x8	2
17	61341031300	Control unit EFI	1
19	27011056050	absorber f. battery retaining	1
20	0025050106	HH collar screw M5x10 TX30	1
21	62111059060	COVER POSITIVE POLE	1
22	12011016000	WASHER 6 X 12 X 3	2
23	0025060126	HH collar screw M6x12 TX30	2
24	0025060166	HH collar screw M6x16 TX30	2
25	0934060003	hex nut DIN 934 M6	2
26	0024060136	HH collar screw M6x13 TX30	2
27	76511059061	RETAINING PLATE STARTER CABLE	1
28	58411098100	CONTACT WASHER M6 VSV-K6	2
29	0025060206	HH collar screw M6x20 TX30	1
30	60342090100	inertial sensor	1
31	62142041000	DAMP. COMPONENT ABS MODUL	3
32	61342041000	COLLAR BUSH 6,5X9X18X8,5	3
33	76903001061	Retaining bracket, angle sensor compl.	1
34	0024060256	HH COLLAR SCREW M6X25 TX30	2
35	58211058050	BRACKET RUBBER F.STARTRELAY 07	1
36	60341031050	ECU RUBBER BRACKET	1
37	75011087050	RUBBER CASING FOR FUSE BOX	1

197691130

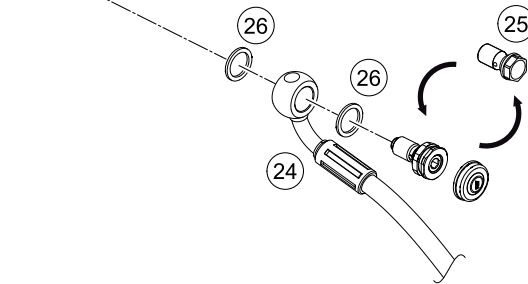
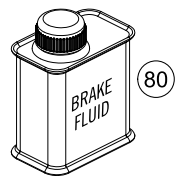
53440

* NEW PART

X ON DEMAND



POS	PARTNUMBER	PARTNAME	PIECE
1	27013101033	Brave cylinder preassembled	1
2	76013012000	COVER HAND BRAKE CYLINDER CPL.	1
12	76013005000	CLAMP CPL.	1
13	0025060256	HH collar screw M6x25 TX30	2
15	27013102000	front brake lever	1
20	76013006000	LEVER SCREW CPL.	1
21	76011040000	BRACKET F. BRAKE LIGHT SWITCH	1
22	76011050000	BRAKE LIGHT SWITCH FRONT	1
24	76542005000	BRAKE HOSE HAND BRAKE CYLINDER	1
25	62113020100	banjo bolt M10x1x19.5	1
26	0603100141	sealing ring DIN 7603 10x14x1	2
80	00062030000	BRAKE FLUID DOT5.1 0,25L	1

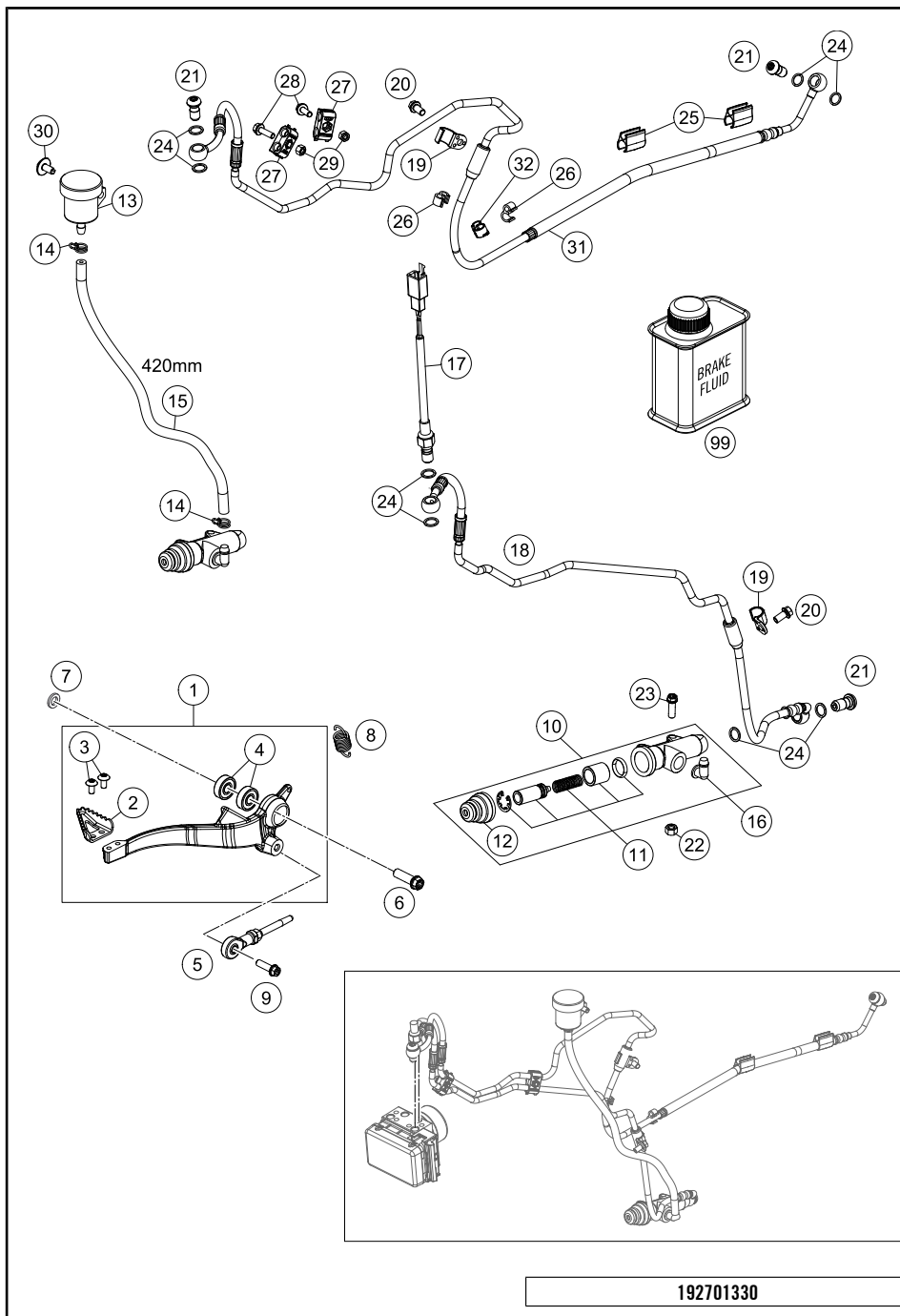


147651310

53395

* NEW PART

X ON DEMAND



POS	PARTNUMBER	PARTNAME	PIECE
1	76913050144	Footbrake lever preassembled	1
2	60013051000	STEP PLATE FOOT BRAKE LEVER 03	1
3	58605083010	SCREW TORX M5X10 05	2
4	0625006087	GROOVED BALL BEAR. 608 2RS C3	2
5	76513056144	PUSH ROD CPL.	1
6	0025080306S	HH COLLAR SCREW M8X30 TX40	1
7	0125080003	washer DIN 125 A -8.4	1
8	54603062200	Return spring for brake lever	1
9	0025060206S	HH collar screw M6x20 TX30	1
10	54513101044	MAIN BRAKE CYLINDER '89	1
11	76513061000	REPAIR KIT PISTON 13MM	1
12	54513151000	RUBBER SLEEVE	1
13	54513030044	BRAKE FLUID RESERVOIR '89	1
14	58007017000	YDNAC CLAMP 10101 (10,4MM)	2
15	69013069001	HOSE FOR RESERVOIR 6X1,5	1
16	54513155000	ANGLE PIECE	1
17	62111051000	BRAKE LIGHT SWITCH REAR	1
18	76542003000	BRAKE HOSE REAR MASTER CYL.	1
19	76542050000	CLAMP	2
20	0025060126	HH collar screw M6x12 TX30	2
21	62113020100	banjo bolt M10x1x19.5	3
22	0926060000	STOP NUT M6 DIN6926 A2-70	2
23	0025060256	HH collar screw M6x25 TX30	2
24	0603100141	sealing ring DIN 7603 10x14x1	8
25	54813026100	CABLE SUPPORT 10/4MM 2014	2
26	60111094100	BAR SPACER 4/7 BLACK	2
27	60113146000	SUPPORT FOR BRAKE HOSE M5	2
28	0025050166	HH collar screw M5x16 TX30	2
29	0985050003	SELF LOCKING NUT DIN0985-M 5	2
30	0024060136	HH collar screw M6x13 TX30	1
31	76542001000	BRAKE HOSE REAR CALIPER	1
32	76913047010	spacer bracket D=6/8,5mm	1
99	00062030000	BRAKE FLUID DOT5.1 0,25L	1

192701330

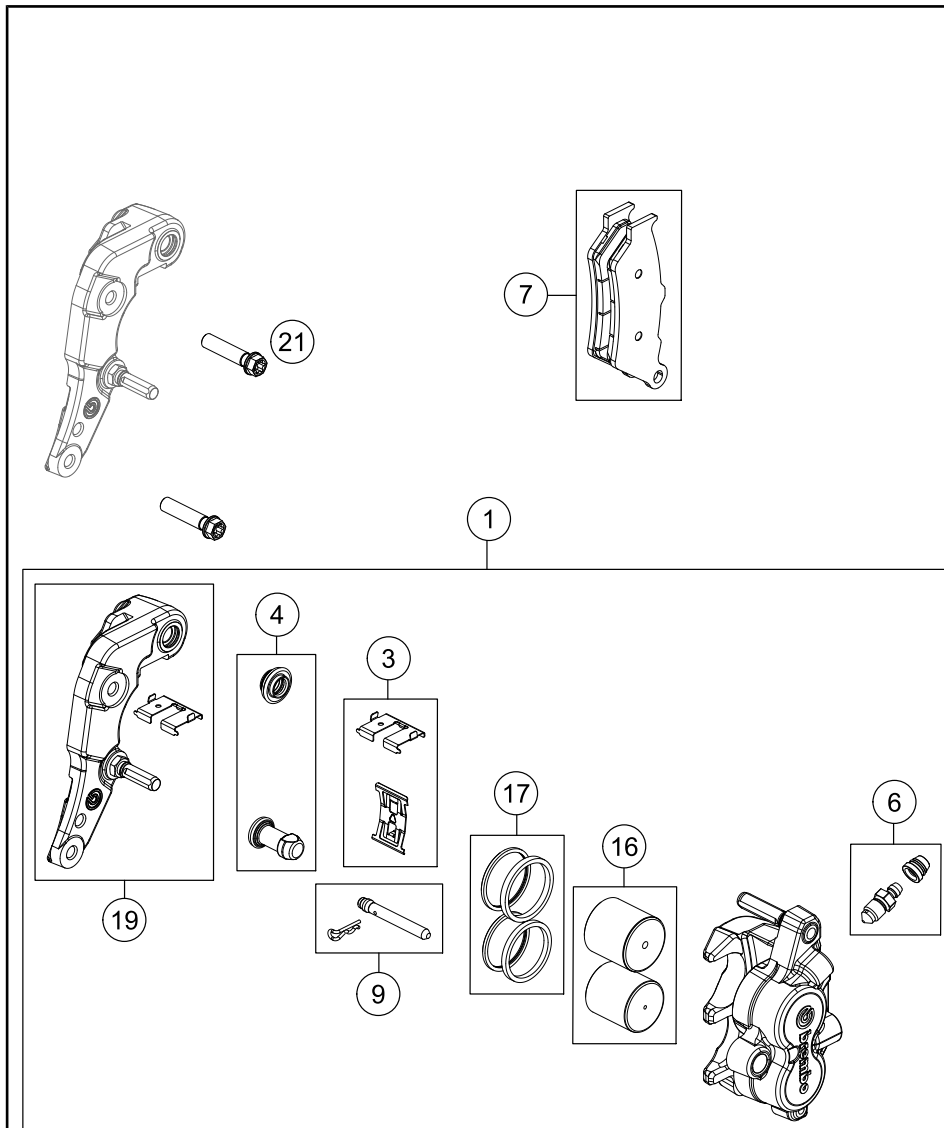
53426

* NEW PART

X ON DEMAND

FRONT BRAKE CALIPER

690 Enduro R 2020 EU 2020



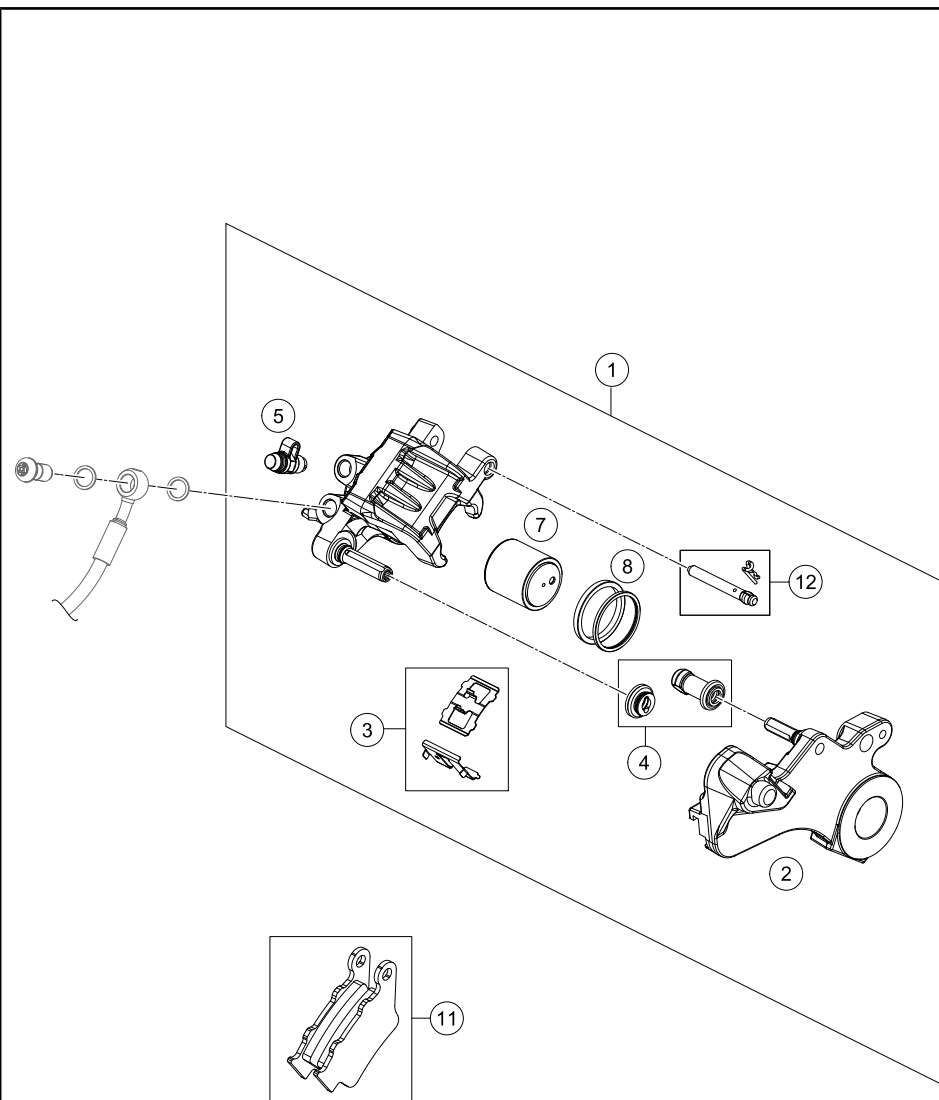
POS	PARTNUMBER	PARTNAME	PIECE
1	6011301510101	BRAKE CALIPER FRONT L/S	1
3	60013018000	RETAINING PLATE SET FRONT 03	1
4	54613218000	CUP SET SHORT	1
6	60013020000	BLEEDER SCREW WITH CAP	1
7	27013030000	BRAKE PAD FRONT TT2802 GG	1
9	60013017000	BOLT SET L/S	1
16	60013083000	BRAKE PISTONS 30/32MM	1
17	60013019000	REP.KIT SEALING RINGS 30/32MM	1
19	60113049100	BRAKE CALIPER SUPPORT FR. L/S	1
21	0025080356S	HH COLLAR SCREW M8X35 TX40	2

197691360

51927

* NEW PART

X ON DEMAND



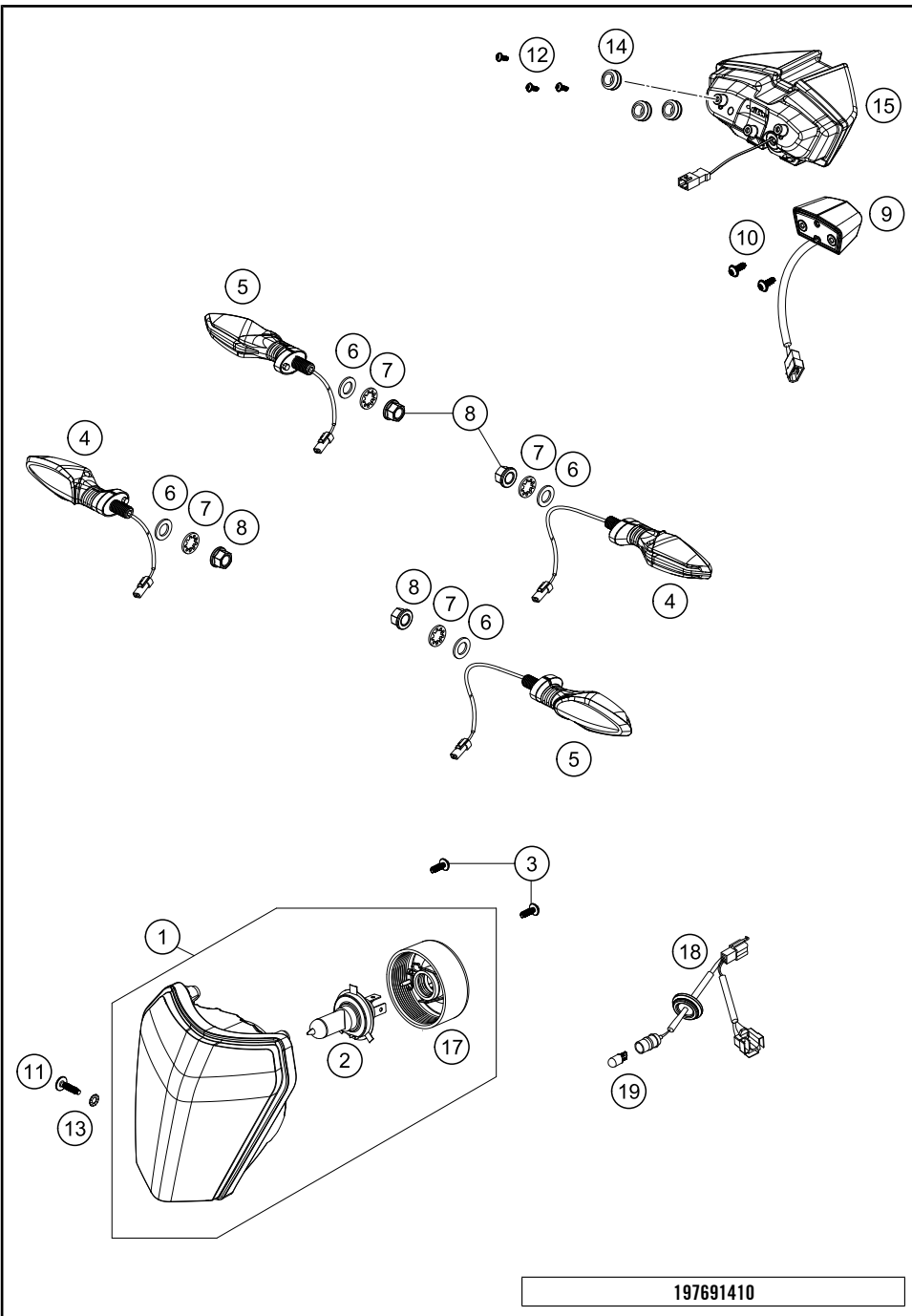
POS	PARTNUMBER	PARTNAME	PIECE
1	7601308000101	BRAKE CAL. RE. - WITHOUT PADS	1
2	7601317500001	BRAKE CALIPER BRACKET REAR	1
3	54613311200	RETAINING SPRING SET	1
4	54613218000	CUP SET SHORT	1
5	61013020200	BLEEDER SCREW WITH CAP	1
7	50313083000	BRAKE PISTON 32MM	1
8	50313081000	REPAIR KIT SEALING RINGS 32MM	1
11	75013090000	BRAKE PAD SET REAR SBS-S-40GF	1
12	61013082000	BOLT SET 05	1

197691390

51929

* NEW PART

X ON DEMAND

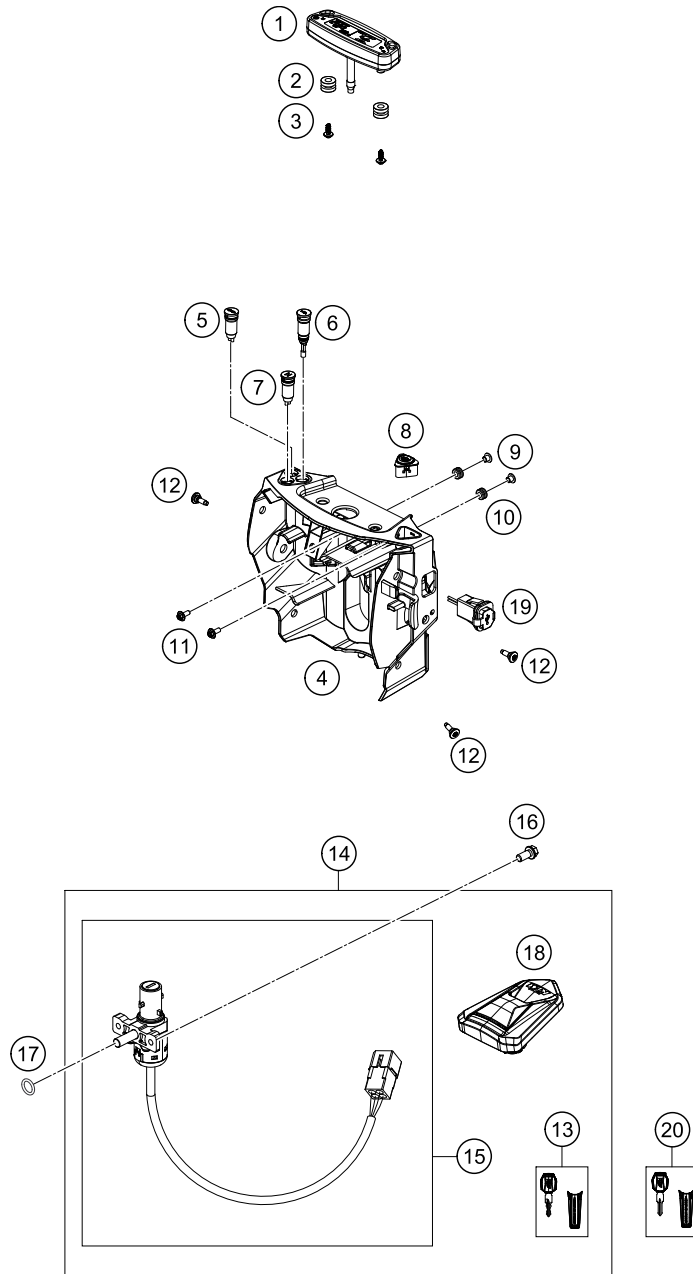


POS	PARTNUMBER	PARTNAME	PIECE
1	76914001000	Headlight	1
2	57111038000	BULB H4 12V 60/55W (P43T)	1
3	0081050141	EJOT PT screw K50x14	2
4	60314026000	turn signal front right/rear left	2
5	60314025000	turn signal front left/rear right	2
6	0433100003	WASHER 18x10,5x1,6	4
7	0797100003	LOCK WASHER DIN6797-J10,5 ZI	4
8	58414030000	HH COLLAR NUT M10X1,25 WS=13	4
9	60314047000	license plate lighting	1
10	0081050121	EJOT PT screw K50x12	2
11	0081050203	EJOT PT screw 50x20 T25	1
12	0081645121	EJOT DELTA PT SCREW 45X12-Z	3
13	006798050103	Serrated lck washer, DIN 6798-A, 5.3 A2K	1
14	60006001022	rubber grommet 9x11x16x8.5 mm	3
15	63514040000	Tail light	1
17	76914001050	rubber cap for headlight	1
18	76911079000	wiring harness head light	1
19	49011435100	BULB 12V 5W (W2,1X9,5D) PHIL.	1

197691410

53429

* NEW PART X ON DEMAND



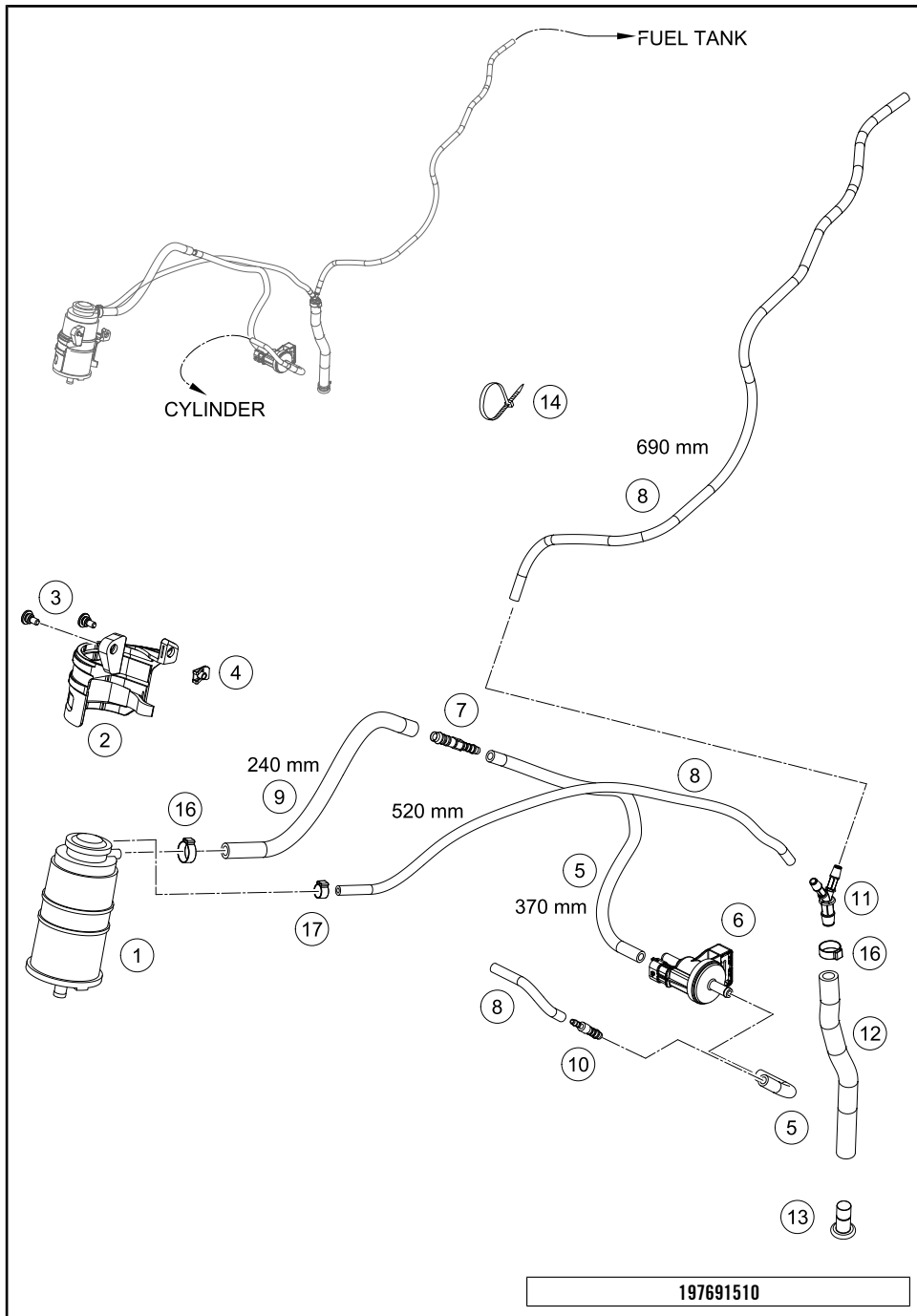
POS	PARTNUMBER	PARTNAME	PIECE
1	27014069200	Dashboard	1
2	58214069051	rubber grommet 16x10.8x3	2
3	0081645121	EJOT DELTA PT SCREW 45X12-Z	2
4	76914060000	Combination instrument, bracket	1
5	27014081000	FLASHER CONTROL LIGHT	1
6	76914082000	Oil pressure warning indicator	1
7	27014083000	neutral led pilot assembly	1
8	60142070100	SWITCH ABS	1
9	75014010050	COLLAR BUSHING 6,1X8,1X14X8 07	2
10	31008060000	rubber grommet D=8mm open	2
11	0024060156	HH collar screw M6x15 TX30	2
12	69008021160	special screw M5x12	3
13	76911067000	KTM ignition key	x
14	76911066044	Lock kit compl.	1
15	27011066100	Ignition Switch with key	1
16	59009062013	SPECIAL SCREW M6X13 WS=8 10.9	2
17	0770100020	o-ring 10.00x2.00 silicone	1
18	76907008000	Fuel tank cap	1
19	64111043000	USB power socket 12 V	1
20	76911067010	Ignition lock	x

197691430

53636

* NEW PART

X ON DEMAND

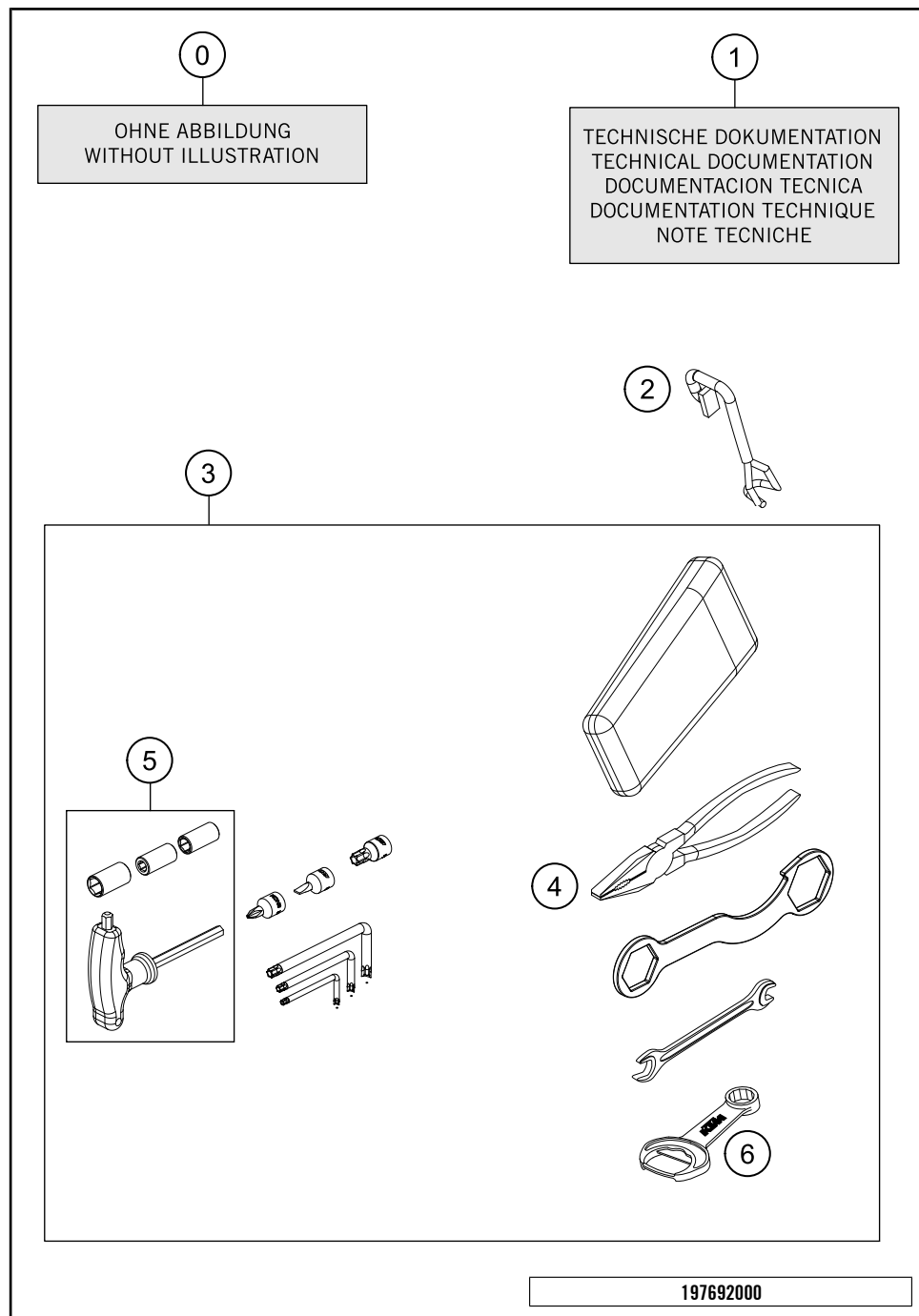


POS	PARTNUMBER	PARTNAME	PIECE
1	59415001100	EVAPORATIVE CANISTER 08	1
2	76915002000	Activated charcoal filter clamp	1
3	69008021160	special screw M5x12	2
4	69008021080	clip nut M5	1
5	78015019001	HOSE EPA D=6/10 PER METER	x
6	76015015000	EVAP valve	1
7	28515023100	Reducer GRS8-6	1
8	78015021000	HOSE EPA D=4/8 L=2000MM	1
9	28515024001	Hose 8x13 FKM/ECO	1
10	76915023000	Reducer GRS6-4 black	1
11	61315028100	Y-CONNECTOR YS 6-10-6	1
12	78015119000	HOSE EPA D=10/16 L=2000MM	1
13	61315026000	PLUG D=10	1
14	44011076140	CABLE TIE 140/2,5MM BLACK	x
16	00050170706	VARIABLE ONE-EAR CLAMP 17,0MM	2
17	00050109706	stepless one-ear clamp	1

197691510

53431

* NEW PART X ON DEMAND



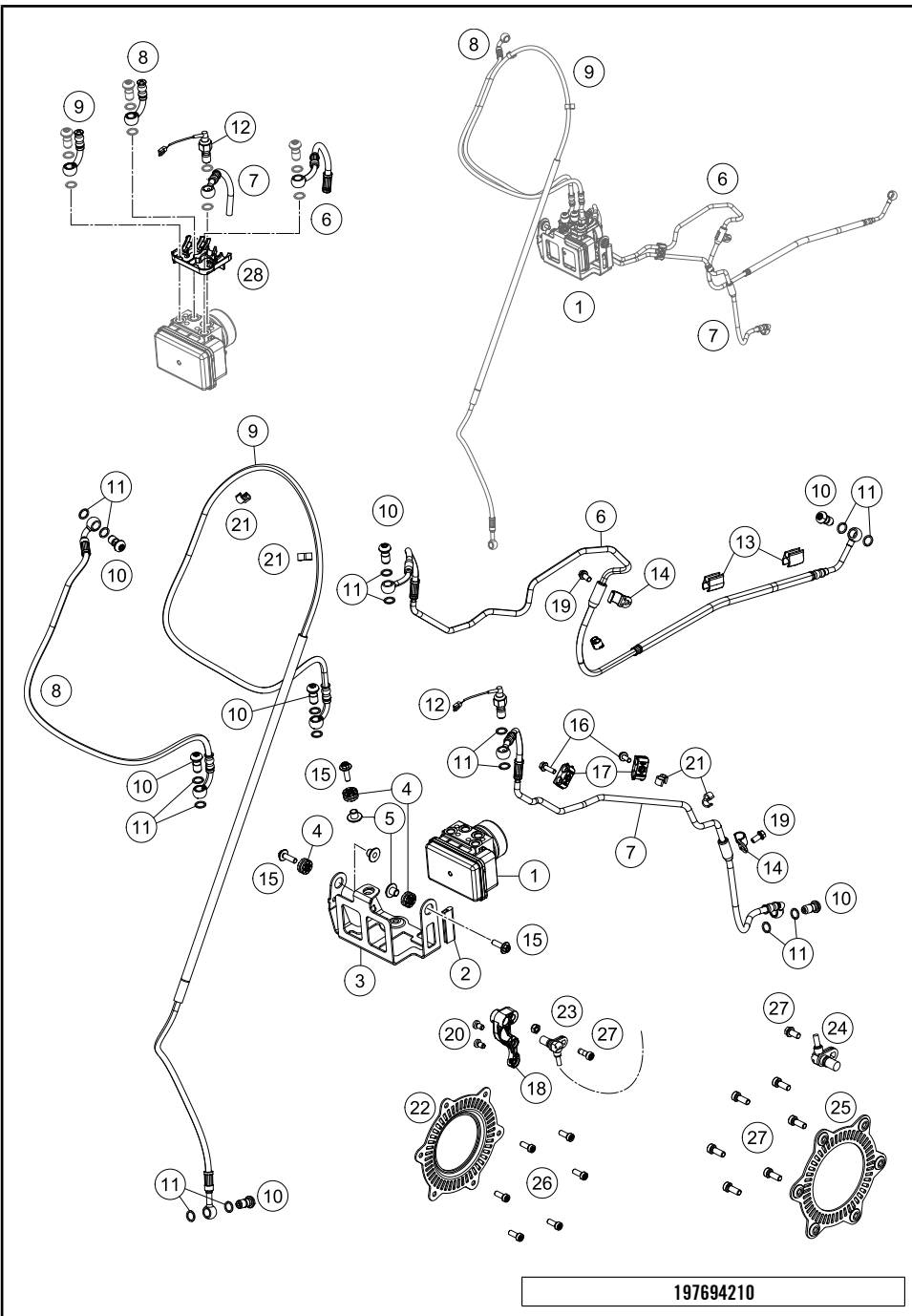
POS	PARTNUMBER	PARTNAME	PIECE
0	76912008000	passenger handle bar left	1
0	76912009000	passenger handle bar right	1
0	76902079000EB	Handguard Enduro-R cmpl. left+right oran	1
0	76903038050	Heel protector, left	1
0	76903039050	Heel protector, right	1
0	0025080126	HH collar screw M8x12 TX40	4
0	78003040033	FOOTREST L/S + R/S CPL. 09	1
0	60408061050	RUBBER 14X6.5X2.3MM	2
0	58412080400	Rear reflector red	1
0	64112181000	Bracket for reflector	1
0	312305	DOCUMENTS BAG 2006	1
0	3210917	NOTEPAD	1
0	312313	KTM BALLPOINT PEN ORANGE	1
0	00063099114	Pocket for operating manual 290x190 mm	1
0	7690304803301	Rear footpeg bracket left cmpl.	1
0	7690304903301	Rear footpeg bracket right cmpl.	1
0	0025080166	HH COLLAR SCREW M8X16 TX40	4
0	76512040000	REVIEW MIRROR L/S	1
0	76512041000	REVIEW MIRROR R/S	1
0	58412040050	SUPPORT FOR MIRROR LC4 '98	2
0	76903090044	Skid plate cmpl.	1
0	20180189INT	Sticker accessory kit	1
0	00063004202	PRINT LABEL 60X51 MM	1
0	00063000019	BUBBLE WRAP 320 X 200 MM	4
0	00063004204	Self-ad. stkr. 100X200 mm, perf., art. 3	2
0	00063099014	GRIFFSCHUTZ NOMAPACK 28/13	2
0	0025050126	HH collar screw M5x12 TX30	4
0	75008023000	WASHER REAR-UT D=14MM	4
0	0025080556	HH collar screw M8x55 TX40	4
0	58412080300	REFLECTOR YELLOW "CEV"	2
0	20180195INT	KTM Bypack Folder Street	1
1	3214092EN	Owner's manual 690 Enduro R EU	1
2	76503025000	RUBBER SIDE STAND	1
3	76929099000	On-board tool kit	1
4	53012028200	GRIP ORANGE B&F	1
5	50329070000	T-WRENCH WS=6/8/10 '97	1
6	50329071100	WRENCH WS=13 B&F + OPENER	1

197692000

53621

* NEW PART

X ON DEMAND



POS	PARTNUMBER	PARTNAME	PIECE
1	76942031044	ABS modul filled	1
2	61011055045	EDGE PROTECTOR L=45MM 05	1
3	27042040000	BRACKET PLATE ABS-MODUL	1
4	62142041000	DAMP. COMPONENT ABS MODUL	3
5	61342041000	COLLAR BUSH 6,5X9X18X8,5	3
6	76542001000	BRAKE HOSE REAR CALIPER	1
7	76542003000	BRAKE HOSE REAR MASTER CYL.	1
8	76542005000	BRAKE HOSE HAND BRAKE CYLINDER	1
9	76542006000	BRAKE HOSE FRONT CALIPER	1
10	62113020100	banjo bolt M10x1x19.5	7
11	0603100141	sealing ring DIN 7603 10x14x1	16
12	62111051000	BRAKE LIGHT SWITCH REAR	1
13	54813026000	CABLE SUPPORT 10/6MM 06	2
14	76542050000	CLAMP	2
15	0024060206	HH collar screw M6x20 TX30	3
16	0025050166	HH collar screw M5x16 TX30	2
17	60113146000	SUPPORT FOR BRAKE HOSE M5	2
18	27042024100	SENSOR BRACKET	1
19	0025050126	HH collar screw M5x12 TX30	2
20	0018050103	INT. TORX OVAL HEAD M 5X10 8.8	2
21	60111094000	CLIP 5/7 MM 06	4
22	60142020000	SENSOR WHEEL FRONT 06	1
23	76542025000	ABS-SENSOR	1
24	76042025000	ABS-SENSOR	1
25	76542021000	SENSOR WHEEL ABS REAR	1
26	59009062026	SPECIAL SCREW M6X26 SW=8 10.9	6
27	014580060166S	SHCS ISO 14580 M6x16 SL	8
28	76542033000	ANTI-TWIST PROTECTION ABS	1

197694210

53637

* NEW PART X ON DEMAND

A large, empty rectangular box with a thin black border, occupying the majority of the page. It is intended for the user to write their notes.

A large, empty rectangular box with a thin black border, occupying the majority of the page. It is intended for the user to write notes.

WWW.KTM.COM



KTM Sportmotorcycle GmbH
5230 Mattighofen, Austria
www.ktm.com



KTM_POWERPARTS

KTM_POWERWEAR

KTM_ORIGINAL SPARE PARTS



F9703T8EN

Art. Nr.: F9703T8EN 26. Sep 2019