

890 ADVENTURE R 2021 EU 2021

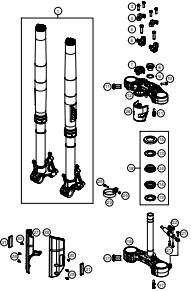
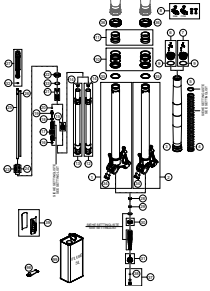
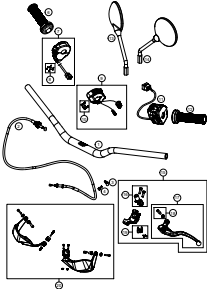
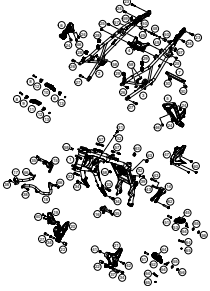
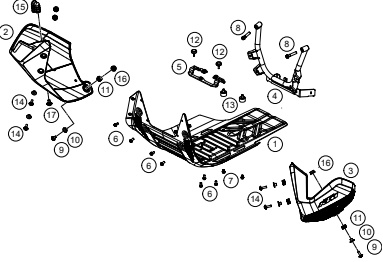
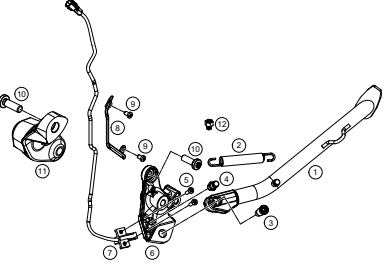
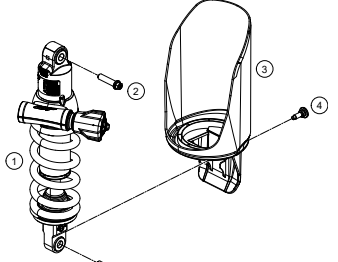
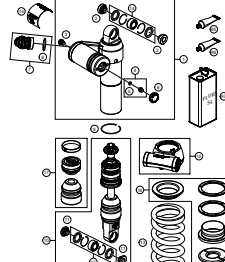
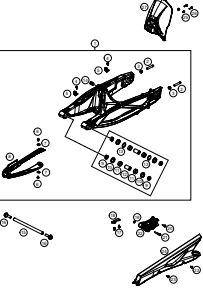
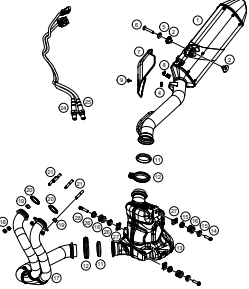
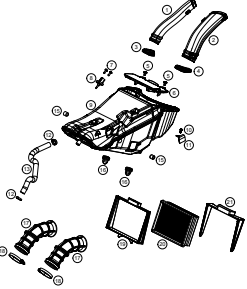
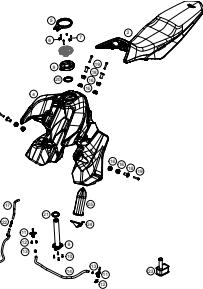
ART.-NR.: F9703U7EN

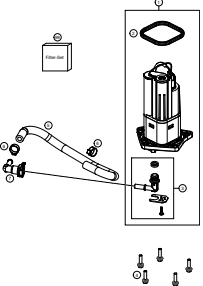
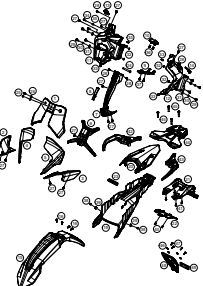
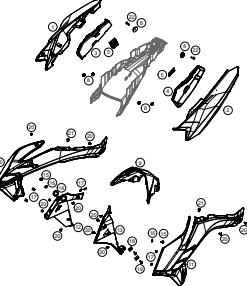
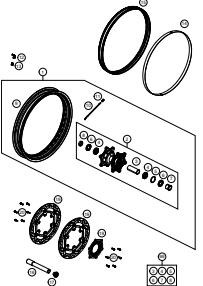
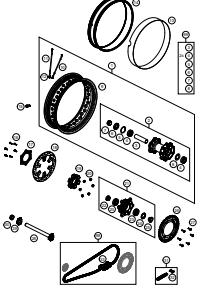
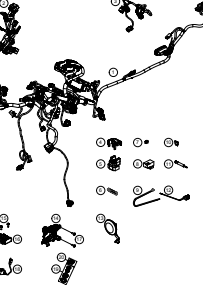
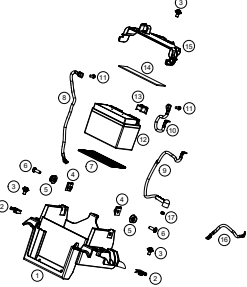
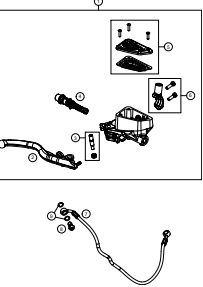
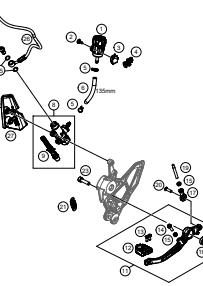
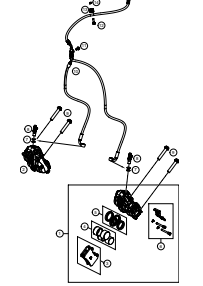
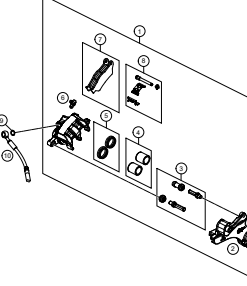
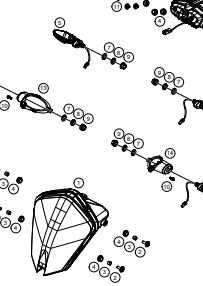


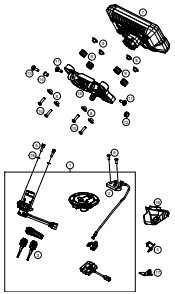
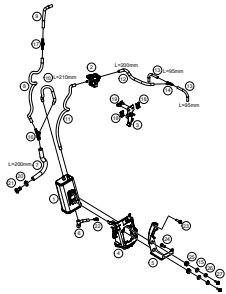
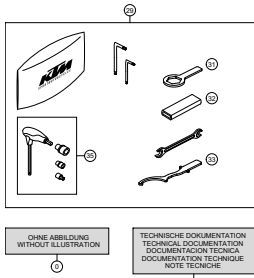
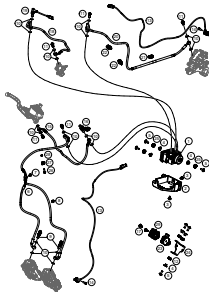
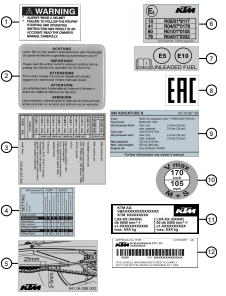


All information contained is without obligation. KTM Sportmotorcycle GmbH particularly reserves the right to modify any equipment, technical specifications, prices, colors, shapes, materials, services, service work, constructions, equipment and the like so as to adapt them to local conditions or to cancel any of the above items, all without previous announcement and without giving reasons. KTM may stop manufacturing certain models without previous notice. KTM shall not be held liable for any deviations of availability and/or ability to deliver, illustrations, descriptions, printing and/or other errors. The illustrated models partly contain extra equipment, which is not applied to standard models.

© by KTM Sportmotorcycle GmbH, Mattighofen AUSTRIA; All rights reserved; Reprint, also in extracts, with written allowance of KTM Sportmotorcycle GmbH, Mattighofen only.

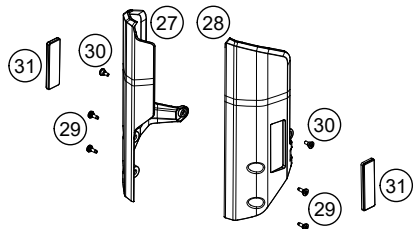
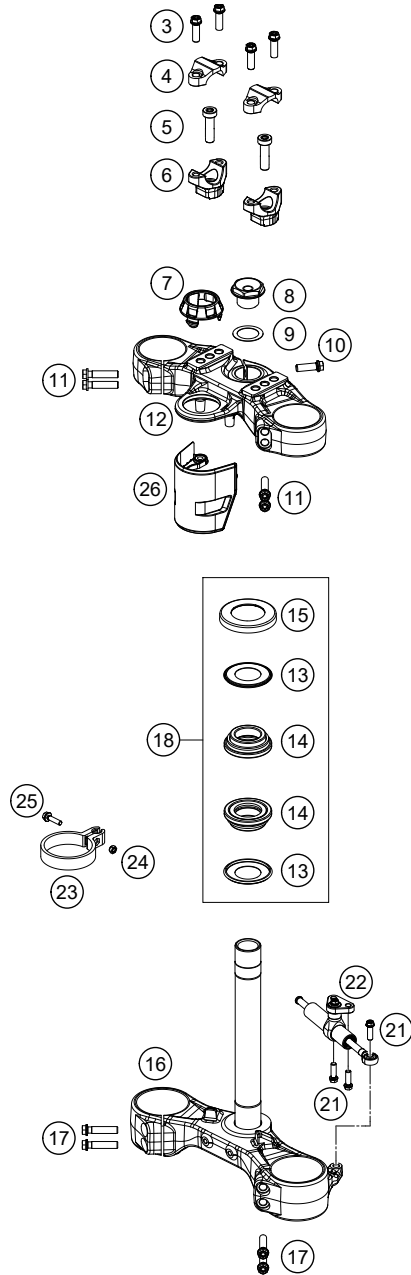
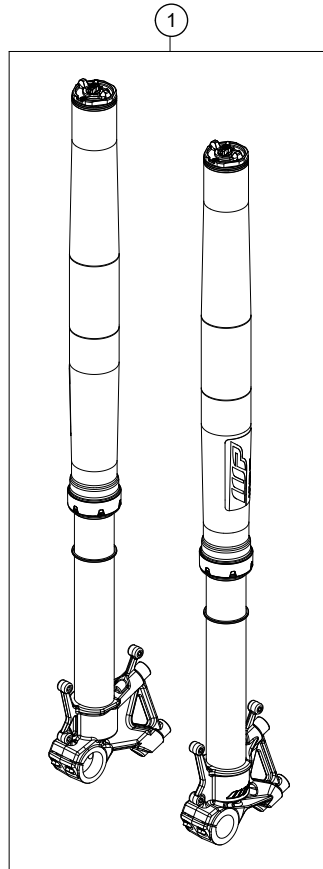
<p>FRONT FORK, TRIPLE CLAMP</p>  <p>4</p>	<p>FRONT FORK DISASSEMBLED</p>  <p>5</p>	<p>HANDLEBAR, CONTROLS</p>  <p>7</p>	<p>FRAME</p>  <p>8</p>
<p>ENGINE GUARD</p>  <p>10</p>	<p>SIDE / CENTER STAND</p>  <p>11</p>	<p>SHOCK ABSORBER</p>  <p>12</p>	<p>SHOCK ABSORBER DISASSEMBLED</p>  <p>13</p>
<p>SWING ARM</p>  <p>14</p>	<p>EXHAUST SYSTEM</p>  <p>15</p>	<p>AIR FILTER</p>  <p>16</p>	<p>TANK, SEAT</p>  <p>17</p>

<p>FUEL PUMP</p>  <p>18</p>	<p>MASK, FENDERS</p>  <p>19</p>	<p>SIDE TRIM</p>  <p>21</p>	<p>FRONT WHEEL</p>  <p>22</p>
<p>REAR WHEEL</p>  <p>23</p>	<p>WIRING HARNESS</p>  <p>25</p>	<p>BATTERY</p>  <p>26</p>	<p>FRONT BRAKE CONTROL</p>  <p>27</p>
<p>REAR BRAKE CONTROL</p>  <p>28</p>	<p>FRONT BRAKE CALIPER</p>  <p>29</p>	<p>REAR BRAKE CALIPER</p>  <p>30</p>	<p>LIGHTING SYSTEM</p>  <p>31</p>

<p>INSTRUMENTS / LOCK SYSTEM</p>  <p style="text-align: right;">32</p>	<p>EVAPORATIVE CANISTER</p>  <p style="text-align: right;">33</p>	<p>SEPERATE ENCLOSURE</p>  <p style="text-align: right;">34</p>	<p>ANTIBLOCK SYSTEM ABS</p>  <p style="text-align: right;">36</p>
<p>TECHNIC INFORMATION STICKER</p>  <p style="text-align: right;">37</p>			

FRONT FORK, TRIPLE CLAMP

890 ADVENTURE R 2021 EU 2021



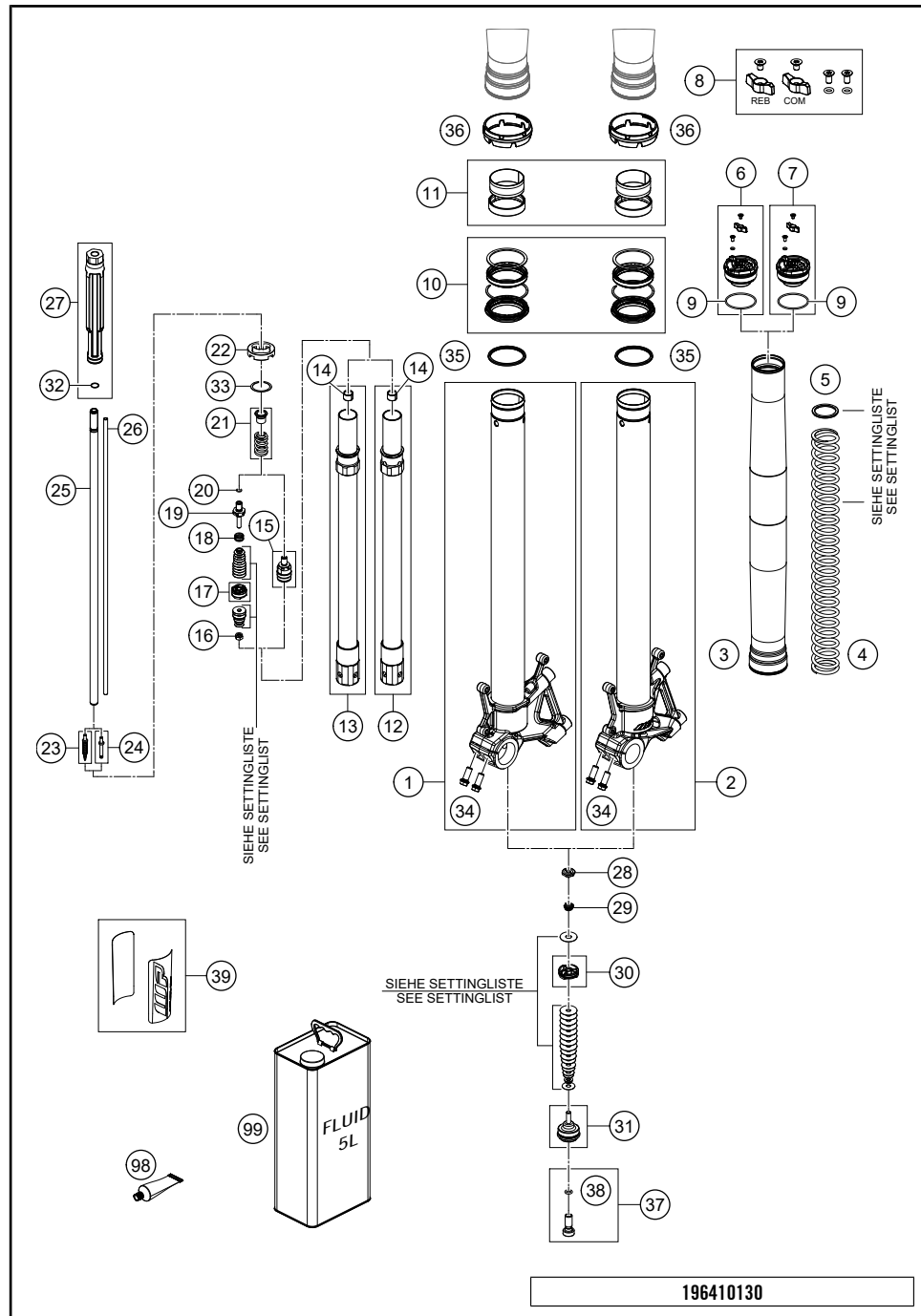
POS	PARTNUMBER	PARTNAME	PIECE
1	14188S5401	Fork KTM 790 Adventure R 19	1
3	0025080256	HH collar screw M8x25	4
4	7720103800030	HANDLEBAR CLAMP 28MM	2
5	0032100356S	AH-COLLAR SCREW M10X35 ISA45	2
6	5940103903230	HANDLEBAR SUPPORT D=28 H=32 BL	2
7	63501045010	Ignition lock cover	1
8	54801036000C1	Steering head screw M20x1,5 WS_27	1
9	0988253505	thrust wash DIN0988-25x35x0,5	1
10	0015080256S	HH COLLAR SCREW M8X25 WS=10	1
11	0025080306	HH collar screw M8x30	4
12	63701034030C1	Triple clamp top	1
13	69001084100	Steering head gasket	2
14	69001181000	STEERINGHEAD KPL.17	2
15	69001086100	PROT. RING STEER. HEAD BEARING	1
16	63701032030C1	Bottom triple clamp cpl.	1
17	0025080356	HH collar screw M8x35 TX40	4
18	69001181010	Steering head rep. Kit	x
21	0025080256S	HH COLLAR SCREW M8X25 TX40	3
22	16181S55E	Steering damper790 Adventure cpl.	1
23	54601099000	SPEEDOMETER CABLE GUIDE MARZO.	2
24	0985050003	SELF LOCKING NUT DIN0985-M 5	2
25	0025050206	HH collar screw M5x20 TX30	2
26	63511066010	Ignition lock cover	1
27	63501093000C1B	Fork protector right	1
28	63501092000C1B	Fork protector left	1
29	69008021060	special screw M5x17	4
30	69008021160	special screw M5x12	2
31	60012080100	SIDE REFLECTOR YELLOW "CEV"	2

196350111

55712

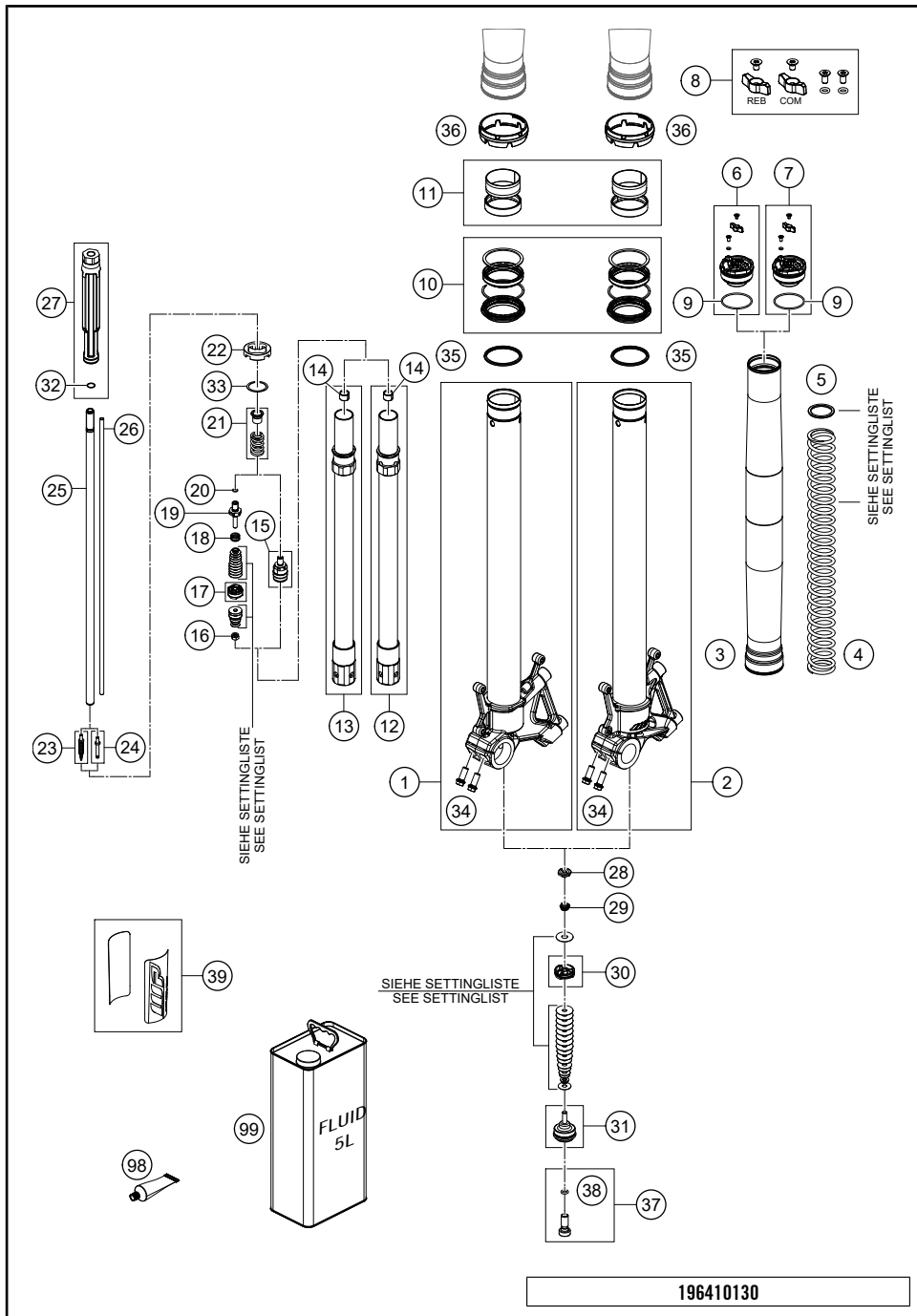
* NEW PART

X ON DEMAND



POS	PARTNUMBER	PARTNAME	PIECE
1	48601952S1	axle clamp right d48 25mm cpl	1
2	48601951S1	axle clamp left d48 25mm cpl.	1
3	48601794	Outer tube L567 D54 / D60	2
4	91410162S	mainspring (44) 6.2-460 set fork	x
4	91410142	Mainspring (44) 6,7-460 fork	1
4	91410163S	mainspring (44) 7.2-460 set fork	x
5	48600458	Washer 35x43x1,5 plastic	x
5	48600456	Washer 35x43x2,5 plastic	x
5	48600457	Preload bush 35x43x3,5	x
6	48602028S4	screw cap M51x1,5 rebound cpl.	1
7	48602028S3	screw cap M51x1.5 compression cpl.	1
8	RP10021	Adjuster kit screw cap	x
9	48600048	O-ring 46x2 NBR70 siliconized yellow	2
10	RP10012	Sealkit 48mm SKF black	x
11	R14047	Guide bushing set fork 48mm	x
12	48600763S3	Tube L350 with screwsleeve and hole	1
13	48600763S4	Tube L350 with screwsleeve	1
14	48600430	Guide bushing 12x14x10	2
15	48601843S2	Tap compression cpl.	1
16	40540486	Nut M6x0,5 h6,5 WAF10 rebound	1
17	48602002S	Midvalve piston assembly d23	1
18	35480377	Spring (11,7) 1,5-8 valve	1
19	48600576	Tap 6x46 rebound	1
20	48600299	O-ring 6x1,2 NBR70	1
21	48601929S	rebound spring C60 cpl	2
22	48601922	spring support ring	2
23	48601096S	Needle 4,5x43,6 cpl.	1
24	48601558S	Needle 4,5x38,2 cpl.	1
25	48601923	Piston rod 12x501	2
26	48601924	Adjuster tube L=471.5	2
27	48601556S	Stop 12,4x31,9x200,3 cpl.	2
28	48600163	Nut valve M6x0,5 h6,5 WAF17	2
29	48600202	Spring (8,5) 16,5 valve	2
30	48601934S	Piston 6x27,3x9 compression cpl.	2
31	48601921	Tap 6x42,5 base valve	2
32	04500003	O-ring 11x2,5 NBR70 PTFE yellow	2
33	48601702	Shim 27,5x33x0,3	2
34	0025080206	HH collar screw M8x20	4

196410130 51266 * NEW PART X ON DEMAND

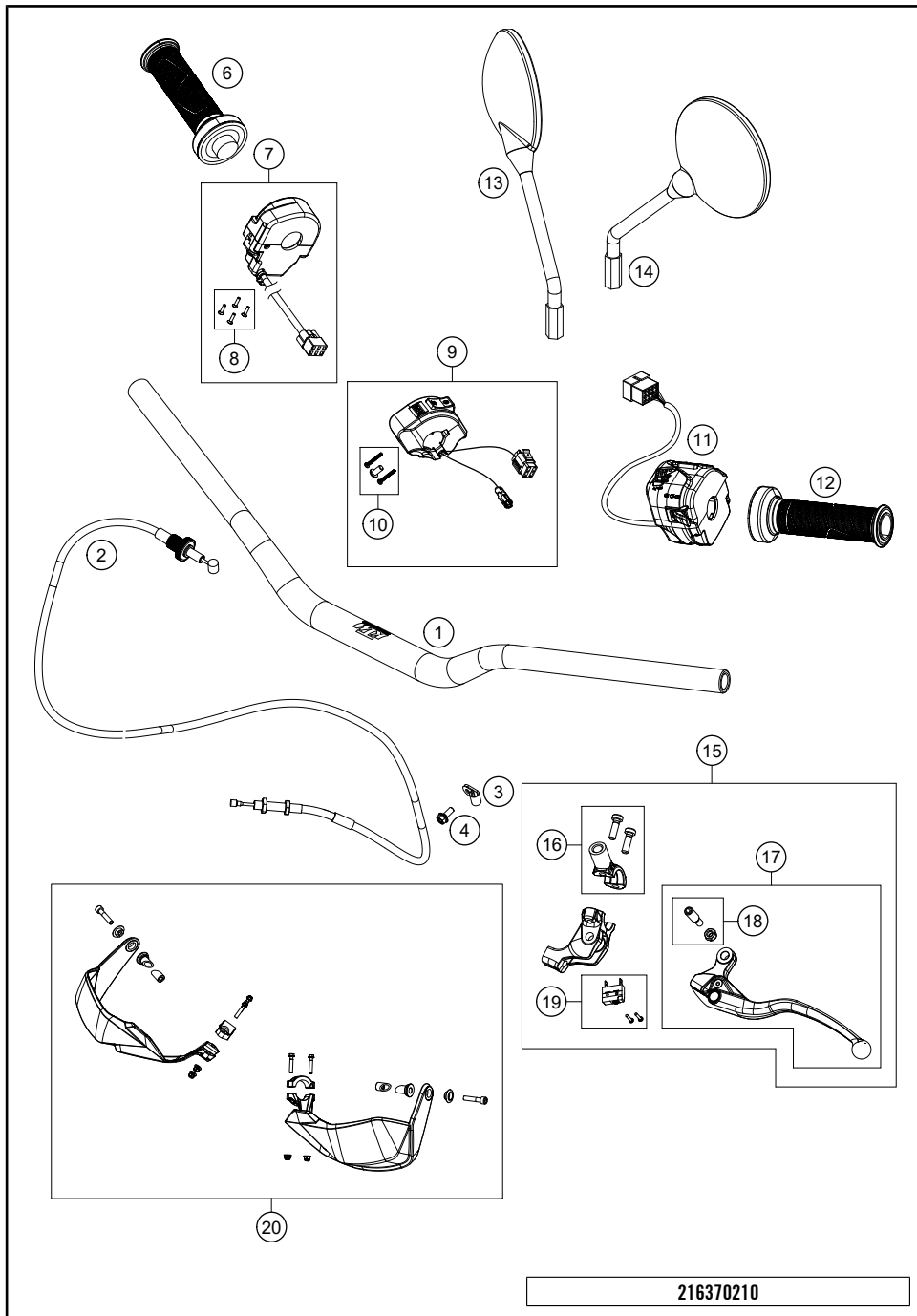


POS	PARTNUMBER	PARTNAME	PIECE
35	48602007	Stroke indicator 48mm red	2
36	48601986	Fork protection ring 60,1mm	2
37	48601976S	RingISK screw M10x25 with o-ring	2
38	35480085	O-ring 7x2 NBR70	2
39	52000281SET	sticker Xplor OC 100x46	1
98	T14034	Fuchs grease IPR (250g)	x
99	48601166S1	Fork Fluid Viscosity 4.0 5Lx4	x

51266 * NEW PART X ON DEMAND

HANDLEBAR, CONTROLS

890 ADVENTURE R 2021 EU 2021



POS	PARTNUMBER	PARTNAME	PIECE
1	6070200100033	Handlebar	1
2	63502090000	Clutch cable	1
3	64132070000	PVC clamp 6.4 MM Heyman	1
4	0025050126	HH collar screw M5x12 TX30	2
6	60702012000	Grip tube (no heating)	1
7	60711012000	Ride-by-wire without throttle tube	1
8	76011073110	SCREW SET START-STOP SWITCH	1
9	63711074000	Handlebar switch, right	1
10	61411174010	Screw set start-stop switch	1
11	76011270100	Combination switch	1
12	60702039100	Grip LHS w/o heater	1
13	28512040000	mirror, right	1
14	58412040100	mirror, left/right	1
15	63502031000	Clutch lever compl.	1
16	6350204400030	Clamp cpl. incl. 2 screws	1
17	63502040000	Clutch lever	1
18	64102038000	Kit lever pin	1
19	63511049000	Switch	1
20	60302179100AB	Handguard kit	1

216370210

55714

* NEW PART X ON DEMAND



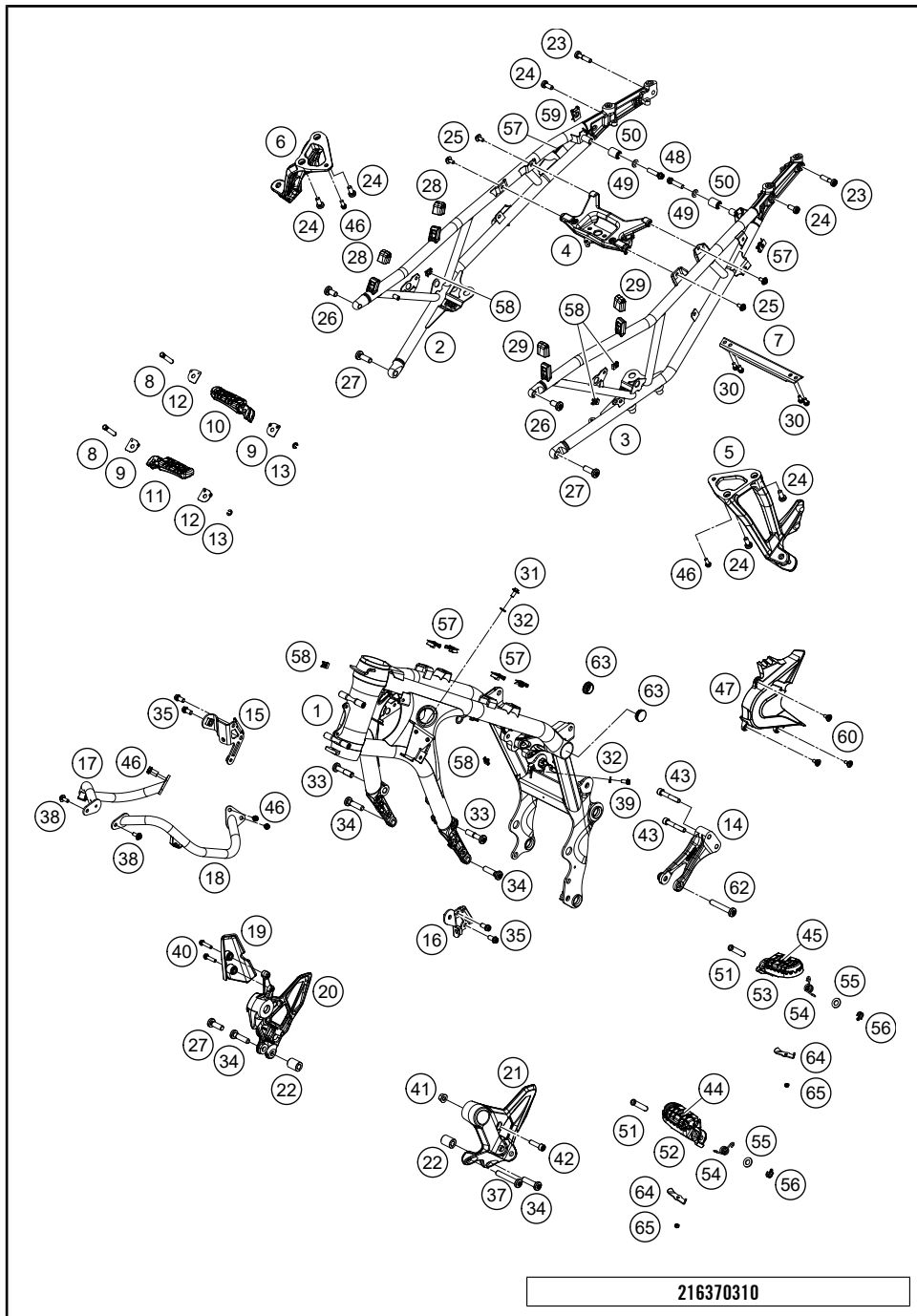
POS	PARTNUMBER	PARTNAME	PIECE
1	63503001200EB	"Frame ""635TC""	1
2	63703002006EB	Subframe right	1
3	63703002005EB	Subframe left	1
4	63508019050	Rear reinforcement	1
5	6350304800033	Rear footpeg bracket left	1
6	6350304900033	Rear footpeg bracket right	1
7	6350300200733	Cross member, black	1
8	60003044100	footrest bolt, rear	2
9	60003152000	ENGAGE PANEL FOOTREST L/S 03	2
10	60003051000	FOOTREST CPL. R/S REAR 03	1
11	60003050000	FOOTREST CPL. L/S REAR 03	1
12	60003052000	ENGAGE PANEL FOOTREST R/S 03	2
13	0799060003	retaining washer DIN 6799 - 6	2
14	6410301300033	Engine strut black	1
15	6350309019033	Skid plate frame holder, right compl.	1
16	6350309018033	Skid plate frame holder, left compl.	1
17	6350800600033	Mask support, right	1
18	6350800500033	Mask support, left	1
19	63503039051	Rear master cylinder guard	1
20	63703039066C1	Footpeg bracket front, right, compl.	1
21	63703038066C1	Footpeg bracket front, left, compl.	1
22	08000010025U0	Bushing 10,4x20x25	2
23	0035080356S	SCREW M8X35 ISA45 SS	2
24	0035080206S	SHCS M8x20 TX45	6
25	0024060136S	HH Collar screw M6x13 TX30 SL	4
26	0035100209S	SHCS M10x20 TX45 MK	2
27	0035100356S	ISA screw M10x35 ISA45	3
28	63503002093	Retain. brack., seat cowl pad front left	2
29	63503002090	Rubber seat cowl pad	2
30	0025060126S	Hex collar screw M6x12 ISA30 self-lockin	4
31	69014017000	SPECIAL SCREW M6X18 ISA30 08	1
32	58411098100	CONTACT WASHER M6 VSV-K6	2
33	0035100456S	ISA screw M10x45 ISA45	2
34	0035100409S	ISA collar screw M10x40 ISA45	4
35	0025080166S	HH collar screw M8x16 TX40 SL	4
37	0035100609S	AH-COLLAR SCREW M10X60 ISA45	1
38	0024060156S	HH collar screw M6x15 TX30	2
39	0025080166	HH COLLAR SCREW M8X16 TX40	1

216370310

55715

* NEW PART

X ON DEMAND

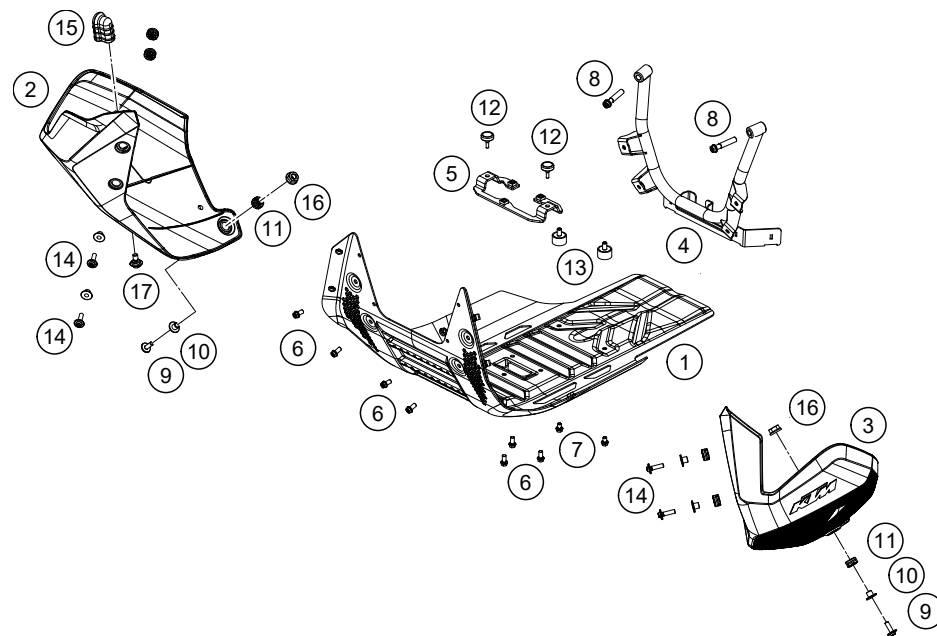


POS	PARTNUMBER	PARTNAME	PIECE
40	0025060256	HH collar screw M6x25 TX30	2
41	54310086200	SELF LOCKING NUT M8 10.9	1
42	014579080301S	screw ISO 14579-M8x30-10.9-MK black	1
43	014579080506S	CYL. SCREW DIN14579 M8X50 SS	2
44	60003041010	FOOTREST RUBBER FRONT R/S 03	1
45	60003040010	FOOTREST RUBBER FRONT L/S 03	1
46	0025060166S	HH collar screw M6x16 TX30 SL	6
47	63503096000	Front sprocket cover	1
48	0035080356	AH-COLLAR SCREW M8X35 ISA45	2
49	0125080003	washer DIN 125 A -8.4	2
50	60307048000	RUBBER SEAT-CONTACT SURFACE	2
51	54803044000	PIN FOR FOOT PED 51.5X9.8 MM	2
52	78003041050	FOOTREST R/S 08	1
53	78003040050	FOOTREST L/S 08	1
54	54603041000	FOOTREST SPRING L/S & R/S	2
55	0125100003	washer DIN 125 A 10.5	2
56	0094032253	PIN DIN0094-3,2X25 STEEL	2
57	54603048100	clip nut M6	6
58	54603048600	RANGE CHANGE METAL NUT M5 INOX	2
59	54603048000	RANGE CHANGE METAL NUT M8	2
60	69008021160	special screw M5x12	3
62	0035100656S	ISA screw, M10x65 ISA45	1
63	64103088000	Frame locking cap	2
64	60003044010	CLOSING PANEL FRONT L/S R/S 03	2
65	0985050003	SELF LOCKING NUT DIN0985-M 5	2

216370310

55715

* NEW PART X ON DEMAND



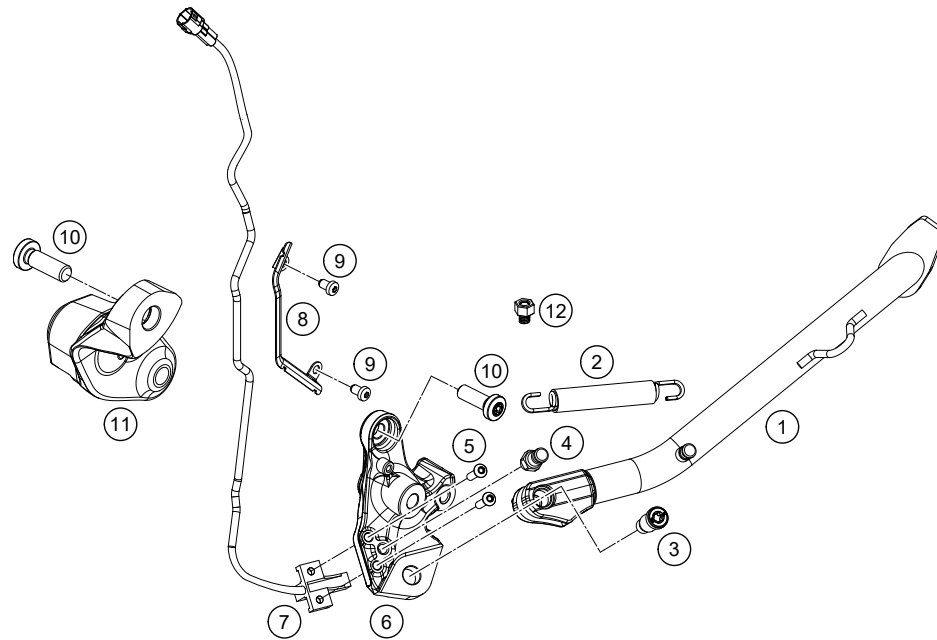
POS	PARTNUMBER	PARTNAME	PIECE
1	63503090000	Skid plate bottom part compl.	1
2	63503098010	Front spoiler right	1
3	63503097010	Front spoiler left	1
4	6350309005033	Front skid plate linkage	1
5	63503090016	Lower Alu Skidplate Support	1
6	0025060106	HH collar screw M6x10 TX30	7
7	0025060086	HH collar screw M6x8 TX30	2
8	0025080406S	Collar screw M8x40 ISA40 SS	2
9	69014017000	SPECIAL SCREW M6X18 ISA30 08	2
10	61342041000	COLLAR BUSH 6,5X9X18X8,5	6
11	62142041000	DAMP. COMPONENT ABS MODUL	6
12	60006001021	DISTANCE RUBBER AIRBOX 03	2
13	63503190017	Silent block 20x12 M6x10/M6x8	2
14	69014117000	Collar screw M6x22-8.8 ISA30	4
15	60307020000	TANK RUBBER	2
16	56509064100	SELF LOCKING NUT M6 10.9	2
17	83008000012	special screw M6x12x3	2

196350330

49281

* NEW PART

X ON DEMAND



POS	PARTNUMBER	PARTNAME	PIECE
1	63503123000C1	Sidestand R	1
2	61003024000	SPRING L=116 MM 05	1
3	62503027200	SCREW FOR SIDE STAND M10X31,2	1
4	63503028010	Special screw side stand spring	1
5	0738050202	Lens head screw ISO 7380-M5X20A2	2
6	6350302610033	side stand bracket	1
7	93511045000	SWITCH SIDE STAND	1
8	64103001099	Racket side-stand-cable	1
9	0018050103	INT. TORX OVAL HEAD M 5X10 8.8	2
10	0035100309S	SHCS M10x30 TX45	2
11	63503016040C1	Main stand console right	1
12	90103029000	MAGNET HOLDER	1

196350360

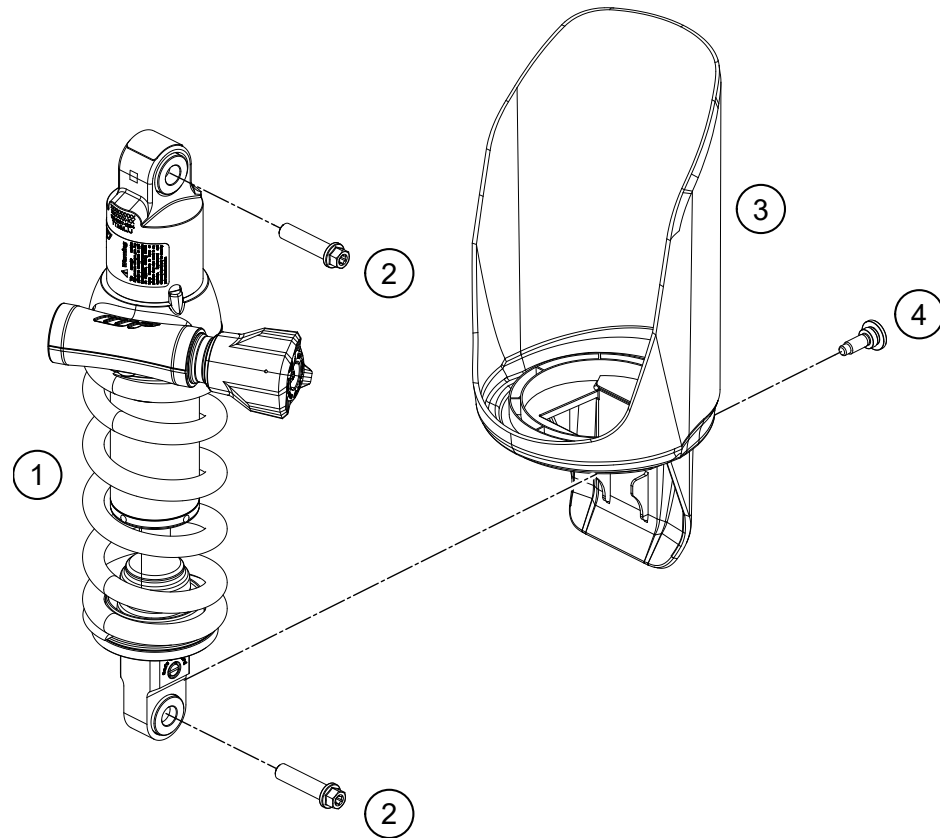
51958

* NEW PART

X ON DEMAND

SHOCK ABSORBER

890 ADVENTURE R 2021 EU 2021



POS	PARTNUMBER	PARTNAME	PIECE
1	0637C454U305000	Shock KTM 890 Adventure R 2021	1
2	0025120506S	HH COLLAR SCREW M12X50 TX45	2
3	63508075000	Splash protection shock absorber	1
4	69008021160	special screw M5x12	1

216370410

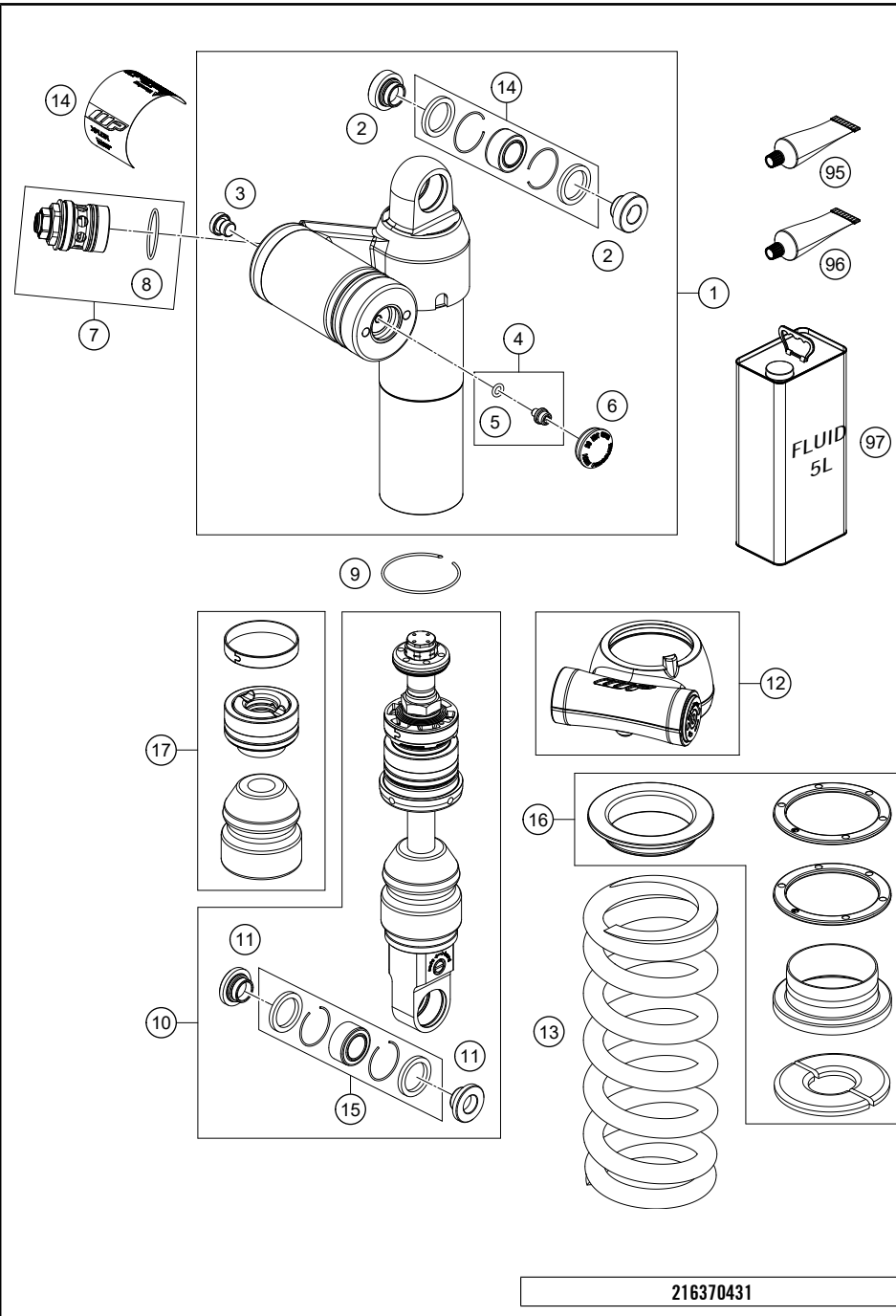
55716

* NEW PART

X ON DEMAND

SHOCK ABSORBER DISASSEMBLED

890 ADVENTURE R 2021 EU 2021



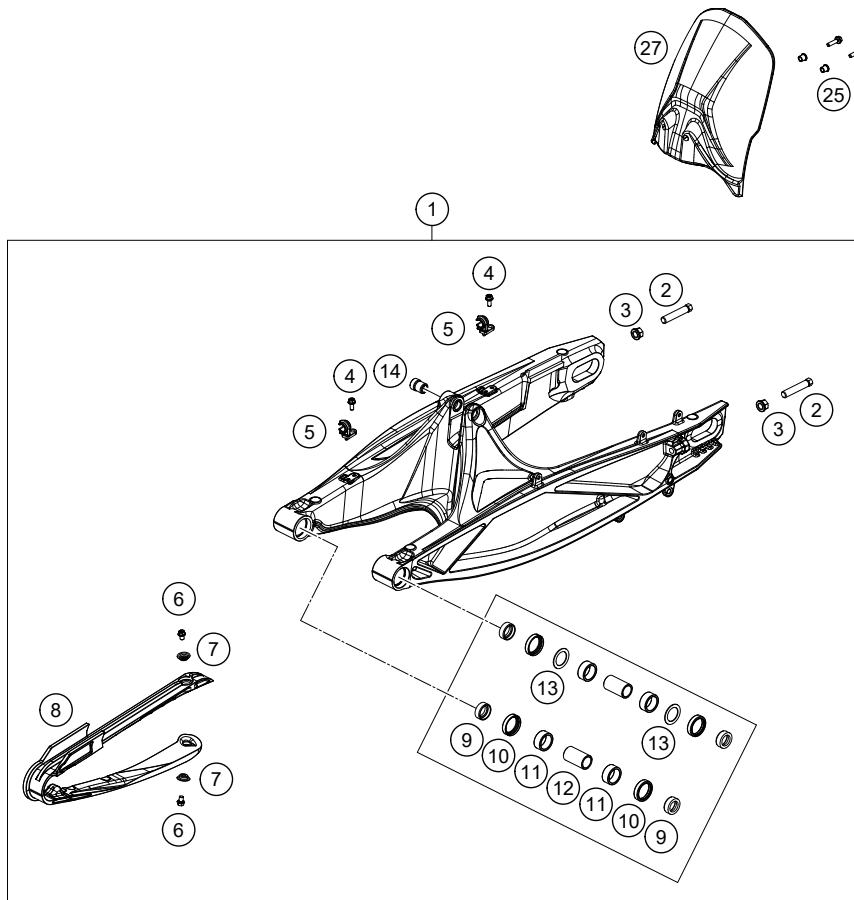
POS	PARTNUMBER	PARTNAME	PIECE
1	46181324S1	shock upper part KTM 790 ADV R 19	1
2	46180064	Bearing bush 12x15/18/24,5x13,5	2
3	50180095	HS cylinder-head screw R1/8 I8	1
4	36120151S	PLUG SCREW M5X6 CPL.	1
5	46810893	O-ring 5,28x1,78 NBR70 black	1
6	46811208	Rubber cap do not open 22x5,5 NBR	1
7	50180213S34	Compression adjuster cpl. Natural	1
8	50180217	O-ring 27x1,5 Viton70 green ISO 3601-3S	1
9	46810010	Round-wire snap ring 49x1,8	1
10	46181327S2	shock bottom part KTM 890 ADV R 21	1
11	46180007	Distance bush 12x15/18/24,5x10,5	2
12	15000S23	Preload-Adjuster D46mm s10mm right grey	1
13	91010366	Main Spring (59) 95-210 shock white	1
14	52000214	Sticker set XPLOR PDS 90x40	1
15	R12012T	Ball joint bearing kit top 12mm	x
16	R15020	REP. KIT WASHERS	x
17	RP10013	Repair kit ADV. R	x
95	T625	GREASE	x
96	T158	GREASE RES. PP300 100GR	x
97	50180751S1	SHOCK ABSORBER FLUID 5 LT	x

216370431

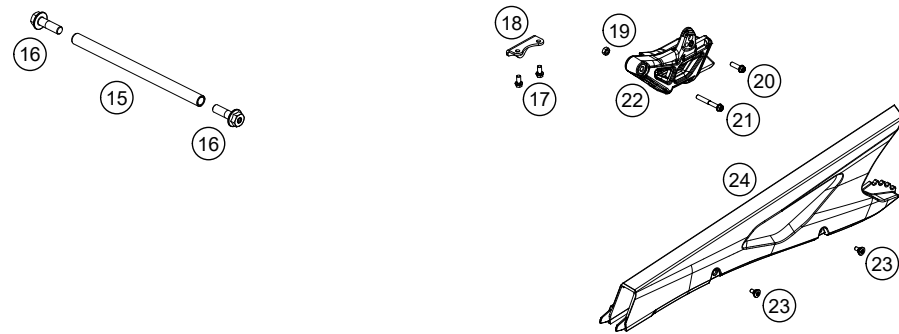
55234

* NEW PART

X ON DEMAND



POS	PARTNUMBER	PARTNAME	PIECE
1	6350403004433	Swingarm cpml. Black	1
2	58414030000	HH COLLAR NUT M10X1,25 WS=13	2
3	50304040100	screw M10x1.25x50 WS10	2
4	0025050126	HH collar screw M5x12 TX30	2
5	60104142000	Clamp	2
6	69008021160	special screw M5x12	2
7	46104066050	BUSH FOR CHAINSLIDER GUARD 02	2
8	64104066000	chain slide protection	1
9	54804034000	BUCKET F. SHAFT SEAL RING 03	4
10	0760253270	radial shaft seal 25x32x7	4
11	0618222812	NEEDLEBEAR HK2212V 22/28/12 MB	4
12	59404032000	BEARING SLEEVE 17X22X38,7 03	2
13	54603036000	STOP DISK 22,2X31,7X1	2
14	64104030020	Bushing Shock Mounting	1
15	64104037000	swing arm bolt	1
16	76504038000	SPECIAL SCREW M12X40 SW19	2
17	0025060126	HH collar screw M6x12 TX30	2
18	63504030010	Retaining bracket, chain guide	1
19	0934060003	hex nut DIN 934 M6	1
20	0025060206	HH collar screw M6x20 TX30	1
21	0025060456	HH COLLAR SCREW M6X45 TX30	1
22	78004070100	CHAIN GUIDE CPL.	1
23	69008021160	special screw M5x12	2
24	63504061000	Chainguard	1
25	64104050010	Bushing 5,5x8,3x9	2
26	0025050206	HH collar screw M5x20 TX30	2
27	63504050000	splash protection swingarm	1

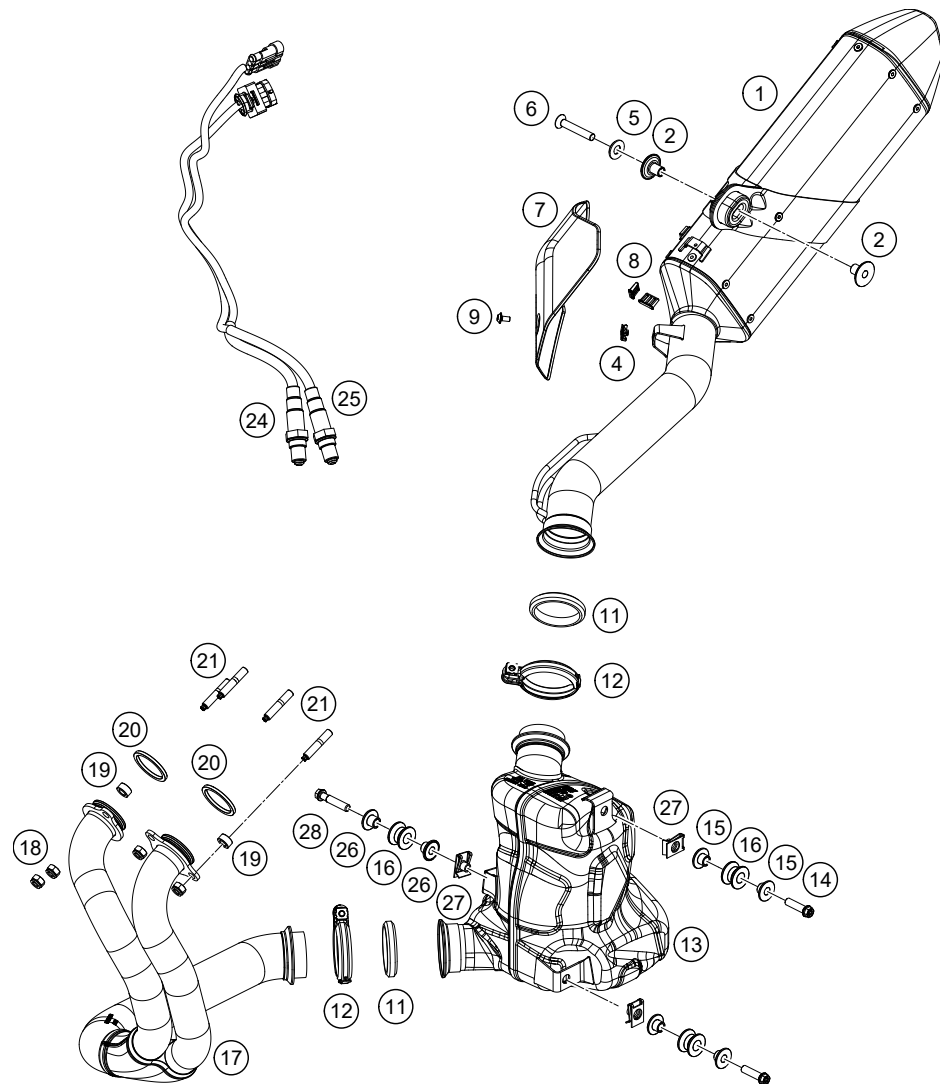


196350490

49548

* NEW PART

X ON DEMAND



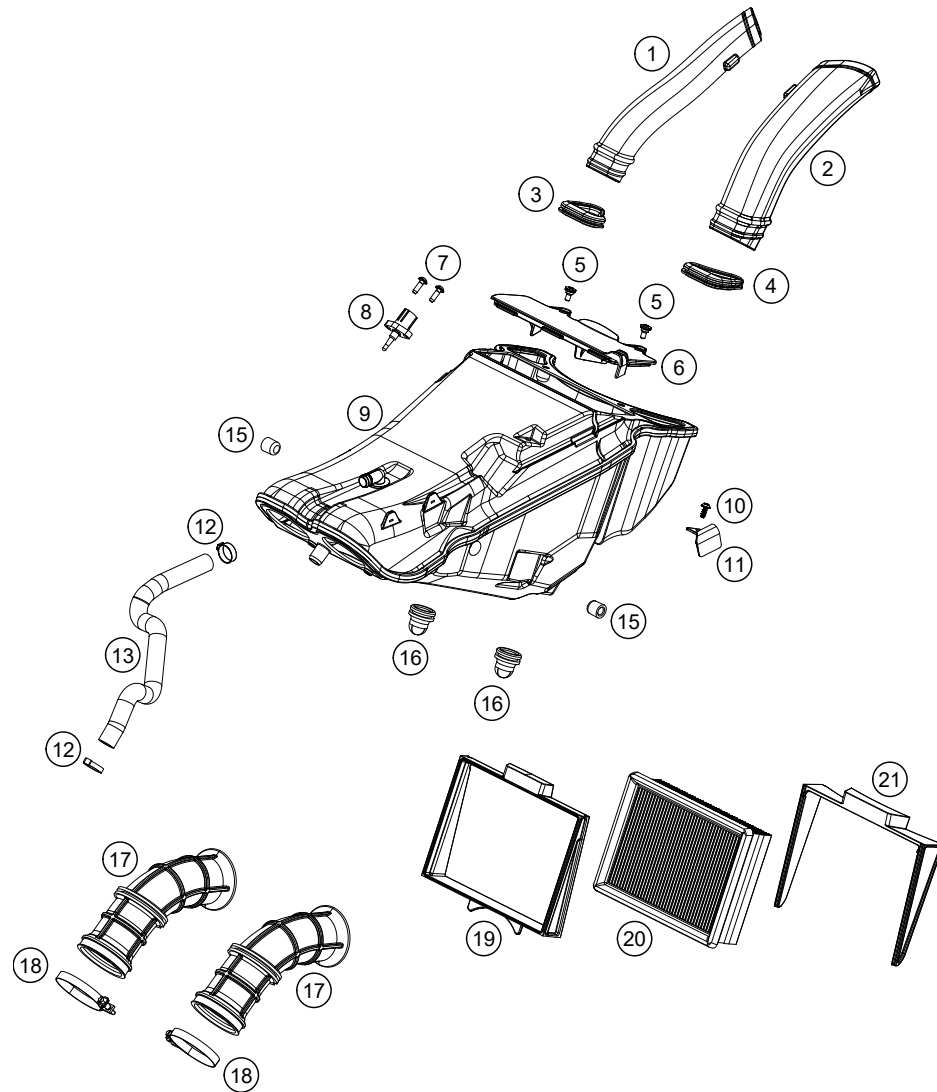
POS	PARTNUMBER	PARTNAME	PIECE
1	63505183000	Silencer	1
2	61305069000	BUSHING 8,5X11X29	2
4	54603048600	RANGE CHANGE METAL NUT M5 INOX	1
5	60405069000	conical seat Alu	1
6	0019080506	COUN.-SUNK SCREW M8X50 ISA10.9	1
7	63505111000C1	Heat protection black compl.	1
8	27005011011	DAMPING ELEMENT SILICON	2
9	78105081010	SCREW TORX M5X10	1
11	69005105005	Manifold gasket	2
12	63605058000	Exhaust clamp tube 50 mm	2
13	63605050000	Pre-muffler	1
14	0025080356S	HH COLLAR SCREW M8X35 TX40	2
15	58405050065	collar bushing 8.5x12x23.5x10	4
16	54305068100	damp. component silicone grey	3
17	63605007000	Manifold	1
18	51010086100	self-locking nut M8 Cu	4
19	61005009000	SPACER BUSH. 8,5X15X7,5 05	2
20	64105005000	Exhaust gasket	2
21	63505015000	stud screw 835 M8x25 - 10.9	4
24	63541090000	O2 Sensor LSF 4	1
25	63541190000	O2 Sensor LSF 4	1
26	0800000901200	Collar bushing, 8.5x12x23.5x11.5	2
27	54603048000	RANGE CHANGE METAL NUT M8	3
28	0025080356S	HH COLLAR SCREW M8X35 TX40	1

216370510

55679

* NEW PART

X ON DEMAND



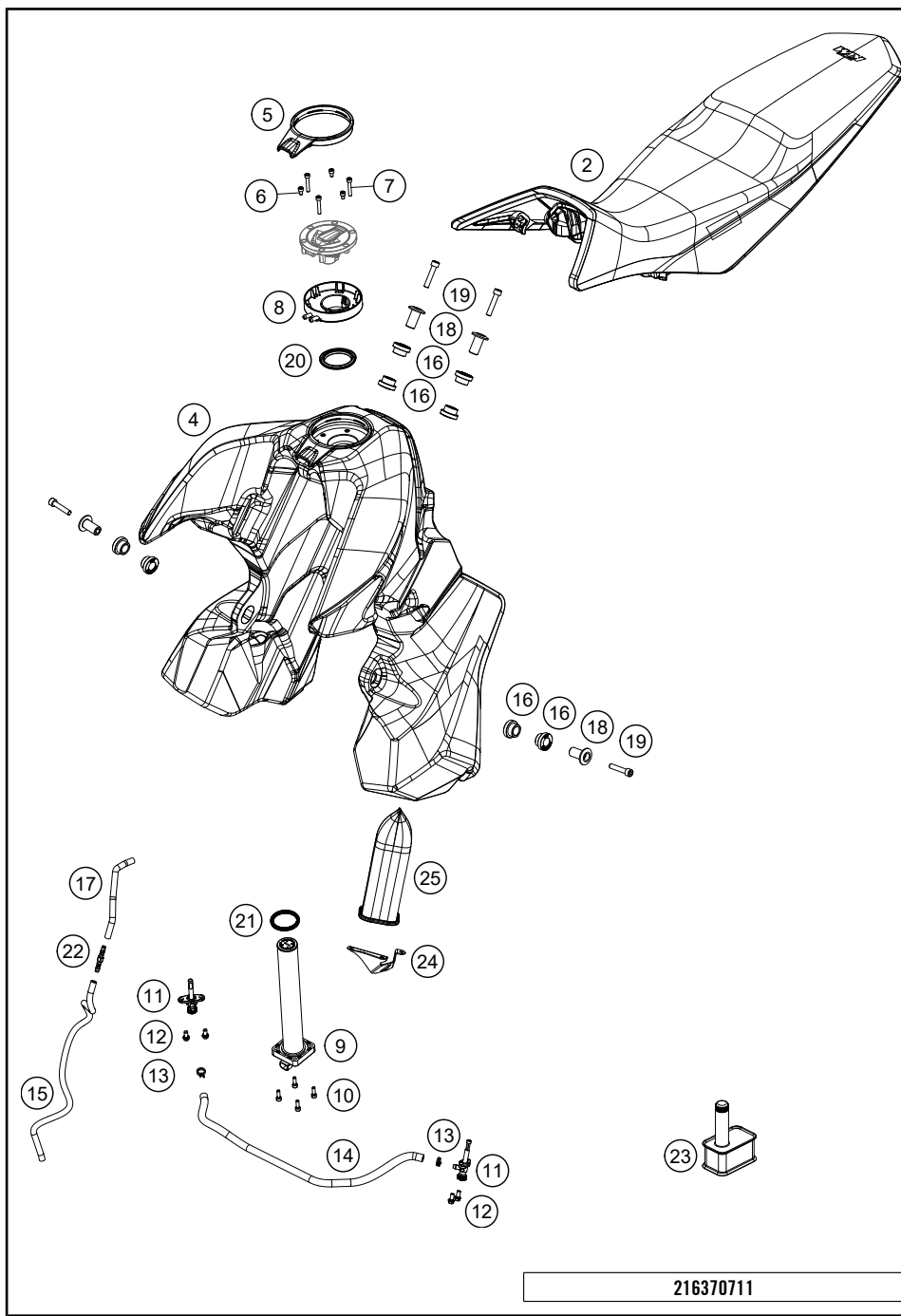
POS	PARTNUMBER	PARTNAME	PIECE
1	63506041000	Intake duct, right	1
2	63506040000	Intake duct, left	1
3	63506040050	Intake duct gasket, right	1
4	63506041050	Intake duct gasket, left	1
5	69008021160	special screw M5x12	2
6	63506002000	Air filter box cover	1
7	0081050161	EJOT PT SCREW K50X16 1451	2
8	61041080000	AMBIENT-AIR TEMPERATURE SENSOR	1
9	63506001000	Air filter box	1
10	0081050121	EJOT PT screw K50x12	1
11	63506002060	Cable holder air filter box	1
12	00050198706	VARIABLE ONE-EAR CLAMP 19,8MM	2
13	63530087000	Pre-formed hose engine breather	1
15	76006014000	rubber grommet	2
16	50206020000	RUBBER GRIMMET SLOTTED	2
17	63506026000	Velocity stack	2
18	77236048000	HOSE CLAMP GEMI 58MM	2
19	63506016000	Filter clamp frame	1
20	60306015100	AIR FILTER	1
21	63506017000	Filter clamp wedge	1

196350610

49507

* NEW PART

X ON DEMAND



POS	PARTNUMBER	PARTNAME	PIECE
2	63507140000	Sitzbank 800 Adv. R	1
4	63507113000C1	Fuel tank with decal	1
5	63507058000	Fuel tank fairing	1
6	0912050083	SHCS DIN 912 M5x8	3
7	0912050303	AH SCREW DIN0912-M 5X30	3
8	63507008050	Fuel filler cap	1
9	63507080200	Fuel lever sensor	1
10	0912050163	AH SCREW DIN0912-M 5X16	4
11	58507003200	FUEL COCK CPL.	2
12	0025060126	HH collar screw M6x12 TX30	4
13	58031005000	CLAMP YDNAC 10128 12MM	2
14	63507016000	Interconnection hose	1
15	63515026000	hose tank overrun 140 mm	1
16	61007065000	collar bushing, front tank holder	8
17	63515027000	hose tank overrun 570 mm	1
18	61007060000	collar bushing, bearing, outside	4
19	0912080403	SHCS DIN 912 M8x40	4
20	21007008151	gasket tank insert	1
21	60307080090	GASKET FUEL LEVEL SENSOR	1
22	69015019010	HOSE CONNECTION STRAIGHT	1
23	00001000015	Motorex Fuel Stabilizer 125ml	1
24	63507087010	Cover fuel pump	1
25	63507089000	Fuel prefilter large	1

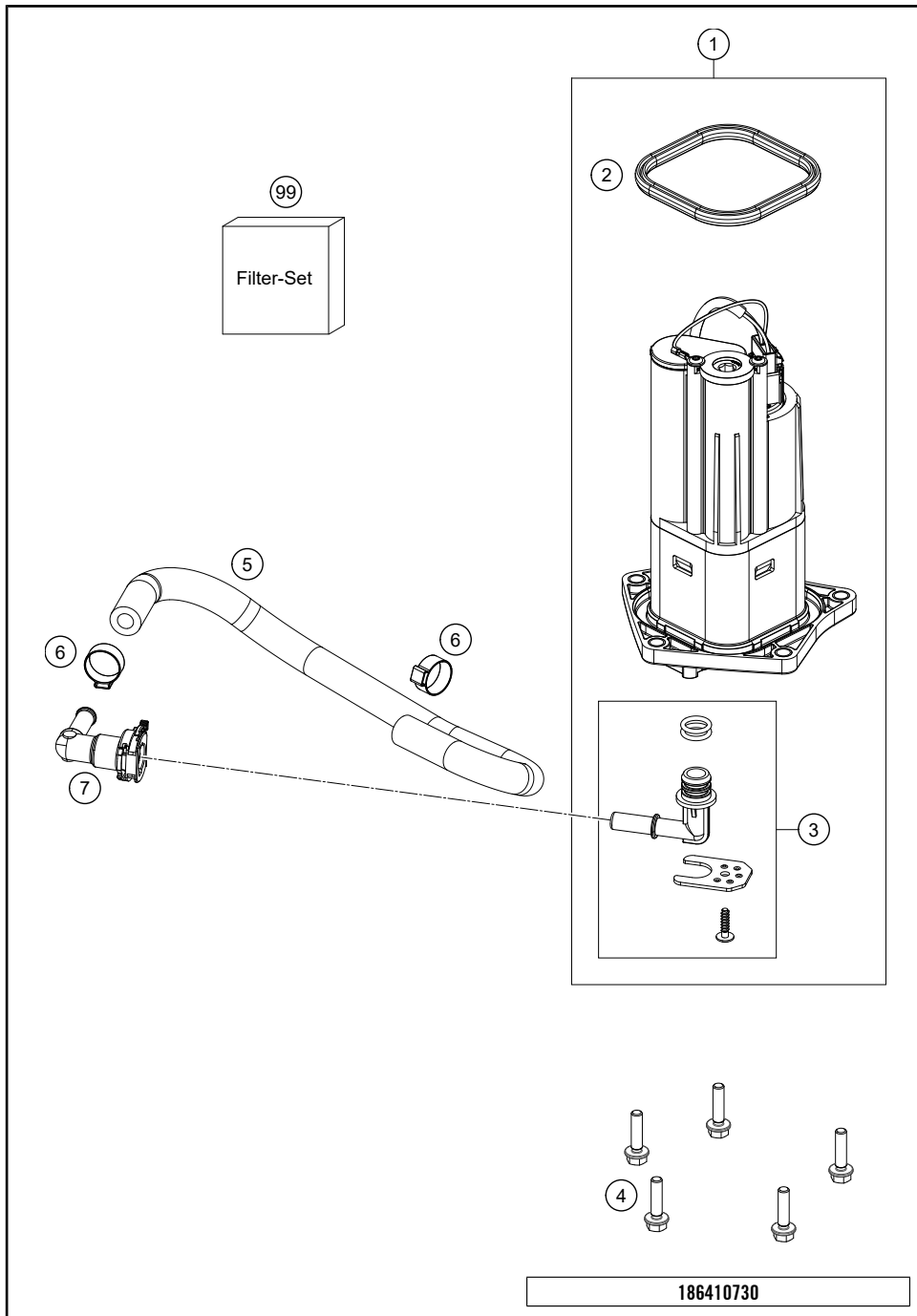
216370711

55723

* NEW PART X ON DEMAND

FUEL PUMP

890 ADVENTURE R 2021 EU 2021



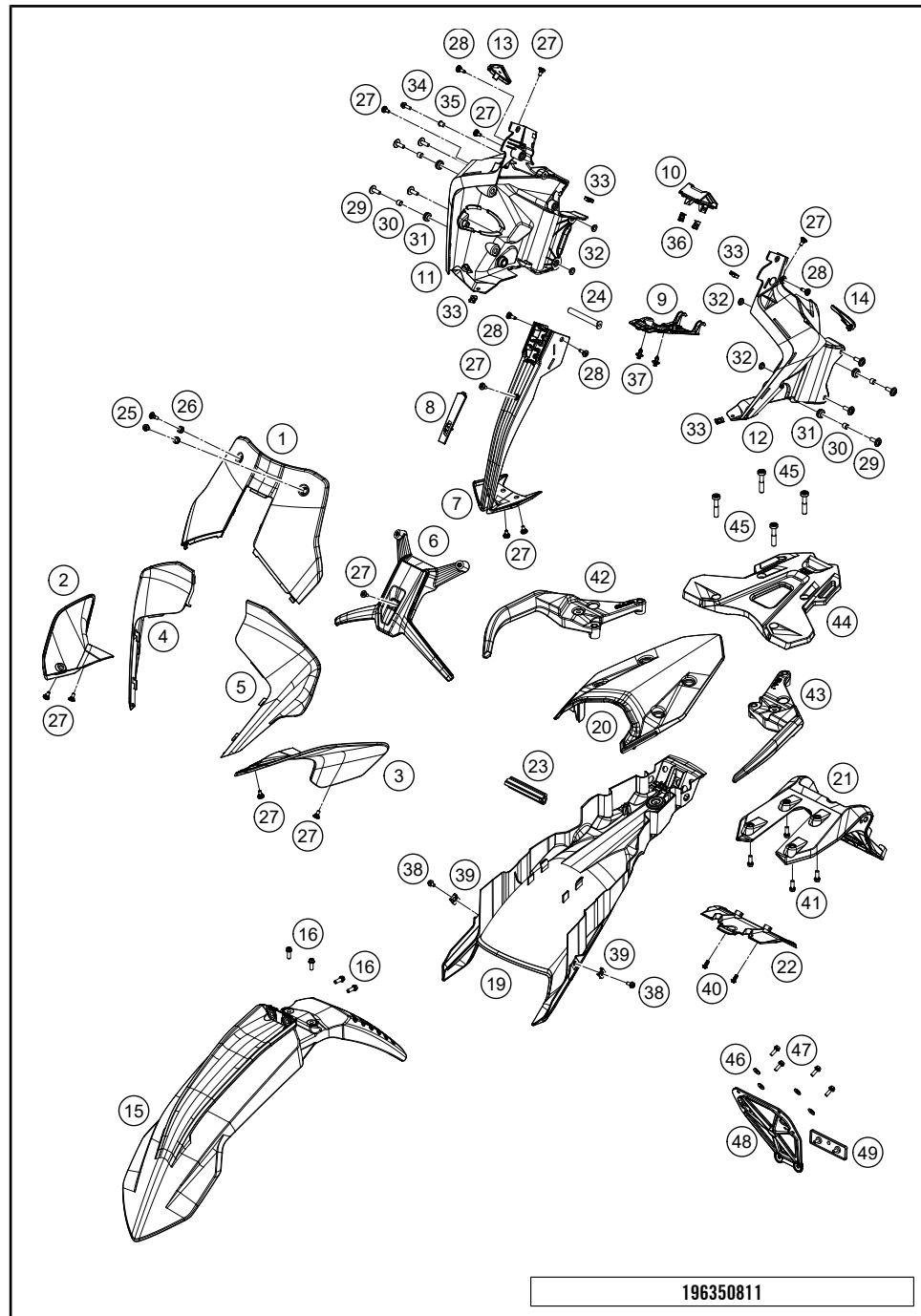
POS	PARTNUMBER	PARTNAME	PIECE
1	63507088000	fuel pump	1
2	64107189000	Sealing	1
3	75007092000	HYDRAULIC CONNECTOR CPL.	1
4	0025060166	HH collar screw M6x16 TX30	5
5	63507017000	Fuel hose	1
6	00050157706	VARIABLE ONE-EAR CLAMP 15,7MM	2
7	76007028000	ELBOW CONNECTOR	1
99	63507090000	filter kit	x

186410730

51895

* NEW PART

X ON DEMAND

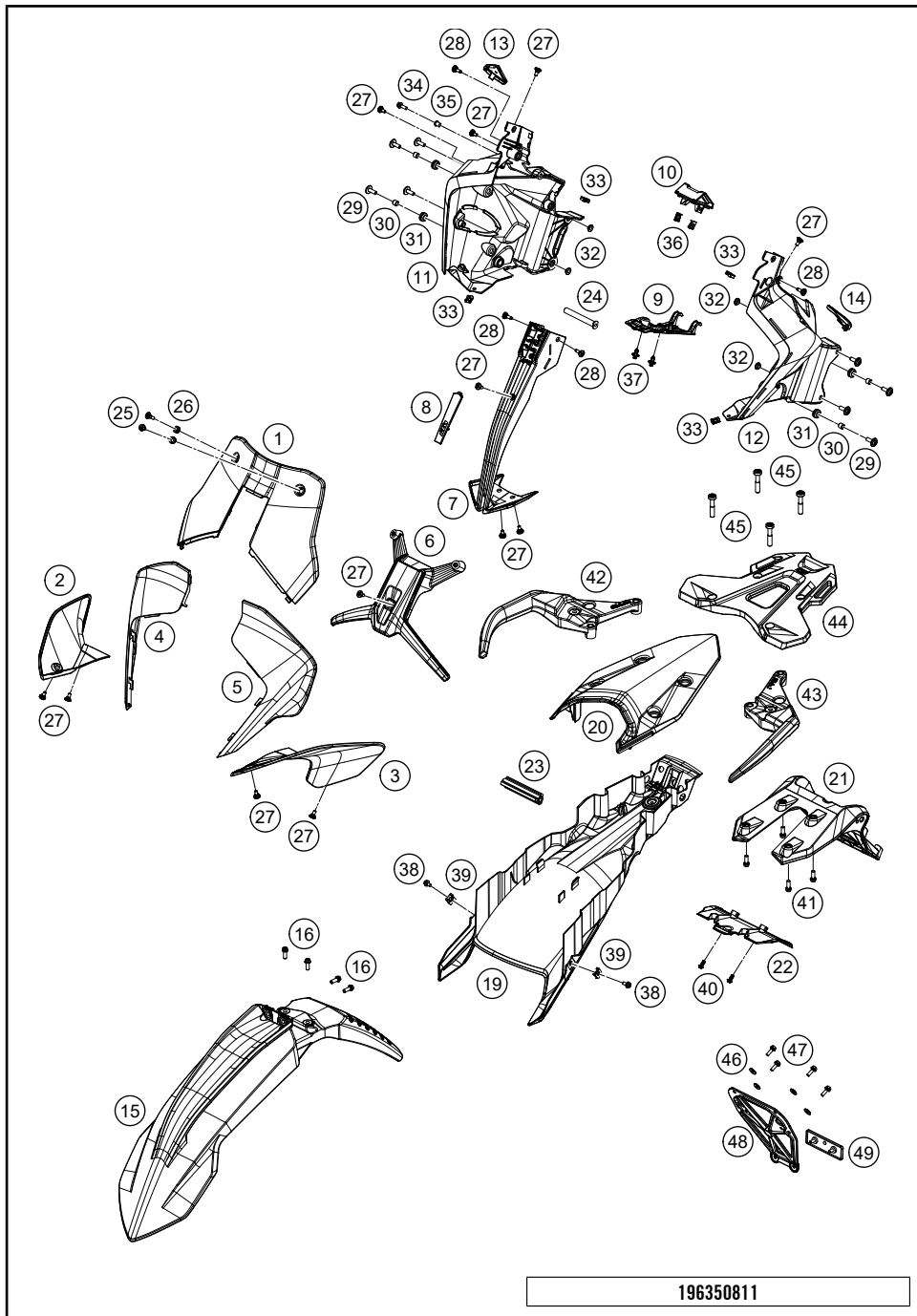


POS	PARTNUMBER	PARTNAME	PIECE
1	63508108000	Windshield R EU	1
2	63508004000	mask spoiler right	1
3	63508003000	mask spoiler left	1
4	63508001020	headlight mask right	1
5	63508001010	headlight mask left	1
6	63508008050	windshield support	1
7	6351401200056	Headlight mask center part	1
8	63514012010	Cover headlight mask	1
9	63514010020	Cable cover mask support	1
10	63514011020	Cover mask support	1
11	63514011000	maskcarrier right	1
12	63514010000	maskcarrier left	1
13	63514011080	Plug cap right	1
14	63514010080	Plug cap left	1
15	63508910000EB	Front fender	1
16	0025060166	HH collar screw M6x16 TX30	4
19	63508019000	Lower rear panel	1
20	63508013000C1	Tail section	1
21	63508015000	License plate holder support, upper part	1
22	63508016000	License plate holder support, lower bott	1
23	63503002030	Brace subframe	1
24	63514010040	wheel spindle mask support	1
25	60708008071	Special screw M5x14	2
26	60708008070	rubber bush windshield fixation	2
27	69008021160	special screw M5x12	12
28	69008021060	special screw M5x17	4
29	69014017000	SPECIAL SCREW M6X18 ISA30 08	8
30	69014014000	BUSHING 6,1X9,2X7,5 08	4
31	60006001022	rubber grommet 9x11x16x8.5 mm	4
32	69004060150	bushing chain protection	2
33	54603048600	RANGE CHANGE METAL NUT M5 INOX	4
34	0025050166	HH collar screw M5x16 TX30	1
35	63514011010	wheel spindle mask support	1
36	69008021080	clip nut M5	2
37	76503075000	SPREAD RIVET CPL. 6,2MM	2
38	0025050106	HH collar screw M5x10 TX30	2
39	54603048200	RANGE CHANGE METAL NUT M5	2
40	0081050121	EJOT PT screw K50x12	2

196350811

55722

* NEW PART X ON DEMAND

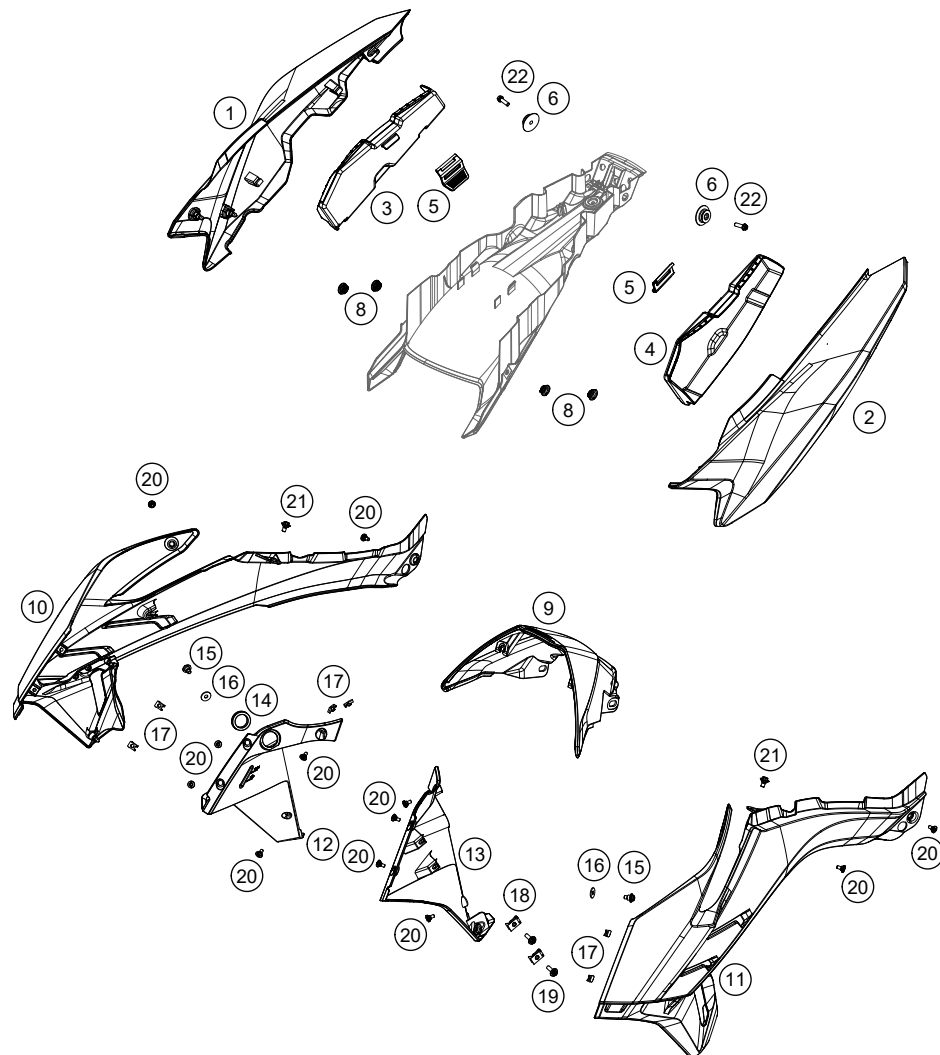


POS	PARTNUMBER	PARTNAME	PIECE
41	0025060166	HH collar screw M6x16 TX30	4
42	63512009000	Passenger grip right	1
43	63512008000	Passenger grip left	1
44	6061201000030	BAGGAGE CARRIER BRIDGE	1
45	0035080406S	ISA collar screw M8x40 ISA45	4
46	75008023000	WASHER REAR-UT D=14MM	4
47	0025060166S	HH collar screw M6x16 TX30 SL	4
48	64112181100	Bracket for reflector	1
49	58412080400	Rear reflector red	1

196350811

55722

* NEW PART X ON DEMAND



POS	PARTNUMBER	PARTNAME	PIECE
1	63508042000ABD	Side fairing right with Decal	1
2	63508041000ABD	Side fairing left with Decal	1
3	63508042050	storage box right	1
4	63508041050	storage box left	1
5	63508041055	Closing rubber	2
6	63508040120	Socket sliding seat	2
8	47106003160	quick release rubber grommet	4
9	63711054010EB	Battery cover	1
10	63508051000C1A	Fuel tank spoiler right with Decal	1
11	63508050000C1A	Fuel tank spoiler left with Decal	1
12	63508024000	inner lining right	1
13	63508023000	inner lining left	1
14	63508024010	rubber grommet inner fairing	1
15	59001092050	SPECIAL SCREW M6X12,5 WS=8	2
16	0021060003	WASHER DIN9021-A 6,4	2
17	69008021080	clip nut M5	6
18	54603048100	clip nut M6	2
19	0024060206	HH collar screw M6x20 TX30	2
20	69008021160	special screw M5x12	12
21	83008000012	special screw M6x12x3	2
22	0025060206	HH collar screw M6x20 TX30	2

196350820

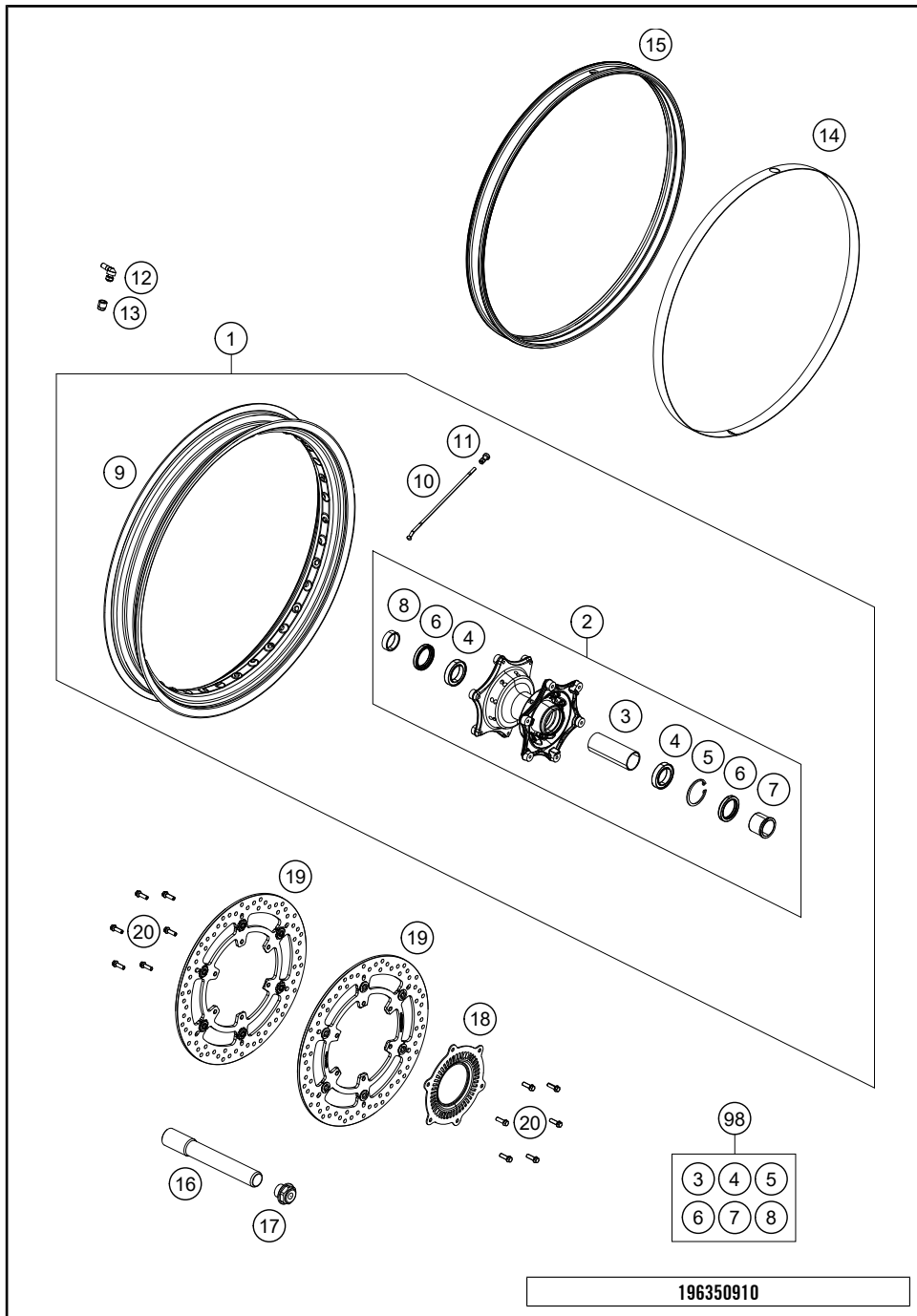
55725

* NEW PART

X ON DEMAND

FRONT WHEEL

890 ADVENTURE R 2021 EU 2021



POS	PARTNUMBER	PARTNAME	PIECE
1	63709001044C1	front wheel cpl. 2,5x21" with anodized Hub	1
1	6030900124433A	Front wheel cpl. 2,5X21" with powder-coated Hub	1
2	60309010244C1	front wheel hub cpl. anodized	1
2	6030901014433	FRONT HUB CPL. powder coatet	1
3	60309011000	BUSHING SPACER TUBE FRONT	1
4	0625069068	GR.BALL BEAR.6906 DDU2CG23S6NM	2
5	0472047175	CIRCLIP DIN0472-47X1,75	1
6	0760354771	SHAFT SEAL RING 35X47X7 TC	2
7	60309012100	SPACER BUSH. FRONT WHEEL L/S	1
8	60009013000	SPACER BUSH. FR. WHEEL R/S 03	1
9	6030917010033A	Rim 2.5x21" TL.bl.w.sticker	1
10	60309071000	SPOKE 5/4.37/M5	36
11	60310072200	Spoke nipple Quadrax M5	36
12	60309176000	VALVE	1
13	60312033050	NUT AIR PRESSURE SENSOR	1
14	60309073100	RIM BAND 21"	1
15	60309177000	GASKET RUBBER 2.5"X21"	1
16	60309081100	Wheel spindle, front	1
17	6900103600001	STEERING HEAD SCREW 09	1
18	60342020000	SENSOR GEAR ABS	1
19	63509060000	BRAKE DISC FRONT D=320	2
20	59009062019	SPECIAL SCREW M6X19 WS=8 10.9	12
98	60609015000	FRONT WHEEL REP. KIT ADV. 1050	x

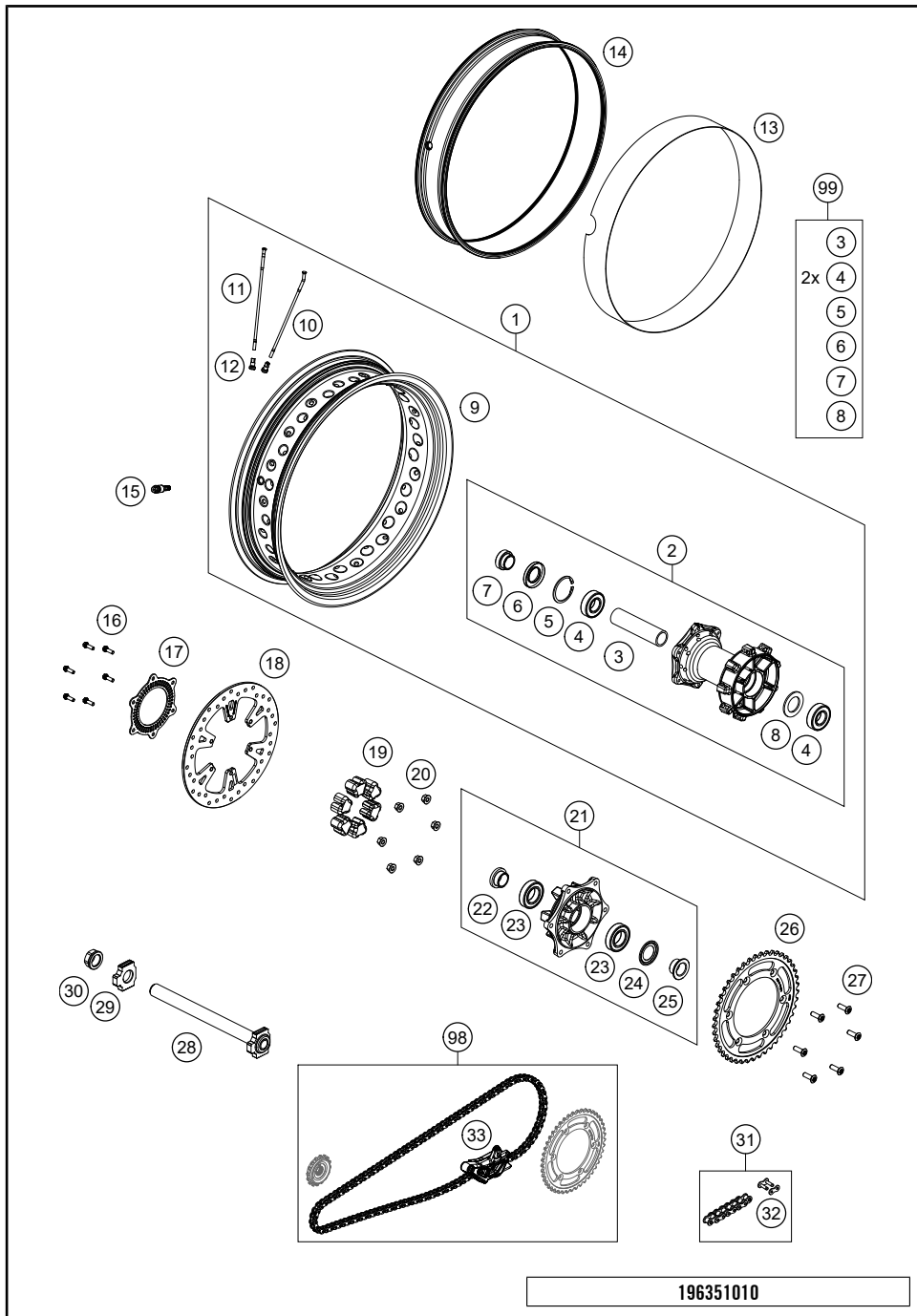
196350910

55644

* NEW PART X ON DEMAND

REAR WHEEL

890 ADVENTURE R 2021 EU 2021



POS	PARTNUMBER	PARTNAME	PIECE
1	63710001044C1	front wheel cmpl. 4,5x18" with anodized Hub	1
1	6031000124433A	Rear wheel cpl. 4,5X18" with powder-coatet Hub	1
2	60310010244C1	Rear hub cmpl. anodized	1
2	6031001014433	REAR HUB CPL. powder coatet	1
3	60010011000	BEAR. SPACERTUBE L=124,8MM 03	1
4	0625062052	GR.BALL BEAR. 6205-2RSHC3HMTF7	2
5	0472052200	CIRCLIP DIN0472-52X2	1
6	0760305271	SHAFT SEAL RING 30X52X7	1
7	60310013000	SPACER BUSHING REAR WHEEL R/S	1
8	60010015000	SPACER RING 03	1
9	6031007010033A	Rim 4,5x18" TL bl.w.sticker	1
10	60310071000	SPOKE 5/4.37/M5	18
11	60310171000	SPOKE 5/4.37/M5	18
12	60310072200	Spoke nipple Quadrax M5	36
13	60310073100	RIM BAND 18"	1
14	60310177100	GASKET RUBBER 4.5"X18"	1
15	60309176000	VALVE	1
16	59009062019	SPECIAL SCREW M6X19 WS=8 10.9	6
17	60142021100	SENSOR GEAR ABS REAR	1
18	63510060100	Brake disc rear	1
19	54610459000	RUBBER DAMPING BLOCK '91	6
20	06923080003	hex nut EN 1661 M8 WS13	6
21	7501005004433	Sprocket wheel carrier cpl. Black	1
22	60110014000	SPACER BUSH. SPR. SUPP. IN. 06	1
23	0625060060	BALL BEARING 6006 DDU2CG23S6NM	2
24	60110016000	NILOS RING 6006AV	1
25	60110012000	SPACER BUSH. SPROCKET SUPP. 06	1
26	75010051045	SPROCKET 45T 08	1
27	0019080266S	COUNTER-SUNK SCREW ISA45 M8X26	6
28	69010181044	Rear axel cpl.	1
29	60010084000	CHAIN TENSIONER R/S LC8 03	1
30	61010086000	COLLAR NUT M25X1,5 WS=32 05	1
31	78010167118	CHAIN DID 118 LINKS	x

196351010

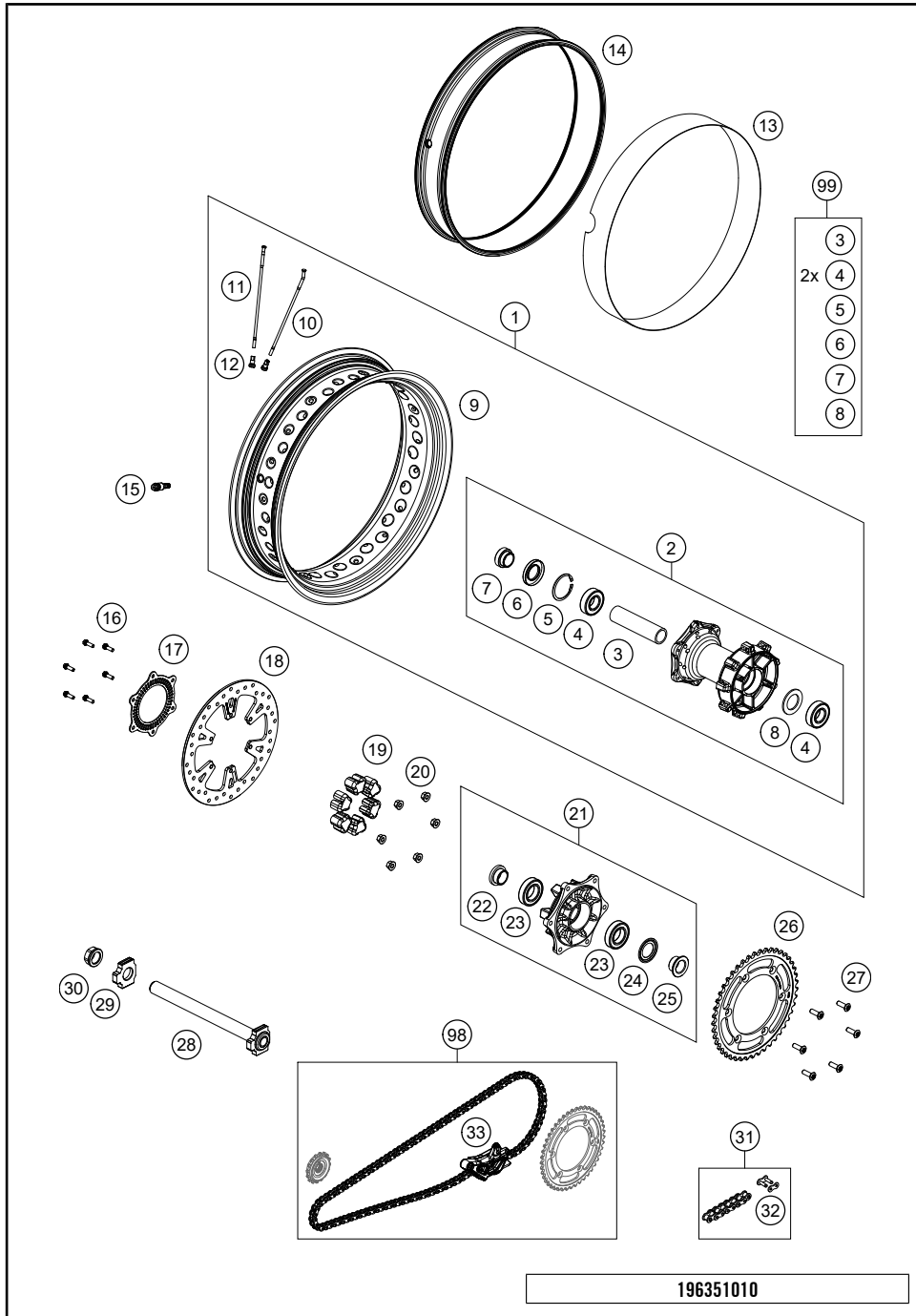
55645

* NEW PART

X ON DEMAND

REAR WHEEL

890 ADVENTURE R 2021 EU 2021

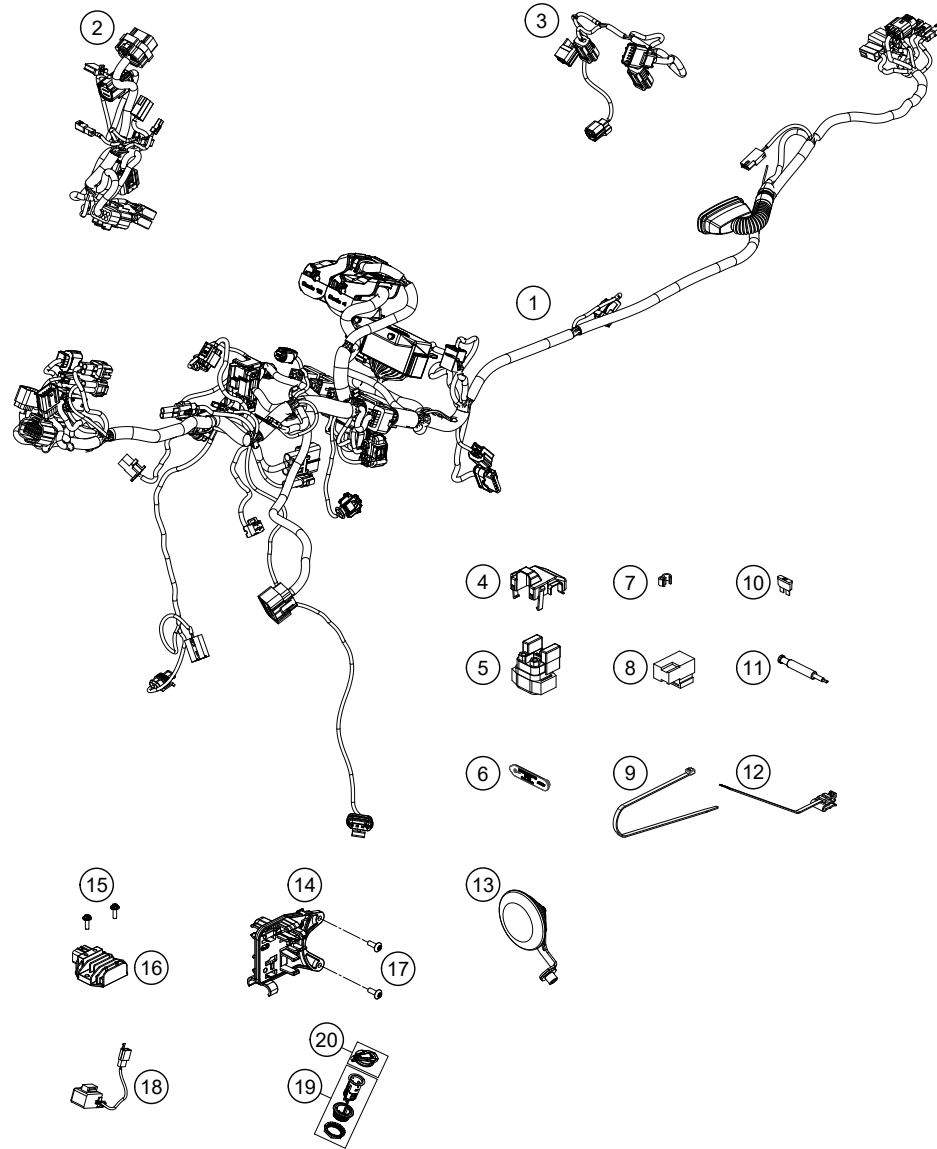


POS	PARTNUMBER	PARTNAME	PIECE
32	78010166100	RIVETING LINK FOR 78010167118	x
33	63510067118	chain X-Ring 118 links with chain guide	1
98	00050002100	Drive set 16/45	x
99	60310015000	REAR WHEEL REP. KIT ADV 13-14	x

196351010

55645

* NEW PART X ON DEMAND



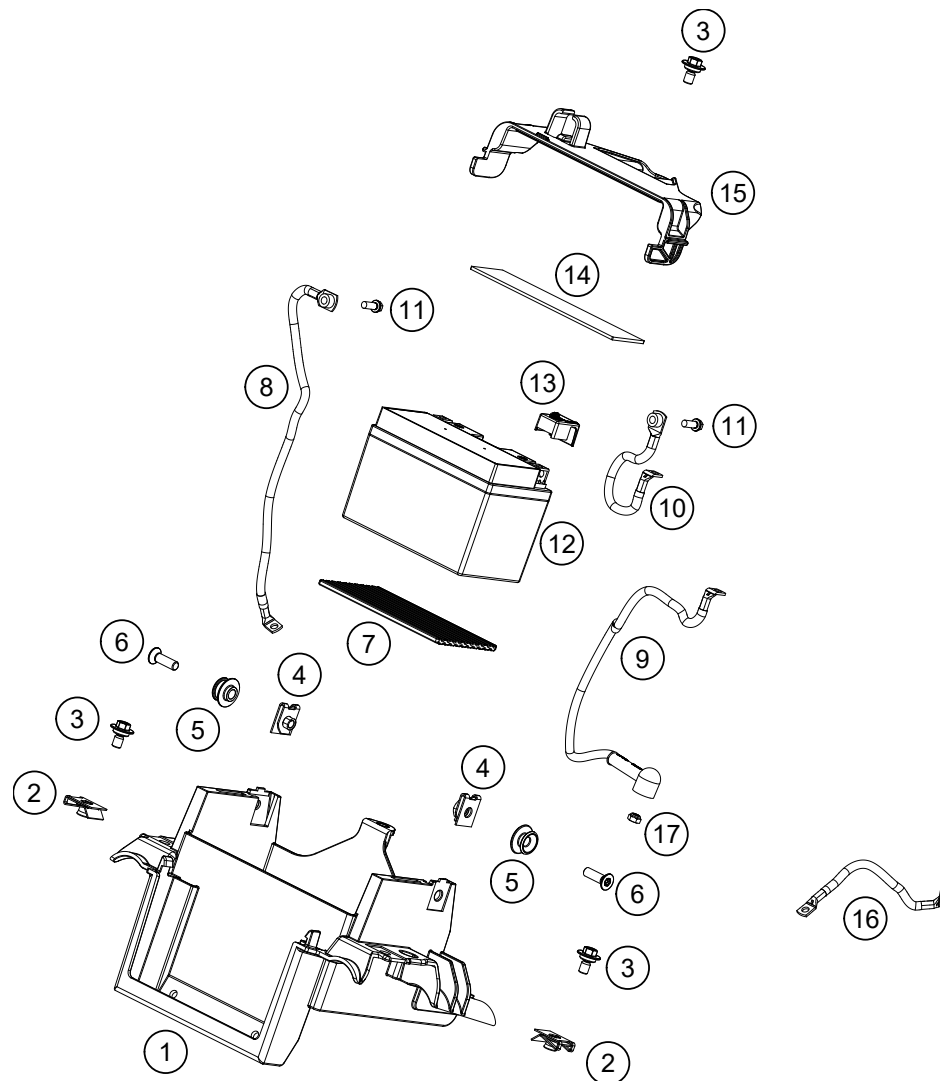
POS	PARTNUMBER	PARTNAME	PIECE
1	63711075000	Main wiring harness	1
2	63511078100	Front wiring harness	1
3	63711085000	Engine wiring harness	1
4	64111058110	Cover flap, starter relay	1
5	76211058000	STARTER RELAY 07	1
6	60011093075	RUBBER CABLE TIE 75MM 03	x
6	60011093045	RUBBER CABLE TIE 45MM 03	x
7	60111094100	BAR SPACER 4/7 BLACK	2
8	61111057000	RELAY CM1A-R-12V-H80 07	5
9	44011076305	CABLE TIE 300/4,8MM BLACK	x
9	44011076140	CABLE TIE 140/2,5MM BLACK	x
9	44011076200	CABLE TIE 200/3,6MM BLACK	x
10	58011109130	FUSE 30 A	1
11	61111018100	TEMPERATURE SENSOR	1
12	64111059020	Cable holder, attachable	1
13	76011060100	DC HORN 12V	1
14	63511048100	Connector support front	1
15	0024060206	HH collar screw M6x20 TX30	2
16	60311034000	VOLTAGE REGULATOR	1
17	58605083014	SCREW M5X14 TORX 25 07	2
18	76011030000	FLASHER UNIT LED 6,25W	1
19	60711042000	Power socket 12V	1
20	60311042050	Lid 12V-socket	1

216371111

55677

* NEW PART

X ON DEMAND

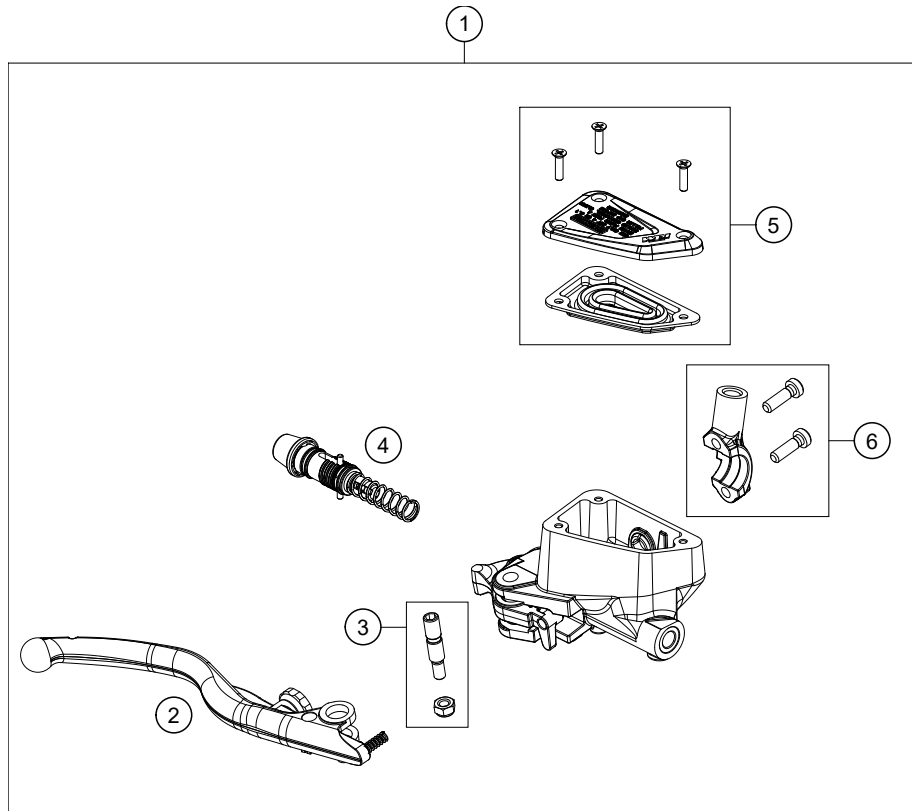


POS	PARTNUMBER	PARTNAME	PIECE
1	63508025110	Electrics bracket front	1
2	54603048100	clip nut M6	2
3	83008000012	special screw M6x12x3	3
4	93008082010	Range change metal nut M6	2
5	63507040070	Seat bushing	2
6	014581060201	Count.snk screw M6x20 TX30	2
7	63511053050	rubber battery holder	1
8	63511097000	Ground wire	1
9	63511059000	Starter cable	1
10	63511059050	battery cable	1
11	0025060166	HH collar screw M6x16 TX30	2
12	64111053000	battery HTZ12A-BS(DA)	1
13	62111059060	COVER POSITIVE POLE	1
14	63508055010	Foam rubber 33x132	1
15	63508055000	Clamping bracket	1
16	64111096000	mass cable starter-frame	1
17	0985060003	SELF LOCK. NUT DIN0985-M 6	1

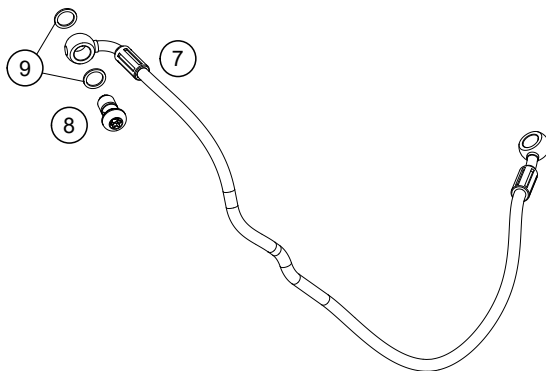
216371130

55613

* NEW PART X ON DEMAND



POS	PARTNUMBER	PARTNAME	PIECE
1	63513001033	Front master cylinder cpl.	1
2	63513002044	Brake lever	1
3	64113006000	Lever bolt cpl.	1
4	63513008000	Piston repair kit	1
5	64113031000	Reservoir cap cpl.	1
6	6351300500030	mirror clamp incl. 2 screws	1
7	63542001000	Brake line MC-ABS	1
8	62113020100	banjo bolt M10x1x19.5	1
9	0603100141	sealing ring DIN 7603 10x14x1	2

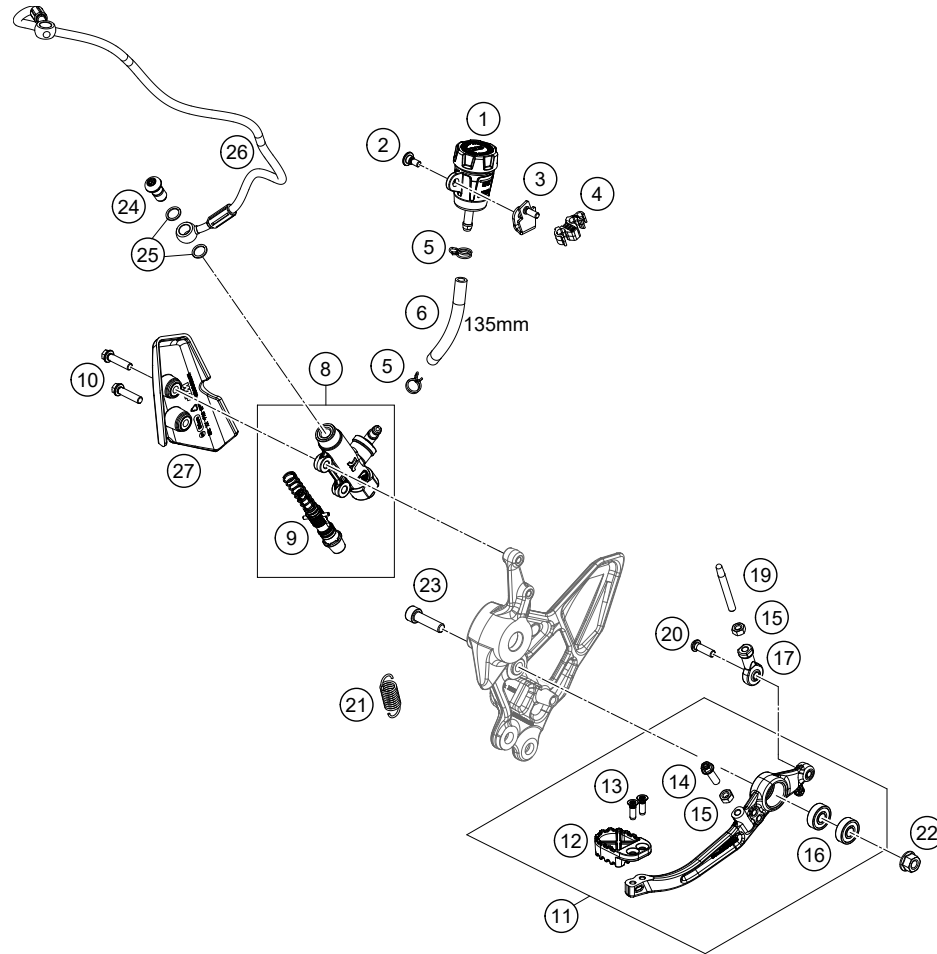


196351310

51632

* NEW PART

X ON DEMAND



POS	PARTNUMBER	PARTNAME	PIECE
1	64113069000	Reservoir assembly	1
2	69013099050	SCREW F. EXPANSION TANK	1
3	64113026000	Brake line holder	1
4	64142046000	Bracket ABS line dia7.5	1
5	58007017000	YDNAC CLAMP 10101 (10,4MM)	2
6	69013069001	HOSE FOR RESERVOIR 6X1,5	1
8	6411306000030	Foot master cylinder cpl. black	1
9	64113061000	Piston assembly	1
10	0025060256	HH collar screw M6x25 TX30	2
11	63513050033C1	Foot brake lever cpl. without push rod	1
12	63513051000	Footbrake lever step plate	1
13	014581050162	CS screw, ISO14581-M5x16-A2-070 ISA25	2
14	0025060206	HH collar screw M6x20 TX30	1
15	0934060003	hex nut DIN 934 M6	2
16	0625006087	GROOVED BALL BEAR. 608 2RS C3	2
17	54603069000	SWIVEL HEAD M6 FOOT BRAKE LEV.	1
19	54603068000	PRESSURE ROD ALU 250 '90	1
20	0738060205S	Oval head screw ISR M6x20-A2-70-MK	1
21	54603062200	Return spring for brake lever	1
22	54310086200	SELF LOCKING NUT M8 10.9	1
23	014579080301S	screw ISO 14579-M8x30-10.9-MK black	1
24	62113020100	banjo bolt M10x1x19.5	1
25	0603100141	sealing ring DIN 7603 10x14x1	2
26	63542002000	Brake line MC-ABS	1
27	63503039051	Rear master cylinder guard	1

196351330

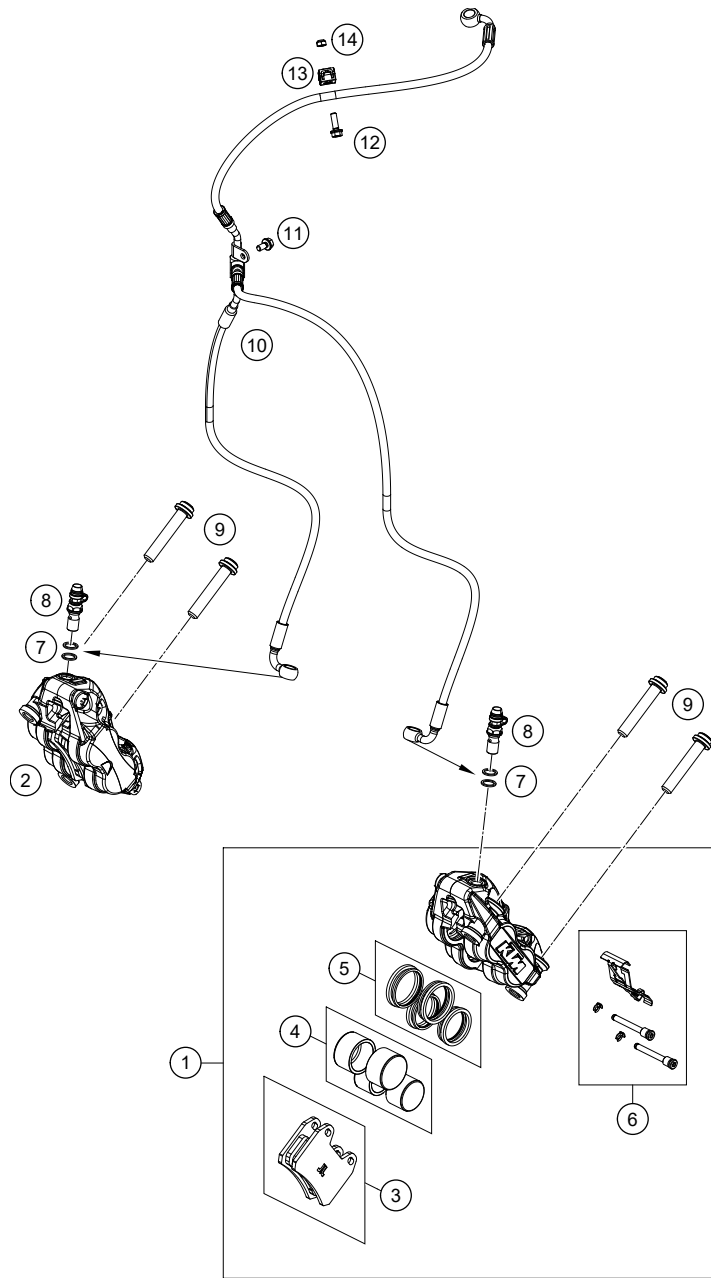
51636

* NEW PART

X ON DEMAND

FRONT BRAKE CALIPER

890 ADVENTURE R 2021 EU 2021



POS	PARTNUMBER	PARTNAME	PIECE
1	63713115000	Brake caliper, front left	1
2	63713116000	Brake caliper, front right	1
3	63713030000	Front brake pad	2
4	63513019000	Piston set	2
5	63613021000	Dichtringe Set	2
6	64113017000	Retaining spring set	2
7	0603100141	sealing ring DIN 7603 10x14x1	4
8	62513020000	BLEEDER SCREW CPL. 05	2
9	0035100559S	AH-COLLAR SCREW M10X1,25X55SS	4
10	63542103000	Front brake line brake caliper	1
11	0025050106	HH collar screw M5x10 TX30	1
12	0025050166	HH collar screw M5x16 TX30	1
13	60113146000	SUPPORT FOR BRAKE HOSE M5	1
14	0985050003	SELF LOCKING NUT DIN0985-M 5	1

216371360

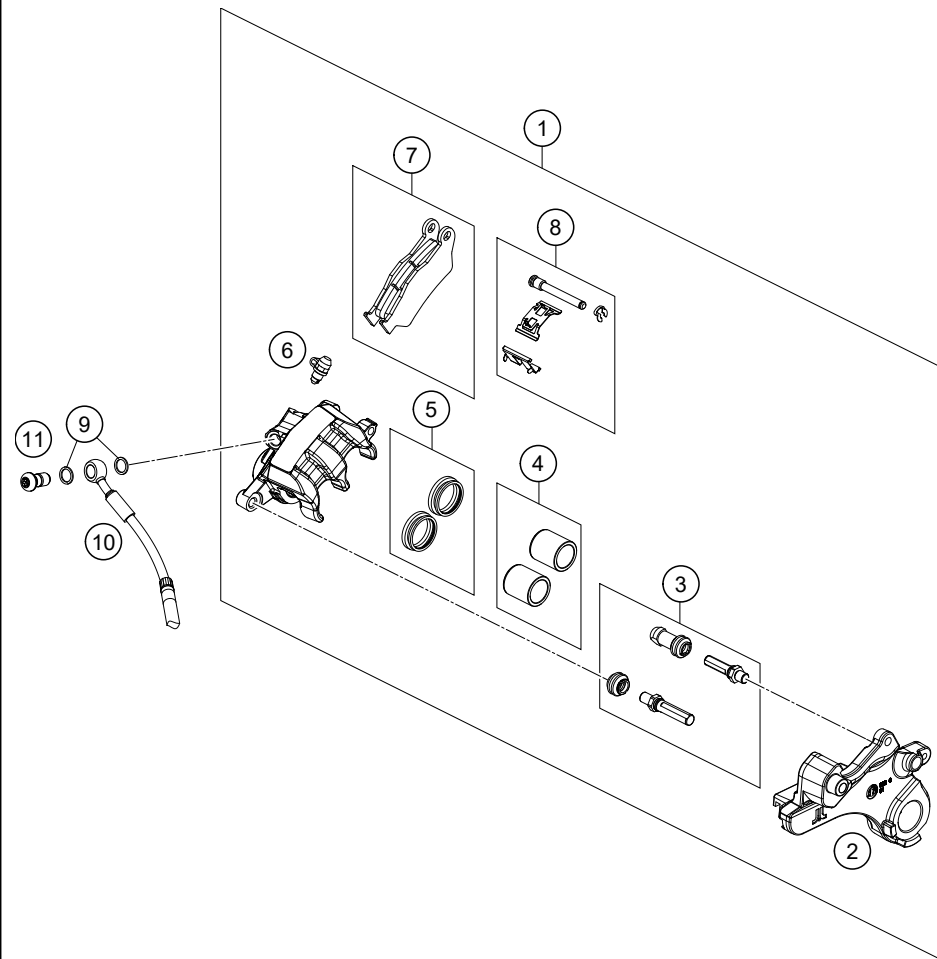
55726

* NEW PART

X ON DEMAND

REAR BRAKE CALIPER

890 ADVENTURE R 2021 EU 2021



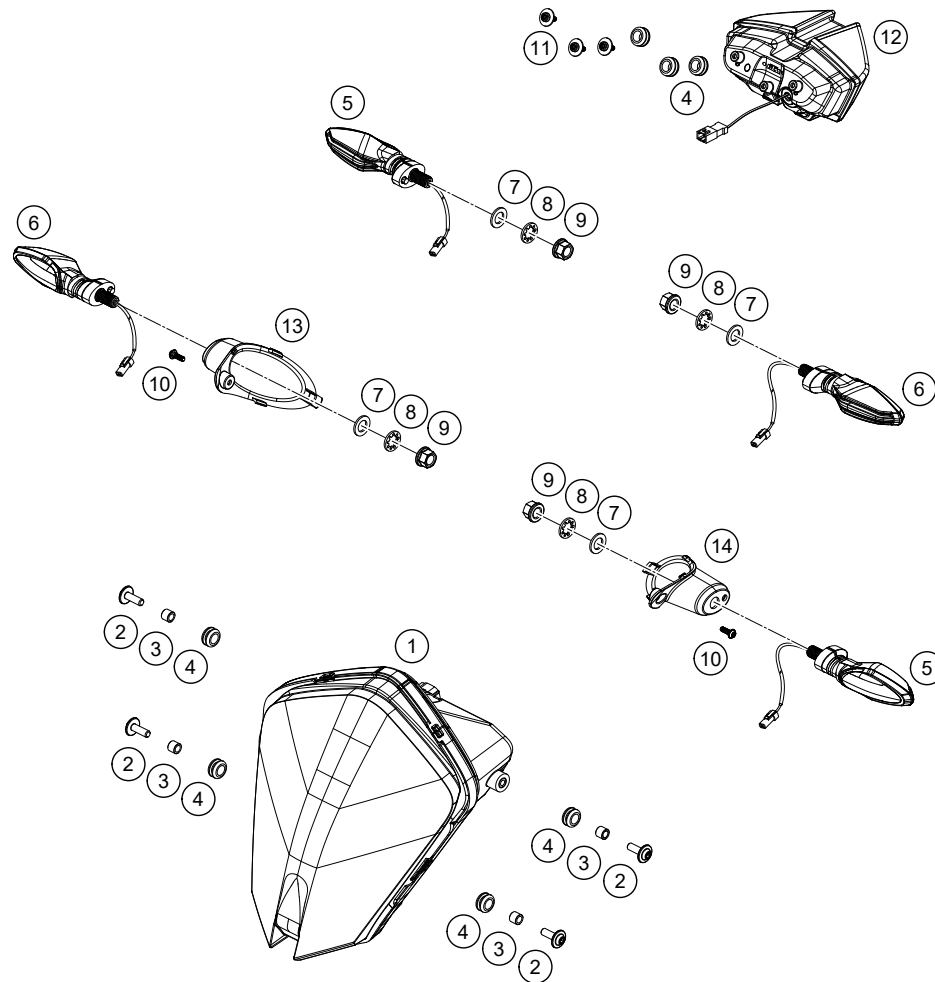
POS	PARTNUMBER	PARTNAME	PIECE
1	63713080000	Rear brake caliper	1
2	63513075000	rear holder	1
3	64113084000	Cup set	1
4	63513083000	Piston set	1
5	63513081000	Seal set	1
6	64113020000	Bleeder + cap	1
7	63513090000	Rear padsq	1
8	63513085000	Pad pin and spring	1
9	0603100141	sealing ring DIN 7603 10x14x1	2
10	63542004000	Brake links ABS-Caliper	1
11	62113020100	banjo bolt M10x1x19.5	1

196351390

55643

* NEW PART

X ON DEMAND



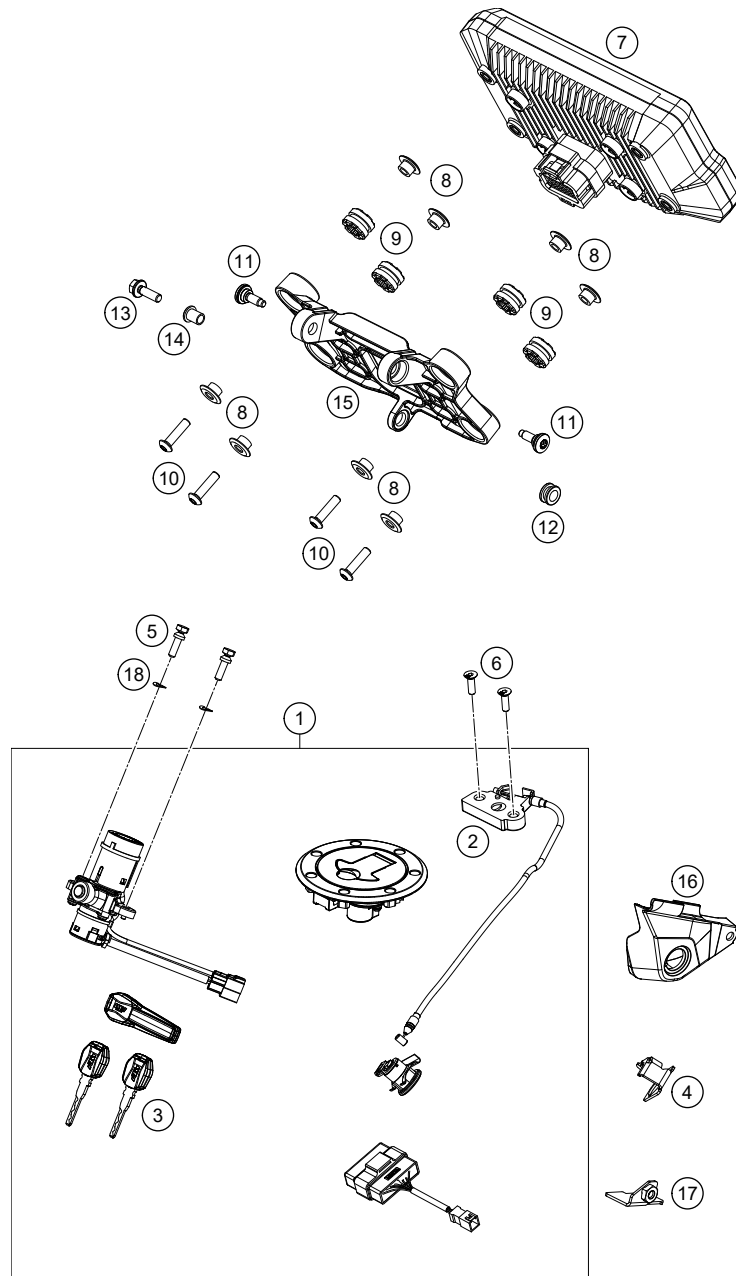
POS	PARTNUMBER	PARTNAME	PIECE
1	63714001000	Headlight	1
2	69014017000S	special screw M6x22-8.8 ISA30 MK	4
3	69014014000	BUSHING 6,1X9,2X7,5 08	4
4	60006001022	rubber grommet 9x11x16x8.5 mm	7
5	60314025000	turn signal front left/rear right	2
6	60314026000	turn signal front right/rear left	2
7	0433100003	WASHER 18x10,5x1,6	4
8	0797100003	LOCK WASHER DIN6797-J10,5 ZI	4
9	58414030000	HH COLLAR NUT M10X1,25 WS=13	4
10	0081040121	EJOT Delta PT K40x12	2
11	0081645121	EJOT DELTA PT SCREW 45X12-Z	3
12	63514040000	Tail light	1
13	63514011090	Right flasher adapter	1
14	63514010090	Left flasher adapter	1

196351410

55671

* NEW PART

X ON DEMAND



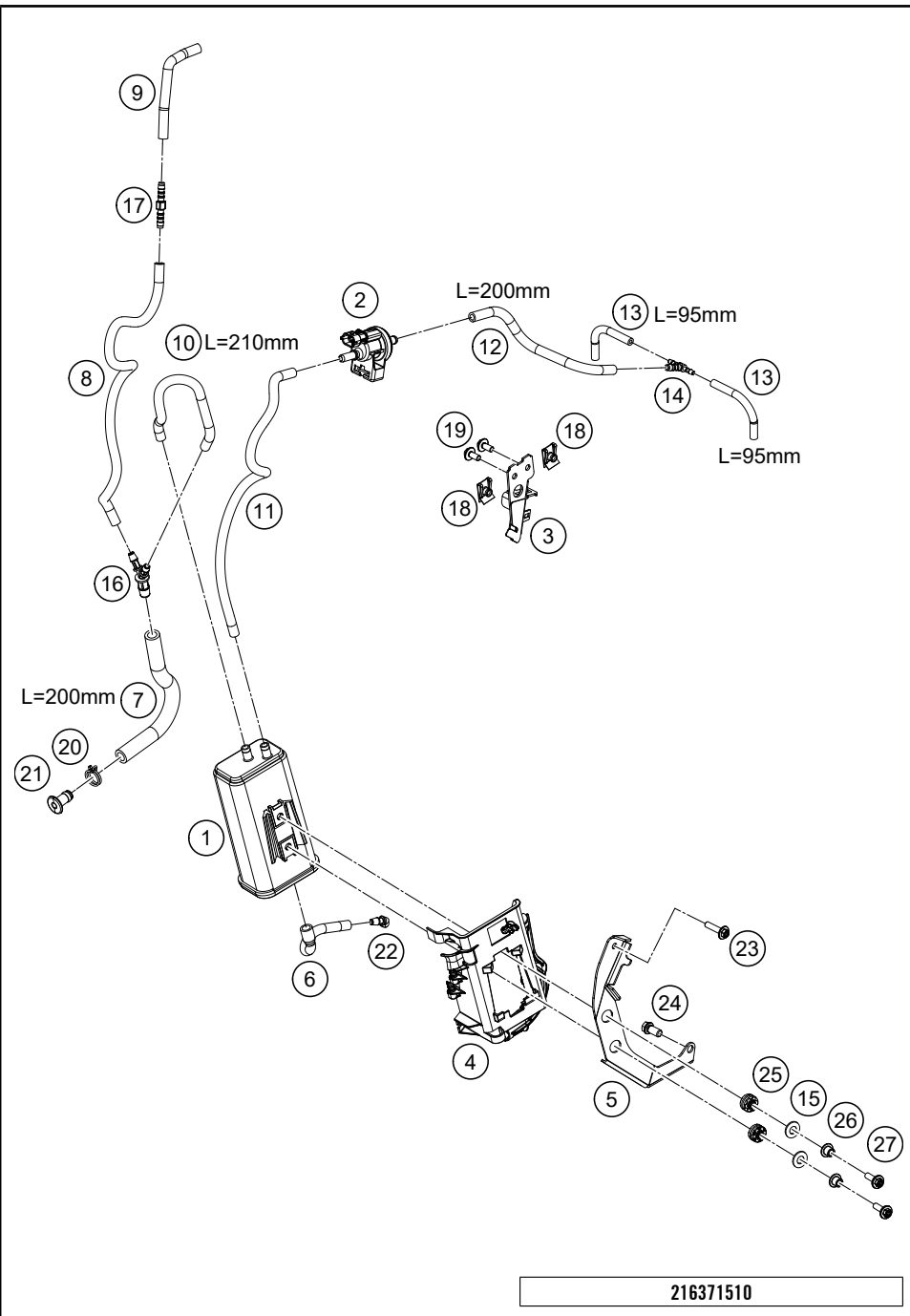
POS	PARTNUMBER	PARTNAME	PIECE
1	63511066044	Lockset cpl.	1
2	63507050000	Seat lever assy	1
3	64111067010	Blank Key KTM	x
4	64107051000	Cable Bracket Lock	1
5	76011064100	Tear-off screw M6 ignition lock ISA 30	2
6	0738060205S	Oval head screw ISR M6x20-A2-70-MK	2
7	63514069100	Dashboard	1
8	60714069050	Bushing	8
9	61314069051	DAMP. COMPONENT SPEEDOMETER	4
10	0738050202	Lens head screw ISO 7380-M5X20A2	4
11	69008021060	special screw M5x17	2
12	60708008070	rubber bush windshield fixation	1
13	0025050166	HH collar screw M5x16 TX30	1
14	63514011010	wheel spindle mask support	1
15	63514062000	Instrument support	1
16	63507050050	Lock cover	1
17	6351401006033	retaining bracket immobilizer cpl.	1
18	0137060003	spring washer DIN 137 B - 6	2

196351430

53945

* NEW PART

X ON DEMAND



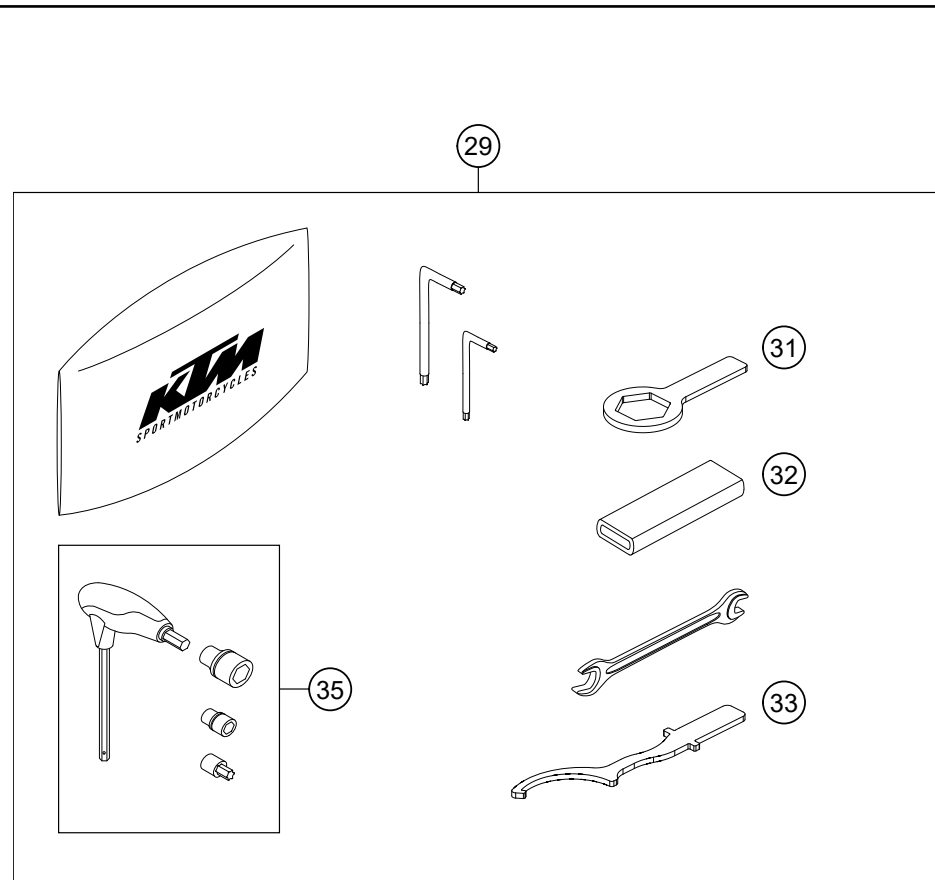
POS	PARTNUMBER	PARTNAME	PIECE
1	75015001200	CARBON CANISTER	1
2	76015015000	EVAP valve	1
3	63515026010	Retaining bracket ACF valve cpl.	1
4	63515003010	Hose clip ACF	1
5	6351500201033	Retaining bracket ACF	1
6	63515021000	ventilation hose evap.can.	1
7	78015119000	HOSE EPA D=10/16 L=2000MM	1
8	63515024000	hose fuel tank vent 500 mm	1
9	63515022000	hose fuel tank vent 180 mm	1
10	78015019000	HOSE EPA D=6/10 L=2000MM	1
11	63515028000	Hose ACF purge valve	1
12	78015019000	HOSE EPA D=6/10 L=2000MM	1
13	78015021000	HOSE EPA D=4/8 L=2000MM	2
14	64115026000	Hose connection nozzles	1
15	50337073000	shim	2
16	61315028100	Y-CONNECTOR YS 6-10-6	1
17	69015019010	HOSE CONNECTION STRAIGHT	1
18	54603048100	clip nut M6	2
19	0024060136	HH collar screw M6x13 TX30	2
20	58431082100	YDNAC-CLAMP 10173 (16MM) '98	1
21	61315026100	Screw plug ACF	1
22	63503098030	Angle piece for overrun	1
23	0024060256	HH COLLAR SCREW M6X25 TX30	1
24	0025060166	HH collar screw M6x16 TX30	1
25	62142041000	DAMP. COMPONENT ABS MODUL	2
26	69014015000	collar bushing 6.1x9.2x15x8.5x1 AI	2
27	0024060206	HH collar screw M6x20 TX30	2

216371510

55637

* NEW PART

X ON DEMAND



OHNE ABBILDUNG
WITHOUT ILLUSTRATION

0

TECHNISCHE DOKUMENTATION
TECHNICAL DOCUMENTATION
DOCUMENTACION TECNICA
DOCUMENTATION TECHNIQUE
NOTE TECNICHE

1

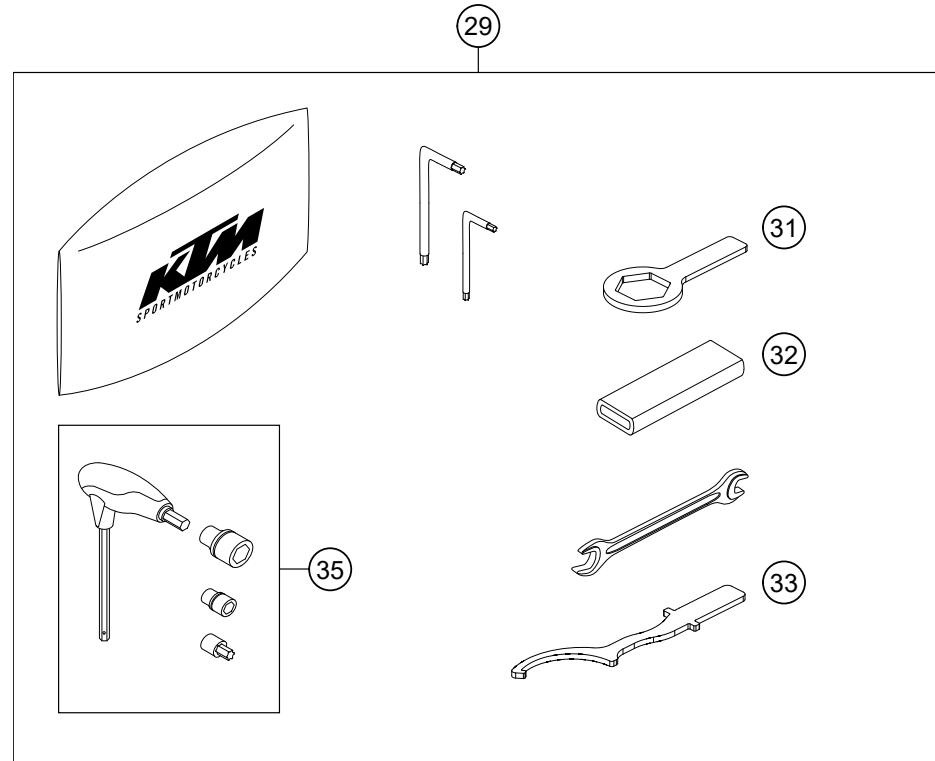
196352000

POS	PARTNUMBER	PARTNAME	PIECE
0	58412040100	mirror, left/right	1
0	28512040000	mirror, right	1
0	0025060086	HH collar screw M6x8 TX30	2
0	63503090000	Skid plate bottom part compl.	1
0	63503090016	Lower Alu Skidplate Support	1
0	0024060106	HH COLLAR SCREW M6X10 TX30	7
0	63503097010	Front spoiler left	1
0	83008000012	special screw M6x12x3	1
0	69014017000	SPECIAL SCREW M6X18 ISA30 08	2
0	62142041000	DAMP. COMPONENT ABS MODUL	6
0	63503098010	Front spoiler right	1
0	69014117000	Collar screw M6x22-8.8 ISA30	4
0	60006001021	DISTANCE RUBBER AIRBOX 03	2
0	61342041100	Collar bushing 6,5x9x18x8,5	6
0	63508008050	windshield support	1
0	63508108000	Windshield R EU	1
0	60708008070	rubber bush windshield fixation	2
0	60708008071	Special screw M5x14	2
0	58412080400	Rear reflector red	1
0	64112181100	Bracket for reflector	1
0	312305	DOCUMENTS BAG 2006	1
0	312313	KTM BALLPOINT PEN ORANGE	1
0	00063004202	PRINT LABEL 60X51 MM	1
0	3210917	NOTEPAD	1
0	20180195INT	KTM Bypack Folder Street	1
0	20180189INT	Sticker accessory kit	1
0	00063004012	HEADLIGHT MASK BOX	1
0	00063004106	SPIRALHÜLSEN LC4 + LC8	2
0	00063004108	Bubble wrap blanks 80MY	2
0	00063001022	Foam cutout spoiler protection SD-GT	2
0	56509064100	SELF LOCKING NUT M6 10.9	2
0	00063004105	950 ADV. CARTON F WIND PROT.	1
0	0025050166S	HH Collar Screw M5x16 ISA30 SS	4
0	0025060166	HH collar screw M6x16 TX30	4
0	60408061050	RUBBER 14X6.5X2.3MM	2
0	60302179100AB	Handguard kit	1
1	3214269EN	Owner's manual 890 ADVENTURE R / RALLY E	1
29	63729099000	Tool set	1

55727

* NEW PART

X ON DEMAND



POS	PARTNUMBER	PARTNAME	PIECE
31	60012060032	RING WRENCH 32MM	1
32	60012060000	GRIP FOR RING WRENCH	1
33	76029062000	HOOK WRENCH F. SHOCK ABSORBER	1
35	50329070000	T-WRENCH WS=6/8/10 '97	1

OHNE ABBILDUNG
WITHOUT ILLUSTRATION

0

TECHNISCHE DOKUMENTATION
TECHNICAL DOCUMENTATION
DOCUMENTACION TECNICA
DOCUMENTATION TECHNIQUE
NOTE TECNICHE

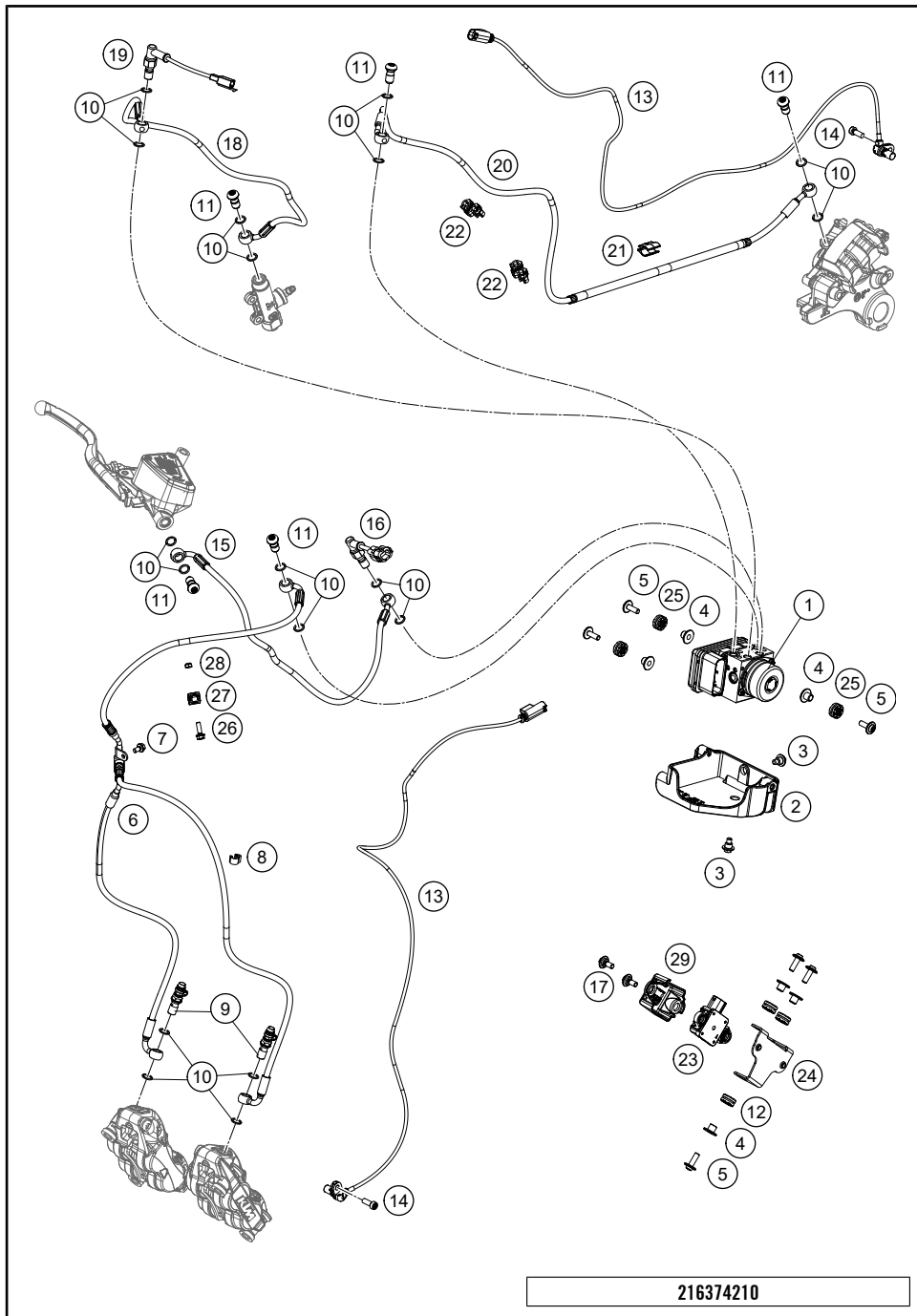
1

196352000

55727

* NEW PART

X ON DEMAND



POS	PARTNUMBER	PARTNAME	PIECE
1	61742031044	ABS module filled	1
2	63542040000	holder ABS module	1
3	59001092050	SPECIAL SCREW M6X12,5 WS=8	2
4	61342041000	COLLAR BUSH 6,5X9X18X8,5	6
5	69014017000	SPECIAL SCREW M6X18 ISA30 08	6
6	63542003000	Brake line ABS-Caliper	1
7	0025050106	HH collar screw M5x10 TX30	1
8	60111094100	BAR SPACER 4/7 BLACK	8
9	62513020000	BLEEDER SCREW CPL. 05	2
10	0603100141	sealing ring DIN 7603 10x14x1	18
11	62113020100	banjo bolt M10x1x19.5	5
12	62142041100	DUMPER 40 SHORE	3
13	76042125000	ABS-SENSOR	2
14	014580060166	SHCS ISO 14580 M6x16	2
15	63542001000	Brake line MC-ABS	1
16	64111051100	Brake light switch	1
17	83008000015	SPECIAL SCREW M6X15X3	2
18	63542002000	Brake line MC-ABS	1
19	62111051000	BRAKE LIGHT SWITCH REAR	1
20	63542004000	Brake links ABS-Caliper	1
21	54813026100	CABLE SUPPORT 10/4MM 2014	1
22	64142046000	Bracket ABS line dia7.5	2
23	61542090000	Angle sensor	1
24	63742090015	Retaining bracket angle sensor compl.	1
25	62142041000	DAMP. COMPONENT ABS MODUL	3
26	0025050166	HH collar screw M5x16 TX30	1
27	60113146000	SUPPORT FOR BRAKE HOSE M5	1
28	0985050003	SELF LOCKING NUT DIN0985-M 5	1
29	61342090050	COVER SENSOR BOX	1

216374210

55617

* NEW PART

X ON DEMAND

1 **WARNING**
 * ALWAYS WEAR A HELMET
 * FAILURE TO FOLLOW THE PROPER STARTING AND OPERATING INSTRUCTION MAY RESULT IN AN ACCIDENT. READ THE OWNER'S MANUAL CAREFULLY.

2 **ACHTUNG**
 Lesen Sie vor der ersten Inbetriebnahme des Fahrzeuges die gesamte Bedienungsanleitung aufmerksam durch!
IMPORTANT
 Please read the entire owner's manual carefully before putting the vehicle into operation for the first time.
ATTENZIONE
 Prima della messa in funzione iniziale del veicolo, leggere con attenzione l'intero manuale d'uso!
ATTENTION
 Lire attentivement l'ensemble du manuel d'utilisation avant de mettre le véhicule en service!
ATENCIÓN
 Lea completa y atentamente el manual de instrucciones antes de poner en servicio por primera vez el vehículo!

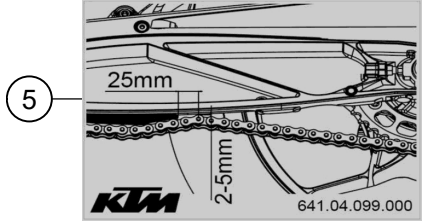
3

FUSE 1	FUSE 2	FUSE 3	FUSE 4	FUSE 5	FUSE 6	FUSE 7	FUSE 8	FUSE 9	FUSE 10	FUSE 11	FUSE 12	SPARE 13A	SPARE 14A	SPARE 15A	SPARE 16A	SPARE 17A	SPARE 18A	SPARE 19A	SPARE 20A
30A	10A	10A	10A	10A	10A	10A	10A	10A	10A	10A	10A	10A	10A	10A	10A	10A	10A	10A	10A
main fuse	ignition ECU, E/VA, A sensor, ignition combination instrument, alarm system (optional)	fuel pump	horn	brake light, turn signal relay, indicator fans	horn, combination instrument, brake light, turn signal relay, indicator fans	high beam, position, tail, license plate light	ACC1	ACC2, socket	ABS control unit, headlight control unit, T/MS (opt.), SD sensor, OBD	headlight control unit	ABS control unit	ABS control unit	ABS control unit	ABS control unit	ABS control unit	ABS control unit	ABS control unit	ABS control unit	ABS control unit

635.06.097.000

4

SETTING	890 Adventure-R 637.00.096.000				FORK				SHOCK						
lock cover & nut	Compression lockers	Rebound lockers	Spring preload (bars)	Clamp nut	Clamp nut	Clamp nut	Clamp nut	Clamp nut	Clamp nut	Clamp nut	Clamp nut	Clamp nut	Clamp nut	Clamp nut	Clamp nut
Street Comfort	15	15	0	15	1,6	1,6	1,6	1,6	1,6	1,6	1,6	1,6	1,6	1,6	1,6
Street Sport	10	10	0	10	1,2	1,2	1,2	1,2	1,2	1,2	1,2	1,2	1,2	1,2	1,2
Max. payload	0	0	3	17	0,8	0,8	0,8	0,8	0,8	0,8	0,8	0,8	0,8	0,8	0,8
Offroad Comfort	20	15	0	20	2	2	2	2	2	2	2	2	2	2	2
Offroad Standard	15	15	0	15	1,6	1,6	1,6	1,6	1,6	1,6	1,6	1,6	1,6	1,6	1,6
Offroad Sport	10	10	0	10	1	1	1	1	1	1	1	1	1	1	1



6

E1	10	R05/01*9117
	41	R04/07*0178
	60	R01/01*0105
	78	R04/01*0332

637.03.095.000 KTM R2 Adventure

7

E5 E10
UNLEADED FUEL

8

EAC

9

890 ADVENTURE R 637.03.097.100

Fuel: RON 95 unleaded (USA = PREMIUM PON 91)
 Tyre front: 90/90 R21 54R
 Air pressure front: rider only 2,4 bar (36 psi)
 max. payload 2,6 bar (38 psi)
 Tyre rear: 150/70 R18 70R
 Air pressure rear: rider only 2,4 bar (36 psi)
 max. payload 2,9 bar (42 psi)
 Max payload: 235 kg (518 lbs)
 Max. total weight: 450 kg (992 lbs)
 Engine oil: fully synthetic 10W50

Further information see owner's manual

10

V max 170 km/h 105 mph
M + S

11

KTM AG
 VBKXXXXXXXXXXXXX
 KTM XXXXXXXXXX

LXX-XX (XXKW) db 0000 min⁻¹
 e1-XXXXXXXXXX00 max. XXX kg

LXX-XX (XXKW) db 0000 min⁻¹
 e1-XXXXXXXXXX max. XXX kg

12

APPROVAL No. 11111 CATEGORY LC
 KTM AUSTRALIA PTY LTD
 XXXXXXXXXX

THIS VEHICLE WAS MANUFACTURED TO COMPLY WITH THE MOTOR VEHICLE STANDARDS ACT 1989

POS	PARTNUMBER	PARTNAME	PIECE
1	50203098003	Sticker "WARNING LABEL 3"	1
2	50307098000	STICKER "OWNERS MANUAL"	1
3	63506097000	Sticker fuse	1
4	63706098000	STD setting sticker	1
5	64104099000	Sticker chain tension	1
6	63703095000	ECE sticker	1
7	21007098000	Sticker fuel labelling	1
8	21003094000	"Sticker ""EAC"""	1
9	63703097100	Sticker technical information	1
10	63503596000	Sticker speedlimit	1
11	LI21-637-2A	Typenschild EURO 4 KTM	1
12	LI21-637-3	Typenschild Australien KTM	1

216378013

55536

* NEW PART X ON DEMAND

A large, empty rectangular box with a thin black border, occupying most of the page. It is intended for students to write their notes during the course.

A large, empty rectangular box with a thin black border, occupying the majority of the page. It is intended for the user to write their notes.

A large, empty rectangular box with a thin black border, occupying the majority of the page. It is intended for students to write their notes during the course.

WWW.KTM.COM



KTM Sportmotorcycle GmbH
5230 Mattighofen, Austria
www.ktm.com



KTM_POWERPARTS

KTM_POWERWEAR

KTM_ORIGINAL SPARE PARTS



F9703U7EN

Art. Nr.: F9703U7EN 2. Okt 2020