

# 890 ADVENTURE L, orange 2021 2021

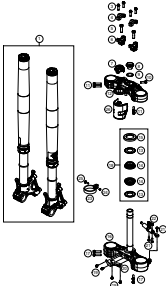
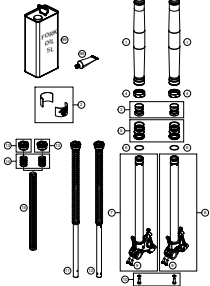
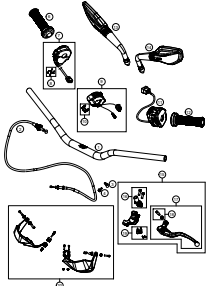
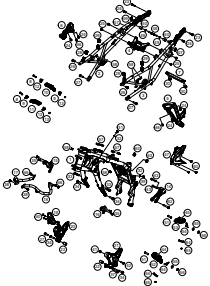
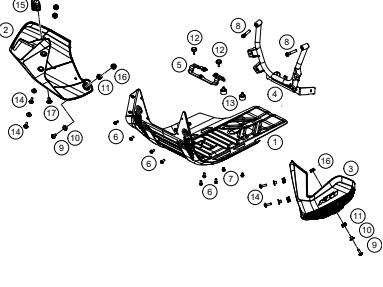
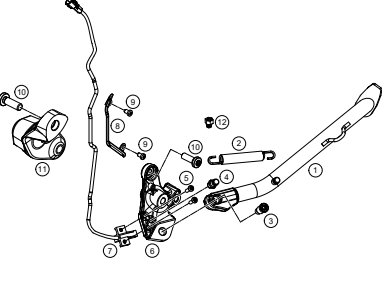
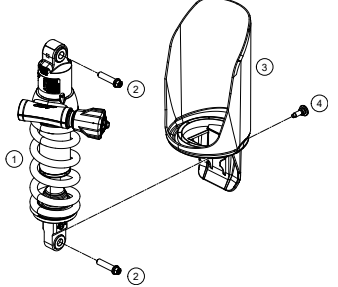
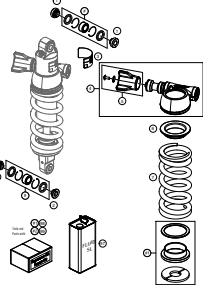
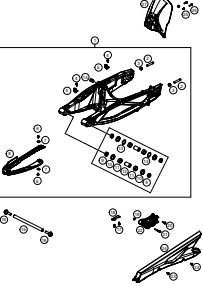
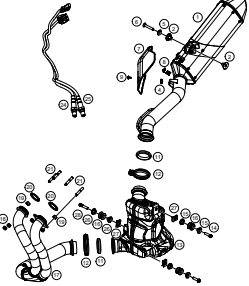
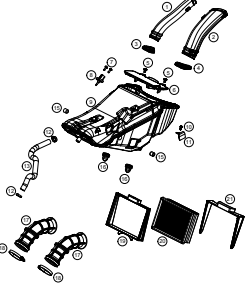
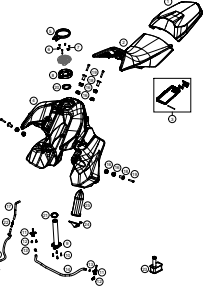
ART.-NR.: F9703UEEN

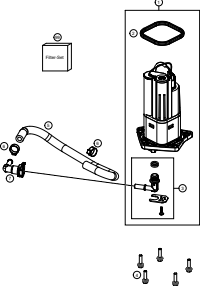
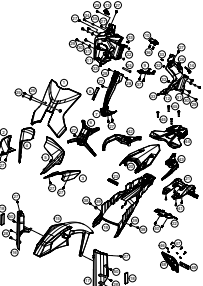
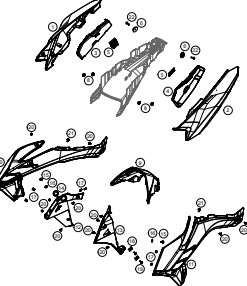
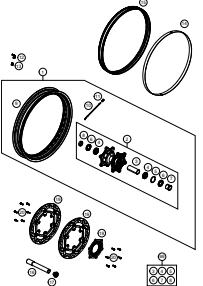
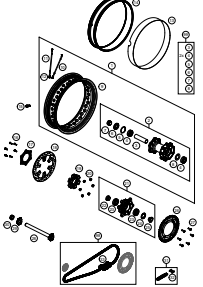
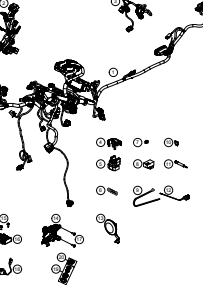
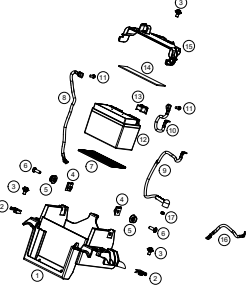
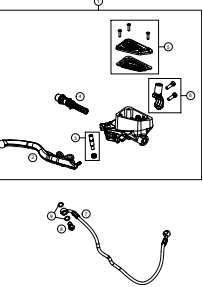
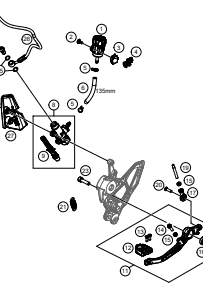
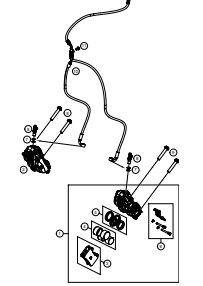
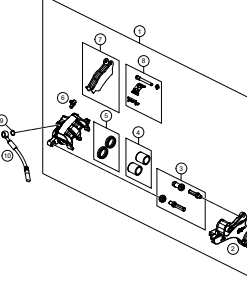
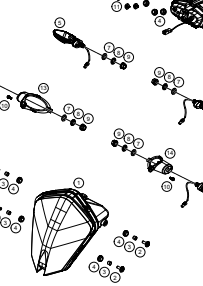


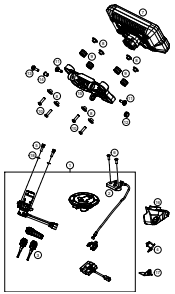
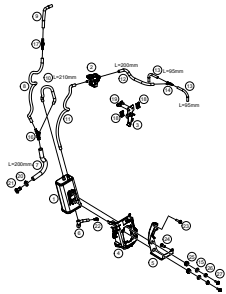
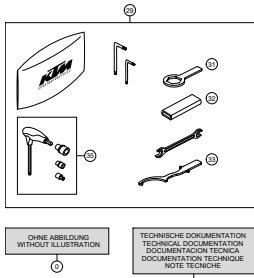
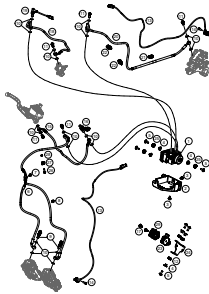
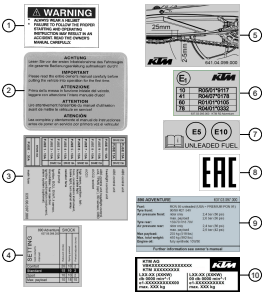


All information contained is without obligation. KTM Sportmotorcycle GmbH particularly reserves the right to modify any equipment, technical specifications, prices, colors, shapes, materials, services, service work, constructions, equipment and the like so as to adapt them to local conditions or to cancel any of the above items, all without previous announcement and without giving reasons. KTM may stop manufacturing certain models without previous notice. KTM shall not be held liable for any deviations of availability and/or ability to deliver, illustrations, descriptions, printing and/or other errors. The illustrated models partly contain extra equipment, which is not applied to standard models.

© by KTM Sportmotorcycle GmbH, Mattighofen AUSTRIA; All rights reserved; Reprint, also in extracts, with written allowance of KTM Sportmotorcycle GmbH, Mattighofen only.

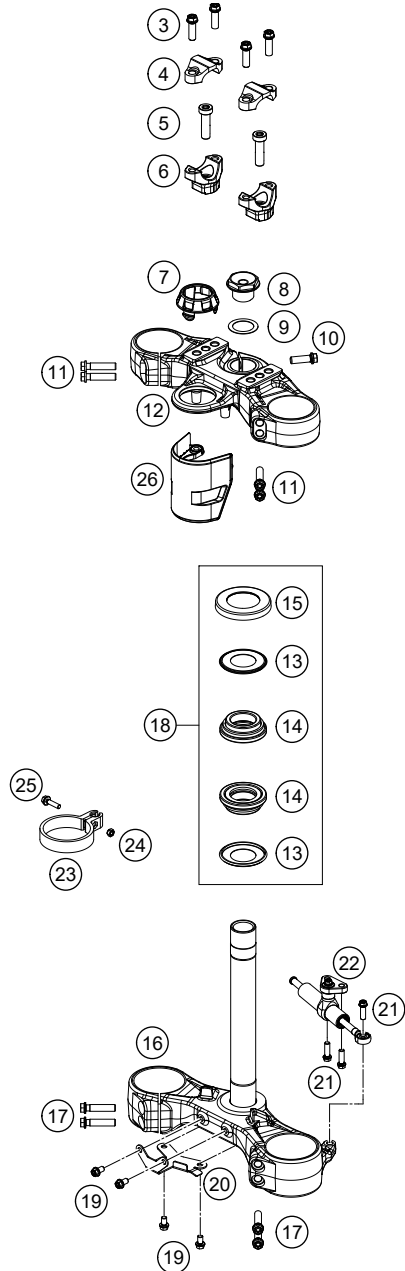
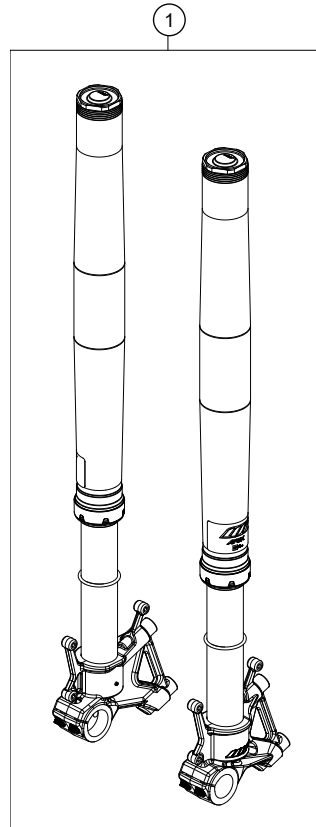
<p><b>FRONT FORK, TRIPLE CLAMP</b></p>  <p><b>4</b></p>	<p><b>FRONT FORK DISASSEMBLED</b></p>  <p><b>5</b></p>	<p><b>HANDLEBAR, CONTROLS</b></p>  <p><b>6</b></p>	<p><b>FRAME</b></p>  <p><b>7</b></p>
<p><b>ENGINE GUARD</b></p>  <p><b>9</b></p>	<p><b>SIDE / CENTER STAND</b></p>  <p><b>10</b></p>	<p><b>SHOCK ABSORBER</b></p>  <p><b>11</b></p>	<p><b>SHOCK ABSORBER DISASSEMBLED</b></p>  <p><b>12</b></p>
<p><b>SWING ARM</b></p>  <p><b>13</b></p>	<p><b>EXHAUST SYSTEM</b></p>  <p><b>14</b></p>	<p><b>AIR FILTER</b></p>  <p><b>15</b></p>	<p><b>TANK, SEAT</b></p>  <p><b>16</b></p>

<p><b>FUEL PUMP</b></p>  <p><b>17</b></p>	<p><b>MASK, FENDERS</b></p>  <p><b>18</b></p>	<p><b>SIDE TRIM</b></p>  <p><b>20</b></p>	<p><b>FRONT WHEEL</b></p>  <p><b>21</b></p>
<p><b>REAR WHEEL</b></p>  <p><b>22</b></p>	<p><b>WIRING HARNESS</b></p>  <p><b>23</b></p>	<p><b>BATTERY</b></p>  <p><b>24</b></p>	<p><b>FRONT BRAKE CONTROL</b></p>  <p><b>25</b></p>
<p><b>REAR BRAKE CONTROL</b></p>  <p><b>26</b></p>	<p><b>FRONT BRAKE CALIPER</b></p>  <p><b>27</b></p>	<p><b>REAR BRAKE CALIPER</b></p>  <p><b>28</b></p>	<p><b>LIGHTING SYSTEM</b></p>  <p><b>29</b></p>

<p><b>INSTRUMENTS / LOCK SYSTEM</b></p>  <p style="text-align: right;"><b>30</b></p>	<p><b>EVAPORATIVE CANISTER</b></p>  <p style="text-align: right;"><b>31</b></p>	<p><b>SEPERATE ENCLOSURE</b></p>  <p style="text-align: right;"><b>32</b></p>	<p><b>ANTIBLOCK SYSTEM ABS</b></p>  <p style="text-align: right;"><b>33</b></p>
<p><b>TECHNIC INFORMATION STICKER</b></p>  <p style="text-align: right;"><b>34</b></p>			

# FRONT FORK, TRIPLE CLAMP

890 ADVENTURE L, orange 2021 2021



POS	PARTNUMBER	PARTNAME	PIECE
1	05586S2901	Fork KTM 790 Adventure S 19	1
3	0025080256	HH collar screw M8x25	4
4	7720103800030	HANDLEBAR CLAMP 28MM	2
5	0032100356S	AH-COLLAR SCREW M10X35 ISA45	2
6	5940103903230	HANDLEBAR SUPPORT D=28 H=32 BL	2
7	63501045010	Ignition lock cover	1
8	54801036000C1	Steering head screw M20x1,5 WS_27	1
9	63601042000	Shim ring	1
10	0015080256S	HH COLLAR SCREW M8X25 WS=10	1
11	0025080306	HH collar screw M8x30	4
12	63701034030C1	Triple clamp top	1
13	69001084100	Steering head gasket	2
14	69001181000	STEERINGHEAD KPL.17	2
15	69001086100	PROT. RING STEER. HEAD BEARING	1
16	63701032030C1	Bottom triple clamp compl.	1
17	0025080356	HH collar screw M8x35 TX40	4
18	69001181010	Steering head rep. Kit	x
19	0025060106	HH collar screw M6x10 TX30	4
20	63501072000	Retaining bracket brake line	1
21	0025080256S	HH COLLAR SCREW M8X25 TX40	3
22	16181S55E	Steering damper790 Adventure cpl.	1
23	54601099000	SPEEDOMETER CABLE GUIDE MARZO.	2
24	0985050003	SELF LOCKING NUT DIN0985-M 5	2
25	0025050206	HH collar screw M5x20 TX30	2
26	63511066010	Ignition lock cover	1

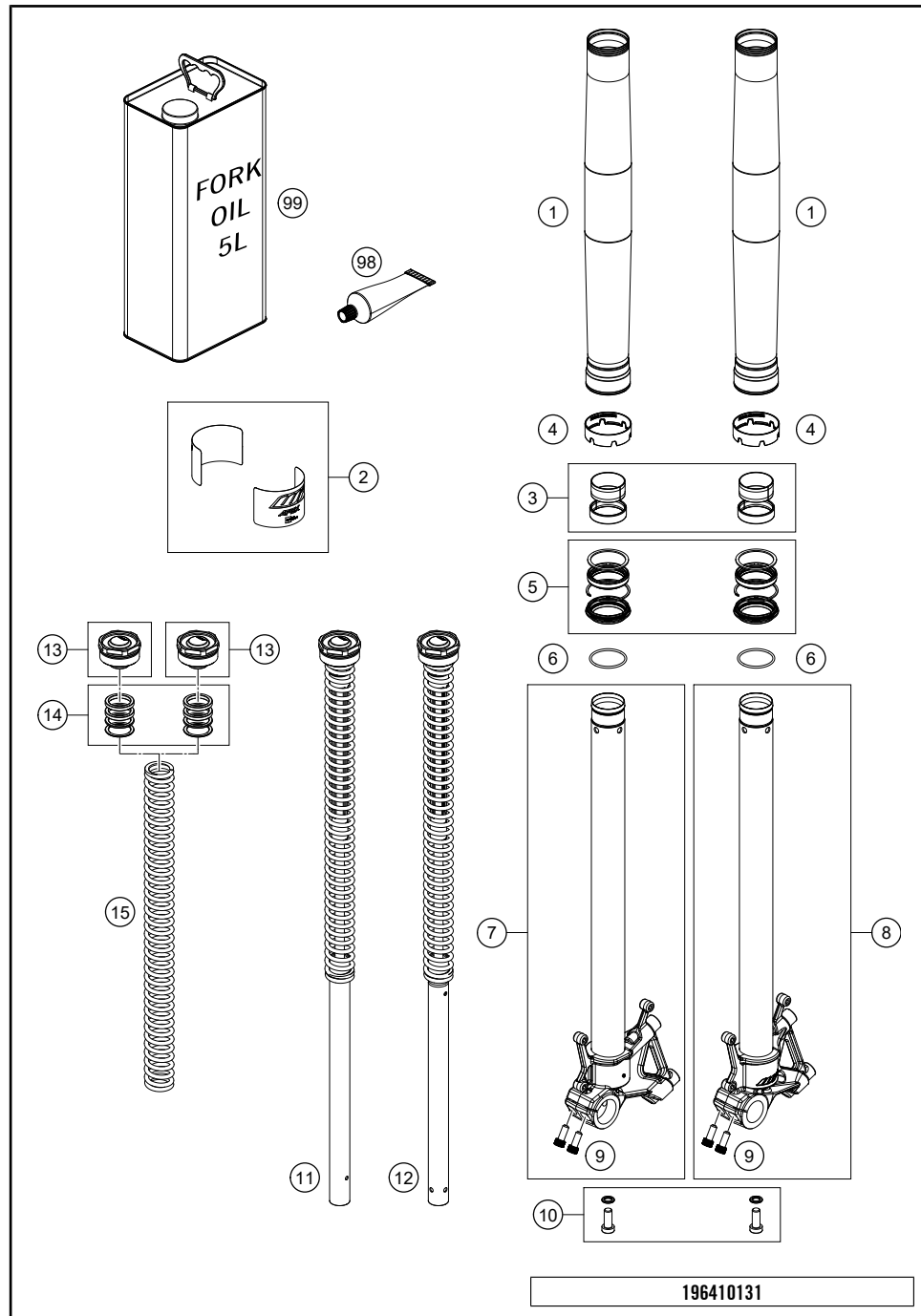
196350110

55528

\* NEW PART X ON DEMAND

# FRONT FORK DISASSEMBLED

890 ADVENTURE L, orange 2021 2021



POS	PARTNUMBER	PARTNAME	PIECE
1	43578142	Fork outer tube 44x560 dt54 db60	2
2	52000210SET	Sticker set APEX OC 90x40	1
3	R14042	GUIDE BUSHING SET	x
4	43578206	Fork protection ring d43	2
5	R516	Fork sealing kit 43mm red	x
6	43578219	O-ring 40x2,5 VMQ70 red ISO 3601	2
7	43578198S1	axle clamp right d43mm black cpl.	1
8	43578197S1	axle clamp left d43mm black cpl.	1
9	0025080206	HH collar screw M8x20	4
10	R14032	AH bolt M10x25 set	x
11	43578176S3	Cartridge right 790 ADV 19 cpl.	1
12	43578195S2	Cartridge left 790 ADV 19 cpl.	1
13	43578209S1	screw cap M51x1.5 cpl.	2
14	RP80002	Shim Kit Fork	x
15	43578190	Mainspring (38,3) 6,5-480 fork	1
98	T14034	Fuchs grease IPR (250g)	x
99	40540882S1	FORKOIL SAE 5 5L.	x

196410131

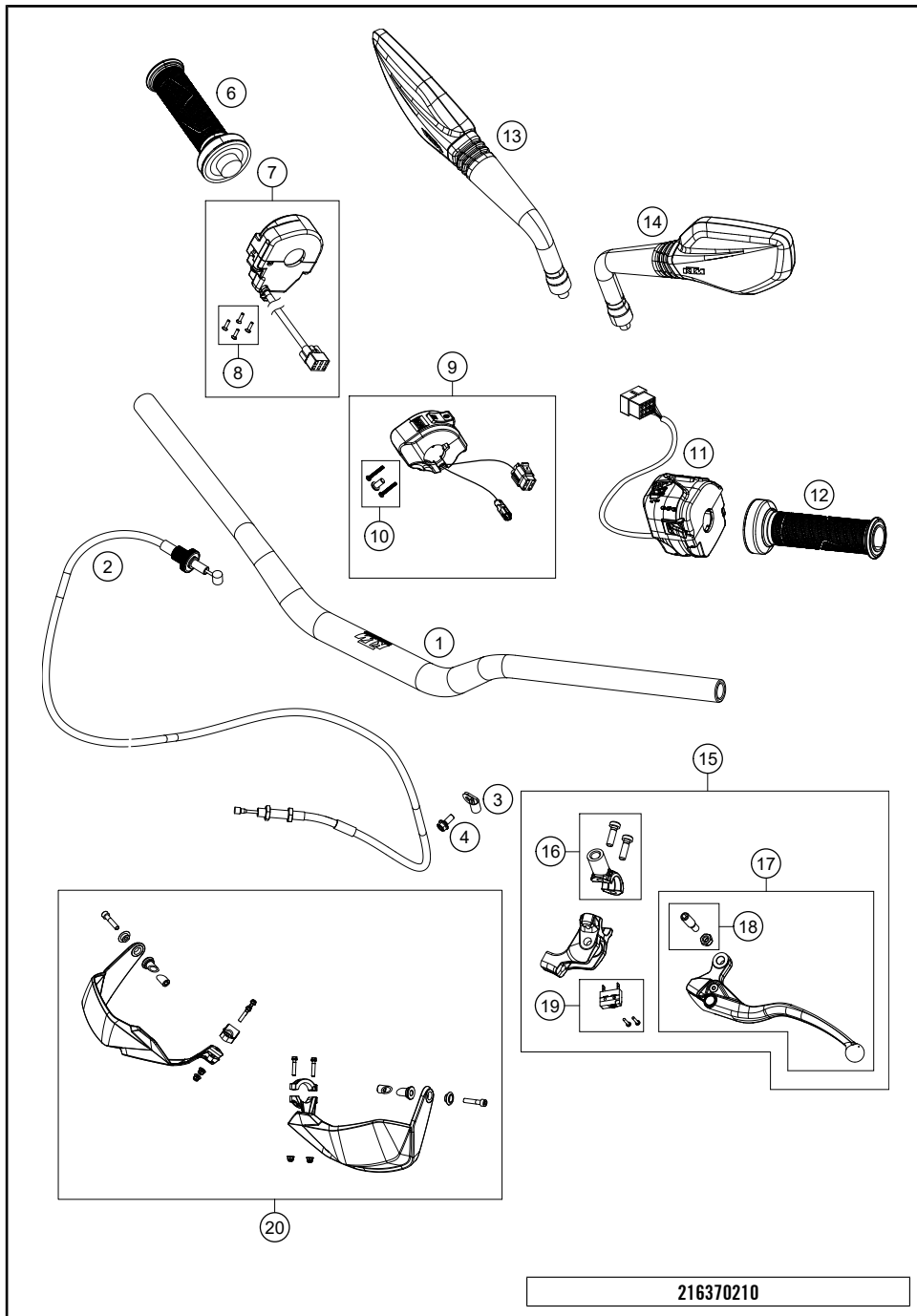
51264

\* NEW PART

X ON DEMAND

# HANDLEBAR, CONTROLS

890 ADVENTURE L, orange 2021 2021



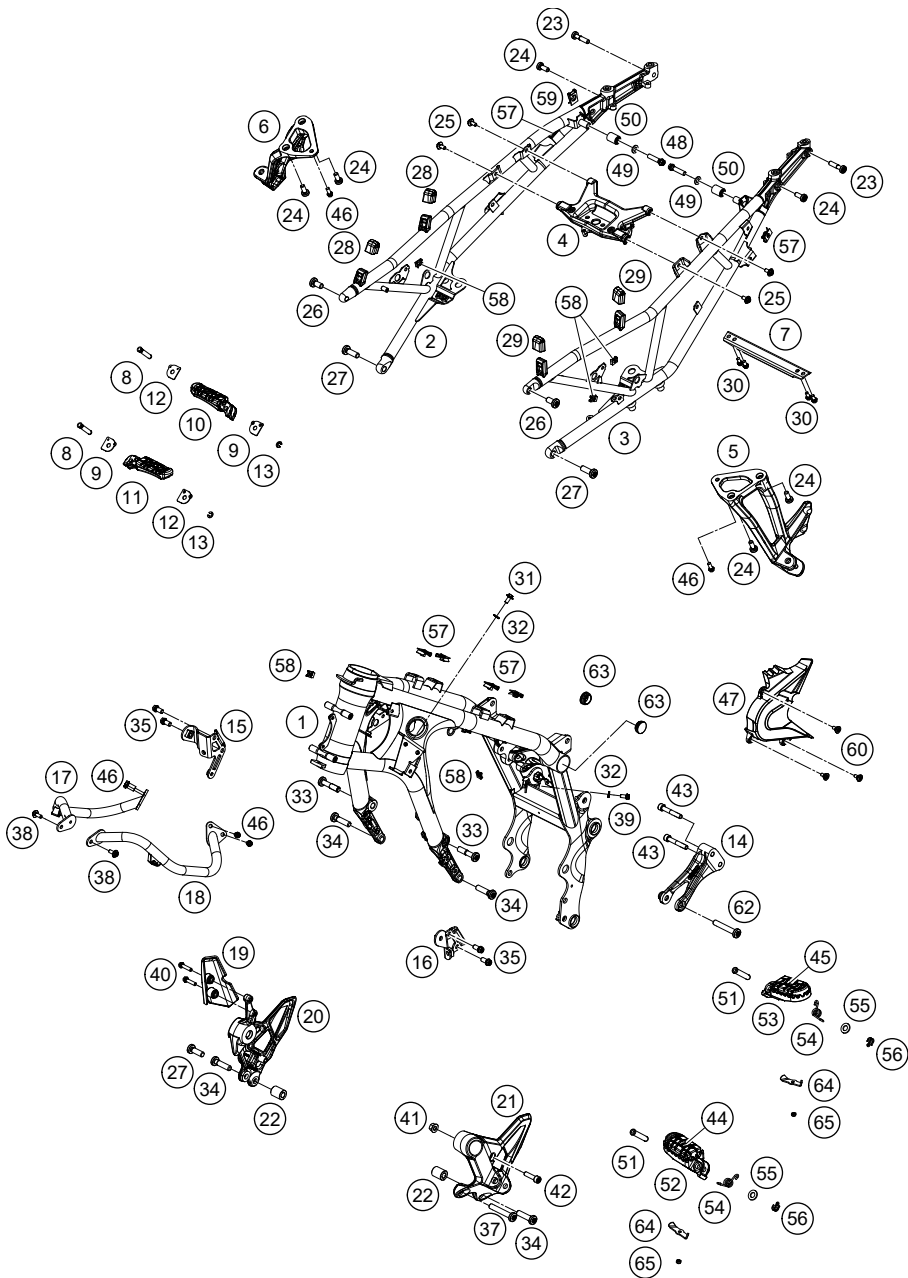
POS	PARTNUMBER	PARTNAME	PIECE
1	6070200100033	Handlebar	1
2	63502090000	Clutch cable	1
3	64132070000	PVC clamp 6.4 MM Heyman	1
4	0025050126	HH collar screw M5x12 TX30	2
6	60702012000	Grip tube (no heating)	1
7	60711012000	Ride-by-wire without throttle tube	1
8	76011073110	SCREW SET START-STOP SWITCH	1
9	63711074000	Handlebar switch, right	1
10	61411174010	Screw set start-stop switch	1
11	76011270100	Combination switch	1
12	60702039100	Grip LHS w/o heater	1
13	90112041000	MIRROR R/S	1
14	90112040000	MIRROR L/S	1
15	63502031000	Clutch lever compl.	1
16	6350204400030	Clamp cpl. incl. 2 screws	1
17	63502040000	Clutch lever	1
18	64102038000	Kit lever pin	1
19	63511049000	Switch	1
20	6030217910030	HANDGUARD CLOSED BLACK HIGH	1

216370210

55537

\* NEW PART X ON DEMAND





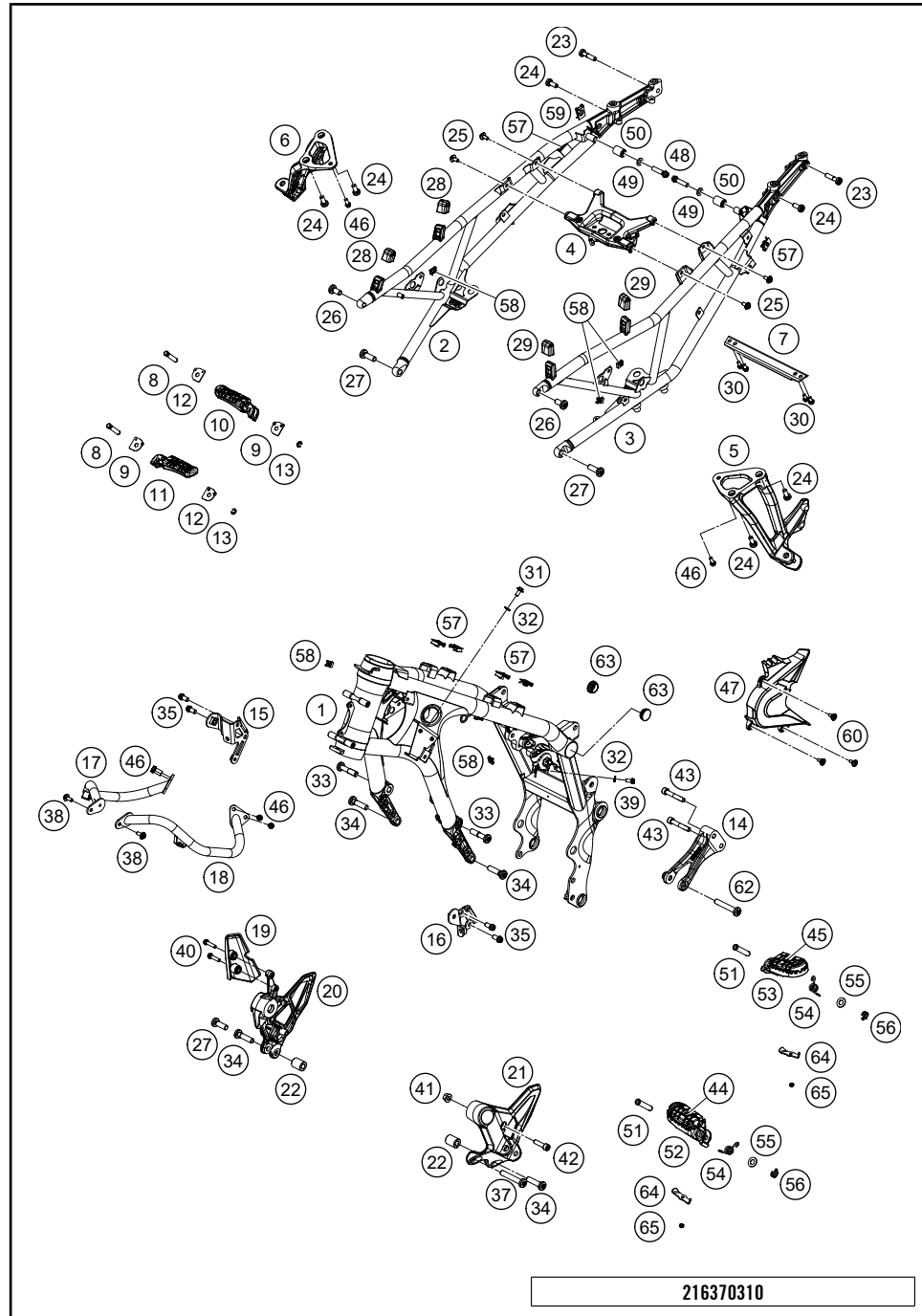
216370310

POS	PARTNUMBER	PARTNAME	PIECE
1	63503101100C1	Frame 635TB	1
2	63703002006C1	Subframe right	1
3	63703002005C1	Subframe left	1
4	63508019050	Rear reinforcement	1
5	6350304800033	Rear footpeg bracket left	1
6	6350304900033	Rear footpeg bracket right	1
7	6350300200733	Cross member, black	1
8	60003044100	footrest bolt, rear	2
9	60003152000	ENGAGE PANEL FOOTREST L/S 03	2
10	60003051000	FOOTREST CPL. R/S REAR 03	1
11	60003050000	FOOTREST CPL. L/S REAR 03	1
12	60003052000	ENGAGE PANEL FOOTREST R/S 03	2
13	0799060003	retaining washer DIN 6799 - 6	2
14	6410301300033	Engine strut black	1
15	6350309019033	Skid plate frame holder, right compl.	1
16	6350309018033	Skid plate frame holder, left compl.	1
17	6350800600033	Mask support, right	1
18	6350800500033	Mask support, left	1
19	63503039051	Rear master cylinder guard	1
20	63703039066C1	Footpeg bracket front, right, compl.	1
21	63703038066C1	Footpeg bracket front, left, compl.	1
22	08000010025U0	Bushing 10,4x20x25	2
23	0035080356S	SCREW M8X35 ISA45 SS	2
24	0035080206S	SHCS M8x20 TX45	6
25	0024060136S	HH Collar screw M6x13 TX30 SL	4
26	0035100209S	SHCS M10x20 TX45 MK	2
27	0035100356S	ISA screw M10x35 ISA45	3
28	63503002093	Retain. brack., seat cowl pad front left	2
29	63503002090	Rubber seat cowl pad	2
30	0025060126S	Hex collar screw M6x12 ISA30 self-lockin	4
31	69014017000	SPECIAL SCREW M6X18 ISA30 08	1
32	58411098100	CONTACT WASHER M6 VSV-K6	2
33	0035100456S	ISA screw M10x45 ISA45	2
34	0035100409S	ISA collar screw M10x40 ISA45	4
35	0025080166S	HH collar screw M8x16 TX40 SL	4
37	0035100609S	AH-COLLAR SCREW M10X60 ISA45	1
38	0024060156S	HH collar screw M6x15 TX30	2
39	0025080166	HH COLLAR SCREW M8X16 TX40	1

55543

\* NEW PART

X ON DEMAND



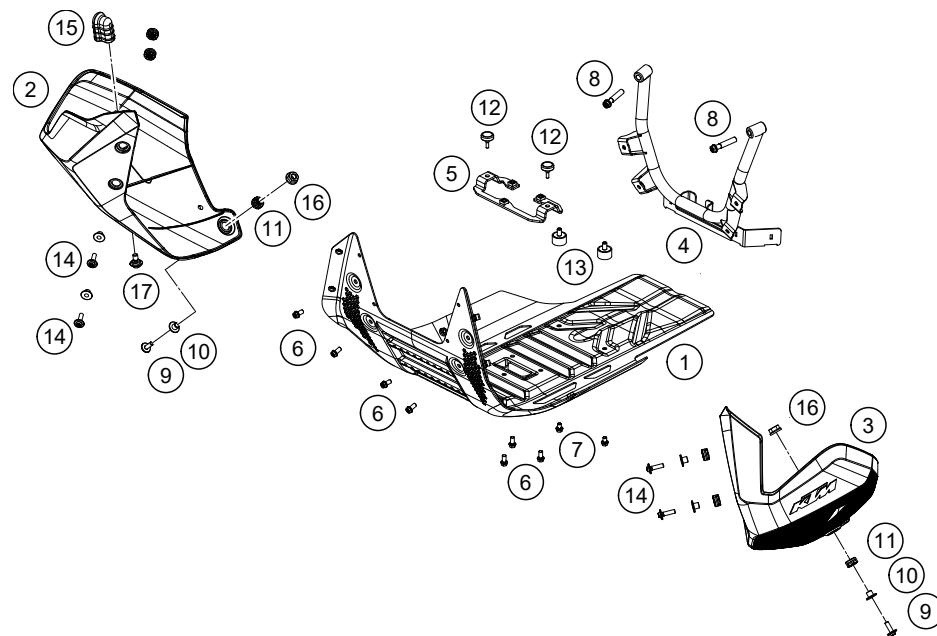
POS	PARTNUMBER	PARTNAME	PIECE
40	0025060256	HH collar screw M6x25 TX30	2
41	54310086200	SELF LOCKING NUT M8 10.9	1
42	014579080301S	screw ISO 14579-M8x30-10.9-MK black	1
43	014579080506S	CYL. SCREW DIN14579 M8X50 SS	2
44	60003041010	FOOTREST RUBBER FRONT R/S 03	1
45	60003040010	FOOTREST RUBBER FRONT L/S 03	1
46	0025060166S	HH collar screw M6x16 TX30 SL	6
47	63503096000	Front sprocket cover	1
48	0035080356	AH-COLLAR SCREW M8X35 ISA45	2
49	0125080003	washer DIN 125 A -8.4	2
50	60307048000	RUBBER SEAT-CONTACT SURFACE	2
51	54803044000	PIN FOR FOOT PED 51.5X9.8 MM	2
52	78003041050	FOOTREST R/S 08	1
53	78003040050	FOOTREST L/S 08	1
54	54603041000	FOOTREST SPRING L/S & R/S	2
55	0125100003	washer DIN 125 A 10.5	2
56	0094032253	PIN DIN0094-3,2X25 STEEL	2
57	54603048100	clip nut M6	6
58	54603048600	RANGE CHANGE METAL NUT M5 INOX	2
59	54603048000	RANGE CHANGE METAL NUT M8	2
60	69008021160	special screw M5x12	3
62	0035100656S	ISA screw, M10x65 ISA45	1
63	64103088000	Frame locking cap	2
64	60003044010	CLOSING PANEL FRONT L/S R/S 03	2
65	0985050003	SELF LOCKING NUT DIN0985-M 5	2

216370310

55543

\* NEW PART

X ON DEMAND



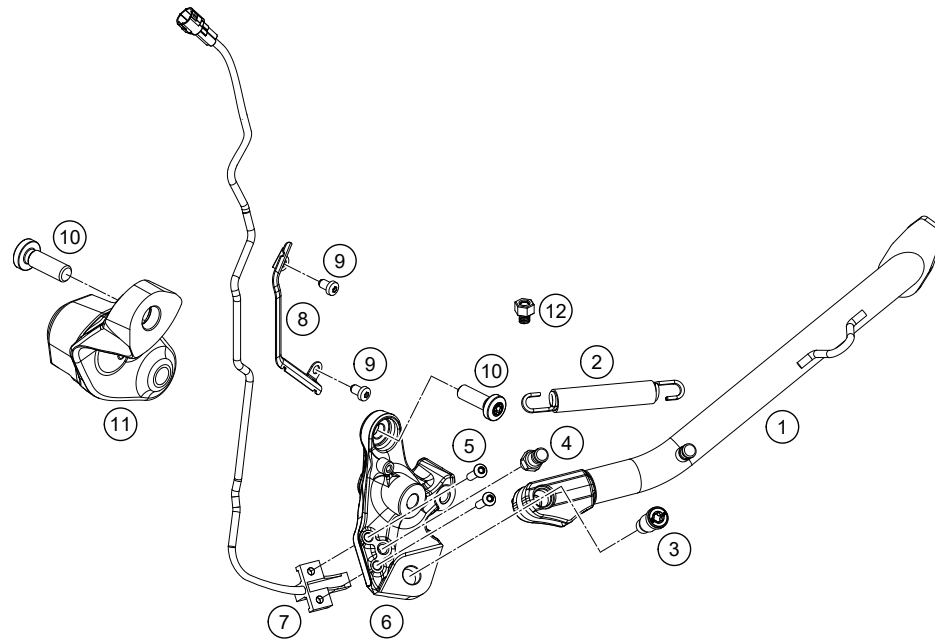
POS	PARTNUMBER	PARTNAME	PIECE
1	63503090000	Skid plate bottom part compl.	1
2	63503098010	Front spoiler right	1
3	63503097010	Front spoiler left	1
4	6350309005033	Front skid plate linkage	1
5	63503090016	Lower Alu Skidplate Support	1
6	0025060106	HH collar screw M6x10 TX30	7
7	0025060086	HH collar screw M6x8 TX30	2
8	0025080406S	Collar screw M8x40 ISA40 SS	2
9	69014017000	SPECIAL SCREW M6X18 ISA30 08	2
10	61342041000	COLLAR BUSH 6,5X9X18X8,5	6
11	62142041000	DAMP. COMPONENT ABS MODUL	6
12	60006001021	DISTANCE RUBBER AIRBOX 03	2
13	63503190017	Silent block 20x12 M6x10/M6x8	2
14	69014117000	Collar screw M6x22-8.8 ISA30	4
15	60307020000	TANK RUBBER	2
16	56509064100	SELF LOCKING NUT M6 10.9	2
17	83008000012	special screw M6x12x3	2

196350330

49281

\* NEW PART

X ON DEMAND



POS	PARTNUMBER	PARTNAME	PIECE
1	63503023000C1	side stand ADV-S	1
2	61003024000	SPRING L=116 MM 05	1
3	62503027200	SCREW FOR SIDE STAND M10X31,2	1
4	63503028010	Special screw side stand spring	1
5	0738050202	Lens head screw ISO 7380-M5X20A2	2
6	6350302610033	side stand bracket	1
7	93511045000	SWITCH SIDE STAND	1
8	64103001099	Racket side-stand-cable	1
9	0018050103	INT. TORX OVAL HEAD M 5X10 8.8	2
10	0035100309S	SHCS M10x30 TX45	2
11	63503016040C1	Main stand console right	1
12	90103029000	MAGNET HOLDER	1

196350360

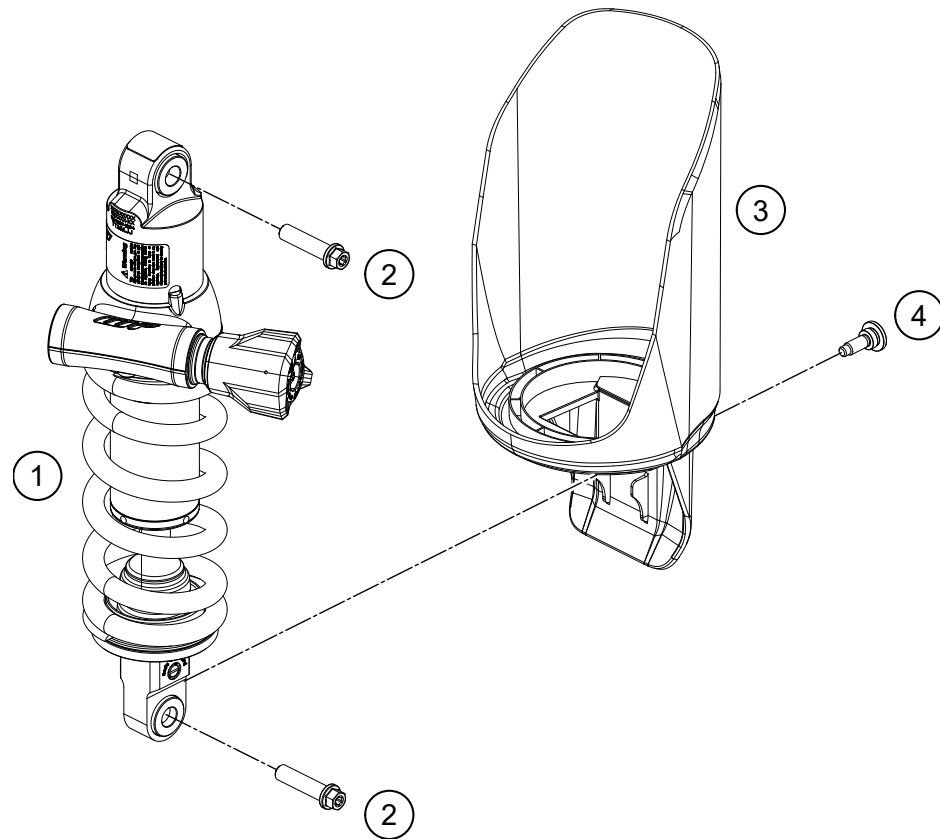
49107

\* NEW PART

X ON DEMAND

# SHOCK ABSORBER

890 ADVENTURE L, orange 2021 2021



POS	PARTNUMBER	PARTNAME	PIECE
1	0637C429U313000	Shock KTM 890 ADV 2021	1
2	0025120506S	HH COLLAR SCREW M12X50 TX45	2
3	63508075000	Splash protection shock absorber	1
4	69008021160	special screw M5x12	1

216370410

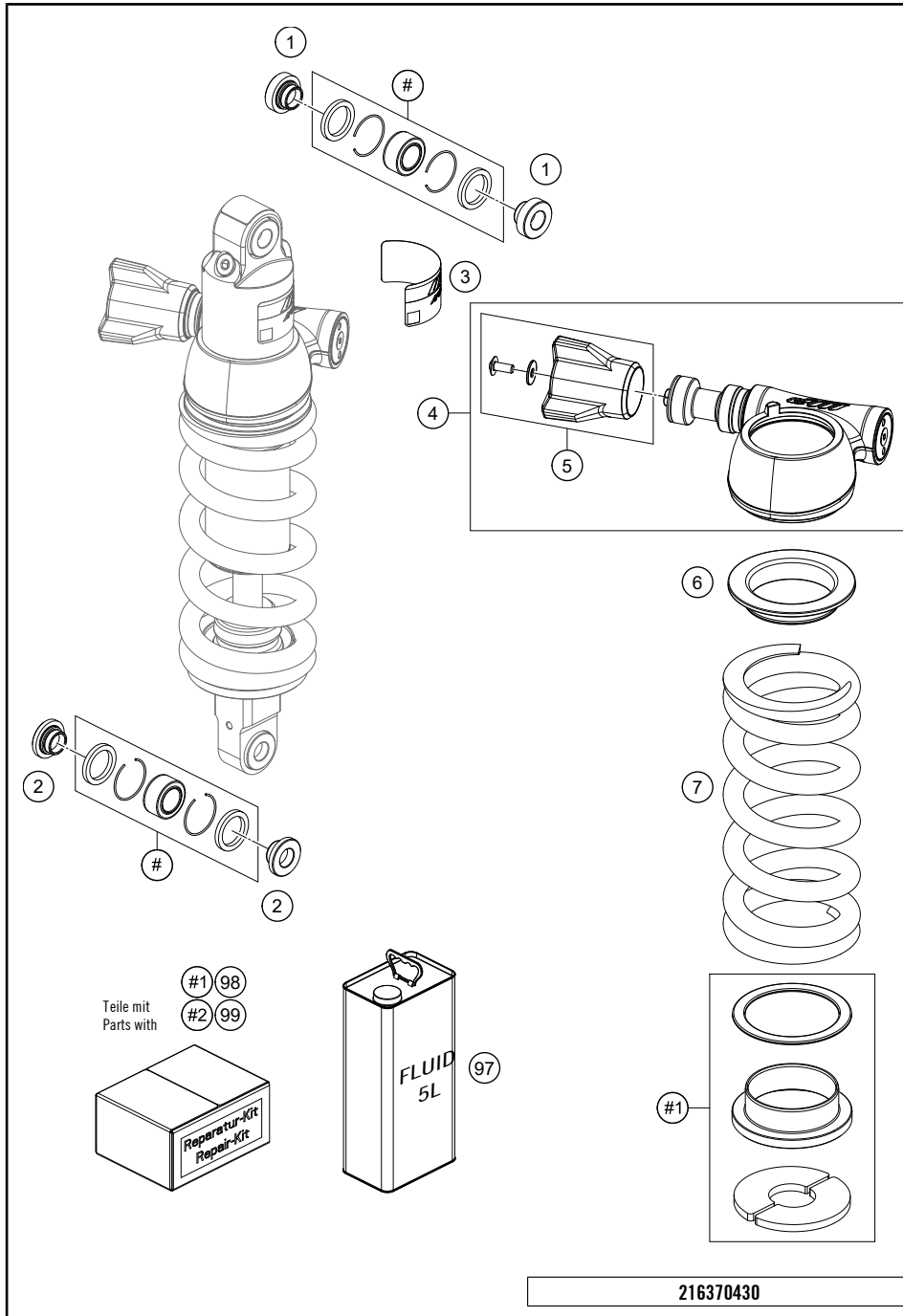
55578

\* NEW PART

X ON DEMAND

# SHOCK ABSORBER DISASSEMBLED

890 ADVENTURE L, orange 2021 2021



POS	PARTNUMBER	PARTNAME	PIECE
1	46180064	Bearing bush 12x15/18/24,5x13,5	2
2	46180007	Distance bush 12x15/18/24,5x10,5	2
3	52000213	Sticker APEX 90x29	1
4	S038300003S0000	PA KTM 890 ADV 21 with hand knob	1
5	60000323S	adjuster wheel PA cpl.	1
6	14460661	Spring retainer 52,5x78x3	1
7	91010430	ring (59) 115-188.0 shock white	1
97	50180751S1	SHOCK ABSORBER FLUID 5 LT	1
98	RP10023	Repair kit spring retainer	x
99	R12012T	Ball joint bearing kit top 12mm	x

55222

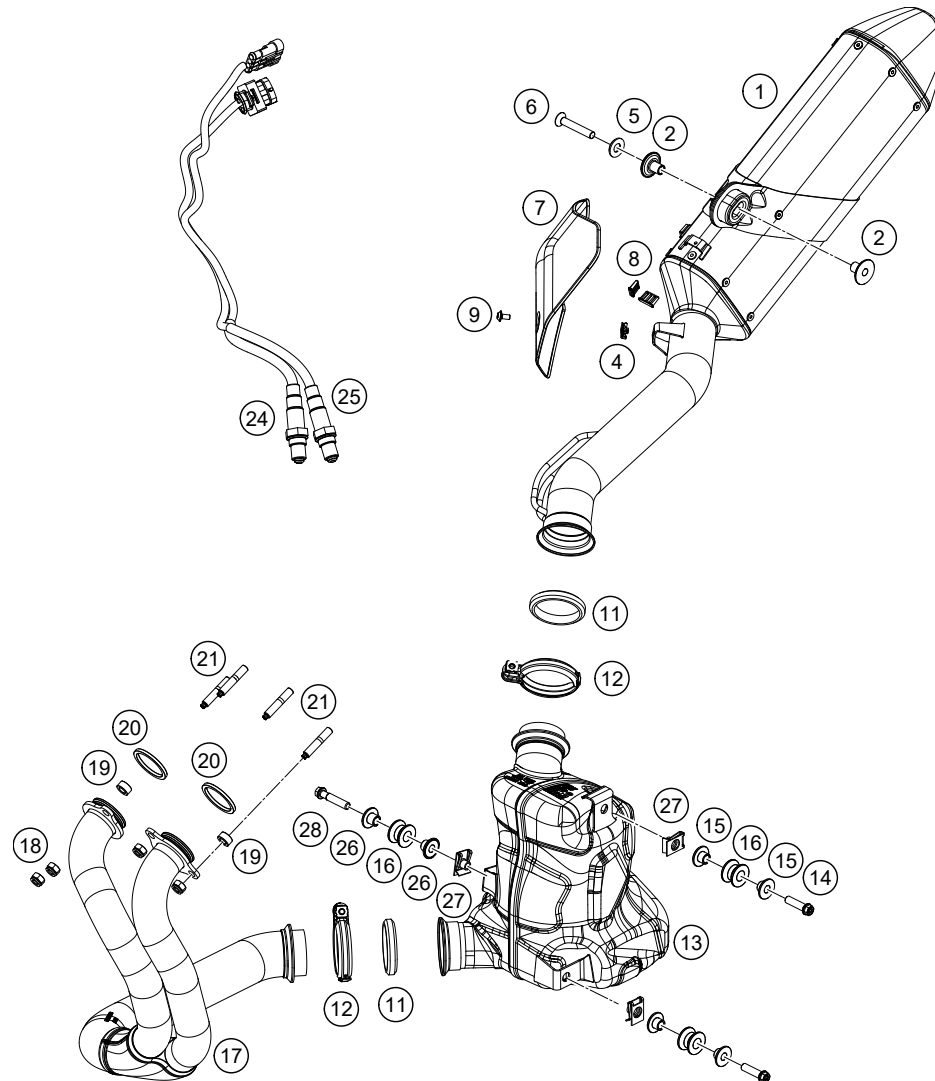
\* NEW PART

X ON DEMAND



# EXHAUST SYSTEM

890 ADVENTURE L, orange 2021 2021



POS	PARTNUMBER	PARTNAME	PIECE
1	63505183000	Silencer	1
2	61305069000	BUSHING 8,5X11X29	2
4	54603048600	RANGE CHANGE METAL NUT M5 INOX	1
5	60405069000	conical seat Alu	1
6	0019080506	COUN.-SUNK SCREW M8X50 ISA10.9	1
7	63505111000C1	Heat protection black compl.	1
8	27005011011	DAMPING ELEMENT SILICON	2
9	78105081010	SCREW TORX M5X10	1
11	69005105005	Manifold gasket	2
12	63605058000	Exhaust clamp tube 50 mm	2
13	63605050000	Pre-muffler	1
14	0025080356S	HH COLLAR SCREW M8X35 TX40	2
15	58405050065	collar bushing 8.5x12x23.5x10	4
16	54305068100	damp. component silicone grey	3
17	63605007000	Manifold	1
18	51010086100	self-locking nut M8 Cu	4
19	61005009000	SPACER BUSH. 8,5X15X7,5 05	2
20	64105005000	Exhaust gasket	2
21	63505015000	stud screw 835 M8x25 - 10.9	4
24	63541090000	O2 Sensor LSF 4	1
25	63541190000	O2 Sensor LSF 4	1
26	0800000901200	Collar bushing, 8.5x12x23.5x11.5	2
27	54603048000	RANGE CHANGE METAL NUT M8	3
28	0025080356S	HH COLLAR SCREW M8X35 TX40	1

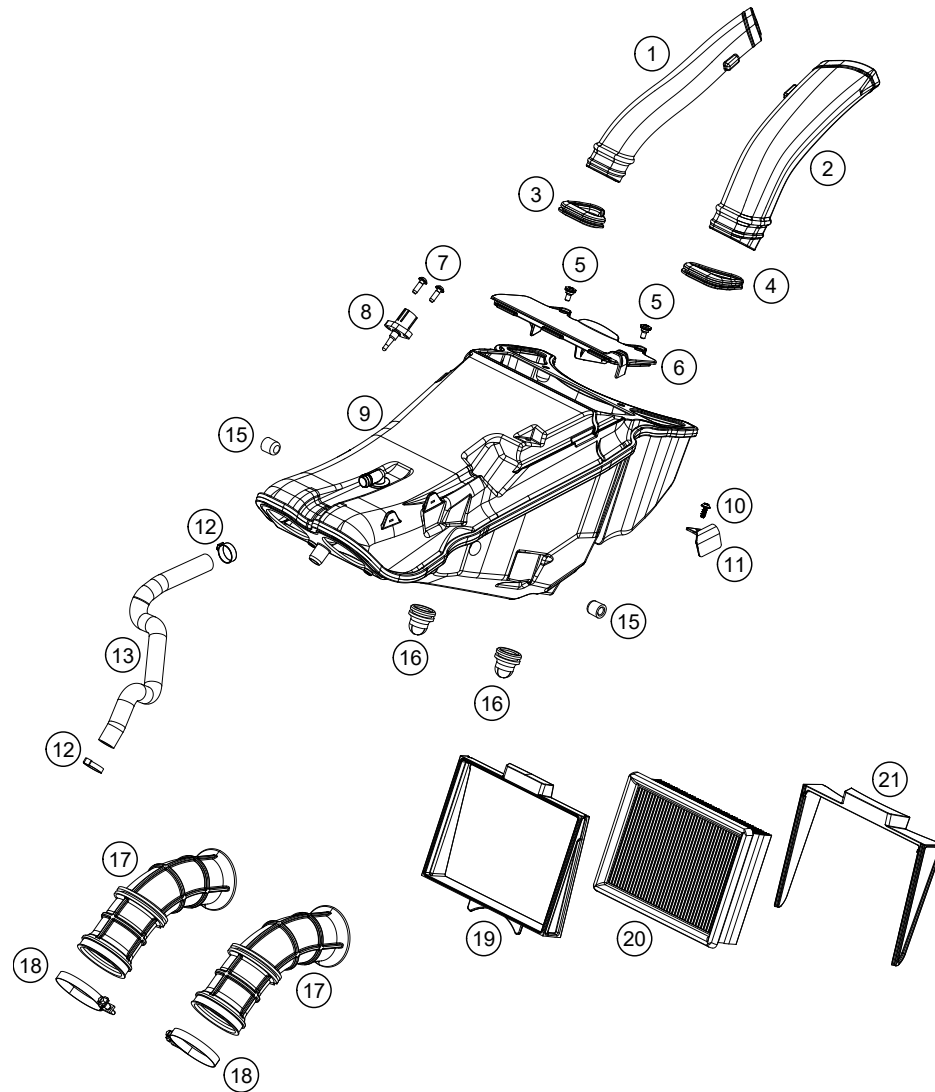
216370510

55679

\* NEW PART

X ON DEMAND





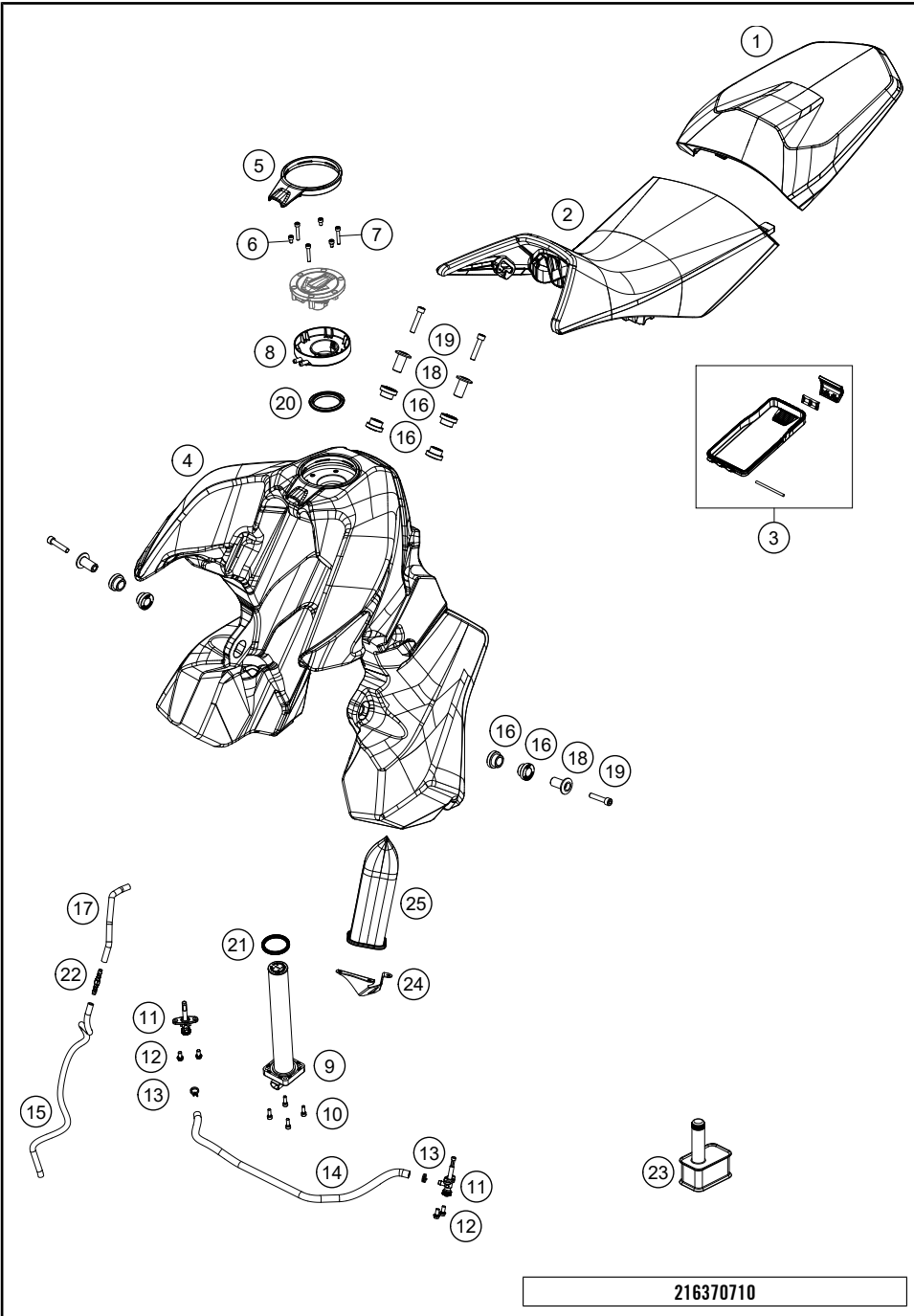
POS	PARTNUMBER	PARTNAME	PIECE
1	63506041000	Intake duct, right	1
2	63506040000	Intake duct, left	1
3	63506040050	Intake duct gasket, right	1
4	63506041050	Intake duct gasket, left	1
5	69008021160	special screw M5x12	2
6	63506002000	Air filter box cover	1
7	0081050161	EJOT PT SCREW K50X16 1451	2
8	61041080000	AMBIENT-AIR TEMPERATURE SENSOR	1
9	63506001000	Air filter box	1
10	0081050121	EJOT PT screw K50x12	1
11	63506002060	Cable holder air filter box	1
12	00050198706	VARIABLE ONE-EAR CLAMP 19,8MM	2
13	63530087000	Pre-formed hose engine breather	1
15	76006014000	rubber grommet	2
16	50206020000	RUBBER GRIMMET SLOTTED	2
17	63506026000	Velocity stack	2
18	77236048000	HOSE CLAMP GEMI 58MM	2
19	63506016000	Filter clamp frame	1
20	60306015100	AIR FILTER	1
21	63506017000	Filter clamp wedge	1

196350610

49507

\* NEW PART

X ON DEMAND



POS	PARTNUMBER	PARTNAME	PIECE
1	63507047000	Passenger seat 800 Adv. S	1
2	63507040000	Driver seat 800 Adv. S	1
3	63507047044	Tech-Box Kit	1
4	63507113000KC	Fuel tank with decal	1
5	63507058000	Fuel tank fairing	1
6	0912050083	SHCS DIN 912 M5x8	3
7	0912050303	AH SCREW DIN0912-M 5X30	3
8	63507008050	Fuel filler cap	1
9	63507080200	Fuel lever sensor	1
10	0912050163	AH SCREW DIN0912-M 5X16	4
11	58507003200	FUEL COCK CPL.	2
12	0025060126	HH collar screw M6x12 TX30	4
13	58031005000	CLAMP YDNAC 10128 12MM	2
14	63507016000	Interconnection hose	1
15	63515026000	hose tank overrun 140 mm	1
16	61007065000	collar bushing, front tank holder	8
17	63515027000	hose tank overrun 570 mm	1
18	61007060000	collar bushing, bearing, outside	4
19	0912080403	SHCS DIN 912 M8x40	4
20	21007008151	gasket tank insert	1
21	60307080090	GASKET FUEL LEVEL SENSOR	1
22	69015019010	HOSE CONNECTION STRAIGHT	1
23	00001000015	Motorex Fuel Stabilizer 125ml	1
24	63507087010	Cover fuel pump	1
25	63507089000	Fuel prefilter large	1

216370710

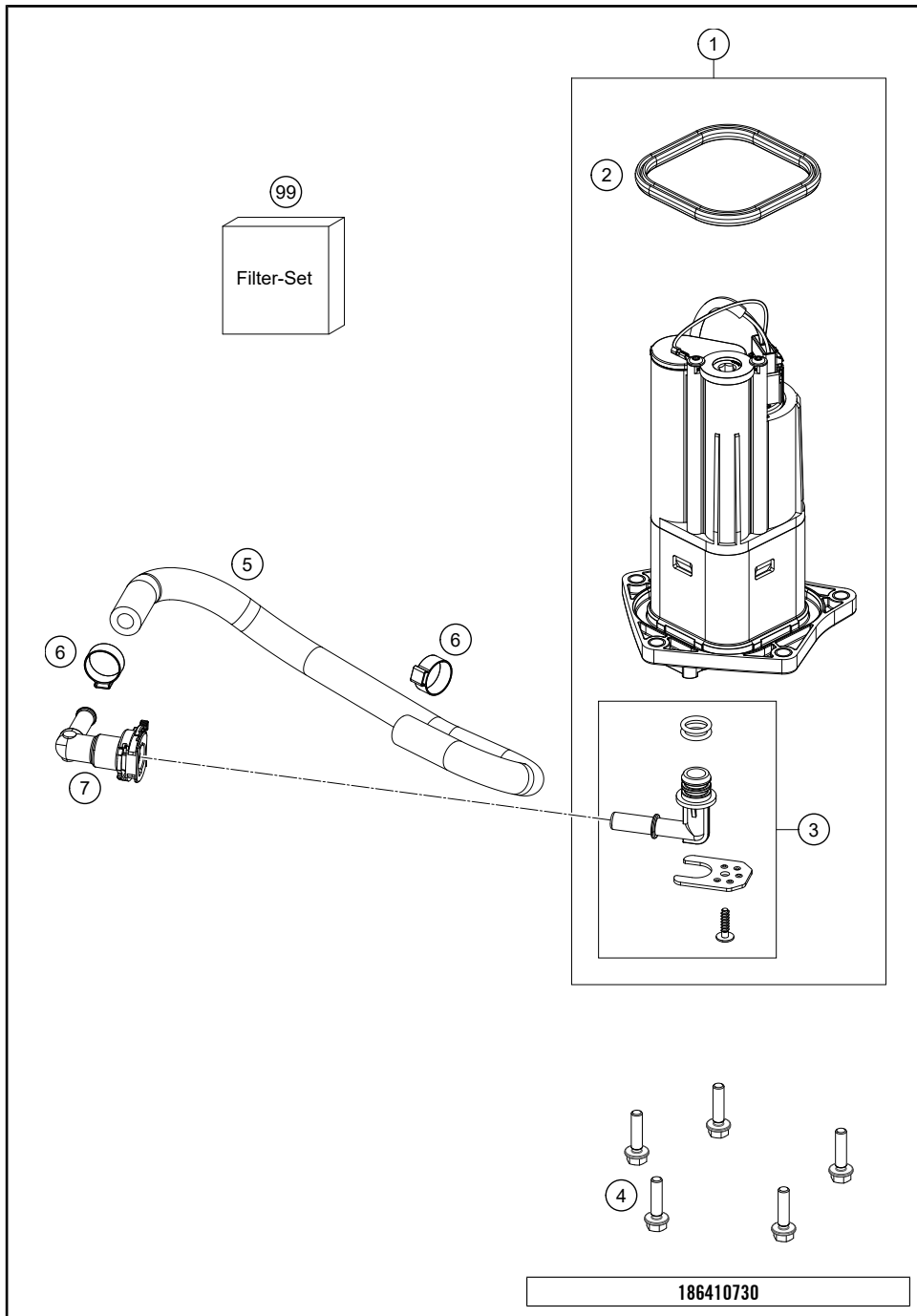
55594

\* NEW PART

X ON DEMAND

# FUEL PUMP

890 ADVENTURE L, orange 2021 2021



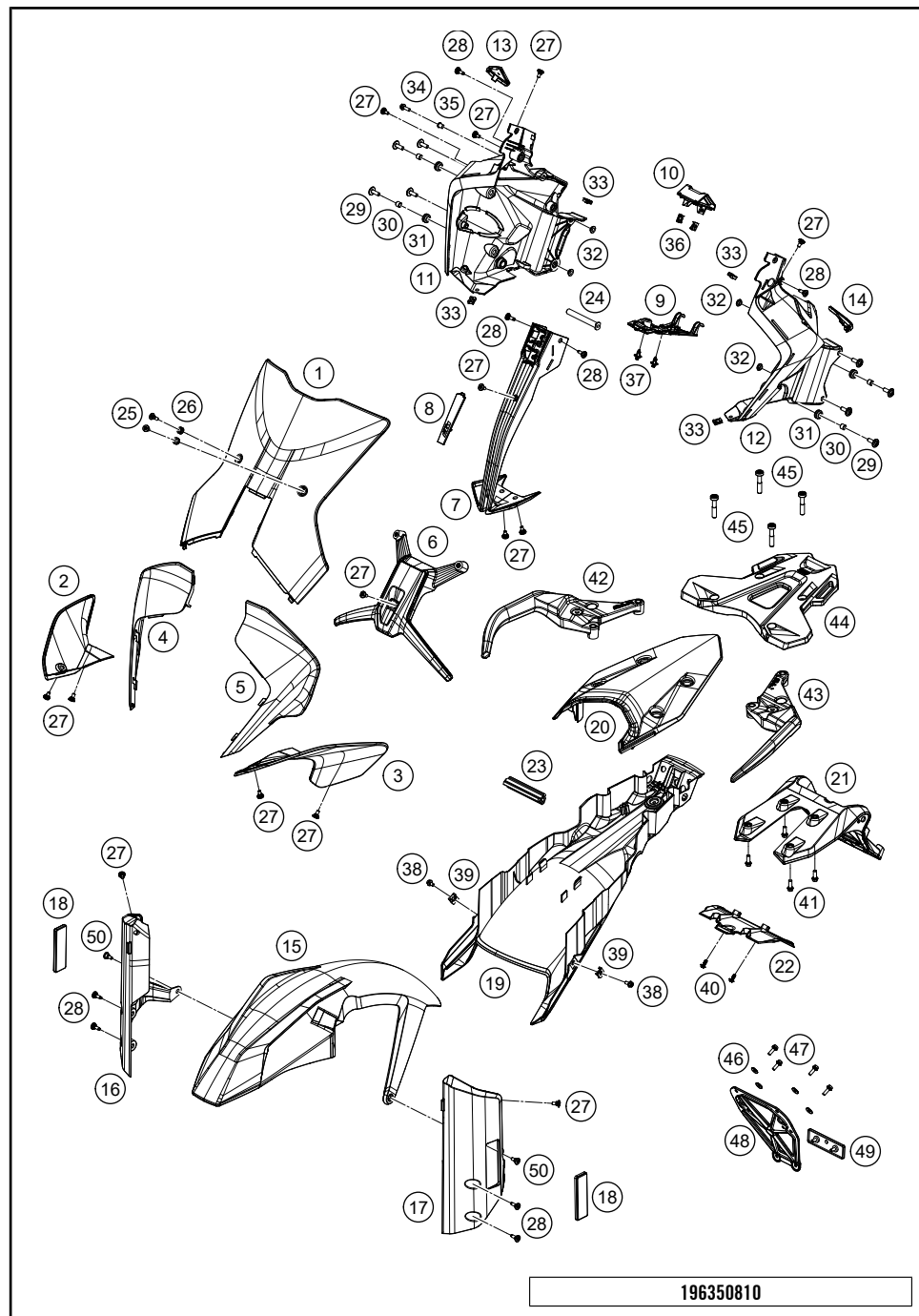
POS	PARTNUMBER	PARTNAME	PIECE
1	63507088000	fuel pump	1
2	64107189000	Sealing	1
3	75007092000	HYDRAULIC CONNECTOR CPL.	1
4	0025060166	HH collar screw M6x16 TX30	5
5	63507017000	Fuel hose	1
6	00050157706	VARIABLE ONE-EAR CLAMP 15,7MM	2
7	76007028000	ELBOW CONNECTOR	1
99	63507090000	filter kit	x

186410730

51895

\* NEW PART

X ON DEMAND



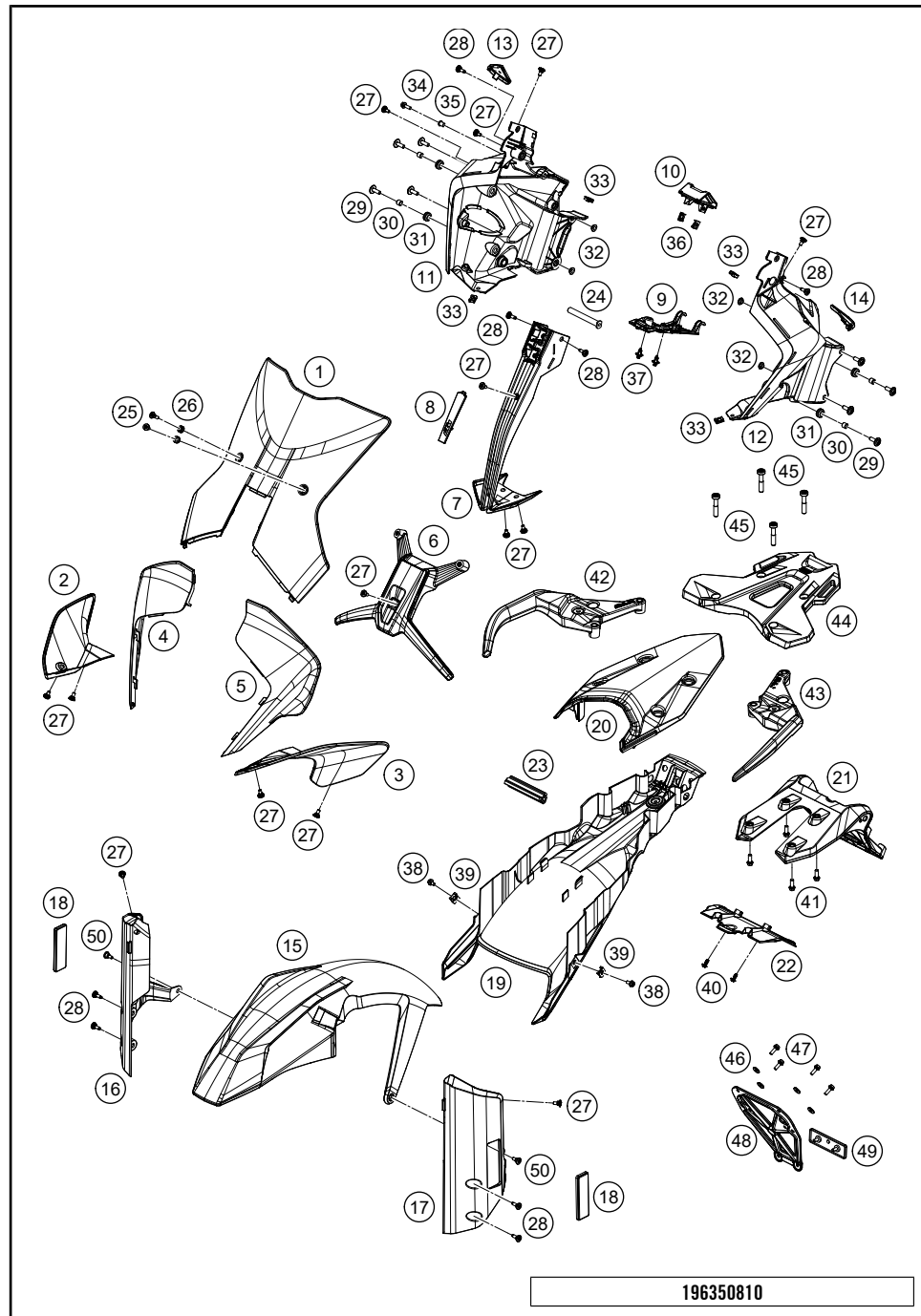
POS	PARTNUMBER	PARTNAME	PIECE
1	63508008000	windshield EU	1
2	63508004000	mask spoiler right	1
3	63508003000	mask spoiler left	1
4	63508001020	headlight mask right	1
5	63508001010	headlight mask left	1
6	63508008050	windshield support	1
7	6351401200056	Headlight mask center part	1
8	63514012010	Cover headlight mask	1
9	63514010020	Cable cover mask support	1
10	63514011020	Cover mask support	1
11	63514011000	maskcarrier right	1
12	63514010000	maskcarrier left	1
13	63514011080	Plug cap right	1
14	63514010080	Plug cap left	1
15	63508010000C1	Front fender	1
16	63508026000C1B	Fender carrier right	1
17	63508025000C1B	Fender carrier left	1
18	60012080100	SIDE REFLECTOR YELLOW "CEV"	2
19	63508019000	Lower rear panel	1
20	63508013000C1	Tail section	1
21	63508015000	License plate holder support, upper part	1
22	63508016000	License plate holder support, lower bott	1
23	63503002030	Brace subframe	1
24	63514010040	wheel spindle mask support	1
25	60708008071	Special screw M5x14	2
26	60708008070	rubber bush windshield fixation	2
27	69008021160	special screw M5x12	16
28	69008021060	special screw M5x17	8
29	69014017000	SPECIAL SCREW M6X18 ISA30 08	6
30	69014014000	BUSHING 6,1X9,2X7,5 08	4
31	60006001022	rubber grommet 9x11x16x8.5 mm	4
32	69004060150	bushing chain protection	2
33	54603048600	RANGE CHANGE METAL NUT M5 INOX	4
34	0025050166	HH collar screw M5x16 TX30	1
35	63514011010	wheel spindle mask support	1
36	69008021080	clip nut M5	2
37	76503075000	SPREAD RIVET CPL. 6,2MM	2
38	0025050106	HH collar screw M5x10 TX30	2

196350810

55678

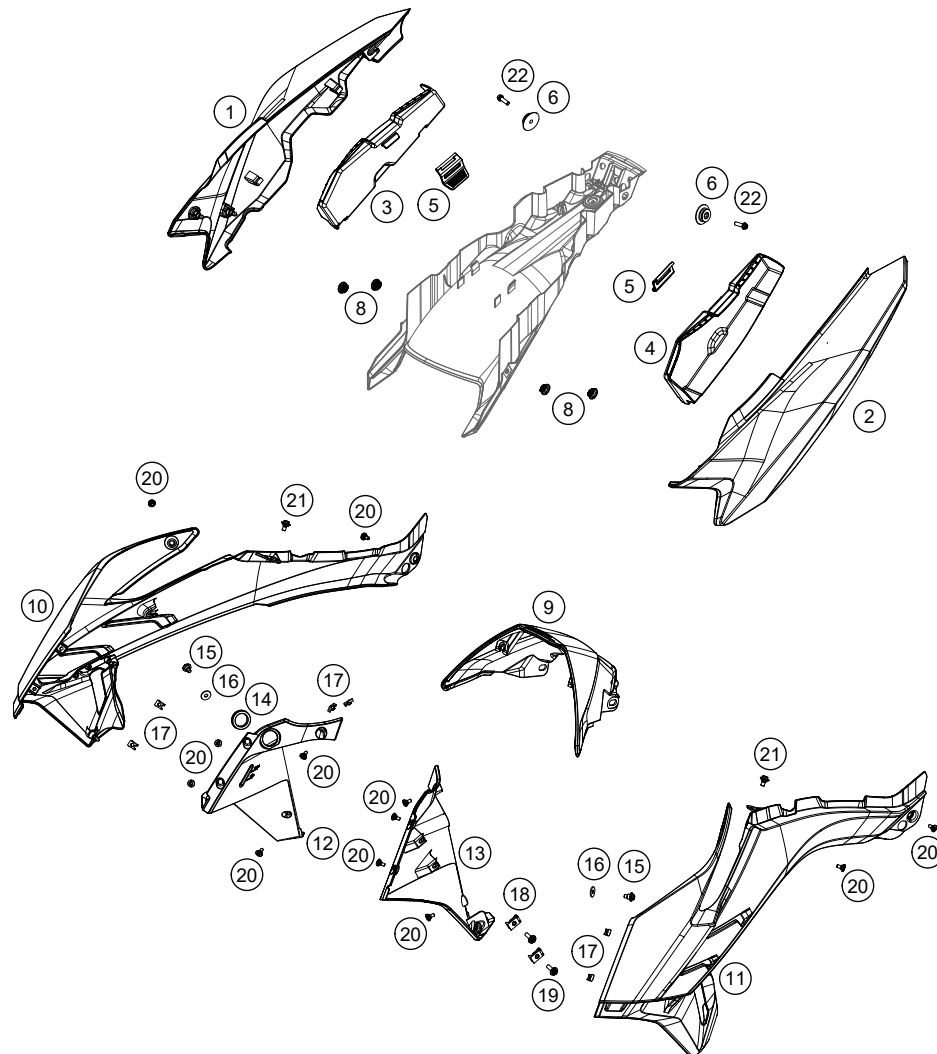
\* NEW PART

X ON DEMAND



POS	PARTNUMBER	PARTNAME	PIECE
39	54603048200	RANGE CHANGE METAL NUT M5	2
40	0081050121	EJOT PT screw K50x12	2
41	0025060166	HH collar screw M6x16 TX30	4
42	63512009100	Passenger grip, right	1
43	63512008000	Passenger grip left	1
44	6061201000030	BAGGAGE CARRIER BRIDGE	1
45	0035080406S	ISA collar screw M8x40 ISA45	4
46	75008023000	WASHER REAR-UT D=14MM	4
47	0025060166S	HH collar screw M6x16 TX30 SL	4
48	64112181100	Bracket for reflector	1
49	58412080400	Rear reflector red	1
50	60708025030	Special screw M5x17 TX30	2

55678 \* NEW PART X ON DEMAND



POS	PARTNUMBER	PARTNAME	PIECE
1	63508042000EBA	Side fairing right with Decal	1
2	63508041000EBA	Side fairing left with Decal	1
3	63508042050	storage box right	1
4	63508041050	storage box left	1
5	63508041055	Closing rubber	2
6	63508040120	Socket sliding seat	2
8	47106003160	quick release rubber grommet	4
9	63511054010	battery cover	1
10	63508051000EBB	Fuel tank spoiler right with Decal	1
11	63508050000EBB	Fuel tank spoiler left with Decal	1
12	63508024000	inner lining right	1
13	63508023000	inner lining left	1
14	63508024010	rubber grommet inner fairing	1
15	59001092050	SPECIAL SCREW M6X12,5 WS=8	2
16	0021060003	WASHER DIN9021-A 6,4	2
17	69008021080	clip nut M5	6
18	54603048100	clip nut M6	2
19	0024060206	HH collar screw M6x20 TX30	2
20	69008021160	special screw M5x12	12
21	83008000012	special screw M6x12x3	2
22	0025060206	HH collar screw M6x20 TX30	2

196350820

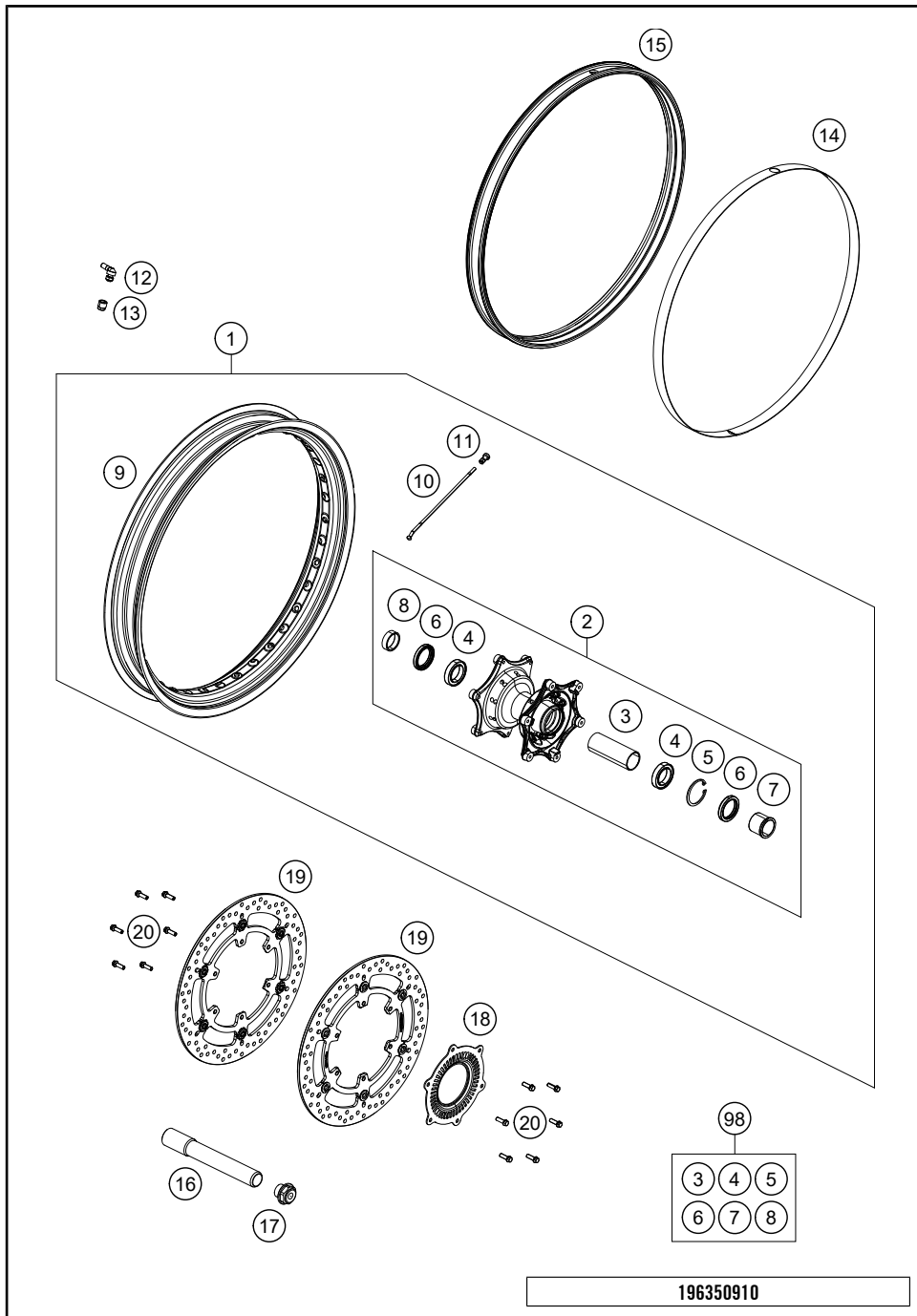
55605

\* NEW PART

X ON DEMAND

# FRONT WHEEL

# 890 ADVENTURE L, orange 2021 2021



POS	PARTNUMBER	PARTNAME	PIECE
1	63709001044C1	Vorderrad kpl. 2,5x21"	1
2	60309010244C1	Front hub compl.	1
3	60309011000	BUSHING SPACER TUBE FRONT	1
4	0625069068	GR.BALL BEAR.6906 DDU2CG23S6NM	2
5	0472047175	CIRCLIP DIN0472-47X1,75	1
6	0760354771	SHAFT SEAL RING 35X47X7 TC	2
7	60309012100	SPACER BUSH. FRONT WHEEL L/S	1
8	60009013000	SPACER BUSH. FR. WHEEL R/S 03	1
9	6030917010033A	Rim 2.5x21"TL.bl.w.sticker	1
10	60309071000	SPOKE 5/4.37/M5	36
11	60310072200	Spoke nipple Quadrax M5	36
12	60309176000	VALVE	1
13	60312033050	NUT AIR PRESSURE SENSOR	1
14	60309073100	RIM BAND 21"	1
15	60309177000	GASKET RUBBER 2.5"X21"	1
16	60309081100	Wheel spindle, front	1
17	6900103600001	STEERING HEAD SCREW 09	1
18	60342020000	SENSOR GEAR ABS	1
19	63509060000	BRAKE DISC FRONT D=320	2
20	59009062019	SPECIAL SCREW M6X19 WS=8 10.9	12
98	60609015000	FRONT WHEEL REP. KIT ADV. 1050	x

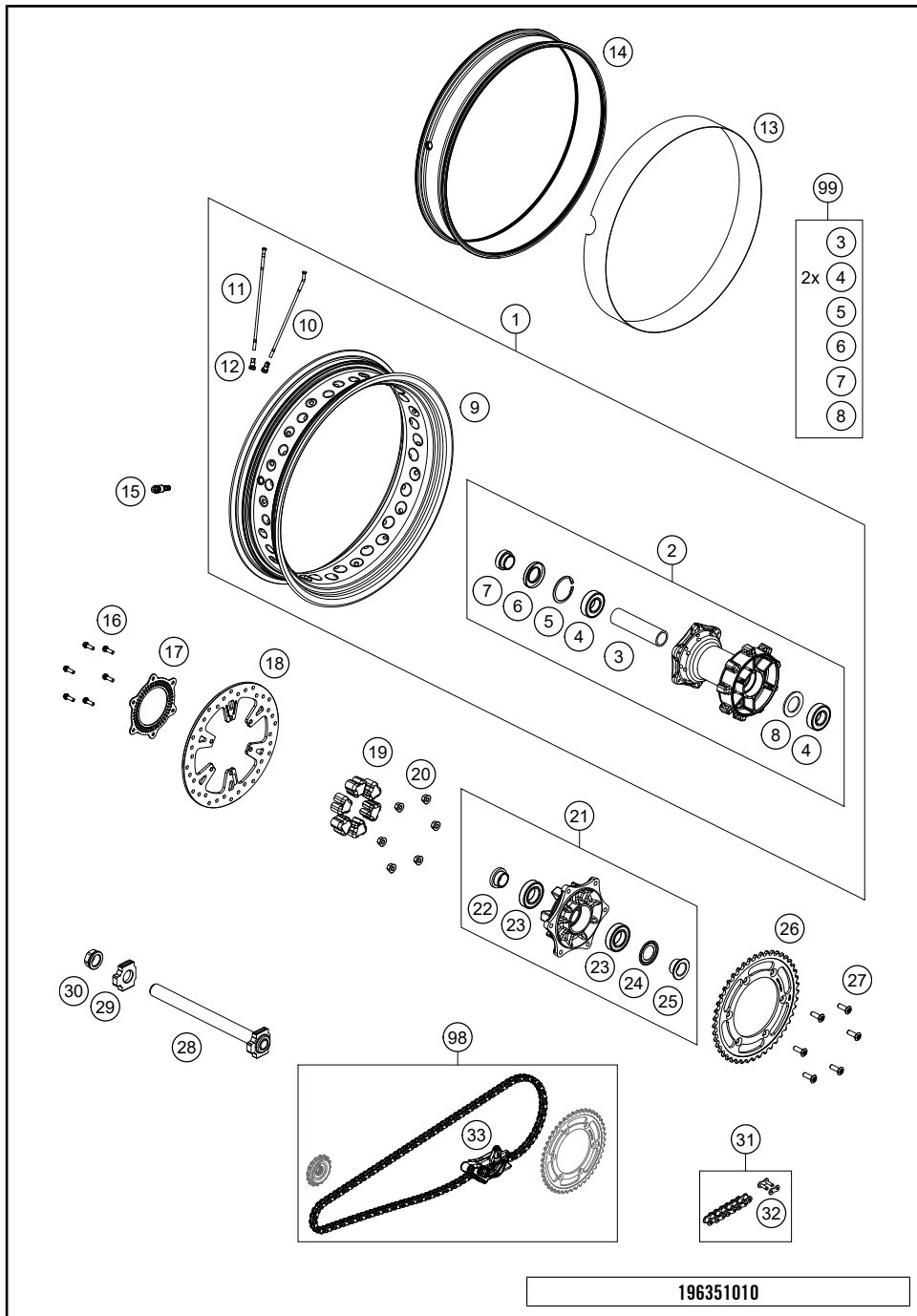
196350910

55644

\* NEW PART X ON DEMAND

# REAR WHEEL

# 890 ADVENTURE L, orange 2021 2021



POS	PARTNUMBER	PARTNAME	PIECE
1	63710001044C1	Hinterrad kpl. 4,5x18"	1
2	60310010244C1	Rear hub compl.	1
3	60010011000	BEAR. SPACERTUBE L=124,8MM 03	1
4	0625062052	GR.BALL BEAR. 6205-2RSHC3HMTF7	2
5	0472052200	CIRCLIP DIN0472-52X2	1
6	0760305271	SHAFT SEAL RING 30X52X7	1
7	60310013000	SPACER BUSHING REAR WHEEL R/S	1
8	60010015000	SPACER RING 03	1
9	6031007010033A	Rim 4,5x18" TL bl.w.sticker	1
10	60310071000	SPOKE 5/4.37/M5	18
11	60310171000	SPOKE 5/4.37/M5	18
12	60310072200	Spoke nipple Quadrax M5	36
13	60310073100	RIM BAND 18"	1
14	60310177100	GASKET RUBBER 4.5"X18"	1
15	60309176000	VALVE	1
16	59009062019	SPECIAL SCREW M6X19 WS=8 10.9	6
17	60142021100	SENSOR GEAR ABS REAR	1
18	63510060100	Brake disc rear	1
19	54610459000	RUBBER DAMPING BLOCK '91	6
20	06923080003	hex nut EN 1661 M8 WS13	6
21	7501005004433	Sprocket wheel carrier cpl. Black	1
22	60110014000	SPACER BUSH. SPR. SUPP. IN. 06	1
23	06250600060	BALL BEARING 6006 DDU2CG23S6NM	2
24	60110016000	NILOS RING 6006AV	1
25	60110012000	SPACER BUSH. SPROCKET SUPP. 06	1
26	75010051045	SPROCKET 45T 08	1
27	0019080266S	COUNTER-SUNK SCREW ISA45 M8X26	6
28	69010181044	Rear axel cpl.	1
29	60010084000	CHAIN TENSIONER R/S LC8 03	1
30	61010086000	COLLAR NUT M25X1,5 WS=32 05	1
31	78010167118	CHAIN DID 118 LINKS	x
32	78010166100	RIVETING LINK FOR 78010167118	x
33	63510067118	chain X-Ring 118 links with chain guide	1
98	00050002100	Drive set 16/45	x
99	60310015000	REAR WHEEL REP. KIT ADV 13-14	x

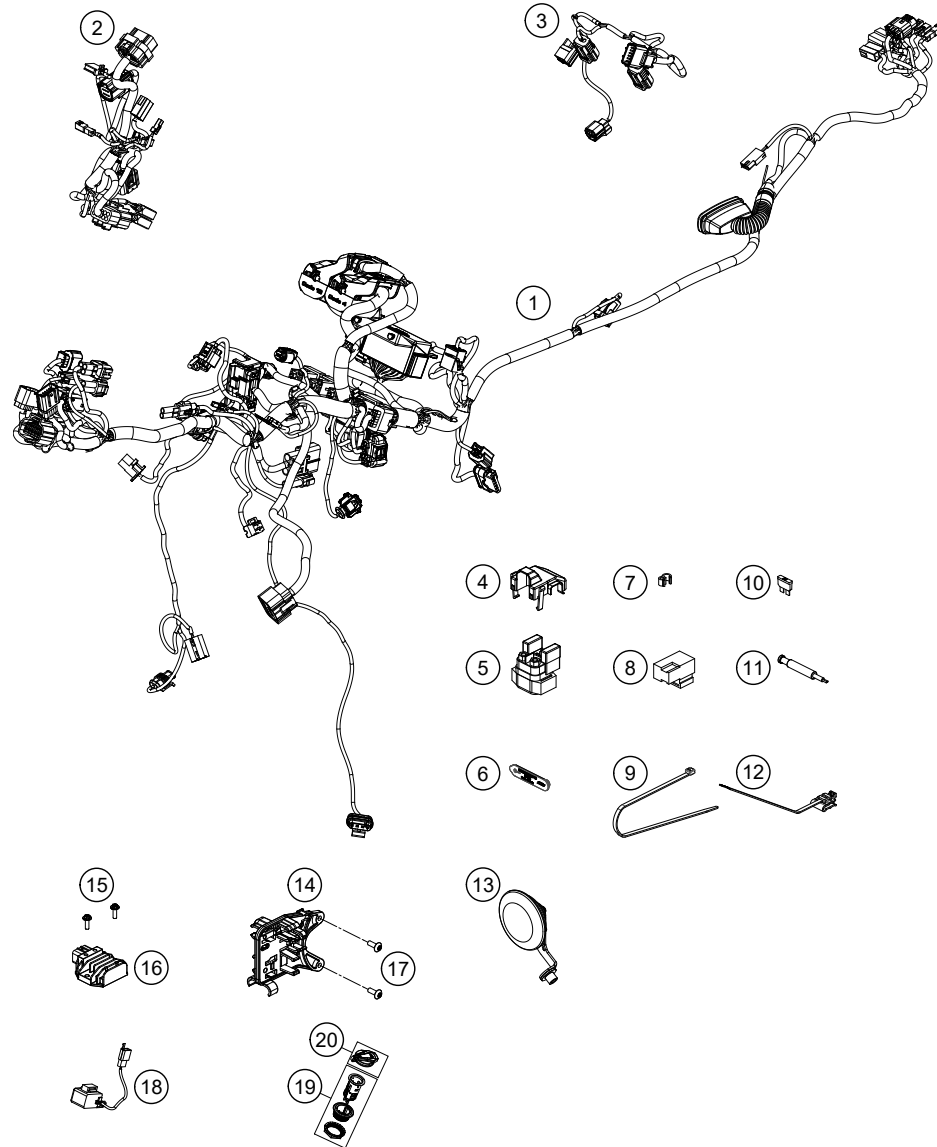
196351010

55645

\* NEW PART

X ON DEMAND





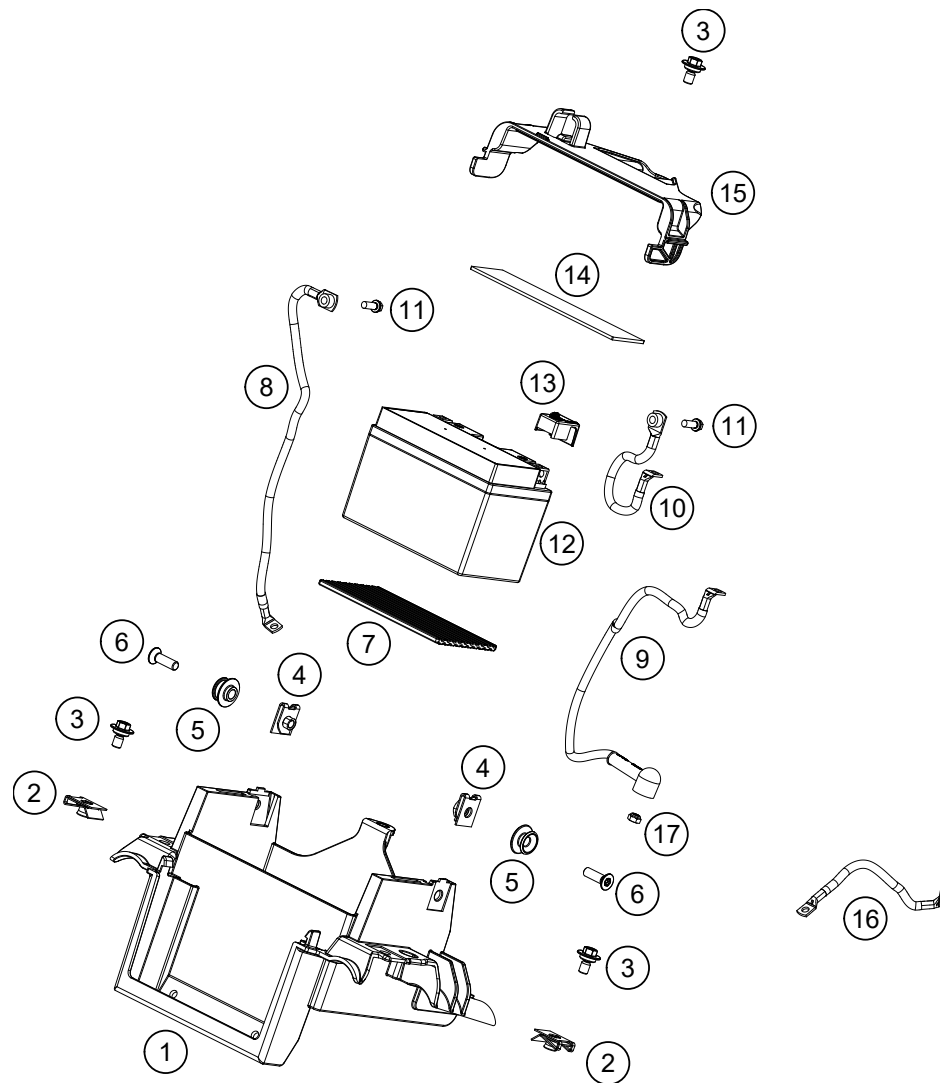
POS	PARTNUMBER	PARTNAME	PIECE
1	63711075000	Main wiring harness	1
2	63511078100	Front wiring harness	1
3	63711085000	Engine wiring harness	1
4	64111058110	Cover flap, starter relay	1
5	76211058000	STARTER RELAY 07	1
6	60011093075	RUBBER CABLE TIE 75MM 03	x
6	60011093045	RUBBER CABLE TIE 45MM 03	x
7	60111094100	BAR SPACER 4/7 BLACK	2
8	61111057000	RELAY CM1A-R-12V-H80 07	5
9	44011076305	CABLE TIE 300/4,8MM BLACK	x
9	44011076140	CABLE TIE 140/2,5MM BLACK	x
9	44011076200	CABLE TIE 200/3,6MM BLACK	x
10	58011109130	FUSE 30 A	1
11	61111018100	TEMPERATURE SENSOR	1
12	64111059020	Cable holder, attachable	1
13	76011060100	DC HORN 12V	1
14	63511048100	Connector support front	1
15	0024060206	HH collar screw M6x20 TX30	2
16	60311034000	VOLTAGE REGULATOR	1
17	58605083014	SCREW M5X14 TORX 25 07	2
18	76011030000	FLASHER UNIT LED 6,25W	1
19	60711042000	Power socket 12V	1
20	60311042050	Lid 12V-socket	1

216371111

55677

\* NEW PART

X ON DEMAND



POS	PARTNUMBER	PARTNAME	PIECE
1	63508025110	Electrics bracket front	1
2	54603048100	clip nut M6	2
3	83008000012	special screw M6x12x3	3
4	93008082010	Range change metal nut M6	2
5	63507040070	Seat bushing	2
6	014581060201	Count.snk screw M6x20 TX30	2
7	63511053050	rubber battery holder	1
8	63511097000	Ground wire	1
9	63511059000	Starter cable	1
10	63511059050	battery cable	1
11	0025060166	HH collar screw M6x16 TX30	2
12	64111053000	battery HTZ12A-BS(DA)	1
13	62111059060	COVER POSITIVE POLE	1
14	63508055010	Foam rubber 33x132	1
15	63508055000	Clamping bracket	1
16	64111096000	mass cable starter-frame	1
17	0985060003	SELF LOCK. NUT DIN0985-M 6	1

216371130

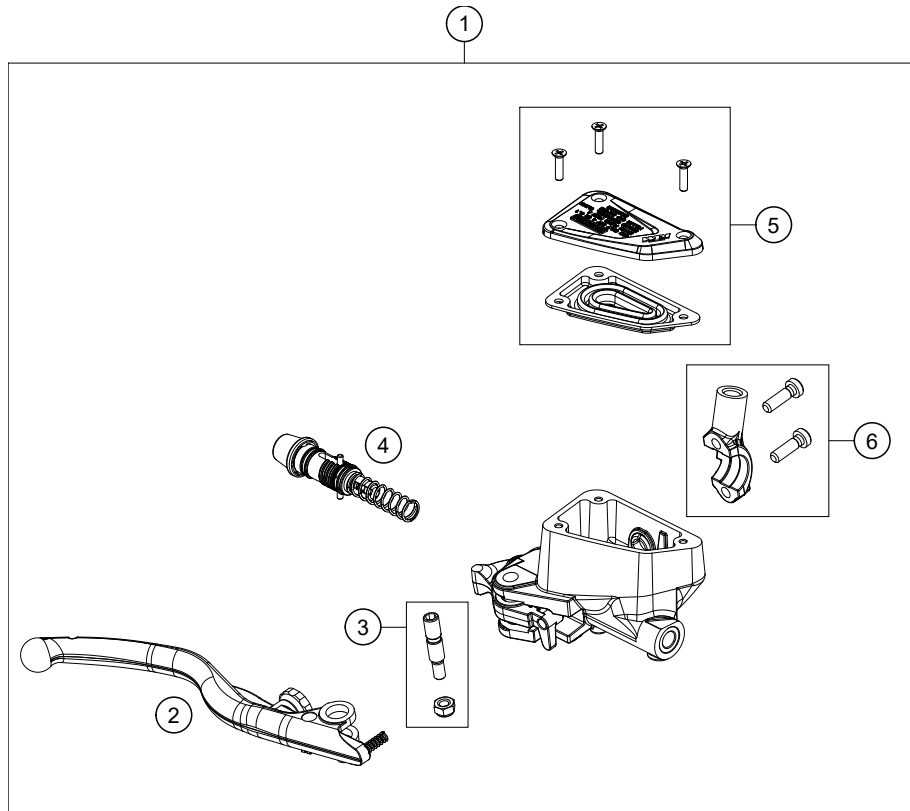
55613

\* NEW PART

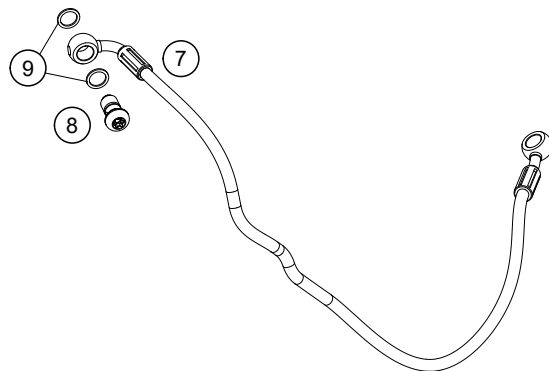
X ON DEMAND

# FRONT BRAKE CONTROL

890 ADVENTURE L, orange 2021 2021



POS	PARTNUMBER	PARTNAME	PIECE
1	63513001033	Front master cylinder cpl.	1
2	63513002044	Brake lever	1
3	64113006000	Lever bolt cpl.	1
4	63513008000	Piston repair kit	1
5	64113031000	Reservoir cap cpl.	1
6	6351300500030	mirror clamp incl. 2 screws	1
7	63542001000	Brake line MC-ABS	1
8	62113020100	banjo bolt M10x1x19.5	1
9	0603100141	sealing ring DIN 7603 10x14x1	2



196351310

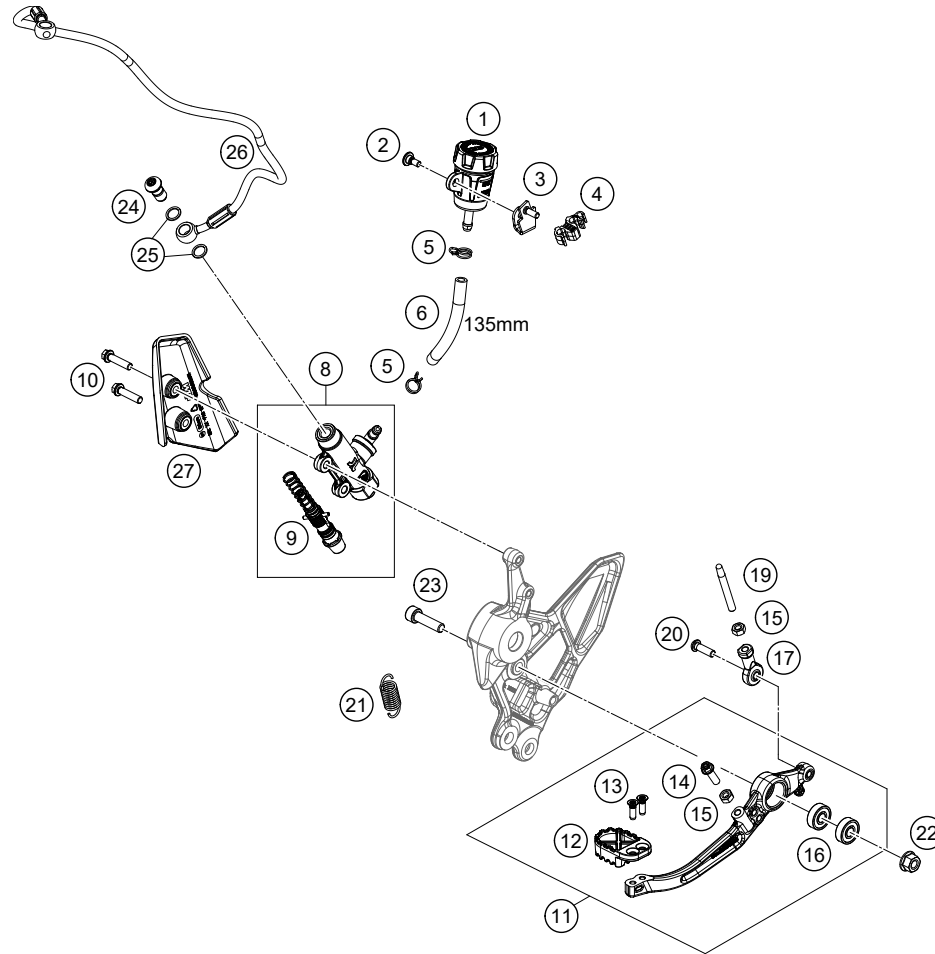
51632

\* NEW PART

X ON DEMAND

# REAR BRAKE CONTROL

890 ADVENTURE L, orange 2021 2021



POS	PARTNUMBER	PARTNAME	PIECE
1	64113069000	Reservoir assembly	1
2	69013099050	SCREW F. EXPANSION TANK	1
3	64113026000	Brake line holder	1
4	64142046000	Bracket ABS line dia7.5	1
5	58007017000	YDNAC CLAMP 10101 (10,4MM)	2
6	69013069001	HOSE FOR RESERVOIR 6X1,5	1
8	6411306000030	Foot master cylinder cpl. black	1
9	64113061000	Piston assembly	1
10	0025060256	HH collar screw M6x25 TX30	2
11	63513050033C1	Foot brake lever cpl. without push rod	1
12	63513051000	Footbrake lever step plate	1
13	014581050162	CS screw, ISO14581-M5x16-A2-070 ISA25	2
14	0025060206	HH collar screw M6x20 TX30	1
15	0934060003	hex nut DIN 934 M6	2
16	0625006087	GROOVED BALL BEAR. 608 2RS C3	2
17	54603069000	SWIVEL HEAD M6 FOOT BRAKE LEV.	1
19	54603068000	PRESSURE ROD ALU 250 '90	1
20	0738060205S	Oval head screw ISR M6x20-A2-70-MK	1
21	54603062200	Return spring for brake lever	1
22	54310086200	SELF LOCKING NUT M8 10.9	1
23	014579080301S	screw ISO 14579-M8x30-10.9-MK black	1
24	62113020100	banjo bolt M10x1x19.5	1
25	0603100141	sealing ring DIN 7603 10x14x1	2
26	63542002000	Brake line MC-ABS	1
27	63503039051	Rear master cylinder guard	1

196351330

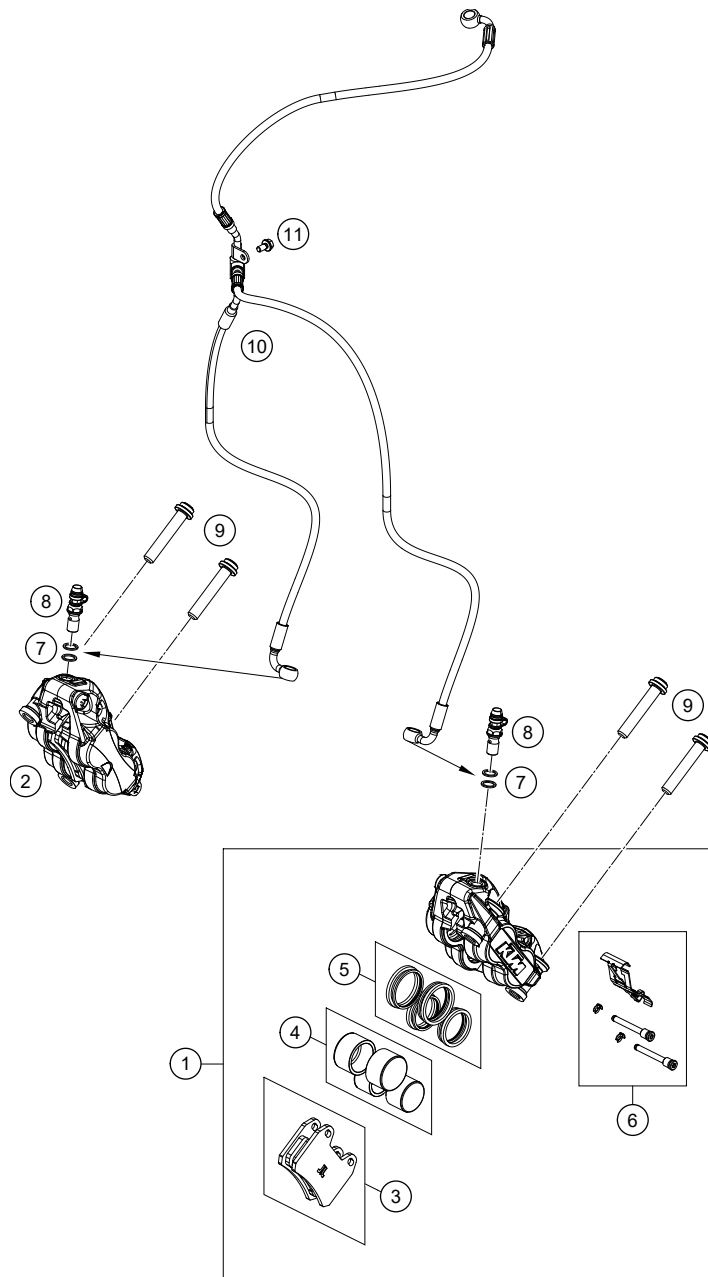
51636

\* NEW PART

X ON DEMAND

# FRONT BRAKE CALIPER

890 ADVENTURE L, orange 2021 2021



POS	PARTNUMBER	PARTNAME	PIECE
1	63713015000	Brake caliper, front left	1
2	63713016000	Brake caliper, front right	1
3	63713030000	Front brake pad	2
4	63513019000	Piston set	2
5	63613021000	Dichtringe Set	2
6	64113017000	Retaining spring set	2
7	0603100141	sealing ring DIN 7603 10x14x1	4
8	62513020000	BLEEDER SCREW CPL. 05	2
9	0035100559S	AH-COLLAR SCREW M10X1,25X55SS	4
10	63542003000	Brake line ABS-Caliper	1
11	0025050106	HH collar screw M5x10 TX30	1

196351360

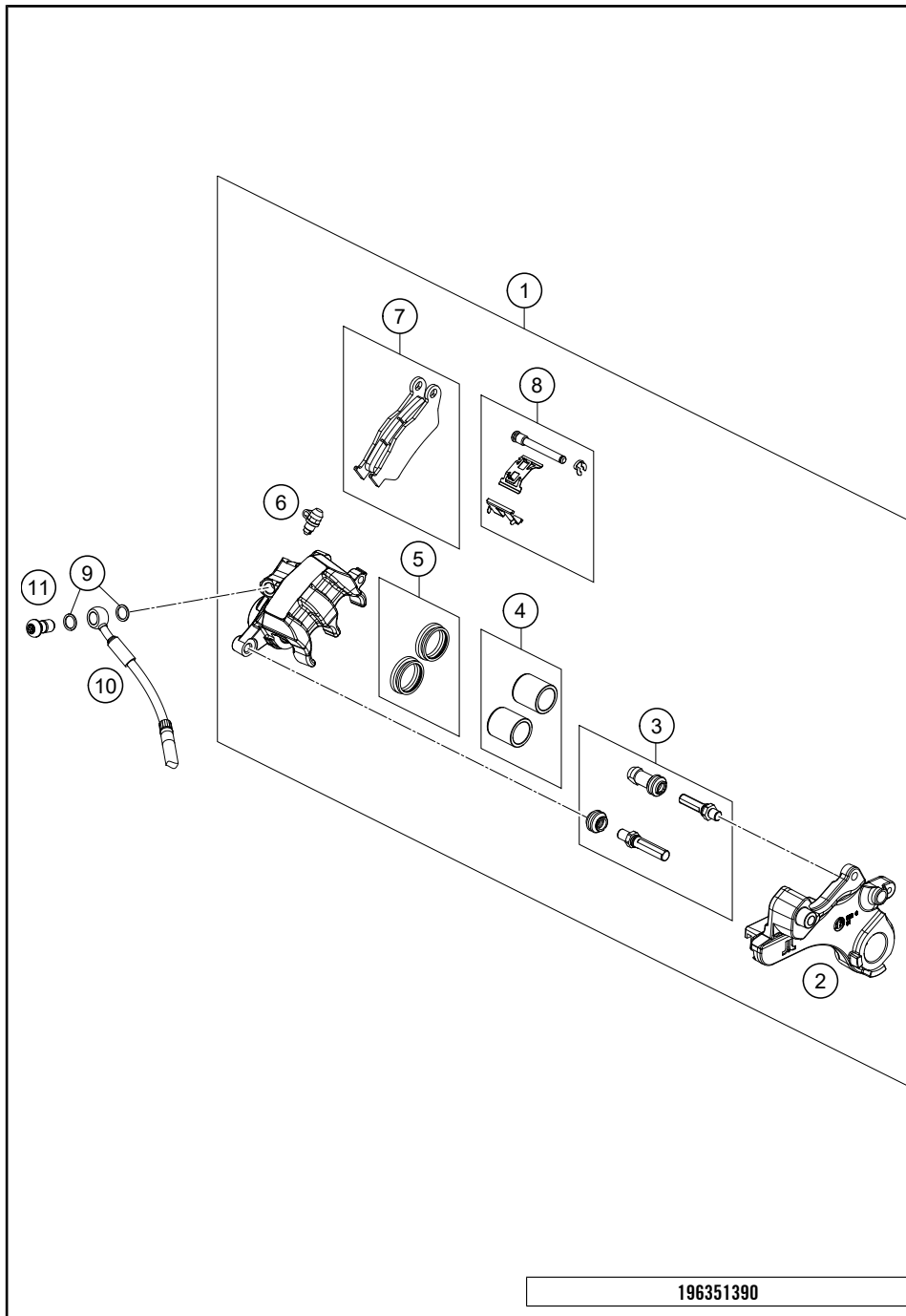
55642

\* NEW PART

X ON DEMAND

# REAR BRAKE CALIPER

890 ADVENTURE L, orange 2021 2021



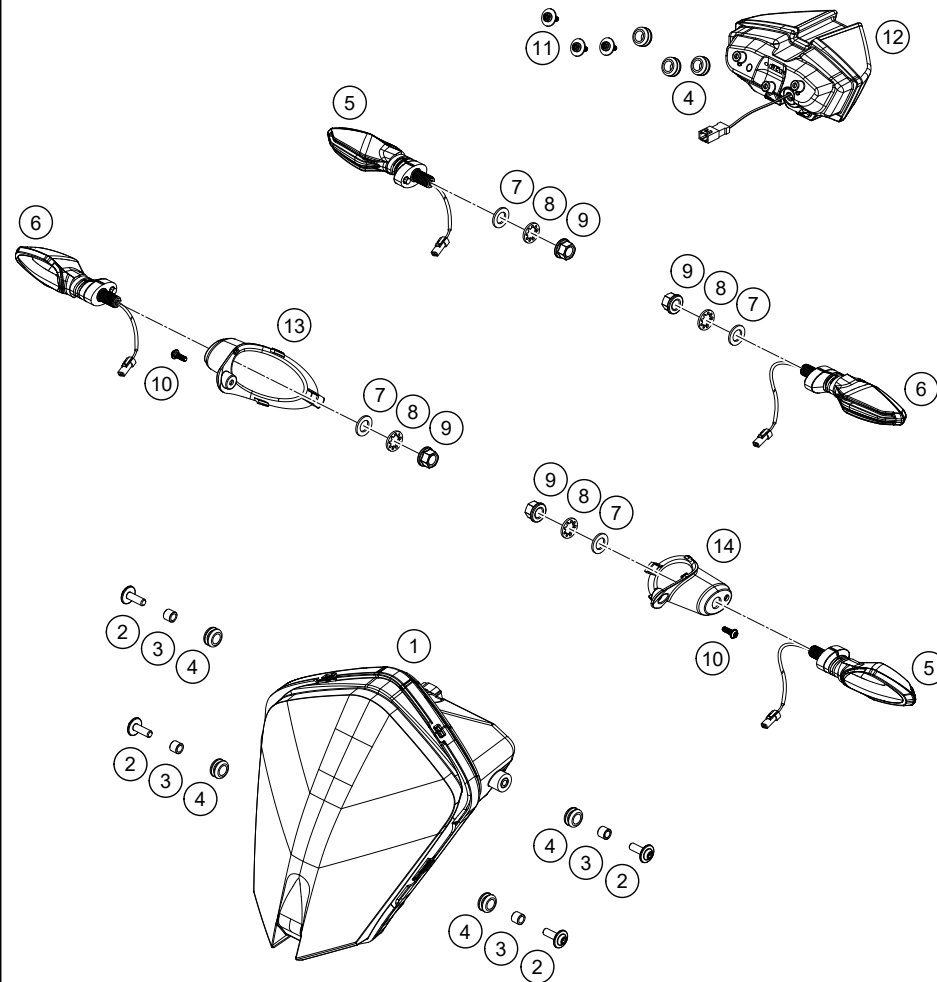
POS	PARTNUMBER	PARTNAME	PIECE
1	63713080000	Rear brake caliper	1
2	63513075000	rear holder	1
3	64113084000	Cup set	1
4	63513083000	Piston set	1
5	63513081000	Seal set	1
6	64113020000	Bleeder + cap	1
7	63513090000	Rear padsq	1
8	63513085000	Pad pin and spring	1
9	0603100141	sealing ring DIN 7603 10x14x1	2
10	63542004000	Brake links ABS-Caliper	1
11	62113020100	banjo bolt M10x1x19.5	1

196351390

55643

\* NEW PART

X ON DEMAND



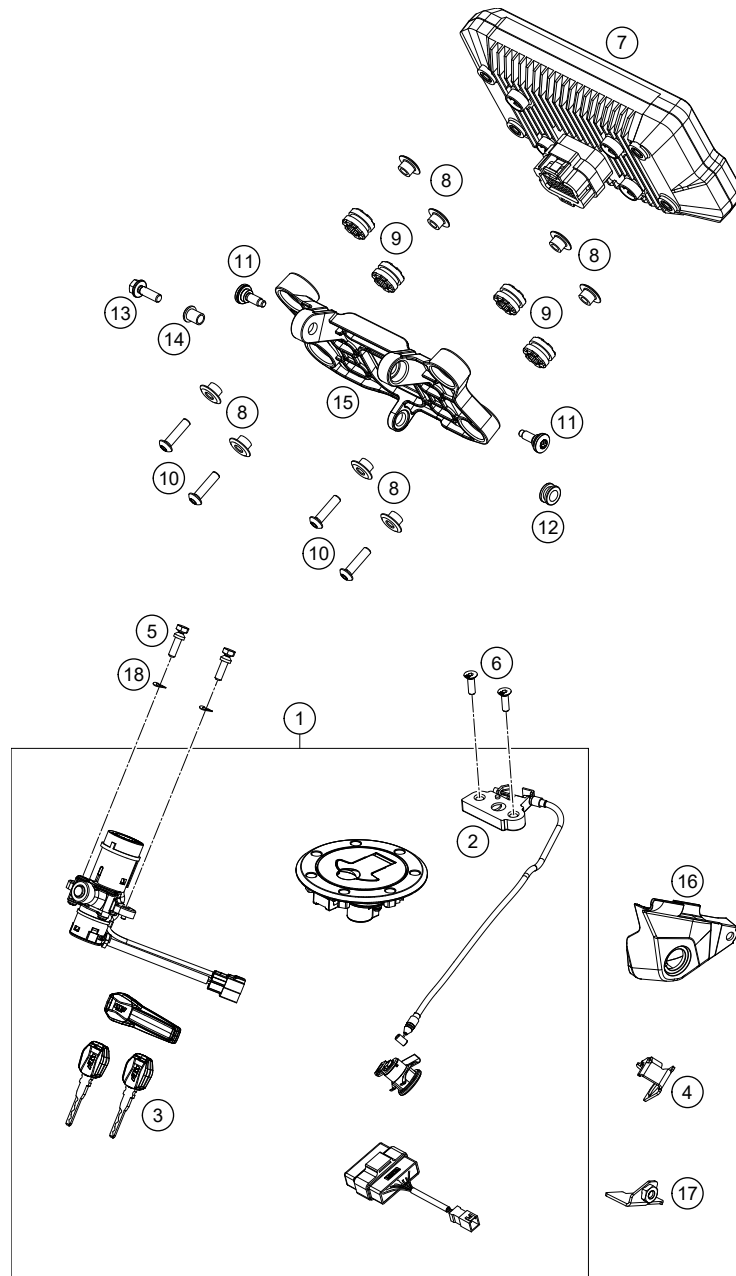
POS	PARTNUMBER	PARTNAME	PIECE
1	63714001000	Headlight	1
2	69014017000S	special screw M6x22-8.8 ISA30 MK	4
3	69014014000	BUSHING 6,1X9,2X7,5 08	4
4	60006001022	rubber grommet 9x11x16x8.5 mm	7
5	60314025000	turn signal front left/rear right	2
6	60314026000	turn signal front right/rear left	2
7	0433100003	WASHER 18x10,5x1,6	4
8	0797100003	LOCK WASHER DIN6797-J10,5 ZI	4
9	58414030000	HH COLLAR NUT M10X1,25 WS=13	4
10	0081040121	EJOT Delta PT K40x12	2
11	0081645121	EJOT DELTA PT SCREW 45X12-Z	3
12	63514040000	Tail light	1
13	63514011090	Right flasher adapter	1
14	63514010090	Left flasher adapter	1

196351410

55671

\* NEW PART

X ON DEMAND



POS	PARTNUMBER	PARTNAME	PIECE
1	63511066044	Lockset cpl.	1
2	63507050000	Seat lever assy	1
3	64111067010	Blank Key KTM	x
4	64107051000	Cable Bracket Lock	1
5	76011064100	Tear-off screw M6 ignition lock ISA 30	2
6	0738060205S	Oval head screw ISR M6x20-A2-70-MK	2
7	63514069100	Dashboard	1
8	60714069050	Bushing	8
9	61314069051	DAMP. COMPONENT SPEEDOMETER	4
10	0738050202	Lens head screw ISO 7380-M5X20A2	4
11	69008021060	special screw M5x17	2
12	60708008070	rubber bush windshield fixation	1
13	0025050166	HH collar screw M5x16 TX30	1
14	63514011010	wheel spindle mask support	1
15	63514062000	Instrument support	1
16	63507050050	Lock cover	1
17	6351401006033	retaining bracket immobilizer cpl.	1
18	0137060003	spring washer DIN 137 B - 6	2

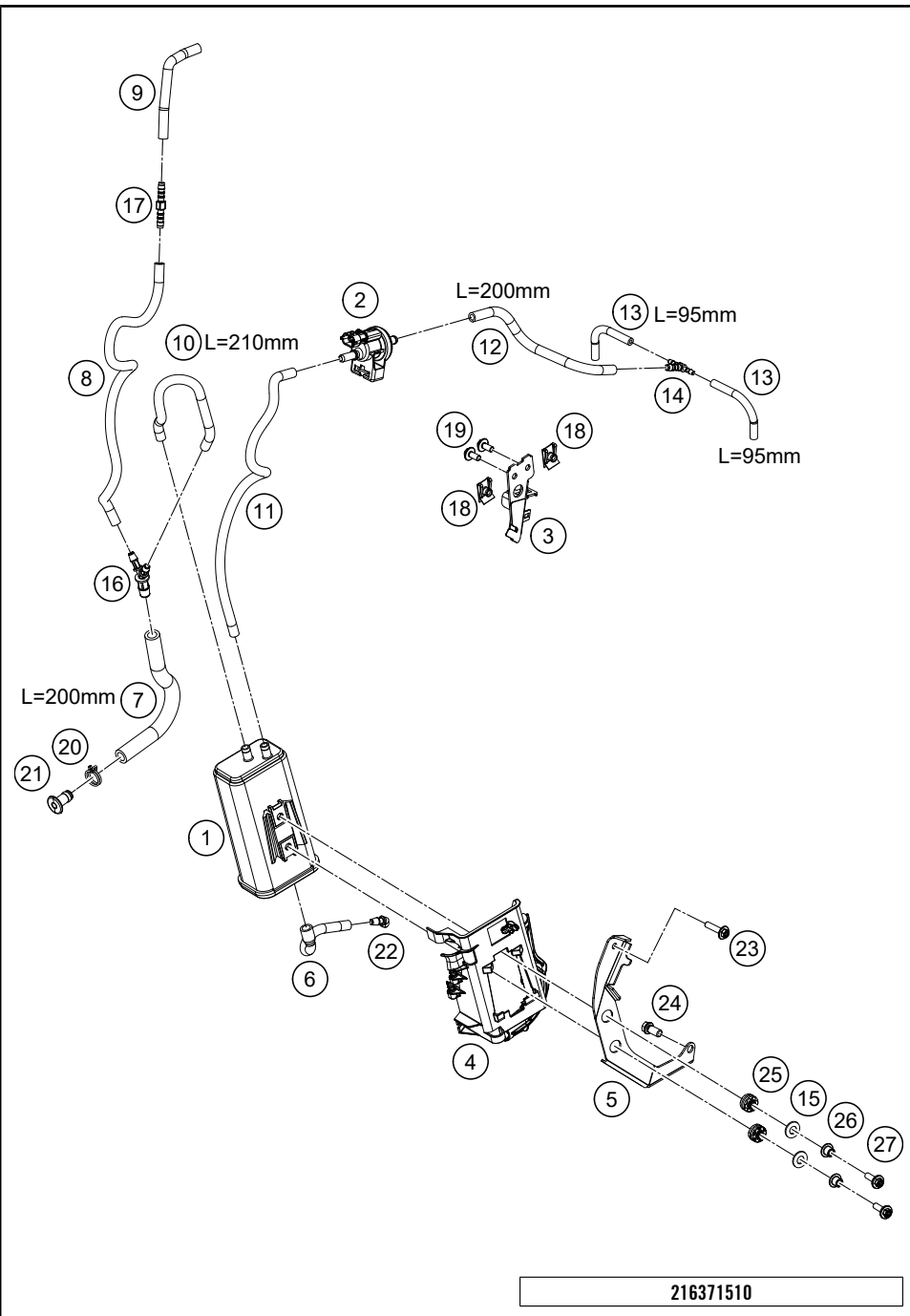
196351430

53945

\* NEW PART

X ON DEMAND





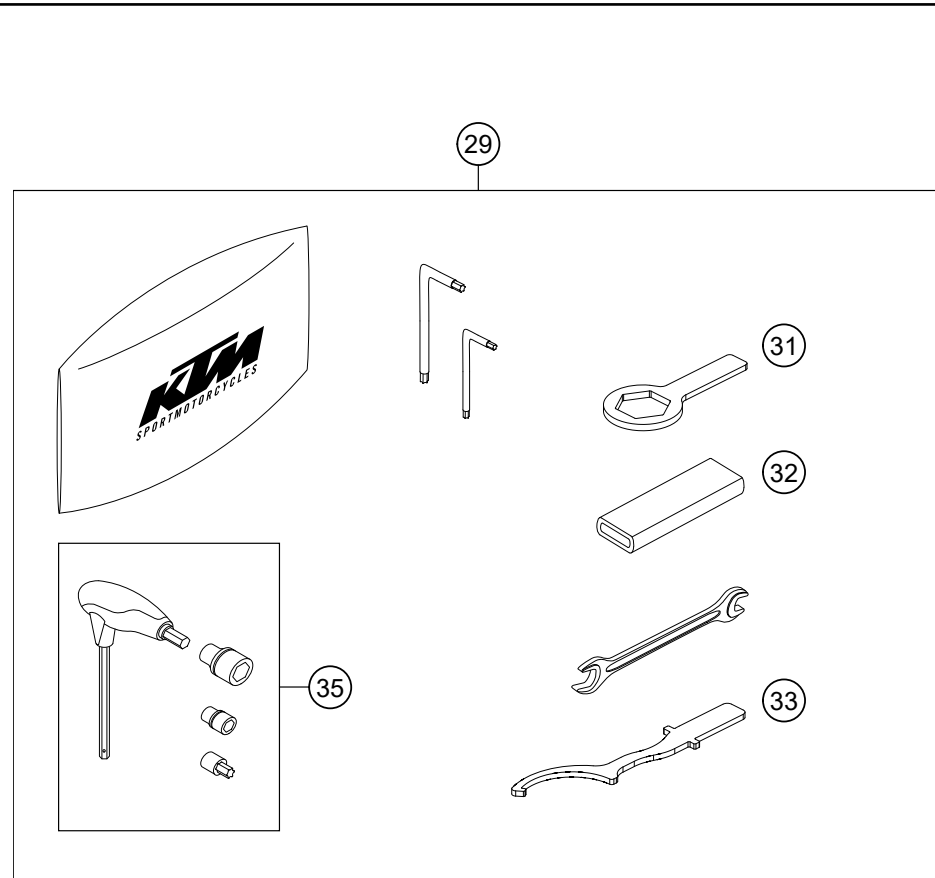
POS	PARTNUMBER	PARTNAME	PIECE
1	75015001200	CARBON CANISTER	1
2	76015015000	EVAP valve	1
3	63515026010	Retaining bracket ACF valve cpl.	1
4	63515003010	Hose clip ACF	1
5	6351500201033	Retaining bracket ACF	1
6	63515021000	ventilation hose evap.can.	1
7	78015119000	HOSE EPA D=10/16 L=2000MM	1
8	63515024000	hose fuel tank vent 500 mm	1
9	63515022000	hose fuel tank vent 180 mm	1
10	78015019000	HOSE EPA D=6/10 L=2000MM	1
11	63515028000	Hose ACF purge valve	1
12	78015019000	HOSE EPA D=6/10 L=2000MM	1
13	78015021000	HOSE EPA D=4/8 L=2000MM	2
14	64115026000	Hose connection nozzles	1
15	50337073000	shim	2
16	61315028100	Y-CONNECTOR YS 6-10-6	1
17	69015019010	HOSE CONNECTION STRAIGHT	1
18	54603048100	clip nut M6	2
19	0024060136	HH collar screw M6x13 TX30	2
20	58431082100	YDNAC-CLAMP 10173 (16MM) '98	1
21	61315026100	Screw plug ACF	1
22	63503098030	Angle piece for overrun	1
23	0024060256	HH COLLAR SCREW M6X25 TX30	1
24	0025060166	HH collar screw M6x16 TX30	1
25	62142041000	DAMP. COMPONENT ABS MODUL	2
26	69014015000	collar bushing 6.1x9.2x15x8.5x1 AI	2
27	0024060206	HH collar screw M6x20 TX30	2

216371510

55637

\* NEW PART

X ON DEMAND



OHNE ABBILDUNG  
WITHOUT ILLUSTRATION

0

TECHNISCHE DOKUMENTATION  
TECHNICAL DOCUMENTATION  
DOCUMENTACION TECNICA  
DOCUMENTATION TECHNIQUE  
NOTE TECNICHE

1

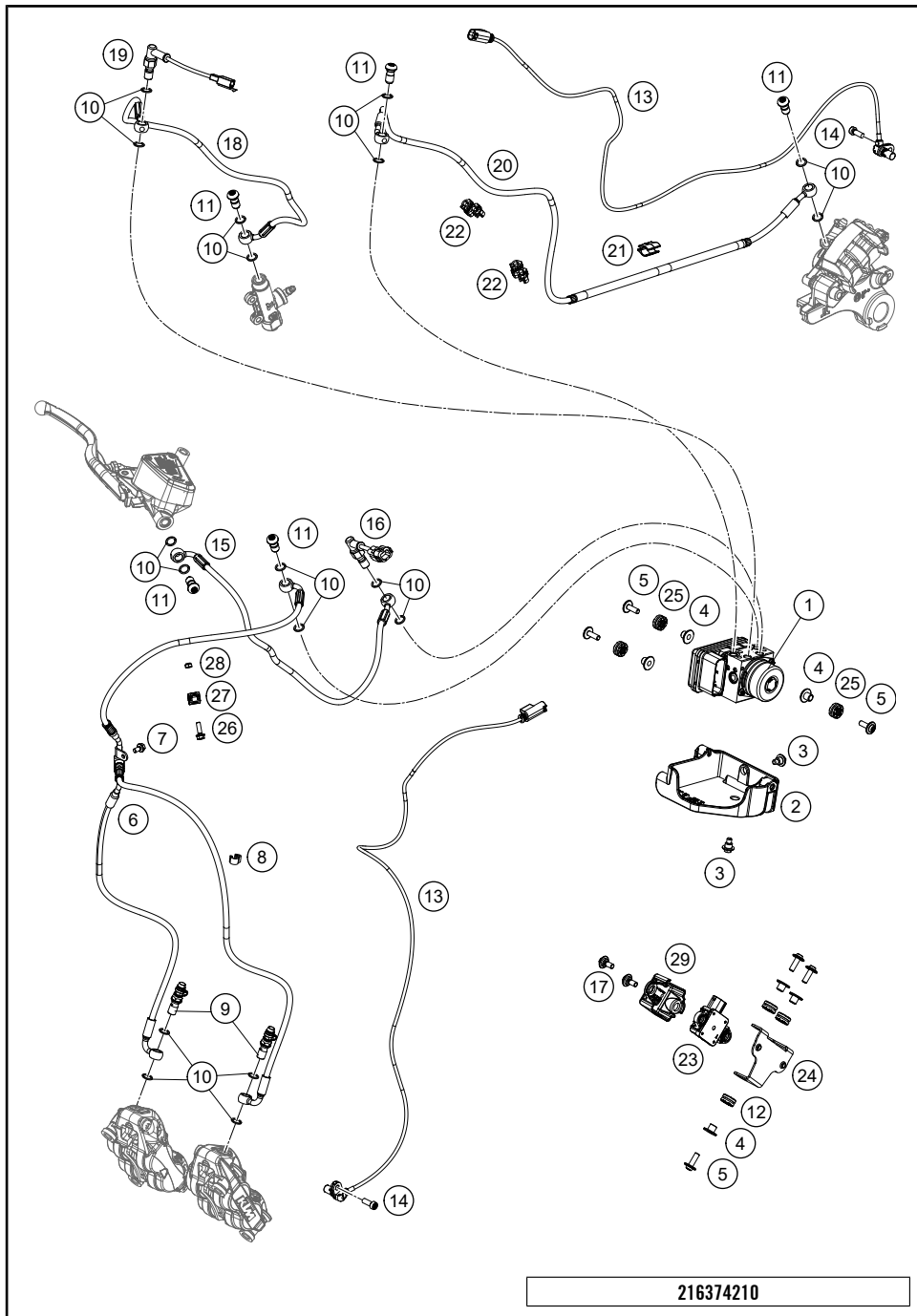
196352000

POS	PARTNUMBER	PARTNAME	PIECE
0	90112040000	MIRROR L/S	1
0	90112041000	MIRROR R/S	1
0	0025060086	HH collar screw M6x8 TX30	2
0	63503090000	Skid plate bottom part compl.	1
0	63503090016	Lower Alu Skidplate Support	1
0	0024060106	HH COLLAR SCREW M6X10 TX30	7
0	63503097010	Front spoiler left	1
0	83008000012	special screw M6x12x3	2
0	69014017000	SPECIAL SCREW M6X18 ISA30 08	2
0	62142041000	DAMP. COMPONENT ABS MODUL	3
0	63503098010	Front spoiler right	1
0	69014117000	Collar screw M6x22-8.8 ISA30	4
0	60006001021	DISTANCE RUBBER AIRBOX 03	2
0	61342041100	Collar bushing 6,5x9x18x8,5	6
0	63508008050	windshield support	1
0	63508008000	windshield EU	1
0	60708008070	rubber bush windshield fixation	2
0	60708008071	Special screw M5x14	2
0	69008021160	special screw M5x12	1
0	312305	DOCUMENTS BAG 2006	1
0	312313	KTM BALLPOINT PEN ORANGE	1
0	00063004202	PRINT LABEL 60X51 MM	1
0	3210917	NOTEPAD	1
0	20180195INT	KTM Bypack Folder Street	1
0	20180189INT	Sticker accessory kit	1
0	00063004012	HEADLIGHT MASK BOX	1
0	00063004106	SPIRALHÜLSEN LC4 + LC8	2
0	00063004108	Bubble wrap blanks 80MY	2
0	00063001022	Foam cutout spoiler protection SD-GT	2
0	56509064100	SELF LOCKING NUT M6 10.9	2
0	00063004105	950 ADV. CARTON F WIND PROT.	1
0	0025050166S	HH Collar Screw M5x16 ISA30 SS	4
1	3214267EN	Owner's manual 890 ADVENTURE / L EU 2021	1
29	63729099000	Tool set	1
31	60012060032	RING WRENCH 32MM	1
32	60012060000	GRIP FOR RING WRENCH	1
33	76029062000	HOOK WRENCH F. SHOCK ABSORBER	1
35	50329070000	T-WRENCH WS=6/8/10 '97	1

55680

\* NEW PART

X ON DEMAND



POS	PARTNUMBER	PARTNAME	PIECE
1	61742031044	ABS module filled	1
2	63542040000	holder ABS module	1
3	59001092050	SPECIAL SCREW M6X12,5 WS=8	2
4	61342041000	COLLAR BUSH 6,5X9X18X8,5	6
5	69014017000	SPECIAL SCREW M6X18 ISA30 08	6
6	63542003000	Brake line ABS-Caliper	1
7	0025050106	HH collar screw M5x10 TX30	1
8	60111094100	BAR SPACER 4/7 BLACK	8
9	62513020000	BLEEDER SCREW CPL. 05	2
10	0603100141	sealing ring DIN 7603 10x14x1	18
11	62113020100	banjo bolt M10x1x19.5	5
12	62142041100	DUMPER 40 SHORE	3
13	76042125000	ABS-SENSOR	2
14	014580060166	SHCS ISO 14580 M6x16	2
15	63542001000	Brake line MC-ABS	1
16	64111051100	Brake light switch	1
17	83008000015	SPECIAL SCREW M6X15X3	2
18	63542002000	Brake line MC-ABS	1
19	62111051000	BRAKE LIGHT SWITCH REAR	1
20	63542004000	Brake links ABS-Caliper	1
21	54813026100	CABLE SUPPORT 10/4MM 2014	1
22	64142046000	Bracket ABS line dia7.5	2
23	61542090000	Angle sensor	1
24	63742090015	Retaining bracket angle sensor compl.	1
25	62142041000	DAMP. COMPONENT ABS MODUL	3
26	0025050166	HH collar screw M5x16 TX30	1
27	60113146000	SUPPORT FOR BRAKE HOSE M5	1
28	0985050003	SELF LOCKING NUT DIN0985-M 5	1
29	61342090050	COVER SENSOR BOX	1

216374210

55617

\* NEW PART

X ON DEMAND



A large, empty rectangular box with a thin black border, occupying most of the page below the headers. It is intended for the user to write their notes.

A large, empty rectangular box with a thin black border, occupying most of the page. It is intended for handwritten notes.



WWW.KTM.COM



KTM Sportmotorcycle GmbH  
5230 Mattighofen, Austria  
[www.ktm.com](http://www.ktm.com)



**KTM**\_POWERPARTS

**KTM**\_POWERWEAR

**KTM**\_ORIGINAL SPARE PARTS



F9703UEEN