

890 SMT 2024 2024

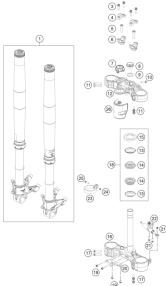
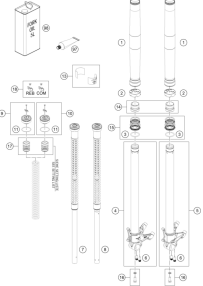
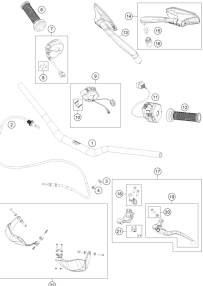
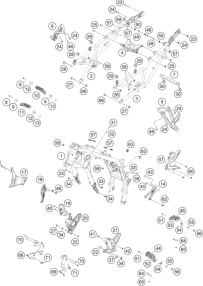

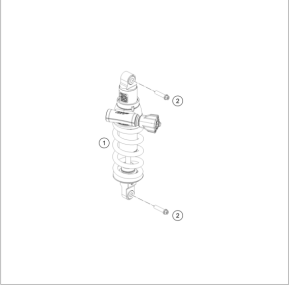
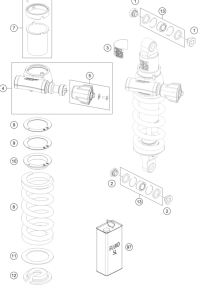
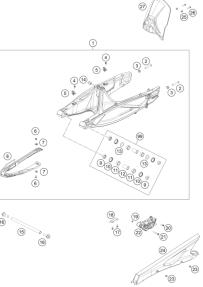
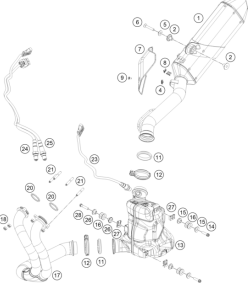
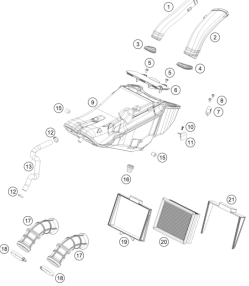
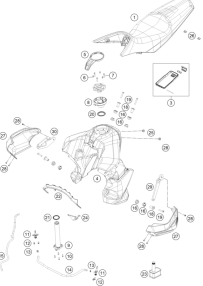
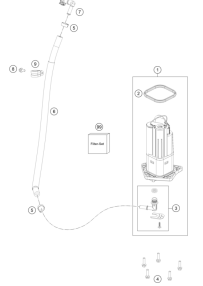
ART.-NR.: F9703XGEN

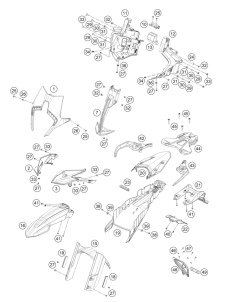
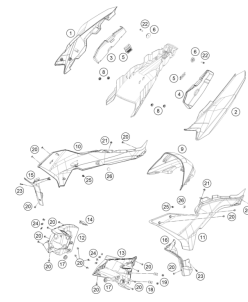
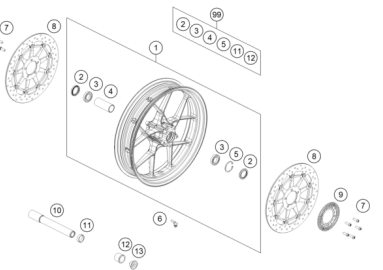
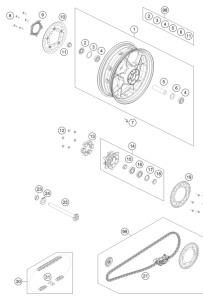

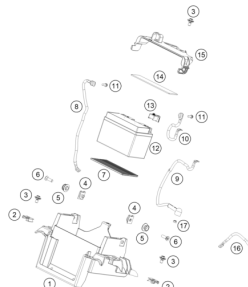
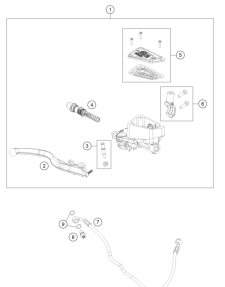
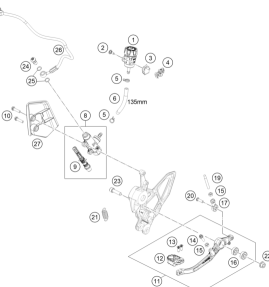
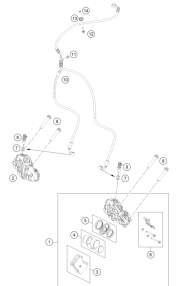
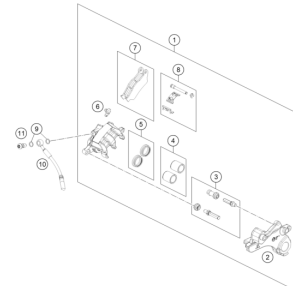
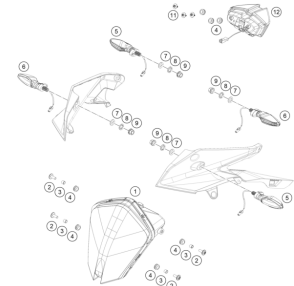
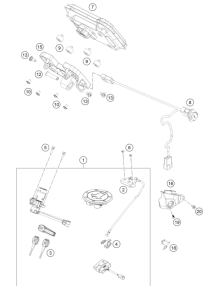


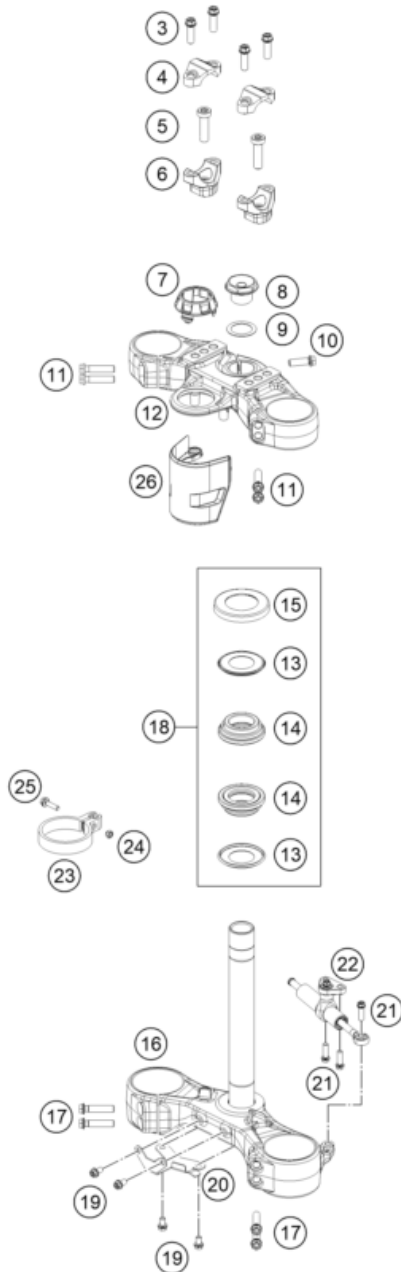
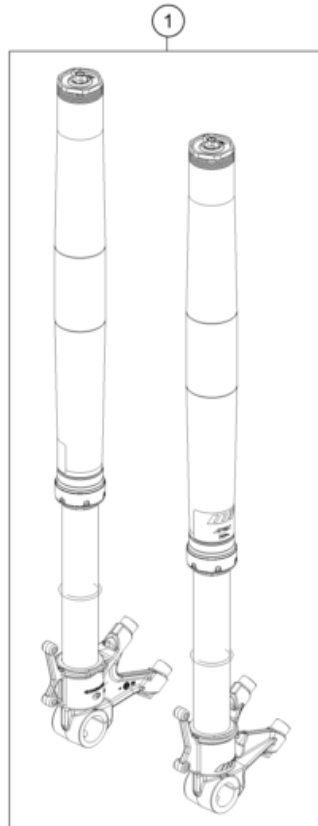


All information contained is without obligation. KTM Sportmotorcycle GmbH particularly reserves the right to modify any equipment, technical specifications, prices, colors, shapes, materials, services, service work, constructions, equipment and the like so as to adapt them to local conditions or to cancel any of the above items, all without previous announcement and without giving reasons. KTM may stop manufacturing certain models without previous notice. KTM shall not be held liable for any deviations of availability and/or ability to deliver, illustrations, descriptions, printing and/or other errors. The illustrated models partly contain extra equipment, which is not applied to standard models.

© by KTM Sportmotorcycle GmbH, Mattighofen AUSTRIA; All rights reserved; Reprint, also in extracts, with written allowance of KTM Sportmotorcycle GmbH, Mattighofen only.

<p>FRONT FORK, TRIPLE CLAMP</p>  <p>4</p>	<p>FRONT FORK DISASSEMBLED</p>  <p>5</p>	<p>HANDLEBAR, CONTROLS</p>  <p>6</p>	<p>FRAME</p>  <p>7</p>
<p>SIDE / CENTER STAND</p>  <p>9</p>	<p>SHOCK ABSORBER</p>  <p>10</p>	<p>SHOCK ABSORBER DISASSEMBLED</p>  <p>11</p>	<p>SWING ARM</p>  <p>12</p>
<p>EXHAUST SYSTEM</p>  <p>13</p>	<p>AIR FILTER</p>  <p>14</p>	<p>TANK, SEAT</p>  <p>15</p>	<p>FUEL PUMP</p>  <p>16</p>

<p>MASK, FENDERS</p>  <p>17</p>	<p>SIDE TRIM</p>  <p>19</p>	<p>FRONT WHEEL</p>  <p>20</p>	<p>REAR WHEEL</p>  <p>21</p>
<p>WIRING HARNESS</p>  <p>22</p>	<p>BATTERY</p>  <p>23</p>	<p>FRONT BRAKE CONTROL</p>  <p>24</p>	<p>REAR BRAKE CONTROL</p>  <p>25</p>
<p>FRONT BRAKE CALIPER</p>  <p>26</p>	<p>REAR BRAKE CALIPER</p>  <p>27</p>	<p>LIGHTING SYSTEM</p>  <p>28</p>	<p>INSTRUMENTS / LOCK SYSTEM</p>  <p>29</p>



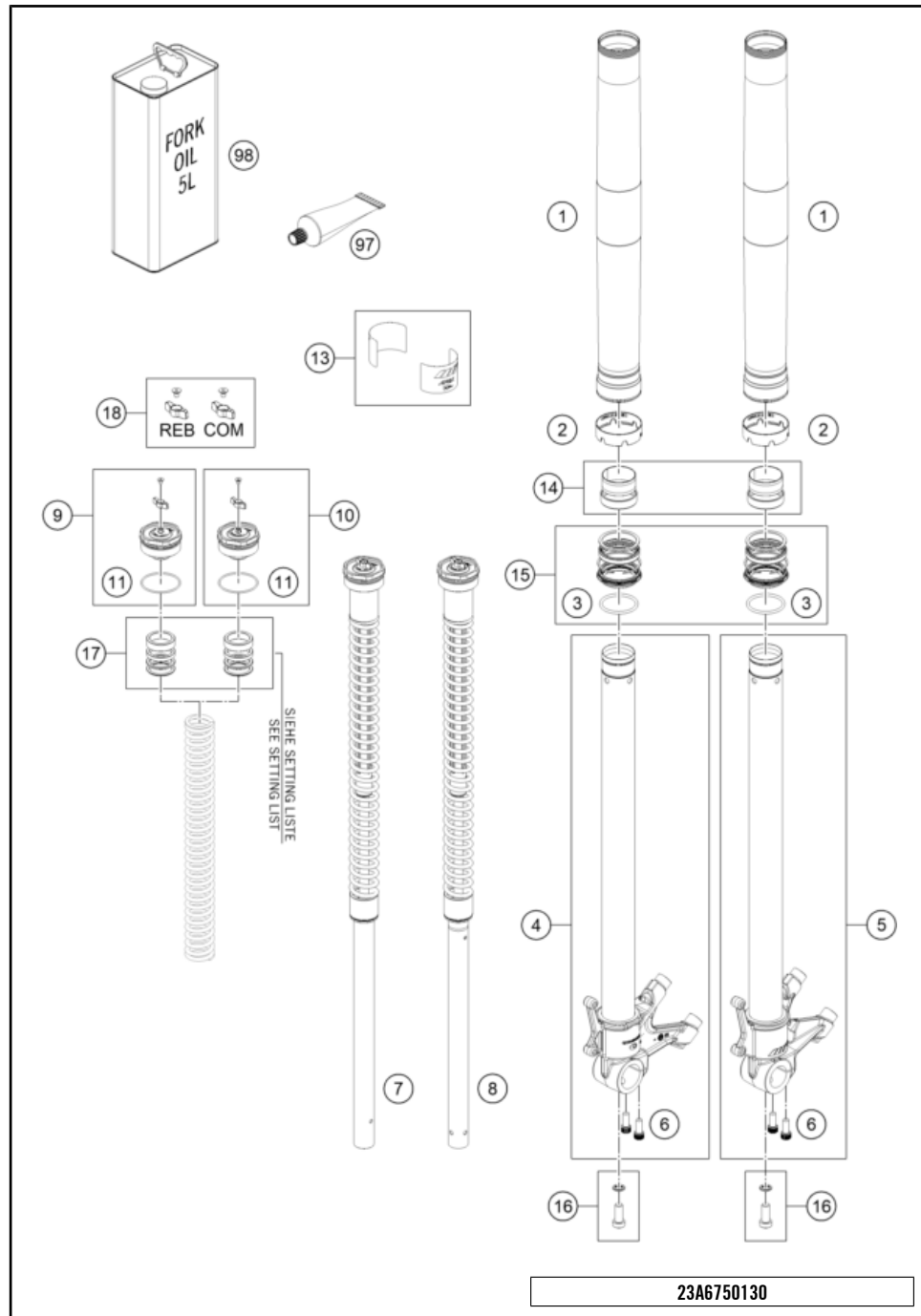
23A6750110

POS	PARTNUMBER		PIECE
1	A675C143W201102	fork KTM 890 SMT 23	1
3	0025080256	HH collar screw M8x25	4
4	7720103800030	HANDLEBAR CLAMP 28MM	2
5	0032100356S	AH-COLLAR SCREW M10X35 ISA45	2
6	5940103903230	HANDLEBAR SUPPORT D=28 H=32 BL	2
7	63501045010	Ignition lock cover	1
8	54801036000C1	Steering head screw M20x1,5 WS_27	1
9	63601042000	Shim ring	1
10	0015080256S	HH COLLAR SCREW M8X25 WS=10	1
11	0025080306	HH collar screw M8x30	4
12	63701034030C1	Triple clamp top	1
13	69001084100	Steering head gasket	2
14	69001181000	STEERINGHEAD KPL.17	2
15	69001086100	PROT. RING STEER. HEAD BEARING	1
16	63701032030C1	Bottom triple clamp cpl.	1
17	0025080356	HH collar screw M8x35 TX40	4
18	69001181010	Steering head rep. Kit	x
19	0025060106	HH collar screw M6x10 TX30	4
20	63501072000	Retaining bracket brake line	1
21	0025080256S	HH COLLAR SCREW M8X25 TX40	3
22	16181S55E	Steering damper790 Adventure cpl.	1
23	54601099000	SPEEDOMETER CABLE GUIDE MARZO.	2
24	0985050003	SELF LOCKING NUT DIN0985-M 5	2
25	0025050206	HH collar screw M5x20 TX30	2
26	63511066010	Ignition lock cover	1

63666

* NEW PART

X ON DEMAND



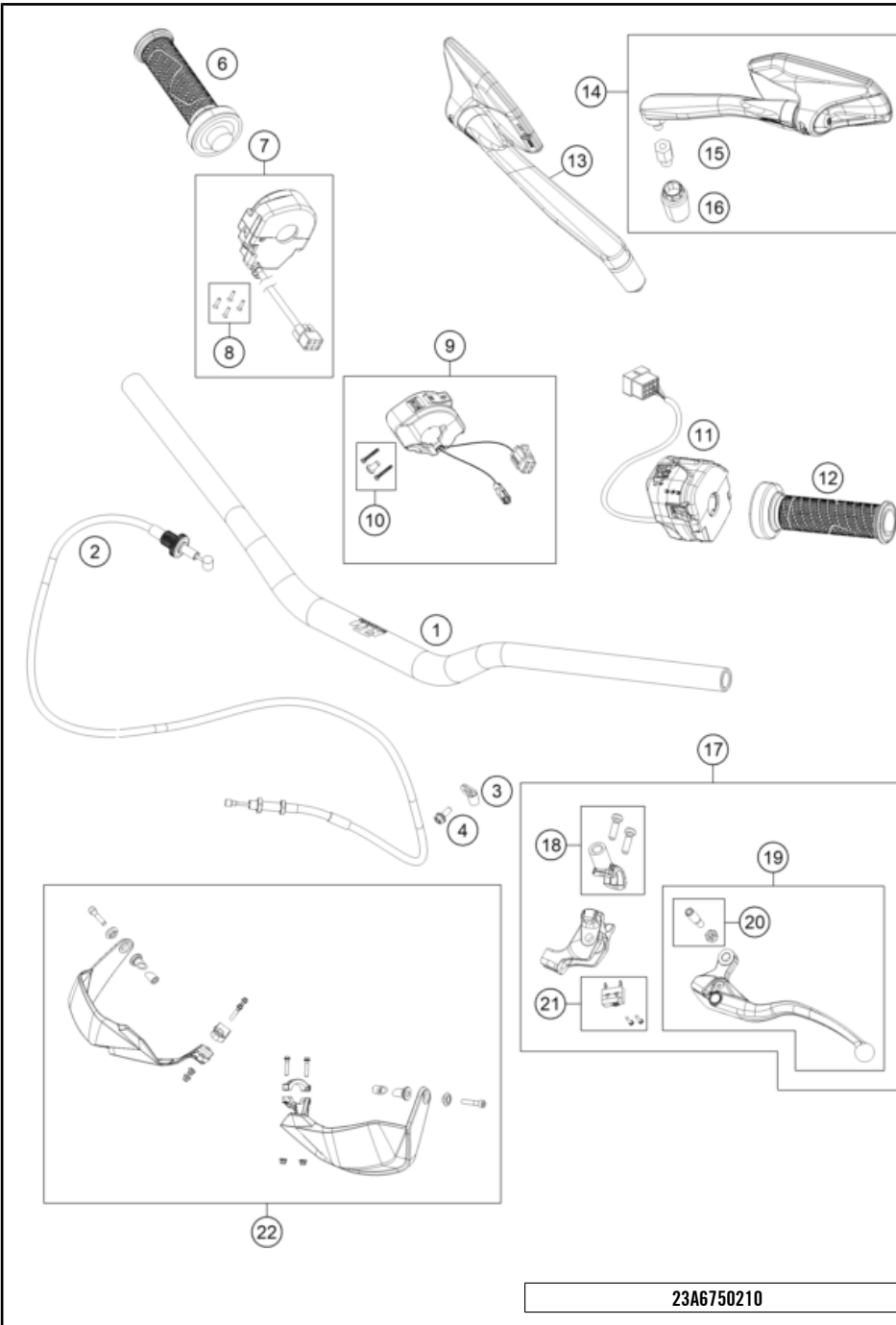
POS	PARTNUMBER		PIECE
1	43578142	Fork outer tube 44x560 dt54 db60	2
2	43578206	Fork protection ring d43	2
3	43578219	O-ring 40x2,5 VMQ70 red ISO 3601	2
4	S444310015S00C1	Right fork shoe + inner tube	1
5	S444310014S00C1	Left fork shoe + inner tube	1
6	0025080206	HH collar screw M8x20	4
7	43578176S9	890 SM T cartridge kit right	1
8	43578195S9	890 SM T cartridge kit left	1
9	43578240S	Screw cap M51x1.5 black right kpl.	1
10	43578239S	Screw cap M51x1.5 black left cpl.	1
11	46810340	O-ring 45x2 NBR70 siliconized	2
13	52000209SET	Sticker set, APEX PRO OC 90x40	1
14	R14042T	GUIDE BUSHING SET	x
15	R516T	Fork sealing kit 43mm	x
16	43578177S1	HS cylinder-head screw M10x25 set	x
17	RP80002	Shim Kit Fork	x
18	RP10026T	Adjuster kit fork	x
97	T14034	Fuchs grease IPR (250g)	x
98	48601166S1	Fork Fluid Viscosity 4.0 5L	x

23A6750130

61797

* NEW PART

X ON DEMAND



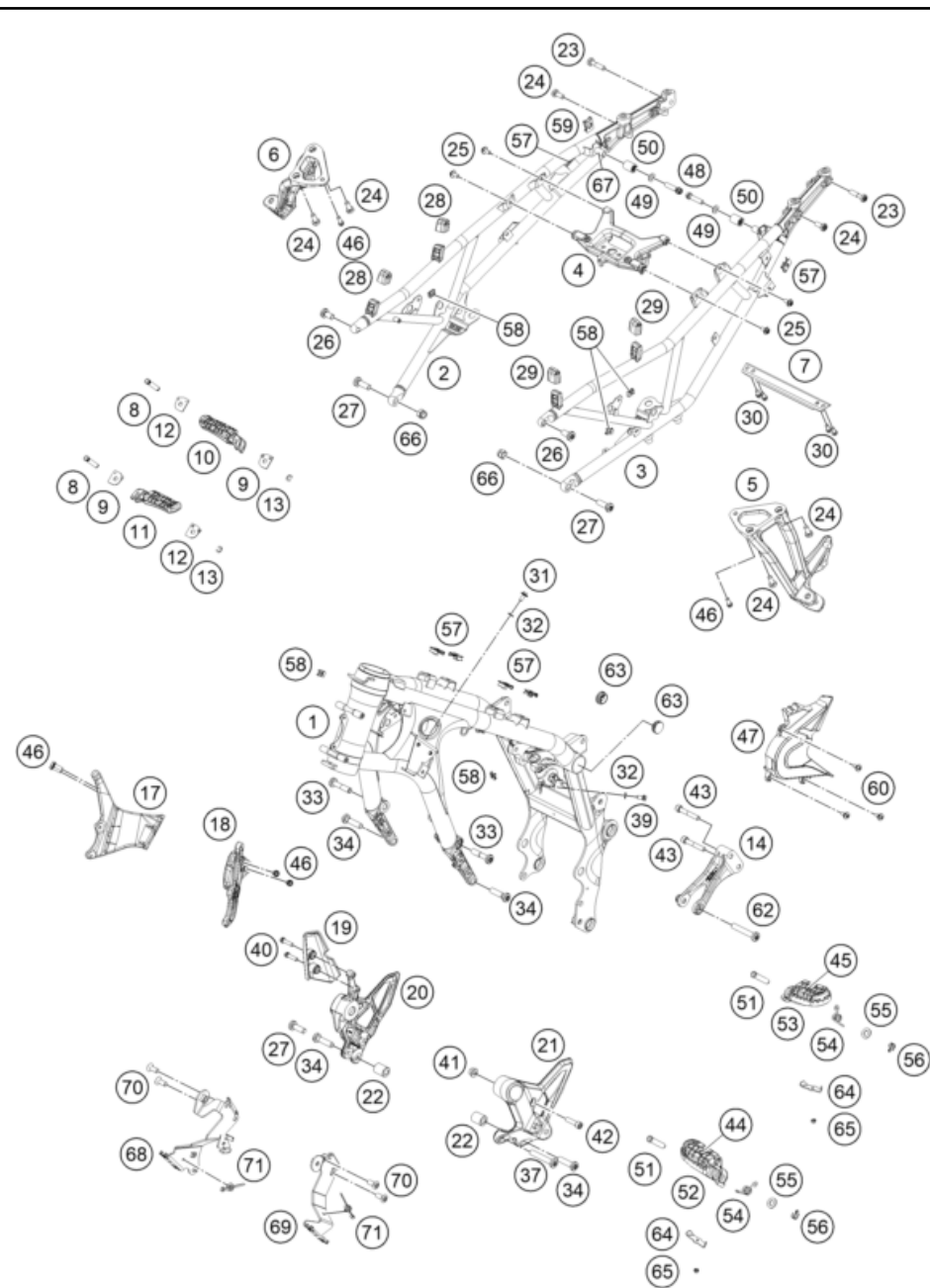
POS	PARTNUMBER		PIECE
1	6070200100033	Handlebar	1
2	63502090000	Clutch cable	1
3	64132070000	PVC clamp 6.4 MM Heyman	1
4	0025050126	HH collar screw M5x12 TX30	2
6	60702012000	Grip tube (no heating)	1
7	60711012000	Ride-by-wire without throttle tube	1
8	76011073110	SCREW SET START-STOP SWITCH	1
9	A61011074000	Start / emergency stop switch right	1
10	61411174010	Screw set start-stop switch	1
11	76011270200	Combination switch	1
12	60702039100	Grip LHS w/o heater	1
13	61312041300	Mirror right	1
14	61312040300	Mirror left	1
15	61312040050	ADAPTOR FOR MIRROR	2
16	61312040030	RUBBER SLEEVE	2
17	A67502031000C1	Clutch lever compl.	1
18	6350204400030	Clamp cpl. incl. 2 screws	1
19	A67502040000C1	CLUTCH LEVER	1
20	64102038000	Kit lever pin	1
21	63511049000	Switch	1
22	6030217910030	HANDGUARD CLOSED BLACK HIGH	1

23A6750210

63669

* NEW PART

X ON DEMAND



23A6750310

POS	PARTNUMBER		PIECE
1	63503101100C1	Frame 635TB	1
2	63703102006EB	Subframe right	1
3	63703102005EB	Subframe left	1
4	63508019050	Rear reinforcement	1
5	6350304800033	Rear footpeg bracket left	1
6	6350304900033	Rear footpeg bracket right	1
7	6350300200733	Cross member, black	1
8	60003044100	footrest bolt, rear	2
9	60003152000	ENGAGE PANEL FOOTREST L/S 03	2
10	60003051000	FOOTREST CPL. R/S REAR 03	1
11	60003050000	FOOTREST CPL. L/S REAR 03	1
12	60003052000	ENGAGE PANEL FOOTREST R/S 03	2
13	0799060003	retaining washer DIN 6799 - 6	2
14	6410301300033	Engine strut black	1
17	A61008006000C1	mask carrier element right	1
18	A61008005000C1	mask carrier element left	1
19	63503039051	Rear master cylinder guard	1
20	63703039066C1	Footpeg bracket front, right, cmpl.	1
21	63703038066C1	Footpeg bracket front, left, cmpl.	1
22	08000010025U0	Bushing 10,4x20x25	2
23	0035080356S	SCREW M8X35 ISA45 SS	2
24	0035080206S	SHCS M8x20 TX45	6
25	0024060136S	HH Collar screw M6x13 TX30 SL	4
26	0035100209S	SHCS M10x20 TX45 MK	2
27	0035100356S	ISA screw M10x35 ISA45	3
28	63503002093	Retain. brack., seat cowl pad front left	2
29	63503002090	Rubber seat cowl pad	2
30	0025060126S	Hex collar screw M6x12 ISA30 self-lockin	4
31	0025060206S	HH collar screw M6x20 TX30	2
32	58411098100	CONTACT WASHER M6 VSV-K6	2
33	0035100456S	ISA screw M10x45 ISA45	2
34	0035100409S	ISA collar screw M10x40 ISA45	4
37	0035100609S	AH-COLLAR SCREW M10X60 ISA45	1
39	0025080166	HH COLLAR SCREW M8X16 TX40	1
40	0025060256	HH collar screw M6x25 TX30	2
41	54310086200	SELF LOCKING NUT M8 10.9	1
42	014579080301S	screw ISO 14579-M8x30-10.9-MK black	1
43	014579080506S	CYL. SCREW DIN14579 M8X50 SS	2

63670

* NEW PART

X ON DEMAND



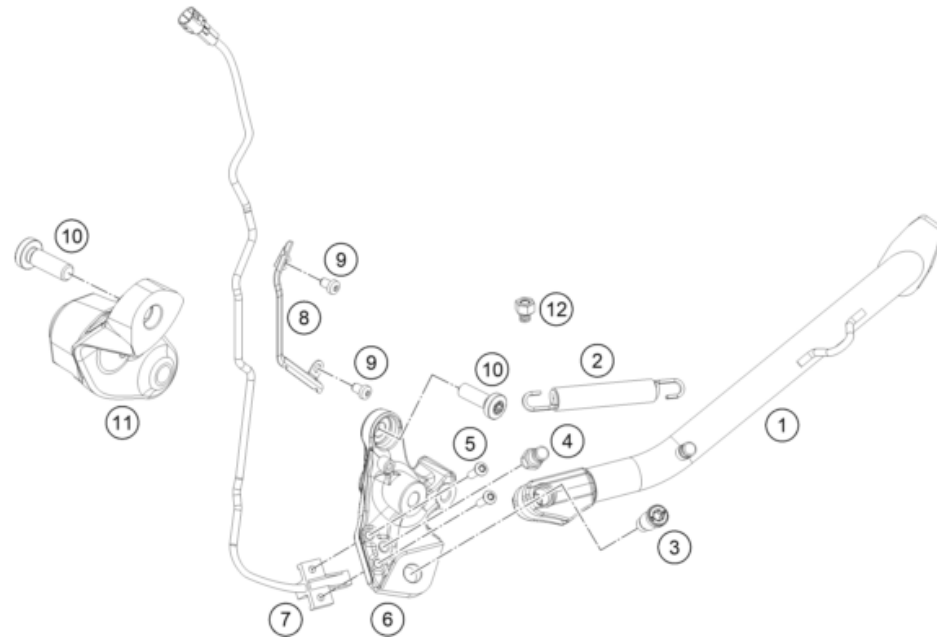
POS	PARTNUMBER		PIECE
44	60003041010	FOOTREST RUBBER FRONT R/S 03	1
45	60003040010	FOOTREST RUBBER FRONT L/S 03	1
46	0025060166S	HH collar screw M6x16 TX30 SL	6
47	63503096000	Front sprocket cover	1
48	0035080356	AH-COLLAR SCREW M8X35 ISA45	2
49	0125080003	washer DIN 125 A -8.4	2
50	60307048000	RUBBER SEAT-CONTACT SURFACE	2
51	54803044000	PIN FOR FOOT PED 51.5X9.8 MM	2
52	78003041050	FOOTREST R/S 08	1
53	78003040050	FOOTREST L/S 08	1
54	54603041000	FOOTREST SPRING L/S & R/S	2
55	0125100003	washer DIN 125 A 10.5	2
56	0094032253	PIN DIN0094-3,2X25 STEEL	2
57	54603048100	clip nut M6	6
58	54603048600	RANGE CHANGE METAL NUT M5 INOX	2
59	54603048000	RANGE CHANGE METAL NUT M8	2
60	69008021160	special screw M5x12	3
62	0035100656S	ISA screw, M10x65 ISA45	1
63	64103088000	Frame locking cap	2
64	60003044010	CLOSING PANEL FRONT L/S R/S 03	2
65	0985050003	SELF LOCKING NUT DIN0985-M 5	2
66	54310086100	SELF LOCKING NUT M10 CU WS=14	2
67	61407049000	BUSHING 8.4X12X21.5	2
68	A67507025070	Tank protective frame bracket right	1
69	A67507025060	Tank protective frame bracket left	1
70	0019080206S	FLAT HEAD SCREW M. ISA45 M8X20	4
71	61711094100	Cable strap w.plugin foot for M5	2

23A6750310

63670

* NEW PART

X ON DEMAND



POS	PARTNUMBER		PIECE
1	A67503023000C1	Side stand	1
2	61003024000	SPRING L=116 MM 05	1
3	62503027200	SCREW FOR SIDE STAND M10X31,2	1
4	63503028010	Special screw side stand spring	1
5	0738050202	Lens head screw ISO 7380-M5X20A2	2
6	63503126100C1	Side stand bracket	1
7	93511045000	SWITCH SIDE STAND	1
8	64103001099	Racket side-stand-cable	1
9	0018050103	INT. TORX OVAL HEAD M 5X10 8.8	2
10	0035100309S	SHCS M10x30 TX45	2
11	63503016040C1	Main stand console right	1
12	90103029000	MAGNET HOLDER	1

196350360

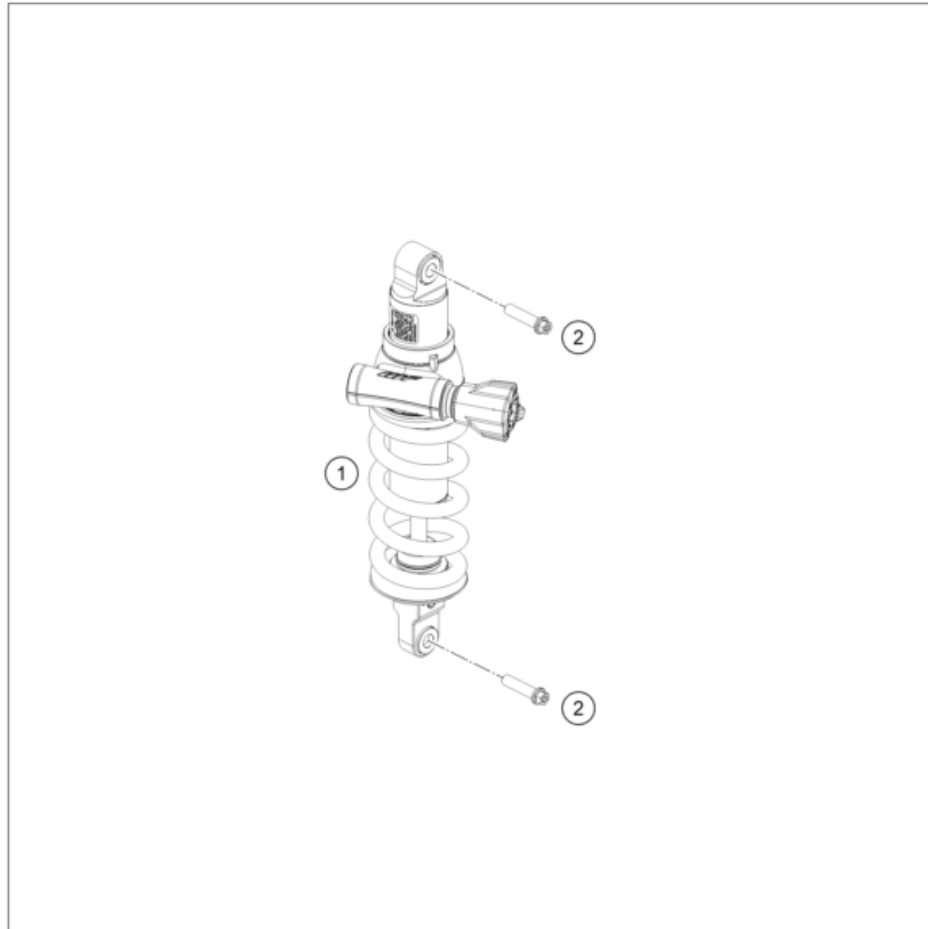
63671

* NEW PART

X ON DEMAND

SHOCK ABSORBER

890 SMT 2024 2024



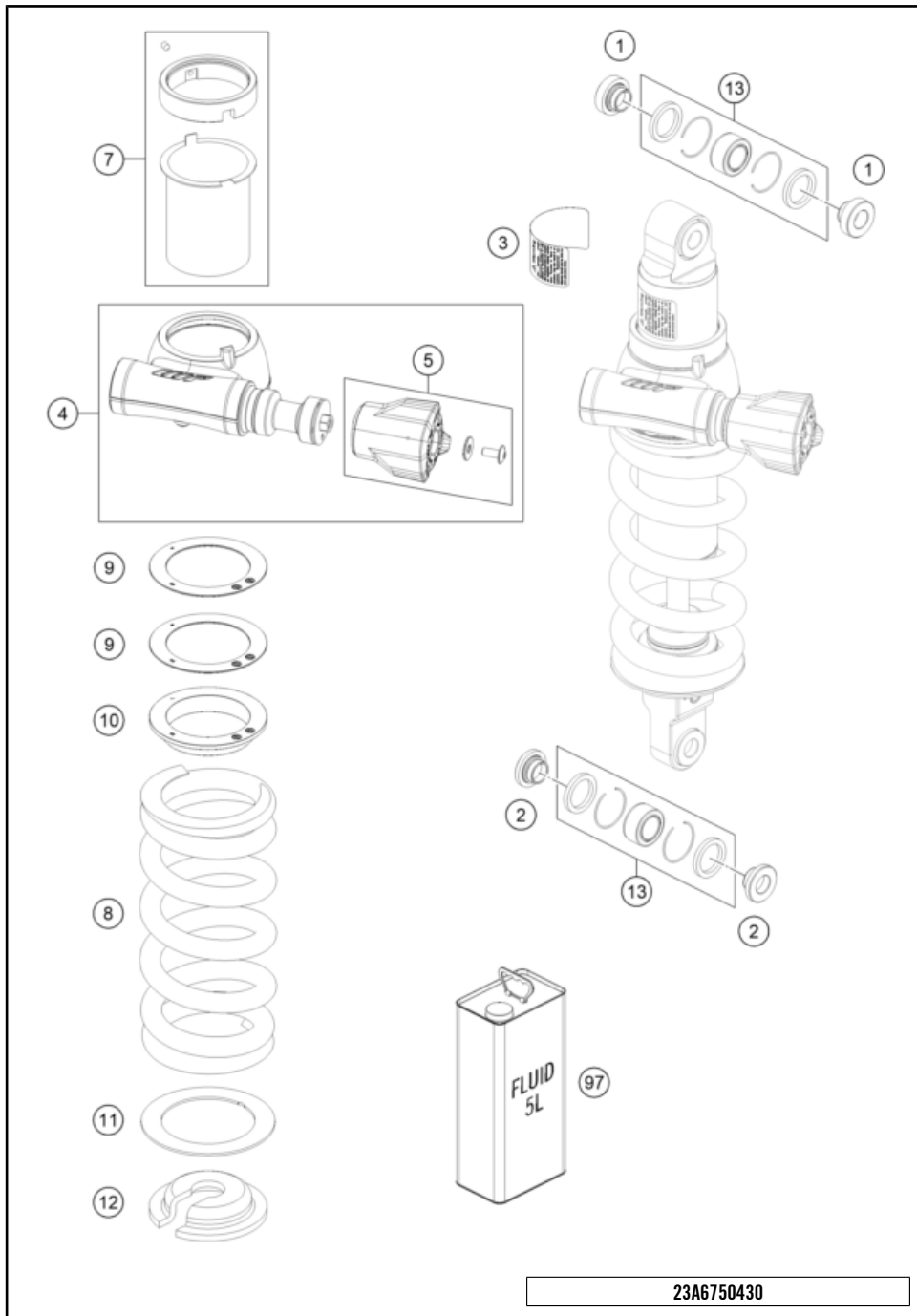
POS	PARTNUMBER		PIECE
1	A675C443W313102	shock KTM 890 SMT 23	1
2	0025120506S	HH COLLAR SCREW M12X50 TX45	2

24A6750410

68976

* NEW PART

X ON DEMAND

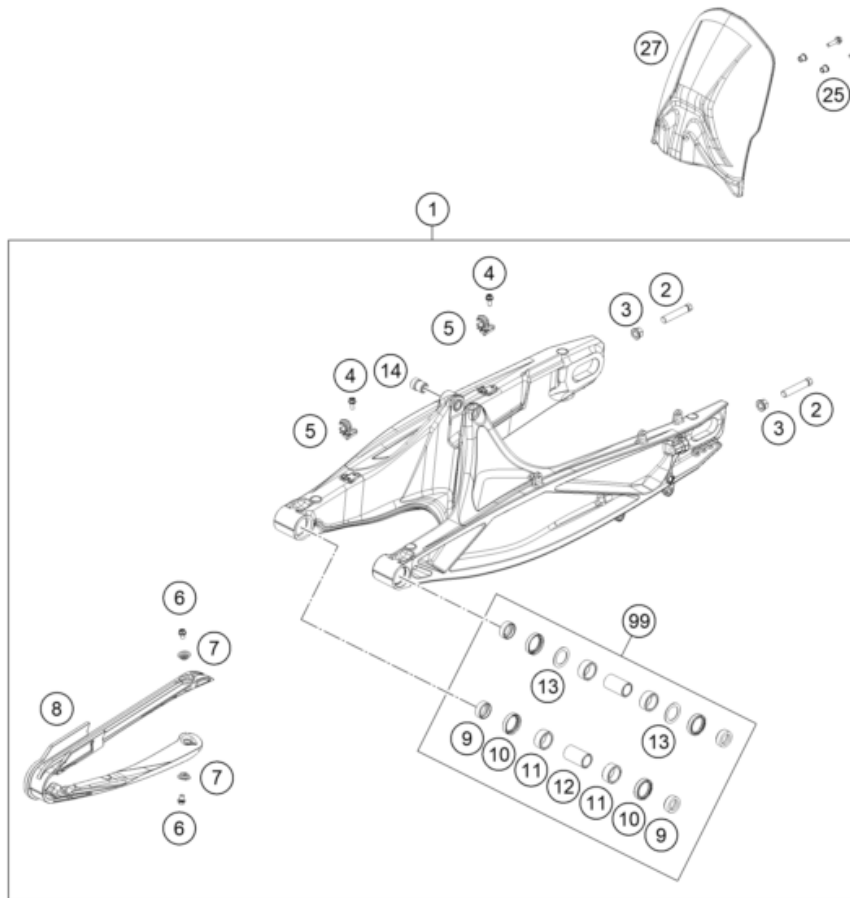


POS	PARTNUMBER		PIECE
1	46180064	Bearing bush 12x15/18/24,5x13,5	2
2	46180007	Distance bush 12x15/18/24,5x10,5	2
3	52000213	Sticker APEX 90x29	1
4	S038300003S0000	PA KTM 890 ADV 21 with hand knob	1
5	60000323S	adjuster wheel PA cpl.	1
7	S635010000S0000	Clamp kit + pilot bushing	1
8	91010430	ring (59) 115-188.0 shock white	1
9	S25911000200000	Washer 52.7x74x1	2
10	S83911000000000	Spring guide hydr. PA	1
11	S259110001000C1	Washer 59x84x1.6 steel acc. to drawing	1
12	46148265	Spring seat 21x74x7.5	1
13	R12012T	Ball joint bearing kit top 12mm	2
97	50180751S1	SHOCK ABSORBER FLUID 5 LT	1

23A6750430

61800

* NEW PART X ON DEMAND



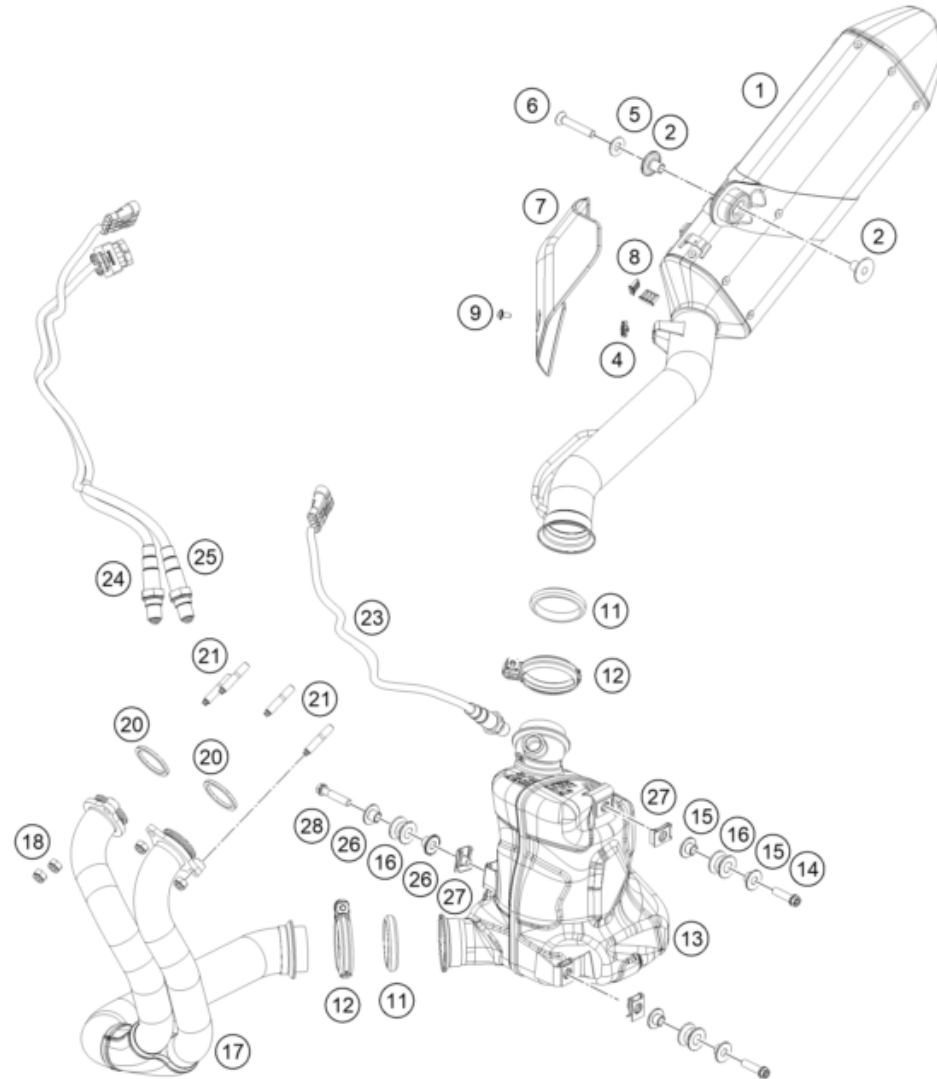
196350490

POS	PARTNUMBER		PIECE
1	6350403004433	Swingarm cpml. Black	1
2	58414030000	HH COLLAR NUT M10X1,25 WS=13	2
3	50304040100	screw M10x1.25x50 WS10	2
4	0025050126	HH collar screw M5x12 TX30	2
5	60104142000	Clamp	2
6	69008021160	special screw M5x12	2
7	46104066050	BUSH FOR CHAINSLIDER GUARD 02	2
8	64104066000	chain slide protection	1
9	54804034000	BUCKET F. SHAFT SEAL RING 03	4
10	0760253270	radial shaft seal 25x32x7	4
11	0618222812	NEEDLEBEAR HK2212V 22/28/12 MB	4
12	59404032000	BEARING SLEEVE 17X22X38,7 03	2
13	54603036000	STOP DISK 22,2X31,7X1	2
14	64104030020	Bushing Shock Mounting	1
15	64104037000	swing arm bolt	1
16	76504038000	SPECIAL SCREW M12X40 SW19	2
17	0025060126	HH collar screw M6x12 TX30	2
18	63504030010	Retaining bracket, chain guide	1
19	0934060003	hex nut DIN 934 M6	1
20	0025060206	HH collar screw M6x20 TX30	1
21	0025060456	HH COLLAR SCREW M6X45 TX30	1
22	78004070100	CHAIN GUIDE CPL.	1
23	69008021160	special screw M5x12	2
24	63504061000	Chainguard	1
25	64104050010	Bushing 5,5x8,3x9	2
26	0025050206	HH collar screw M5x20 TX30	2
27	63504050000	splash protection swingarm	1
99	79004030010	SWING ARM REPAIR KIT SX-F	1

49548

* NEW PART

X ON DEMAND



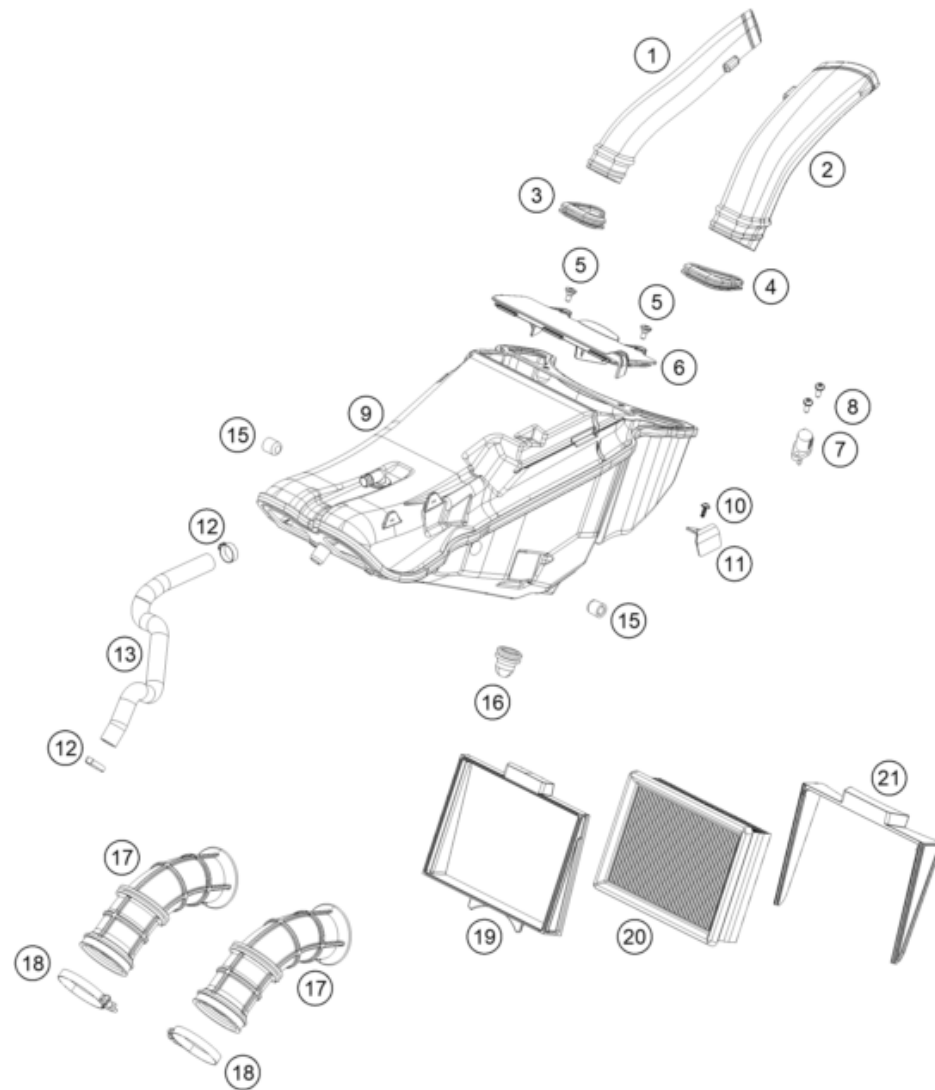
POS	PARTNUMBER		PIECE
1	63505183000	Silencer	1
2	61305069000	BUSHING 8,5X11X29	2
4	54603048600	RANGE CHANGE METAL NUT M5 INOX	1
5	60405069000	Shape disc Alu	1
6	0019080506	COUN.-SUNK SCREW M8X50 ISA10.9	1
7	63505111000C1	Heat protection black compl.	1
8	27005011011	DAMPING ELEMENT SILICON	2
9	78105081010	SCREW TORX M5X10	1
11	69005105005	Manifold gasket	2
12	63605058100	Exhaust clamp tube 50 mm	2
13	A61005050000	Premuffler	1
14	0025080356S	HH COLLAR SCREW M8X35 TX40	2
15	58405050065	collar bushing 8.5x12x23.5x10	4
16	54305068100	damp. component silicone grey	3
17	63605007000	Manifold	1
18	51010086100	self-locking nut M8 Cu	4
20	64105005000	Exhaust gasket	2
21	63505015000	stud screw 835 M8x25 - 10.9	4
23	A60741090000	Oxygen sensor	1
24	63541090000	O2 Sensor LSF 4	1
25	63541190000	O2 Sensor LSF 4	1
26	0800000901200	Collar bushing, 8.5x12x23.5x11.5	2
27	54603048000	RANGE CHANGE METAL NUT M8	3
28	0025080356S	HH COLLAR SCREW M8X35 TX40	1

24A6100510

68808

* NEW PART

X ON DEMAND



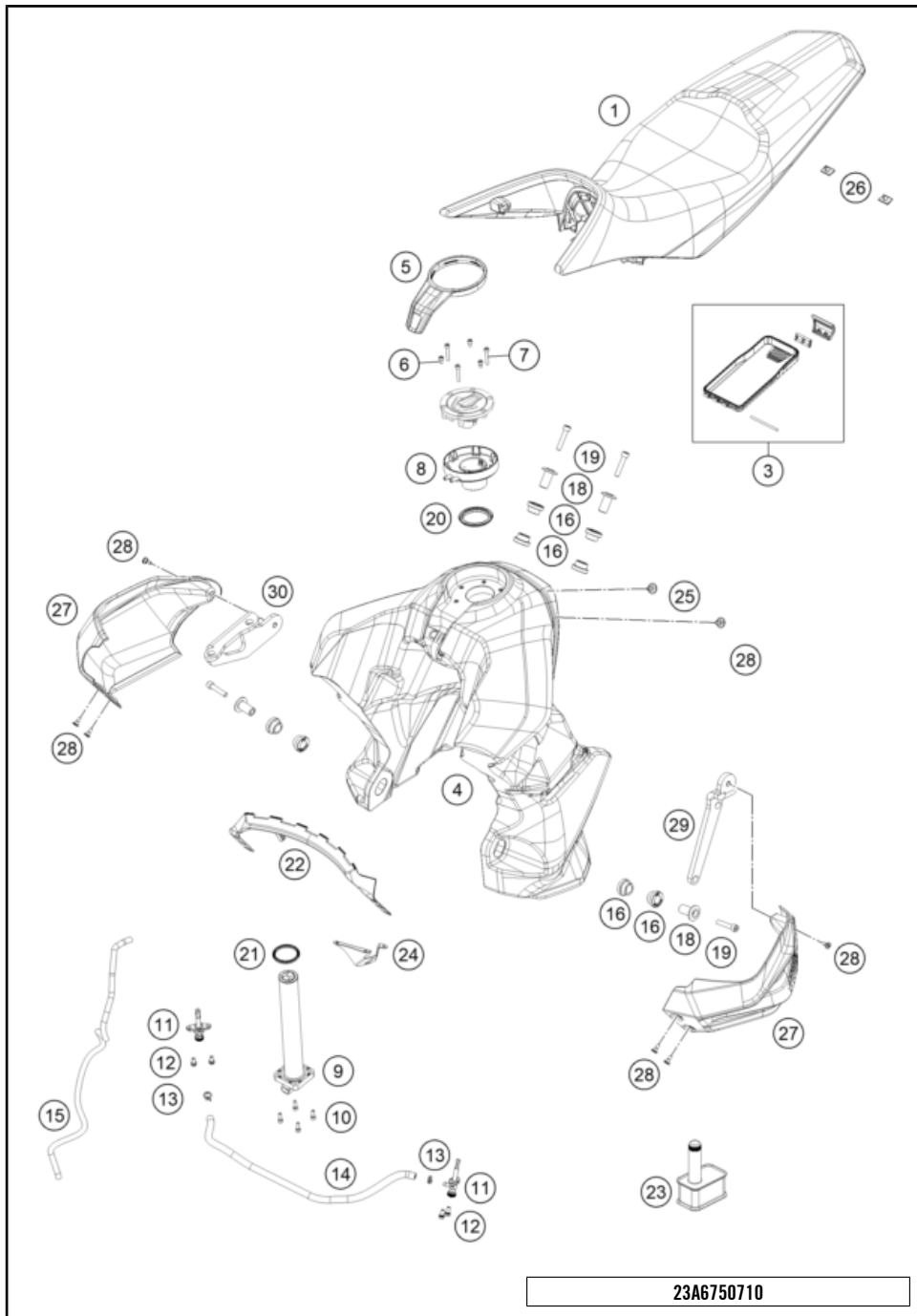
POS	PARTNUMBER		PIECE
1	63506041000	Intake duct, right	1
2	63506040000	Intake duct, left	1
3	63506040150	Intake port gasket right	1
4	63506041150	Intake port gasket left	1
5	69008121160	Special screw M5x12	2
6	63506002100	Air filter box cover	1
7	61041080000	AMBIENT-AIR TEMPERATURE SENSOR	1
8	0081050161	EJOT PT SCREW K50X16 1451	2
9	63506001200	Air filter box	1
10	0081050121	EJOT PT screw K50x12	1
11	63506002160	Cable bracket air filter box	1
12	00050198706	VARIABLE ONE-EAR CLAMP 19,8MM	2
13	63530087000	Pre-formed hose engine breather	1
15	76006014000	rubber grommet	2
16	50206020200	Rubber grommet slotted	1
17	63506026100	Intake channel	2
18	77236048000	HOSE CLAMP GEMI 58MM	2
19	63506116000	Filter clamp frame	1
20	A61006015000	Air filter	1
21	63506117000	Filter clamp wedge	1

236370610

62249

* NEW PART

X ON DEMAND



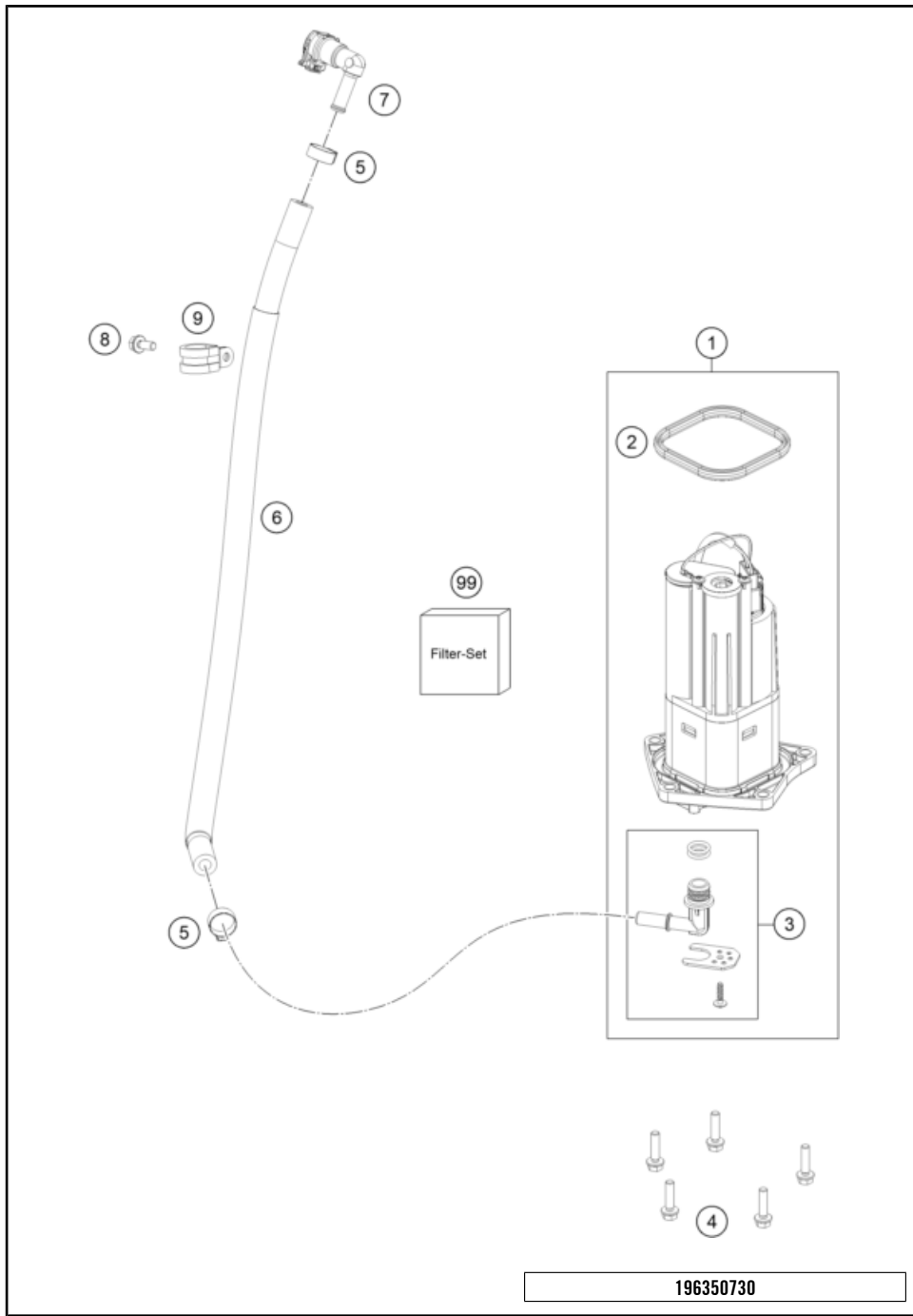
23A6750710

POS	PARTNUMBER		PIECE
1	A67507140000C11	Reat rider Adv. R	1
3	63507047044	Tech-Box Kit	1
4	A67507013000CC	Fuel tank	1
5	A67507058000	Tank Cover	1
6	0912050083	SHCS DIN 912 M5x8	3
7	0912050303	AH SCREW DIN0912-M 5X30	3
8	A61007108050	Fuel tank filler neck	1
9	A67507080000	Fuel level sensor	1
10	0912050163	AH SCREW DIN0912-M 5X16	4
11	58507003200	FUEL COCK CPL.	2
12	0025060126	HH collar screw M6x12 TX30	4
13	58031005000	CLAMP YDNAC 10128 12MM	2
14	A67507016000	Tank equalization hose	1
15	A67515027000	Tank overflow hose 810 mm	1
16	61007065000	collar bushing, front tank holder	8
18	6100716000001	Bearing sleeve, external	4
19	0912080403	SHCS DIN 912 M8x40	4
20	21007008151	gasket tank insert	1
21	60307080090	GASKET FUEL LEVEL SENSOR	1
22	A67535036000	Radiator Protector	1
23	00001000015	Motorex Fuel Stabilizer 125ml	1
24	63507087010	Cover fuel pump	1
25	0900000601200	Seat screw M6x11.5 ISA30	2
26	77307040041	Isolation pad	2
27	A67507025011	Tank protector set	1
28	60708008071	Special screw M5x14	6
29	A67507025035	Tank protector engine fixing arm left	1
30	A67507025045	Tank protector engine fixing arm right	1

68973

* NEW PART

X ON DEMAND



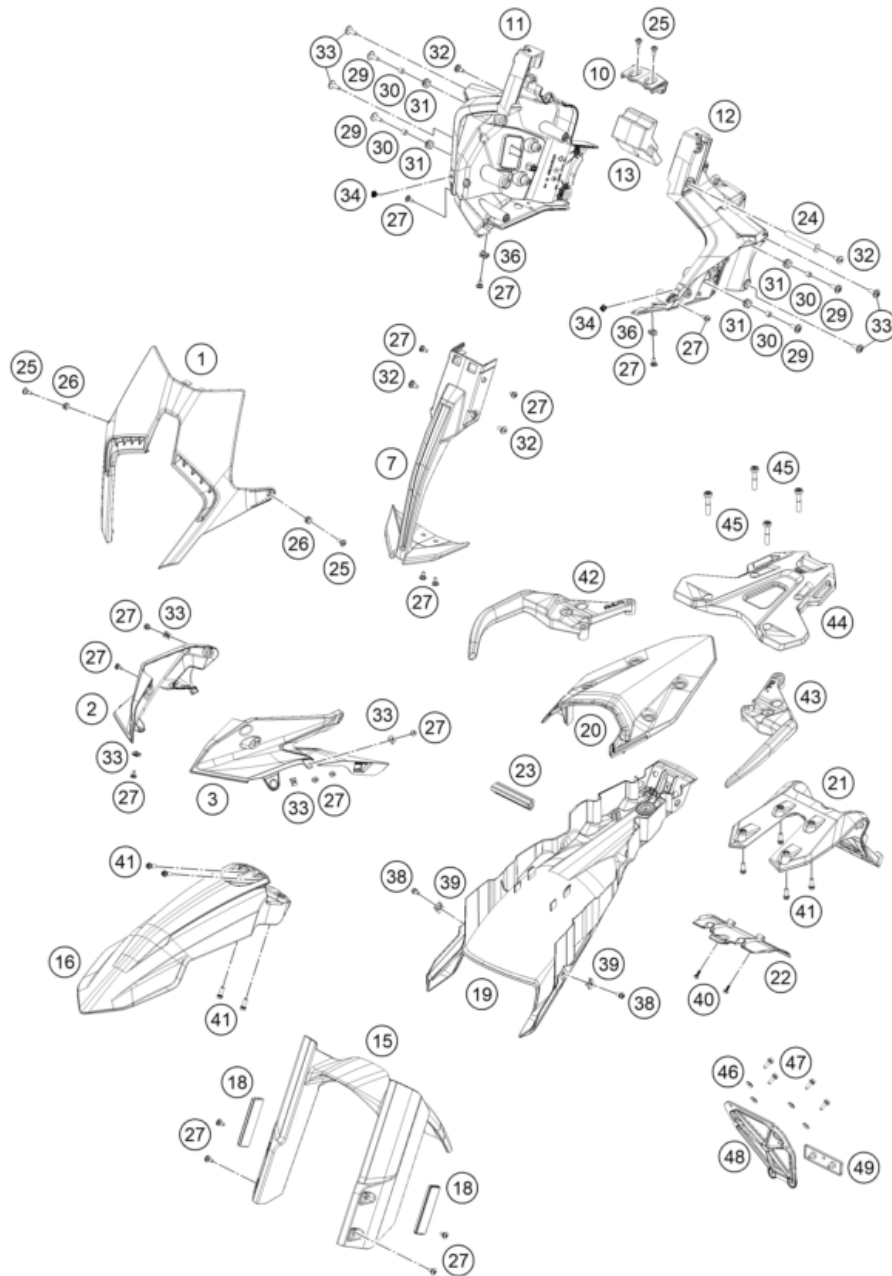
POS	PARTNUMBER		PIECE
1	63507088000	fuel pump	1
2	64107189000	Sealing	1
3	75007092000	HYDRAULIC CONNECTOR CPL.	1
4	0025060206	HH collar screw M6x20 TX30	5
5	00050157706	VARIABLE ONE-EAR CLAMP 15,7MM	2
6	A67507017000	Fuel hose	1
7	76007028000	ELBOW CONNECTOR	1
8	0025050126S	Hex collar screw M5x12 ISA30 SS	1
9	49007439000	CLAMP RSGU 15/12	1
99	63507090000	filter kit	x

196350730

63692

* NEW PART

X ON DEMAND



POS	PARTNUMBER		PIECE
1	A67508008033CBA	Front Deflector with decal	1
2	A61008004000C1	Mask spoiler right	1
3	A61008003000C1	Mask spoiler left	1
7	A67514012000	Headlight mask center part	1
10	A61014012020	Cover mask support	1
11	A61014011000	Mask support right	1
12	A61014010000	Mask support left	1
13	A61014010050	Mask support foam	1
15	A67508010000C1	Front fender	1
16	A67508910000AB	Front fender	1
18	60012080100	SIDE REFLECTOR YELLOW "CEV"	2
19	63508019000	Lower rear panel	1
20	63508013000AB	Tail section	1
21	63508015000	License plate holder support, upper part	1
22	63508016000	License plate holder support, lower bott	1
23	63503002030	Brace subframe	1
24	63514010040	wheel spindle mask support	1
25	60708008071	Special screw M5x14	4
26	60708008070	rubber bush windshield fixation	2
27	69008021160	special screw M5x12	12
29	69014017000	SPECIAL SCREW M6X18 ISA30 08	4
30	69014014000	BUSHING 6,1X9,2X7,5 08	4
31	60006001022	rubber grommet 9x11x16x8.5 mm	4
32	69008021040	special screw M6x14	4
33	69014017000S	special screw M6x18-8.8 ISA30 MK	4
34	21008064010	Bump rubber	2
36	69008021080	clip nut M5	2
38	0025050106	HH collar screw M5x10 TX30	2
39	54603048200	RANGE CHANGE METAL NUT M5	2
40	0081050121	EJOT PT screw K50x12	2
41	0025060166	HH collar screw M6x16 TX30	8
42	63512009100	Passenger grip, right	1
43	63512008000	Passenger grip left	1
44	6061201000030	BAGGAGE CARRIER BRIDGE	1
45	0035080406S	ISA collar screw M8x40 ISA45	4
46	75008023000	WASHER REAR-UT D=14MM	4
47	0025060166S	HH collar screw M6x16 TX30 SL	4

23A6750810

63694

* NEW PART

X ON DEMAND



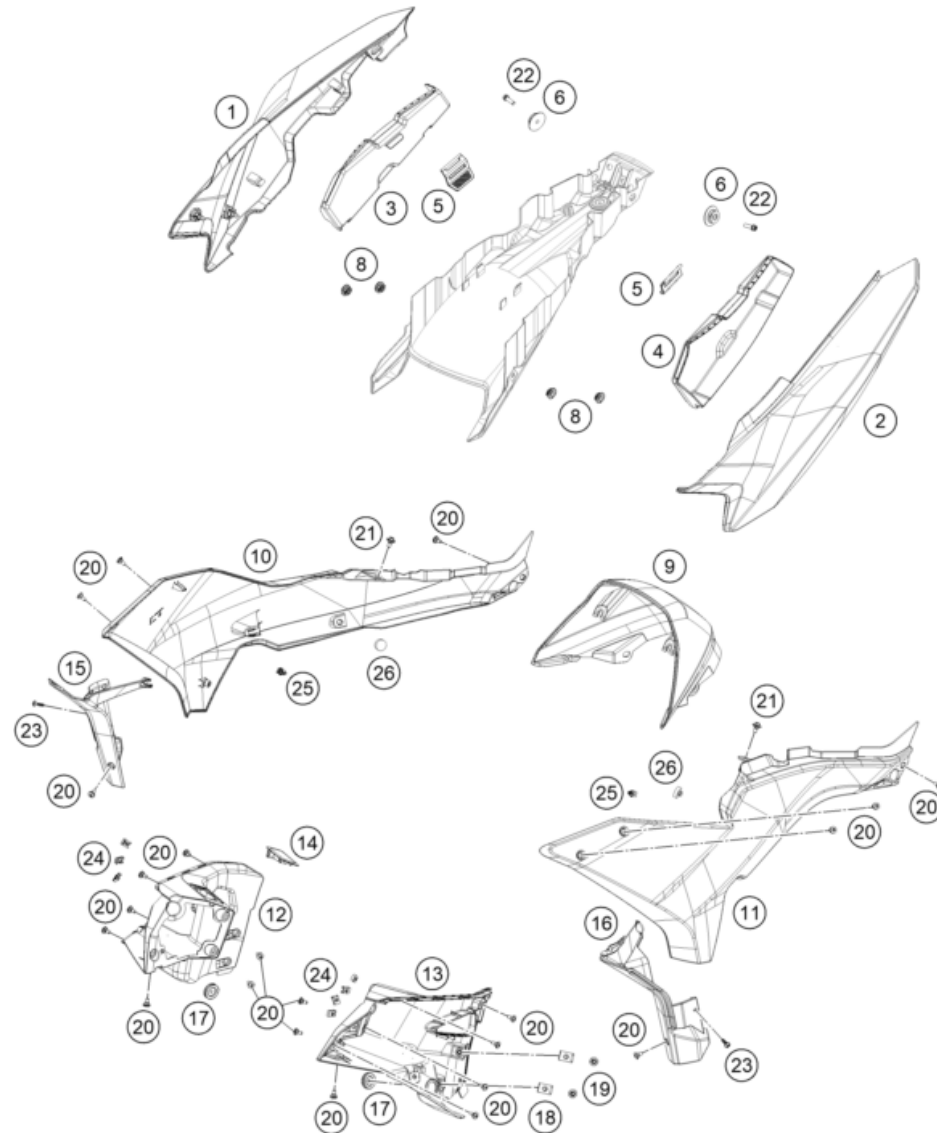
POS	PARTNUMBER		PIECE
48	64112181100	Bracket for reflector	1
49	58412080400	Rear reflector red	1

23A6750810

63694

* NEW PART

X ON DEMAND



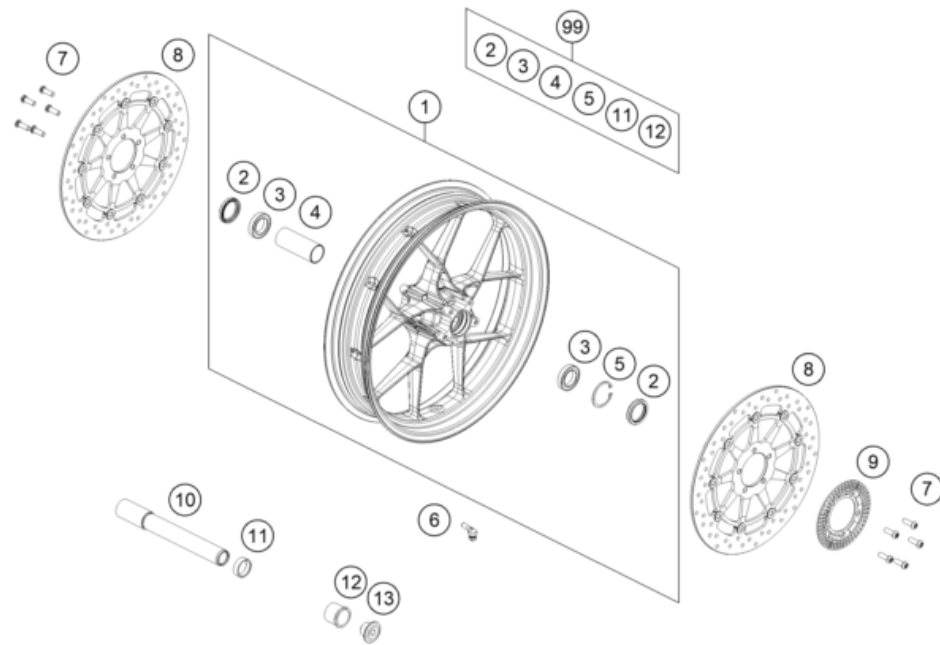
POS	PARTNUMBER		PIECE
1	63508042000ABI	Side fairing right with Decal	1
2	63508041000ABI	Side fairing left with Decal	1
3	63508042050	storage box right	1
4	63508041050	storage box left	1
5	63508041055	Closing rubber	2
6	63508040120	Socket sliding seat	2
8	47106003160	quick release rubber grommet	4
9	A67511054010	Battery cover	1
10	A61008051000C1D	Fuel tank spoiler right with Decal	1
11	A61008050000C1D	Fuel tank spoiler left with Decal	1
12	A61008027000	Inner cover right	1
13	A61008026000	Inner cover left	1
14	A61008027010	Plug cap	1
15	A61008024000C1	Fuel tank spoiler inner right	1
16	A61008023000C1	Fuel tank spoiler inner left	1
17	64106001025	Gummitülle d 22.5/5/2	2
18	54603048100	clip nut M6	2
19	0024060206	HH collar screw M6x20 TX30	2
20	69008021160	special screw M5x12	22
21	83008000012	special screw M6x12x3	2
22	0025060206	HH collar screw M6x20 TX30	2
23	0081050181	SCREW FOR PLASTIC K50X18 T20	2
24	54603048600	RANGE CHANGE METAL NUT M5 INOX	7
25	61908040030	Bracket for side fairing	2
26	54308042000	RUBBER BUFFER	2

23A6750820

63701

* NEW PART

X ON DEMAND



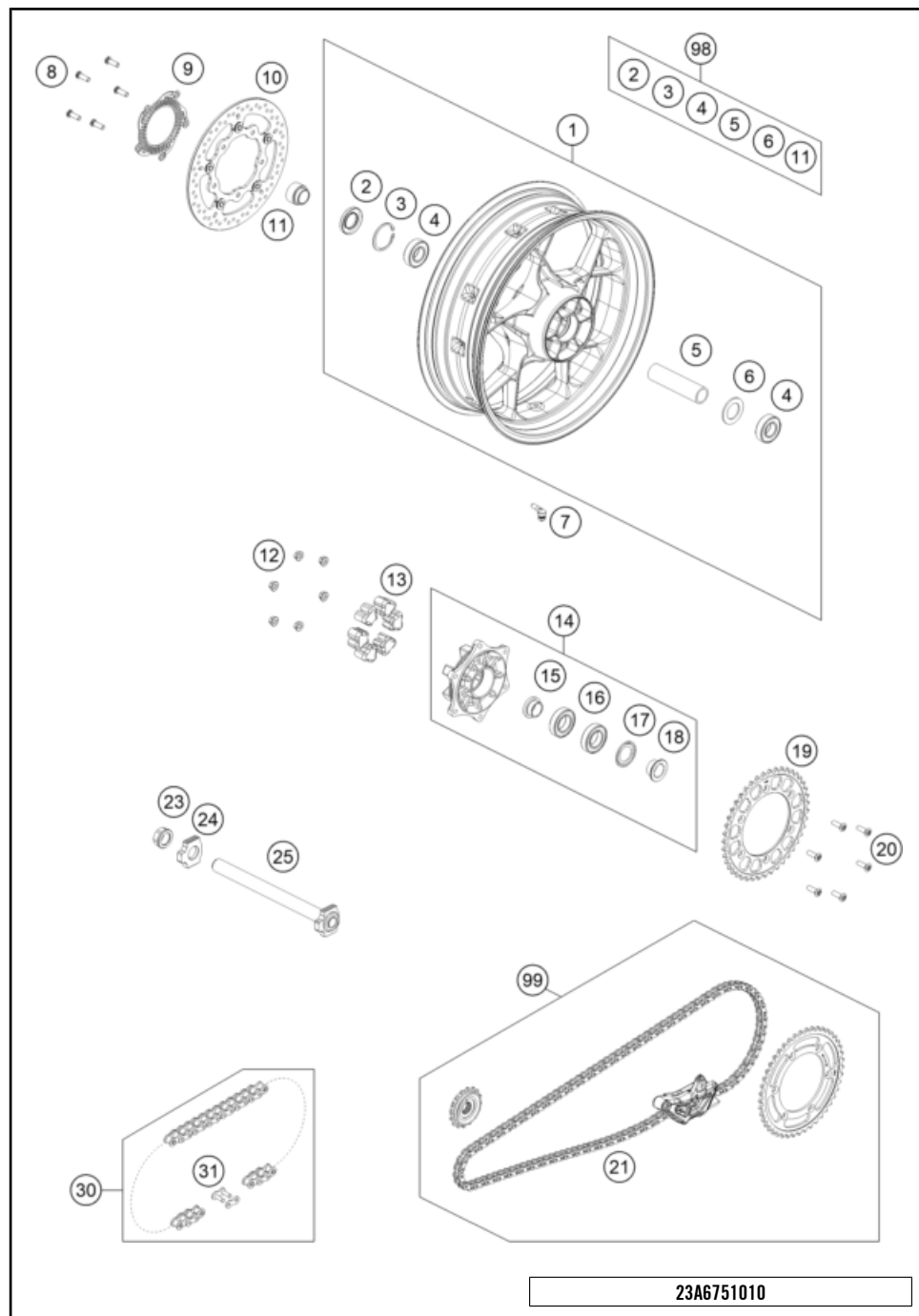
POS	PARTNUMBER		PIECE
1	61609001244EB	Front Wheel cpl. 3,5x17" orange 23	1
2	0760354771	SHAFT SEAL RING 35X47X7 TC	2
3	0625069068	GR.BALL BEAR.6906 DDU2CG23S6NM	2
4	61009011000	BEARING SPACER TUBE FRONT 05	1
5	0472047175	CIRCLIP DIN0472-47X1,75	1
6	61009076100	VALVE ANGLED	1
7	76009062000	SPECIAL SCREW M8X25 SS TX40	10
8	A67509060000	Front brake disc D=320x5	2
9	A67542020000	Front sensor wheel offset=4.0 mm	1
10	60309081100	Wheel spindle, front	1
11	60009013000	SPACER BUSH. FR. WHEEL R/S 03	1
12	A67509012000C1	Left front wheel spacer	1
13	6900103600033	Steering head screw	1
99	A67509015000	wheel bearing repair kit	x

23A6750910

63712

* NEW PART

X ON DEMAND



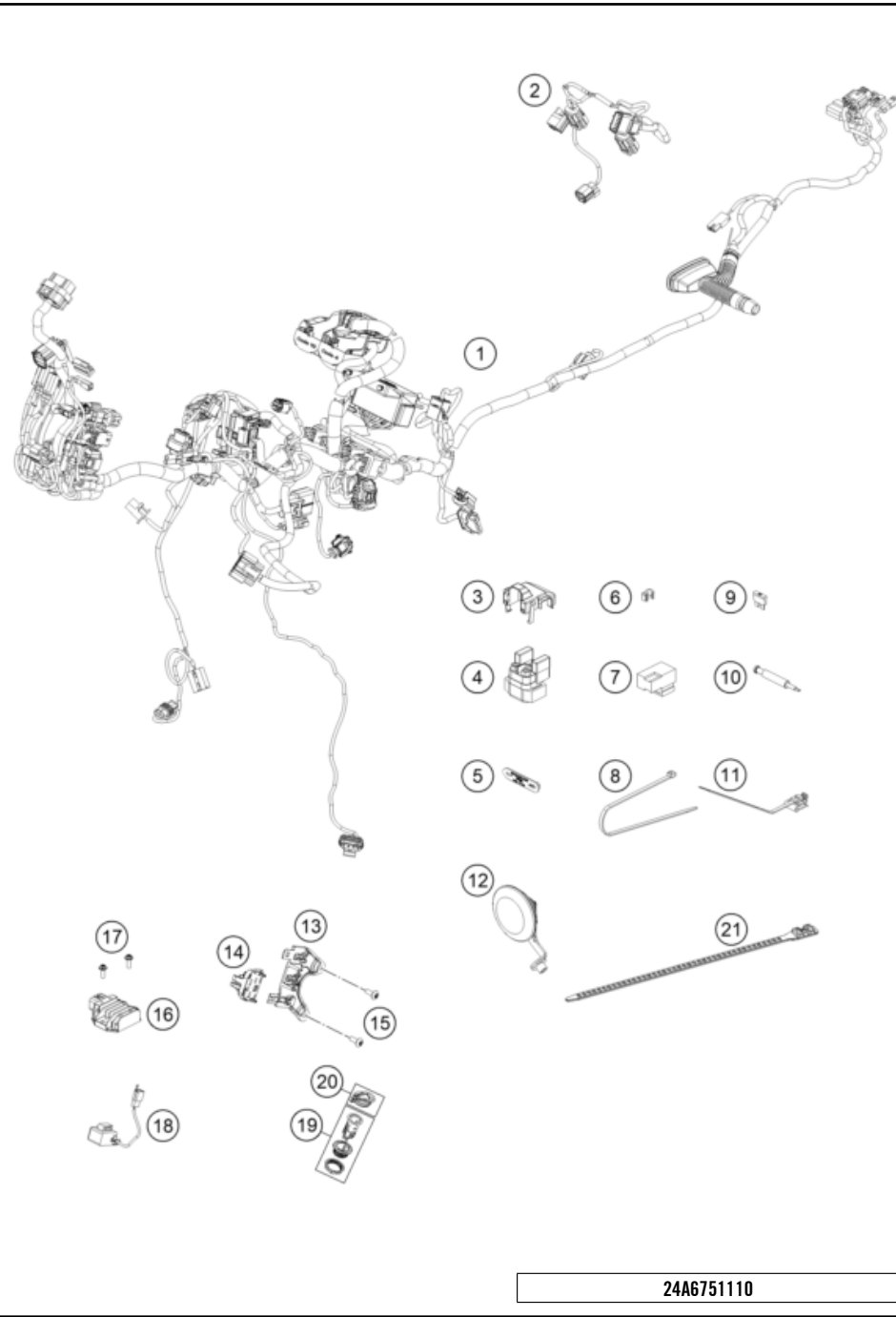
POS	PARTNUMBER		PIECE
1	64110001033EB	Rear wheel 5.5x17" cmpl. elec. orange	1
2	0760305271	SHAFT SEAL RING 30X52X7	1
3	0472052200	CIRCLIP DIN0472-52X2	1
4	0625062052	GR.BALL BEAR. 6205-2RSHC3HMTF7	2
5	60010011000	BEAR. SPACERTUBE L=124,8MM 03	1
6	60010015000	SPACER RING 03	1
7	61009076100	VALVE ANGLED	1
8	76009062000	SPECIAL SCREW M8X25 SS TX0	5
9	76042021100	Rear sensor wheel	1
10	A67510060000	Rear brake disc D=260x5	1
11	A67510013000	Spacer right rear wheel	1
12	06923080003	hex nut EN 1661 M8 WS13	6
13	54610459000	RUBBER DAMPING BLOCK '91	6
14	7501005004433	Sprocket wheel carrier cpl. Black	1
15	60110014000	SPACER BUSH. SPR. SUPP. IN. 06	1
16	0625060060	BALL BEARING 6006 DDU2CG23S6NM	2
17	60110016000	NILOS RING 6006AV	1
18	60110012000	SPACER BUSH. SPROCKET SUPP. 06	1
19	75010051040	SPROCKET STEALTH 40T 07	x
19	75010051041	sprocket	x
19	75010051042	SPROCKET STEALTH 42T 07	x
19	75010051043	Rear sprocket 43Z	1
19	75010051044	KETTENRAD 44Z 08	x
19	75010051045	SPROCKET 45T 08	x
20	0019080266S	COUNTER-SUNK SCREW ISA45 M8X26	6
21	63510067118	chain X-Ring 118 links with chain guide	1
23	61010086000	COLLAR NUT M25X1,5 WS=32 05	1
24	60010084000	CHAIN TENSIONER R/S LC8 03	1
25	69010181044	Rear axel cpl.	1
30	76910065118	chain DID 118 roll	x
31	76910066000	Rivet link chain DID 520 VP2-T	x
98	A67510015000	wheel bearing repair kit	x
99	SPA216G433M118E	Drivetain kit 16/43	x

23A6751010

63721

* NEW PART

X ON DEMAND



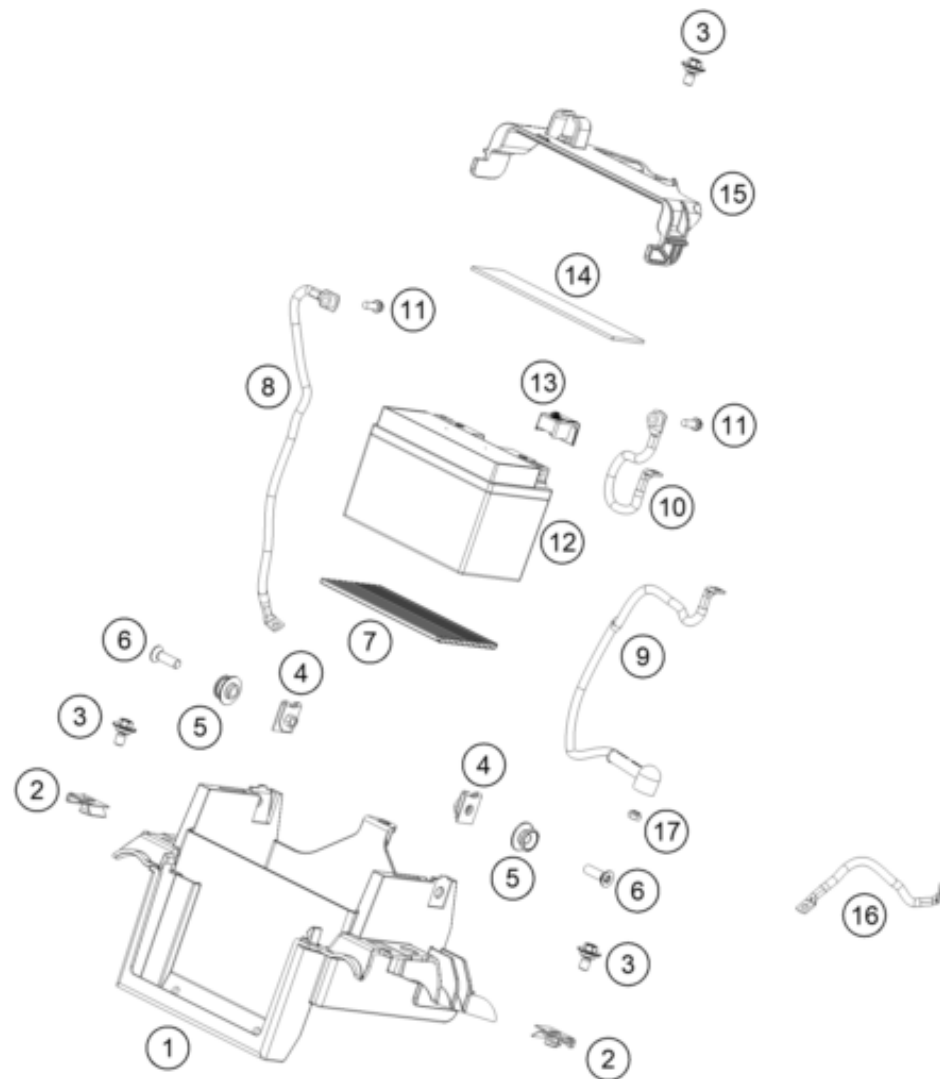
POS	PARTNUMBER		PIECE
1	A61011475000	Main wiring harness	1
2	63711085000	Engine wiring harness	1
3	64111058110	Cover flap, starter relay	1
4	76211058000	STARTER RELAY 07	1
5	60011093075	RUBBER CABLE TIE 75MM 03	x
5	60011093045	RUBBER CABLE TIE 45MM 03	x
6	60111094100	BAR SPACER 4/7 BLACK	2
7	61111057000	RELAY CM1A-R-12V-H80 07	4
8	44011076305	CABLE TIE 300/4,8MM BLACK	x
8	44011076140	CABLE TIE 140/2,5MM BLACK	x
8	44011076200	CABLE TIE 200/3,6MM BLACK	x
9	58011109130	FUSE 30 A	1
10	61111018100	TEMPERATURE SENSOR	1
11	64111059020	Cable holder, attachable	1
12	76011060100	DC HORN 12V	1
13	A61011083000	CCU control unit support	1
14	A61011083050	Front connector support	1
15	58605083014	SCREW M5X14 TORX 25 07	2
16	60311034000	VOLTAGE REGULATOR	1
17	0024060206	HH collar screw M6x20 TX30	2
18	76011030000	FLASHER UNIT LED 6,25W	1
19	60711042000	Power socket 12V	1
20	60311042050	Lid 12V-socket	1
21	0330000726000	Cable tie flexible 7x260	1

24A6751110

68974

* NEW PART

X ON DEMAND



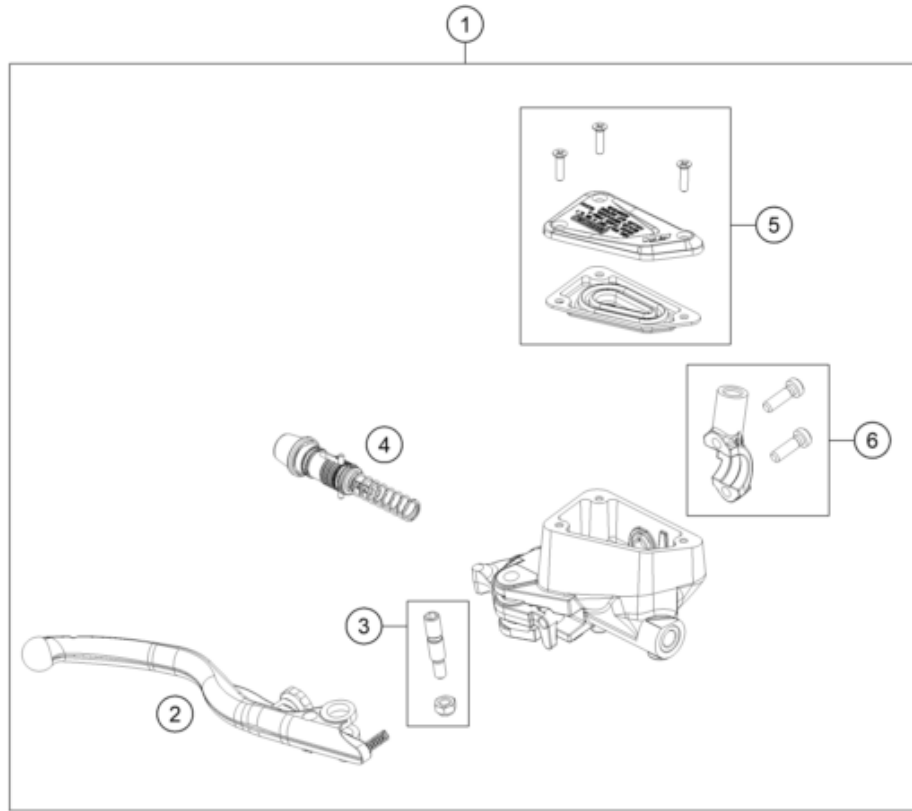
POS	PARTNUMBER		PIECE
1	63508025110	Electrics bracket front	1
2	54603048100	clip nut M6	2
3	83008000012	special screw M6x12x3	3
4	93008082010	Range change metal nut M6	2
5	63507040070	Seat bushing	2
6	014581060201	Count.snk screw M6x20 TX30	2
7	63511053050	rubber battery holder	1
8	63511097000	Ground wire	1
9	63511059000	Starter cable	1
10	63511059050	battery cable	1
11	0025060166	HH collar screw M6x16 TX30	2
12	64111053000	battery HTZ12A-BS(DA)	1
13	62111059060	COVER POSITIVE POLE	1
14	63508055010	Foam rubber 33x132	1
15	63508055000	Clamping bracket	1
16	64111096000	mass cable starter-frame	1
17	0985060003	SELF LOCK. NUT DIN0985-M 6	1

216371130

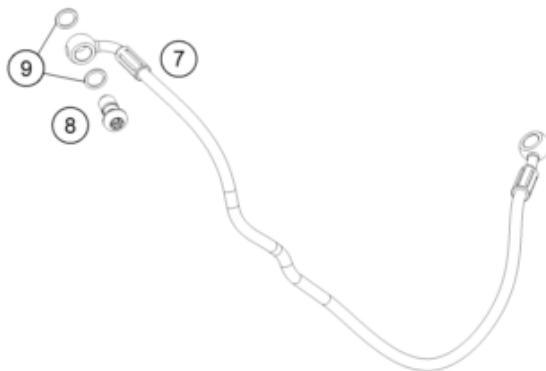
55613

* NEW PART

X ON DEMAND



POS	PARTNUMBER		PIECE
1	A67513001033C1	Front master cylinder cpl.	1
2	A67513002044C1	Brake lever cpl.	1
3	64113006000	Lever bolt cpl.	1
4	63713008000	Piston assembly	1
5	64113031100	Reservoir cap cpl.	1
6	6350204400030	Clamp cpl. incl. 2 screws	1
7	63542001000	Brake line MC-ABS	1
8	62113020100	banjo bolt M10x1x19.5	1
9	0603100141	sealing ring DIN 7603 10x14x1	2

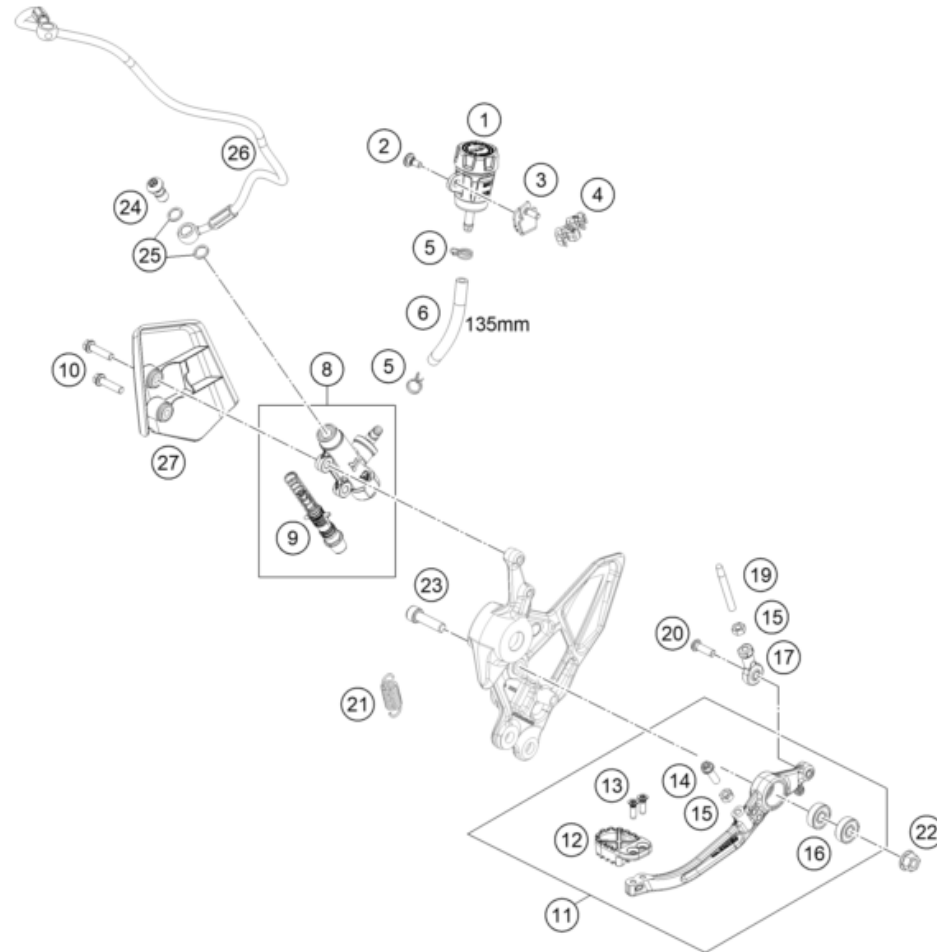


196351310

63665

* NEW PART

X ON DEMAND



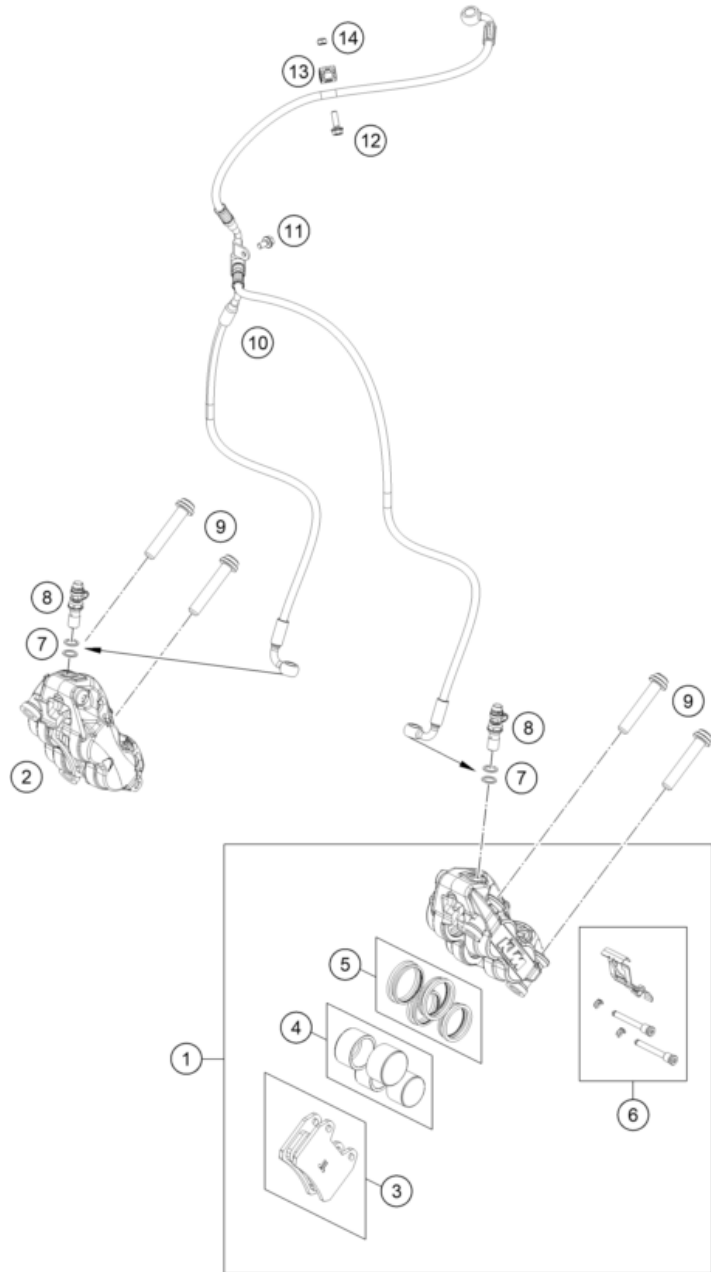
POS	PARTNUMBER		PIECE
1	64113069000	Reservoir assembly	1
2	69013099050	SCREW F. EXPANSION TANK	1
3	64113026000	Brake line holder	1
4	64142046000	Bracket ABS line dia7.5	1
5	58007017000	YDNAC CLAMP 10101 (10,4MM)	2
6	69013069001	HOSE FOR RESERVOIR 6X1,5	1
8	6411306000030	Foot master cylinder cpl. black	1
9	64113061000	Piston assembly	1
10	0025060256	HH collar screw M6x25 TX30	2
11	63513050033C1	Foot brake lever cpl. without push rod	1
12	63513051000	Footbrake lever step plate	1
13	014581050162	CS screw, ISO14581-M5x16-A2-070 ISA25	2
14	0025060206	HH collar screw M6x20 TX30	1
15	0934060003	hex nut DIN 934 M6	2
16	0625006087	GROOVED BALL BEAR. 608 2RS C3	2
17	54603069000	SWIVEL HEAD M6 FOOT BRAKE LEV.	1
19	54603068000	PRESSURE ROD ALU 250 '90	1
20	0738060205S	Oval head screw ISR M6x20-A2-70-MK	1
21	54603062200	Return spring for brake lever	1
22	54310086200	SELF LOCKING NUT M8 10.9	1
23	014579080301S	screw ISO 14579-M8x30-10.9-MK black	1
24	62113020100	banjo bolt M10x1x19.5	1
25	0603100141	sealing ring DIN 7603 10x14x1	2
26	63742002000	Brake line, rear master cylinder	1
27	A61003039051	Rear master cylinder guard	1

23A6751330

63676

* NEW PART

X ON DEMAND



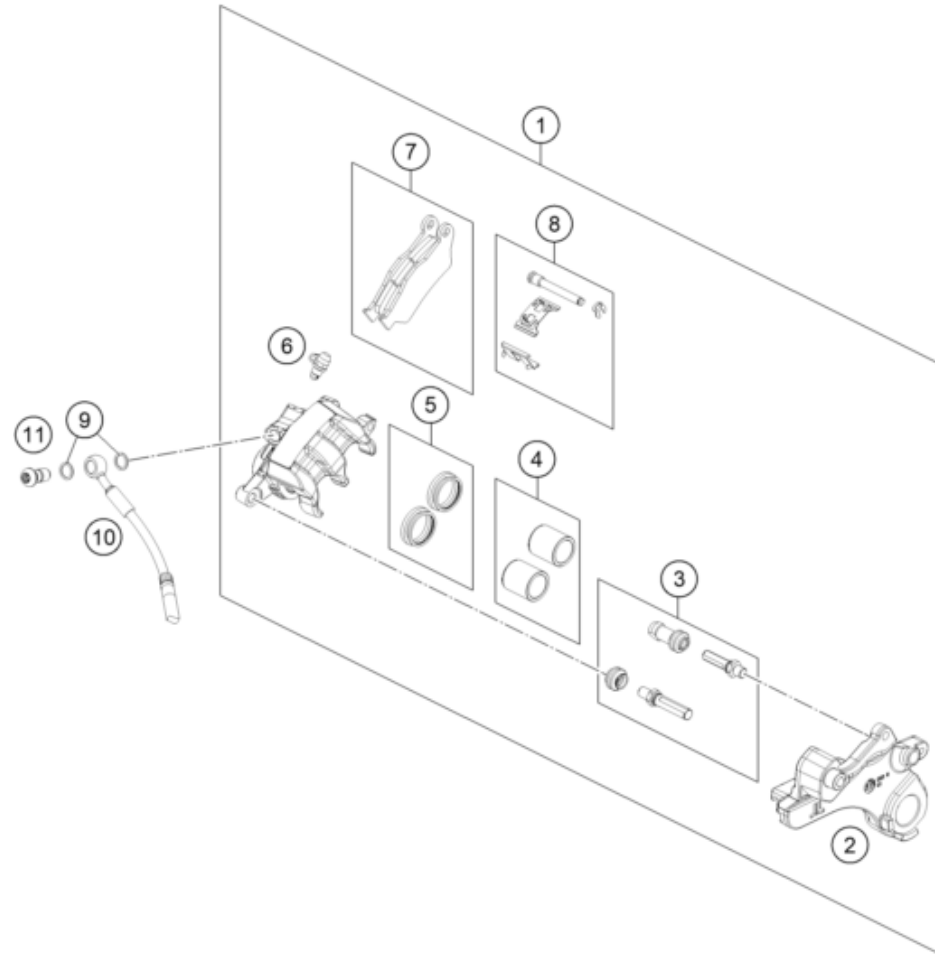
POS	PARTNUMBER		PIECE
1	63713115000	Brake caliper, front left	1
2	63713116000	Brake caliper, front right	1
3	64113030000	Brake pad set front	2
4	63513019000	Piston set	2
5	63613021000	Seal set	2
6	64113017000	Retaining spring set	2
7	0603100141	sealing ring DIN 7603 10x14x1	4
8	62513020000	BLEEDER SCREW CPL. 05	2
9	0035100559S	AH-COLLAR SCREW M10X1,25X55SS	4
10	63542003000	Brake line ABS-Caliper	1
11	0025050106	HH collar screw M5x10 TX30	1
12	0025050166	HH collar screw M5x16 TX30	1
13	60113146000	SUPPORT FOR BRAKE HOSE M5	1
14	0985050003	SELF LOCKING NUT DIN0985-M 5	1

216371360

63724

* NEW PART

X ON DEMAND



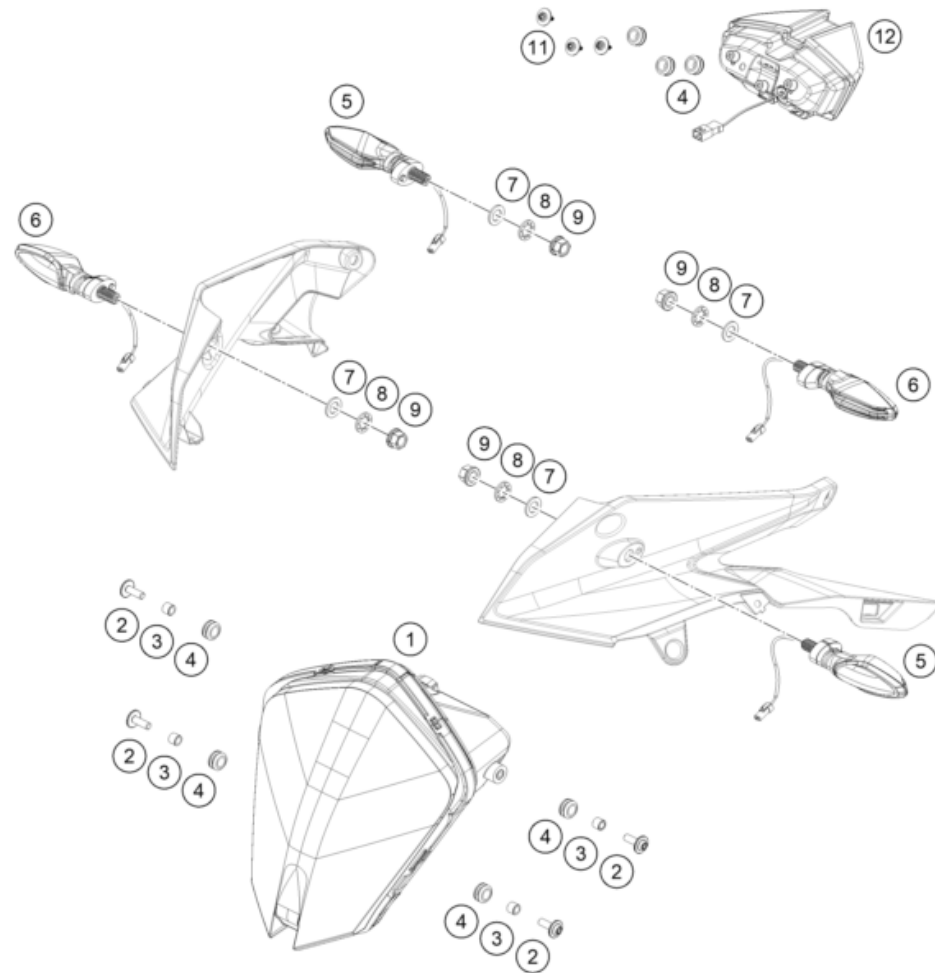
POS	PARTNUMBER		PIECE
1	A67513080000	Brake caliper rear	1
2	A67513075000	caliper bracket rear	1
3	64113084000	Cup set	1
4	63713083000	brake piston set	1
5	63513081000	Seal set	1
6	64113020000	Bleeder + cap	1
7	63713090000	rear brake pads	1
8	63513085000	Pad pin and spring	1
9	0603100141	sealing ring DIN 7603 10x14x1	2
10	63742004000	Brake line, rear brake caliper	1
11	62113020100	banjo bolt M10x1x19.5	1

196351390

63725

* NEW PART

X ON DEMAND



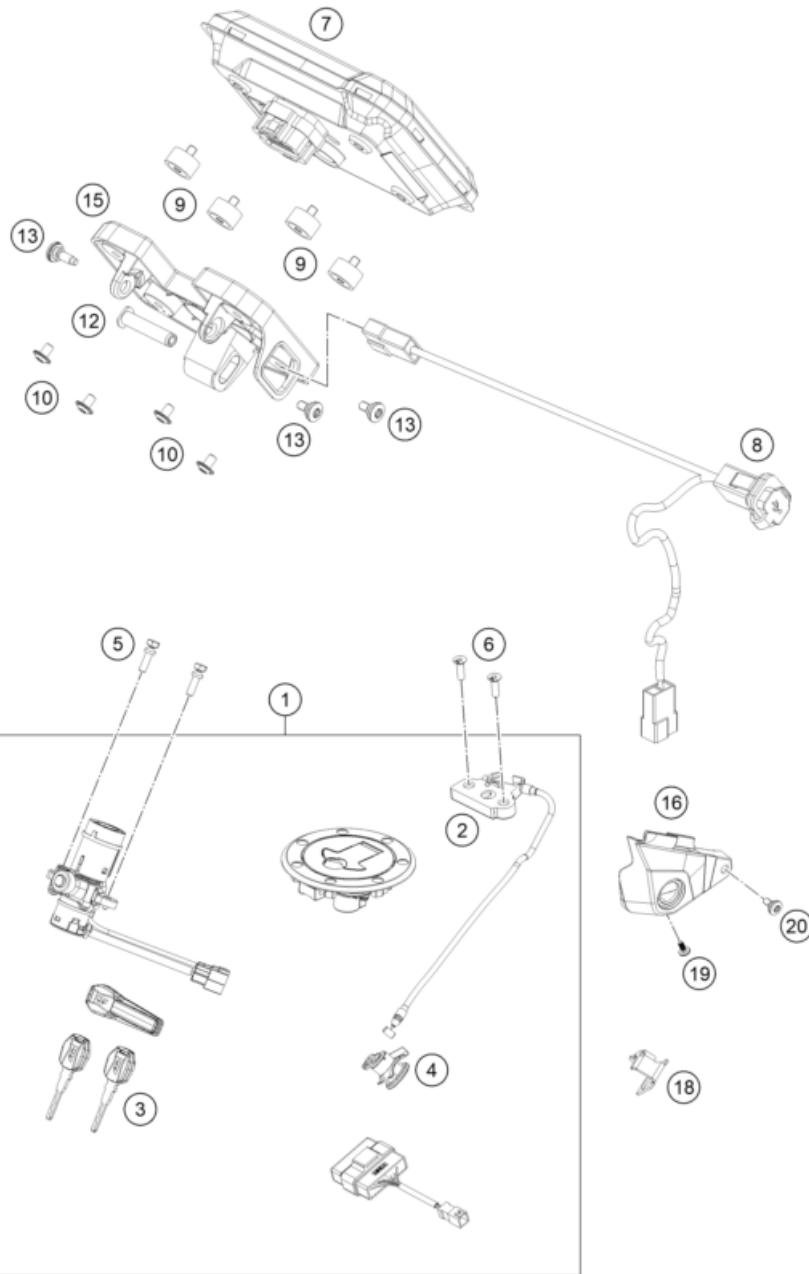
POS	PARTNUMBER		PIECE
1	A61014001000	Headlight	1
2	69014017000S	special screw M6x18-8.8 ISA30 MK	4
3	69014014000	BUSHING 6,1X9,2X7,5 08	4
4	60006001022	rubber grommet 9x11x16x8.5 mm	7
5	60314025000	turn signal front left/rear right	2
6	60314026000	turn signal front right/rear left	2
7	0433100003	WASHER 18x10,5x1,6	4
8	0797100003	LOCK WASHER DIN6797-J10,5 ZI	4
9	58414030000	HH COLLAR NUT M10X1,25 WS=13	4
11	0081645121	EJOT DELTA PT SCREW 45X12-Z	3
12	63514040000	Tail light	1

236371411

62172

* NEW PART

X ON DEMAND



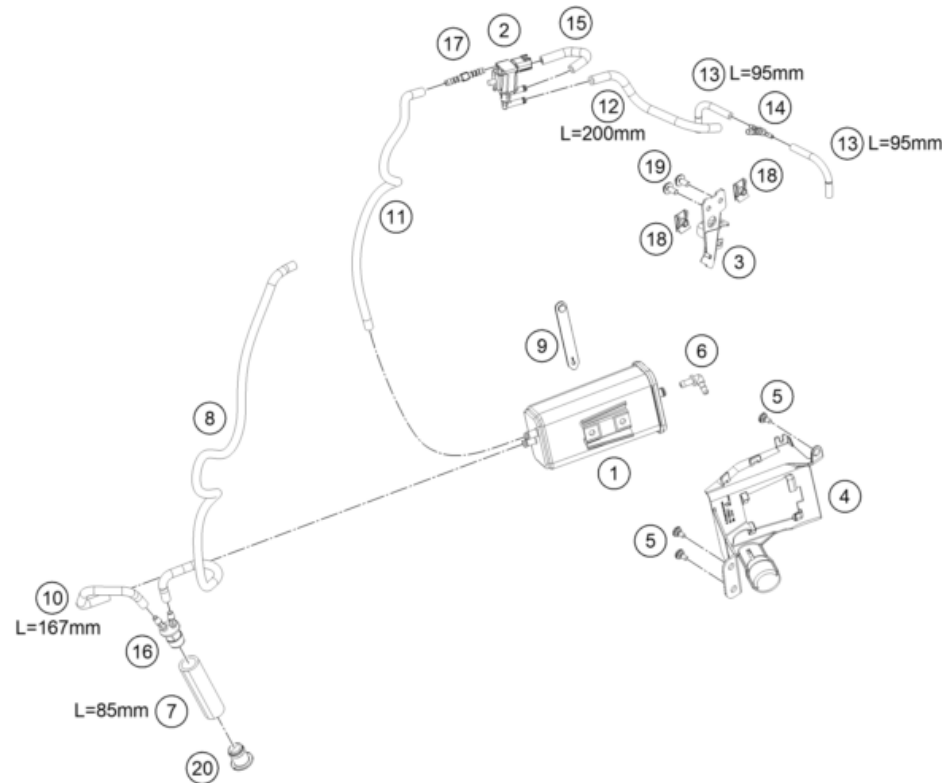
POS	PARTNUMBER		PIECE
1	A61011066044	Lock kit	1
2	63507050000	Seat lever assy	1
3	64111067000	KTM ignition key	1
3	64111067010	Blank Key KTM	x
4	90107050050	SEAT LOCK	1
5	76011064200	Tear-off screw M6 ignition lock ISA30 MK	2
6	0738060205S	Oval head screw ISR M6x20-A2-70-MK	2
7	22114069000	Combination instrument	1
8	64111043000	USB power socket 12 V	1
9	61614069010	Absorber Speedometer	4
10	073802050083	Oval head screw ISR M5x8-08.8	4
11	69008021060	special screw M5x17	2
12	61914010020	Bushing, speedometer attachment	1
13	69008021160	special screw M5x12	1
15	A61014060000	Dashboard support	1
16	63507050050	Lock cover	1
18	64107051000	Cable Bracket Lock	1
19	0081045121	SCREW FOR PLASTIC K45X12 T20	1
20	69008021160	special screw M5x12	1

236371430

62154

* NEW PART

X ON DEMAND



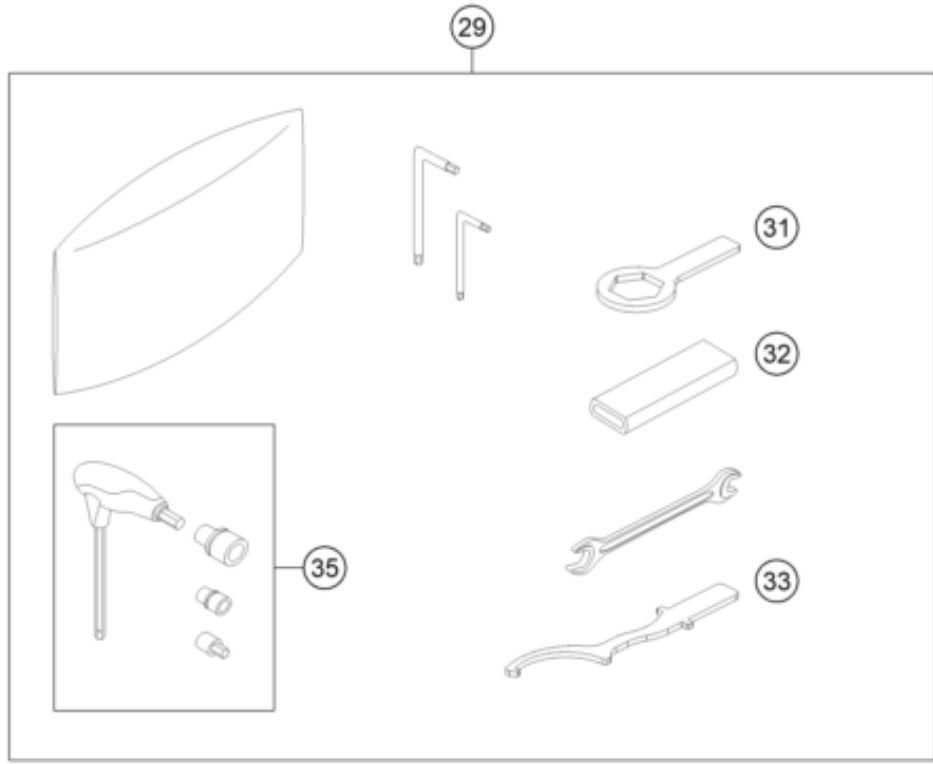
POS	PARTNUMBER		PIECE
1	75015001200	CARBON CANISTER	1
2	A62415015000	Purge valve	1
3	A61015126015	Retain. bracket evap. canis. valve cmpl.	1
4	A67515003010	Active Carbon Filter holder	1
5	69008021160	special screw M5x12	3
6	60035068000	ANGLE CONNECTION EXPANS. TANK	1
7	61915022001	Hose, FKM/ECO, 18x25 per m.	1
8	A67515022000	Hose fuel tank vent evap. canister	1
9	60011093075	RUBBER CABLE TIE 75MM 03	1
10	A67515024000	Hose 6x10 FKM/ECO L=167	1
11	63515028100	Evaporative canister hose - purge valve	1
12	78015019200	Hose FPM/ECO 6x10 L=200	1
13	78015021095	Hose, FPM/ECO 4/8 L=95	2
14	64115026000	Hose connection nozzles	1
15	61415021000	HOSE PURGE VALVE	1
16	61915028000	Y-PIECE YS 6-18-6	1
17	69015019010	HOSE CONNECTION STRAIGHT	1
18	54603048100	clip nut M6	2
19	69014017000S	special screw M6x18-8.8 ISA30 MK	2
20	61915026000	Plug D=18	1

24A6751510

68975

* NEW PART

X ON DEMAND



OHNE ABBILDUNG
WITHOUT ILLUSTRATION

0

TECHNISCHE DOKUMENTATION
TECHNICAL DOCUMENTATION
DOCUMENTACION TECNICA
DOCUMENTATION TECHNIQUE
NOTE TECNICHE

1

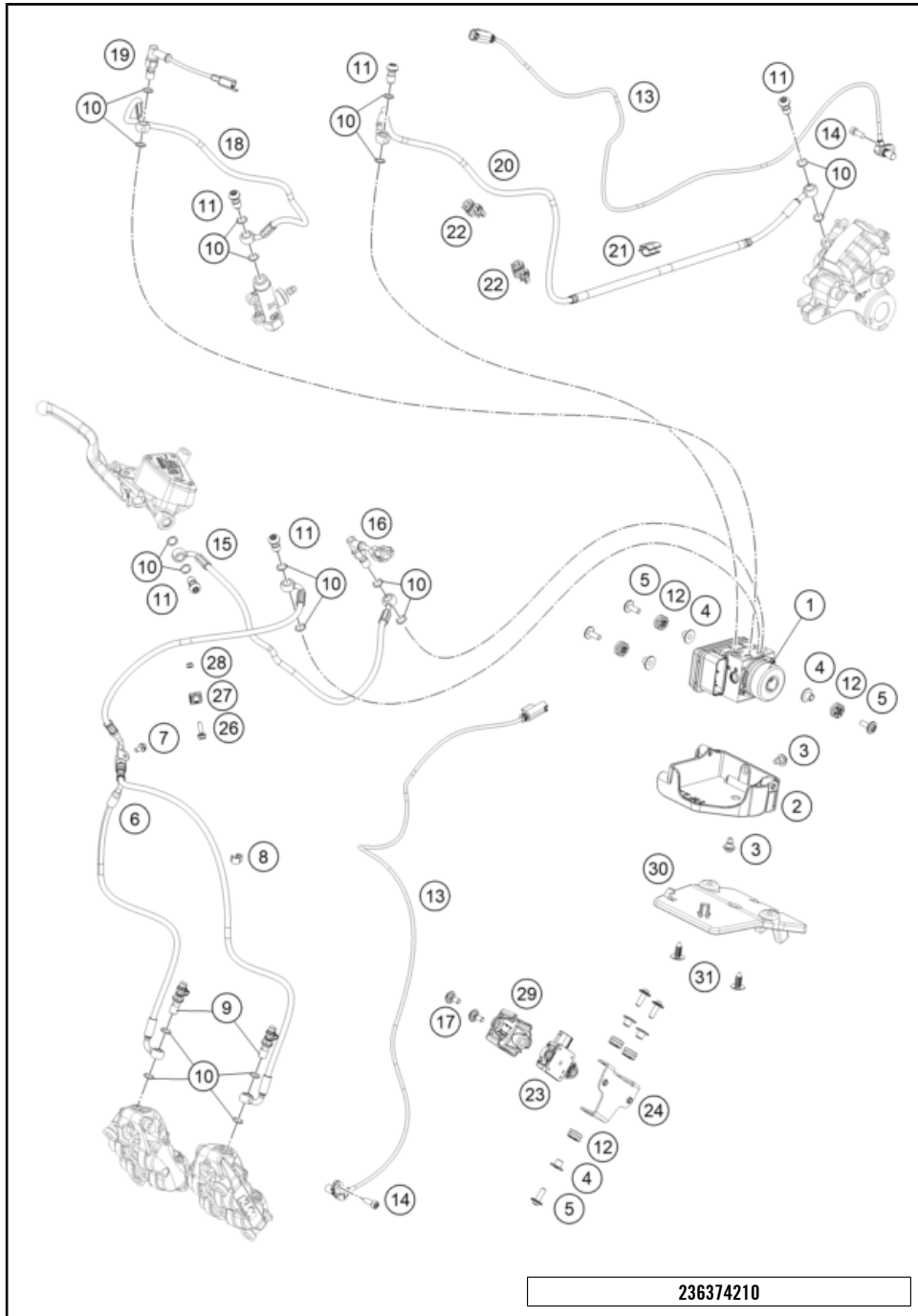
196352000

POS	PARTNUMBER		PIECE
0	61312040300	Mirror left	1
0	61312041300	Mirror right	1
0	75008023000	WASHER REAR-UT D=14MM	4
0	A67507025010	Tank protector left	1
0	A67507025020	Tank protector right	1
0	A67508008033CBA	Front Deflector with decal	1
0	60708008070	rubber bush windshield fixation	6
0	60708008071	Special screw M5x14	6
0	00063004202	PRINT LABEL 60X51 MM	1
0	00063004105	950 ADV. CARTON F WIND PROT.	1
0	00063004012	HEADLIGHT MASK BOX	1
0	00063004204	Self-ad. stkr. 100X200 mm, perf., art. 3	2
0	0025050166S	HH Collar Screw M5x16 ISA30 SS	4
0	58412080400	Rear reflector red	1
0	6030218004430	HANDSCHUTZ LI. KPL. M. BEFEST.	1
0	6030218104430	HANDSCHUTZ RE. KPL. M. BEFEST.	1
0	60408061050	RUBBER 14X6.5X2.3MM	2
0	64112181100	Bracket for reflector	1
1	3214934EN	Owner's manual 890 SMT '24	1
29	63729099000	Tool set	1
31	60012060032	RING WRENCH 32MM	1
32	60012060000	GRIP FOR RING WRENCH	1
33	76029062000	HOOK WRENCH F. SHOCK ABSORBER	1
35	50329070000	T-WRENCH WS=6/8/10 '97	1

68977

* NEW PART

X ON DEMAND



POS	PARTNUMBER		PIECE
1	A61042031044	ABS module filled	1
2	63542040200	ABS modulator bracket	1
3	59001092050	SPECIAL SCREW M6X12,5 WS=8	2
4	61342041000	COLLAR BUSH 6,5X9X18X8,5	6
5	69014017000S	special screw M6x18-8.8 ISA30 MK	6
6	63542003000	Brake line ABS-Caliper	1
7	0025050106	HH collar screw M5x10 TX30	1
8	60111094100	BAR SPACER 4/7 BLACK	8
9	62513020000	BLEEDER SCREW CPL. 05	2
10	0603100141	sealing ring DIN 7603 10x14x1	18
11	62113020100	banjo bolt M10x1x19.5	5
12	62142041100	DUMPER 40 SHORE	4
13	76042125000	ABS-SENSOR	2
14	014580060166	SHCS ISO 14580 M6x16	2
15	63542001000	Brake line MC-ABS	1
16	64111051100	Brake light switch	1
17	83008000015	SPECIAL SCREW M6X15X3	2
18	63542002000	Brake line MC-ABS	1
19	62111051000	BRAKE LIGHT SWITCH REAR	1
20	63542004000	Brake links ABS-Caliper	1
21	54813026100	CABLE SUPPORT 10/4MM 2014	1
22	64142046000	Bracket ABS line dia7.5	2
23	61542090000	Angle sensor	1
24	63742090015	Retaining bracket angle sensor compl.	1
26	0025050166	HH collar screw M5x16 TX30	1
27	60113146000	SUPPORT FOR BRAKE HOSE M5	1
28	0985050003	SELF LOCKING NUT DIN0985-M 5	1
29	61342090050	COVER SENSOR BOX	1
30	A61042040010	Heat protection	1
31	61103165000	PLUG FOR M8	2

62216

* NEW PART

X ON DEMAND

3

FRONT FORK	REAR SHOCK
FRONT FORK 1 - USA	REAR SHOCK 1 - USA
FRONT FORK 2 - USA	REAR SHOCK 2 - USA
FRONT FORK 3 - USA	REAR SHOCK 3 - USA
FRONT FORK 4 - USA	REAR SHOCK 4 - USA
FRONT FORK 5 - USA	REAR SHOCK 5 - USA
FRONT FORK 6 - USA	REAR SHOCK 6 - USA
FRONT FORK 7 - USA	REAR SHOCK 7 - USA
FRONT FORK 8 - USA	REAR SHOCK 8 - USA
FRONT FORK 9 - USA	REAR SHOCK 9 - USA
FRONT FORK 10 - USA	REAR SHOCK 10 - USA
FRONT FORK 11 - USA	REAR SHOCK 11 - USA
FRONT FORK 12 - USA	REAR SHOCK 12 - USA
FRONT FORK 13 - USA	REAR SHOCK 13 - USA
FRONT FORK 14 - USA	REAR SHOCK 14 - USA
FRONT FORK 15 - USA	REAR SHOCK 15 - USA
FRONT FORK 16 - USA	REAR SHOCK 16 - USA
FRONT FORK 17 - USA	REAR SHOCK 17 - USA
FRONT FORK 18 - USA	REAR SHOCK 18 - USA
FRONT FORK 19 - USA	REAR SHOCK 19 - USA
FRONT FORK 20 - USA	REAR SHOCK 20 - USA
FRONT FORK 21 - USA	REAR SHOCK 21 - USA
FRONT FORK 22 - USA	REAR SHOCK 22 - USA
FRONT FORK 23 - USA	REAR SHOCK 23 - USA
FRONT FORK 24 - USA	REAR SHOCK 24 - USA
FRONT FORK 25 - USA	REAR SHOCK 25 - USA
FRONT FORK 26 - USA	REAR SHOCK 26 - USA
FRONT FORK 27 - USA	REAR SHOCK 27 - USA
FRONT FORK 28 - USA	REAR SHOCK 28 - USA
FRONT FORK 29 - USA	REAR SHOCK 29 - USA
FRONT FORK 30 - USA	REAR SHOCK 30 - USA
FRONT FORK 31 - USA	REAR SHOCK 31 - USA
FRONT FORK 32 - USA	REAR SHOCK 32 - USA
FRONT FORK 33 - USA	REAR SHOCK 33 - USA
FRONT FORK 34 - USA	REAR SHOCK 34 - USA
FRONT FORK 35 - USA	REAR SHOCK 35 - USA
FRONT FORK 36 - USA	REAR SHOCK 36 - USA
FRONT FORK 37 - USA	REAR SHOCK 37 - USA
FRONT FORK 38 - USA	REAR SHOCK 38 - USA
FRONT FORK 39 - USA	REAR SHOCK 39 - USA
FRONT FORK 40 - USA	REAR SHOCK 40 - USA
FRONT FORK 41 - USA	REAR SHOCK 41 - USA
FRONT FORK 42 - USA	REAR SHOCK 42 - USA
FRONT FORK 43 - USA	REAR SHOCK 43 - USA
FRONT FORK 44 - USA	REAR SHOCK 44 - USA
FRONT FORK 45 - USA	REAR SHOCK 45 - USA
FRONT FORK 46 - USA	REAR SHOCK 46 - USA
FRONT FORK 47 - USA	REAR SHOCK 47 - USA
FRONT FORK 48 - USA	REAR SHOCK 48 - USA
FRONT FORK 49 - USA	REAR SHOCK 49 - USA
FRONT FORK 50 - USA	REAR SHOCK 50 - USA

4

SETTING	FORK	SHOCK
Comfort	22	22 22 25 2
Standard	15 15 15 25 2	
Sport	5 5 5 25 2	
Max. payload	15 15 7 8 10	

5

6

E1	Part Number
10	R04/01*9117
41	R04/08*0178
53	R00/00*0106
60	R00/00*0106
78	R04/01*0332

7

Please read the entire owner's manual before putting the vehicle into operation for the first time!
Lire attentivement l'ensemble du manuel d'utilisation avant de mettre le véhicule en service!

8

9

890 SM T	
Fuel:	RON 95 unleaded (USA + PREMIUM PON 91)
Tyre front:	120/70 ZR 17 (58W)
Air pressure front:	rider only 2.4 bar (35 psi) max. payload 2.9 bar (36 psi)
Tyre rear:	160/55 ZR 17 (73W)
Air pressure rear:	rider only 2.4 bar (35 psi) max. payload 2.9 bar (42 psi)
Max payload:	244 kg (538 lbs)
Max. total weight:	490 kg (982 lbs)
Engine oil:	fully synthetic 120W/50

10

KTM AG	
VBKXXXXXXXXXXXXXX	
HTM XXXXXXXXX	
LXX-XX (XXKW)	LXX-XX (XXKW)
db 0000 min ⁻¹	00 db 0000 min ⁻¹
e1-XXXXXXXXXX00	e1-XXXXXXXXXX
max. XXX kg	max. XXX kg

POS	PARTNUMBER		PIECE
3	A61007096000	Fuse box sticker	1
4	A67506098000	STD setting sticker	1
5	64104099100	Sticker chain tension	1
6	63703095100	Sticker ECE	1
7	A60007098000	Fuel tank sticker EU	1
8	21003094000	"Sticker ""EAC"""	1
9	A67503097000	Technical data sticker	1
10	L124-A675-2	Typenschild EU KTM	1

24A6758010

68978

* NEW PART X ON DEMAND

A large, empty rectangular box with a thin black border, occupying the majority of the page. It is intended for handwritten notes.

A large, empty rectangular box with a thin black border, occupying the majority of the page. It is intended for the student to write their notes during the lecture.

A large, empty rectangular box with a thin black border, occupying the majority of the page. It is intended for handwritten notes.

KTM.COM



F9703XGEN

KTM Sportmotorcycle GmbH
5230 Mattighofen, Austria
www.ktm.com

KTM POWERPARTS

KTM POWERWEAR

KTM ORIGINAL SPARE PARTS

