

890 ADVENTURE R 2025 2025

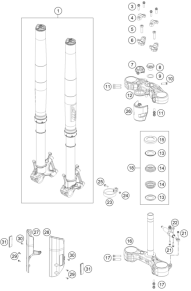
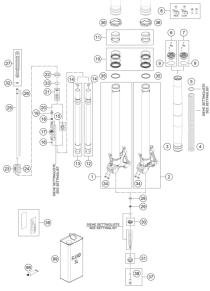
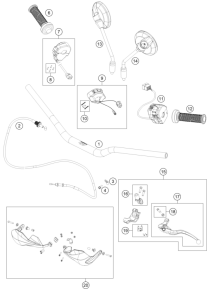

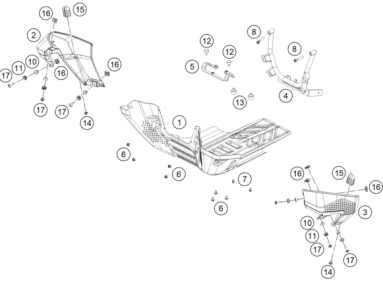
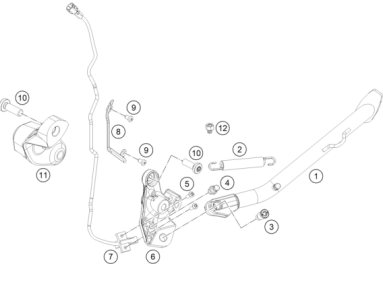
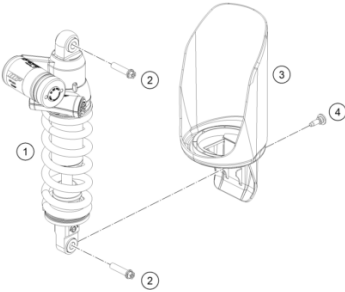
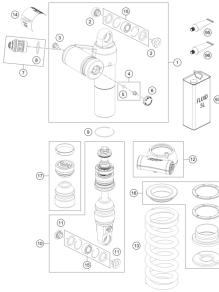
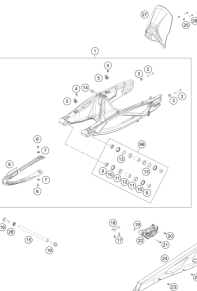
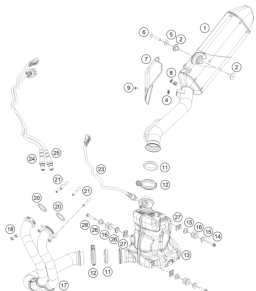
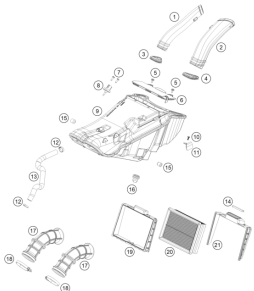
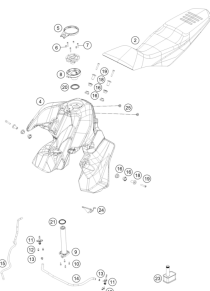
ART.-NR.: F9703Y7EN

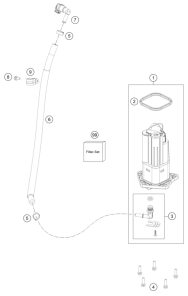
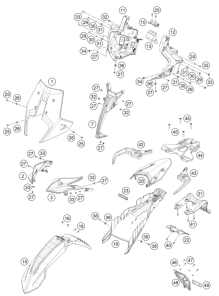
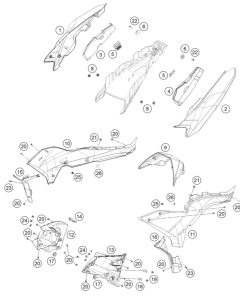
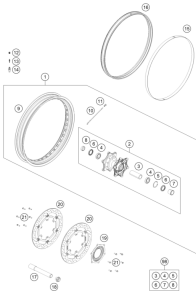
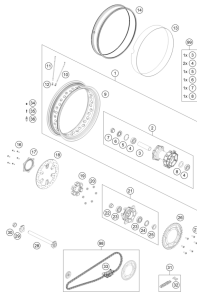

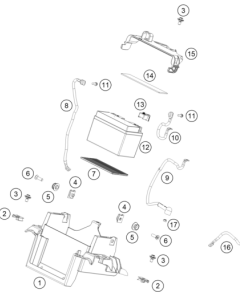
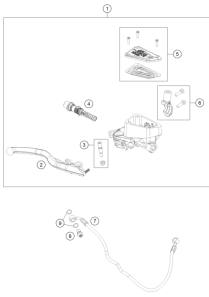
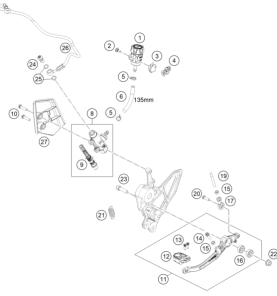

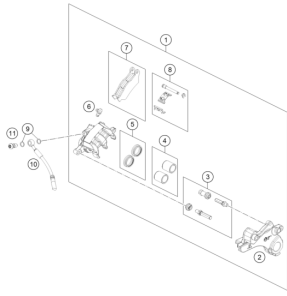
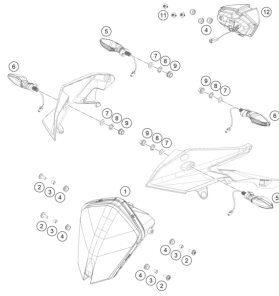


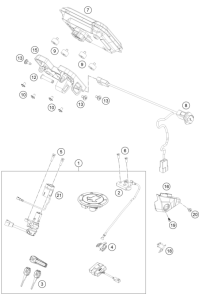
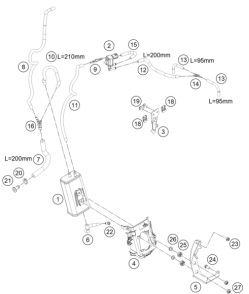
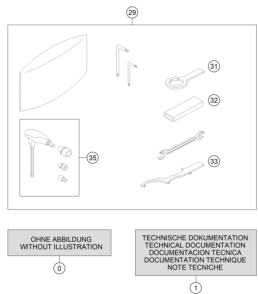

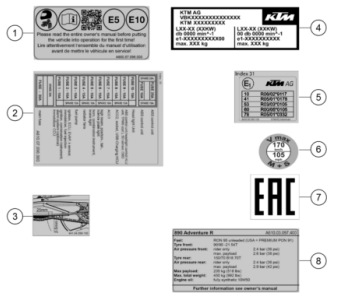


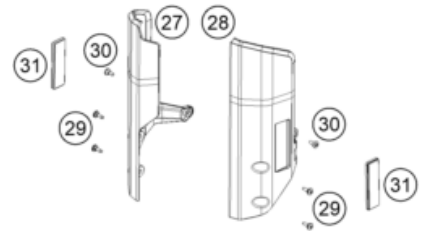
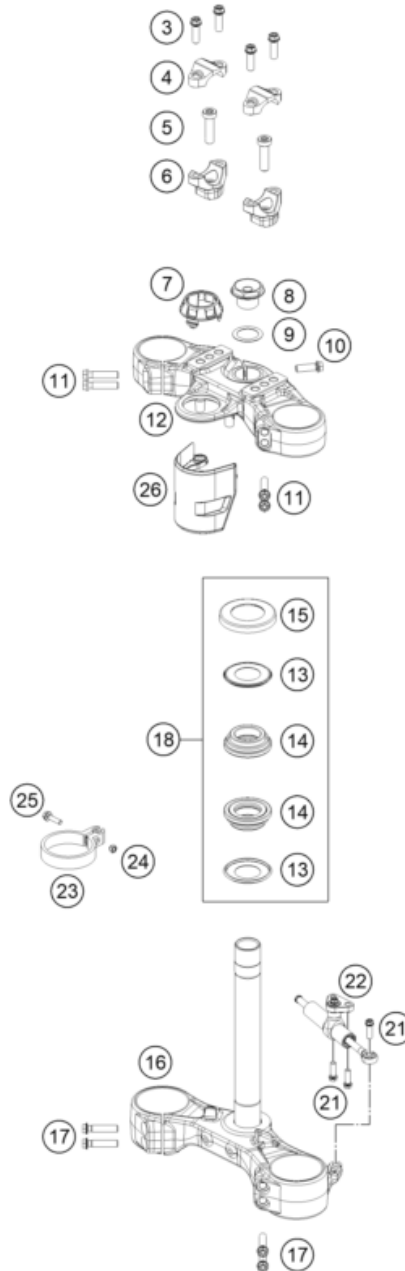
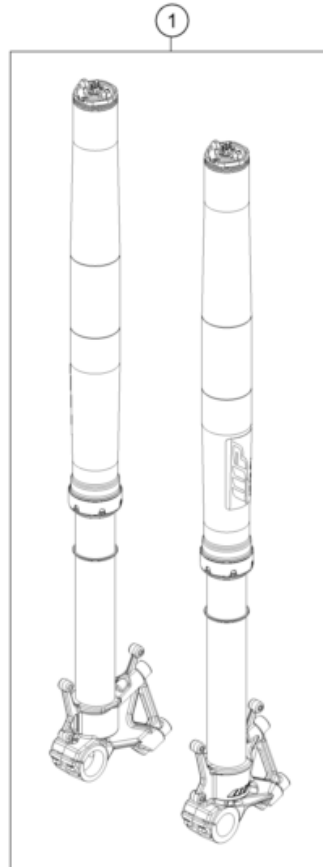
All information contained is without obligation. KTM Sportmotorcycle GmbH particularly reserves the right to modify any equipment, technical specifications, prices, colors, shapes, materials, services, service work, constructions, equipment and the like so as to adapt them to local conditions or to cancel any of the above items, all without previous announcement and without giving reasons. KTM may stop manufacturing certain models without previous notice. KTM shall not be held liable for any deviations of availability and/or ability to deliver, illustrations, descriptions, printing and/or other errors. The illustrated models partly contain extra equipment, which is not applied to standard models.

© by KTM Sportmotorcycle GmbH, Mattighofen AUSTRIA; All rights reserved; Reprint, also in extracts, with written allowance of KTM Sportmotorcycle GmbH, Mattighofen only.

<p>FRONT FORK, TRIPLE CLAMP</p>  <p>4</p>	<p>FRONT FORK DISASSEMBLED</p>  <p>5</p>	<p>HANDLEBAR, CONTROLS</p>  <p>7</p>	<p>FRAME</p>  <p>8</p>
<p>ENGINE GUARD</p>  <p>10</p>	<p>SIDE / CENTER STAND</p>  <p>11</p>	<p>SHOCK ABSORBER</p>  <p>12</p>	<p>SHOCK ABSORBER DISASSEMBLED</p>  <p>13</p>
<p>SWING ARM</p>  <p>14</p>	<p>EXHAUST SYSTEM</p>  <p>15</p>	<p>AIR FILTER</p>  <p>16</p>	<p>TANK, SEAT</p>  <p>17</p>

<p>FUEL PUMP</p>  <p>18</p>	<p>MASK, FENDERS</p>  <p>19</p>	<p>SIDE TRIM</p>  <p>20</p>	<p>FRONT WHEEL</p>  <p>21</p>
<p>REAR WHEEL</p>  <p>22</p>	<p>WIRING HARNESS</p>  <p>24</p>	<p>BATTERY</p>  <p>25</p>	<p>FRONT BRAKE CONTROL</p>  <p>26</p>
<p>REAR BRAKE CONTROL</p>  <p>27</p>	<p>FRONT BRAKE CALIPER</p>  <p>28</p>	<p>REAR BRAKE CALIPER</p>  <p>29</p>	<p>LIGHTING SYSTEM</p>  <p>30</p>

<p>INSTRUMENTS / LOCK SYSTEM</p>  <p style="text-align: right;">31</p>	<p>EVAPORATIVE CANISTER</p>  <p style="text-align: right;">32</p>	<p>ACCESSORY PACK</p>  <p style="text-align: right;">33</p>	<p>ABS</p>  <p style="text-align: right;">34</p>
<p>TECHNIC INFORMATION STICKER</p>  <p style="text-align: right;">35</p>			

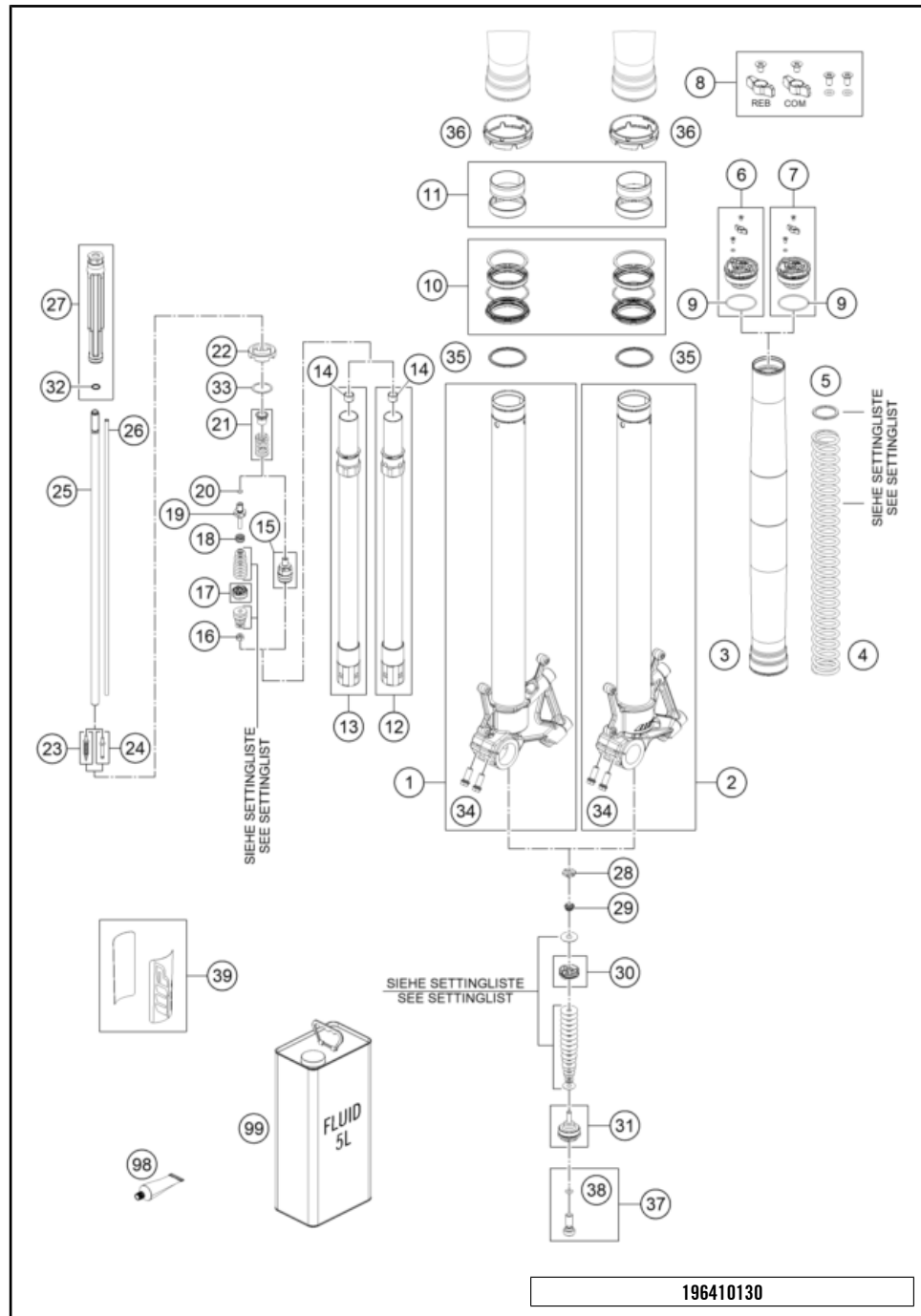


POS	PARTNUMBER		PIECE
1	A610C154W401000	Fork KTM 890 Adventure R 23	1
3	0025080256	HH collar screw M8x25	4
4	7720103800030	HANDLEBAR CLAMP 28MM	2
5	0032100356S	AH-COLLAR SCREW M10X35 ISA45	2
6	5940103903230	HANDLEBAR SUPPORT D=28 H=32 BL	2
7	63501045010	Ignition lock cover	1
8	54801036000C1	Steering head screw M20x1.5 WS27	1
9	0988253505	thrust wash DIN0988-25x35x0,5	1
10	0015080256S	HH COLLAR SCREW M8X25 WS=10	1
11	0025080306	HH collar screw M8x30	4
12	63701034030C1	Triple clamp top	1
13	69001084100	Steering head gasket	2
14	69001181000	STEERINGHEAD KPL.17	2
15	69001086100	Prot. ring steer. head bearing	1
16	63701032030C1	Bottom triple clamp compl.	1
17	0025080356	HH collar screw M8x35 TX40	4
18	69001181010	Steering head rep. Kit	x
21	0025080256S	HH COLLAR SCREW M8X25 TX40	3
22	16181S55E	Steering damper790 Adventure cpl.	1
23	54601099000	SPEEDOMETER CABLE GUIDE MARZO.	2
24	0985050003	Self locking nut DIN 985 M5	2
25	0025050206	HH collar screw M5x20 TX30	2
26	63511066010	Ignition lock cover	1
27	63501093000HDA	Fork protector right with decal	1
28	63501092000HDA	Fork protector left with decal	1
29	69008021060	special screw M5x17	4
30	69008021160	special screw M5x12	2
31	60012080100	SIDE REFLECTOR YELLOW "CEV"	2

196350111

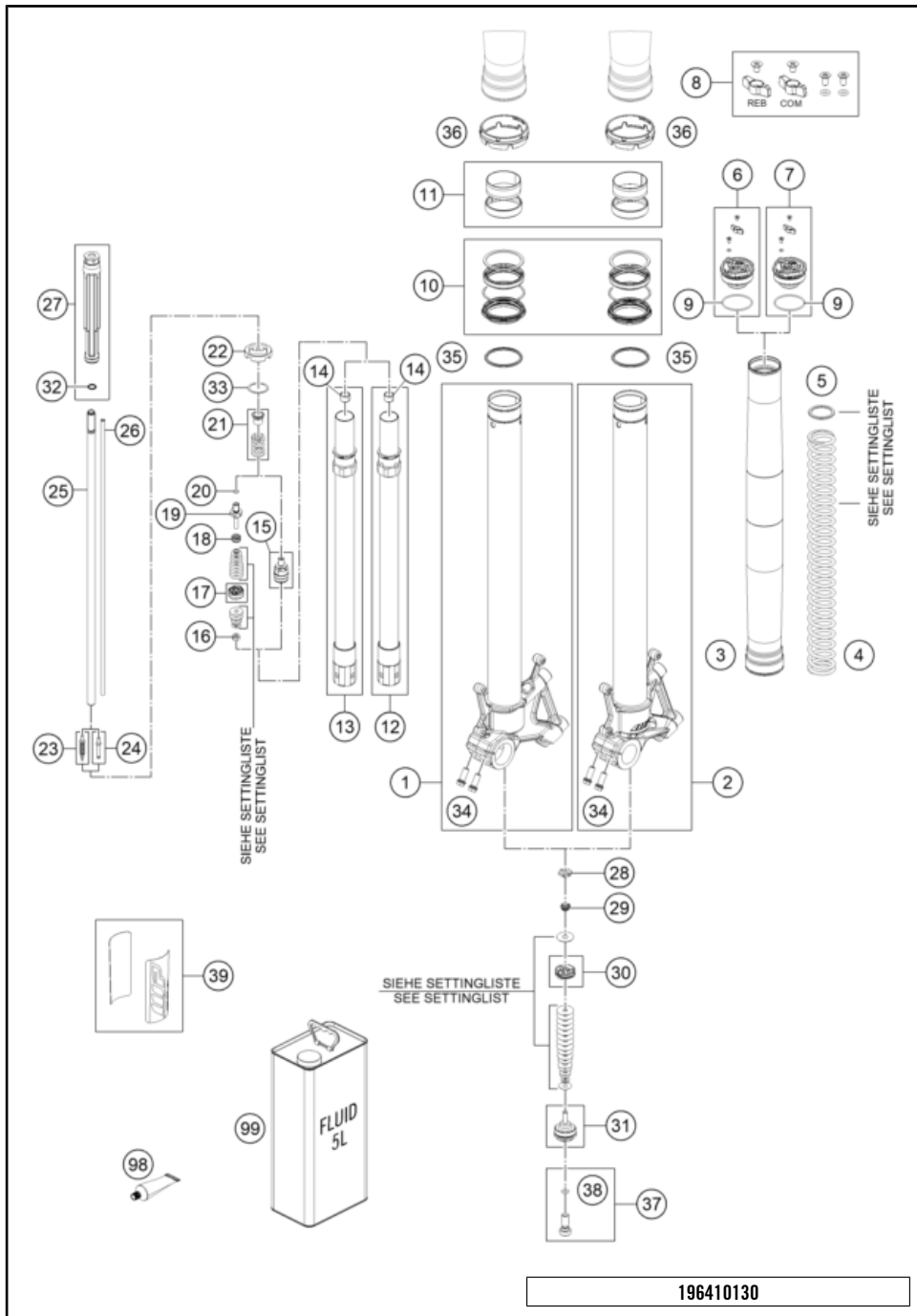
77128

* NEW PART X ON DEMAND



POS	PARTNUMBER		PIECE
1	48601952S1	axle clamp right d48 25mm cpl	1
2	48601951S1	axle clamp left d48 25mm cpl.	1
3	48601794	Outer tube L567 D54 / D60	2
4	91410162S	mainspring (44) 6.2-460 set fork	x
4	91410142	Mainspring (44) 6,7-460 fork	1
4	91410163S	mainspring (44) 7.2-460 set fork	x
5	48600458	Washer 35x43x1,5 plastic	x
5	48600456	Washer 35x43x2,5 plastic	x
5	48600457	Preload bush 35x43x3,5	x
6	48602028S4	screw cap M51x1,5 rebound cpl.	1
7	48602028S3	screw cap M51x1.5 compression cpl.	1
8	RP10021	Adjuster kit screw cap	x
9	48600048	O-ring 46x2 NBR70 siliconized yellow	2
10	RP10012	Sealkit 48mm SKF black	x
11	R14047	Guide bushing set fork 48mm	x
12	48600763S3	Tube L350 with screwsleeve and hole	1
13	48600763S4	Tube L350 with screwsleeve	1
14	48600430	Guide bushing 12x14x10	2
15	48601843S2	Tap compression cpl.	1
16	40540486	Nut M6x0,5 h6,5 WAF10 rebound	1
17	48602002S	Midvalve piston assembly d23	1
18	35480377	Spring (11,7) 1,5-8 valve	1
19	48600576	Tap 6x46 rebound	1
20	48600299	O-ring 6x1,2 NBR70	1
21	48601929S	rebound spring C60 cpl	2
22	48601922	spring support ring	2
23	48601096S	Needle 4,5x43,6 cpl.	1
24	48601558S	Needle 4,5x38,2 cpl.	1
25	48601923	Piston rod 12x501	2
26	48601924	Adjuster tube L=471.5	2
27	S228700003S0100	Stop 12,4x31,9x200,3 kpl.	2
28	48600163	Nut valve M6x0,5 h6,5 WAF17	2
29	48600202	Spring (8,5) 16,5 valve	2
30	48601934S	Piston 6x27,3x9 compression cpl.	2
31	48601921	Tap 6x42,5 base valve	2
32	04500003	O-ring 11x2,5 NBR70 PTFE yellow	2
33	48601702	Shim 27,5x33x0,3	2
34	0025080206	HH collar screw M8x20	4

* NEW PART X ON DEMAND

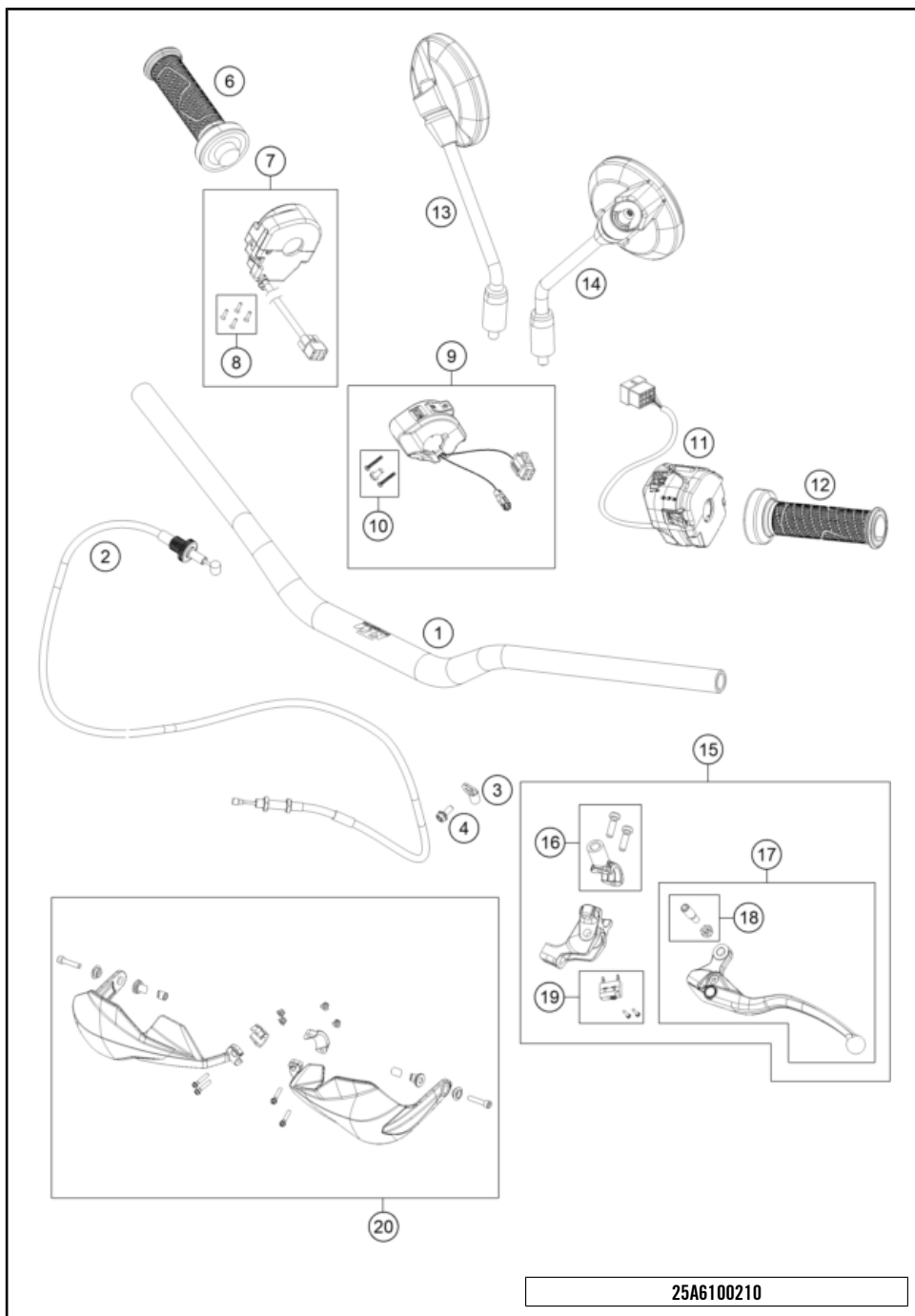


POS	PARTNUMBER		PIECE
35	48602007	Stroke indicator 48mm red	2
36	48601986	Fork protection ring 60,1mm	2
37	48601976S	RingISK screw M10x25 with o-ring	2
38	35480085	O-ring 7x2 NBR70	2
39	52000281SET	sticker Xplor OC 100x46	1
98	T14034	Fuchs grease IPR (250g)	x
99	48601166S1	Fork Fluid Viscosity 4.0 5L	x

196410130

51266

* NEW PART X ON DEMAND

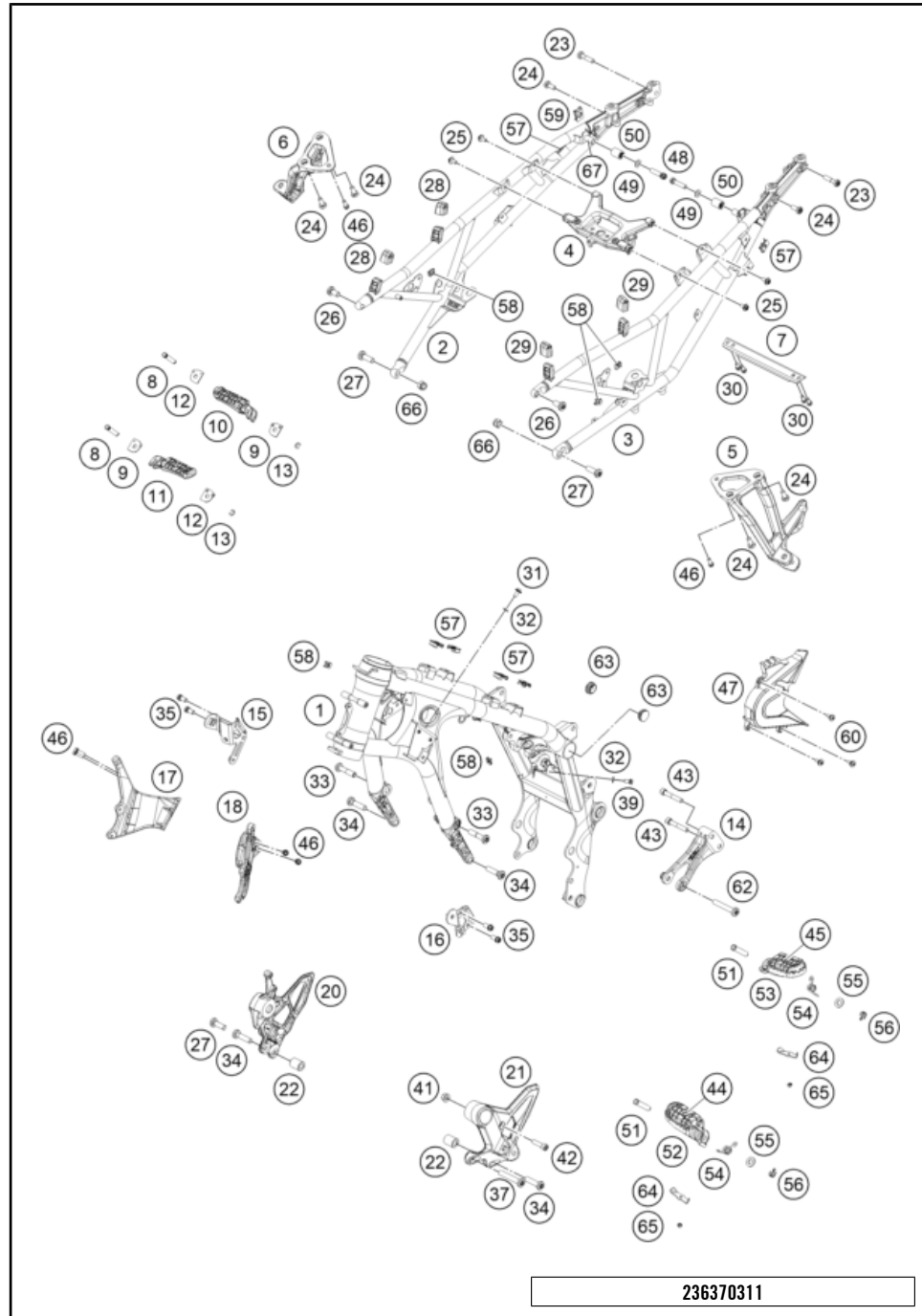


POS	PARTNUMBER		PIECE
1	6070200100033	Handlebar	1
2	63502090000	Clutch cable	1
3	64132070000	PVC clamp 6.4 MM Heyman	1
4	0025050126	HH collar screw M5x12 TX30	2
6	60702012000	Grip tube (no heating)	1
7	60711012000	Ride-by-wire without throttle tube	1
8	76011073110	SCREW SET START-STOP SWITCH	1
9	A61011074000	Start / emergency stop switch right	1
10	61411174010	Screw set start-stop switch	1
11	76011270200	Combination switch	1
12	60702039100	Grip LHS w/o heater	1
13	A67612041000	Mirror right	1
14	A67612040000	Mirror left	1
15	63502031000	Clutch lever compl.	1
16	6350204400030	Clamp cpl. incl. 2 screws	1
17	63502040000	Clutch lever	1
18	64102038000	Kit lever pin	1
19	63511049000	Switch	1
20	60302179000EB	HANDGUARD L/R CPL.	1

25A6100210

77122

* NEW PART X ON DEMAND

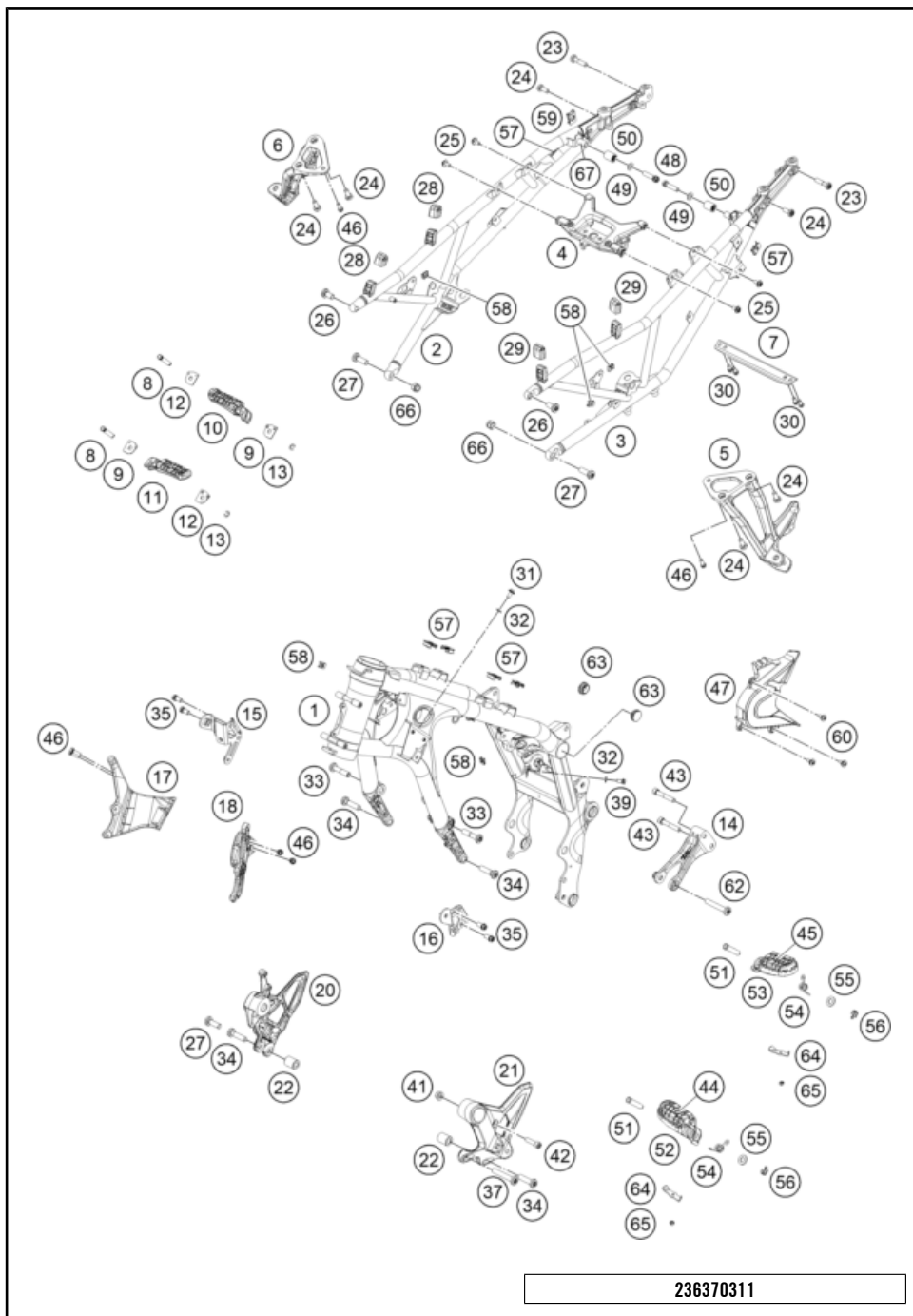


POS	PARTNUMBER		PIECE
1	63503101100EB	Frame 635TB	1
2	63703002006EB	Subframe right	1
3	63703002005EB	Subframe left	1
4	63508019050	Rear reinforcement	1
5	6350304800033	Rear footpeg bracket left	1
6	6350304900033	Rear footpeg bracket right	1
7	6350300200733	Cross member, black	1
8	60003044100	footrest bolt, rear	2
9	60003152000	ENGAGE PANEL FOOTREST L/S 03	2
10	60003051000	FOOTREST CPL. R/S REAR 03	1
11	60003050000	FOOTREST CPL. L/S REAR 03	1
12	60003052000	ENGAGE PANEL FOOTREST R/S 03	2
13	0799060003	retaining washer DIN 6799 - 6	2
14	6410301300033	Engine strut black	1
15	6350309019033	Skid plate frame holder, right compl.	1
16	6350309018033	Skid plate frame holder, left compl.	1
17	A61008006000C1	mask carrier element right	1
18	A61008005000C1	mask carrier element left	1
20	63703039066C1	Footpeg bracket front, right, compl.	1
21	63703038066C1	Footpeg bracket front, left, compl.	1
22	08000010025U0	Bushing 10,4x20x25	2
23	0035080356S	SCREW M8X35 ISA45 SS	2
24	0035080206S	SHCS M8x20 TX45	6
25	0024060136S	HH Collar screw M6x13 TX30 SL	4
26	0035100209S	Hex.screw M10x20 ISA45 MK	2
27	0035100356S	ISA screw M10x35 ISA45	3
28	63503002093	Retain. brack., seat cowl pad front left	2
29	63503002090	Rubber seat cowl pad	2
30	0025060126S	Hex collar screw M6x12 ISA30 self-lockin	4
31	0025060206S	HH collar screw M6x20 TX30	2
32	58411098100	Contact washer M6 VSV-K6	2
33	0035100456S	ISA screw M10x45 ISA45	2
34	0035100409S	ISA collar screw M10x40 ISA45	4
35	0025080166S	HH collar screw M8x16 TX40 SL	4
37	0035100609S	AH-COLLAR SCREW M10X60 ISA45	1
39	0025080166	HH COLLAR SCREW M8X16 TX40	1
41	54310086200	Self locking nut M8 10.9	1
42	014579080301S	screw ISO 14579-M8x30-10.9-MK black	1

236370311

68879

* NEW PART X ON DEMAND



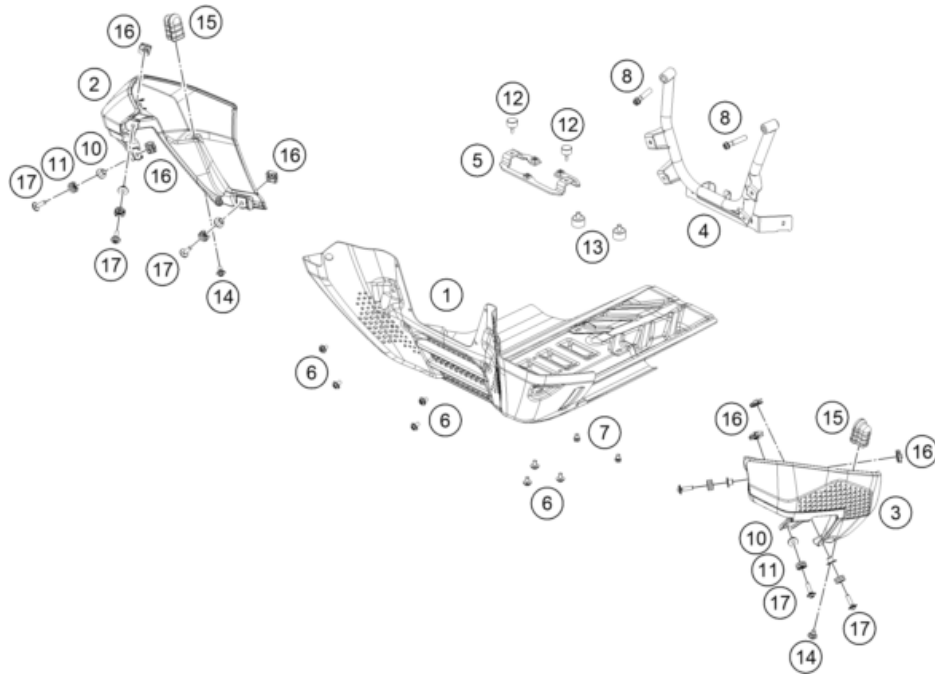
POS	PARTNUMBER		PIECE
43	014579080506S	Cap head bold M8x50 ISR 45	2
44	60003041010	FOOTREST RUBBER FRONT R/S 03	1
45	60003040010	FOOTREST RUBBER FRONT L/S 03	1
46	0025060166S	HH collar screw M6x16 TX30 SL	6
47	A61003096000	Sprocket Cover	1
48	0035080356	AH-COLLAR SCREW M8X35 ISA45	2
49	0125080003	Washer DIN 125 A -8.4	2
50	60307048000	RUBBER SEAT-CONTACT SURFACE	2
51	54803044000	PIN FOR FOOT PED 51.5X9.8 MM	2
52	78003041050	FOOTREST R/S 08	1
53	78003040050	FOOTREST L/S 08	1
54	54603041000	FOOTREST SPRING L/S & R/S	2
55	0125100003	washer DIN 125 A 10.5	2
56	0094032253	PIN DIN0094-3,2X25 STEEL	2
57	54603048100	clip nut M6	6
58	54603048600	RANGE CHANGE METAL NUT M5 INOX	2
59	54603048000	RANGE CHANGE METAL NUT M8	2
60	69008021160	special screw M5x12	3
62	0035100656S	ISA screw, M10x65 ISA45	1
63	64103088000	Frame locking cap	2
64	60003044010	CLOSING PANEL FRONT L/S R/S 03	2
65	0985050003	Self locking nut DIN 985 M5	2
66	54310086100	SELF LOCKING NUT M10 CU WS=14	2
67	61407049000	BUSHING 8.4X12X21.5	2

236370311

68879

* NEW PART

X ON DEMAND



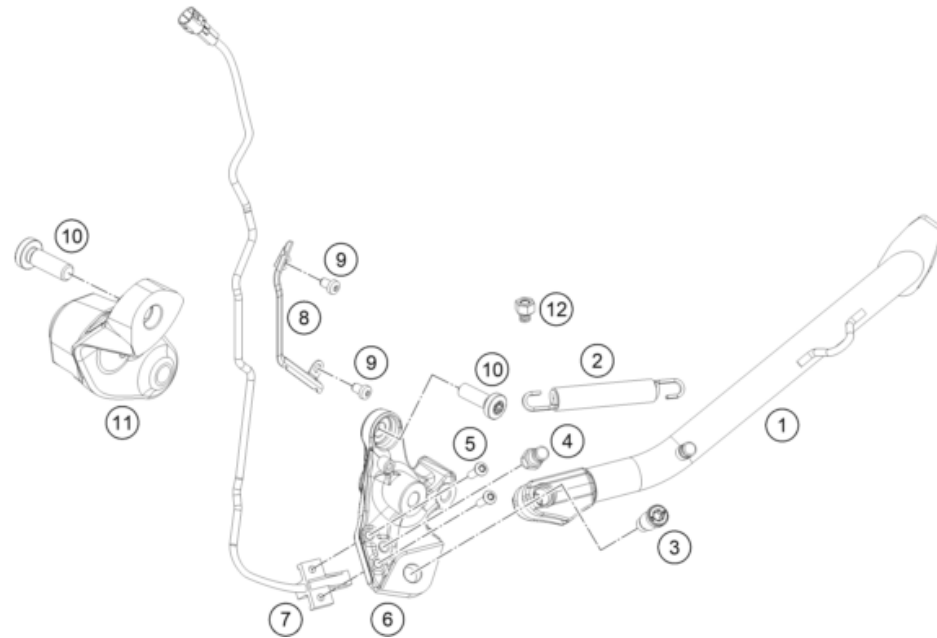
POS	PARTNUMBER		PIECE
1	A6100309000001	Skid plate	1
2	A61007025020	Tank protector right	1
3	A61007025010	Tank protector left	1
4	6350309005033	Front skid plate linkage	1
5	63503090016	Lower Alu Skidplate Support	1
6	0025060106	HH collar screw M6x10 TX30	7
7	0025060086	HH collar screw M6x8 TX30	2
8	0025080406S	Collar screw M8x40 ISA40 SS	2
10	61342041000	Collar bushing 6.5X9X18X8.5	6
11	62142041000	Damp. component ABS modul	6
12	75007046010	SEAT RUBBER 10 MM	2
13	63503190017	Silent block 20x12 M6x10/M6x8	2
14	83008000012	special screw M6x12x3	2
15	60307020000	TANK RUBBER	2
16	54603048300	RANGE CHANGE METAL NUT M6 INOX	6
17	69014117000	Collar screw M6x22-8.8 ISA30	6

236370330

62161

* NEW PART

X ON DEMAND



POS	PARTNUMBER		PIECE
1	63503423000C1	Side stand	1
2	61003024000	Spring L=116 MM 05	1
3	62503027200	Screw for side stand M10x31.2	1
4	63503028110	Stand spring special screw M8x12 MK	1
5	0738050202S	Oval head screw ISO 7380-1 M5x20 A2 SS	2
6	63503126100C1	Side stand bracket	1
7	93511045000	SWITCH SIDE STAND	1
8	64103001099	Racket side-stand-cable	1
9	0018050103	INT. TORX OVAL HEAD M 5X10 8.8	2
10	0035100309S	AH collar screw M10x30 ISA45	2
11	63503016040C1	Main stand console right	1
12	90103029000	MAGNET HOLDER	1

196350360

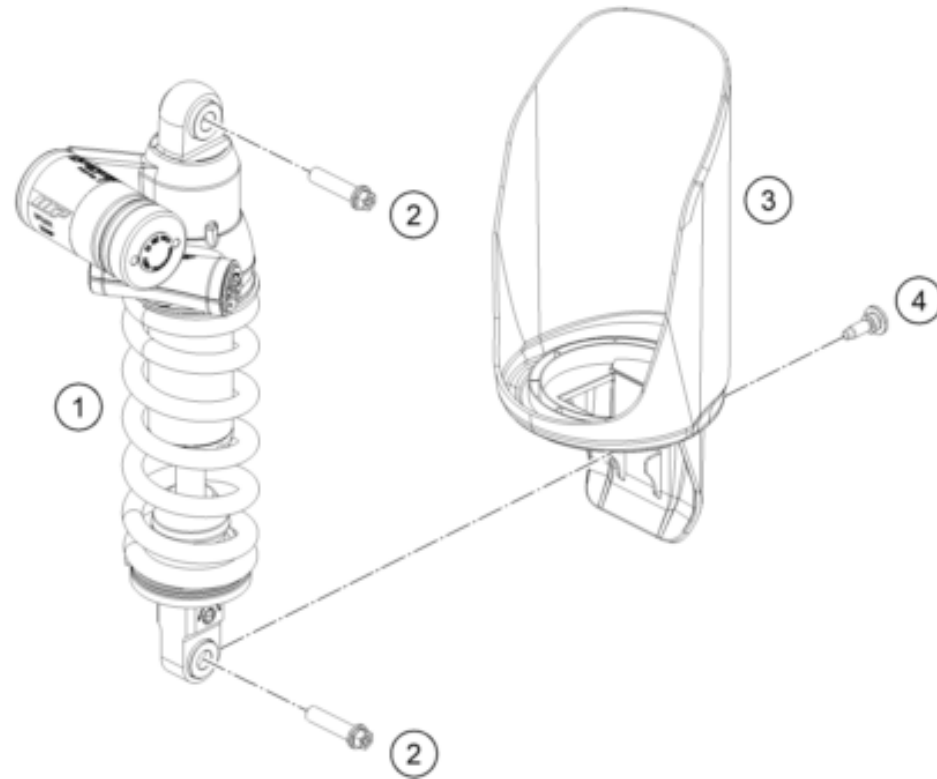
77123

* NEW PART

X ON DEMAND

SHOCK ABSORBER

890 ADVENTURE R 2025 2025



POS	PARTNUMBER		PIECE
1	A610C454W305000	Shock absorber KTM 890 Adventure R 23	1
2	0025120506S	HH COLLAR SCREW M12X50 TX45	2
3	63508075000	Splash protection shock absorber	1
4	69008021160	special screw M5x12	1

216370411

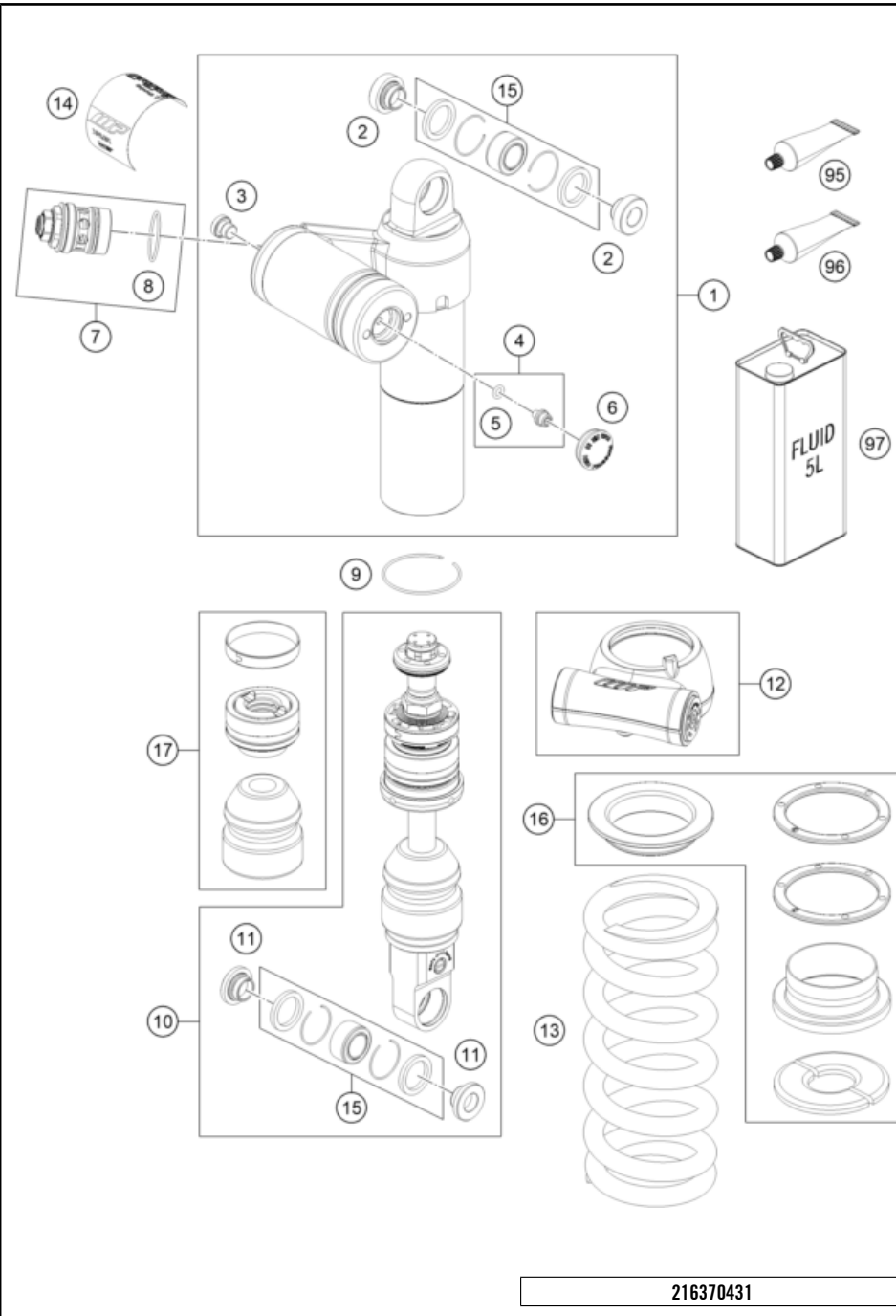
62251

* NEW PART

X ON DEMAND

SHOCK ABSORBER DISASSEMBLED

890 ADVENTURE R 2025 2025



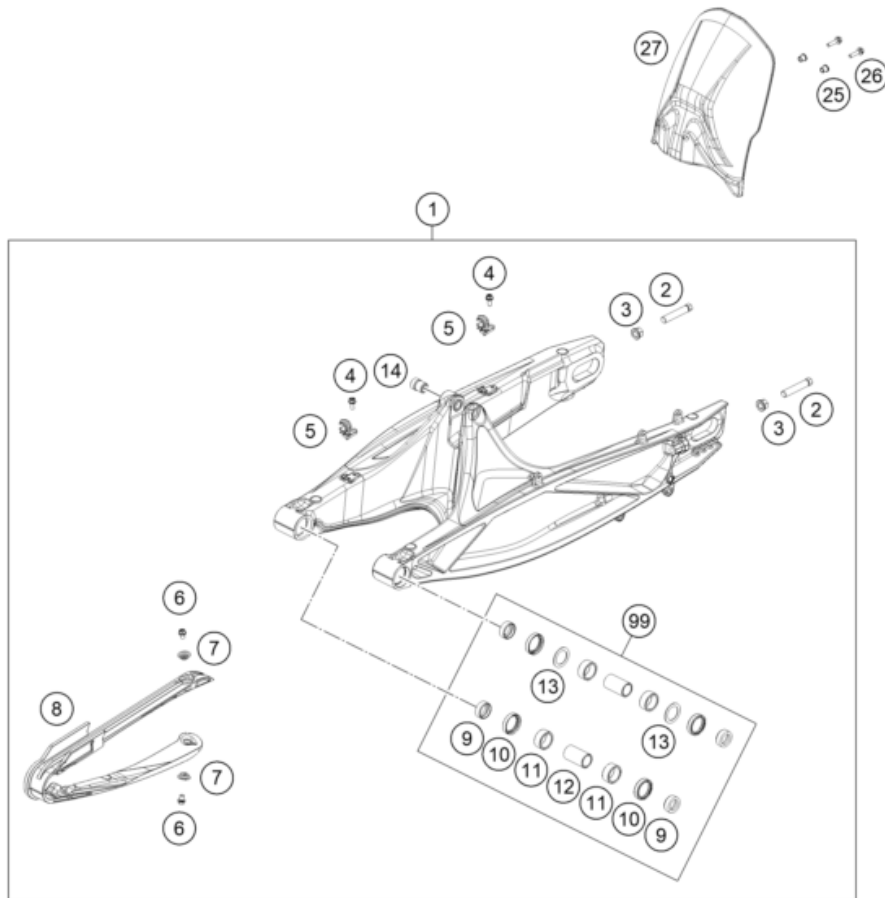
POS	PARTNUMBER		PIECE
1	46181324S1	shock upper part KTM 790 ADV R 19	1
2	46180064	Bearing bush 12x15/18/24,5x13,5	2
3	50180095	HS cylinder-head screw R1/8 I8	1
4	36120151S	PLUG SCREW M5X6 CPL.	1
5	46810893	O-ring 5,28x1,78 NBR70 black	1
6	46811208	Rubber cap do not open 22x5,5 NBR	1
7	50180213S34	Compression adjuster cpl. Natural	1
8	50180217	O-ring 27x1,5 Viton70 green ISO 3601-3S	1
9	46810010	Round-wire snap ring 49x1,5	1
10	46181327S2	shock bottom part KTM 890 ADV R 21	1
11	46180007	Distance bush 12x15/18/24,5x10,5	2
12	15000S23	Preload-Adjuster D46mm s10mm right grey	1
13	91010366	Main Spring (59) 95-210 shock white	1
14	52000214	Sticker set XPLOR PDS 90x40	1
15	R12012T	Ball joint bearing kit top 12mm	x
16	R15020	REP. KIT WASHERS	x
17	RP10013	Repair kit ADV. R	x
95	T625	GREASE	x
96	T158	GREASE RES. PP300 100GR	x
97	50180751S1	Shock absorber fluid 5 LT	x

216370431

55234

* NEW PART

X ON DEMAND



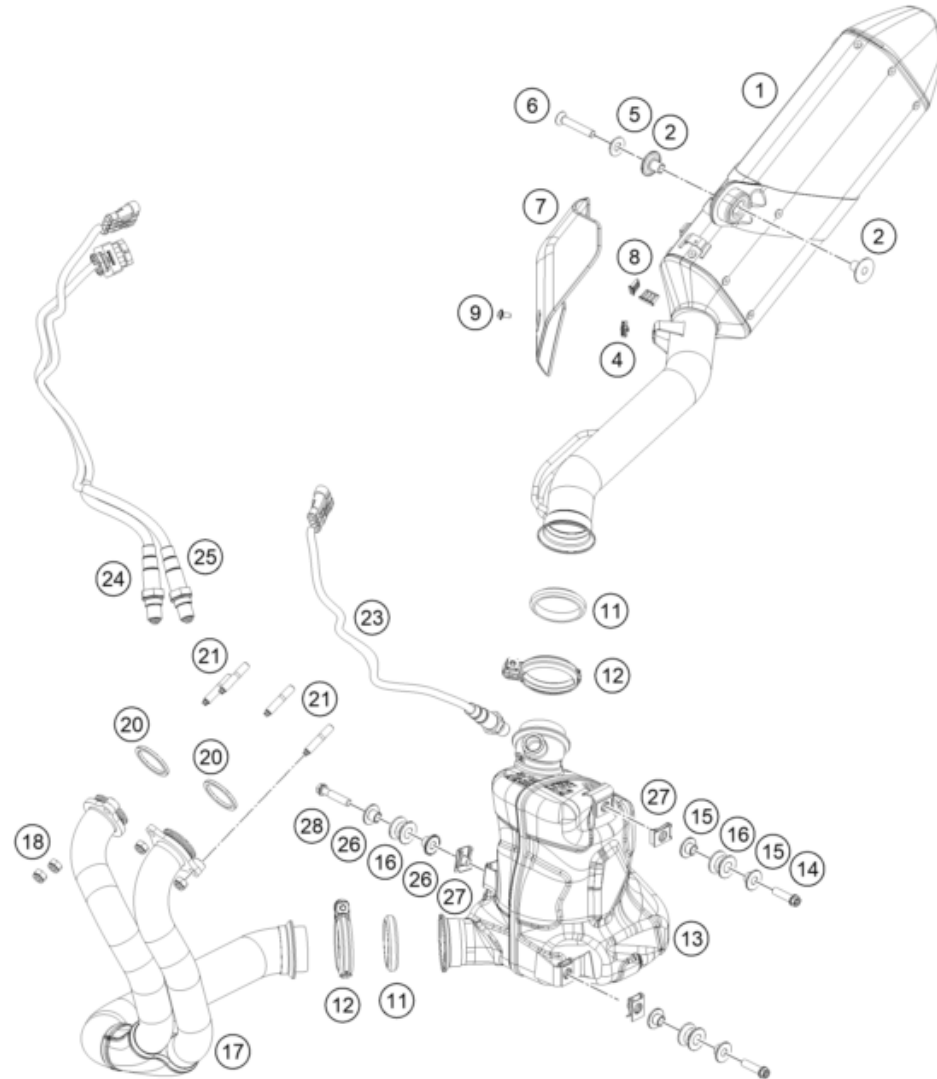
196350490

POS	PARTNUMBER		PIECE
1	6350403004433	Swingarm cpml. Black	1
2	58414030000	HH COLLAR NUT M10X1,25 WS=13	2
3	50304040100	Screw M10x1.25x50 WS10	2
4	0025050126	HH collar screw M5x12 TX30	2
5	60104142000	Clamp	2
6	69008021160	special screw M5x12	2
7	46104066050	Bush for chainslider guard 02	2
8	64104066000	chain slide protection	1
9	54804034000	Bucket f. shaft seal ring 03	4
10	0760253270	Radial shaft seal 25x32x7	4
11	0618222812	Needle bushing HK2212V 22/28/12 MB	4
12	59404032000	Bearing sleeve 17x22x38.7 03	2
13	54603036000	Stop disk 22,2X31,7X1	2
14	A63604030020	Shock absorber support bushing	1
15	64104037000	swing arm bolt	1
16	76504038000	Special screw M12x40 WS19	2
17	0025060126	HH collar screw M6x12 TX30	2
18	63504030010	Retaining bracket, chain guide	1
19	0934060003	Hex. nut DIN 934 M6	1
20	0025060206	HH collar screw M6x20 TX30	1
21	0025060456	HH COLLAR SCREW M6X45 TX30	1
22	78004070100	CHAIN GUIDE CPL.	1
23	69008021160	special screw M5x12	2
24	63504061000	Chainguard	1
25	64104050010	Bushing 5,5x8,3x9	2
26	0025050206	HH collar screw M5x20 TX30	2
27	63504050000	splash protection swingarm	1
28	0252011302500	Wedge lock washer DIN 25201-13x25.4x3.4	1
99	79004030010	SWING ARM REPAIR KIT SX-F	1

77124

* NEW PART

X ON DEMAND



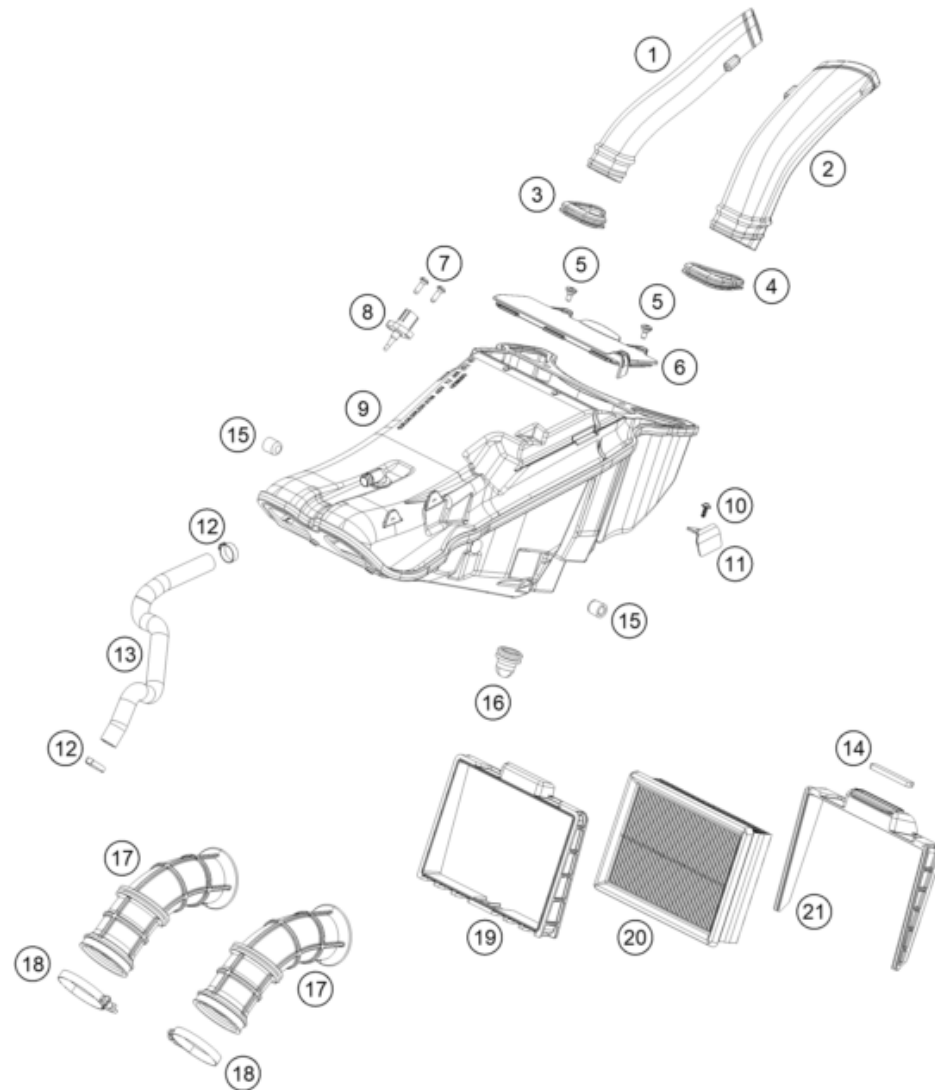
POS	PARTNUMBER		PIECE
1	63505183000	Silencer	1
2	61305069000	Bushing 8.5X11X29	2
4	54603048600	RANGE CHANGE METAL NUT M5 INOX	1
5	60405069000	Shape disc Alu	1
6	0019080506	COUN.-SUNK SCREW M8X50 ISA10.9	1
7	63505111000C1	Heat protection black compl.	1
8	27005011011	Damping element silicon	2
9	78105081010	SCREW TORX M5X10	1
11	69005105005	Manifold gasket	2
12	63605058100	Exhaust clamp tube 50 mm	2
13	A61005050000	Premuffler	1
14	0025080356S	HH COLLAR SCREW M8X35 TX40	2
15	58405050065	Collar bushing 8.5x12x23.5x10	4
16	54305068100	Damp. component silicone grey	3
17	63605007000	Manifold	1
18	51010086100	Self-locking nut M8 CU	4
20	64105005000	Exhaust gasket	2
21	63505015000	stud screw 835 M8x25 - 10.9	4
23	A60741090000	Oxygen sensor	1
24	63541090000	O2 Sensor LSF 4	1
25	63541190000	O2 Sensor LSF 4	1
26	0800000901200	Collar bushing, 8.5x12x23.5x11.5	2
27	54603048000	RANGE CHANGE METAL NUT M8	3
28	0025080356S	HH COLLAR SCREW M8X35 TX40	1

24A6100510

68808

* NEW PART

X ON DEMAND



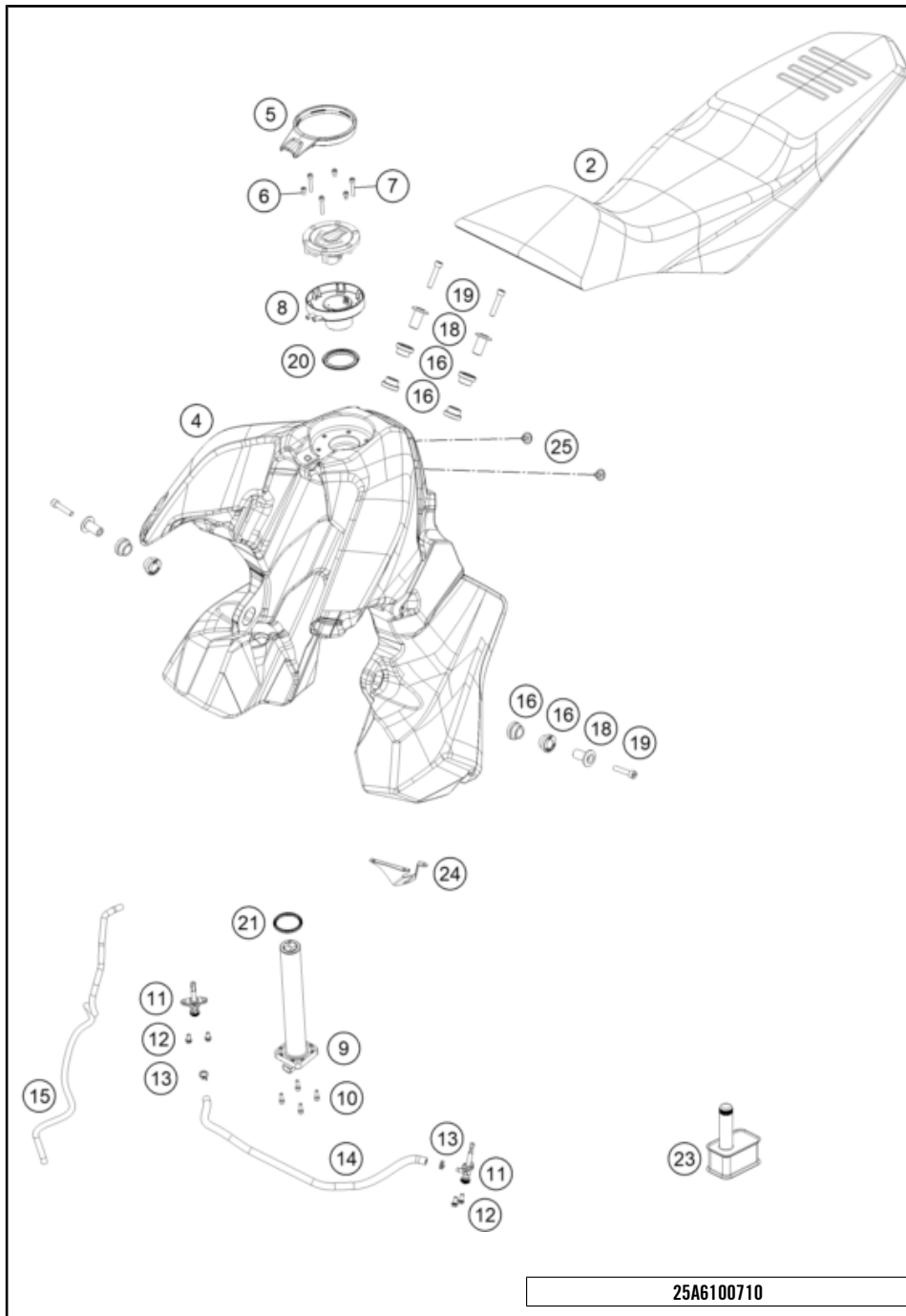
POS	PARTNUMBER	PIECE	
1	63506041000	Intake duct, right	1
2	63506040000	Intake duct, left	1
3	63506040150	Intake port gasket right	1
4	63506041150	Intake port gasket left	1
5	69008121160	Special screw M5x12	2
6	63506002100	Air filter box cover	1
7	0081050161	EJOT PT screw K50X16 1451	2
8	61041080000	Ambient-air temperature sensor	1
9	63506001200	Air filter box	1
10	0081050121	EJOT PT screw K50x12	1
11	63506002160	Cable bracket air filter box	1
12	00050198706	VARIABLE ONE-EAR CLAMP 19,8MM	2
13	63530087000	Pre-formed hose engine breather	1
14	63506117010	foam rubber 60x10	1
15	76006014000	rubber grommet	2
16	50206020200	Rubber grommet slotted	1
17	63506026100	Intake channel	2
18	77236048000	Hose clip GEMI 58	2
19	63506116000	Filter clamp frame	1
20	A61006015000	Air filter	1
21	63506117000	Filter clamp wedge	1

24A6100610

68805

* NEW PART

X ON DEMAND



POS	PARTNUMBER		PIECE
2	63507140000EB	Rider seat 800 Adv. R	1
4	63507613000HC	Fuel tank	1
5	63507058000	Fuel tank fairing	1
6	0912050083	SHCS DIN 912 M5x8	3
7	0912050303	AH SCREW DIN0912-M 5X30	3
8	A61007108050	Fuel tank filler neck	1
9	63507080200	Fuel lever sensor	1
10	0912050163	AH collar screw DIN 912 M5x16	4
11	58507003200	Fuel cock cmpl.	2
12	0025060126	HH collar screw M6x12 TX30	4
13	58031005000	CLAMP YDNAC 10128 12MM	2
14	63507016000	Interconnection hose	1
15	63515027100	Tank overflow hose 718mm	1
16	61007065000	collar bushing, front tank holder	8
18	6100716000001	Bearing sleeve, external	4
19	0912080403	AH collar screw DIN0912 M8x40	4
20	21007008151	gasket tank insert	1
21	60307080090	Gasket fuel lever sensor	1
23	00001000015	Motorex Fuel Stabilizer 125ml	1
24	63507087010	Cover fuel pump	1
25	0900000601200	Seat screw M6x11.5 ISA30	2

25A6100710

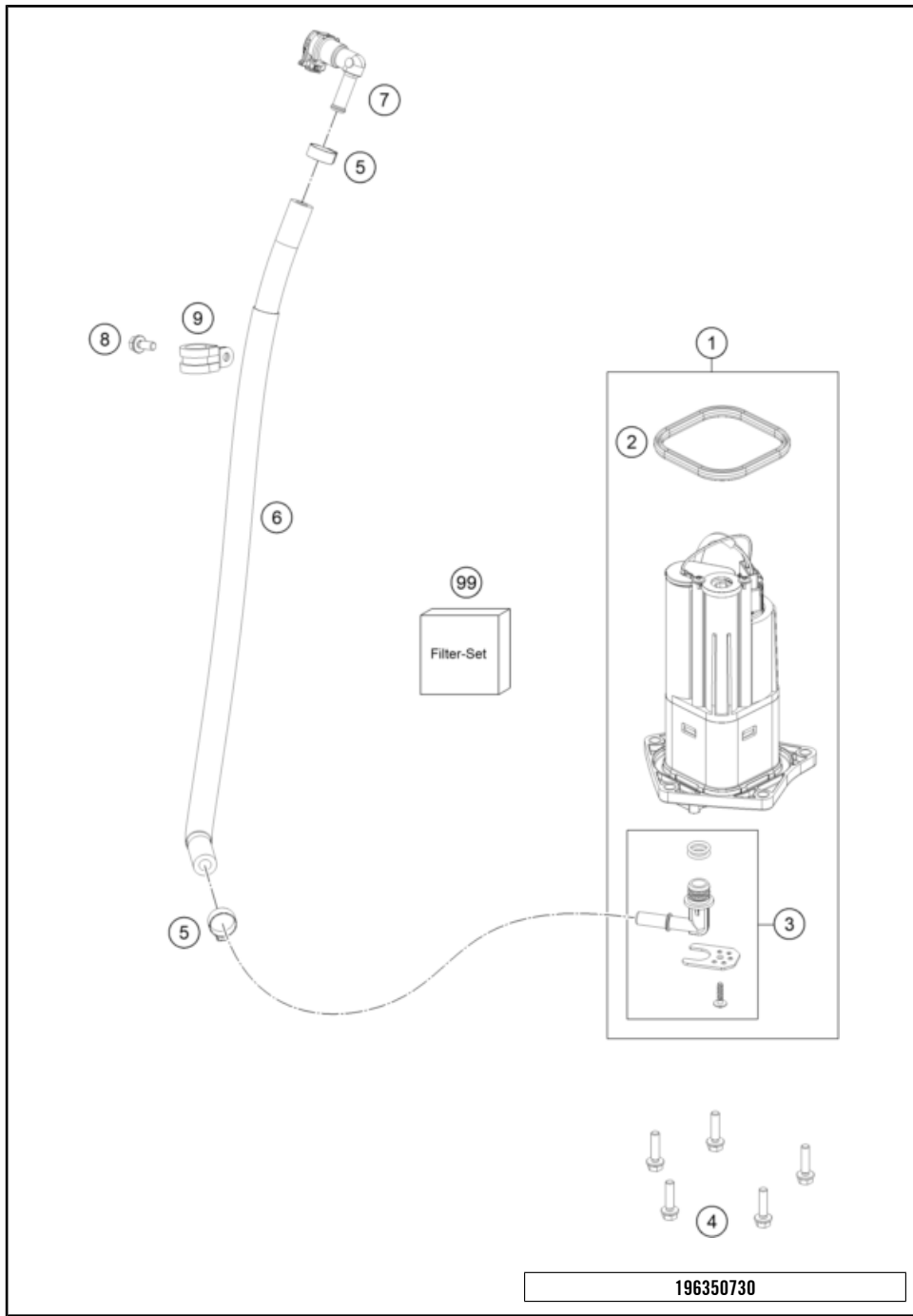
77125

* NEW PART

X ON DEMAND

FUEL PUMP

890 ADVENTURE R 2025 2025



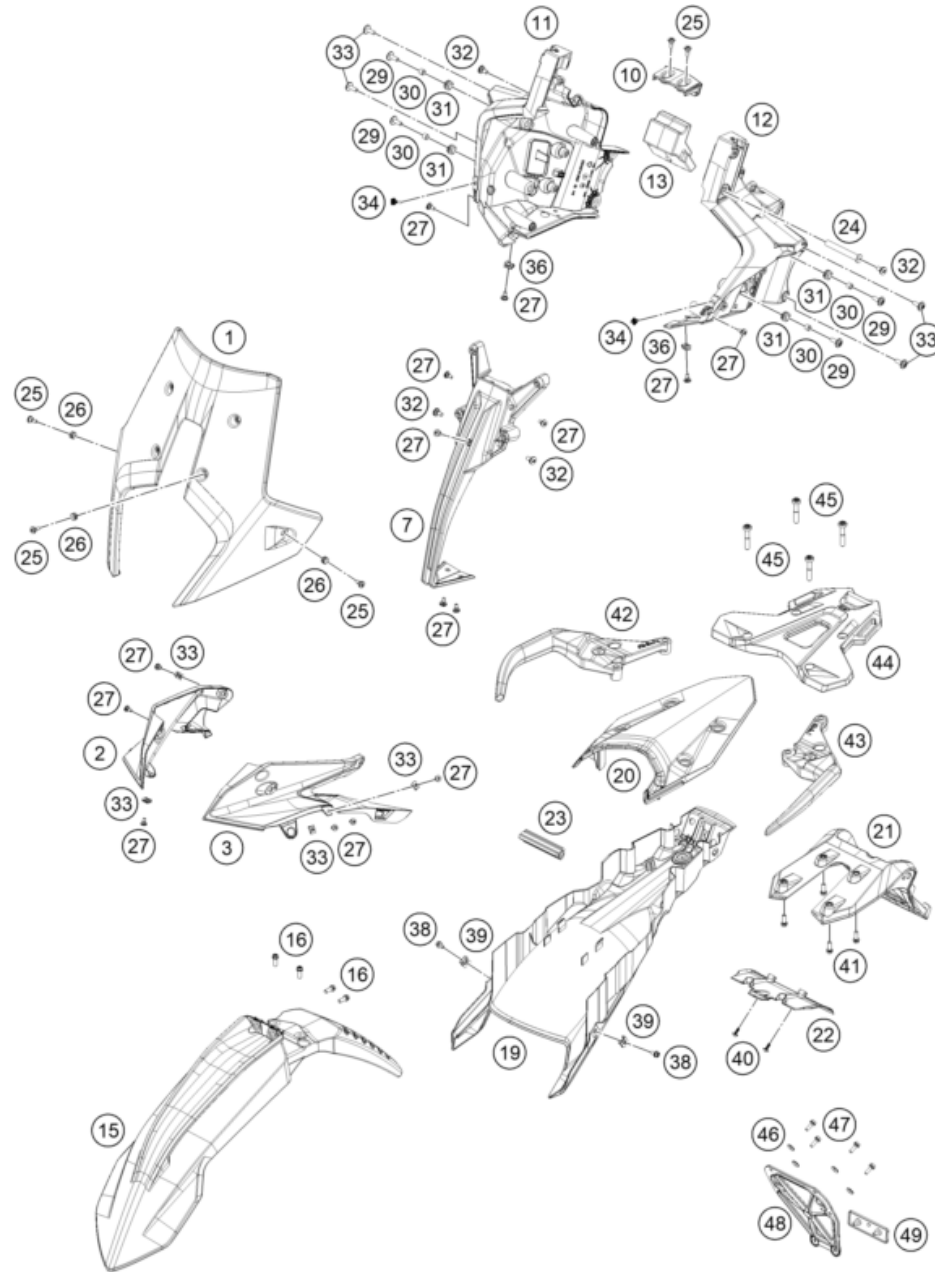
POS	PARTNUMBER		PIECE
1	63507088000	fuel pump	1
2	64107189000	Sealing	1
3	75007092000	HYDRAULIC CONNECTOR CPL.	1
4	0025060206	HH collar screw M6x20 TX30	5
5	00050157706	Variable one-ear clamp 15.7mm	2
6	63507017000	Fuel hose	1
7	76007028000	ELBOW CONNECTOR	1
8	0025050126S	Hex collar screw M5x12 ISA30 SS	1
9	49007439000	CLAMP RSGU 15/12	1
99	63507090000	filter kit	x

196350730

51895

* NEW PART

X ON DEMAND



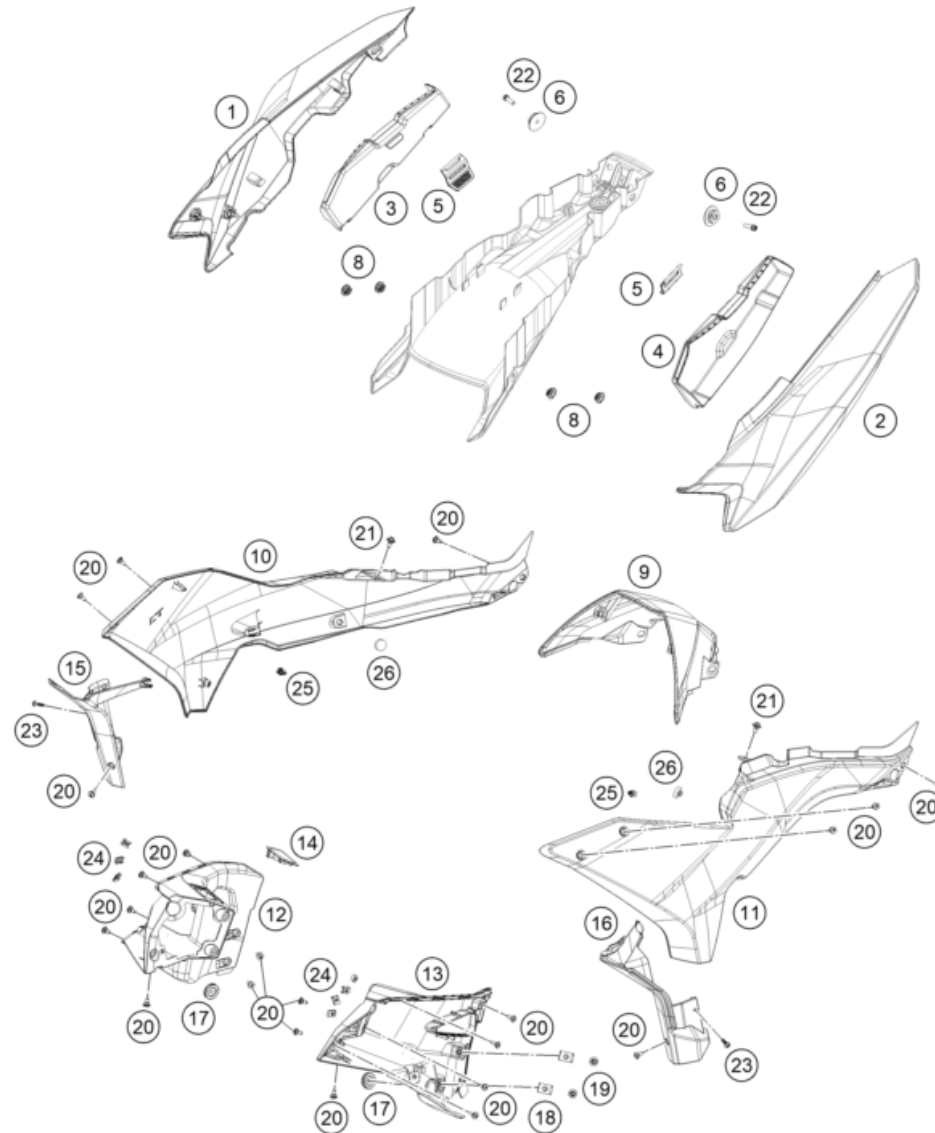
236370812

POS	PARTNUMBER		PIECE
1	A61008108000	Windshield R	1
2	A61008004000C1	Mask spoiler right	1
3	A61008003000C1	Mask spoiler left	1
7	A61014012000	Headlightmask centerpart	1
10	A61014012020	Cover mask support	1
11	A61014011000	Mask support right	1
12	A61014010000	Mask support left	1
13	A61014010050	Mask support foam	1
15	63508910000EB	Front fender	1
16	0025060166	HH collar screw M6x16 TX30	4
19	63508019000	Lower rear panel	1
20	63508013000HD	Tail section	1
21	63508015000	License plate holder support, upper part	1
22	63508016000	License plate holder support, lower bott	1
23	63503002030	Brace subframe	1
24	63514010040	wheel spindle mask support	1
25	60708008071	Special screw M5x14	8
26	60708008070	rubber bush windshield fixation	6
27	69008021160	special screw M5x12	11
29	69014017000	Special screw M6X18 ISA30 08	8
30	69014014000	Bushing 6.1X9.2X7.5 08	4
31	60006001022	Rubber grommet 9x11x16x8.5 mm	4
32	69008021040	special screw M6x14	4
33	54603048600	RANGE CHANGE METAL NUT M5 INOX	4
34	21008064010	Bump rubber	2
36	69008021080	Clip nut M5	4
38	0025050106	HH collar screw M5x10 TX30	2
39	54603048200	RANGE CHANGE METAL NUT M5	2
40	0081050121	EJOT PT screw K50x12	2
41	0025060166	HH collar screw M6x16 TX30	4
42	63512009000	Passenger grip right	1
43	63512008000	Passenger grip left	1
44	6061201000030	BAGGAGE CARRIER BRIDGE	1
45	0035080406S	ISA collar screw M8x40 ISA45	4
46	75008023000	Washer tail section UT D=14mm	4
47	0025060166S	HH collar screw M6x16 TX30 SL	4
48	64112181100	Bracket for reflector	1
49	58412080400	Rear reflector red	1

77127

* NEW PART

X ON DEMAND



POS	PARTNUMBER		PIECE
1	63508042000ABJ	Side fairing right with Decal	1
2	63508041000ABJ	Side fairing left with Decal	1
3	63508042050	storage box right	1
4	63508041050	storage box left	1
5	63508041055	Closing rubber	2
6	63508040120	Socket sliding seat	2
8	47106003160	quick release rubber grommet	4
9	63711054010EB	Battery cover	1
10	A61008051000ABJ	Fuel tank spoiler right with Decal	1
11	A61008050000ABJ	Fuel tank spoiler left with Decal	1
12	A61008027000	Inner cover right	1
13	A61008026000	Inner cover left	1
14	A61008027010	Plug cap	1
15	A61008024000C1	Fuel tank spoiler inner right	1
16	A61008023000C1	Fuel tank spoiler inner left	1
17	64106001025	Gummitülle d 22.5/5/2	2
18	54603048100	clip nut M6	2
19	0024060206	HH collar screw M6x20 TX30	2
20	69008021160	special screw M5x12	22
21	83008000012	special screw M6x12x3	2
22	0025060206	HH collar screw M6x20 TX30	2
23	0081050181	SCREW FOR PLASTIC K50X18 T20	2
24	54603048600	RANGE CHANGE METAL NUT M5 INOX	7
25	61908040030	Bracket for side fairing	2
26	54308042000	RUBBER BUFFER	2

236370820

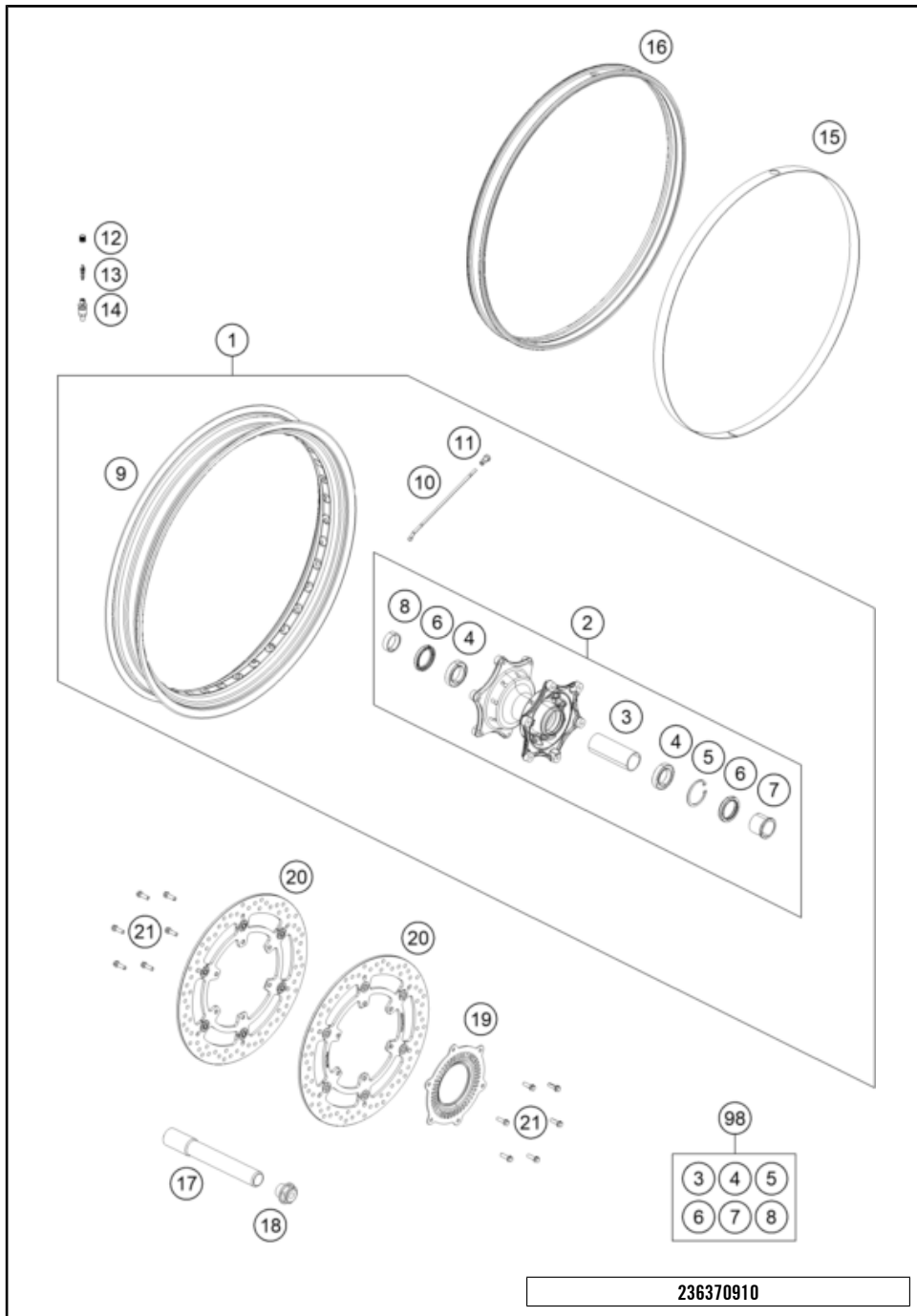
77126

* NEW PART

X ON DEMAND

FRONT WHEEL

890 ADVENTURE R 2025 2025



POS	PARTNUMBER		PIECE
1	63709001044C1	front wheel cmpl. 2,5x21" with anodized hub	1
1	6030900124433A	Front wheel cpl. 2,5X21" with powder-coated hub	1
2	60309010244C1	front wheel hub cpl. anodized	1
2	6030901014433	FRONT HUB CPL. powder-coated	1
3	60309011000	BUSHING SPACER TUBE FRONT	1
4	0625069068	Grooved ball bearing 6906	2
5	0472047175	CIRCLIP DIN0472-47X1,75	1
6	0760354771	Radial shaft seal 35X47X7 TC	2
7	60309012100	SPACER BUSH. FRONT WHEEL L/S	1
8	60009013000	Spacer bush. fr. whee R/S 03	1
9	6030917010033A	Rim 2.5x21"TL.bl.w.sticker	1
10	60309071000	SPOKE 5/4.37/M5	36
11	60310072200	Spoke nipple Quadrax M5	36
12	81210076020	Valve cap Schrader	1
13	81210076010	Valve insert Schrader	1
14	60309276000	Valve body cmpl.	1
15	60309073100	RIM BAND 21"	1
16	60309177000	GASKET RUBBER 2.5"X21"	1
17	60309081100	Wheel spindle, front	1
18	6900103600001	STEERING HEAD SCREW 09	1
19	60342020000	Phonic wheel ABS	1
20	63509060000	Brake disc front D=320	2
21	59009062019	SPECIAL SCREW M6X19 WS=8 10.9	12
98	60609015000	FRONT WHEEL REP. KIT ADV. 1050	x

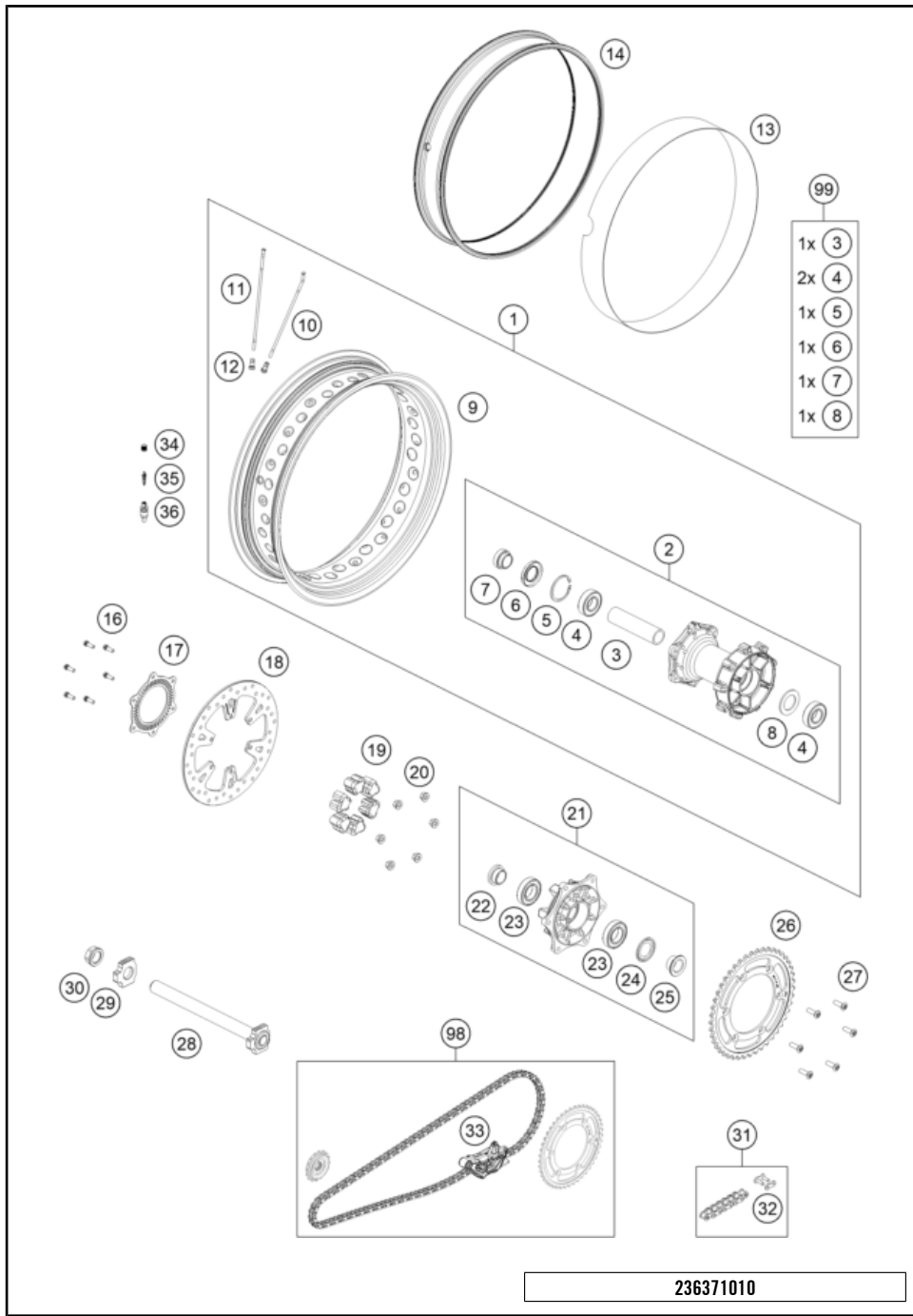
236370910

62206

* NEW PART X ON DEMAND

REAR WHEEL

890 ADVENTURE R 2025 2025



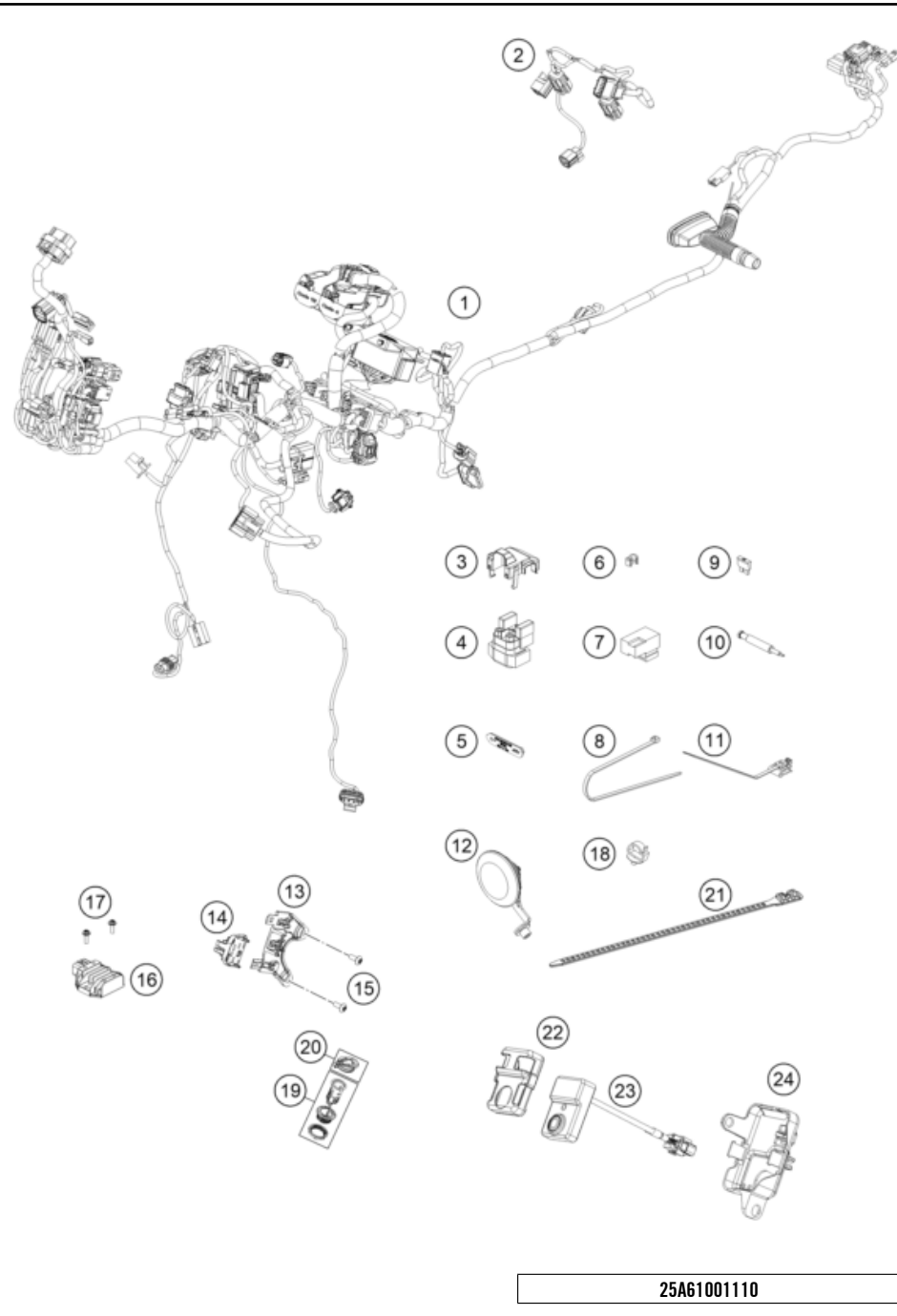
POS	PARTNUMBER		PIECE
35	81210076010	Valve insert Schrader	1
36	60309276000	Valve body compl.	1
98	00050002100	Drive set 16/45	x
99	60310015000	REAR WHEEL REP. KIT ADV 13-14	x

236371010

62208

* NEW PART

X ON DEMAND



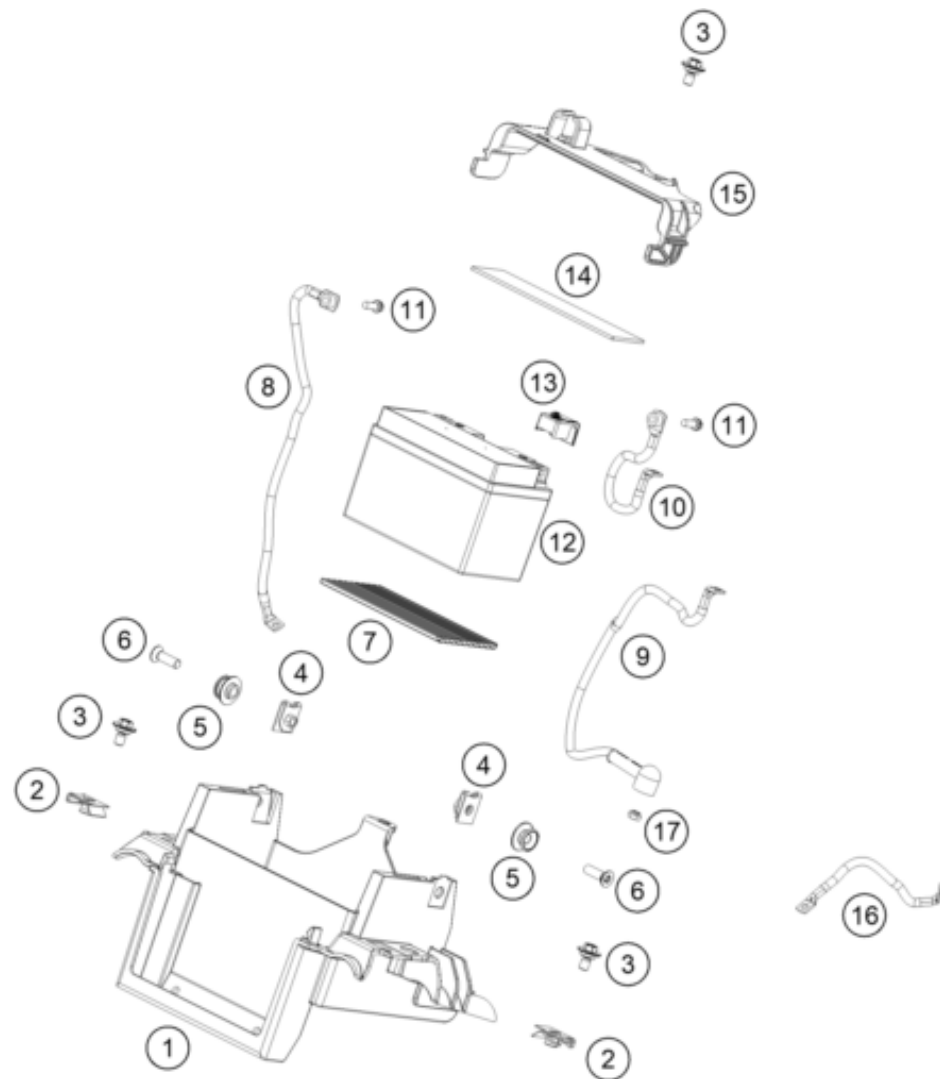
POS	PARTNUMBER		PIECE
1	A61011475100	Main wiring harness	1
2	63711085000	Engine wiring harness	1
3	64111058110	Cover flap, starter relay	1
4	76211058000	Starter relay	1
5	60011093075	Rubber cable tie 75MM 03	x
5	60011093045	RUBBER CABLE TIE 45MM 03	x
6	60111094100	BAR SPACER 4/7 BLACK	2
7	61111057000	RELAY CM1A-R-12V-H80 07	5
8	44011076305	Cable tie 300/4,8mm black	x
8	44011076140	CABLE TIE 140/2,5MM BLACK	x
8	44011076200	CABLE TIE 200/3,6MM BLACK	x
9	58011109130	Plug-in fuse, big 30A	1
10	61111018100	Temperatur sensor	1
11	64111059020	Cable holder, attachable	1
12	76011060100	DC HORN 12V	1
13	A61011083000	CCU control unit support	1
14	A61011083050	Front connector support	1
15	58605083014	Oval head screw M5x14 TX25	2
16	60311034000	Voltage regulator	1
17	0024060206	HH collar screw M6x20 TX30	2
18	58111076000	CABLE SUPPORT KHS NR.150-47610	1
19	60711042000	Power socket 12V	1
20	60311042050	Lid 12V-socket	1
21	0330000726000	Cable tie flexible 7x260	1
22	79114086050	Rubber support, CCU	1
23	79114086100	Connectivity unit	1
24	A61011047050	CCU control unit support	1

25A61001110

77129

* NEW PART

X ON DEMAND



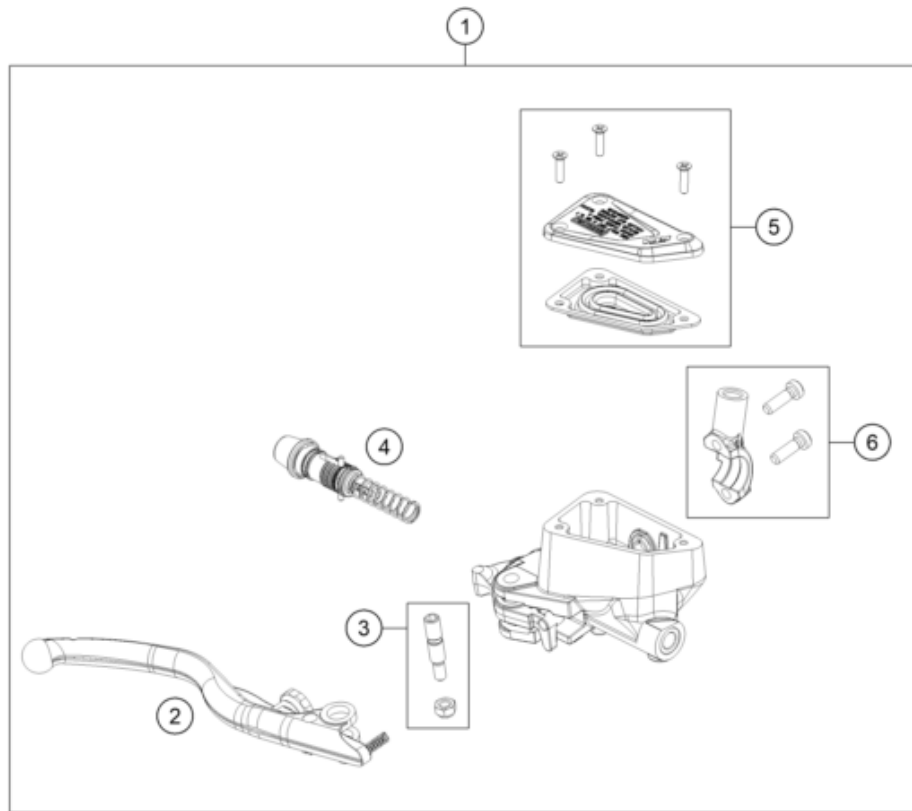
POS	PARTNUMBER		PIECE
1	63508025110	Electrics bracket front	1
2	54603048100	clip nut M6	2
3	83008000012	special screw M6x12x3	3
4	93008082010	Range change metal nut M6	2
5	63507040070	Seat bushing	2
6	014581060201	Count.snk screw M6x20 TX30	2
7	63511053050	rubber battery holder	1
8	63511097000	Ground wire	1
9	63511059000	Starter cable	1
10	63511059050	battery cable	1
11	0025060166	HH collar screw M6x16 TX30	2
12	64111053000	battery HTZ12A-BS(DA)	1
13	62111059060	COVER POSITIVE POLE	1
14	63508055010	Foam rubber 33x132	1
15	63508055000	Clamping bracket	1
16	64111096000	Mass cable starter-frame	1
17	0985060003	Self lock. nut DIN985-M6-A2	1

216371130

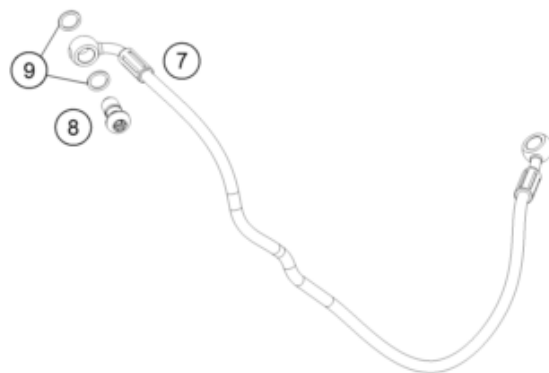
55613

* NEW PART

X ON DEMAND



POS	PARTNUMBER		PIECE
1	63713101033	Front master cylinder cpl.	1
2	63513002044	Brake lever	1
3	64113006000	Lever bolt cpl.	1
4	63713008000	Piston assembly	1
5	64113031100	Reservoir cap cpl.	1
6	6351300500030	mirror clamp incl. 2 screws	1
7	63542001000	Brake line MC-ABS	1
8	62113020100	Banjo bolt M10x1x19.5	1
9	0603100141	sealing ring DIN 7603 10x14x1	2

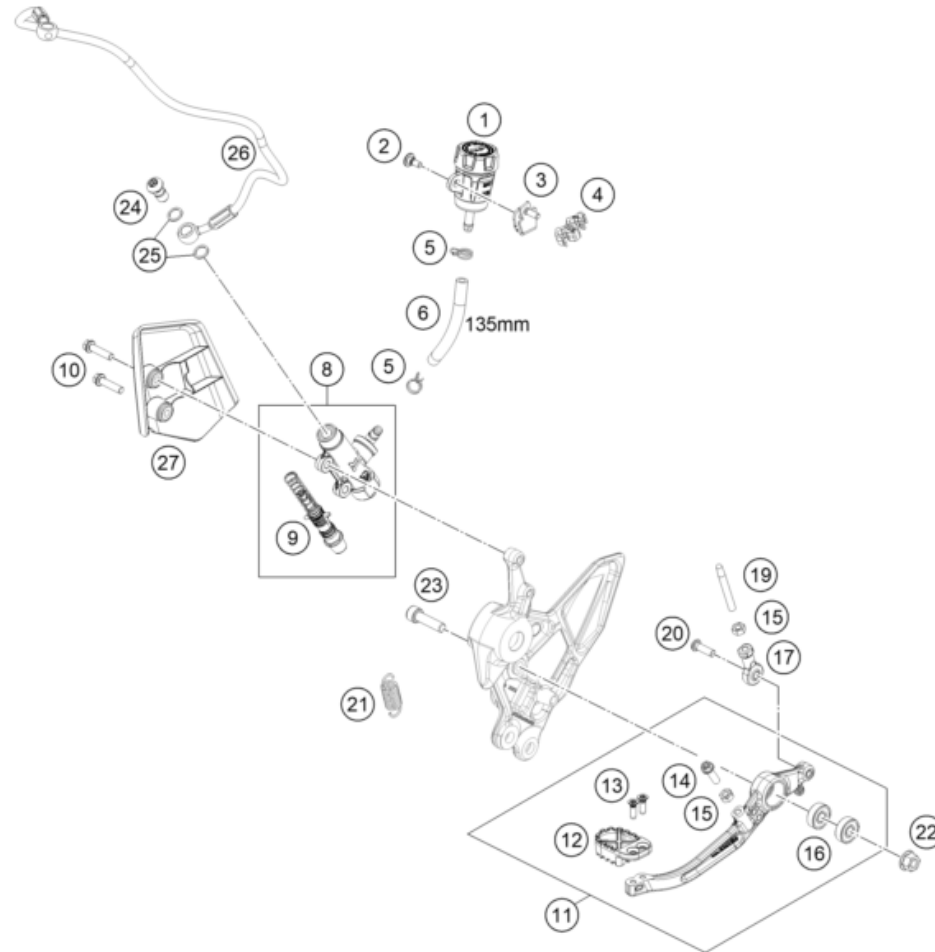


196351310

57907

* NEW PART

X ON DEMAND



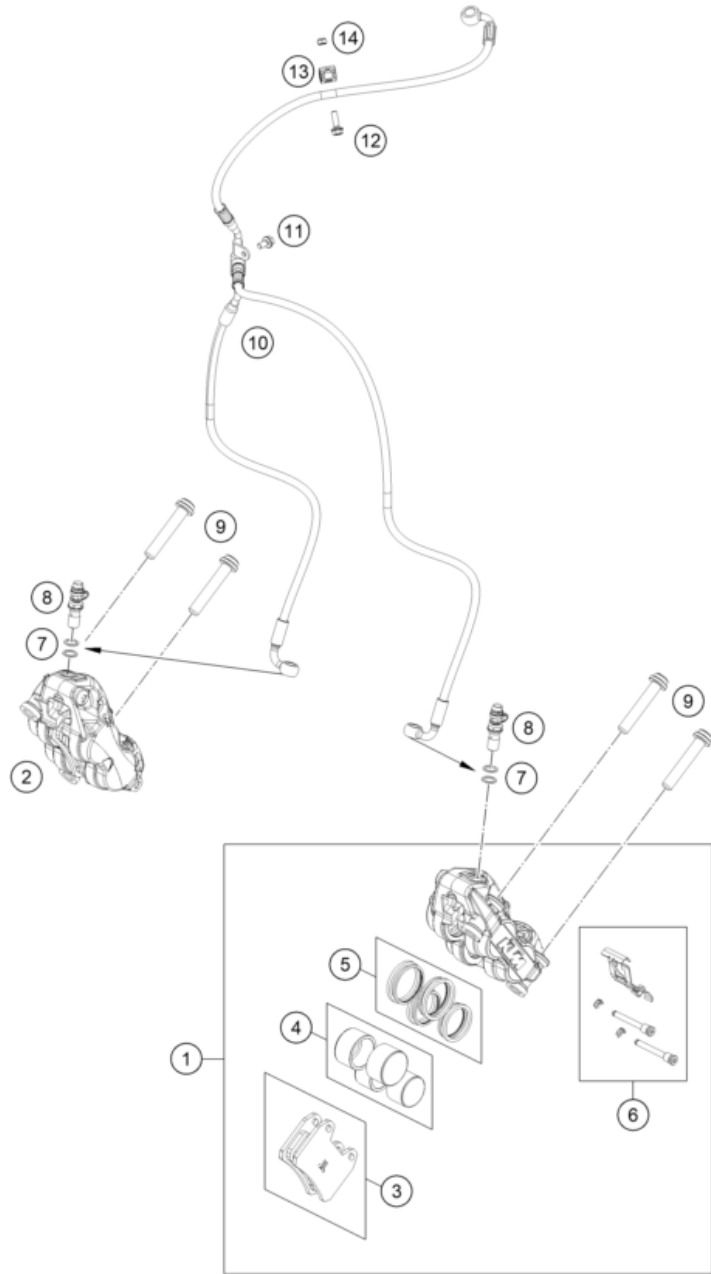
POS	PARTNUMBER		PIECE
1	64113069000	Reservoir assembly	1
2	69013099050	Screw for expansion tank	1
3	64113026000	Brake line holder	1
4	64142046000	Bracket ABS line dia7.5	1
5	58007017000	YDNAC-clamp 10101 (10.4MM)	2
6	69013069001	HOSE FOR RESERVOIR 6X1,5	1
8	6411306000030	Foot master cylinder cpl. black	1
9	64113061000	Piston assembly	1
10	0025060256	HH collar screw M6x25 TX30	2
11	63513050033C1	Foot brake lever cpl. without push rod	1
12	63513051000	Footbrake lever step plate	1
13	014581050162	CS screw, ISO14581-M5x16-A2-070 ISA25	2
14	0025060206	HH collar screw M6x20 TX30	1
15	0934060003	Hex. nut DIN 934 M6	2
16	0625006087	Grooved ball bearing 608 2RS C3	2
17	54603069000	SWIVEL HEAD M6 FOOT BRAKE LEV.	1
19	54603068000	PRESSURE ROD ALU 250 '90	1
20	0738060205S	Oval head screw ISR M6x20-A2-70-MK	1
21	54603062200	Return spring for brake lever	1
22	54310086200	Self locking nut M8 10.9	1
23	014579080301S	screw ISO 14579-M8x30-10.9-MK black	1
24	62113020100	Banjo bolt M10x1x19.5	1
25	0603100141	sealing ring DIN 7603 10x14x1	2
26	63742002000	Brake line, rear master cylinder	1
27	A61003039051	Rear master cylinder guard	1

23A6751330

63676

* NEW PART

X ON DEMAND



POS	PARTNUMBER		PIECE
1	63713115000	Brake caliper, front left	1
2	63713116000	Brake caliper, front right	1
3	63713030000	Front brake pad	2
4	63513019000	Piston set	2
5	63613021000	Seal set	2
6	64113017000	Retaining spring set	2
7	0603100141	sealing ring DIN 7603 10x14x1	4
8	62513020000	BLEEDER SCREW CPL. 05	2
9	0035100559S	AH collar screw M10x1.25x55 s-l	4
10	63542103000	Front brake line brake caliper	1
11	0025050106	HH collar screw M5x10 TX30	1
12	0025050166	HH collar screw M5x16 TX30	1
13	60113146000	SUPPORT FOR BRAKE HOSE M5	1
14	0985050003	Self locking nut DIN 985 M5	1

216371360

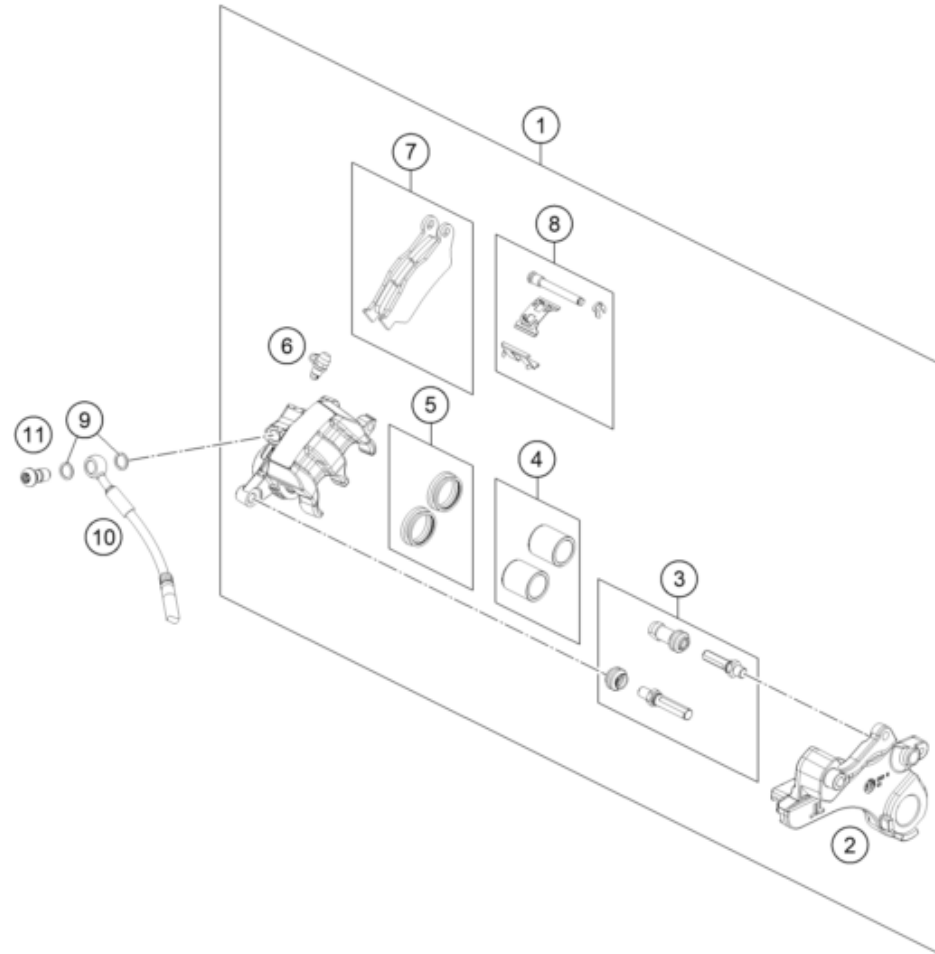
55726

* NEW PART

X ON DEMAND

REAR BRAKE CALIPER

890 ADVENTURE R 2025 2025



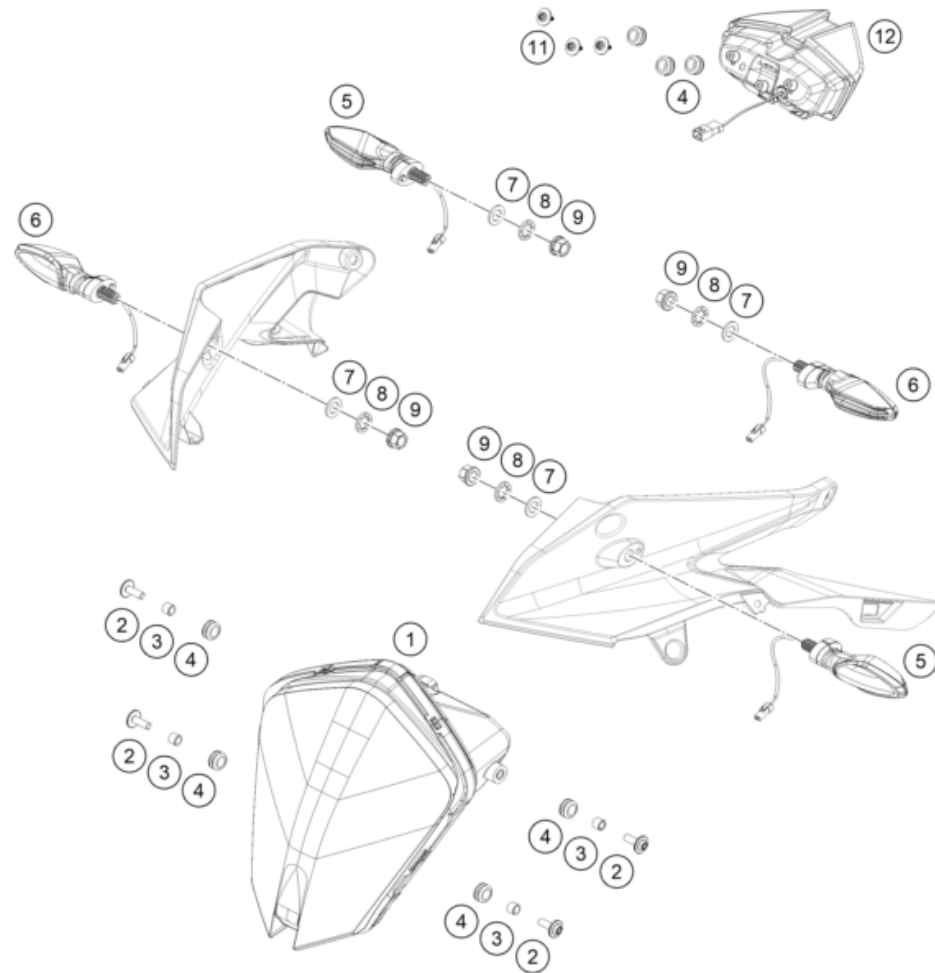
POS	PARTNUMBER		PIECE
1	63713080000	Rear brake caliper	1
2	63513075000	rear holder	1
3	64113084000	Cup set	1
4	63713083000	brake piston set	1
5	63513081000	Seal set	1
6	64113020000	Bleeder + cap	1
7	63713090000	rear brake pads	1
8	63513085000	Pad pin and spring	1
9	0603100141	sealing ring DIN 7603 10x14x1	2
10	63742004000	Brake line, rear brake caliper	1
11	62113020100	Banjo bolt M10x1x19.5	1

196351390

57909

* NEW PART

X ON DEMAND



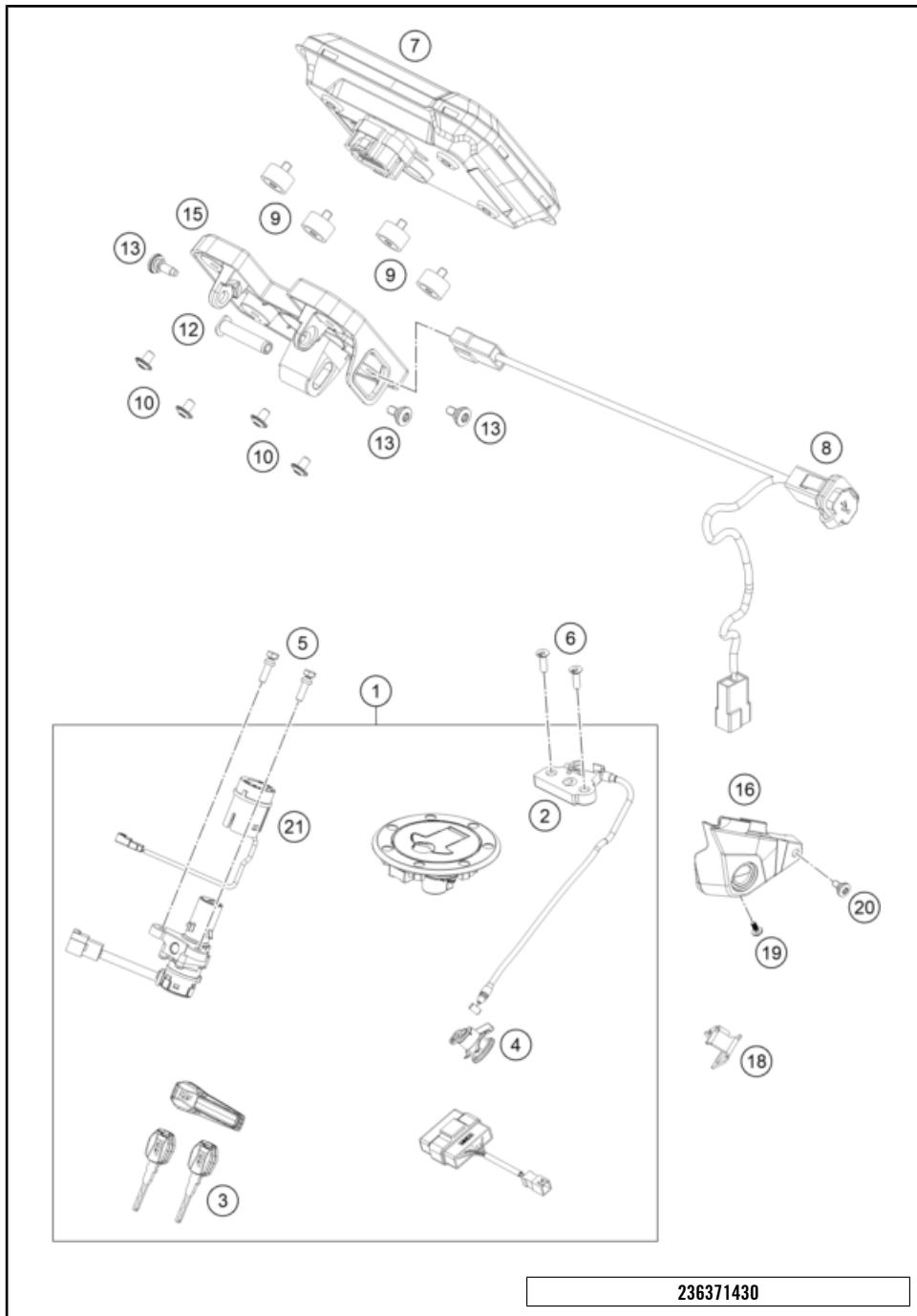
POS	PARTNUMBER		PIECE
1	A61014001000	Headlight	1
2	69014017000S	special screw M6x18-8.8 ISA30 MK	4
3	69014014000	Bushing 6.1X9.2X7.5 08	4
4	60006001022	Rubber grommet 9x11x16x8.5 mm	7
5	60314025000	turn signal front left/rear right	2
6	60314026000	turn signal front right/rear left	2
7	0433100003	Washer DIN0433-M10	4
8	0797100003	LOCK WASHER DIN6797-J10,5 ZI	4
9	58414030000	HH COLLAR NUT M10X1,25 WS=13	4
11	0081645121	EJOT DELTA PT SCREW 45X12-Z	3
12	63514040000	Tail light	1

236371411

62172

* NEW PART

X ON DEMAND



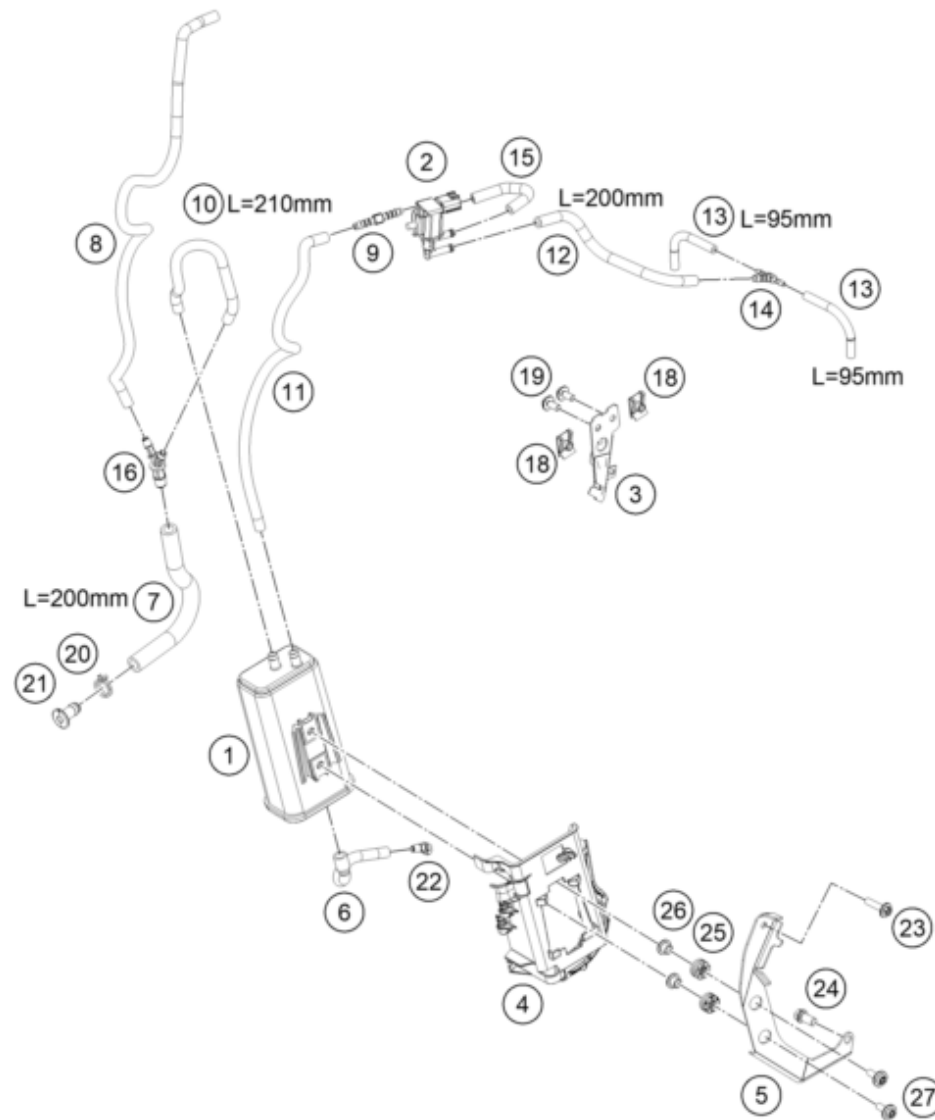
236371430

POS	PARTNUMBER		PIECE
1	A61011066044	Lock kit	1
2	63507050000	Seat lever assy	1
3	64111067000	KTM ignition key	1
3	64111067010	Blank Key KTM	x
4	90107050050	SEAT LOCK	1
5	76011064200	Tear-off screw M6 ignition lock ISA30 MK	2
6	0738060205S	Oval head screw ISR M6x20-A2-70-MK	2
7	22114069000	Dashboard	1
8	64111043000	USB power socket 12 V	1
9	61614069010	Absorber Speedometer	4
10	073802050083	Oval head screw ISR M5x8-08.8	4
12	61914010020	Bushing, speedometer attachment	1
13	69008021160	special screw M5x12	3
15	A61014060000	Dashboard support	1
16	63507050050	Lock cover	1
18	64107051000	Cable Bracket Lock	1
19	0081045121	SCREW FOR PLASTIC K45X12 T20	1
20	69008021160	special screw M5x12	1
21	63511066020	ANTENNA	1

62154

* NEW PART

X ON DEMAND



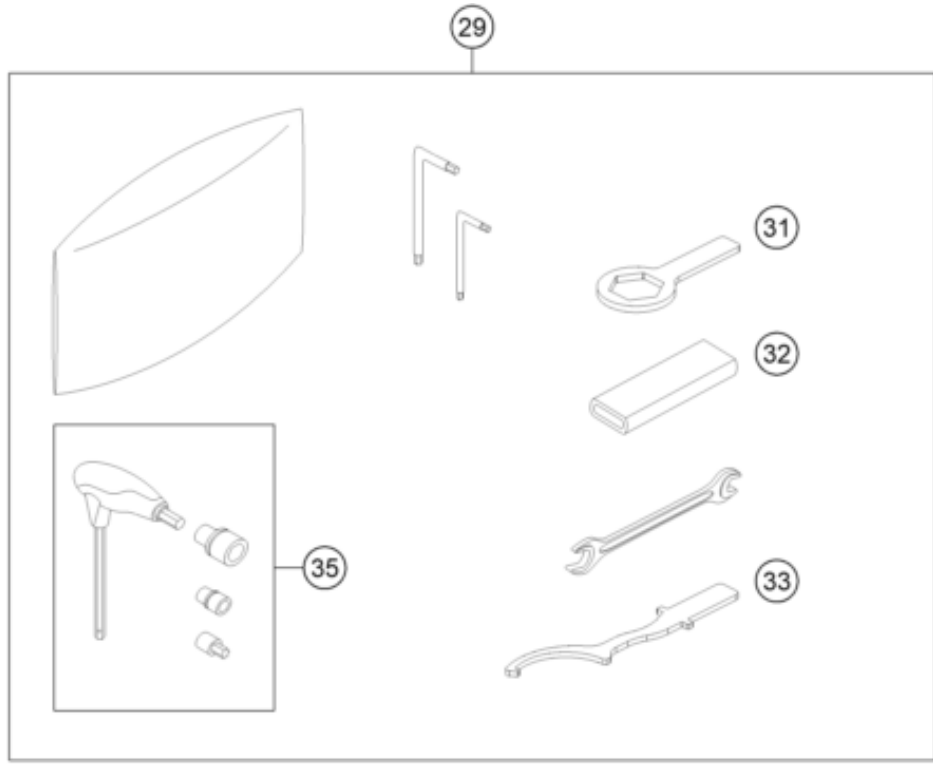
POS	PARTNUMBER		PIECE
1	75015001200	Carbon canister	1
2	A62415015000	Purge valve	1
3	A61015126015	Retain. bracket evap. canis. valve cmpl.	1
4	63515003010	Hose clip ACF	1
5	6351500201033	Retaining bracket ACF	1
6	A61015021000	Pre-formed hose, evap. can., bleeder	1
7	78015119000	HOSE EPA D=10/16 L=2000MM	1
8	63515024100	Fuel tank vent hose 688mm	1
9	69015019010	Hose connection straight	1
10	78015019000	HOSE EPA D=6/10 L=2000MM	1
11	63515028100	Evaporative canister hose - purge valve	1
12	78015019000	HOSE EPA D=6/10 L=2000MM	1
13	78015021000	HOSE EPA D=4/8 L=2000MM	2
14	64115026000	Hose connection nozzles	1
15	61415021000	Hose purge valve	1
16	61315028100	Y-CONNECTOR YS 6-10-6	1
18	54603048100	clip nut M6	2
19	0024060136	HH collar screw M6x13 TX30	2
20	58431082100	YDNAC-clamp 10173 (16MM)	1
21	61315026100	Screw plug ACF	1
22	63503098030	Angle piece for overrun	1
23	0024060256	HH COLLAR SCREW M6X25 TX30	1
24	0025060166	HH collar screw M6x16 TX30	1
25	62142041100	Damper 40 SHORE	2
26	61342041100	Collar bushing 6,5x9x18x8.5	2
27	0024060206S	HH collar screw M6x20 TX30	2

24A6101510

68815

* NEW PART

X ON DEMAND



OHNE ABBILDUNG
WITHOUT ILLUSTRATION

0

TECHNISCHE DOKUMENTATION
TECHNICAL DOCUMENTATION
DOCUMENTACION TECNICA
DOCUMENTATION TECHNIQUE
NOTE TECNICHE

1

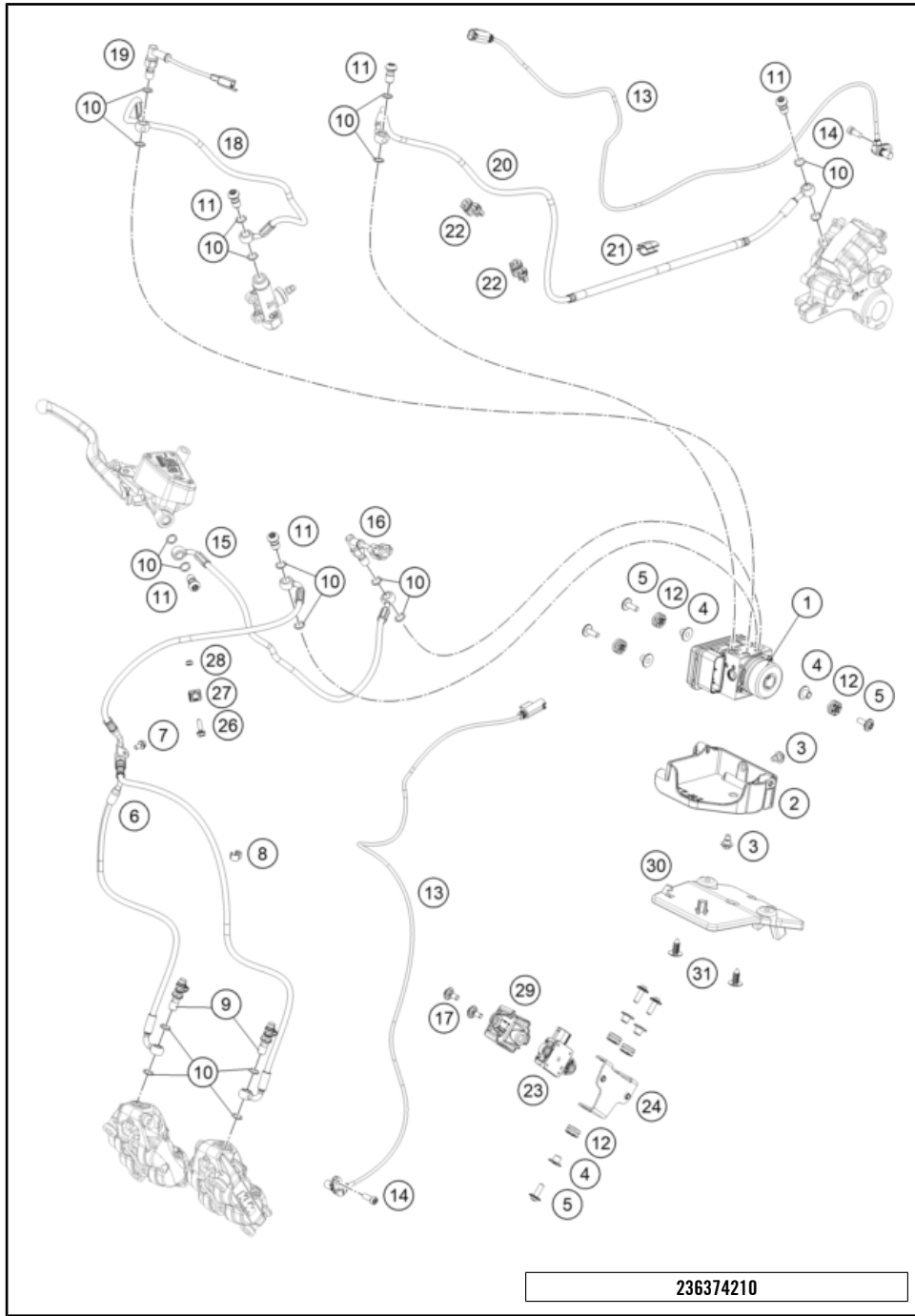
196352000

POS	PARTNUMBER		PIECE
0	A67612040000	Mirror left	1
0	A67612041000	Mirror right	1
0	0025060086	HH collar screw M6x8 TX30	2
0	A6100309000001	Skid plate	1
0	63503090016	Lower Alu Skidplate Support	1
0	0024060106	HH COLLAR SCREW M6X10 TX30	7
0	A61007025010	Tank protector left	1
0	83008000012	special screw M6x12x3	2
0	60307020000	TANK RUBBER	2
0	62142041000	Damp. component ABS modul	6
0	A61007025020	Tank protector right	1
0	75008023000	Washer tail section UT D=14mm	4
0	69014117000	Collar screw M6x22-8.8 ISA30	6
0	54603048300	RANGE CHANGE METAL NUT M6 INOX	6
0	61342041100	Collar bushing 6,5x9x18x8.5	6
0	A61008108000	Windshield R	1
0	60708008070	rubber bush windshield fixation	6
0	60708008071	Special screw M5x14	6
0	58412080400	Rear reflector red	1
0	64112181100	Bracket for reflector	1
0	75007046010	SEAT RUBBER 10 MM	2
0	60302180044EB	Handguard left cmpl. with fastening	1
0	60302181044EB	Handguard right cmpl. with fastening	1
0	00063004202	PRINT LABEL 60X51 MM	1
0	00063004012	HEADLIGHT MASK BOX	1
0	0025050166S	HH Collar Screw M5x16 ISA30 SS	4
0	60408061050	RUBBER 14X6.5X2.3MM	2
0	00063099024	Gummischeibe	2
1	3240140EN	Bed.- Anl. 890 ADV R 2025	1
29	63729099000	Tool set	1
31	60012060032	RING WRENCH 32MM	1
32	60012060000	GRIP FOR RING WRENCH	1
33	76029062000	HOOK WRENCH F. SHOCK ABSORBER	1
35	50329070000	T-WRENCH WS=6/8/10 '97	1

77131

* NEW PART

X ON DEMAND



236374210

POS	PARTNUMBER		PIECE
1	A61042031044	ABS module filled	1
2	63542040200	ABS modulator bracket	1
3	59001092050	SPECIAL SCREW M6X12,5 WS=8	2
4	61342041000	Collar bushing 6.5X9X18X8.5	6
5	69014017000S	special screw M6x18-8.8 ISA30 MK	6
6	63542003000	Brake line ABS-Caliper	1
7	0025050106	HH collar screw M5x10 TX30	1
8	60111094100	BAR SPACER 4/7 BLACK	8
9	62513020000	BLEEDER SCREW CPL. 05	2
10	0603100141	sealing ring DIN 7603 10x14x1	18
11	62113020100	Banjo bolt M10x1x19.5	5
12	62142041100	Damper 40 SHORE	4
13	76042125000	ABS-SENSOR	2
14	014580060166	Cap head bold ISO 14580 M6x16	2
15	63542001000	Brake line MC-ABS	1
16	63711051100	Brake light switch	1
17	83008000015	Special screw M6X15X3	2
18	63542002000	Brake line MC-ABS	1
19	62111051000	Brake light switch rear	1
20	63542004000	Brake links ABS-Caliper	1
21	54813026100	CABLE SUPPORT 10/4MM 2014	1
22	64142046000	Bracket ABS line dia7.5	2
23	61542090000	Angle sensor	1
24	63742090015	Retaining bracket angle sensor compl.	1
26	0025050166	HH collar screw M5x16 TX30	1
27	60113146000	SUPPORT FOR BRAKE HOSE M5	1
28	0985050003	Self locking nut DIN 985 M5	1
29	61342090050	COVER SENSOR BOX	1
30	A61042040010	Heat protection	1
31	61103165000	PLUG FOR M8	2

77130

* NEW PART

X ON DEMAND

POS	PARTNUMBER		PIECE
1	A60007098000	Fuel tank sticker EU	1
2	A61007096000	Fuse box sticker	1
3	64104099100	Sticker chain tension	1
4	LI21-637-2A	Type label, EURO 4 KTM	1
5	A61003095100	ECE sticker	1
6	63503596000	Sticker speedlimit	1
7	21003094000	Sticker "EAC"	1
8	A61003097400	Sticker technical data	1

<p>Please read the entire owner's manual before putting the vehicle into operation for the first time! Lire attentivement l'ensemble du manuel d'utilisation avant de mettre le véhicule en service! A600 07 098 000</p>	<p>KTM AG VBKXXXXXXXXXXXXXXXXX KTM XXXXXXXXXXXX LXX-JXX (XXXKW) db 0000 min⁻¹ e1-XXXXXXXXXXXX00 max. XXX kg</p>																																																																																																																																																																																																												
<table border="1"> <thead> <tr> <th>FUSE NO.</th> <th>TYPE</th> <th>AMPERE</th> <th>FUNCTION</th> </tr> </thead> <tbody> <tr> <td>FUSE 1</td> <td>15A</td> <td>15A</td> <td>Headlight Left</td> </tr> <tr> <td>FUSE 2</td> <td>15A</td> <td>15A</td> <td>Headlight Right</td> </tr> <tr> <td>FUSE 3</td> <td>15A</td> <td>15A</td> <td>Ignition</td> </tr> <tr> <td>FUSE 4</td> <td>15A</td> <td>15A</td> <td>Starter</td> </tr> <tr> <td>FUSE 5</td> <td>15A</td> <td>15A</td> <td>Turn Signal Left</td> </tr> <tr> <td>FUSE 6</td> <td>15A</td> <td>15A</td> <td>Turn Signal Right</td> </tr> <tr> <td>FUSE 7</td> <td>15A</td> <td>15A</td> <td>Brake Light</td> </tr> <tr> <td>FUSE 8</td> <td>15A</td> <td>15A</td> <td>Side Light</td> </tr> <tr> <td>FUSE 9</td> <td>15A</td> <td>15A</td> <td>Indicator Turn</td> </tr> <tr> <td>FUSE 10</td> <td>15A</td> <td>15A</td> <td>Indicator Turn</td> </tr> <tr> <td>FUSE 11</td> <td>15A</td> <td>15A</td> <td>Indicator Turn</td> </tr> <tr> <td>FUSE 12</td> <td>15A</td> <td>15A</td> <td>Indicator Turn</td> </tr> <tr> <td>FUSE 13</td> <td>15A</td> <td>15A</td> <td>Indicator Turn</td> </tr> <tr> <td>FUSE 14</td> <td>15A</td> <td>15A</td> <td>Indicator Turn</td> </tr> <tr> <td>FUSE 15</td> <td>15A</td> <td>15A</td> <td>Indicator Turn</td> </tr> <tr> <td>FUSE 16</td> <td>15A</td> <td>15A</td> <td>Indicator Turn</td> </tr> <tr> <td>FUSE 17</td> <td>15A</td> <td>15A</td> <td>Indicator Turn</td> </tr> <tr> <td>FUSE 18</td> <td>15A</td> <td>15A</td> <td>Indicator Turn</td> </tr> <tr> <td>FUSE 19</td> <td>15A</td> <td>15A</td> <td>Indicator Turn</td> </tr> <tr> <td>FUSE 20</td> <td>15A</td> <td>15A</td> <td>Indicator Turn</td> </tr> <tr> <td>FUSE 21</td> <td>15A</td> <td>15A</td> <td>Indicator Turn</td> </tr> <tr> <td>FUSE 22</td> <td>15A</td> <td>15A</td> <td>Indicator Turn</td> </tr> <tr> <td>FUSE 23</td> <td>15A</td> <td>15A</td> <td>Indicator Turn</td> </tr> <tr> <td>FUSE 24</td> <td>15A</td> <td>15A</td> <td>Indicator Turn</td> </tr> <tr> <td>FUSE 25</td> <td>15A</td> <td>15A</td> <td>Indicator Turn</td> </tr> <tr> <td>FUSE 26</td> <td>15A</td> <td>15A</td> <td>Indicator Turn</td> </tr> <tr> <td>FUSE 27</td> <td>15A</td> <td>15A</td> <td>Indicator Turn</td> </tr> <tr> <td>FUSE 28</td> <td>15A</td> <td>15A</td> <td>Indicator Turn</td> </tr> <tr> <td>FUSE 29</td> <td>15A</td> <td>15A</td> <td>Indicator Turn</td> </tr> <tr> <td>FUSE 30</td> <td>15A</td> <td>15A</td> <td>Indicator Turn</td> </tr> <tr> <td>FUSE 31</td> <td>15A</td> <td>15A</td> <td>Indicator Turn</td> </tr> <tr> <td>FUSE 32</td> <td>15A</td> <td>15A</td> <td>Indicator Turn</td> </tr> <tr> <td>FUSE 33</td> <td>15A</td> <td>15A</td> <td>Indicator Turn</td> </tr> <tr> <td>FUSE 34</td> <td>15A</td> <td>15A</td> <td>Indicator Turn</td> </tr> <tr> <td>FUSE 35</td> <td>15A</td> <td>15A</td> <td>Indicator Turn</td> </tr> <tr> <td>FUSE 36</td> <td>15A</td> <td>15A</td> <td>Indicator Turn</td> </tr> <tr> <td>FUSE 37</td> <td>15A</td> <td>15A</td> <td>Indicator Turn</td> </tr> <tr> <td>FUSE 38</td> <td>15A</td> <td>15A</td> <td>Indicator Turn</td> </tr> <tr> <td>FUSE 39</td> <td>15A</td> <td>15A</td> <td>Indicator Turn</td> </tr> <tr> <td>FUSE 40</td> <td>15A</td> <td>15A</td> <td>Indicator Turn</td> </tr> <tr> <td>FUSE 41</td> <td>15A</td> <td>15A</td> <td>Indicator Turn</td> </tr> <tr> <td>FUSE 42</td> <td>15A</td> <td>15A</td> <td>Indicator Turn</td> </tr> <tr> <td>FUSE 43</td> <td>15A</td> <td>15A</td> <td>Indicator Turn</td> </tr> <tr> <td>FUSE 44</td> <td>15A</td> <td>15A</td> <td>Indicator Turn</td> </tr> <tr> <td>FUSE 45</td> <td>15A</td> <td>15A</td> <td>Indicator Turn</td> </tr> <tr> <td>FUSE 46</td> <td>15A</td> <td>15A</td> <td>Indicator Turn</td> </tr> <tr> <td>FUSE 47</td> <td>15A</td> <td>15A</td> <td>Indicator Turn</td> </tr> <tr> <td>FUSE 48</td> <td>15A</td> <td>15A</td> <td>Indicator Turn</td> </tr> <tr> <td>FUSE 49</td> <td>15A</td> <td>15A</td> <td>Indicator Turn</td> </tr> <tr> <td>FUSE 50</td> <td>15A</td> <td>15A</td> <td>Indicator Turn</td> </tr> </tbody> </table>	FUSE NO.	TYPE	AMPERE	FUNCTION	FUSE 1	15A	15A	Headlight Left	FUSE 2	15A	15A	Headlight Right	FUSE 3	15A	15A	Ignition	FUSE 4	15A	15A	Starter	FUSE 5	15A	15A	Turn Signal Left	FUSE 6	15A	15A	Turn Signal Right	FUSE 7	15A	15A	Brake Light	FUSE 8	15A	15A	Side Light	FUSE 9	15A	15A	Indicator Turn	FUSE 10	15A	15A	Indicator Turn	FUSE 11	15A	15A	Indicator Turn	FUSE 12	15A	15A	Indicator Turn	FUSE 13	15A	15A	Indicator Turn	FUSE 14	15A	15A	Indicator Turn	FUSE 15	15A	15A	Indicator Turn	FUSE 16	15A	15A	Indicator Turn	FUSE 17	15A	15A	Indicator Turn	FUSE 18	15A	15A	Indicator Turn	FUSE 19	15A	15A	Indicator Turn	FUSE 20	15A	15A	Indicator Turn	FUSE 21	15A	15A	Indicator Turn	FUSE 22	15A	15A	Indicator Turn	FUSE 23	15A	15A	Indicator Turn	FUSE 24	15A	15A	Indicator Turn	FUSE 25	15A	15A	Indicator Turn	FUSE 26	15A	15A	Indicator Turn	FUSE 27	15A	15A	Indicator Turn	FUSE 28	15A	15A	Indicator Turn	FUSE 29	15A	15A	Indicator Turn	FUSE 30	15A	15A	Indicator Turn	FUSE 31	15A	15A	Indicator Turn	FUSE 32	15A	15A	Indicator Turn	FUSE 33	15A	15A	Indicator Turn	FUSE 34	15A	15A	Indicator Turn	FUSE 35	15A	15A	Indicator Turn	FUSE 36	15A	15A	Indicator Turn	FUSE 37	15A	15A	Indicator Turn	FUSE 38	15A	15A	Indicator Turn	FUSE 39	15A	15A	Indicator Turn	FUSE 40	15A	15A	Indicator Turn	FUSE 41	15A	15A	Indicator Turn	FUSE 42	15A	15A	Indicator Turn	FUSE 43	15A	15A	Indicator Turn	FUSE 44	15A	15A	Indicator Turn	FUSE 45	15A	15A	Indicator Turn	FUSE 46	15A	15A	Indicator Turn	FUSE 47	15A	15A	Indicator Turn	FUSE 48	15A	15A	Indicator Turn	FUSE 49	15A	15A	Indicator Turn	FUSE 50	15A	15A	Indicator Turn	<p>Index 31 E1 KTM AG 10 R0M02*0117 41 R0501*0178 53 R0303*0106 60 R0006*0106 78 R0501*0332</p>
FUSE NO.	TYPE	AMPERE	FUNCTION																																																																																																																																																																																																										
FUSE 1	15A	15A	Headlight Left																																																																																																																																																																																																										
FUSE 2	15A	15A	Headlight Right																																																																																																																																																																																																										
FUSE 3	15A	15A	Ignition																																																																																																																																																																																																										
FUSE 4	15A	15A	Starter																																																																																																																																																																																																										
FUSE 5	15A	15A	Turn Signal Left																																																																																																																																																																																																										
FUSE 6	15A	15A	Turn Signal Right																																																																																																																																																																																																										
FUSE 7	15A	15A	Brake Light																																																																																																																																																																																																										
FUSE 8	15A	15A	Side Light																																																																																																																																																																																																										
FUSE 9	15A	15A	Indicator Turn																																																																																																																																																																																																										
FUSE 10	15A	15A	Indicator Turn																																																																																																																																																																																																										
FUSE 11	15A	15A	Indicator Turn																																																																																																																																																																																																										
FUSE 12	15A	15A	Indicator Turn																																																																																																																																																																																																										
FUSE 13	15A	15A	Indicator Turn																																																																																																																																																																																																										
FUSE 14	15A	15A	Indicator Turn																																																																																																																																																																																																										
FUSE 15	15A	15A	Indicator Turn																																																																																																																																																																																																										
FUSE 16	15A	15A	Indicator Turn																																																																																																																																																																																																										
FUSE 17	15A	15A	Indicator Turn																																																																																																																																																																																																										
FUSE 18	15A	15A	Indicator Turn																																																																																																																																																																																																										
FUSE 19	15A	15A	Indicator Turn																																																																																																																																																																																																										
FUSE 20	15A	15A	Indicator Turn																																																																																																																																																																																																										
FUSE 21	15A	15A	Indicator Turn																																																																																																																																																																																																										
FUSE 22	15A	15A	Indicator Turn																																																																																																																																																																																																										
FUSE 23	15A	15A	Indicator Turn																																																																																																																																																																																																										
FUSE 24	15A	15A	Indicator Turn																																																																																																																																																																																																										
FUSE 25	15A	15A	Indicator Turn																																																																																																																																																																																																										
FUSE 26	15A	15A	Indicator Turn																																																																																																																																																																																																										
FUSE 27	15A	15A	Indicator Turn																																																																																																																																																																																																										
FUSE 28	15A	15A	Indicator Turn																																																																																																																																																																																																										
FUSE 29	15A	15A	Indicator Turn																																																																																																																																																																																																										
FUSE 30	15A	15A	Indicator Turn																																																																																																																																																																																																										
FUSE 31	15A	15A	Indicator Turn																																																																																																																																																																																																										
FUSE 32	15A	15A	Indicator Turn																																																																																																																																																																																																										
FUSE 33	15A	15A	Indicator Turn																																																																																																																																																																																																										
FUSE 34	15A	15A	Indicator Turn																																																																																																																																																																																																										
FUSE 35	15A	15A	Indicator Turn																																																																																																																																																																																																										
FUSE 36	15A	15A	Indicator Turn																																																																																																																																																																																																										
FUSE 37	15A	15A	Indicator Turn																																																																																																																																																																																																										
FUSE 38	15A	15A	Indicator Turn																																																																																																																																																																																																										
FUSE 39	15A	15A	Indicator Turn																																																																																																																																																																																																										
FUSE 40	15A	15A	Indicator Turn																																																																																																																																																																																																										
FUSE 41	15A	15A	Indicator Turn																																																																																																																																																																																																										
FUSE 42	15A	15A	Indicator Turn																																																																																																																																																																																																										
FUSE 43	15A	15A	Indicator Turn																																																																																																																																																																																																										
FUSE 44	15A	15A	Indicator Turn																																																																																																																																																																																																										
FUSE 45	15A	15A	Indicator Turn																																																																																																																																																																																																										
FUSE 46	15A	15A	Indicator Turn																																																																																																																																																																																																										
FUSE 47	15A	15A	Indicator Turn																																																																																																																																																																																																										
FUSE 48	15A	15A	Indicator Turn																																																																																																																																																																																																										
FUSE 49	15A	15A	Indicator Turn																																																																																																																																																																																																										
FUSE 50	15A	15A	Indicator Turn																																																																																																																																																																																																										
	<p>V max 170 km/h 105 mph M + S</p>																																																																																																																																																																																																												
	<p>890 Adventure R A610.03.097.400 Fuel: RCN 95 unleaded (USA = PREMIUM PON 91) Tyre front: 90/90 -21 54T Air pressure front: rider only 2.4 bar (38 psi) max. payload 2.8 bar (38 psi) Tyre rear: 150/70 B16 70T Air pressure rear: rider only 2.4 bar (38 psi) max. payload 2.8 bar (42 psi) Max payload: 235 kg (518 lbs) Max. total weight: 450 kg (992 lbs) Engine oil: fully synthetic 10W50 Further information see owner's manual</p>																																																																																																																																																																																																												

25A6108010

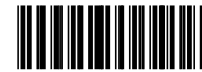
77132

* NEW PART

X ON DEMAND

A large, empty rectangular box with a thin black border, occupying the majority of the page. It is intended for students to write their notes during the lesson.

KTM.COM



F9703Y7EN

KTM Sportmotorcycle GmbH
5230 Mattighofen, Austria
www.ktm.com

