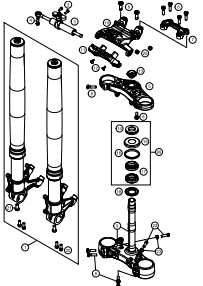
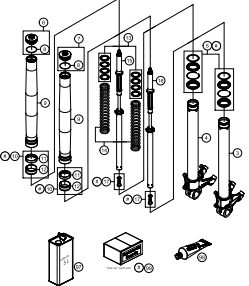
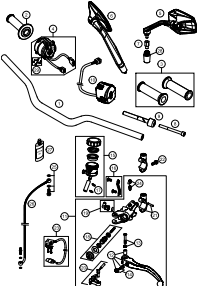
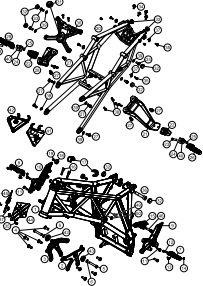
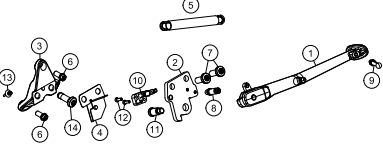
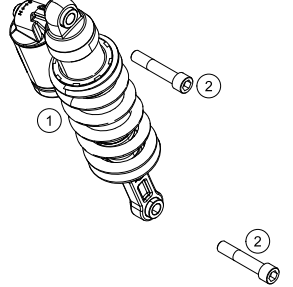
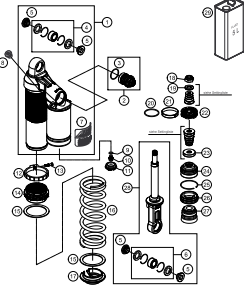
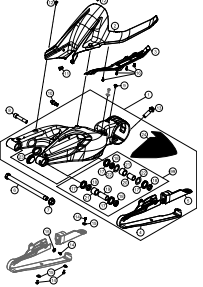
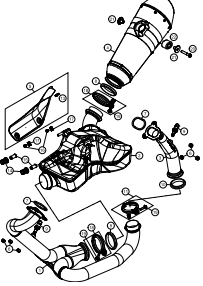
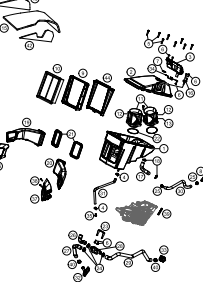

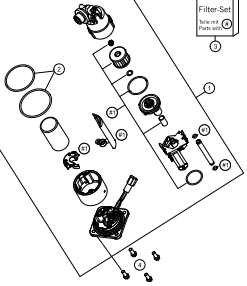


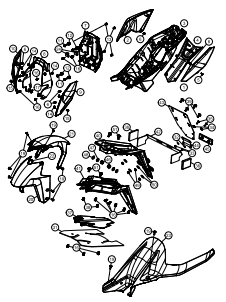
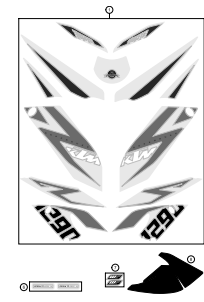
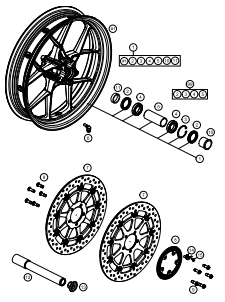
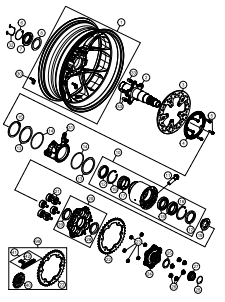
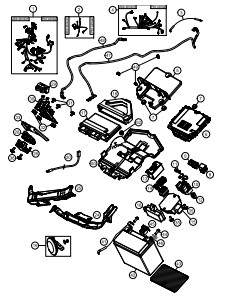
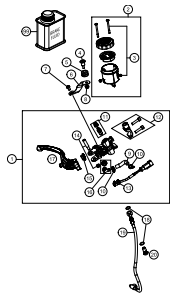
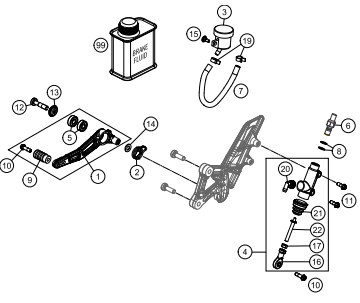
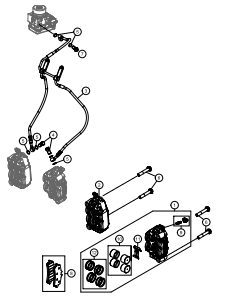
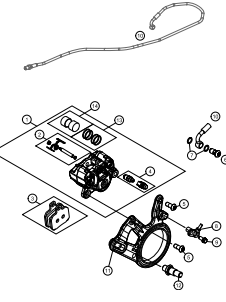
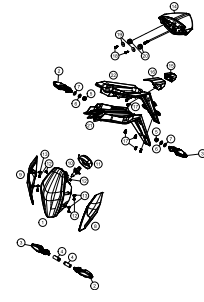
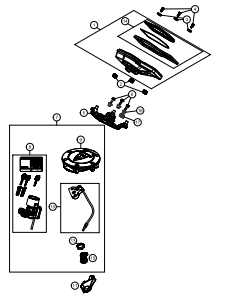
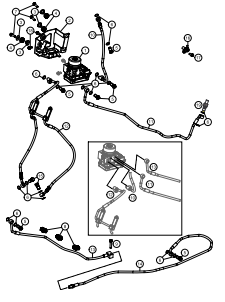
# 1290 SUPERDUKE R BLACK ABS EU 2016

ART.-NR.: 3CFF9903P2EN

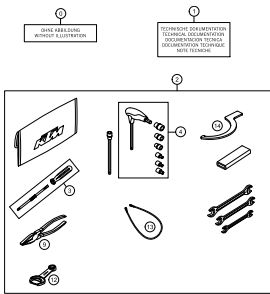
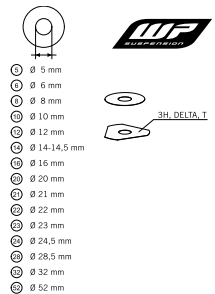





|  |   |   |  |
|--|---|---|--|
| <p><b>FRONT FORK, TRIPLE CLAMP</b></p>  <p><b>4</b></p> | <p><b>FRONT FORK DISASSEMBLED</b></p>  <p><b>5</b></p> | <p><b>HANDLEBAR, CONTROLS</b></p>  <p><b>6</b></p>     | <p><b>FRAME</b></p>  <p><b>7</b></p>        |
| <p><b>SIDE STAND</b></p>  <p><b>9</b></p>               | <p><b>MONOSHOCK</b></p>  <p><b>10</b></p>              | <p><b>MONOSHOCK DISASSEMBLED</b></p>  <p><b>11</b></p> | <p><b>SWING ARM</b></p>  <p><b>12</b></p>   |
| <p><b>EXHAUST SYSTEM</b></p>  <p><b>13</b></p>        | <p><b>AIR FILTER</b></p>  <p><b>14</b></p>           | <p><b>TANK, SEAT, COVER</b></p>  <p><b>16</b></p>    | <p><b>FUEL PUMP</b></p>  <p><b>18</b></p> |

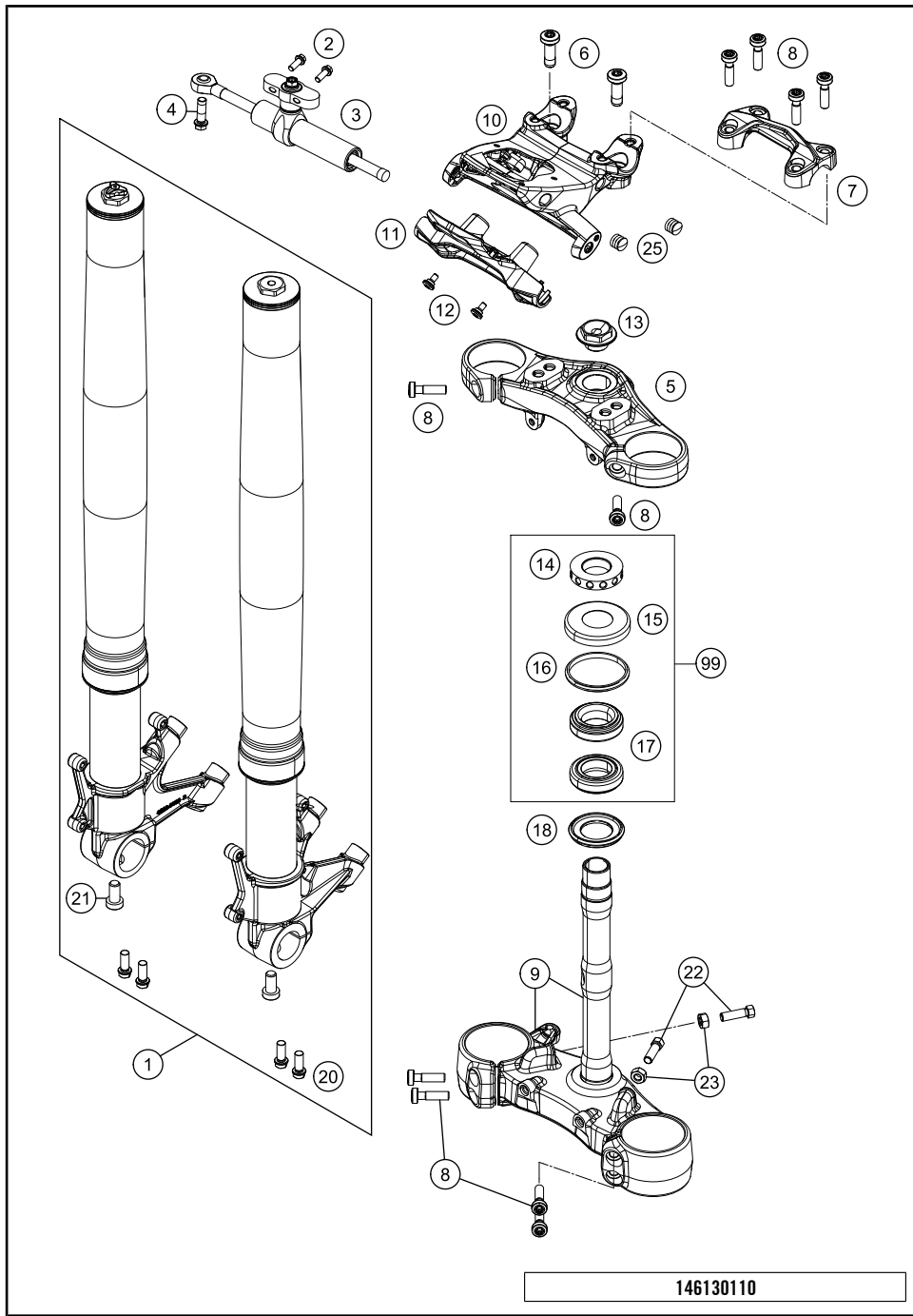
|   |  |   |  |
|---|--|---|--|
| <p><b>MASK, FENDER</b></p>  <p><b>19</b></p>         | <p><b>DECAL</b></p>  <p><b>21</b></p>               | <p><b>FRONT WHEEL</b></p>  <p><b>22</b></p>                | <p><b>REAR WHEEL</b></p>  <p><b>23</b></p>                    |
| <p><b>WIRING HARNESS</b></p>  <p><b>24</b></p>       | <p><b>HAND BRAKE CYLINDER</b></p>  <p><b>26</b></p> | <p><b>REAR BRAKE CONTROL</b></p>  <p><b>27</b></p>         | <p><b>BREAK CALIPER FRONT</b></p>  <p><b>28</b></p>           |
| <p><b>BREAK CALIPER REAR</b></p>  <p><b>29</b></p> | <p><b>LIGHTING SYSTEM</b></p>  <p><b>30</b></p>   | <p><b>INSTRUMENTS, LOCK SYSTEM</b></p>  <p><b>31</b></p> | <p><b>ANTILOCK BRAKING SYSTEM ABS</b></p>  <p><b>32</b></p> |



|  |   |  |  |
|--|---|--|--|
| <p><b>ACCESSORIES KIT</b></p>  <p><b>33</b></p> | <p><b>WP SHIMS FOR SETTING</b></p>  <p><b>34</b></p>   |  |  |
|  |   |  |  |
|  |  <p>All information contained is without obligation. KTM Sportmotorcycle GmbH particularly reserves the right to modify any equipment, technical specifications, prices, colors, shapes, materials, services, service work, constructions, equipment and the like so as to adapt them to local conditions or to cancel any of the above items, all without previous announcement and without giving reasons. KTM may stop manufacturing certain models without previous notice. KTM shall not be held liable for any deviations of availability and/or ability to deliver, illustrations, descriptions, printing and/or other errors. The illustrated models partly contain extra equipment, which is not applied to standard models.</p> <p>© by KTM Sportmotorcycle GmbH, Mattighofen AUSTRIA; All rights reserved; Reprint, also in extracts, with written allowance of KTM Sportmotorcycle GmbH, Mattighofen only.</p> |  |  |

# FRONT FORK, TRIPLE CLAMP

# 1290 SUPERDUKE R BLACK ABS EU 2016

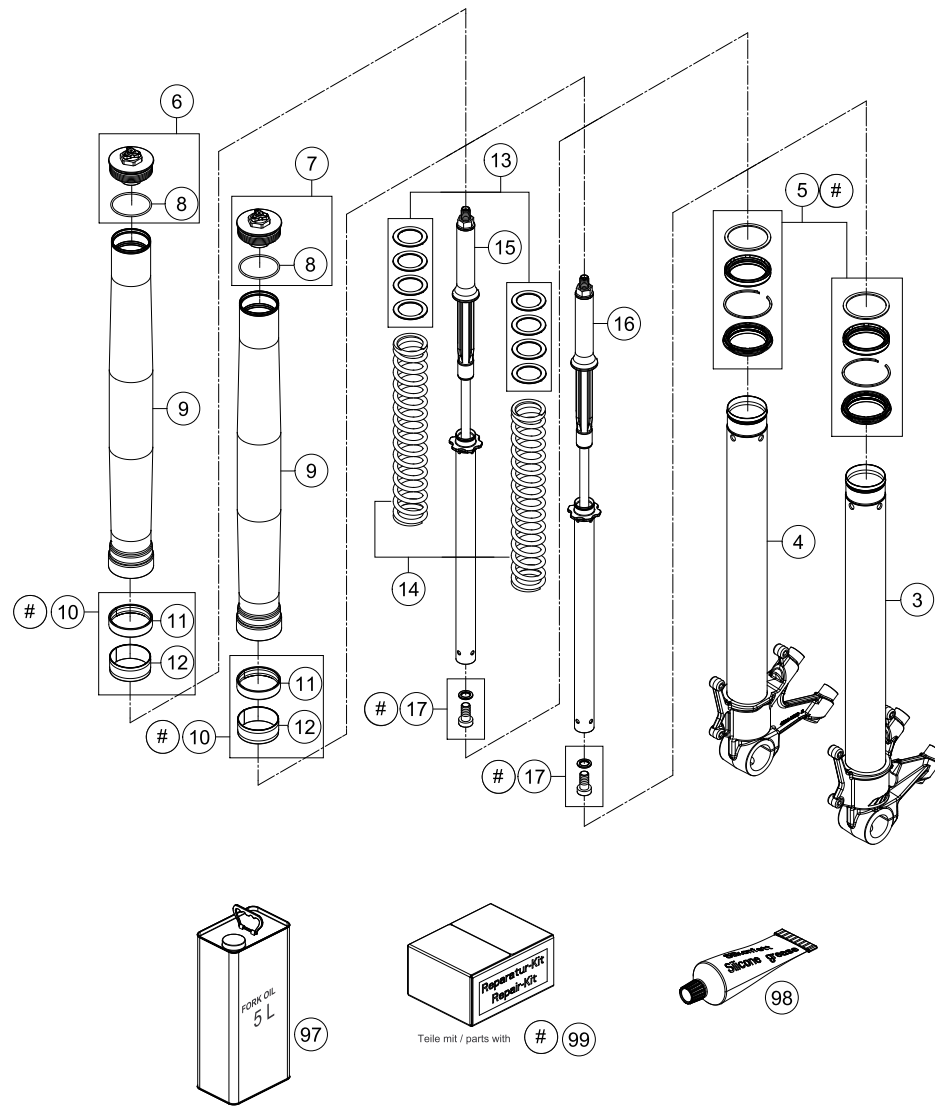


| POS | PARTNUMBER     | PARTNAME                       | PIECE |
|-----|----------------|--------------------------------|-------|
| 1   | 14188N2201     | FORK WP SUPERDUKE 2013         | 1     |
| 2   | 0025060206S    | HH COLLAR SCREW M6X20 TX30     | 2     |
| 3   | 16181N52ES     | STEERING DAMPER CPL. STROKE 75 | 1     |
| 4   | 0025080256S    | HH COLLAR SCREW M8X25 TX40     | 1     |
| 5   | 6130103402933S | TOP TRIPLE CLAMP               | 1     |
| 6   | 0035100309S    | AH-COLLAR SCREW M10X30 ISA45   | 2     |
| 7   | 6130103800033S | HANDLEBAR CLAMP                | 1     |
| 8   | 0035080306     | AH-COLLAR SCREW M8X30 ISA45    | 10    |
| 9   | 6130103202933S | BOTTOM TRIPLE CLAMP CPL.       | 1     |
| 10  | 6130104304433  | INSTRUMENTS BRACKET CPL.       | 1     |
| 11  | 61301046000    | CASE INSTRUMENTS BRACKET       | 1     |
| 12  | 69008021160    | SPECIAL SCREW M5X12            | 2     |
| 13  | 6030103600001  | STEER.HEAD SCREW M22X1,5 SW27  | 1     |
| 14  | 57301036100    | STEER.HEAD NUT                 | 1     |
| 15  | 61001086000    | STEERING HEAD COVER 05         | 1     |
| 16  | 54601184000    | STEERING HEAD GASKET TOP       | 1     |
| 17  | 54201081100    | TAPERED ROLLER BEARING CPL. 06 | 2     |
| 18  | 77701084000    | O-RING SUPPORT W. SEALING LIP  | 1     |
| 20  | 0025080206     | HH COLLAR SCREW M8X20 TX40     | 4     |
| 21  | 00501020S1     | AH SCREW M10X20 SET            | 2     |
| 22  | 59001037000    | SPECIAL SCREW M8X26 WS=10      | 2     |
| 23  | 0934080003     | HEXAGON NUT DIN0934-M 8        | 2     |
| 25  | 55009086000    | PLUG SFL13                     | 2     |
| 99  | 61301080044    | STEER. HEAD REP. KIT 1290 SD-R | 1     |

146130110

C146130110

\* NEW PART X ON DEMAND



| POS | PARTNUMBER | PARTNAME                     | PIECE |
|-----|------------|------------------------------|-------|
| 3   | 48601081S2 | AXLE CLAMP W. INNER TUBE L/S | 1     |
| 4   | 48601082S2 | AXLE CLAMP W. INNER TUBE R/S | 1     |
| 5   | R14040     | GASKET KIT CPL.              | 1     |
| 6   | 48601062S2 | SCREW CAP M51X1.5 REB        | 1     |
| 7   | 48601062S3 | SCREW CAP M51X1.5 COM        | 1     |
| 8   | 46810340   | O-RING NBR 45X2              | 1     |
| 9   | 48600484   | OUTER TUBE L=500MM D=54/60   | 2     |
| 10  | R14028     | GUIDING BUSH SET             | 2     |
| 11  | 48601009   | GUIDING BUSH 48X52X12 R11    | 2     |
| 12  | 48601008   | GUIDING BUSH 47X49X20 R11    | 2     |
| 13  | R514       | SPRING SPACER KIT            | 1     |
| 14  | 95010034S  | SPRING LINEAR SET D=4,9      | 1     |
| 15  | 57430049S  | CARDRIDGE CPL. R/S           | 1     |
| 16  | 57430048S  | CARDRIDGE CPL. L/S           | 1     |
| 17  | 00501020S1 | AH SCREW M10X20 SET          | 2     |
| 97  | 48601166S1 | FORK OIL SAE4 5L             | 1     |
| 98  | T511       | SILICONE GREASE F. DUST STRI | 1     |
| 99  | R14041     | REP. KIT 1290 SD 2014        | 1     |

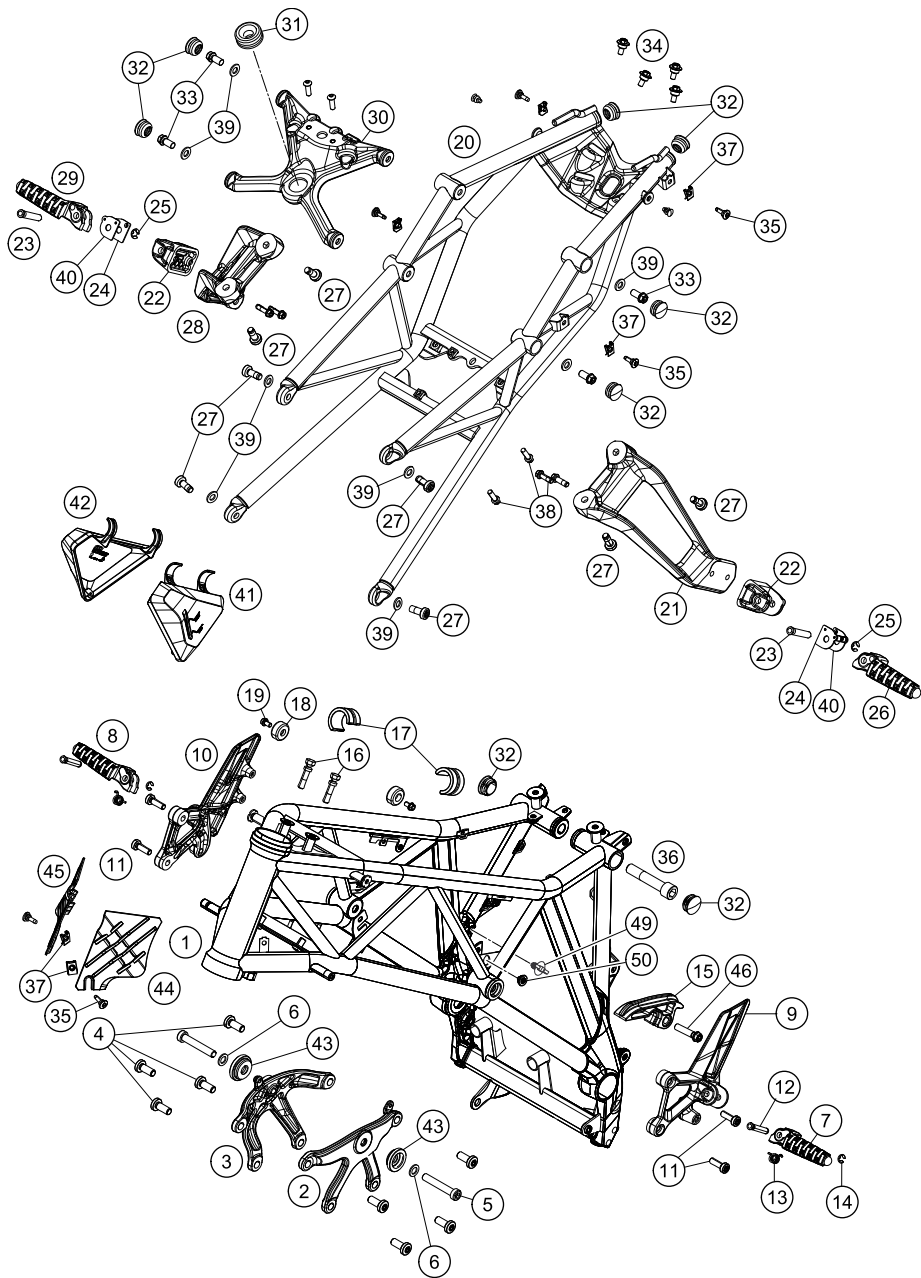
146130130

C146130130

\* NEW PART

X ON DEMAND





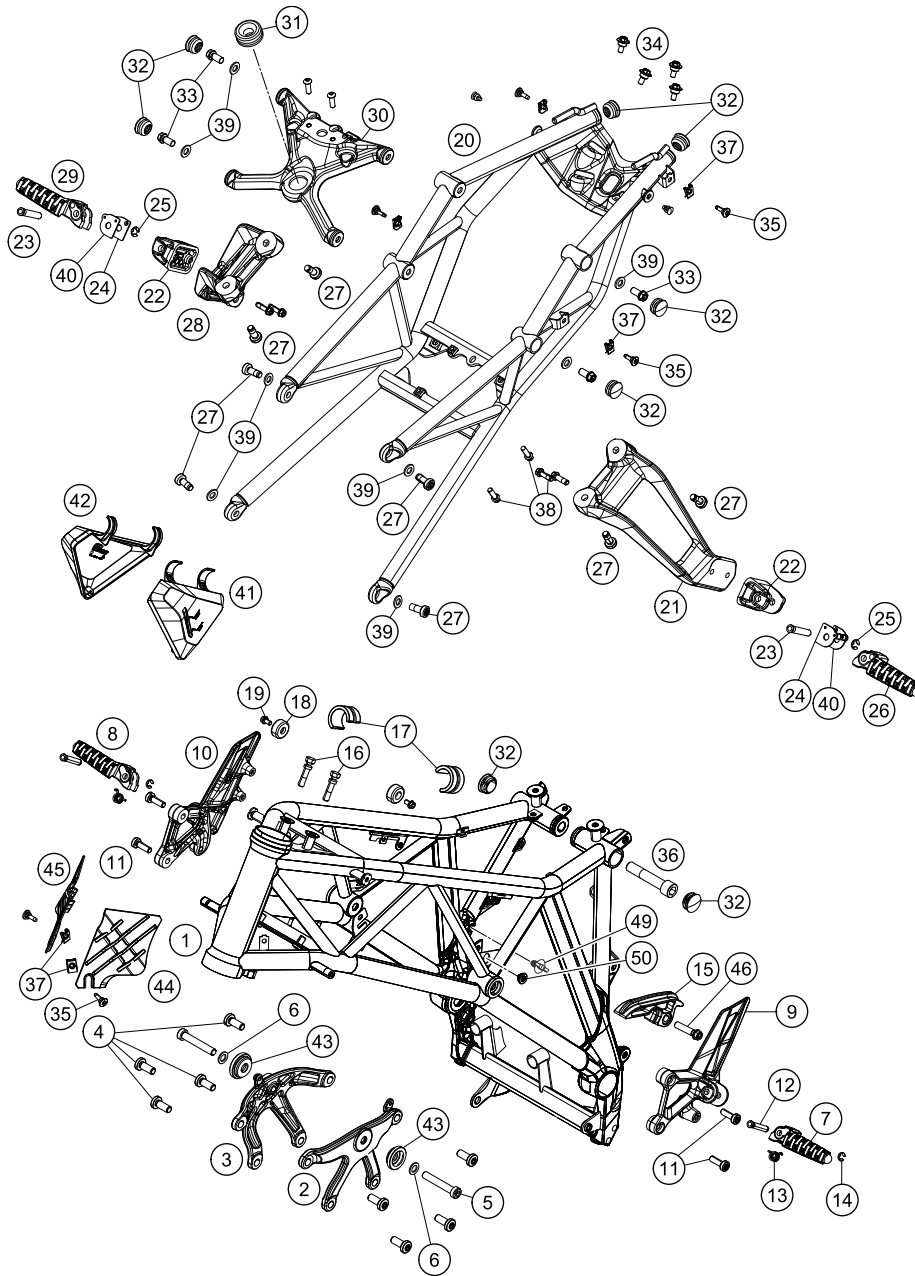
146130310

| POS | PARTNUMBER     | PARTNAME                       | PIECE |
|-----|----------------|--------------------------------|-------|
| 1   | 61303001000EB  | FRAME "613NA" ELECTR.-ORANGE   | 1     |
| 2   | 6030300500033S | ENGINE SUPPORTL/S BLACK        | 1     |
| 3   | 6030300600033S | ENGINE SUPPORT R/S BLACK       | 1     |
| 4   | 0035100249     | AH-COLLAR SCREW M10X24 ISA45   | 8     |
| 5   | 0035100609S    | AH-COLLAR SCREW M10X60 ISA45   | 2     |
| 6   | 0433100003     | WASHER 18x10,5x1,6             | 2     |
| 7   | 6900314000033S | FOOTREST FRONT L/S 13          | 1     |
| 8   | 6900314100033S | FOOTREST FRONT R/S 13          | 1     |
| 9   | 6130303800033S | FOOTREST SUPPORT FRONT L/S BL. | 1     |
| 10  | 6130303900033S | FOOTREST SUPPORT FRONT R/S BL. | 1     |
| 11  | 0035080256     | AH-COLLAR SCREW M8X25 ISA45    | 4     |
| 12  | 60003044100    | BOLT FOR FOOTREST REAR         | 2     |
| 13  | 61003042000    | SPRING FOOTREST FRONT 05       | 2     |
| 14  | 0799060003     | TAB WASHER DIN6799-RS 6,0      | 2     |
| 15  | 61304076000    | CHAIN SLIDING BLOCK-FRAME      | 1     |
| 16  | 61111064000    | TAMPER-PROOF SCREW 07          | 2     |
| 17  | 61007014000    | SPACER FUEL TANK 05            | 2     |
| 18  | 50307014000    | TANK ROLLER 12X26X12 '98       | 2     |
| 19  | 0025060106     | HH COLLAR SCREW M6X10 TX30     | 2     |
| 20  | 6130300210033  | SUBE FRAME BLACK               | 1     |
| 21  | 6130304800033S | FOOTREST SUPPORT REAR L/S BL.  | 1     |
| 22  | 6130304905033S | FOOTREST MOUNTING REAR BLACK   | 2     |
| 23  | 60003044100    | BOLT FOR FOOTREST REAR         | 2     |
| 24  | 60003052000    | ENGAGE PANEL FOOTREST R/S 03   | 2     |
| 25  | 0799060003     | TAB WASHER DIN6799-RS 6,0      | 2     |
| 26  | 6900305003333S | FOOTREST REAR L/S CPL.         | 1     |
| 27  | 0035080206S    | AH-COLLAR SCREW M8X20 ISA45    | 4     |
| 28  | 6130304900033S | FOOTREST SUPPORT REAR R/S BL.  | 1     |
| 29  | 6900305103333S | FOOTREST REAR R/S CPL.         | 1     |
| 30  | 6130300203033S | CROSS BRACE REAR BLACK         | 1     |
| 31  | 61303002040    | RUBBER GROMMET                 | 1     |
| 32  | 61303088000    | PLUG SFL 22X0,8-3,0            | 8     |
| 33  | 0025080166     | HH COLLAR SCREW M8X16 TX40     | 4     |
| 34  | 83008100015    | SPECIAL SCREW M6X15X5,5        | 4     |
| 35  | 69008021060    | SPECIAL SCREW M5X17            | 6     |
| 36  | 60004017000    | SCREW M14X1,5 L=73MM 03        | 1     |
| 37  | 69008021080    | RANGE CHANGE METAL NUT M5      | 6     |
| 38  | 0025080206     | HH COLLAR SCREW M8X20 TX40     | 6     |

C156130311

\* NEW PART

X ON DEMAND



| POS | PARTNUMBER  | PARTNAME                     | PIECE |
|-----|-------------|------------------------------|-------|
| 39  | 0125080003  | WASHER DIN0125-A 8,4         | 8     |
| 40  | 60003152000 | ENGAGE PANEL FOOTREST L/S 03 | 2     |
| 41  | 61303091000 | KNEE PAD L/S                 | 1     |
| 42  | 61303092000 | KNEE PAD R/S                 | 1     |
| 43  | 60303010000 | BUSHING MOTOR MOUNTING       | 2     |
| 44  | 61303085000 | FRAME COVER L/S              | 1     |
| 45  | 61303086000 | FRAME COVER R/S              | 1     |
| 46  | 0025080356  | HH COLLAR SCREW M8X35 TX40   | 1     |
| 47  | 44011076200 | CABLE TIE 200/3,6MM BLACK    | x     |
| 47  | U6951130    | ORANGE CABLE TIES 100PK      | x     |
| 50  | 47106003060 | QUICK RELEASE CLUTCH         | 2     |

146130310

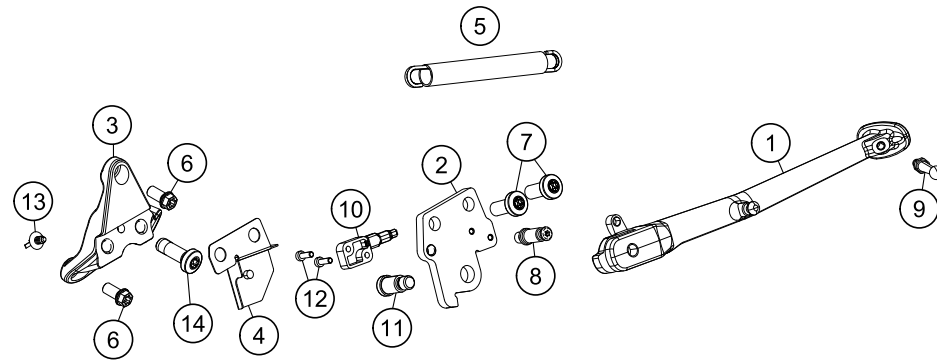
C156130311

\* NEW PART

X ON DEMAND

# SIDE STAND

# 1290 SUPERDUKE R BLACK ABS EU 2016



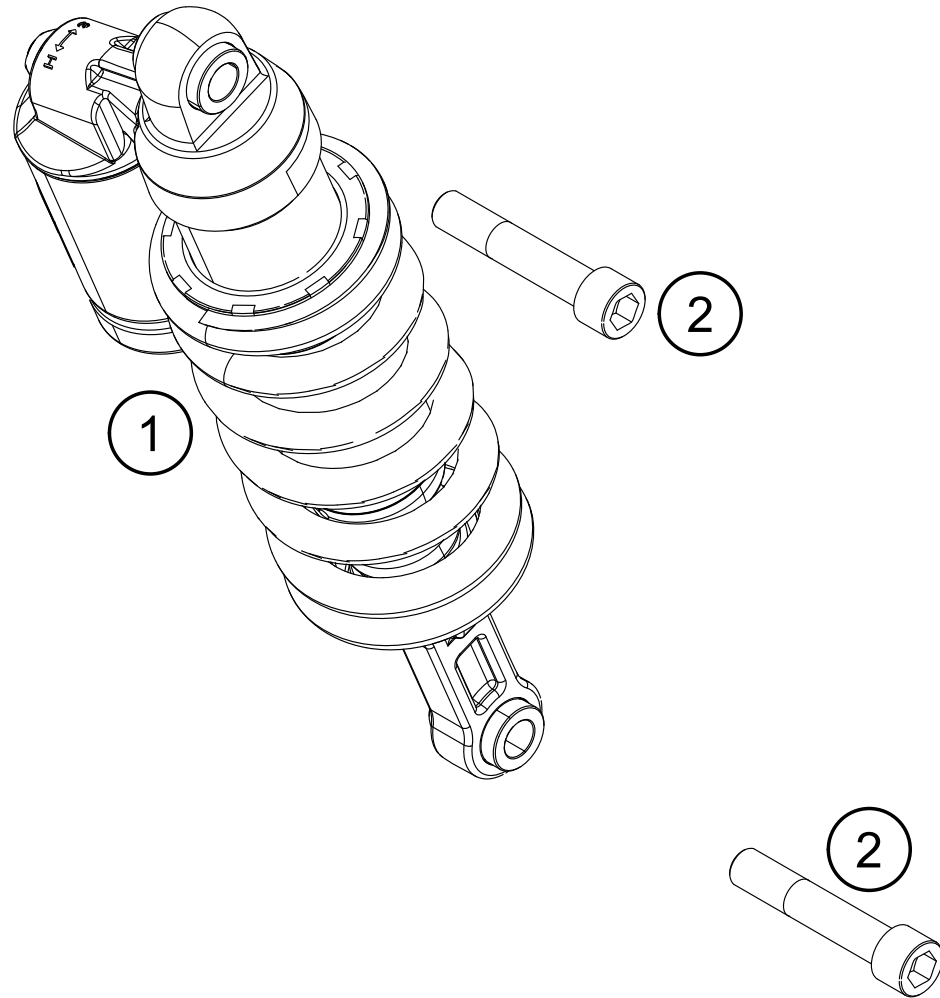
| POS | PARTNUMBER     | PARTNAME                      | PIECE |
|-----|----------------|-------------------------------|-------|
| 1   | 6100302313333S | SIDE STAND W. MAGNET          | 1     |
| 2   | 61303028000    | SIDE STAND MOUNTING           | 1     |
| 3   | 6130302600033S | SIDE STAND BRACKET            | 1     |
| 4   | 61303027000    | SCREENING SHEET               | 1     |
| 5   | 60303024100    | SIDE STAND SPRING             | 1     |
| 6   | 0025080166S    | HH COLLAR SCREW M8X16 TX40    | 2     |
| 7   | 0035100249     | AH-COLLAR SCREW M10X24 ISA45  | 2     |
| 8   | 61303028001    | SPEC. SCREW SIDE STAND SPRING | 1     |
| 9   | 61303023020    | STEP PLATE SIDE STAND         | 1     |
| 10  | 61011045000    | SIDE STAND SENSOR 05          | 1     |
| 11  | 62503027200    | SCREW FOR SIDE STAND M10X31,2 | 1     |
| 12  | 0084040123     | CYL.HEAD SCREW DIN84A M4x12   | 2     |
| 13  | 61011094000    | CABLE TIE WITH PLUG M6        | 1     |
| 14  | 0035100309S    | AH-COLLAR SCREW M10X30 ISA45  | 1     |

146130360

C146130360

\* NEW PART

X ON DEMAND



| POS | PARTNUMBER  | PARTNAME                    | PIECE |
|-----|-------------|-----------------------------|-------|
| 1   | 1518702201  | MONOSHOCK WP SUPERDUKE 2015 | 1     |
| 2   | 60004017000 | SCREW M14X1,5 L=73MM 03     | 2     |

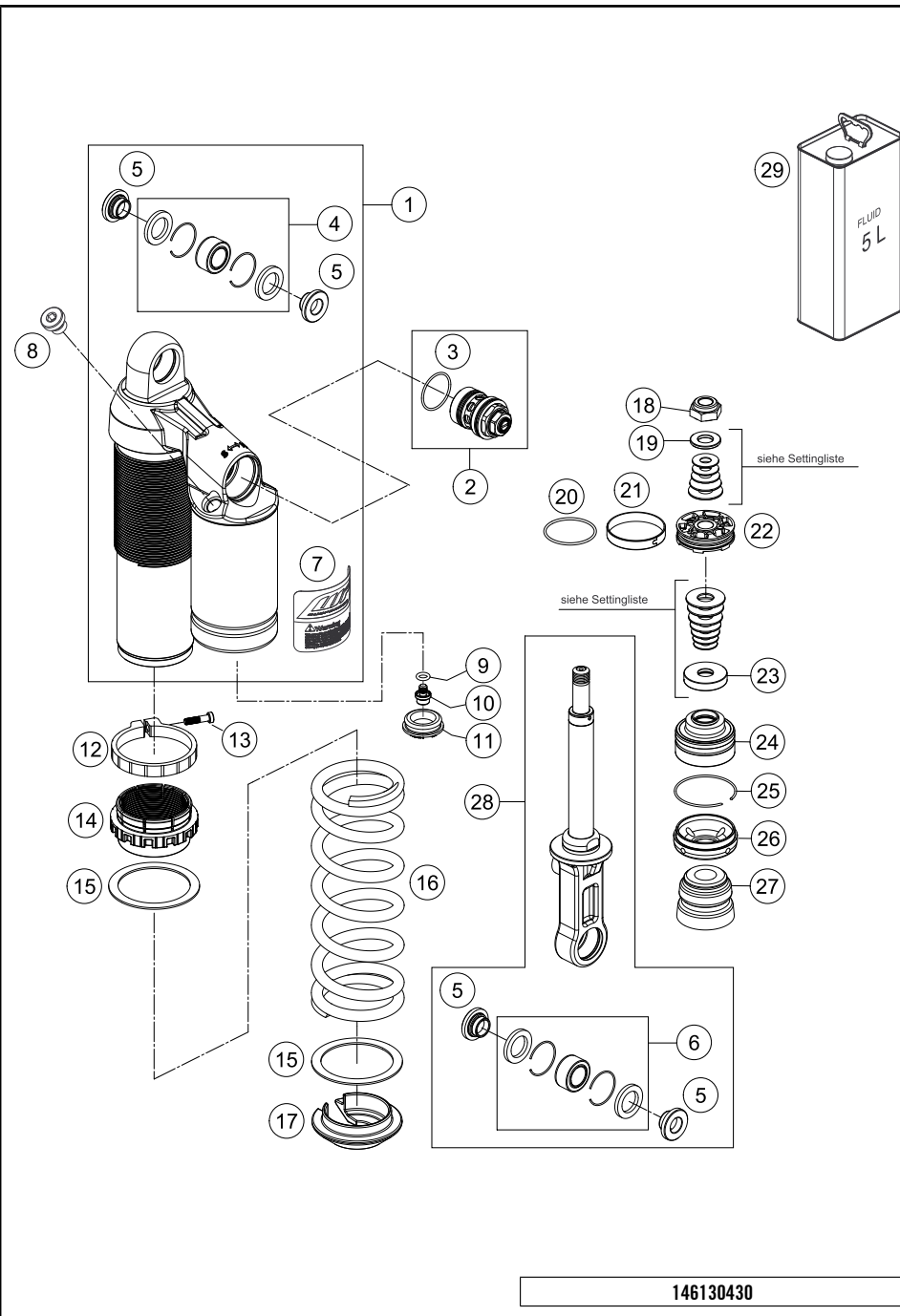
146130410

C156130410

\* NEW PART

X ON DEMAND





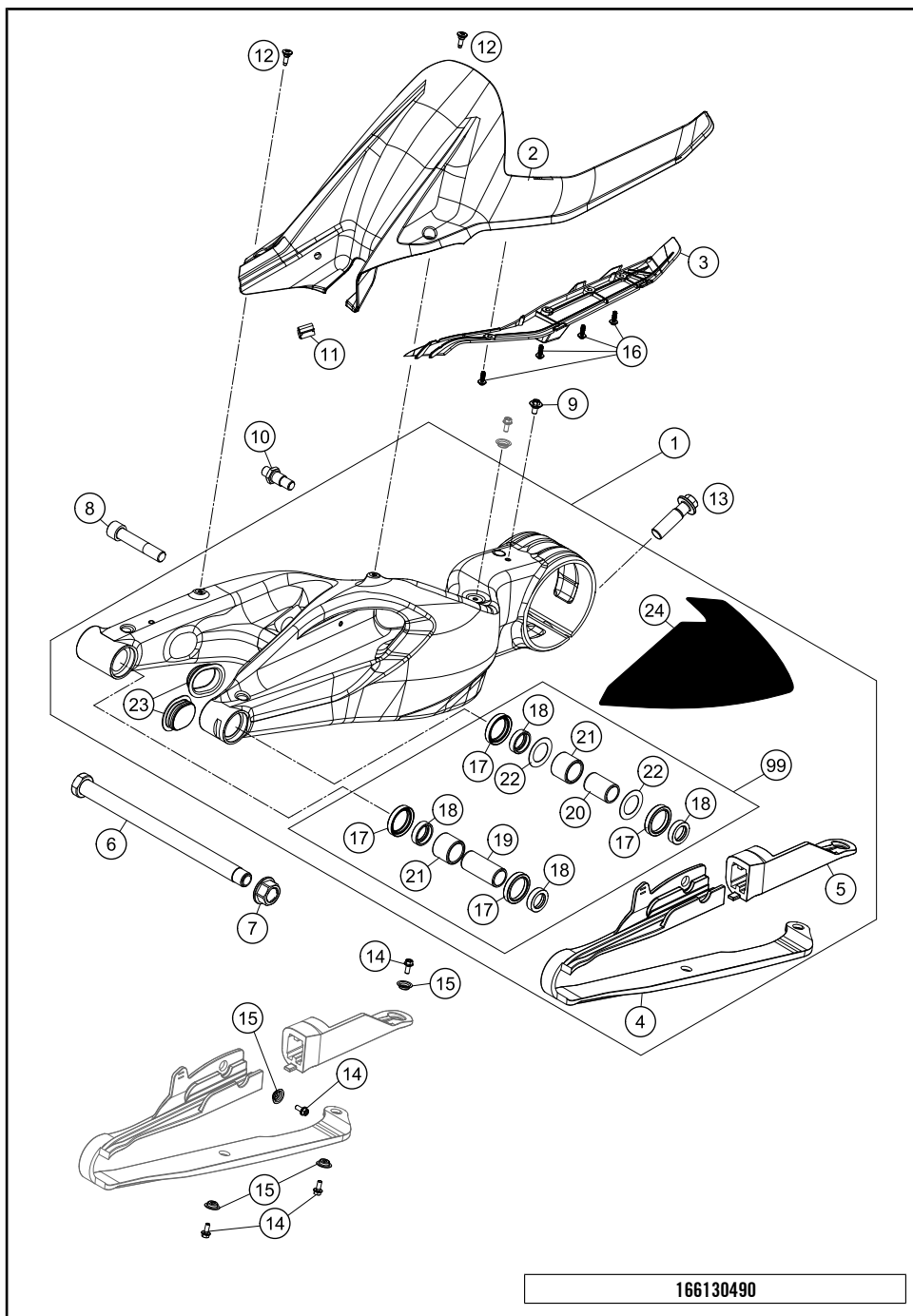
| POS | PARTNUMBER  | PARTNAME                       | PIECE |
|-----|-------------|--------------------------------|-------|
| 1   | 46181028S1  | MONOSHOCK UPPER PART           | 1     |
| 2   | 50180213S10 | DCC-COMPR.DAMP.CONTROL CPL. 07 | 1     |
| 3   | 50180217    | O-RING 27X1,5 VITON            | 1     |
| 4   | R12012      | REP. KIT BEAR./SEAL UP. 07     | 1     |
| 5   | 46181138    | BUSHING KGW 1525 14X32         | 4     |
| 6   | R15009      | BEARING KIT KGW 1525 990 DUKE  | 1     |
| 7   | 52000087    | STICKER WP MONOSHOCK           | 1     |
| 8   | 50180095    | BLEED PLUG R 1/8               | 1     |
| 9   | 46810893    | O-RING NBR 5,28X1,78           | 1     |
| 10  | 36120151    | SCREW PLUG M5X6                | 1     |
| 11  | 46811208    | RUBBER CAP "DO NOT OPEN"       | 1     |
| 12  | 46181014    | TENSIONING RING D64 H10        | 1     |
| 13  | 14460042    | %ALLENHEAD SCREW M5 L=20 STAIN | 1     |
| 14  | 46181013    | ADJUSTING NUT D46 PLASTIC      | 1     |
| 15  | 50180410    | INTERM.RING D=58               | 2     |
| 16  | 91010078S   | SPRING (59) 170-185 D 14 05    | 1     |
| 17  | 46180396    | SPRING RETAINER H=15 D=28      | 1     |
| 18  | 46180597    | PISTON ROD NUT 06              | 1     |
| 19  | 46811258    | RING 12X24X2,5                 | 1     |
| 20  | 46810035    | O-RING VITON 37,82X1,78        | 1     |
| 21  | 46812011    | PISTONRING                     | 1     |
| 22  | 46810560    | PISTON 6+6D7                   | 1     |
| 23  | 46181117    | REBOUND WASHER 34/12 H5        | 1     |
| 24  | 46180669S   | ADAPTOR CPL. D=46 H=28 07      | 1     |
| 25  | 46810010    | CIRCLIP 49X1,5                 | 1     |
| 26  | 46181031    | CAP D46 L=18MM                 | 1     |
| 27  | 46180365    | BUMP RUBBER WP60 H=30 D=18-26  | 1     |
| 28  | 46180654S15 | MONOSHOCK LOWER PART           | 1     |
| 29  | 50180751S1  | SHOCK ABSORBER FLUID 5 LT      | 1     |

146130430

C156130430

\* NEW PART

X ON DEMAND



| POS | PARTNUMBER    | PARTNAME                      | PIECE |
|-----|---------------|-------------------------------|-------|
| 1   | 6130403004433 | SWING ARM CPL.                | 1     |
| 2*  | 61304050100   | REARFENDER                    | 1     |
| 3   | 61304051000   | BRACKET SPLASH PROTECTOR      | 1     |
| 4   | 61304060000   | CHAIN SLIDING GUARD FRONT     | 1     |
| 5   | 61304070000   | CHAIN SLIDING GUARD REAR      | 1     |
| 6*  | 69004037244   | SWING ARM BOLT                | 1     |
| 7   | 60004038000   | % COLLAR NUT M19X1,5 WS=27MM  | 1     |
| 8   | 60004017000   | SCREW M14X1,5 L=73MM 03       | 1     |
| 9   | 83008000012   | SPECIAL SCREW M6X12X3         | 1     |
| 10  | 76004142000   | BOLT BRAKE SADDLE BRACKET     | 1     |
| 11  | 61304042000   | CABLE SUPPORT                 | 1     |
| 12  | 69008021060   | SPECIAL SCREW M5X17           | 2     |
| 13  | 61310021000   | HH COLLAR SCREW M16X1,5X55    | 1     |
| 14  | 0025050126    | HH COLLAR SCREW M5X12 TX30    | 4     |
| 15  | 46104066050   | BUSH FOR CHAINSLIDER GUARD 02 | 4     |
| 16  | 0081050141    | EJOT PT SCREW 50X14 WN 1451   | 4     |
| 17  | 0760304073    | SHAFT SEAL RING 30X40X7       | 4     |
| 18  | 60004034000   | BUCKET F. SHAFT SEAL RING 03  | 4     |
| 19  | 69004032000   | INNER RING JR 20X25X56,5      | 1     |
| 20  | 60004032000   | INNER RING JR20X25X38,5 03    | 1     |
| 21  | 60004031000   | NEEDLE BUSH HK2526B 03        | 2     |
| 22  | 60004033000   | STOP DISK 03                  | 2     |
| 23* | 61304041100   | CLOSING COVER SWINGARM        | 2     |
| 24  | 61304030010   | STICKER SWING ARM BLACK       | 1     |
| 99  | 69004230010   | SWING ARM REP. KIT 08-14      | 1     |

166130490

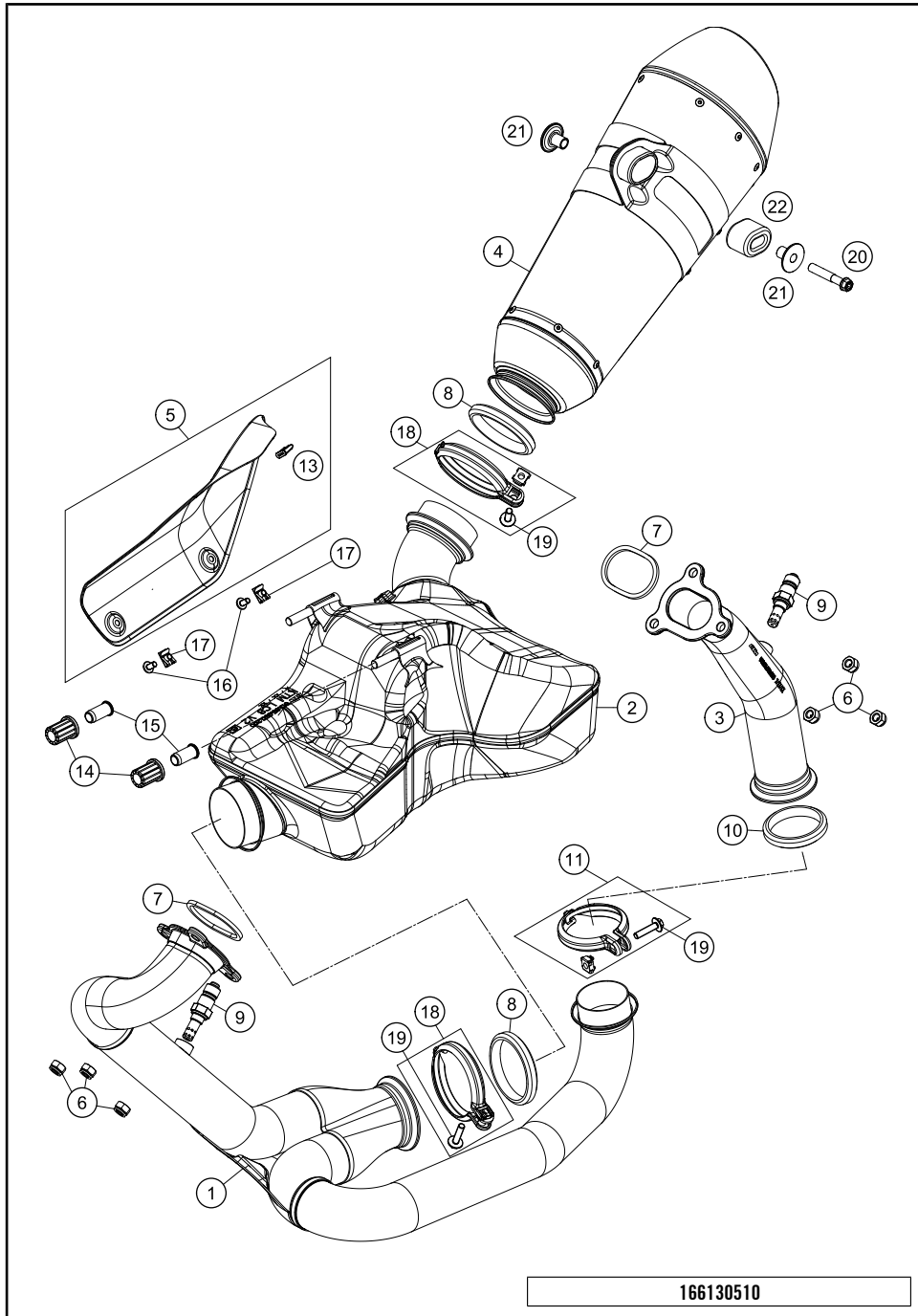
C166130490

\* NEW PART

X ON DEMAND

# EXHAUST SYSTEM

# 1290 SUPERDUKE R BLACK ABS EU 2016



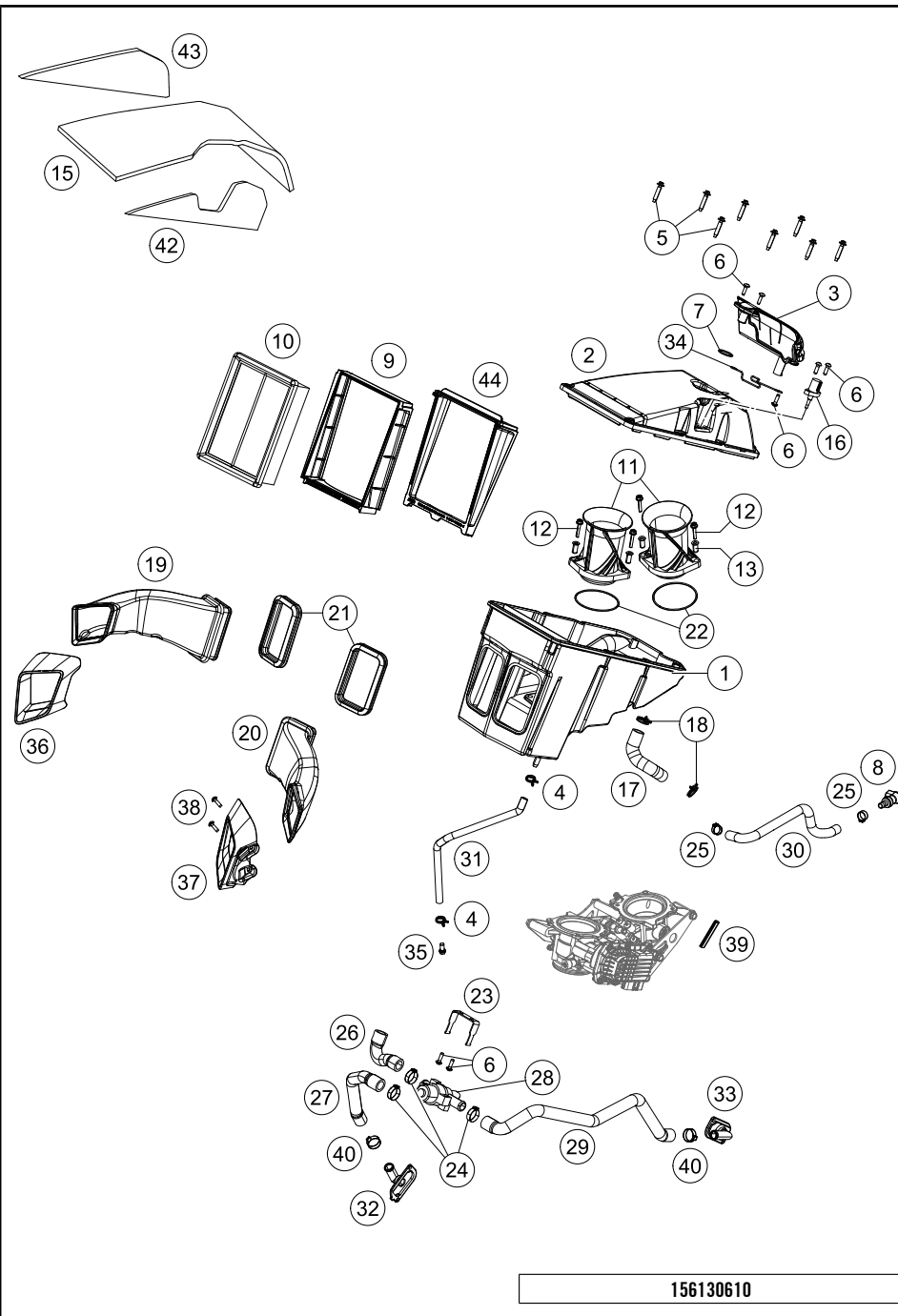
| POS | PARTNUMBER    | PARTNAME                       | PIECE |
|-----|---------------|--------------------------------|-------|
| 1   | 61305007000   | EXHAUST PIPE FRONT             | 1     |
| 2*  | 61305050200   | PRE-MUFFLER                    | 1     |
| 3   | 60305008000   | MANIFOLD REAR CPL.             | 1     |
| 4   | 61305083000   | SILENCER CPL.                  | 1     |
| 5   | 6130501100033 | HEAT SHIELD BLACK CPL.         | 1     |
| 6   | 51010086100   | SELF LOCKING NUT M 8 CU        | 6     |
| 7   | 69005005100   | EXHAUST PIPE FLANGE GASKET     | 2     |
| 8   | 61305005005   | MANIFOLD GASKET 60MM           | 2     |
| 9   | 75041090100   | LAMBDA SENSOR                  | 2     |
| 10  | 69005005005   | MANIFOLD GASKET                | 1     |
| 11  | 69005050000   | CLAMP CPL.                     | 1     |
| 13  | 61005091000   | DAMP. COMPON. SILICONE GREY 05 | 1     |
| 14  | 61005013000   | RUBBER SILENCER SUPPORT 05     | 2     |
| 15  | 61005014000   | SLEEVE SILENCER SUPPORT 05     | 2     |
| 16  | 78105081010   | SCREW TORX M5X10               | 2     |
| 17  | 69008021080   | RANGE CHANGE METAL NUT M5      | 2     |
| 18  | 61305090000   | EXHAUST CLAMP CPL. 60MM        | 2     |
| 19  | 0024060256    | HH COLLAR SCREW M6X25 TX30     | 3     |
| 20  | 0025080506    | HH COLLAR SCREW M8X50 TX40     | 1     |
| 21  | 61305069000   | BUSHING 8,5X11X29              | 2     |
| 22  | 61305068000   | DAMPING RUBBER                 | 1     |

166130510

C166130510

\* NEW PART

X ON DEMAND



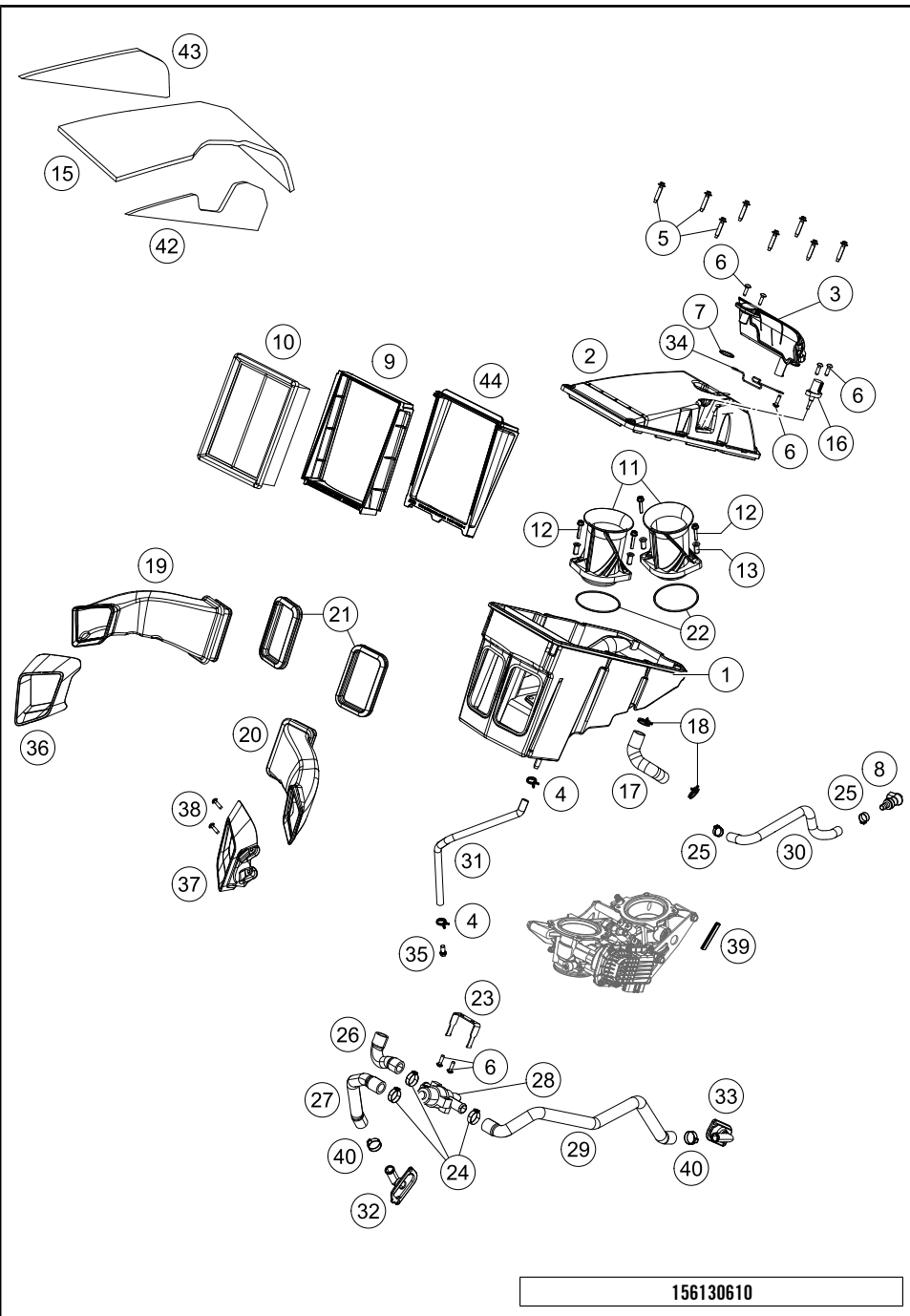
| POS | PARTNUMBER    | PARTNAME                       | PIECE |
|-----|---------------|--------------------------------|-------|
| 1   | 60306001200   | AIR FILTER HOUSING LOWER PART  | 1     |
| 2   | 60306002000   | AIR FILTER BOX COVER           | 1     |
| 3   | 60330088100   | OIL SEPARATOR                  | 1     |
| 4   | 58031005000   | CLAMP YDNAC 10128 12MM         | 2     |
| 5   | 0017060305    | SPECIAL SCREW K60X30 WS=6      | 8     |
| 6   | 0081050161    | EJOT PT SCREW K50X16 1451      | 6     |
| 7   | 0770021020    | O-RING 21,00X2,00 NBR70        | 1     |
| 8   | 5850701050030 | CLUTCH CPC BLACK 05            | 1     |
| 9   | 60406016000   | FILTERCLAMPING FRAME           | x     |
| 10  | 60306015100   | AIR FILTER                     | 1     |
| 11  | 61341040100   | INTAKE TRUMPET LENGTH 100      | 2     |
| 12  | 0025050256    | HH COLLAR SCREW M5X25 ISA30    | 4     |
| 13  | 60306042010   | BUSHING INTAKE TRUMPET         | 4     |
| 15  | 61306095010   | INSULATION MAT MIDDLE          | 1     |
| 16  | 61041080000   | AMBIENT-AIR TEMPERATURE SENSOR | 1     |
| 17  | 60330088030   | OIL SEPARATOR FOAM HOSE        | 1     |
| 18  | 58431082100   | YDNAC-CLAMP 10173 (16MM) '98   | 2     |
| 19  | 61306041000   | INTAKE SNORKEL R/S             | 1     |
| 20  | 61306040000   | INTAKE SNORKEL L/S             | 1     |
| 21  | 60306040050   | GASKET INTAKE DUCT             | 2     |
| 22  | 0770066025    | O-RING 66X2,5 FKM              | 2     |
| 23  | 61305031000   | RETAINING BRACKET SLS          | 1     |
| 24  | 00050226706   | VARIABLE ONE-EAR CLAMP 22,6MM  | 3     |
| 25  | 00050157706   | VARIABLE ONE-EAR CLAMP 15,7MM  | 2     |
| 26  | 61305035023   | SAS HOSE - AIRBOX              | 1     |
| 27  | 61305035021   | SAS HOSE CYLINDER FRONT        | 1     |
| 28  | 61005026000   | CONTROL VALVE SAS 05           | 1     |
| 29  | 61305035022   | SAS HOSE CYLINDER REAR         | 1     |
| 30  | 61307016050   | FUEL HOSE THROTTLE VALVE       | 1     |
| 31  | 60015019001   | HOSE NBR 7X11 PER METER        | 1     |
| 32  | 61205122000   | SAS-FLANGE                     | 1     |
| 33  | 61205032000   | SAS-FLANGE                     | 1     |
| 34  | 61311099000   | MOUNTING BRACKET PLUG          | 1     |
| 35  | 0025080126    | HH COLLAR SCREW M8X12 TX40     | 1     |
| 36  | 61306041033   | COVER INTAKE SNORKEL R/S       | 1     |
| 37  | 61306040033   | COVER INTAKE SNORKEL L/S       | 1     |
| 38  | 0081645121    | EJOT DELTA PT SCREW 45X12-Z    | 4     |
| 39  | 61011055045   | EDGE PROTECTOR L=45MM 05       | 2     |

\* NEW PART

X ON DEMAND

# AIR FILTER

# 1290 SUPERDUKE R BLACK ABS EU 2016

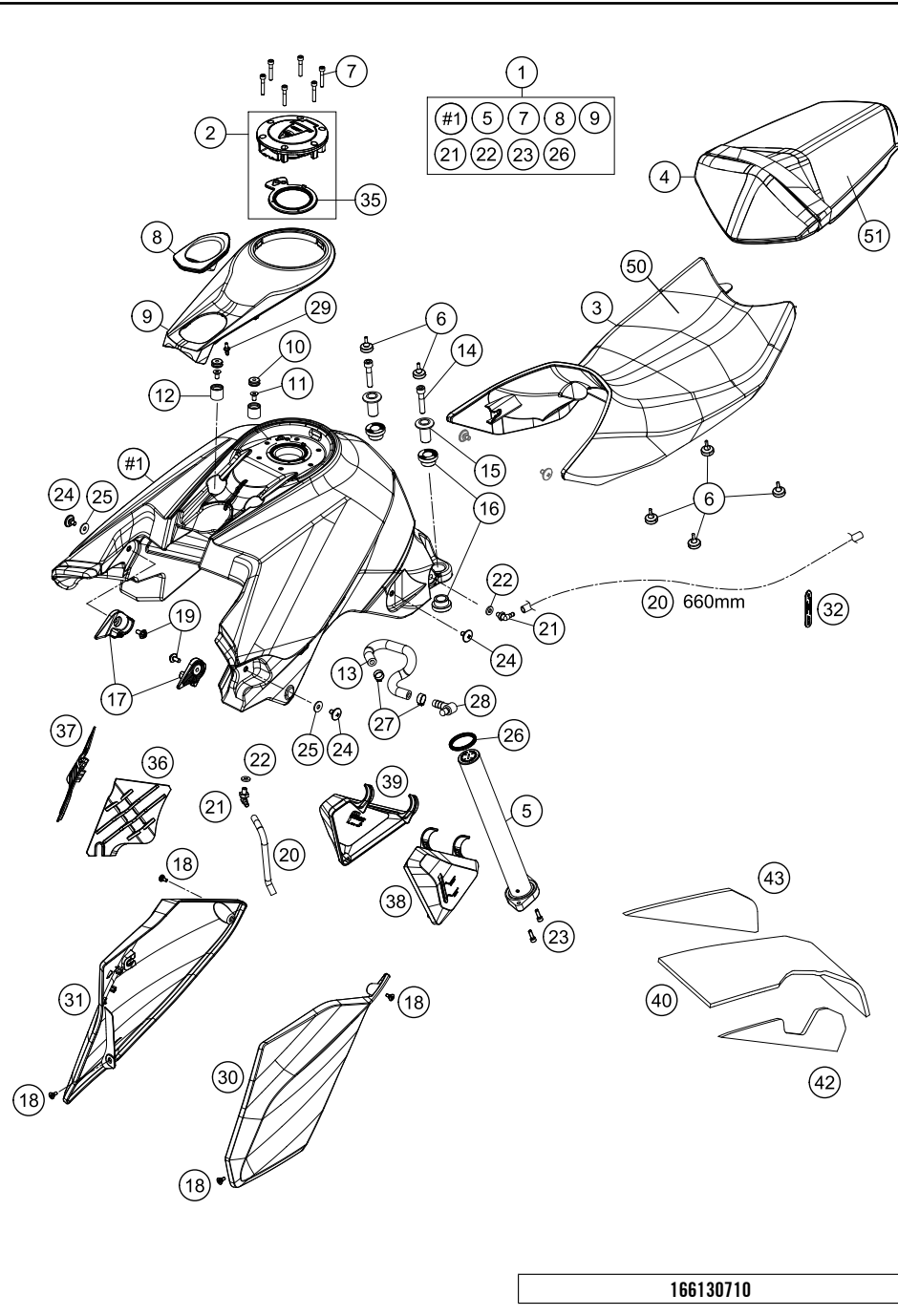


| POS | PARTNUMBER  | PARTNAME                      | PIECE |
|-----|-------------|-------------------------------|-------|
| 40  | 00050220706 | VARIABLE ONE-EAR CLAMP 22,0MM | 2     |
| 42  | 61306095020 | INSULATION MAT L/S            | 1     |
| 43  | 61306095030 | INSULATION MAT R/S            | 1     |
| 44  | 60406017000 | FILTERCLAMPING LINER          | 1     |

156130610

C166130610

\* NEW PART X ON DEMAND



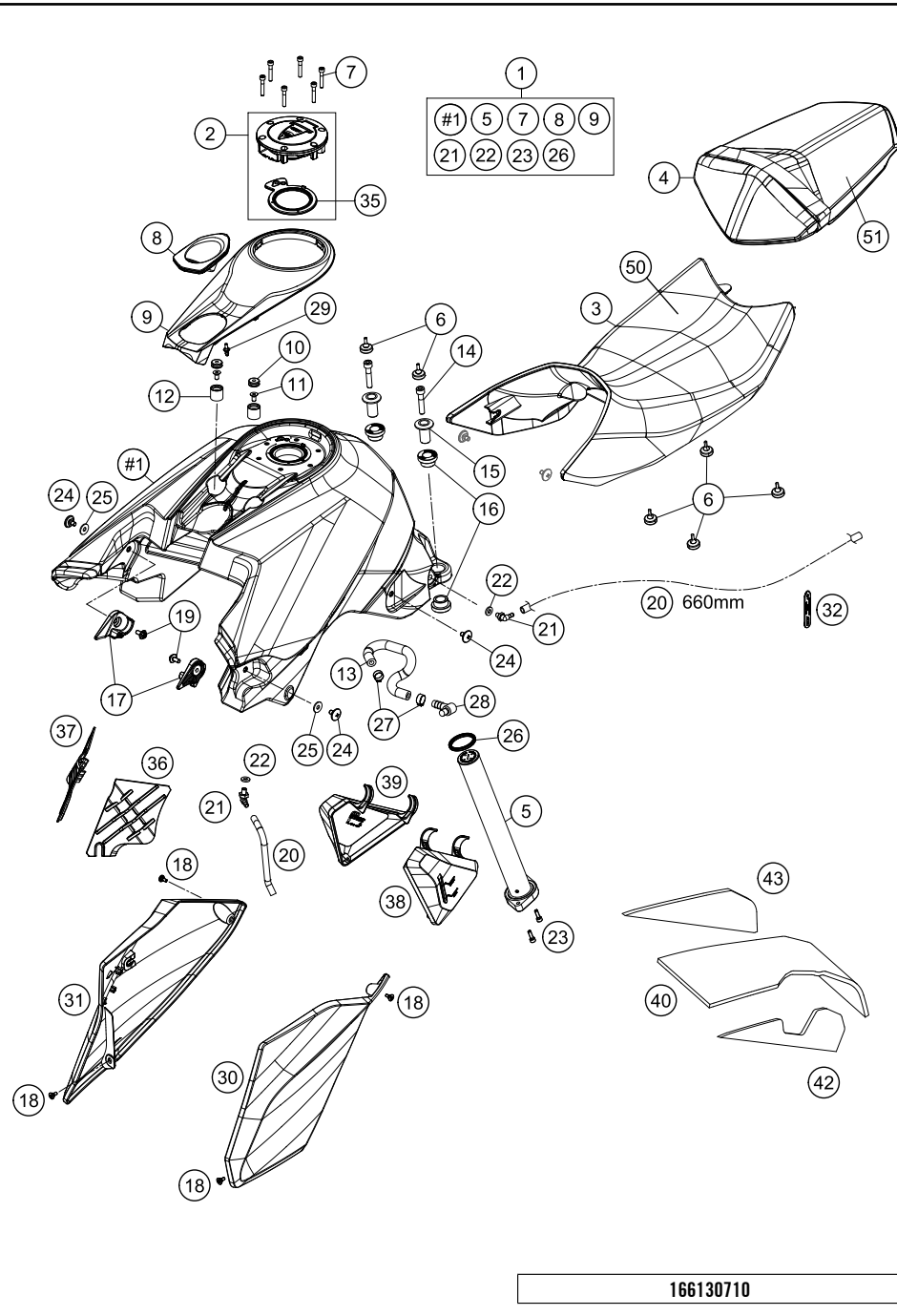
| POS | PARTNUMBER     | PARTNAME                                     | PIECE |
|-----|----------------|--|-------|
| 1   | 6130701304430A | FUEL TANK ASS. SD BLACK 14                   | 1     |
| 2   | 61307008100    | TANK CAP CPL.                                | 1     |
| 3   | 61307040000    | SEAT DRIVER CPL.                             | 1     |
| 4   | 61307047000    | SEAT PILLION CPL.                            | 1     |
| 5   | 61307080000    | GAS LEVEL SENSOR                             | 1     |
| 6   | 60006001021    | DISTANCE RUBBER AIRBOX 03                    | 8     |
| 7   | 0912050253     | AH SCREW DIN0912-M 5X25                      | 6     |
| 8   | 61307059000    | COVER IGNITION LOCK                          | 1     |
| 9   | 61307058000    | COVER FUEL TANK                              | 1     |
| 10  | 76008052050    | RUBBER SLEEVE 5X7.6X13MM                     | 2     |
| 11  | 0991060126     | FLAT HEAD SCREW DIN7991-M 6X12               | 2     |
| 12  | 76008052000    | BUSHING 13X20X18,5MM                         | 2     |
| 13  | 61307017050    | FUEL HOSE PUMP                               | 1     |
| 14  | 0912080403     | AH SCREW DIN912 M8X40                        | 2     |
| 15  | 61007060000    | BEARING BUSHING OUTSIDE 05                   | 2     |
| 16  | 61007065000    | TANK RUBBER BUSHING FRONT 05                 | 4     |
| 17  | 61307021044    | TANK MOUNTING FRONT L/S & R/S                | 1     |
| 18  | 69008021160    | SPECIAL SCREW M5X12                          | 4     |
| 19  | 0024060136     | HH COLLAR SCREW M6X13 TX30                   | 2     |
| 20  | 60007126001    | HOSE 5,4X9,4 NBR, METER                      | 1     |
| 21  | 60007024000    | CONNECT.PIECE F.OVERFLOW M7 03               | 2     |
| 22  | 60007024050    | GASKET FOR CONNECTING PIECE 03               | 2     |
| 23  | 0912050163     | AH SCREW DIN0912-M 5X16                      | 2     |
| 24  | 58407011100    | SCREW FOR SEAT M6X11,5/8                     | 4     |
| 25  | 0021060003     | WASHER DIN9021-A 6,4                         | 2     |
| 26  | 60307080090    | GASKET FUEL LEVEL SENSOR                     | 1     |
| 27  | 00050157706    | VARIABLE ONE-EAR CLAMP 15,7MM                | 2     |
| 28  | 7720701000030  | PLUG CPC                                     | 1     |
| 29  | 54806008051    | QUICK RELEASE-NIPPLE 03                      | 2     |
| 30  | 61308050000CAB | TANK SPOILER L/S BLACK 2014                  | 1     |
| 31  | 61308051000CAB | TANK SPOILER BLACK 2014                      | 1     |
| 32* | 60011093060    | RUBBER CABLE TIE 60MM 03<br>NOT FOR USA & CN | 2     |
| 35  | 60307008190    | GASKET TANK CAP                              | 1     |
| 36  | 61303085000    | FRAME COVER L/S                              | 1     |
| 37  | 61303086000    | FRAME COVER R/S                              | 1     |
| 38  | 61303091000    | KNEE PAD L/S                                 | 1     |
| 39  | 61303092000    | KNEE PAD R/S                                 | 1     |

166130710

C166130710

\* NEW PART

X ON DEMAND



| POS | PARTNUMBER  | PARTNAME              | PIECE |
|-----|-------------|-----------------------|-------|
| 40  | 61306095010 | INSULATION MAT MIDDLE | 1     |
| 42  | 61306095020 | INSULATION MAT L/S    | 1     |
| 43  | 61306095030 | INSULATION MAT R/S    | 1     |
| 50  | 61307040050 | SEAT COVER            | 1     |
| 51  | 61307047050 | SEAT COVER            | 1     |

166130710

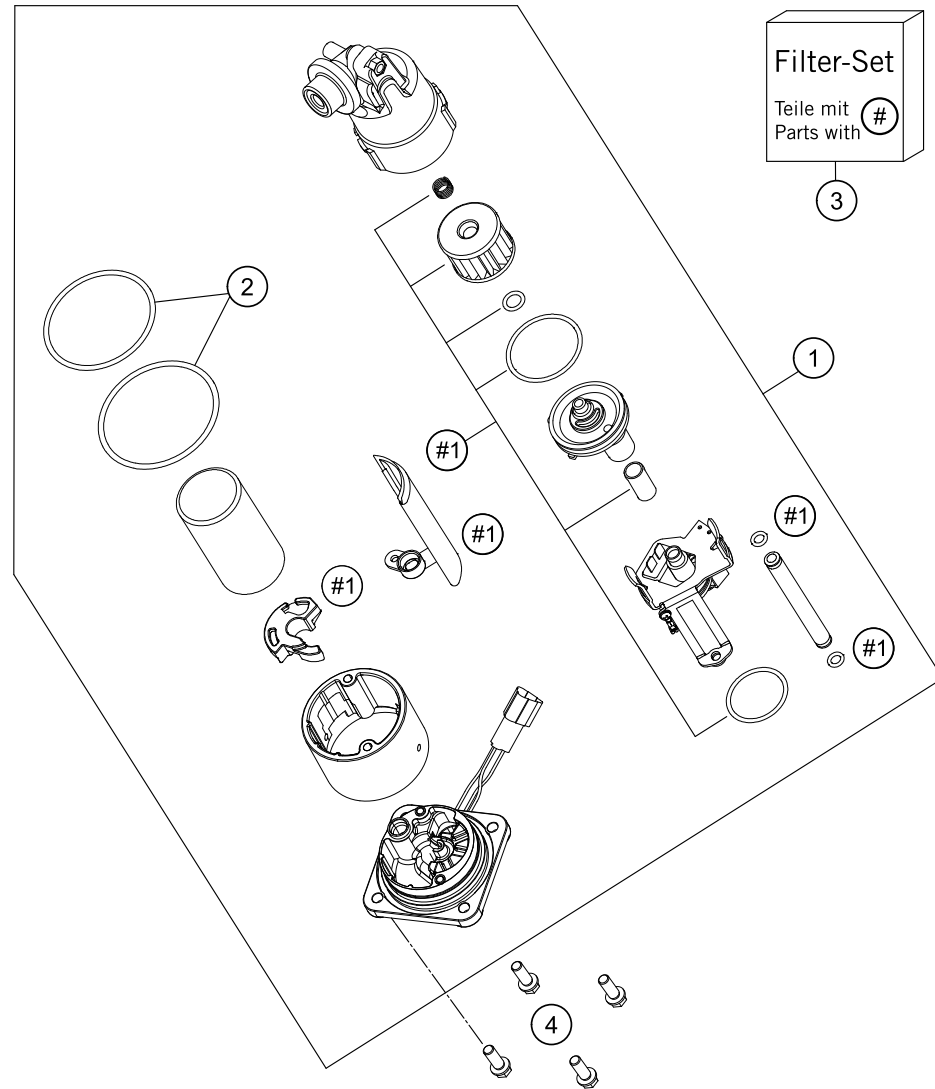
C166130710

\* NEW PART

X ON DEMAND

# FUEL PUMP

# 1290 SUPERDUKE R BLACK ABS EU 2016



146130730

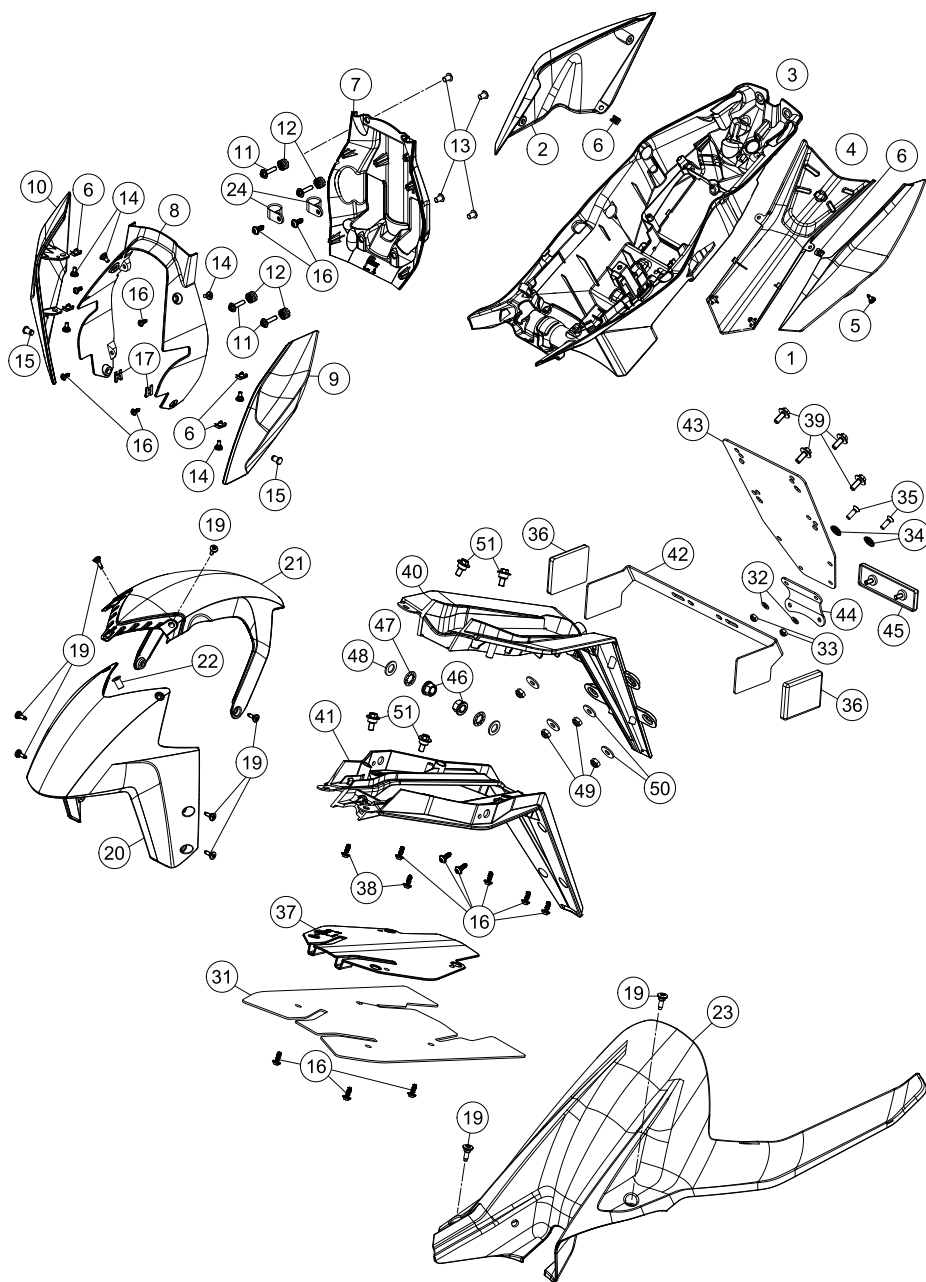
| POS | PARTNUMBER  | PARTNAME                    | PIECE |
|-----|-------------|-----------------------------|-------|
| 1   | 60307088000 | FUEL PUMP                   | 1     |
| 2   | 61007089000 | O-RING SET FOR FUEL PUMP 05 | 1     |
| 3   | 61007090100 | FILTER-SET FUEL PUMP        | 1     |
| 4   | 0025060166  | HH COLLAR SCREW M6X16 TX30  | 4     |

C146130730

\* NEW PART

X ON DEMAND





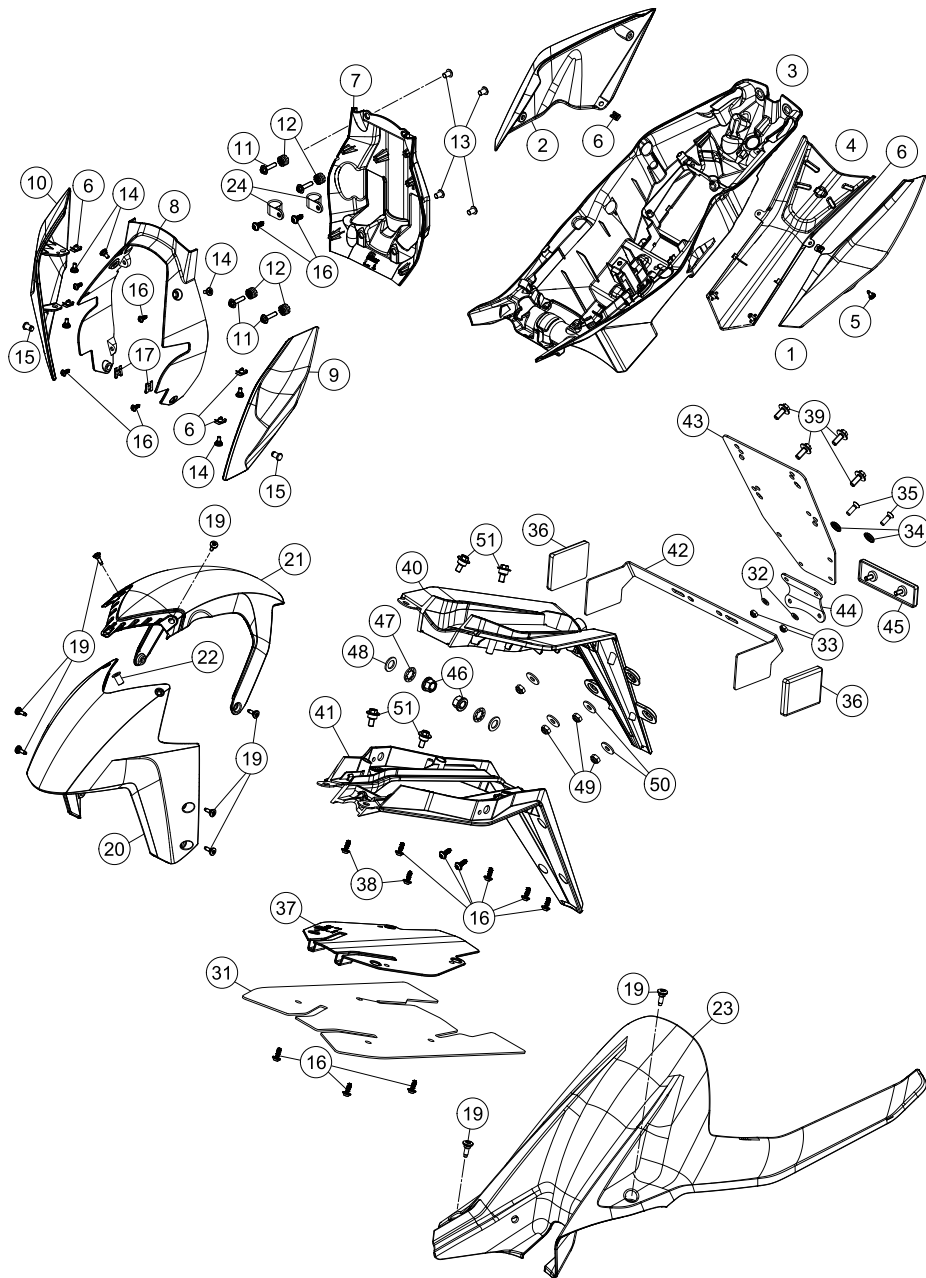
166130810

| POS | PARTNUMBER     | PARTNAME  | PIECE |
|-----|----------------|---|-------|
| 1   | 61308041000CAA | REAR FAIRING L/S BLACK                            | 1     |
| 2   | 61308042000CAA | REAR FAIRING R/S BLACK                            | 1     |
| 3   | 61308018000    | TAIL END LOWER PART                               | 1     |
| 4   | 6130804000033  | REAR FAIRING LOWER PART BLACK                     | 1     |
| 5   | 0081050141     | EJOT PT SCREW 50X14 WN 1451                       | 2     |
| 6   | 69008021080    | RANGE CHANGE METAL NUT M5                         | 6     |
| 7   | 61314060000    | MASK REAR PANEL                                   | 1     |
| 8   | 61314061000    | MASK MIDDLE PART                                  | 1     |
| 9   | 6130800300030A | MASK SPOILER L/S BLACK 14                         | 1     |
| 10  | 6130800400030A | MASK SPOILER R/S BLACK 14                         | 1     |
| 11  | 0024060256     | HH COLLAR SCREW M6X25 TX30                        | 4     |
| 12  | 76014069051    | RUBBER SLEEVE 7X10,8X16MM                         | 4     |
| 13  | 76014062000    | COLLAR BUSHING 6,2X7,5X13X12                      | 4     |
| 14  | 69008021160    | SPECIAL SCREW M5X12                               | 6     |
| 15  | 61313057000    | BOLT 8X12X16MM                                    | 2     |
| 16  | 0081050121     | SCREW FOR PLASTIC K50X12 T20                      | 30    |
| 17  | 60013058000    | SECURING CLIP D=8MM 03                            | 2     |
| 19  | 69008021060    | SPECIAL SCREW M5X17                               | 10    |
| 20  | 6130801000030A | FENDER FRONT BLACK 2014                           | 1     |
| 21  | 6130801100033  | REAR FENDER BLACK                                 | 1     |
| 22  | 60008008050    | BLIND PLUG-IN NUT M5 WN 16A 03                    | 2     |
| 23* | 61304050100    | REARFENDER  | 1     |
| 24  | 69007029000    | PVC-CLAMP HEYCO 13,9 3379                         | 2     |
| 31  | 61308123010    | SPLASH PROTECTION AUSTRALIA<br>ONLY FOR AUSTRALIA | 1     |
| 32  | 0125050003     | WASHER DIN0125-A 5,3                              | 2     |
| 33  | 0985050003     | SELF LOCKING NUT DIN0985-M 5                      | 2     |
| 34  | 40006006000    | WASHER 6MM  | 2     |
| 35  | 0966050163     | OVAL HEAD SCREW DIN0966-M 5X16                    | 2     |
| 36  | 16512180100    | SIDE REFLECTOR RED REAR<br>ONLY USA               | 2     |
| 37  | 61308023010    | SPLASH PROTECTION                                 | 1     |
| 38  | 0081050181     | SCREW FOR PLASTIC K50X18 T20                      | 2     |
| 39  | 0024060156     | HH COLLAR SCREW M6X15 TX30                        | 4     |
| 40  | 61308022000    | NUMBER PLATE CARRIER UPP. PART                    | 1     |
| 41  | 61308023000    | NUMBER PLATE CARRIER LOW. PART                    | 1     |
| 42  | 62512081000    | BRACKET SIDE REFLECTOR 06<br>ONLY USA             | 1     |
| 43  | 60012081200    | LICENCE FITTING 06                                | 1     |

C166130810

\* NEW PART

X ON DEMAND



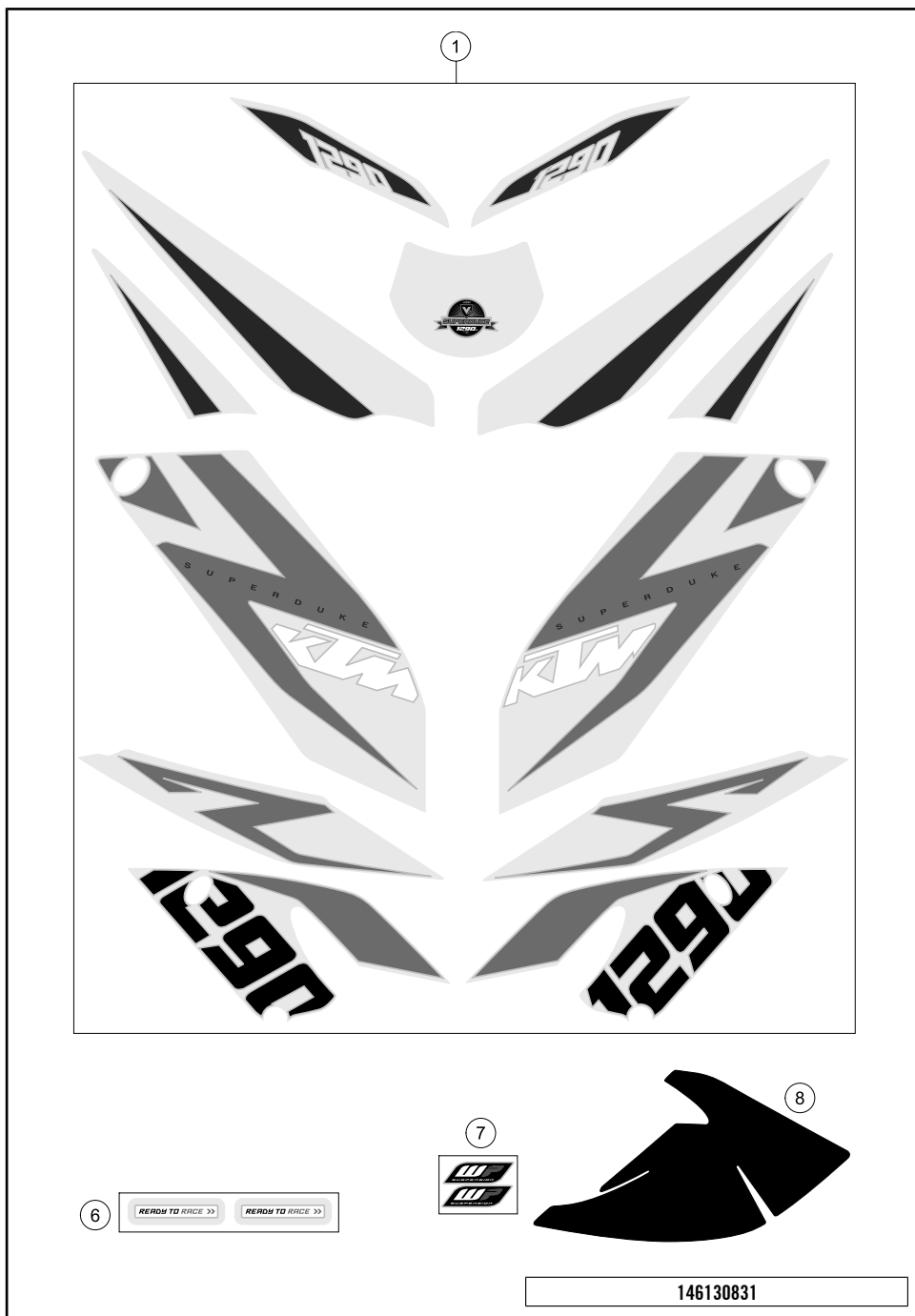
| POS | PARTNUMBER  | PARTNAME                     | PIECE |
|-----|-------------|------------------------------|-------|
| 44  | 58412080050 | BRACKET FOR REFLECTOR        | 1     |
| 45  | 58412080000 | REFLECTOR RED                | 1     |
| 46  | 58414030000 | HH COLLAR NUT M10X1,25 WS=13 | 2     |
| 47  | 0797100003  | LOCK WASHER DIN6797-J10,5 ZI | 2     |
| 48  | 0433100003  | WASHER 18x10,5x1,6           | 2     |
| 49  | 0985060003  | SELF LOCK. NUT DIN0985-M 6   | 4     |
| 50  | 0021060003  | WASHER DIN9021-A 6,4         | 4     |
| 51  | 83008100015 | SPECIAL SCREW M6X15X5,5      | 4     |

166130810

C166130810

\* NEW PART

X ON DEMAND

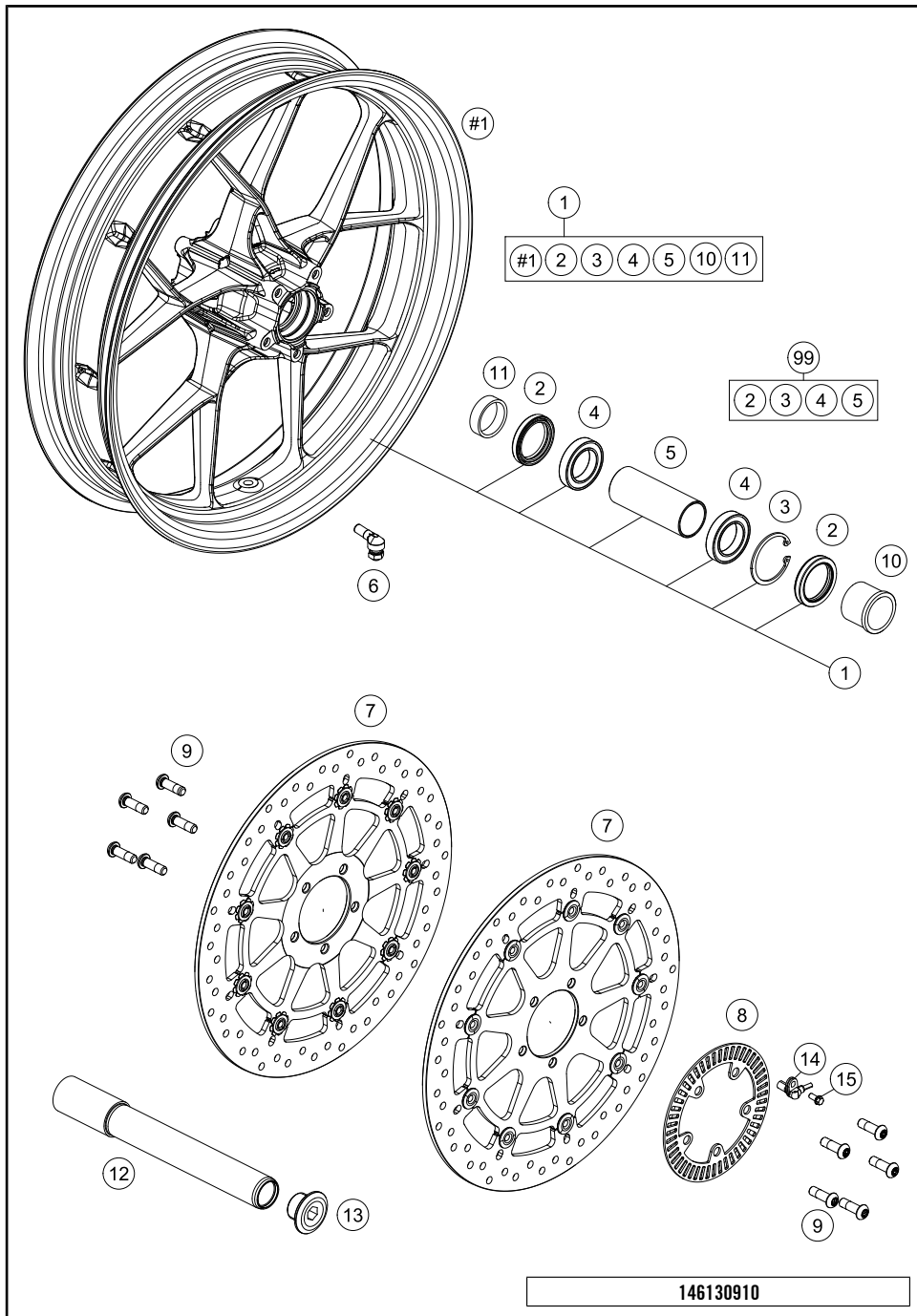


| POS | PARTNUMBER  | PARTNAME                       | PIECE |
|-----|-------------|--------------------------------|-------|
| 1   | 61308099000 | DECAL SET 1290 SD BLACK        | 1     |
| 6   | 61308198000 | STICKER "READY TO RACE" L&R BK | 1     |
| 7   | 61308192000 | STICKER SET FORK WP SMALL      | 1     |
| 8   | 61304030010 | STICKER SWING ARM BLACK        | 1     |

C146130831 \* NEW PART X ON DEMAND

# FRONT WHEEL

# 1290 SUPERDUKE R BLACK ABS EU 2016



| POS | PARTNUMBER    | PARTNAME                       | PIECE |
|-----|---------------|--------------------------------|-------|
| 1*  | 6130900114430 | FRONT WHEEL 3,5X17" BLACK      | 1     |
| 2   | 0760354771    | SHAFT SEAL RING 35X47X7 TC     | 2     |
| 3   | 0472047175    | CIRCLIP DIN0472-47X1,75        | 1     |
| 4   | 0625069068    | GR.BALL BEAR.6906 DDU2CG23S6NM | 2     |
| 5   | 61009011000   | BEARING SPACER TUBE FRONT 05   | 1     |
| 6   | 61009076100   | VALVE ANGLED                   | 1     |
| 7   | 6130906000033 | BRAKE DISK D=320/5             | 2     |
| 8   | 76042020000   | SENSORGEAR FRONT               | 1     |
| 9   | 76009062000   | SPECIAL SCREW M8X25 SS TX40    | 10    |
| 10  | 61009012000   | SPACER BUSH. FR. WHEEL L/S 05  | 1     |
| 11  | 60009013000   | SPACER BUSH. FR. WHEEL R/S 03  | 1     |
| 12  | 61009081000   | WHEEL SPINDEL FRONT 05         | 1     |
| 13  | 61009082000   | AH SCREW M25X1,5 WS=12 05      | 1     |
| 14  | 76042025000   | ABS-SENSOR                     | 1     |
| 15  | 59009062013   | SPECIAL SCREW M6X13 WS=8 10.9  | 1     |
| 99  | 61009015000   | FRONT WHEEL REP. KIT           | x     |

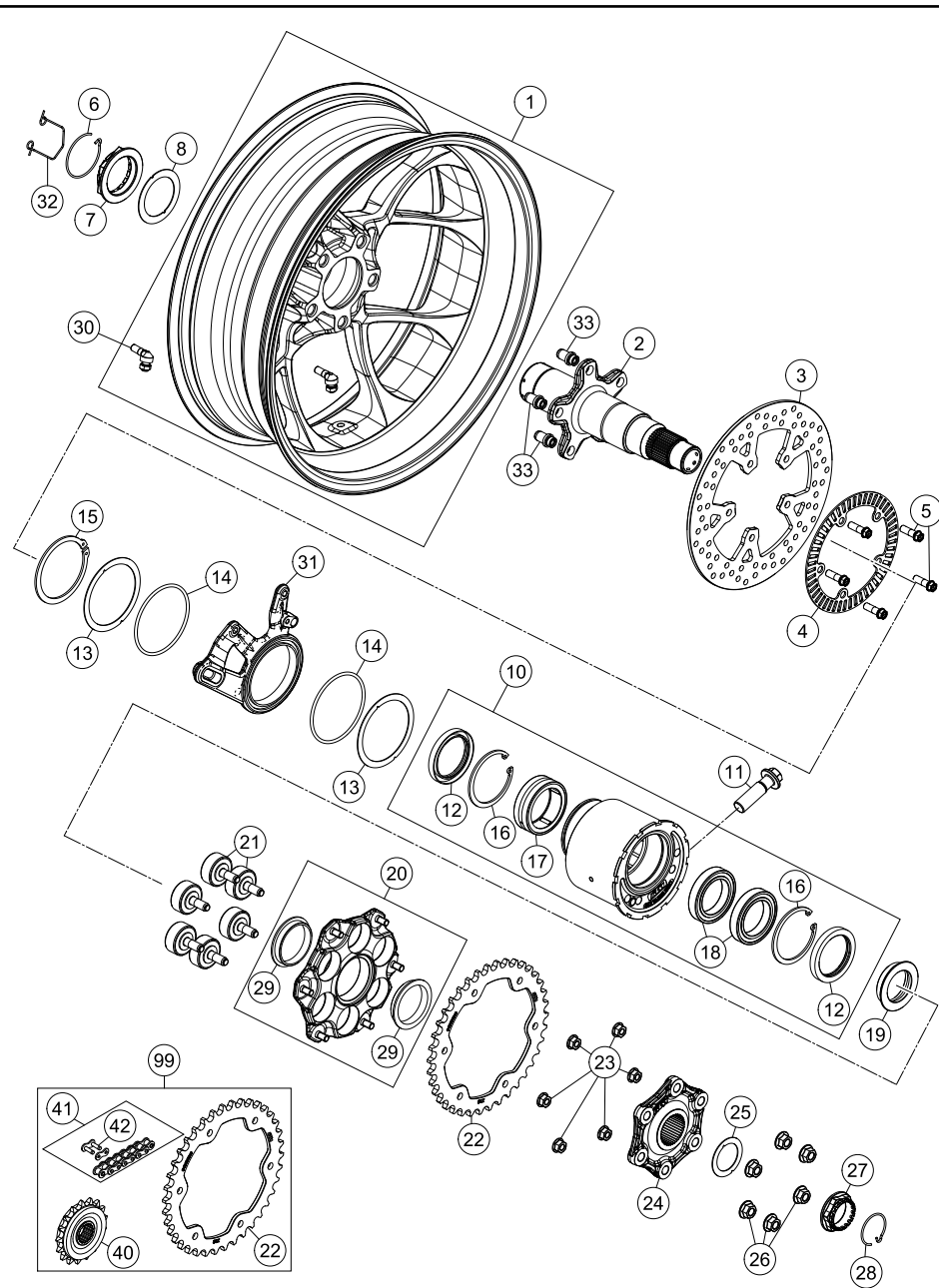
146130910

C156130910

\* NEW PART X ON DEMAND

# REAR WHEEL

# 1290 SUPERDUKE R BLACK ABS EU 2016

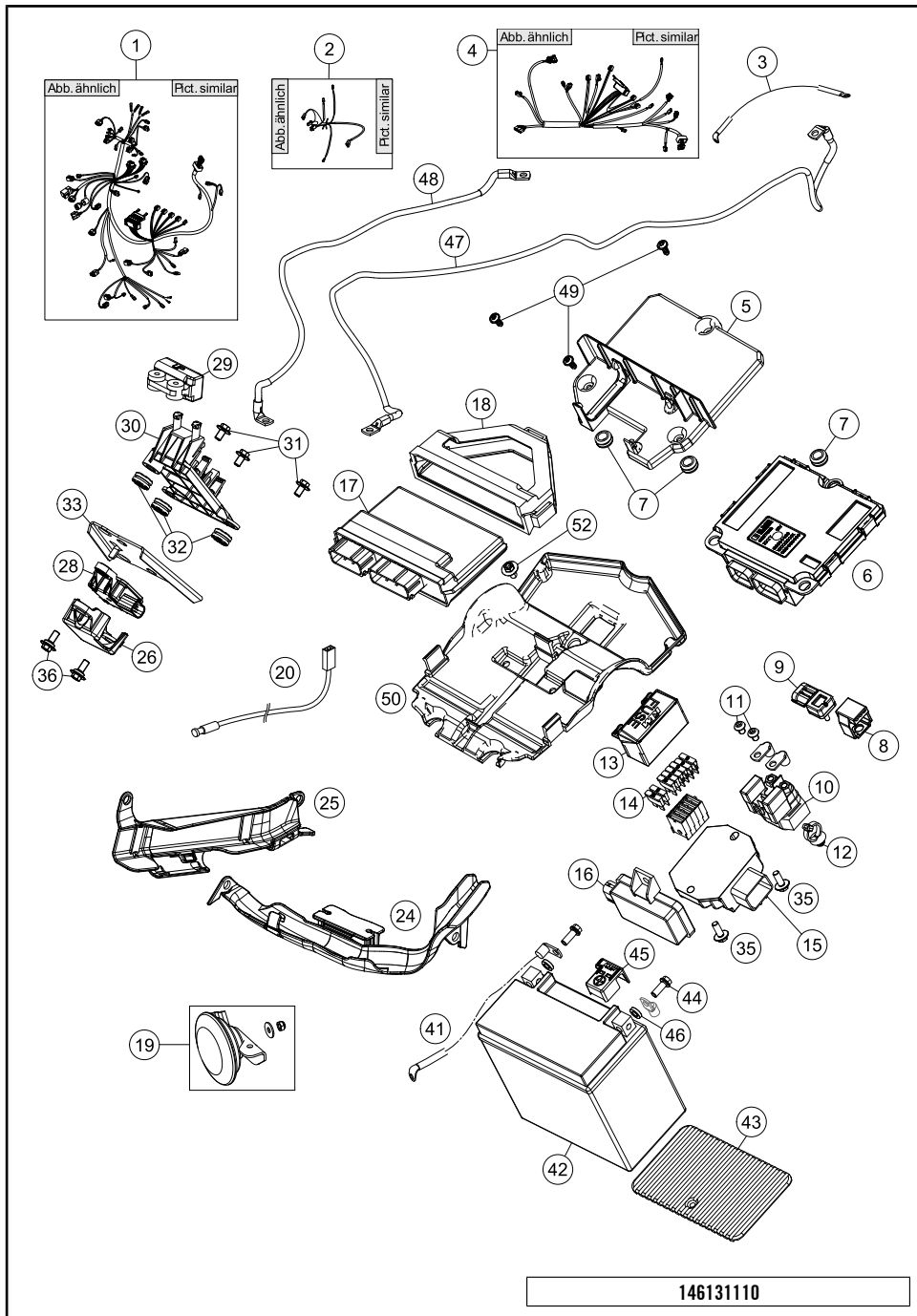


| POS | PARTNUMBER     | PARTNAME                       | PIECE |
|-----|----------------|--------------------------------|-------|
| 1*  | 6141010104430  | REAR WHEEL 6X17" BLACK         | 1     |
| 2*  | 61310085100    | AXLE REAR                      | 1     |
| 3   | 76010160000    | BRAKE DISC 240MM               | 1     |
| 4   | 76042121000    | SENSOR GEAR REAR               | 1     |
| 5   | 0025080256S    | HH COLLAR SCREW M8X25 TX40     | 5     |
| 6   | 61310187000    | SAFETY WIRE R/S                | 1     |
| 7   | 61310186000    | AXLE NUT M50X1.5               | 1     |
| 8   | 61310016000    | WASHER 69X1                    | 1     |
| 10  | 61310010044    | CLUTCH HUB HOUSING CPL.        | 1     |
| 11  | 61310021000    | HH COLLAR SCREW M16X1,5X55     | 1     |
| 12  | 0760526880     | SHAFT SEAL RING 52X68X8        | 2     |
| 13  | 61310019000    | WASHER 94X1                    | 2     |
| 14  | 0770840035     | O-RING 84,00X3.5 NBR70         | 2     |
| 15  | 0471078250     | CIRCLIP DIN471-78X2.5          | 1     |
| 16  | 0472068250     | CIRCLIP DIN472-68X2.5          | 2     |
| 17  | 0617456822     | NEEDLE BEARING RNA4909-2RSR-XL | 1     |
| 18  | 0625061909     | DEEP GROOVE BALL BEARING 61909 | 2     |
| 19  | 61310014000    | SPACER RING                    | 1     |
| 20  | 6131005404433S | SPROCKET SUPPORT CPL.          | 1     |
| 21  | 61310059000    | JAR DAMPER                     | 6     |
| 22  | 61310151038    | SPROCKET STEEL DUKE 1290 Z38   | 1     |
| 23  | 54310086200    | SELF LOCKING NUT M8 10.9       | 6     |
| 24  | 6131005000033S | JAR DAMPER CARRIER             | 1     |
| 25  | 76010116000    | SHIM 50X1                      | 1     |
| 26  | 06923100003    | HEX. NUT DIN 6923 M10X1.25-10  | 6     |
| 27  | 76010186000    | AXLE NUT M35X1.5               | 1     |
| 28  | 76010187000    | SAFETY WIRE L/S                | 1     |
| 29  | 76010052000    | IGUS BEARING D=50              | 2     |
| 30  | 61009076100    | VALVE ANGLED                   | 1     |
| 31  | 6131307500033S | BRAKE CALIPER ADAPTER BLACK    | 1     |
| 32  | 61310010011    | SAFE ARMING WIRE               | 1     |
| 33* | 61310113000    | DOWEL PIN M8                   | 5     |
| 40  | 60033129017    | CHAIN SPROCKET 17-T DAMPED O3  | 1     |
| 41  | 61310165118    | CHAIN DID525 VAZ & MASTER LINK | 1     |
| 42  | 61310066000    | MASTER LINK FOR CHAIN DID VAZ  | 1     |
| 99  | 00050002029    | DRIVETRAIN KIT 1290 SD 17T/38T | 1     |

166131010

C166131010

\* NEW PART X ON DEMAND



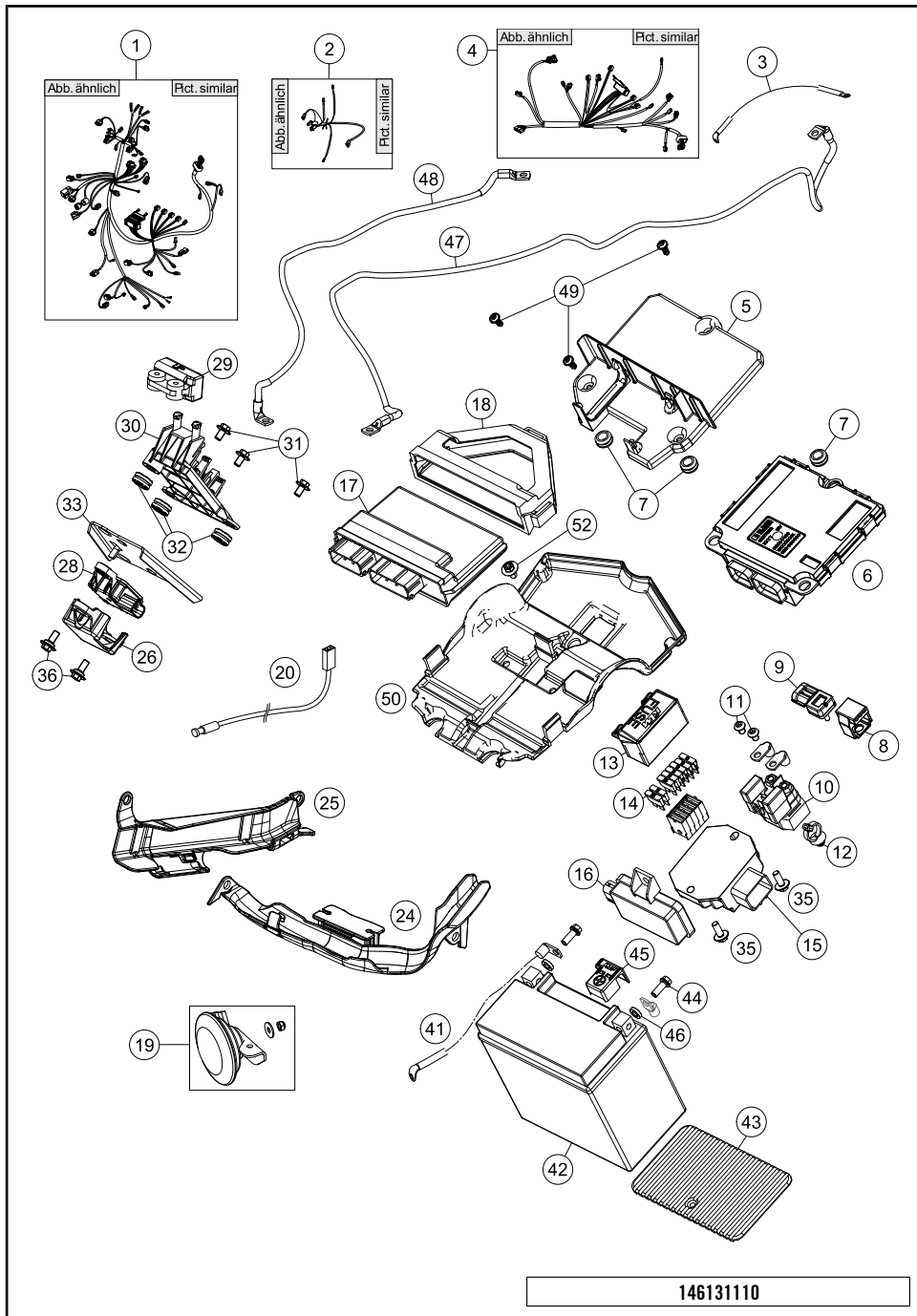
| POS | PARTNUMBER  | PARTNAME                       | PIECE |
|-----|-------------|--------------------------------|-------|
| 1   | 61311075033 | MAIN WIRING HARNESS CPL.       | 1     |
| 2   | 60311085000 | WIRING ENGINE                  | 1     |
| 3   | 61311059050 | BATTERY CABLE                  | 1     |
| 4   | 61311076000 | REAR WIRING HARNESS            | 1     |
| 5   | 61308018060 | COVER MCU                      | 1     |
| 6   | 60311033200 | MOTORCYCLE CONTROL UNIT 2.1    | 1     |
| 7   | 60006001022 | RUB.SLEEVE FLOAT CHAMB.VENTING | 3     |
| 8   | 61041085100 | PRESSURE SENSOR 06             | 1     |
| 9   | 61041085150 | RUBBER SUPP. PRESSURE SENS. 06 | 1     |
| 10  | 76211058000 | STARTER RELAY 07               | 1     |
| 11  | 0902060083  | AH OVAL SCREW ISO 7380 M 6X8   | 2     |
| 12  | 69011092000 | CABLE TIE W. SOCKET D=6,5      | 1     |
| 13  | 61311087050 | RUBBER CASING FUSE BOX         | 1     |
| 14  | 58011109110 | FUSE 10 A 2000                 | 1     |
| 14  | 58011109130 | FUSE 30 A                      | 2     |
| 15  | 60311034000 | VOLTAGE REGULATOR              | 1     |
| 16  | 60312032000 | RECEIVER AIR PRESSURE SENSOR   | 1     |
| 17  | 61341031000 | ELECTRONIC CONTROL UNIT        | 1     |
| 18  | 60341031050 | ECU RUBBER BRACKET             | 1     |
| 19  | 76511060000 | DC HORN CPL.                   | 1     |
| 20  | 61111018000 | % TEMPERATURE SENSOR 07        | 1     |
| 24  | 60311046000 | CABLE CHANNEL L/S              | 1     |
| 25  | 60311047000 | CABLE CHANNEL R/S              | 1     |
| 26  | 61342090050 | COVER SENSOR BOX               | 1     |
| 28  | 60342090000 | SLOPING POSITIONS SENSOR       | 1     |
| 29  | 61041088000 | ROLLOVER SENSOR 05             | 1     |
| 30  | 61311083000 | PLUG BRACKET                   | 1     |
| 31  | 0024060106  | HH COLLAR SCREW M6X10 TX30     | 3     |
| 32  | 62142041000 | DAMP. COMPONENT ABS MODUL      | 3     |
| 33  | 61342090040 | SUPPORT SLOPING POS. SENSOR    | 1     |
| 35  | 0025060206  | HH COLLAR SCREW M6X20 TX30     | 2     |
| 36  | 83008000015 | SPECIAL SCREW M6X15X3          | 2     |
| 41  | 61311098000 | GROUND CABLE BATT.-FRAME 16MM  | 1     |
| 42  | 61311053000 | BATTERY YUASA YTX14-BS         | 1     |
| 43  | 61311053050 | RUBBER PLATE FOR BATTERY       | 1     |
| 44  | 0025060166  | HH COLLAR SCREW M6X16 TX30     | 2     |
| 45  | 62111059060 | COVER POSITIVE POLE            | 1     |
| 46  | 12011016000 | WASHER 6 X 12 X 3              | 2     |

146131110

C146131110

\* NEW PART

X ON DEMAND



| POS | PARTNUMBER  | PARTNAME                       | PIECE |
|-----|-------------|--------------------------------|-------|
| 47  | 61311059000 | STARTER CABLE 16MM             | 1     |
| 48  | 61311097000 | GROUND CABLE ENGINE-FRAME 16MM | 1     |
| 49  | 0081050141  | EJOT PT SCREW 50X14 WN 1451    | 3     |
| 50  | 61311055000 | SUPPORT ECU                    | 1     |
| 52  | 83008000012 | SPECIAL SCREW M6X12X3          | 1     |

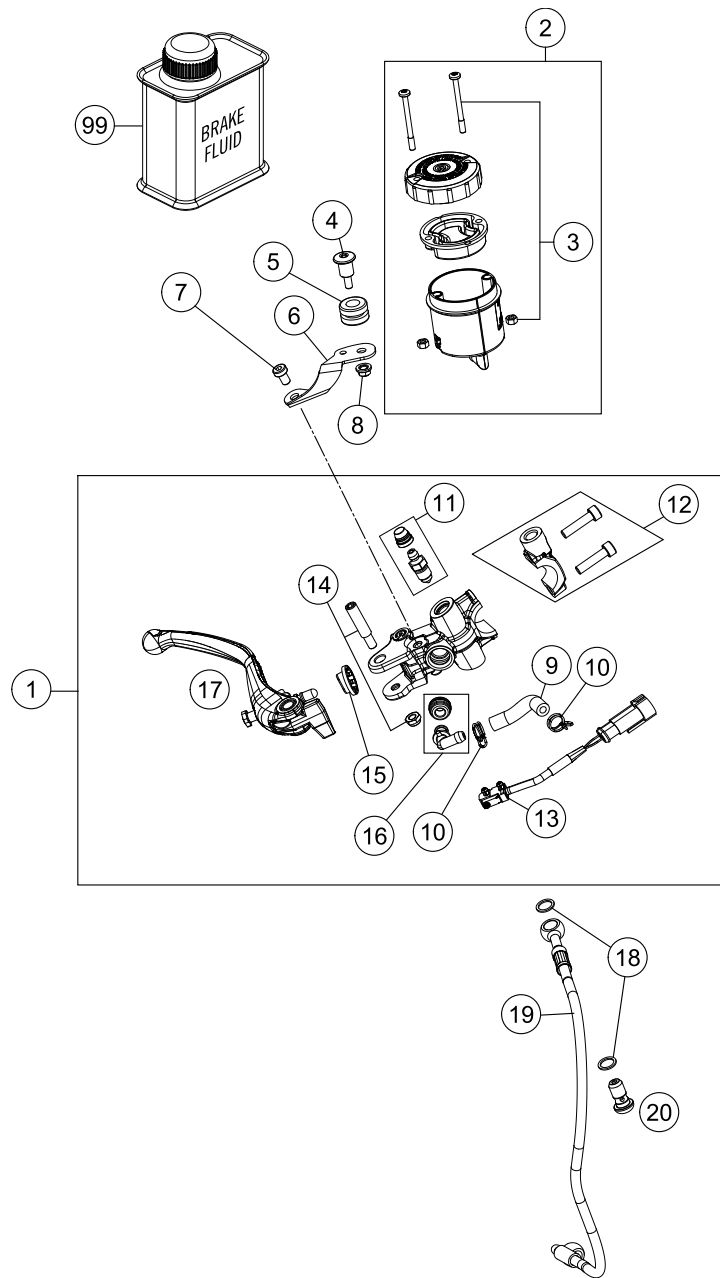
146131110

C146131110

\* NEW PART X ON DEMAND

# HAND BRAKE CYLINDER

# 1290 SUPERDUKE R BLACK ABS EU 2016



| POS | PARTNUMBER    | PARTNAME                       | PIECE |
|-----|---------------|--------------------------------|-------|
| 1   | 6131300100030 | HAND BRAKE CYL. PR16/19        | 1     |
| 2   | 61013009202   | BRAKE FLUID RESERVOIR CPL.     | 1     |
| 3   | 61013009203   | SCREW + NUT F. RESERVOIR       | 1     |
| 4   | 61013013050   | SCREW RET.PANEL-RESERVOIR      | 1     |
| 5   | 61013013000   | RUBBER BUSH 05                 | 1     |
| 6   | 6101300900130 | SUPPORT BRAKE FLUID RES. FRONT | 1     |
| 7   | 61013021000   | SCREW RET.PANEL-BRAKE CYLINDER | 1     |
| 8   | 61013009004   | NUT FOR RESERVOIR              | 1     |
| 9   | 58007016101   | HOSE FOR RESERVOIR 6X1,5       | 1     |
| 10  | 58007017000   | YDNAC CLAMP 10101 (10,4MM)     | 2     |
| 11  | 60013020000   | BLEEDER SCREW WITH CAP         | 1     |
| 12  | 76013005000   | CLAMP CPL.                     | 1     |
| 13  | 61311050000   | BRAKE LIGHT SWITCH FRONT       | 1     |
| 14  | 61013006000   | LEVER SCREW CPL. 05            | 1     |
| 15  | 61013008000   | RUBBER CUP 05                  | 1     |
| 16  | 54513155000   | ANGLE PIECE                    | 1     |
| 17  | 6101300204430 | HAND BRAKE LEVER CPL. BLACK    | 1     |
| 18  | 0603100141    | COPPER GASKET DIN7603-10X14X1  | 2     |
| 19  | 61342001000   | BRAKE HOSE HAND BRAKE CYLINDER | 1     |
| 20  | 62113020100   | HOLL. SCREW M10X1X19.5         | 1     |
| 99  | 00062030000   | BRAKE FLUID DOT5.1 0,25L       | 1     |

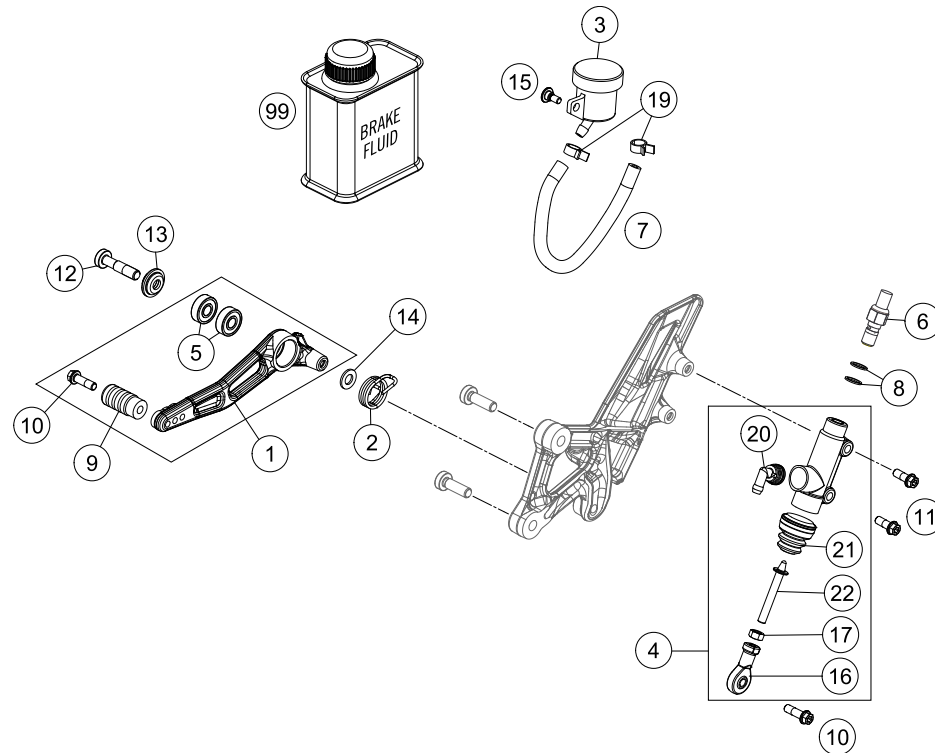
146131310

C146131310

\* NEW PART

X ON DEMAND





| POS | PARTNUMBER     | PARTNAME                       | PIECE |
|-----|----------------|--------------------------------|-------|
| 1   | 6131305004433S | FOOT BRAKE LEVER CPL.          | 1     |
| 2   | 61313052000    | SPRING                         | 1     |
| 3   | 61013069000    | RESERVOIR REAR CPL. 05         | 1     |
| 4   | 6031306000030  | REAR BRAKE CONTROL             | 1     |
| 5   | 0625006087     | GROOVED BALL BEAR. 608 2RS C3  | 2     |
| 6   | 60311051000    | BRAKE LIGHT SWITCH REAR        | 1     |
| 7   | 69013069001    | HOSE FOR RESERVOIR 6X1,5       | 1     |
| 8   | 0603100141     | COPPER GASKET DIN7603-10X14X1  | 2     |
| 9   | 58303060051    | BRAKE LEVER PEDAL DUKE'94      | 1     |
| 10  | 0025060206S    | HH COLLAR SCREW M6X20 TX30     | 2     |
| 11  | 0025060166S    | HH COLLAR SCREW M6X16 ISA 30   | 2     |
| 12  | 0035080356S    | SCREW M8X35 ISA45 SS           | 1     |
| 13  | 61334041000    | SPECIAL WASHER D=23X7,2MM      | 1     |
| 14  | 0125080003     | WASHER DIN0125-A 8,4           | 1     |
| 15  | 69013099050    | SCREW F. EXPANSION TANK        | 1     |
| 16  | 54603069000    | SWIVEL HEAD M6 FOOT BRAKE LEV. | 1     |
| 17  | 0934060003     | HEXAGON NUT DIN0934-M 6        | 1     |
| 18  | 6031306000030  | REAR BRAKE CONTROL             | 1     |
| 19  | 58007017000    | YDNAC CLAMP 10101 (10,4MM)     | 2     |
| 20  | 54513155000    | ANGLE PIECE                    | 1     |
| 21  | 54513151000    | RUBBER SLEEVE                  | 1     |
| 22  | 60313056044    | PUSH ROD CPL.                  | 1     |
| 99  | 00062030000    | BRAKE FLUID DOT5.1 0,25L       | 1     |

146131330

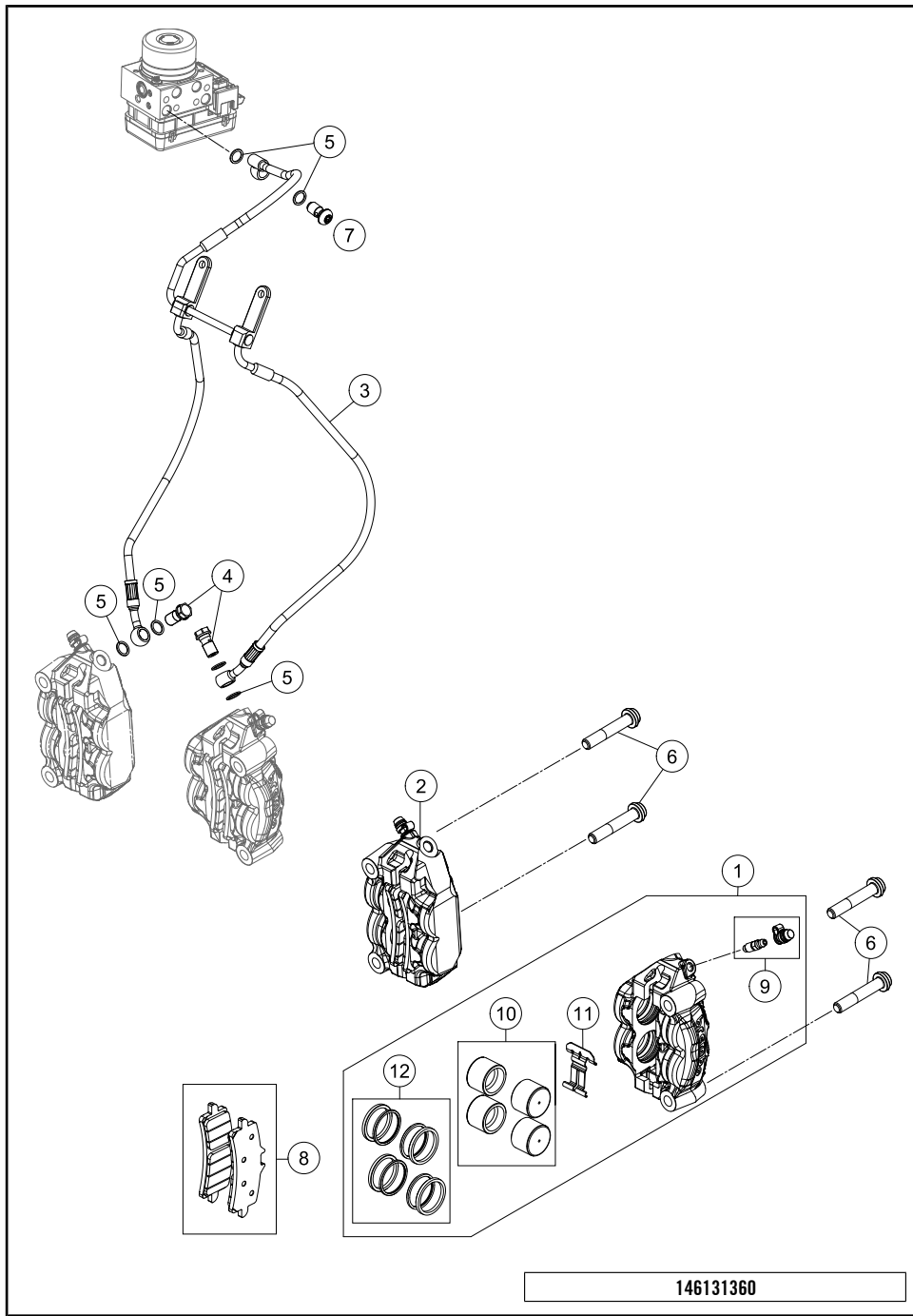
C146131330

\* NEW PART

X ON DEMAND

# BREAK CALIPER FRONT

# 1290 SUPERDUKE R BLACK ABS EU 2016



| POS | PARTNUMBER    | PARTNAME                       | PIECE |
|-----|---------------|--------------------------------|-------|
| 1   | 6131301500158 | BRAKE CALIPER FRONT - W/O PADS | 1     |
| 2   | 6131301600158 | BRAKE CALIPER FRONT W/O PADS   | 1     |
| 3   | 61342003000   | BRAKE HOSE BRAKE CALIPER FRONT | 1     |
| 4   | 69013025000   | HOLLOW SCREW M10X1X19 SW12     | 2     |
| 5   | 0603100141    | COPPER GASKET DIN7603-10X14X1  | 6     |
| 6   | 0035100559S   | AH-COLLAR SCREW M10X1,25X55SS  | 4     |
| 7   | 62113020100   | HOLL. SCREW M10X1X19.5         | 1     |
| 8   | 61313030000   | BRAKE PADS SET BRM10A-HH       | 2     |
| 9   | 61013020100   | BLEEDER SCREW WITH CAP         | 2     |
| 10  | 61313019000   | BRAKE PISTON CPL.              | 2     |
| 11  | 69013018000   | SPRING PLATE                   | 2     |
| 12  | 61313021000   | SEAL RINGS CPL.                | 2     |

146131360

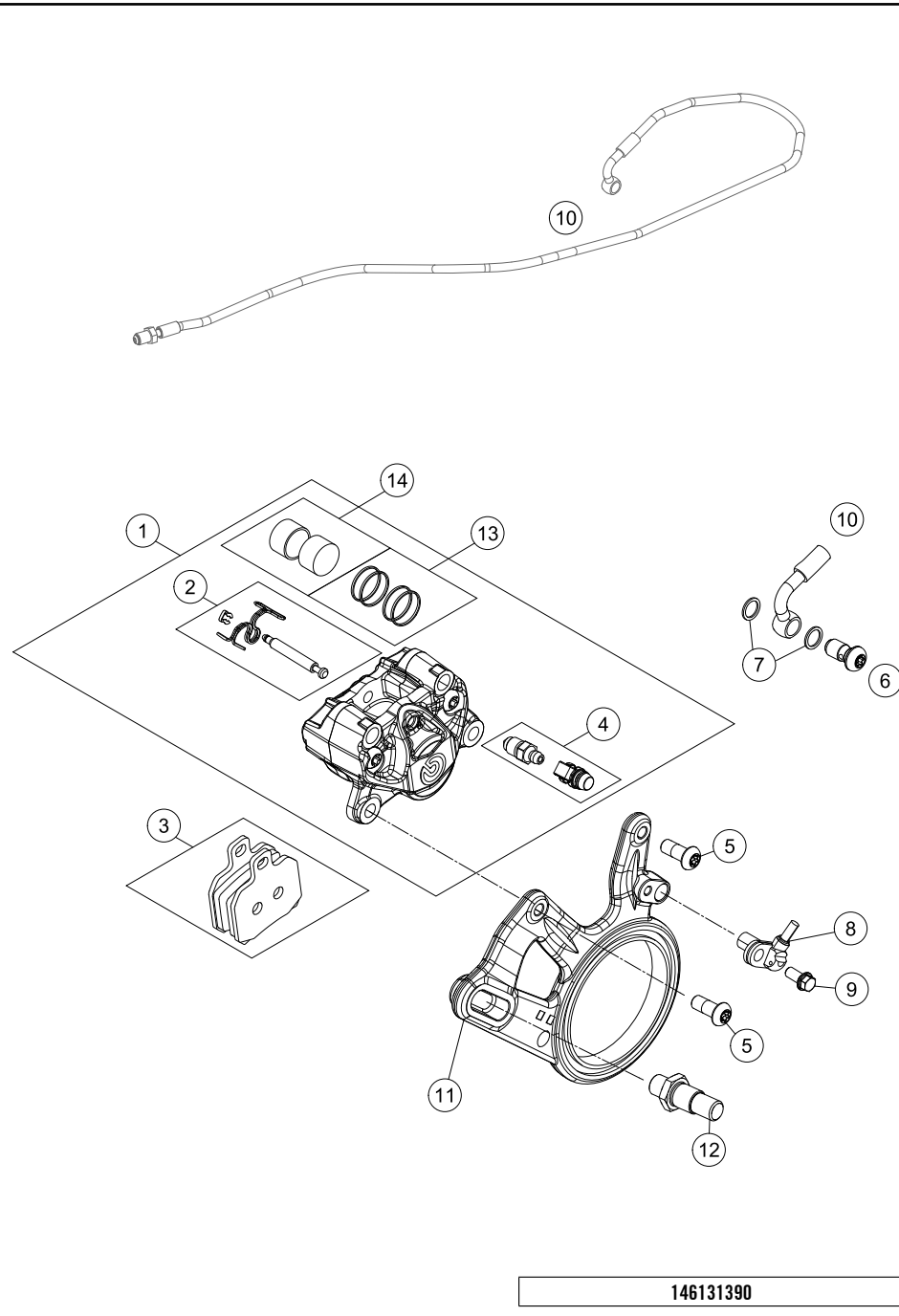
C156131360

\* NEW PART

X ON DEMAND

# BREAK CALIPER REAR

# 1290 SUPERDUKE R BLACK ABS EU 2016



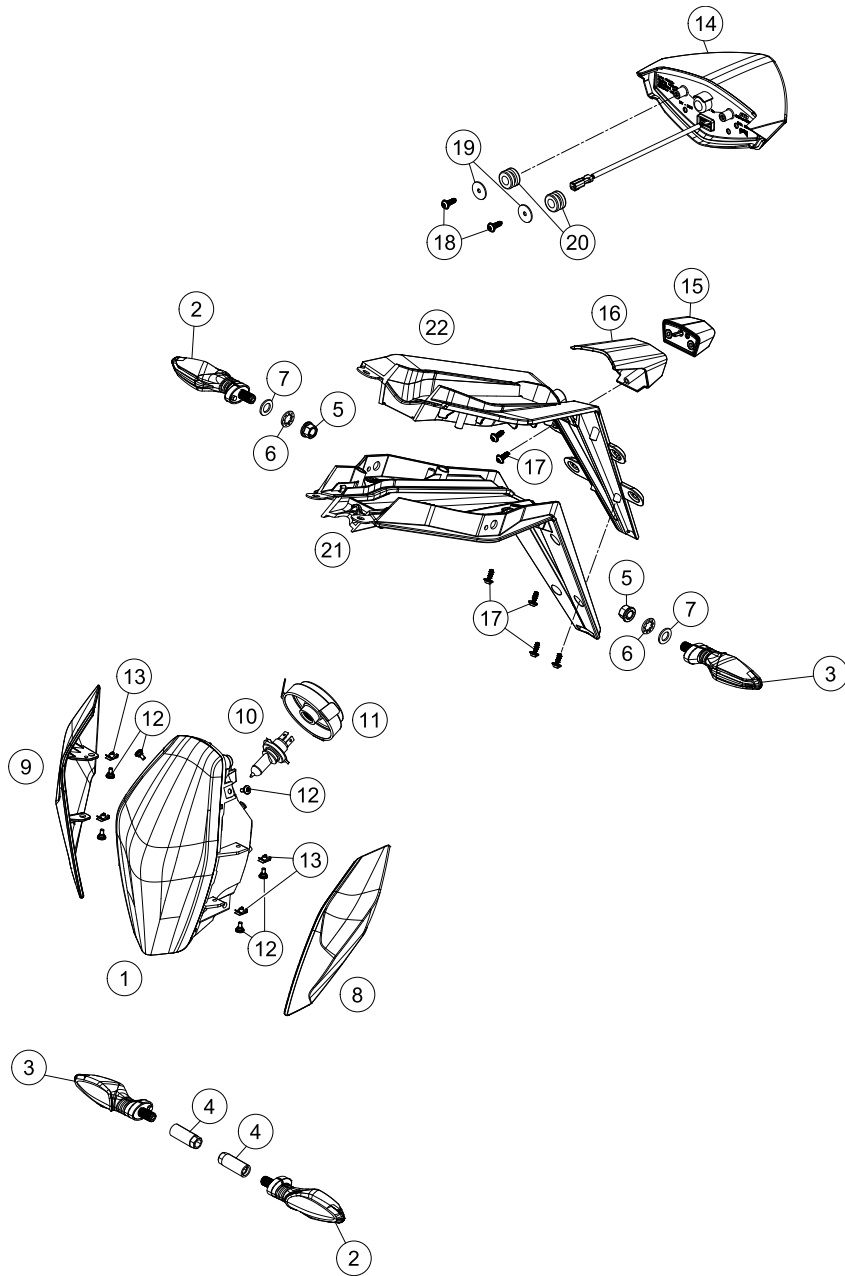
| POS | PARTNUMBER     | PARTNAME                       | PIECE |
|-----|----------------|--------------------------------|-------|
| 1   | 6131308000158  | BRAKE CALIPER REAR W/O PADS BL | 1     |
| 2   | 69013082000    | BOLT KIT 08                    | 1     |
| 3   | 61313090000    | BRAKE PAD REAR TTH38GF         | 1     |
| 4   | 69013020000    | BLEEDER SCREW WITH CAP         | 1     |
| 5   | 69013076000    | SCREW F. BRAKE CALIPER         | 2     |
| 6   | 62113020100    | HOLL. SCREW M10X1X19.5         | 1     |
| 7   | 0603100141     | COPPER GASKET DIN7603-10X14X1  | 2     |
| 8   | 76042025000    | ABS-SENSOR                     | 1     |
| 9   | 59009062013    | SPECIAL SCREW M6X13 WS=8 10.9  | 1     |
| 10  | 61342004020    | BRAKE HOSE CON. PIECE / R. CYL | 1     |
| 11  | 6131307500033S | BRAKE CALIPER ADAPTER BLACK    | 1     |
| 12  | 76004142000    | BOLT BRAKE SADDLE BRACKET      | 1     |
| 13  | 69013081000    | REPAIR KIT SEAL RING           | 1     |
| 14  | 61313083000    | REPAIR KIT PISTON              | 1     |

146131390

C156131390

\* NEW PART

X ON DEMAND



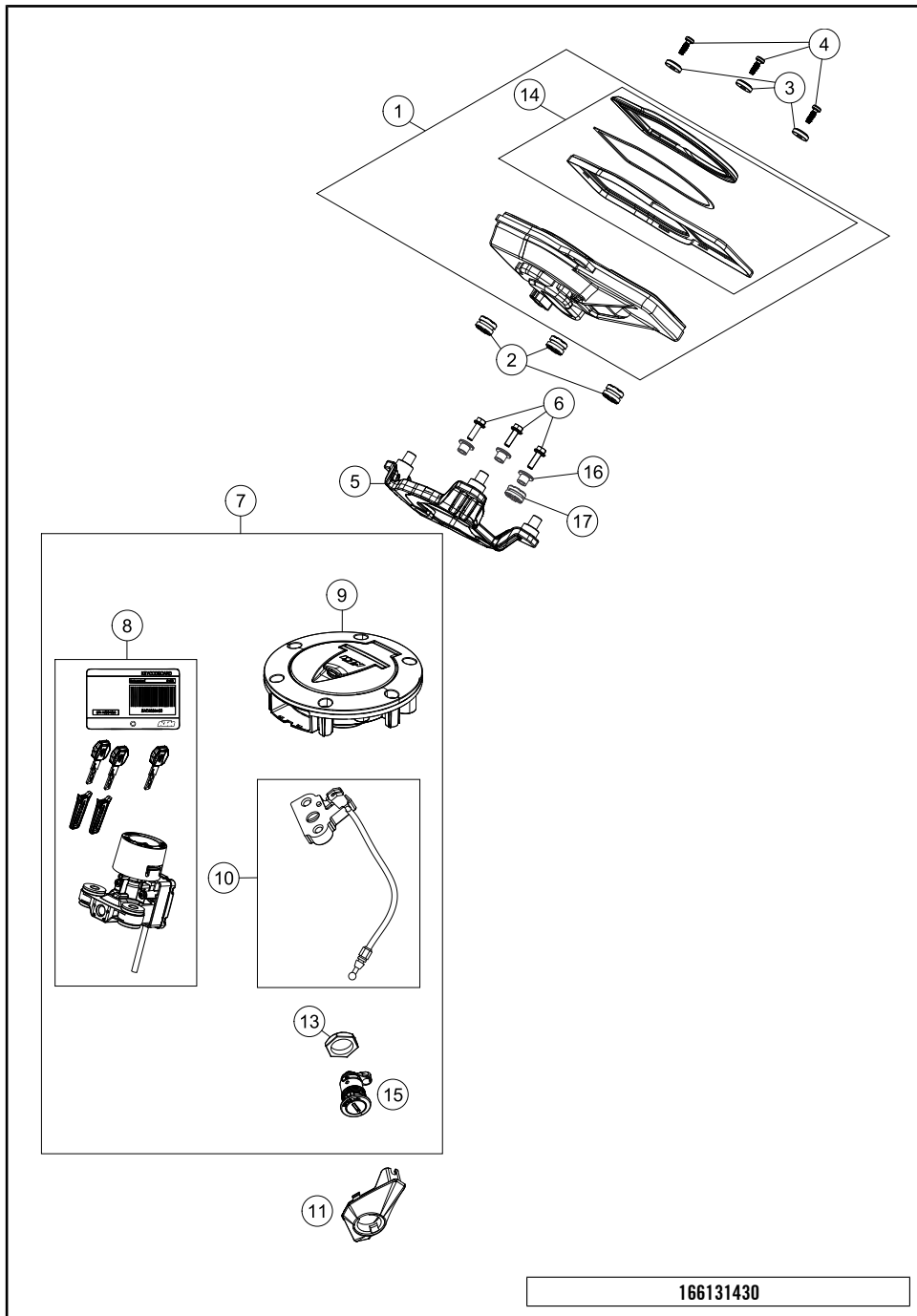
| POS | PARTNUMBER     | PARTNAME                       | PIECE |
|-----|----------------|--------------------------------|-------|
| 1   | 61314001000    | HEAD LIGHT                     | 1     |
| 2*  | 60314025000    | FLASHER L/S                    | 2     |
| 3*  | 60314026000    | FLASHER R/S                    | 2     |
| 4   | 61014030000    | FLASHER NUT M10X1,25 WS=12     | 2     |
| 5   | 58414030000    | HH COLLAR NUT M10X1,25 WS=13   | 2     |
| 6   | 0797100003     | LOCK WASHER DIN6797-J10,5 ZI   | 2     |
| 7   | 0433100003     | WASHER 18x10,5x1,6             | 2     |
| 8   | 6130800300030A | MASK SPOILER L/S BLACK 14      | 1     |
| 9   | 6130800400030A | MASK SPOILER R/S BLACK 14      | 1     |
| 10  | 57111038000    | BULB H4 12V 60/55W (P43T)      | 1     |
| 11  | 61314001050    | RUBBER CAP FOR HEAD LIGHT      | 1     |
| 12  | 69008021160    | SPECIAL SCREW M5X12            | 6     |
| 13  | 69008021080    | RANGE CHANGE METAL NUT M5      | 6     |
| 14* | 61314040200    | REAR LIGHT SUPERDUKE ECE       | 1     |
| 15  | 60314047000    | NUMBER PLATE LIGHT             | 1     |
| 16  | 61308024000    | COVER NUMBER PLATE LIGHT       | 1     |
| 17  | 0081050121     | SCREW FOR PLASTIC K50X12 T20   | 6     |
| 18  | 0081050141     | EJOT PT SCREW 50X14 WN 1451    | 2     |
| 19  | 0522040003     | WASHER DIN522 A2K 4.3X20X1.25  | 2     |
| 20  | 61013013000    | RUBBER BUSH 05                 | 2     |
| 21  | 61308023000    | NUMBER PLATE CARRIER LOW. PART | 1     |
| 22  | 61308022000    | NUMBER PLATE CARRIER UPP. PART | 1     |

146131410

C166131410

\* NEW PART

X ON DEMAND



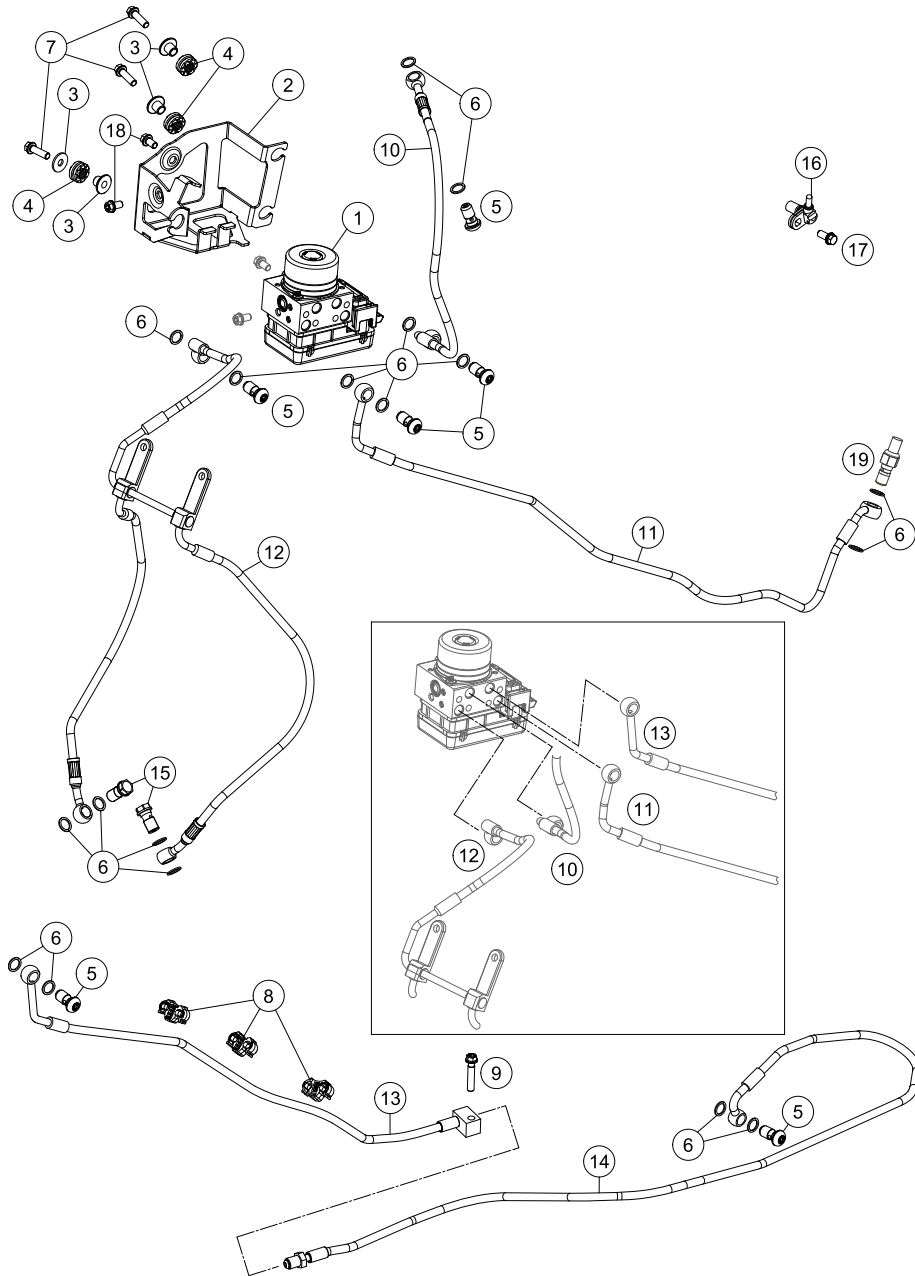
| POS | PARTNUMBER  | PARTNAME                       | PIECE |
|-----|-------------|--------------------------------|-------|
| 1   | 60414069000 | SPEEDOMETER                    | 1     |
| 2   | 61314069051 | DAMP. COMPONENT SPEEDOMETER    | 3     |
| 3   | 60308045000 | SPECIAL WASHER 4.5X16          | 3     |
| 4   | 0081250141  | SCREW FOR PLASTIC PT K50X14T25 | 3     |
| 5*  | 61314062100 | INSTRUMENTS BRACKET            | 1     |
| 6*  | 0025050206  | HH COLLAR SCREW M5X20 TX30     | 3     |
| 7*  | 61311066244 | LOCK KIT                       | 1     |
| 8   | 61311066100 | IGNITION LOCK                  | 1     |
| 9   | 61307008100 | TANK CAP CPL.                  | 1     |
| 10  | 61307050000 | SEAT LOCK MECHANISM CPL.       | 1     |
| 11  | 61307055000 | SOPPORT SEAT LOCK              | 1     |
| 13  | 69007050050 | NUT SEAT LOCK M22X1,5          | 1     |
| 14  | 60314069050 | SPEEDOMETER FRAME CPL.         | 1     |
| 15  | 61307050020 | LOCK CYLINDER SEAT LOCK        | 1     |
| 16* | 61314062050 | BUSHING 5.5X9X15X9.5           | 3     |
| 17* | 62142041100 | DUMPER 40 SHORE                | 3     |

166131430

C166131430

\* NEW PART

X ON DEMAND



| POS | PARTNUMBER  | PARTNAME                       | PIECE |
|-----|-------------|--------------------------------|-------|
| 1   | 61342031044 | ABS MODULE FILLED              | 1     |
| 2   | 61342040000 | SUPPORT ABS-MODULE             | 1     |
| 3   | 61342041000 | COLLAR BUSH 6,5X9X18X8,5       | 3     |
| 4   | 62142041000 | DAMP. COMPONENT ABS MODUL      | 3     |
| 5   | 62113020100 | HOLL. SCREW M10X1X19.5         | 6     |
| 6   | 0603100141  | COPPER GASKET DIN7603-10X14X1  | 18    |
| 7   | 0025060206  | HH COLLAR SCREW M6X20 TX30     | 3     |
| 8   | 61342046000 | SUPPORT ABS-PIPE D7,5          | 3     |
| 9   | 0025060306S | HH COLLAR SCREW M6X30 TX30     | 1     |
| 10  | 61342001000 | BRAKE HOSE HAND BRAKE CYLINDER | 1     |
| 11  | 61342002000 | BRAKE HOSE REAR BRAKE CONTROL  | 1     |
| 12  | 61342003000 | BRAKE HOSE BRAKE CALIPER FRONT | 1     |
| 13  | 61342004010 | BRAKE HOSE MODULE / CON. PIECE | 1     |
| 14  | 61342004020 | BRAKE HOSE CON. PIECE / R. CYL | 1     |
| 15  | 69013025000 | HOLLOW SCREW M10X1X19 SW12     | 2     |
| 16  | 76042025000 | ABS-SENSOR                     | 2     |
| 17  | 59009062013 | SPECIAL SCREW M6X13 WS=8 10.9  | 1     |
| 18  | 0025060106  | HH COLLAR SCREW M6X10 TX30     | 2     |
| 19  | 60311051000 | BRAKE LIGHT SWITCH REAR        | 1     |

146134210

C146134210

\* NEW PART

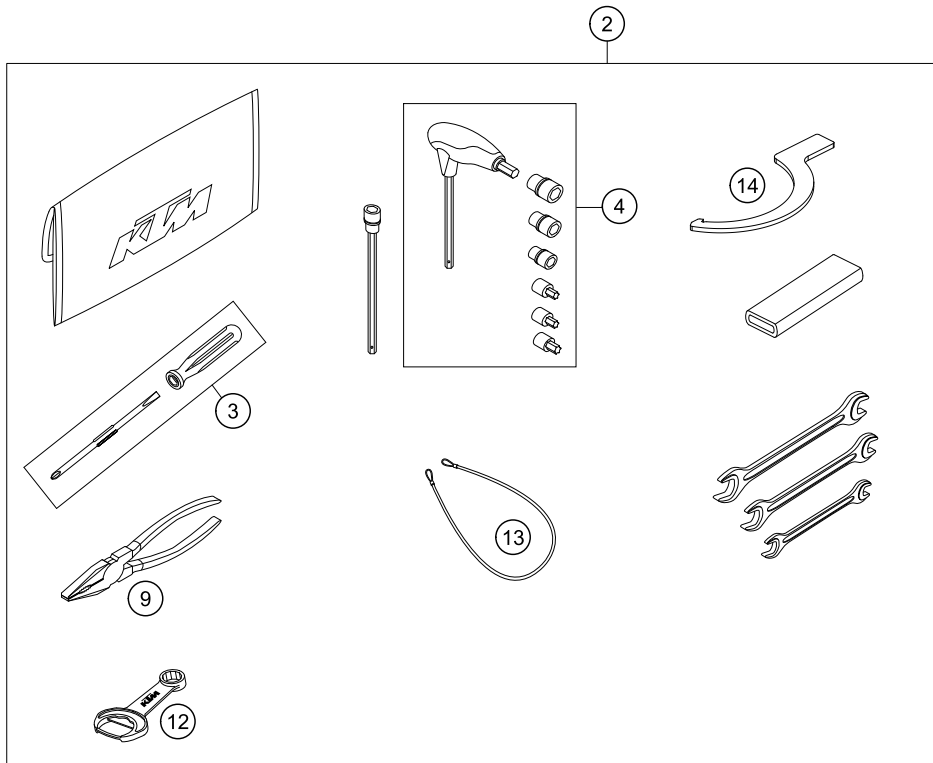
X ON DEMAND

# ACCESSORIES KIT

# 1290 SUPERDUKE R BLACK ABS EU 2016

0  
OHNE ABBILDUNG  
WITHOUT ILLUSTRATION

1  
TECHNISCHE DOKUMENTATION  
TECHNICAL DOCUMENTATION  
DOCUMENTACION TECNICA  
DOCUMENTATION TECHNIQUE  
NOTE TECNICHE



146132000

| POS | PARTNUMBER   | PARTNAME                       | PIECE |
|-----|--------------|--------------------------------|-------|
| 0   | 60012015000  | HELMET LOCK 04                 | 1     |
| 0   | 61312041100  | MIRROR R/S CPL.                | 1     |
| 0   | 61312040100  | MIRROR I/S                     | 1     |
| 0   | 58412080050  | BRACKET FOR REFLECTOR          | 1     |
| 0   | 58412080000  | REFLECTOR RED                  | 1     |
| 0   | 0985060003   | SELF LOCK. NUT DIN0985-M 6     | 4     |
| 0   | 0021060003   | WASHER DIN9021-A 6,4           | 4     |
| 0   | 0125050003   | WASHER DIN0125-A 5,3           | 2     |
| 0   | 40006006000  | WASHER 6MM                     | 2     |
| 0   | 0966050163   | OVAL HEAD SCREW DIN0966-M 5X16 | 2     |
| 0   | 0025060206   | HH COLLAR SCREW M6X20 TX30     | 1     |
| 0   | 0025060206   | HH COLLAR SCREW M6X20 TX30     | 2     |
| 0   | 61308023010  | SPLASH PROTECTION              | 1     |
| 0   | 0081050121   | SCREW FOR PLASTIC K50X12 T20   | 4     |
| 0   | 312305       | DOCUMENTS BAG 2006             | 1     |
| 0   | 3210040      | CUSTOMER WELCOME LETTER        | 1     |
| 0   | 312313       | KTM BALLPOINT PEN ORANGE       | 1     |
| 0   | 00063004202  | PRINT LABEL 60X51 MM           | 1     |
| 0   | 62111059060  | COVER POSITIVE POLE            | 1     |
| 0   | 60012081200  | LICENCE FITTING 06             | 1     |
| 0   | 61308192000  | STICKER SET FORK WP SMALL      | 1     |
| 0   | 3212584DE/GB | PP 1290 SD-R CHAPTER FOLDER 14 | 1     |
| 0   | 61329083000  | HOOK WRENCH MONOSHOCK          | 1     |
| 0   | 3212601GB    | POWER WEAR FOLDER 2015         | 1     |
| 0   | 00063099111  | BAG FOR INSTR. MANUAL 245X170  | 1     |
| 1   | 3213399EN    | OWN. MAN. 1290 SUPER DUKE R 16 | 1     |
| 2   | 61329099100  | TOOL SET                       | 1     |
| 3   | 53012024100  | SCREW DRIVER L=105MM           | 1     |
| 4   | 60029070300  | T-WRENCH WS=6/8/10/TX45/SK4X1  | 1     |
| 9   | 53012028200  | GRIP ORANGE B&F                | 1     |
| 13  | 60012015000  | HELMET LOCK 04                 | 1     |
| 14  | 61329085000  | HOOK WRENCH ECCENTRIC REAR WH. | 1     |

C166132000

\* NEW PART X ON DEMAND



3H, DELTA, T

- ⑤ Ø 5 mm
- ⑥ Ø 6 mm
- ⑧ Ø 8 mm
- ⑩ Ø 10 mm
- ⑫ Ø 12 mm
- ⑭ Ø 14-14,5 mm
- ⑯ Ø 16 mm
- ⑳ Ø 20 mm
- ㉑ Ø 21 mm
- ㉒ Ø 22 mm
- ㉓ Ø 23 mm
- ㉔ Ø 24,5 mm
- ㉘ Ø 28,5 mm
- ㉚ Ø 32 mm
- ㉜ Ø 52 mm

| POS | PARTNUMBER | PARTNAME            | PIECE |
|-----|------------|---------------------|-------|
| 5   | 44906890   | WASHER 5X15X2       | X     |
| 6   | 40540400   | SHIM 6X12X0,1       | X     |
| 6   | 40540401   | SHIM 6X14X0,1       | X     |
| 6   | 40540402   | SHIM 6X16X0,1       | X     |
| 6   | 40540403   | SHIM 6X18X0,1       | X     |
| 6   | 40540404   | SHIM 6X12X0,15      | X     |
| 6   | 40540405   | SHIM 6X14X0,15      | X     |
| 6   | 40540406   | SHIM 6X16X0,15      | X     |
| 6   | 40540407   | SHIM 6X18X0,15      | X     |
| 6   | 40540408   | SHIM 6X12X0,2       | X     |
| 6   | 40540409   | SHIM 6X14X0,2       | X     |
| 6   | 40540410   | SHIM 6X16X0,2       | X     |
| 6   | 40540411   | SHIM 6X18X0,2       | X     |
| 6   | 48600095   | * SHIM 6X20X0,20    | X     |
| 6   | 40540412   | SHIM 6X12X0,25      | X     |
| 6   | 40540413   | SHIM 6X14X0,25      | X     |
| 6   | 40540414   | SHIM 6X16X0,25      | X     |
| 6   | 40540415   | SHIM 6X18X0,25      | X     |
| 6   | 40540417   | SHIM 6X8,5X0,10     | X     |
| 6   | 40540418   | SHIM 6X9X0,10       | X     |
| 6   | 40540419   | SHIM 6X9,5X0,10     | X     |
| 6   | 40540423   | SHIM 6X9,5X0,15     | X     |
| 6   | 40540425   | SHIM 6X8,5X0,20     | X     |
| 6   | 40540426   | SHIM 6X9X0,20       | X     |
| 6   | 40540427   | SHIM 6X9,5X0,20     | X     |
| 6   | 40540447   | SHIM 6X10X0,3       | X     |
| 6   | 40540449   | SHIM 6X9X0,3        | X     |
| 6   | 40540450   | SHIM 6X9,5X0,3      | X     |
| 6   | 40540494   | SHIM 6X18X0,4       | X     |
| 6   | 40540774   | SHIM 6X18X0,1 DELTA | X     |
| 6   | 40541383   | SHIM 6X11X0,1       | X     |
| 6   | 40541391   | SHIM 6X11X0,3       | X     |
| 6   | 40541402   | SHIM 6X11X0,2       | X     |
| 6   | 40541403   | SHIM 6X10X0,20      | X     |
| 6   | 40541404   | SHIM 6X10X0,1       | X     |
| 6   | 40541405   | SHIM 6X10X0,15      | X     |
| 6   | 40541406   | SHIM 6X11X0,15      | X     |
| 6   | 40541408   | SHIM 6X8,0X0,30     | X     |

080000190

C130009090

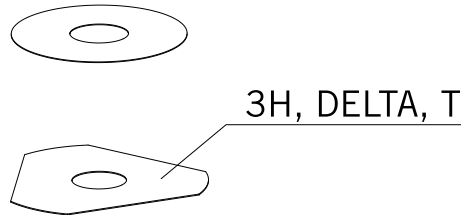
\* NEW PART

X ON DEMAND





- ⑤ Ø 5 mm
- ⑥ Ø 6 mm
- ⑧ Ø 8 mm
- ⑩ Ø 10 mm
- ⑫ Ø 12 mm
- ⑭ Ø 14-14,5 mm
- ⑯ Ø 16 mm
- ⑳ Ø 20 mm
- ㉑ Ø 21 mm
- ㉒ Ø 22 mm
- ㉓ Ø 23 mm
- ㉔ Ø 24,5 mm
- ㉘ Ø 28,5 mm
- ㉚ Ø 32 mm
- ㉞ Ø 52 mm



| POS | PARTNUMBER | PARTNAME             | PIECE |
|-----|------------|----------------------|-------|
| 6   | 40541414   | SHIM 6X8,0X0,10      | X     |
| 6   | 40541416   | SHIM 6X8X0,3         | X     |
| 6   | 40541417   | SHIM 6X11X0,25       | X     |
| 6   | 48600102   | * SHIM 6X24X0,25     | X     |
| 6   | 48600063   | SHIM 6X24X0,1        | X     |
| 6   | 48600064   | SHIM 6X22X0,1        | X     |
| 6   | 48600065   | SHIM 6X20X0,1        | X     |
| 6   | 48600069   | SHIM 6X20X0,15       | X     |
| 6   | 48600100   | SHIM 6X24X0,15       | X     |
| 6   | 48600116   | SHIM 6X24X0,1 DELTA  | X     |
| 6   | 48600139   | SHIM 6X22X0,1 DELTA  | X     |
| 6   | 48600217   | BACKPLATE 6X10X0,25  | X     |
| 6   | 48600325   | SHIM 6X13X0,1        | X     |
| 6   | 48600327   | SHIM 6X15X0,1        | X     |
| 6   | 48600329   | SHIM 6X17X0,1        | X     |
| 6   | 48600331   | SHIM 6X19X0,1        | X     |
| 6   | 48600096   | * SHIM 6X20X0,25     | X     |
| 6   | 48600097   | SHIM 6X22X0,15       | X     |
| 6   | 48600099   | * SHIM 6X22X0,25     | X     |
| 6   | 40540448   | BACKPLATE 6X8,5X0,30 | X     |
| 6   | 48600479   | SHIM 6X20X0,1 T/3H   | X     |
| 6   | 48600332   | SHIM 6X21X0,1        | X     |
| 6   | 48600333   | SHIM 6X23X0,1        | X     |
| 6   | 40541393   | * SHIM 6X12X0,3      | X     |
| 6   | 48600330   | SHIM 6X17X0,15       | X     |
| 6   | 48600988   | SHIM 6X28X0,10       | X     |
| 6   | 48600989   | SHIM 6X26X0,10       | X     |
| 6   | 48601091   | SHIM 6X28X0,15       | X     |
| 6   | 48601093   | SHIM 6X26X0,15       | X     |
| 6   | 48600328   | SHIM 6X15X0,15       | X     |
| 6   | 48600326   | SHIM 6X13X0,15       | X     |
| 6   | 48601548   | SHIM 6X17X1,5        | X     |
| 8   | 40540477   | SHIM 8X18X0,4        | X     |
| 8   | 43570120   | SHIM 8X18X0,10       | X     |
| 8   | 44916098   | WASHER 8,4X16X0,8    | X     |
| 8   | 44916130   | WASHER 8,2X15X1      | X     |
| 8   | 44916180   | WASHER 8,2X11X1      | X     |
| 8   | 48600214   | SHIM 8X16X0,1        | X     |

080000190

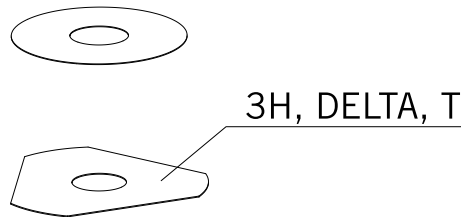
C130009090

\* NEW PART

X ON DEMAND



- ⑤ Ø 5 mm
- ⑥ Ø 6 mm
- ⑧ Ø 8 mm
- ⑩ Ø 10 mm
- ⑫ Ø 12 mm
- ⑭ Ø 14-14,5 mm
- ⑯ Ø 16 mm
- ⑳ Ø 20 mm
- ㉑ Ø 21 mm
- ㉒ Ø 22 mm
- ㉓ Ø 23 mm
- ㉔ Ø 24,5 mm
- ㉘ Ø 28,5 mm
- ㉚ Ø 32 mm
- ㉜ Ø 52 mm



| POS | PARTNUMBER | PARTNAME               | PIECE |
|-----|------------|------------------------|-------|
| 8   | 48600385   | SHIM 8x14x0.25         | X     |
| 8   | 48600346   | SHIM 8X11X0,2          | X     |
| 8   | 48600215   | CHECK VALVE 8X20X0,1   | X     |
| 8   | 48600485   | SHIM 8X10X0,10         | X     |
| 8   | 48601402   | SHIM 8X13X0,10         | X     |
| 8   | 48600350   | CHECK VALVE 8X16X0,15  | X     |
| 8   | 48600061   | CHECK VALVE 8X24X0,4   | X     |
| 8   | 48600062   | CHECK VALVE 8X24X0,1   | X     |
| 8   | 48600216   | CHECK VALVE 8X22X0,1   | X     |
| 8   | 48600480   | SHIM 8X10X0,20         | X     |
| 8   | 48600555   | SHIM 8X16X0,20         | X     |
| 8   | 48600213   | SHIM 8X14X0,10         | X     |
| 8   | 48600357   | CHECK VALVE 8X11X0,1   | X     |
| 8   | 48600351   | CHECK VALVE 8X12X0,1   | X     |
| 8   | 48600607   | SHUTTLE VALVE 8X20X0,4 | X     |
| 8   | 48601095   | SHIM 8X17X0,10         | X     |
| 8   | 48600352   | CHECK VALVE 8X11X0,4   | X     |
| 10  | 36120284   | SHIM 10X16X0,10        | X     |
| 10  | 36120298   | SHIM 10X16X0,2         | X     |
| 10  | 36120312   | SHIM 10X16X0,30        | X     |
| 10  | 36120314   | SHIM 10X18X0,30        | X     |
| 10  | 36120325   | SHIM 10X19X0,15        | X     |
| 10  | 36120327   | SHIM 10X23X0,15        | X     |
| 10  | 36120328   | SHIM 10X25X0,15        | X     |
| 10  | 36120329   | SHIM 10X27X0,15        | X     |
| 10  | 36120330   | SHIM 10X29X0,15        | X     |
| 10  | 36120331   | SHIM 10X31X0,15        | X     |
| 10  | 36120332   | SHIM 10X33X0,15        | X     |
| 10  | 36120334   | SHIM 10X21X0,20        | X     |
| 10  | 36120335   | SHIM 10X23X0,20        | X     |
| 10  | 36120336   | SHIM 10X25X0,20        | X     |
| 10  | 36120337   | SHIM 10X27X0,20        | X     |
| 10  | 36120338   | SHIM 10X29X0,20        | X     |
| 10  | 36120339   | SHIM 10X31X0,20        | X     |
| 10  | 36120340   | SHIM 10X33X0,20        | X     |
| 10  | 36120342   | SHIM 10X21X0,25        | X     |
| 10  | 36120343   | SHIM 10X23X0,25        | X     |
| 10  | 36120344   | SHIM 10X25X0,25        | X     |

080000190

C130009090

\* NEW PART

X ON DEMAND



- ⑤ Ø 5 mm
- ⑥ Ø 6 mm
- ⑧ Ø 8 mm
- ⑩ Ø 10 mm
- ⑫ Ø 12 mm
- ⑭ Ø 14-14,5 mm
- ⑯ Ø 16 mm
- ⑳ Ø 20 mm
- ㉑ Ø 21 mm
- ㉒ Ø 22 mm
- ㉓ Ø 23 mm
- ㉔ Ø 24,5 mm
- ㉘ Ø 28,5 mm
- ㉚ Ø 32 mm
- ㉜ Ø 52 mm



| POS | PARTNUMBER | PARTNAME          | PIECE |
|-----|------------|-------------------|-------|
| 10  | 36120345   | SHIM 10X27X0,25   | X     |
| 10  | 36120349   | SHIM 10X19X0,30   | X     |
| 10  | 36120350   | SHIM 10X21X0,30   | X     |
| 10  | 40140275   | WASHER 10X35X0,15 | X     |
| 10  | 36120346   | * SHIM 10X29X0,25 | X     |
| 10  | 50180010   | * SHIM 16X24X0,10 | X     |
| 10  | 36120604   | SHIM D10XD22X2,5  | X     |
| 12  | 46810490   | SHIM 12X24X0,20   | X     |
| 12  | 46810491   | SHIM 12X26X0,20   | X     |
| 12  | 46810492   | SHIM 12X28X0,20   | X     |
| 12  | 46810493   | SHIM 12X30X0,20   | X     |
| 12  | 46810494   | SHIM 12X32X0,20   | X     |
| 12  | 46810495   | SHIM 12X34X0,20   | X     |
| 12  | 46810496   | SHIM 12X36X0,20   | X     |
| 12  | 46810497   | SHIM 12X38X0,20   | X     |
| 12  | 46810498   | SHIM 12X40X0,20   | X     |
| 12  | 46810499   | SHIM 12X24X0,25   | X     |
| 12  | 46810500   | SHIM 12X26X0,25   | X     |
| 12  | 46810501   | SHIM 12X28X0,25   | X     |
| 12  | 46810502   | SHIM 12X30X0,25   | X     |
| 12  | 46810504   | SHIM 12X34X0,25   | X     |
| 12  | 46810505   | SHIM 12X36X0,25   | X     |
| 12  | 46810507   | SHIM 12X40X0,25   | X     |
| 12  | 46810508   | SHIM 12X24X0,30   | X     |
| 12  | 46810509   | SHIM 12X26X0,30   | X     |
| 12  | 46810510   | SHIM 12X28X0,30   | X     |
| 12  | 46810512   | SHIM 12X32X0,30   | X     |
| 12  | 46810513   | SHIM 12X34X0,30   | X     |
| 12  | 46810518   | SHIM 12X26X0,15   | X     |
| 12  | 46810519   | SHIM 12X28X0,15   | X     |
| 12  | 46810520   | SHIM 12X30X0,15   | X     |
| 12  | 46810521   | SHIM 12X32X0,15   | X     |
| 12  | 46810522   | SHIM 12X34X0,15   | X     |
| 12  | 46810523   | SHIM 12X36X0,15   | X     |
| 12  | 46810524   | SHIM 12X38X0,15   | X     |
| 12  | 46810525   | SHIM 12X40X0,15   | X     |
| 12  | 46810604   | SHIM 12X20X0,10   | X     |
| 12  | 46810606   | SHIM 12X22X0,10   | X     |

080000190

C130009090

\* NEW PART

X ON DEMAND



3H, DELTA, T

- ⑤ Ø 5 mm
- ⑥ Ø 6 mm
- ⑧ Ø 8 mm
- ⑩ Ø 10 mm
- ⑫ Ø 12 mm
- ⑭ Ø 14-14,5 mm
- ⑯ Ø 16 mm
- ⑳ Ø 20 mm
- ㉑ Ø 21 mm
- ㉒ Ø 22 mm
- ㉓ Ø 23 mm
- ㉔ Ø 24,5 mm
- ㉘ Ø 28,5 mm
- ㉚ Ø 32 mm
- ㉜ Ø 52 mm

| POS | PARTNUMBER | PARTNAME             | PIECE |
|-----|------------|----------------------|-------|
| 12  | 46810607   | SHIM 12X23X0,10      | X     |
| 12  | 46810608   | SHIM 12X24X0,10      | X     |
| 12  | 46810610   | SHIM 12X27X0,15      | X     |
| 12  | 46810611   | SHIM 12X18X0,15      | X     |
| 12  | 46810612   | SHIM 12X19X0,15      | X     |
| 12  | 46810615   | SHIM 12X22X0,15      | X     |
| 12  | 46810636   | BACKPLATE 12X16X0,30 | X     |
| 12  | 46810637   | BACKPLATE 12X17X0,30 | X     |
| 12  | 46810638   | BACKPLATE 12X18X0,30 | X     |
| 12  | 46810639   | SHIM 12X19X0,30      | X     |
| 12  | 46810641   | BACKPLATE 12X21X0,30 | X     |
| 12  | 46811582   | BACKPLATE 12X30X0,10 | X     |
| 12  | 46810631   | SHIM 12X20X0,25      | X     |
| 12  | 46810633   | SHIM 12X22X0,25      | X     |
| 12  | 46811580   | SHIM 12X32X0,10      | X     |
| 12  | 46810503   | SHIM 12X32X0,25      | X     |
| 12  | 46810517   | * SHIM 12X24X0,15    | X     |
| 12  | 46810640   | SHIM 12X20X0,30      | X     |
| 12  | 46811258   | RING 12X24X2,5       | X     |
| 12  | 46812018   | SHIM 12X42X0,25      | X     |
| 12  | 46812015   | SHIM 12X44X0,20      | X     |
| 14  | 46811046   | SHIM 14,5X35,4X1,25  | X     |
| 16  | 50180023   | * SHIM 16X23X0,20    | X     |
| 16  | 50180030   | SHIM                 | X     |
| 16  | 50180006   | BACKPLATE 16X20X0,10 | X     |
| 16  | 50180007   | SHIM 16X21X0,10      | X     |
| 16  | 50180028   | SHIM 16X21X0,25      | X     |
| 16  | 50180210   | WASHER 16X21X1       | X     |
| 16  | 50180008   | SHIM 16X22X0,10      | X     |
| 16  | 50180022   | SHIM 16X22X0,20      | X     |
| 16  | 50180037   | SHIM 16X23X0,30      | X     |
| 16  | 50180038   | SHIM 16X24X0,30      | X     |
| 16  | 50180032   | SHIM 15X25X0,25      | X     |
| 16  | 50180039   | SHIM 16X25X0,30      | X     |
| 16  | 50180012   | SHIM 16X26X0,10      | X     |
| 16  | 50180019   | SHIM 16X26X0,15      | X     |
| 16  | 50180026   | SHIM 16X26X0,20      | X     |
| 16  | 50180040   | SHIM 16X26X0,30      | X     |

080000190

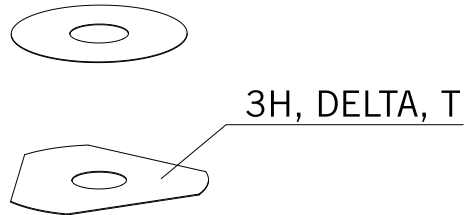
C130009090

\* NEW PART

X ON DEMAND



- ⑤ Ø 5 mm
- ⑥ Ø 6 mm
- ⑧ Ø 8 mm
- ⑩ Ø 10 mm
- ⑫ Ø 12 mm
- ⑭ Ø 14-14,5 mm
- ⑯ Ø 16 mm
- ⑳ Ø 20 mm
- ㉑ Ø 21 mm
- ㉒ Ø 22 mm
- ㉓ Ø 23 mm
- ㉔ Ø 24,5 mm
- ㉘ Ø 28,5 mm
- ㉚ Ø 32 mm
- ㉜ Ø 52 mm



| POS | PARTNUMBER | PARTNAME        | PIECE |
|-----|------------|-----------------|-------|
| 16  | 50180041   | SHIM 16X28X0,10 | X     |
| 16  | 50180045   | SHIM 16X28X0,15 | X     |
| 16  | 50180054   | SHIM 16X28X0,20 | X     |
| 16  | 50180063   | SHIM 16X28X0,25 | X     |
| 16  | 50180072   | SHIM 16X28X0,30 | X     |
| 16  | 50180046   | SHIM 16X30X0,15 | X     |
| 16  | 50180055   | SHIM 16X30X0,20 | X     |
| 16  | 50180064   | SHIM 16X30X0,25 | X     |
| 16  | 50180073   | SHIM 16X30X0,30 | X     |
| 16  | 50180047   | SHIM 16X32X0,15 | X     |
| 16  | 50180056   | SHIM 16X32X0,20 | X     |
| 16  | 50180065   | SHIM 16X32X0,25 | X     |
| 16  | 50180074   | SHIM 16X32X0,30 | X     |
| 16  | 50180044   | SHIM 16X34X0,10 | X     |
| 16  | 50180048   | SHIM 16X34X0,15 | X     |
| 16  | 50180057   | SHIM 16X34X0,20 | X     |
| 16  | 50180066   | SHIM 16X34X0,25 | X     |
| 16  | 50180075   | SHIM 16X34X0,30 | X     |
| 16  | 50180049   | SHIM 16X36X0,15 | X     |
| 16  | 50180058   | SHIM 16X36X0,20 | X     |
| 16  | 50180067   | SHIM 16X36X0,25 | X     |
| 16  | 50180076   | SHIM 16X36X0,30 | X     |
| 16  | 50180050   | SHIM 16X38X0,15 | X     |
| 16  | 50180059   | SHIM 16X38X0,20 | X     |
| 16  | 50180068   | SHIM 16X38X0,25 | X     |
| 16  | 50180077   | SHIM 16X38X0,30 | X     |
| 16  | 50180051   | SHIM 16X40X0,15 | X     |
| 16  | 50180060   | SHIM 16X40X0,20 | X     |
| 16  | 50180069   | SHIM 16X40X0,25 | X     |
| 16  | 50180078   | SHIM 16X40X0,30 | X     |
| 16  | 50180052   | SHIM 16X42X0,15 | X     |
| 16  | 50180061   | SHIM 16X42X0,20 | X     |
| 16  | 50180070   | SHIM 16X42X0,25 | X     |
| 16  | 50180079   | SHIM 16X42X0,30 | X     |
| 16  | 50180053   | SHIM 16X44X0,15 | X     |
| 16  | 50180062   | SHIM 16X44X0,20 | X     |
| 16  | 50180071   | SHIM 16X44X0,25 | X     |
| 16  | 50180080   | SHIM 16X44X0,30 | X     |

080000190

C130009090

\* NEW PART

X ON DEMAND



- ⑤ Ø 5 mm
- ⑥ Ø 6 mm
- ⑧ Ø 8 mm
- ⑩ Ø 10 mm
- ⑫ Ø 12 mm
- ⑭ Ø 14-14,5 mm
- ⑯ Ø 16 mm
- ⑳ Ø 20 mm
- ㉑ Ø 21 mm
- ㉒ Ø 22 mm
- ㉓ Ø 23 mm
- ㉔ Ø 24,5 mm
- ㉘ Ø 28,5 mm
- ㉚ Ø 32 mm
- ㉜ Ø 52 mm



| POS | PARTNUMBER | PARTNAME                    | PIECE |
|-----|------------|-----------------------------|-------|
| 16  | 50180177   | WASHER 16X8,2X0,6           | X     |
| 16  | 50180033   | SHIM 16X26X0,25             | X     |
| 16  | 50180034   | BACKPLATE 16X20X0,30        | X     |
| 16  | 50180035   | BACKPLATE 16X21X0,30        | X     |
| 16  | 50180036   | BACKPLATE 16X22X0,30        | X     |
| 16  | 50180043   | SHIM                        | X     |
| 16  | 50180024   | * SHIM 16X24X0,20           | X     |
| 16  | 50180027   | * SHIM 16X20X0,25           | X     |
| 16  | 50180031   | SHIM                        | X     |
| 16  | 50180029   | SHIM                        | X     |
| 20  | 48600212   | PRESSURE-RING 20X16,25X0,20 | X     |
| 20  | 50180666   | SHIM 20X24X0,30             | X     |
| 20  | 50180654   | SHIM 20X36X0,20             | X     |
| 20  | 50180655   | SHIM 20X38X0,20             | X     |
| 20  | 50180656   | SHIM 20X40X0,20             | X     |
| 20  | 50180665   | SHIM 20X40X0,25             | X     |
| 20  | 50180662   | SHIM 20X34X0,25             | X     |
| 20  | 50180657   | SHIM 20X24X0,25             | X     |
| 20  | 50180653   | SHIM 20X34X0,20             | X     |
| 20  | 50180634   | RING 20X22,9X1              | X     |
| 20  | 50180650   | SHIM 20,2X28X0,20           | X     |
| 20  | 50180663   | SHIM 20X36X0,25             | X     |
| 20  | 50180664   | SHIM 20X38X0,25             | X     |
| 20  | 50180659   | SHIM 20,2X28X0,25           | X     |
| 21  | 50180209   | WASHER 21X36X0,25           | X     |
| 22  | 50180330   | * PRESS. RING 22X18X0,30    | X     |
| 23  | 50180635   | SHUTTLE VALVE 23X38X0,25    | X     |
| 23  | 50180578   | SHIM D23XD16X2              | X     |
| 24  | 40541061   | WASHER 24,5X34X2            | X     |
| 28  | 36120469   | SHIM 28,5X14X2              | X     |
| 28  | 36120471   | SHIM 28,5X14X5              | X     |
| 32  | 48600460   | WASHER 32X42X2,5            | X     |
| 32  | 50600065   | SHIM 32X45X2                | X     |
| 32  | 46811637   | PRESSURE RING 36X32,25      | X     |
| 52  | 50600002   | SHIM 52X59X2,2              | X     |

080000190

C130009090

\* NEW PART

X ON DEMAND



WWW.KTM.COM



KTM Sportmotorcycle GmbH  
5230 Mattighofen, Austria  
www.ktm.com



**KTM**\_POWERPARTS

**KTM**\_POWERWEAR

**KTM**\_ORIGINAL SPARE PARTS



3CFF9903P2EN

Art. Nr.: 3CFF9903P2EN 13. Okt 2015