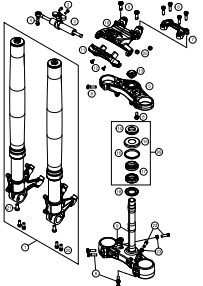
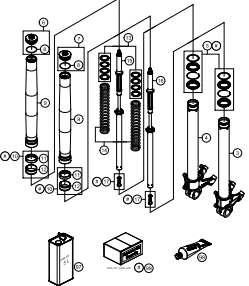
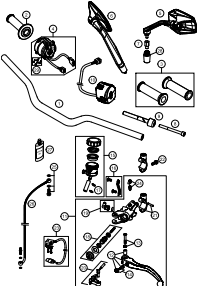
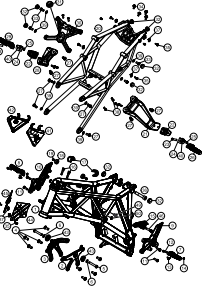
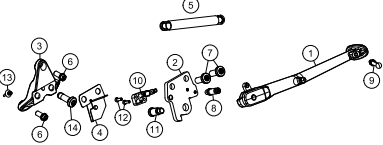
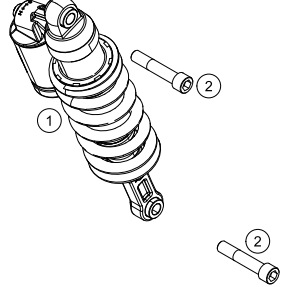
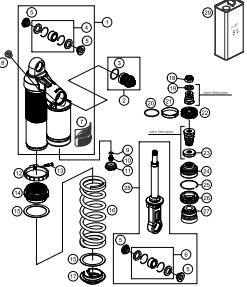
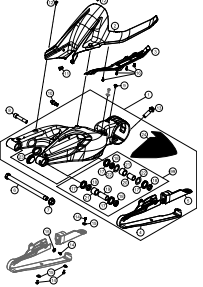
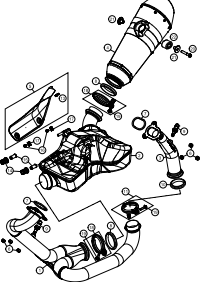
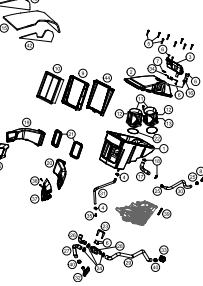

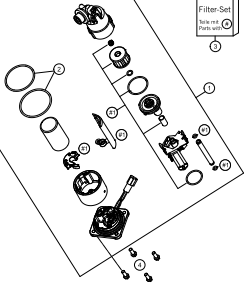
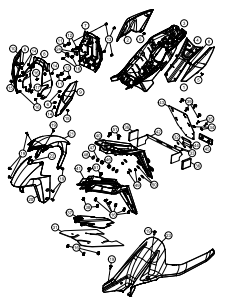
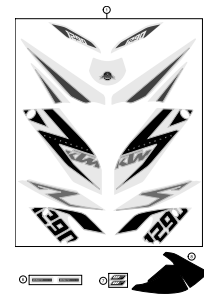
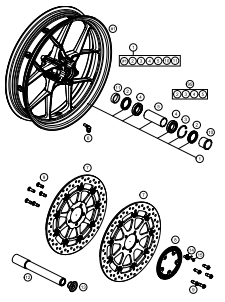
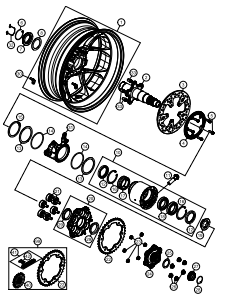
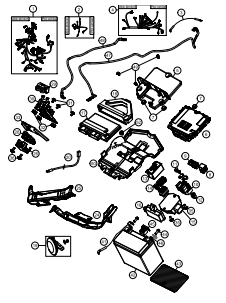
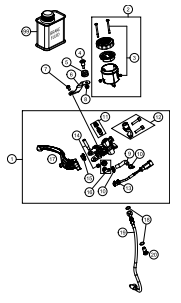
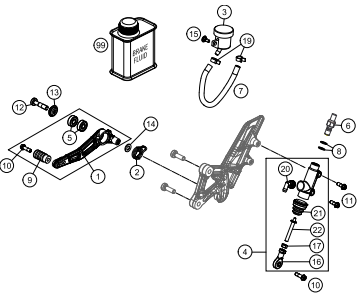
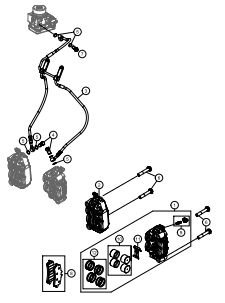
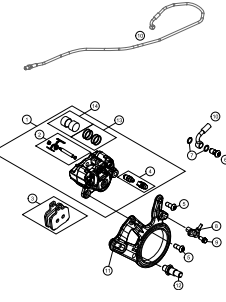
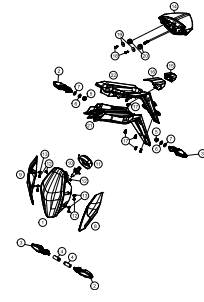
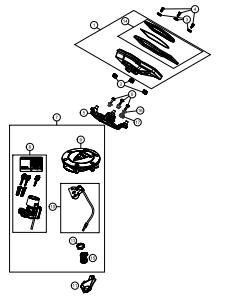
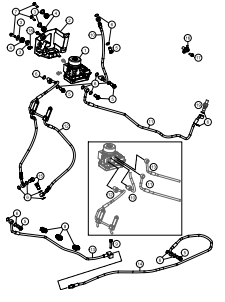


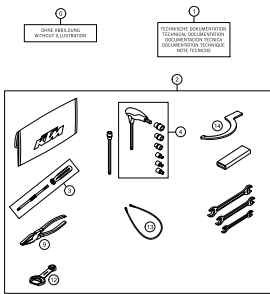
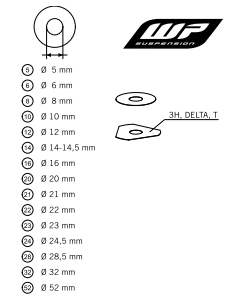

1290 SUPERDUKE R ORANGE ABS EU 2016

ART.-NR.: 3CFF9903P9EN



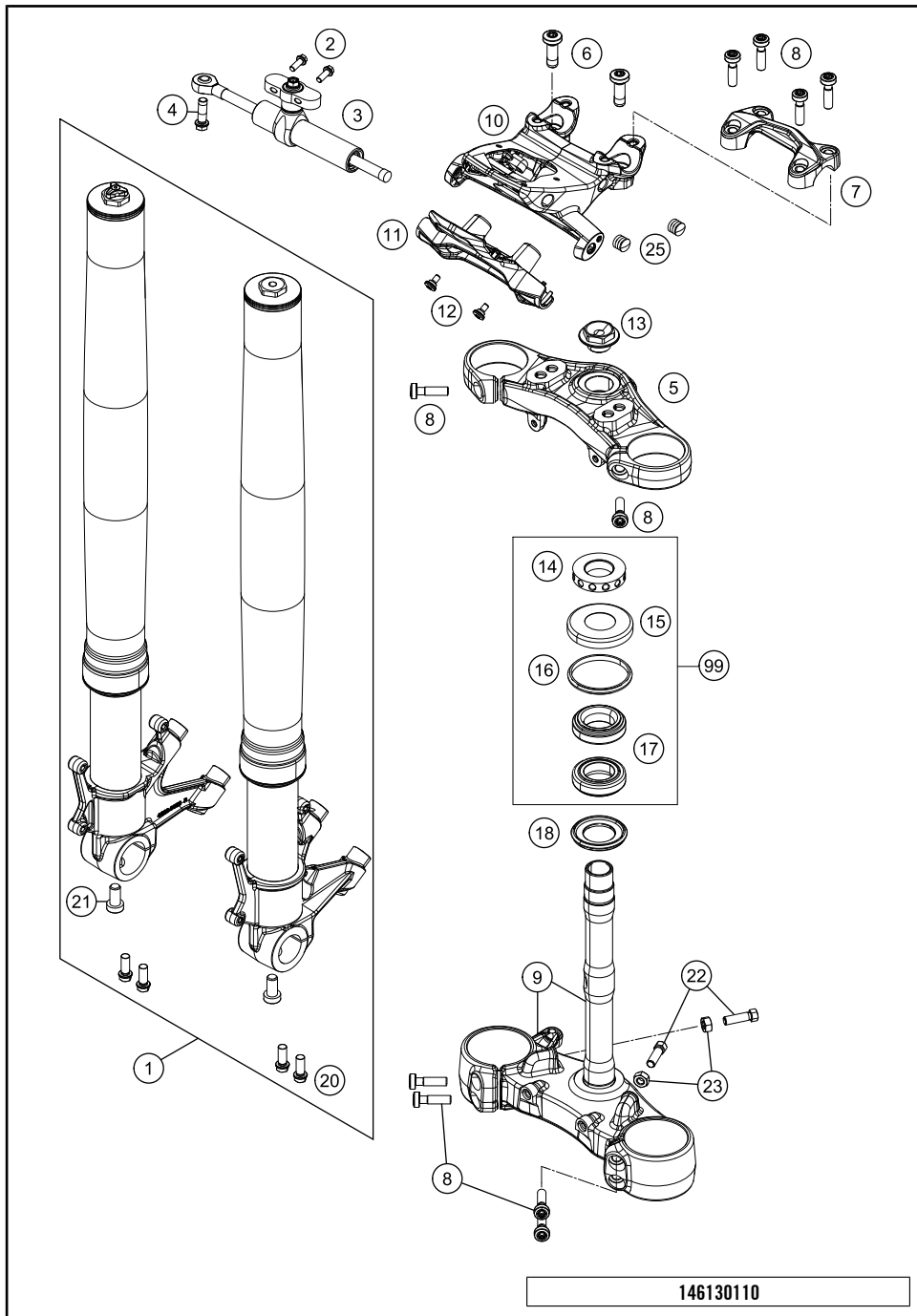
<p>FRONT FORK, TRIPLE CLAMP</p>  <p>4</p>	<p>FRONT FORK DISASSEMBLED</p>  <p>5</p>	<p>HANDLEBAR, CONTROLS</p>  <p>6</p>	<p>FRAME</p>  <p>7</p>
<p>SIDE STAND</p>  <p>9</p>	<p>MONOSHOCK</p>  <p>10</p>	<p>MONOSHOCK DISASSEMBLED</p>  <p>11</p>	<p>SWING ARM</p>  <p>12</p>
<p>EXHAUST SYSTEM</p>  <p>13</p>	<p>AIR FILTER</p>  <p>14</p>	<p>TANK, SEAT, COVER</p>  <p>16</p>	<p>FUEL PUMP</p>  <p>18</p>

<p>MASK, FENDER</p>  <p>19</p>	<p>DECAL</p>  <p>21</p>	<p>FRONT WHEEL</p>  <p>22</p>	<p>REAR WHEEL</p>  <p>23</p>
<p>WIRING HARNESS</p>  <p>24</p>	<p>HAND BRAKE CYLINDER</p>  <p>26</p>	<p>REAR BRAKE CONTROL</p>  <p>27</p>	<p>BREAK CALIPER FRONT</p>  <p>28</p>
<p>BREAK CALIPER REAR</p>  <p>29</p>	<p>LIGHTING SYSTEM</p>  <p>30</p>	<p>INSTRUMENTS, LOCK SYSTEM</p>  <p>31</p>	<p>ANTILOCK BRAKING SYSTEM ABS</p>  <p>32</p>

<p>ACCESSORIES KIT</p>  <p>33</p>	<p>WP SHIMS FOR SETTING</p>  <p>34</p>		
	 <p>All information contained is without obligation. KTM Sportmotorcycle GmbH particularly reserves the right to modify any equipment, technical specifications, prices, colors, shapes, materials, services, service work, constructions, equipment and the like so as to adapt them to local conditions or to cancel any of the above items, all without previous announcement and without giving reasons. KTM may stop manufacturing certain models without previous notice. KTM shall not be held liable for any deviations of availability and/or ability to deliver, illustrations, descriptions, printing and/or other errors. The illustrated models partly contain extra equipment, which is not applied to standard models.</p> <p>© by KTM Sportmotorcycle GmbH, Mattighofen AUSTRIA; All rights reserved; Reprint, also in extracts, with written allowance of KTM Sportmotorcycle GmbH, Mattighofen only.</p>		

FRONT FORK, TRIPLE CLAMP

1290 SUPERDUKE R ORANGE ABS EU 2016



POS	PARTNUMBER	PARTNAME	PIECE
1	14188N2201	FORK WP SUPERDUKE 2013	1
2	0025060206S	HH COLLAR SCREW M6X20 TX30	2
3	16181N52ES	STEERING DAMPER CPL. STROKE 75	1
4	0025080256S	HH COLLAR SCREW M8X25 TX40	1
5	6130103402933S	TOP TRIPLE CLAMP	1
6	0035100309S	AH-COLLAR SCREW M10X30 ISA45	2
7	6130103800033S	HANDLEBAR CLAMP	1
8	0035080306	AH-COLLAR SCREW M8X30 ISA45	10
9	6130103202933S	BOTTOM TRIPLE CLAMP CPL.	1
10	6130104304433	INSTRUMENTS BRACKET CPL.	1
11	61301046000	CASE INSTRUMENTS BRACKET	1
12	69008021160	SPECIAL SCREW M5X12	2
13	6030103600001	STEER.HEAD SCREW M22X1,5 SW27	1
14	57301036100	STEER.HEAD NUT	1
15	61001086000	STEERING HEAD COVER 05	1
16	54601184000	STEERING HEAD GASKET TOP	1
17	54201081100	TAPERED ROLLER BEARING CPL. 06	2
18	77701084000	O-RING SUPPORT W. SEALING LIP	1
20	0025080206	HH COLLAR SCREW M8X20 TX40	4
21	00501020S1	AH SCREW M10X20 SET	2
22	59001037000	SPECIAL SCREW M8X26 WS=10	2
23	0934080003	HEXAGON NUT DIN0934-M 8	2
25	55009086000	PLUG SFL13	2
99	61301080044	STEER. HEAD REP. KIT 1290 SD-R	1

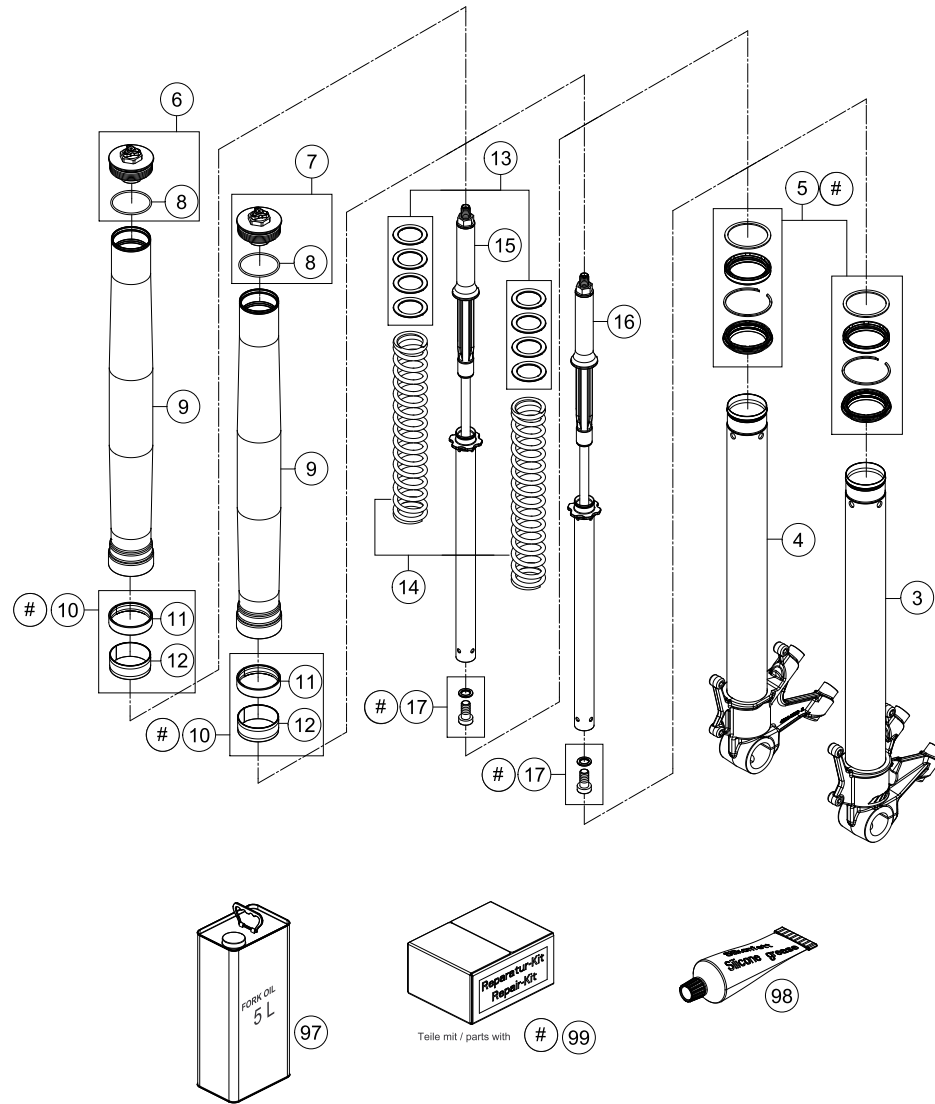
146130110

C146130110

* NEW PART X ON DEMAND

FRONT FORK DISASSEMBLED

1290 SUPERDUKE R ORANGE ABS EU 2016



POS	PARTNUMBER	PARTNAME	PIECE
3	48601081S2	AXLE CLAMP W. INNER TUBE L/S	1
4	48601082S2	AXLE CLAMP W. INNER TUBE R/S	1
5	R14040	GASKET KIT CPL.	1
6	48601062S2	SCREW CAP M51X1.5 REB	1
7	48601062S3	SCREW CAP M51X1.5 COM	1
8	46810340	O-RING NBR 45X2	1
9	48600484	OUTER TUBE L=500MM D=54/60	2
10	R14028	GUIDING BUSH SET	2
11	48601009	GUIDING BUSH 48X52X12 R11	2
12	48601008	GUIDING BUSH 47X49X20 R11	2
13	R514	SPRING SPACER KIT	1
14	95010034S	SPRING LINEAR SET D=4,9	1
15	57430049S	CARDRIDGE CPL. R/S	1
16	57430048S	CARDRIDGE CPL. L/S	1
17	00501020S1	AH SCREW M10X20 SET	2
97	48601166S1	FORK OIL SAE4 5L	1
98	T511	SILICONE GREASE F. DUST STRI	1
99	R14041	REP. KIT 1290 SD 2014	1

146130130

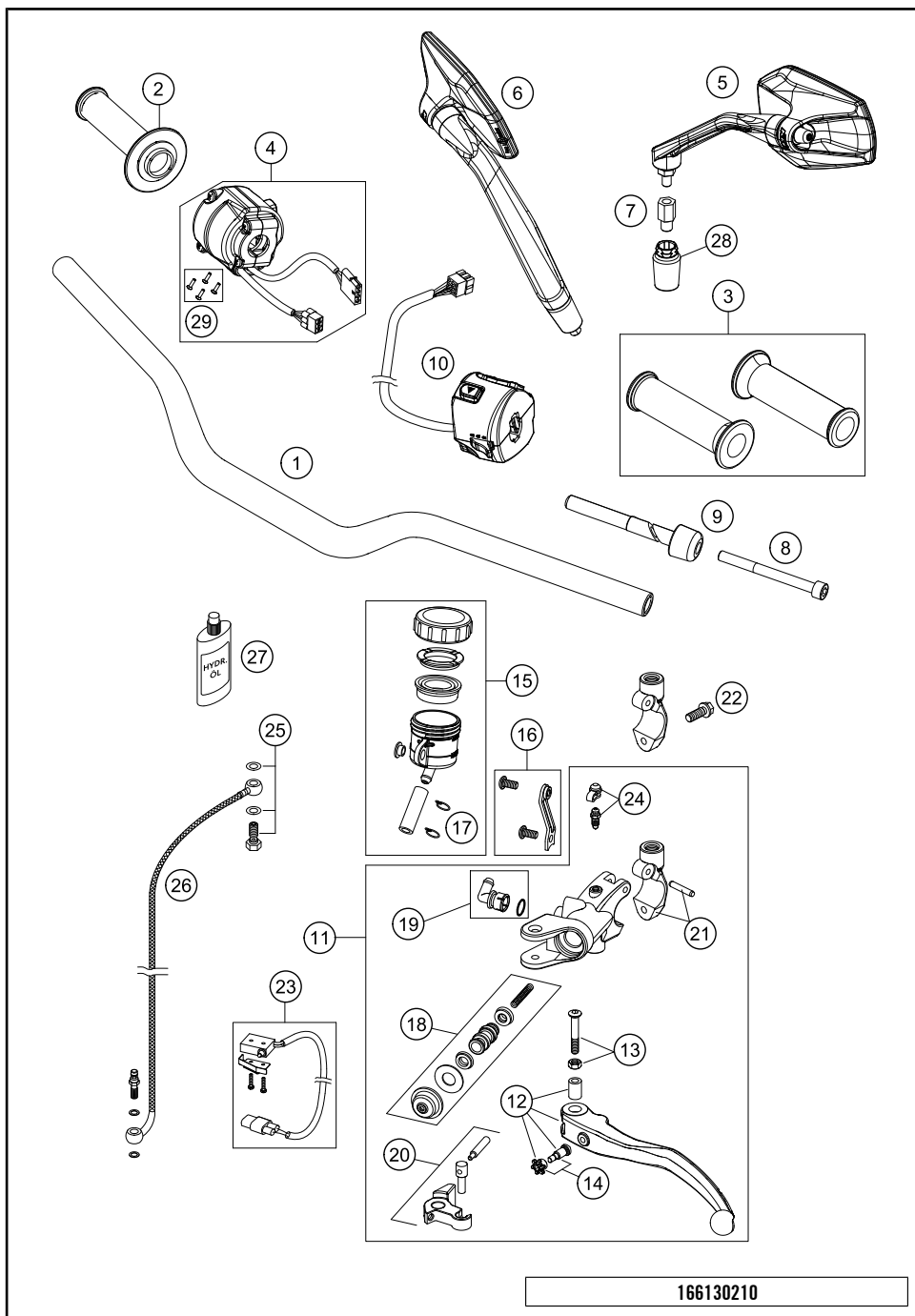
C146130130

* NEW PART

X ON DEMAND

HANDLEBAR, CONTROLS

1290 SUPERDUKE R ORANGE ABS EU 2016



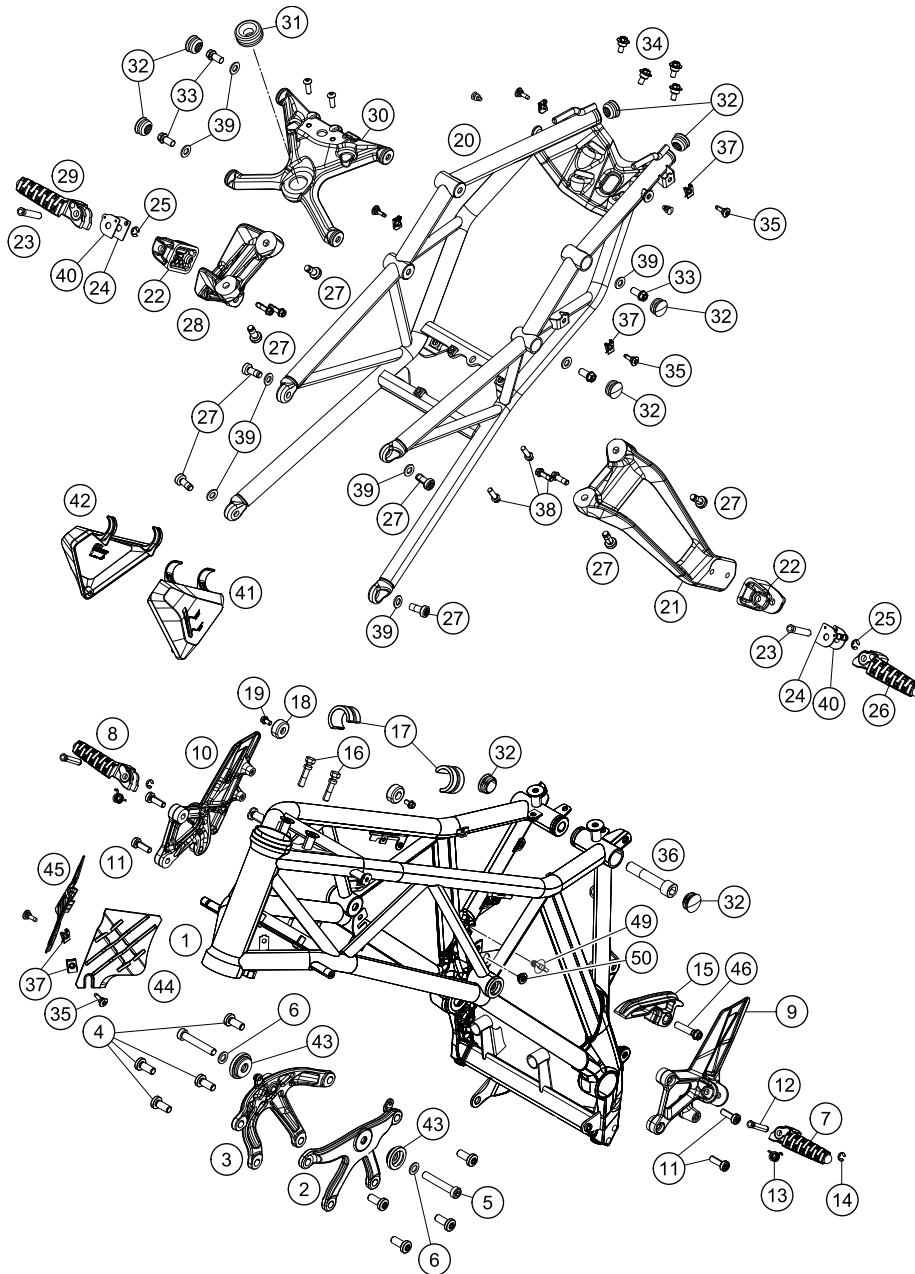
POS	PARTNUMBER	PARTNAME	PIECE
1	6130200100017	HANDLEBAR L=743MM D=28,5MM	1
2	76002010000	THROTTLE GRIP	1
3	76002021000	GRIP SET OPEN END	1
4	76011073100	START-STOP/E-GAS	1
5	61312040100	MIRROR I/S	1
6	61312041100	MIRROR R/S CPL.	1
7	61312040050	ADAPTOR FOR MIRROR	2
8	0912060653	AH SCREW DIN0912-M 6X65	2
9	61002004000	VIBRATIONS ABSORBER 05	2
10	60311070100	HANDLEBAR SWITCH	1
11*	6130203014430	MASTER CYLINDER CPL.	1
12	6130203100030	CLUTCH LEVER CPL.	1
13*	50302038200	LEVER SCREW SHORT CPL. 09	1
14	61002043000	ADJUSTING SCREW CPL.	1
15*	61002055144	RESERVOIR CPL.	1
16	61302055050	RETAINING PLATE RESERVOIR	1
17	58007117000	YDNAC-CLAMP 10107 10MM	2
18*	59413008000	REP. SET PISTON D=12MM 2007	1
19*	61002051144	ANGLE PIECE CPL. (DOT)	1
20	61002056000	ROCKER CPL. 05	1
21	6130204400030	CLAMP MIRROR W. TENSION PIN	1
22	0025060126	HH COLLAR SCREW M6X12 TX30	1
23*	83111049000	CLUTCH SWITCH ATV	1
24	61002054000	BLEEDER SCREW WITH CAP	1
25	59032062000	HOLLOW SCREW + COPPER GASKET	1
26	61032063000	CLUTCH PIPE 05	1
27*	00062030000	BRAKE FLUID DOT5.1 0,25L	1
28	61312040030	RUBBER SLEEVE	2

166130210

C166130210

* NEW PART

X ON DEMAND



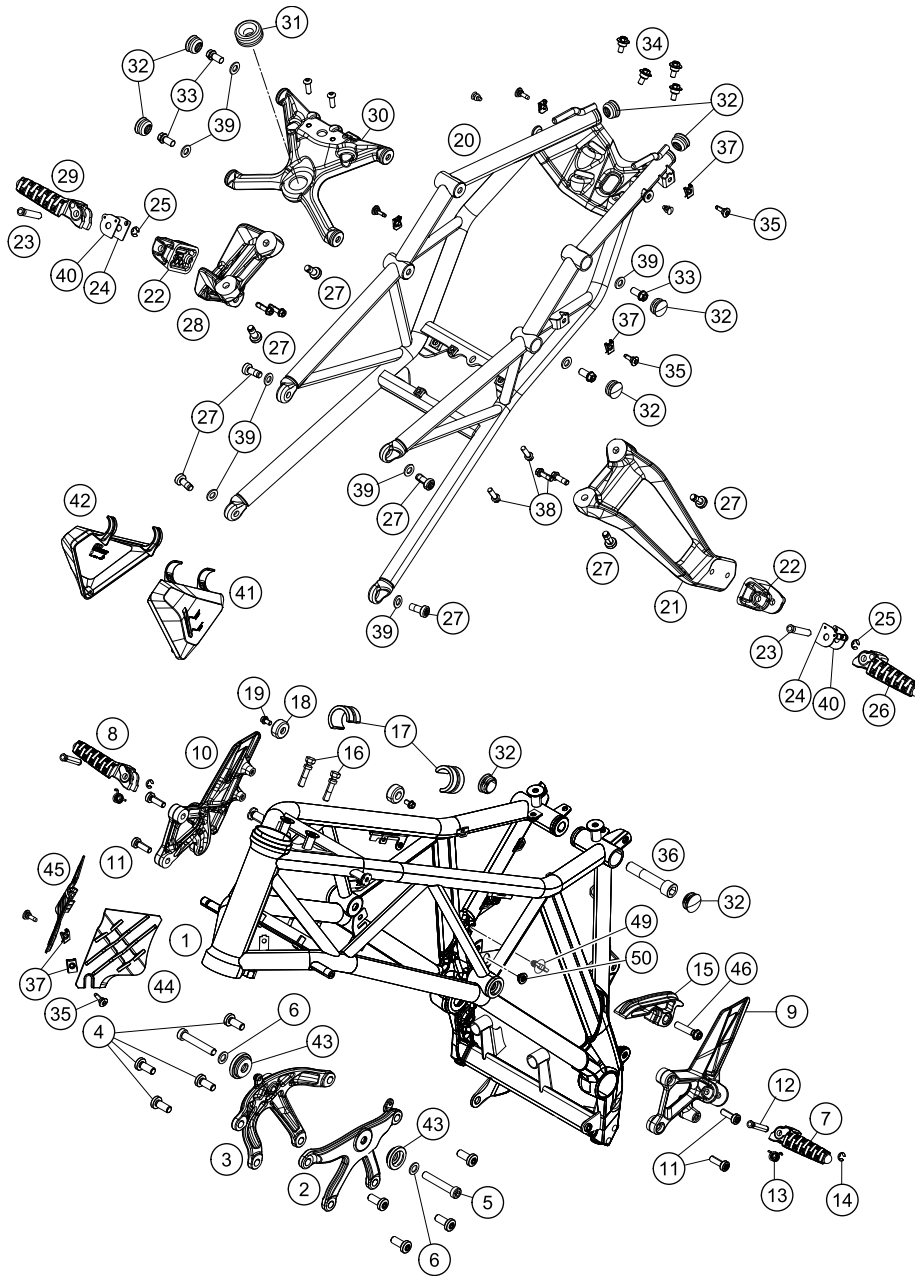
146130310

POS	PARTNUMBER	PARTNAME	PIECE
1	61303001000EB	FRAME "613NA" ELECTR.-ORANGE	1
2	6030300500033S	ENGINE SUPPORTL/S BLACK	1
3	6030300600033S	ENGINE SUPPORT R/S BLACK	1
4	0035100249	AH-COLLAR SCREW M10X24 ISA45	8
5	0035100609S	AH-COLLAR SCREW M10X60 ISA45	2
6	0433100003	WASHER 18x10,5x1,6	2
7	6900314000033S	FOOTREST FRONT L/S 13	1
8	6900314100033S	FOOTREST FRONT R/S 13	1
9	6130303800033S	FOOTREST SUPPORT FRONT L/S BL.	1
10	6130303900033S	FOOTREST SUPPORT FRONT R/S BL.	1
11	0035080256	AH-COLLAR SCREW M8X25 ISA45	4
12	60003044100	BOLT FOR FOOTREST REAR	2
13	61003042000	SPRING FOOTREST FRONT 05	2
14	0799060003	TAB WASHER DIN6799-RS 6,0	2
15	61304076000	CHAIN SLIDING BLOCK-FRAME	1
16	61111064000	TAMPER-PROOF SCREW 07	2
17	61007014000	SPACER FUEL TANK 05	2
18	50307014000	TANK ROLLER 12X26X12 '98	2
19	0025060106	HH COLLAR SCREW M6X10 TX30	2
20	6130300210028	SUBE FRAME WHITE	1
21	6130304800033S	FOOTREST SUPPORT REAR L/S BL.	1
22	6130304905033S	FOOTREST MOUNTING REAR BLACK	2
23	60003044100	BOLT FOR FOOTREST REAR	2
24	60003052000	ENGAGE PANEL FOOTREST R/S 03	2
25	0799060003	TAB WASHER DIN6799-RS 6,0	2
26	6900305003333S	FOOTREST REAR L/S CPL.	1
27	0035080206S	AH-COLLAR SCREW M8X20 ISA45	4
28	6130304900033S	FOOTREST SUPPORT REAR R/S BL.	1
29	6900305103333S	FOOTREST REAR R/S CPL.	1
30	6130300203033S	CROSS BRACE REAR BLACK	1
31	61303002040	RUBBER GROMMET	1
32	61303088000	PLUG SFL 22X0,8-3,0	8
33	0025080166	HH COLLAR SCREW M8X16 TX40	4
34	83008100015	SPECIAL SCREW M6X15X5,5	4
35	69008021060	SPECIAL SCREW M5X17	6
36	60004017000	SCREW M14X1,5 L=73MM 03	1
37	69008021080	RANGE CHANGE METAL NUT M5	6
38	0025080206	HH COLLAR SCREW M8X20 TX40	6

C156130310

* NEW PART

X ON DEMAND



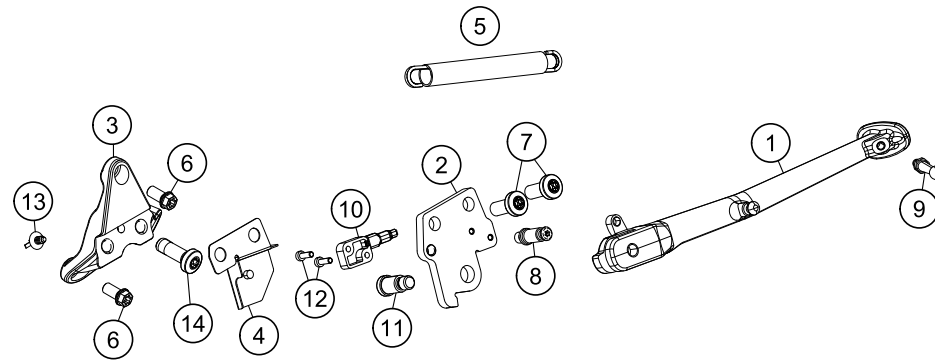
POS	PARTNUMBER	PARTNAME	PIECE
39	0125080003	WASHER DIN0125-A 8,4	8
40	60003152000	ENGAGE PANEL FOOTREST L/S 03	2
41	61303091000	KNEE PAD L/S	1
42	61303092000	KNEE PAD R/S	1
43	60303010000	BUSHING MOTOR MOUNTING	2
44	61303085000	FRAME COVER L/S	1
45	61303086000	FRAME COVER R/S	1
46	0025080356	HH COLLAR SCREW M8X35 TX40	1
47	44011076200	CABLE TIE 200/3,6MM BLACK	x
47	U6951130	ORANGE CABLE TIES 100PK	x
50	47106003060	QUICK RELEASE CLUTCH	2

146130310

C156130310

* NEW PART

X ON DEMAND



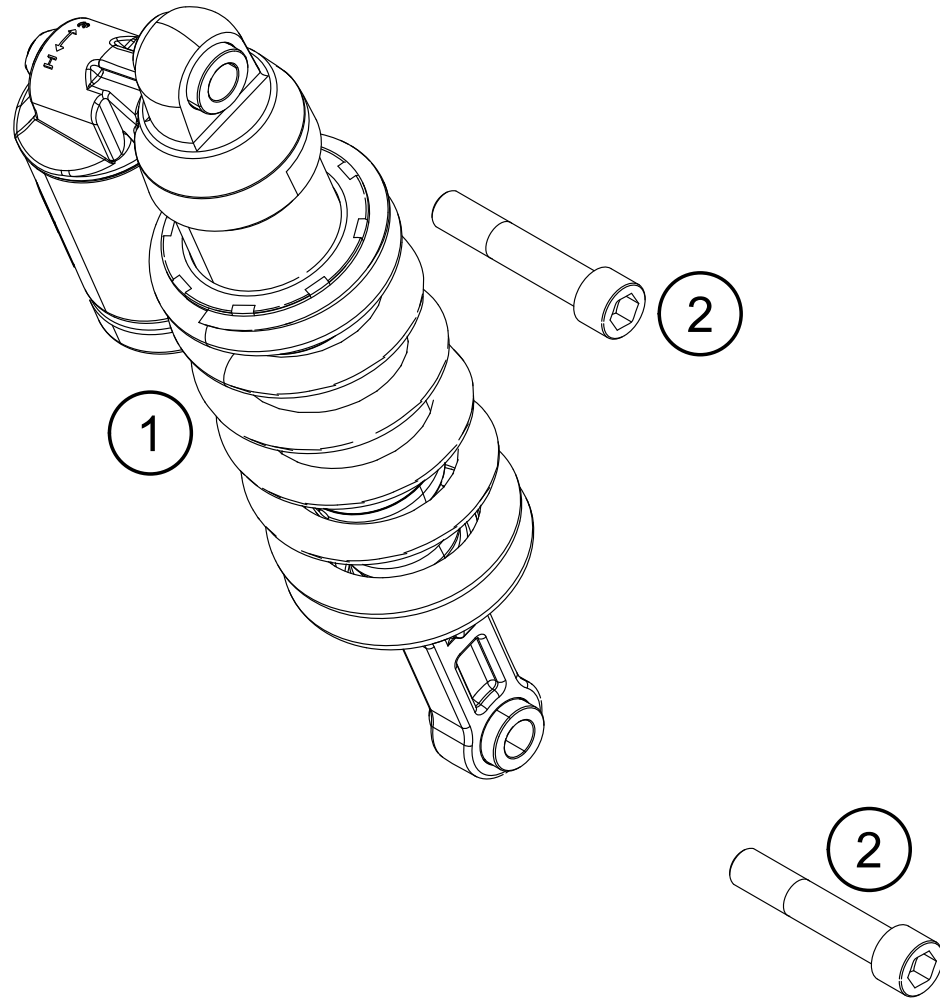
POS	PARTNUMBER	PARTNAME	PIECE
1	6100302313333S	SIDE STAND W. MAGNET	1
2	61303028000	SIDE STAND MOUNTING	1
3	6130302600033S	SIDE STAND BRACKET	1
4	61303027000	SCREENING SHEET	1
5	60303024100	SIDE STAND SPRING	1
6	0025080166S	HH COLLAR SCREW M8X16 TX40	2
7	0035100249	AH-COLLAR SCREW M10X24 ISA45	2
8	61303028001	SPEC. SCREW SIDE STAND SPRING	1
9	61303023020	STEP PLATE SIDE STAND	1
10	61011045000	SIDE STAND SENSOR 05	1
11	62503027200	SCREW FOR SIDE STAND M10X31,2	1
12	0084040123	CYL.HEAD SCREW DIN84A M4x12	2
13	61011094000	CABLE TIE WITH PLUG M6	1
14	0035100309S	AH-COLLAR SCREW M10X30 ISA45	1

146130360

C146130360

* NEW PART

X ON DEMAND



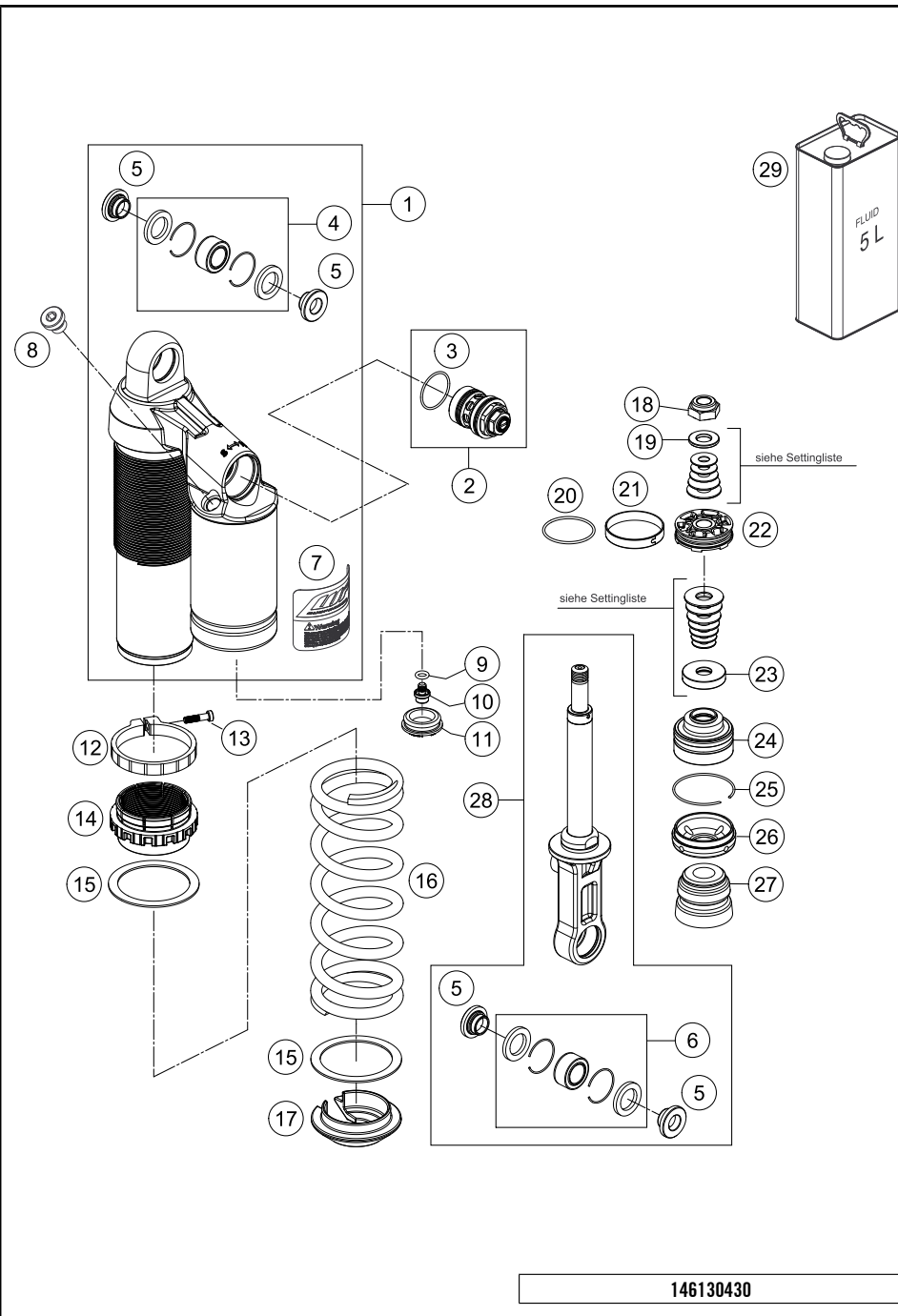
POS	PARTNUMBER	PARTNAME	PIECE
1	1518702201	MONOSHOCK WP SUPERDUKE 2015	1
2	60004017000	SCREW M14X1,5 L=73MM 03	2

146130410

C156130410

* NEW PART

X ON DEMAND



POS	PARTNUMBER	PARTNAME	PIECE
1	46181028S1	MONOSHOCK UPPER PART	1
2	50180213S10	DCC-COMPR.DAMP.CONTROL CPL. 07	1
3	50180217	O-RING 27X1,5 VITON	1
4	R12012	REP. KIT BEAR./SEAL UP. 07	1
5	46181138	BUSHING KGW 1525 14X32	4
6	R15009	BEARING KIT KGW 1525 990 DUKE	1
7	52000087	STICKER WP MONOSHOCK	1
8	50180095	BLEED PLUG R 1/8	1
9	46810893	O-RING NBR 5,28X1,78	1
10	36120151	SCREW PLUG M5X6	1
11	46811208	RUBBER CAP "DO NOT OPEN"	1
12	46181014	TENSIONING RING D64 H10	1
13	14460042	%ALLENHEAD SCREW M5 L=20 STAIN	1
14	46181013	ADJUSTING NUT D46 PLASTIC	1
15	50180410	INTERM.RING D=58	2
16	91010078S	SPRING (59) 170-185 D 14 05	1
17	46180396	SPRING RETAINER H=15 D=28	1
18	46180597	PISTON ROD NUT 06	1
19	46811258	RING 12X24X2,5	1
20	46810035	O-RING VITON 37,82X1,78	1
21	46812011	PISTONRING	1
22	46810560	PISTON 6+6D7	1
23	46181117	REBOUND WASHER 34/12 H5	1
24	46180669S	ADAPTOR CPL. D=46 H=28 07	1
25	46810010	CIRCLIP 49X1,5	1
26	46181031	CAP D46 L=18MM	1
27	46180365	BUMP RUBBER WP60 H=30 D=18-26	1
28	46180654S15	MONOSHOCK LOWER PART	1
29	50180751S1	SHOCK ABSORBER FLUID 5 LT	1

146130430

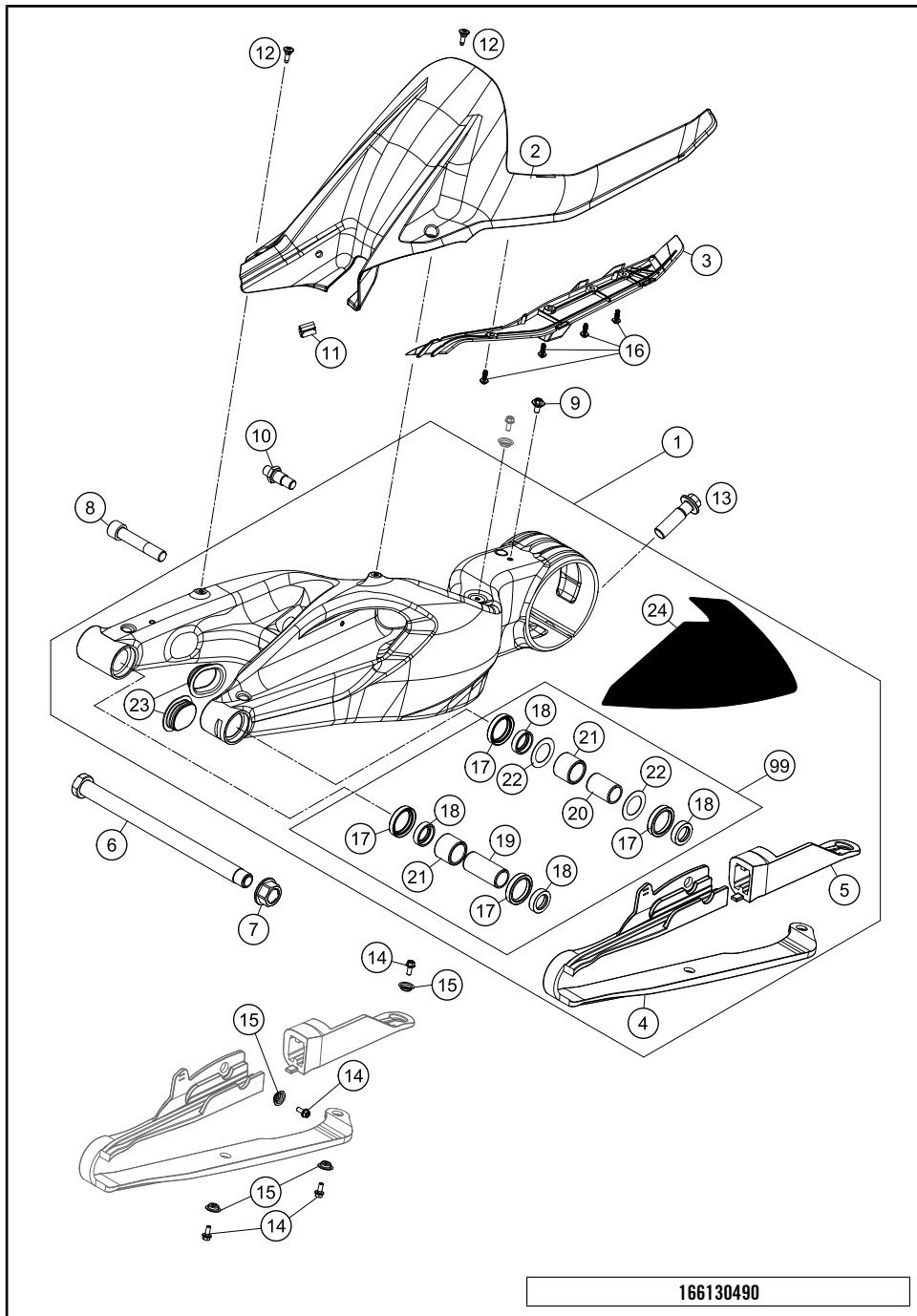
C156130430

* NEW PART

X ON DEMAND

SWING ARM

1290 SUPERDUKE R ORANGE ABS EU 2016



POS	PARTNUMBER	PARTNAME	PIECE
1	6130403004433	SWING ARM CPL.	1
2*	61304050100	REARFENDER	1
3	61304051000	BRACKET SPLASH PROTECTOR	1
4	61304060000	CHAIN SLIDING GUARD FRONT	1
5	61304070000	CHAIN SLIDING GUARD REAR	1
6*	69004037244	SWING ARM BOLT	1
7	60004038000	% COLLAR NUT M19X1,5 WS=27MM	1
8	60004017000	SCREW M14X1,5 L=73MM 03	1
9	83008000012	SPECIAL SCREW M6X12X3	1
10	76004142000	BOLT BRAKE SADDLE BRACKET	1
11	61304042000	CABLE SUPPORT	1
12	69008021060	SPECIAL SCREW M5X17	2
13	61310021000	HH COLLAR SCREW M16X1,5X55	1
14	0025050126	HH COLLAR SCREW M5X12 TX30	4
15	46104066050	BUSH FOR CHAINSLIDER GUARD 02	4
16	0081050141	EJOT PT SCREW 50X14 WN 1451	4
17	0760304073	SHAFT SEAL RING 30X40X7	4
18	60004034000	BUCKET F. SHAFT SEAL RING 03	4
19	69004032000	INNER RING JR 20X25X56,5	1
20	60004032000	INNER RING JR20X25X38,5 03	1
21	60004031000	NEEDLE BUSH HK2526B 03	2
22	60004033000	STOP DISK 03	2
23*	61304041100	CLOSING COVER SWINGARM	2
24	61304030010	STICKER SWING ARM BLACK	1
99	69004230010	SWING ARM REP. KIT 08-14	1

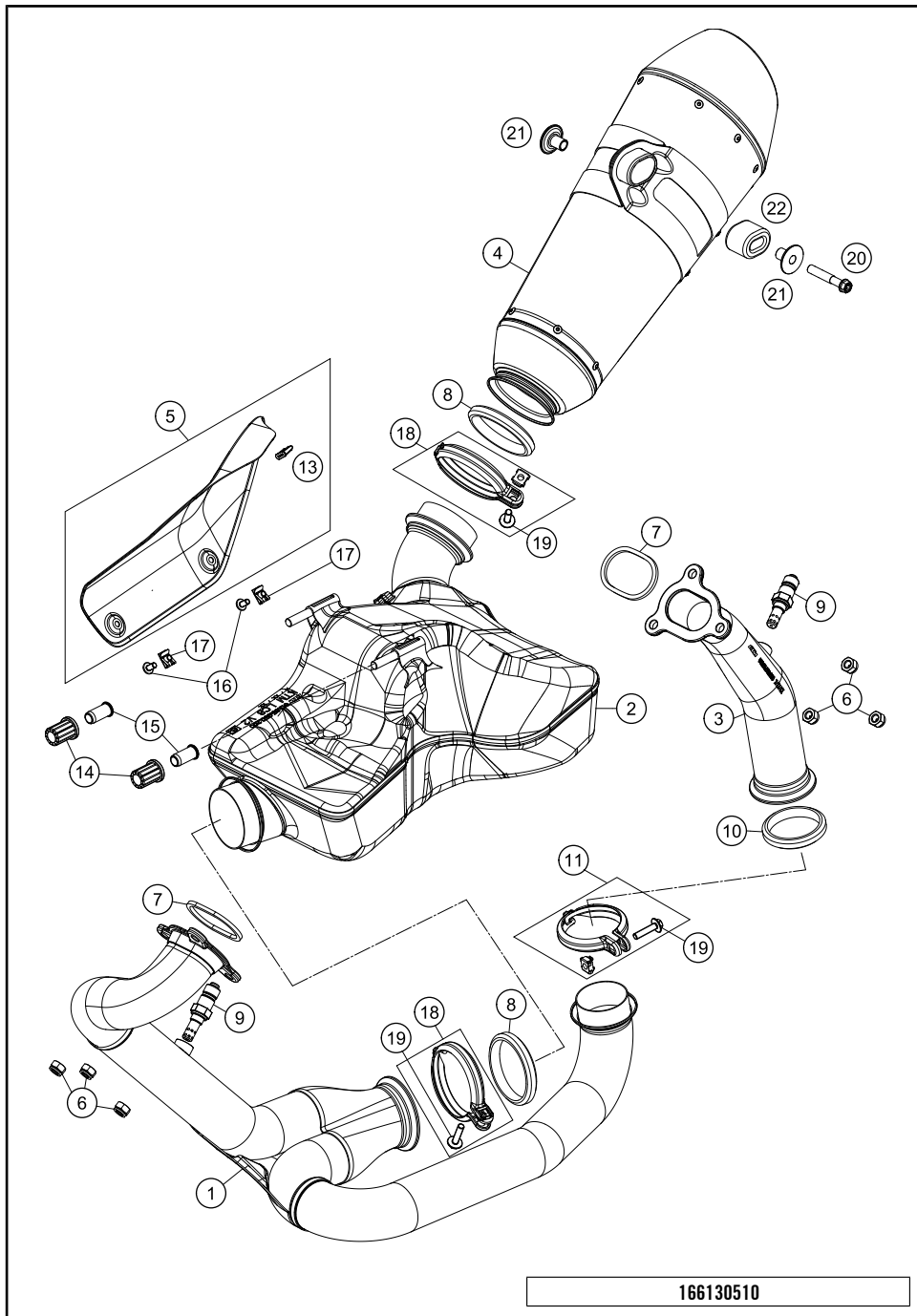
166130490

C166130490

* NEW PART X ON DEMAND

EXHAUST SYSTEM

1290 SUPERDUKE R ORANGE ABS EU 2016



POS	PARTNUMBER	PARTNAME	PIECE
1	61305007000	EXHAUST PIPE FRONT	1
2*	61305050200	PRE-MUFFLER	1
3	60305008000	MANIFOLD REAR CPL.	1
4	61305083000	SILENCER CPL.	1
5	6130501100033	HEAT SHIELD BLACK CPL.	1
6	51010086100	SELF LOCKING NUT M 8 CU	6
7	69005005100	EXHAUST PIPE FLANGE GASKET	2
8	61305005005	MANIFOLD GASKET 60MM	2
9	75041090100	LAMBDA SENSOR	2
10	69005005005	MANIFOLD GASKET	1
11	69005050000	CLAMP CPL.	1
13	61005091000	DAMP. COMPON. SILICONE GREY 05	1
14	61005013000	RUBBER SILENCER SUPPORT 05	2
15	61005014000	SLEEVE SILENCER SUPPORT 05	2
16	78105081010	SCREW TORX M5X10	2
17	69008021080	RANGE CHANGE METAL NUT M5	2
18	61305090000	EXHAUST CLAMP CPL. 60MM	2
19	0024060256	HH COLLAR SCREW M6X25 TX30	3
20	0025080506	HH COLLAR SCREW M8X50 TX40	1
21	61305069000	BUSHING 8,5X11X29	2
22	61305068000	DAMPING RUBBER	1

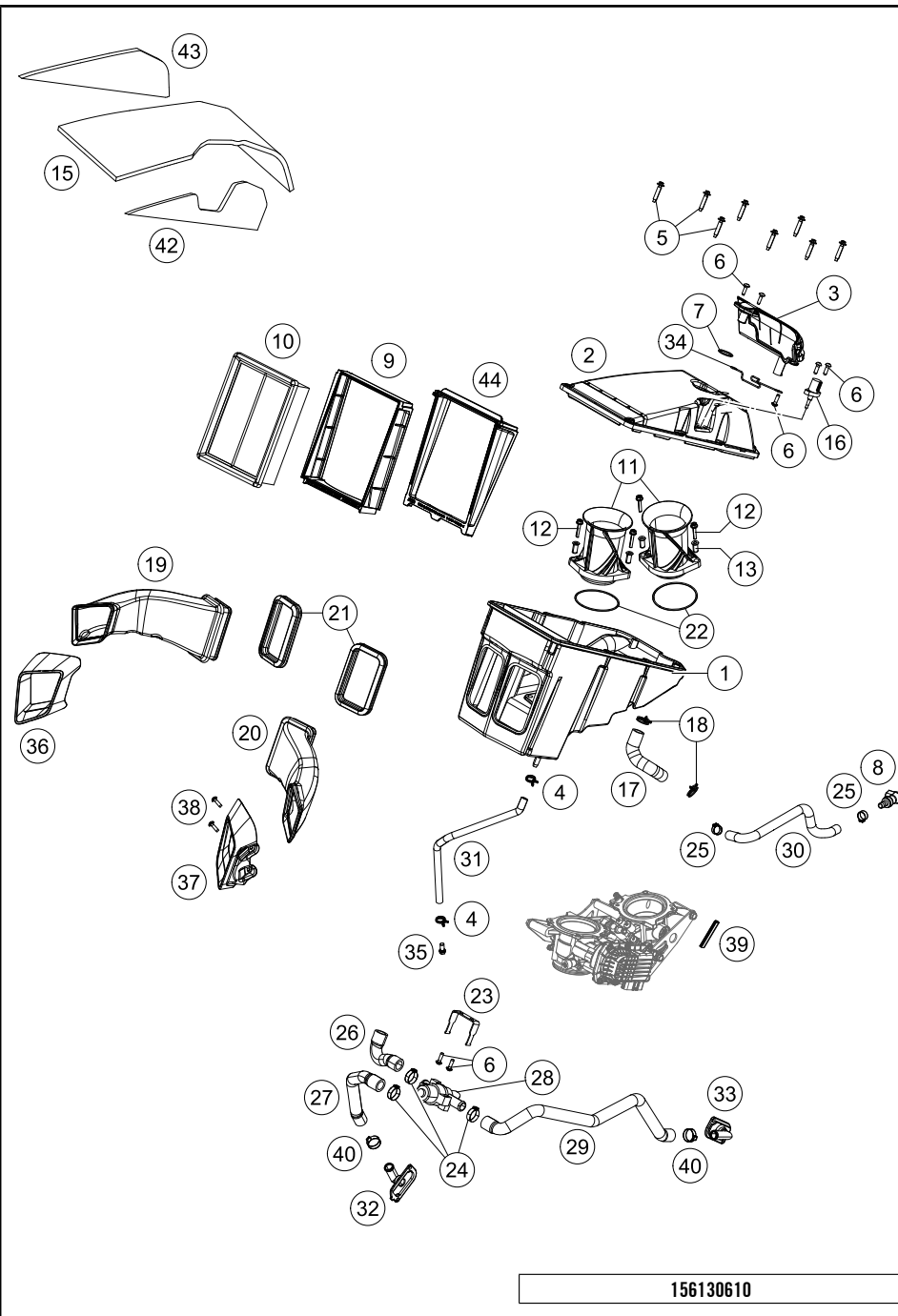
166130510

C166130510

* NEW PART X ON DEMAND

AIR FILTER

1290 SUPERDUKE R ORANGE ABS EU 2016



POS	PARTNUMBER	PARTNAME	PIECE
1	60306001200	AIR FILTER HOUSING LOWER PART	1
2	60306002000	AIR FILTER BOX COVER	1
3	60330088100	OIL SEPARATOR	1
4	58031005000	CLAMP YDNAC 10128 12MM	2
5	0017060305	SPECIAL SCREW K60X30 WS=6	8
6	0081050161	EJOT PT SCREW K50X16 1451	6
7	0770021020	O-RING 21,00X2,00 NBR70	1
8	5850701050030	CLUTCH CPC BLACK 05	1
9	60406016000	FILTERCLAMPING FRAME	x
10	60306015100	AIR FILTER	1
11	61341040100	INTAKE TRUMPET LENGTH 100	2
12	0025050256	HH COLLAR SCREW M5X25 ISA30	4
13	60306042010	BUSHING INTAKE TRUMPET	4
15	61306095010	INSULATION MAT MIDDLE	1
16	61041080000	AMBIENT-AIR TEMPERATURE SENSOR	1
17	60330088030	OIL SEPARATOR FOAM HOSE	1
18	58431082100	YDNAC-CLAMP 10173 (16MM) '98	2
19	61306041000	INTAKE SNORKEL R/S	1
20	61306040000	INTAKE SNORKEL L/S	1
21	60306040050	GASKET INTAKE DUCT	2
22	0770066025	O-RING 66X2,5 FKM	2
23	61305031000	RETAINING BRACKET SLS	1
24	00050226706	VARIABLE ONE-EAR CLAMP 22,6MM	3
25	00050157706	VARIABLE ONE-EAR CLAMP 15,7MM	2
26	61305035023	SAS HOSE - AIRBOX	1
27	61305035021	SAS HOSE CYLINDER FRONT	1
28	61005026000	CONTROL VALVE SAS 05	1
29	61305035022	SAS HOSE CYLINDER REAR	1
30	61307016050	FUEL HOSE THROTTLE VALVE	1
31	60015019001	HOSE NBR 7X11 PER METER	1
32	61205122000	SAS-FLANGE	1
33	61205032000	SAS-FLANGE	1
34	61311099000	MOUNTING BRACKET PLUG	1
35	0025080126	HH COLLAR SCREW M8X12 TX40	1
36	61306041033	COVER INTAKE SNORKEL R/S	1
37	61306040033	COVER INTAKE SNORKEL L/S	1
38	0081645121	EJOT DELTA PT SCREW 45X12-Z	4
39	61011055045	EDGE PROTECTOR L=45MM 05	2

156130610

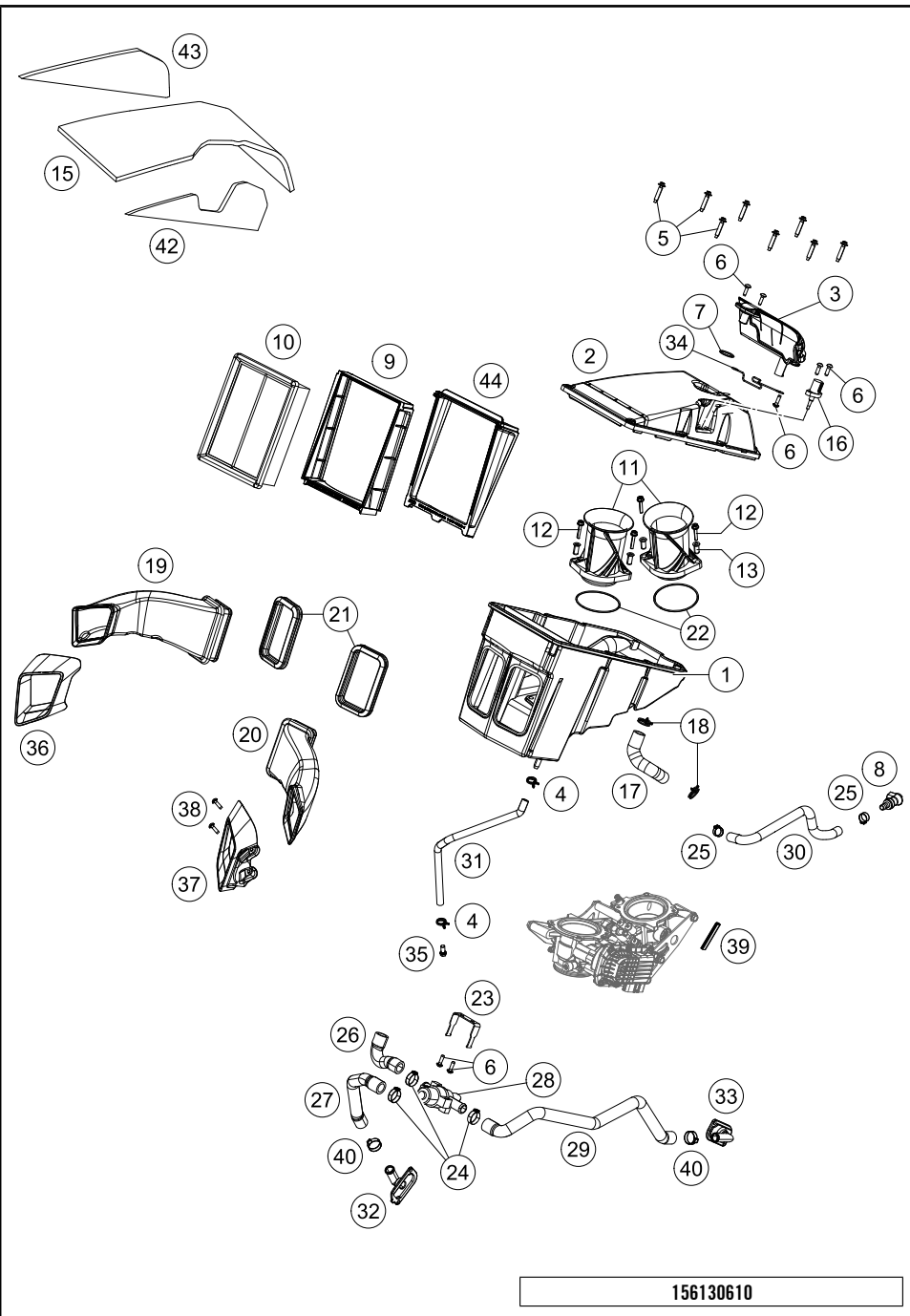
C166130610

* NEW PART

X ON DEMAND

AIR FILTER

1290 SUPERDUKE R ORANGE ABS EU 2016



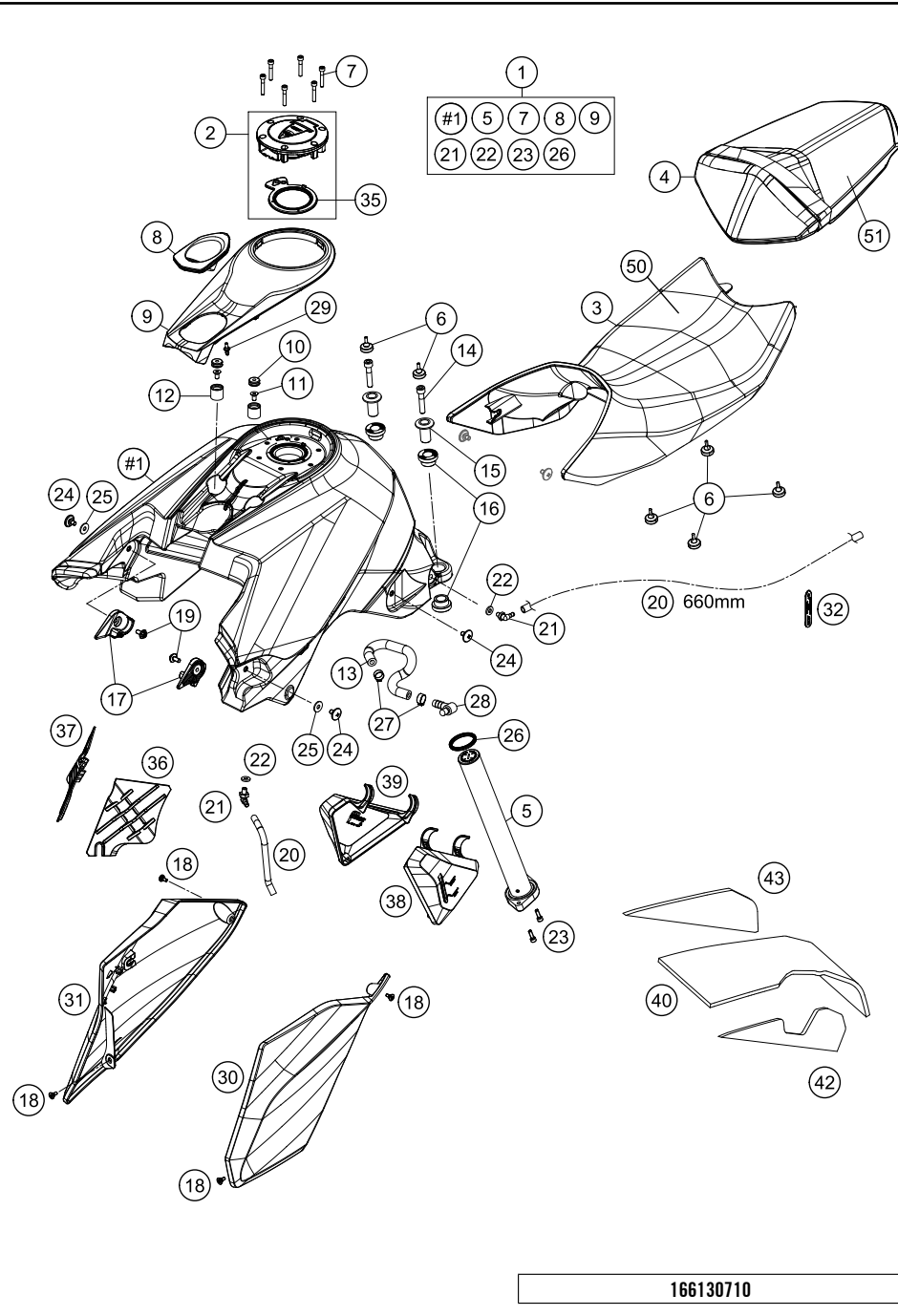
POS	PARTNUMBER	PARTNAME	PIECE
40	00050220706	VARIABLE ONE-EAR CLAMP 22,0MM	2
42	61306095020	INSULATION MAT L/S	1
43	61306095030	INSULATION MAT R/S	1
44	60406017000	FILTERCLAMPING LINER	1

156130610

C166130610

* NEW PART

X ON DEMAND



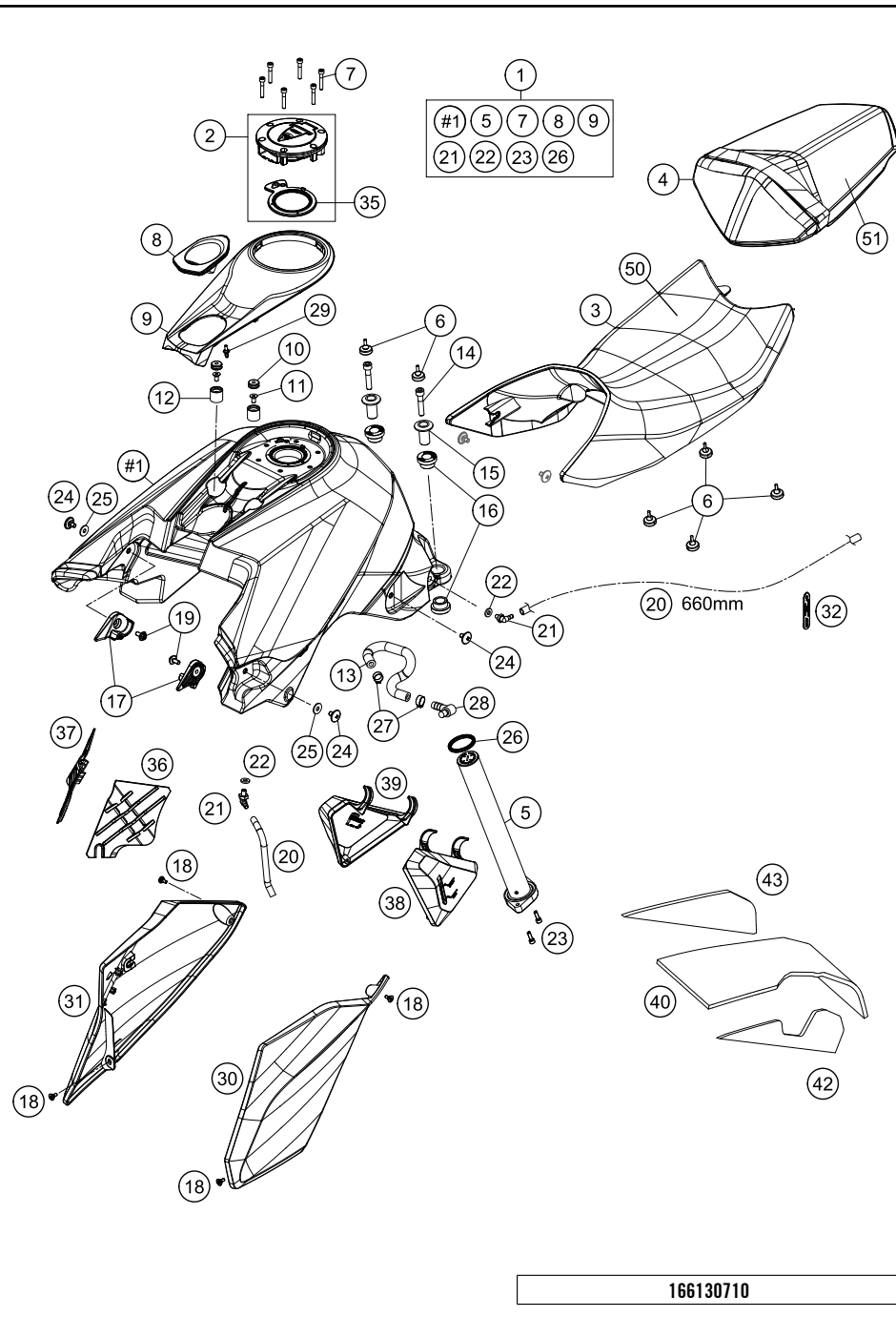
POS	PARTNUMBER	PARTNAME	PIECE
1	61307013044EBA	FUEL TANK ASS. SD ORANGE 14	1
2	61307008100	TANK CAP CPL.	1
3	61307040000	SEAT DRIVER CPL.	1
4	61307047000	SEAT PILLION CPL.	1
5	61307080000	GAS LEVEL SENSOR	1
6	60006001021	DISTANCE RUBBER AIRBOX 03	8
7	0912050253	AH SCREW DIN0912-M 5X25	6
8	61307059000	COVER IGNITION LOCK	1
9	61307058000	COVER FUEL TANK	1
10	76008052050	RUBBER SLEEVE 5X7.6X13MM	2
11	0991060126	FLAT HEAD SCREW DIN7991-M 6X12	2
12	76008052000	BUSHING 13X20X18,5MM	2
13	61307017050	FUEL HOSE PUMP	1
14	0912080403	AH SCREW DIN912 M8X40	2
15	61007060000	BEARING BUSHING OUTSIDE 05	2
16	61007065000	TANK RUBBER BUSHING FRONT 05	4
17	61307021044	TANK MOUNTING FRONT L/S & R/S	1
18	69008021160	SPECIAL SCREW M5X12	4
19	0024060136	HH COLLAR SCREW M6X13 TX30	2
20	60007126001	HOSE 5,4X9,4 NBR, METER	1
21	60007024000	CONNECT.PIECE F.OVERFLOW M7 03	2
22	60007024050	GASKET FOR CONNECTING PIECE 03	2
23	0912050163	AH SCREW DIN0912-M 5X16	2
24	58407011100	SCREW FOR SEAT M6X11,5/8	4
25	0021060003	WASHER DIN9021-A 6,4	2
26	60307080090	GASKET FUEL LEVEL SENSOR	1
27	00050157706	VARIABLE ONE-EAR CLAMP 15,7MM	2
28	7720701000030	PLUG CPC	1
29	54806008051	QUICK RELEASE-NIPPLE 03	2
30	61308050000CAA	TANK SPOILER L/S BLACK 2014	1
31	61308051000CAA	TANK SPOILER R/S BLACK 2014	1
32*	60011093060	RUBBER CABLE TIE 60MM 03 NOT FOR USA & CN	2
35	60307008190	GASKET TANK CAP	1
36	61303085000	FRAME COVER L/S	1
37	61303086000	FRAME COVER R/S	1
38	61303091000	KNEE PAD L/S	1
39	61303092000	KNEE PAD R/S	1

166130710

C166130711

* NEW PART

X ON DEMAND



POS	PARTNUMBER	PARTNAME	PIECE
40	61306095010	INSULATION MAT MIDDLE	1
42	61306095020	INSULATION MAT L/S	1
43	61306095030	INSULATION MAT R/S	1
50	61307040050	SEAT COVER	1
51	61307047050	SEAT COVER	1

166130710

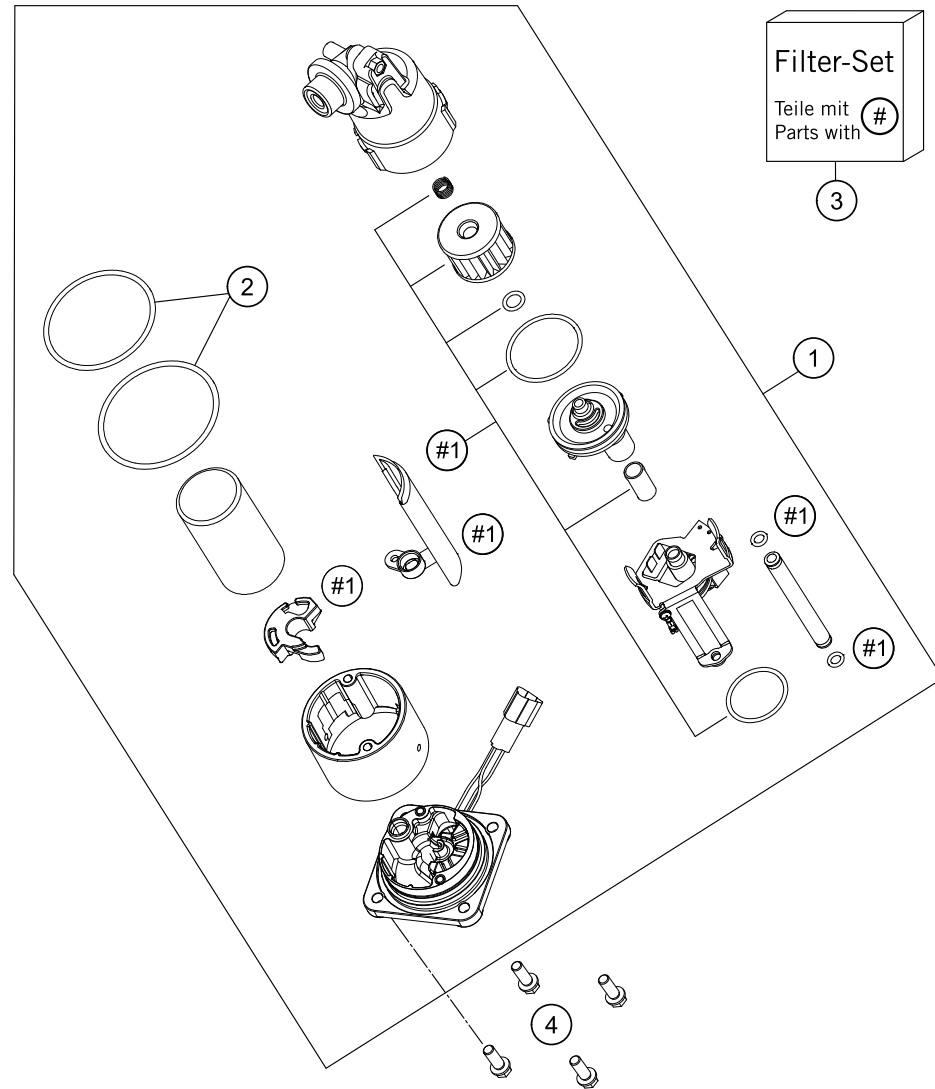
C166130711

* NEW PART

X ON DEMAND

FUEL PUMP

1290 SUPERDUKE R ORANGE ABS EU 2016



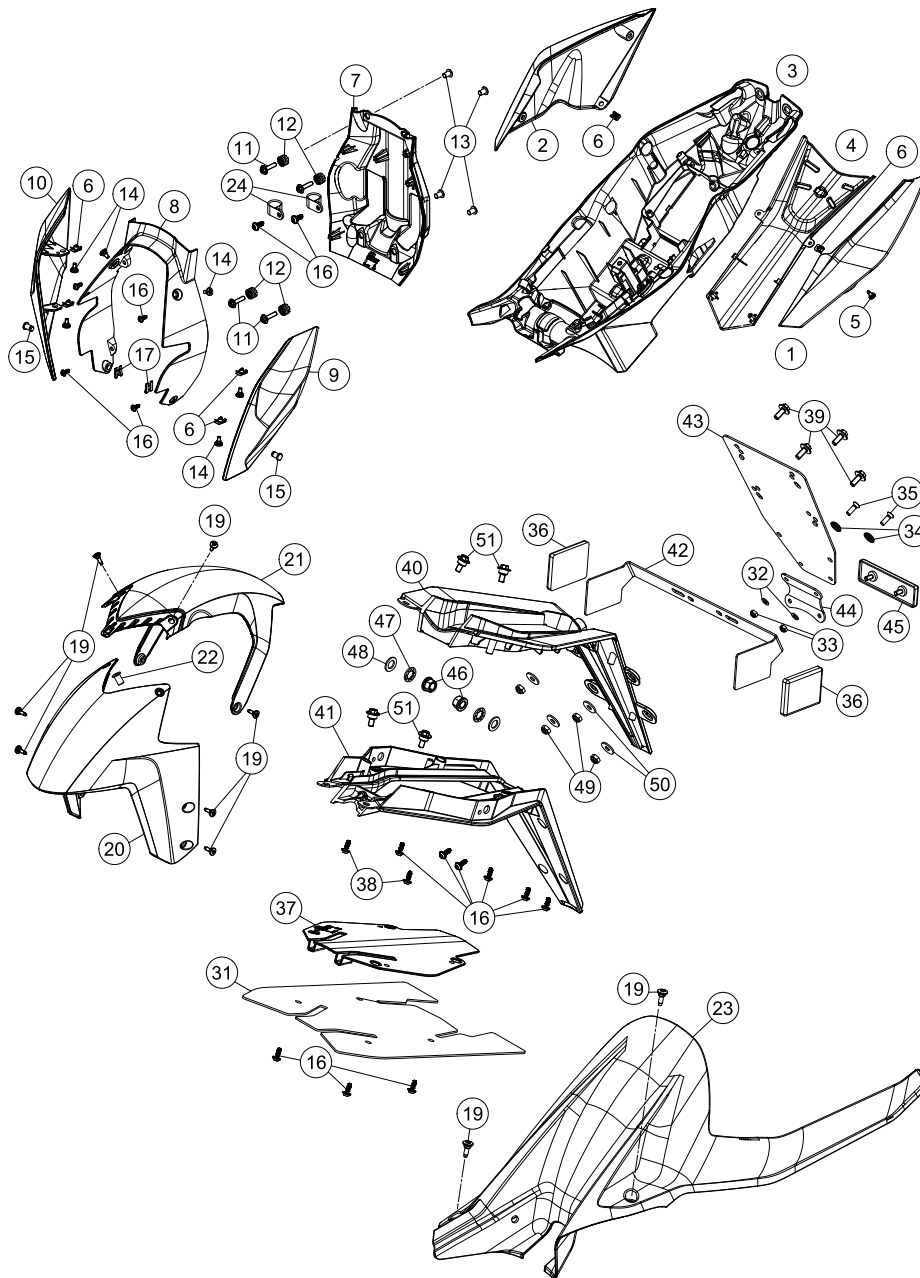
146130730

POS	PARTNUMBER	PARTNAME	PIECE
1	60307088000	FUEL PUMP	1
2	61007089000	O-RING SET FOR FUEL PUMP 05	1
3	61007090100	FILTER-SET FUEL PUMP	1
4	0025060166	HH COLLAR SCREW M6X16 TX30	4

C146130730

* NEW PART

X ON DEMAND



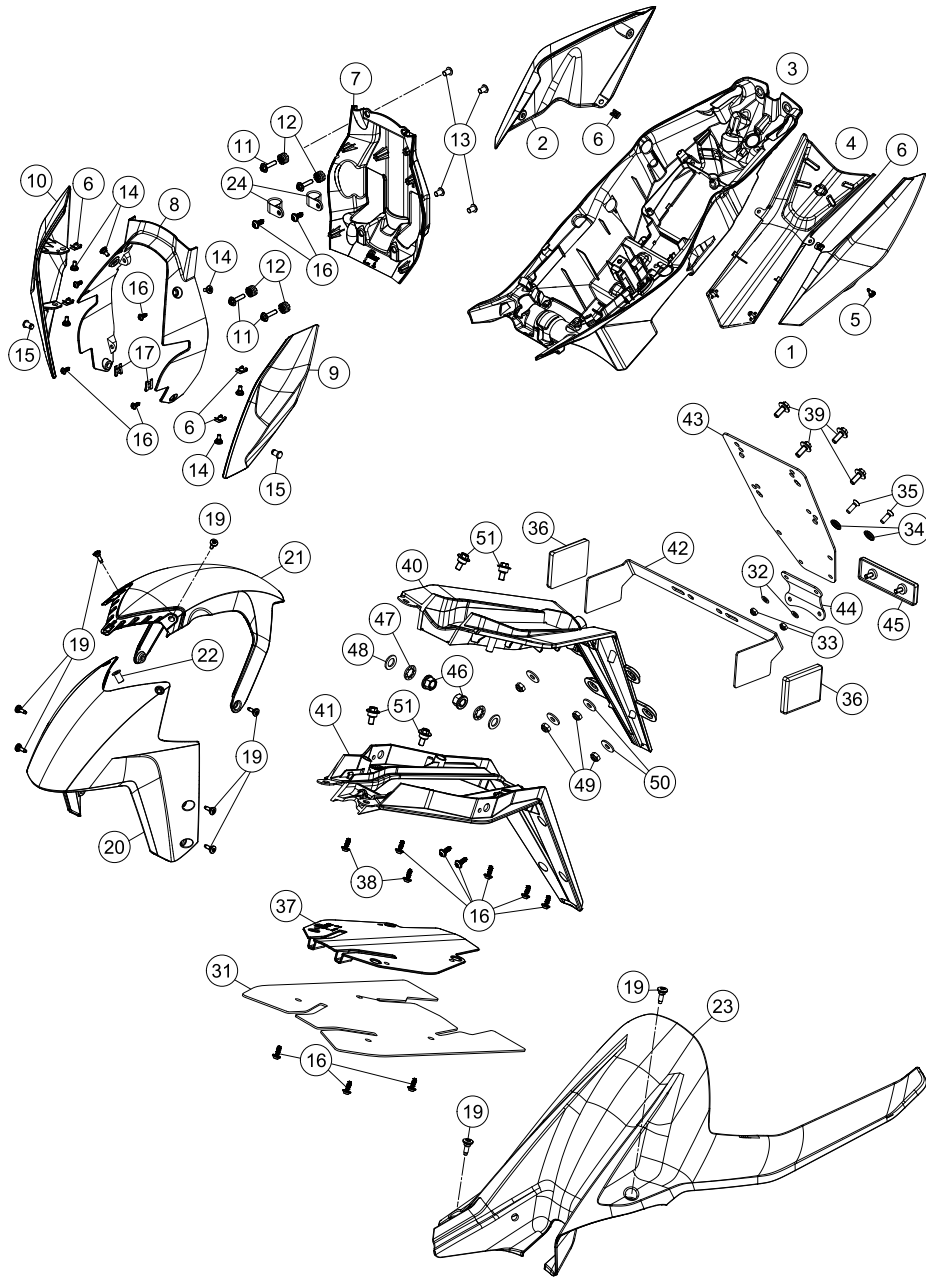
166130810

POS	PARTNUMBER	PARTNAME	PIECE
1	6130804100028A	REAR FAIRING L/S	1
2	6130804200028A	REAR FAIRING R/S	1
3	61308018000	TAIL END LOWER PART	1
4	6130804000033	REAR FAIRING LOWER PART BLACK	1
5	0081050141	EJOT PT SCREW 50X14 WN 1451	2
6	69008021080	RANGE CHANGE METAL NUT M5	6
7	61314060000	MASK REAR PANEL	1
8	61314061000	MASK MIDDLE PART	1
9	61308003000EBA	MASK SPOILER L/S ORANGE 14	1
10	61308004000EBA	MASK SPOILER R/S ORANGE 14	1
11	0024060256	HH COLLAR SCREW M6X25 TX30	4
12	76014069051	RUBBER SLEEVE 7X10,8X16MM	4
13	76014062000	COLLAR BUSHING 6,2X7,5X13X12	4
14	69008021160	SPECIAL SCREW M5X12	6
15	61313057000	BOLT 8X12X16MM	2
16	0081050121	SCREW FOR PLASTIC K50X12 T20	28
17	60013058000	SECURING CLIP D=8MM 03	2
19	69008021060	SPECIAL SCREW M5X17	10
20	61308010000EBA	FENDER FRONT ORANGE 2014	1
21	6130801100033	REAR FENDER BLACK	1
22	60008008050	BLIND PLUG-IN NUT M5 WN 16A 03	2
23*	61304050100	REARFENDER	1
24	69007029000	PVC-CLAMP HEYCO 13,9 3379	2
31	61308123010	SPLASH PROTECTION AUSTRALIA ONLY FOR AUSTRALIA	1
32	0125050003	WASHER DIN0125-A 5,3	2
33	0985050003	SELF LOCKING NUT DIN0985-M 5	2
34	40006006000	WASHER 6MM	2
35	0966050163	OVAL HEAD SCREW DIN0966-M 5X16	2
36	16512180100	SIDE REFLECTOR RED REAR ONLY USA	2
37	61308023010	SPLASH PROTECTION	1
38	0081050181	SCREW FOR PLASTIC K50X18 T20	2
39	0024060156	HH COLLAR SCREW M6X15 TX30	4
40	61308022000	NUMBER PLATE CARRIER UPP. PART	1
41	61308023000	NUMBER PLATE CARRIER LOW. PART	1
42	62512081000	BRACKET SIDE REFLECTOR 06 ONLY USA	1
43	60012081200	LICENCE FITTING 06	1

C166130811

* NEW PART

X ON DEMAND



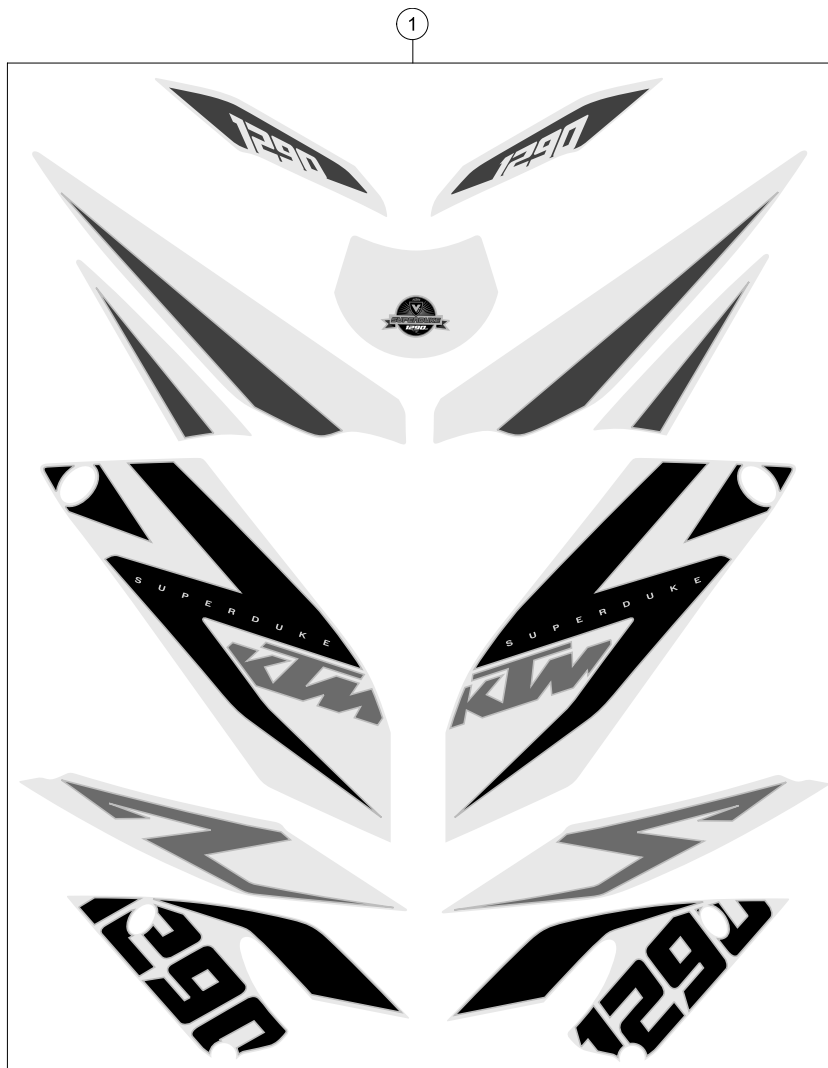
POS	PARTNUMBER	PARTNAME	PIECE
44	58412080050	BRACKET FOR REFLECTOR	1
45	58412080000	REFLECTOR RED	1
46	58414030000	HH COLLAR NUT M10X1,25 WS=13	2
47	0797100003	LOCK WASHER DIN6797-J10,5 ZI	2
48	0433100003	WASHER 18x10,5x1,6	2
49	0985060003	SELF LOCK. NUT DIN0985-M 6	4
50	0021060003	WASHER DIN9021-A 6,4	4
51	83008100015	SPECIAL SCREW M6X15X5,5	4

166130810

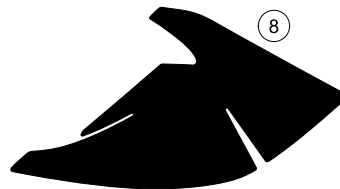
C166130811

* NEW PART

X ON DEMAND



1



146130830

C146130830

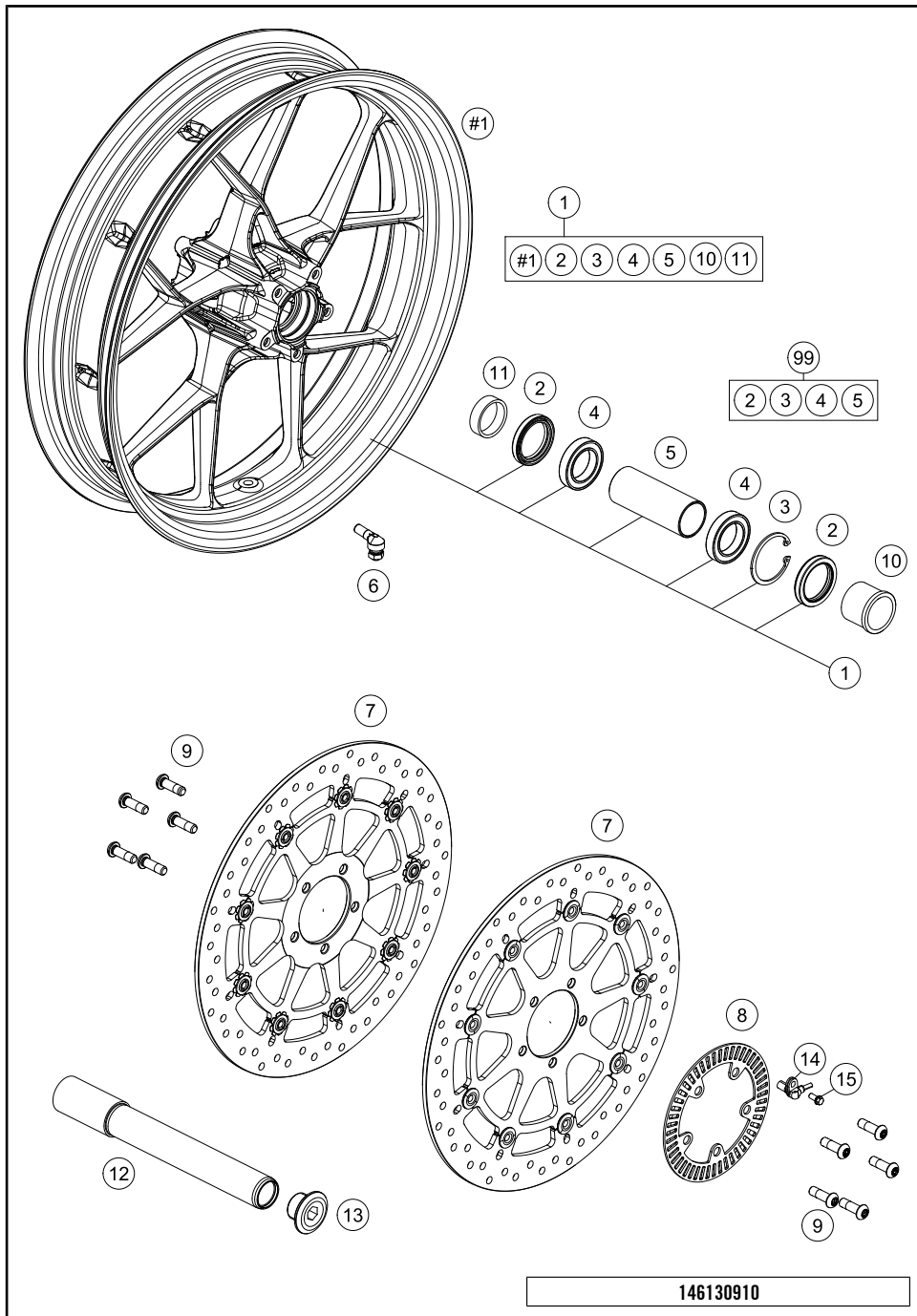
POS	PARTNUMBER	PARTNAME	PIECE
1	61308199000	DECAL SET 1290 SD ORANGE	1
6	61308098000	STICKER "READY TO RACE" L&R W.	1
7	61308192000	STICKER SET FORK WP SMALL	1
8	61304030010	STICKER SWING ARM BLACK	1

* NEW PART

X ON DEMAND

FRONT WHEEL

1290 SUPERDUKE R ORANGE ABS EU 2016



POS	PARTNUMBER	PARTNAME	PIECE
1*	6130900114430	FRONT WHEEL 3,5X17" BLACK	1
2	0760354771	SHAFT SEAL RING 35X47X7 TC	2
3	0472047175	CIRCLIP DIN0472-47X1,75	1
4	0625069068	GR.BALL BEAR.6906 DDU2CG23S6NM	2
5	61009011000	BEARING SPACER TUBE FRONT 05	1
6	61009076100	VALVE ANGLED	1
7	6130906000033	BRAKE DISK D=320/5	2
8	76042020000	SENSORGEAR FRONT	1
9	76009062000	SPECIAL SCREW M8X25 SS TX40	10
10	61009012000	SPACER BUSH. FR. WHEEL L/S 05	1
11	60009013000	SPACER BUSH. FR. WHEEL R/S 03	1
12	61009081000	WHEEL SPINDEL FRONT 05	1
13	61009082000	AH SCREW M25X1,5 WS=12 05	1
14	76042025000	ABS-SENSOR	1
15	59009062013	SPECIAL SCREW M6X13 WS=8 10.9	1
99	61009015000	FRONT WHEEL REP. KIT	x

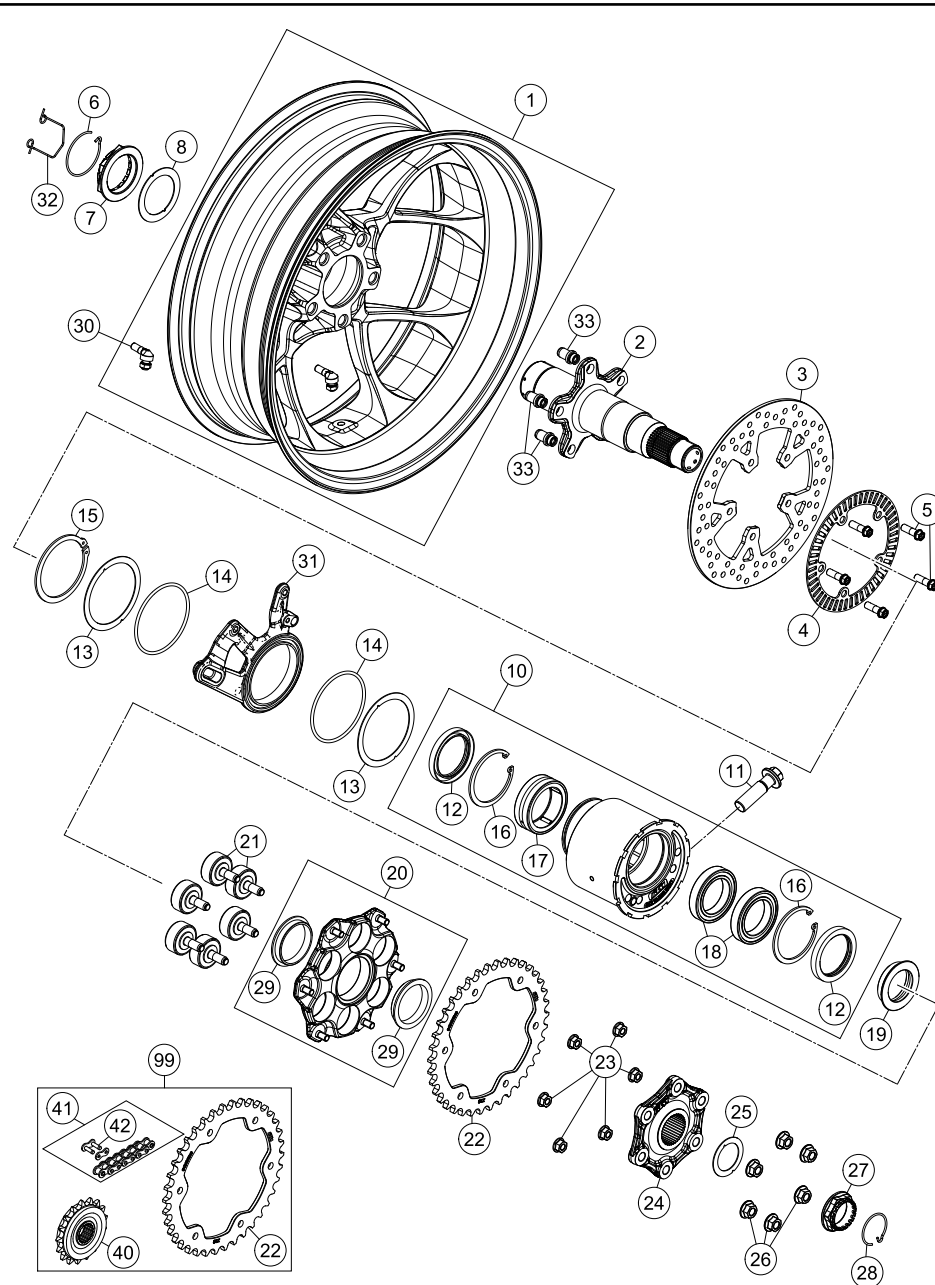
146130910

C156130910

* NEW PART X ON DEMAND

REAR WHEEL

1290 SUPERDUKE R ORANGE ABS EU 2016



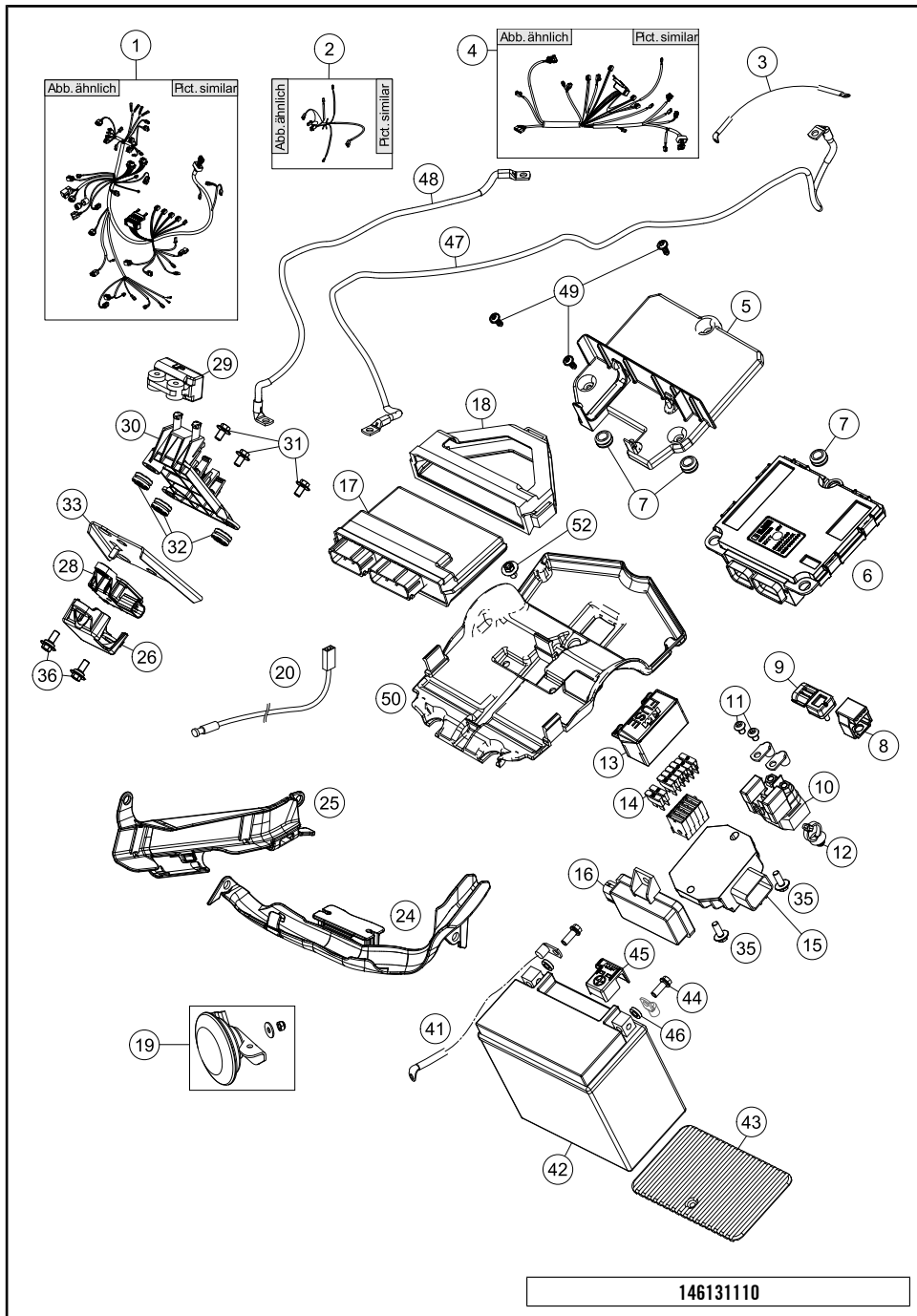
POS	PARTNUMBER	PARTNAME	PIECE
1*	6141010104430	REAR WHEEL 6X17" BLACK	1
2*	61310085100	AXLE REAR	1
3	76010160000	BRAKE DISC 240MM	1
4	76042121000	SENSOR GEAR REAR	1
5	0025080256S	HH COLLAR SCREW M8X25 TX40	5
6	61310187000	SAFETY WIRE R/S	1
7	61310186000	AXLE NUT M50X1.5	1
8	61310016000	WASHER 69X1	1
10	61310010044	CLUTCH HUB HOUSING CPL.	1
11	61310021000	HH COLLAR SCREW M16X1,5X55	1
12	0760526880	SHAFT SEAL RING 52X68X8	2
13	61310019000	WASHER 94X1	2
14	0770840035	O-RING 84,00X3.5 NBR70	2
15	0471078250	CIRCLIP DIN471-78X2.5	1
16	0472068250	CIRCLIP DIN472-68X2.5	2
17	0617456822	NEEDLE BEARING RNA4909-2RSR-XL	1
18	0625061909	DEEP GROOVE BALL BEARING 61909	2
19	61310014000	SPACER RING	1
20	6131005404433S	SPROCKET SUPPORT CPL.	1
21	61310059000	JAR DAMPER	6
22	61310151038	SPROCKET STEEL DUKE 1290 Z38	1
23	54310086200	SELF LOCKING NUT M8 10.9	6
24	6131005000033S	JAR DAMPER CARRIER	1
25	76010116000	SHIM 50X1	1
26	06923100003	HEX. NUT DIN 6923 M10X1.25-10	6
27	76010186000	AXLE NUT M35X1.5	1
28	76010187000	SAFETY WIRE L/S	1
29	76010052000	IGUS BEARING D=50	2
30	61009076100	VALVE ANGLED	1
31	6131307500033S	BRAKE CALIPER ADAPTER BLACK	1
32	61310010011	SAFE ARMING WIRE	1
33*	61310113000	DOWEL PIN M8	5
40	60033129017	CHAIN SPROCKET 17-T DAMPED O3	1
41	61310165118	CHAIN DID525 VAZ & MASTER LINK	1
42	61310066000	MASTER LINK FOR CHAIN DID VAZ	1
99	00050002029	DRIVETRAIN KIT 1290 SD 17T/38T	1

166131010

C166131010

* NEW PART

X ON DEMAND



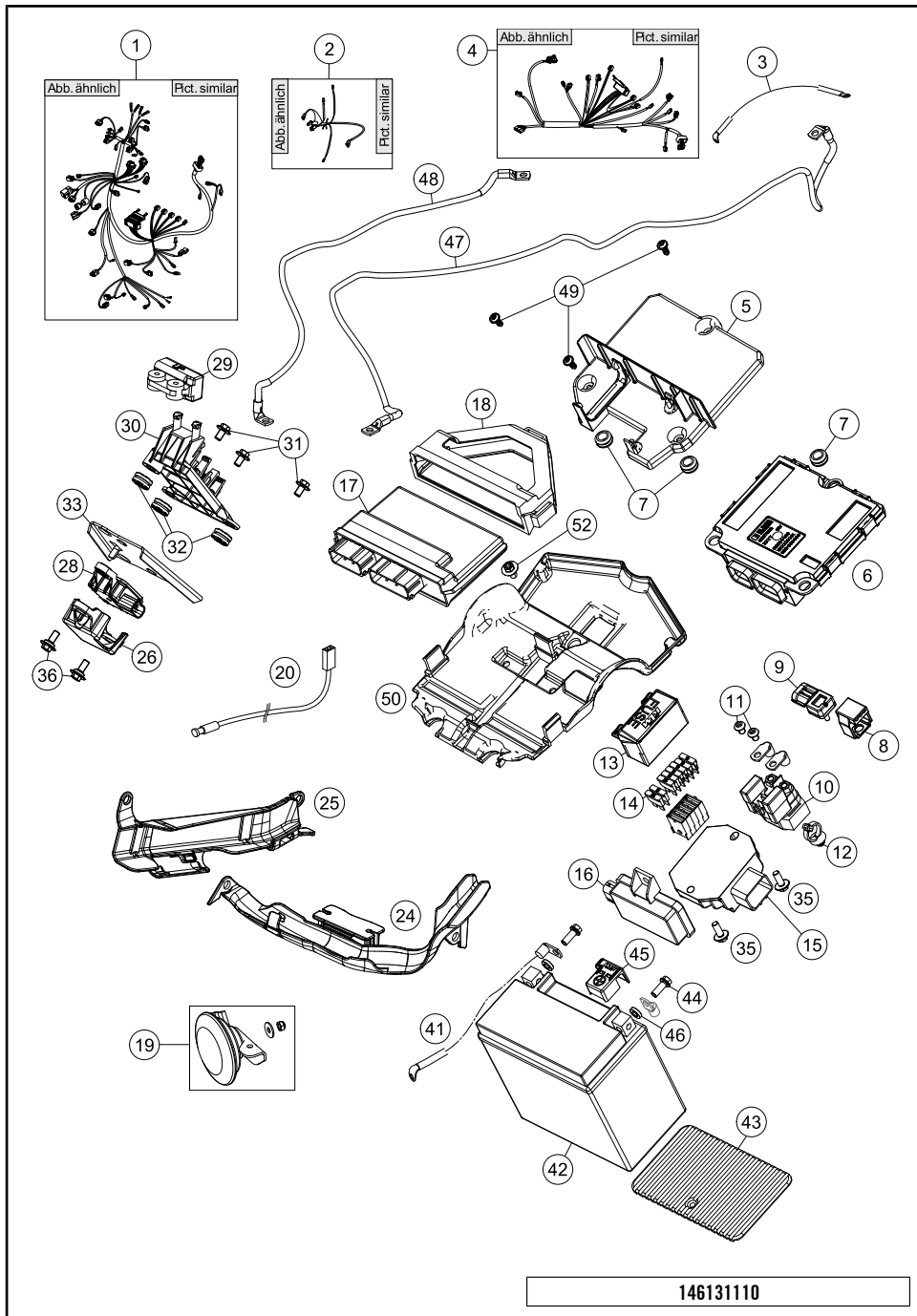
POS	PARTNUMBER	PARTNAME	PIECE
1	61311075033	MAIN WIRING HARNESS CPL.	1
2	60311085000	WIRING ENGINE	1
3	61311059050	BATTERY CABLE	1
4	61311076000	REAR WIRING HARNESS	1
5	61308018060	COVER MCU	1
6	60311033200	MOTORCYCLE CONTROL UNIT 2.1	1
7	60006001022	RUB.SLEEVE FLOAT CHAMB.VENTING	3
8	61041085100	PRESSURE SENSOR 06	1
9	61041085150	RUBBER SUPP. PRESSURE SENS. 06	1
10	76211058000	STARTER RELAY 07	1
11	0902060083	AH OVAL SCREW ISO 7380 M 6X8	2
12	69011092000	CABLE TIE W. SOCKET D=6,5	1
13	61311087050	RUBBER CASING FUSE BOX	1
14	58011109110	FUSE 10 A 2000	1
14	58011109130	FUSE 30 A	2
15	60311034000	VOLTAGE REGULATOR	1
16	60312032000	RECEIVER AIR PRESSURE SENSOR	1
17	61341031000	ELECTRONIC CONTROL UNIT	1
18	60341031050	ECU RUBBER BRACKET	1
19	76511060000	DC HORN CPL.	1
20	61111018000	% TEMPERATURE SENSOR 07	1
24	60311046000	CABLE CHANNEL L/S	1
25	60311047000	CABLE CHANNEL R/S	1
26	61342090050	COVER SENSOR BOX	1
28	60342090000	SLOPING POSITIONS SENSOR	1
29	61041088000	ROLLOVER SENSOR 05	1
30	61311083000	PLUG BRACKET	1
31	0024060106	HH COLLAR SCREW M6X10 TX30	3
32	62142041000	DAMP. COMPONENT ABS MODUL	3
33	61342090040	SUPPORT SLOPING POS. SENSOR	1
35	0025060206	HH COLLAR SCREW M6X20 TX30	2
36	83008000015	SPECIAL SCREW M6X15X3	2
41	61311098000	GROUND CABLE BATT.-FRAME 16MM	1
42	61311053000	BATTERY YUASA YTX14-BS	1
43	61311053050	RUBBER PLATE FOR BATTERY	1
44	0025060166	HH COLLAR SCREW M6X16 TX30	2
45	62111059060	COVER POSITIVE POLE	1
46	12011016000	WASHER 6 X 12 X 3	2

146131110

C146131110

* NEW PART

X ON DEMAND



POS	PARTNUMBER	PARTNAME	PIECE
47	61311059000	STARTER CABLE 16MM	1
48	61311097000	GROUND CABLE ENGINE-FRAME 16MM	1
49	0081050141	EJOT PT SCREW 50X14 WN 1451	3
50	61311055000	SUPPORT ECU	1
52	83008000012	SPECIAL SCREW M6X12X3	1

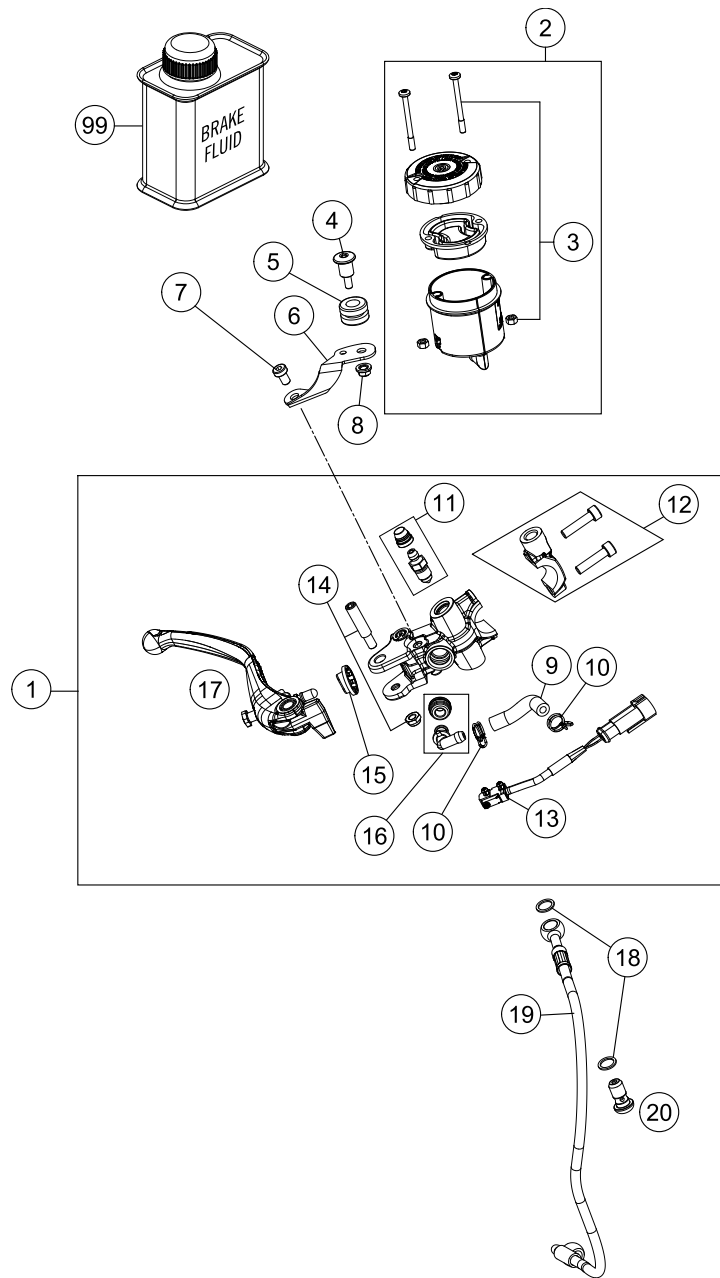
146131110

C146131110

* NEW PART X ON DEMAND

HAND BRAKE CYLINDER

1290 SUPERDUKE R ORANGE ABS EU 2016



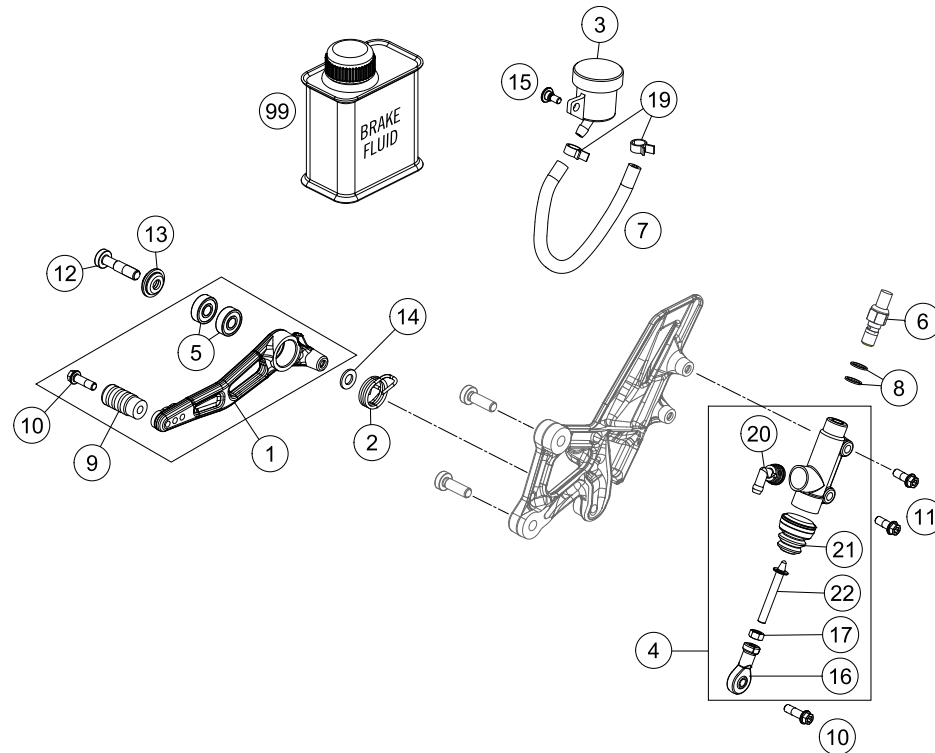
POS	PARTNUMBER	PARTNAME	PIECE
1	6131300100030	HAND BRAKE CYL. PR16/19	1
2	61013009202	BRAKE FLUID RESERVOIR CPL.	1
3	61013009203	SCREW + NUT F. RESERVOIR	1
4	61013013050	SCREW RET.PANEL-RESERVOIR	1
5	61013013000	RUBBER BUSH 05	1
6	6101300900130	SUPPORT BRAKE FLUID RES. FRONT	1
7	61013021000	SCREW RET.PANEL-BRAKE CYLINDER	1
8	61013009004	NUT FOR RESERVOIR	1
9	58007016101	HOSE FOR RESERVOIR 6X1,5	1
10	58007017000	YDNAC CLAMP 10101 (10,4MM)	2
11	60013020000	BLEEDER SCREW WITH CAP	1
12	76013005000	CLAMP CPL.	1
13	61311050000	BRAKE LIGHT SWITCH FRONT	1
14	61013006000	LEVER SCREW CPL. 05	1
15	61013008000	RUBBER CUP 05	1
16	54513155000	ANGLE PIECE	1
17	6101300204430	HAND BRAKE LEVER CPL. BLACK	1
18	0603100141	COPPER GASKET DIN7603-10X14X1	2
19	61342001000	BRAKE HOSE HAND BRAKE CYLINDER	1
20	62113020100	HOLL. SCREW M10X1X19.5	1
99	00062030000	BRAKE FLUID DOT5.1 0,25L	1

146131310

C146131310

* NEW PART

X ON DEMAND



POS	PARTNUMBER	PARTNAME	PIECE
1	6131305004433S	FOOT BRAKE LEVER CPL.	1
2	61313052000	SPRING	1
3	61013069000	RESERVOIR REAR CPL. 05	1
4	6031306000030	REAR BRAKE CONTROL	1
5	0625006087	GROOVED BALL BEAR. 608 2RS C3	2
6	60311051000	BRAKE LIGHT SWITCH REAR	1
7	69013069001	HOSE FOR RESERVOIR 6X1,5	1
8	0603100141	COPPER GASKET DIN7603-10X14X1	2
9	58303060051	BRAKE LEVER PEDAL DUKE'94	1
10	0025060206S	HH COLLAR SCREW M6X20 TX30	2
11	0025060166S	HH COLLAR SCREW M6X16 ISA 30	2
12	0035080356S	SCREW M8X35 ISA45 SS	1
13	61334041000	SPECIAL WASHER D=23X7,2MM	1
14	0125080003	WASHER DIN0125-A 8,4	1
15	69013099050	SCREW F. EXPANSION TANK	1
16	54603069000	SWIVEL HEAD M6 FOOT BRAKE LEV.	1
17	0934060003	HEXAGON NUT DIN0934-M 6	1
18	6031306000030	REAR BRAKE CONTROL	1
19	58007017000	YDNAC CLAMP 10101 (10,4MM)	2
20	54513155000	ANGLE PIECE	1
21	54513151000	RUBBER SLEEVE	1
22	60313056044	PUSH ROD CPL.	1
99	00062030000	BRAKE FLUID DOT5.1 0,25L	1

146131330

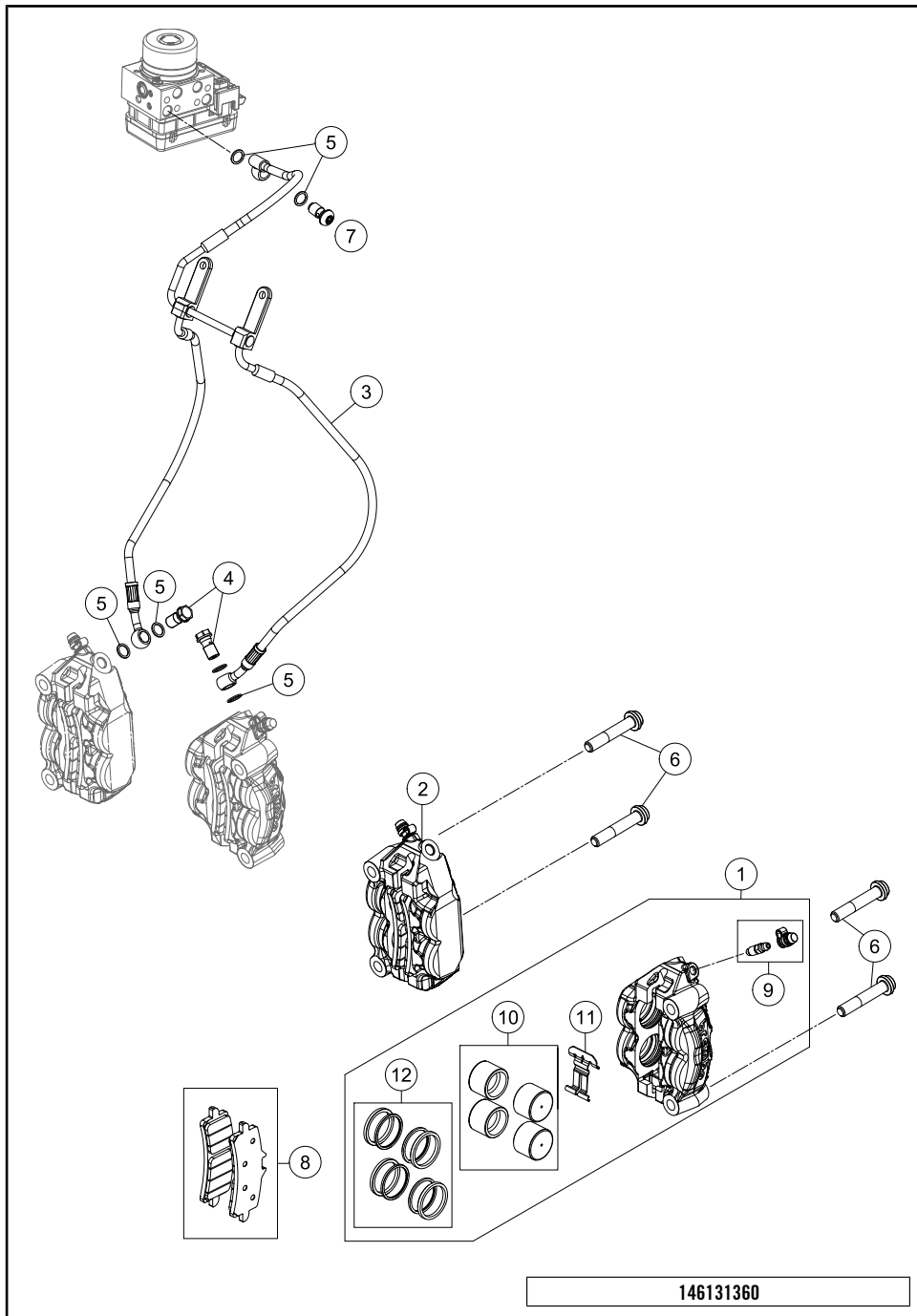
C146131330

* NEW PART

X ON DEMAND

BREAK CALIPER FRONT

1290 SUPERDUKE R ORANGE ABS EU 2016



POS	PARTNUMBER	PARTNAME	PIECE
1	6131301500158	BRAKE CALIPER FRONT - W/O PADS	1
2	6131301600158	BRAKE CALIPER FRONT W/O PADS	1
3	61342003000	BRAKE HOSE BRAKE CALIPER FRONT	1
4	69013025000	HOLLOW SCREW M10X1X19 SW12	2
5	0603100141	COPPER GASKET DIN7603-10X14X1	6
6	0035100559S	AH-COLLAR SCREW M10X1,25X55SS	4
7	62113020100	HOLL. SCREW M10X1X19.5	1
8	61313030000	BRAKE PADS SET BRM10A-HH	2
9	61013020100	BLEEDER SCREW WITH CAP	2
10	61313019000	BRAKE PISTON CPL.	2
11	69013018000	SPRING PLATE	2
12	61313021000	SEAL RINGS CPL.	2

146131360

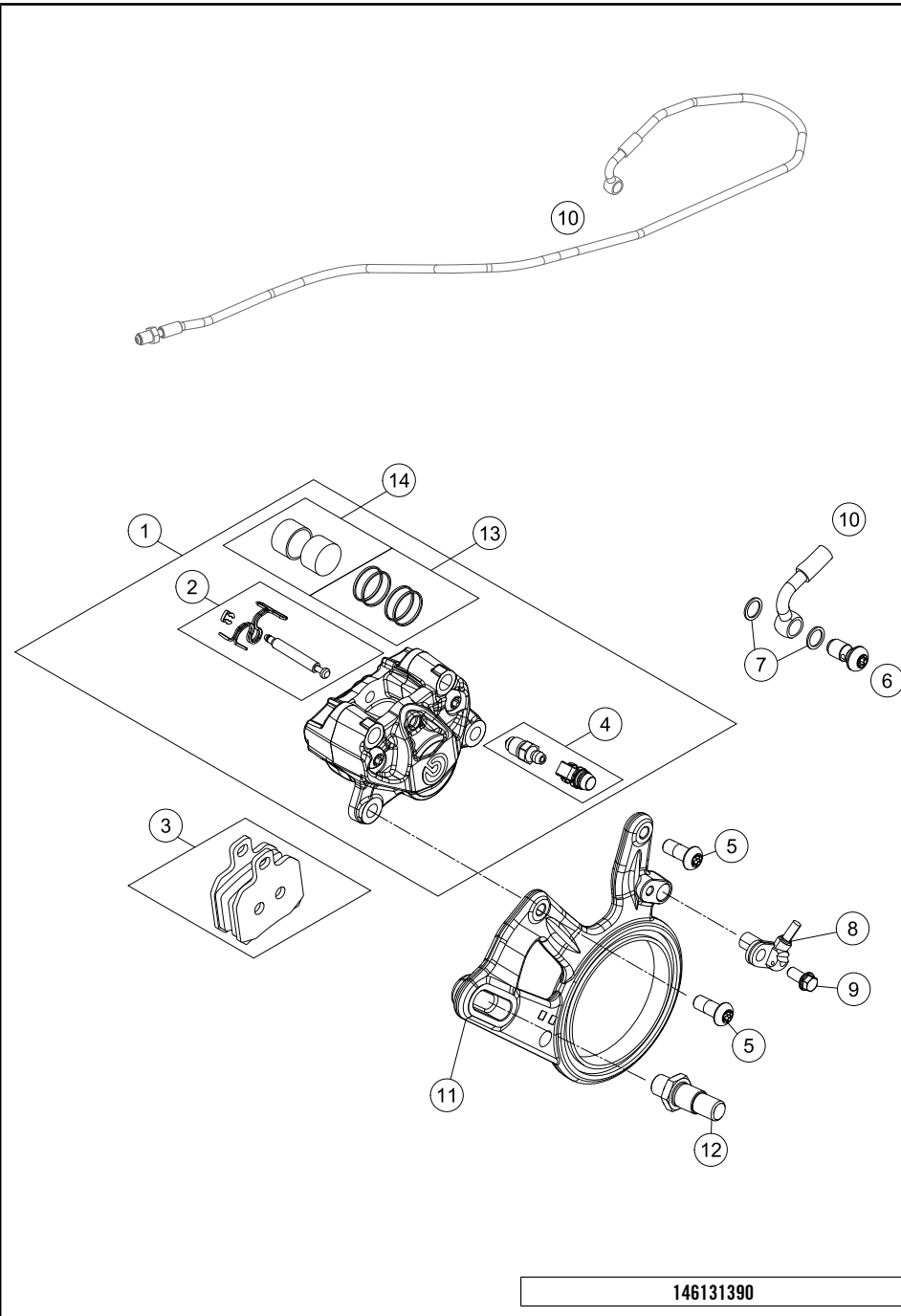
C156131360

* NEW PART

X ON DEMAND

BREAK CALIPER REAR

1290 SUPERDUKE R ORANGE ABS EU 2016



POS	PARTNUMBER	PARTNAME	PIECE
1	6131308000158	BRAKE CALIPER REAR W/O PADS BL	1
2	69013082000	BOLT KIT O8	1
3	61313090000	BRAKE PAD REAR TTH38GF	1
4	69013020000	BLEEDER SCREW WITH CAP	1
5	69013076000	SCREW F. BRAKE CALIPER	2
6	62113020100	HOLL. SCREW M10X1X19.5	1
7	0603100141	COPPER GASKET DIN7603-10X14X1	2
8	76042025000	ABS-SENSOR	1
9	59009062013	SPECIAL SCREW M6X13 WS=8 10.9	1
10	61342004020	BRAKE HOSE CON. PIECE / R. CYL	1
11	6131307500033S	BRAKE CALIPER ADAPTER BLACK	1
12	76004142000	BOLT BRAKE SADDLE BRACKET	1
13	69013081000	REPAIR KIT SEAL RING	1
14	61313083000	REPAIR KIT PISTON	1

146131390

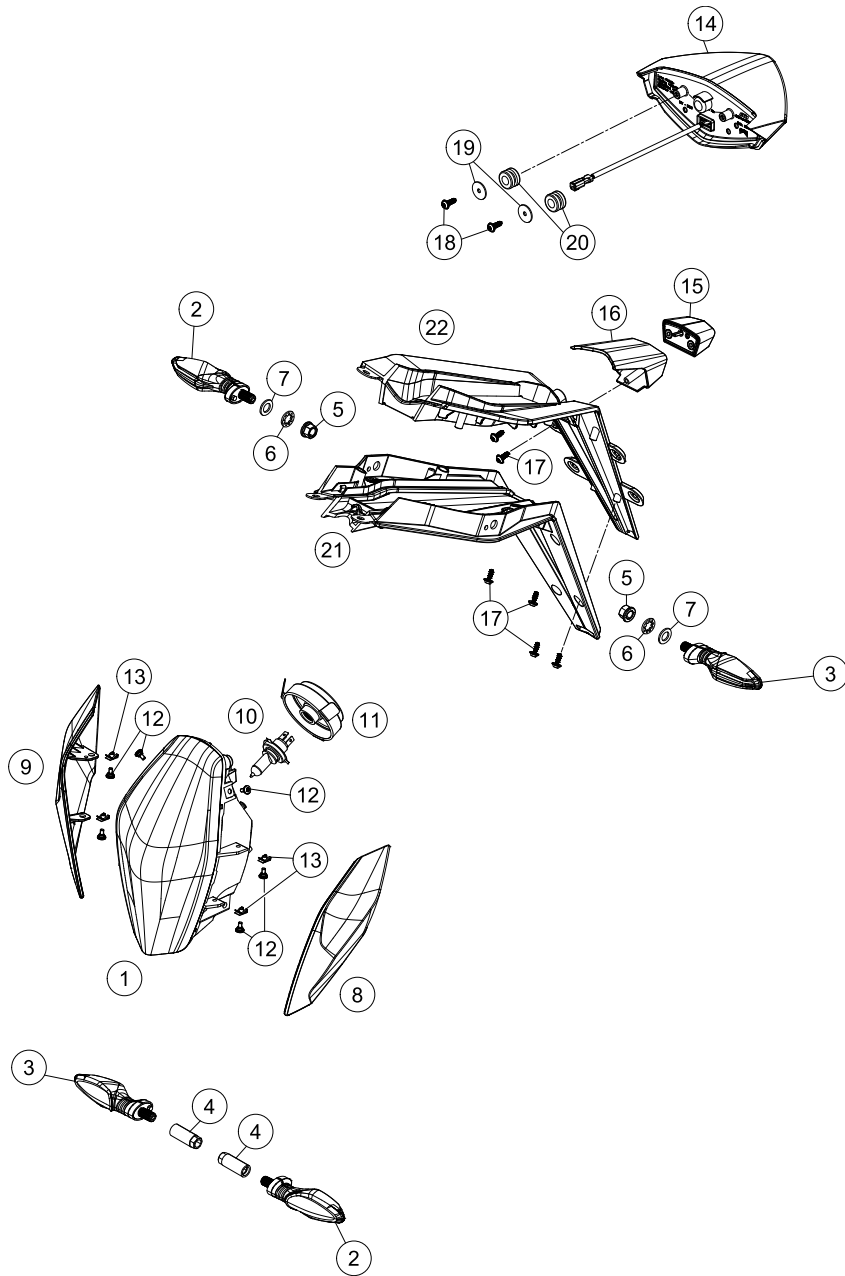
C156131390

* NEW PART

X ON DEMAND

LIGHTING SYSTEM

1290 SUPERDUKE R ORANGE ABS EU 2016



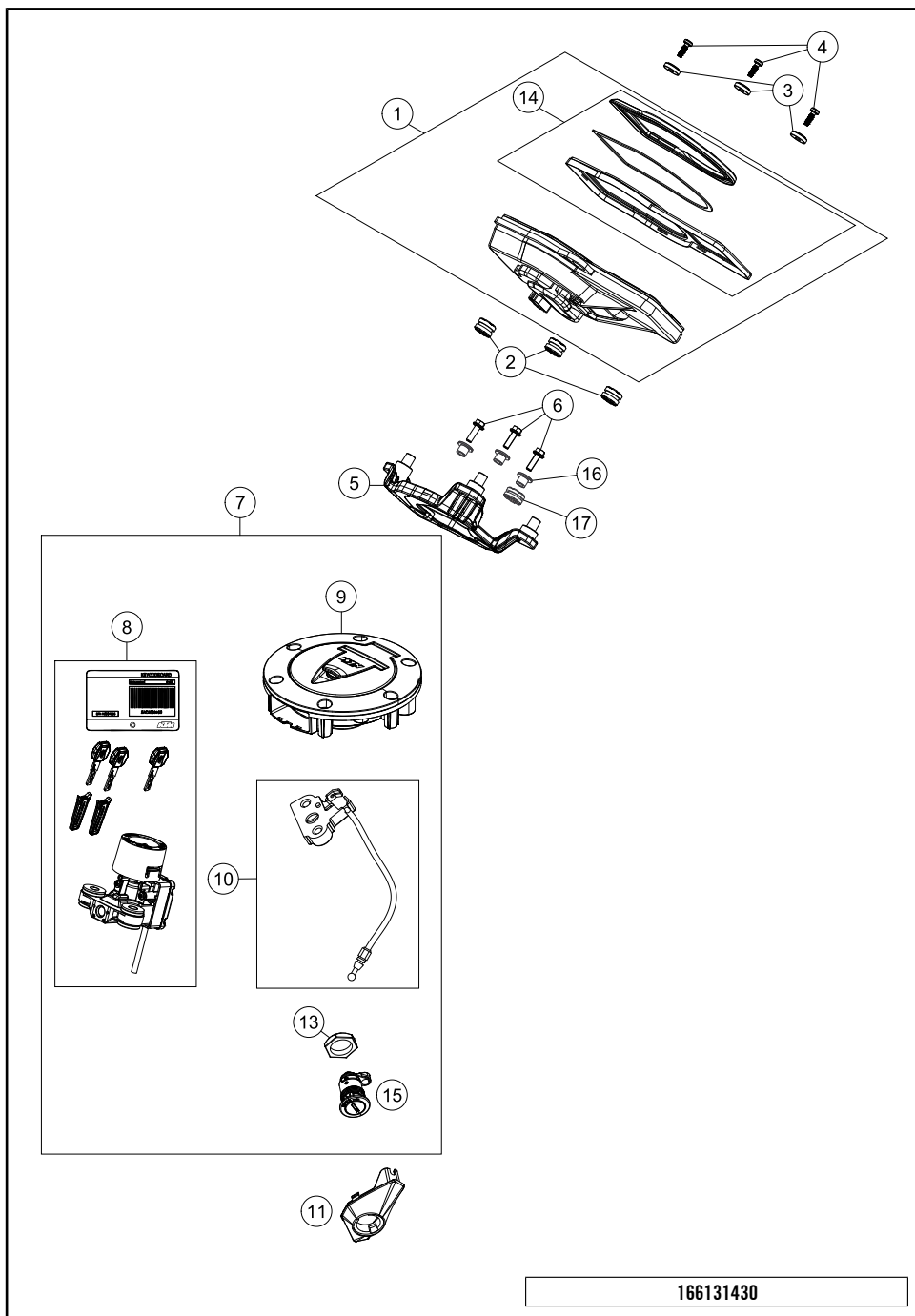
POS	PARTNUMBER	PARTNAME	PIECE
1	61314001000	HEAD LIGHT	1
2*	60314025000	FLASHER L/S	2
3*	60314026000	FLASHER R/S	2
4	61014030000	FLASHER NUT M10X1,25 WS=12	2
5	58414030000	HH COLLAR NUT M10X1,25 WS=13	2
6	0797100003	LOCK WASHER DIN6797-J10,5 ZI	2
7	0433100003	WASHER 18x10,5x1,6	2
8	6130800300030A	MASK SPOILER L/S BLACK 14	1
9	6130800400030A	MASK SPOILER R/S BLACK 14	1
10	57111038000	BULB H4 12V 60/55W (P43T)	1
11	61314001050	RUBBER CAP FOR HEAD LIGHT	1
12	69008021160	SPECIAL SCREW M5X12	6
13	69008021080	RANGE CHANGE METAL NUT M5	6
14*	61314040200	REAR LIGHT SUPERDUKE ECE	1
15	60314047000	NUMBER PLATE LIGHT	1
16	61308024000	COVER NUMBER PLATE LIGHT	1
17	0081050121	SCREW FOR PLASTIC K50X12 T20	6
18	0081050141	EJOT PT SCREW 50X14 WN 1451	2
19	0522040003	WASHER DIN522 A2K 4.3X20X1.25	2
20	61013013000	RUBBER BUSH 05	2
21	61308023000	NUMBER PLATE CARRIER LOW. PART	1
22	61308022000	NUMBER PLATE CARRIER UPP. PART	1

146131410

C166131410

* NEW PART

X ON DEMAND

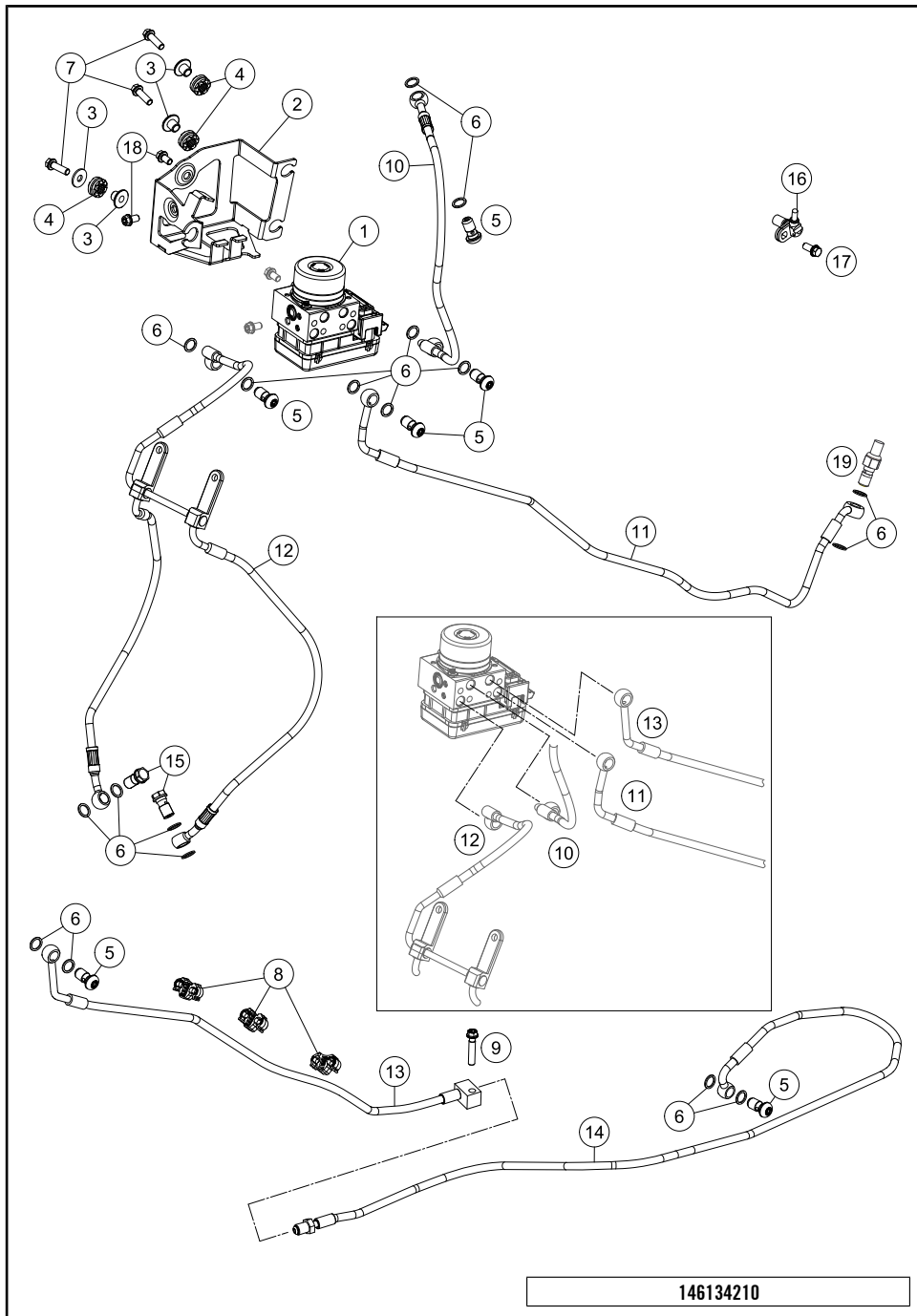


POS	PARTNUMBER	PARTNAME	PIECE
1	60414069000	SPEEDOMETER	1
2	61314069051	DAMP. COMPONENT SPEEDOMETER	3
3	60308045000	SPECIAL WASHER 4.5X16	3
4	0081250141	SCREW FOR PLASTIC PT K50X14T25	3
5*	61314062100	INSTRUMENTS BRACKET	1
6*	0025050206	HH COLLAR SCREW M5X20 TX30	3
7*	61311066244	LOCK KIT	1
8	61311066100	IGNITION LOCK	1
9	61307008100	TANK CAP CPL.	1
10	61307050000	SEAT LOCK MECHANISM CPL.	1
11	61307055000	SOPPORT SEAT LOCK	1
13	69007050050	NUT SEAT LOCK M22X1,5	1
14	60314069050	SPEEDOMETER FRAME CPL.	1
15	61307050020	LOCK CYLINDER SEAT LOCK	1
16*	61314062050	BUSHING 5.5X9X15X9.5	3
17*	62142041100	DUMPER 40 SHORE	3

166131430

C166131430

* NEW PART X ON DEMAND



POS	PARTNUMBER	PARTNAME	PIECE
1	61342031044	ABS MODULE FILLED	1
2	61342040000	SUPPORT ABS-MODULE	1
3	61342041000	COLLAR BUSH 6,5X9X18X8,5	3
4	62142041000	DAMP. COMPONENT ABS MODUL	3
5	62113020100	HOLL. SCREW M10X1X19.5	6
6	0603100141	COPPER GASKET DIN7603-10X14X1	18
7	0025060206	HH COLLAR SCREW M6X20 TX30	3
8	61342046000	SUPPORT ABS-PIPE D7,5	3
9	0025060306S	HH COLLAR SCREW M6X30 TX30	1
10	61342001000	BRAKE HOSE HAND BRAKE CYLINDER	1
11	61342002000	BRAKE HOSE REAR BRAKE CONTROL	1
12	61342003000	BRAKE HOSE BRAKE CALIPER FRONT	1
13	61342004010	BRAKE HOSE MODULE / CON. PIECE	1
14	61342004020	BRAKE HOSE CON. PIECE / R. CYL	1
15	69013025000	HOLLOW SCREW M10X1X19 SW12	2
16	76042025000	ABS-SENSOR	2
17	59009062013	SPECIAL SCREW M6X13 WS=8 10.9	1
18	0025060106	HH COLLAR SCREW M6X10 TX30	2
19	60311051000	BRAKE LIGHT SWITCH REAR	1

146134210

C146134210

* NEW PART

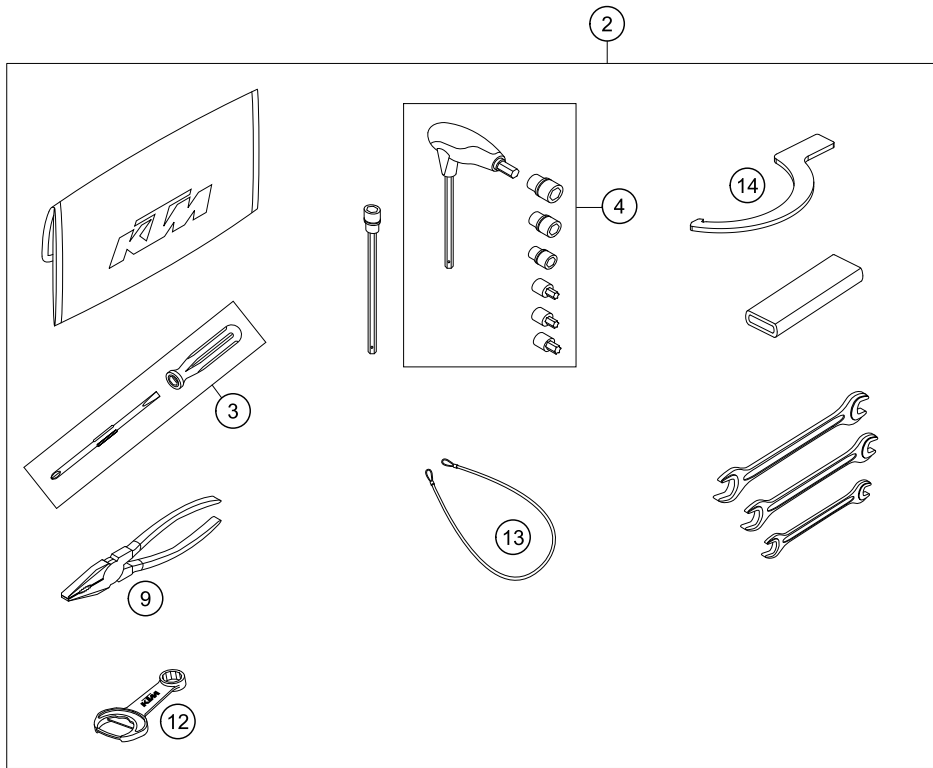
X ON DEMAND

ACCESSORIES KIT

1290 SUPERDUKE R ORANGE ABS EU 2016

0
OHNE ABBILDUNG
WITHOUT ILLUSTRATION

1
TECHNISCHE DOKUMENTATION
TECHNICAL DOCUMENTATION
DOCUMENTACION TECNICA
DOCUMENTATION TECHNIQUE
NOTE TECNICHE

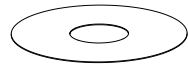


146132000

POS	PARTNUMBER	PARTNAME	PIECE
0	60012015000	HELMET LOCK 04	1
0	61312041100	MIRROR R/S CPL.	1
0	61312040100	MIRROR I/S	1
0	58412080050	BRACKET FOR REFLECTOR	1
0	58412080000	REFLECTOR RED	1
0	0985060003	SELF LOCK. NUT DIN0985-M 6	4
0	0021060003	WASHER DIN9021-A 6,4	4
0	0125050003	WASHER DIN0125-A 5,3	2
0	40006006000	WASHER 6MM	2
0	0966050163	OVAL HEAD SCREW DIN0966-M 5X16	2
0	0025060206	HH COLLAR SCREW M6X20 TX30	1
0	0025060206	HH COLLAR SCREW M6X20 TX30	2
0	61308023010	SPLASH PROTECTION	1
0	0081050121	SCREW FOR PLASTIC K50X12 T20	4
0	312305	DOCUMENTS BAG 2006	1
0	3210040	CUSTOMER WELCOME LETTER	1
0	312313	KTM BALLPOINT PEN ORANGE	1
0	00063004202	PRINT LABEL 60X51 MM	1
0	62111059060	COVER POSITIVE POLE	1
0	60012081200	LICENCE FITTING 06	1
0	61308192000	STICKER SET FORK WP SMALL	1
0	3212584DE/GB	PP 1290 SD-R CHAPTER FOLDER 14	1
0	61329083000	HOOK WRENCH MONOSHOCK	1
0	3212601GB	POWER WEAR FOLDER 2015	1
0	00063099111	BAG FOR INSTR. MANUAL 245X170	1
1	3213399EN	OWN. MAN. 1290 SUPER DUKE R 16	1
2	61329099100	TOOL SET	1
3	53012024100	SCREW DRIVER L=105MM	1
4	60029070300	T-WRENCH WS=6/8/10/TX45/SK4X1	1
9	53012028200	GRIP ORANGE B&F	1
13	60012015000	HELMET LOCK 04	1
14	61329085000	HOOK WRENCH ECCENTRIC REAR WH.	1

C166132000

* NEW PART X ON DEMAND



3H, DELTA, T

- ⑤ Ø 5 mm
- ⑥ Ø 6 mm
- ⑧ Ø 8 mm
- ⑩ Ø 10 mm
- ⑫ Ø 12 mm
- ⑭ Ø 14-14,5 mm
- ⑯ Ø 16 mm
- ⑳ Ø 20 mm
- ㉑ Ø 21 mm
- ㉒ Ø 22 mm
- ㉓ Ø 23 mm
- ㉔ Ø 24,5 mm
- ㉘ Ø 28,5 mm
- ㉚ Ø 32 mm
- ㉜ Ø 52 mm

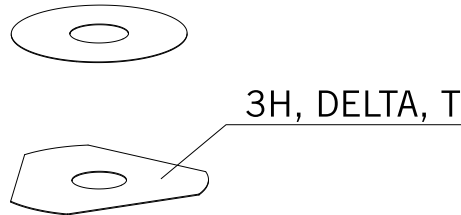
POS	PARTNUMBER	PARTNAME	PIECE
5	44906890	WASHER 5X15X2	X
6	40540400	SHIM 6X12X0,1	X
6	40540401	SHIM 6X14X0,1	X
6	40540402	SHIM 6X16X0,1	X
6	40540403	SHIM 6X18X0,1	X
6	40540404	SHIM 6X12X0,15	X
6	40540405	SHIM 6X14X0,15	X
6	40540406	SHIM 6X16X0,15	X
6	40540407	SHIM 6X18X0,15	X
6	40540408	SHIM 6X12X0,2	X
6	40540409	SHIM 6X14X0,2	X
6	40540410	SHIM 6X16X0,2	X
6	40540411	SHIM 6X18X0,2	X
6	48600095	* SHIM 6X20X0,20	X
6	40540412	SHIM 6X12X0,25	X
6	40540413	SHIM 6X14X0,25	X
6	40540414	SHIM 6X16X0,25	X
6	40540415	SHIM 6X18X0,25	X
6	40540417	SHIM 6X8,5X0,10	X
6	40540418	SHIM 6X9X0,10	X
6	40540419	SHIM 6X9,5X0,10	X
6	40540423	SHIM 6X9,5X0,15	X
6	40540425	SHIM 6X8,5X0,20	X
6	40540426	SHIM 6X9X0,20	X
6	40540427	SHIM 6X9,5X0,20	X
6	40540447	SHIM 6X10X0,3	X
6	40540449	SHIM 6X9X0,3	X
6	40540450	SHIM 6X9,5X0,3	X
6	40540494	SHIM 6X18X0,4	X
6	40540774	SHIM 6X18X0,1 DELTA	X
6	40541383	SHIM 6X11X0,1	X
6	40541391	SHIM 6X11X0,3	X
6	40541402	SHIM 6X11X0,2	X
6	40541403	SHIM 6X10X0,20	X
6	40541404	SHIM 6X10X0,1	X
6	40541405	SHIM 6X10X0,15	X
6	40541406	SHIM 6X11X0,15	X
6	40541408	SHIM 6X8,0X0,30	X

080000190

C130009090

* NEW PART

X ON DEMAND



- ⑤ Ø 5 mm
- ⑥ Ø 6 mm
- ⑧ Ø 8 mm
- ⑩ Ø 10 mm
- ⑫ Ø 12 mm
- ⑭ Ø 14-14,5 mm
- ⑯ Ø 16 mm
- ⑳ Ø 20 mm
- ㉑ Ø 21 mm
- ㉒ Ø 22 mm
- ㉓ Ø 23 mm
- ㉔ Ø 24,5 mm
- ㉘ Ø 28,5 mm
- ㉚ Ø 32 mm
- ㉜ Ø 52 mm

POS	PARTNUMBER	PARTNAME	PIECE
6	40541414	SHIM 6X8,0X0,10	X
6	40541416	SHIM 6X8X0,3	X
6	40541417	SHIM 6X11X0,25	X
6	48600102	* SHIM 6X24X0,25	X
6	48600063	SHIM 6X24X0,1	X
6	48600064	SHIM 6X22X0,1	X
6	48600065	SHIM 6X20X0,1	X
6	48600069	SHIM 6X20X0,15	X
6	48600100	SHIM 6X24X0,15	X
6	48600116	SHIM 6X24X0,1 DELTA	X
6	48600139	SHIM 6X22X0,1 DELTA	X
6	48600217	BACKPLATE 6X10X0,25	X
6	48600325	SHIM 6X13X0,1	X
6	48600327	SHIM 6X15X0,1	X
6	48600329	SHIM 6X17X0,1	X
6	48600331	SHIM 6X19X0,1	X
6	48600096	* SHIM 6X20X0,25	X
6	48600097	SHIM 6X22X0,15	X
6	48600099	* SHIM 6X22X0,25	X
6	40540448	BACKPLATE 6X8,5X0,30	X
6	48600479	SHIM 6X20X0,1 T/3H	X
6	48600332	SHIM 6X21X0,1	X
6	48600333	SHIM 6X23X0,1	X
6	40541393	* SHIM 6X12X0,3	X
6	48600330	SHIM 6X17X0,15	X
6	48600988	SHIM 6X28X0,10	X
6	48600989	SHIM 6X26X0,10	X
6	48601091	SHIM 6X28X0,15	X
6	48601093	SHIM 6X26X0,15	X
6	48600328	SHIM 6X15X0,15	X
6	48600326	SHIM 6X13X0,15	X
6	48601548	SHIM 6X17X1,5	X
8	40540477	SHIM 8X18X0,4	X
8	43570120	SHIM 8X18X0,10	X
8	44916098	WASHER 8,4X16X0,8	X
8	44916130	WASHER 8,2X15X1	X
8	44916180	WASHER 8,2X11X1	X
8	48600214	SHIM 8X16X0,1	X

080000190

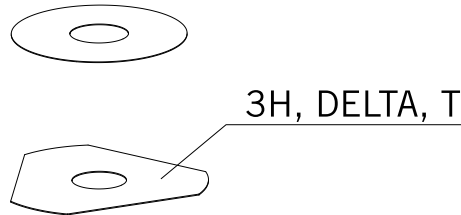
C130009090

* NEW PART

X ON DEMAND



- ⑤ Ø 5 mm
- ⑥ Ø 6 mm
- ⑧ Ø 8 mm
- ⑩ Ø 10 mm
- ⑫ Ø 12 mm
- ⑭ Ø 14-14,5 mm
- ⑯ Ø 16 mm
- ⑳ Ø 20 mm
- ㉑ Ø 21 mm
- ㉒ Ø 22 mm
- ㉓ Ø 23 mm
- ㉔ Ø 24,5 mm
- ㉘ Ø 28,5 mm
- ㉚ Ø 32 mm
- ㉜ Ø 52 mm



POS	PARTNUMBER	PARTNAME	PIECE
8	48600385	SHIM 8x14x0.25	X
8	48600346	SHIM 8X11X0,2	X
8	48600215	CHECK VALVE 8X20X0,1	X
8	48600485	SHIM 8X10X0,10	X
8	48601402	SHIM 8X13X0,10	X
8	48600350	CHECK VALVE 8X16X0,15	X
8	48600061	CHECK VALVE 8X24X0,4	X
8	48600062	CHECK VALVE 8X24X0,1	X
8	48600216	CHECK VALVE 8X22X0,1	X
8	48600480	SHIM 8X10X0,20	X
8	48600555	SHIM 8X16X0,20	X
8	48600213	SHIM 8X14X0,10	X
8	48600357	CHECK VALVE 8X11X0,1	X
8	48600351	CHECK VALVE 8X12X0,1	X
8	48600607	SHUTTLE VALVE 8X20X0,4	X
8	48601095	SHIM 8X17X0,10	X
8	48600352	CHECK VALVE 8X11X0,4	X
10	36120284	SHIM 10X16X0,10	X
10	36120298	SHIM 10X16X0,2	X
10	36120312	SHIM 10X16X0,30	X
10	36120314	SHIM 10X18X0,30	X
10	36120325	SHIM 10X19X0,15	X
10	36120327	SHIM 10X23X0,15	X
10	36120328	SHIM 10X25X0,15	X
10	36120329	SHIM 10X27X0,15	X
10	36120330	SHIM 10X29X0,15	X
10	36120331	SHIM 10X31X0,15	X
10	36120332	SHIM 10X33X0,15	X
10	36120334	SHIM 10X21X0,20	X
10	36120335	SHIM 10X23X0,20	X
10	36120336	SHIM 10X25X0,20	X
10	36120337	SHIM 10X27X0,20	X
10	36120338	SHIM 10X29X0,20	X
10	36120339	SHIM 10X31X0,20	X
10	36120340	SHIM 10X33X0,20	X
10	36120342	SHIM 10X21X0,25	X
10	36120343	SHIM 10X23X0,25	X
10	36120344	SHIM 10X25X0,25	X

080000190

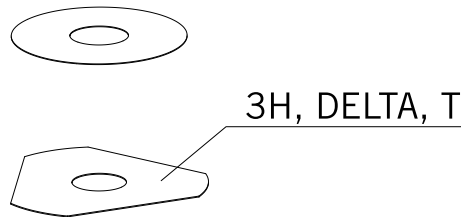
C130009090

* NEW PART

X ON DEMAND



- ⑤ Ø 5 mm
- ⑥ Ø 6 mm
- ⑧ Ø 8 mm
- ⑩ Ø 10 mm
- ⑫ Ø 12 mm
- ⑭ Ø 14-14,5 mm
- ⑯ Ø 16 mm
- ⑳ Ø 20 mm
- ㉑ Ø 21 mm
- ㉒ Ø 22 mm
- ㉓ Ø 23 mm
- ㉔ Ø 24,5 mm
- ㉘ Ø 28,5 mm
- ㉚ Ø 32 mm
- ㉜ Ø 52 mm



POS	PARTNUMBER	PARTNAME	PIECE
10	36120345	SHIM 10X27X0,25	X
10	36120349	SHIM 10X19X0,30	X
10	36120350	SHIM 10X21X0,30	X
10	40140275	WASHER 10X35X0,15	X
10	36120346	* SHIM 10X29X0,25	X
10	50180010	* SHIM 16X24X0,10	X
10	36120604	SHIM D10XD22X2,5	X
12	46810490	SHIM 12X24X0,20	X
12	46810491	SHIM 12X26X0,20	X
12	46810492	SHIM 12X28X0,20	X
12	46810493	SHIM 12X30X0,20	X
12	46810494	SHIM 12X32X0,20	X
12	46810495	SHIM 12X34X0,20	X
12	46810496	SHIM 12X36X0,20	X
12	46810497	SHIM 12X38X0,20	X
12	46810498	SHIM 12X40X0,20	X
12	46810499	SHIM 12X24X0,25	X
12	46810500	SHIM 12X26X0,25	X
12	46810501	SHIM 12X28X0,25	X
12	46810502	SHIM 12X30X0,25	X
12	46810504	SHIM 12X34X0,25	X
12	46810505	SHIM 12X36X0,25	X
12	46810507	SHIM 12X40X0,25	X
12	46810508	SHIM 12X24X0,30	X
12	46810509	SHIM 12X26X0,30	X
12	46810510	SHIM 12X28X0,30	X
12	46810512	SHIM 12X32X0,30	X
12	46810513	SHIM 12X34X0,30	X
12	46810518	SHIM 12X26X0,15	X
12	46810519	SHIM 12X28X0,15	X
12	46810520	SHIM 12X30X0,15	X
12	46810521	SHIM 12X32X0,15	X
12	46810522	SHIM 12X34X0,15	X
12	46810523	SHIM 12X36X0,15	X
12	46810524	SHIM 12X38X0,15	X
12	46810525	SHIM 12X40X0,15	X
12	46810604	SHIM 12X20X0,10	X
12	46810606	SHIM 12X22X0,10	X

080000190

C130009090

* NEW PART

X ON DEMAND



3H, DELTA, T

- ⑤ Ø 5 mm
- ⑥ Ø 6 mm
- ⑧ Ø 8 mm
- ⑩ Ø 10 mm
- ⑫ Ø 12 mm
- ⑭ Ø 14-14,5 mm
- ⑯ Ø 16 mm
- ⑳ Ø 20 mm
- ㉑ Ø 21 mm
- ㉒ Ø 22 mm
- ㉓ Ø 23 mm
- ㉔ Ø 24,5 mm
- ㉘ Ø 28,5 mm
- ㉚ Ø 32 mm
- ㉜ Ø 52 mm

POS	PARTNUMBER	PARTNAME	PIECE
12	46810607	SHIM 12X23X0,10	X
12	46810608	SHIM 12X24X0,10	X
12	46810610	SHIM 12X27X0,15	X
12	46810611	SHIM 12X18X0,15	X
12	46810612	SHIM 12X19X0,15	X
12	46810615	SHIM 12X22X0,15	X
12	46810636	BACKPLATE 12X16X0,30	X
12	46810637	BACKPLATE 12X17X0,30	X
12	46810638	BACKPLATE 12X18X0,30	X
12	46810639	SHIM 12X19X0,30	X
12	46810641	BACKPLATE 12X21X0,30	X
12	46811582	BACKPLATE 12X30X0,10	X
12	46810631	SHIM 12X20X0,25	X
12	46810633	SHIM 12X22X0,25	X
12	46811580	SHIM 12X32X0,10	X
12	46810503	SHIM 12X32X0,25	X
12	46810517	* SHIM 12X24X0,15	X
12	46810640	SHIM 12X20X0,30	X
12	46811258	RING 12X24X2,5	X
12	46812018	SHIM 12X42X0,25	X
12	46812015	SHIM 12X44X0,20	X
14	46811046	SHIM 14,5X35,4X1,25	X
16	50180023	* SHIM 16X23X0,20	X
16	50180030	SHIM	X
16	50180006	BACKPLATE 16X20X0,10	X
16	50180007	SHIM 16X21X0,10	X
16	50180028	SHIM 16X21X0,25	X
16	50180210	WASHER 16X21X1	X
16	50180008	SHIM 16X22X0,10	X
16	50180022	SHIM 16X22X0,20	X
16	50180037	SHIM 16X23X0,30	X
16	50180038	SHIM 16X24X0,30	X
16	50180032	SHIM 15X25X0,25	X
16	50180039	SHIM 16X25X0,30	X
16	50180012	SHIM 16X26X0,10	X
16	50180019	SHIM 16X26X0,15	X
16	50180026	SHIM 16X26X0,20	X
16	50180040	SHIM 16X26X0,30	X

080000190

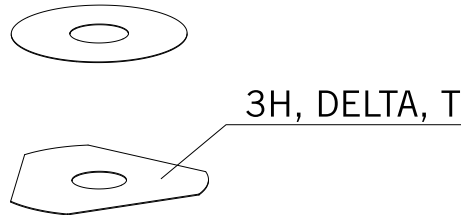
C130009090

* NEW PART

X ON DEMAND



- ⑤ Ø 5 mm
- ⑥ Ø 6 mm
- ⑧ Ø 8 mm
- ⑩ Ø 10 mm
- ⑫ Ø 12 mm
- ⑭ Ø 14-14,5 mm
- ⑯ Ø 16 mm
- ⑳ Ø 20 mm
- ㉑ Ø 21 mm
- ㉒ Ø 22 mm
- ㉓ Ø 23 mm
- ㉔ Ø 24,5 mm
- ㉘ Ø 28,5 mm
- ㉚ Ø 32 mm
- ㉜ Ø 52 mm



POS	PARTNUMBER	PARTNAME	PIECE
16	50180041	SHIM 16X28X0,10	X
16	50180045	SHIM 16X28X0,15	X
16	50180054	SHIM 16X28X0,20	X
16	50180063	SHIM 16X28X0,25	X
16	50180072	SHIM 16X28X0,30	X
16	50180046	SHIM 16X30X0,15	X
16	50180055	SHIM 16X30X0,20	X
16	50180064	SHIM 16X30X0,25	X
16	50180073	SHIM 16X30X0,30	X
16	50180047	SHIM 16X32X0,15	X
16	50180056	SHIM 16X32X0,20	X
16	50180065	SHIM 16X32X0,25	X
16	50180074	SHIM 16X32X0,30	X
16	50180044	SHIM 16X34X0,10	X
16	50180048	SHIM 16X34X0,15	X
16	50180057	SHIM 16X34X0,20	X
16	50180066	SHIM 16X34X0,25	X
16	50180075	SHIM 16X34X0,30	X
16	50180049	SHIM 16X36X0,15	X
16	50180058	SHIM 16X36X0,20	X
16	50180067	SHIM 16X36X0,25	X
16	50180076	SHIM 16X36X0,30	X
16	50180050	SHIM 16X38X0,15	X
16	50180059	SHIM 16X38X0,20	X
16	50180068	SHIM 16X38X0,25	X
16	50180077	SHIM 16X38X0,30	X
16	50180051	SHIM 16X40X0,15	X
16	50180060	SHIM 16X40X0,20	X
16	50180069	SHIM 16X40X0,25	X
16	50180078	SHIM 16X40X0,30	X
16	50180052	SHIM 16X42X0,15	X
16	50180061	SHIM 16X42X0,20	X
16	50180070	SHIM 16X42X0,25	X
16	50180079	SHIM 16X42X0,30	X
16	50180053	SHIM 16X44X0,15	X
16	50180062	SHIM 16X44X0,20	X
16	50180071	SHIM 16X44X0,25	X
16	50180080	SHIM 16X44X0,30	X

080000190

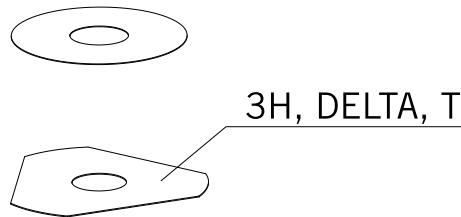
C130009090

* NEW PART

X ON DEMAND



- ⑤ Ø 5 mm
- ⑥ Ø 6 mm
- ⑧ Ø 8 mm
- ⑩ Ø 10 mm
- ⑫ Ø 12 mm
- ⑭ Ø 14-14,5 mm
- ⑯ Ø 16 mm
- ⑳ Ø 20 mm
- ㉑ Ø 21 mm
- ㉒ Ø 22 mm
- ㉓ Ø 23 mm
- ㉔ Ø 24,5 mm
- ㉘ Ø 28,5 mm
- ㉚ Ø 32 mm
- ㉜ Ø 52 mm



POS	PARTNUMBER	PARTNAME	PIECE
16	50180177	WASHER 16X8,2X0,6	X
16	50180033	SHIM 16X26X0,25	X
16	50180034	BACKPLATE 16X20X0,30	X
16	50180035	BACKPLATE 16X21X0,30	X
16	50180036	BACKPLATE 16X22X0,30	X
16	50180043	SHIM	X
16	50180024	* SHIM 16X24X0,20	X
16	50180027	* SHIM 16X20X0,25	X
16	50180031	SHIM	X
16	50180029	SHIM	X
20	48600212	PRESSURE-RING 20X16,25X0,20	X
20	50180666	SHIM 20X24X0,30	X
20	50180654	SHIM 20X36X0,20	X
20	50180655	SHIM 20X38X0,20	X
20	50180656	SHIM 20X40X0,20	X
20	50180665	SHIM 20X40X0,25	X
20	50180662	SHIM 20X34X0,25	X
20	50180657	SHIM 20X24X0,25	X
20	50180653	SHIM 20X34X0,20	X
20	50180634	RING 20X22,9X1	X
20	50180650	SHIM 20,2X28X0,20	X
20	50180663	SHIM 20X36X0,25	X
20	50180664	SHIM 20X38X0,25	X
20	50180659	SHIM 20,2X28X0,25	X
21	50180209	WASHER 21X36X0,25	X
22	50180330	* PRESS. RING 22X18X0,30	X
23	50180635	SHUTTLE VALVE 23X38X0,25	X
23	50180578	SHIM D23XD16X2	X
24	40541061	WASHER 24,5X34X2	X
28	36120469	SHIM 28,5X14X2	X
28	36120471	SHIM 28,5X14X5	X
32	48600460	WASHER 32X42X2,5	X
32	50600065	SHIM 32X45X2	X
32	46811637	PRESSURE RING 36X32,25	X
52	50600002	SHIM 52X59X2,2	X

080000190

C130009090

* NEW PART

X ON DEMAND

WWW.KTM.COM



KTM Sportmotorcycle GmbH
5230 Mattighofen, Austria
www.ktm.com



KTM_POWERPARTS

KTM_POWERWEAR

KTM_ORIGINAL SPARE PARTS



3CFF9903P9EN

Art. Nr.: 3CFF9903P9EN 13. Okt 2015