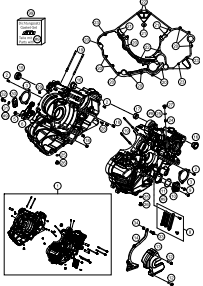
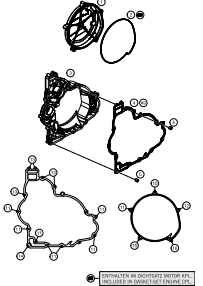
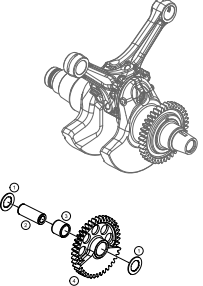
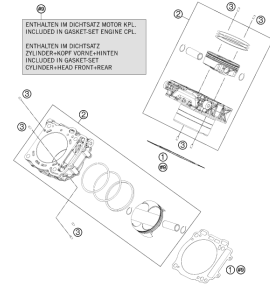
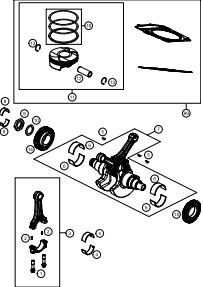
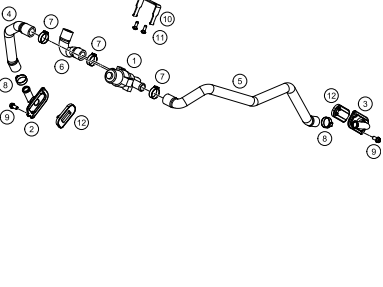
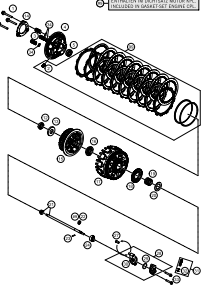
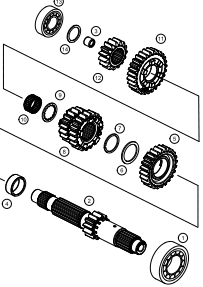
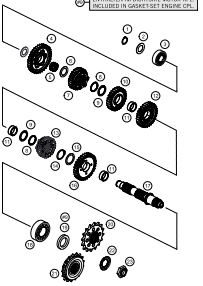
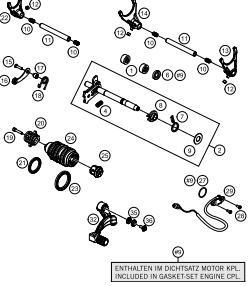
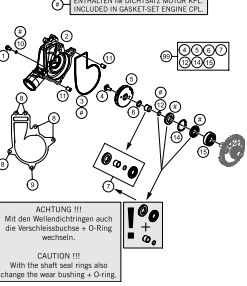
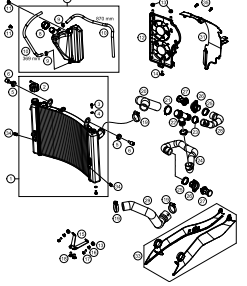
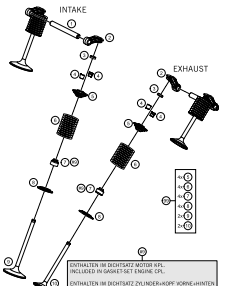
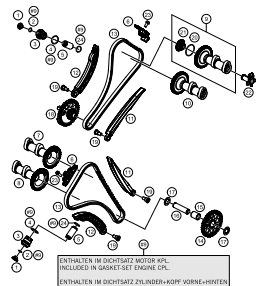
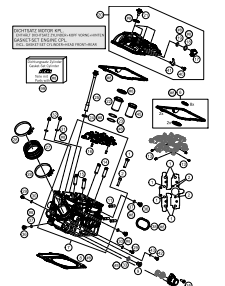
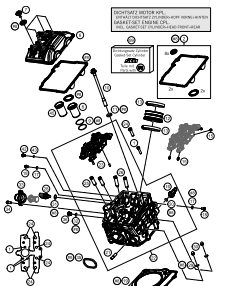
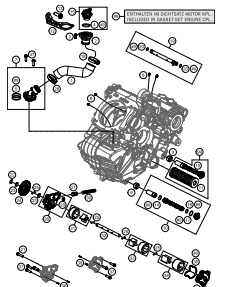
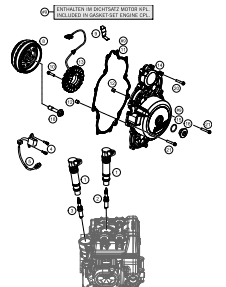
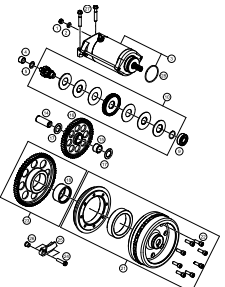
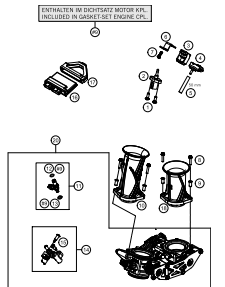


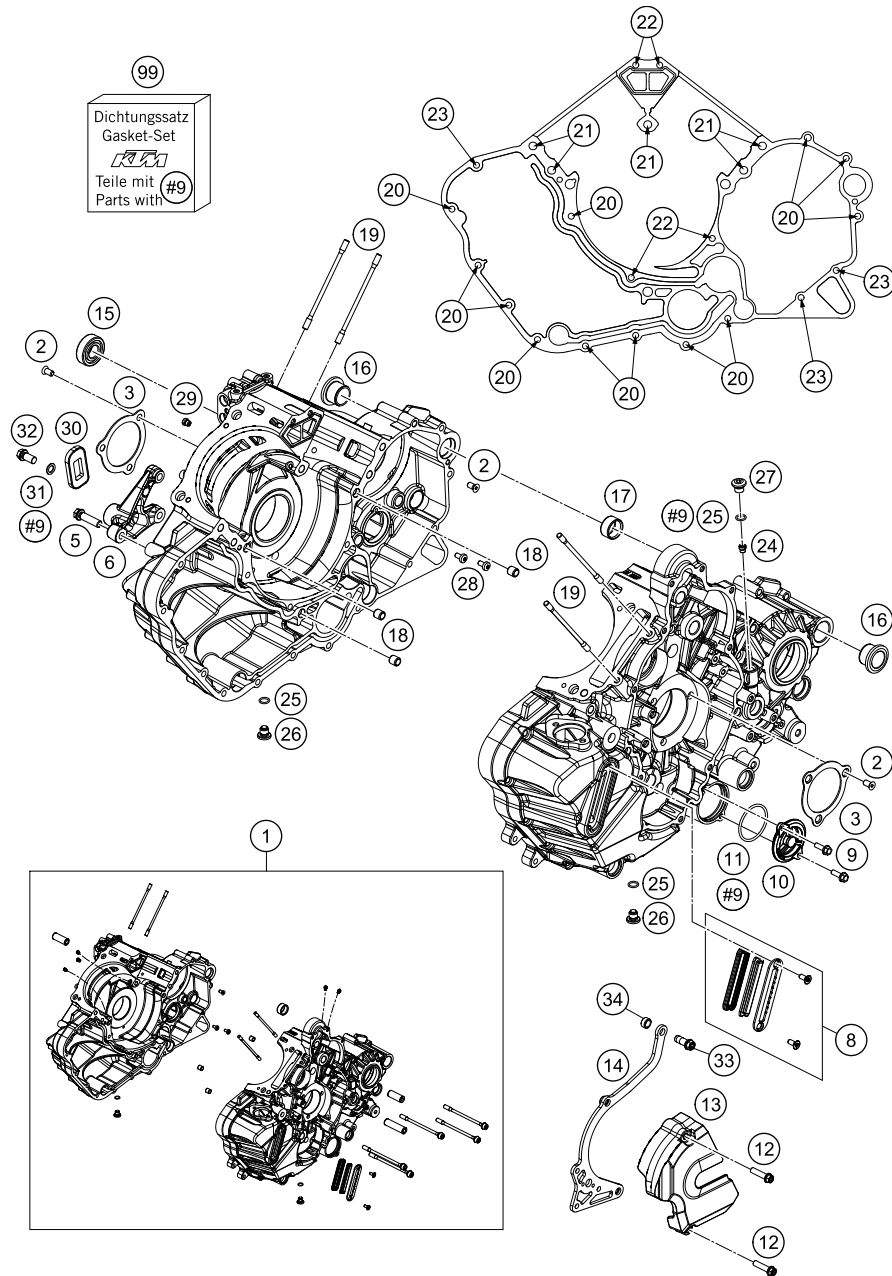
1050 ADVENTURE 2016

ART.-NR.: 3CM089840PEN



<p>ENGINE CASE</p>  <p>3</p>	<p>CLUTCH COVER</p>  <p>4</p>	<p>BALANCER SHAFT</p>  <p>5</p>	<p>CYLINDER</p>  <p>6</p>
<p>CRANKSHAFT, PISTON</p>  <p>7</p>	<p>SECONDARY AIR SYSTEM SAS</p>  <p>8</p>	<p>CLUTCH</p>  <p>9</p>	<p>TRANSMISSION I - MAIN SHAFT</p>  <p>10</p>
<p>TRANSMISSION II - COUNTERSHAFT</p>  <p>11</p>	<p>SHIFTING MECHANISM</p>  <p>12</p>	<p>WATER PUMP</p>  <p>13</p>	<p>COOLING SYSTEM</p>  <p>14</p>

<p>VALVE DRIVE</p>  <p>15</p>	<p>TIMING DRIVE</p>  <p>16</p>	<p>CYLINDER HEAD REAR</p>  <p>17</p>	<p>CYLINDER HEAD FRONT</p>  <p>18</p>
<p>LUBRICATING SYSTEM</p>  <p>19</p>	<p>IGNITION SYSTEM</p>  <p>21</p>	<p>ELECTRIC STARTER</p>  <p>22</p>	<p>THROTTLE BODY</p>  <p>23</p>
<div style="display: flex; align-items: center;"> <div style="background-color: #cccccc; width: 50px; height: 100px; display: flex; align-items: center; justify-content: center; margin-right: 20px;"> ! </div> <div> <p>All information contained is without obligation. KTM Sportmotorcycle GmbH particularly reserves the right to modify any equipment, technical specifications, prices, colors, shapes, materials, services, service work, constructions, equipment and the like so as to adapt them to local conditions or to cancel any of the above items, all without previous announcement and without giving reasons. KTM may stop manufacturing certain models without previous notice. KTM shall not be held liable for any deviations of availability and/or ability to deliver, illustrations, descriptions, printing and/or other errors. The illustrated models partly contain extra equipment, which is not applied to standard models.</p> <p>© by KTM Sportmotorcycle GmbH, Mattighofen AUSTRIA; All rights reserved; Reprint, also in extracts, with written allowance of KTM Sportmotorcycle GmbH, Mattighofen only.</p> </div> </div>			



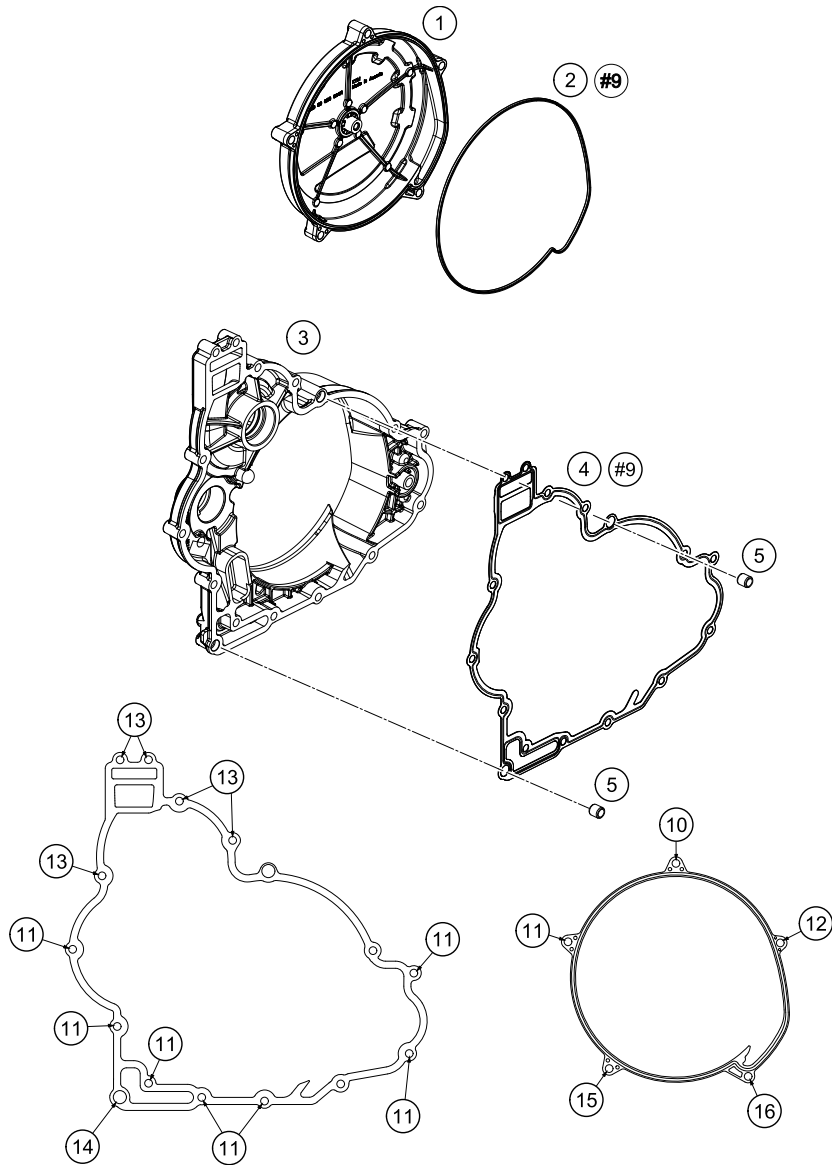
156063010

POS	PARTNUMBER	PARTNAME	PIECE
1	60630000044	ENGINE CASE CPL. W. BEARINGS	1
2	0019050106S	INT. TORX FLAT HEAD M5X10 10.9	7
3	61230084000	BRACKET FOR BEARING INSERT 08	2
5	0025080306	HH COLLAR SCREW M8X30 TX40	3
6	6033006600033S	ENGINE BRACKET R/S BLACK	1
8	62638084044	OIL SIGHT GLASS CPL.	1
9	0025050166	HH COLLAR SCREW M5X16 TX30	2
10	75038041200	OILFILTER CAP	1
11	07700390261	O-RING 39,34X2,62	1
12	0025060256	HH COLLAR SCREW M6X25 TX30	2
13	69030060144	PINION COVER CPL.	1
14	60330047144	CHAIN FAIL. PROTECTION CPL.	1
15	61330157050	SLIDE BEARING	1
16	60030010000	SWING BEARING OUTSIDE LC8 03	2
17	60030023000	DOWEL 20,1X24X12 03	1
18	49030090000	DOWEL 9,8 X 7 X 10	3
19	61230044000	STUD M6X110 08	4
20	0025060806	HH COLLAR SCREW M6X80 TX30	12
21	61230043000	CASE SCREW M8X125 AS 08	5
22	0025060906	HH COLLAR SCREW M6X90 TX30	4
23	0025060606	HH COLLAR SCREW M6X60 TX30	3
24	60038029200	REDUCING JET "30" M6X0,75	1
25	07700900151	O-RING 9x1,5 V80 SH	3
26	77336056095	SCREW PLUG	2
27	77236080100	SCREW PLUG	1
28	0018050103	INT. TORX OVAL HEAD M 5X10 8.8	2
29	57031523100	MAIN JET 100 DELLORTO	1
30	60005026000	SLS-VALVE 03	1
31	45038017000	SEAL RING 8X14X1 AI	1
32	0025080166	HH COLLAR SCREW M8X16 TX40	1
33	0025080206S	HH COLLAR SCREW M8X20 ISA40	1
34	74003021000	BUSHING 8.2 X 12 X 6	1
99	61230099100	GASKET KIT ENGINE CPL.	1

C156063010

* NEW PART

X ON DEMAND



#9 ENTHALTEN IM DICHTSATZ MOTOR KPL.
INCLUDED IN GASKET-SET ENGINE CPL.

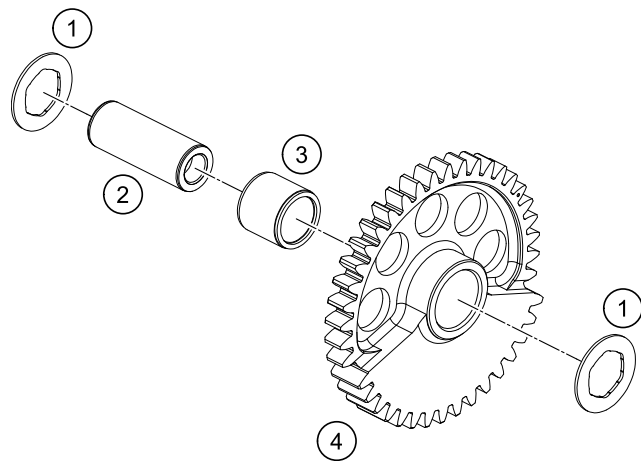
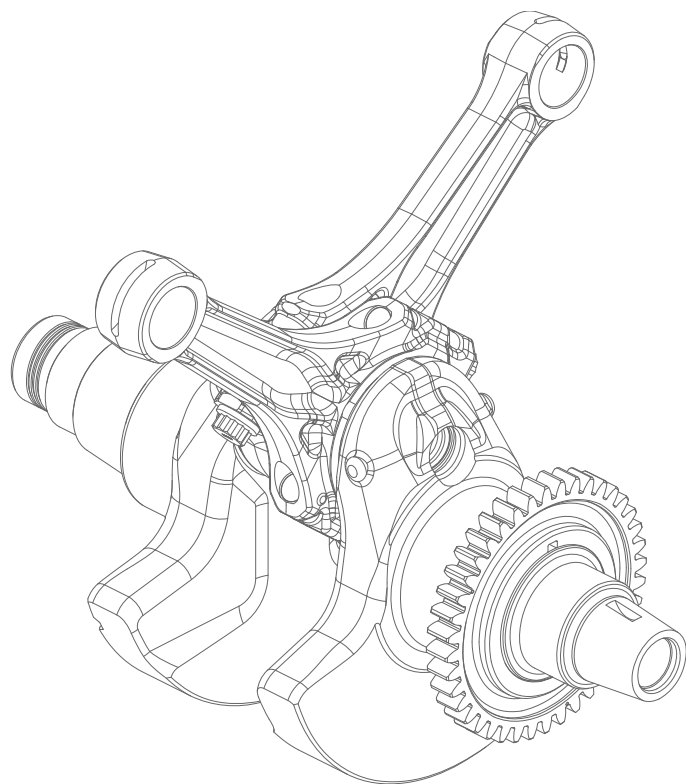
166063020

POS	PARTNUMBER	PARTNAME	PIECE
1	6033002600041	OUTER CLUTCH COVER	1
2	61230027000	MOLDED RING OUTER CLUTCH COVER	1
3*	6133000114441	CLUTCH COVER WITH BEARING	1
4*	61230025100	CLUTCH COVER GASKET	1
5	49030090000	DOWEL 9,8 X 7 X 10	2
10	0025060956	HH COLLAR SCREW M6X95 TX30	1
11	0025060306	HH COLLAR SCREW M6X30 TX30	8
12	0025060906	HH COLLAR SCREW M6X90 TX30	1
13	0025060456	HH COLLAR SCREW M6X45 TX30	5
14	0025060356	HH COLLAR SCREW M6X35 TX30	1
15	0025060256	HH COLLAR SCREW M6X25 TX30	1
16	0025060856	HH COLLAR SCREW M6X85 TX30	1

C166063020

* NEW PART

X ON DEMAND



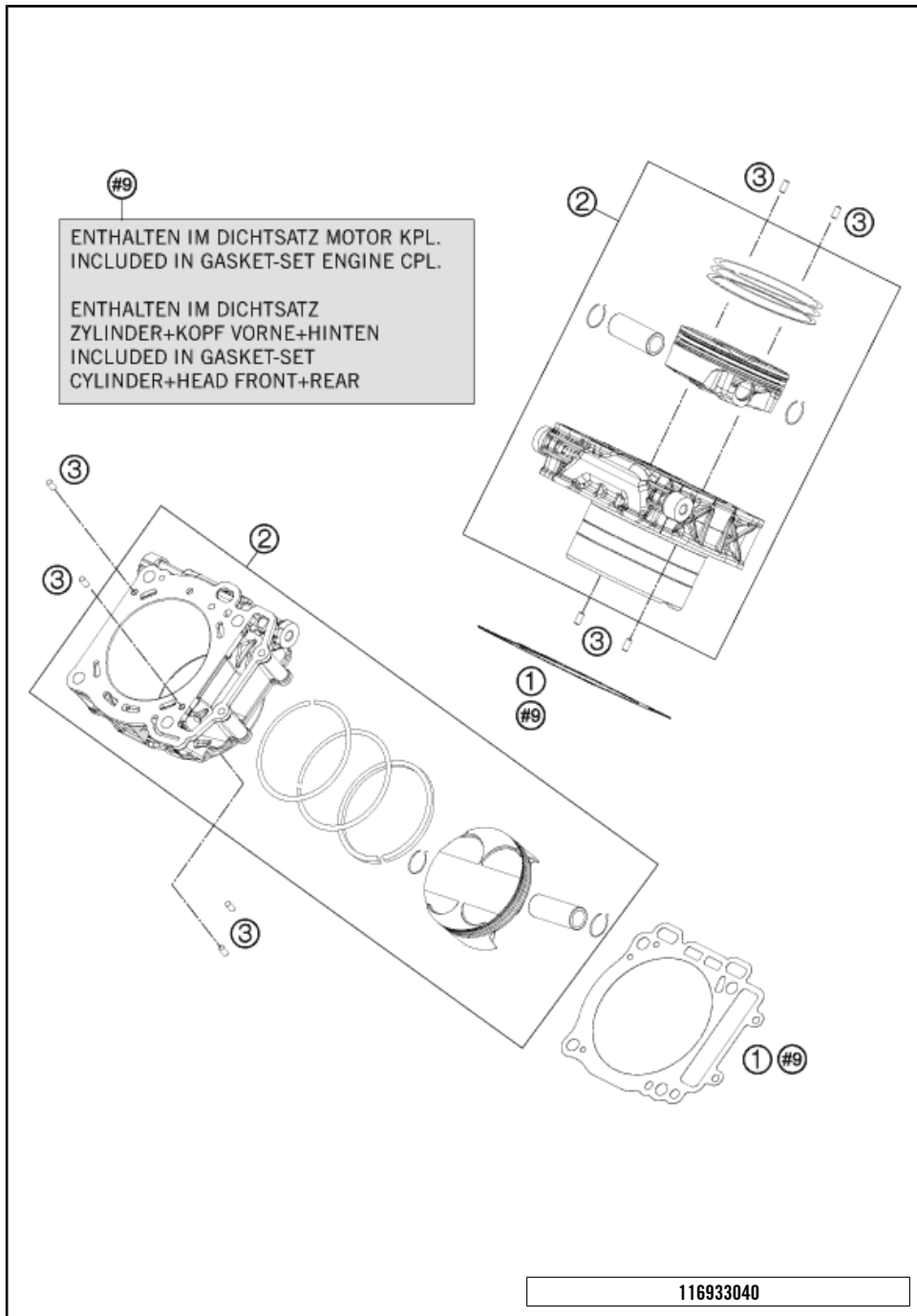
POS	PARTNUMBER	PARTNAME	PIECE
1	61230057060	STOP DISK 15,2X25X1	2
2	61230058050	BEARING BOLT 15X39 08	1
3	0405151917	NEEDLE BEARING K 15X19X17	1
4	60630058000	BALANCE SHAFT FRONT	1

136033030

C156063030

* NEW PART

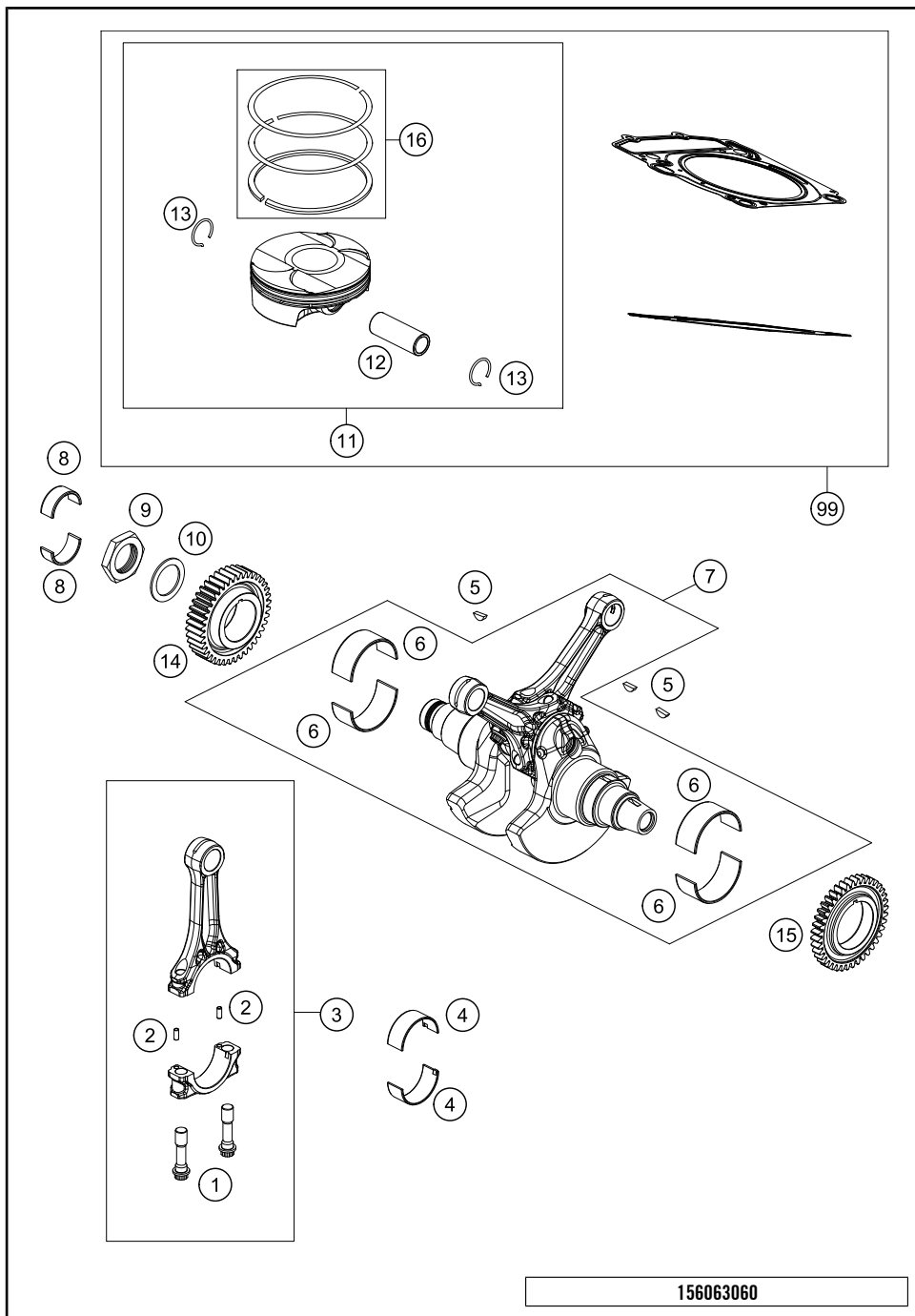
X ON DEMAND



POS	PARTNUMBER	PARTNAME	PIECE
1	61230035000	CYLINDER BASE GASGET 08	2
2	60630038000	CYLINDER AND PISTON CPL.	2
3	0474050100	GROOVED PIN DIN1474 5X10	8

C156063040

* NEW PART X ON DEMAND

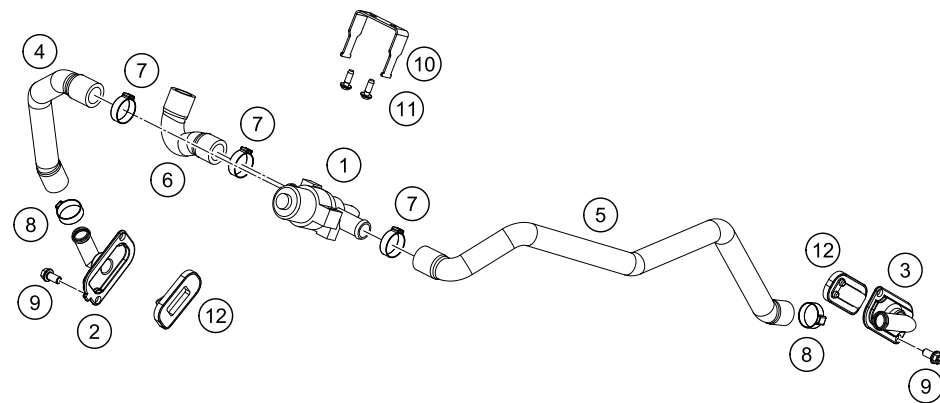


POS	PARTNUMBER	PARTNAME	PIECE
1	61230015100	CONNECTING ROD SCREW MJ10X1	4
2	0402040980	NEEDLE ROL.DIN5402 NRB 4X9,8	4
3	60630013000	CONNECTING ROD CPL. 125MM	2
4	612300151101	SPLIT BEAR. BUSH RED	x
4	612300151102	SPLIT BEAR. BUSH BLUE	x
4	612300151103	SPLIT BEAR. BUSH YELLOW	x
5	0888040050	WOODRUFF KEY DIN6888 4X5X13	3
6	612300820001	SPLIT BEAR. BUSH RED 08	x
6	612300820002	SPLIT BEAR. BUSH BLUE 08	x
6	612300820003	SPLIT BEAR. BUSH YELLOW 08	x
7	60630018000	CRANKSHAFT CPL.	1
8	60030026010	BUSHING BOWL 28X32X13 03	2
9	60032009050	HH-NUT M33X1,5 L/S WS46 03	1
10	60032009040	WASHER 33,2X46X2 03	1
11	60630007100 I	PISTON D103 CPL. GR. I	x
11	60630007100 II	PISTON D103 CPL. GR. II	x
12	61330033000	PISTON PIN	2
13	75030074000	CIRCLIP LC4 07	4
14	61230055000	PRIMARY GEAR	1
15	61230056000	DRIVE WHEEL BALANCER SHAFT 08	1
16	60630031044	PISTON RING KIT D103	2
99	60630007110 I	PISTON KIT GR. I 1050 ADV	x
99	60630007110 II	PISTON KIT GR. II 1050 ADV	x

156063060

C156063060

* NEW PART X ON DEMAND



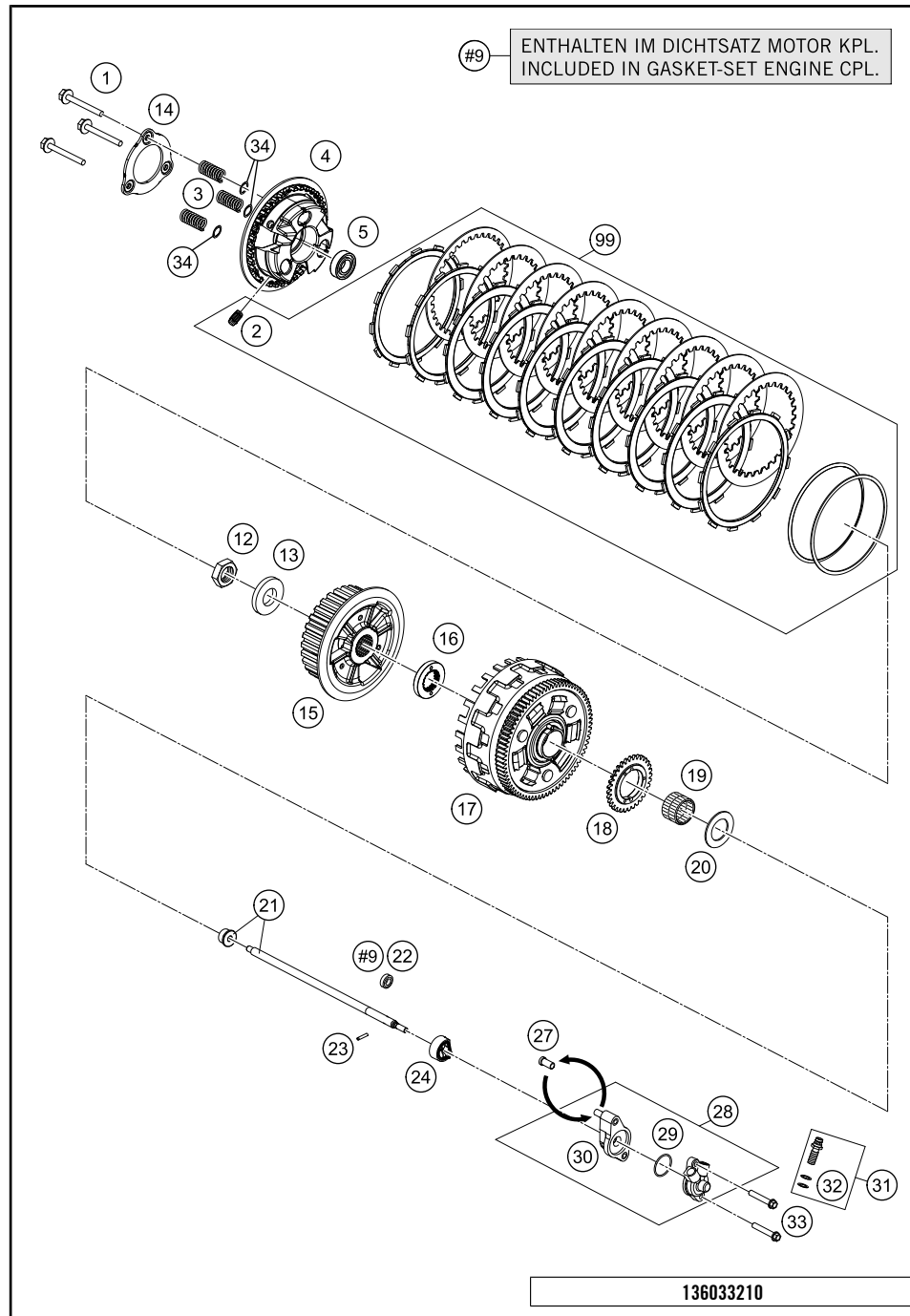
POS	PARTNUMBER	PARTNAME	PIECE
1	61005026000	CONTROL VALVE SAS 05	1
2	61205122000	SAS-FLANGE	1
3	61205032000	SAS-FLANGE	1
4	61305035021	SAS HOSE CYLINDER FRONT	1
5	61305035022	SAS HOSE CYLINDER REAR	1
6	61305035023	SAS HOSE - AIRBOX	1
7	00050226706	VARIABLE ONE-EAR CLAMP 22,6MM	3
8	00050220706	VARIABLE ONE-EAR CLAMP 22,0MM	2
9	0025060126	HH COLLAR SCREW M6X12 TX30	4
10	61305031000	RETAINING BRACKET SLS	1
11	0081050161	EJOT PT SCREW K50X16 1451	2
12	60005026000	SLS-VALVE 03	2

136033130

C136033130

* NEW PART

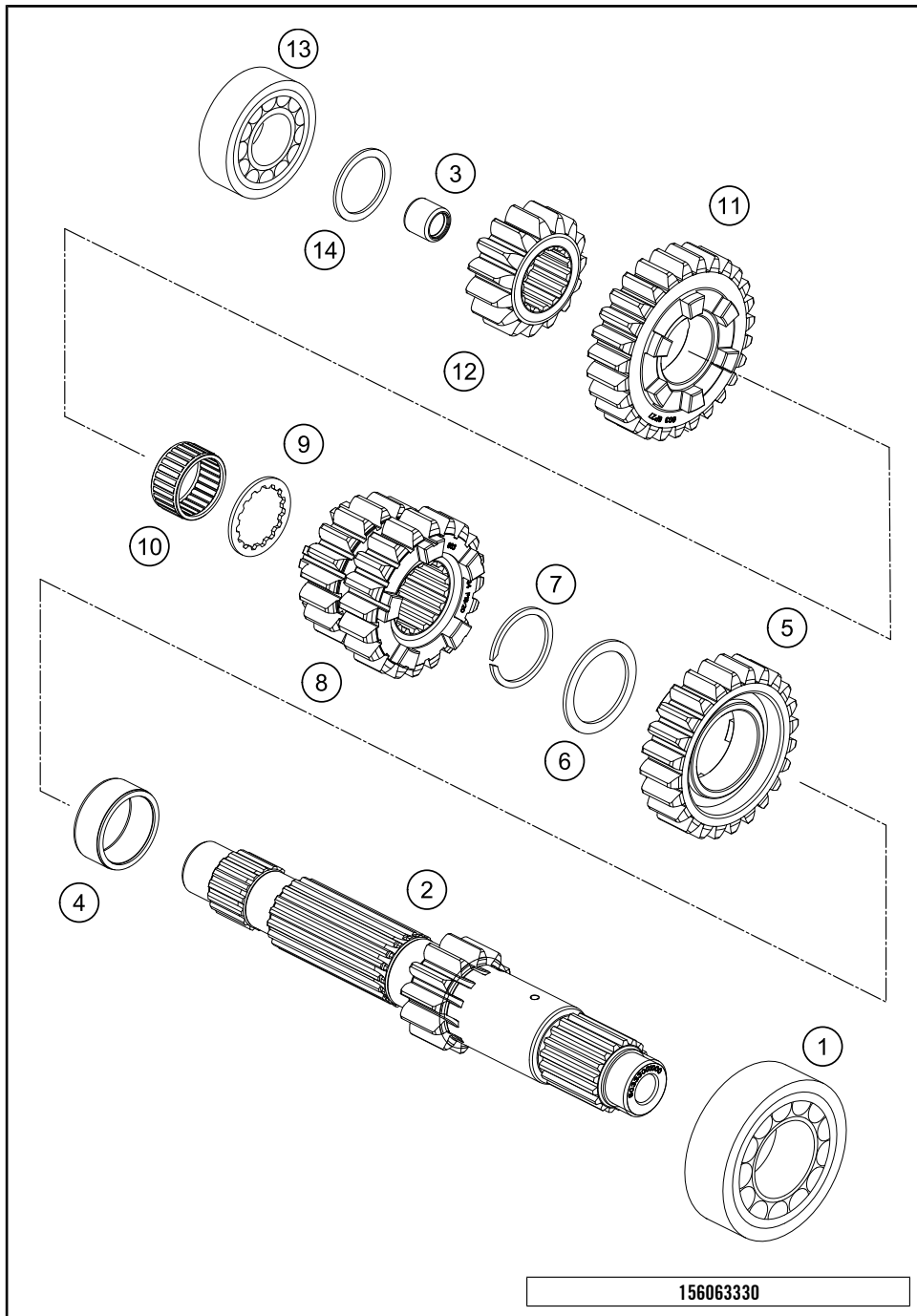
X ON DEMAND



POS	PARTNUMBER	PARTNAME	PIECE
1	61332044000	HH COLLAR SCREW M6X45 SW10	3
2	61332007000	DAMPER	3
3	61332005000	CLUTCH SPRING	3
4	61332003000	PRESSURE CAP	1
5	0625060032	BALL BEARING 6003 JR2 C4	1
12	0936220155	HEXAGON NUT DIN0936-M22X1,5 R.	1
13	0126220373	% WASHER DIN0126 22X37X3 MM	1
14	61332006000	ARRESTOR PRESSURE CAP	1
15	61332002000	INNER CLUTCH HUB	1
16	60032021000	SECTION WASHER 03	1
17	61332001044	CLUTCH CAGE CPL.	1
18	60038001132	OIL PUMP GEAR WHEEL 32-T 07	1
19	0618303526	NEEDLE BUSH HK 30X35X26	1
20	60032020000	STOP DISK 30,2/50/2	1
21	60232054000	PUSH ROD CPL. 110MM	1
22	0760091862	SHAFT SEAL RING 9X18X06 B-NBR	1
23	0402031780	NEEDLE ROL.DIN5402 NRB 3X17,8	1
24	61232069000	PUSH ROD GUIDE	1
27	61232061051	SLEEVE CLUTCH CONTR.	2
28	60032061244	SLAVE CYLINDER CPL. LC8 08	1
29	60032065000	O-RING GASKET 03	1
30	60032061050	DISTANCE CLUTCH CONTR. CPL.	1
31	50332062000	HOLLOW SCREW CPL. M 10X1 '98	1
32	0603100141	COPPER GASKET DIN7603-10X14X1	2
33	0025060456	HH COLLAR SCREW M6X45 TX30	2
34	61332004000	SUPPORT CLUTCH SPRING	3
99	60432011010	CLUTCH KIT 1190/1290	x

C136033210

* NEW PART X ON DEMAND



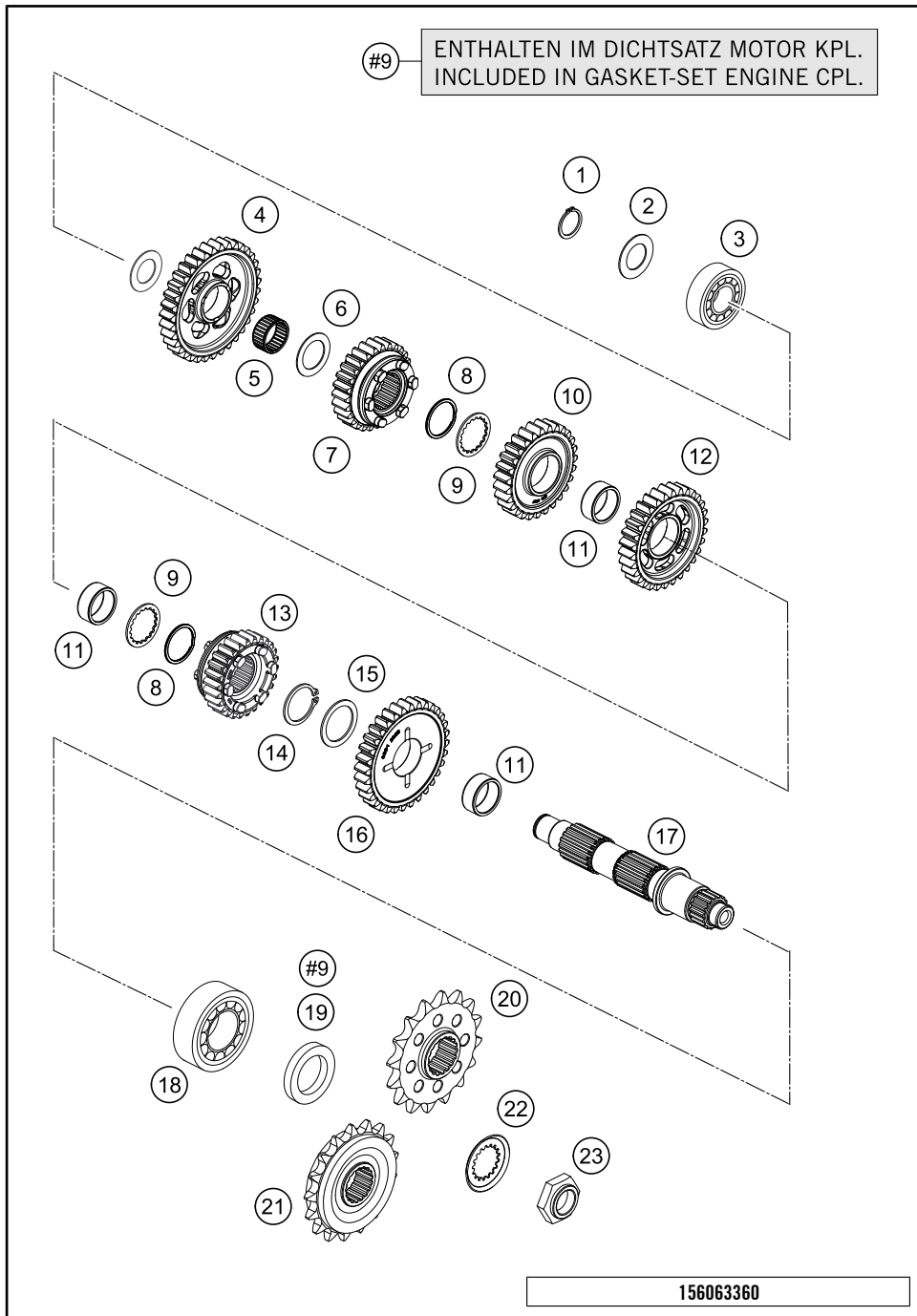
POS	PARTNUMBER	PARTNAME	PIECE
1	0625062062	BALL BEARING 6206 C3 J1 NSK	1
2	60333001000	MAIN SHAFT 12T	1
3	0618091312	NEEDLE BUSH HK0912 9/13/12 03	1
4	0405263113	NEEDLE BEAR. K 26-31-13	1
5	60333005000	IDLER GEAR 5. GEAR	1
6	61233042000	STOP DISK 27,9/35,75/1,5	1
7	0417270150	LOCK RING SW 27	1
8	60333003000	SLIDING GEAR 3./4. GEAR	1
9	61233041000	STOP DISK 22,2/30,2/1,5	1
10	0405222613	NEEDLE BEAR. K 22X26X13 TN	1
11	60333006000	IDLER GEAR 6. GEAR	1
12	60333002000	SOLID GEAR 2ND GEAR	1
13	0625062040	BALL BEARING 6204 DU J1 C3	1
14	60033040015	STOP DISK 20,2X28X1,5	x
14	60033040016	STOP DISK 20,2/28/1,6	x
14	60033040017	STOP DISK 20,2/28/1,7	x
14	60033040018	STOP DISK 20,2/28/1,8	x
14	60033040019	STOP DISK 20,2/28/1,9	x
14	60033040020	STOP DISK 20,2/28/2,0	x
14	60033040021	STOP DISK 20,2/28/2,1	x
14	60033040022	STOP DISK 20,2/28/2,2	x

156063330

C156063330

* NEW PART

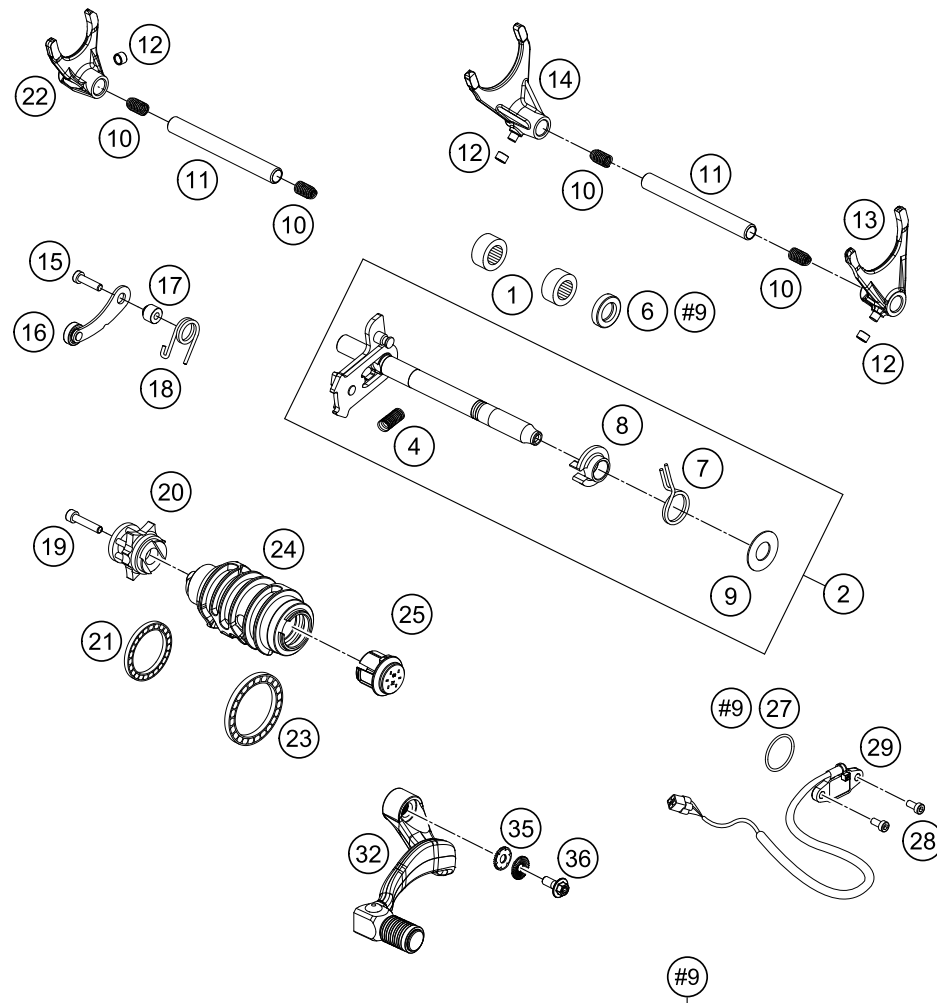
X ON DEMAND



POS	PARTNUMBER	PARTNAME	PIECE
1	0471200120	CIRCLIP DIN471 20X1,2	1
2	60033043000	STOP DISK 20,2 X 34 X 1	1
3	0625062043	BALL BEARING 6204 J1 C3	1
4	60333011100	IDLE GEAR 1. GEAR	1
5	0405242813	NEEDLE BEAR. K 24X28X13 TN	1
6	60033044000	STOP DISK 24,3/35,75/1	1
7	60333015000	SLIDING GEAR 5.GEAR	1
8	0471029000	TWISTED CIRCLIP D29	2
9	61233045000	STOP DISK 27/36/1,5	2
10	60333014000	IDLER GEAR 4. GEAR	1
11	0405263113	NEEDLE BEAR. K 26-31-13	3
12	60333013000	IDLER GEAR 3. GEAR	1
13	60333016000	SLIDING GEAR 6. GEAR	1
14	0471300151	CIRCLIP DIN0471-30X1,5 NIRO	1
15	61233046000	STOP DISK 29,9/39/1,5	1
16	60333012100	IDLE GEAR 2. GEAR	1
17	60333010000	COUNTERSHAFT	1
18	50330082000	CYL.ROLLER BEAR.NJ206 ET2XCS46	1
19	0760304772	SH.SEAL RING 30X47X7 BSL VITON	1
20	60033129016	CHAIN SPROCKET 16-T DAMP 03	x
20	60033029017	CHAIN SPROCKET 17-T 03	x
21	60033129017	CHAIN SPROCKET 17-T DAMPED 03	1
22	60033034000	SECURING PLATE TOOTHED 03	1
23	60033035000	HEXAGON NUT M20X1,5 03	1
24	60033043000	STOP DISK 20,2 X 34 X 1	1

* NEW PART

X ON DEMAND



ENTHALTEN IM DICHTSATZ MOTOR KPL.
INCLUDED IN GASKET-SET ENGINE CPL.

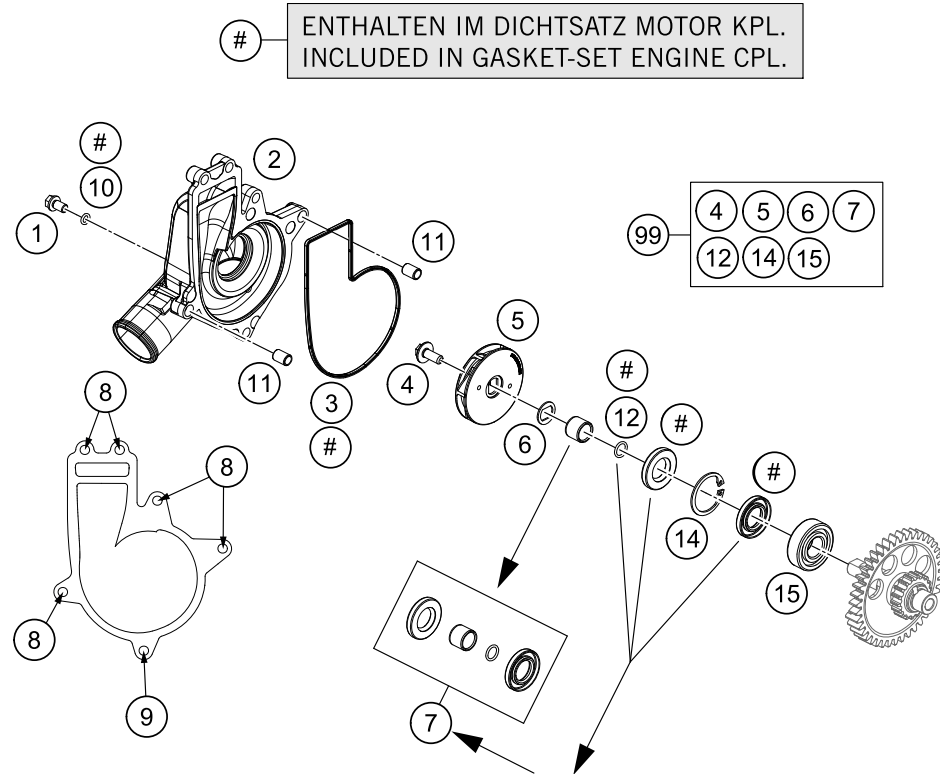
POS	PARTNUMBER	PARTNAME	PIECE
1	54632095000	NEEDLE BEAR.HK 1412 14X20X12	2
2	61234005333	SHIFT SHAFT CPL.	1
4	56534013100	TENSIONING SPRING 0,8MM	1
6	0760142460	SHAFT SEAL RING 14X24X6 B	1
7	61234014000	RETURNSPRING 2MM	1
8	54634120000	% SPRING GUIDE	1
9	54634150000	% STOP DISK 14X30X1	1
10	58038023200	PRESSURE SPRING 0,9MM	4
11	59034020000	SHIFT RAIL 11,8X105MM	2
12	50334018100	SHIFTING ROLLER 6X8X5,2	3
13	61234002100	SHIFT FORK 2-3 GEAR	1
14	61234001000	SHIFTING FORK 08	1
15	0024060206	HH COLLAR SCREW M6X20 TX30	1
16	75034024044	LOCKING LEVER CPL. 07	1
17	75034052000	SLEEVE FOR LOCKING LEVER 07	1
18	61234023000	SPRING - LOCKING LEVER	1
19	0912060303	AH SCREW DIN0912-M 6X30	1
20	61234015444	SHIFT DRUM LOCATING CPL.	1
21	0625618050	BALL BEARING 61805 C3	1
22	61234003200	SHIFT FORK 5-6 GEAR	1
23	0625068080	GROOVED BALL BEARING 6808 JRC3	1
24	60434012001	SHIFTING DRUM 6G	1
25	79234012020	MAGNET HOLDER CPL.	1
27	07700240251	O-RING 24X2,5 VITON	1
28	0984050143S	CYL. SCREW DIN6912 M5X14 8.8	2
29	60411023000	GEAR POSITION SENSOR	1
32	6003403104433S	SHIFTING LEVER CPL.	1
35*	50233041000	PAIR OF WASHERS M 6 NORDLOCK	1
36*	59009062019	SPECIAL SCREW M6X19 WS=8 10.9	1

166063410

C166063410

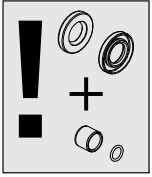
* NEW PART

X ON DEMAND



ACHTUNG !!!
 Mit den Wellendichtringen auch die Verschleissbuchse + O-Ring wechseln.

CAUTION !!!
 With the shaft seal rings also change the wear bushing + O-ring.

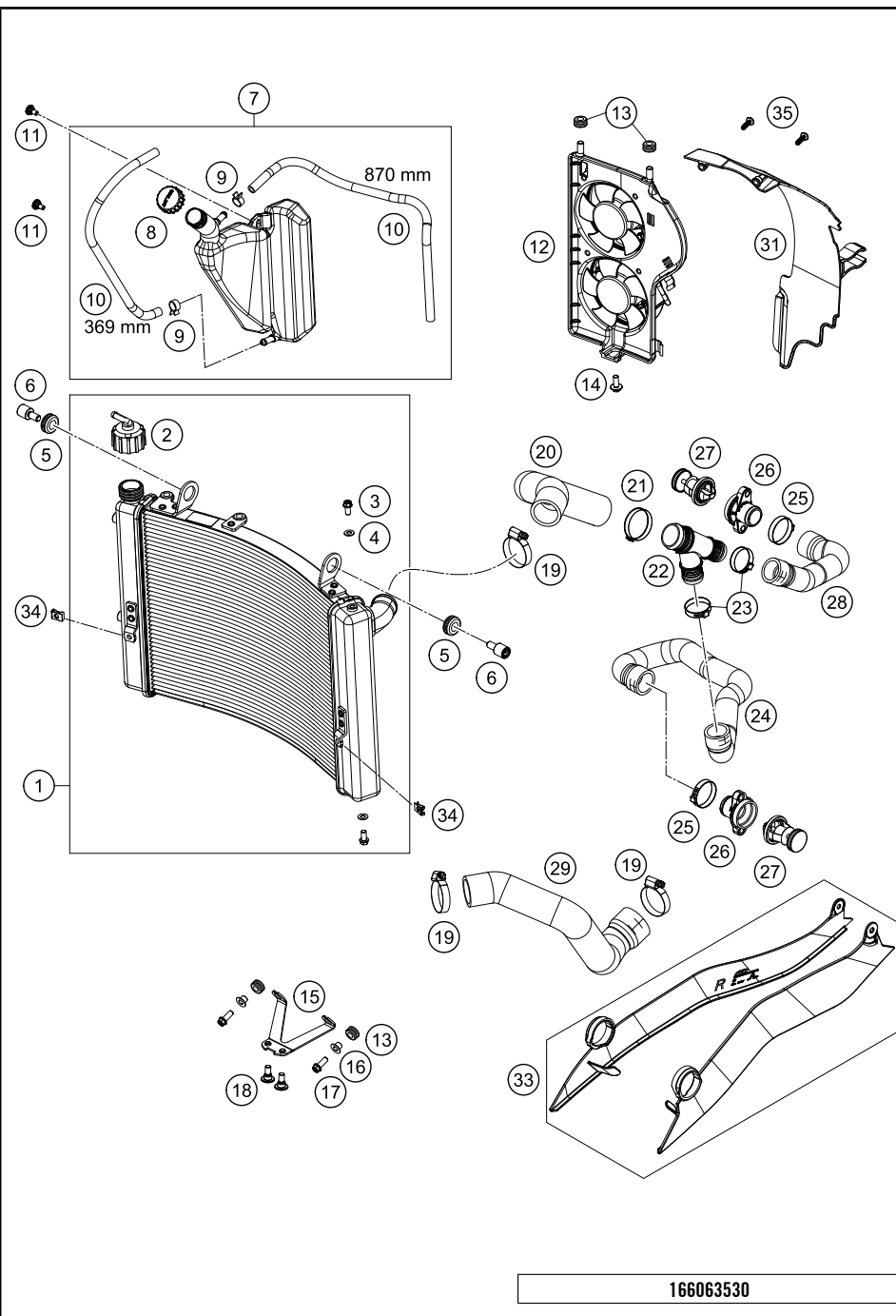


POS	PARTNUMBER	PARTNAME	PIECE
1	0025060106	HH COLLAR SCREW M6X10 TX30	1
2	6033505200041	WATER PUMP COVER CPL.	1
3	61235061000	MOLDED RING WATER PUMP COV. 08	1
4	0024060136	HH COLLAR SCREW M6X13 TX30	1
5	60335055100	WATER PUMP WHEEL CPL.	1
6	60035055150	FORM WASHER 16X1 NIRO 03	1
7	61235065244	WEAR BUSHING WITH SEAL RING	1
8	0025060456	HH COLLAR SCREW M6X45 TX30	5
9	0025060256	HH COLLAR SCREW M6X25 TX30	1
10	0770050012	O-RING 5,0X1,2 NBR 70	1
11	59030023000	DOWEL 6X8X11,5	2
12	07700900151	O-RING 9x1,5 V80 SH	1
14	04720300121	CIRCLIP DIN0472-30X1,2 NIRO	1
15	0412153511	CYL.ROLLER BEAR. NJ202 ECP C3	1
99	60335055110	WATER PUMP REP. KIT ADV.1190	x

156033510

C156063510

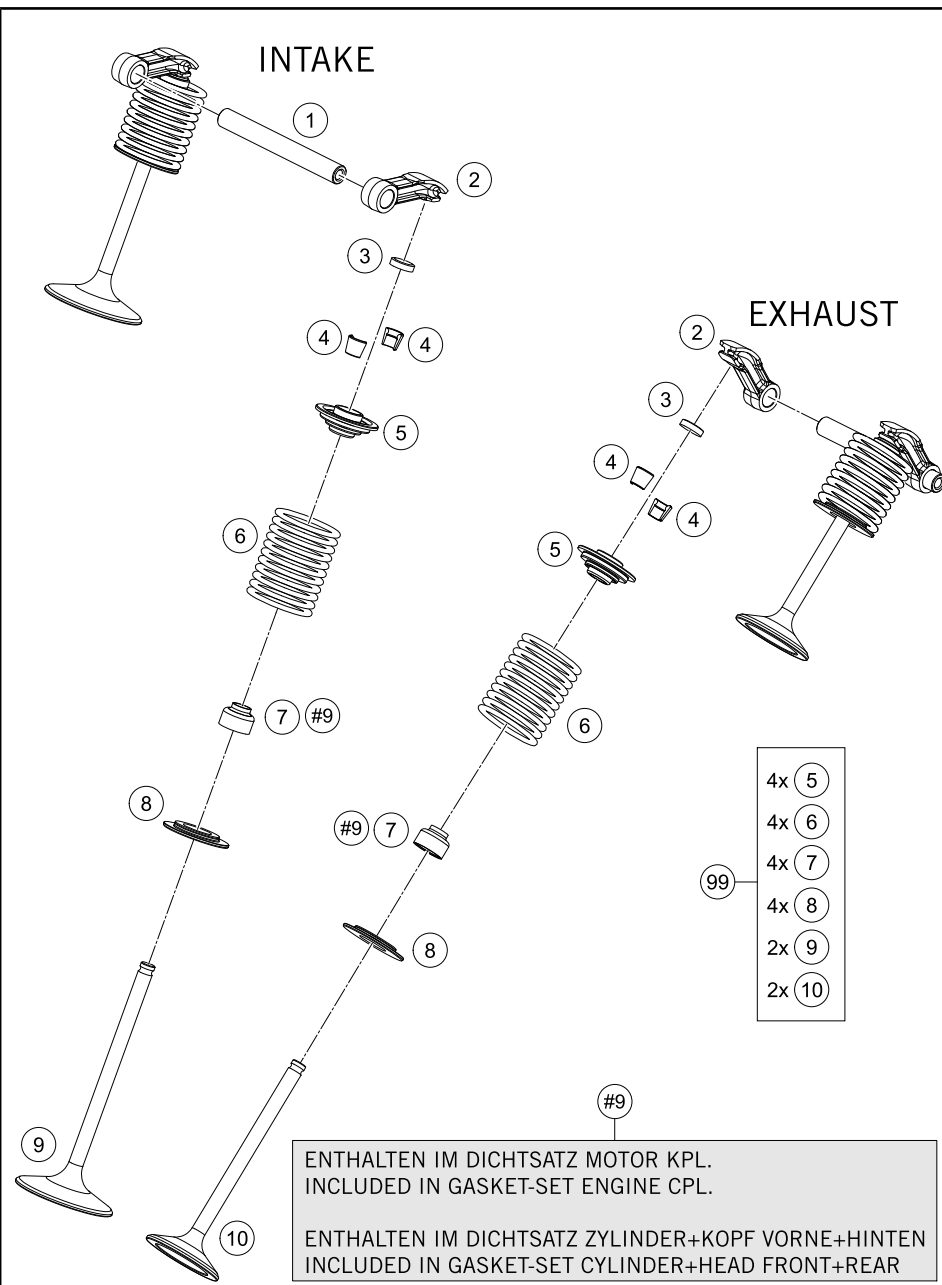
* NEW PART X ON DEMAND



POS	PARTNUMBER	PARTNAME	PIECE
1	60335010000	WATER COOLER	1
2	62535009000	RADIATOR CAP 1,4 BAR	1
3	0025060126	HH COLLAR SCREW M6X12 TX30	2
4	60035048000	ALU-GASKET 6X10X1.5	2
5	41001052000	RUBBER SLEEVE D=12MM	2
6	69035001000	STUD BOLT M6 11X11 ISA45	2
7	60335065000	EXPANSION TANK WATER	1
8	60335066044	PLUG F. EXPANSION TANK	1
9	58007117000	YDNAC-CLAMP 10107 10MM	2
10	60035067001	HOSE 6X10 EPDM 03	x
11	69008021160	SPECIAL SCREW M5X12	2
12	60335044033	FAN COVER CPL.	1
13	31008060000	RUBBER SLEEVE D=8MM OPEN	4
14	0024060156	HH COLLAR SCREW M6X15 TX30	1
15	60335005000	MOUNTING PLATE COOLER BOTTOM	1
16	75014010050	COLLAR BUSHING 6,1X8,1X14X8 07	2
17	0025060166	HH COLLAR SCREW M6X16 TX30	2
18	0025050106	COLLAR SCREW M5X10 ISA30	2
18	69013099050	SCREW F. EXPANSION TANK ONLY AUS	2
19	54305058000	HOSE CLAMP 30-45 SGT	3
20	60335026000	PREFORMED HOSE	1
21	00050396706	VARIABLE ONE-EAR CLAMP 39,6MM	1
22	60335093000	Y-JOINT	1
23	00050331706	VARIABLE ONE-EAR CLAMP 33,1MM	2
24	60335025000	PREFORMED HOSE	1
25	00050331706	VARIABLE ONE-EAR CLAMP 33,1MM	2
26	61235019100	WATER CONNECTION CPL.	2
27	61235017000	THERMOSTAT 70 DEGREE	2
28	60335024000	PREFORMED HOSE	1
29	60335027000	PREFORMED HOSE	1
31	60308056000	AIR DEFLECTOR FAN	x
33*	60308053144	AIR DEFLECTOR KIT SEAT	x
34*	54603048200	RANGE CHANGE METAL NUT M5	2
35	0081050181	SCREW FOR PLASTIC K50X18 T20	2

* NEW PART

X ON DEMAND

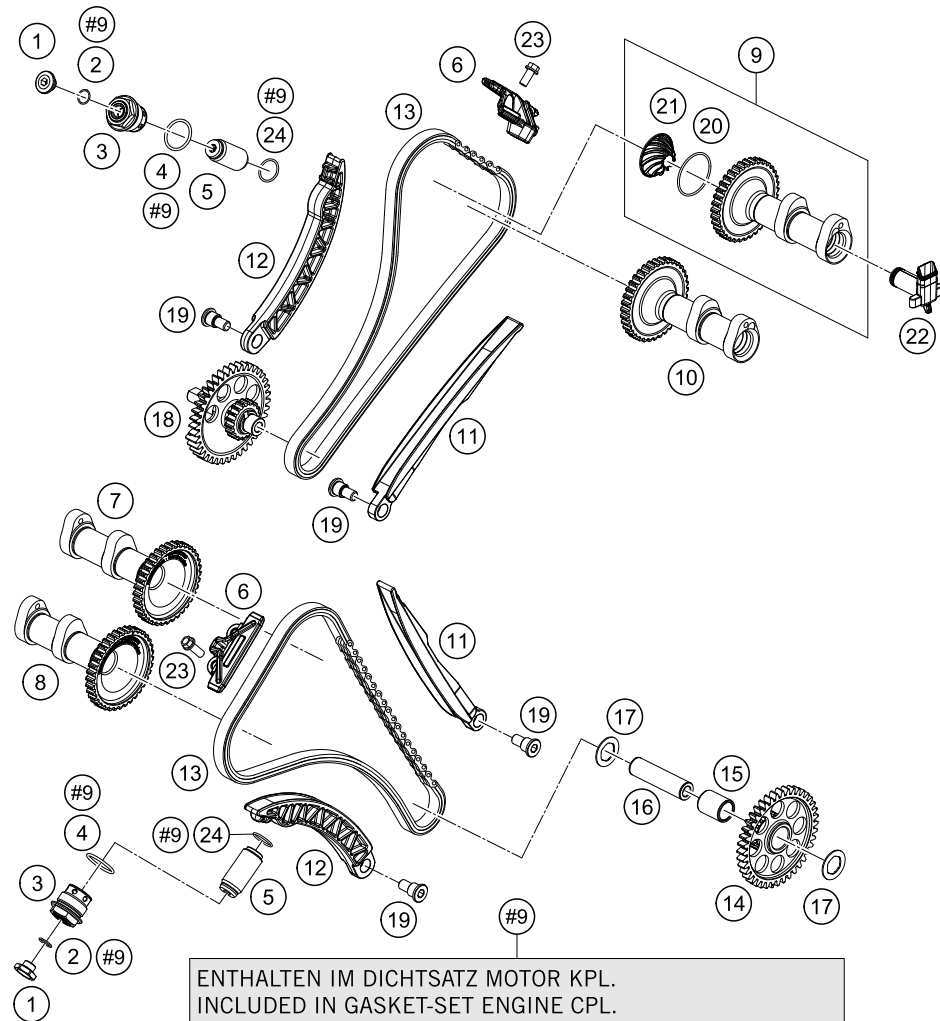


POS	PARTNUMBER	PARTNAME	PIECE
1	61236056000	VALVE LEVER SHAFT 08	4
2	61236060000	VALVE LEVER 08	8
3	60036035200	SHIM D=10/2,00 03	X
3	60036035205	SHIM D=10/2,05 03	X
3	60036035210	SHIM D=10/2,10 03	X
3	60036035215	SHIM D=10/2,15 03	X
3	60036035220	SHIM D=10/2,20 03	X
3	60036035225	SHIM D=10/2,25 03	X
3	60036035230	SHIM D=10/2,30 03	X
3	60036035235	SHIM D=10/2,35 03	X
3	60036035240	SHIM D=10/2,40 03	X
3	60036035245	SHIM D=10/2,45 03	X
3	60036035250	SHIM D=10/2,50 03	X
3	60036035255	SHIM D=10/2,55 03	X
3	60036035260	SHIM D=10/2,60 03	X
3	60036035265	SHIM D=10/2,65 03	X
3	60036035270	SHIM D=10/2,70 03	X
3	60036035275	SHIM D=10/2,75 03	X
3	60036035280	SHIM D=10/2,80 03	X
3	60036035285	SHIM D=10/2,85 03	X
3	60036035290	SHIM D=10/2,90 03	X
3	60036035295	SHIM D=10/2,95 03	X
3	60036035300	SHIM D=10/3,00 03	X
3	60036035305	SHIM D=10/3,05 03	X
3	60036035310	SHIM D=10/3,10 03	X
3	60036035315	SHIM D=10/3,15 03	X
3	60036035320	SHIM D=10/3,20 03	X
3	60036035330	SHIM D=10/3,3	X
4	78036033000	VALVE COLLET LK 6H	16
5	61236032200	VALVE SPRING PLATE	8
6	61236028100	VALVE SPRING NHK	8
7	59036027000	VALVE-STEM SEALING RACING	8
8	61236036100	VALVE SPRING HOLDER	8
9	60236030100	INTAKE VALVE D42	4
10	61236031400	EXHAUST VALVE	4
99*	61236030110	VALVE KIT 1290 SUPERDUKE	X

136033610

C156063610

* NEW PART X ON DEMAND



ENTHALTEN IM DICHTSATZ MOTOR KPL.
INCLUDED IN GASKET-SET ENGINE CPL.

ENTHALTEN IM DICHTSATZ ZYLINDER+KOPF VORNE+HINTEN
INCLUDED IN GASKET-SET CYLINDER+HEAD FRONT+REAR

POS	PARTNUMBER	PARTNAME	PIECE
1	77236080000	% SCREW PLUG	2
2	0770010010	O-RING 10,00X1,00 NBR 70 SH	2
3	61236008200	SCR. PLUG TIM. CHAIN TENS. KPL	2
4	0770220020	O-RING 22,00X2,00 B70	2
5	77036003000	CHAIN ADJUSTER HYD. 05	2
6	61236005000	GUIDE RAIL TOP 08	2
7	60636009000	CAMSHAFT INTAKE - FRONT	1
8	60636010000	CAMSHAFT EXHAUST - FRONT	1
9	60636109044	CAMSHAFT CPL. INTAKE - REAR	1
10	60636110000	CAMSHAFT EXHAUST - REAR	1
11	61236001000	GUIDE RAIL 08	2
12	61236002000	TENSIONER RAIL 08	2
13	61236113000	TIMING CHAIN 118 ROLLS	2
14	61230057100	TIMING DRIVE IDLER GEAR L/S	1
15	0405151924	NEEDLE BEARING K 15X19X24ZW	1
16	61230057050	BEARING BOLT 15X57,5 08	1
17	61230057060	STOP DISK 15,2X25X1	2
18	60630157000	IDLE GEAR R/S	1
19	61236002050	COLLAR SCREW 08	4
20	0770034015	O-RING 34X1,5 VITON	1
21	61236080100	CENTRIFUGE CONE	1
22	61236081000	ANGLE PIECE F. BREATHER SYSTEM	1
23	0025060206	HH COLLAR SCREW M6X20 TX30	4
24	0770180020	O-RING 18,00X2,00 NBR 70	2

146033620

C156063620

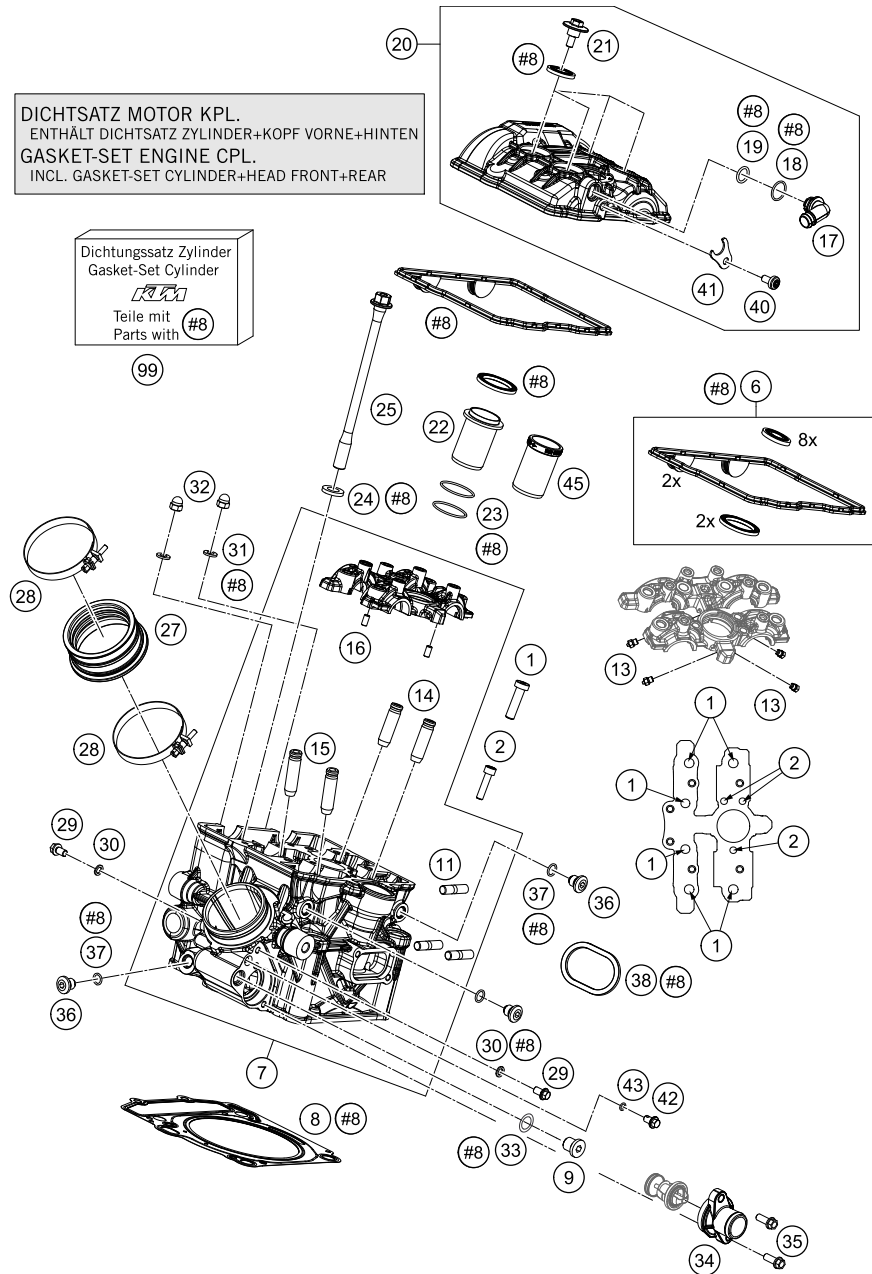
* NEW PART

X ON DEMAND

DICHTSATZ MOTOR KPL.
ENTHÄLT DICHTSATZ ZYLINDER+KOPF VORNE+HINTEN
GASKET-SET ENGINE CPL.
INCL. GASKET-SET CYLINDER+HEAD FRONT+REAR

Dichtungssatz Zylinder
Gasket-Set Cylinder

Teile mit
Parts with #8



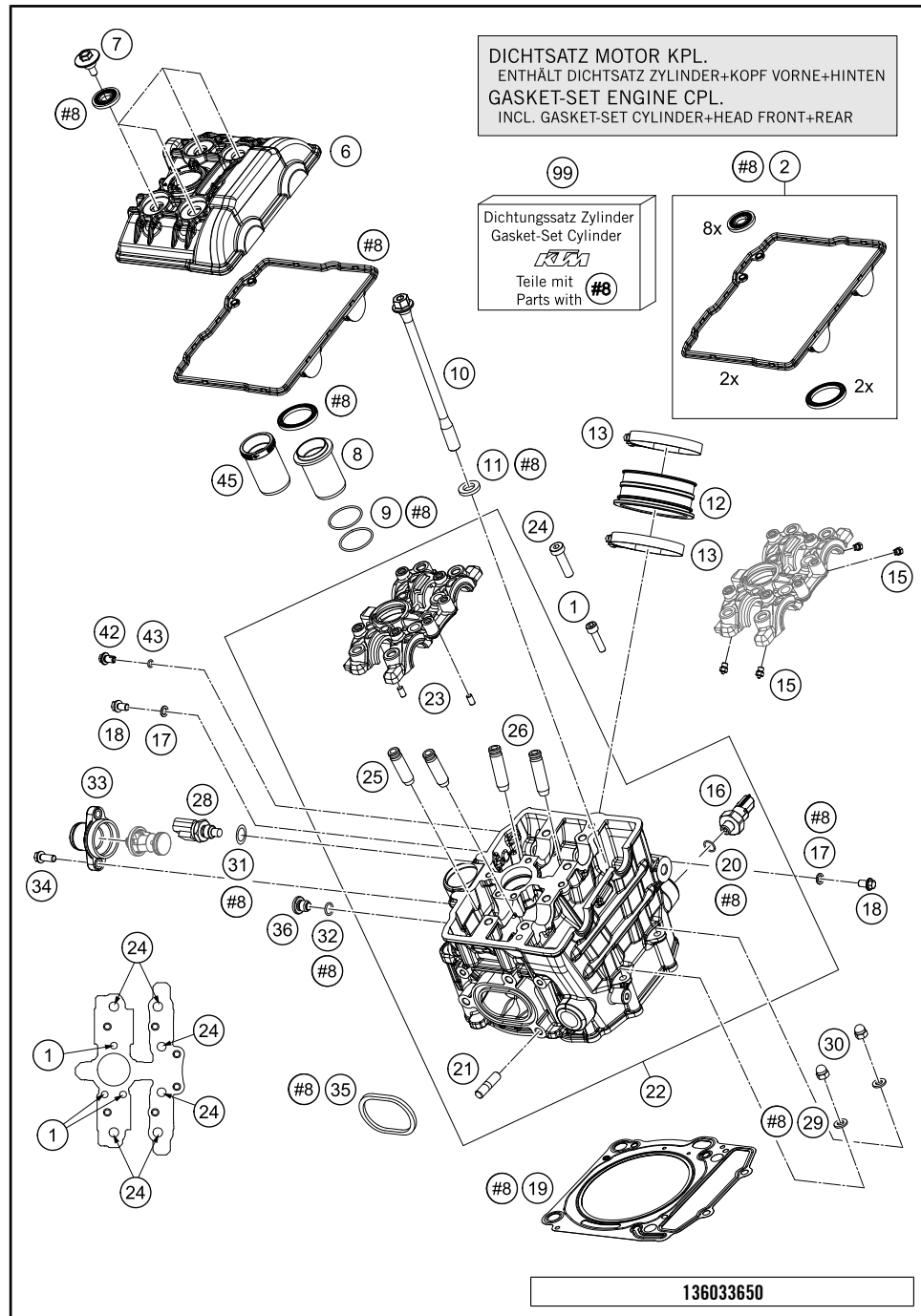
136033640

POS	PARTNUMBER	PARTNAME	PIECE
1	0984080305	AH SCREW DIN7984-M 8X30 10.9	6
2	0912060255	AH SCREW DIN0912-M 6X25 10.9	3
6	61236099100	VALVE COVER GASKET SET	1
7	60636120000	CYLINDER HEAD REAR	1
8	61230036000	CYLINDER HEAD GASGET 08	1
9	0908120153	PLUG DIN0908-M12X1,5	1
11	0835080165	STUD M 8X16 10.9	3
13	60030063050	OIL JET 50 05	4
14	61236026001	VALVE GUIDE EXHAUST 08	2
15	61236025001	VALVE GIUDE INTAKE 6MM	2
16	0402050980	NEEDLE ROLLER DIN5402 5X9,8	2
17	61236082100	CONNECTING ANGLE	1
18	0770150151	O-RING 15,00X1,50 VITON	1
19	0770120020	O-RING 12,00X2,00 NBR 70	1
20	6123615214433	VALVE COVER REAR	1
21	60036052020	COLLAR SCREW M 6 WS=10 03	4
22	61336075100	SPARK PLUG SHAFT	1
23	0770298178	O-RING 29,87X1,78 VITON	2
24	61236079050	WASHER 11,1X20X3 08	4
25	61236079000	CYLINDER HEAD SCREW 08	4
27	61336044000	INTAKE BOOT	1
28	61336048000	HOSE CLAMP GEMI 75	2
29	0025060106	HH COLLAR SCREW M6X10 TX30	2
30	0603061001	CU-SEAL RING DIN7603-6X10X1	2
31	0125060003	WASHER DIN0125-A 6,4	2
32	61230045000	CAP NUT M6 STAINLESS STEEL	2
33	58038022000	CU-SEAL RING DIN7603-12X18X1,5	1
34	61235019100	WATER CONNECTION CPL.	1
35	0025060206	HH COLLAR SCREW M6X20 TX30	2
36	77336056095	SCREW PLUG	3
37	07700900151	O-RING 9x1,5 V80 SH	3
38	69005005100	EXHAUST PIPE FLANGE GASKET	1
40	0080060123	SCREW M6X12 ISA30	1
41	61236082150	CONNECTING ANGLE RETAIN. PLATE	1
42	59036006090	VENT SCREW M6X10 CPL.	1
43	07700500012	O-RING 5,0X1,2 NBR 70	1
45	61336074100	INSERT SPARK-PLUG SHAFT	1
99	61230097100	GASKET KIT CYLINDER+HEAD F+R	1

C156063640

* NEW PART

X ON DEMAND

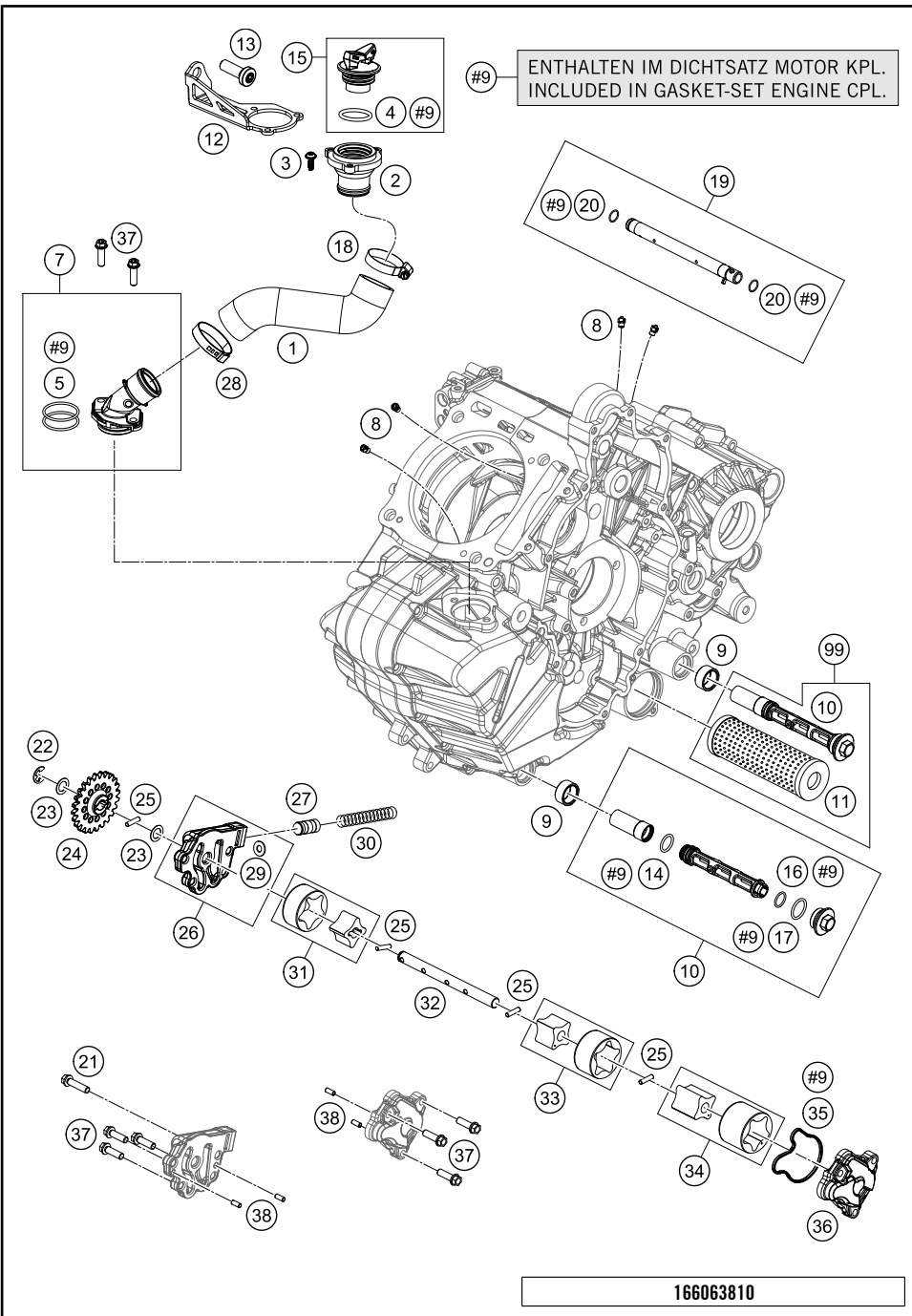


POS	PARTNUMBER	PARTNAME	PIECE
1	0912060255	AH SCREW DIN0912-M 6X25 10.9	3
2	61236099100	VALVE COVER GASKET SET	1
6	6123605210033	VALVE COVER FRONT 09	1
7	60036052020	COLLAR SCREW M 6 WS=10 03	4
8	61336075100	SPARK PLUG SHAFT	1
9	0770298178	O-RING 29,87X1,78 VITON	2
10	61236079000	CYLINDER HEAD SCREW 08	4
11	61236079050	WASHER 11,1X20X3 08	4
12	61336044000	INTAKE BOOT	1
13	61336048000	HOSE CLAMP GEMI 75	2
15	60030063050	OIL JET 50 05	4
16	61238091000	OIL PRESSURE SWITCH "BITRON"	1
17	0603061001	CU-SEAL RING DIN7603-6X10X1	2
18	0025060106	HH COLLAR SCREW M6X10 TX30	2
19	61230036000	CYLINDER HEAD GASGET 08	1
20	0770080015	O-RING 8,00X1,5 NBR 70	1
21	0835080165	STUD M 8X16 10.9	3
22	60636020000	CYLINDER HEAD FRONT	1
23	0402050980	NEEDLE ROLLER DIN5402 5X9,8	2
24	0984080305	AH SCREW DIN7984-M 8X30 10.9	6
25	61236026001	VALVE GUIDE EXHAUST 08	2
26	61236025001	VALVE GIUDE INTAKE 6MM	2
28	60011252000	TEMPERAT.-SENSOR WATER LC8 02	1
29	0125060003	WASHER DIN0125-A 6,4	2
30	61230045000	CAP NUT M6 STAINLESS STEEL	2
31	0770100020	O-RING 10,00X2,00 SILCONE	1
32	07700900151	O-RING 9x1,5 V80 SH	2
33	61235019100	WATER CONNECTION CPL.	1
34	0025060206	HH COLLAR SCREW M6X20 TX30	2
35	69005005100	EXHAUST PIPE FLANGE GASKET	1
36	77336056095	SCREW PLUG	2
42	59036006090	VENT SCREW M6X10 CPL.	1
43	0770050012	O-RING 5,0X1,2 NBR 70	1
45	61336074100	INSERT SPARK-PLUG SHAFT	1
99	61230097100	GASKET KIT CYLINDER+HEAD F+R	1

136033650

C156063650

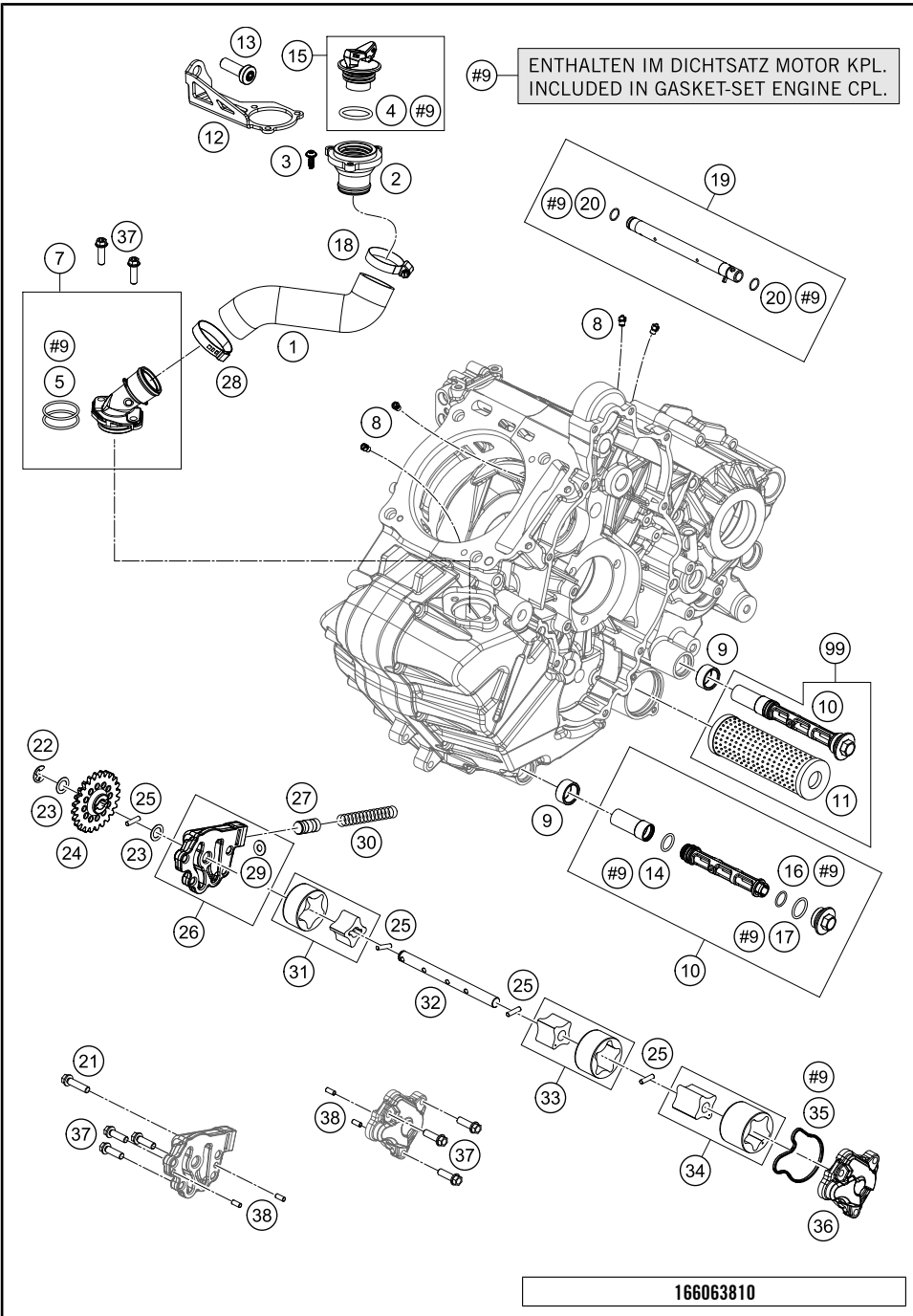
* NEW PART X ON DEMAND



POS	PARTNUMBER	PARTNAME	PIECE
1	60307026100	OIL INFILLING HOSE	1
2	60307129000	THREADED ADAPTER	1
3	0081050141	EJOT PT SCREW 50X14 WN 1451	3
4	0770250032	O-RING 25,00X3,20 NBR 70	1
5	0770300020	O-RING 30X2,0 FPM	2
7	60638085000	OIL FILLING FLANGE CPL.	1
8	60030063070	OIL JET 70 M5	4
9	61238017000	OIL SCREEN BUSHING 08	2
10	61238021100	OIL SCREEN CPL.	2
11	61338015100	OIL FILTER	1
12	60312967040	OIL INFILLING ADAPTER BRACKET ONLY FOR ADVENTURE R	1
13	0035100309S	AH-COLLAR SCREW M10X30 ISA45 ONLY FOR ADVENTURE R	1
14	0770140200	O-RING 14,00X2,00	2
15	60338085100	OIL PLUG CPL.	1
16	0770125015	O-RING 12,5X1,5 NBR	2
17	0770170200	O-RING 17,00X2,00	2
18	10001120000	CLAMP 25-40 SGT 4	1
19	61230065000	OIL INJECTION TUBE CPL. 08	1
20	0770010010	O-RING 10,00X1,00 NBR 70 SH	2
21	0025060256	HH COLLAR SCREW M6X25 TX30	1
22	0799080000	TAB WASHER DIN6799 RS8	1
23	60038007010	WASHER 10X16X0,5 03	2
24*	60038001224	% OIL PUMP GEAR 24Z	1
25	0402041580	NEEDLE ROLLER NRB 4X15,8 G2	4
26	61238009144	PRESSURE PUMP COVER CPL.	1
27	60038028000	CONTROL PISTON LC8 03	1
28	00050376706	VARIABLE ONE-EAR CLAMP 37,6MM	1
29	50337073000	SHIM	1
30	61238026000	CONTROL SPRING	1
31	60038009000	ROTOR-SET 19MM 03	1
32	61238002000	OIL PUMP SHAFT 08	1
33	61238011100	ROTOR SET 22MM	1
34	61238010100	ROTOR SET 30MM	1
35	61238008150	MOLDED RING SUCTION PUMP COVER	1
36	61238008200	SUCTION PUMP COVER	1
37	0025060206	HH COLLAR SCREW M6X20 TX30	8

C166063810

* NEW PART X ON DEMAND

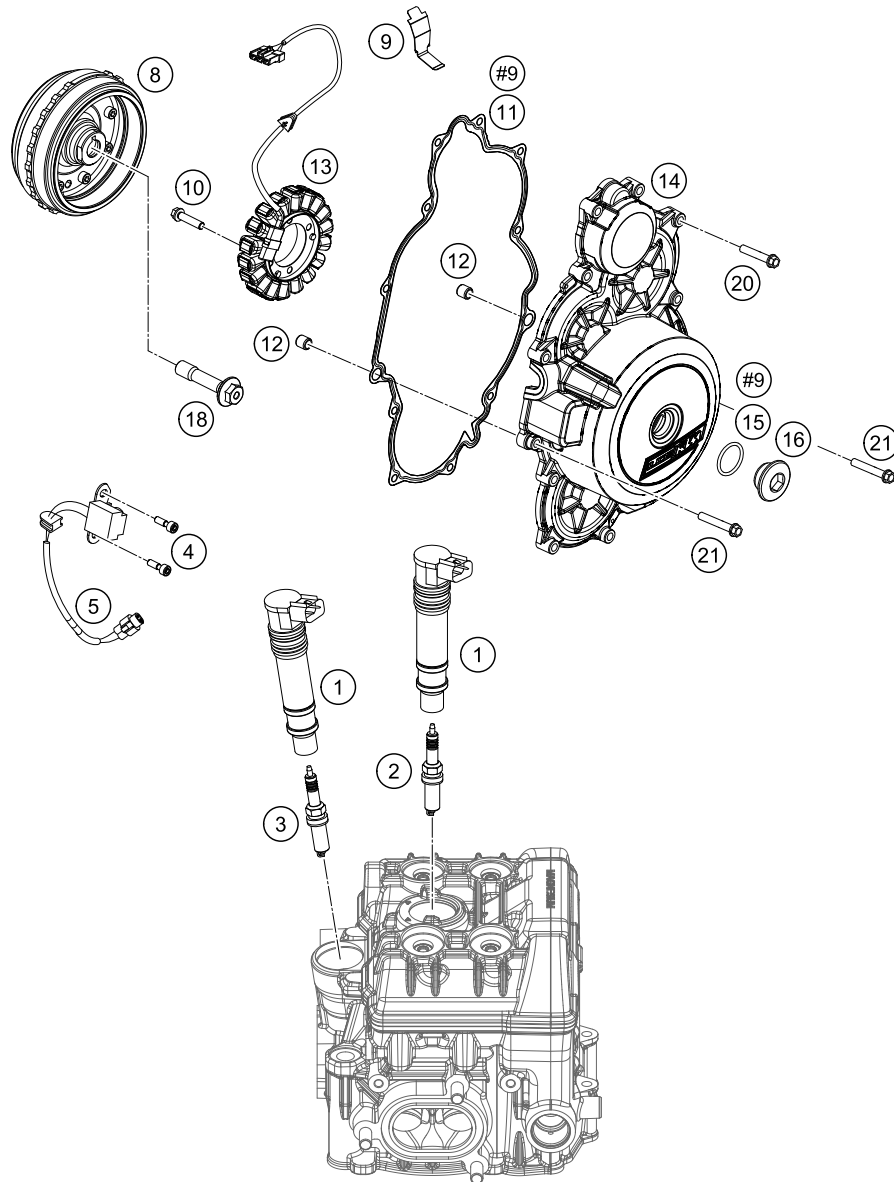


POS	PARTNUMBER	PARTNAME	PIECE
38	0402050980	NEEDLE ROLLER DIN5402 5X9,8	4
99	00050000068	OILFILTER SERVICE KIT	x

C166063810

* NEW PART X ON DEMAND

#9
ENTHALTEN IM DICHTSATZ MOTOR KPL.
INCLUDED IN GASKET-SET ENGINE CPL.



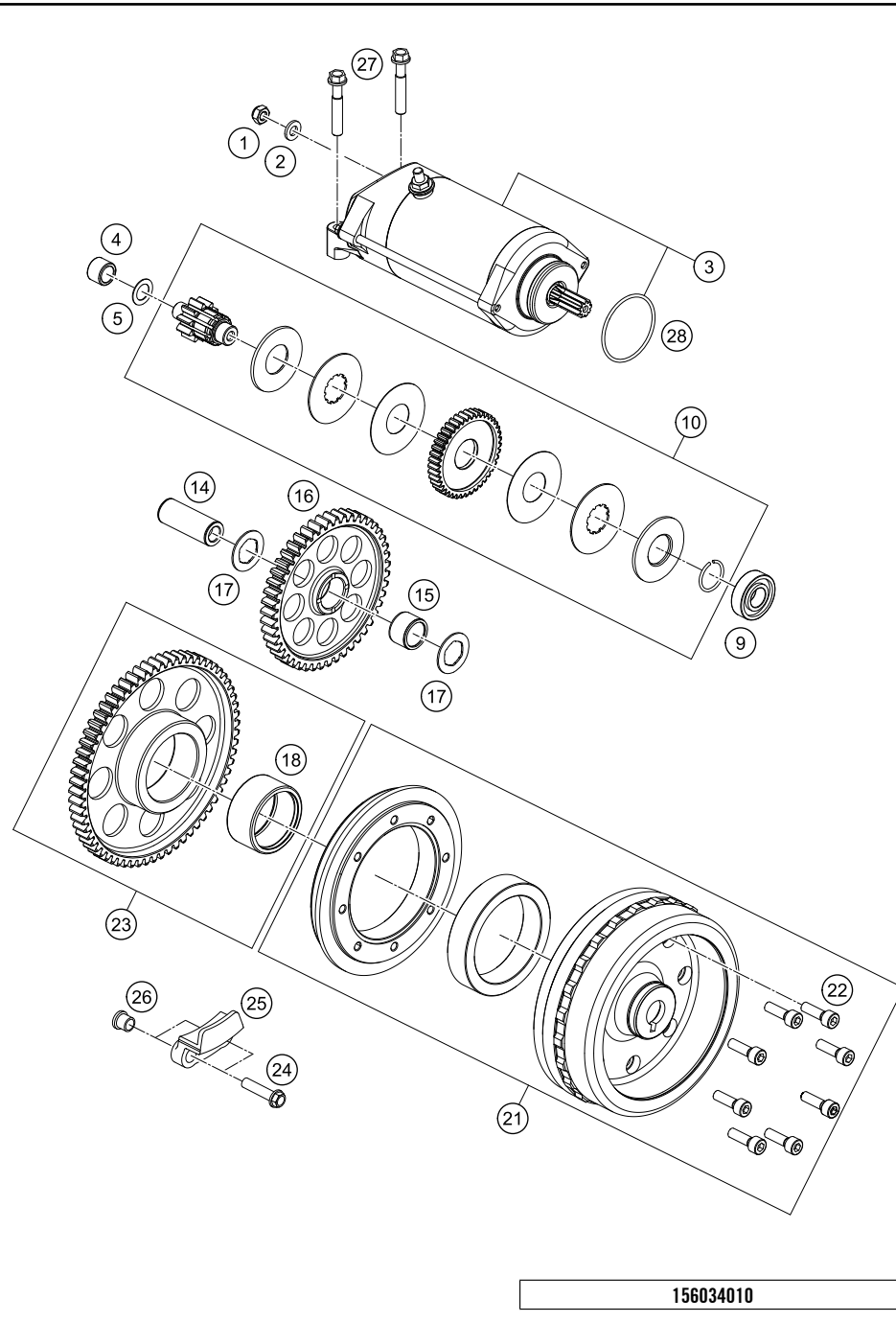
POS	PARTNUMBER	PARTNAME	PIECE
1	76039006000	STICK COIL	4
2	60439093000	SPARK PLUG M12X1.25	2
3	60439094000	SPARK PLUG M10X1	2
4	60339035000	SPECIAL SCREW M5X16	2
5	59039034000	PULSER COIL KOKUSAN 4K3-A/B	1
8	60439005000	ROTOR CPL.	1
9	60039040020	CABLE SUPPORT GENERATOR 03	1
10	0025060256	HH COLLAR SCREW M6X25 TX30	4
11*	61230040100	GASKET GENERATORCOVER	1
12	49030090000	DOWEL 9,8 X 7 X 10	2
13	60339004000	STATOR	1
14	6023010214441	IGNITION COVER WITH BEARINGS	1
15	07700240251	O-RING 24X2,5 VITON	1
16	6003009400030	SCREW PLUG M24X1,5 PA 6.6	1
18	60339003000	SPECIAL SCREW M12X1,5 WS15	1
20	0025060306	HH COLLAR SCREW M6X30 TX30	10
21	0025060356	HH COLLAR SCREW M6X35 TX30	2

166063910

C166063910

* NEW PART

X ON DEMAND



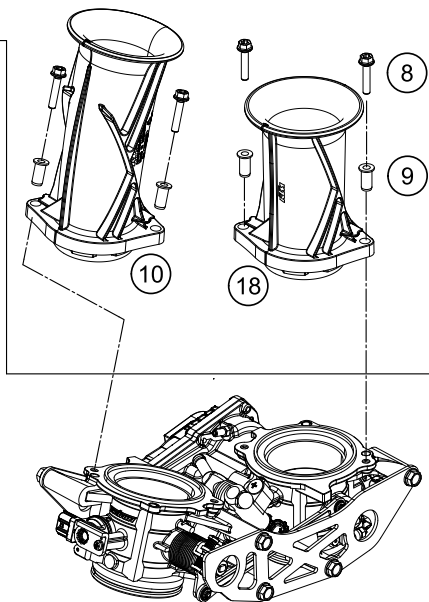
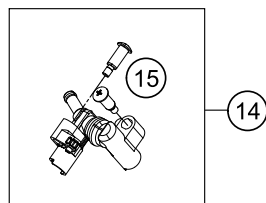
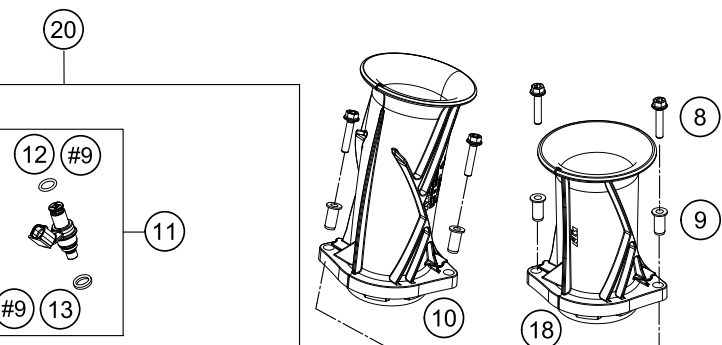
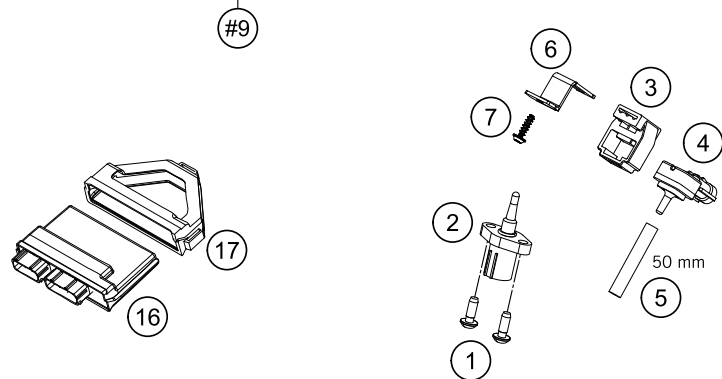
POS	PARTNUMBER	PARTNAME	PIECE
1	0985060003	SELF LOCK. NUT DIN0985-M 6	1
2	0125060003	WASHER DIN0125-A 6,4	1
3	60440001000	STARTER MOTOR	1
4	0618101410	NEEDLE SLEEVE HK 1010 10/14/10	1
5	60038007010	WASHER 10X16X0,5 03	1
9	0625060016	GROOV.BALL BEAR. 6001.2RSR C3	1
10	60340117100	TORQUE LIMITER 10/55 CPL.	1
14	61230058050	BEARING BOLT 15X39 08	1
15	0405151913	NEEDLE BEARING K 15X19X13	1
16*	60340122000	% IDLER SHAFT 43T	1
17	61230057060	STOP DISK 15,2X25X1	2
18	0618354220	NEEDLE BUSH HK3520 35/42/20	1
21	60239105000	ROTOR	1
22	0912060206	AH SCREW DIN 912 M6X20	8
23	60340020000	FREEWHEEL GEAR CPL.	1
24	0025060256	HH COLLAR SCREW M6X25 TX30	2
25	60040027000	FREEWHEEL HOLDER 03	1
26	60040027050	SUPPORTING SLEEVE 03	2
27	0025060300	HH COLLAR SCREW M6X30 INOX	2
28	0770033020	O-RING 33,75X2,00	1

C166064010

* NEW PART

X ON DEMAND

ENTHALTEN IM DICHTSATZ MOTOR KPL.
INCLUDED IN GASKET-SET ENGINE CPL.



POS	PARTNUMBER	PARTNAME	PIECE
1	0081050161	EJOT PT SCREW K50X16 1451	2
2	61041080000	AMBIENT-AIR TEMPERATURE SENSOR	1
3	61041085150	RUBBER SUPP. PRESSURE SENS. 06	1
4	61041085100	PRESSURE SENSOR 06	1
5	60031098001	HOSE 3,2X8,5 PER METER	x
6	60311040100	BRACKET PRESSURE SENSOR	1
7	0081050181	SCREW FOR PLASTIC K50X18 T20	1
8	0025050256S	HH COLLAR SCREW M5X25 ISA30	4
9	60306042010	BUSHING INTAKE TRUMPET	4
10	60641040000	INTAKE FUNNEL FRONT	1
11	60341023044	FUEL INJECTOR CPL.	2
12	60341023020	O-RING	2
13	75041023010	SEAL RING	2
14	60341013044	FUEL PIPE CPL.	1
15	75041013060	SCREW SHOULDER	2
16	61341031100	ECU	1
17	60341031050	ECU RUBBER BRACKET	1
18	60641140000	INTAKE FUNNEL REAR	1
20	60341001000	THROTTLE BODY	1

156064110

C156064110

* NEW PART

X ON DEMAND

A large, empty rectangular box with a thin black border, occupying the majority of the page. It is intended for students to write their notes during the 1050 Adventure 2016 event.

WWW.KTM.COM



KTM Sportmotorcycle GmbH
5230 Mattighofen, Austria
www.ktm.com



KTM_POWERPARTS

KTM_POWERWEAR

KTM_ORIGINAL SPARE PARTS



3CM089840PEN

Art. Nr.: 3CM089840PEN 16. Okt 2015