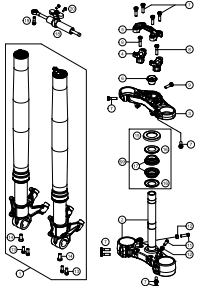
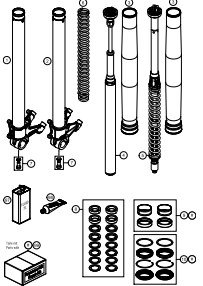
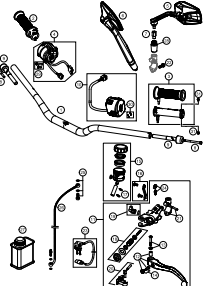
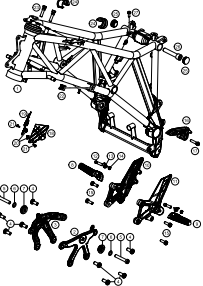
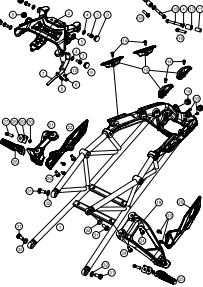
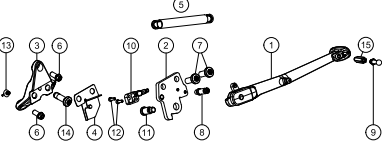
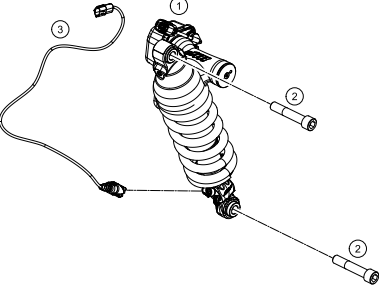
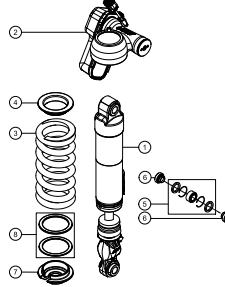
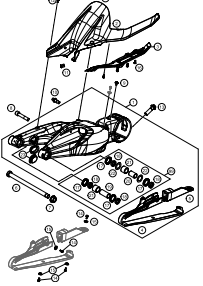
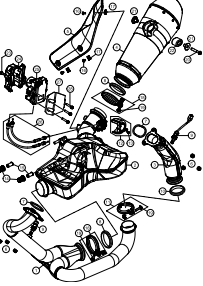
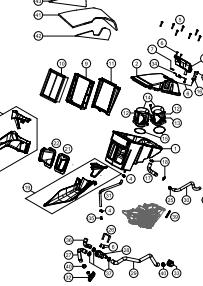
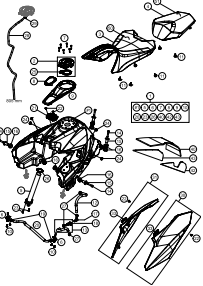
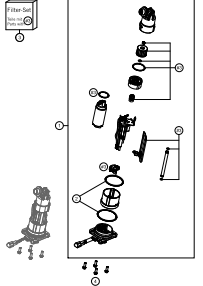
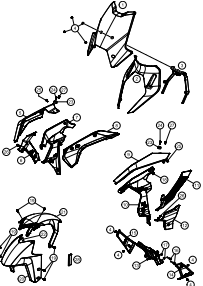
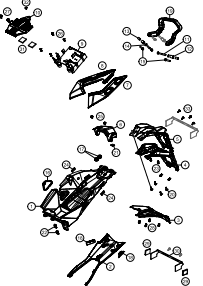
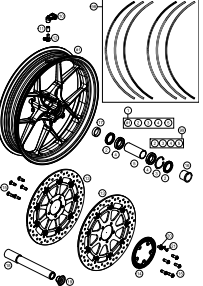
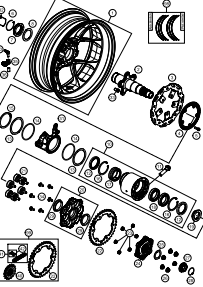
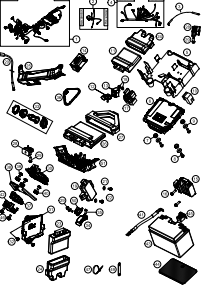
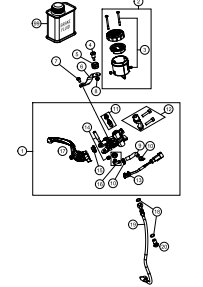
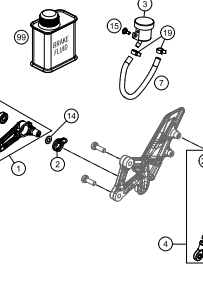
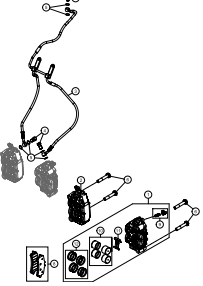
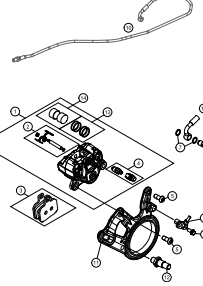
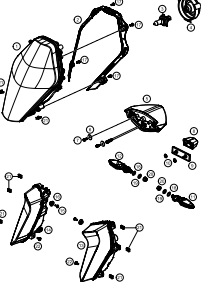
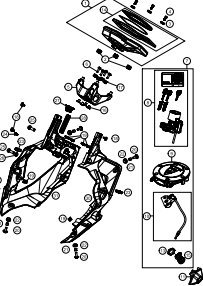


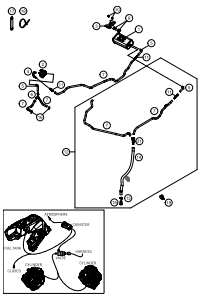
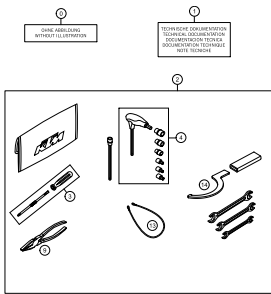
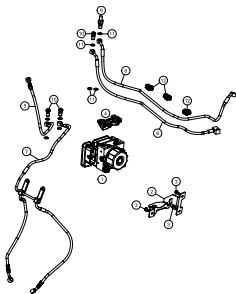
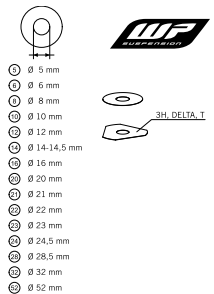
1290 SUPER DUKE GT ORANGE EU 2016

ART.-NR.: 3CFF9903PFEN



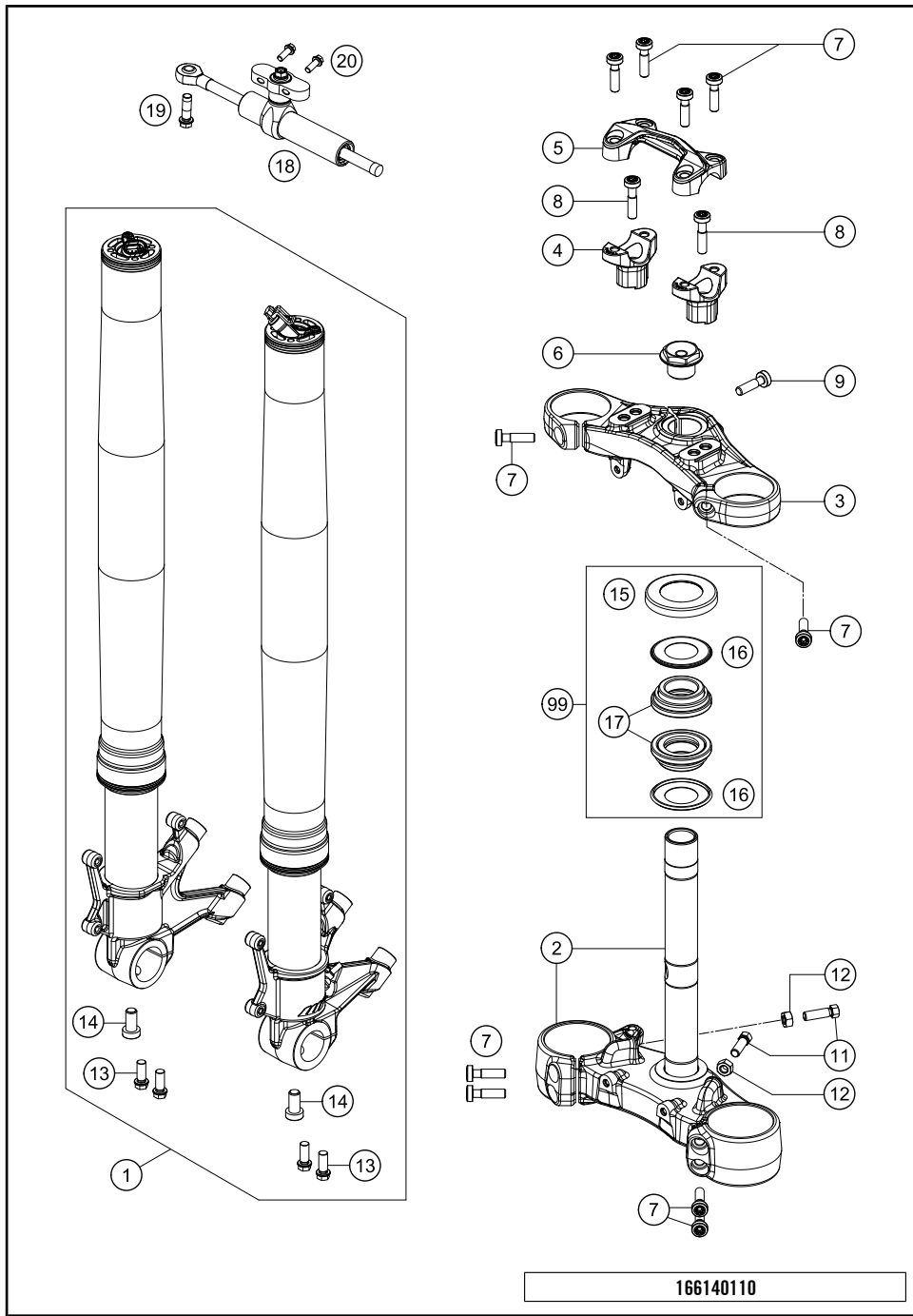
<p>FRONT FORK, TRIPLE CLAMP</p>  <p style="text-align: right;">4</p>	<p>FRONT FORK DISASSEMBLED</p>  <p style="text-align: right;">5</p>	<p>HANDLEBAR, CONTROLS</p>  <p style="text-align: right;">6</p>	<p>FRAME</p>  <p style="text-align: right;">7</p>
<p>SUBFRAME</p>  <p style="text-align: right;">8</p>	<p>SIDE STAND</p>  <p style="text-align: right;">9</p>	<p>MONOSHOCK</p>  <p style="text-align: right;">10</p>	<p>MONOSHOCK DISASSEMBLED</p>  <p style="text-align: right;">11</p>
<p>SWING ARM</p>  <p style="text-align: right;">12</p>	<p>EXHAUST SYSTEM</p>  <p style="text-align: right;">13</p>	<p>AIRFILTER</p>  <p style="text-align: right;">14</p>	<p>TANK, SEAT, COVER</p>  <p style="text-align: right;">16</p>

<p>FUEL PUMP</p>  <p>17</p>	<p>MASK, FENDER</p>  <p>18</p>	<p>COVER REAR</p>  <p>19</p>	<p>FRONT WHEEL</p>  <p>20</p>
<p>REAR WHEEL</p>  <p>21</p>	<p>WIRING HARNESS</p>  <p>23</p>	<p>HAND BRAKE CYLINDER</p>  <p>25</p>	<p>REAR BRAKE CONTROL</p>  <p>26</p>
<p>BRAKE CALIPER FRONT</p>  <p>27</p>	<p>BRAKE CALIPER REAR</p>  <p>28</p>	<p>LIGHTING SYSTEM</p>  <p>29</p>	<p>INSTRUMENTS, LOCK SYSTEM</p>  <p>30</p>

<p>EVAPORATE CANISTER</p>  <p style="text-align: right;">31</p>	<p>ACCESSORIES KIT</p>  <p style="text-align: right;">32</p>	<p>ANTILOCK BRAKING SYSTEM ABS</p>  <p style="text-align: right;">33</p>	<p>WP SHIMS FOR SETTING</p>  <p style="text-align: right;">34</p>
<div style="display: flex; align-items: center;"> <div style="background-color: #cccccc; width: 50px; height: 100px; display: flex; align-items: center; justify-content: center; margin-right: 20px;"> ! </div> <div> <p>All information contained is without obligation. KTM Sportmotorcycle GmbH particularly reserves the right to modify any equipment, technical specifications, prices, colors, shapes, materials, services, service work, constructions, equipment and the like so as to adapt them to local conditions or to cancel any of the above items, all without previous announcement and without giving reasons. KTM may stop manufacturing certain models without previous notice. KTM shall not be held liable for any deviations of availability and/or ability to deliver, illustrations, descriptions, printing and/or other errors. The illustrated models partly contain extra equipment, which is not applied to standard models.</p> <p>© by KTM Sportmotorcycle GmbH, Mattighofen AUSTRIA; All rights reserved; Reprint, also in extracts, with written allowance of KTM Sportmotorcycle GmbH, Mattighofen only.</p> </div> </div>			

FRONT FORK, TRIPLE CLAMP

1290 SUPER DUKE GT ORANGE EU 2016



POS	PARTNUMBER	PARTNAME	PIECE
1	14181P2301	FORK WP SUPERDUKE GT 16	1
2	6140103202933S	BOTTOM TRIPLE CLAMP CPL.	1
3	6140103402933S	UPPER TRIPLE CLAMP	1
4	6140103904233S	HANDLE BAR SUPPORT	2
5	6130103800033S	HANDLEBAR CLAMP	1
6	6900103600001	STEERING HEAD SCREW 09	1
7	0035080306	AH-COLLAR SCREW M8X30 ISA45	10
8	0032100356S	AH-COLLAR SCREW M10X35 ISA45	2
9	0035080306S	AH-COLLAR SCREW M8X30 ISA45	1
11	59001037000	SPECIAL SCREW M8X26 WS=10	2
12	0934080003	HEXAGON NUT DIN0934-M 8	2
13	0025080206	HH COLLAR SCREW M8X20 TX40	4
14	00501020S1	AH SCREW M10X20 SET	2
15	69001086100	PROT. RING STEER. HEAD BEARING	1
16	69001084000	O-RING SUPPORT W. SEALING LIP	2
17	69001081000	STEERINGHEAD BEARING CPL.	2
18	16181N52ES	STEERING DAMPER CPL. STROKE 75	1
19	0025080256S	HH COLLAR SCREW M8X25 TX40	1
20	0025060206S	HH COLLAR SCREW M6X20 TX30	2
99	69001081044	STEERING HEAD REP. KIT RC8	1

166140110

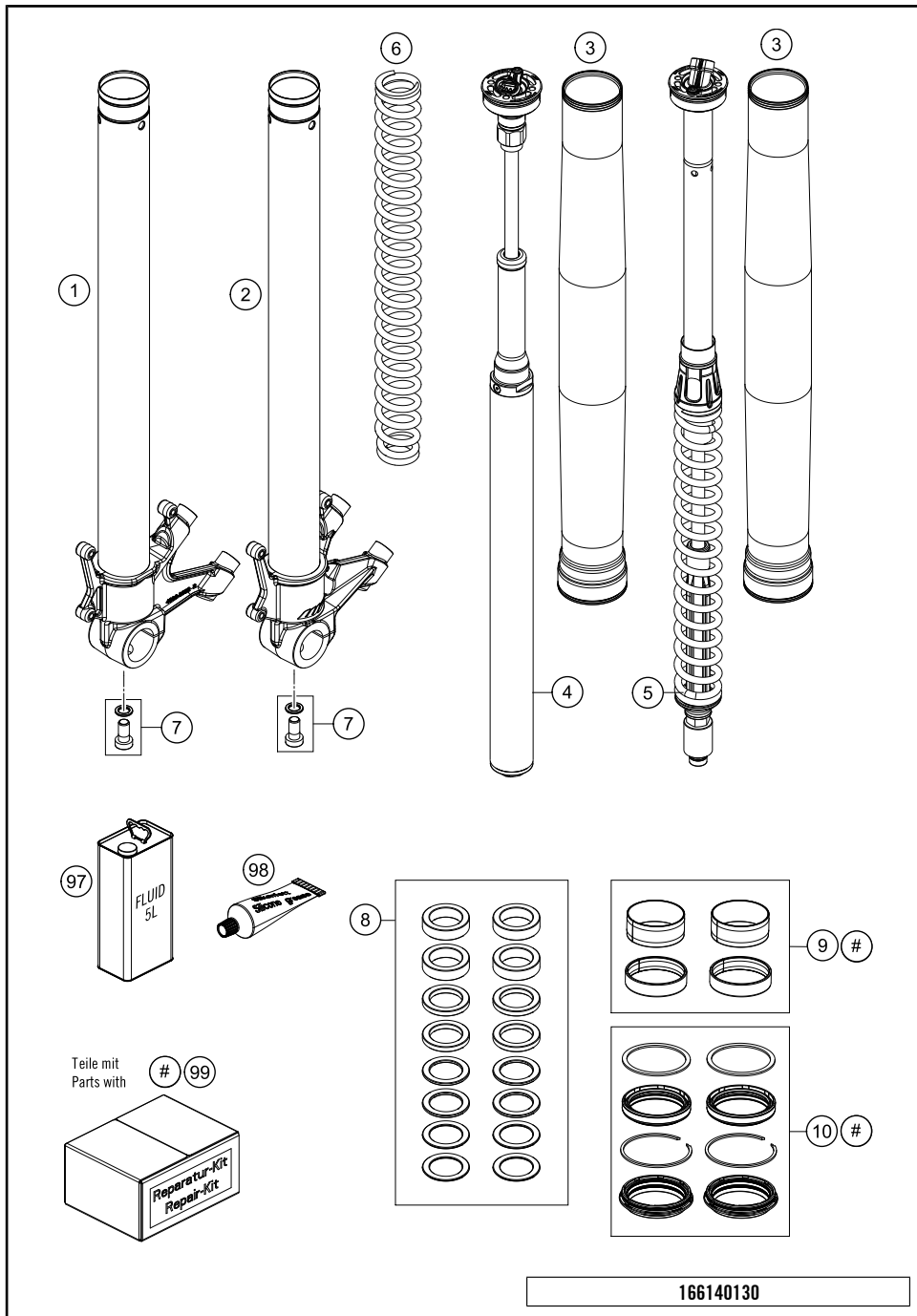
C166140110

* NEW PART

X ON DEMAND

FRONT FORK DISASSEMBLED

1290 SUPER DUKE GT ORANGE EU 2016



POS	PARTNUMBER	PARTNAME	PIECE
1	48601082S2	AXLE CLAMP W. INNER TUBE R/S	1
2	48601081S2	AXLE CLAMP W. INNER TUBE L/S	1
3	48601099	OUTER TUBE L=550 D54/D60 3L	2
4	48SAF1P23R	CARDRIDGE CPL. R/S	1
5	48SAF1P23L	CARDRIDGE CPL. L/S	1
6	91410122	FORKSPRING	1
7	00501020S1	AH SCREW M10X20 SET	2
8	R14054	REP. KIT SPACER	1
9	R14047	REP. KIT GUIDE BUSHINGS	1
10	R14040	GASKET KIT CPL.	1
97	48601166S1	FORK OIL SAE4 5L	1
98	T511	SILICONE GREASE F. DUST STRI	1
99	R14063	FORK REP. KIT 48MM OFFROAD	1

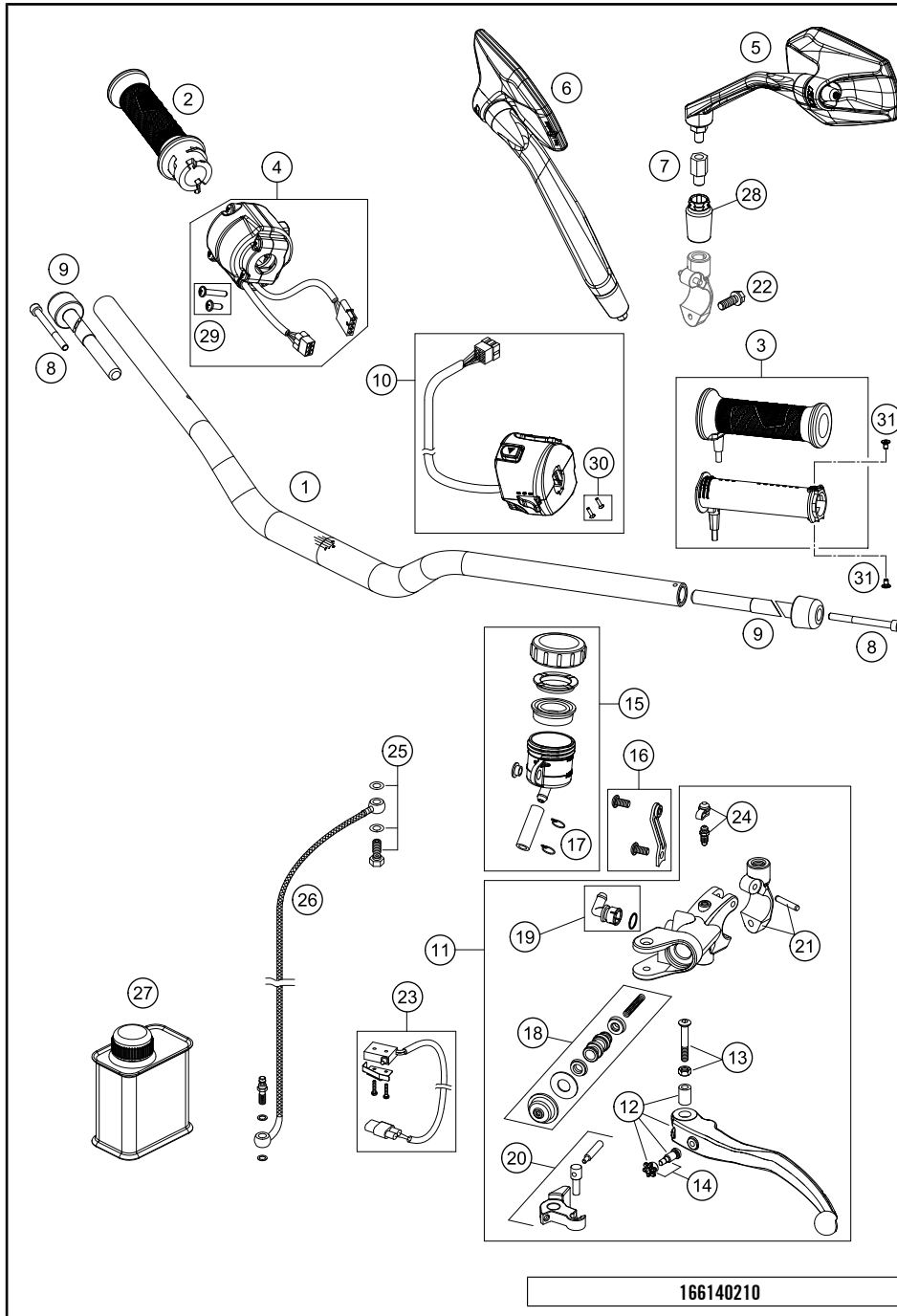
166140130

C166140130

* NEW PART X ON DEMAND

HANDLEBAR, CONTROLS

1290 SUPER DUKE GT ORANGE EU 2016



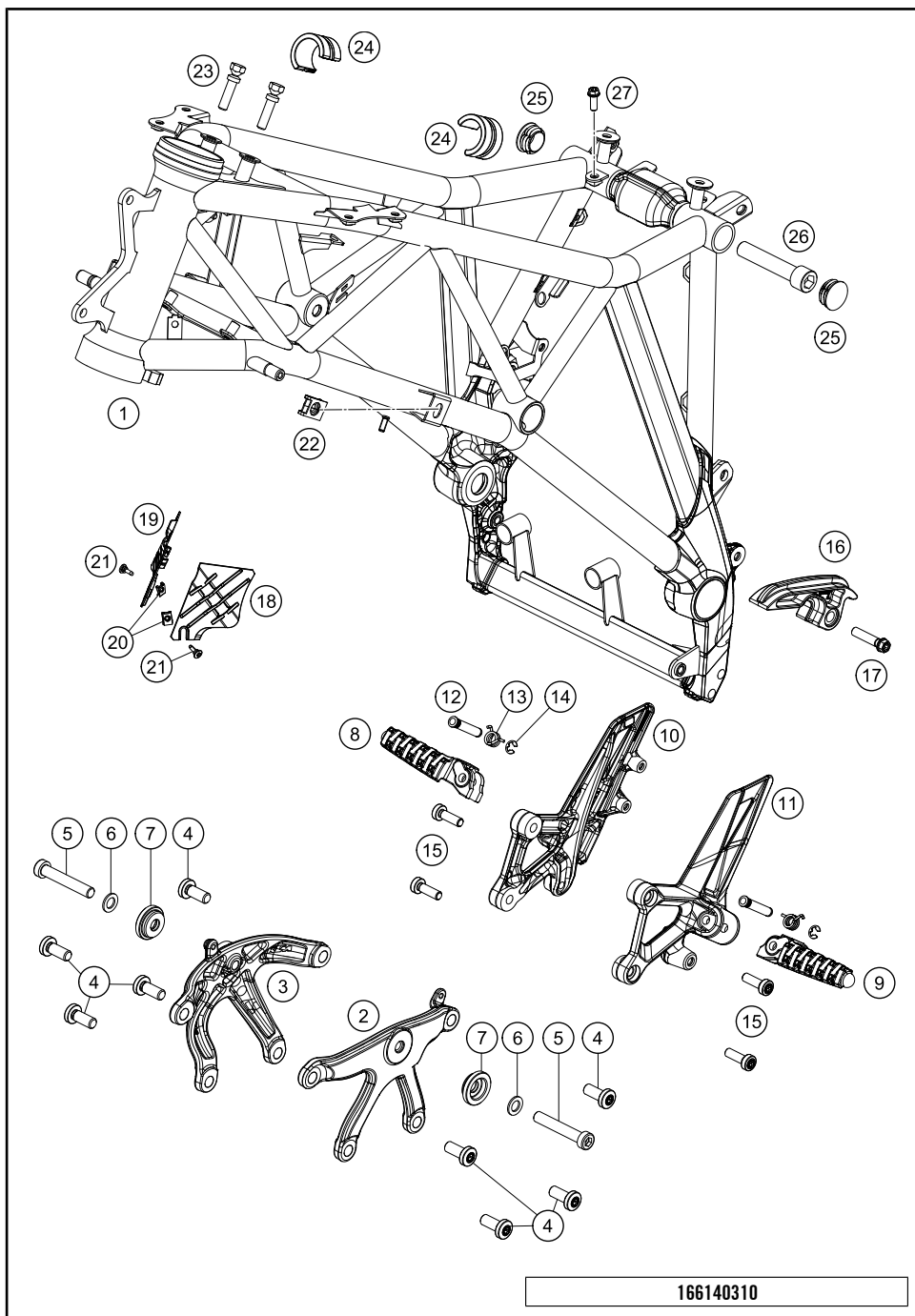
POS	PARTNUMBER	PARTNAME	PIECE
1	6140200100017	HANDLEBAR L=743MM DK=28.5MM	1
2	60402010100	THROTTLE GRIP	1
3	60402052100	FIXED GRIP	1
4	60411074000	EMGCV OFF SWITCH SPEED CONTROL	1
5	61312040100	MIRROR I/S	1
6	61312041100	MIRROR R/S CPL.	1
7	61312040050	ADAPTOR FOR MIRROR	2
8	0912060653	AH SCREW DIN0912-M 6X65	2
9	61002004000	VIBRATIONS ABSORBER 05	2
10	60311070100	HANDLEBAR SWITCH	1
11	6130203014430	MASTER CYLINDER CPL.	1
12	6130203100030	CLUTCH LEVER CPL.	1
13	50302038200	LEVER SCREW SHORT CPL. 09	1
14	61002043000	ADJUSTING SCREW CPL.	1
15	61002055144	RESERVOIR CPL.	1
16	61302055050	RETAINING PLATE RESERVOIR	1
17	58007117000	YDNAC-CLAMP 10107 10MM	2
18	59413008000	REP. SET PISTON D=12MM 2007	1
19	61002051144	ANGLE PIECE CPL. (DOT)	1
20	61002056000	ROCKER CPL. 05	1
21	6130204400030	CLAMP MIRROR W. TENSION PIN	1
22	0025060126	HH COLLAR SCREW M6X12 TX30	1
23	83111049000	CLUTCH SWITCH ATV	1
24	61002054000	BLEEDER SCREW WITH CAP	1
25	59032062000	HOLLOW SCREW + COPPER GASKET	1
26	61032063100	CLUTCH PIPE	1
27	00062030000	BRAKE FLUID DOT5.1 0,25L	1
28	61312040030	RUBBER SLEEVE	2
29	76011073110	SCREW SET START-STOP SWITCH	1
30	60311070110	SCREW SET HANDLEBAR SWITCH	1
31	60402052010	EJOT SPIRAL SCREW SF M4X6-K	2

166140210

C166140210

* NEW PART

X ON DEMAND



POS	PARTNUMBER	PARTNAME	PIECE
1	61403001100EB	FRAME "614 PA" EL. ORANGE	1
2	6030300500033S	ENGINE SUPPORTL/S BLACK	1
3	6030300600033S	ENGINE SUPPORT R/S BLACK	1
4	0035100249	AH-COLLAR SCREW M10X24 ISA45	8
5	0035100609S	AH-COLLAR SCREW M10X60 ISA45	2
6	0433100003	WASHER 18x10,5x1,6	2
7	60303010000	BUSHING MOTOR MOUNTING	2
8	6900314100033S	FOOTREST FRONT R/S 13	1
9	6900314000033S	FOOTREST FRONT L/S 13	1
10	6130303910033S	FOOTREST SUPPORT FRONT R/S BL.	1
11	6130313800033S	FOOTREST PLATE FR. L/S	1
12	60003044100	BOLT FOR FOOTREST REAR	2
13	61003042000	SPRING FOOTREST FRONT 05	2
14	0799060003	TAB WASHER DIN6799-RS 6,0	2
15	0035080256	AH-COLLAR SCREW M8X25 ISA45	4
16	61304076000	CHAIN SLIDING BLOCK-FRAME	1
17	0025080356	HH COLLAR SCREW M8X35 TX40	1
18	61303085000	FRAME COVER L/S	1
19	61403086000	FRAME COVER RIGHT	1
20	69008021080	RANGE CHANGE METAL NUT M5	2
21	69008021060	SPECIAL SCREW M5X17	2
22	54603048000	RANGE CHANGE METAL NUT M8	1
23	61111064000	TAMPER-PROOF SCREW 07	2
24	61007014000	SPACER FUEL TANK 05	2
25	61303088000	PLUG SFL 22X0,8-3,0	2
26	60004017000	SCREW M14X1,5 L=73MM 03	1
27	0025060126	HH COLLAR SCREW M6X12 TX30	1

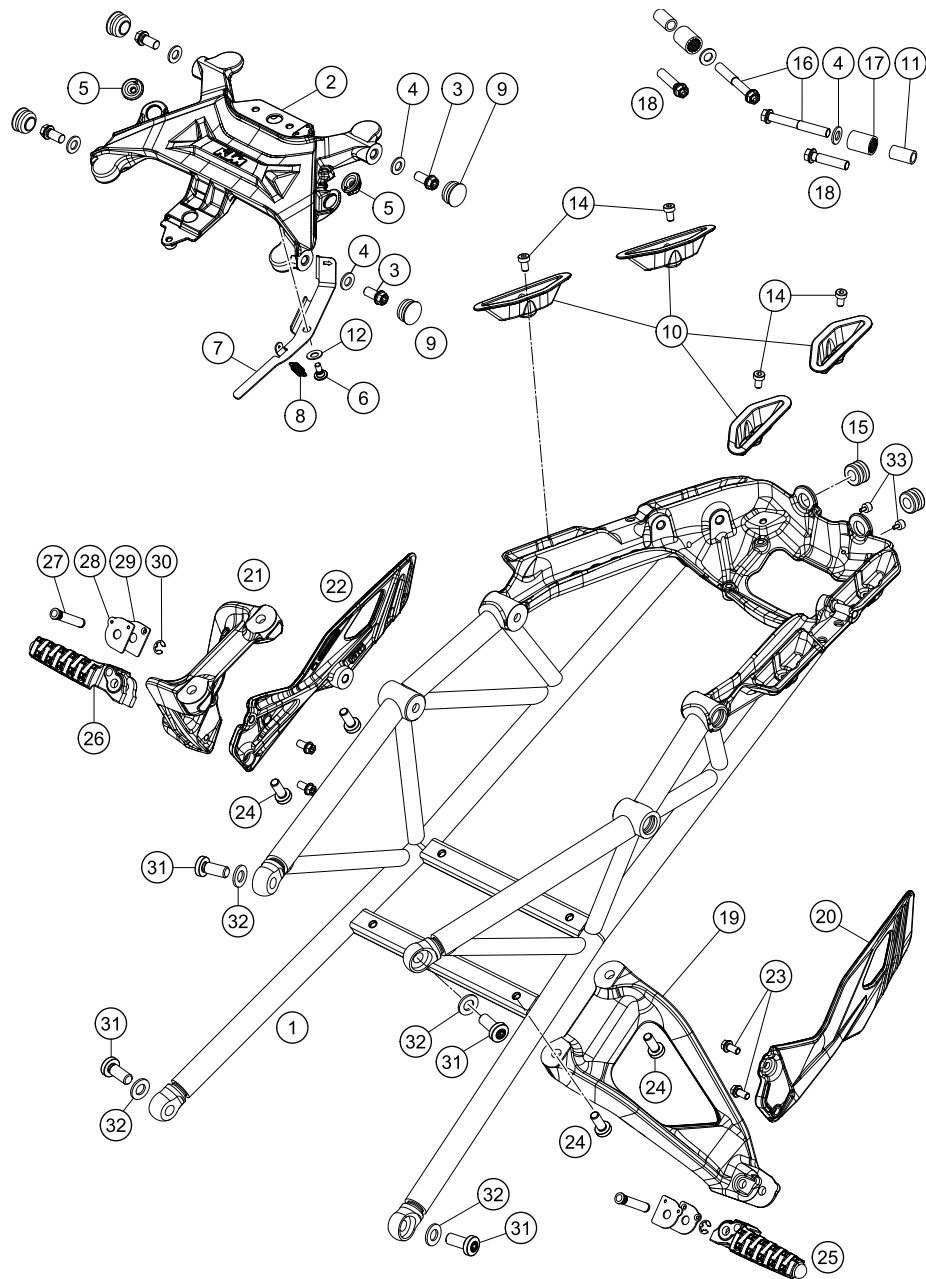
166140310

C166140310

* NEW PART X ON DEMAND

SUBFRAME

1290 SUPER DUKE GT ORANGE EU 2016



166140320

POS	PARTNUMBER	PARTNAME	PIECE
1	6140300200033	SUBFRAME BLACK	1
2	6140300203000	CROSS STIFFENER BACK	1
3	0025080166S	HH COLLAR SCREW M8X16 TX40	4
4	0125080003	WASHER DIN0125-A 8,4	6
5	47106003160	QUICK CONNECTOR CLUTCH	2
6	69013099050	SCREW F. EXPANSION TANK	1
7	61407050050	SEAT LOCK PLATE	1
8	69008025080	SPRING F. REAR SEAT LOCK	1
9	61303088000	PLUG SFL 22X0,8-3,0	4
10	61403002055	SHELL KIT SIDECASE	1
11	61407049000	BUSHING 8.4X12X21.5	2
12	61403002031	BELLEVILLE SPRING 14X7.2X0.8	1
14	0984060103	AH SCREW DIN7984-M 6X10	4
15	61013013000	RUBBER BUSH 05	2
16	0025080606	HH COLLAR SCREW M8x60 TX40	2
17	60307048000	RUBBER SEAT-CONTACT SURFACE	2
18	0025080356	HH COLLAR SCREW M8X35 TX40	2
19	6140304800033S	LEFT PILLION STEP HOLDER	1
20	6140304805033S	LEFT PILLION HEEL GUARD	1
21	6140304900033S	RIGHT PILLION STEP HOLDER	1
22	6140304905033S	RIGHT PILLION HEEL GUARD	1
23	0025060126	HH COLLAR SCREW M6X12 TX30	4
24	0035080206S	AH-COLLAR SCREW M8X20 ISA45	4
25	6900305003333S	FOOTREST REAR L/S CPL.	1
26	6900305103333S	FOOTREST REAR R/S CPL.	1
27	60003044100	BOLT FOR FOOTREST REAR	2
28	60003052000	ENGAGE PANEL FOOTREST R/S 03	2
29	60003152000	ENGAGE PANEL FOOTREST L/S 03	2
30	0799060003	TAB WASHER DIN6799-RS 6,0	2
31	0035100249	AH-COLLAR SCREW M10X24 ISA45	4
32	0125100003	WASHER DIN0125-A10,5	4
33	61414040010	RUBBER MOUNTING	2

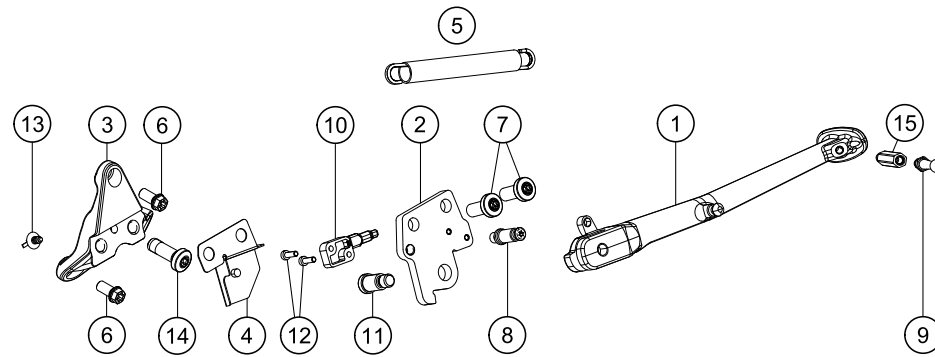
C166140320

* NEW PART

X ON DEMAND

SIDE STAND

1290 SUPER DUKE GT ORANGE EU 2016



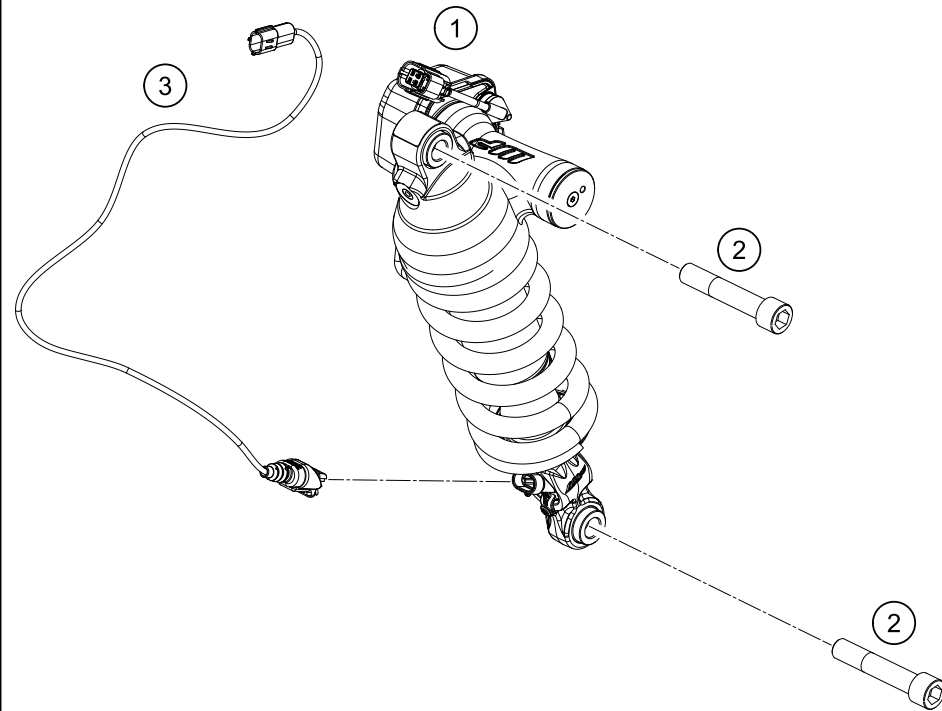
POS	PARTNUMBER	PARTNAME	PIECE
1	6100302313333S	SIDE STAND W. MAGNET	1
2	61303028000	SIDE STAND MOUNTING	1
3	6130302600033S	SIDE STAND BRACKET	1
4	61303027000	SCREENING SHEET	1
5	60303024100	SIDE STAND SPRING	1
6	0025080166S	HH COLLAR SCREW M8X16 TX40	2
7	0035100249	AH-COLLAR SCREW M10X24 ISA45	2
8	61303028001	SPEC. SCREW SIDE STAND SPRING	1
9	61303023020	STEP PLATE SIDE STAND	1
10	60411045000	SIDE STAND SENSOR	1
11	62503027200	SCREW FOR SIDE STAND M10X31,2	1
12	0084040123	CYL.HEAD SCREW DIN84A M4x12	2
13	61011094000	CABLE TIE WITH PLUG M6	1
14	0035100309S	AH-COLLAR SCREW M10X30 ISA45	1
15	61303023030	EXTENDER STEP PLATE SIDE STAND	1

166140360

C166140360

* NEW PART

X ON DEMAND



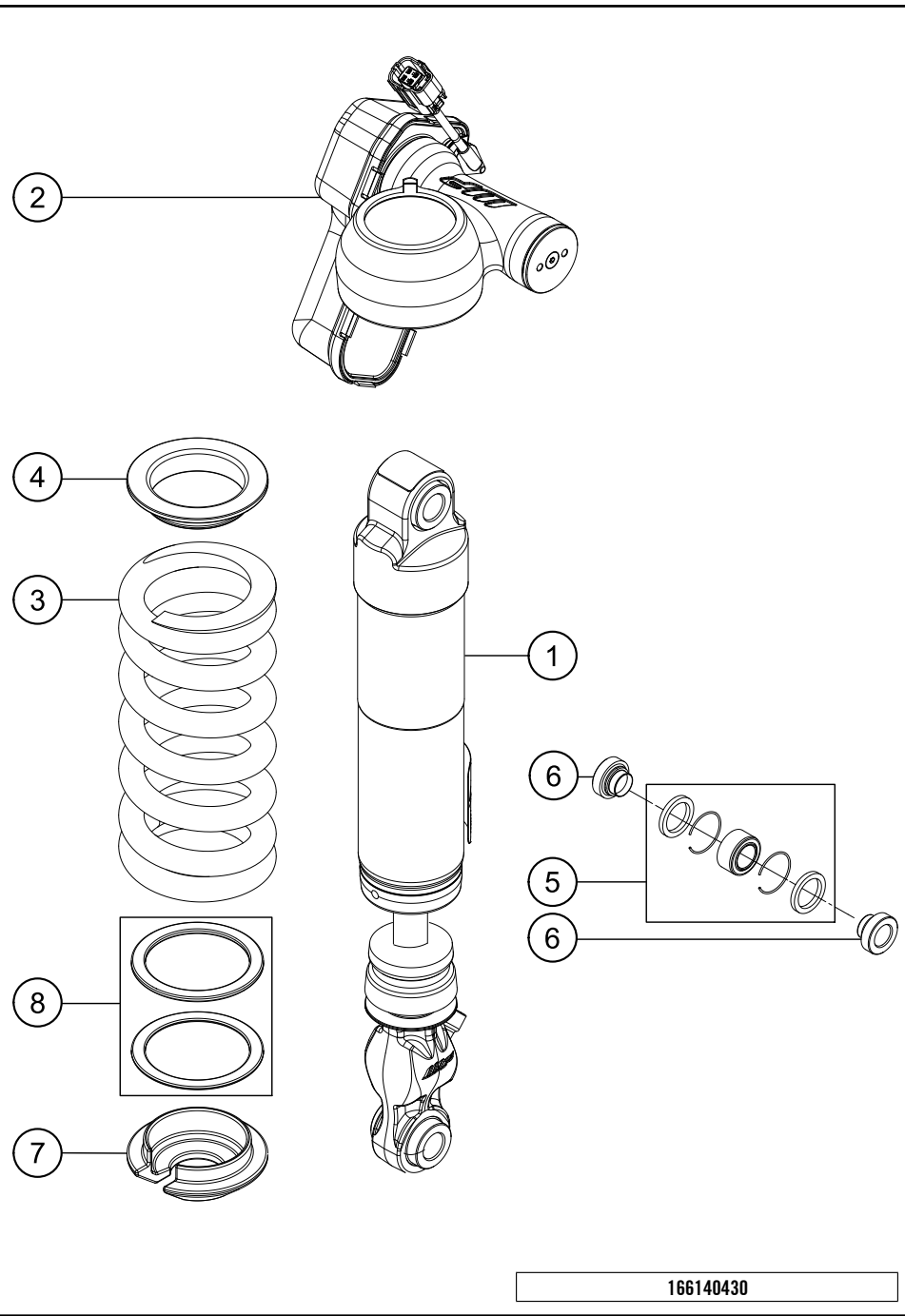
POS	PARTNUMBER	PARTNAME	PIECE
1	01181P2301	MONOSHOCK WP SUPERDUKE GT 16	1
2	60004017000	SCREW M14X1,5 L=73MM 03	2
3	61411015000	HARNES MONOSHOCK SAFE	1

166140410

C166140410

* NEW PART

X ON DEMAND

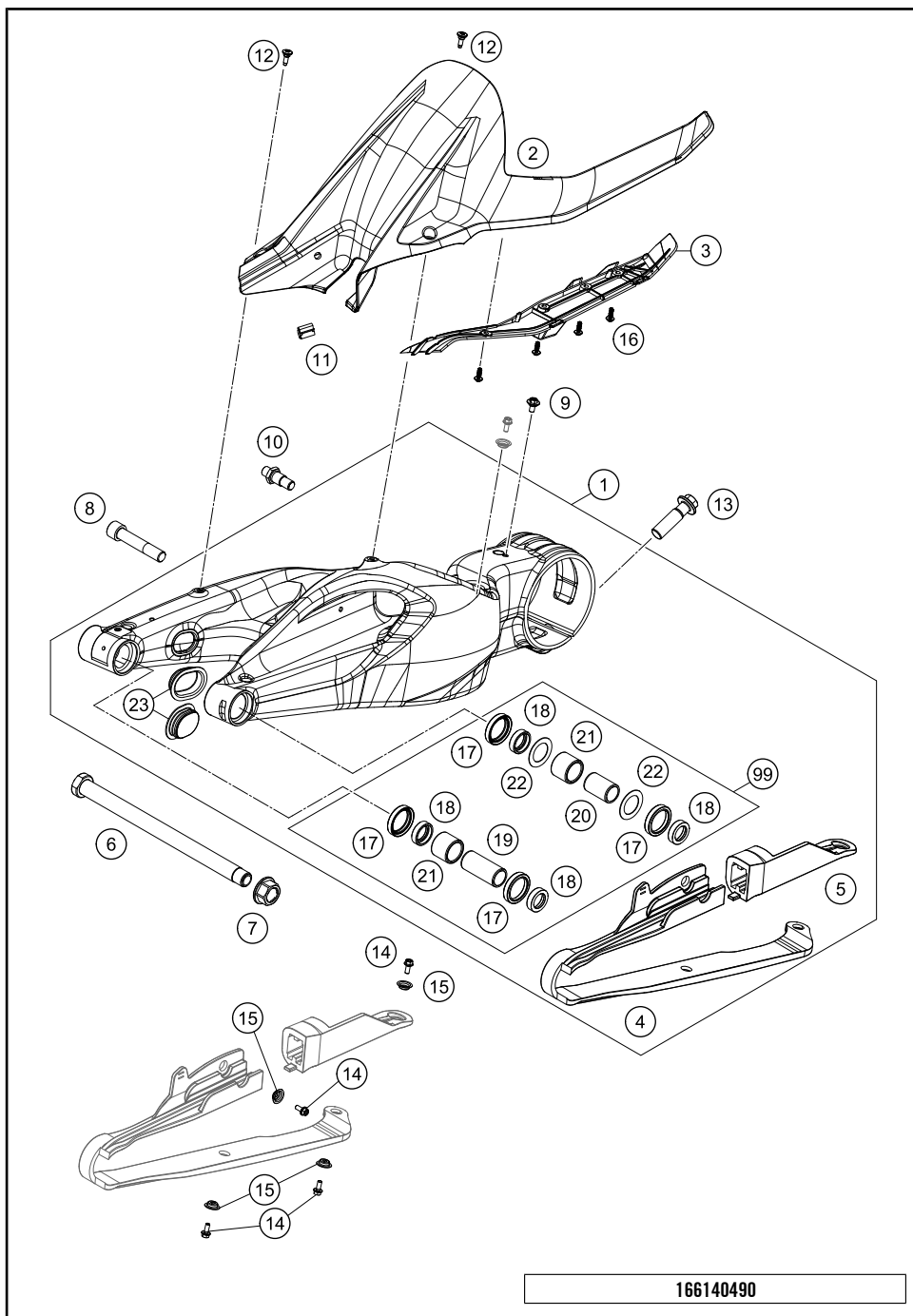


POS	PARTNUMBER	PARTNAME	PIECE
1	46812014S1	MONOSHOCK ASSEMBLY GROUP	1
2	11000P05	PA UNIT CPL.	1
3	91010347	SPRING (59) 185-185	1
4	14460661	SPRING CENTERING	1
5	R12012	REP. KIT BEAR./SEAL UP. 07	2
6	46181138	BUSHING KGW 1525 14X32	4
7	46180396	SPRING RETAINER H=15 D=28	1
8	RP10009	WASHER SET D73	1

166140430

C166140430

* NEW PART X ON DEMAND



POS	PARTNUMBER	PARTNAME	PIECE
1	6140403004433A	SWINGARM CPL. SD-GT 16	1
2	61304050100	REARFENDER	1
3	61304051000	BRACKET SPLASH PROTECTOR	1
4	61304060000	CHAIN SLIDING GUARD FRONT	1
5	61304070000	CHAIN SLIDING GUARD REAR	1
6	69004037244	SWING ARM BOLT	1
7	60004038200	COLLAR NUT M19X1,5 SW=27MM	1
8	60004017000	SCREW M14X1,5 L=73MM 03	1
9	83008000012	SPECIAL SCREW M6X12X3	1
10	76004142000	BOLT BRAKE SADDLE BRACKET	1
11	61304042000	CABLE SUPPORT	1
12	69008021060	SPECIAL SCREW M5X17	2
13	61310021000	HH COLLAR SCREW M16X1,5X55	1
14	0025050126	HH COLLAR SCREW M5X12 TX30	4
15	46104066050	BUSH FOR CHAINSLIDER GUARD 02	4
16	0081050141	EJOT PT SCREW 50X14 WN 1451	4
17	0760304073	SHAFT SEAL RING 30X40X7	4
18	60004034000	BUCKET F. SHAFT SEAL RING 03	4
19	69004032000	INNER RING JR 20X25X56,5	1
20	60004032000	INNER RING JR20X25X38,5 03	1
21	60004031000	NEEDLE BUSH HK2526B 03	2
22	60004033000	STOP DISK 03	2
23	61304041100	CLOSING COVER SWINGARM	2
99	69004230010	SWING ARM REP. KIT 08-14	1

166140490

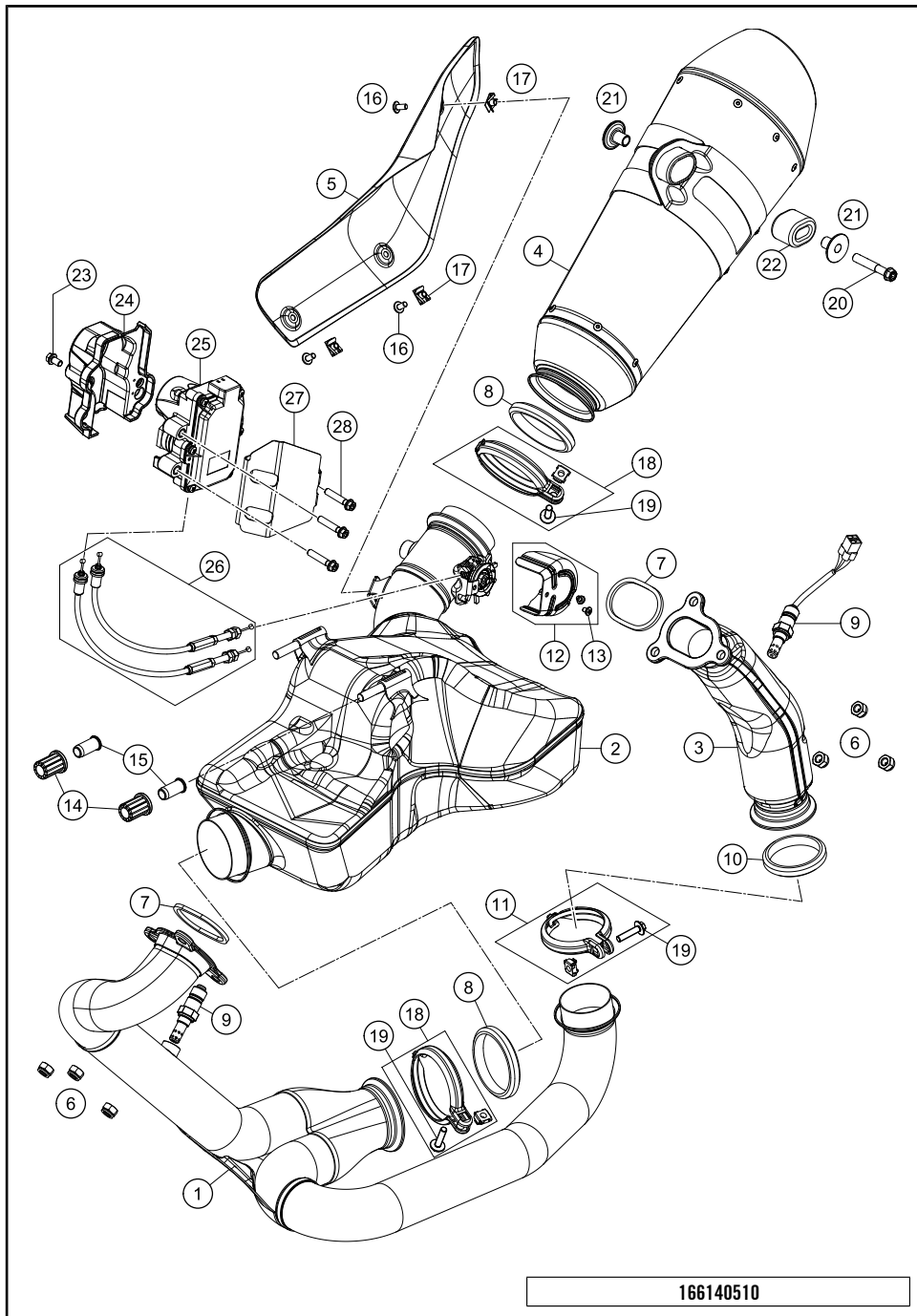
C166140490

* NEW PART

X ON DEMAND

EXHAUST SYSTEM

1290 SUPER DUKE GT ORANGE EU 2016

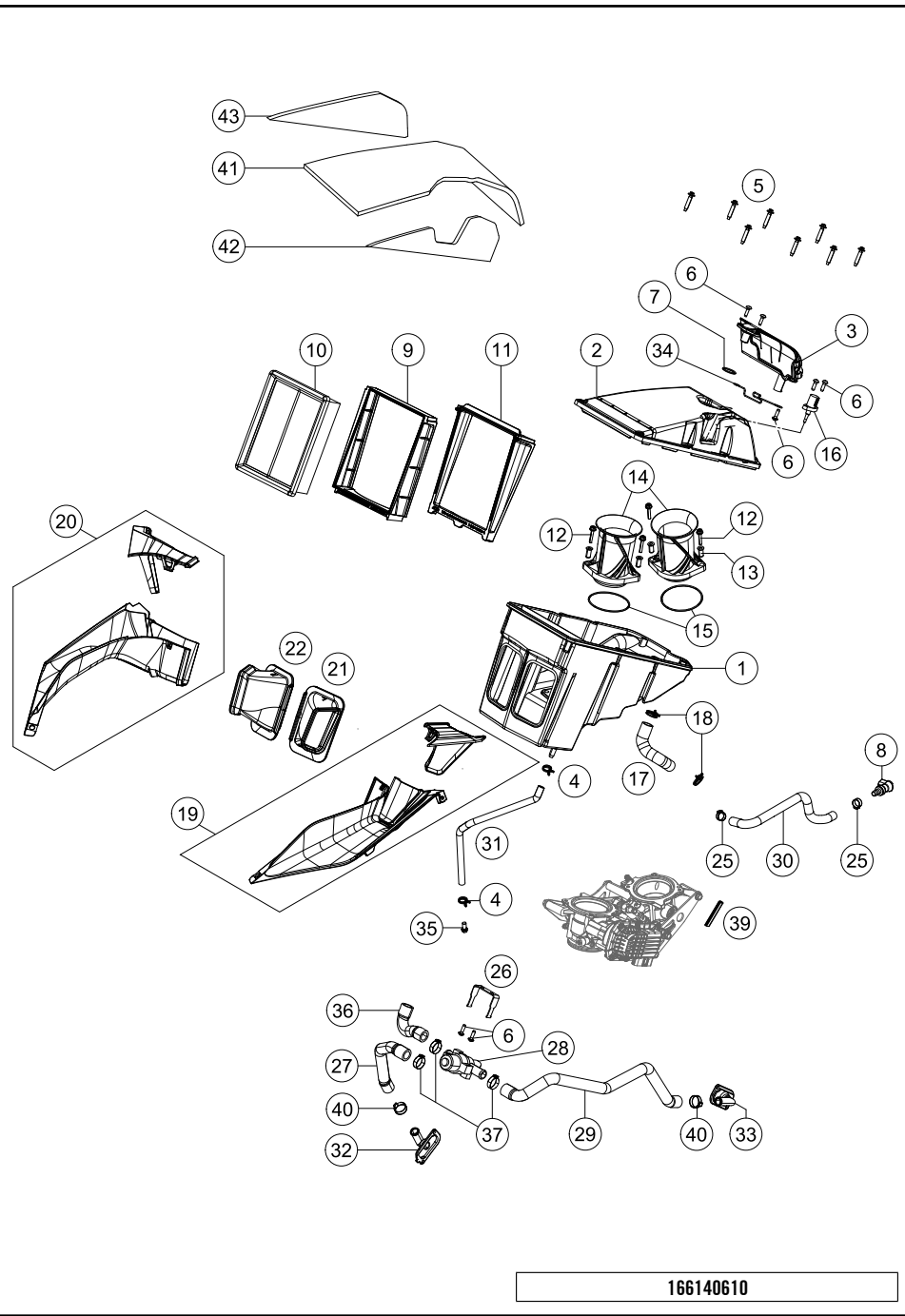


POS	PARTNUMBER	PARTNAME	PIECE
1	61305007000	EXHAUST PIPE FRONT	1
2	61405050000	SILENCER	1
3	60405008000	MANIFOLD W. INTEG. INSULATION	1
4	61305083000	SILENCER CPL.	1
5	6140501100033	HEAT PROTECTOR BLACK	1
6	51010086100	SELF LOCKING NUT M 8 CU	6
7	69005005100	EXHAUST PIPE FLANGE GASKET	2
8	61305005005	MANIFOLD GASKET 60MM	2
9	75041090100	LAMBDA SENSOR	2
10	69005005005	MANIFOLD GASKET	1
11	69005050000	CLAMP CPL.	1
12	61405095050	COVER FLUE GAS DAMPER	1
13	60402052010	EJOT SPIRAL SCREW SF M4X6-K	2
14	61005013000	RUBBER SILENCER SUPPORT 05	2
15	61005014000	SLEEVE SILENCER SUPPORT 05	2
16	78105081010	SCREW TORX M5X10	3
17	69008021080	RANGE CHANGE METAL NUT M5	3
18	61305090000	EXHAUST CLAMP CPL. 60MM	2
19	0024060256	HH COLLAR SCREW M6X25 TX30	3
20	0025080506	HH COLLAR SCREW M8X50 TX40	1
21	61305069000	BUSHING 8,5X11X29	2
22	61305068000	DAMPING RUBBER	1
23	0025060106	HH COLLAR SCREW M6X10 TX30	1
24	61441070050	COVER EXHAUST FLAP CONTROL MOT	1
25	61441070000	EXHAUST FLAP CONTROL MOTOR	1
26	61441071000	BOWDEN CABELS EXHAUST FLAP	1
27	61441070060	HEAT PROTECTION CAP SERVOMOTOR	1
28	0025060306	HH COLLAR SCREW M6X30 TX30	3

166140510

C166140510

* NEW PART X ON DEMAND



POS	PARTNUMBER	PARTNAME	PIECE
1	60306001200	AIR FILTER HOUSING LOWER PART	1
2	60306002000	AIR FILTER BOX COVER	1
3	60330088100	OIL SEPARATOR	1
4	58031005000	CLAMP YDNAC 10128 12MM	2
5	0017060305	SPECIAL SCREW K60X30 WS=6	8
6	0081050161	EJOT PT SCREW K50X16 1451	6
7	0770021020	O-RING 21,00X2,00 NBR70	1
8	5850701050030	CLUTCH CPC BLACK 05	1
9	60406016000	FILTERCLAMPING FRAME	x
10	60306015100	AIR FILTER	1
11	60406017000	FILTERCLAMPING LINER	1
12	0025050256	HH COLLAR SCREW M5X25 ISA30	4
13	60306042010	BUSHING INTAKE TRUMPET	4
14	61341040100	INTAKE TRUMPET LENGTH 100	2
15	0770066025	O-RING 66X2,5 FKM	2
16	61041080000	AMBIENT-AIR TEMPERATURE SENSOR	1
17	60330088030	OIL SEPARATOR FOAM HOSE	1
18	58431082100	YDNAC-CLAMP 10173 (16MM) '98	2
19	61406040044	AIR INTAKE L/S CPL.	1
20	61406041044	AIR INTAKE R/S CPL.	1
21	61406040050	GASKET INTAKE CHANNEL	1
22	61406041050	GASKET INTAKE CHANNEL	1
25	00050157706	VARIABLE ONE-EAR CLAMP 15,7MM	2
26	61305031000	RETAINING BRACKET SLS	1
27	61305035021	SAS HOSE CYLINDER FRONT	1
28	61005026000	CONTROL VALVE SAS 05	1
29	61305035022	SAS HOSE CYLINDER REAR	1
30	61307016050	FUEL HOSE THROTTLE VALVE	1
31	60015019001	HOSE NBR 7X11 PER METER	1
32	61205122000	SAS-FLANGE	1
33	61205032000	SAS-FLANGE	1
34	61311099000	MOUNTING BRACKET PLUG	1
35	0025080126	HH COLLAR SCREW M8X12 TX40	1
36	61305035023	SAS HOSE - AIRBOX	1
37	00050226706	VARIABLE ONE-EAR CLAMP 22,6MM	3
39	61011055045	EDGE PROTECTOR L=45MM 05	2
40	00050220706	VARIABLE ONE-EAR CLAMP 22,0MM	2
41	61306095010	INSULATION MAT MIDDLE	1

166140610

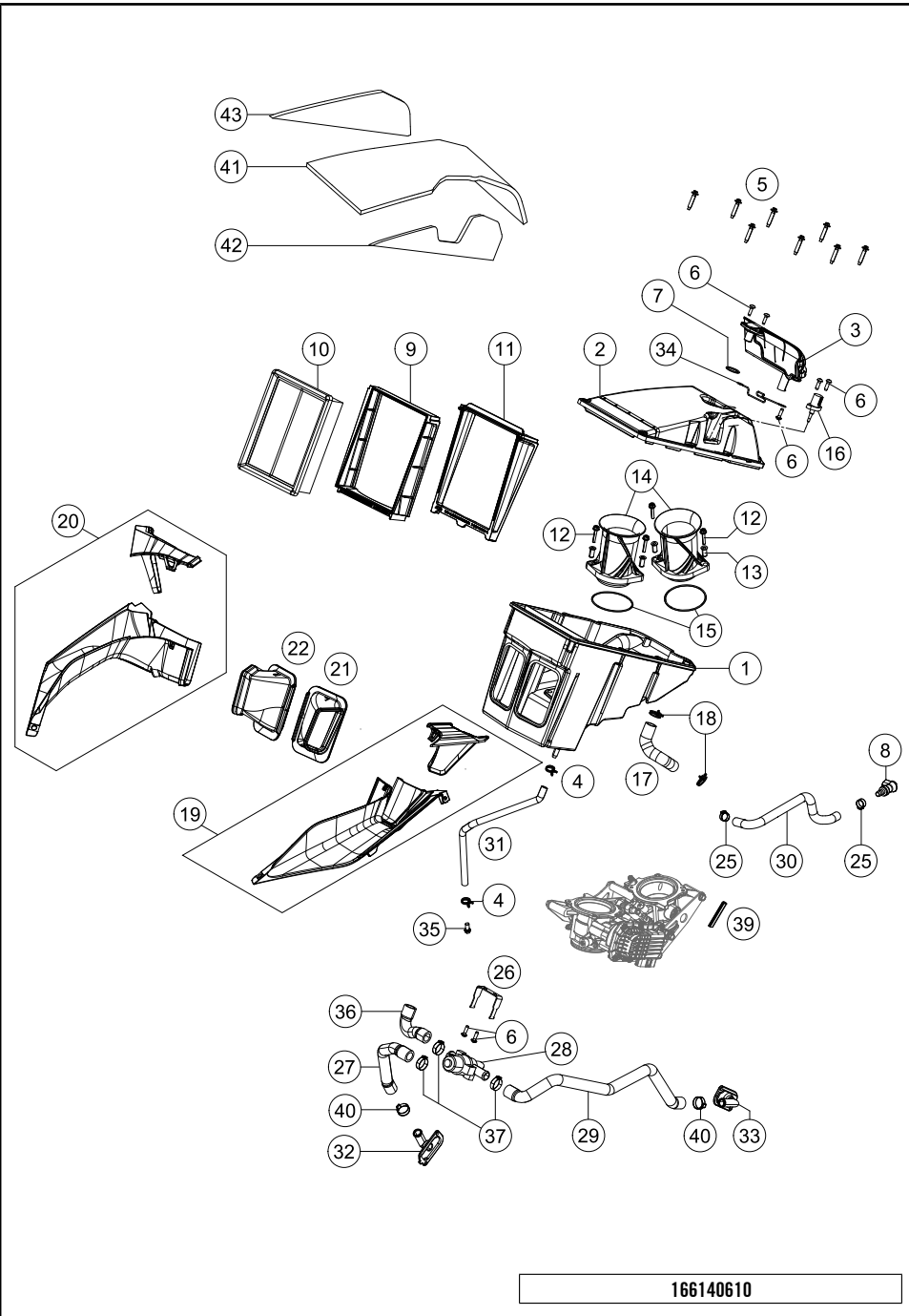
C166140610

* NEW PART

X ON DEMAND

AIRFILTER

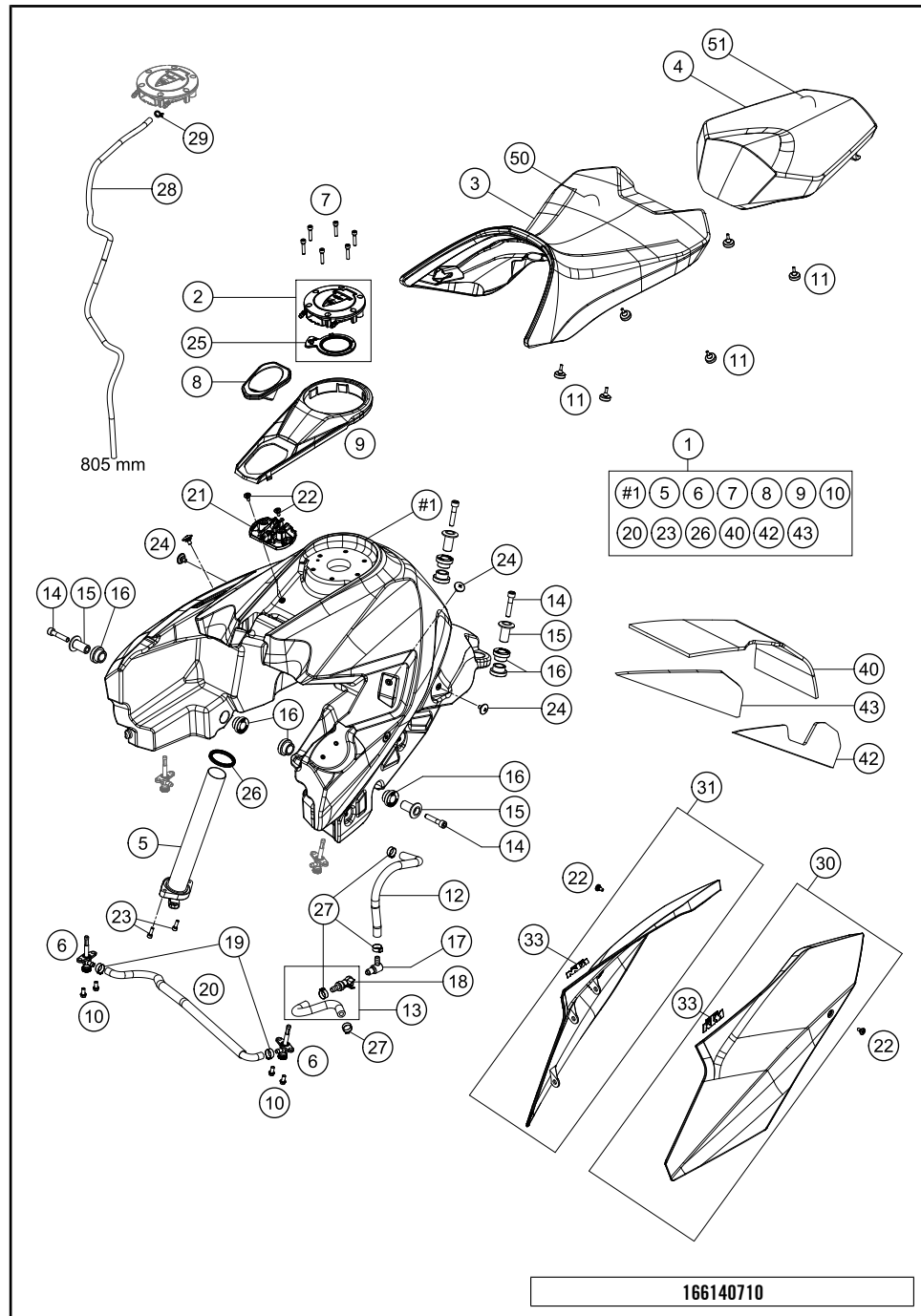
1290 SUPER DUKE GT ORANGE EU 2016



POS	PARTNUMBER	PARTNAME	PIECE
42	61306095020	INSULATION MAT L/S	1
43	61306095030	INSULATION MAT R/S	1

C166140610

* NEW PART X ON DEMAND



POS	PARTNUMBER	PARTNAME	PIECE
1	61407013044BHA	FUEL TANK ASS. SD GT ANTHRAZIT	1
2	61407008000	TANK CAP	1
3	61407040000	SEAT DRIVER COMPLETE	1
4	61407047000	SEAT PASSENGER	1
5	61407080000	FUEL LEVEL SENSOR	1
6	58507003200	FUEL COCK CPL.	2
7	0912050253	AH SCREW DIN0912-M 5X25	6
8	61307059000	COVER IGNITION LOCK	1
9	61407058000	TANK COVER	1
10	0025060126	HH COLLAR SCREW M6X12 TX30	4
11	60006001021	DISTANCE RUBBER AIRBOX 03	6
12	61407016050	FUEL HOSE DKK	1
13	62607016044	FUEL HOSE CPL.	1
14	0912080403	AH SCREW DIN912 M8X40	4
15	61007060000	BEARING BUSHING OUTSIDE 05	4
16	61007065000	TANK RUBBER BUSHING FRONT 05	8
17	7720701000030	PLUG CPC	1
18	5850701050030	CLUTCH CPC BLACK 05	1
19	58031005000	CLAMP YDNAC 10128 12MM	2
20	61407018000	TANK COMPENSATION TUBE	1
21	61407058050	HOSE HOLDER	1
22	69008021160	SPECIAL SCREW M5X12	2
23	0912050163	AH SCREW DIN0912-M 5X16	2
24	58407011100	SCREW FOR SEAT M6X11,5/8	4
25	60307008190	GASKET TANK CAP	1
26	60307080090	GASKET FUEL LEVEL SENSOR	1
27	00050157706	VARIABLE ONE-EAR CLAMP 15,7MM	5
28	60007126001	HOSE 5,4X9,4 NBR, METER	1
29	58007117000	YDNAC-CLAMP 10107 10MM	1
30	61408050000EBA	TANKSPOILER LEFT ORANGE	1
31	61408051000EBA	TANKSPOILER RIGHT ORANGE	1
33	61408098000	DEKOR "KTM" 3D 1290 SUPERD. GT	2
40	61306095010	INSULATION MAT MIDDLE	1
42	61306095020	INSULATION MAT L/S	1
43	61306095030	INSULATION MAT R/S	1
50	61407040050	SEAT COVER DRIVER	1
51	61407047050	SEAT COVER SOZIUS	1

* NEW PART

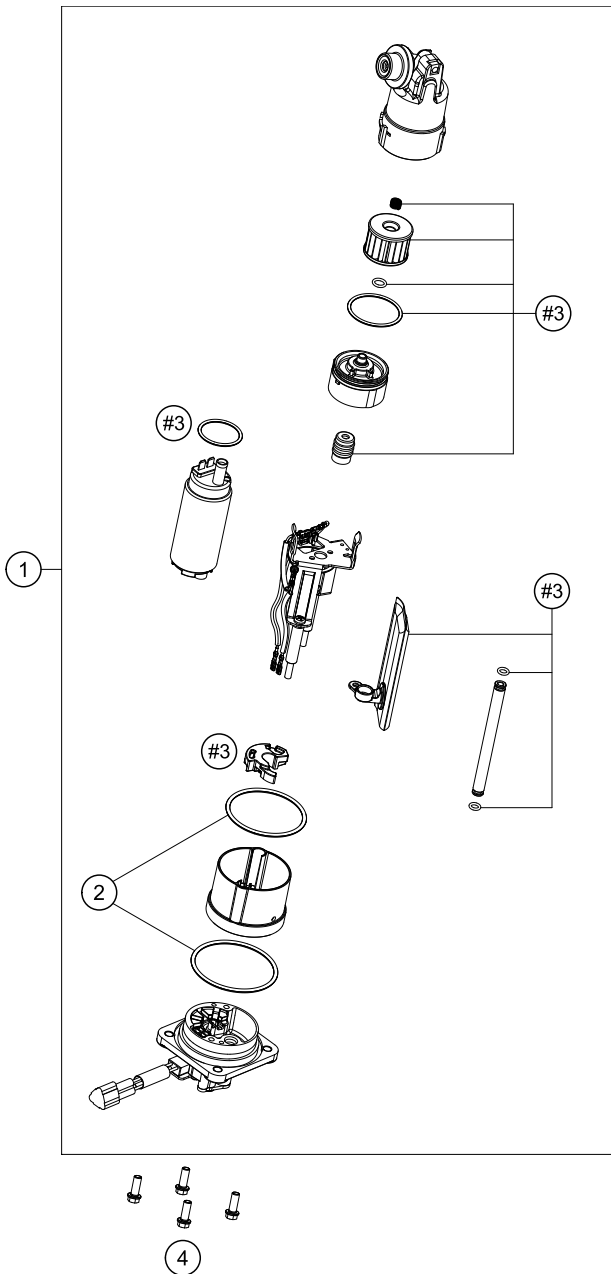
X ON DEMAND

FUEL PUMP

1290 SUPER DUKE GT ORANGE EU 2016

Filter-Set
Teile mit #3
Parts with #3

3



4

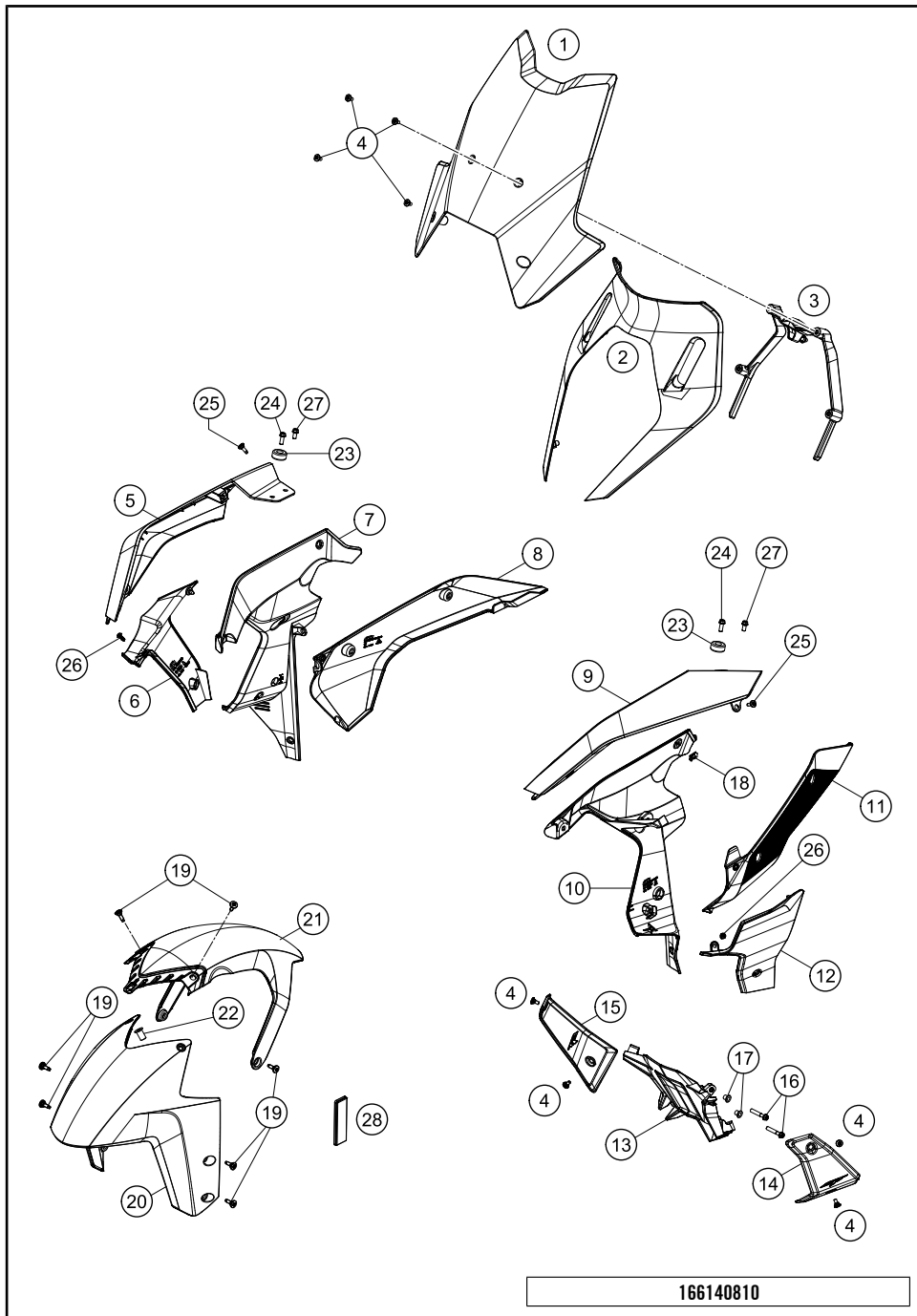
166140730

POS	PARTNUMBER	PARTNAME	PIECE
1	60307088000	FUEL PUMP	1
2	61007089000	O-RING SET FOR FUEL PUMP 05	1
3	61007090100	FILTER-SET FUEL PUMP	1
4	0025060166	HH COLLAR SCREW M6X16 TX30	4

C166140730

* NEW PART

X ON DEMAND



POS	PARTNUMBER	PARTNAME	PIECE
1	61408008000	WINDSHIELD EU	1
2	61408001000	HEADLIGHT MASK	1
3	61408008050	WINDSHIELD GUIDING	1
4	69008021160	SPECIAL SCREW M5X12	8
5	61408003000BIA	MASK ARM RIGHT	1
6	61408061000	COOLER SPOILER RIGHT	1
7	61408026000	INNER LINING RIGHT	1
8	61408063000	LOWER TANKCOVER RIGHT	1
9	61408002000BIA	MASK ARM LEFT	1
10	61408027000	INNER LINING LEFT	1
11	61408062000	LOWER TANKCOVER LEFT	1
12	61408060000	COOLER SPOILER LEFT	1
13	61408021000	MOUNTING FRONTSPOILER	1
14	61408021010	BELLY PAN LE	1
15	61408021020	BELLY PAN RH	1
16	0025060356	HH COLLAR SCREW M6X35 TX30	2
17	45239060050	COLLAR BUSHING 6,3X8X13X9,5	2
18	69008021080	RANGE CHANGE METAL NUT M5	2
19	69008021060	SPECIAL SCREW M5X17	10
20	6130801000030A	FENDER FRONT BLACK 2014	1
21	6130801100033	REAR FENDER BLACK	1
22	60008008050	BLIND PLUG-IN NUT M5 WN 16A 03	2
23	50307014000	TANK ROLLER 12X26X12 '98	2
24	0025060166	HH COLLAR SCREW M6X16 TX30	2
25	69008021060	SPECIAL SCREW M5X17	2
26	0081050121	SCREW FOR PLASTIC K50X12 T20	2
27	0025060126	HH COLLAR SCREW M6X12 TX30	2
28	60012080100	SIDE REFLECTOR YELLOW "CEV"	2

166140810

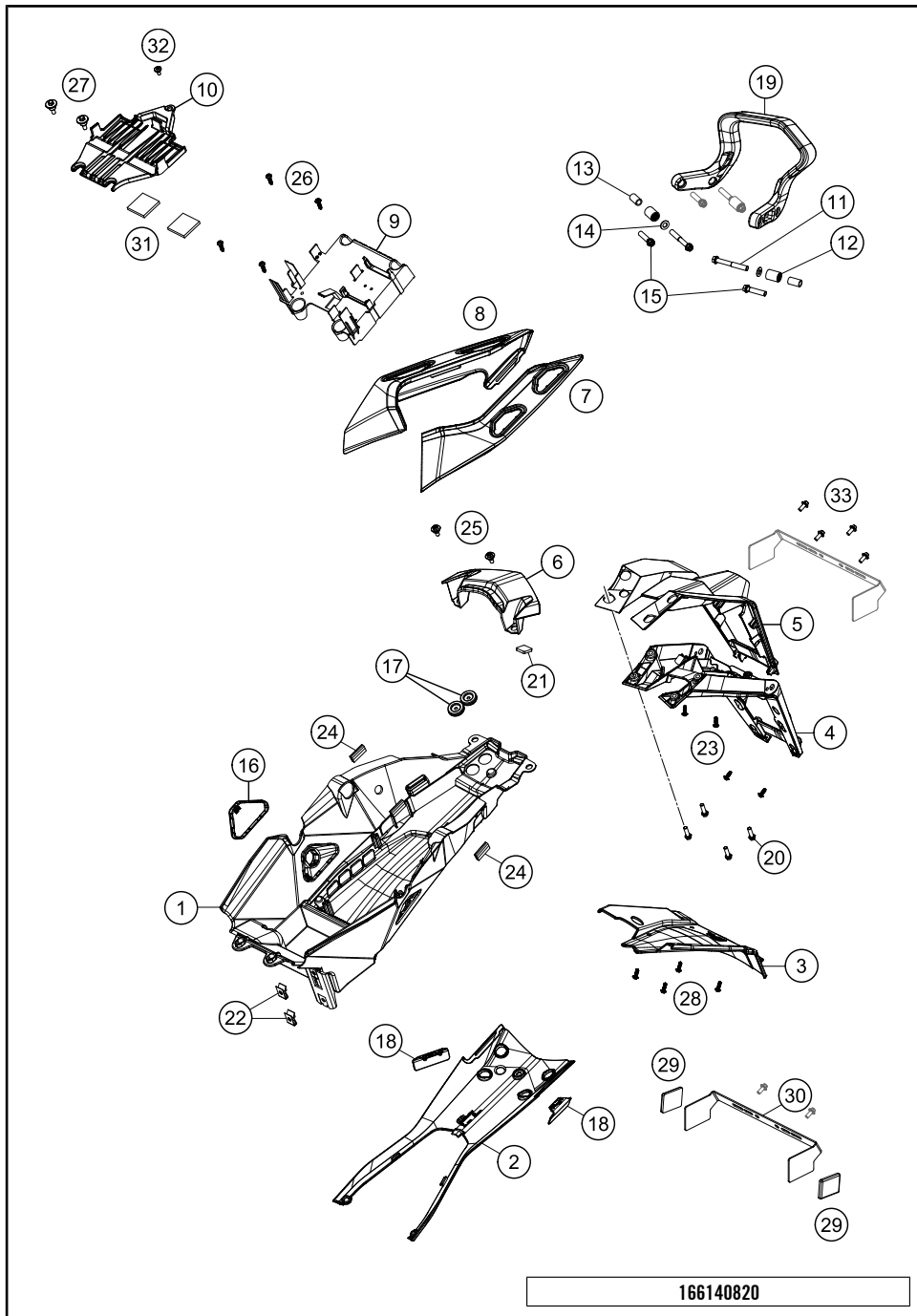
C166140810

* NEW PART

X ON DEMAND

COVER REAR

1290 SUPER DUKE GT ORANGE EU 2016

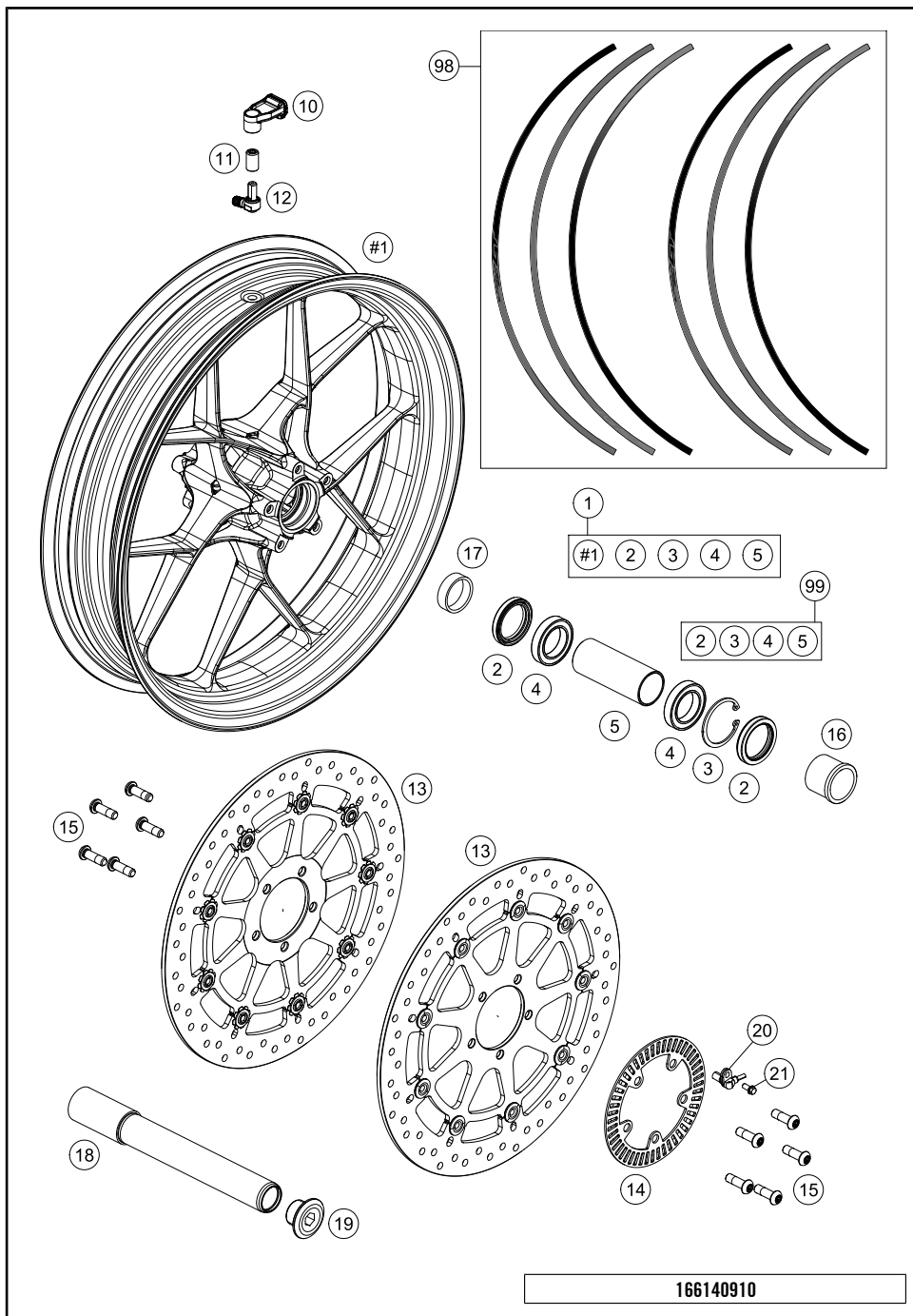


POS	PARTNUMBER	PARTNAME	PIECE
1	61408019000	TAIL UNDERPART	1
2	61408019050EBA	BOTTOM REAR SPOILER ORANGE	1
3	61408023010	SPLASH PROTECTOR	1
4	61408023000	NPC LOWER PART	1
5	61408022000	NPC UPPER PART	1
6	61408015020	TAIL LIGHT COVER	1
7	61408042000EBA	REAR PANEL LEFT ORANGE	1
8	61408041000EBA	REAR PANEL RIGHT ORANGE	1
9	61408018010	MCU HOLDER	1
10	61411054000	BATTERY HOLDER	1
11	0025080606	HH COLLAR SCREW M8x60 TX40	2
12	60307048000	RUBBER SEAT-CONTACT SURFACE	2
13	61407049000	BUSHING 8.4X12X21.5	2
14	0125080003	WASHER DIN0125-A 8,4	2
15	0025080356	HH COLLAR SCREW M8X35 TX40	2
16	61408019040	HEATINGSWITCH COVER	1
17	60006001023	RUBBER SLEEVE STOP SCREW	2
18	61403002059	PANNIER HOOK DAMPING RUBBER	2
19	61412008000	PILLION HANDLE BAR	1
20	0025060206	HH COLLAR SCREW M6X20 TX30	4
21	61408015030	METAMOLL F. TAIL LIGHT COVER	1
22	54603048100	RANGE CHANGE METAL NUT M6	2
23	0081050121	SCREW FOR PLASTIC K50X12 T20	6
24	58312085100	EDGE PROTECTOR PER METER	1
25	83008100015	SPECIAL SCREW M6X15X5,5	2
26	0081050181	SCREW FOR PLASTIC K50X18 T20	4
27	60035001000	SPECIAL SCREW M6X21 WS=8	2
28	0081050141	EJOT PT SCREW 50X14 WN 1451	4
29	16512180100	SIDE REFLECTOR RED REAR USA ONLY	2
30	62512081100	BRACKET SIDE REFLECTOR USA ONLY	1
31	61411054050	BATTERY HOLDER ABSORBER	2
32	69008021160	SPECIAL SCREW M5X12	1

* NEW PART X ON DEMAND

FRONT WHEEL

1290 SUPER DUKE GT ORANGE EU 2016



POS	PARTNUMBER	PARTNAME	PIECE
1	6130900114430	FRONT WHEEL 3,5X17" BLACK	1
2	0760354771	SHAFT SEAL RING 35X47X7 TC	2
3	0472047175	CIRCLIP DIN0472-47X1,75	1
4	0625069068	GR.BALL BEAR.6906 DDU2CG23S6NM	2
5	61009011000	BEARING SPACER TUBE FRONT 05	1
10	61412033000	TIRE PRESSURE SENSOR SMALL	1
11	61412033050	NUT F. TYRE-PRESSURE SENSOR SM	1
12	61412033060	VALVE 8,5MM 90° F. TPMS SMALL	1
13	6130906000033	BRAKE DISK D=320/5	2
14	76042020000	SENSORGEAR FRONT	1
15	76009062000	SPECIAL SCREW M8X25 SS TX40	10
16	61009012000	SPACER BUSH. FR. WHEEL L/S 05	1
17	60009013000	SPACER BUSH. FR. WHEEL R/S 03	1
18	61009081000	WHEEL SPINDEL FRONT 05	1
19	61009082000	AH SCREW M25X1,5 WS=12 05	1
20	76042025000	ABS-SENSOR	1
21	59009062013	SPECIAL SCREW M6X13 WS=8 10.9	1
98	61409098000	DECAL KIT RIMS SUPERDUKE GT 16	1
99	61009015000	FRONT WHEEL REP. KIT	x

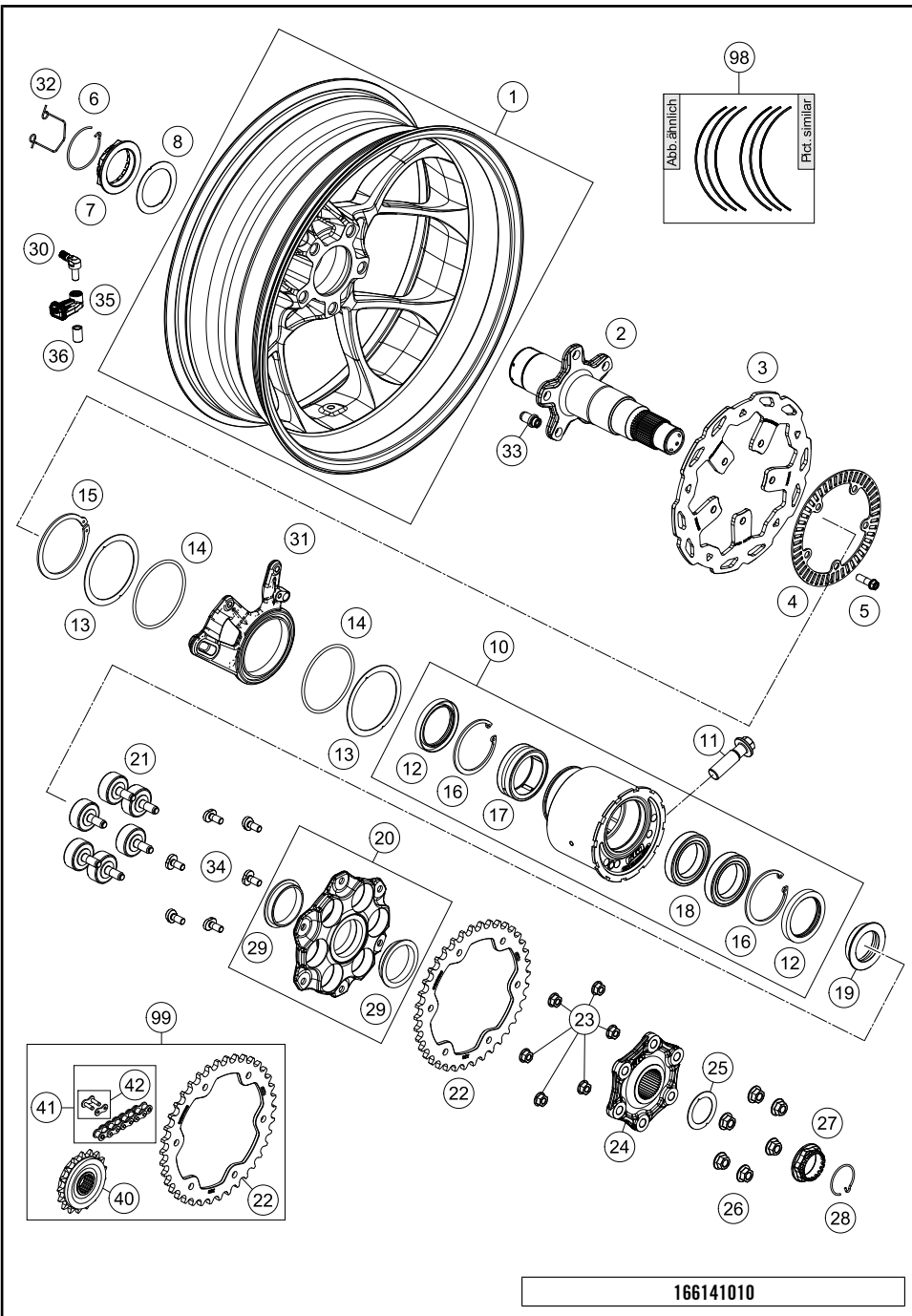
166140910

C166140910

* NEW PART X ON DEMAND

REAR WHEEL

1290 SUPER DUKE GT ORANGE EU 2016



POS	PARTNUMBER	PARTNAME	PIECE
1	6141010100030	REAR WHEEL 6X17"	1
2	61310085100	AXLE REAR	1
3	76010160000	BRAKE DISC 240MM	1
4	76042121000	SENSOR GEAR REAR	1
5	0025080256S	HH COLLAR SCREW M8X25 TX40	5
6	61310187000	SAFETY WIRE R/S	1
7	61310186000	AXLE NUT M50X1.5	1
8	61310016000	WASHER 69X1	1
10	61310010044	CLUTCH HUB HOUSING CPL.	1
11	61310021000	HH COLLAR SCREW M16X1,5X55	1
12	0760526880	SHAFT SEAL RING 52X68X8	2
13	61310019000	WASHER 94X1	2
14	0770840035	O-RING 84,00X3.5 NBR70	2
15	0471078250	CIRCLIP DIN471-78X2.5	1
16	0472068250	CIRCLIP DIN472-68X2.5	2
17	0617456822	NEEDLE BEARING RNA4909-2RSR-XL	1
18	0625061909	DEEP GROOVE BALL BEARING 61909	2
19	61310014000	SPACER RING	1
20	6131005404433S	SPROCKET SUPPORT CPL.	1
21	61310059000	JAR DAMPER	6
22	61310151038	SPROCKET STEEL DUKE 1290 Z38	1
23	54310086200	SELF LOCKING NUT M8 10.9	6
24	6131005000033S	JAR DAMPER CARRIER	1
25	76010116000	SHIM 50X1	1
26	06923100003	HEX. NUT DIN 6923 M10X1.25-10	6
27	61310086000	AXLE NUT M35X1.5	1
28	76010187000	SAFETY WIRE L/S	1
29	76010052000	IGUS BEARING D=50	2
30	61412033060	VALVE 8,5MM 90° F. TPMS SMALL	1
31	6131307500033S	BRAKE CALIPER ADAPTER BLACK	1
32	61310010011	SAFE ARMING WIRE	1
33	61310113000	DOWEL PIN M8	5
34	61310052000	SPROCKET SCREW	6
35	61412033000	TIRE PRESSURE SENSOR SMALL	1
36	61412033050	NUT F. TYRE-PRESSURE SENSOR SM	1
40	60033129017	CHAIN SPROCKET 17-T DAMPED 03	1
41	61310165118	CHAIN DID525 VAZ & MASTER LINK	1
42	61310066000	MASTER LINK FOR CHAIN DID VAZ	1

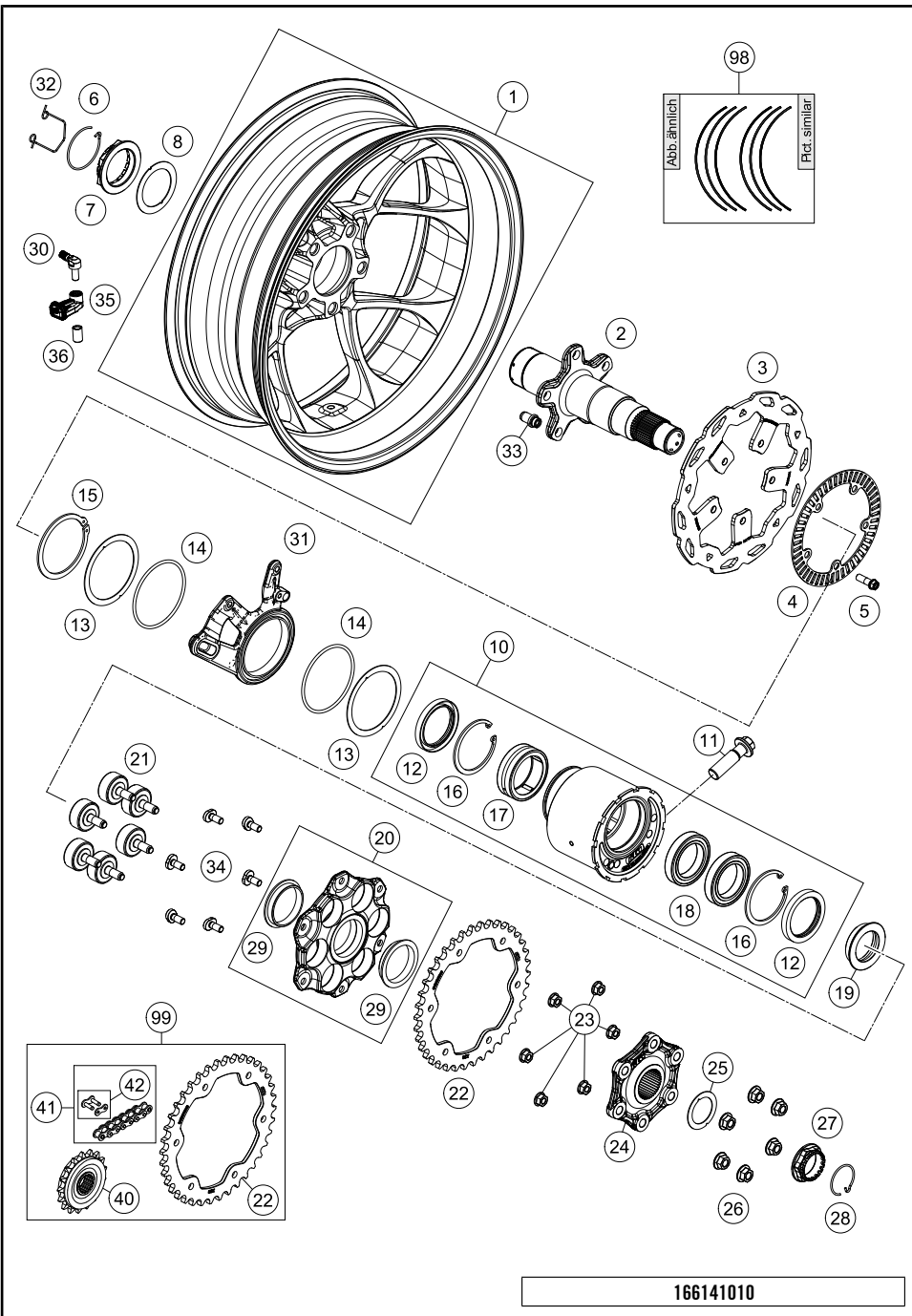
166141010

C166141010

* NEW PART X ON DEMAND

REAR WHEEL

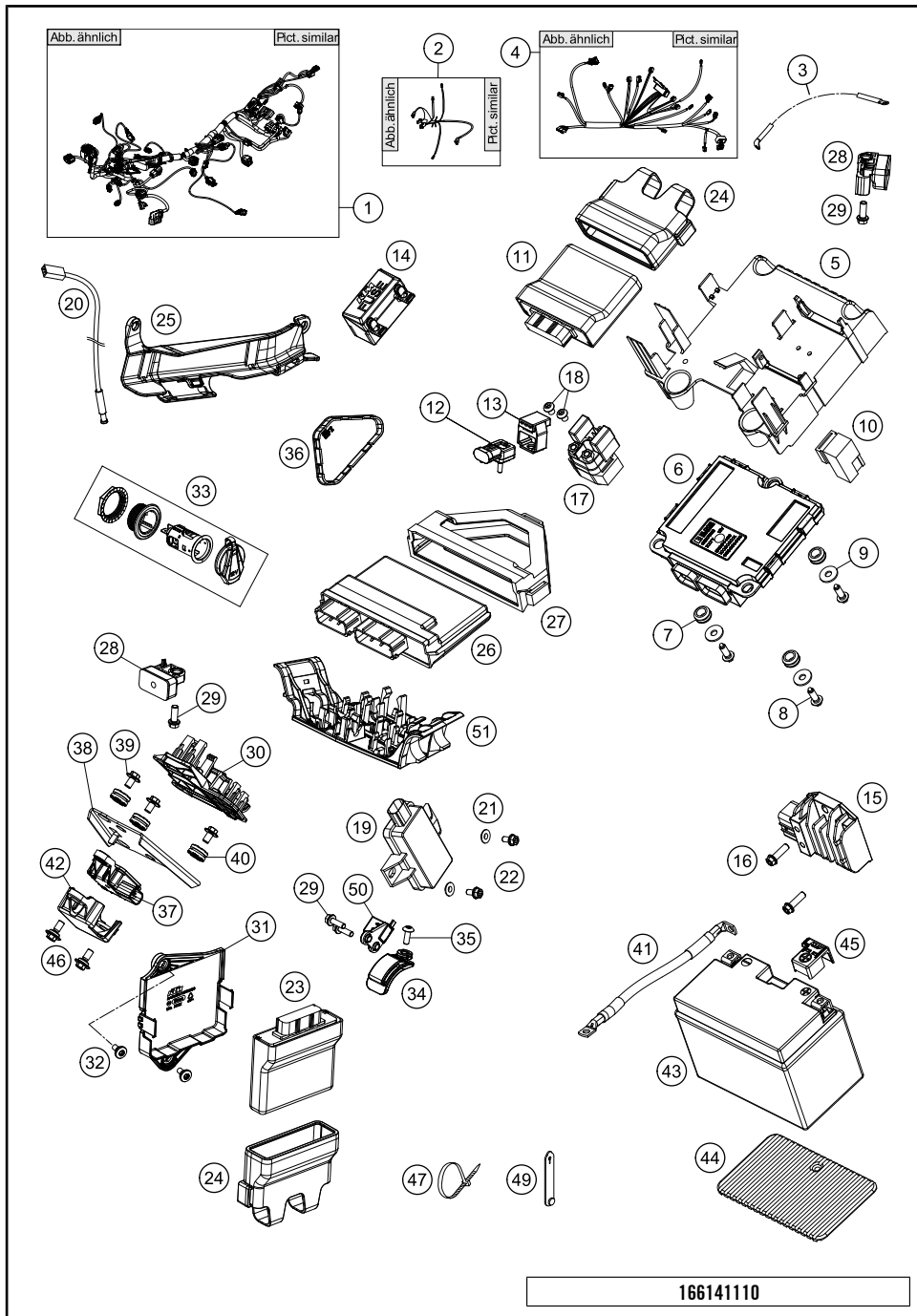
1290 SUPER DUKE GT ORANGE EU 2016



POS	PARTNUMBER	PARTNAME	PIECE
98	61409098000	DECAL KIT RIMS SUPERDUKE GT 16	1
99	00050002029	DRIVETRAIN KIT 1290 SD 17T/38T	1

C166141010

* NEW PART X ON DEMAND



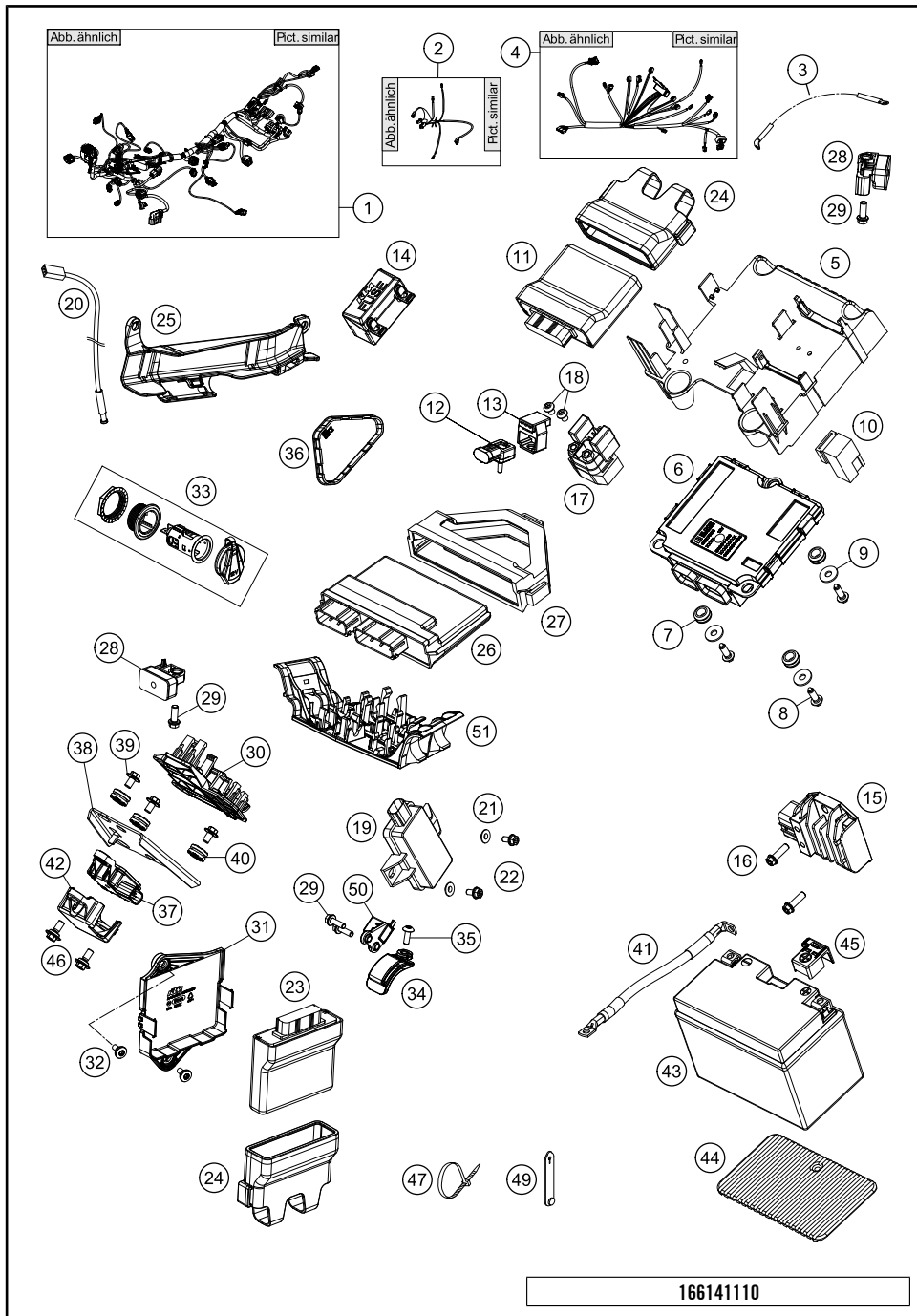
POS	PARTNUMBER	PARTNAME	PIECE
1	61411075033	MAIN HARNESS CPL.	1
2	61411085000	ENGINE HARNESS	1
3	61311059050	BATTERY CABLE	1
4	61311076100	REAR WIRING HARNESS	1
5	61408018010	MCU HOLDER	1
6	60311033200	MOTORCYCLE CONTROL UNIT 2.1	1
7	60006001022	RUB.SLEEVE FLOAT CHAMB.VENTING	3
8	0017060206	SCREW F. PLASTIC K60X20AL SW6	3
9	0021060003	WASHER DIN9021-A 6,4	3
10	61111057000	RELAY CM1A-R-12V-H80 07	1
11	60416031000	ELECTRONIC CONTROL UNIT SAFE	1
12	61041085100	PRESSURE SENSOR 06	1
13	61041085150	RUBBER SUPP. PRESSURE SENS. 06	1
14	61311087050	RUBBER CASING FUSE BOX	1
15	60311034000	VOLTAGE REGULATOR	1
16	0025060206	HH COLLAR SCREW M6X20 TX30	2
17	76211058000	STARTER RELAY 07	1
18	0738060101	COU.SUNK SCR. AH ISO7380 M6X10	2
19	60312032000	RECEIVER AIR PRESSURE SENSOR	1
20	61111018100	TEMPERATURE SENSOR	1
21	61412032010	BUSH 13X7X3,3	2
22	0025050106	COLLAR SCREW M5X10 ISA30	2
23	60414039000	CONTROL UNIT CURVE LIGHT	1
24	60316029000	RUBBER EDS-CONTROL UNIT	2
25	60311047000	CABLE CHANNEL R/S	1
26	61341031200	ECU EFI	1
27	60341031050	ECU RUBBER BRACKET	1
28	60416063000	ACCLERATION SENSOR	2
29	0025060166	HH COLLAR SCREW M6X16 TX30	4
30	61411083000	CONNECTOR BOARD FRONT	1
31	61414039050	LCU HOLDER	1
32	69008021060	SPECIAL SCREW M5X17	2
33	60311042000	POWER OUTLET 12V	1
34	60416061000	MAGNET HOLDER	1
35	58605083014	SCREW M5X14 TORX 25 07	1
36	61408019040	HEATINGSWITCH COVER	1
37	60342090000	SLOPING POSITIONS SENSOR	1
38	61342090040	SUPPORT SLOPING POS. SENSOR	1

166141110

C166141110

* NEW PART

X ON DEMAND



POS	PARTNUMBER	PARTNAME	PIECE
39	0024060106	HH COLLAR SCREW M6X10 TX30	3
40	62142041000	DAMP. COMPONENT ABS MODUL	3
41	61411098000	GROUND CABLE BATT.-FRAME 16MM	1
42	61342090050	COVER SENSOR BOX	1
43	60011053000	BATTERY 12V/11AH 03	1
44	61311053050	RUBBER PLATE FOR BATTERY	1
45	62111059060	COVER POSITIVE POLE	1
46	83008000015	SPECIAL SCREW M6X15X3	2
47	44011076140	CABLE TIE 140/2,5MM BLACK	x
47	44011076200	CABLE TIE 200/3,6MM BLACK	x
47	44011076305	CABLE TIE 300/4,8MM BLACK	x
49	60011093075	RUBBER CABLE TIE 75MM 03	x
50	60416062000	WHEEL TRAVEL SENSOR	1
51	61411049000	CONNECTOR BOARD REAR	1

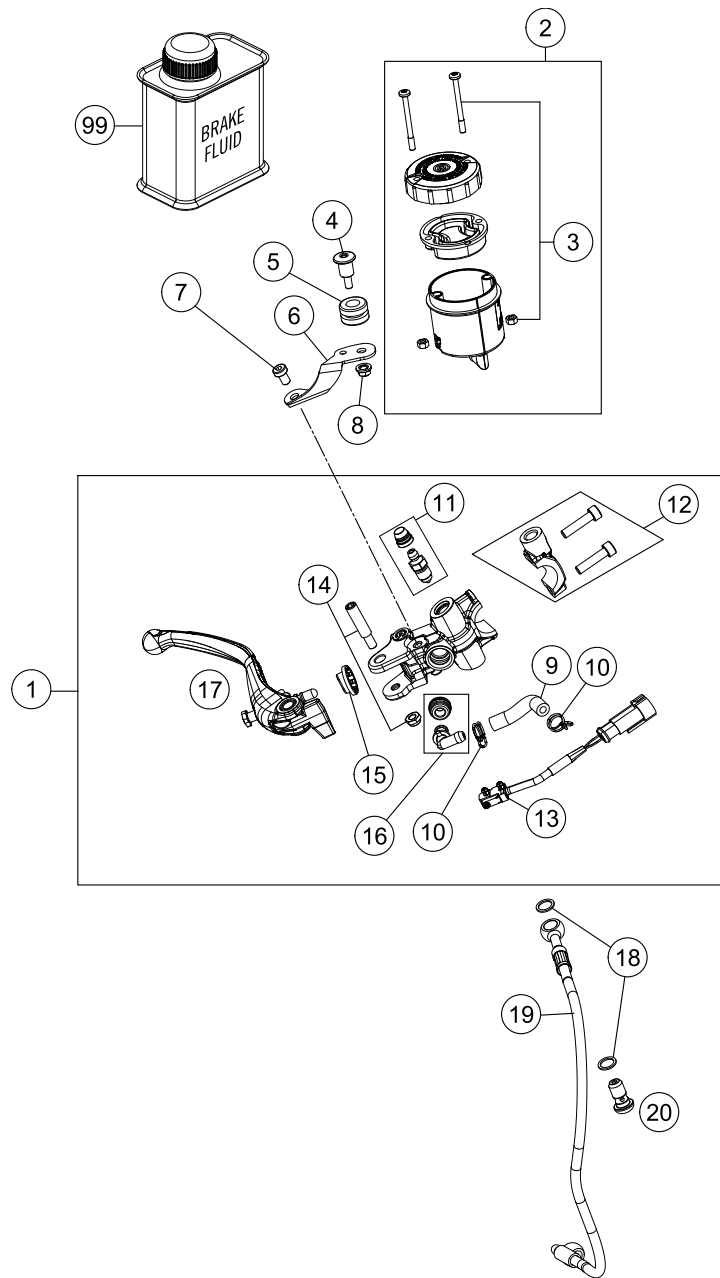
166141110

C166141110

* NEW PART X ON DEMAND

HAND BRAKE CYLINDER

1290 SUPER DUKE GT ORANGE EU 2016



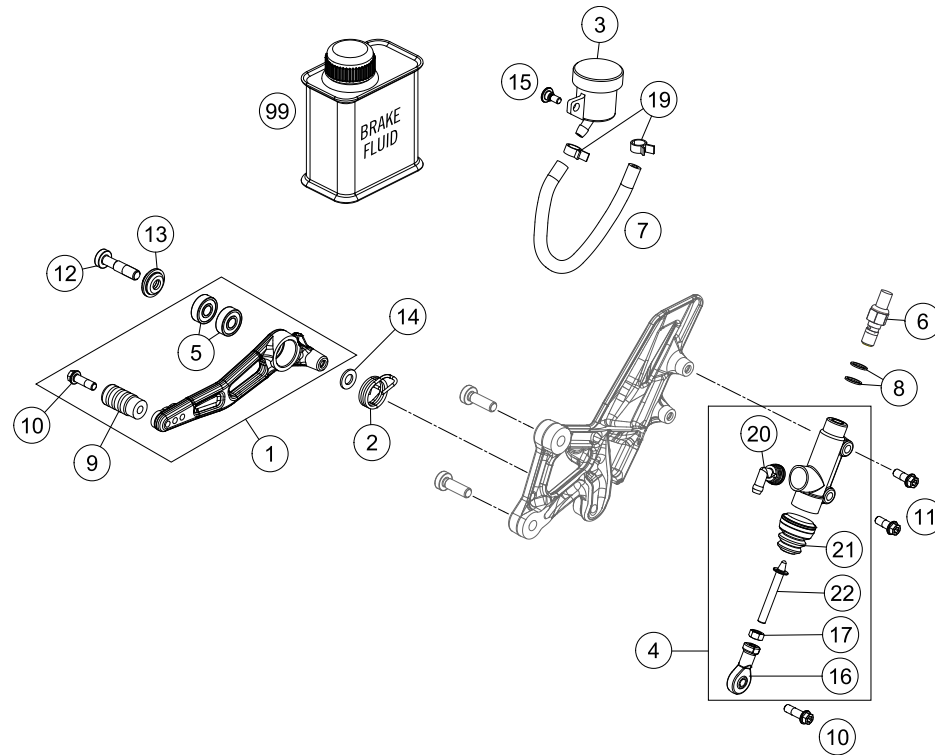
POS	PARTNUMBER	PARTNAME	PIECE
1	6131300100030	HAND BRAKE CYL. PR16/19	1
2	61013009202	BRAKE FLUID RESERVOIR CPL.	1
3	61013009203	SCREW + NUT F. RESERVOIR	1
4	61013013050	SCREW RET.PANEL-RESERVOIR	1
5	61013013000	RUBBER BUSH 05	1
6	6101300900130	SUPPORT BRAKE FLUID RES. FRONT	1
7	61013021000	SCREW RET.PANEL-BRAKE CYLINDER	1
8	61013009004	NUT FOR RESERVOIR	1
9	58007016101	HOSE FOR RESERVOIR 6X1,5	1
10	58007017000	YDNAC CLAMP 10101 (10,4MM)	2
11	60013020000	BLEEDER SCREW WITH CAP	1
12	76013005000	CLAMP CPL.	1
13	61311050000	BRAKE LIGHT SWITCH FRONT	1
14	61013006000	LEVER SCREW CPL. 05	1
15	61013008000	RUBBER CUP 05	1
16	54513155000	ANGLE PIECE	1
17	6101300204430	HAND BRAKE LEVER CPL. BLACK	1
18	0603100141	COPPER GASKET DIN7603-10X14X1	2
19	61442001000	BRAKE HOSE HANDBREAK CYLINDER,	1
20	62113020100	HOLL. SCREW M10X1X19.5	1
99	00062030000	BRAKE FLUID DOT5.1 0,25L	1

146131310

C166141310

* NEW PART

X ON DEMAND



POS	PARTNUMBER	PARTNAME	PIECE
1	6131305004433S	FOOT BRAKE LEVER CPL.	1
2	61313052000	SPRING	1
3	61013069000	RESERVOIR REAR CPL. 05	1
4	6031306000030	REAR BRAKE CONTROL	1
5	0625006087	GROOVED BALL BEAR. 608 2RS C3	2
6	60311051000	BRAKE LIGHT SWITCH REAR	1
7	69013069001	HOSE FOR RESERVOIR 6X1,5	1
8	0603100141	COPPER GASKET DIN7603-10X14X1	2
9	58303060051	BRAKE LEVER PEDAL DUKE'94	1
10	0025060206S	HH COLLAR SCREW M6X20 TX30	2
11	0025060166S	HH COLLAR SCREW M6X16 ISA 30	2
12	0035080356S	SCREW M8X35 ISA45 SS	1
13	61334041000	SPECIAL WASHER D=23X7,2MM	1
14	0125080003	WASHER DIN0125-A 8,4	1
15	69013099050	SCREW F. EXPANSION TANK	1
16	54603069000	SWIVEL HEAD M6 FOOT BRAKE LEV.	1
17	0934060003	HEXAGON NUT DIN0934-M 6	1
18	6031306000030	REAR BRAKE CONTROL	1
19	58007017000	YDNAC CLAMP 10101 (10,4MM)	2
20	54513155000	ANGLE PIECE	1
21	54513151000	RUBBER SLEEVE	1
22	60313056044	PUSH ROD CPL.	1
99	00062030000	BRAKE FLUID DOT5.1 0,25L	1

146131330

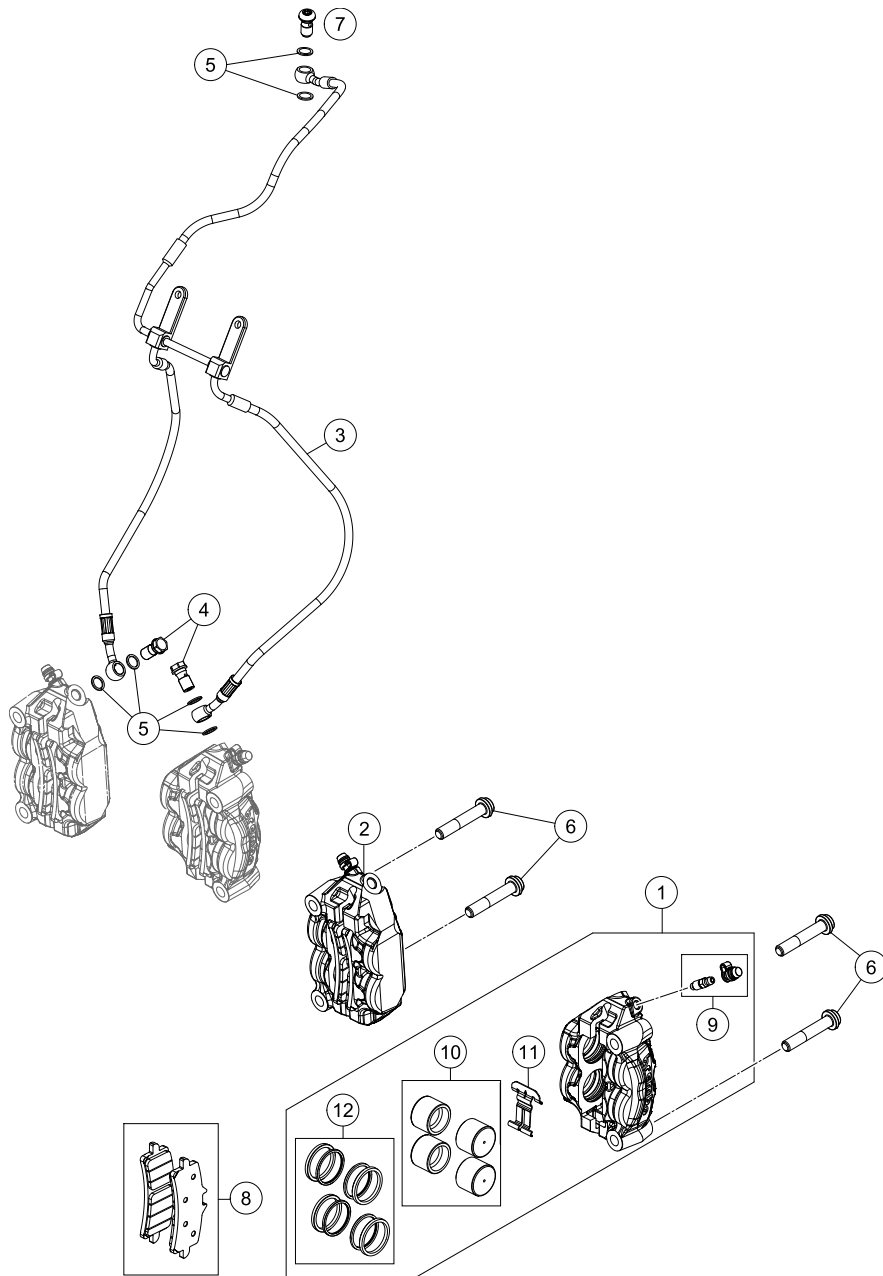
C146131330

* NEW PART

X ON DEMAND

BRAKE CALIPER FRONT

1290 SUPER DUKE GT ORANGE EU 2016



POS	PARTNUMBER	PARTNAME	PIECE
1	6131301500158	BRAKE CALIPER FRONT - W/O PADS	1
2	6131301600158	BRAKE CALIPER FRONT W/O PADS	1
3	61442003000	BRAKE HOSE CALIPERS FRONT	1
4	69013025000	HOLLOW SCREW M10X1X19 SW12	2
5	0603100141	COPPER GASKET DIN7603-10X14X1	6
6	0035100559S	AH-COLLAR SCREW M10X1,25X55SS	4
7	62113020100	HOLL. SCREW M10X1X19.5	1
8	61313030000	BRAKE PADS SET BRM10A-HH	2
9	61013020100	BLEEDER SCREW WITH CAP	2
10	61313019000	BRAKE PISTON CPL.	2
11	69013018000	SPRING PLATE	2
12	61313021000	SEAL RINGS CPL.	2

166141360

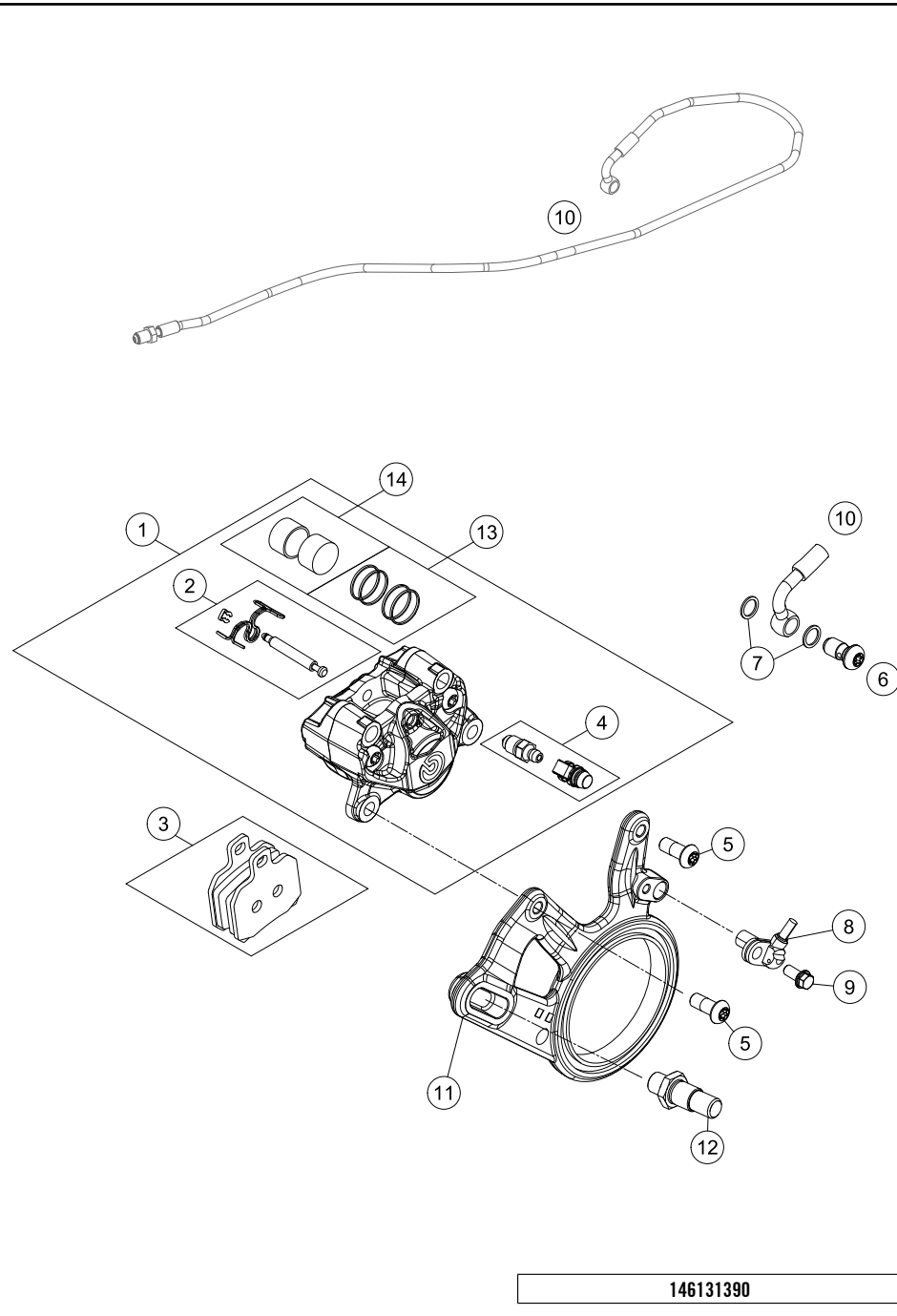
C166141360

* NEW PART

X ON DEMAND

BRAKE CALIPER REAR

1290 SUPER DUKE GT ORANGE EU 2016



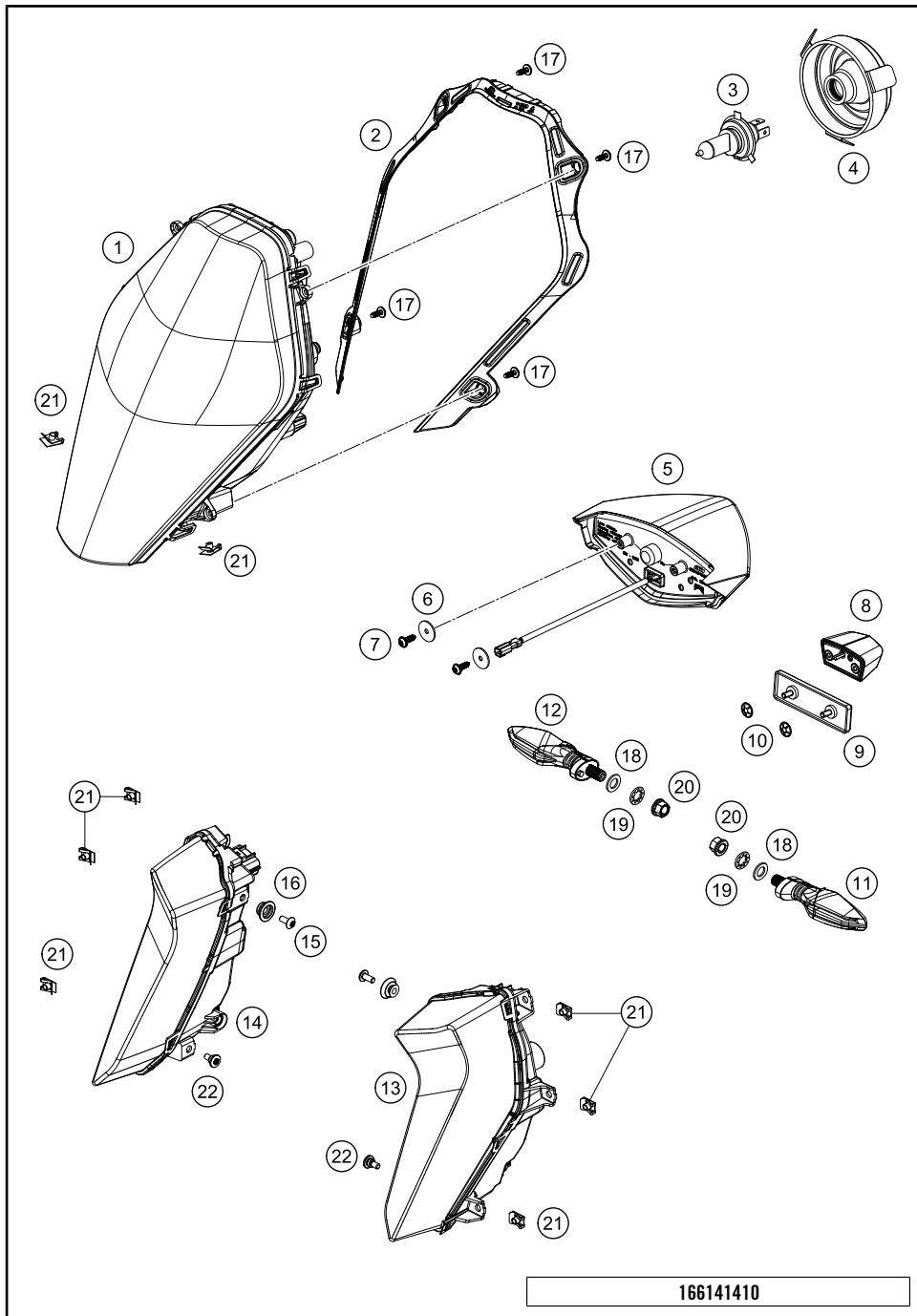
POS	PARTNUMBER	PARTNAME	PIECE
1	6131308000158	BRAKE CALIPER REAR W/O PADS BL	1
2	69013082000	BOLT KIT 08	1
3	61313090100	BRAKE PADS REAR TT2172HH	1
4	69013020000	BLEEDER SCREW WITH CAP	1
5	69013076000	SCREW F. BRAKE CALIPER	2
6	62113020100	HOLL. SCREW M10X1X19.5	1
7	0603100141	COPPER GASKET DIN7603-10X14X1	2
8	76042025000	ABS-SENSOR	1
9	59009062013	SPECIAL SCREW M6X13 WS=8 10.9	1
10	61442004010	BRAKE HOSE	1
11	6131307500033S	BRAKE CALIPER ADAPTER BLACK	1
12	76004142000	BOLT BRAKE SADDLE BRACKET	1
13	69013081000	REPAIR KIT SEAL RING	1
14	61313083000	REPAIR KIT PISTON	1

146131390

C166141390

* NEW PART

X ON DEMAND

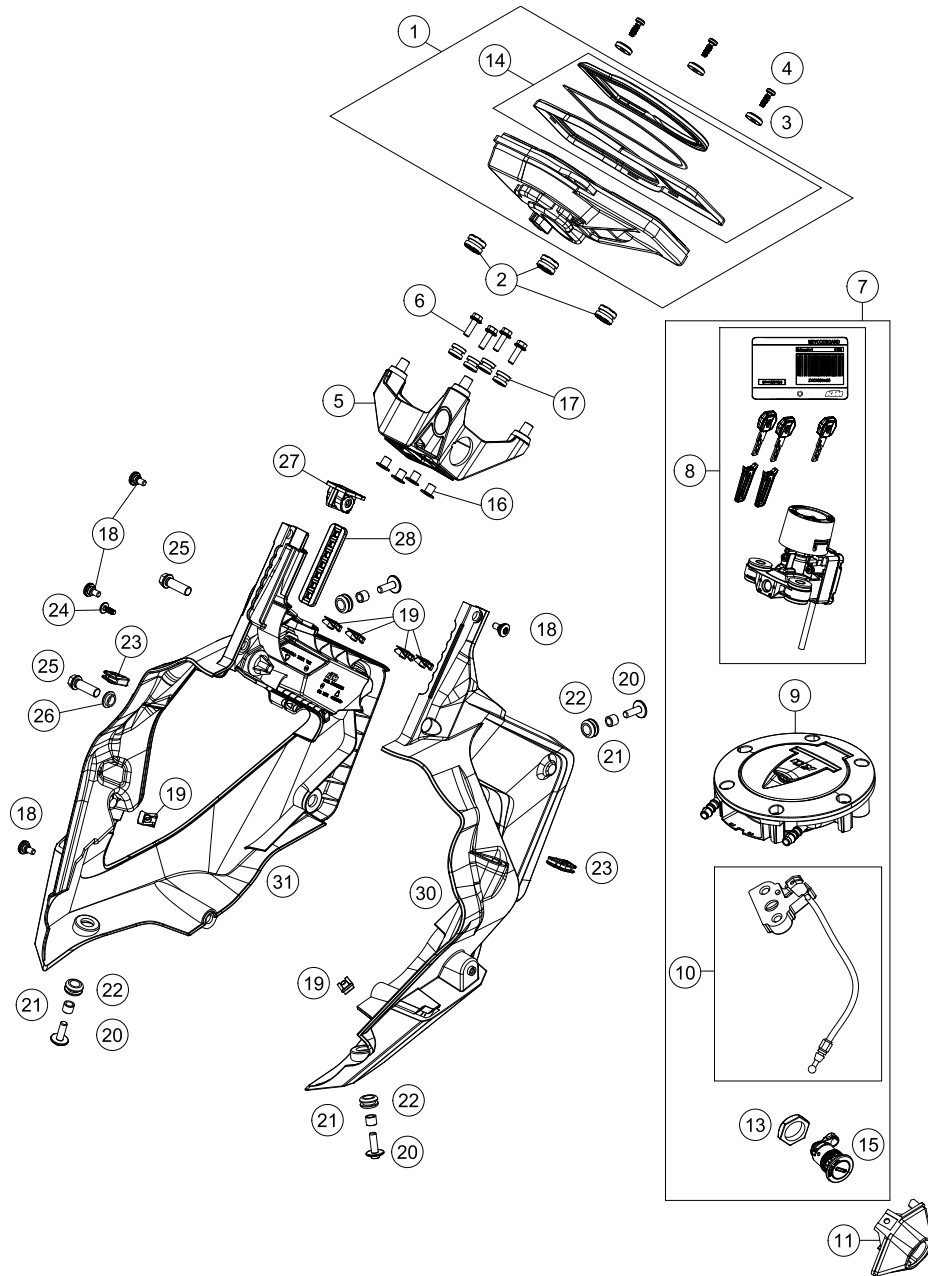


POS	PARTNUMBER	PARTNAME	PIECE
1	61414001000	HEADLIGHT	1
2	61414037000	HEADLIGHT FRAME	1
3	57111038000	BULB H4 12V 60/55W (P43T)	1
4	61314001050	RUBBER CAP FOR HEAD LIGHT	1
5	61314040100	REAR LIGHT SUPERDUKE ECE	1
6	0522040003	WASHER DIN522 A2K 4.3X20X1.25	2
7	0081050141	EJOT PT SCREW 50X14 WN 1451	2
8	90114047000	LICENSE PLATE ILLUMINATION	1
9	58412080000	REFLECTOR RED	1
10	60408061060	LOCK WASHER D5	2
11	60314025000	FLASHER L/S	1
12	60314026000	FLASHER R/S	1
13	61414007000	CORNERING LIGHT L/S	1
14	61414008000	CORNERING LIGHT R/S	1
15	58605083014	SCREW M5X14 TORX 25 07	2
16	61414007010	BUSH CORNERING LIGHT	2
17	0081045121	SCREW FOR PLASTIC K45X12 T20	4
18	0433100003	WASHER 18x10,5x1,6	2
19	0797100003	LOCK WASHER DIN6797-J10,5 ZI	2
20	58414030000	HH COLLAR NUT M10X1,25 WS=13	2
21	69008021080	RANGE CHANGE METAL NUT M5	10
22	69008021160	SPECIAL SCREW M5X12	2

166141410

C166141410

* NEW PART X ON DEMAND



166141430

POS	PARTNUMBER	PARTNAME	PIECE
1	60414069000	SPEEDOMETER	1
2	61314069051	DAMP. COMPONENT SPEEDOMETER	3
3	60308045000	SPECIAL WASHER 4.5X16	3
4	0081250141	SCREW FOR PLASTIC PT K50X14T25	3
5	61414062000	INSTRUMENT HOLDER	1
6	0025050166	HH COLLAR SCREW M5X16 TX30	4
7	61411066044	LOCK SET CPL.	1
8	61311066100	IGNITION LOCK	1
9	61407008000	TANK CAP	1
10	61307050000	SEAT LOCK MECHANISM CPL.	1
11	61307055000	SOPPORT SEAT LOCK	1
13	69007050050	NUT SEAT LOCK M22X1,5	1
14	60314069050	SPEEDOMETER FRAME CPL.	1
15	61307050020	LOCK CYLINDER SEAT LOCK	1
16	61414062010	BUSHING 7X5,5X9,3	4
17	60035069100	RUBBER GROMMET 6,5X9X13MM	3
18	69008021160	SPECIAL SCREW M5X12	4
19	69008021080	RANGE CHANGE METAL NUT M5	6
20	69014017000	SPECIAL SCREW M6X18 ISA30 08	4
21	69014014000	BUSHING 6,1X9,2X7,5 08	4
22	60006001022	RUB.SLEEVE FLOAT CHAMB.VENTING	4
23	60308008057	RUBBER SLEEVE	2
24	0081045121	SCREW FOR PLASTIC K45X12 T20	1
25	0025080256	HH COLLAR SCREW M8X25 TX40	2
26	61414011040	BUSHING 8.2/11/4.75	1
27	61414011020	CAP FOR MASK CARRIER	1
28	61408008060	LOCKING RAIL	1
30	61414010000	MASK CARRIER LEFT	1
31	61414011000	MASK CARRIER RIGHT	1

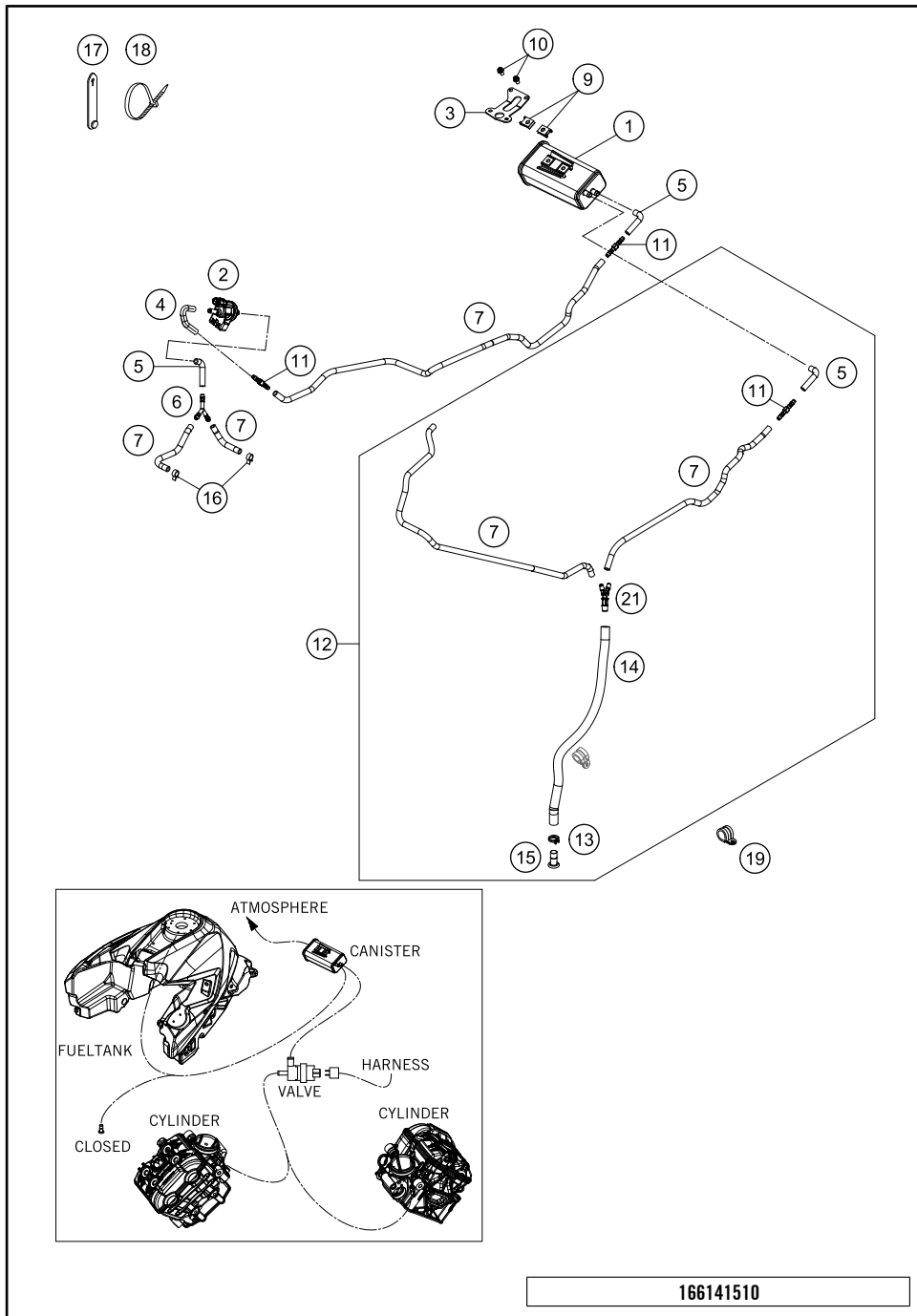
C166141430

* NEW PART

X ON DEMAND

EVAPORATE CANISTER

1290 SUPER DUKE GT ORANGE EU 2016



POS	PARTNUMBER	PARTNAME	PIECE
1	75015001200	CARBON CANISTER	1
2	76015015000	VALVE EVAP	1
3	61415002000	BRACKET FOR CARBON CANISTER	1
4	61415021000	HOSE PURGE VALVE	1
5	61315022000	PREFORMED HOSE 6X10 FPM	3
6	60015025100	Y-CONNECTING PIECE YS 6-6-6 06	1
7	78015019000	HOSE EPA D=6/10 L=2000MM	1
9	54603048100	RANGE CHANGE METAL NUT M6	2
10	0025060126	HH COLLAR SCREW M6X12 TX30	2
11	69015019010	HOSE CONNECTION STRAIGHT	3
12	61415025033	TANK VENT. TUBE - AKF	1
13	58431082100	YDNAC-CLAMP 10173 (16MM) '98	1
14	78015119000	HOSE EPA D=10/16 L=2000MM	x
15	61315026000	PLUG D=10	1
16	59007017000	CLAMP YDNAC 10096F (9,6MM)	2
17	60011093075	RUBBER CABLE TIE 75MM 03	x
18	44011076140	CABLE TIE 140/2,5MM BLACK	x
19	61315027000	CABLE CLAMP D=16	1
20	61315028100	Y-CONNECTOR YS 6-10-6	1

166141510

C166141510

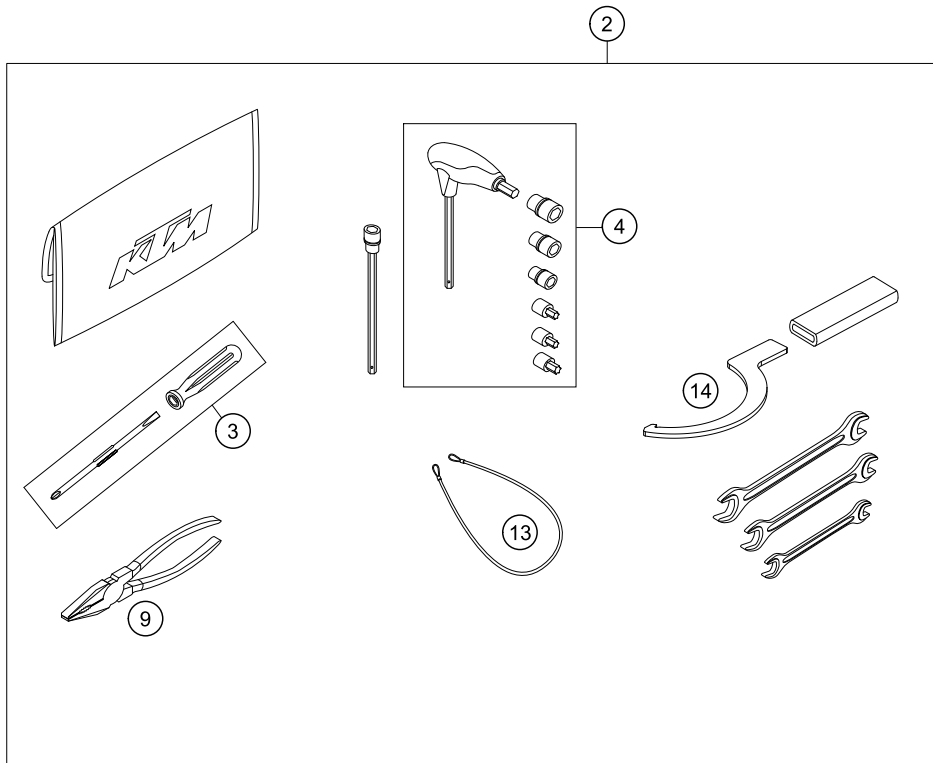
* NEW PART X ON DEMAND

ACCESSORIES KIT

1290 SUPER DUKE GT ORANGE EU 2016

0
OHNE ABBILDUNG
WITHOUT ILLUSTRATION

1
TECHNISCHE DOKUMENTATION
TECHNICAL DOCUMENTATION
DOCUMENTACION TECNICA
DOCUMENTATION TECHNIQUE
NOTE TECNICHE

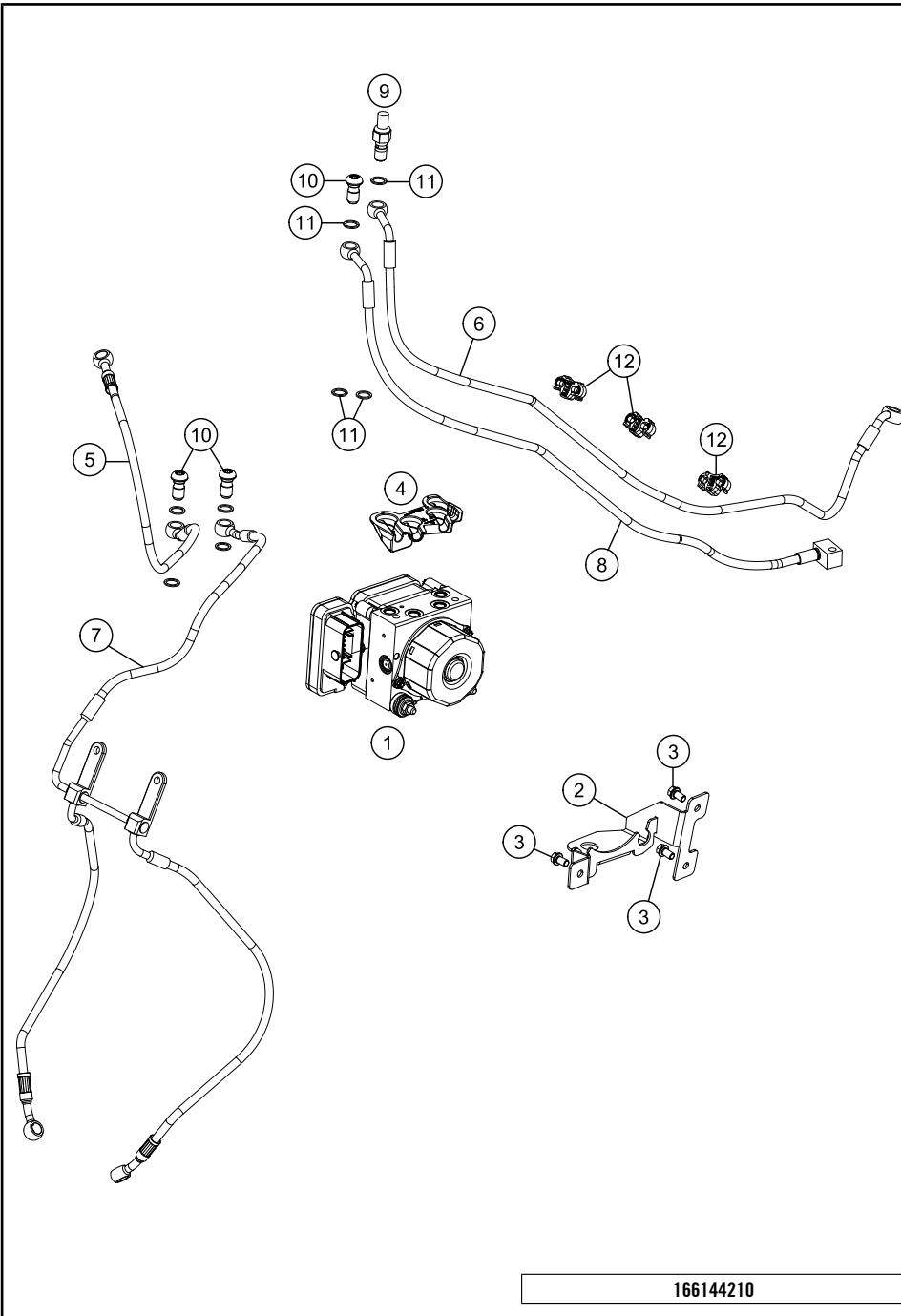


166142000

POS	PARTNUMBER	PARTNAME	PIECE
0	61408021000	MOUNTING FRONTSPOILER	1
0	45239060050	COLLAR BUSHING 6,3X8X13X9,5	2
0	0025060356	HH COLLAR SCREW M6X35 TX30	2
0	61408021010	BELLY PAN LE	1
0	61408021020	BELLY PAN RH	1
0	69008021160	SPECIAL SCREW M5X12	8
0	61408008000	WINDSHIELD EU	1
0	61408023010	SPLASH PROTECTOR	1
0	0081050141	EJOT PT SCREW 50X14 WN 1451	4
0	61312040100	MIRROR I/S	1
0	61312041100	MIRROR R/S CPL.	1
0	312305	DOCUMENTS BAG 2006	1
0	3210040	CUSTOMER WELCOME LETTER	1
0	312313	KTM BALLPOINT PEN ORANGE	1
0	00063004202	PRINT LABEL 60X51 MM	1
0	3212655ENE	POWER WEAR FOLDER 2016	1
0	3212634DE/GB	PP 1290 SD-R CHAPTER FOLDER 15	1
0	00063099111	BAG FOR INSTR. MANUAL 245X170	1
0	61308192000	STICKER SET FORK WP SMALL	1
0	00063004012	HEADLIGHT MASK BOX	1
1	3213401EN	OWN. MAN.1290 SUPER DUKE GT 16	1
2	61329099100	TOOL SET	1
3	53012024100	SCREW DRIVER L=105MM	1
4	60029070300	T-WRENCH WS=6/8/10/TX45/SK4X1	1
9	53012028200	GRIP ORANGE B&F	1
13	60012015000	HELMET LOCK 04	1
14	61329085000	HOOK WRENCH ECCENTRIC REAR WH.	1

C166142000

* NEW PART X ON DEMAND



POS	PARTNUMBER	PARTNAME	PIECE
1	60442031144	ABS MODULE FILLED	1
2	61442040000	SUPPORT ABS-MODULE	1
3	0025060106	HH COLLAR SCREW M6X10 TX30	3
4	61442050000	BRAKE PIPE LOCKING	1
5	61442001000	BRAKE HOSE HANDBREAK CYLINDER,	1
6	61442002000	BRAKE HOSE FOOTBRAKECYLINDER	1
7	61442003000	BRAKE HOSE CALIPERS FRONT	1
8	61442004010	BRAKE HOSE	1
9	60311051000	BRAKE LIGHT SWITCH REAR	1
10	62113020100	HOLL. SCREW M10X1X19.5	3
11	0603100141	COPPER GASKET DIN7603-10X14X1	3
12	61342046000	SUPPORT ABS-PIPE D7,5	3

166144210

C166144210

* NEW PART

X ON DEMAND



3H, DELTA, T

- ⑤ Ø 5 mm
- ⑥ Ø 6 mm
- ⑧ Ø 8 mm
- ⑩ Ø 10 mm
- ⑫ Ø 12 mm
- ⑭ Ø 14-14,5 mm
- ⑯ Ø 16 mm
- ⑳ Ø 20 mm
- ㉑ Ø 21 mm
- ㉒ Ø 22 mm
- ㉓ Ø 23 mm
- ㉔ Ø 24,5 mm
- ㉘ Ø 28,5 mm
- ㉚ Ø 32 mm
- ㉜ Ø 52 mm

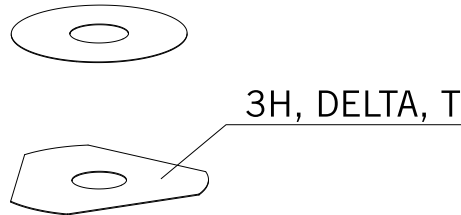
POS	PARTNUMBER	PARTNAME	PIECE
5	44906890	WASHER 5X15X2	X
6	40540400	SHIM 6X12X0,1	X
6	40540401	SHIM 6X14X0,1	X
6	40540402	SHIM 6X16X0,1	X
6	40540403	SHIM 6X18X0,1	X
6	40540404	SHIM 6X12X0,15	X
6	40540405	SHIM 6X14X0,15	X
6	40540406	SHIM 6X16X0,15	X
6	40540407	SHIM 6X18X0,15	X
6	40540408	SHIM 6X12X0,2	X
6	40540409	SHIM 6X14X0,2	X
6	40540410	SHIM 6X16X0,2	X
6	40540411	SHIM 6X18X0,2	X
6	48600095	* SHIM 6X20X0,20	X
6	40540412	SHIM 6X12X0,25	X
6	40540413	SHIM 6X14X0,25	X
6	40540414	SHIM 6X16X0,25	X
6	40540415	SHIM 6X18X0,25	X
6	40540417	SHIM 6X8,5X0,10	X
6	40540418	SHIM 6X9X0,10	X
6	40540419	SHIM 6X9,5X0,10	X
6	40540423	SHIM 6X9,5X0,15	X
6	40540425	SHIM 6X8,5X0,20	X
6	40540426	SHIM 6X9X0,20	X
6	40540427	SHIM 6X9,5X0,20	X
6	40540447	SHIM 6X10X0,3	X
6	40540449	SHIM 6X9X0,3	X
6	40540450	SHIM 6X9,5X0,3	X
6	40540494	SHIM 6X18X0,4	X
6	40540774	SHIM 6X18X0,1 DELTA	X
6	40541383	SHIM 6X11X0,1	X
6	40541391	SHIM 6X11X0,3	X
6	40541402	SHIM 6X11X0,2	X
6	40541403	SHIM 6X10X0,20	X
6	40541404	SHIM 6X10X0,1	X
6	40541405	SHIM 6X10X0,15	X
6	40541406	SHIM 6X11X0,15	X
6	40541408	SHIM 6X8,0X0,30	X

080000190

C130009090

* NEW PART

X ON DEMAND



- ⑤ Ø 5 mm
- ⑥ Ø 6 mm
- ⑧ Ø 8 mm
- ⑩ Ø 10 mm
- ⑫ Ø 12 mm
- ⑭ Ø 14-14,5 mm
- ⑯ Ø 16 mm
- ⑳ Ø 20 mm
- ㉑ Ø 21 mm
- ㉒ Ø 22 mm
- ㉓ Ø 23 mm
- ㉔ Ø 24,5 mm
- ㉘ Ø 28,5 mm
- ㉚ Ø 32 mm
- ㉜ Ø 52 mm

POS	PARTNUMBER	PARTNAME	PIECE
6	40541414	SHIM 6X8,0X0,10	X
6	40541416	SHIM 6X8X0,3	X
6	40541417	SHIM 6X11X0,25	X
6	48600102	* SHIM 6X24X0,25	X
6	48600063	SHIM 6X24X0,1	X
6	48600064	SHIM 6X22X0,1	X
6	48600065	SHIM 6X20X0,1	X
6	48600069	SHIM 6X20X0,15	X
6	48600100	SHIM 6X24X0,15	X
6	48600116	SHIM 6X24X0,1 DELTA	X
6	48600139	SHIM 6X22X0,1 DELTA	X
6	48600217	BACKPLATE 6X10X0,25	X
6	48600325	SHIM 6X13X0,1	X
6	48600327	SHIM 6X15X0,1	X
6	48600329	SHIM 6X17X0,1	X
6	48600331	SHIM 6X19X0,1	X
6	48600096	* SHIM 6X20X0,25	X
6	48600097	SHIM 6X22X0,15	X
6	48600099	* SHIM 6X22X0,25	X
6	40540448	BACKPLATE 6X8,5X0,30	X
6	48600479	SHIM 6X20X0,1 T/3H	X
6	48600332	SHIM 6X21X0,1	X
6	48600333	SHIM 6X23X0,1	X
6	40541393	* SHIM 6X12X0,3	X
6	48600330	SHIM 6X17X0,15	X
6	48600988	SHIM 6X28X0,10	X
6	48600989	SHIM 6X26X0,10	X
6	48601091	SHIM 6X28X0,15	X
6	48601093	SHIM 6X26X0,15	X
6	48600328	SHIM 6X15X0,15	X
6	48600326	SHIM 6X13X0,15	X
6	48601548	SHIM 6X17X1,5	X
8	40540477	SHIM 8X18X0,4	X
8	43570120	SHIM 8X18X0,10	X
8	44916098	WASHER 8,4X16X0,8	X
8	44916130	WASHER 8,2X15X1	X
8	44916180	WASHER 8,2X11X1	X
8	48600214	SHIM 8X16X0,1	X

080000190

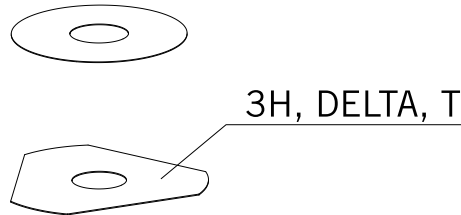
C130009090

* NEW PART

X ON DEMAND



- ⑤ Ø 5 mm
- ⑥ Ø 6 mm
- ⑧ Ø 8 mm
- ⑩ Ø 10 mm
- ⑫ Ø 12 mm
- ⑭ Ø 14-14,5 mm
- ⑯ Ø 16 mm
- ⑳ Ø 20 mm
- ㉑ Ø 21 mm
- ㉒ Ø 22 mm
- ㉓ Ø 23 mm
- ㉔ Ø 24,5 mm
- ㉘ Ø 28,5 mm
- ㉚ Ø 32 mm
- ㉜ Ø 52 mm



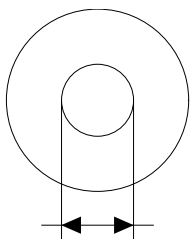
POS	PARTNUMBER	PARTNAME	PIECE
8	48600385	SHIM 8x14x0.25	X
8	48600346	SHIM 8X11X0,2	X
8	48600215	CHECK VALVE 8X20X0,1	X
8	48600485	SHIM 8X10X0,10	X
8	48601402	SHIM 8X13X0,10	X
8	48600350	CHECK VALVE 8X16X0,15	X
8	48600061	CHECK VALVE 8X24X0,4	X
8	48600062	CHECK VALVE 8X24X0,1	X
8	48600216	CHECK VALVE 8X22X0,1	X
8	48600480	SHIM 8X10X0,20	X
8	48600555	SHIM 8X16X0,20	X
8	48600213	SHIM 8X14X0,10	X
8	48600357	CHECK VALVE 8X11X0,1	X
8	48600351	CHECK VALVE 8X12X0,1	X
8	48600607	Steering damper washer	X
8	48601095	SHIM 8X17X0,10	X
8	48600352	CHECK VALVE 8X11X0,4	X
10	36120284	SHIM 10X16X0,10	X
10	36120298	SHIM 10X16X0,2	X
10	36120312	SHIM 10X16X0,30	X
10	36120314	SHIM 10X18X0,30	X
10	36120325	SHIM 10X19X0,15	X
10	36120327	SHIM 10X23X0,15	X
10	36120328	SHIM 10X25X0,15	X
10	36120329	SHIM 10X27X0,15	X
10	36120330	SHIM 10X29X0,15	X
10	36120331	SHIM 10X31X0,15	X
10	36120332	SHIM 10X33X0,15	X
10	36120334	SHIM 10X21X0,20	X
10	36120335	SHIM 10X23X0,20	X
10	36120336	SHIM 10X25X0,20	X
10	36120337	SHIM 10X27X0,20	X
10	36120338	SHIM 10X29X0,20	X
10	36120339	SHIM 10X31X0,20	X
10	36120340	SHIM 10X33X0,20	X
10	36120342	SHIM 10X21X0,25	X
10	36120343	SHIM 10X23X0,25	X
10	36120344	SHIM 10X25X0,25	X

080000190

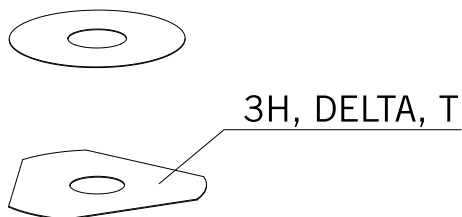
C130009090

* NEW PART

X ON DEMAND



- ⑤ Ø 5 mm
- ⑥ Ø 6 mm
- ⑧ Ø 8 mm
- ⑩ Ø 10 mm
- ⑫ Ø 12 mm
- ⑭ Ø 14-14,5 mm
- ⑯ Ø 16 mm
- ⑰ Ø 20 mm
- ⑱ Ø 21 mm
- ⑳ Ø 22 mm
- ㉑ Ø 23 mm
- ㉒ Ø 24,5 mm
- ㉓ Ø 28,5 mm
- ㉔ Ø 32 mm
- ㉕ Ø 52 mm



POS	PARTNUMBER	PARTNAME	PIECE
10	36120345	SHIM 10X27X0,25	X
10	36120349	SHIM 10X19X0,30	X
10	36120350	SHIM 10X21X0,30	X
10	40140275	WASHER 10X35X0,15	X
10	36120346	* SHIM 10X29X0,25	X
10	50180010	* SHIM 16X24X0,10	X
10	36120604	SHIM D10XD22X2,5	X
12	46810490	SHIM 12X24X0,20	X
12	46810491	SHIM 12X26X0,20	X
12	46810492	SHIM 12X28X0,20	X
12	46810493	SHIM 12X30X0,20	X
12	46810494	SHIM 12X32X0,20	X
12	46810495	SHIM 12X34X0,20	X
12	46810496	SHIM 12X36X0,20	X
12	46810497	SHIM 12X38X0,20	X
12	46810498	SHIM 12X40X0,20	X
12	46810499	SHIM 12X24X0,25	X
12	46810500	SHIM 12X26X0,25	X
12	46810501	SHIM 12X28X0,25	X
12	46810502	SHIM 12X30X0,25	X
12	46810504	SHIM 12X34X0,25	X
12	46810505	SHIM 12X36X0,25	X
12	46810507	SHIM 12X40X0,25	X
12	46810508	SHIM 12X24X0,30	X
12	46810509	SHIM 12X26X0,30	X
12	46810510	SHIM 12X28X0,30	X
12	46810512	SHIM 12X32X0,30	X
12	46810513	SHIM 12X34X0,30	X
12	46810518	SHIM 12X26X0,15	X
12	46810519	SHIM 12X28X0,15	X
12	46810520	SHIM 12X30X0,15	X
12	46810521	SHIM 12X32X0,15	X
12	46810522	SHIM 12X34X0,15	X
12	46810523	SHIM 12X36X0,15	X
12	46810524	SHIM 12X38X0,15	X
12	46810525	SHIM 12X40X0,15	X
12	46810604	SHIM 12X20X0,10	X
12	46810606	SHIM 12X22X0,10	X

080000190

C130009090

* NEW PART

X ON DEMAND



3H, DELTA, T

- ⑤ Ø 5 mm
- ⑥ Ø 6 mm
- ⑧ Ø 8 mm
- ⑩ Ø 10 mm
- ⑫ Ø 12 mm
- ⑭ Ø 14-14,5 mm
- ⑯ Ø 16 mm
- ⑳ Ø 20 mm
- ㉑ Ø 21 mm
- ㉒ Ø 22 mm
- ㉓ Ø 23 mm
- ㉔ Ø 24,5 mm
- ㉘ Ø 28,5 mm
- ㉚ Ø 32 mm
- ㉜ Ø 52 mm

POS	PARTNUMBER	PARTNAME	PIECE
12	46810607	SHIM 12X23X0,10	X
12	46810608	SHIM 12X24X0,10	X
12	46810610	SHIM 12X27X0,15	X
12	46810611	SHIM 12X18X0,15	X
12	46810612	SHIM 12X19X0,15	X
12	46810615	SHIM 12X22X0,15	X
12	46810636	BACKPLATE 12X16X0,30	X
12	46810637	BACKPLATE 12X17X0,30	X
12	46810638	BACKPLATE 12X18X0,30	X
12	46810639	SHIM 12X19X0,30	X
12	46810641	BACKPLATE 12X21X0,30	X
12	46811582	BACKPLATE 12X30X0,10	X
12	46810631	SHIM 12X20X0,25	X
12	46810633	SHIM 12X22X0,25	X
12	46811580	SHIM 12X32X0,10	X
12	46810503	SHIM 12X32X0,25	X
12	46810517	* SHIM 12X24X0,15	X
12	46810640	% SHIM 12X20X0,30	X
12	46811258	RING 12X24X2,5	X
12	46812018	SHIM 12X42X0,25	X
12	46812015	SHIM 12X44X0,20	X
14	46811046	SHIM 14,5X35,4X1,25	X
16	50180023	* SHIM 16X23X0,20	X
16	50180030	SHIM	X
16	50180006	BACKPLATE 16X20X0,10	X
16	50180007	SHIM 16X21X0,10	X
16	50180028	SHIM 16X21X0,25	X
16	50180210	WASHER 16X21X1	X
16	50180008	SHIM 16X22X0,10	X
16	50180022	SHIM 16X22X0,20	X
16	50180037	SHIM 16X23X0,30	X
16	50180038	SHIM 16X24X0,30	X
16	50180032	SHIM 15X25X0,25	X
16	50180039	SHIM 16X25X0,30	X
16	50180012	SHIM 16X26X0,10	X
16	50180019	SHIM 16X26X0,15	X
16	50180026	SHIM 16X26X0,20	X
16	50180040	SHIM 16X26X0,30	X

080000190

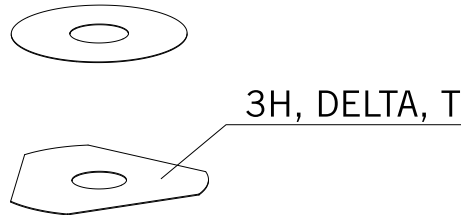
C130009090

* NEW PART

X ON DEMAND



- ⑤ Ø 5 mm
- ⑥ Ø 6 mm
- ⑧ Ø 8 mm
- ⑩ Ø 10 mm
- ⑫ Ø 12 mm
- ⑭ Ø 14-14,5 mm
- ⑯ Ø 16 mm
- ⑳ Ø 20 mm
- ㉑ Ø 21 mm
- ㉒ Ø 22 mm
- ㉓ Ø 23 mm
- ㉔ Ø 24,5 mm
- ㉘ Ø 28,5 mm
- ㉚ Ø 32 mm
- ㉜ Ø 52 mm



POS	PARTNUMBER	PARTNAME	PIECE
16	50180041	SHIM 16X28X0,10	X
16	50180045	SHIM 16X28X0,15	X
16	50180054	SHIM 16X28X0,20	X
16	50180063	SHIM 16X28X0,25	X
16	50180072	SHIM 16X28X0,30	X
16	50180046	SHIM 16X30X0,15	X
16	50180055	SHIM 16X30X0,20	X
16	50180064	SHIM 16X30X0,25	X
16	50180073	SHIM 16X30X0,30	X
16	50180047	SHIM 16X32X0,15	X
16	50180056	SHIM 16X32X0,20	X
16	50180065	SHIM 16X32X0,25	X
16	50180074	SHIM 16X32X0,30	X
16	50180044	SHIM 16X34X0,10	X
16	50180048	SHIM 16X34X0,15	X
16	50180057	SHIM 16X34X0,20	X
16	50180066	SHIM 16X34X0,25	X
16	50180075	SHIM 16X34X0,30	X
16	50180049	SHIM 16X36X0,15	X
16	50180058	SHIM 16X36X0,20	X
16	50180067	SHIM 16X36X0,25	X
16	50180076	SHIM 16X36X0,30	X
16	50180050	SHIM 16X38X0,15	X
16	50180059	SHIM 16X38X0,20	X
16	50180068	SHIM 16X38X0,25	X
16	50180077	SHIM 16X38X0,30	X
16	50180051	SHIM 16X40X0,15	X
16	50180060	SHIM 16X40X0,20	X
16	50180069	SHIM 16X40X0,25	X
16	50180078	SHIM 16X40X0,30	X
16	50180052	SHIM 16X42X0,15	X
16	50180061	SHIM 16X42X0,20	X
16	50180070	SHIM 16X42X0,25	X
16	50180079	SHIM 16X42X0,30	X
16	50180053	SHIM 16X44X0,15	X
16	50180062	SHIM 16X44X0,20	X
16	50180071	SHIM 16X44X0,25	X
16	50180080	SHIM 16X44X0,30	X

080000190

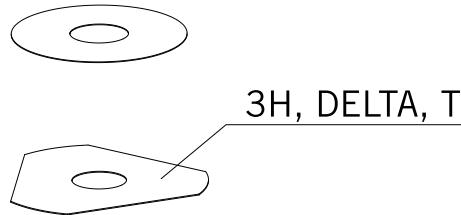
C130009090

* NEW PART

X ON DEMAND



- ⑤ Ø 5 mm
- ⑥ Ø 6 mm
- ⑧ Ø 8 mm
- ⑩ Ø 10 mm
- ⑫ Ø 12 mm
- ⑭ Ø 14-14,5 mm
- ⑯ Ø 16 mm
- ⑳ Ø 20 mm
- ㉑ Ø 21 mm
- ㉒ Ø 22 mm
- ㉓ Ø 23 mm
- ㉔ Ø 24,5 mm
- ㉘ Ø 28,5 mm
- ㉚ Ø 32 mm
- ㉜ Ø 52 mm



POS	PARTNUMBER	PARTNAME	PIECE
16	50180177	WASHER 16X8,2X0,6	X
16	50180033	SHIM 16X26X0,25	X
16	50180034	BACKPLATE 16X20X0,30	X
16	50180035	BACKPLATE 16X21X0,30	X
16	50180036	BACKPLATE 16X22X0,30	X
16	50180043	SHIM	X
16	50180024	* SHIM 16X24X0,20	X
16	50180027	* SHIM 16X20X0,25	X
16	50180031	SHIM	X
16	50180029	SHIM	X
20	48600212	PRESSURE-RING 20X16,25X0,20	X
20	50180666	SHIM 20X24X0,30	X
20	50180654	SHIM 20X36X0,20	X
20	50180655	SHIM 20X38X0,20	X
20	50180656	SHIM 20X40X0,20	X
20	50180665	SHIM 20X40X0,25	X
20	50180662	SHIM 20X34X0,25	X
20	50180657	SHIM 20X24X0,25	X
20	50180653	SHIM 20X34X0,20	X
20	50180634	RING 20X22,9X1	X
20	50180650	SHIM 20,2X28X0,20	X
20	50180663	SHIM 20X36X0,25	X
20	50180664	SHIM 20X38X0,25	X
20	50180659	SHIM 20,2X28X0,25	X
21	50180209	WASHER 21X36X0,25	X
22	50180330	* PRESS. RING 22X18X0,30	X
23	50180635	SHUTTLE VALVE 23X38X0,25	X
23	50180578	SHIM D23XD16X2	X
24	40541061	WASHER 24,5X34X2	X
28	36120469	SHIM 28,5X14X2	X
28	36120471	SHIM 28,5X14X5	X
32	48600460	WASHER 32X42X2,5	X
32	50600065	SHIM 32X45X2	X
32	46811637	PRESSURE RING 36X32,25	X
52	50600002	SHIM 52X59X2,2	X

080000190

C130009090

* NEW PART

X ON DEMAND

WWW.KTM.COM



KTM Sportmotorcycle GmbH
5230 Mattighofen, Austria
www.ktm.com



KTM_POWERPARTS

KTM_POWERWEAR

KTM_ORIGINAL SPARE PARTS



3CFF9903PFEN

Art. Nr.: 3CFF9903PFEN 21. Mär 2016