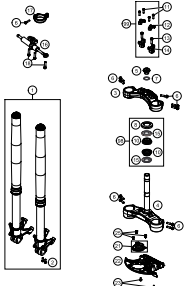
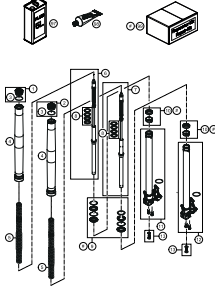
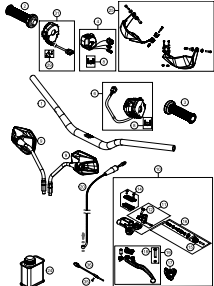
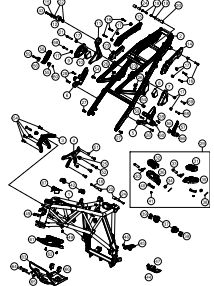
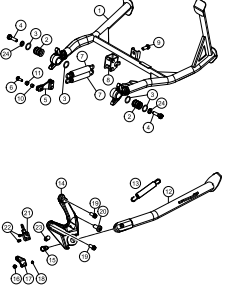
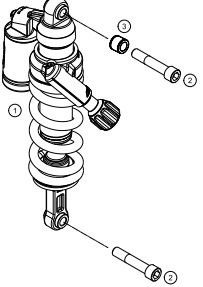
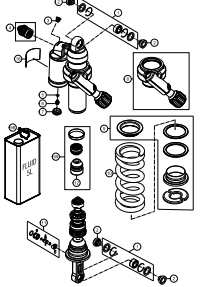
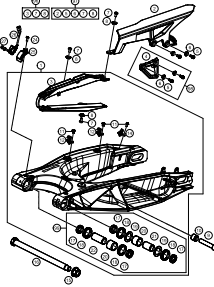
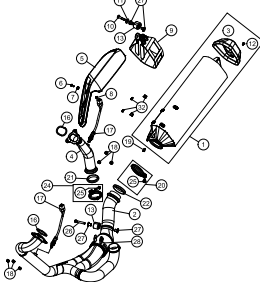
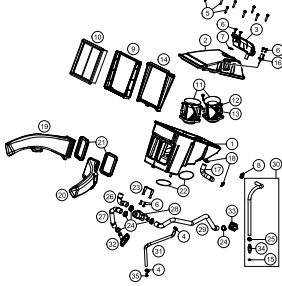
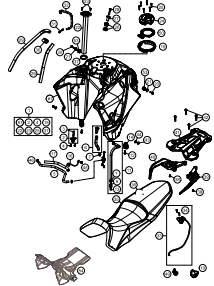
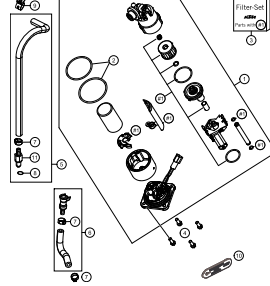


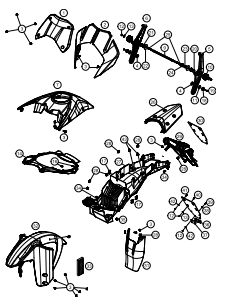
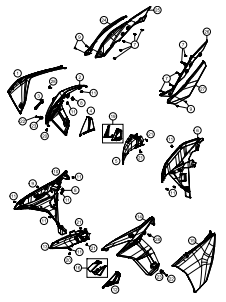
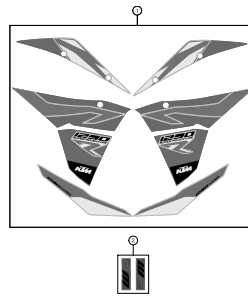
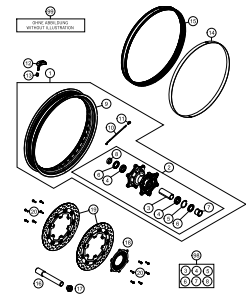
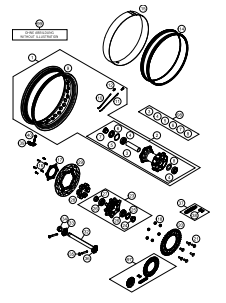
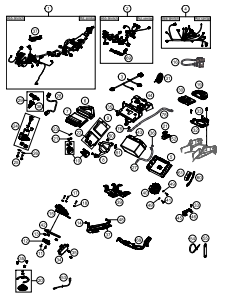
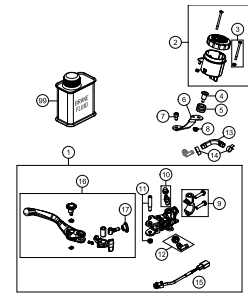
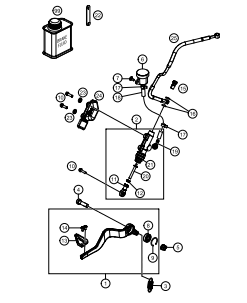
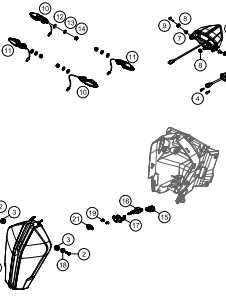
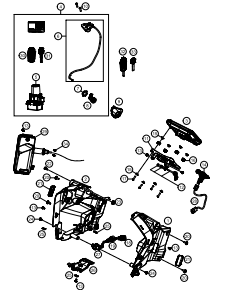
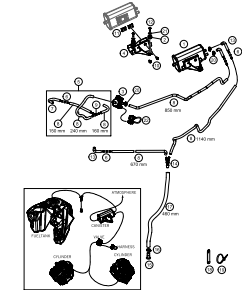
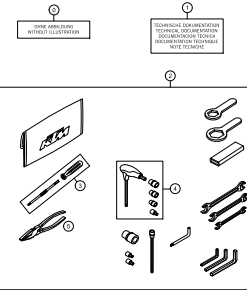
# 1290 SUPER ADVENTURE R TKC 17 2017

ART.-NR.: F9903Q7EN

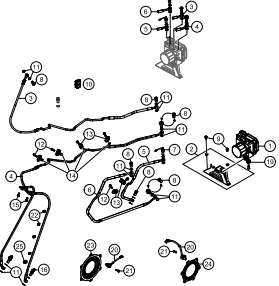




<p><b>FRONT FORK, TRIPLE CLAMP</b></p>  <p><b>4</b></p>	<p><b>FRONT FORK DISASSEMBLED</b></p>  <p><b>5</b></p>	<p><b>HANDLEBAR, CONTROLS</b></p>  <p><b>6</b></p>	<p><b>FRAME</b></p>  <p><b>7</b></p>
<p><b>SIDE / CENTER STAND</b></p>  <p><b>9</b></p>	<p><b>SHOCK ABSORBER</b></p>  <p><b>10</b></p>	<p><b>SHOCK ABSORBER DISASSEMBLED</b></p>  <p><b>11</b></p>	<p><b>SWING ARM</b></p>  <p><b>12</b></p>
<p><b>EXHAUST SYSTEM</b></p>  <p><b>13</b></p>	<p><b>AIR FILTER</b></p>  <p><b>14</b></p>	<p><b>TANK, SEAT, COVER</b></p>  <p><b>15</b></p>	<p><b>FUEL PUMP</b></p>  <p><b>17</b></p>

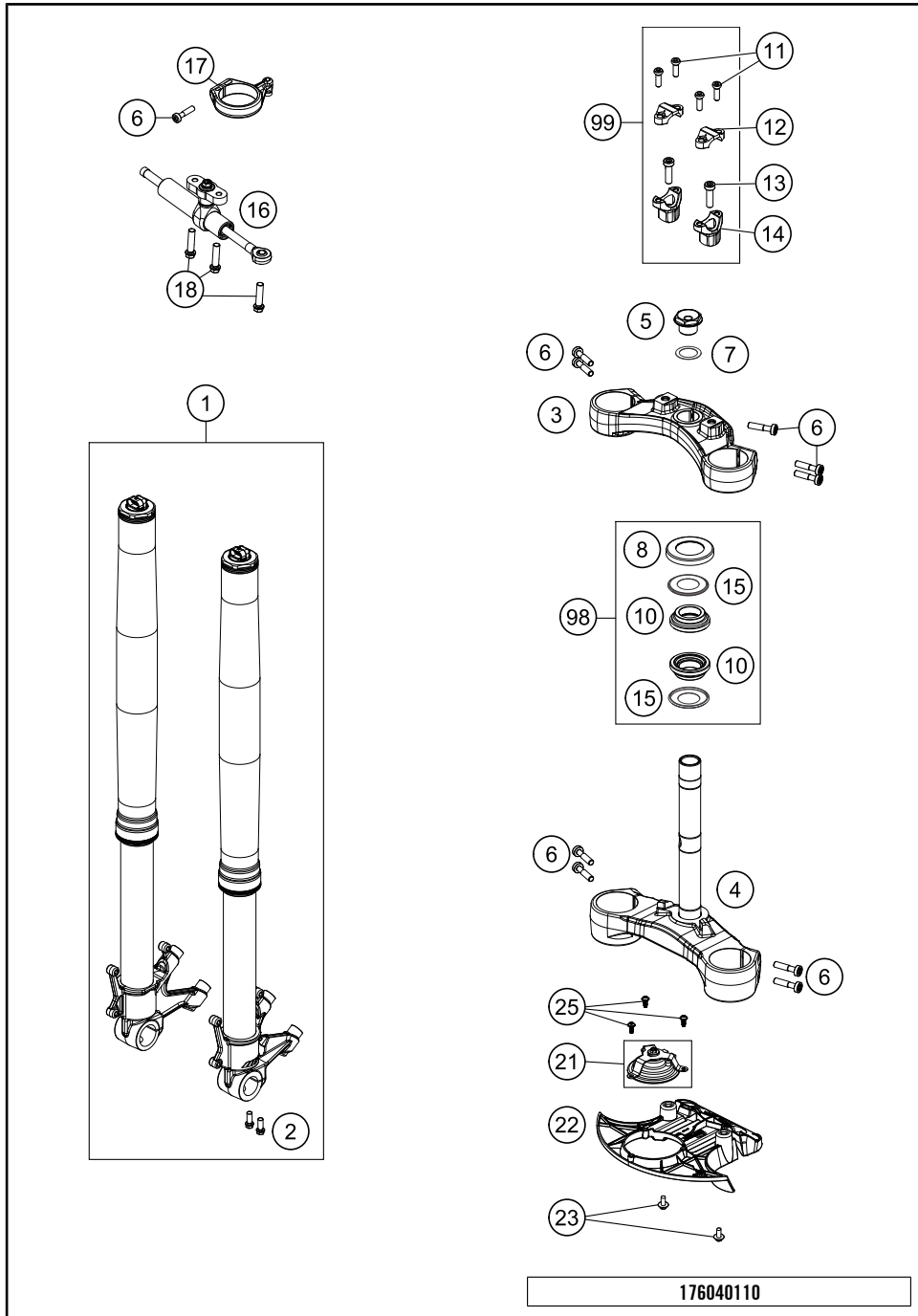
<p><b>MASK, FENDERS</b></p>  <p style="text-align: right;"><b>18</b></p>	<p><b>SIDE TRIM</b></p>  <p style="text-align: right;"><b>20</b></p>	<p><b>DECAL</b></p>  <p style="text-align: right;"><b>21</b></p>	<p><b>FRONT WHEEL</b></p>  <p style="text-align: right;"><b>22</b></p>
<p><b>REAR WHEEL</b></p>  <p style="text-align: right;"><b>23</b></p>	<p><b>WIRING HARNESS</b></p>  <p style="text-align: right;"><b>25</b></p>	<p><b>HAND BRAKE CYLINDER</b></p>  <p style="text-align: right;"><b>27</b></p>	<p><b>REAR BRAKE CONTROL</b></p>  <p style="text-align: right;"><b>28</b></p>
<p><b>LIGHTING SYSTEM</b></p>  <p style="text-align: right;"><b>29</b></p>	<p><b>INSTRUMENTS / LOCK SYSTEM</b></p>  <p style="text-align: right;"><b>30</b></p>	<p><b>EVAPORATIVE CANISTER</b></p>  <p style="text-align: right;"><b>31</b></p>	<p><b>SEPERATE ENCLOSURE</b></p>  <p style="text-align: right;"><b>32</b></p>



<p><b>ANTIBLOCK SYSTEM ABS</b></p>  <p><b>33</b></p>			
	<div style="display: flex; align-items: flex-start;"> <div style="background-color: #cccccc; padding: 10px; margin-right: 10px; text-align: center;"> <span style="font-size: 2em; font-weight: bold;">!</span> </div> <div> <p>All information contained is without obligation. KTM Sportmotorcycle GmbH particularly reserves the right to modify any equipment, technical specifications, prices, colors, shapes, materials, services, service work, constructions, equipment and the like so as to adapt them to local conditions or to cancel any of the above items, all without previous announcement and without giving reasons. KTM may stop manufacturing certain models without previous notice. KTM shall not be held liable for any deviations of availability and/or ability to deliver, illustrations, descriptions, printing and/or other errors. The illustrated models partly contain extra equipment, which is not applied to standard models.</p> <p>© by KTM Sportmotorcycle GmbH, Mattighofen AUSTRIA; All rights reserved; Reprint, also in extracts, with written allowance of KTM Sportmotorcycle GmbH, Mattighofen only.</p> </div> </div>		

# FRONT FORK, TRIPLE CLAMP

# 1290 SUPER ADVENTURE R TKC 17 2017



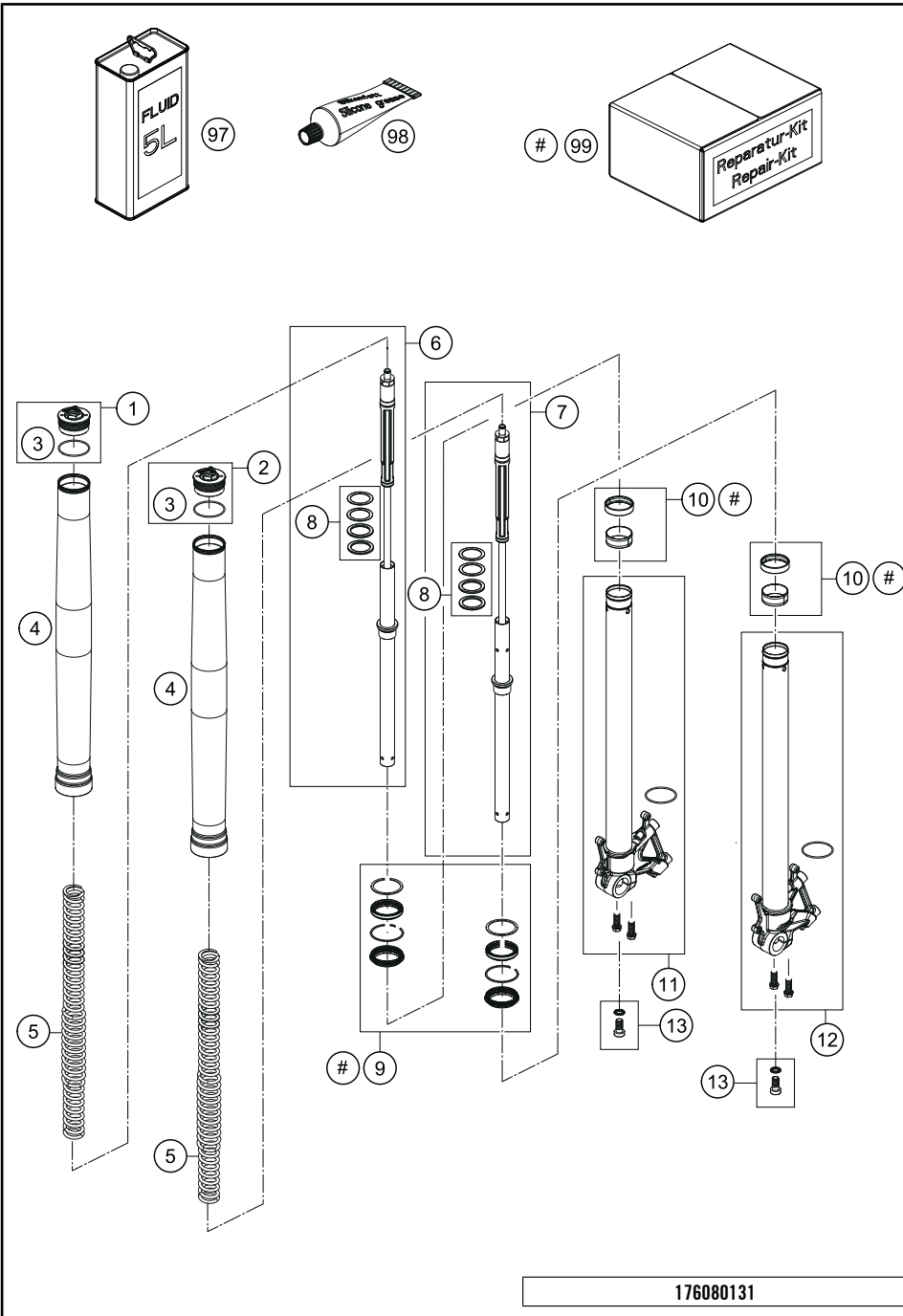
POS	PARTNUMBER	PARTNAME	PIECE
1	14188Q2501	Fork Adventure-R 2017	1
2	0025080206S	HH COLLAR SCREW M8X20 ISA40	4
3	6070113403233S	Triple clamp	1
4	6070113203233S	Triple clamp	1
5	6900103600001	STEERING HEAD SCREW 09	1
6	0035080356	AH-COLLAR SCREW M8X35 ISA45	10
7	0988253505	thrust wash DIN0988-25x35x0,5	1
8	69001086100	PROT. RING STEER. HEAD BEARING	1
10	69001181000	STEERINGHEAD KPL.17	2
11	0025080256	HH COLLAR SCREW M8X25 TX40	4
12	7720103800030	HANDLEBAR CLAMP 28MM	2
13	0032100356S	AH-COLLAR SCREW M10X35 ISA45	2
14	5940103903730	HANDLEB.SUPP. D=28MM H=37MM	2
15	69001084000	O-RING SUPPORT W. SEALING LIP	2
16	16181N53ES	STEERING DAMPER CPL.	1
17	6031200700033S	CLAMP STEERING DAMPER	1
18	0025080256S	HH COLLAR SCREW M8X25 TX40	3
21	60711060033	Direct current horn complete	1
22	60308024200	TRIPLECLAMP-FACEPLATE BELOW	1
23	83008000015	SPECIAL SCREW M6X15X3	2
25	0081050121	SCREW FOR PLASTIC K50X12 T20	3
98	69001181010	Steering head rep. Kit	x
99	00050000927	HANDLEBAR SUPPORT KIT ADV.1190	x

18862

\* NEW PART      X ON DEMAND

# FRONT FORK DISASSEMBLED

# 1290 SUPER ADVENTURE R TKC 17 2017



POS	PARTNUMBER	PARTNAME	PIECE
1	48600431E3	SCREW CAP M51X1.5 REB	1
2	48600431E4	SCREW CAP M51X1,5 COM	1
3	46810340	O-RING NBR 45X2	2
4	48601174	OUTER TUBE L=600 D54/D60 2L	2
5	95010082	Spring D38 L555 6.5 N/mm Set	2
6	48601728S1	Insert right cpl.	1
7	48601729S1	Insert left cpl.	1
8	R14054	REP. KIT SPACER	1
9	R14040	GASKET KIT CPL.	1
10	R14047	REP. KIT GUIDE BUSHINGS	1
11	48601305S1	AXLE CLAMP WITH INNER TUBE	1
12	48601304S1	AXLE CLAMP WITH INNER TUBE	1
13	00501020S1	AH SCREW M10X20 SET	1
97	48601166S1	FORK OIL SAE4 5L	x
98	T14034	Fuchs grease IPR (250g)	x
99	R14063	FORK REP. KIT 48MM OFFROAD	x

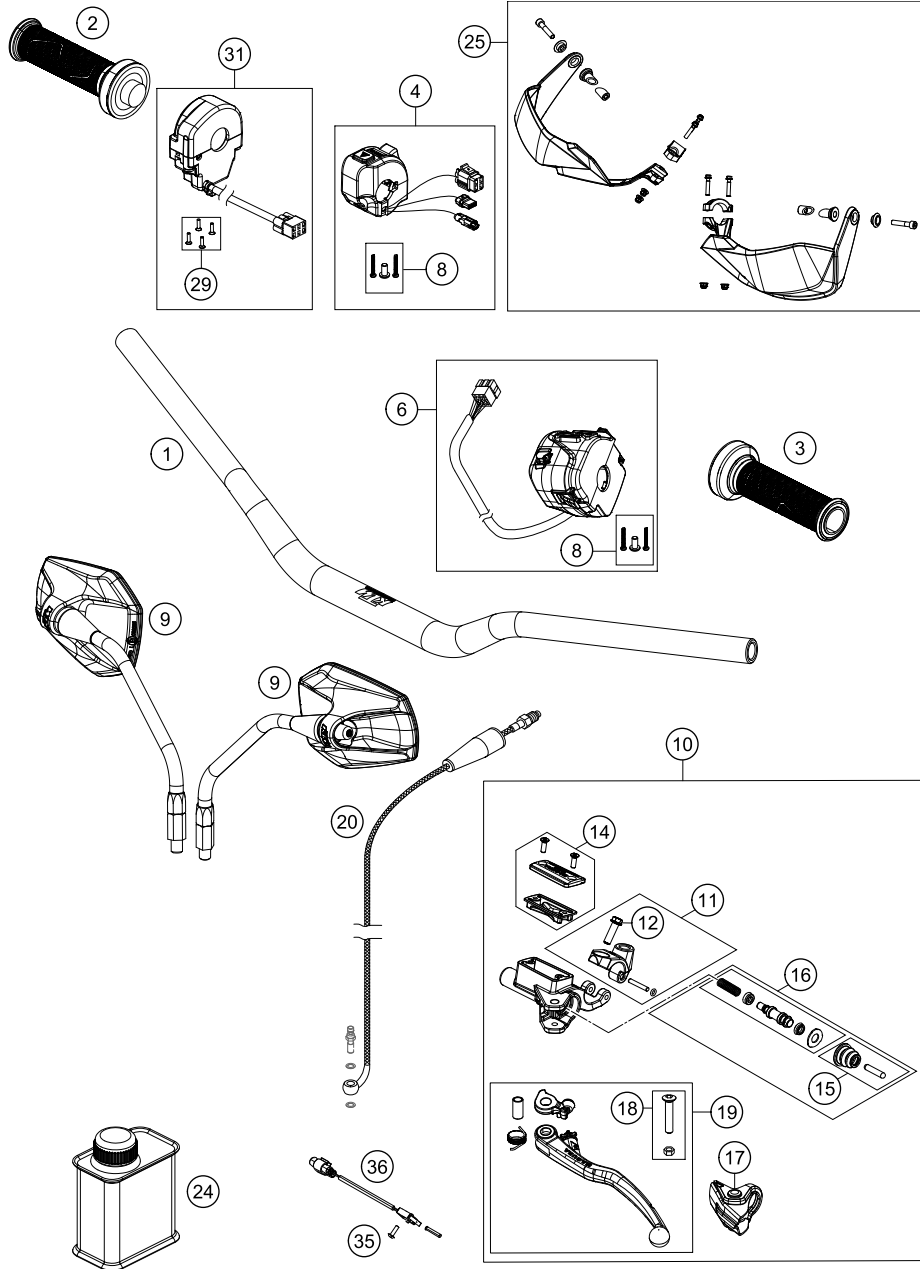
176080131

18581

\* NEW PART X ON DEMAND

# HANDLEBAR, CONTROLS

# 1290 SUPER ADVENTURE R TKC 17 2017



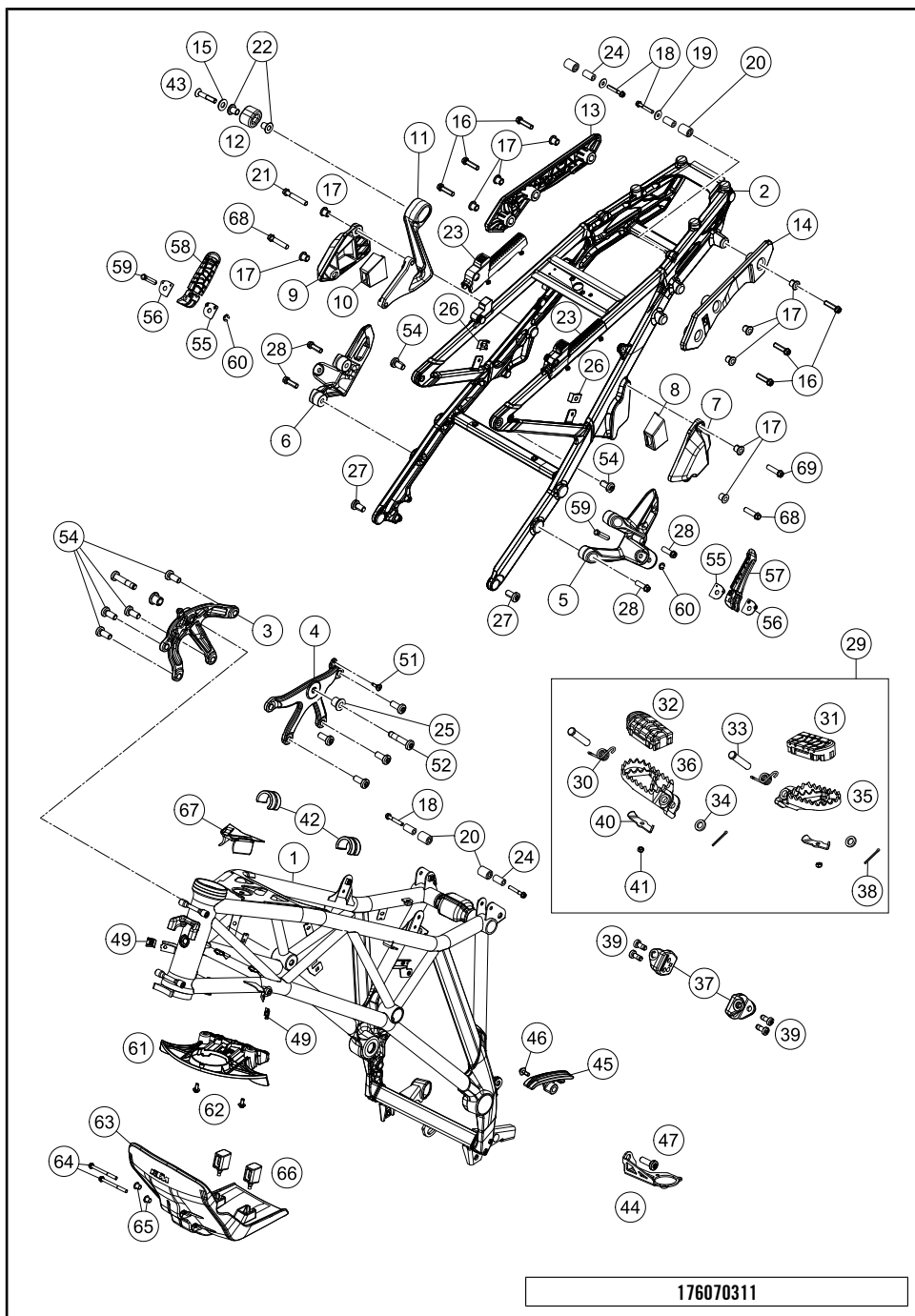
POS	PARTNUMBER	PARTNAME	PIECE
1	6070200100033	Handlebar	1
2	60702012000	Grip tube (no heating)	1
3	60702039000	Fixed grip (no heating)	1
4	61411174000	Start-emergency off switch	1
6	61411170000	Combination switch left	1
8	60411074010	SCREW SET START-STOP SPEED CON	1
9	60312040100	MIRROR	2
10	60302030144	MASTER CYLINDER DOT CPL. 12MM	1
11	76513005000	CLAMP, CYL. PIN, O-RING	1
12	0025060166	HH COLLAR SCREW M6X16 TX30	1
14	25002033000	COVER HYDR. CLUTCH DOT CPL.	1
15	76502046000	PUSH ROD CPL. 13	1
16	60302032100	REPAIR KIT PISTONS DOT	1
17	76502037000	PROTECT.CAP FOR LEVER PERCH 13	1
18	50302038200	LEVER SCREW SHORT CPL. 09	1
19	60302031000	CLUTCH LEVER LONG CPL. 2013	1
20	60032063100	CLUTCH PIPE LC8 ADV '03	1
24	00062030000	BRAKE FLUID DOT5.1 0,25L	1
25	6030217910030	HANDGUARD CLOSED BLACK HIGH	1
29	76011073110	SCREW SET START-STOP SWITCH	1
31	60711012000	Ride-by-wire without throttle tube	1
35	0985030103	FLAT HEAD SCREW DIN7985 M3x1	1
36	83111049000	CLUTCH SWITCH ATV	1

176070210

18767

\* NEW PART

X ON DEMAND

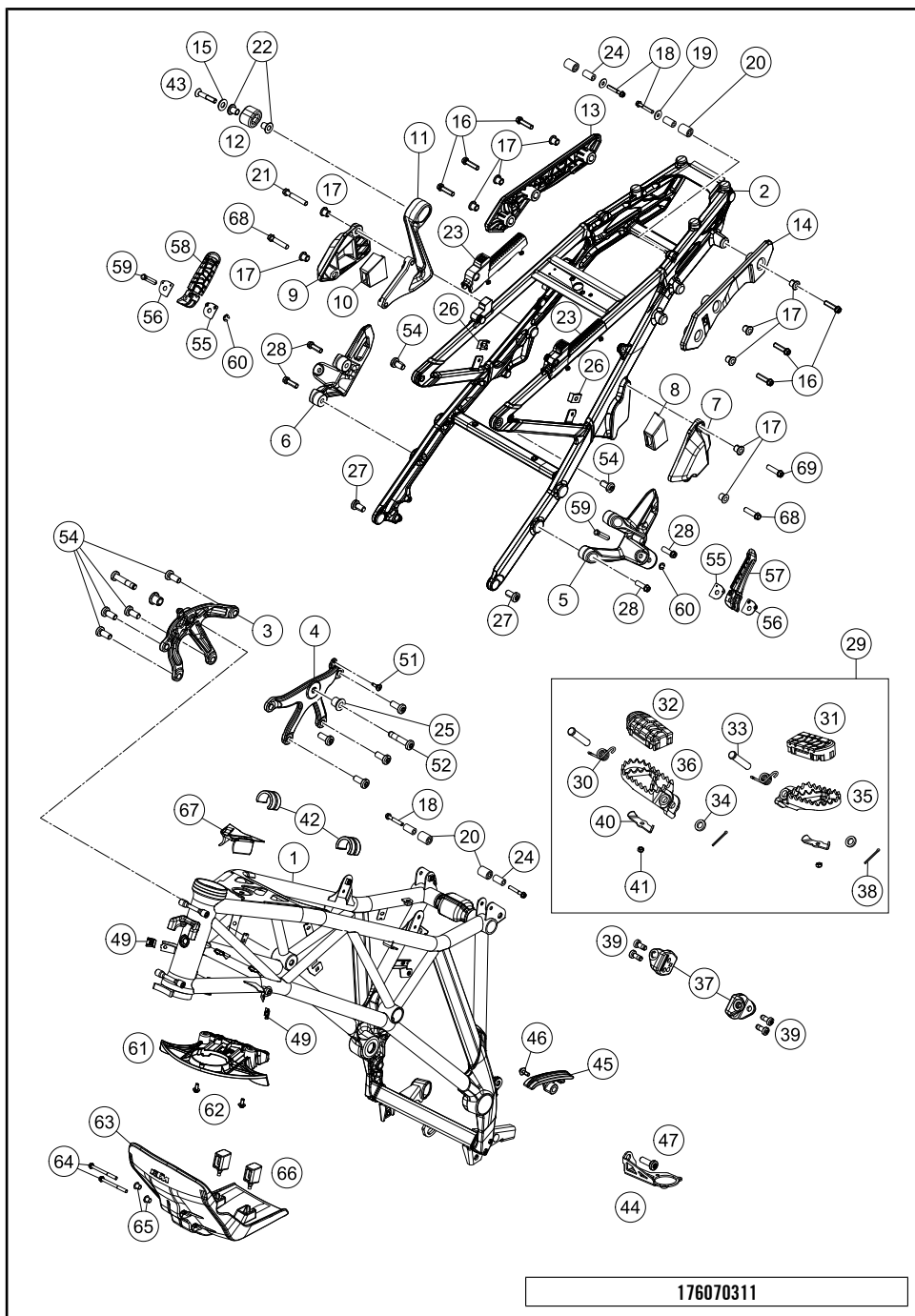


POS	PARTNUMBER	PARTNAME	PIECE
1	60703001000EB	Frame "607 QA" elec or.	1
2	6030300200033	SUB FRAME	1
3	6030300600033S	ENGINE SUPPORT R/S BLACK	1
4	6030300500033S	ENGINE SUPPORTL/S BLACK	1
5	6030304800033S	FOOTR. SUP. REAR L/S BLACK	1
6	6030304900033S	FOOTR. SUP. REAR R/S BLACK	1
7	60312010050	SUITCASE HOOK L/S	1
8	60312010060	DAMPING RUBBER SUITCASE HOOK	1
9	60312011050	SUITCASE HOOK R/S	1
10	60312011060	DAMPING RUBBER SUITCASE HOOK	1
11	6030508400033S	EXHAUST BRACKET	1
12	61305068000	DAMPING RUBBER	1
13	60312021250	CASE BAR R/S	1
14	60312020250	CASE BAR L/S	1
15	60405069000	SHAPE DISC ALU	1
16	0025080306	HH COLLAR SCREW M8X30 TX40	8
17	60303002058	SPACER BUSHING 13X17X8,2	10
18	0025060356	HH COLLAR SCREW M6X35 TX30	4
19	0021060003	WASHER DIN9021-A 6,4	2
20	60307048000	RUBBER SEAT-CONTACT SURFACE	4
21	0025080256	HH COLLAR SCREW M8X25 TX40	1
22	60305069000	BUSHING	2
23	60307040041	PLATE RUBBER SEAT	2
24	60307049000	BUSH 6.2X12X21.5	4
25	60303007000	SPACER BUSH ENGINE SUPPORT	2
26	54603048100	RANGE CHANGE METAL NUT M6	2
27	0035100209	AH-COLLAR SCREW M10X20 ISA45	2
28	0035080256	AH-COLLAR SCREW M8X25 ISA45	4
29	60003040133	FOOTPEG LS+RS CPL.	1
30	54603041000	FOOTREST SPRING L/S & R/S	2
31	60003040010	FOOTREST RUBBER FRONT L/S 03	1
32	60003041010	FOOTREST RUBBER FRONT R/S 03	1
33	54803044000	PIN FOR FOOT PED 51.5X9.8 MM	2
34	0125100003	WASHER DIN0125-A10,5	2
35	78003040050	FOOTREST L/S 08	1
36	78003041050	FOOTREST R/S 08	1
37	6030310109533S	FOOTREST MOUNTING	2
38	0094032253	PIN DIN0094-3,2X25 STEEL	2

176070311

18869

\* NEW PART X ON DEMAND



176070311

POS	PARTNUMBER	PARTNAME	PIECE
39	0025080166S	HH COLLAR SCREW M8X16 TX40	4
40	60003044010	CLOSING PANEL FRONT L/S R/S 03	2
41	0985050003	SELF LOCKING NUT DIN0985-M 5	2
42	61007014000	SPACER FUEL TANK 05	2
43	0019080456	COUNTERSUNK SCREW ISA45 M8X45	1
44	60312967040	OIL INFILLING ADAPTER BRACKET	1
45	60303070000	CHAIN GUIDE	1
46	0024060156	HH COLLAR SCREW M6X15 TX30	1
47	0035100309S	AH-COLLAR SCREW M10X30 ISA45	1
49	54603048200	RANGE CHANGE METAL NUT M5	2
51	69008021160	SPECIAL SCREW M5X12	1
52	0035100509S	AH-COLLAR SCREW M10X50 ISA45	2
54	0035100249	AH-COLLAR SCREW M10X24 ISA45	10
55	60003152000	ENGAGE PANEL FOOTREST L/S 03	2
56	60003052000	ENGAGE PANEL FOOTREST R/S 03	2
57	60003050000	FOOTREST CPL. L/S REAR 03	1
58	60003051000	FOOTREST CPL. R/S REAR 03	1
59	60003044100	BOLT FOR FOOTREST REAR	1
60	0799060003	TAB WASHER DIN6799-RS 6,0	2
61	60308024200	TRIPLECLAMP-FACEPLATE BELOW	1
62	0081050121	SCREW FOR PLASTIC K50X12 T20	3
63	6030319000030	SKID PLATE ADV	1
64	0025060406	HH COLLAR SCREW M6X40 TX30	2
65	45239060050	COLLAR BUSHING 6,3X8X13X9,5	2
66	60003096000	VIBRATION DAMPER 03	2
67	60303003010	STEERING HEAD COVER	1
68	0025080256	HH COLLAR SCREW M8X25 TX40	2
69	0025080306	HH COLLAR SCREW M8X30 TX40	2

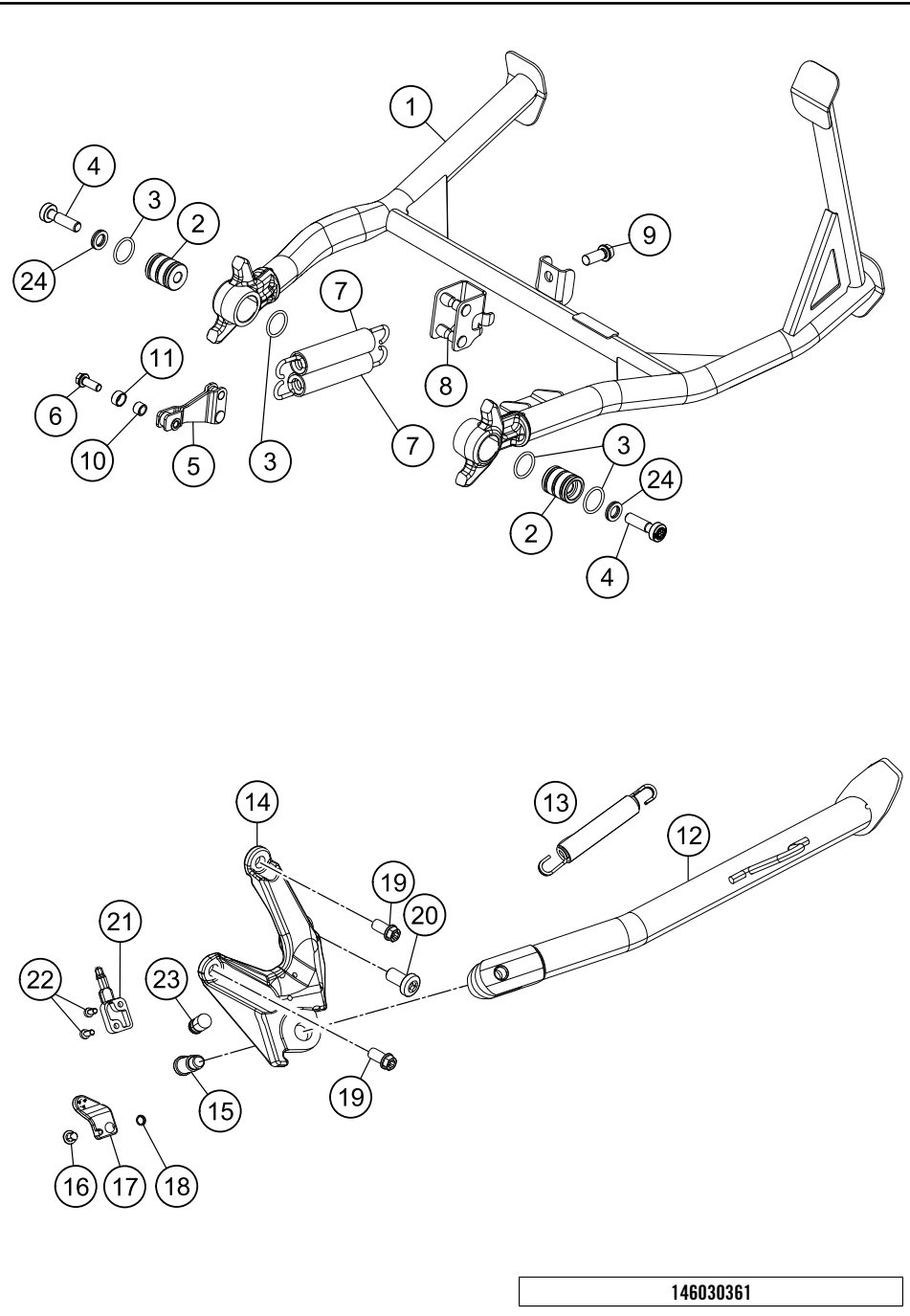
18869

\* NEW PART

X ON DEMAND

# SIDE / CENTER STAND

# 1290 SUPER ADVENTURE R TKC 17 2017



POS	PARTNUMBER	PARTNAME	PIECE
1	6030302210033	MAIN STAND	1
2	60303022007	BUSHING SUPPORT CENTRAL	2
3	0770180020	O-RING 18,00X2,00 NBR 70	4
4	0035080356S	SCREW M8X35 ISA45 SS	2
5	60303022025	SPRING SUPPORT FRONT CPL.	1
6	0025060166	HH COLLAR SCREW M6X16 TX30	1
7	60303030100	SIDESTAND SPRING L=118MM	2
8	60303022026	SPRING SUPPORT REAR CPL.	1
9	0025080206	HH COLLAR SCREW M8X20 TX40	1
10	60303022031	BUSHING SPRINGSUPPORT FRONT	1
11	60303022032	BUSHING SPRING SUPPORT FRONT	1
12	6030302310033	SIDE STAND CPL.	1
13	60303024100	SIDE STAND SPRING	1
14	6030302610033S	SIDE STAND BRACKET	1
15	62503027200	SCREW FOR SIDE STAND M10X31,2	1
16	0902060083	AH OVAL SCREW ISO 7380 M 6X8	1
17	60303029050	MAGNET HOLDER	1
18	60303029051	BUSHING MAGNET HOLDER	1
19	0025080166	HH COLLAR SCREW M8X16 TX40	2
20	0035100309S	AH-COLLAR SCREW M10X30 ISA45	1
21	61011045000	SIDE STAND SENSOR 05	1
22	0084040123	CYL.HEAD SCREW DIN84A M4x12	2
23	60303023111	RETAINING BOLT	1
24	60303022035	NORDLOCK WASHERS M8	2

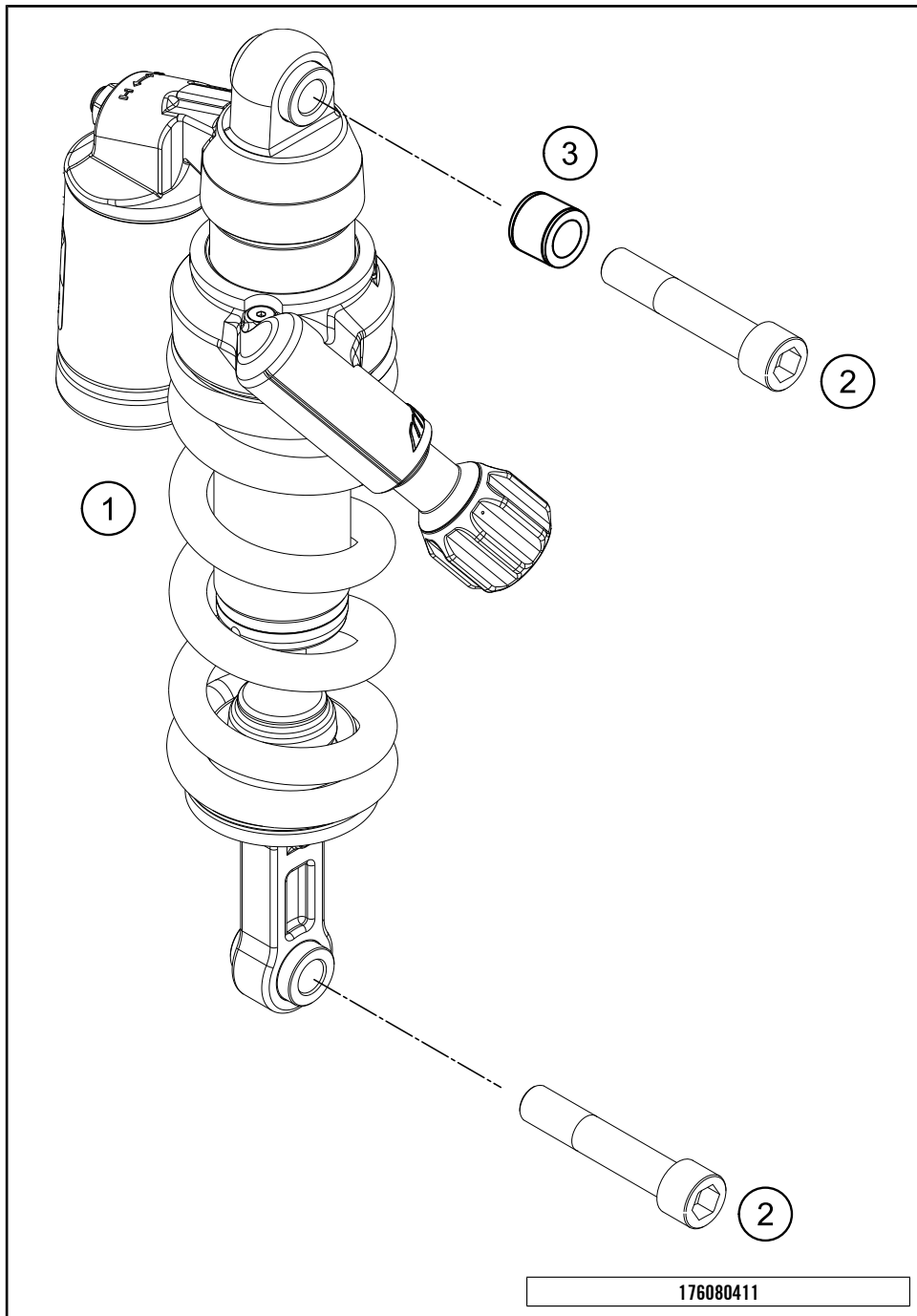
146030361

18886

\* NEW PART X ON DEMAND

# SHOCK ABSORBER

1290 SUPER ADVENTURE R TKC 17 2017



POS	PARTNUMBER	PARTNAME	PIECE
1	15187Q2501	Monoshock Adventure R 2017	1
2	60004017000	SCREW M14X1,5 L=73MM 03	2
3	60004030151	BUSHING MONOSHOCK SOCKET 05	2

176080411

18871

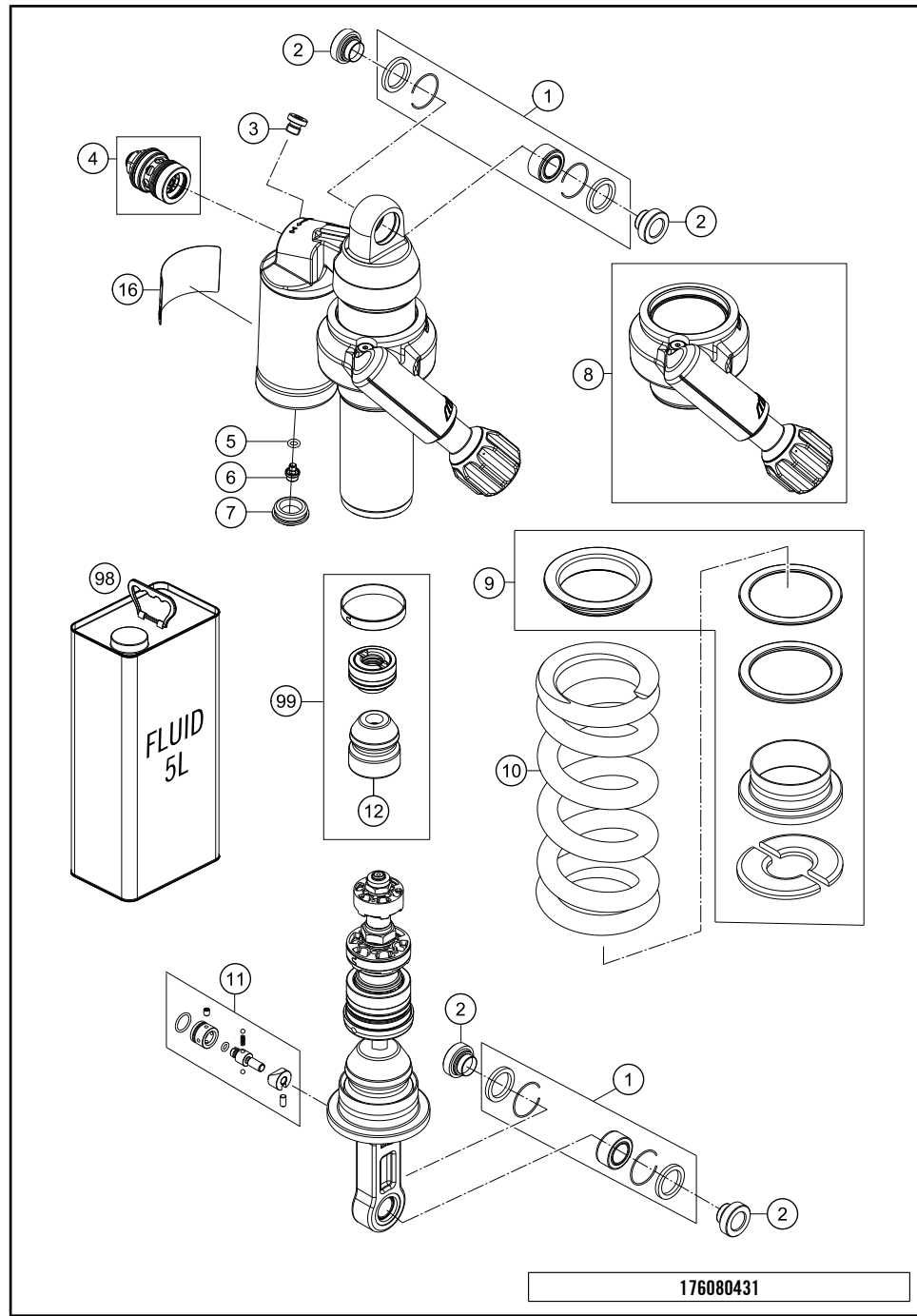
\* NEW PART

X ON DEMAND



# SHOCK ABSORBER DISASSEMBLED

# 1290 SUPER ADVENTURE R TKC 17 2017



POS	PARTNUMBER	PARTNAME	PIECE
1	R12012	REP. KIT BEAR./SEAL UP. 07	2
2	46181307E	BUCHSE Ø14 & LIPPENDICHTUNG	4
3	50180095	BLEED PLUG R 1/8	1
4	50180213S27	DCC compr.damp.control cpl. 17	1
5	46811208	RUBBER CAP "DO NOT OPEN"	1
6	36120151	SCREW PLUG M5X6	1
7	46811208	RUBBER CAP "DO NOT OPEN"	1
8	15000M01S1	POWER ADJUSTER CPL. WITH SCREW	1
9	R15015	REPAIR KIT GASKET BOTTOM	1
10	91010358	Spring D59 L205 180 N/mm white	1
10	91010369	Feder L205mm 170N/mm innen Ø59mm	x
10	91010370	Feder L205mm 190N/mm inner Ø59mm	x
11	46180522S1	TAP ADJ. REBOUND	1
12	50181080	BUMPER	1
16	52000149	Sticker WP Warning Indien Bike 60 x 35mm	1
98	50180751S1	SHOCK ABSORBER FLUID 5 LT	1
99	RP10013	Repair kit ADV. R	1

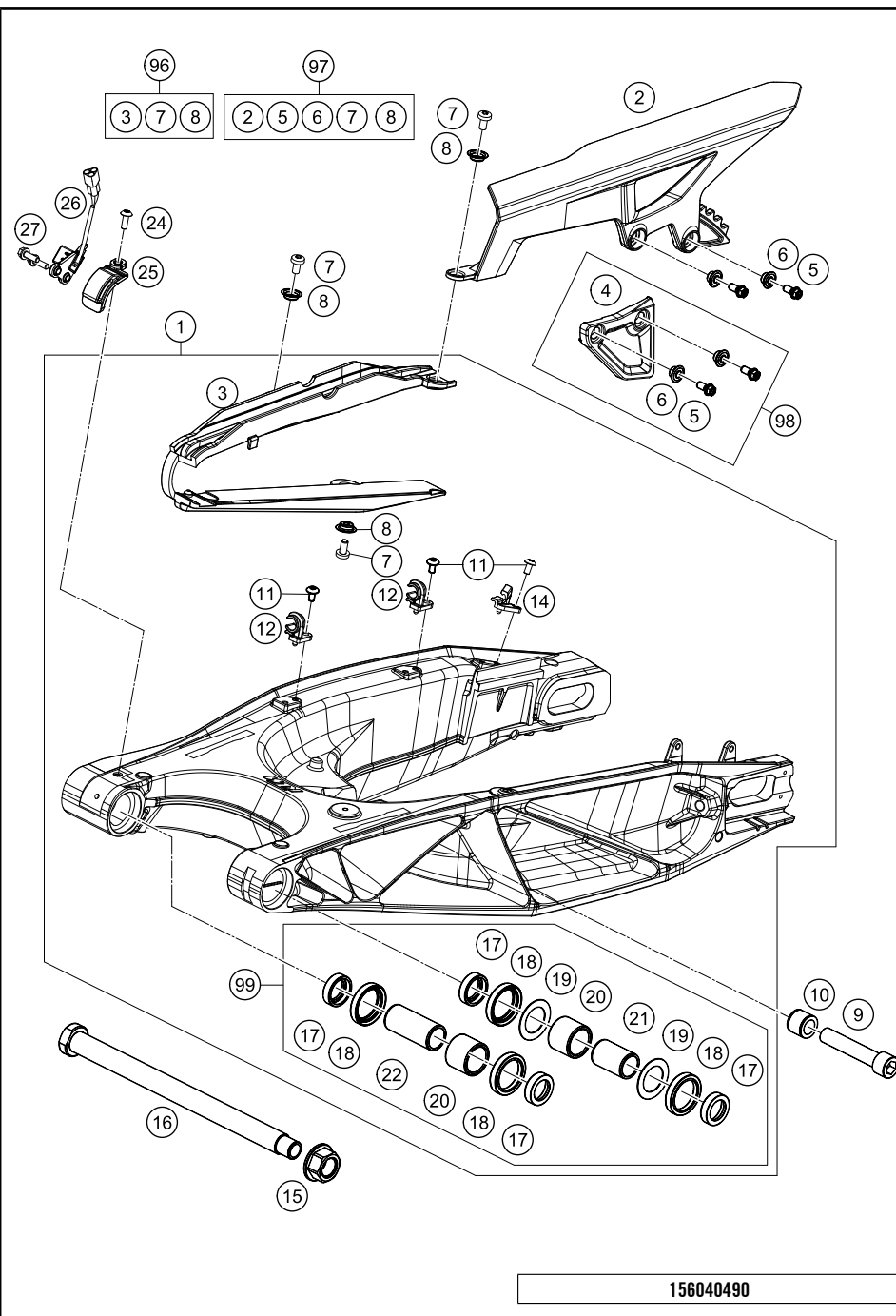
176080431

18872

\* NEW PART X ON DEMAND

# SWING ARM

# 1290 SUPER ADVENTURE R TKC 17 2017



POS	PARTNUMBER	PARTNAME	PIECE
1	6040403004433	SWING ARM CPL.	1
2	60304061000	CHAIN GUARD	1
3	60304066000	CHAIN SLIDING GUARD	1
4	60304070000	CHAIN GUIDE	1
5	0025060166	HH COLLAR SCREW M6X16 TX30	4
6	50308053000	BUSH FOR SPOILER 6X11X16X7,5	4
7	0018050103	INT. TORX OVAL HEAD M 5X10 8.8	3
8	46104066050	BUSH FOR CHAINSLIDER GUARD 02	3
9	60004017000	SCREW M14X1,5 L=73MM 03	1
10	60004030151	BUSHING MONOSHOCK SOCKET 05	1
11	78105081010	SCREW TORX M5X10	3
12	60104042000	RET. CLAMP F. BRAKE HOSE	2
14	60142026000	CABLE SUPPORT SWING ARM 06	1
15	60004038200	COLLAR NUT M19X1,5 SW=27MM	1
16	69004037244	SWING ARM BOLT	1
17	60004034000	BUCKET F. SHAFT SEAL RING 03	4
18	0760304073	SHAFT SEAL RING 30X40X7	4
19	60004033000	STOP DISK 03	2
20	60004031000	NEEDLE BUSH HK2526B 03	2
21	60004032000	INNER RING JR20X25X38,5 03	1
22	69004032000	INNER RING JR 20X25X56,5	1
24	58605083014	SCREW M5X14 TORX 25 07	1
25	60416061000	MAGNET HOLDER	1
26	60416062000	WHEEL TRAVEL SENSOR	1
27	0025050206	HH COLLAR SCREW M5X20 TX30	2
96	60304066010	CHAIN GUARD KIT 13-14	x
97	60304060010	CHAIN PROTECTION KIT 13-14	x
98	60304070010	CHAIN GUIDE KIT 1190 ADV	x
99	69004230010	SWING ARM REP. KIT 08-14	x

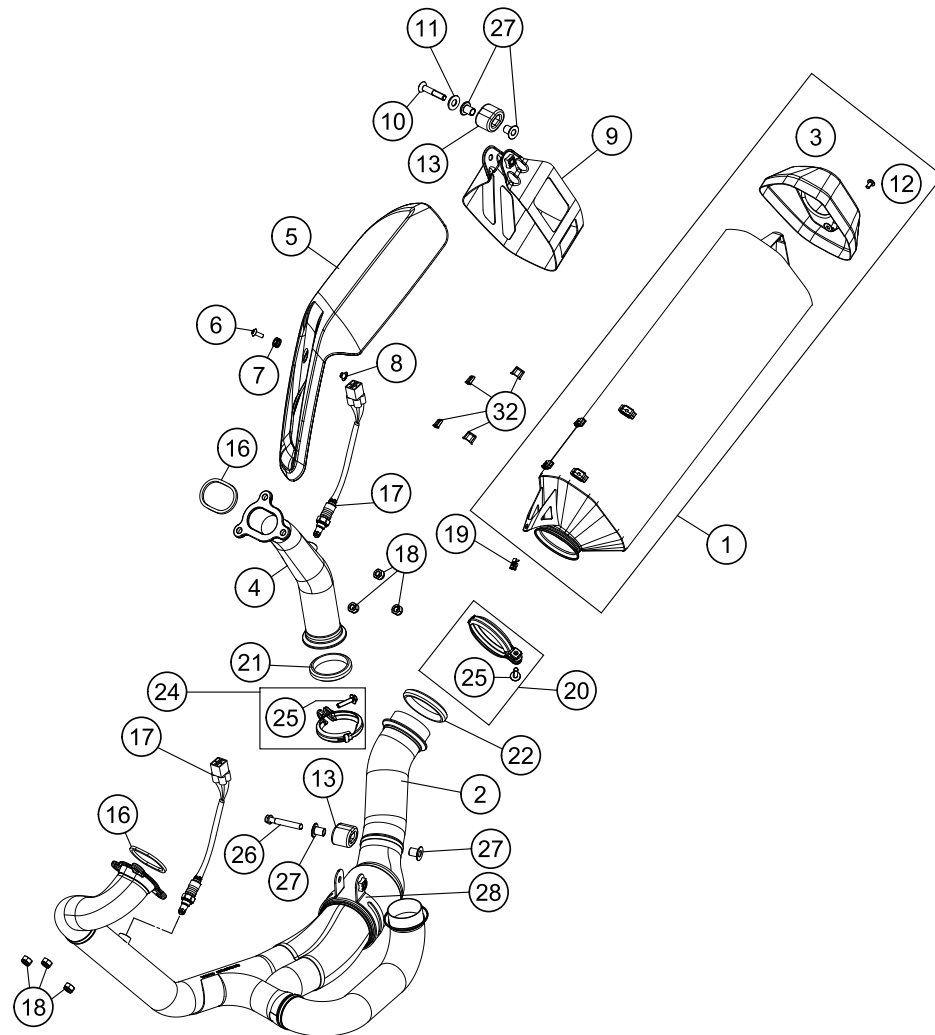
156040490

18873

\* NEW PART X ON DEMAND

# EXHAUST SYSTEM

# 1290 SUPER ADVENTURE R TKC 17 2017



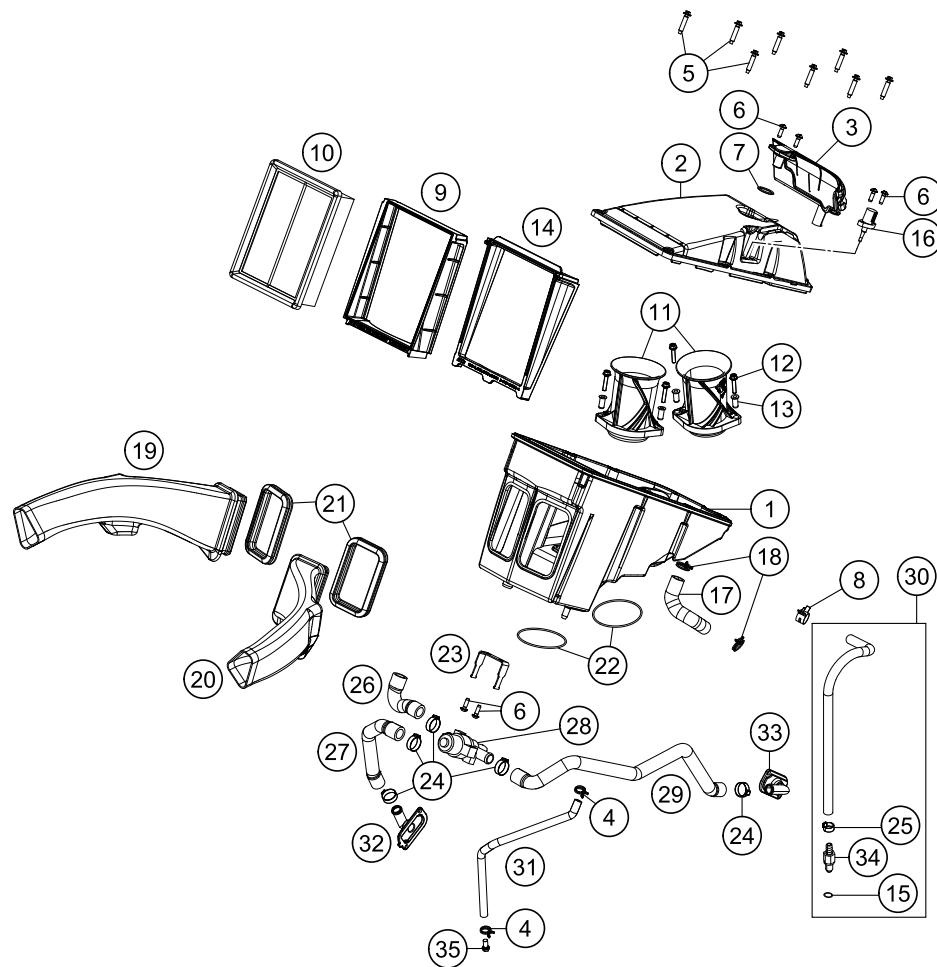
POS	PARTNUMBER	PARTNAME	PIECE
1	60305083000	SILENCER	1
2	60705007000	Header front	1
3	60305083161	ENDCAP	1
4	60305008100	Header rear complete	1
5	6040511100033	HEAT PROTECTION BLACK	1
6	58605083014	SCREW M5X14 TORX 25 07	1
7	60305083081	SILICON SLEEVE	1
8	60305083082	SPACER BUSHING	1
9	60305083190	CLAMP SILENCER	1
10	0019080456	COUNTERSUNK SCREW ISA45 M8X45	1
11	60405069000	SHAPE DISC ALU	1
12	78105081010	SCREW TORX M5X10	3
13	61305068000	DAMPING RUBBER	2
16	69005005100	EXHAUST PIPE FLANGE GASKET	2
17	75041090200	LAMBDA SENSOR	2
18	51010086100	SELF LOCKING NUT M 8 CU	6
19	69008021080	RANGE CHANGE METAL NUT M5	1
20	61305090000	EXHAUST CLAMP CPL. 60MM	1
21	69005005005	MANIFOLD GASKET	1
22	61305005005	MANIFOLD GASKET 60MM	1
24	69005050000	CLAMP CPL.	1
25	0024060256	HH COLLAR SCREW M6X25 TX30	2
26	0025080456	HH COLLAR SCREW M8X45 TX40	1
27	60305069000	BUSHING	2
28	60305007015	SHELL EXHAUST PIPE CPL.	1
32	61005091000	DAMP. COMPON. SILICONE GREY 05	4

176080510

18111

\* NEW PART

X ON DEMAND



POS	PARTNUMBER	PARTNAME	PIECE
1	60306001200	AIR FILTER HOUSING LOWER PART	1
2	60306002000	AIR FILTER BOX COVER	1
3	60330088100	OIL SEPARATOR	1
4	58031005000	CLAMP YDNAC 10128 12MM	2
5	0017060305	SPECIAL SCREW K60X30 WS=6	8
6	0081050161	EJOT PT SCREW K50X16 1451	6
7	0770021020	O-RING 21,00X2,00 NBR70	1
8	00049140121	CLAMP STD DN14	1
9	60406016000	FILTERCLAMPING FRAME	1
10	60306015100	AIR FILTER	1
11	60341040100	INTAKE TRUMPET LENGTH 100	2
12	0025050256	HH COLLAR SCREW M5X25 ISA30	2
13	60306042010	BUSHING INTAKE TRUMPET	4
14	60406017000	FILTERCLAMPING LINER	1
15	58507012000	O-RING VITON F. PLUG CPC 05	1
16	61041080000	AMBIENT-AIR TEMPERATURE SENSOR	1
17	60330088030	OIL SEPARATOR FOAM HOSE	1
18	60306082000	CLAMP YDNAC 10173 (19MM)	2
19	60406040000	INTAKE DUCT R/S	1
20	60406041000	INTAKE DUCT L/S	1
21	60306040050	GASKET INTAKE DUCT	2
22	0770066025	O-RING 66X2,5 FKM	2
23	61305031000	RETAINING BRACKET SLS	1
24	00050226706	VARIABLE ONE-EAR CLAMP 22,6MM	5
25	00050157706	VARIABLE ONE-EAR CLAMP 15,7MM	2
26	61305035023	SAS HOSE - AIRBOX	1
27	61305035021	SAS HOSE CYLINDER FRONT	1
28	61005026000	CONTROL VALVE SAS 05	1
29	61305035022	SAS HOSE CYLINDER REAR	1
30	60307016000	FUEL HOSE 1 CPL.	1
31	60015019001	HOSE NBR 7X11 PER METER	1
32	61205122000	SAS-FLANGE	1
33	61205032000	SAS-FLANGE	1
34	5850701030030	PLUG CPC BLACK 05	1
35	0025080126	HH COLLAR SCREW M8X12 TX40	1

166040610

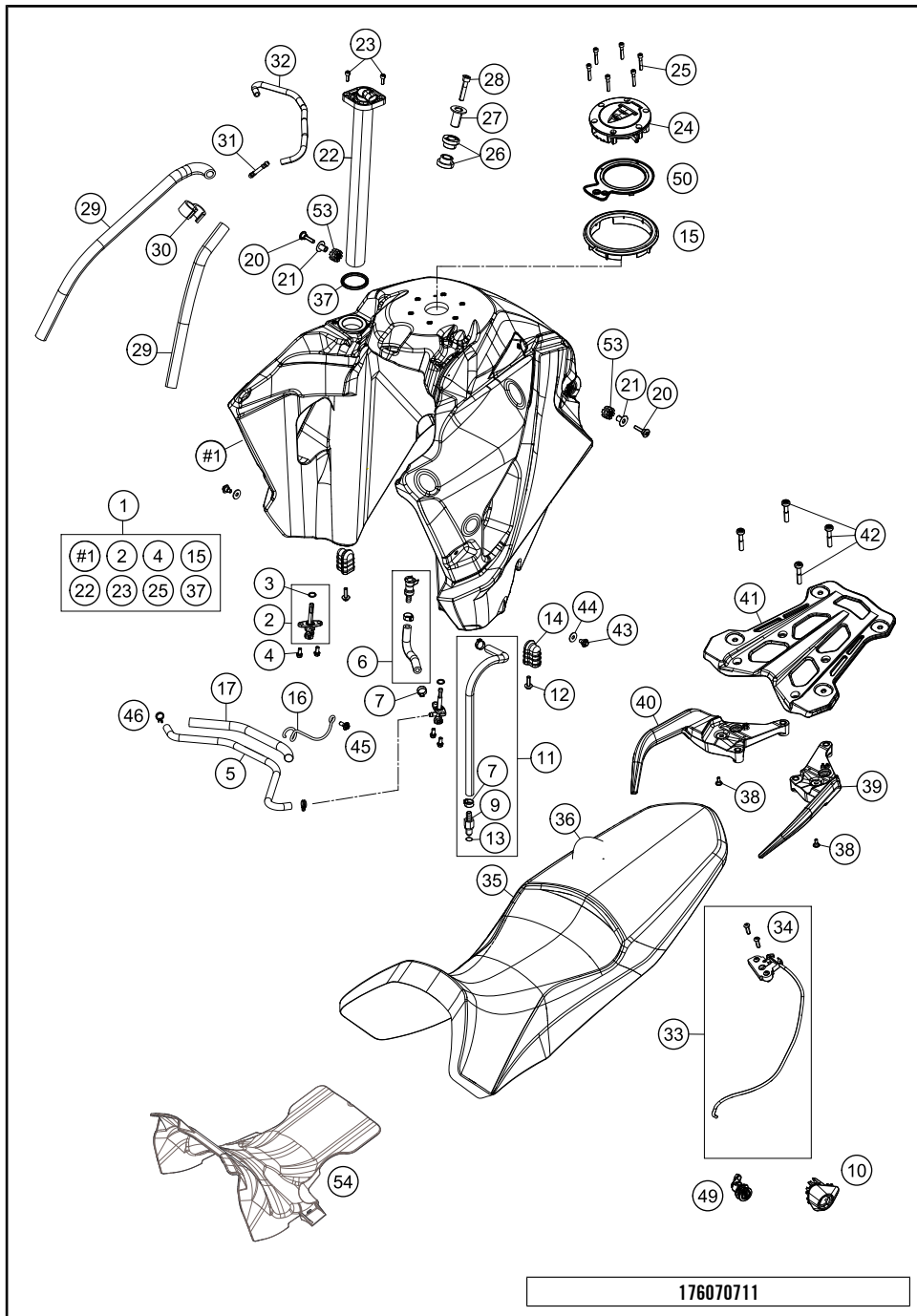
18738

\* NEW PART

X ON DEMAND

# TANK, SEAT, COVER

# 1290 SUPER ADVENTURE R TKC 17 2017



POS	PARTNUMBER	PARTNAME	PIECE
1	6070701304433	Fuel Tank Adventure cpl.	1
2	58507003200	FUEL COCK CPL.	2
3	0770020130	O-RING 1,78x10,82x14,38 2-013	2
4	0025060126	HH COLLAR SCREW M6X12 TX30	4
5	60307018000	EXPANSION HOSE FUEL TANK	1
6	60307017000	FUEL HOSE TANK/CONNECTOR	1
7	00050157706	VARIABLE ONE-EAR CLAMP 15,7MM	2
9	5850701030030	PLUG CPC BLACK 05	1
10	60307053000	SEAT LOCK COVER	1
11	60307016050	FUEL PIPE 1	1
12	0024060206	HH COLLAR SCREW M6X20 TX30	2
13	58507012000	O-RING VITON F. PLUG CPC 05	1
14	60307020000	TANK RUBBER	2
15	60307009000	TANK CAP RING	1
16	60307037000	WIRE HOLDER FUEL HOSE	1
17	60307016010	HEAT PROTECTION	1
20	60307025000	SPECIAL SCREW M6X32.5 ISA 40	2
21	69007028000	COLLAR BUSH. 6,2X10X21X14MM 08	2
22	60307080000	GAS LEVEL SENSOR	1
23	0912050163	AH SCREW DIN0912-M 5X16	2
24	60307008100	TANK CAP	1
25	0912050253	AH SCREW DIN0912-M 5X25	6
26	61007065000	TANK RUBBER BUSHING FRONT 05	2
27	61007060000	BEARING BUSHING OUTSIDE 05	1
28	0912080403	AH SCREW DIN912 M8X40	1
29	60007126001	HOSE 5,4X9,4 NBR, METER	1
30	60038039000	DISTANCE HOLDER 10/10 BLACK	1
31	69015019010	HOSE CONNECTION STRAIGHT	1
32	60307008150	HOSE TANK BREAT.	1
33	60307050000	SEAT LOCK CPL.	1
34	0738060201	FLAT HEAD SCREW ISO7380 M6X20	2
35	60307140100	SEAT R	1
36	60307140050	SEAT COVERING	1
37	60307080090	GASKET FUEL LEVEL SENSOR	1
38	69013099050	SCREW F. EXPANSION TANK	2
39	6031200810030	GRIP L/S BLACK	1
40	6031200920030	HAND GRIP R/S	1
41	6031201000033S	BAGGAGE CARRIER BRIDGE	1

176070711

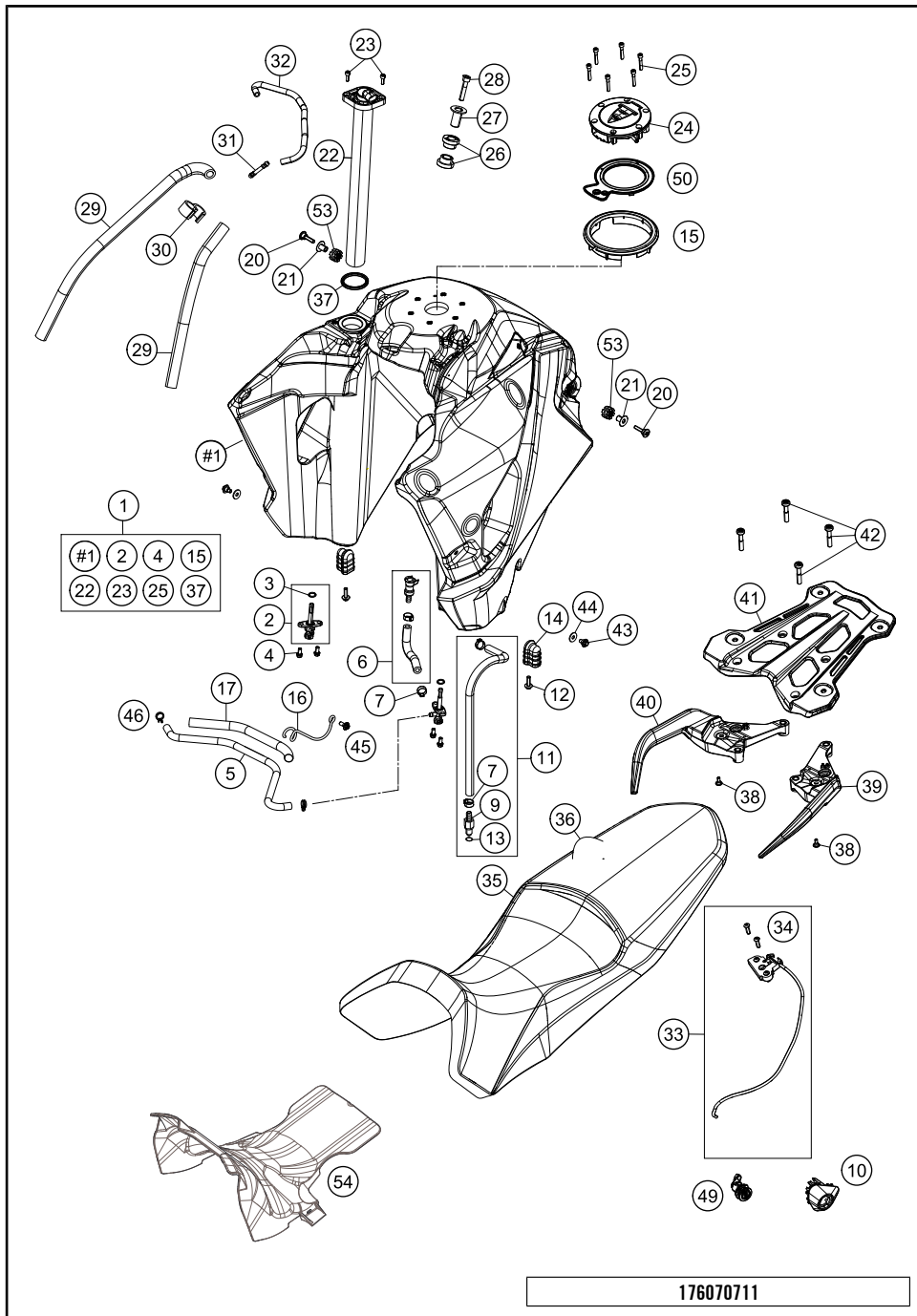
18867

\* NEW PART

X ON DEMAND

# TANK, SEAT, COVER

# 1290 SUPER ADVENTURE R TKC 17 2017



POS	PARTNUMBER	PARTNAME	PIECE
42	0035080406	AH-COLLAR SCREW M8X40 ISA45	4
43	59001092050	SPECIAL SCREW M6X12,5 WS=8	2
44	0021060003	WASHER DIN9021-A 6,4	2
45	0024060156	HH COLLAR SCREW M6X15 TX30	1
46	58031005000	CLAMP YDNAC 10128 12MM	2
49	60307050020	LOCK CYLINDER SEAT LOCK	1
50	60307008190	GASKET TANK CAP	1
53	69007027000	RUBBER SLEEVE TANK MOUNT 08	2
54	60707045000	Heat protection shell	1

176070711

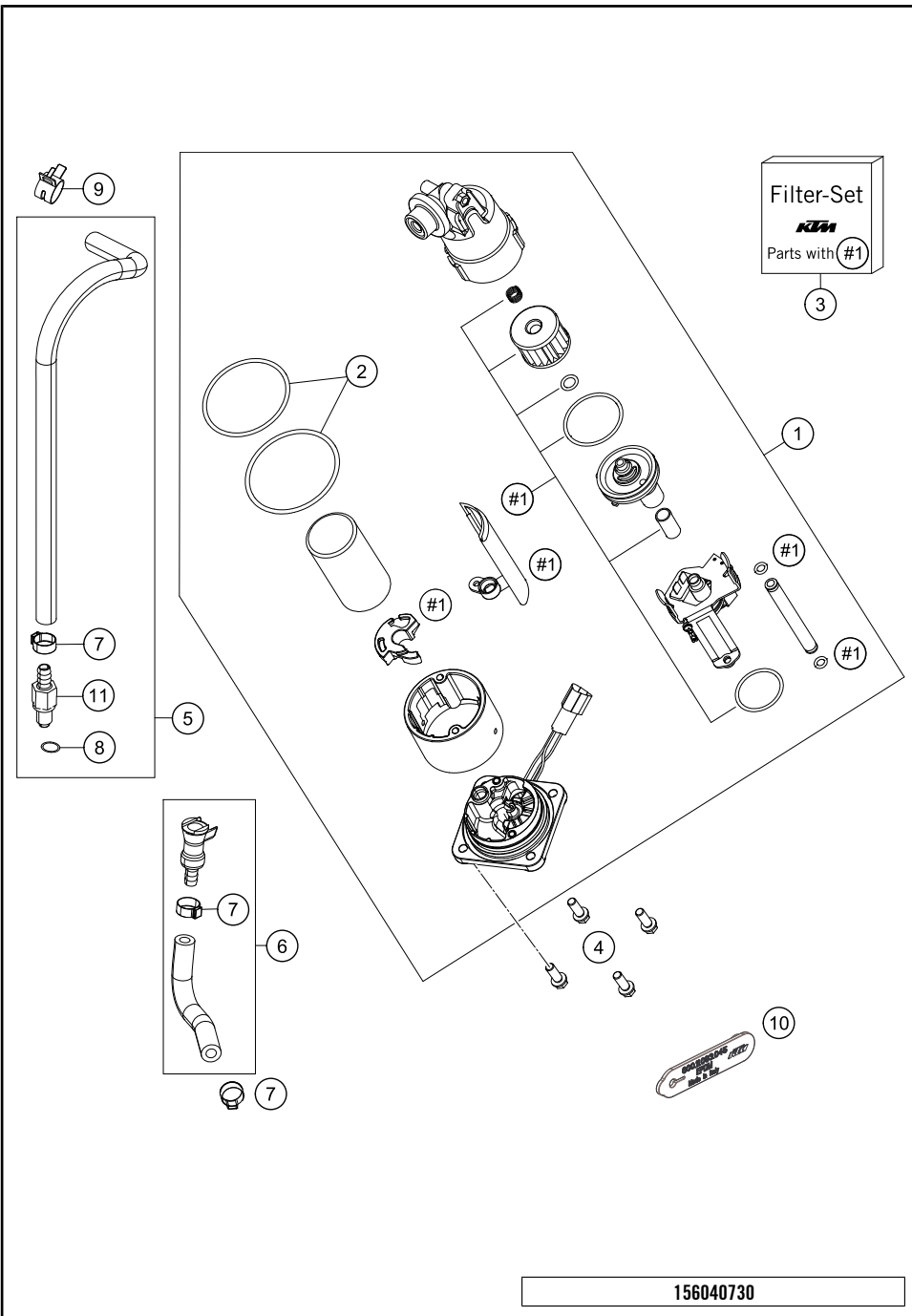
18867

\* NEW PART

X ON DEMAND

# FUEL PUMP

# 1290 SUPER ADVENTURE R TKC 17 2017



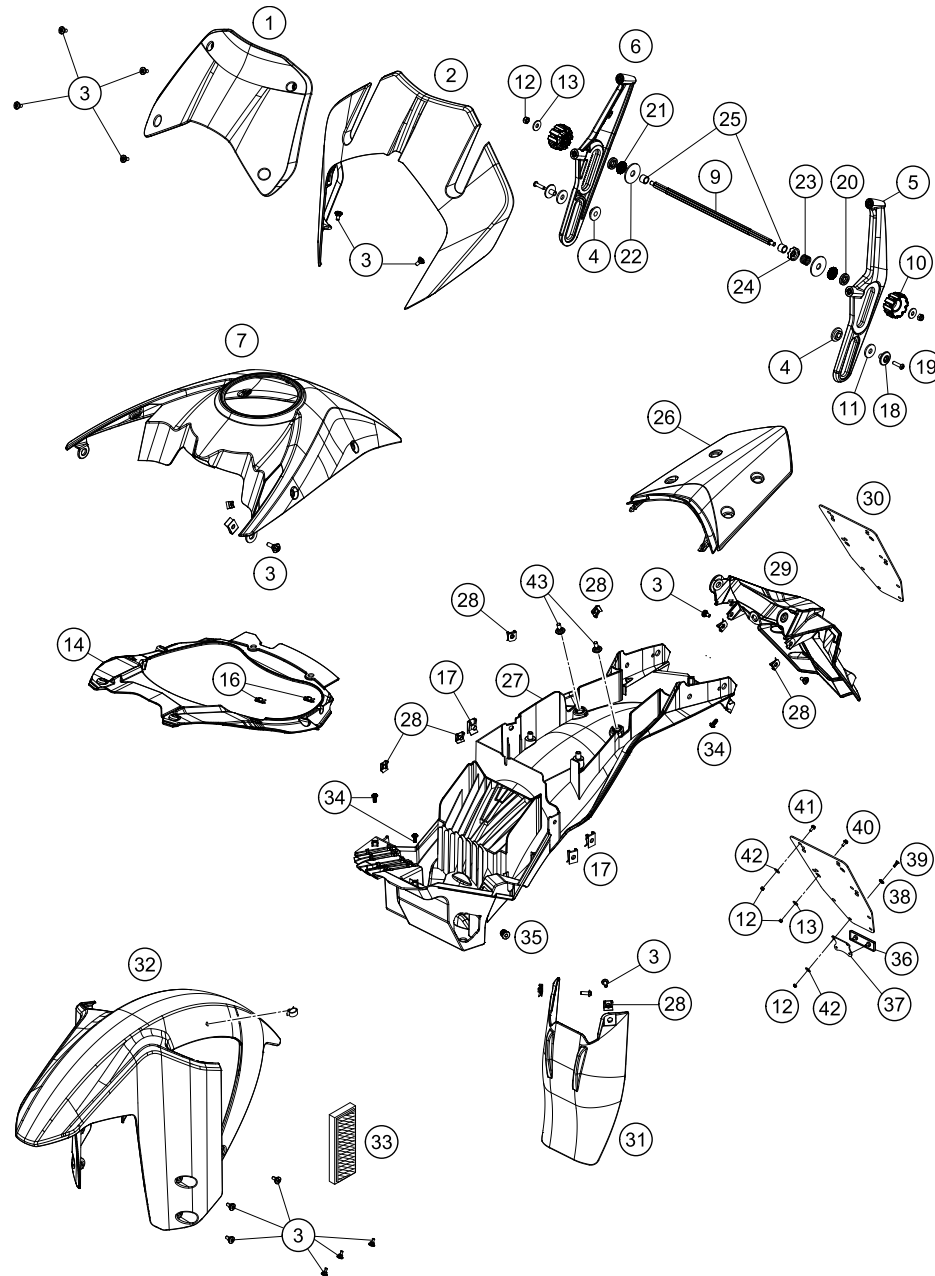
POS	PARTNUMBER	PARTNAME	PIECE
1	60307088000	FUEL PUMP	1
2	61007089000	O-RING SET FOR FUEL PUMP 05	1
3	61007090100	FILTER-SET FUEL PUMP	1
4	0025060166	HH COLLAR SCREW M6X16 TX30	4
5	60307016000	FUEL HOSE 1 CPL.	1
6	60307017000	FUEL HOSE TANK/CONNECTOR	1
7	00050157706	VARIABLE ONE-EAR CLAMP 15,7MM	4
8	58507012000	O-RING VITON F. PLUG CPC 05	1
9	00049140121	CLAMP STD DN14	1
10	60011093045	RUBBER CABLE TIE 45MM 03	1
11	5850701030030	PLUG CPC BLACK 05	1

156040730

16036

\* NEW PART

X ON DEMAND



POS	PARTNUMBER	PARTNAME	PIECE
1	60708208000	Windshield short EU	1
2	60708001000	Headlight mask	1
3	69008021160	SPECIAL SCREW M5X12	28
4	60708008052	Bearing sleeve	2
5	6070800805033	Windshield support left	1
6	6070800805133	Windshield support right	1
7	60308030000EB	Tank fairing	1
9	60708008054	Shaft	1
10	60408008053	ADJUSTING WHEEL	2
11	60708008062	Washer D=24/T=2.5	2
12	0985060003	SELF LOCK. NUT DIN0985-M 6	3
13	0021060003	WASHER DIN9021-A 6,4	2
14	60708105000	Dashboard cover	1
16	69008021080	RANGE CHANGE METAL NUT M5	14
17	54603048100	RANGE CHANGE METAL NUT M6	5
18	60708008055	Collared bush	21
19	0738050202	Lens head screw ISO 7380-M5X20A2	2
20	60708008057	Windshield support rubber	2
21	60408008155	GEAR 16TH ADJUSTMENT	2
22	60708008063	Washer D=36/T=2	2
23	60708008067	Spring windshield	1
24	60708008065	Toothed disk	1
25	60708008064	Plain bearing	2
26	6030801300033	REAR FENDER	1
27	60308019200	Tail end lower part	1
28	54603048200	RANGE CHANGE METAL NUT M5	2
29	60308015000	NUMBER PLATE SUPPORT	1
30	60012081200	LICENCE FITTING 06	1
31	60304050000	SPLASH PROTECTION	1
32	6030801000033	FRONT FENDER	1
33	60012080100	SIDE REFLECTOR YELLOW "CEV"	2
34	0081050121	SCREW FOR PLASTIC K50X12 T20	4
35	60308095000	EJOFORM DELTASERT M6 AL	1
36	58412080200	REFLECTOR RED "CEV"	1
37	58412080050	BRACKET FOR REFLECTOR	1
38	40006006000	WASHER 6MM	2
39	0966050163	OVAL HEAD SCREW DIN0966-M 5X16	2
40	0024060156	HH COLLAR SCREW M6X15 TX30	2

176070811

18875

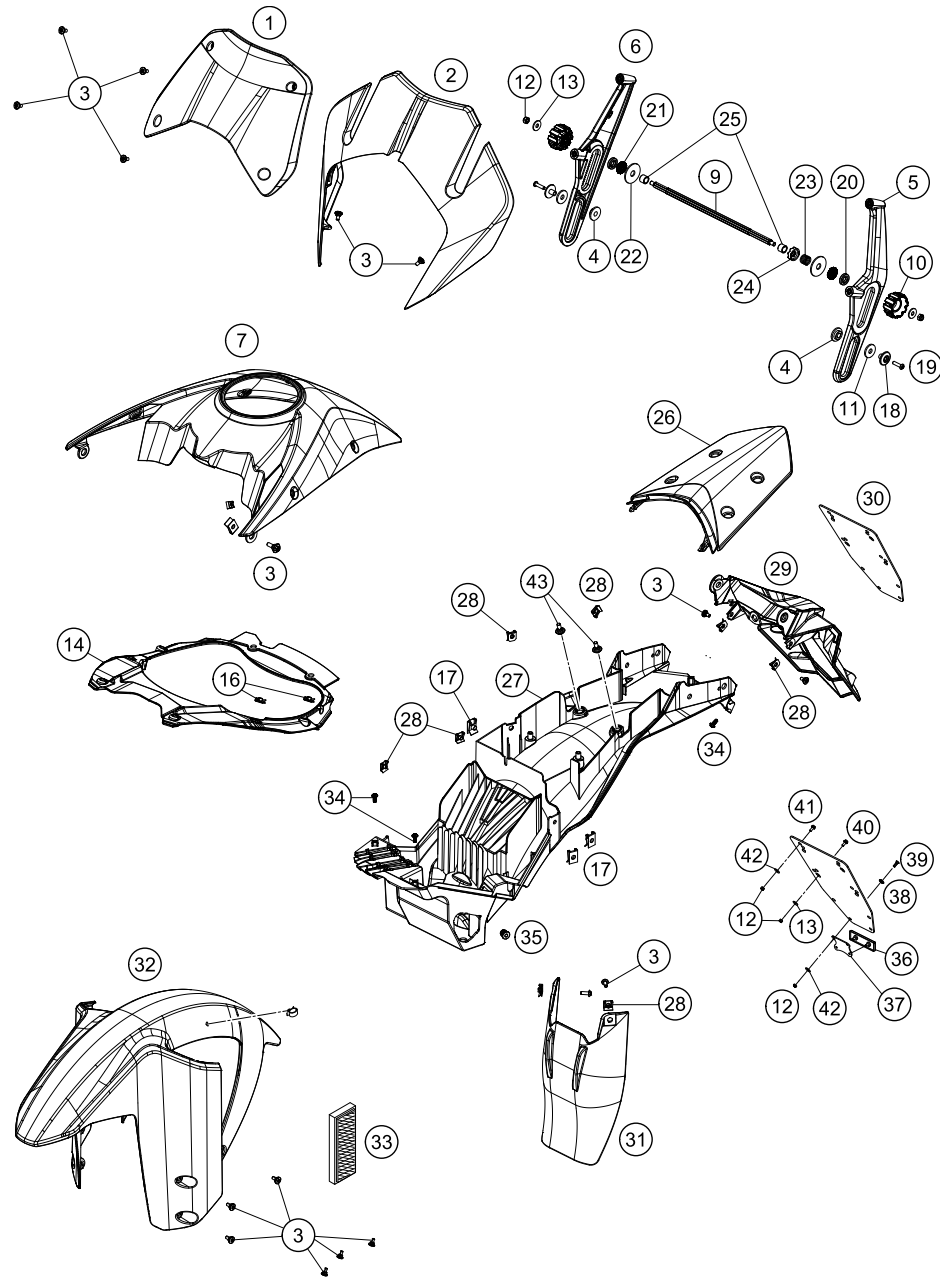
\* NEW PART

X ON DEMAND



# MASK, FENDERS

# 1290 SUPER ADVENTURE R TKC 17 2017



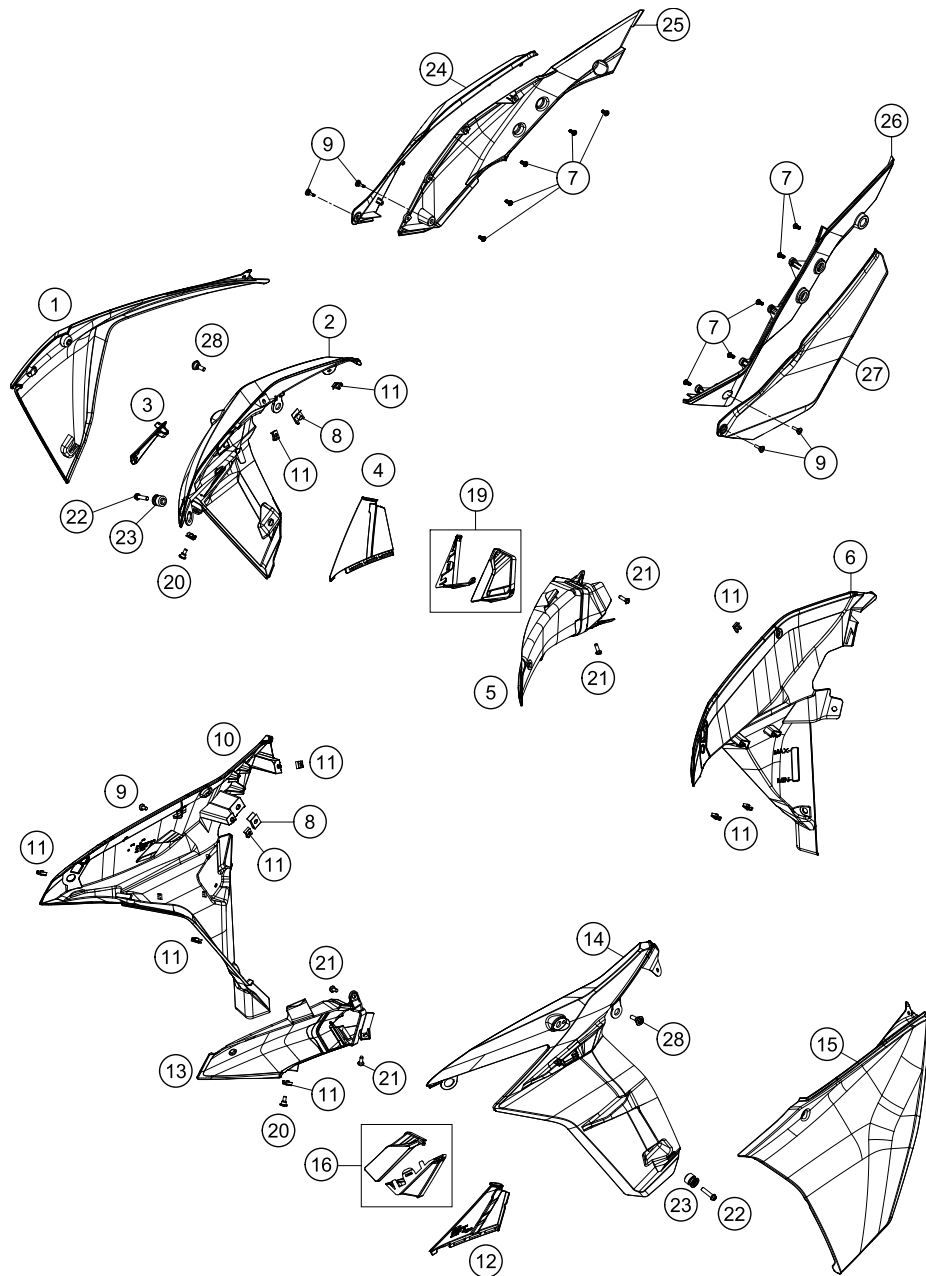
POS	PARTNUMBER	PARTNAME	PIECE
41	0024060206	HH COLLAR SCREW M6X20 TX30	2
42	0125060003	WASHER DIN0125-A 6,4	2
43	83008000015	SPECIAL SCREW M6X15X3	2

176070811

18875

\* NEW PART

X ON DEMAND



176070821

POS	PARTNUMBER	PARTNAME	PIECE
1	60708051000AB	Spoiler right white	1
2	6070810300033	Fairing right	1
3	6070810201033	Maintenance cover	1
4	60708103060	Cover for right intake port	1
5	6070810305033	Air intake right	1
6	60708126000	Inner cover right	1
7	0081045121	SCREW FOR PLASTIC K45X12 T20	10
8	54603048100	RANGE CHANGE METAL NUT M6	2
9	69008021160	SPECIAL SCREW M5X12	9
10	60708125000	Inner cover left	1
11	69008021080	RANGE CHANGE METAL NUT M5	10
12	60708102060	Cover for left intake port	1
13	6070810205033	Air intake left	1
14	6070810200033	Fairing left	1
15	60708050000AB	Spoiler left white	1
16	6070604403333	Cover intake duct le. cpl.	1
19	6070604503333	Cover intake duct right cpl.	1
20	69007025014	Special screw M5X14 ISA30	2
21	0081050161	EJOT PT SCREW K50X16 1451	4
22	0025060256	HH COLLAR SCREW M6X25 TX30	2
23	60708050010	Bushing	2
24	60308042000AB	Tail spoiler right white	1
25	6070804400033	REAR SIDE COVER RIGHT BLACK	1
26	6070804300033	REAR SIDE COVER LEFT BLACK	1
27	60308041000AB	Tail spoiler left white	1
28	83008100020	SCREW M6X20X5,5	2

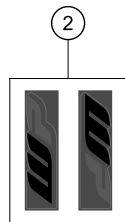
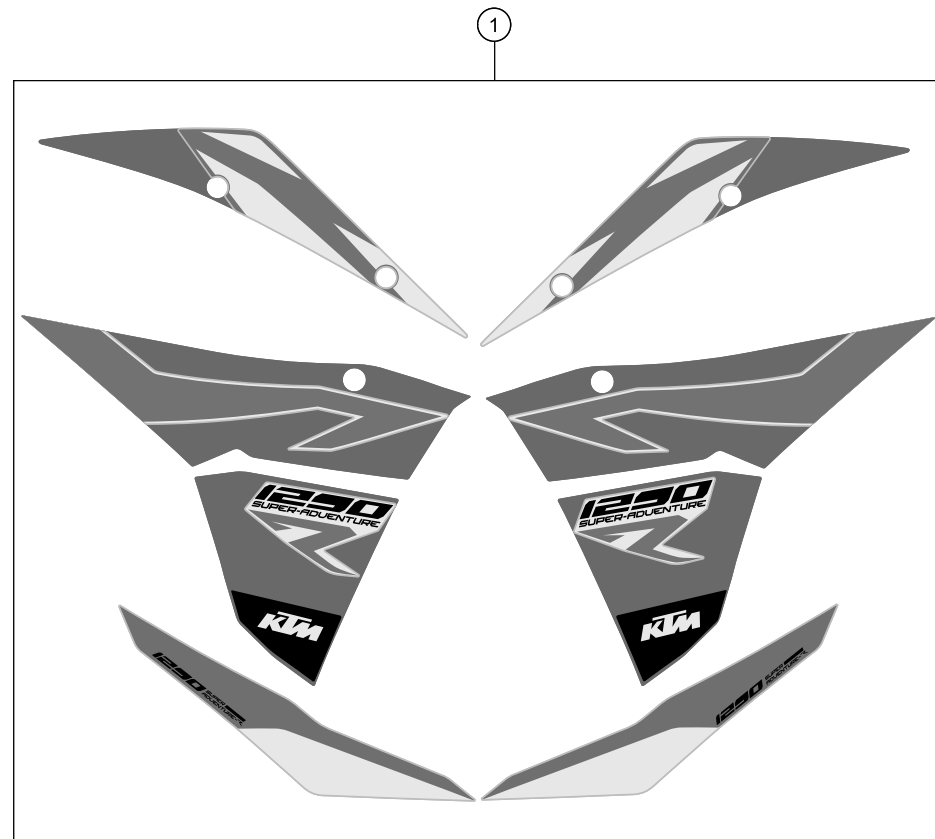
18876

\* NEW PART

X ON DEMAND

# DECAL

# 1290 SUPER ADVENTURE R TKC 17 2017



POS	PARTNUMBER	PARTNAME	PIECE
1	60708199000	Dekorsatz 1290 Adventure R	1
2	52000147	Stickerkit fork 175x45	1

176070832

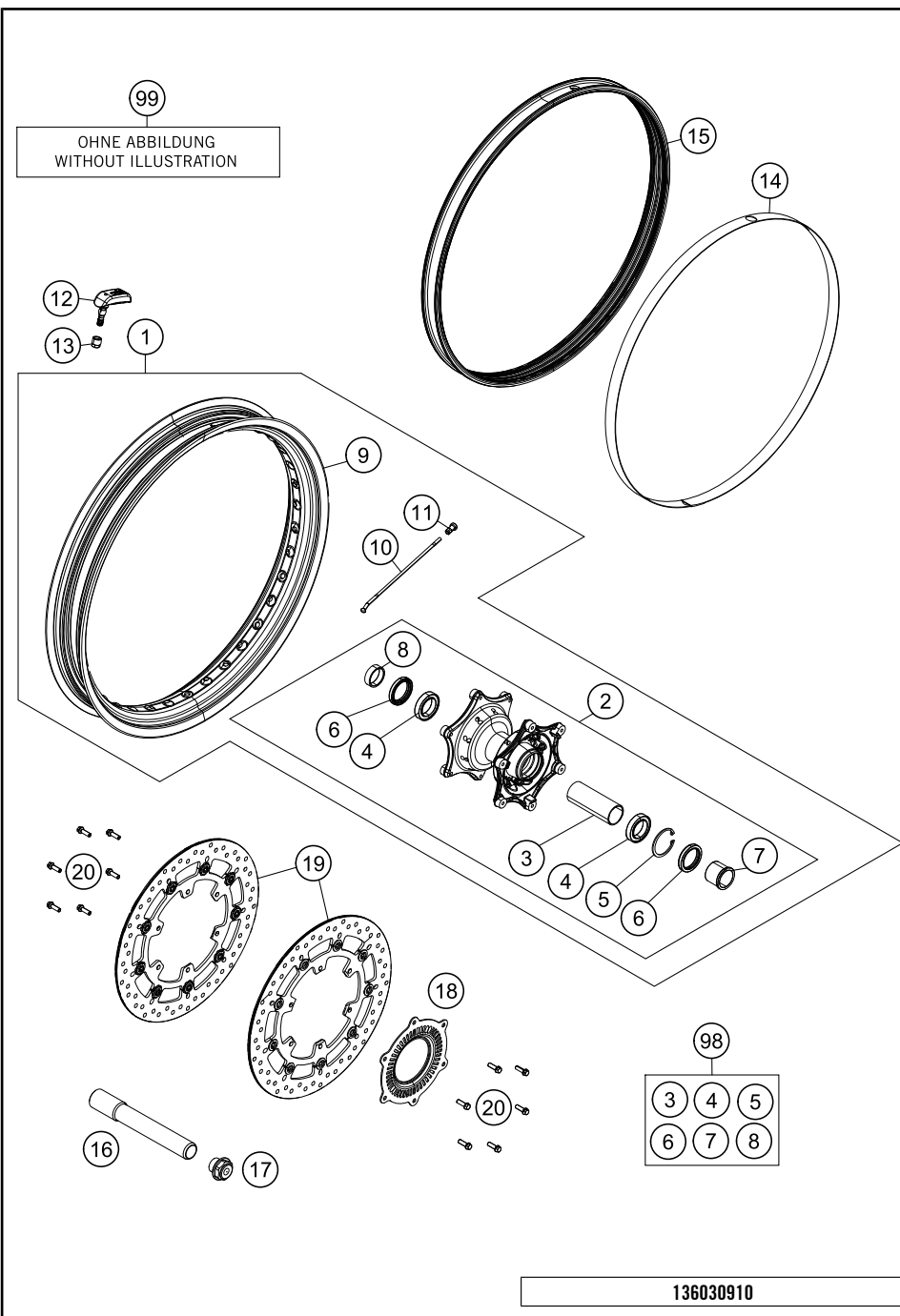
18887

\* NEW PART

X ON DEMAND

# FRONT WHEEL

# 1290 SUPER ADVENTURE R TKC 17 2017



POS	PARTNUMBER	PARTNAME	PIECE
1	6030900124433A	Front wheel cpl. 2,5X21" BLACK	1
2	6030901014433	FRONT HUB CPL.	1
3	60309011000	BUSHING SPACER TUBE FRONT	1
4	0625069068	GR.BALL BEAR.6906 DDU2CG23S6NM	2
5	0472047175	CIRCLIP DIN0472-47X1,75	1
6	0760354771	SHAFT SEAL RING 35X47X7 TC	2
7	60309012000	SPACER BUSH. FRONT WHEEL LEFT	1
8	60009013000	SPACER BUSH. FR. WHEEL R/S 03	1
9	6030917010033A	Rim 2.5x21"TL.bl.w.sticker	1
10	60309071000	SPOKE 5/4.37/M5	36
11	60310072100	SPOKE NIPPLE QUADRAX M5	36
12	60312033000	TIRE AIR PRESSURE SENSOR	1
13	60312033050	NUT AIR PRESSURE SENSOR	1
14	60309073100	RIM BAND 21"	1
15	60309177000	GASKET RUBBER 2.5"X21"	1
16	60309081000	AXLE FRONT	1
17	6900103600001	STEERING HEAD SCREW 09	1
18	60342020000	SENSOR GEAR ABS	1
19	6030906000030	BRAKE DISC FRONT D=320X4,5	2
20	59009062019	SPECIAL SCREW M6X19 WS=8 10.9	12
98	60309015000	FRONT WHEEL REP. KIT ADV 13-14	x
99	60312034044	VALVE KIT AIR PRESSURE SENSOR	1

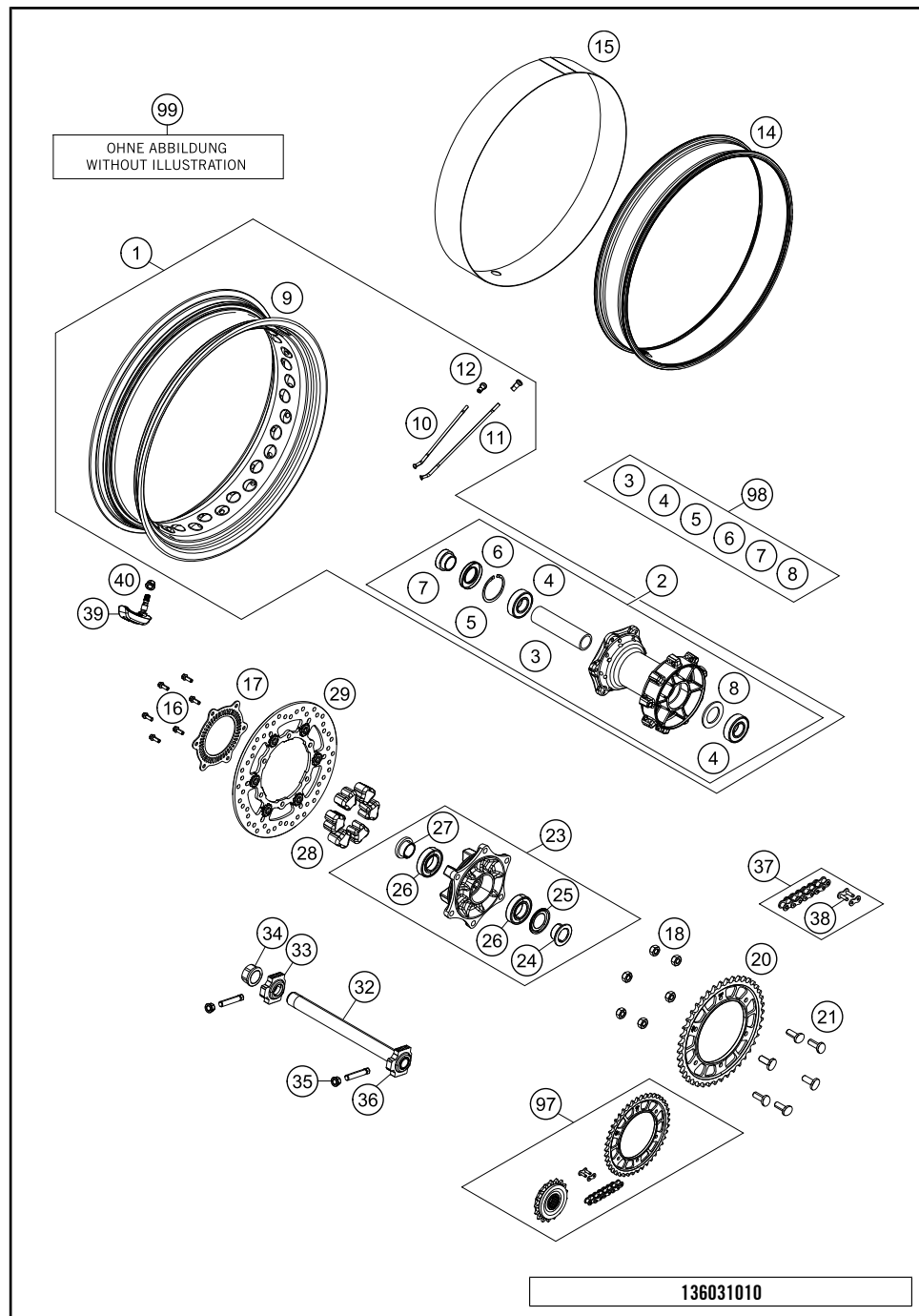
136030910

18880

\* NEW PART X ON DEMAND

# REAR WHEEL

# 1290 SUPER ADVENTURE R TKC 17 2017



POS	PARTNUMBER	PARTNAME	PIECE
1	6031000124433A	Rear wheel cpl. 4.5X18"	1
2	6031001014433	REAR HUB CPL.	1
3	60010011000	BEAR. SPACERTUBE L=124,8MM 03	1
4	0625062052	GR.BALL BEAR. 6205-2RSHC3HMTF7	2
5	0472052200	CIRCLIP DIN0472-52X2	1
6	0760305271	SHAFT SEAL RING 30X52X7	1
7	60310013000	SPACER BUSHING REAR WHEEL R/S	1
8	60010015000	SPACER RING 03	1
9	6031007010033A	Rim 4,5x18" TL bl.w.sticker	1
10	60310171000	SPOKE 5/4.37/M5	18
11	60310071000	SPOKE 5/4.37/M5	18
12	60310072100	SPOKE NIPPLE QUADRAX M5	36
14	60310177100	GASKET RUBBER 4.5"X18"	1
15	60310073100	RIM BAND 18"	1
16	59009062016	SPECIAL SCREW M6X16 WS=8 10.9	6
17	60142021100	SENSOR GEAR ABS REAR	1
18	0980101253	HEXAG.NUT DIN 980V M10X1,25 SL	6
20	60010051042	REAR SPROCKET 42-T 03	1
21	60010052000	SPROCKET SCREW M10X1,25 03	6
23	6011005004433	SPROCKET SUPPORT CPL. BLACK	1
24	60110012000	SPACER BUSH. SPROCKET SUPP. 06	1
25	60110016000	NILOS RING 6006AV	1
26	0625060060	BALL BEARING 6006 DDU2CG23S6NM	2
27	60110014000	SPACER BUSH. SPR. SUPP. IN. 06	1
28	54610459000	RUBBER DAMPING BLOCK '91	6
29	6031006000030	BRAKE DISK REAR	1
32	60310081044	AXLE REAR CPL.	1
33	60010084000	CHAIN TENSIONER R/S LC8 03	1
34	61010086000	COLLAR NUT M25X1,5 WS=32 05	1
35	58414030000	HH COLLAR NUT M10X1,25 WS=13	2
36	50304040100	SCREW M10X1,25X50 WS=10	2
37	60410165118	CHAIN 525 SDZZ WITH MAST. LINK RIVET TOOL NECESSARY	1
38	60410066000	MASTER LINK F.CHAIN 525 SDZZ	x
39	60312033000	TIRE AIR PRESSURE SENSOR	1
40	60312033050	NUT AIR PRESSURE SENSOR	1
97	00050002013	DRIVETRAIN KIT ADV/-S 17T/42T	x

136031010

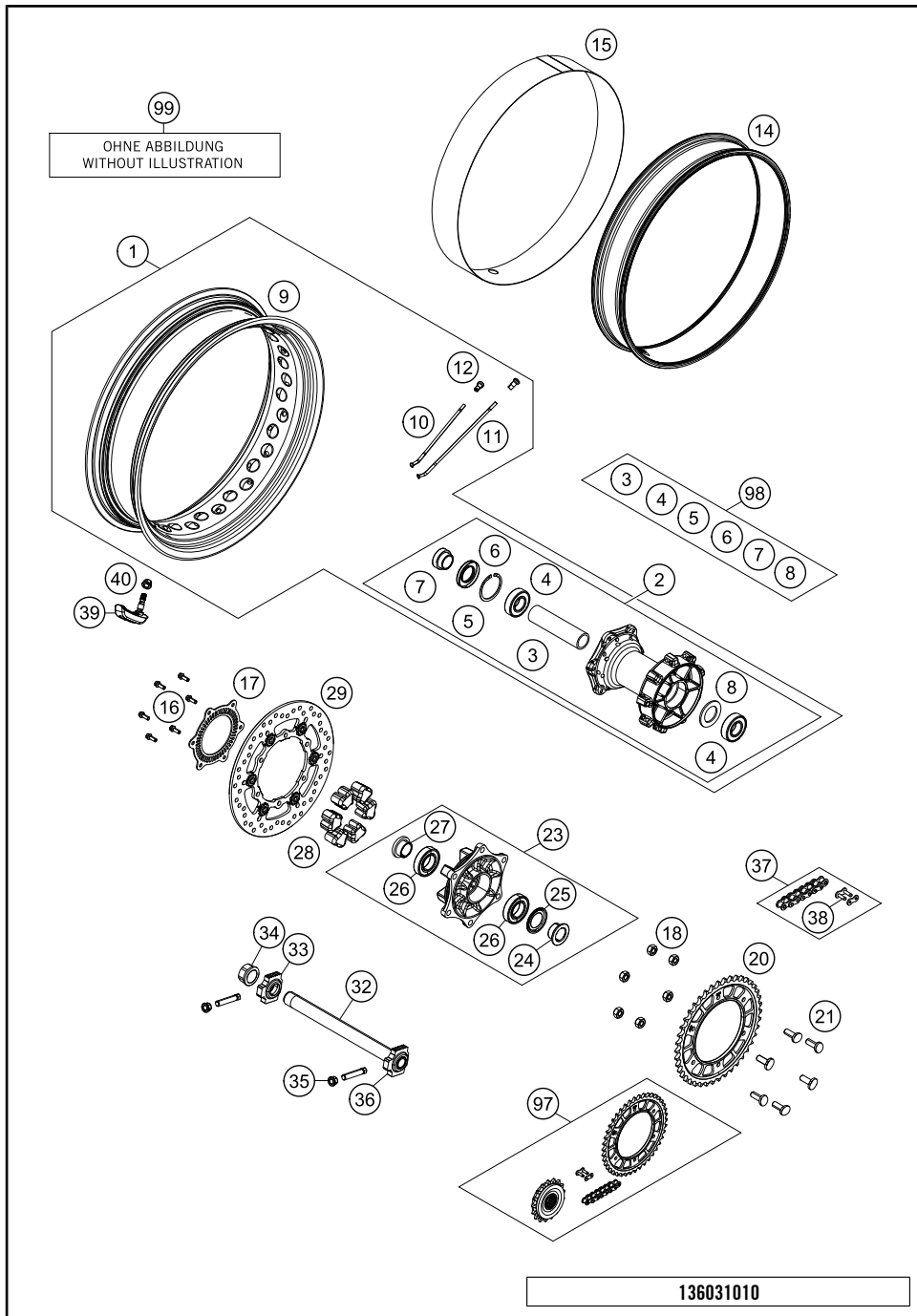
18881

\* NEW PART

X ON DEMAND

# REAR WHEEL

# 1290 SUPER ADVENTURE R TKC 17 2017

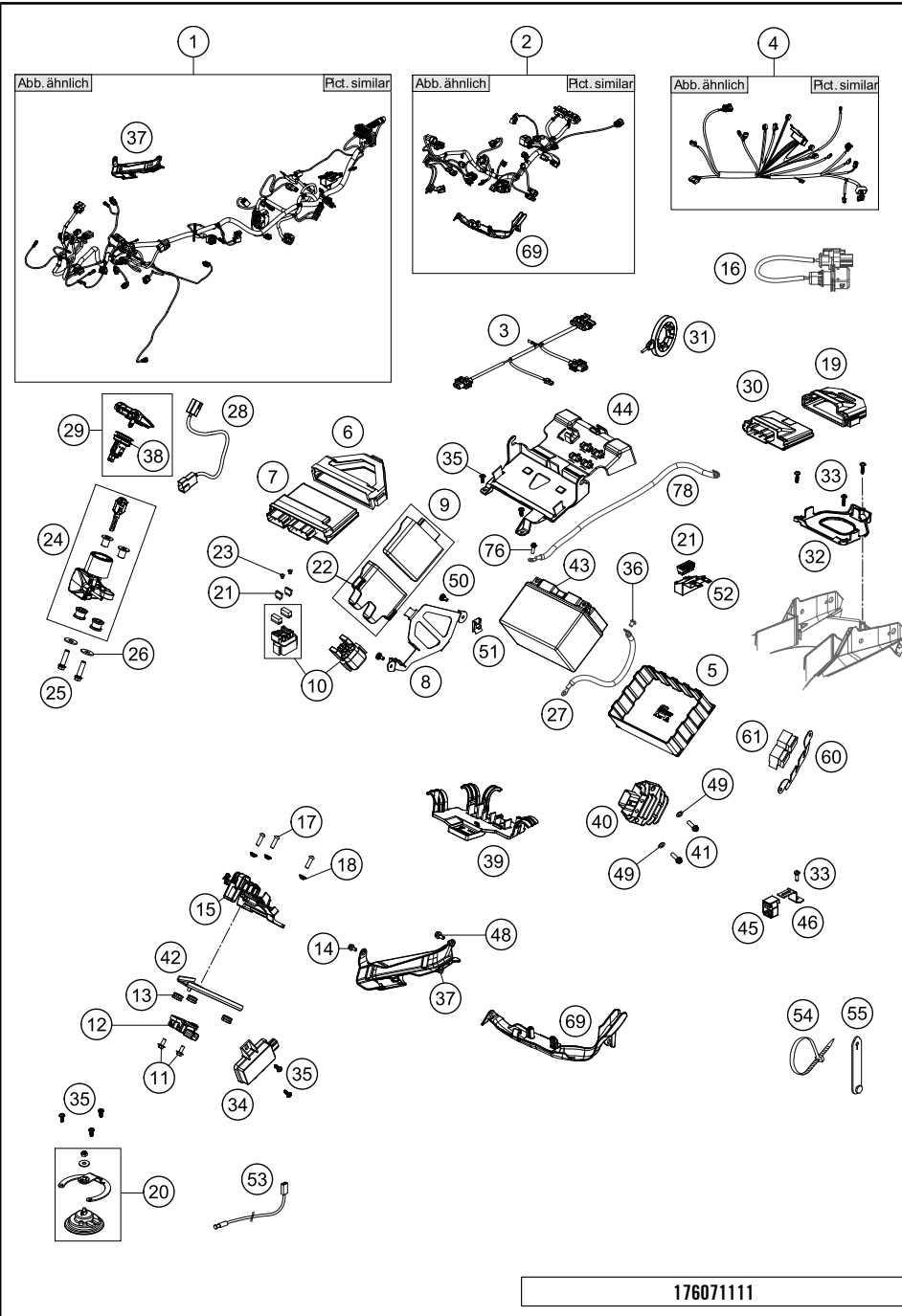


POS	PARTNUMBER	PARTNAME	PIECE
98	60310015000	REAR WHEEL REP. KIT ADV 13-14	x
99	60312034044	VALVE KIT AIR PRESSURE SENSOR	1

18881

\* NEW PART

X ON DEMAND



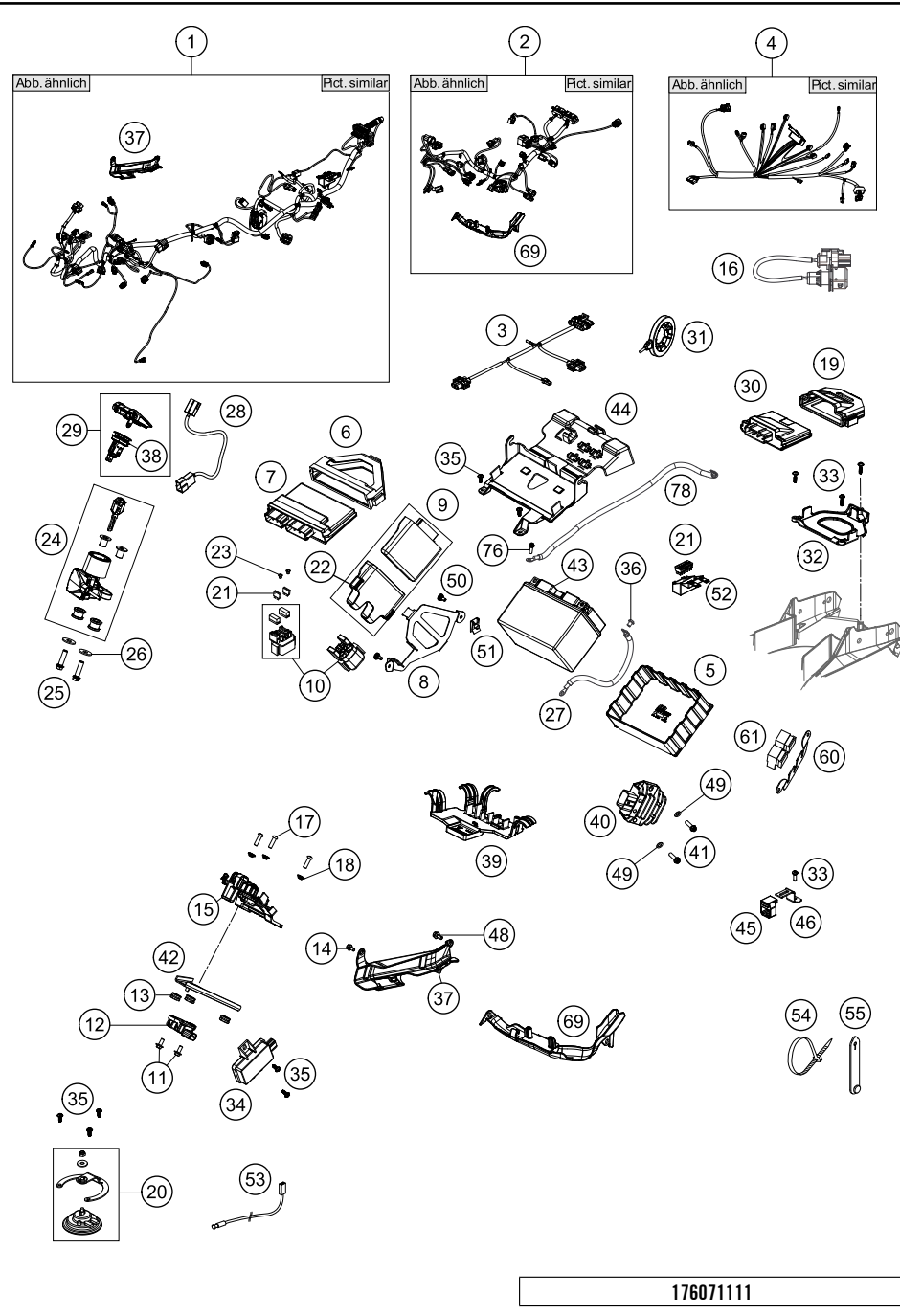
POS	PARTNUMBER	PARTNAME	PIECE
1	60711175033	Main wiring harness R cpl.	1
2	60711085000	Wiring harness	1
3	60311079000	WIRING HARNESS HEAD LIGHT	1
4	60311076000	REAR WIRING HARNESS	1
5	60311053050	BATTERIE HOUSING	1
6	60341031050	ECU RUBBER BRACKET	1
7	61341031300	Control unit EFI	1
8	60311057050	BRACKET ELECTRIC	1
9	60416031000	ELECTRONIC CONTROL UNIT SAFE	1
10	58211058000	STARTER RELAY 12V '99	1
11	0024060136	HH COLLAR SCREW M6X13 TX30	2
12	60342090000	SLOPING POSITIONS SENSOR	1
13	62142041000	DAMP. COMPONENT ABS MODUL	3
14	69008021160	SPECIAL SCREW M5X12	2
15	60711048000	Connector support front	1
16	60411078050	Wiring harness	1
17	0738060201	FLAT HEAD SCREW ISO7380 M6X20	3
18	76508043050	COLLAR BUSHING	3
19	60711033050	Rubber band	1
20	60711060033	Direct current horn complete	1
21	58011109140	FUSE 40 A	x
21	58011109130	FUSE 30 A	x
21	58011109125	FUSE 25 A	x
21	58011109115	FUSE 15 A	x
21	58011109110	FUSE 10 A 2000	x
22	60316029000	RUBBER EDS-CONTROL UNIT	1
23	0902060083	AH OVAL SCREW ISO 7380 M 6X8	2
24	60711066000	ZÜNDSCHLOSS RRS	1
25	0025080306S	HH COLLAR SCREW M8X30 TX40	2
26	0021080003	WASHER DIN9021-A 8,4	2
27	60311059050	BATTERIE CABLE	1
28	60711042050	Cable	1
29	60714013033B2	Power socket complete silver	1
30	60711033000	Control unit MCU 3.0	1
31	69011168000	Antenna keyless	1
32	60708019010	Support	1
33	0081050181	SCREW FOR PLASTIC K50X18 T20	4
34	60312032000	RECEIVER AIR PRESSURE SENSOR	1

176071111

18879

\* NEW PART

X ON DEMAND



POS	PARTNUMBER	PARTNAME	PIECE
35	0081050121	SCREW FOR PLASTIC K50X12 T20	7
36	0902060083	AH OVAL SCREW ISO 7380 M 6X8	2
37	60311047000	CABLE CHANNEL R/S	1
38	60711042000	Power socket 12V	1
39	60311049200	Plug board rear	1
40	60311034000	VOLTAGE REGULATOR	1
41	0025060206	HH COLLAR SCREW M6X20 TX30	2
42	60342090040	BRACKET SLOPING POSITIONS SENS	1
43	60011053000	BATTERY 12V/11AH 03	1
44	60308017000	BATTERIE COVER	1
45	61041085050	RUBBER SUPP. PRESSURE SENS. 05	1
46	60311040100	BRACKET PRESSURE SENSOR	1
48	0023060123	COLLAR SCREW M6X12 TX	1
49	60007020040	PLASTIC WASHER 03	2
50	0025050126	HH COLLAR SCREW M5X12 TX30	2
51	54603048200	RANGE CHANGE METAL NUT M5	2
52	58411087050	RUBBERCOVER F.LOCKHOLDER	1
53	61111018100	TEMPERATURE SENSOR	1
54	44011076140	CABLE TIE 140/2,5MM BLACK	x
54	44011076200	CABLE TIE 200/3,6MM BLACK	x
54	44011076305	CABLE TIE 300/4,8MM BLACK	x
55	60011093045	RUBBER CABLE TIE 45MM 03	x
55	60011093060	RUBBER CABLE TIE 60MM 03	x
55	60011093075	RUBBER CABLE TIE 75MM 03	x
60	60711057050	Retaining bracket	1
61	61111057000	RELAY CM1A-R-12V-H80 07	2
69	60311046000	CABLE CHANNEL L/S	1
78	60311097000	GROUND CABLE	1

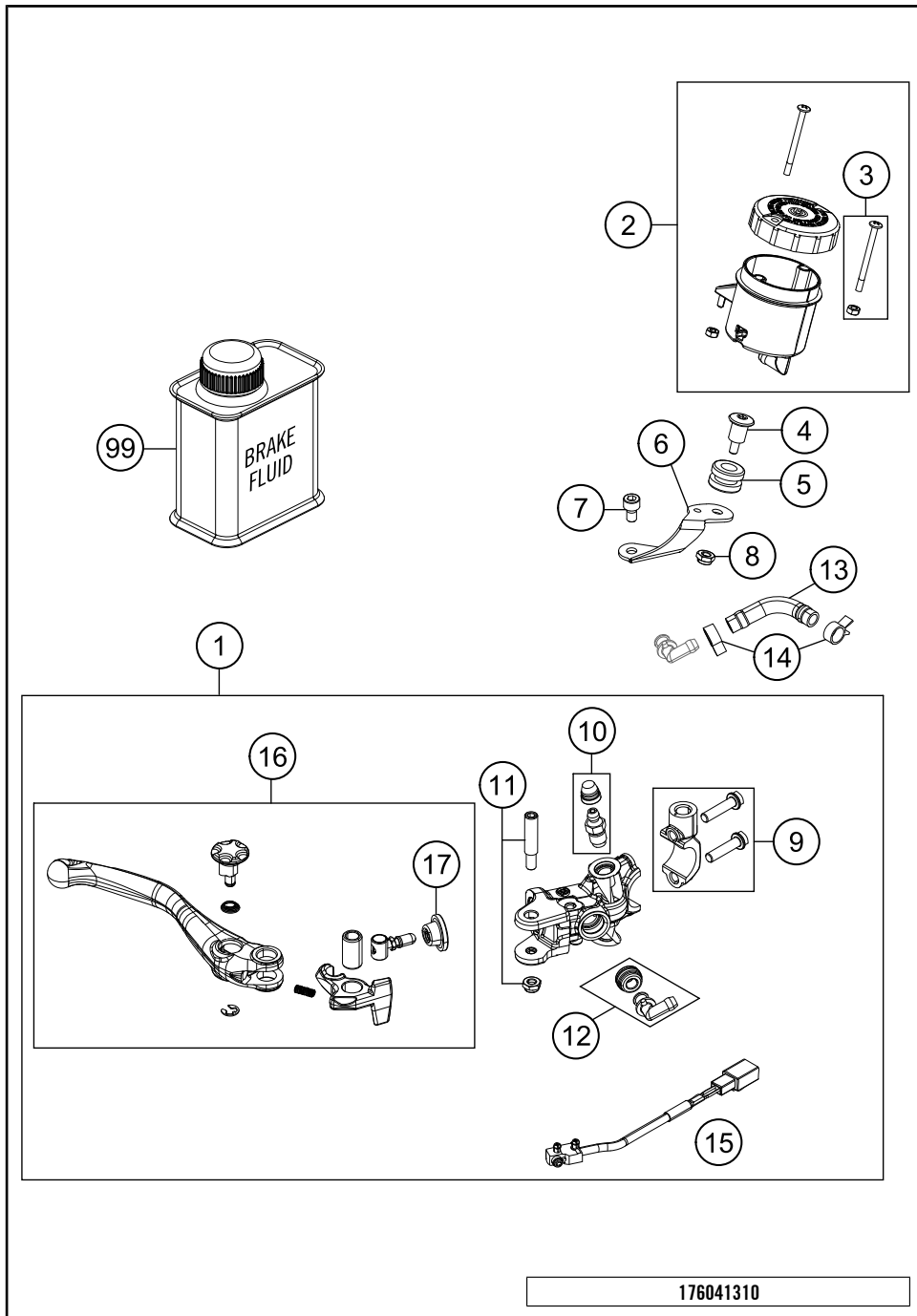
176071111

18879

\* NEW PART

X ON DEMAND



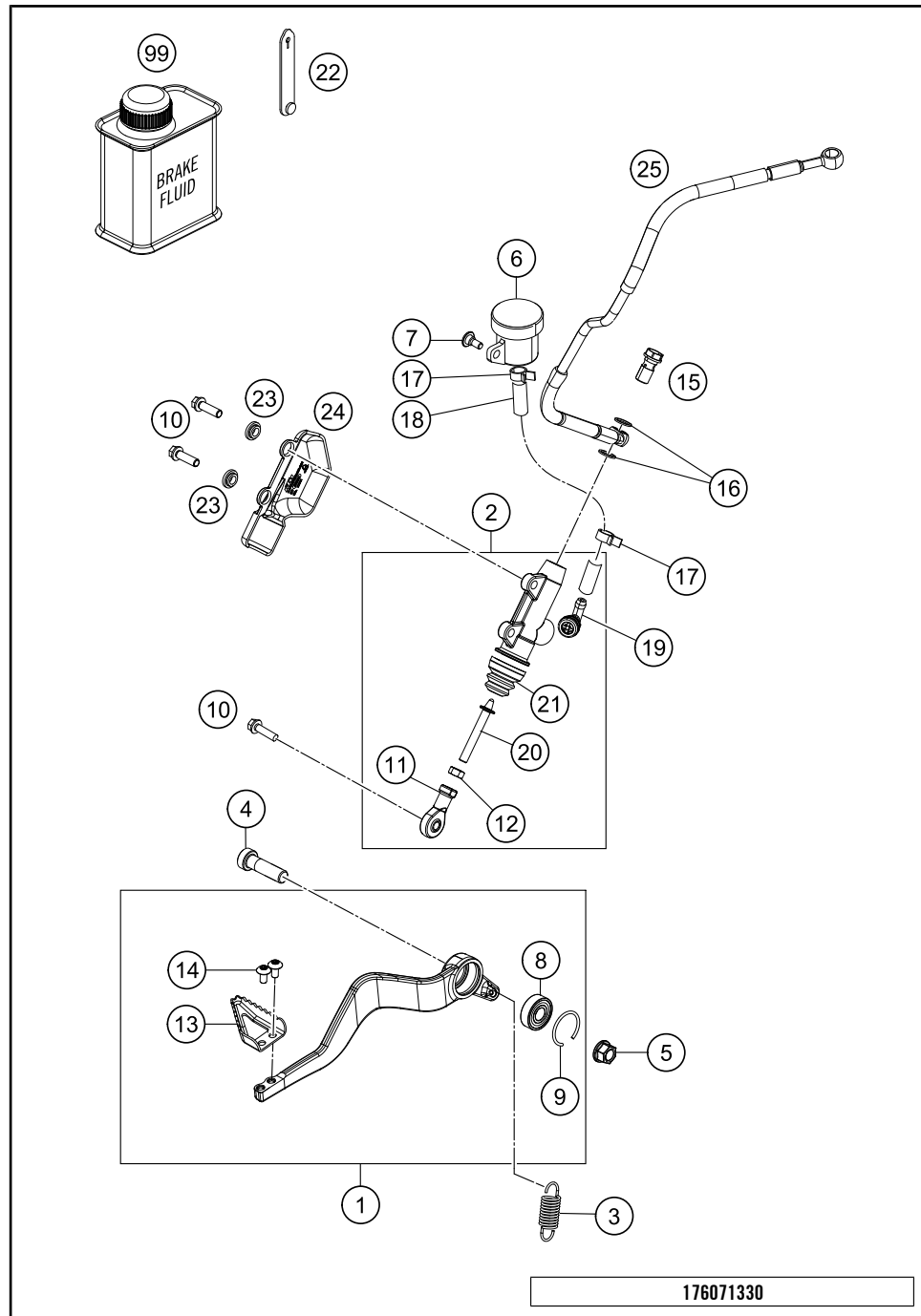


POS	PARTNUMBER	PARTNAME	PIECE
1	6201310110030	Hand brake cylinder complete	1
2	61013009202	BRAKE FLUID RESERV. WHITE CPL.	1
3	61013009203	SCREW + NUT F. RESERVOIR	1
4	61013013050	SCREW RET.PANEL-RESERVOIR	1
5	61013013000	RUBBER BUSH 05	1
6	61013009001	RET.PANEL FLUID RES. FRONT 05	1
7	61013021000	SCREW RET.PANEL-BRAKE CYLINDER	1
8	61013009004	NUT FOR RESERVOIR	1
9	61013005000	CLAMP CPL. 05	x
9	76013005100	CLAMP CPL. 16	1
10	60013020000	BLEEDER SCREW WITH CAP	1
11	61013006000	LEVER SCREW CPL. 05	1
12	54513155000	ANGLE PIECE	1
13	58007016101	HOSE FOR RESERVOIR 6X1,5	1
14	58007017000	YDNAC CLAMP 10101 (10,4MM)	2
15	60311050000	BRAKE LIGHT SWITCH FRONT	1
16	6251300214430	HAND BRAKE LEVER CPL. BLACK	1
17	61013008000	RUBBER CUP 05	1
99	00062030000	BRAKE FLUID DOT5.1 0,25L	1

176041310

18837

\* NEW PART X ON DEMAND



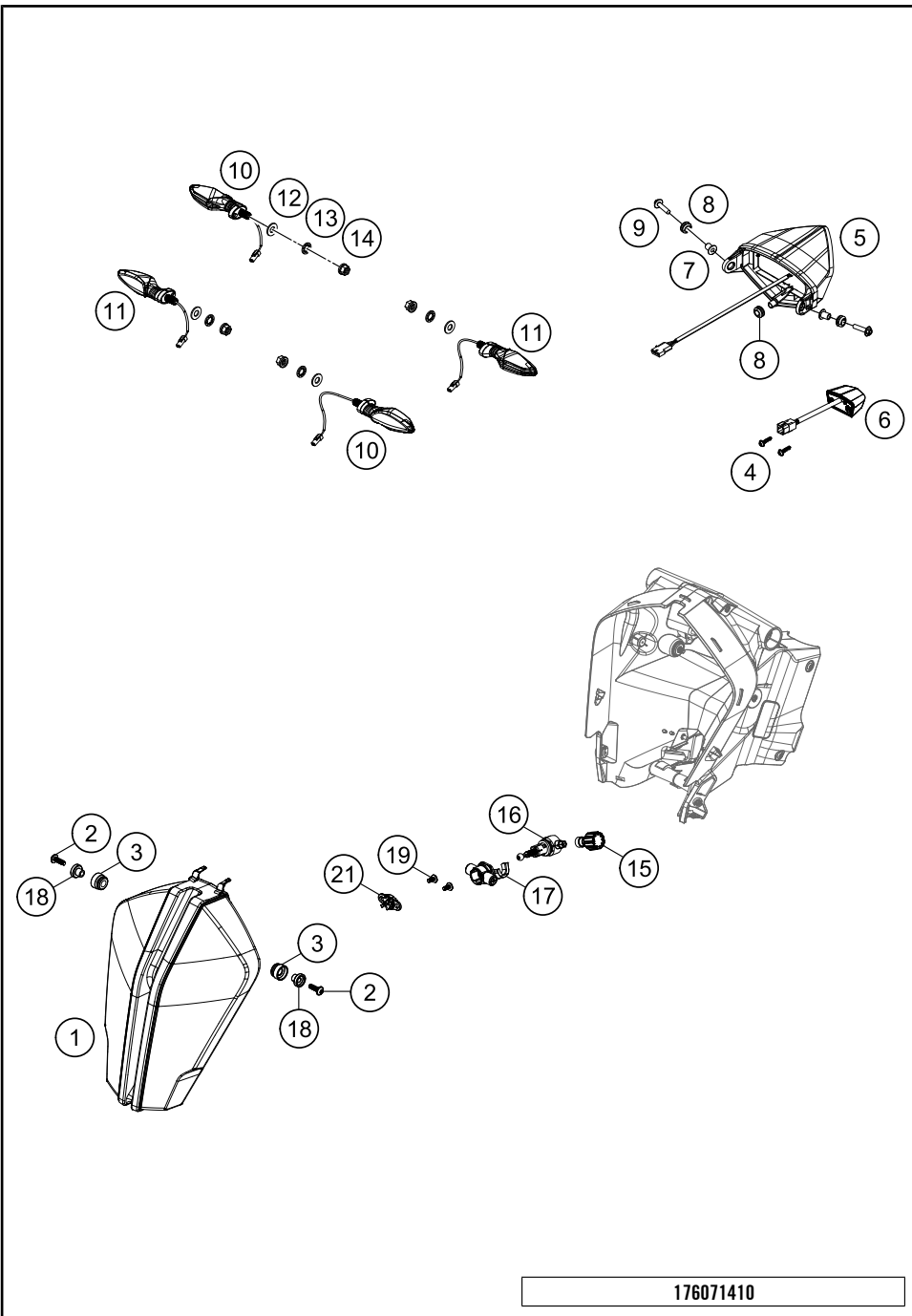
176071330

POS	PARTNUMBER	PARTNAME	PIECE
1	6031305004433S	FOOT BRAKE LEVER KPL.	1
2	6031306000030	REAR BRAKE CONTROL	1
3	54603062100	RETURN SPRING FOR BRAKE LEVER	1
4	0032100356S	AH-COLLAR SCREW M10X35 ISA45	1
5	54630044000	COLLAR NUT M10 WS=13	1
6	54513030044	BRAKE FLUID RESERVOIR '89	1
7	69013099050	SCREW F. EXPANSION TANK	1
8	0625060002	BALL BEARING SKF 6000-2RS1	1
9	0993026500	LOCK RING DIN7993-B26	1
10	0025060206	HH COLLAR SCREW M6X20 TX30	3
11	54603069000	SWIVEL HEAD M6 FOOT BRAKE LEV.	1
12	0934060003	HEXAGON NUT DIN0934-M 6	1
13	60313051000	STEP PLATE FOOT BRAKE LEVER	1
14	78105081010	SCREW TORX M5X10	2
15	62113020100	HOLL. SCREW M10X1X19.5	1
16	0603100141	COPPER GASKET DIN7603-10X14X1	2
17	58007017000	YDNAC CLAMP 10101 (10,4MM)	2
18	69013069001	HOSE FOR RESERVOIR 6X1,5	1
19	54513155000	ANGLE PIECE	1
20	60313056044	PUSH ROD CPL.	1
21	54513151000	RUBBER SLEEVE	1
22	60011093045	RUBBER CABLE TIE 45MM 03	1
23	50213161000	COLLAR BUSHING	2
24	54513038000	BRAKE CYL. PROTECTOR "BREMBO"	1
25	60342001000	BRAKE HOSE REAR BRAKE CONTROL	1
99	00062030000	BRAKE FLUID DOT5.1 0,25L	1

18838

\* NEW PART

X ON DEMAND

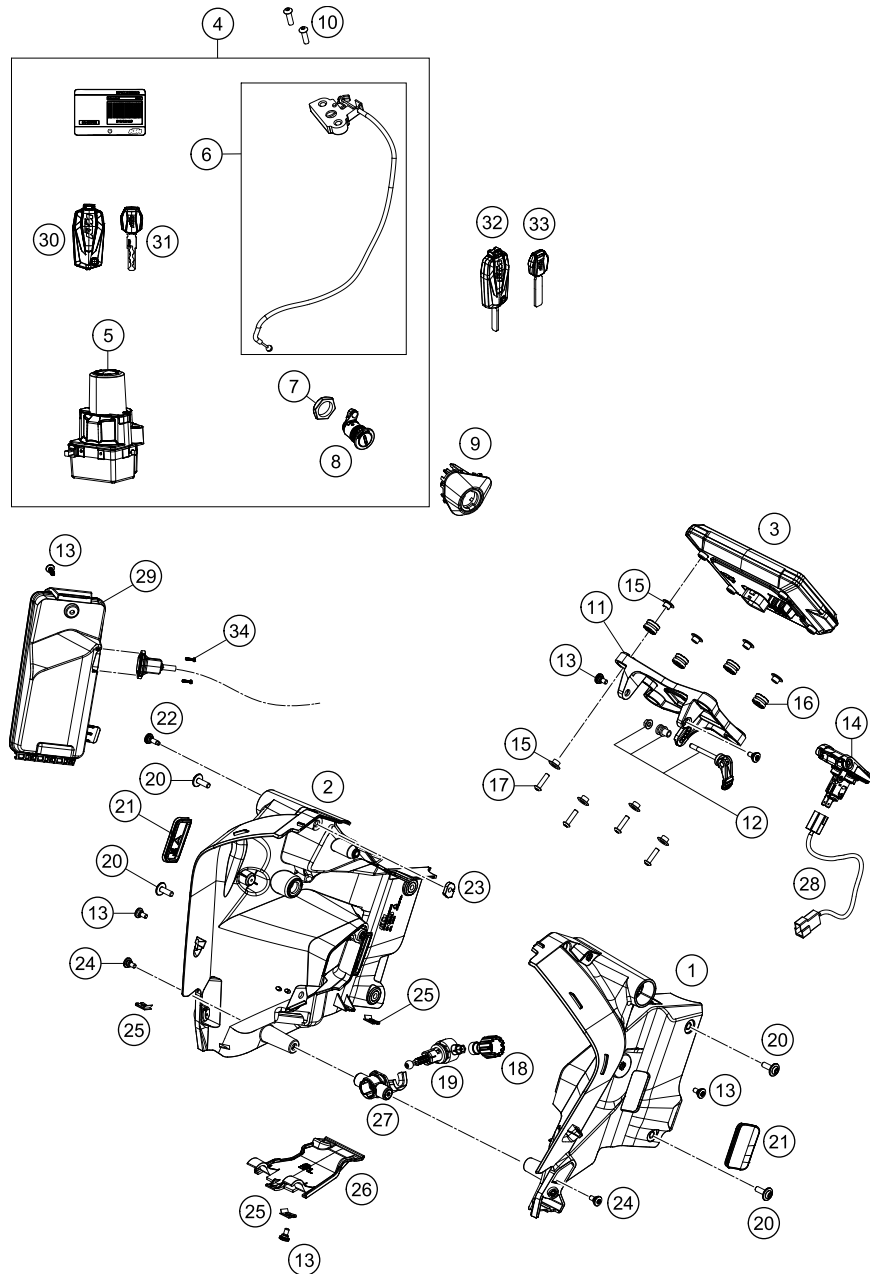


POS	PARTNUMBER	PARTNAME	PIECE
1	60714001000	Headlight LED TFL	1
2	60714014200	EJOT Altracs 5161 60x20	2
3	60714011060	Plug-in element headlight	2
4	0081050121	SCREW FOR PLASTIC K50X12 T20	6
5	60314040000	REAR LIGHT	1
6	60314047000	NUMBER PLATE LIGHT	1
7	60308006000	COLLAR BUSHING 6,2X9,2X15X12,5	2
8	60006001022	RUB.SLEEVE FLOAT CHAMB.VENTING	3
9	0024060256	HH COLLAR SCREW M6X25 TX30	2
10	60314025000	FLASHER L/S	2
11	60314026000	FLASHER R/S	2
12	0433100003	WASHER 18x10,5x1,6	4
13	0797100003	LOCK WASHER DIN6797-J10,5 ZI	4
14	58414030000	HH COLLAR NUT M10X1,25 WS=13	4
15	60714023000	Thumbwheel headlight adjust.	1
16	60714024100	Headlight support	1
17	60714020000	Headlight adjuster	1
18	60714011050	Bushing	2
19	61614018100	EJOT ALTRACS 50X12	2
21	61614020100	Ballhead holder	1

176071410

18761

\* NEW PART X ON DEMAND



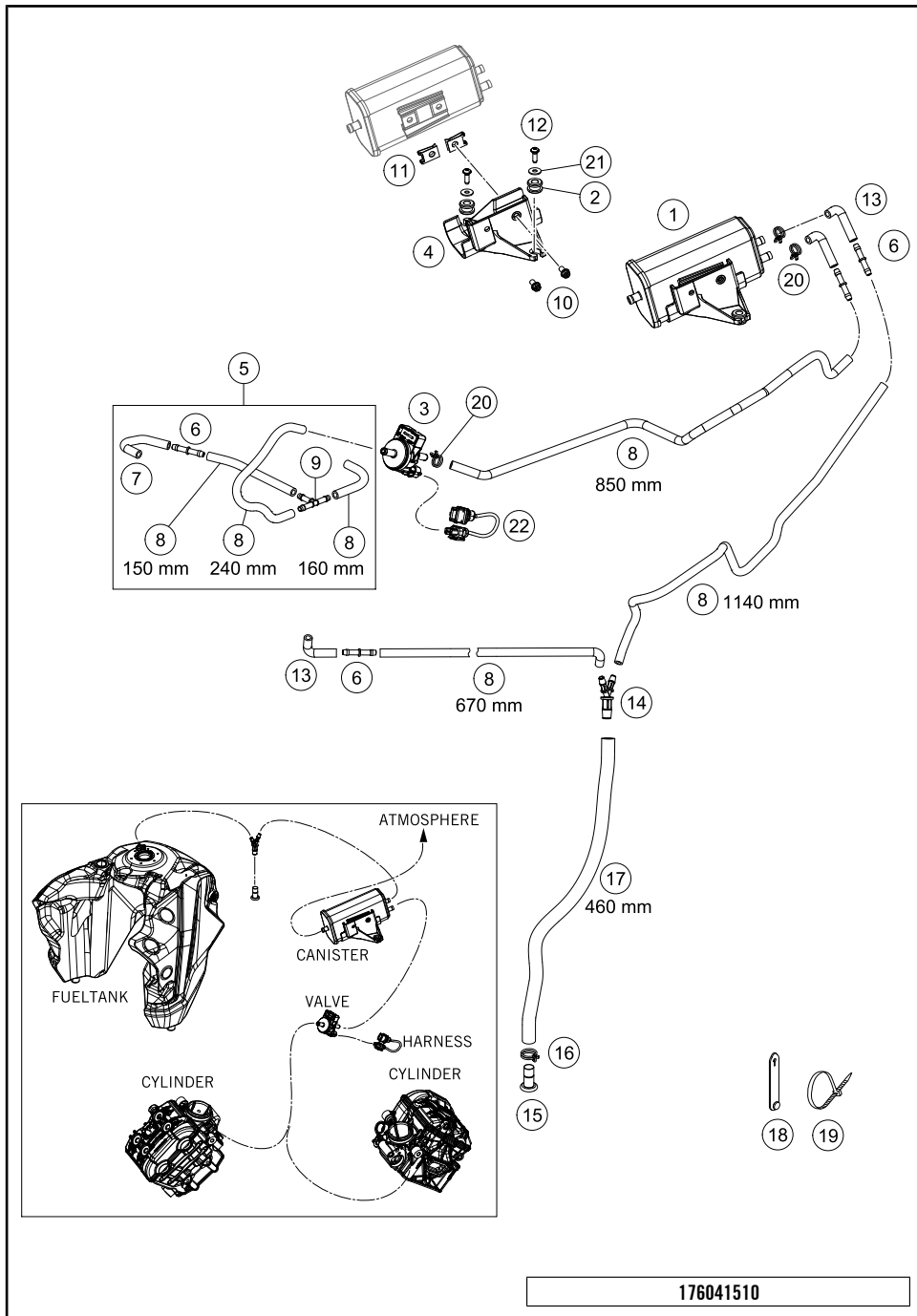
POS	PARTNUMBER	PARTNAME	PIECE
1	60714010100	MASK CARRIER LEFT	1
2	60714011100	MASK CARRIER LEFT	1
3	60714069000	TFT dashboard	1
4	60711066044	Lockset Keyless CPL. 868 MHz	1
5	60711066000	ZÜNDSCHLOSS RRS	1
6	60307050000	SEAT LOCK CPL.	1
7	69007050050	NUT SEAT LOCK M22X1,5	1
8	60307050020	LOCK CYLINDER SEAT LOCK	1
9	60307053000	SEAT LOCK COVER	1
10	0738060181	COU.SUNK SCR. AH ISO7380 M6X18	2
11	60714062000	Instrument support	1
12	60714071044	Excentric lever speedometer 607 ADV	1
13	69008021160	SPECIAL SCREW M5X12	11
14	60714013033	WIRING HARNESS 09	1
15	60714069050	Bushing	8
16	61314069051	DAMP. COMPONENT SPEEDOMETER	4
17	0738050202	Lens head screw ISO 7380-M5X20A2	4
18	60714023000	Thumbwheel headlight adjust.	1
19	60714020000	Headlight adjuster	1
20	69014017000	SPECIAL SCREW M6X18 ISA30 08	4
21	60714010050	Cover for headlight mask holder	2
22	69008021060	SPECIAL SCREW M5X17	1
23	60714010010	Headlight support top	1
24	69007025050	SPECIAL SCREW M5X12 ISA30 ALU	2
25	54603048400	RANGE CHANGE MET. NUT M5 15460	3
26	60714011010	Wire cover	1
27	60714024100	Headlight support	1
28	60711042050	Cable	1
29	60714078033	Storage compartment	1
30	60711067000	Race on key 868 MHz	1
31	60411067000	KTM ignition key	1
32	60711067010	Blank Race-on key 868 MHz	1
33	60411067010	Blank KTM ignition key	1
34	0081025101	EJOT PT SCHRAUBE K25X10 WN5452	2

176071430

18762

\* NEW PART

X ON DEMAND

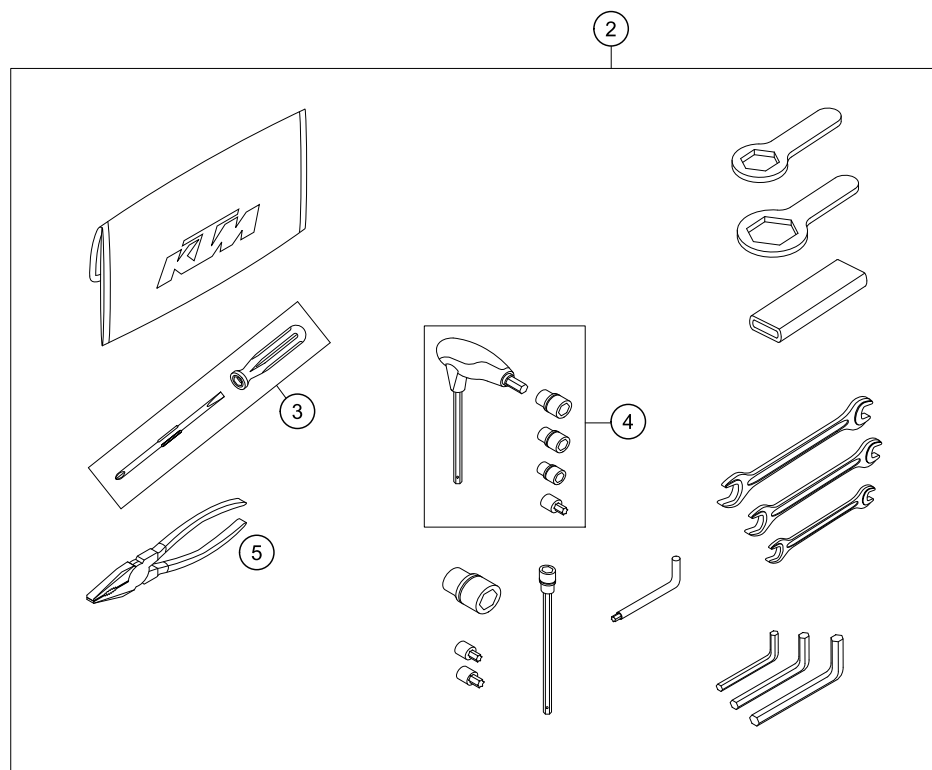


POS	PARTNUMBER	PARTNAME	PIECE
1	75015001200	CARBON CANISTER	1
2	60039030000	VIBRATION DAMPER DIGITALBOX 03	2
3	76015015000	VALVE EVAP	1
4	60715002000	Support	1
5	60715020033	Hose	1
6	69015019010	HOSE CONNECTION STRAIGHT	2
7	61415021000	HOSE PURGE VALVE	1
8	78015019000	HOSE EPA D=6/10 L=2000MM	1
9	60015022000	T-CONNECTOR TS-6 03	1
10	0025060126	HH COLLAR SCREW M6X12 TX30	2
11	54603048100	RANGE CHANGE METAL NUT M6	2
12	0081050161	EJOT PT SCREW K50X16 1451	2
13	61315022000	PREFORMED HOSE 6X10 FPM	3
14	61315028100	Y-CONNECTOR YS 6-10-6	1
15	61315026000	PLUG D=10	1
16	58431082100	YDNAC-CLAMP 10173 (16MM) '98	1
17	78015119000	HOSE EPA D=10/16 L=2000MM	1
18	60011093075	RUBBER CABLE TIE 75MM 03	1
19	44011076140	CABLE TIE 140/2,5MM BLACK	x
20	59007017000	CLAMP YDNAC 10096F (9,6MM)	3
21	0021050003	WASHER DIN9021-A 5,3	2
22	60411078050	Wiring harness	1

\* NEW PART X ON DEMAND

0  
OHNE ABBILDUNG  
WITHOUT ILLUSTRATION

1  
TECHNISCHE DOKUMENTATION  
TECHNICAL DOCUMENTATION  
DOCUMENTACION TECNICA  
DOCUMENTATION TECHNIQUE  
NOTE TECNICHE



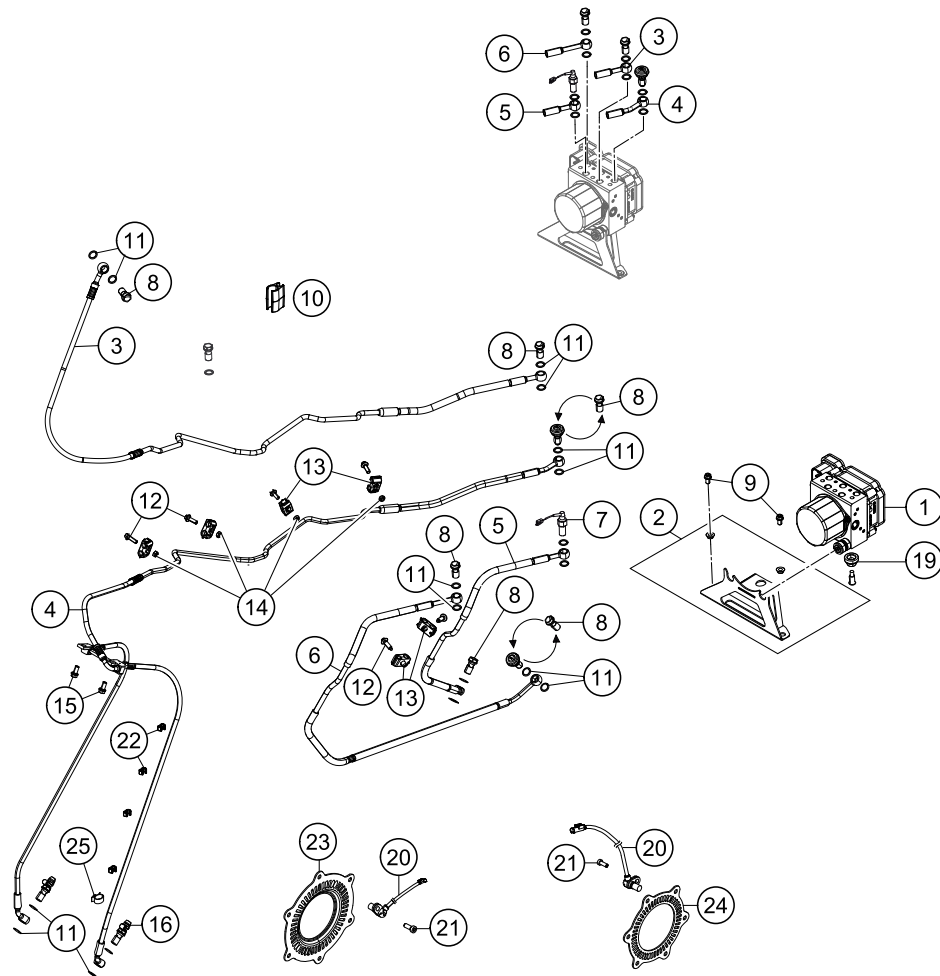
136032000

POS	PARTNUMBER	PARTNAME	PIECE
0	00063004105	950 ADV. CARTON F WIND PROT.	1
0	60708208000	Windshield short EU	1
0	00063099111	BAG FOR INSTR. MANUAL 245X170	1
0	69008021160	SPECIAL SCREW M5X12	4
0	69014017000	SPECIAL SCREW M6X18 ISA30 08	2
0	58412080200	REFLECTOR RED "CEV"	1
0	0024060156	HH COLLAR SCREW M6X15 TX30	2
0	58412080050	BRACKET FOR REFLECTOR	1
0	0024060206	HH COLLAR SCREW M6X20 TX30	2
0	40006006000	WASHER 6MM	2
0	60335040000	RADIATOR PROTECTOR	1
0	0966050163	OVAL HEAD SCREW DIN0966-M 5X16	2
0	60312968344EB	Crash bars	1
0	0125050003	WASHER DIN0125-A 5,3	2
0	60714089000	Decal radio certification instrument	1
0	0985050003	SELF LOCKING NUT DIN0985-M 5	2
0	312305	DOCUMENTS BAG 2006	1
0	3210040	CUSTOMER WELCOME LETTER	1
0	312313	KTM BALLPOINT PEN ORANGE	1
0	00063004202	PRINT LABEL 60X51 MM	1
0	60012081200	LICENCE FITTING 06	1
0	0021060003	WASHER DIN9021-A 6,4	2
0	0985060003	SELF LOCK. NUT DIN0985-M 6	4
0	0125060003	WASHER DIN0125-A 6,4	4
0	45239060050	COLLAR BUSHING 6,3X8X13X9,5	2
0	60312040100	MIRROR	2
0	6030319000030	SKID PLATE ADV	1
0	60003096000	VIBRATION DAMPER 03	2
0	0025060406	HH COLLAR SCREW M6X40 TX30	2
0	3212683ENE	PW STREET FOLDER 2016	1
0	3212678DE/ENE	PP STREET FOLDER 2016	1
0	00063004012	HEADLIGHT MASK BOX	1
1	3213541EN	Bed.-Anl. 1290 Super Adventure R 2017	1
2	60329099000	TOOL KIT	1
3	53012024100	SCREW DRIVER L=105MM	1
4	60029070300	T-WRENCH WS=6/8/10/TX45/SK4X1	1
5	53012028200	GRIP ORANGE B&F	1

18882

\* NEW PART

X ON DEMAND



POS	PARTNUMBER	PARTNAME	PIECE
1	60742031044	ABS Module filled	1
2	60342040044	SUPPORT ABS-MODULE CPL.	1
3	60742003000	Brake hose	1
4	60342004000	HOSE BRAKE CALIPER FRONT	1
5	60342001000	BRAKE HOSE REAR BRAKE CONTROL	1
6	60342002000	HOSE BRAKE CALIPER REAR	1
7	60311051000	BRAKE LIGHT SWITCH REAR	1
8	62113020100	HOLL. SCREW M10X1X19.5	6
9	0025060166	HH COLLAR SCREW M6X16 TX30	2
10	54813026100	CABLE SUPPORT 10/4MM 2014	1
11	0603100141	COPPER GASKET DIN7603-10X14X1	18
12	0024050166	HH COLLAR SCREW M5X16 TX30	6
13	60113146000	SUPPORT FOR BRAKE HOSE M5	6
14	0985050003	SELF LOCKING NUT DIN0985-M 5	6
15	0025060126	HH COLLAR SCREW M6X12 TX30	2
16	62513020000	BLEEDER SCREW CPL. 05	2
19	60342041000	DAMP RUBBER	1
20	76042125000	ABS-SENSOR	2
21	014580060166	CYL. SCREW DIN14580 M 6X16	2
22	60111094100	BAR SPACER 4/7 BLACK	4
23	60342020000	SENSOR GEAR ABS	1
24	60142021100	SENSOR GEAR ABS REAR	1
25	58111076000	CABLE SUPPORT KHS NR.150-47610	2

176074210

18878

\* NEW PART

X ON DEMAND

A large, empty rectangular box with a thin black border, occupying the majority of the page. It is intended for the user to write their notes.



A large, empty rectangular box with a thin black border, occupying the majority of the page. It is intended for the user to write their notes.

A large, empty rectangular box with a thin black border, occupying the majority of the page. It is intended for the user to write their notes during the activity.



WWW.KTM.COM



KTM Sportmotorcycle GmbH  
5230 Mattighofen, Austria  
[www.ktm.com](http://www.ktm.com)



**KTM**\_POWERPARTS

**KTM**\_POWERWEAR

**KTM**\_ORIGINAL SPARE PARTS



F9903Q7EN

Art. Nr.: F9903Q7EN 1.0. Mär 2017