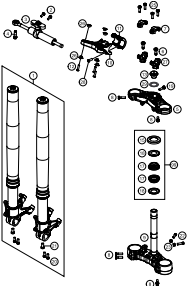
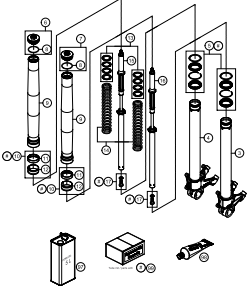
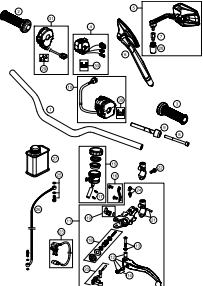
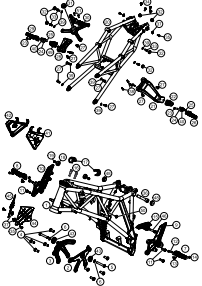
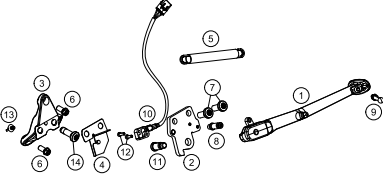
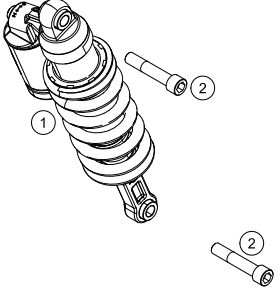
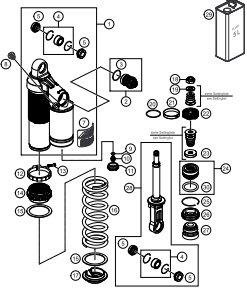
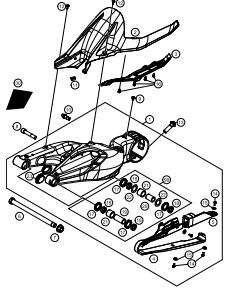
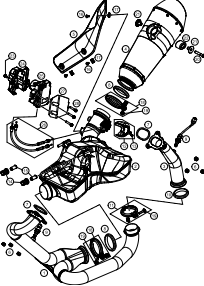
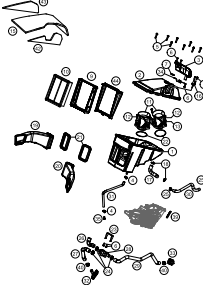
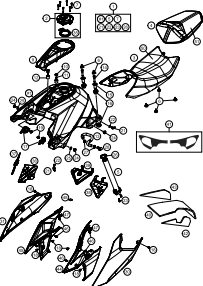
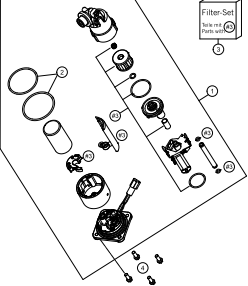
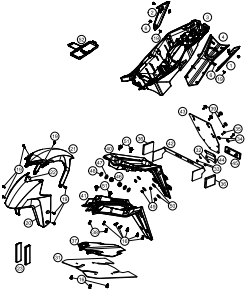
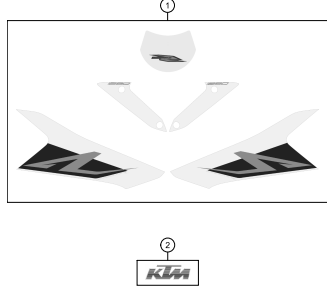
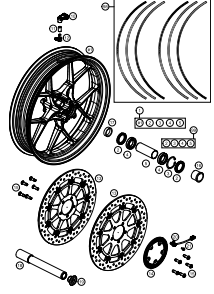
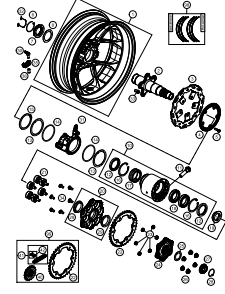
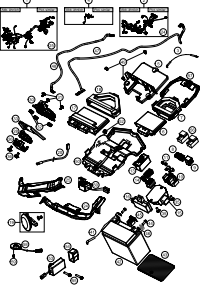
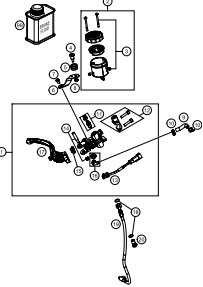
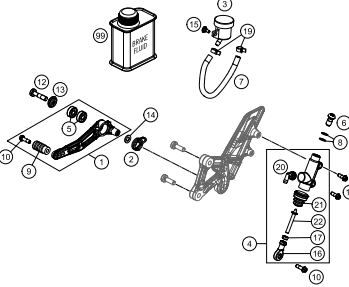
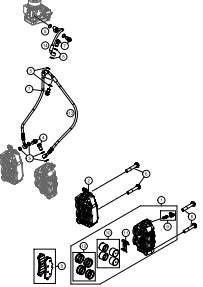
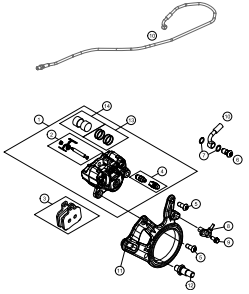
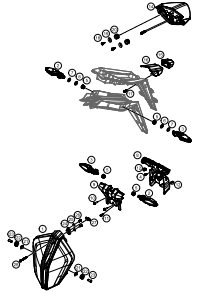
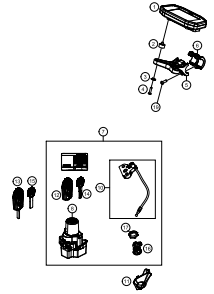
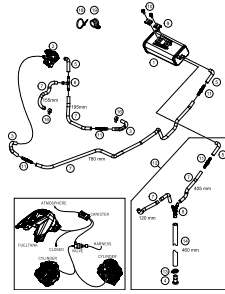


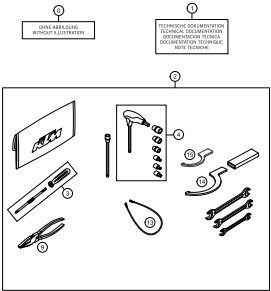
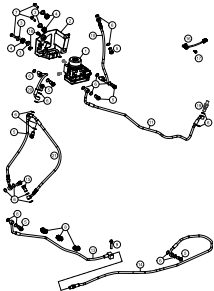
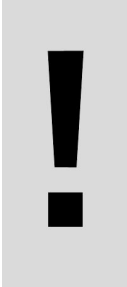
1290 SUPERDUKE R BLACK 2017

ART.-NR.: F9903Q9EN



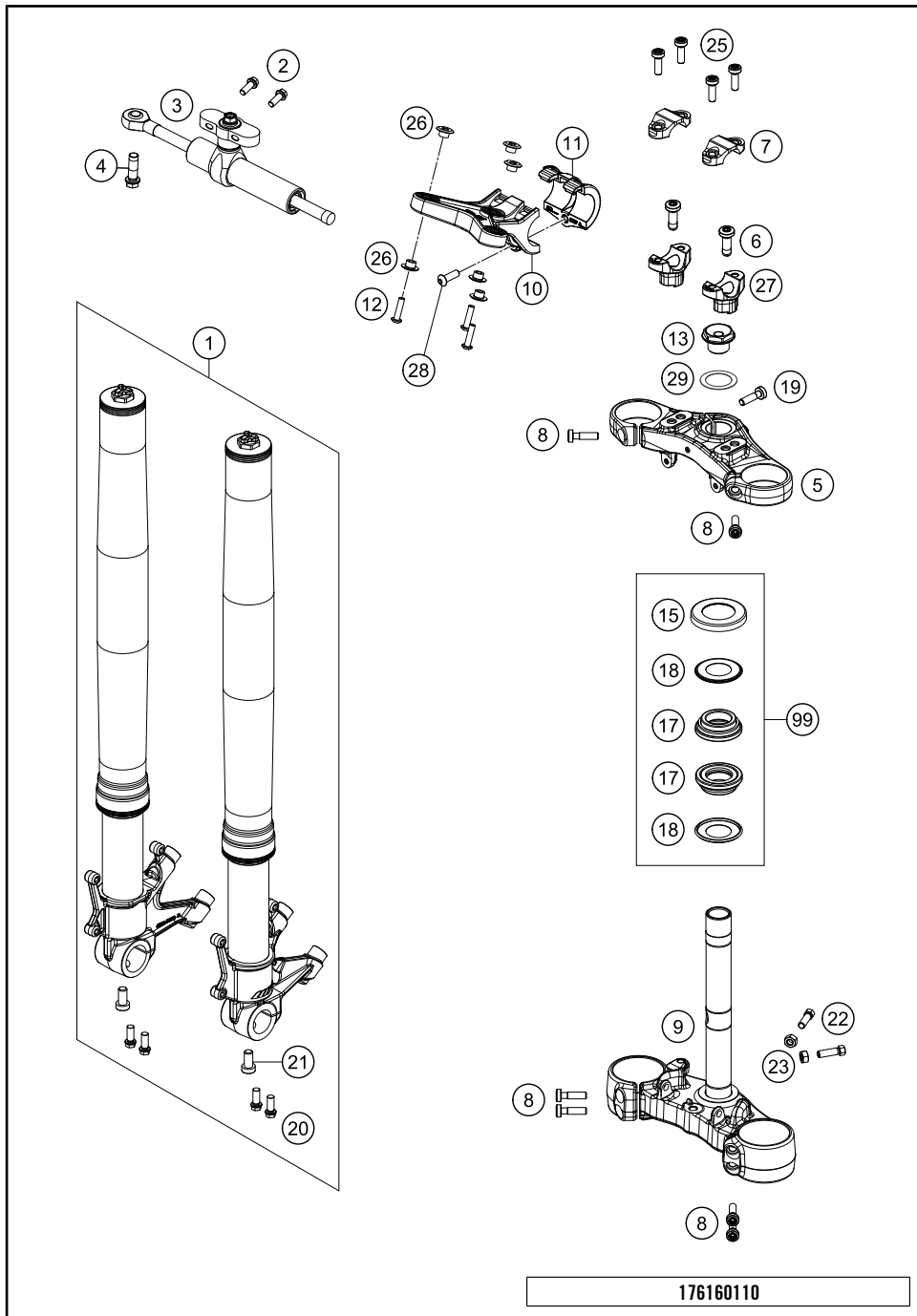
<p>FRONT FORK, TRIPLE CLAMP</p>  <p>4</p>	<p>FRONT FORK DISASSEMBLED</p>  <p>5</p>	<p>HANDLEBAR, CONTROLS</p>  <p>6</p>	<p>FRAME</p>  <p>7</p>
<p>SIDE / CENTER STAND</p>  <p>9</p>	<p>SHOCK ABSORBER</p>  <p>10</p>	<p>SHOCK ABSORBER DISASSEMBLED</p>  <p>11</p>	<p>SWING ARM</p>  <p>12</p>
<p>EXHAUST SYSTEM</p>  <p>13</p>	<p>AIR FILTER</p>  <p>14</p>	<p>TANK, SEAT</p>  <p>16</p>	<p>FUEL PUMP</p>  <p>18</p>

<p>MASK, FENDERS</p>  <p>19</p>	<p>DECAL</p>  <p>21</p>	<p>FRONT WHEEL</p>  <p>22</p>	<p>REAR WHEEL</p>  <p>23</p>
<p>WIRING HARNESS</p>  <p>25</p>	<p>FRONT BRAKE CONTROL</p>  <p>27</p>	<p>REAR BRAKE CONTROL</p>  <p>28</p>	<p>FRONT BRAKE CALIPER</p>  <p>29</p>
<p>REAR BRAKE CALIPER</p>  <p>30</p>	<p>LIGHTING SYSTEM</p>  <p>31</p>	<p>INSTRUMENTS / LOCK SYSTEM</p>  <p>32</p>	<p>EVAPORATIVE CANISTER</p>  <p>33</p>

<p>SEPERATE ENCLOSURE</p>  <p>34</p>	<p>ANTIBLOCK SYSTEM ABS</p>  <p>35</p>		
	 <p>All information contained is without obligation. KTM Sportmotorcycle GmbH particularly reserves the right to modify any equipment, technical specifications, prices, colors, shapes, materials, services, service work, constructions, equipment and the like so as to adapt them to local conditions or to cancel any of the above items, all without previous announcement and without giving reasons. KTM may stop manufacturing certain models without previous notice. KTM shall not be held liable for any deviations of availability and/or ability to deliver, illustrations, descriptions, printing and/or other errors. The illustrated models partly contain extra equipment, which is not applied to standard models.</p> <p>© by KTM Sportmotorcycle GmbH, Mattighofen AUSTRIA; All rights reserved; Reprint, also in extracts, with written allowance of KTM Sportmotorcycle GmbH, Mattighofen only.</p>		

FRONT FORK, TRIPLE CLAMP

1290 SUPERDUKE R BLACK 2017

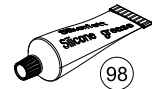
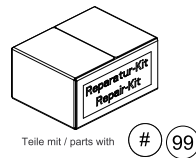
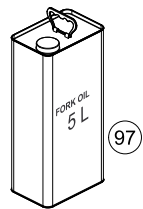
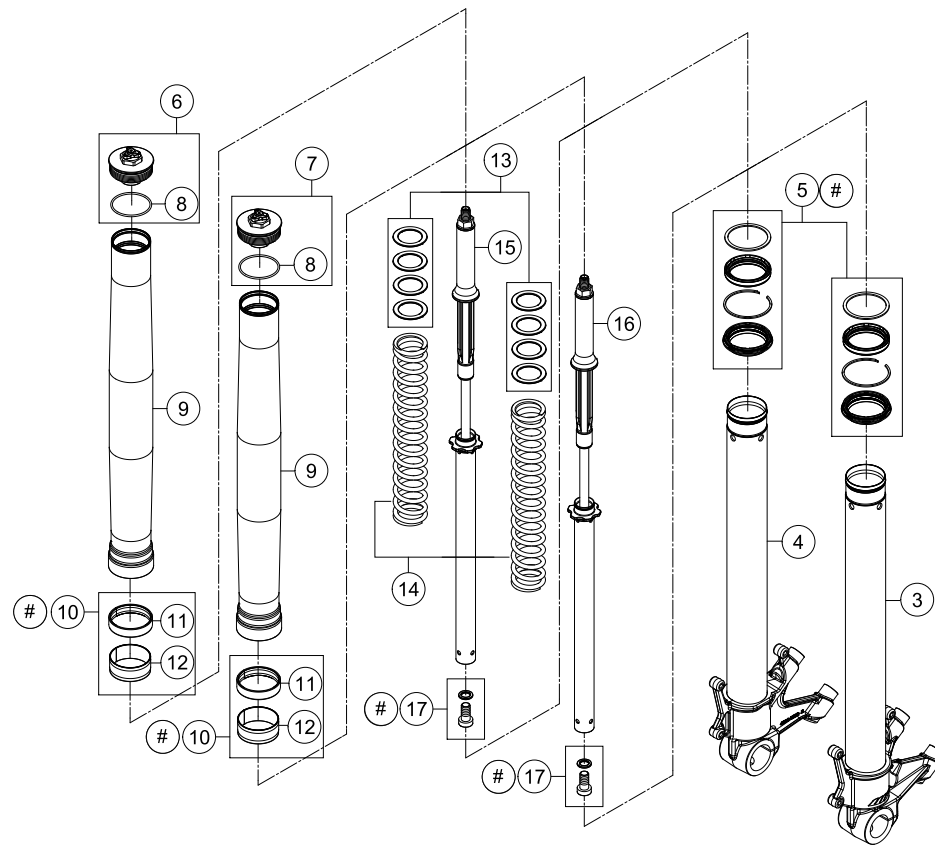


POS	PARTNUMBER	PARTNAME	PIECE
1	14188Q2201	Fork WP superduke 2017	1
2	0025060206S	HH collar screw M6x20 TX30	2
3	16181N52ES	STEERING DAMPER CPL. STROKE 75	1
4	0025080256S	HH COLLAR SCREW M8X25 TX40	1
5	6160113402933S	Triple clamp	1
6	0032100306S	AH-COLLAR SCREW M10X30 ISA45	2
7	6160103800030S	handle bar clamp arch	1
8	0035080306	SHCS M8x30 TX45	6
9	6160103202933S	Triple clamp	1
10	61601045100	Instrument holder front part	1
11	61601044000	Instrument holder rear part	1
12	0738050202	Lens head screw ISO 7380-M5X20A2	3
13	6900103600001	STEERING HEAD SCREW 09	1
15	69001086100	PROT. RING STEER. HEAD BEARING	1
17	69001081100	Ball cage steering head bearing	2
18	69001084000	O-RING SUPPORT W. SEALING LIP	2
19	0035080306S	AH-COLLAR SCREW M8X30 ISA45	1
20	0025080206	HH collar screw M8x20 TX40	4
21	00501020S1	AH SCREW M10X20 SET	2
22	59001037000	SPECIAL SCREW M8X26 WS=10	2
23	0934080003	HEXAGON NUT DIN0934-M 8	2
25	0035080256	AH-COLLAR SCREW M8X25 ISA45	4
26	60714069050	Bushing	3
27	6140103903733S	Handle bar support	2
28	0738060181	BHCS ISO 7380 M6X18	1
29	0988253505	thrust wash DIN0988-25x35x0,5	1
99	69001181010	Steering head rep. Kit	x

176160110

18651

* NEW PART X ON DEMAND



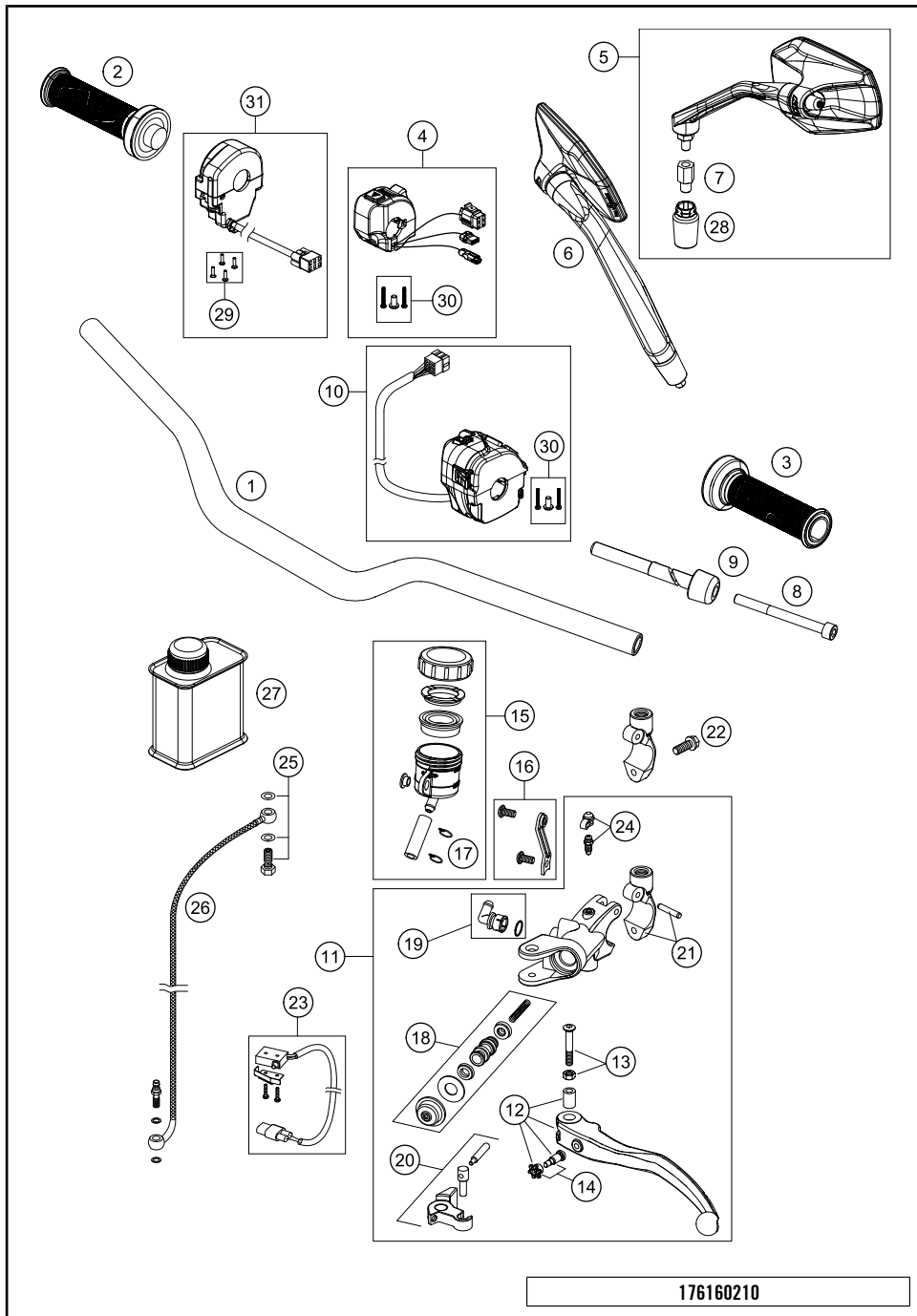
POS	PARTNUMBER	PARTNAME	PIECE
3	48601081S2	AXLE CLAMP W. INNER TUBE L/S	1
4	48601082S2	AXLE CLAMP W. INNER TUBE R/S	1
5	R14040	GASKET KIT CPL.	1
6	48601062S2	SCREW CAP M51X1.5 REB	1
7	48601062S3	SCREW CAP M51X1.5 COM	1
8	46810340	O-RING NBR 45X2	1
9	48600484	OUTER TUBE L=550MM D=54/60	2
10	R14028	GUIDING BUSH SET	2
11	48601009	GUIDING BUSH 48X52X12 R11	2
12	48601008	GUIDING BUSH 47X49X20 R11	2
13	R514	SPRING SPACER KIT	1
14	95010083	Spring D38 L250 10.0 N/mm Set	1
15	57430049S4	Cardridge cpl. right	1
16	57430048S4	Cardridge cpl. left	1
17	00501020S1	AH SCREW M10X20 SET	2
97	48601166S1	FORK OIL SAE4 5L	1
98	T511	SILICONE GREASE F. DUST STRI	1
99	R14041	REP. KIT 1290 SD 2014	1

146130130

18652

* NEW PART

X ON DEMAND



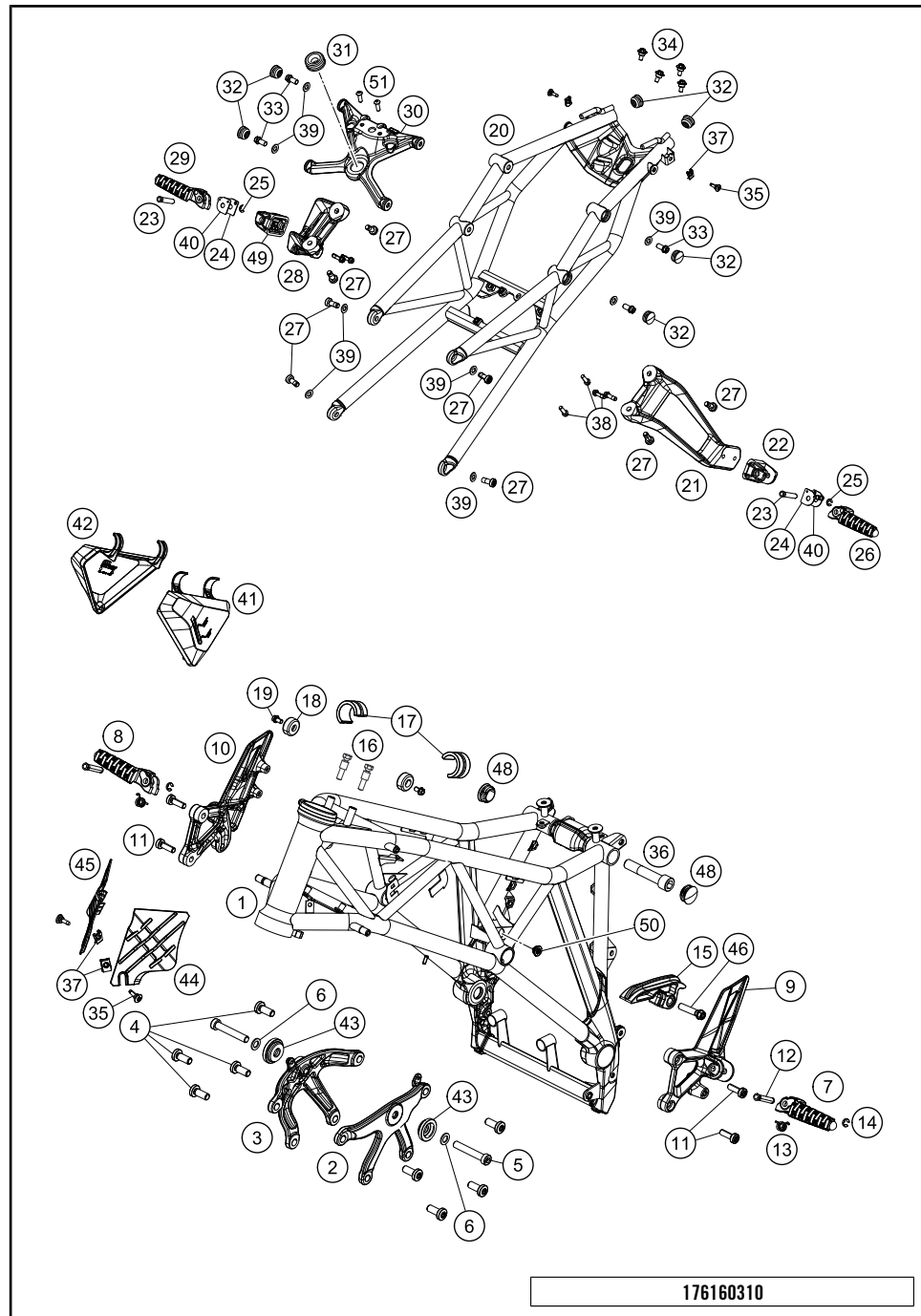
POS	PARTNUMBER	PARTNAME	PIECE
1	6160200100030	Handlebar Dk=28,5mm	1
2	60702012000	Grip tube (no heating)	1
3	60702039000	Fixed grip (no heating)	1
4	61411174000	Start-emergency off switch	1
5	61312040200	MIRROR LEFT CPL.	1
6	61312041200	MIRROR RIGHT CPL.	1
7	61312040050	ADAPTOR FOR MIRROR	2
8	0912060653	SHCS DIN 912 M6x65	2
9	61002004000	handlebar weight	2
10	61411170000	Combination switch left	1
11	6130203014430	MASTER CYLINDER CPL.	1
12	6130203100030	CLUTCH LEVER CPL.	1
13	50302038200	LEVER SCREW SHORT CPL. 09	1
14	61002043000	ADJUSTING SCREW CPL.	1
15	61002055144	RESERVOIR CPL.	1
16	61302055050	RETAINING PLATE RESERVOIR	1
17	58007117000	YDNAC-CLAMP 10107 10MM	2
18	59413008000	REP. SET PISTON D=12MM 2007	1
19	61002051144	ANGLE PIECE CPL. (DOT)	1
20	61002056000	ROCKER CPL. 05	1
21	6130204400030	CLAMP MIRROR W. TENSION PIN	1
22	0025060126	HH collar screw M6x12 TX30	1
23	83111049000	CLUTCH SWITCH ATV	1
24	61002054000	BLEEDER SCREW WITH CAP	1
25	59032062000	HOLLOW SCREW + COPPER GASKET	1
26	61032063100	CLUTCH PIPE	1
27	00062030000	BRAKE FLUID DOT5.1 0,25L	1
28	61312040030	RUBBER SLEEVE	2
29	76011073110	SCREW SET START-STOP SWITCH	1
30	61411174010	Screw set start-stop switch	1
31	60711012000	Ride-by-wire without throttle tube	1

176160210

18732

* NEW PART

X ON DEMAND



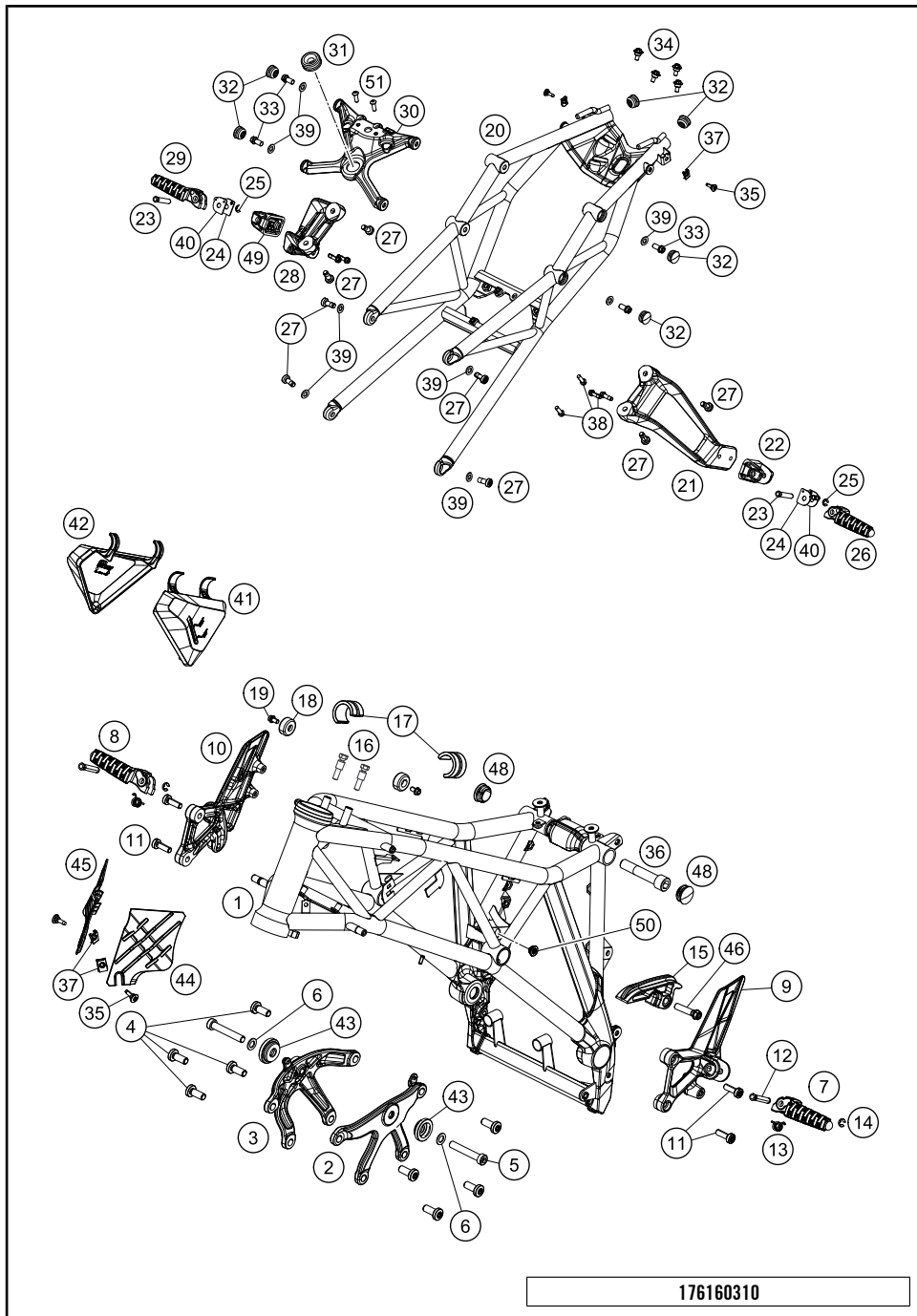
POS	PARTNUMBER	PARTNAME	PIECE
1	6160300110030	Frame 616 QA black	1
2	6030300500033S	ENGINE SUPPORTL/S BLACK	1
3	6030300600033S	ENGINE SUPPORT R/S BLACK	1
4	0035100249	SHCS M10x24 TX45	8
5	0035100609S	AH-COLLAR SCREW M10X60 ISA45	2
6	0433100003	WASHER 18x10,5x1,6	2
7	6900314000033S	FOOTREST FRONT L/S 13	1
8	6900314100033S	FOOTREST FRONT R/S 13	1
9	6130313800033S	FOOTREST PLATE FR. L/S	1
10	6130303910033S	FOOTREST SUPPORT FRONT R/S BL.	1
11	0035080256	AH-COLLAR SCREW M8X25 ISA45	4
12	60003044100	footrest bolt, rear	2
13	61003042000	SPRING FOOTREST FRONT 05	2
14	0799060003	retaining washer DIN 6799 - 6	2
15	61304076000	CHAIN SLIDING BLOCK-FRAME	1
16	61611064000	Tamper-proof screw	2
17	61007014000	SPACER FUEL TANK 05	2
18	50307014000	TANK ROLLER 12X26X12 '98	2
19	0025060106	HH collar screw M6x10 TX30	2
20	6160300200033	subframe black	1
21	6130304800033S	FOOTREST SUPPORT REAR L/S BL.	1
22	6130304905033S	FOOTREST MOUNTING REAR BLACK	1
23	60003044100	footrest bolt, rear	2
24	60003052000	ENGAGE PANEL FOOTREST R/S 03	2
25	0799060003	retaining washer DIN 6799 - 6	2
26	6900305003333S	FOOTREST REAR L/S CPL.	1
27	0035080206S	SHCS M8x20 TX45	4
28	6130304900033S	FOOTREST SUPPORT REAR R/S BL.	1
29	6900305103333S	FOOTREST REAR R/S CPL.	1
30	6130300203033S	CROSS BRACE REAR BLACK	1
31	61303002040	RUBBER GROMMET	1
32	61303088000	PLUG SFL 22X0,8-3,0	6
33	0025080166	HH COLLAR SCREW M8X16 TX40	4
34	83008100015	SPECIAL SCREW M6X15X5,5	4
35	69008021060	special screw M5x17	4
36	60004017000	SCREW M14X1,5 L=73MM 03	1
37	69008021080	clip nut M5	4
38	0025080206	HH collar screw M8x20 TX40	6

176160310

18653

* NEW PART

X ON DEMAND



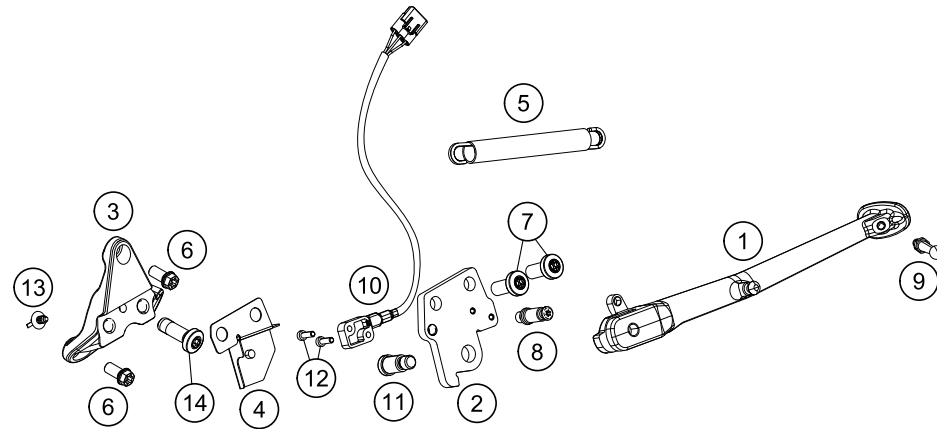
176160310

POS	PARTNUMBER	PARTNAME	PIECE
39	0125080003	washer DIN 125 A -8.4	8
40	60003152000	ENGAGE PANEL FOOTREST L/S 03	2
41	61303091000	KNEE PAD L/S	1
42	61303092000	KNEE PAD R/S	1
43	60303010000	BUSHING MOTOR MOUNTING	2
44	61303085000	FRAME COVER L/S	1
45	61303086000	FRAME COVER R/S	1
46	0025080356	HH collar screw M8x35 TX40	1
48	61003088000	PLUG SFL28 05	2
49	6160304905033S	Footrest bracket rear	1
50	47106003060	QUICK RELEASE CLUTCH	2
51	0738060181	BHCS ISO 7380 M6X18	2

18653

* NEW PART

X ON DEMAND



POS	PARTNUMBER	PARTNAME	PIECE
1	6100302313333S	SIDE STAND W. MAGNET	1
2	61303028000	SIDE STAND MOUNTING	1
3	6130302600033S	SIDE STAND BRACKET	1
4	61303027000	SCREENING SHEET	1
5	60303024100	SIDE STAND SPRING	1
6	0025080166S	HH collar screw M8x16 TX40 SL	2
7	0035100249	SHCS M10x24 TX45	2
8	61303028001	SPEC. SCREW SIDE STAND SPRING	1
9	61303023020	STEP PLATE SIDE STAND	1
10	60411045000	SIDE STAND SENSOR	1
11	62503027200	SCREW FOR SIDE STAND M10X31,2	1
12	0084040123	CYL.HEAD SCREW DIN84A M4x12	2
13	61011094000	CABLE TIE WITH PLUG M6	1
14	0035100309S	SHCS M10x30 TX45	1

176160360

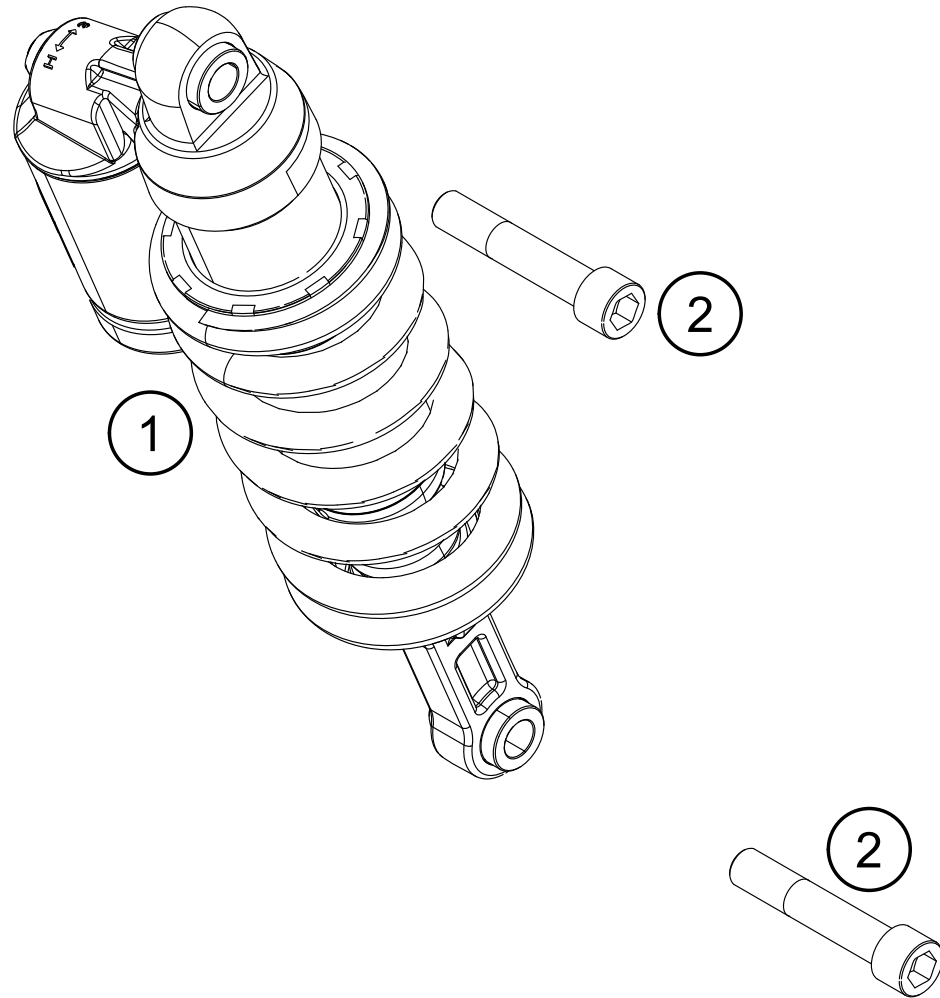
18654

* NEW PART

X ON DEMAND

SHOCK ABSORBER

1290 SUPERDUKE R BLACK 2017



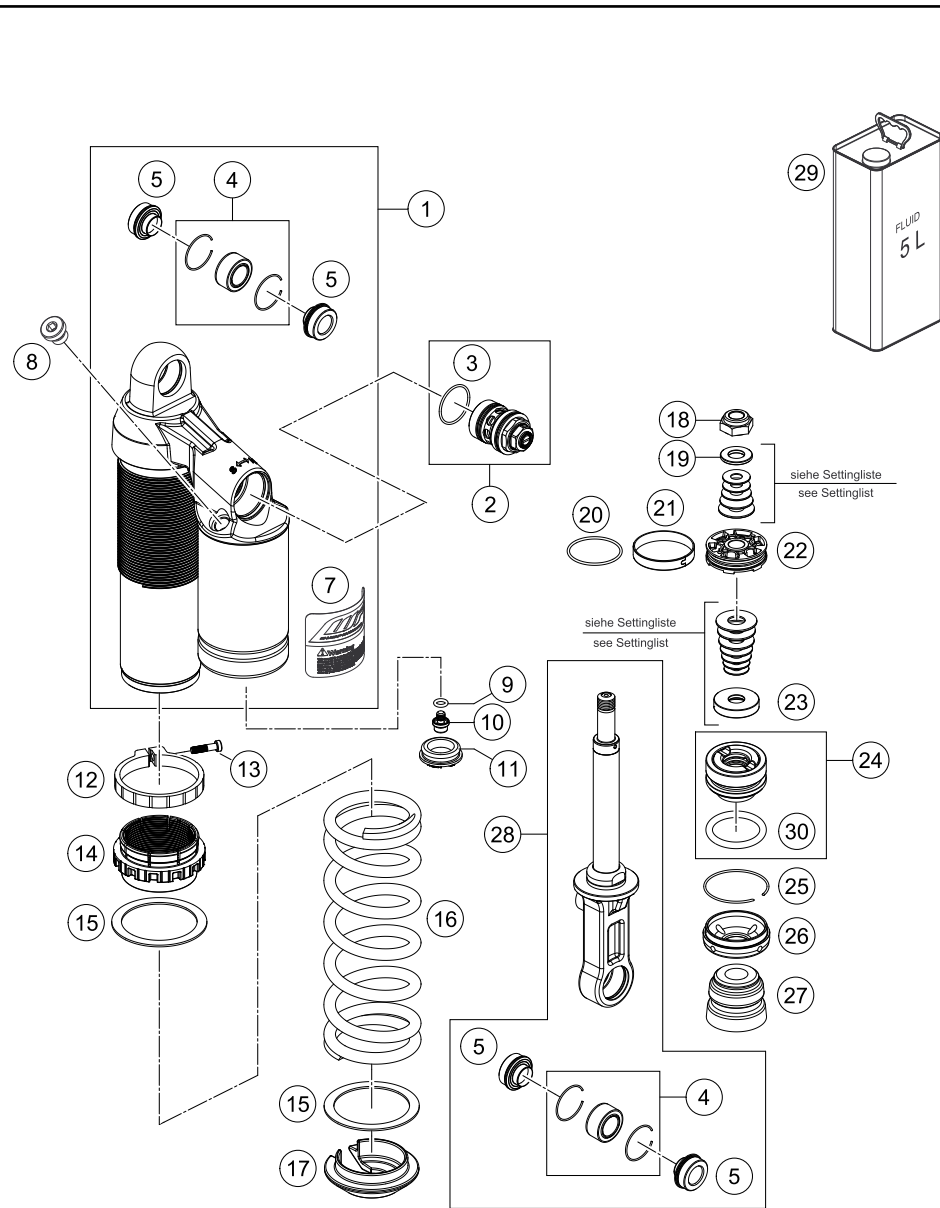
POS	PARTNUMBER	PARTNAME	PIECE
1	15187Q2201	Monoshock WP Superduke 2017	1
2	60004017000	SCREW M14X1,5 L=73MM 03	2

146130410

18655

* NEW PART

X ON DEMAND



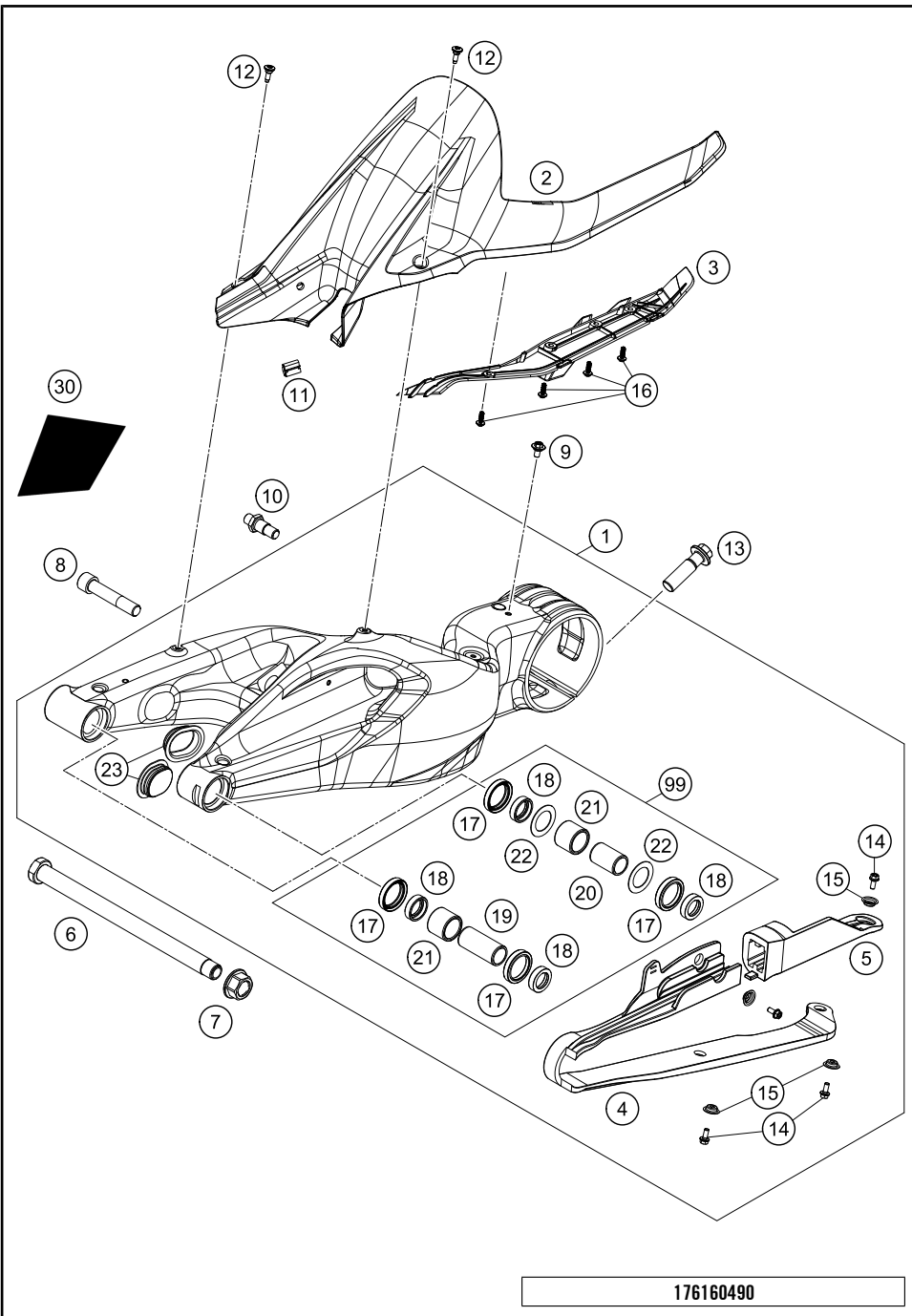
POS	PARTNUMBER	PARTNAME	PIECE
1	46181252S1	Monoshock top part	1
2	50180213S27	DCC compr.damp.control cpl. 17	1
3	50180217	O-RING 27X1,5 VITON	1
4	R12012	REP. KIT BEAR./SEAL UP. 07	2
5	46181307E	Bushing D14 + lip seal	4
7	52000149	Sticker WP Warning Indien Bike 60 x 35mm	1
8	50180095	BLEED PLUG R 1/8	1
9	46810893	O-RING NBR 5,28X1,78	1
10	36120151	SCREW PLUG M5X6	1
11	46811208	RUBBER CAP "DO NOT OPEN"	1
12	46181014	TENSIONING RING D64 H10	1
13	14460042	ALLENHEAD SCREW M5 L=20 STAIN	1
14	46181013	ADJUSTING NUT D46 PLASTIC	1
15	50180410	INTERM.RING D=58	2
16	91010078S	SPRING (59) 170-185 D 14 05	1
17	46181299	Spring retainer H=15 D=28	1
18	46810474	PISTON ROD NUT	1
19	46811258	RING 12X24X2,5	1
20	46810035	O-RING VITON 37,82X1,78	1
21	46811206	PISTON RING 8X46	1
22	46181261	Piston	1
23	46180337	REBOUND DISC H=4	1
24	46180669S	ADAPTOR CPL. D=46 H=28 07	1
25	46810010	CIRCLIP 49X1,5	1
26	46181031	CAP D46 L=18MM	1
27	46180365	BUMP RUBBER WP60 H=30 D=18-26	1
28	46181260S1	Monoshock lower part	1
29	50180751S1	SHOCK ABSORBER FLUID 5 LT	1
30	14460004	O-RING NBR 36X5	1

146130430

18656

* NEW PART

X ON DEMAND



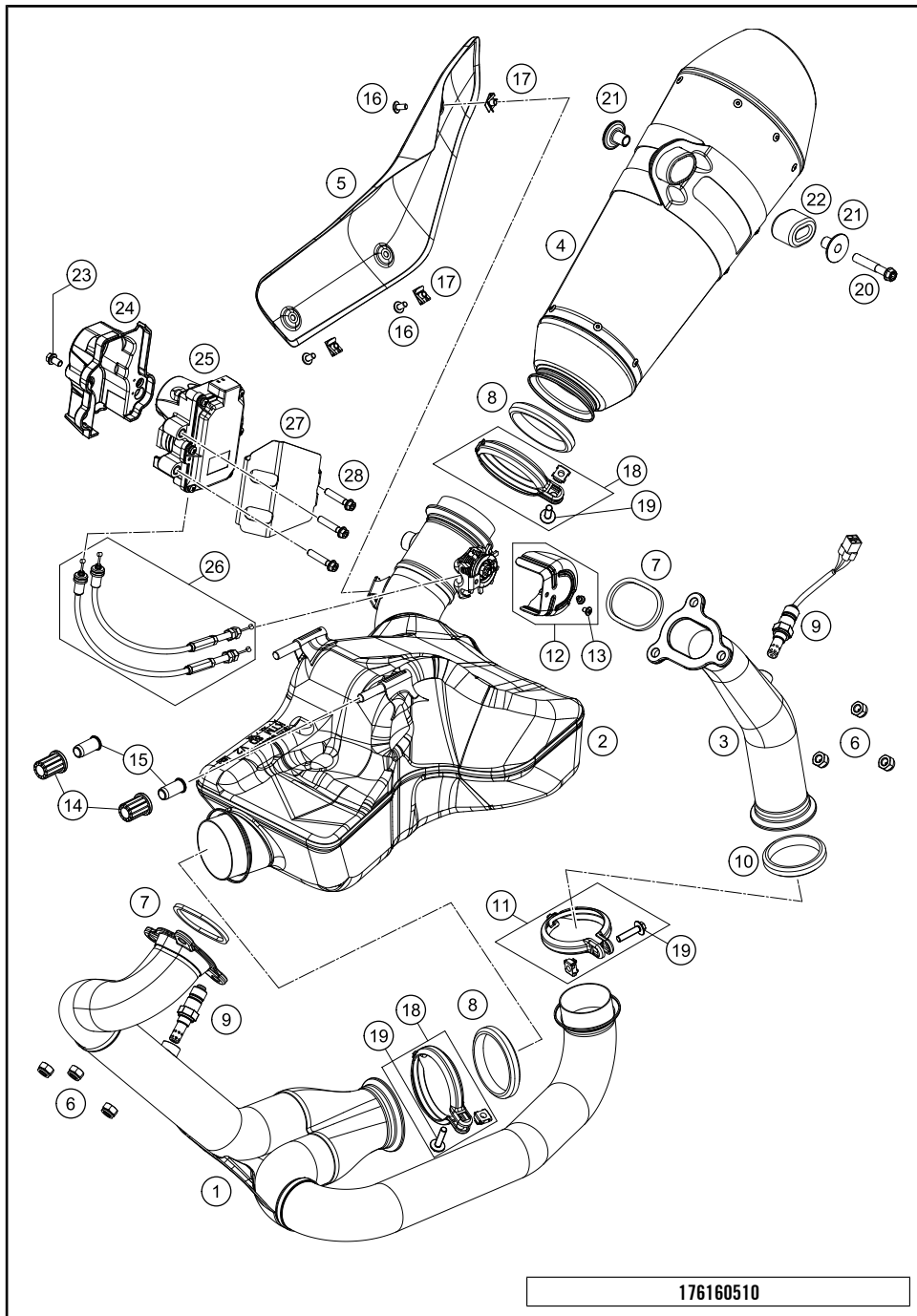
POS	PARTNUMBER	PARTNAME	PIECE
1	6130403004433A	Swing arm cpl.	1
2	61304050100	REARFENDER	1
3	61304051000	BRACKET SPLASH PROTECTOR	1
4	61304060000	CHAIN SLIDING GUARD FRONT	1
5	61304070000	CHAIN SLIDING GUARD REAR	1
6	69004037244	SWING ARM BOLT	1
7	60004038200	COLLAR NUT M19X1,5 SW=27MM	1
8	60004017000	SCREW M14X1,5 L=73MM 03	1
9	83008000012	special screw M6x12x3	1
10	76004142000	BOLT BRAKE SADDLE BRACKET	1
11	61304042000	CABLE SUPPORT	1
12	69008021060	special screw M5x17	2
13	61310021000	HH COLLAR SCREW M16X1,5X55	1
14	0025050126	HH collar screw M5x12 TX30	4
15	46104066050	BUSH FOR CHAINSLIDER GUARD 02	4
16	0081050141	EJOT PT screw K50x14	4
17	0760304073	SHAFT SEAL RING 30X40X7	4
18	60004034000	BUCKET F. SHAFT SEAL RING 03	4
19	69004032000	INNER RING JR 20X25X56,5	1
20	60004032000	INNER RING JR20X25X38,5 03	1
21	60004031000	NEEDLE BUSH HK2526B 03	2
22	60004033000	STOP DISK 03	2
23	61304041100	CLOSING COVER SWINGARM	2
30	61604030010	Swing protective foil sw.	1
99	69004230010	SWING ARM REP. KIT 08-14	1

176160490

18673

* NEW PART

X ON DEMAND



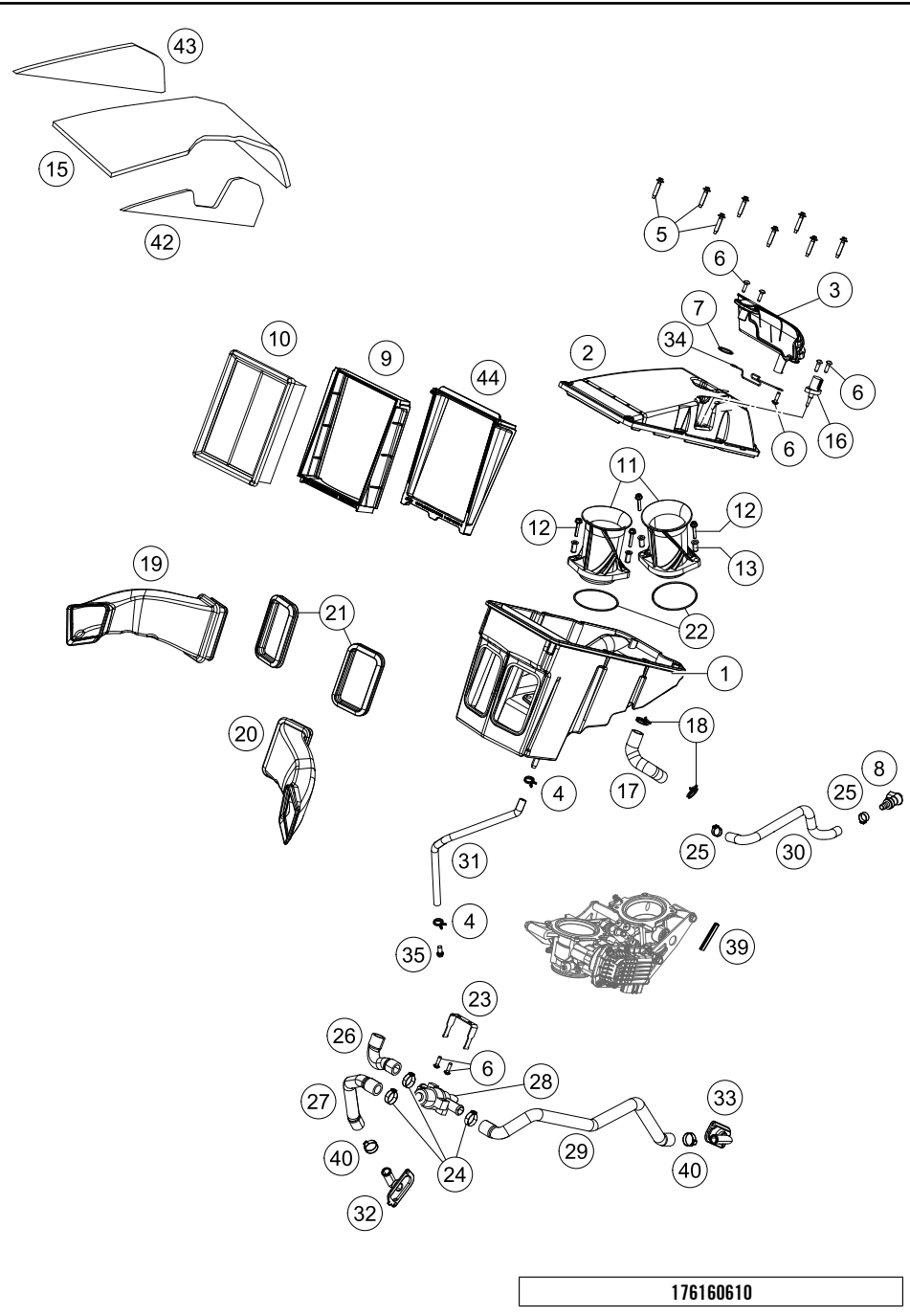
POS	PARTNUMBER	PARTNAME	PIECE
1	61305007100	Header front	1
2	61605050000	Pre-silencer	1
3	60305008100	Header rear complete	1
4	61305083000	SILENCER CPL.	1
5	6140501100033	HEAT PROTECTOR BLACK	1
6	51010086100	self-locking nut M8 Cu	6
7	69005005100	EXHAUST PIPE FLANGE GASKET	2
8	61305005005	MANIFOLD GASKET 60MM	2
9	75041090200	LAMBDA SENSOR	2
10	69005005005	MANIFOLD GASKET	1
11	69005050000	CLAMP CPL.	1
12	61405095050	COVER FLUE GAS DAMPER	1
13	60402052010	EJOT SPIRAL SCREW SF M4X6-K	2
14	61005013000	RUBBER SILENCER SUPPORT 05	2
15	61005014000	SLEEVE SILENCER SUPPORT 05	2
16	78105081010	SCREW TORX M5X10	3
17	69008021080	clip nut M5	3
18	61305090000	EXHAUST CLAMP CPL. 60MM	2
19	0024060256	HH COLLAR SCREW M6X25 TX30	3
20	0025080506	HH collar screw M8x50 TX40	1
21	61305069000	BUSHING 8,5X11X29	2
22	61305068000	DAMPING RUBBER	1
23	0025060106	HH collar screw M6x10 TX30	1
24	61441070050	COVER EXHAUST FLAP CONTROL MOT	1
25	61441070000	EXHAUST FLAP CONTROL MOTOR	1
26	61441071000	BOWDEN CABELS EXHAUST FLAP	1
27	61441070060	HEAT PROTECTION CAP SERVOMOTOR	1
28	0025060306	HH collar screw M6x30 TX30	3

176160510

18675

* NEW PART

X ON DEMAND



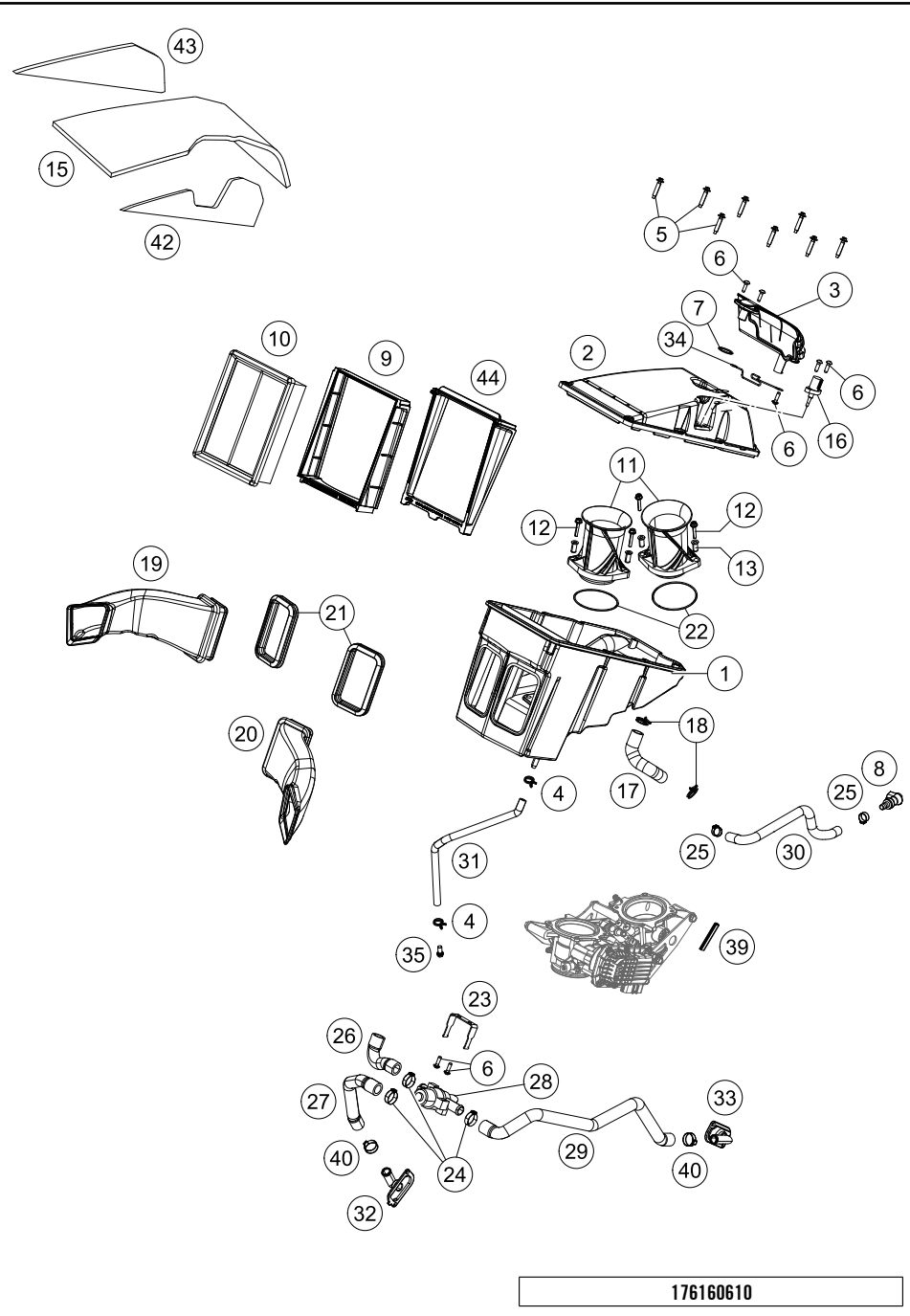
POS	PARTNUMBER	PARTNAME	PIECE
1	60306001200	AIR FILTER HOUSING LOWER PART	1
2	60306002000	AIR FILTER BOX COVER	1
3	60330088100	OIL SEPARATOR	1
4	58031005000	CLAMP YDNAC 10128 12MM	2
5	0017060305	SPECIAL SCREW K60X30 WS=6	8
6	0081050161	EJOT PT SCREW K50X16 1451	6
7	0770021020	O-RING 21,00X2,00 NBR70	1
8	5850701050030	CLUTCH CPC BLACK 05	1
9	60406016000	FILTERCLAMPING FRAME	x
10	60306015100	AIR FILTER	1
11	61641040100	Velocity stack l=80	2
12	0025050256	HH COLLAR SCREW M5X25 ISA30	4
13	60306042010	BUSHING INTAKE TRUMPET	4
15	61306095010	INSULATION MAT MIDDLE	1
16	61041080000	AMBIENT-AIR TEMPERATURE SENSOR	1
17	60330088030	OIL SEPARATOR FOAM HOSE	1
18	58431082100	YDNAC-CLAMP 10173 (16MM) '98	2
19	61306041000	INTAKE SNORKEL R/S	1
20	61306040000	INTAKE SNORKEL L/S	1
21	60306040050	GASKET INTAKE DUCT	2
22	0770066025	O-RING 66X2,5 FKM	2
23	61305031000	RETAINING BRACKET SLS	1
24	00050226706	VARIABLE ONE-EAR CLAMP 22,6MM	3
25	00050157706	VARIABLE ONE-EAR CLAMP 15,7MM	2
26	61305035023	SAS HOSE - AIRBOX	1
27	61305035021	SAS HOSE CYLINDER FRONT	1
28	61005026000	CONTROL VALVE SAS 05	1
29	61305035022	SAS HOSE CYLINDER REAR	1
30	61307016050	FUEL HOSE THROTTLE VALVE	1
31	60015019001	HOSE NBR 7X11 PER METER	1
32	61205122000	SAS flange	1
33	61205032000	SAS-FLANGE	1
34	61311099000	MOUNTING BRACKET PLUG	1
35	0025080126	HH collar screw M8x12 TX40	1
39	61011055045	EDGE PROTECTOR L=45MM 05	2
40	00050220706	VARIABLE ONE-EAR CLAMP 22,0MM	2
42	61306095020	INSULATION MAT L/S	1

176160610

18677

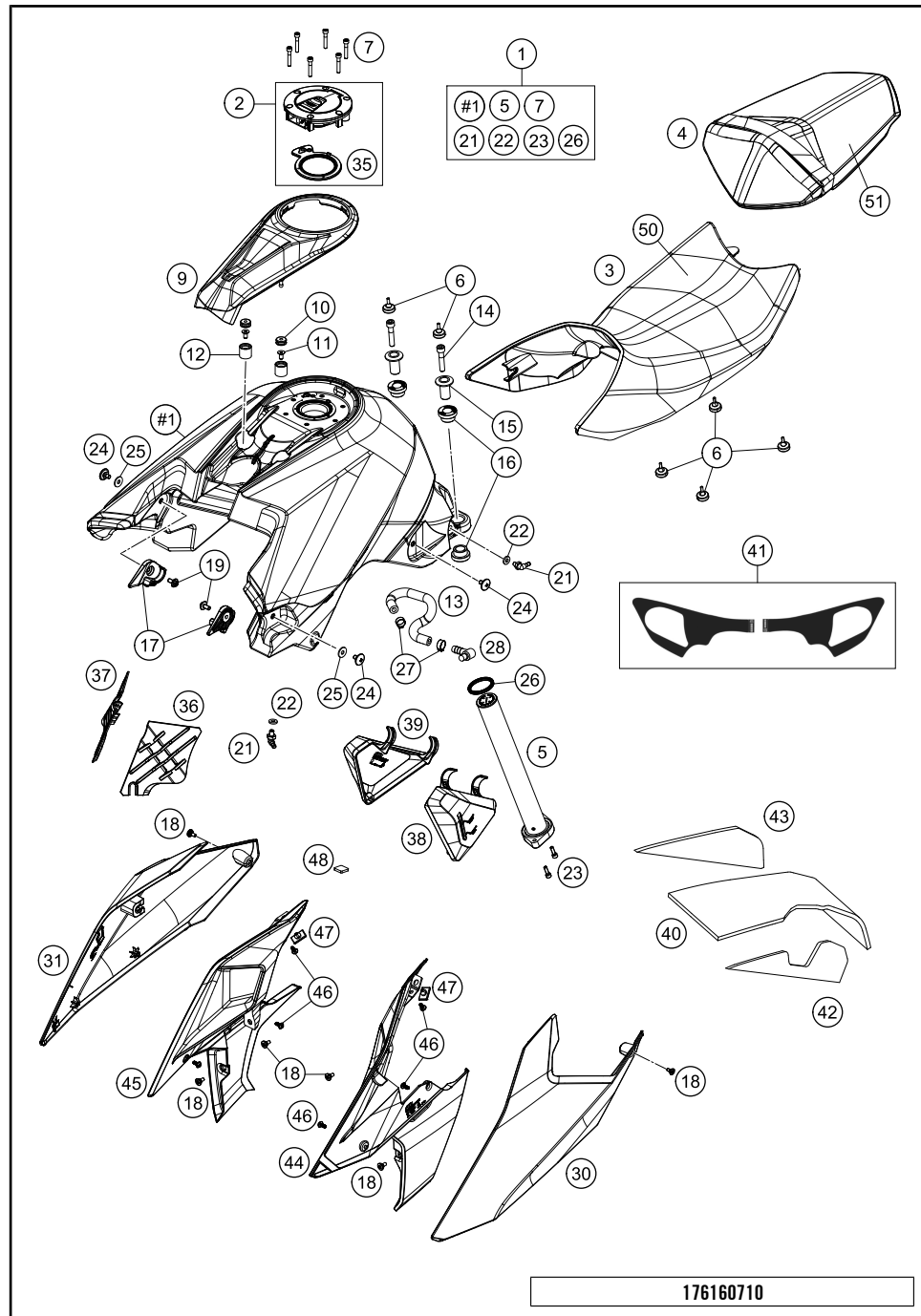
* NEW PART

X ON DEMAND



POS	PARTNUMBER	PARTNAME	PIECE
43	61306095030	INSULATION MAT R/S	1
44	60406017000	FILTERCLAMPING LINER	1

176160610 18677 * NEW PART X ON DEMAND



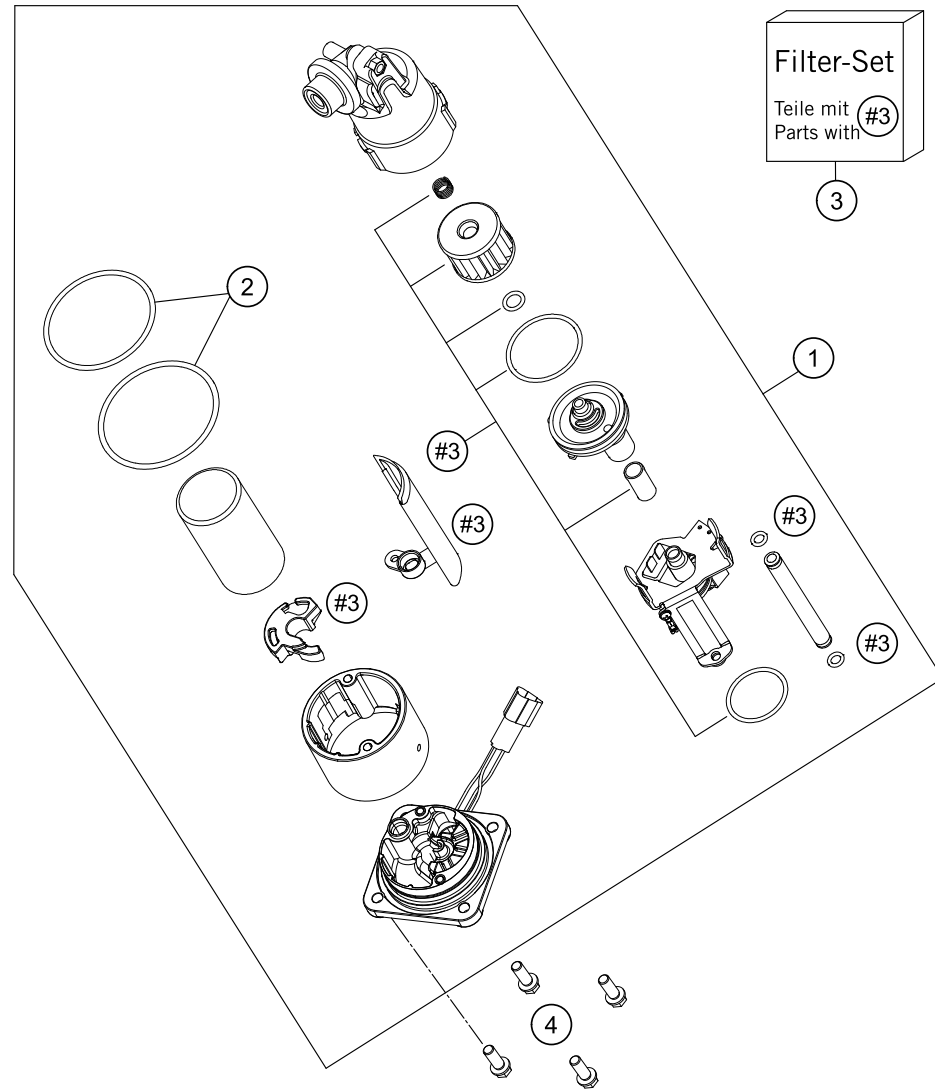
POS	PARTNUMBER	PARTNAME	PIECE
1	61307013044CBA	Fuel tank cpl. SD pitch black 17	1
2	61607008000	Fuel tank cap keyless	1
3	61607040000	Seat rider complete	1
4	61607047000	Seat passenger complete	1
5	61307080000	GAS LEVEL SENSOR	1
6	60006001021	DISTANCE RUBBER AIRBOX 03	8
7	0912050253	AH SCREW DIN0912-M 5X25	6
9	61607058000	Tank fairing	1
10	76008052050	RUBBER SLEEVE 5X7.6X13MM	2
11	0991060126	FLAT HEAD SCREW DIN7991-M 6X12	2
12	76008052000	BUSHING 13X20X18,5MM	2
13	61307017050	FUEL HOSE PUMP	1
14	0912080403	SHCS DIN 912 M8x40	2
15	61007060000	collar bushing, bearing, outside	2
16	61007065000	collar bushing, front tank holder	4
17	61307021044	TANK MOUNTING FRONT L/S & R/S	1
18	69008021160	special screw M5x12	6
19	0024060136	HH collar screw M6x13 TX30	2
21	60007024000	CONNECT.PIECE F.OVERFLOW M7 03	2
22	60007024050	GASKET FOR CONNECTING PIECE 03	2
23	0912050163	AH SCREW DIN0912-M 5X16	2
24	58407011100	SCREW FOR SEAT M6X11,5/8	4
25	0021060003	WASHER DIN9021-A 6,4	2
26	60307080090	GASKET FUEL LEVEL SENSOR	1
27	00050157706	VARIABLE ONE-EAR CLAMP 15,7MM	2
28	7720701000030	PLUG CPC	1
30	61608050000KCA	Fuel tank spoiler dark galvano	1
31	61608051000KCA	Fuel tank spoiler right dark galvano	1
35	60307008190	GASKET TANK CAP	1
36	61303085000	FRAME COVER L/S	1
37	61303086000	FRAME COVER R/S	1
38	61303091000	KNEE PAD L/S	1
39	61303092000	KNEE PAD R/S	1
40	61306095010	INSULATION MAT MIDDLE	1
41	61307013010	Tank protection sticker SD 17	1
42	61306095020	INSULATION MAT L/S	1
43	61306095030	INSULATION MAT R/S	1
44	61608027000	interior finishing left	1

176160710

18678

* NEW PART

X ON DEMAND



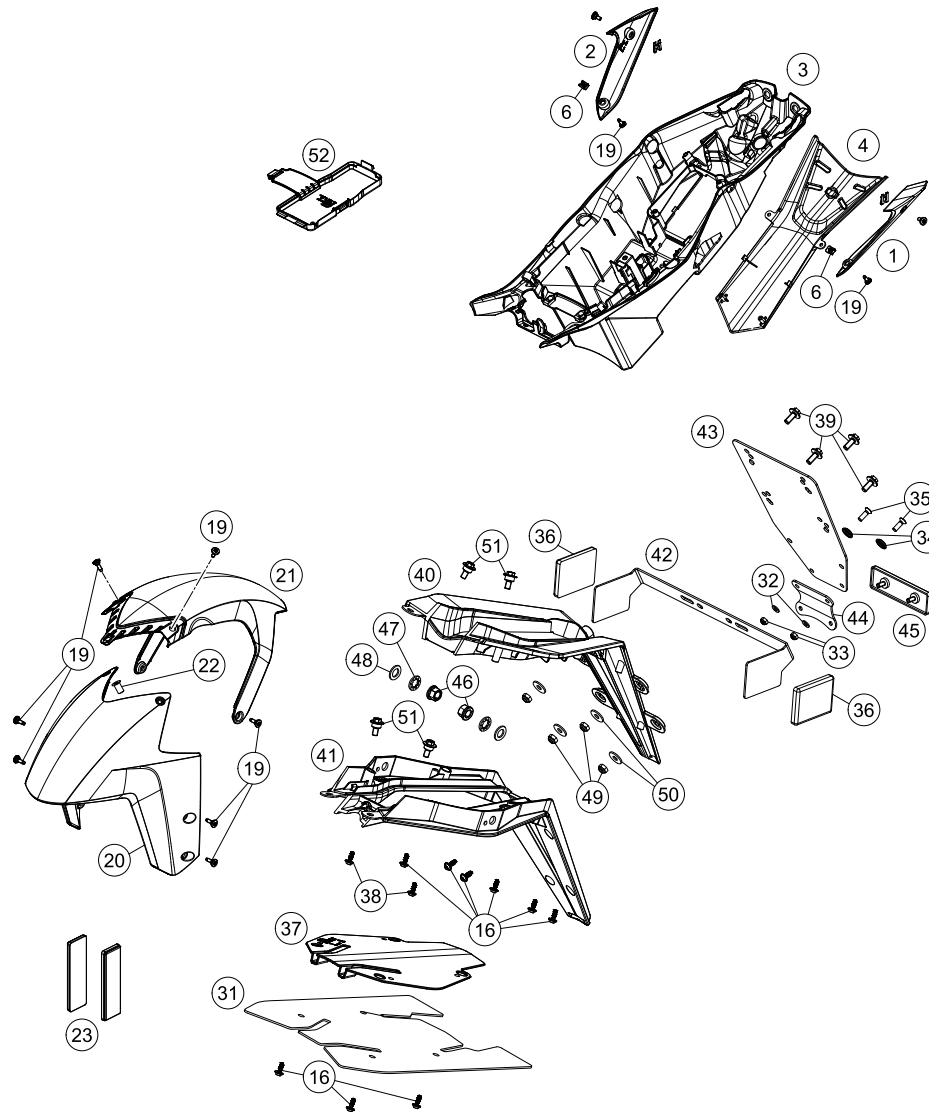
POS	PARTNUMBER	PARTNAME	PIECE
1	60307088000	FUEL PUMP	1
2	61007089000	O-RING SET FOR FUEL PUMP 05	1
3	61007090100	FILTER-SET FUEL PUMP	1
4	0025060166	HH collar screw M6x16 TX30	4

146130730

14610

* NEW PART

X ON DEMAND



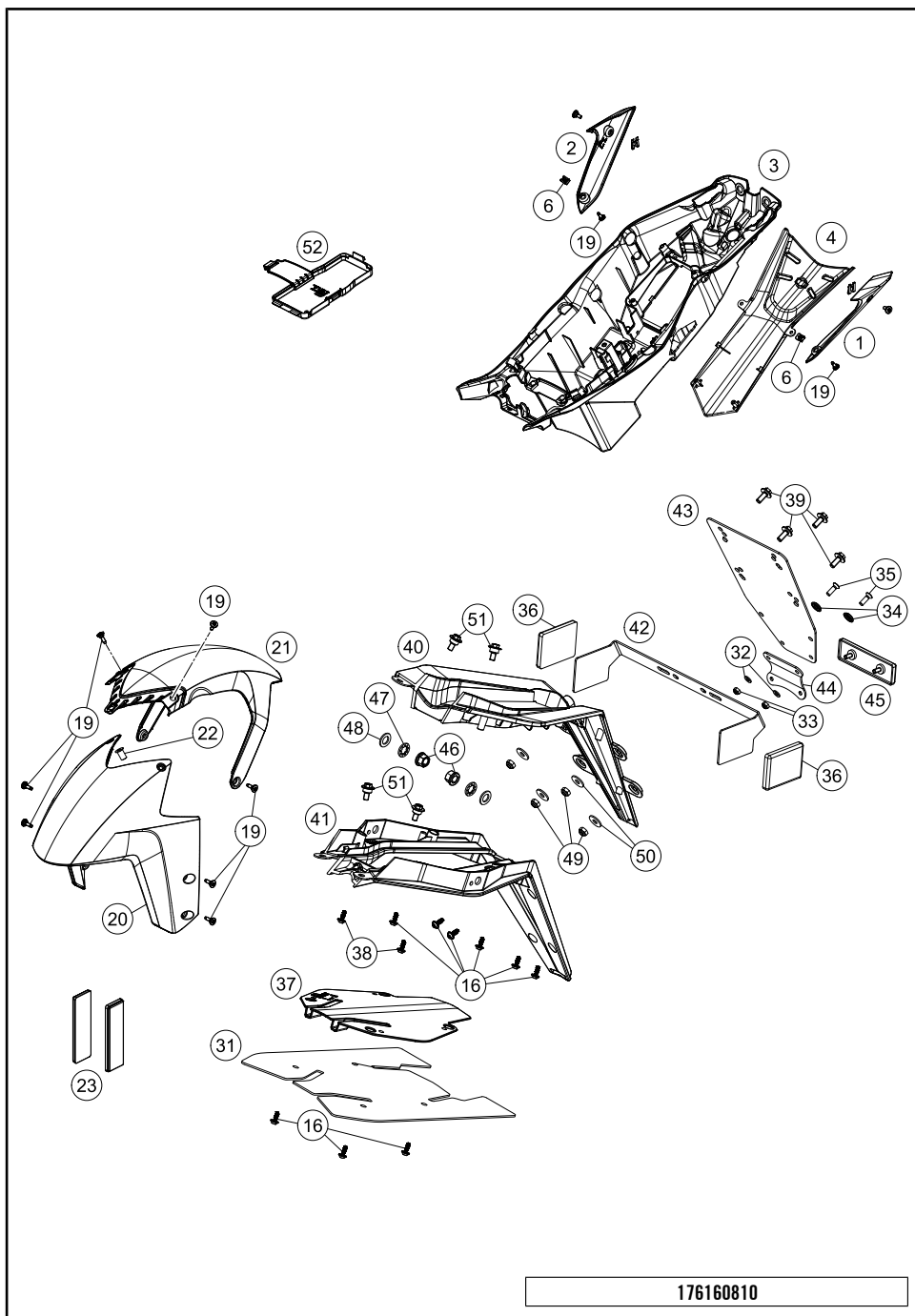
POS	PARTNUMBER	PARTNAME	PIECE
1	61608041000CBA	Side fairing WITH DECAL	1
2	61608042000CBA	Side fairing WITH DECAL	1
3	61608018000	Tail end lower part	1
4	6130804000033	REAR FAIRING LOWER PART BLACK	1
6	69008021080	clip nut M5	8
16	0081050121	EJOT PT screw K50x12	x
19	69008021060	special screw M5x17	12
20	61308010000CB	Fender	1
21	6130801100033	REAR FENDER BLACK	1
22	60008008050	blind plug nut M5 WN16A	2
23	60012080100	SIDE REFLECTOR YELLOW "CEV"	2
31	61308123010	SPLASH PROTECTION AUSTRALIA ONLY FOR AU	1
32	0125050003	WASHER DIN0125-A 5,3	2
33	0985050003	SELF LOCKING NUT DIN0985-M 5	2
34	40006006000	WASHER 6MM	2
35	0966050163	OVAL HEAD SCREW DIN0966-M 5X16	2
36	16512180100	SIDE REFLECTOR RED REAR ONLY FOR US	2
37	61308023010	SPLASH PROTECTION	1
38	0081050181	SCREW FOR PLASTIC K50X18 T20	2
39	0024060156	HH collar screw M6x15 TX30	4
40	61308022000	NUMBER PLATE CARRIER UPP. PART	1
41	61308023000	NUMBER PLATE CARRIER LOW. PART	1
42	62512081000	BRACKET SIDE REFLECTOR 06 ONLY FOR US	1
43	60012081200	license plate mouning plate	1
44	58412080050	BRACKET FOR REFLECTOR	1
45	58412080200	reflector, red	1
46	58414030000	HH COLLAR NUT M10X1,25 WS=13	2
47	0797100003	LOCK WASHER DIN6797-J10,5 ZI	2
48	0433100003	WASHER 18x10,5x1,6	2
49	0985060003	SELF LOCK. NUT DIN0985-M 6	4
50	0021060003	WASHER DIN9021-A 6,4	4

176160810

18682

* NEW PART

X ON DEMAND



POS	PARTNUMBER	PARTNAME	PIECE
51	83008100015	SPECIAL SCREW M6X15X5,5	4
52	61612054100	storage compartment smartphone	1

176160810

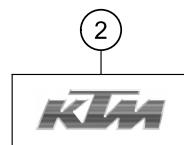
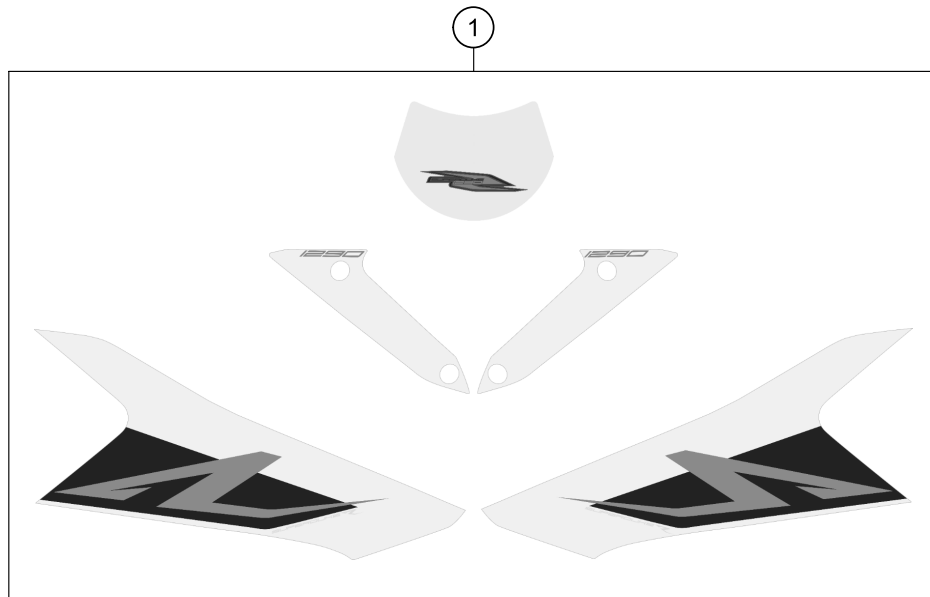
18682

* NEW PART X ON DEMAND

DECAL

1290 SUPERDUKE R BLACK 2017

POS	PARTNUMBER	PARTNAME	PIECE
1	61608099000	Decal Set 1290 Supderduke black	1
2	61608098000	Decal 3D "KTM" 17	1



176160830

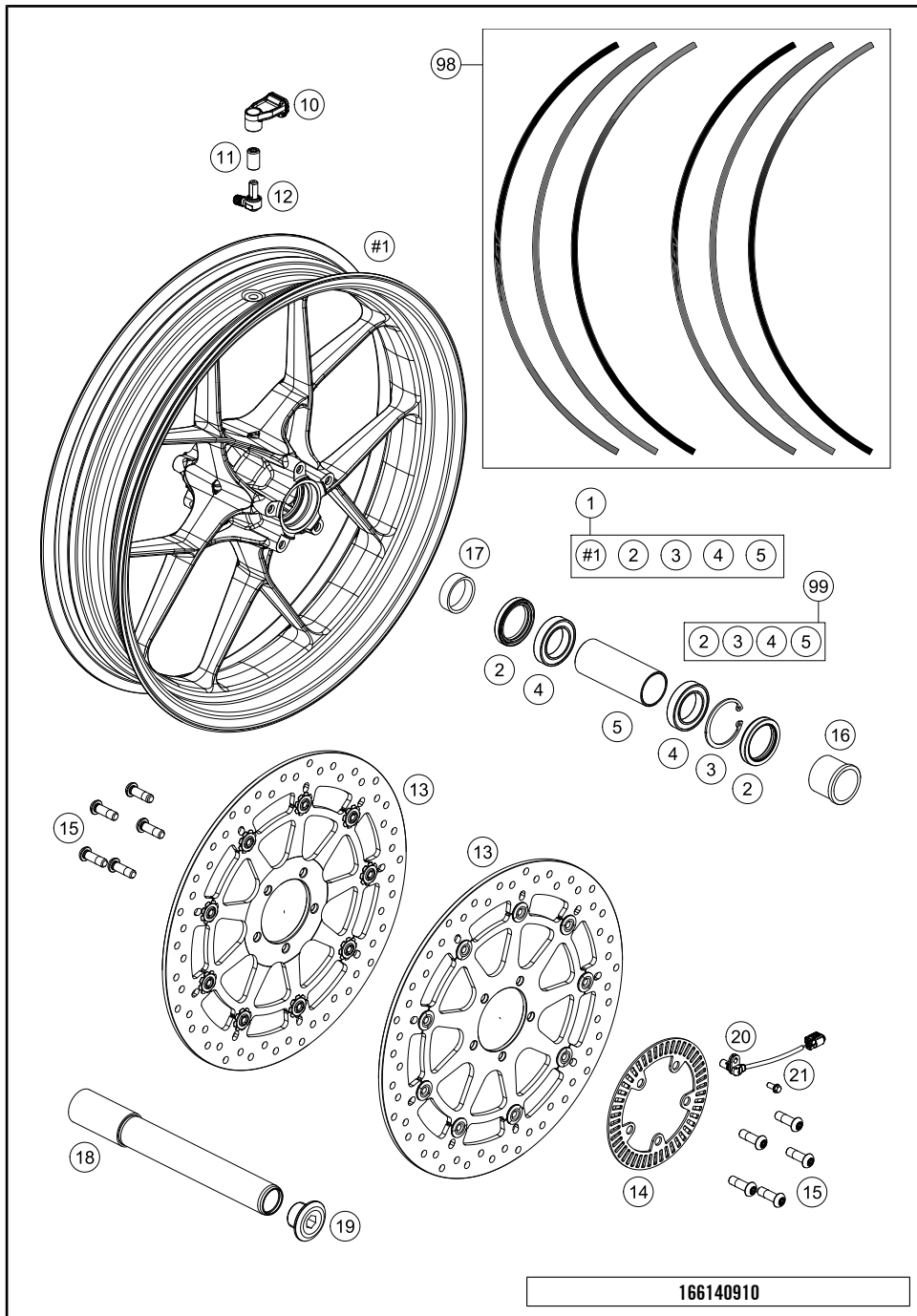
18735

* NEW PART

X ON DEMAND

FRONT WHEEL

1290 SUPERDUKE R BLACK 2017

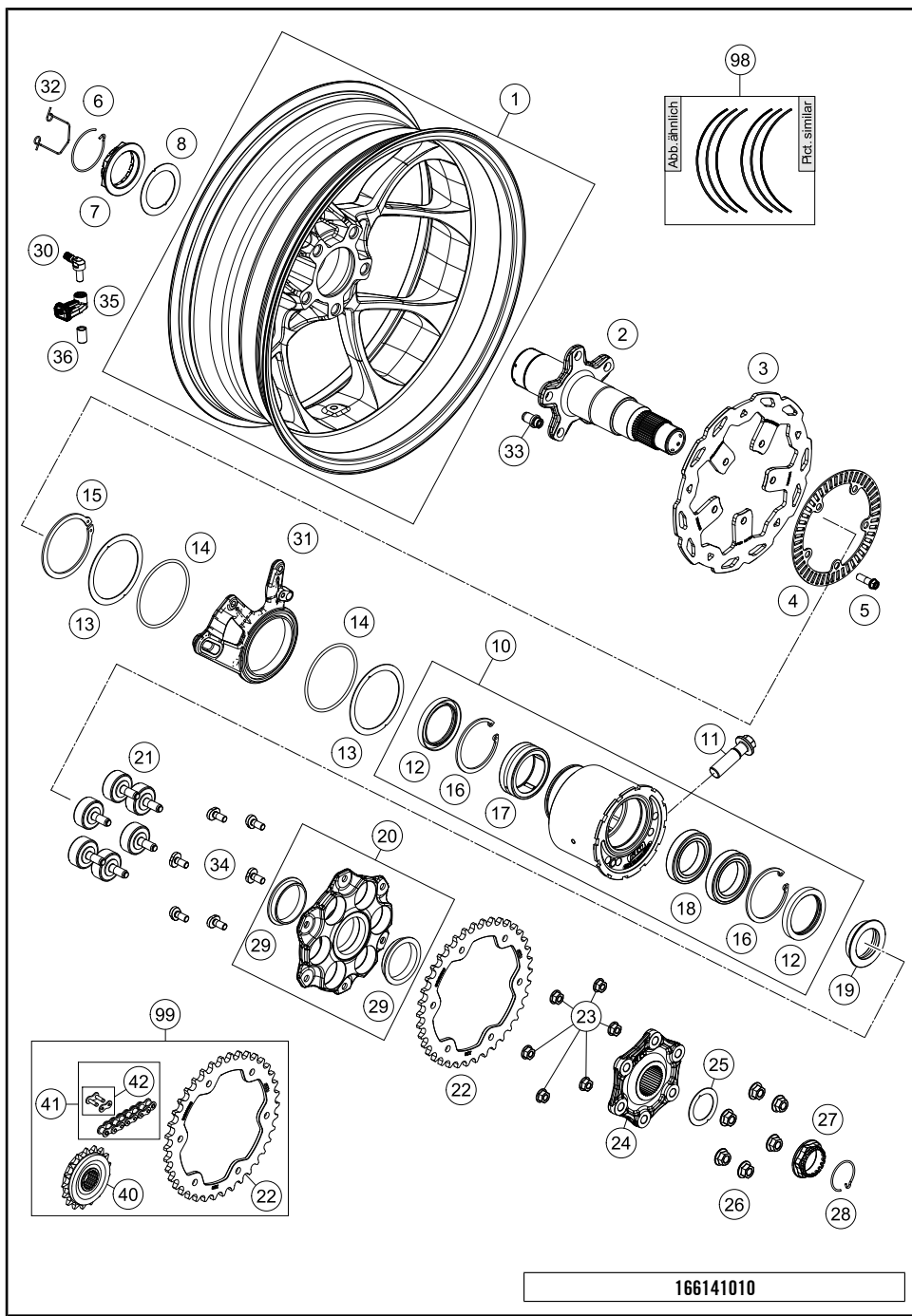


POS	PARTNUMBER	PARTNAME	PIECE
1	6130900114430	FRONT WHEEL 3,5X17" BLACK	1
2	0760354771	SHAFT SEAL RING 35X47X7 TC	2
3	0472047175	CIRCLIP DIN0472-47X1,75	1
4	0625069068	GR.BALL BEAR.6906 DDU2CG23S6NM	2
5	61009011000	BEARING SPACER TUBE FRONT 05	1
10	61412033000	TIRE PRESSURE SENSOR SMALL	1
11	61412033050	NUT F. TYRE-PRESSURE SENSOR SM	1
12	61412033060	VALVE 8,5MM 90° F. TPMS SMALL	1
13	6130906000033	BRAKE DISK D=320/5	2
14	76042020000	SENSORGEAR FRONT	1
15	76009062000	SPECIAL SCREW M8X25 SS TX40	10
16	61009012000	SPACER BUSH. FR. WHEEL L/S 05	1
17	60009013000	SPACER BUSH. FR. WHEEL R/S 03	1
18	61009081000	WHEEL SPINDEL FRONT 05	1
19	61009082000	AH SCREW M25X1,5 WS=12 05	1
20	76042125000	ABS-SENSOR	1
21	59009062013	SPECIAL SCREW M6X13 WS=8 10.9	1
98	61609098000	Sticker set for rims SD R 17	1
99	61009015000	FRONT WHEEL REP. KIT	x

166140910

18687

* NEW PART X ON DEMAND



POS	PARTNUMBER	PARTNAME	PIECE
1	6141010100030	REAR WHEEL 6X17"	1
2	61310085100	AXLE REAR	1
3	76010160000	BRAKE DISC 240MM	1
4	76042121000	SENSOR GEAR REAR	1
5	0025080256S	HH COLLAR SCREW M8X25 TX40	5
6	61310187000	SAFETY WIRE R/S	1
7	61310186100	AXLE NUT M50X1.5	1
8	61310016000	WASHER 69X1	1
10	61310010044	CLUTCH HUB HOUSING CPL.	1
11	61310021000	HH COLLAR SCREW M16X1,5X55	1
12	0760526880	SHAFT SEAL RING 52X68X8	2
13	61310019000	WASHER 94X1	2
14	0770840035	O-RING 84,00X3,5 NBR70	2
15	0471078250	CIRCLIP DIN471-78X2,5	1
16	0472068250	CIRCLIP DIN472-68X2,5	2
17	0617456822	NEEDLE BEARING RNA4909-2RSR-XL	1
18	0625061909	DEEP GROOVE BALL BEARING 61909	2
19	61310014000	SPACER RING	1
20	6131005404433S	SPROCKET SUPPORT CPL.	1
21	61310059000	JAR DAMPER	6
22	61310151038	SPROCKET STEEL DUKE 1290 Z38	1
23	54310086200	SELF LOCKING NUT M8 10.9	6
24	6131005000033S	JAR DAMPER CARRIER	1
25	76010116000	SHIM 50X1	1
26	06923100003	HEX. NUT DIN 6923 M10X1.25-10	6
27	61310086000	AXLE NUT M35X1.5	1
28	76010187000	SAFETY WIRE L/S	1
29	76010052000	IGUS BEARING D=50	2
30	61412033060	VALVE 8,5MM 90° F. TPMS SMALL	1
31	6131307500033S	BRAKE CALIPER ADAPTER BLACK	1
32	61310010011	SAFE ARMING WIRE	1
33	61310113000	DOWEL PIN M8	5
34	61310052000	SPROCKET SCREW	6
35	61412033000	TIRE PRESSURE SENSOR SMALL	1
36	61412033050	NUT F. TYRE-PRESSURE SENSOR SM	1
40	60033129017	CHAIN SPROCKET 17-T DAMPED 03	1
41	61310165118	CHAIN DID525 VAZ & MASTER LINK	1
42	61310066000	MASTER LINK FOR CHAIN DID VAZ	1

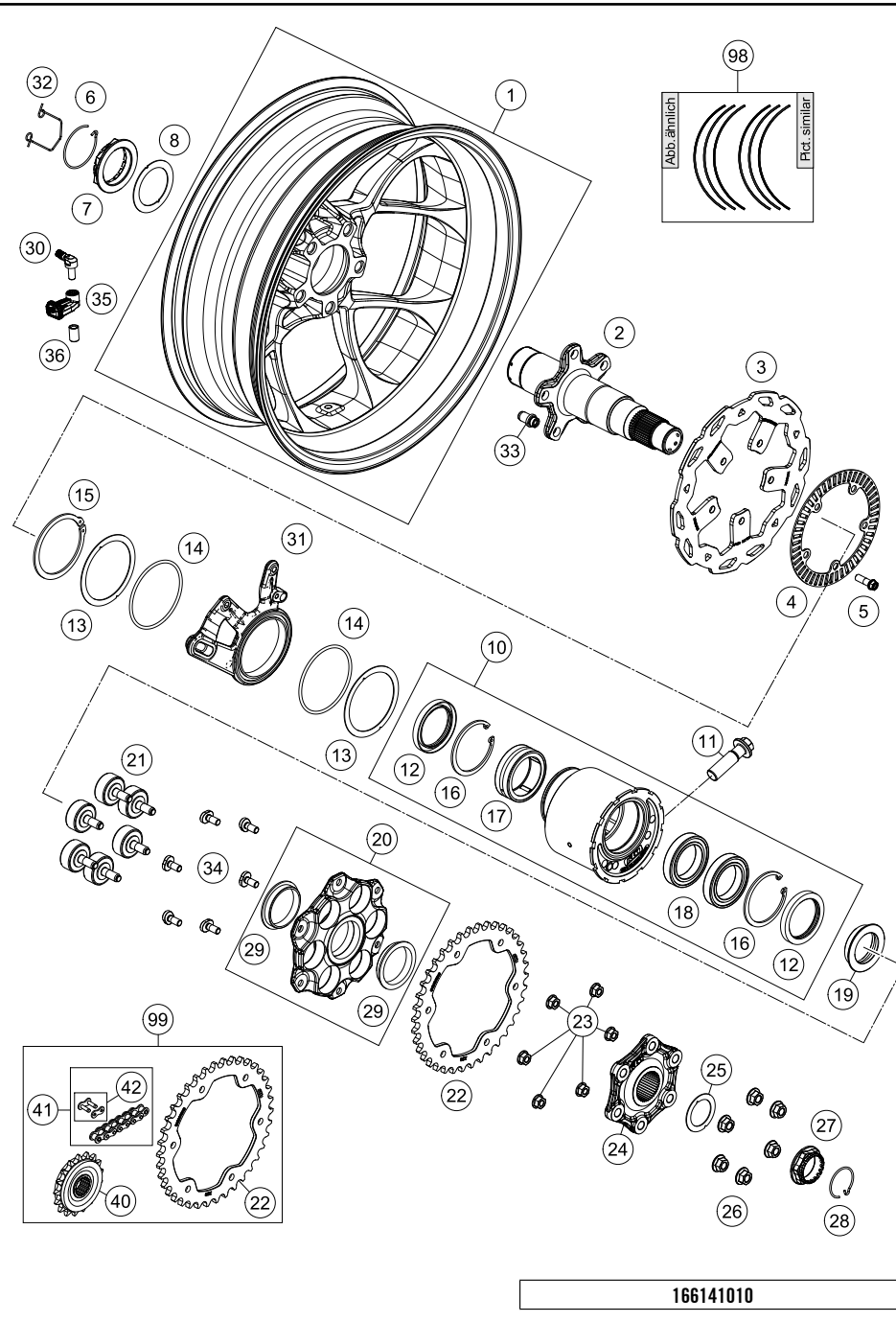
166141010

18688

* NEW PART X ON DEMAND

REAR WHEEL

1290 SUPERDUKE R BLACK 2017

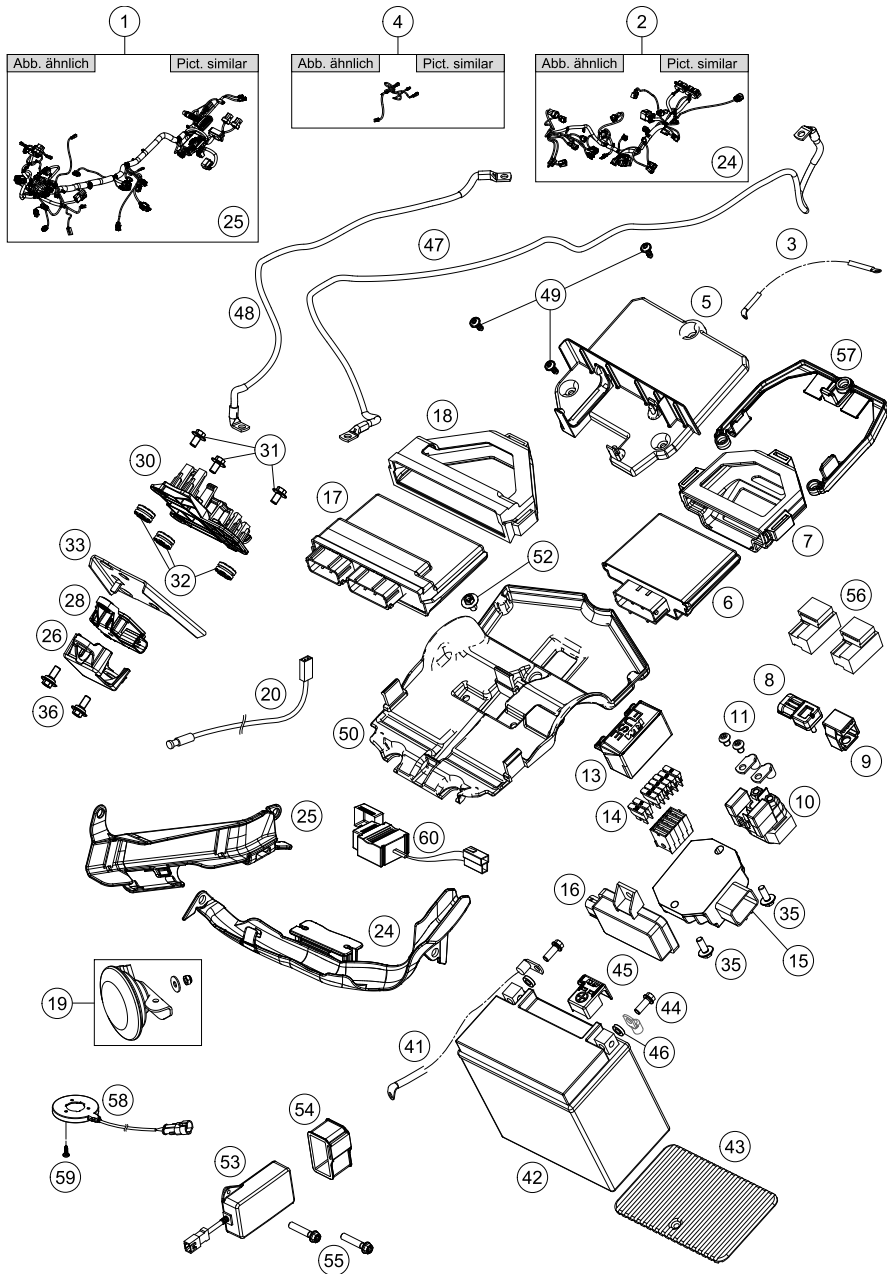


POS	PARTNUMBER	PARTNAME	PIECE
98	61609098000	Sticker set for rims SD R 17	1
99	00050002029	DRIVETRAIN KIT 1290 SD 17T/38T	1

18688

* NEW PART

X ON DEMAND



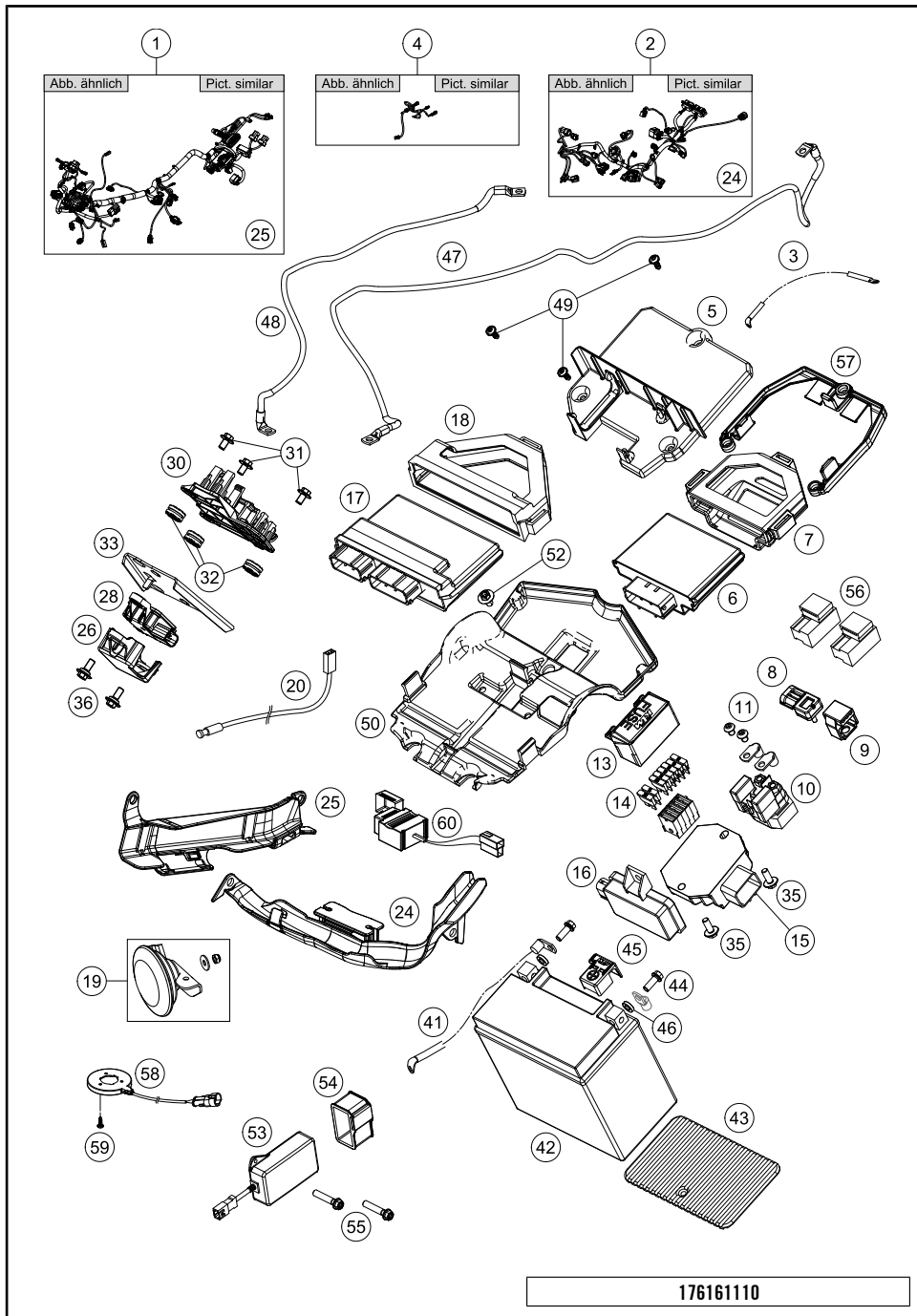
POS	PARTNUMBER	PARTNAME	PIECE
1	61611075033	Main wiring harness complete	1
2	60711085000	Wiring harness	1
3	61311059050	BATTERY CABLE	1
4	61311076100	REAR WIRING HARNESS	1
5	61308018060	COVER MCU	1
6	60711033000	Control unit MCU 3.0	1
7	60711033050	Rubber band	1
8	61041085100	PRESSURE SENSOR 06	1
9	61041085150	RUBBER SUPP. PRESSURE SENS. 06	1
10	76211058000	STARTER RELAY 07	1
11	0902060083	AH OVAL SCREW ISO 7380 M 6X8	2
13	61311087050	RUBBER CASING FUSE BOX	1
14	58011109110	FUSE 10 A 2000	1
14	58011109130	FUSE 30 A	2
15	60311034000	VOLTAGE REGULATOR	1
16	60312032000	RECEIVER AIR PRESSURE SENSOR	1
17	61341031300	Control unit EFI	1
18	60341031050	ECU RUBBER BRACKET	1
19	61611060033	Direct current horn complete	1
20	61111018100	TEMPERATURE SENSOR	1
24	60311046000	CABLE CHANNEL L/S	1
25	60311047000	CABLE CHANNEL R/S	1
26	61342090050	COVER SENSOR BOX	1
28	60342090000	SLOPING POSITIONS SENSOR	1
30	61411083000	CONNECTOR BOARD FRONT	1
31	0024060106	HH COLLAR SCREW M6X10 TX30	3
32	62142041000	DAMP. COMPONENT ABS MODUL	3
33	61342090040	SUPPORT SLOPING POS. SENSOR	1
35	0025060206	HH collar screw M6x20 TX30	2
36	83008000015	SPECIAL SCREW M6X15X3	2
41	61311098000	GROUND CABLE BATT.-FRAME 16MM	1
42	61311053000	BATTERY YUASA YTX14-BS	1
43	61311053050	RUBBER PLATE FOR BATTERY	1
44	0025060166	HH collar screw M6x16 TX30	2
45	62111059060	COVER POSITIVE POLE	1
46	12011016000	WASHER 6 X 12 X 3	2
47	61311059000	STARTER CABLE 16MM	1
48	61311097000	GROUND CABLE ENGINE-FRAME 16MM	1

176161110

18689

* NEW PART

X ON DEMAND

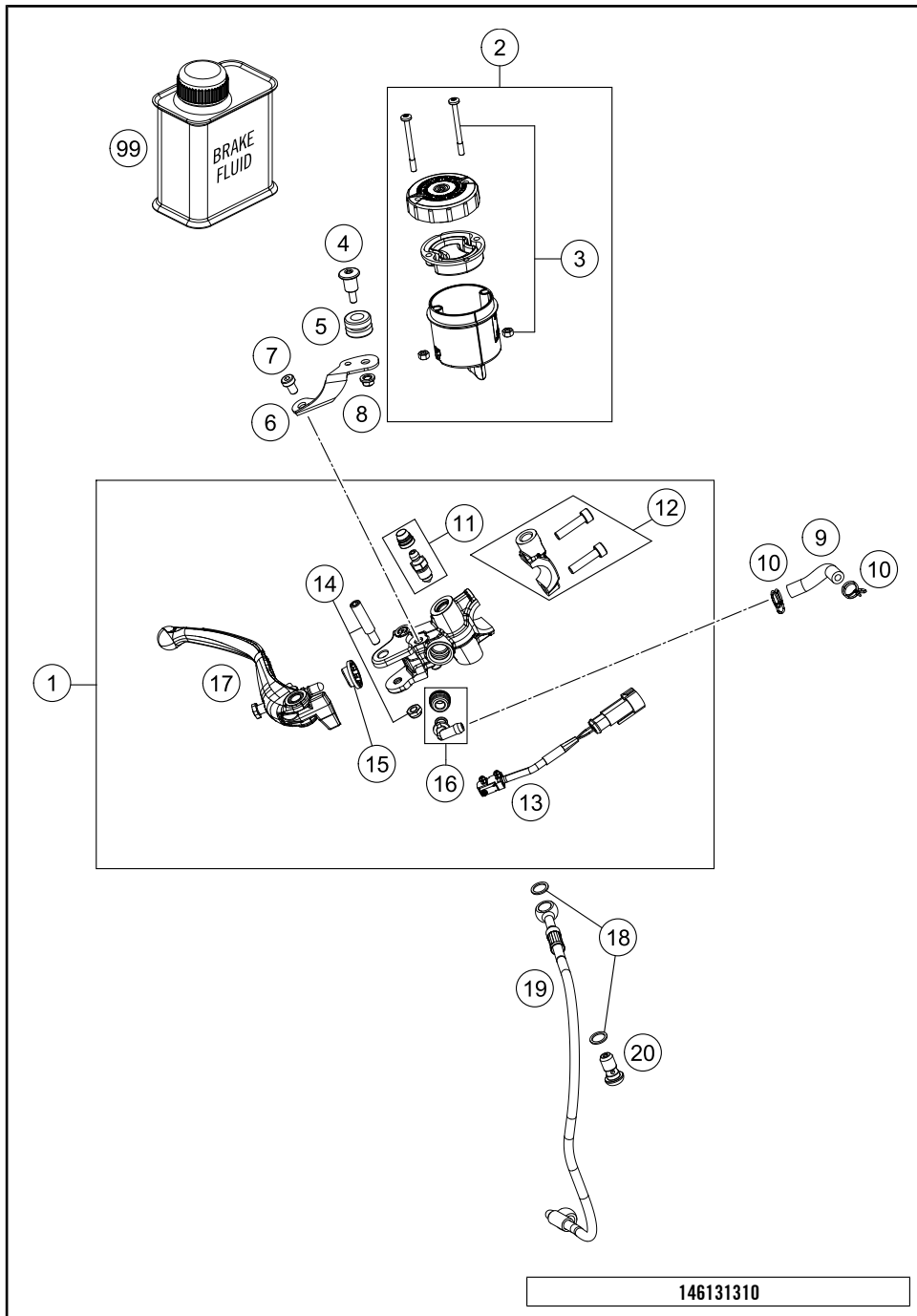


POS	PARTNUMBER	PARTNAME	PIECE
49	0081050141	EJOT PT screw K50x14	3
50	61311055100	Support	1
52	83008000012	special screw M6x12x3	1
53	61611046000	Connectivity Control Unit	1
54	61611046010	rubber mount connectiv. box	1
55	0025060306	HH collar screw M6x30 TX30	2
56	61111057000	RELAY CM1A-R-12V-H80 07	2
57	61608018010	MCU support	1
58	69011168000	Antenna keyless	1
59	0081045121	SCREW FOR PLASTIC K45X12 T20	3
60	61611043000	USB power socket 12V	1

176161110 18689 * NEW PART X ON DEMAND

FRONT BRAKE CONTROL

1290 SUPERDUKE R BLACK 2017



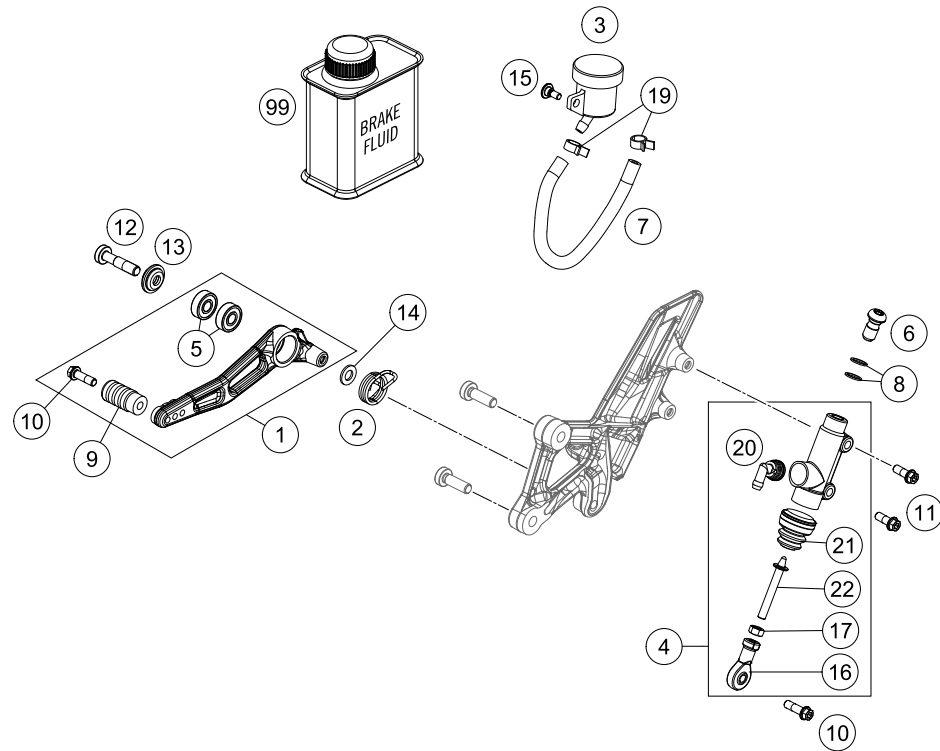
POS	PARTNUMBER	PARTNAME	PIECE
1	6131300110030	Hand brake cylinder PR16/19	1
2	61313029000	BRAKE FLUID RESERV. BLACK CPL.	1
3	61013009203	SCREW + NUT F. RESERVOIR	1
4	61013013050	SCREW RET.PANEL-RESERVOIR	1
5	61013013000	RUBBER BUSH 05	1
6	6101300900130	SUPPORT BRAKE FLUID RES. FRONT	1
7	61013021000	SCREW RET.PANEL-BRAKE CYLINDER	1
8	61013009004	NUT FOR RESERVOIR	1
9	58007016101	HOSE FOR RESERVOIR 6X1,5	1
10	58007017000	YDNAC CLAMP 10101 (10,4MM)	2
11	60513020000	Bleeder screw with cap	1
12	76013005100	CLAMP CPL. 16	1
13	61311050000	BRAKE LIGHT SWITCH FRONT	1
14	61013006000	LEVER SCREW CPL. 05	1
15	61013008000	RUBBER CUP 05	1
16	54513155000	ANGLE PIECE	1
17	6101300204430	HAND BRAKE LEVER CPL. BLACK	1
18	0603100141	sealing ring DIN 7603 10x14x1	2
19	61342001000	BRAKE HOSE HAND BRAKE CYLINDER	1
20	62113020100	banjo bolt M10x1x19.5	1
99	00062030000	BRAKE FLUID DOT5.1 0,25L	1

146131310

18697

* NEW PART

X ON DEMAND



POS	PARTNUMBER	PARTNAME	PIECE
1	6131305004433S	FOOT BRAKE LEVER CPL.	1
2	61313052000	SPRING	1
3	61013069000	reservoir, rear cpl.	1
4	6031306000030	REAR BRAKE CONTROL	1
5	0625006087	GROOVED BALL BEAR. 608 2RS C3	2
6	62113020100	banjo bolt M10x1x19.5	1
7	69013069001	HOSE FOR RESERVOIR 6X1,5	1
8	0603100141	sealing ring DIN 7603 10x14x1	2
9	58303060051	BRAKE LEVER PEDAL DUKE'94	1
10	0025060206S	HH collar screw M6x20 TX30	2
11	0025060166S	HH collar screw M6x16 TX30 SL	2
12	0035080306S	AH-COLLAR SCREW M8X30 ISA45	1
13	61334041000	SPECIAL WASHER D=23X7,2MM	1
14	0125080003	washer DIN 125 A -8.4	1
15	69013099050	SCREW F. EXPANSION TANK	1
16	54603069000	SWIVEL HEAD M6 FOOT BRAKE LEV.	1
17	0934060003	hex nut DIN 934 M6	1
19	58007017000	YDNAC CLAMP 10101 (10,4MM)	2
20	54513155000	ANGLE PIECE	1
21	54513151000	RUBBER SLEEVE	1
22	60313056044	PUSH ROD CPL.	1
99	00062030000	BRAKE FLUID DOT5.1 0,25L	1

146131330

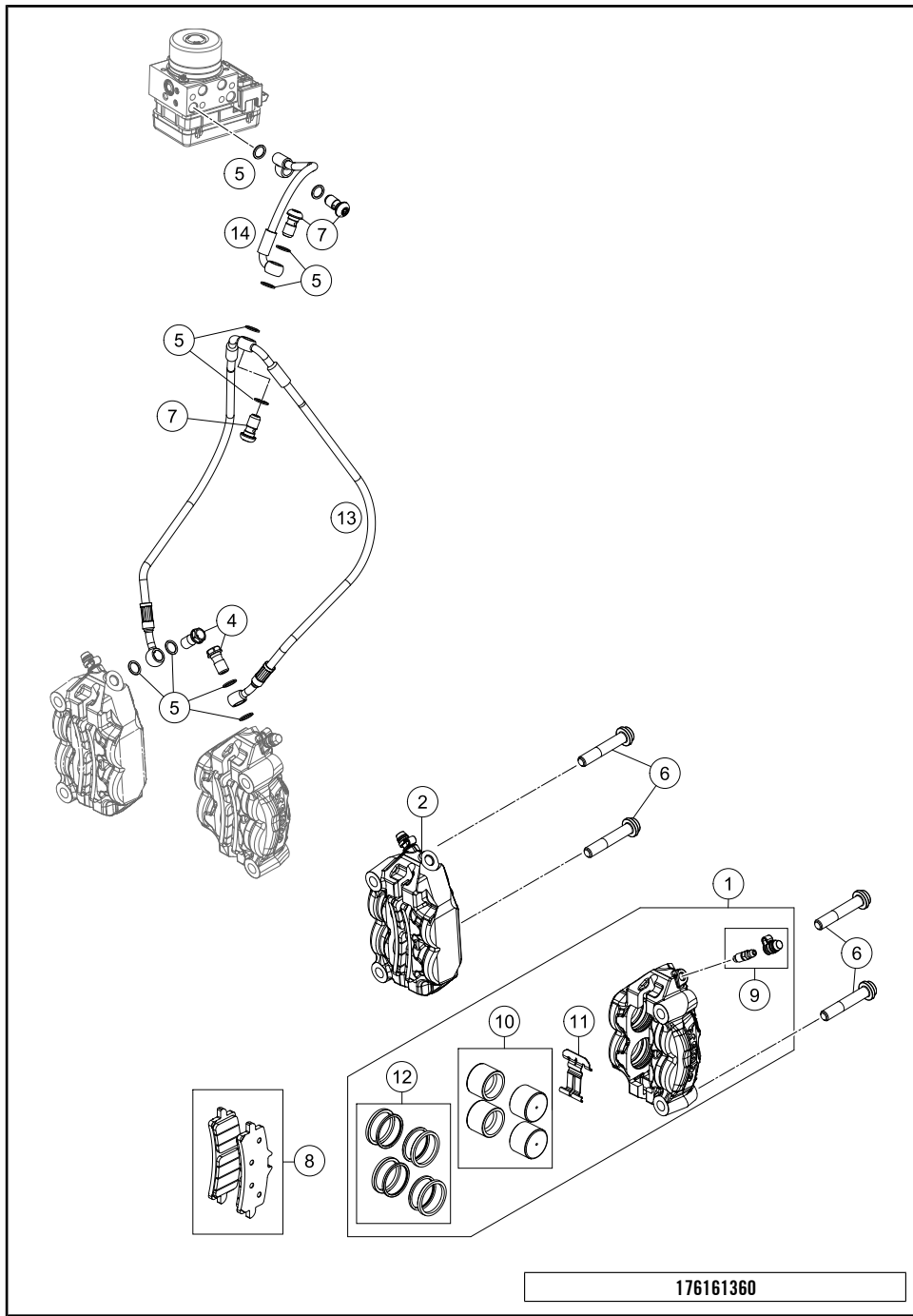
18551

* NEW PART

X ON DEMAND

FRONT BRAKE CALIPER

1290 SUPERDUKE R BLACK 2017



POS	PARTNUMBER	PARTNAME	PIECE
1	6131301500158	BRAKE CALIPER FRONT - W/O PADS	1
2	6131301600158	BRAKE CALIPER FRONT W/O PADS	1
4	69013025000	HOLLOW SCREW M10X1X19 SW12	2
5	0603100141	sealing ring DIN 7603 10x14x1	10
6	0035100559S	AH-COLLAR SCREW M10X1,25X55SS	4
7	62113020100	banjo bolt M10x1x19.5	3
8	61313030000	BRAKE PADS SET BRM10A-HH	2
9	61013020100	BLEEDER SCREW WITH CAP	2
10	61313019000	BRAKE PISTON CPL.	2
11	69013018000	SPRING PLATE	2
12	61313021000	SEAL RINGS CPL.	2
13	61642003000	Brake hose	1
14	61642003010	Brake hose	1

176161360

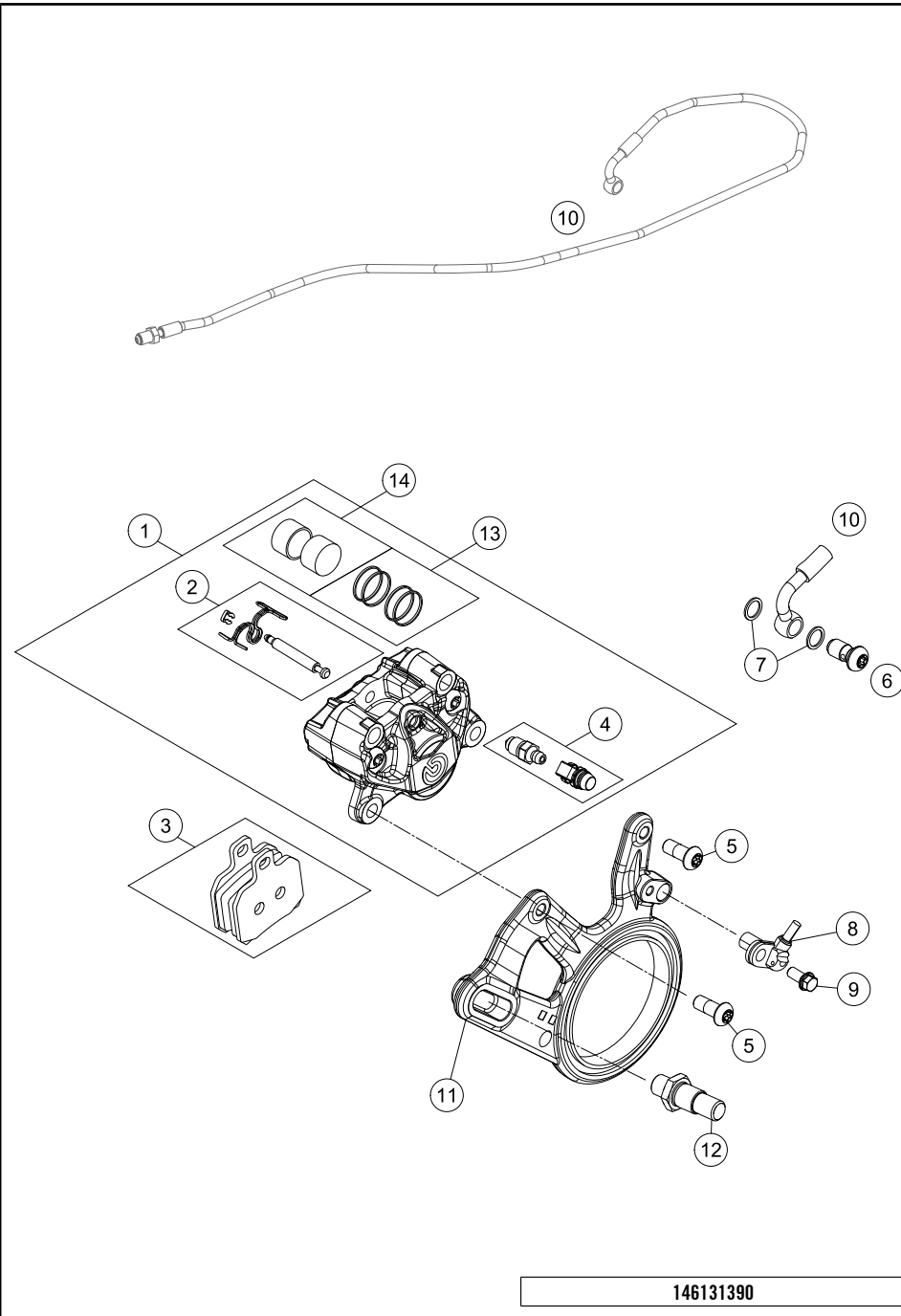
18726

* NEW PART

X ON DEMAND

REAR BRAKE CALIPER

1290 SUPERDUKE R BLACK 2017



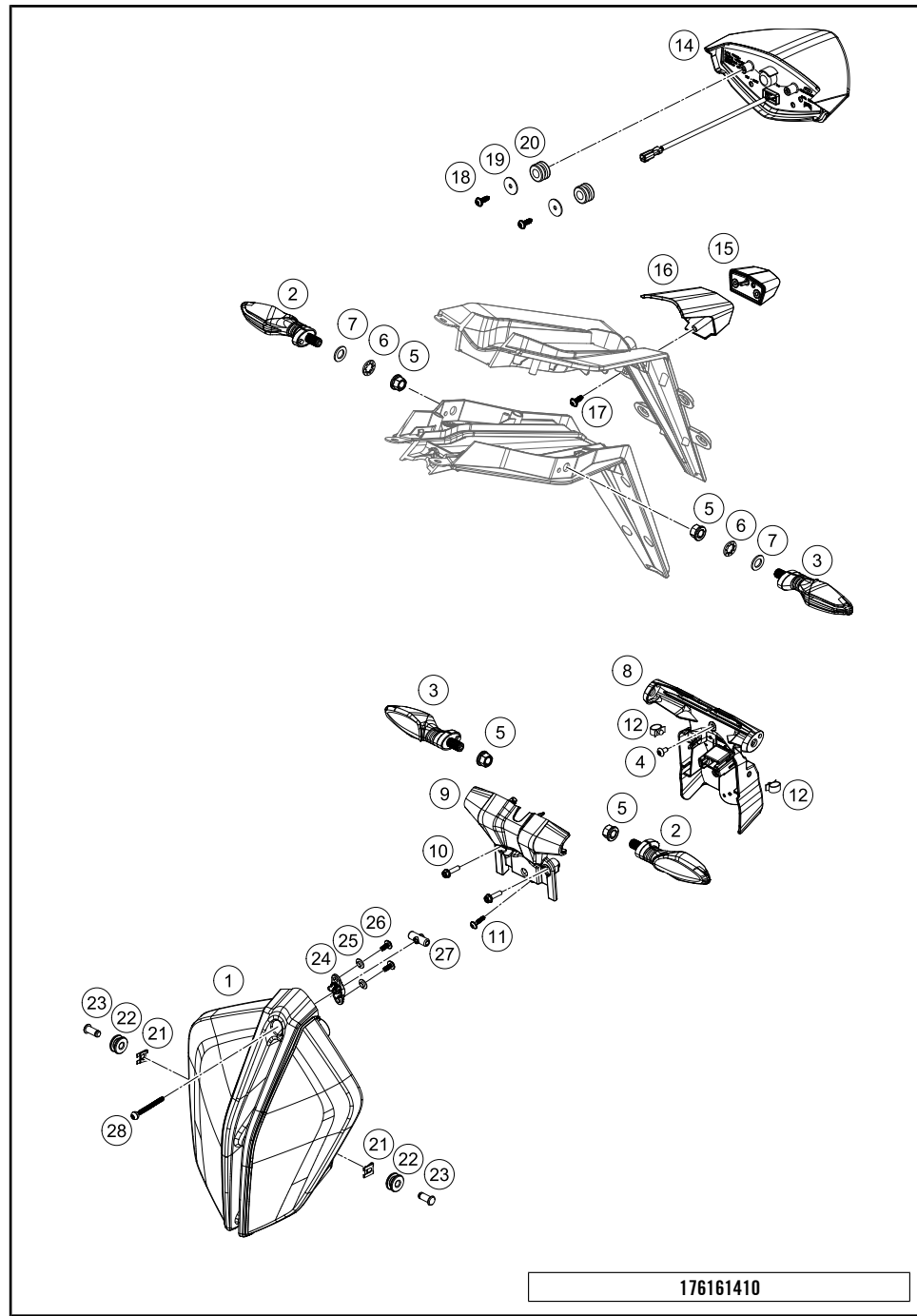
POS	PARTNUMBER	PARTNAME	PIECE
1	6131308000158	BRAKE CALIPER REAR W/O PADS BL	1
2	69013082000	BOLT KIT 08	1
3	61313090000	BRAKE PAD REAR TTH38GF	1
4	69013020000	BLEEDER SCREW WITH CAP	1
5	69013076000	brake caliper screw M8x20	2
6	62113020100	banjo bolt M10x1x19.5	1
7	0603100141	sealing ring DIN 7603 10x14x1	2
8	76042125000	ABS-SENSOR	1
9	59009062013	SPECIAL SCREW M6X13 WS=8 10.9	1
10	61342004020	BRAKE HOSE CON. PIECE / R. CYL	1
11	6131307500033S	BRAKE CALIPER ADAPTER BLACK	1
12	76004142000	BOLT BRAKE SADDLE BRACKET	1
13	69013081000	REPAIR KIT SEAL RING	1
14	61313083000	REPAIR KIT PISTON	1

146131390

18725

* NEW PART

X ON DEMAND



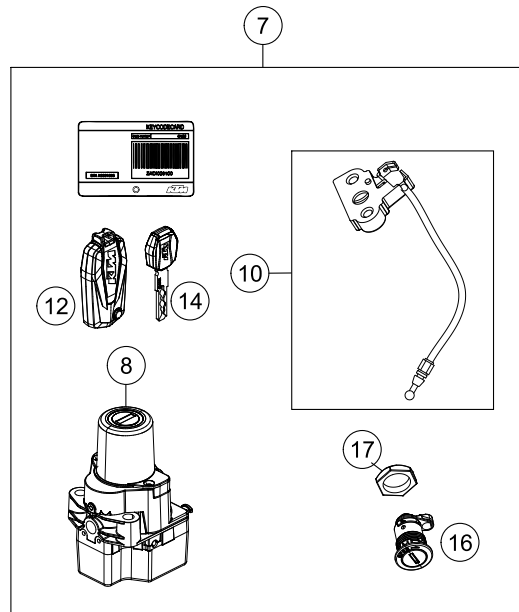
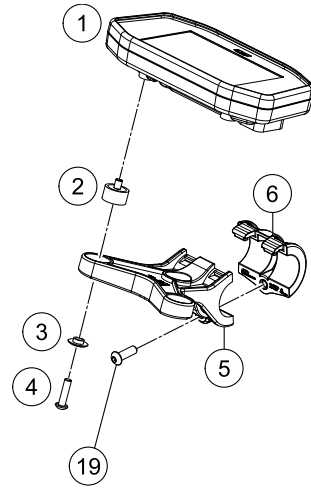
176161410

POS	PARTNUMBER	PARTNAME	PIECE
1	61614001000	Headlight LED	1
2	60314025000	turn signal front left/rear right	2
3	60314026000	turn signal front right/rear left	2
4	58605083010	SCREW TORX M5X10 05	1
5	58414030000	HH COLLAR NUT M10X1,25 WS=13	4
6	0797100003	LOCK WASHER DIN6797-J10,5 ZI	2
7	0433100003	WASHER 18x10,5x1,6	2
8	61614034000	Flasher support rear	1
9	61614033000	Flasher support front	1
10	0025050206	HH collar screw M5x20 TX30	2
11	0081050181	SCREW FOR PLASTIC K50X18 T20	1
12	57013072100	WIRING HOLDER 16MM	2
14	61314040200	REAR LIGHT SUPERDUKE ECE	1
15	60314047000	license plate lighting	1
16	61308024000	COVER NUMBER PLATE LIGHT	1
17	0081050121	EJOT PT screw K50x12	6
18	0081050141	EJOT PT screw K50x14	2
19	0522040003	WASHER DIN522 A2K 4.3X20X1.25	2
20	61013013000	RUBBER BUSH 05	2
21	60013058000	SECURING CLIP D=8MM 03	2
22	61614013050	Rubber bushing	2
23	60013057000	BOLT F. LINK FORK 8X20X16,5	2
24	61614020100	Ballhead holder	1
25	61412032010	BUSH 13X7X3,3	2
26	61614018100	EJOT ALTRACS 50X12	2
27	61614019000	Shaft	1
28	61614020010	EJOT PT SCHRAUBE 50X54	1

18714

* NEW PART

X ON DEMAND



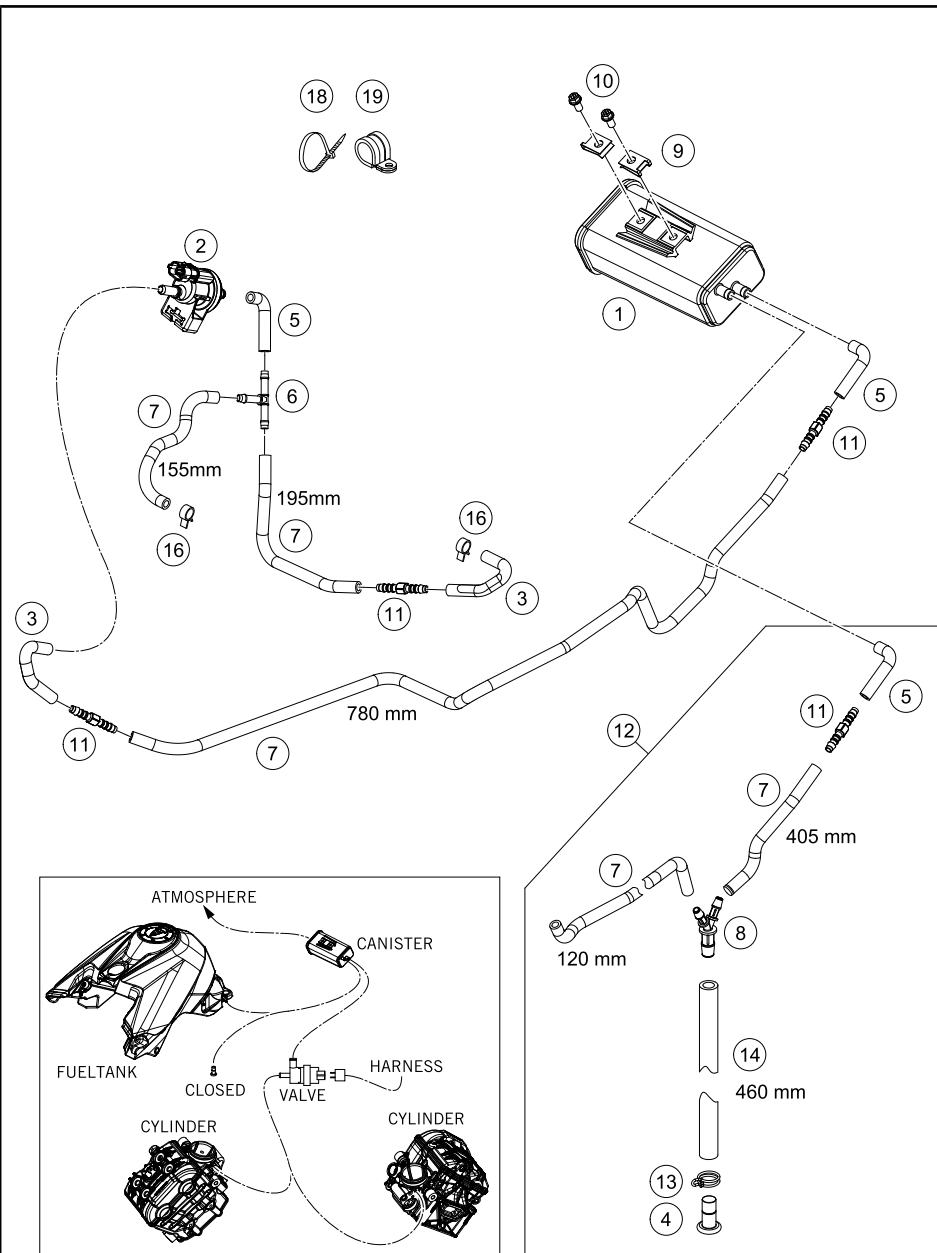
POS	PARTNUMBER	PARTNAME	PIECE
1	61614069000	Dashboard	1
2	61614069010	Absorber Speedometer	3
3	61614069020	Tachometer support bush	3
4	0738050082	Flat Head Screw ISO7380 M5x8 A2 TX25	3
5	61601045100	Instrument holder front part	1
6	61601044000	Instrument holder rear part	1
7	61611066044	Hands free system	1
8	61611066000	Ignition lock Race-on 868MHz	1
10	61307050000	SEAT LOCK MECHANISM CPL.	1
11	61307055000	Support seat lock	1
12	60711067000	Race on key 868 MHz	1
13	60711067010	Blank race-on key 868 MHz	x
14	60411067000	KTM ignition key	1
15	60411067010	Blank KTM ignition key	x
16	61307050020	LOCK CYLINDER SEAT LOCK	1
17	69007050050	NUT SEAT LOCK M22X1,5	1
19	0738060181	BHCS ISO 7380 M6X18	1

176161430

18721

* NEW PART

X ON DEMAND



POS	PARTNUMBER	PARTNAME	PIECE
1	75015001200	CARBON CANISTER	1
2	76015015000	EVAP valve	1
3	61415021000	HOSE PURGE VALVE	2
4	61315026000	PLUG D=10	1
5	61315022000	PREFORMED HOSE 6X10 FPM	3
6	60015022000	T-CONNECTOR TS-6 03	1
7	78015019000	HOSE EPA D=6/10 L=2000MM	1
8	61315028100	Y-CONNECTOR YS 6-10-6	1
9	54603048100	clip nut M6	2
10	0025060126	HH collar screw M6x12 TX30	2
11	69015019010	HOSE CONNECTION STRAIGHT	4
12	61615025033	Hose	1
13	58431082100	YDNAC-CLAMP 10173 (16MM) '98	1
14	78015119000	HOSE EPA D=10/16 L=2000MM	x
16	59007017000	CLAMP YDNAC 10096F (9,6MM)	2
18	44011076140	CABLE TIE 140/2,5MM BLACK	1
19	61315027000	CABLE CLAMP D=16	1

176161510

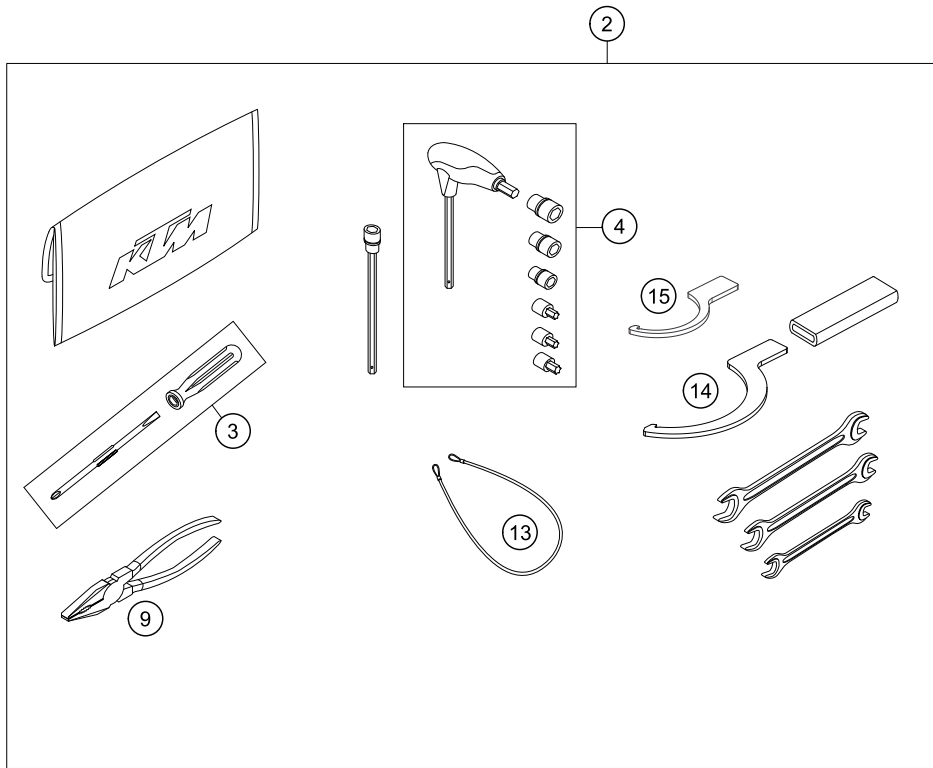
18741

* NEW PART

X ON DEMAND

0
OHNE ABBILDUNG
WITHOUT ILLUSTRATION

1
TECHNISCHE DOKUMENTATION
TECHNICAL DOCUMENTATION
DOCUMENTACION TECNICA
DOCUMENTATION TECHNIQUE
NOTE TECNICHE

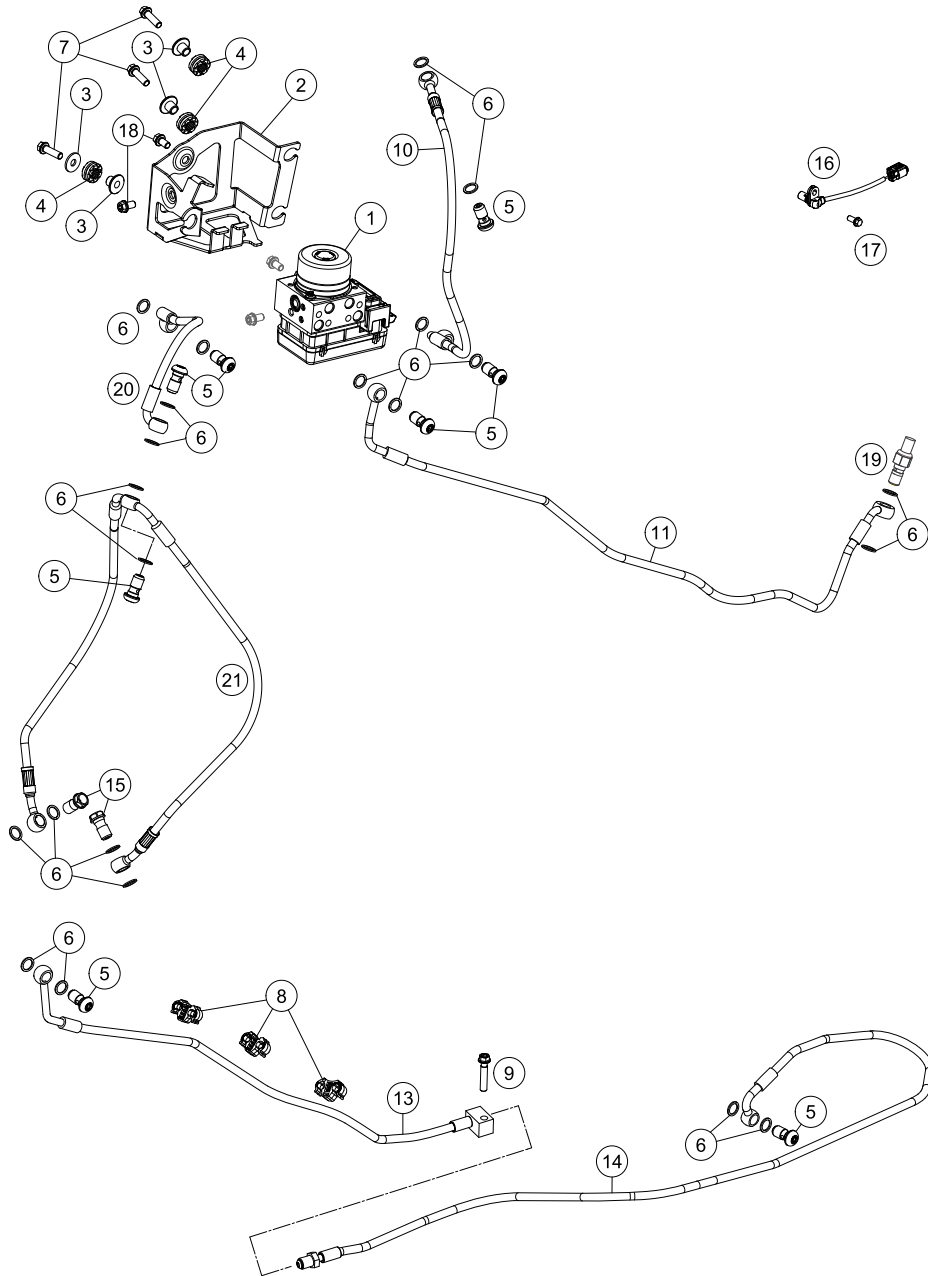


166132000

POS	PARTNUMBER	PARTNAME	PIECE
0	61312041200	MIRROR RIGHT CPL.	1
0	61312040200	MIRROR LEFT CPL.	1
0	58412080050	BRACKET FOR REFLECTOR	1
0	58412080200	reflector, red	1
0	0985060003	SELF LOCK. NUT DIN0985-M 6	4
0	0021060003	WASHER DIN9021-A 6,4	4
0	0125050003	WASHER DIN0125-A 5,3	2
0	40006006000	WASHER 6MM	2
0	0966050163	OVAL HEAD SCREW DIN0966-M 5X16	2
0	0024060156	HH collar screw M6x15 TX30	4
0	0985050003	SELF LOCKING NUT DIN0985-M 5	2
0	61308023010	SPLASH PROTECTION	1
0	0081050121	EJOT PT screw K50x12	4
0	312305	DOCUMENTS BAG 2006	1
0	3210040	CUSTOMER WELCOME LETTER	1
0	312313	KTM BALLPOINT PEN ORANGE	1
0	00063004202	PRINT LABEL 60X51 MM	1
0	62111059060	COVER POSITIVE POLE	1
0	60012081200	license plate mouning plate	1
0	3212678DE/ENE	PP STREET FOLDER 2016	1
0	3212683ENE	PW STREET FOLDER 2016	1
0	00063099111	BAG FOR INSTR. MANUAL 245X170	1
1	3213534EN	Own. manual 1290 Super Duke R 2017	1
2	61329099200	Tool set	1
3	53012024100	SCREW DRIVER L=105MM	1
4	60029070300	T-WRENCH WS=6/8/10/TX45/SK4X1	1
9	53012028200	GRIP ORANGE B&F	1
13	60012015000	HELMET LOCK 04	1
14	61329085000	HOOK WRENCH ECCENTRIC REAR WH.	1
15	61329083000	HOOK WRENCH MONOSHOCK	1

18733

* NEW PART X ON DEMAND



POS	PARTNUMBER	PARTNAME	PIECE
1	61642031044	ABS Module filled	1
2	61342040000	SUPPORT ABS-MODULE	1
3	61342041000	COLLAR BUSH 6,5X9X18X8,5	3
4	62142041000	DAMP. COMPONENT ABS MODUL	3
5	62113020100	banjo bolt M10x1x19.5	8
6	0603100141	sealing ring DIN 7603 10x14x1	22
7	0025060206	HH collar screw M6x20 TX30	3
8	61342046000	SUPPORT ABS-PIPE D7,5	3
9	0025060306S	HH collar screw M6x30 TX30	1
10	61342001000	BRAKE HOSE HAND BRAKE CYLINDER	1
11	61342002000	BRAKE HOSE REAR BRAKE CONTROL	1
13	61342004010	BRAKE HOSE MODULE / CON. PIECE	1
14	61342004020	BRAKE HOSE CON. PIECE / R. CYL	1
15	69013025000	HOLLOW SCREW M10X1X19 SW12	2
16	76042125000	ABS-SENSOR	2
17	59009062013	SPECIAL SCREW M6X13 WS=8 10.9	1
18	0025060106	HH collar screw M6x10 TX30	2
19	60311051000	BRAKE LIGHT SWITCH REAR	1
20	61642003010	Brake hose	1
21	61642003000	Brake hose	1

176164210

18724

* NEW PART

X ON DEMAND

A large, empty rectangular box with a thin black border, occupying the majority of the page. It is intended for handwritten notes.

WWW.KTM.COM



KTM Sportmotorcycle GmbH
5230 Mattighofen, Austria
www.ktm.com



KTM_POWERPARTS

KTM_POWERWEAR

KTM_ORIGINAL SPARE PARTS



F9903Q9EN

Art. Nr.: F9903Q9EN 16. Nov 2017