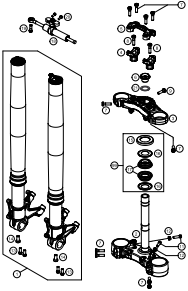
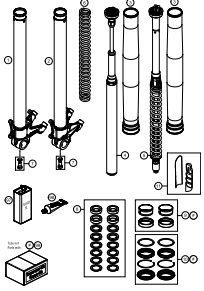
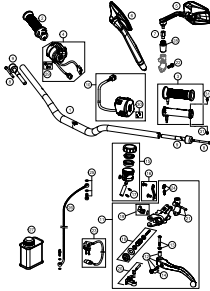
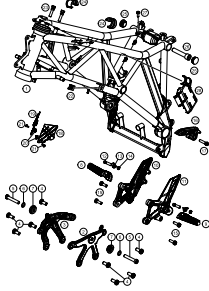
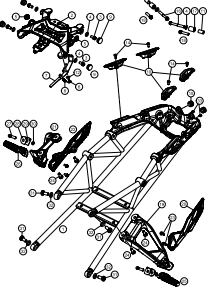
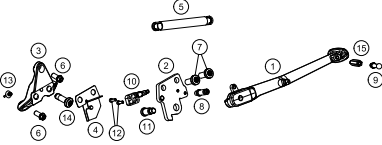
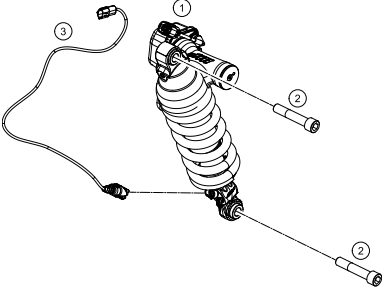
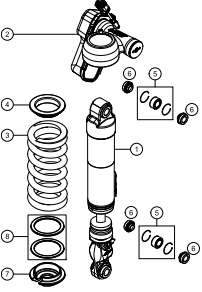
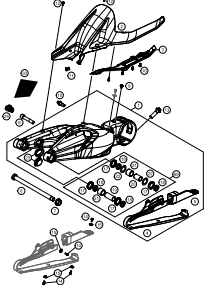
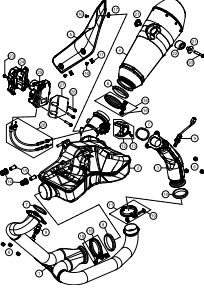
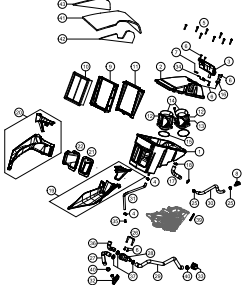
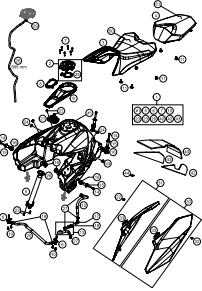


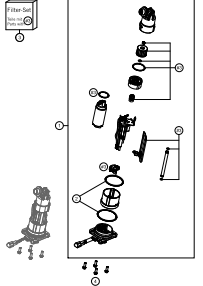
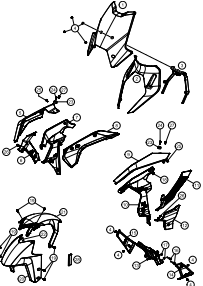
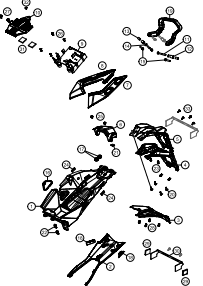
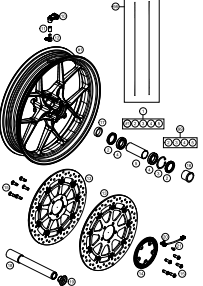
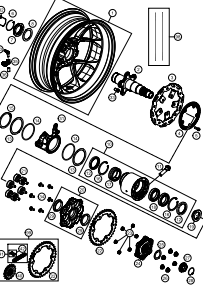
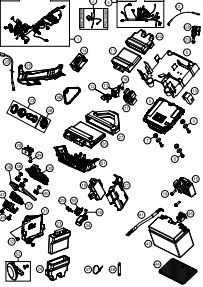
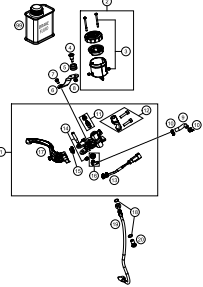
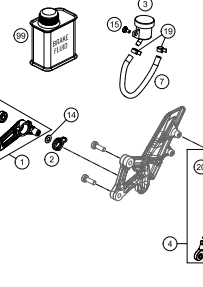
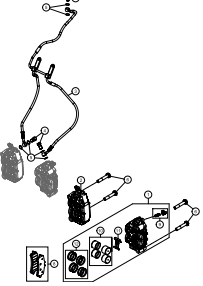
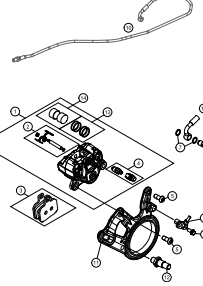
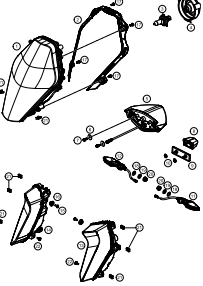
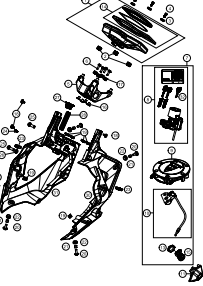
# 1290 Super Duke GT, black 2018

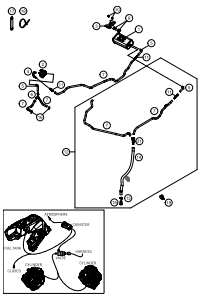
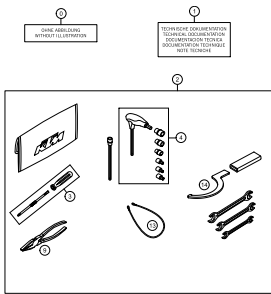
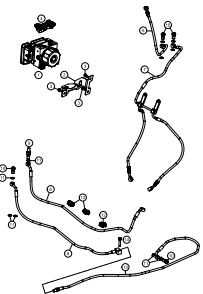

ART.-NR.: F9903REEN





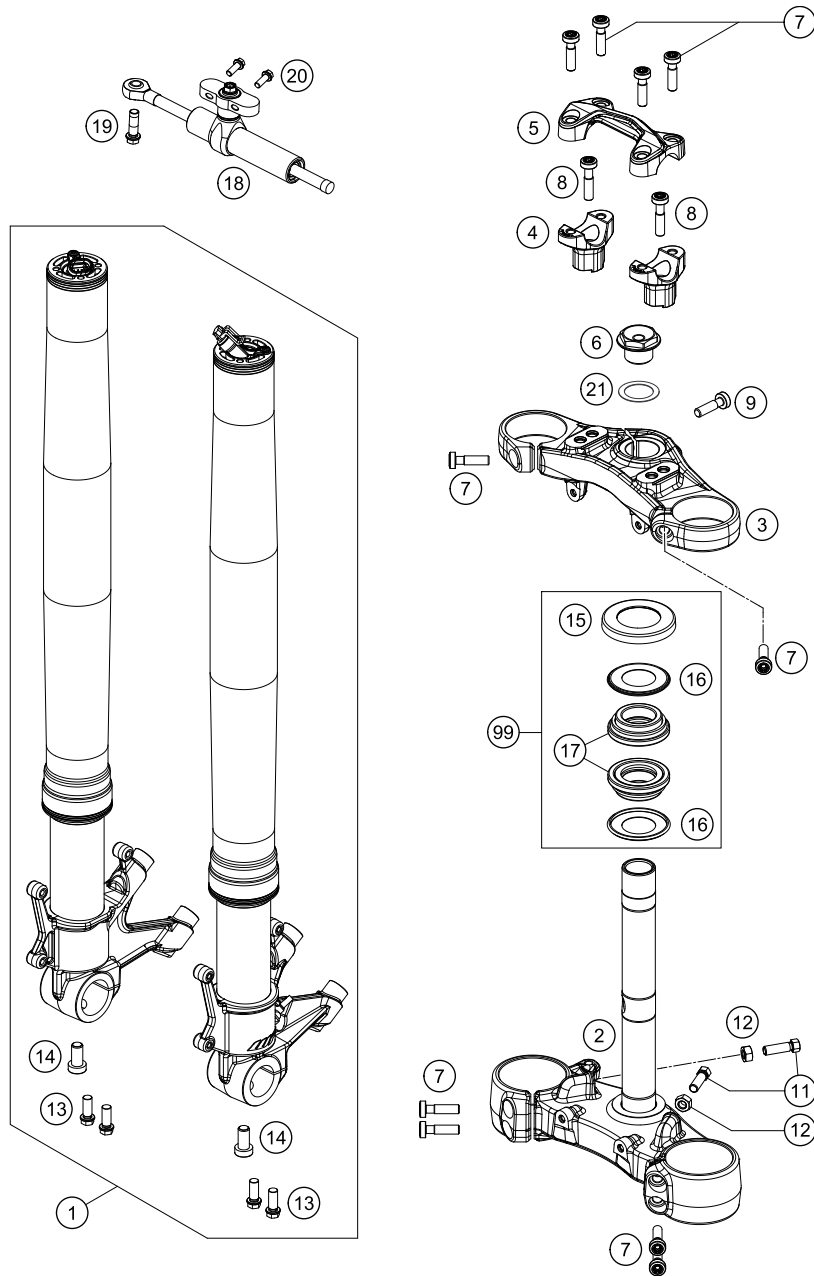
<p><b>FRONT FORK, TRIPLE CLAMP</b></p>  <p><b>4</b></p>	<p><b>FRONT FORK DISASSEMBLED</b></p>  <p><b>5</b></p>	<p><b>HANDLEBAR, CONTROLS</b></p>  <p><b>6</b></p>	<p><b>FRAME</b></p>  <p><b>7</b></p>
<p><b>SUBFRAME</b></p>  <p><b>8</b></p>	<p><b>SIDE / CENTER STAND</b></p>  <p><b>9</b></p>	<p><b>SHOCK ABSORBER</b></p>  <p><b>10</b></p>	<p><b>SHOCK ABSORBER DISASSEMBLED</b></p>  <p><b>11</b></p>
<p><b>SWING ARM</b></p>  <p><b>12</b></p>	<p><b>EXHAUST SYSTEM</b></p>  <p><b>13</b></p>	<p><b>AIR FILTER</b></p>  <p><b>14</b></p>	<p><b>TANK, SEAT, COVER</b></p>  <p><b>16</b></p>

<p><b>FUEL PUMP</b></p>  <p><b>17</b></p>	<p><b>MASK, FENDERS</b></p>  <p><b>18</b></p>	<p><b>TRIM REAR</b></p>  <p><b>19</b></p>	<p><b>FRONT WHEEL</b></p>  <p><b>20</b></p>
<p><b>REAR WHEEL</b></p>  <p><b>21</b></p>	<p><b>WIRING HARNESS</b></p>  <p><b>23</b></p>	<p><b>FRONT BRAKE CONTROL</b></p>  <p><b>25</b></p>	<p><b>REAR BRAKE CONTROL</b></p>  <p><b>26</b></p>
<p><b>FRONT BRAKE CALIPER</b></p>  <p><b>27</b></p>	<p><b>REAR BRAKE CALIPER</b></p>  <p><b>28</b></p>	<p><b>LIGHTING SYSTEM</b></p>  <p><b>29</b></p>	<p><b>INSTRUMENTS / LOCK SYSTEM</b></p>  <p><b>30</b></p>

<p><b>EVAPORATIVE CANISTER</b></p>  <p style="text-align: right;"><b>31</b></p>	<p><b>SEPERATE ENCLOSURE</b></p>  <p style="text-align: right;"><b>32</b></p>	<p><b>ANTIBLOCK SYSTEM ABS</b></p>  <p style="text-align: right;"><b>33</b></p>	
	<div style="display: flex; align-items: center;">  <p>                     All information contained is without obligation. KTM Sportmotorcycle GmbH particularly reserves the right to modify any equipment, technical specifications, prices, colors, shapes, materials, services, service work, constructions, equipment and the like so as to adapt them to local conditions or to cancel any of the above items, all without previous announcement and without giving reasons. KTM may stop manufacturing certain models without previous notice. KTM shall not be held liable for any deviations of availability and/or ability to deliver, illustrations, descriptions, printing and/or other errors. The illustrated models partly contain extra equipment, which is not applied to standard models.                       © by KTM Sportmotorcycle GmbH, Mattighofen AUSTRIA; All rights reserved; Reprint, also in extracts, with written allowance of KTM Sportmotorcycle GmbH, Mattighofen only.                 </p> </div>		

# FRONT FORK, TRIPLE CLAMP

1290 Super Duke GT, black 2018



POS	PARTNUMBER	PARTNAME	PIECE
1	14181Q2301	Fork Safe SD GT 1290 2017	1
2	6140103202933S	BOTTOM TRIPLE CLAMP CPL.	1
3	6140103402933S	UPPER TRIPLE CLAMP	1
4	6140103904233S	HANDLE BAR SUPPORT	2
5	6130103800033S	HANDLEBAR CLAMP	1
6	6900103600001	STEERING HEAD SCREW 09	1
7	0035080306	SHCS M8x30 TX45	10
8	0032100356S	AH-COLLAR SCREW M10X35 ISA45	2
9	0035080306S	AH-COLLAR SCREW M8X30 ISA45	1
11	59001037000	SPECIAL SCREW M8X26 WS=10	2
12	0934080003	HEXAGON NUT DIN0934-M 8	2
13	0025080206	HH collar screw M8x20 TX40	4
14	00501020S1	AH SCREW M10X20 SET	2
15	69001086100	PROT. RING STEER. HEAD BEARING	1
16	69001084100	Steering head gasket	2
17	69001081000	STEERINGHEAD BEARING CPL.	2
18	16181N52ES	STEERING DAMPER CPL. STROKE 75	1
19	0025080256S	HH COLLAR SCREW M8X25 TX40	1
20	0025060206S	HH collar screw M6x20 TX30	2
21	0988253505	thrust wash DIN0988-25x35x0,5	1
99	69001081044	STEERING HEAD REP. KIT RC8	1

176140110

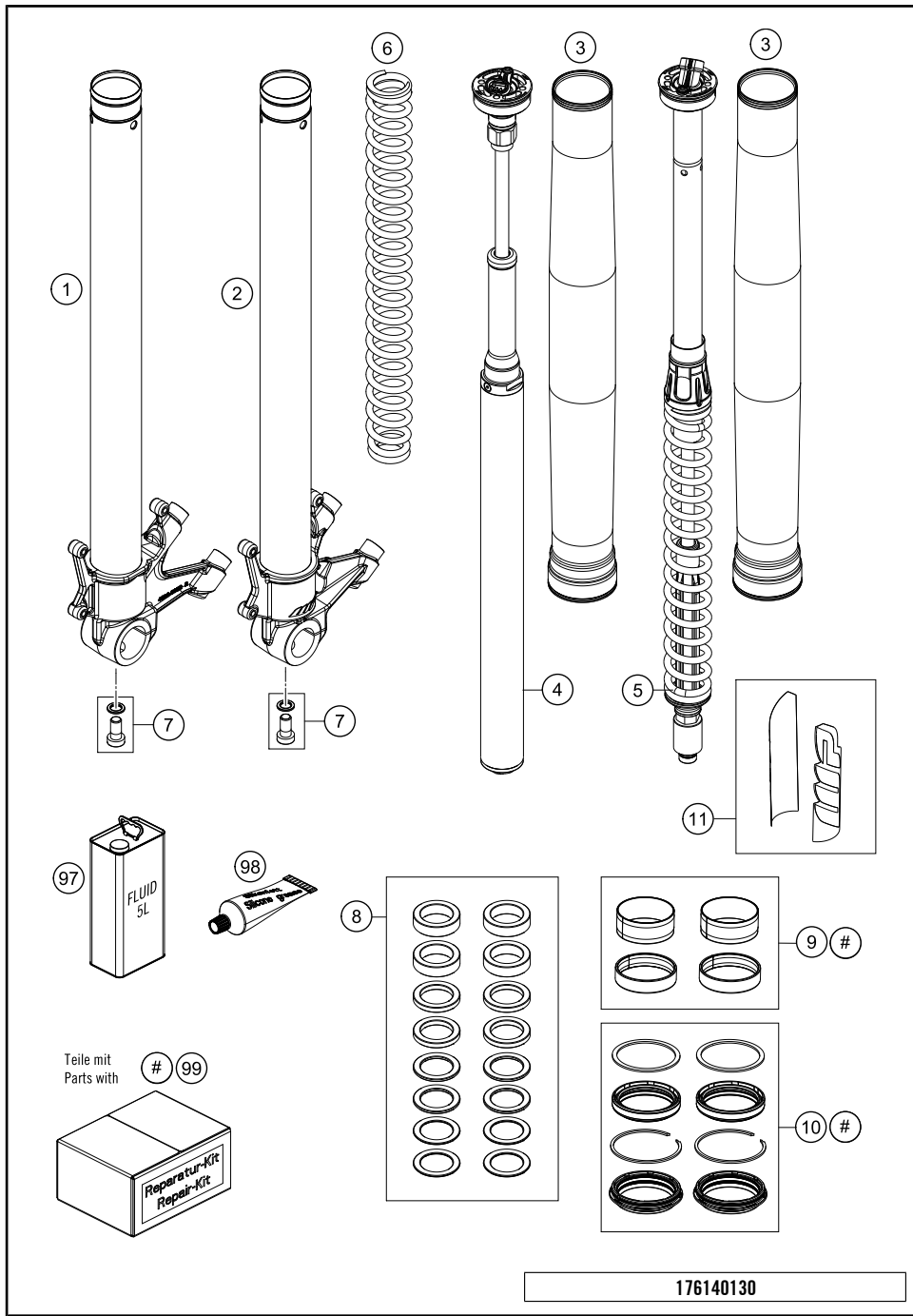
49501

\* NEW PART

X ON DEMAND

# FRONT FORK DISASSEMBLED

1290 Super Duke GT, black 2018



POS	PARTNUMBER	PARTNAME	PIECE
1	48601082S2	AXLE CLAMP W. INNER TUBE R/S	1
2	48601081S2	AXLE CLAMP W. INNER TUBE L/S	1
3	48601099	OUTER TUBE L=550 D54/D60 3L	2
4	48SAF1Q23R	Cartridge SAF right + pipe	1
5	48SAF1Q23L	Cartridge SAF left + pipe	1
6	91410122	FORKSPRING	1
7	00501020S1	AH SCREW M10X20 SET	2
8	R14054	REP. KIT SPACER	1
9	R14047	REP. KIT GUIDE BUSHINGS	1
10	R14040	GASKET KIT CPL.	1
11	52000147	Stickerkit fork 175x45	1
97	48601166S1	FORK OIL SAE4 5L	1
98	T14034	Fuchs grease IPR (250g)	1
99	R14063	FORK REP. KIT 48MM OFFROAD	1

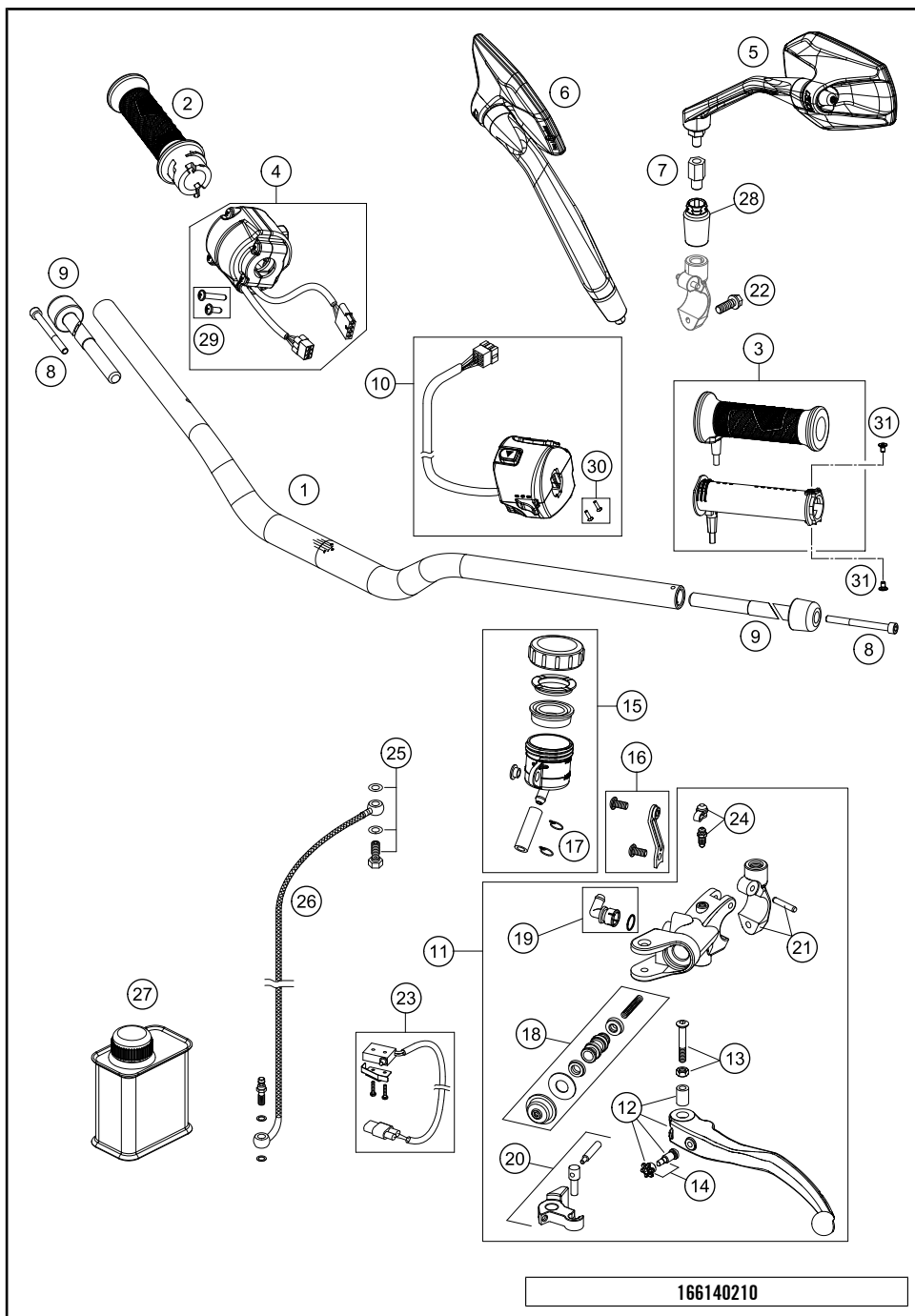
176140130

18853

\* NEW PART X ON DEMAND

# HANDLEBAR, CONTROLS

1290 Super Duke GT, black 2018



POS	PARTNUMBER	PARTNAME	PIECE
1	6140200100017	HANDLEBAR L=743MM DK=28.5MM	1
2	60402010200	Grip tube with heating	1
3	60402052200	Fixed grip with heating	1
4	60411074000	EMGCY OFF SWITCH SPEED CONTROL	1
5	61312040200	MIRROR LEFT CPL.	1
6	61312041200	MIRROR RIGHT CPL.	1
7	61312040050	ADAPTOR FOR MIRROR	2
8	0912060653	SHCS DIN 912 M6x65	2
9	61002004000	handlebar weight	2
10	60311070100	HANDLEBAR SWITCH	1
11	6130203014430	MASTER CYLINDER CPL.	1
12	6130203100030	CLUTCH LEVER CPL.	1
13	50302038200	LEVER SCREW SHORT CPL. 09	1
14	61002043000	ADJUSTING SCREW CPL.	1
15	61002055144	RESERVOIR CPL.	1
16	61302055050	RETAINING PLATE RESERVOIR	1
17	58007117000	YDNAC-CLAMP 10107 10MM	2
18	59413008000	REP. SET PISTON D=12MM 2007	1
19	61002051144	ANGLE PIECE CPL. (DOT)	1
20	61002056000	ROCKER CPL. 05	1
21	6130204400030	CLAMP MIRROR W. TENSION PIN	1
22	0025060126	HH collar screw M6x12 TX30	1
23	83111049000	CLUTCH SWITCH ATV	1
24	61002054000	BLEEDER SCREW WITH CAP	1
25	59032062000	HOLLOW SCREW + COPPER GASKET	1
26	61032063100	CLUTCH PIPE	1
27	00062030000	BRAKE FLUID DOT5.1 0,25L	1
28	61312040030	RUBBER SLEEVE	2
29	76011073110	SCREW SET START-STOP SWITCH	1
30	60311070110	SCREW SET HANDLEBAR SWITCH	1
31	60402052010	EJOT SPIRAL SCREW SF M4X6-K	2

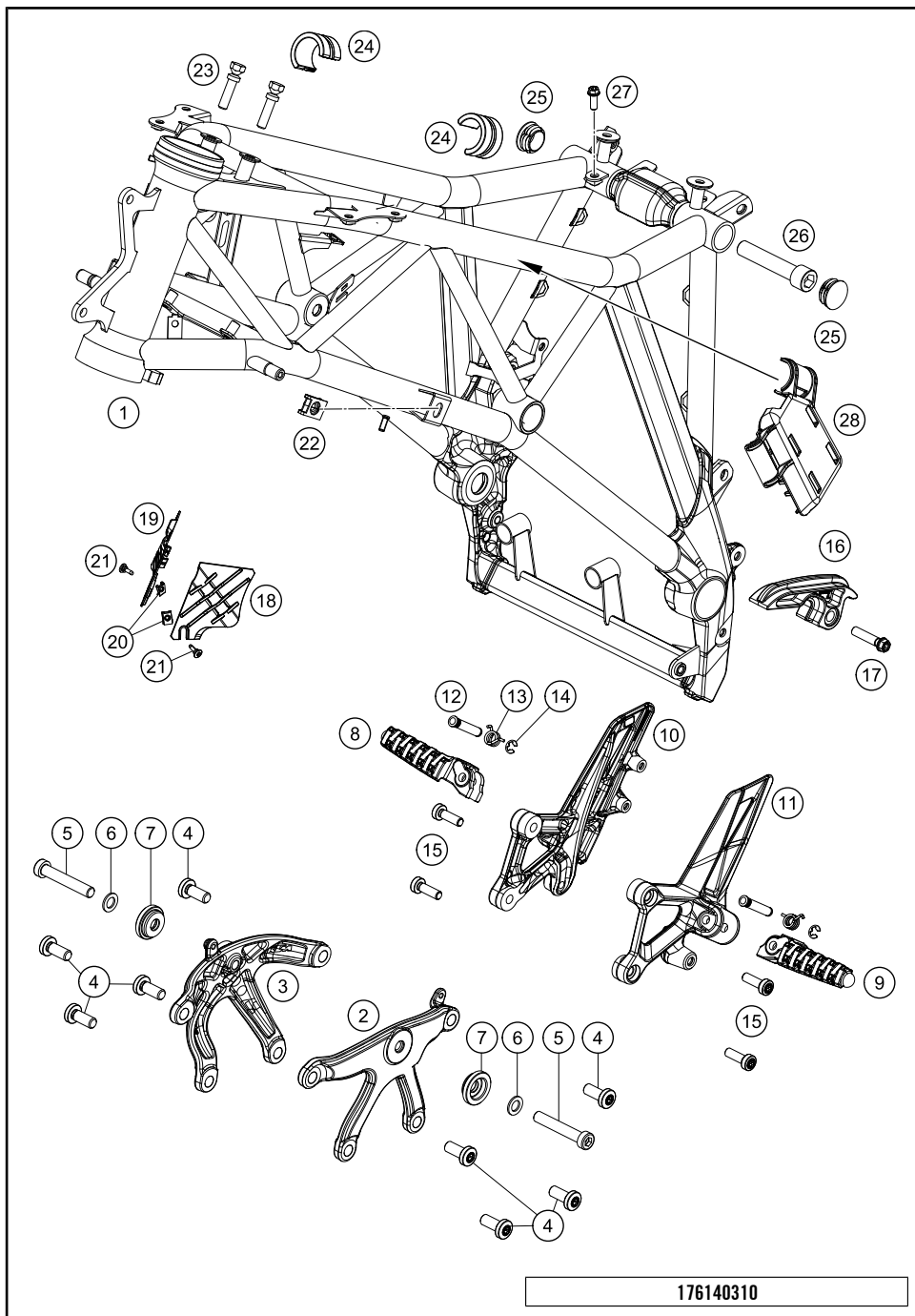
166140210

49504

\* NEW PART

X ON DEMAND





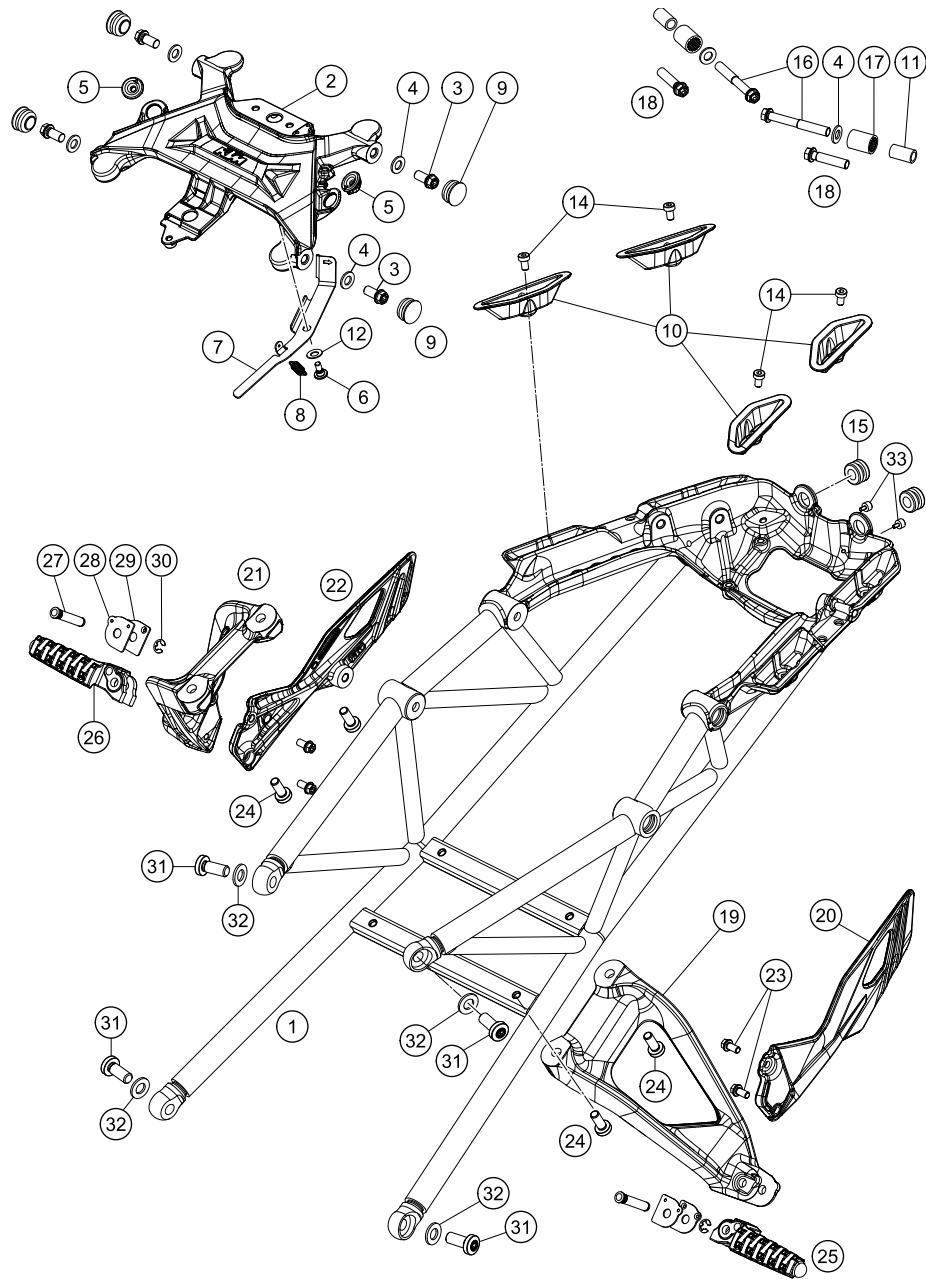
POS	PARTNUMBER	PARTNAME	PIECE
1	61403001300EB	Frame "614QA" el Orange	1
2	6030300500033S	ENGINE SUPPORTL/S BLACK	1
3	6030300600033S	ENGINE SUPPORT R/S BLACK	1
4	0035100249	SHCS M10x24 TX45	8
5	0035100609S	AH-COLLAR SCREW M10X60 ISA45	2
6	0433100003	WASHER 18x10,5x1,6	2
7	60303010000	BUSHING MOTOR MOUNTING	2
8	6900314100033S	FOOTREST FRONT R/S 13	1
9	6900314000033S	FOOTREST FRONT L/S 13	1
10	6130303910033S	FOOTREST SUPPORT FRONT R/S BL.	1
11	6130313800033S	FOOTREST PLATE FR. L/S	1
12	60003044100	footrest bolt, rear	2
13	61003042000	SPRING FOOTREST FRONT 05	2
14	0799060003	retaining washer DIN 6799 - 6	2
15	0035080256	AH-COLLAR SCREW M8X25 ISA45	4
16	61304076000	CHAIN SLIDING BLOCK-FRAME	1
17	0025080356	HH collar screw M8x35 TX40	1
18	61303085000	FRAME COVER L/S	1
19	61403086000	FRAME COVER RIGHT	1
20	69008021080	clip nut M5	2
21	69008021060	special screw M5x17	2
22	54603048000	RANGE CHANGE METAL NUT M8	1
23	61111064000	TAMPER-PROOF SCREW 07	2
24	61007014000	SPACER FUEL TANK 05	2
25	61303088000	PLUG SFL 22X0,8-3,0	2
26	60004017000	SCREW M14X1,5 L=73MM 03	1
27	0025060126	HH collar screw M6x12 TX30	1
28	61412032040	TPMS holder	1

176140310

18854

\* NEW PART

X ON DEMAND



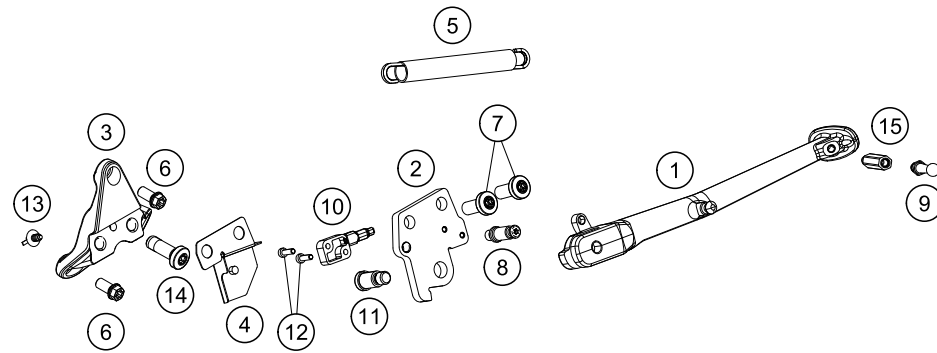
166140320

POS	PARTNUMBER	PARTNAME	PIECE
1	6140300210033	TAILBOOM BLACK	1
2	6140300213091	Cross stiffener back	1
3	0025080166S	HH collar screw M8x16 TX40 SL	4
4	0125080003	washer DIN 125 A -8.4	6
5	47106003160	quick release rubber grommet	2
6	69013099050	SCREW F. EXPANSION TANK	1
7	61407050050	SEAT LOCK PLATE	1
8	69008025080	SPRING F. REAR SEAT LOCK	1
9	61303088000	PLUG SFL 22X0,8-3,0	4
10	61403002055	SHELL KIT SIDECASE	1
11	61407049000	BUSHING 8.4X12X21.5	2
12	61403002032	Wave spring	1
14	0984060103	AH SCREW DIN7984-M 6X10	4
15	61013013000	RUBBER BUSH 05	2
16	0025080606	HH COLLAR SCREW M8x60 TX40	2
17	60307048000	RUBBER SEAT-CONTACT SURFACE	2
18	0025080356	HH collar screw M8x35 TX40	2
19	6140304800033S	LEFT PILLION STEP HOLDER	1
20	6140304805033S	LEFT PILLION HEEL GUARD	1
21	6140304900033S	RIGHT PILLION STEP HOLDER	1
22	6140304905033S	RIGHT PILLION HEEL GUARD	1
23	0025060126	HH collar screw M6x12 TX30	4
24	0035080206S	SHCS M8x20 TX45	4
25	6900305003333S	FOOTREST REAR L/S CPL.	1
26	6900305103333S	FOOTREST REAR R/S CPL.	1
27	60003044100	footrest bolt, rear	2
28	60003052000	ENGAGE PANEL FOOTREST R/S 03	2
29	60003152000	ENGAGE PANEL FOOTREST L/S 03	2
30	0799060003	retaining washer DIN 6799 - 6	2
31	0035100249	SHCS M10x24 TX45	4
32	0125100003	washer DIN 125 A 10.5	4
33	61414040010	RUBBER MOUNTING	2

18855

\* NEW PART

X ON DEMAND



POS	PARTNUMBER	PARTNAME	PIECE
1	6100302313333S	SIDE STAND W. MAGNET	1
2	61303028000	SIDE STAND MOUNTING	1
3	6130302600033S	SIDE STAND BRACKET	1
4	61303027000	SCREENING SHEET	1
5	60303024100	SIDE STAND SPRING	1
6	0025080166S	HH collar screw M8x16 TX40 SL	2
7	0035100249	SHCS M10x24 TX45	2
8	61303028001	SPEC. SCREW SIDE STAND SPRING	1
9	61303023020	STEP PLATE SIDE STAND	1
10	60411045000	SIDE STAND SENSOR	1
11	62503027200	SCREW FOR SIDE STAND M10X31,2	1
12	0084040123	CYL.HEAD SCREW DIN84A M4x12	2
13	61011094000	CABLE TIE WITH PLUG M6	1
14	0035100309S	SHCS M10x30 TX45	1
15	61303023030	EXTENDER STEP PLATESIDESTAND	1

176140360

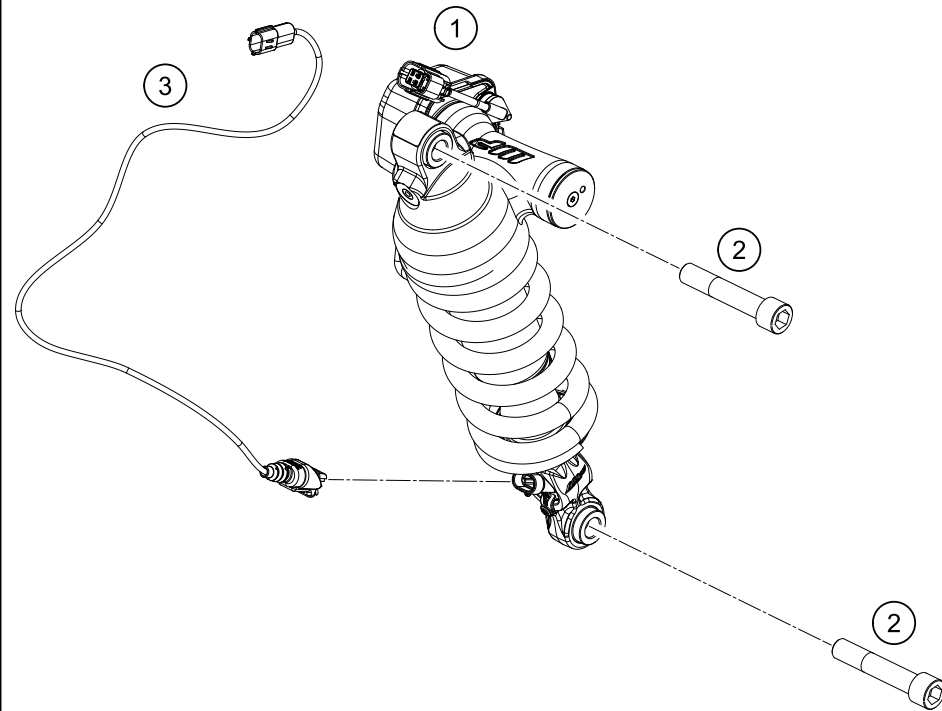
18614

\* NEW PART

X ON DEMAND

# SHOCK ABSORBER

1290 Super Duke GT, black 2018



POS	PARTNUMBER	PARTNAME	PIECE
1	01181Q2301	Monoshock Safe SD GT 2017 WP	1
2	60004017000	SCREW M14X1,5 L=73MM 03	2
3	61411015000	HARNESS MONOSHOCK SAFE	1

166140410

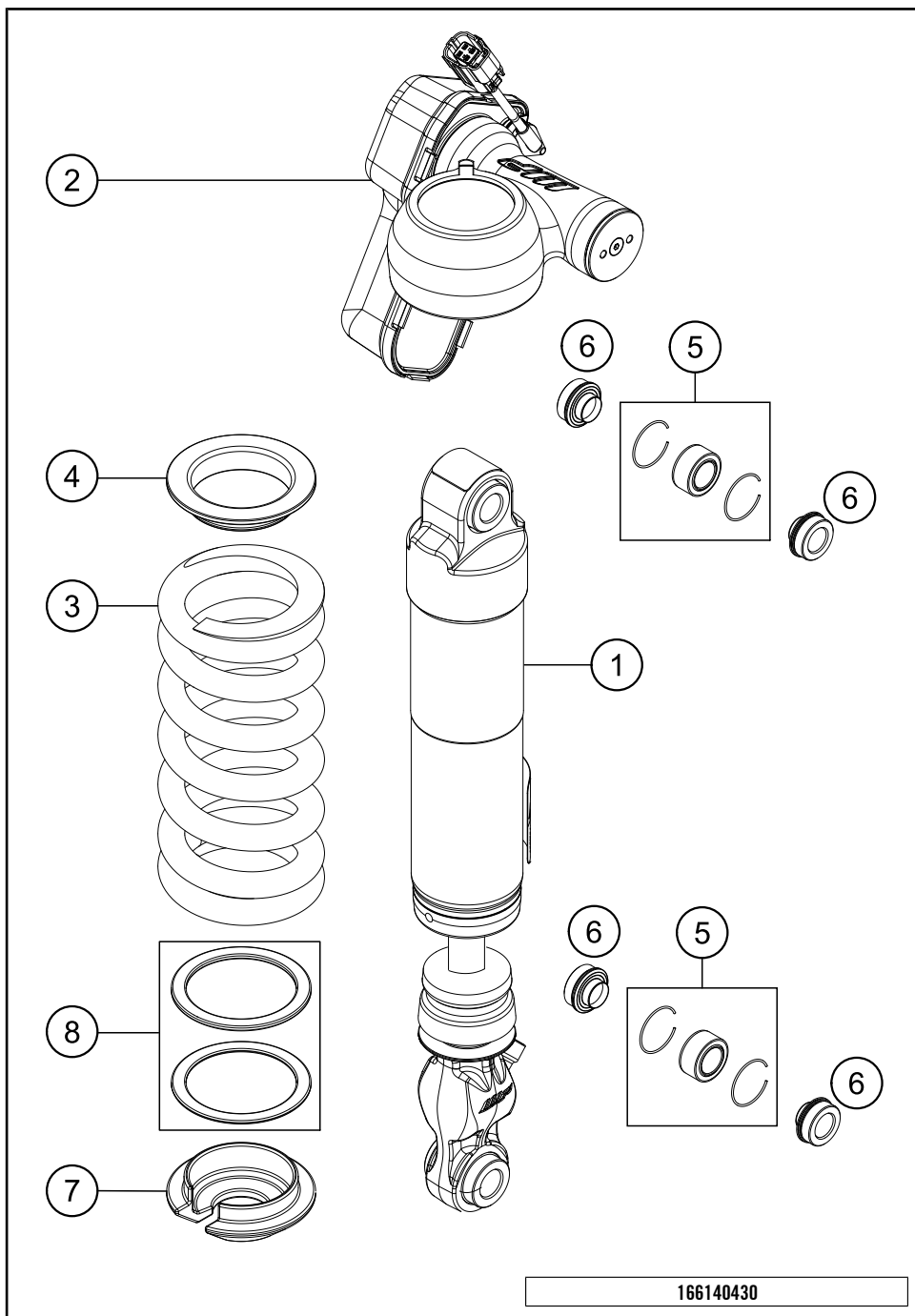
18856

\* NEW PART

X ON DEMAND

# SHOCK ABSORBER DISASSEMBLED

1290 Super Duke GT, black 2018



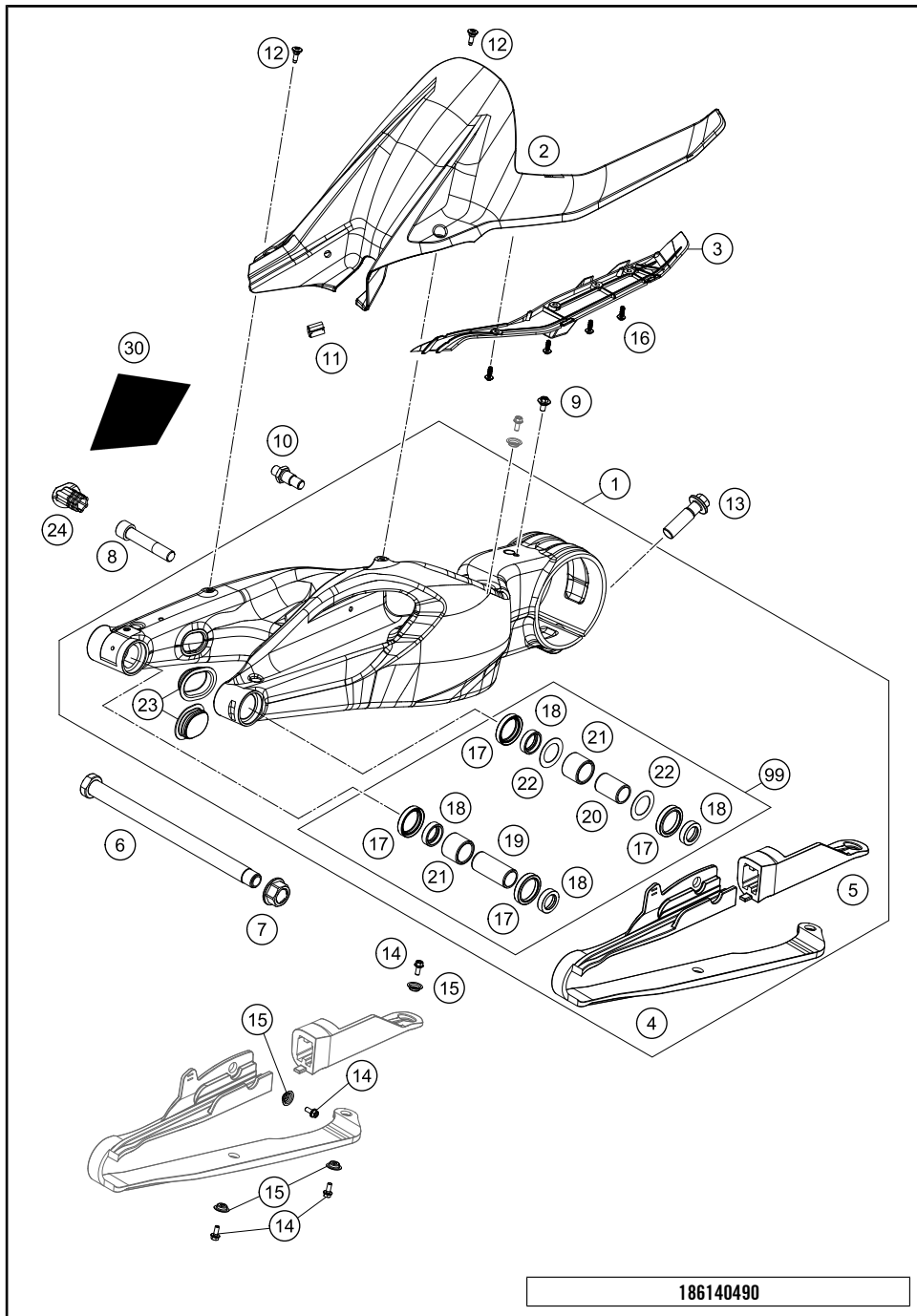
POS	PARTNUMBER	PARTNAME	PIECE
1	46812014s2	Monoshock assembly group	1
2	11000P05	PA UNIT CPL.	1
3	91010347	SPRING (59) 185-185	1
4	14460661	SPRING CENTERING	1
5	R12012	REP. KIT BEAR./SEAL UP. 07	2
6	46181307E	Bushing D14 + lip seal	4
7	46181299	Spring retainer H=15 D=28	1
8	RP10009	WASHER SET D73	1

166140430

18857

\* NEW PART

X ON DEMAND



POS	PARTNUMBER	PARTNAME	PIECE
1	6140403004433A	SWINGARM CPL. SD-GT 16	1
2	61304050100	REARFENDER	1
3	61304051000	BRACKET SPLASH PROTECTOR	1
4	61304060000	CHAIN SLIDING GUARD FRONT	1
5	61304070000	CHAIN SLIDING GUARD REAR	1
6	69004037244	SWING ARM BOLT	1
7	60004038200	COLLAR NUT M19X1,5 SW=27MM	1
8	60004017000	SCREW M14X1,5 L=73MM 03	1
9	83008000012	special screw M6x12x3	1
10	76004142000	BOLT BRAKE SADDLE BRACKET	1
11	61304042000	CABLE SUPPORT	1
12	69008021060	special screw M5x17	2
13	61310021000	HH COLLAR SCREW M16X1,5X55	1
14	0025050126	HH collar screw M5x12 TX30	4
15	46104066050	BUSH FOR CHAINSLIDER GUARD 02	4
16	0081050141	EJOT PT screw K50x14	4
17	0760304073	SHAFT SEAL RING 30X40X7	4
18	60004034000	BUCKET F. SHAFT SEAL RING 03	4
19	69004032000	INNER RING JR 20X25X56,5	1
20	60004032000	INNER RING JR20X25X38,5 03	1
21	60004031000	NEEDLE BUSH HK2526B 03	2
22	60004033000	STOP DISK 03	2
23	61304041100	CLOSING COVER SWINGARM	2
24	61604041040	Plug	1
30	61604030010	Swing protective foil sw.	1
99	69004230010	SWING ARM REP. KIT 08-14	1

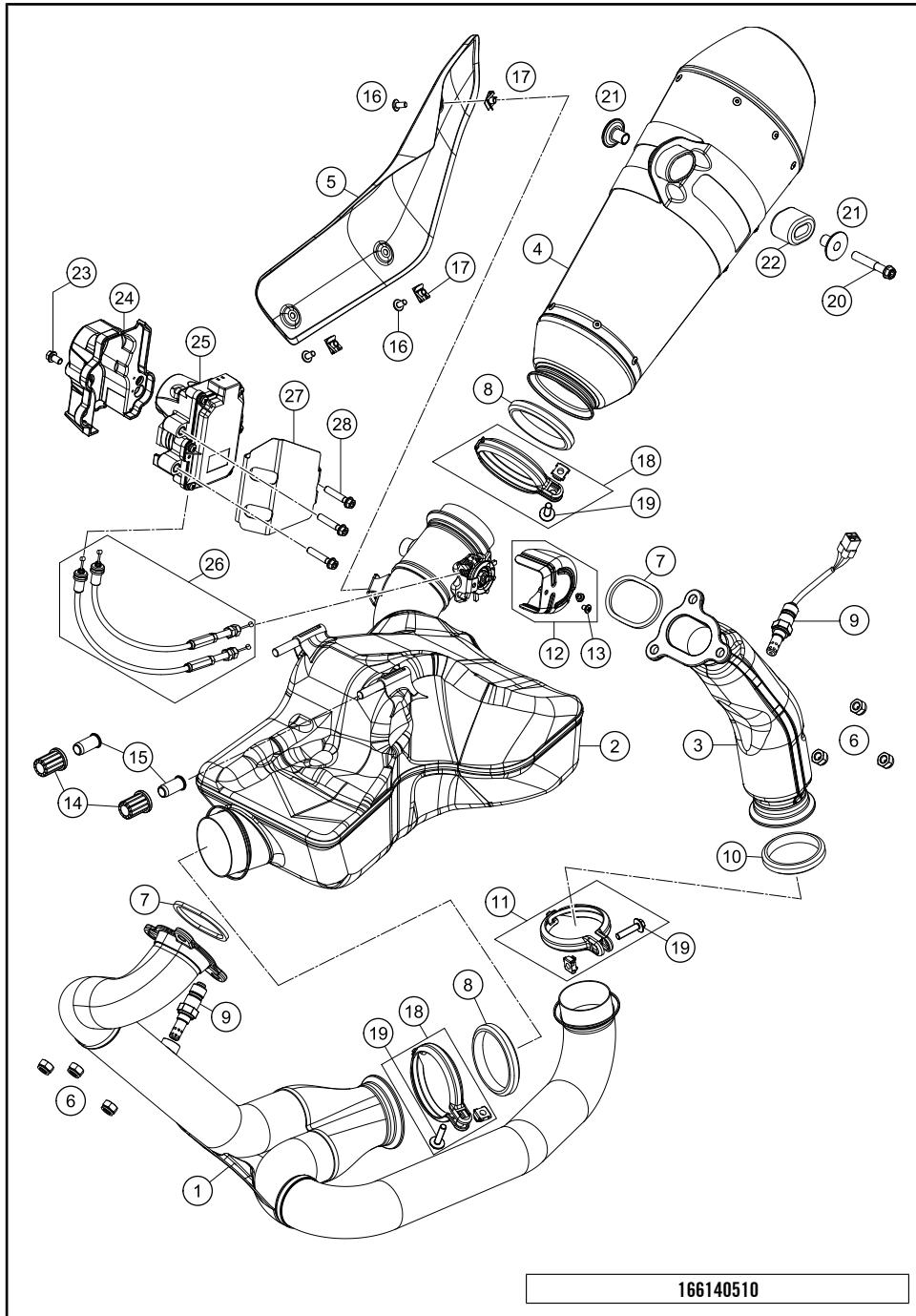
186140490

49499

\* NEW PART X ON DEMAND

# EXHAUST SYSTEM

1290 Super Duke GT, black 2018



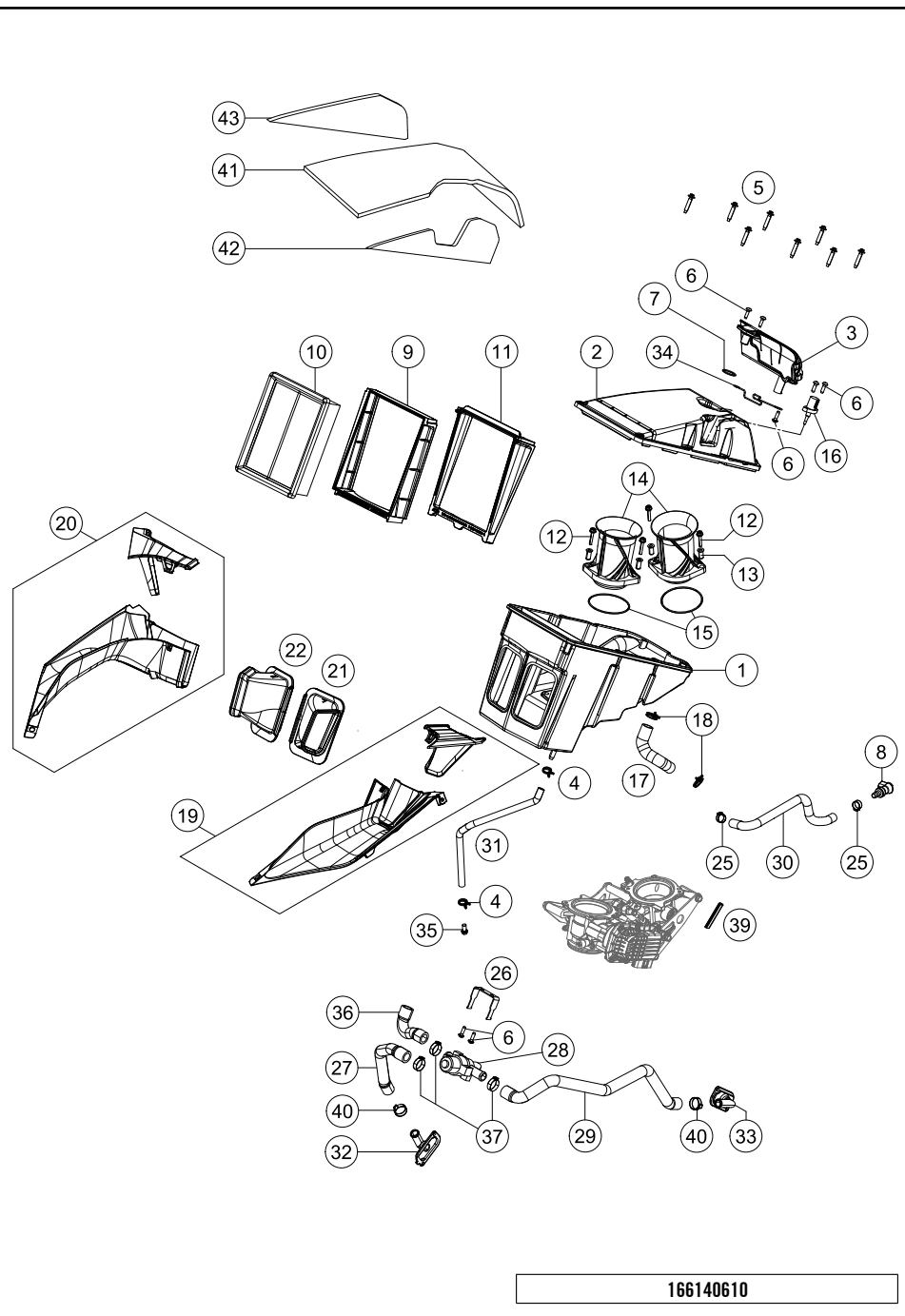
POS	PARTNUMBER	PARTNAME	PIECE
1	61305007300	Manifold front	1
2	61405050000	SILENCER	1
3	60405008000	MANIFOLD W. INTEG. INSULATION	1
4	61305083000	SILENCER CPL.	1
5	6140501100033	HEAT PROTECTOR BLACK	1
6	51010086100	self-locking nut M8 Cu	6
7	69005005100	EXHAUST PIPE FLANGE GASKET	2
8	61305005005	MANIFOLD GASKET 60MM	2
9	75041090100	LAMBDA SENSOR	2
10	69005005005	MANIFOLD GASKET	1
11	69005050000	CLAMP CPL.	1
12	61405095050	COVER FLUE GAS DAMPER	1
13	60402052010	EJOT SPIRAL SCREW SF M4X6-K	2
14	61005013000	RUBBER SILENCER SUPPORT 05	2
15	61005014000	SLEEVE SILENCER SUPPORT 05	2
16	78105081010	SCREW TORX M5X10	3
17	69008021080	clip nut M5	3
18	61305090000	EXHAUST CLAMP CPL. 60MM	2
19	0024060256	HH COLLAR SCREW M6X25 TX30	3
20	0025080506	HH collar screw M8x50 TX40	1
21	61305069000	BUSHING 8,5X11X29	2
22	61305068000	DAMPING RUBBER	1
23	0025060106	HH collar screw M6x10 TX30	1
24	61441070050	COVER EXHAUST FLAP CONTROL MOT	1
25	61441070000	EXHAUST FLAP CONTROL MOTOR	1
26	61441071000	BOWDEN CABELS EXHAUST FLAP	1
27	61441070060	HEAT PROTECTION CAP SERVOMOTOR	1
28	0025060306	HH collar screw M6x30 TX30	3

166140510

49528

\* NEW PART

X ON DEMAND



POS	PARTNUMBER	PARTNAME	PIECE
1	60306001200	AIR FILTER HOUSING LOWER PART	1
2	60306002000	AIR FILTER BOX COVER	1
3	60330088100	OIL SEPARATOR	1
4	58031005000	CLAMP YDNAC 10128 12MM	2
5	0017060305	SPECIAL SCREW K60X30 WS=6	8
6	0081050161	EJOT PT SCREW K50X16 1451	6
7	0770021020	O-RING 21,00X2,00 NBR70	1
8	5850701050030	CLUTCH CPC BLACK 05	1
9	60406016000	FILTERCLAMPING FRAME	x
10	60306015100	AIR FILTER	1
11	60406017000	FILTERCLAMPING LINER	1
12	0025050256	HH COLLAR SCREW M5X25 ISA30	4
13	60306042010	BUSHING INTAKE TRUMPET	4
14	61341040100	INTAKE TRUMPET LENGTH 100	2
15	0770066025	O-RING 66X2,5 FKM	2
16	61041080000	AMBIENT-AIR TEMPERATURE SENSOR	1
17	60330088030	OIL SEPARATOR FOAM HOSE	1
18	58431082100	YDNAC-CLAMP 10173 (16MM) '98	2
19	61406040044	AIR INTAKE L/S CPL.	1
20	61406041044	AIR INTAKE R/S CPL.	1
21	61406040050	GASKET INTAKE CHANNEL	1
22	61406041050	GASKET INTAKE CHANNEL	1
25	00050157706	VARIABLE ONE-EAR CLAMP 15,7MM	2
26	61305031000	RETAINING BRACKET SLS	1
27	61305035021	SAS HOSE CYLINDER FRONT	1
28	61005026000	CONTROL VALVE SAS 05	1
29	61305035022	SAS HOSE CYLINDER REAR	1
30	61307016050	FUEL HOSE THROTTLE VALVE	1
31	60015019001	HOSE NBR 7X11 PER METER	1
32	61205122000	SAS flange	1
33	61205032000	SAS-FLANGE	1
34	61311099000	MOUNTING BRACKET PLUG	1
35	0025080126	HH collar screw M8x12 TX40	1
36	61305035023	SAS HOSE - AIRBOX	1
37	00050226706	VARIABLE ONE-EAR CLAMP 22,6MM	3
39	61011055045	EDGE PROTECTOR L=45MM 05	2
40	00050220706	VARIABLE ONE-EAR CLAMP 22,0MM	2
41	61306095010	INSULATION MAT MIDDLE	1

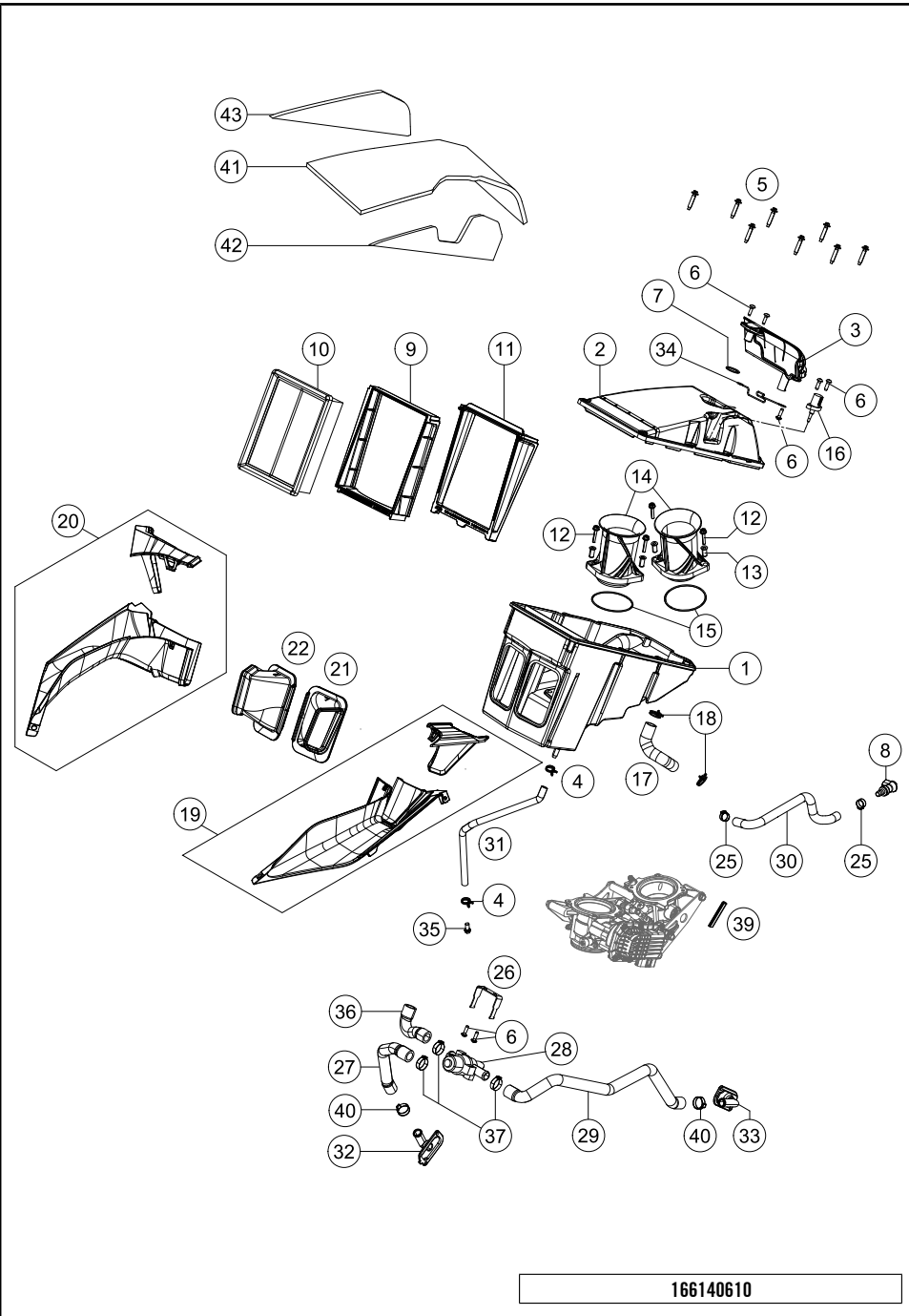
166140610

17308

\* NEW PART

X ON DEMAND





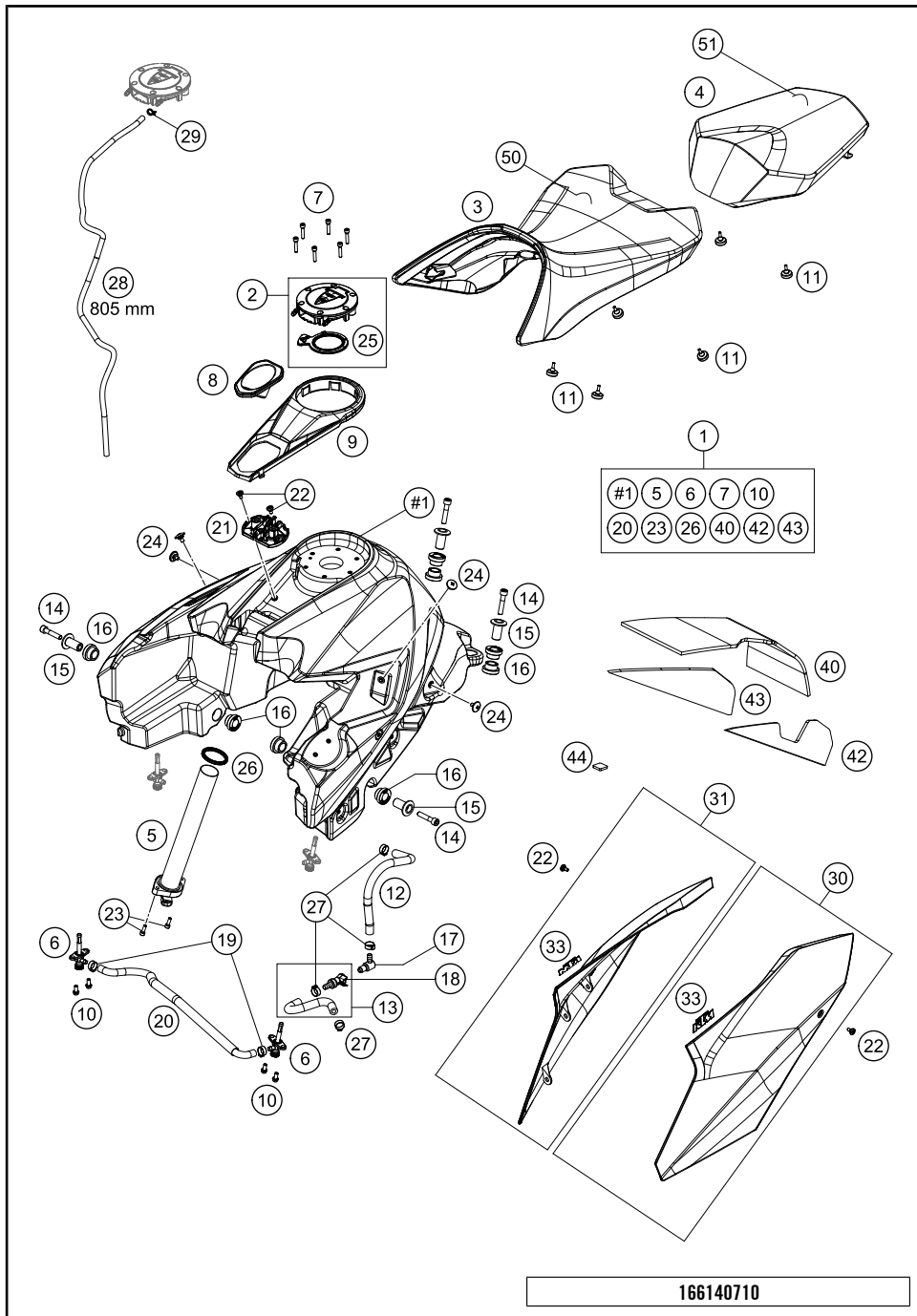
POS	PARTNUMBER	PARTNAME	PIECE
42	61306095020	INSULATION MAT L/S	1
43	61306095030	INSULATION MAT R/S	1

166140610

17308

\* NEW PART

X ON DEMAND



166140710

POS	PARTNUMBER	PARTNAME	PIECE
1	61407013144CBA	Fuel tank SD-GT black 18	1
2	61407008000	TANK CAP	1
3	61407040000	SEAT DRIVER COMPLETE	1
4	61407047000	SEAT PASSENGER	1
5	61407080000	FUEL LEVEL SENSOR	1
6	58507003200	FUEL COCK CPL.	2
7	0912050253	AH SCREW DIN0912-M 5X25	6
8	61407059000	LOCK COVER	1
9	61407058000	TANK COVER	1
10	0025060126	HH collar screw M6x12 TX30	4
11	60006001021	DISTANCE RUBBER AIRBOX 03	6
12	61407016050	FUEL HOSE DKK	1
13	62607016044	FUEL HOSE CPL.	1
14	0912080403	SHCS DIN 912 M8x40	4
15	61007060000	collar bushing, bearing, outside	4
16	61007065000	collar bushing, front tank holder	8
17	7720701000030	PLUG CPC	1
18	5850701050030	CLUTCH CPC BLACK 05	1
19	58031005000	CLAMP YDNAC 10128 12MM	2
20	61407018000	TANK COMPENSATION TUBE	1
21	61407058050	HOSE HOLDER	1
22	69008021160	special screw M5x12	2
23	0912050163	AH SCREW DIN0912-M 5X16	2
24	58407011100	SCREW FOR SEAT M6X11,5/8	4
25	60307008190	GASKET TANK CAP	1
26	60307080090	GASKET FUEL LEVEL SENSOR	1
27	00050157706	VARIABLE ONE-EAR CLAMP 15,7MM	5
28	60007126001	HOSE 5,4X9,4 NBR, METER	1
29	58007117000	YDNAC-CLAMP 10107 10MM	1
30	61408050100KCA	Tank spoiler, left dark galv. SD-GT 18	1
31	61408051100KCA	Tank spoiler, right dark galv. SD-GT 18	1
33	61408098000	DEKOR "KTM" 3D 1290 SUPERD. GT	2
40	61306095010	INSULATION MAT MIDDLE	1
42	61306095020	INSULATION MAT L/S	1
43	61306095030	INSULATION MAT R/S	1
44	61408015030	METAMOLL F. TAIL LIGHT COVER	2
50	61407040050	SEAT COVER DRIVER	1
51	61407047050	SEAT COVER SOZIUS	1

49544

\* NEW PART

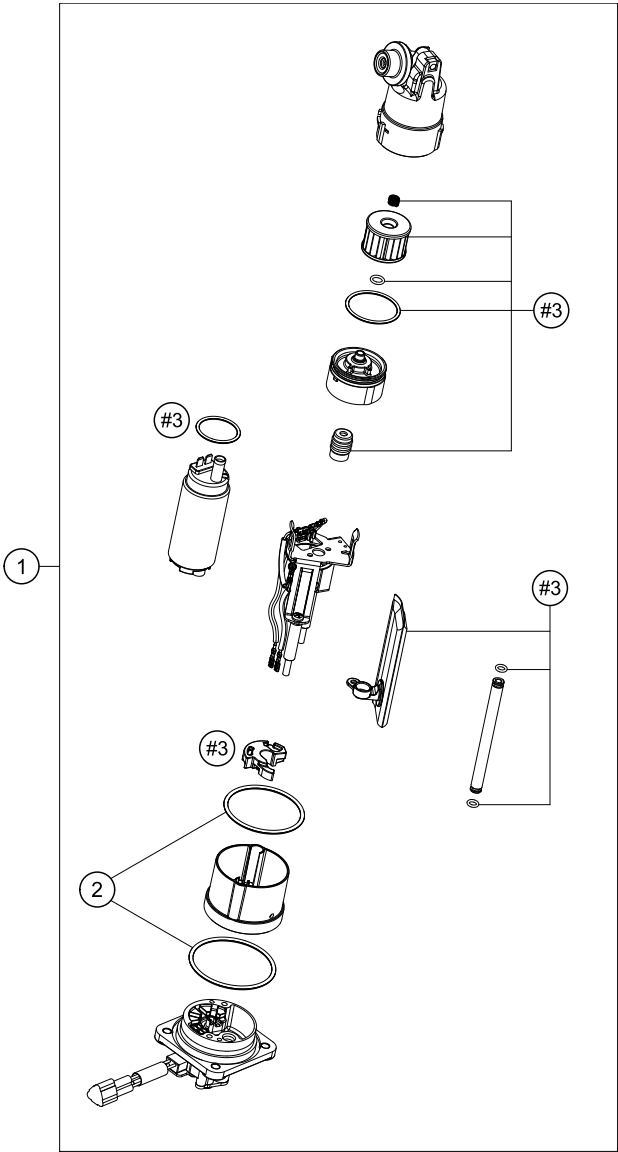
X ON DEMAND

# FUEL PUMP

1290 Super Duke GT, black 2018

Filter-Set  
Teile mit #3  
Parts with #3

3



4

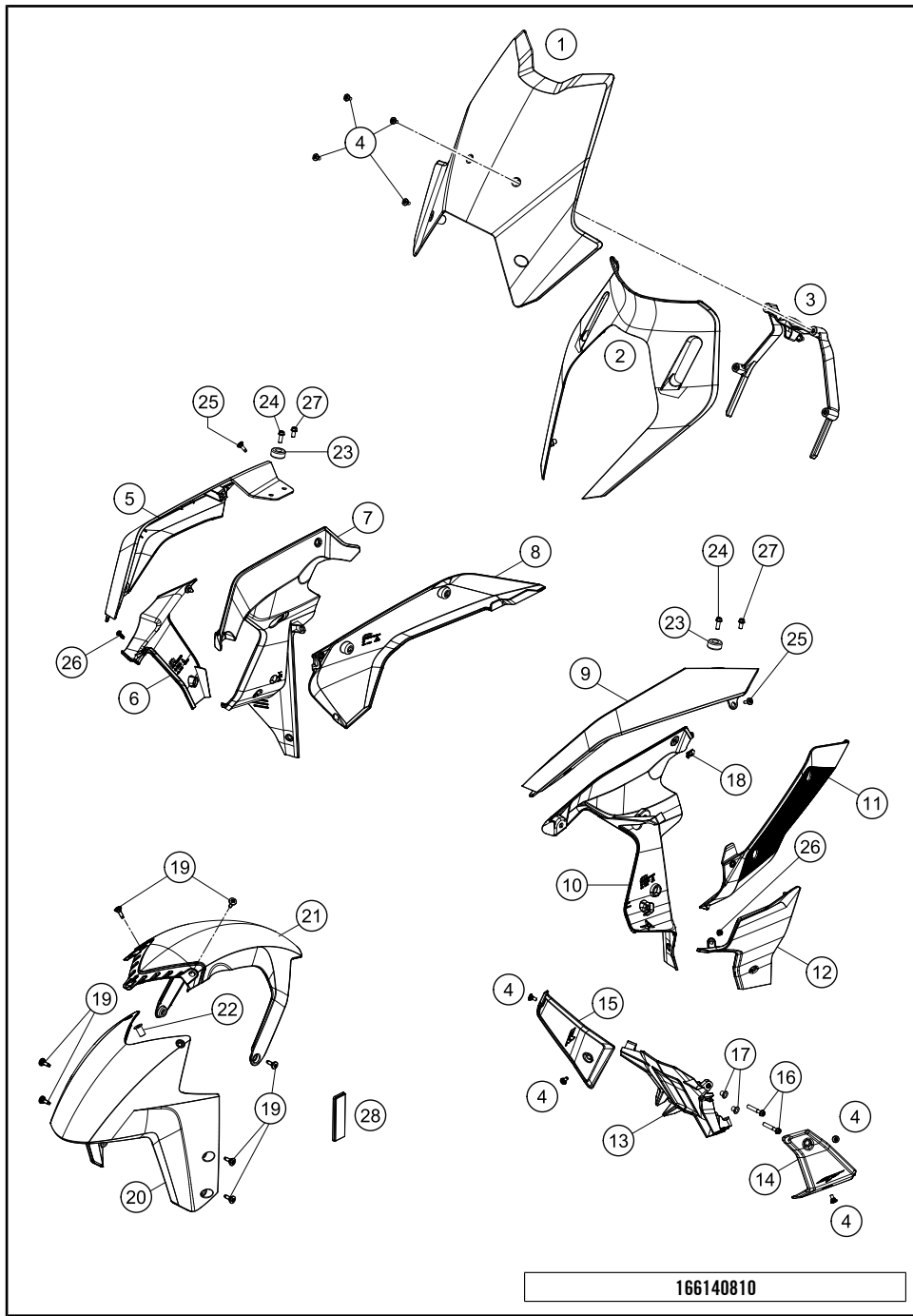
166140730

POS	PARTNUMBER	PARTNAME	PIECE
1	60307088000	FUEL PUMP	1
2	61007089000	O-RING SET FOR FUEL PUMP 05	1
3	61007090100	FILTER-SET FUEL PUMP	1
4	0025060166	HH collar screw M6x16 TX30	4

17313

\* NEW PART

X ON DEMAND



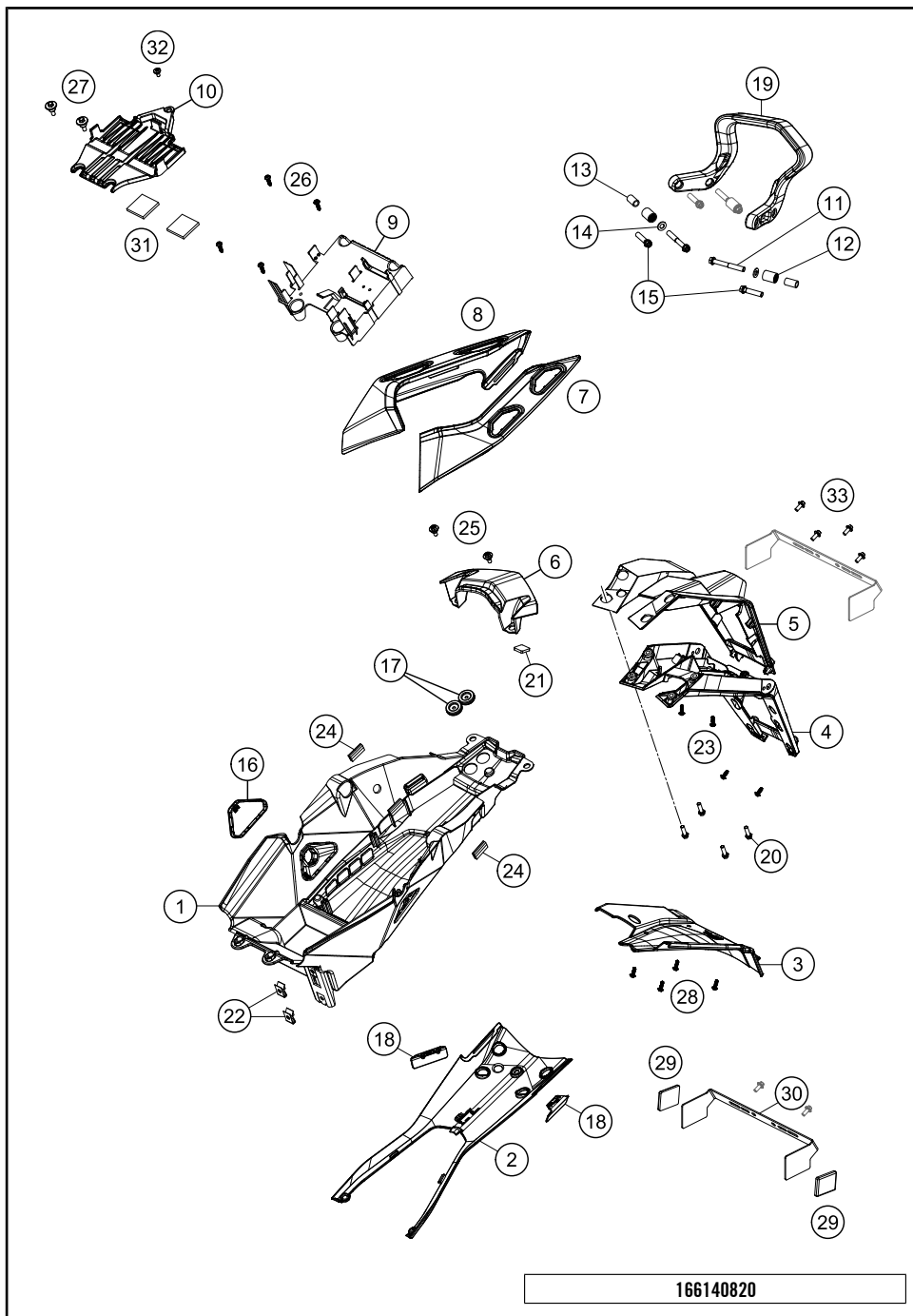
POS	PARTNUMBER	PARTNAME	PIECE
1	61408008000	WINDSHIELD EU	1
2	61408001000	HEADLIGHT MASK	1
3	61408008050	WINDSHIELD GUIDING	1
4	69008021160	special screw M5x12	8
5	61408003000CB	Side fairing, right	1
6	61408061000	COOLER SPOILER RIGHT	1
7	61408026100	INNER COVER RIGHT	1
8	61408063000	LOWER TANKCOVER RIGHT	1
9	61408002000CB	Side fairing, left	1
10	61408027100	INNER COVER LEFT	1
11	61408062000	LOWER TANKCOVER LEFT	1
12	61408060000	COOLER SPOILER LEFT	1
13	61408021000	MOUNTING FRONTSPOILER	1
14	61408021010	BELLY PAN LE	1
15	61408021020	BELLY PAN RH	1
16	0025060356	HH collar screw M6x35 TX30	2
17	45239060050	COLLAR BUSHING 6,3X8X13X9,5	2
18	69008021080	clip nut M5	2
19	69008021060	special screw M5x17	10
20	61308010000CB	Fender	1
21	6130801100033	REAR FENDER BLACK	1
22	60008008050	blind plug nut M5 WN16A	2
23	50307014000	TANK ROLLER 12X26X12 '98	2
24	0025060166	HH collar screw M6x16 TX30	2
25	69008021060	special screw M5x17	2
26	0081050121	EJOT PT screw K50x12	2
27	0025060126	HH collar screw M6x12 TX30	2
28	60012080100	SIDE REFLECTOR YELLOW "CEV"	2

166140810

49542

\* NEW PART

X ON DEMAND

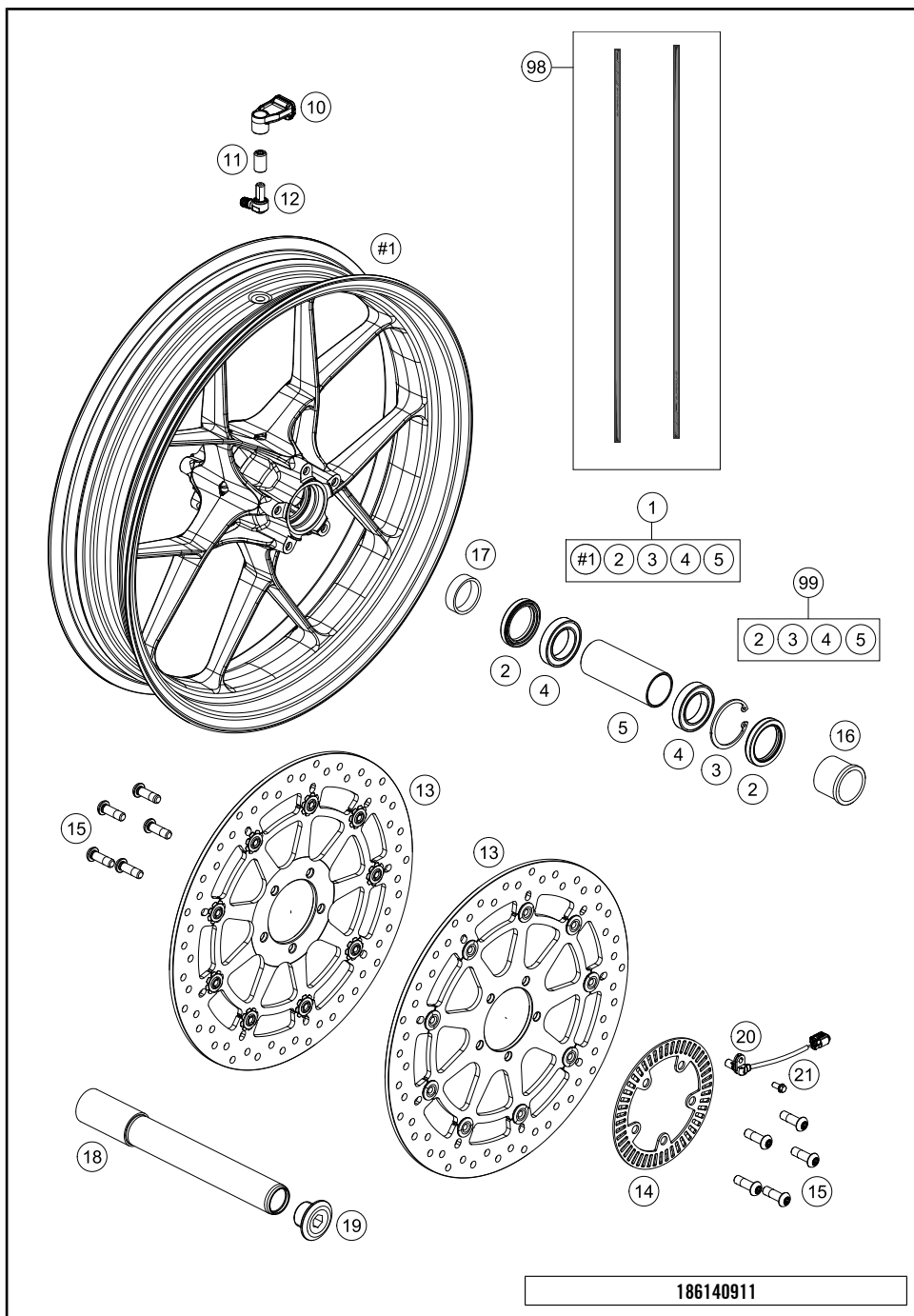


POS	PARTNUMBER	PARTNAME	PIECE
1	61408019000	TAIL UNDERPART	1
2	61408019050KC	Bottom rear spoiler	1
3	61408023010	SPLASH PROTECTOR	1
4	61408023000	NPC LOWER PART	1
5	61408022000	NPC UPPER PART	1
6	61408015020	TAIL LIGHT COVER	1
7	61408042000KCA	Rear fairing, left dark galv. SD-GT 18	1
8	61408041000KCA	Rear fairing, right dark galv. SD-GT 18	1
9	61408018010	MCU HOLDER	1
10	61411054000	BATTERY HOLDER	1
11	0025080606	HH COLLAR SCREW M8x60 TX40	2
12	60307048000	RUBBER SEAT-CONTACT SURFACE	2
13	61407049000	BUSHING 8.4X12X21.5	2
14	0125080003	washer DIN 125 A -8.4	2
15	0025080356	HH collar screw M8x35 TX40	2
16	61408019040	HEATINGSWITCH COVER	1
17	60006001023	RUBBER SLEEVE STOP SCREW	2
18	61403002059	PANNIER HOOK DAMPING RUBBER	2
19	61412008000	PILLION HANDLE BAR	1
20	0025060206	HH collar screw M6x20 TX30	4
21	61408015030	METAMOLL F. TAIL LIGHT COVER	1
22	54603048100	clip nut M6	2
23	0081050121	EJOT PT screw K50x12	4
24	58312085100	EDGE PROTECTOR PER METER	1
25	83008100015	SPECIAL SCREW M6X15X5,5	2
26	0081050181	SCREW FOR PLASTIC K50X18 T20	4
27	60035001000	SPECIAL SCREW M6X21 WS=8	2
28	0081050141	EJOT PT screw K50x14	4
29	16512180100	SIDE REFLECTOR RED REAR USA ONLY	2
30	62512081100	BRACKET SIDE REFLECTOR USA ONLY	1
31	61411054050	BATTERY HOLDER ABSORBER	2
32	69008021160	special screw M5x12	1
33	0014050123	HH COLLAR SCREW M 5X12 WS=6	4

\* NEW PART X ON DEMAND

# FRONT WHEEL

# 1290 Super Duke GT, black 2018

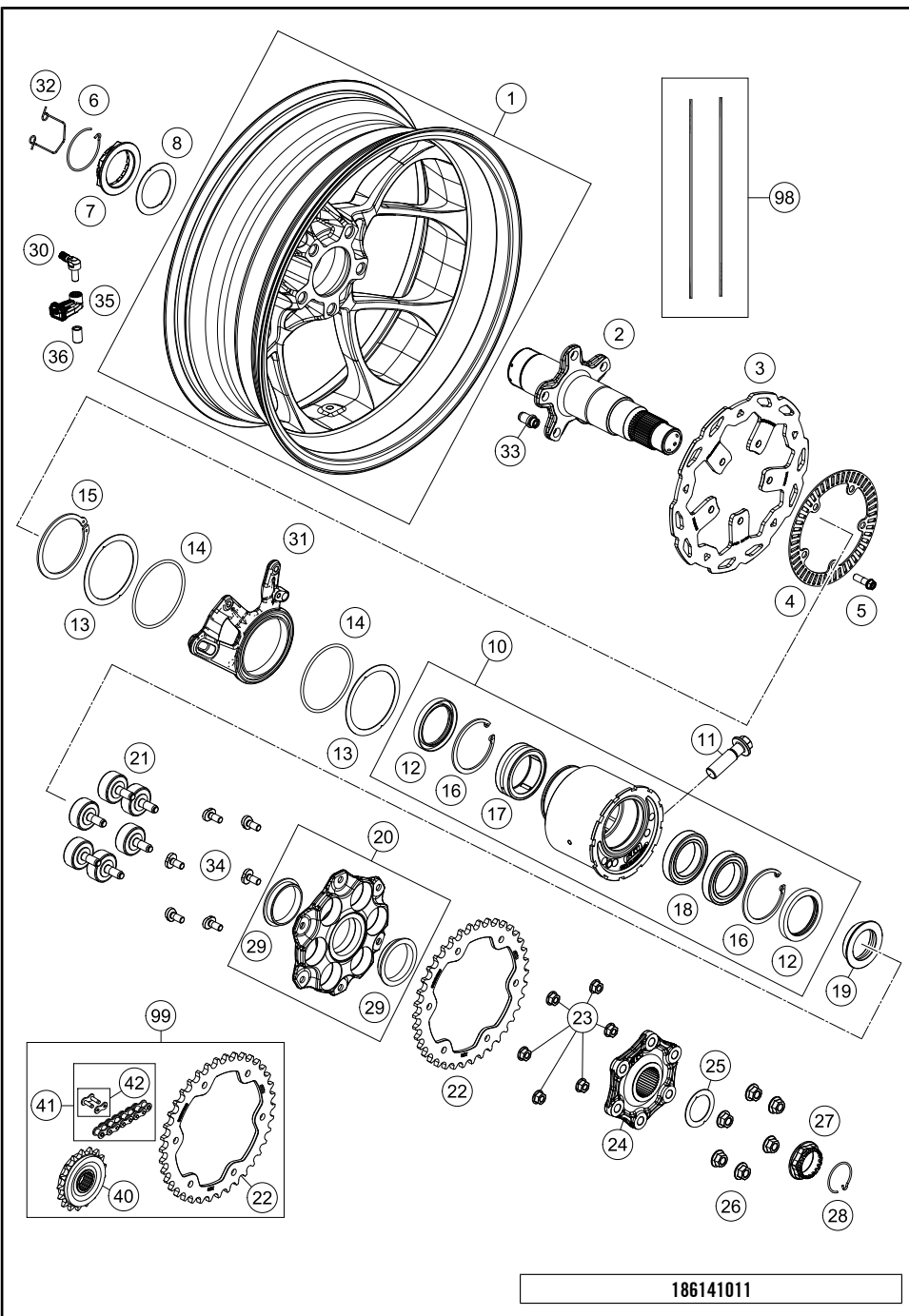


POS	PARTNUMBER	PARTNAME	PIECE
1	6130900114430	FRONT WHEEL 3,5X17" BLACK	1
2	0760354771	SHAFT SEAL RING 35X47X7 TC	2
3	0472047175	CIRCLIP DIN0472-47X1,75	1
4	0625069068	GR.BALL BEAR.6906 DDU2CG23S6NM	2
5	61009011000	BEARING SPACER TUBE FRONT 05	1
10	61412033000	TIRE PRESSURE SENSOR SMALL	1
11	61412033050	NUT F. TYRE-PRESSURE SENSOR SM	1
12	61412033060	VALVE 8,5MM 90° F. TPMS SMALL	1
13	6130906000033	BRAKE DISK D=320/5	2
14	76042020000	SENSORGEAR FRONT	1
15	76009062000	SPECIAL SCREW M8X25 SS TX40	10
16	61009012000	SPACER BUSH. FR. WHEEL L/S 05	1
17	60009013000	SPACER BUSH. FR. WHEEL R/S 03	1
18	61009081000	WHEEL SPINDEL FRONT 05	1
19	61009082000	AH SCREW M25X1,5 WS=12 05	1
20	76042025000	ABS-SENSOR	1
21	59009062013	SPECIAL SCREW M6X13 WS=8 10.9	1
98	61409098100	Decal set rim SD GT 18	1
99	61009015000	FRONT WHEEL REP. KIT	x

\* NEW PART X ON DEMAND

# REAR WHEEL

1290 Super Duke GT, black 2018



POS	PARTNUMBER	PARTNAME	PIECE
1	6141010100030	REAR WHEEL 6X17"	1
2	61310385100	Rear wheel axle	1
3	76010160000	BRAKE DISC 240MM	1
4	76042121000	SENSOR GEAR REAR	1
5	0025080256S	HH COLLAR SCREW M8X25 TX40	5
6	61310187000	SAFETY WIRE R/S	1
7	61310186000	AXLE NUT M50X1.5	1
8	61310016000	WASHER 69X1	1
10	61310010044	CLUTCH HUB HOUSING CPL.	1
11	61310021000	HH COLLAR SCREW M16X1,5X55	1
12	0760526880	SHAFT SEAL RING 52X68X8	2
13	61310019000	WASHER 94X1	2
14	0770840035	O-RING 84,00X3.5 NBR70	2
15	0471078250	CIRCLIP DIN471-78X2.5	1
16	0472068250	CIRCLIP DIN472-68X2.5	2
17	0617456822	NEEDLE BEARING RNA4909-2RSR-XL	1
18	0625061909	DEEP GROOVE BALL BEARING 61909	2
19	61310014000	SPACER RING	1
20	6131005404433S	SPROCKET SUPPORT CPL.	1
21	61310059000	JAR DAMPER	6
22	61310151038	SPROCKET STEEL DUKE 1290 Z38	1
23	54310086200	SELF LOCKING NUT M8 10.9	6
24	6131005000033S	JAR DAMPER CARRIER	1
25	76010116000	SHIM 50X1	1
26	06923100003	HEX. NUT DIN 6923 M10X1.25-10	6
27	61310086000	AXLE NUT M35X1.5	1
28	76010187000	SAFETY WIRE L/S	1
29	76010052000	IGUS BEARING D=50	2
30	61412033060	VALVE 8,5MM 90° F. TPMS SMALL	1
31	6131307500033S	BRAKE CALIPER ADAPTER BLACK	1
32	61310010011	SAFE ARMING WIRE	1
33	61310113000	DOWEL PIN M8	5
34	61310052000	SPROCKET SCREW	6
35	61412033000	TIRE PRESSURE SENSOR SMALL	1
36	61412033050	NUT F. TYRE-PRESSURE SENSOR SM	1
40	60033129017	CHAIN SPROCKET 17-T DAMPED 03	1
41	61310165118	CHAIN DID525 VAZ & MASTER LINK	1
42	61310066000	MASTER LINK FOR CHAIN DID VAZ	1

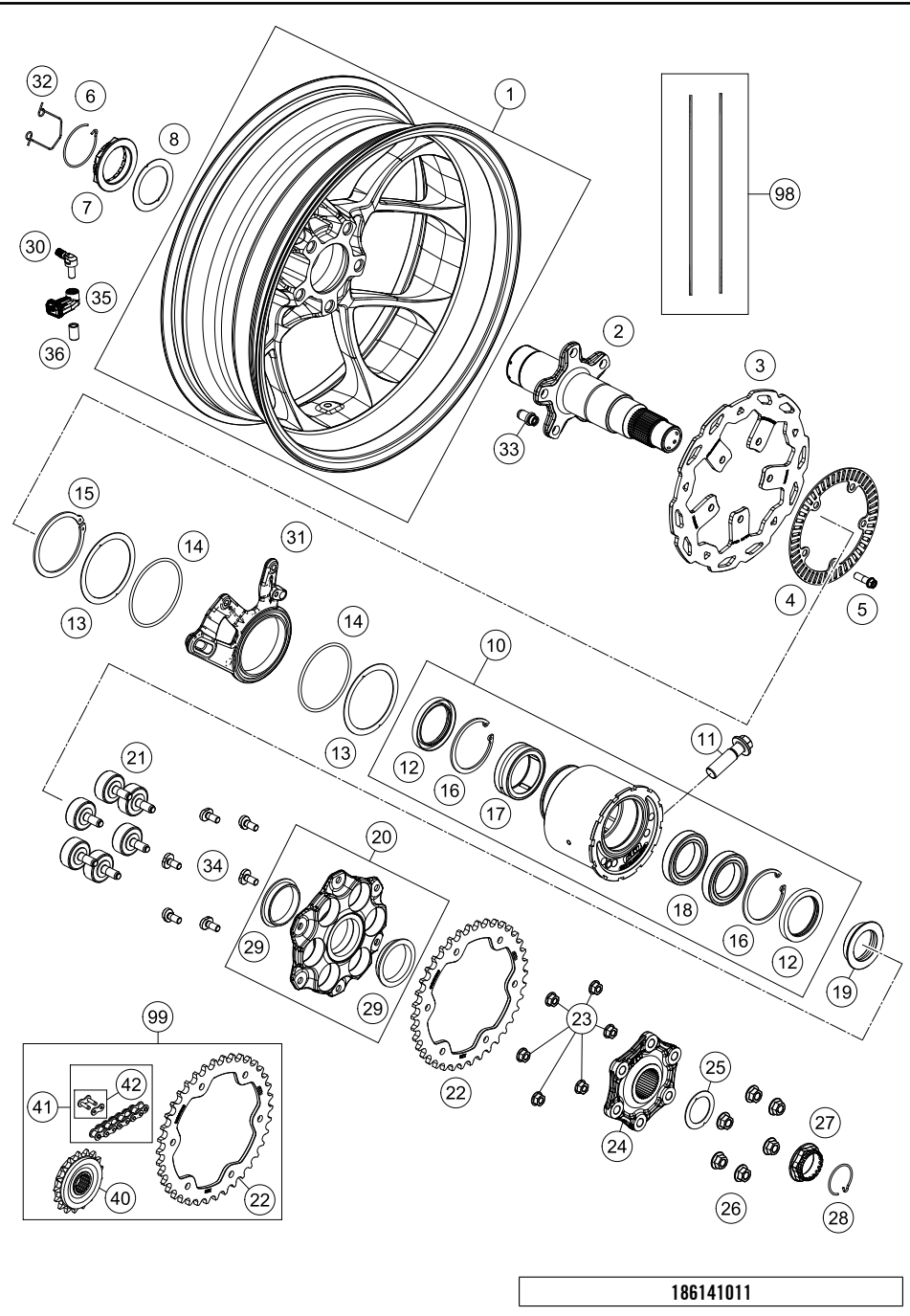
186141011

49519

\* NEW PART X ON DEMAND

# REAR WHEEL

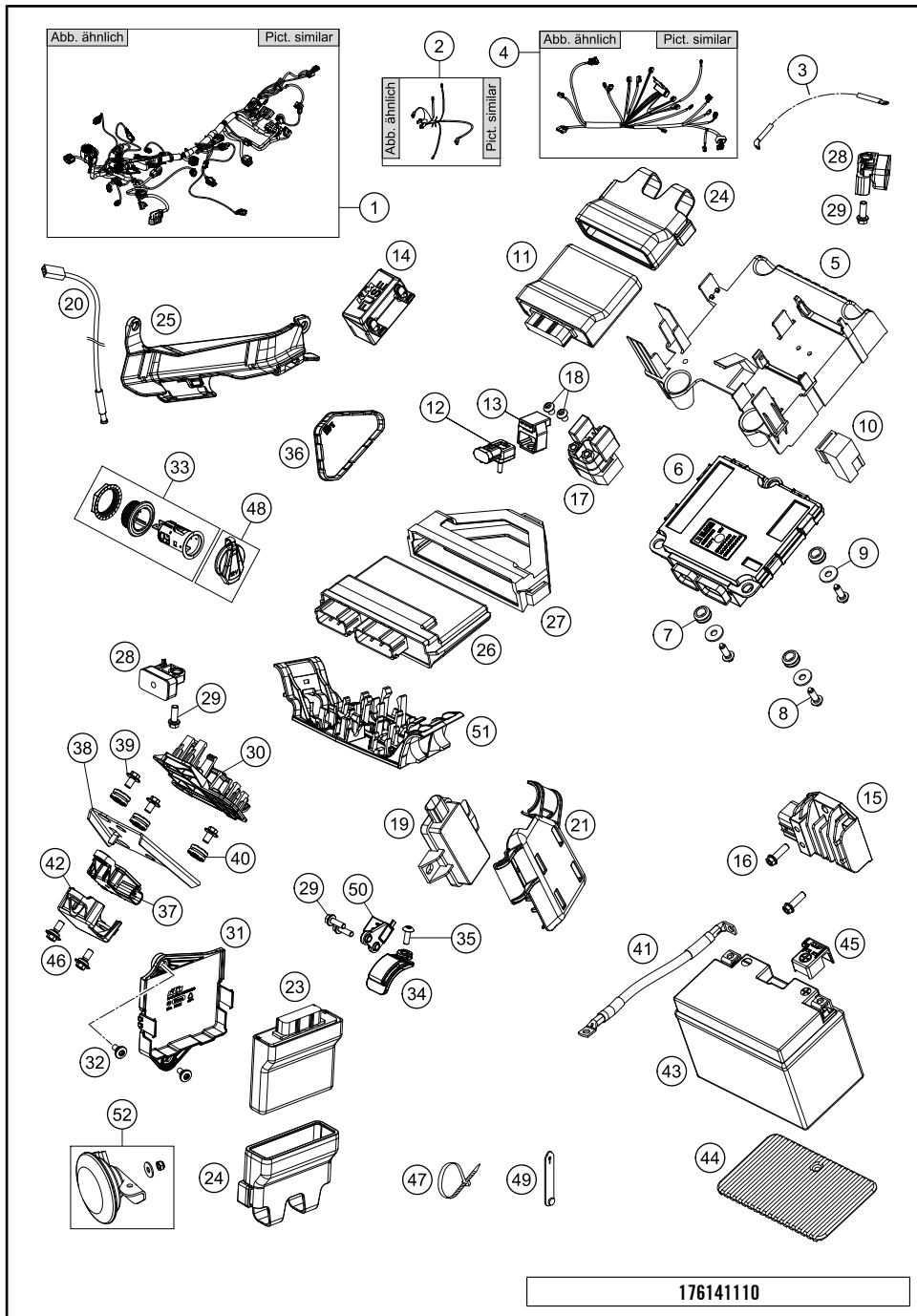
1290 Super Duke GT, black 2018



POS	PARTNUMBER	PARTNAME	PIECE
98	61409098100	Decal set rim SD GT 18	1
99	00050002029	DRIVETRAIN KIT 1290 SD 17T/38T	1

186141011      49519      \* NEW PART      X ON DEMAND





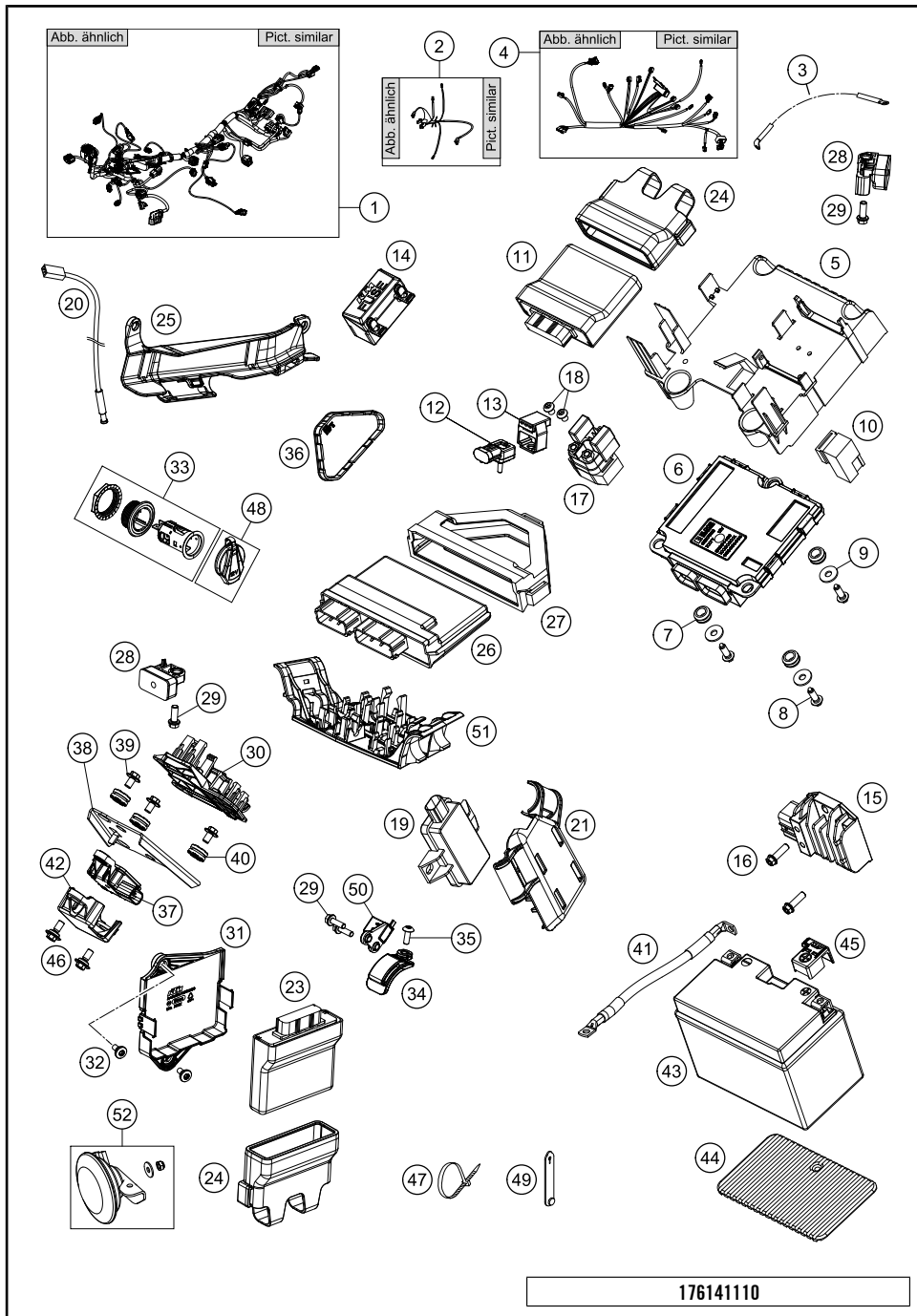
POS	PARTNUMBER	PARTNAME	PIECE
1	61411075033	MAIN HARNESS CPL.	1
2	61411085100	engine harness	1
3	61311059050	BATTERY CABLE	1
4	61311076100	REAR WIRING HARNESS	1
5	61408018010	MCU HOLDER	1
6	60311033200	MOTORCYCLE CONTROL UNIT 2.1	1
7	60006001022	rubber grommet 9x11x16x8.5 mm	3
8	0017060206	SCREW F. PLASTIC K60X20AL SW6	3
9	0021060003	WASHER DIN9021-A 6,4	3
10	61111057000	RELAY CM1A-R-12V-H80 07	1
11	60416031000	ELECTRONIC CONTROL UNIT SAFE	1
12	61041085100	PRESSURE SENSOR 06	1
13	61041085150	RUBBER SUPP. PRESSURE SENS. 06	1
14	61311087050	RUBBER CASING FUSE BOX	1
15	60311034000	VOLTAGE REGULATOR	1
16	0025060206	HH collar screw M6x20 TX30	2
17	76211058000	STARTER RELAY 07	1
18	0738060101	COU.SUNK SCR. AH ISO7380 M6X10	2
19	60312032000	RECEIVER AIR PRESSURE SENSOR	1
20	61111018100	TEMPERATURE SENSOR	1
21	61412032040	TPMS holder	1
23	60414039000	CONTROL UNIT CURVE LIGHT	1
24	60316029000	RUBBER EDS-CONTROL UNIT	2
25	60311047000	CABLE CHANNEL R/S	1
26	61341031200	ECU EFI	1
27	60341031050	ECU RUBBER BRACKET	1
28	60416063000	ACCELERATION SENSOR	2
29	0025060166	HH collar screw M6x16 TX30	4
30	61411083000	CONNECTOR BOARD FRONT	1
31	61414039050	LCU HOLDER	1
32	69008021060	special screw M5x17	2
33	60711042000	Power socket 12V	1
34	60416061000	MAGNET HOLDER	1
35	58605083014	SCREW M5X14 TORX 25 07	1
36	61408019040	HEATINGSWITCH COVER	1
37	60342090000	SLOPING POSITIONS SENSOR	1
38	61342090040	SUPPORT SLOPING POS. SENSOR	1
39	0024060106	HH COLLAR SCREW M6X10 TX30	3

176141110

49514

\* NEW PART

X ON DEMAND



POS	PARTNUMBER	PARTNAME	PIECE
40	62142041000	DAMP. COMPONENT ABS MODUL	3
41	61411098000	GROUND CABLE BATT.-FRAME 16MM	1
42	61342090050	COVER SENSOR BOX	1
43	60011053000	BATTERY 12V/11AH 03	1
44	61311053050	RUBBER PLATE FOR BATTERY	1
45	62111059060	COVER POSITIVE POLE	1
46	83008000015	SPECIAL SCREW M6X15X3	2
47	44011076140	CABLE TIE 140/2,5MM BLACK	x
47	44011076200	CABLE TIE 200/3,6MM BLACK	x
47	44011076305	CABLE TIE 300/4,8MM BLACK	x
48	60311042050	Lid 12V-socket	1
49	60011093075	RUBBER CABLE TIE 75MM 03	x
50	60416062000	WHEEL TRAVEL SENSOR	1
51	61411049000	CONNECTOR BOARD REAR	1
52	61611060033	Direct current horn complete	1

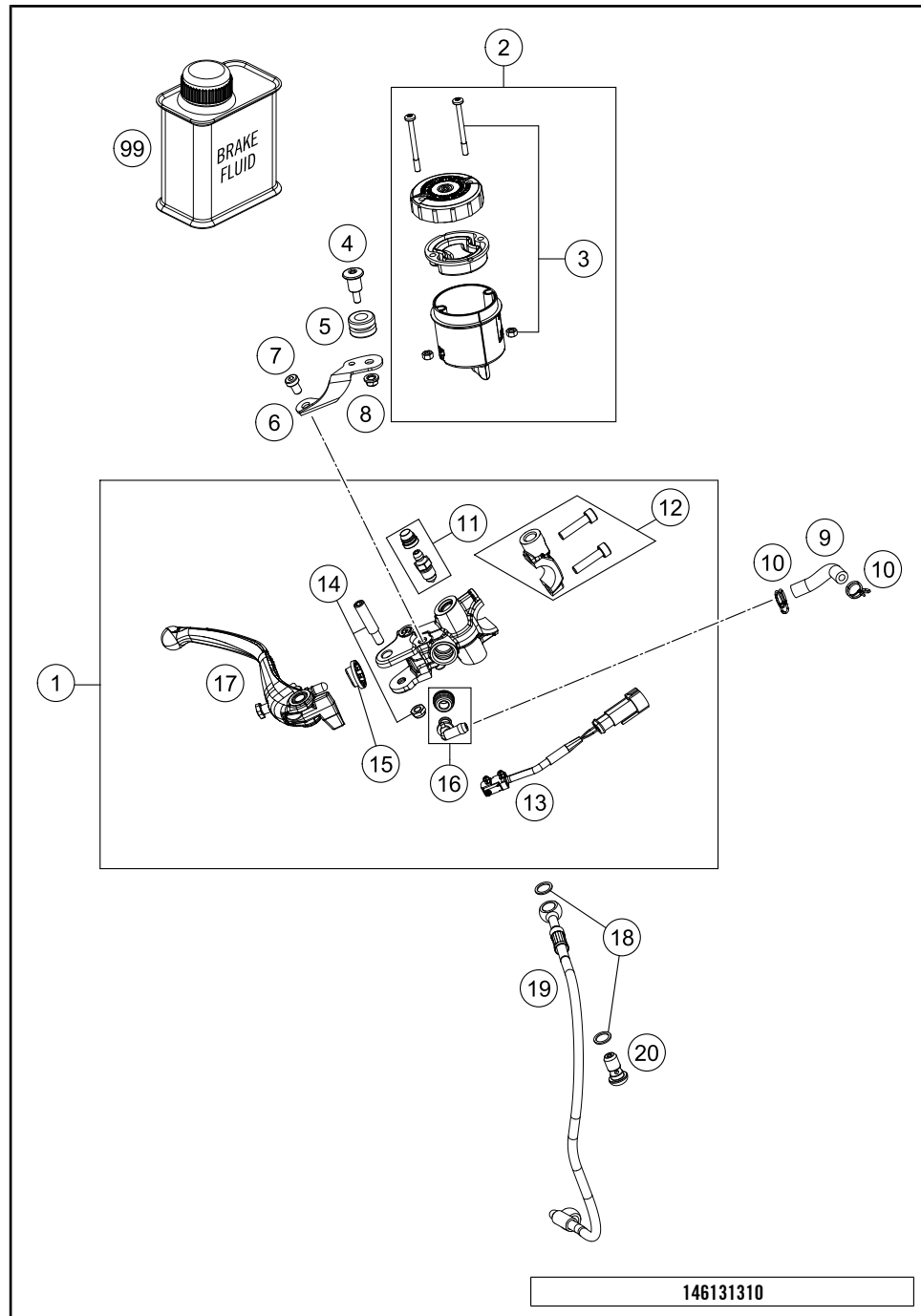
176141110

49514

\* NEW PART X ON DEMAND

# FRONT BRAKE CONTROL

1290 Super Duke GT, black 2018

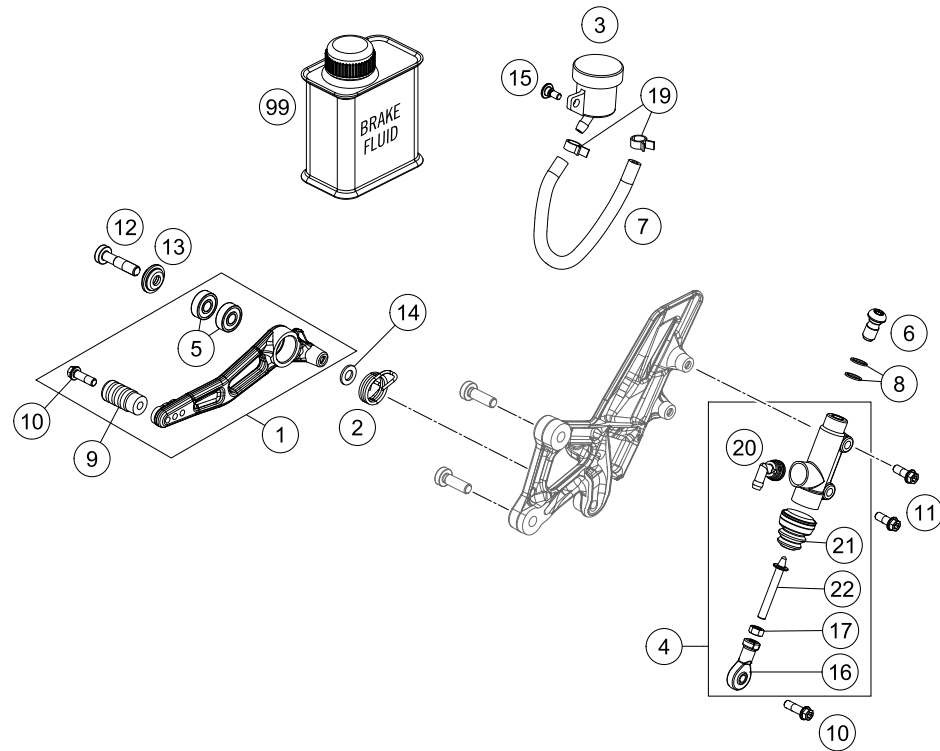


POS	PARTNUMBER	PARTNAME	PIECE
1	6131300100030	HAND BRAKE CYL. PR16/19	1
2	61013009202	BRAKE FLUID RESERV. WHITE CPL.	1
2	61313029000	BRAKE FLUID RESERV. BLACK CPL.	x
3	61013009203	SCREW + NUT F. RESERVOIR	1
4	61013013050	SCREW RET.PANEL-RESERVOIR	1
5	61013013000	RUBBER BUSH 05	1
6	6101300900130	SUPPORT BRAKE FLUID RES. FRONT	1
7	61013021000	SCREW RET.PANEL-BRAKE CYLINDER	1
8	61013009004	NUT FOR RESERVOIR	1
9	58007016101	HOSE FOR RESERVOIR 6X1,5	1
10	58007017000	YDNAC CLAMP 10101 (10,4MM)	2
11	60013020000	BLEEDER SCREW WITH CAP	1
12	76013005000	CLAMP CPL.	1
13	61311050000	BRAKE LIGHT SWITCH FRONT	1
14	61013006000	LEVER SCREW CPL. 05	1
15	61013008000	RUBBER CUP 05	1
16	54513155000	ANGLE PIECE	1
17	6101300204430	HAND BRAKE LEVER CPL. BLACK	1
18	0603100141	sealing ring DIN 7603 10x14x1	2
19	61442001000	BRAKE HOSE HANDBREAK CYLINDER,	1
20	62113020100	banjo bolt M10x1x19.5	1
99	00062030000	BRAKE FLUID DOT5.1 0,25L	1

146131310

14620

\* NEW PART X ON DEMAND



POS	PARTNUMBER	PARTNAME	PIECE
1	6131305004433S	FOOT BRAKE LEVER CPL.	1
2	61313052000	SPRING	1
3	61013069000	reservoir, rear cpl.	1
4	6031306000030	REAR BRAKE CONTROL	1
5	0625006087	GROOVED BALL BEAR. 608 2RS C3	2
6	62113020100	banjo bolt M10x1x19.5	1
7	69013069001	HOSE FOR RESERVOIR 6X1,5	1
8	0603100141	sealing ring DIN 7603 10x14x1	2
9	58303060051	BRAKE LEVER PEDAL DUKE'94	1
10	0025060206S	HH collar screw M6x20 TX30	2
11	0025060166S	HH collar screw M6x16 TX30 SL	2
12	0035080306S	AH-COLLAR SCREW M8X30 ISA45	1
13	61334041000	SPECIAL WASHER D=23X7,2MM	1
14	0125080003	washer DIN 125 A -8.4	1
15	69013099050	SCREW F. EXPANSION TANK	1
16	54603069000	SWIVEL HEAD M6 FOOT BRAKE LEV.	1
17	0934060003	hex nut DIN 934 M6	1
19	58007017000	YDNAC CLAMP 10101 (10,4MM)	2
20	54513155000	ANGLE PIECE	1
21	54513151000	RUBBER SLEEVE	1
22	60313056044	PUSH ROD CPL.	1
99	00062030000	BRAKE FLUID DOT5.1 0,25L	1

146131330

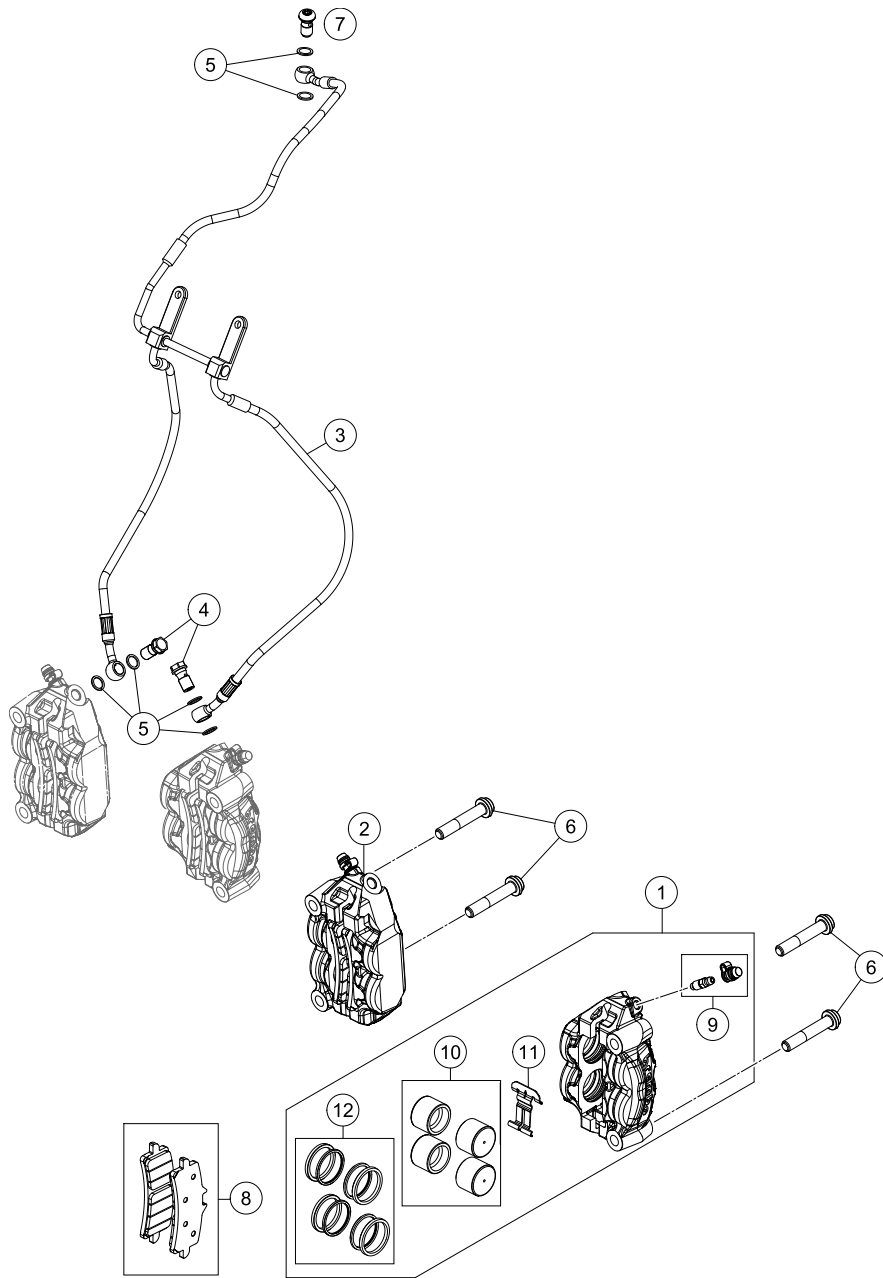
18859

\* NEW PART

X ON DEMAND

# FRONT BRAKE CALIPER

1290 Super Duke GT, black 2018



POS	PARTNUMBER	PARTNAME	PIECE
1	6131301500158	BRAKE CALIPER FRONT - W/O PADS	1
2	6131301600158	BRAKE CALIPER FRONT W/O PADS	1
3	61442003000	BRAKE HOSE CALIPERS FRONT	1
4	69013025000	HOLLOW SCREW M10X1X19 SW12	2
5	0603100141	sealing ring DIN 7603 10x14x1	6
6	0035100559S	AH-COLLAR SCREW M10X1,25X55SS	4
7	62113020100	banjo bolt M10x1x19.5	1
8	61313030000	BRAKE PADS SET BRM10A-HH	2
9	61013020100	BLEEDER SCREW WITH CAP	2
10	61313019000	BRAKE PISTON CPL.	2
11	69013018000	SPRING PLATE	2
12	61313021000	SEAL RINGS CPL.	2

166141360

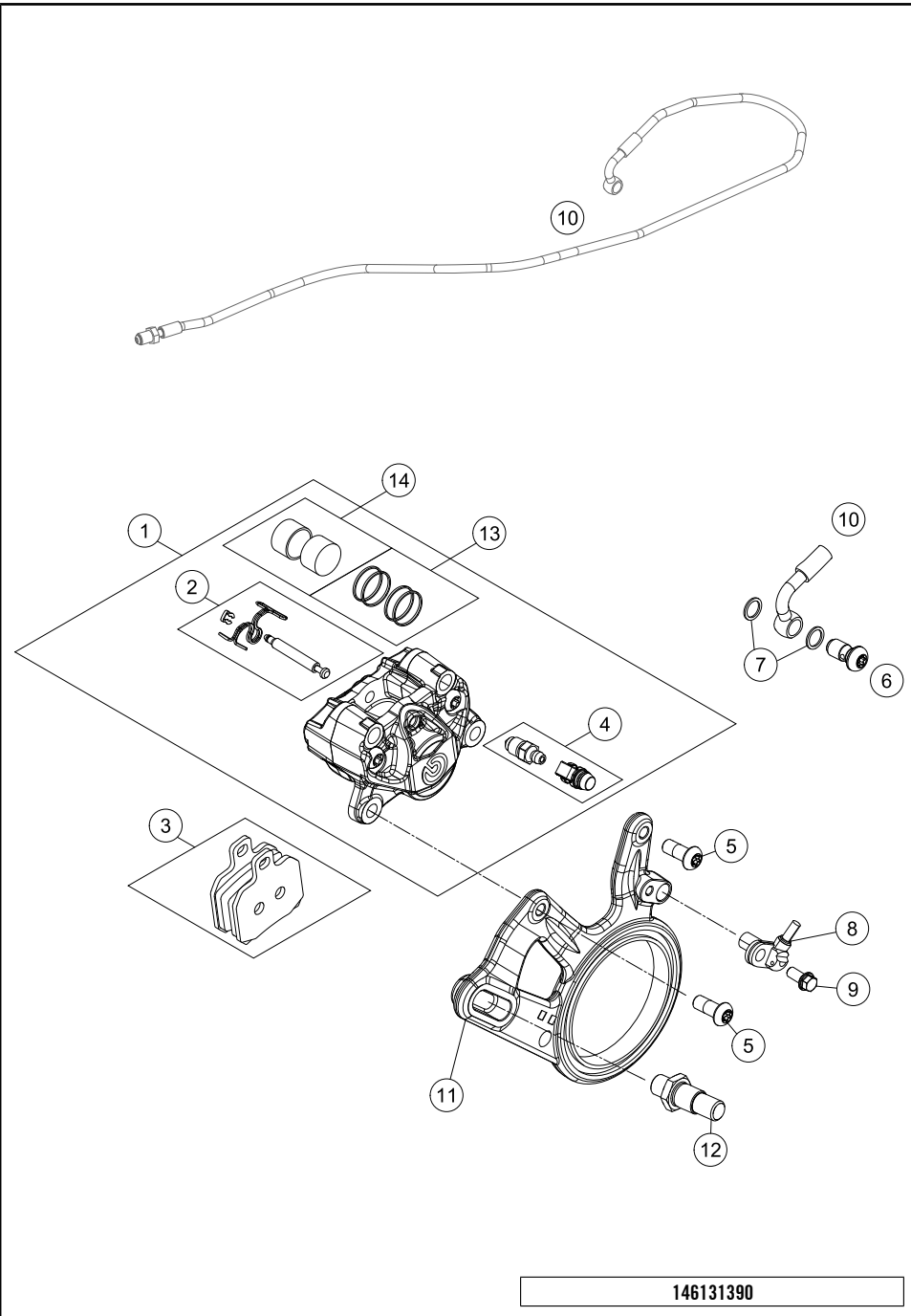
17324

\* NEW PART

X ON DEMAND

# REAR BRAKE CALIPER

1290 Super Duke GT, black 2018



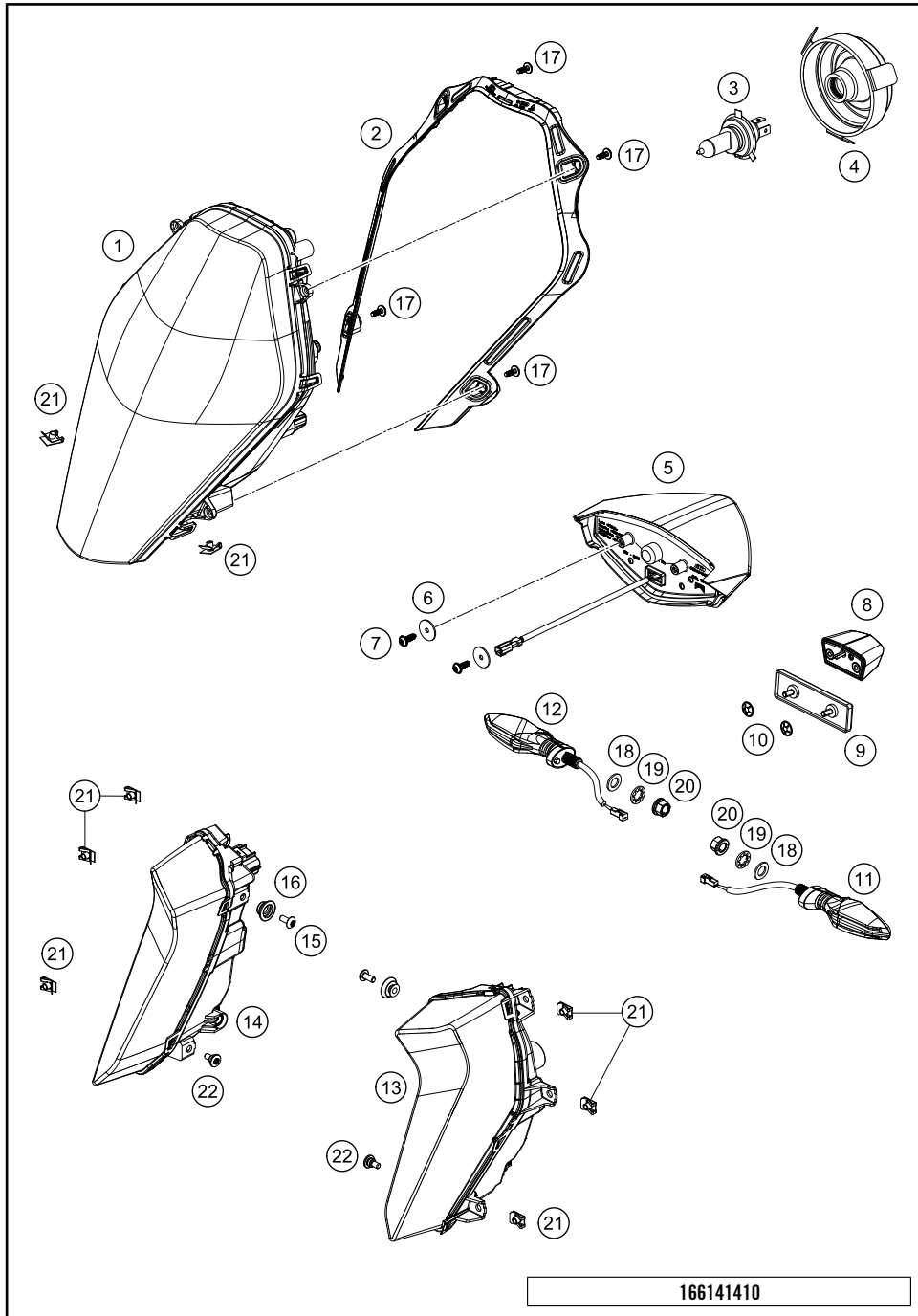
POS	PARTNUMBER	PARTNAME	PIECE
1	6131308000158	BRAKE CALIPER REAR W/O PADS BL	1
2	69013082000	BOLT KIT 08	1
3	61313090100	BRAKE PADS REAR TT2172HH	1
4	69013020000	BLEEDER SCREW WITH CAP	1
5	69013076000	brake caliper screw M8x20	2
6	62113020100	banjo bolt M10x1x19.5	1
7	0603100141	sealing ring DIN 7603 10x14x1	2
8	76042025000	ABS-SENSOR	1
9	59009062013	SPECIAL SCREW M6X13 WS=8 10.9	1
10	61342004020	BRAKE HOSE CON. PIECE / R. CYL	1
11	6131307500033S	BRAKE CALIPER ADAPTER BLACK	1
12	76004142000	BOLT BRAKE SADDLE BRACKET	1
13	69013081000	REPAIR KIT SEAL RING	1
14	61313083000	REPAIR KIT PISTON	1

146131390

14626

\* NEW PART

X ON DEMAND



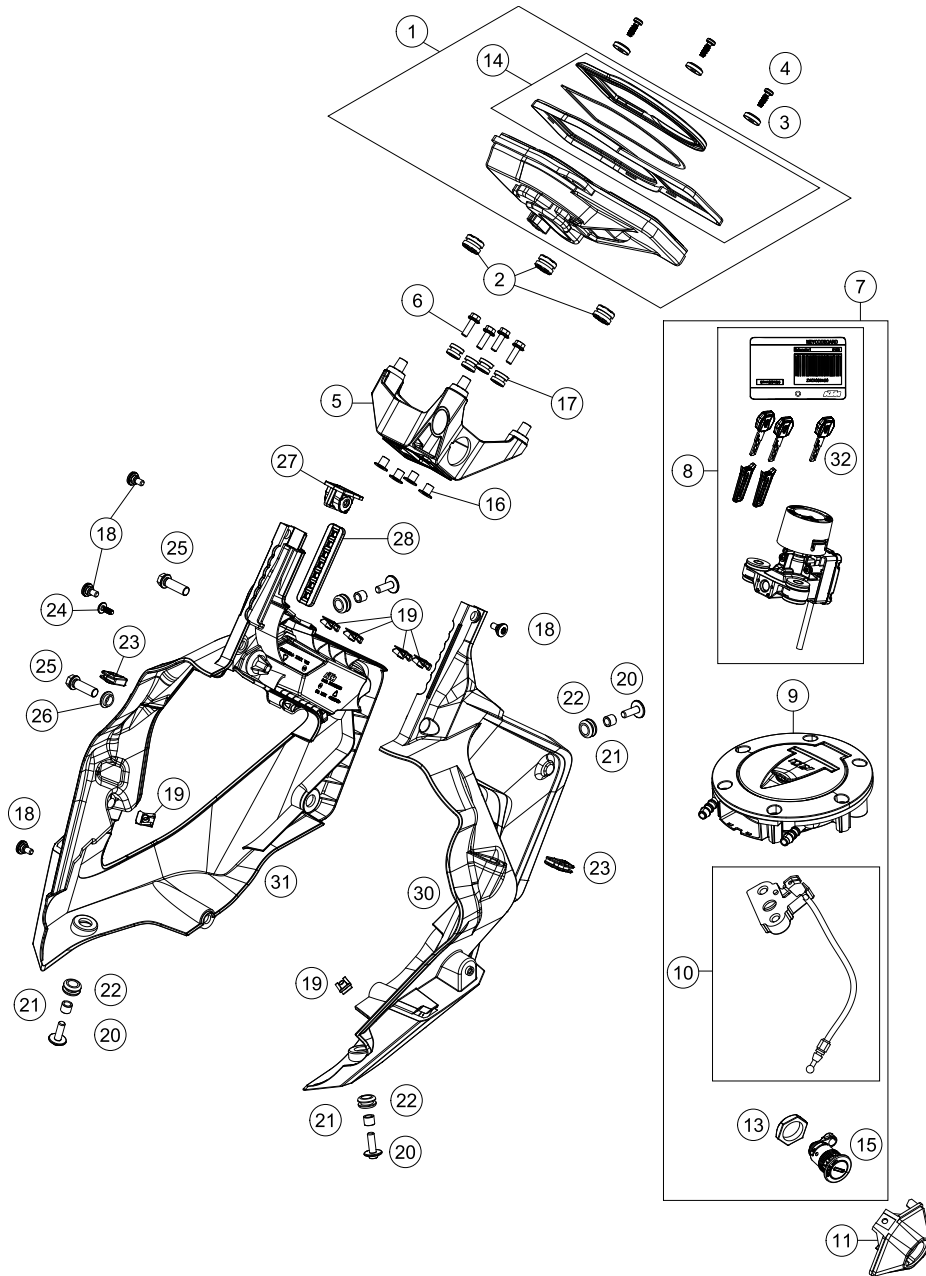
POS	PARTNUMBER	PARTNAME	PIECE
1	61414001000	HEADLIGHT	1
2	61414037000	HEADLIGHT FRAME	1
3	57111038000	BULB H4 12V 60/55W (P43T)	1
4	61314001050	RUBBER CAP FOR HEAD LIGHT	1
5	61314140300	Rear light Superduke SAE	1
6	0522040003	WASHER DIN522 A2K 4.3X20X1.25	2
7	0081050141	EJOT PT screw K50x14	2
8	90114047000	LICENSE PLATE ILLUMINATION	1
9	58412080400	Rear reflector red	1
10	60408061060	LOCK WASHER D5	2
11	60314025000	turn signal front left/rear right	1
12	60314026000	turn signal front right/rear left	1
13	61414007000	CORNERING LIGHT L/S	1
14	61414008000	CORNERING LIGHT R/S	1
15	58605083014	SCREW M5X14 TORX 25 07	2
16	61414007010	BUSH CORNERING LIGHT	2
17	0081045121	SCREW FOR PLASTIC K45X12 T20	4
18	0433100003	WASHER 18x10,5x1,6	2
19	0797100003	LOCK WASHER DIN6797-J10,5 ZI	2
20	58414030000	HH COLLAR NUT M10X1,25 WS=13	2
21	69008021080	clip nut M5	10
22	69008021160	special screw M5x12	2

166141410

49533

\* NEW PART

X ON DEMAND



POS	PARTNUMBER	PARTNAME	PIECE
1	60414069000	SPEEDOMETER	1
2	61314069051	DAMP. COMPONENT SPEEDOMETER	3
3	60308045000	SPECIAL WASHER 4.5X16	3
4	0081250141	SCREW FOR PLASTIC PT K50X14T25	3
5	61414062000	INSTRUMENT HOLDER	1
6	0025050166	HH collar screw M5x16 TX30	4
7	61411066044	LOCK SET CPL.	1
8	61311066100	IGNITION LOCK	1
9	61407008000	TANK CAP	1
10	61307050000	SEAT LOCK MECHANISM CPL.	1
11	61307055000	Support seat lock	1
13	69007050050	NUT SEAT LOCK M22X1,5	1
14	60314069050	SPEEDOMETER FRAME CPL.	1
15	61307050020	LOCK CYLINDER SEAT LOCK	1
16	61414062010	BUSHING 7X5,5X9,3	4
17	60035069100	RUBBER GROMMET 6,5X9X13MM	3
18	69008021160	special screw M5x12	4
19	69008021080	clip nut M5	6
20	69014017000	SPECIAL SCREW M6X18 ISA30 08	4
21	69014014000	BUSHING 6,1X9,2X7,5 08	4
22	60006001022	rubber grommet 9x11x16x8.5 mm	4
23	60308008057	RUBBER SLEEVE	2
24	0081045121	SCREW FOR PLASTIC K45X12 T20	1
25	0025080256	HH collar screw M8x25 TX40	2
26	61414011040	BUSHING 8.2/11/4.75	1
27	61414011020	CAP FOR MASK CARRIER	1
28	61408008060	LOCKING RAIL	1
30	61414010000	MASK CARRIER LEFT	1
31	61414011000	MASK CARRIER RIGHT	1
32	60411067000	KTM ignition key	x

166141430

17327

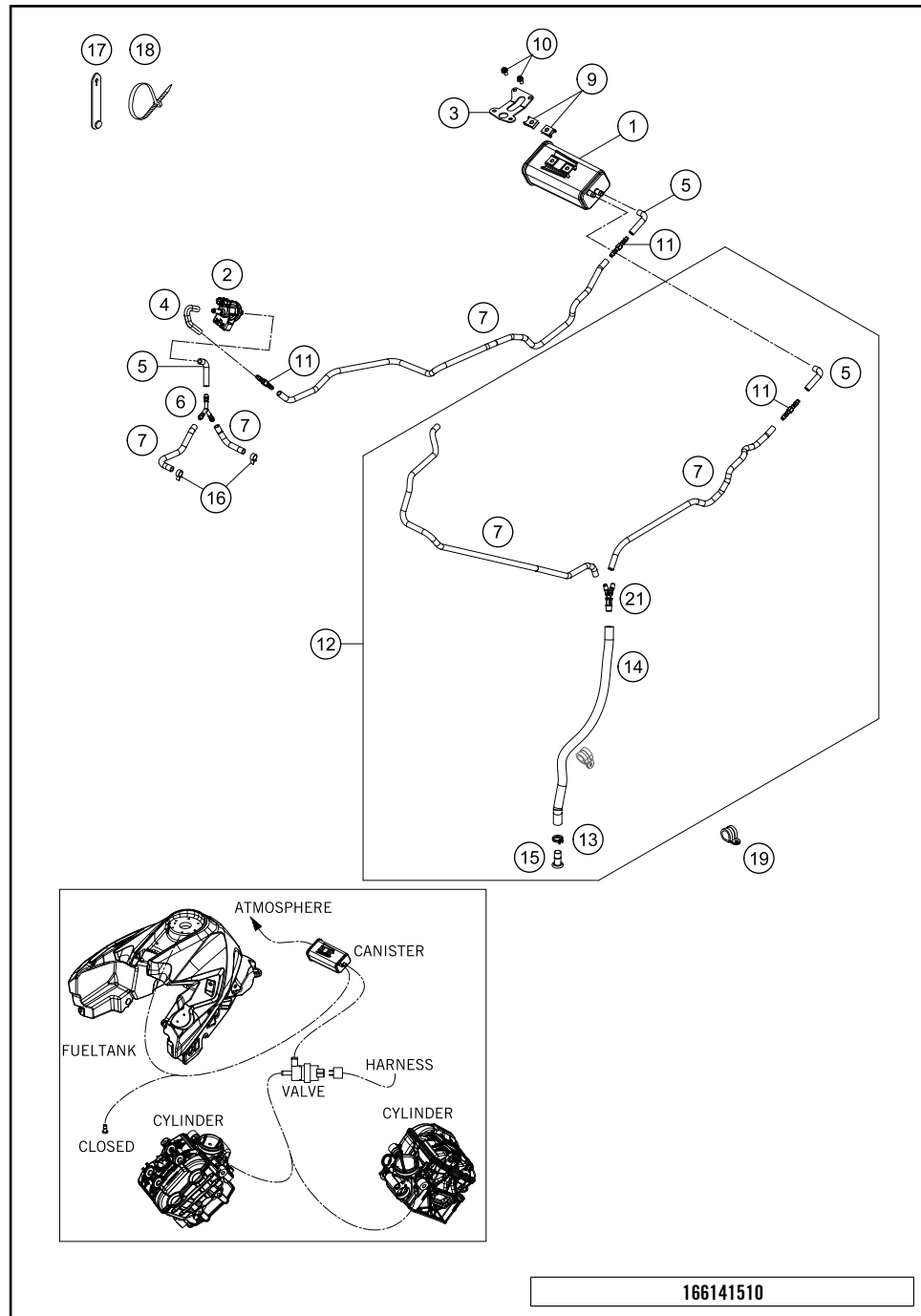
\* NEW PART

X ON DEMAND



# EVAPORATIVE CANISTER

1290 Super Duke GT, black 2018

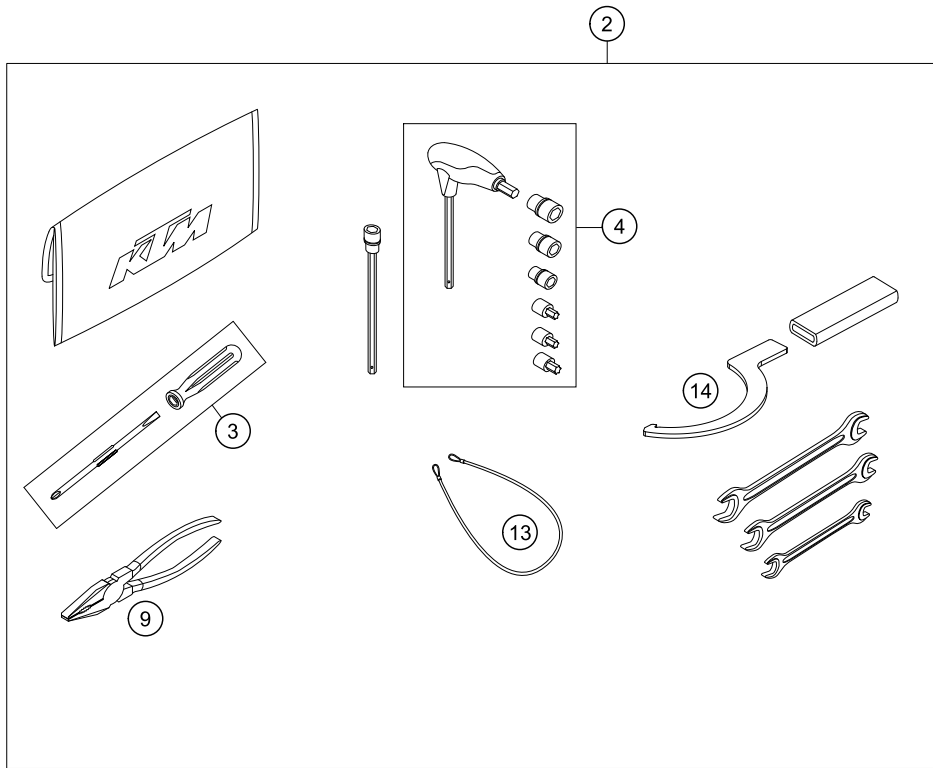


POS	PARTNUMBER	PARTNAME	PIECE
1	75015001200	CARBON CANISTER	1
2	76015015000	EVAP valve	1
3	61415002000	BRACKET FOR CARBON CANISTER	1
4	61415021000	HOSE PURGE VALVE	1
5	61315022000	PREFORMED HOSE 6X10 FPM	3
6	60015025100	Y-CONNECTING PIECE YS 6-6-6 06	1
7	78015019000	HOSE EPA D=6/10 L=2000MM	1
9	54603048100	clip nut M6	2
10	0025060126	HH collar screw M6x12 TX30	2
11	69015019010	HOSE CONNECTION STRAIGHT	3
12	61415025033	TANK VENT. TUBE - AKF	1
13	58431082100	YDNAC-CLAMP 10173 (16MM) '98	1
14	78015119000	HOSE EPA D=10/16 L=2000MM	x
15	61315026000	PLUG D=10	1
16	59007017000	CLAMP YDNAC 10096F (9,6MM)	2
17	60011093075	RUBBER CABLE TIE 75MM 03	x
17	60011093060	RUBBER CABLE TIE 60MM 03	x
18	44011076140	CABLE TIE 140/2,5MM BLACK	x
19	61315027000	CABLE CLAMP D=16	1
20	61315028100	Y-CONNECTOR YS 6-10-6	1

\* NEW PART X ON DEMAND

0  
OHNE ABBILDUNG  
WITHOUT ILLUSTRATION

1  
TECHNISCHE DOKUMENTATION  
TECHNICAL DOCUMENTATION  
DOCUMENTACION TECNICA  
DOCUMENTATION TECHNIQUE  
NOTE TECNICHE

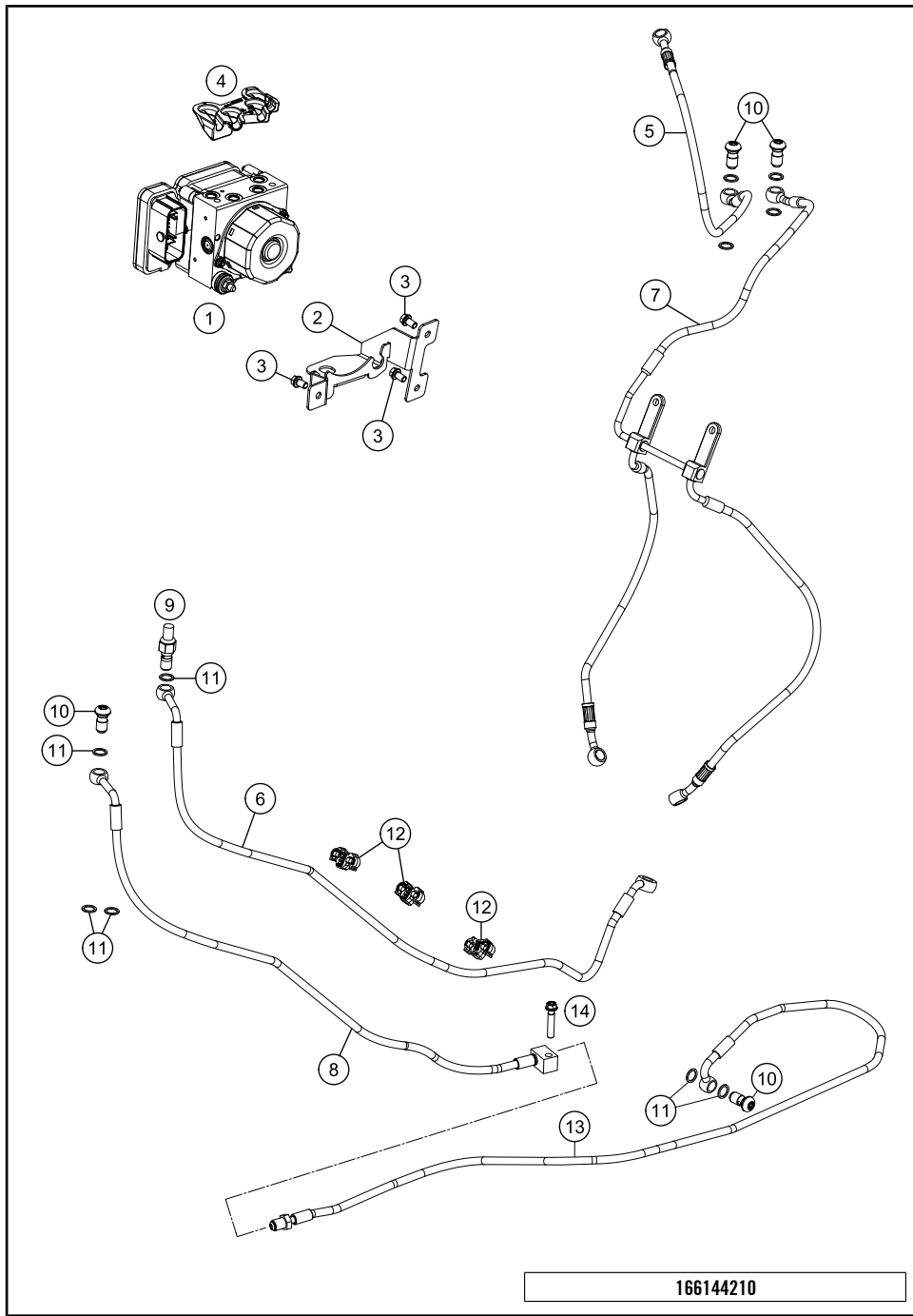


166142000

POS	PARTNUMBER	PARTNAME	PIECE
0	61408021000	MOUNTING FRONTSPOILER	1
0	0025060356	HH collar screw M6x35 TX30	2
0	61408021010	BELLY PAN LE	1
0	61408021020	BELLY PAN RH	1
0	69008021160	special screw M5x12	8
0	61408008100	Windshield EU	1
0	61408023010	SPLASH PROTECTOR	1
0	0081050141	EJOT PT screw K50x14	4
0	61312040200	MIRROR LEFT CPL.	1
0	61312041200	MIRROR RIGHT CPL.	1
0	312305	DOCUMENTS BAG 2006	1
0	312313	KTM BALLPOINT PEN ORANGE	1
0	00063004202	PRINT LABEL 60X51 MM	1
0	3212724ENE	KTM PowerWear Street Folder 2017	1
0	3212726DE/ENE	PP Street Folder 2017	1
0	00063099111	BAG FOR INSTR. MANUAL 245X170	1
0	61308192000	STICKER SET FORK WP SMALL	1
0	00063004012	HEADLIGHT MASK BOX	1
0	58314060050	spacer bushing for speedometer holder	2
0	3210917	NOTEPAD	1
0	00063004141	HEADLIGHTMASK & WINDSHIELD BOX	1
1	3213759EN	User man. KTM 1290 Super Duke-GT 2018	1
2	61329099100	TOOL SET	1
3	53012024100	SCREW DRIVER L=105MM	1
4	60029070300	T-WRENCH WS=6/8/10/TX45/SK4X1	1
9	53012028200	GRIP ORANGE B&F	1
13	60012015000	HELMET LOCK 04	1
14	61329085000	HOOK WRENCH ECCENTRIC REAR WH.	1

49536

\* NEW PART X ON DEMAND



POS	PARTNUMBER	PARTNAME	PIECE
1	60442031144	ABS MODULE FILLED	1
2	61442040000	SUPPORT ABS-MODULE	1
3	0025060106	HH collar screw M6x10 TX30	3
4	61442050000	BRAKE PIPE LOCKING	1
5	61442001000	BRAKE HOSE HANDBREAK CYLINDER,	1
6	61442002000	BRAKE HOSE FOOTBRAKECYLINDER	1
7	61442003000	BRAKE HOSE CALIPERS FRONT	1
8	61442004010	BRAKE HOSE	1
9	60311051000	BRAKE LIGHT SWITCH REAR	1
10	62113020100	banjo bolt M10x1x19.5	4
11	0603100141	sealing ring DIN 7603 10x14x1	7
12	61342046000	SUPPORT ABS-PIPE D7,5	4
13	61342004020	BRAKE HOSE CON. PIECE / R. CYL	1
14	0025060306S	HH collar screw M6x30 TX30	1

166144210

17339

\* NEW PART

X ON DEMAND

A large, empty rectangular box with a thin black border, occupying the majority of the page. It is intended for handwritten notes.

A large, empty rectangular box with a thin black border, occupying the majority of the page. It is intended for handwritten notes.

A large, empty rectangular box with a thin black border, occupying the majority of the page. It is intended for handwritten notes.



WWW.KTM.COM



KTM Sportmotorcycle GmbH  
5230 Mattighofen, Austria  
[www.ktm.com](http://www.ktm.com)



**KTM**\_POWERPARTS

**KTM**\_POWERWEAR

**KTM**\_ORIGINAL SPARE PARTS



F9903REEN

Art. Nr.: F9903REEN 27. Sep 2017