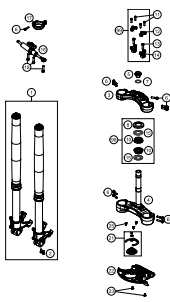
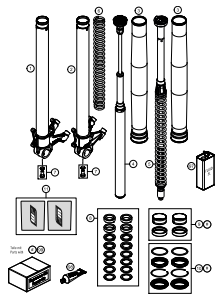
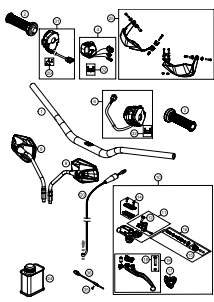
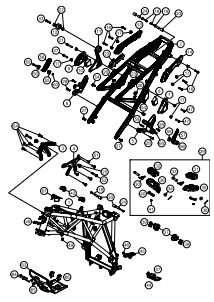
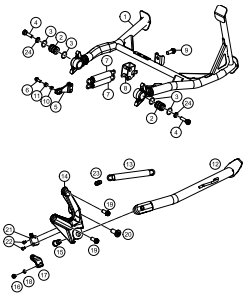
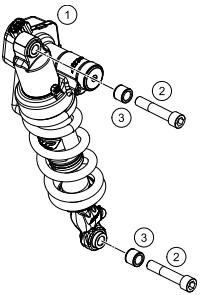
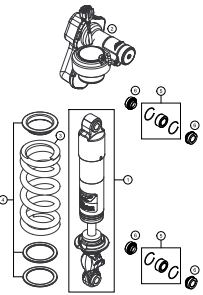
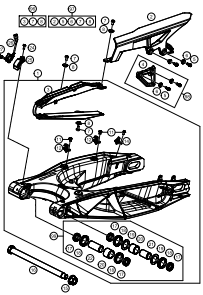
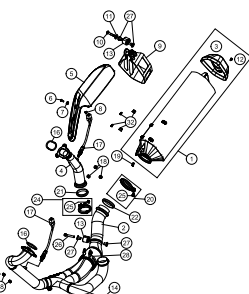
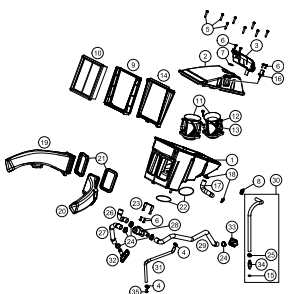
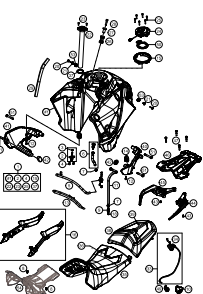
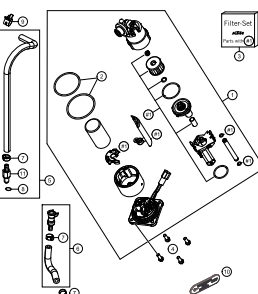


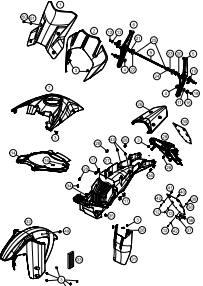
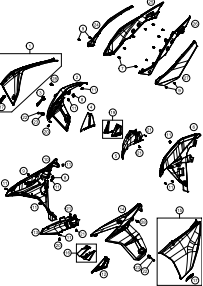
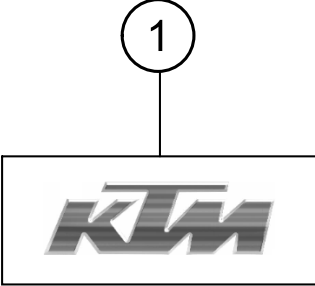
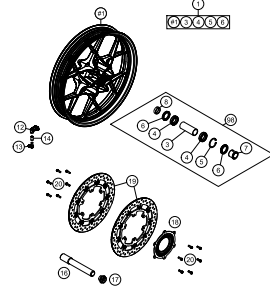
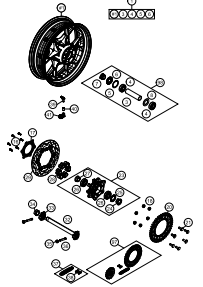
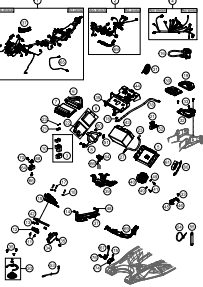
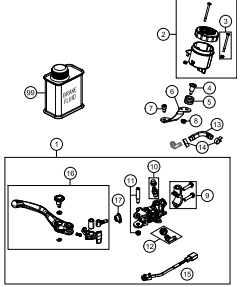
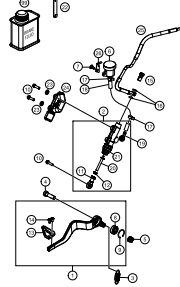
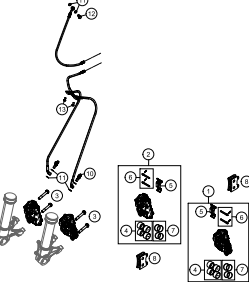
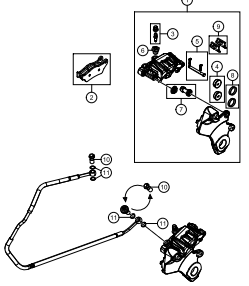
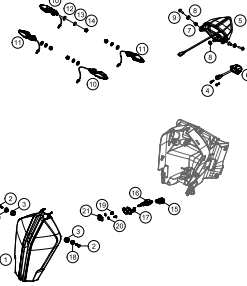
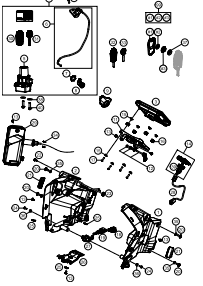
# 1290 Super Adventure S, orange 2020 EU 2020

ART.-NR.: F9903T4EN

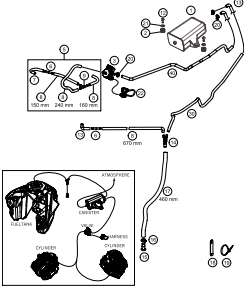
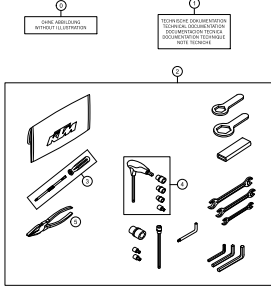
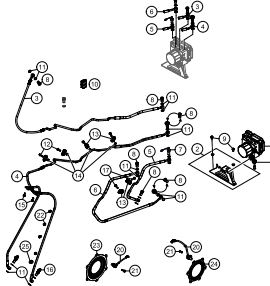
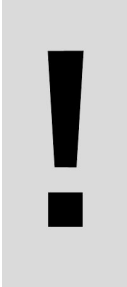




<p><b>FRONT FORK, TRIPLE CLAMP</b></p>  <p><b>4</b></p>	<p><b>FRONT FORK DISASSEMBLED</b></p>  <p><b>5</b></p>	<p><b>HANDLEBAR, CONTROLS</b></p>  <p><b>6</b></p>	<p><b>FRAME</b></p>  <p><b>7</b></p>
<p><b>SIDE / CENTER STAND</b></p>  <p><b>9</b></p>	<p><b>SHOCK ABSORBER</b></p>  <p><b>10</b></p>	<p><b>SHOCK ABSORBER DISASSEMBLED</b></p>  <p><b>11</b></p>	<p><b>SWING ARM</b></p>  <p><b>12</b></p>
<p><b>EXHAUST SYSTEM</b></p>  <p><b>13</b></p>	<p><b>AIR FILTER</b></p>  <p><b>14</b></p>	<p><b>TANK, SEAT</b></p>  <p><b>15</b></p>	<p><b>FUEL PUMP</b></p>  <p><b>17</b></p>

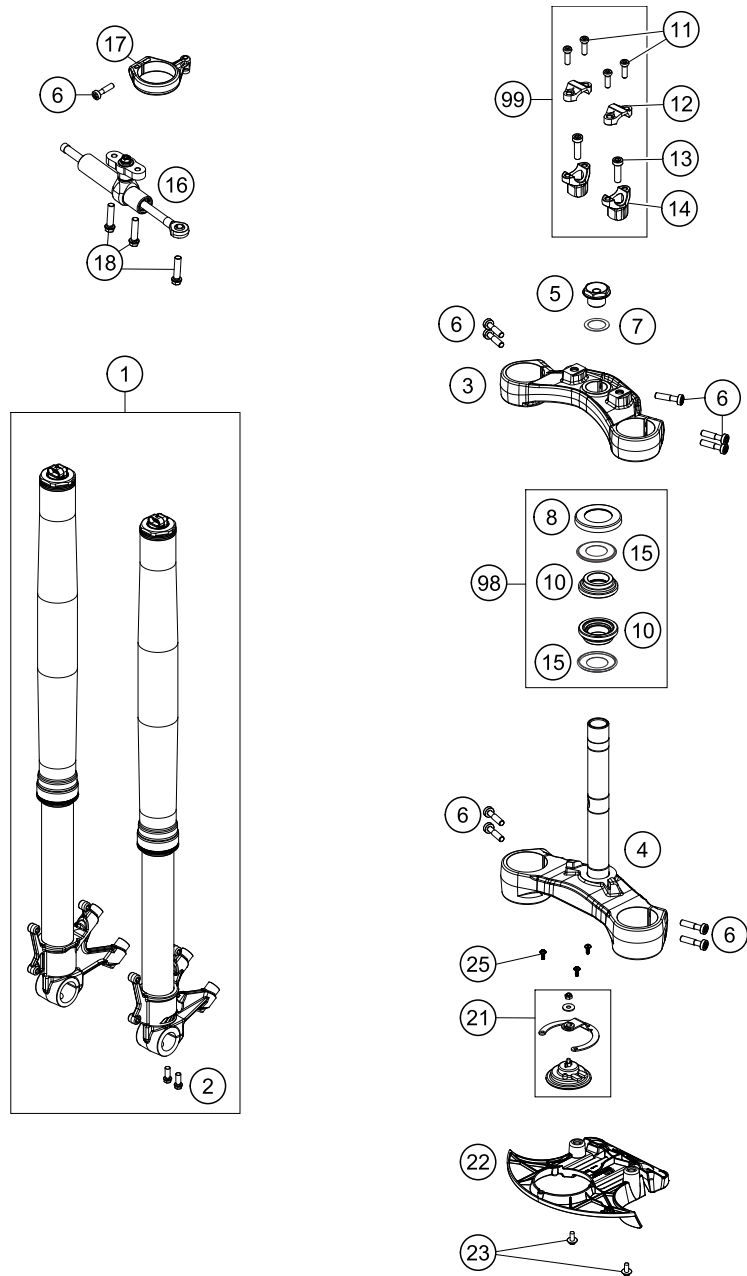
<p><b>MASK, FENDERS</b></p>  <p><b>18</b></p>	<p><b>SIDE TRIM</b></p>  <p><b>20</b></p>	<p><b>DECAL</b></p>  <p><b>21</b></p>	<p><b>FRONT WHEEL</b></p>  <p><b>22</b></p>
<p><b>REAR WHEEL</b></p>  <p><b>23</b></p>	<p><b>WIRING HARNESS</b></p>  <p><b>24</b></p>	<p><b>FRONT BRAKE CONTROL</b></p>  <p><b>26</b></p>	<p><b>REAR BRAKE CONTROL</b></p>  <p><b>27</b></p>
<p><b>FRONT BRAKE CALIPER</b></p>  <p><b>28</b></p>	<p><b>REAR BRAKE CALIPER</b></p>  <p><b>29</b></p>	<p><b>LIGHTING SYSTEM</b></p>  <p><b>30</b></p>	<p><b>INSTRUMENTS / LOCK SYSTEM</b></p>  <p><b>31</b></p>



<p><b>EVAPORATIVE CANISTER</b></p>  <p><b>33</b></p>	<p><b>SEPERATE ENCLOSURE</b></p>  <p><b>34</b></p>	<p><b>ANTIBLOCK SYSTEM ABS</b></p>  <p><b>36</b></p>	
	 <p>All information contained is without obligation. KTM Sportmotorcycle GmbH particularly reserves the right to modify any equipment, technical specifications, prices, colors, shapes, materials, services, service work, constructions, equipment and the like so as to adapt them to local conditions or to cancel any of the above items, all without previous announcement and without giving reasons. KTM may stop manufacturing certain models without previous notice. KTM shall not be held liable for any deviations of availability and/or ability to deliver, illustrations, descriptions, printing and/or other errors. The illustrated models partly contain extra equipment, which is not applied to standard models.</p> <p>© by KTM Sportmotorcycle GmbH, Mattighofen AUSTRIA; All rights reserved; Reprint, also in extracts, with written allowance of KTM Sportmotorcycle GmbH, Mattighofen only.</p>		

# FRONT FORK, TRIPLE CLAMP

1290 Super Adventure S, orange 2020 EU 2020



POS	PARTNUMBER	PARTNAME	PIECE
1	14181Q2601	Fork safe adventure 2017	1
2	0025080206S	HH collar screw M8x20 TX40 SL	4
3	6070113403233S	Triple clamp	1
4	6070113203233S	Triple clamp	1
5	6900103600001	STEERING HEAD SCREW 09	1
6	0035080356	AH-COLLAR SCREW M8X35 ISA45	11
7	0988253505	thrust wash DIN0988-25x35x0,5	1
8	69001086100	PROT. RING STEER. HEAD BEARING	1
10	69001181000	STEERINGHEAD KPL.17	2
11	0025080256	HH collar screw M8x25	4
12	7720103800030	HANDLEBAR CLAMP 28MM	2
13	0032100356S	AH-COLLAR SCREW M10X35 ISA45	2
14	5940103903730	HANDLEB.SUPP. D=28MM H=37MM	2
15	69001084100	Steering head gasket	2
16	16181N53ES	STEERING DAMPER CPL.	1
17	6031200700033S	CLAMP STEERING DAMPER	1
18	0025080256S	HH COLLAR SCREW M8X25 TX40	3
21	60711060033	Direct current horn complete	1
22	60308024200	TRIPLECLAMP-FACEPLATE BELOW	1
23	83008000015	SPECIAL SCREW M6X15X3	2
25	0081050161	EJOT PT SCREW K50X16 1451	3
98	69001181010	Steering head rep. Kit	x
99	00050000927	HANDLEBAR SUPPORT KIT ADV.1190	x

176040110

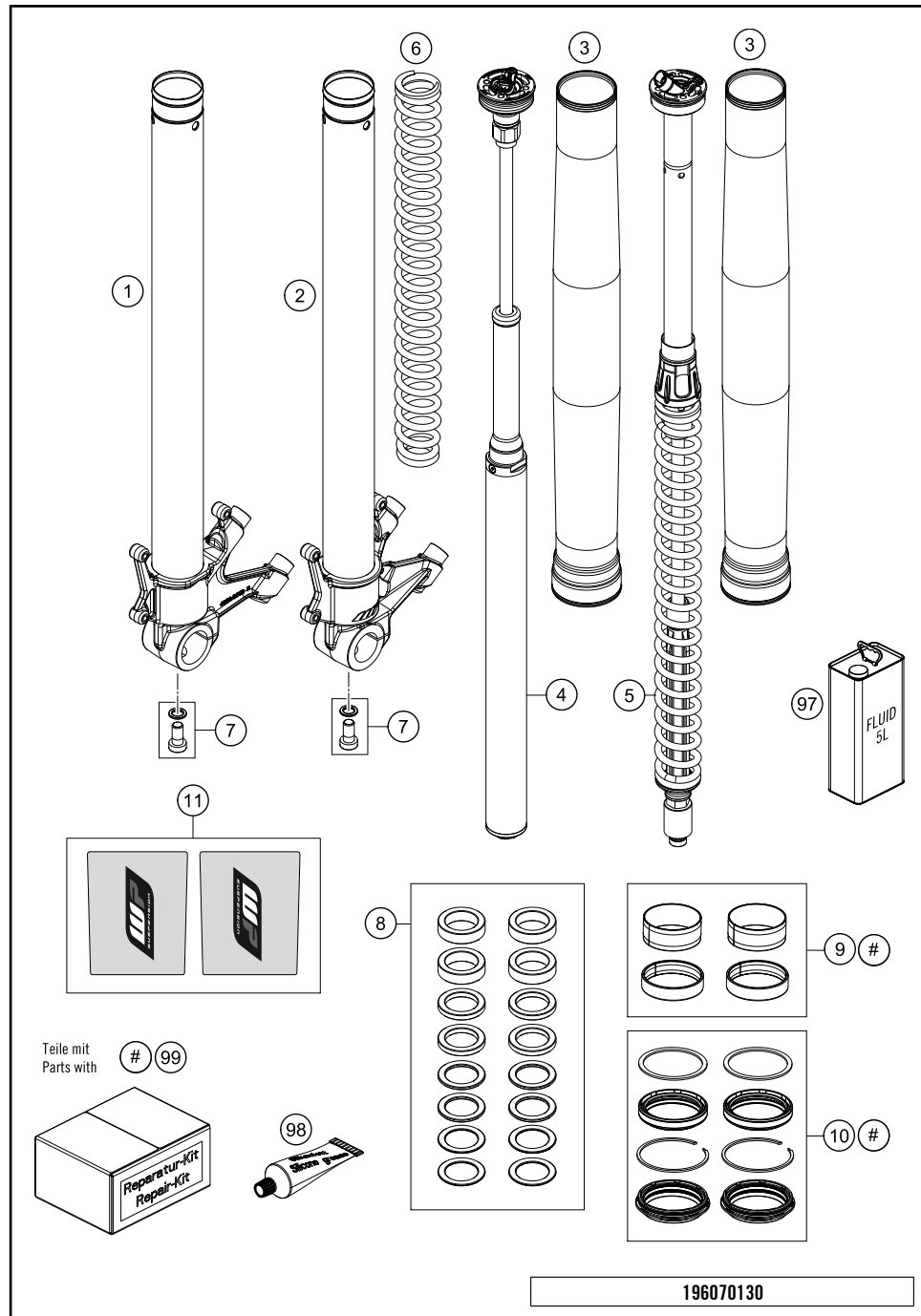
53450

\* NEW PART

X ON DEMAND

# FRONT FORK DISASSEMBLED

1290 Super Adventure S, orange 2020 EU 2020



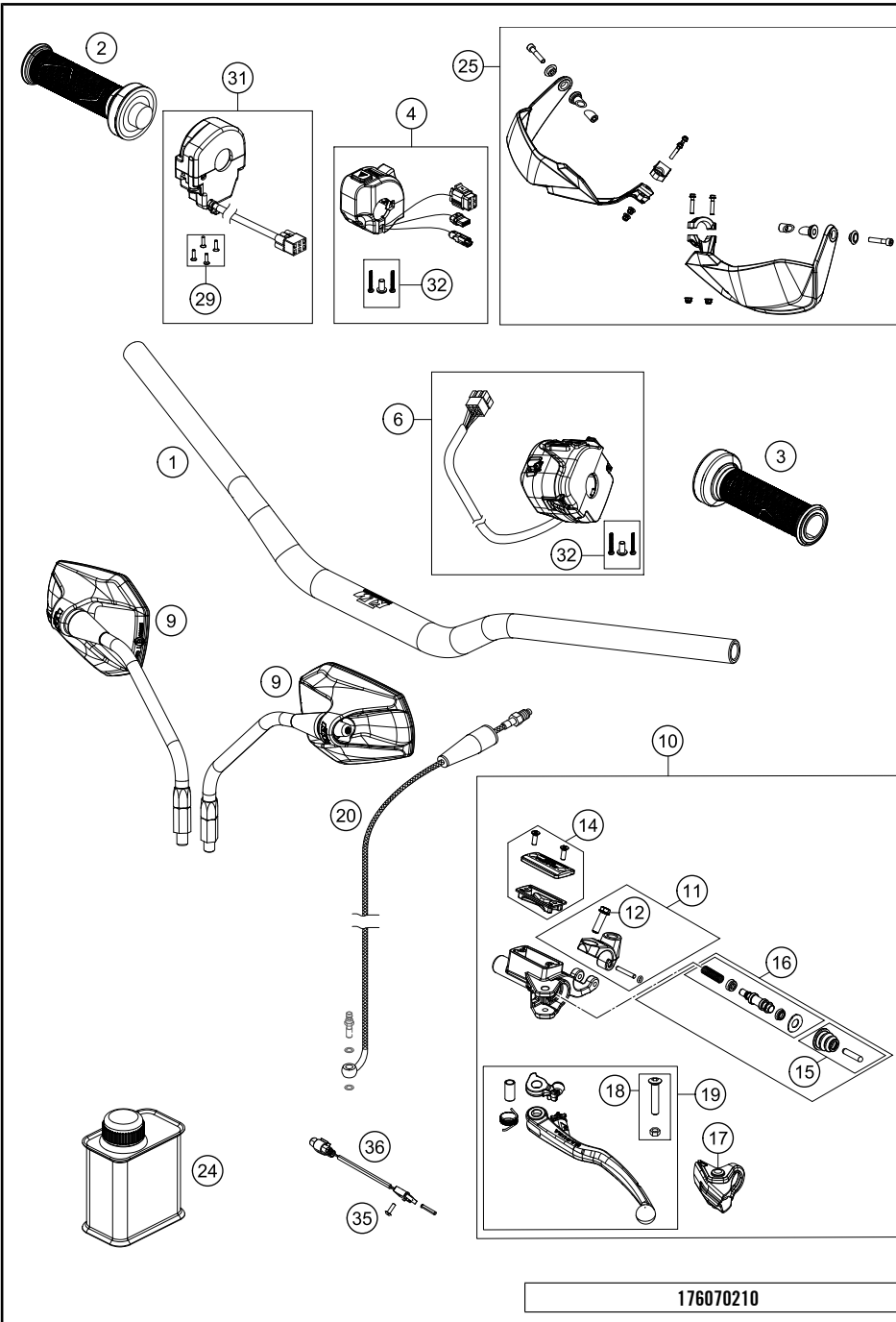
POS	PARTNUMBER	PARTNAME	PIECE
1	48601082S1	AXLE CLAMP W. INNER TUBE R/S	1
2	48601081S1	AXLE CLAMP W. INNER TUBE L/S	1
3	48601099	Fork outer tube 49,13x550 dt54 db60	2
4	48SAF1Q26R	Cartridge cpl.	1
5	48SAF1Q26L	Cartridge cpl.	1
6	91410110	Mainspring (43,8) 120-430 fork	1
7	00501020S1	AH SCREW M10X20 SET	2
8	R14054	REP. KIT SPACER	1
9	R14047	Guide bushing set fork 48mm	1
10	R14040	GASKET KIT CPL.	1
11	52000147	Sticker set WP fork 175x45	1
97	48601166S1	FORK OIL SAE4 5L	1
98	T511	SILICONE GREASE F. DUST STRI	1
99	R14063	Fork repair kit 48mm offroad	1

51319

\* NEW PART X ON DEMAND

# HANDLEBAR, CONTROLS

# 1290 Super Adventure S, orange 2020 EU 2020



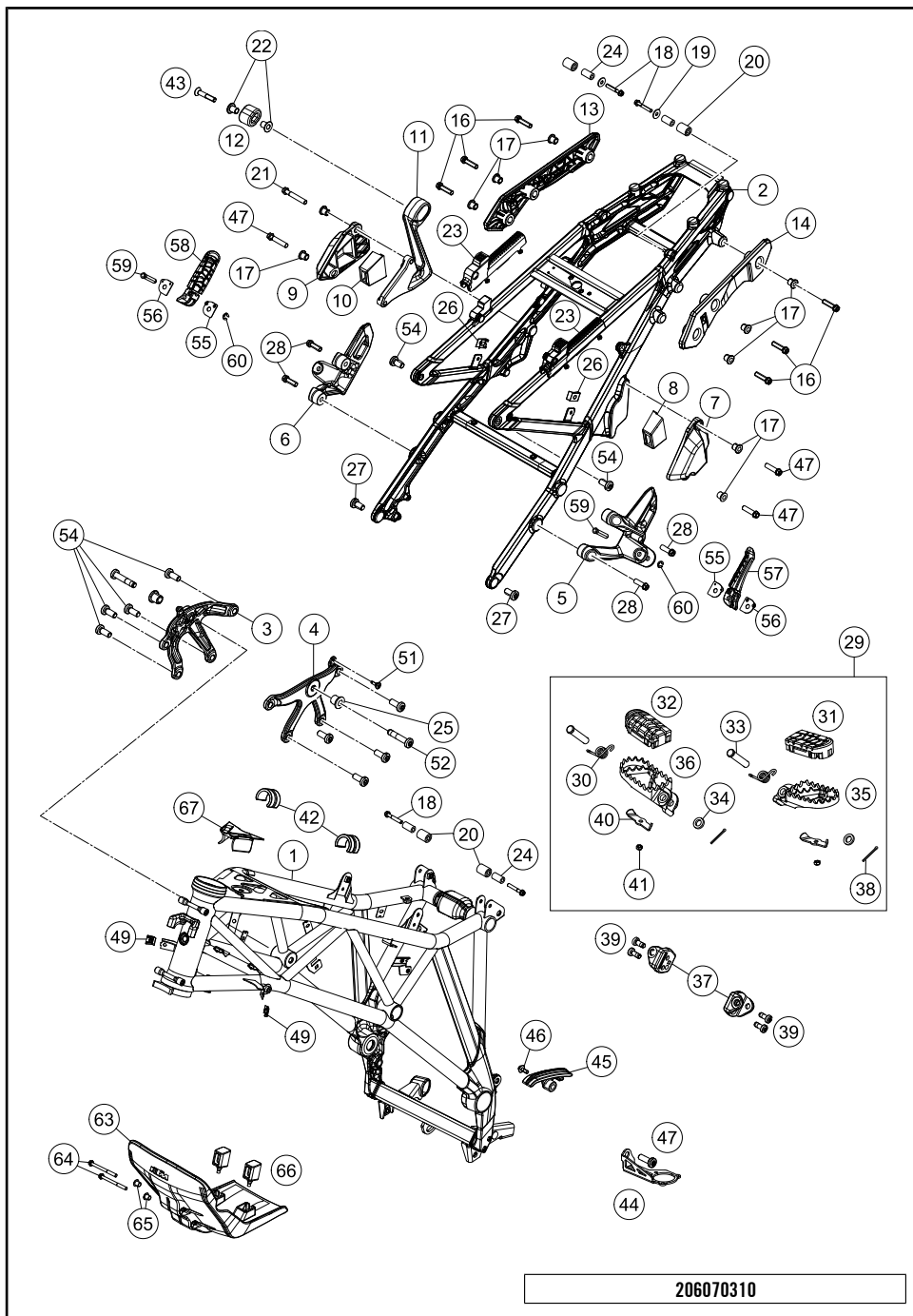
POS	PARTNUMBER	PARTNAME	PIECE
1	6070200100033	Handlebar	1
2	60702012000	Grip tube (no heating)	1
3	60702039100	Grip LHS w/o heater	1
4	61411174000	Start-emergency off switch	1
6	61411170000	Combination switch left	1
9	60312040200	Mirror	2
10	60302030144	MASTER CYLINDER DOT CPL. 12MM	1
11	76513005000	CLAMP, CYL. PIN, O-RING	1
12	0025060166	HH collar screw M6x16 TX30	1
14	25002033000	COVER HYDR. CLUTCH DOT CPL.	1
15	76502046000	PUSH ROD CPL. 13	1
16	60302032100	REPAIR KIT PISTONS DOT	1
17	76502037000	PROTECT.CAP FOR LEVER PERCH 13	1
18	50302038200	LEVER SCREW SHORT CPL. 09	1
19	60302031000	CLUTCH LEVER LONG CPL. 2013	1
20	60032063100	CLUTCH PIPE LC8 ADV '03	1
24	00062030000	BRAKE FLUID DOT5.1 0,25L	1
25	6030217910030	HANDGUARD CLOSED BLACK HIGH	1
29	76011073110	SCREW SET START-STOP SWITCH	1
31	60711012000	Ride-by-wire without throttle tube	1
32	61411174010	Screw set start-stop switch	2
35	0985030103	FLAT HEAD SCREW DIN7985 M3x1	1
36	83111049000	CLUTCH SWITCH ATV	1

176070210

49333

\* NEW PART

X ON DEMAND



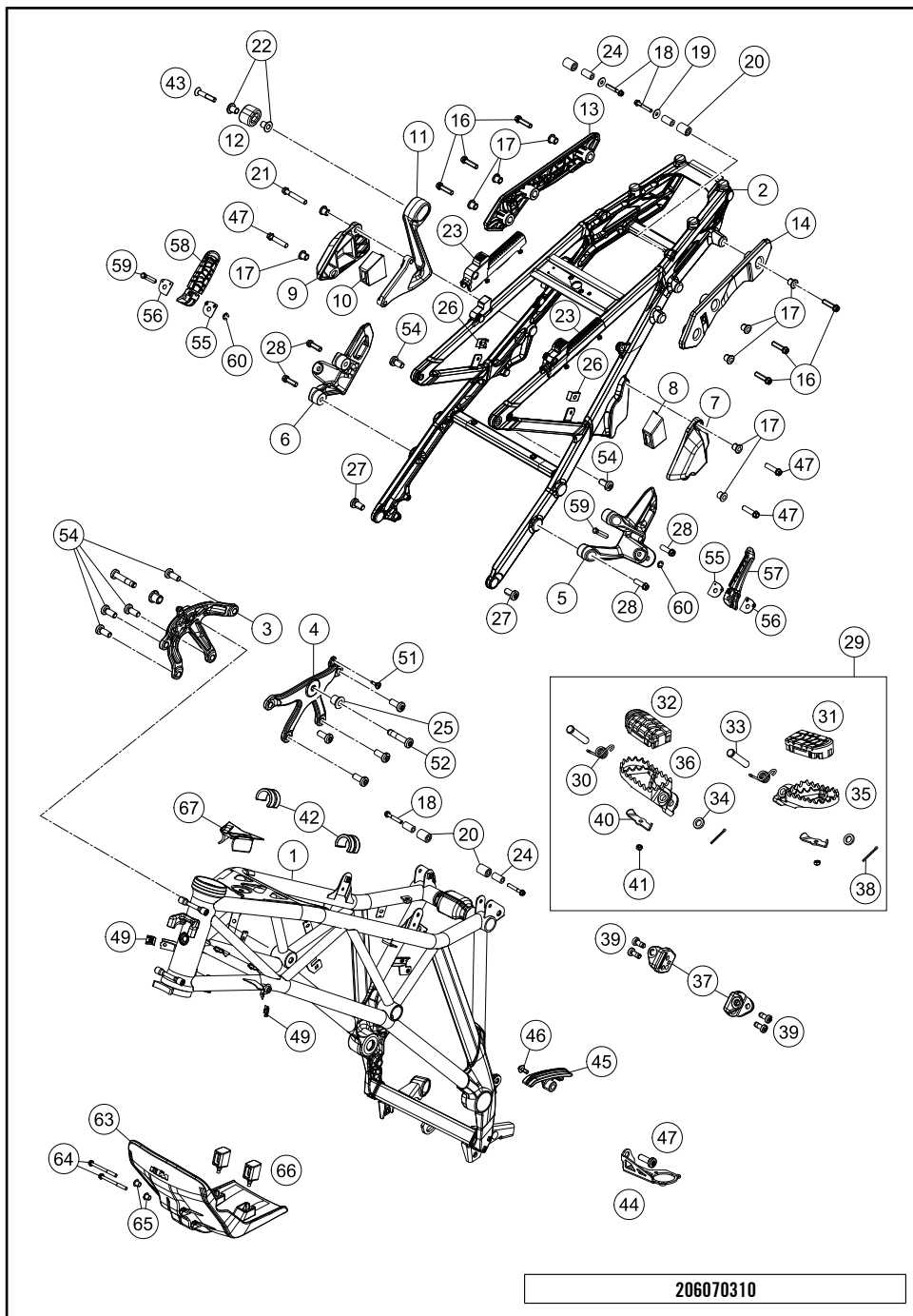
POS	PARTNUMBER	PARTNAME	PIECE
1	60703001100KB	Frame "607 QA"	1
2	6030300200033	SUB FRAME	1
3	6030300600033S	ENGINE SUPPORT R/S BLACK	1
4	6030300500033S	ENGINE SUPPORTL/S BLACK	1
5	6030304800033S	FOOTR. SUP. REAR L/S BLACK	1
6	6030304900033S	FOOTR. SUP. REAR R/S BLACK	1
7	60312010050	SUITCASE HOOK L/S	1
8	60712010060	Case clamp rubber left	1
9	60312011050	SUITCASE HOOK R/S	1
10	60712011060	Case clamp rubber right	1
11	6030508400033S	EXHAUST BRACKET	1
12	61305068000	DAMPING RUBBER	1
13	60312021250	CASE BAR R/S	1
14	60312020250	CASE BAR L/S	1
16	0025080306	HH collar screw M8x30	6
17	60303002058	SPACER BUSHING 13X17X8,2	10
18	0025060356	HH collar screw M6x35 TX30	2
19	0021060003	WASHER DIN9021-A 6,4	2
20	60307048000	RUBBER SEAT-CONTACT SURFACE	4
21	0025080506	HH collar screw M8x50 TX40	1
22	60305069000	BUSHING	2
23	60307040041	PLATE RUBBER SEAT	2
24	60307049000	BUSH 6.2X12X21.5	4
25	60303007000	SPACER BUSH ENGINE SUPPORT	2
26	54603048100	clip nut M6	2
27	0035100209	AH-COLLAR SCREW M10X20 ISA45	2
28	0035080256	AH-COLLAR SCREW M8X25 ISA45	4
29	60003040133	FOOTPEG LS+RS CPL.	1
30	54603041000	FOOTREST SPRING L/S & R/S	2
31	60003040010	FOOTREST RUBBER FRONT L/S 03	1
32	60003041010	FOOTREST RUBBER FRONT R/S 03	1
33	54803044000	PIN FOR FOOT PED 51.5X9.8 MM	2
34	0125100003	washer DIN 125 A 10.5	2
35	78003040050	FOOTREST L/S 08	1
36	78003041050	FOOTREST R/S 08	1
37	6030310109533S	FOOTREST MOUNTING	2
38	0094032253	PIN DIN0094-3,2X25 STEEL	2
39	0025080166S	HH collar screw M8x16 TX40 SL	4

206070310

53451

\* NEW PART

X ON DEMAND



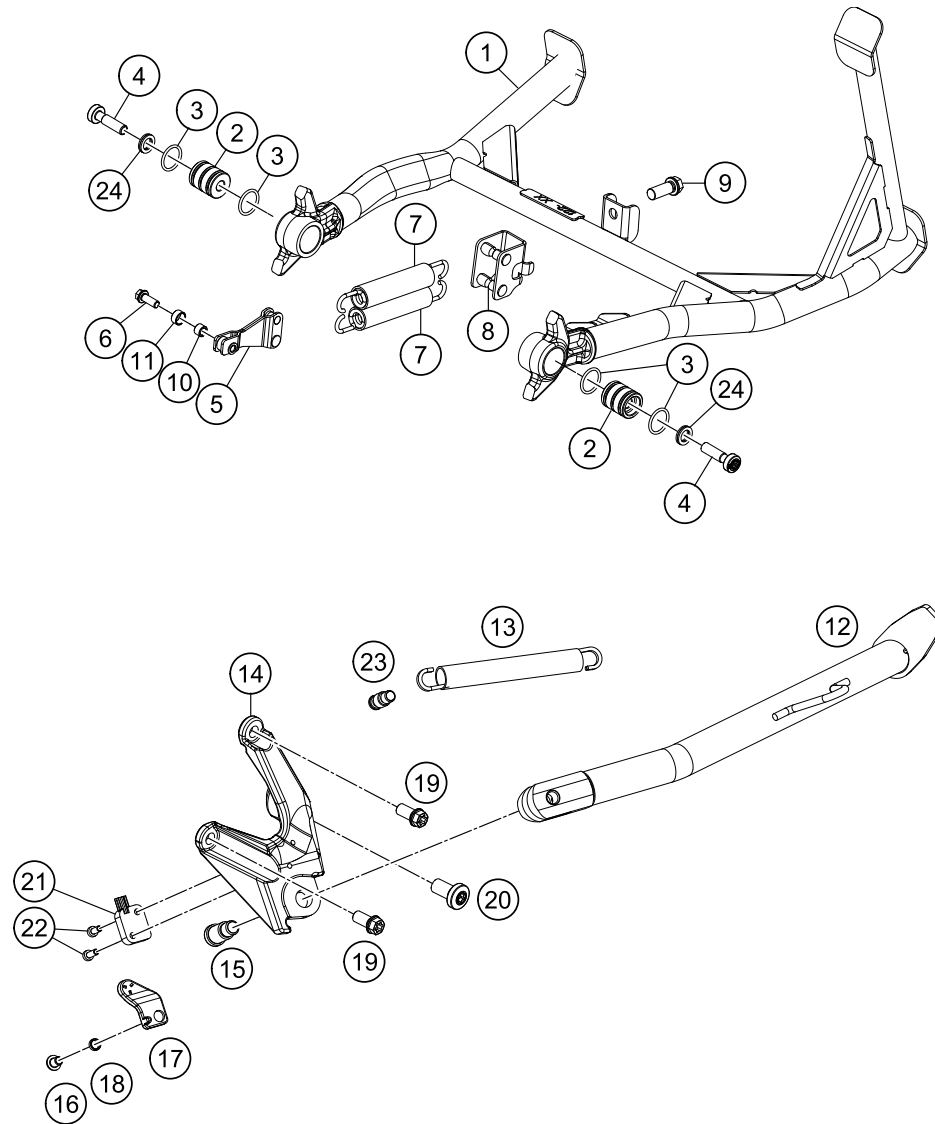
206070310

POS	PARTNUMBER	PARTNAME	PIECE
40	60003044010	CLOSING PANEL FRONT L/S R/S 03	2
41	0985050003	SELF LOCKING NUT DIN0985-M 5	2
42	61007014000	SPACER FUEL TANK 05	4
43	0019080456	countersunk screw M8x45 TX45	1
44	60004017000	SCREW M14X1,5 L=73MM 03	1
45	60303070000	CHAIN GUIDE	1
46	0024060156	HH collar screw M6x15 TX30	1
47	0025080356	HH collar screw M8x35 TX40	2
49	54603048200	RANGE CHANGE METAL NUT M5	2
51	69008021160	special screw M5x12	1
52	0035100509S	AH-COLLAR SCREW M10X50 ISA45	3
54	0035100249	SHCS M10x24 TX45	9
55	60003152000	ENGAGE PANEL FOOTREST L/S 03	2
56	60003052000	ENGAGE PANEL FOOTREST R/S 03	2
57	60003050000	FOOTREST CPL. L/S REAR 03	1
58	60003051000	FOOTREST CPL. R/S REAR 03	1
59	60003044100	footrest bolt, rear	2
60	0799060003	retaining washer DIN 6799 - 6	2
63	6030319000030	SKID PLATE ADV	1
64	0025060406	HH collar screw M6x40 TX30	2
65	45239060050	COLLAR BUSHING 6,3X8X13X9,5	2
66	60003096000	VIBRATION DAMPER 03	2
67	60303003010	STEERING HEAD COVER	1

53451

\* NEW PART

X ON DEMAND



POS	PARTNUMBER	PARTNAME	PIECE
1	60303122200C1	centre stand	1
2	60303022007	BUSHING SUPPORT CENTRAL	2
3	0770180020	o-ring 18.00x2.00 NBR70	4
4	0035080356S	SCREW M8X35 ISA45 SS	2
5	60303022025	SPRING SUPPORT FRONT CPL.	1
6	0025060166	HH collar screw M6x16 TX30	1
7	60303030100	SIDESTAND SPRING L=118MM	2
8	60303022026	SPRING SUPPORT REAR CPL.	1
9	0025080206	HH collar screw M8x20	1
10	60303022031	BUSHING SPRINGSUPPORT FRONT	1
11	60303022032	BUSHING SPRING SUPPORT FRONT	1
12	6030312310033	SIDE STAND CPL.	1
13	60303024100	SIDE STAND SPRING	1
14	6030302610033S	SIDE STAND BRACKET	1
15	62503027200	SCREW FOR SIDE STAND M10X31,2	1
16	0902060083	AH OVAL SCREW ISO 7380 M 6X8	1
17	60303029050	MAGNET HOLDER	1
18	60303029051	BUSHING MAGNET HOLDER	1
19	0025080166	HH COLLAR SCREW M8X16 TX40	2
20	0035100309S	SHCS M10x30 TX45	1
21	60411045000	SIDE STAND SENSOR	1
22	0084040123	CYL.HEAD SCREW DIN84A M4x12	2
23	60303023111	RETAINING BOLT	1
24	60303022035	NORDLOCK WASHERS M8	2

196070360

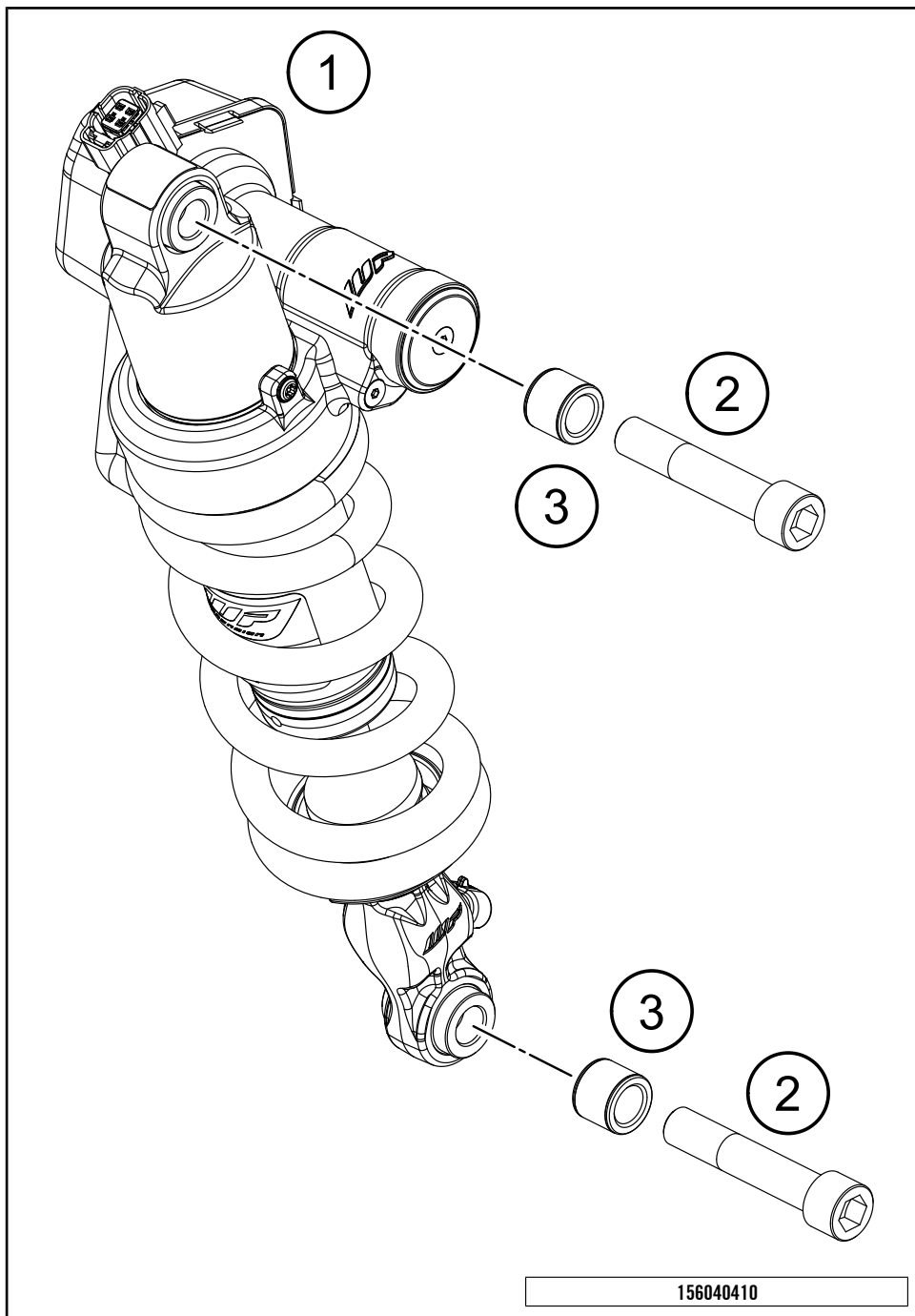
53503

\* NEW PART

X ON DEMAND

# SHOCK ABSORBER

1290 Super Adventure S, orange 2020 EU 2020



POS	PARTNUMBER	PARTNAME	PIECE
1	01181Q2601	MONOSHOCK SAFE ADV. 2017	1
2	60004017000	SCREW M14X1,5 L=73MM 03	2
3	60004030151	BUSHING MONOSHOCK SOCKET 05	2

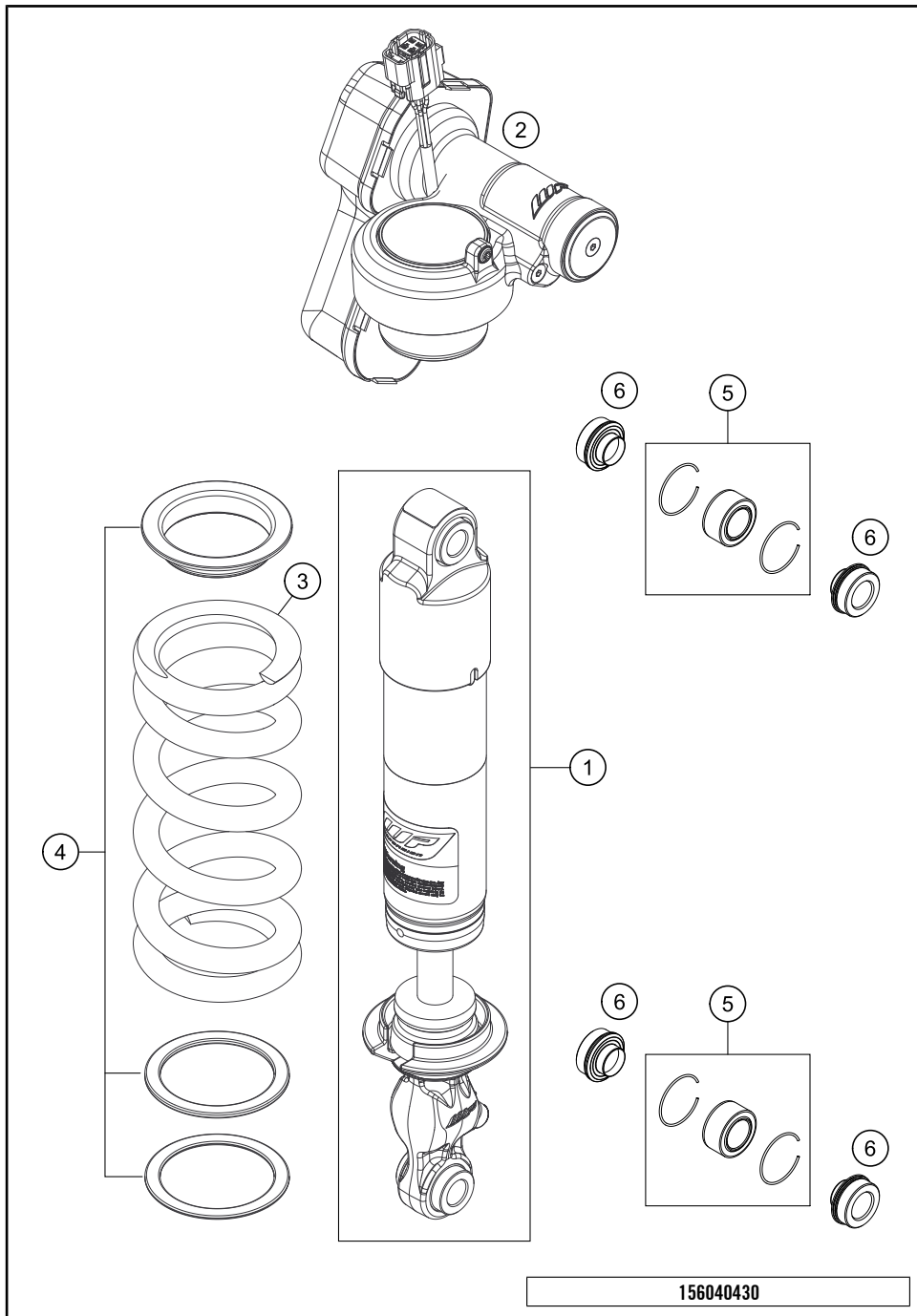
\* NEW PART

X ON DEMAND



# SHOCK ABSORBER DISASSEMBLED

1290 Super Adventure S, orange 2020 EU 2020



POS	PARTNUMBER	PARTNAME	PIECE
1	46812001S2	Monoshock assembly group	1
2	15000001	PA cpl. KTM EDS	1
3	91010365	Mainspring (59)160-198,5 damper white	1
4	R15023	REP. KIT SPRING WASHER	1
5	R12012	Ball joint bearing kit top 12mm	2
6	46181307E	Bearing bush 14x15/23,5x14,45 cpl.	4

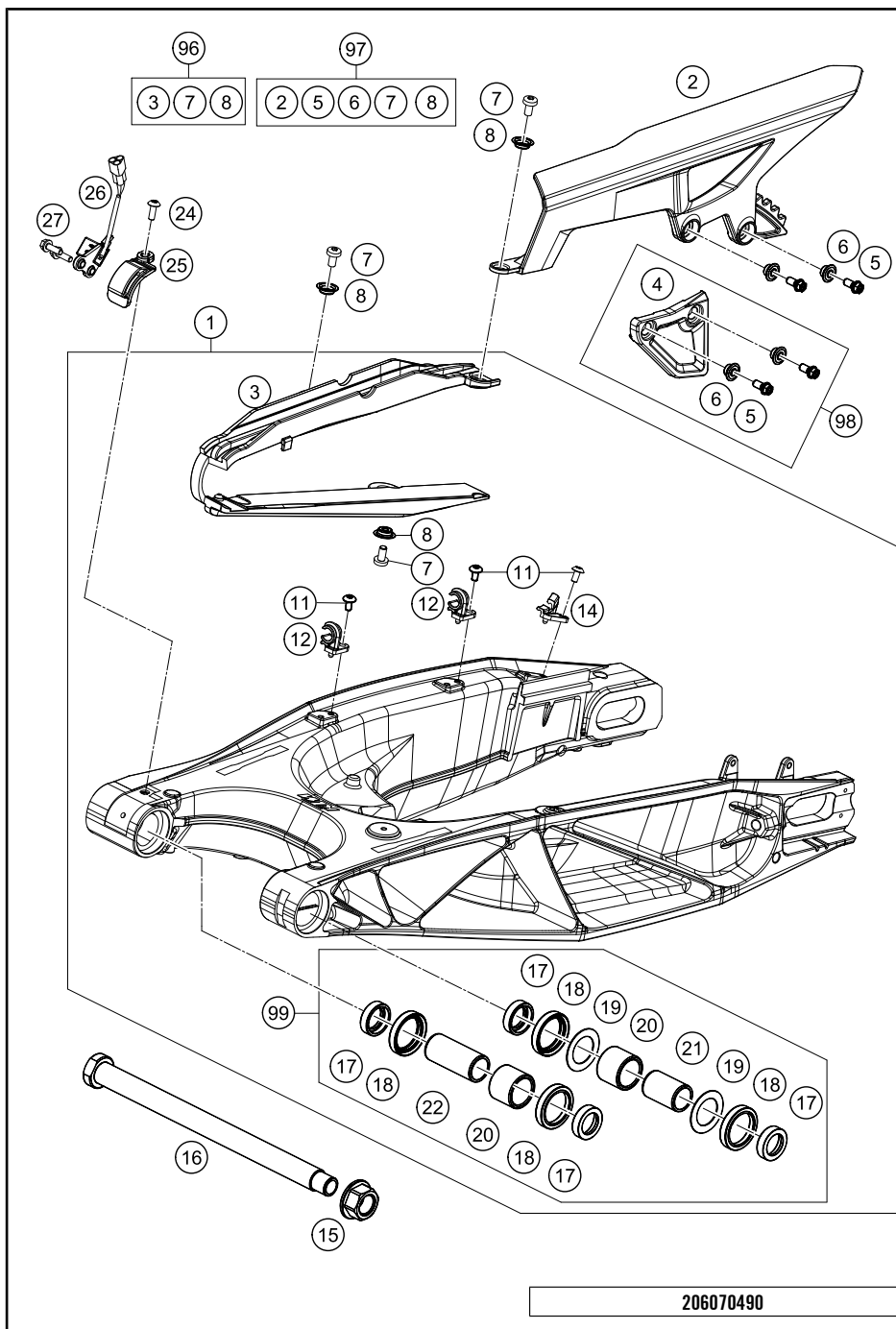
18644

\* NEW PART

X ON DEMAND

# SWING ARM

1290 Super Adventure S, orange 2020 EU 2020



POS	PARTNUMBER	PARTNAME	PIECE
1	6070403004433	SWING ARM CPL. ADV. 17	1
2	60304061000	CHAIN GUARD	1
3	60304066000	CHAIN SLIDING GUARD	1
4	60304070000	CHAIN GUIDE	1
5	0025060166	HH collar screw M6x16 TX30	4
6	50308053000	BUSH FOR SPOILER 6X11X16X7,5	4
7	0018050103	INT. TORX OVAL HEAD M 5X10 8.8	3
8	46104066050	BUSH FOR CHAINSLIDER GUARD 02	3
11	78105081010	SCREW TORX M5X10	3
12	60104142000	Clamp	2
14	60142126000	Rear cable routing for ABS sensor	1
15	60004038200	COLLAR NUT M19X1,5 SW=27MM	1
16	69004037344	Swingarm pivot	1
17	60004034000	BUCKET F. SHAFT SEAL RING 03	4
18	0760304073	SHAFT SEAL RING 30X40X7	4
19	60004033000	STOP DISK 03	2
20	60004031000	NEEDLE BUSH HK2526B 03	2
21	60004032000	INNER RING JR20X25X38,5 03	1
22	69004032000	INNER RING JR 20X25X56,5	1
24	58605083014	SCREW M5X14 TORX 25 07	1
25	60416061000	MAGNET HOLDER	1
26	60416062000	WHEEL TRAVEL SENSOR	1
27	0025050166	HH collar screw M5x16 TX30	2
96	60304066010	CHAIN GUARD KIT 13-14	x
97	60304060010	CHAIN PROTECTION KIT 13-14	x
98	60304070010	CHAIN GUIDE KIT 1190 ADV	x
99	69004230010	SWING ARM REP. KIT 08-14	x

206070490

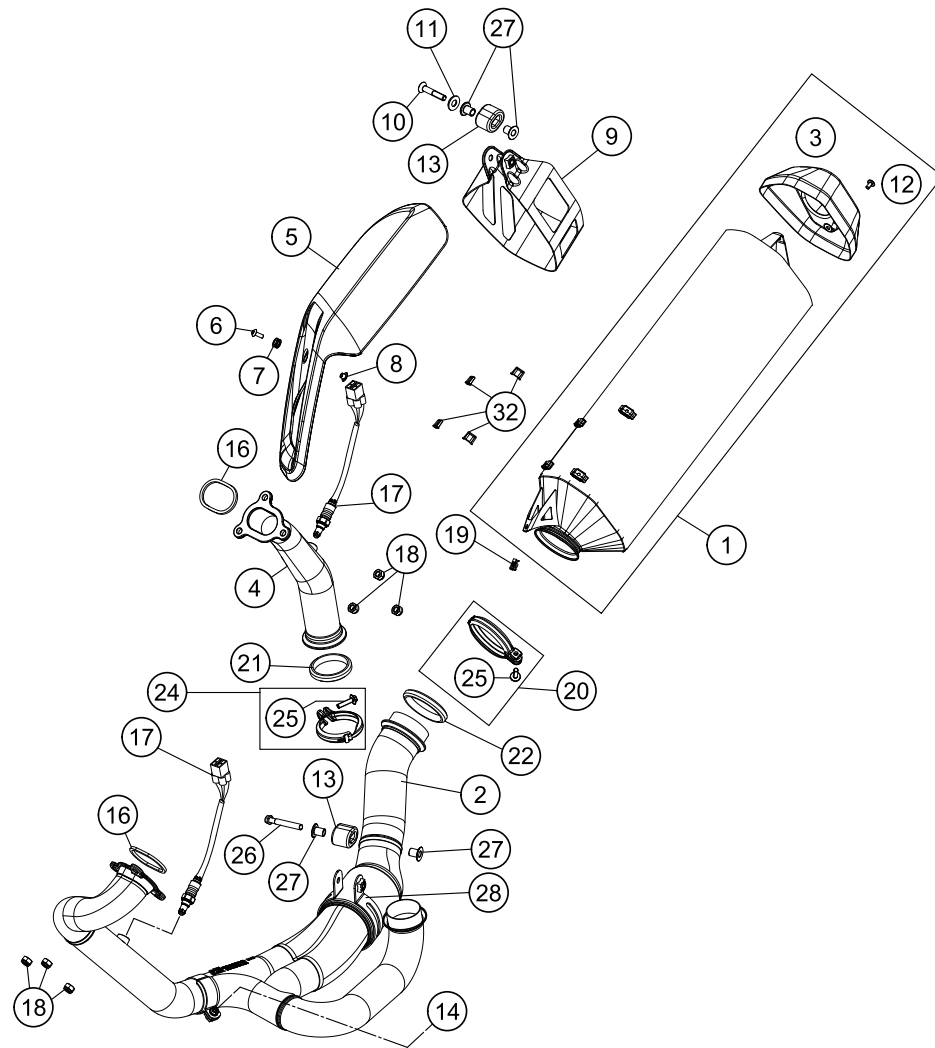
53447

\* NEW PART

X ON DEMAND

# EXHAUST SYSTEM

1290 Super Adventure S, orange 2020 EU 2020



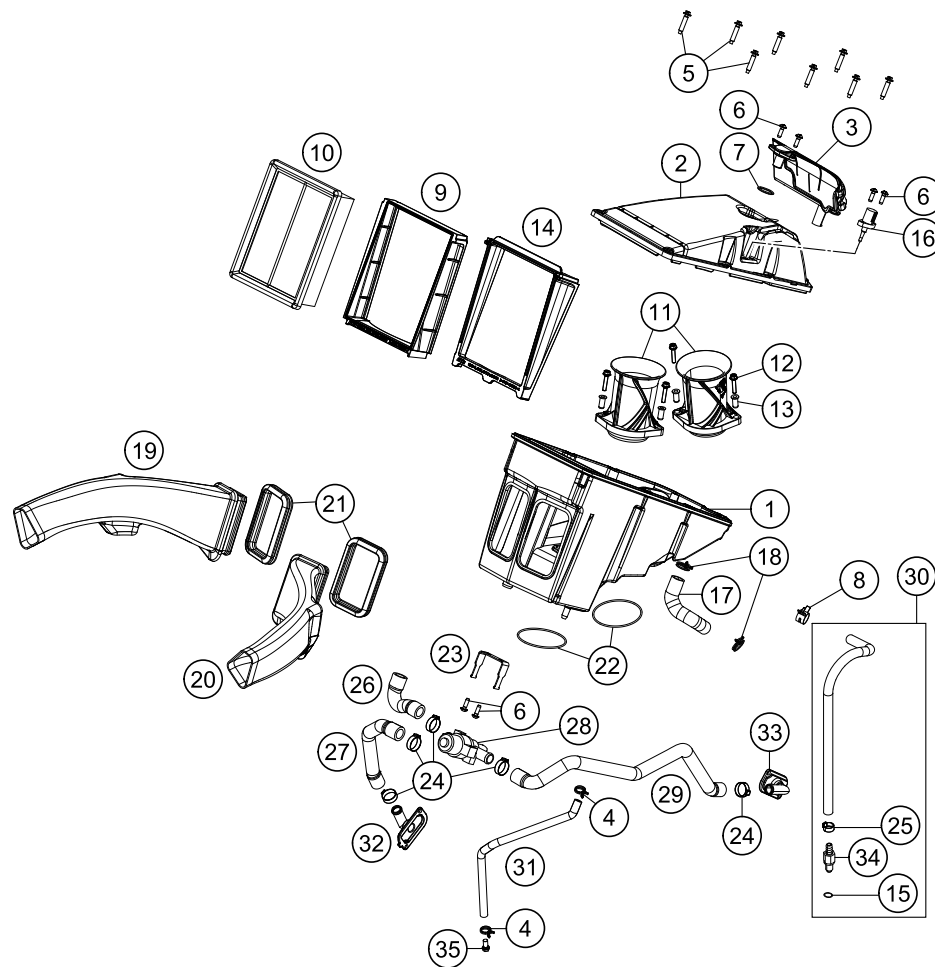
POS	PARTNUMBER	PARTNAME	PIECE
1	60305083000	SILENCER	1
2	60705007100	Mainfolt front	1
3	60305083161	ENDCAP	1
4	60305008100	Header rear complete	1
5	6040511100033	HEAT PROTECTION BLACK	1
6	58605083014	SCREW M5X14 TORX 25 07	1
7	60305083081	SILICON SLEEVE	1
8	60305083082	SPACER BUSHING	1
9	60305083190	CLAMP SILENCER	1
10	0019080456	countersunk screw M8x45 TX45	1
11	60405069000	conical seat Alu	1
12	78105081010	SCREW TORX M5X10	3
13	61305068000	DAMPING RUBBER	2
14	0025080166	HH COLLAR SCREW M8X16 TX40	1
15	60705007025	Clamp support plate compl.	1
16	69005005100	EXHAUST PIPE FLANGE GASKET	2
17	75041090200	LAMBDA SENSOR	2
18	51010086100	self-locking nut M8 Cu	6
19	69008021080	clip nut M5	1
20	61305090000	EXHAUST CLAMP CPL. 60MM	1
21	69005005005	MANIFOLD GASKET	1
22	61305005005	MANIFOLD GASKET 60MM	1
24	69005050000	CLAMP CPL.	1
25	0024060256	HH COLLAR SCREW M6X25 TX30	2
26	0025080456	HH collar screw M8x45 TX40	1
27	60305069000	BUSHING	2
28	60305007015	SHELL EXHAUST PIPE CPL.	1
32	61005091000	DAMP. COMPON. SILICONE GREY 05	4

186070510

51379

\* NEW PART

X ON DEMAND



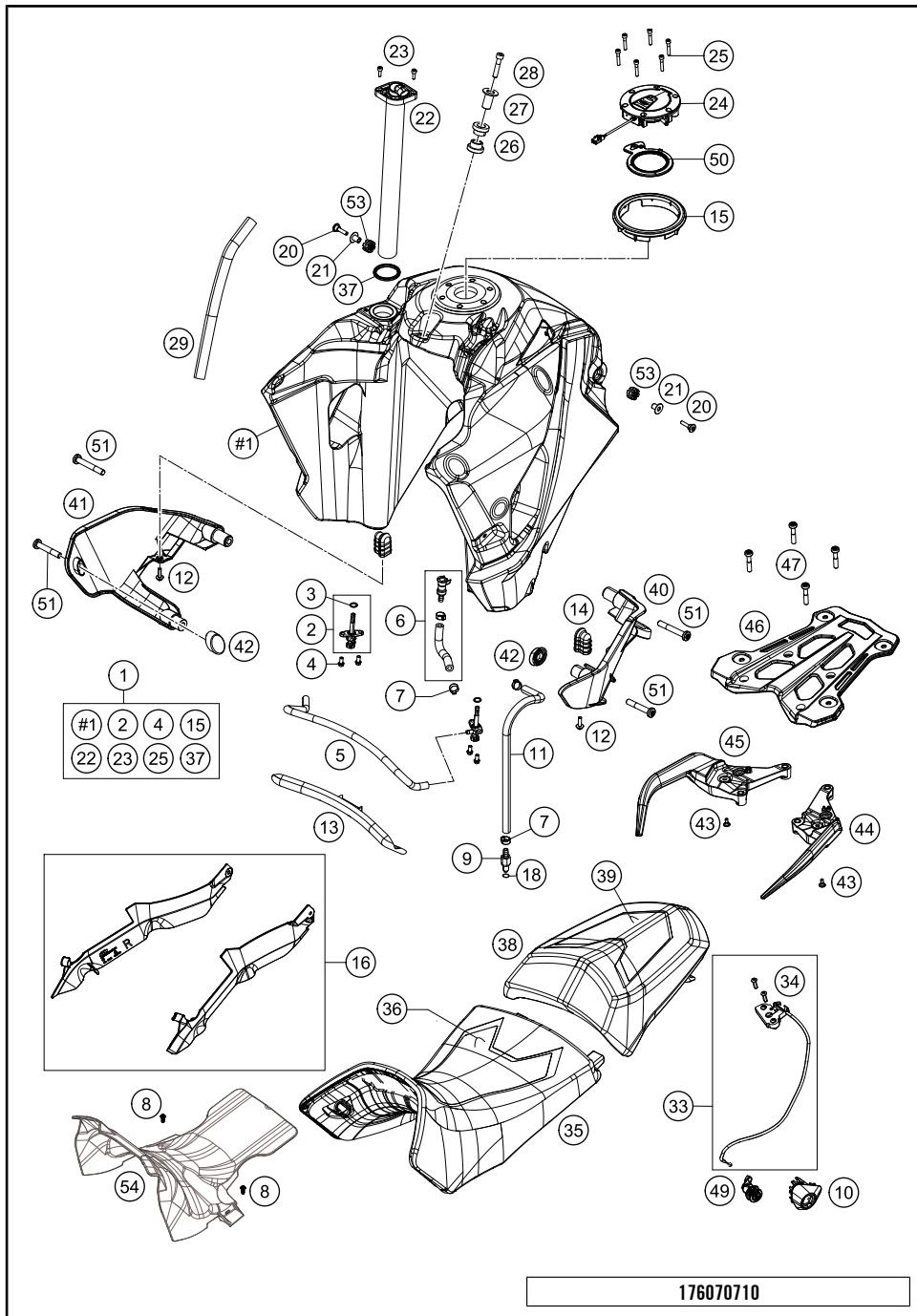
POS	PARTNUMBER	PARTNAME	PIECE
1	60306001200	AIR FILTER HOUSING LOWER PART	1
2	60306002000	AIR FILTER BOX COVER	1
3	60330088100	OIL SEPARATOR	1
4	58031005000	CLAMP YDNAC 10128 12MM	2
5	0017060305	SPECIAL SCREW K60X30 WS=6	8
6	0081050161	EJOT PT SCREW K50X16 1451	6
7	0770021020	O-RING 21,00X2,00 NBR70	1
8	00049140121	CLAMP STD DN14	1
9	60406016000	FILTERCLAMPING FRAME	1
10	60306015100	AIR FILTER	1
11	60341040100	INTAKE TRUMPET LENGTH 100	2
12	0025050256	HH COLLAR SCREW M5X25 ISA30	2
13	60306042010	BUSHING INTAKE TRUMPET	4
14	60406017000	FILTERCLAMPING LINER	1
15	58507012000	O-RING VITON F. PLUG CPC 05	1
16	61041080000	AMBIENT-AIR TEMPERATURE SENSOR	1
17	60330088030	OIL SEPARATOR FOAM HOSE	1
18	60306082000	CLAMP YDNAC 10173 (19MM)	2
19	60406040000	INTAKE DUCT R/S	1
20	60406041000	INTAKE DUCT L/S	1
21	60306040050	GASKET INTAKE DUCT	2
22	0770066025	O-RING 66X2,5 FKM	2
23	61305031000	RETAINING BRACKET SLS	1
24	00050226706	VARIABLE ONE-EAR CLAMP 22,6MM	5
25	00050157706	VARIABLE ONE-EAR CLAMP 15,7MM	2
26	61305035023	SAS HOSE - AIRBOX	1
27	61305035021	SAS HOSE CYLINDER FRONT	1
28	61005026000	CONTROL VALVE SAS 05	1
29	61305035022	SAS HOSE CYLINDER REAR	1
30	60307016000	FUEL HOSE 1 CPL.	1
31	60015019001	HOSE NBR 7X11 PER METER	1
32	61205122000	SAS flange	1
33	61205032000	SAS-FLANGE	1
34	5850701030030	PLUG CPC BLACK 05	1
35	0025080126	HH collar screw M8x12 TX40	1

166040610

18738

\* NEW PART

X ON DEMAND



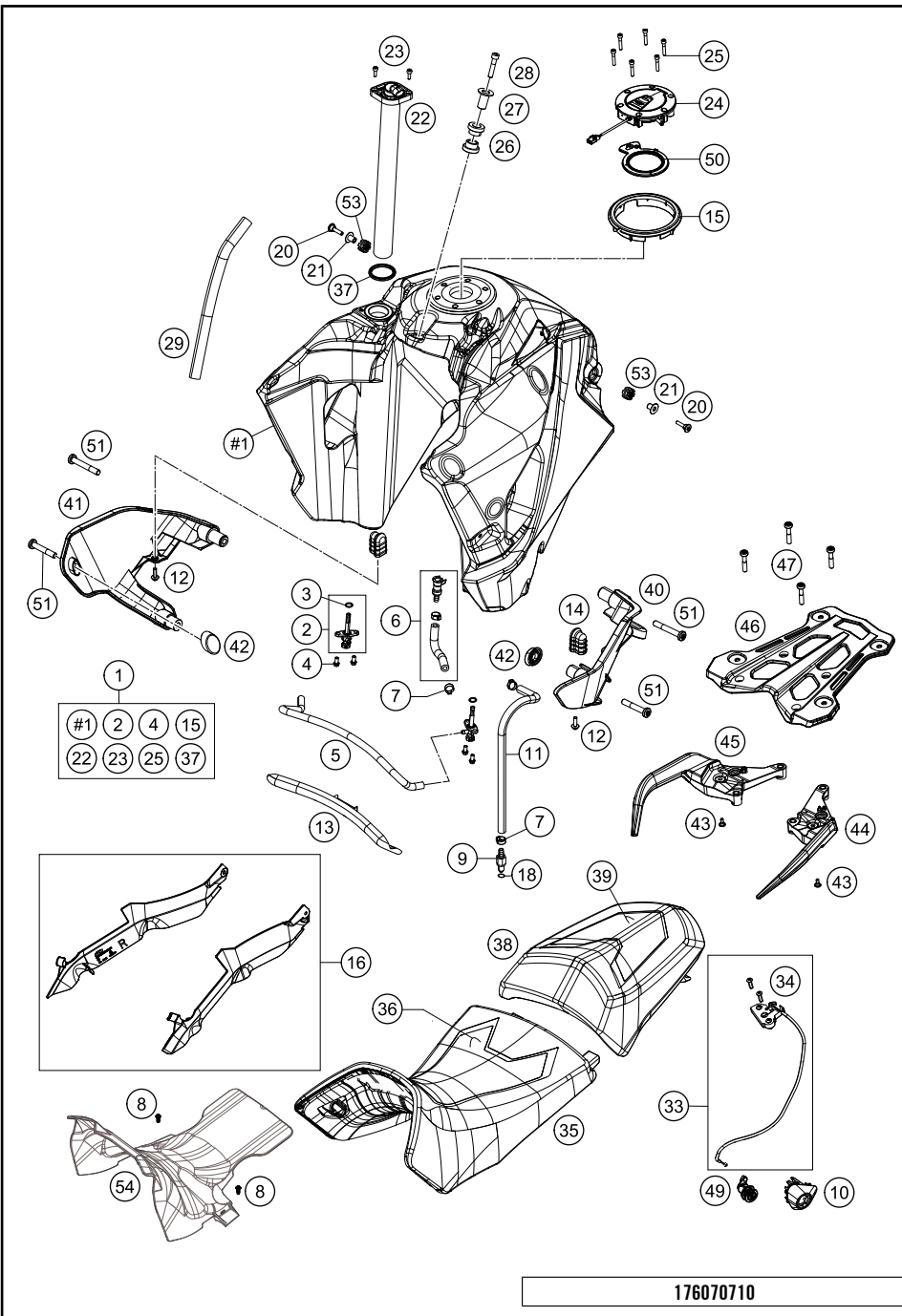
POS	PARTNUMBER	PARTNAME	PIECE
1	6030711314433A	FUEL TANK CPL.	1
2	58507003200	FUEL COCK CPL.	2
3	0770020130	O-RING 1,78x10,82x14,38 2-013	2
4	0025060126	HH collar screw M6x12 TX30	4
5	60007416510	FUEL HOSE 6,4X3,2 L=510MM	1
6	60307017000	FUEL HOSE TANK/CONNECTOR	1
7	00050157706	VARIABLE ONE-EAR CLAMP 15,7MM	2
8	0081045121	SCREW FOR PLASTIC K45X12 T20	2
9	5850701030030	PLUG CPC BLACK 05	1
10	60307053000	SEAT LOCK COVER	1
11	60307016050	FUEL PIPE 1	1
12	0024060206	HH collar screw M6x20 TX30	2
13	60307070000	BRACKET FUEL HOSE	1
14	60307020000	TANK RUBBER	2
15	60307009100	Filler cap coil	1
16	60308053144	AIR DEFLECTOR KIT SEAT	1
18	58507012000	O-RING VITON F. PLUG CPC 05	1
20	60307025000	SPECIAL SCREW M6X32.5 ISA 40	2
21	69007028000	COLLAR BUSH. 6,2X10X21X14MM 08	2
22	60307080100	Fuel level sensor	1
23	0912050163	AH SCREW DIN0912-M 5X16	2
24	60707008000	Fuel tank cap race-on	1
25	0912050253	AH SCREW DIN0912-M 5X25	6
26	61007065000	collar bushing, front tank holder	2
27	61007060000	collar bushing, bearing, outside	1
28	0912080403	SHCS DIN 912 M8x40	1
29	60007126001	HOSE 5,4X9,4 NBR, METER	1
33	60307050000	SEAT LOCK CPL.	1
34	0738060201	FLAT HEAD SCREW ISO7380 M6X20	2
35	60707040000	Seat	1
36	60707043000	Seat cover	1
37	60307080090	GASKET FUEL LEVEL SENSOR	1
38	60707047000	Seat passenger	1
39	60707053000	Seat cover passenger	1
40	6030702700033	Tank guard left black	1
41	6030702800033	Tank guard right black	1
42	60307032000	DAMPER	2
43	69013099050	SCREW F. EXPANSION TANK	2

176070710

49511

\* NEW PART

X ON DEMAND



176070710

POS	PARTNUMBER	PARTNAME	PIECE
44	6031200810030	GRIP L/S BLACK	1
45	6031200920030	HAND GRIP R/S	1
46	6031201000033S	BAGGAGE CARRIER BRIDGE	1
47	0035080406	AH-COLLAR SCREW M8X40 ISA45	4
49	60307050020	LOCK CYLINDER SEAT LOCK	1
50	60307008190	GASKET TANK CAP	1
51	0035100609S	AH-COLLAR SCREW M10X60 ISA45	4
53	69007027000	rubber grommet, tank mounting	2
54	60707045000	Heat protection shell	1

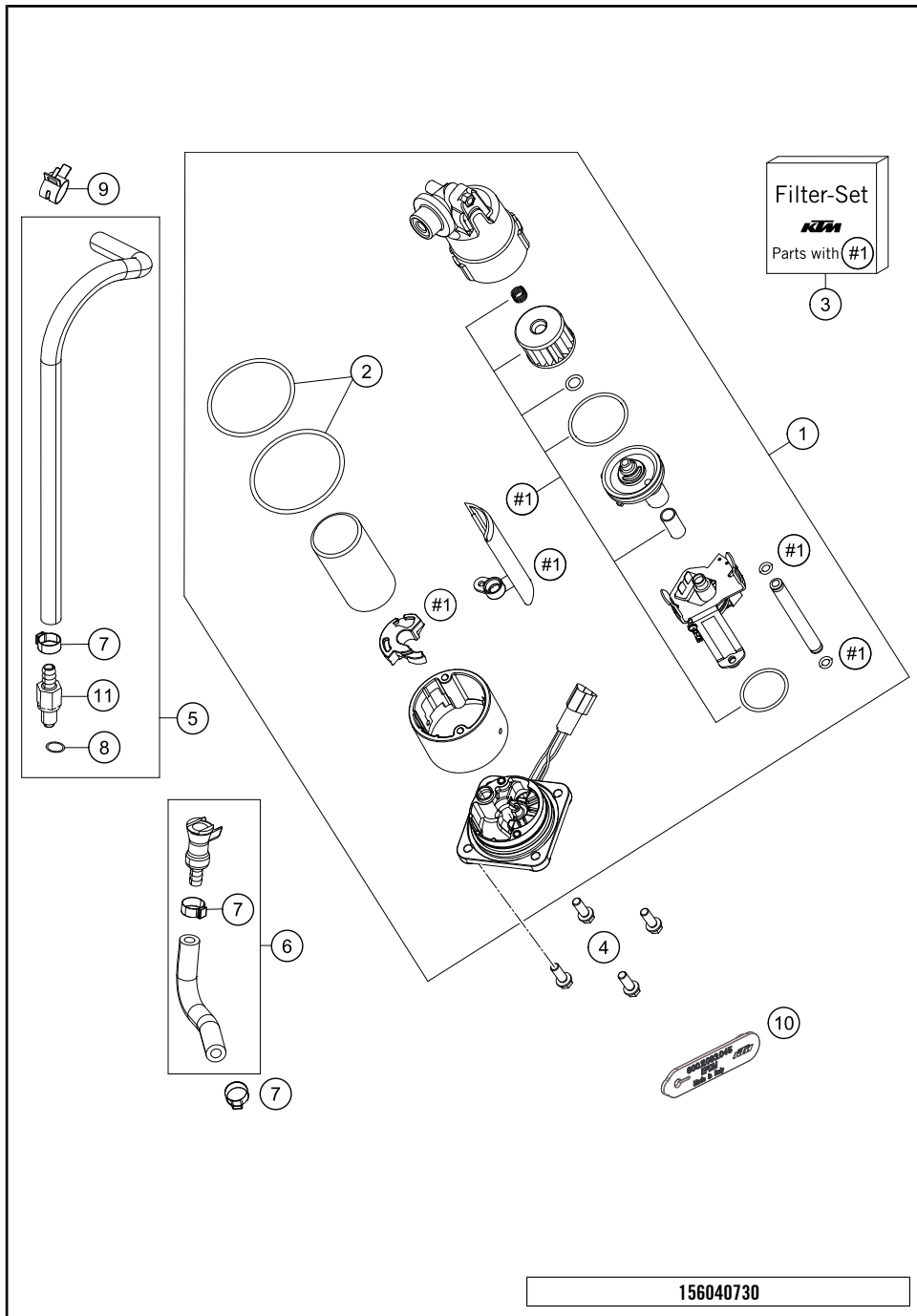
49511

\* NEW PART

X ON DEMAND

# FUEL PUMP

1290 Super Adventure S, orange 2020 EU 2020

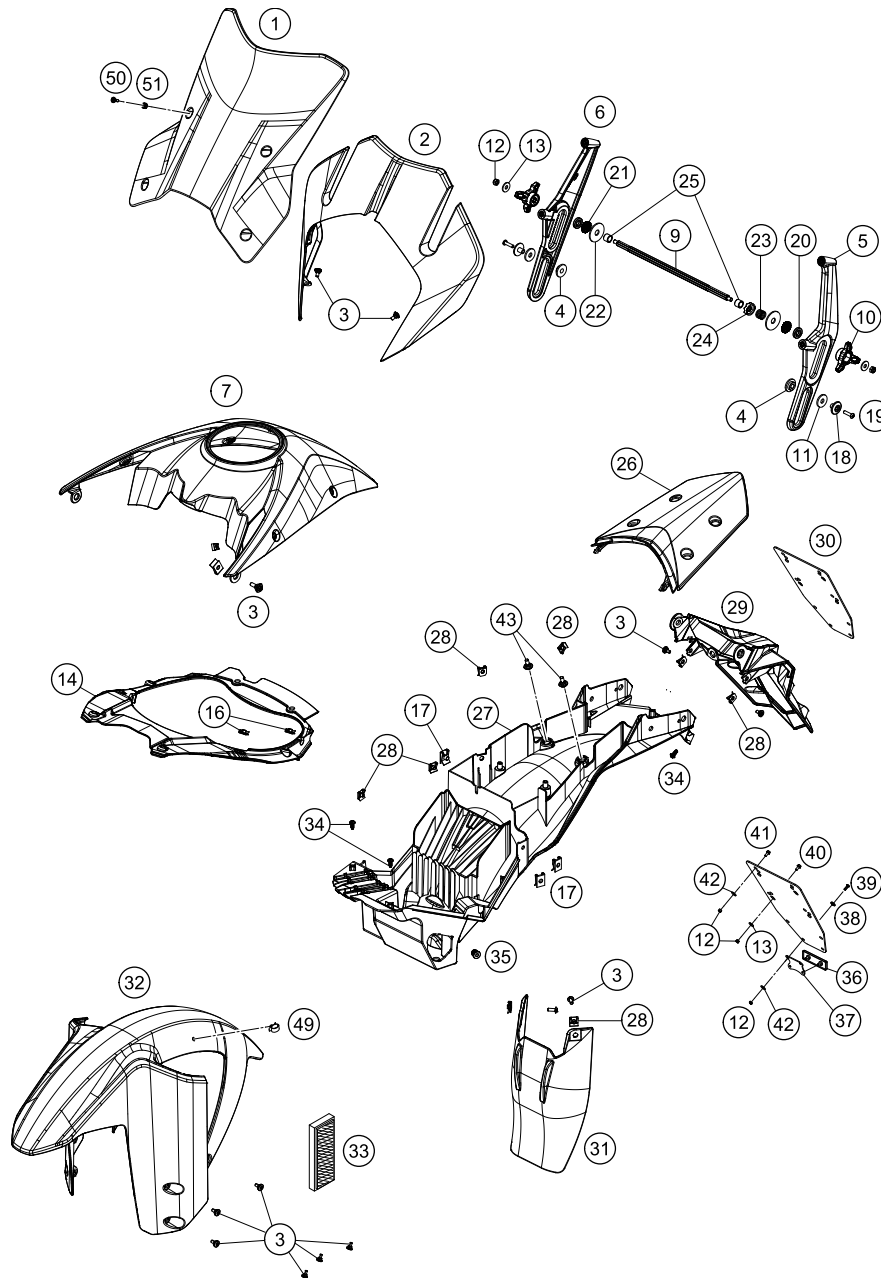


POS	PARTNUMBER	PARTNAME	PIECE
1	60307088000	FUEL PUMP	1
2	61007089000	O-RING SET FOR FUEL PUMP 05	1
3	61007090100	FILTER-SET FUEL PUMP	1
4	0025060166	HH collar screw M6x16 TX30	4
5	60307016000	FUEL HOSE 1 CPL.	1
6	60307017000	FUEL HOSE TANK/CONNECTOR	1
7	00050157706	VARIABLE ONE-EAR CLAMP 15,7MM	4
8	58507012000	O-RING VITON F. PLUG CPC 05	1
9	00049140121	CLAMP STD DN14	1
10	60011093045	RUBBER CABLE TIE 45MM 03	1
11	5850701030030	PLUG CPC BLACK 05	1

156040730

16036

\* NEW PART X ON DEMAND



196070810

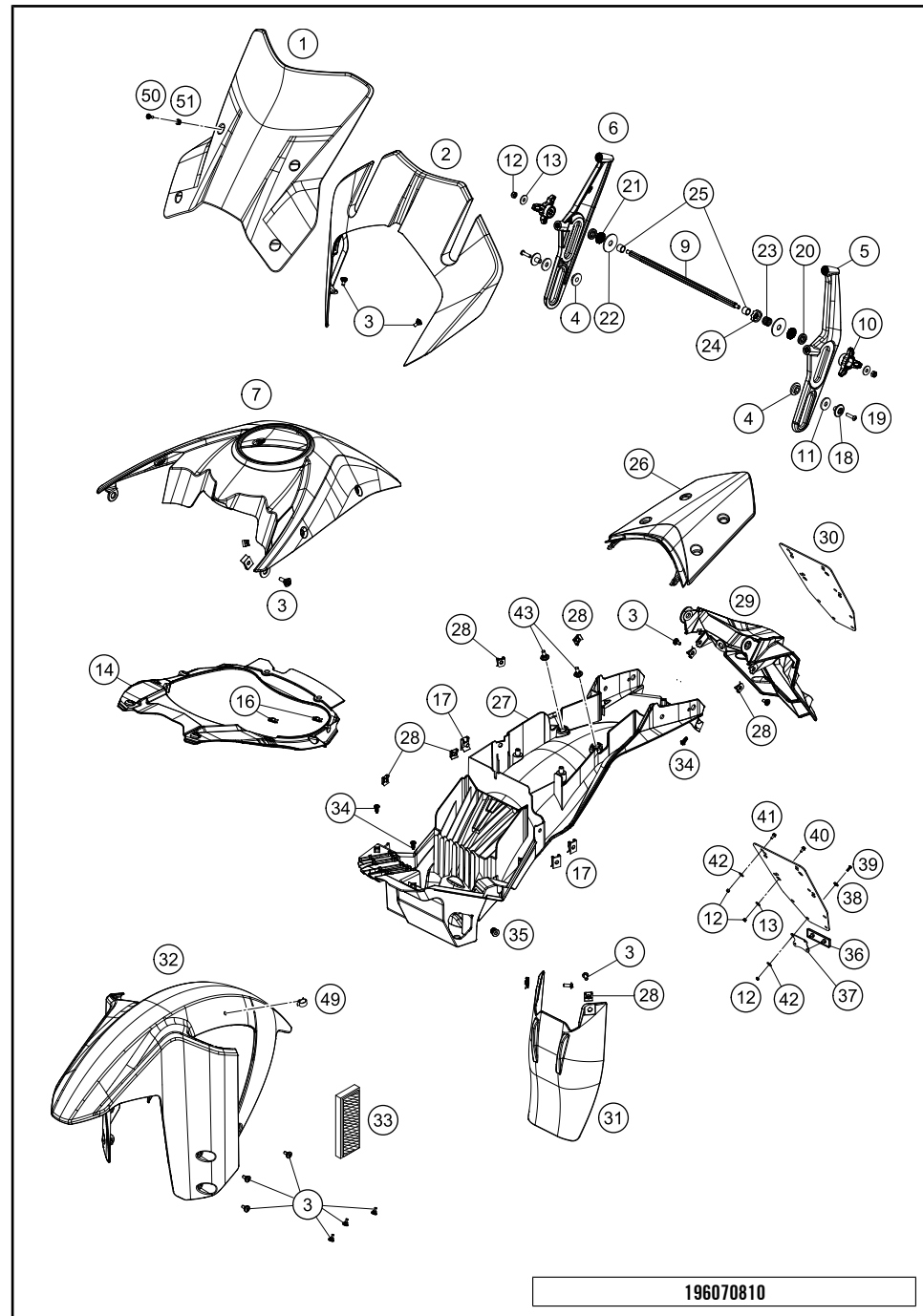
POS	PARTNUMBER	PARTNAME	PIECE
1	60708008000	Windshield EU	1
2	60708001000	Headlight mask	1
3	69008021160	special screw M5x12	24
4	60708008052	Bearing sleeve	2
5	6070800805033	Windshield support left	1
6	6070800805133	Windshield support right	1
7	60308030000EBB	Tank Cover electric orange	1
9	60708008054	Shaft	1
10	60708008053B2	Adjusting wheel	2
11	60708008062	Washer D=24/T=2.5	2
12	0926060000	STOP NUT M6 DIN6926 A2-70	3
13	0021060003	WASHER DIN9021-A 6,4	2
14	60708105000	Dashboard cover	1
16	69008021080	clip nut M5	14
17	54603048100	clip nut M6	5
18	60708008055	Collared bush	21
19	0738050202	Lens head screw ISO 7380-M5X20A2	2
20	60708008057	Windshield support rubber	2
21	60408008155	GEAR 16TH ADJUSTMENT	2
22	60708008063	Washer D=36/T=2	2
23	60708008067	Spring windshield	1
24	60708008065	Toothed disk	1
25	60708008064	Plain bearing	2
26	6030801300033	REAR FENDER	1
27	60308019200	Tail end lower part	1
28	54603048200	RANGE CHANGE METAL NUT M5	2
29	60308015000	NUMBER PLATE SUPPORT	1
30	60012081200	license plate mouning plate	1
31	60304050000	SPLASH PROTECTION	1
32	6030811000033	FRONTFENDER	1
33	60012080100	SIDE REFLECTOR YELLOW "CEV"	2
34	0081050121	EJOT PT screw K50x12	4
35	60308095000	EJOFORM DELTASERT M6 AL	1
36	58412080200	reflector, red	1
37	58412080050	BRACKET FOR REFLECTOR	1
38	40006006000	WASHER 6MM	2
39	0966050163	OVAL HEAD SCREW DIN0966-M 5X16	2
40	0024060156	HH collar screw M6x15 TX30	2

53509

\* NEW PART

X ON DEMAND



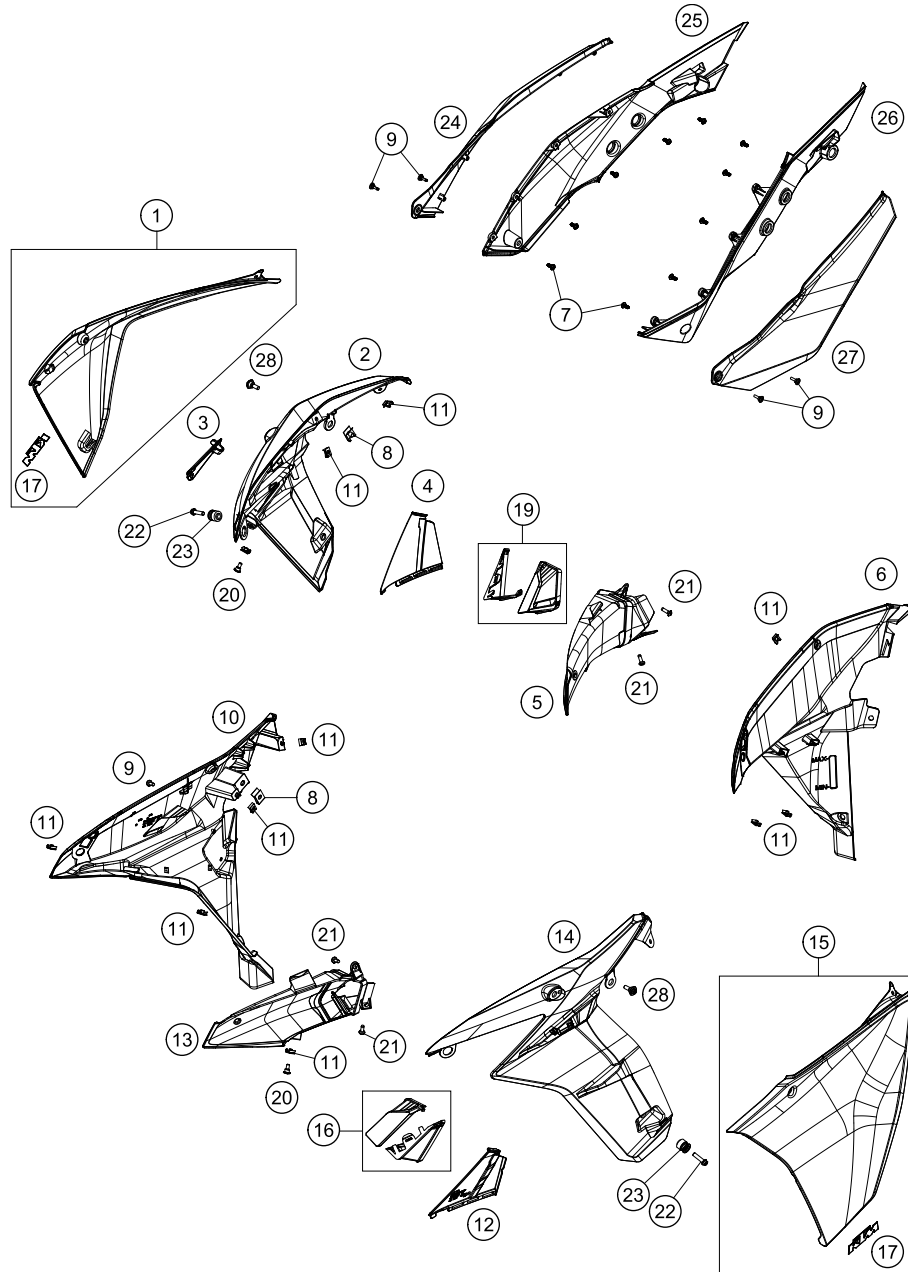


POS	PARTNUMBER	PARTNAME	PIECE
41	0024060206	HH collar screw M6x20 TX30	2
42	0125060003	WASHER DIN0125-A 6,4	2
43	83008000015	SPECIAL SCREW M6X15X3	2
49	58111076000	CABLE SUPPORT KHS NR.150-47610	2
50	60708008071	Special screw M5x14	4
51	60708008070	rubber bush windshield fixation	4

196070810

53509

\* NEW PART X ON DEMAND



POS	PARTNUMBER	PARTNAME	PIECE
1	60708051033KCA	Fuel tank spoiler right	1
2	6070810300033	Fairing right	1
3	6070810201033	Maintenance cover	1
4	60708103060	Cover for right intake port	1
5	6070810305033	Air intake right	1
6	60708126000	Inner cover right	1
7	0081050121	EJOT PT screw K50x12	10
8	54603048100	clip nut M6	2
9	69008021160	special screw M5x12	9
10	60708125000	Inner cover left	1
11	69008021080	clip nut M5	10
12	60708102060	Cover for left intake port	1
13	6070810205033	Air intake left	1
14	6070810200033	Fairing left	1
15	60708050033KCA	Fuel tank spoiler left	1
16	6070604403333	Cover intake duct le. cpl.	1
17	61608098000	Decal 3D "KTM" 17	2
19	6070604503333	Cover intake duct right cpl.	1
20	60708025030	Special screw M5x17 TX30	2
21	0081050161	EJOT PT SCREW K50X16 1451	4
22	0025060256	HH collar screw M6x25 TX30	2
23	60708050010	Bushing	2
24	60308042000EBB	Side fairing right	1
25	6070804400033	REAR SIDE COVER RIGHT BLACK	1
26	6070804300033	REAR SIDE COVER LEFT BLACK	1
27	60308041000EBB	Side fairing left	1
28	83008100020	SCREW M6X20X5,5	2

196070820

53453

\* NEW PART

X ON DEMAND

DECAL

1290 Super Adventure S, orange 2020 EU 2020

POS	PARTNUMBER	PARTNAME	PIECE
1	61608098000	Decal 3D "KTM" 17	2

1



196070830

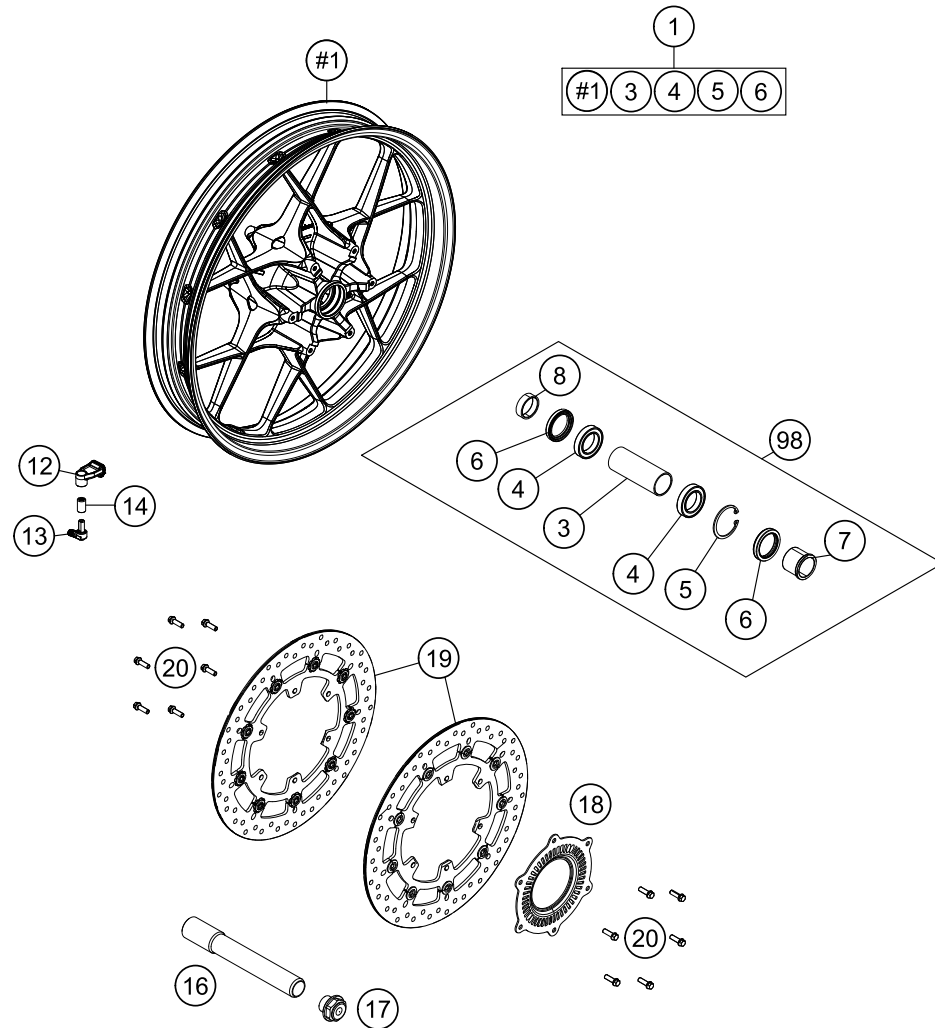
51212

\* NEW PART

X ON DEMAND

# FRONT WHEEL

# 1290 Super Adventure S, orange 2020 EU 2020



POS	PARTNUMBER	PARTNAME	PIECE
1	6060900114430	Front wheel 3.0X19" complete	1
3	60309011000	BUSHING SPACER TUBE FRONT	1
4	0625069068	GR.BALL BEAR.6906 DDU2CG23S6NM	2
5	0472047175	CIRCLIP DIN0472-47X1,75	1
6	0760354771	SHAFT SEAL RING 35X47X7 TC	2
7	60309012100	SPACER BUSH. FRONT WHEEL L/S	1
8	60009013000	SPACER BUSH. FR. WHEEL R/S 03	1
12	61412033000	TIRE PRESSURE SENSOR SMALL	1
13	61412033060	VALVE 8,5MM 90° F. TPMS SMALL	1
14	61412033050	NUT F. TYRE-PRESSURE SENSOR SM	1
16	60309081100	Wheel spindle, front	1
17	6900103600001	STEERING HEAD SCREW 09	1
18	60342020000	SENSOR GEAR ABS	1
19	6030906000030	BRAKE DISC FRONT D=320X4,5	2
20	59009062019	SPECIAL SCREW M6X19 WS=8 10.9	12
98	60609015000	FRONT WHEEL REP. KIT ADV. 1050	x

176070910

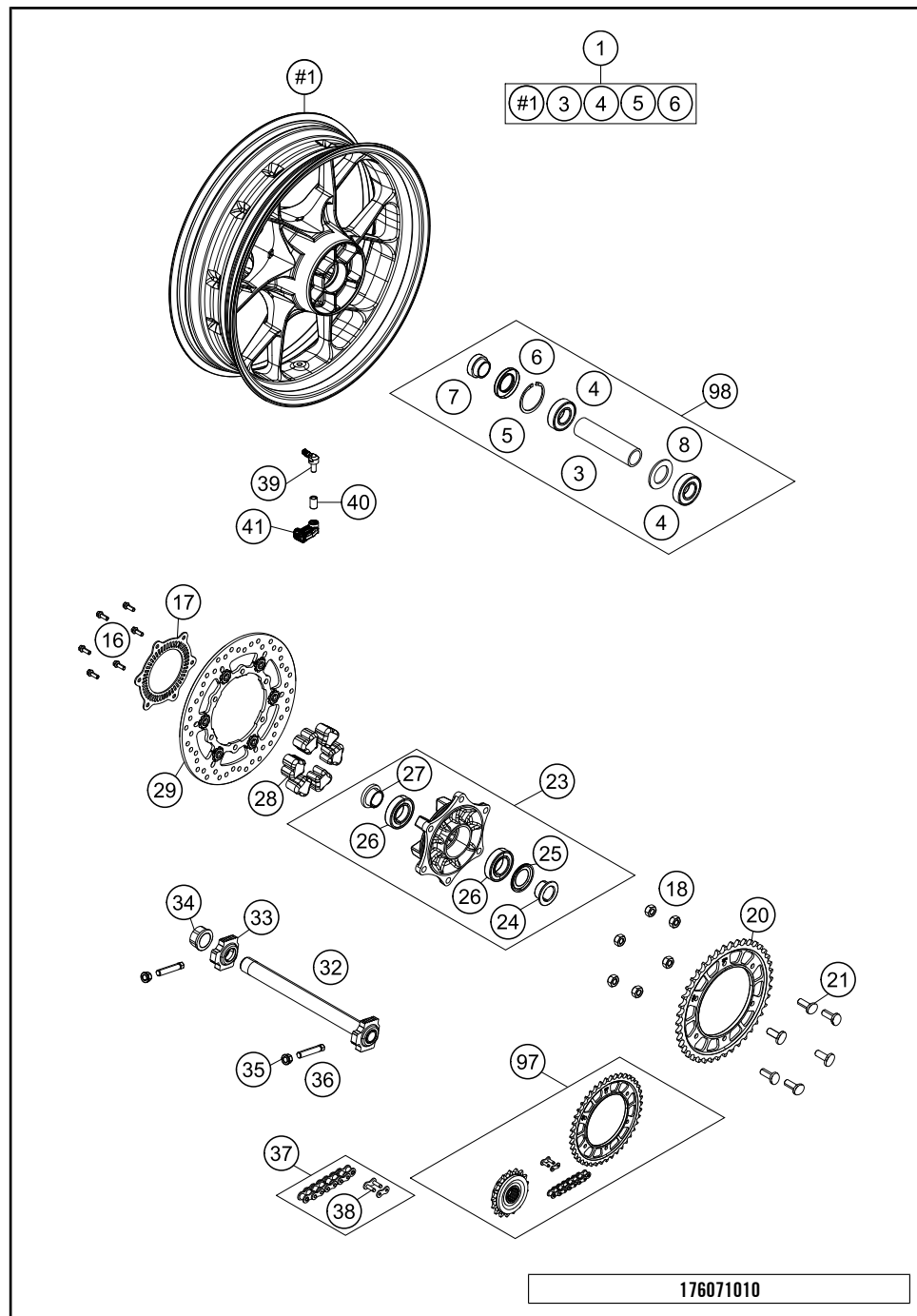
53448

\* NEW PART

X ON DEMAND

# REAR WHEEL

# 1290 Super Adventure S, orange 2020 EU 2020

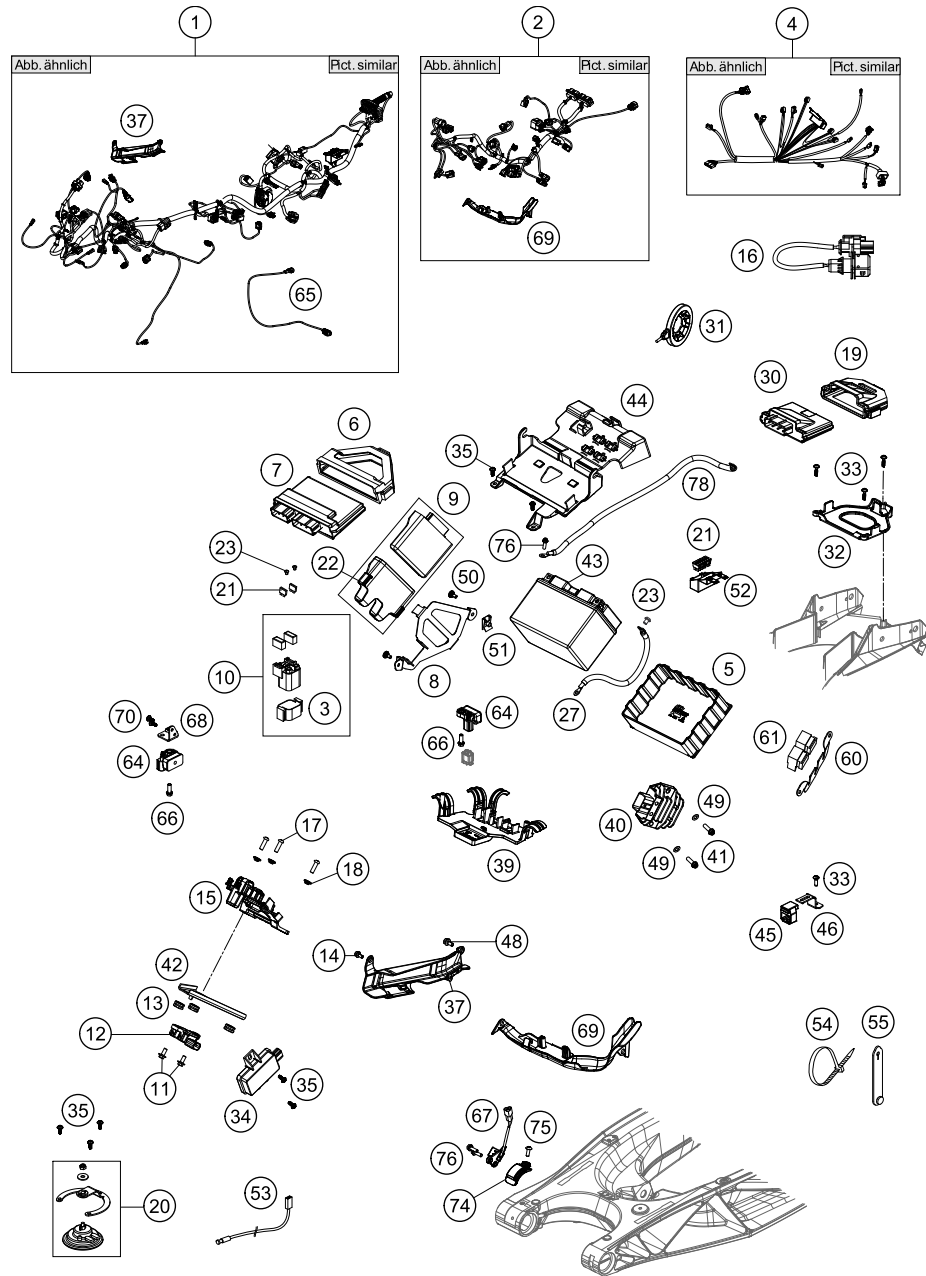


POS	PARTNUMBER	PARTNAME	PIECE
1	6071010104430	Rear wheel 5.0"X17" KPL.	1
3	60010011000	BEAR. SPACERTUBE L=124,8MM 03	1
4	0625062052	GR.BALL BEAR. 6205-2RSHC3HMTF7	2
5	0472052200	CIRCLIP DIN0472-52X2	1
6	0760305271	SHAFT SEAL RING 30X52X7	1
7	60310013100	SPACER BUSH. FRONT WHEEL R/S	1
8	60010015000	SPACER RING 03	1
16	59009062019	SPECIAL SCREW M6X19 WS=8 10.9	6
17	60142021100	SENSOR GEAR ABS REAR	1
18	0980101253	HEXAG.NUT DIN 980V M10X1,25 SL	6
20	60010051042	REAR SPROCKET 42-T 03	1
21	60010052000	SPROCKET SCREW M10X1,25 03	6
23	6011005004433	SPROCKET SUPPORT CPL. BLACK	1
24	60110012000	SPACER BUSH. SPROCKET SUPP. 06	1
25	60110016000	NILOS RING 6006AV	1
26	0625060060	BALL BEARING 6006 DDU2CG23S6NM	2
27	60110014000	SPACER BUSH. SPR. SUPP. IN. 06	1
28	54610459000	RUBBER DAMPING BLOCK '91	6
29	6031006000030	BRAKE DISK REAR	1
32	60310081244	Wheel spindle, rear, compl.	1
33	60010084000	CHAIN TENSIONER R/S LC8 03	1
34	61010086000	COLLAR NUT M25X1,5 WS=32 05	1
35	58414030000	HH COLLAR NUT M10X1,25 WS=13	2
36	50304040100	screw M10x1.25x50 WS10	2
37	60410165118	CHAIN 525 SDZZ WITH MAST. LINK RIVET TOOL NECESSARY	1
38	60410066000	MASTER LINK F.CHAIN 525 SDZZ	x
39	61412033060	VALVE 8,5MM 90° F. TPMS SMALL	1
40	61412033050	NUT F. TYRE-PRESSURE SENSOR SM	1
41	61412033000	TIRE PRESSURE SENSOR SMALL	1
97	00050002013	DRIVETRAIN KIT ADV/-S 17T/42T	x
98	60610015000	REAR WHEEL REP. KIT ADV. 1050	x

176071010

53525

\* NEW PART X ON DEMAND



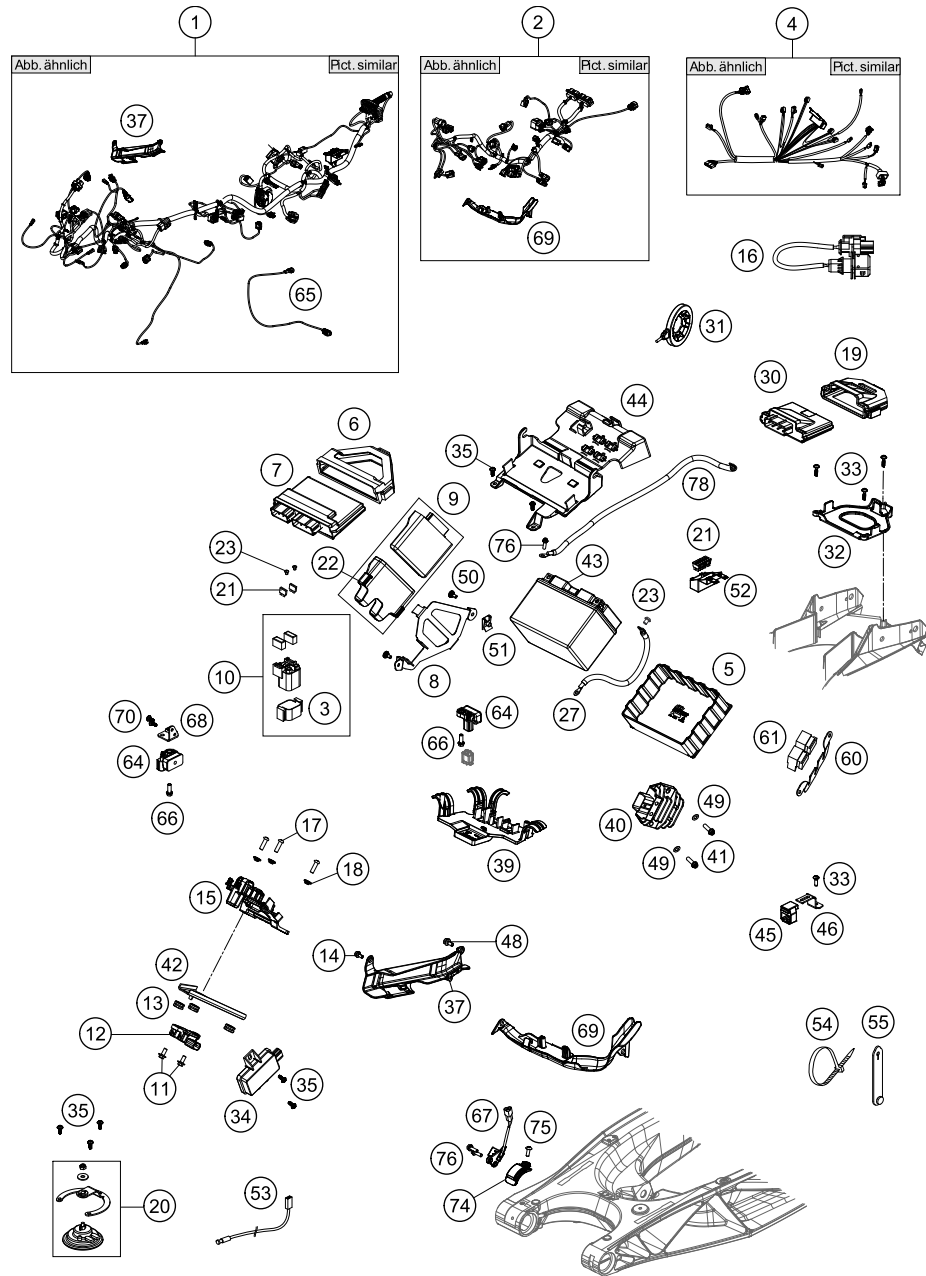
POS	PARTNUMBER	PARTNAME	PIECE
1	60711075033	Main wiring harness complete	1
2	60711085100	Engine harness	1
3	58211058050	BRACKET RUBBER F.STARTRELAY 07	1
4	60311076000	REAR WIRING HARNESS	1
5	60311053050	BATTERIE HOUSING	1
6	60341031050	ECU RUBBER BRACKET	1
7	61341031300	Control unit EFI	1
8	60311057050	BRACKET ELECTRIC	1
9	60416031000	ELECTRONIC CONTROL UNIT SAFE	1
10	58211058000	STARTER RELAY 12V '99	1
11	0024060136	HH collar screw M6x13 TX30	2
12	60342090100	inertial sensor	1
13	62142041000	DAMP. COMPONENT ABS MODUL	3
14	69008021160	special screw M5x12	2
15	60711048000	Connector support front	1
16	60411078050	Wiring harness	1
17	0738060201	FLAT HEAD SCREW ISO7380 M6X20	3
18	76508043050	COLLAR BUSHING	3
19	60711033050	Rubber band	1
20	60711060033	Direct current horn complete	1
21	58011109140	FUSE 40 A	x
21	58011109130	FUSE 30 A	x
21	58011109125	FUSE 25 A	x
21	58011109115	FUSE 15 A	x
21	58011109110	FUSE 10 A 2000	x
22	60316029000	RUBBER EDS-CONTROL UNIT	1
23	0902060083	AH OVAL SCREW ISO 7380 M 6X8	4
27	60311059050	BATTERIE CABLE	1
30	60711033000	Control unit MCU 3.0	1
31	69011168000	Antenna keyless	1
32	60708019010	Support	1
33	0081050181	SCREW FOR PLASTIC K50X18 T20	4
34	60312032000	RECEIVER AIR PRESSURE SENSOR	1
35	0081050121	EJOT PT screw K50x12	7
37	60311047000	CABLE CHANNEL R/S	1
39	60311049200	Plug board rear	1
40	60311034000	VOLTAGE REGULATOR	1
41	0025060206	HH collar screw M6x20 TX30	2

176071110

53455

\* NEW PART

X ON DEMAND



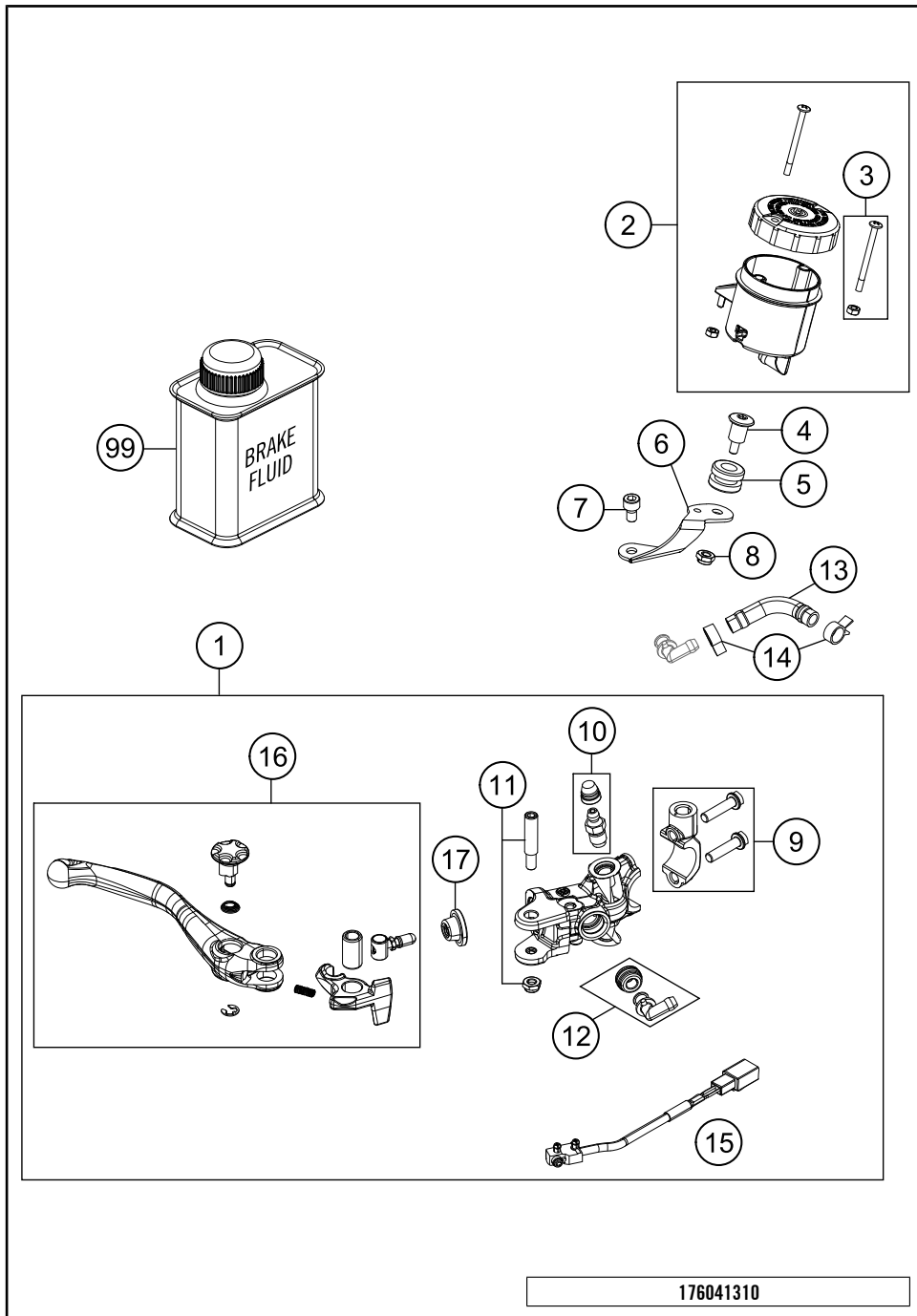
POS	PARTNUMBER	PARTNAME	PIECE
42	60342090040	BRACKET SLOPING POSITIONS SENS	1
43	60011053000	BATTERY 12V/11AH 03	1
44	60308017000	BATTERIE COVER	1
45	61041085050	RUBBER SUPP. PRESSURE SENS. 05	1
46	60311040100	BRACKET PRESSURE SENSOR	1
48	0023060123	COLLAR SCREW M6X12 TX	1
49	60007020040	PLASTIC WASHER 03	2
50	0025050126	HH collar screw M5x12 TX30	2
51	54603048200	RANGE CHANGE METAL NUT M5	2
52	60711087050	rubber cover fuse holder	1
53	61111018100	TEMPERATURE SENSOR	1
54	44011076140	CABLE TIE 140/2,5MM BLACK	x
54	44011076200	CABLE TIE 200/3,6MM BLACK	x
54	44011076305	CABLE TIE 300/4,8MM BLACK	x
55	60011093045	RUBBER CABLE TIE 45MM 03	x
55	60011093060	RUBBER CABLE TIE 60MM 03	x
55	60011093075	RUBBER CABLE TIE 75MM 03	x
60	60711057050	Retaining bracket	1
61	61111057000	RELAY CM1A-R-12V-H80 07	2
64	60416063000	ACCLERATION SENSOR	2
65	60411015000	WIRING HARNESS MONOSHOCK SAFE	1
66	0025060166	HH collar screw M6x16 TX30	2
67	60416062000	WHEEL TRAVEL SENSOR	1
68	60716065000	Retaining bracket	1
69	60311046000	CABLE CHANNEL L/S	1
70	0081045121	SCREW FOR PLASTIC K45X12 T20	2
74	60416061000	MAGNET HOLDER	1
75	58605083014	SCREW M5X14 TORX 25 07	1
76	0025050166	HH collar screw M5x16 TX30	3
78	60311097000	GROUND CABLE	1

176071110

53455

\* NEW PART

X ON DEMAND



POS	PARTNUMBER	PARTNAME	PIECE
1	6201310110030	Hand brake cylinder complete	1
2	61013009202	BRAKE FLUID RESERV. WHITE CPL.	1
3	61013009203	SCREW + NUT F. RESERVOIR	1
4	61013013050	SCREW RET.PANEL-RESERVOIR	1
5	61013013000	RUBBER BUSH 05	1
6	61013009001	RET.PANEL FLUID RES. FRONT 05	1
7	61013021000	SCREW RET.PANEL-BRAKE CYLINDER	1
8	61013009004	NUT FOR RESERVOIR	1
9	61013005000	CLAMP CPL. 05	x
9	76013005100	CLAMP CPL. 16	1
10	60013020000	BLEEDER SCREW WITH CAP	1
11	61013006000	LEVER SCREW CPL. 05	1
12	54513155000	ANGLE PIECE	1
13	69013069001	HOSE FOR RESERVOIR 6X1,5	1
14	58007017000	YDNAC CLAMP 10101 (10,4MM)	2
15	60311050000	BRAKE LIGHT SWITCH FRONT	1
16	6251300214430	HAND BRAKE LEVER CPL. BLACK	1
17	61013008000	RUBBER CUP 05	1
99	00062030000	BRAKE FLUID DOT5.1 0,25L	1

176041310

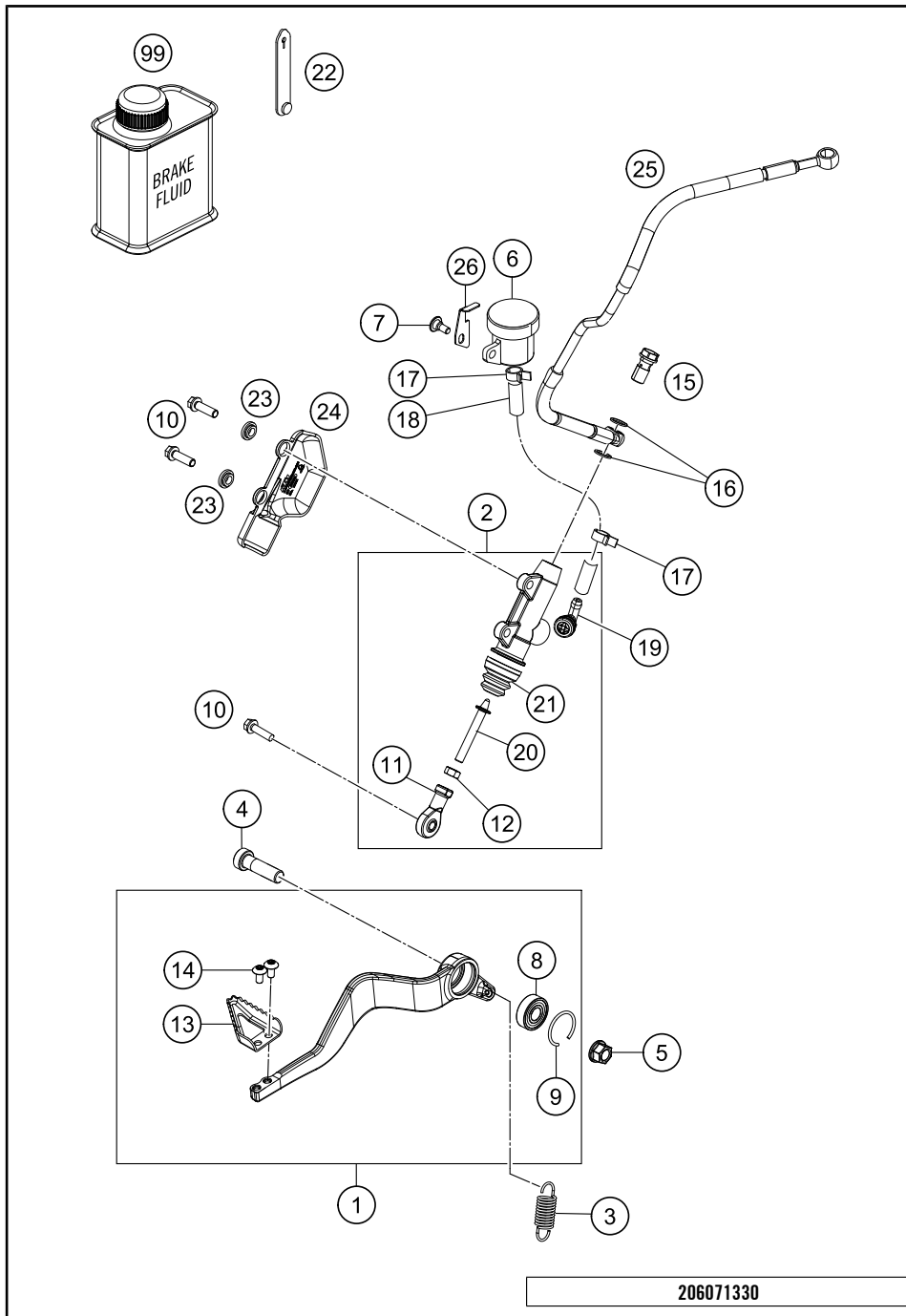
18837

\* NEW PART X ON DEMAND



# REAR BRAKE CONTROL

# 1290 Super Adventure S, orange 2020 EU 2020



POS	PARTNUMBER	PARTNAME	PIECE
1	6031305004433S	FOOT BRAKE LEVER KPL.	1
2	6031306000030	REAR BRAKE CONTROL	1
3	54603062200	Return spring for brake lever	1
4	0032100356S	AH-COLLAR SCREW M10X35 ISA45	1
5	54630044000	COLLAR NUT M10 WS=13	1
6	54513030044	BRAKE FLUID RESERVOIR '89	1
7	69013099150	Screw, reservoir	1
8	0625060002	deep groove ball bearing SKF 6000-2RS1	1
9	0993026500	round wire snap ring DIN 7993 B - 26	1
10	0025060206	HH collar screw M6x20 TX30	3
11	54603069000	SWIVEL HEAD M6 FOOT BRAKE LEV.	1
12	0934060003	hex nut DIN 934 M6	1
13	60313051000	STEP PLATE FOOT BRAKE LEVER	1
14	78105081010	SCREW TORX M5X10	2
15	62113020100	banjo bolt M10x1x19.5	1
16	0603100141	sealing ring DIN 7603 10x14x1	2
17	58007017000	YDNAC CLAMP 10101 (10,4MM)	2
18	69013069001	HOSE FOR RESERVOIR 6X1,5	1
19	54513155000	ANGLE PIECE	1
20	60313056044	PUSH ROD CPL.	1
21	54513151000	RUBBER SLEEVE	1
22	60011093045	RUBBER CABLE TIE 45MM 03	1
23	50213161000	COLLAR BUSHING	2
24	54513038000	BRAKE CYL. PROTECTOR "BREMBO"	1
25	60342001000	BRAKE HOSE REAR BRAKE CONTROL	1
26	61713069020	Lock washer, brake fluid reservoir	1
99	00062030000	BRAKE FLUID DOT5.1 0,25L	1

206071330

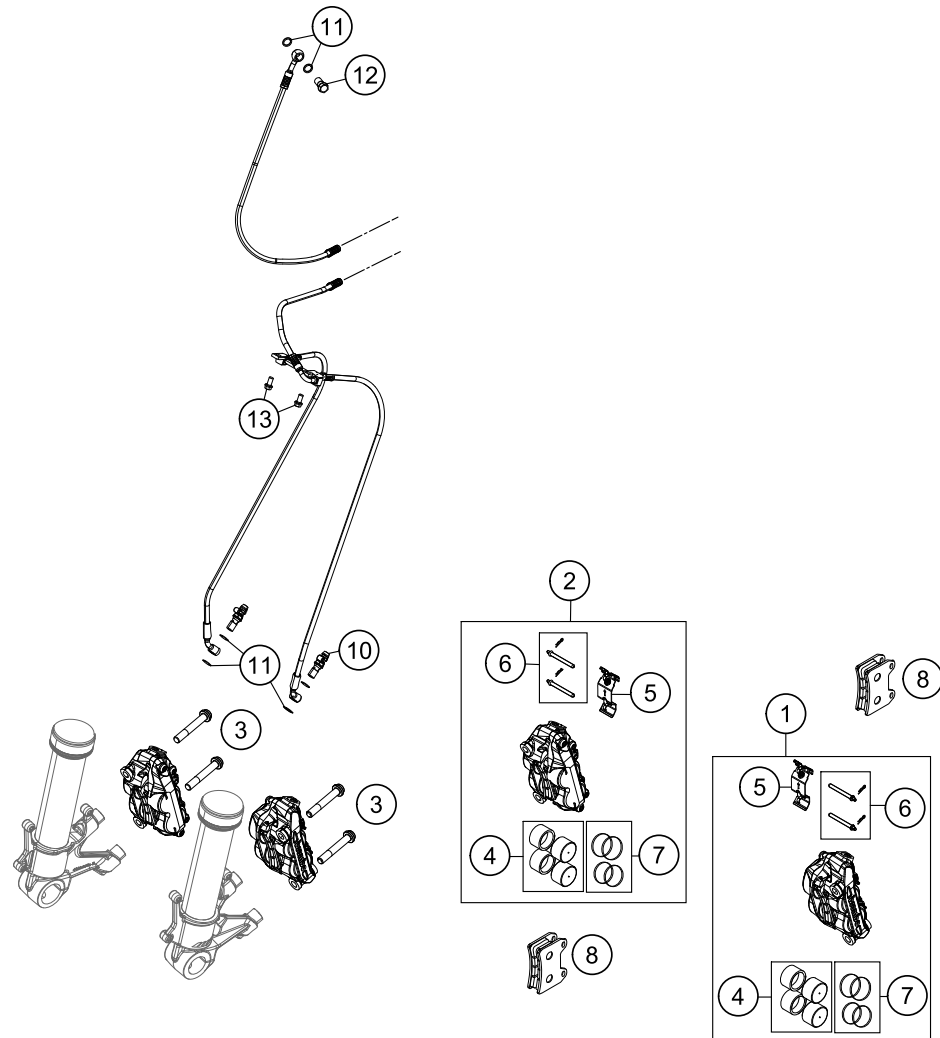
53456

\* NEW PART

X ON DEMAND

# FRONT BRAKE CALIPER

1290 Super Adventure S, orange 2020 EU 2020



POS	PARTNUMBER	PARTNAME	PIECE
1	6031301500130	BRAKE CALIPER FR. L/S W/O PADS	1
2	6031301600130	BRAKE CALIPER FR. R/S W/O PADS	1
3	0035100559S	AH-COLLAR SCREW M10X1,25X55SS	4
4	76013019000	BRAKE PISTON CPL.	2
5	58713018000	RETAINING SPRING BREMBO '99	2
6	58713017000	BOLT WHITH CLIP '99	2
7	76013019050	REPAIR KIT SEALING RINGS 4X	2
8	60313130000	BRAKE PADS FRONT TT2172	2
10	62513020000	BLEEDER SCREW CPL. 05	2
11	0603100141	sealing ring DIN 7603 10x14x1	6
12	62113020100	banjo bolt M10x1x19.5	1
13	0025060126	HH collar screw M6x12 TX30	2

136031360

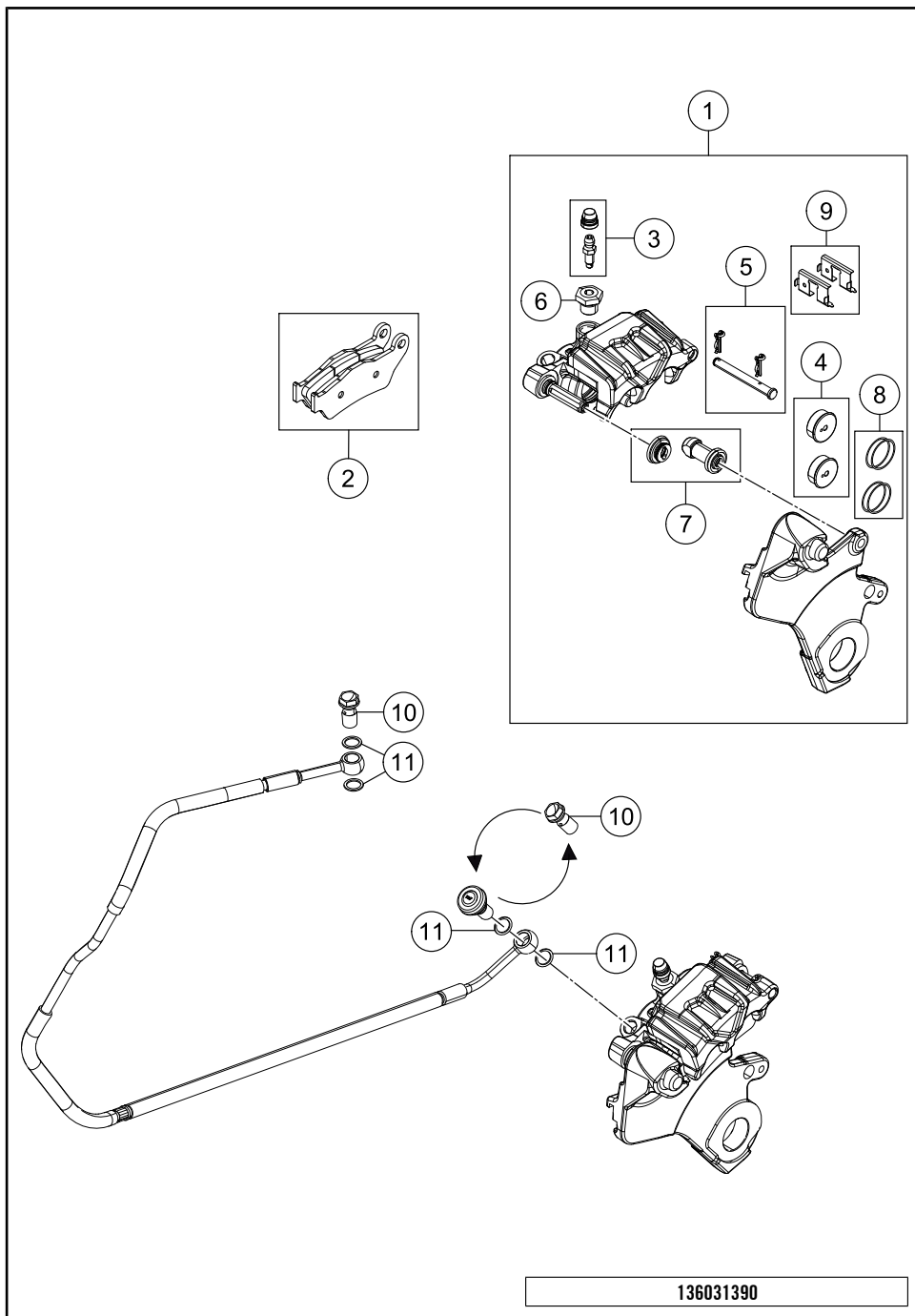
13213

\* NEW PART

X ON DEMAND

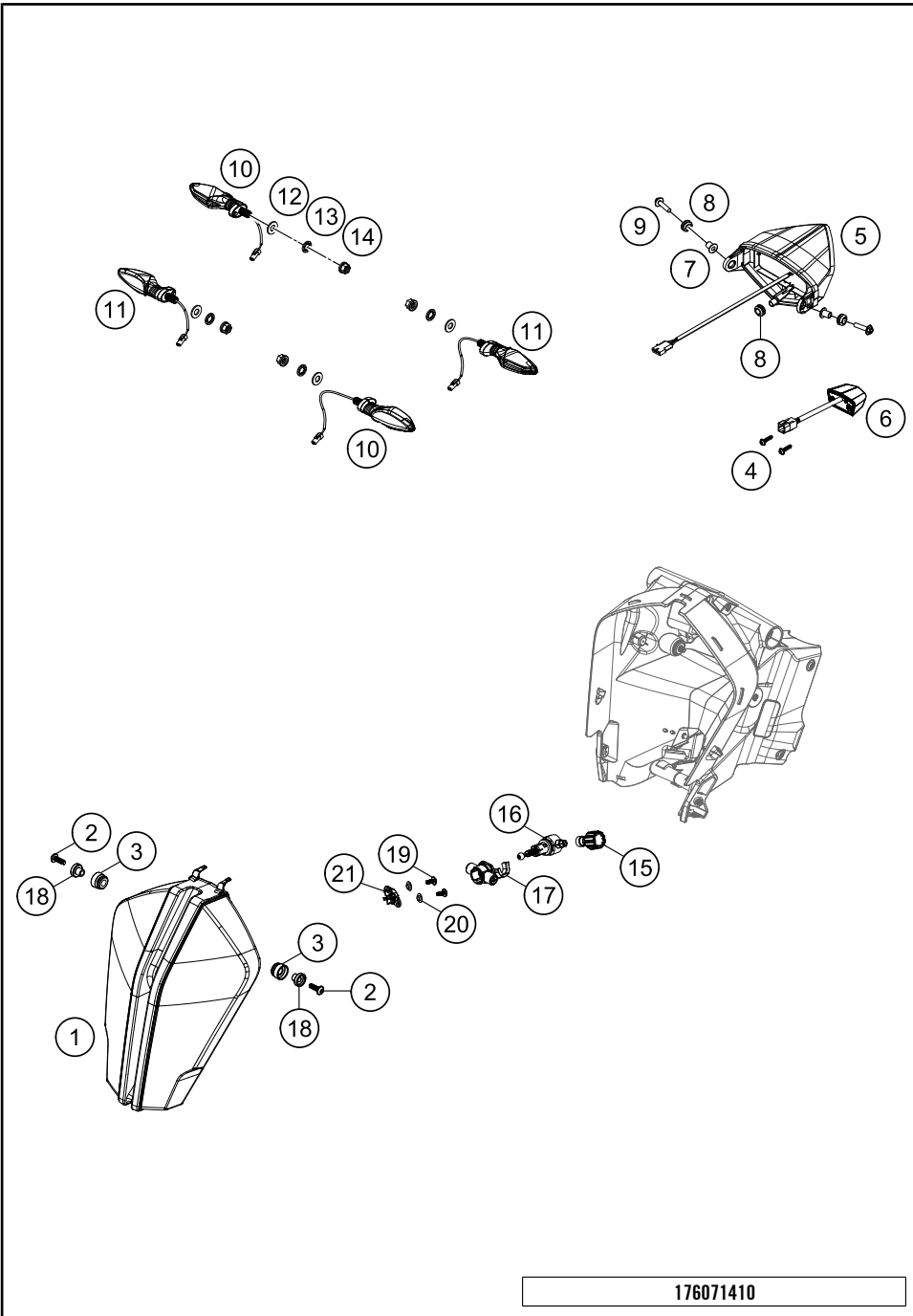
# REAR BRAKE CALIPER

1290 Super Adventure S, orange 2020 EU 2020



POS	PARTNUMBER	PARTNAME	PIECE
1	6031308010130	BRAKE CALIPER REAR W/O PADS	1
2	50313030000	BRAKE PAD SET FR. TOSHIBA H38	1
3	60013020200	BLEEDER SCREW WITH CAP M6	1
4	60013083200	BRAKE PISTONS 05	1
5	77013017000	BOLT CPL. 09	1
6	60013020100	ADAPTER SCREW	1
7	54613218000	CUP SET SHORT	1
8	60013081000	REP.KIT SEALING RINGS	1
9	60013018100	RETAINING PLATE SET REAR 03	1
10	62113020100	banjo bolt M10x1x19.5	2
11	0603100141	sealing ring DIN 7603 10x14x1	4

136031390      13216      \* NEW PART      X ON DEMAND



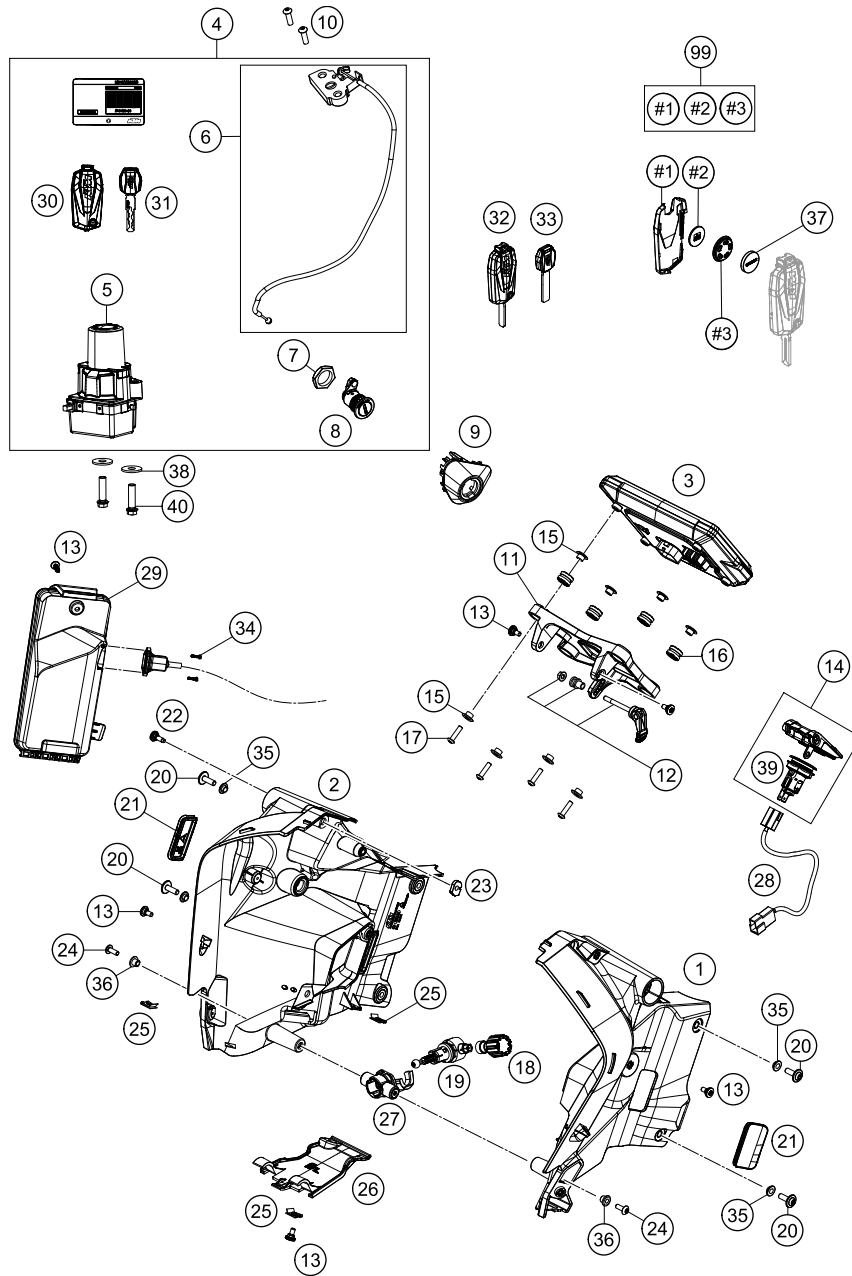
176071410

POS	PARTNUMBER	PARTNAME	PIECE
1	60714001000	Headlight LED TFL	1
2	60714014200	EJOT Altracs 5161 60x20	2
3	60714011060	Plug-in element headlight	2
4	0081050121	EJOT PT screw K50x12	6
5	60314040000	REAR LIGHT	1
6	60314047000	license plate lighting	1
7	60308006000	COLLAR BUSHING 6,2X9,2X15X12,5	2
8	60006001022	rubber grommet 9x11x16x8.5 mm	3
9	0024060256	HH COLLAR SCREW M6X25 TX30	2
10	60314025000	turn signal front left/rear right	2
11	60314026000	turn signal front right/rear left	2
12	0433100003	WASHER 18x10,5x1,6	4
13	0797100003	LOCK WASHER DIN6797-J10,5 ZI	4
14	58414030000	HH COLLAR NUT M10X1,25 WS=13	4
15	60714023000	Thumbwheel headlight adjust.	1
16	60714020000	Headlight adjuster	1
17	60714024100	Headlight support	1
18	60714011050	Bushing	2
19	58605083014	SCREW M5X14 TORX 25 07	2
20	60714010080	Collar bushing 5.1x8x13x8 mm	2
21	61614020100	Ballhead holder	1

18761

\* NEW PART

X ON DEMAND



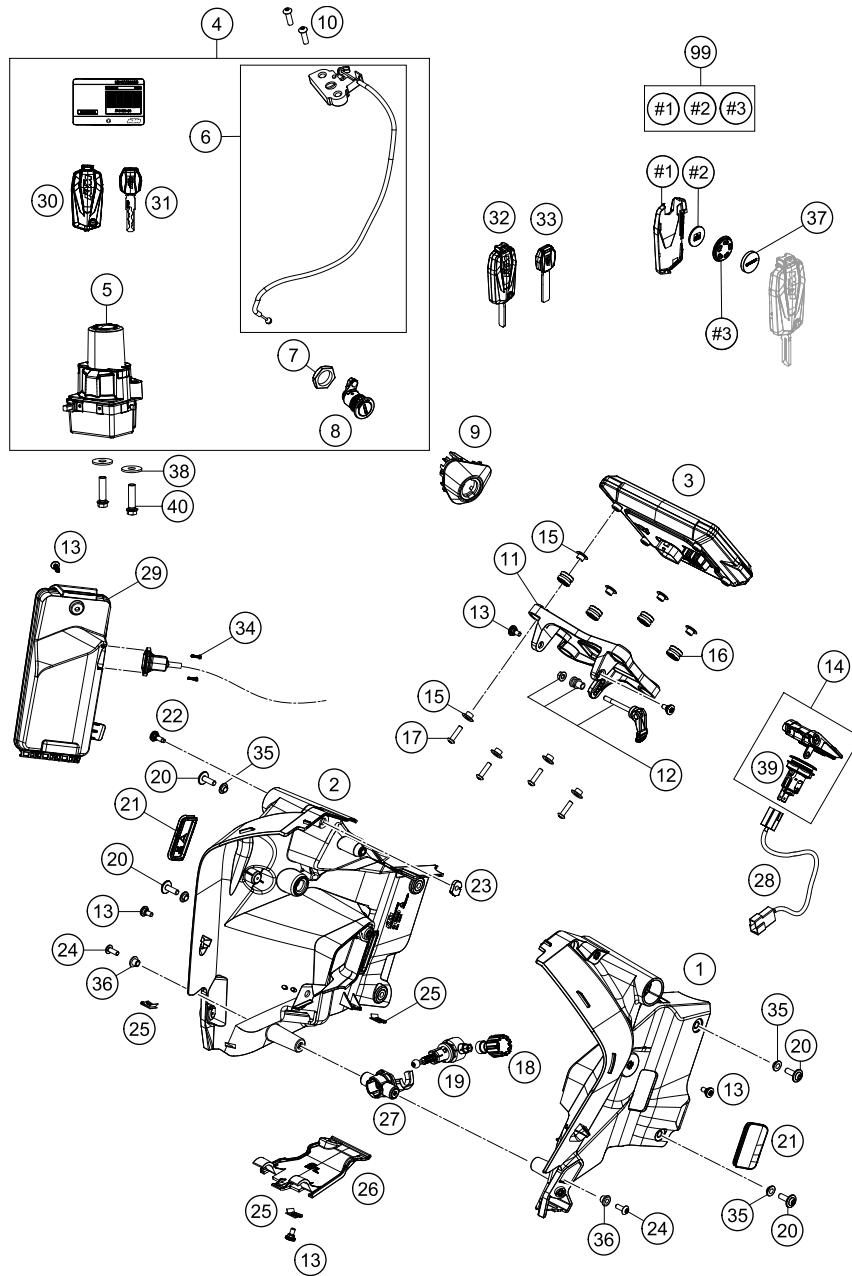
POS	PARTNUMBER	PARTNAME	PIECE
1	6071401010033	Mask carrier left	1
2	6071401110033	Mask carrier right	1
3	60714069000	TFT dashboard	1
4	60711066044	Lockset keyless cpl. 868 MHz	1
5	60711066000	Ignition lock Race-on 868MHz	1
6	60307050000	SEAT LOCK CPL.	1
7	69007050050	NUT SEAT LOCK M22X1,5	1
8	60307050020	LOCK CYLINDER SEAT LOCK	1
9	60307053000	SEAT LOCK COVER	1
10	0738060181	BHCS ISO 7380 M6X18	2
11	60714062000	Instrument support	1
12	60714071044	Excentric lever speedometer 607 ADV	1
13	69008021160	special screw M5x12	11
14	60714013033B2	Power socket complete silver	1
15	60714069050	Bushing	8
16	61314069051	DAMP. COMPONENT SPEEDOMETER	4
17	0738050202	Lens head screw ISO 7380-M5X20A2	4
18	60714023000	Thumbwheel headlight adjust.	1
19	60714020000	Headlight adjuster	1
20	69014017000	SPECIAL SCREW M6X18 ISA30 08	4
21	60714010050	Cover for headlight mask holder	2
22	69008021060	special screw M5x17	1
23	60714010010	Headlight support top	1
24	58605083014	SCREW M5X14 TORX 25 07	2
25	69008021080	clip nut M5	3
26	60714011010	Wire cover	1
27	60714024100	Headlight support	1
28	60711042050	Cable	1
29	60714078033	Storage compartment	1
30	60711067000	Race on key 868 MHz	1
31	60411067000	KTM ignition key	1
32	60711067010	Blank race-on key 868 MHz	1
33	60411067010	Blank KTM ignition key	1
34	0081025101	EJOT PT Screw K25X10 WN5452	2
35	69004060150	bushing chain protection	4
36	60714010080	Collar bushing 5.1x8x13x8 mm	2
37	58512085160	BATTERY FOR ICO TRIPMASTER 04	1
38	0021080003	WASHER DIN9021-A 8,4	2

186071430

53457

\* NEW PART

X ON DEMAND



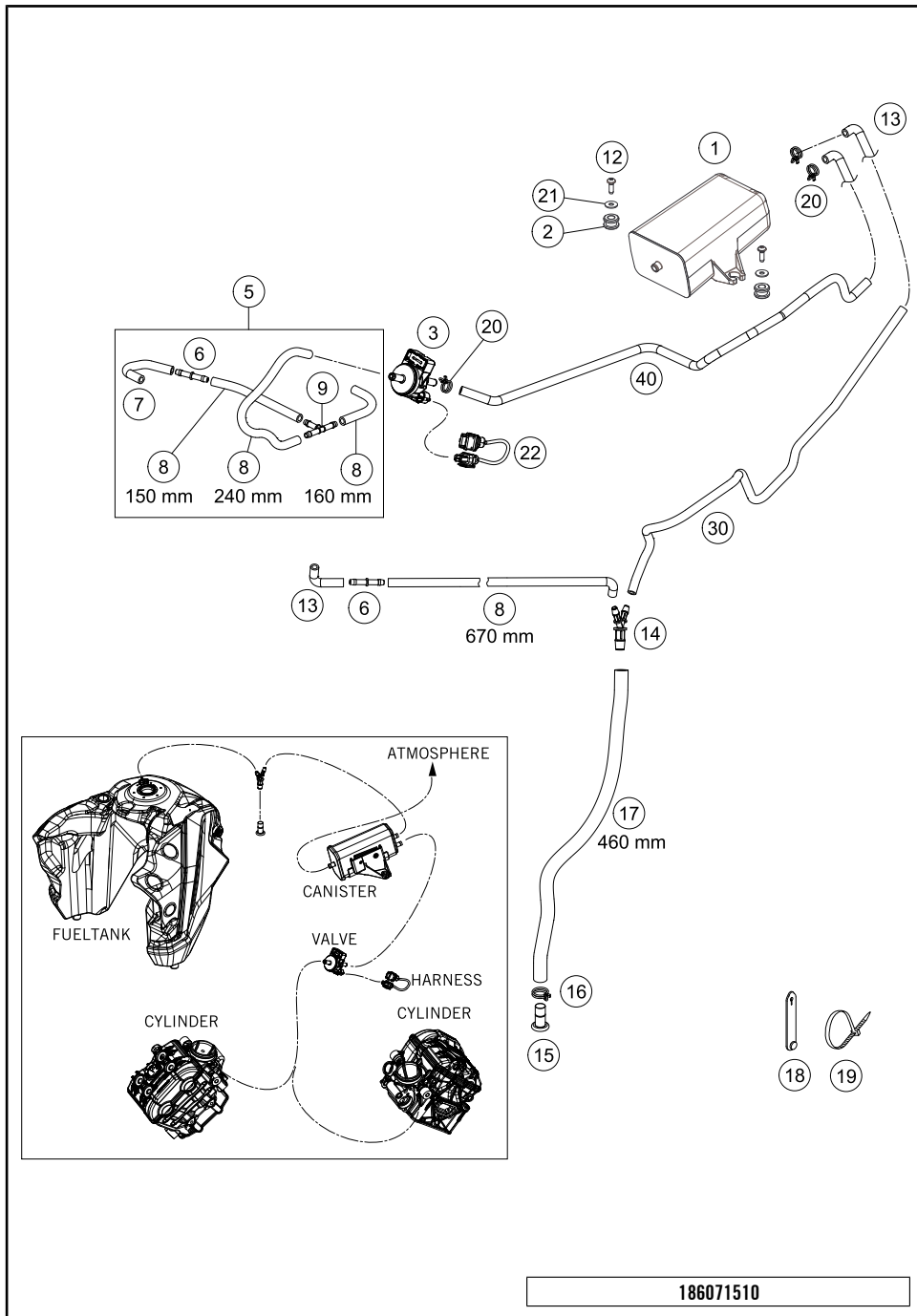
POS	PARTNUMBER	PARTNAME	PIECE
39	60711042000	Power socket 12V	1
40	0025080306	HH collar screw M8x30	2
99	60711067050	Cover-Kit for Race-on-Key	1

186071430

53457

\* NEW PART

X ON DEMAND



POS	PARTNUMBER	PARTNAME	PIECE
1	60415001000	EVAPORATE CANISTER	1
2	60039030000	VIBRATION DAMPER DIGITALBOX 03	2
3	76015015000	EVAP valve	1
5	60715020033	Hose	1
6	69015019010	HOSE CONNECTION STRAIGHT	2
7	61415021000	HOSE PURGE VALVE	1
8	78015019000	HOSE EPA D=6/10 L=2000MM	1
9	60015022000	T-CONNECTOR TS-6 03	1
12	0081050161	EJOT PT SCREW K50X16 1451	2
13	61315022000	PREFORMED HOSE 6X10 FPM	3
14	61315028100	Y-CONNECTOR YS 6-10-6	1
15	61315026000	PLUG D=10	1
16	58431082100	YDNAC-CLAMP 10173 (16MM) '98	1
17	78015119000	HOSE EPA D=10/16 L=2000MM	1
18	60011093075	RUBBER CABLE TIE 75MM 03	1
19	44011076140	CABLE TIE 140/2,5MM BLACK	x
20	59007017000	CLAMP YDNAC 10096F (9,6MM)	3
21	0021050003	washer DIN 9021 A - 5.3	2
22	60411078050	Wiring harness	1
30	60715023000	Hose tank - ACF	1
40	60715024000	Hose purge valve - ACF	1

186071510

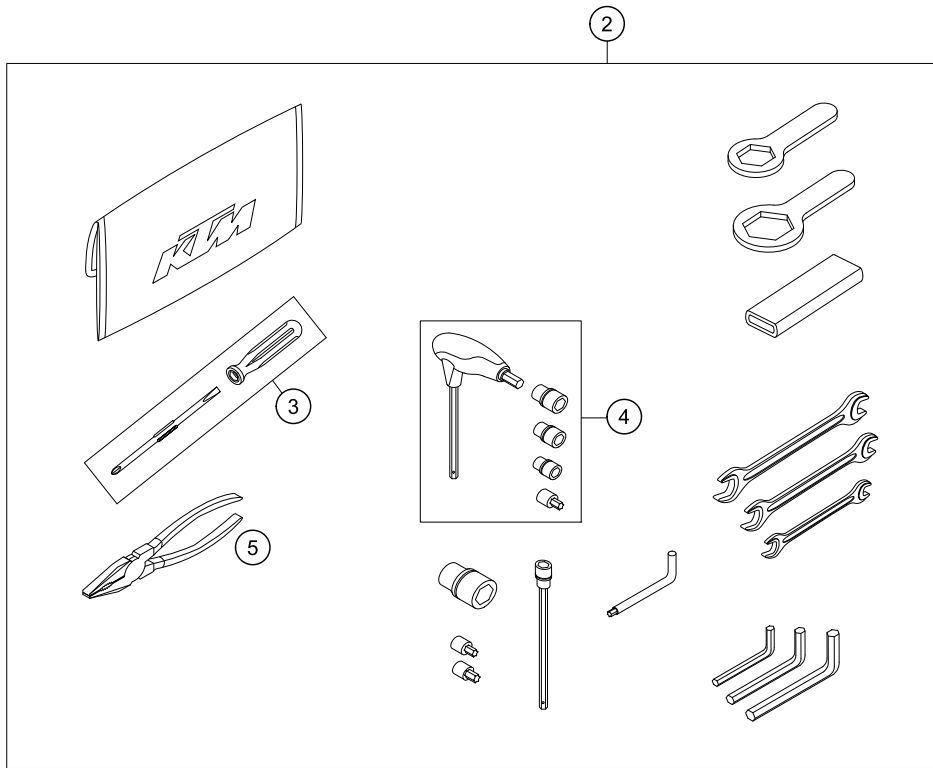
49448

\* NEW PART

X ON DEMAND

0  
OHNE ABBILDUNG  
WITHOUT ILLUSTRATION

1  
TECHNISCHE DOKUMENTATION  
TECHNICAL DOCUMENTATION  
DOCUMENTACION TECNICA  
DOCUMENTATION TECHNIQUE  
NOTE TECNICHE



136032000

POS	PARTNUMBER	PARTNAME	PIECE
0	00063004105	950 ADV. CARTON F WIND PROT.	1
0	60708008000	Windshield EU	1
0	00063099114	Pocket for operating manual 290x190 mm	1
0	58412080400	Rear reflector red	1
0	0024060156	HH collar screw M6x15 TX30	2
0	58412080050	BRACKET FOR REFLECTOR	1
0	0024060206	HH collar screw M6x20 TX30	2
0	40006006000	WASHER 6MM	2
0	0966050163	OVAL HEAD SCREW DIN0966-M 5X16	2
0	0125050003	WASHER DIN0125-A 5,3	2
0	0985050003	SELF LOCKING NUT DIN0985-M 5	2
0	312305	DOCUMENTS BAG 2006	1
0	3210917	NOTEPAD	1
0	60708008070	rubber bush windshield fixation	4
0	60708008071	Special screw M5x14	4
0	312313	KTM BALLPOINT PEN ORANGE	1
0	00063004202	PRINT LABEL 60X51 MM	1
0	60012081300	Licence fitting	1
0	0021060003	WASHER DIN9021-A 6,4	2
0	0985060003	SELF LOCK. NUT DIN0985-M 6	4
0	0125060003	WASHER DIN0125-A 6,4	2
0	45239060050	COLLAR BUSHING 6,3X8X13X9,5	2
0	60312040200	Mirror	2
0	6030319000030	SKID PLATE ADV	1
0	60003096000	VIBRATION DAMPER 03	2
0	00063004012	HEADLIGHT MASK BOX	1
0	00063002015	FOAM SHEET 1290 ADV.	2
0	00063099014	GRIFFSCHUTZ NOMAPACK 28/13	2
0	00063004204	Self-ad. stkr. 100X200 mm, perf., art. 3	2
0	0025060406	HH collar screw M6x40 TX30	2
0	6030218004430	HANDSCHUTZ LI. KPL. M. BEFEST.	1
0	6030218104430	HANDSCHUTZ RE. KPL. M. BEFEST.	1
0	20180195INT	KTM Bypack Folder Street	1
0	20180189INT	Sticker accessory kit	1
1	3214094EN	Owner's manual 1290 Super Adventure S, o	1
2	60329099000	TOOL KIT	1
3	53012024100	SCREW DRIVER L=105MM	1

53512

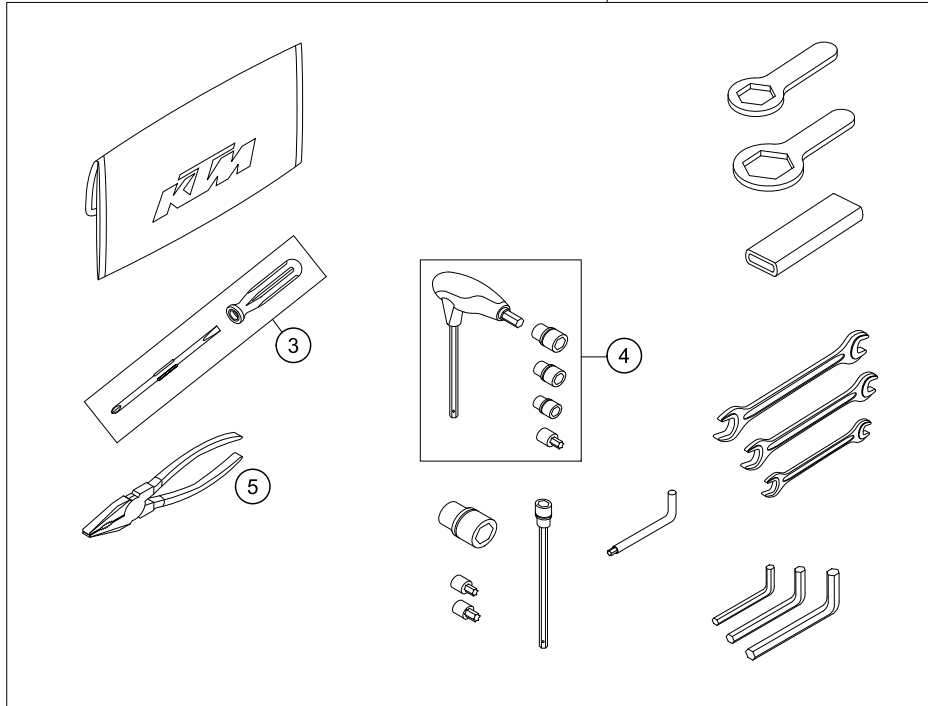
\* NEW PART X ON DEMAND



0  
OHNE ABBILDUNG  
WITHOUT ILLUSTRATION

1  
TECHNISCHE DOKUMENTATION  
TECHNICAL DOCUMENTATION  
DOCUMENTACION TECNICA  
DOCUMENTATION TECHNIQUE  
NOTE TECNICHE

2



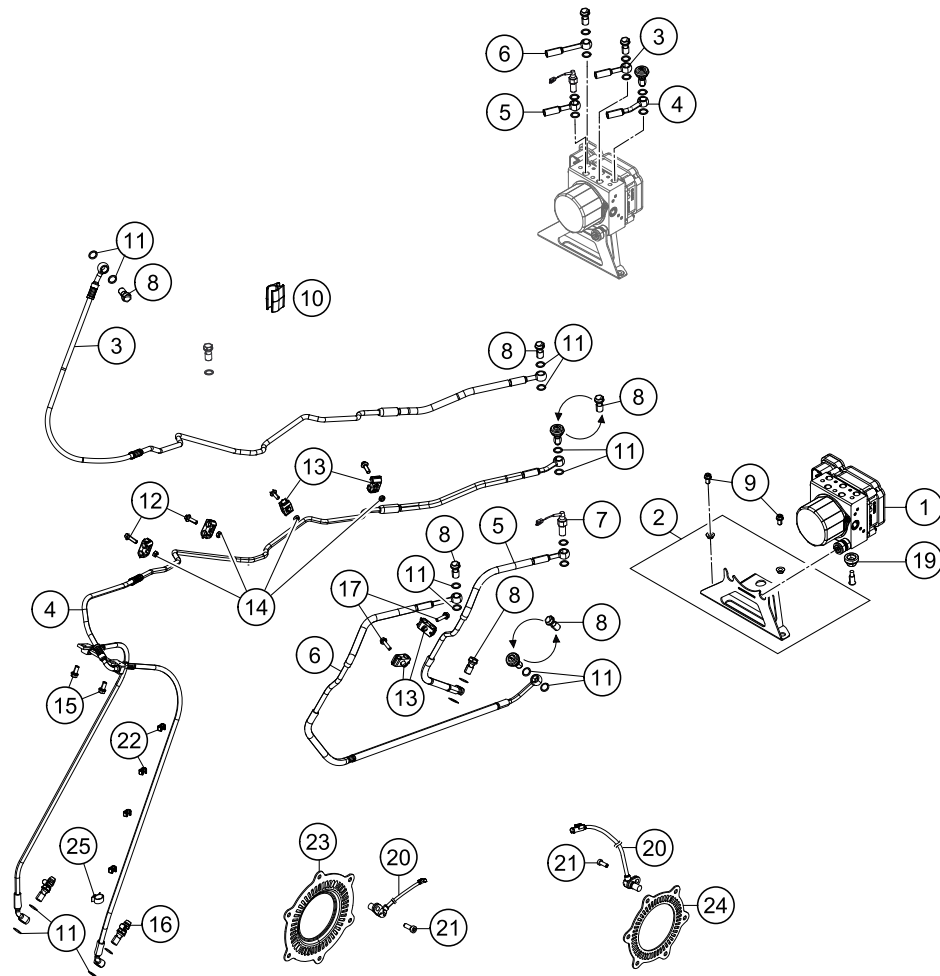
POS	PARTNUMBER	PARTNAME	PIECE
4	60029070300	T-WRENCH WS=6/8/10/TX45/SK4X1	1
5	53012028200	GRIP ORANGE B&F	1

136032000

53512

\* NEW PART

X ON DEMAND



POS	PARTNUMBER	PARTNAME	PIECE
1	60742031144	ABS module filled	1
2	60342040044	SUPPORT ABS-MODULE CPL.	1
3	60742003000	Brake hose	1
4	60742104000	Front Brake Line	1
5	60342001000	BRAKE HOSE REAR BRAKE CONTROL	1
6	60342002100	Brake line rear caliper	1
7	60311051000	BRAKE LIGHT SWITCH REAR	1
8	62113020100	banjo bolt M10x1x19.5	6
9	0025060166	HH collar screw M6x16 TX30	2
10	54813026100	CABLE SUPPORT 10/4MM 2014	1
11	0603100141	sealing ring DIN 7603 10x14x1	18
12	0014050163	HH COLLAR SCREW M 5X16 WS=6	4
13	60113146000	SUPPORT FOR BRAKE HOSE M5	6
14	0985050003	SELF LOCKING NUT DIN0985-M 5	6
15	0025060126	HH collar screw M6x12 TX30	2
16	62513020000	BLEEDER SCREW CPL. 05	2
17	0025050206	HH collar screw M5x20 TX30	2
19	60342041000	DAMP RUBBER	1
20	76042125000	ABS-SENSOR	2
21	014580060166	SHCS ISO 14580 M6x16	2
22	60111094100	BAR SPACER 4/7 BLACK	4
23	60342020000	SENSOR GEAR ABS	1
24	60142021100	SENSOR GEAR ABS REAR	1
25	58111076000	CABLE SUPPORT KHS NR.150-47610	2

176074210

51391

\* NEW PART

X ON DEMAND



WWW.KTM.COM



KTM Sportmotorcycle GmbH  
5230 Mattighofen, Austria  
www.ktm.com



**KTM**\_POWERPARTS

**KTM**\_POWERWEAR

**KTM**\_ORIGINAL SPARE PARTS



F9903T4EN

Art. Nr.: F9903T4EN 18. Sep 2019