

1290 SUPER DUKE R, black 2023 2023

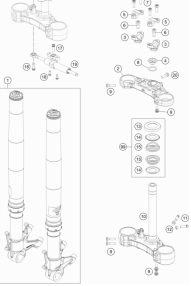
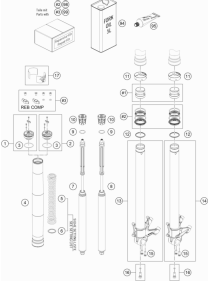
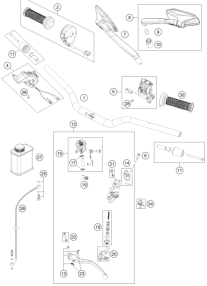
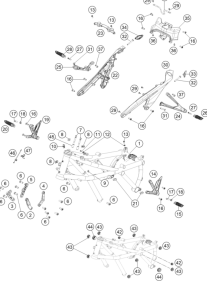
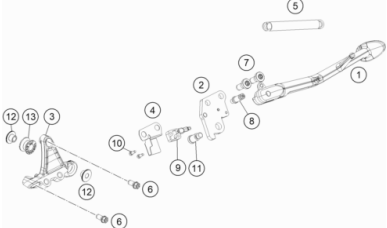
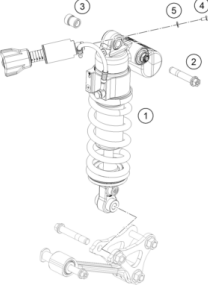
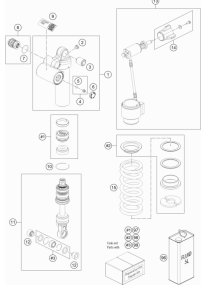
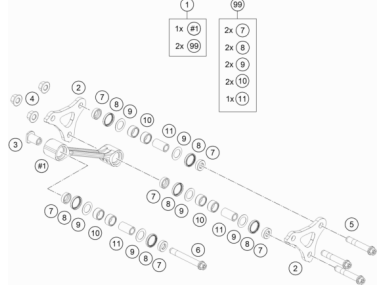
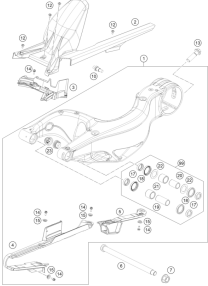
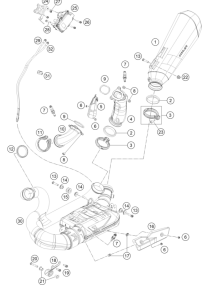
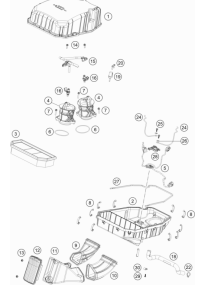
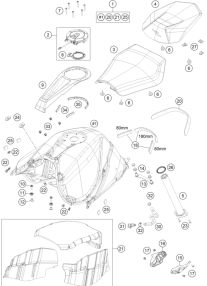
ART.-NR.: F9903W2EN

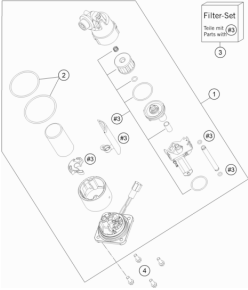
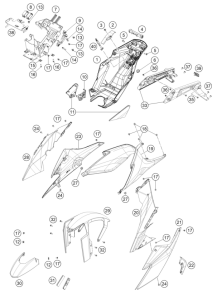
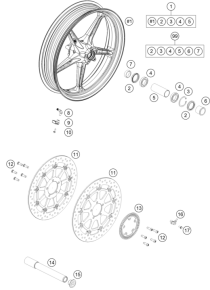
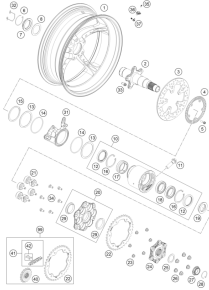
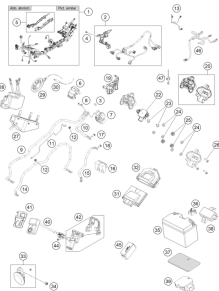
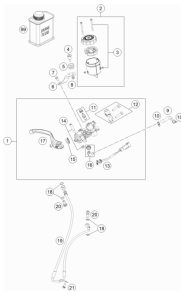
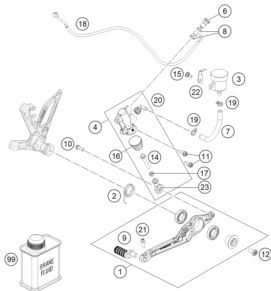
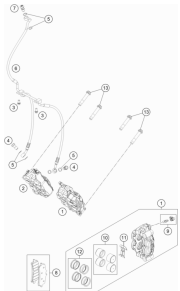
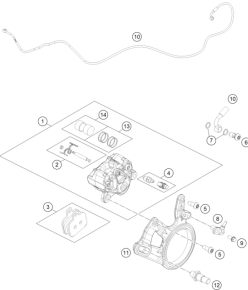
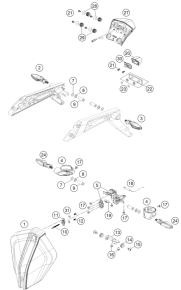
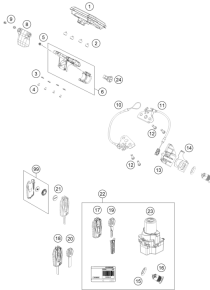
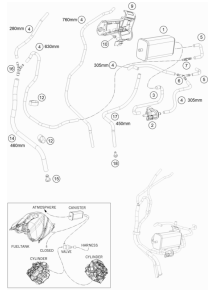


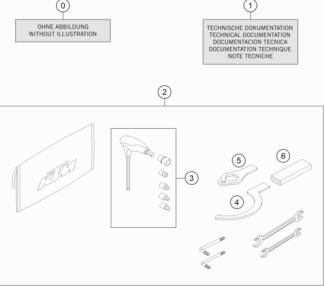
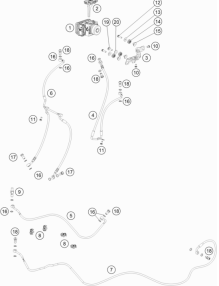
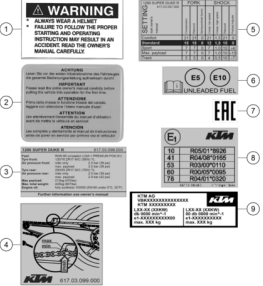


All information contained is without obligation. KTM Sportmotorcycle GmbH particularly reserves the right to modify any equipment, technical specifications, prices, colors, shapes, materials, services, service work, constructions, equipment and the like so as to adapt them to local conditions or to cancel any of the above items, all without previous announcement and without giving reasons. KTM may stop manufacturing certain models without previous notice. KTM shall not be held liable for any deviations of availability and/or ability to deliver, illustrations, descriptions, printing and/or other errors. The illustrated models partly contain extra equipment, which is not applied to standard models.

© by KTM Sportmotorcycle GmbH, Mattighofen AUSTRIA; All rights reserved; Reprint, also in extracts, with written allowance of KTM Sportmotorcycle GmbH, Mattighofen only.

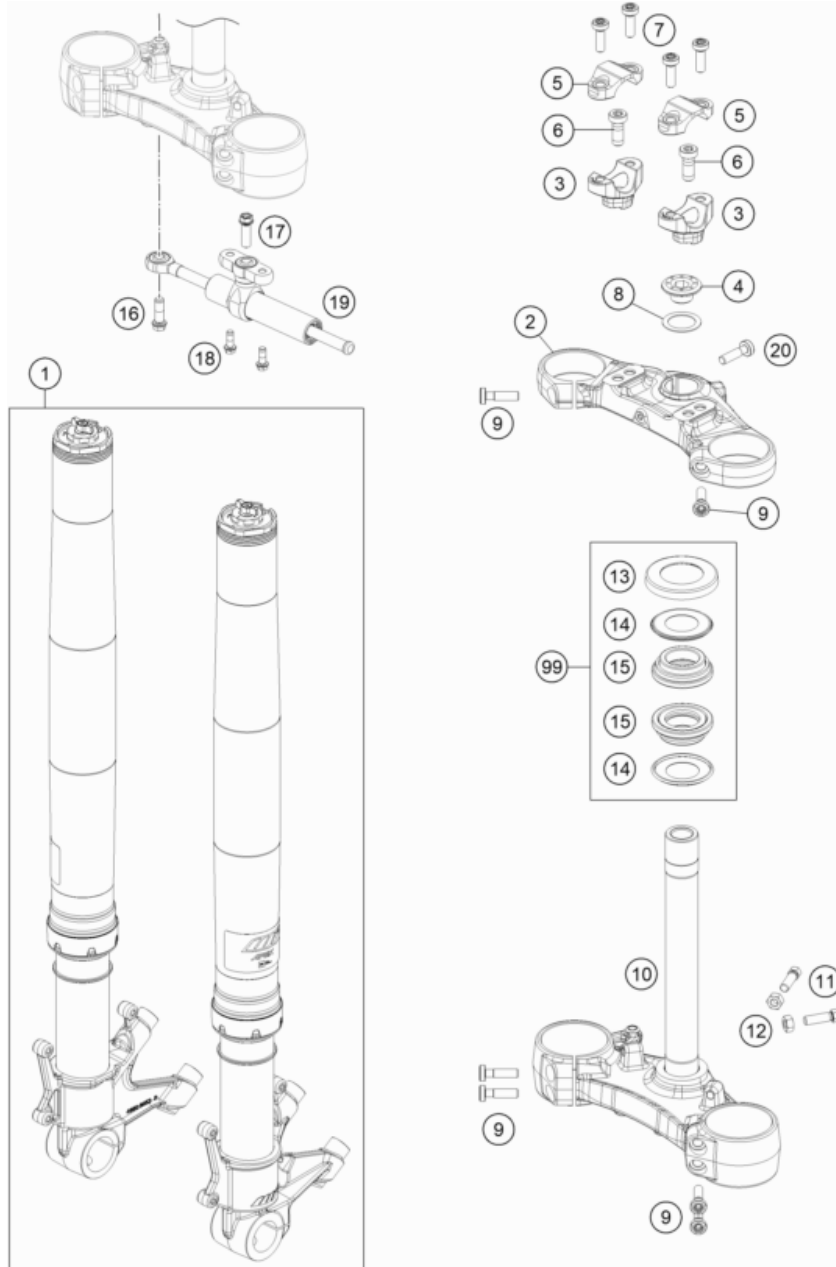
<p>FRONT FORK, TRIPLE CLAMP</p>  <p>4</p>	<p>FRONT FORK DISASSEMBLED</p>  <p>5</p>	<p>HANDLEBAR, CONTROLS</p>  <p>6</p>	<p>FRAME</p>  <p>7</p>
<p>SIDE / CENTER STAND</p>  <p>9</p>	<p>SHOCK ABSORBER</p>  <p>10</p>	<p>SHOCK ABSORBER DISASSEMBLED</p>  <p>11</p>	<p>PRO LEVER LINKING</p>  <p>12</p>
<p>SWING ARM</p>  <p>13</p>	<p>EXHAUST SYSTEM</p>  <p>14</p>	<p>AIR FILTER</p>  <p>15</p>	<p>TANK, SEAT</p>  <p>16</p>

<p>FUEL PUMP</p>  <p>17</p>	<p>MASK, FENDERS</p>  <p>18</p>	<p>FRONT WHEEL</p>  <p>19</p>	<p>REAR WHEEL</p>  <p>20</p>
<p>WIRING HARNESS</p>  <p>22</p>	<p>FRONT BRAKE CONTROL</p>  <p>24</p>	<p>REAR BRAKE CONTROL</p>  <p>25</p>	<p>FRONT BRAKE CALIPER</p>  <p>26</p>
<p>REAR BRAKE CALIPER</p>  <p>27</p>	<p>LIGHTING SYSTEM</p>  <p>28</p>	<p>INSTRUMENTS / LOCK SYSTEM</p>  <p>29</p>	<p>EVAPORATIVE CANISTER</p>  <p>30</p>

<p>SEPERATE ENCLOSURE</p>  <p>31</p>	<p>ANTIBLOCK SYSTEM ABS</p>  <p>32</p>	<p>TECHNIC INFORMATION STICKER</p>  <p>33</p>	

FRONT FORK, TRIPLE CLAMP

1290 SUPER DUKE R, black 2023 2023



POS	PARTNUMBER		PIECE
1	14188T2201	Fork 1290 Super Duke R 20	1
2	61701034032C1	Triple clamp top	1
3	61701039032C1	Handlebar mount h=32	2
4	61701036000C1	Steering head screw M20x1,5 WS=27	1
5	6160103800030S	handle bar clamp arch	2
6	0032100256S	AH-COLLAR SCREW M10X25 ISA45	2
7	0035080256	AH-COLLAR SCREW M8X25 ISA45	4
8	0988253510	THRUST WASH. DIN0988-25X35X1,0	2
9	0035080306	SHCS M8x30 TX45	6
10	61701032032C1	Triple clamp bottom cmpl. X=32mm	1
11	59001037000	SPECIAL SCREW M8X26 WS=10	2
12	0934080003	HEXAGON NUT DIN0934-M 8	2
13	69001086100	PROT. RING STEER. HEAD BEARING	1
14	69001084100	Steering head gasket	2
15	69001081100	Ball cage steering head bearing	2
16	0025080256S	HH COLLAR SCREW M8X25 TX40	1
17	0025080256	HH collar screw M8x25	1
18	0025060166S	HH collar screw M6x16 TX30 SL	2
19	16181T56E	Steering damper Superduke R 20 cpl.	1
20	0035080306S	AH-COLLAR SCREW M8X30 ISA45	1
99	69001181010	Steering head rep. Kit	1

206170110

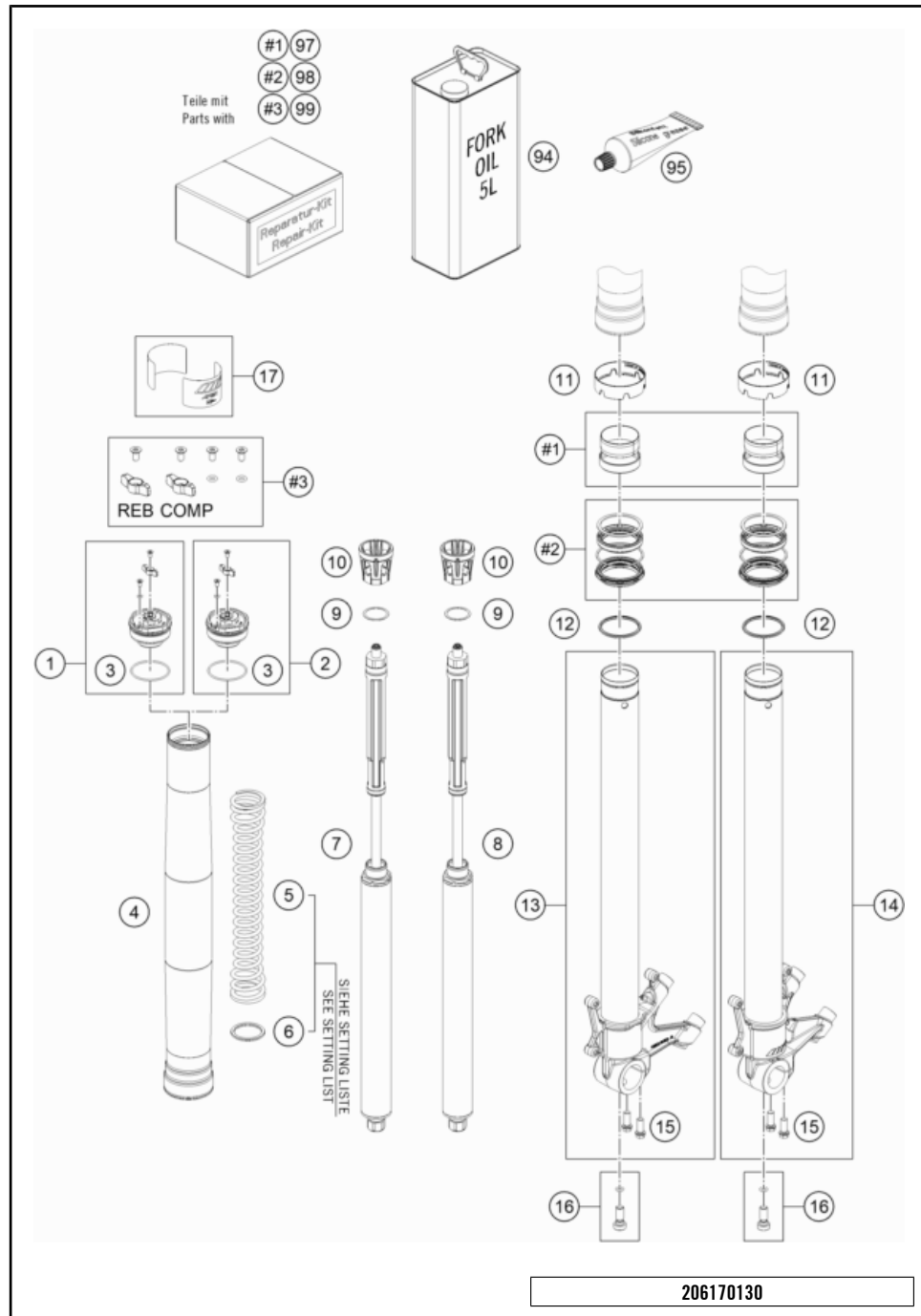
53743

* NEW PART

X ON DEMAND

FRONT FORK DISASSEMBLED

1290 SUPER DUKE R, black 2023 2023



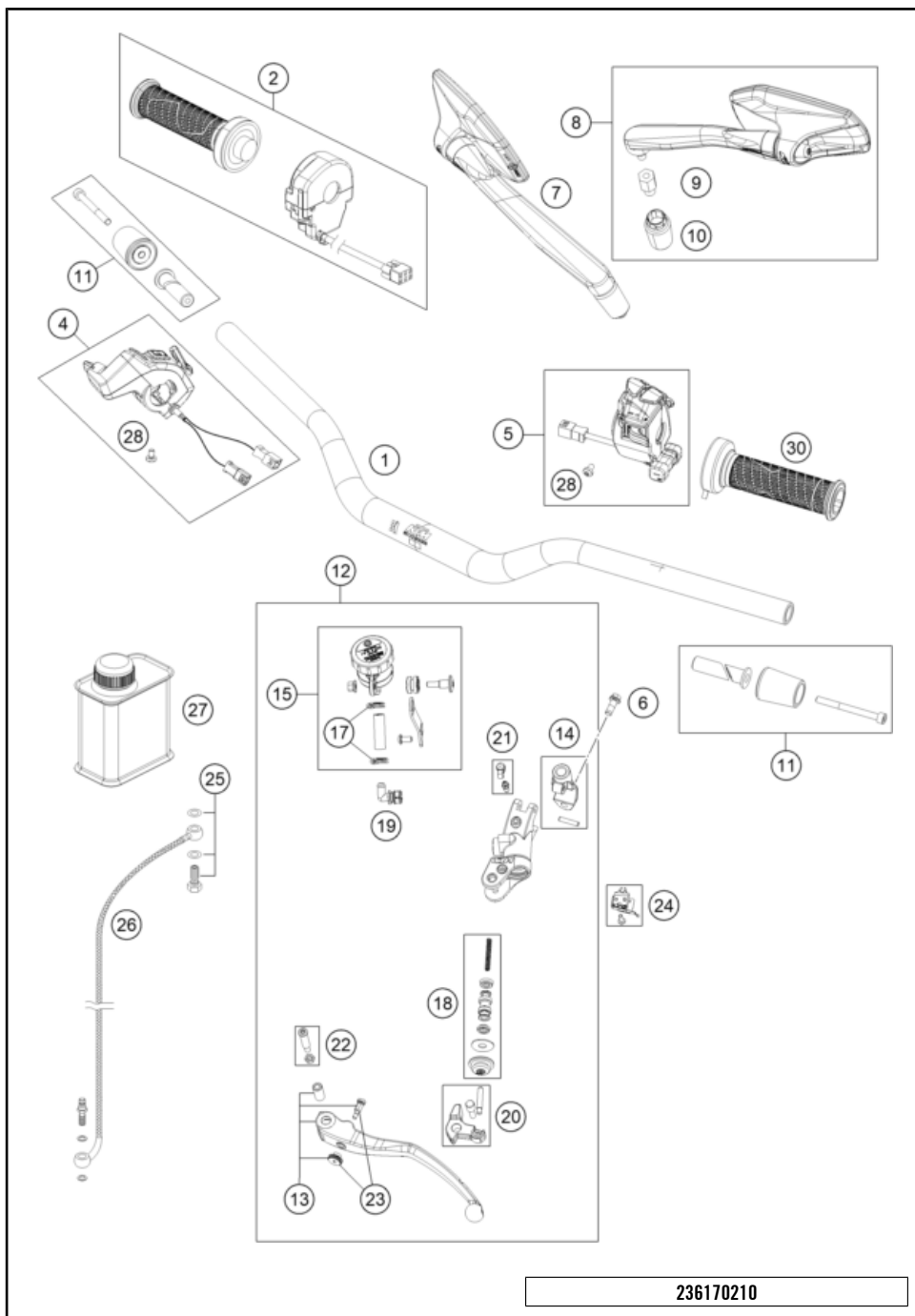
POS	PARTNUMBER	PIECE
1	48602129S1	screw cap M51x1.5 rebound cpl. 1
2	48602129S2	Screw cap M51x1.5 compression cpl. 1
3	48600048	O-ring 46x2 NBR70 siliconized yellow 2
4	48601931	Fork outer tube 19,13x515 dt54 db60 2
5	95010106S	Mainspring (44) 8,5-300 set fork x
5	95010089S	Mainspring (44) 9,0-300 set fork 1
5	95010107S	Mainspring (44) 9,5-300 set fork x
6	48600458	Washer 35x43x1,5 plastic x
6	48600456	Washer 35x43x2,5 plastic x
6	48600457	Preload bush 35x43x3,5 x
7	48602225S02	Cartridge 34x340 cpl. Right 1
8	48602225S03	Cartridge 34x340 cpl. Left 1
9	48601702	Shim 27,5x33x0,3 2
10	48601298	Spring retainer 27,08x43x45 2
11	48601986	Fork protection ring 60,1mm 2
12	48602007	Stroke indicator 48mm red 2
13	48601082S02	axle clamp right cpl. with innertube 1
14	48601081S02	axle clamp left cpl. with innertube 1
15	0025080206	HH collar screw M8x20 4
16	00501020S1	AH SCREW M10X20 SET 2
17	52000210SET	Sticker set APEX OC 90x40 1
94	48601166S1	Fork Fluid Viscosity 4.0 5L x
95	T14034	Fuchs grease IPR (250g) x
97	R14047	Guide bushing set fork 48mm x
98	RP10012	Sealkit 48mm SKF black x
99	RP10021	Adjuster kit screw cap x

53134

* NEW PART X ON DEMAND

HANDLEBAR, CONTROLS

1290 SUPER DUKE R, black 2023 2023



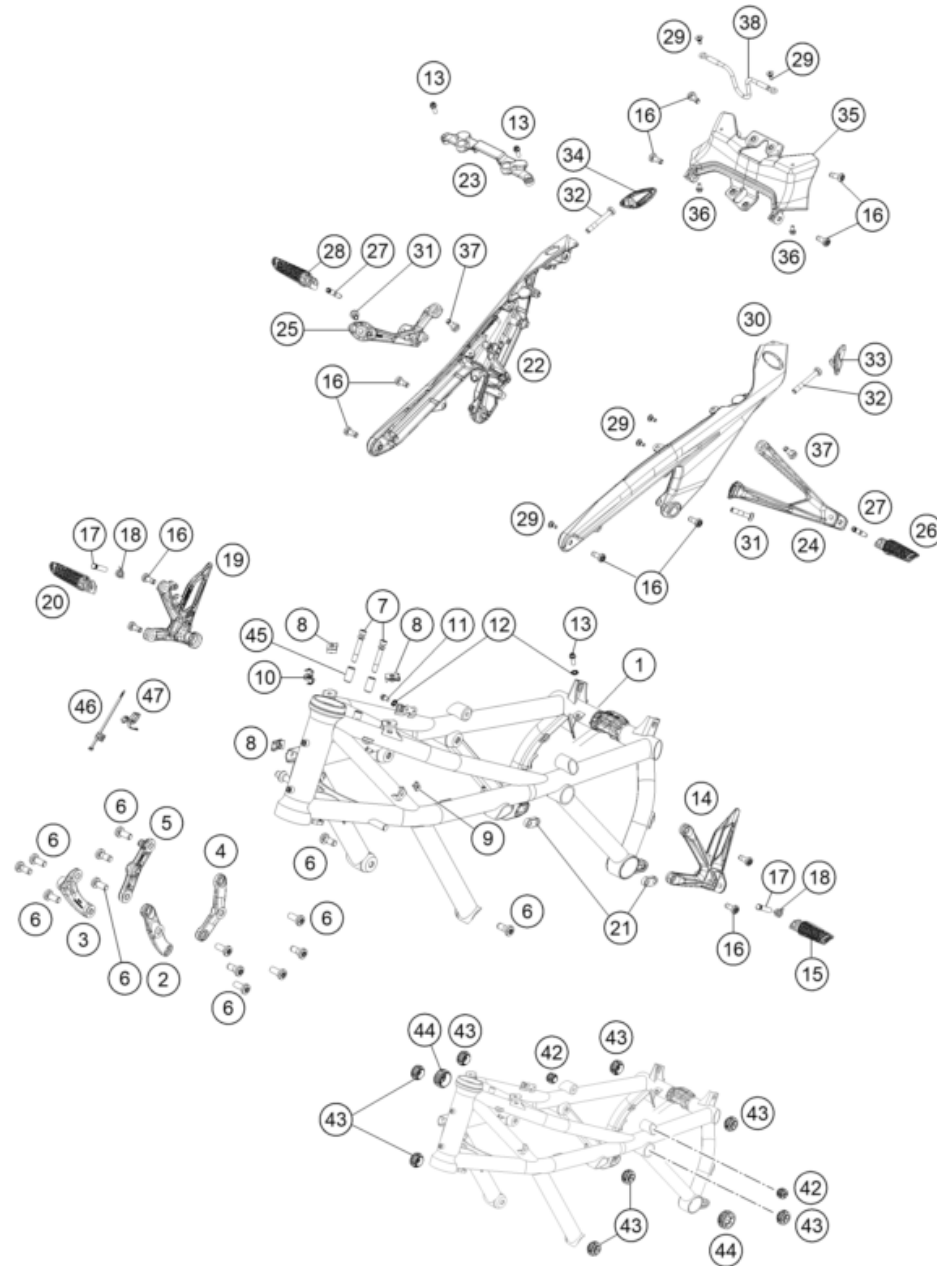
236170210

POS	PARTNUMBER		PIECE
1	61702001100C1	Handlebar Dk=28.5 mm	1
2	61711012044	Ride-by-Wire sys. cmpl. w/o grip heater	1
4	61711074100	Start / Emergency stop switch, right	1
5	61711070200	Combination switch left	1
6	0025060166S	HH collar screw M6x16 TX30 SL	1
7	61312041300	Mirror right	1
8	61312040300	Mirror left	1
9	61312040050	ADAPTOR FOR MIRROR	2
10	61312040030	RUBBER SLEEVE	2
11	61702104000C1	Handlebar weight with silent block	2
12	6130203014430	MASTER CYLINDER CPL.	1
13	6130203100030	CLUTCH LEVER CPL.	1
14	6130204400030	CLAMP MIRROR W. TENSION PIN	1
15	61702055044	Reservoir cpl. with bracket	1
17	58007117000	YDNAC-CLAMP 10107 10MM	2
18	59413008000	REP. SET PISTON D=12MM 2007	1
19	61002051144	ANGLE PIECE CPL. (DOT)	1
20	61002056000	ROCKER CPL. 05	1
21	61002054000	BLEEDER SCREW WITH CAP	1
22	50302038200	LEVER SCREW SHORT CPL. 09	1
23	61002043000	ADJUSTING SCREW CPL.	1
24	83111049000	CLUTCH SWITCH ATV	1
25	59032062000	HOLLOW SCREW + COPPER GASKET	1
26	61032063100	CLUTCH PIPE	1
27	00062030000	BRAKE FLUID DOT5.1 0,25L	1
28	073800501002	PAN HEAD SCREW M5X10 TX25	2
30	61702039000	Fixed grip without heating	1

62177

* NEW PART

X ON DEMAND



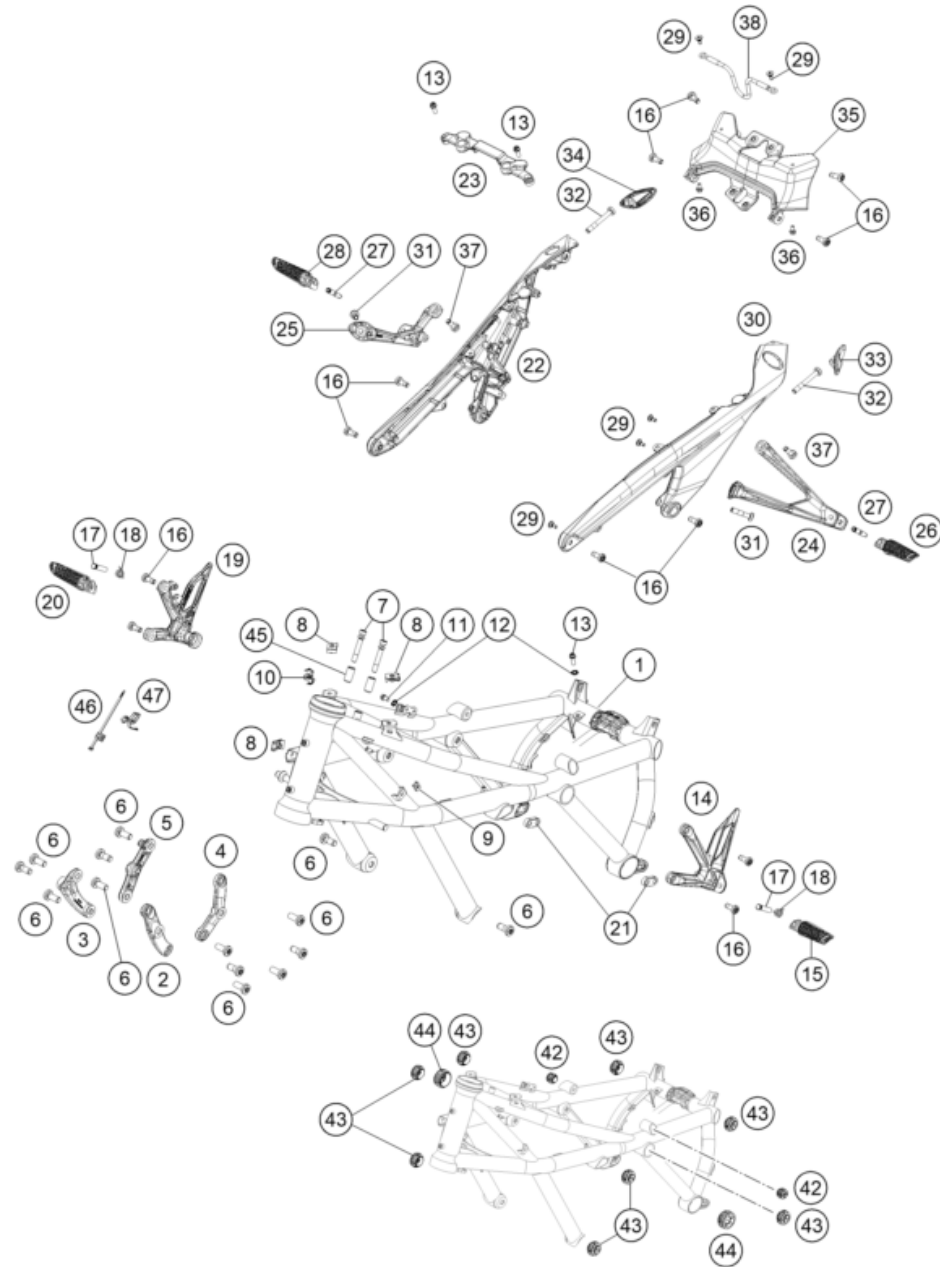
226170310

POS	PARTNUMBER		PIECE
1	61703001200EB	Frame 617VA	1
2	61703005000C1	Engine hanger front left	1
3	61703006000C1	Engine hanger front right	1
4	61703007000C1	Engine hanger rear left	1
5	61703008000C1	Engine hanger rear right	1
6	0035100249S	HH collar screw M10x24 ISA45 S	14
7	61711064000	One-way screw 617	2
8	54603048100	clip nut M6	4
9	69008021080	clip nut M5	1
10	61342046000	SUPPORT ABS-PIPE D7,5	1
11	0025060106	HH collar screw M6x10 TX30	1
12	58411098100	CONTACT WASHER M6 VSV-K6	2
13	0025060166	HH collar screw M6x16 TX30	2
14	61703038000C1	Front footpeg bracket left	1
15	61703040000C1	Front footpeg left	1
16	0035080206S	SHCS M8x20 TX45	12
17	61703043000	Footpeg bolt	2
18	61703042000	Spring footrest front	2
19	61703039000C1	Front footpeg bracket right	1
20	61703041000C1	Front footpeg right	1
21	61703045010	Footrest bottom fixing nut	2
22	61703002020C1	Subframe right black	1
23	61703002030C1	Fuel tank bridge	1
24	61703048000C1	Rear footpeg bracket left	1
25	61703049000C1	Rear footpeg bracket right	1
26	61703050033C1	Rear footpeg left compl.	1
27	61703053000	Rear foot peg bolt	2
28	61703051033C1	Rear footpeg right compl.	1
29	69013099150	Screw, reservoir	5
30	61703002010C1	Subframe left black	1
31	0000350803500S	ISA collar screw, M8x35, MK-ISA45	2
32	0035080606S	Hex screw w.intern.Torx w.coll.M8x60 ISA	2
33	61703002054C1	Mounting flange top left black	1
34	61703002055C1	Mounting flange top right black	1
35	61703002040C1	Cross rib, black	1
36	0025050106	HH collar screw M5x10 TX30	2
37	0035080256S	ISA collar screw M8x25 ISA45	2
38	61707048170	Tether, passenger	1

58022

* NEW PART

X ON DEMAND



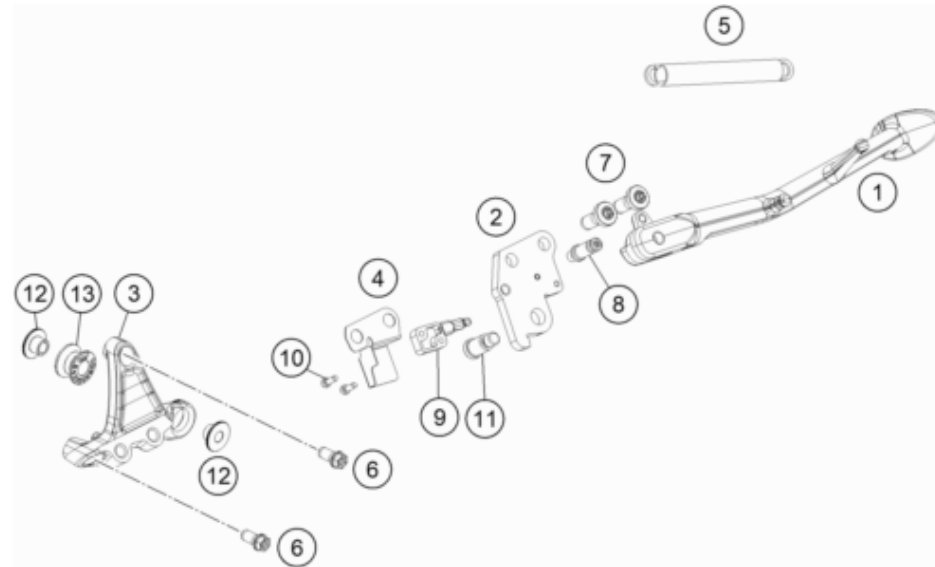
POS	PARTNUMBER		PIECE
42	61703288000	Plug small	2
43	61703188000	Plug, small	8
44	61703088000	Plug, large	2
45	61711065000	Spacing tube ignition lock	2
46	0330000520000	Cable tie with foot section	1
47	61703083000	Frame cover	1

226170310

58022

* NEW PART

X ON DEMAND



POS	PARTNUMBER		PIECE
1	61703023033C1	Side stand with magnet	1
2	61703028000	Side stand bracket	1
3	61703026000C1	Side stand bracket	1
4	61703027000C1	Protection plate	1
5	60303024100	SIDE STAND SPRING	1
6	0025080166S	HH collar screw M8x16 TX40 SL	2
7	0035100249S	HH collar screw M10x24 ISA45 S	2
8	61303028001	SPEC. SCREW SIDE STAND SPRING	1
9	61011045000	SIDE STAND SENSOR 05	1
10	014580040123S	Cap head screw ISO 14580-M4x12-8.8 MK	2
11	62503027200	SCREW FOR SIDE STAND M10X31,2	1
12	61705069000	Collar bushing 8,5x12,5x23,5x10	2
13	54305068100	damp. component silicone grey	1

206170360

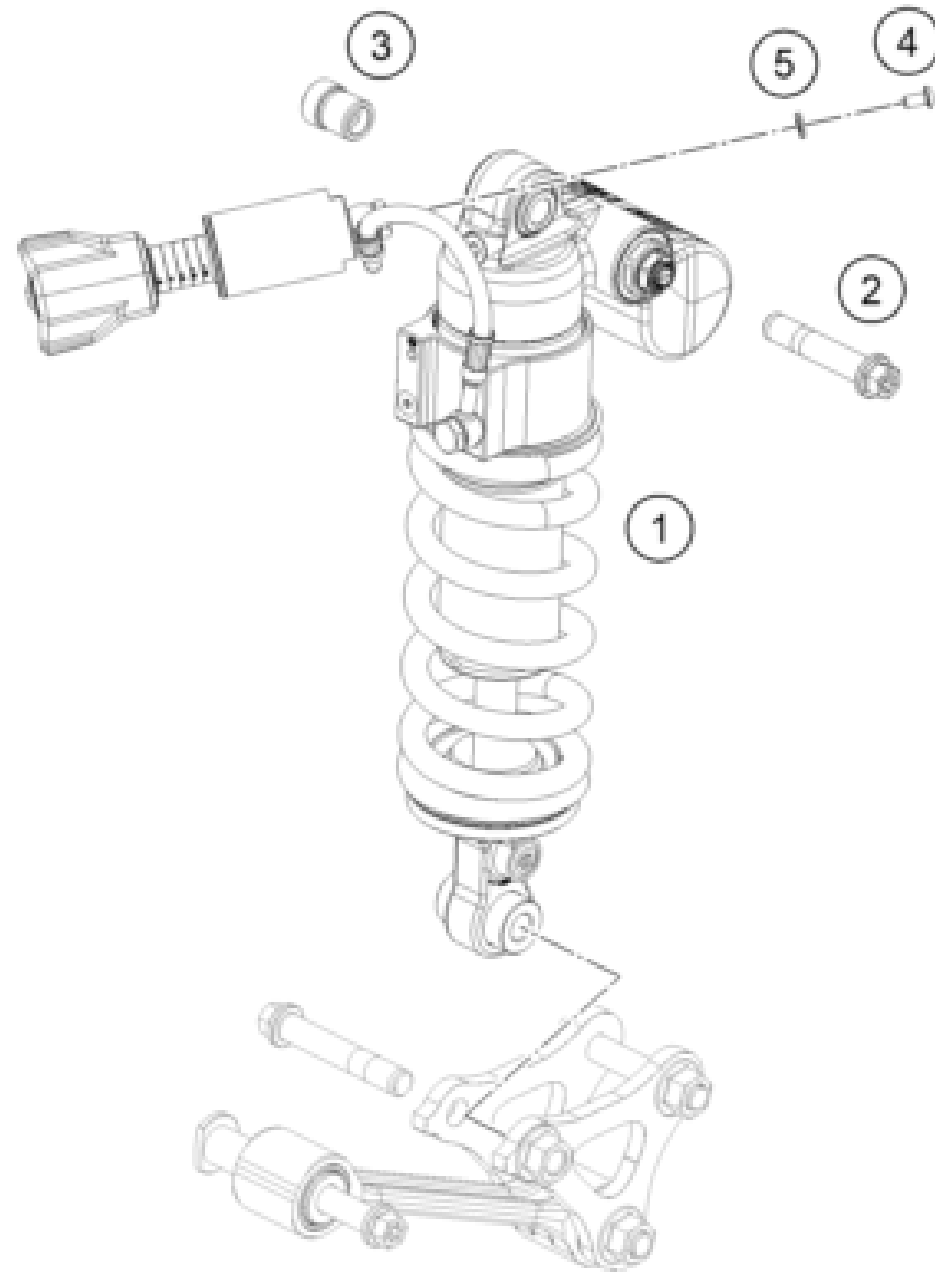
53759

* NEW PART

X ON DEMAND

SHOCK ABSORBER

1290 SUPER DUKE R, black 2023 2023



POS	PARTNUMBER		PIECE
1	15187T2201	Monoshock 1290 Super Duke R 20	1
2	0025120606S	Hex.bolt w.ext.hex.w.collar M12x60 ISA45	1
3	64104030020	Bushing Shock Mounting	1
4	0738050103	Flat head screw ISO7380 M5X10	2
5	0252010501100	Wedge lock washer 5,4x10,8x1,8	2

206170410

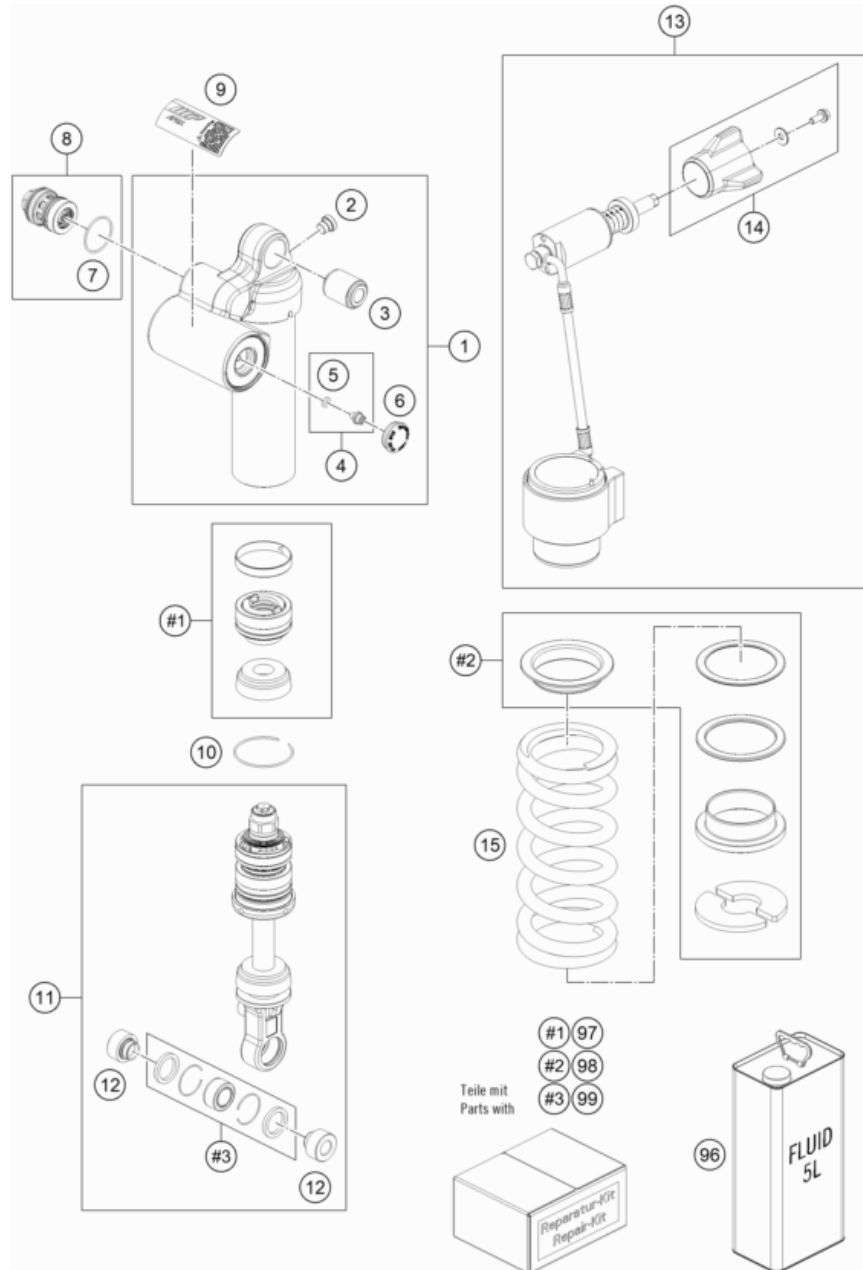
53761

* NEW PART

X ON DEMAND

SHOCK ABSORBER DISASSEMBLED

1290 SUPER DUKE R, black 2023 2023



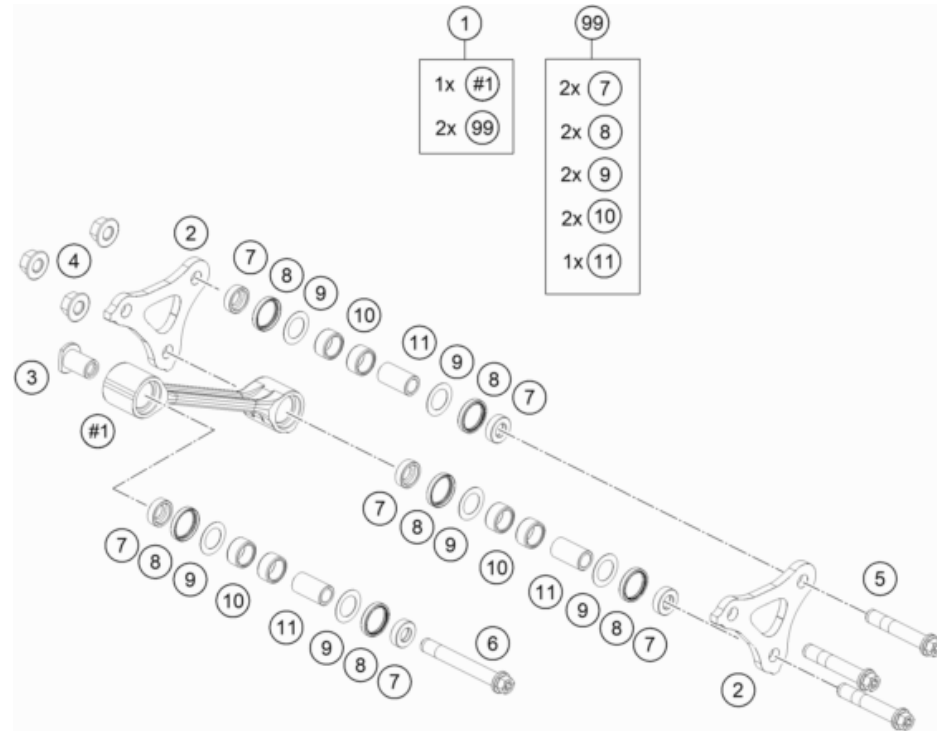
POS	PARTNUMBER		PIECE
1	46181338S2	shock housing cpl. KTM 1290 Super Duke	1
2	50180095	HS cylinder-head screw R1/8 I8	1
3	46181449	Silentblock 12x25x32	1
4	36120151S	PLUG SCREW M5X6 CPL.	1
5	46810893	O-ring 5,28x1,78 NBR70 black	1
6	46811208	Rubber cap do not open 22x5,5 NBR	1
7	50180217	O-ring 27x1,5 Viton70 green ISO 3601-3S	1
8	50180213S30	compression cpl.	1
9	52000276	Sticker APEX 75x30	1
10	46810010	Round-wire snap ring 49x1,8	1
11	46181349S03	Shock abs.bott.part cmpl.KTM 1290 SDR 20	x
12	46181342	Bearing bush 12x15/19/23,5x18,45	2
13	11001T01	PA Super Duke R 20 with hand knob	1
14	60000323S	adjuster wheel PA cpl.	1
15	91010431	Mainspring (59) 75-195 damper	x
15	91010381	Mainspring (59) 85-195 silencer white	1
15	91010432	mainspring (59) 95-195 shock white	x
96	50180751S1	SHOCK ABSORBER FLUID 5 LT	x
97	RP10030T	shock absorber repair kit Super Duke R 2	x
98	RP10031T	Repair kit spring retainer shock absorber	x
99	R12012	Ball joint bearing kit top 12mm	x

206170430

53163

* NEW PART

X ON DEMAND



POS	PARTNUMBER		PIECE
1	61704083044C1	Pull rod cpl.	1
2	61704080000C1	Triangular plate	2
3	61704080030	Bushing pull rod bolting	1
4	06923120006	Hex.nut w.flange EN 1661 M12-10 WS18	3
5	0025120706S	Hexagonal bolt M12x70 ISA 45 MK	3
6	0025120906S	HH collar screw M12x90 ISA 45 MK	1
7	61704080020	Bucket for shaft seal ring 24x6.8	6
8	0760243050	SHAFT SEAL RING 24X30X5	6
9	50180604	Shim 29,75x19x0,4	6
10	06181824120	Needle bushing HK1812 18/24/12, greased	6
11	61704080010	Bearing sleeve 12x18x33.5	3
99	61704083010	Repair kit linkage	3

206170460

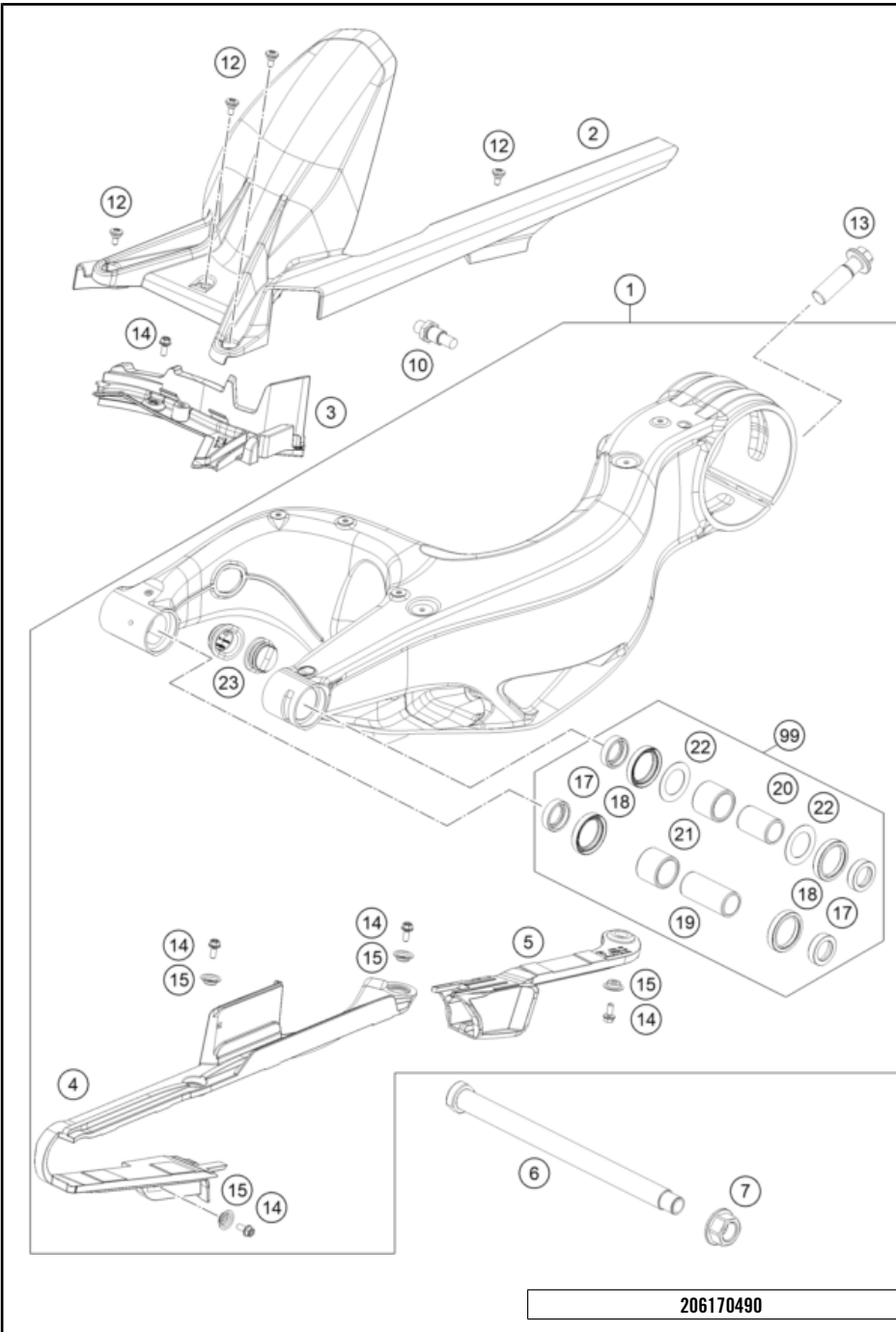
52387

* NEW PART

X ON DEMAND

SWING ARM

1290 SUPER DUKE R, black 2023 2023



POS	PARTNUMBER		PIECE
1	6170403004433	Swingarm cmpl. SD-R 20	1
2	61704050000	Splash protection	1
3	61704042000	Brake line guide	1
4	61704060000	Front chain slider	1
5	61704070000	Rear chain slider	1
6	69004037344	Swingarm pivot	1
7	60004038200	COLLAR NUT M19X1,5 SW=27MM	1
10	76004142000	BOLT BRAKE SADDLE BRACKET	1
12	69008021160	special screw M5x12	4
13	61310021000	HH COLLAR SCREW M16X1,5X55	1
14	0025050126	HH collar screw M5x12 TX30	5
15	46104066050	BUSH FOR CHAINSLIDER GUARD 02	4
17	0760304073	SHAFT SEAL RING 30X40X7	4
18	60004034000	BUCKET F. SHAFT SEAL RING 03	4
19	69004032000	INNER RING JR 20X25X56,5	1
20	60004032000	INNER RING JR20X25X38,5 03	1
21	60004031000	NEEDLE BUSH HK2526B 03	2
22	60004033000	STOP DISK 03	2
23	61304041100	CLOSING COVER SWINGARM	2
99	69004230010	swingarm rep. kit	1

206170490

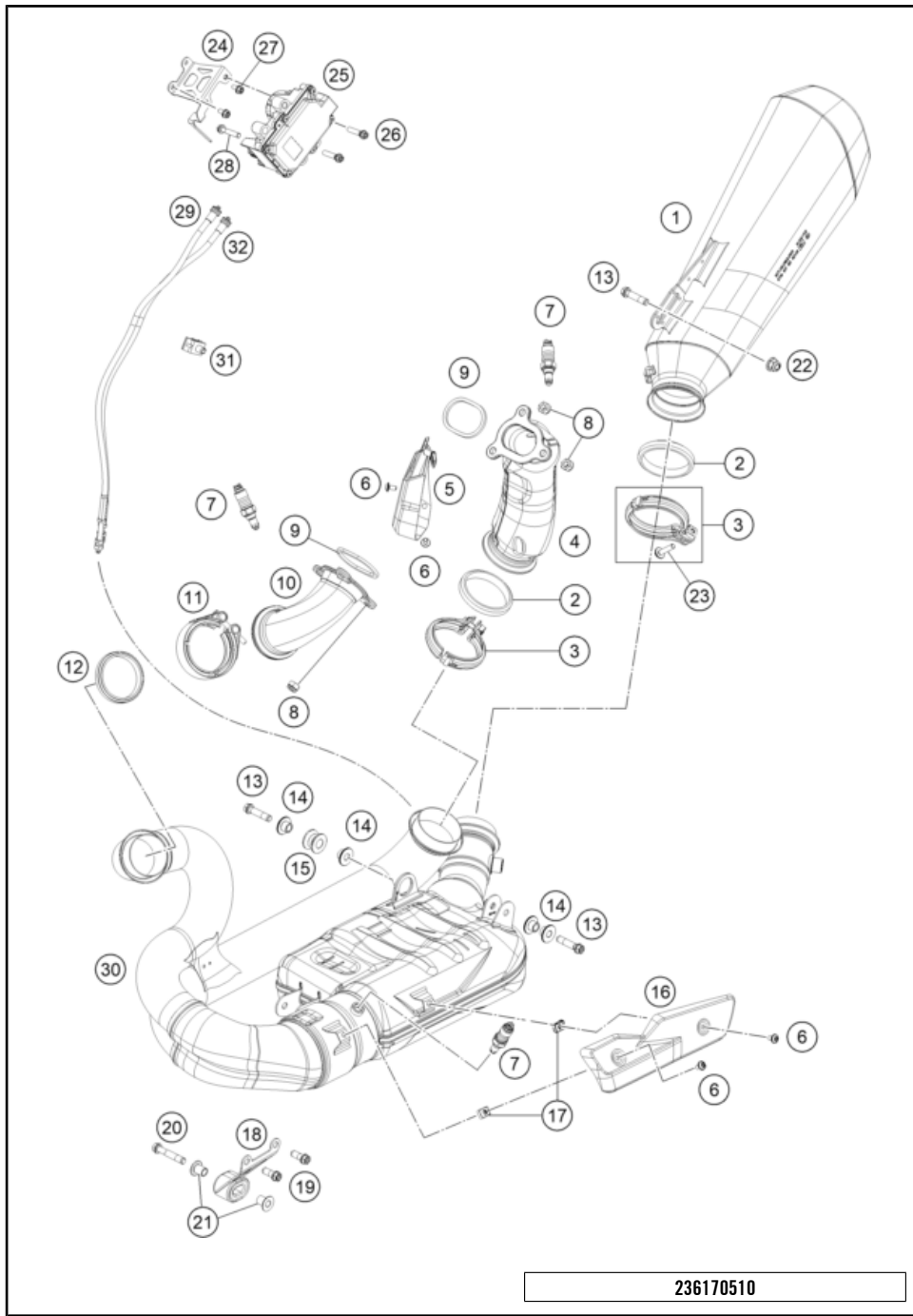
53262

* NEW PART

X ON DEMAND

EXHAUST SYSTEM

1290 SUPER DUKE R, black 2023 2023



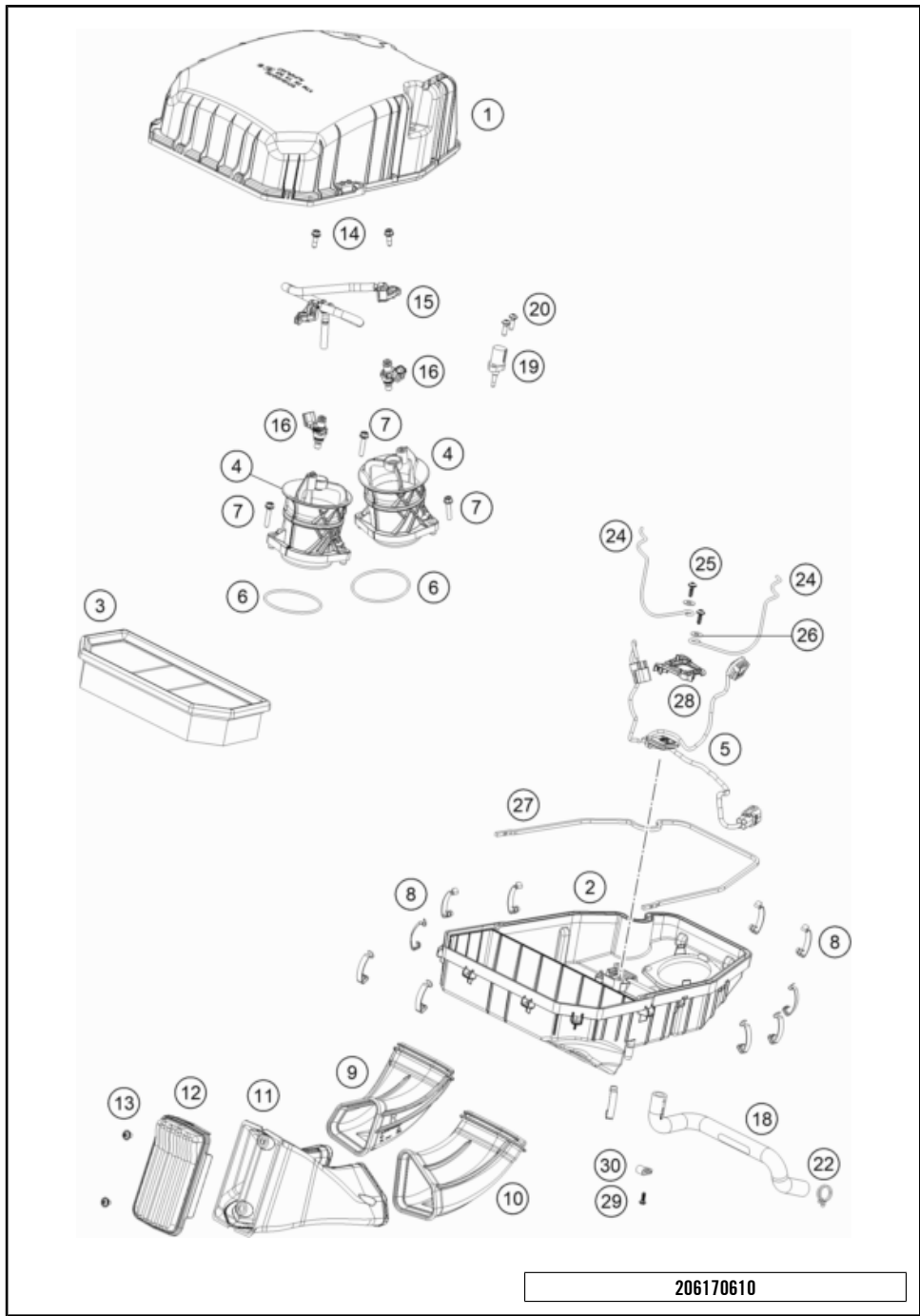
POS	PARTNUMBER	PIECE
1	61705083000	Silencer
2	61305105005	Manifold gasket 60mm
3	61305058200	Exhaust clamp, tube, 50mm
4	61705008200	mainfold with integral insulation
5	61705011100C1	Heat protection complete, black
6	78105181010	Torx screw M5x10 black
7	75041090200	LAMBDA SENSOR
8	51010086100	self-locking nut M8 Cu
9	69005005100	EXHAUST PIPE FLANGE GASKET
10	61705007100	Header front
11	61705058200	V-clamp D=70.1
12	61705005105	Header gasket 54 mm
13	0025080356S	HH COLLAR SCREW M8X35 TX40
14	61705069000	Collar bushing 8,5x12,5x23,5x10
15	54305068100	damp. component silicone grey
16	61705012010C1	Heat shield front black
17	54603048600	RANGE CHANGE METAL NUT M5 INOX
18	61705055000	Pre muffler mounting 2 complete
19	0025060166S	HH collar screw M6x16 TX30 SL
20	0025080456S	HH COLLAR SCREW M8X45 ISA40
21	60305069000	BUSHING
22	0926080003	STOP NUT DIN6926 M8 SS
23	0024060256	HH COLLAR SCREW M6X25 TX30
24	61741070011C1	Retaining bracket actuator
25	61441070100	Exhaust flap controll motor
26	0025060306	HH collar screw M6x30 TX30
27	0025050106	HH collar screw M5x10 TX30
28	0025060356	HH collar screw M6x35 TX30
29	A62441065000	Bowden cable short
30	61705050200	Pre-Muffler
31	60113026000	HOSE SUPPORT 7/7 MM 06
32	A62441066000	Bowden cable long

236170510

62178

* NEW PART

X ON DEMAND



POS	PARTNUMBER		PIECE
1	61706002000	Air filter box top part cmpl.	1
2	61706001010	Air filter box bottom part	1
3	61706015000	Air filter	1
4	61741040000	Velocity stack L=80	2
5	61711086000	Wiring harness topfeeder	1
6	0770066025	O-RING 66X2,5 FKM	2
7	0025050256S	HH collar screw M5x25 TX30	4
8	61706005075	Air filter box clip	11
9	61706041000	Air intake right	1
10	61706040000	Air intake left	1
11	61706040033	Intake port cmpl.	1
12	61706040055	Intake duct frame cmpl.	1
13	073802050085	Oval head screw ISR M5x8-A2-070	2
14	0025050166S	HH Collar Screw M5x16 ISA30 SS	2
15	61707057044	Fuel line topfeeder cpl.	1
16	61741023044	Injector cmpl.	2
18	61730088230	Oil separator hose	1
19	61041080000	AMBIENT-AIR TEMPERATURE SENSOR	1
20	0081050161	EJOT PT SCREW K50X16 1451	2
22	58431082100	YDNAC-CLAMP 10173 (16MM) '98	1
24	61706005095	Wire bracket	2
25	0081050141	EJOT PT screw K50x14	2
26	50337073000	shim	2
27	61706003000	Air filter box seal	1
28	61706005040	Clamp frame	1
29	0081040121	EJOT Delta PT K40x12	1
30	58711070000	CLAMP RSGU 6/12	1

206170610

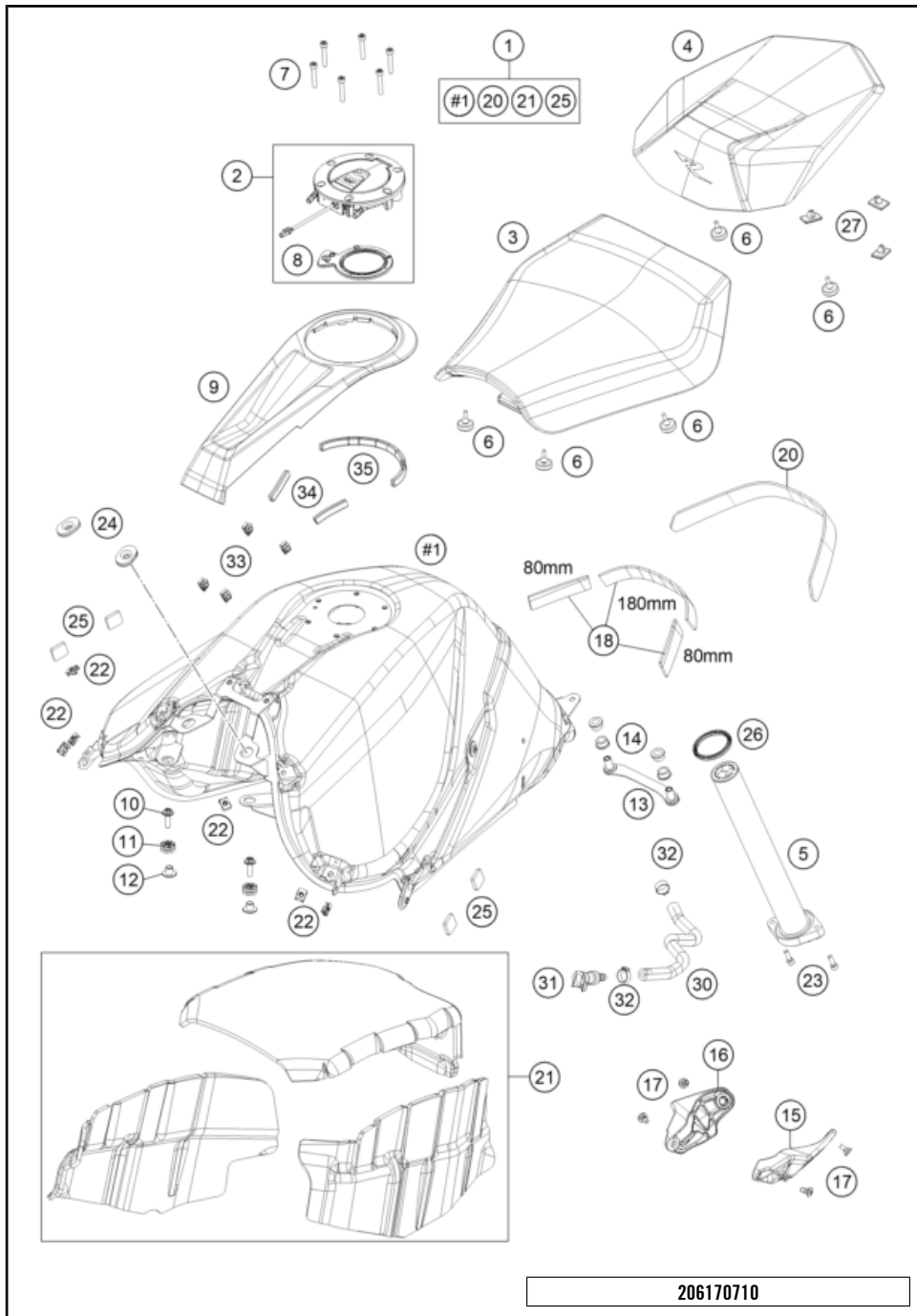
62179

* NEW PART

X ON DEMAND

TANK, SEAT

1290 SUPER DUKE R, black 2023 2023



POS	PARTNUMBER	PIECE	
1	61707013144HCC	fuel tank atlantic blue SD-R 22	1
2	61507008000C1	Fuel tank cap, RaceOn, black	1
3	61707040000	Rider seat	1
4	61707047000	Passenger seat	1
5	61407080200	Fuel lever sensor	1
6	60006001021	DISTANCE RUBBER AIRBOX 03	6
7	014579050301	Screw ISO 14579-M5x30-8.8-P3R	6
8	60307008190	GASKET TANK CAP	1
9	61707058000	Fuel tank fairing, top	1
10	0024060206	HH collar screw M6x20 TX30	2
11	62142041000	DAMP. COMPONENT ABS MODUL	2
12	61342041000	COLLAR BUSH 6,5X9X18X8,5	2
13	61707013010C1	Rear fuel tank mounting	1
14	75608006000	RUBBER BUSHING 9X17X8,5	4
15	61707011010	Slide pad, left	1
16	61707011020	Slide pad, right	1
17	69008021170	Special screw M5x12	4
18	61707015001	dual lock 25,4mm	1
20	61707013015	Spacer tank bottom	1
21	61706095000	Silencer packing kit tank SD-R 20	1
22	54603048600	RANGE CHANGE METAL NUT M5 INOX	6
23	0912050163	AH SCREW DIN0912-M 5X16	2
24	90108060003	GROMMET	2
25	61408015030	METAMOLL F. TAIL LIGHT COVER	4
26	60307080090	GASKET FUEL LEVEL SENSOR	1
27	77307040041	Isolation pad	3
30	61707017050	Fuel hose pump	1
31	5850701050030	CLUTCH CPC BLACK 05	1
32	00050157706	VARIABLE ONE-EAR CLAMP 15,7MM	2
33	61908040030	Bracket for side fairing	4
34	76003095048	Edge protection 9.5x6.5x48	2
35	76003095184	Edge protection 9.5x6.5x184	1

206170710

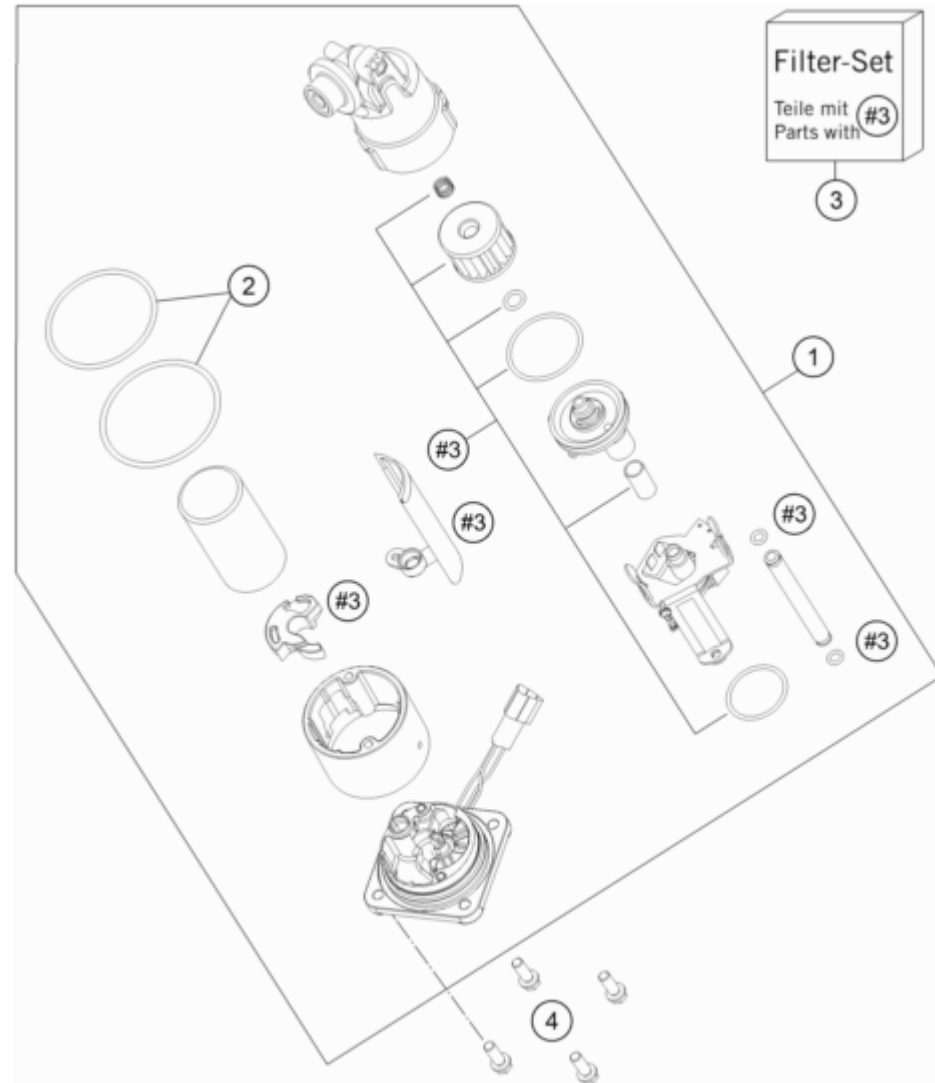
62190

* NEW PART

X ON DEMAND

FUEL PUMP

1290 SUPER DUKE R, black 2023 2023



POS	PARTNUMBER		PIECE
1	60307088100	fuel pump	1
2	61007089000	O-RING SET FOR FUEL PUMP 05	1
3	61007090100	FILTER-SET FUEL PUMP	1
4	0025060166	HH collar screw M6x16 TX30	4

146130730

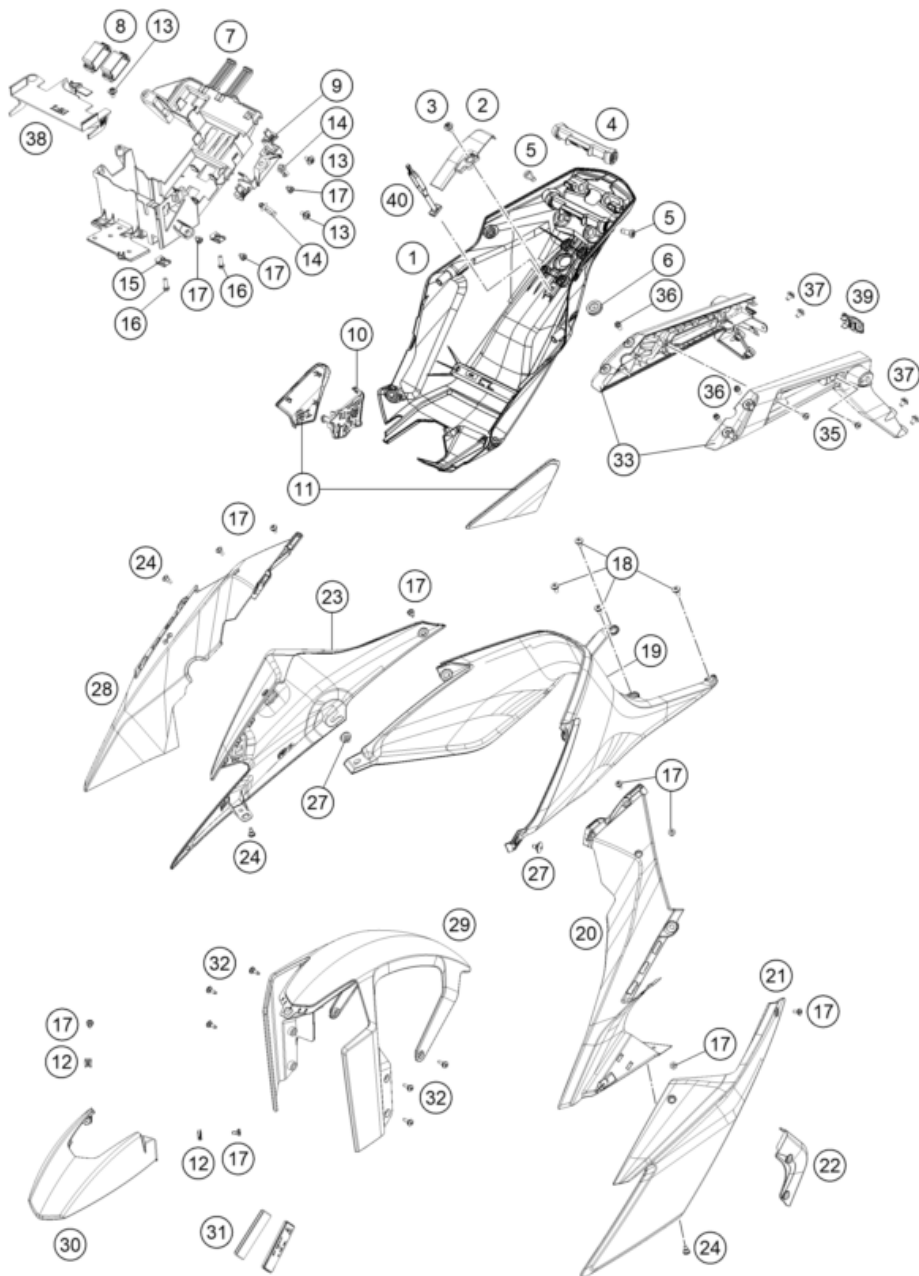
54102

* NEW PART

X ON DEMAND

MASK, FENDERS

1290 SUPER DUKE R, black 2023 2023



226170810

POS	PARTNUMBER		PIECE
1	61708019200	Tail end lower part	1
2	61708019060	Cable bracket tail end lower part	1
3	83008100015	SPECIAL SCREW M6X15X5,5	1
4	61708019050	Cross-connector	1
5	0035080206S	SHCS M8x20 TX45	2
6	60006001023	RUBBER SLEEVE STOP SCREW	1
7	61711054000	Electrics carrier	1
8	61711032050	Rubber band TPMS	2
9	61711056000	Bracket, fuse box	1
10	A64111083050	Connector support frame	1
11	61708044000	Side Cover Set SD-R 20	1
12	54603048600	RANGE CHANGE METAL NUT M5 INOX	2
13	83008000012	special screw M6x12x3	3
14	69011092000	CABLE TIE W. SOCKET D=6,5	2
15	54603048100	clip nut M6	2
16	0025060206	HH collar screw M6x20 TX30	2
17	69008021160	special screw M5x12	14
18	69008021040	special screw M6x14	4
19	61708049000CB	Rear fuel tank fairing	1
20	61708026000	Front fairing left	1
21	61708050000CBA	Radiator shroud left	1
22	61411095000	Plug cover	1
23	61708051000CBA	Radiator shroud right	1
24	69008021260	Special screw, M5x14	4
27	0900000601200	Seat screw M6x11.5 ISA30	2
28	61708027033	Inner cover right cpl	1
29	61708011000	Fender rear part	1
30	61708010000HC	Fender, front part	1
31	60012080100	SIDE REFLECTOR YELLOW "CEV"	2
32	69008021060	special screw M5x17	6
33	61708015000	License plate holder support	1
35	69008021160	special screw M5x12	2
36	0025060126	HH collar screw M6x12 TX30	3
37	0024060106	HH COLLAR SCREW M6X10 TX30	4
38	61711055000	ECU bracket	1
39	61708015030	Bracket, license plate lighting	1
40	76503025000	RUBBER SIDE STAND	1

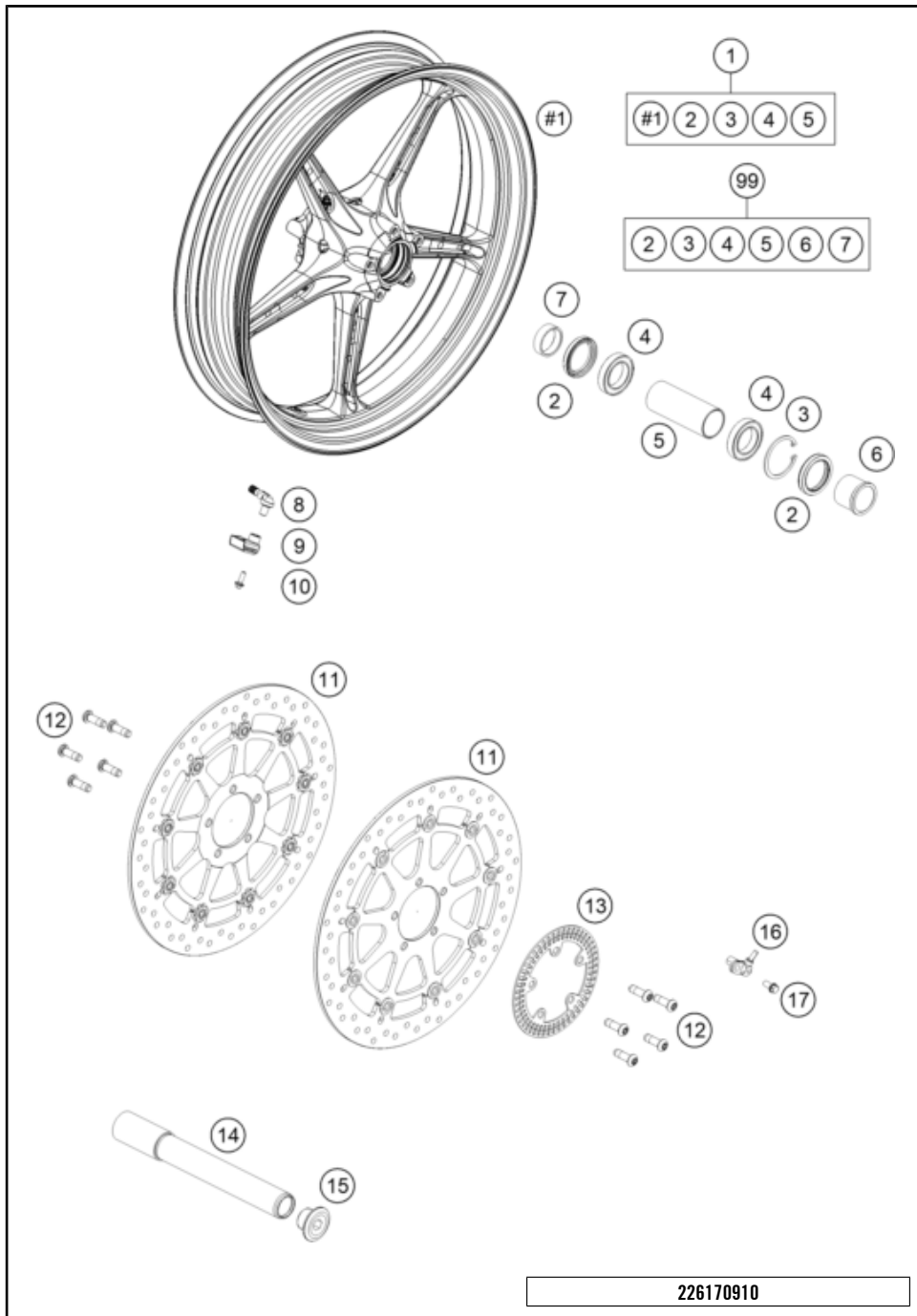
58066

* NEW PART

X ON DEMAND

FRONT WHEEL

1290 SUPER DUKE R, black 2023 2023



POS	PARTNUMBER		PIECE
1	61709003044EB	Front wheel 3.5x17" cmpl., orange	1
2	0760354771	SHAFT SEAL RING 35X47X7 TC	2
3	0472047175	CIRCLIP DIN0472-47X1,75	1
4	0625069068	GR.BALL BEAR.6906 DDU2CG23S6NM	2
5	61009011000	BEARING SPACER TUBE FRONT 05	1
6	61009012000	SPACER BUSH. FR. WHEEL L/S 05	1
7	60009013000	SPACER BUSH. FR. WHEEL R/S 03	1
8	61912033060	Angle valve 8.3 mm for TPMS	1
9	61912033000	Tire pressure sensor	1
10	0900000501500S	Screw M5x15 for TPMS	1
11	6130906000033	BRAKE DISK D=320/5	2
12	76009062000	SPECIAL SCREW M8X25 SS TX40	10
13	76042020000	Sensor wheel front	1
14	61009081200	Wheel spindle, front wheel	1
15	61009082000	AH SCREW M25X1,5 WS=12 05	1
16	76042125000	ABS-SENSOR	1
17	59009062013	SPECIAL SCREW M6X13 WS=8 10.9	1
99	61009015000	FRONT WHEEL REP. KIT	x

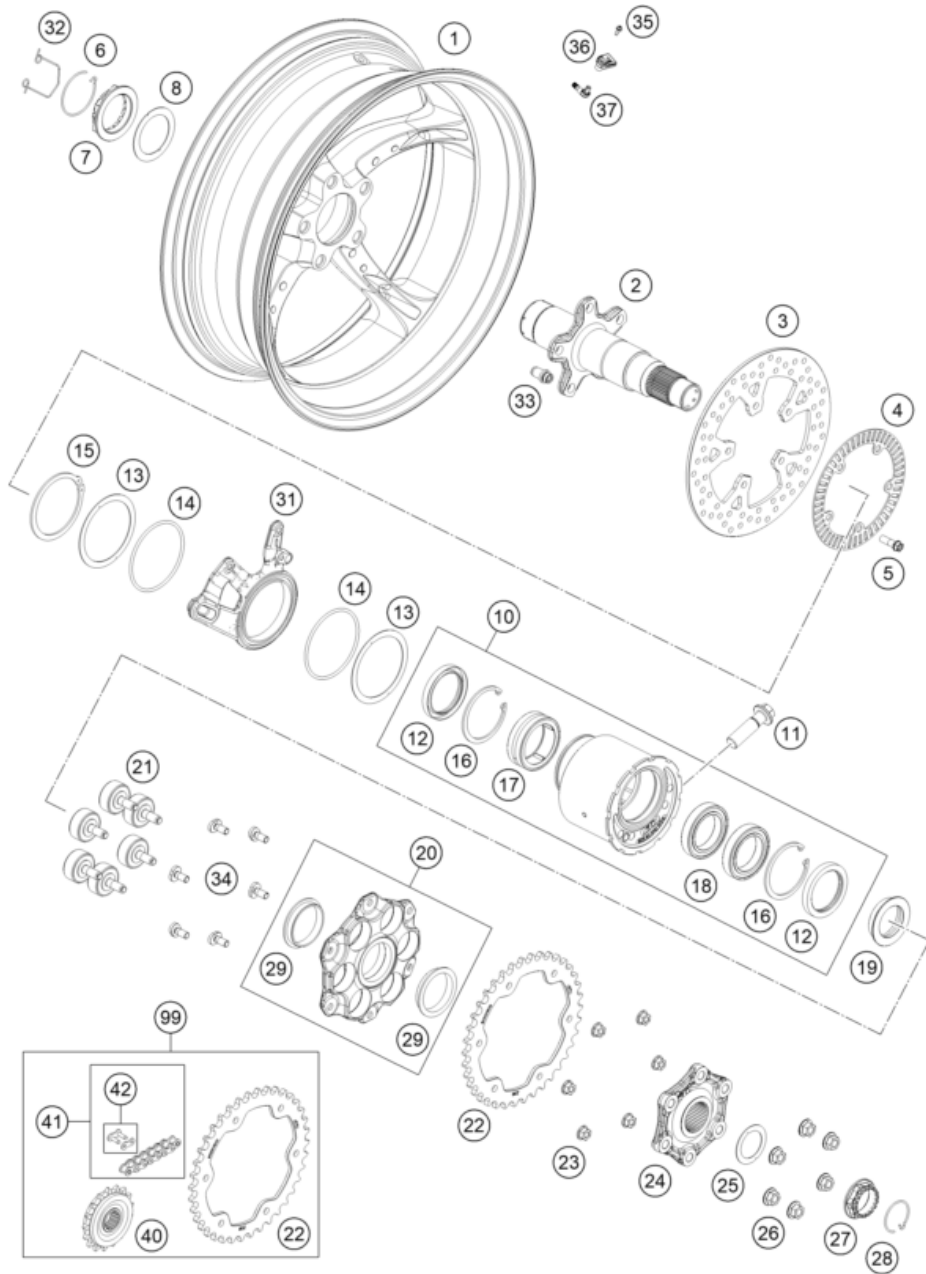
226170910

58020

* NEW PART X ON DEMAND

REAR WHEEL

1290 SUPER DUKE R, black 2023 2023



226171010

POS	PARTNUMBER		PIECE
1	61710003000EB	Rear wheel 6x17"	1
2	61310385100	Rear wheel axle	1
3	76010160000	BRAKE DISC 240MM	1
4	76042121000	SENSOR GEAR REAR	1
5	0025080256S	HH COLLAR SCREW M8X25 TX40	5
6	61310187000	SAFETY WIRE R/S	1
7	61310186100	AXLE NUT M50X1.5	1
8	61310016000	WASHER 69X1	1
10	61310010044	CLUTCH HUB HOUSING CPL.	1
11	61310021000	HH COLLAR SCREW M16X1,5X55	1
12	0760526880	SHAFT SEAL RING 52X68X8	2
13	61310019000	WASHER 94X1	2
14	0770840035	O-RING 84,00X3.5 NBR70	2
15	0471078250	CIRCLIP DIN471-78X2.5	1
16	0472068250	CIRCLIP DIN472-68X2.5	2
17	0617456822	NEEDLE BEARING RNA4909-2RSR-XL	1
18	0625061909	DEEP GROOVE BALL BEARING 61909	2
19	61310014000	SPACER RING	1
20	6131005404433S	SPROCKET SUPPORT CPL.	1
21	61310059100	Shock absorber	6
22	61310151038	SPROCKET STEEL DUKE 1290 Z38	1
23	06923080003	hex nut EN 1661 M8 WS13	6
24	6131005000033S	JAR DAMPER CARRIER	1
25	76010116000	SHIM 50X1	1
26	06923100003	HEX. NUT DIN 6923 M10X1.25-10	6
27	61310086000	AXLE NUT M35X1.5	1
28	76010187000	SAFETY WIRE L/S	1
29	76010052000	IGUS BEARING D=50	2
31	6131307500033S	BRAKE CALIPER ADAPTER BLACK	1
32	61310010011	SAFE ARMING WIRE	1
33	61310213000	Centering bolt M8	5
34	61310052100	Rear sprocket screw M8x18 S	6
35	0900000501500S	Screw M5x15 for TPMS	1
36	61912033000	Tire pressure sensor	1
37	61912033060	Angle valve 8.3 mm for TPMS	1
40	60033129017	CHAIN SPROCKET 17-T DAMPED 03	1
41	61310165118	CHAIN DID525 VAZ & MASTER LINK	1

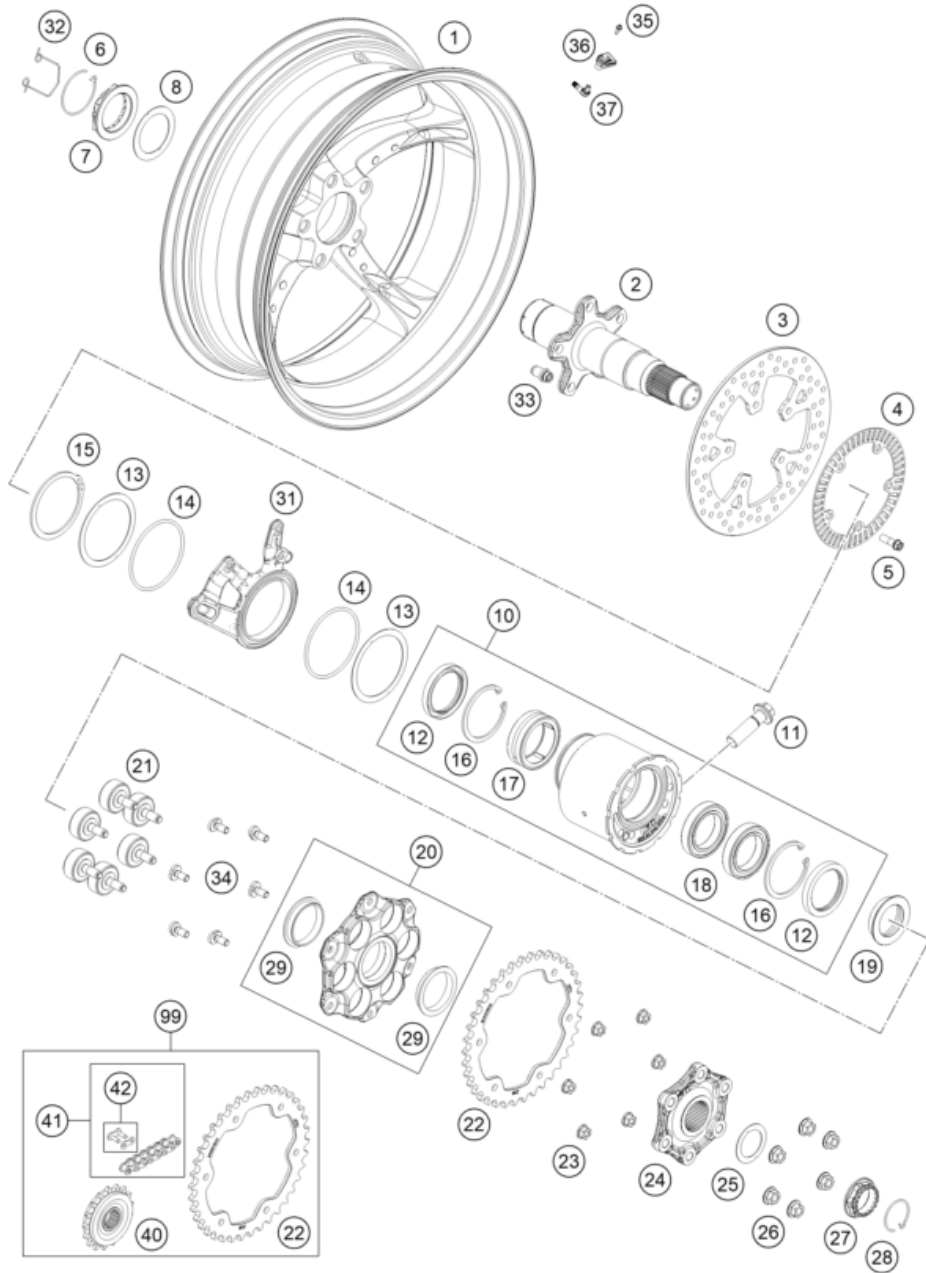
58021

* NEW PART

X ON DEMAND

REAR WHEEL

1290 SUPER DUKE R, black 2023 2023



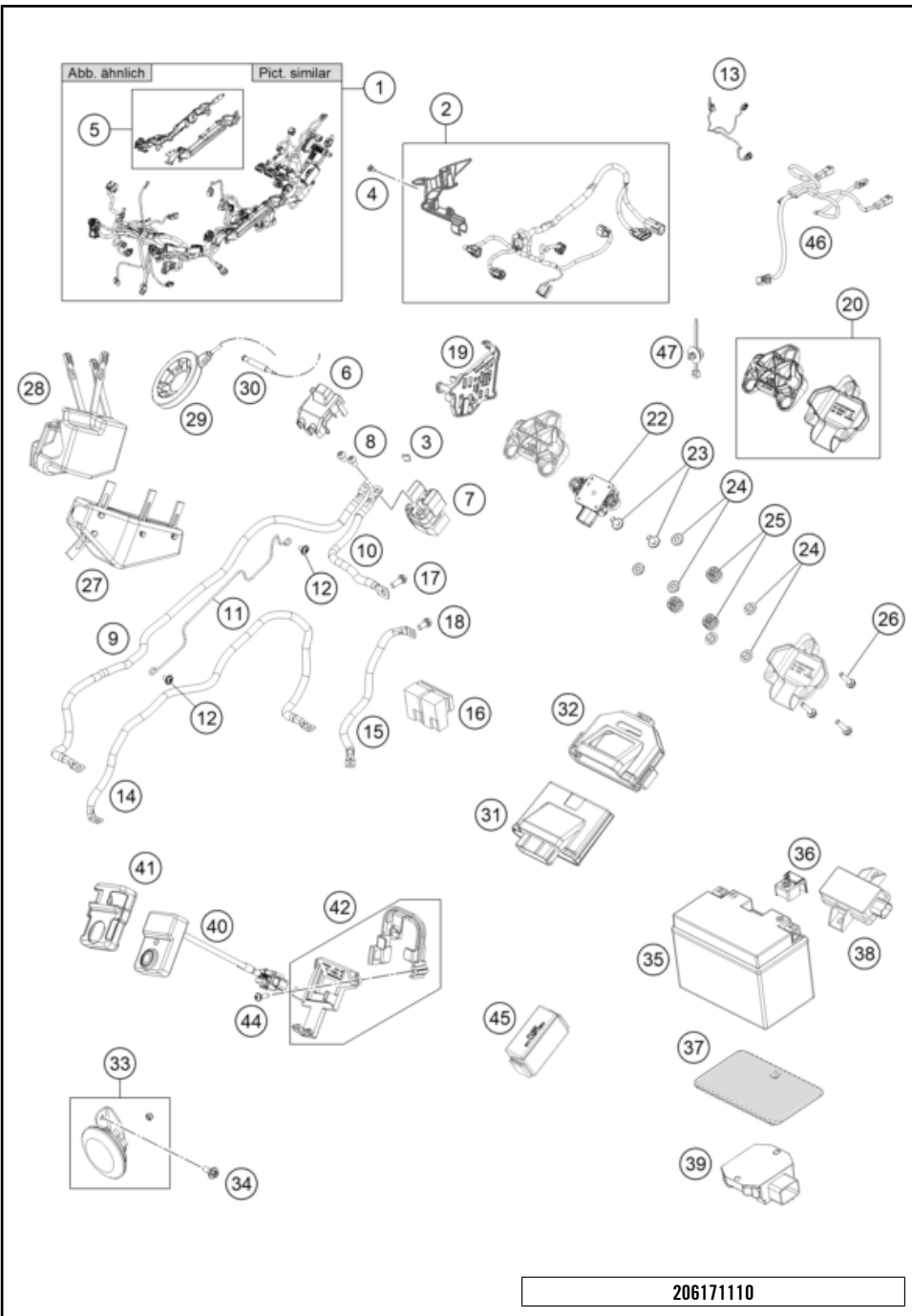
POS	PARTNUMBER		PIECE
42	61310066000	MASTER LINK FOR CHAIN DID VAZ	1
99	00050002029	DRIVETRAIN KIT 1290 SD 17T/38T	1

226171010

58021

* NEW PART

X ON DEMAND



POS	PARTNUMBER	PIECE
1	61711075233	Main wiring harness cpl. 1
2	61711085033	Engine wiring harness cpl. 1
3	58011109130	FUSE 30 A 1
4	69008021160	special screw M5x12 1
5	61711047100	CABLE CHANNEL 1
6	64111058110	Cover flap, starter relay 1
7	76211058000	STARTER RELAY 07 1
8	0738060101	COU.SUNK SCR. AH ISO7380 M6X10 2
9	61711059000	Starter cable 1
10	61711059050	Battery cable 1
11	61711010010	Cable bracket 1
12	073802050085	Oval head screw ISR M5x8-A2-070 2
13	61711086000	Wiring harness topfeeder 1
14	61711097000	Earth wire 1
15	61711098000	Ground wire bat. Frame 1
16	61111057000	RELAY CM1A-R-12V-H80 07 2
17	0025060206	HH collar screw M6x20 TX30 1
18	0025060126	HH collar screw M6x12 TX30 1
19	61711083050	Connector support frame 1
20	61742190000	Coverage lean angle sensor SD-R 20 1
22	61542090000	Angle sensor 1
23	0024060136	HH collar screw M6x13 TX30 2
24	60714069050	Bushing 6
25	61314069051	DAMP. COMPONENT SPEEDOMETER 3
26	0025050256S	HH collar screw M5x25 TX30 3
27	61711003050	Plugbox rubber 1
28	61711003060	Connector box 2 1
29	69011168000	Antenna keyless 1
30	61111018100	TEMPERATURE SENSOR 1
31	60711033000	Control unit MCU 3.0 1
32	60711033050	Rubber band 1
33	64111060033	Direct current horn complete 1
34	0024060156	HH collar screw M6x15 TX30 1
35	60011053000	BATTERY 12V/11AH 03 1
36	62111059060	COVER POSITIVE POLE 1
37	61311053050	RUBBER PLATE FOR BATTERY 1
38	60312032000	RECEIVER AIR PRESSURE SENSOR 1
39	60311034000	VOLTAGE REGULATOR 1

206171110

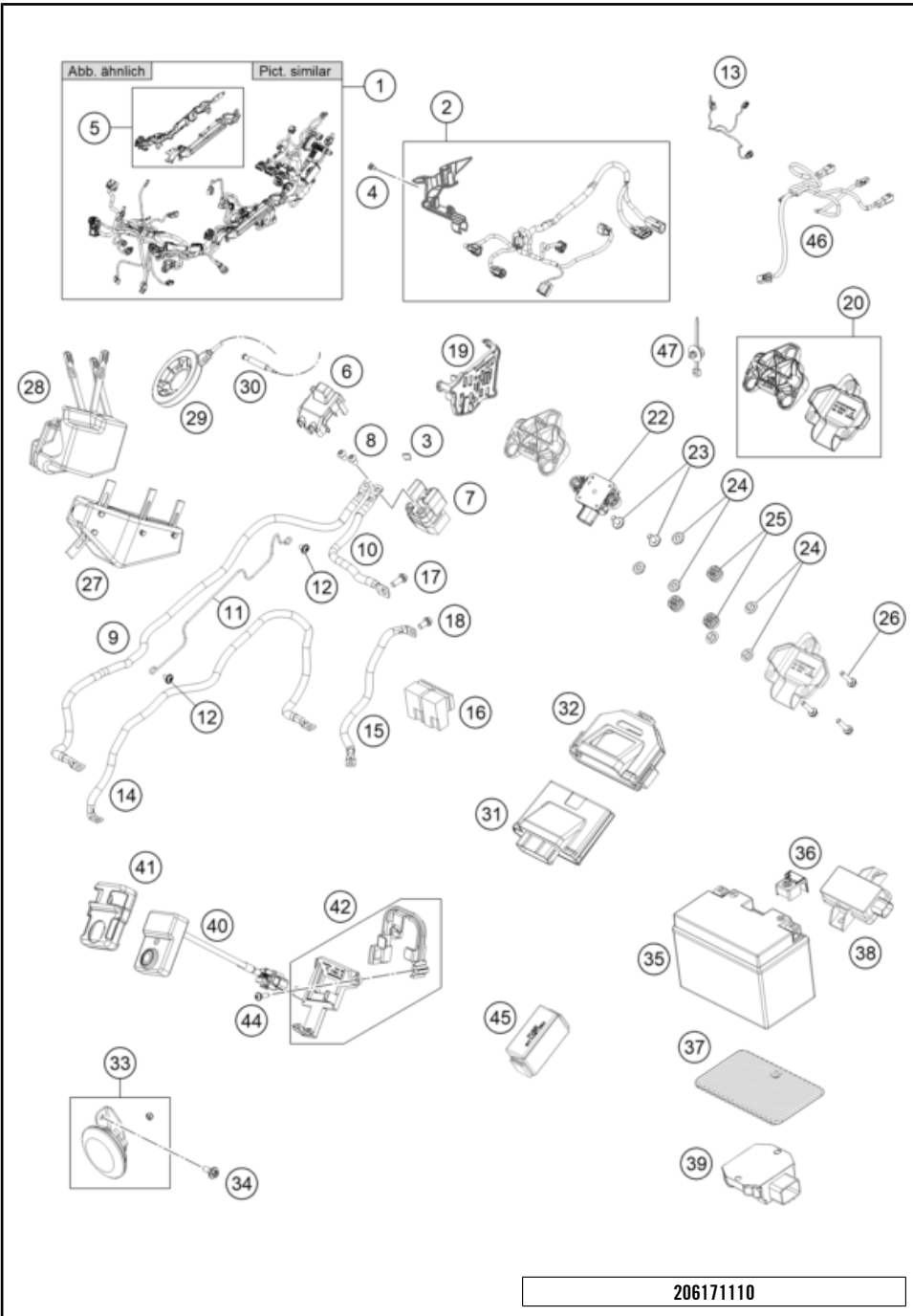
62183

* NEW PART

X ON DEMAND

WIRING HARNESS

1290 SUPER DUKE R, black 2023 2023



POS	PARTNUMBER		PIECE
40	79114086100	Connectivity unit	1
41	79114086050	Rubber support, CCU	1
42	61711046030	Fixation-Set Connectivity Box SD-R 20	1
44	0081050161	EJOT PT SCREW K50X16 1451	1
45	61711087050	Fuse Box	1
46	61311076100	REAR WIRING HARNESS	1
47	61711094000	Plug-in cable tie for M5	1

206171110

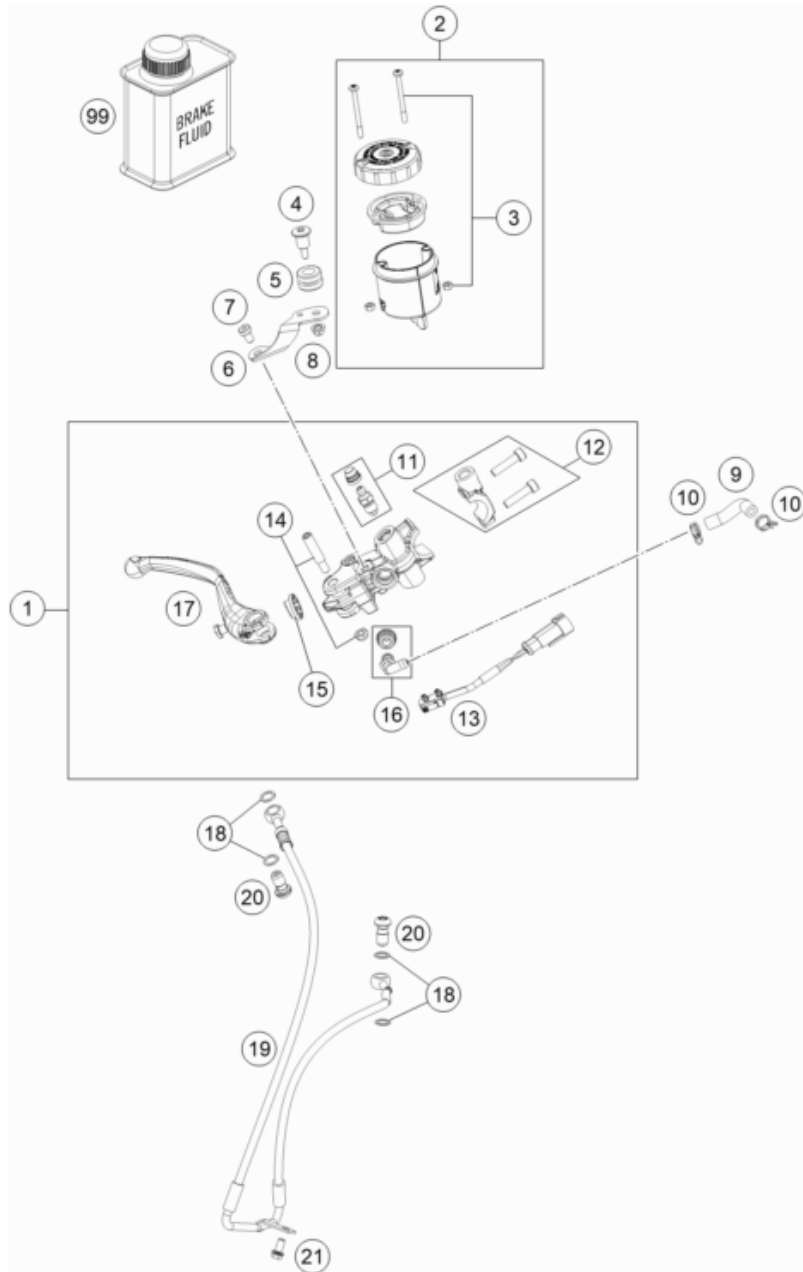
62183

* NEW PART

X ON DEMAND

FRONT BRAKE CONTROL

1290 SUPER DUKE R, black 2023 2023



POS	PARTNUMBER		PIECE
1	6131300110030	Hand brake cylinder PR16/19	1
2	61313029000	BRAKE FLUID RESERV. BLACK CPL.	1
3	61013009203	SCREW + NUT F. RESERVOIR	1
4	61013013050	SCREW RET.PANEL-RESERVOIR	1
5	61013013000	RUBBER BUSH 05	1
6	6101300900130	SUPPORT BRAKE FLUID RES. FRONT	1
7	61013021000	SCREW RET.PANEL-BRAKE CYLINDER	1
8	61013009004	NUT FOR RESERVOIR	1
9	69013069001	HOSE FOR RESERVOIR 6X1,5	1
10	58007017000	YDNAC CLAMP 10101 (10,4MM)	2
11	60013020000	BLEEDER SCREW WITH CAP	1
12	76013005100	CLAMP CPL. 16	1
13	61311050000	BRAKE LIGHT SWITCH FRONT	1
14	61013006000	LEVER SCREW CPL. 05	1
15	61013008000	RUBBER CUP 05	1
16	54513155000	ANGLE PIECE	1
17	6101300200030	HAND BRAKE LEVER LOOSE BLACK	1
18	0603100141	sealing ring DIN 7603 10x14x1	4
19	61742001000	Brake line brake cylinder/modulator	1
20	62113020100	banjo bolt M10x1x19.5	2
21	0025060126	HH collar screw M6x12 TX30	1
99	00062030000	BRAKE FLUID DOT5.1 0,25L	1

206171310

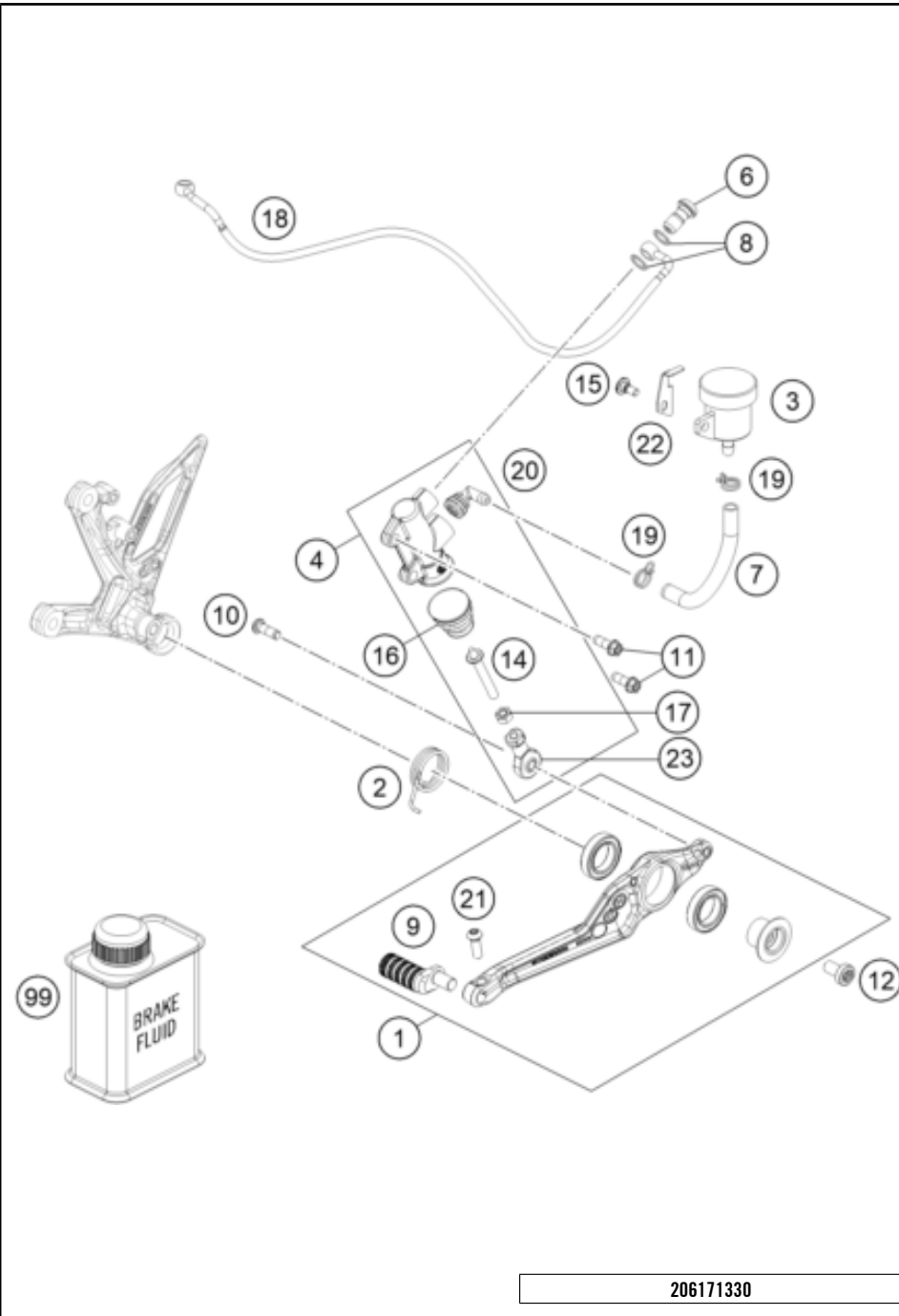
53841

* NEW PART

X ON DEMAND

REAR BRAKE CONTROL

1290 SUPER DUKE R, black 2023 2023



POS	PARTNUMBER		PIECE
1	61713050133C1	Rear brake lever compl.	1
2	61713052000	Leg spring	1
3	61713069044	Brake fluid reservoir compl.	1
4	61713060000C1	Rear master cylinder	1
6	62113020100	banjo bolt M10x1x19.5	1
7	58007016101	HOSE FOR RESERVOIR 6X1,5	1
8	0603100141	sealing ring DIN 7603 10x14x1	2
9	61713051000C1	Footbrake lever step plate	1
10	0738060185S	Ovl. hd. scr. TX M6x16 A2-70 S	1
11	0025060166S	HH collar screw M6x16 TX30 SL	2
12	0035080156S	AH-COLLAR SCREW M8X15 TORX45	1
14	60313056044	PUSH ROD CPL.	1
15	69013099150	Screw, reservoir	1
16	54513151000	RUBBER SLEEVE	1
17	0926080003	STOP NUT DIN6926 M8 SS	1
18	61742002000	Brake line rear master cylinder/modulato	1
19	58007017000	YDNAC CLAMP 10101 (10,4MM)	2
20	54513155000	ANGLE PIECE	1
21	0738060185	Round head scr. ISR M6x18-A2-70	1
22	61713069020	Lock washer, brake fluid reservoir	1
23	54603069000	SWIVEL HEAD M6 FOOT BRAKE LEV.	1
99	00062030000	BRAKE FLUID DOT5.1 0,25L	1

206171330

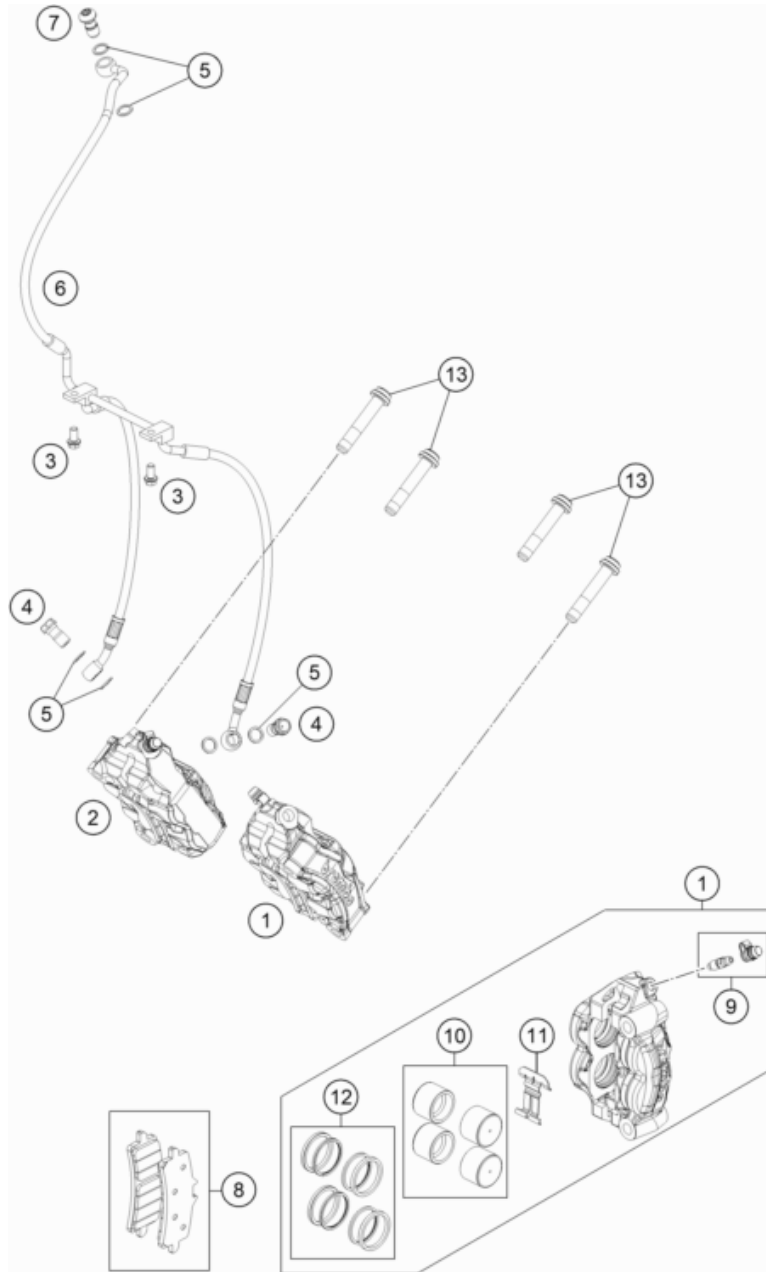
55488

* NEW PART

X ON DEMAND

FRONT BRAKE CALIPER

1290 SUPER DUKE R, black 2023 2023



POS	PARTNUMBER		PIECE
1	6171301500158	Front brake caliper left without pad	1
2	6171301600158	Front brake caliper right without pad	1
3	0025060126	HH collar screw M6x12 TX30	2
4	69013025000	HOLLOW SCREW M10X1X19 SW12	2
5	0603100141	sealing ring DIN 7603 10x14x1	6
6	61742003000	Front brake line	1
7	62113020100	banjo bolt M10x1x19.5	1
8	61313030000	BRAKE PADS SET BRM10A-HH	2
9	61013020100	BLEEDER SCREW WITH CAP	2
10	61713019000	Brake piston compl.	2
11	61713018000	Leaf spring	2
12	61313021000	SEAL RINGS CPL.	2
13	0035100559	AH-COLLAR SCREW M10X1,25X55	4

206171360

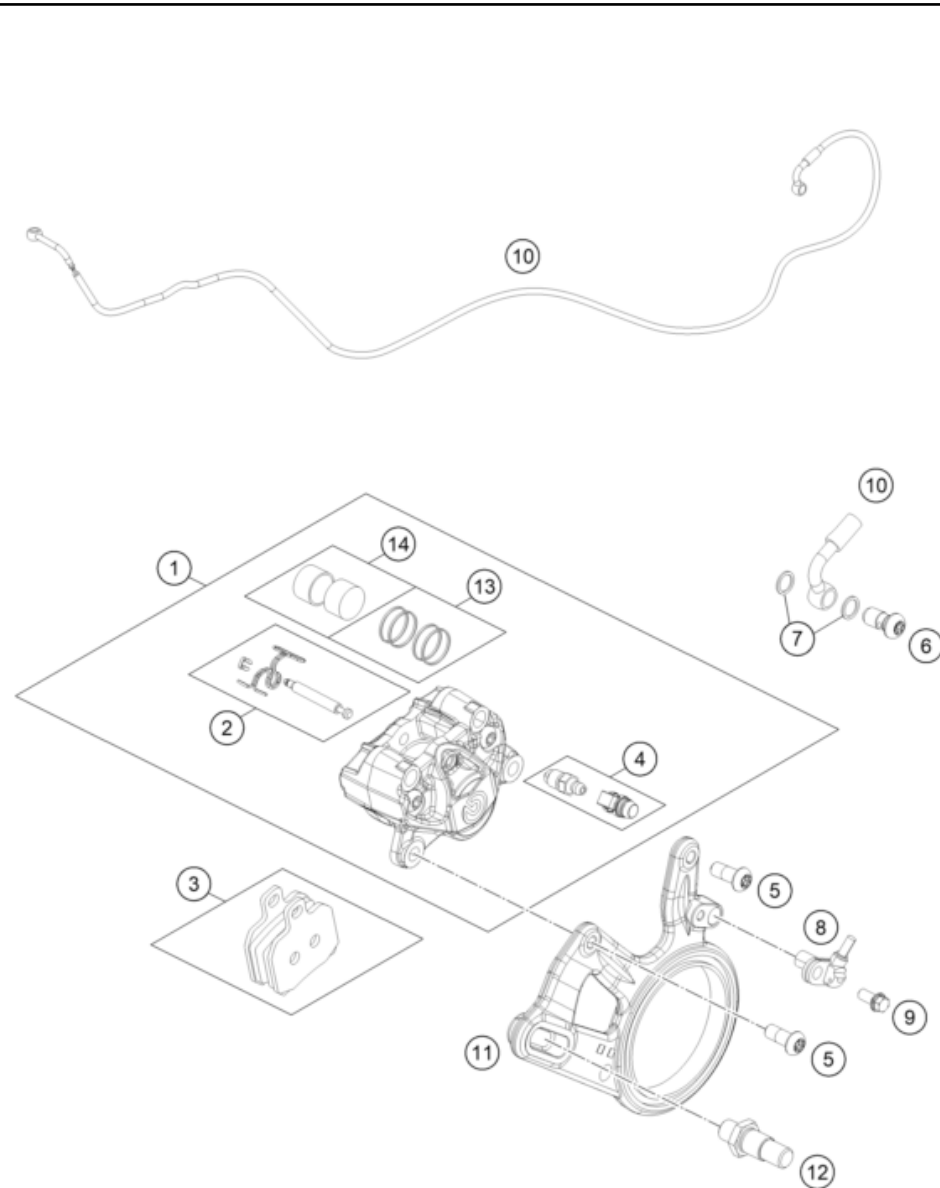
53952

* NEW PART

X ON DEMAND

REAR BRAKE CALIPER

1290 SUPER DUKE R, black 2023 2023



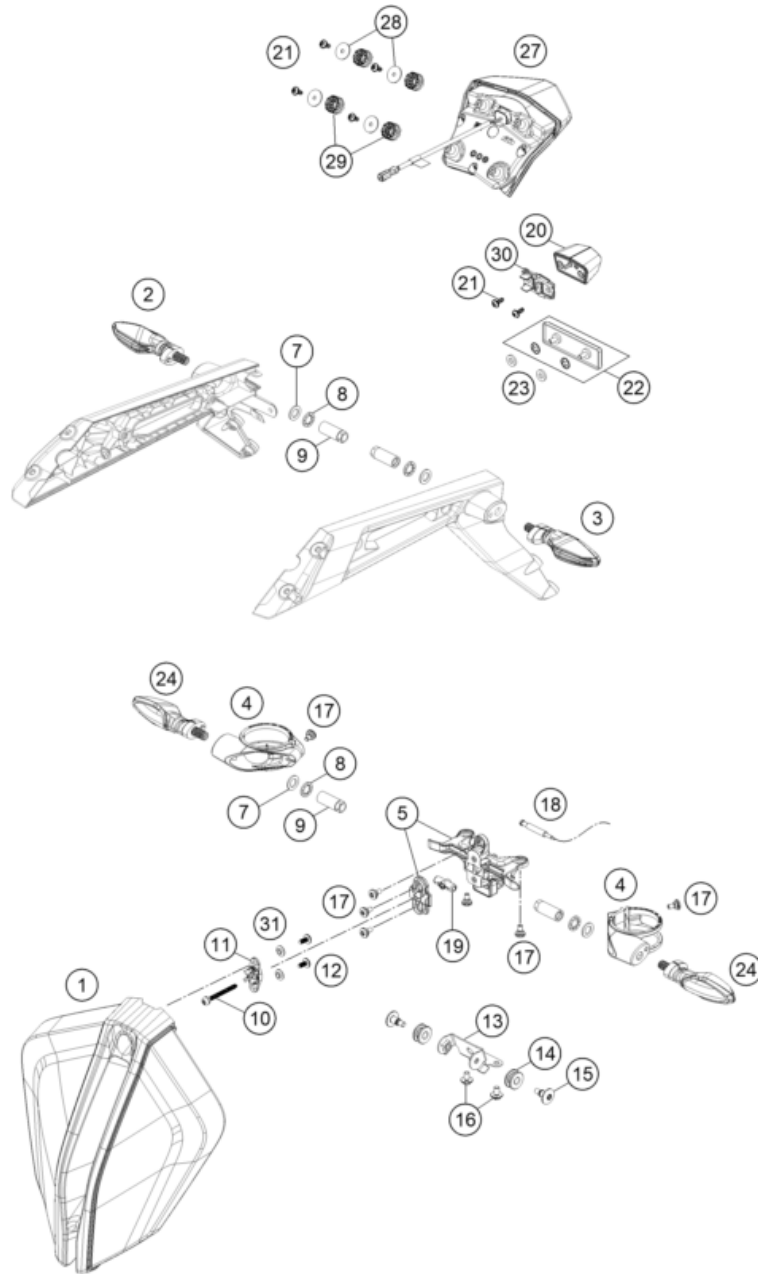
POS	PARTNUMBER		PIECE
1	6131308000158	BRAKE CALIPER REAR W/O PADS BL	1
2	69013082000	BOLT KIT 08	1
3	61313090200	Brake pad rear TT2172HH	1
4	69013020000	BLEEDER SCREW WITH CAP	1
5	69013076000	brake caliper screw M8x20	2
6	62113020100	banjo bolt M10x1x19.5	1
7	0603100141	sealing ring DIN 7603 10x14x1	2
8	76042125000	ABS-SENSOR	1
9	59009062013	SPECIAL SCREW M6X13 WS=8 10.9	1
10	61742004000	Brake line rear brake caliper/modulator	1
11	6131307500033S	BRAKE CALIPER ADAPTER BLACK	1
12	76004142000	BOLT BRAKE SADDLE BRACKET	1
13	69013081000	REPAIR KIT SEAL RING	1
14	61313083000	REPAIR KIT PISTON	1

206171390

53938

* NEW PART

X ON DEMAND



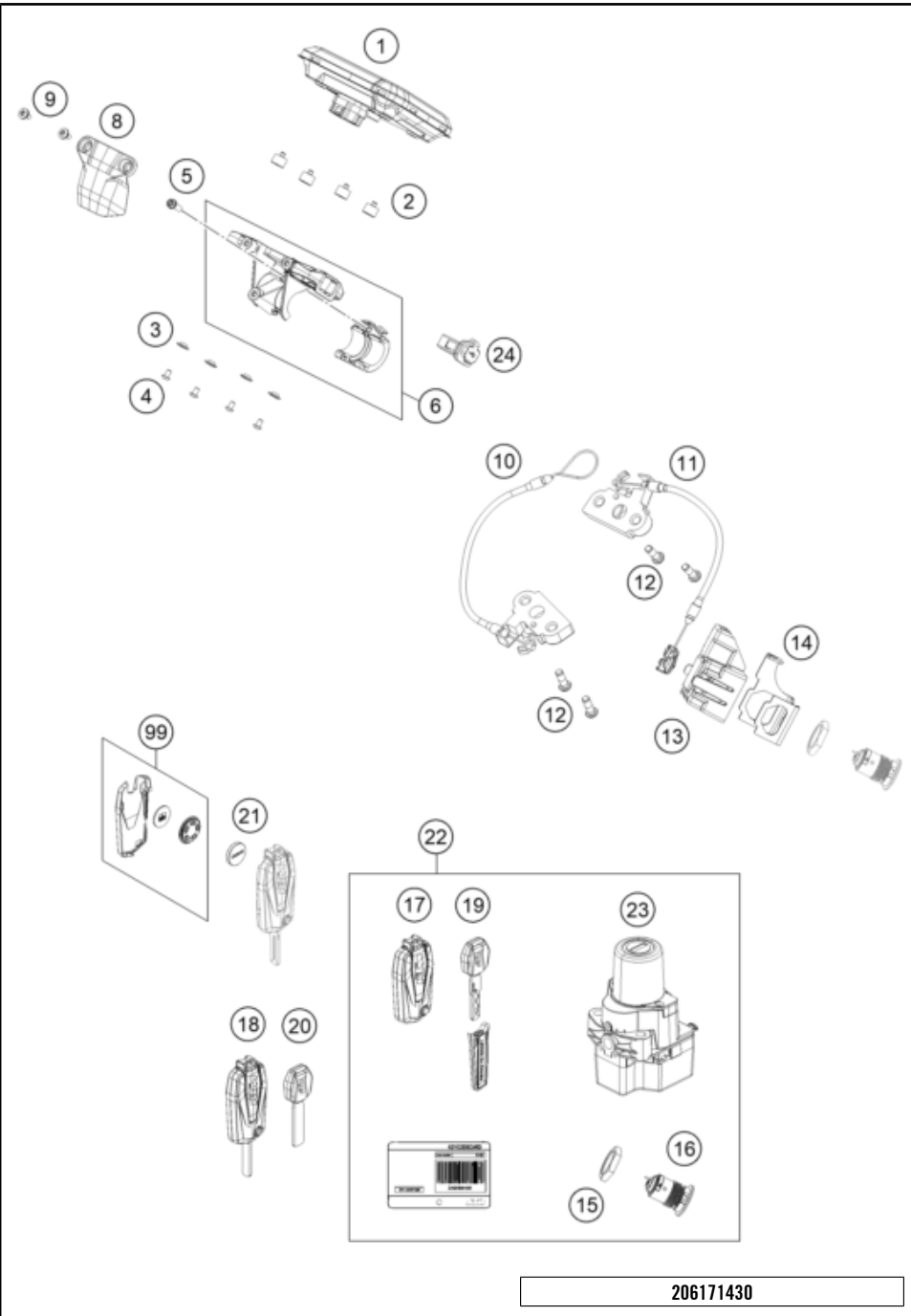
POS	PARTNUMBER		PIECE
1	61714001100	LED headlight ECE	1
2	60314025000	turn signal front left/rear right	1
3	60314026000	turn signal front right/rear left	1
4	61714035100	Turn signal bracket front	1
5	61714001030	Fixation-Set Headlight SD-R 20	1
7	0433100003	WASHER 18x10,5x1,6	2
8	0797100003	LOCK WASHER DIN6797-J10,5 ZI	2
9	61014030000	FLASHER NUT M10X1,25 WS=12	2
10	61614020010	EJOT PT SCHRAUBE 50X54	1
11	61614020100	Ballhead holder	1
12	61614018100	EJOT ALTRACS 50X12	2
13	61714001041C1	Fixing sheet headlight bottom compl	1
14	61614013150	Rubber grommet	2
15	0900000601900	Special screw M6x19	2
16	0025060106	HH collar screw M6x10 TX30	2
17	69008021160	special screw M5x12	7
18	61111018100	TEMPERATURE SENSOR	1
19	61614019100	Screwshaft	1
20	60314047000	license plate lighting	1
21	0081050121	EJOT PT screw K50x12	6
22	58412080000	REFLECTOR RED	1
23	60408061050	RUBBER 14X6.5X2.3MM	2
24	61714030000	Turn signal left/right	2
27	61714040000	Tail light	1
28	0522040003	WASHER DIN522 A2K 4.3X20X1.25	4
29	61714040050	Absorbing element tail light	4
30	61708015030	Bracket, license plate lighting	1
31	61412032010	BUSH 13X7X3,3	2

206171411

62184

* NEW PART

X ON DEMAND



POS	PARTNUMBER		PIECE
1	61714069000	Combination instrument	1
2	61514069110	Damper, speedometer	4
3	61614069020	Tachometer support bush	4
4	0738050082	Flat Head Screw ISO7380 M5x8 A2 TX25	4
5	0025060166	HH collar screw M6x16 TX30	1
6	61701044044	Instrument support cpl.	1
8	61701046000	Connector cover, instrument support	1
9	69008021160	special screw M5x12	2
10	61707052000	Rider seat lock cpl.	1
11	61307050000	SEAT LOCK MECHANISM CPL.	1
12	0738060185S	Ovl. hd. scr. TX M6x16 A2-70 S	4
13	61707050020	Anti-rotation lock, seat lock cover	1
14	61707050010	Anti-rotation lock, seat lock	1
15	69007050050	NUT SEAT LOCK M22X1,5	1
16	61307050020	LOCK CYLINDER SEAT LOCK	1
17	60711267000	Race-on key 433 MHz	1
18	60711267010	Race on blank key 433MHz	1
19	60411067100	KTM ignition key	1
20	60411067010	Blank KTM ignition key	1
21	58512085160	BATTERY FOR ICO TRIPMASTER 04	1
22	61711266044	Lock kit, KTM RACE ON 433 MHz	1
23	61611266000	Ignition lock Race-on 433MHz	1
24	61711043000	USB Power Supply 12V	1
99	60711067050	Cover-Kit for Race-on-Key	1

206171430

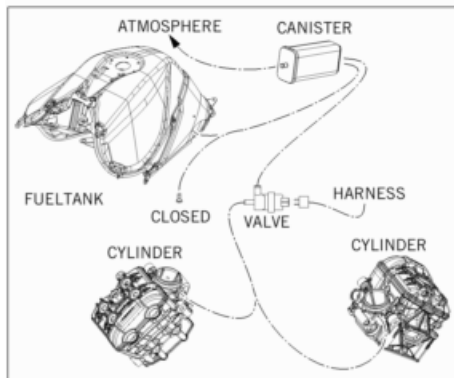
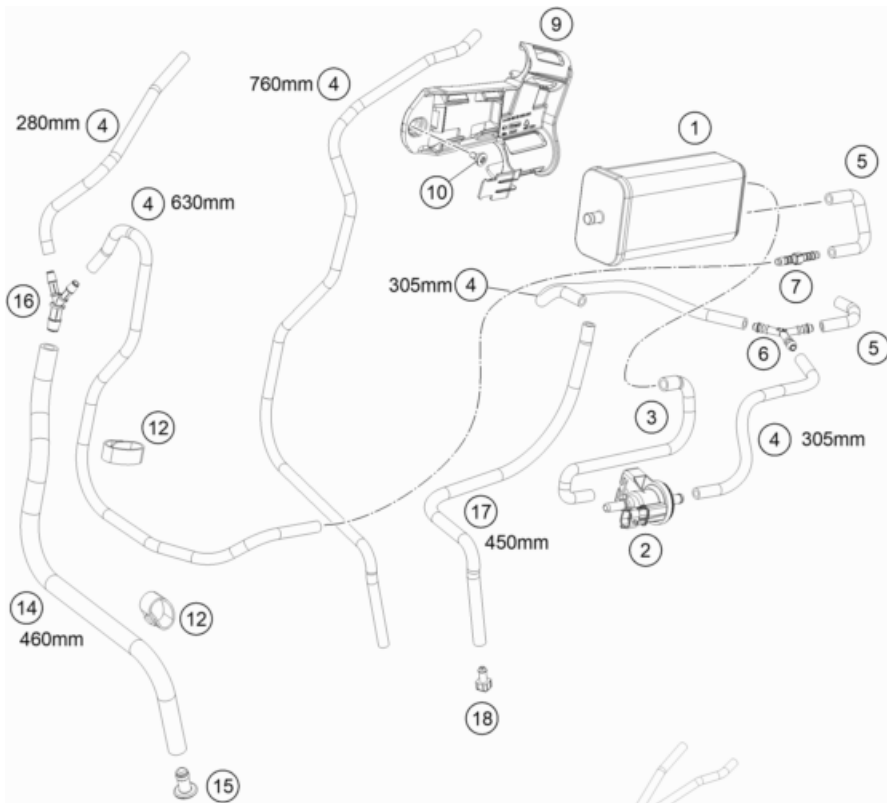
53796

* NEW PART

X ON DEMAND

EVAPORATIVE CANISTER

1290 SUPER DUKE R, black 2023 2023



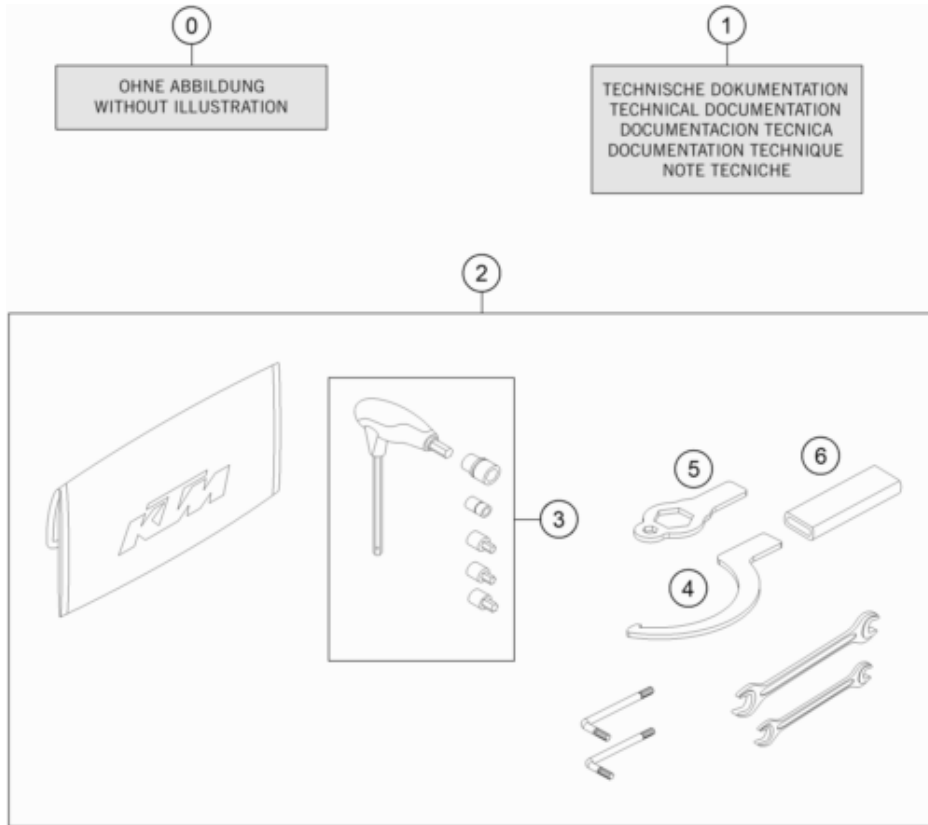
POS	PARTNUMBER		PIECE
1	75015001200	CARBON CANISTER	1
2	76015015000	EVAP valve	1
3	61715021000	Pre-formed hose, ACF valve # ACF	1
4	78015019001	HOSE EPA D=6/10 PER METER	1
5	61415021000	HOSE PURGE VALVE	2
6	60015025100	Y-CONNECTING PIECE YS 6-6-6 06	1
7	69015019010	HOSE CONNECTION STRAIGHT	1
9	61715003000	ACF bracket	1
10	69008021170	Special screw M5x12	1
12	60011093075	RUBBER CABLE TIE 75MM 03	2
14	78015119001	hose EPA D=10/16 p. meter	1
15	61315026100	Screw plug ACF	1
16	61315028100	Y-CONNECTOR YS 6-10-6	1
17	60015019001	HOSE NBR 7X11 PER METER	1
18	90515011000	PLUG FUEL DRAIN	1

206171510

53964

* NEW PART

X ON DEMAND



POS	PARTNUMBER		PIECE
0	61312040300	Mirror left	1
0	61312041300	Mirror right	1
0	00063004202	PRINT LABEL 60X51 MM	1
0	00063004012	HEADLIGHT MASK BOX	1
0	00063000021	LUFTPOLSTERFOLIE ZUSCHNITT	5
0	00063004204	Self-ad. stkr. 100X200 mm, perf., art. 3	2
0	61705012010C1	Heat shield front black	1
0	54603048600	RANGE CHANGE METAL NUT M5 INOX	2
0	78105081010	SCREW TORX M5X10	2
1	3214761EN	Owner's manual 1290 SUPER DUKE R '23	1
2	61729199000	On-board tool kit	1
3	60029070100	T-WRENCH WS=6/8/10/17	1
4	61329085000	HOOK WRENCH ECCENTRIC REAR WH.	1
5	61729079000	Ring wrench, double, on-board tool kit	1
6	60012060000	GRIP FOR RING WRENCH	1

206172000

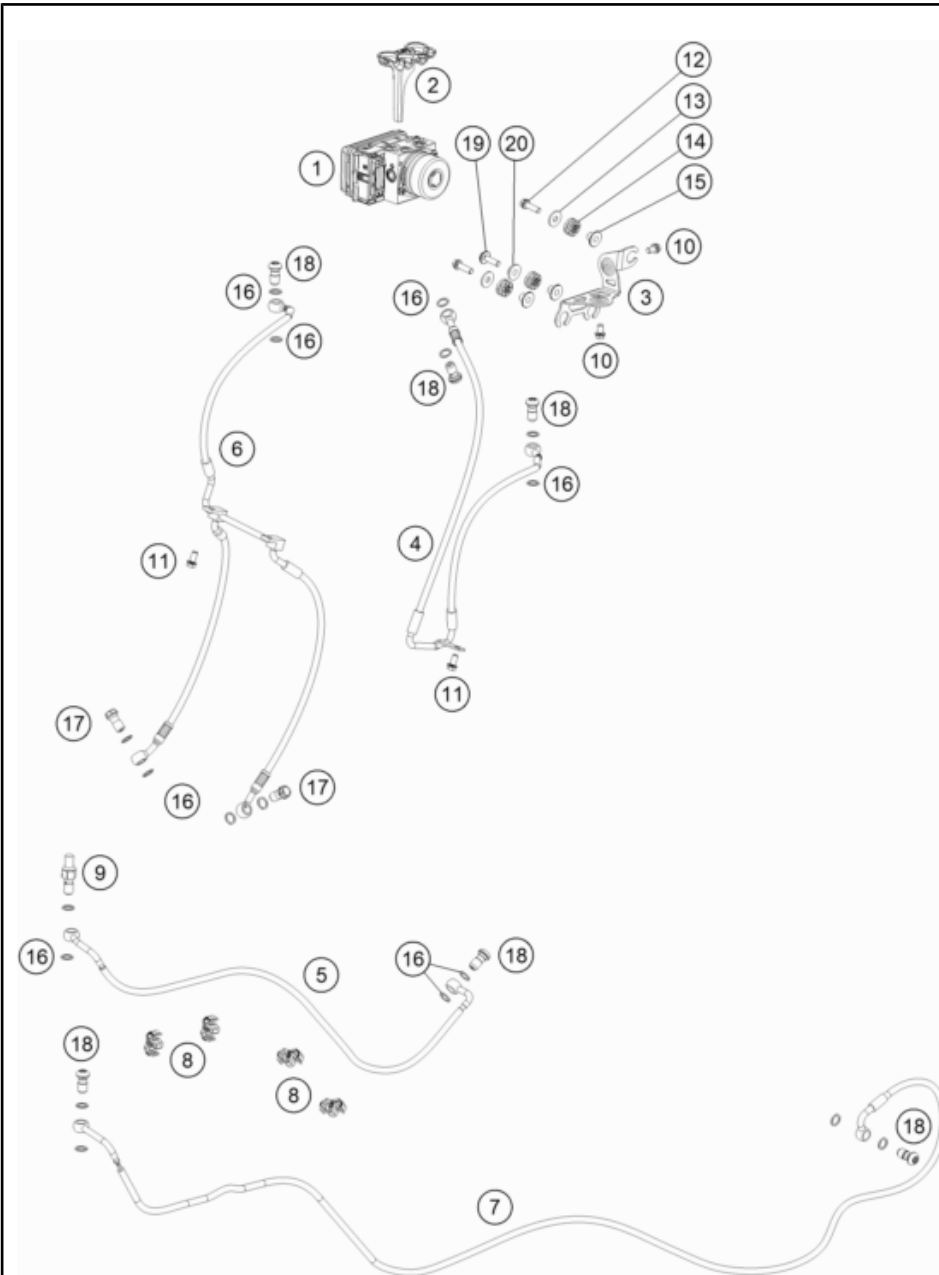
62185

* NEW PART

X ON DEMAND

ANTIBLOCK SYSTEM ABS

1290 SUPER DUKE R, black 2023 2023



206174210

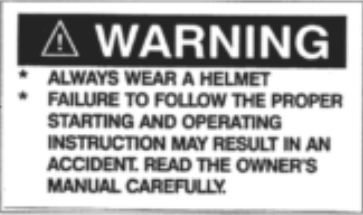
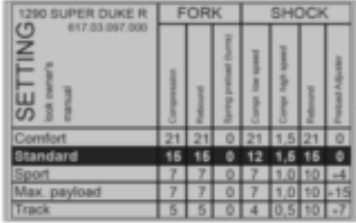
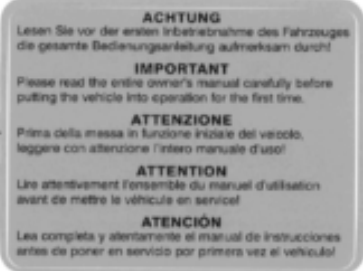

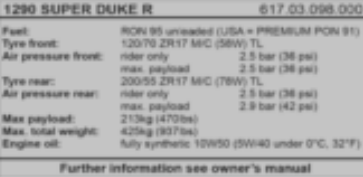
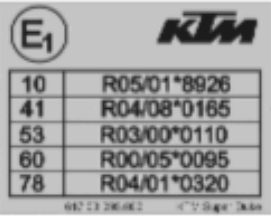

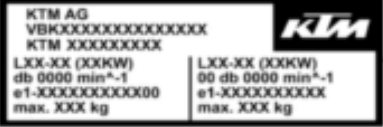
POS	PARTNUMBER		PIECE
1	61742031044	ABS module filled	1
2	61742050000	Brake line locking mechanism	1
3	61742040000C1	Retaining bracket ABS modulator	1
4	61742001000	Brake line brake cylinder/modulator	1
5	61742002000	Brake line rear master cylinder/modulato	1
6	61742003000	Front brake line	1
7	61742004000	Brake line rear brake caliper/modulator	1
8	61342046000	SUPPORT ABS-PIPE D7,5	4
9	60311051000	BRAKE LIGHT SWITCH REAR	1
10	0025060106	HH collar screw M6x10 TX30	2
11	0025060126	HH collar screw M6x12 TX30	2
12	0025060206	HH collar screw M6x20 TX30	2
13	0021060003	WASHER DIN9021-A 6,4	2
14	62142041100	DUMPER 40 SHORE	3
15	61342041000	COLLAR BUSH 6,5X9X18X8,5	3
16	0603100141	sealing ring DIN 7603 10x14x1	16
17	69013025000	HOLLOW SCREW M10X1X19 SW12	2
18	62113020100	banjo bolt M10x1x19.5	6
19	0024060206	HH collar screw M6x20 TX30	1
20	59032006050	SPRING RETAINER 6,2X12X18X5,2	1

53980

* NEW PART

X ON DEMAND

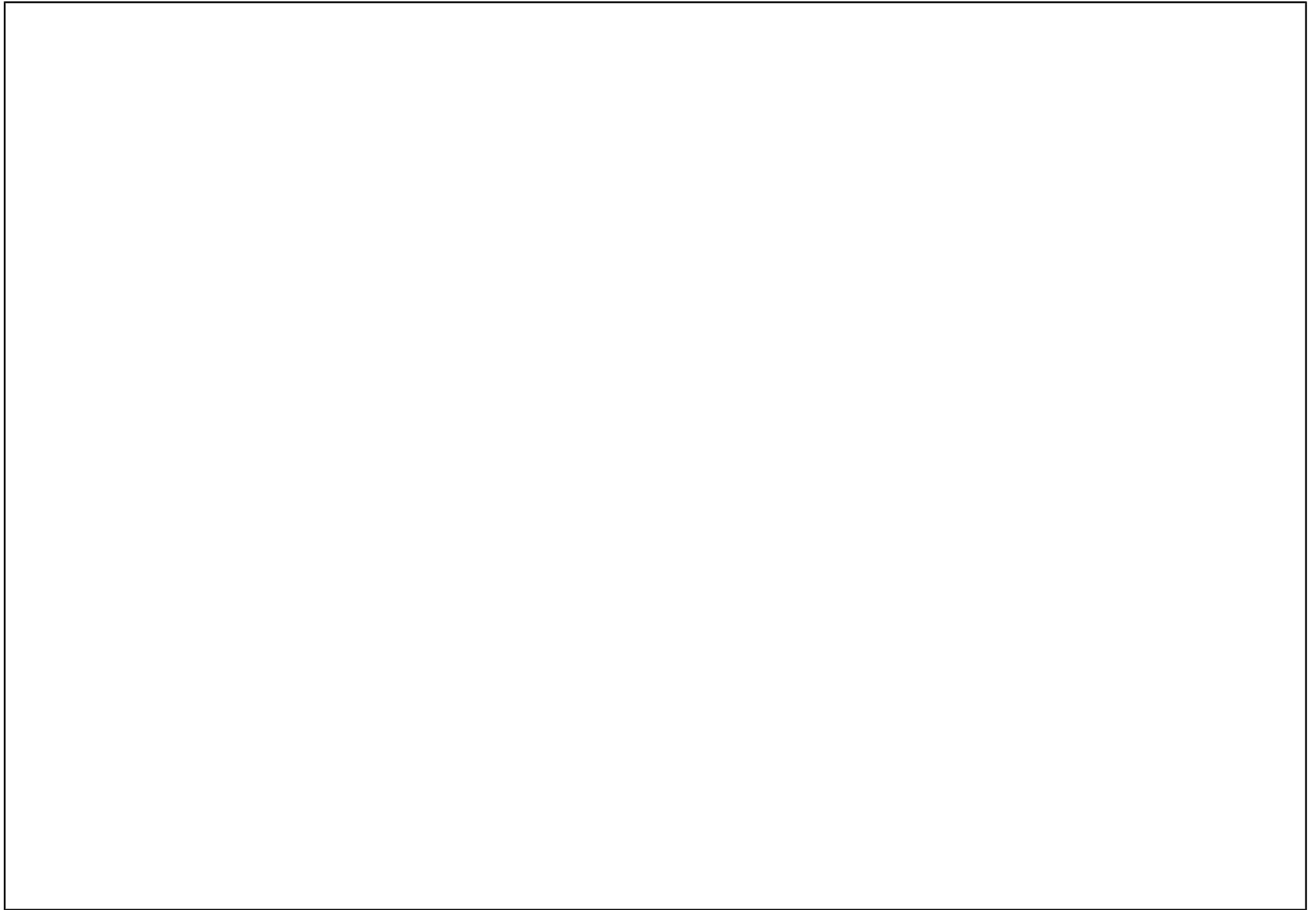
POS	PARTNUMBER	PIECE
1	50203098003	Sticker "WARNING LABEL 3"
2	50307098000	STICKER "OWNERS MANUAL"
3	61703098000	Sticker technical information
4	61703099000	Sticker chain tension
5	61703097000	Sticker standard setting
6	21007098000	Sticker fuel labelling
7	21003094000	"Sticker ""EAC"""
8	61703095000	Sticker ECE
9	L121-617-2C	Type label, EU KTM

226178010	57986	* NEW PART	X ON DEMAND
-----------	-------	------------	-------------

A large, empty rectangular box with a thin black border, occupying the majority of the page. It is intended for handwritten notes.

A large, empty rectangular box with a thin black border occupies the central portion of the page. It is positioned below the 'NOTES' header and above the bottom edge of the page. The interior of the box is completely blank, providing space for handwritten or typed notes.



KTM.COM



F9903W2EN

KTM Sportmotorcycle GmbH
5230 Mattighofen, Austria
www.ktm.com

KTM POWERPARTS

KTM POWERWEAR

KTM ORIGINAL SPARE PARTS

