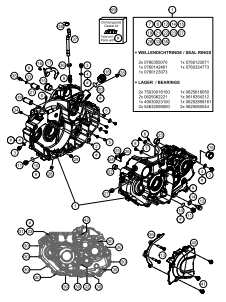
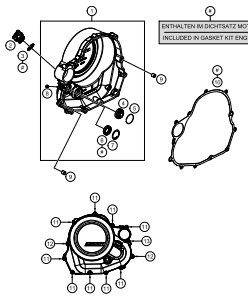
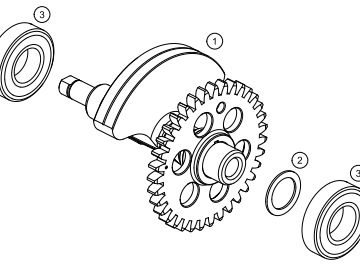
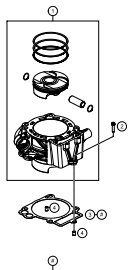
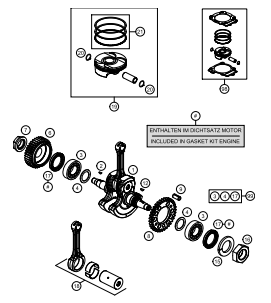
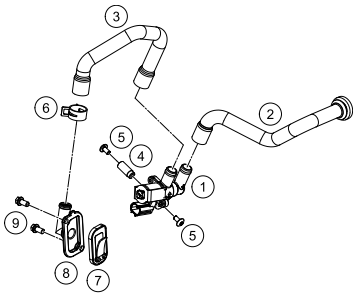
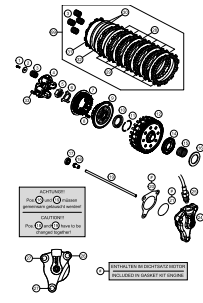
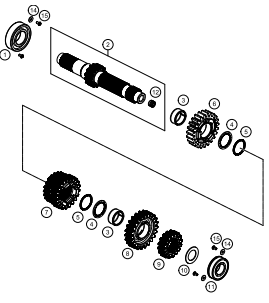
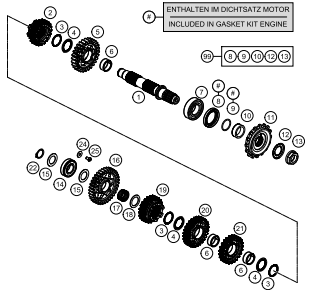
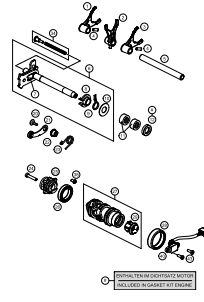
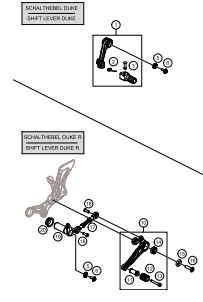
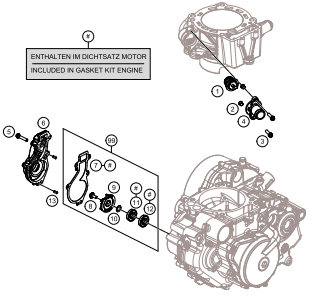


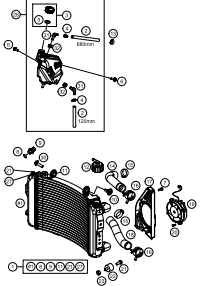
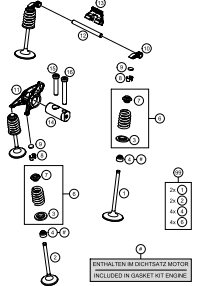
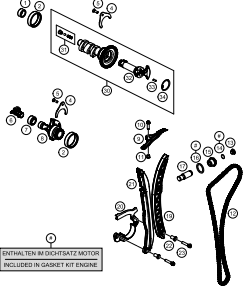
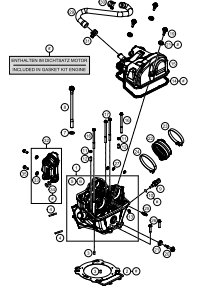
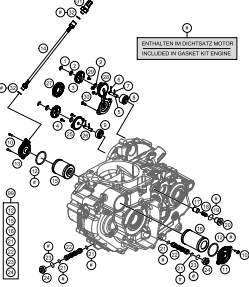
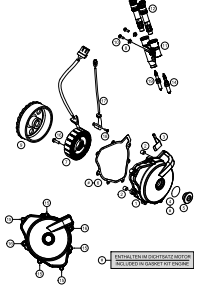
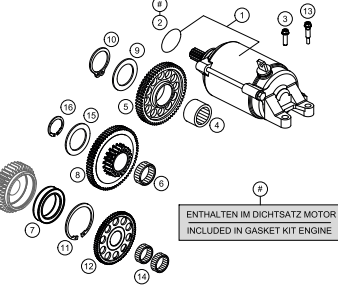
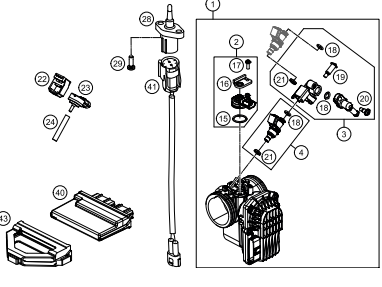
# 690 DUKE 2016

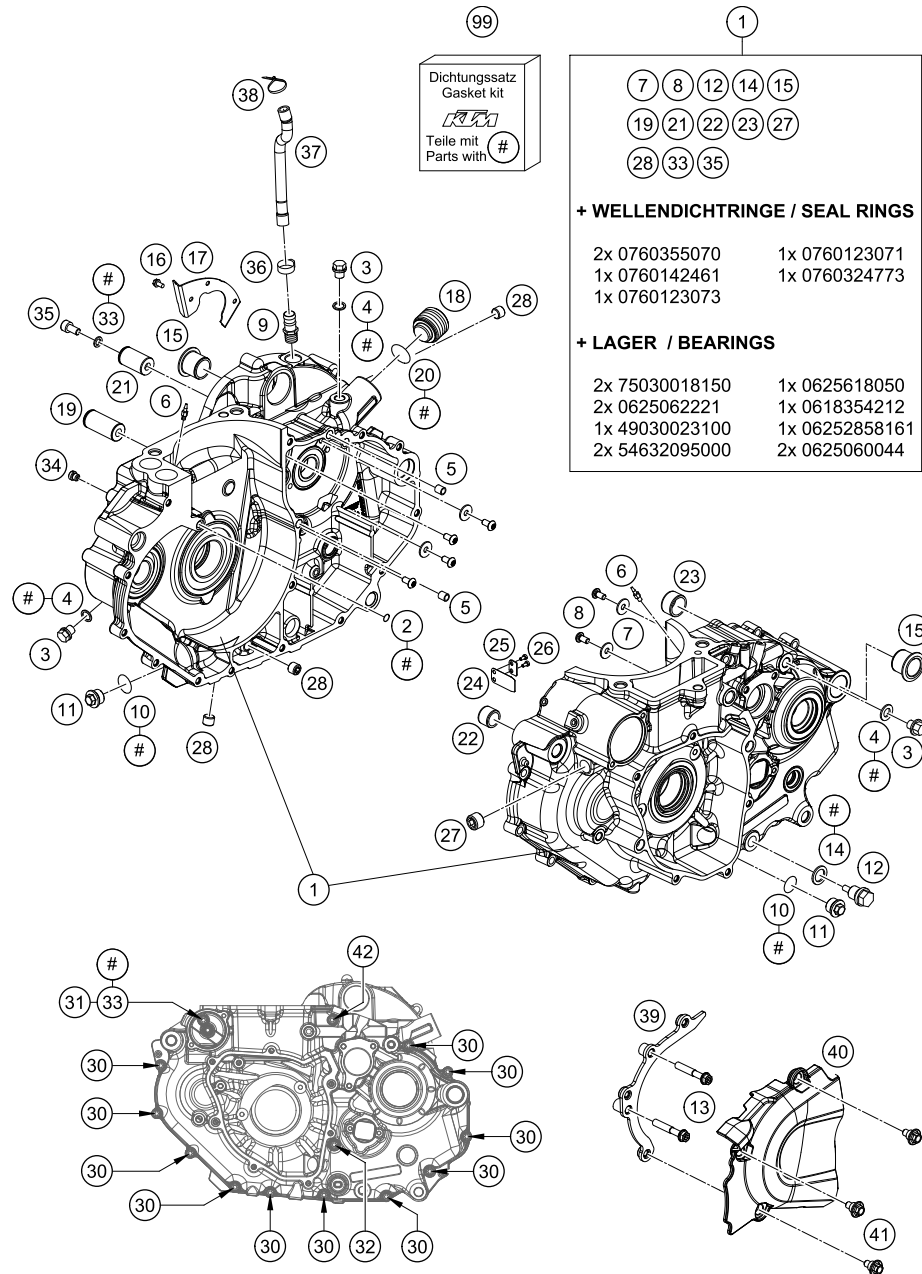
ART.-NR.: 3CM088530PEN





|   |   |   |  |
|---|---|---|--|
| <p><b>ENGINE CASE</b></p>  <p><b>3</b></p>                       | <p><b>CLUTCH COVER</b></p>  <p><b>5</b></p>              | <p><b>BALANCER SHAFT</b></p>  <p><b>6</b></p>    | <p><b>CYLINDER</b></p>  <p><b>7</b></p>                     |
| <p><b>CRANKSHAFT, PISTON</b></p>  <p><b>8</b></p>                | <p><b>SECONDARY AIR SYSTEM SAS</b></p>  <p><b>9</b></p> | <p><b>CLUTCH</b></p>  <p><b>10</b></p>           | <p><b>TRANSMISSION I - MAIN SHAFT</b></p>  <p><b>11</b></p> |
| <p><b>TRANSMISSION II - COUNTERSHAFT</b></p>  <p><b>12</b></p> | <p><b>SHIFTING MECHANISM</b></p>  <p><b>13</b></p>     | <p><b>SHIFTING LEVER</b></p>  <p><b>14</b></p> | <p><b>WATER PUMP</b></p>  <p><b>15</b></p>                |

|   |   |  |   |
|---|---|--|---|
| <p><b>COOLING SYSTEM</b></p>  <p style="text-align: right;"><b>16</b></p>  | <p><b>VALVE DRIVE</b></p>  <p style="text-align: right;"><b>17</b></p>     | <p><b>TIMING DRIVE</b></p>  <p style="text-align: right;"><b>19</b></p>     | <p><b>CYLINDER HEAD</b></p>  <p style="text-align: right;"><b>20</b></p> |
| <p><b>LUBRICATING SYSTEM</b></p>  <p style="text-align: right;"><b>21</b></p>  | <p><b>IGNITION SYSTEM</b></p>  <p style="text-align: right;"><b>22</b></p> | <p><b>ELECTRIC STARTER</b></p>  <p style="text-align: right;"><b>23</b></p> | <p><b>THROTTLE BODY</b></p>  <p style="text-align: right;"><b>24</b></p> |
| <div style="display: flex; align-items: center;"> <div style="background-color: #cccccc; width: 50px; height: 100px; display: flex; align-items: center; justify-content: center; margin-right: 20px;"> <span style="font-size: 40px; font-weight: bold;">!</span> </div> <div> <p>All information contained is without obligation. KTM Sportmotorcycle GmbH particularly reserves the right to modify any equipment, technical specifications, prices, colors, shapes, materials, services, service work, constructions, equipment and the like so as to adapt them to local conditions or to cancel any of the above items, all without previous announcement and without giving reasons. KTM may stop manufacturing certain models without previous notice. KTM shall not be held liable for any deviations of availability and/or ability to deliver, illustrations, descriptions, printing and/or other errors. The illustrated models partly contain extra equipment, which is not applied to standard models.</p> <p>© by KTM Sportmotorcycle GmbH, Mattighofen AUSTRIA; All rights reserved; Reprint, also in extracts, with written allowance of KTM Sportmotorcycle GmbH, Mattighofen only.</p> </div> </div> |   |  |   |



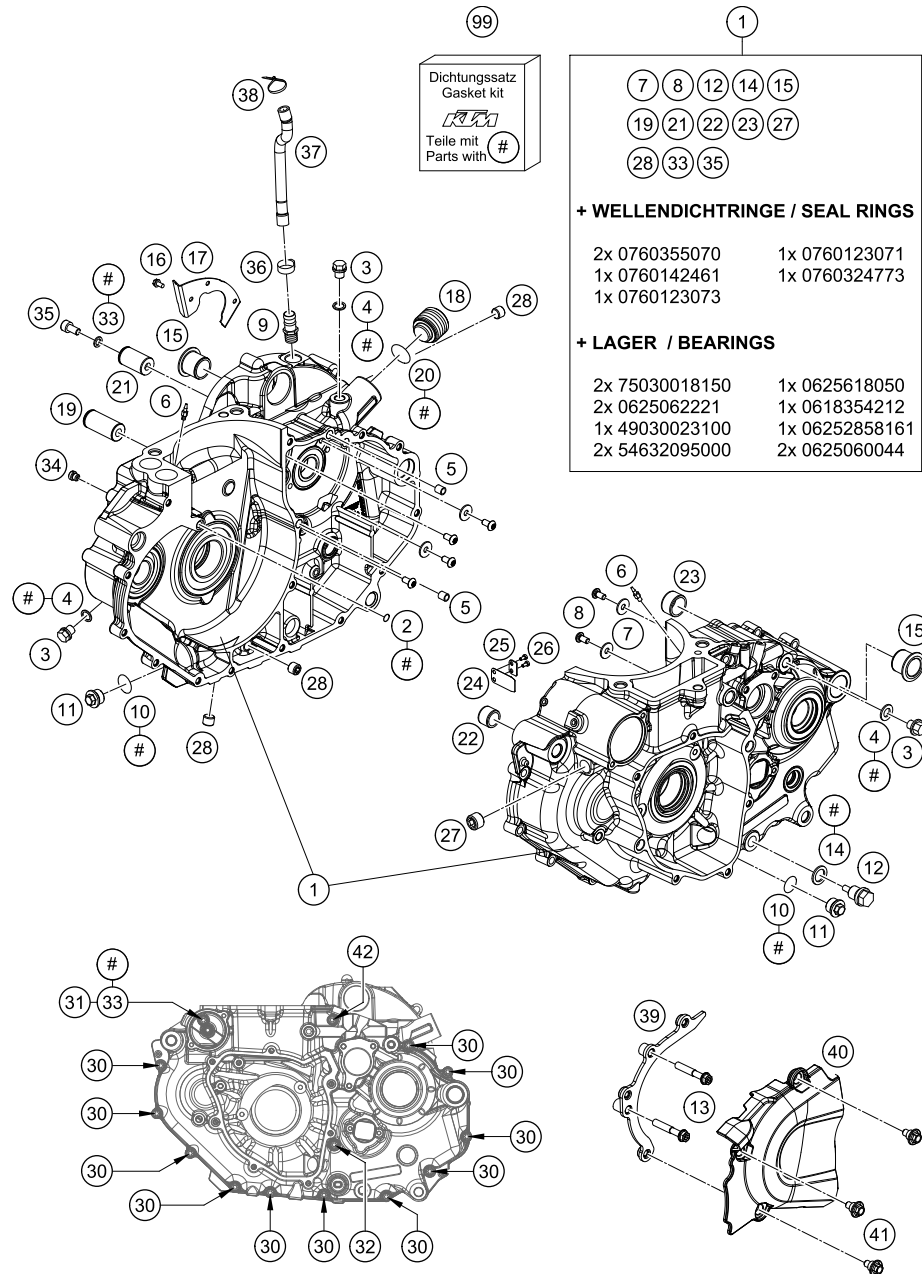
167663010

| POS | PARTNUMBER   | PARTNAME                       | PIECE |
|-----|--------------|--------------------------------|-------|
| 1   | 766300003324 | ENGINE CASE CPL.               | 1     |
| 2   | 0770060018   | O-RING 6,00X1,78               | 1     |
| 3   | 0910100003   | PLUG DIN0910-M 10X1            | 3     |
| 4   | 0603100141   | COPPER GASKET DIN7603-10X14X1  | 3     |
| 5   | 59030023000  | DOWEL 6X8X11,5                 | 3     |
| 6   | 60030064050  | OIL JET 50 M6X0,75 WS8 05      | 2     |
| 7   | 0021050003   | WASHER DIN9021-A 5,3           | 4     |
| 8   | 073800501002 | PAN HEAD SCREW M5X10 TX25      | 6     |
| 9   | 60030022000  | VENTILATION CONNECTOR M16X1,5  | 1     |
| 10  | 0770020170   | O-RING 17,17X1,78 GLO          | 2     |
| 11  | 59038017100  | PLUG M20X1,5 WS=13             | 2     |
| 12  | 58030021000  | OILDRAIN PLUG W.MAG. M 12X1,5  | 1     |
| 13  | 0025060356   | HH COLLAR SCREW M6X35 TX30     | 2     |
| 14  | 58038022000  | CU-SEAL RING DIN7603-12X18X1,5 | 1     |
| 15  | 75030010000  | CASE BUSH                      | 2     |
| 16  | 07984050100  | AH SCREW DIN7984 M5X10 A2      | 3     |
| 17  | 75030042000  | COVER                          | 1     |
| 18  | 75038048100  | LOCK PIECE                     | 1     |
| 19  | 54633018400  | BUSHING PIN                    | 1     |
| 20  | 0770180020   | O-RING 18,00X2,00 NBR 70       | 1     |
| 21  | 59040028000  | BUSHING PIN                    | 1     |
| 22  | 51030026100  | DOWEL 17 X 13 X 12             | 1     |
| 23  | 54830027000  | DOWEL 21X12 03                 | 1     |
| 24  | 75030003051  | MEMBRANE 07                    | 1     |
| 25  | 75030003050  | STOP SHEET MEMBRANE 07         | 1     |
| 26  | 0458030080   | CYLIND.SCREW M3X8 ISO 14580 SS | 2     |
| 27  | 0906140150   | PLUG SCREW DIN0906 - M14X1,5   | 1     |
| 28  | 0906100100   | PLUG DIN0906-M10X1             | 3     |
| 30  | 0025060306   | HH COLLAR SCREW M6X30 TX30     | 11    |
| 31  | 0025060256   | HH COLLAR SCREW M6X25 TX30     | 1     |
| 32  | 0025060706   | HH COLLAR SCREW M6X70 TX30     | 1     |
| 33  | 0603061001   | CU-SEAL RING DIN7603-6X10X1    | 2     |
| 34  | 75030058160  | JET 160                        | 1     |
| 35  | 0912060123   | AH SCREW DIN0912-M 6X12        | 1     |
| 36  | 00049220121  | CLAMP STD DN22                 | 1     |
| 37  | 76030086000  | ENGINE EXHAUST RETURN FLOW     | 1     |
| 38  | 44011076200  | CABLE TIE 200/3,6MM BLACK      | 1     |
| 39  | 75030047000  | SECURING GUIDE 07              | 1     |

C167663010

\* NEW PART

X ON DEMAND



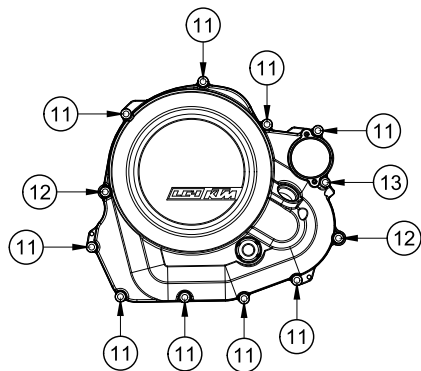
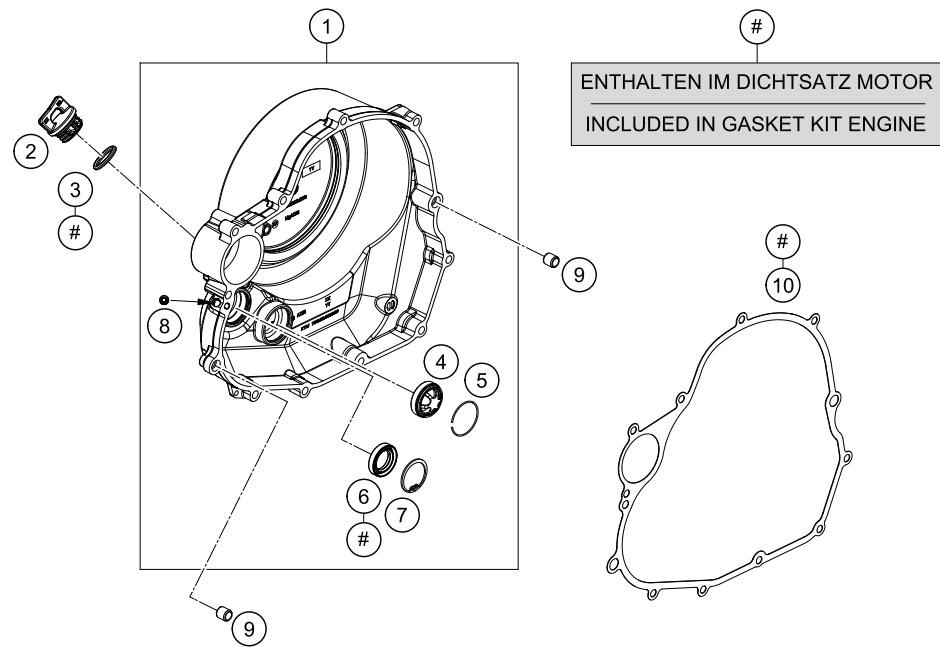
- 1
- |    |    |    |    |    |
|----|----|----|----|----|
| 7  | 8  | 12 | 14 | 15 |
| 19 | 21 | 22 | 23 | 27 |
| 28 | 33 | 35 |    |    |
- + WELLENDICHTRINGE / SEAL RINGS**
- |               |               |
|---------------|---------------|
| 2x 0760355070 | 1x 0760123071 |
| 1x 0760142461 | 1x 0760324773 |
| 1x 0760123073 |               |
- + LAGER / BEARINGS**
- |                |                |
|----------------|----------------|
| 2x 75030018150 | 1x 0625618050  |
| 2x 0625062221  | 1x 0618354212  |
| 1x 49030023100 | 1x 06252858161 |
| 2x 54632095000 | 2x 0625060044  |

| POS | PARTNUMBER  | PARTNAME                   | PIECE |
|-----|-------------|----------------------------|-------|
| 40  | 75030060100 | CHAIN GUARD                | 1     |
| 41  | 59001092050 | SPECIAL SCREW M6X12,5 WS=8 | 3     |
| 42  | 0025060806  | HH COLLAR SCREW M6X80 TX30 | 1     |
| 99  | 76630099000 | GASKET KIT 690 DUKE        | 1     |

167663010

C167663010

\* NEW PART X ON DEMAND



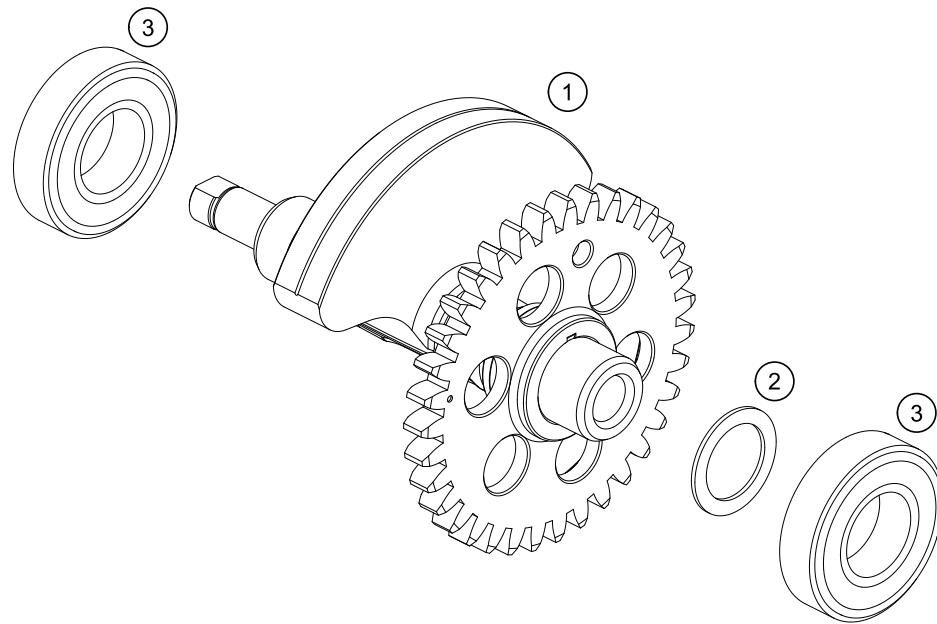
167663020

| POS | PARTNUMBER    | PARTNAME                    | PIECE |
|-----|---------------|-----------------------------|-------|
| 1   | 7663000104441 | CLUTCH COVER CPL.           | 1     |
| 2   | 58030020100   | PLUG CPL. M24X3             | 1     |
| 3   | 0770191015    | O-RING 19,00X3,00 NBR       | 1     |
| 4   | 59030019200   | OIL SIGHT GLASS             | 1     |
| 5   | 61030019050   | CIRCLIP OIL LEVEL GLASS 03  | 1     |
| 6   | 0760172861    | SHAFT SEAL RING 17X28X6 FKM | 1     |
| 7   | 0472280120    | CIRCLIP DIN0472-28X1,2      | 1     |
| 8   | 59030296000   | SCREW PLUG                  | 1     |
| 9   | 49030090000   | DOWEL 9,8 X 7 X 10          | 2     |
| 10  | 75030025000   | CLUTCH CASE GASKET 07       | 1     |
| 11  | 0025060256    | HH COLLAR SCREW M6X25 TX30  | 9     |
| 12  | 0025060306    | HH COLLAR SCREW M6X30 TX30  | 2     |
| 13  | 0025060356    | HH COLLAR SCREW M6X35 TX30  | 1     |

C167663020

\* NEW PART

X ON DEMAND



| POS | PARTNUMBER  | PARTNAME                       | PIECE |
|-----|-------------|--------------------------------|-------|
| 1   | 76630057044 | BALANCER SHAFT CPL.            | 1     |
| 2   | 0988223201  | THRUST WASHER DIN0988-22X32X,1 | x     |
| 2   | 09882232015 | THRUST WASHERDIN0988-22X32X,15 | x     |
| 2   | 0988223202  | THRUST WASHER DIN0988-22X32X,2 | x     |
| 2   | 0988223203  | THRUST WASHER DIN0988-22X32X,3 | x     |
| 3   | 0625062221  | BALL BEARING 62/22 C4          | 2     |

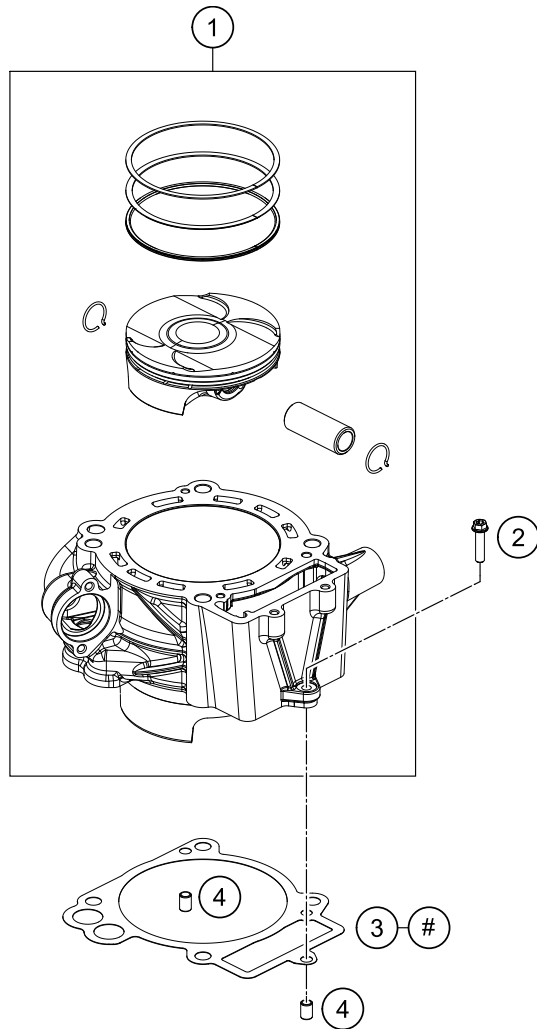
167663030

C167663030

\* NEW PART

X ON DEMAND





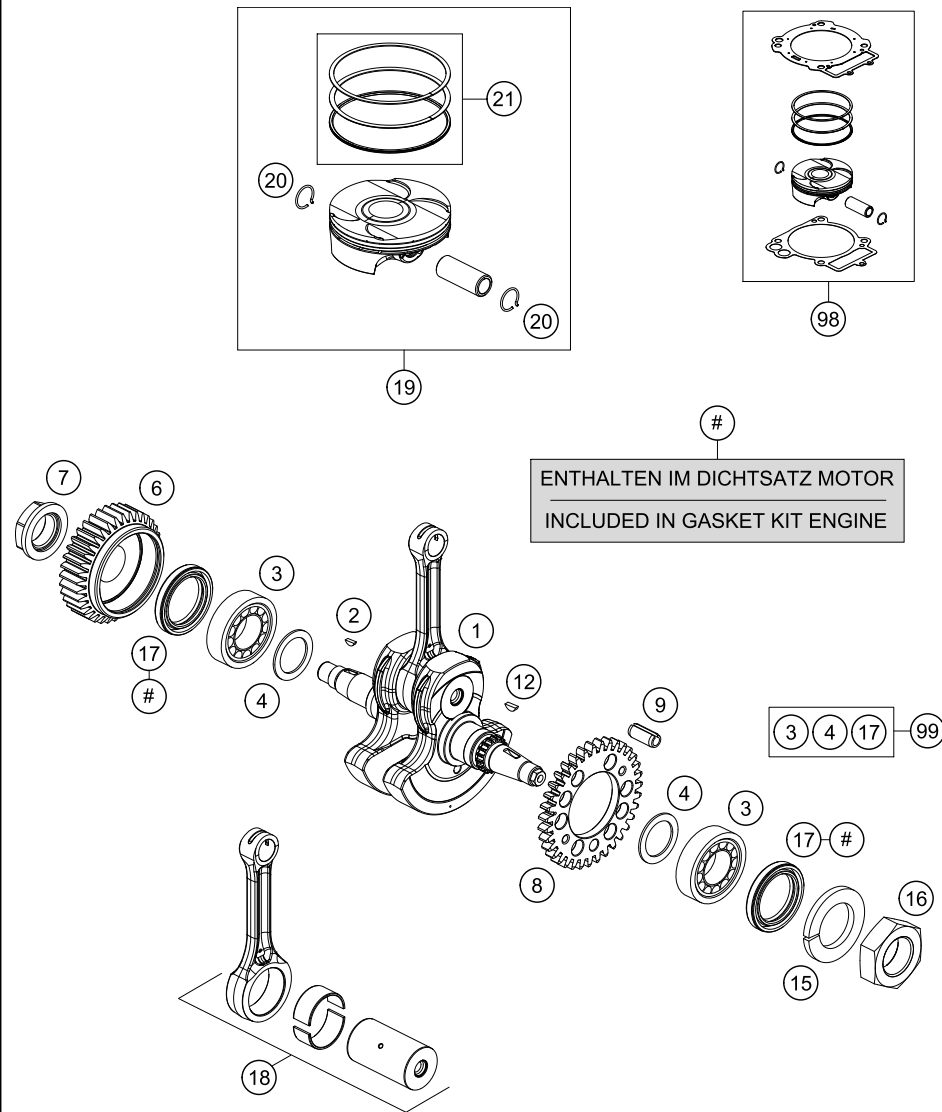
ENTHALTEN IM DICHTSATZ MOTOR  
 INCLUDED IN GASKET KIT ENGINE

| POS | PARTNUMBER  | PARTNAME                   | PIECE |
|-----|-------------|----------------------------|-------|
| 1   | 76630038100 | CYLINDER + PISTON CPL.     | 1     |
| 2   | 0025060256  | HH COLLAR SCREW M6X25 TX30 | 1     |
| 3   | 76630035000 | CYLINDER BASE GASKET       | 1     |
| 4   | 59030023000 | DOWEL 6X8X11,5             | 2     |

167663040

C167663040

\* NEW PART X ON DEMAND



ENTHALTEN IM DICHTSATZ MOTOR  
INCLUDED IN GASKET KIT ENGINE

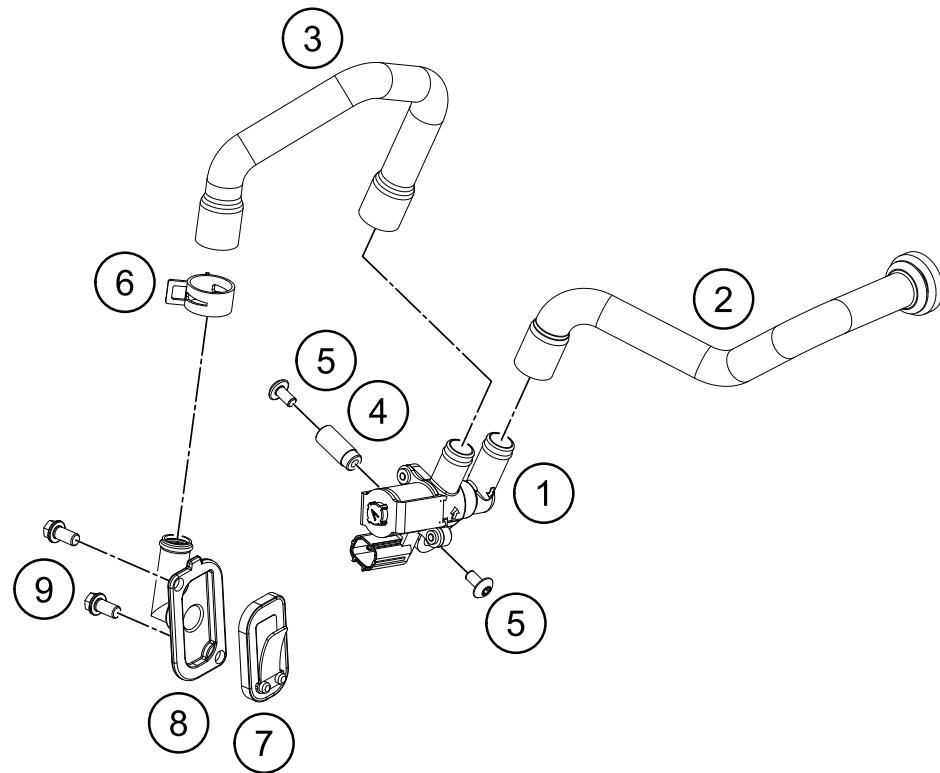
| POS | PARTNUMBER     | PARTNAME                       | PIECE |
|-----|----------------|--------------------------------|-------|
| 1   | 76630018000    | CRANKSHAFT CPL.                | 1     |
| 2   | 0888040050     | WOODRUFF KEY DIN6888 4X5X13    | 1     |
| 3   | 75030018150    | CYL.ROLLER BEARING NJ207 ECPC4 | 2     |
| 4   | 56530081000    | SHIM WASHER 36X48X0,10         | x     |
| 4   | 56530081100    | SHIM WASHER 36X48X0,15         | x     |
| 4   | 56530081200    | SHIM WASHER 36X48X0,20 STEEL   | x     |
| 4   | 56530081300    | SHIM WASHER 36X48X0,30         | x     |
| 6   | 75032000102    | PRIMARY GEAR 36T.              | 1     |
| 7   | 75030029100    | NUT FOR PRIMARY GEAR           | 1     |
| 8   | 75030055100    | DRIVE WHEEL BALANCING SHAFT    | 1     |
| 9   | 0749080300     | TENSION PIN ISO13337 8X30      | 1     |
| 12  | 6946005        | WOODRUFF KEY 5X6,5 HARDED      | 1     |
| 15  | 58132072000    | LOCK WASHER VSK 18             | 1     |
| 16  | 0936181505     | HEXAGON NUT DIN0936-M18X1,5 R. | 1     |
| 17  | 0760355070     | SHAFT SEAL R.35X50X7B VITON    | 2     |
| 18  | 76630015044    | CONROD REPAIR KIT              | 1     |
| 19  | 76630007000 I  | PISTON D=105                   | x     |
| 19  | 76630007000 II | PISTON D=105                   | x     |
| 20  | 75030074000    | CIRCLIP LC4 07                 | 2     |
| 21  | 76630031044    | PISTONRING SET D=105           | 1     |
| 98  | 00050000237    | PISTON KIT SIZE I 690 DUKE     | x     |
| 98  | 00050000238    | PISTON KIT SIZE II 690 DUKE    | x     |
| 99  | 00050002305    | CRANKSHAFT REP. KIT 690        | x     |

167663060

C167663060

\* NEW PART

X ON DEMAND



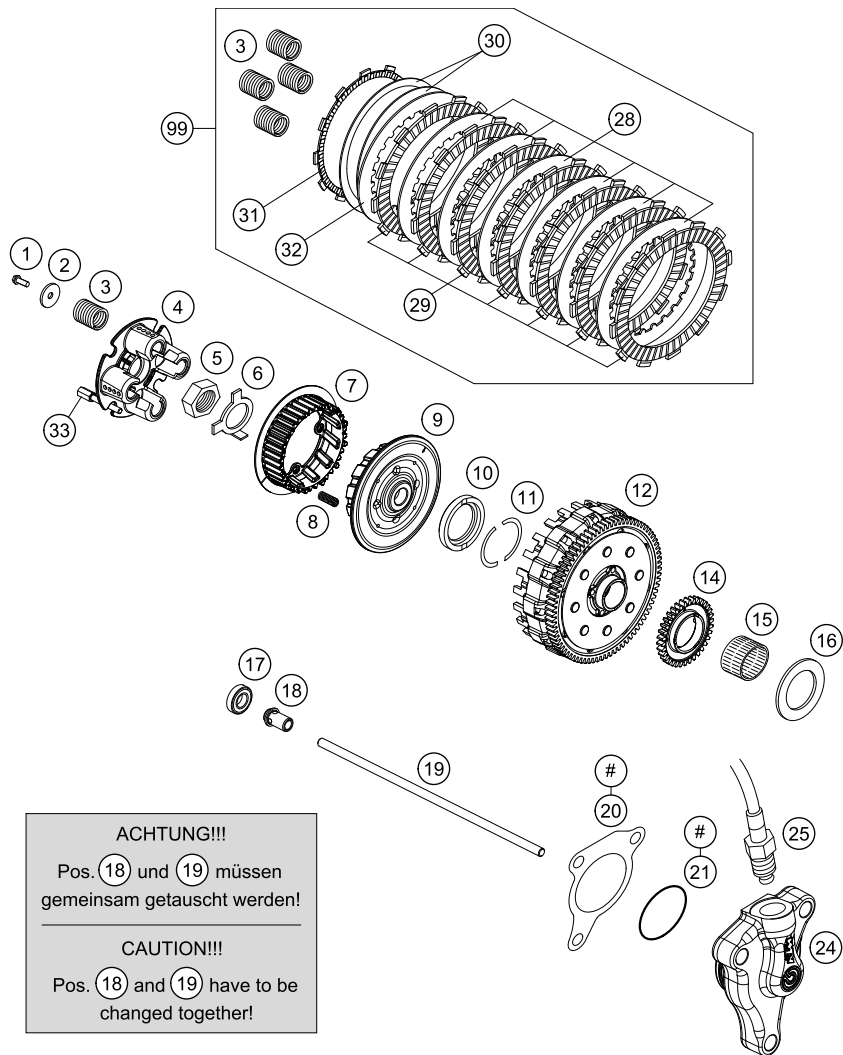
| POS | PARTNUMBER  | PARTNAME                   | PIECE |
|-----|-------------|----------------------------|-------|
| 1   | 75005026000 | SLS-VALVE 07               | 1     |
| 2   | 76005026000 | SLS HOSE                   | 1     |
| 3   | 76005027000 | SLS HOSE                   | 1     |
| 4   | 76005031000 | SLS HOLDING BUSH           | 1     |
| 5   | 78105081010 | SCREW TORX M5X10           | 2     |
| 6   | 00049200121 | CLAMP STD DN20             | 1     |
| 7   | 60005026000 | SLS-VALVE 03               | 1     |
| 8   | 61205022000 | SAS-FLANGE                 | 1     |
| 9   | 0025060126  | HH COLLAR SCREW M6X12 TX30 | 2     |

167663130

C167663130

\* NEW PART

X ON DEMAND



**ACHTUNG!!!**  
 Pos. 18 und 19 müssen  
 gemeinsam getauscht werden!

**CAUTION!!!**  
 Pos. 18 and 19 have to be  
 changed together!

# ENTHALTEN IM DICHTSATZ MOTOR  
 INCLUDED IN GASKET KIT ENGINE

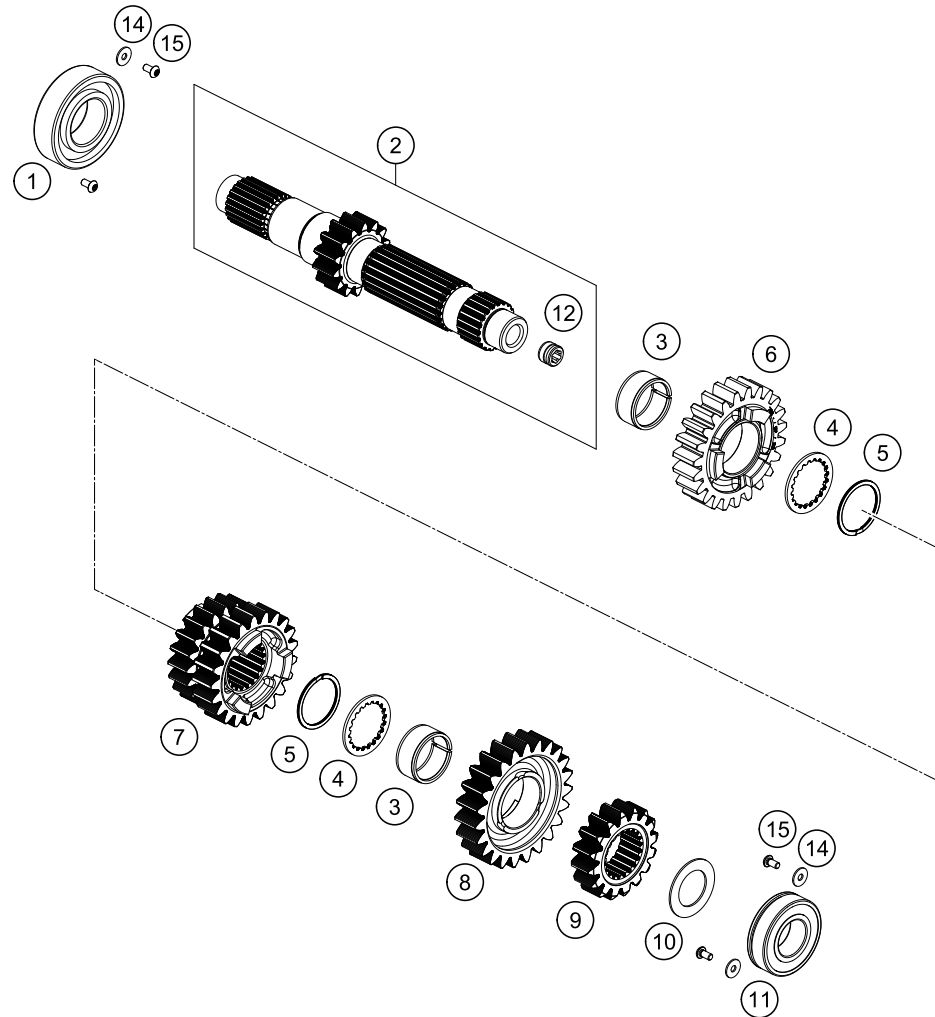
| POS | PARTNUMBER  | PARTNAME                       | PIECE |
|-----|-------------|--------------------------------|-------|
| 1   | 0025050256  | HH COLLAR SCREW M5X25 ISA30    | 4     |
| 2   | 75032006000 | SPRING RING 07                 | 4     |
| 3   | 58532080001 | CLUTCH SPRING 3,0X33,5         | 4     |
| 4   | 75032003000 | PRESSURE CAP                   | 1     |
| 5   | 60036073150 | HEXAGON NUT M20X1,5 H=6MM 05   | 1     |
| 6   | 75032018000 | LOCK WASHER 07                 | 1     |
| 7   | 75032002002 | INNER CLUTCH HUB MOVABLE       | 1     |
| 8   | 75032033000 | CLUTCH RELEASE SPRING          | 4     |
| 9   | 75032002001 | INNER CLUTCH HUB FIXED         | 1     |
| 10  | 75032009000 | STEPPED WASHER 07              | 1     |
| 11  | 75032007000 | HALF-WASHER 07                 | 2     |
| 12  | 75032001144 | CLUTCH CAGE CPL. 79T           | 1     |
| 14  | 75032050001 | OIL PUMP DRIVE WHEEL 07        | 1     |
| 15  | 56532095000 | NEEDLE BEARING K26X30X22ZW.KSE | 1     |
| 16  | 75032017000 | WASHER 26X40X2 07              | 1     |
| 17  | 0625060016  | GROOV.BALL BEAR. 6001.2RSR C3  | 1     |
| 18  | 75032055100 | PRESSURE BOLT 08               | 1     |
| 19  | 75032054200 | PUSH ROD 08                    | 1     |
| 20  | 59032065100 | % GASKET F. OUTPUT CYLINDER    | 1     |
| 21  | 0770300015  | O-RING 30,00X1,50 NBR 70       | 1     |
| 24  | 79432061044 | OUTPUT CYL. DOT KPL. 27MM      | 1     |
| 25  | 76032063000 | CLUTCH PIPE 1100MM             | 1     |
| 26  | 0025060356  | HH COLLAR SCREW M6X35 TX30     | 1     |
| 27  | 0025060206  | HH COLLAR SCREW M6X20 TX30     | 2     |
| 28  | 75032112000 | STEEL DISK 1,5 MM LC4 07       | 6     |
| 29  | 58332011300 | LINING DISK 2,7MM FCC 02       | 7     |
| 30  | 58632016000 | RONDELLA ANTIVIBRAZIONE SET    | 1     |
| 31  | 75032111100 | LINING DISC CUT OUT            | 1     |
| 32  | 75032112100 | STEEL DISK 1,5MM NITRIDED      | 1     |
| 33  | 75032032000 | HOLDING SCREW GMB-M5X35        | 2     |
| 99  | 75032011110 | CLUTCH KIT 690 LC4 08-14       | 1     |

167663210

C167663210

\* NEW PART

X ON DEMAND



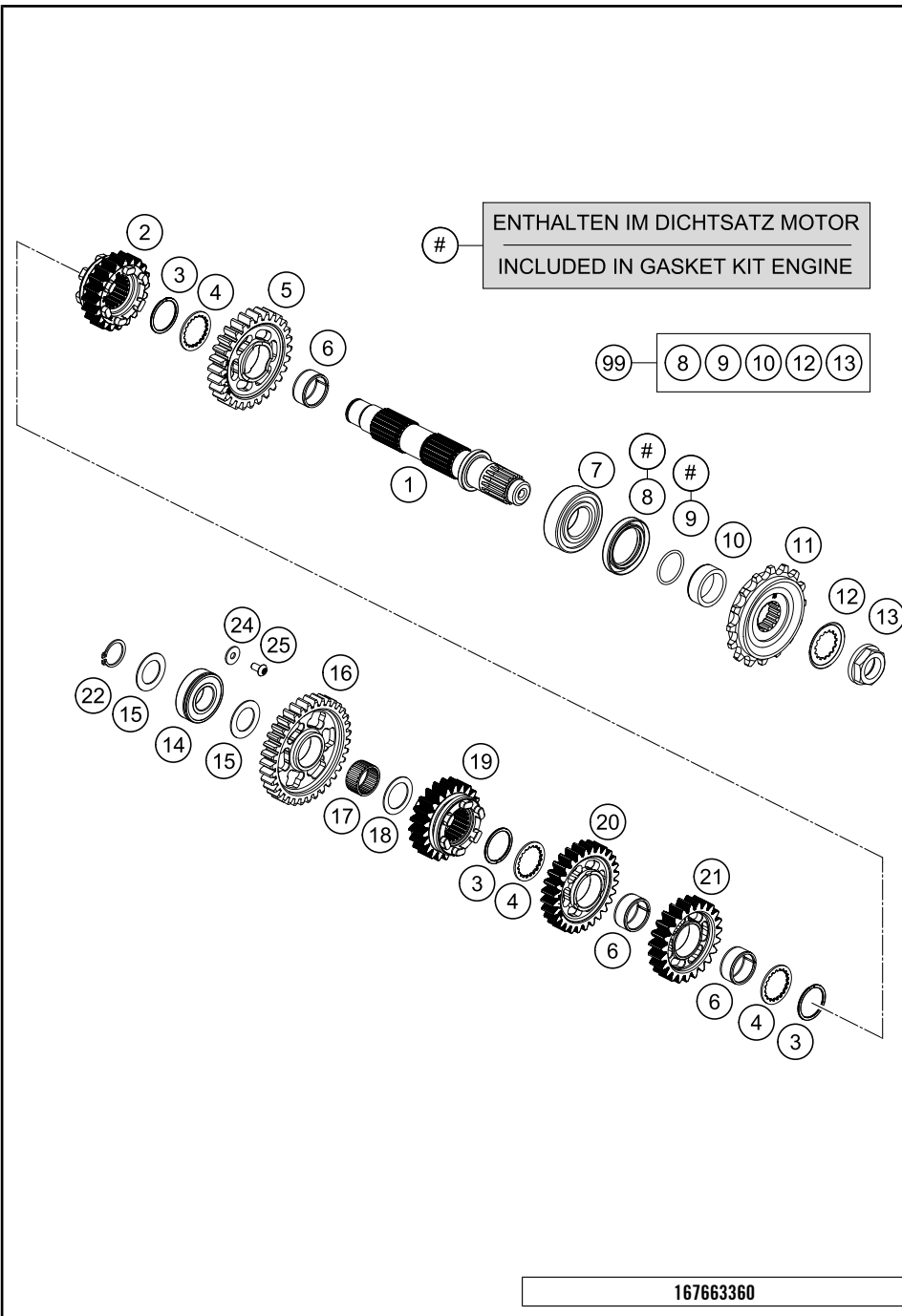
| POS | PARTNUMBER   | PARTNAME                       | PIECE |
|-----|--------------|--------------------------------|-------|
| 1   | 06252858161  | BALL BEARING 58/28 C4 N        | 1     |
| 2   | 76633001000  | MAIN SHAFT CPL.                | 1     |
| 3   | 0405242813G  | NEEDLE BEAR.K 24X28X13 DIVIDED | 2     |
| 4   | 76633040000  | STOP DISK 24.6X33X1.5          | 2     |
| 5   | 0471027000   | CIRCLIP XDNS-27                | 2     |
| 6   | 76633005000  | IDLER GEAR 5. GEAR             | 1     |
| 7   | 76633003000  | SLIDING GEAR 3./4. GEAR        | 1     |
| 8   | 76633006000  | IDLER GEAR 6. GEAR             | 1     |
| 9   | 76633002000  | SOLID GEAR 2. GEAR             | 1     |
| 10  | 59033080000  | SHIM 20X32X1                   | 1     |
| 11  | 0625060044   | BALL BEARING 6004 DDUN C4      | 1     |
| 12  | 77333001160  | GUIDE BUSHING                  | 1     |
| 14  | 0021050003   | WASHER DIN9021-A 5,3           | 3     |
| 15  | 073800501002 | PAN HEAD SCREW M5X10 TX25      | 4     |

167663330

C167663330

\* NEW PART

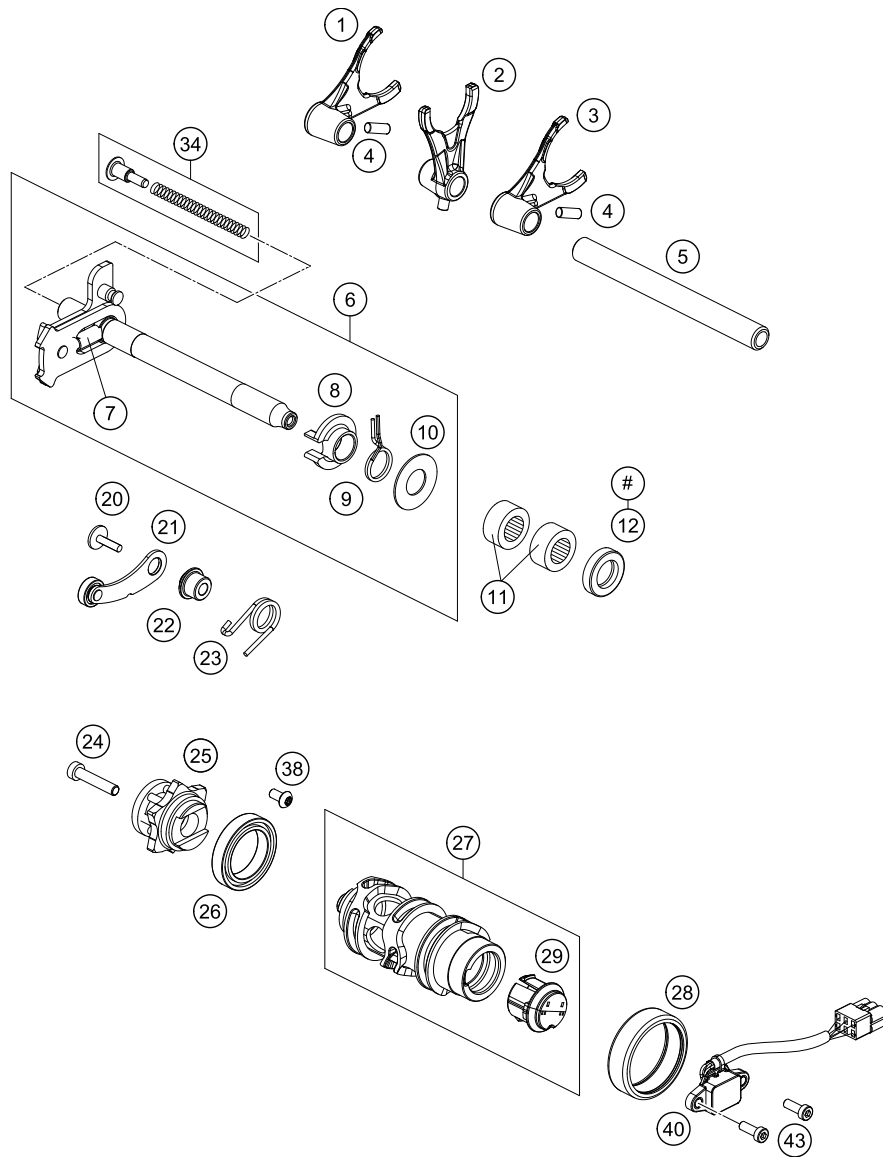
X ON DEMAND



| POS | PARTNUMBER   | PARTNAME                       | PIECE |
|-----|--------------|--------------------------------|-------|
| 1   | 76633010000  | COUNTER SHAFT                  | 1     |
| 2   | 76633016000  | SLIDING GEAR 6. GEAR           | 1     |
| 3   | 0471027000   | CIRCLIP XDNS-27                | 3     |
| 4   | 76633040000  | STOP DISK 24.6X33X1.5          | 3     |
| 5   | 76633012000  | IDLER GEAR 2. GEAR             | 1     |
| 6   | 0405242813G  | NEEDLE BEAR.K 24X28X13 DIVIDED | 3     |
| 7   | 49030023100  | CYL.ROLLER BEARING NJ205 C4    | 1     |
| 8   | 0760324773   | SHAFT SEAL R. 32X47X7BSL VITON | 1     |
| 9   | 0770020220   | O-RING 25,12X1,78 NBR70        | 1     |
| 10  | 54633014100  | SPACER BUSHING 12MM            | 1     |
| 11  | 58033029115  | ENGINE SPROCKET 15 T DAMPED    | x     |
| 11  | 58033029116  | ENGINE SPROCKET 16 T DAMPED    | x     |
| 11  | 58033029117  | ENGINE SPROCKET 17 T DAMPED    | x     |
| 12  | 51033031000  | LOCK WASHER                    | 1     |
| 13  | 58033032200  | SPROCKET NUT LC4 03            | 1     |
| 14  | 0625060044   | BALL BEARING 6004 DDUN C4      | 1     |
| 15  | 59033080000  | SHIM 20X32X1                   | 2     |
| 16  | 76633011000  | IDLER GEAR 1. GEAR             | 1     |
| 17  | 56533098000  | NEEDLE BEARING K22X26X13H      | 1     |
| 18  | 54603036000  | STOP DISK 22,2X31,7X1          | 1     |
| 19  | 76633015000  | SLIDING GEAR 5. GEAR           | 1     |
| 20  | 76633013000  | IDLER GEAR 3. GEAR             | 1     |
| 21  | 76633014000  | IDLER GEAR 4. GEAR             | 1     |
| 22  | 0471200120   | CIRCLIP DIN471 20X1,2          | 1     |
| 24  | 0021050003   | WASHER DIN9021-A 5,3           | 1     |
| 25  | 073800501002 | PAN HEAD SCREW M5X10 TX25      | 1     |
| 99  | 00050000946  | COUNTER SHAFT REP.KIT 690      | x     |

C167663360

\* NEW PART X ON DEMAND



# ENTHALTEN IM DICHTSATZ MOTOR  
INCLUDED IN GASKET KIT ENGINE

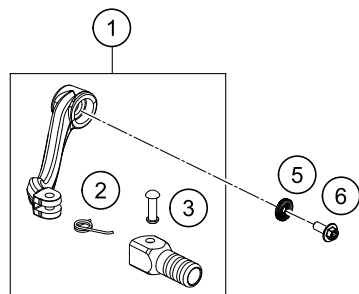
167663410

| POS | PARTNUMBER   | PARTNAME                       | PIECE |
|-----|--------------|--------------------------------|-------|
| 1   | 75034002100  | SHIFT FORK F. SLIDINGGEAR 5 12 | 1     |
| 2   | 75034001100  | SHIFT FORK F. SLIDINGG. 3/4 12 | 1     |
| 3   | 75034003100  | SHIFT FORK F. SLIDINGGEAR 6 12 | 1     |
| 4   | 0402061480   | NEEDLE ROLLER DIN5402 6X14,8   | 2     |
| 5   | 75034019000  | SHIFTRAIL 07                   | 1     |
| 6   | 75034005133  | SHIFT SHAFT ASSY               | 1     |
| 7   | 56534013100  | TENSIONING SPRING 0,8MM        | 1     |
| 8   | 54634020000  | SPRING GUIDE                   | 1     |
| 9   | 54634014100  | RETURN SPRING 2,2MM '95        | 1     |
| 10  | 75034050000  | STOP DISK 14X30X1,5 STEEL      | 1     |
| 11  | 54632095000  | NEEDLE BEAR.HK 1412 14X20X12   | 2     |
| 12  | 0760142461   | SHAFT SEAL RING 14X24X6B VITON | 1     |
| 20  | 0024060206   | HH COLLAR SCREW M6X20 TX30     | 1     |
| 21  | 75034024044  | LOCKING LEVER CPL. 07          | 1     |
| 22  | 75034052000  | SLEEVE FOR LOCKING LEVER 07    | 1     |
| 23  | 60034023000  | ARRESTING LEVER SPRING 03      | 1     |
| 24  | 0012060303   | % AH SCREW DIN6912 M6X30 8.8   | 1     |
| 25  | 75034015000  | SHIFT DRUM LOCATING CPL. 07    | 1     |
| 26  | 0625618050   | BALL BEARING 61805 C3          | 1     |
| 27  | 76634012044  | SHIFTING DRUM CPL.             | 1     |
| 28  | 0618354212   | NEEDLE BEAR HK3512 35X42X12    | 1     |
| 29  | 79234012020  | MAGNET HOLDER CPL.             | 1     |
| 34  | 75034007044  | SPRING F. SHIFTING SHAFT CPL.  | 1     |
| 38  | 073800501002 | PAN HEAD SCREW M5X10 TX25      | 1     |
| 40  | 60411023000  | GEAR POSITION SENSOR           | 1     |
| 43  | 0984050143S  | CYL. SCREW DIN6912 M5X14 8.8   | 2     |

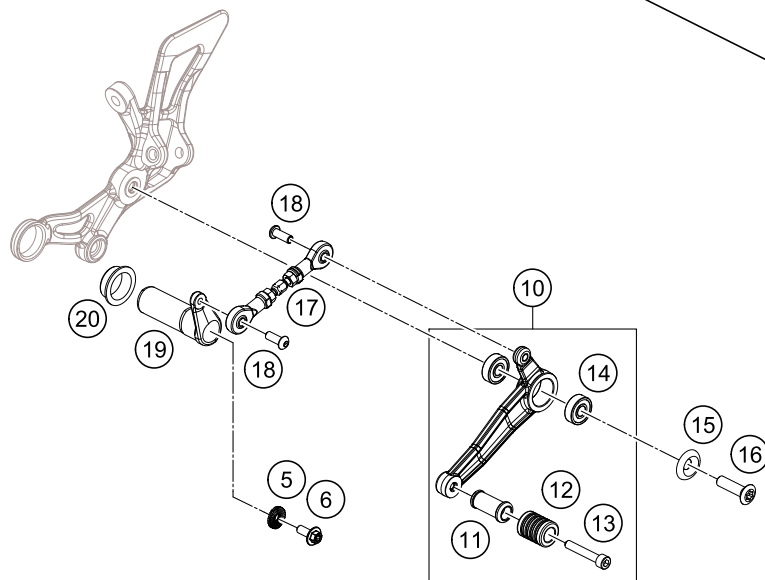
C167663410

\* NEW PART X ON DEMAND

SCHALTHEBEL DUKE  
SHIFT LEVER DUKE



SCHALTHEBEL DUKE R  
SHIFT LEVER DUKE R



167663420

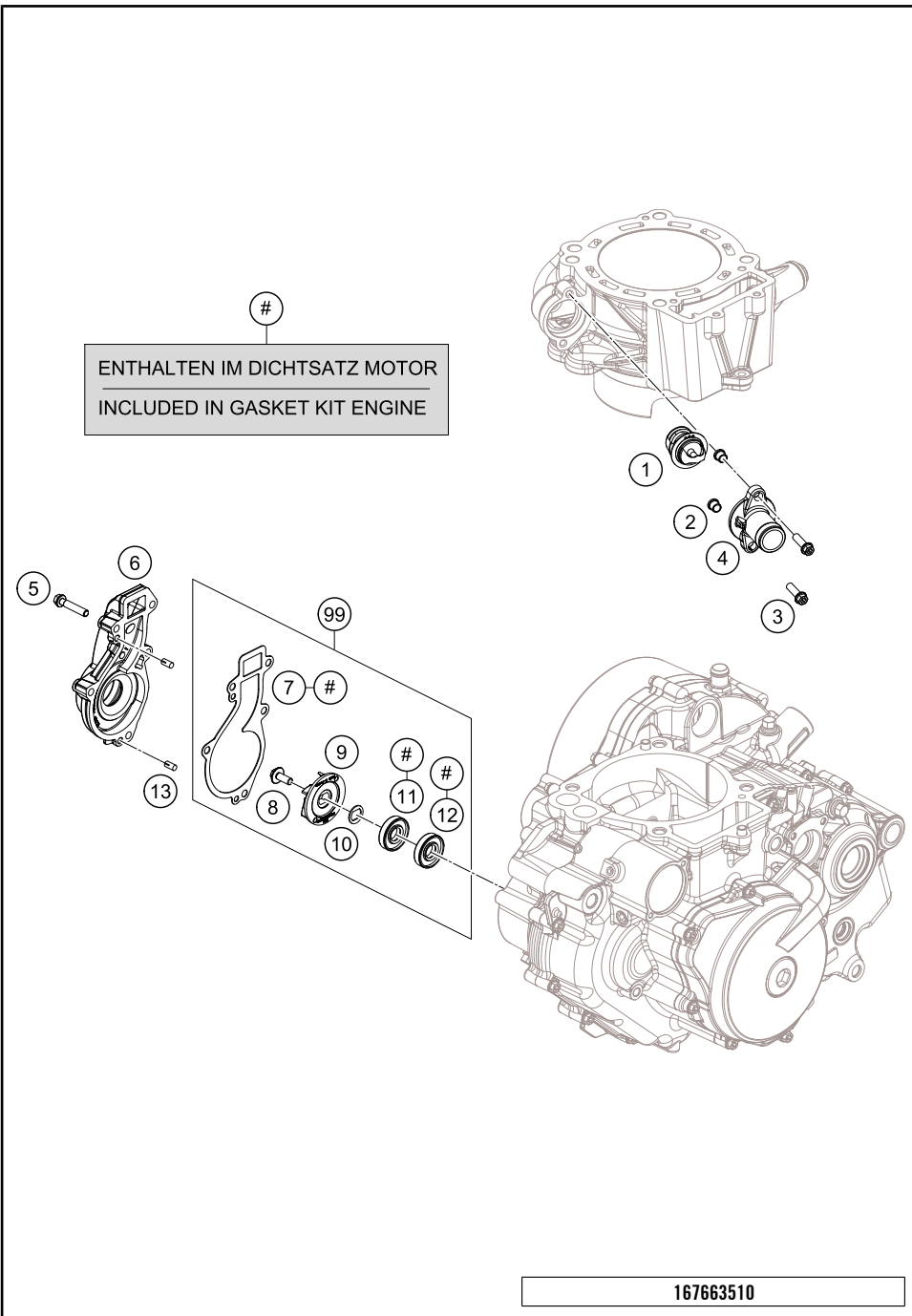
| POS | PARTNUMBER     | PARTNAME                       | PIECE |
|-----|----------------|--------------------------------|-------|
| 1   | 75034031000    | SHIFT LEVER CPL. 07            | 1     |
| 2   | 75034032000    | SHIFTING LEVER SPRING          | 1     |
| 3   | 54634031050    | BOLT 6X25 FOR SHIFT LEVER      | 1     |
| 5   | 50233041500    | PAIR NORDLOCK WASHER M6        | 1     |
| 6   | 0024060156S    | HH COLLAR SCREW M6X15 TORX30   | 1     |
| 10  | 7603403104433S | SHIFTING LEVER CPL.            | 1     |
| 11  | 69034032100    | GEAR LEVER                     | 1     |
| 12  | 61034035000    | RUBBER FOR SHIFT LEVER 05      | 1     |
| 13  | 0912060453     | AH SCREW DIN0912-M 6X45        | 1     |
| 14  | 0625006087     | GROOVED BALL BEAR. 608 2RS C3  | 2     |
| 15  | 58303061100    | SPECIAL WASHER ALU 8X24 MM ELO | 1     |
| 16  | 0019080306S    | COUNTER-SUNK SCREW ISA45 M8X30 | 1     |
| 17  | 76034036000    | SHIFT LEVER                    | 1     |
| 18  | 0738060161     | FLAT HEAD SCREW ISO7380 M6X16  | 2     |
| 19  | 7600317000033  | LEVER ARM                      | 1     |
| 20  | 76034038000    | SLIDE BEAR. IGUS JFM-222532-08 | 1     |

C167663420

\* NEW PART

X ON DEMAND

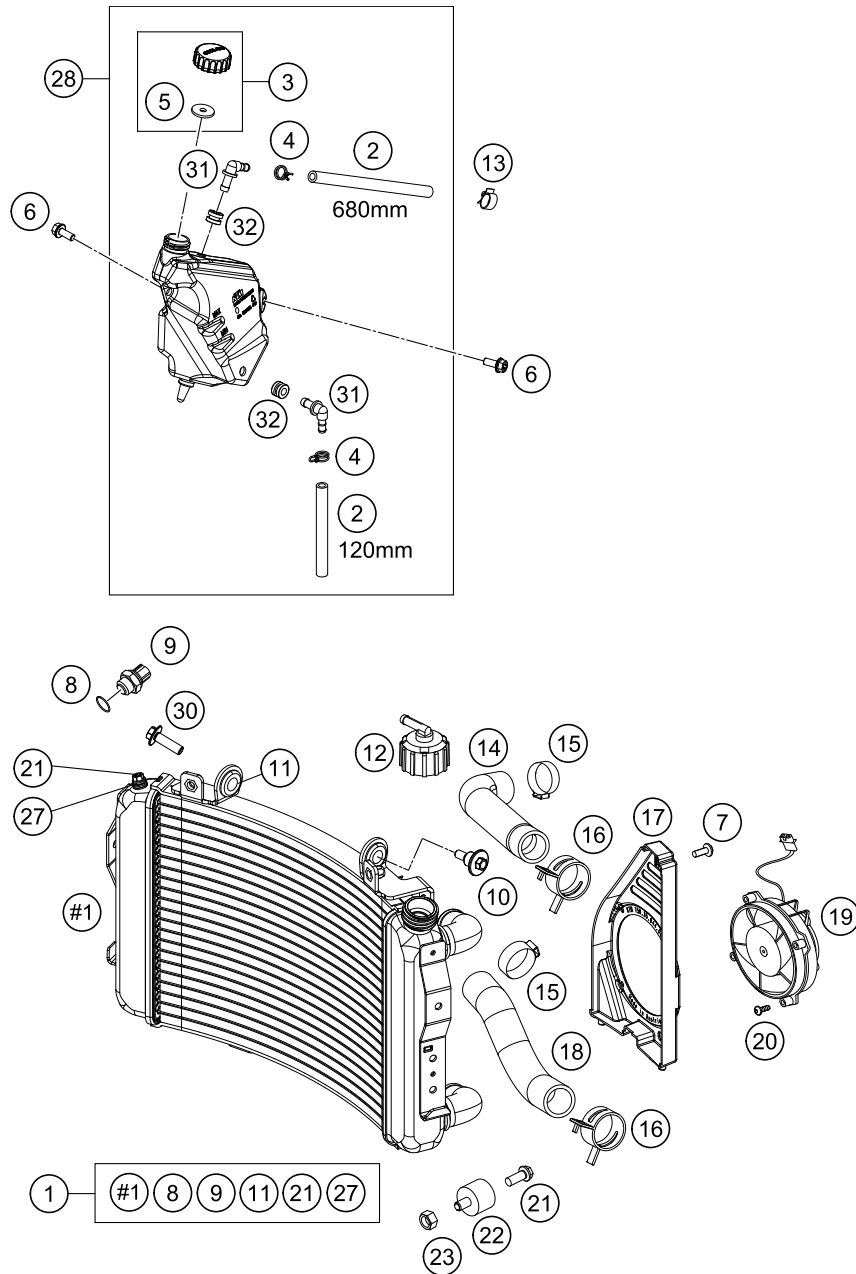




| POS | PARTNUMBER    | PARTNAME                       | PIECE |
|-----|---------------|--------------------------------|-------|
| 1   | 75035017000   | THERMOSTAT 07                  | 1     |
| 2   | 60040027050   | SUPPORTING SLEEVE 03           | 2     |
| 3   | 0025060206    | HH COLLAR SCREW M6X20 TX30     | 2     |
| 4   | 75035016000   | THERMOSTATCOVER 07             | 1     |
| 5   | 0025060306    | HH COLLAR SCREW M6X30 TX30     | 5     |
| 6   | 7503505210033 | WATERPUMP COVER 10             | 1     |
| 7   | 75035053000   | WATER PUMP COVER GASKET 07     | 1     |
| 8   | 0024060156    | HH COLLAR SCREW M6X15 TX30     | 1     |
| 9   | 75035055000   | WATER PUMP ROTOR 07            | 1     |
| 10  | 60035055150   | FORM WASHER 16X1 NIRO 03       | 1     |
| 11  | 0760123071    | SHAFT SEAL RING. 12X30X7 VITON | 1     |
| 12  | 0760123073    | SHAFT SEAL RING 12X30X7 PTFE   | 1     |
| 13  | 0474050100    | GROOVED PIN DIN1474 5X10       | 2     |
| 99  | 75035055010   | WATER PUMP REP. KIT 690        | x     |

C167663510

\* NEW PART      X ON DEMAND



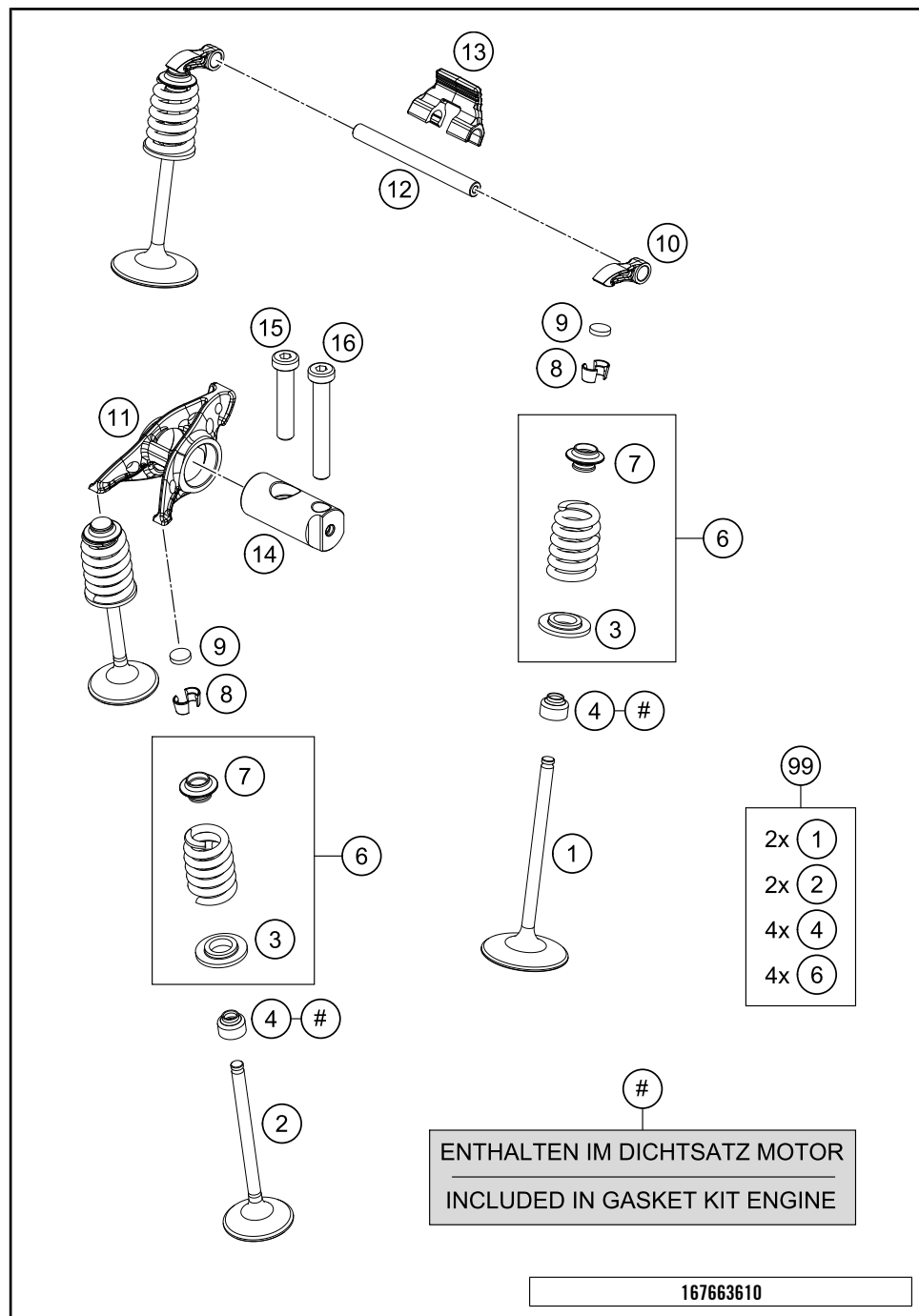
167663530

| POS | PARTNUMBER  | PARTNAME                       | PIECE |
|-----|-------------|--------------------------------|-------|
| 1   | 76035010000 | RADIATOR VW2053                | 1     |
| 2   | 60035067001 | HOSE 6X10 EPDM 03              | 2     |
| 3   | 60335066044 | PLUG F. EXPANSION TANK         | 1     |
| 4   | 58007117000 | YDNAC-CLAMP 10107 10MM         | 2     |
| 5   | 60335066010 | RUBBER GASKET                  | 1     |
| 6   | 0025050126  | HH COLLAR SCREW M5X12 TX30     | 1     |
| 7   | 0024060106  | HH COLLAR SCREW M6X10 TX30     | 1     |
| 8   | 0770017015  | O-RING 17X1,5 NB75             | 1     |
| 9   | 60035045000 | THERMOSWITCH LC8 102DG '03     | 1     |
| 10  | 60035001000 | SPECIAL SCREW M6X21 WS=8       | 1     |
| 11  | 41001052000 | RUBBER SLEEVE D=12MM           | 2     |
| 12  | 62535009000 | RADIATOR CAP 1,4 BAR           | 1     |
| 13  | 57013072100 | WIRING HOLDER 16MM             | 1     |
| 14  | 75035027000 | RADIATOR HOSE 07               | 1     |
| 15  | 00050325706 | VARIABLE ONE-EAR CLAMP 32,5MM  | 4     |
| 17  | 75035044000 | FAN COWL 07                    | 1     |
| 18  | 75035026000 | RADIATOR HOSE 07               | 1     |
| 19  | 58435041000 | FAN CPL. 12V LC4 2000          | 1     |
| 20  | 0081050161  | EJOT PT SCREW K50X16 1451      | 4     |
| 21  | 0025060106  | HH COLLAR SCREW M6X10 TX30     | 3     |
| 22  | 43205062100 | RUBBER GROMMET 20X15-M6X10 (1) | 2     |
| 23  | 0985060003  | SELF LOCK. NUT DIN0985-M 6     | 2     |
| 27  | 60035048000 | ALU-GASKET 6X10X1.5            | 1     |
| 28  | 76035065100 | EXPANSION TANK                 | 1     |
| 30  | 0024060206  | HH COLLAR SCREW M6X20 TX30     | 1     |
| 31  | 60035068000 | ANGLE CONNECTION EXPANS. TANK  | 2     |
| 32  | 60035069000 | RUBBER GROMMET 6X9X13MM 04     | 2     |

C167663530

\* NEW PART

X ON DEMAND



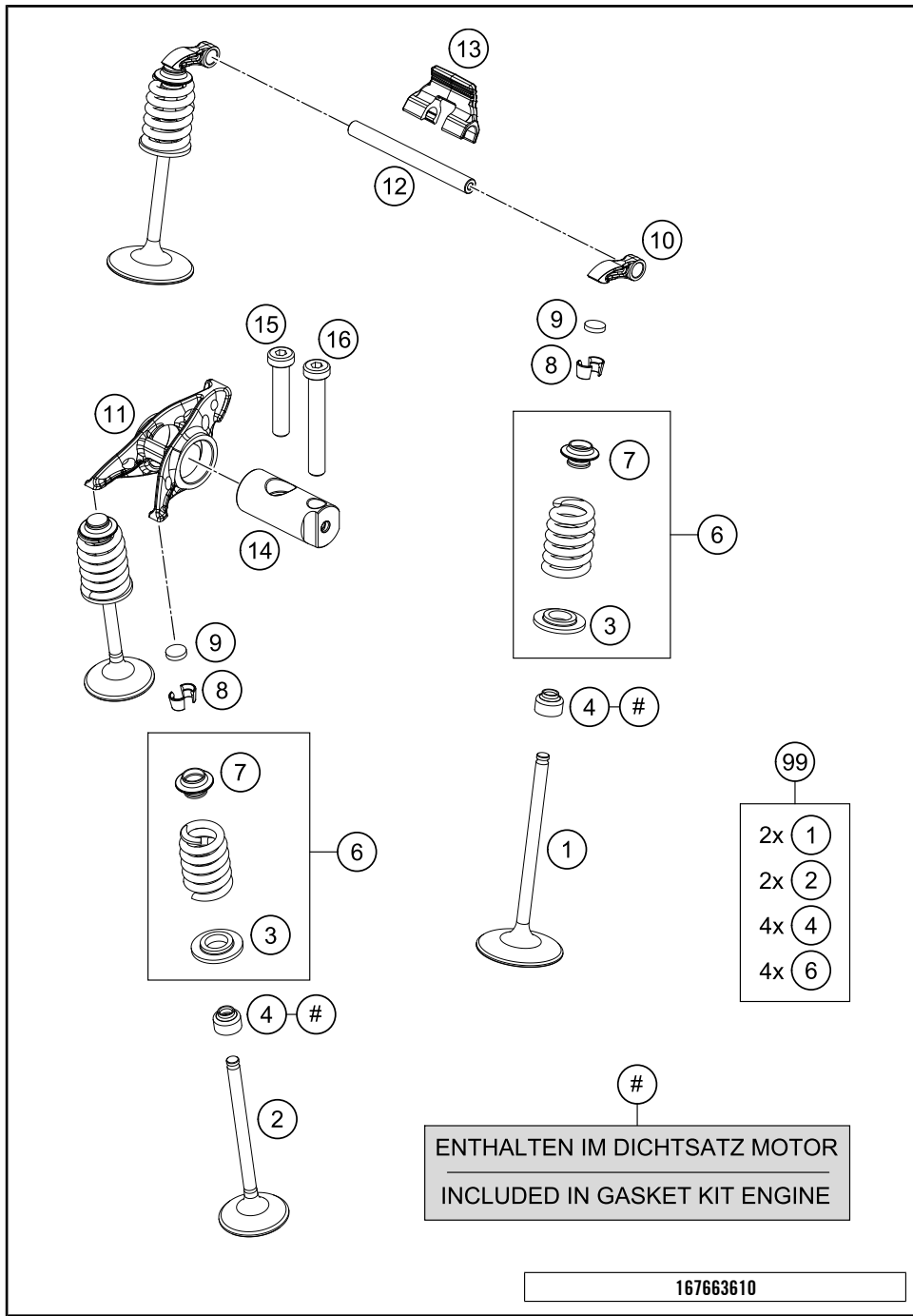
| POS | PARTNUMBER  | PARTNAME                  | PIECE |
|-----|-------------|---------------------------|-------|
| 1   | 60236030100 | INTAKE VALVE D42          | 2     |
| 2   | 61236031400 | EXHAUST VALVE             | 2     |
| 3   | 78936036000 | VALVE SPRING HOLDER       | 4     |
| 4   | 59036027000 | VALVE-STEM SEALING RACING | 4     |
| 6   | 76636028044 | VALVE SPRING KIT          | 4     |
| 7   | 76636032000 | VALVE RETAINER            | 4     |
| 8   | 78036033000 | VALVE COLLET LK 6H        | 8     |
| 9   | 60036035185 | SHIM D=10/1,85 03         | X     |
| 9   | 60036035190 | SHIM D=10/1,90 03         | X     |
| 9   | 60036035195 | SHIM D=10/1,95 03         | X     |
| 9   | 60036035200 | SHIM D=10/2,00 03         | X     |
| 9   | 60036035205 | SHIM D=10/2,05 03         | X     |
| 9   | 60036035210 | SHIM D=10/2,10 03         | X     |
| 9   | 60036035215 | SHIM D=10/2,15 03         | X     |
| 9   | 60036035220 | SHIM D=10/2,20 03         | X     |
| 9   | 60036035225 | SHIM D=10/2,25 03         | X     |
| 9   | 60036035230 | SHIM D=10/2,30 03         | X     |
| 9   | 60036035235 | SHIM D=10/2,35 03         | X     |
| 9   | 60036035240 | SHIM D=10/2,40 03         | X     |
| 9   | 60036035245 | SHIM D=10/2,45 03         | X     |
| 9   | 60036035250 | SHIM D=10/2,50 03         | X     |
| 9   | 60036035255 | SHIM D=10/2,55 03         | X     |
| 9   | 60036035260 | SHIM D=10/2,60 03         | X     |
| 9   | 60036035265 | SHIM D=10/2,65 03         | X     |
| 9   | 60036035270 | SHIM D=10/2,70 03         | X     |
| 9   | 60036035275 | SHIM D=10/2,75 03         | X     |
| 9   | 60036035280 | SHIM D=10/2,80 03         | X     |
| 9   | 60036035285 | SHIM D=10/2,85 03         | X     |
| 9   | 60036035290 | SHIM D=10/2,90 03         | X     |
| 9   | 60036035295 | SHIM D=10/2,95 03         | X     |
| 9   | 60036035300 | SHIM D=10/3,00 03         | X     |
| 9   | 60036035305 | SHIM D=10/3,05 03         | X     |
| 9   | 60036035310 | SHIM D=10/3,10 03         | X     |
| 9   | 60036035315 | SHIM D=10/3,15 03         | X     |
| 9   | 60036035320 | SHIM D=10/3,20 03         | X     |
| 9   | 60036035330 | SHIM D=10/3,3             | X     |
| 10  | 77236060100 | VALVE LEVER               | 2     |
| 11  | 76636061000 | ROCKER ARM EXHAUST        | 1     |

ENTHALTEN IM DICHTSATZ MOTOR  
INCLUDED IN GASKET KIT ENGINE

167663610

C167663610

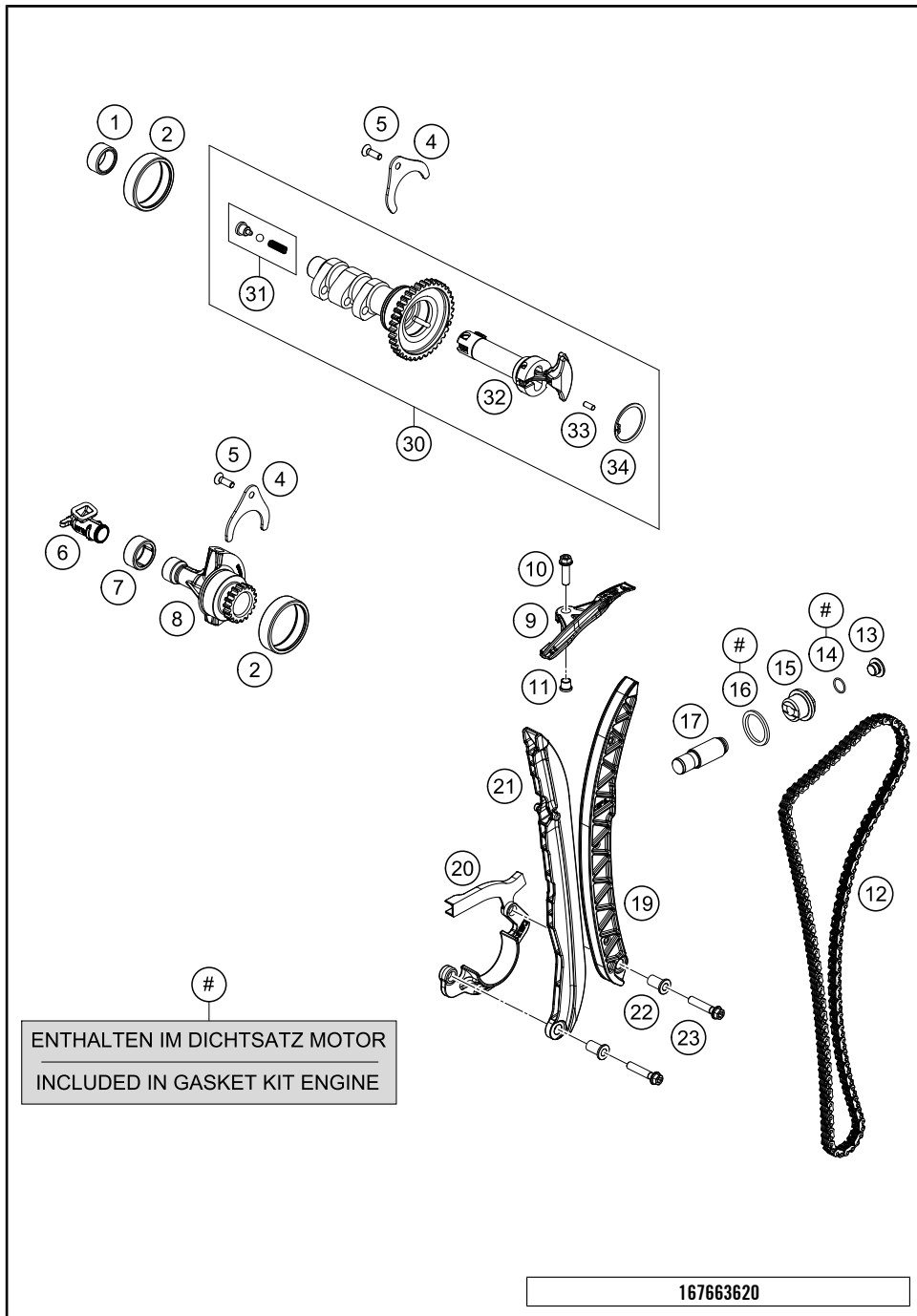
\* NEW PART X ON DEMAND



| POS | PARTNUMBER  | PARTNAME               | PIECE |
|-----|-------------|------------------------|-------|
| 12  | 76636056000 | ROCKER ARM SHAFT       | 1     |
| 13  | 76636056050 | ROCKER ARM CLIP        | 1     |
| 14  | 76636057100 | % ROCKER ARM AXIS      | 1     |
| 15  | 0984080406  | AH SCREW DIN7984 M8X40 | 1     |
| 16  | 0984080556  | AH SCREW DIN7984 M8X55 | 1     |
| 99  | 76636030010 | VALVE KIT 690          | x     |

C167663610

\* NEW PART      X ON DEMAND



#  
ENTHALTEN IM DICHTSATZ MOTOR  
INCLUDED IN GASKET KIT ENGINE

167663620

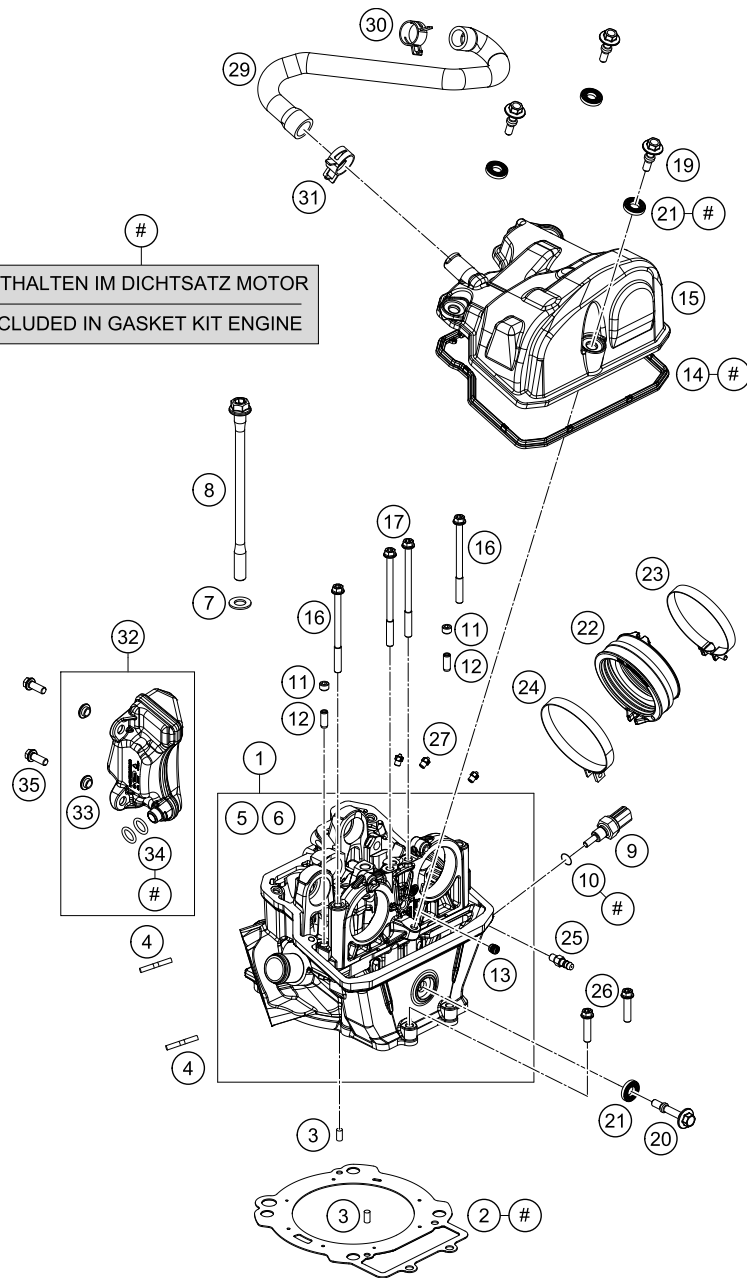
| POS | PARTNUMBER  | PARTNAME                       | PIECE |
|-----|-------------|--------------------------------|-------|
| 1   | 0618182412  | NEEDLE BEAR.HK1812 18/24/12 05 | 1     |
| 2   | 0618404712  | NEEDLE SLEEVE HK4012B40X47X12  | 2     |
| 3   | 76636010144 | CAMSHAFT                       | 1     |
| 4   | 76636010050 | LOCKING PLATE                  | 2     |
| 5   | 0019050163S | INT. TORX FLAT HEAD M5X16 8.8  | 2     |
| 6   | 76636081000 | BREATHER SYSTEM CONNECTOR      | 1     |
| 7   | 50203097000 | NEEDLE BUSH HK 2012            | 1     |
| 8   | 76630058000 | BALANCER SHAFT CYLINDER HEAD   | 1     |
| 9   | 76636005000 | CHAIN GUIDE                    | 1     |
| 10  | 0025060206  | HH COLLAR SCREW M6X20 TX30     | 1     |
| 11  | 60040027050 | SUPPORTING SLEEVE 03           | 1     |
| 12  | 76636013000 | TIMING CHAIN                   | 1     |
| 13  | 76636080000 | PLUG                           | 1     |
| 14  | 0770010010  | O-RING 10,00X1,00 NBR 70 SH    | 1     |
| 15  | 75036008000 | SCREW PLUG CHAIN ADJ. 07       | 1     |
| 16  | 0603202702  | CU SEAL-RING 20X27X1           | 1     |
| 17  | 77036003000 | CHAIN ADJUSTER HYD. 05         | 1     |
| 19  | 76636002000 | TENSIONER RAIL                 | 1     |
| 20  | 76636018000 | CHAIN GUIDE                    | 1     |
| 21  | 76636001000 | GUIDING RAIL                   | 1     |
| 22  | 75036018050 | SUPPORTING SLEEVE 07           | 2     |
| 23  | 0025060306S | HH COLLAR SCREW M6X30 TX30     | 2     |
| 30  | 76636010144 | CAMSHAFT                       | 1     |
| 31  | 76636016044 | DECO SPRING CPL.               | 1     |
| 32  | 76636019144 | INSERT CAMSHAFT CPL.           | 1     |
| 33  | 0402040980  | NEEDLE ROL.DIN5402 NRB 4X9,8   | 1     |
| 34  | 0472320120  | SEEGER RING J32 DIN472 32X1,2  | 1     |

C167663620

\* NEW PART

X ON DEMAND

ENTHALTEN IM DICHTSATZ MOTOR  
INCLUDED IN GASKET KIT ENGINE



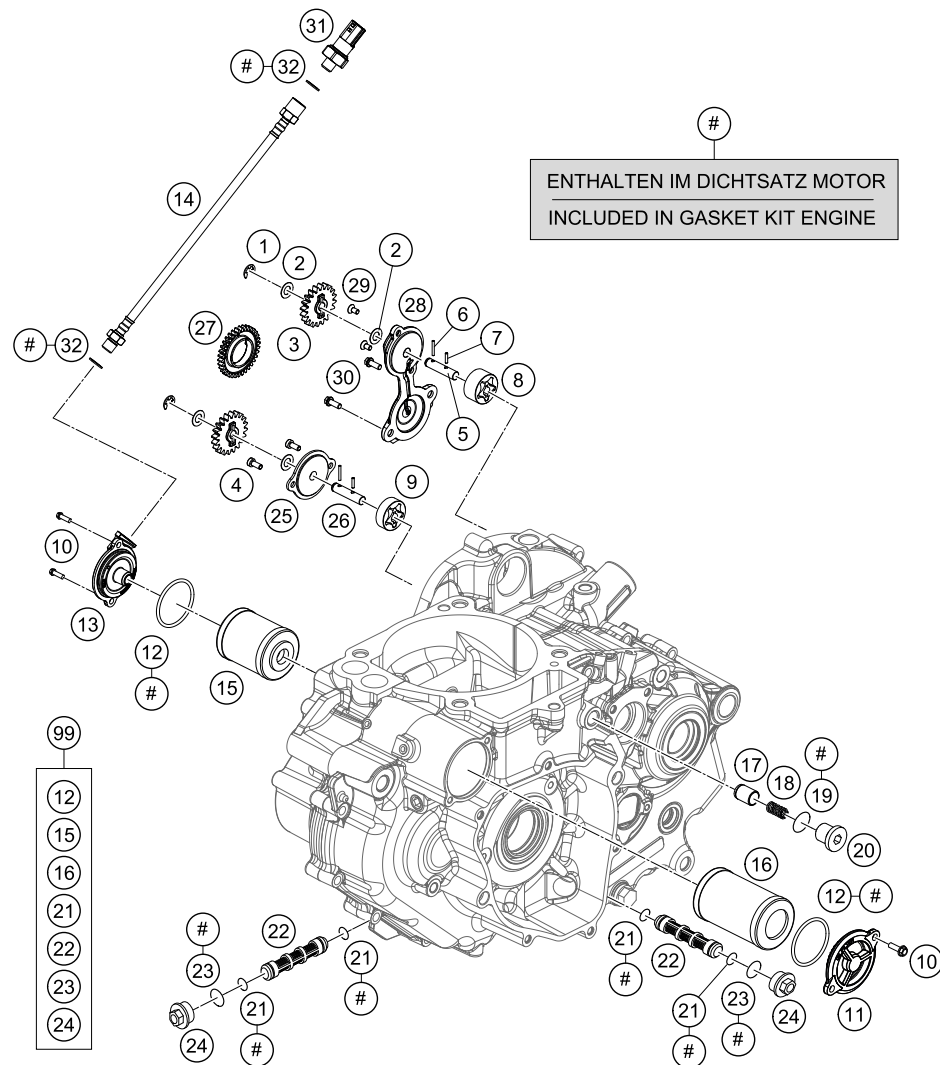
167663630

| POS | PARTNUMBER    | PARTNAME                       | PIECE |
|-----|---------------|--------------------------------|-------|
| 1   | 7663602004452 | CYLINDER HEAD CPL.             | 1     |
| 2   | 76630036000   | CYLINDER HEAD GASKET Ø105      | 1     |
| 3   | 0474050100    | GROOVED PIN DIN1474 5X10       | 2     |
| 4   | 0835080256    | STUD DIN0835-M 8X25 10.9       | 2     |
| 5   | 76636026001   | VALVE GUIDE 6MM                | 2     |
| 6   | 61236025001   | VALVE GIUDE INTAKE 6MM         | 2     |
| 7   | 60036078050   | SHIM 10,2X19X1,5MM 05          | 4     |
| 8   | 75036079000   | CYLINDERHEAD SCREW M10X168WS14 | 4     |
| 9   | 79435047000   | TEMPERATUR SENSOR WATER        | 1     |
| 10  | 0770100020    | O-RING 10,00X2,00 SILCONE      | 1     |
| 11  | 0913080060S   | THREAD PIN DIN913-M8X6 PRE30   | 2     |
| 12  | 0979060160    | PIN DIN7979 6X16               | 2     |
| 13  | 59030296000   | SCREW PLUG                     | 1     |
| 14  | 76636053000   | VALVE COVER GASKET             | 1     |
| 15  | 7663605200033 | VALVE COVER                    | 1     |
| 16  | 0025060806    | HH COLLAR SCREW M6X80 TX30     | 2     |
| 17  | 0025060906    | HH COLLAR SCREW M6X90 TX30     | 2     |
| 19  | 78036054100   | VALVE COVER SCREW              | 3     |
| 20  | 75036055000   | VALVE COVER SCREW 05           | 1     |
| 21  | 75036052010   | DECOUPLING ELEMENT 07          | 4     |
| 22  | 76636044000   | RUBBER SLEEVE INTAKE FLANGE    | 1     |
| 23  | 75036047000   | HOSE CLAMP GEMI 70MM           | 1     |
| 24  | 61336048000   | HOSE CLAMP GEMI 75             | 1     |
| 25  | 60036023200   | VACUUM CONNECTION M6/0.75MM    | 1     |
| 26  | 0025060256    | HH COLLAR SCREW M6X25 TX30     | 2     |
| 27  | 60030063050   | OIL JET 50 05                  | 3     |
| 29  | 76030084100   | ENGINE EXHAUST CYLINDERHEAD    | 1     |
| 30  | 00049200121   | CLAMP STD DN20                 | 1     |
| 31  | 00049210121   | CLAMP 21X12 STD-DES            | 1     |
| 32  | 76636065000   | RESONATOR ASSY.                | 1     |
| 33  | 69004060050   | BUSHING CHAIN GUARD 08         | 2     |
| 34  | 0770116241    | O-RING 11,3 X2,4 SILICON       | 2     |
| 35  | 0025060126    | HH COLLAR SCREW M6X12 TX30     | 2     |

C167663630

\* NEW PART

X ON DEMAND



ENTHALTEN IM DICHTSATZ MOTOR  
INCLUDED IN GASKET KIT ENGINE

- 99
- 12
- 15
- 16
- 21
- 22
- 23
- 24

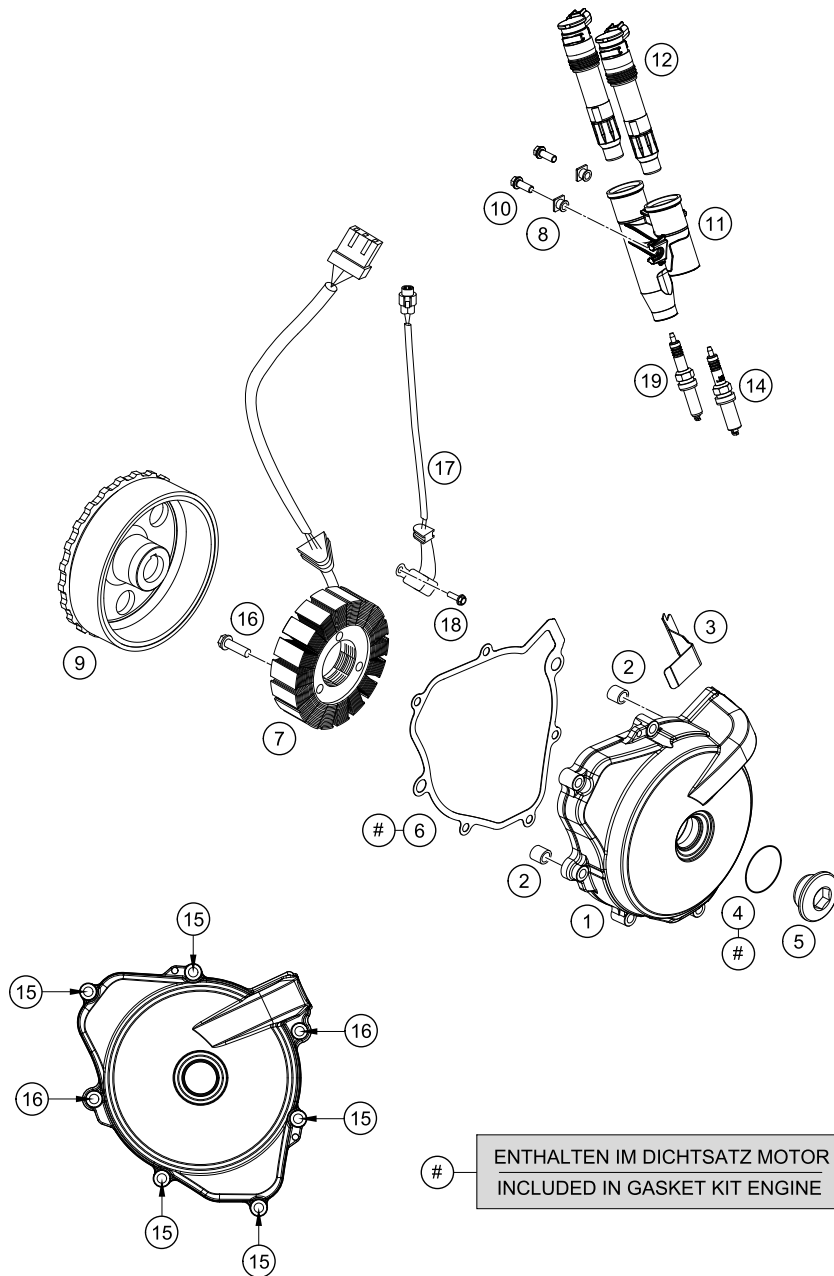
167663810

| POS | PARTNUMBER   | PARTNAME                       | PIECE |
|-----|--------------|--------------------------------|-------|
| 1   | 0799060000   | TAB WASHER DIN6799-RS 6,0      | 2     |
| 2   | 58038007755  | STOP DISK 8,1 X 15 X 0,5       | 4     |
| 3   | 75038001020  | OIL PUMP GEAR 20-T             | 2     |
| 4   | 07984050100S | % AH SCREW DIN7984 M5X10 A2    | 2     |
| 5   | 75038002000  | OIL PUMP SHAFT 07              | 1     |
| 6   | 0402251980   | NEEDLEROL.DIN5402 NRA 2,5X19,8 | 2     |
| 7   | 0402251180   | NEEDLE ROLLER DIN5402 2,5X11,8 | 2     |
| 8   | 77038011100  | OIL PUMP ROTOR COMPL. 15MM     | 1     |
| 9   | 59038011110  | OIL PUMP ROTOR COMPL. 10MM     | 1     |
| 10  | 0025050166   | HH COLLAR SCREW M5X16 TX30     | 4     |
| 11  | 75038041200  | OILFILTER CAP                  | 1     |
| 12  | 07700390261  | O-RING 39,34X2,62              | 2     |
| 13  | 76038041000  | OILFILTER COVER                | 1     |
| 14  | 76538034000  | OIL PIPE                       | 1     |
| 15  | 75038046100  | OIL FILTER SHORT               | 1     |
| 16  | 58038005100  | OIL FILTER LONG                | 1     |
| 17  | 58038028000  | VALVE PISTON D=10MM            | 1     |
| 18  | 58538023000  | OIL PRES.SPRING 5 BAR RED 2001 | 1     |
| 19  | 58038022000  | CU-SEAL RING DIN7603-12X18X1,5 | 1     |
| 20  | 0908120153   | PLUG DIN0908-M12X1,5           | 1     |
| 21  | 07701250151  | O-RING 12,5X1,5 VITON V75      | 4     |
| 22  | 59038016100  | OIL SCREEN                     | 2     |
| 23  | 0770020170   | O-RING 17,17X1,78 GLO          | 2     |
| 24  | 59038017100  | PLUG M20X1,5 WS=13             | 2     |
| 25  | 75038003000  | OIL PUMP COVER 07              | 1     |
| 26  | 75038004000  | OIL PUMP SHAFT 07              | 1     |
| 27  | 75032050001  | OIL PUMP DRIVE WHEEL 07        | 1     |
| 28  | 76038003000  | OIL PUMP COVER                 | 1     |
| 29  | 0019050163S  | INT. TORX FLAT HEAD M5X16 8.8  | 2     |
| 30  | 0025060166S  | HH COLLAR SCREW M6X16 ISA 30   | 2     |
| 31  | 61238091000  | OIL PRESSURE SWITCH "BITRON"   | 1     |
| 32  | 0603100141   | COPPER GASKET DIN7603-10X14X1  | 2     |
| 99  | 75038046110  | OILFILTER SERVICEKIT 690 12-14 | x     |

C167663810

\* NEW PART

X ON DEMAND



| POS | PARTNUMBER    | PARTNAME                      | PIECE |
|-----|---------------|-------------------------------|-------|
| 1   | 7503000210041 | IGNITION COVER                | 1     |
| 2   | 49030090000   | DOWEL 9,8 X 7 X 10            | 2     |
| 3   | 60039040020   | CABLE SUPPORT GENERATOR 03    | 1     |
| 4   | 07700240251   | O-RING 24X2,5 VITON           | 1     |
| 5   | 6003009400030 | SCREW PLUG M24X1,5 PA 6.6     | 1     |
| 6   | 75030040000   | IGNITI.COVER GASKET 07        | 1     |
| 7   | 75039004100   | STATOR                        | 1     |
| 8   | 76036075050   | INSET                         | 2     |
| 9   | 75039005200   | ROTOR                         | 1     |
| 10  | 0025060166    | HH COLLAR SCREW M6X16 TX30    | 2     |
| 11  | 76636075000   | STICKCOIL HOLDER              | 1     |
| 12  | 76039006000   | STICK COIL                    | 2     |
| 14  | 60439093000   | SPARK PLUG M12X1.25           | 1     |
| 15  | 0025060256    | HH COLLAR SCREW M6X25 TX30    | 5     |
| 16  | 0025060306    | HH COLLAR SCREW M6X30 TX30    | 5     |
| 17  | 75039034000   | PULSER COIL                   | 1     |
| 18  | 59009062016   | SPECIAL SCREW M6X16 WS=8 10.9 | 2     |
| 19  | 60439094000   | SPARK PLUG M10X1              | 1     |

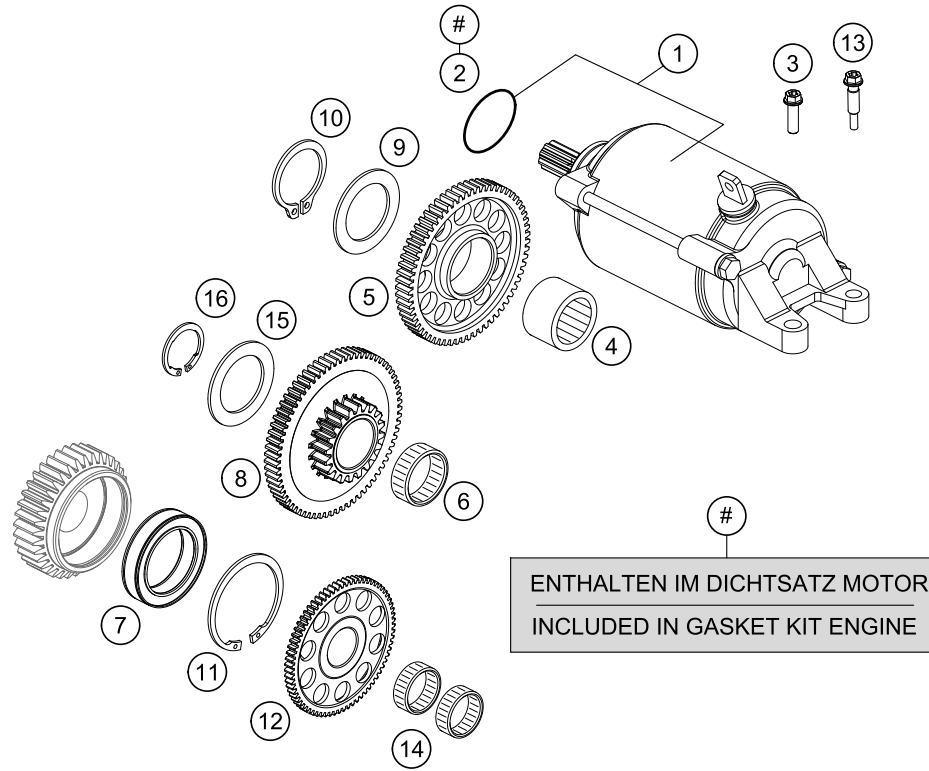
167663910

C167663910

\* NEW PART

X ON DEMAND





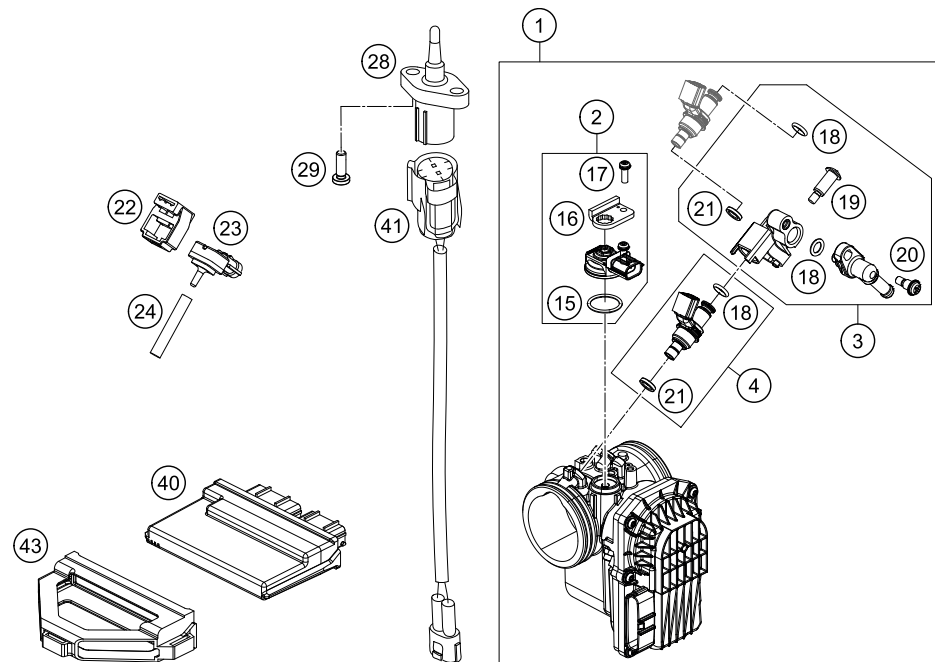
| POS | PARTNUMBER  | PARTNAME                       | PIECE |
|-----|-------------|--------------------------------|-------|
| 1   | 75040001000 | E-STARTER ENGINE CPL. 07       | 1     |
| 2   | 0770250030  | O-RING 25,00X3,00 NBR 70       | 1     |
| 3   | 0025060206  | HH COLLAR SCREW M6X20 TX30     | 1     |
| 4   | 0618172312  | NEEDLE SLEEVE HK 1712 17X23X12 | 1     |
| 5   | 75040022100 | STARTER INTERMEDIATE GEAR      | 1     |
| 6   | 0405172117  | NEEDLE BEARING K17X21X17       | 1     |
| 7   | 76640026000 | FREE WHEEL                     | 1     |
| 8   | 75040015100 | TORQUE LIMITER                 | 1     |
| 9   | 54633090000 | STOP DISK 17,2X25X1            | 1     |
| 10  | 0471170010  | CIRCLIP DIN0471-17X1           | 1     |
| 11  | 0472056200  | CIRCLIP DIN0472 J56            | 1     |
| 12  | 75040020100 | FREE WHEEL GEAR                | 1     |
| 13  | 76240030000 | HH COLLAR SCREW M 6X30         | 1     |
| 14  | 0405263013  | NEEDLE BEAR. K 26X30X13        | 2     |
| 15  | 75040015007 | STOP DISK 17,2X22X1            | 1     |
| 16  | 0471170100  | CIRCLIP DIN 0471-17X1          | 1     |

167664010

C167664010

\* NEW PART

X ON DEMAND



| POS | PARTNUMBER  | PARTNAME                       | PIECE |
|-----|-------------|--------------------------------|-------|
| 1   | 76641001000 | THROTTLE BODY                  | 1     |
| 2   | 75041085044 | MAP SENSOR CPL. 07             | 1     |
| 3   | 76041013044 | FUEL PIPE CONNECTOR CPL.       | 1     |
| 4   | 76041023044 | FUEL INJECTOR ASSY SET         | 1     |
| 15  | 75041085010 | O-RING                         | 1     |
| 16  | 75041085020 | PLATE, STAY                    | 1     |
| 17  | 75041085030 | SCREW WASHER                   | 1     |
| 18  | 75041023020 | O-RING 7,2x2,2                 | 2     |
| 19  | 75041013060 | SCREW SHOULDER                 | 1     |
| 20  | 75041013010 | SCREW SHOULDER                 | 1     |
| 21  | 75041023010 | SEAL RING                      | 1     |
| 22  | 61041085150 | RUBBER SUPP. PRESSURE SENS. 06 | 1     |
| 23  | 61041085100 | PRESSURE SENSOR 06             | 1     |
| 24  | 60031098001 | HOSE 3,2X8,5 PER METER         | x     |
| 28  | 61041080000 | AMBIENT-AIR TEMPERATURE SENSOR | 1     |
| 29  | 0018050163  | INT. TORX OVAL HEAD M5X16      | 2     |
| 40  | 61341031100 | ECU                            | 1     |
| 41  | 76011048000 | AMBIENT-AIR TEMP. SENSOR CABLE | 1     |
| 43  | 60341031050 | ECU RUBBER BRACKET             | 1     |

167664110

C167664110

\* NEW PART

X ON DEMAND



WWW.KTM.COM



KTM Sportmotorcycle GmbH  
5230 Mattighofen, Austria  
[www.ktm.com](http://www.ktm.com)



**KTM**\_POWERPARTS

**KTM**\_POWERWEAR

**KTM**\_ORIGINAL SPARE PARTS



3CM088530PEN

Art. Nr.: 3CM088530PEN 1. Jul 2016