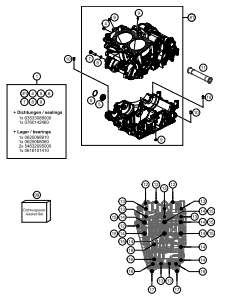
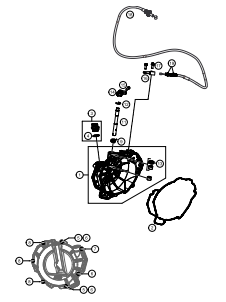
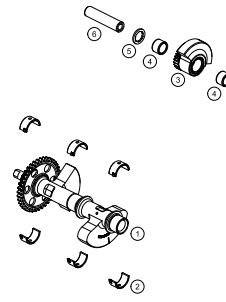
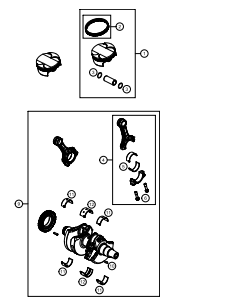
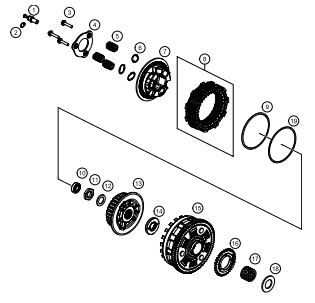
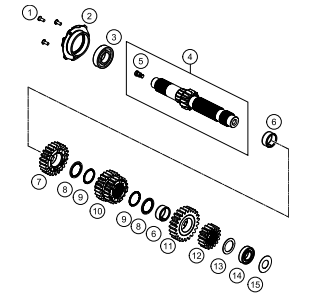
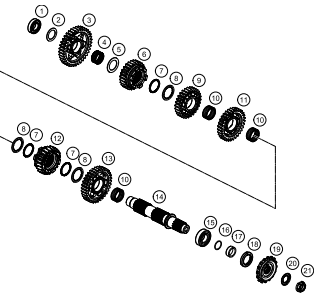
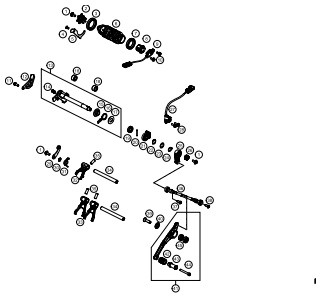
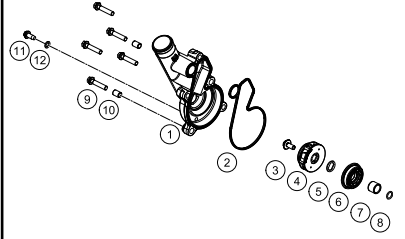
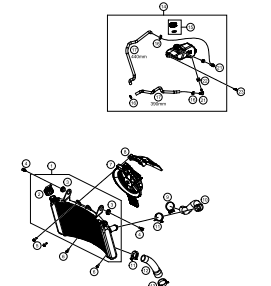
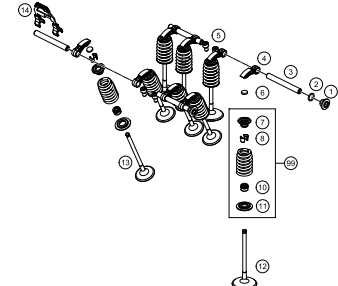
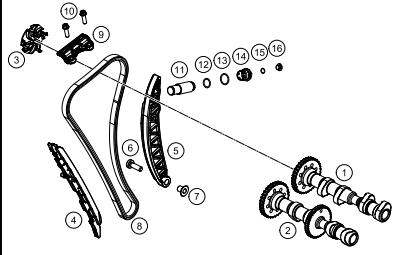
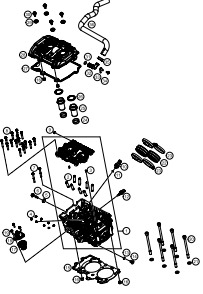
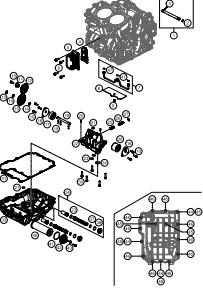
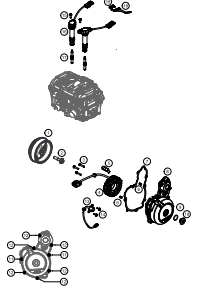
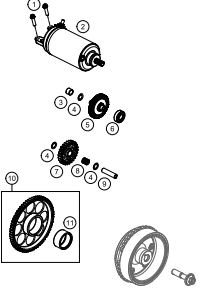
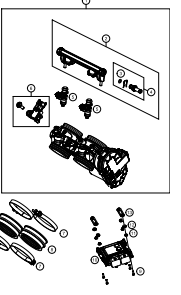


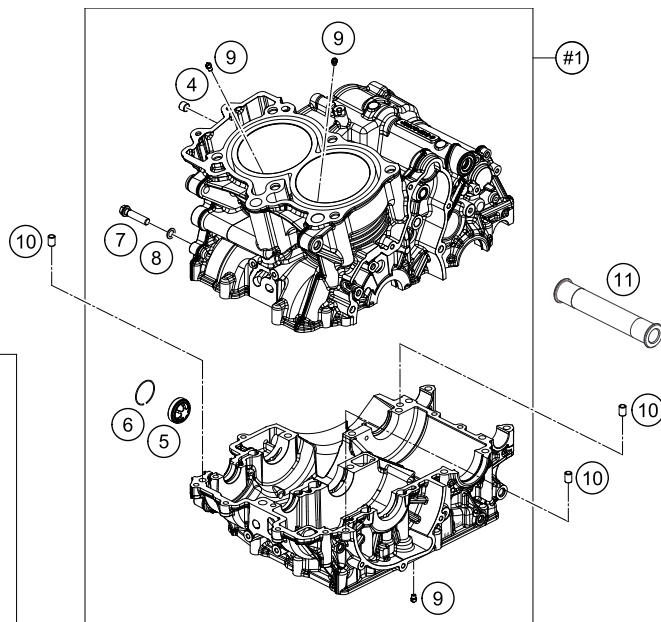
790 DUKE 2018

ART.-NR.: 088700REN

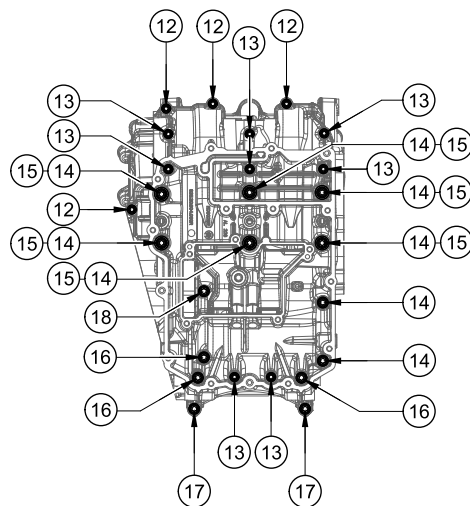


<p>ENGINE CASE</p>  <p>3</p>	<p>CLUTCH COVER</p>  <p>4</p>	<p>BALANCER SHAFT</p>  <p>5</p>	<p>CRANKSHAFT, PISTON</p>  <p>6</p>
<p>CLUTCH</p>  <p>7</p>	<p>TRANSMISSION I - MAIN SHAFT</p>  <p>8</p>	<p>TRANSMISSION II - COUNTERSHAFT</p>  <p>9</p>	<p>SHIFTING MECHANISM</p>  <p>10</p>
<p>WATER PUMP</p>  <p>12</p>	<p>COOLING SYSTEM</p>  <p>13</p>	<p>VALVE DRIVE</p>  <p>14</p>	<p>TIMING DRIVE</p>  <p>15</p>

<p>CYLINDER HEAD</p>  <p>16</p>	<p>LUBRICATING SYSTEM</p>  <p>17</p>	<p>IGNITION SYSTEM</p>  <p>19</p>	<p>ELECTRIC STARTER</p>  <p>20</p>
<p>THROTTLE BODY</p>  <p>21</p>	<div style="display: flex; align-items: center;"> <div style="background-color: #cccccc; width: 60px; height: 60px; display: flex; align-items: center; justify-content: center; margin-right: 20px;"> ! </div> <div> <p>All information contained is without obligation. KTM Sportmotorcycle GmbH particularly reserves the right to modify any equipment, technical specifications, prices, colors, shapes, materials, services, service work, constructions, equipment and the like so as to adapt them to local conditions or to cancel any of the above items, all without previous announcement and without giving reasons. KTM may stop manufacturing certain models without previous notice. KTM shall not be held liable for any deviations of availability and/or ability to deliver, illustrations, descriptions, printing and/or other errors. The illustrated models partly contain extra equipment, which is not applied to standard models.</p> <p>© by KTM Sportmotorcycle GmbH, Mattighofen AUSTRIA; All rights reserved; Reprint, also in extracts, with written allowance of KTM Sportmotorcycle GmbH, Mattighofen only.</p> </div> </div>		



- 1
- #1 4 5 6
7 8 9
- + Dichtungen / sealings**
1x 63533088000
1x 0760142460
- + Lager / bearings**
1x 0625068910
1x 0625068060
2x 54632095000
1x 0618101410



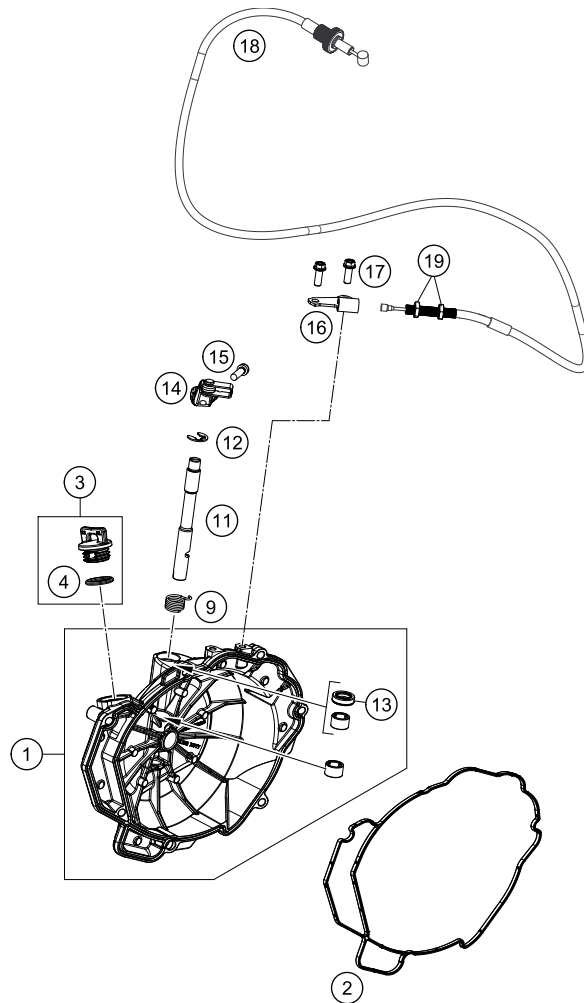
186353010

POS	PARTNUMBER	PARTNAME	PIECE
1	635300004424	Motorgehäuse kpl.	1
4	0906100100	pipe plug DIN 906 M10x1	1
5	59030019200	OIL SIGHT GLASS	1
6	61030019050	CIRCLIP OIL LEVEL GLASS 03	1
7	0025080356	HH collar screw M8x35 TX40	1
8	0603082131	COPPER GASK.DIN7603- 8,2X13X1	1
9	60030063070	oil jet 70 M5	3
10	59030023000	dowel sleeve 6x8x11.5	3
11	63530010000	housing socket	1
12	0025060306	HH collar screw M6x30 TX30	4
13	0025060606	HH collar screw M6x60 TX30	8
14	0025080906	HH collar screw M8x90 TX40	8
15	0125080003	washer DIN 125 A -8.4	6
16	0025080656	HH collar screw M8x65 TX40	3
17	0025080556	HH collar screw M8x55 TX40	2
18	0025080456	HH collar screw M8x45 TX40	1
99	63530099000	Motordichtsatz	1

49607

* NEW PART

X ON DEMAND



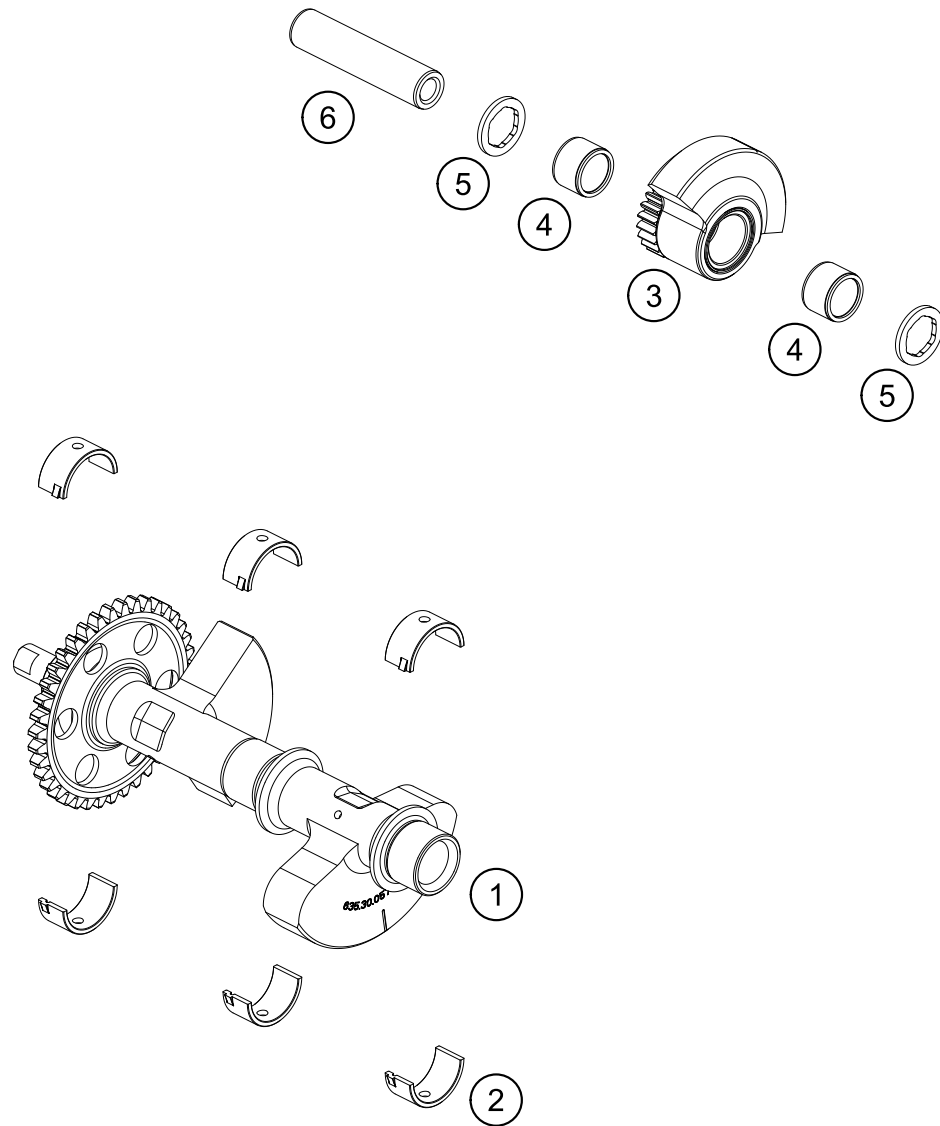
POS	PARTNUMBER	PARTNAME	PIECE
1	6353000104441	Kupplungsdeckel kpl	1
2	63530025100	clutch cover gasket	1
3	58030020100	oil plug cpl. M24x3	1
4	0770191015	O-RING 19,00X3,00 NBR	1
5	59030023000	dowel sleeve 6x8x11.5	2
6	0025060306	HH collar screw M6x30 TX30	3
7	0025060356	HH collar screw M6x35 TX30	1
8	0025060256	HH collar screw M6x25 TX30	3
9	63532048003	clutch release lever spring	1
11	63532049000	clutch release shaft	1
12	0799090003	retaining washer DIN 6799 - 9	1
13	0760122060	radial shaft seal 12x20x6	1
14	63532048233	Clutch release lever cmpl.	1
15	014580060206S	Cyl. screw ISO 14580 M6x20 SS	1
16	63532052100	Cable retaining bracket	1
17	0025060166	HH collar screw M6x16 TX30	2
18	64102090000	Clutch cable	1
19	0934080006	HEXAGON NUT DIN 934 M8	2

186353020

49610

* NEW PART

X ON DEMAND



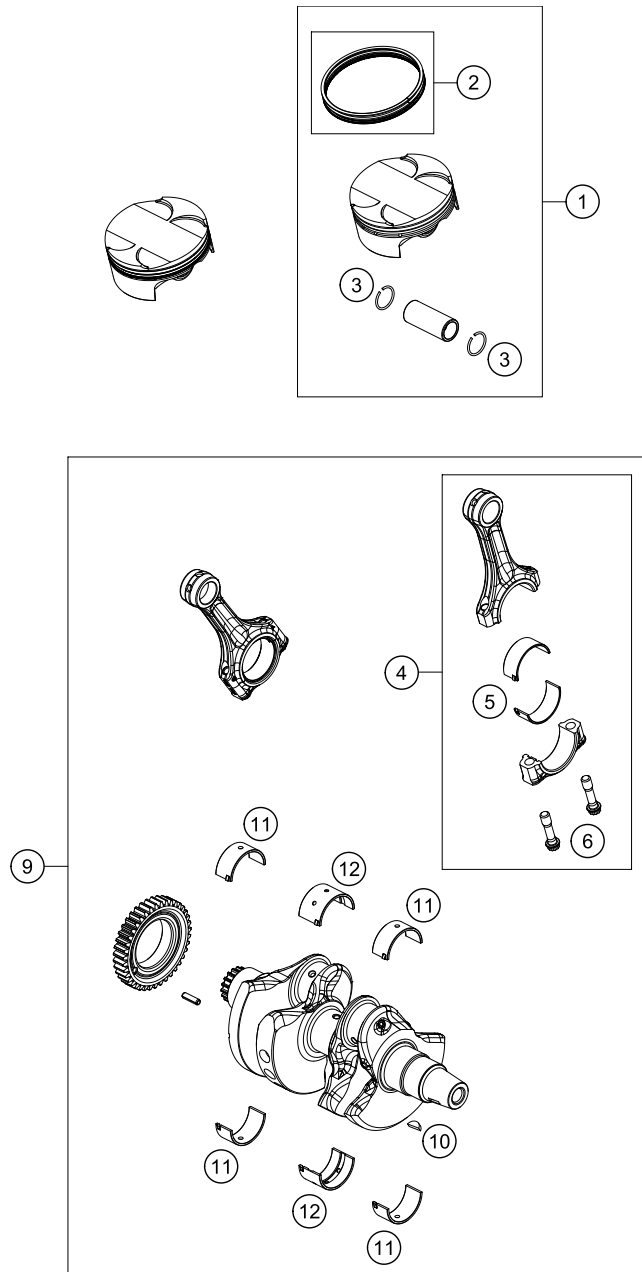
POS	PARTNUMBER	PARTNAME	PIECE
1	63530057044	balancer shaft cpl.	1
2	63530057050	bearing shell 22/26/13	6
3	63530059200	Balancer shaft cpl.	1
4	0405151913	needle roller and cage assy. K 15x19x13	2
5	63530059060	thrust washer 15.5/22.5/2	2
6	63530059050	pivot	1

186353030

49611

* NEW PART

X ON DEMAND



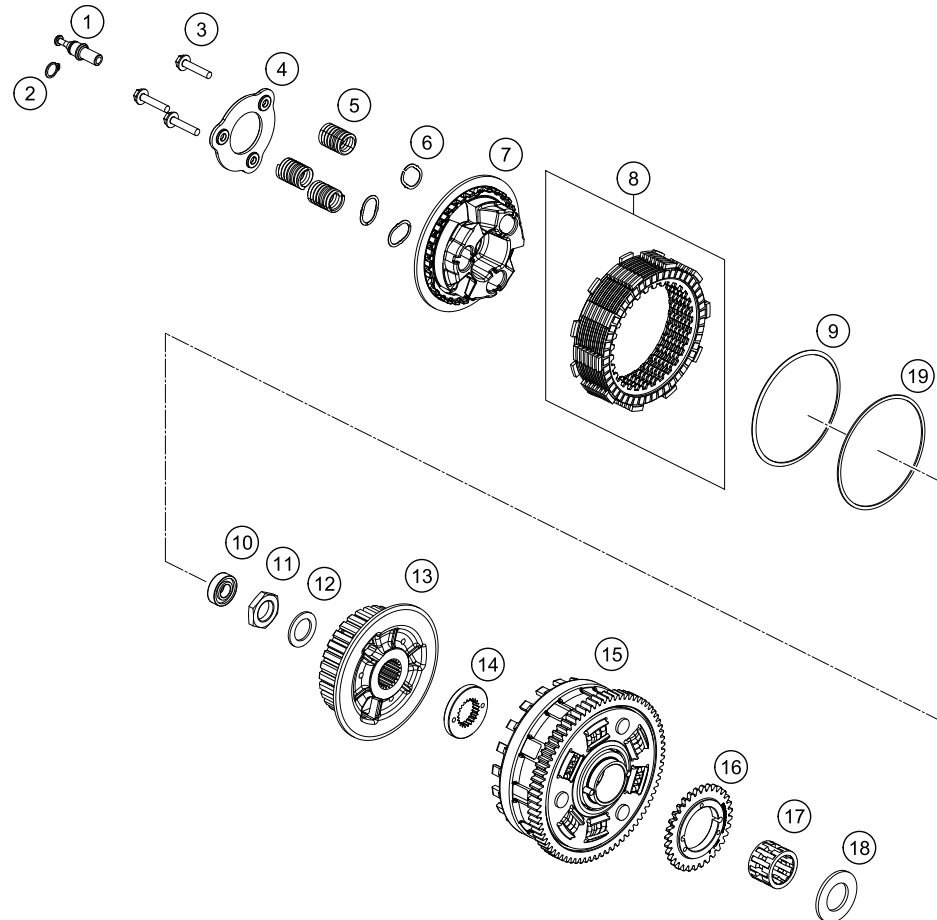
186353060

POS	PARTNUMBER	PARTNAME	PIECE
1	63530007000	piston cpl.	2
2	63530031044	Kolbenringsatz	2
3	63530074000	Circlip	4
4	63530015000	conrod assy	2
5	635300140001	Pleuellagerschale Blau 38/42/16	x
5	635300140002	Pleuellagerschale Rot 38/42/16	x
6	63530013000	conrod bolt M8x0.75	4
9	63530018044	Kurbelwelle kpl.	1
10	0888040050	woodruff key DIN 6888 4x5x13	1
11	635300820001	Hauptlagerschale Blau 38/42/18	x
11	635300820002	Hauptlagerschale Rot 38/42/18	x
12	635301820001	Hauptlagerschale Blau 38/42/25	x
12	635301820002	Hauptlagerschale Rot 38/42/25	x

49635

* NEW PART

X ON DEMAND



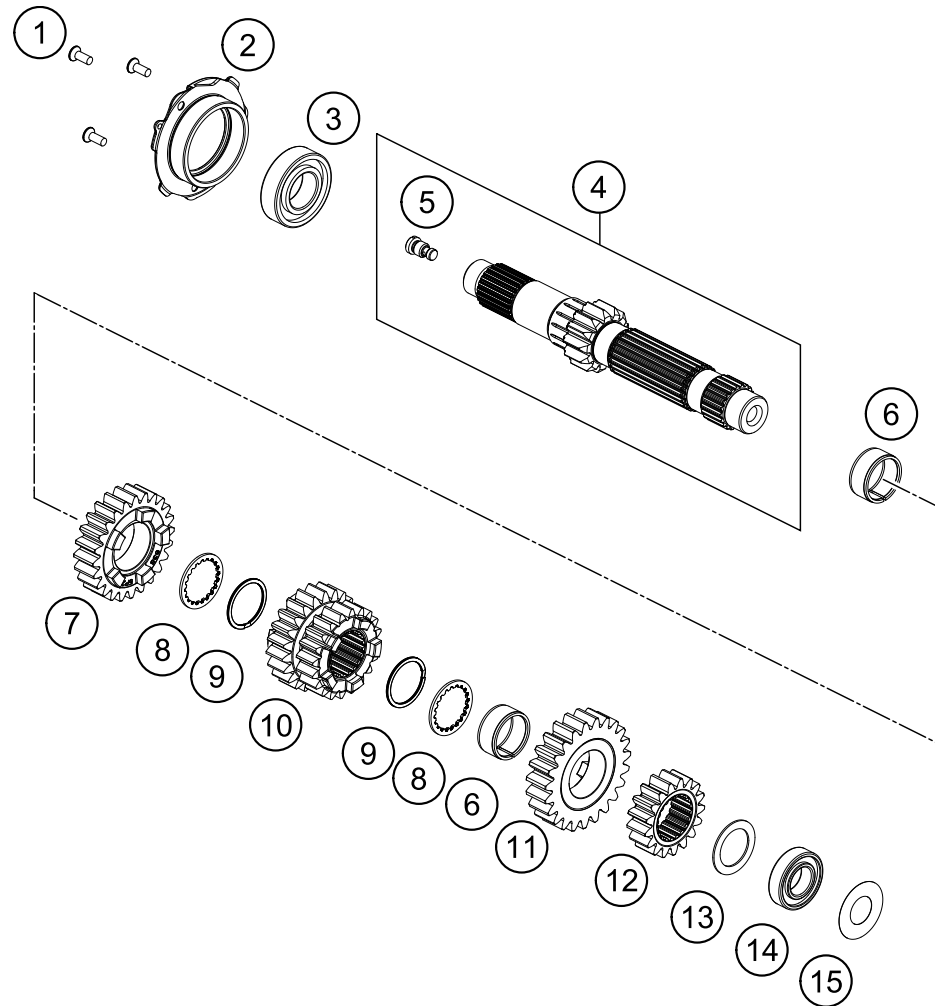
POS	PARTNUMBER	PARTNAME	PIECE
1	63532048104	tension bolt	1
2	0471120010	retaining ring DIN 471 12x1	1
3	63532044000	Collar screw M6x30	3
4	63532006000	Plate Stopper	1
5	63532005000	KUPPLUNGSFEDER	3
6	63532041000	Clutch spring cover	3
7	63532003000	pressure plate	1
8	63532011010	Kupplungslamellenpaket	1
9	63532034000	Spring washer	1
10	0625060017	BALL BEARING 6001.2URS.C3	1
11	60036073150	hex nut M20x1, H=6mm	1
12	47032020000	thrust washer 20x32x2	1
13	63532002000	center clutch	1
14	63532021000	Toothed washer	1
15	63532001044	clutch basket assy	1
16	60038001232	Oil pump gear 32th	1
17	0405263525	Needle bearing PK26x35x24.8	1
18	63532020000	washer 26X47X3	1
19	63532035000	Spring washer cover	1

186353210

49775

* NEW PART

X ON DEMAND



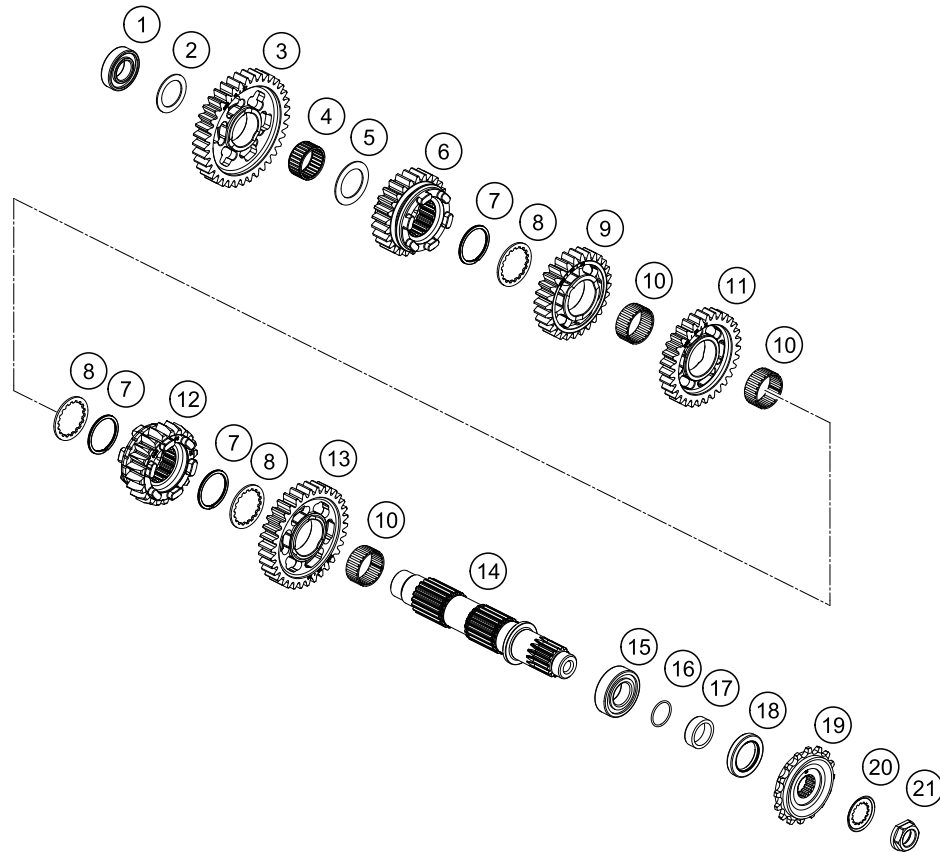
POS	PARTNUMBER	PARTNAME	PIECE
1	010642060166S	Hex screw ISO10642-M6x16 self-locking	3
2	63530068000	flange bearing	1
3	0625062280	ball bearing 62/28 CM	1
4	63533001044	Main shaft preassembled	1
5	63533001030	reducing jet Ø0.3mm M8	1
6	0405242813G	NEEDLE BEAR.K 24X28X13 DIVIDED	2
7	63533005000	Idler gear 5. G	1
8	63533045000	toothed washer	2
9	0471026000	circlip d26	2
10	63533003000	Sliding gear 3/4 G	1
11	63533006000	Idler gear 6. G	1
12	63533002000	Solid gear 2. G	1
13	63533032000	stop disc 22.2/31.7/1	1
14	0625068910	ball bearing 6891 PH C3H	1
15	63533088000	sealing washer 22x44x0.2	1

186353330

49612

* NEW PART

X ON DEMAND



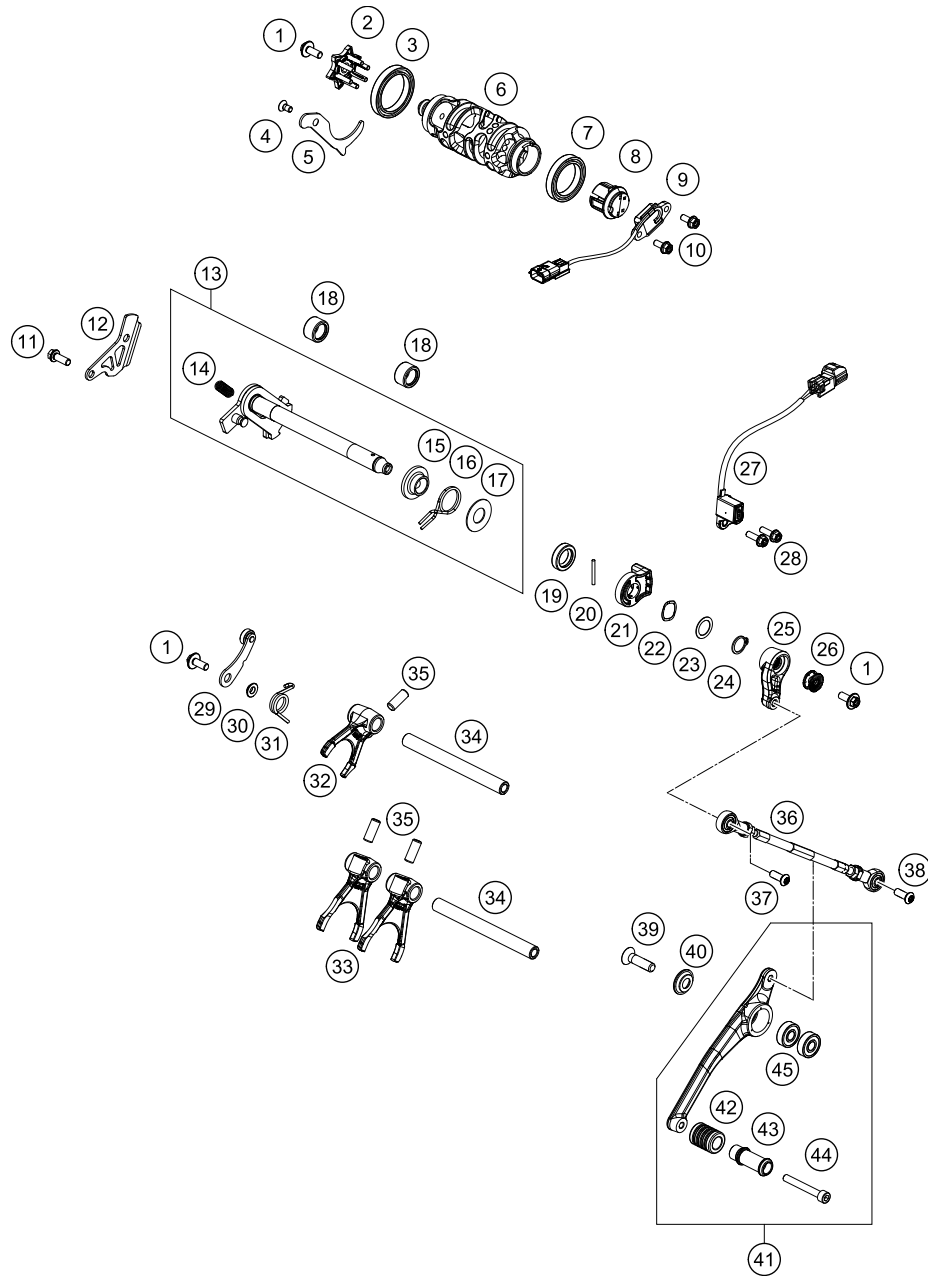
POS	PARTNUMBER	PARTNAME	PIECE
1	0625068910	ball bearing 6891 PH C3H	1
2	63533032000	stop disc 22.2/31.7/1	1
3	63533011000	Idler Gear 1. G	1
4	0405242813	NEEDLE BEAR. K 24X28X13 TN	1
5	63533034000	stop disc 24.3/35.75/1	1
6	63533015000	Idler gear 5. G	1
7	0471029000	TWISTED CIRCLIP D29	3
8	63533033000	stop disc 27/36/1.5	3
9	63533014000	Idler gear 4. G	1
10	0405263013G	needle bearing 26x30x13 splite	3
11	63533013000	Idler gear 3. G	1
12	63533016000	Sliding gear 6G	1
13	63533012000	Idler Gear 2. G	1
14	63533010000	Output shaft	1
15	49030023000	cylindrical roller bearing NJ205	1
16	0770020220	O-RING 25,12X1,78 NBR70	1
17	54833032011	spacer sleeve drive end	1
18	0760324773	radial shaft seal 32x47x7BSL Viton	1
19	58033029115	ENGINE SPROCKET 15 T DAMPED	x
19	58033029116	front sprocket 16 teeth damped	1
19	58033029117	ENGINE SPROCKET 17 T DAMPED	x
20	51033031000	locking plate	1
21	58033132200	Sprocket nut M20x1.5	1

186353360

49613

* NEW PART

X ON DEMAND



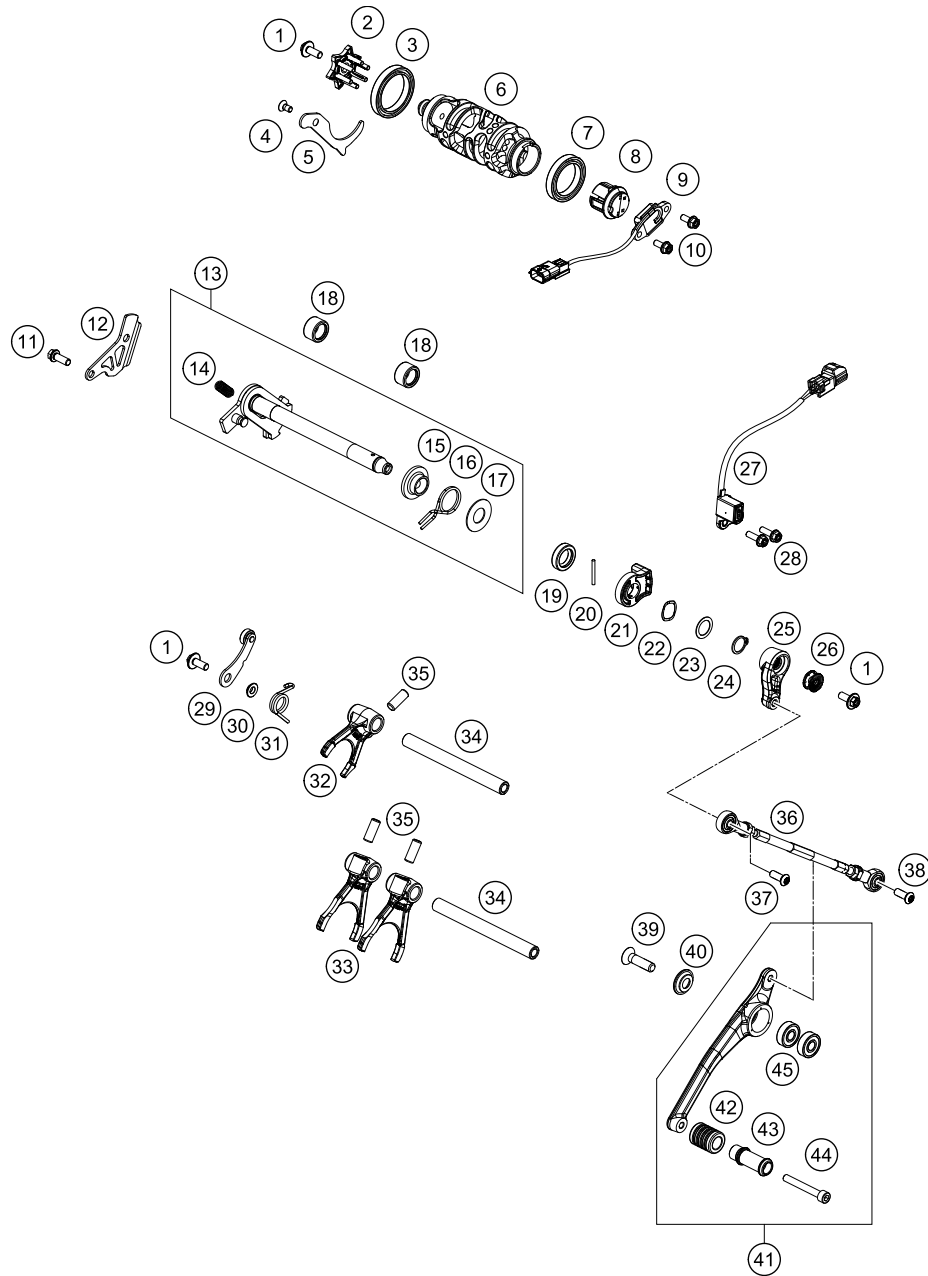
186353410

POS	PARTNUMBER	PARTNAME	PIECE
1	0024060156S	HH collar screw M6x15 TX30	1
2	63534015000	Shift locker cpl.	1
3	0625068070	deep groove ball bearing 6807	1
4	0019050106S	hex lobe countersunc screw M5x10 - 10.9	1
5	63534011000	Locking plate	1
6	63534012001	shift drum 6G	1
7	0625068060	deep groove ball bearing 6806 C3	1
8	79234012020	magnet holder cpl.	1
9	79211023000	gear position sensor	1
10	0025050126	HH collar screw M5x12 TX30	2
11	0025060166S	HH collar screw M6x16 TX30 SL	1
12	63533022000	bearing retaining plate	1
13	63534005033	shift shaft cpl.	1
14	56534013100	TENSIONING SPRING 0,8MM	1
15	54634020000	SPRING GUIDE	1
16	61234014000	RETURNSPRING 2MM	1
17	54634050000	STOP DISK 14X30X1	1
18	54632095000	needle sleeve HK 1412 14x20x12	2
19	0760142460	radial shaft seal 14x24x6 B	1
20	0007025241	dowel pin DIN 7 A1 2.5m6x24	1
21	63534050000	magnet holder	1
22	63534050010	wave spring Smalley SSB-0075-S17	1
23	0988142005	Thrust washer DIN 988 14x20x0.5	1
24	0471140100	retaining ring DIN 471 14x1	1
25	6413403000033	Pull Rod	1
26	50233041500	PAIR NORDLOCK WASHER M6	1
27	63534051000	Shift assistant sensor	1
28	0025050166S	SK-Bundschrabe M5x16 ISA30 SS	2
29	63534024000	detent arm cpl.	1
30	63534052000	step washer	1
31	63534023000	Detent arm spring	1
32	63534002000	shift fork, gear 5-6	1
33	63534001000	shift fork, gear 1-4	2
34	75034019100	shift fork shaft	2
35	0402080200	needle roller D8x20	3
36	64134036044	shifter rod cpl.	1
37	0738060161S	Rnd. hd. scr. TX M6x16 S	1
38	0738060165S	Rnd. hd. scr. TX M6x16 A2-70 S	1

49614

* NEW PART

X ON DEMAND



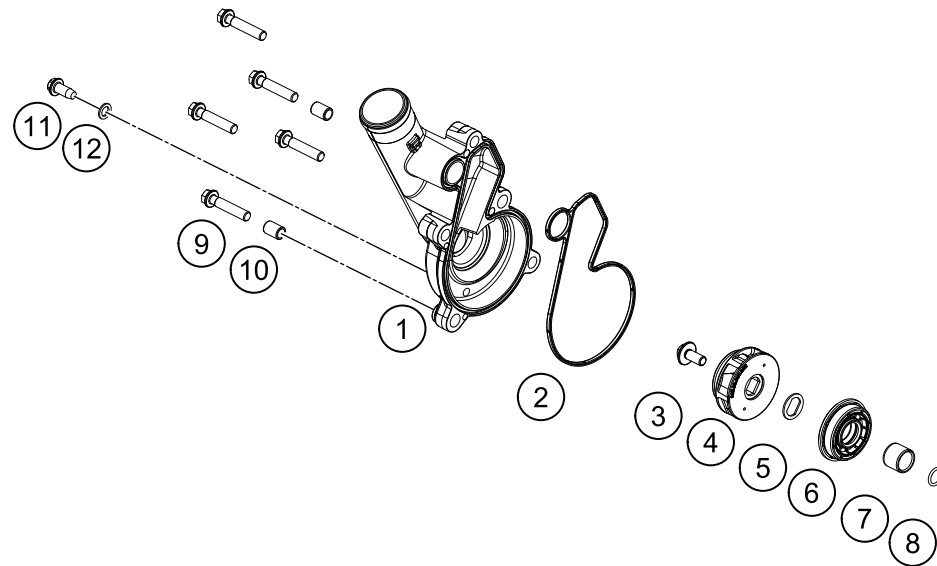
POS	PARTNUMBER	PARTNAME	PIECE
39	0019080306S	COUNTER-SUNK SCREW ISA45 M8X30	1
40	64134031020	Special washer D=23x5	1
41	6413403104433	Gear shift lever cmpl. black	1
42	61034035000	RUBBER FOR SHIFT LEVER 05	1
43	69034032100	GEAR LEVER	1
44	0912060453	AH SCREW DIN0912-M 6X45	1
45	0625006087	GROOVED BALL BEAR. 608 2RS C3	2

186353410

49614

* NEW PART

X ON DEMAND



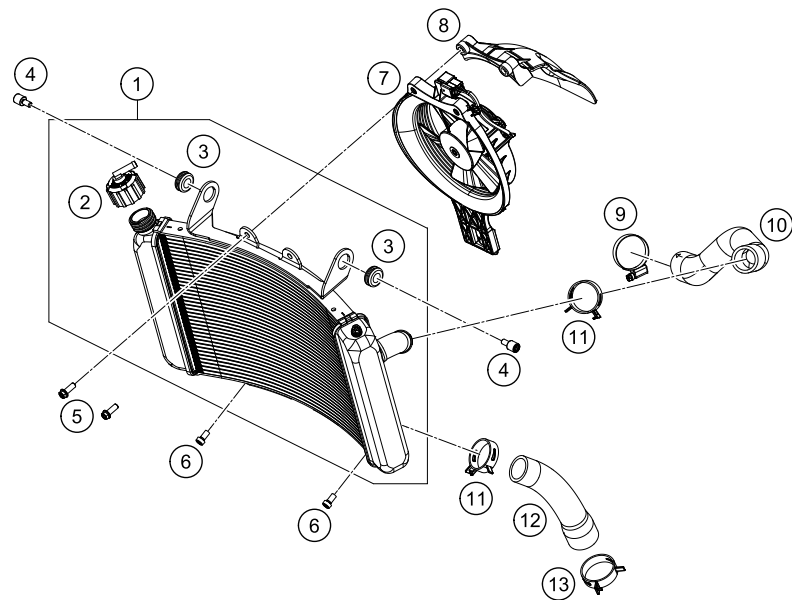
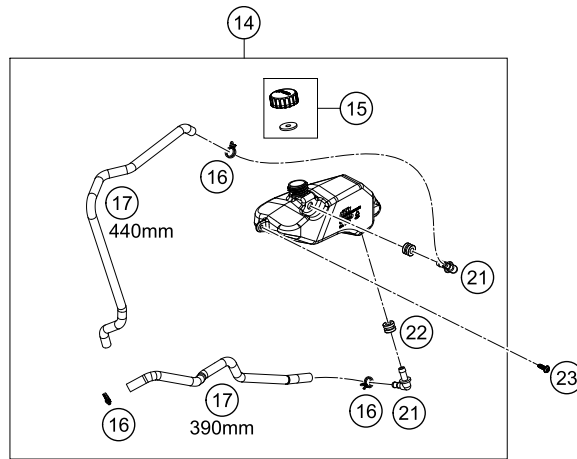
POS	PARTNUMBER	PARTNAME	PIECE
1	6353505200041	water pump cover	1
2	63535053000	water pump cover gasket	1
3	0024060136	HH collar screw M6x13 TX30	1
4	63535055000	water pump wheel cpl.	1
5	60035055150	double-d washer 16x1 SST	1
6	0760153459	radial shaft seal 34.5x15x9 Duo	1
7	77236072020	water pump wear bushing	1
8	07700900151	O-RING 9x1,5 V80 SH	1
9	0025060306	HH collar screw M6x30 TX30	5
10	59030023000	dowel sleeve 6x8x11.5	2
11	60335061000	Ejot Altracs Plus 60x14	1
12	0603061001	CU-SEAL RING DIN7603-6X10X1	1

186353510

49615

* NEW PART

X ON DEMAND



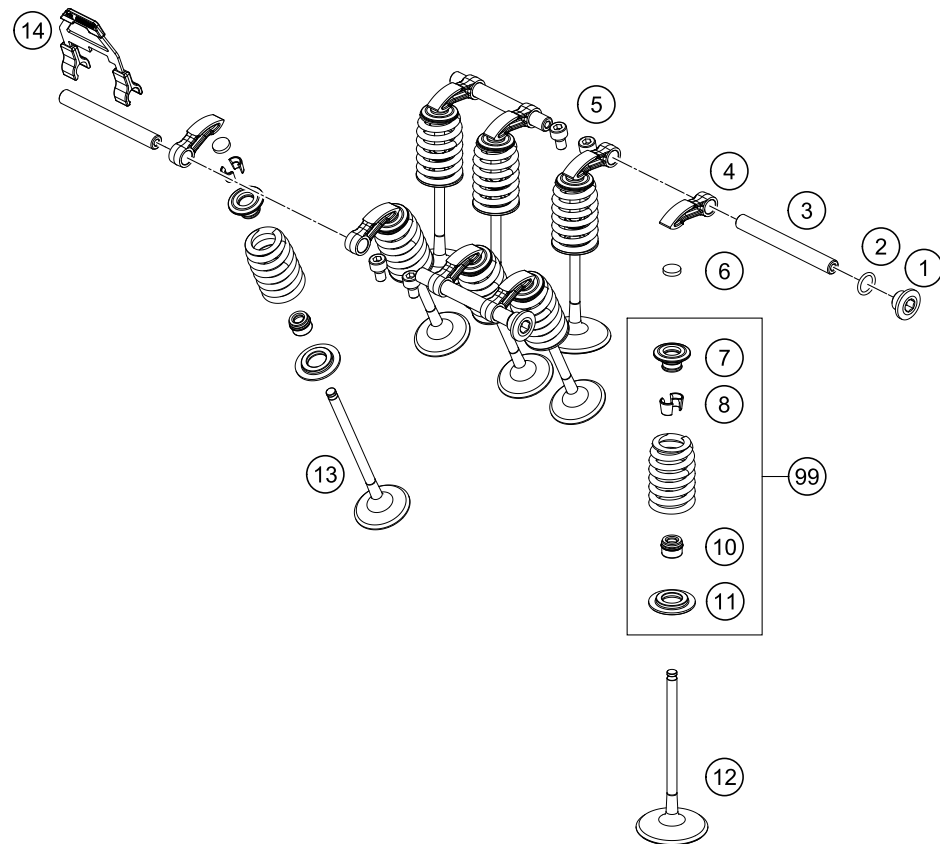
POS	PARTNUMBER	PARTNAME	PIECE
1	64135010000	KÜHLER 15711 E	1
2	62535009000	RADIATOR CAP 1,4 BAR	1
3	41001052000	RUBBER SLEEVE D=12MM	2
4	69035001000	STUD BOLT M6 11X11 ISA45	2
5	0025060166	HH collar screw M6x16 TX30	2
6	014580060126	SHCS ISO 14580 M6x12	2
7	64135044033	Fan cover cpl.	1
8	64135042000	LUFTABWEISER	1
9	10001120000	CLAMP 25-40 SGT 4	1
10	64135027000	molded hose radiator	1
11	00049320121	CLAMP STD DN32	2
12	64135026000	Molded hose radiator	1
13	00049380121	Spring band clamp STD DN38	1
14	64135065000	compensating reservoir	1
15	60335066044	Latch, compens. tank cpl.	1
16	58007117000	YDNAC-CLAMP 10107 10MM	3
17	60035067001	HOSE 6X10 EPDM 03	x
21	60035068000	ANGLE CONNECTION EXPANS. TANK	2
22	60035069000	RUBBER GROMMET 6X9X13MM 04	2
23	0081040121	EJOT Delta PT K40x12	1

186353530

49633

* NEW PART

X ON DEMAND



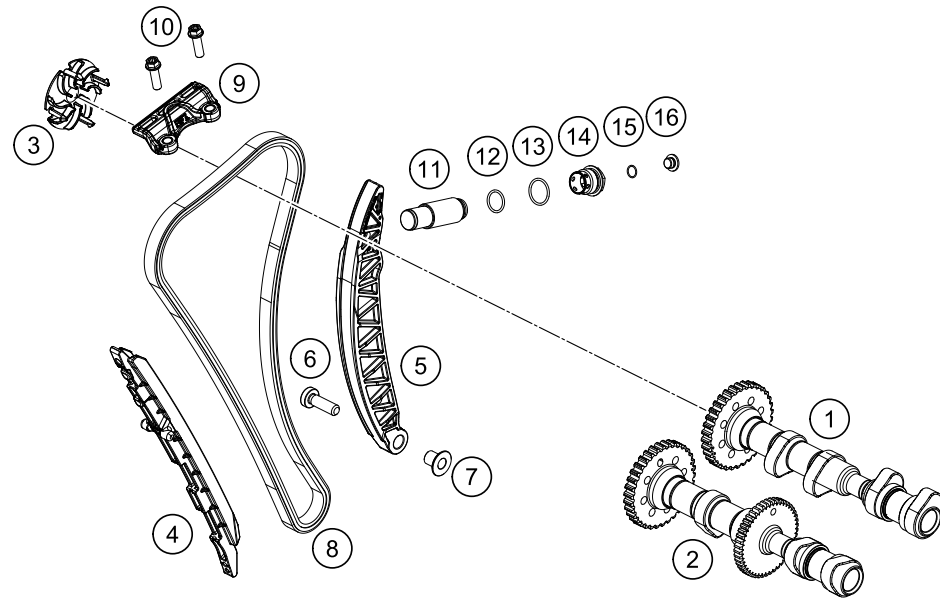
POS	PARTNUMBER	PARTNAME	PIECE
1	77236080100	threaded plug	2
2	07700900151	O-RING 9x1,5 V80 SH	2
3	63536056000	cam follower shaft	4
4	90136060000	cam follower	8
5	0912050083	SHCS DIN 912 M5x8	4
6	77036035172	SHIM D=8,9/1,72	x
6	77036035176	SHIM D=8,9/1,76	x
6	77036035180	SHIM D=8,9/1,80	x
6	77036035184	SHIM D=8,9/1,84	x
6	77036035188	SHIM D=8,9/1,88	x
6	77036035192	SHIM D=8,9/1,92	x
6	77036035196	SHIM D=8,9/1,96	x
6	77036035200	SHIM D=8,9/2,00	x
6	77036035204	SHIM D=8,9/2,04	x
6	77036035208	SHIM D=8,9/2,08	x
6	77036035212	SHIM D=8,9/2,12	x
6	77036035216	SHIM D=8,9/2,16	x
6	77036035220	SHIM D=8,9/2,20	x
6	77036035224	SHIM D=8,9/2,24	x
6	77036035228	SHIM D=8,9/2,28	x
6	77036035232	SHIM D=8,9/2,32	x
6	77036035236	SHIM D=8,9/2,36	x
6	77036035240	SHIM D=8,9/2,40	x
6	77036035244	SHIM D=8,9/2,44	x
6	77036035248	SHIM D=8,9/2,48	x
6	77036035252	SHIM D=8,9/2,52	x
6	77036035256	SHIM D=8,9/2,56	x
6	77036035260	SHIM D=8,9/2,60	x
7	77036033000	valve collet	16
8	63536032100	valve spring retainer	8
10	90236027000	valve stem seal	8
11	63536036000	Seat valve spring	8
12	63536030000	Intake valve	4
13	63536031000	exhaust valve	4
14	63536056050	cam follower clip	1
99	63536028044	Valve spring kit	x

186353610

49616

* NEW PART

X ON DEMAND



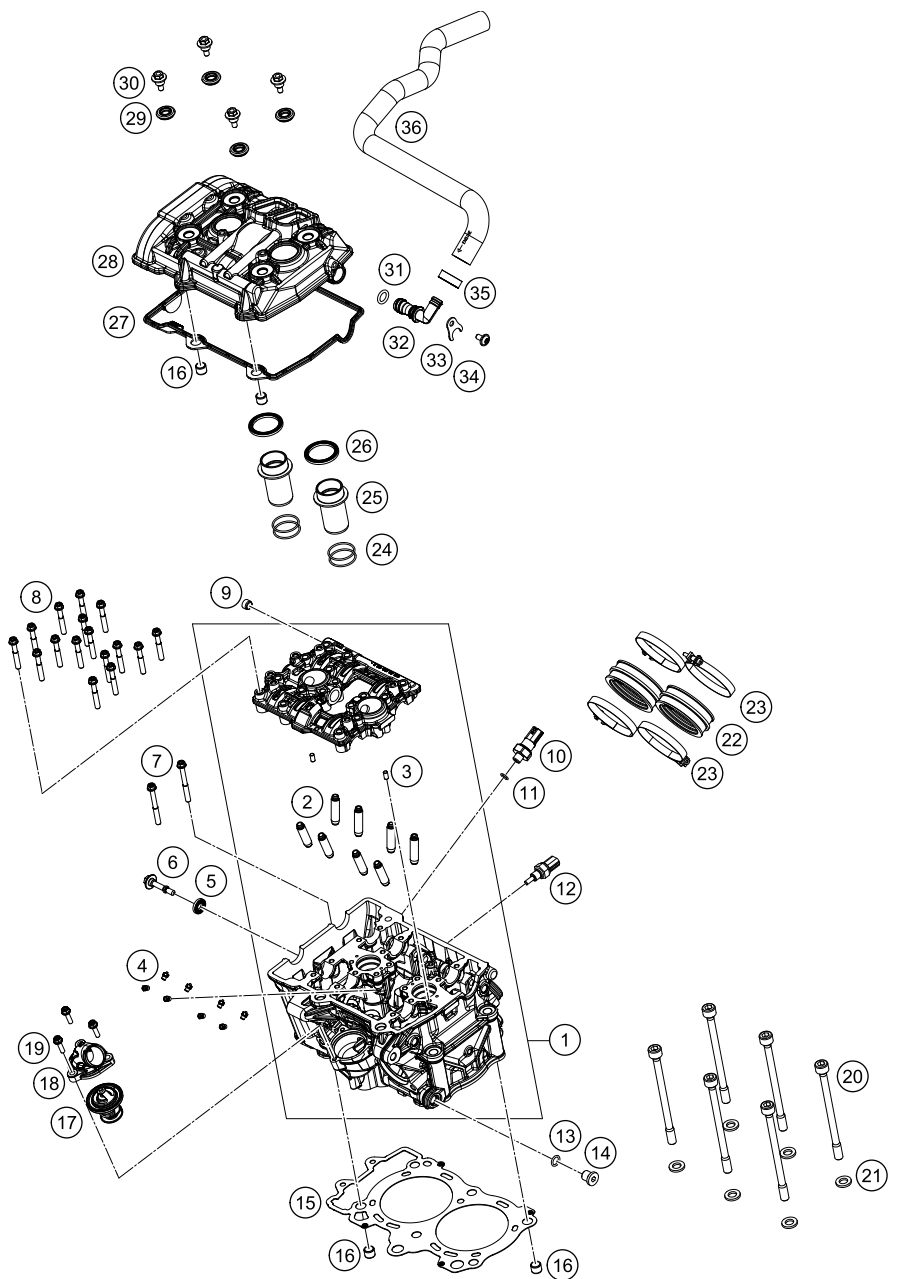
POS	PARTNUMBER	PARTNAME	PIECE
1	63536009044	intake camshaft	1
2	63536010044	exhaust camshaft	1
3	63536080000	bleeder centrifuge	1
4	63536001000	slide bars	1
5	63536002100	Tension Rail	1
6	0035080256S	ISA collar screw M8x25 ISA45	1
7	63536002150	Collar bush Ø8xØ10x13.2	1
8	63536013000	timing chain	1
9	63536005000	slide bars, top cpl.	1
10	0025060206S	HH collar screw M6x20 TX30	2
11	77036003100	chain tension adjuster	1
12	0770180020	o-ring 18.00x2.00 NBR70	1
13	0770220020	o-ring 22.00x2.00 NBR70	1
14	61236008200	chain tension adjuster plug cpl.	1
15	0770010010	o-ring 10.00x1.00 NBR70	1
16	77236080100	threaded plug	1

186353620

49617

* NEW PART

X ON DEMAND



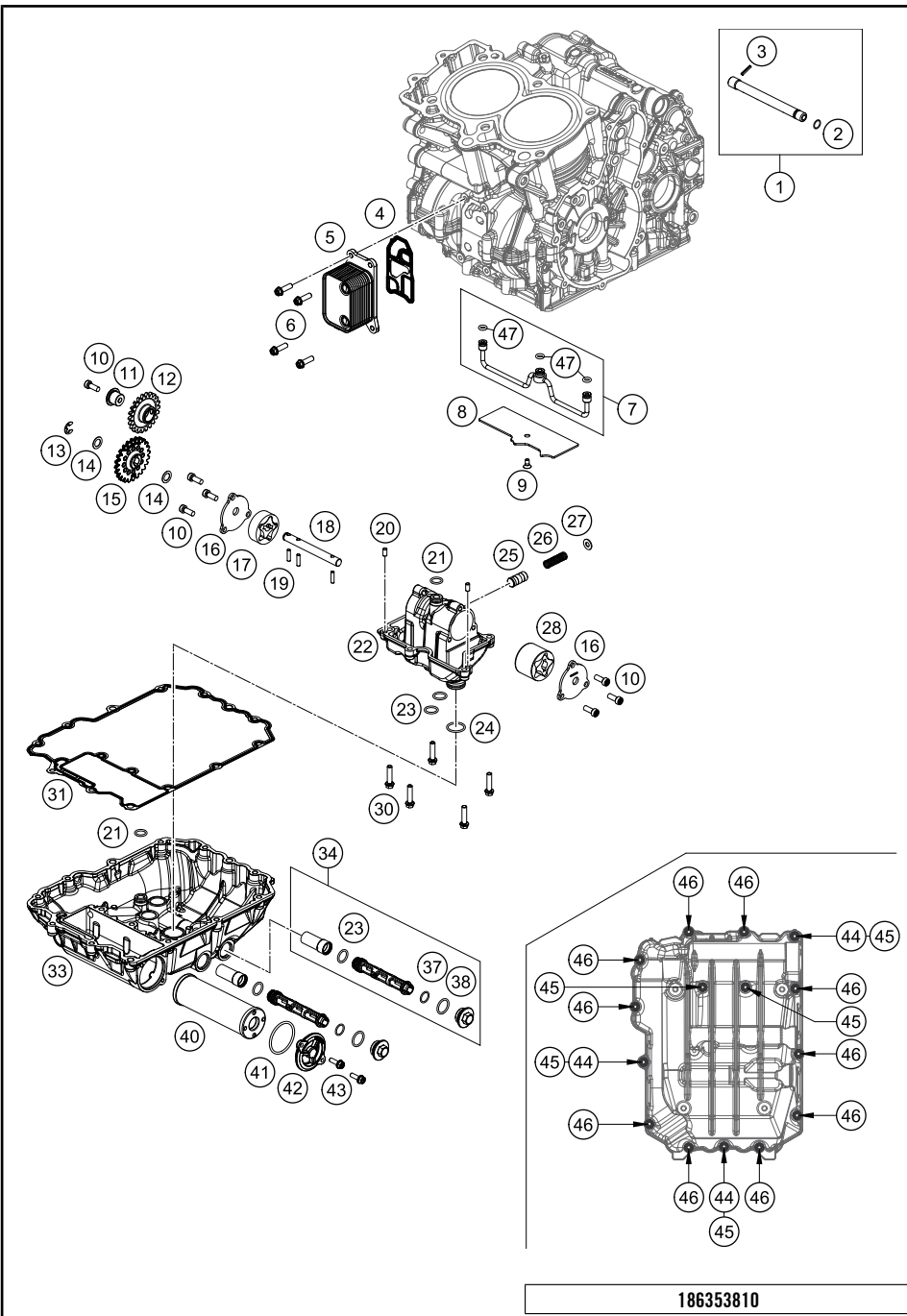
186353630

POS	PARTNUMBER	PARTNAME	PIECE
1	6353602000024	cylinder head cpl.	1
2	90236025000	VALVE GUIDE	8
3	0402050980	needle roller DIN 5402 5x9.8	2
4	60030063050	oil jet 50 M5	8
5	75036052010	decoupling element	1
6	75036055000	valve mechanism cover screw	1
7	0025060556	HH collar screw M6x55 TX30	2
8	0025060406	HH collar screw M6x40 TX30	16
9	0906100100	pipe plug DIN 906 M10x1	1
10	61238091000	oil pressure switch "BITRON"	1
11	0770080015	O-RING 8,00X1,5 NBR 70	1
12	79435047000	water temperature sensor	1
13	0770100020	o-ring 10.00x2.00 silicone	1
14	0908120153	threaded plug DIN 908 M12x1.5	1
15	63530036200	Cylinder head gasket	1
16	58530014100	dowl sleeve 10.2x12.5x10	2
17	63535017000	thermostat	1
18	63535019000	water connection	1
19	0025050206	HH collar screw M5x20 TX30	3
20	78630044000	cylinder head bolt M10x1.25 L=138	6
21	77336089010	washer 19x10.5x2.5	6
22	63536044000	carburetor connection boot	2
23	61236048000	hose clamp Gemi 66	4
24	0770298178	O-RING 29,87X1,78 VITON	4
25	63536075000	spark plug shaft insert	2
26	61136075050	spark plug shaft gasket	2
27	63536053000	valve mechanism cover gasket	1
28	6353605200033	valve cover	1
29	77036054150	RUBBER GASKET FOR SCREW	4
30	77336054150	VALVE COVER SCREW	4
31	0770012030	O-RING 12,00X3,0 VITON 75	1
32	63536081000	bleeder connector	1
33	61236082150	connecting angle retaining plate	1
34	0080060123	EJOT ALtracs 60x12 TX30	1
35	00050198706	VARIABLE ONE-EAR CLAMP 19,8MM	1
36	64130087000	MOTORENTLÜFTUNGSSCHLAUCH	1

49796

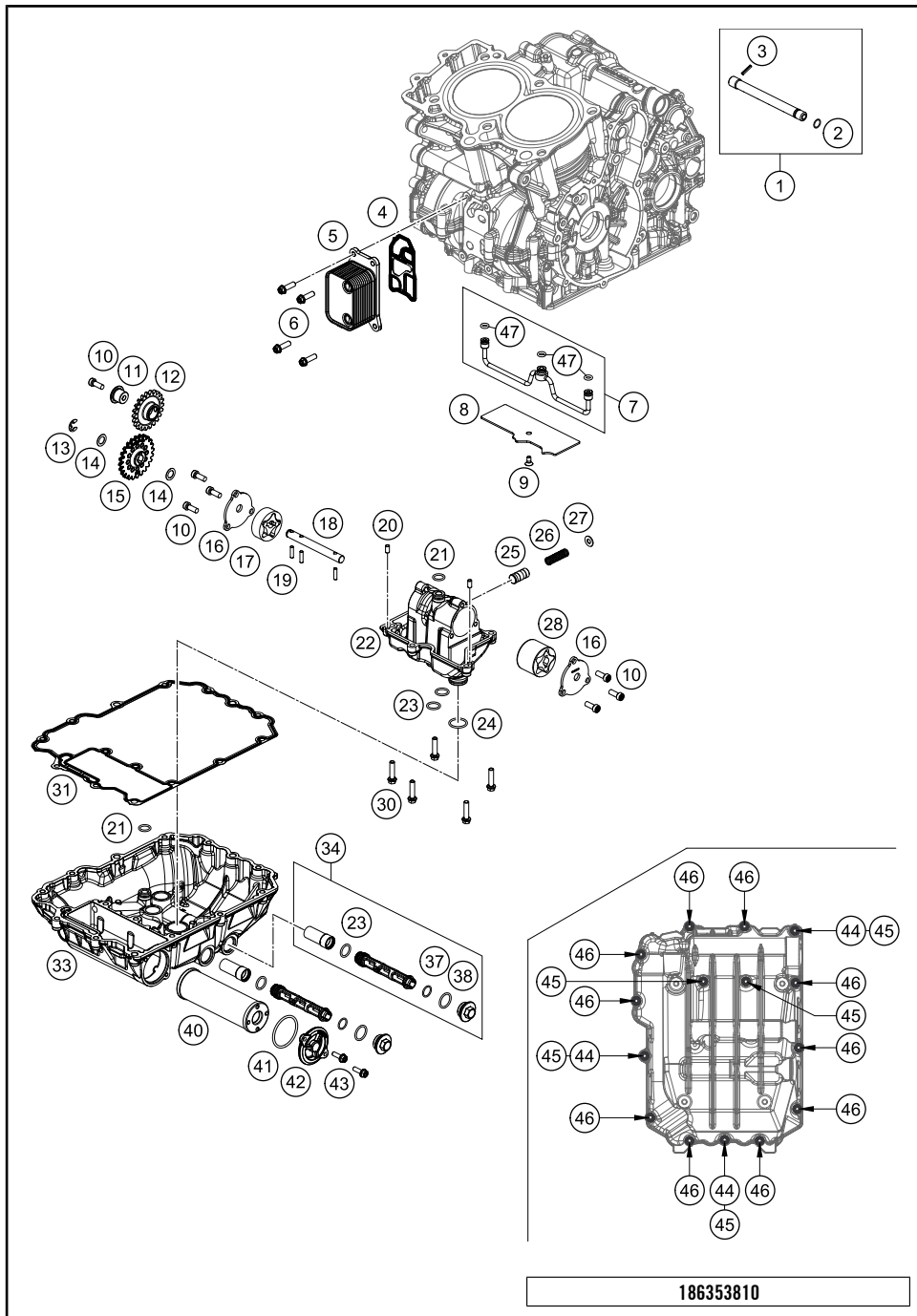
* NEW PART

X ON DEMAND



POS	PARTNUMBER	PARTNAME	PIECE
1	63530065000	gearbox lubrication pipe cpl.	1
2	0770010010	o-ring 10.00x1.00 NBR70	1
3	0471030160	KEGELKERBSTIFT DIN 1471	1
4	63538051000	gasket with support sheet	1
5	63538050000	oil-water-heater exchanger	1
6	0025060206	HH collar screw M6x20 TX30	4
7	63538035000	oil line	1
8	63530086010	pressure plate	1
9	0019050106S	hex lobe countersunc screw M5x10 - 10.9	1
10	014580060166S	SHCS ISO 14580 M6x16 SL	7
11	63538003000	pivot pin	1
12	63538001022	oil pump idler wheel 22 teeth cpl.	1
13	0799080000	retaining washer DIN 6799 - 8	1
14	60038007010	washer 10x16x0.5	1
15	60038001224	oil pump gear 24 teeth	1
16	63538008050	oil pump cover	2
17	60038011100	eaton pump set 14mm	1
18	63538002000	oil pump shaft	1
19	0402041580	needle roller NRB 4x15.8 G2	3
20	0402050980	needle roller DIN 5402 5x9.8	2
21	0770120020	O-RING 12,00X2,00 NBR 70	2
22	63538012000	oil pump casing	1
23	0770140200	O-RING 14,00X2,00	4
24	0770020020	O-RING 20X2 VITON	1
25	60038128000	control piston	1
26	63538026000	oil pressure spring	1
27	50337073000	shim	1
28	61238010100	eaton pump set 30mm	1
30	0025060256	HH collar screw M6x25 TX30	5
31	63530086000	oil pan gasket	1
33	6353008500024	oil pan	1
34	61238021100	oil screen cpl.	2
37	0770125015	O-RING 12,5X1,5 NBR	2
38	0770170200	O-RING 17,00X2,00	2
40	61338015200	OIL FILTER	1
41	07700390261	O-RING 39,34X2,62	1
42	75038041200	oil filter cover	1
43	0025050166	HH collar screw M5x16 TX30	2

* NEW PART X ON DEMAND

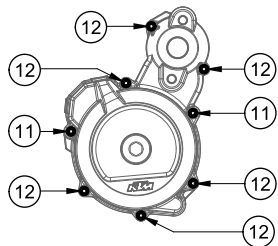
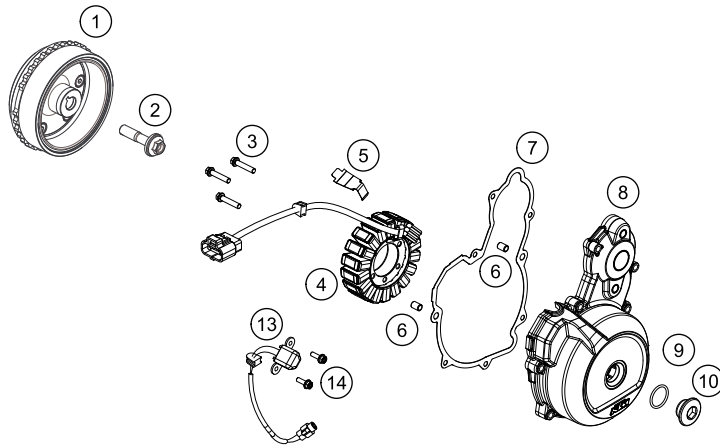
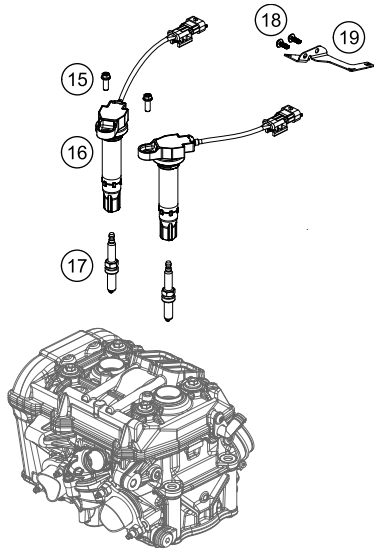


POS	PARTNUMBER	PARTNAME	PIECE
44	59030023000	dowel sleeve 6x8x11.5	3
45	0025060356	HH collar screw M6x35 TX30	5
46	0025060306	HH collar screw M6x30 TX30	10
47	0770060025	O-RING 6X2.5	3

186353810

49623

* NEW PART X ON DEMAND



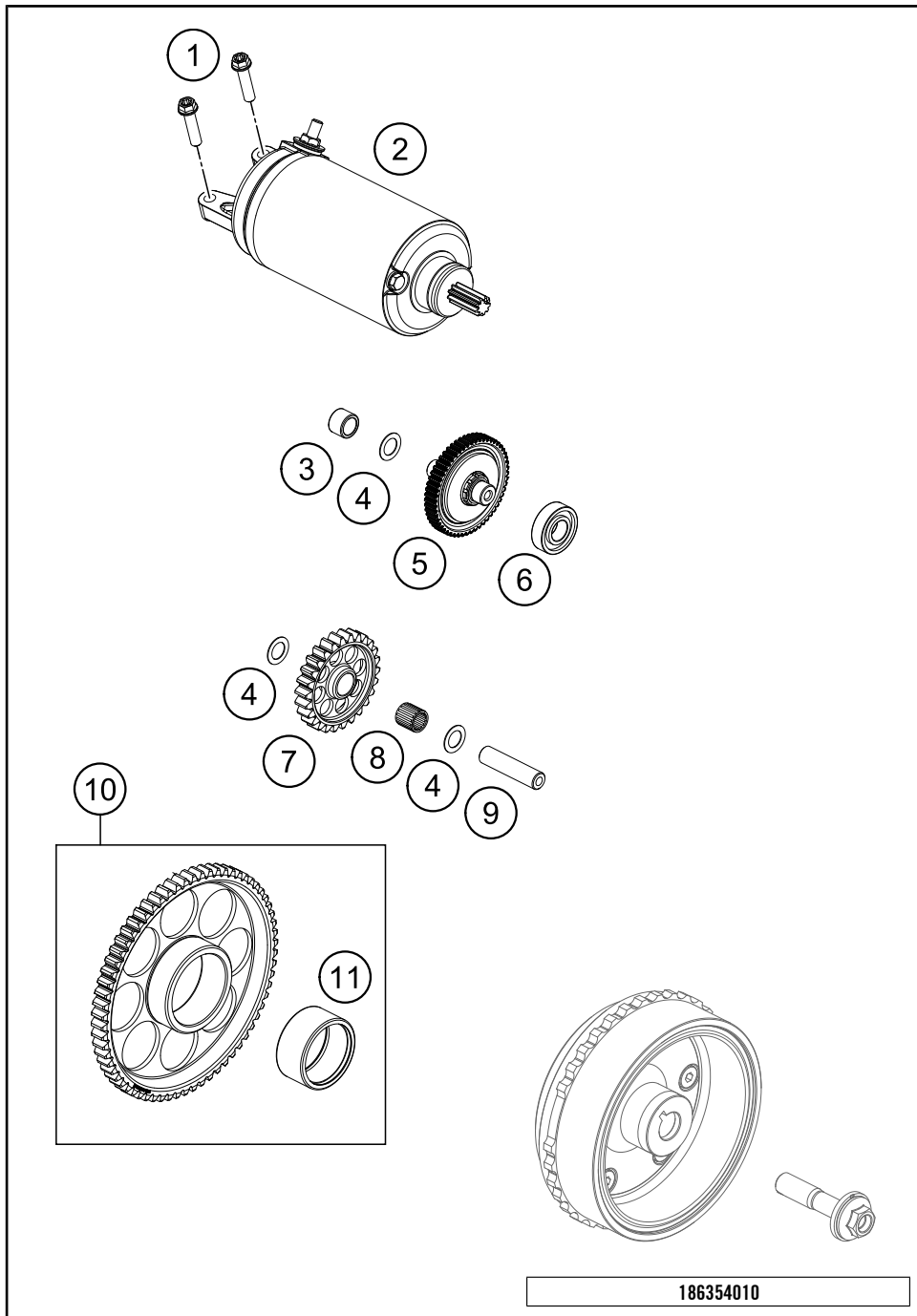
POS	PARTNUMBER	PARTNAME	PIECE
1	63539005000	rotor cpl.	1
2	60339003000	special screw M12x1.5 WS15	1
3	0025060306S	HH collar screw M6x30 TX30	3
4	63539004000	stator	1
5	60039040020	generator line bracket	1
6	59030023000	dowel sleeve 6x8x11.5	2
7	63530040000	ignition cover gasket	1
8	6353000200041	ignition cover	1
9	07700240251	o-ring 24.00x2.50 Viton	1
10	6003009400030	threaded plug M24x1.5 PA 6.6	1
11	0025060356	HH collar screw M6x35 TX30	2
12	0025060306	HH collar screw M6x30 TX30	6
13	59039034000	pulse generator KOKUSAN 4K3-A/B	1
14	0025050166S	SK-Bundschrabe M5x16 ISA30 SS	2
15	0025060166	HH collar screw M6x16 TX30	2
16	63539006000	stick coil	2
17	77839093000	spark plug NGK LMAR9AI-10	2
18	0081050141	EJOT PT screw K50x14	2
19	64111038000	Retaining bracket stick coil connector	1

186353910

49626

* NEW PART

X ON DEMAND

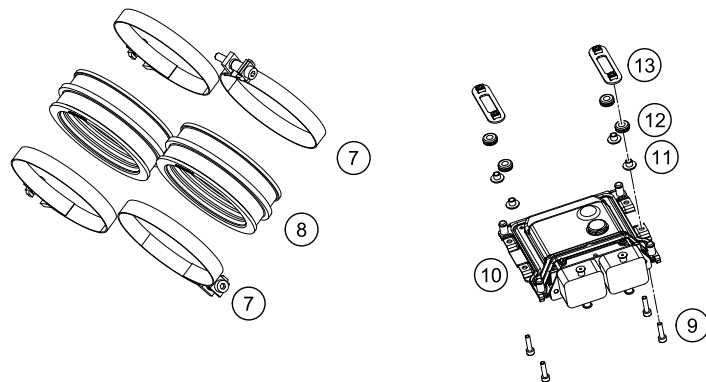
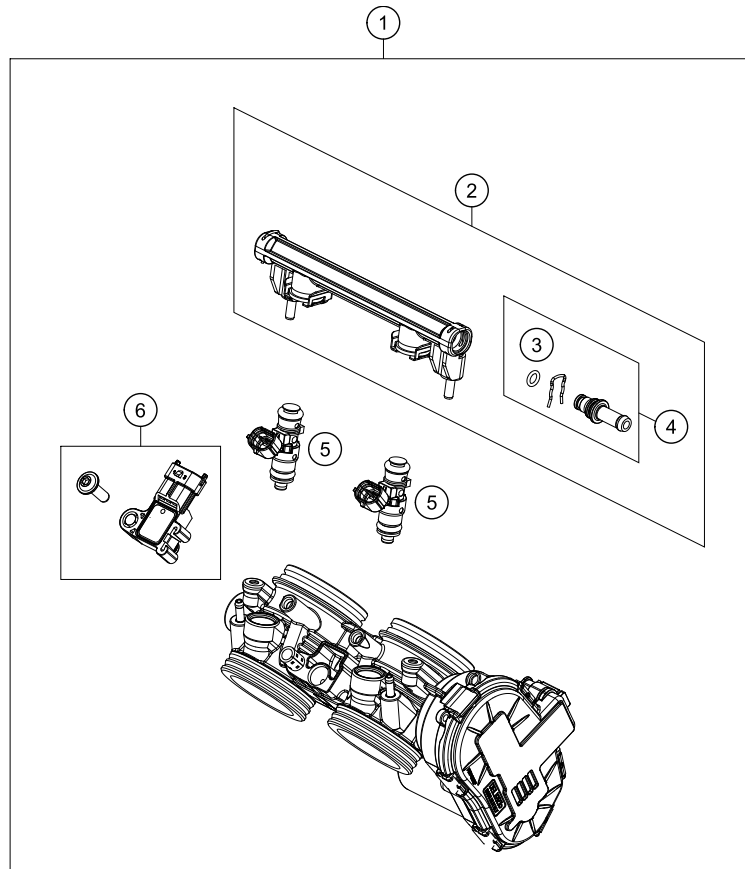


POS	PARTNUMBER	PARTNAME	PIECE
1	0025060256	HH collar screw M6x25 TX30	2
2	63540001000	starter	1
3	0618101410	needle sleeve HK 1010 10x14x10	1
4	60038007010	washer 10x16x0.5	3
5	60340117100	torque limiter 10/55 cpl.	1
6	0625060016	deep groove ball bearing 6001.2RSR C3	1
7	63540022000	idler 26 teeth	1
8	58440090000	needle roller and cage K 10x13x13 TN	1
9	63540029000	pivot pin	1
10	63540020000	freewheel gear cpl.	1
11	0618354220	NEEDLE BUSH HK3520 35/42/20	1

186354010

49629

* NEW PART X ON DEMAND



POS	PARTNUMBER	PARTNAME	PIECE
1	63541001000	throttle body	1
2	63541013050	Fuel pipe	1
3	63541013044	Fuel connector cmpl.	1
4	63541013010	Square and dust seal	1
5	90841123000	FUEL INJECTOR	2
6	63541085044	MAP sensor cmpl.	1
7	61236048000	hose clamp Gemi 66	4
8	63536044000	carburetor connection boot	2
9	0912040163S	AH screw DIN0912 M4x16 self-locking	4
10	63541031000	Control unit	1
11	64141030010	BUNDBUCHSE 4.5X6X12X8.5	4
12	64141030000	Rubber grommet control unit	4
13	64141029000	HALTEBLECH ECU KPL.	2

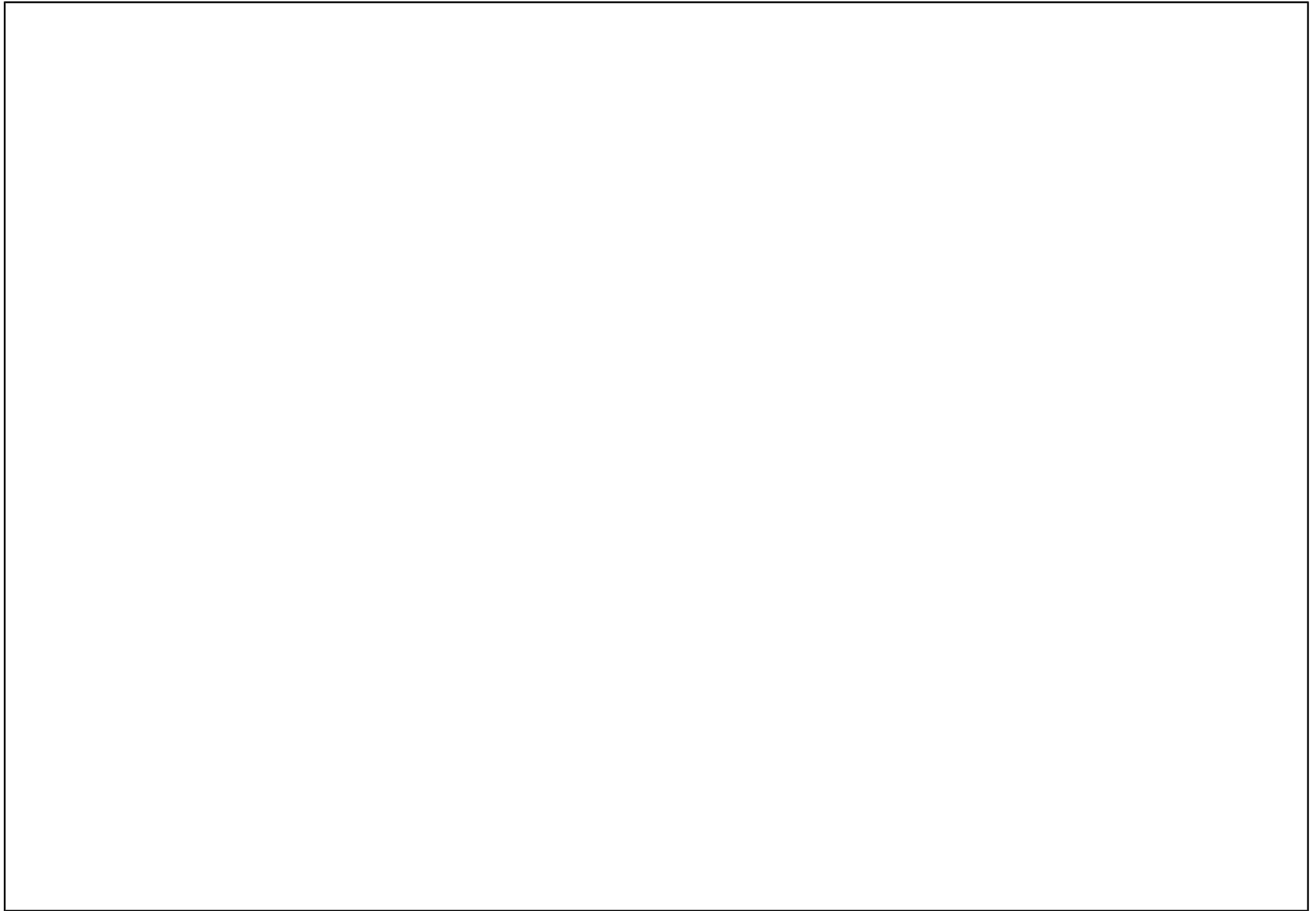
186354110

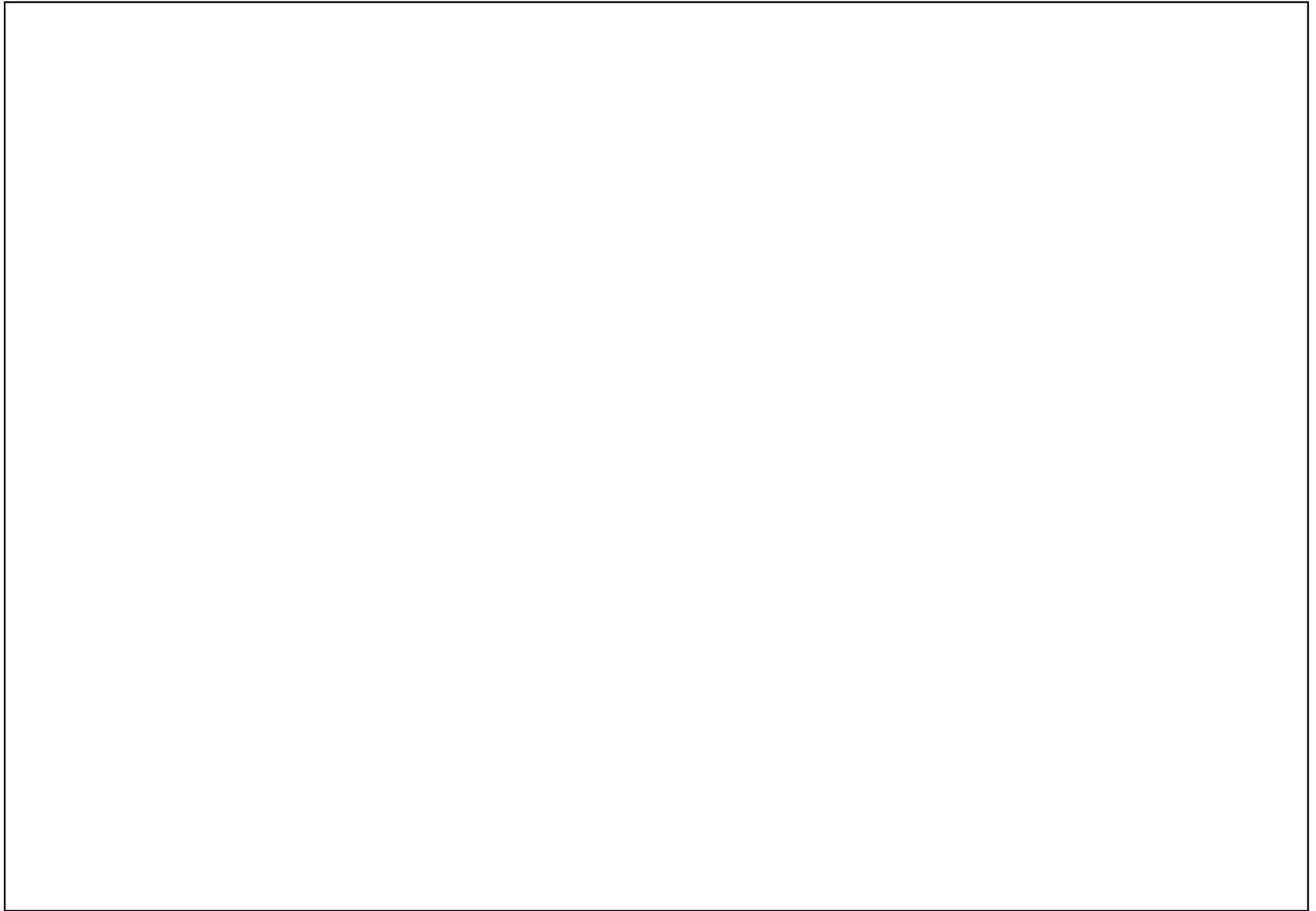
49637

* NEW PART

X ON DEMAND

A large, empty rectangular box with a thin black border, occupying the majority of the page. It is intended for the student to write their notes during the lecture.





WWW.KTM.COM



KTM Sportmotorcycle GmbH
5230 Mattighofen, Austria
www.ktm.com



KTM_POWERPARTS

KTM_POWERWEAR

KTM_ORIGINAL SPARE PARTS



088700REN

Art. Nr.: 088700REN 29. Jan 2018