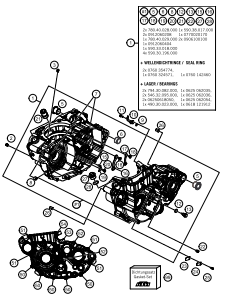
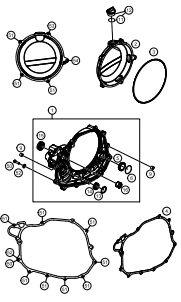
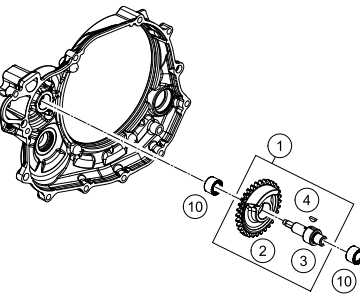
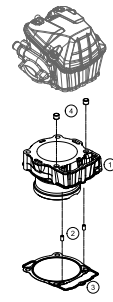
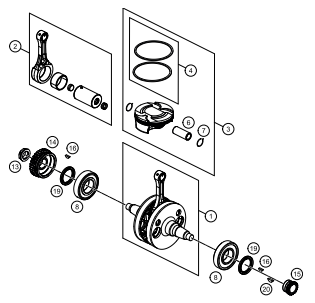
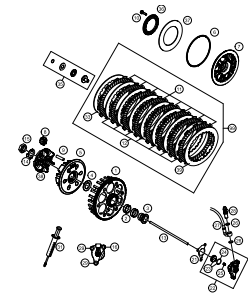
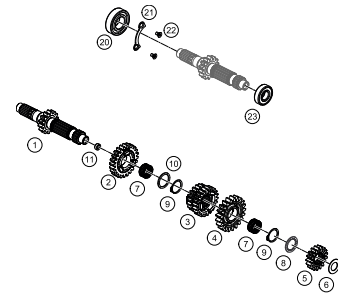
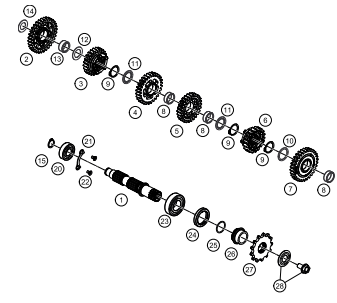
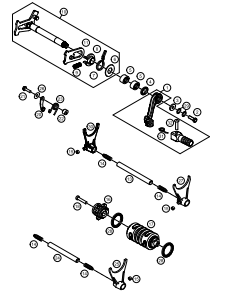
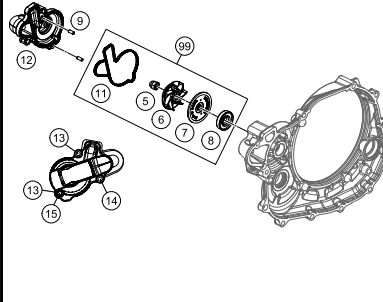
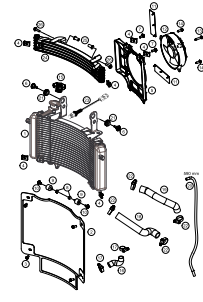
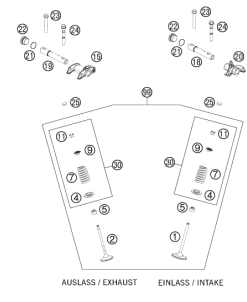
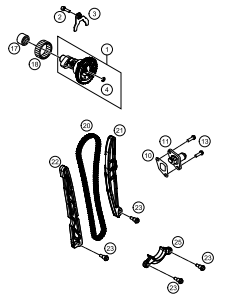
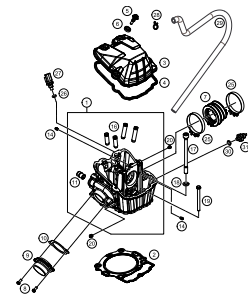
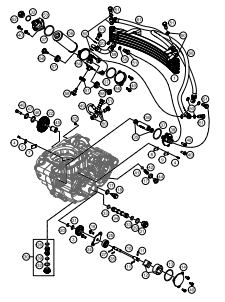
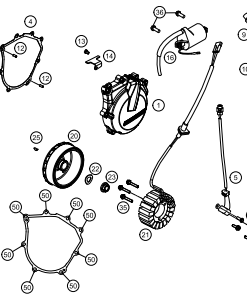
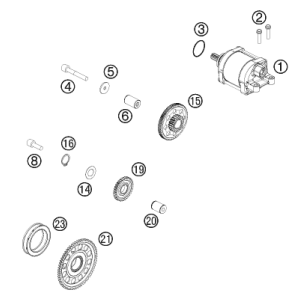
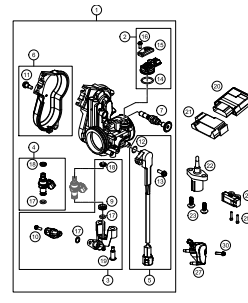


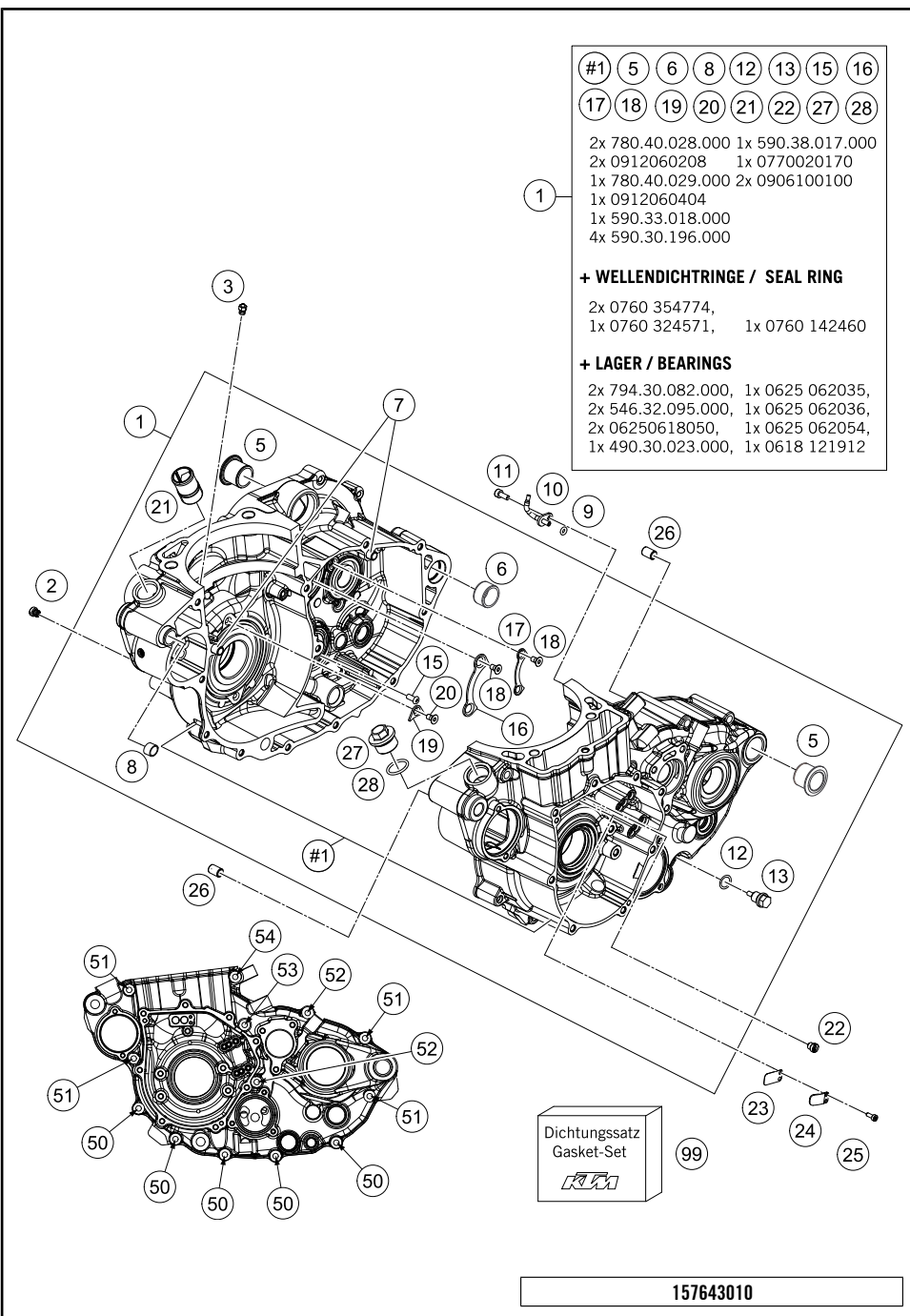
450 RALLY 2017

ART.-NR.: 3CM089280QEN



<p>ENGINE CASE</p>  <p>3</p>	<p>CLUTCH COVER</p>  <p>4</p>	<p>BALANCER SHAFT</p>  <p>5</p>	<p>CYLINDER</p>  <p>6</p>
<p>CRANKSHAFT, PISTON</p>  <p>7</p>	<p>CLUTCH</p>  <p>8</p>	<p>TRANSMISSION I - MAIN SHAFT</p>  <p>9</p>	<p>TRANSMISSION II - COUNTERSHAFT</p>  <p>10</p>
<p>SHIFTING MECHANISM</p>  <p>11</p>	<p>WATER PUMP</p>  <p>12</p>	<p>COOLING SYSTEM</p>  <p>13</p>	<p>VALVE DRIVE</p>  <p>14</p>

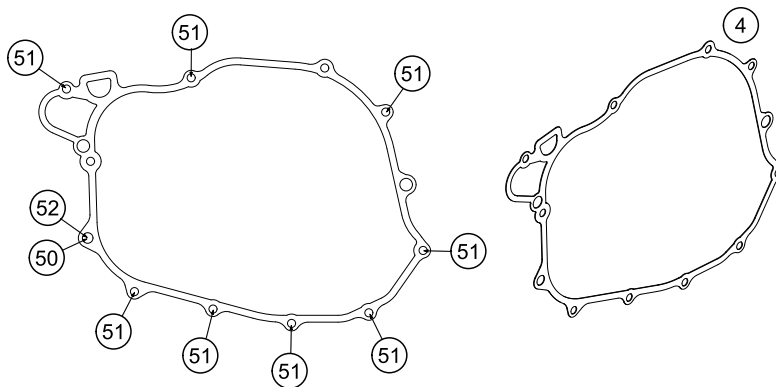
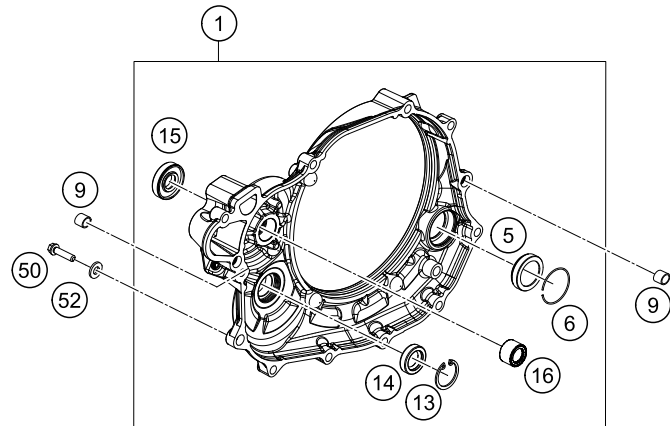
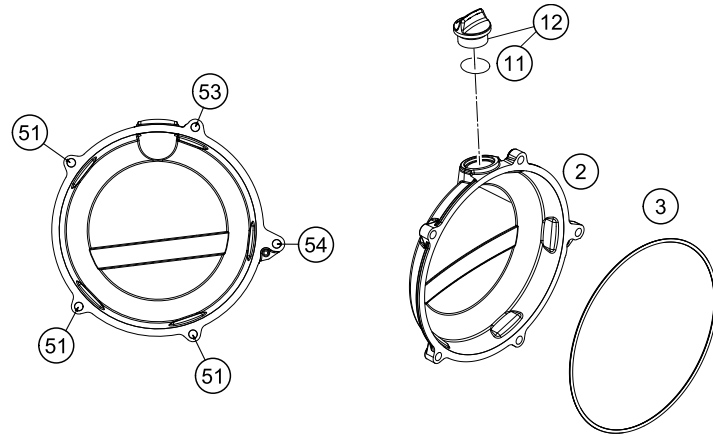
<p>TIMING DRIVE</p>  <p style="text-align: right;">16</p>	<p>CYLINDER HEAD</p>  <p style="text-align: right;">17</p>	<p>LUBRICATING SYSTEM</p>  <p style="text-align: right;">18</p>	<p>IGNITION SYSTEM</p>  <p style="text-align: right;">20</p>
<p>ELECTRIC STARTER</p>  <p style="text-align: right;">21</p>	<p>THROTTLE BODY</p>  <p style="text-align: right;">22</p>		
<div style="display: flex; align-items: center;"> <div style="background-color: #cccccc; width: 50px; height: 100px; display: flex; align-items: center; justify-content: center; margin-right: 20px;"> ! </div> <div> <p>All information contained is without obligation. KTM Sportmotorcycle GmbH particularly reserves the right to modify any equipment, technical specifications, prices, colors, shapes, materials, services, service work, constructions, equipment and the like so as to adapt them to local conditions or to cancel any of the above items, all without previous announcement and without giving reasons. KTM may stop manufacturing certain models without previous notice. KTM shall not be held liable for any deviations of availability and/or ability to deliver, illustrations, descriptions, printing and/or other errors. The illustrated models partly contain extra equipment, which is not applied to standard models.</p> <p>© by KTM Sportmotorcycle GmbH, Mattighofen AUSTRIA; All rights reserved; Reprint, also in extracts, with written allowance of KTM Sportmotorcycle GmbH, Mattighofen only.</p> </div> </div>			



POS	PARTNUMBER	PARTNAME	PIECE
1	7643000033	ENGINE CASE CPL.	1
2	57031523145	MAIN JET 145	1
3	60030063190	OIL JET 90 M5	1
5	75030010100	CASE BUSH	2
6	54830027000	DOWEL 21X12 03	1
7	59030023000	DOWEL 6X8X11,5	2
8	51030026100	DOWEL 17 X 13 X 12	1
9	0770035020	O-RING 3,5X2,00 NBR	1
10	81230064000	OIL JET ANGLED 70	1
11	0912040103	AH.SCREW DIN0912-M 4X10	1
12	58038022000	CU-SEAL RING DIN7603-12X18X1,5	1
13	58030021000	OILDRAIN PLUG W.MAG. M 12X1,5	1
15	0018050103	INT. TORX OVAL HEAD M 5X10 8.8	1
16	78033032000	TAB WASHER BEARING MAIN SHAFT	1
17	78033132000	TAB WASHER BEARING COUNT.SHAFT	1
18	0019050121S	INT. TORX FLAT HEAD M5X12 T25	4
19	75030085000	RETAINING PLATE F. CS BEARING	4
20	0019050106S	INT. TORX FLAT HEAD M5X10 10.9	4
21	58030010200	SCREW IN NOZZLE M20X1,5	1
22	59030054000	JET 60 DELLORTO M6X0,75	1
23	81205027003	MEMBRAN CRANKCASE	1
24	81205027004	TAB WASHER MEMBRAN CSC	1
25	0458030080	CYLIND.SCREW M3X8 ISO 14580 SS	2
26	59030023000	DOWEL 6X8X11,5	2
27	59038017100	PLUG M20X1,5 WS=13	1
28	0770017025	O-RING 17X2,5	1
50	0025060406	HH COLLAR SCREW M6X40 TX30	5
51	0025060606	HH COLLAR SCREW M6X60 TX30	4
52	0025060756	HH COLLAR SCREW M6X75 TX30	2
53	0025060806	HH COLLAR SCREW M6X80 TX30	1
54	0025060856	HH COLLAR SCREW M6X85 TX30	1
99	78130099000	GASKET SET 450/500 EXC 12	1

C157643010

* NEW PART X ON DEMAND



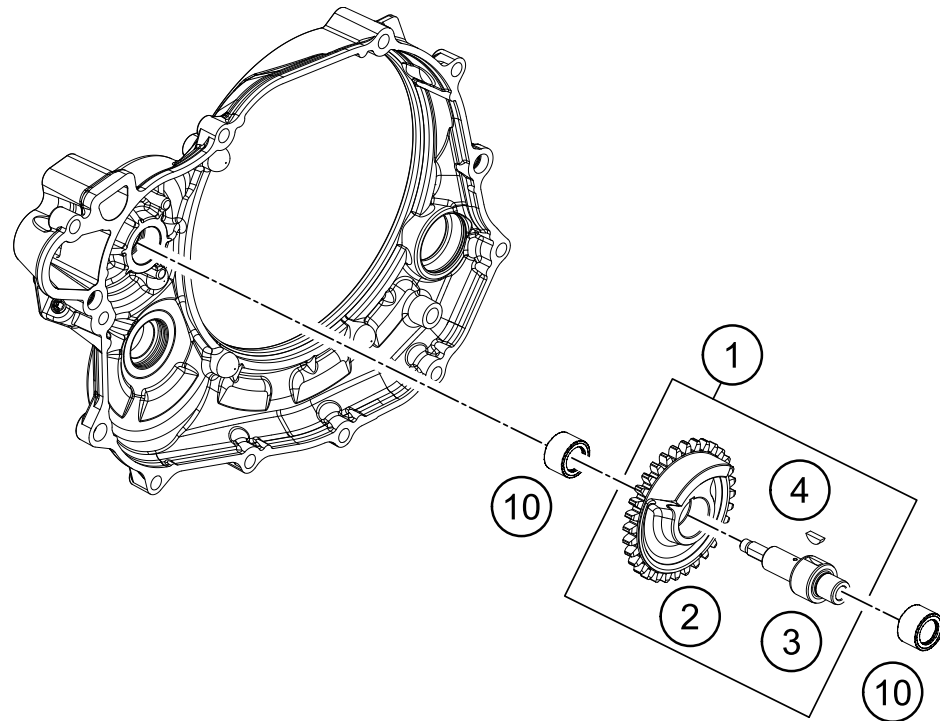
POS	PARTNUMBER	PARTNAME	PIECE
1	76430001044	CLUTCH COVER CPL.	1
2	7813002600015	CLUTCH COVER OUTSIDE	1
3	78130027000	GASKET - CLUTCH OUTER COVER	1
4	78130125000	CLUTCH COVER GASKET	1
5	78030095100	OIL LEVEL GLASS VITON	1
6	61030019050	CIRCLIP OIL LEVEL GLASS 03	1
9	49030090000	DOWEL 9,8 X 7 X 10	2
11	0770180020	O-RING 18,00X2,00 NBR 70	1
12	58030020100	PLUG CPL. M24X3	1
13	0472024120	CIRCLIP DIN0472-24X1.2	1
14	0760142460	SHAFT SEAL RING 14X24X6 B	1
15	0760123073	SHAFT SEAL RING 12X30X7 PTFE	1
16	0618121912	NEEDLE BUSH NK1212	1
50	78030080000	LOCATING SCREW	1
51	0025060256	HH COLLAR SCREW M6X25 TX30	11
52	58030081000	CU-SEAL RING 8 X 14 X 3	1
53	0025060556	HH COLLAR SCREW M6X55 TX30	1
54	0025060606	HH COLLAR SCREW M6X60 TX30	1

157643020

C157643020

* NEW PART

X ON DEMAND



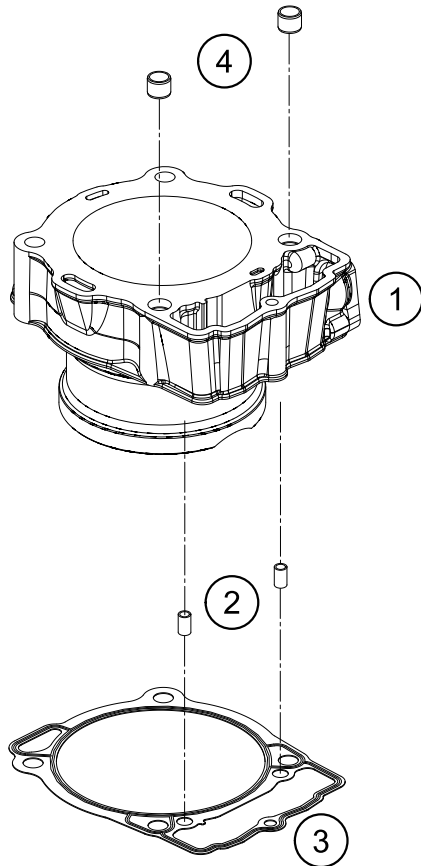
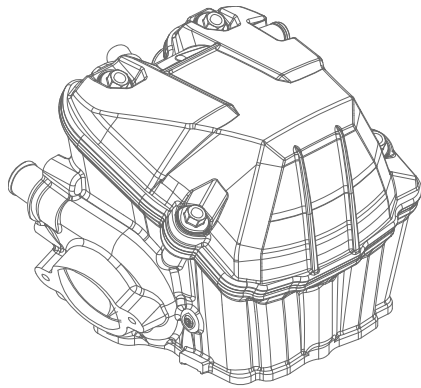
POS	PARTNUMBER	PARTNAME	PIECE
1	78130056100	BALANCE SHAFT	1
2	78130056132	BALANCE SHAFT GEAR	1
3	78130056101	BALANCE SHAFT	1
4	0888030037	WOODRUFF KEY DIN6888-3X3,7	1
10	0618121912	NEEDLE BUSH NK1212	2

137893031

C157643030

* NEW PART

X ON DEMAND



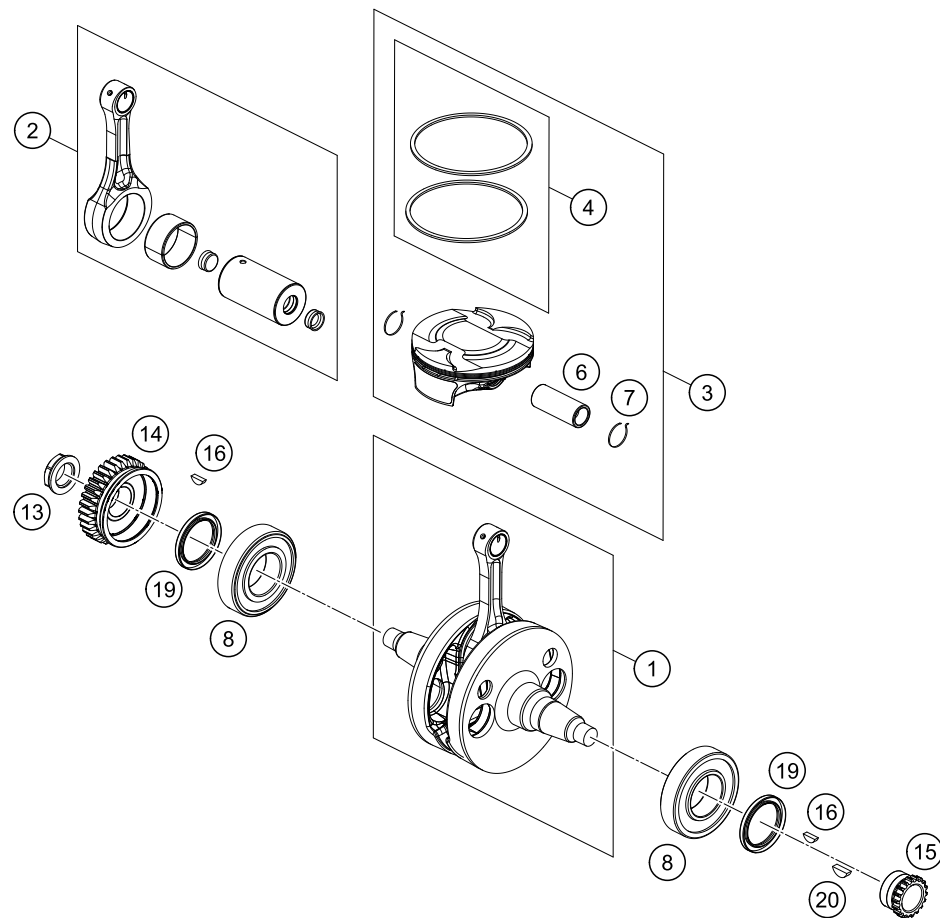
POS	PARTNUMBER	PARTNAME	PIECE
1	76430005000	CYLINDER DN95	1
2	59030023000	DOWEL 6X8X11,5	2
3	78030035000	CYLINDER BASE GASKET	1
4	58530014100	DOWEL BUSHING 10,2X12,5X10	2

157643040

C157643040

* NEW PART

X ON DEMAND

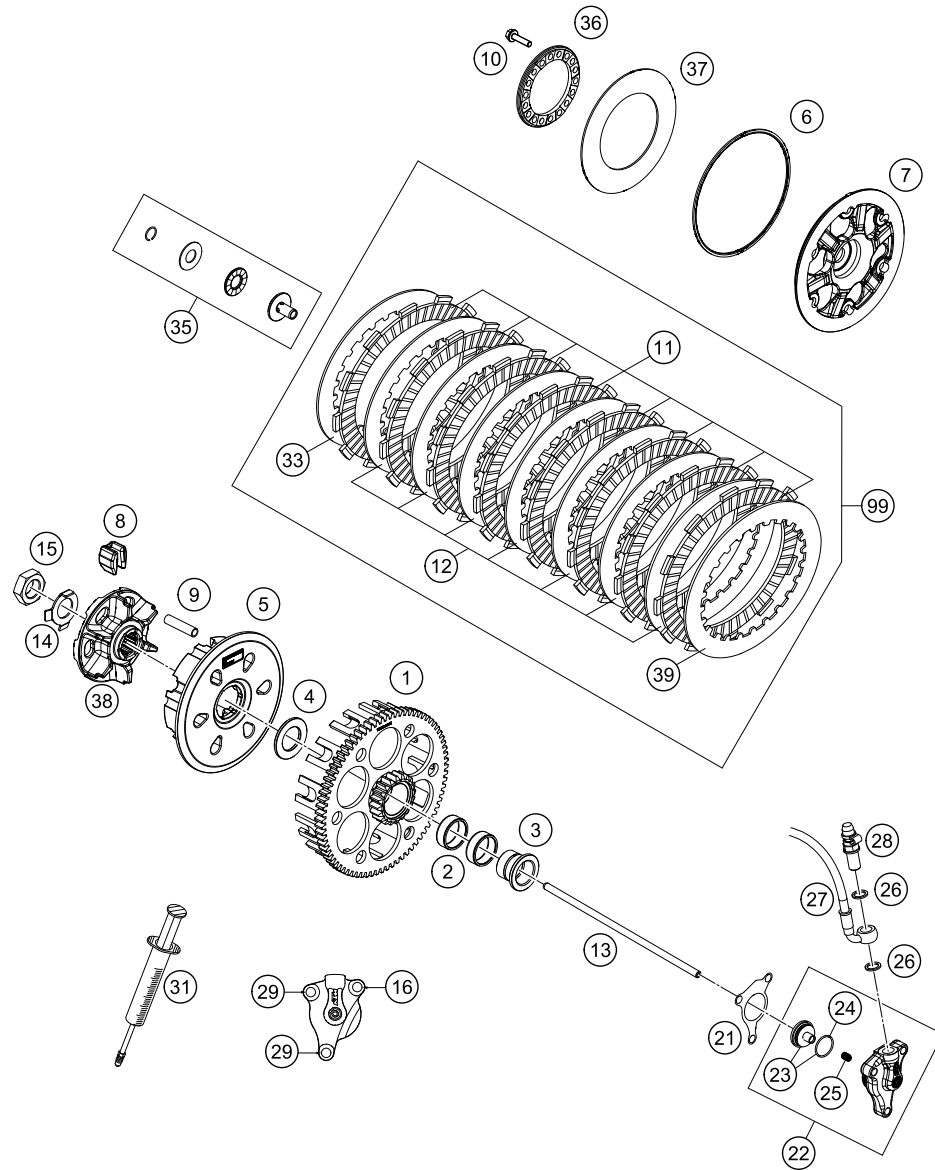


POS	PARTNUMBER	PARTNAME	PIECE
1	76430218000	CRANKSHAFT CPL.	1
2	76430015044	CON. ROD. REP. KIT	1
3	76430007000 I	PISTON I	1
4	76430031044	PISTON RING SET	1
6	76430033000	PISTON PIN	1
7	76430074000	RETAINING RING PISTON PIN	2
8	79430082000	CYLINDER ROLLER BEARING NJ207	2
13	78030029200	NUT PRIMARY WHEEL M20X1,5	1
14	78132000032	PRIMARY GEAR	1
15	78036014200	TIMING GEAR 18T.	1
16	0888030037	WOODRUFF KEY DIN6888-3X3,7	2
19	0760354774	SHAFT SEAL RING 35X47X7 VITON	2
20	0888030050	WOODRUFF KEY DIN6888-3X5X13	1

157643060

C157643060

* NEW PART X ON DEMAND



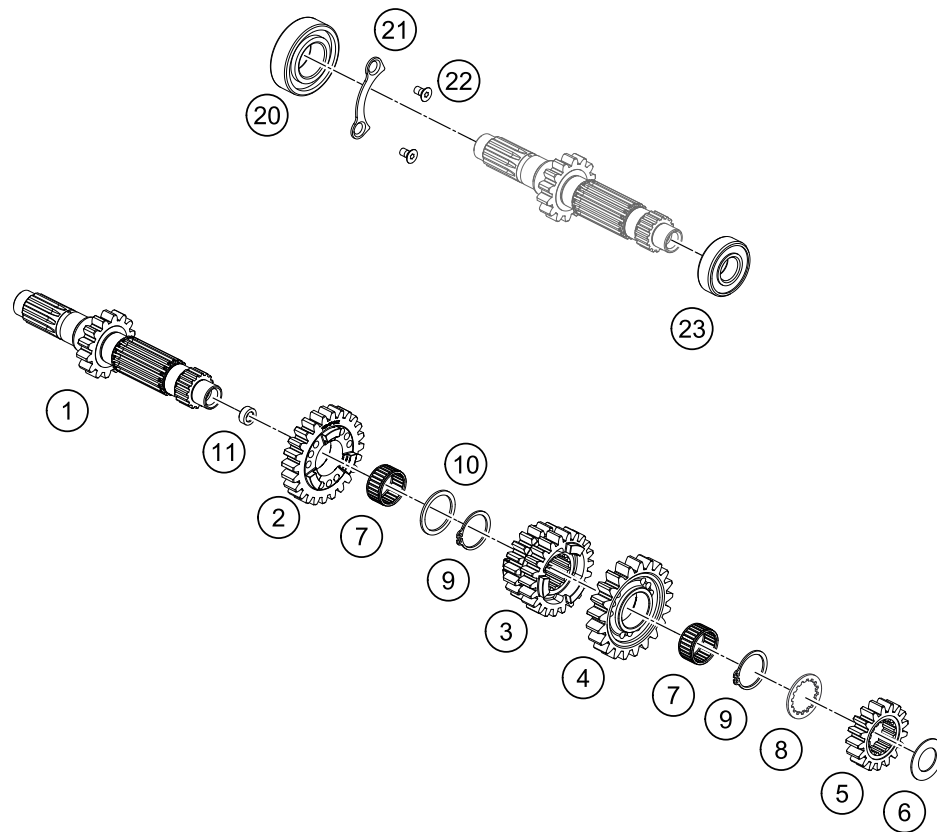
POS	PARTNUMBER	PARTNAME	PIECE
1	78132001076	CLUTCH CAGE	1
2	0405252910	NEEDLE BEAR K 25X29X10	2
3	78132015100	COLLARSLEEVE	1
4	78932009000	WASHER 22 X 36,5 X 3	1
5	78132002300	CLUTCH HUB	1
6	78132013000	WASHER 112X118X1.5	1
7	79432003000	CLUTCH PRESSURE CAP	1
8	78132025100	DAMPING RUBBER	6
9	77232004000	DRIVING SLEEVE D=7,95 L=38	6
10	0025050206	HH COLLAR SCREW M5X20 TX30	6
11	59032011100	LINING DISC 2MM 04	8
12	59032010200	INTERMEDIATE DISC 1,4MM 2002	7
13	78132054100	PUSH ROD	1
14	78132018000	TAB WASHER	1
15	0936181505	HEXAGON NUT DIN0936-M18X1,5 R.	1
16	0025060306	HH COLLAR SCREW M6X30 TX30	1
21	59032065000	GASKET FOR SLAVE CYLINDER	1
22	54832061044	OUTPUT CYLINDER CPL. 06	1
23	54832066000	PISTON CPL.	1
24	54832067000	O-RING	1
25	54832069000	PRESSURE SPRING	1
26	0603100141	COPPER GASKET DIN7603-10X14X1	2
27	78132063000	CLUTCH PIPE	1
28	62513020000	BLEEDER SCREW CPL. 05	1
29	0025060206	HH COLLAR SCREW M6X20 TX30	2
31	50329050000	VENT INJEKTION HYDR. CLUTCH	1
33	59032010100	INTERMEDIATE DISC 1MM 2002	1
35	78132057144	PRESSURE PIECE CPL.	1
36	78132006100	SPRING RING	1
37	76432005000	CLUTCH SPRING "300Nm"	1
38	78132002111	HUB	1
39	78932010000	INTERMEDIATE DISC 1MM	1
99	78932010033	CLUTCH DISC KIT	1

157643210

C157643210

* NEW PART

X ON DEMAND



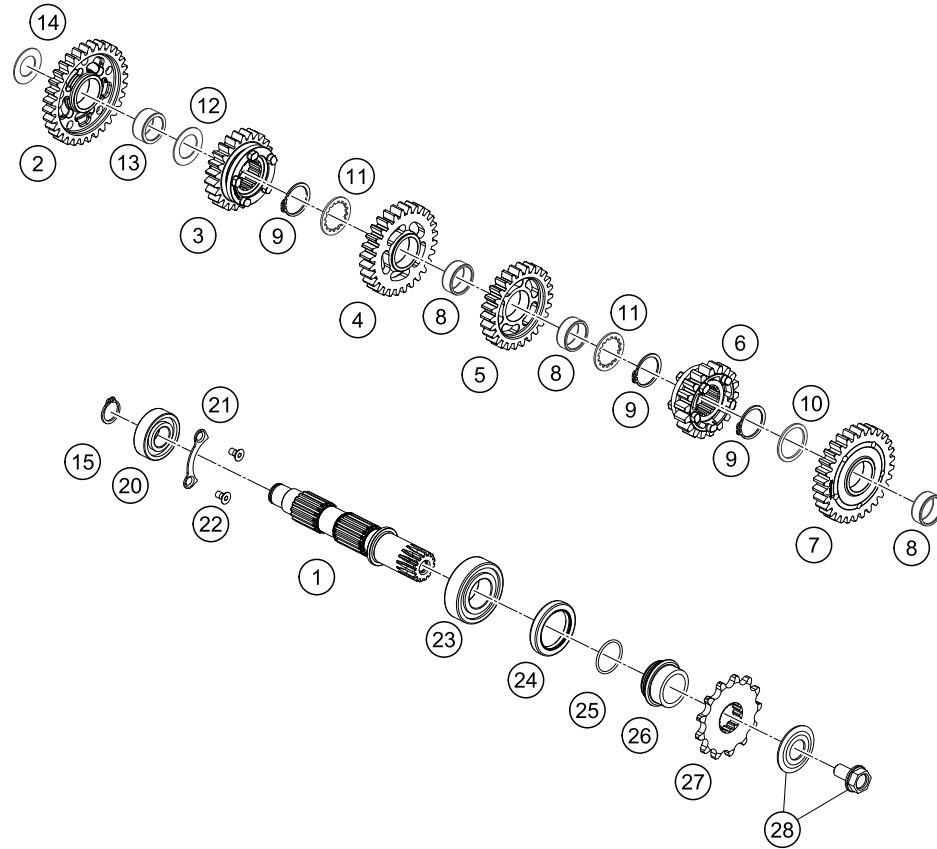
POS	PARTNUMBER	PARTNAME	PIECE
1	76433001000	MAIN SHAFT	1
2	76433005000	IDLER GEAR 5.G.	1
3	76433003000	SLIDING GEAR 3/4 G.	1
4	76433006000	IDLER GEAR 6.G.	1
5	76433002000	SOLID GEAR 2.G.	1
6	56033030000	STOP DISC 17,2X30X1	1
7	0405222613	NEEDLE BEAR. K 22X26X13 TN	2
8	78033033000	STOP DISK 23 X 32 X 1,5	1
9	0471250120	CIRCLIP DIN0471-25X1,2	2
10	78033031000	STOP DISK 26 X 32 X 1,5	1
20	0625062054	BALL BEARING 6205 C3 NTN	1
21	78033032000	TAB WASHER BEARING MAIN SHAFT	1
22	0019050121S	INT. TORX FLAT HEAD M5X12 T25	2
23	0625062036	BALL BEARING 6203 RSH C3	1

157643330

C157643330

* NEW PART

X ON DEMAND



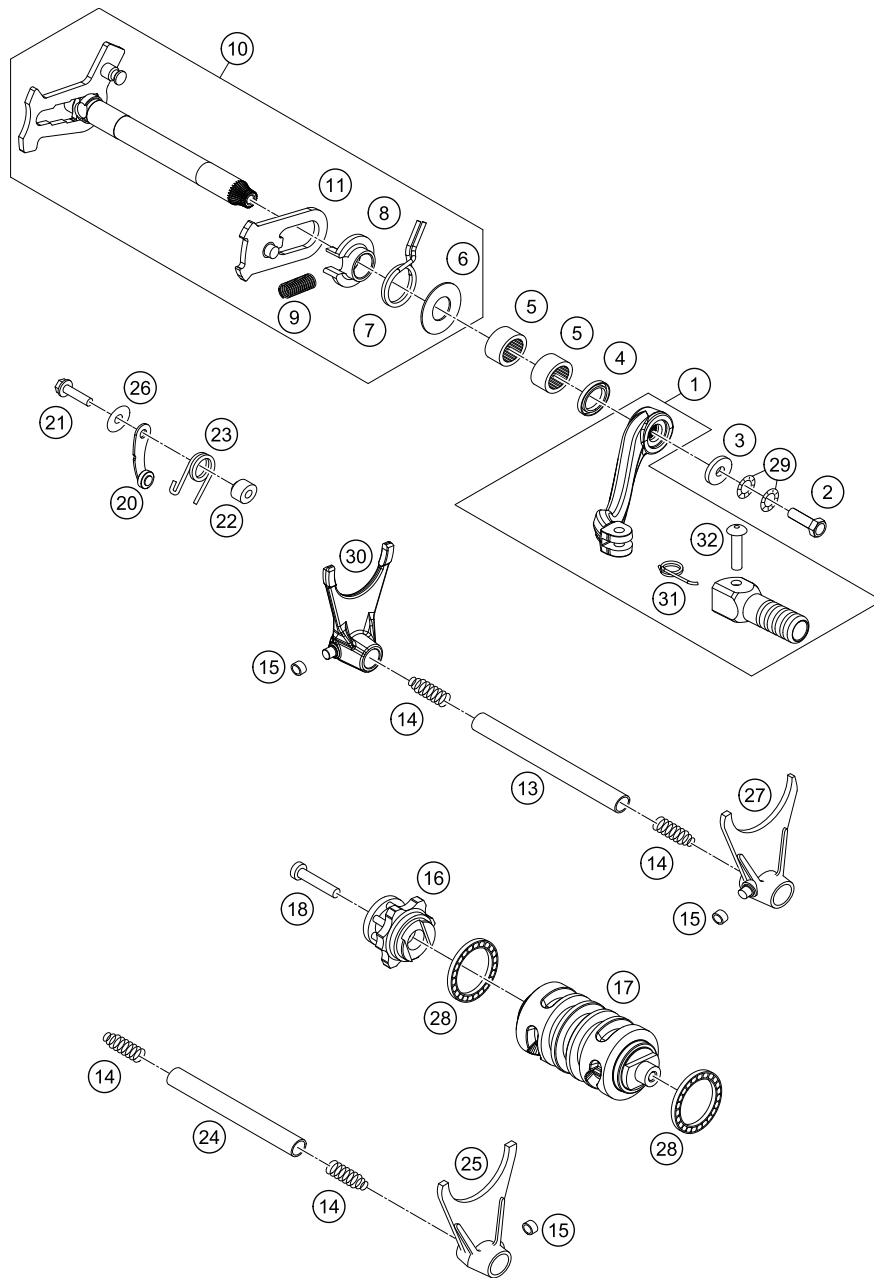
POS	PARTNUMBER	PARTNAME	PIECE
1	76433010000	COUNTERSHAFT	1
2	76433011000	IDLER GEAR 1.G.	1
3	76433015000	SLIDING GEAR 5.G.	1
4	76433013000	IDLER GEAR 3.G.	1
5	76433014000	IDLER GEAR 4 G.	1
6	76433016000	SLIDING GEAR 6.G.	1
7	76433012000	IDLER GEAR 2.G.	1
8	0405222611	NEEDLE BEAR.K 22X26X10 DIVIDED	3
9	0471250120	CIRCLIP DIN0471-25X1,2	3
10	78033031000	STOP DISK 26 X 32 X 1,5	1
11	78033033000	STOP DISK 23 X 32 X 1,5	2
12	59033080000	SHIM 20X32X1	1
13	0405202612	NEEDLE BEARING K 20X26X12	1
14	56033030000	STOP DISC 17,2X30X1	1
15	0471170015	CIRCLIP DIN 0471-17X1, 5	1
20	0625062035	BALL BEARING 6203 JR2 C3	1
21	78033132000	TAB WASHER BEARING COUNT.SHAFT	1
22	0019050121S	INT. TORX FLAT HEAD M5X12 T25	2
23	49030023000	CYL.ROLL BEARING NJ205	1
24	0760324571	SHAFT SEAL RING 32X45X7 BSLNBR	1
25	0770020220	O-RING 25,12X1,78 NBR70	1
26	76433030000	SPACER SLEEVE COUNTER	1
27	79233029013	SPROCKET 13T	x
27	79233029014	SPROCKET 14T	1
27	50033029015	FRONT SPROCKET 15-T	x
28	59033034044	SCREW 10.9+SPRING WASHER	1

157643360

C157643360

* NEW PART

X ON DEMAND



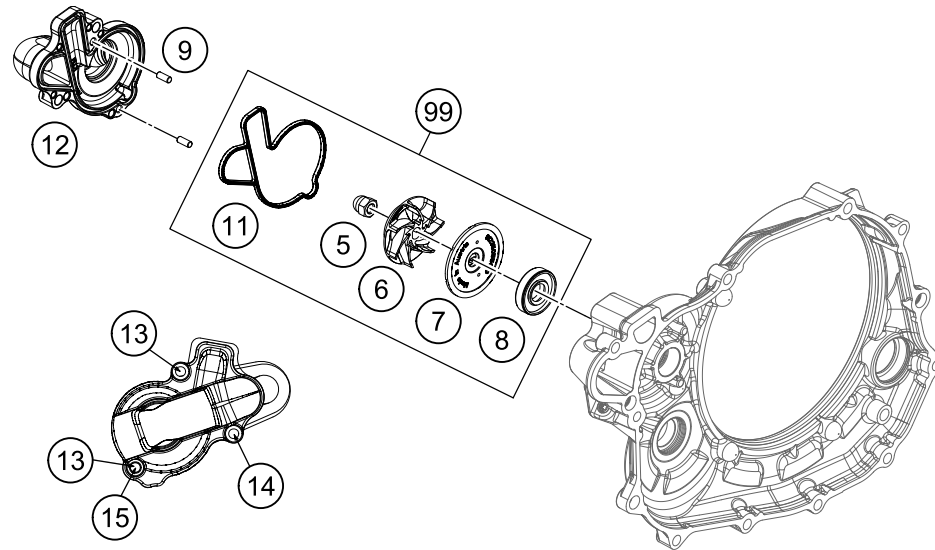
157643410

POS	PARTNUMBER	PARTNAME	PIECE
1	76334031000	SHIFT LEVER CPL. RALLY 11	1
2	0025060166S	HH COLLAR SCREW M6X16 ISA 30	1
3	50232050001	STEEL WASHER 6,4X17X3	1
4	0760142460	SHAFT SEAL RING 14X24X6 B	1
5	54632095000	NEEDLE BEAR.HK 1412 14X20X12	2
6	54634050000	STOP DISK 14X30X1	1
7	54634014100	RETURN SPRING 2,2MM '95	1
8	54634020000	SPRING GUIDE	1
9	56534013100	TENSIONING SPRING 0,8MM	1
10	76434005033	SHIFT SHAFT CPL.	1
11	61234008044	SLIDING PLATE	1
13	78034020000	SHIFT RAIL 11,8X101,5	1
14	58038023200	PRESSURE SPRING 0,9MM	4
15	50334018100	SHIFTING ROLLER 6X8X5,2	3
16	78134015044	SHIFT DRUM LOCATING ALU CPL.	1
17	78034012000	SHIFT ROLLER	1
18	0012060303	% AH SCREW DIN6912 M6X30 8.8	1
20	78134024044	LOCKING LEVER CPL.	1
21	0025050206	HH COLLAR SCREW M5X20 TX30	1
22	54634052300	SLEEVE FOR LOCKING LEVER	1
23	60034023200	ARRESTING LEVER SPRING	1
24	78034019000	SHIFT RAIL 11,8X85	1
25	76434001000	SHIFTING FORK 5./6. GEAR	1
26	0021050003	WASHER DIN9021-A 5,3	1
27	76434002000	SHIFTING FORK 2./4. GEAR	1
28	0625618050	BALL BEARING 61805 C3	2
29	50233041000	PAIR OF WASHERS M 6 NORDLOCK	1
30	76434003000	SHIFTING FORK 1./3. GEAR	1
31	54634032100	SHIFTING LEVER SPRING 250	1
32	54634031050	BOLT 6X25 FOR SHIFT LEVER	1

C157643410

* NEW PART

X ON DEMAND



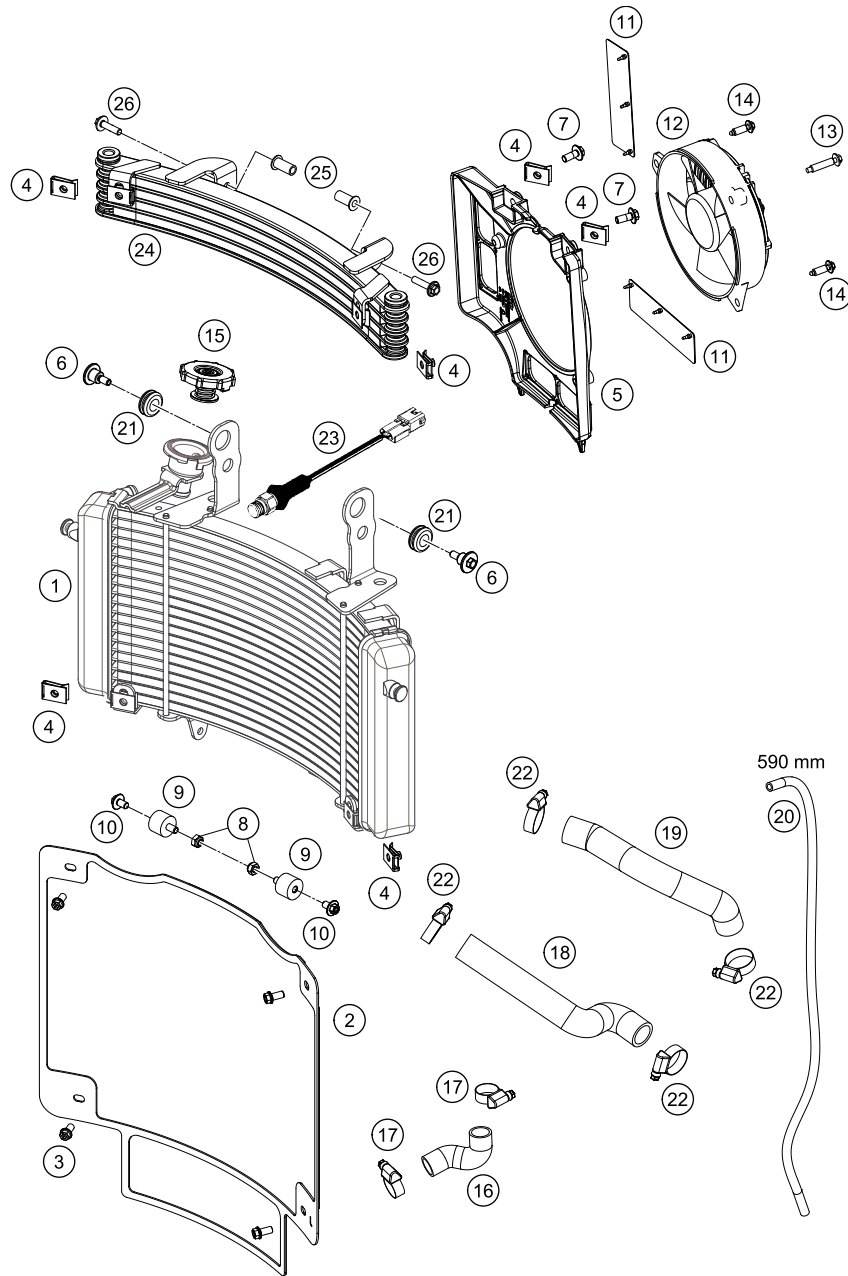
POS	PARTNUMBER	PARTNAME	PIECE
5	61230045000	CAP NUT M6 STAINLESS STEEL	1
6	81235055020	WATER PUMP ROTOR	1
7	81235055110	DISC WATER PUMP	1
8	0760123073	SHAFT SEAL RING 12X30X7 PTFE	1
9	0402040980	NEEDLE ROL.DIN5402 NRB 4X9,8	2
11	78135053000	WATER-PUMP GASKET	1
12	78135052000	WATER PUMP COVER CPL.	1
13	0025060256	HH COLLAR SCREW M6X25 TX30	2
14	0025060656	HH COLLAR SCREW M6X65 TX30	1
15	0603061001	CU-SEAL RING DIN7603-6X10X1	1
99	81235055015	WATER PUMP REP. KIT 12-14	x

137893511

C157643510

* NEW PART

X ON DEMAND



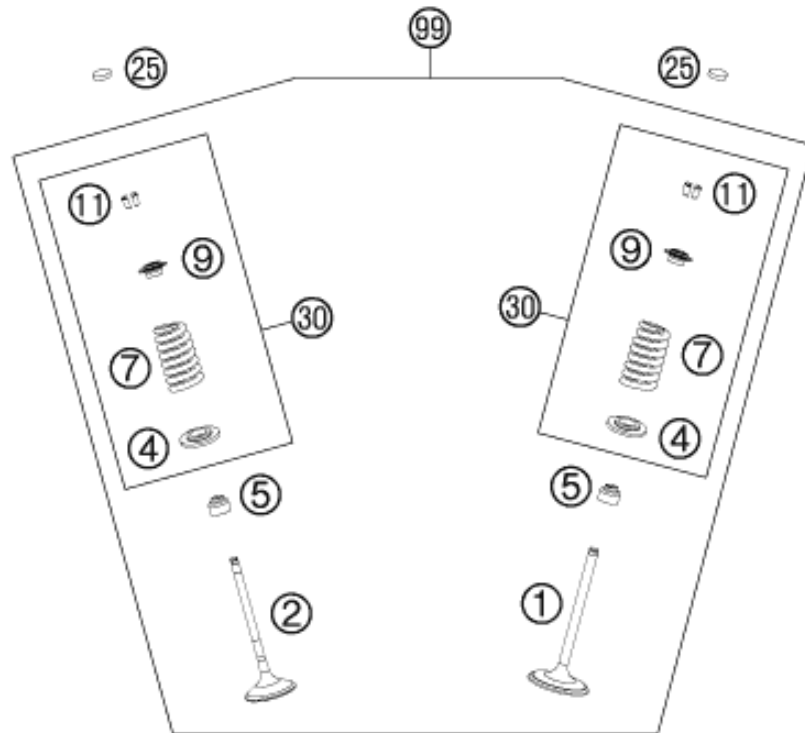
177643530

POS	PARTNUMBER	PARTNAME	PIECE
1	7643501000	WATER RADIATOR	1
2	76435134000	RADIATOR PROTECTION CPL.	1
3	0024060136	HH COLLAR SCREW M6X13 TX30	4
4	54603048100	RANGE CHANGE METAL NUT M6	6
5	76435044000	FAN COVER	1
6	60035001000	SPECIAL SCREW M6X21 WS=8	2
7	0024060156	HH COLLAR SCREW M6X15 TX30	2
8	0985060003	SELF LOCK. NUT DIN0985-M 6	2
9	43205062100	RUBBER GROMMET 20X15-M6X10 (1)	2
10	0024060106	HH COLLAR SCREW M6X10 TX30	2
11	62635044050	FAN CLACK RUBBER 08	2
12	60035041000	FAN L/S 03	1
13	0017060305	SPECIAL SCREW K60X30 WS=6	1
14	0017060205	SCREW FOR PLASTIC K60X20 SW6	2
15	76435009000	RADIATOR CAP	1
16	76435026002	RADIATOR HOSE	1
17	42013037400	HOSE CLAMP NORMA 14/24	2
18	76435026000	RADIATOR HOSE	1
19	76435026001	RADIATOR HOSE	1
20	58507007001	HOSE 8X5MM RALLYE 03	1
21	41001052000	RUBBER SLEEVE D=12MM	2
22	10001020000	HOSE CLAMP GEMI 18-29	4
23	76435045000	THERMOSWITCH 80-85 DG	1
24	76438051000	OIL RADIATOR	1
25	76212090070	INSULATED SCREW JOINT M6	2
26	0014060203	HH COLLAR SCREW M 6X20 WS=8	2

C177643530

* NEW PART

X ON DEMAND



AUSLASS / EXHAUST

EINLASS / INTAKE

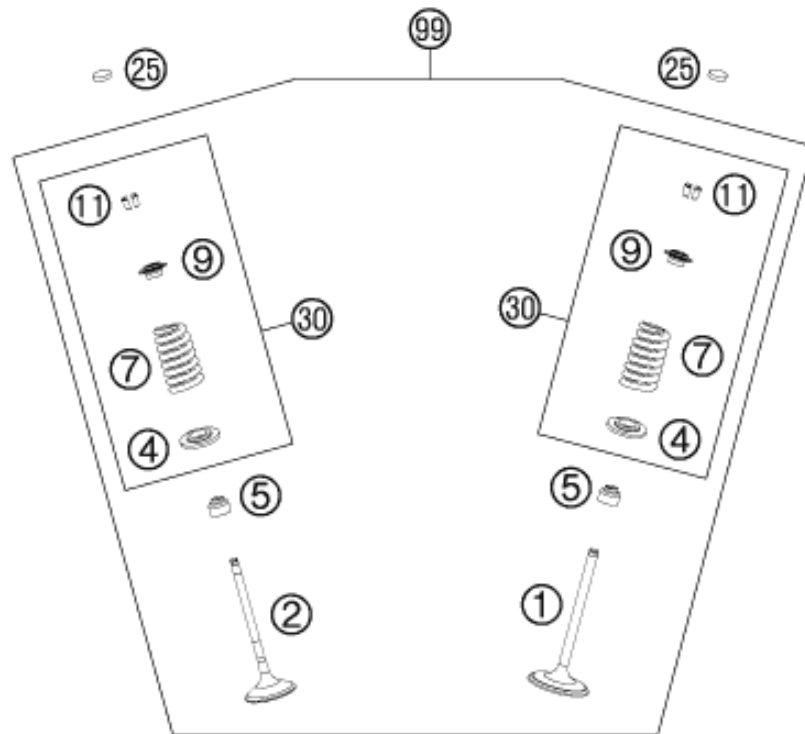
POS	PARTNUMBER	PARTNAME	PIECE
1	78936030100	INTAKE VALVE	2
2	78936031000	EXHAUST VALVE	2
4	78936036000	VALVE SPRING HOLDER	4
5	59036027000	VALVE-STEM SEALING RACING	4
7	78936028000	VALVE SPRING	4
9	78936032000	VALVE SPRING RETAINER	4
11	77336033100	VALVE COLLET 07	8
15	78936061144	ROCKER ARM EXHAUST CPL.	1
18	78936056000	ROCKER ARM SHAFT INTAKT	1
19	78936057000	ROCKER ARM SHAFT EXHAUST	1
20	78936060100	ROCKER ARM INTAKE	1
21	0770150151	O-RING 15,00X1,50 VITON	2
22	78936081000	SCREW M18X1,5	2
23	77036080000	SPECIAL SCREW M7X40 WS10	2
24	78036080000	FIT BOLT M7X1X55	2
25	77036035172	SHIM D=8,9/1,72	x
25	77036035176	SHIM D=8,9/1,76	x
25	77036035180	SHIM D=8,9/1,80	x
25	77036035184	SHIM D=8,9/1,84	x
25	77036035188	SHIM D=8,9/1,88	x
25	77036035192	SHIM D=8,9/1,92	x
25	77036035196	SHIM D=8,9/1,96	x
25	77036035200	SHIM D=8,9/2,00	x
25	77036035204	SHIM D=8,9/2,04	x
25	77036035208	SHIM D=8,9/2,08	x
25	77036035212	SHIM D=8,9/2,12	x
25	77036035216	SHIM D=8,9/2,16	x
25	77036035220	SHIM D=8,9/2,20	x
25	77036035224	SHIM D=8,9/2,24	x
25	77036035228	SHIM D=8,9/2,28	x
25	77036035232	SHIM D=8,9/2,32	x
25	77036035236	SHIM D=8,9/2,36	x
25	77036035240	SHIM D=8,9/2,40	x
25	77036035244	SHIM D=8,9/2,44	x
25	77036035248	SHIM D=8,9/2,48	x
25	77036035252	SHIM D=8,9/2,52	x
25	77036035256	SHIM D=8,9/2,56	x
25	77036035260	SHIM D=8,9/2,60	x

137893610

C167643610

* NEW PART

X ON DEMAND



AUSLASS / EXHAUST

EINLASS / INTAKE

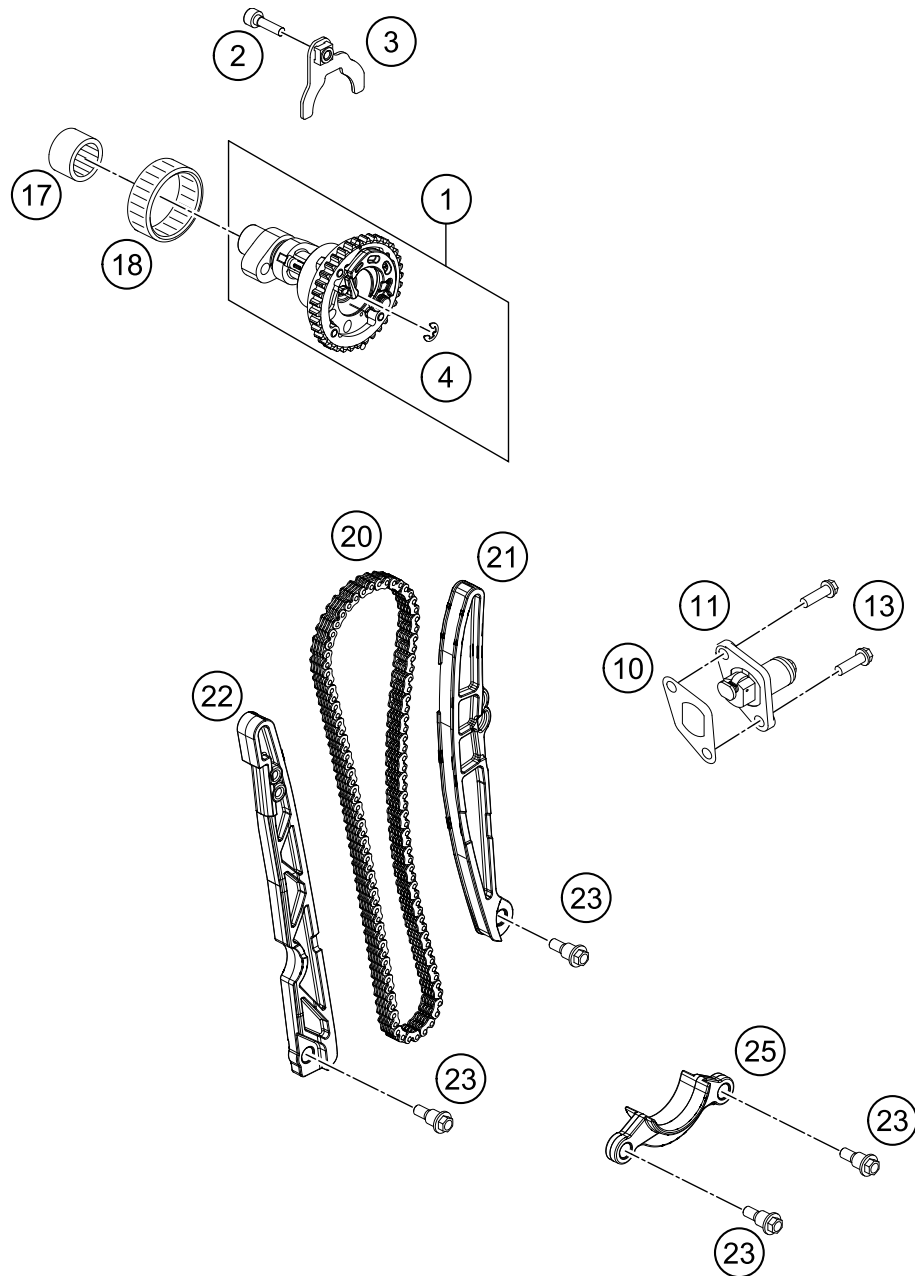
POS	PARTNUMBER	PARTNAME	PIECE
30	78936029044	VALVE SPR.-KIT 450 SX-F 13	X
99	78936030110	VALVE KIT 450 HQV 14	X

137893610

C167643610

* NEW PART

X ON DEMAND



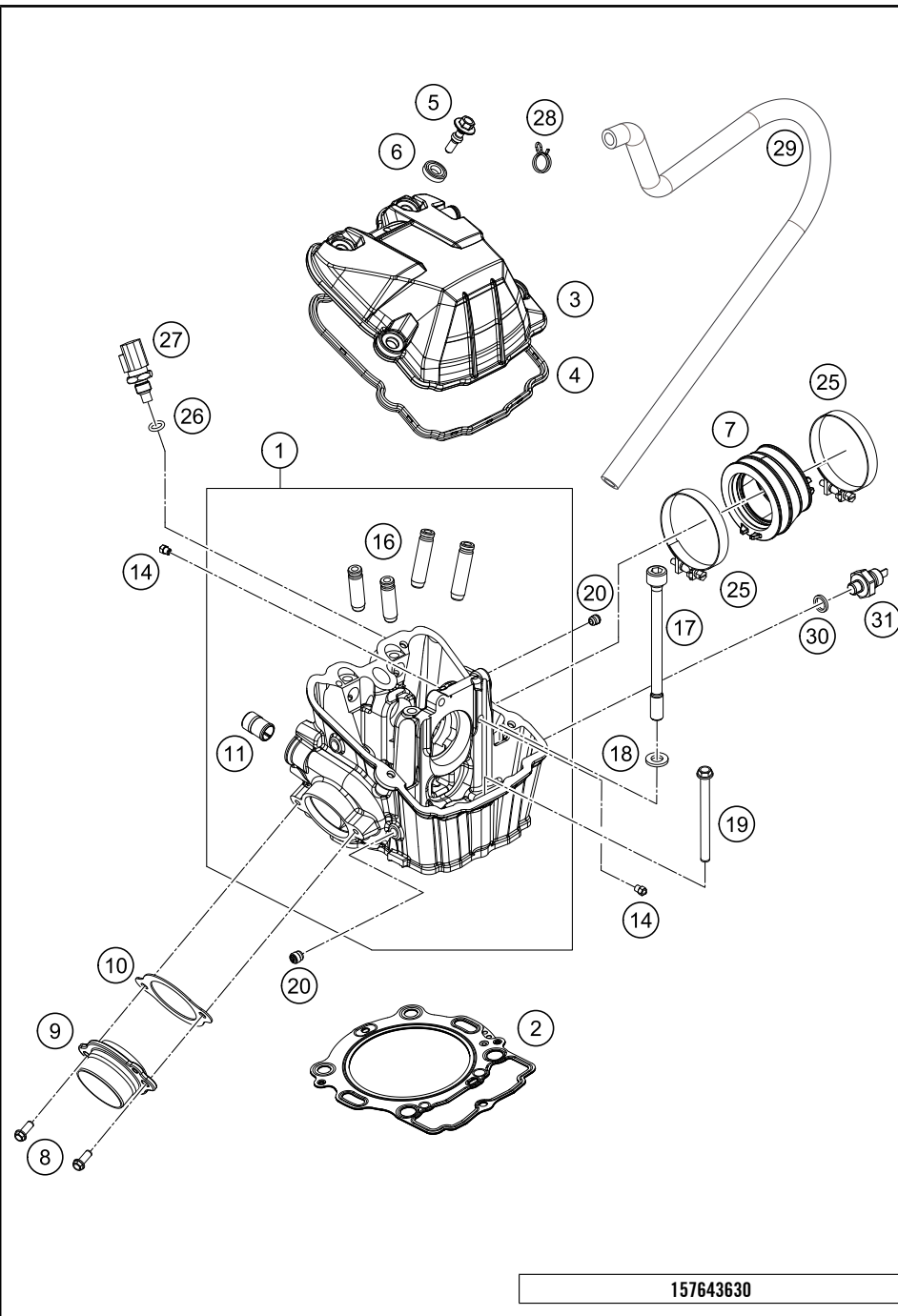
POS	PARTNUMBER	PARTNAME	PIECE
1	76436010033	CAMSHAFT W. AUTODECO	1
2	0025060206S	HH COLLAR SCREW M6X20 TX30	1
3	78036012033	RETAINING PLATE CAMSHAFT CPL.	1
4	0799050000	TAB WASHER DIN6799 RS5	1
10	59036003050	GASKET TIMING CHAIN TENSIONER	1
11	59036003000	TIMINGCHAIN TENSIONER CPL.RAC.	1
13	0025060166	HH COLLAR SCREW M6X16 TX30	2
17	0618182414	NEEDLE SLEEVE HK1814RS18/24/14	1
18	0618404712	NEEDLE SLEEVE HK4012B40X47X12	1
20	78036013000	TIMING CHAIN 110T 08	1
21	78136002100	TIMING CHAIN TENSIONER	1
22	78136001000	TIMING CHAIN GUIDE	1
23	77236001160	BUSHING SCREW M6	4
25	78136018000	FAILURE PROTECTION	1

147893620

C157643620

* NEW PART

X ON DEMAND



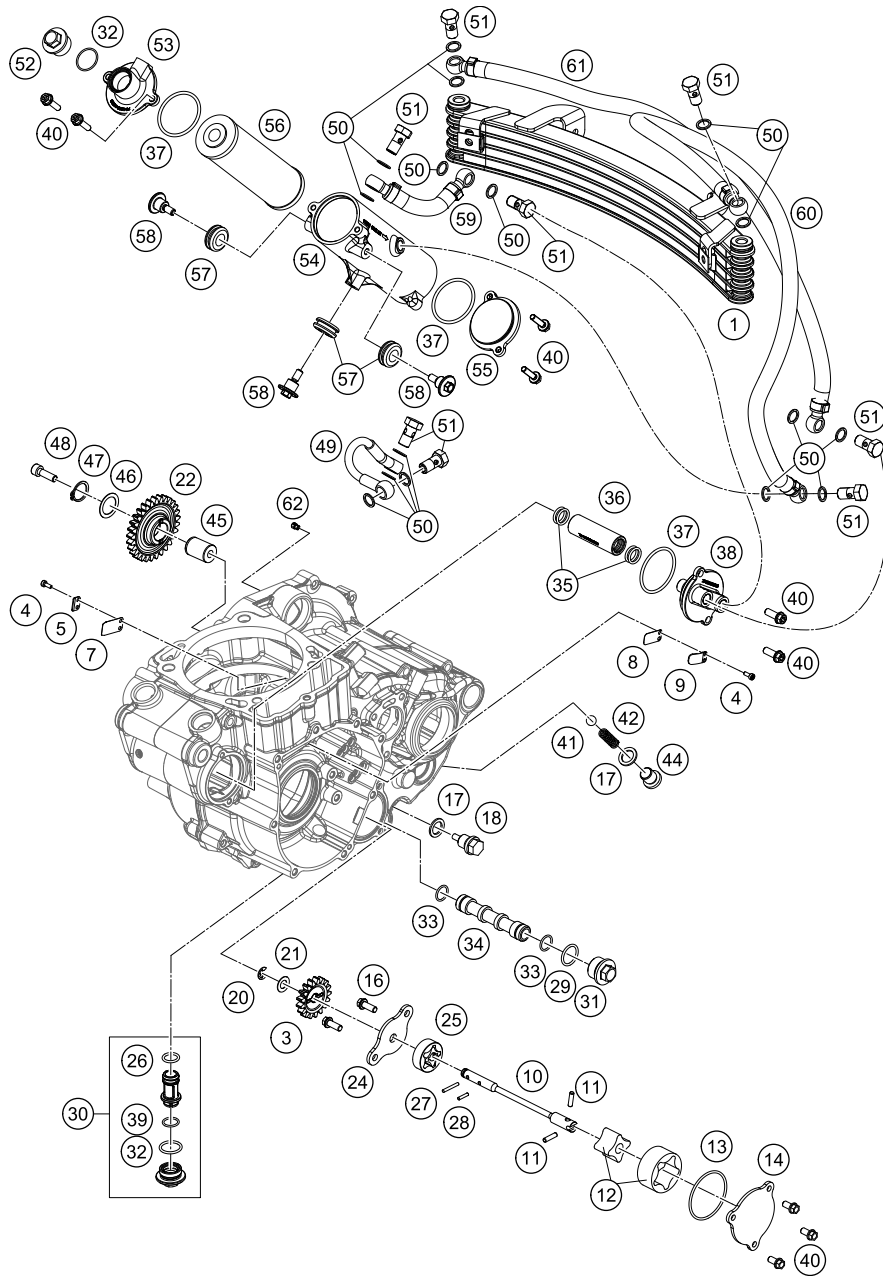
157643630

POS	PARTNUMBER	PARTNAME	PIECE
1	76436020000	CYLINDER HEAD CPL.	1
2	78930036010	CYLINDER HEAD GASKET S=1.0	1
3	7803605200033	VALVE COVER BLACK MATT	1
4	78036053100	VALVE COVER GASKET	1
5	78036054100	VALVE COVER SCREW	4
6	75036052010	DECOUPLING ELEMENT 07	4
7	76436044000	RUBBER BOOT	1
8	0025060166S	HH COLLAR SCREW M6X16 ISA 30	2
9	76436039000	EXHAUST FLANGE	1
10	78036041000	EXHAUST FLANGE GASKET	1
11	58030010200	SCREW IN NOZZLE M20X1,5	1
14	60030063070	OIL JET 70 M5	2
16	76436025001	VALVE GUIDE INTAKE	4
17	78030044000	CYL. HEAD SCREW M10X1,25 L=125	4
18	77336089010	WASHER 19X10,5X2,5	4
19	0025060706	HH COLLAR SCREW M6X70 TX30	1
20	59030296000	SCREW PLUG	3
25	61236048000	HOSE CLAMP GEMI 66 / 1	2
26	0770100020	O-RING 10,00X2,00 SILCONE	1
27	60011252000	TEMPERAT.-SENSOR WATER LC8 02	1
28	58431082300	CLAMP YDNAC 10173 (18MM)	1
29	77330086100	ENGINE BREATHER TUBE	1
30	0603101420	COPPER GASKET 10,2X14X2 MM 01	1
31	60038091100	OIL-PRESSURE SWITCH LC8 04	1

C157643630

* NEW PART

X ON DEMAND



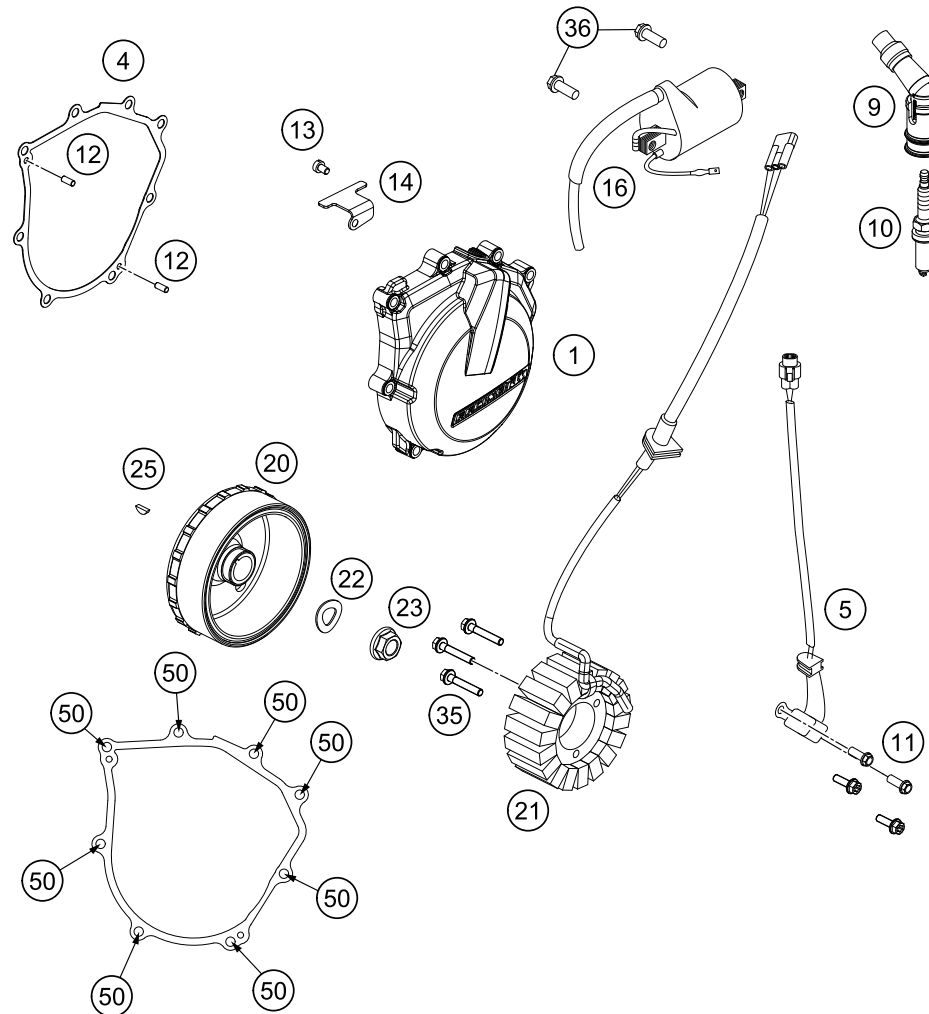
167643810

POS	PARTNUMBER	PARTNAME	PIECE
45	78040028000	BUSHING PIN	1
46	0988172405	SHIM WASHER DIN0988-17X24X0,5	1
47	0471170010	CIRCLIP DIN0471-17X1	1
48	0912060208	AH SCREW DIN0912-M 6X20 SS	1
49	76438034000	OIL JET	1
50	0603100141	COPPER GASKET DIN7603-10X14X1	16
51	54313025000	HOLLOW SCREW M10 X 1	8
52	59038017100	PLUG M20X1,5 WS=13	1
53	76438041000	COVER OIL FILTER 1	1
54	76438043000	HOUSING OI FILTER	1
55	76438042000	COVER OIL FILTER 2	1
56	61338015200	OIL FILTER	1
57	41001052000	RUBBER SLEEVE D=12MM	3
58	60035001000	SPECIAL SCREW M6X21 WS=8	3
59	76438053000	OIL PIPE L=105MM	1
60	76438054000	OIL PIPE L=615MM	1
61	76438055000	OIL PIPE L=696MM	1
62	80030058060	OIL JET "60" M4	1

C167643810

* NEW PART

X ON DEMAND



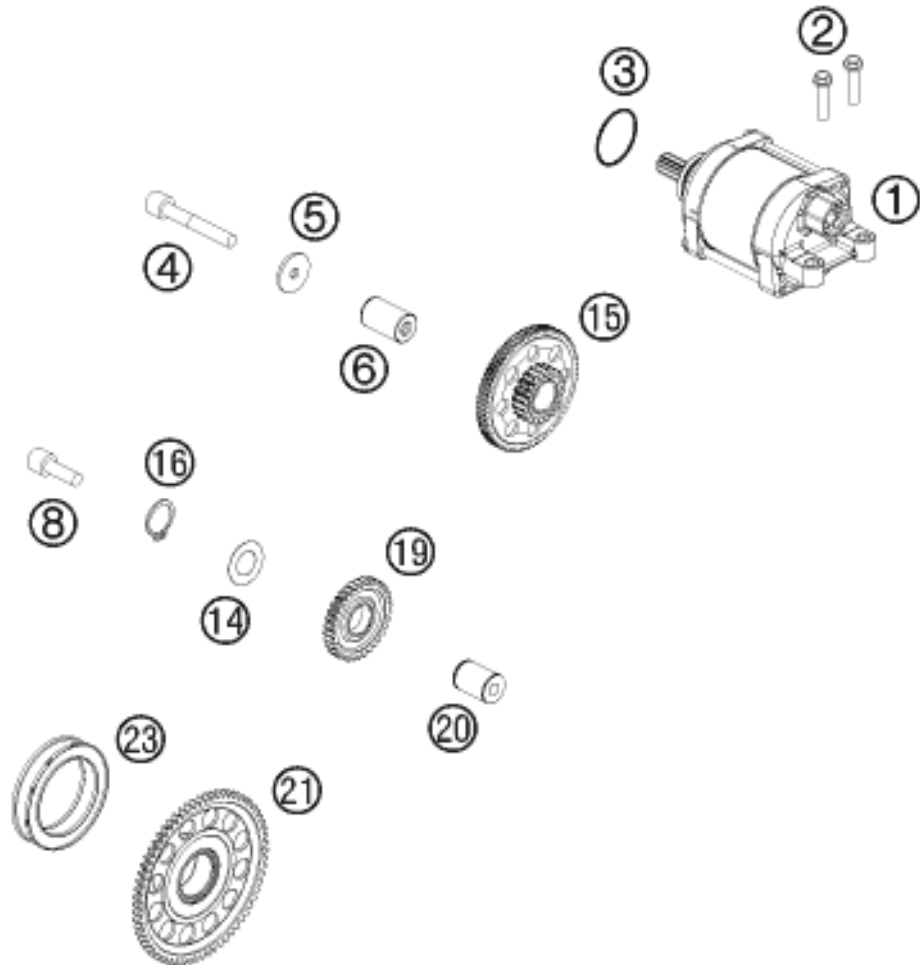
POS	PARTNUMBER	PARTNAME	PIECE
1	7813000230015	IGNITION COVER	1
4	78130040000	GASKET - IGNITION COVER	1
5	59039034000	PULSER COIL KOKUSAN 4K3-A/B	1
9	78039090100	SPARK PLUG CONNECTOR	1
10	75039093000	SPARK PLUG M12X1,25 LKAR8AI-9	1
11	0025050166	HH COLLAR SCREW M5X16 TX30	2
12	0402040980	NEEDLE ROL.DIN5402 NRB 4X9,8	2
13	0019040106S	FLAT HEAD SCREW ISA25 M4X10	1
14	81230002010	RETAINING PLATE	1
16	58439006000	IGNITIONCOIL IG3826 KOKUSAN'96	1
20	78039205000	ROTOR EXC 08	1
21	83039004000	STATOR	1
22	0137120000	SPRING WASHER DIN0137-B12	1
23	49030021000	COLLAR NUT M12X1 R/S	1
25	0888030050	WOODRUFF KEY DIN6888-3X5X13	1
35	0025050306	HH COLLAR SCREW M5X30 TX30	3
36	0025060206	HH COLLAR SCREW M6X20 TX30	2
50	0025060256	HH COLLAR SCREW M6X25 TX30	8

157643910

C157643910

* NEW PART

X ON DEMAND



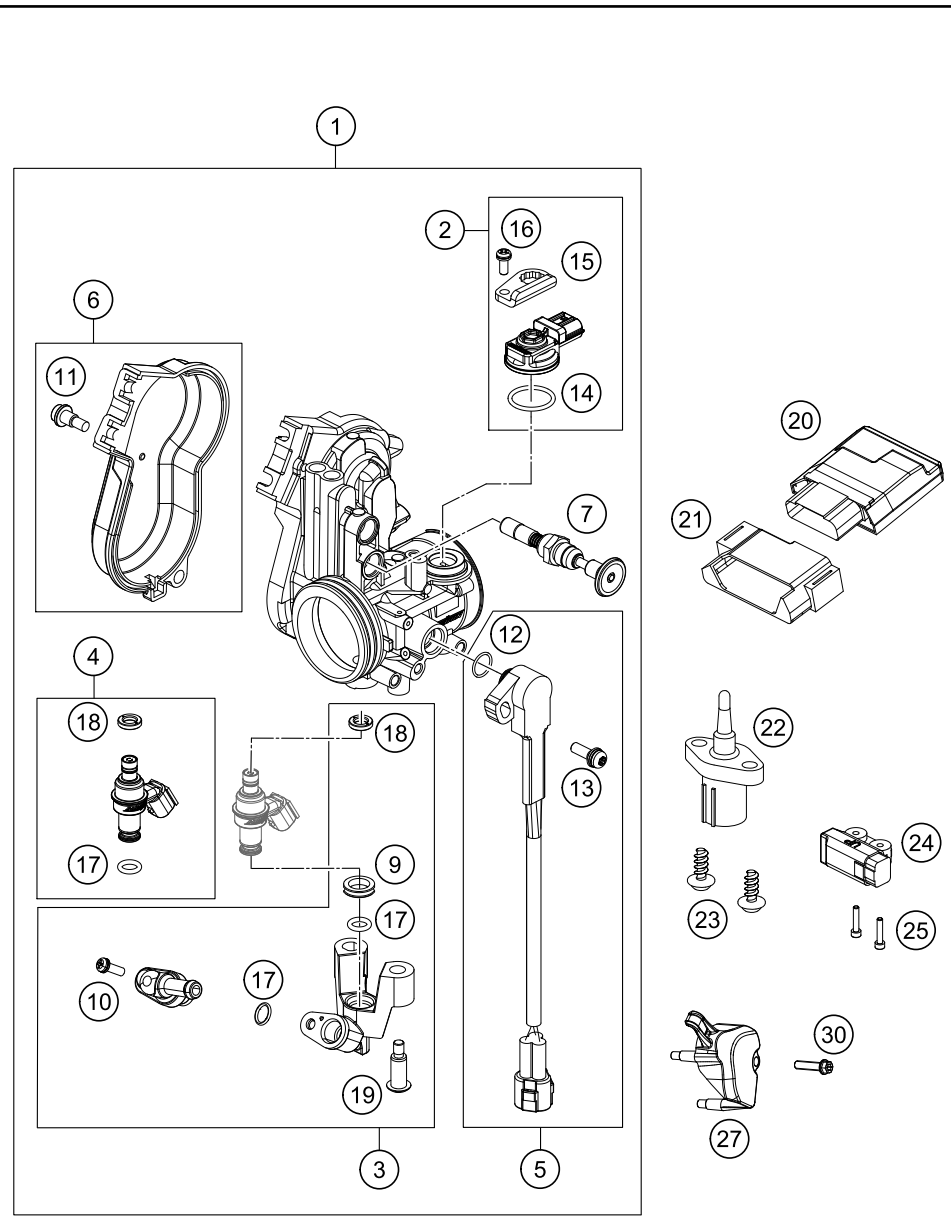
POS	PARTNUMBER	PARTNAME	PIECE
1	78140001000	E-STARTER CPL. 0,5KW	1
2	0025060256	HH COLLAR SCREW M6X25 TX30	2
3	0770250030	O-RING 25,00X3,00 NBR 70	1
4	0025060406	HH COLLAR SCREW M6X40 TX30	1
5	78040016004	STOP DISC 6X23X2	1
6	78040029000	BEARING BOLT	1
8	0912060208	AH SCREW DIN0912-M 6X20 SS	1
14	0988172405	SHIM WASHER DIN0988-17X24X0,5	1
15	78040016100	TORQUE LIMITER CPL.	1
16	0471170010	CIRCLIP DIN0471-17X1	1
19	78940022000	IDLER GEAR 30-T CPL.	1
20	78040028000	BUSHING PIN	1
21	78940020033	FREEWHEEL GEAR 66 C CPL.	1
23	76640026000	FREE WHEEL	1

137894010

C157644010

* NEW PART

X ON DEMAND



POS	PARTNUMBER	PARTNAME	PIECE
1	76441001000	THROTTLE BODY	1
2	75041085044	MAP SENSOR CPL. 07	1
3	77741013044	FUEL RAIL CPL.	1
4	77741023044	INJECTOR KIT CPL.	1
5	77741077044	TPS CPL.	1
6	81241056044	THROTTLE COVER CPL. 09	1
7	81241060000	STARTER VALVE COMP.	1
9	77741023030	SEAL RING	1
10	75041013010	SCREW SHOULDER	1
11	81241056020	SPECIAL SCREW AH	2
12	61041077010	O-RING THROTTLE POS. SENSOR	1
13	81241077030	SPECIAL SCREW	1
14	75041085010	O-RING	1
15	77741085020	PLATE	1
16	81241085030	SPECIAL SCREW	1
17	75041023020	O-RING 7,2x2,2	2
18	75041023010	SEAL RING	1
19	75041013060	SCREW SHOULDER	2
20	77741031000	ELECTRONIC CONTROL UNIT	1
21	77741031050	RUBBER BRACKET ECU	1
22	61041080000	AMBIENT-AIR TEMPERATURE SENSOR	1
23	0912050123	AH SCREW DIN0912-M 5X12	2
24	61041088000	ROLLOVER SENSOR 05	1
25	0025060206	HH COLLAR SCREW M6X20 TX30	2
27	77741077050	PROTECTION CAP TPS	1
30	0025050256	HH COLLAR SCREW M5X25 ISA30	1

157644110

C157644110

* NEW PART X ON DEMAND

A large, empty rectangular box with a thin black border, occupying the majority of the page. It is intended for handwritten notes.

A large, empty rectangular box with a thin black border, occupying the majority of the page. It is intended for handwritten notes.

WWW.KTM.COM



KTM Sportmotorcycle GmbH
5230 Mattighofen, Austria
www.ktm.com



KTM_POWERPARTS

KTM_POWERWEAR

KTM_ORIGINAL SPARE PARTS



3CM089280QEN

Art. Nr.: 3CM089280QEN 26. Jul 2016