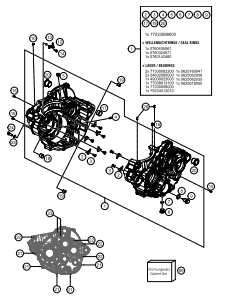
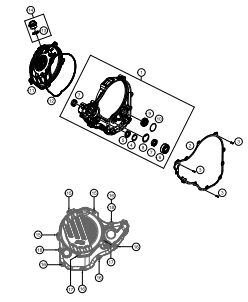
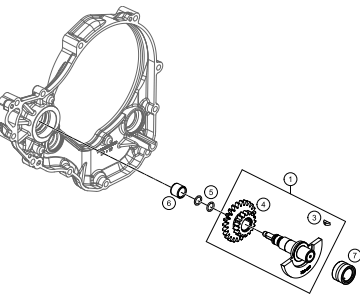
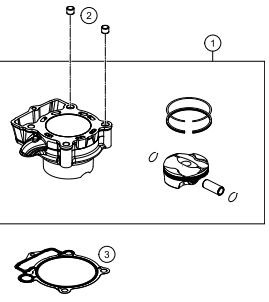
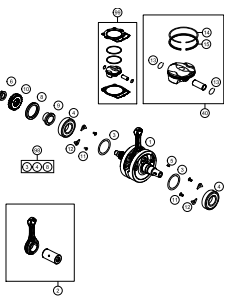
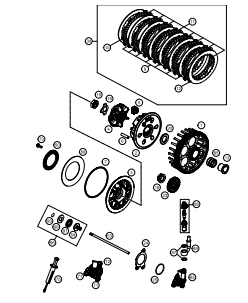
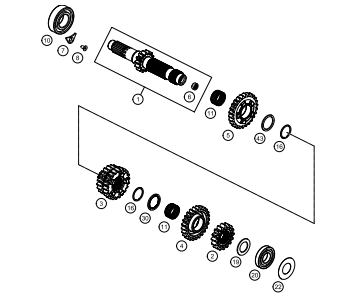
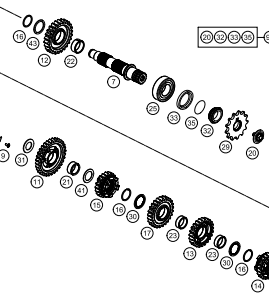
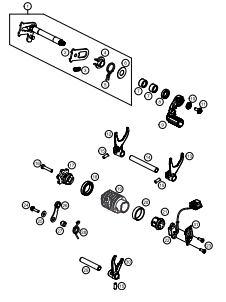
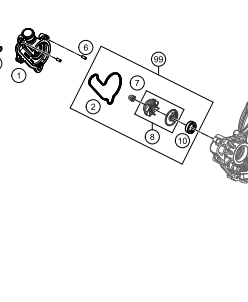
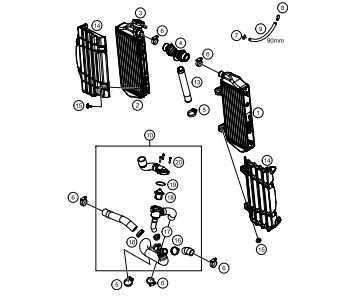
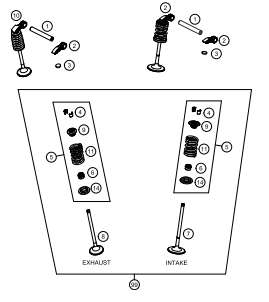


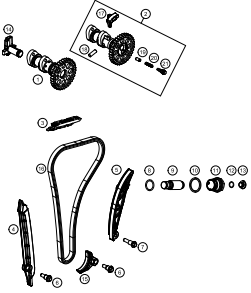
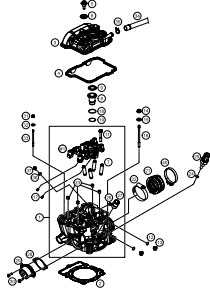
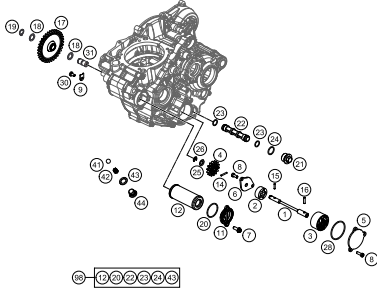
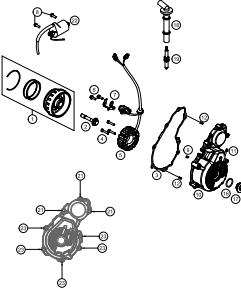
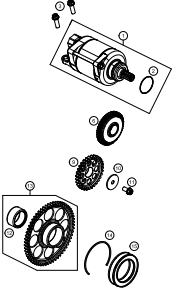
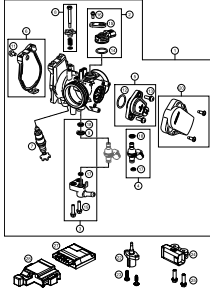

# Engine 350 EXC-F 2020

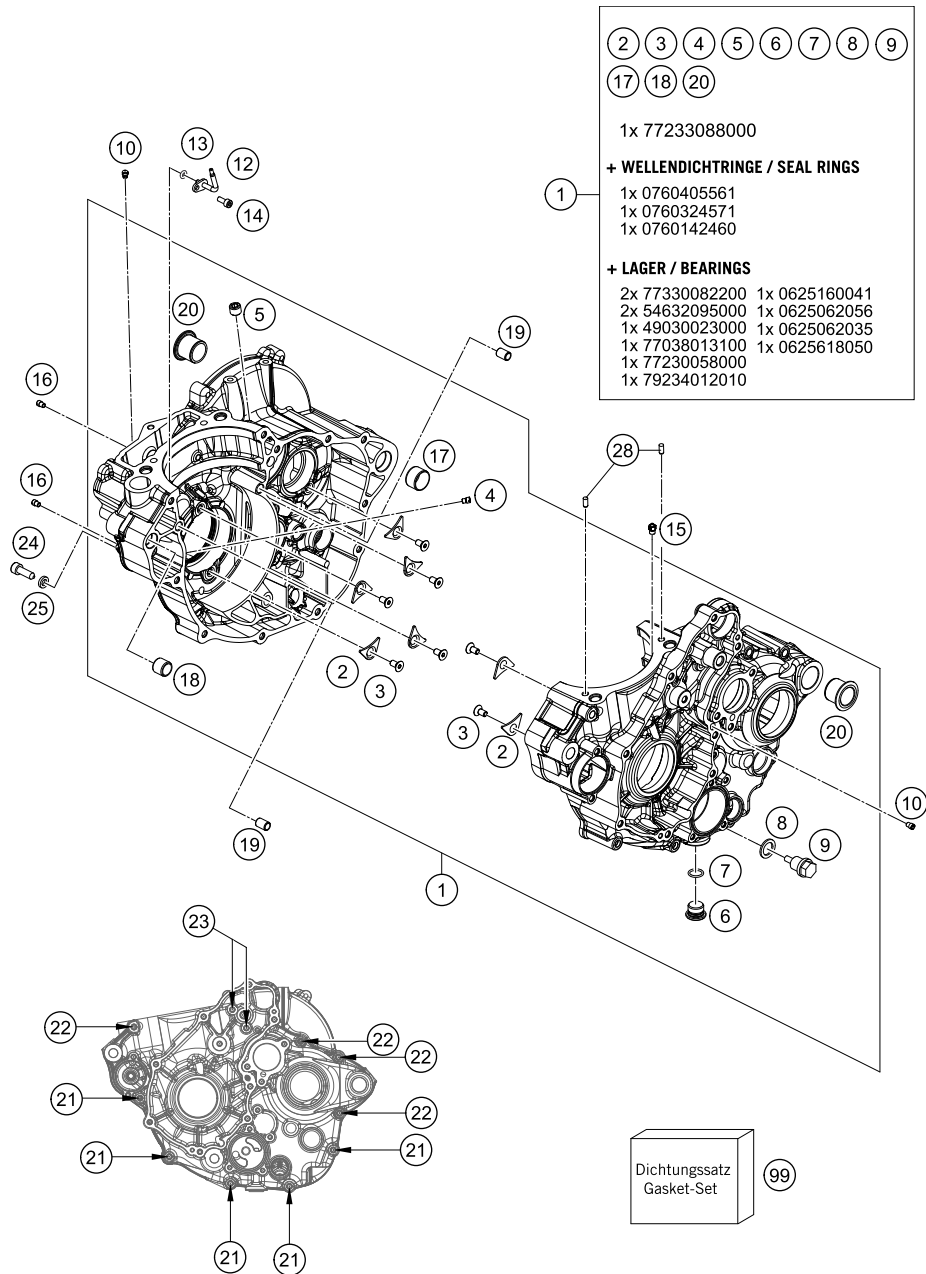
ART.-NR.: 089360TEN





<p><b>ENGINE CASE</b></p>  <p><b>3</b></p>	<p><b>CLUTCH COVER</b></p>  <p><b>4</b></p>	<p><b>BALANCER SHAFT</b></p>  <p><b>5</b></p>	<p><b>CYLINDER</b></p>  <p><b>6</b></p>
<p><b>CRANKSHAFT, PISTON</b></p>  <p><b>7</b></p>	<p><b>CLUTCH</b></p>  <p><b>8</b></p>	<p><b>TRANSMISSION I - MAIN SHAFT</b></p>  <p><b>9</b></p>	<p><b>TRANSMISSION II - COUNTERSHAFT</b></p>  <p><b>10</b></p>
<p><b>SHIFTING MECHANISM</b></p>  <p><b>11</b></p>	<p><b>WATER PUMP</b></p>  <p><b>12</b></p>	<p><b>COOLING SYSTEM</b></p>  <p><b>13</b></p>	<p><b>VALVE DRIVE</b></p>  <p><b>14</b></p>

<p><b>TIMING DRIVE</b></p>  <p><b>15</b></p>	<p><b>CYLINDER HEAD</b></p>  <p><b>16</b></p>	<p><b>LUBRICATING SYSTEM</b></p>  <p><b>17</b></p>	<p><b>IGNITION SYSTEM</b></p>  <p><b>18</b></p>
<p><b>ELECTRIC STARTER</b></p>  <p><b>19</b></p>	<p><b>THROTTLE BODY</b></p>  <p><b>20</b></p>		
		 <p>All information contained is without obligation. KTM Sportmotorcycle GmbH particularly reserves the right to modify any equipment, technical specifications, prices, colors, shapes, materials, services, service work, constructions, equipment and the like so as to adapt them to local conditions or to cancel any of the above items, all without previous announcement and without giving reasons. KTM may stop manufacturing certain models without previous notice. KTM shall not be held liable for any deviations of availability and/or ability to deliver, illustrations, descriptions, printing and/or other errors. The illustrated models partly contain extra equipment, which is not applied to standard models.</p> <p>© by KTM Sportmotorcycle GmbH, Mattighofen AUSTRIA; All rights reserved; Reprint, also in extracts, with written allowance of KTM Sportmotorcycle GmbH, Mattighofen only.</p>	



POS	PARTNUMBER	PARTNAME	PIECE
1	79330000033	Crankcase cmpl.	1
2	75030085000	RETAINING PLATE F. CS BEARING	7
3	0019050121S	INT. TORX FLAT HEAD M5X12 T25	7
4	79330058040	Nozzle	1
5	0906100100	pipe plug DIN 906 M10x1	1
6	78036081000	HOLDING BOLT M14X1,5	1
7	0770110015	O-RING 1,5x11 SILICON	1
8	58038022000	CU-SEAL RING DIN7603-12X18X1,5	1
9	58030021000	OILDRAIN PLUG W.MAG. M 12X1,5	1
10	80030058060	OIL JET "60" M4	2
12	77830064070	OIL JET CURVED " 70 "	1
13	0770035020	O-RING 3,5X2,00 NBR	1
14	0912040103	AH.SCREW DIN0912-M 4X10	1
15	60030063070	oil jet 70 M5	1
16	59030058000	JET 100 BING(44-031/180) M4	2
17	59030024000	DOWEL 17 X 19 X 12	1
18	54630027000	DOWEL BUSHING 13,8X11X12	1
19	59030023000	dowel sleeve 6x8x11.5	2
20	79230010000	CASE BUSH	2
21	0025060556	HH collar screw M6x55 TX30	5
22	0025060656	HH COLLAR SCREW M6X65 TX30	4
23	0025060706	HH COLLAR SCREW M6X70 TX30	2
24	58030080000	LOCATING SCREW M8 L=23	1
25	58030081000	CU-SEAL RING 8 X 14 X 3	1
28	0402050080	CYLINDER ROLLER ZRO 5X8	2
99	79330099100	Motordichtungsset 350 EXC-F	1

207933010

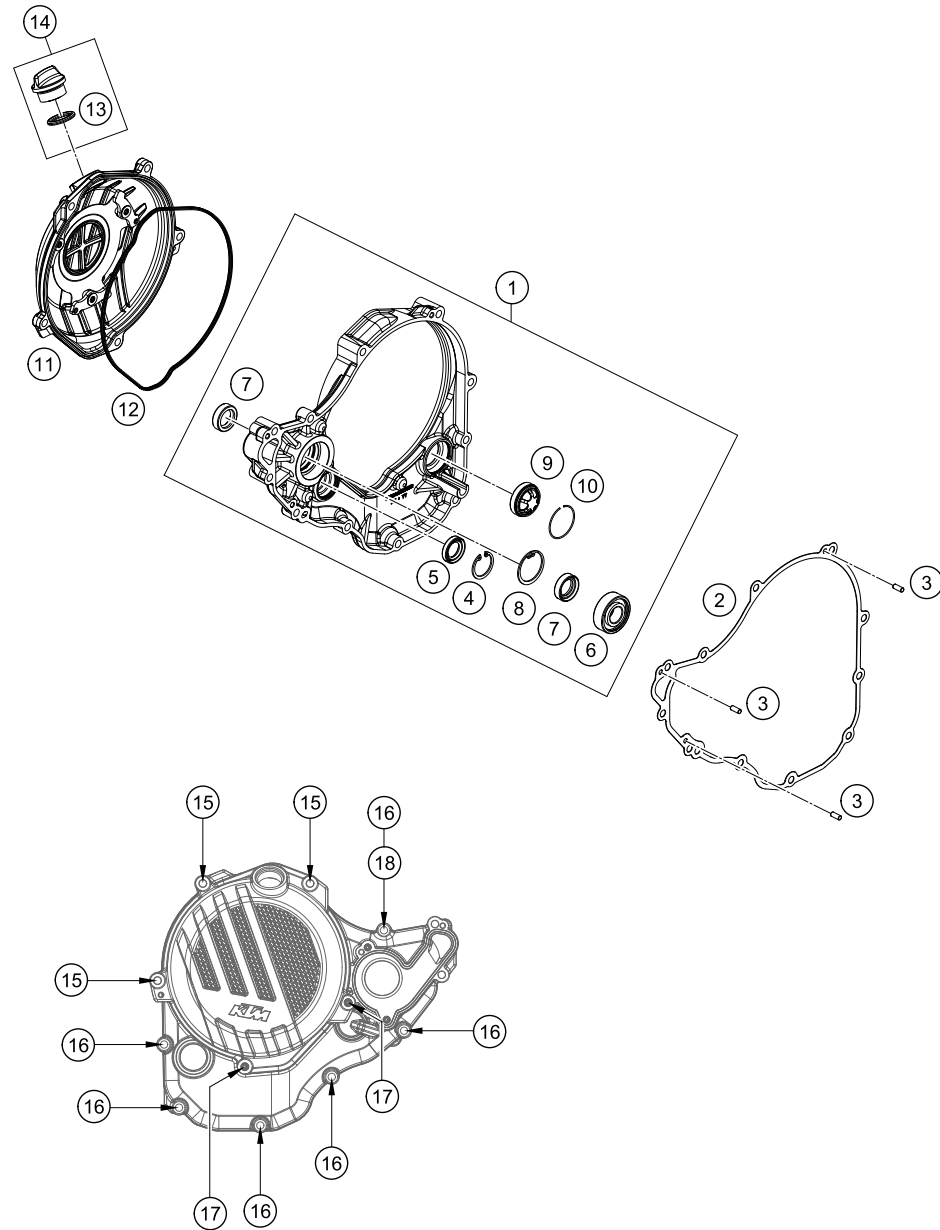
52246

\* NEW PART

X ON DEMAND

# CLUTCH COVER

Engine 350 EXC-F 2020



POS	PARTNUMBER	PARTNAME	PIECE
1	79230001044	CLUTCH COVER CPL.	1
2	79230025100	Clutch cover gasket	1
3	0402040980	NEEDLE ROL.DIN5402 NRB 4X9,8	3
4	0472024120	CIRCLIP DIN0472-24X1.2	1
5	0760142450	SHAFT SEAL RING 14X24X5 VITON	1
6	0625062022	BALL BEARING 6202 C0 2	1
7	07601530451	SHAFT SEAL RING 15X30X4.5 BAUD	2
8	0472300120	CIRCLIP 30X1,2	1
9	59030019200	OIL SIGHT GLASS	1
10	61030019050	CIRCLIP OIL LEVEL GLASS 03	1
11	7923012604415	OUTER CLUTCH COVER	1
12	79230027000	CLUTCH COVER GASKET OUTSIDE	1
13	0770191015	O-RING 19,00X3,00 NBR	1
14	79430020033	OIL FILLER CAP M24x3 WITH O-R	1
15	0025060456	HH COLLAR SCREW M6X45 TX30	3
16	0025060256	HH collar screw M6x25 TX30	6
17	0025060206	HH collar screw M6x20 TX30	2
18	0603061001	CU-SEAL RING DIN7603-6X10X1	1

207913020

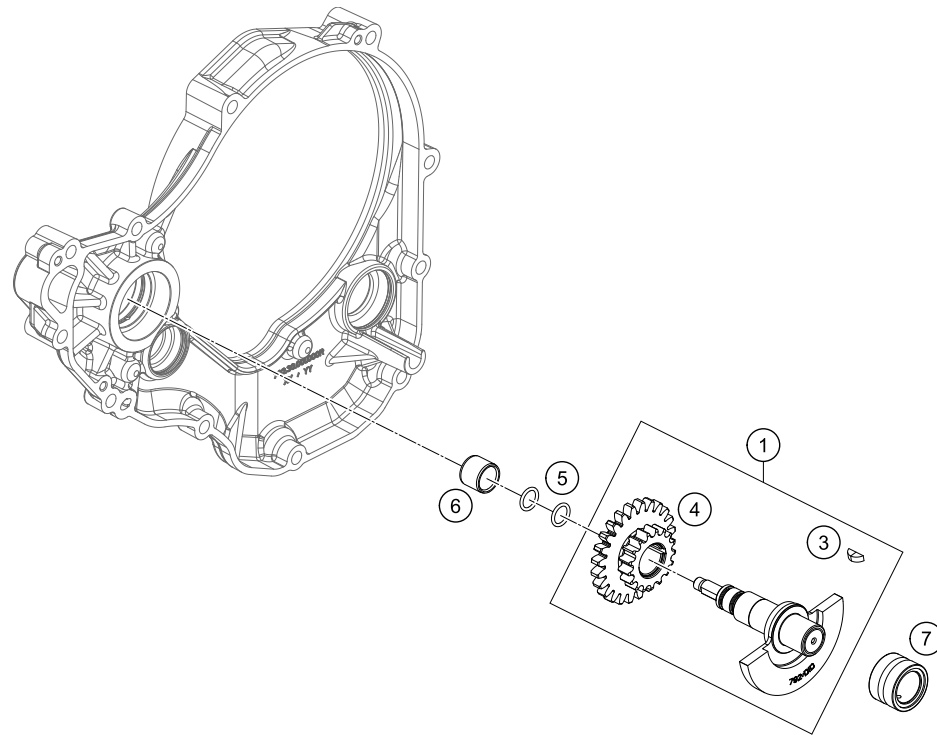
52202

\* NEW PART

X ON DEMAND

# BALANCER SHAFT

Engine 350 EXC-F 2020



POS	PARTNUMBER	PARTNAME	PIECE
1	79236072133	balancing shaft pre assembled	1
3	0888030037	WOODRUFF KEY DIN6888-3X3,7	1
4	79236076100	timing assembly twin gear	1
5	07700900151	O-RING 9x1,5 V80 SH	2
6	77236072120	Wear bushing 12/15/12,5	1
7	77230058000	NEEDLE BEARING NK16/16	1

197963030

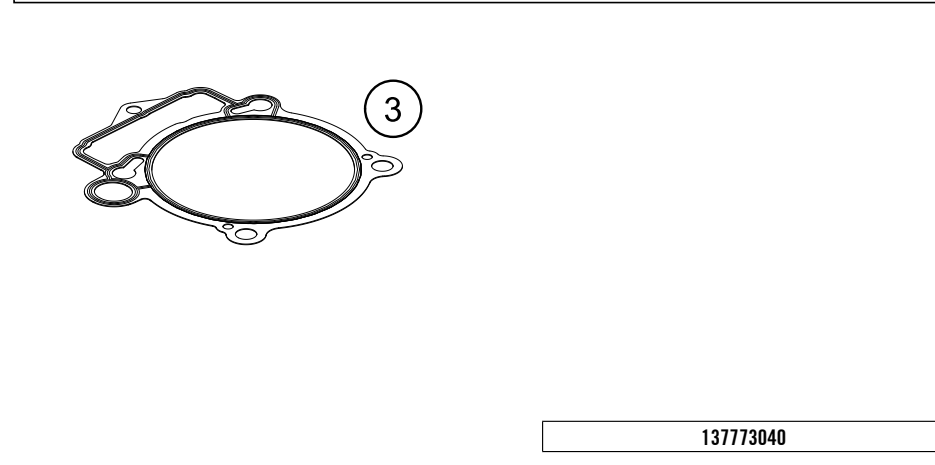
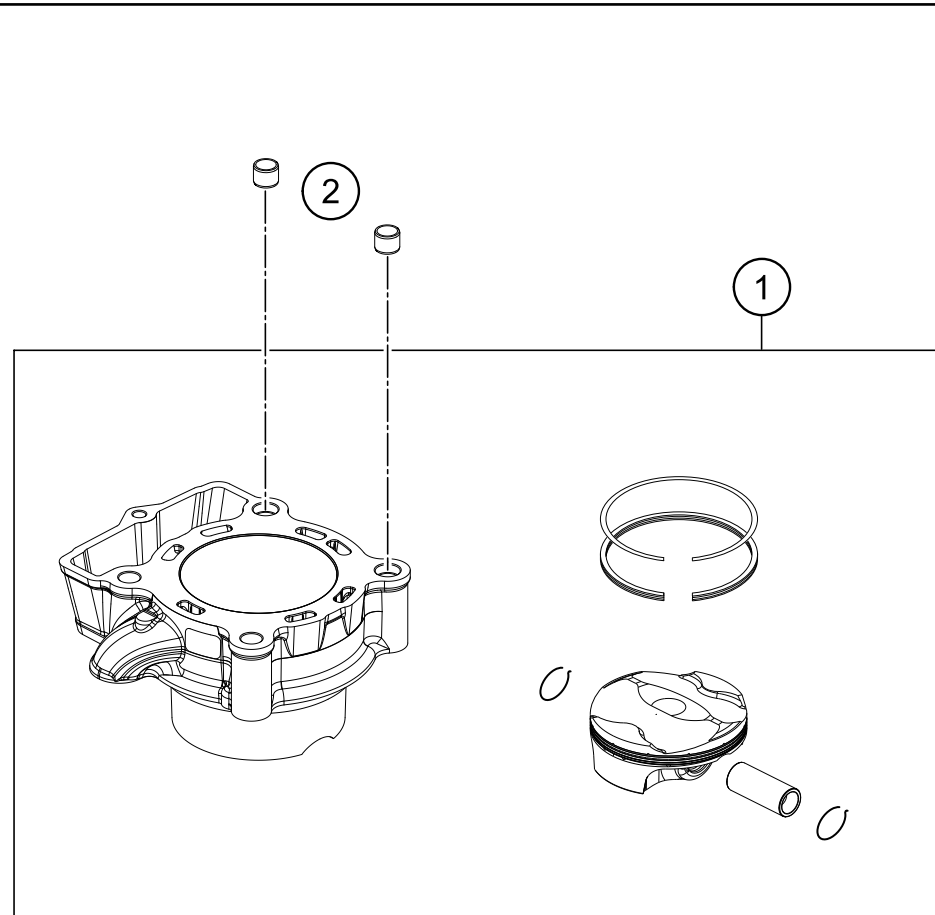
52217

\* NEW PART

X ON DEMAND

# CYLINDER

Engine 350 EXC-F 2020



POS	PARTNUMBER	PARTNAME	PIECE
1	79330038000	Cylinder + Piston	1
2	58530014100	dowl sleeve 10.2x12.5x10	2
3	79230035000	CYLINDER BASE GASKET	1

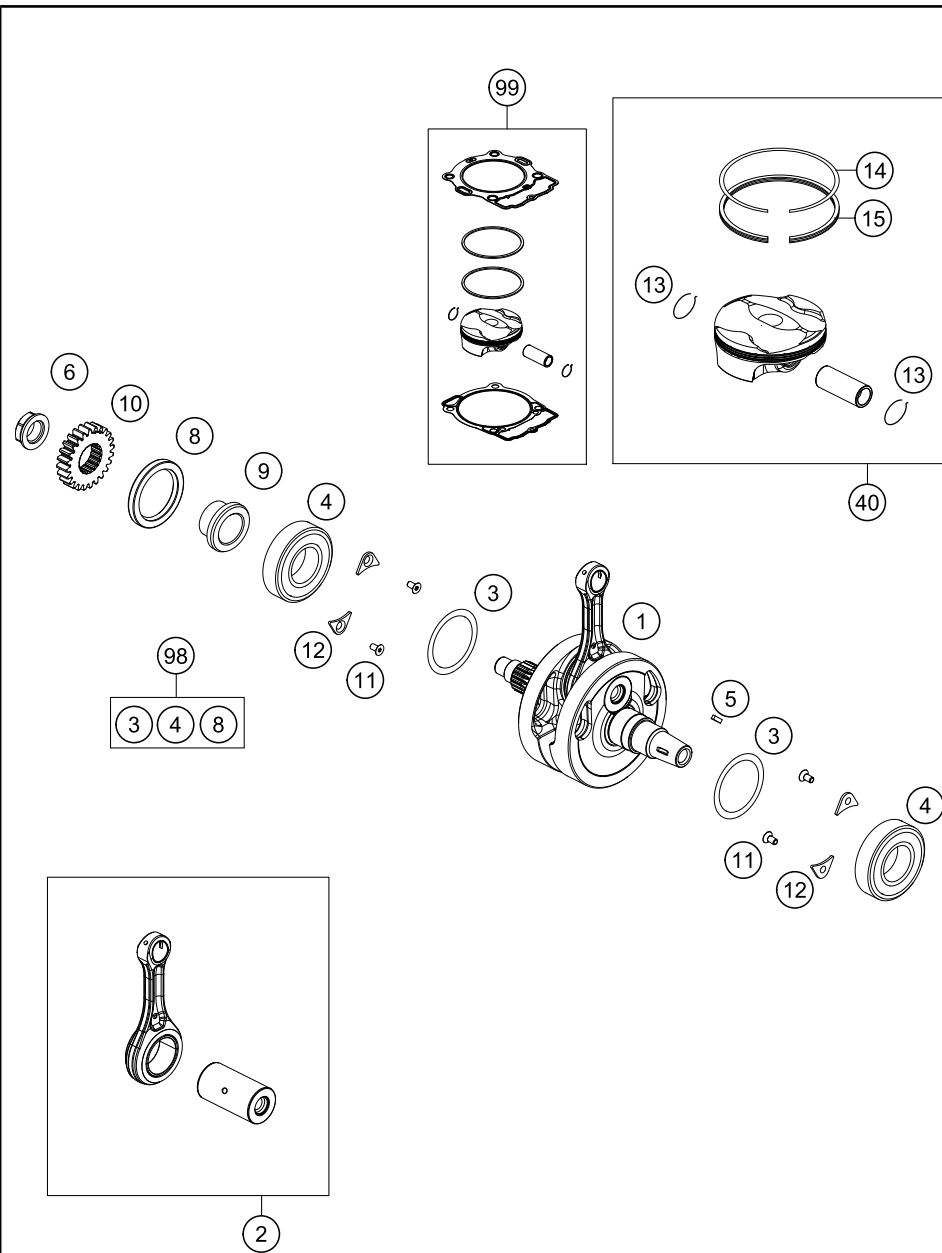
137773040

52241

\* NEW PART

X ON DEMAND





POS	PARTNUMBER	PARTNAME	PIECE
1	79330118100	Crankshaft cpl.	1
2	79330115044	Connecting rod repair kit	1
3	0988324510	THRUST WASHER 988ST 32X0,1	x
3	0988324515	THRUST WASHER 988ST 32X0,15	x
3	0988324530	THRUST WASHER 988ST 32X0,30	x
4	77330082200	BEARING NJ 206 ECP/HN3C4HVA624	2
5	0888030037	WOODRUFF KEY DIN6888-3X3,7	1
6	77230029000	NUT PRIMARY WHEEL	1
8	0760405561	SHAFT SEAL RING A 40X55X6 V.	1
9	77232022000	SPACER BUSHING PRIMARY GEAR	1
10	79232023124	gear primary drive	1
11	0019050121S	INT. TORX FLAT HEAD M5X12 T25	4
12	75030085000	RETAINING PLATE F. CS BEARING	4
13	79230274000	CIRCLIP PISTON PIN	2
14	77230030000	COMPRESSIONRING 350	1
15	79230232000	OIL SCRAPER RING	1
40	79230207100 I	PISTON I CPL. 350	x
40	79230207100 II	PISTON II CPL. 350	x
98	00050002316	CRANKSHAFT REP. KIT	x
99	00050000251	Piston kit I	x
99	00050000252	Piston kit II	x

177963061

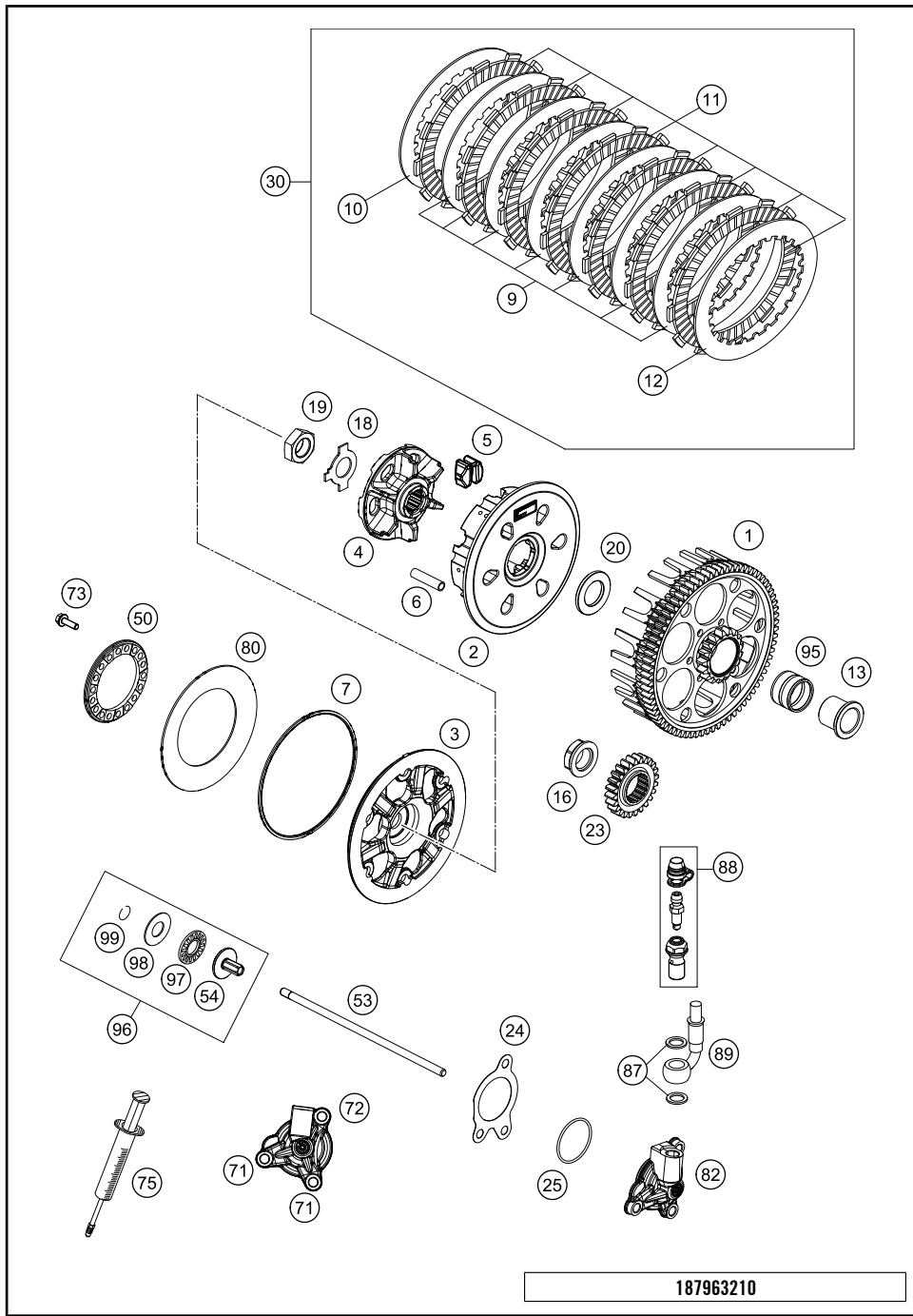
52240

\* NEW PART

X ON DEMAND

# CLUTCH

Engine 350 EXC-F 2020



POS	PARTNUMBER	PARTNAME	PIECE
1	79232201073	CLUTCH BASKET EXC	1
2	78132002300	CLUTCH HUB	1
3	79432003100	Clutch pressure plate	1
4	78132002111	HUB	1
5	78132025100	DAMPING RUBBER	6
6	77232004000	DRIVING SLEEVE D=7,95 L=38	6
7	78132013000	WASHER 112X118X1.5	1
9	59032010200	INTERMEDIATE DISC 1,4MM 2002	7
10	59032010100	INTERMEDIATE DISC 1MM 2002	1
11	79532011000	Lining disc 1,95mm	8
12	78932010000	INTERMEDIATE DISC 1MM	1
13	77232015000	INNER RING	1
16	77230029000	NUT PRIMARY WHEEL	1
18	78132018000	TAB WASHER	1
19	0936181505	HEXAGON NUT DIN0936-M18X1,5 R.	1
20	77232009000	WASHER 21,8 X 37 X 5,1	1
23	79232023124	gear primary drive	1
24	79232065000	GASKET FOR OUTPUT CYLINDER	1
25	0770300015	O-RING 30,00X1,50 NBR 70	1
30	79532010033	CLUTCH DISC PACKAGE	1
50	78132006100	SPRING RING	1
53	79232054000	PUSH ROD	1
54	78032057000	PRESSURE PIECE	1
71	0025060166	HH collar screw M6x16 TX30	2
72	0025060356	HH collar screw M6x35 TX30	1
73	0025050166	HH collar screw M5x16 TX30	6
75	50329050000	VENT INJEKTION HYDR. CLUTCH	1
80	78132005000	BELLEVILLE SPRING 71X115X1,5 I	1
82	79232061044	OUTPUT CYLINDER CPL.	1
87	0603082121	SEAL RING CU DIN7603- 8X12X1	2
88	79032064000	BLEEDER SCREW CPL.	1
89	79232063000	CLUTCH PIPE	1
95	56532095000	NEEDLE BEARING K26X30X22ZW.KSE	1
96	78032057044	PRESSURE PIECE CPL. 08	1
97	54637097200	AXIAL NEEDLE BEARING AXK 1226	1
98	54637098200	AXIAL WASHER AS1226 12X26X1	1
99	0993012000	CIRCLIP DIN7993-RW12	1

187963210

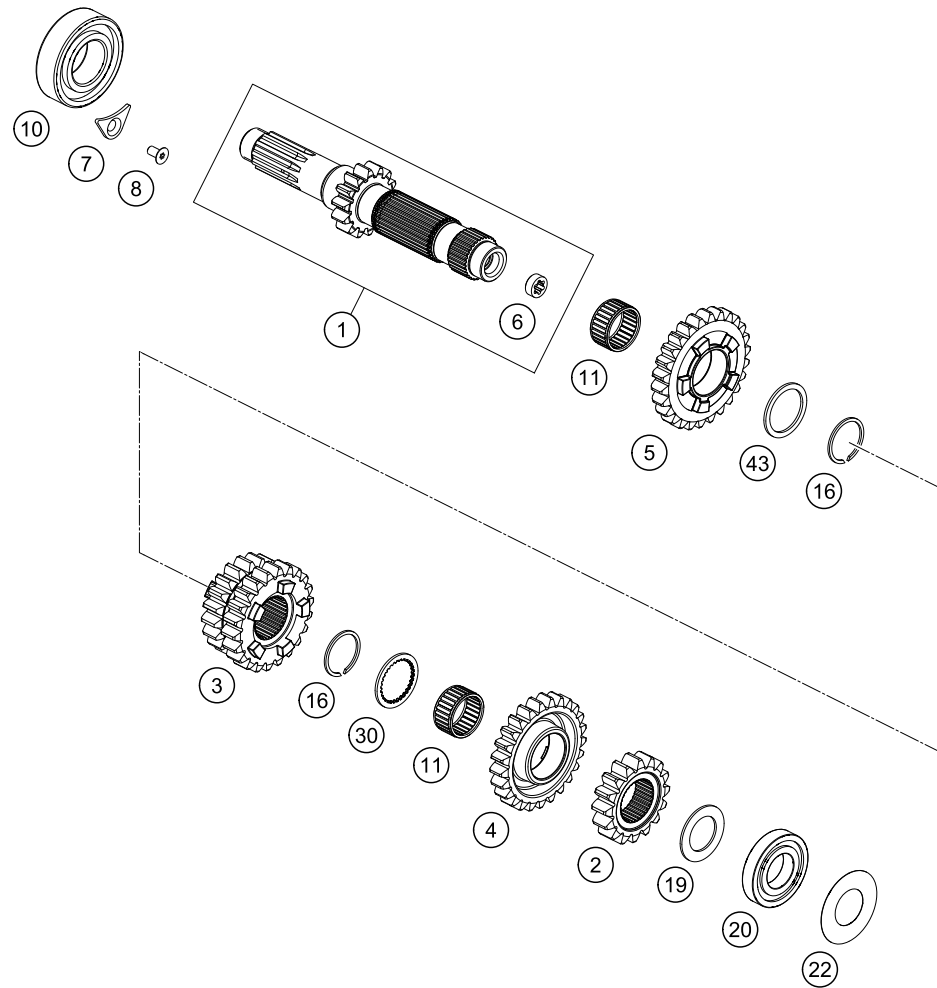
52201

\* NEW PART

X ON DEMAND

# TRANSMISSION I - MAIN SHAFT

Engine 350 EXC-F 2020



POS	PARTNUMBER	PARTNAME	PIECE
1	79333110000	Output shaft	1
2	79333102000	Fixed gear, 2nd gear, teeth=16	1
3	79333103000	Sliding gear, 3rd/4th gear, teeth=20/22	1
4	79333105000	Idler gear, 5th gear, teeth=25	1
5	79333306000	Idler gear, 6th gear, teeth=26	1
6	78033001110	BUSHING	1
7	75030085000	RETAINING PLATE F. CS BEARING	1
8	0019050121S	INT. TORX FLAT HEAD M5X12 T25	1
10	0625062056	Groove ball bearing 6205 C4 NTN	1
11	0405222613	NEEDLE BEAR. K 22X26X13 TN	2
16	0417024000	CIRCLIP WS24	2
19	77233015000	DISK 20,2X32X1,3	1
20	0625160041	BALL BEARING TM 16004 C4	1
22	77233088000	SPACER SHIM 21X42X0.2	1
30	54833043000	STOP DISC 25X0,8X30X30X7H	1
43	54833044000	STOP DISC 25X31X1,5	1

127753330

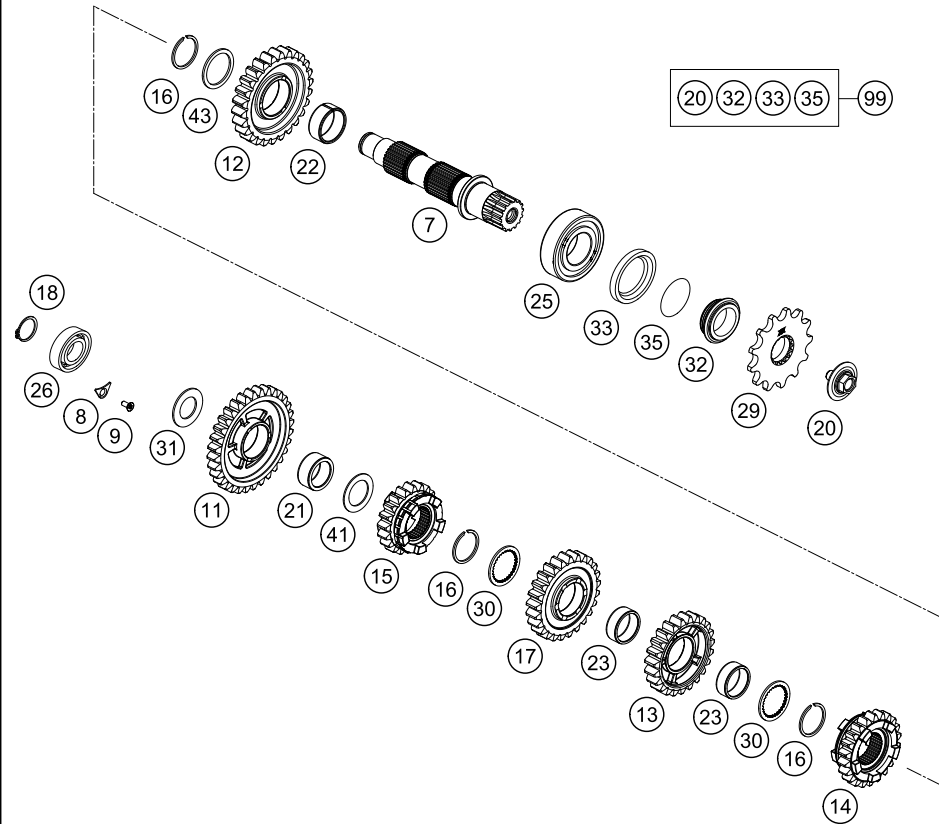
52255

\* NEW PART

X ON DEMAND

# TRANSMISSION II - COUNTERSHAFT

Engine 350 EXC-F 2020



POS	PARTNUMBER	PARTNAME	PIECE
7	79333110000	Output shaft	1
8	75030085000	RETAINING PLATE F. CS BEARING	1
9	0019050121S	INT. TORX FLAT HEAD M5X12 T25	1
11	79333311000	Idler gear, 1st gear, teeth=32	1
12	79333312000	idler gear 2 nd.	1
13	79333314000	idler gear 4 th.	1
14	79333315000	sliding gear 5 th.	1
15	79333316000	sliding gear 6 th.	1
16	0417024000	CIRCLIP WS24	3
17	79333313000	idler gear 3 rd.	1
18	0471170015	CIRCLIP DIN 0471-17X1, 5	1
20	59033034044	SCREW 10.9+SPRING WASHER	1
21	0405202612	NEEDLE BEARING K 20X26X12	1
22	0405242812	NEEDLE BEAR. K24X28X11,9 DIV.	1
23	0405222611	NEEDLE BEAR.K 22X26X10 DIVIDED	1
25	49030023000	cylindrical roller bearing NJ205	1
26	0625062035	BALL BEARING 6203 JR2 C3	1
29	79233029013	SPROCKET 13T	x
29	79233129014	ENGINE SPROCKET 14Z	1
30	54833043000	STOP DISC 25X0,8X30X30XH	2
31	77233020000	STOP DISK 17,2X30X1,3	1
32	78133014000	SPACER SLEEVE COUNTER	1
33	0760324571	SHAFT SEAL RING 32X45X7 BSLNBR	1
35	0770020220	O-RING 25,12X1,78 NBR70	1
41	54833080000	STOP DISC 20,2X30X1	1
43	54833044000	STOP DISC 25X31X1,5	1
99	00050000941	COUNTER SHAFT REP.KIT 4 STROKE	x

177963361

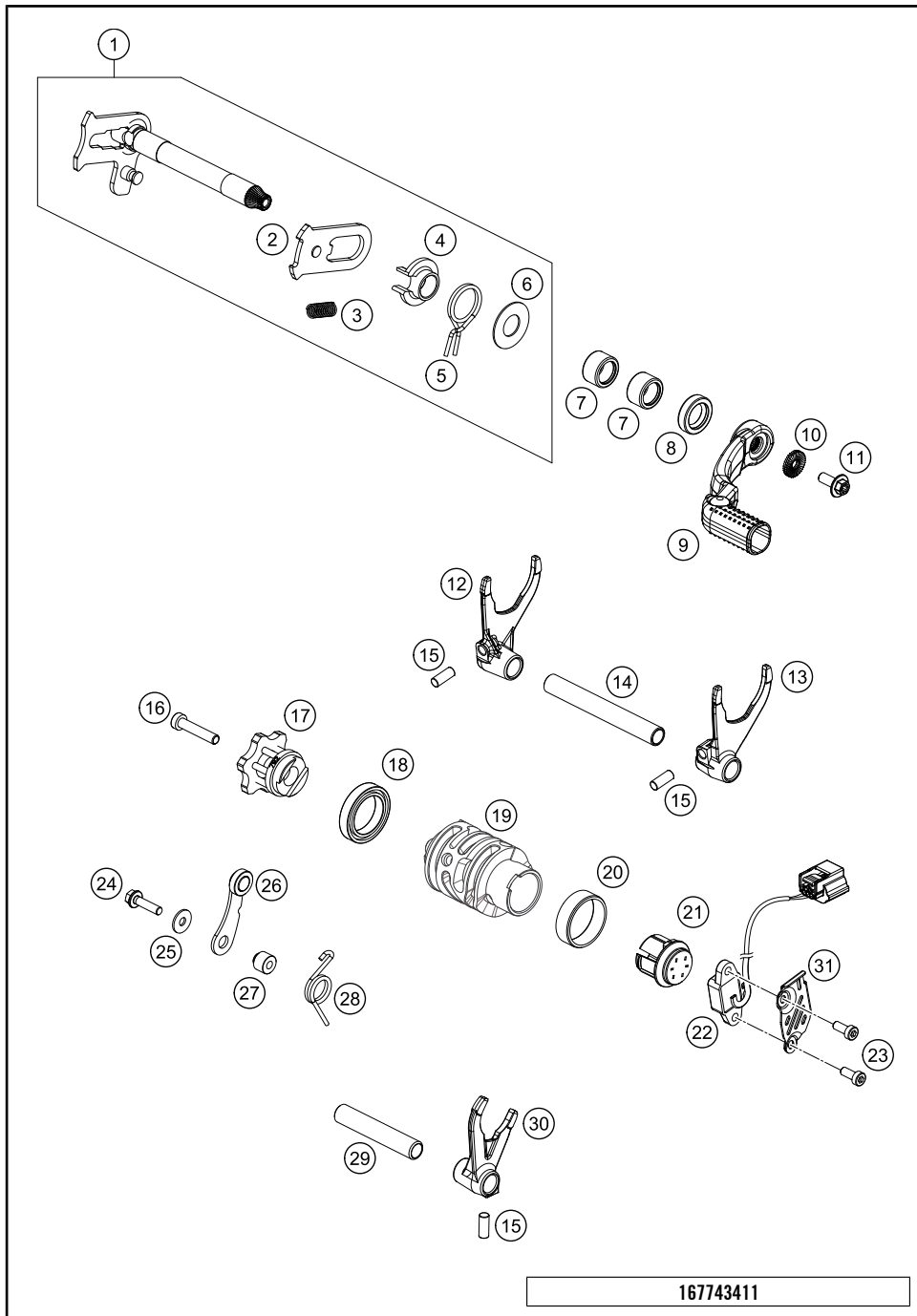
52256

\* NEW PART

X ON DEMAND

# SHIFTING MECHANISM

Engine 350 EXC-F 2020



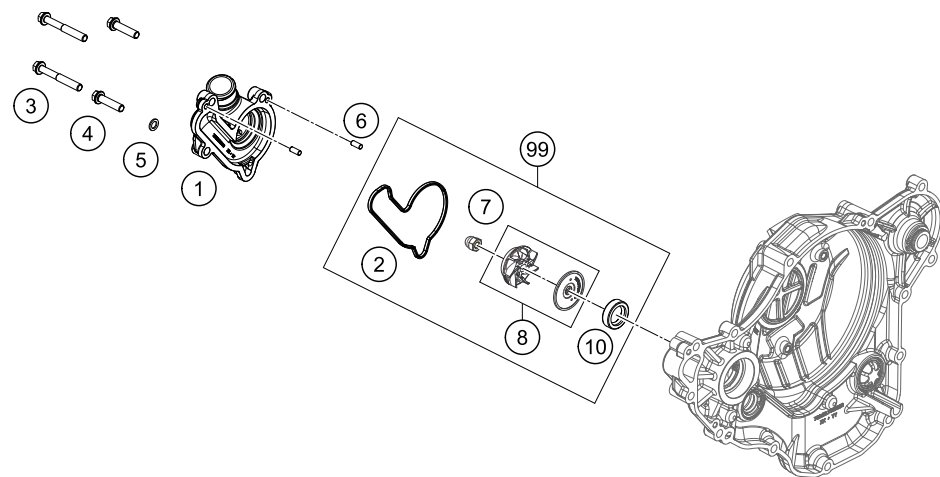
POS	PARTNUMBER	PARTNAME	PIECE
1	79234005133	SHIFT SHAFT CPL.	1
2	79234008144	SLIDING PLATE CPL.	1
3	56534013100	TENSIONING SPRING 0,8MM	1
4	54634020000	SPRING GUIDE	1
5	54834014000	RETURN SPRING 03	1
6	54634050000	STOP DISK 14X30X1	1
7	54632095000	needle sleeve HK 1412 14x20x12	2
8	0760142460	radial shaft seal 14x24x6 B	1
9	79234031100	SHIFT LEVER CPL.	1
10	50233041500	PAIR NORDLOCK WASHER M6	1
11	0024060156S	HH collar screw M6x15 TX30	1
12	79234203000	SHIFT FORK 1ST-3RD GEAR	1
13	79234202000	SHFIT FORK 2ND-4TH GEAR	1
14	77034019000	SHIFTING MAIN L=93MM 05	1
15	0402061480	NEEDLE ROLLER DIN5402 6X14,8	3
16	0984060302	AH SCREW DIN6912 M 6X30	1
17	79234015100	Shift star cpl	1
18	0625618050	BALL BEARING 61805 C3	1
19	79234112000	SHIFT ROLLER	1
20	79234012010	FRICTION BEARING CONTROLLER	1
21	79234012020	magnet holder cpl.	1
22	79211023000	gear position sensor	1
23	0984050143S	CYL. SCREW DIN6912 M5X14 8.8	2
24	0025050256S	HH collar screw M5x25 TX30	1
25	0021050003	washer DIN 9021 A - 5.3	1
26	79234024044	LOCKING LEVER CPL.	1
27	54634052300	SLEEVE FOR LOCKING LEVER	1
28	54834023000	LOCKING LEVER SPRING 03	1
29	54834019000	SHIFT. RAIL MAIN SHAFT 250/300	1
30	79234201000	SHIFT FORK 5TH-6TH GEAR	1
31	79211024000	GUARD PLATE MOTION SENSOR	1

167743411

52247

\* NEW PART

X ON DEMAND

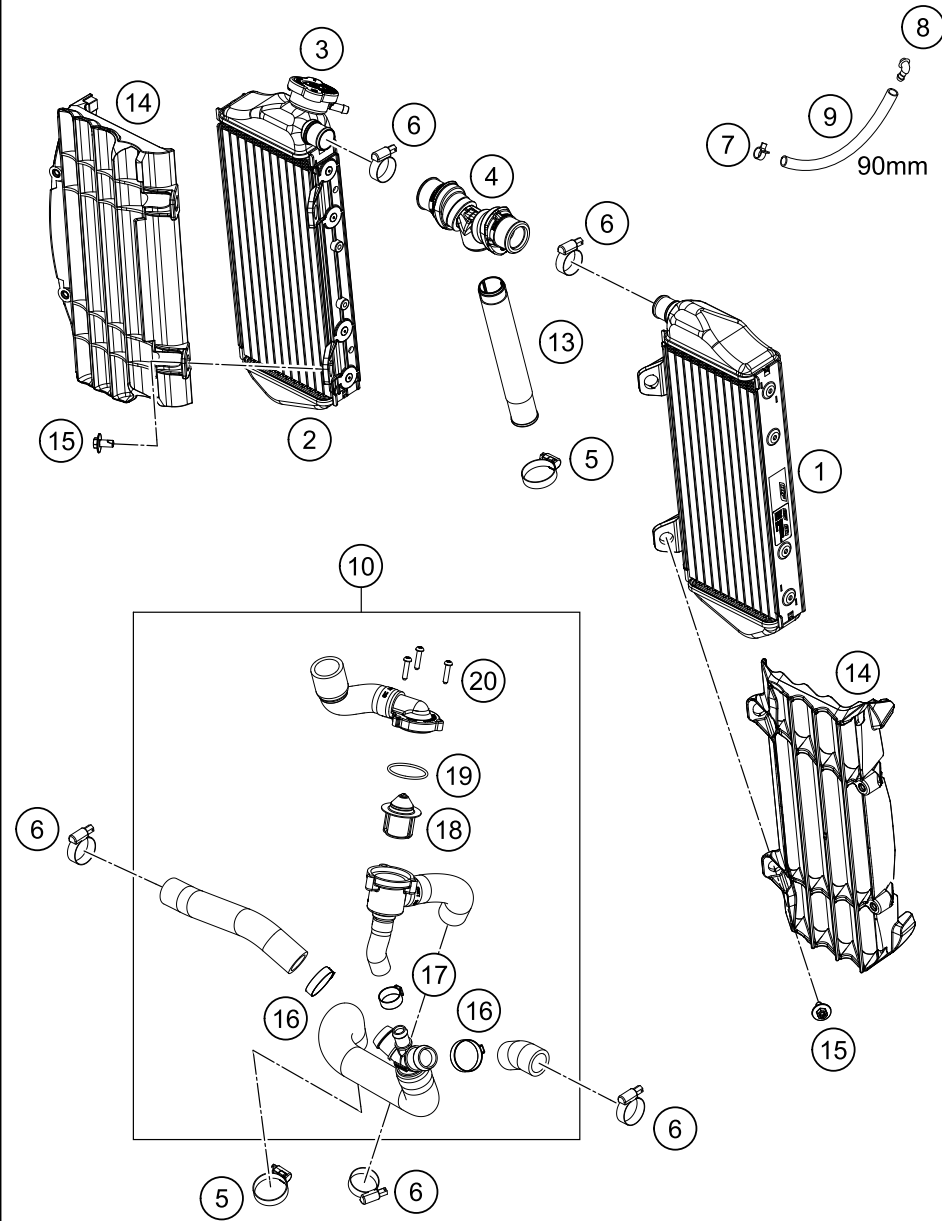


POS	PARTNUMBER	PARTNAME	PIECE
1	79235052000	WATER PUMP COVER	1
2	79235053000	GASKET F. WATER PUMP COVER	1
3	0025060456	HH COLLAR SCREW M6X45 TX30	2
4	0025060256	HH collar screw M6x25 TX30	2
5	0603061001	CU-SEAL RING DIN7603-6X10X1	1
6	0402040980	NEEDLE ROL.DIN5402 NRB 4X9,8	2
7	61230045000	CAP NUT M6 STAINLESS STEEL	1
8	79235055044	WATER PUMP WHEEL CPL.	1
10	07601530451	SHAFT SEAL RING 15X30X4.5 BAUD	1
99	79235055015	WATER PUMP REP. KIT	1

177963510

18320

\* NEW PART X ON DEMAND



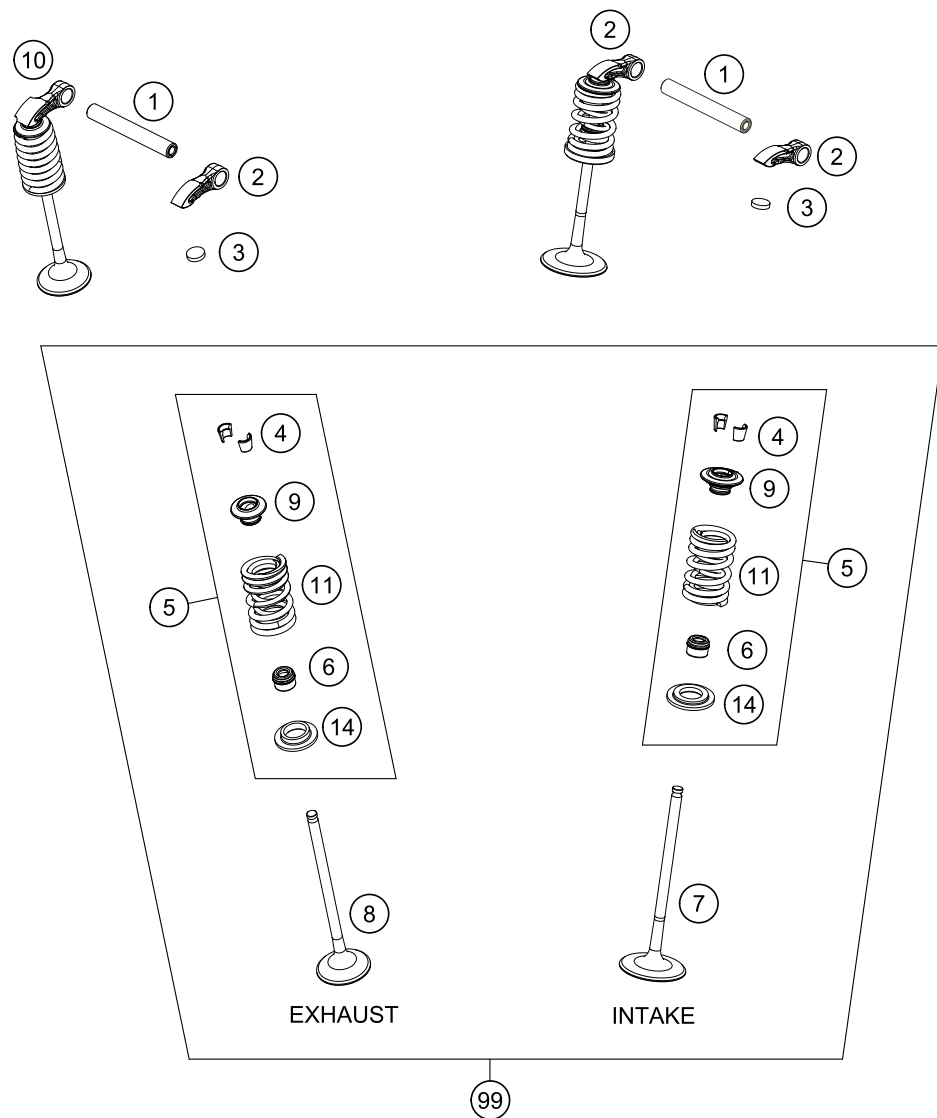
POS	PARTNUMBER	PARTNAME	PIECE
1	50535007100	Radiator, left 19	1
2	79535008100	Radiator right	1
3	79035016000	RADIATOR CAP 1,8 BAR	1
4	79135071044	Y-hose cpl.	1
5	79135031000	Hose clip 22-33	2
6	42013037400	HOSE CLAMP NORMA 14/24	5
7	59007017000	CLAMP YDNAC 10096F (9,6MM)	1
8	50303089000	ANGLE PIECE '97	1
9	50335030001	PVC-HOSE 6X9	x
10	79335026033	preformed hose w. therm	1
13	79135073000	threaded bushing	1
14	7913503400030	radiator protector le/ri black	2
15	0024060123	COLLAR SCREW M6X12 TX	4
16	00050271708	VARIABLE ONE-EAR CLAMP 27,1MM	2
17	00050185154	VARIABLE ONE-EAR CLAMP 18,5MM	1
18	59435017000	THERMOSTAT 70 DEGREE 04	1
19	0770320020	O-RING 32,00X2,00	1
20	0016040183	SCREW FOR PLASTIC D=4X18	3

207933530

52258

\* NEW PART

X ON DEMAND



POS	PARTNUMBER	PARTNAME	PIECE
1	77236056000	VALVE LEVER SHAFT	2
2	77236060100	VALVE LEVER	3
3	77036035172	SHIM D=8,9/1,72	X
3	77036035176	SHIM D=8,9/1,76	X
3	77036035180	SHIM D=8,9/1,80	X
3	77036035184	SHIM D=8,9/1,84	X
3	77036035188	SHIM D=8,9/1,88	X
3	77036035192	SHIM D=8,9/1,92	X
3	77036035196	SHIM D=8,9/1,96	X
3	77036035200	SHIM D=8,9/2,00	X
3	77036035204	SHIM D=8,9/2,04	X
3	77036035208	SHIM D=8,9/2,08	X
3	77036035212	SHIM D=8,9/2,12	X
3	77036035216	SHIM D=8,9/2,16	X
3	77036035220	SHIM D=8,9/2,20	X
3	77036035224	SHIM D=8,9/2,24	X
3	77036035228	SHIM D=8,9/2,28	X
3	77036035232	SHIM D=8,9/2,32	X
3	77036035236	SHIM D=8,9/2,36	X
3	77036035240	SHIM D=8,9/2,40	X
3	77036035244	SHIM D=8,9/2,44	X
3	77036035248	SHIM D=8,9/2,48	X
3	77036035252	SHIM D=8,9/2,52	X
3	77036035256	SHIM D=8,9/2,56	X
3	77036035260	SHIM D=8,9/2,60	X
4	77236033000	VALVE COLLET	8
5	79236028144	VALVE SPRING KIT	2
6	77236027000	VALVE-STEM SEALING	4
7	77536030000	INTAKE VALVE	2
8	77536031000	EXHAUST VALVE	2
9	79236132000	VALVE SPRING PLATE	4
10	77736060000	VALVE LEVER	1
11	77736028000	VALVE SPRING NHK HUB 10MM	4
14	77736136000	VALVE SPRING HOLDER	4
99	79336030010	Valve kit 350 Enduro	1

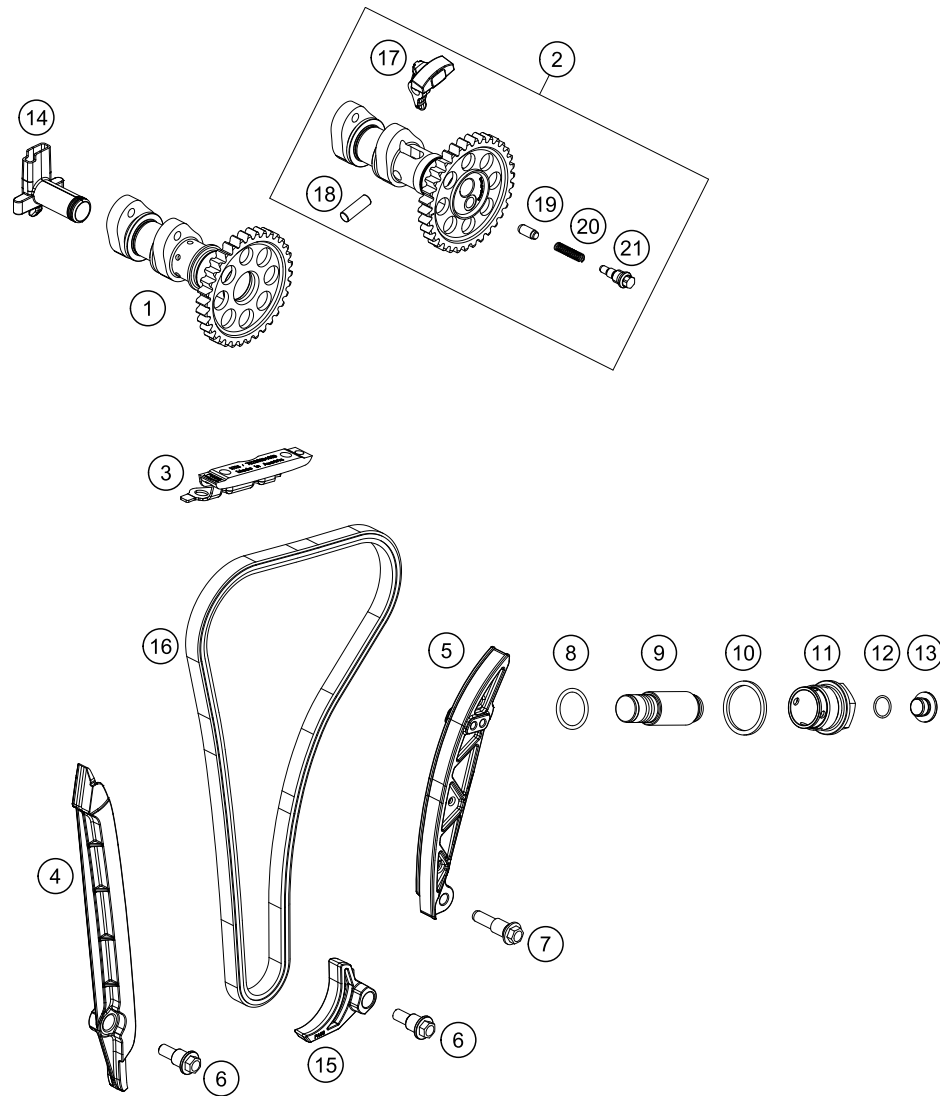
167923610

52250

\* NEW PART

X ON DEMAND





POS	PARTNUMBER	PARTNAME	PIECE
1	79336109000	Camshaft inlet valve	1
2	79336110044	Camshaft exhaust valve with decal	1
3	79236004000	TIMING CHAIN GUIDE TOP	1
4	79236001000	GUIDE RAIL	1
5	79236002000	TENSIONING RAIL	1
6	77236001160	BUSHING SCREW M6	2
7	77236002160	BUSHING SCREW M8	1
8	0770180020	o-ring 18.00x2.00 NBR70	1
9	77036003000	CHAIN ADJUSTER HYD. 05	1
10	0603242920	CU SEAL-RING DIN7603 A24X29X2	1
11	77336008000	HOLDING BOLT M24X1,5	1
12	0770010010	o-ring 10.00x1.00 NBR70	1
13	77236080100	threaded plug	1
14	77236081000	ANGLE PIECE F. BREATHER SYSTEM	1
15	77236005000	SECURING PROTECTION	1
16	79236013100	TIMING CHAIN	1
17	79236016000	DECO LEVER	1
18	0402061780	NEEDLE ROLLER	1
19	77336016055	DECO SPRING PIN L=10,6 07	1
20	77336017030	SPRING FOR AUTO DECOMPR.	1
21	77336017050	DECO SCREW PLUG	1

167923620

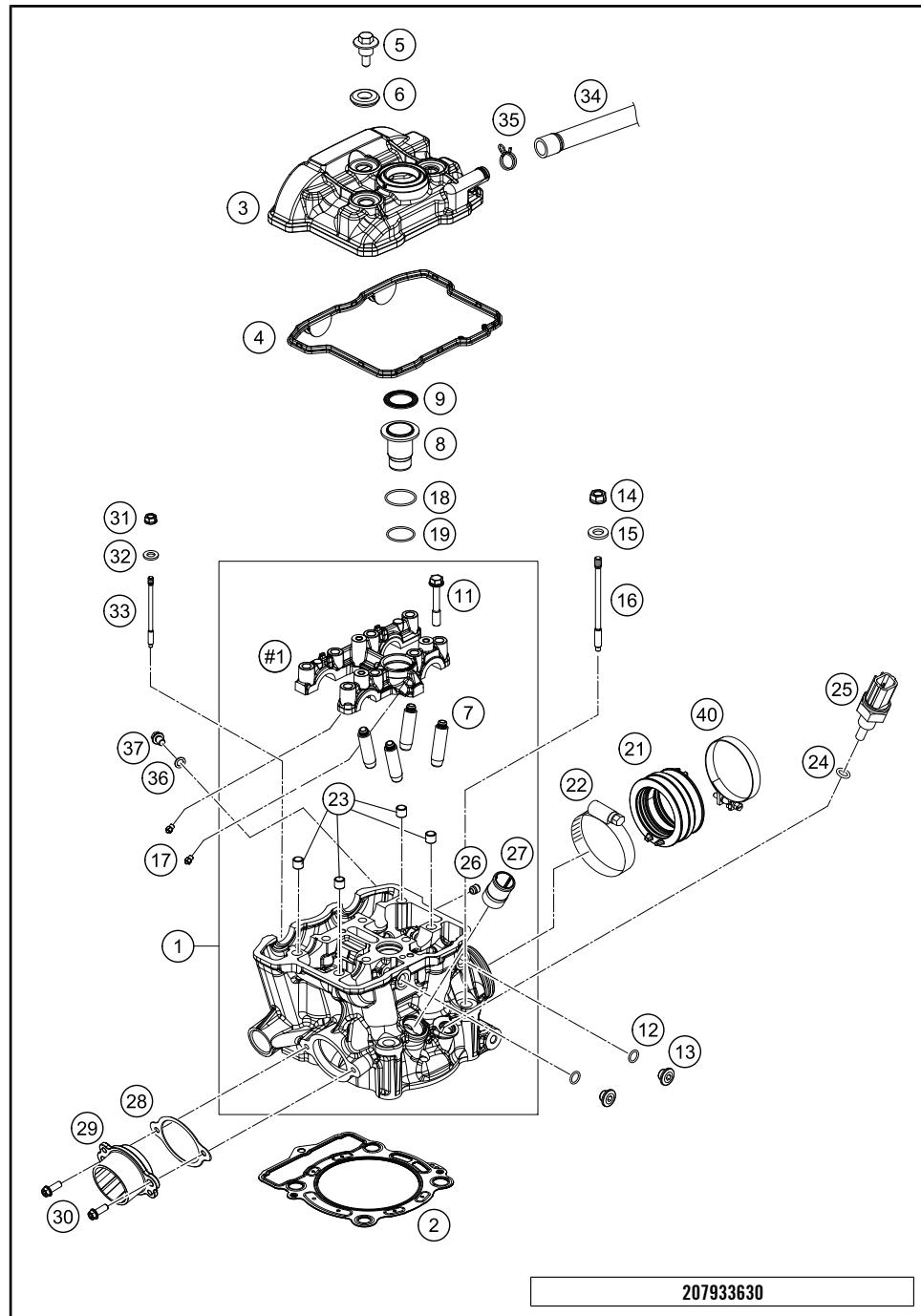
52251

\* NEW PART

X ON DEMAND

# CYLINDER HEAD

Engine 350 EXC-F 2020



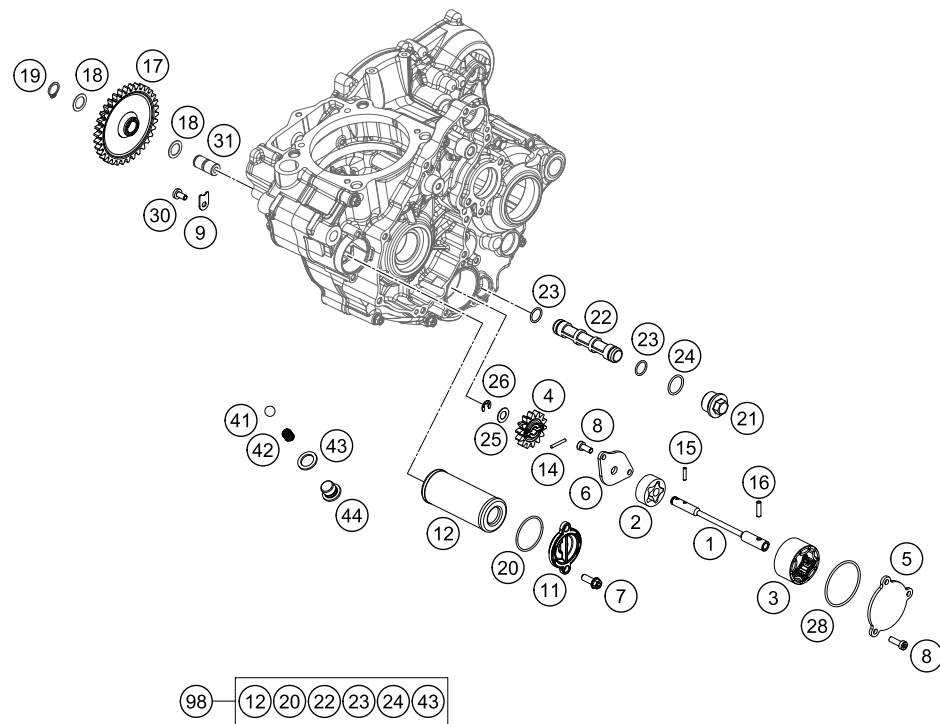
207933630

POS	PARTNUMBER	PARTNAME	PIECE
1	79336120044	Cylinder head cml.	1
2	79330036086	Cylinder head gasket	1
3	7933605200033	Valve cover	1
4	79336053000	Valve Cover Gasket	1
5	77336054150	VALVE COVER SCREW	3
6	77036054150	RUBBER GASKET FOR SCREW	3
7	77236025001	VALVE GUIDE INTAKT	4
8	79336075000	Spark plug shaft insert	1
9	77336053050	GASKET SPARK-PLUG SHAFT	1
11	77330067242	Collar screw M7x1x42	8
12	07700900151	O-RING 9x1,5 V80 SH	2
13	77236080100	threaded plug	2
14	77336088210	COLLAR NUT M10X1,25 SW13	4
15	77336089010	washer 19x10.5x2.5	4
16	79230044000	STUD BOLT M10X1,25	4
17	60030063050	oil jet 50 M5	4
18	07702600151	O-Ring 26x1.5 Viton	1
19	07702300151	O-ring 23x1.5 Viton	1
21	79236044100	RUBBER CUP	1
22	61036047000	HOSE CLAMP GEMI 63MM 05	1
23	77036090000	DOWEL(BUSH BRIDGE)7/9/8 05	4
24	0770100020	o-ring 10.00x2.00 silicone	1
25	79435047000	water temperature sensor	1
26	59030296000	SCREW PLUG	1
27	58030010200	SCREW IN NOZZLE M20X1,5	1
28	77236041000	GASKET EXHAUST FLANGE	1
29	77236139000	ENGINEFLANGE	1
30	0025060166S	HH collar screw M6x16 TX30 SL	2
31	77336088106	COLLAR NUT M6X1 SW8	1
32	0125060003	WASHER DIN0125-A 6,4	1
33	79230043000	STUD BOLT M6	1
34	77538087000	ENGINE BREATHER TUBE	1
35	58431082300	CLAMP YDNAC 10173 (18MM)	1
36	0603061001	CU-SEAL RING DIN7603-6X10X1	1
37	0025060086	HH collar screw M6x8 TX30	1
40	77236048000	HOSE CLAMP GEMI 58MM	1

52249

\* NEW PART

X ON DEMAND



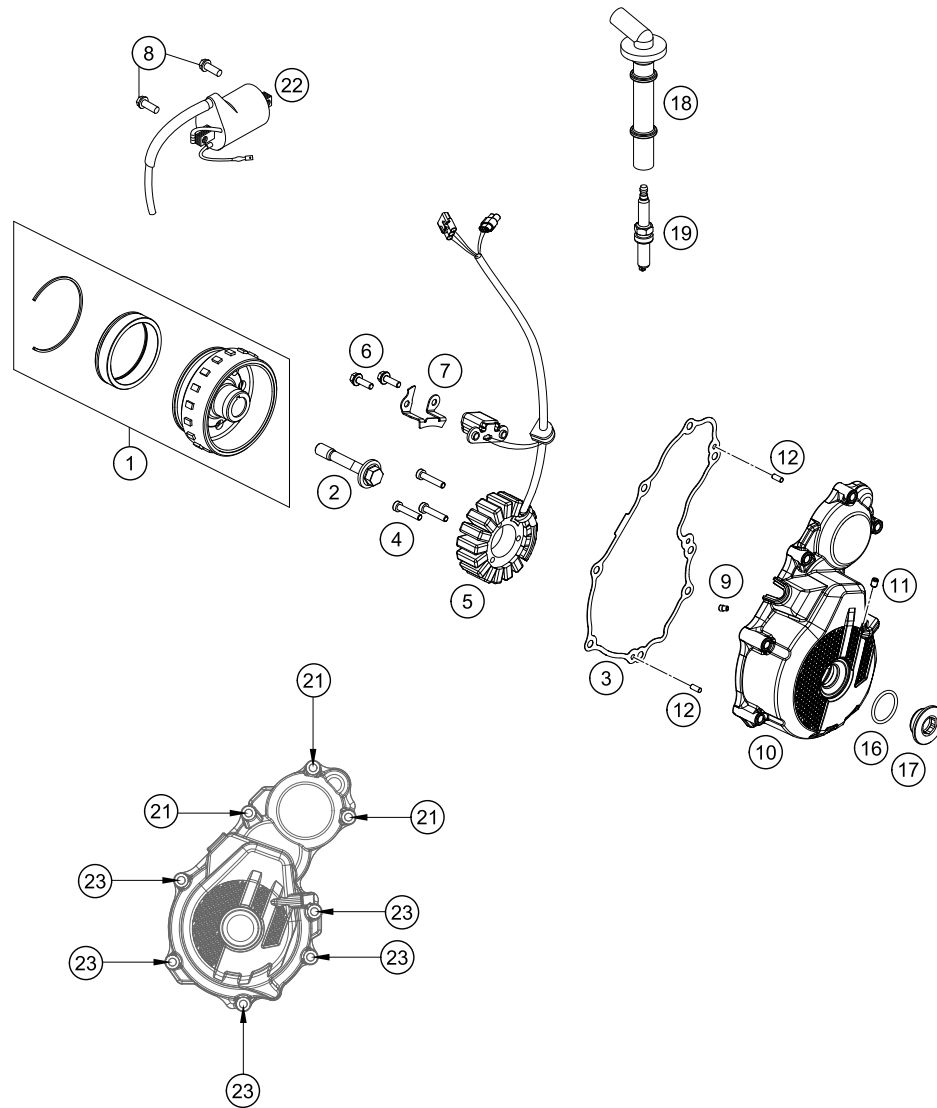
POS	PARTNUMBER	PARTNAME	PIECE
1	79238002100	Oil pump shaft	1
2	59038011112	OILPUMP ROTOR-SET 12MM CPL.	1
3	61238111000	ROTOR-SET CPL. 22MM	1
4	77038001100	OIL PUMP GEAR 14T 08	1
5	79238004000	OIL PUMP COVER LEFT	1
6	79238003000	OIL PUMP COVER RIGHT	1
7	0025060166	HH collar screw M6x16 TX30	2
8	0984050143S	CYL. SCREW DIN6912 M5X14 8.8	5
9	77238061050	AXIAL-CIRCLIP	1
11	77338041200	OIL FILTER COVER 08	1
12	77338005100	OIL FILTER	1
14	0402251980	NEEDLEROL.DIN5402 NRA 2,5X19,8	1
15	0402251180	NEEDLE ROLLER DIN5402 2,5X11,8	1
16	0402041580	needle roller NRB 4x15.8 G2	1
17	79238006100	Oil pump idler-gear	1
18	0988121805	SHIM WASHER DIN0988-12X18X0,50	2
19	0471120010	retaining ring DIN 471 12x1	1
20	07703305178	O-RING 33,05X1,78	1
21	59038017100	PLUG M20X1,5 WS=13	1
22	59038016100	OIL SCREEN	1
23	07701250151	O-RING 12,5X1,5 VITON V75	2
24	0770020170	O-RING 17,17X1,78 GLO	1
25	58038007755	STOP DISK 8,1 X 15 X 0,5	1
26	0799060000	TAB WASHER DIN6799-RS 6,0	1
28	0770440020	O-RING 44,00X2,00 VITON	1
30	0018050103	INT. TORX OVAL HEAD M 5X10 8.8	1
31	77038013100	BUSHING PIN	1
41	0401090003	BALL DIN5401-9	1
42	58038023300	PRESSURE SPRING L=25MM D=1MM	1
43	58038022000	CU-SEAL RING DIN7603-12X18X1,5	1
44	78036024000	PLUG SCREW SAS M12X1,5	1
98	00050000083	OILFILTER-GASKET SET 350 SX-F	x

177963811

52196

\* NEW PART

X ON DEMAND



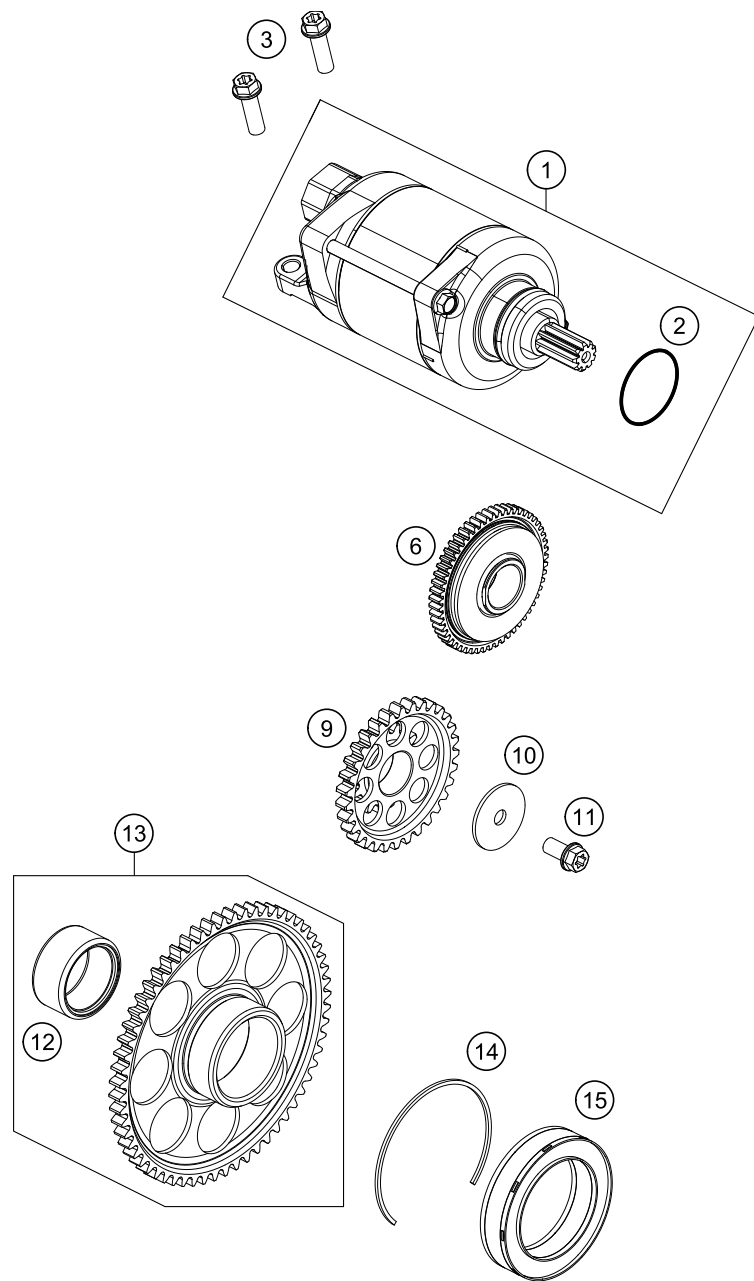
POS	PARTNUMBER	PARTNAME	PIECE
1	79239105044	ROTOR EFI CPL.	1
2	77339010100	FLYWHEEL SCREW	1
3	79230040000	IGNITION COVER GASKET	1
4	0912050303	AH SCREW DIN0912-M 5X30	3
5	79239104000	STATOR	1
6	0025050166	HH collar screw M5x16 TX30	2
7	79230102050	CABLE BRACKET	1
8	0026060186	COLLAR SCREW M6X18 ISA30	2
9	80030058060	OIL JET "60" M4	1
10	7923010200015	IGNITION COVER EXC	1
11	0913050063S	THREAD PIN DIN 913 M5X6	1
12	0402040980	NEEDLE ROL.DIN5402 NRB 4X9,8	2
16	07700240251	o-ring 24.00x2.50 Viton	1
17	7723000216030	SCREW PLUG M24X1,5	1
18	79139090000	Resistor Plug Cover	1
19	77839093000	spark plug NGK LMAR9AI-10	1
21	0025060306	HH collar screw M6x30 TX30	3
22	58439006000	IGNITIONCOIL IG3826 KOKUSAN'96	1
23	0025060406	HH collar screw M6x40 TX30	5

177963910

52257

\* NEW PART

X ON DEMAND



POS	PARTNUMBER	PARTNAME	PIECE
1	79240001000	E-STARTER ENGINE CPL.	1
2	0770250030	O-RING 25,00X3,00 NBR 70	1
3	0025060256	HH collar screw M6x25 TX30	2
6	79240016100	Torque limiter	1
9	79240022100	Intermediate starting gear	1
10	79240017000	STOP DISC 6X26X1,5	1
11	0025060126	HH collar screw M6x12 TX30	1
12	0618253216	NEEDLE BUSH HK2516 25/32/16 02	1
13	79240020033	freewheel gear cpl.	1
14	0472057150	CIRCLIP DIN0472-57X1,50	1
15	79240026000	FREEWHEEL	1

197964010

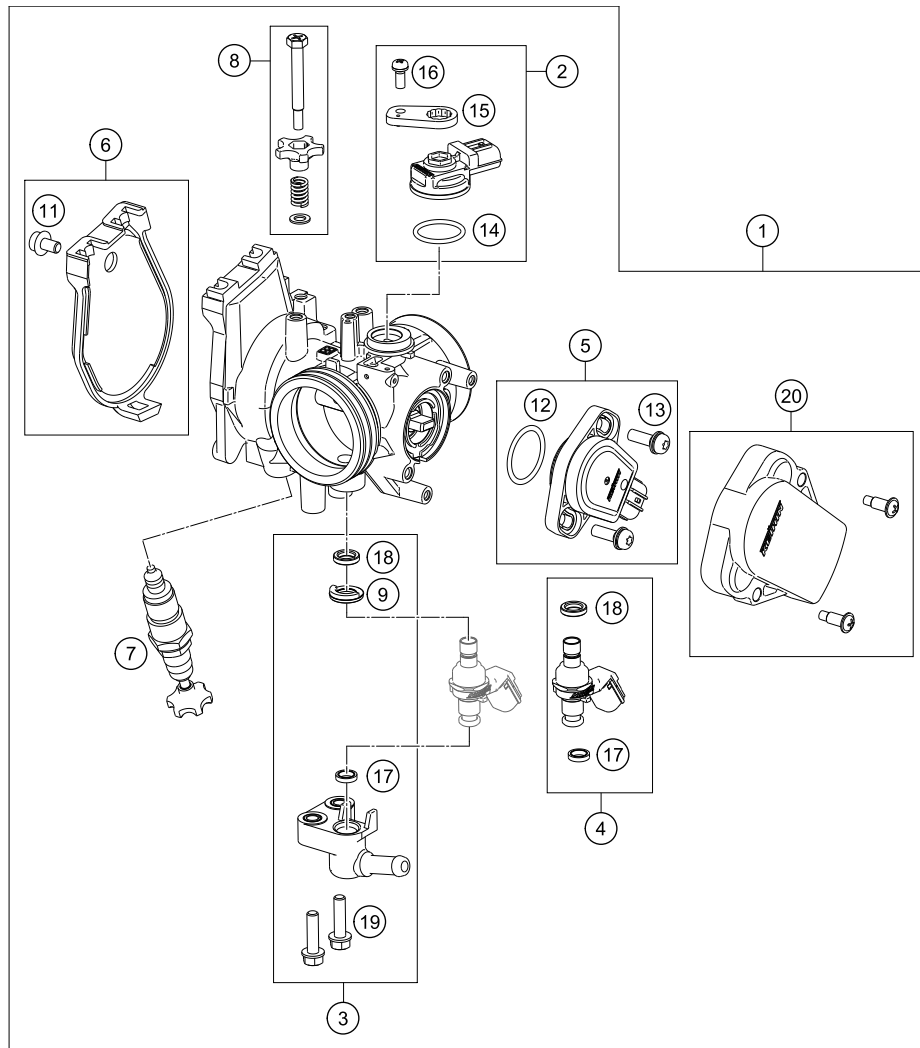
52220

\* NEW PART

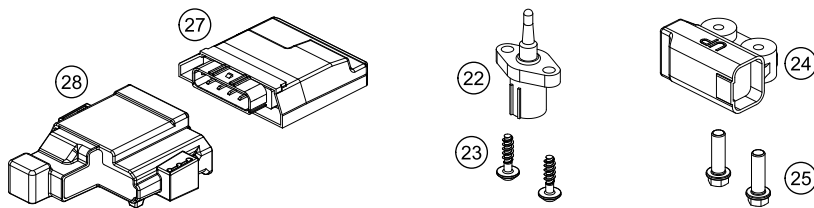
X ON DEMAND

# THROTTLE BODY

Engine 350 EXC-F 2020



POS	PARTNUMBER	PARTNAME	PIECE
1	79441001000	THROTTLE BODY	1
2	77741085044	MAP SENSOR CPL.	1
3	79041013044	FUEL PIPE CPL.	1
4	79041023044	INJECTOR CPL.	1
5	79041077044	TPS CPL.	1
6	79041056044	THROTTLE COVER CPL.	1
7	79041070000	STARTER VALVE CPL.	1
8	77741060044	IDLING ADJUSTING SCREW CPL.	1
9	79041023030	SEAL RING	1
11	79041056020	SPECIAL SCREW	1
12	75041077110	O-RING	1
13	61041077020	SCREW THROTTLE POS. SENSOR	2
14	75041085010	O-RING	1
15	77741085020	PLATE	1
16	81241085030	SPECIAL SCREW	1
17	60341023020	O-RING	1
18	75041023010	SEAL RING	1
19	79041013060	SPECIAL SCREW M5X20	2
20	79041078044	TPS COVER CPL.	1
22	61041080000	AMBIENT-AIR TEMPERATURE SENSOR	1
23	0081050181	SCREW FOR PLASTIC K50X18 T20	2
24	61041088000	ROLLOVER SENSOR 05	1
25	0025060206	HH collar screw M6x20 TX30	2
27	79641031000	ENGINE CONTROL UNIT EFI	1
28	79041031050	ECU RUBBER HOLDER	1



177964110

18343

\* NEW PART

X ON DEMAND



WWW.KTM.COM



KTM Sportmotorcycle GmbH  
5230 Mattighofen, Austria  
[www.ktm.com](http://www.ktm.com)



**KTM**\_POWERPARTS

**KTM**\_POWERWEAR

**KTM**\_ORIGINAL SPARE PARTS



089360TEN

Art. Nr.: 089360TEN 14. Mär 2019