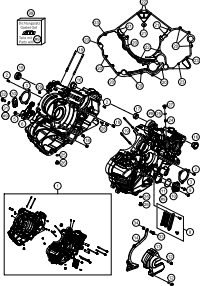
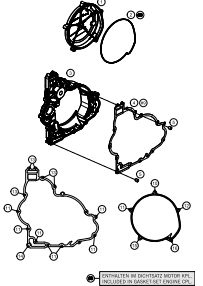
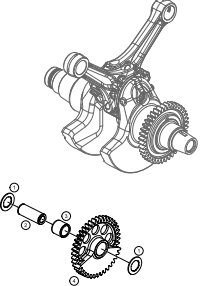
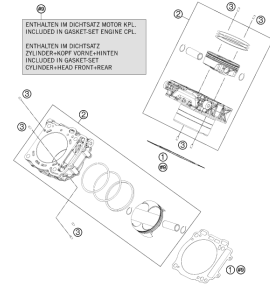
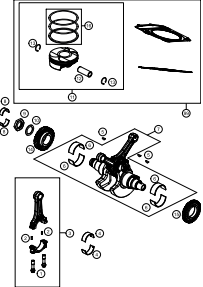
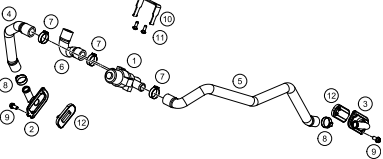
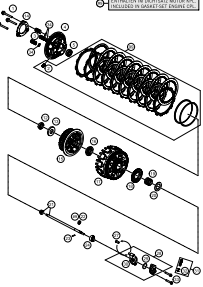
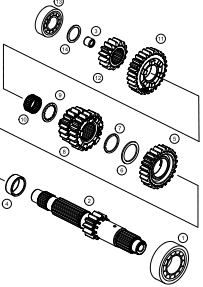
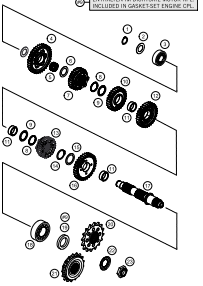
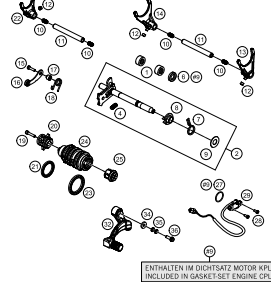
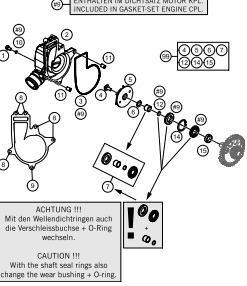
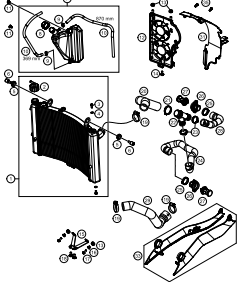
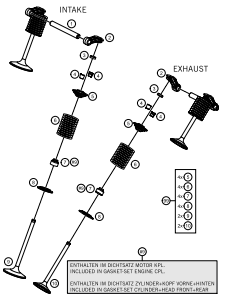
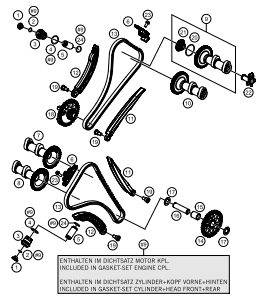
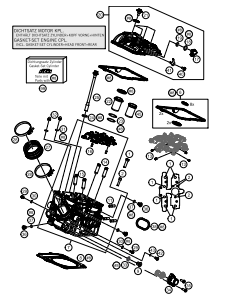
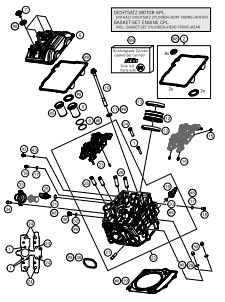
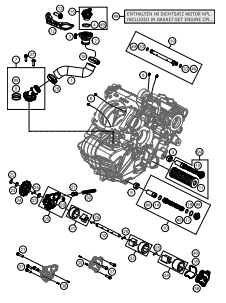
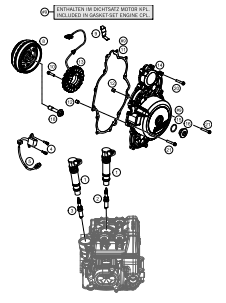
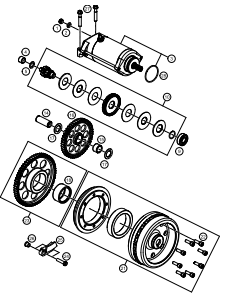
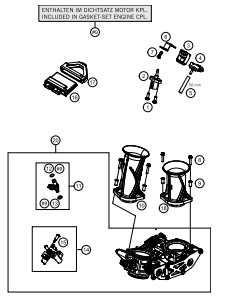


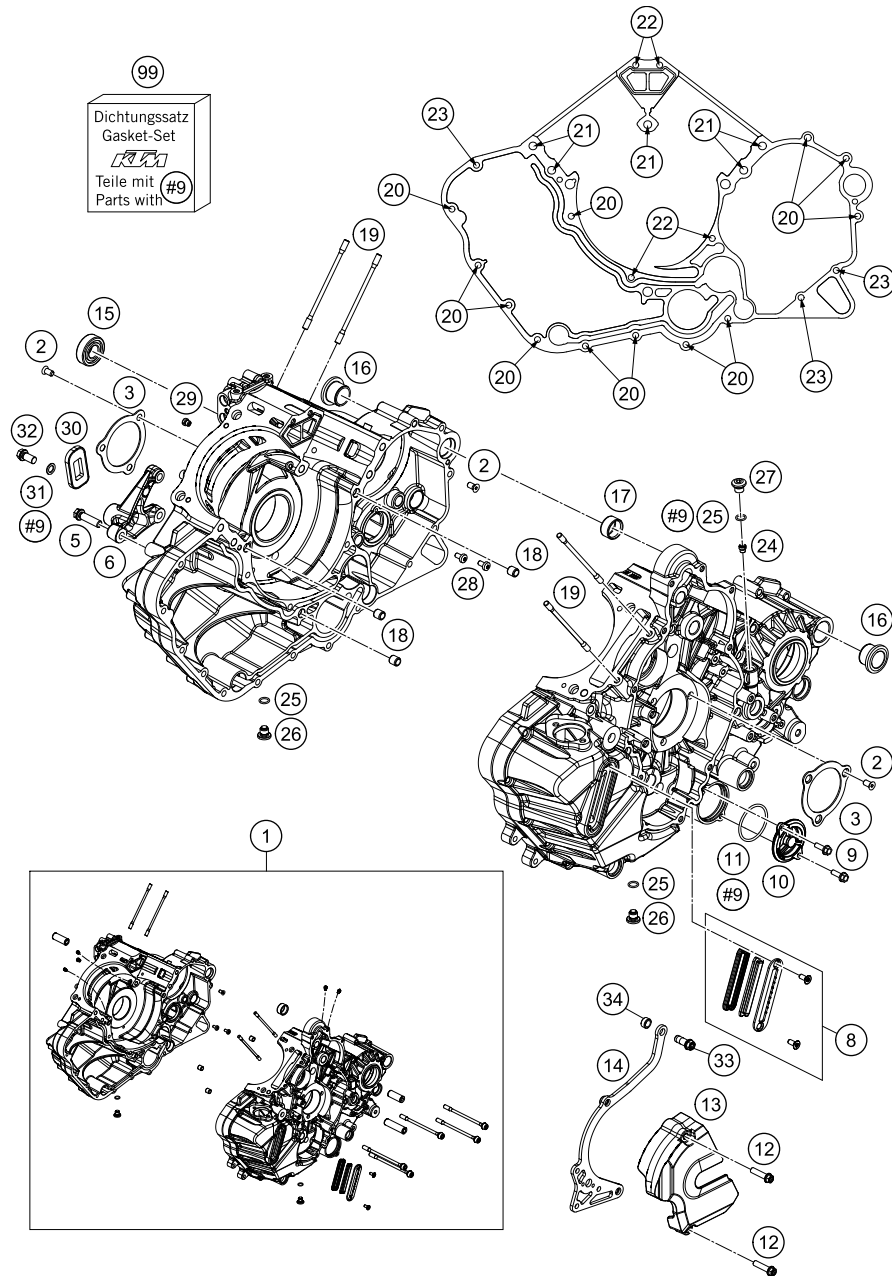
1050 ADVENTURE 2015

ART.-NR.: 3CM0898400EN



| | | | |
|---|---|--|--|
| <p>ENGINE CASE</p>  <p>3</p> | <p>CLUTCH COVER</p>  <p>4</p> | <p>BALANCER SHAFT</p>  <p>5</p> | <p>CYLINDER</p>  <p>6</p> |
| <p>CRANKSHAFT, PISTON</p>  <p>7</p> | <p>SECONDARY AIR SYSTEM SAS</p>  <p>8</p> | <p>CLUTCH</p>  <p>9</p> | <p>TRANSMISSION I - MAIN SHAFT</p>  <p>10</p> |
| <p>TRANSMISSION II - COUNTERSHAFT</p>  <p>11</p> | <p>SHIFTING MECHANISM</p>  <p>12</p> | <p>WATER PUMP</p>  <p>13</p> | <p>COOLING SYSTEM</p>  <p>14</p> |

| | | | |
|---|--|---|--|
| <p>VALVE DRIVE</p>  <p>15</p> | <p>TIMING DRIVE</p>  <p>16</p> | <p>CYLINDER HEAD REAR</p>  <p>17</p> | <p>CYLINDER HEAD FRONT</p>  <p>18</p> |
| <p>LUBRICATING SYSTEM</p>  <p>19</p> | <p>IGNITION SYSTEM</p>  <p>21</p> | <p>ELECTROSTARTER</p>  <p>22</p> | <p>THROTTLE BODY</p>  <p>23</p> |
| <div style="display: flex; align-items: center;"> <div style="background-color: #cccccc; width: 50px; height: 100px; display: flex; align-items: center; justify-content: center; margin-right: 20px;"> ! </div> <div> <p>All information contained is without obligation. KTM Sportmotorcycle GmbH particularly reserves the right to modify any equipment, technical specifications, prices, colors, shapes, materials, services, service work, constructions, equipment and the like so as to adapt them to local conditions or to cancel any of the above items, all without previous announcement and without giving reasons. KTM may stop manufacturing certain models without previous notice. KTM shall not be held liable for any deviations of availability and/or ability to deliver, illustrations, descriptions, printing and/or other errors. The illustrated models partly contain extra equipment, which is not applied to standard models.</p> <p>© by KTM Sportmotorcycle GmbH, Mattighofen AUSTRIA; All rights reserved; Reprint, also in extracts, with written allowance of KTM Sportmotorcycle GmbH, Mattighofen only.</p> </div> </div> | | | |



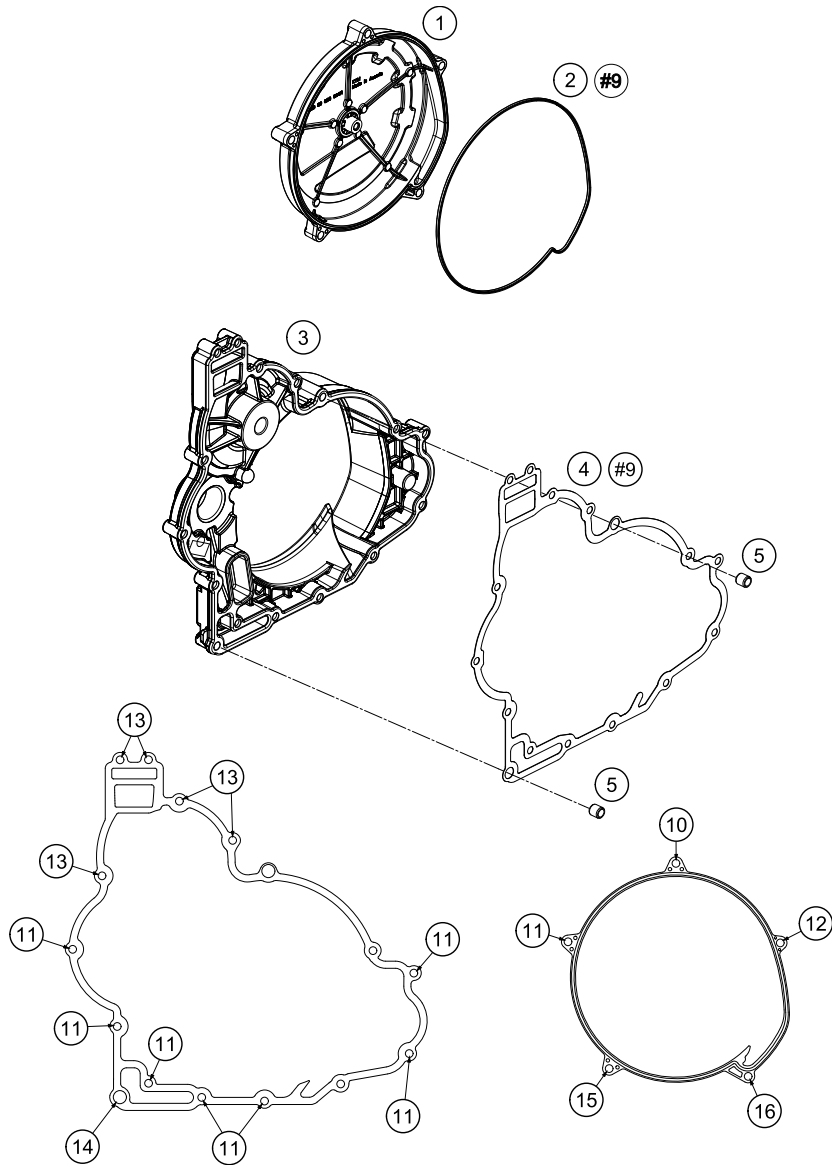
| POS | PARTNUMBER | PARTNAME | PIECE |
|-----|----------------|--------------------------------|-------|
| 1 | 60630000044 | ENGINE CASE CPL. W. BEARINGS | 1 |
| 2 | 0019050106S | INT. TORX FLAT HEAD M5X10 10.9 | 7 |
| 3 | 61230084000 | BRACKET FOR BEARING INSERT 08 | 2 |
| 5 | 0025080306 | HH COLLAR SCREW M8X30 TX40 | 3 |
| 6 | 6033006600033S | ENGINE BRACKET R/S BLACK | 1 |
| 8 | 62638084044 | OIL SIGHT GLASS CPL. | 1 |
| 9 | 0025050166 | HH COLLAR SCREW M5X16 TX30 | 2 |
| 10 | 75038041200 | OILFILTER CAP | 1 |
| 11 | 07700390261 | O-RING 39,34X2,62 | 1 |
| 12 | 0025060256 | HH COLLAR SCREW M6X25 TX30 | 2 |
| 13 | 69030060144 | PINION COVER CPL. | 1 |
| 14 | 60330047144 | CHAIN FAIL. PROTECTION CPL. | 1 |
| 15 | 61330157050 | SLIDE BEARING | 1 |
| 16 | 60030010000 | SWING BEARING OUTSIDE LC8 03 | 2 |
| 17 | 60030023000 | DOWEL 20,1X24X12 03 | 1 |
| 18 | 49030090000 | DOWEL 9,8 X 7 X 10 | 3 |
| 19 | 61230044000 | STUD M6X110 08 | 4 |
| 20 | 0025060806 | HH COLLAR SCREW M6X80 TX30 | 12 |
| 21 | 61230043000 | CASE SCREW M8X125 AS 08 | 5 |
| 22 | 0025060906 | HH COLLAR SCREW M6X90 TX30 | 4 |
| 23 | 0025060606 | HH COLLAR SCREW M6X60 TX30 | 3 |
| 24 | 60038029200 | REDUCING JET "30" M6X0,75 | 1 |
| 25 | 07700900151 | O-RING 9x1,5 V80 SH | 3 |
| 26 | 77336056095 | SCREW PLUG | 2 |
| 27 | 77236080100 | SCREW PLUG | 1 |
| 28 | 0018050103 | INT. TORX OVAL HEAD M 5X10 8.8 | 2 |
| 29 | 57031523100 | MAIN JET 100 DELLORTO | 1 |
| 30 | 60005026000 | SLS-VALVE 03 | 1 |
| 31 | 45038017000 | SEAL RING 8X14X1 AI | 1 |
| 32 | 0025080166 | HH COLLAR SCREW M8X16 TX40 | 1 |
| 33 | 0025080206S | HH COLLAR SCREW M8X20 ISA40 | 1 |
| 34 | 74003021000 | BUSHING 8.2 X 12 X 6 | 1 |
| 99 | 61230099100 | GASKET KIT ENGINE CPL. | 1 |

156063010

C156063010

* NEW PART

X ON DEMAND



#9 ENTHALTEN IM DICHTSATZ MOTOR KPL.
INCLUDED IN GASKET-SET ENGINE CPL.

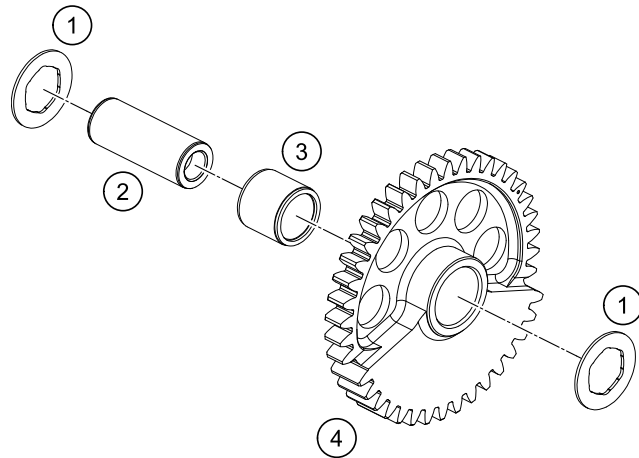
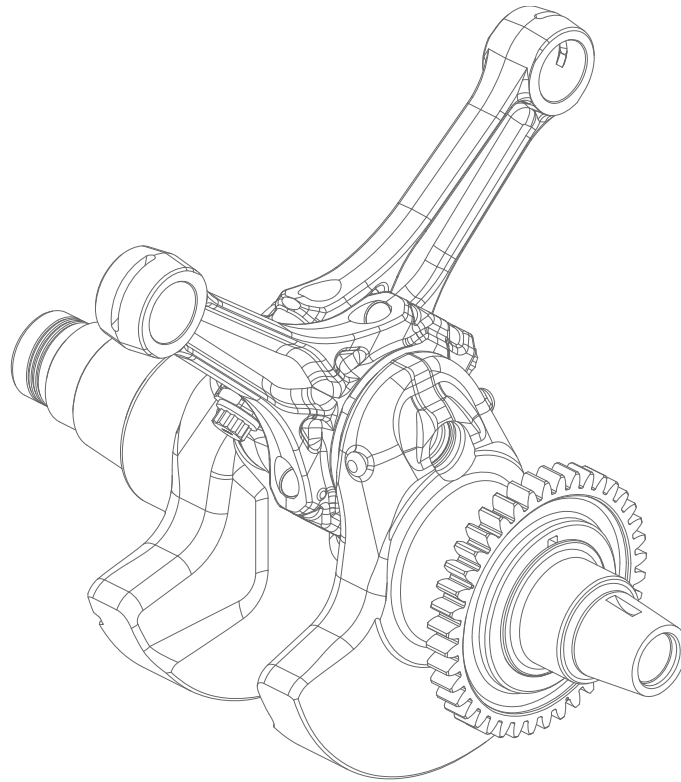
156063020

| POS | PARTNUMBER | PARTNAME | PIECE |
|-----|---------------|--------------------------------|-------|
| 1 | 6033002600041 | OUTER CLUTCH COVER | 1 |
| 2 | 61230027000 | MOLDED RING OUTER CLUTCH COVER | 1 |
| 3 | 6133000104441 | % CLUTCH COVER WITH BEARINGS | 1 |
| 4 | 61230025000 | CLUTCH COVER GASKET 08 | 1 |
| 5 | 49030090000 | DOWEL 9,8 X 7 X 10 | 2 |
| 10 | 0025060956 | HH COLLAR SCREW M6X95 TX30 | 1 |
| 11 | 0025060306 | HH COLLAR SCREW M6X30 TX30 | 8 |
| 12 | 0025060906 | HH COLLAR SCREW M6X90 TX30 | 1 |
| 13 | 0025060456 | HH COLLAR SCREW M6X45 TX30 | 5 |
| 14 | 0025060356 | HH COLLAR SCREW M6X35 TX30 | 1 |
| 15 | 0025060256 | HH COLLAR SCREW M6X25 TX30 | 1 |
| 16 | 0025060856 | HH COLLAR SCREW M6X85 TX30 | 1 |

C156063020

* NEW PART

X ON DEMAND



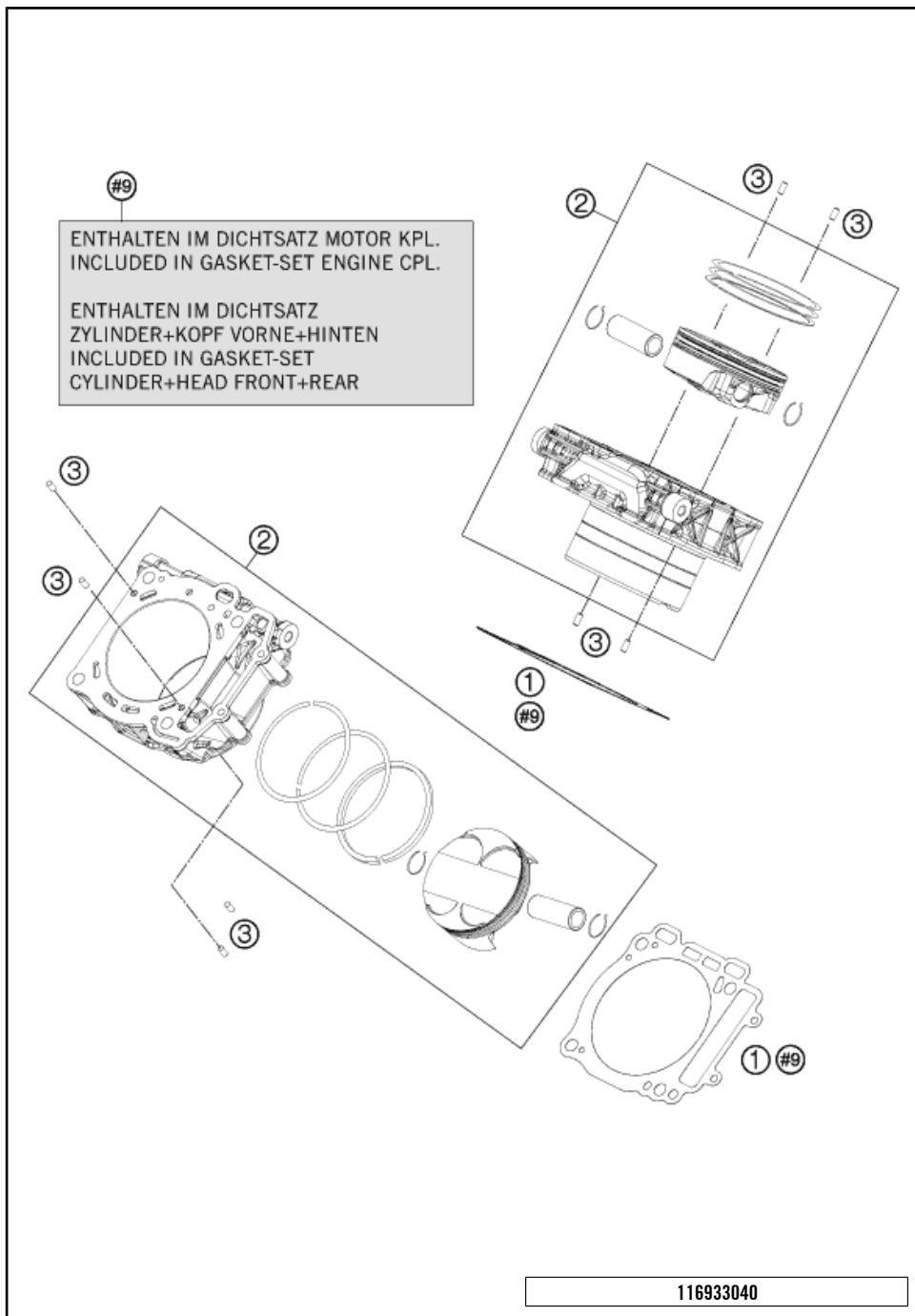
| POS | PARTNUMBER | PARTNAME | PIECE |
|-----|-------------|---------------------------|-------|
| 1 | 61230057060 | STOP DISK 15,2X25X1 | 2 |
| 2 | 61230058050 | BEARING BOLT 15X39 08 | 1 |
| 3 | 0405151917 | NEEDLE BEARING K 15X19X17 | 1 |
| 4 | 60630058000 | BALANCE SHAFT FRONT | 1 |

136033030

C156063030

* NEW PART

X ON DEMAND

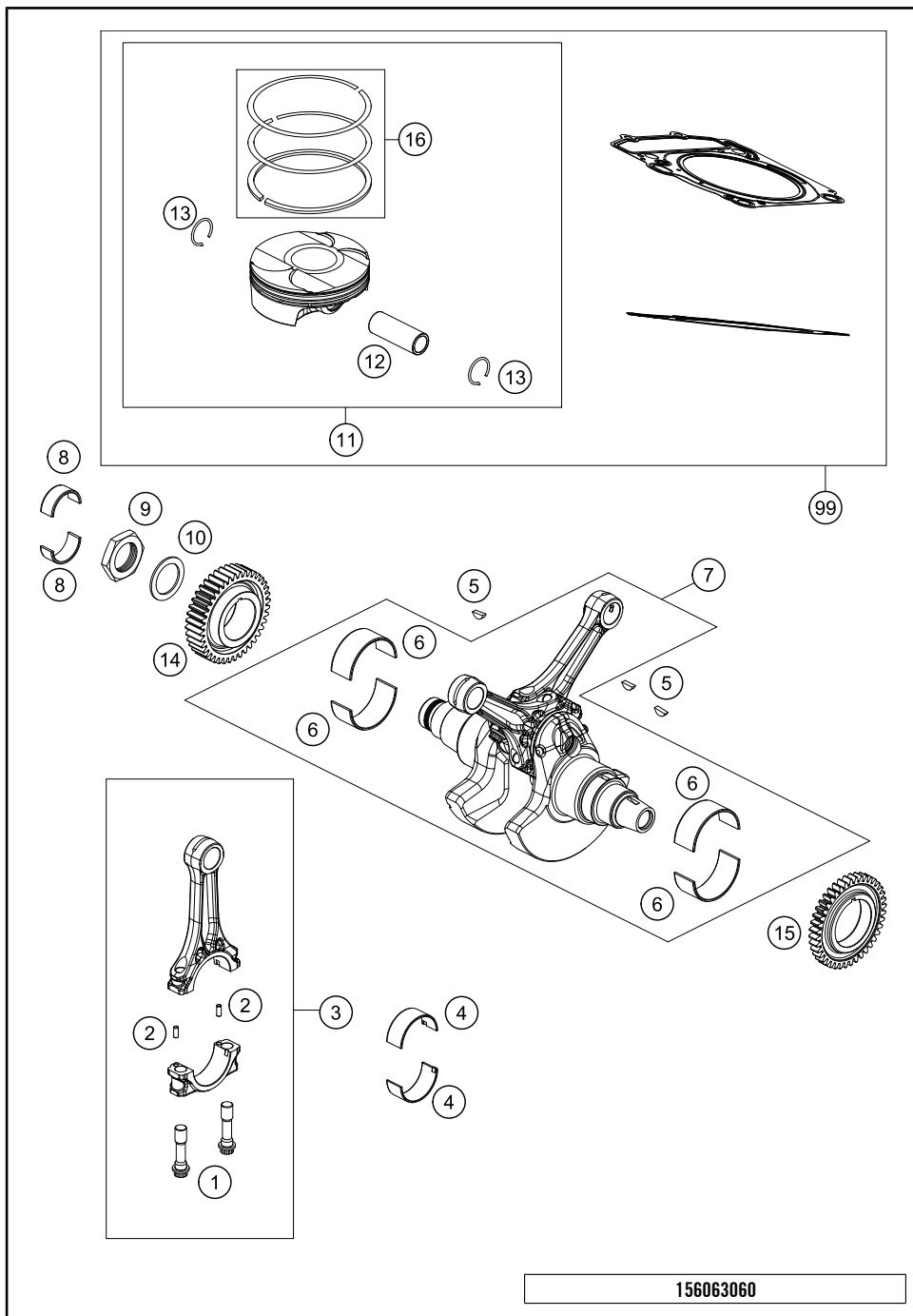


| POS | PARTNUMBER | PARTNAME | PIECE |
|-----|-------------|--------------------------|-------|
| 1 | 61230035000 | CYLINDER BASE GASGET 08 | 2 |
| 2 | 60630038000 | CYLINDER AND PISTON CPL. | 2 |
| 3 | 0474050100 | GROOVED PIN DIN1474 5X10 | 8 |

C156063040

* NEW PART

X ON DEMAND



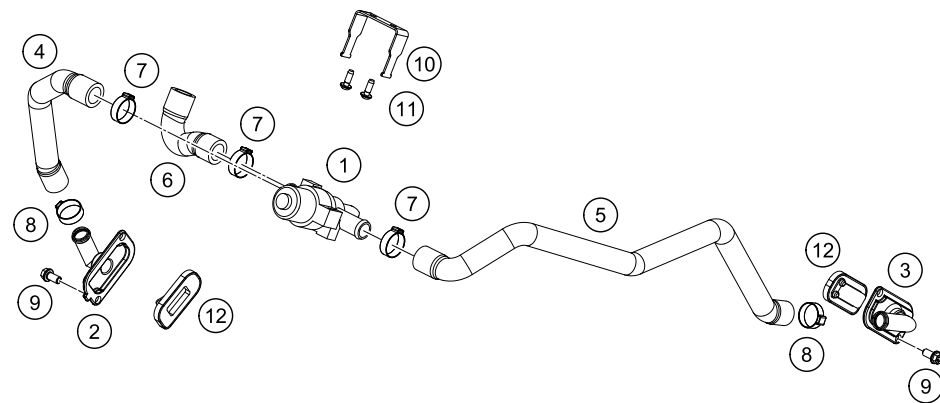
| POS | PARTNUMBER | PARTNAME | PIECE |
|-----|----------------|-------------------------------|-------|
| 1 | 61230015100 | CONNECTING ROD SCREW MJ10X1 | 4 |
| 2 | 0402040980 | NEEDLE ROL.DIN5402 NRB 4X9,8 | 4 |
| 3 | 60630013000 | CONNECTING ROD CPL. 125MM | 2 |
| 4 | 612300151101 | SPLIT BEAR. BUSH RED | x |
| 4 | 612300151102 | SPLIT BEAR. BUSH BLUE | x |
| 4 | 612300151103 | SPLIT BEAR. BUSH YELLOW | x |
| 5 | 0888040050 | WOODRUFF KEY DIN6888 4X5X13 | 3 |
| 6 | 612300820001 | SPLIT BEAR. BUSH RED 08 | x |
| 6 | 612300820002 | SPLIT BEAR. BUSH BLUE 08 | x |
| 6 | 612300820003 | SPLIT BEAR. BUSH YELLOW 08 | x |
| 7 | 60630018000 | CRANKSHAFT CPL. | 1 |
| 8 | 60030026010 | BUSHING BOWL 28X32X13 03 | 2 |
| 9 | 60032009050 | HH-NUT M33X1,5 L/S WS46 03 | 1 |
| 10 | 60032009040 | WASHER 33,2X46X2 03 | 1 |
| 11 | 60630007100 I | PISTON D103 CPL. GR. I | x |
| 11 | 60630007100 II | PISTON D103 CPL. GR. II | x |
| 12 | 61330033000 | PISTON PIN | 2 |
| 13 | 75030074000 | CIRCLIP LC4 07 | 4 |
| 14 | 61230055000 | PRIMARY GEAR | 1 |
| 15 | 61230056000 | DRIVE WHEEL BALANCER SHAFT 08 | 1 |
| 16 | 60630031044 | PISTON RING KIT D103 | 2 |
| 99 | 60630007110 I | PISTON KIT GR. I 1050 ADV | x |
| 99 | 60630007110 II | PISTON KIT GR. II 1050 ADV | x |

156063060

C156063060

* NEW PART

X ON DEMAND



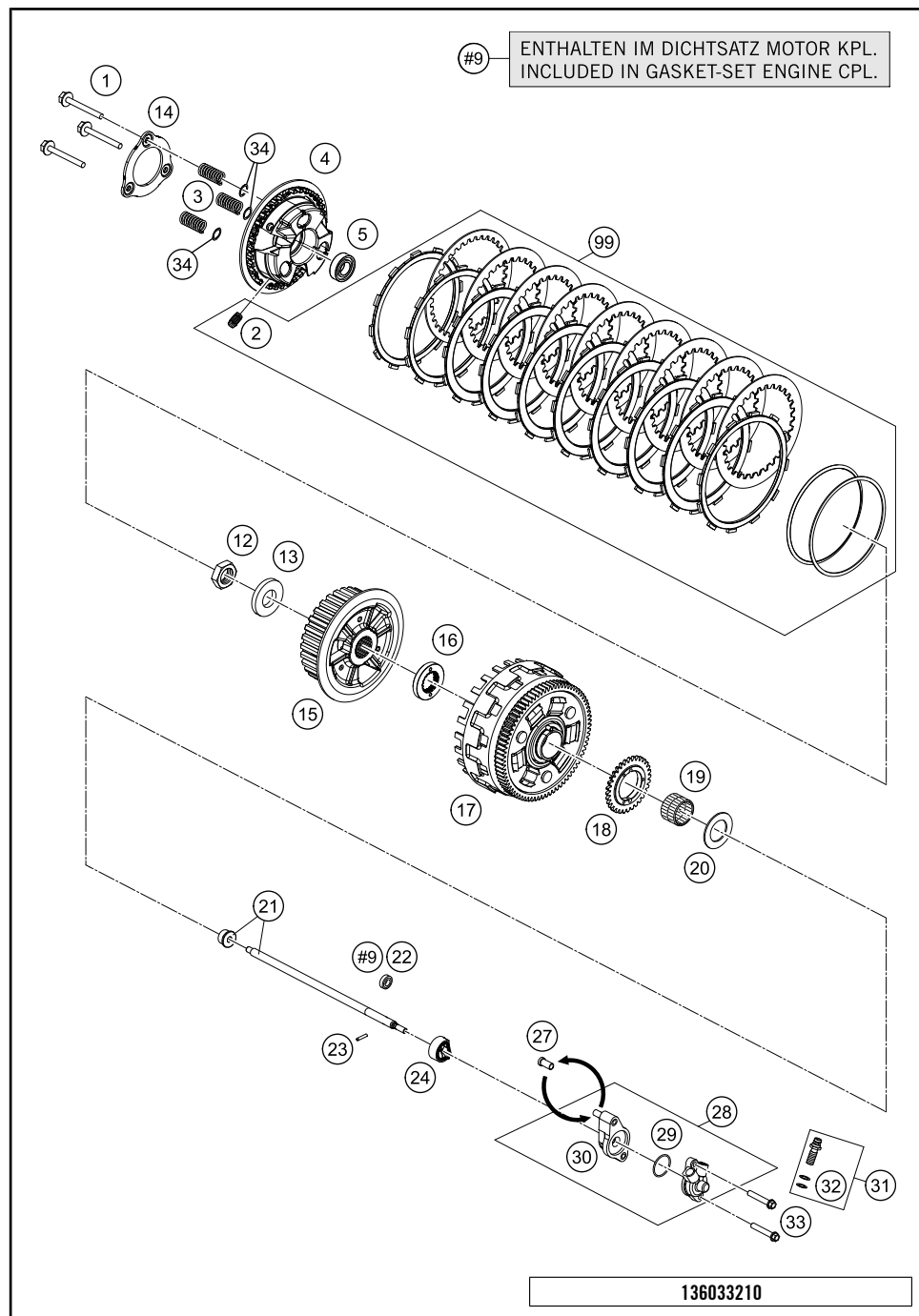
| POS | PARTNUMBER | PARTNAME | PIECE |
|-----|-------------|-------------------------------|-------|
| 1 | 61005026000 | CONTROL VALVE SAS 05 | 1 |
| 2 | 61205122000 | SAS-FLANGE | 1 |
| 3 | 61205032000 | SAS-FLANGE | 1 |
| 4 | 61305035021 | SAS HOSE CYLINDER FRONT | 1 |
| 5 | 61305035022 | SAS HOSE CYLINDER REAR | 1 |
| 6 | 61305035023 | SAS HOSE - AIRBOX | 1 |
| 7 | 00050226706 | VARIABLE ONE-EAR CLAMP 22,6MM | 3 |
| 8 | 00050220706 | VARIABLE ONE-EAR CLAMP 22,0MM | 2 |
| 9 | 0025060126 | HH COLLAR SCREW M6X12 TX30 | 4 |
| 10 | 61305031000 | RETAINING BRACKET SLS | 1 |
| 11 | 0081050161 | EJOT PT SCREW K50X16 1451 | 2 |
| 12 | 60005026000 | SLS-VALVE 03 | 2 |

136033130

C136033130

* NEW PART

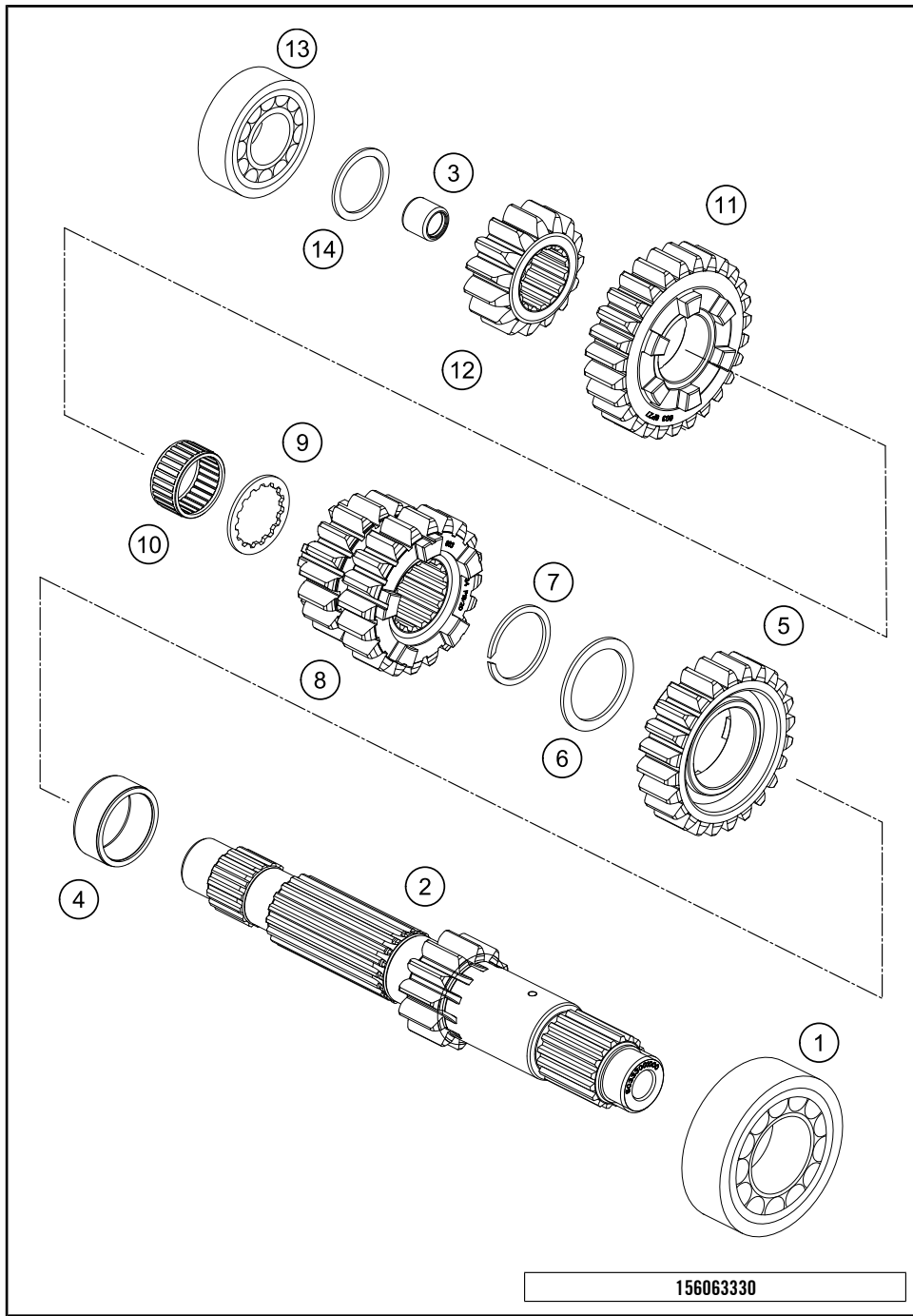
X ON DEMAND



| POS | PARTNUMBER | PARTNAME | PIECE |
|-----|-------------|--------------------------------|-------|
| 1 | 61332044000 | HH COLLAR SCREW M6X45 SW10 | 3 |
| 2 | 61332007000 | DAMPER | 3 |
| 3 | 61332005000 | CLUTCH SPRING | 3 |
| 4 | 61332003000 | PRESSURE CAP | 1 |
| 5 | 0625060032 | BALL BEARING 6003 JR2 C4 | 1 |
| 12 | 0936220155 | HEXAGON NUT DIN0936-M22X1,5 R. | 1 |
| 13 | 0126220373 | % WASHER DIN0126 22X37X3 MM | 1 |
| 14 | 61332006000 | ARRESTOR PRESSURE CAP | 1 |
| 15 | 61332002000 | INNER CLUTCH HUB | 1 |
| 16 | 60032021000 | SECTION WASHER 03 | 1 |
| 17 | 61332001044 | CLUTCH CAGE CPL. | 1 |
| 18 | 60038001132 | OIL PUMP GEAR WHEEL 32-T 07 | 1 |
| 19 | 0618303526 | NEEDLE BUSH HK 30X35X26 | 1 |
| 20 | 60032020000 | STOP DISK 30,2/50/2 | 1 |
| 21 | 60232054000 | PUSH ROD CPL. 110MM | 1 |
| 22 | 0760091862 | SHAFT SEAL RING 9X18X06 B-NBR | 1 |
| 23 | 0402031780 | NEEDLE ROL.DIN5402 NRB 3X17,8 | 1 |
| 24 | 61232069000 | PUSH ROD GUIDE | 1 |
| 27 | 61232061051 | SLEEVE CLUTCH CONTR. | 2 |
| 28 | 60032061244 | SLAVE CYLINDER CPL. LC8 08 | 1 |
| 29 | 60032065000 | O-RING GASKET 03 | 1 |
| 30 | 60032061050 | DISTANCE CLUTCH CONTR. CPL. | 1 |
| 31 | 50332062000 | HOLLOW SCREW CPL. M 10X1 '98 | 1 |
| 32 | 0603100141 | COPPER GASKET DIN7603-10X14X1 | 2 |
| 33 | 0025060456 | HH COLLAR SCREW M6X45 TX30 | 2 |
| 34 | 61332004000 | SUPPORT CLUTCH SPRING | 3 |
| 99 | 60432011010 | CLUTCH KIT 1190/1290 | x |

C136033210

* NEW PART X ON DEMAND

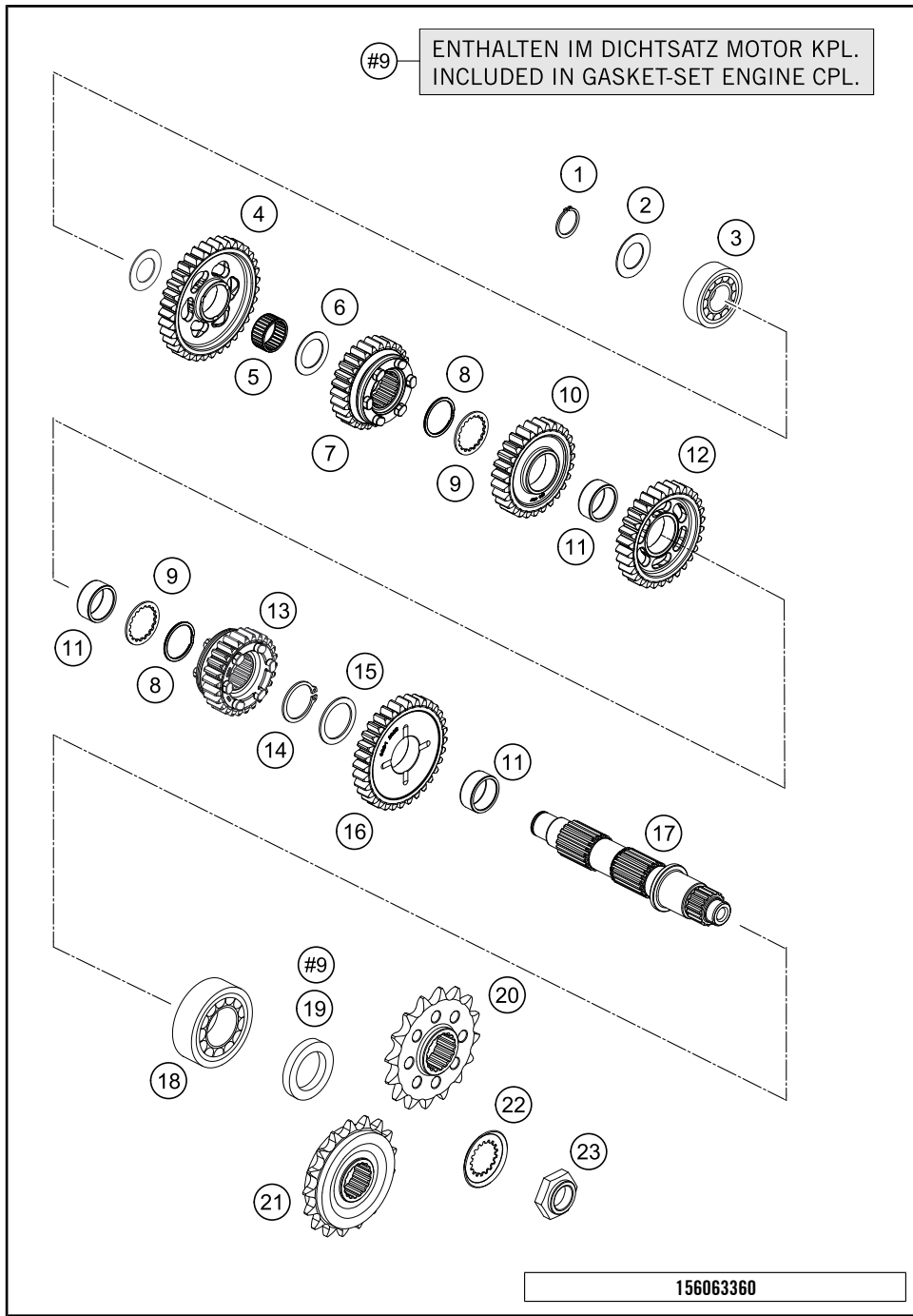


| POS | PARTNUMBER | PARTNAME | PIECE |
|-----|-------------|-------------------------------|-------|
| 1 | 0625062062 | BALL BEARING 6206 C3 J1 NSK | 1 |
| 2 | 60333001000 | MAIN SHAFT 12T | 1 |
| 3 | 0618091312 | NEEDLE BUSH HK0912 9/13/12 03 | 1 |
| 4 | 0405263113 | NEEDLE BEAR. K 26-31-13 | 1 |
| 5 | 60333005000 | IDLER GEAR 5. GEAR | 1 |
| 6 | 61233042000 | STOP DISK 27,9/35,75/1,5 | 1 |
| 7 | 0417270150 | LOCK RING SW 27 | 1 |
| 8 | 60333003000 | SLIDING GEAR 3./4. GEAR | 1 |
| 9 | 61233041000 | STOP DISK 22,2/30,2/1,5 | 1 |
| 10 | 0405222613 | NEEDLE BEAR. K 22X26X13 TN | 1 |
| 11 | 60333006000 | IDLER GEAR 6. GEAR | 1 |
| 12 | 60333002000 | SOLID GEAR 2ND GEAR | 1 |
| 13 | 0625062040 | BALL BEARING 6204 DU J1 C3 | 1 |
| 14 | 60033040015 | STOP DISK 20,2X28X1,5 | x |
| 14 | 60033040016 | STOP DISK 20,2/28/1,6 | x |
| 14 | 60033040017 | STOP DISK 20,2/28/1,7 | x |
| 14 | 60033040018 | STOP DISK 20,2/28/1,8 | x |
| 14 | 60033040019 | STOP DISK 20,2/28/1,9 | x |
| 14 | 60033040020 | STOP DISK 20,2/28/2,0 | x |
| 14 | 60033040021 | STOP DISK 20,2/28/2,1 | x |
| 14 | 60033040022 | STOP DISK 20,2/28/2,2 | x |

156063330

C156063330

* NEW PART X ON DEMAND

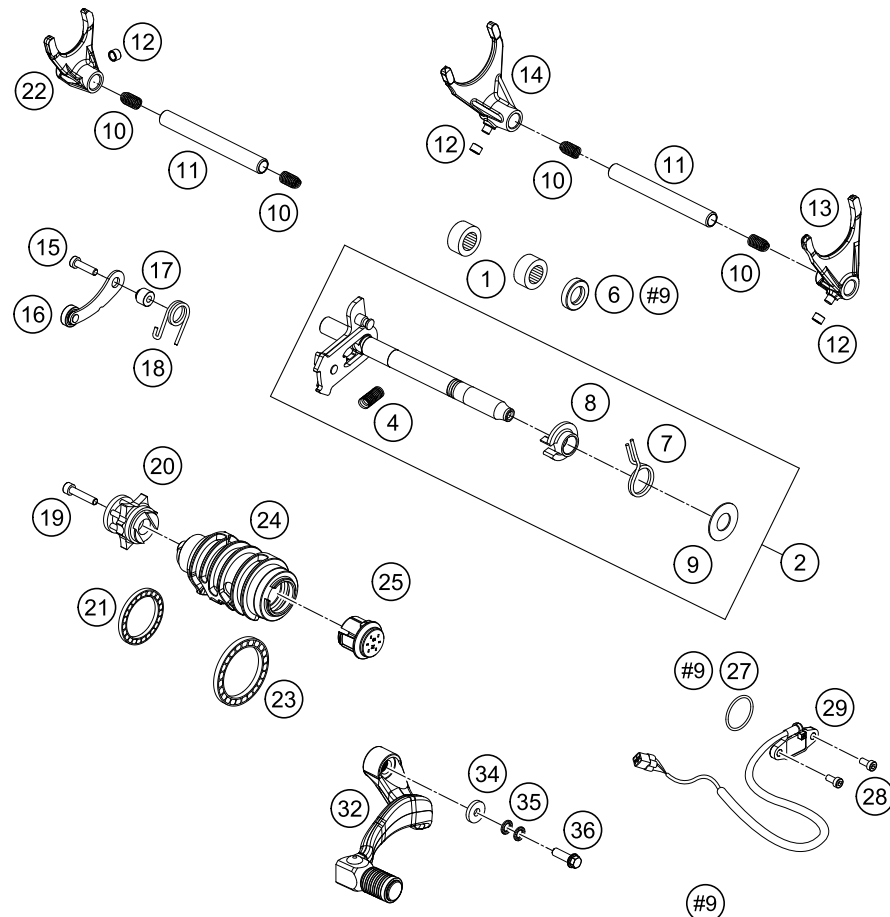


| POS | PARTNUMBER | PARTNAME | PIECE |
|-----|-------------|--------------------------------|-------|
| 1 | 0471200120 | CIRCLIP DIN471 20X1,2 | 1 |
| 2 | 60033043000 | STOP DISK 20,2 X 34 X 1 | 1 |
| 3 | 0625062043 | BALL BEARING 6204 J1 C3 | 1 |
| 4 | 60333011100 | IDLE GEAR 1. GEAR | 1 |
| 5 | 0405242813 | NEEDLE BEAR. K 24X28X13 TN | 1 |
| 6 | 60033044000 | STOP DISK 24,3/35,75/1 | 1 |
| 7 | 60333015000 | SLIDING GEAR 5.GEAR | 1 |
| 8 | 0471029000 | TWISTED CIRCLIP D29 | 2 |
| 9 | 61233045000 | STOP DISK 27/36/1,5 | 2 |
| 10 | 60333014000 | IDLER GEAR 4. GEAR | 1 |
| 11 | 0405263113 | NEEDLE BEAR. K 26-31-13 | 3 |
| 12 | 60333013000 | IDLER GEAR 3. GEAR | 1 |
| 13 | 60333016000 | SLIDING GEAR 6. GEAR | 1 |
| 14 | 0471300151 | CIRCLIP DIN0471-30X1,5 NIRO | 1 |
| 15 | 61233046000 | STOP DISK 29,9/39/1,5 | 1 |
| 16 | 60333012100 | IDLE GEAR 2. GEAR | 1 |
| 17 | 60333010000 | COUNTERSHAFT | 1 |
| 18 | 50330082000 | CYL.ROLLER BEAR.NJ206 ET2XCS46 | 1 |
| 19 | 0760304772 | SH.SEAL RING 30X47X7 BSL VITON | 1 |
| 20 | 60033129016 | CHAIN SPROCKET 16-T DAMP 03 | x |
| 20 | 60033029017 | CHAIN SPROCKET 17-T 03 | x |
| 21 | 60033129017 | CHAIN SPROCKET 17-T DAMPED 03 | 1 |
| 22 | 60033034000 | SECURING PLATE TOOTHED 03 | 1 |
| 23 | 60033035000 | HEXAGON NUT M20X1,5 03 | 1 |
| 24 | 60033043000 | STOP DISK 20,2 X 34 X 1 | 1 |

C156063360

* NEW PART

X ON DEMAND



ENTHALTEN IM DICHTSATZ MOTOR KPL.
INCLUDED IN GASKET-SET ENGINE CPL.

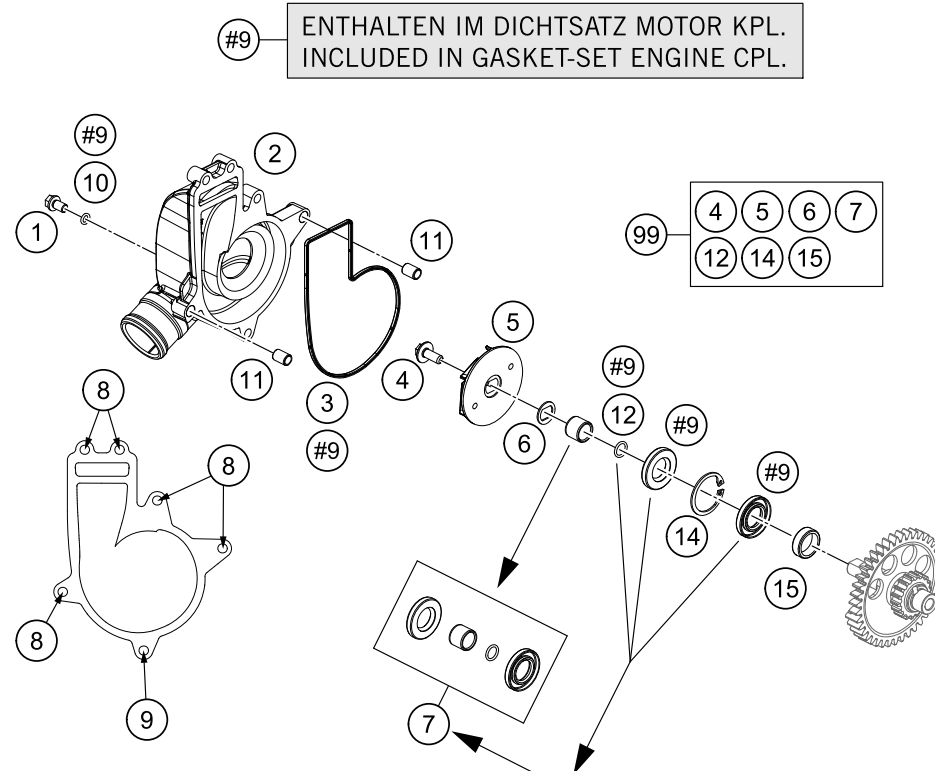
| POS | PARTNUMBER | PARTNAME | PIECE |
|-----|----------------|--------------------------------|-------|
| 1 | 54632095000 | NEEDLE BEAR.HK 1412 14X20X12 | 2 |
| 2 | 61234005333 | SHIFT SHAFT CPL. | 1 |
| 4 | 56534013100 | TENSIONING SPRING 0,8MM | 1 |
| 6 | 0760142460 | SHAFT SEAL RING 14X24X6 B | 1 |
| 7 | 61234014000 | RETURNSPRING 2MM | 1 |
| 8 | 54634120000 | % SPRING GUIDE | 1 |
| 9 | 54634150000 | % STOP DISK 14X30X1 | 1 |
| 10 | 58038023200 | PRESSURE SPRING 0,9MM | 4 |
| 11 | 59034020000 | SHIFT RAIL 11,8X105MM | 2 |
| 12 | 50334018100 | SHIFTING ROLLER 6X8X5,2 | 3 |
| 13 | 61234002100 | SHIFT FORK 2-3 GEAR | 1 |
| 14 | 61234001000 | SHIFTING FORK 08 | 1 |
| 15 | 0024060206 | HH COLLAR SCREW M6X20 TX30 | 1 |
| 16 | 75034024044 | LOCKING LEVER CPL. 07 | 1 |
| 17 | 75034052000 | SLEEVE FOR LOCKING LEVER 07 | 1 |
| 18 | 61234023000 | SPRING - LOCKING LEVER | 1 |
| 19 | 0912060309 | AH SCREW DIN0912-M 6X30 12.9 | 1 |
| 20 | 61234015444 | SHIFT DRUM LOCATING CPL. | 1 |
| 21 | 0625618050 | BALL BEARING 61805 C3 | 1 |
| 22 | 61234003200 | SHIFT FORK 5-6 GEAR | 1 |
| 23 | 0625068080 | GROOVED BALL BEARING 6808 JRC3 | 1 |
| 24 | 60434012001 | SHIFTING DRUM 6G | 1 |
| 25 | 79234012020 | MAGNET HOLDER CPL. | 1 |
| 27 | 07700240251 | O-RING 24X2,5 VITON | 1 |
| 28* | 0984050123S | CYLIND. SCR. DIN6912 M5X12 8.8 | 2 |
| 29 | 60411023000 | GEAR POSITION SENSOR | 1 |
| 32 | 6003403104433S | SHIFTING LEVER CPL. | 1 |
| 34 | 50232050001 | STEEL WASHER 6,4X17X3 | 1 |
| 35 | 50233041000 | PAIR OF WASHERS M 6 NORDLOCK | 1 |
| 36 | 59009062019 | SPECIAL SCREW M6X19 WS=8 10.9 | 1 |

156063410

C156063410

* NEW PART

X ON DEMAND



ACHTUNG !!!
 Mit den Wellendichtringen auch die Verschleissbuchse + O-Ring wechseln.

CAUTION !!!
 With the shaft seal rings also change the wear bushing + O-ring.

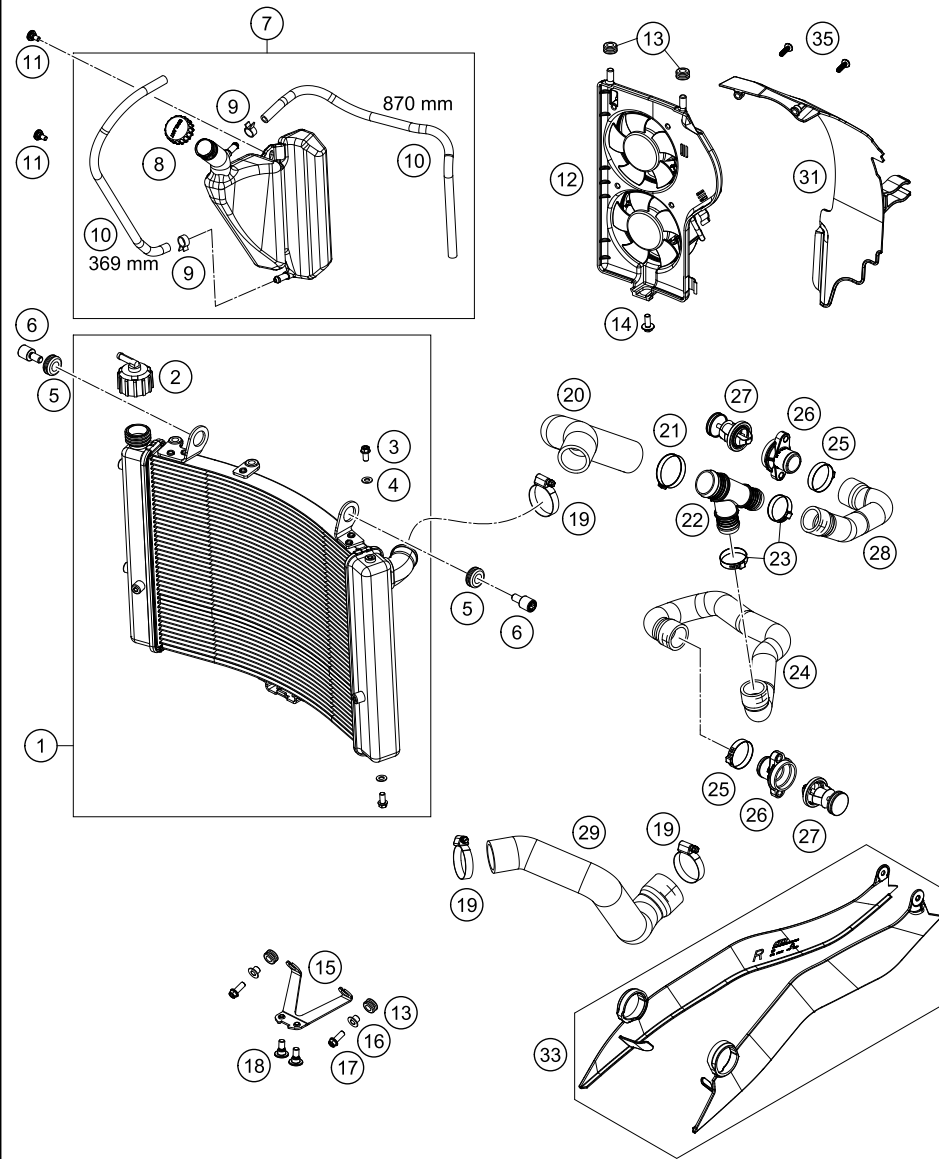
| POS | PARTNUMBER | PARTNAME | PIECE |
|-----|---------------|--------------------------------|-------|
| 1 | 0025060106 | HH COLLAR SCREW M6X10 TX30 | 1 |
| 2* | 6033505200041 | WATER PUMP COVER CPL. | 1 |
| 3 | 61235061000 | MOLDED RING WATER PUMP COV. 08 | 1 |
| 4 | 0024060136 | HH COLLAR SCREW M6X13 TX30 | 1 |
| 5* | 60335055100 | WATER PUMP WHEEL CPL. | 1 |
| 6 | 60035055150 | FORM WASHER 16X1 NIRO 03 | 1 |
| 7 | 61235065244 | WEAR BUSHING WITH SEAL RING | 1 |
| 8 | 0025060456 | HH COLLAR SCREW M6X45 TX30 | 5 |
| 9 | 0025060256 | HH COLLAR SCREW M6X25 TX30 | 1 |
| 10 | 0770050012 | O-RING 5,0X1,2 NBR 70 | 1 |
| 11 | 59030023000 | DOWEL 6X8X11,5 | 2 |
| 12 | 07700900151 | O-RING 9x1,5 V80 SH | 1 |
| 14 | 04720300121 | CIRCLIP DIN0472-30X1,2 NIRO | 1 |
| 15 | 61330157050 | SLIDE BEARING | 1 |
| 99 | 60335055110 | WATER PUMP REP. KIT ADV.1190 | x |

146133510

C156133510

* NEW PART

X ON DEMAND



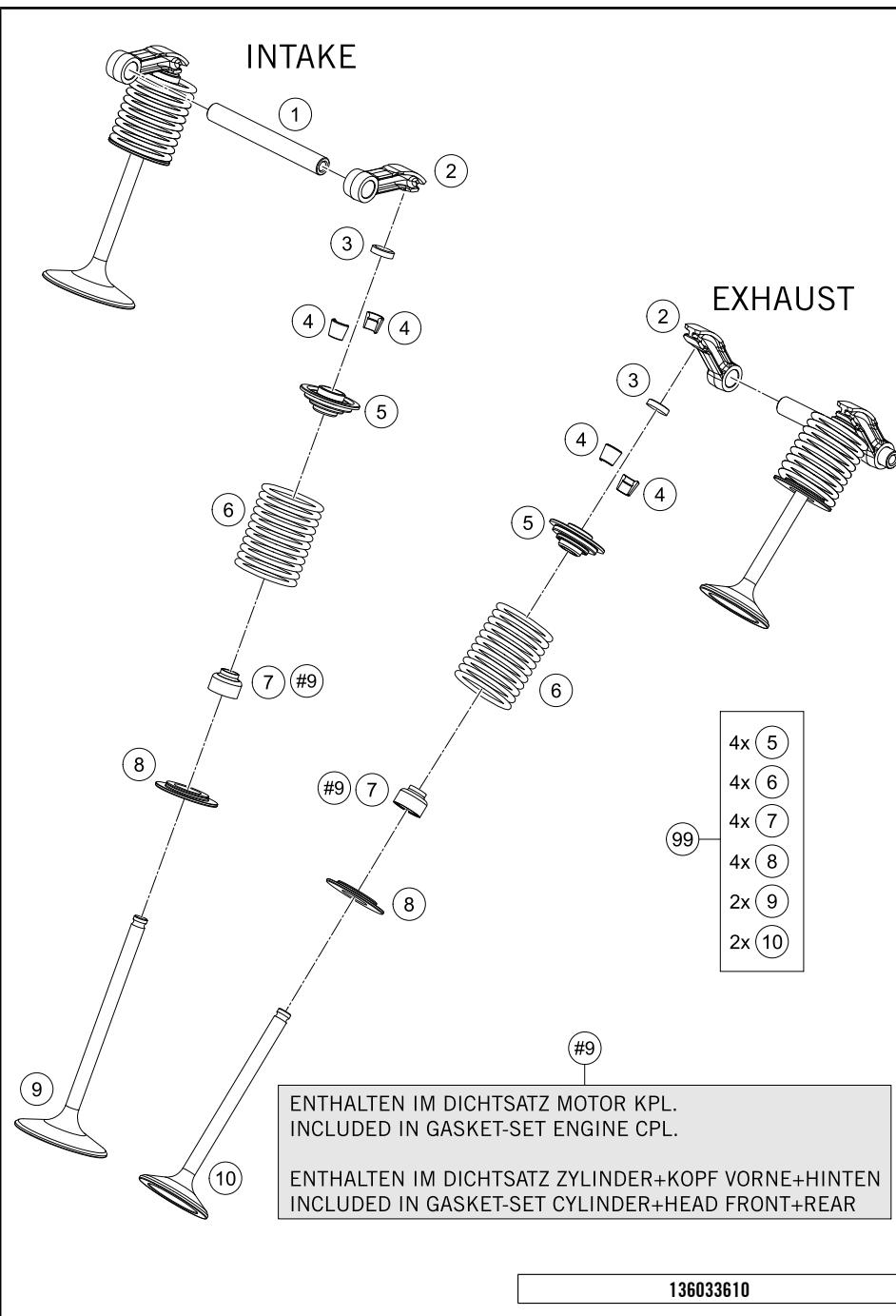
| POS | PARTNUMBER | PARTNAME | PIECE |
|-----|-------------|----------------------------------|-------|
| 1 | 60335010000 | % WATER COOLER | 1 |
| 2 | 62535009000 | RADIATOR CAP 1,4 BAR | 1 |
| 3 | 0025060126 | HH COLLAR SCREW M6X12 TX30 | 2 |
| 4 | 60035048000 | ALU-GASKET 6X10X1.5 | 2 |
| 5 | 41001052000 | RUBBER SLEEVE D=12MM | 2 |
| 6 | 69035001000 | STUD BOLT M6 11X11 ISA45 | 2 |
| 7 | 60335065000 | EXPANSION TANK WATER | 1 |
| 8 | 60335066044 | PLUG F. EXPANSION TANK | 1 |
| 9 | 58007117000 | YDNAC-CLAMP 10107 10MM | 2 |
| 10 | 60035067001 | HOSE 6X10 EPDM 03 | x |
| 11 | 69008021160 | SPECIAL SCREW M5X12 | 2 |
| 12 | 60335044033 | FAN COVER CPL. | 1 |
| 13 | 31008060000 | RUBBER SLEEVE D=8MM OPEN | 4 |
| 14 | 0024060156 | HH COLLAR SCREW M6X15 TX30 | 1 |
| 15 | 60335005000 | MOUNTING PLATE COOLER BOTTOM | 1 |
| 16 | 75014010050 | COLLAR BUSHING 6,1X8,1X14X8 07 | 2 |
| 17 | 0025060166 | HH COLLAR SCREW M6X16 TX30 | 2 |
| 18 | 0025050106 | COLLAR SCREW M5X10 ISA30 | 2 |
| 18 | 69013099050 | SCREW F. EXPANSION TANK ONLY AUS | 2 |
| 19 | 54305058000 | HOSE CLAMP 30-45 SGT | 3 |
| 20 | 60335026000 | PREFORMED HOSE | 1 |
| 21 | 00050396706 | VARIABLE ONE-EAR CLAMP 39,6MM | 1 |
| 22 | 60335093000 | Y-JOINT | 1 |
| 23 | 00050331706 | VARIABLE ONE-EAR CLAMP 33,1MM | 2 |
| 24 | 60335025000 | PREFORMED HOSE | 1 |
| 25 | 00050331706 | VARIABLE ONE-EAR CLAMP 33,1MM | 2 |
| 26 | 61235019100 | WATER CONNECTION CPL. | 2 |
| 27 | 61235017000 | THERMOSTAT 70 DEGREE | 2 |
| 28 | 60335024000 | PREFORMED HOSE | 1 |
| 29 | 60335027000 | PREFORMED HOSE | 1 |
| 31 | 60308056000 | AIR DEFLECTOR FAN | x |
| 33 | 60308053044 | % AIR DEFLECTOR KIT SEAT | x |
| 35 | 0081050181 | SCREW FOR PLASTIC K50X18 T20 | 2 |

156063530

C156063530

* NEW PART

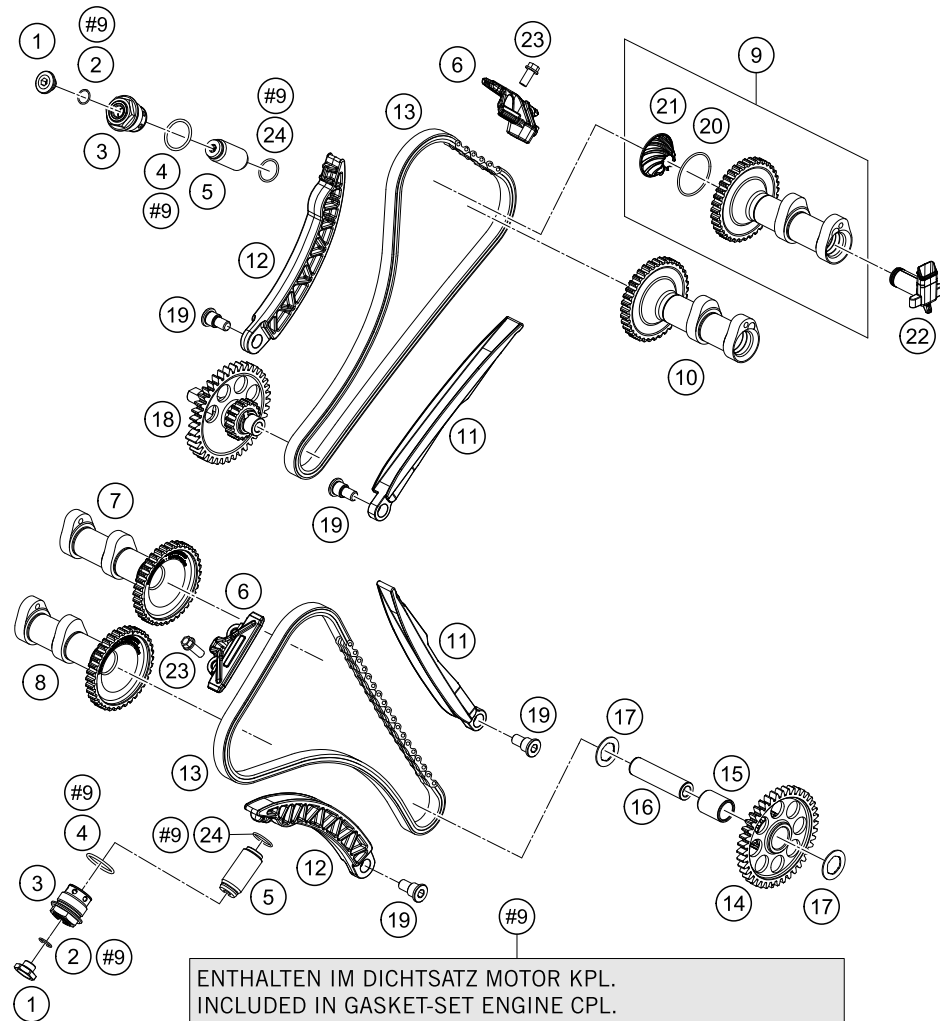
X ON DEMAND



| POS | PARTNUMBER | PARTNAME | PIECE |
|-----|-------------|---------------------------|-------|
| 1 | 61236056000 | VALVE LEVER SHAFT 08 | 4 |
| 2 | 61236060000 | VALVE LEVER 08 | 8 |
| 3 | 60036035200 | SHIM D=10/2,00 03 | X |
| 3 | 60036035205 | SHIM D=10/2,05 03 | X |
| 3 | 60036035210 | SHIM D=10/2,10 03 | X |
| 3 | 60036035215 | SHIM D=10/2,15 03 | X |
| 3 | 60036035220 | SHIM D=10/2,20 03 | X |
| 3 | 60036035225 | SHIM D=10/2,25 03 | X |
| 3 | 60036035230 | SHIM D=10/2,30 03 | X |
| 3 | 60036035235 | SHIM D=10/2,35 03 | X |
| 3 | 60036035240 | SHIM D=10/2,40 03 | X |
| 3 | 60036035245 | SHIM D=10/2,45 03 | X |
| 3 | 60036035250 | SHIM D=10/2,50 03 | X |
| 3 | 60036035255 | SHIM D=10/2,55 03 | X |
| 3 | 60036035260 | SHIM D=10/2,60 03 | X |
| 3 | 60036035265 | SHIM D=10/2,65 03 | X |
| 3 | 60036035270 | SHIM D=10/2,70 03 | X |
| 3 | 60036035275 | SHIM D=10/2,75 03 | X |
| 3 | 60036035280 | SHIM D=10/2,80 03 | X |
| 3 | 60036035285 | SHIM D=10/2,85 03 | X |
| 3 | 60036035290 | SHIM D=10/2,90 03 | X |
| 3 | 60036035295 | SHIM D=10/2,95 03 | X |
| 3 | 60036035300 | SHIM D=10/3,00 03 | X |
| 3 | 60036035305 | SHIM D=10/3,05 03 | X |
| 3 | 60036035310 | SHIM D=10/3,10 03 | X |
| 3 | 60036035315 | SHIM D=10/3,15 03 | X |
| 3 | 60036035320 | SHIM D=10/3,20 03 | X |
| 3 | 60036035330 | SHIM D=10/3,3 | X |
| 4 | 78036033000 | VALVE COLLET LK 6H | 16 |
| 5 | 61236032200 | VALVE SPRING PLATE | 8 |
| 6 | 61236028100 | VALVE SPRING NHK | 8 |
| 7 | 59036027000 | VALVE-STEM SEALING RACING | 8 |
| 8 | 61236036100 | VALVE SPRING HOLDER | 8 |
| 9 | 60236030100 | INTAKE VALVE D42 | 4 |
| 10 | 61236031400 | EXHAUST VALVE | 4 |
| 99* | 61236030110 | VALVE KIT 1290 SUPERDUKE | X |

* NEW PART

X ON DEMAND



ENTHALTEN IM DICHTSATZ MOTOR KPL.
INCLUDED IN GASKET-SET ENGINE CPL.

ENTHALTEN IM DICHTSATZ ZYLINDER+KOPF VORNE+HINTEN
INCLUDED IN GASKET-SET CYLINDER+HEAD FRONT+REAR

| POS | PARTNUMBER | PARTNAME | PIECE |
|-----|-------------|--------------------------------|-------|
| 1 | 77236080000 | % SCREW PLUG | 2 |
| 2 | 0770010010 | O-RING 10,00X1,00 NBR 70 SH | 2 |
| 3 | 61236008200 | SCR. PLUG TIM. CHAIN TENS. KPL | 2 |
| 4 | 0770220020 | O-RING 22,00X2,00 B70 | 2 |
| 5 | 77036003000 | CHAIN ADJUSTER HYD. 05 | 2 |
| 6 | 61236005000 | GUIDE RAIL TOP 08 | 2 |
| 7 | 60636009000 | CAMSHAFT INTAKE - FRONT | 1 |
| 8 | 60636010000 | CAMSHAFT EXHAUST - FRONT | 1 |
| 9 | 60636109044 | CAMSHAFT CPL. INTAKE - REAR | 1 |
| 10 | 60636110000 | CAMSHAFT EXHAUST - REAR | 1 |
| 11 | 61236001000 | GUIDE RAIL 08 | 2 |
| 12 | 61236002000 | TENSIONER RAIL 08 | 2 |
| 13 | 61236113000 | TIMING CHAIN 118 ROLLS | 2 |
| 14 | 61230057100 | TIMING DRIVE IDLER GEAR L/S | 1 |
| 15 | 0405151924 | NEEDLE BEARING K 15X19X24ZW | 1 |
| 16 | 61230057050 | BEARING BOLT 15X57,5 08 | 1 |
| 17 | 61230057060 | STOP DISK 15,2X25X1 | 2 |
| 18 | 60630157000 | IDLE GEAR R/S | 1 |
| 19 | 61236002050 | COLLAR SCREW 08 | 4 |
| 20 | 0770034015 | O-RING 34X1,5 VITON | 1 |
| 21 | 61236080100 | CENTRIFUGE CONE | 1 |
| 22 | 61236081000 | ANGLE PIECE F. BREATHER SYSTEM | 1 |
| 23 | 0025060206 | HH COLLAR SCREW M6X20 TX30 | 4 |
| 24 | 0770180020 | O-RING 18,00X2,00 NBR 70 | 2 |

146033620

C156063620

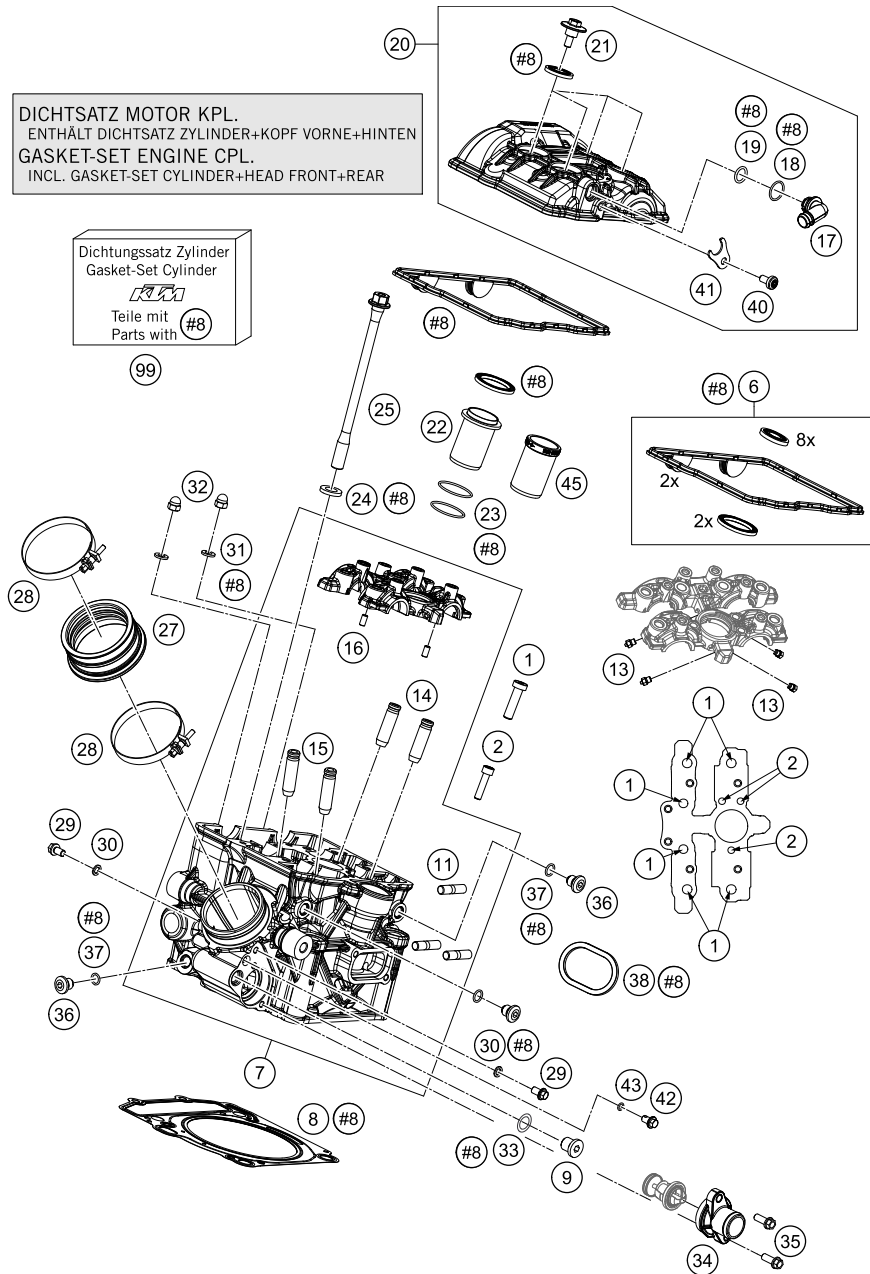
* NEW PART

X ON DEMAND

DICHTSATZ MOTOR KPL.
ENTHÄLT DICHTSATZ ZYLINDER+KOPF VORNE+HINTEN
GASKET-SET ENGINE CPL.
INCL. GASKET-SET CYLINDER+HEAD FRONT+REAR

Dichtungssatz Zylinder
Gasket-Set Cylinder

Teile mit
Parts with #8



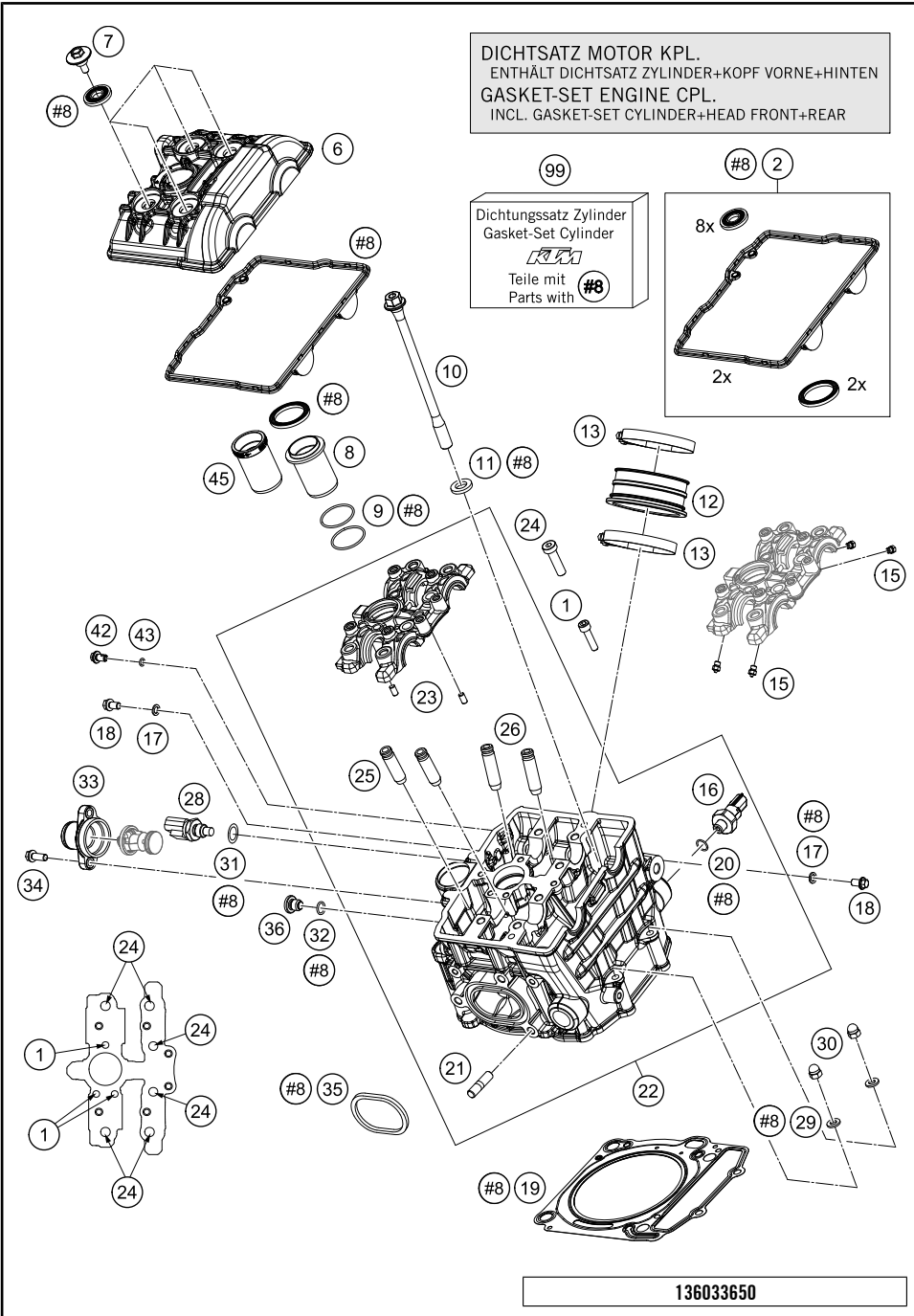
136033640

| POS | PARTNUMBER | PARTNAME | PIECE |
|-----|---------------|--------------------------------|-------|
| 1 | 0984080305 | AH SCREW DIN7984-M 8X30 10.9 | 6 |
| 2 | 0912060255 | AH SCREW DIN0912-M 6X25 10.9 | 3 |
| 6 | 61236099100 | VALVE COVER GASKET SET | 1 |
| 7 | 60636120000 | CYLINDER HEAD REAR | 1 |
| 8 | 61230036000 | CYLINDER HEAD GASKET 08 | 1 |
| 9 | 0908120153 | PLUG DIN0908-M12X1,5 | 1 |
| 11 | 0835080165 | STUD M 8X16 10.9 | 3 |
| 13 | 60030063050 | OIL JET 50 05 | 4 |
| 14 | 61236026001 | VALVE GUIDE EXHAUST 08 | 2 |
| 15 | 61236025001 | VALVE GIUDE INTAKE 6MM | 2 |
| 16 | 0402050980 | NEEDLE ROLLER DIN5402 5X9,8 | 2 |
| 17 | 61236082100 | CONNECTING ANGLE | 1 |
| 18 | 0770150151 | O-RING 15,00X1,50 VITON | 1 |
| 19 | 0770120020 | O-RING 12,00X2,00 NBR 70 | 1 |
| 20 | 6123615214433 | VALVE COVER REAR | 1 |
| 21 | 60036052020 | COLLAR SCREW M 6 WS=10 03 | 4 |
| 22 | 61336075100 | SPARK PLUG SHAFT | 1 |
| 23 | 0770298178 | O-RING 29,87X1,78 VITON | 2 |
| 24 | 61236079050 | WASHER 11,1X20X3 08 | 4 |
| 25 | 61236079000 | CYLINDER HEAD SCREW 08 | 4 |
| 27 | 61336044000 | INTAKE BOOT | 1 |
| 28 | 61336048000 | HOSE CLAMP GEMI 75 | 2 |
| 29 | 0025060106 | HH COLLAR SCREW M6X10 TX30 | 2 |
| 30 | 0603061001 | CU-SEAL RING DIN7603-6X10X1 | 2 |
| 31 | 0125060003 | WASHER DIN0125-A 6,4 | 2 |
| 32 | 61230045000 | CAP NUT M6 STAINLESS STEEL | 2 |
| 33 | 58038022000 | CU-SEAL RING DIN7603-12X18X1,5 | 1 |
| 34 | 61235019100 | WATER CONNECTION CPL. | 1 |
| 35 | 0025060206 | HH COLLAR SCREW M6X20 TX30 | 2 |
| 36 | 77336056095 | SCREW PLUG | 3 |
| 37 | 07700900151 | O-RING 9x1,5 V80 SH | 3 |
| 38 | 69005005100 | EXHAUST PIPE FLANGE GASKET | 1 |
| 40 | 0080060123 | SCREW M6X12 ISA30 | 1 |
| 41 | 61236082150 | CONNECTING ANGLE RETAIN. PLATE | 1 |
| 42 | 59036006090 | VENT SCREW M6X10 CPL. | 1 |
| 43 | 07700500012 | O-RING 5,0X1,2 NBR 70 | 1 |
| 45 | 61336074100 | INSERT SPARK-PLUG SHAFT | 1 |
| 99 | 61230097100 | GASKET KIT CYLINDER+HEAD F+R | 1 |

C156063640

* NEW PART

X ON DEMAND

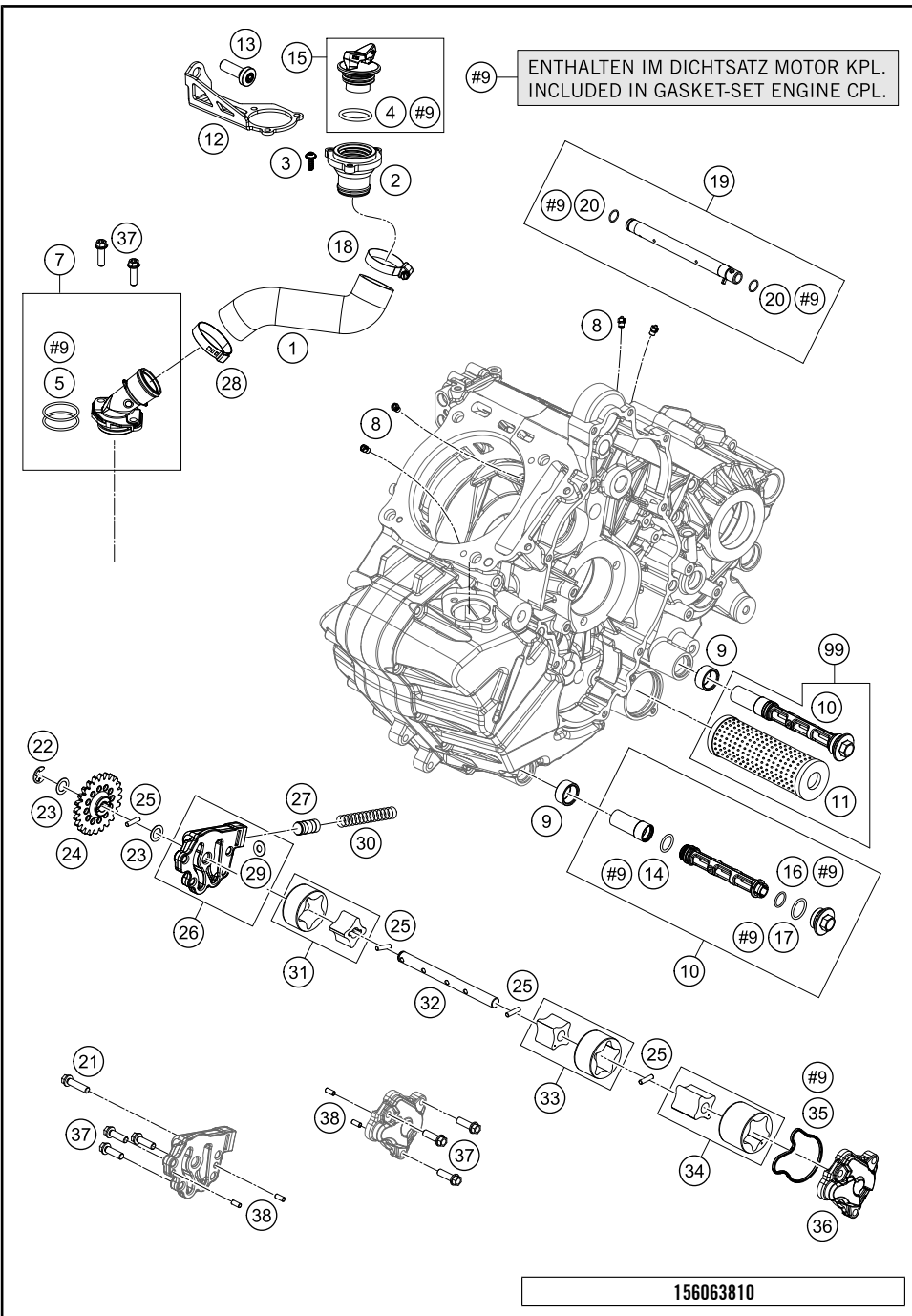


| POS | PARTNUMBER | PARTNAME | PIECE |
|-----|---------------|-------------------------------|-------|
| 1 | 0912060255 | AH SCREW DIN0912-M 6X25 10.9 | 3 |
| 2 | 61236099100 | VALVE COVER GASKET SET | 1 |
| 6 | 6123605210033 | VALVE COVER FRONT 09 | 1 |
| 7 | 60036052020 | COLLAR SCREW M 6 WS=10 03 | 4 |
| 8 | 61336075100 | SPARK PLUG SHAFT | 1 |
| 9 | 0770298178 | O-RING 29,87X1,78 VITON | 2 |
| 10 | 61236079000 | CYLINDER HEAD SCREW 08 | 4 |
| 11 | 61236079050 | WASHER 11,1X20X3 08 | 4 |
| 12 | 61336044000 | INTAKE BOOT | 1 |
| 13 | 61336048000 | HOSE CLAMP GEMI 75 | 2 |
| 15 | 60030063050 | OIL JET 50 05 | 4 |
| 16 | 61238091000 | OIL PRESSURE SWITCH "BITRON" | 1 |
| 17 | 0603061001 | CU-SEAL RING DIN7603-6X10X1 | 2 |
| 18 | 0025060106 | HH COLLAR SCREW M6X10 TX30 | 2 |
| 19 | 61230036000 | CYLINDER HEAD GASKET 08 | 1 |
| 20 | 0770080015 | O-RING 8,00X1,5 NBR 70 | 1 |
| 21 | 0835080165 | STUD M 8X16 10.9 | 3 |
| 22 | 60636020000 | CYLINDER HEAD FRONT | 1 |
| 23 | 0402050980 | NEEDLE ROLLER DIN5402 5X9,8 | 2 |
| 24 | 0984080305 | AH SCREW DIN7984-M 8X30 10.9 | 6 |
| 25 | 61236026001 | VALVE GUIDE EXHAUST 08 | 2 |
| 26 | 61236025001 | VALVE GIUDE INTAKE 6MM | 2 |
| 28 | 60011252000 | TEMPERAT.-SENSOR WATER LC8 02 | 1 |
| 29 | 0125060003 | WASHER DIN0125-A 6,4 | 2 |
| 30 | 61230045000 | CAP NUT M6 STAINLESS STEEL | 2 |
| 31 | 0770100020 | O-RING 10,00X2,00 SILCONE | 1 |
| 32 | 07700900151 | O-RING 9x1,5 V80 SH | 2 |
| 33 | 61235019100 | WATER CONNECTION CPL. | 1 |
| 34 | 0025060206 | HH COLLAR SCREW M6X20 TX30 | 2 |
| 35 | 69005005100 | EXHAUST PIPE FLANGE GASKET | 1 |
| 36 | 77336056095 | SCREW PLUG | 2 |
| 42 | 59036006090 | VENT SCREW M6X10 CPL. | 1 |
| 43 | 0770050012 | O-RING 5,0X1,2 NBR 70 | 1 |
| 45 | 61336074100 | INSERT SPARK-PLUG SHAFT | 1 |
| 99 | 61230097100 | GASKET KIT CYLINDER+HEAD F+R | 1 |

136033650

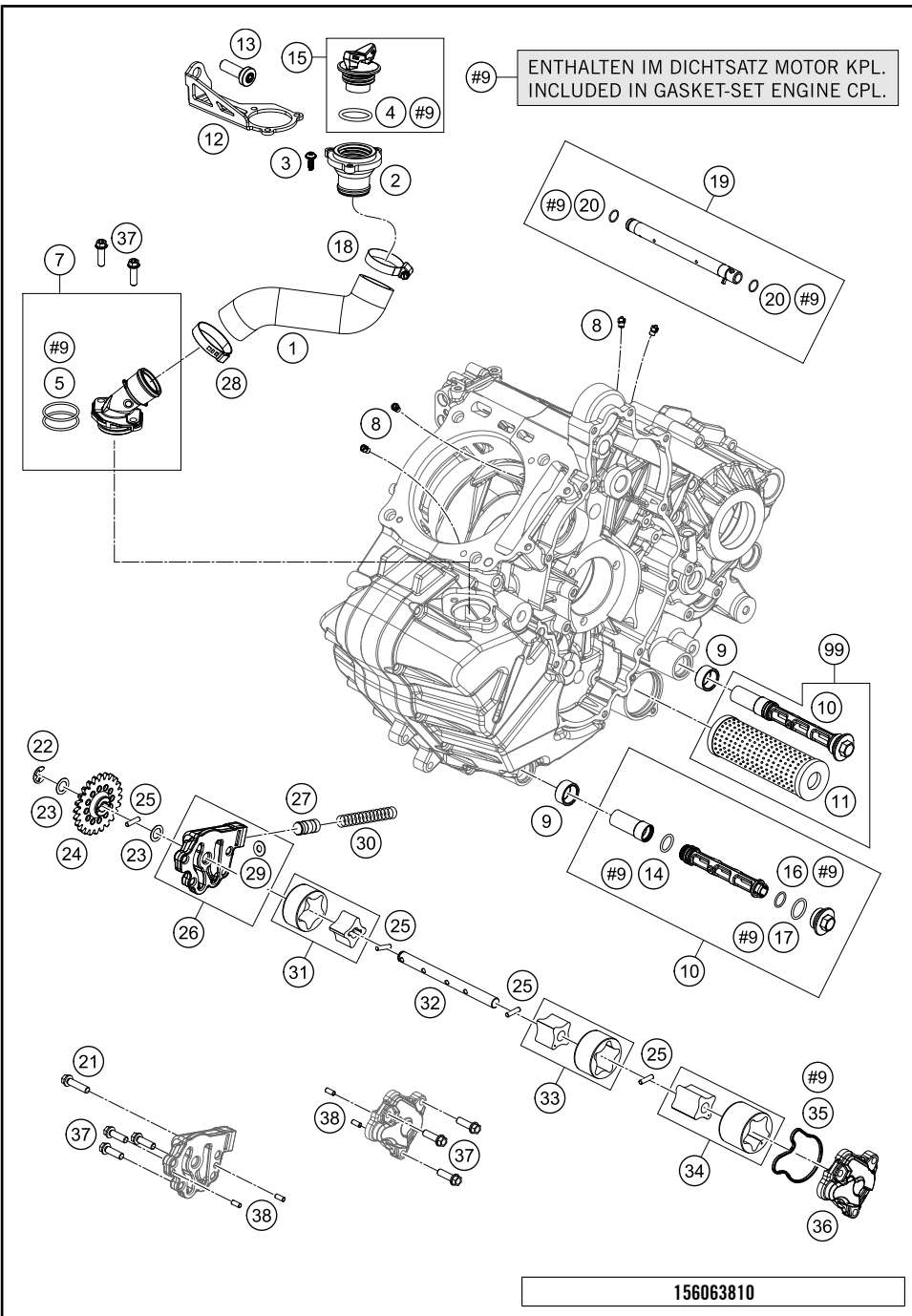
C156063650

* NEW PART X ON DEMAND



| POS | PARTNUMBER | PARTNAME | PIECE |
|-----|-------------|--|-------|
| 1 | 60307026100 | OIL INFILLING HOSE | 1 |
| 2 | 60307129000 | THREADED ADAPTER | 1 |
| 3 | 0081050141 | EJOT PT SCREW 50X14 WN 1451 | 3 |
| 4 | 0770250032 | O-RING 25,00X3,20 NBR 70 | 1 |
| 5 | 0770300020 | O-RING 30X2,0 FPM | 2 |
| 7 | 60638085000 | OIL FILLING FLANGE CPL. | 1 |
| 8 | 60030063070 | OIL JET 70 M5 | 4 |
| 9 | 61238017000 | OIL SCREEN BUSHING 08 | 2 |
| 10 | 61238021100 | OIL SCREEN CPL. | 2 |
| 11 | 61338015100 | % OIL FILTER | 1 |
| 12 | 60312967040 | OIL INFILLING ADAPTER BRACKET ONLY FOR ADVENTURE R | 1 |
| 13 | 0035100309S | AH-COLLAR SCREW M10X30 ISA45 ONLY FOR ADVENTURE R | 1 |
| 14 | 0770140200 | O-RING 14,00X2,00 | 2 |
| 15 | 60338085100 | OIL PLUG CPL. | 1 |
| 16 | 0770125015 | O-RING 12,5X1,5 NBR | 2 |
| 17 | 0770170200 | O-RING 17,00X2,00 | 2 |
| 18 | 10001120000 | CLAMP 25-40 SGT 4 | 1 |
| 19 | 61230065000 | OIL INJECTION TUBE CPL. 08 | 1 |
| 20 | 0770010010 | O-RING 10,00X1,00 NBR 70 SH | 2 |
| 21 | 0025060256 | HH COLLAR SCREW M6X25 TX30 | 1 |
| 22 | 0799080000 | TAB WASHER DIN6799 RS8 | 1 |
| 23 | 60038007010 | WASHER 10X16X0,5 03 | 2 |
| 24 | 60038001324 | OIL PUMP GEAR 24Z | 1 |
| 25 | 0402041580 | NEEDLE ROLLER NRB 4X15,8 G2 | 4 |
| 26 | 61238009144 | PRESSURE PUMP COVER CPL. | 1 |
| 27 | 60038028000 | CONTROL PISTON LC8 03 | 1 |
| 28 | 00050376706 | VARIABLE ONE-EAR CLAMP 37,6MM | 1 |
| 29 | 50337073000 | SHIM | 1 |
| 30 | 61238026000 | CONTROL SPRING | 1 |
| 31 | 60038009000 | ROTOR-SET 19MM 03 | 1 |
| 32 | 61238002000 | OIL PUMP SHAFT 08 | 1 |
| 33 | 61238011100 | ROTOR SET 22MM | 1 |
| 34 | 61238010100 | ROTOR SET 30MM | 1 |
| 35 | 61238008150 | MOLDED RING SUCTION PUMP COVER | 1 |
| 36 | 61238008200 | SUCTION PUMP COVER | 1 |
| 37 | 0025060206 | HH COLLAR SCREW M6X20 TX30 | 8 |

* NEW PART X ON DEMAND

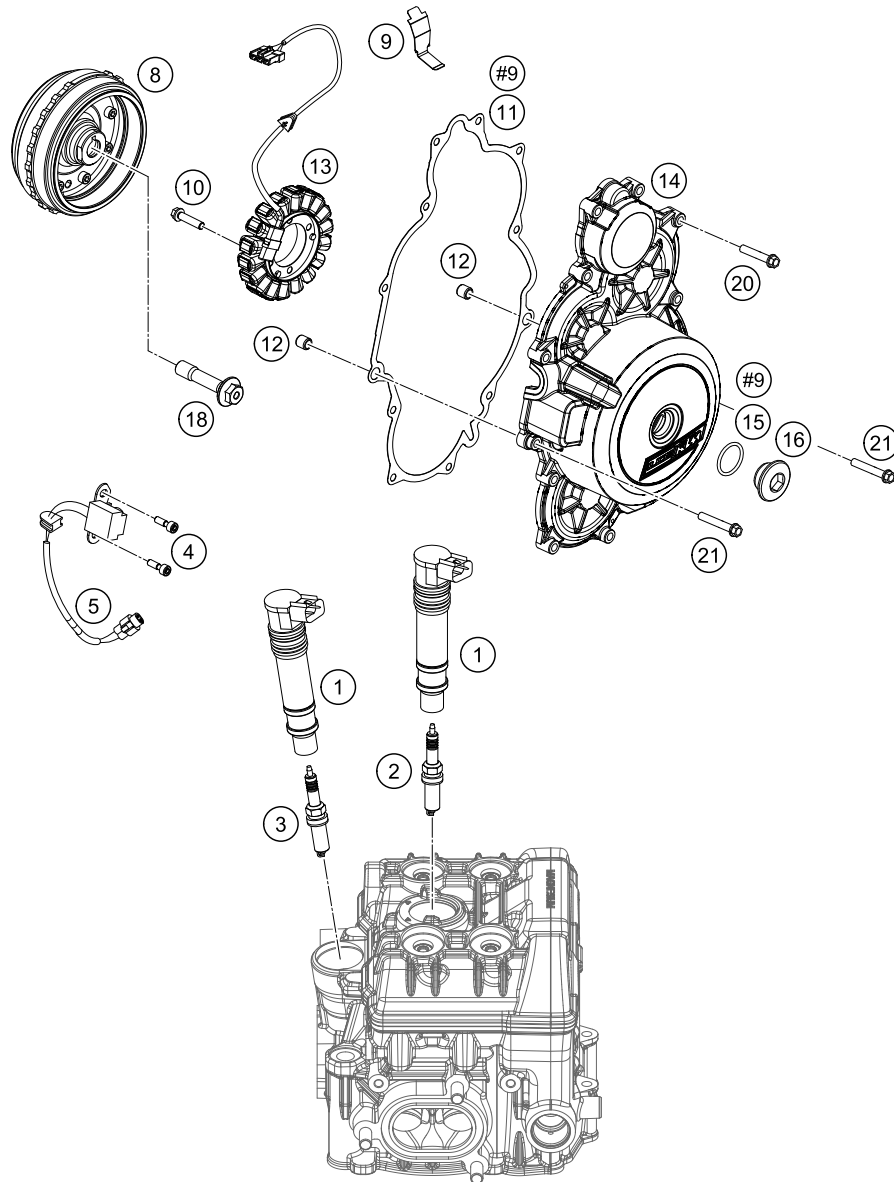


| POS | PARTNUMBER | PARTNAME | PIECE |
|-----|-------------|-----------------------------|-------|
| 38 | 0402050980 | NEEDLE ROLLER DIN5402 5X9,8 | 4 |
| 99 | 00050000068 | OILFILTER SERVICE KIT | x |

C156063810

* NEW PART X ON DEMAND

#9 ENTHALTEN IM DICHTSATZ MOTOR KPL.
INCLUDED IN GASKET-SET ENGINE CPL.



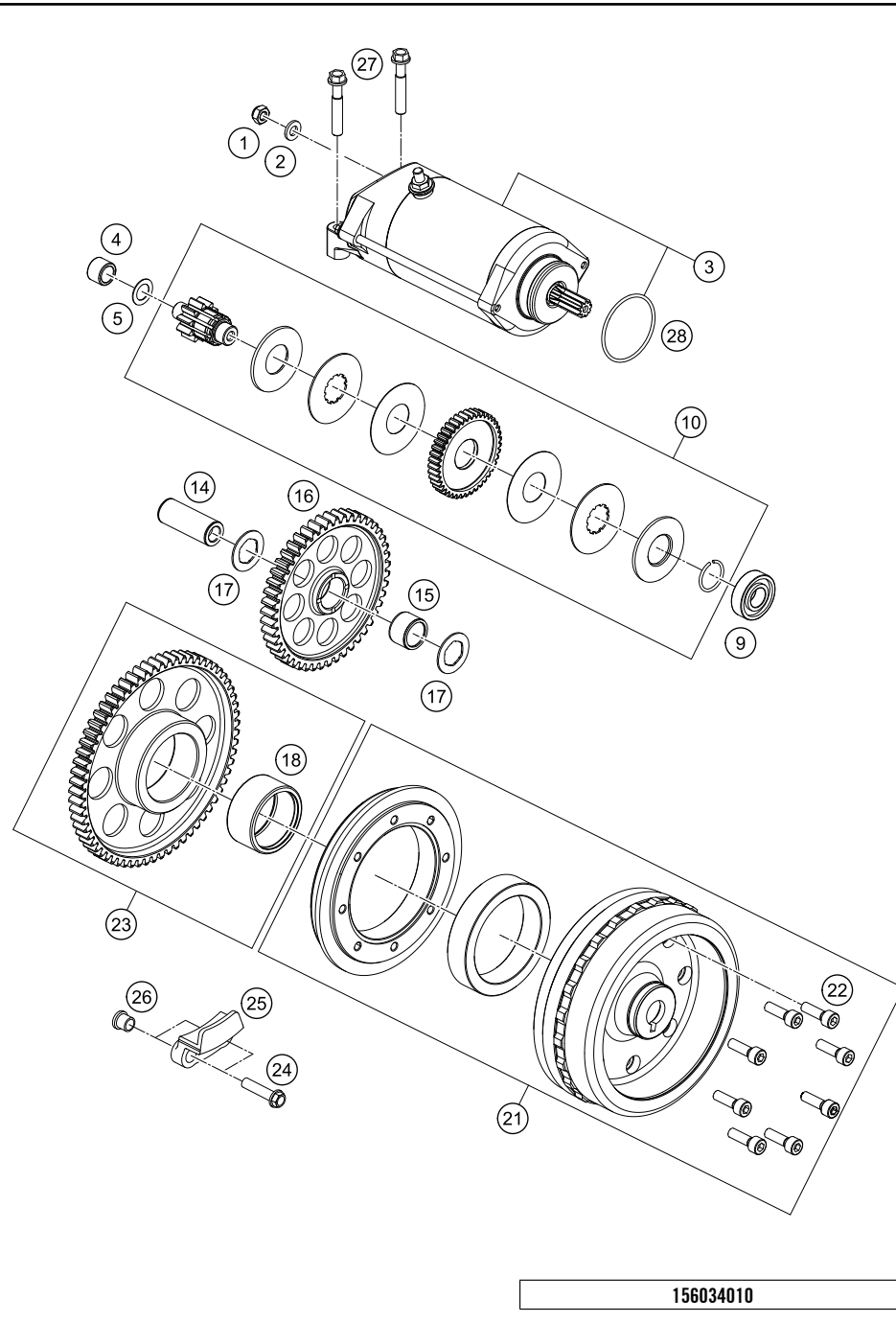
| POS | PARTNUMBER | PARTNAME | PIECE |
|-----|---------------|------------------------------|-------|
| 1 | 76039006000 | STICK COIL | 4 |
| 2 | 60439093000 | SPARK PLUG M12X1.25 | 2 |
| 3 | 60439094000 | SPARK PLUG M10X1 | 2 |
| 4 | 60339035000 | SPECIAL SCREW M5X16 | 2 |
| 5 | 59039034000 | PULSER COIL KOKUSAN 4K3-A/B | 1 |
| 8 | 60439005000 | ROTOR CPL. | 1 |
| 9 | 60039040020 | CABLE SUPPORT GENERATOR 03 | 1 |
| 10 | 0025060256 | HH COLLAR SCREW M6X25 TX30 | 4 |
| 11 | 61230040000 | IGNITION COVER GASKET 08 | 1 |
| 12 | 49030090000 | DOWEL 9,8 X 7 X 10 | 2 |
| 13 | 60339004000 | STATOR | 1 |
| 14 | 6023010214441 | IGNITION COVER WITH BEARINGS | 1 |
| 15 | 07700240251 | O-RING 24X2,5 VITON | 1 |
| 16 | 6003009400030 | SCREW PLUG M24X1,5 PA 6.6 | 1 |
| 18 | 60339003000 | SPECIAL SCREW M12X1,5 WS15 | 1 |
| 20 | 0025060306 | HH COLLAR SCREW M6X30 TX30 | 10 |
| 21 | 0025060356 | HH COLLAR SCREW M6X35 TX30 | 2 |

136033911

C156063910

* NEW PART

X ON DEMAND



| POS | PARTNUMBER | PARTNAME | PIECE |
|-----|-------------|--------------------------------|-------|
| 1 | 0985060003 | SELF LOCK. NUT DIN0985-M 6 | 1 |
| 2 | 0125060003 | WASHER DIN0125-A 6,4 | 1 |
| 3 | 60440001000 | STARTER MOTOR | 1 |
| 4 | 0618101410 | NEEDLE SLEEVE HK 1010 10/14/10 | 1 |
| 5 | 60038007010 | WASHER 10X16X0,5 03 | 1 |
| 9 | 0625060016 | GROOV.BALL BEAR. 6001.2RSR C3 | 1 |
| 10 | 60340117100 | TORQUE LIMITER 10/55 CPL. | 1 |
| 14 | 61230058050 | BEARING BOLT 15X39 08 | 1 |
| 15 | 0405151913 | NEEDLE BEARING K 15X19X13 | 1 |
| 16 | 60340022000 | IDLER GEAR 43T | 1 |
| 17 | 61230057060 | STOP DISK 15,2X25X1 | 2 |
| 18 | 0618354220 | NEEDLE BUSH HK3520 35/42/20 | 1 |
| 21 | 60239105000 | ROTOR | 1 |
| 22 | 0912060206 | AH SCREW DIN 912 M6X20 | 8 |
| 23 | 60340020000 | FREEWHEEL GEAR CPL. | 1 |
| 24 | 0025060256 | HH COLLAR SCREW M6X25 TX30 | 2 |
| 25 | 60040027000 | FREEWHEEL HOLDER 03 | 1 |
| 26 | 60040027050 | SUPPORTING SLEEVE 03 | 2 |
| 27 | 0025060300 | HH COLLAR SCREW M6X30 INOX | 2 |
| 28 | 0770033020 | O-RING 33,75X2,00 | 1 |

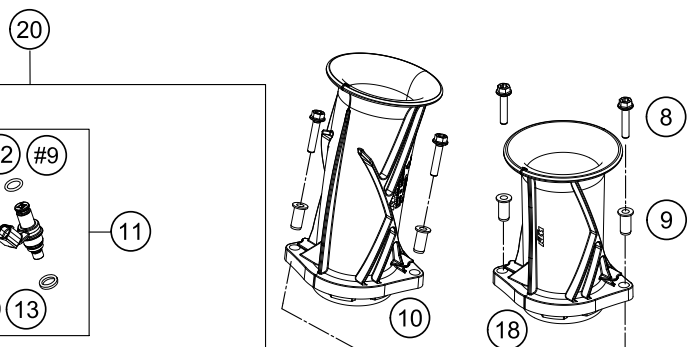
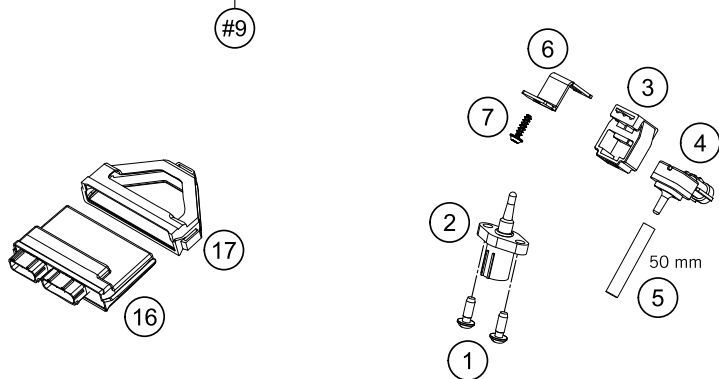
156034010

C156064010

* NEW PART

X ON DEMAND

ENTHALTEN IM DICHTSATZ MOTOR KPL.
INCLUDED IN GASKET-SET ENGINE CPL.



| POS | PARTNUMBER | PARTNAME | PIECE |
|-----|-------------|--------------------------------|-------|
| 1 | 0081050161 | EJOT PT SCREW K50X16 1451 | 2 |
| 2 | 61041080000 | AMBIENT-AIR TEMPERATURE SENSOR | 1 |
| 3 | 61041085150 | RUBBER SUPP. PRESSURE SENS. 06 | 1 |
| 4 | 61041085100 | PRESSURE SENSOR 06 | 1 |
| 5 | 60031098001 | HOSE 3,2X8,5 PER METER | x |
| 6 | 60311040100 | BRACKET PRESSURE SENSOR | 1 |
| 7 | 0081050181 | SCREW FOR PLASTIC K50X18 T20 | 1 |
| 8 | 0025050256S | HH COLLAR SCREW M5X25 ISA30 | 4 |
| 9 | 60306042010 | BUSHING INTAKE TRUMPET | 4 |
| 10 | 60641040000 | INTAKE FUNNEL FRONT | 1 |
| 11 | 60341023044 | FUEL INJECTOR CPL. | 2 |
| 12 | 60341023020 | O-RING | 2 |
| 13 | 75041023010 | SEAL RING | 2 |
| 14 | 60341013044 | FUEL PIPE CPL. | 1 |
| 15 | 75041013060 | SCREW SHOULDER | 2 |
| 16 | 61341031100 | ECU | 1 |
| 17 | 60341031050 | ECU RUBBER BRACKET | 1 |
| 18 | 60641140000 | INTAKE FUNNEL REAR | 1 |
| 20 | 60341001000 | THROTTLE BODY | 1 |

156064110

C156064110

* NEW PART

X ON DEMAND

A large, empty rectangular box with a thin black border, occupying the majority of the page. It is intended for students to write their notes during the 1050 Adventure 2015 event.

WWW.KTM.COM



KTM Sportmotorcycle GmbH
5230 Mattighofen, Austria
www.ktm.com



KTM_POWERPARTS

KTM_POWERWEAR

KTM_ORIGINAL SPARE PARTS



3CM0898400EN

Art. Nr.: 3CM0898400EN 19. Apr. 2016