

OWNER'S MANUAL 2010

690 SMC EU

690 SMC AUS/UK

Art. no. 3211517en



KTM

DEAR KTM CUSTOMER

Congratulations on your decision to buy a KTM motorcycle. You are now the owner of a state-of-the-art sports motorcycle that will give you enormous pleasure if you service and maintain it accordingly.

We wish you a lot of enjoyment in riding this vehicle!

Enter the serial numbers of your vehicle below.

Chassis number (☛ p. 16)	Dealer's stamp
Engine number (☛ p. 17)	
Key number (☛ p. 17)	

The owner's manual corresponded to the latest state of this series at the time of printing. Slight deviations resulting from continuing development and design of our vehicles cannot, however, be completely excluded.

All specifications are non-binding. KTM Sportmotorcycle AG specifically reserves the right to modify or delete technical specifications, prices, colors, forms, materials, services, designs, equipment, etc., without prior notice and without specifying reasons, to adapt these to local conditions, as well as to stop production of a particular model without prior notice. KTM accepts no liability for delivery options, deviations from illustrations and descriptions, as well as misprints and other errors. The models portrayed partly contain special equipment that does not belong to the regular scope of delivery.

© 2009 by KTM-Sportmotorcycle AG, Mattighofen Austria

All rights reserved

Reproduction, even in part, is permitted only with the express written permission of the copyright owner.



ISO 9001(12 100 6061)

















According to the international quality management standard ISO 9001, KTM uses quality assurance processes that lead to the maximum possible quality of the products.















Issued by: TÜV Management Service

REG.NO. 12 100 6061

KTM-Sportmotorcycle AG
5230 Mattighofen, Austria

MEANS OF REPRESENTATION	6	Setting the clock	27
IMPORTANT INFORMATION	7	Combination instrument - display ODO	28
VIEW OF VEHICLE.....	12	Combination instrument - setting/resetting TRIP 1.....	28
View of vehicle, front left side.....	12	Combination instrument - setting/resetting TRIP 2.....	29
View of vehicle, rear right	14	Combination instrument - TRIP F display.....	30
LOCATION OF SERIAL NUMBERS	16	Combination instrument - coolant temperature indicator	30
Chassis number.....	16	Opening filler cap.....	31
Type label.....	16	Closing filler cap	31
Key number	17	Handrails.....	32
Engine number.....	17	Seat release	32
Fork part number.....	18	Passenger footrests.....	33
Shock absorber part number	18	Shift lever.....	33
CONTROLS	19	Foot brake lever.....	34
Clutch lever	19	Side stand	35
Hand brake lever	19	GENERAL TIPS AND HINTS ON PUTTING INTO	
Light switch	20	OPERATION.....	36
Turn signal switch	20	Advice on first use.....	36
Horn button	21	Running in the engine.....	37
Emergency OFF switch.....	21	Loading the vehicle	38
Electric starter button	22	RIDING INSTRUCTIONS	40
Ignition/steering lock	22	Checks before putting into operation	40
Combination instrument.....	23	Starting.....	41
Combination instrument - function buttons	23	Starting up	42
Combination instrument - tachometer.....	24	Shifting, riding.....	42
Combination instrument - indicator lamps.....	24	Braking	46
Combination instrument - display.....	25	Stopping, parking.....	47
Combination instrument - speedometer.....	26	Refueling.....	48
Setting kilometers or miles	26	SERVICE SCHEDULE.....	51
Combination instrument - time	27	Service schedule	51

MAINTENANCE WORK ON CHASSIS AND ENGINE.....	54	Adjusting the chain tension	73
Jacking up front of motorcycle	54	Checking the chain, rear sprocket and engine sprocket.....	75
Taking the front from the work stand	54	Adjusting chain guide 	78
Jacking up rear of motorcycle	55	Checking the brake discs.....	78
Taking the rear from the work stand	55	Adjusting the basic position of the hand brake lever.....	79
Fork/shock absorber	56	Checking the front brake fluid level	80
Adjusting the compression damping of the fork	56	Adding front brake fluid 	80
Adjusting rebound damping of fork.....	57	Checking the front brake linings.....	82
Compression damping of the shock absorber	58	Changing the front brake linings 	83
Adjusting the low-speed compression damping of the shock absorber	58	Removing front brake linings 	85
Adjusting the high-speed compression damping of the shock absorber	59	Installing the front brake linings 	86
Adjusting the rebound damping of the shock absorber.....	60	Checking the free travel of foot brake lever.....	88
Measuring the unloaded rear wheel sag.....	61	Adjusting the basic position of the foot brake lever 	89
Checking the static sag of the shock absorber	62	Checking rear brake fluid level	90
Checking the riding sag of the shock absorber	63	Adding rear brake fluid 	90
Adjusting the spring preload of the shock absorber 	63	Checking the rear brake linings.....	92
Bleeding the fork legs	64	Changing rear brake linings 	93
Cleaning the dust boots of the fork legs	65	Removing front wheel 	96
Removing the fork protector.....	66	Installing the front wheel 	97
Installing the fork protector	67	Removing rear wheel 	99
Checking the steering head bearing play	67	Installing the rear wheel 	100
Adjusting play of steering head bearing 	68	Checking the rear hub rubber dampers 	102
Handlebar position	69	Checking the tire condition.....	103
Adjusting handlebar position 	70	Checking the spoke tension	104
Checking the chain for dirt	71	Tubeless tire system	106
Cleaning the chain.....	71	Checking the tire air pressure	106
Checking the chain tension	72	Removing the seat	107
		Mounting the seat	108

Removing the battery 	108	Installing the oil filter 	140
Installing the battery 	109	Cleaning the oil screens 	140
Recharging the battery 	110	Filling up with engine oil 	142
Changing the main fuse	112	Adding engine oil	143
Changing the fuses of individual power consumers	114	TROUBLESHOOTING	145
Adjusting the engine characteristic	116	BLINK CODE	148
Removing the headlight mask with the headlight	117	CLEANING	153
Installing the headlight mask with the headlight	119	Cleaning the motorcycle	153
Changing the headlight bulb	120	PROTECTIVE TREATMENT FOR WINTER OPERATION	155
Changing the parking light bulb	121	Protective treatment for winter operation	155
Changing the flasher bulb	122	STORAGE	156
Checking the headlight setting	123	Storage	156
Adjusting the headlight range	124	Putting into operation after storage	157
Removing the air filter 	124	TECHNICAL DATA - ENGINE	158
Installing the air filter 	126	Capacity - engine oil	159
Cooling system	127	Capacity - coolant	159
Checking the antifreeze and coolant level	127	TECHNICAL DATA - ENGINE TIGHTENING TORQUES	160
Checking the coolant level	129	TECHNICAL DATA - CHASSIS	163
Draining the coolant 	131	Lighting equipment	164
Filling the cooling system 	132	Tires	165
Adjusting basic position of clutch lever	133	Capacity - fuel	165
Checking/rectifying the fluid level of the hydraulic clutch	134	TECHNICAL DATA - FORK	166
Checking the play in the throttle cable	135	TECHNICAL DATA - SHOCK ABSORBER	167
Adjusting the play in the throttle cable 	136	TECHNICAL DATA - CHASSIS TIGHTENING TORQUES	169
Checking the engine oil level	136	SUBSTANCES	172
Changing the engine oil and filter, cleaning the oil screens 	137	AUXILIARY SUBSTANCES	176
Draining the engine oil 	137	STANDARDS	179
Removing the oil filter 	138	INDEX	180

Symbols used

The meaning of specific symbols is described below.



Indicates an expected reaction (e.g. of a work step or a function).



Indicates an unexpected reaction (e.g. of a work step or a function).



All work marked with this symbol requires specialist knowledge and technical understanding. In the interest of your own safety, have these jobs done in an authorized KTM workshop! There, your motorcycle will be serviced optimally by specially trained experts using the specialist tools required.



Identifies a page reference (more information is provided on the specified page).

Formats used

The typographical and other formats used are explained below.

Specific name Identifies a proprietary name.

Name® Identifies a protected name.

Brand™ Identifies a trademark.

Use definition

KTM sport motorcycles are designed and constructed to meet the normal demands of regular road operation but not for use on race courses or offroad.



Info

The motorcycle is authorized for public road traffic in the homologous version only.

Maintenance

A prerequisite for perfect operation and prevention of wear is that the engine and chassis maintenance and adjustment work described in the owner's manual are properly carried out. Poor adjustment and tuning of the engine and chassis can lead to damage and breakage of components.

Using the motorcycle in extreme conditions such as very muddy or wet roads can lead to above-average wear of components such as the transmission train or the brakes. For this reason, it may be necessary to service or replace worn parts before the limit specified in the service schedule is reached.

Pay careful attention to the prescribed running-in period, inspection and maintenance intervals. If you observe these exactly, you will ensure a much longer service life for your motorcycle.

Warranty

The work prescribed in the service plan must only be carried out in an authorized KTM workshop and confirmed in the service record; otherwise all warranty claims will be disregarded. No warranty claim can be met for damage resulting from manipulation and/or other changes to the vehicle.

Fuel, oils, etc.

You should use the fuels, oils and greases according to specifications as listed in the owner's manual.

Spare parts, accessories

For your own safety, only use spare parts and accessory products that have been approved and/or recommended by KTM and have them installed by an authorized KTM workshop. KTM accepts no liability for other products and any resulting damage.

Some spare parts and accessory products are specified in parentheses in the descriptions. Your KTM dealer will be glad to advise you.

You will find the current **KTM PowerParts** for your vehicle on the KTM website.

International KTM Website: <http://www.ktm.com>

Work rules

Special tools are necessary for certain tasks. The tools are not contained in the vehicle but can be ordered under the number in parentheses. Example: valve spring mounter (59029019000)

During assembly, non-reusable parts (e.g. self-locking screws and nuts, seals and seal rings, O-rings, pins, lock washers) must be replaced by new parts.

If a thread lock (e.g. **Loctite**[®]) is used for screw connections, be sure to comply with the manufacturer's specific instructions on its usage. Parts that you want to reuse following repairs and servicing should be cleaned and checked for damage and wear. Change damaged or worn parts.

Following repairs or servicing, the vehicle must be checked for roadworthiness.

Transport

Note

Danger of damage The parked vehicle may roll away or fall over.

- Always place the vehicle on a firm and even surface.

Note

Fire hazard Some vehicle components become very hot when the vehicle is operated.

- Do not park the vehicle near flammable or explosive substances. Do not place objects on the vehicle while it is still warm from being run. Always let the vehicle cool first.

- Switch off the engine and remove the ignition key.
- Use straps or other suitable devices to secure the motorcycle against accidents or falling over.

Environment

Offroad motorcycling is a wonderful sport and we naturally hope that you will be able to enjoy it to the fullest. However, it is a potential problem for the environment and can lead to conflicts with other persons. But if you use your motorcycle responsibly, you can ensure that such problems and conflicts do not have to occur. To protect the future of motorcycle sport, make sure that you use your motorcycle legally, display environmental consciousness, and respect the rights of others.

Notes/warnings

Pay close attention to the notes/warnings.



Info

Various information and warning labels are affixed to the vehicle. Do not remove information/warning labels. If they are missing, you or others may not recognize potential hazards and may therefore be injured.

Grades of risks



Danger

Identifies a danger that will immediately and invariably lead to fatal or serious permanent injury if the appropriate measures are not taken.



Warning

Identifies a danger that is likely to lead to fatal or serious injury if the appropriate measures are not taken.



Caution

Identifies a danger that may lead to minor injuries if the appropriate measures are not taken.

Note

Identifies a danger that will lead to considerable machine and material damage if the appropriate measures are not taken.



Warning

Identifies a danger that will lead to environmental damage if the appropriate measures are not taken.

Owner's manual

- It is important that you read this owner's manual carefully and completely before making your first trip. It contains useful information and tips to help you operate and handle your motorcycle. Only then will you find out how to customize the motorcycle ideally for your own use and how you can protect yourself from injury. The owner's manual also contains important information on servicing the motorcycle.
- The owner's manual is an important component of the motorcycle and should be handed over to the new owner if the vehicle is sold.

View of vehicle, front left side



VIEW OF VEHICLE

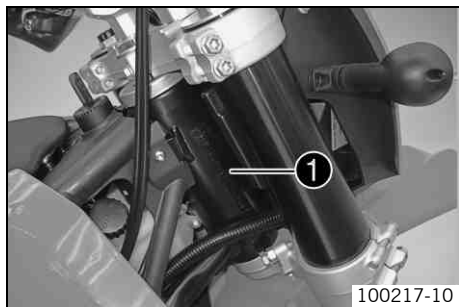
1	Hand brake lever
2	Clutch lever
3	Seat
4	Filler cap
5	Handrail
6	Front brake caliper
7	Shift lever
8	Engine number
9	Side stand
10	Footrest
11	Seat release strap

View of vehicle, rear right



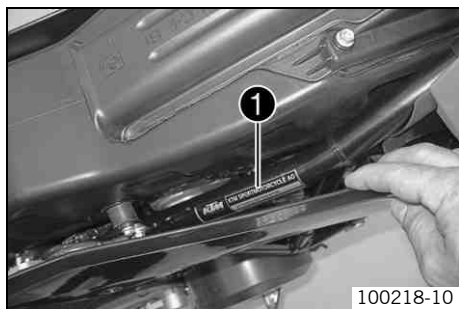
1	Ignition/steering lock
2	Light switch, flasher switch, horn button
3	Rear mirror
4	Combination instrument
5	Emergency OFF switch, electric starter button
6	Throttle grip
7	Chassis number
8	Brake caliper, rear
9	Passenger footrest
10	Shock absorber, rebound damping
11	Foot brake pedal
12	Level viewer, engine oil

Chassis number



The chassis number ❶ is stamped on the steering head on the right.

Type label



Type label ❶ is located on the upper right frame tube below the seat.

Key number



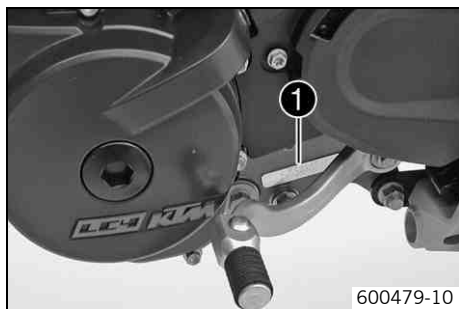
The key number ❶ can be found on the **KEYCODECARD**.



Info

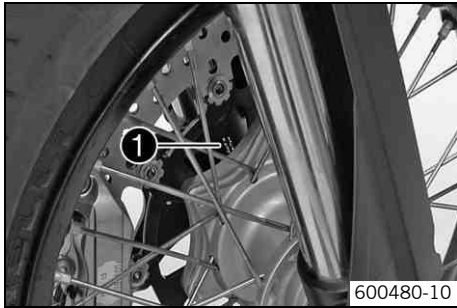
You need the key number to order a spare key. Keep the **KEYCODECARD** in a safe place.

Engine number



The engine number ❶ is stamped on the left side of the engine under the engine sprocket.

Fork part number



The fork part number ❶ is stamped on the inner side of the fork stub.

Shock absorber part number



The shock absorber part number ❶ is on the right of the shock absorber.

Clutch lever



The clutch lever ❶ is fitted on the left side of the handlebar.
The clutch is hydraulically operated and self-adjusting.

Hand brake lever





The hand brake lever ❶ is fitted on the right side of the handlebar.
The hand brake lever operates the front brake.

Light switch

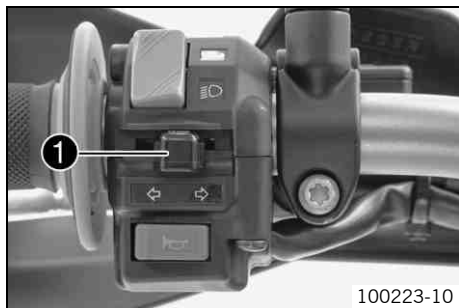


The light switch ❶ is fitted on the left side of the handlebar.

Possible states



	Low beam on – Light switch is turned downwards. In this position, the low beam and tail light are switched on.
	High beam on – Light switch is turned upwards. In this position, the high beam and the tail light are switched on.

Turn signal switch



The turn signal switch ❶ is fitted on the left side of the handlebar.

Possible states

	Turn signal off
	Turn signal light, left, on – Turn signal switch pressed to the left. The turn signal switch returns automatically to the central position after use.
	Turn signal light, right, on – Turn signal switch pressed to the right. The turn signal switch returns automatically to the central position after use.



To switch off the turn signal light, press the turn signal switch towards the switch case.

Horn button



The horn button ❶ is fitted on the left side of the handlebar.

Possible states

- Horn button  in neutral position
- Horn button  pressed – The horn is operated in this position.

Emergency OFF switch



The emergency OFF switch ❶ is fitted on the right side of the handlebar.

Possible states



Emergency OFF switch off – In this position, the ignition circuit is interrupted, a running engine stops, and the engine cannot be started.



Emergency OFF switch on – This position is necessary for operation as the ignition circuit is closed.

Electric starter button

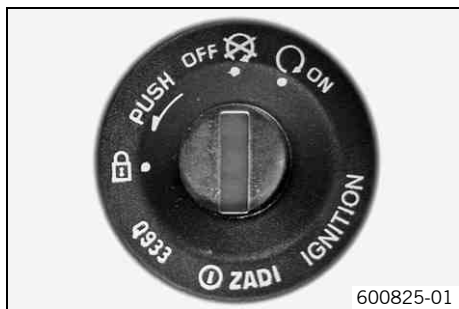


The electric starter button ❶ is fitted on the right side of the handlebar.

Possible states

- Electric starter button ❸ in basic position
- Electric starter button ❸ pressed – In this position, the electric starter is actuated.

Ignition/steering lock

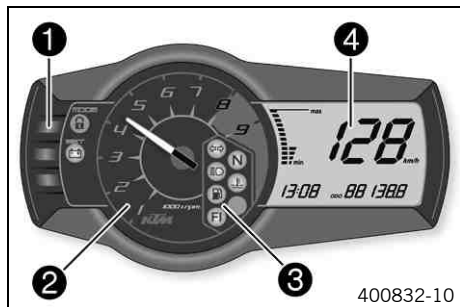


The ignition/steering lock ❶ is located in front of the seat.

Possible states

	<p>Ignition OFF – In this position, the ignition circuit is interrupted, a running engine stops, and a non-running engine will not start. The ignition key can be removed.</p>
	<p>Ignition ON – In this position, the ignition circuit is closed and the engine can be started.</p>
	<p>Steering locked – In this position, the ignition circuit is interrupted and the steering locked. The ignition key can be removed.</p>

Combination instrument



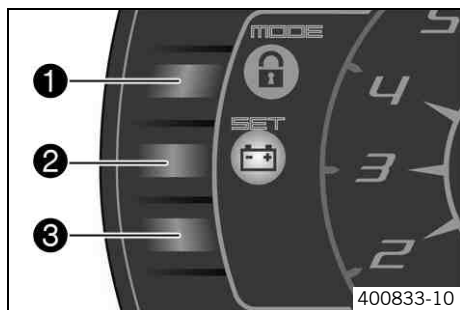
400832-10

The combination instrument is installed in front of the handlebar.

The combination instrument is divided into 4 function areas.

- ❶ Function buttons
- ❷ Tachometer
- ❸ Indicator lights
- ❹ Display

Combination instrument - function buttons



400833-10

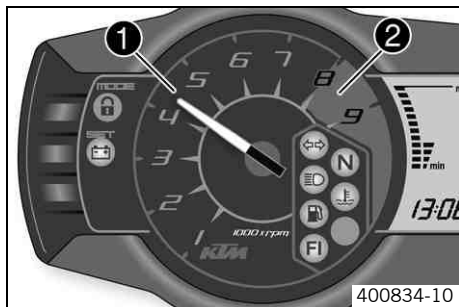
You can change the display mode with the **MODE** button ❶.

Possible display modes are distance traveled (**ODO**), trip master 1 (**TRIP 1**) and trip master 2 (**TRIP 2**).

Press the **SET** button ❷ to reset the trip master 1 function (**TRIP 1**) and trip master 2 function (**TRIP 2**) to **0.0**.

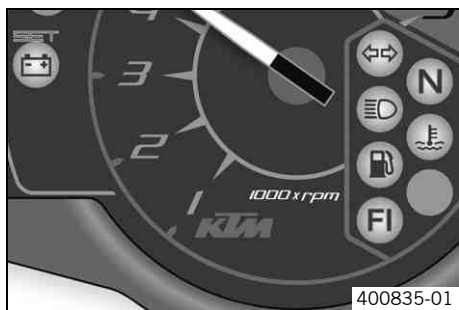
Button ❸ has no function.

Combination instrument - tachometer



The tachometer ❶ shows the engine speed in revolutions per minute. The red marking ❷ shows the excess speed range of the engine.



Combination instrument - indicator lamps



The indicator lamps offer additional information about the operating state of the motorcycle.

Possible states

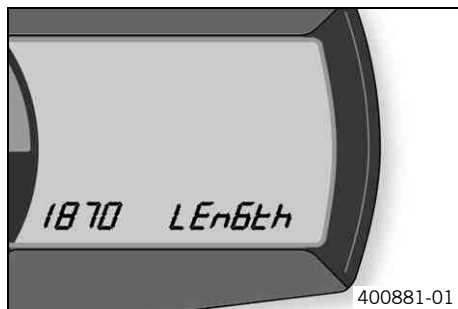
	The turn signal indicator lamp flashes green simultaneously with the turn signal – The turn signal is switched on.
	The idle speed indicator lamp lights up green – The transmission is shifted to idle.
	The high beam indicator lamp lights up blue – The high beam is switched on.
	Temperature warning lamp lights up red – Coolant has reached a critical value.
	Fuel level warning lamp lights up orange – Fuel level has reached the reserve mark. Display switched to TRIP F .

	<p>FI warning lamp (MIL) lights up/flashes orange – The OBD has detected an emission- or safety-critical fault.</p>
	<p>Battery warning lamp lights up red – Voltage in vehicle system too low.</p>

Combination instrument - display



When you switch on the ignition, all display segments light up for a second as a function test.



LEnGth

Following the display function test, the **LEnGth** wheel circumference is shown for one second.



Info

1870 mm corresponds to the circumference of the 17" front wheel with a series production tire.

The display then changes to the last selected mode.

Combination instrument - speedometer



The speed ❶ is shown in kilometers per hour **km/h** or in miles per hour **mph**.

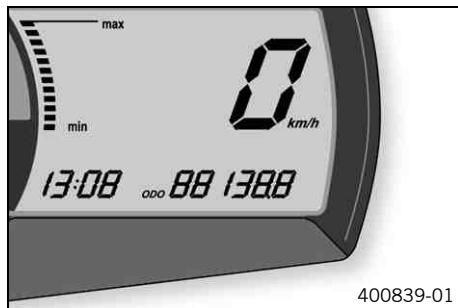
Setting kilometers or miles


i Info

If you change the unit, the value **ODO** is retained and converted accordingly.
Making the setting according to the country.

Condition

The motorcycle is stationary.



- Switch on the ignition by turning the ignition key to position **ON** .
- Press the **MODE** button repeatedly until the **ODO** mode is active.
- Keep the **MODE** button pressed until the display mode changes from **km/h** to **mph** or from **mph** to **km/h**.

Combination instrument - time



The time is shown in area **1** of the display.



Info


The time has to be reset after the battery is reconnected or when the fuse is changed.

Setting the clock

Condition

The motorcycle is stationary.



- Switch on the ignition by turning the ignition key to position **ON** .
- Press the **MODE** button repeatedly until the **ODO** mode is active.
- Keep the **MODE** button and the **SET** button pressed simultaneously.
 - ✓ The time display begins to flash.
- Press the **MODE** button to set the hour.
- Press the **SET** button to set the minute.
- Keep the **MODE** button and the **SET** button pressed simultaneously.
 - ✓ The time is set.

Combination instrument - display ODO



In the **ODO** display mode, the total distance traveled is shown in kilometers or miles.



Info

This value is retained, even if the battery is disconnected and/or the fuse blows.

Combination instrument - setting/resetting TRIP 1




Info

The **TRIP 1** trip counter is always running and counts up to **999.9**.

The trip counter can be used to measure the distance covered during trips or between two refueling stops. After the value **999.9** is reached, the trip counter starts at **0.0** again.



- Switch on the ignition by turning the ignition key to position **ON** .
- Press the **MODE** button repeatedly until the **TRIP 1** mode is active.
- Keep the **SET** button pressed.
- ✓ The **TRIP 1** display is set to **0.0**.

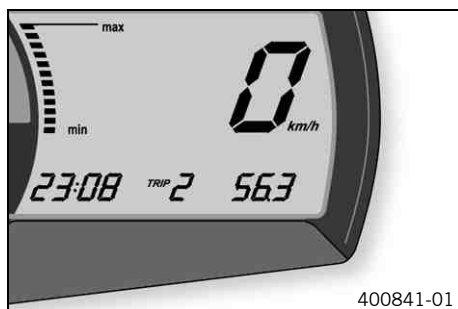
Combination instrument - setting/resetting TRIP 2




Info

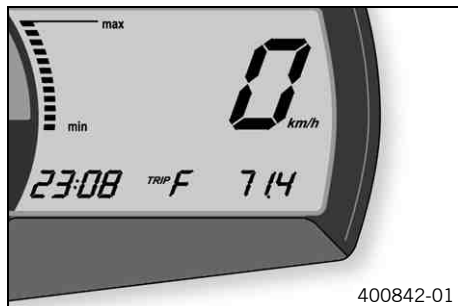
The **TRIP 2** trip counter is always running and counts up to **999.9**.

The trip counter can be used to measure the distance covered during trips or between two refueling stops. After the value **999.9** is reached, the trip counter starts at **0.0** again.



- Switch on the ignition by turning the ignition key to position **ON** .
- Press the **MODE** button repeatedly until the **TRIP 2** mode is active.
- Keep the **SET** button pressed.
- ✓ The **TRIP 2** display is set to **0.0**.

Combination instrument - TRIP F display



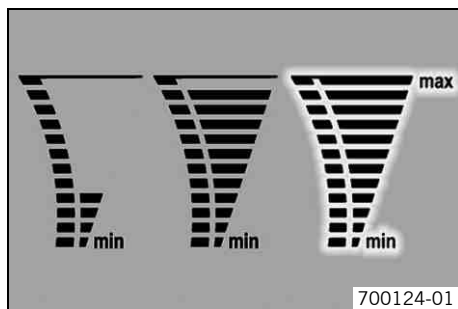
If the fuel level drops to the reserve mark, the display automatically changes to **TRIP F** and starts to count from **0.0**, regardless of the previous display mode.



Info

Parallel to the **TRIP F** display, the fuel warning light switches on.

Combination instrument - coolant temperature indicator



The temperature display consists of 12 bars. The more bars that light up, the hotter the coolant. When the upper bar lights up, all bars in the display begin to flash and the temperature warning lamp lights up.

Possible states

- Engine cold – Up to four bars light up.
- Engine warm – Five to eleven bars light up.
- Engine hot – All twelve bars flash.

Opening filler cap



- Lift the cover of the filler cap ❶ and insert the ignition key.
- Turn the ignition key 90° counterclockwise and remove the filler cap.



Info

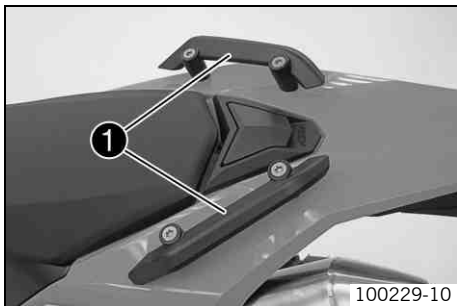
The filler cap has a tank air vent system.

Closing filler cap



- Put the filler cap back on and turn the ignition key 90° clockwise.
- Remove the ignition key and fold down the cover.

Handrails



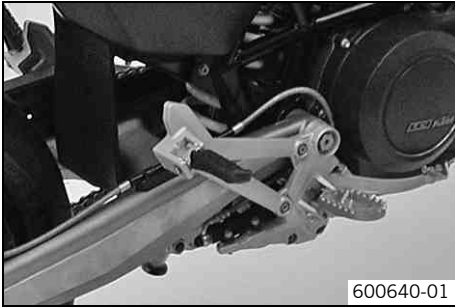
The handrails **1** are used for moving the motorcycle around.
When you have a passenger, the passenger can hold on the handrails during the journey.

Seat release



The seat can be released using strap **1**.

Passenger footrests



The passenger footrests can be folded up and down.

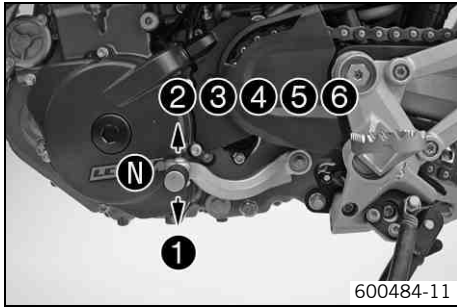
Possible states

- Passenger footrests folded up – For operation without a passenger.
- Passenger footrests folded down – For operation with a passenger.

Shift lever

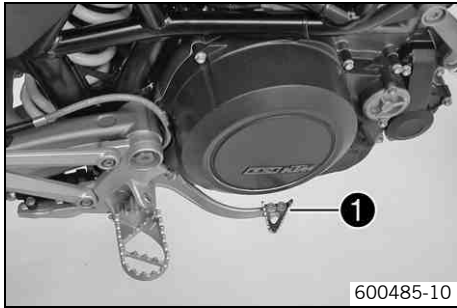


The shift lever ❶ is mounted on the left side of the engine.



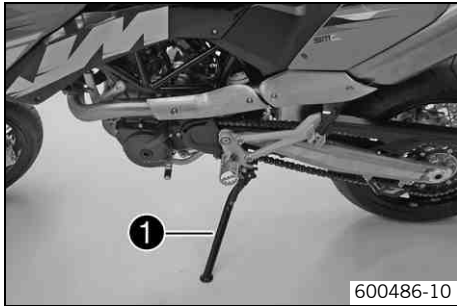
The gear positions can be seen in the photograph.
The neutral or idle position is between the first and second gears.

Foot brake lever



Foot brake lever ❶ is located in front of the right footrest.
The rear brake is engaged with the foot brake lever.

Side stand



The side stand ❶ is coupled with the safety electric starter system - see the riding instructions.

Possible states

- Side stand folded out – The vehicle can be supported on the side stand. The safety electric starter system is active.
- Side stand folded in – This position is mandatory for all journeys. The safety electric starter system is inactive.

Advice on first use



Danger

Danger of accidents Danger arising from the rider's judgement being impaired.

- Do not use the vehicle if you are inexperienced or if you have consumed alcohol or drugs.



Warning

Risk of injury Missing or poor protective clothing present an increased safety risk.

- Wear protective clothing (helmet, boots, gloves, pants and jacket with protectors) every time you ride the vehicle. Always wear protective clothing, which must be undamaged and meet legal requirements.



Warning

Danger of crashing Poor vehicle handling due to different tire tread patterns on front and rear wheels.

- The front and rear wheels must be fitted with tires with similar tread patterns to prevent loss of control over the vehicle.



Warning

Danger of accidents Uncontrollable handling characteristic due to non-approved and/or non-recommended tires/wheels.

- Only tires/wheels approved by KTM and with the corresponding speed index should be used.



Warning

Danger of accidents Reduced road grip with new tires.

- New tires have a smooth rolling surface and therefore cannot provide full road grip. The entire rolling surface must be roughened in the first 200 kilometers (124.3 miles) by moderate riding at alternating angles. The full grip levels are not achieved until the tires have been run in.



Warning

Danger of accidents Failure of brake system.

- If the foot brake lever is not released, the brake linings drag permanently. The rear brake can fail due to overheating. Take your foot off the foot brake lever if you do not want to brake.

Info

When using your vehicle, remember that others may feel disturbed by excessive noise.

- Make sure that the pre-delivery inspection work has been carried out by an authorized KTM workshop. You receive a delivery certificate and the service record at vehicle handover.
- Before your first trip, read the entire operating instructions carefully.
- Get to know the controls.
- Adjust the basic position of clutch lever. (☛ p. 133)
- Adjust the basic position of hand brake lever. (☛ p. 79)
- Adjust the basic position of the foot brake lever. ☛ (☛ p. 89)
- Get used to handling the vehicle on a car park before making a longer trip. Try also to ride as slowly as possible and in a standing position to get a better feeling for the vehicle.
- Hold the handlebar firmly with both hands and keep your feet on the footrests when riding.
- Run the engine in.

Running in the engine

- During the running-in phase, do not exceed the specified engine speed and engine performance.

Guideline

Maximum engine speed	
During the first: 1,000 km (621.4 mi)	6,000 rpm
After the first: 1,000 km (621.4 mi)	7,800 rpm

- Avoid fully opening the throttle!

Loading the vehicle



Warning

Danger of accidents Unstable handling characteristics.

- Do not exceed the maximum permitted weight and axle loads. The overall weight consists of: motorcycle operational and with a full tank, driver and passenger with protective clothing and helmet, baggage.



Warning

Danger of accidents Unstable handling characteristics due to incorrect mounting of suitcase and/or tank rucksack.

- Mount and secure suitcase and tank rucksack according to the manufacturer's instructions.



Warning

Danger of accidents Unstable handling characteristics at high speed.

- Adapt your speed according to your payload. Ride more slowly if your motorcycle is loaded with cases or other baggage.
Maximum speed with baggage 130 km/h (80.8 mph)



Warning

Danger of accidents Risk of breakage of suitcase system.

- If you have fitted suitcases on your motorcycle, read the manufacturer's specifications concerning the maximum payload.



Warning

Danger of accidents Poor visibility for other road users due to slipped baggage.

- If the tail light is covered, you are less visible to traffic behind you, especially in the dark. Check that your baggage is fixed properly at regular intervals.



Warning

Danger of accidents Changed handling characteristics and longer stopping distance with excessive payload.

- Adapt your speed according to your payload.

**Warning**

Danger of accidents Unstable handling characteristics due to slipped baggage.

- Check the way your baggage is fixed regularly.

**Warning**

Danger of burns A hot exhaust system can burn baggage.

- Fasten your baggage in such a way that it cannot be burned or singed by the hot exhaust system.

-
- If you carry any baggage, make sure it is fixed firmly as close as possible to the center of the vehicle and ensure even weight distribution between the front and rear wheels.
 - Do not exceed the overall maximum permitted weight and the axle loads.

Guideline

Maximum permissible overall weight	350 kg (772 lb.)
Maximum permissible front axle load	150 kg (331 lb.)
Maximum permissible rear axle load	200 kg (441 lb.)

Checks before putting into operation

i **Info**
Make sure that the motorcycle is in a perfect technical condition before use.
In the interests of riding safety, make a habit of making a general check before you ride.

- Check the engine oil level. (☛ p. 136)
- Check the engine for loss of oil.
- Check the fuel level.
- Check the chain tension. (☛ p. 72)
- Clean the chain. (☛ p. 71)
- Check the tire condition. (☛ p. 103)
- Check the tire air pressure. (☛ p. 106)
- Check the front brake fluid level. (☛ p. 80)
- Check the rear brake fluid level. (☛ p. 90)
- Check the front brake linings. (☛ p. 82)
- Check the rear brake linings. (☛ p. 92)
- Check brake system function.
- Check the coolant level. (☛ p. 129)
- Check that all controls are correctly adjusted and free to move.
- Check that the electrical equipment is functioning properly.
- Check that baggage is correctly secured.
- Sit on the motorcycle and check the rear mirror setting.

Starting



Danger

Danger of poisoning Exhaust gases are poisonous and inhaling them may result in unconsciousness and/or death.

- When running the engine, always make sure there is sufficient ventilation, and do not start or run the engine in an enclosed space without an effective exhaust extraction system.



Caution

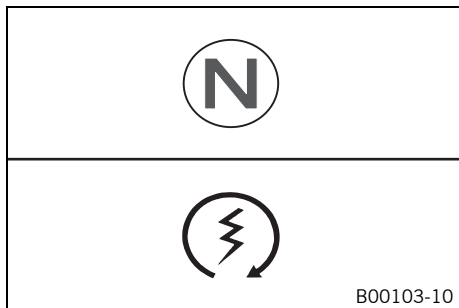
Danger of accidents If the vehicle is operated with a discharged battery or without a battery, electronic components and safety equipment may be damaged.

- Never operate the vehicle with a discharged battery or without a battery.

Note

Engine failure High engine speeds in cold engines have a negative effect on the service life of the engine.

- Always warm up the engine at low engine speeds.



- Turn the emergency OFF switch to the position
- Switch on the ignition by turning the ignition key to position **ON**
- ✓ After you switch on the ignition, you can hear the fuel pump working for about 2 seconds. At the same time, the function test of the combination instrument is run.
- Shift gear to neutral.
- ✓ The green idling speed indicator lamp **N** lights up.
- Press the electric starter button



Info

Do not press the electric starter button until the function test of the combination instrument is finished.

When starting, **DO NOT** open the throttle. If you open the throttle during the starting procedure, fuel is not injected by the engine management system and the engine cannot start.

Press the starter for a maximum of 5 seconds. Wait for at least 5 seconds before trying again.

This motorcycle is equipped with a safety start system. You can only start the engine if the gearbox is in neutral or if the clutch is pulled when a gear is engaged. If the side stand is folded out and you shift into gear and release the clutch, the engine stops.

- Take the weight off the side stand and swing it back up with your foot as far as it will go.

Starting up

- Pull the clutch lever, engage 1st gear, release the clutch lever slowly and simultaneously open the throttle carefully.

Shifting, riding



Warning

Danger of accidents Abrupt load alterations can cause the vehicle to get out of control.

- Avoid abrupt load alterations and sudden braking actions, and adapt your speed to the road conditions.



Warning

Danger of accidents If you change down at high engine speed, the rear wheel can lock up.

- Do not change into a low gear at high engine speed. The engine races and the rear wheel can lock up.

**Warning**

Danger of accidents Malfunctions caused by incorrect ignition key position.

- Do not change the ignition key position during a journey.

**Warning**

Danger of accidents Distraction from traffic activity by adjustments to the vehicle.

- Make all adjustments when the vehicle is at a standstill.

**Warning**

Risk of injury The passenger must be capable of sitting correctly on the passenger seat.

- The passenger must hold on to the rider or the handrails and place his feet on the passenger footrests. Note the regulations governing the minimum age of passengers in your country.

**Warning**

Danger of accidents Danger of accidents caused by dangerous driving.

- Observe the traffic regulations and ride defensively and with foresight in order to recognize danger as early as possible.

**Warning**

Danger of accidents Reduced road grip with cold tires.

- On every journey, take the first miles carefully at moderate speed until the tires reach operating temperature and optimal road grip is ensured.

**Warning**

Danger of accidents Reduced road grip with new tires.

- New tires have a smooth rolling surface and therefore cannot provide full road grip. The entire rolling surface must be roughened in the first 200 kilometers (124.3 miles) by moderate riding at alternating angles. The full grip levels are not achieved until the tires have been run in.



Warning

Danger of accidents Unstable handling characteristics.

- Do not exceed the maximum permitted weight and axle loads. The overall weight consists of: motorcycle operational and with a full tank, driver and passenger with protective clothing and helmet, baggage.



Warning

Danger of accidents Unstable handling characteristics due to slipped baggage.

- Check the way your baggage is fixed regularly.



Warning

Danger of accidents Lack of roadworthiness.

- After a fall, check the vehicle as usual before putting it into operation.

Note

Engine failure Unfiltered intake air has a negative effect on the service life of the engine.

- Never ride the vehicle without an air filter since dust and dirt can get into the engine and result in increased wear.

Note

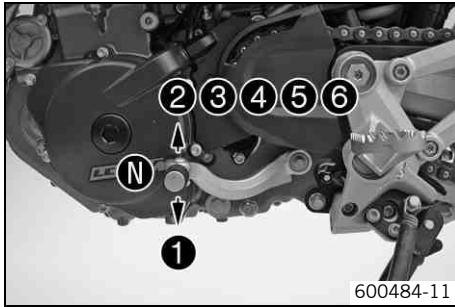
Engine failure Overheating of engine.

- If the coolant temperature warning lamp lights up, stop and switch off the engine. Allow the engine to cool down and check the coolant level in the radiator, and top up if necessary. If you continue with the coolant temperature warning lamp alight, you may have engine failure.



Info

If you hear unusual noises while riding, stop immediately, switch off the engine and contact an authorized KTM workshop.



- When conditions allow (incline, road situation, etc.), you can shift into a higher gear.
- Release the throttle while simultaneously pulling the clutch lever, shift into the next gear, release the clutch and open the throttle.

i Info

You can see the positions of the 6 forward gears in the figure. The neutral or idle position is between the first and second gears. First gear is used for starting off or for steep inclines.

The operating temperature is reached when 5 bars of the temperature indicator light up.

- After reaching maximum speed by fully opening the throttle grip, turn the throttle back so it is $\frac{3}{4}$ open. This will barely reduce the speed but fuel consumption will be considerably lower.
- Accelerate only up to a speed suitable for the road surface and weather conditions. When traveling in bends, do not shift, and accelerate very carefully.
- To shift down, brake if necessary and close the throttle at the same time.
- Pull the clutch lever and shift into a lower gear, release the clutch lever slowly and open the throttle or shift again.
- If the engine stalls (e.g. at a crossroads), just pull the clutch lever and press the starter button. You do not have to shift into neutral.
- Switch off the engine if you expect to be standing for a long time.
- Avoid frequent and longer slipping of the clutch. This heats the engine oil, the engine and the cooling system.
- Ride with a lower engine speed instead of with a high engine speed and a slipping clutch.
- If the **FI** warning lamp (**MIL**) lights up during a trip, stop immediately. When you shift to neutral, the **FI** warning lamp (**MIL**) starts to flash.



Info

From the flashing rhythm, you can derive a two-digit number, the so-called flashing code. The flashing code tells you which component has a fault.

Braking



Warning

Danger of accidents If you brake too hard, the wheels can lock.

- Adapt your braking to the traffic situation and the road conditions.



Warning

Danger of accidents Reduced braking efficiency due to wet or dirty brakes.

- Clean or dry dirty or wet brakes by riding and braking gently.



Warning

Danger of accidents Reduced braking efficiency caused by spongy pressure point of front or rear brake.

- Check the brake system and do not continue riding. (Your authorized KTM workshop will be glad to help.)



Warning

Danger of accidents Failure of brake system.

- If the foot brake lever is not released, the brake linings drag permanently. The rear brake can fail due to overheating. Take your foot off the foot brake lever if you do not want to brake.



Warning

Danger of accidents Longer stopping distance due to higher overall weight.

- Take the longer stopping distance into account when carrying a passenger and baggage.



Warning

Danger of accidents Delayed brake action on salted roads.

- There may be salt deposits on the brake discs. In order to restore the normal braking efficiency, you will need to remove the deposits from the discs by carefully applying the brakes.

-
- To brake, release the throttle and operate the front and rear brakes simultaneously.
 - On sandy, wet or slippery surfaces, use the rear brake.
 - Braking should always be completed before you go into a bend. Change down to a lower gear appropriate to your road speed.
 - On long downhill stretches, use the braking effect of the engine. Change down one or two gears, but do not overstress the engine. In this way, you have to brake far less and the brakes do not overheat.

Stopping, parking



Warning

Risk of misappropriation Usage by unauthorized persons.

- Never leave the vehicle while the engine is running. Secure the vehicle against use by unauthorized persons. If you leave the vehicle, lock the steering and remove the ignition key.



Warning

Danger of burns Some vehicle components get very hot when the vehicle is in use.

- Do not touch hot components such as exhaust system, radiator, engine, shock absorber and brakes. Allow these components to cool down before starting work on them.

Note

Danger of damage The parked vehicle may roll away or fall over.

- Always place the vehicle on a firm and even surface.

Note

Fire hazard Some vehicle components become very hot when the vehicle is operated.

- Do not park the vehicle near flammable or explosive substances. Do not place objects on the vehicle while it is still warm from being run. Always let the vehicle cool first.

Note

Material damage Damage and destruction of components by excessive load.

- The side stand is designed for the weight of the motorcycle only. Do not sit on the motorcycle when it is supported by the side stand only. The side stand and/or the frame could be damaged and the motorcycle could fall over.

-
- Brake the motorcycle.
 - Shift gear to neutral.
 - Switch off the ignition by turning the ignition key to position **OFF** ☒.



Info

If the engine is switched off with the emergency OFF switch and the ignition remains switched on at the ignition lock, power continues to flow to most power consumers and the battery will discharge. You should therefore always switch off the engine with the ignition key - the emergency OFF switch is intended for emergencies only.

-
- Park the motorcycle on a firm surface.
 - Swing the side stand forward with your foot as far as it will go and lean the vehicle on it.
 - Lock the steering by turning the handlebar fully to the left, pressing down the ignition key to position ☒ and turning it to position ☒. To make the steering lock engage more easily, move the handlebar a little to the left and right. Remove the ignition key.

Refueling



Danger

Fire hazard Fuel is highly flammable.

- Never refuel the vehicle near open flames or burning cigarettes, and always switch off the engine first. Be careful that no fuel is spilt, especially on hot vehicle components. Clean up spilt fuel immediately.
- Fuel in the fuel tank expands when warm and can escape if the tank is overfilled. See the notes on refueling.



Warning

Danger of poisoning Fuel is poisonous and a health hazard.

- Avoid contact of the fuel with skin, eyes and clothing. Do not inhale fuel vapors. If fuel gets into your eyes, rinse immediately with water and contact a doctor. Wash affected skin areas immediately with soap and water. If fuel is swallowed, contact a doctor immediately. Change clothing that has come into contact with fuel.



Warning

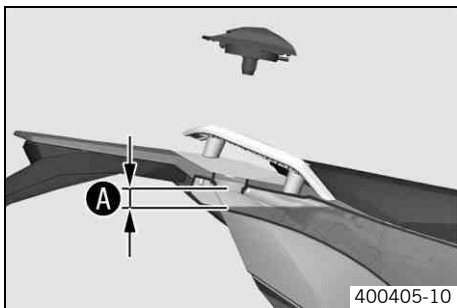
Environmental hazard Improper handling of fuel is a danger to the environment.

- Do not allow fuel to get into the ground water, the ground, or the sewage system.



Info

This motorcycle is equipped with a regulated catalyst. Leaded fuel will destroy the catalyst. You should therefore use unleaded fuel only.

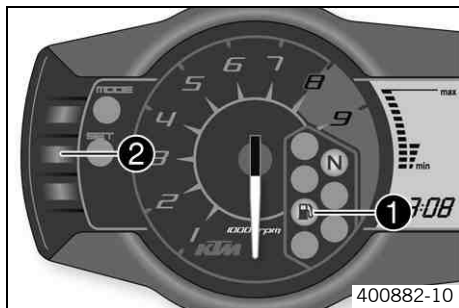


- Switch off engine.
- Open the filler cap. (☛ p. 31)
- Fill the fuel tank with fuel up to measurement **A**.

Guideline

Measurement of A	20 mm (0.79 in)	
Total fuel tank capacity, approx.	12 l (3.2 US gal)	Super unleaded (ROZ 95 / RON 95 / PON 91) (☛ p. 175)

- Close the filler cap. (☛ p. 31)



- Press the **SET** button (2) for two seconds.
 - ✓ The fuel level warning lamp (1) switches off. **TRIP F** is set to **0.0** and appears in the previous display mode.

i **Info**

If you do not press the **SET** button (2), the reset takes place automatically after about three minutes.

Service schedule

	K10N	K75A	K150A	K300A
Check that the electrical equipment is functioning correctly.	•	•	•	•
Read out the fault memory using the KTM diagnostics tool. 🛠️	•	•	•	•
Change the engine oil and filter, clean the oil screens. 🛠️ (📖 p. 137)	•	•	•	•
Check the front brake linings. (📖 p. 82)	•	•	•	•
Check the rear brake linings. (📖 p. 92)	•	•	•	•
Check the brake discs. (📖 p. 78)	•	•	•	•
Check the brake lines for damage and leakage.	•	•	•	•
Check the rear brake fluid level. (📖 p. 90)	•	•	•	•
Check the free travel of the foot brake lever. (📖 p. 88)	•	•	•	•
Lubricate the linkage of the rear wheel suspension. 🛠️				•
Check that the shock absorber and fork are leak tight. If necessary and depending on use, service the fork and shock absorber.	•	•	•	•
Check the swingarm bearing. 🛠️		•	•	•
Check the wheel bearing for play. 🛠️		•	•	•
Check the tire condition. (📖 p. 103)	•	•	•	•
Check the tire air pressure. (📖 p. 106)	•	•	•	•
Check the spoke tension. (📖 p. 104)	•	•	•	•
Check for rim run-out. 🛠️	•	•	•	•
Check the chain, rear sprocket and engine sprocket. (📖 p. 75)		•	•	•
Check the chain tension. (📖 p. 72)	•	•	•	•
Grease all moving parts (e.g. side stand, hand lever, chain, ...) and check for smooth operation. 🛠️	•	•	•	•
Clean the dust boots of the fork legs. (📖 p. 65)		•	•	•

	K10N	K75A	K150A	K300A
Check the front brake fluid level. (☞ p. 80)	•	•	•	•
Bleed the fork legs. (☞ p. 64)		•	•	•
Check the steering head bearing play. (☞ p. 67)	•	•	•	•
Change the spark plug.			•	•
Check the valve clearance. 🛠️		•	•	•
Check all hoses (e.g. fuel, cooling, bleeder, drainage, etc.) and bellows for cracking, leaks, and correct routing. 🛠️			•	•
Check the antifreeze and coolant level. (☞ p. 127)	•	•	•	•
Check the cables for damage and routing without sharp bends. 🛠️		•	•	•
Check that the throttle cables are undamaged, routed without sharp bends and set correctly.	•	•	•	•
Change the air filter. Clean the air filter box. 🛠️		•	•	•
Check/rectify the fluid level of the hydraulic clutch. (☞ p. 134)		•	•	•
Check the screws and nuts for tightness. 🛠️	•	•	•	•
Change the coolant. 🛠️				•
Change the front brake fluid. 🛠️			•	•
Change the rear brake fluid. 🛠️			•	•
Check the clutch. 🛠️			•	•
Check the headlight setting. (☞ p. 123)	•	•	•	•
Check that the radiator fan is functioning properly. 🛠️	•	•	•	•
Final check: Check the vehicle for roadworthiness and take a test ride.	•	•	•	•
Read out the fault memory using the KTM diagnostics tool after a test ride. 🛠️	•	•	•	•
Make the service entry in KTM DEALER.NET and in the service record. 🛠️	•	•	•	•

K10N: Once after 1,000 km (621.4 mi)

K75A: Every 7,500 km (4,660 mi) or annually

K150A: Every 15,000 km (9,321 mi) or every 2 years

K300A: Every 30,000 km (18,641 mi) or every 4 years

Jacking up front of motorcycle

Note

Danger of damage The parked vehicle may roll away or fall over.

- Always place the vehicle on a firm and even surface.



- Jack up the rear of the motorcycle. (☛ p. 55)
- Move the handlebar to the straight-ahead position. Align the work stand to the front with the adapters to the fork legs.

Front work stand (61029055300)



Info

Always jack up the rear of the motorcycle first.

- Jack up the front of the motorcycle.

Taking the front from the work stand

Note

Danger of damage The parked vehicle may roll away or fall over.

- Always place the vehicle on a firm and even surface.

- Secure the motorcycle against falling over.
- Remove the work stand at the front.

Jacking up rear of motorcycle

Note

Danger of damage The parked vehicle may roll away or fall over.

- Always place the vehicle on a firm and even surface.



- Insert the work stand adapter in the work stand and screw it into the link forks.

Work stand adapter (61029055110)

Work stand rear (61029055100)

- Stand the motorcycle upright, align the work stand to the rear, and jack up the motorcycle.

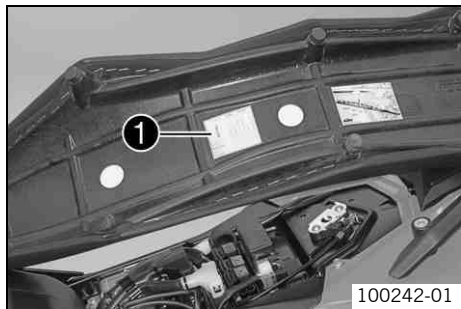
Taking the rear from the work stand

Note

Danger of damage The parked vehicle may roll away or fall over.

- Always place the vehicle on a firm and even surface.
- Secure the motorcycle against falling over.
- Remove the work stand from the rear and lean the vehicle on the side stand.

Fork/shock absorber



The fork and the shock absorber offer many options of adapting the chassis to your riding style and the payload.

i Info

To help you adapt the vehicle, we have summarized our findings in Table 1. You can find the table on the underside of the seat.

These adjustments should be understood as a guideline and should always be the basis of your own personal chassis adaptation. Do not change the adjustments at random or by more than $\pm 40\%$, since otherwise the riding characteristics could deteriorate, particularly at high speeds.

Adjusting the compression damping of the fork

i Info

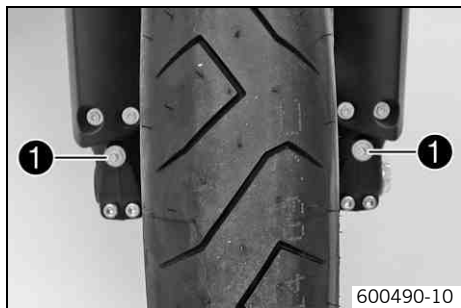
The hydraulic compression damping determines the fork suspension behavior.

- Turn adjusting screws 1 clockwise until they stop.

i Info

The adjusting screws are located at the bottom end of the fork legs. Make the same adjustment on both fork legs.

- Turn back counterclockwise by the number of clicks corresponding to the fork type.



Guideline

Compression damping	
Comfort	20 clicks
Standard	15 clicks
Sport	10 clicks
Full payload	10 clicks



Info

Turn clockwise to increase damping, turn counterclockwise to reduce suspension damping.

Adjusting rebound damping of fork



Info

The hydraulic rebound damping determines the fork rebound behavior.



- Turn adjusting screws ❶ clockwise until they stop.



Info

The adjusting screws are located at the top end of the fork legs. Make the same adjustment on both fork legs.

- Turn back counterclockwise by the number of clicks corresponding to the fork type.

Guideline

Rebound damping	
Comfort	15 clicks
Standard	10 clicks
Sport	5 clicks
Full payload	5 clicks



Info

Turn clockwise to increase damping, turn counterclockwise to reduce suspension damping.

Compression damping of the shock absorber

The shock absorber can regulate compression damping in low- and high-speed range separately (Dual Compression Control). The term low speed and high speed refer to the movement of the shock absorber during compression and not the riding speed of the motorcycle.

Changes in the settings in the low-speed range have an impact on the high-speed range and vice versa.

Adjusting the low-speed compression damping of the shock absorber



Danger

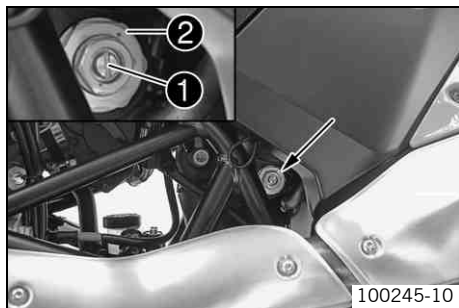
Danger of accidents Disassembly of pressurized parts can lead to injury.

- The shock absorber is filled with high density nitrogen. Adhere to the description provided. (Your authorized KTM workshop will be glad to help.)



Info

The low-speed setting can be seen during the slow to normal compression of the shock absorber.



- Turn adjusting screw ❶ clockwise with a screwdriver as far as the last perceptible click.

i Info
Do not loosen nut ❷!

- Turn back counterclockwise by the number of clicks corresponding to the shock absorber type.

Guideline

Compression damping, low-speed	
Comfort	20 clicks
Standard	15 clicks
Sport	10 clicks
Full payload	10 clicks

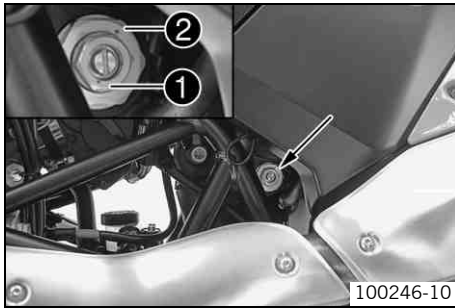
i Info
Turn clockwise to increase damping, turn counterclockwise to reduce suspension damping.

Adjusting the high-speed compression damping of the shock absorber

! Danger
Danger of accidents Disassembly of pressurized parts can lead to injury.

- The shock absorber is filled with high density nitrogen. Adhere to the description provided. (Your authorized KTM workshop will be glad to help.)

i Info
The high-speed setting can be seen during the fast compression of the shock absorber.



- Turn adjusting screw ❶ all the way clockwise using a socket wrench.



Info

Do not loosen nut ❷!

- Turn back counterclockwise by the number of turns corresponding to the shock absorber type.

Guideline

Compression damping, high-speed	
Comfort	1.5 turns
Standard	1 turn
Sport	0.5 turn
Full payload	0.5 turn



Info

Turn clockwise to increase damping, turn counterclockwise to reduce suspension damping.

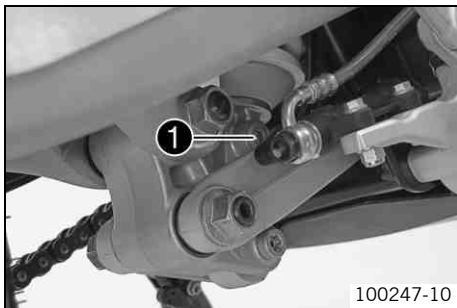
Adjusting the rebound damping of the shock absorber



Danger

Danger of accidents Disassembly of pressurized parts can lead to injury.

- The shock absorber is filled with high density nitrogen. Adhere to the description provided. (Your authorized KTM workshop will be glad to help.)



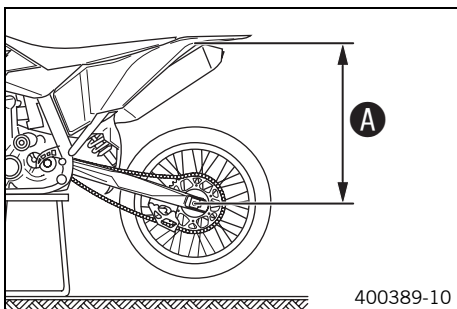
- Turn adjusting screw ❶ clockwise to the last perceptible click.
- Turn back counterclockwise by the number of clicks corresponding to the shock absorber type.

Guideline

Rebound damping	
Comfort	20 clicks
Standard	15 clicks
Sport	10 clicks
Full payload	10 clicks

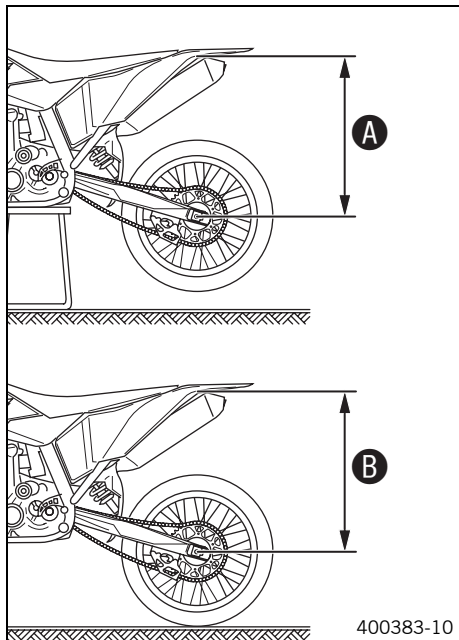
i Info
 Turn clockwise to increase damping; turn counterclockwise to reduce suspension damping.

Measuring the unloaded rear wheel sag



- Jack up the motorcycle.
- Measure the distance – as vertically as possible – between the rear axle and a fixed point, for example, a mark on the side cover.
- Make a note of the value as measurement ❶.
- Remove the motorcycle from the work stand.

Checking the static sag of the shock absorber



- Measure distance **A** of rear wheel unloaded. (🔧 p. 61)
- Ask someone to help you by holding the motorcycle upright.
- Measure the distance between the rear axle and the fixed point again.
- Make a note of the value as measurement **B**.

i Info

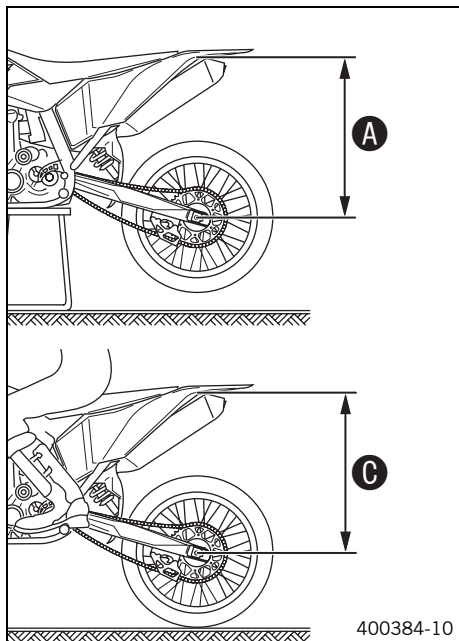
The static sag is the difference between measurements **A** and **B**.

- Check the static sag.

Static sag	20 mm (0.79 in)
------------	-----------------

- » If the static sag is less or more than the specified value:
 - Adjust the spring preload of the shock absorber. 🛠️ (🔧 p. 63)

Checking the riding sag of the shock absorber



- Measure distance **A** of rear wheel unloaded. (🔧 p. 61)
- With another person holding the motorcycle, the rider sits on the saddle with full protective clothing in a normal sitting position (feet on footrests) and bounces up and down a few times until the rear suspension levels out.
- The other person now has to measure the distance between the rear axle and a fixed point.
- Make a note of the value as measurement **C**.

i Info

The riding sag is the difference between measurements **A** and **C**.

- Check the riding sag.

Riding sag	70... 80 mm (2.76... 3.15 in)
------------	-------------------------------

- » If the riding sag differs from the specified measurement:
 - Adjust the riding sag. 🔧

Adjusting the spring preload of the shock absorber 🔧



Danger

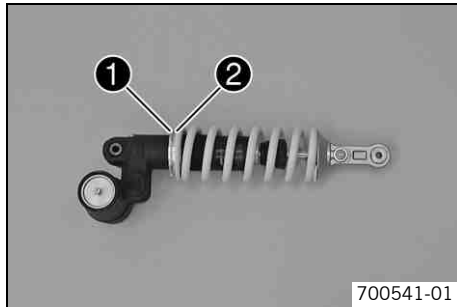
Danger of accidents Disassembly of pressurized parts can lead to injury.

- The shock absorber is filled with high density nitrogen. Adhere to the description provided. (Your authorized KTM workshop will be glad to help.)



Info

Before changing the spring preload, make a note of the present setting, e.g., by measuring the length of the spring.



- Remove the shock absorber.
- After removing the shock absorber, clean it thoroughly.
- Loosen locking ring ❶.
- Turn adjusting ring ❷ until the spring is no longer under tension.

Hook wrench (T106S)

- Measure the overall spring length without a load.
- Tension the spring by turning the adjusting ring ❷ to the prescribed value.

Guideline

Spring preload	18 mm (0.71 in)
----------------	-----------------

- Tighten locking ring ❶.
- Install the shock absorber.

Bleeding the fork legs

- Lean the motorcycle on the side stand.



- Remove bleeder screws ❶ briefly.
- ✓ Any excess pressure escapes from the interior of the fork.
- Mount and tighten bleeder screws.



Info

Carry out this action on both fork legs.

Cleaning the dust boots of the fork legs

- Jack up the motorcycle and secure it against falling over.
- ✓ The front wheel is no longer in contact with the ground and the fork legs are no longer under tension.
- Remove the fork protector. (🔧 p. 66)
- Push dust boot ❶ of both fork legs downwards.



Info

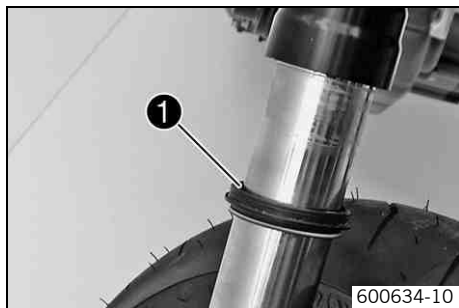
The dust boots should remove dust and coarse dirt particles from the fork tubes. Over time, dirt can penetrate behind the dust boots. If this dirt is not removed, the oil seals behind can start to leak.



Warning

Danger of accidents Reduced braking efficiency due to oil or grease on the brake discs.

- Always keep the brake discs free of oil and grease, and clean them with brake cleaner when necessary.

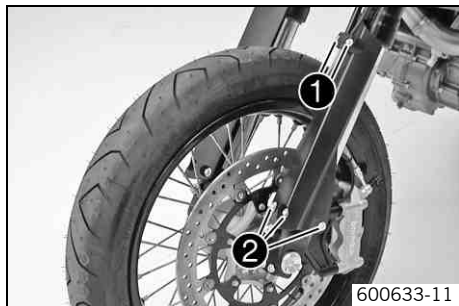


- Clean and oil the dust boots and inner fork tube of both fork legs.

Universal oil spray (☛ p. 178)

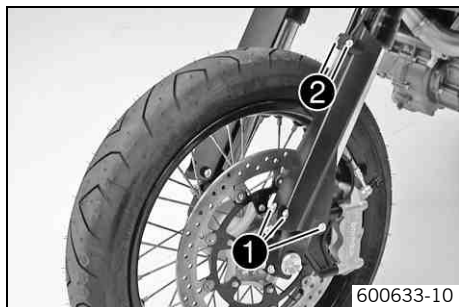
- Press the dust boots back into their normal position.
- Remove excess oil.
- Install the fork protector. (☛ p. 67)
- Remove the motorcycle from the work stand.

Removing the fork protector



- Remove screws ❶ and take off clamp.
- Remove screws ❷ on left fork leg. Remove the fork protector.
- Remove the screws on the right fork leg. Remove the fork protector.

Installing the fork protector



- Position the fork protection on the left fork leg. Mount and tighten screws ❶.

Guideline

Remaining screws, chassis	M6	10 Nm (7.4 lbf ft)
---------------------------	----	--------------------

- Position the brake line and cable harness. Put the clamp on, mount and tighten screws ❷.

- Position the fork protection on the right fork leg. Mount and tighten the screws.

Guideline

Remaining screws, chassis	M6	10 Nm (7.4 lbf ft)
---------------------------	----	--------------------

Checking the steering head bearing play



Warning

Danger of accidents Unstable vehicle handling from incorrect steering head bearing play.

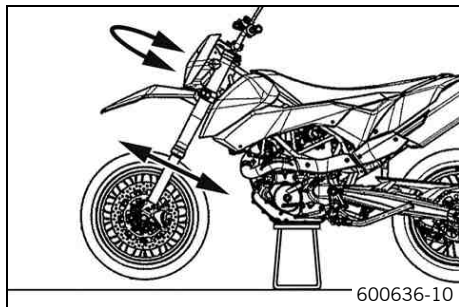
- Adjust the steering head bearing play without delay. (Your authorized KTM workshop will be glad to help.)



Info

If the bike is driven with play in the steering head bearing, the bearing and the bearing seats in the frame can become damaged with time.

- Jack up the motorcycle and secure it against falling over.
 - ✓ The front wheel is no longer in contact with the ground and the fork legs are no longer under tension.



- Move the handlebar to the straight-ahead position. Move the fork legs to and fro in the direction of travel.

No play should be noticeable in the steering head bearing.

- » If there is noticeable play present:
 - Adjust play of the steering head bearing. 🛠️ (👉 p. 68)

- Move the handlebar to and fro over the entire steering range.

The handlebar must be able to move easily over the entire steering range. No resting locations should be noticeable.

- » If click positions are noticeable:
 - Adjust play of the steering head bearing. 🛠️ (👉 p. 68)
 - Check the steering head bearing and change if necessary.

- Remove the motorcycle from the work stand.

Adjusting play of steering head bearing 🛠️

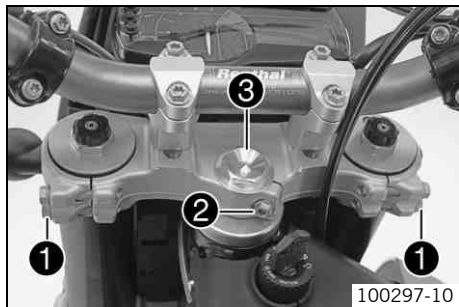
- Jack up the motorcycle.
 - ✓ The front wheel is not in contact with the ground and there is no weight on the fork legs.

- Loosen screw ❶. Remove screw ❷.
- Loosen and retighten screw ❸.

Guideline

Screw, top steering head	M20x1.5	10 Nm (7.4 lbf ft)
--------------------------	---------	--------------------

- Using a plastic hammer, tap lightly on the upper triple clamp to avoid strains.
- Fully tighten screw ❶.



Guideline

Screw, top triple clamp	M8	17 Nm (12.5 lbf ft)
-------------------------	----	------------------------

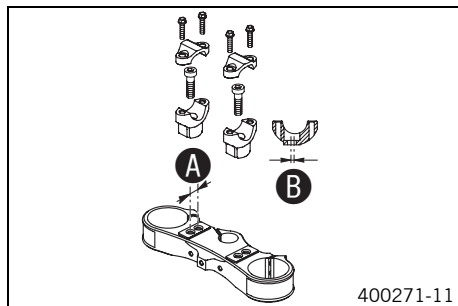
- Mount and tighten screw ②.

Guideline

Screw, steering stem	M8	20 Nm (14.8 lbf ft)	Loctite® 243™
----------------------	----	------------------------	----------------------

- Check the steering head bearing play. (☛ p. 67)
- Remove the motorcycle from the work stand.

Handlebar position



On the upper triple clamp, there are 2 holes at a distance **A** to each other.

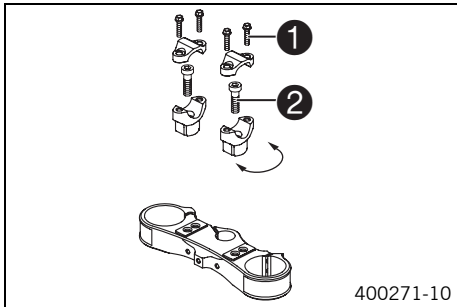
Distance A between holes	15 mm (0.59 in)
---------------------------------	-----------------

The holes on the handlebar support are placed at a distance **B** from the center.

Distance B between holes	3.5 mm (0.138 in)
---------------------------------	-------------------

The handlebar can be mounted in 4 different positions. In this way, the handlebar can be installed in the position most comfortable for the rider.

Adjusting handlebar position



- Remove the four screws ❶. Remove the handlebar clamp. Remove the handlebar and lay it to one side.

Info

Protect the motorcycle and its attachments from damage by covering them. Do not bend the cables and lines.

- Remove the two screws ❷. Remove the handlebar support.
- Place the handlebar support in the required position. Fit and tighten the two screws ❷.

Guideline

Screw, handlebar support	M10	40 Nm (29.5 lbf ft)
--------------------------	-----	------------------------

Info

Position the left and right handlebar supports evenly.

- Position the handlebar.

Info

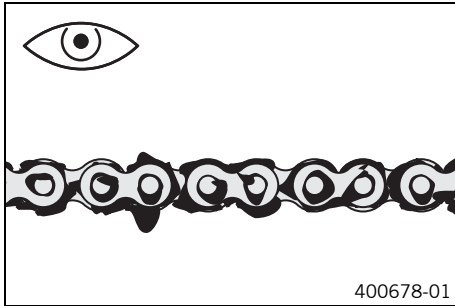
Make sure cables and wiring are positioned correctly.

- Position the handlebar clamp. Fit and evenly tighten the four screws ❶.

Guideline

Screw, handlebar clamp	M8	20 Nm (14.8 lbf ft)	Loctite® 243™
------------------------	----	------------------------	----------------------

Checking the chain for dirt



- Check the chain for heavy soiling.
 - » If the chain is very dirty:
 - Clean the chain. (☛ p. 71)

Cleaning the chain



Warning

Danger of accidents Oil or grease on the tires reduces their grip.

- Remove oil and grease with a suitable cleaning material.



Warning

Danger of accidents Reduced braking efficiency due to oil or grease on the brake discs.

- Always keep the brake discs free of oil and grease, and clean them with brake cleaner when necessary.



Warning

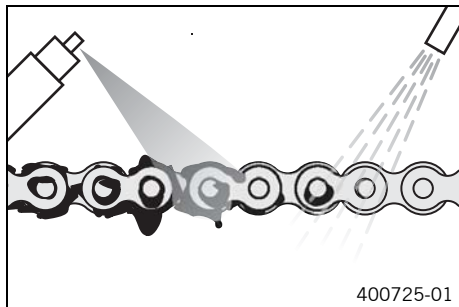
Environmental hazard Hazardous substances cause environmental damage.

- Oil, grease, filters, fuel, cleaners, brake fluid, etc., should be disposed of as stipulated in applicable regulations.



Info

The service life of the chain depends largely on its maintenance.



- Clean the chain regularly.
- Rinse off loose dirt with a soft jet of water.
- Remove old grease remains with chain cleaner.

Chain cleaner (☛ p. 176)

- After drying, apply chain spray.

Chain lube for road use (☛ p. 176)

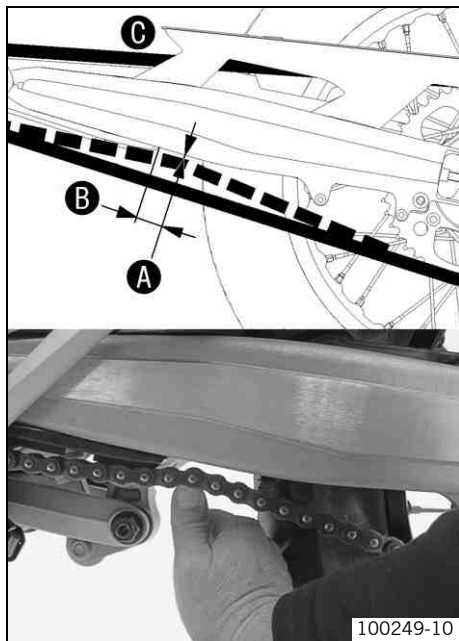
Checking the chain tension



Warning

Danger of accidents Danger caused by incorrect chain tension.

- If the chain tension is too high, the components of the secondary power train (chain, engine sprocket, rear sprocket, bearings in transmission and rear wheel) are under additional load. Apart from premature wear, in extreme cases the chain can rupture or the countershaft of the transmission can break. On the other hand, if the chain is loose, it can fall off the engine sprocket or the rear sprocket and block the rear wheel or damage the engine. Check the chain tension and correct if necessary.



100249-10

- Lean the motorcycle on the side stand.
- Shift gear to neutral.
- Push the chain upward at a distance **B** from the chain sliding guard and determine the chain tension **A**.



Info

The upper chain section **C** must be taut.

Chain wear is not always even, so you should repeat this measurement at different chain positions.

Chain tension	5 mm (0.2 in)
---------------	---------------

Distance to chain sliding guard	30 mm (1.18 in)
---------------------------------	-----------------

- » If the chain tension does not meet specifications:
 - Adjust the chain tension. (🔧 p. 73)

Adjusting the chain tension



Warning

Danger of accidents Danger caused by incorrect chain tension.

- If the chain tension is too high, the components of the secondary power train (chain, engine sprocket, rear sprocket, bearings in transmission and rear wheel) are under additional load. Apart from premature wear, in extreme cases the chain can rupture or the countershaft of the transmission can break. On the other hand, if the chain is loose, it can fall off the engine sprocket or the rear sprocket and block the rear wheel or damage the engine. Check the chain tension and correct if necessary.

- Check the chain tension. (☛ p. 72)
- Loosen nut ❶.
- Loosen nuts ❷.
- Adjust the chain tension by turning adjusting screws ❸ on the left and right.

Guideline

Chain tension	5 mm (0.2 in)
Turn the left and right adjusting screws ❸ so that the markings on the left and right chain adjusters ❹ are in the same position relative to the reference marks ❺. The rear wheel is then correctly aligned.	

i Info

The upper chain section must be taut.
Chain wear is not always even, so you should check this setting at different chain positions.

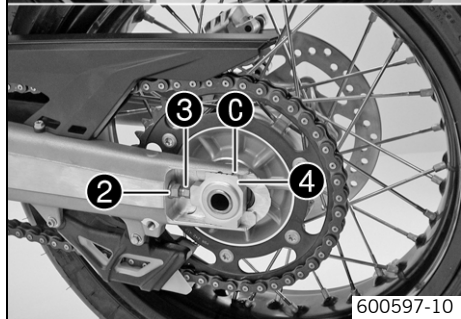
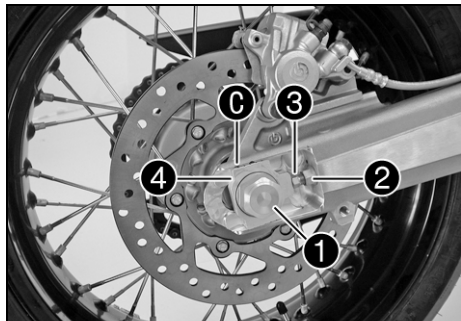
- Tighten nuts ❷.
- Make sure that the chain adjusters ❹ are installed correctly on adjusting screws ❸.
- Tighten nut ❶.

Guideline

Nut, rear wheel spindle	M25x1.5	90 Nm (66.4 lbf ft)
-------------------------	---------	------------------------

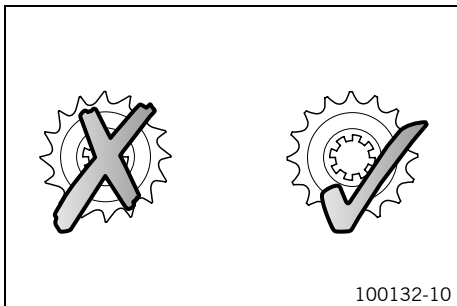
i Info

The wide adjustment range of the chain adjusters (30 mm (1.18 in)) enables different secondary transmissions with the same chain length.
The chain adjusters ❹ can be turned through 180°.



600597-10

Checking the chain, rear sprocket and engine sprocket

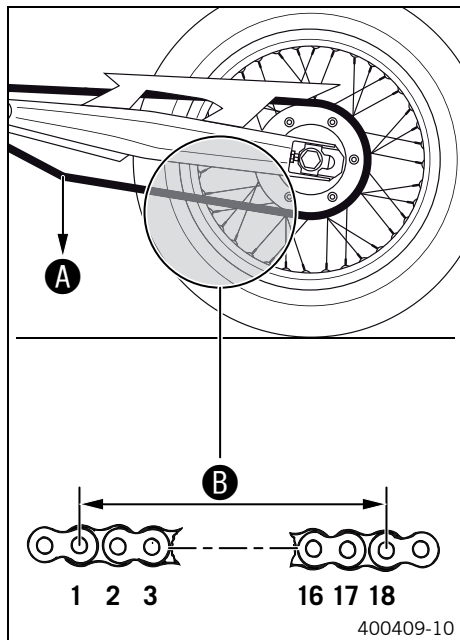


- Check the rear sprocket and engine sprocket for wear.
 - » If the rear sprocket and engine sprocket are worn:
 - Replace the rear sprocket or engine sprocket. 🛠️



Info

The engine sprocket, rear sprocket and chain should always be replaced together.



- Shift into neutral; pull the lower chain section with specified weight **A**.

Guideline

Weight of chain wear measurement	15 kg (33 lb.)
----------------------------------	----------------

- Measure distance **B** of 18 chain links in the lower chain section.



Info

Chain wear is not always even, so you should repeat this measurement at different chain positions.

Maximum distance B at the longest chain section	272 mm (10.71 in)
--	-------------------

- » If distance **B** is greater than the specified measurement:

- Replace the chain. 🛠️



Info

When the chain is replaced, the rear sprocket and engine sprocket should also be changed.

New chains wear out faster on old, worn sprockets.


For safety reasons, the chain has no chain joint.

- Check the chain sliding guard for wear.
 - » If the chain sliding guard is worn:
 - Replace the chain sliding guard. 🛠️
- Check that the chain sliding guard is firmly seated.
 - » If the chain sliding guard is loose:
 - Tighten the chain sliding guard.



Guideline

Remaining screws, chassis	M6	10 Nm (7.4 lbf ft)
---------------------------	----	-----------------------

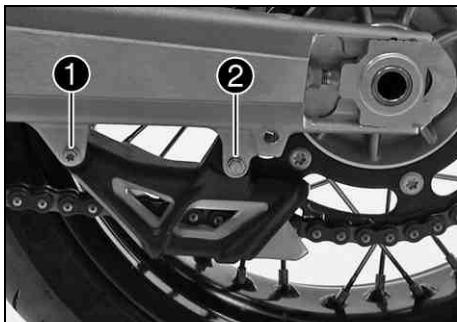
- Check the chain guide for wear.
 - » If the chain guide is worn:
 - Change the chain guide. 
- Check that the chain guide is firmly seated.
 - » If the chain guide is loose:
 - Tighten the chain guide.

Guideline

Remaining screws, chassis	M6	10 Nm (7.4 lbf ft)
---------------------------	----	-----------------------



Adjusting chain guide



- Remove screws ❶ and ❷. Take off the chain guide.

Condition

Number of teeth: ≤ 44 teeth

- Insert nut ❸ in hole ❹. Position the chain guide.
- Mount and tighten screws ❶ and ❷.

Guideline

Remaining screws, chassis	M6	10 Nm (7.4 lbf ft)
---------------------------	----	--------------------

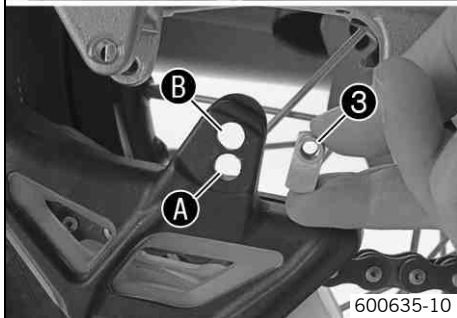
Condition

Number of teeth: ≥ 45 teeth

- Insert nut ❸ in hole ❺. Position the chain guide.
- Mount and tighten screws ❶ and ❷.

Guideline

Remaining screws, chassis	M6	10 Nm (7.4 lbf ft)
---------------------------	----	--------------------



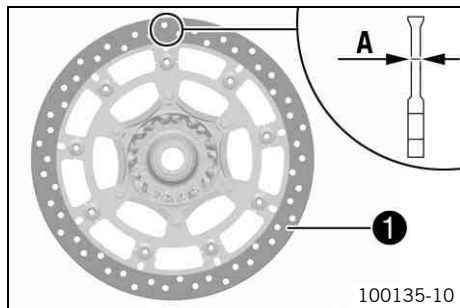
Checking the brake discs



Warning

Danger of accidents Reduced braking efficiency due to worn brake disc(s).

- Change the worn brake disc(s) without delay. (Your authorized KTM workshop will be glad to help.)



- Check the thickness of the front and rear brake discs in several places to ensure that it conforms to measurement **A**.

i Info
Wear reduces the thickness of the brake disc at the contact surface **1** of the brake disc.

Brake discs - wear limit

Front	4.0 mm (0.157 in)
Rear	4.5 mm (0.177 in)

- » If the brake disc thickness is less than the specified value:
 - Replace the brake disc.
- Check the front and rear brake discs for damage, cracks, and deformation.
 - » If damage, cracks, or deformation are visible on the brake disc:
 - Replace the brake disc.

Adjusting the basic position of the hand brake lever



- Adjust the basic setting of the hand brake lever to your hand size by turning adjusting wheel **1**.

i Info
Pull the brake lever forwards and turn the adjusting wheel.
Do not make any adjustments while riding!

Checking the front brake fluid level



Warning

Danger of accidents Failure of the brake system.

- If the brake fluid level falls below the **MIN** mark, this indicates a leakage in the brake system or worn-out brake linings. Check the brake system and do not continue riding. (Your authorized KTM workshop will be glad to help.)



Warning

Danger of accidents Reduced braking effect caused by old brake fluid.

- Change the brake fluid of the front and rear brakes according to the service schedule. (Your authorized KTM workshop will be glad to help.)



- Move the brake fluid reservoir mounted on the handlebar to a horizontal position.
- Check the brake fluid level in the viewer ❶.
 - » If the brake fluid level is below the **MIN** mark:
 - Add front brake fluid. 🛠️ (📄 p. 80)

Adding front brake fluid 🛠️



Warning

Danger of accidents Failure of the brake system.

- If the brake fluid level falls below the **MIN** mark, this indicates a leakage in the brake system or worn-out brake linings. Check the brake system and do not continue riding. (Your authorized KTM workshop will be glad to help.)



Warning

Skin irritation Brake fluid can cause skin irritation on contact.

- Avoid contact with skin and eyes, and keep out of the reach of children.
- Wear suitable protective clothing and goggles.
- If brake fluid gets into your eyes, rinse thoroughly with water and contact a doctor immediately.



Warning

Danger of accidents Reduced braking effect caused by old brake fluid.

- Change the brake fluid of the front and rear brakes according to the service schedule. (Your authorized KTM workshop will be glad to help.)



Warning

Environmental hazard Hazardous substances cause environmental damage.

- Oil, grease, filters, fuel, cleaners, brake fluid, etc., should be disposed of as stipulated in applicable regulations.



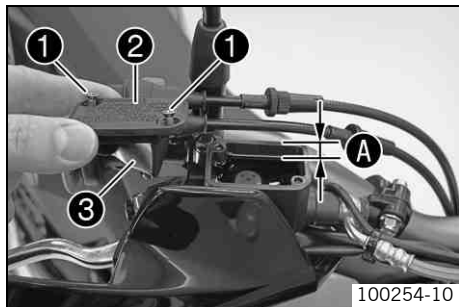
Info

Never use DOT 5 brake fluid! It is silicone-based and purple in color. Oil seals and brake lines are not designed for DOT 5 brake fluid.

Avoid contact between brake fluid and painted parts. Brake fluid attacks paint!

Use only clean brake fluid from a sealed container!

- Move the brake fluid reservoir mounted on the handlebar to a horizontal position.



- Remove screws ①.
- Remove cover ② with membrane ③.
- Add brake fluid to level ④.

Guideline

Measurement of ④	5 mm (0.2 in)
------------------	---------------

Brake fluid DOT 4 / DOT 5.1 (☞ p. 172)
--

- Position the cover with the membrane. Mount and tighten the screws.

i Info

Clean up overflowed or spilt brake fluid immediately with water.

Checking the front brake linings



Warning

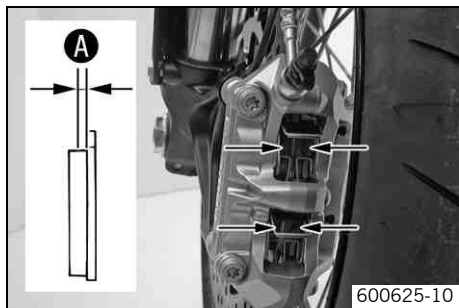
Danger of accidents Reduced braking efficiency caused by worn brake linings.

- Change worn brake linings immediately. (Your authorized KTM workshop will be glad to help.)

Note

Danger of accidents Reduced braking efficiency caused by damaged brake discs.

- If the brake linings are not changed in time, the steel brake lining carriers grind on the brake disc. The braking effect is greatly reduced and the brake discs are rendered unserviceable. Check the brake linings regularly.



- Check the brake linings for minimum thickness **A**.

Minimum thickness A	$\geq 1 \text{ mm } (\geq 0.04 \text{ in})$
----------------------------	---

- » If the minimum thickness is less than specified:
 - Change the front brake linings. 🛠️ (📖 p. 83)
- Check the brake linings for damage and cracking.
 - » If there is wear or tearing:
 - Change the front brake linings. 🛠️ (📖 p. 83)

Changing the front brake linings 🛠️



Warning

Danger of accident Brake system failure.

- Maintenance work and repairs must be carried out professionally. (Your authorized KTM workshop will be glad to help.)



Warning

Skin irritation Brake fluid can cause skin irritation on contact.

- Avoid contact with skin and eyes, and keep out of the reach of children.
- Wear suitable protective clothing and goggles.
- If brake fluid gets into your eyes, rinse thoroughly with water and contact a doctor immediately.



Warning

Danger of accidents Reduced braking effect caused by old brake fluid.

- Change the brake fluid of the front and rear brakes according to the service schedule. (Your authorized KTM workshop will be glad to help.)



Warning

Danger of accidents Reduced braking efficiency due to oil or grease on the brake discs.

- Always keep the brake discs free of oil and grease, and clean them with brake cleaner when necessary.



Warning

Danger of accidents Reduced braking efficiency due to use of non-approved brake linings.

- Brake linings available from accessory suppliers are often not tested and approved for use on KTM vehicles. The construction and friction factor of the brake linings and therefore the brake power can differ considerably from the original KTM brake linings. If brake linings are used that differ from the originals, there is no guarantee that they comply with the original license. The vehicle no longer corresponds to the condition at delivery, and the warranty is no longer valid.



Warning

Environmental hazard Hazardous substances cause environmental damage.

- Oil, grease, filters, fuel, cleaners, brake fluid, etc., should be disposed of as stipulated in applicable regulations.

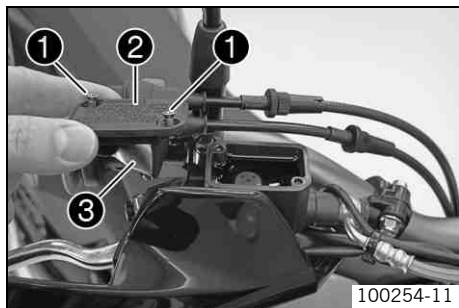


Info

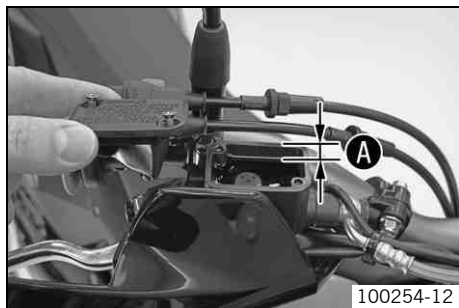
Never use DOT 5 brake fluid! This is based on silicone oil and is colored purple. Oil seals and brake lines are not designed for DOT 5 brake fluid.

Avoid contact between brake fluid and painted parts. Brake fluid attacks paint!

Use only clean brake fluid from a sealed container!



- Remove the front brake linings. 🛠️ (☞ p. 85)
- Move the brake fluid reservoir mounted on the handlebar to a horizontal position.
- Remove screws ❶.
- Remove cover ❷ with membrane ❸.
- Press the brake piston back to its basic position and make sure that no brake fluid overflows from the brake fluid reservoir.
- Install the front brake linings. 🛠️ (☞ p. 86)



- Add brake fluid level to A.

Guideline

Measurement of A	5 mm (0.2 in)
------------------	---------------

Brake fluid DOT 4 / DOT 5.1 (☞ p. 172)
--

- Position the cover with the membrane. Mount and tighten the screws.

i Info

Clean up overflowed or spilt brake fluid immediately with water.

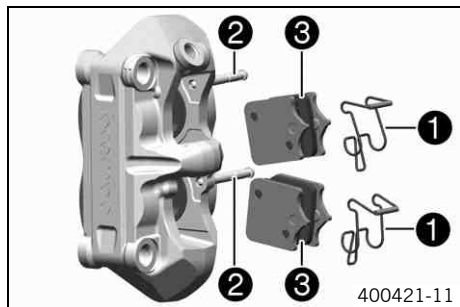
Removing front brake linings 🛠️



Warning

Danger of accident Brake system failure.

- Maintenance work and repairs must be carried out professionally. (Your authorized KTM workshop will be glad to help.)



- Press the spring hanger of the spring ❶ forwards and withdraw the bolt ❷.
- Take off the springs ❶. Remove brake linings ❸.



- Remove screws ❹ and spacers ❺. Remove the brake caliper.
- Clean the brake caliper.

Installing the front brake linings 🛠️



Warning

Danger of accidents Reduced braking efficiency due to oil or grease on the brake discs.

- Always keep the brake discs free of oil and grease, and clean them with brake cleaner when necessary.

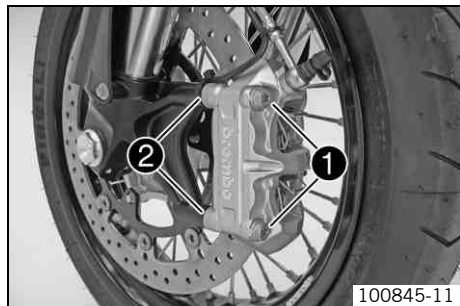


Warning

Danger of accidents Reduced braking efficiency due to use of non-approved brake linings.

- Brake linings available from accessory suppliers are often not tested and approved for use on KTM vehicles. The construction and friction factor of the brake linings and therefore the brake power can differ considerably from the original KTM brake linings. If brake linings are used that differ from the originals, there is no guarantee that they comply with the original license. The vehicle no longer corresponds to the condition at delivery, and the warranty is no longer valid.

- Check the brake discs. (☛ p. 78)
- Position the brake calipers. Mount screws **1** spacers **2** but do not tighten.



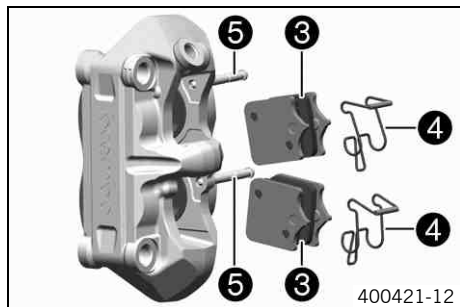
- Insert brake linings **3**. Position springs **4** and install bolts **5**.



Info

The spring hanger of the springs **4** must be positioned facing upwards.

- Operate the hand brake lever repeatedly until the brake linings lie on the brake disc and there is a pressure point. Fix the hand brake lever in the activated position.
 - ✓ The brake caliper straightens.
- Tighten screw **1**.



Guideline

Screw, front brake caliper	M10x1.25	45 Nm (33.2 lbf ft)	Loctite® 243™
----------------------------	----------	------------------------	----------------------

- Remove the fixation of the hand brake lever.

Checking the free travel of foot brake lever

Warning
Danger of accidents Brake system failure.

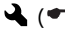
- If there is no free travel on the foot brake lever, pressure builds up on the rear brake circuit. The rear brake can fail due to overheating. Adjust free travel on foot brake lever according to specifications.

- Move the foot brake lever back and forth between the end stop and the contact to the foot brake cylinder piston and check free travel **A**.

Guideline

Free travel at foot brake lever	3... 5 mm (0.12... 0.2 in)
---------------------------------	----------------------------

i Info
 You will know that contact has been made with the foot brake cylinder piston when there is increased resistance when you activate the foot brake lever.

- » If the free travel does not meet specifications:
 - Adjust the basic position of the foot brake lever.  (p. 89)



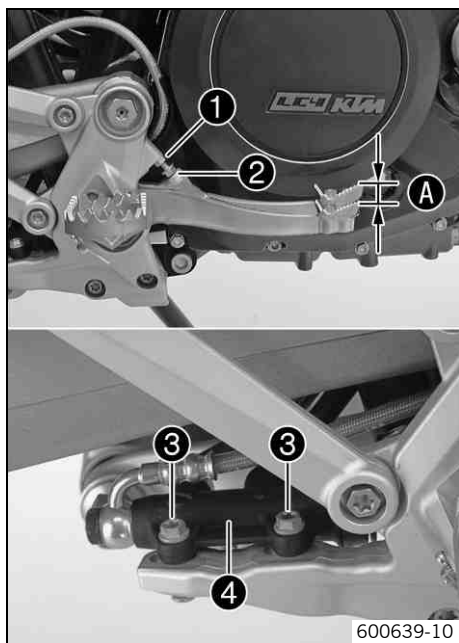
Adjusting the basic position of the foot brake lever ↩



Warning

Danger of accidents Brake system failure.

- If there is no free travel on the foot brake lever, pressure builds up on the rear brake circuit. The rear brake can fail due to overheating. Adjust free travel on foot brake lever according to specifications.



- Remove screws ③ on foot brake cylinder ④.
- To adjust the basic position of the foot brake lever individually, loosen nut ① and turn screw ② accordingly.

Info

The range of adjustment is limited. The screw must be screwed into the footrest bracket by at least four turns.

- Position foot brake cylinder ④ so that the foot brake lever has the necessary free travel. Hold screws ③ in place and tighten the nuts.

Guideline

Nut, foot brake cylinder screw	M6	10 Nm (7.4 lbf ft)
--------------------------------	----	--------------------

- Check the free travel of the foot brake lever. (↪ p. 88)
- Tighten nut ①.

Checking rear brake fluid level



Warning

Danger of accidents Failure of the brake system.

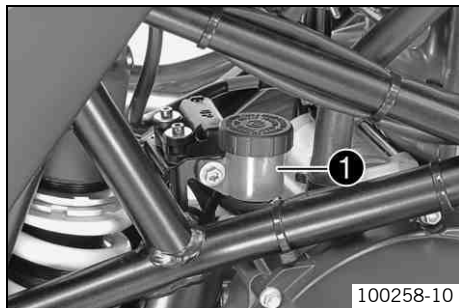
- If the brake fluid level falls below the **MIN** mark, this indicates a leakage in the brake system or worn-out brake linings. Check the brake system and do not continue riding. (Your authorized KTM workshop will be glad to help.)



Warning

Danger of accidents Reduced braking effect caused by old brake fluid.

- Change the brake fluid of the front and rear brakes according to the service schedule. (Your authorized KTM workshop will be glad to help.)



100258-10

- Stand the vehicle upright.
- Check the brake fluid level in the brake fluid reservoir.
 - » If the fluid level reaches the **MIN** marking ❶:
 - Add rear brake fluid. 🛠️ (📖 p. 90)

Adding rear brake fluid 🛠️



Warning

Danger of accidents Failure of the brake system.

- If the brake fluid level falls below the **MIN** mark, this indicates a leakage in the brake system or worn-out brake linings. Check the brake system and do not continue riding. (Your authorized KTM workshop will be glad to help.)



Warning

Skin irritation Brake fluid can cause skin irritation on contact.

- Avoid contact with skin and eyes, and keep out of the reach of children.
- Wear suitable protective clothing and goggles.
- If brake fluid gets into your eyes, rinse thoroughly with water and contact a doctor immediately.



Warning

Danger of accidents Reduced braking effect caused by old brake fluid.

- Change the brake fluid of the front and rear brakes according to the service schedule. (Your authorized KTM workshop will be glad to help.)



Warning

Environmental hazard Hazardous substances cause environmental damage.

- Oil, grease, filters, fuel, cleaners, brake fluid, etc., should be disposed of as stipulated in applicable regulations.

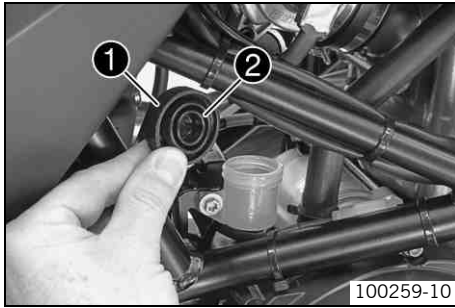


Info

Never use DOT 5 brake fluid! It is silicone-based and purple in color. Oil seals and brake lines are not designed for DOT 5 brake fluid.

Avoid contact between brake fluid and painted parts. Brake fluid attacks paint!

Use only clean brake fluid from a sealed container!



- Stand the vehicle upright.
- Remove screw cap ❶ with the washer and membrane ❷.
- Add brake fluid to the **MAX** mark.

Brake fluid DOT 4 / DOT 5.1 (☞ p. 172)

- Mount the screw cap with the washer and membrane.



Info

Clean up overflowed or spilt brake fluid immediately with water.

Checking the rear brake linings



Warning

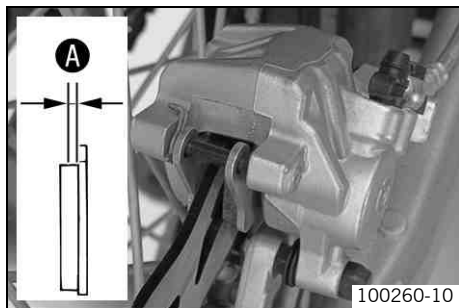
Danger of accidents Reduced braking efficiency caused by worn brake linings.

- Change worn brake linings immediately. (Your authorized KTM workshop will be glad to help.)

Note

Danger of accidents Reduced braking efficiency caused by damaged brake discs.

- If the brake linings are not changed in time, the steel brake lining carriers grind on the brake disc. The braking effect is greatly reduced and the brake discs are rendered unserviceable. Check the brake linings regularly.



- Check the brake linings for minimum thickness **A**.

Minimum thickness A	$\geq 1 \text{ mm } (\geq 0.04 \text{ in})$
----------------------------	---

- » If the minimum thickness is less than specified:
 - Change the rear brake linings. 🛠️ (📄 p. 93)
- Check the brake linings for damage and cracking.
 - » If there is wear or tearing:
 - Change the rear brake linings. 🛠️ (📄 p. 93)

Changing rear brake linings 🛠️



Warning

Danger of accident Brake system failure.

- Maintenance work and repairs must be carried out professionally. (Your authorized KTM workshop will be glad to help.)



Warning

Skin irritation Brake fluid can cause skin irritation on contact.

- Avoid contact with skin and eyes, and keep out of the reach of children.
- Wear suitable protective clothing and goggles.
- If brake fluid gets into your eyes, rinse thoroughly with water and contact a doctor immediately.



Warning

Danger of accidents Reduced braking effect caused by old brake fluid.

- Change the brake fluid of the front and rear brakes according to the service schedule. (Your authorized KTM workshop will be glad to help.)



Warning

Danger of accidents Reduced braking efficiency due to oil or grease on the brake discs.

- Always keep the brake discs free of oil and grease, and clean them with brake cleaner when necessary.



Warning

Danger of accidents Reduced braking efficiency due to use of non-approved brake linings.

- Brake linings available from accessory suppliers are often not tested and approved for use on KTM vehicles. The construction and friction factor of the brake linings and therefore the brake power can differ considerably from the original KTM brake linings. If brake linings are used that differ from the originals, there is no guarantee that they comply with the original license. The vehicle no longer corresponds to the condition at delivery, and the warranty is no longer valid.



Warning

Environmental hazard Hazardous substances cause environmental damage.

- Oil, grease, filters, fuel, cleaners, brake fluid, etc., should be disposed of as stipulated in applicable regulations.

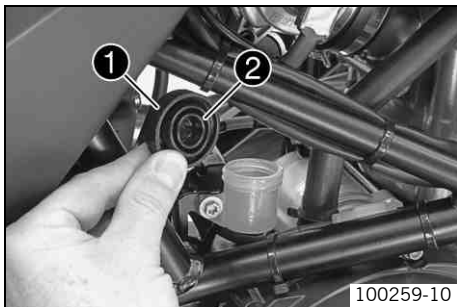


Info

Never use DOT 5 brake fluid! It is silicone-based and purple in color. Oil seals and brake lines are not designed for DOT 5 brake fluid.

Avoid contact between brake fluid and painted parts. Brake fluid attacks paint!

Use only clean brake fluid from a sealed container!

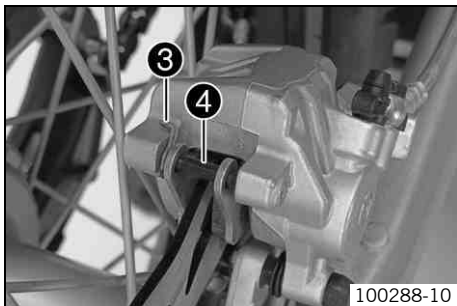


- Stand the vehicle upright.
- Remove the screw cap ❶ with the membrane ❷.
- Press the brake caliper onto the brake disc by hand in order to push back the brake pistons. Make sure that no brake fluid escapes from the brake fluid reservoir. If it does, clean it up.

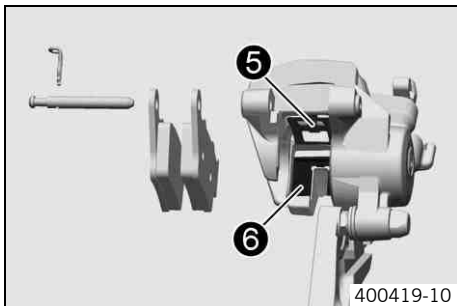


Info

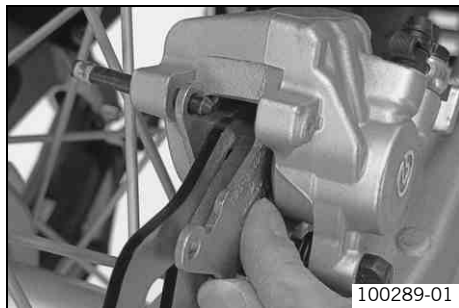
Make sure when pushing back the brake piston that you do not press the brake caliper against the spokes.



- Remove the safety clip ❸, knock the pin ❹ out to the left, and remove the brake linings.
- Clean brake caliper and brake caliper support.



- Check that leaf spring ❺ in the brake caliper and sliding plate ❻ in the brake caliper support are seated correctly.



- Insert the brake pads, insert the bolt and mount the split pin.
- Operate the foot brake lever repeatedly until the brake linings lie on the brake disc and there is a pressure point.
- Add brake fluid to the **MAX** mark.

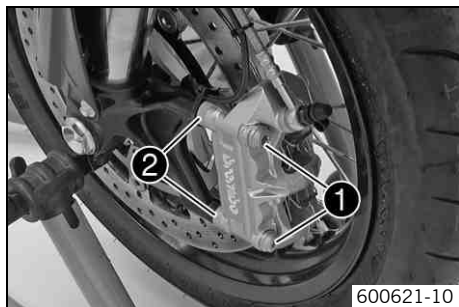
Brake fluid DOT 4 / DOT 5.1 (☞ p. 172)

- Mount the screw cap with the membrane.

i Info

Clean up overflowed or spilt brake fluid immediately with water.

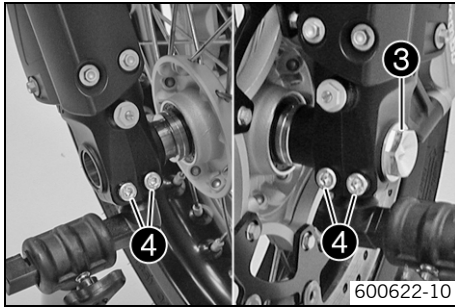
Removing front wheel ☞



- Jack up the rear of the motorcycle. (☞ p. 55)
- Jack up the front of the motorcycle. (☞ p. 54)
- Remove screw ① and spacing sleeve ②.
- Press back the brake linings with a light lateral tilting of the brake caliper on the brake disc. Pull the brake caliper carefully back from the brake disc and hang it to one side.

i Info

Do not pull the handbrake lever when the brake caliper is removed.



- Loosed screw ③ and screw ④.
- Screw out screw ③ about 6 turns, press your hand on the screw to push the wheel spindle out of the fork stub. Remove screw ③.



Warning

Danger of accidents Reduced braking efficiency caused by damaged brake discs.

- Always lay the wheel down in such a way that the brake disc is not damaged.
-
- Holding the front wheel, withdraw the wheel spindle. Take the front wheel out of the fork.
 - Remove the spacing sleeves ⑤.



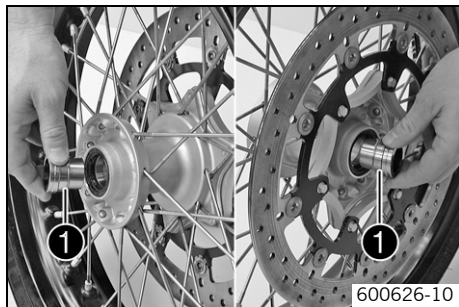
Installing the front wheel 🛠️



Warning

Danger of accidents Reduced braking efficiency due to oil or grease on the brake discs.

- Always keep the brake discs free of oil and grease, and clean them with brake cleaner when necessary.

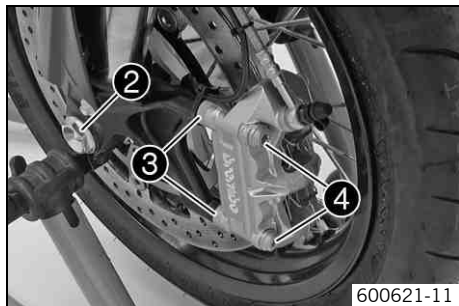


600626-10

- Check the wheel bearing for damage and wear.
 - » If the wheel bearing is damaged or worn:
 - Replace the wheel bearing. 🛠️
- Clean and grease the shaft seal rings and bearing surface of the distance bushings ❶.

Long-life grease (🛠️ p. 177)

- Insert the distance bushings.



600621-11

- Clean and grease the thread of the wheel spindle and screw ❷.

Long-life grease (🛠️ p. 177)

- Lift the front wheel into the fork, position it, and insert the wheel spindle. Mount and tighten screw ❷.

Guideline

Screw, front wheel spindle	M24x1.5	40 Nm (29.5 lbf ft)
----------------------------	---------	------------------------

- Position the brake caliper and check that the brake linings are seated correctly.
- Position spacers ❸. Mount screws ❹ but do not tighten.
- Operate the hand brake lever repeatedly until the brake linings lie on the brake disc and there is a pressure point. Fix the hand brake lever in the activated position.

✓ The brake caliper straightens.

- Fully tighten screws ❹.

Guideline

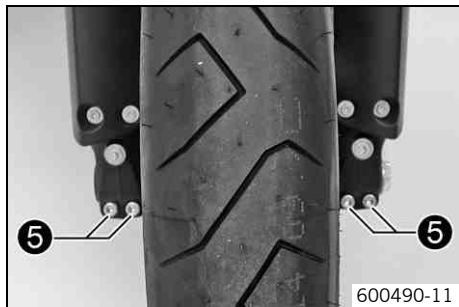
Screw, front brake caliper	M10x1.25	45 Nm (33.2 lbf ft)	Loctite® 243™
----------------------------	----------	------------------------	----------------------

- Remove the fixation of the hand brake lever.
- Take the front from the work stand. (🔧 p. 54)
- Pull the front wheel brake and push down hard on the fork several times to align the fork legs.
- Fully tighten screws ⑤.

Guideline

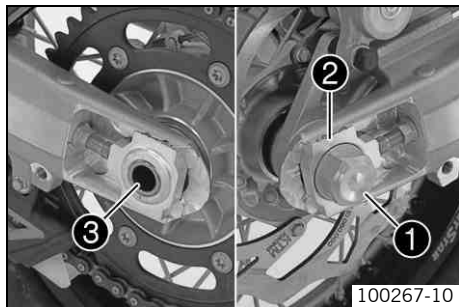
Screw, fork stub	M8	15 Nm (11.1 lbf ft)
------------------	----	------------------------

- Take the rear from the work stand. (🔧 p. 55)



Removing rear wheel 🛠️

- Jack up the rear of the motorcycle. (🔧 p. 55)
- Press the brake caliper by hand on to the brake disc in order to press back the brake piston.
- Remove nut ①. Remove chain adjuster ②.
- Holding the rear wheel, withdraw the wheel spindle ③.





- Push the rear wheel forwards as far as possible and take the chain off the rear sprocket.



Warning

Danger of accidents Reduced braking efficiency caused by damaged brake discs.

- Always lay the wheel down in such a way that the brake disc is not damaged.

- Take the rear wheel out of the swing arm.



Info

Do not operate the foot brake when the rear wheel is removed.

Installing the rear wheel



Warning

Danger of accidents Reduced braking efficiency due to oil or grease on the brake discs.



- Always keep the brake discs free of oil and grease, and clean them with brake cleaner when necessary.

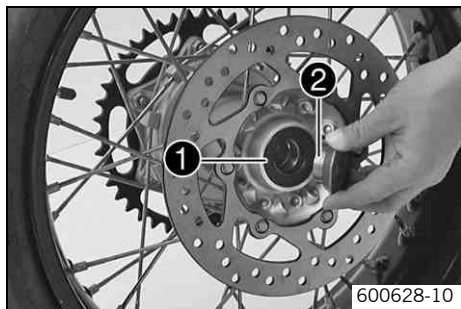


Warning

Danger of accidents No braking effect when operating the rear brake.

- After installing the rear wheel, always operate the foot brake until the pressure point is reached.

- Check the rear hub rubber dampers.  ( p. 102)



- Check the wheel bearing for damage and wear.
 - » If the wheel bearing is damaged or worn:
 - Replace the wheel bearing. 🛠️
- Remove the bushing ❶. Clean and grease the working surfaces of the bushing and shaft seal ring ❷.

Long-life grease (🛠️ p. 177)

- Clean and grease the thread of the wheel spindle and nut ❸.

Long-life grease (🛠️ p. 177)

- Install the rubber damper and rear sprocket carrier in the rear wheel.
- Place the rear wheel in the swingarm and bring the brake disc on the brake caliper into contact.
- Push the rear wheel forward as far as possible and lay the chain on the rear sprocket.
- Mount the wheel spindle, chain adjusters and nuts.

Guideline

In order that the rear wheel is correctly aligned, the markings on the left and right chain adjusters must be in the same position relative to the reference marks A.

i Info

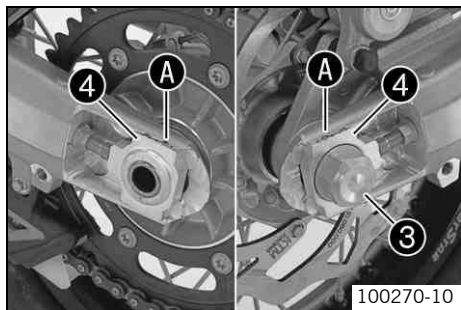
Mount the left and right chain adjusters ❹ in the same position.

- Tighten nut ❸.

Guideline

Nut, rear wheel spindle	M25x1.5	90 Nm (66.4 lbf ft)
-------------------------	---------	------------------------

- Operate the foot brake lever repeatedly until the brake linings lie on the brake disc and there is a tight spot.



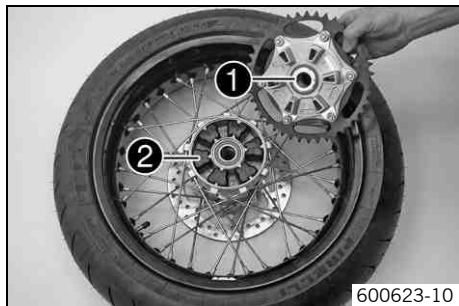
- Take the rear from the work stand. (☞ p. 55)

Checking the rear hub rubber dampers ☞

i Info

The engine power is transmitted from the rear sprocket to the rear wheel via 6 rubber dampers. They eventually wear out during operation. If the rubber dampers are not changed in time, the rear sprocket carrier and the rear hub will be damaged.

- Remove the rear wheel. ☞ (☞ p. 99)
- Check bearing ①.
 - » If the bearing is damaged or worn:
 - Replace the bearings. ☞
- Check rubber dampers ② of the rear hub for damage and wear.
 - » If the rubber dampers of the rear hub are damaged or worn:
 - Change all rubber dampers in the rear hub.



600623-10

- Lay the rear wheel on a workbench with the rear sprocket facing upwards and insert the wheel spindle in the hub.
- To check play **A**, hold the rear wheel tight and try to rotate the rear sprocket.

i Info


Measure the play on the outside of the rear sprocket.

Play in rubber dampers, rear wheel	≤ 5 mm (≤ 0.2 in)
------------------------------------	-------------------

- » If play **A** is larger than the specified value:



600624-10

- Change all rubber dampers in the rear hub.
- Install the rear wheel.  (🔧 p. 100)

Checking the tire condition



Warning

Danger of accidents Uncontrollable handling characteristic caused by a flat tire.

- For your own safety, have damaged tires changed immediately.



Warning

Danger of crashing Poor vehicle handling due to different tire tread patterns on front and rear wheels.

- The front and rear wheels must be fitted with tires with similar tread patterns to prevent loss of control over the vehicle.



Warning

Danger of accidents Uncontrollable handling characteristic due to non-approved and/or non-recommended tires/wheels.

- Only tires/wheels approved by KTM and with the corresponding speed index should be used.



Warning

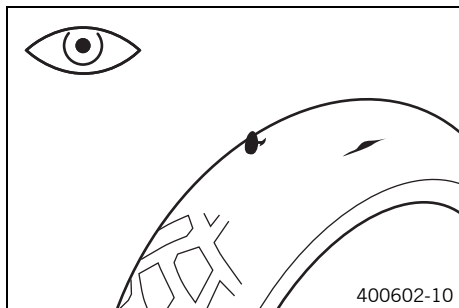
Danger of accidents Reduced road grip with new tires.

- New tires have a smooth rolling surface and therefore cannot provide full road grip. The entire rolling surface must be roughened in the first 200 kilometers (124.3 miles) by moderate riding at alternating angles. The full grip levels are not achieved until the tires have been run in.



Info

The type, condition and air pressure of the tires all have a major impact on the handling of the motorcycle. Worn tires have a negative effect on riding behavior, especially on wet surfaces.



- Check the front and rear tires for cuts, run-in objects and other damage.
 - » If the tires exhibit cuts, run-in objects or other damage:
 - Change the tires.
- Check the depth of the tread.

Info

Note local national regulations concerning the minimum tread depth.

Minimum tread depth	$\geq 2 \text{ mm } (\geq 0.08 \text{ in})$
---------------------	---

- » If the tread depth is less than the minimum permissible depth:
 - Change the tires.
- Check the age of the tires.

Info

The tire's date of manufacture is usually part of the tire markings and is indicated by the last four digits of the **DOT** marking. The first two digits refer to the week of manufacture and last two digits refer to the year of manufacture. KTM recommends that the tires are changed regardless of the actual wear, at the latest after five years.

- » If a tire is more than five years old:
 - Change the tires.

Checking the spoke tension



Warning

Danger of accidents Instable handling due to incorrect spoke tension.

- Ensure that the spoke tension is correct. (Your authorized KTM workshop will be glad to help.)

i Info

A loose spoke causes wheel imbalance and rapidly leads to more loose spokes.
If the spokes are too tight, they can break due to local overload.
Check the spoke tension regularly, especially on a new motorcycle.

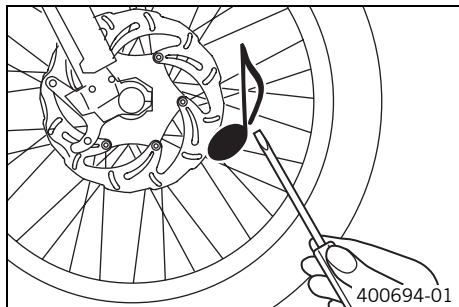
- Briefly strike each spoke with a screwdriver blade.

i Info

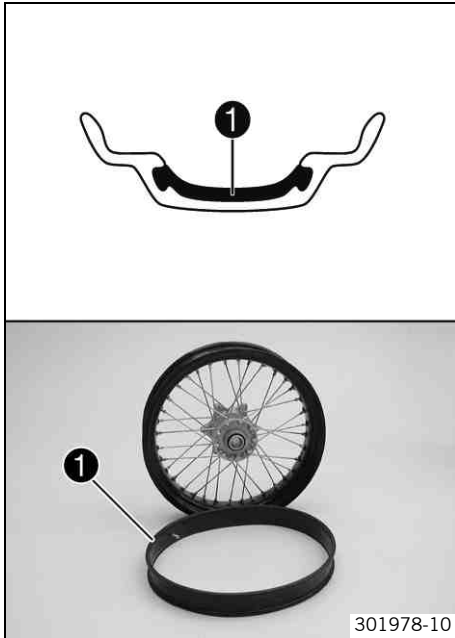
The frequency of the tone is a function of the spoke length and spoke diameter.
If you hear different tone frequencies from individual spokes of the same length and thickness, this is an indication of different spoke tensions.

You should hear a high note.

- » If the spoke tensions differ:
 - Correct the spoke tension. 🛠️



Tubeless tire system



This vehicle makes use a tubeless tire system in which a tubeless sealing profile ❶ is used instead of the conventional tube.

The advantages of the tubeless system lie in the absence of danger from a faulty tube. This greatly reduces the risk of a sudden loss in pressure.

The masses and moments of inertia of these wheels are smaller than in conventional spoke wheels with a tube. This results in better handling and riding comfort.

The rigid rim design results in a spoke wheel that is almost entirely maintenance-free.

KTM recommends that the tubeless sealing profile be changed after 5 years at the latest, regardless of the actual state of wear.

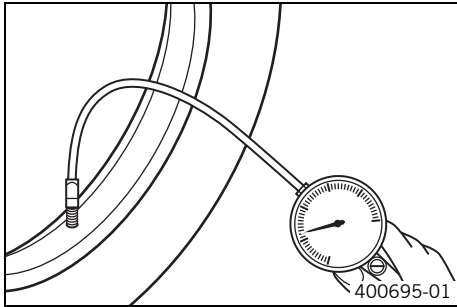
Checking the tire air pressure



Info

Low tire air pressure leads to abnormal wear and overheating of the tire.

Correct tire air pressure ensures optimal riding comfort and maximum tire service life.



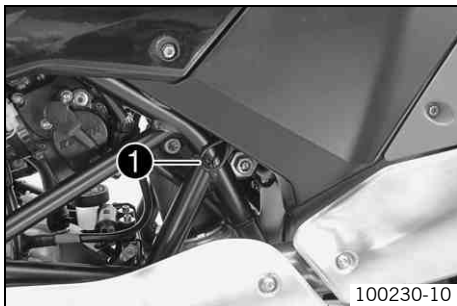
- Remove dust cap.
- Check tire air pressure when tires are cold.

Tire air pressure, solo	
Front	2.0 bar (29 psi)
Rear	2.0 bar (29 psi)

Tire air pressure with passenger / fully loaded	
Front	2.0 bar (29 psi)
Rear	2.2 bar (32 psi)

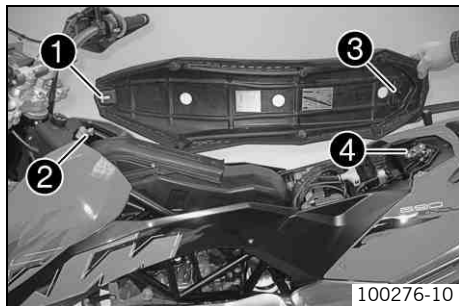
- » If the tire pressure does not meet specifications:
 - Correct tire pressure.
- Mount dust cap.

Removing the seat



- Pull on strap ❶ and raise the rear of the seat at the same time.
- Pull back the seat and lift it off.

Mounting the seat



- Hook slot ❶ of the seat onto screw ❷, press the rear downward and at the same time push it forward.
- Push locking pin ❸ into lock housing ❹ and push the back of the seat down until the locking pin locks in place with an audible click.
- Finally, check that the seat is correctly mounted.

Removing the battery 🛠️

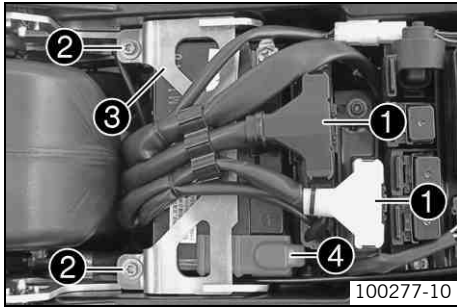


Warning

Risk of injury Battery acid and battery gases cause serious cauterization.

- Keep batteries out of the reach of children.
- Wear suitable protective clothing and goggles.
- Avoid contact with battery acid and battery gases.
- Keep the battery away from sparks or open fire. Charge only in well ventilated rooms.
- In the event of skin contact, rinse with large amounts of water. If battery acid gets in the eyes, rinse with water for at least 15 minutes and contact a doctor.

- Switch off all power consumers and switch off the engine.
- Remove the seat. (🛠️ p. 107)



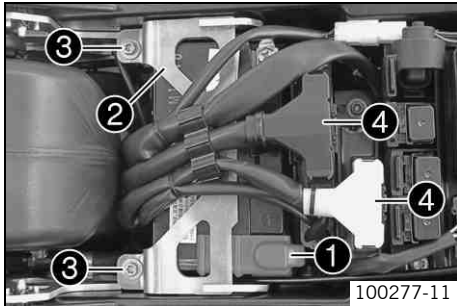
- Disconnect the negative (minus) cable of the battery.
- Pull off the plug connector ❶ upwards.
- Remove screws ❷.
- Pull the retaining bracket ❸ of the battery forward and remove it.
- Take off the positive pole cover ❹.
- Disconnect the positive (plus) cable of the battery.
- Push the wiring harness to the side and pull the battery out of the battery rack.



Info

Never operate the motorcycle with a discharged battery or without a battery. In both cases, electrical components and safety devices can be damaged. The vehicle is therefore no longer roadworthy.

Installing the battery ↩



- Slide the battery into the battery rack.



Info

The battery terminals must be at the rear.

- Attach the positive cable and mount positive terminal cover ❶.
- Position retaining bracket ❷.
- Mount and tighten screws ❸.

Guideline

Remaining screws, chassis	M6	10 Nm (7.4 lbf ft)
---------------------------	----	--------------------

- Plug in connector ❹.
- Attach the minus cable .
- Mount the seat. (↩ p. 108)

- Set the clock. (☛ p. 27)

Recharging the battery ☛



Warning

Risk of injury Battery acid and battery gases cause serious cauterization.

- Keep batteries out of the reach of children.
- Wear suitable protective clothing and goggles.
- Avoid contact with battery acid and battery gases.
- Keep the battery away from sparks or open fire. Charge only in well ventilated rooms.
- In the event of skin contact, rinse with large amounts of water. If battery acid gets in the eyes, rinse with water for at least 15 minutes and contact a doctor.



Warning

Environmental hazard Battery parts and acid are harmful to the environment.

- Do not discard batteries with the household trash. Dispose of a defective battery in an environmentally compatible manner. Give the battery to your KTM dealer or to a recycling center that accepts used batteries.



Warning

Environmental hazard Hazardous substances cause environmental damage.

- Oil, grease, filters, fuel, cleaners, brake fluid, etc., should be disposed of as stipulated in applicable regulations.



Info

Even when there is no load on the battery, it still loses power steadily.

The charge state and the type of charge are very important for the service life of the battery.



Rapid recharging with a high charging current shortens the battery's service life.

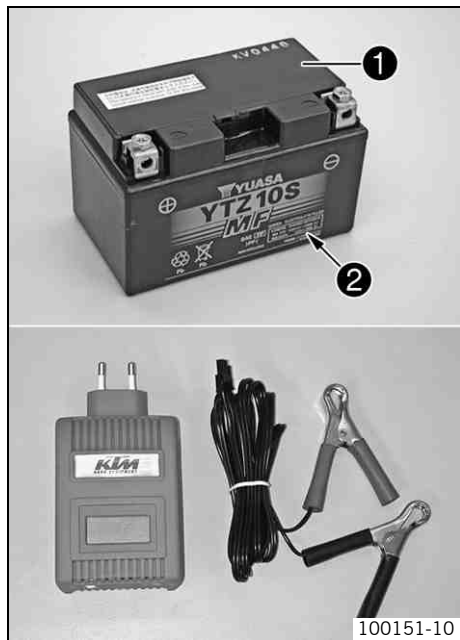
If the charging current, charging voltage and charging time are exceeded, electrolyte escapes through the safety valves. This reduces the battery capacity.

If the battery is depleted from starting the vehicle repeatedly, the battery must be charged immediately.

If the battery is left in a discharged state for an extended period, it will become over-discharged and sulfate, destroying the battery.

The battery is maintenance-free, which means that the acid level does not need to be checked.

-
- Switch off all power consumers and switch off the engine.
 - Remove the battery.  ( p. 108)



- Connect the battery charger to the battery. Switch on the battery charger.

Battery charger (58429074000)

You can also use the battery charger to test rest potential and start potential of the battery, and to test the alternator. With this device, you cannot overcharge the battery.

i Info

Never remove lid ①.

Charge the battery with a maximum of 10% of the capacity specified on the battery housing ②.

- Switch off and disconnect the charger after charging.

Guideline

The charge current, charge voltage and charge time must not be exceeded.	
--	--

Charge the battery regularly when the motorcycle is not in use	3 months
--	----------

- Install the battery. 🛠️ (👉 p. 109)

Changing the main fuse



Warning

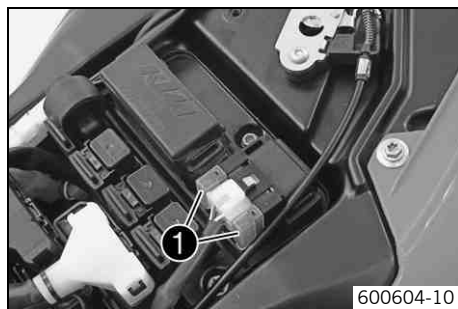
Fire hazard The electrical system can be overloaded by the use of incorrect fuses.

- Use only fuses with the prescribed amperage. Never by-pass or repair fuses.

i Info

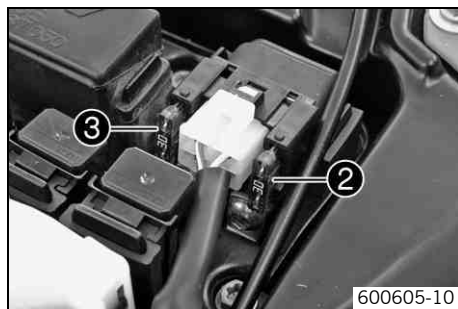
The main fuse protects all power consumers on the vehicle. It is in the starter relay housing, next to the battery.

- Switch off all power consumers and switch off the engine.
- Remove the seat. (☞ p. 107)
- Remove protection covers ❶.



- Use a needle nose plier to remove a defective main fuse ❷.
- Insert the new main fuse.

Fuse (58011109130) (☞ p. 164)



i Info

A reserve fuse ❸ is located in the starter relay.

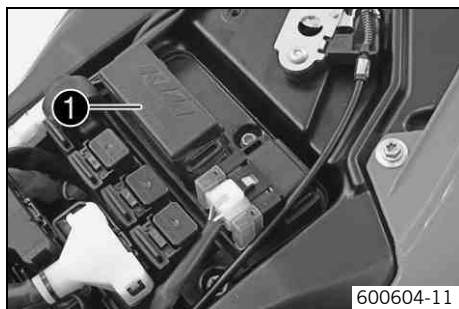
- Check that the electrical equipment is functioning properly.
- Mount the protection covers.
- Mount the seat. (☞ p. 108)
- Set the clock. (☞ p. 27)

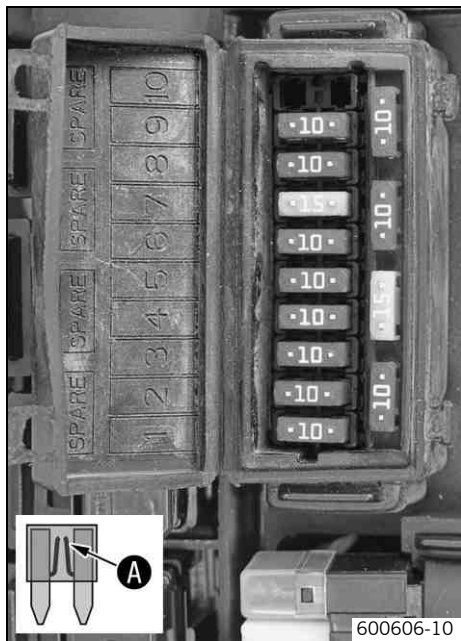
Changing the fuses of individual power consumers

i Info

The fuse box containing the fuses of individual power consumers is located under the seat.

- Switch off all power consumers and the engine.
- Remove the seat. (🔧 p. 107)
- Open fuse box cover ❶.





- Remove the faulty fuse.

Guideline

Fuse 1 - 10A - ignition, combination instrument, alarm system (optional)
Fuse 2 - 10A - clock, ignition (EFI control unit)
Fuse 3 - 10A - throttle valve control unit
Fuse 4 - 10A - fuel pump
Fuse 5 - 10A - radiator fan
Fuse 6 - 10A - horn, brake light, turn signal, alarm system (optional)
Fuse 7 - 15A - high beam, low beam, parking light, tail light, license plate lamp
Fuse 8 - 10A - for accessories (accessories connected with ignition switch)
Fuse 9 - 10A - for accessories (permanent positive)
Fuse 10 - not used
Fuse SPARE - 10A/15A - spare fuses



Info

A defective fuse can be identified by the burned-out fuse wire **A**.



Warning

Fire hazard The electrical system can be overloaded by the use of incorrect fuses.

- Use only fuses with the prescribed amperage. Never by-pass or repair fuses.
- Use spare fuses with the correct rating only.

Fuse (75011088010) (☛ p. 164)
Fuse (75011088015) (☛ p. 164)

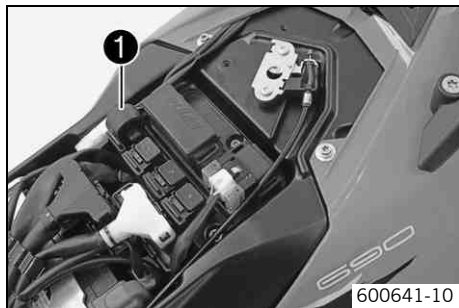
**Tip**

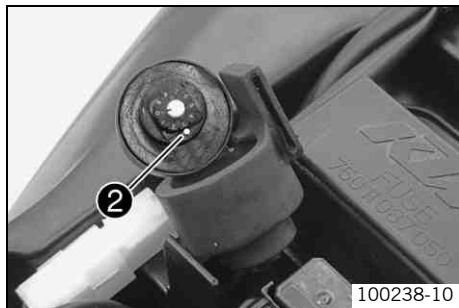
Replace the spare fuse in the fuse box so that it is available if needed.

- Check that the power consumer is functioning properly.
- Close the fuse box cover.
- Mount the seat. (☞ p. 108)

Adjusting the engine characteristic

- Switch off the ignition by turning the ignition key to position **OFF** ☒.
- Remove the seat. (☞ p. 107)
- Pull the **Map-Select** switch and holder ❶ upward off of the retaining bracket.
- Pull the **Map-Select** switch out of the holder.





- Turn the adjusting wheel until the desired digit is next to marking ②.

Set the Map-Select switch to Soft.

- Set the adjusting wheel to position **1**.
 - ✓ Soft – reduced homologated peak performance for better driveability.

Set the Map-Select switch to Advanced.

- Set the adjusting wheel to position **2**.
 - ✓ Advanced – homologated performance with extremely direct responsiveness.

Set the Map-Select switch to Standard.

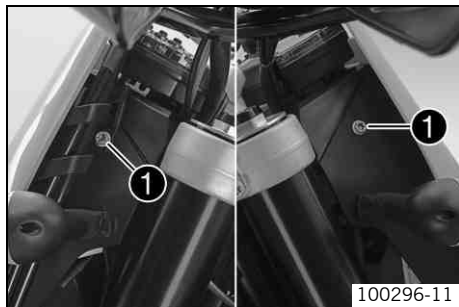
- Set the adjusting wheel to position **3, 4, 5, 6, 7, 8 or 9**.
 - ✓ Standard – homologated performance with balanced responsiveness.

Set the Map-Select switch to poor fuel quality.

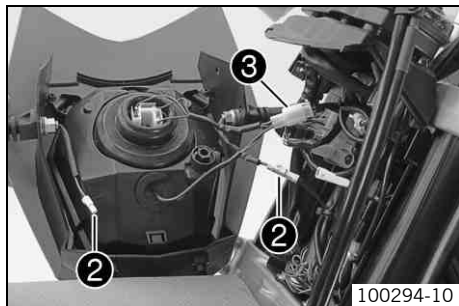
- Set the adjusting wheel to position **0**.
 - ✓ Poor fuel quality – homologated performance is reduced in accordance with the fuel quality, use for no more than 1 tank of fuel
- Position the **Map-Select** switch in the holder.
- Slide the **Map-Select** switch with the holder downward onto the retaining bracket.
- Mount the seat. (☞ p. 108)

Removing the headlight mask with the headlight

- Switch off all power consumers and switch off the engine.

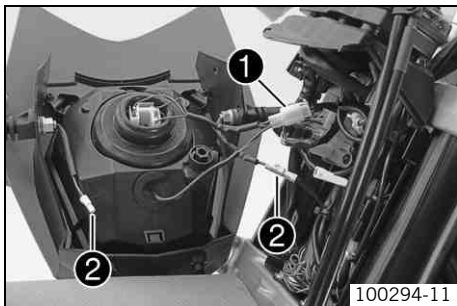


- Cover the fender with a cloth to protect it from damage.
- Remove the screws ① on the left and right.
- Tip the headlight mask forward and pull it off upward.

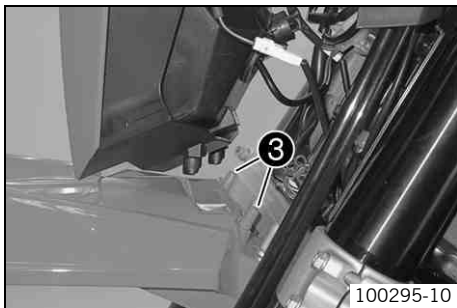


- Disconnect the connectors of flashers ② and headlight ③.
- Put down the headlight mask.

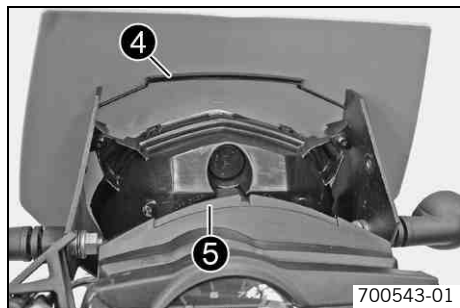
Installing the headlight mask with the headlight



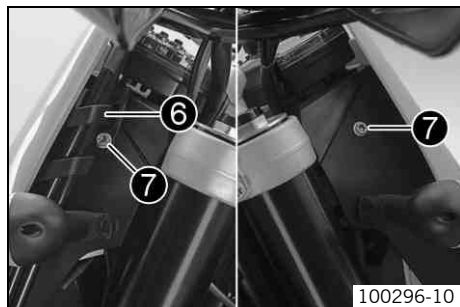
- Connect the connectors of headlight ❶ and flasher lights ❷.
- Check lighting function.



- Remove the cloth from the fender, attach the headlight mask to points ❸ on the fender and swing it up to the steering head.



- Position groove ④ on counterpiece ⑤.



- Position brake-hose guide ⑥. Mount and tighten screws ⑦.

Guideline

Remaining screws, chassis	M6	10 Nm (7.4 lbf ft)
---------------------------	----	--------------------

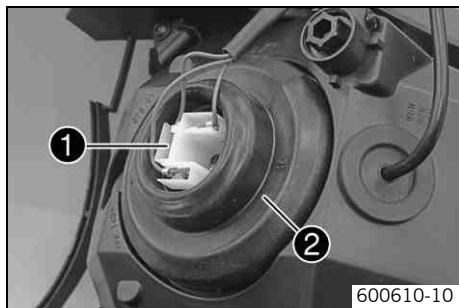
Changing the headlight bulb

Note

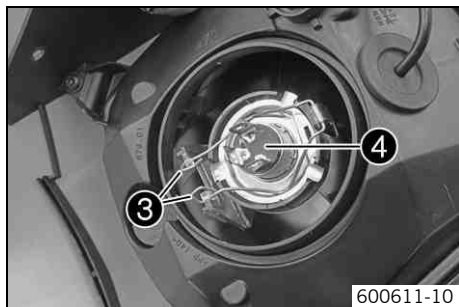
Damage to reflector Reduced luminance.

- Grease on the lamp will evaporate due to the heat and be deposited on the reflector. Clean the lamp and keep it free of grease before mounting.

- Remove the headlight mask with the headlight. (☛ p. 117)



- Pull off connector ❶.
- Take off rubber cap ❷ of the headlight bulb.



- Detach spring bar ❸.
- Remove headlight bulb ❹.
- Insert a new headlight bulb into the headlight housing.

Headlight (H4 / socket P43t) (☛ p. 164)

- Fix the headlight bulb in the headlight using the spring bar.
- Replace the rubber cap. Attach the connector.
- Install the headlight mask with the headlight. (☛ p. 119)

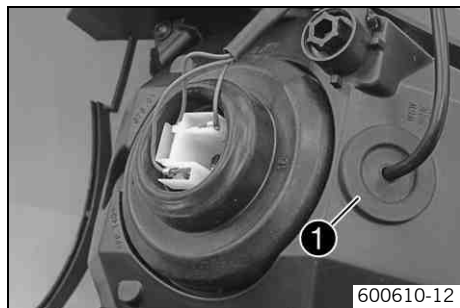
Changing the parking light bulb

Note

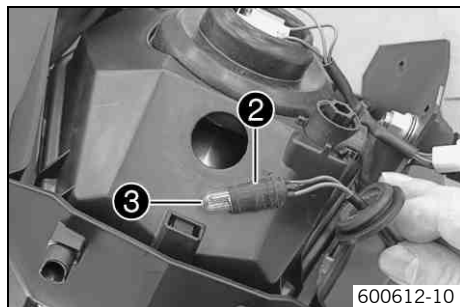
Damage to reflector Reduced luminance.

- Grease on the lamp will evaporate due to the heat and be deposited on the reflector. Clean the lamp and keep it free of grease before mounting.

- Remove the headlight mask with the headlight. (☛ p. 117)



- Remove rubber cap ❶.



- Pull bulb socket ❷ out of the reflector.
- Pull parking light bulb ❸ out of the bulb socket.
- Insert a new parking light bulb in the bulb socket.

Parking light (W5W / socket W2,1x9,5d) (☛ p. 164)

- Insert the bulb socket in the reflector.
- Insert the rubber cap.
- Install the headlight mask with the headlight. (☛ p. 119)

Changing the flasher bulb

Note

Damage to reflector Reduced luminance.

- Grease on the lamp will evaporate due to the heat and be deposited on the reflector. Clean the lamp and keep it free of grease before mounting.



- Remove the screw from the rear of the flasher housing.
- Tilt headlamp diffuser ❶ forward carefully and take it off.
- Press the flasher bulb carefully into the socket, turn it counterclockwise by about 30°, and take it out of the socket.



Info

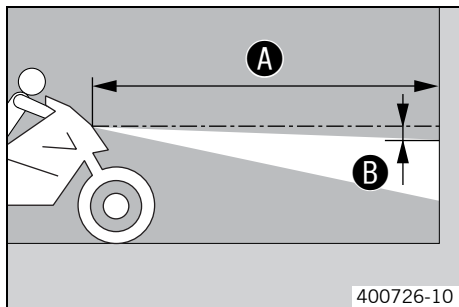
Do not touch the reflector with your fingers, and keep it free from grease.

- Press the new flasher bulb carefully into the socket and turn it clockwise until it stops.

Flasher light (RY10W / socket BAU15s) (☛ p. 164)
--

- Position the diffuser.
- Insert the screw and turn it counterclockwise first until it engages in the thread. Tighten the screw slightly.
- Check the flasher system function.

Checking the headlight setting



- Stand the vehicle upright on a horizontal surface in front of a light wall and make a mark at the height of the center of the low beam headlight.
- Make another mark at a distance **B** under the first mark.

Guideline

Distance B	5 cm (2 in)
-------------------	-------------

- Position the vehicle vertically at a distance **A** in front of the wall.

Guideline

Distance A	5 m (16 ft)
-------------------	-------------

- Check the headlight setting.

The boundary between light and dark must be exactly on the lower mark for a vehicle with a rider.

- » If the boundary between light and dark does not meet specifications:
 - Adjust the headlight range. (🔧 p. 124)

Adjusting the headlight range

- Check the headlight setting. (🔧 p. 123)
- Turn adjusting screw ❶ to adjust the headlight range.

Guideline

For a motorcycle with rider, the light/dark boundary must be exactly on the lower mark (made in: Checking headlight adjustment).

i Info

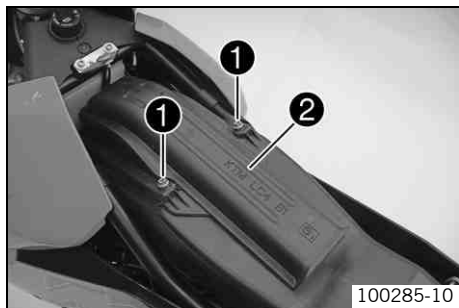
Turn clockwise to increase the headlight range; turn counterclockwise to reduce the headlight range.

If you have a heavy payload, you will need to correct the headlight range.

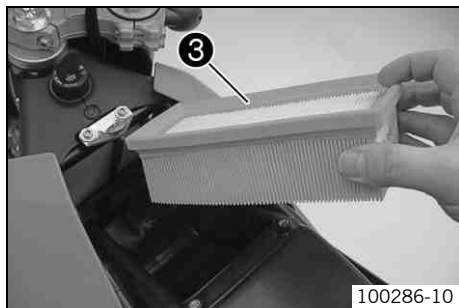


Removing the air filter 🛠️

- Remove the seat. (🔧 p. 107)

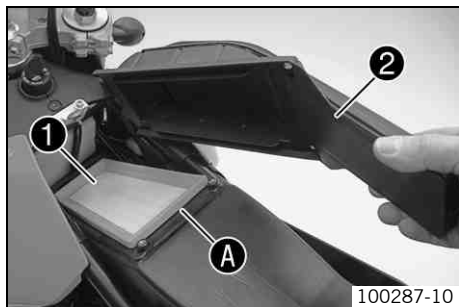


- Remove screws ❶. Remove filter box top ❷.



-
- Note**
Engine failure Unfiltered intake air has a negative effect on the service life of the engine.
- Never ride the vehicle without an air filter since dust and dirt can get into the engine and result in increased wear.
-
- Remove air filter ❸.

Installing the air filter



- Clean the air filter box.
- Mount air filter ①.



Info


The air filter must lie flush against the air filter box along the entire sealing surface **A**.

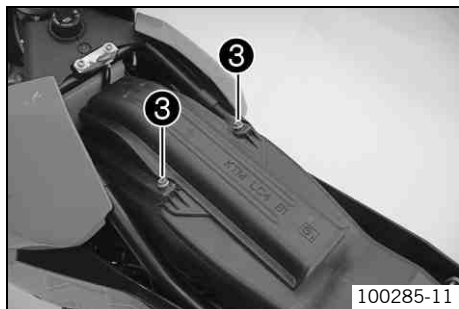
If the air filter is not correctly mounted, dust and dirt can penetrate into the engine and can cause damage.

- Hook filter box top ② into the front of the air filter box and swing down.
- Mount and tighten screws ③.

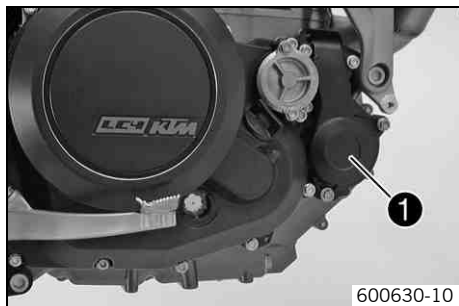
Guideline

Screw, air filter box top	M6	2 Nm (1.5 lbf ft)
---------------------------	----	-------------------

- Mount the seat. ( p. 108)



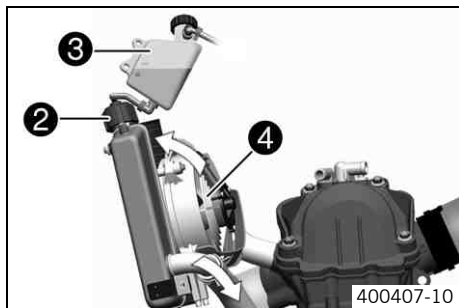
Cooling system



The water pump ❶ in the engine forces the coolant to flow.

The pressure in the cooling system resulting from heat is regulated by a valve in the radiator cap ❷. The heat expansion causes the surplus coolant to flow into the compensating tank ❸. When the temperature falls, this surplus coolant is sucked back into the cooling system. This permits the specified coolant temperature without causing any malfunctions.

125 °C (257 °F)



Cooling takes place by means of the air stream and a radiator fan ❹, which is controlled by a thermostitch.

The lower the speed, the less the cooling effect. Dirty cooling fins also reduce the cooling effect.

Checking the antifreeze and coolant level



Warning

Danger of scalding During motorcycle operation, the coolant gets very hot and is under pressure.

- Do not remove the radiator cap, radiator hoses or other cooling system components when the engine is hot. Allow the engine and cooling system to cool down. In case of scalding, rinse immediately with lukewarm water.



Warning

Danger of poisoning Coolant is poisonous and a health hazard.

- Avoid contact between coolant and skin, eyes and clothing. If it gets into your eyes, rinse immediately with water and contact a doctor. Wash affected skin areas immediately with soap and water. If coolant is swallowed, contact a doctor immediately. Change clothes that have come into contact with coolants. Keep coolant out of the reach of children.



Condition

Engine is cold.

- Stand the motorcycle on its side stand on a horizontal surface.
- Remove the cap of the compensating tank ❶.
- Check antifreeze of coolant.

–25... -45 °C (-13... -49 °F)

- » If the antifreeze of the coolant does not meet specifications:
 - Correct the antifreeze of the coolant.

- Check the coolant level in the compensating tank.

The coolant level must be within the range shown in the figure.

- » If the coolant level does not meet specifications:
 - Correct the coolant level.

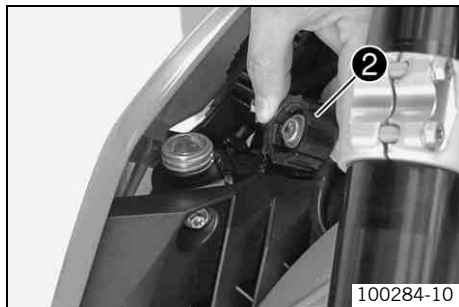
Alternative 1

Coolant (☞ p. 172)

Alternative 2

Coolant (mixed ready to use) (☞ p. 172)

- Mount the cap of the compensating tank.



- Screw off the radiator cap ②.
- Check antifreeze of coolant.

-25... -45 °C (-13... -49 °F)

- » If the antifreeze of the coolant does not meet specifications:
 - Correct the antifreeze of the coolant.
- Check the coolant level in the radiator.

The radiator must be completely filled.

- » If the coolant level does not meet specifications:
 - Rectify the coolant level and find out the cause of the loss.

Alternative 1

Coolant (☞ p. 172)

Alternative 2

Coolant (mixed ready to use) (☞ p. 172)

- Mount the radiator cap.

Checking the coolant level



Warning

Danger of scalding During motorcycle operation, the coolant gets very hot and is under pressure.

- Do not remove the radiator cap, radiator hoses or other cooling system components when the engine is hot. Allow the engine and cooling system to cool down. In case of scalding, rinse immediately with lukewarm water.



Warning

Danger of poisoning Coolant is poisonous and a health hazard.

- Avoid contact between coolant and skin, eyes and clothing. If it gets into your eyes, rinse immediately with water and contact a doctor. Wash affected skin areas immediately with soap and water. If coolant is swallowed, contact a doctor immediately. Change clothes that have come into contact with coolants. Keep coolant out of the reach of children.



100283-10

Condition

Engine is cold.

- Stand the motorcycle on its side stand on a horizontal surface.
- Check the coolant level in the compensating tank ❶.

The coolant level must be within the range shown in the figure.

- » If the coolant level does not meet specifications:
 - Correct the coolant level.

Alternative 1

Coolant (☞ p. 172)

Alternative 2

Coolant (mixed ready to use) (☞ p. 172)

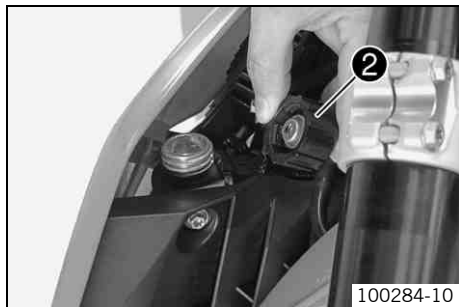
- Screw off the radiator cap ❷ and check the coolant level in the radiator.

The radiator must be completely filled.

- » If the coolant level does not meet specifications:
 - Rectify the coolant level and find out the cause of the loss.

Alternative 1

Coolant (☞ p. 172)



100284-10

Alternative 2

Coolant (mixed ready to use) (☞ p. 172)

- Mount the radiator cap.

Draining the coolant ☞



Warning

Danger of scalding During motorcycle operation, the coolant gets very hot and is under pressure.

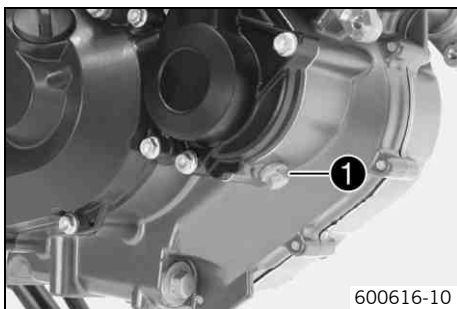
- Do not remove the radiator cap, radiator hoses or other cooling system components when the engine is hot. Allow the engine and cooling system to cool down. In case of scalding, rinse immediately with lukewarm water.



Warning

Danger of poisoning Coolant is poisonous and a health hazard.

- Avoid contact between coolant and skin, eyes and clothing. If it gets into your eyes, rinse immediately with water and contact a doctor. Wash affected skin areas immediately with soap and water. If coolant is swallowed, contact a doctor immediately. Change clothes that have come into contact with coolants. Keep coolant out of the reach of children.



- Stand the motorcycle upright.
- Place a suitable container under the engine.
- Remove screw ❶. Remove the radiator cap.
- Completely drain the coolant.
- Mount screw ❶ with a new seal ring and tighten it.

Guideline

Plug, drain hole of water pump	M10x1	15 Nm (11.1 lbf ft)
--------------------------------	-------	------------------------

Filling the cooling system 🛠️



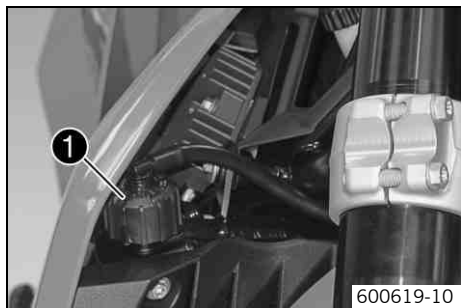
Warning

Danger of poisoning Coolant is poisonous and a health hazard.

- Avoid contact between coolant and skin, eyes and clothing. If it gets into your eyes, rinse immediately with water and contact a doctor. Wash affected skin areas immediately with soap and water. If coolant is swallowed, contact a doctor immediately. Change clothes that have come into contact with coolants. Keep coolant out of the reach of children.



- Stand the motorcycle on its side stand on a horizontal surface.
- Remove radiator cap ❶.



- Refill the coolant.

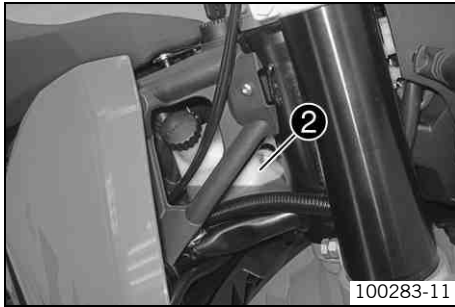
Alternative 1

Coolant (☞ p. 172)

Alternative 2

Coolant (mixed ready to use) (☞ p. 172)

- Fill the radiator completely with coolant. Mount radiator cap ❶.



- Remove the cap from compensating tank ② and add coolant to the level shown in the figure.
- Mount the cap of the compensating tank.



Danger

Danger of poisoning Exhaust gases are poisonous and inhaling them may result in unconsciousness and/or death.

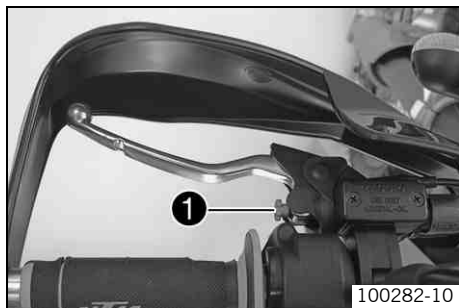
- When running the engine, always make sure there is sufficient ventilation, and do not start or run the engine in an enclosed space without an effective exhaust extraction system.
-
- Start the engine and run it until the 5th bar of the temperature indicator lights up.
 - Switch off the engine and allow it to cool down.
 - After the engine has cooled down, check the coolant level in the radiator and in the compensating tank again and add more coolant if necessary.

Adjusting basic position of clutch lever



Info

Turn the adjusting screw clockwise to increase the distance between the clutch lever and the handlebar.
Turn the adjusting screw counterclockwise to decrease the distance between the clutch lever and the handlebar.
The range of adjustment is limited.
Turn the adjusting screw by hand only, and do not apply any force.
Do not make any adjustments while riding!



- Adjust the basic setting of the clutch lever to your hand size by turning adjusting screw ❶.
- When adjusting the clutch lever make sure that there is a minimum clearance to other parts of the vehicle.

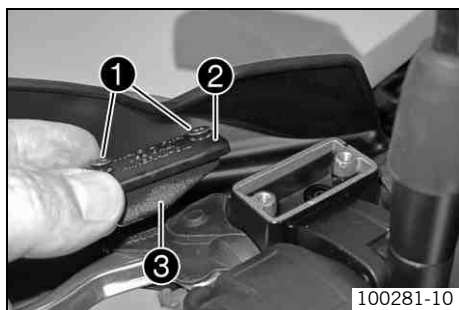
Guideline

Minimum clearance	5 mm (0.2 in)
-------------------	---------------

Checking/rectifying the fluid level of the hydraulic clutch

i Info

The fluid level rises with increasing wear of the clutch lining disc.
Do not use brake fluid.



- Move the clutch fluid reservoir mounted on the handlebar to a horizontal position.
- Remove screws ❶.
- Remove cover ❷ with membrane ❸.
- Check the fluid level.

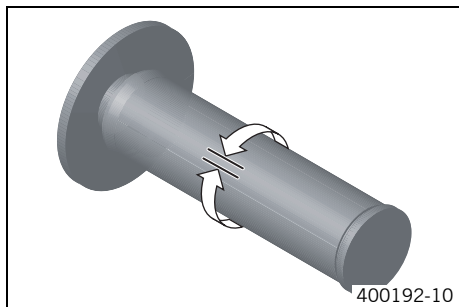
Fluid level under top level of container	4 mm (0.16 in)
--	----------------

- » If the level of the coolant does not meet specifications:
 - Correct the fluid level of the hydraulic clutch.

Hydraulic fluid (15) (☛ p. 174)

- Position the cover with the membrane. Mount and tighten the screws.

Checking the play in the throttle cable



- Move the handlebar to the straight-ahead position. Move the throttle grip backwards and forwards to ascertain the play in the throttle cable.

Throttle cable play	3... 5 mm (0.12... 0.2 in)
---------------------	----------------------------

- » If the throttle cable play does not meet specifications:
 - Adjust the play in the throttle cable. 🛠️ (📄 p. 136)



Danger

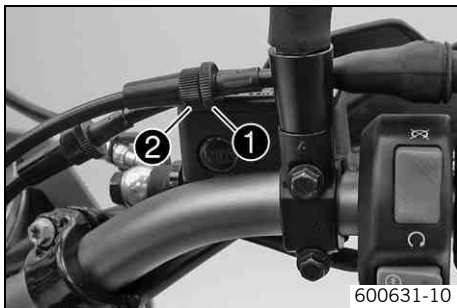
Danger of poisoning Exhaust gases are poisonous and inhaling them may result in unconsciousness and/or death.

- When running the engine, always make sure there is sufficient ventilation, and do not start or run the engine in an enclosed space without an effective exhaust extraction system.
-
- Start the engine and let it run idle. Move the handlebar to and fro over the entire steering range.

The idle speed must not change.

- » If the idle speed changes:
 - Adjust the play in the throttle cable. 🛠️ (📄 p. 136)

Adjusting the play in the throttle cable ↩



600631-10

- Move the handlebar to the straight-ahead position.
- Use the KTM diagnostics tool to set the motor drive to the basic position.
- Loosen counter nut ❶.
- Set the play in the throttle cable by turning the adjusting screw ❷.

Guideline

Throttle cable play	3... 5 mm (0.12... 0.2 in)
---------------------	----------------------------

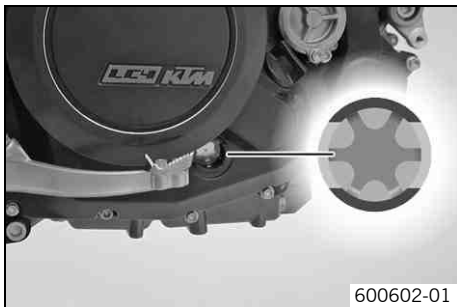
- Tighten counter nut ❶.

Checking the engine oil level



Info

The engine oil level must be checked when the engine is warm.



600602-01

- Stand the motorcycle upright on a horizontal surface.

Condition

The engine is at operating temperature.

- Check the engine oil level.



Info




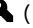

After switching off the engine, wait one minute before checking the level.

The engine oil must be between the lower and upper edge of the oil level viewer.
--

- » If the engine oil level is not at the specified level:
 - Add the engine oil. (🔧 p. 143)

Changing the engine oil and filter, cleaning the oil screens



- Drain the engine oil.  (🔧 p. 137)
- Remove the oil filter.  (🔧 p. 138)
- Clean the oil screens.  (🔧 p. 140)
- Install the oil filter.  (🔧 p. 140)
- Fill up with engine oil.  (🔧 p. 142)

Draining the engine oil



Warning

Danger of scalding Engine oil and gear oil get very hot when the motorcycle is ridden.

- Wear appropriate protective clothing and safety gloves. In case of burns, rinse immediately with lukewarm water.



Warning

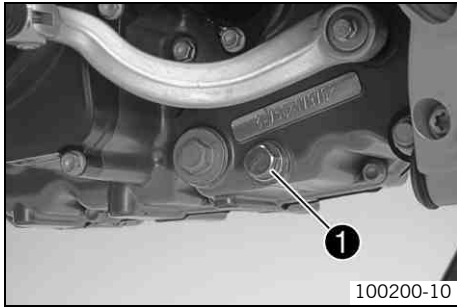
Environmental hazard Hazardous substances cause environmental damage.

- Oil, grease, filters, fuel, cleaners, brake fluid, etc., should be disposed of as stipulated in applicable regulations.



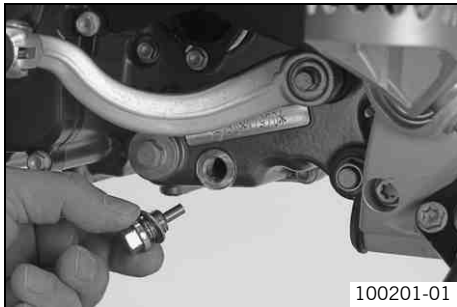
Info

Drain the engine oil only when the engine is warm.



100200-10

- Place a suitable container under the engine.
- Remove the oil drain plug ❶ with the magnet and seal ring.
- Completely drain the engine oil.



100201-01

- Thoroughly clean the oil drain plug with a magnet.
- Mount the oil drain plug with the magnet and seal ring and tighten it.

Guideline

Oil drain plug with magnet	M12x1.5	20 Nm (14.8 lbf ft)
----------------------------	---------	------------------------

Removing the oil filter 🛠️



Warning

Danger of scalding Engine oil and gear oil get very hot when the motorcycle is ridden.

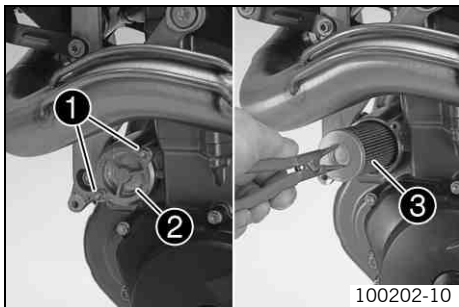
- Wear appropriate protective clothing and safety gloves. In case of burns, rinse immediately with lukewarm water.



Warning

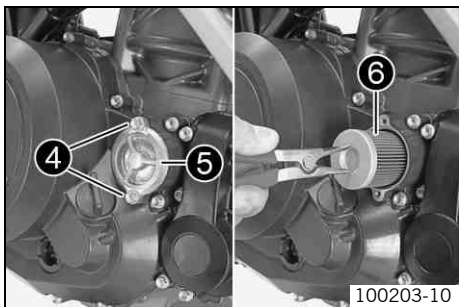
Environmental hazard Hazardous substances cause environmental damage.

- Oil, grease, filters, fuel, cleaners, brake fluid, etc., should be disposed of as stipulated in applicable regulations.



- Place a suitable container under the engine.
- Remove screws ①. Remove the oil filter cover ② with the O-ring.
- Pull oil filter ③ out of the oil filter housing.

Circlip pliers reverse (51012011000)

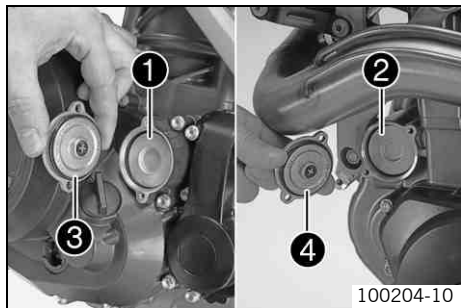


- Remove screws ④. Remove oil filter ⑤ with the O-ring.
- Pull oil filter ⑥ out of the oil filter housing.

Circlip pliers reverse (51012011000)

- Completely drain the engine oil.
- Thoroughly clean the parts and sealing area.

Installing the oil filter ↩



- Insert oil filters ❶ and ❷.
- Oil the O-rings of the oil filter cover. Mount oil filter covers ❸ and ❹.
- Mount and tighten the screws.

Guideline

Screw, oil filter cover	M5	6 Nm (4.4 lbf ft)
-------------------------	----	-------------------

Cleaning the oil screens ↩



Warning

Danger of scalding Engine oil and gear oil get very hot when the motorcycle is ridden.

- Wear appropriate protective clothing and safety gloves. In case of burns, rinse immediately with lukewarm water.

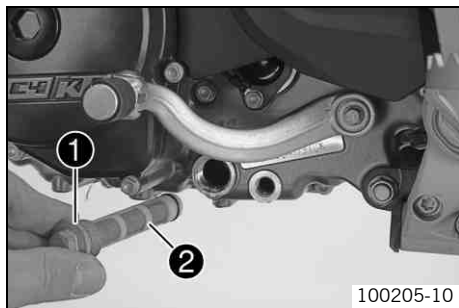


Warning

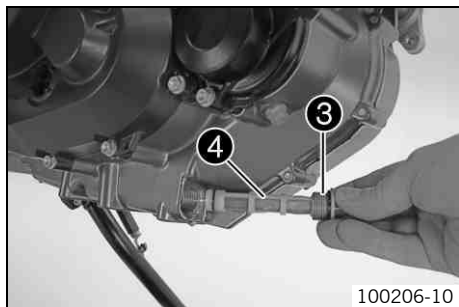
Environmental hazard Hazardous substances cause environmental damage.

- Oil, grease, filters, fuel, cleaners, brake fluid, etc., should be disposed of as stipulated in applicable regulations.

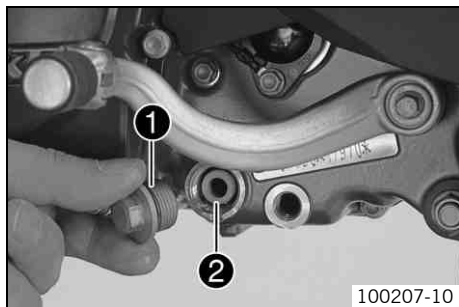
- Place a suitable container under the engine.



- Remove plug ❶ with oil screen ❷ and the O-rings.



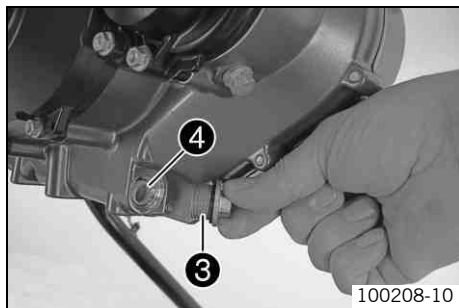
- Remove plug ❸ with oil screen ❹ and the O-rings.
- Completely drain the remaining engine oil.
- Thoroughly clean the parts and sealing area.



- Position oil screen ❷ with the O-rings.
- Mount and tighten plug ❶ with the O-ring.

Guideline

Plug, oil screen	M20x1.5	15 Nm (11.1 lbf ft)
------------------	---------	------------------------



- Position oil screen ④ with the O-rings.
- Mount and tighten plug ③ with the O-ring.

Guideline

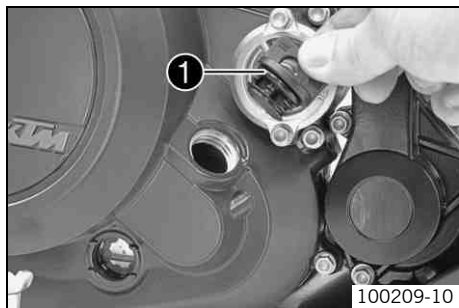
Plug, oil screen	M20x1.5	15 Nm (11.1 lbf ft)
------------------	---------	------------------------

Filling up with engine oil 🛠️



Info

Too little engine oil or poor-quality engine oil results in premature wear to the engine.



- Remove filler plug with O-ring ① from the clutch cover and add engine oil.

Engine oil	1.70 l (1.8 qt.)	Engine oil (SAE 10W/60) (00062010035) (🔧 p. 173)
		Alternative engine oil

- Refit plug with O-ring ① and tighten it.



Danger

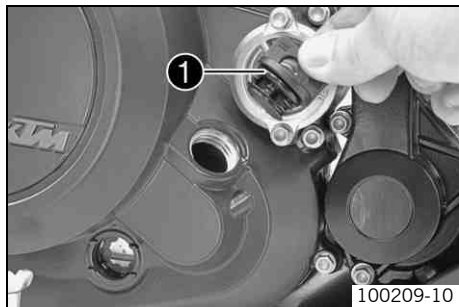
Danger of poisoning Exhaust gases are poisonous and inhaling them may result in unconsciousness and/or death.

- When running the engine, always make sure there is sufficient ventilation, and do not start or run the engine in an enclosed space without an effective exhaust extraction system.

- Start the engine and check that it is oil-tight.
- Check the engine oil level. (☞ p. 136)

Adding engine oil

i Info
Too little engine oil or poor-quality engine oil results in premature wear to the engine.



- Remove the oil filler plug with O-ring ❶ from the clutch cover and fill up with engine oil.

Engine oil (SAE 10W/60) (00062010035) (☞ p. 173)

Engine oil (SAE 10W/50) (☞ p. 173)



Info

For optimal performance of the engine oil, do not mix different types of engine oil.

If appropriate, change the engine oil.

- Install and tighten the oil filler plug with O-ring ❶.

**Danger**






Danger of poisoning Exhaust gases are poisonous and inhaling them may result in unconsciousness and/or death.






- When running the engine, always make sure there is sufficient ventilation, and do not start or run the engine in an enclosed space without an effective exhaust extraction system.
-
- Start the engine and check that it is oil-tight.
 - Check the engine oil level. (👉 p. 136)






Faults	Possible cause	Action
The engine does not turn when the starter button is pressed	Operating error	– Carry out the start procedure. (☞ p. 41)
	Battery is discharged	– Recharge the battery. 🛠️ (☞ p. 110)
	Fuse 1 , 2 , 3 or 4 is blown	– Change the fuses of individual power consumers. (☞ p. 114)
	Main fuse burned out	– Changing the main fuse. (☞ p. 112)
	No ground connection present.	– Check the ground connection.
Engine turns only if the clutch lever is drawn	The vehicle is in gear	– Shift gear to neutral.
	The vehicle is in gear and the side stand is folded out	– Shift gear to neutral.
Engine turns but does not start.	Operating error	– Carry out the start procedure. (☞ p. 41)
	Fuse 4 blown	– Change the fuses of individual power consumers. (☞ p. 114)
	Coupling of fuel hose connection not connected	– Reconnect coupling of fuel hose connection.
	Socket connector of wiring harness is oxidized	– Clean the socket connector and treat it with contact spray.
	Defect in fuel injection system	– Read out the fault memory using the KTM diagnostics tool. 🛠️
Engine has too little power.	Air filter is very dirty	– Remove the air filter. 🛠️ (☞ p. 124) – Install the air filter. 🛠️ (☞ p. 126)
	Fuel filter is very dirty	– Check the fuel pressure. 🛠️
	Defect in fuel injection system	– Read out the fault memory using the KTM diagnostics tool. 🛠️
Engine overheats.	Too little coolant in cooling system	– Check the cooling system for leakage. – Check the coolant level. (☞ p. 129)






Faults	Possible cause	Action
Engine overheats.	Radiator fins very dirty	– Clean radiator fins.
	Foam formation in cooling system	– Drain the coolant. 🛠️ (📖 p. 131) – Fill the cooling system. 🛠️ (📖 p. 132)
	Buckled or damaged radiator hose	– Change the radiator hose. 🛠️
	Thermostat is faulty	– Check the thermostat. 🛠️
	Fuse 5 blown	– Change the fuses of individual power consumers. (📖 p. 114)
	Defect in radiator fan system	– Check the radiator fan system. 🛠️
	Air in cooling system	– Fill the cooling system. 🛠️ (📖 p. 132)
FI warning lamp (MIL) lights/flashes	Defect in fuel injection system	– Read out the fault memory using the KTM diagnostics tool. 🛠️
Engine dies during the journey	Lack of fuel	– Refuel. (📖 p. 48)
	Fuse 1, 2 or 4 blown	– Change the fuses of individual power consumers. (📖 p. 114)
High oil consumption	Engine vent hose bent	– Route the vent hose without bends or change it if necessary.
	Engine oil level too high	– Check the engine oil level. (📖 p. 136)
	Engine oil too thin (low viscosity)	– Change the engine oil and filter, clean the oil screens. 🛠️ (📖 p. 137)
Headlight and parking light not functioning	Fuse 7 blown	– Change the fuses of individual power consumers. (📖 p. 114)
Turn signal, brake light and horn not functioning	Fuse 6 blown	– Change the fuses of individual power consumers. (📖 p. 114)


Faults	Possible cause	Action
Time is not (correctly) displayed	Fuse 2 blown	<ul style="list-style-type: none"> – Change the fuses of individual power consumers. (☛ p. 114) – Set the clock. (☛ p. 27)
Battery discharged	Ignition not switched off when vehicle was parked	<ul style="list-style-type: none"> – Recharge the battery. 🛡️ (☛ p. 110)
	Battery is not charged by alternator	<ul style="list-style-type: none"> – Check the charging voltage. 🛡️ – Check the quiescent current. 🛡️
Combination instrument shows nothing in the display	Fuse 1 blown	<ul style="list-style-type: none"> – Change the fuses of individual power consumers. (☛ p. 114)
Speedometer in combination instrument not functioning	Speedometer wiring harness is damaged or plug-in connection is oxidized	<ul style="list-style-type: none"> – Check the wiring harness and plug-in connection.

Blink code FI of warning lamp (MIL)	 02 FI warning lamp (MIL) flashes briefly 2x
Error level condition	Crankshaft position sensor - circuit fault
Blink code FI of warning lamp (MIL)	 06 FI warning lamp (MIL) flashes briefly 6x
Error level condition	Throttle position sensor circuit A - input signal too low
	Throttle position sensor circuit A - input signal too high
Blink code FI of warning lamp (MIL)	 08 FI warning lamp (MIL) flashes briefly 8x
Error level condition	Accelerator position sensor - input signal too low
	Accelerator position sensor - input signal too high
Blink code FI of warning lamp (MIL)	 09 FI warning lamp (MIL) flashes briefly 9x
Error level condition	Manifold absolute pressure sensor cylinder 1 - Input signal too low
	Manifold absolute pressure sensor cylinder 1 - input signal too high
Blink code FI of warning lamp (MIL)	 12 FI warning lamp (MIL) flashes 1x long, 2x short
Error level condition	Engine coolant temperature sensor - input signal too low
	Engine coolant temperature sensor - input signal too high

Blink code FI of warning lamp (MIL)	 <p>13 FI warning lamp (MIL) flashes 1x long, 3x short</p>
Error level condition	Intake air temperature sensor - Input signal too low
	Intake air temperature sensor - Input signal too high
Blink code FI of warning lamp (MIL)	 <p>14 FI warning lamp (MIL) flashes 1x long, 4x short</p>
Error level condition	Ambient air pressure sensor - input signal too low
	Ambient air pressure sensor - input signal too high
Blink code FI of warning lamp (MIL)	 <p>15 FI warning lamp (MIL) flashes 1x long, 5x short</p>
Error level condition	Rollover sensor - input signal too low
	Rollover sensor - input signal too high
Blink code FI of warning lamp (MIL)	 <p>17 FI warning lamp (MIL) flashes 1x long, 7x short</p>
Error level condition	Lambda sensor cylinder 1, sensor 1 - circuit fault
Blink code FI of warning lamp (MIL)	 <p>24 FI warning lamp (MIL) flashes 2x long, 4x short</p>
Error level condition	System voltage - circuit fault

Blink code FI of warning lamp (MIL)	 25 FI warning lamp (MIL) flashes 2x long, 5x short
Error level condition	Side stand switch - circuit fault
Blink code FI of warning lamp (MIL)	 26 FI warning lamp (MIL) flashes 2x long, 6x short
Error level condition	Motor drive hall sensor - circuit fault
Blink code FI of warning lamp (MIL)	 37 FI warning lamp (MIL) flashes 3x long, 7x short
Error level condition	Ignition coil cylinder 1 - circuit fault
Blink code FI of warning lamp (MIL)	 41 FI warning lamp (MIL) flashes 4x long, 1x short
Error level condition	Fuel pump relay - short circuit to ground or open circuit
Blink code FI of warning lamp (MIL)	 45 FI warning lamp (MIL) flashes 4x long, 5x short
Error level condition	Lambda sensor heater cylinder 1, sensor 1 - short circuit to ground or open circuit
	Lambda sensor heater cylinder 1, sensor 1 - input signal too high

Blink code FI of warning lamp (MIL)	 54 FI warning lamp (MIL) flashes 5x long, 4x short
Error level condition	Secondary air valve - short circuit to ground or open circuit
Blink code FI of warning lamp (MIL)	 58 FI warning lamp (MIL) flashes 5x long, 8x short
Error level condition	EPT motor drive relay permission - signal fault
Blink code FI of warning lamp (MIL)	 60 FI warning lamp (MIL) flashes 6x long
Error level condition	Motor drive - circuit fault
Blink code FI of warning lamp (MIL)	 90 FI warning lamp (MIL) flashes 9x long
Error level condition	Throttle position - circuit fault
Blink code FI of warning lamp (MIL)	 91 FI warning lamp (MIL) flashes 9x long, 1x short
Error level condition	CAN bus communication error

Blink code FI of warning lamp (MIL)	 92 FI warning lamp (MIL) flashes 9x long, 2x short
Error level condition	Motor drive voltage (internal) - circuit fault

Cleaning the motorcycle

Note

Material damage Damage and destruction of components by high-pressure cleaning equipment.

- Never clean the vehicle with high-pressure cleaning equipment or a strong water-jet. The excessive pressure can penetrate electrical components, socket connects, throttle cables, and bearings, etc., and can damage or destroy these parts.



Warning

Environmental hazard Hazardous substances cause environmental damage.

- Oil, grease, filters, fuel, cleaners, brake fluid, etc., should be disposed of as stipulated in applicable regulations.



Info

If you clean the motorcycle regularly, its value and appearance will be maintained over a long period.
Avoid direct sunshine on the motorcycle during cleaning.

- Seal the exhaust system to keep water out.
- First remove coarse dirt particles with a gentle spray of water.
- Spray very dirty areas with a normal motorcycle cleaner and then clean with a brush.

Motorcycle cleaner (☛ p. 177)



Info

Clean the vehicle using a soft sponge and warm water containing normal motorcycle cleaner.
If the vehicle was operated in road salt, clean it with cold water. Warm water enhances the corrosive effects of salt.

- After the motorcycle has been thoroughly cleaned with a gentle spray of water, it should be dried with compressed air and a cloth.



Warning

Danger of accidents Reduced braking efficiency due to wet or dirty brakes.

- Clean or dry dirty or wet brakes by riding and braking gently.

- After cleaning, ride the vehicle a short distance until the engine is warm, applying the brakes occasionally.



Info

The heat produced causes water at inaccessible locations in the engine and the brakes to evaporate.

- Push back the protection covers of the handlebar controls to allow any water that has penetrated to evaporate.
- After the motorcycle has cooled off, oil or grease all moving parts and bearings.
- Clean the chain. (🔧 p. 71)
- Treat bare metal parts (except for brake discs and exhaust system) with anti-corrosion materials.

Cleaning and preserving materials for metal, rubber and plastic (🔧 p. 176)

- Treat all painted parts with a mild paint polish.

High-luster polish for paint (🔧 p. 177)

- Treat all plastic parts and powder-coated parts with a mild cleaning and care agent.

Paint cleaner and polish for high-gloss and matte finishes, bare metal and plastic surfaces (🔧 p. 177)

- To prevent electrical problems, treat electric contacts and switches with contact spray.

Contact spray (🔧 p. 176)

- Oil the ignition/steering lock.

Universal oil spray (🔧 p. 178)

Protective treatment for winter operation

Info

If you use the motorcycle in winter, you must expect salt on the roads. You should therefore take precautions against aggressive road salt.

If the vehicle was operated in road salt, clean it with cold water. Warm water would enhance the corrosive effects of salt.

- Clean the motorcycle. (🔧 p. 153)
 - Treat the engine, the swingarm, and all other bare or galvanized parts (except brake discs) with a wax-based anti-corrosion substance.
-

Info

To prevent serious reduction of the braking efficiency, make sure no anti-corrosion substance gets on to the brake discs. After use on salted roads, clean the motorcycle thoroughly with cold water and dry it properly.

- Clean the chain. (🔧 p. 71)

Storage

Info

If you want to garage the motorcycle for a longer period, take the following actions.

Before storing the motorcycle, check all parts for function and wear. If service, repairs or replacements are necessary, you should do this during the storage period (less workshop overload). In this way, you can avoid long workshop waiting times at the start of the new season.

- Make sure the tank is as empty as possible so that you can fill up with fresh fuel when you put the motorcycle back into operation.
- Clean the motorcycle. (🔧 p. 153)
- Change the engine oil and filter, clean the oil screens. 🛢️ (🔧 p. 137)
- Check the antifreeze and coolant level. (🔧 p. 127)
- Check the tire air pressure. (🔧 p. 106)
- Remove the battery. 🛢️ (🔧 p. 108)
- Recharge the battery. 🛢️ (🔧 p. 110)

Guideline

Storage temperature of battery without direct sunshine.	0... 35 °C (32... 95 °F)
---	--------------------------

- The storage place should be dry and not subject to large temperature differences.

Info

KTM recommends jacking up the motorcycle.

- Jack up the rear of the motorcycle. (🔧 p. 55)
- Jack up the front of the motorcycle. (🔧 p. 54)
- Cover the motorcycle with a porous sheet or blanket.



Info

Do not use non-porous materials since they prevent humidity from escaping, thus causing corrosion.

Avoid running the engine for a short time only. Since the engine cannot warm up properly, the water vapor produced during combustion condenses and causes valves and exhaust system to rust.

Putting into operation after storage

- Take the front from the work stand. (🔧 p. 54)
- Take the rear from the work stand. (🔧 p. 55)
- Recharge the battery. 🔌 (🔧 p. 110)
- Install the battery. 🔌 (🔧 p. 109)
- Set the clock. (🔧 p. 27)
- Refuel. (🔧 p. 48)
- Carry out checks before putting into operation. (🔧 p. 40)
- Make a test ride.

Design	1-cylinder 4-stroke engine, water-cooled
Displacement	654 cm ³ (39.91 cu in)
Stroke	80 mm (3.15 in)
Bore	102 mm (4.02 in)
Compression ratio	11.8:1
Control	OHC, 4 valves controlled via rocker arm, chain drive
Valve diameter, intake	40 mm (1.57 in)
Valve diameter, exhaust	34 mm (1.34 in)
Valve play, cold	0.07... 0.13 mm (0.0028... 0.0051 in)
Crankshaft bearing	2 roller bearings
Conrod bearing	Needle bearing
Piston pin bearing	Bronze bush
Pistons	Forged light alloy
Piston rings	1 L-ring, 1 tapered compression piston ring, 1 oil scraper ring
Engine lubrication	Semi-dry sump lubrication with two rotor pumps
Primary transmission	36:79
Clutch	APTCTM Antihopping clutch in oil bath / hydraulically operated
Gearbox	6-gears, claw-shifted
Transmission ratio	
1st gear	14:35
2nd gear	16:28
3rd gear	21:28
4th gear	21:23
5th gear	23:22
6th gear	23:20

Mixture preparation	Electronic fuel injection
Ignition	Contactless controlled fully electronic ignition with digital ignition adjustment
Alternator	12 V, 224 W
Spark plug	NGK LKAR 8AI - 9
Spark plug electrode gap	0.9 mm (0.035 in)
Cooling	Water cooling, permanent circulation of coolant by water pump
Starting aid	Electric starter, automatic decompressor

Capacity - engine oil

Engine oil	1.70 l (1.8 qt.)	Engine oil (SAE 10W/60) (00062010035) (☛ p. 173)	
		Alternative engine oil	Engine oil (SAE 10W/50) (☛ p. 173)

Capacity - coolant

Coolant	1.20 l (1.27 qt.)	Coolant (☛ p. 172)
		Coolant (mixed ready to use) (☛ p. 172)

Oil hole plug	self-tapping	9 Nm (6.6 lbf ft)	Loctite® 243™
Screw, membrane fixation	M3	2.5 Nm (1.84 lbf ft)	Loctite® 243™
Hose clamp, intake flange	M4	1.5 Nm (1.11 lbf ft)	–
Oil jet, conrod lubrication	M4	2 Nm (1.5 lbf ft)	Loctite® 243™
Locking screw for bearing	M5	6 Nm (4.4 lbf ft)	Loctite® 243™
Screw, breather cover on valve cover	M5	3 Nm (2.2 lbf ft)	Loctite® 243™
Screw, clutch spring	M5	6 Nm (4.4 lbf ft)	–
Screw, cover plate for oil return line	M5	6 Nm (4.4 lbf ft)	–
Screw, gear sensor	M5	5 Nm (3.7 lbf ft)	Loctite® 243™
Screw, oil filter cover	M5	6 Nm (4.4 lbf ft)	–
Screw, oil pump cover	M5	6 Nm (4.4 lbf ft)	Loctite® 243™
Plug, vacuum connection	M6	10 Nm (7.4 lbf ft)	Loctite® 243™
Screw in alternator cover	M6	10 Nm (7.4 lbf ft)	–
Screw, alternator cover (chain shaft through-hole)	M6	10 Nm (7.4 lbf ft)	Loctite® 243™
Screw, autodecompression	M6	3... 4 Nm (2.2... 3 lbf ft)	Loctite® 243™
Screw, axial lock of camshaft	M6	10 Nm (7.4 lbf ft)	Loctite® 243™
Screw, clutch cover	M6	10 Nm (7.4 lbf ft)	–
Screw, clutch slave cylinder	M6x20	10 Nm (7.4 lbf ft)	Loctite® 243™
Screw, clutch slave cylinder	M6x35	10 Nm (7.4 lbf ft)	–
Screw, cylinder	M6	10 Nm (7.4 lbf ft)	Loctite® 243™
Screw, cylinder head	M6	10 Nm (7.4 lbf ft)	Loctite® 243™
Screw, engine case	M6	10 Nm (7.4 lbf ft)	–
Screw, ignition pulse generator	M6	10 Nm (7.4 lbf ft)	Loctite® 243™

TECHNICAL DATA - ENGINE TIGHTENING TORQUES

Screw, locking lever	M6	10 Nm (7.4 lbf ft)	Loctite® 243™
Screw, rocker arm shaft	M6	12 Nm (8.9 lbf ft)	–
Screw, shift drum locating	M6	10 Nm (7.4 lbf ft)	Loctite® 243™
Screw, shift lever	M6	10 Nm (7.4 lbf ft)	Loctite® 222
Screw, starter motor	M6	10 Nm (7.4 lbf ft)	Loctite® 243™
Screw, stator bracket	M6	10 Nm (7.4 lbf ft)	Loctite® 243™
Screw, thermostat housing	M6	10 Nm (7.4 lbf ft)	Loctite® 243™
Screw, timing chain guide rail	M6	10 Nm (7.4 lbf ft)	Loctite® 243™
Screw, timing chain tensioning rail	M6	10 Nm (7.4 lbf ft)	Loctite® 243™
Screw, valve cover	M6	10 Nm (7.4 lbf ft)	–
Screw, water pump cover	M6	10 Nm (7.4 lbf ft)	–
Screw, water pump wheel	M6	10 Nm (7.4 lbf ft)	Loctite® 243™
Oil jet, piston cooling	M6x0.75	4 Nm (3 lbf ft)	Loctite® 243™
Plug, crankshaft location	M8	20 Nm (14.8 lbf ft)	–
Stud, exhaust flange	M8	10 Nm (7.4 lbf ft)	Loctite® 243™
Cylinder head screw	M10	Tightening sequence: Tighten diagonally, beginning with the rear screw on the chain shaft. Step 1 15 Nm (11.1 lbf ft) Step 2 30 Nm (22.1 lbf ft) Step 3 45 Nm (33.2 lbf ft) Step 4 60 Nm (44.3 lbf ft)	Lubricated with engine oil

TECHNICAL DATA - ENGINE TIGHTENING TORQUES

Oil hole plug	M10x1	15 Nm (11.1 lbf ft)	Loctite® 243™
Plug, drain hole of water pump	M10x1	15 Nm (11.1 lbf ft)	–
Plug, oil bore for oil radiator	M10x1	15 Nm (11.1 lbf ft)	–
Screw, unlocking of timing chain tensioner	M10x1	10 Nm (7.4 lbf ft)	–
Spark plug	M12x1.25	17 Nm (12.5 lbf ft)	–
Coolant temperature sensor on cylinder head	M12x1.5	12 Nm (8.9 lbf ft)	–
Oil drain plug with magnet	M12x1.5	20 Nm (14.8 lbf ft)	–
Oil pressure regulator valve plug	M12x1.5	20 Nm (14.8 lbf ft)	–
Plug, oil bore	M14x1.5	15 Nm (11.1 lbf ft)	Loctite® 243™
Engine case stud	M16x1.5	25 Nm (18.4 lbf ft)	Loctite® 243™
Rotor nut	M18x1.5	100 Nm (73.8 lbf ft)	–
Nut, engine sprocket	M20x1.5	60 Nm (44.3 lbf ft)	Loctite® 243™
Nut, inner clutch hub	M20x1.5	100 Nm (73.8 lbf ft)	Loctite® 243™
Nut, primary gear	M20LHx1.5	90 Nm (66.4 lbf ft)	Loctite® 243™
Plug, oil screen	M20x1.5	15 Nm (11.1 lbf ft)	–
Plug, timing chain tensioner	M20x1.5	25 Nm (18.4 lbf ft)	–
Plug, oil thermostat	M24x1.5	15 Nm (11.1 lbf ft)	–
Screw in alternator cover	M24x1.5	8 Nm (5.9 lbf ft)	–

Frame	Lattice frame made of chrome molybdenum steel tubing, powder-coated
Fork	WP Suspension Up Side Down 4860 ROMA
Shock absorber	WP Suspension 4618 with Pro-Lever deflector
Suspension travel	
Front	275 mm (10.83 in)
Rear	265 mm (10.43 in)
Brake system	
Front	Disc brake with radially screwed four-piston brake caliper, floating brake disc
Rear	Disc brake with single-piston brake caliper, floating
Brake discs - diameter	
Front	320 mm (12.6 in)
Rear	240 mm (9.45 in)
Brake discs - wear limit	
Front	4.0 mm (0.157 in)
Rear	4.5 mm (0.177 in)
Tire air pressure, solo	
Front	2.0 bar (29 psi)
Rear	2.0 bar (29 psi)
Tire air pressure with passenger / fully loaded	
Front	2.0 bar (29 psi)
Rear	2.2 bar (32 psi)
Secondary drive ratio	16:42
Chain	5/8 x 1/4" X-ring

Steering head angle	63°
Wheelbase	1,480±15 mm (58.27±0.59 in)
Seat height unloaded	910 mm (35.83 in)
Ground clearance unloaded	290 mm (11.42 in)
Weight without fuel approx.	139.5 kg (307.5 lb.)
Maximum permissible front axle load	150 kg (331 lb.)
Maximum permissible rear axle load	200 kg (441 lb.)
Maximum permissible overall weight	350 kg (772 lb.)

Battery	YTZ10S	Battery voltage: 12 V Nominal capacity: 8.6 Ah maintenance-free
Fuse	58011109130	30 A
Fuse	75011088015	15 A
Fuse	75011088010	10 A

Lighting equipment

Headlight	H4 / socket P43t	12 V 60/55 W
Parking light	W5W / socket W2,1x9,5d	12 V 5 W
Instrument lights and indicator lamps	LED	
Flasher light	RY10W / socket BAU15s	12 V 10 W
Brake/tail light	LED	

License plate lamp	W5W / socket W2,1x9,5d	12 V 5 W
--------------------	------------------------	-------------

Tires

Front tire	Rear tire
120/70 ZR 17 M/C 58W TL Pirelli Dragon Supercorsa Pro	160/60 ZR 17 M/C 69W TL Pirelli Dragon Supercorsa Pro
Additional information is available in the Service section under: http://www.ktm.com	

Capacity - fuel

Total fuel tank capacity, approx.	12 l (3.2 US gal)	Super unleaded (ROZ 95 / RON 95 / PON 91) (☛ p. 175)
Fuel reserve, approx.	2.5 l (2.6 qt.)	

Fork part number	14.18.7E.12	
Fork	WP Suspension Up Side Down 4860 ROMA	
Compression damping		
Comfort	20 clicks	
Standard	15 clicks	
Sport	10 clicks	
Full payload	10 clicks	
Rebound damping		
Comfort	15 clicks	
Standard	10 clicks	
Sport	5 clicks	
Full payload	5 clicks	
Spring length with preload spacer(s)	480 mm (18.9 in)	
Spring rate		
Soft	5.0 N/mm (28.6 lb/in)	
Medium (standard)	5.2 N/mm (29.7 lb/in)	
Hard	5.4 N/mm (30.8 lb/in)	
Air chamber length	100 \pm 20 mm (3.94 \pm 0.79 in)	
Fork length	915 mm (36.02 in)	
Fork oil per fork leg	634 ml (21.44 fl. oz.)	Fork oil (SAE 5) (☛ p. 174)

Shock absorber part number	15.18.7E.12
Shock absorber	WP Suspension 4618 with Pro-Lever deflector
Compression damping, high-speed	
Comfort	1.5 turns
Standard	1 turn
Sport	0.5 turn
Full payload	0.5 turn
Compression damping, low-speed	
Comfort	20 clicks
Standard	15 clicks
Sport	10 clicks
Full payload	10 clicks
Rebound damping	
Comfort	20 clicks
Standard	15 clicks
Sport	10 clicks
Full payload	10 clicks
Spring preload	18 mm (0.71 in)
Spring rate	
Weight of rider: 65... 75 kg (143... 165 lb.)	80 N/mm (457 lb/in)
Weight of rider: 75... 85 kg (165... 187 lb.)	85 N/mm (485 lb/in)
Weight of rider: 85... 95 kg (187... 209 lb.)	90 N/mm (514 lb/in)
Spring length	220 mm (8.66 in)
Gas pressure	10 bar (145 psi)
Static sag	20 mm (0.79 in)

TECHNICAL DATA - SHOCK ABSORBER

168

Riding sag	70... 80 mm (2.76... 3.15 in)
Fitted length	400 mm (15.75 in)
Shock absorber fluid	Shock absorber oil (SAE 2,5) (50180342S1) (☛ p. 174)

TECHNICAL DATA - CHASSIS TIGHTENING TORQUES

Screw, license plate holder, bottom	EJOT	3 Nm (2.2 lbf ft)	–
Screw, SLS valve	EJOT	2 Nm (1.5 lbf ft)	–
Spoke nipple, front wheel	M4.5	4 Nm (3 lbf ft)	–
Bolt, foot brake lever stub	M5	6 Nm (4.4 lbf ft)	Loctite® 243™
Remaining screws, chassis	M5	4 Nm (3 lbf ft)	–
Screw, electrical holder	M5	3 Nm (2.2 lbf ft)	–
Screw, exhaust heat shield	M5	8 Nm (5.9 lbf ft)	–
Screw, fuel level sensor	M5	3 Nm (2.2 lbf ft)	–
Screw, fuel pump	M5	6 Nm (4.4 lbf ft)	–
Screw, headlight mask	M5	5 Nm (3.7 lbf ft)	–
Screw, seat lock	M5	3 Nm (2.2 lbf ft)	Loctite® 222
Screw, side cover	M5	2 Nm (1.5 lbf ft)	–
Screw, side stand switch	M5	3 Nm (2.2 lbf ft)	–
Screw, starter cable on starter	M5	3 Nm (2.2 lbf ft)	–
Spoke nipple, rear wheel	M5	4 Nm (3 lbf ft)	–
Nut, foot brake cylinder screw	M6	10 Nm (7.4 lbf ft)	–
Remaining nuts, chassis	M6	15 Nm (11.1 lbf ft)	–
Remaining screws on fuel tank	M6	6 Nm (4.4 lbf ft)	–
Remaining screws, chassis	M6	10 Nm (7.4 lbf ft)	–
Screw, air filter box top	M6	2 Nm (1.5 lbf ft)	–
Screw, ball joint of push rod on foot brake cylinder	M6	10 Nm (7.4 lbf ft)	Loctite® 243™
Screw, brake fluid reservoir of rear brake	M6	5 Nm (3.7 lbf ft)	–
Screw, front brake disc	M6	14 Nm (10.3 lbf ft)	Loctite® 243™
Screw, ignition lock	M6	10 Nm (7.4 lbf ft)	Loctite® 243™

Screw, magnetic holder on side stand	M6	10 Nm (7.4 lbf ft)	Loctite® 243™
Screw, radiator bracket	M6	5 Nm (3.7 lbf ft)	–
Screw, rear brake disc	M6	14 Nm (10.3 lbf ft)	Loctite® 243™
Screw, voltage regulator/rectifier	M6	8 Nm (5.9 lbf ft)	–
Nut, manifold on cylinder head	M8	25 Nm (18.4 lbf ft)	Copper paste
Nut, rear sprocket screw	M8	35 Nm (25.8 lbf ft)	Loctite® 243™
Remaining nuts, chassis	M8	30 Nm (22.1 lbf ft)	–
Remaining screws, chassis	M8	25 Nm (18.4 lbf ft)	–
Screw, bottom triple clamp	M8	12 Nm (8.9 lbf ft)	–
Screw, connection lever on frame	M8	30 Nm (22.1 lbf ft)	–
Screw, exhaust clamp on main silencer	M8	25 Nm (18.4 lbf ft)	–
Screw, fork stub	M8	15 Nm (11.1 lbf ft)	–
Screw, front footrest bracket	M8	25 Nm (18.4 lbf ft)	–
Screw, fuel tank, bottom	M8	20 Nm (14.8 lbf ft)	–
Screw, handlebar clamp	M8	20 Nm (14.8 lbf ft)	Loctite® 243™
Screw, handrail	M8	20 Nm (14.8 lbf ft)	–
Screw, license plate holder, top	M8	20 Nm (14.8 lbf ft)	–
Screw, main silencer holder	M8	25 Nm (18.4 lbf ft)	–
Screw, main silencer holder on fuel tank	M8	25 Nm (18.4 lbf ft)	Loctite® 243™
Screw, rear footrest bracket	M8x16	25 Nm (18.4 lbf ft)	–
Screw, side stand bracket	M8	25 Nm (18.4 lbf ft)	–
Screw, spring holder on side stand bracket	M8	25 Nm (18.4 lbf ft)	Loctite® 243™
Screw, steering stem	M8	20 Nm (14.8 lbf ft)	Loctite® 243™
Screw, top triple clamp	M8	17 Nm (12.5 lbf ft)	–

TECHNICAL DATA - CHASSIS TIGHTENING TORQUES

Upper fuel tank screw	M8	20 Nm (14.8 lbf ft)	–
Engine carrying screw	M10	45 Nm (33.2 lbf ft)	Loctite® 243™
Remaining nuts, chassis	M10	50 Nm (36.9 lbf ft)	–
Remaining screws, chassis	M10	45 Nm (33.2 lbf ft)	–
Screw, bottom shock absorber	M10	45 Nm (33.2 lbf ft)	Loctite® 243™
Screw, engine bearer on frame	M10	45 Nm (33.2 lbf ft)	–
Screw, foot brake lever	M10LH	25 Nm (18.4 lbf ft)	Loctite® 243™
Screw, handlebar support	M10	40 Nm (29.5 lbf ft)	–
Screw, side stand	M10	35 Nm (25.8 lbf ft)	Loctite® 243™
Screw, top shock absorber	M10	45 Nm (33.2 lbf ft)	Loctite® 243™
Screw, front brake caliper	M10x1.25	45 Nm (33.2 lbf ft)	Loctite® 243™
Lambda sensor	M12x1.25	24.5 Nm (18.07 lbf ft)	Copper paste
Screw, swingarm pivot	M12x1.75	80 Nm (59 lbf ft)	–
Nut, linkage lever on swingarm	M14x1.5	100 Nm (73.8 lbf ft)	–
Nut, linkage lever to rocker arm	M14x1.5	100 Nm (73.8 lbf ft)	–
Screw, bottom steering head	M20x1.5	60 Nm (44.3 lbf ft)	Loctite® 243™
Screw, top steering head	M20x1.5	10 Nm (7.4 lbf ft)	–
Screw, front wheel spindle	M24x1.5	40 Nm (29.5 lbf ft)	–
Nut, rear wheel spindle	M25x1.5	90 Nm (66.4 lbf ft)	–

Brake fluid DOT 4 / DOT 5.1

According to

- DOT

Guideline

- Use only brake fluid that complies with the specified standards (see specifications on the container) and that possesses the corresponding properties. KTM recommends **Castrol** and **Motorex®** products.

Supplier

Castrol

- **RESPONSE BRAKE FLUID SUPER DOT 4**

Motorex®

- **Brake Fluid DOT 5.1**

Coolant

Guideline

- Use only suitable coolant (also in countries with high temperatures). Use of low-quality antifreeze can lead to corrosion and foaming. KTM recommends **Motorex®** products.

Mixture ratio

Antifreeze protection: -25... -45 °C (-13... -49 °F)	50 % corrosion inhibitor/antifreeze 50 % distilled water
--	---

Coolant (mixed ready to use)

Antifreeze	-40 °C (-40 °F)
------------	-----------------

Supplier

Motorex®

- **Anti Freeze**

Engine oil (SAE 10W/60) (00062010035)

According to

- JASO T903 MA (☛ p. 179)
- SAE (☛ p. 179) (SAE 10W/60)
- KTM LC4 2007+

Guideline

- Use only engine oils that comply with the specified standards (see specifications on the container) and that possess the corresponding properties. KTM recommends **Motorex®** products.

Synthetic engine oil

Supplier

Motorex®

- **Motorex® KTM Cross Power 4T**

Engine oil (SAE 10W/50)

According to

- JASO T903 MA (☛ p. 179)
- SAE (☛ p. 179) (SAE 10W/50)

Guideline

- Use only engine oils that comply with the specified standards (see specifications on the container) and that possess the corresponding properties. KTM recommends **Motorex®** products.

Fully synthetic engine oil

Supplier

Motorex®

- **Power Synt 4T**

Fork oil (SAE 5)

According to

- SAE (☛ p. 179) (SAE 5)

Guideline

- Use only oils that comply with the specified standards (see specifications on the container) and that possess the corresponding properties. KTM recommends **Motorex®** products.

Supplier

Motorex®

- **Racing Fork Oil**

Hydraulic fluid (15)

According to

- ISO VG (15)

Guideline

- Use only hydraulic fluid that complies with the specified standards (see specifications on the container) and that possesses the corresponding properties. KTM recommends **Motorex®** products.

Supplier

Motorex®

- **Hydraulic Fluid 75**

Shock absorber oil (SAE 2,5) (50180342S1)

According to

- SAE (☛ p. 179) (SAE 2,5)

Guideline

- Use only oils that comply with the specified standards (see specifications on the container) and that possesses the corresponding properties.

Super unleaded (ROZ 95 / RON 95 / PON 91)

According to

- DIN EN 228 (ROZ 95 / RON 95 / PON 91)

Chain cleaner

Guideline

- KTM recommends **Motorex®** products.

Supplier

Motorex®

- **Chain Clean 611**

Chain lube for road use

Guideline

- KTM recommends **Motorex®** products.

Supplier

Motorex®

- **Chain Lube 622 Strong**

Cleaning and preserving materials for metal, rubber and plastic

Guideline

- KTM recommends **Motorex®** products.

Supplier

Motorex®

- **Protect & Shine 645**

Contact spray

Guideline

- KTM recommends **Motorex®** products.

Supplier

Motorex®

- **Accu Contact**

High-luster polish for paint

Guideline

- KTM recommends **Motorex®** products.

Supplier

Motorex®

- **Moto Polish**

Long-life grease

Guideline

- KTM recommends **Motorex®** products.

Supplier

Motorex®

- **Fett 2000**

Motorcycle cleaner

Guideline

- KTM recommends **Motorex®** products.

Supplier

Motorex®

- **Moto Clean 900**

Paint cleaner and polish for high-gloss and matte finishes, bare metal and plastic surfaces

Guideline

- KTM recommends **Motorex®** products.

Supplier

Motorex®

- **Clean & Polish**

Universal oil spray

Guideline

- KTM recommends **Motorex®** products.

Supplier

Motorex®

- **Joker 440 Universal**

JASO T903 MA

Different technical development directions required a new specification for 4-stroke motorcycles – the JASO T903 MA Standard. Earlier, engine oils from the automobile industry were used for 4-stroke motorcycles because there was no separate motorcycle specification. Whereas long service intervals are demanded for automobile engines, high performance at high engine speeds are in the foreground for motorcycle engines. With most motorcycles, the gearbox and the clutch are lubricated with the same oil as the engine. The JASO MA Standard meets these special requirements.

SAE

The SAE viscosity classes were defined by the Society of Automotive Engineers and are used for classifying oils according to their viscosity. The viscosity describes only one property of oil and says nothing about quality.

A	
Accessories	8
Air filter	
installing	126
removing	124
Antifreeze	
checking	127
B	
Baggage	38
Battery	
fitting	109
recharging	110
removing	108
Blink code	148-152
Brake discs	
checking	78
Brake fluid	
front brake, adding	80
rear brake, adding	90
Brake fluid level	
front brake, checking	80
rear brake, checking	90
Brake linings	
front brake, changing	83, 86
front brake, checking	82
front brake, removing	85
rear brake, changing	93
rear brake, checking	92
Brakes	
Braking	
C	
Chain	
checking	75
cleaning	71
dirt, checking for	71
Chain guide	
adjusting	78
Chain tension	
adjusting	73
checking	72
Changing flasher bulb	122
Chassis number	16
Cleaning	153-154
Clutch	
checking/correcting fluid level	134
Clutch lever	19
basic position, adjusting	133
Combination instrument	
clock, setting	27
coolant temperature indicator	30
display	25
function buttons	23

indicator lamps	24
kilometers or miles, setting	26
ODO display	28
speed display	26
tachometer	24
time	27
TRIP 1 display, setting/resetting	28
TRIP 2 display, setting/resetting	29
TRIP F display	30
Coolant	
draining	131
Coolant level	
checking	127, 129
Cooling system	127
filling	132
D	
Display	25
E	
Electric starter button	22
Emergency OFF switch	21
Engine	
running in	37
Engine characteristic	
adjusting	116
Engine number	17

Engine oil	
adding	143
changing	137
draining	137
refilling	142
Engine oil level	
checking	136
Engine sprocket	
checking	75
Environment	
	9
F	
Filler cap	
closing	31
opening	31
Foot brake lever	
	34
basic position, adjusting	89
free travel, checking	88
Fork	
	56
adjusting compression damping	56
adjusting rebound	57
dust boots, cleaning	65
fork legs, bleeding	64
Fork part number	
	18
Fork protector	
installing	67
removing	66

Front wheel	
installing	97
removing	96
Fuel, oils, etc.	7

Fuse	
individual power consumers, changing	114

H

Hand brake lever	19
basic position, adjusting	79
Handlebar position	69
adjusting	70
Handrails	32

Headlight	
light range, adjusting	124

Headlight bulb, changing	120
---------------------------------	-----

Headlight mask with headlight	
installing	119
removing	117

Headlight setting, checking	123
------------------------------------	-----

Horn button	21
--------------------	----

I

Ignition lock	22
Indicator lamps	24

K

Key number	17
-------------------	----

L

Light switch	20
Loading the vehicle	38

M

Main fuse	
changing	112

Maintenance	7
--------------------	---

Motorcycle	
cleaning	153
jacking up front	54
jacking up rear	55
taking front from work stand	54
taking rear from work stand	55

O

Oil filter	
changing	137
installing	140
removing	138

Oil screen	
cleaning	140

Oil screens	
cleaning	137

Owner's manual	10
-----------------------	----

P

Parking	47
----------------	----

Parking light bulb	
changing	121
Passenger footrests	33
Play in throttle cable	
adjusting	136
checking	135
Protective treatment for winter operation	155
Putting into operation	
advice on first use	36
after storage	157
checks before putting into operation	40

R

Rear hub rubber dampers	
checking	102
Rear sprocket	
checking	75
Rear wheel	
installing	100
removing	99
Refueling	
fuel	48
Riding	42
starting up	42

S

Seat	
mounting	108

removing	107
Seat release	32
Service schedule	51-53
Shift lever	33
Shifting	42
Shock absorber	56
compression damping, general	58
compression damping, high-speed, adjusting	59
compression damping, low-speed, adjusting	58
rebound damping, adjusting	60
riding sag, checking	63
static sag, checking	62
Shock absorber part number	18
Side stand	35
Spare parts	8
Spoke tension	
checking	104
Spring preload	
shock absorber, adjusting	63
Starting	41
Steering head bearing play	
adjusting	68
checking	67
Steering lock	22
Stopping	47
Storage	156

T

Tachometer 24

Technical data

chassis 163-165

chassis tightening torques 169-171

engine 158-159

engine tightening torques 160-162

fork 166

shock absorber 167-168

Tire air pressure

checking 106

Tire condition

checking 103

Transport 8

Troubleshooting 145-147

Tubeless tire system 106

Turn signal switch 20

Type label 16

U

Use definition 7

V

View of vehicle

front left 12

rear right side 14

W

Warranty 7

Work rules 8



3211517en



10/2009 Photo: Mitterbauer



KTM-Sportmotorcycle AG
5230 Mattighofen/Austria
<http://www.ktm.com>