

690 Duke
690 Duke R

Art. no. 3213397en



KTM

DEAR KTM CUSTOMER

Congratulations on your decision to purchase a KTM motorcycle. You are now the owner of a state-of-the-art sports motorcycle that will give you enormous pleasure if you service and maintain it properly.

We hope you enjoy your new vehicle!

Enter the serial numbers of your vehicle below.

Chassis number (📖 p. 20)	Dealer's stamp
Engine number (📖 p. 22)	
Key number (📖 p. 21)	

The Owner's Manual contained the latest information for this model series at the time of going to print. Minor differences due to developments in design cannot be ruled out completely.

All specifications are non-binding. KTM Sportmotorcycle GmbH specifically reserves the right to modify or delete technical specifications, prices, colors, forms, materials, services, designs, equipment, etc., without prior notice and without specifying reasons, to adapt these to local conditions, as well as to stop production of a particular model without prior notice. KTM accepts no liability for delivery options, deviations from illustrations and descriptions, misprints, and other errors. The models portrayed partly contain special equipment that does not belong to the regular scope of supply.

© 2016 KTM Sportmotorcycle GmbH, Mattighofen Austria
All rights reserved



3213397en

02/2016

DEAR KTM CUSTOMER

Reproduction, even in part, as well as copying of all kinds, is permitted only with the express written permission of the copyright owner.



ISO 9001(12 100 6061)

According to the international quality management standard ISO 9001, KTM uses quality assurance processes that lead to the maximum possible quality of the products.

Issued by: TÜV Management Service

REG.NO. 12 100 6061

KTM Sportmotorcycle GmbH
5230 Mattighofen, Austria

This document is valid for the following models:

690 Duke EU (F9703P3, F9703P4)

690 Duke CN (F9787P4)

690 Duke R EU (F9703P1)

690 Duke R AU (F9760P1)

TABLE OF CONTENTS

1	MEANS OF REPRESENTATION	7	5.6	Shock absorber article number	23
	1.1 Symbols used	7	6	CONTROLS.....	24
	1.2 Formats used.....	8	6.1	Clutch lever	24
2	SAFETY ADVICE.....	9	6.2	Hand brake lever.....	24
	2.1 Use definition - intended use	9	6.3	Throttle grip	25
	2.2 Safety advice.....	9	6.4	Switches on the left side of the handlebar	25
	2.3 Degrees of risk and symbols	10	6.4.1	Combination switch.....	25
	2.4 Tampering warning.....	10	6.4.2	Light switch	26
	2.5 Safe operation	11	6.4.3	Menu switch.....	27
	2.6 Protective clothing	12	6.4.4	Turn signal switch.....	27
	2.7 Work rules	12	6.4.5	Horn button	28
	2.8 Environment.....	12	6.5	Switches on the right side of the handlebar	28
	2.9 Owner's Manual	13	6.5.1	Emergency OFF switch	28
3	IMPORTANT NOTES.....	14	6.5.2	Electric starter button	29
	3.1 Manufacturer and implied warranty.....	14	6.5.3	Ignition/steering lock.....	29
	3.2 Operating and auxiliary substances	14	6.6	Opening the filler cap	30
	3.3 Spare parts, accessories	14	6.7	Closing the filler cap	31
	3.4 Service	15	6.8	Seat lock.....	31
	3.5 Figures	15	6.9	Tool set.....	32
	3.6 Customer service.....	15	6.10	Handrails	32
4	VIEW OF VEHICLE	16	6.11	Passenger footrest.....	33
	4.1 View of vehicle, front left (example)	16	6.12	Shift lever	33
	4.2 View of vehicle, rear right (example)	18	6.13	Foot brake lever	34
5	SERIAL NUMBERS	20	6.14	Side stand.....	35
	5.1 Chassis number	20	7	COMBINATION INSTRUMENT	36
	5.2 Type label	20	7.1	Overview	36
	5.3 Key number.....	21	7.2	Indicator lamps.....	37
	5.4 Engine number	22	7.3	Speed	38
	5.5 Fork part number	22	7.4	Time.....	39

TABLE OF CONTENTS




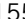

7.5	Temperature.....	39	9.2	Starting.....	57
7.6	Gear display.....	40	9.3	Starting off.....	58
7.7	Fuel tank capacity.....	40	9.4	Shifting, riding.....	58
7.8	Coolant temperature indicator.....	41	9.5	Engine braking control (MSR).....	62
7.9	"Favorites".....	41	9.6	Applying the brakes.....	63
7.10	"Trip 1".....	42	9.7	Stopping, parking.....	64
7.11	"Trip 2".....	42	9.8	Transport.....	66
7.12	"General info".....	43	9.9	Refueling.....	67
7.13	"Set Favorites".....	43	10	SERVICE SCHEDULE.....	69
7.14	"Settings".....	44	10.1	Additional information.....	69
7.15	"Warning".....	44	10.2	Required work.....	69
7.16	"TC/ABS".....	45	10.3	Recommended work.....	71
7.17	"MTC/ABS".....	46	11	TUNING THE CHASSIS.....	72
7.18	"Language".....	47	11.1	Fork/shock absorber (Duke R).....	72
7.19	"Distance".....	47	11.2	Adjusting the compression damping of the fork (Duke R).....	72
7.20	"Temp".....	48	11.3	Adjusting the rebound damping of the fork (Duke R).....	73
7.21	"Pressure".....	48	11.4	Compression damping of the shock absorber (Duke R).....	74
7.22	"Volume".....	49	11.5	Adjusting the high-speed compression damping of the shock absorber (Duke R).....	74
7.23	Set the time and date.....	49	11.6	Adjusting the low-speed compression damping of the shock absorber (Duke R).....	75
7.24	"Shift Light".....	50	11.7	Adjusting the rebound damping of the shock absorber (Duke R).....	76
7.25	"Extra functions".....	51	11.8	Adjusting the spring preload of the shock absorber 	77
7.26	Drive Mode (optional).....	51	11.9	Adjusting the footrests.....	79
8	PREPARING FOR USE.....	52	11.10	Adjusting foot brake lever stub (Duke R).....	82
8.1	Advice on first use.....	52			
8.2	Running in the engine.....	53			
8.3	Loading the vehicle.....	54			
9	RIDING INSTRUCTIONS.....	56			
9.1	Performing checks and vehicle care when preparing for use.....	56			

TABLE OF CONTENTS

12	SERVICE WORK ON THE CHASSIS.....	83	13.8	Adjusting the basic position of the foot brake lever 🛠️.....	107
12.1	Raising the motorcycle with the rear lifting gear	83	13.9	Checking rear brake fluid level	109
12.2	Removing the rear of the motorcycle from the lifting gear	83	13.10	Adding rear brake fluid 🛠️.....	110
12.3	Lifting the motorcycle with the front lifting gear	84	13.11	Checking the rear brake linings	112
12.4	Taking the motorcycle from the front lifting gear ...	85	14	WHEELS, TIRES	113
12.5	Removing the passenger seat	86	14.1	Removing the front wheel 🛠️.....	113
12.6	Mounting the passenger seat.....	86	14.2	Installing the front wheel 🛠️	114
12.7	Removing the passenger seat cover (Duke R)	87	14.3	Removing the rear wheel 🛠️.....	117
12.8	Mounting the passenger seat cover (Duke R).....	87	14.4	Installing the rear wheel 🛠️.....	119
12.9	Checking the chain for dirt.....	88	14.5	Checking the rear hub rubber dampers 🛠️.....	122
12.10	Cleaning the chain	88	14.6	Checking the tire condition	123
12.11	Checking the chain tension	89	14.7	Checking the tire pressure	125
12.12	Adjusting the chain tension.....	91	15	ELECTRICAL SYSTEM	126
12.13	Checking the chain, rear sprocket, and engine sprocket.....	93	15.1	Removing the battery 🛠️.....	126
12.14	Adjusting the basic position of the clutch lever	95	15.2	Installing the battery 🛠️.....	128
12.15	Checking/correcting the fluid level of the hydraulic clutch.....	96	15.3	Recharging the battery 🛠️.....	129
13	BRAKE SYSTEM	98	15.4	Changing the main fuse.....	132
13.1	Antilock braking system (ABS)	98	15.5	Changing the ABS fuses	134
13.2	Adjusting the basic position of the hand brake lever	100	15.6	Changing the fuses of individual power consumers.....	135
13.3	Checking the brake discs	100	15.7	Removing the headlight mask with the headlight.....	138
13.4	Checking the brake fluid level of the front brake.....	101	15.8	Installing the headlight mask with the headlight.....	139
13.5	Adding front brake fluid 🛠️.....	103	15.9	Changing the headlight bulb	141
13.6	Checking the front brake linings	105	15.10	Changing the parking light bulb.....	144
13.7	Checking the free travel of foot brake lever	106	15.11	Changing the turn signal bulb (Duke).....	145
			15.12	Checking the headlight setting	146
			15.13	Adjusting the headlight range.....	146

TABLE OF CONTENTS

15.14	Diagnostics connector	147	22.3	Capacities	179
16	COOLING SYSTEM	148	22.3.1	Engine oil	179
16.1	Cooling system	148	22.3.2	Coolant	179
16.2	Checking the antifreeze and coolant level	148	22.3.3	Fuel	179
16.3	Checking the coolant level in the compensating tank.....	150	22.4	Chassis	180
16.4	Draining the coolant 	152	22.5	Electrical system.....	181
16.5	Filling/bleeding the cooling system 	153	22.6	Tires	182
17	TUNING THE ENGINE	155	22.7	Fork.....	182
17.1	Checking the basic position of the shift lever	155	22.7.1	Duke	182
17.2	Adjusting the basic position of the shift lever 	155	22.7.2	Duke R	183
17.3	Drive Mode (optional)	157	22.8	Shock absorber.....	184
17.4	Motorcycle traction control (optional) (MTC)	158	22.8.1	Duke	184
18	SERVICE WORK ON THE ENGINE	159	22.8.2	Duke R	184
18.1	Checking the engine oil level.....	159	22.9	Chassis tightening torques	185
18.2	Changing the engine oil and oil filter, cleaning the oil screens 	159	23	SUBSTANCES	190
18.3	Adding engine oil	164	24	AUXILIARY SUBSTANCES	193
19	CLEANING, CARE	166	25	STANDARDS	195
19.1	Cleaning the motorcycle	166	26	INDEX OF SPECIAL TERMS	196
19.2	Checks and maintenance steps for winter operation.....	168	27	LIST OF ABBREVIATIONS.....	197
20	STORAGE.....	169	28	LIST OF SYMBOLS.....	198
20.1	Storage	169	28.1	Red symbols.....	198
20.2	Preparing for use after storage.....	170	28.2	Yellow and orange symbols.....	198
21	TROUBLESHOOTING	171	28.3	Green and blue symbols.....	198
22	TECHNICAL DATA.....	174	INDEX.....		200
22.1	engine	174			
22.2	Engine tightening torques	175			

1.1 Symbols used

The meaning of specific symbols is described below.



Indicates an expected reaction (e.g. of a work step or a function).



Indicates an unexpected reaction (e.g. of a work step or a function).



All work marked with this symbol requires specialist knowledge and technical understanding. In the interest of your own safety, have these jobs performed by an authorized KTM workshop. There, your motorcycle will be optimally cared for by specially trained experts using the specialist tools required.



Indicates a page reference (more information is provided on the specified page).



Indicates information with more details or tips.



Indicates the result of a testing step.

1 MEANS OF REPRESENTATION

1.2 Formats used

The typographical formats used in this document are explained below.

Specific name	Identifies a proprietary name.
Name®	Identifies a protected name.
Brand™	Identifies a brand available on the open market.
<u>Underlined terms</u>	Refer to technical details of the vehicle or indicate technical terms that are explained in the glossary.

2.1 Use definition - intended use

KTM sport motorcycles are designed and constructed to meet the normal demands of regular road operation but not for use on race courses or offroad.



Info

The motorcycle is only authorized for operation on public roads in the homologated version.

2.2 Safety advice

A number of safety instructions need to be followed to operate the vehicle safely. Therefore, read this manual carefully. The safety instructions are highlighted in the text and are referred to at the relevant passages.



Info

The vehicle has various information and warning labels at prominent locations. Do not remove information/warning labels. If they are missing, you or others may not recognize dangers and may therefore be injured.

2.3 Degrees of risk and symbols



Danger

Indicates a danger that will immediately and invariably lead to fatal or serious permanent injury if the appropriate measures are not taken.



Warning

Indicates a danger that is likely to lead to fatal or serious injury if the appropriate measures are not taken.



Caution

Indicates a danger that may lead to minor injuries if the appropriate measures are not taken.

Note

Indicates a danger that will lead to considerable machine and material damage if the appropriate measures are not taken.



Warning

Indicates a danger that will lead to environmental damage if the appropriate measures are not taken.

2.4 Tampering warning

Tampering with the noise control system is prohibited. Federal law prohibits the following acts or the causing thereof:

- 1 The removal or rendering inoperative by any person other than for purposes of maintenance, repair, or replacement, of any device or element of design incorporated into any new vehicle for the purpose of noise control prior to its sale or delivery to the ultimate purchaser or while it is in use, or
- 2 the use of the vehicle after such device or element of design has been removed or rendered inoperative by any person.

Among those acts presumed to constitute tampering are the acts listed below:

- 1 Removal or puncturing of the main silencer, baffles, header pipes or any other components which conduct exhaust gases.
- 2 Removal or puncturing of parts of the intake system.
- 3 Lack of proper maintenance.
- 4 Replacing moving part of the vehicle, or parts of the exhaust or intake system, with parts other than those specified by the manufacturer.

2.5 Safe operation



Danger

Danger of accidents Danger arising from the rider's judgement being impaired.

- Do not operate the vehicle while under the influence of alcohol, drugs and certain medications or physically or mentally impaired.



Danger

Danger of poisoning Exhaust gases are toxic and inhaling them may result in unconsciousness and/or death.

- When running the engine, always make sure there is sufficient ventilation, and do not start or run the engine in an enclosed space without an effective exhaust extraction system.



Warning

Danger of burns Some vehicle components become very hot when the vehicle is operated.

- Do not touch hot components such as exhaust system, radiator, engine, shock absorber, and the brake system. Allow these components to cool down before starting work on them.

Only operate the vehicle when it is in perfect technical condition, in accordance with its intended use, and in a safe and environmentally compatible manner.

An appropriate driver's license is needed to ride the vehicle on public roads.

Have malfunctions that impair safety promptly eliminated by an authorized KTM workshop.

Adhere to the information and warning labels on the vehicle.

2.6 Protective clothing



Warning

Risk of injury Missing or poor protective clothing presents an increased safety risk.

- Wear protective clothing (helmet, boots, gloves, pants and jacket with protectors) every time you ride the vehicle. Always wear protective clothing that is in good condition and meets the legal requirements.

In the interest of your own safety, KTM recommends that you only operate the vehicle while wearing protective clothing.

2.7 Work rules

Special tools are necessary for certain tasks. The tools are not contained in the vehicle but can be ordered under the number in parentheses. E.g.: bearing puller (15112017000)

During assembly, non-reusable parts (e.g. self-locking screws and nuts, seals and seal rings, O-rings, pins, lock washers) must be replaced by new parts.

In some instances, a thread locker (e.g. **Loctite**[®]) is required. The manufacturer instructions for use must be followed.

After disassembly, clean the parts that are to be reused and check them for damage and wear. Change damaged or worn parts.

After you complete the repair or service work, check the operating safety of the vehicle.

2.8 Environment

If you use your motorcycle responsibly, you can ensure that problems and conflicts do not occur. To protect the future of the motorcycle sport, make sure that you use your motorcycle legally, display environmental consciousness, and respect the rights of others. When disposing of used oil, other operating and auxiliary fluids, and used components, comply with the laws and regulations of the respective country.

Because motorcycles are not subject to the EU regulations governing the disposal of used vehicles, there are no legal regulations that pertain to the disposal of an end-of-life motorcycle. Your authorized KTM dealer will be glad to advise you.

2.9 Owner's Manual

It is important that you read this Owner's Manual carefully and completely before making your first trip. The Owner's Manual contains useful information and many tips on how to operate, handle, and maintain your motorcycle. Only then will you find out how to customize the vehicle ideally for your own use and how you can protect yourself from injury.

Keep the Owner's Manual in an accessible place to enable you to refer to it as needed.

If you would like to know more about the vehicle or have questions on the material you read, please contact an authorized KTM dealer.

The Owner's Manual is an important component of the vehicle and should be handed over to the new owner if the vehicle is sold.

3.1 Manufacturer and implied warranty

The work specified in the service schedule may only be performed in an authorized KTM workshop and must be recorded in both the Service & Warranty Booklet and in **KTM Dealer.net**, otherwise any warranty coverage will become void. Damage or secondary damage caused by tampering with and/or conversions on the vehicle are not covered by the warranty. Additional information on the manufacturer or implied warranty and the procedures involved can be found in the Service & Warranty Booklet.

3.2 Operating and auxiliary substances



Warning

Environmental hazard Improper handling of fuel is a danger to the environment.

- Do not allow fuel to get into the ground water, the ground, or the sewage system.

Use operating and auxiliary substances (such as fuel and lubricants) as specified in the Owner's Manual.

3.3 Spare parts, accessories

For your own safety, only use spare parts and accessory products that are approved and/or recommended by KTM and have them installed by an authorized KTM workshop. KTM accepts no liability for other products and any resulting damage or loss. Certain spare parts and accessory products are specified in parentheses in the descriptions. Your authorized KTM dealer will be glad to advise you.

The current **KTM PowerParts** for your vehicle can be found on the KTM website.
International KTM Website: <http://www.ktm.com>

3.4 Service

A prerequisite for perfect operation and prevention of premature wear is that the service, care, and tuning work on the engine and chassis is properly carried out as described in the Owner's Manual. Incorrect adjustment and tuning of the engine and chassis can lead to damage and breakage of components.

Use of the vehicle under difficult conditions, such in rain, high heat or with a heavy load, can lead to considerably more rapid wear of components such as the drive train, brake system, or suspension components. For this reason, it may be necessary to inspect or replace parts before the next scheduled service.

It is imperative that you adhere to the stipulated run-in times and service intervals. If you observe these exactly, you will ensure a much longer service life for your motorcycle.

3.5 Figures

The figures contained in the manual may depict special equipment.

In the interest of clarity, some components may be shown disassembled or may not be shown at all. It is not always necessary to disassemble the component to perform the activity in question. Please follow the instructions in the text.

3.6 Customer service

Your authorized KTM dealer will be happy to answer any questions you may have on your vehicle and KTM.

A list of authorized KTM dealers can be found on the KTM website.

International KTM Website: <http://www.ktm.com>

4 VIEW OF VEHICLE

4.1 View of vehicle, front left (example)



4 VIEW OF VEHICLE

1	Clutch lever (📖 p. 24)
2	Seat
3	Passenger seat
4	Handrails (📖 p. 32)
5	Seat lock (📖 p. 31)
6	Side stand (📖 p. 35)
7	Shift lever (📖 p. 33)
8	Engine number (📖 p. 22)

4 VIEW OF VEHICLE

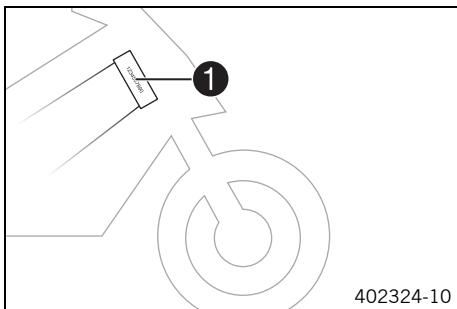
4.2 View of vehicle, rear right (example)



4 VIEW OF VEHICLE

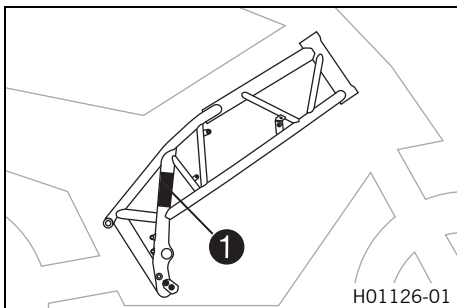
1	Tool set (📖 p. 32)
2	Light switch (📖 p. 26)
2	Turn signal switch (📖 p. 27)
2	Horn button (📖 p. 28)
3	Filler cap
4	Ignition/steering lock (📖 p. 29)
5	Emergency OFF switch (📖 p. 28)
5	Electric starter button (📖 p. 29)
6	Hand brake lever (📖 p. 24)
7	Chassis number (📖 p. 20)
8	Fuse box
9	Type label (📖 p. 20)
10	Engine oil level viewer
11	Foot brake lever (📖 p. 34)
12	Passenger footrest (📖 p. 33)

5.1 Chassis number



The chassis number **1** is stamped on the right side of the steering head.

5.2 Type label

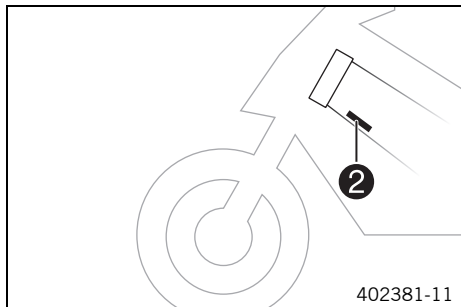


The type label **1** is located on the right side of the frame.

5 SERIAL NUMBERS

(690 Duke R AU)

Additional type label **2** is located on the left side of the frame.



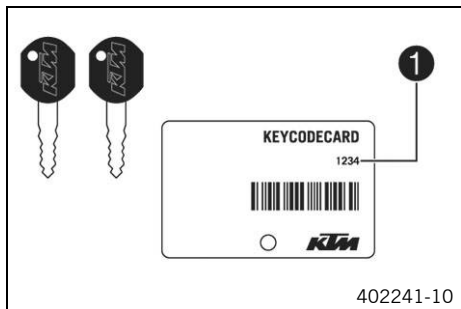
5.3 Key number

The key number **1** can be found on the **KEYCODECARD**.

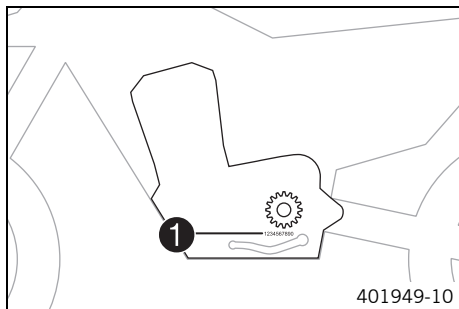


Info

You need the key number to order a spare key. Keep the **KEYCODECARD** in a safe place.

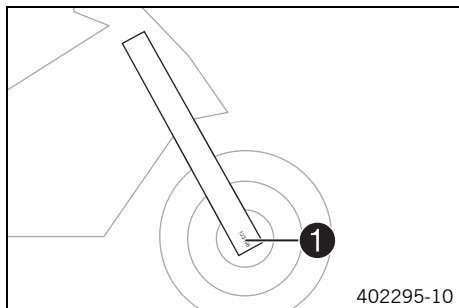


5.4 Engine number



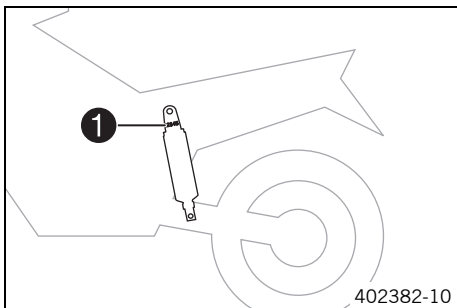
The engine number ❶ is located on the left side of the engine under the engine sprocket.

5.5 Fork part number



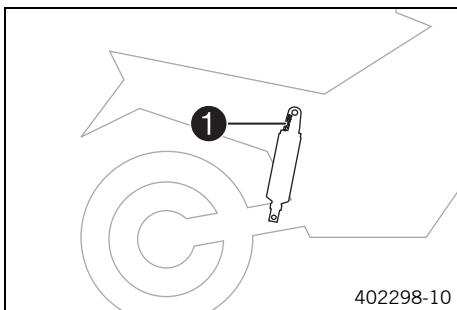
The fork part number ❶ is stamped on the inner side of the fork stub.

5.6 Shock absorber article number



(Duke)

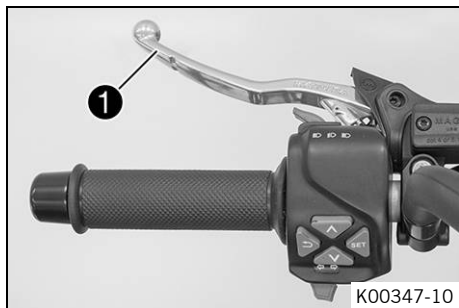
Shock absorber article number ❶ is on the left side of the shock absorber.



(Duke R)

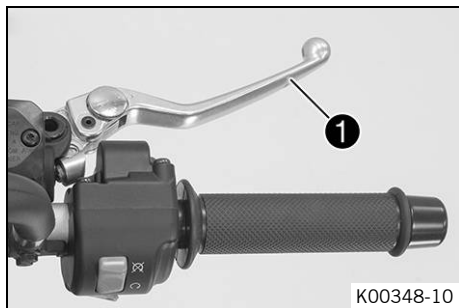
Shock absorber article number ❶ is located on the rear of the shock absorber.

6.1 Clutch lever



The clutch lever ❶ is fitted on the left side of the handlebar. The clutch is hydraulically operated and self-adjusting.

6.2 Hand brake lever



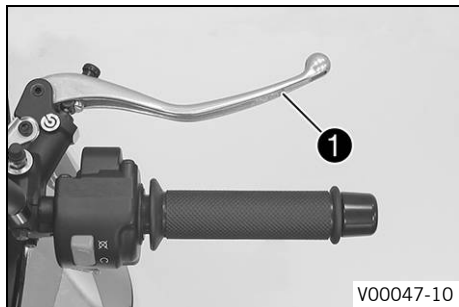
(Duke)

The hand brake lever ❶ is fitted on the right side of the handlebar.

6 CONTROLS

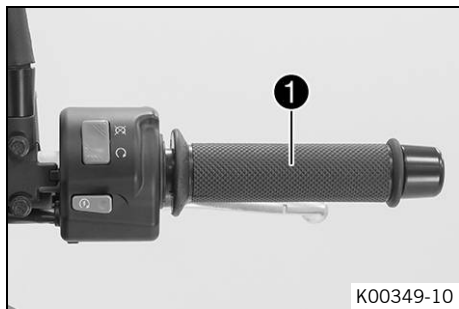
(Duke R)

The hand brake lever **1** is fitted on the right side of the handlebar. The front brake is engaged using the hand brake lever.



6.3 Throttle grip

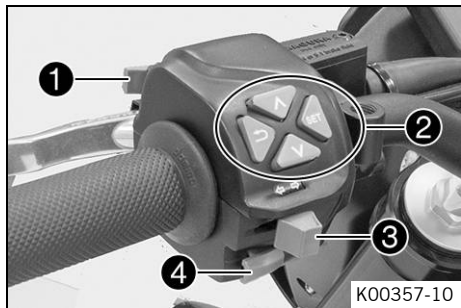
The throttle grip **1** is fitted on the right side of the handlebar.



6.4 Switches on the left side of the handlebar

6.4.1 Combination switch

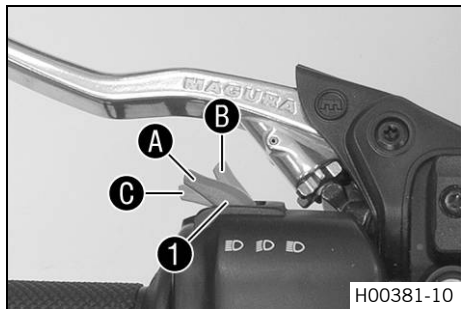
The combination switch is fitted on the left side of the handlebar.



Overview of the left combination switch




- | | |
|---|------------------------------|
| 1 | Light switch (📖 p. 26) |
| 2 | Menu switch (📖 p. 27) |
| 3 | Turn signal switch (📖 p. 27) |
| 4 | Horn button (📖 p. 28) |

6.4.2 Light switch

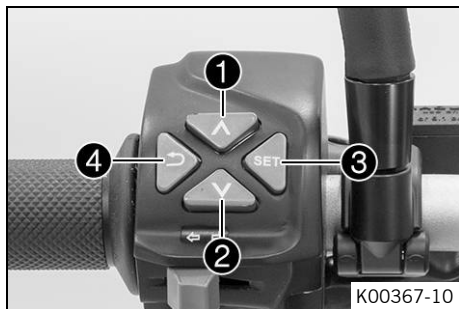


Light switch **1** is fitted on the left side of the handlebar.

Possible states

	Low beam on – Light switch in position A . In this position, the low beam and the tail light are switched on.
	High beam on – Push the light switch to position B . In this position, the high beam and the tail light are switched on.
	Headlight flasher – Push the light switch into position C .

6.4.3 Menu switch



The menu switch is fitted in the middle of the left combination switch. The menu buttons are used to control the display on the combination instrument.

Button **1** is the **UP** button.

Button **2** is the **DOWN** button.

Button **3** is the **SET** button.



Button **4** is the **BACK** button.

6.4.4 Turn signal switch



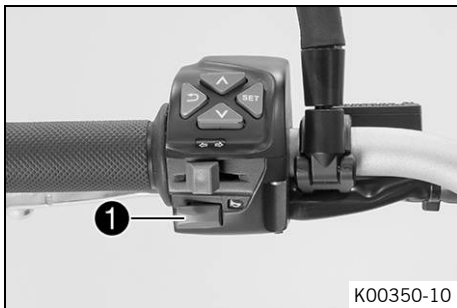
The turn signal switch **1** is fitted on the left side of the handlebar.

Possible states

	Turn signal off
	Left turn signal on – Turn signal switch pressed to the left. The turn signal switch returns to the center position after activation.
	Right turn signal on – Turn signal switch pressed to the right. The turn signal switch returns to the center position after activation.

To switch off the turn signal, press the turn signal switch towards the switch housing.

6.4.5 Horn button



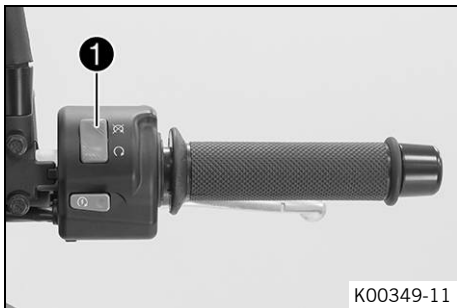
The horn button **1** is fitted on the left side of the handlebar.

Possible states

- Horn button **1** in neutral position
- Horn button **1** pressed – The horn is operated in this position.



6.5 Switches on the right side of the handlebar

6.5.1 Emergency OFF switch

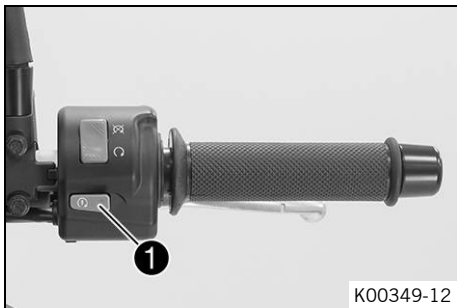


The emergency OFF switch **1** is fitted on the right side of the handlebar.

Possible states

	Emergency OFF switch off – In this position, the ignition circuit is interrupted, a running engine stops, and the engine cannot be started.
	Emergency OFF switch on – This position is necessary for operation as the ignition circuit is closed.

6.5.2 Electric starter button

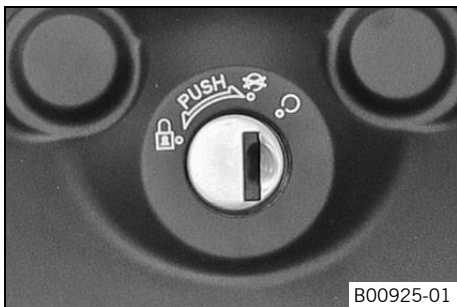


The electric starter button ❶ is fitted on the right side of the handlebar.

Possible states

- Electric starter button ❸ in basic position
- Electric starter button ❸ pressed – In this position, the electric starter is actuated.

6.5.3 Ignition/steering lock



The ignition/steering lock is in front of the upper triple clamp.

Possible states

	Ignition off – In this position, the ignition circuit is interrupted, a running engine stops, and a non-running engine will not start. The ignition key can be removed.
	Ignition on – In this position, the ignition circuit is closed and the engine can be started.
	Steering locked – In this position, the ignition circuit is interrupted and the steering locked. The ignition key can be removed.

6.6 Opening the filler cap



Danger

Fire hazard Fuel is highly flammable.

- Never refuel the vehicle near open flames or burning cigarettes, and always switch off the engine first. Be careful that no fuel is spilt, especially on hot vehicle components. Clean up spilt fuel immediately.
- The fuel in the fuel tank expands when warm and may emerge if overfilled. Follow the instructions on refueling.



Warning

Danger of poisoning Fuel is poisonous and a health hazard.

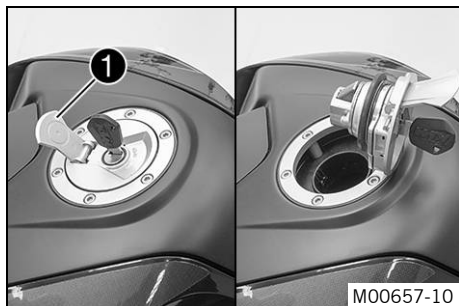
- Fuel must not come into contact with the skin, eyes, or clothing. Do not breathe in the fuel vapors. If contact occurs with the eyes, rinse with water immediately and contact a physician. Immediately clean contaminated areas on the skin with soap and water. If fuel is swallowed, contact a physician immediately. Change clothing that has been contaminated with fuel. Store fuel properly in a suitable canister and keep away from children.



Warning

Environmental hazard Improper handling of fuel is a danger to the environment.

- Do not allow fuel to get into the ground water, the ground, or the sewage system.



- Lift cover **1** of the filler cap and insert the ignition key in the lock.

Note

Danger of damage Ignition key breakage.

- To take pressure off of the ignition key, push down on the filler cap. Damaged ignition keys must be replaced.
- Turn the ignition key 90° clockwise.
- Open the filler cap.

6.7 Closing the filler cap



- Fold down the filler cap.
- Turn the ignition key 90° clockwise.
- Push down the filler cap and turn the ignition key counterclockwise until the lock closes.



Warning

Fire hazard Fuel is highly flammable, poisonous and harmful to your health.

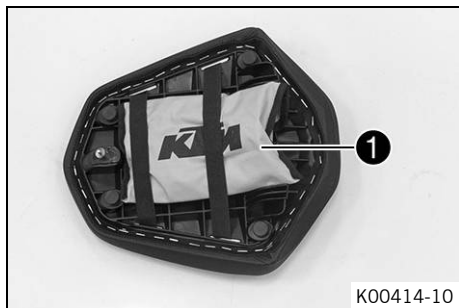
- After closing the filler cap, ensure that it is locked properly. Change clothing that has been contaminated with fuel. Immediately clean contaminated areas on the skin with soap and water.
-
- Remove the ignition key and close the cover.

6.8 Seat lock



The seat lock ❶ is located on the left side of the vehicle. It can be locked with the ignition key.

6.9 Tool set



The tool set **1** is located under the passenger seat.

6.10 Handrails



The handrails **1** are used for moving the motorcycle around.
When you have a passenger, the passenger can hold on the handrails during the journey.

6.11 Passenger footrest

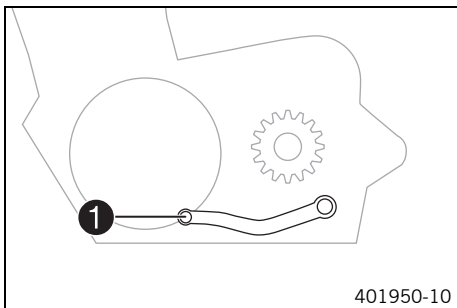


The passenger footrests are foldable.

Possible states

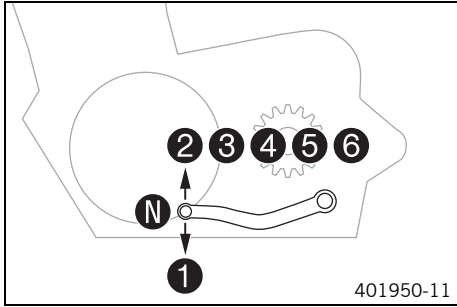
- Passenger footrest folded in – For operation without a passenger.
- Passenger footrest folded out – For operation with a passenger.

6.12 Shift lever



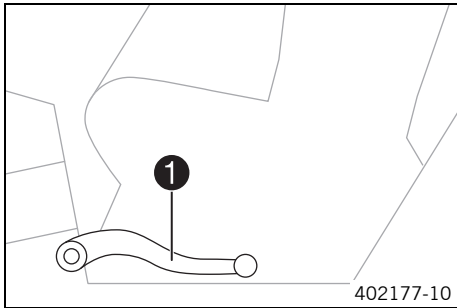
The shift lever **1** is mounted on the left side of the engine.

6 CONTROLS



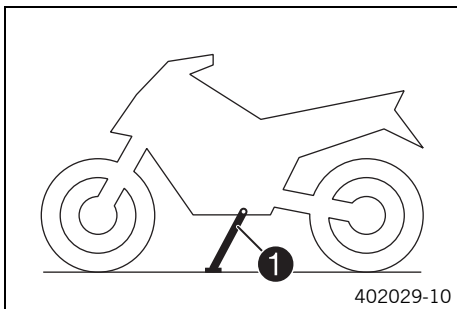
The gear positions can be seen in the photograph.
The neutral or idle position is between the first and second gears.

6.13 Foot brake lever



Foot brake lever ① is located in front of the right footrest.
The rear brake is engaged with the foot brake lever.

6.14 Side stand



The side stand **1** is located on the left side of the vehicle.
The side stand is used for parking the motorcycle.



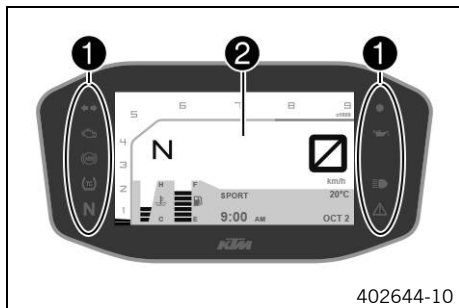
Info

The side stand must be folded up during motorcycle use.
The side stand is coupled with the safety starting system – see the riding instructions.

Possible states

- Side stand folded out – The vehicle can be supported on the side stand. The safety starting system is active.
- Side stand folded in – This position is mandatory when riding the motorcycle. The safety starting system is inactive.

7.1 Overview



The combination instrument is attached in front of the handlebar.

The combination instrument is divided into 2 function areas.

Indicator lamps (📖 p. 37) ❶



Display ❷








7.2 Indicator lamps



The indicator lamps offer additional information about the operating state of the motorcycle. When the ignition is switched on, all indicator lamps light up briefly except for the turn signal indicator lamp.

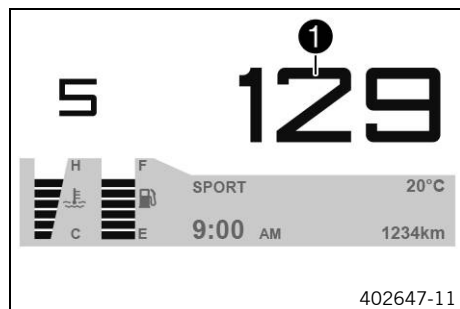
Possible states

	The turn signal indicator lamp flashes green simultaneously with the turn signal – The turn signal is switched on.
	The engine warning lamp lights up yellow – The <u>OBD</u> has detected an emission- or safety-critical fault.

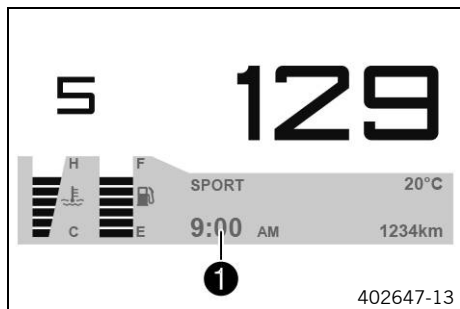
	ABS warning lamp lights up yellow – Status or error messages relating to <u>ABS</u> . The ABS lamp flashes if the ABS mode " SupMot " is enabled.
	The TC lamp lights up yellow – The <u>TC</u> or <u>MTC</u> is not available. Contact an authorized KTM workshop. The TC lamp flashes, if TC or MTC actively engage.
	The idling speed indicator lamp lights up green – The transmission has shifted to idle.
	The immobilizer indicator lamp lights up or flashes red – Status or error message for immobilizer/alarm system.
	The oil pressure warning lamp lights up red – The oil pressure is too low.
	The high beam indicator lamp lights up blue – The high beam is switched on.
	The general warning lamp lights up yellow – An operating safety (warning) message was detected. This is also shown on the display.

7.3 Speed

Speed **1** is shown in kilometers per hour **km/h** or in miles per hour **mph**.



7.4 Time



The time is shown in area ❶ of the display.

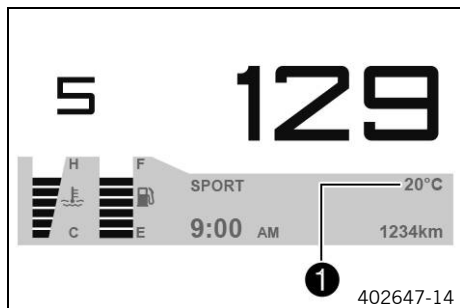
The time is displayed in 12 hour format if the language is set to EN-US.



Info

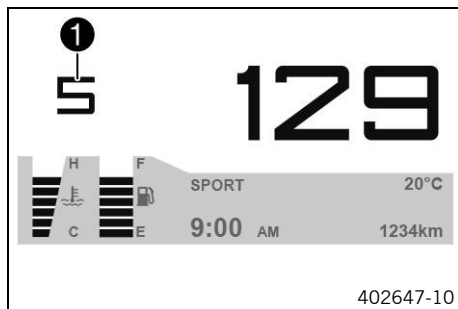
The time must be reset after the battery was disconnected or the fuse was removed.

7.5 Temperature



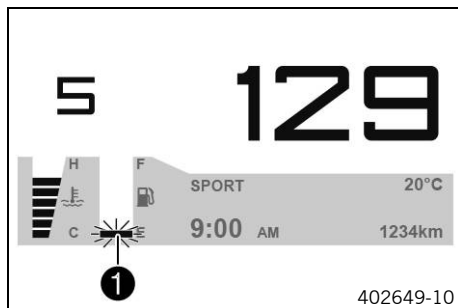
The current ambient temperature is shown in area ❶ of the display.

7.6 Gear display



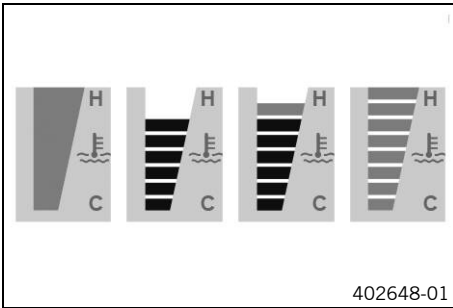
The current gear is shown in area ❶ of the display.

7.7 Fuel tank capacity



The fuel tank contents are shown in area ❶ of the display.
If the fuel level is getting low, the last segment flashes. Refuel at the next opportunity.

7.8 Coolant temperature indicator

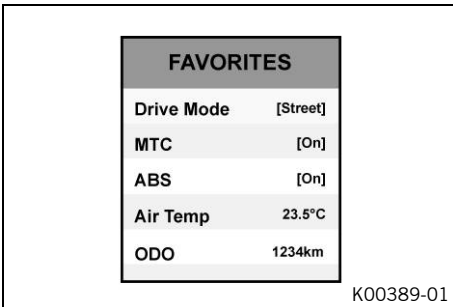


The temperature display consists of 8 bars. The more bars that light up, the hotter the coolant.

Possible states

- The engine is cold – the coolant indicator lights up blue.
- Engine warm – two to six bars light up.
- Engine hot – six bars light up black, 1 to 2 bars light up red.
- Engine very hot – all eight bars flash red.

7.9 "Favorites"



- Press the **UP** or **DOWN** button until the "**Favorites**" menu appears on the display. Pressing the **SET** button opens the menu.
- Press the **UP** or **DOWN** button to select the menu item and activate it with the **SET** button.

You can directly open five menus in the "**Favorites**" menu.

The "**Favorites**" menu can be configured in the "**Set Favorites**" menu.

7.10 "Trip 1"

TRIP 1	
Trip 1	127km
AVG 1	91km/h
AV Cons. 1	4.4l
Trip Time 1	01:31h
Fuel Range	199km

K00386-01

– Press the **UP** or **DOWN** button until the **"Trip 1"** menu appears on the display.

"Trip 1" shows the distance since the last reset, such as between two refueling stops.

"Trip 1" runs continuously and counts the distance up to **999**.

"AVG 1" indicates the average speed based on **"Trip 1"** and **"Trip Time 1"**.

"AV Cons. 1" indicates the average fuel consumption based on **"Trip 1"** and **"Trip Time 1"**.

"Trip Time 1" indicates the riding time based on **"Trip 1"** and starts running as soon as a speed signal comes in.

"Fuel Range" indicates the possible range with the fuel reserve.

Press and hold the button **SET** for 3–5 seconds.

All entries in the **"Trip 1"** menu are cleared.

7.11 "Trip 2"

TRIP 2	
Trip 2	219km
AVG 2	87km/h
AV Cons. 2	4.0l
Trip Time 2	2:24h
Fuel Range	87km

K00387-01

– Press the **UP** or **DOWN** button until the **"Trip 2"** menu appears on the display.

"Trip 2" shows the distance since the last reset, such as between two refueling stops.

"Trip 2" runs continuously and counts the distance up to **999**.

"AVG Speed 2" indicates the average speed based on **"Trip 2"** and **"Trip Time 2"**.

"AV Cons. 2" indicates the average fuel consumption based on **"Trip 2"** and **"Trip Time 2"**.

"Trip Time 2" indicates the riding time based on **"Trip 2"** and starts running as soon as a speed signal comes in.

"Fuel Range" indicates the possible range with the fuel reserve.

Press and hold the button **SET** for 3–5 seconds.

All entries in the **"Trip 2"** menu are cleared.

7.12 "General info"

GENERAL INFO	
Air Temp	24°C
Date	28/10/2015
ODO	1234km
Battery	12.0V
Time	09:00

312033-10

– Press the **UP** or **DOWN** button until the "**General Info**" menu appears on the display.

"**Air Temp**" displays the ambient air temperature.

"**Date**" displays the date.

"**ODO**" displays the total distance covered.

"**Battery**" displays the battery voltage.

"**Time**" displays the current time.

7.13 "Set Favorites"

SET FAVORITES	
Drive Mode	[Street]
MTC	[On]
ABS	[On]
Air Temp	23.5°C
ODO	1234km

K00429-01

Condition

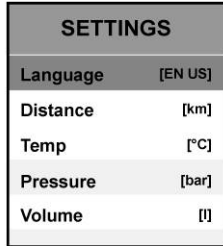
- The vehicle is stationary.

– Press the **UP** or **DOWN** button until the "**Set Favorites**" menu appears on the display. Pressing the **SET** button opens the menu.

– Press the **UP** or **DOWN** button to select the menu. Press the **SET** button to set the menu for quick selection.

The "**Favorites**" menu can be configured in the "**Set Favorites**" menu.

7.14 "Settings"



SETTINGS	
Language	[EN US]
Distance	[km]
Temp	[°C]
Pressure	[bar]
Volume	[!]

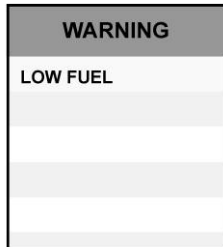
K00390-01

Condition

- The vehicle is stationary.
- Press the **UP** or **DOWN** button until the "**Settings**" menu appears on the display. Pressing the **SET** button opens the menu.

Settings for units or various values are made in the "**Settings**" menu. Several functions can be enabled or disabled.

7.15 "Warning"



WARNING
LOW FUEL

K00388-01

Condition

- Message or warning
- Press the **UP** or **DOWN** button until the "**Warning**" menu appears on the display. Pressing the **SET** button opens the menu.
- Use the **UP** or **DOWN** button to navigate through the warnings.

In the "**Warning**" menu, warnings that occurred are displayed and stored until they are no longer enabled.

7.16 "TC/ABS"

TC/ABS	
TC+MSR	[On]
ABS	[On]
ABS Mod.	[SupMot]

K00395-01

Condition

Standard model



Warning

Voiding of the government approval for road use and the insurance coverage If the ABS is switched off completely, the vehicle's approval for road use is invalidated.

- Only operate the vehicle in closed-off areas remote from public road traffic if the ABS is switched off completely.

- Press the **UP** or **DOWN** button until the "**TC/ABS**" menu appears on the display. Pressing the **SET** button opens the menu.

In the "**TC/ABS**" menu, "**TC**" and "**ABS**" can be switched off.

In the "**ABS Mode**" menu, a choice can be made between "**Road**" and "**SupMot**".



Info

After the ignition is switched on, traction control and ABS are enabled again.

When the "**Road**" ABS mode is enabled, ABS controls both wheels.

When the "**SupMot**" ABS mode is enabled, ABS only controls the front wheel. The rear wheel is not controlled by ABS and may lock during braking maneuvers.

The menu content varies depending on the electronics packages available.

7.17 "MTC/ABS"

MTC/ABS	
MTC+MSR	[On]
ABS	[On]
ABS Mod.	[SupMot]

K00396-01

Condition

R model



Warning

Voiding of the government approval for road use and the insurance coverage If the ABS is switched off completely, the vehicle's approval for road use is invalidated.

- Only operate the vehicle in closed-off areas remote from public road traffic if the ABS is switched off completely.

- Press the **UP** or **DOWN** button until the "**MTC**"/"**ABS**" menu appears on the display. Pressing the **SET** button opens the menu.

In the "**MTC/ABS**" menu, "**MTC**" and "**ABS**" can be switched off.

In "**ABS Mode**", you can select between "**Road**" and "**SupMot**".



Info

After the ignition is switched on, motorcycle traction control and ABS are enabled again.

When the "**Road**" ABS mode is enabled, ABS controls both wheels.

When the "**SupMot**" ABS mode is enabled, ABS only controls the front wheel. The rear wheel is not controlled by ABS and may lock during braking maneuvers.

7.18 "Language"

SETTINGS	
Language	[EN US]
Distance	[km]
Temp	[°C]
Pressure	[bar]
Volume	[!]

K00390-01

Condition

- The vehicle is stationary.
- Press the **UP** or **DOWN** button until the "**Settings**" menu appears on the display. Pressing the **SET** button opens the menu.
- Press the **SET** button again to select the language.

The menu languages are US English, UK English, German, Italian, French, and Spanish.

7.19 "Distance"

SETTINGS	
Language	[EN US]
Distance	[km]
Temp	[°C]
Pressure	[bar]
Volume	[!]

K00382-01

Condition

- The vehicle is stationary.
- Press the **UP** or **DOWN** button until the "**Settings**" menu appears on the display. Pressing the **SET** button opens the menu.
- Press the **UP** or **DOWN** button until the "**Distance**" menu is marked on the display. Pressing the **SET** button again sets the unit of measure.

Select kilometers "**km**" or miles "**mi**" for the distance.

7.20 "Temp"

SETTINGS	
Language	[EN US]
Distance	[km]
Temp	[°C]
Pressure	[bar]
Volume	[!]

K00383-01

Condition

- The vehicle is stationary.
- Press the **UP** or **DOWN** button until the "**Settings**" menu appears on the display. Pressing the **SET** button opens the menu.
- Press the **UP** or **DOWN** button until the "**Temp**" menu is marked on the display. Pressing the **SET** button again sets the unit of measure.

Select "**°C**" or "**°F**" for the temperature indicator.

7.21 "Pressure"

SETTINGS	
Language	[EN US]
Distance	[km]
Temp	[°C]
Pressure	[bar]
Volume	[USg]

K00391-01

Condition

- The vehicle is stationary.
- Press the **UP** or **DOWN** button until the "**Settings**" menu appears on the display. Pressing the **SET** button opens the menu.
- Press the **UP** or **DOWN** button until the "**Pressure**" menu is marked on the display. Pressing the **SET** button again sets the unit of measure.

Select unit as "**bar**" or "**psi**".

7.22 "Volume"

SETTINGS	
Language	[EN US]
Distance	[km]
Temp	[°C]
Pressure	[bar]
Volume	[USg]

K00392-01

Condition

- The vehicle is stationary.
- Press the **UP** or **DOWN** button until the "**Settings**" menu appears on the display. Pressing the **SET** button opens the menu.
- Press the **UP** or **DOWN** button until the "**Volume**" menu is marked on the display. Pressing the **SET** button again sets the unit of measure.

Select one of the available consumption displays.

7.23 Set the time and date

CLOCK-DATE SET	
Clock	__:00
Date	01.01.2000

K00393-01

Condition

The motorcycle is stationary.

- Press the **UP** or **DOWN** button until the "**Settings**" menu appears on the display. Pressing the **SET** button opens the menu.
- Press the **UP** or **DOWN** button until the "**Clock-date set**" menu is marked on the display. Pressing the **SET** button again sets the unit of measure.
- Press the **SET** button.
 - ✓ The hour next to "**Clock**" flashes.
- Press the **UP** or **DOWN** button until the current hour is set.
- Press the **SET** button.
 - ✓ The minute next to "**Clock**" flashes.
- Press the **UP** or **DOWN** button until the current minute is set.
- Press the **SET** button.
 - ✓ The day next to "**Date**" flashes.

- Press the **UP** or **DOWN** button until the current day is set.
- Press the **SET** button.
 - ✓ The month next to **"Date"** flashes.
- Press the **UP** or **DOWN** button until the current month is set.
- Press the **SET** button.
 - ✓ The year next to **"Date"** flashes.
- Press the **UP** or **DOWN** button until the current year is set.
- Press the **BACK** button.
 - ✓ Time and date are saved.

7.24 "Shift Light"

SHIFT LIGHT	
RPM 1	8500
RPM 2	10000
Shift Light	[On]

K00394-01

Condition

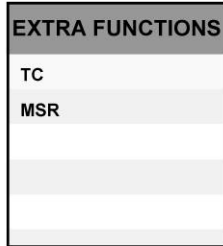
- The vehicle is stationary.
- Press the **UP** or **DOWN** button until the **"Settings"** menu appears on the display. Pressing the **SET** button opens the menu.
- Press the **UP** or **DOWN** button until the **"Shift Light"** menu is marked on the display. Pressing the **SET** button again opens the menu.
- Press the **UP** or **DOWN** button to select the function. Use the **SET** button to set the engine speed for the gear shift recommendation.

When the engine speed reaches **"RPM 1"**, the speed display lights up red.

When the engine speed reaches **"RPM 2"**, the speed display flashes red.

Switch the **"Shift Light"** function on or off.

7.25 "Extra functions"



K00428-01

Condition

- The vehicle is stationary.
- Press the **UP** or **DOWN** button until the "**Settings**" menu appears on the display. Pressing the **SET** button opens the menu.
- Press the **UP** or **DOWN** button until the "**Extra functions**" menu is marked on the display.
- Press the **SET** button.



Info

The optional extra functions are displayed in this menu.

7.26 Drive Mode (optional)



Info

The menu "**Drive Mode**" is only available if **TC** or **MTC** are available on the vehicle.



K00449-01

- Press the **UP** or **DOWN** button until the "**Drive Mode**" menu appears on the display. Pressing the **SET** button opens the menu.
- Use the **UP** or **DOWN** button to navigate through the menu. The **SET** button can be used to select engine and traction control settings that are coordinated with each other.
 - ✓ **SPORT** – homologated performance with very direct response; the traction control allows greater slip on the rear wheel
 - ✓ **STREET** – homologated performance with balanced response; the traction control allows normal slip on the rear wheel
 - ✓ **RAIN** – homologated performance with soft response for improved driveability; the traction control allows normal slip on the rear wheel

8.1 Advice on first use



Danger

Danger of accidents Danger arising from the rider's judgement being impaired.

- Do not operate the vehicle while under the influence of alcohol, drugs and certain medications or physically or mentally impaired.



Warning

Risk of injury Missing or poor protective clothing presents an increased safety risk.

- Wear protective clothing (helmet, boots, gloves, pants and jacket with protectors) every time you ride the vehicle. Always wear protective clothing that is in good condition and meets the legal requirements.



Warning

Danger of crashing Poor vehicle handling due to different tire tread patterns on front and rear wheels.

- The front and rear wheels must be fitted with tires with similar tread patterns to prevent loss of control over the vehicle.



Warning

Danger of accidents Non-approved or non-recommended tires and wheels impact the handling characteristic.

- Only use tires/wheels approved by KTM with the corresponding speed index.



Warning

Danger of accidents Reduced road grip with new tires.

- New tires have a smooth rolling surface and therefore cannot provide full road grip. The entire rolling surface must be roughened in the first 200 kilometers (124.3 miles) by moderate riding at alternating angles. The full grip levels are not achieved until the tires have been run in.



Warning

Danger of accidents Failure of brake system.

- If the foot brake lever is not released, the brake linings drag continuously. The rear brake may fail due to overheating. Take your foot off the foot brake lever when you are not braking.



Info

When using your vehicle, remember that others may feel disturbed by excessive noise.

- Make sure that the pre-delivery inspection work has been carried out by an authorized KTM workshop.
 - ✓ You receive a delivery certificate and the Service and Warranty Booklet at vehicle handover.
- Before your first trip, read the entire operating instructions carefully.
- Get to know the controls.
- Adjust the basic position of the clutch lever. (📖 p. 95)
- Adjust the basic position of the hand brake lever. (📖 p. 100)
- Adjust the basic position of the foot brake lever. 🦶 (📖 p. 107)
- Get used to handling the motorcycle on a suitable piece of land before making a longer trip. Try also to ride as slowly as possible to get a better feel for the vehicle.
- Hold the handlebar firmly with both hands and keep your feet on the footrests when riding.
- Run the engine in. (📖 p. 53)

8.2 Running in the engine

- During the running-in phase, do not exceed the specified engine speed.

Guideline

Maximum engine speed	
During the first: 1,000 km (620 mi)	6,000 rpm
After the first: 1,000 km (620 mi)	7,800 rpm

- Avoid fully opening the throttle!

8.3 Loading the vehicle



Warning

Danger of accidents Unstable handling characteristics.

- Do not exceed the maximum permitted weight and axle loads. The overall weight consists of: motorcycle operational and with a full tank, driver and passenger with protective clothing and helmet, baggage.



Warning

Danger of accidents Unstable handling characteristics due to incorrect mounting of suitcase and/or tank rucksack.

- Mount and secure suitcase and tank rucksack according to the manufacturer's instructions.



Warning

Danger of accidents Unstable handling characteristics at high speed.

- Adapt your speed according to your payload. Ride more slowly if your motorcycle is loaded with cases or other baggage.
Maximum speed with baggage 130 km/h (80.8 mph)



Warning

Danger of accidents Risk of breakage of suitcase system.

- If you have fitted suitcases on your motorcycle, read the manufacturer's specifications concerning the maximum payload.



Warning

Danger of accidents Poor visibility for other road users due to slipped baggage.

- If the tail light is covered, you are less visible to traffic behind you, especially when it is dark. Check that your baggage is fixed properly at regular intervals.



Warning

Danger of accidents Changed handling characteristics and longer stopping distance with excessive payload.

- Adapt your speed according to your payload.

8 PREPARING FOR USE



Warning

Danger of accidents Unstable handling characteristics due to slipped baggage.

- Check the way your baggage is fixed regularly.



Warning

Danger of burns A hot exhaust system can burn baggage.

- Fasten your baggage in such a way that it cannot be burned or singed by the hot exhaust system.

-
- If you carry luggage, make sure you secure it firmly as close as possible to the center of the vehicle and ensure even weight distribution between the front and rear wheels.
 - Do not exceed the maximum permissible weight and the maximum permissible axle loads.

Guideline

Maximum permissible overall weight	350 kg (772 lb.)
Maximum permissible front axle load	150 kg (331 lb.)
Maximum permissible rear axle load	220 kg (485 lb.)

9.1 Performing checks and vehicle care when preparing for use




Info

Before each use, check the state and roadworthiness of the vehicle.
Make sure that the vehicle is in perfect technical condition before use.

- Check the engine oil level. (📖 p. 159)
- Check the brake fluid level of the front brake. (📖 p. 101)
- Check the rear brake fluid level. (📖 p. 109)
- Check the front brake linings. (📖 p. 105)
- Check the rear brake linings. (📖 p. 112)
- Check the brake system function.
- Check the coolant level in the compensating tank. (📖 p. 150)
- Check the chain for dirt. (📖 p. 88)
- Check the chain tension. (📖 p. 89)
- Check the tire condition. (📖 p. 123)
- Check the tire pressure. (📖 p. 125)
- Check the settings of all controls and ensure that they can be operated smoothly.
- Check that the electrical equipment is functioning correctly.
- Check that baggage is correctly secured.
- Sit on the motorcycle and check the rear mirror setting.
- Check the fuel level.

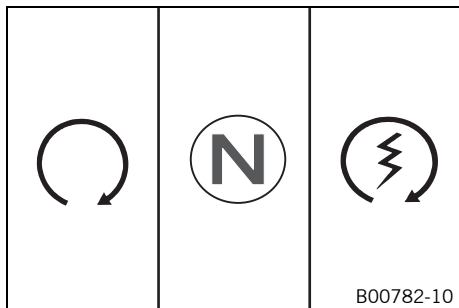
9.2 Starting

 **Danger**
Danger of poisoning Exhaust gases are toxic and inhaling them may result in unconsciousness and/or death.

- When running the engine, always make sure there is sufficient ventilation, and do not start or run the engine in an enclosed space without an effective exhaust extraction system.

Note
Engine failure High engine speeds in cold engines have a negative effect on the service life of the engine.

- Always warm up the engine at low engine speeds.



- Turn the emergency OFF switch to the position ○.
- Switch on the ignition by turning the ignition key to the position ○.
- ✓ After you switch on the ignition, you can hear the fuel pump working for about two seconds. The function check of the combination instrument is run at the same time.
- ✓ The ABS warning lamp lights up and goes back out after starting off.
- Shift gear to neutral.
- ✓ The green idling speed indicator lamp **N** lights up.
- Press the electric starter button Ⓢ.

Info

Do not press the electric starter button until the combination instrument function check is finished.

When starting, **DO NOT** open the throttle. If you open the throttle during the starting procedure, fuel is not injected by the engine management system and the engine cannot start.

Press the starter for a maximum of 5 seconds. Wait for a least 5 seconds before trying again.

This motorcycle is equipped with a safety starting system. You can only start the engine if the transmission is in neutral or if the clutch lever is pulled when a gear is engaged. If the side stand is folded out and you shift into gear and release the clutch, the engine stops.

- Take the weight off the side stand and swing it back up with your foot as far as it will go.

9.3 Starting off

- Pull the clutch lever, engage 1st gear, release the clutch lever slowly and simultaneously open the throttle carefully.

9.4 Shifting, riding



Warning

Danger of accidents Abrupt load alterations can cause the vehicle to get out of control.

- Avoid abrupt load alterations and sudden braking actions, and adapt your speed to the road conditions.



Warning

Danger of accidents If you change down at high engine speed, the rear wheel can lock up.

- Do not change into a low gear at high engine speed. The engine races and the rear wheel can lock up.



Warning

Danger of accidents Malfunctions caused by incorrect ignition key position.

- Do not change the ignition key position during a journey.



Warning

Danger of accidents Distraction from traffic activity by adjustments to the vehicle.

- Make all adjustments when the vehicle is at a standstill.



Warning

Risk of injury Falling off of the passenger.

- The passenger must be seated properly on the passenger seat and hold on to the front rider or the grab handles. The feet must be positioned on the passenger footrests. Note the regulations governing the minimum age of passengers.



Warning

Danger of accidents Danger of accidents caused by dangerous driving.

- Comply with traffic regulations and ride defensively and foresightedly to detect sources of danger early on.



Warning

Danger of accidents Reduced road grip with cold tires.

- On every journey, take the first miles carefully at moderate speed until the tires reach operating temperature and optimal road grip is ensured.



Warning

Danger of accidents Reduced road grip with new tires.

- New tires have a smooth rolling surface and therefore cannot provide full road grip. The entire rolling surface must be roughened in the first 200 kilometers (124.3 miles) by moderate riding at alternating angles. The full grip levels are not achieved until the tires have been run in.



Warning

Danger of accidents Unstable handling characteristics.

- Do not exceed the maximum permitted weight and axle loads. The overall weight consists of: motorcycle operational and with a full tank, driver and passenger with protective clothing and helmet, baggage.



Warning

Danger of accidents Unstable handling characteristics due to slipped baggage.

- Check the way your baggage is fixed regularly.



Warning

Danger of accidents Lack of roadworthiness.

- After a fall, check the vehicle as usual before preparing for use.

Note

Engine failure Unfiltered intake air has a negative effect on the service life of the engine.

- Never operate the vehicle without an air filter as dust and dirt will enter the engine and lead to increased wear.

Note

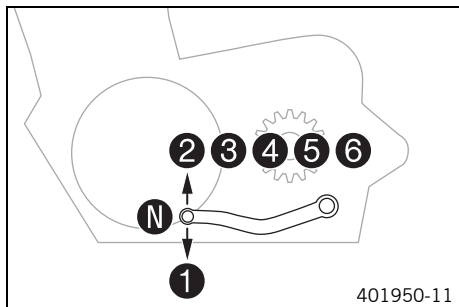
Engine failure Overheating damages the engine.

- If the coolant temperature warning is displayed, stop immediately and take care not to endanger yourself or other traffic participants in the process.
- Allow the engine and cooling system to cool down.
- Check and, if necessary, correct the coolant level on the cooling system while it is in a cooled state.



Info

If unusual noises arise during operation, stop immediately, switch off the engine, park the vehicle properly, and contact an authorized KTM workshop.



- Shift into a higher gear when conditions allow (incline, road situation, etc.).
- Release the throttle while simultaneously pulling the clutch lever, shift into the next gear, release the clutch lever, and open the throttle.

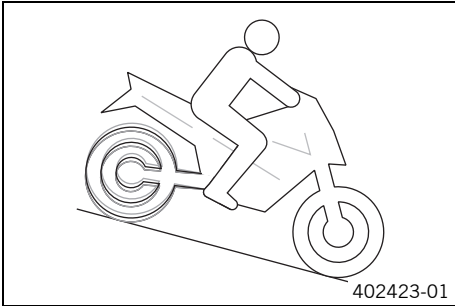
i Info

You can see the positions of the 6 forward gears in the figure. The neutral or idle position is between the first and second gears. First gear is used for starting off or for steep inclines.

The operating temperature is reached when 5 bars of the temperature indicator light up.

-
- After reaching maximum speed by fully opening the throttle grip, turn the throttle back so it is $\frac{3}{4}$ open. This will barely reduce the speed but fuel consumption will be considerably lower.
 - Accelerate only up to a speed suitable for the road surface and weather conditions. Particularly in bends, do not shift, and accelerate very carefully.
 - Brake if necessary and close the throttle at the same time in order to shift down.
 - Pull the clutch lever and shift into a lower gear, release the clutch lever slowly, and open the throttle or shift again.
 - If the engine stalls (e.g. at a crossroads), just pull the clutch lever and press the electric starter button. You do not have to shift into neutral.
 - Switch off the engine if running at idle or standing for a long time.
 - If the engine warning lamp lights up while riding, stop immediately taking care not to endanger yourself or other road users in the process.

9.5 Engine braking control (MSR)



(Duke)

The **MSR** is an optional auxiliary function of the engine control.

If the engine braking effect is too great, the **MSR** prevents the rear wheel from locking. To avoid slip of the rear wheel, the **MSR** only opens the throttle valve as far as absolutely necessary.

The **MSR** is applied on surfaces, where the friction is too low to open the anti-hopping clutch.



Info

When the **ABS** is switched off or the ABS Mode **SupMotis** enabled, the **MSR** is not enabled.

(Duke R)

The **MSR** is a function of the engine control.

If the engine braking effect is too great, the **MSR** prevents the rear wheel from locking or sliding away on a sloping position.

To avoid slip of the rear wheel, the **MSR** only opens the throttle valve as far as absolutely necessary.

The **MSR** is applied on surfaces, where the friction is too low to open the anti-hopping clutch.

To further increase ride safety, the **MSR** is slope dependent.



Info

When the **ABS** is switched off or the ABS Mode **SupMotis** enabled, the **MSR** is not enabled.

9.6 Applying the brakes



Warning

Danger of accidents Reduced braking efficiency due to a wet or dirty brake system.

- Clean or dry a dirty or wet brake system by riding and braking gently.



Warning

Danger of accidents Reduced braking efficiency caused by spongy pressure point of front or rear brake.

- Check the brake system and do not continue riding. (Your authorized KTM workshop will be glad to help.)



Warning

Danger of accidents Failure of brake system.

- If the foot brake lever is not released, the brake linings drag continuously. The rear brake may fail due to overheating. Take your foot off the foot brake lever when you are not braking.



Warning

Danger of accidents Longer stopping distance due to higher overall weight.

- Take the longer stopping distance into account when carrying a passenger and baggage.



Warning

Danger of accidents Delayed brake action on salted roads.

- There may be salt deposits on the brake discs. In order to restore the normal braking efficiency, you will need to remove the deposits from the discs by carefully applying the brakes.



Warning

Danger of accidents Greater stopping distance due to ABS.

- Braking should be appropriate to the driving situation and the road conditions.



Warning

Danger of accidents Very forceful braking can cause the wheels to block.

- ABS must be switched on to be effective.



Warning

Danger of accidents Locking of the wheels due to braking action of the engine.

- Pull the clutch during emergency braking, full brake application and when braking on a slippery surface.

-
- When braking, release the throttle and apply the front and rear brakes at the same time.



Info

When ABS is active, you can achieve maximum braking power even on low grip surfaces such as sandy, wet, or slippery terrain without locking of the tires.



Warning

Danger of accidents Road grip is reduced when braking with the motorcycle at an angle or on a laterally inclined surface.

- Braking should be completed before you enter into a bend.

-
- Braking should always be completed before you go into a bend. Change down to a lower gear appropriate to your road speed.
 - On long downhill stretches, use the braking effect of the engine. Change down one or two gears, but do not over rev the engine. As a result, you will have to apply the brakes far less frequently and the brake system will not overheat.

9.7 Stopping, parking



Warning

Risk of misappropriation Usage by unauthorized persons.

- Never leave the vehicle unattended while the engine is running. Secure the vehicle against use by unauthorized persons. If you leave the vehicle, lock the steering and remove the ignition key.



Warning

Danger of burns Some vehicle components become very hot when the vehicle is operated.

- Do not touch hot components such as exhaust system, radiator, engine, shock absorber, and the brake system. Allow these components to cool down before starting work on them.

Note

Material damage The vehicle may be damaged by incorrect procedure when parking.

Significant damage may be caused if the vehicle rolls away or falls over.

The components for parking the vehicle are designed only for the weight of the vehicle.

- Park the vehicle on a firm and level surface.
- Ensure that nobody sits on the vehicle when the vehicle is parked on a stand.

Note

Fire hazard Some vehicle components become very hot when the vehicle is operated.

- Do not park the vehicle near flammable or explosive substances. Do not place objects on the vehicle while it is still warm from being run. Always let the vehicle cool first.

-
- Apply the brakes on the motorcycle.
 - Shift gear to neutral.
 - Switch off the ignition by turning the ignition key to the position ☒.



Info

If the engine is switched off with the emergency OFF switch and the ignition remains switched on at the ignition lock, power continues to flow to most power consumers. This discharges the battery. You should therefore always switch off the engine with the ignition key – the emergency OFF switch is intended for emergencies only.

-
- Park the motorcycle on a firm surface.
 - Swing the side stand forward with your foot as far as it will go and lean the vehicle on it.

- Lock the steering by turning the handlebar fully to the left, pressing down the ignition key to the position ☒ and turning it to the position ☑. To make the steering lock engage more easily, move the handlebar a little to the left and right. Remove the ignition key.

9.8 Transport

Note

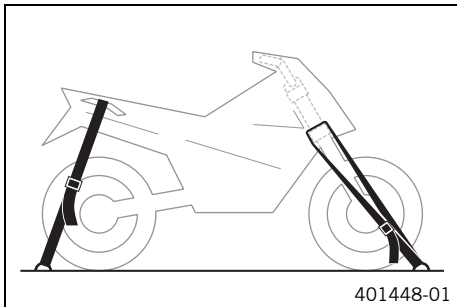
Danger of damage The parked vehicle may roll away or fall over.

- Always place the vehicle on a firm and even surface.

Note

Fire hazard Some vehicle components become very hot when the vehicle is operated.

- Do not park the vehicle near flammable or explosive substances. Do not place objects on the vehicle while it is still warm from being run. Always let the vehicle cool first.



- Switch off the engine.
- Use tension belts or other suitable devices to secure the motorcycle against accidents or falling over.

9.9 Refueling



Danger

Fire hazard Fuel is highly flammable.

- Never refuel the vehicle near open flames or burning cigarettes, and always switch off the engine first. Be careful that no fuel is spilt, especially on hot vehicle components. Clean up spilt fuel immediately.
- The fuel in the fuel tank expands when warm and may emerge if overfilled. Follow the instructions on refueling.



Warning

Danger of poisoning Fuel is poisonous and a health hazard.

- Fuel must not come into contact with the skin, eyes, or clothing. Do not breathe in the fuel vapors. If contact occurs with the eyes, rinse with water immediately and contact a physician. Immediately clean contaminated areas on the skin with soap and water. If fuel is swallowed, contact a physician immediately. Change clothing that is contaminated with fuel.

Note

Material damage Premature clogging of the fuel filter.

- In some countries and regions, the available fuel quality and cleanliness may not be sufficient. This will result in problems with the fuel system. (Your authorized KTM workshop will be glad to help.)
- Only refuel with clean fuel that meets the specified standards.

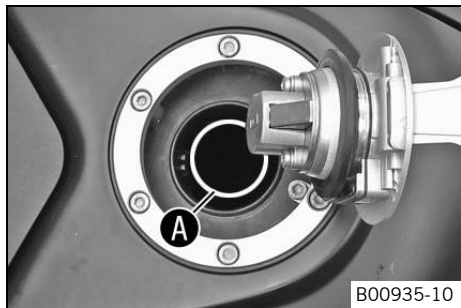


Warning

Environmental hazard Improper handling of fuel is a danger to the environment.

- Do not allow fuel to get into the ground water, the ground, or the sewage system.

9 RIDING INSTRUCTIONS



- Switch off the engine.
- Open the filler cap. (📖 p. 30)
- Fill the fuel tank with fuel up to the lower edge **A** of the filler neck.

Total fuel tank capacity, approx.	14 l (3.7 US gal)	Super unleaded (ROZ 95/RON 95/PON 91) (📖 p. 192)
-----------------------------------	-------------------	--






- Close the filler cap. (📖 p. 31)

10 SERVICE SCHEDULE

10.1 Additional information

Any further work that results from the required work or from the recommended work must be ordered separately and can be invoiced separately.

10.2 Required work

	Every two years	Every year	Every 20,000 km (12,400 mi)	Every 10,000 km (6,200 mi)	After 1,000 km (620 mi)
Read out the fault memory using the KTM diagnostics tool. 	○	●	●	●	●
Check that the electrical system is functioning properly. 	○	●	●	●	●
Change the engine oil and oil filter and clean the oil screens.  (📖 p. 159)	○	●	●	●	●
Check the front brake linings. (📖 p. 105)	○	●	●	●	●
Check the rear brake linings. (📖 p. 112)	○	●	●	●	●
Check the brake discs. (📖 p. 100)	○	●	●	●	●
Check the brake lines for damage and leakage. 	○	●	●	●	●
Check the rear brake fluid level. (📖 p. 109)	○	●	●	●	●
Check the free travel of the foot brake lever. (📖 p. 106)	○	●	●	●	●
Check the shock absorber and fork for leaks. 	○	●	●	●	●
Check the tire condition. (📖 p. 123)	○	●	●	●	●
Check the tire pressure. (📖 p. 125)	○	●	●	●	●
Check the chain, rear sprocket, and engine sprocket. (📖 p. 93)	○	●	●	●	●
Check the chain tension. (📖 p. 89)	○	●	●	●	●

10 SERVICE SCHEDULE

		Every two years		Every year	
		Every 20,000 km (12,400 mi)		Every 10,000 km (6,200 mi)	
		After 1,000 km (620 mi)			
Clean the dust boots of the fork legs.		•	•		
Check the brake fluid level of the front brake. (📖 p. 101)	○	•	•	•	
Check the steering head bearing play.	○	•	•	•	•
Change the spark plugs. 🛠️			•		
Check the valve clearance. 🛠️		•	•		
Check the antifreeze and coolant level. (📖 p. 148)	○	•	•	•	•
Check the cables for damage and routing without sharp bends. 🛠️		•	•	•	•
Change the air filter. Clean the air filter box. 🛠️		•	•		
Check the fuel pressure. 🛠️		•	•	•	•
Change the front brake fluid. 🛠️					•
Change the rear brake fluid. 🛠️					•
Change the hydraulic clutch fluid. 🛠️					•
Check the headlight setting. (📖 p. 146)	○	•	•		
Check that the radiator fan is functioning properly. 🛠️	○	•	•	•	•
Final check: Check the vehicle for road worthiness and take a test ride. 🛠️	○	•	•	•	•
Read out the fault memory using the KTM diagnostics tool after a test ride. 🛠️	○	•	•	•	•
Check the CO adjustment using the KTM diagnostics tool. 🛠️		•	•		
Reset the service interval display. 🛠️	○	•	•	•	•
Make the service entry in the KTM Dealer.net and in the Service and Warranty Booklet. 🛠️	○	•	•	•	•

10 SERVICE SCHEDULE

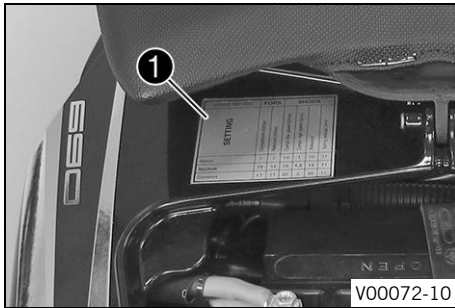
- One-time interval
- Periodic interval

10.3 Recommended work

	Every four years			
	Every year			
	Every 10,000 km (6,200 mi)			
	After 1,000 km (620 mi)			
Checking the swingarm bearing for play. 🛠️		●		
Check the wheel bearing for play. 🛠️		●		
Grease all moving parts (e.g., side stand, hand lever, chain, ...) and check for smooth operation. 🛠️	○	●	●	●
Empty the drainage hoses. 🛠️	○	●	●	●
Check all hoses (e.g. fuel, coolant, bleeder, drainage, etc.) and sleeves for cracking, leaks, and incorrect routing. 🛠️		●	●	●
Check/correct the fluid level of the hydraulic clutch. (📖 p. 96)		●	●	●
Check the screws and nuts for tightness. 🛠️	○	●	●	●
Change the coolant. 🛠️				●

- One-time interval
- Periodic interval

11.1 Fork/shock absorber (Duke R)



The fork and the shock absorber offer many options of adapting the chassis to your riding style and the payload.

Info

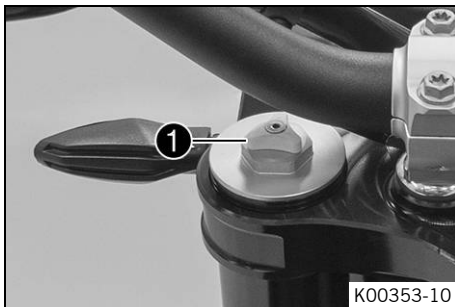
To help you adapt the vehicle, we have summarized our findings in Table 1. You can find the table under the passenger seat.

These adjustments should be understood as a guideline and should always be the basis of your own personal suspension setting. Do not change the adjustments at random or by more than $\pm 40\%$, since otherwise the riding characteristics could deteriorate, particularly at high speeds.

11.2 Adjusting the compression damping of the fork (Duke R)

Info

The hydraulic compression damping determines the fork suspension behavior.



- Turn the white adjusting screw 1 all the way clockwise.

Info

Adjusting screw 1 is located at the upper end of the left fork leg.

The compression damping is located in the left fork leg **COMP** (white adjusting screw). The rebound damping is located in the right fork leg **REB** (red adjusting screw).

- Turn counterclockwise by the number of clicks corresponding to the fork type.

Guideline

Compression damping	
Comfort	17 clicks
Standard	12 clicks
Sport	7 clicks
Full payload	7 clicks



Info

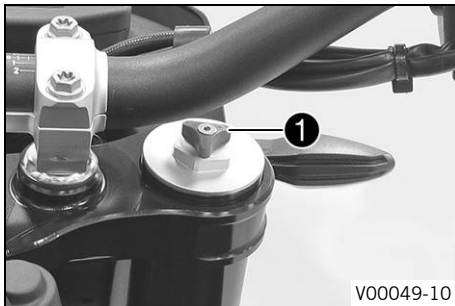
Turn clockwise to increase damping; turn counterclockwise to reduce damping.

11.3 Adjusting the rebound damping of the fork (Duke R)



Info

The hydraulic rebound damping determines the fork suspension behavior.



- Turn the red adjusting screw **1** all the way clockwise.



Info

Adjusting screw **1** is located at the upper end of the right fork leg. The rebound damping is located in the right fork leg **REB** (red adjusting screw). The compression damping is located in the left fork leg **COMP** (white adjusting screw).

- Turn counterclockwise by the number of clicks corresponding to the fork type.

Guideline

Rebound damping	
Comfort	17 clicks
Standard	12 clicks
Sport	7 clicks
Full payload	7 clicks



Info

Turn clockwise to increase damping; turn counterclockwise to reduce damping.

11.4 Compression damping of the shock absorber (Duke R)

The compression damping of the shock absorber is divided into two ranges: high-speed and low-speed.

High-speed and low-speed refer to the compression speed of the rear wheel suspension and not to the vehicle speed.

The high-speed setting, for example, has an effect when riding over an asphalt edge: the rear wheel suspension compresses quickly.

The low-speed setting, for example, has an effect when riding over long ground swells: the rear wheel suspension compresses slowly.

These two ranges can be adjusted separately, although the transition between high-speed and low-speed is gradual. Thus, changes in the high-speed range affect the compression damping in the low-speed range and vice versa.

11.5 Adjusting the high-speed compression damping of the shock absorber (Duke R)



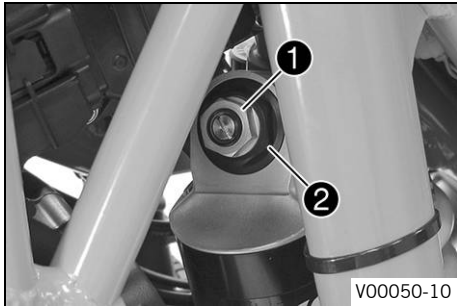
Caution

Danger of accidents Disassembly of pressurized parts can lead to injury.

- The shock absorber is filled with high density nitrogen. Adhere to the description provided. (Your authorized KTM workshop will be glad to help.)

i Info

The effect of the high-speed setting can be seen in fast compression of the shock absorber.



- Using an open end wrench, turn adjusting screw **1** clockwise all the way.

i Info

Do not loosen fitting **2**!

- Turn counterclockwise by the number of turns corresponding to the shock absorber type.

Guideline

Compression damping, high-speed	
Comfort	2 turns
Standard	1.5 turns
Sport	1 turn
Full payload	1 turn

i Info

Turn clockwise to increase damping; turn counterclockwise to reduce damping during fast compression.

11.6 Adjusting the low-speed compression damping of the shock absorber (Duke R)

! Caution

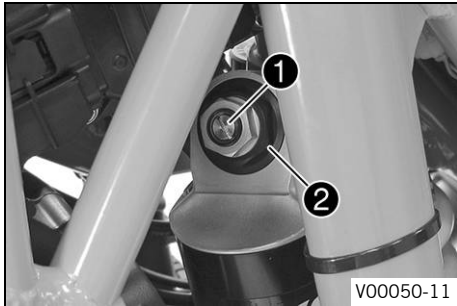
Danger of accidents Disassembly of pressurized parts can lead to injury.

- The shock absorber is filled with high density nitrogen. Adhere to the description provided. (Your authorized KTM workshop will be glad to help.)



Info

The effect of the low-speed setting can be seen in slow to normal compression of the shock absorber.



- Turn adjusting screw **1** clockwise with a screwdriver up to the last perceptible click.



Info

Do not loosen fitting **2**!

- Turn counterclockwise by the number of clicks corresponding to the shock absorber type.

Guideline

Compression damping, low-speed	
Comfort	20 clicks
Standard	15 clicks
Sport	10 clicks
Full payload	10 clicks



Info

Turn clockwise to increase damping; turn counterclockwise to reduce damping during slow to normal compression.

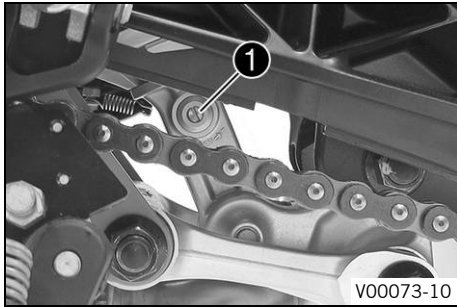
11.7 Adjusting the rebound damping of the shock absorber (Duke R)



Caution

Danger of accidents Disassembly of pressurized parts can lead to injury.

- The shock absorber is filled with high density nitrogen. Adhere to the description provided. (Your authorized KTM workshop will be glad to help.)



- Turn adjusting screw ❶ clockwise up to the last perceptible click.
- Turn counterclockwise by the number of clicks corresponding to the shock absorber type.

Guideline

Rebound damping	
Comfort	20 clicks
Standard	15 clicks
Sport	10 clicks
Full payload	10 clicks

i Info
Turn clockwise to increase damping; turn counterclockwise to reduce damping.

11.8 Adjusting the spring preload of the shock absorber ↘

⚠ Warning
Danger of accidents Modifications to the suspension settings can seriously alter the vehicle's ride behavior.

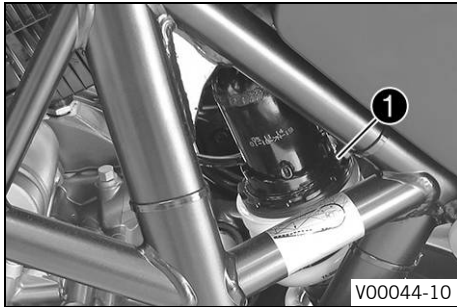
- Following modifications, ride slowly at first to get the feel of the new ride behavior.

i Info
The spring preload defines the initial status of the spring operation on the shock absorber. The best spring preload setting is achieved when it is set for the weight of the rider and that of any baggage and a passenger, thus ensuring an ideal compromise between maneuverability and stability.

**Preparatory work
(Duke R)**

- Remove footrest bracket.

- Raise the motorcycle with the work stand. 🛠️
- Remove the main silencer. 🛠️
- Remove the shock absorber. 🛠️



**Main work
(Duke)**

- Adjust the spring preload by turning adjuster ❶.

Guideline

Spring preload	
Standard	4 clicks

Hook wrench (T106S)



Info

The spring preload can be set to 10 different positions.

(Duke R)

- Measure and note down the spring length in the preloaded state.
- Loosen retaining ring ❶ and adjusting ring ❷ with the special tool.

Hook wrench (T106S)

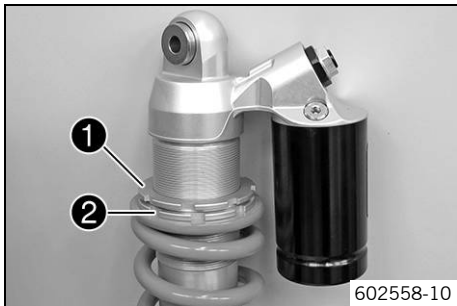
Hook wrench (T157S)

- Turn the retaining ring and adjusting ring until the spring is fully relieved of tension.
- Adjust the spring preload by turning adjusting ring ❷.

Guideline

Spring preload	11 mm (0.43 in)
----------------	-----------------

- Tighten retaining ring ❶.



Finishing work (Duke R)

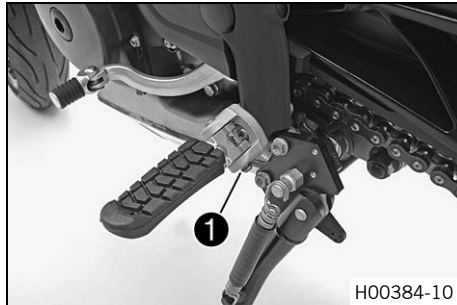
- Install the shock absorber. 🛠️
- Install the main silencer. 🛠️
- Remove the motorcycle from the work stand.
- Install the footrest bracket.

11.9 Adjusting the footrests



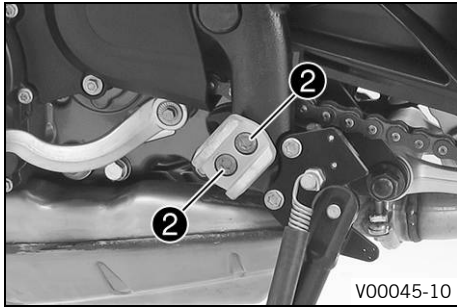
Info

The operations on the footrest brackets are the same for the left and right sides.

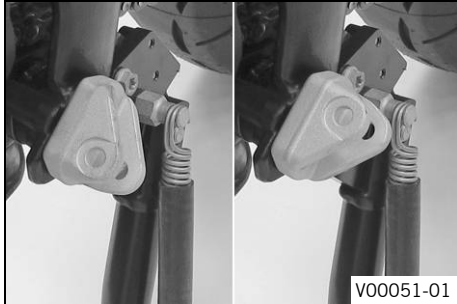


- Remove lock ring ①.
- Remove the pin of the rider footrest. Take off the rider footrest with the spring.

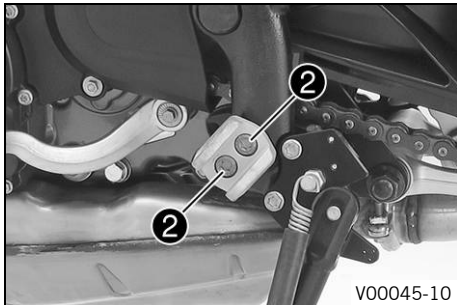
11 TUNING THE CHASSIS



- Remove screws ②.



- Adjust the footrest bracket to the desired position.



- Mount and tighten screws ②.

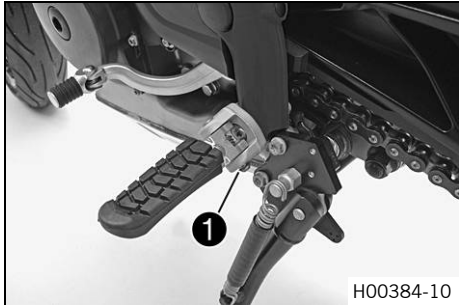
Guideline

Screw, front footrest bracket	M8	25 Nm (18.4 lbf ft)	Loctite® 243™
-------------------------------	----	------------------------	---------------

11 TUNING THE CHASSIS

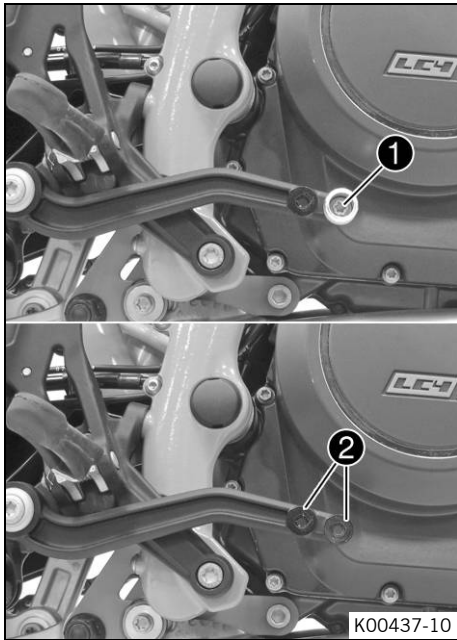


- Mount the rider footrest with the spring and pin.



- Mount lock ring ①.

11.10 Adjusting foot brake lever stub (Duke R)



- Remove screw ❶ and take off foot brake lever stub.
- Position foot brake lever stub at desired hole ❷.

Guideline

Standard	Front hole
----------	------------

- Mount and tighten screw ❶.

Guideline

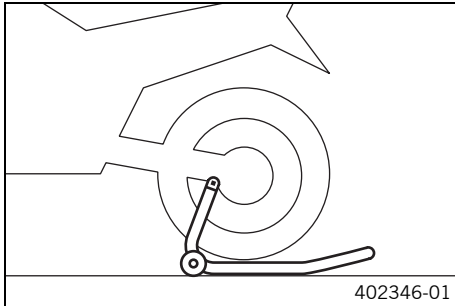
Screw, foot brake lever stub	M6	10 Nm (7.4 lbf ft)	Loctite® 243™
------------------------------	----	-----------------------	----------------------

12.1 Raising the motorcycle with the rear lifting gear

Note

Danger of damage The parked vehicle may roll away or fall over.

- Always place the vehicle on a firm and even surface.



- Mount the supports of the lifting gear.
- Insert the adapter in the rear lifting gear.

Adapter (69329955020)

Lifting gear, rear (69329955000)

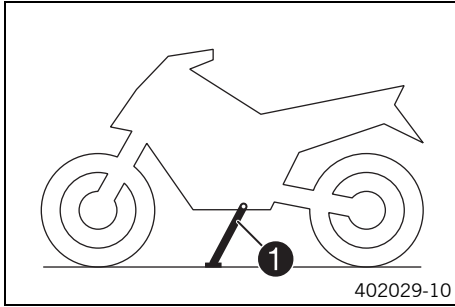
- Stand the motorcycle upright, align the lifting gear with the swingarm and the adapters, and lift the motorcycle.

12.2 Removing the rear of the motorcycle from the lifting gear

Note

Danger of damage The parked vehicle may roll away or fall over.

- Always place the vehicle on a firm and even surface.



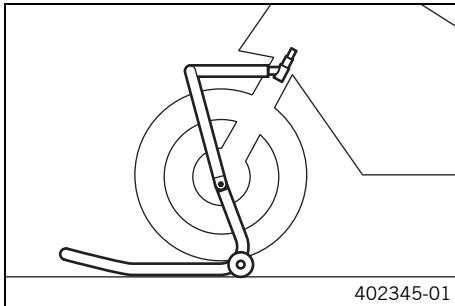
- Secure the motorcycle against falling over.
- Remove the rear lifting gear and lean the vehicle on side stand ❶.

12.3 Lifting the motorcycle with the front lifting gear

Note

Danger of damage The parked vehicle may roll away or fall over.

- Always place the vehicle on a firm and even surface.



Preparatory work

- Raise the motorcycle with the rear lifting gear. (📖 p. 83)

Main work

- Move the handlebar to the straight-ahead position. Attach the lifting gear to the steering stem.

Adapter (61029955620)

Lifting gear, front (61029055500)



Info

Always raise the motorcycle at the rear first.

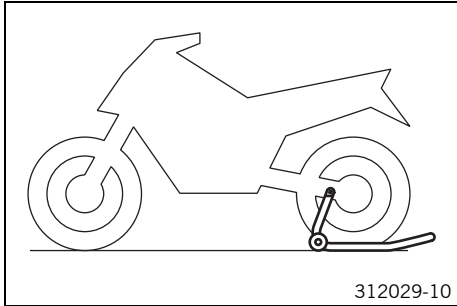
- Raise the motorcycle at the front.

12.4 Taking the motorcycle from the front lifting gear

Note

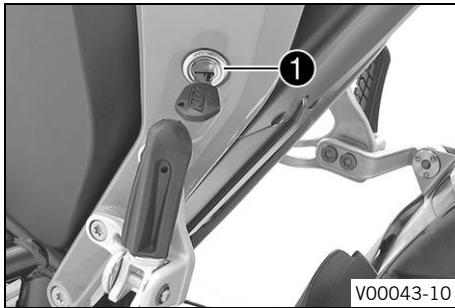
Danger of damage The parked vehicle may roll away or fall over.

- Always place the vehicle on a firm and even surface.



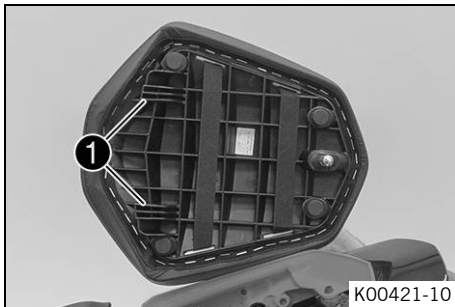
- Secure the motorcycle against falling over.
- Remove the front lifting gear.

12.5 Removing the passenger seat



- Insert the ignition key in seat lock ❶ and turn it clockwise.
- Raise the rear of the passenger seat, push it towards the rear, and remove it upward.
- Remove the ignition key from the seat lock.

12.6 Mounting the passenger seat



- Hook catches ❶ of the passenger seat onto the storage compartment, lower the rear, and simultaneously push forward.
- Press down the passenger seat until it clicks into place.

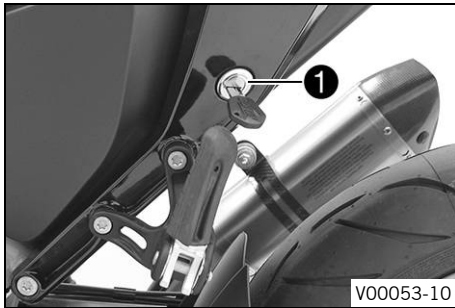


Warning

Danger of accidents The passenger seat can come loose from the anchoring if it is not mounted correctly.

- After mounting the passenger seat, check that it is locked correctly by pulling up.
-
- Finally, check that the passenger seat is correctly mounted.

12.7 Removing the passenger seat cover (Duke R)



- Insert the ignition key in seat lock ❶ and turn it clockwise.
- Raise the rear of the passenger seat cover, push it toward the rear, and remove it upward.
- Remove the ignition key from the seat lock.

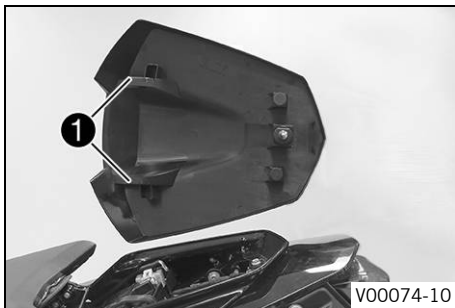
12.8 Mounting the passenger seat cover (Duke R)



Warning

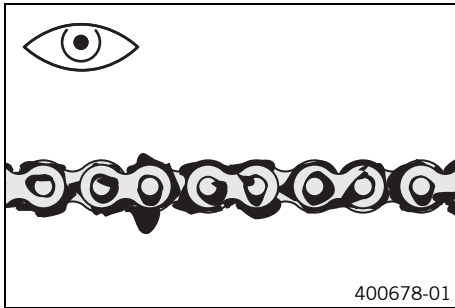
Danger of accidents Accident risk caused by the presence of a passenger.

- If the passenger seat cover is mounted, the vehicle is not suitable for transporting a passenger. Do not ride with a passenger.




- Hook catches ❶ of the passenger seat cover onto the storage compartment, lower the rear, and simultaneously push forward.
- Press down the passenger seat cover until it clicks into place.
- Finally, check that the passenger seat cover is correctly mounted.

12.9 Checking the chain for dirt




- Check the chain for heavy soiling.
 - » If the chain is very dirty:
 - Clean the chain. (📖 p. 88)


12.10 Cleaning the chain

 **Warning**
Danger of accidents Oil or grease on the tires reduces their grip.

- Remove oil and grease with a suitable cleaning material.

 **Warning**
Danger of accidents Reduced braking efficiency due to oil or grease on the brake discs.

- Always keep the brake discs free of oil and grease, and clean them with brake cleaner when necessary.

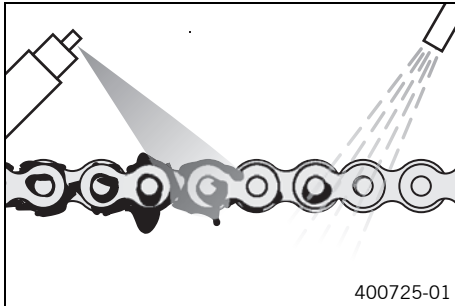
 **Warning**
Environmental hazard Hazardous substances cause environmental damage.

- Oil, grease, filters, fuel, cleaners, brake fluid, etc., should be disposed of as stipulated in applicable regulations.



Info

The service life of the chain depends largely on its maintenance.



Preparatory work

- Raise the motorcycle with the rear lifting gear. (📖 p. 83)

Main work

- Clean the chain regularly.
- Rinse off loose dirt with a soft jet of water.
- Remove old grease residue with chain cleaner.

Chain cleaner (📖 p. 193)

- After drying, apply chain spray.

Chain lube for road use (📖 p. 193)

Finishing work

- Remove the rear of the motorcycle from the lifting gear. (📖 p. 83)

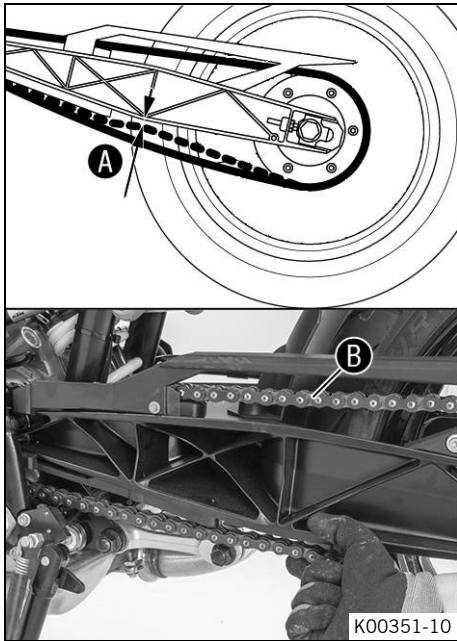
12.11 Checking the chain tension



Warning

Danger of accidents Danger caused by incorrect chain tension.

- If the chain is too taut, the components of the secondary power transmission (chain, engine sprocket, rear sprocket, bearings in the transmission and in the rear wheel) will be under additional load. In addition to premature wear, this can cause the chain or the countershaft of the transmission to break in extreme cases. If the chain is too loose, however, it may fall off the engine sprocket or rear sprocket and block the rear wheel or damage the engine. Ensure that the chain tension is correct and adjust it if necessary.



Preparatory work

- Raise the motorcycle with the rear lifting gear. (📖 p. 83)

Main work

- Shift gear to neutral.
- Push the chain upwards near the vertical rib of the swingarm and measure the chain tension **A**.

i Info

The upper chain section **B** must be taut.
Chain wear is not always even. Repeat this measurement at different chain positions.

Chain tension	5 mm (0.2 in)
---------------	---------------

- » If the chain tension does not meet the specification:
 - Adjust the chain tension. (📖 p. 91)

Finishing work

- Remove the rear of the motorcycle from the lifting gear. (📖 p. 83)

12.12 Adjusting the chain tension



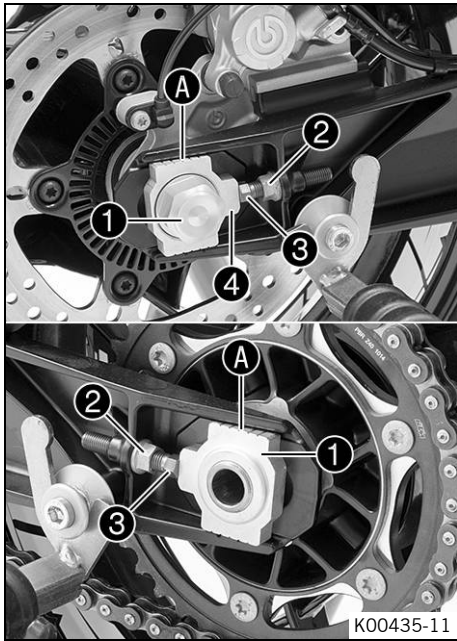
Warning

Danger of accidents Danger caused by incorrect chain tension.

- If the chain is too taut, the components of the secondary power transmission (chain, engine sprocket, rear sprocket, bearings in the transmission and in the rear wheel) will be under additional load. In addition to premature wear, this can cause the chain or the countershaft of the transmission to break in extreme cases. If the chain is too loose, however, it may fall off the engine sprocket or rear sprocket and block the rear wheel or damage the engine. Ensure that the chain tension is correct and adjust it if necessary.

Preparatory work

- Raise the motorcycle with the rear lifting gear. (📖 p. 83)
- Check the chain tension. (📖 p. 89)



Main work

- Loosen nut ①.
- Loosen nuts ②.
- Adjust the chain tension by turning adjusting screws ③ left and right.

Guideline

Chain tension	5 mm (0.2 in)
Turn the adjusting screws ③ on the left and right so that the markings on the left and right chain adjusters ④ are in the same position relative to the reference marks A. The rear wheel is then correctly aligned.	

i Info

The upper part of the chain must be taut.
Chain wear is not always even. Repeat this measurement at different chain positions.

- Tighten nuts ②.
- Make sure that chain adjusters ④ are fitted correctly on adjusting screws ③.
- Tighten nut ①.

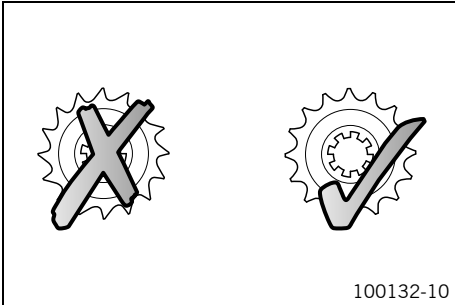
Guideline

Nut, rear wheel spindle	M25x1.5	90 Nm (66.4 lbf ft)
-------------------------	---------	------------------------

Finishing work

- Check the chain tension. (🔧 p. 89)
- Remove the rear of the motorcycle from the lifting gear. (🔧 p. 83)

12.13 Checking the chain, rear sprocket, and engine sprocket



Preparatory work

- Raise the motorcycle with the rear lifting gear. (📖 p. 83)

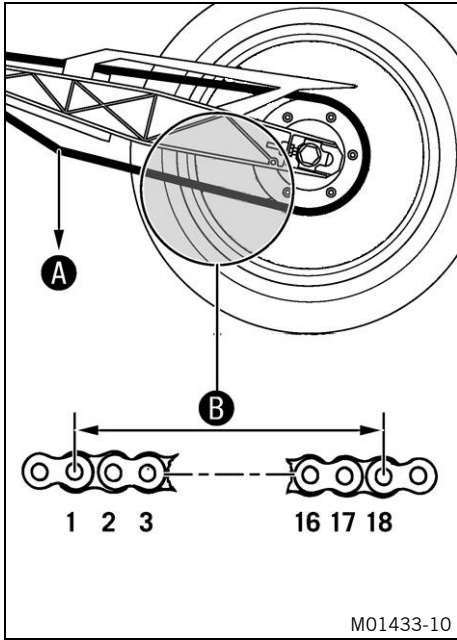
Main work

- Check the rear sprocket and engine sprocket for wear.
 - » If the rear sprocket and engine sprocket are worn:
 - Change the drivetrain kit. 🛠️

Info

The engine sprocket, rear sprocket, and chain should always be replaced together.

12 SERVICE WORK ON THE CHASSIS



- Shift gear to neutral.
- Pull the lower chain section with the specified weight **A**.

Guideline

Weight of chain wear measurement	15 kg (33 lb.)
----------------------------------	----------------

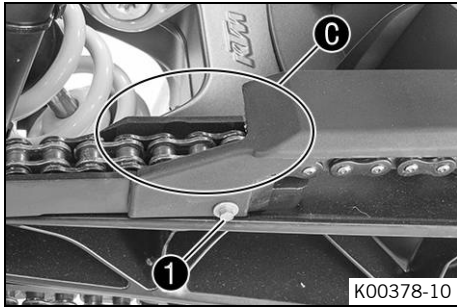
- Measure distance **B** of 18 chain rollers in the lower chain section.

i **Info**
Chain wear is not always even. Repeat this measurement at different chain positions.

Maximum distance B at the longest chain section	272 mm (10.71 in)
--	-------------------

- » If distance **B** is greater than the specified measurement:
 - Change the drivetrain kit. 🛠️

i **Info**
When the chain is replaced, the rear sprocket and engine sprocket should also be changed.
New chains wear out faster on old, worn sprockets.
For safety reasons, the chain has no chain joint.



- Check the chain sliding guard for wear.
 - » If in area **C** by the chain sliding guard screw **1** is visible from above:
 - Replace the chain sliding guard. 🛠️
- Check that the chain sliding guard is firmly seated.
 - » If the chain sliding guard is loose:
 - Tighten the screw of the chain sliding guard.

Guideline

Screw, chain sliding guard	M6	10 Nm (7.4 lbf ft)	Loctite® 243™
----------------------------	----	-----------------------	---------------

Finishing work

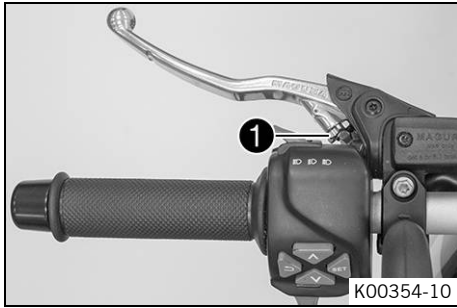
- Remove the rear of the motorcycle from the lifting gear. (📖 p. 83)

12.14 Adjusting the basic position of the clutch lever



Info

Turn the adjusting screw clockwise to increase the distance between the clutch lever and the handlebar.
Turn the adjusting screw counterclockwise to decrease the distance between the clutch lever and the handlebar.
The range of adjustment is limited.
Turn the adjusting screw by hand only, and do not apply force.
Do not make any adjustments while riding!



- Adjust the basic position of the clutch lever to your hand size by turning adjusting screw ❶.

12.15 Checking/correcting the fluid level of the hydraulic clutch



Warning

Skin irritation Brake fluid can cause skin irritation on contact.

- Avoid contact with skin and eyes, and keep out of the reach of children.
- Wear suitable protective clothing and goggles.
- If brake fluid comes into contact with the eyes, flush the eyes thoroughly with water and consult a physician immediately.



Warning

Environmental hazard Hazardous substances cause environmental damage.

- Oil, grease, filters, fuel, cleaners, brake fluid, etc., should be disposed of as stipulated in applicable regulations.

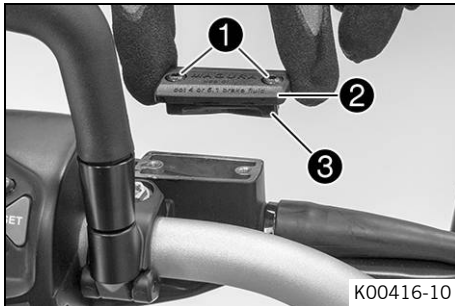
i Info

The fluid level rises with increasing wear of the clutch facing discs.

Never use DOT 5 brake fluid. It is silicone-based and purple in color. Oil seals and clutch lines are not designed for DOT 5 brake fluid.

Avoid contact between brake fluid and painted parts. Brake fluid attacks paint.

Only use clean brake fluid from a sealed container.



- Move the clutch fluid reservoir mounted on the handlebar to a horizontal position.
- Remove screws **1**.
- Remove cover **2** with membrane **3**.
- Check the fluid level.

Fluid level below container rim	4 mm (0.16 in)
---------------------------------	----------------

» If the fluid level does not meet specifications:

- Correct the fluid level of the hydraulic clutch.

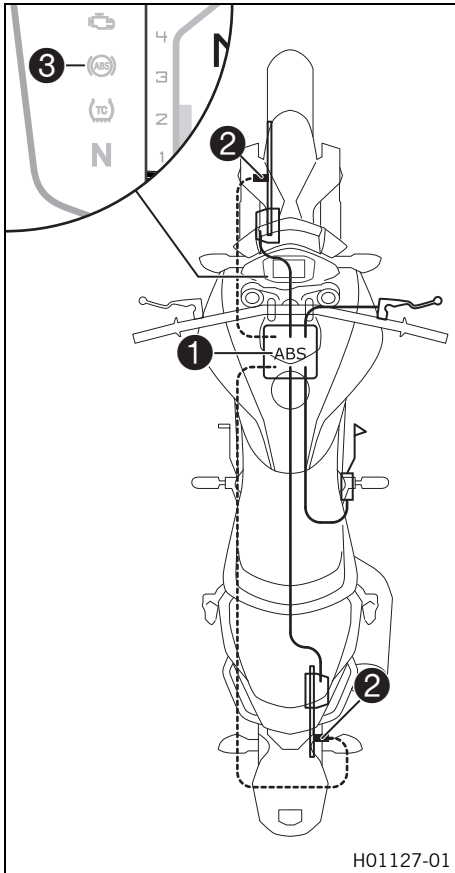
Brake fluid DOT 4 / DOT 5.1 (📖 p. 190)
--

- Position the cover with the membrane. Mount and tighten the screws.

i Info

Clean up overflowed or spilled brake fluid immediately with water.

13.1 Antilock braking system (ABS)



ABS unit **1**, which consists of a hydraulic unit, ABS control unit, and return pump, is installed under the fuel tank. A wheel speed sensor **2** is located at both the front and the rear wheel.



Warning

Danger of accidents Changes to the vehicle impair the function of the ABS.

- Only allow the rear wheel to spin with the front brake applied away from public road traffic if the ABS is switched off.
- Do not make any changes to the suspension travel.
- Only use spare parts on the brake system which have been approved and recommended by KTM.
- Only use tires/wheels approved by KTM with the corresponding speed index.
- Maintain the specified tire air pressure.
- Service work and repairs must be performed professionally. (Your authorized KTM workshop will be glad to help.)



Warning

Voiding of the government approval for road use and the insurance coverage If the ABS is switched off completely, the vehicle's approval for road use is invalidated.

- Only operate the vehicle in closed-off areas remote from public road traffic if the ABS is switched off completely.

The ABS is a safety system that prevents locking of the wheels when driving straight ahead without the influence of lateral forces.



Warning

Danger of accidents Vehicle rollover

- It is not always possible to prevent vehicle rollover in extreme riding situations (e. g. luggage loaded with a high center of gravity, varying road surfaces, steep descents, full braking without disengaging the gear). Adapt your riding style to the road conditions and your driving ability.

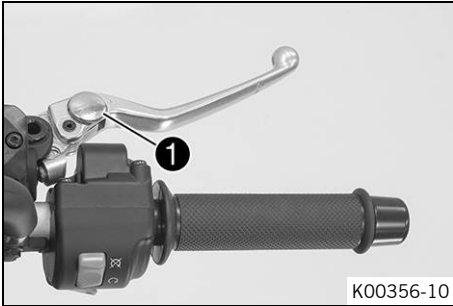
The ABS operates with two independent brake circuits (front and rear brakes). During normal operation, the brake system operates like a conventional brake system without ABS. When the ABS control unit detects a locking tendency in a wheel, ABS begins regulating the brake pressure. The regulating process causes a slight pulsing of the hand and foot brake levers.

ABS warning lamp **3** must light up after the ignition is switched on and go out after starting off. If it does not go out after starting off or if it lights up while riding, this indicates a fault in the ABS system. In this case, the ABS is no longer enabled and the wheels may lock during braking. The brake system itself stays functional; only ABS control is not available.

The ABS warning lamp may also light up if the rotating speeds of the front and rear wheels differ greatly under extreme riding conditions, for example when making wheelies or if the rear wheel spins. This causes the ABS to switch off.

To reactivate the ABS, the vehicle must be stopped and the ignition switched off. The ABS is reactivated when the vehicle is switched on again. The ABS warning lamp goes out when you start off.

13.2 Adjusting the basic position of the hand brake lever



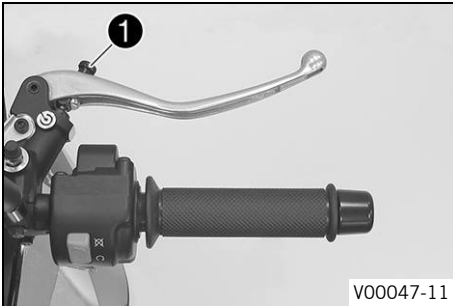
(Duke)

- Adjust the basic position of the hand brake lever to your hand size by turning adjusting wheel ❶.



Info

Push the hand brake lever forward and turn the adjusting wheel.
Do not make any adjustments while riding.



(Duke R)

- Adjust the basic position of the hand brake lever to your hand size by turning adjusting wheel ❶.



Info

Push the hand brake lever forward and turn the adjusting wheel.
Do not make any adjustments while riding.

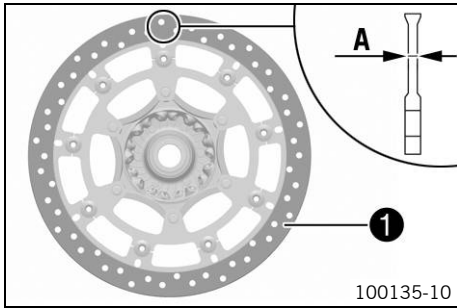
13.3 Checking the brake discs



Warning

Danger of accidents Reduced braking efficiency due to worn brake disc(s).

- Change the worn brake disc(s) without delay. (Your authorized KTM workshop will be glad to help.)



- Check the thickness of the front and rear brake discs at multiple points on each brake disc to ensure it is at least thickness **A**.

i **Info**

Wear will reduce the thickness of the brake disc at contact surface **1** of the brake linings.

Brake discs - wear limit	
Front	4.2 mm (0.165 in)
Rear	4.5 mm (0.177 in)

- » If the brake disc thickness is less than the specified value.
 - Change the front brake disc. 🛠️
 - Change the rear brake disc. 🛠️
- Check the front and rear brake discs for damage, cracking, and deformation.
 - » If the brake disc exhibits damage, cracking, or deformation:
 - Change the front brake disc. 🛠️
 - Change the rear brake disc. 🛠️

13.4 Checking the brake fluid level of the front brake



Warning

Danger of accidents Brake system failure.

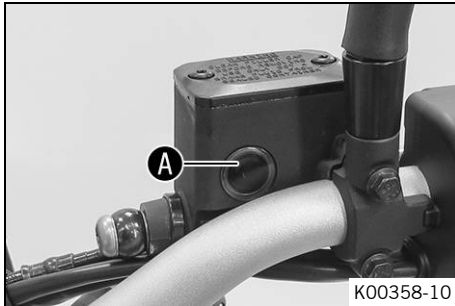
- If the brake fluid level drops below the specified marking or the specified value, this is an indication that the brake system is leaking or that the brake linings are completely worn down. Check the brake system and do not continue riding. (Your authorized KTM workshop will be glad to help.)



Warning

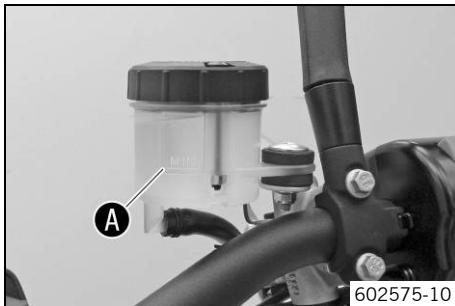
Danger of accidents Reduced braking efficiency due to old brake fluid.

- Change the brake fluid of the front and rear brake according to the service schedule. (Your authorized KTM workshop will be glad to help.)



(Duke)

- Move the brake fluid reservoir mounted on the handlebar to a horizontal position.
- Check the brake fluid level in the viewer.
 - » If the brake fluid has dropped below marking **A**:
 - Add front brake fluid. 🛠️ (📖 p. 103)



(Duke R)

- Move the brake fluid reservoir mounted on the handlebar to a horizontal position.
- Check the brake fluid level in the viewer.
 - » If the brake fluid has dropped below marking **A**:
 - Add front brake fluid. 🛠️ (📖 p. 103)

13.5 Adding front brake fluid



Warning

Danger of accidents Brake system failure.

- If the brake fluid level drops below the specified marking or the specified value, this is an indication that the brake system is leaking or that the brake linings are completely worn down. Check the brake system and do not continue riding. (Your authorized KTM workshop will be glad to help.)



Warning

Skin irritation Brake fluid can cause skin irritation on contact.

- Avoid contact with skin and eyes, and keep out of the reach of children.
- Wear suitable protective clothing and goggles.
- If brake fluid comes into contact with the eyes, flush the eyes thoroughly with water and consult a physician immediately.



Warning

Danger of accidents Reduced braking efficiency due to old brake fluid.

- Change the brake fluid of the front and rear brake according to the service schedule. (Your authorized KTM workshop will be glad to help.)



Warning

Environmental hazard Hazardous substances cause environmental damage.

- Oil, grease, filters, fuel, cleaners, brake fluid, etc., should be disposed of as stipulated in applicable regulations.

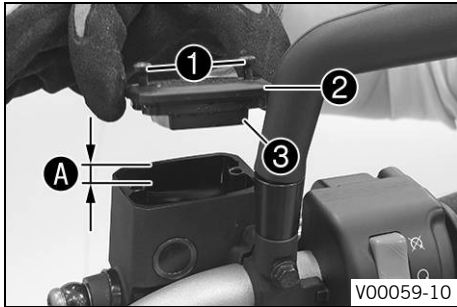


Info

Never use DOT 5 brake fluid. It is silicone-based and purple in color. Oil seals and brake lines are not designed for DOT 5 brake fluid.

Avoid contact between brake fluid and painted parts. Brake fluid attacks paint.

Only use clean brake fluid from a sealed container.



Preparatory work

- Check the front brake linings. (📖 p. 105)

Main work

(Duke)

- Move the brake fluid reservoir mounted on the handlebar to a horizontal position.
- Remove screws ①.
- Remove cover ② with membrane ③.
- Add brake fluid to level A.

Guideline

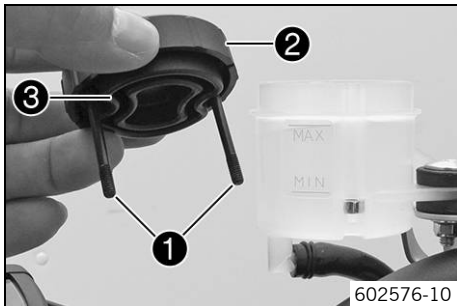
Level A (brake fluid level below reservoir rim)	5 mm (0.2 in)
---	---------------

Brake fluid DOT 4 / DOT 5.1 (📖 p. 190)

- Position the cover with the membrane. Mount and tighten the screws.

i Info

Clean up overflowed or spilled brake fluid immediately with water.



(Duke R)

- Move the brake fluid reservoir mounted on the handlebar to a horizontal position.
- Remove screws ①.
- Remove cover ② with membrane ③.
- Add brake fluid to the **MAX** level.

Brake fluid DOT 4 / DOT 5.1 (📖 p. 190)

- Position the cover with the membrane. Mount and tighten the screws.

**Info**

Clean up overflowed or spilled brake fluid immediately with water.

13.6 Checking the front brake linings

**Warning**

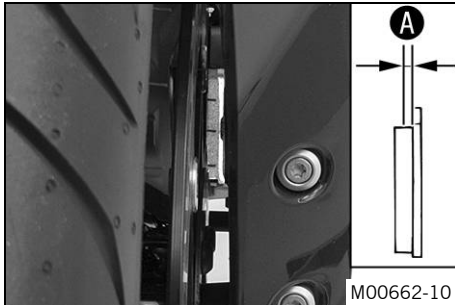
Danger of accidents Reduced braking efficiency caused by worn brake linings.

- Change worn brake linings immediately. (Your authorized KTM workshop will be glad to help.)

Note

Danger of accidents Reduced braking efficiency caused by damaged brake discs.

- If the brake linings are not changed in time, the steel brake lining carriers grind on the brake disc. The braking effect is greatly reduced and the brake discs are destroyed. Check the brake linings regularly.



- Check the brake linings for minimum thickness **A**.

Minimum thickness A	$\geq 1 \text{ mm } (\geq 0.04 \text{ in})$
----------------------------	---

- » If the minimum thickness is less than specified:
 - Change the front brake linings. 🛠️
- Check the brake linings for damage and cracking.
 - » If there is damage or cracking:
 - Change the front brake linings. 🛠️

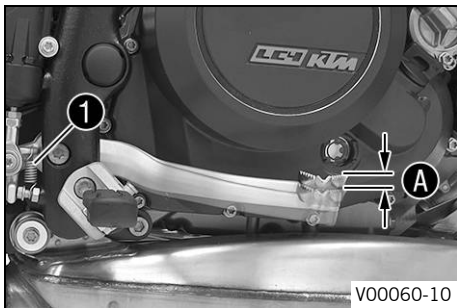
13.7 Checking the free travel of foot brake lever



Warning

Danger of accidents Brake system failure.

- If there is no free travel on the foot brake lever, pressure builds up on the rear brake circuit. The rear brake can fail due to overheating. Adjust the free travel on foot brake lever according to specifications.



(Duke)

- Disconnect spring ①.
- Move the foot brake lever back and forth between the end stop and the contact to the foot brake cylinder piston and check free travel ②.

Guideline

Free travel at foot brake lever	3... 5 mm (0.12... 0.2 in)
---------------------------------	----------------------------

- » If the free travel does not equal the specification:
 - Adjust the basic position of the foot brake lever. 🛠️ (p. 107)

- Attach spring ①.

(Duke R)

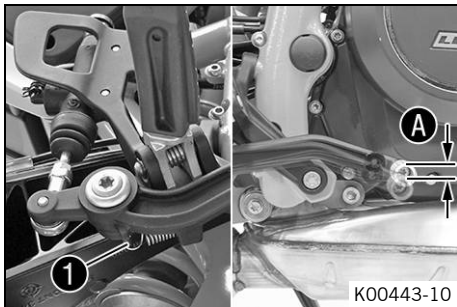
- Disconnect spring ①.
- Move the foot brake lever back and forth between the end stop and the contact to the foot brake cylinder piston and check free travel ②.

Guideline

Free travel at foot brake lever	3... 5 mm (0.12... 0.2 in)
---------------------------------	----------------------------

- » If the free travel does not equal the specification:
 - Adjust the basic position of the foot brake lever. 🛠️ (p. 107)

- Attach spring ①.



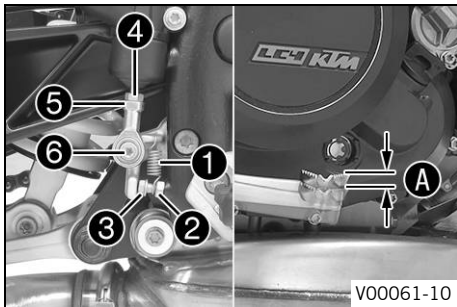
13.8 Adjusting the basic position of the foot brake lever ↩



Warning

Danger of accidents Brake system failure.

- If there is no free travel on the foot brake lever, pressure builds up on the rear brake circuit. The rear brake can fail due to overheating. Adjust the free travel on foot brake lever according to specifications.



(Duke)

- Disconnect spring ①.
- Remove screw ⑥.
- Loosen nut ④ and turn it back with ball joint ⑤ until the maximum amount of free travel is reached.
- To adjust the basic position of the foot brake lever to individual requirements, loosen nut ② and turn screw ③ accordingly.



Info

The range of adjustment is limited.

- Turn ball joint ⑤ as required until free travel A is reached. If necessary, adjust the basic position of the foot brake lever.

Guideline

Free travel at foot brake lever	3... 5 mm (0.12... 0.2 in)
---------------------------------	----------------------------

- Hold screw ③ and tighten nut ②.

Guideline

Remaining nuts, chassis	M6	10 Nm (7.4 lbf ft)
-------------------------	----	--------------------

- Hold ball joint ⑤ and tighten nut ④.

Guideline

Nut, push rod, foot brake lever	M6	6 Nm (4.4 lbf ft)
---------------------------------	----	-------------------

- Mount and tighten screw **6**.

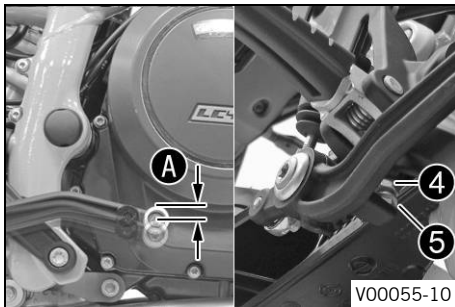
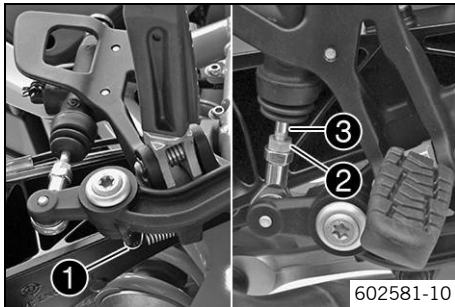
Guideline

Screw, ball joint of push rod on foot brake cylinder	M6	10 Nm (7.4 lbf ft)	Loctite® 243™
--	----	--------------------	---------------

- Attach spring **1**.

(Duke R)

- Disconnect spring **1**.
- Loosen nut **2** and screw in push rod **3** until you have maximum free travel.



- To adjust the basic position of the foot brake lever to individual requirements, loosen nut **4** and turn screw **5** accordingly.

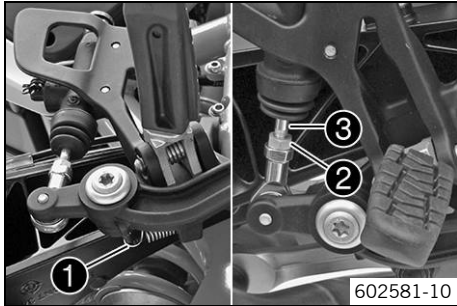
i Info

The range of adjustment is limited.

- Turn push rod **3** accordingly until you have free travel **A**. If necessary, adjust the basic position of the foot brake lever.

Guideline

Free travel at foot brake lever	3... 5 mm (0.12... 0.2 in)
---------------------------------	----------------------------



- Hold screw ④ and tighten nut ⑤.

Guideline

Remaining nuts, chassis	M6	10 Nm (7.4 lbf ft)
-------------------------	----	--------------------

- Hold push rod ③ and tighten nut ②.

Guideline

Nut, push rod, foot brake lever	M6	6 Nm (4.4 lbf ft)
---------------------------------	----	-------------------

- Attach spring ①.

13.9 Checking rear brake fluid level



Warning

Danger of accidents Failure of the brake system.

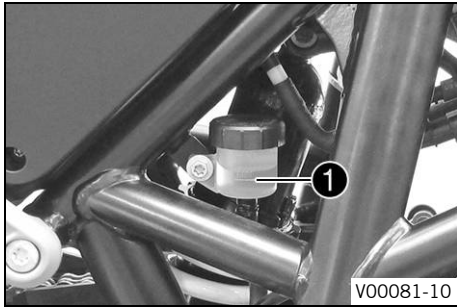
- If the brake fluid level falls below the **MIN** mark, this indicates a leakage in the brake system or worn-out brake linings. Check the brake system and do not continue riding. (Your authorized KTM workshop will be glad to help.)



Warning

Danger of accidents Reduced braking efficiency due to old brake fluid.

- Change the brake fluid of the front and rear brake according to the service schedule. (Your authorized KTM workshop will be glad to help.)



- Stand the vehicle upright.
- Check the brake fluid level in the brake fluid reservoir.
 - » If the fluid level reaches the **MIN** marking ❶:
 - Add rear brake fluid. 🗨️ (📖 p. 110)

13.10 Adding rear brake fluid 🗨️



Warning

Danger of accidents Failure of the brake system.

- If the brake fluid level falls below the **MIN** mark, this indicates a leakage in the brake system or worn-out brake linings. Check the brake system and do not continue riding. (Your authorized KTM workshop will be glad to help.)



Warning

Skin irritation Brake fluid can cause skin irritation on contact.

- Avoid contact with skin and eyes, and keep out of the reach of children.
- Wear suitable protective clothing and goggles.
- If brake fluid comes into contact with the eyes, flush the eyes thoroughly with water and consult a physician immediately.



Warning

Danger of accidents Reduced braking efficiency due to old brake fluid.

- Change the brake fluid of the front and rear brake according to the service schedule. (Your authorized KTM workshop will be glad to help.)



Warning

Environmental hazard Hazardous substances cause environmental damage.

- Oil, grease, filters, fuel, cleaners, brake fluid, etc., should be disposed of as stipulated in applicable regulations.



Info

Never use DOT 5 brake fluid. It is silicone-based and purple in color. Oil seals and brake lines are not designed for DOT 5 brake fluid.

Avoid contact between brake fluid and painted parts. Brake fluid attacks paint.
Only use clean brake fluid from a sealed container.

Preparatory work

- Check the rear brake linings. (📖 p. 112)

Main work

- Stand the vehicle upright.
- Remove screw cap ❶ with membrane ❷.
- Add brake fluid to the **MAX** marking.

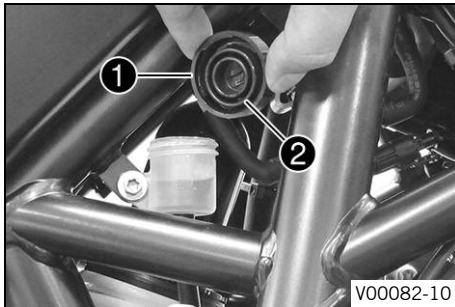
Brake fluid DOT 4 / DOT 5.1 (📖 p. 190)

- Mount and tighten the screw cap with the membrane.



Info

Clean up overflowed or spilled brake fluid immediately with water.



13.11 Checking the rear brake linings



Warning

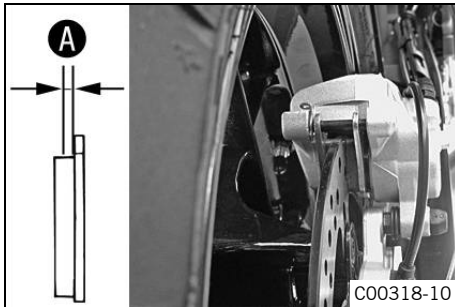
Danger of accidents Reduced braking efficiency caused by worn brake linings.

- Change worn brake linings immediately. (Your authorized KTM workshop will be glad to help.)

Note

Danger of accidents Reduced braking efficiency caused by damaged brake discs.

- If the brake linings are not changed in time, the steel brake lining carriers grind on the brake disc. The braking effect is greatly reduced and the brake discs are destroyed. Check the brake linings regularly.



- Check the brake linings for minimum thickness **A**.

Minimum thickness A	$\geq 1 \text{ mm } (\geq 0.04 \text{ in})$
----------------------------	---

- » If the minimum thickness is less than specified:
 - Change the rear brake linings. 🛠️
- Check the brake linings for damage and cracking.
 - » If there is wear or tearing:
 - Change the rear brake linings. 🛠️

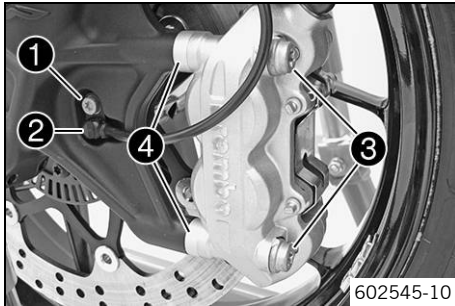
14.1 Removing the front wheel ↩

Preparatory work

- Raise the motorcycle with the rear lifting gear. (📖 p. 83)
- Lift the motorcycle with the front lifting gear. (📖 p. 84)

Main work (Duke)

- Remove screw ❶ and pull wheel speed sensor ❷ out of the hole.
- Remove screws ❸ and spacers ❹.
- Press back the brake linings with a light lateral tilting of the brake caliper on the brake disc. Pull the brake caliper carefully back from the brake disc and hang it to one side.

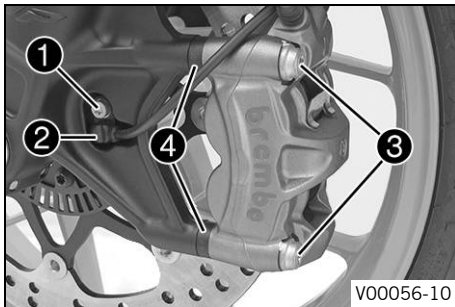


Info

Do not pull the hand brake lever while the brake caliper is removed.

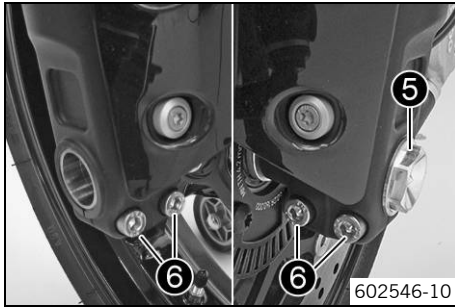
(Duke R)

- Remove screw ❶ and pull wheel speed sensor ❷ out of the hole.
- Remove screws ❸ and spacers ❹.
- Press back the brake linings with a light lateral tilting of the brake caliper on the brake disc. Pull the brake caliper carefully back from the brake disc and hang it to one side.



Info

Do not pull the hand brake lever while the brake caliper is removed.



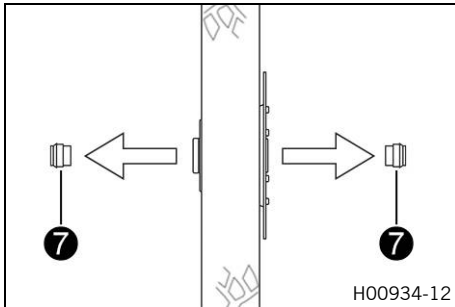
- Loosen screw **5** by several rotations.
- Loosen screws **6**.
- Press on screw **5** to push the wheel spindle out of the axle clamp.
- Remove screw **5**.



Warning

Danger of accidents Reduced braking effect caused by damaged brake discs.

- Always lay the wheel down in such a way that the brake discs are not damaged.
-
- Hold the front wheel and remove the wheel spindle. Take the front wheel out of the fork.
 - Remove spacers **7**.



14.2 Installing the front wheel ↩

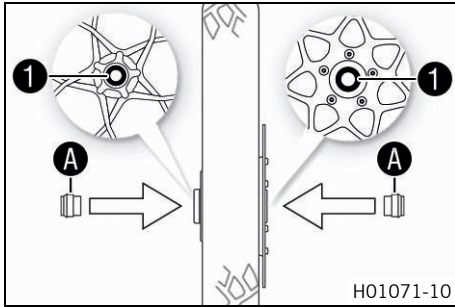


Warning

Danger of accidents Reduced braking efficiency due to oil or grease on the brake discs.

- Always keep the brake discs free of oil and grease, and clean them with brake cleaner when necessary.

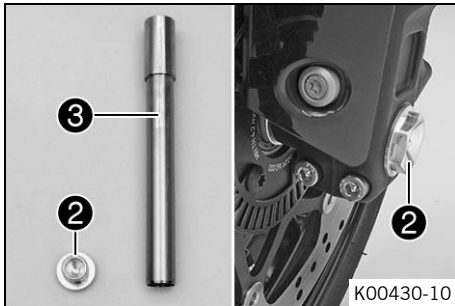
14 WHEELS, TIRES



- Check the wheel bearing for damage and wear.
 - » If the wheel bearing is damaged or worn:
 - Change the front wheel bearing. ↘
- Clean and grease shaft seal rings **1** and mating surfaces **A** of the spacers.

Long-life grease (📖 p. 193)

- Insert the spacers.



- Clean screw **2** and wheel spindle **3**.
- Grease wheel spindle **3**.

Long-life grease (📖 p. 193)

- Lift the front wheel into the fork, position it, and insert the wheel spindle.



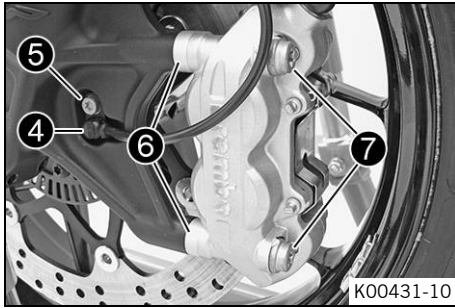
Info

The arrow on the rim, near the hub, shows the direction of travel.
The brake disc is located on the left in the direction of travel.

- Mount and tighten screw **2**.

Guideline

Screw, front wheel spindle	M24x1.5	45 Nm (33.2 lbf ft)
----------------------------	---------	------------------------



(Duke)

- Position wheel speed sensor ④ in the drill hole. Mount and tighten screw ⑤.

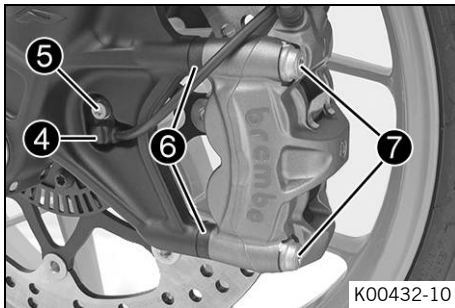
Guideline

Remaining screws, chassis	M6	10 Nm (7.4 lbf ft)
---------------------------	----	--------------------

- Position the brake caliper.
 - ✓ The brake linings are correctly positioned.
- Position spacers ⑥. Mount screws ⑦ but do not tighten yet.
- Operate the hand brake lever repeatedly until the brake linings are in contact with the brake disc and there is a pressure point. Fix the hand brake lever in the activated position.
 - ✓ The brake caliper straightens.
- Tighten screws ⑦.

Guideline

Screw, front brake caliper	M10x1.25	45 Nm (33.2 lbf ft)	Loctite® 243™
----------------------------	----------	------------------------	----------------------



(Duke R)

- Position wheel speed sensor ④ in the drill hole. Mount and tighten screw ⑤.

Guideline

Remaining screws, chassis	M6	10 Nm (7.4 lbf ft)
---------------------------	----	--------------------

- Position the brake caliper.
 - ✓ The brake linings are correctly positioned.
- Position spacers ⑥. Mount screws ⑦ but do not tighten yet.
- Operate the hand brake lever repeatedly until the brake linings are in contact with the brake disc and there is a pressure point. Fix the hand brake lever in the activated position.
 - ✓ The brake caliper straightens.

- Tighten screws **7**.

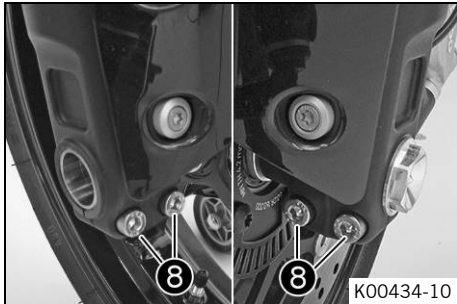
Guideline

Screw, front brake caliper	M10x1.25	45 Nm (33.2 lbf ft)	Loctite® 243™
----------------------------	----------	------------------------	----------------------

- Remove the locking piece of the hand brake lever.
- Take the motorcycle from the front lifting gear. (📖 p. 85)
- Remove the rear of the motorcycle from the lifting gear. (📖 p. 83)
- Operate the front brake and compress the fork a few times firmly.
 - ✓ The fork legs straighten.
- Tighten screws **8**.

Guideline

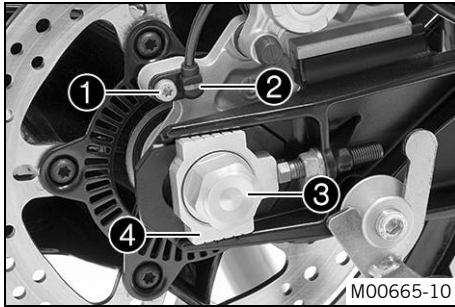
Screw, fork stub	M8	15 Nm (11.1 lbf ft)
------------------	----	------------------------



14.3 Removing the rear wheel 🛠️

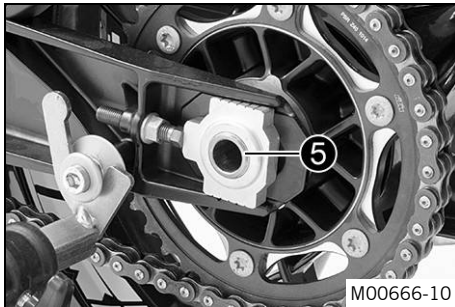
Preparatory work

- Raise the motorcycle with the rear lifting gear. (📖 p. 83)

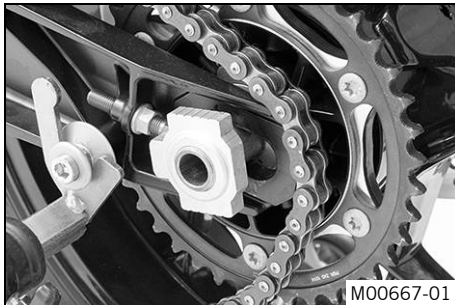


Main work

- Press the brake caliper onto the brake disc by hand in order to push back the brake piston.
- Remove screw ① and pull wheel speed sensor ② out of the hole.
- Remove nut ③. Remove chain adjuster ④.



- Withdraw wheel spindle ⑤ only enough to allow the rear wheel to be pushed forward.



- Push the rear wheel forward as far as possible. Remove the chain from the rear sprocket.

Info

Cover the components to protect them against damage.

- Hold the rear wheel and remove the wheel spindle.
- Pull the rear wheel back until the brake caliper support is suspended freely between the brake disc and rim.

**Warning****Danger of accidents** Reduced braking efficiency due to damaged brake disc.

- Always lay the wheel down in such a way that the brake disc is not damaged.

-
- Take the rear wheel out of the swingarm.
-

**Info**Do not operate the foot brake lever when the rear wheel is removed.

14.4 Installing the rear wheel



**Warning****Danger of accidents** Reduced braking efficiency due to oil or grease on the brake discs.

- Always keep the brake discs free of oil and grease, and clean them with brake cleaner when necessary.

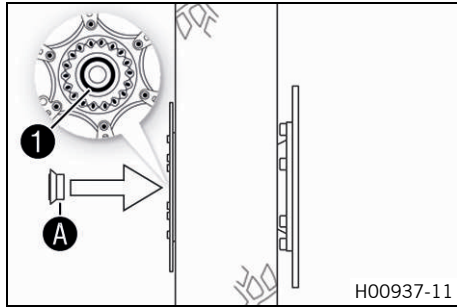
**Warning****Danger of accidents** No braking effect when operating the rear brake.

- After installing the rear wheel, always operate the foot brake until the pressure point is reached.
-

Main work

- Check the rear hub rubber dampers.   p. 122

14 WHEELS, TIRES



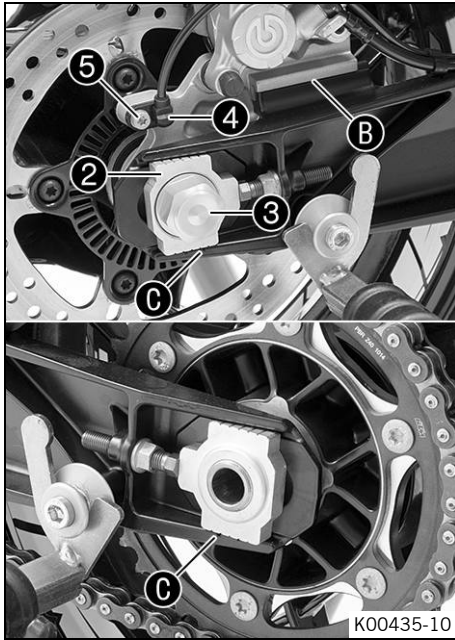
- Check the wheel bearing for damage and wear.
 - » If the wheel bearing is damaged or worn:
 - Change the rear wheel bearing. 🛠️
- Remove spacer.
- Clean and grease shaft seal ring 1 and contact surface A of the spacer.

Long-life grease (📖 p. 193)

- Insert the spacer.
- Clean and grease the thread of the wheel spindle and nut.

Long-life grease (📖 p. 193)

- Clean the mating surfaces of the brake caliper support and swingarm.



- Engage the thrust bearing of brake caliper support **B** and the swingarm.
- Lift the rear wheel into the swingarm, position it, and insert the wheel spindle.
 - ✓ The brake linings are correctly positioned.
- Place the chain on the sprocket.
- Position chain adjuster **2**. Mount nut **3**, but do not tighten it yet.



Info

Mount the left and right chain adjusters in the same position.

- Make sure that chain adjusters **2** are fitted correctly on the adjusting screws. Tighten nut **3**.

Guideline

In order for the rear wheel to be correctly aligned, the markings on the left and right chain adjusters must be in the same position relative to the reference marks **C**.

Nut, rear wheel spindle	M25x1.5	90 Nm (66.4 lbf ft)
-------------------------	---------	------------------------

- Position wheel speed sensor **4** in the drill hole. Mount and tighten screw **5**.

Guideline

Remaining screws, chassis	M6	10 Nm (7.4 lbf ft)
---------------------------	----	--------------------

- Operate the foot brake lever repeatedly until the brake linings are in contact with the brake disc and there is a pressure point.

Finishing work

- Check the chain tension. (📖 p. 89)
- Remove the rear of the motorcycle from the lifting gear. (📖 p. 83)

14.5 Checking the rear hub rubber dampers 🛠️



Info

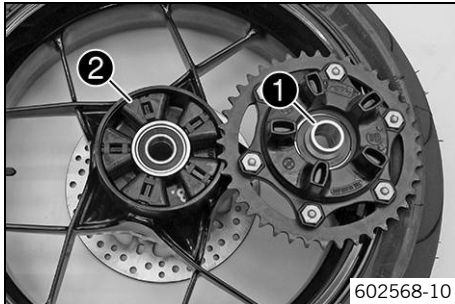
The engine power is transmitted from the rear sprocket to the rear wheel via 6 rubber dampers. They eventually wear out during operation. If the rubber dampers are not changed in time, the rear sprocket carrier and the rear hub become damaged.

Preparatory work

- Raise the motorcycle with the rear lifting gear. (📖 p. 83)
- Remove the rear wheel. 🛠️ (📖 p. 117)

Main work

- Check bearing ❶.
 - » If the bearing is damaged or worn:
 - Change the bearing of the rear sprocket carrier. 🛠️
- Check rubber dampers ❷ of the rear hub for damage and wear.
 - » If the rubber dampers of the rear hub are damaged or worn:
 - Change all rubber dampers in the rear hub.



602568-10



602569-11

- Lay the rear wheel on a workbench with the rear sprocket facing upwards and insert the wheel spindle in the hub.
- To check play Ⓐ, hold the rear wheel tight and try to turn the rear sprocket with your hand.



Info

Measure the play on the outside of the rear sprocket.

Play in rubber dampers, rear wheel	≤ 5 mm (≤ 0.2 in)
------------------------------------	-------------------

- » If clearance **A** is larger than the specified value:
 - Change all rubber dampers in the rear hub. 🛠️

Finishing work

- Install the rear wheel. 🛠️ (📖 p. 119)
- Check the chain tension. (📖 p. 89)
- Remove the rear of the motorcycle from the lifting gear. (📖 p. 83)

14.6 Checking the tire condition



Warning

Danger of accidents Uncontrollable vehicle handling in the event of a flat tire.

- In the interest of safety, replace damaged or worn tires immediately. (Your authorized KTM workshop will be glad to help.)



Warning

Danger of crashing Poor vehicle handling due to different tire tread patterns on front and rear wheels.

- The front and rear wheels must be fitted with tires with similar tread patterns to prevent loss of control over the vehicle.



Warning

Danger of accidents Non-approved or non-recommended tires and wheels impact the handling characteristic.

- Only use tires/wheels approved by KTM with the corresponding speed index.



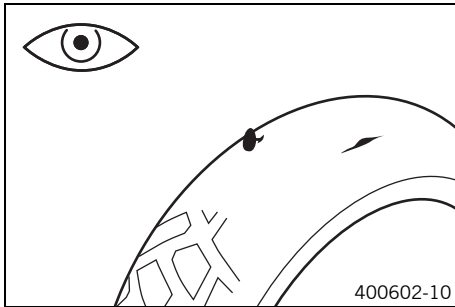
Warning

Danger of accidents Reduced road grip with new tires.

- New tires have a smooth rolling surface and therefore cannot provide full road grip. The entire rolling surface must be roughened in the first 200 kilometers (124.3 miles) by moderate riding at alternating angles. The full grip levels are not achieved until the tires have been run in.

i Info

The type, condition, and air pressure of the tires all have a major impact on the handling characteristics of the motorcycle. Worn tires have a negative effect on handling characteristics, especially on wet surfaces.



- Check the front and rear tires for cuts, run-in objects, and other damage.
 - » If the tires have cuts, run-in objects, or other damage:
 - Change the tires.
- Check the tread depth.

i Info

Adhere to the legally required minimum tread depth.

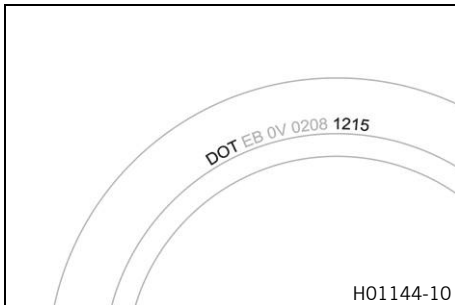
Minimum tread depth	$\geq 2 \text{ mm } (\geq 0.08 \text{ in})$
---------------------	---

- » If the tread depth is less than the minimum tread depth:
 - Change the tires.
- Check the tire age.

i Info

The tire date of manufacture is usually contained in the tire label and is indicated by the last four digits of the **DOT** number. The first two digits indicate the week of manufacture and the last two digits the year of manufacture. KTM recommends that the tires be changed after 5 years at the latest, regardless of the actual state of wear.

- » If the tires are more than 5 years old:
 - Change the tires.

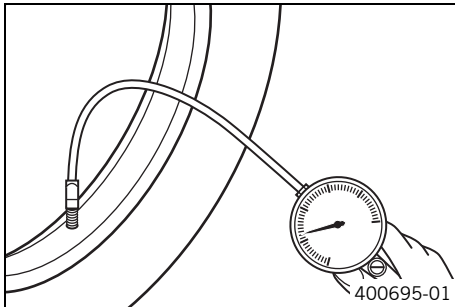


14.7 Checking the tire pressure



Info

Low tire pressure leads to abnormal wear and overheating of the tire.
Correct tire pressure ensures optimal riding comfort and maximum tire service life.



- Remove the protection cap.
- Check the tire pressure when the tires are cold.

Tire air pressure, solo	
Front	2.0 bar (29 psi)
Rear	2.0 bar (29 psi)

Tire air pressure with passenger / fully loaded	
Front	2.0 bar (29 psi)
Rear	2.2 bar (32 psi)

- » If the tire pressure does not meet specifications:
 - Correct the tire pressure.
- Mount the protection cap.

15.1 Removing the battery ↴



Warning

Risk of injury Battery acid and battery gases cause serious chemical burns.

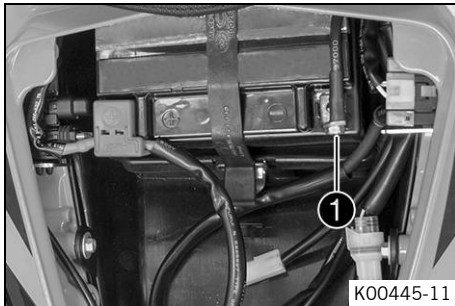
- Keep batteries out of the reach of children.
- Wear suitable protective clothing and goggles.
- Avoid contact with battery acid and battery gases.
- Keep sparks and open flames away from the battery. Only charge in well-ventilated rooms.
- In the event of skin contact, rinse with large amounts of water. If battery acid gets in the eyes, rinse with water for at least 15 minutes and contact a physician.

Preparatory work

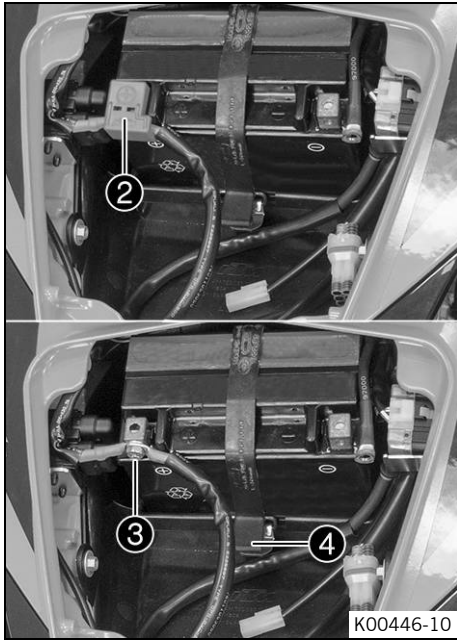
- Switch off the ignition by turning the ignition key to the position ⌘.
- Remove the passenger seat. (📖 p. 86)

Main work

- Disconnect negative cable ❶ from the battery.

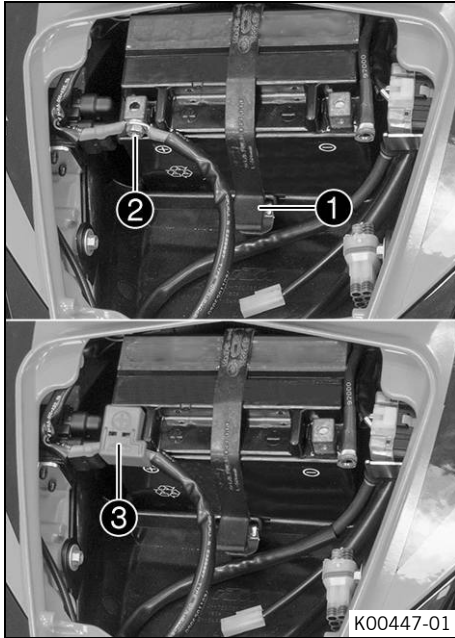


15 ELECTRICAL SYSTEM



- Remove positive terminal cover ②.
- Disconnect both positive cables ③ from the battery.
- Detach rubber band ④.
- Pull the battery up and out of the battery holder.

15.2 Installing the battery ↩



Main work

- Position the battery in the battery holder.

Battery (CBTX9-BS) (📖 p. 181)

✓ The battery terminals face opposite the direction of travel.

- Reconnect rubber band **1**.
- Connect both positive cables **2** to the battery.

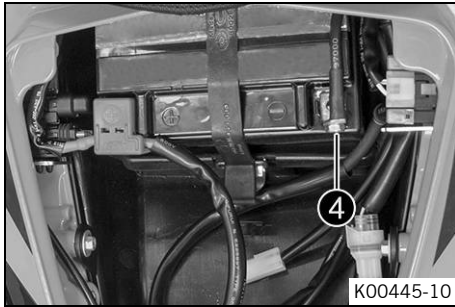
Guideline

Screw, battery terminal

M6

2 Nm (1.5 lbf ft)

- Mount positive terminal cover **3**.



- Connect negative cable ④ to the battery.

Guideline

Screw, battery terminal	M6	2 Nm (1.5 lbf ft)
-------------------------	----	-------------------

Finishing work

- Mount the passenger seat. (📖 p. 86)
- Set the time and date. (📖 p. 49)

15.3 Recharging the battery ↩



Warning

Risk of injury Battery acid and battery gases cause serious chemical burns.

- Keep batteries out of the reach of children.
- Wear suitable protective clothing and goggles.
- Avoid contact with battery acid and battery gases.
- Keep sparks and open flames away from the battery. Only charge in well-ventilated rooms.
- In the event of skin contact, rinse with large amounts of water. If battery acid gets in the eyes, rinse with water for at least 15 minutes and contact a physician.



Warning

Environmental hazard The battery contains elements that are harmful to the environment.

- Do not dispose of batteries with the household waste. Dispose of a defective battery in an environmentally friendly manner. Give the battery to your authorized KTM dealer or dispose of it at a collection point for used batteries.



Warning

Environmental hazard Hazardous substances cause environmental damage.

- Oil, grease, filters, fuel, cleaners, brake fluid, etc., should be disposed of as stipulated in applicable regulations.
-



Info

Even when there is no load on the battery, it discharges steadily.

The charging level and the method of charging are very important for the service life of the battery.

Rapid recharging with a high charging current shortens the battery's service life.

If the charging current, charging voltage, or charging time is exceeded, electrolyte escapes through the safety valves. This reduces the battery capacity.

If the battery is depleted from starting the vehicle repeatedly, the battery must be charged immediately.

If the battery is left in a discharged state for an extended period, it will become over-discharged and sulfate, destroying the battery.

The battery is maintenance-free, i.e., the acid level does not have to be checked.

Preparatory work

- Switch off all power consumers and switch off the engine.
- Remove the passenger seat. (🗨️ p. 86)
- Disconnect the negative cable of the battery to avoid damage to the onboard electronics.



Main work

- Connect the battery charger to the battery. Switch on the battery charger.

Battery charger (58429074000)

You can also use the battery charger to test the rest potential and start potential of the battery, and to test the alternator. With this device, you cannot overcharge the battery.

i Info

Never remove lid ①.

- Switch off the battery charger after charging and disconnect from the battery.

Guideline

The charge current, charge voltage, and charge time must not be exceeded.	
---	--

Charge the battery regularly when the motorcycle is not in use	3 months
--	----------

- Connect the negative cable with the battery.

Finishing work

- Mount the passenger seat. (📖 p. 86)
- Set the time and date. (📖 p. 49)

15.4 Changing the main fuse



Warning

Fire hazard The electrical system can be overloaded if the wrong fuses are used.

- Use only fuses with the prescribed amperage. Never bypass or repair fuses.



Info

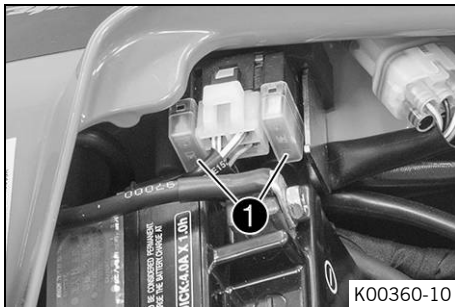
The main fuse protects all power consumers of the vehicle. The main fuse is under the passenger seat.

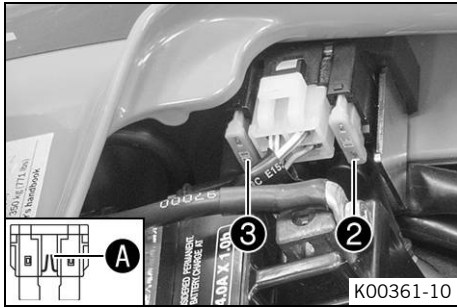
Preparatory work

- Switch off the ignition by turning the ignition key to the position \otimes .
- Remove the passenger seat. (📖 p. 86)

Main work

- Remove protection caps ❶.





- Remove the faulty main fuse ②.



Info

A defective fuse is indicated by a burned-out fuse wire A.
A spare fuse ③ is located in the starter relay.

- Install a new main fuse.

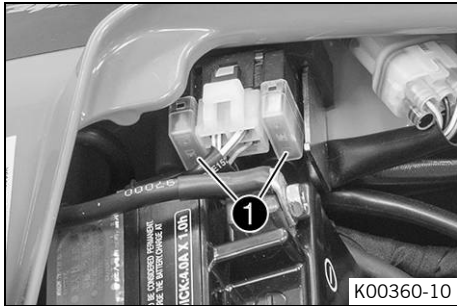
Fuse (58011109130) (📖 p. 181)



Tip

Insert a new spare fuse into the starter relay to have it available when needed.

- Mount protection caps ①.



Finishing work

- Mount the passenger seat. (📖 p. 86)
- Set the time and date. (📖 p. 49)

15.5 Changing the ABS fuses



Warning

Fire hazard The electrical system can be overloaded if the wrong fuses are used.

- Use only fuses with the prescribed amperage. Never bypass or repair fuses.



Info

Two fuses for the ABS are located under the passenger seat. These fuses protect the return pump and the hydraulic unit of the ABS. The third fuse, which protects the ABS control unit, is located in the fuse box.

Preparatory work

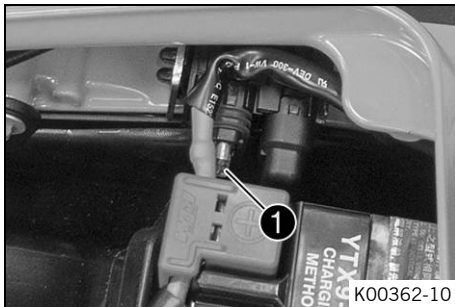
- Switch off the ignition by turning the ignition key to the position \otimes .
- Remove the passenger seat. (🗨️ p. 86)

To change the fuse of the ABS hydraulic unit:

- Remove the protection cap and fuse ❶.
- Insert a new fuse.

Fuse (58011109115) (🗨️ p. 181)

- Mount the protection cap.





To change the fuse of the ABS return pump:

- Remove the protection cap and fuse ②.
- Insert a new fuse.

Fuse (58011109125) (📖 p. 181)

- Mount the protection cap.

Finishing work

- Mount the passenger seat. (📖 p. 86)

15.6 Changing the fuses of individual power consumers



Info

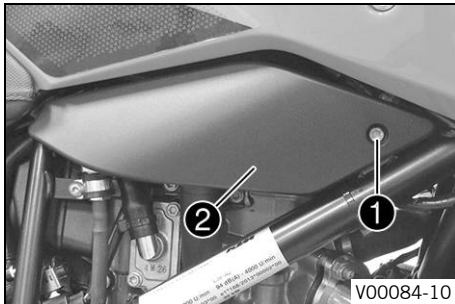
The fuse box containing the fuses of individual power consumers is located on the right under the fuel tank.

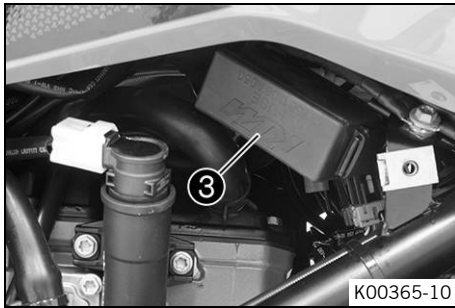
Preparatory work

- Switch off the ignition by turning the ignition key to the position ⓧ.

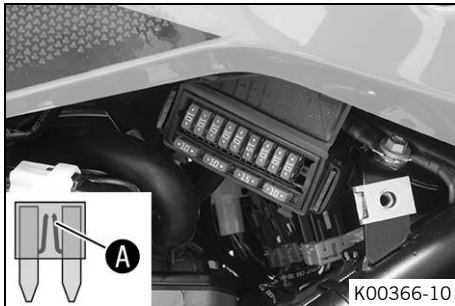
Main work

- Remove screw ①.
- Remove ② the trim.





- Open fuse box cover ③.



- Remove the defective fuse.

Guideline

Fuse 1 - 10 A - ignition, combination instrument, EFI control unit, alarm system (optional), turn signal
Fuse 2 - 10 A - ignition, EFI control unit
Fuse 3 - 10 A - fuel pump
Fuse 4 - 10 A - radiator fan
Fuse 5 - 10 A - horn, brake light
Fuse 6 - 15 A - high beam, low beam, parking light, tail light, license plate lamp
Fuse 7 - 10 A - for auxiliary equipment (permanent positive)
Fuse 8 - 10 A - for auxiliary equipment (accessories connected with ignition switch)
Fuse 9 - 10 A - ABS
Fuse 10 - not assigned
Fuse SPARE - 10 A/15 A - spare fuses

i Info

A defective fuse is indicated by a burned-out fuse wire ①.



Warning

Fire hazard The electrical system can be overloaded if the wrong fuses are used.

- Use only fuses with the prescribed amperage. Never bypass or repair fuses.

- Use spare fuses with the correct rating only.

Fuse (75011088010) (📖 p. 182)

Fuse (75011088015) (📖 p. 182)



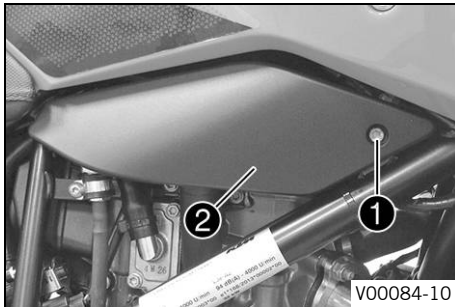
Tip

Replace the spare fuse in the fuse box so that it is available if needed.

- Check that the power consumer is functioning properly.
- Close the fuse box cover.
- Position **2** the trim.
- Mount and tighten screw **1**.

Guideline

Screw, fuel spoiler	M6	3 Nm (2.2 lbf ft)
---------------------	----	-------------------



V00084-10

15.7 Removing the headlight mask with the headlight

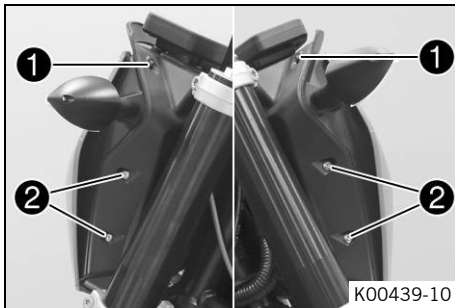
Preparatory work

- Switch off the ignition by turning the ignition key to the position \otimes .

Main work

(Duke)

- Remove screws **1**.
- Remove screws **2**.

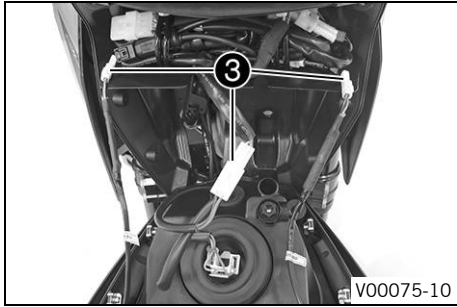


(Duke R)

- Remove screws **1**.
- Remove screws **2**.

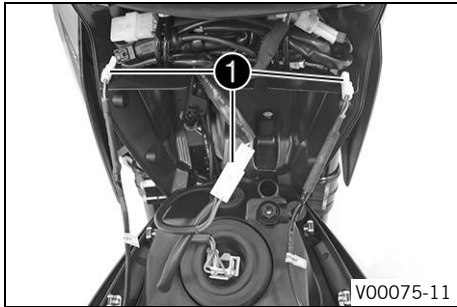


15 ELECTRICAL SYSTEM



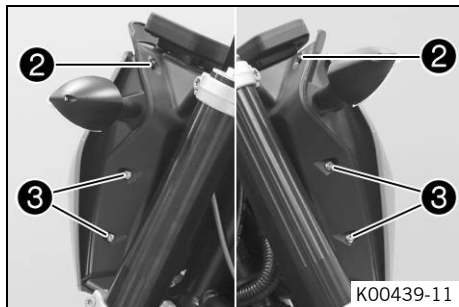
- Fold the headlight mask forward.
- Disconnect plug-in connectors ③.
- Remove the headlight mask.

15.8 Installing the headlight mask with the headlight



Main work

- Connect plug-in connectors ①.



(Duke)

- Position the headlight mask.
- Mount and tighten screws ②.

Guideline

Screw, headlight	EJOT	2 Nm (1.5 lbf ft)
------------------	------	-------------------

- Mount and tighten screws ③.

Guideline

Remaining screws, chassis	M5	5 Nm (3.7 lbf ft)
---------------------------	----	-------------------

- Check that the lighting is functioning properly.



(Duke R)

- Position the headlight mask.
- Mount and tighten screws ②.

Guideline

Screw, headlight	EJOT	2 Nm (1.5 lbf ft)
------------------	------	-------------------

- Mount and tighten screws ③.

Guideline

Remaining screws, chassis	M5	5 Nm (3.7 lbf ft)
---------------------------	----	-------------------

- Check that the lighting is functioning properly.

Finishing work

- Check the headlight setting. (📖 p. 146)

15.9 Changing the headlight bulb

Note

Damage to reflector Reduced brightness.

- Grease on the lamp will evaporate due to the heat and be deposited on the reflector. Clean the lamp and keep it free of grease before mounting.

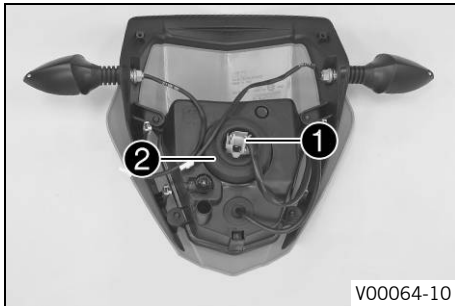
Preparatory work

- Switch off the ignition by turning the ignition key to the position \otimes .
- Remove the headlight mask with the headlight. (📖 p. 138)

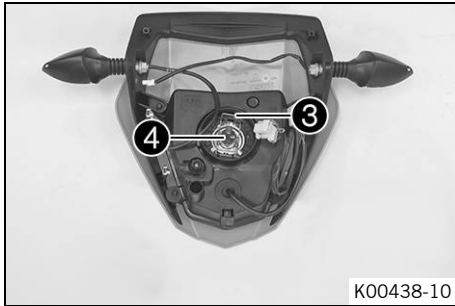
Main work

(Duke)

- Unplug connector ①.
- Remove protection cap ②.



15 ELECTRICAL SYSTEM

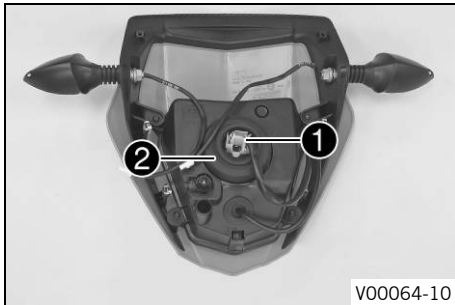


- Detach retaining clamp ③.
- Remove bulb ④.
- Position the new bulb in the headlight housing.

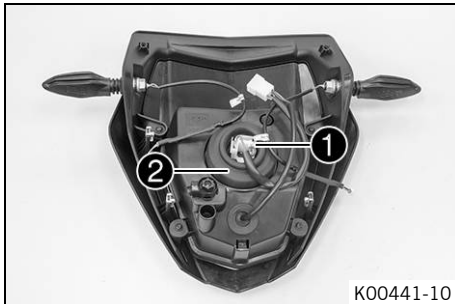
Headlight (H4 / socket P43t) (📖 p. 182)

✓ Tabs engage in the recesses.

- Attach retaining clamp ③.

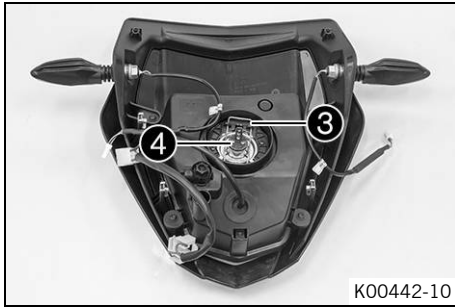


- Mount protection cap ②.
- Plug in connector ①.



(Duke R)

- Unplug connector ①.
- Remove protection cap ②.

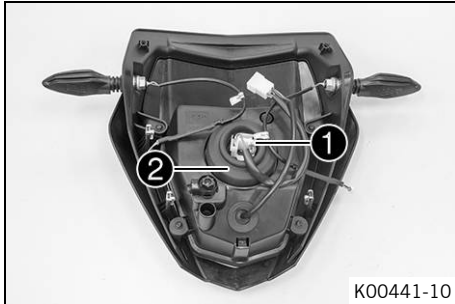


- Detach retaining clamp ③.
- Remove bulb ④.
- Position the new bulb in the headlight housing.

Headlight (H4 / socket P43t) (📖 p. 182)

✓ Tabs engage in the recesses.

- Attach retaining clamp ③.



- Mount protection cap ②.
- Plug in connector ①.

Finishing work

- Install the headlight mask with the headlight. (📖 p. 139)
- Check the headlight setting. (📖 p. 146)

15.10 Changing the parking light bulb

Note

Damage to reflector Reduced brightness.

- Grease on the lamp will evaporate due to the heat and be deposited on the reflector. Clean the lamp and keep it free of grease before mounting.

Preparatory work

- Switch off the ignition by turning the ignition key to the position \otimes .
- Remove the headlight mask with the headlight. (📖 p. 138)

Main work

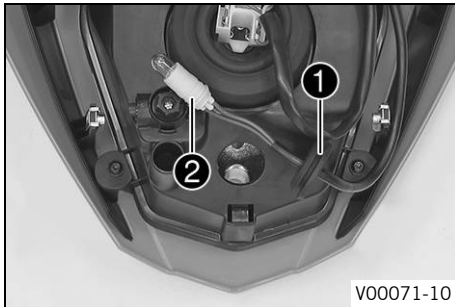
- Pull cable sleeve ❶ and the socket of parking light ❷ carefully out of the housing.
- Remove the bulb.
- Position a new light bulb in the socket.

Parking light (W5W / socket W2.1x9.5d) (📖 p. 182)

- Carefully position socket ❷ with the bulb in the housing.
- Mount cable sleeve ❶.

Finishing work

- Install the headlight mask with the headlight. (📖 p. 139)
- Check the headlight setting. (📖 p. 146)

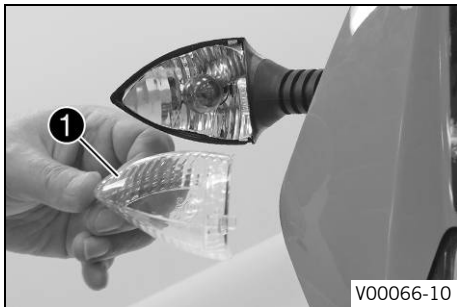


15.11 Changing the turn signal bulb (Duke)

Note

Damage to reflector Reduced brightness.

- Grease on the lamp will evaporate due to the heat and be deposited on the reflector. Clean the lamp and keep it free of grease before mounting.



- Remove the screw on the rear of the turn signal housing.
- Remove turn signal glass ①.
- Press the bulb carefully into the socket, turn it counterclockwise by about 30°, and pull it out of the socket.



Info

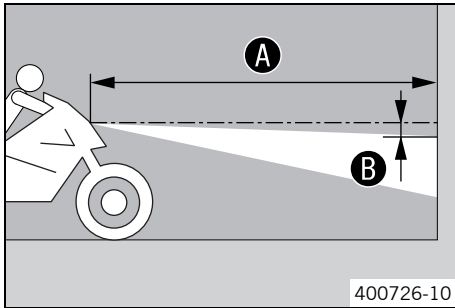
Do not touch the reflector with your fingers and keep it free from grease.

- Lightly push the new lamp into the socket and turn all the way clockwise.

Turn signal (RY10W / socket BAU15s) (🗨️ p. 182)

- Position the turn signal glass.
- Insert the screw and first turn counterclockwise until it engages in the thread with a small jerk. Tighten the screw lightly.
- Check that the turn signal system is functioning properly.

15.12 Checking the headlight setting



- Position the vehicle upright on a horizontal surface in front of a light wall and make a mark at the height of the center of the low beam headlight.
- Make another mark at a distance **B** under the first mark.

Guideline

Distance B	5 cm (2 in)
-------------------	-------------

- Position the vehicle perpendicular to the wall at a distance **A** from the wall and switch on the low beam.

Guideline

Distance A	5 m (16 ft)
-------------------	-------------

- The rider, with luggage and passenger if applicable, now mounts the motorcycle.
- Check the headlight setting.

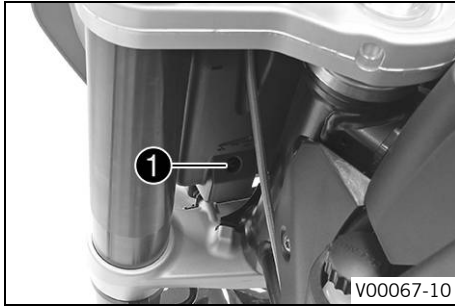
The light-dark boundary must lie exactly on the lower mark when the motorcycle is ready to operate with the rider mounted along with any luggage and a passenger if applicable.

- » If the light-dark border does not meet specifications:
 - Adjust the headlight range. (📖 p. 146)

15.13 Adjusting the headlight range

Preparatory work

- Check the headlight setting. (📖 p. 146)



Main work

- Adjust the beam distance of the headlight by turning screw ❶.

Guideline

For a motorcycle with rider, and with luggage and a passenger if applicable, the light/dark boundary must be exactly on the lower mark (applied in: Checking the headlight setting).

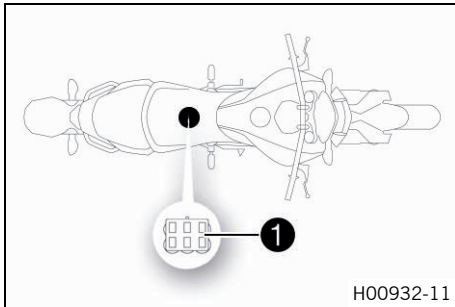


Info

Turn counterclockwise to increase the headlight range; turn clockwise to reduce the headlight range.

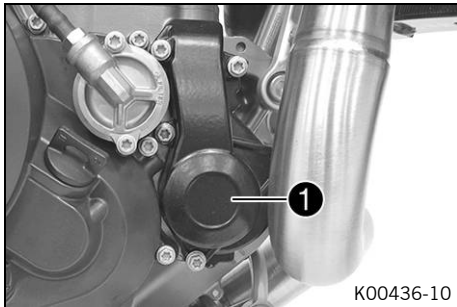
If you have a payload, you may have to correct the headlight range.

15.14 Diagnostics connector



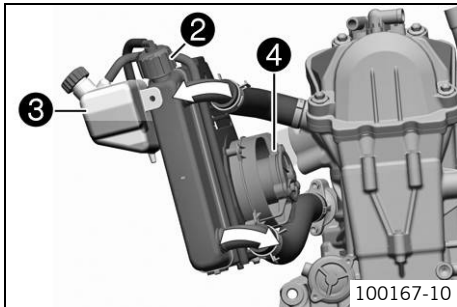
Diagnostics connector ❶ is located under the front rider's seat.

16.1 Cooling system



Water pump ① in the engine ensures forced circulation of the coolant. The pressure resulting from the warming of the cooling system is regulated by a valve in radiator cap ②. Heat expansion causes excess coolant to flow into compensating tank ③. When the temperature falls, this surplus coolant is sucked back into the cooling system. This ensures that operating the vehicle at the specified coolant temperature will not result in a risk of malfunctions.

115 °C (239 °F)



The coolant is cooled by the air stream and a radiator fan ④, which is controlled by a thermostat. The lower the speed, the less the cooling effect. Dirty cooling fins also reduce the cooling effect.

16.2 Checking the antifreeze and coolant level



Warning

Danger of scalding During motorcycle operation, the coolant gets very hot and is under pressure.

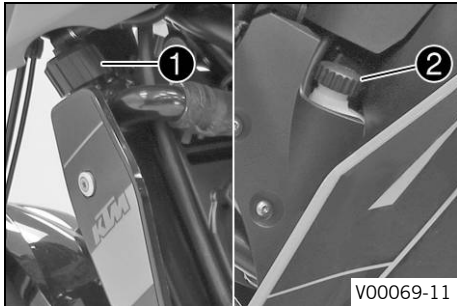
- Do not remove the radiator cap, radiator hoses or other cooling system components when the engine is hot. Allow the engine and cooling system to cool down. In case of scalding, rinse immediately with lukewarm water.



Warning

Danger of poisoning Coolant is poisonous and a health hazard.

- Coolant must not come into contact with the skin, eyes, or clothing. If contact occurs with the eyes, rinse with water immediately and contact a physician. Immediately clean contaminated areas on the skin with soap and water. If fuel is swallowed, contact a physician immediately. Change clothing that is contaminated with coolant. Keep coolant out of reach of children.



Condition

The engine is cold.

Preparatory work

- Stand the motorcycle upright on a horizontal surface.

Main work

- Remove radiator cap ① and cap ② of the compensating tank.
- Check the antifreeze in the coolant.

-25... -45 °C (-13... -49 °F)

- » If the antifreeze in the coolant does not match the specified value:
 - Correct the antifreeze in the coolant.

- Check the coolant level in the compensating tank.

The coolant level must be at the **MIN** marking.

- » If the coolant in the compensating tank is not at the required level, but the tank is not empty:
 - Add coolant to the **MIN** marking.

Coolant (📖 p. 190)

- » If there is no coolant in the compensating tank:
 - Check the cooling system for leaks. 🛠️

**Info**

Do not start up the motorcycle!

- Fill/bleed the cooling system. 📖 (p. 153)
- Mount cap ❷ of the compensating tank.
- Check the coolant level in the radiator.

The radiator must be filled completely.

- » If the coolant level does not match the specified value:
 - Check the coolant level and the reason for the loss.

Coolant 📖 (p. 190)

- » If you had to add more coolant than the specified amount:
 - > 0.50 l (> 0.53 qt.)
 - Fill/bleed the cooling system. 📖 (p. 153)
- Mount radiator cap ❶.

16.3 Checking the coolant level in the compensating tank

**Warning**

Danger of scalding During motorcycle operation, the coolant gets very hot and is under pressure.

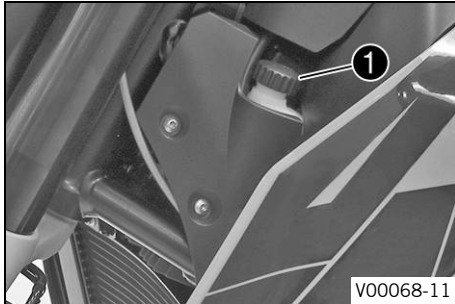
- Do not remove the radiator cap, radiator hoses or other cooling system components when the engine is hot. Allow the engine and cooling system to cool down. In case of scalding, rinse immediately with lukewarm water.



Warning

Danger of poisoning Coolant is poisonous and a health hazard.

- Coolant must not come into contact with the skin, eyes, or clothing. If contact occurs with the eyes, rinse with water immediately and contact a physician. Immediately clean contaminated areas on the skin with soap and water. If fuel is swallowed, contact a physician immediately. Change clothing that is contaminated with coolant. Keep coolant out of reach of children.



Condition

The engine is cold.

The radiator is completely full.

Preparatory work

- Park the motorcycle on a horizontal surface.

Main work

- Check the coolant level in compensating tank ①.

The coolant level must be at the **MIN** marking.

- » If the coolant in the compensating tank is not at the required level, but the tank is not empty:
 - Remove the cap of the compensating tank.
 - Add coolant to the **MIN** marking.

Coolant (🗨️ p. 190)

- Mount the cap of the compensating tank.
- » If there is no coolant in the compensating tank:
 - Check the cooling system for leaks. 🛠️



Info

Do not start up the motorcycle!

- Fill/bleed the cooling system. 🛠️ (🗨️ p. 153)

16.4 Draining the coolant



Warning

Danger of scalding During motorcycle operation, the coolant gets very hot and is under pressure.

- Do not remove the radiator cap, radiator hoses or other cooling system components when the engine is hot. Allow the engine and cooling system to cool down. In case of scalding, rinse immediately with lukewarm water.



Warning

Danger of poisoning Coolant is poisonous and a health hazard.

- Coolant must not come into contact with the skin, eyes, or clothing. If contact occurs with the eyes, rinse with water immediately and contact a physician. Immediately clean contaminated areas on the skin with soap and water. If fuel is swallowed, contact a physician immediately. Change clothing that is contaminated with coolant. Keep coolant out of reach of children.



Condition

The engine is cold.

- Position the motorcycle upright.
- Place a suitable container under the engine.
- Remove screw **1**.
- Remove the radiator cap.
- Completely drain the coolant.
- Mount and tighten screw **1** with a new seal ring.

Guideline

Plug, drain hole of water pump	M10x1	15 Nm (11.1 lbf ft)
--------------------------------	-------	------------------------

- Mount the radiator cap.

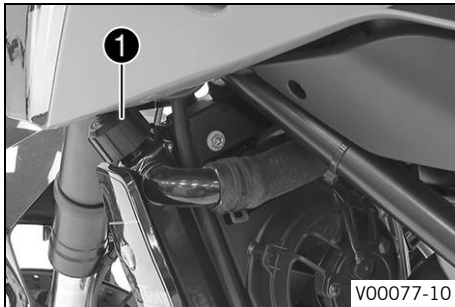
16.5 Filling/bleeding the cooling system



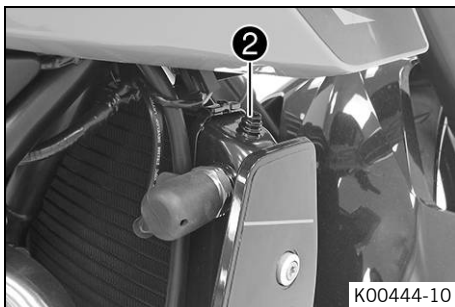
Warning

Danger of poisoning Coolant is poisonous and a health hazard.

- Coolant must not come into contact with the skin, eyes, or clothing. If contact occurs with the eyes, rinse with water immediately and contact a physician. Immediately clean contaminated areas on the skin with soap and water. If fuel is swallowed, contact a physician immediately. Change clothing that is contaminated with coolant. Keep coolant out of reach of children.



- Remove radiator cap **1**.



- Remove bleeder screw **2**.
- Tilt the vehicle slightly to the right.
- Pour in coolant until it emerges without bubbles at the vent hole, and then mount and tighten bleeder screw **2** immediately.

Coolant	1.20 l (1.27 qt.)	Coolant (📖 p. 190)
---------	-------------------	--------------------

- Completely fill the radiator with coolant. Mount radiator cap **1**.
- Rest the vehicle on the side stand.
- Check the coolant level in the compensating tank. (📖 p. 150)

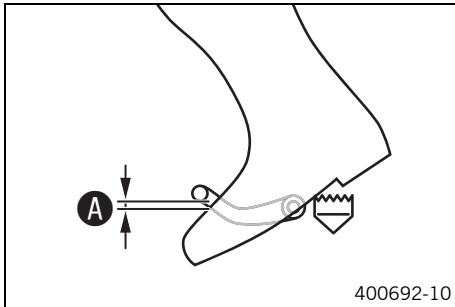
**Danger**

Danger of poisoning Exhaust gases are toxic and inhaling them may result in unconsciousness and/or death.

- When running the engine, always make sure there is sufficient ventilation, and do not start or run the engine in an enclosed space without an effective exhaust extraction system.
-
- Start the engine and run it until the 5th bar of the temperature indicator lights up.
 - Stop the engine and allow it to cool down.
 - When the engine is cool, check the coolant level in the radiator and, if necessary, add coolant.
 - Check the coolant level in the compensating tank. (📖 p. 150)

17.1 Checking the basic position of the shift lever

- i Info**
- When driving, the shift lever must not touch the rider's boot when in the basic position.
When the shift lever keeps touching the boot, the transmission will be subject to an excessive load.

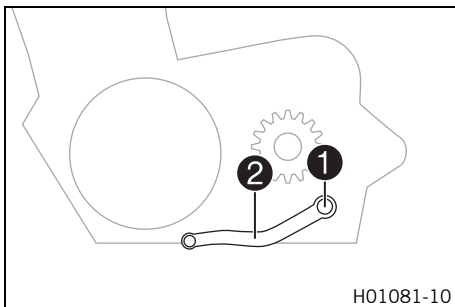


- Sit on the vehicle in the riding position and determine distance **A** between the upper edge of your boot and the shift lever.

Distance between shift lever and upper edge of boot	10... 20 mm (0.39... 0.79 in)
---	-------------------------------

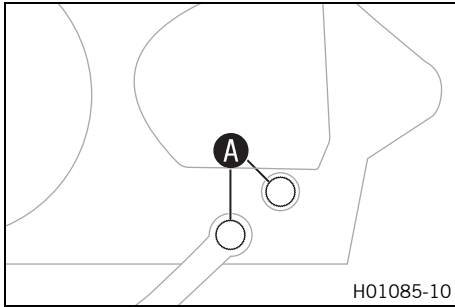
- » If the distance does not meet specifications:
 - Adjust the basic position of the shift lever. 🛠️ (p. 155)

17.2 Adjusting the basic position of the shift lever 🛠️



(Duke)

- Remove screw **1** with washers and take off shift lever **2**.



- Clean gear teeth **A** of the shift lever and shift shaft.
- Mount the shift lever on the shift shaft in the required position and engage the gearing.



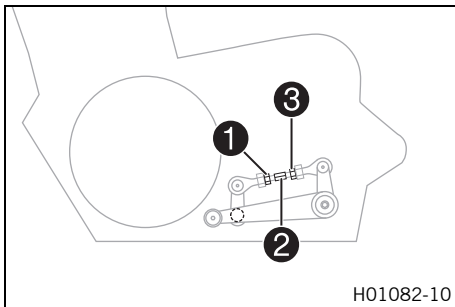
Info

The range of adjustment is limited.
The shift lever must not come into contact with any other vehicle components during the shift procedure.

- Mount and tighten screw with the washers.

Guideline

Screw, shift lever	M6	14 Nm (10.3 lbf ft)	Loctite® 243™
--------------------	----	------------------------	---------------



(Duke R)

- Loosen nut **1**, holding threaded rod **2**.



Info

Nut **1** has a left-handed thread.

- Loosen nut **3**, holding threaded rod **2**.
- Turn threaded rod **2** to adjust the shift lever.



Info

The range of adjustment is limited.
The shift lever must not come into contact with any other vehicle components during the shift procedure.

- Tighten nut **3**, holding threaded rod **2**.

Guideline

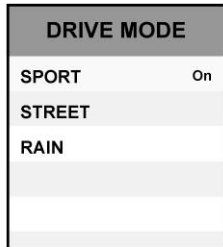
Shift rods, nut	M6	6 Nm (4.4 lbf ft)
-----------------	----	-------------------

- Tighten nut ❶, holding threaded rod ❷.

Guideline

Shift rods, nut	M6LH	6 Nm (4.4 lbf ft)
-----------------	------	-------------------

17.3 Drive Mode (optional)



K00449-01

Possible states

- SPORT – Homologated performance with very direct response; the traction control allows greater slip on the rear wheel
- STREET – Homologated performance with balanced response; the traction control allows normal slip on the rear wheel
- RAIN – Homologated performance with soft response for improved driveability; the traction control allows normal slip on the rear wheel

Various vehicle tunings can be selected in the "**Drive Mode**" menu. You can choose from "**SPORT**", "**STREET**", and "**RAIN**".

The drive mode selected last is displayed in the display.



Info

The drive mode selection has no influence on the ABS.

The menu "**Drive Mode**" is only available if TC or MTC are available on the vehicle.

17.4 Motorcycle traction control (optional) (MTC)

MTC/ABS	
MTC+MSR	[On]
ABS	[On]
ABS Mod.	[SupMot]

K00396-01

The motorcycle traction control (MTC) lowers the engine torque in case of loss of traction in the rear wheel. Depending on the motorcycle traction control setting, a slight slip on the rear wheel may be desirable.



Info

When motorcycle traction control is switched off, the rear wheel may spin during strong acceleration and on surfaces with low grip.
After the ignition is switched back on, motorcycle traction control is enabled again.

Motorcycle traction control is controlled via the "**Drive Mode**" (📖 p. 157) menu on the combination instrument. Motorcycle traction control can be switched off in the "**MTC/ABS**" menu.



Info

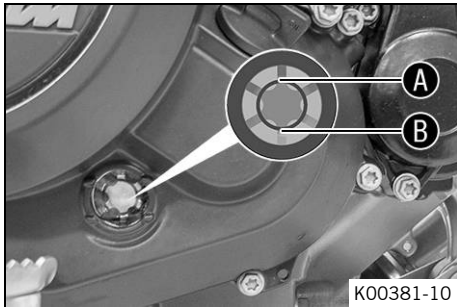
When motorcycle traction control is active, the TC lamp 🚗 flashes.
When motorcycle traction control is switched off, the TC lamp 🚗 lights up.

18.1 Checking the engine oil level



Info

The engine oil level must be checked at normal engine operating temperature.



- Stand the motorcycle upright on a horizontal surface.
- Check the engine oil level.



Info

After switching off the engine, wait one minute before checking the level.

The engine oil must be between marking **A** and marking **B** of the oil level viewer.

- » If the engine oil level is not at the specified level:
 - Add engine oil. (📖 p. 164)

18.2 Changing the engine oil and oil filter, cleaning the oil screens 🛠️



Warning

Danger of scalding Engine oil and gear oil get very hot when the motorcycle is ridden.

- Wear appropriate protective clothing and safety gloves. In case of burns, rinse immediately with lukewarm water.



Warning

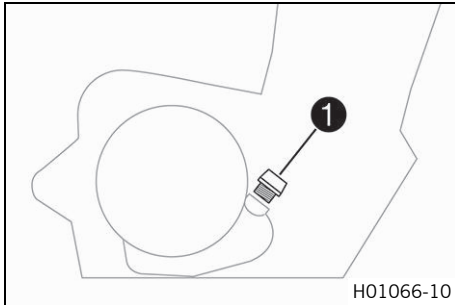
Environmental hazard Hazardous substances cause environmental damage.

- Oil, grease, filters, fuel, cleaners, brake fluid, etc., should be disposed of as stipulated in applicable regulations.



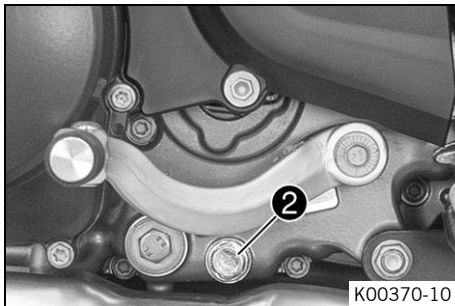
Info

Drain the engine oil while the engine is at operating temperature.



Main work

- Rest the motorcycle on its side stand on a horizontal surface.
- Place a suitable container under the engine.
- Remove oil filler plug ① with the O-ring from the clutch cover.

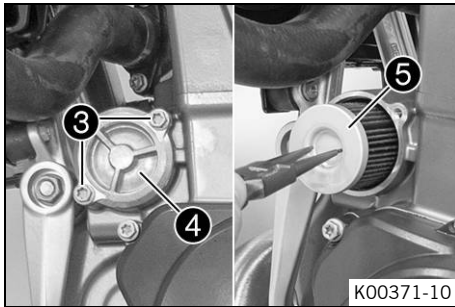


- Remove oil drain plug ② with the magnet and seal ring.
- Completely drain the engine oil.
- Thoroughly clean the oil drain plug with magnet.
- Mount and tighten the oil drain plug with the magnet and a new seal ring.

Guideline

Oil drain plug with magnet	M12x1.5	20 Nm (14.8 lbf ft)
----------------------------	---------	------------------------

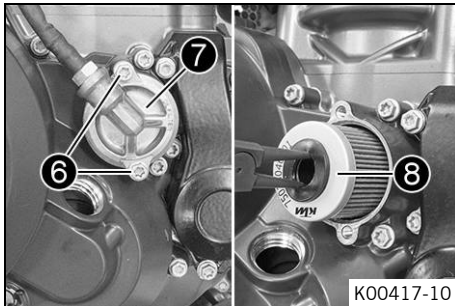
18 SERVICE WORK ON THE ENGINE



- Remove screws 3. Remove oil filter cover 4 with the O-ring.
- Pull oil filter 5 out of the oil filter housing.

Circlip pliers reverse (51012011000)

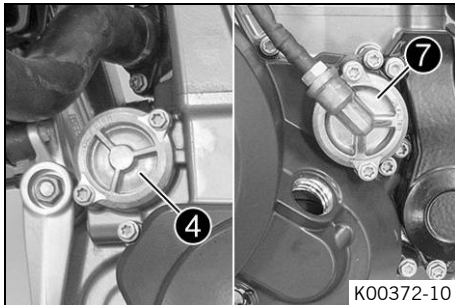
- Thoroughly clean the parts and sealing surface.



- Remove screws 6. Remove oil filter cover 7 with the O-ring.
- Pull oil filter 8 out of the oil filter housing.

Circlip pliers reverse (51012011000)

- Completely drain the engine oil.
- Thoroughly clean the parts and sealing surface.

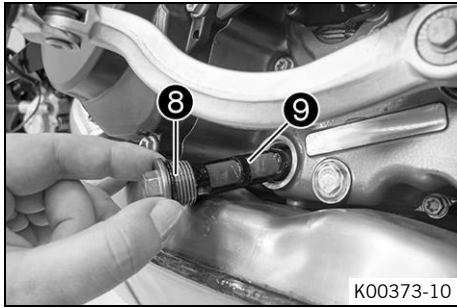


- Insert the new oil filter.
- Oil the O-rings of the oil filter covers. Position oil filter cover 4 and 7.
- Mount and tighten the screws.

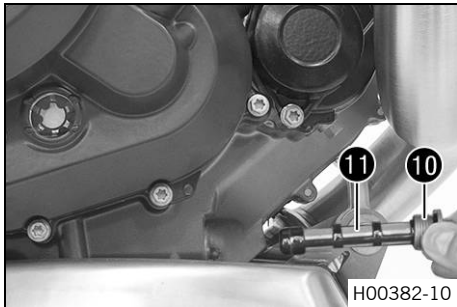
Guideline

Screw, oil filter cover	M5	6 Nm (4.4 lbf ft)
-------------------------	----	-------------------

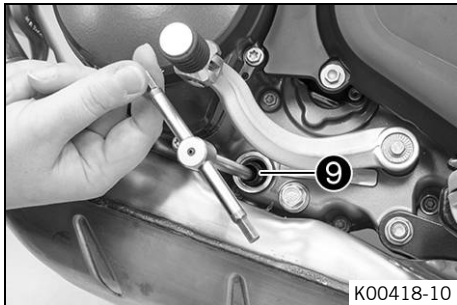
18 SERVICE WORK ON THE ENGINE



- Remove screw plug 8 with oil screen 9 and the O-rings.
- Completely drain the remaining engine oil.
- Thoroughly clean the parts and sealing surface.

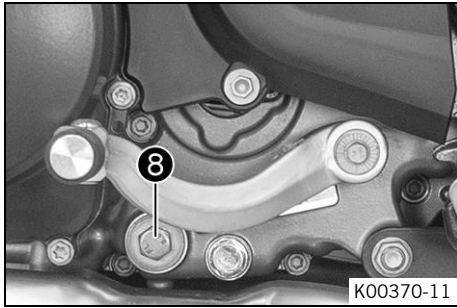


- Remove screw plug 10 with oil screen 11 and the O-rings.
- Completely drain the remaining engine oil.
- Thoroughly clean the parts and sealing surface.



- Position oil screen 9 with the O-rings on a pin wrench.
- Position the pin wrench through the drilled hole of the screw plug in the opposite section of the engine case.
- Push the oil screen all the way into the engine case.

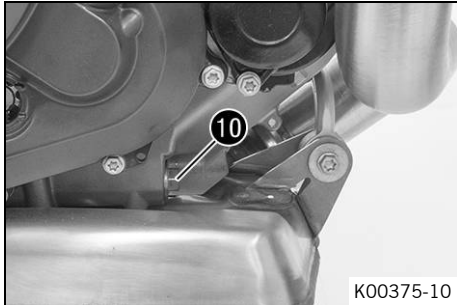
18 SERVICE WORK ON THE ENGINE



- Mount and tighten screw plug **8** with the O-ring.

Guideline

Plug, oil screen	M20x1.5	15 Nm (11.1 lbf ft)
------------------	---------	------------------------



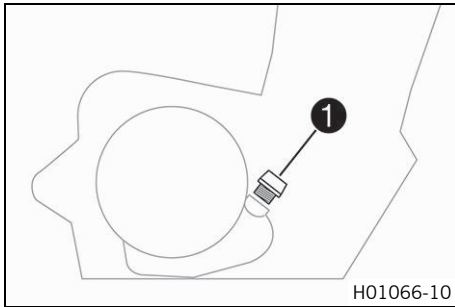
- Position the oil screen with the O-rings.
- Mount and tighten screw plug **10** with the O-ring.

Guideline

Plug, oil screen	M20x1.5	15 Nm (11.1 lbf ft)
------------------	---------	------------------------

- Fill up with engine oil at the clutch cover.

Engine oil	1.70 l (1.8 qt.)	Engine oil (SAE 10W/60) (00062010035) (📖 p. 190)	
		Alternative engine oil	Engine oil (SAE 10W/50) (📖 p. 191)



- Mount and tighten oil filler plug **1** with the O-ring.



Danger

Danger of poisoning Exhaust gases are toxic and inhaling them may result in unconsciousness and/or death.

- When running the engine, always make sure there is sufficient ventilation, and do not start or run the engine in an enclosed space without an effective exhaust extraction system.
-
- Start the engine and check that it is oil-tight.

Finishing work

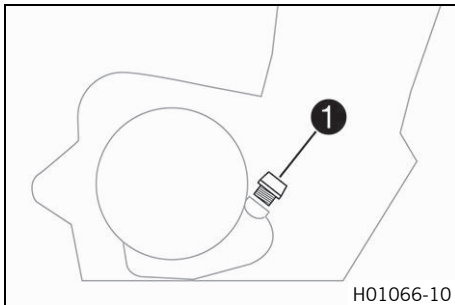
- Check the engine oil level. (📖 p. 159)

18.3 Adding engine oil



Info

Too little engine oil or poor-quality engine oil results in premature wear of the engine.



Main work

- Remove filler plug **1** and the O-ring from the clutch cover, and fill up with engine oil.

Engine oil (SAE 10W/60) (00062010035) (📖 p. 190)
--

Engine oil (SAE 10W/50) (📖 p. 191)



Info

In order to achieve optimal engine performance, it is not advisable to mix different engine oils.

We recommend changing the engine oil when necessary.

- Mount and tighten oil filler plug ① with the O-ring.
-



Danger

Danger of poisoning Exhaust gases are toxic and inhaling them may result in unconsciousness and/or death.

- When running the engine, always make sure there is sufficient ventilation, and do not start or run the engine in an enclosed space without an effective exhaust extraction system.
-

- Start the engine and check that it is oil-tight.

Finishing work

- Check the engine oil level. (📖 p. 159)

19.1 Cleaning the motorcycle

Note

Material damage Damage and destruction of components by high-pressure cleaning equipment.

- When cleaning the vehicle with a pressure cleaner, do not point the water jet directly onto electrical components, connectors, cables, bearings, etc. Maintain a minimum distance of 60 cm between the nozzle of the pressure cleaner and the component. Excessive pressure can cause malfunctions or destroy these parts.



Warning

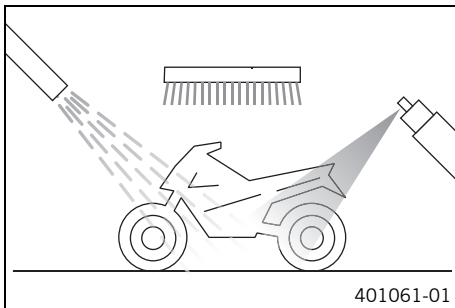
Environmental hazard Hazardous substances cause environmental damage.

- Oil, grease, filters, fuel, cleaners, brake fluid, etc., should be disposed of as stipulated in applicable regulations.



Info

If you clean the motorcycle regularly, its value and appearance will be maintained over a long period.
Avoid direct sunshine on the motorcycle during cleaning.



- Seal the exhaust system to keep water out.
- First remove coarse dirt particles with a gentle spray of water.
- Spray very dirty areas with a normal motorcycle cleaner and then clean with a brush.

Motorcycle cleaner (📖 p. 193)



Info

Use warm water containing normal motorcycle cleaner and a soft sponge. Never apply motorcycle cleaner to a dry vehicle; always rinse the vehicle with water first.

If the vehicle was operated in road salt, clean it with cold water. Warm water enhances the corrosive effects of salt.

- After rinsing the motorcycle with a gentle spray of water, allow it to dry thoroughly.
- Remove the closure of the exhaust system.



Warning

Danger of accidents Reduced braking efficiency due to a wet or dirty brake system.

- Clean or dry a dirty or wet brake system by riding and braking gently.

- After cleaning, ride the vehicle a short distance until the engine warms up.



Info

The heat produced causes water at inaccessible locations in the engine and on the brake system to evaporate.

- After the motorcycle has cooled off, lubricate all moving parts and bearings.
- Clean the chain. (📖 p. 88)
- Treat bare metal parts (except for brake discs and exhaust system) with anti-corrosion materials.

Preserving materials for paints, metal and rubber (📖 p. 194)

- Treat all painted parts with a mild paint polish.

Perfect Finish and high gloss polish for paints (📖 p. 194)



Info

Do not polish parts that were matte when delivered as this would strongly impair the material quality.

- Treat all plastic parts and powder-coated parts with a mild cleaning and care agent.

Special cleaner for glossy and matte paint finishes, metal and plastic surfaces (📖 p. 194)

- Lubricate the ignition/steering lock.

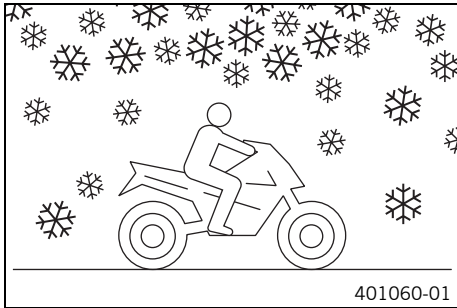
Universal oil spray (📖 p. 194)

19.2 Checks and maintenance steps for winter operation

i Info

If you use the motorcycle in winter, you must expect salt on the roads. You should therefore take precautions against aggressive road salt.

If the vehicle was operated in road salt, clean it with cold water after riding. Warm water would enhance the corrosive effects of salt.



- Clean the motorcycle. (📖 p. 166)
- Clean the brake system.

i Info

After **EVERY** trip on salted roads, thoroughly wash the brake calipers and brake linings with cold water and dry carefully. This should be done after the parts are cooled down and while they are installed.

After use on salted roads, clean the motorcycle thoroughly with cold water and dry it properly.

- Treat the engine, the swingarm, and all other bare or galvanized parts (except brake discs) with a wax-based anti-corrosion substance.

i Info

To prevent serious reduction of the braking efficiency, make sure no anti-corrosion substance gets on to the brake discs.

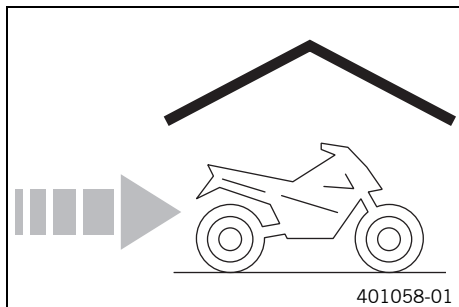
- Clean the chain. (📖 p. 88)

20.1 Storage

Info

If you want to garage the motorcycle for a longer period, take the following actions.

Before storing the motorcycle, check all parts for function and wear. If service, repairs or replacements are necessary, you should do this during the storage period (less workshop overload). In this way, you can avoid long workshop waiting times at the start of the new season.



- When refueling for the last time before taking the motorcycle out of service, add fuel additive.

Fuel additive (📖 p. 193)

- Refuel. (📖 p. 67)
- Clean the motorcycle. (📖 p. 166)
- Change the engine oil and oil filter and clean the oil screens. 🛠️ (📖 p. 159)
- Check the antifreeze and coolant level. (📖 p. 148)
- Check the tire pressure. (📖 p. 125)
- Remove the battery. 🛠️ (📖 p. 126)
- Recharge the battery. 🛠️ (📖 p. 129)

Guideline

Storage temperature of battery without direct sunshine.

0... 35 °C (32... 95 °F)

- Store the vehicle in a dry location that is not subject to large fluctuations in temperature.

Info

KTM recommends jacking up the motorcycle.

- Raise the motorcycle with the rear lifting gear. (📖 p. 83)

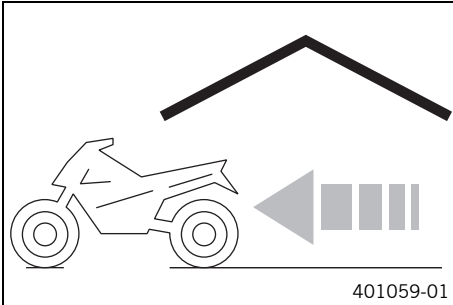
- Lift the motorcycle with the front lifting gear. (📖 p. 84)
- Cover the motorcycle with a porous sheet or blanket.

i Info

Do not use non-porous materials since they prevent humidity from escaping, thus causing corrosion.

Avoid running the engine for a short time only. Since the engine cannot warm up properly, the water vapor produced during combustion condenses and causes valves and exhaust system to rust.

20.2 Preparing for use after storage



- Take the motorcycle from the front lifting gear. (📖 p. 85)
- Remove the rear of the motorcycle from the lifting gear. (📖 p. 83)
- Recharge the battery. ⚡ (📖 p. 129)
- Install the battery. ⚡ (📖 p. 128)
- Set the time and date. (📖 p. 49)
- Perform checks and vehicle care when preparing for use. (📖 p. 56)
- Take a test ride.

Faults	Possible cause	Action
Engine does not crank when the electric starter button is pressed	Operating error	– Carry out the start procedure. (📖 p. 57)
	The battery is discharged	– Recharge the battery. 🛠️ (📖 p. 129) – Check the open-circuit current. 🛠️
	Fuse 1 , 2 or 3 blown	– Change the fuses of individual power consumers. (📖 p. 135)
	Main fuse burned out	– Change the main fuse. (📖 p. 132)
	No ground connection present	– Check the ground connection.
Engine turns only if the clutch lever is drawn	The vehicle is in gear	– Shift gear to neutral.
	The vehicle is in gear and the side stand is folded out	– Shift gear to neutral.
Engine turns but does not start	Operating error	– Carry out the start procedure. (📖 p. 57)
	Fuse 3 blown	– Change the fuses of individual power consumers. (📖 p. 135)
	The plug-in connection of the fuel hose connection is not connected	– Connect the plug-in connection of the fuel line.
	Defect in fuel injection system	– Read out the fault memory using the KTM diagnostics tool. 🛠️
	Throttle opened while starting	– When starting, DO NOT open the throttle – Carry out the start procedure. (📖 p. 57)
Engine has too little power	Air filter is very dirty	– Remove the air filter. 🛠️ – Install the air filter. 🛠️
	Fuel filter is very dirty	– Check the fuel pressure. 🛠️
	Defect in fuel injection system	– Read out the fault memory using the KTM diagnostics tool. 🛠️

Faults	Possible cause	Action
Engine overheats	Too little coolant in cooling system	<ul style="list-style-type: none"> – Check the cooling system for leakage. – Check the coolant level in the compensating tank. (📖 p. 150)
	Radiator fins very dirty	<ul style="list-style-type: none"> – Clean radiator fins.
	Foam formation in cooling system	<ul style="list-style-type: none"> – Drain the coolant. 🛠️ (📖 p. 152) – Fill/bleed the cooling system. 🛠️ (📖 p. 153)
	Buckled or damaged radiator hose	<ul style="list-style-type: none"> – Change the radiator hose. 🛠️
	Thermostat is faulty	<ul style="list-style-type: none"> – Check the thermostat. 🛠️
	Fuse 4 blown	<ul style="list-style-type: none"> – Change the fuses of individual power consumers. (📖 p. 135)
	Defect in radiator fan system	<ul style="list-style-type: none"> – Check the radiator fan system. 🛠️
FI warning lamp (MIL) lights/flashes	Defect in fuel injection system	<ul style="list-style-type: none"> – Read out the fault memory using the KTM diagnostics tool. 🛠️
N The idle indicator lamp does not light up when the transmission is in neutral	Gear position sensor not programmed	<ul style="list-style-type: none"> – Read out the fault memory using the KTM diagnostics tool. 🛠️
Engine dies during the trip	Lack of fuel	<ul style="list-style-type: none"> – Refuel. (📖 p. 67)
	Fuse 1 , 2 or 3 blown	<ul style="list-style-type: none"> – Change the fuses of individual power consumers. (📖 p. 135)
The ABS warning lamp lights up	ABS fuse is blown	<ul style="list-style-type: none"> – Change the ABS fuses. (📖 p. 134)
	Large difference in wheel speeds of the front and rear wheels	<ul style="list-style-type: none"> – Stop the vehicle, switch off the ignition, and start it again.
	Malfunction in ABS	<ul style="list-style-type: none"> – Read out the ABS fault memory using the KTM diagnostics tool. 🛠️
High oil consumption	Engine vent hose bent	<ul style="list-style-type: none"> – Route the vent hose without bends or change it if necessary.

Faults	Possible cause	Action
High oil consumption	Engine oil level too high	– Check the engine oil level. (📖 p. 159)
	Engine oil too thin (low viscosity)	– Change the engine oil and oil filter and clean the oil screens. 🛠️ (📖 p. 159)
Headlight and parking light are not functioning	Fuse 6 blown	– Change the fuses of individual power consumers. (📖 p. 135)
Turn signal, brake light, and horn are not functional	Fuse 5 blown	– Change the fuses of individual power consumers. (📖 p. 135)
Time is not (correctly) displayed	Fuse 1 blown	– Change the fuses of individual power consumers. (📖 p. 135)
		– Set the time and date. (📖 p. 49)
Battery discharged	Ignition not switched off when vehicle was parked	– Recharge the battery. 🛠️ (📖 p. 129)
	Battery is not charged by alternator	– Check the charging voltage. 🛠️ – Check the open-circuit current. 🛠️
Combination instrument shows nothing on the display	Fuse 1 or 2 blown	– Change the fuses of individual power consumers. (📖 p. 135) – Set the time and date. (📖 p. 49)

22.1 engine

Design	1-cylinder 4-stroke engine, water-cooled
Displacement	692.7 cm ³ (42.271 cu in)
Stroke	80 mm (3.15 in)
Bore	105 mm (4.13 in)
Compression ratio	12.7:1
Control	OHC, intake with cam levers, exhaust controlled by rocker arm, chain drive
Valve diameter, intake	42 mm (1.65 in)
Valve diameter, exhaust	34 mm (1.34 in)
Valve play, cold	
Intake at: 20 °C (68 °F)	0.10... 0.15 mm (0.0039... 0.0059 in)
Exhaust at: 20 °C (68 °F)	0.20... 0.25 mm (0.0079... 0.0098 in)
Crankshaft bearing	2 roller bearings
Conrod bearing	Slide bearing
Piston pin bearing	Piston pin with DLC coating
Pistons	Forged light alloy
Piston rings	1 compression ring, 1 lower compression ring, 1 oil ring with spring expander
Engine lubrication	Semi-dry sump lubrication system with two rotor pumps
Primary transmission	36:79
Clutch	APTCTM antihopping clutch in oil bath/hydraulically operated
Transmission	6-gear, claw shifted
Transmission ratio	

1st gear	14:35
2nd gear	16:28
3rd gear	21:28
4th gear	21:23
5th gear	23:22
6th gear	23:20
Mixture preparation	Electronic fuel injection
Ignition	Contactless controlled fully electronic ignition with digital ignition adjustment
Alternator	12 V, 224 W
Spark plug	
Inside spark plug	NGK LKAR9BI-10
Outside spark plug	NGK LMAR7DI-10
Spark plug electrode gap	1.0 mm (0.039 in)
Cooling	Water cooling, permanent circulation of coolant by water pump
Idle speed	1,550... 1,650 rpm
Starting aid	Electric starter, automatic decompressor

22.2 Engine tightening torques

Screw, membrane fixation	M3	2 Nm (1.5 lbf ft)	Loctite® 243™
Hose clamp, intake flange	M4	2.5 Nm (1.84 lbf ft)	–
Oil nozzle for conrod bearing lubrication	M4	2 Nm (1.5 lbf ft)	Loctite® 243™
Locking screw for bearing	M5	6 Nm (4.4 lbf ft)	Loctite® 243™
Oil nozzle in cylinder head	M5	2 Nm (1.5 lbf ft)	Loctite® 243™

Remaining screws, engine	M5	6 Nm (4.4 lbf ft)	–
Screw, clutch spring	M5x25	6 Nm (4.4 lbf ft)	–
Screw, cover plate for oil return line	M5	6 Nm (4.4 lbf ft)	–
Screw, gear position sensor	M5x14	5 Nm (3.7 lbf ft)	Loctite® 243™
Screw, oil filter cover	M5	6 Nm (4.4 lbf ft)	–
Screw, oil pump cover	M5	6 Nm (4.4 lbf ft)	Loctite® 243™
Screw, oil pump cover, top	M5	6 Nm (4.4 lbf ft)	Loctite® 243™
Chain securing guide	M6	5 Nm (3.7 lbf ft)	–
Remaining screws, engine	M6	10 Nm (7.4 lbf ft)	–
Screw in alternator cover	M6	10 Nm (7.4 lbf ft)	–
Screw, alternator cover	M6x30	10 Nm (7.4 lbf ft)	–
Screw, alternator cover (chain shaft through-hole)	M6	10 Nm (7.4 lbf ft)	Loctite® 243™
Screw, autodecompression	M6	3... 4 Nm (2.2... 3 lbf ft)	Loctite® 243™
Screw, axial lock of camshaft	M6	10 Nm (7.4 lbf ft)	Loctite® 243™
Screw, camshaft bearing support	M6x80	10 Nm (7.4 lbf ft)	–
Screw, camshaft bearing support	M6x90	10 Nm (7.4 lbf ft)	–
Screw, chain shaft	M6	10 Nm (7.4 lbf ft)	Loctite® 243™
Screw, clutch cover	M6	10 Nm (7.4 lbf ft)	–
Screw, clutch slave cylinder	M6x20	10 Nm (7.4 lbf ft)	Loctite® 243™
Screw, clutch slave cylinder	M6x35	10 Nm (7.4 lbf ft)	–
Screw, cylinder	M6	10 Nm (7.4 lbf ft)	Loctite® 243™
Screw, cylinder head	M6	10 Nm (7.4 lbf ft)	Loctite® 243™
Screw, engine case	M6	10 Nm (7.4 lbf ft)	–
Screw, ignition coil	M6	10 Nm (7.4 lbf ft)	–

Screw, ignition pulse generator	M6	10 Nm (7.4 lbf ft)	Loctite® 243™
Screw, locking lever	M6	10 Nm (7.4 lbf ft)	Loctite® 243™
Screw, oil pump cover, bottom	M6	10 Nm (7.4 lbf ft)	Loctite® 243™
Screw, resonator	M6	10 Nm (7.4 lbf ft)	Loctite® 243™
Screw, shift drum locating	M6	10 Nm (7.4 lbf ft)	Loctite® 243™
Screw, shift lever	M6	14 Nm (10.3 lbf ft)	Loctite® 243™
Screw, starter motor	M6	10 Nm (7.4 lbf ft)	Loctite® 243™
Screw, stator	M6	10 Nm (7.4 lbf ft)	Loctite® 243™
Screw, thermostat housing	M6	10 Nm (7.4 lbf ft)	Loctite® 243™
Screw, timing chain guide rail	M6x30	10 Nm (7.4 lbf ft)	Loctite® 243™
Screw, timing chain tensioning rail	M6x30	10 Nm (7.4 lbf ft)	Loctite® 243™
Screw, valve cover	M6	10 Nm (7.4 lbf ft)	–
Screw, water pump cover	M6	10 Nm (7.4 lbf ft)	–
Screw, water pump wheel	M6	10 Nm (7.4 lbf ft)	Loctite® 243™
Screws, SAS cover	M6x12	10 Nm (7.4 lbf ft)	Loctite® 243™
Intake channel vacuum connection	M6x0.75	2.5 Nm (1.84 lbf ft)	Loctite® 243™
Oil jet, piston cooling	M6x0.75	4 Nm (3 lbf ft)	Loctite® 243™
Screw plug, crankshaft clamp	M8	15 Nm (11.1 lbf ft)	–
Screw, rocker arm shaft	M8x40	15 Nm (11.1 lbf ft)	–
Screw, rocker arm shaft	M8x55	15 Nm (11.1 lbf ft)	–
Stud, exhaust flange	M8	10 Nm (7.4 lbf ft)	Loctite® 243™

Cylinder head screw	M10	Tightening sequence: Tighten diagonally, beginning with the rear screw on the timing chain shaft. Step 1 15 Nm (11.1 lbf ft) Step 2 30 Nm (22.1 lbf ft) Step 3 45 Nm (33.2 lbf ft) Step 4 60 Nm (44.3 lbf ft)	Lubricated with engine oil
Oil line for oil pressure sensor	M10x1	10 Nm (7.4 lbf ft)	–
Oil pressure sensor	M10x1	10 Nm (7.4 lbf ft)	–
Plug, drain hole of water pump	M10x1	15 Nm (11.1 lbf ft)	–
Screw plug, oil channel	M10x1	15 Nm (11.1 lbf ft)	Loctite® 243™
Screw plug, oil channel, for oil radiator	M10x1	15 Nm (11.1 lbf ft)	–
Screw, unlocking of timing chain tensioner	M10x1	10 Nm (7.4 lbf ft)	–
Spark plug outside	M10x1	11 Nm (8.1 lbf ft)	–
Spark plug inside	M12x1.25	18 Nm (13.3 lbf ft)	–
Coolant temperature sensor on cylinder head	M12x1.5	12 Nm (8.9 lbf ft)	–
Oil drain plug with magnet	M12x1.5	20 Nm (14.8 lbf ft)	–
Oil pressure regulator valve plug	M12x1.5	20 Nm (14.8 lbf ft)	–
Screw plug, oil channel	M14x1.5	15 Nm (11.1 lbf ft)	Loctite® 243™
Engine case stud	M16x1.5	25 Nm (18.4 lbf ft)	Loctite® 243™
Rotor nut	M18x1.5	100 Nm (73.8 lbf ft)	–

Nut, engine sprocket	M20x1.5	80 Nm (59 lbf ft)	Loctite® 243™
Nut, inner clutch hub	M20x1.5	100 Nm (73.8 lbf ft)	Loctite® 243™
Nut, primary gear	M20LHx1.5	90 Nm (66.4 lbf ft)	Loctite® 243™
Plug, oil screen	M20x1.5	15 Nm (11.1 lbf ft)	–
Plug, timing chain tensioner	M20x1.5	25 Nm (18.4 lbf ft)	–
Plug, oil thermostat	M24x1.5	15 Nm (11.1 lbf ft)	–
Screw in alternator cover	M24x1.5	8 Nm (5.9 lbf ft)	–

22.3 Capacities

22.3.1 Engine oil

Engine oil	1.70 l (1.8 qt.)	Engine oil (SAE 10W/60) (00062010035) (📖 p. 190)	
		Alternative engine oil	Engine oil (SAE 10W/50) (📖 p. 191)

22.3.2 Coolant

Coolant	1.20 l (1.27 qt.)	Coolant (📖 p. 190)
---------	-------------------	--------------------

22.3.3 Fuel

Total fuel tank capacity, approx.	14 l (3.7 US gal)	Super unleaded (ROZ 95/RON 95/PON 91) (📖 p. 192)
-----------------------------------	-------------------	--

22.4 Chassis

Frame	Lattice frame made of chrome molybdenum steel tubing, powder-coated
Fork (Duke)	WP Performance Systems Up Side Down 4357
Fork (Duke R)	WP Performance Systems 4357 ROTA SPLIT
Shock absorber (Duke)	WP Performance Systems emulsion with Pro-Lever linkage
Shock absorber (Duke R)	WP Performance Systems 4618 with Pro-Lever linkage
Suspension travel (Duke)	
Front	135 mm (5.31 in)
Rear	135 mm (5.31 in)
Suspension travel (Duke R)	
Front	150 mm (5.91 in)
Rear	150 mm (5.91 in)
Brake system	
Front	Disc brake with radially screwed four-piston brake caliper, floating brake disc
Rear	Disc brake with single-piston brake caliper, floating
Brake discs - diameter	
Front	320 mm (12.6 in)
Rear	240 mm (9.45 in)
Brake discs - wear limit	
Front	4.2 mm (0.165 in)
Rear	4.5 mm (0.177 in)
Tire air pressure, solo	

Front	2.0 bar (29 psi)
Rear	2.0 bar (29 psi)
Tire air pressure with passenger / fully loaded	
Front	2.0 bar (29 psi)
Rear	2.2 bar (32 psi)
Secondary drive ratio	16:40
Chain	5/8 x 1/4" (520) X-ring
Steering head angle	63.5°
Wheelbase	1,466±15 mm (57.72±0.59 in)
Seat height unloaded (Duke)	835 mm (32.87 in)
Seat height unloaded (Duke R)	865 mm (34.06 in)
Ground clearance unloaded	192 mm (7.56 in)
Weight without fuel, approx. (Duke)	152.5 kg (336.2 lb.)
Weight without fuel, approx. (Duke R)	151.5 kg (334 lb.)
Maximum permissible front axle load	150 kg (331 lb.)
Maximum permissible rear axle load	220 kg (485 lb.)
Maximum permissible overall weight	350 kg (772 lb.)

22.5 Electrical system

Battery	CBTX9-BS	Battery voltage: 12 V Nominal capacity: 8 Ah Maintenance-free
Fuse	58011109115	15 A
Fuse	58011109125	25 A
Fuse	58011109130	30 A

Fuse	75011088015	15 A
Fuse	75011088010	10 A
Headlight	H4 / socket P43t	12 V 60/55 W
Parking light	W5W / socket W2.1x9.5d	12 V 5 W
Instrument lights and indicator lamps	LED	
Turn signal (Duke)	RY10W / socket BAU15s	12 V 10 W
Turn signal (Duke R)	LED	
Brake/tail light	LED	
License plate lamp	LED	

22.6 Tires

Front tires	Rear tires
120/70 ZR 17 M/C 58W TL Metzeler SPORTEC M7 RR	160/60 ZR 17 M/C 69W TL Metzeler SPORTEC M7 RR
Additional information is available in the Service section under: http://www.ktm.com	

22.7 Fork

22.7.1 Duke

Fork part number	05.18.7L.19
Fork	WP Performance Systems Up Side Down 4357
Spring rate	

Medium (standard)	6.0 N/mm (34.3 lb/in)	
Fork length	816 mm (32.13 in)	
Fork oil per fork leg	480 ml (16.23 fl. oz.)	Fork oil (SAE 4) (48601166S1) (📖 p. 191)

22.7.2 Duke R

Fork part number	05.18.8M.11	
Fork	WP Performance Systems 4357 ROTA SPLIT	
Compression damping		
Comfort	17 clicks	
Standard	12 clicks	
Sport	7 clicks	
Full payload	7 clicks	
Rebound damping		
Comfort	17 clicks	
Standard	12 clicks	
Sport	7 clicks	
Full payload	7 clicks	
Spring length with preload spacer(s)	303 mm (11.93 in)	
Spring rate		
Medium (standard)	6.5 N/mm (37.1 lb/in)	
Air chamber length	80±20 mm (3.15±0.79 in)	
Fork length	831 mm (32.72 in)	
Fork oil per fork leg	534 ml (18.05 fl. oz.)	Fork oil (SAE 4) (48601166S1) (📖 p. 191)

22.8 Shock absorber

22.8.1 Duke

Shock absorber article number	01.18.7N.19
Shock absorber	WP Performance Systems emulsion with Pro-Lever linkage
Spring preload	
Standard	4 clicks
Static sag	20 mm (0.79 in)
Riding sag	45 mm (1.77 in)
Fitted length	364 mm (14.33 in)

22.8.2 Duke R

Shock absorber article number	15.18.7P.11
Shock absorber	WP Performance Systems 4618 with Pro-Lever linkage
Compression damping, high-speed	
Comfort	2 turns
Standard	1.5 turns
Sport	1 turn
Full payload	1 turn
Compression damping, low-speed	
Comfort	20 clicks
Standard	15 clicks
Sport	10 clicks
Full payload	10 clicks

Rebound damping	
Comfort	20 clicks
Standard	15 clicks
Sport	10 clicks
Full payload	10 clicks
Spring preload	11 mm (0.43 in)
Spring rate	
Soft	70 N/mm (400 lb/in)
Medium (standard)	75 N/mm (428 lb/in)
Spring length	185 mm (7.28 in)
Gas pressure	10 bar (145 psi)
Static sag	25 mm (0.98 in)
Riding sag	60... 65 mm (2.36... 2.56 in)
Fitted length	370 mm (14.57 in)
Shock absorber fluid	Shock absorber fluid (SAE 2.5) (50180751S1) (📖 p. 192)

22.9 Chassis tightening torques

Screw, headlight	EJOT	2 Nm (1.5 lbf ft)	–
Screw, side stand switch	M4	2 Nm (1.5 lbf ft)	Loctite® 243™
Remaining screws, chassis	M5	5 Nm (3.7 lbf ft)	–
Retaining clamp, brake line	M5	3 Nm (2.2 lbf ft)	–
SAS valve screw on frame	M5	4 Nm (3 lbf ft)	–
Screw, air filter box	M5	3 Nm (2.2 lbf ft)	–
Screw, cable on starter motor	M5	3 Nm (2.2 lbf ft)	–

Screw, combination instrument	M5	4 Nm (3 lbf ft)	–
Screw, combination switch, left	M5	3.5 Nm (2.58 lbf ft)	–
Screw, combination switch, right	M5	3.5 Nm (2.58 lbf ft)	–
Screw, foot brake lever stub (Duke)	M5	6 Nm (4.4 lbf ft)	Loctite® 243™
Screw, fuel level sensor	M5	3 Nm (2.2 lbf ft)	–
Screw, headlight mask	M5	4 Nm (3 lbf ft)	–
Screw, heat guard (Duke)	M5	5 Nm (3.7 lbf ft)	Loctite® 243™
Screw, plastic clamp of brake line on fork leg	M5	2 Nm (1.5 lbf ft)	–
Double-sided grub screw	M6	6 Nm (4.4 lbf ft)	Loctite® 243™
Nut, push rod, foot brake lever	M6	6 Nm (4.4 lbf ft)	–
Remaining nuts, chassis	M6	10 Nm (7.4 lbf ft)	–
Remaining screws, chassis	M6	10 Nm (7.4 lbf ft)	–
Screw, angle sensor	M6	5 Nm (3.7 lbf ft)	–
Screw, ball joint of push rod on foot brake cylinder	M6	10 Nm (7.4 lbf ft)	Loctite® 243™
Screw, battery terminal	M6	2 Nm (1.5 lbf ft)	–
Screw, brake assembly	M6	5 Nm (3.7 lbf ft)	–
Screw, brake fluid reservoir of rear brake	M6	5 Nm (3.7 lbf ft)	–
Screw, chain guard	M6	4 Nm (3 lbf ft)	Loctite® 243™
Screw, chain sliding guard	M6	10 Nm (7.4 lbf ft)	Loctite® 243™
Screw, clutch assembly	M6	5 Nm (3.7 lbf ft)	–
Screw, control unit holder	M6	3 Nm (2.2 lbf ft)	–
Screw, exhaust pipe clamp	M6	8 Nm (5.9 lbf ft)	Copper paste
Screw, foot brake cylinder	M6	10 Nm (7.4 lbf ft)	Loctite® 243™

Screw, foot brake lever stub (Duke R)	M6	10 Nm (7.4 lbf ft)	Loctite® 243™
Screw, fuel pump	M6	6 Nm (4.4 lbf ft)	–
Screw, fuel spoiler	M6	3 Nm (2.2 lbf ft)	–
Screw, lower radiator bracket	M6	5 Nm (3.7 lbf ft)	–
Screw, magnetic holder on side stand	M6	5 Nm (3.7 lbf ft)	Loctite® 243™
Screw, seat lock	M6	10 Nm (7.4 lbf ft)	Loctite® 222™
Screw, shift lever (Duke R)	M6	14 Nm (10.3 lbf ft)	Loctite® 243™
Screw, tail light cover	M6	8 Nm (5.9 lbf ft)	–
Screw, voltage regulator	M6	8 Nm (5.9 lbf ft)	–
Screw, wheel speed sensor	M6	6 Nm (4.4 lbf ft)	–
Shift rods, nut (Duke R)	M6	6 Nm (4.4 lbf ft)	–
Shift rods, nut (Duke R)	M6LH	6 Nm (4.4 lbf ft)	–
Nut, manifold on cylinder head	M8	20 Nm (14.8 lbf ft)	Copper paste
Nut, rear sprocket screw	M8	35 Nm (25.8 lbf ft)	Loctite® 2701™
Remaining nuts, chassis	M8	25 Nm (18.4 lbf ft)	–
Remaining screws, chassis	M8	25 Nm (18.4 lbf ft)	–
Screw, bottom triple clamp	M8	12 Nm (8.9 lbf ft)	–
Screw, foot brake lever (Duke R)	M8	20 Nm (14.8 lbf ft)	–
Screw, footrest bracket, rear	M8x30	25 Nm (18.4 lbf ft)	Loctite® 243™
Screw, footrest bracket, rear	M8x50	25 Nm (18.4 lbf ft)	Loctite® 243™
Screw, fork stub	M8	15 Nm (11.1 lbf ft)	–
Screw, front brake disc	M8	30 Nm (22.1 lbf ft)	Loctite® 2701™
Screw, front footrest bracket	M8	25 Nm (18.4 lbf ft)	Loctite® 243™
Screw, handlebar clamp	M8	20 Nm (14.8 lbf ft)	–

Screw, handrail	M8x30	Countersunk screw 18 Nm (13.3 lbf ft)	Loctite® 243™
Screw, handrail, cover	M8x20	18 Nm (13.3 lbf ft)	Loctite® 243™
Screw, ignition lock (tamper-proof screw)	M8		Loctite® 243™
Screw, license plate holder	M8	18 Nm (13.3 lbf ft)	Loctite® 243™
Screw, linkage bracket, front engine fixing arm	M8	25 Nm (18.4 lbf ft)	Loctite® 243™
Screw, main silencer clamp (Duke R)	M8	15 Nm (11.1 lbf ft)	–
Screw, main silencer fastening (Duke)	M8	25 Nm (18.4 lbf ft)	–
Screw, rear brake disc	M8	30 Nm (22.1 lbf ft)	Loctite® 2701™
Screw, side stand bracket	M8	25 Nm (18.4 lbf ft)	Loctite® 243™
Screw, spring holder on side stand bracket	M8	25 Nm (18.4 lbf ft)	Loctite® 243™
Screw, top triple clamp	M8	17 Nm (12.5 lbf ft)	–
Engine carrying screw	M10	45 Nm (33.2 lbf ft)	Loctite® 243™
Remaining nuts, chassis	M10	45 Nm (33.2 lbf ft)	–
Remaining screws, chassis	M10	45 Nm (33.2 lbf ft)	–
Screw, foot brake lever (Duke)	M10	25 Nm (18.4 lbf ft)	–
Screw, handlebar support	M10	20 Nm (14.8 lbf ft)	–
Screw, side stand	M10	35 Nm (25.8 lbf ft)	Loctite® 243™
Screw, subframe	M10	45 Nm (33.2 lbf ft)	Loctite® 243™
Banjo bolt, brake line	M10x1	25 Nm (18.4 lbf ft)	–
Screw, bottom shock absorber	M10x1.25	50 Nm (36.9 lbf ft)	Loctite® 243™
Screw, front brake caliper	M10x1.25	45 Nm (33.2 lbf ft)	Loctite® 243™

22 TECHNICAL DATA

Screw, top shock absorber	M10x1.25	50 Nm (36.9 lbf ft)	Loctite® 243™
Lambda sensor	M12x1.25	25 Nm (18.4 lbf ft)	–
Nut, frame to linkage lever	M14x1.5	100 Nm (73.8 lbf ft)	–
Nut, linkage lever on swingarm	M14x1.5	100 Nm (73.8 lbf ft)	–
Nut, linkage lever to rocker arm	M14x1.5	100 Nm (73.8 lbf ft)	–
Nut, swingarm pivot	M16x1.5	100 Nm (73.8 lbf ft)	–
Screw, steering head	M20x1.5	40 Nm (29.5 lbf ft)	–
Adjusting ring of swingarm bearing	M24x1.5	25 Nm (18.4 lbf ft)	–
Screw, front wheel spindle	M24x1.5	45 Nm (33.2 lbf ft)	–
Nut, rear wheel spindle	M25x1.5	90 Nm (66.4 lbf ft)	–
Nut, steering head	M28x1	12 Nm (8.9 lbf ft)	–

Brake fluid DOT 4 / DOT 5.1

Standard/classification

- DOT

Guideline

- Use only brake fluid that complies with the specified standard (see specifications on the container) and that exhibits the corresponding properties.

Recommended supplier

Castrol

- **RESPONSE BRAKE FLUID SUPER DOT 4**

Motorex®

- **Brake Fluid DOT 5.1**

Coolant

Guideline

- Only use high quality coolant with corrosion inhibitor for aluminum motors (even in countries with high temperatures). Using inferior antifreeze can result in corrosion and foaming.

Mixture ratio

Antifreeze protection: -25... -45 °C (-13... -49 °F)	anti-corrosion/antifreeze distilled water
--	--

Recommended supplier

Motorex®

- **COOLANT M3.0**

Engine oil (SAE 10W/60) (00062010035)

Standard/classification

- JASO T903 MA (📖 p. 195)
- SAE (📖 p. 195) (SAE 10W/60)

- KTM LC4 2007+

Guideline

- Use only engine oils that comply with the specified standards (see specifications on the container) and that possess the corresponding properties.

Synthetic engine oil

Recommended supplier

Motorex®

- **Cross Power 4T**

Engine oil (SAE 10W/50)

Standard/classification

- JASO T903 MA (📖 p. 195)
- SAE (📖 p. 195) (SAE 10W/50)

Guideline

- Use only engine oils that comply with the specified standards (see specifications on the container) and that possess the corresponding properties.

Fully synthetic engine oil

Recommended supplier

Motorex®

- **Power Synt 4T**

Fork oil (SAE 4) (48601166S1)

Standard/classification

- SAE (📖 p. 195) (SAE 4)

Guideline

- Use only oils that comply with the specified standards (see specifications on the container) and that exhibit the corresponding properties.

Shock absorber fluid (SAE 2.5) (50180751S1)

Standard/classification

- SAE (📖 p. 195) (SAE 2.5)

Guideline

- Use only oils that comply with the specified standards (see specifications on the container) and that exhibit the corresponding properties.

Super unleaded (ROZ 95/RON 95/PON 91)

Standard/classification

- DIN EN 228 (ROZ 95/RON 95/PON 91)

Guideline

- Only use unleaded super fuel that matches or is equivalent to the specified fuel grade.
- Fuel with an ethanol content of up to 10 % (E10 fuel) is safe to use.



Info

Do **not** use fuel containing methanol (e. g. M15, M85, M100) or more than 10 % ethanol (e. g. E15, E25, E85, E100).

Chain cleaner

Recommended supplier

Motorex®

- Chain Clean

Chain lube for road use

Guideline

Recommended supplier

Motorex®

- Chainlube Road

Fuel additive

Recommended supplier

Motorex®

- Fuel Stabilizer

Long-life grease

Recommended supplier

Motorex®

- Bike Grease 2000

Motorcycle cleaner

Recommended supplier

Motorex®

- Moto Clean

Perfect Finish and high gloss polish for paints

Recommended supplier

Motorex®

- Moto Polish & Shine

Preserving materials for paints, metal and rubber

Recommended supplier

Motorex®

- Moto Protect

Special cleaner for glossy and matte paint finishes, metal and plastic surfaces

Recommended supplier

Motorex®

- Quick Cleaner

Universal oil spray

Recommended supplier

Motorex®

- Joker 440 Synthetic

JASO T903 MA

Different technical development directions required a new specification for 4-stroke motorcycles – the JASO T903 MA Standard. Earlier, engine oils from the automobile industry were used for 4-stroke motorcycles because there was no separate motorcycle specification. Whereas long service intervals are demanded for automobile engines, high performance at high engine speeds are in the foreground for motorcycle engines. In most motorcycles, the gearbox and the clutch are lubricated with the same oil as the engine. The JASO MA Standard meets these special requirements.

SAE

The SAE viscosity classes were defined by the Society of Automotive Engineers and are used for classifying oils according to their viscosity. The viscosity describes only one property of oil and says nothing about quality.

26 INDEX OF SPECIAL TERMS



ABS	ABS	Safety system that prevents locking of the wheels when driving straight ahead without the influence of lateral forces
MSR	Motor Slip Regulation	Auxiliary function of the motor control, which prevents rear wheel locking with excessive engine braking effect, by lightly opening the throttle valve
MTC	Motorcycle Traction Control	Auxiliary function of the motor control, which reduces engine torque with spinning rear wheel
OBD	On-board diagnosis	Vehicle system that monitors emission- and safety-related values
TC	Traction Control	Auxiliary function of the motor control that reduces engine torque with spinning rear wheel

27 LIST OF ABBREVIATIONS

Art. no.	Article number
ca.	circa
cf.	compare
e.g.	for example
etc.	et cetera
i.a.	inter alia
no.	number
poss.	possibly





28.1 Red symbols

Red symbols indicate an error condition that requires immediate intervention.

	The immobilizer indicator lamp lights up or flashes red – Status or error message for immobilizer/alarm system.
	The oil pressure warning lamp lights up red – The oil pressure is too low.


28.2 Yellow and orange symbols

Yellow and orange symbols indicate an error condition that requires prompt intervention. Active driving aids are also represented by yellow or orange symbols.



	The engine warning lamp lights up yellow – The OBD has detected an emission- or safety-critical fault.
	ABS warning lamp lights up yellow – Status or error messages relating to ABS. The ABS lamp flashes if the ABS mode " SupMot " is enabled.
	The TC lamp lights up yellow – The TC or MTC is not available. Contact an authorized KTM workshop. The TC lamp flashes, if TC or MTC actively engage.
	The general warning lamp lights up yellow – An operating safety (warning) message was detected. This is also shown on the display.

28.3 Green and blue symbols

Green and blue symbols reflect information.

	The turn signal indicator lamp flashes green simultaneously with the turn signal – The turn signal is switched on.
---	--

28 LIST OF SYMBOLS

	The idling speed indicator lamp lights up green – The transmission has shifted to idle.
	The high beam indicator lamp lights up blue – The high beam is switched on.

INDEX

200

A	
ABS	98
Accessories	14
Antifreeze	
checking	148
Antilock brake system	98
Auxiliary substances	14

B	
Battery	
installing	128
recharging	129
removing	126
Brake discs	
checking	100
Brake fluid	
front brake, adding	103
rear brake, adding	110
Brake fluid level	
front brake, checking	101
rear brake, checking	109
Brake linings	
front brake, checking	105
rear brake, checking	112
Brake system	98-112
Brakes	63

Brakes, applying	63
------------------	----

C	
Capacity	
coolant	153, 179
engine oil	163, 179
fuel	68, 179
Chain	
checking	93
cleaning	88
dirt, checking for	88
Chain tension	
adjusting	91
checking	89
Chassis number	20
Clutch	
fluid level, checking/correcting	96
Clutch lever	24
basic position, adjusting	95
Combination instrument	36-51
"ABS"	46
"Clock-Date-Set"	49
coolant temperature indicator	41
"Distance"	47
Drive Mode	51, 157
"Extra functions"	51
"Favorites"	41
fuel tank capacity	40

gear display	40
"General info"	43
indicator lamps	37
"Language"	47
"MTC"	46
overview	36
"Pressure"	48
"Set Favorites"	43
"Settings"	44
"Shift Light"	50
speed	38
"TC/ABS"	45
"Temp"	48
temperature	39
time	39
"Trip 1"	42
"Trip 2"	42
"Volume"	49
"Warning"	44
Combination switch	25
overview	26
Coolant	
draining	152
Coolant level	
checking	148
checking in the compensating tank	150
Cooling system	148
filling/bleeding	153

Customer service	15
D	
Diagnostics connector	147
E	
Electric starter button	29
Emergency OFF switch	28
Engine	
running in	53
Engine braking control	62
Engine number	22
Engine oil	
adding	164
changing	159
Engine oil level	
checking	159
Engine sprocket	
checking	93
Environment	12
F	
Figures	15
Filler cap	
closing	31
opening	30
Foot brake lever	34
basic position, adjusting	107

free travel, checking	106
Foot brake lever stub	
adjusting	82
Footrests	
adjusting	79
Fork	72
compression damping, setting	72
rebound, adjusting	73
Fork part number	22
Front wheel	
installing	114
removing	113
Fuse	
individual power consumers, changing	135
Fuses, ABS	
changing	134
H	
Hand brake lever	24
basic position, adjusting	100
Handrails	32
Headlight bulb	
changing	141
Headlight mask with headlight	
installing	139
removing	138

Headlight setting	
adjusting	146
checking	146
Horn button	28
I	
Ignition lock	29
Implied warranty	14
Indicator lamps	37
Intended use	9
K	
Key number	21
L	
Light switch	26
Loading the vehicle	54
Luggage	54
M	
Main fuse	
changing	132
Motorcycle	
cleaning	166
lifting with front lifting gear	84
raising with the rear lifting gear	83
removing the rear from the lifting gear	83
taking from the front lifting gear	85
Motorcycle traction control	158
MSR	62

MTC 158

O

Oil filter

changing 159

Oil screens

cleaning 159

Operating substances 14

Owner's Manual 13

P

Parking 64

Parking light bulb

changing 144

Passenger footrest 33

Passenger seat

mounting 86

removing 86

Passenger seat cover

mounting 87

removing 87

Preparing for use

advice on first use 52

after storage 170

checks and vehicle care when preparing for use 56

Protective clothing 12

R

Rear hub rubber dampers

checking 122

Rear sprocket

checking 93

Rear wheel

installing 119

removing 117

Refueling

fuel 67

Riding **58**

starting off 58

S

Safe operation 11

Seat lock 31

Service 15

Service schedule 69-71

Shift lever **33**

basic position, adjusting 155

basic position, checking 155

Shifting 58

Shock absorber **72**

compression damping, general 74

high-speed compression damping, adjusting 74

low-speed compression damping, adjusting 75

rebound damping, adjusting 76

spring preload, adjusting	77
Shock absorber article number	23
Side stand	35
Spare parts	14
Starting	57
Steering lock	29
Stopping	64
Storage	169-170
Switch	
on the left side of the handlebar	25
on the right side of the handlebar	28

T

Technical data

capacities	179
chassis	180
chassis tightening torques	185
electrical system	181
Engine	174-189
engine tightening torques	175
fork	182
shock absorber	184
tires	182
Throttle grip	25
Time and date	
setting	49
Tire air pressure	
checking	125

Tire condition

checking	123
Tool set	32
Transport	66
Troubleshooting	171-173
Turn signal bulb	
changing	145
Turn signal switch	27
Type label	20

U

Use definition	9
-----------------------	---

V

View of vehicle

front left	16
rear right	18

W

Warranty	14
Winter operation	
checks and maintenance steps	168
Work rules	12

READY TO RACE

[» www.ktm.com](http://www.ktm.com)



3213397en

02/2016

KTM Sportmotorcycle GmbH
3230 Mattighofen/Austria
<http://www.ktm.com>



Photo: Mitterbauer/KTM