

125 EXC
200 EXC
200 XC-W
250 EXC
250 XC-W
300 EXC
300 XC-W

Art. no. 3213437en



KTM

The work described in these setup instructions must be performed before the vehicle is delivered to the customer.

Read the setup instructions in their entirety before beginning work.

These setup instructions were written to correspond to the latest state of this series. We reserve the right to make changes in the interest of technical advancement without at the same time updating this manual.

We shall not provide a description of general workshop methods. Likewise, safety rules that apply in a workshop are not specified here. It is assumed that the work will be performed by a fully trained mechanic.

All specifications are non-binding. KTM Sportmotorcycle GmbH specifically reserves the right to modify or delete technical specifications, prices, colors, forms, materials, services, designs, equipment, etc., without prior notice and without specifying reasons, to adapt these to local conditions, as well as to stop production of a particular model without prior notice. KTM accepts no liability for delivery options, deviations from illustrations and descriptions, misprints, and other errors. The models portrayed partly contain special equipment that does not belong to the regular scope of supply.

© 2015 KTM Sportmotorcycle GmbH, Mattighofen Austria

All rights reserved

Reproduction, even in part, as well as copying of all kinds, is permitted only with the express written permission of the copyright owner.



ISO 9001(12 100 6061)

According to the international quality management standard ISO 9001, KTM uses quality assurance processes that lead to the maximum possible quality of the products.

Issued by: TÜV Management Service

REG.NO. 12 100 6061

KTM Sportmotorcycle GmbH
5230 Mattighofen, Austria

This document is valid for the following models:

- 125 EXC EU (F7103P6)
- 125 EXC Six Days EU (F7103P2)
- 200 EXC EU (F7203P6)
- 200 EXC AU (F7260P6)
- 200 XC-W US (F7275P3)
- 250 EXC EU (F7303P6)
- 250 EXC AU (F7360P6)
- 250 EXC Six Days EU (F7303P2)
- 250 XC-W US (F7375P3)
- 300 EXC EU (F7403P6)
- 300 EXC AU (F7460P6)
- 300 EXC BR (F7440P6)
- 300 EXC Six Days EU (F7403P2)
- 300 XC-W US (F7475P3)
- 300 XC-W Six Days US (F7475P2)



1.1 Symbols used

The meaning of specific symbols is described below.



Indicates an expected reaction (e.g. of a work step or a function).



Indicates an unexpected reaction (e.g. of a work step or a function).



Indicates a page reference (more information is provided on the specified page).



Indicates information with more details or tips.



Indicates the result of a testing step.



Denotes a voltage measurement.



Denotes a current measurement.



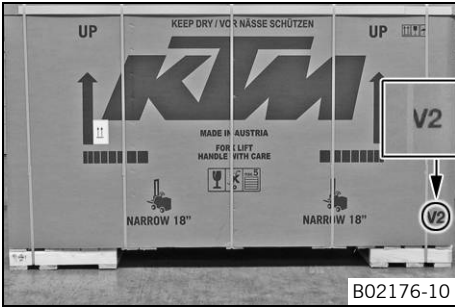
Denotes a resistance measurement.

1.2 Formats used

The typographical formats used in this document are explained below.

Proprietary name	Identifies a proprietary name.
Name[®]	Identifies a protected name.
Brand[™]	Identifies a trademark.
<u>Underlined terms</u>	Refer to technical details of the vehicle or indicate technical terms, which are explained in the glossary.

2.1 Unpacking and setting up the vehicle



Package 2

- Remove the box and the plastic packaging.



Info

An assistant prevents the motorcycle from falling over. To avoid damaging the motorcycle during the setup, leave the protective film on the vehicle until you have finished.

- Remove the separate enclosure and unpack it. Check that the scope of supply is complete on the basis of the enclosed packing list.
- Have a lift stand available.

Lift stand (78129955100)

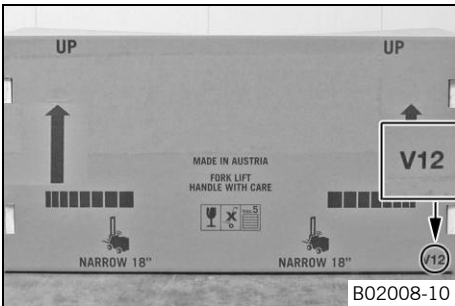
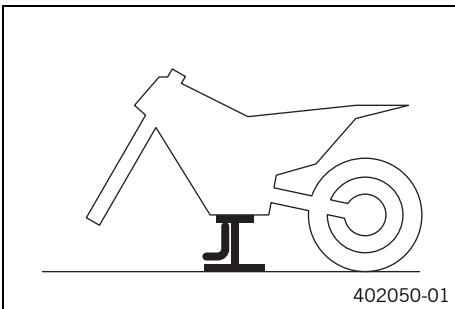
- Carefully loosen and remove the tension belt of the footrest mount.



Info

An assistant prevents the motorcycle from falling over.

- Together with an assistant, take the vehicle off the palette.
- Position the vehicle on a lift stand.
- Check the vehicle for transport damage.



Package 12

- Remove the box and the plastic packaging.



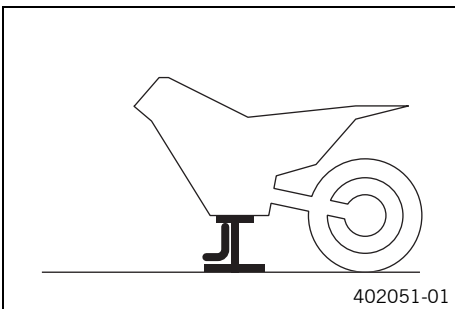
Info

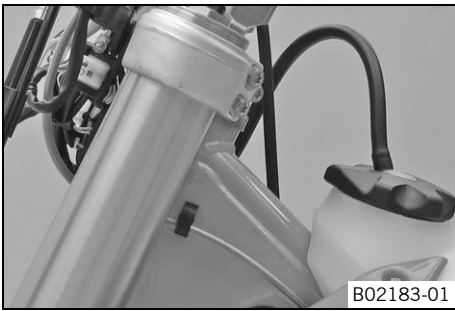
An assistant prevents the motorcycle from falling over. To avoid damaging the motorcycle during the setup, leave the protective film on the vehicle until you have finished.

- Remove the separate enclosure and unpack it. Check that the scope of supply is complete on the basis of the enclosed packing list.
- Have a lift stand available.

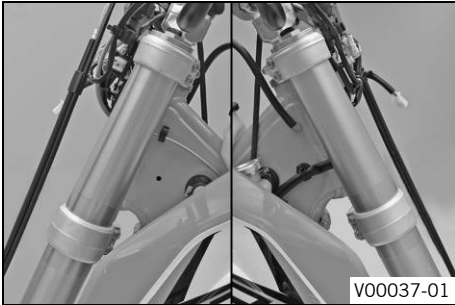
Lift stand (78129955100)

- Together with an assistant, take the vehicle off the palette.
- Position the vehicle on a lift stand.
- Check the vehicle for transport damage.
- Install the shock absorber. (☛ p. 11)





- Route the clutch line with the clutch master cylinder toward the front between the upper and lower triple clamps.



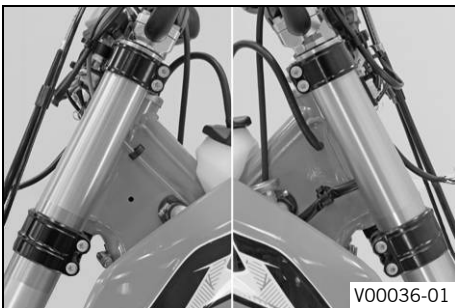
(XC-W, 300 EXC BR)

- Position the fork legs and tighten the screws of the triple clamp.

Guideline

Screw, top triple clamp	M8	20 Nm (14.8 lbf ft)
Screw, bottom triple clamp	M8	15 Nm (11.1 lbf ft)

i Info
Grooves are milled into the side of the upper end of the fork legs. The second milled groove (from the top) must be flush with the top edge of the upper triple clamp. Position the bleeder screws toward the front.



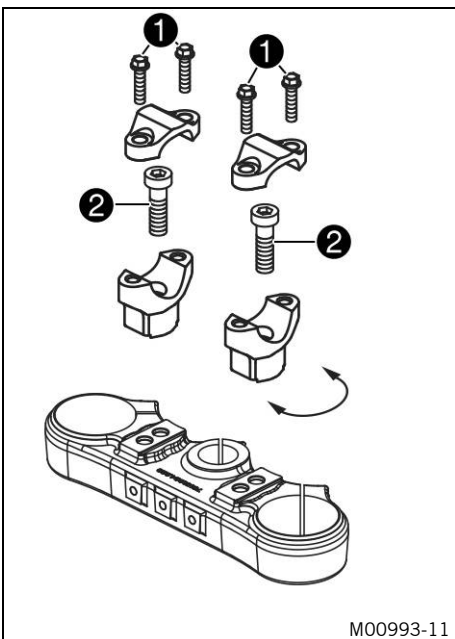
(Six Days, EXC EU/AU)

- Position the fork legs and tighten the screws of the triple clamp.

Guideline

Screw, top triple clamp	M8	17 Nm (12.5 lbf ft)
Screw, bottom triple clamp	M8	15 Nm (11.1 lbf ft)

i Info
The rebound damping is located in right fork leg **REB** (red adjusting screw). The compression damping is located in left fork leg **COMP** (white adjusting screw). Grooves are milled into the side of the upper end of the fork legs. The topmost milled groove must be flush with the top edge of the upper triple clamp. Position the bleeder screws toward the front.



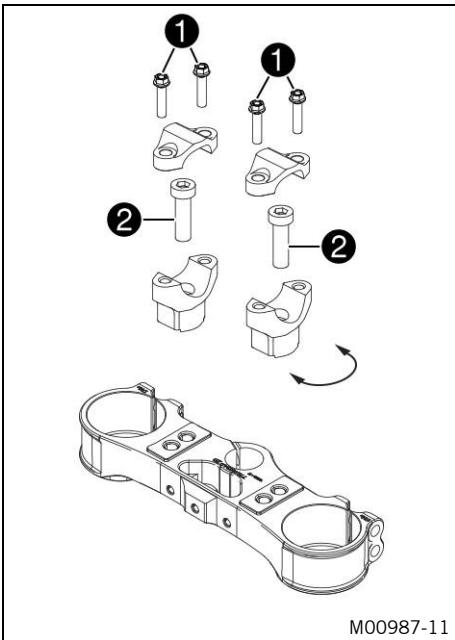
(XC-W, 300 EXC BR)

- Remove screws ①. Take off the handlebar clamps.
- Remove screws ②. Take off the handlebar supports.
- Place the handlebar supports in the required position. Mount and tighten screws ②.

Guideline

Screw, handlebar support	M10	40 Nm (29.5 lbf ft)	Loctite® 243™
--------------------------	-----	------------------------	----------------------

i Info
Position the left and right handlebar supports evenly.



(Six Days, EXC EU/AU)

- Remove screws ①. Take off the handlebar clamps.
- Remove screws ②. Take off the handlebar supports.
- Place the handlebar supports in the required position. Mount and tighten screws ②.

Guideline

Screw, handlebar support	M10	40 Nm (29.5 lbf ft)	Loctite® 243™
--------------------------	-----	------------------------	---------------

i Info
Position the left and right handlebar supports evenly.



- Position the handlebar.

i Info
Make sure the cables and wiring are positioned correctly.

- Position the handlebar clamps. Mount and tighten the screws evenly.

Guideline

Screw, handlebar clamp	M8	20 Nm (14.8 lbf ft)
------------------------	----	------------------------

i Info
The markings on the handlebar should be at the center of the handlebar clamps.
Keep the gap widths equal when tightening.

- Position the speedometer and connector board. Mount and tighten the screws.

Guideline

Remaining screws, chassis	M6	10 Nm (7.4 lbf ft)
---------------------------	----	--------------------



(XC-W, Six Days, EXC EU, 300 EXC BR)

- Position the controls on the right half of the handlebar.

i Info
The routing of the cables can be seen in the figure.



(EXC AU)

- Position the controls on the right half of the handlebar.

i Info
The routing of the cables can be seen in the figure.



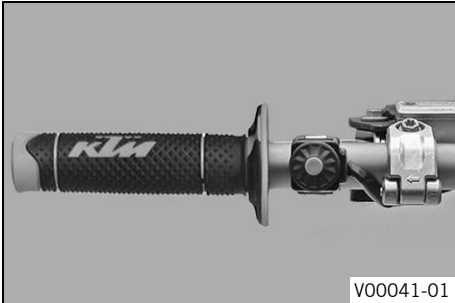
(All EXC models)

- Position the controls on the left half of the handlebar.



Info

The figure shows how to route the clutch line and wiring harness.



(XC-W, 300 XC-W Six Days US)

- Position the controls on the left half of the handlebar.



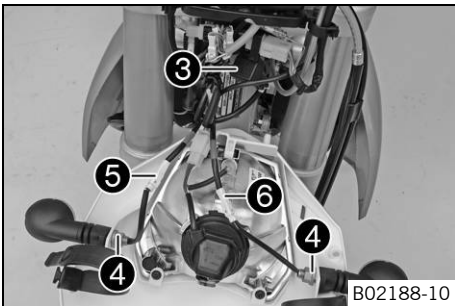
Info

The figure shows how to route the clutch line and wiring harness.



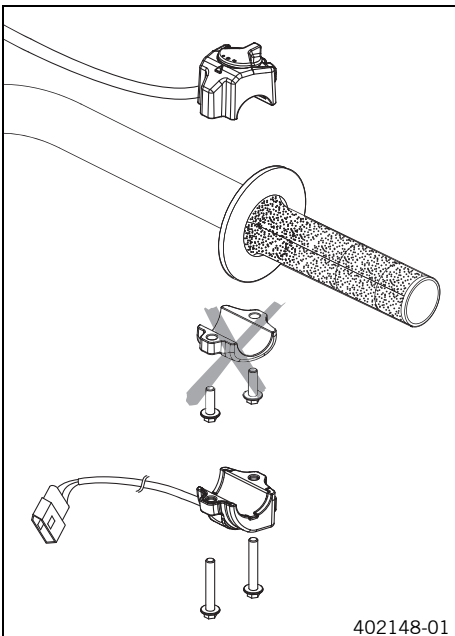
(All EXC models)

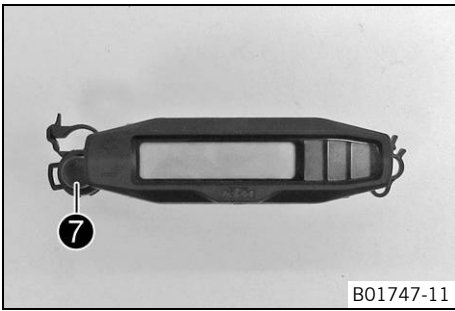
- Remove the fuel tank. (➔ p. 10)
- Disconnect the plug-in connector on the main wiring harness.
- Connect the plug-in connector of the turn signal wiring harness with the plug-in connector of the main wiring harness.
- Position the turn signal wiring harness against the main wiring harness and secure with cable ties.
- Install the fuel tank. (➔ p. 11)
- Position the turn signal indicator lamp in the speedometer holder.
- Insert the black and violet cables of bulb included in the separate enclosure into the socket and position it in the turn signal indicator lamp.
- Secure turn signal relay **3** with a cable tie and plug in the connector.
- Position the turn signal on each side and mount and tighten nuts **4**.
- Connect the plug-in connector **5** of the right turn signal with the connector marked green on the wiring harness.
- Connect plug-in connector **6** of the left turn signal with the connector marked red on the wiring harness.



(All EXC models)

- Mount the turn signal switch and connect the plug-in connector on the wiring harness.



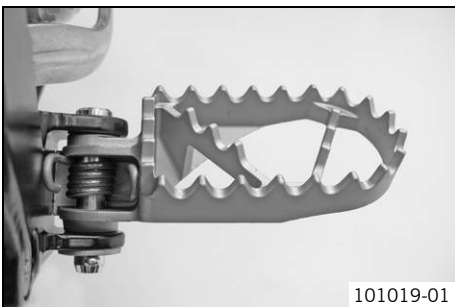


(XC-W, 300 XC-W Six Days US)

- Connect pull switch 7 with the yellow and white cables.
- Install the front fender. (☛ p. 14)
- Mount the fuel tank breather correctly.
- Install the front wheel. (☛ p. 12)
- Refit the headlight mask with the headlight. (☛ p. 15)



- Mount the handlebar cushion.



- Mount the footrests with the springs and pins. Secure the pins using the washers and cotter pins.

Pliers for footrest spring (58429083000)



(All EXC models)

- Mount the license plate holder with the license plate lamp, turn signals, and reflector.
- Connect the electrical components.
- Connect the connector of the right turn signal with the connector that is marked green.
- Connect the connector of the left turn signal with the connector that is marked red.



(All 200/250/300 models)



Warning

Risk of injury Battery acid and battery gases cause serious chemical burns.

- Keep batteries out of the reach of children.
- Wear suitable protective clothing and goggles.
- Avoid contact with battery acid and battery gases.
- Keep sparks and open flames away from the battery. Only charge in well-ventilated rooms.
- In the event of skin contact, rinse with large amounts of water. If battery acid gets in the eyes, rinse with water for at least 15 minutes and contact a physician.

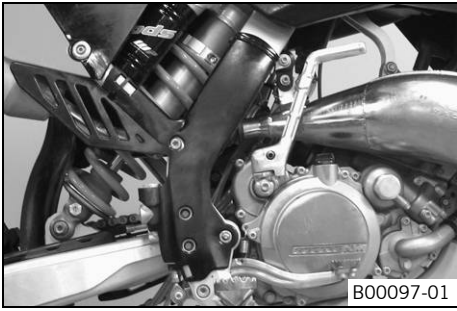
- Fill the battery.



Info

Read the notes in the battery package.

- Recharge the battery. (☛ p. 13)
- Install the battery. (☛ p. 14)



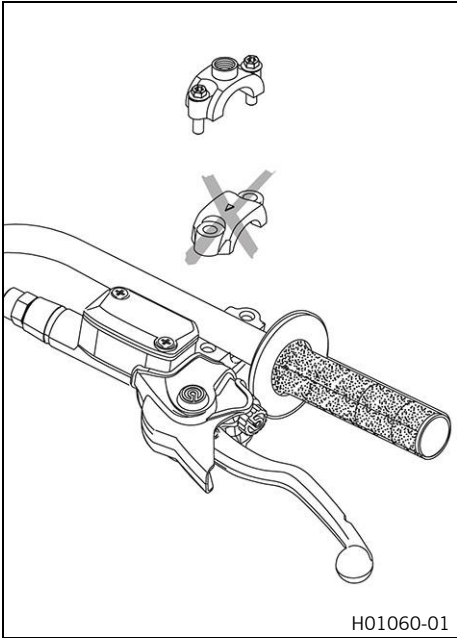
- Unpack and mount the **KTM PowerParts** included in the delivery (optional).



Info

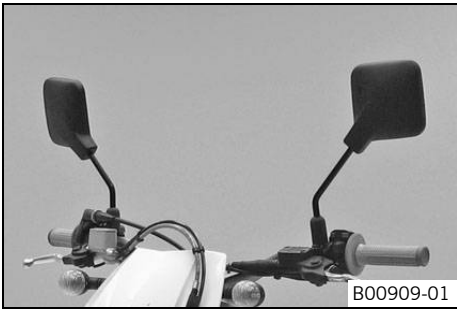
Read the accompanying **KTM PowerParts** fitting instructions.

- Apply the label included in the delivery (optional).



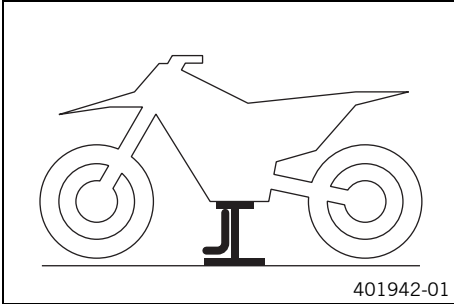
(All EXC models)

- Mount the mirror clamps on both sides.



- Mount and tighten the rear mirror on both sides.
- Mount the reflector.
- Set kilometers or miles. (☛ p. 17)
- Set the speedometer functions. (☛ p. 18)
- Set the clock. (☛ p. 18)
- Position all controls in their exact positions on the handlebar. Tighten all screws.
- Refuel. (☛ p. 17)
- Prepare the vehicle according to the specifications in the **KTM Dealer.net** for hand-over to the customer.

3.1 Raising the motorcycle with a lift stand



Note

Danger of damage The parked vehicle may roll away or fall over.

- Always place the vehicle on a firm and even surface.
- Raise the motorcycle at the frame underneath the engine.

Lift stand (78129955100)

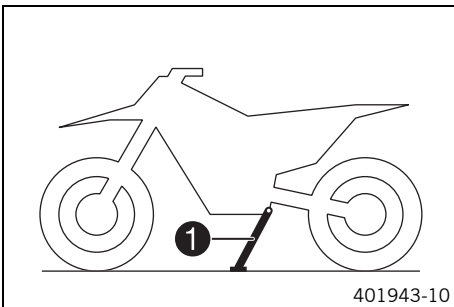
- ✓ Neither wheel is in contact with the ground.
- Secure the motorcycle against falling over.

3.2 Removing the motorcycle from the lift stand

Note

Danger of damage The parked vehicle may roll away or fall over.

- Always place the vehicle on a firm and even surface.



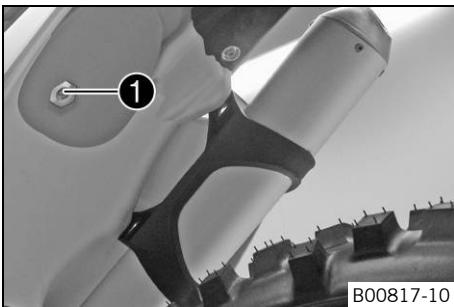
- Remove the motorcycle from the lift stand.
- Remove the lift stand.
- To park the motorcycle, press side stand ① to the ground with your foot and lean the motorcycle on it.



Info

When you are riding, the side stand must be folded up and secured with the rubber band.

3.3 Removing the seat

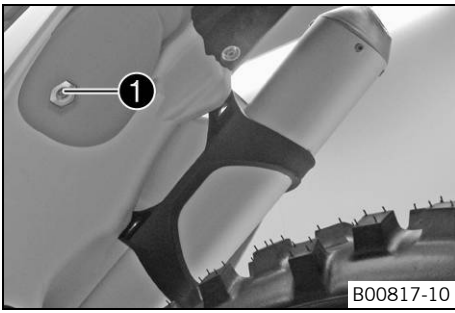


- Remove screw ①. Lift up the seat at the rear, pull it back and then remove from above.

3.4 Mounting the seat



- Hook in the front of the seat at the collar bushing of the fuel tank, lower at the rear and simultaneously push forward.
- Make sure that the seat is correctly locked in.



- Mount and tighten screw **1** of the seat fixation.

Guideline

Remaining screws, chassis	M6	10 Nm (7.4 lbf ft)
---------------------------	----	--------------------

3.5 Removing the fuel tank



Danger

Fire hazard Fuel is highly flammable.

- Never refuel the vehicle near open flames or burning cigarettes, and always switch off the engine first. Be careful that no fuel is spilt, especially on hot vehicle components. Clean up spilt fuel immediately.
- The fuel in the fuel tank expands when warm and may emerge if overfilled. Follow the instructions on refueling.



Warning

Danger of poisoning Fuel is poisonous and a health hazard.

- Fuel must not come into contact with the skin, eyes, or clothing. Do not breathe in the fuel vapors. If contact occurs with the eyes, rinse with water immediately and contact a physician. Immediately clean contaminated areas on the skin with soap and water. If fuel is swallowed, contact a physician immediately. Change clothing that has been contaminated with fuel. Store fuel properly in a suitable canister and keep away from children.



Preparatory work

- Remove the seat. (p. 9)

Main work

- Turn handle **1** of the fuel tap to the **OFF** position.
- Pull off the fuel hose.



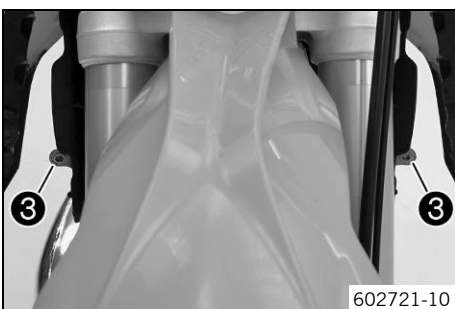
Info

Remaining fuel may run out of the fuel hose.

- Remove screws **1** with the collar sleeve.

(All EXC models)

- Hang the horn and horn bracket to one side.
- Remove screw **2** with the rubber bushing.
- Remove the tube from the fuel tank vent line.

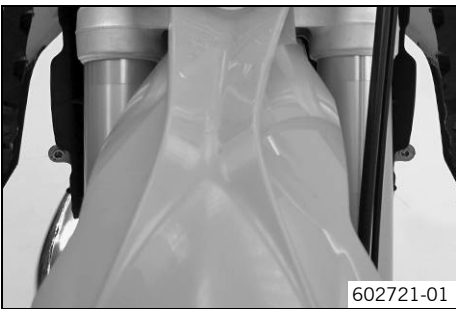


- Pull both spoilers off of the sides of the radiator bracket **3** and lift off the fuel tank.

3.6 Installing the fuel tank

- Danger**
Fire hazard Fuel is highly flammable.
- Never refuel the vehicle near open flames or burning cigarettes, and always switch off the engine first. Be careful that no fuel is spilt, especially on hot vehicle components. Clean up spilt fuel immediately.
 - The fuel in the fuel tank expands when warm and may emerge if overfilled. Follow the instructions on refueling.

- Warning**
Danger of poisoning Fuel is poisonous and a health hazard.
- Fuel must not come into contact with the skin, eyes, or clothing. Do not breathe in the fuel vapors. If contact occurs with the eyes, rinse with water immediately and contact a physician. Immediately clean contaminated areas on the skin with soap and water. If fuel is swallowed, contact a physician immediately. Change clothing that is contaminated with fuel.



Main work

- Check the routing of the throttle cable.
- Position the fuel tank and fit the two spoilers to the sides of the radiator bracket.
- Make sure that no cables are trapped or damaged.



- Mount the fuel tank vent hose.
- Mount and tighten screw 1 with the rubber bushing.

Guideline

Remaining screws, chassis	M6	10 Nm (7.4 lbf ft)
---------------------------	----	--------------------

(All EXC models)

- Position the horn with the horn bracket.



- Mount and tighten screws 2 with the collar sleeve.

Guideline

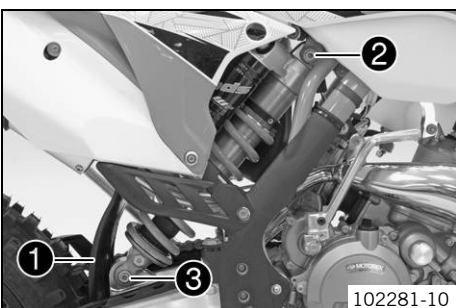
Remaining screws, chassis	M6	10 Nm (7.4 lbf ft)
---------------------------	----	--------------------

- Connect the fuel hose.

Finishing work

- Mount the seat. (p. 9)

3.7 Installing the shock absorber



Main work

(All 125/200 models)

- Push splash protector 1 to the side and position the shock absorber. Mount and tighten screw 2.

Guideline

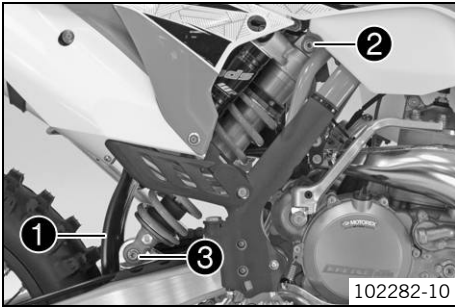
Screw, top shock absorber	M12	80 Nm (59 lbf ft)	Loctite® 2701™
---------------------------	-----	-------------------	----------------

- Mount and tighten screw 3.

Guideline

Screw, bottom shock absorber	M12	80 Nm (59 lbf ft)	Loctite® 2701™
------------------------------	-----	-------------------	----------------

i Info
The heim joint for the shock absorber at the swing arm is Teflon coated. It must not be lubricated with grease or with other lubricants. Lubricants dissolve the Teflon coating, thereby drastically reducing the service life.



(All 250/300 models)

- Push splash protector **1** to the side and position the shock absorber. Mount and tighten screw **2**.

Guideline

Screw, top shock absorber	M12	80 Nm (59 lbf ft)	Loctite® 2701™
---------------------------	-----	----------------------	----------------

- Mount and tighten screw **3**.

Guideline

Screw, bottom shock absorber	M12	80 Nm (59 lbf ft)	Loctite® 2701™
------------------------------	-----	----------------------	----------------

i Info
The heim joint for the shock absorber at the swing arm is Teflon coated. It must not be lubricated with grease or with other lubricants. Lubricants dissolve the Teflon coating, thereby drastically reducing the service life.

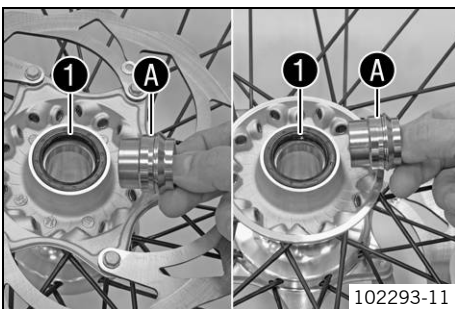
Finishing work

- Remove the motorcycle from the lift stand. (☛ p. 9)

3.8 Installing the front wheel

Warning
Danger of accidents Reduced braking efficiency due to oil or grease on the brake discs.

- Always keep the brake discs free of oil and grease, and clean them with brake cleaner when necessary.



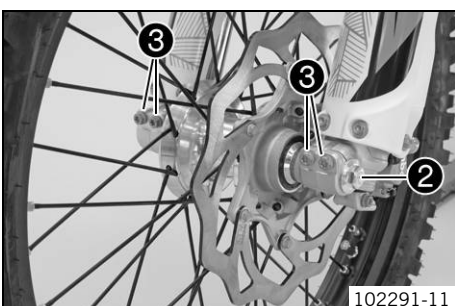
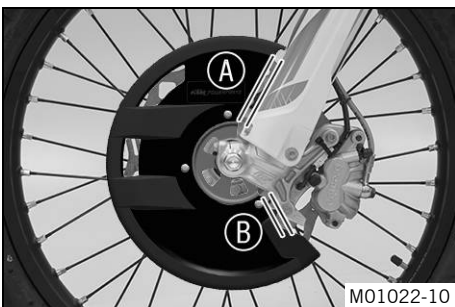
- Check the wheel bearing for damage and wear.
 - » If the wheel bearing is damaged or worn:
 - Change the front wheel bearing.
- Clean and grease shaft seal rings **1** and bearing surface **A** of the spacers.

Long-life grease (☛ p. 21)

- Insert the spacers.
- Lift the front wheel into the fork, position it, and insert the wheel spindle.
 - ✓ The brake linings are correctly positioned.

(Six Days)

- Align the brake disc guard so that gaps **A** and **B** are the same size.



- Mount and tighten screw **2**.

Guideline

Screw, front wheel spindle	M20x1.5	35 Nm (25.8 lbf ft)
----------------------------	---------	------------------------

- Operate the hand brake lever several times until the brake linings are lying correctly against the brake disc.
- Remove the motorcycle from the lift stand. (☛ p. 9)

- Activate the front brake and compress the fork a number of times forcefully to align the fork legs.
- Tighten screws ③.

Guideline

Screw, fork stub	M8	15 Nm (11.1 lbf ft)
------------------	----	------------------------

3.9 Recharging the battery (All 200/250/300 models)



Warning

Risk of injury Battery acid and battery gases cause serious chemical burns.

- Keep batteries out of the reach of children.
- Wear suitable protective clothing and goggles.
- Avoid contact with battery acid and battery gases.
- Keep sparks and open flames away from the battery. Only charge in well-ventilated rooms.
- In the event of skin contact, rinse with large amounts of water. If battery acid gets in the eyes, rinse with water for at least 15 minutes and contact a physician.



Warning

Environmental hazard The battery contains elements that are harmful to the environment.

- Do not dispose of batteries with the household waste. Dispose of a defective battery in an environmentally friendly manner. Give the battery to your authorized KTM dealer or dispose of it at a collection point for used batteries.



Warning

Environmental hazard Hazardous substances cause environmental damage.

- Oil, grease, filters, fuel, cleaners, brake fluid, etc., should be disposed of as stipulated in applicable regulations.



Info

Even when there is no load on the battery, it still loses power steadily. The charge state and the type of charge are very important for the service life of the battery. Rapid recharging with a high charging current shortens the battery's service life. If the charging current, charging voltage and charging time are exceeded, electrolyte escapes through the safety valves. This reduces the battery capacity. If the battery is depleted from starting the vehicle repeatedly, the battery must be charged immediately. If the battery is left in a discharged state for an extended period, it will become over-discharged and sulfate, destroying the battery. The battery is maintenance-free, i.e., the acid level does not have to be checked.

Preparatory work

- Switch off all power consumers and the engine.
- Remove the seat. (☛ p. 9)
- Disconnect the negative cable from the battery to avoid damage to the onboard electronics.

Main work

- Connect the battery charger with the battery. Switch on the battery charger.

Battery charger (58429074000)

You can also use the battery charger to test rest potential and start potential of the battery, and to test the alternator. With this device, you cannot overcharge the battery.



Info

Never remove the lid ①. Charge the battery with at most 10% of the capacity specified on the battery ②.

- Switch off the charger after charging. Connect the negative cable with the battery.

Guideline

The charge current, charge voltage and charge time must not be exceeded.

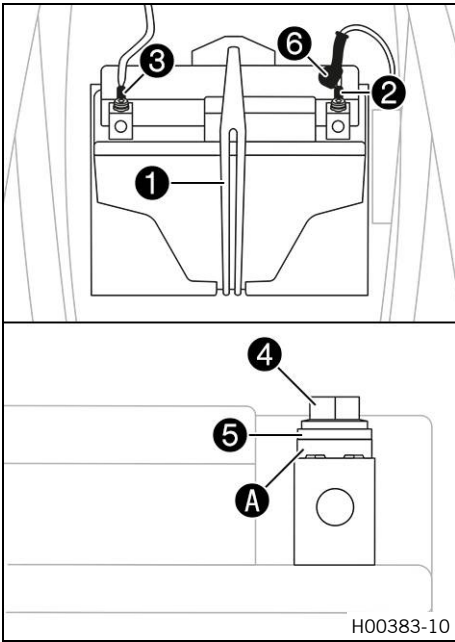
Charge the battery regularly when the motorcycle is not in use	3 months
----------------------------------------------------------------	----------



Finishing work

- Mount the seat. (☛ p. 9)

3.10 Installing the battery (All 200/250/300 models)



Main work

- Insert the battery into the battery compartment with the terminals facing forward.

(All 200/250/300 EU/AU/US models)

Battery (YTX4L-BS)

(300 EXC BR)

Battery (YTX5L-BS)

- Reconnect rubber band **1**.
- Position positive cable **2** and mount and tighten the screw.

Guideline

Screw, battery terminal	M5	2.5 Nm (1.84 lbf ft)
-------------------------	----	-------------------------



Info

Contact disks **A** must be mounted under screws **4** and cable sockets **5** with the claws toward the battery terminal.

- Slide positive terminal cover **6** over the positive terminal.
- Position negative cable **3** and mount and tighten the screw.

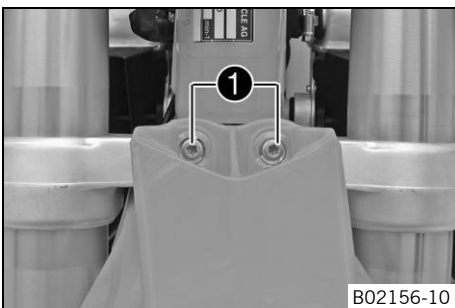
Guideline

Screw, battery terminal	M5	2.5 Nm (1.84 lbf ft)
-------------------------	----	-------------------------

Finishing work

- Mount the seat. (☛ p. 9)

3.11 Installing the front fender

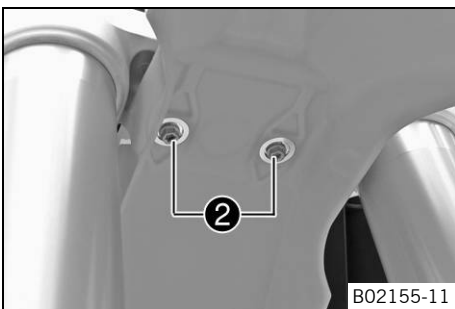


Main work

- Position the front fender. Mount and tighten screws **1**.

Guideline

Remaining screws, chassis	M6	10 Nm (7.4 lbf ft)
---------------------------	----	--------------------



- Mount and tighten screws **2**.

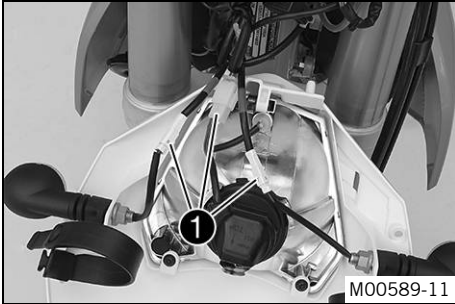
Guideline

Remaining screws, chassis	M6	10 Nm (7.4 lbf ft)
---------------------------	----	--------------------

Finishing work

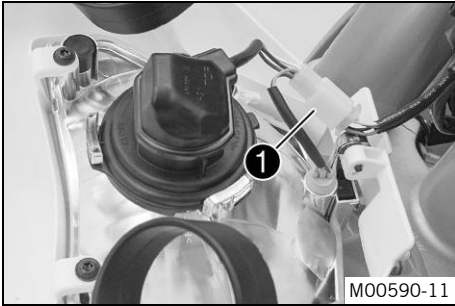
- Refit the headlight mask with the headlight. (☛ p. 15)
- Check the headlight setting. (☛ p. 15)

3.12 Refitting the headlight mask with the headlight



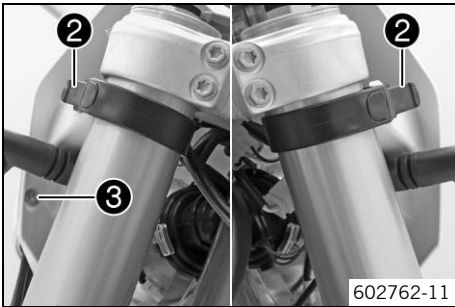
Main work (All EXC models)

- Connect plug-in connectors ❶.



(XC-W, 300 XC-W Six Days US)

- Connect plug-in connector ❶.

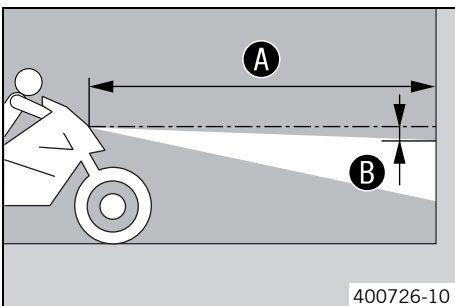


- Position the headlight mask and fix it with rubber straps ❷.
✓ The holding lugs engage.
- Position the brake line and wiring harness. Put the clamp on and mount and tighten screw ❸.

Finishing work

- Check the headlight setting. (☛ p. 15)

3.13 Checking the headlight setting



- Position the vehicle upright on a horizontal surface in front of a light wall and make a mark at the height of the center of the low beam headlight.
- Make another mark a distance ❷ under the first mark.

Guideline

Distance ❷	5 cm (2 in)
------------	-------------

- Position the vehicle vertically a distance ❶ away from the wall.

Guideline

Distance ❶	5 m (16 ft)
------------	-------------

- The rider now sits down on the motorcycle.
- Switch on the low beam.
- Check the headlight setting.

The boundary between light and dark must be exactly on the lower mark for a motorcycle with driver.

- » If the light-dark border does not meet specifications:
 - Adjust the headlight range. (☛ p. 16)

3.14 Adjusting the headlight range



Preparatory work

- Check the headlight setting. (☛ p. 15)

Main work

- Loosen screw ❶.
- Adjust the headlight range by swiveling the headlight.

Guideline

The boundary between light and dark must be exactly on the lower mark for a motorcycle with driver (instructions on how to apply the mark: Checking the headlight setting).



Info

The headlight range may need to be corrected if luggage is carried on the vehicle.

- Tighten screw ❶.

3.15 Opening the filler cap



Danger

Fire hazard Fuel is highly flammable.

- Never refuel the vehicle near open flames or burning cigarettes, and always switch off the engine first. Be careful that no fuel is spilt, especially on hot vehicle components. Clean up spilt fuel immediately.
- The fuel in the fuel tank expands when warm and may emerge if overfilled. Follow the instructions on refueling.



Warning

Danger of poisoning Fuel is poisonous and a health hazard.

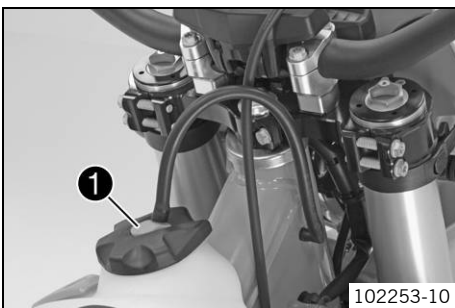
- Fuel must not come into contact with the skin, eyes, or clothing. Do not breathe in the fuel vapors. If contact occurs with the eyes, rinse with water immediately and contact a physician. Immediately clean contaminated areas on the skin with soap and water. If fuel is swallowed, contact a physician immediately. Change clothing that has been contaminated with fuel. Store fuel properly in a suitable canister and keep away from children.



Warning

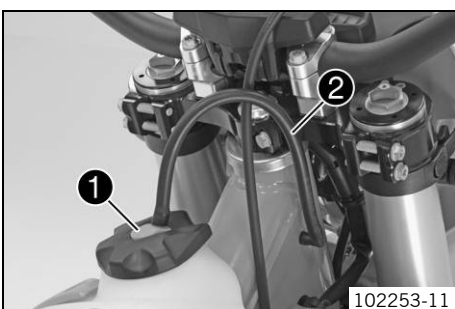
Environmental hazard Improper handling of fuel is a danger to the environment.

- Do not allow fuel to get into the ground water, the ground, or the sewage system.



- Press release button ❶, turn the filler cap counterclockwise and lift it free.

3.16 Closing the filler cap



- Replace the filler cap and turn clockwise until the release button ❶ locks in place.



Info

Run the fuel tank breather hose ❷ without kinks.

3.17 Refueling



Danger

Fire hazard Fuel is highly flammable.

- Never refuel the vehicle near open flames or burning cigarettes, and always switch off the engine first. Be careful that no fuel is spilt, especially on hot vehicle components. Clean up spilt fuel immediately.
- The fuel in the fuel tank expands when warm and may emerge if overfilled. Follow the instructions on refueling.



Warning

Danger of poisoning Fuel is poisonous and a health hazard.

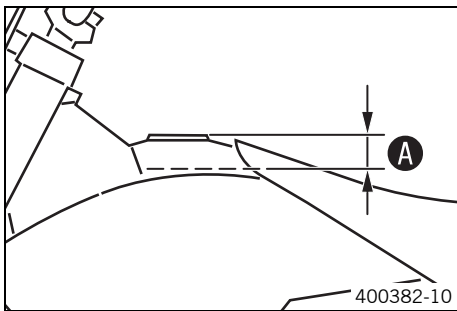
- Fuel must not come into contact with the skin, eyes, or clothing. Do not breathe in the fuel vapors. If contact occurs with the eyes, rinse with water immediately and contact a physician. Immediately clean contaminated areas on the skin with soap and water. If fuel is swallowed, contact a physician immediately. Change clothing that is contaminated with fuel.



Warning

Environmental hazard Improper handling of fuel is a danger to the environment.

- Do not allow fuel to get into the ground water, the ground, or the sewage system.



- Switch off the engine.
- Open the filler cap. (☛ p. 16)
- Fill the fuel tank with fuel up to measurement **A**.

Guideline

Measurement of A	35 mm (1.38 in)	
Total fuel tank capacity, approx. (EXC EU, EXC Six Days EU, 300 EXC BR)	9.5 l (2.51 US gal)	Super unleaded (95 octane) mixed with 2-stroke engine oil (1:60) (☛ p. 20) (EXC EU, EXC Six Days EU) Super unleaded, type C (ROZ 95/RON 95/PON 91 mixed with 2-stroke engine oil, 1:60) (☛ p. 20) (300 EXC BR)
Total fuel tank capacity, approx. (XC-W, EXC AU, 300 XC-W Six Days US)	10 l (2.6 US gal)	Super unleaded (95 octane) mixed with 2-stroke engine oil (1:60) (☛ p. 20)
Engine oil, 2-stroke (☛ p. 20)		

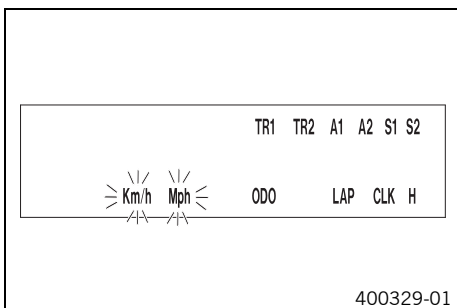
- Close the filler cap. (☛ p. 16)

3.18 Setting kilometers or miles



Info

If you change the unit, the value **ODO** is retained and converted accordingly. The values **TR1**, **TR2**, **A1**, **A2** and **S1** are cleared when the unit of measure is changed.



Condition

The motorcycle is stationary.

- Repeatedly press the button **+** briefly until **H** appears at the bottom right of the display.
- Press the button **+** for 2–3 seconds.
 - ✓ The Setup menu is displayed and the active functions are shown.
- Repeatedly press the button **+** briefly until **Km/h/Mph** flashes.

Setting the Km/h

- Press the button **+**.

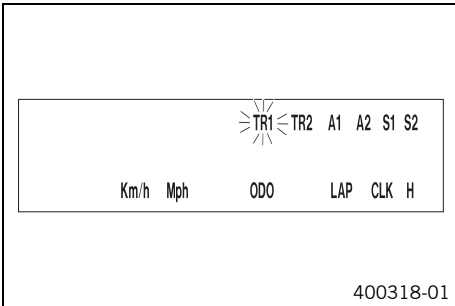
Setting the Mph

- Press the button **-**.
- Wait 3–5 seconds
 - ✓ The settings are stored.

i Info
If no button is pressed for 10 -12 seconds, or if an impulse comes from the wheel speed sensor, the settings are automatically saved and the setup menu is closed.

3.19 Setting the speedometer functions

i Info
When the vehicle is delivered, only the **SPEED/H** and **SPEED/ODO** display modes are activated.



Condition

The motorcycle is stationary.

- Repeatedly press the button **+** briefly until **H** appears at the bottom right of the display.
- Press the button **+** for 2–3 seconds.
- ✓ The Setup menu is displayed and the active functions are shown.

i Info
If no button is pressed for 10–12 seconds, the settings are automatically saved.
If no button is pressed for 20 seconds, or if an impulse comes from the wheel speed sensor, the settings are automatically saved and the setup menu is closed.

- Repeatedly press the button **+** briefly until the desired function flashes.
- ✓ The selected function flashes.

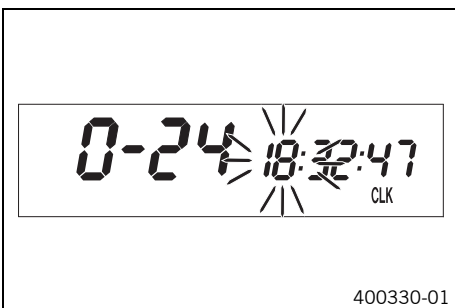
Activating the function

- Press the button **+**.
- ✓ The symbol continues to appear in the display and the next function appears.

Deactivating a function

- Press the button **-**.
- ✓ The symbol disappears in the display and the next function appears.

3.20 Setting the clock



Condition

The motorcycle is stationary.

- Repeatedly press the button **+** briefly until **CLK** appears at the bottom right of the display.
- Press the button **+** for 2–3 seconds.
- ✓ The hour display flashes.
- Set the hour display with the button **+** and/or button **-**.
- Wait 3–5 seconds
- ✓ The next segment of the display flashes and can be set.
- You can set the following segments in the same way as the hours by pressing the button **+** and the button **-**.

i Info
The seconds can only be set to zero.
If no button is pressed for 15 -20 seconds, or if an impulse comes from the wheel speed sensor, the settings are automatically saved and the setup menu is closed.

4.1 Chassis tightening torques

Spoke nipple, front wheel	M4.5	6 Nm (4.4 lbf ft)	–
Spoke nipple, rear wheel	M4.5	6 Nm (4.4 lbf ft)	–
Remaining nuts, chassis	M5	5 Nm (3.7 lbf ft)	–
Remaining screws, chassis	M5	5 Nm (3.7 lbf ft)	–
Screw, battery terminal (All 200/250/300 models)	M5	2.5 Nm (1.84 lbf ft)	–
Screw, shock absorber adjusting ring	M5	5 Nm (3.7 lbf ft)	–
Nut, cable on starter motor (All 200/250/300 models)	M6	4 Nm (3 lbf ft)	–
Remaining nuts, chassis	M6	10 Nm (7.4 lbf ft)	–
Remaining screws, chassis	M6	10 Nm (7.4 lbf ft)	–
Screw, ball joint of push rod on foot brake cylinder	M6	10 Nm (7.4 lbf ft)	Loctite® 243™
Screw, chain sliding guard	M6	6 Nm (4.4 lbf ft)	Loctite® 243™
Screw, front brake disc	M6	14 Nm (10.3 lbf ft)	Loctite® 243™
Screw, rear brake disc	M6	14 Nm (10.3 lbf ft)	Loctite® 243™
Screw, throttle grip	M6	5 Nm (3.7 lbf ft)	–
Nut, foot brake lever stop	M8	20 Nm (14.8 lbf ft)	–
Nut, rear sprocket screw	M8	35 Nm (25.8 lbf ft)	Loctite® 2701™
Nut, rim lock	M8	12 Nm (8.9 lbf ft)	–
Remaining nuts, chassis	M8	25 Nm (18.4 lbf ft)	–
Remaining screws, chassis	M8	25 Nm (18.4 lbf ft)	–
Screw, bottom triple clamp (XC-W, 300 EXC BR)	M8	15 Nm (11.1 lbf ft)	–
Screw, bottom triple clamp (Six Days, EXC EU/AU)	M8	15 Nm (11.1 lbf ft)	–
Screw, chain sliding piece	M8	15 Nm (11.1 lbf ft)	–
Screw, engine brace	M8	33 Nm (24.3 lbf ft)	Loctite® 2701™
Screw, fork stub	M8	15 Nm (11.1 lbf ft)	–
Screw, front brake caliper	M8	25 Nm (18.4 lbf ft)	Loctite® 243™
Screw, handlebar clamp	M8	20 Nm (14.8 lbf ft)	–
Screw, side stand attachment	M8	35 Nm (25.8 lbf ft)	Loctite® 2701™
Screw, subframe	M8	35 Nm (25.8 lbf ft)	Loctite® 2701™
Screw, top steering stem (XC-W, 300 EXC BR)	M8	20 Nm (14.8 lbf ft)	–
Screw, top steering stem (Six Days, EXC EU/AU)	M8	17 Nm (12.5 lbf ft)	Loctite® 243™
Screw, top triple clamp (XC-W, 300 EXC BR)	M8	20 Nm (14.8 lbf ft)	–
Screw, top triple clamp (Six Days, EXC EU/AU)	M8	17 Nm (12.5 lbf ft)	–
Engine bracket screw	M10	60 Nm (44.3 lbf ft)	–
Remaining nuts, chassis	M10	45 Nm (33.2 lbf ft)	–
Remaining screws, chassis	M10	45 Nm (33.2 lbf ft)	–
Screw, handlebar support	M10	40 Nm (29.5 lbf ft)	Loctite® 243™
Screw, bottom shock absorber	M12	80 Nm (59 lbf ft)	Loctite® 2701™
Screw, top shock absorber	M12	80 Nm (59 lbf ft)	Loctite® 2701™
Nut, seat fixing	M12x1	20 Nm (14.8 lbf ft)	–
Nut, swingarm pivot	M16x1.5	100 Nm (73.8 lbf ft)	–
Nut, rear wheel spindle	M20x1.5	80 Nm (59 lbf ft)	–
Screw, front wheel spindle	M20x1.5	35 Nm (25.8 lbf ft)	–
Screw, top steering head	M20x1.5	12 Nm (8.9 lbf ft)	–
Screw-in nozzles, cooling system	M20x1.5	12 Nm (8.9 lbf ft)	Loctite® 243™

Engine oil, 2-stroke

Standard/classification

- JASO FD (☛ p. 22)

Guideline

- Only use high grade 2-stroke engine oil of a reputable brand.

Fully synthetic

Recommended supplier

Motorex®

- Cross Power 2T

Super unleaded (ROZ 95/RON 95/PON 91)

Standard/classification

- DIN EN 228 (ROZ 95/RON 95/PON 91)

Guideline

- Only use unleaded super fuel that matches or is equivalent to the specified fuel grade.
- Fuel with an ethanol content of up to 10 % (E10 fuel) is safe to use.



Info

Do **not** use fuel containing methanol (e. g. M15, M85, M100) or more than 10 % ethanol (e. g. E15, E25, E85, E100).

Super unleaded (95 octane) mixed with 2-stroke engine oil (1:60)

Standard/classification

- DIN EN 228
- JASO FD (☛ p. 22) (1:60)

Mixture ratio

1:60	Engine oil, 2-stroke (☛ p. 20) Super unleaded (ROZ 95/RON 95/PON 91) (☛ p. 20)
------	-----------------------------------------------------------------------------------

Recommended supplier

Motorex®

- Cross Power 2T

Super unleaded, type C (ROZ 95/RON 95/PON 91 mixed with 2-stroke engine oil, 1:60)

Standard/classification

- Resolução n° 6 da ANP (Agência Nacional do Petróleo) (ROZ 95/RON 95/PON 91 mixed with 2-stroke engine oil)
- JASO FD (☛ p. 22) (1:60)

Mixture ratio

1:60	Engine oil, 2-stroke (☛ p. 20) Super unleaded, type C (ROZ 95/RON 95/PON 91) (☛ p. 20)
------	-------------------------------------------------------------------------------------------

Recommended supplier

Motorex®

- Cross Power 2T

Super unleaded, type C (ROZ 95/RON 95/PON 91)

Standard/classification

- Resolução n° 6 da ANP (Agência Nacional do Petróleo) (ROZ 95/RON 95/PON 91)

Guideline

- Only use super unleaded fuel that matches or is equivalent to the following specifications.
- Super unleaded fuel with an ethanol content of 20 to 25 % is permissible.



Info

Do **not** use fuel made of methanol (e. g. M15, M85, M100).

Do **not** use fuel with less than 20 % ethanol (e. g. E10).

Do **not** use fuel with more than 25 % ethanol (e. g. E30, E85, E100).

Long-life grease

Recommended supplier

Motorex®

– Bike Grease 2000

JASO FD

JASO FD is a classification for a 2-stroke engine oil that was specifically developed for the extreme demands of racing. Thanks to first rate synthetic esters and specially designed additives, superb combustion is achieved even under extreme operating conditions.



3213437en

11/2015

