

RC 390

Art. no. 3213453en



KTM

DEAR KTM CUSTOMER

Congratulations on your decision to purchase a KTM motorcycle. You are now the owner of a state-of-the-art sports motorcycle that will give you enormous pleasure if you service and maintain it properly.

We hope you enjoy your new vehicle!

Enter the serial numbers of your vehicle below.

Chassis number (📖 p. 20)	Dealer's stamp
Engine number (📖 p. 21)	
Key number (📖 p. 21)	

The Owner's Manual contained the latest information for this model series at the time of going to print. Minor differences due to developments in design cannot be ruled out completely.

All specifications are non-binding. KTM Sportmotorcycle GmbH specifically reserves the right to modify or delete technical specifications, prices, colors, forms, materials, services, designs, equipment, etc., without prior notice and without specifying reasons, to adapt these to local conditions, as well as to stop production of a particular model without prior notice. KTM accepts no liability for delivery options, deviations from illustrations and descriptions, misprints, and other errors. The models portrayed partly contain special equipment that does not belong to the regular scope of supply.

© 2016 KTM Sportmotorcycle GmbH, Mattighofen Austria
All rights reserved



3213453en

03/2016

DEAR KTM CUSTOMER

Reproduction, even in part, as well as copying of all kinds, is permitted only with the express written permission of the copyright owner.



ISO 9001(12 100 6061)

According to the international quality management standard ISO 9001, KTM uses quality assurance processes that lead to the maximum possible quality of the products.

Issued by: TÜV Management Service

REG.NO. 12 100 6061

KTM Sportmotorcycle GmbH
5230 Mattighofen, Austria

This document is valid for the following models:

RC 390 EU (F5303P1)

TABLE OF CONTENTS

1	MEANS OF REPRESENTATION	7	6	CONTROLS.....	22
1.1	Symbols used	7	6.1	Clutch lever	22
1.2	Formats used.....	8	6.2	Hand brake lever.....	22
2	SAFETY ADVICE.....	9	6.3	Throttle grip	23
2.1	Use definition.....	9	6.4	Horn button.....	23
2.2	Safety advice.....	9	6.5	Light switch	24
2.3	Degrees of risk and symbols	10	6.6	High beam flasher button	24
2.4	Tampering warning.....	10	6.7	Turn signal switch.....	25
2.5	Safe operation	11	6.8	Emergency OFF switch	25
2.6	Protective clothing	12	6.9	Electric starter button.....	26
2.7	Work rules	12	6.10	Ignition/steering lock.....	26
2.8	Environment.....	12	6.11	Locking the steering.....	27
2.9	Owner's Manual	13	6.12	Unlocking the steering.....	27
3	IMPORTANT NOTES.....	14	6.13	Opening the filler cap.....	28
3.1	Manufacturer and implied warranty.....	14	6.14	Closing the filler cap	29
3.2	Operating and auxiliary substances	14	6.15	Seat lock.....	29
3.3	Spare parts, accessories	14	6.16	Tool set.....	30
3.4	Service	15	6.17	Grab handles	30
3.5	Figures	15	6.18	Passenger footrests	31
3.6	Customer service.....	15	6.19	Shift lever	31
4	VIEW OF VEHICLE	16	6.20	Foot brake lever	32
4.1	View of vehicle, front left (example)	16	6.21	Side stand.....	33
4.2	View of vehicle, rear right (example)	18	7	ERGONOMICS	34
5	SERIAL NUMBERS	20	7.1	Adjusting the basic position of the hand brake lever	34
5.1	Chassis number	20	7.2	Adjusting the basic position of the clutch lever	34
5.2	Type label	20	7.3	Adjusting the shift lever.....	35
5.3	Engine number	21	8	COMBINATION INSTRUMENT	37
5.4	Key number.....	21	8.1	Overview	37

TABLE OF CONTENTS



8.2	Activation and test	38	10	RIDING INSTRUCTIONS	63
8.3	Warning notes.....	39	10.1	Checks and maintenance when preparing for use	63
8.4	Function buttons.....	42	10.2	Starting.....	64
8.5	Indicator lamps.....	43	10.3	Starting off.....	66
8.6	Display	44	10.4	Shifting, riding	66
8.7	Filling level display of the fuel tank	45	10.5	Applying the brakes.....	69
8.8	TRIP F display.....	46	10.6	Stopping, parking.....	71
8.9	Coolant temperature indicator	47	10.7	Transport	72
8.10	Info display	48	10.8	Refueling	73
8.11	Riding time/average speed menu	49	11	SERVICE SCHEDULE	75
8.12	Average speed/average fuel consumption 1 menu.....	49	11.1	Additional information.....	75
8.13	Average fuel consumption 1/average fuel consumption 2 menu	50	11.2	Required work	75
8.14	Average fuel consumption 2/service menu	51	11.3	Recommended work	77
8.15	Service/range menu.....	52	12	TUNING THE CHASSIS	78
8.16	Range/riding time menu	53	12.1	Adjusting the spring preload of the shock absorber 	78
8.17	Total distance menu ODO	54	13	SERVICE WORK ON THE CHASSIS.....	79
8.18	Distance menu 1 TRIP 1	55	13.1	Raising the motorcycle with the rear lifting gear	79
8.19	Distance menu 2 TRIP 2	55	13.2	Taking the motorcycle off of the rear wheel stand	79
8.20	Setting kilometers or miles.....	56	13.3	Lifting the motorcycle with the front lifting gear	80
8.21	Setting the time.....	57	13.4	Taking the motorcycle off of the front wheel stand	81
8.22	Adjusting the shift speed RPM 1	57	13.5	Removing the front rider's seat	82
8.23	Adjusting the shift speed RPM 2	58	13.6	Mounting the front rider's seat.....	83
9	PREPARING FOR USE.....	59	13.7	Removing the passenger seat	83
9.1	Advice on first use	59	13.8	Mounting the passenger seat.....	84
9.2	Running in the engine	60	13.9	Checking for chain dirt accumulation.....	85
9.3	Loading the vehicle	61	13.10	Cleaning the chain	85

TABLE OF CONTENTS

13.11	Checking the chain tension	86	15.5	Checking the rear hub rubber dampers 🛠.....	120
13.12	Adjusting the chain tension.....	88	15.6	Checking the tire condition	122
13.13	Checking the chain, rear sprocket, and engine sprocket.....	90	15.7	Checking the tire air pressure.....	123
13.14	Removing the battery cover	92	16	ELECTRICAL SYSTEM	125
13.15	Mounting the battery cover.....	93	16.1	Removing the battery 🛠.....	125
13.16	Removing the front spoiler	93	16.2	Installing the battery 🛠.....	126
13.17	Fitting front spoiler	95	16.3	Recharging the battery 🛠.....	127
13.18	Removing the left side cover 🛠.....	96	16.4	Changing the ABS fuses	130
13.19	Installing the left side cover 🛠.....	98	16.5	Changing the fuses of individual power consumers.....	132
13.20	Removing the right side cover 🛠.....	99	16.6	Changing the low beam bulb	134
13.21	Installing the right side cover 🛠.....	100	16.7	Changing the high beam bulb.....	135
14	BRAKE SYSTEM	102	16.8	Checking the low beam headlight adjustment	137
14.1	Antilock braking system (ABS)	102	16.9	Checking the high beam headlight adjustment....	138
14.2	Checking the brake discs	103	16.10	Adjusting the headlight range of the low beam....	139
14.3	Checking the brake fluid level of the front brake.....	104	16.11	Adjusting the headlight range of the high beam	139
14.4	Adding front brake fluid 🛠.....	105	16.12	Diagnostics connector	140
14.5	Checking the front brake linings	107	17	COOLING SYSTEM	141
14.6	Checking the rear brake fluid level.....	108	17.1	Cooling system	141
14.7	Adding rear brake fluid 🛠.....	108	17.2	Checking the coolant level in the compensating tank.....	142
14.8	Checking the rear brake linings	111	17.3	Checking the antifreeze and coolant level.....	144
14.9	Checking the free travel of foot brake lever	111	17.4	Correcting the coolant level in the compensating tank.....	146
14.10	Adjusting the free travel of the foot brake lever 🛠.....	112	17.5	Draining the coolant 🛠.....	147
15	WHEELS, TIRES	114	17.6	Filling/bleeding the cooling system 🛠.....	148
15.1	Removing the front wheel 🛠.....	114	18	TUNING THE ENGINE.....	150
15.2	Installing the front wheel 🛠.....	115	18.1	Checking the clutch lever play.....	150
15.3	Removing the rear wheel 🛠.....	117	18.2	Adjusting the clutch cable play 🛠.....	151
15.4	Installing the rear wheel 🛠.....	118			

TABLE OF CONTENTS

19	SERVICE WORK ON THE ENGINE	152	27	STANDARDS	189
19.1	Checking the engine oil level.....	152	28	INDEX OF SPECIAL TERMS	190
19.2	Changing the engine oil and oil filter, cleaning the oil screens 	152	29	LIST OF ABBREVIATIONS.....	191
19.3	Adding engine oil	155	30	LIST OF SYMBOLS.....	192
20	CLEANING, CARE	157	30.1	Red symbols.....	192
20.1	Cleaning the motorcycle	157	30.2	Yellow and orange symbols.....	192
20.2	Checks and maintenance steps for winter operation.....	159	30.3	Green and blue symbols.....	192
21	STORAGE.....	161	INDEX		193
21.1	Storage	161			
21.2	Preparing for use after storage.....	162			
22	TROUBLESHOOTING	163			
23	BLINK CODE	166			
24	TECHNICAL DATA.....	172			
24.1	Engine.....	172			
24.2	Engine tightening torques	173			
24.3	Capacities	176			
24.3.1	Engine oil	176			
24.3.2	Coolant	176			
24.3.3	Fuel	176			
24.4	Chassis	176			
24.5	Electrical system.....	178			
24.6	Tires	179			
24.7	Fork.....	179			
24.8	Shock absorber	179			
24.9	Chassis tightening torques	180			
25	SUBSTANCES	185			
26	AUXILIARY SUBSTANCES	187			

1.1 Symbols used

The meaning of specific symbols is described below.



Indicates an expected reaction (e.g. of a work step or a function).



Indicates an unexpected reaction (e.g. of a work step or a function).



All work marked with this symbol requires specialist knowledge and technical understanding. In the interest of your own safety, have these jobs performed by an authorized KTM workshop. There, your motorcycle will be optimally cared for by specially trained experts using the specialist tools required.



Indicates a page reference (more information is provided on the specified page).



Indicates information with more details or tips.



Indicates the result of a testing step.

1 MEANS OF REPRESENTATION

1.2 Formats used

The typographical formats used in this document are explained below.

Specific name	Identifies a proprietary name.
Name®	Identifies a protected name.
Brand™	Identifies a brand available on the open market.
<u>Underlined terms</u>	Refer to technical details of the vehicle or indicate technical terms that are explained in the glossary.

2.1 Use definition

KTM sport motorcycles are designed and constructed to meet the normal demands of regular road operation but not for use on race courses or offroad.



Info

The motorcycle is authorized for public road traffic in the homologous version only.

2.2 Safety advice

A number of safety instructions need to be followed to operate the vehicle safely. Therefore, read this manual carefully. The safety instructions are highlighted in the text and are referred to at the relevant passages.



Info

The vehicle has various information and warning labels at prominent locations. Do not remove information/warning labels. If they are missing, you or others may not recognize dangers and may therefore be injured.

2.3 Degrees of risk and symbols

**Danger**

Indicates a danger that will immediately and invariably lead to fatal or serious permanent injury if the appropriate measures are not taken.

**Warning**

Indicates a danger that is likely to lead to fatal or serious injury if the appropriate measures are not taken.

**Caution**

Indicates a danger that may lead to minor injuries if the appropriate measures are not taken.

Note

Indicates a danger that will lead to considerable machine and material damage if the appropriate measures are not taken.

**Warning**

Indicates a danger that will lead to environmental damage if the appropriate measures are not taken.

2.4 Tampering warning

Tampering with the noise control system is prohibited. Federal law prohibits the following acts or the causing thereof:

- 1 The removal or rendering inoperative by any person other than for purposes of maintenance, repair, or replacement, of any device or element of design incorporated into any new vehicle for the purpose of noise control prior to its sale or delivery to the ultimate purchaser or while it is in use, or
- 2 the use of the vehicle after such device or element of design has been removed or rendered inoperative by any person.

Among those acts presumed to constitute tampering are the acts listed below:

- 1 Removal or puncturing of the main silencer, baffles, header pipes or any other components which conduct exhaust gases.
- 2 Removal or puncturing of parts of the intake system.
- 3 Lack of proper maintenance.
- 4 Replacing moving part of the vehicle, or parts of the exhaust or intake system, with parts other than those specified by the manufacturer.

2.5 Safe operation



Danger

Danger of accidents Danger arising from the rider's judgement being impaired.

- Do not operate the vehicle while under the influence of alcohol, drugs and certain medications or physically or mentally impaired.



Danger

Danger of poisoning Exhaust gases are toxic and inhaling them may result in unconsciousness and/or death.

- When running the engine, always make sure there is sufficient ventilation, and do not start or run the engine in an enclosed space without an effective exhaust extraction system.



Warning

Danger of burns Some vehicle components become very hot when the vehicle is operated.

- Do not touch hot components such as exhaust system, radiator, engine, shock absorber, and the brake system. Allow these components to cool down before starting work on them.

Only operate the vehicle when it is in perfect technical condition, in accordance with its intended use, and in a safe and environmentally compatible manner.

An appropriate driver's license is needed to ride the vehicle on public roads.

Have malfunctions that impair safety promptly eliminated by an authorized KTM workshop.

Adhere to the information and warning labels on the vehicle.

2.6 Protective clothing



Warning

Risk of injury Missing or poor protective clothing presents an increased safety risk.

- Wear protective clothing (helmet, boots, gloves, pants and jacket with protectors) every time you ride the vehicle. Always wear protective clothing that is in good condition and meets the legal requirements.

In the interest of your own safety, KTM recommends that you only operate the vehicle while wearing protective clothing.

2.7 Work rules

Special tools are necessary for certain tasks. The tools are not contained in the vehicle but can be ordered under the number in parentheses. E.g.: bearing puller (15112017000)

During assembly, non-reusable parts (e.g. self-locking screws and nuts, seals and seal rings, O-rings, pins, lock washers) must be replaced by new parts.

In some instances, a thread locker (e.g. **Loctite**®) is required. The manufacturer instructions for use must be followed.

After disassembly, clean the parts that are to be reused and check them for damage and wear. Change damaged or worn parts.

After you complete the repair or service work, check the operating safety of the vehicle.

2.8 Environment

If you use your motorcycle responsibly, you can ensure that problems and conflicts do not occur. To protect the future of the motorcycle sport, make sure that you use your motorcycle legally, display environmental consciousness, and respect the rights of others. When disposing of used oil, other operating and auxiliary fluids, and used components, comply with the laws and regulations of the respective country.

Because motorcycles are not subject to the EU regulations governing the disposal of used vehicles, there are no legal regulations that pertain to the disposal of an end-of-life motorcycle. Your authorized KTM dealer will be glad to advise you.

2.9 Owner's Manual

It is important that you read this Owner's Manual carefully and completely before making your first trip. The Owner's Manual contains useful information and many tips on how to operate, handle, and maintain your motorcycle. Only then will you find out how to customize the vehicle ideally for your own use and how you can protect yourself from injury.

Keep the Owner's Manual in an accessible place to enable you to refer to it as needed.

If you would like to know more about the vehicle or have questions on the material you read, please contact an authorized KTM dealer.

The Owner's Manual is an important component of the vehicle and should be handed over to the new owner if the vehicle is sold.

3.1 Manufacturer and implied warranty

The work specified in the service schedule may only be performed in an authorized KTM workshop and must be recorded in both the Service & Warranty Booklet and in **KTM Dealer.net**, otherwise any warranty coverage will become void. Damage or secondary damage caused by tampering with and/or conversions on the vehicle are not covered by the warranty.

Additional information on the manufacturer or implied warranty and the procedures involved can be found in the Service & Warranty Booklet.

3.2 Operating and auxiliary substances



Warning

Environmental hazard Improper handling of fuel is a danger to the environment.

- Do not allow fuel to get into the ground water, the ground, or the sewage system.

Use operating and auxiliary substances (such as fuel and lubricants) as specified in the Owner's Manual.

3.3 Spare parts, accessories

For your own safety, only use spare parts and accessory products that are approved and/or recommended by KTM and have them installed by an authorized KTM workshop. KTM accepts no liability for other products and any resulting damage or loss.

Certain spare parts and accessory products are specified in parentheses in the descriptions. Your authorized KTM dealer will be glad to advise you.

The current **KTM PowerParts** for your vehicle can be found on the KTM website.

International KTM Website: <http://www.ktm.com>

3.4 Service

A prerequisite for perfect operation and prevention of premature wear is that the service, care, and tuning work on the engine and chassis is properly carried out as described in the Owner's Manual. Incorrect adjustment and tuning of the engine and chassis can lead to damage and breakage of components.

Use of the vehicle under difficult conditions, such in rain, high heat or with a heavy load, can lead to considerably more rapid wear of components such as the drive train, brake system, or suspension components. For this reason, it may be necessary to inspect or replace parts before the next scheduled service.

It is imperative that you adhere to the stipulated run-in times and service intervals. If you observe these exactly, you will ensure a much longer service life for your motorcycle.

3.5 Figures

The figures contained in the manual may depict special equipment.

In the interest of clarity, some components may be shown disassembled or may not be shown at all. It is not always necessary to disassemble the component to perform the activity in question. Please follow the instructions in the text.

3.6 Customer service

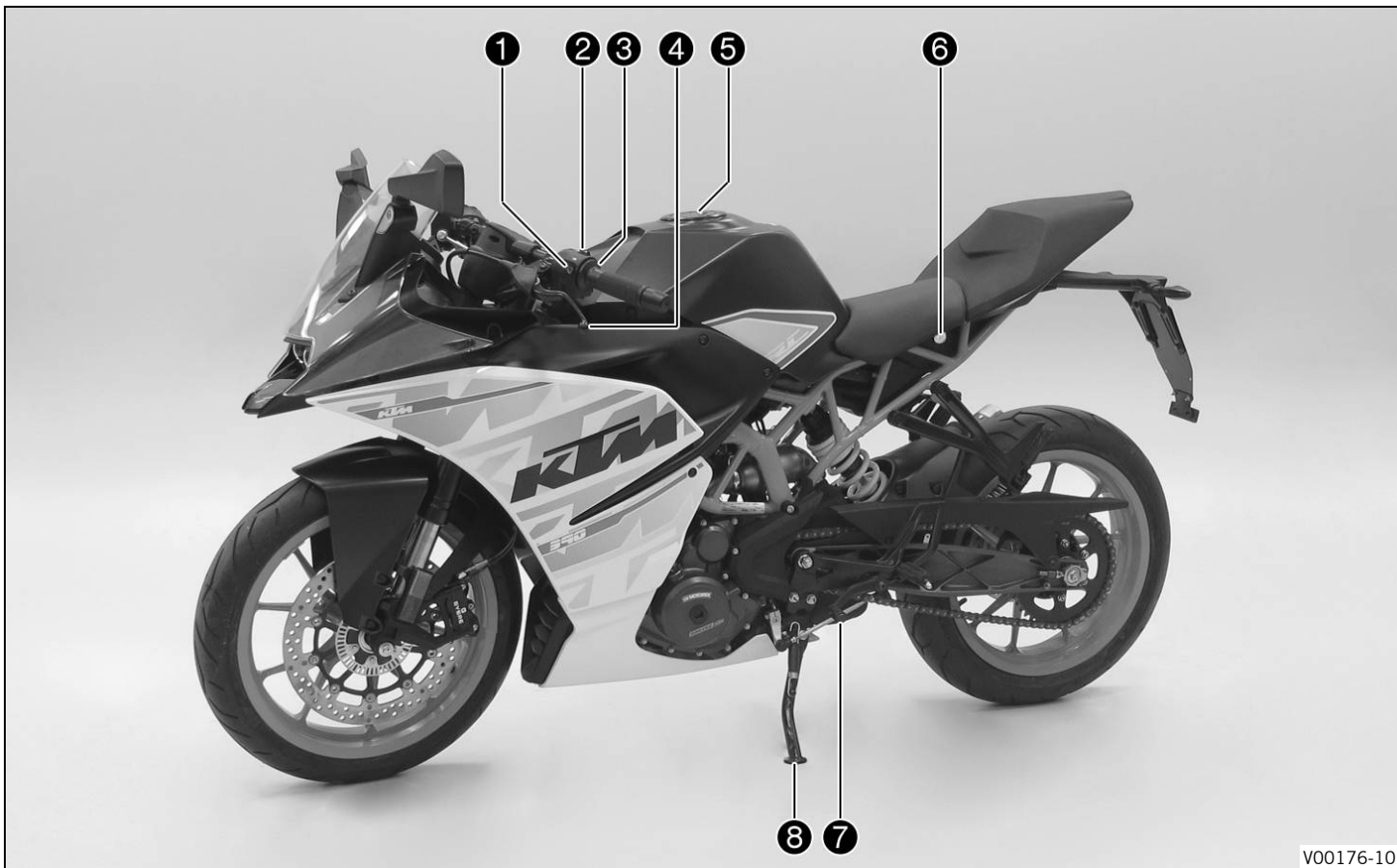
Your authorized KTM dealer will be happy to answer any questions you may have on your vehicle and KTM.

A list of authorized KTM dealers can be found on the KTM website.

International KTM Website: <http://www.ktm.com>

4 VIEW OF VEHICLE

4.1 View of vehicle, front left (example)

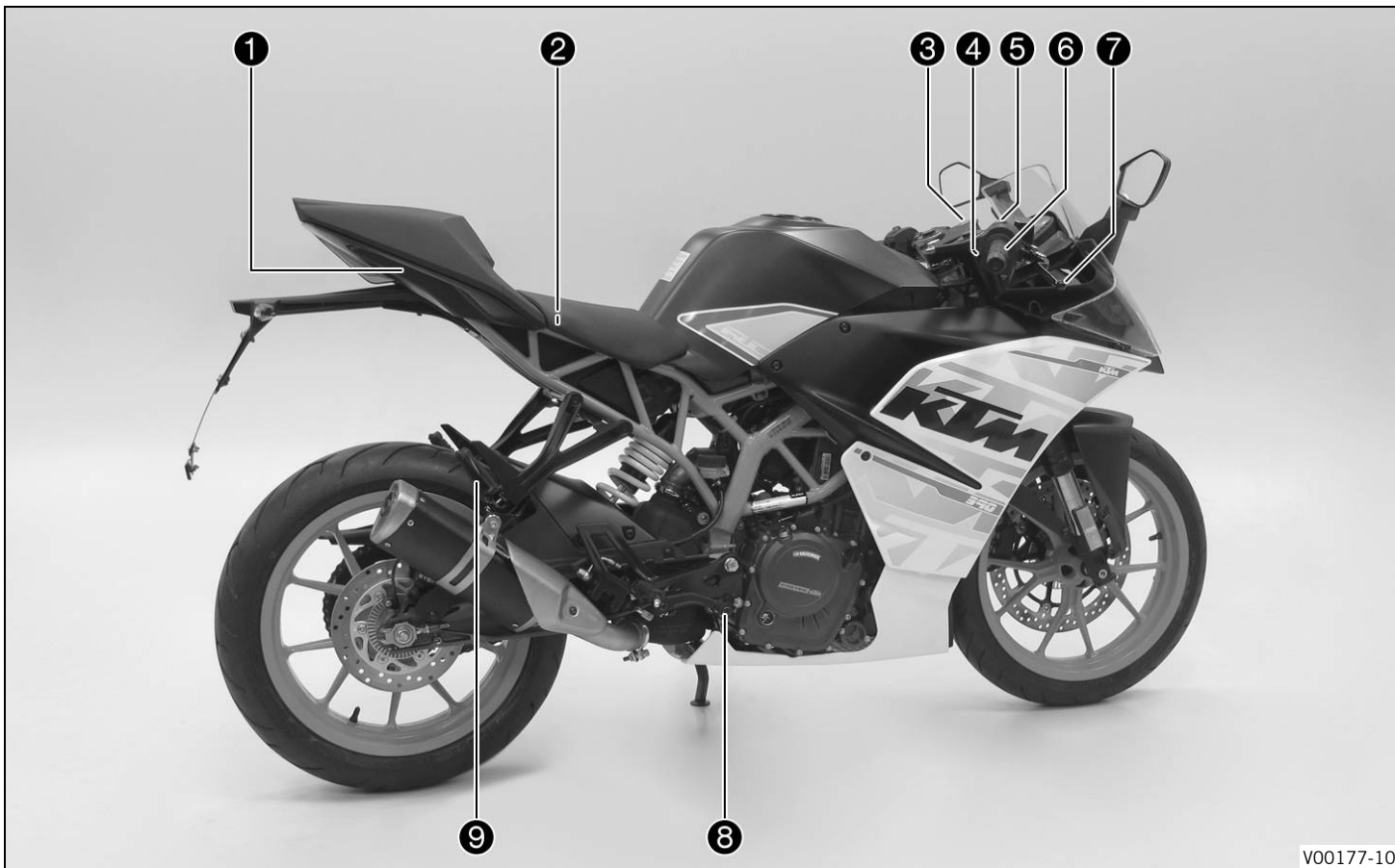


4 VIEW OF VEHICLE

1	High beam flasher button (📖 p. 24)
2	Light switch (📖 p. 24)
3	Horn button (📖 p. 23)
3	Turn signal switch (📖 p. 25)
4	Clutch lever (📖 p. 22)
5	Filler cap
6	Seat lock (📖 p. 29)
7	Shift lever (📖 p. 31)
8	Side stand (📖 p. 33)

4 VIEW OF VEHICLE

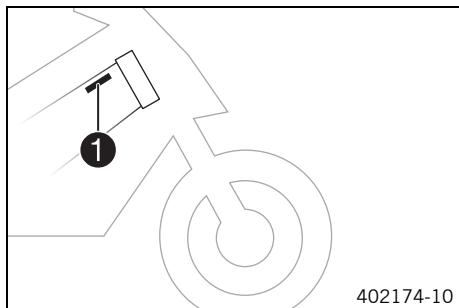
4.2 View of vehicle, rear right (example)



4 VIEW OF VEHICLE

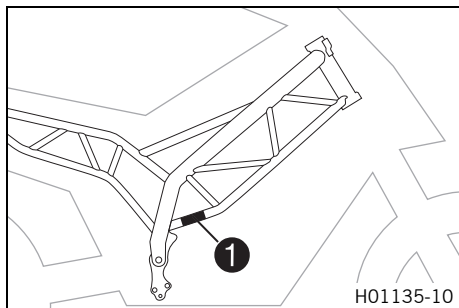
1	Grab handles (📖 p. 30)
2	Tool set (📖 p. 30)
3	Ignition/steering lock (📖 p. 26)
4	Electric starter button (📖 p. 26)
5	Emergency OFF switch (📖 p. 25)
6	Throttle grip (📖 p. 23)
7	Hand brake lever (📖 p. 22)
8	Foot brake lever (📖 p. 32)
9	Passenger footrests (📖 p. 31)

5.1 Chassis number



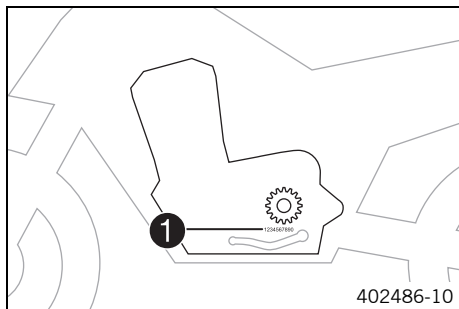
The vehicle chassis number **1** is stamped on the frame behind the steering head on the right.

5.2 Type label



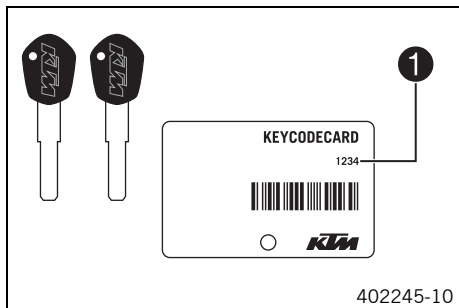
The type label **1** is located on the right side of the frame.

5.3 Engine number



The engine number ❶ is stamped on the left side of the engine under the engine sprocket.

5.4 Key number



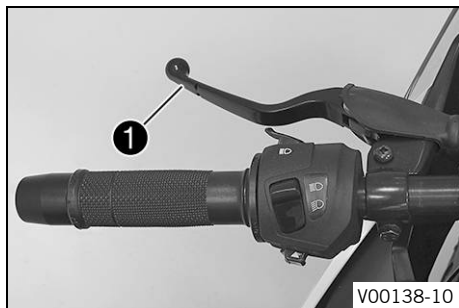
The key number ❶ can be found on the **KEYCODECARD**.



Info

You need the key number to order a spare key. Keep the **KEYCODECARD** in a safe place.

6.1 Clutch lever



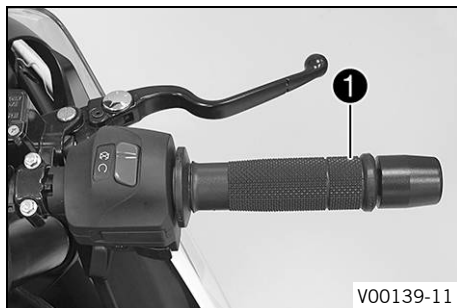
The clutch lever ❶ is fitted on the left side of the handlebar.

6.2 Hand brake lever



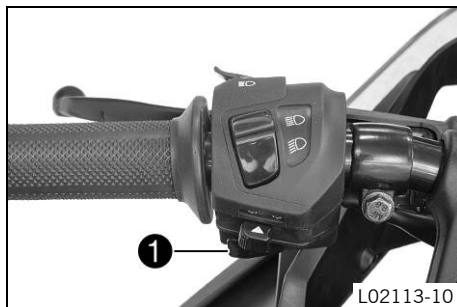
The hand brake lever ❶ is fitted on the right side of the handlebar.
The front brake is engaged using the hand brake lever.

6.3 Throttle grip





The throttle grip ❶ is fitted on the right side of the handlebar.

6.4 Horn button



The horn button ❶ is fitted on the left side of the handlebar.

Possible states



- Horn button  in neutral position
- Horn button  pressed – The horn is operated in this position.

6.5 Light switch

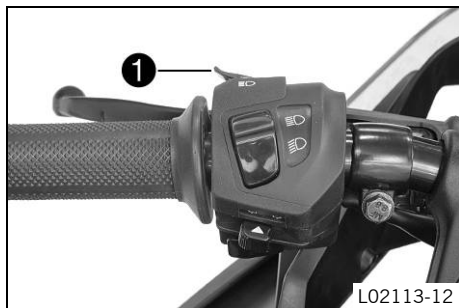


The light switch ❶ is fitted on the left side of the handlebar.

Possible states

	Low beam on – Light switch is turned downward. In this position, the low beam and tail light are switched on.
	High beam on – The light switch is turned upwards. In this position, the low beam, the high beam and the tail light are switched on.

6.6 High beam flasher button



The high beam flasher button ❶ is fitted on the left side of the handlebar.

Possible states



- High beam flasher button in neutral position
- High beam flasher button pressed – In this position, the headlight flasher (high beam) is actuated.

6.7 Turn signal switch



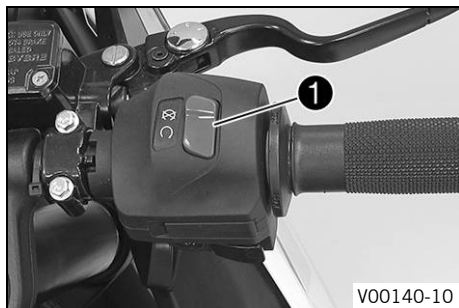
The turn signal switch ❶ is fitted on the left side of the handlebar.

Possible states

	Turn signal off
	Turn signal, left, on – Turn signal switch pressed to the left. The turn signal switch returns automatically to the central position after use.
	Turn signal, right, on – Turn signal switch pressed to the right. The turn signal switch returns automatically to the central position after use.



To switch off the turn signal, press the turn signal switch towards the switch case.

6.8 Emergency OFF switch

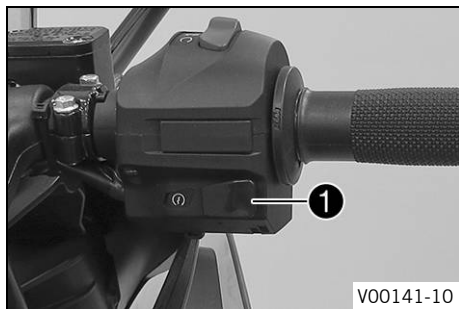


The emergency OFF switch ❶ is fitted on the right side of the handlebar.

Possible states

	Emergency OFF switch off – In this position, the ignition circuit is interrupted, a running engine stops, and a non-running engine cannot be started.
	Emergency OFF switch on – This position is required for operation; the ignition circuit is closed.

6.9 Electric starter button



The electric starter button ❶ is fitted on the right side of the handlebar.

Possible states

- Electric starter button ❸ in basic position
- Electric starter button ❸ pressed – In this position, the electric starter is actuated.

6.10 Ignition/steering lock



The ignition/steering lock is in front of the upper triple clamp.

Possible states

	<p>Ignition OFF – In this position, the ignition circuit is interrupted, a running engine stops, and a non-running engine will not start. The ignition key can be removed.</p>
	<p>Ignition ON – In this position, the ignition circuit is closed and the engine can be started.</p>
	<p>Steering locked – In this position, the ignition circuit is interrupted and the steering locked. The ignition key can be removed.</p>

6.11 Locking the steering

Note

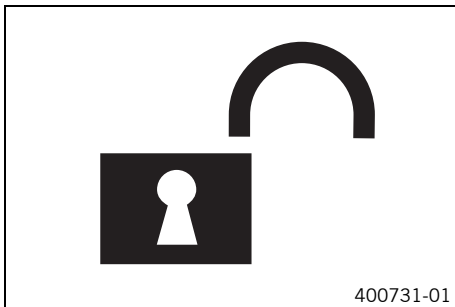
Danger of damage The parked vehicle may roll away or fall over.

- Always place the vehicle on a firm and even surface.



- Park the vehicle.
- Turn the handlebar all the way to the left.
- Insert the key into the ignition/handlebar lock, press in, and turn to the left. Remove the key.
- ✓ Steering is no longer possible.

6.12 Unlocking the steering



- Insert the key into the ignition/handlebar lock, press in, and turn to the right. Remove the key.
- ✓ You can now steer the bike again.

6.13 Opening the filler cap



Danger

Fire hazard Fuel is highly flammable.

- Never refuel the vehicle near open flames or burning cigarettes, and always switch off the engine first. Be careful that no fuel is spilt, especially on hot vehicle components. Clean up spilt fuel immediately.
- The fuel in the fuel tank expands when warm and may emerge if overfilled. Follow the instructions on refueling.



Warning

Danger of poisoning Fuel is poisonous and a health hazard.

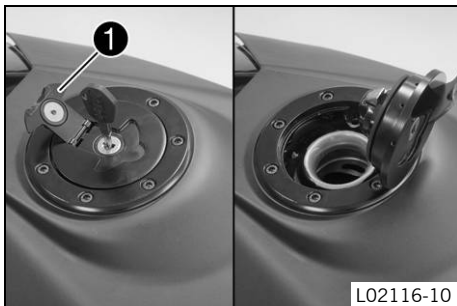
- Fuel must not come into contact with the skin, eyes, or clothing. Do not breathe in the fuel vapors. If contact occurs with the eyes, rinse with water immediately and contact a physician. Immediately clean contaminated areas on the skin with soap and water. If fuel is swallowed, contact a physician immediately. Change clothing that has been contaminated with fuel. Store fuel properly in a suitable canister and keep away from children.



Warning

Environmental hazard Improper handling of fuel is a danger to the environment.

- Do not allow fuel to get into the ground water, the ground, or the sewage system.



- Lift the cover **1** of the filler cap and insert the ignition key in the lock.

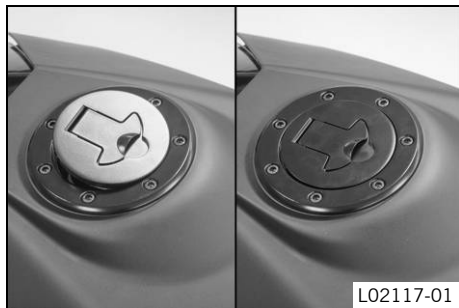
Note

Danger of damage Ignition key breakage.

- To take pressure off of the ignition key, push down on the filler cap. Damaged ignition keys must be replaced.
- Turn the ignition key 90° clockwise.
- Open the filler cap.

- Remove the ignition key.

6.14 Closing the filler cap

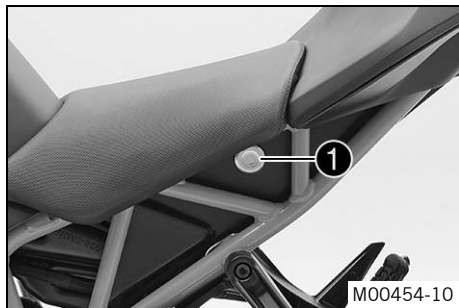


Warning

Fire hazard Fuel is highly flammable, poisonous and harmful to your health.

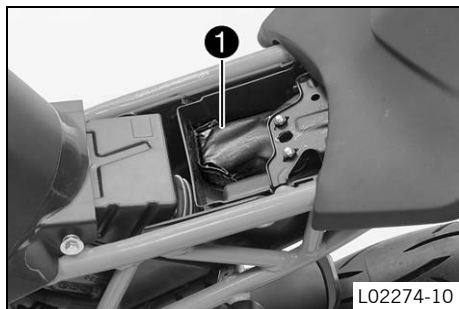
- After closing the filler cap, ensure that it is locked properly. Change clothing that has been contaminated with fuel. Immediately clean contaminated areas on the skin with soap and water.
-
- Close the filler cap.
 - Push down the filler cap until the lock engages.

6.15 Seat lock



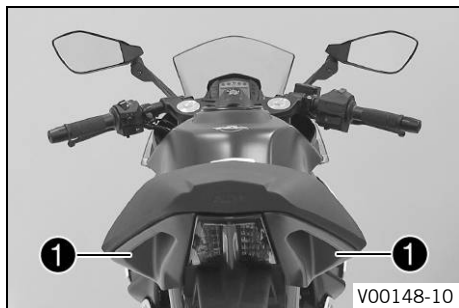
The seat lock **1** is located to the left of the seat.
The seat lock can be unlocked using the ignition key.

6.16 Tool set



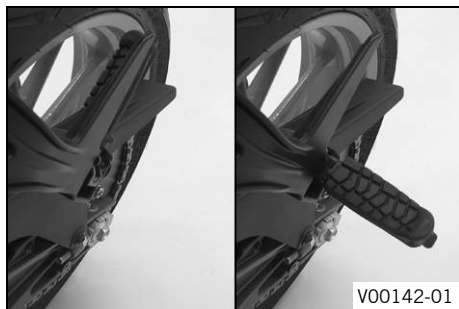
The tool set ❶ is in the storage compartment under the seat.

6.17 Grab handles



The grab handles ❶ are used for moving the motorcycle around.
If you carry a passenger, the passenger can hold onto the grab handles during the trip.

6.18 Passenger footrests

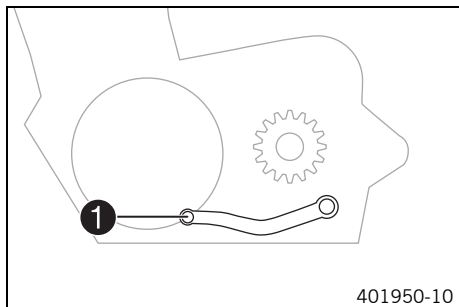


The passenger footrests can be folded in and out.

Possible states

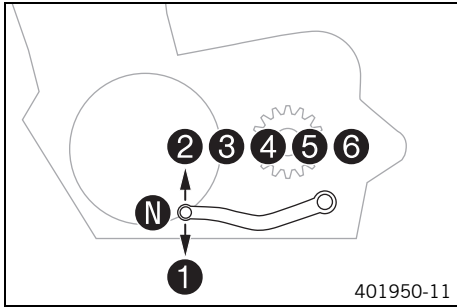
- Passenger footrests folded up – For operation without a passenger.
- Passenger footrests folded down – For operation with a passenger.

6.19 Shift lever



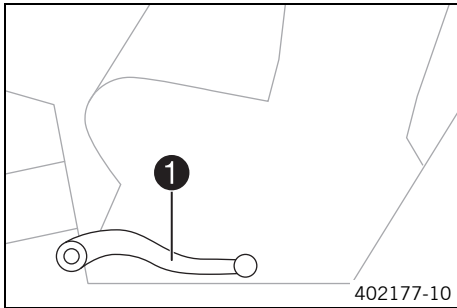
Shift lever ❶ is mounted on the left side of the engine.

6 CONTROLS



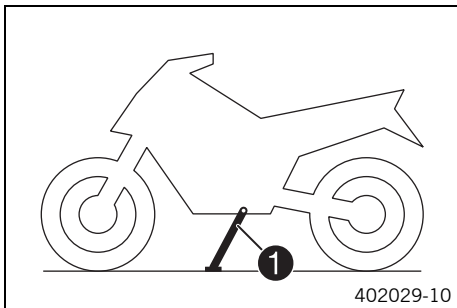
The gear positions can be seen in the photograph.
The neutral or idle position is between the first and second gears.

6.20 Foot brake lever



Foot brake lever 1 is located in front of the right footrest.
The foot brake lever is used to activate the rear brake.

6.21 Side stand



The side stand **1** is on the left side of the vehicle.
The side stand is used to park the motorcycle.



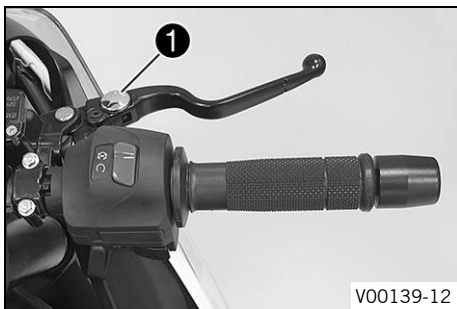
Info

The side stand must be folded up during motorcycle use.
Side stand is coupled with the safety start system; see the riding instructions.

Possible states

- Side stand folded out – The vehicle can be leaned on the side stand. The safety start system is active.
- Side stand folded in – This position is mandatory for all trips. The safety start system is inactive.

7.1 Adjusting the basic position of the hand brake lever

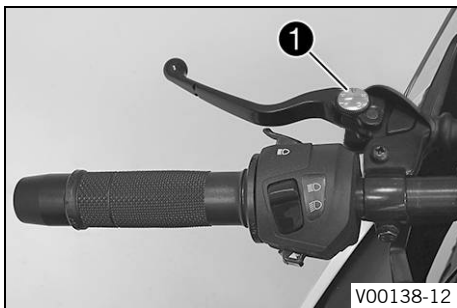


- Adjust the basic position of the hand brake lever to your hand size by turning adjusting wheel ①.

i Info

Push the hand brake lever forward and turn the adjusting wheel.
Do not make any adjustments while riding.

7.2 Adjusting the basic position of the clutch lever



- Adjust the basic position of the clutch lever to your hand size by turning adjusting wheel ①.

i Info

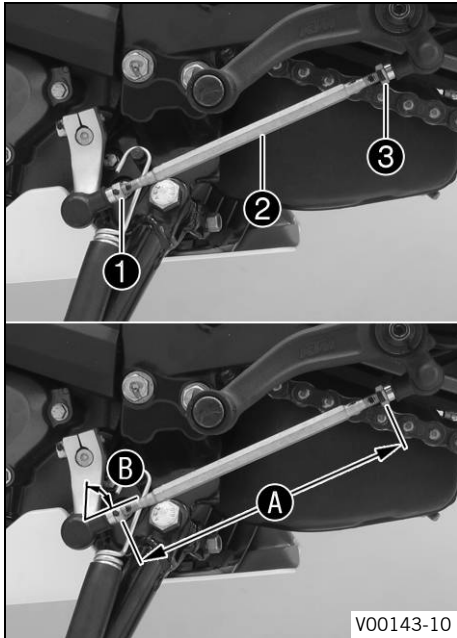
Push the clutch lever forward and turn the adjusting wheel.
Do not make any adjustments while riding.

7.3 Adjusting the shift lever



Info

The adjustment range of the shift lever is limited.



- Loosen nut **1**, holding threaded rod **2**.



Info

Nut **1** has a left-handed thread.

- Loosen nut **3**, holding threaded rod **2**.
- Adjust the shift lever by turning shift rod **2**.

Guideline

Shift rod adjustment range A	150... 162 mm (5.91... 6.38 in)
-------------------------------------	---------------------------------



Info

Make the same adjustments on both sides.

At least five screw threads must be screwed into the seating.

- Check adjusting angle **B**.

Guideline

Adjusting angle B shift rod - bell crank - shift lever	75°
---	-----

- Tighten nut **3** while holding threaded rod **2**.

Guideline

Nut, shift rod	M6	10 Nm (7.4 lbf ft)
----------------	----	--------------------

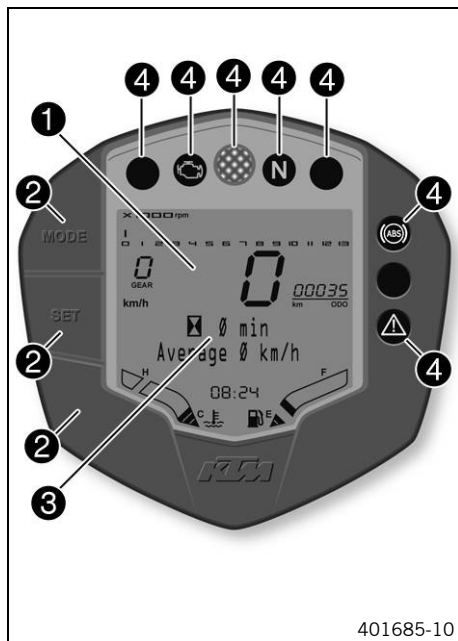
- Tighten nut ❶, holding threaded rod ❷.

Guideline

Nut, shift rod	M6LH	10 Nm (7.4 lbf ft)
----------------	------	--------------------

- Check the shift lever to ensure it is functioning properly and can move freely.

8.1 Overview



- | | |
|---|----------------------------|
| 1 | Display (📖 p. 44) |
| 2 | Function buttons (📖 p. 42) |
| 3 | Info display (📖 p. 48) |
| 4 | Indicator lamps (📖 p. 43) |

8.2 Activation and test



Activation

The combination instrument is activated when the ignition is switched on.

Test

The segments of the tachometer and the gear display light up and switch off in sequence.

The speed display counts from 0 to 199 and back.

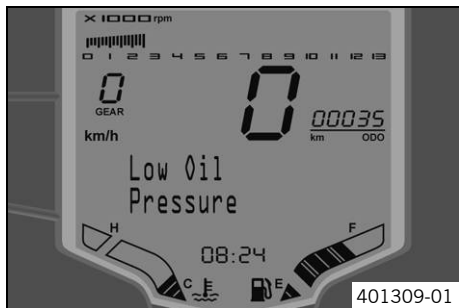
The remaining display segments outside the info display light up briefly.

The **READY TO RACE >>** logo appears on the info display.

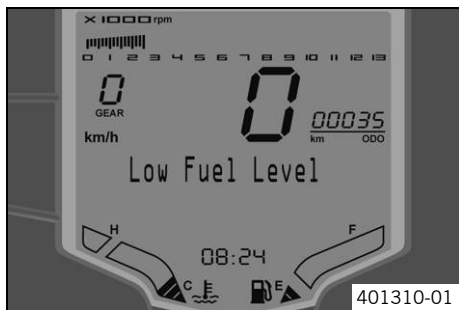
The display then changes to the last selected mode.

8.3 Warning notes

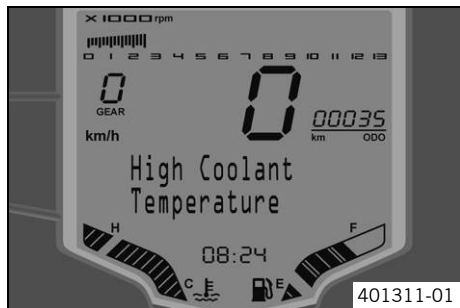
Low Oil Pressure appears on the info display if the oil pressure is too low.



Low Fuel Level appears on the info display if the fuel level reaches the reserve mark.

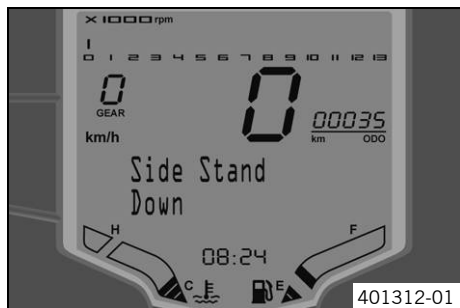


8 COMBINATION INSTRUMENT



High Coolant Temperature appears on the info display if the coolant temperature rises above the specified value.

Coolant temperature	125 °C (257 °F)
---------------------	-----------------



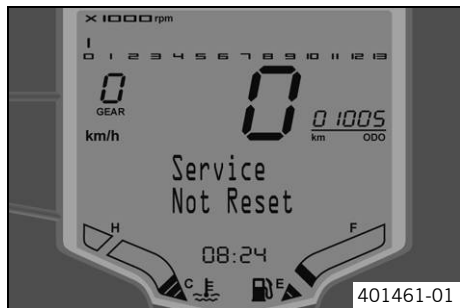
Side Stand Down appears on the info display if the side stand is folded down.



Low Battery appears on the info display if the battery voltage falls below the specified value.

Battery voltage	10.80 V
-----------------	---------

8 COMBINATION INSTRUMENT



Service Not Reset appears on the info display for 10 seconds when the ignition is switched on and the distance interval between service appointments has been exceeded or the service interval display was not reset during a service appointment.

8.4 Function buttons



401685-12

You can change the display mode with the **MODE** button ❶.

Possible display modes are total distance traveled (**TRIP 1**), distance 1 (**ODO**) and distance 2 (**TRIP 2**).

Pressing and holding the **SET** button ❷ resets distance 1 (**TRIP 1**) and distance 2 (**TRIP 2**) functions to **0.0** and briefly pressing the **SET** button ❷ changes the info display to the next display mode.



Warning

Voiding of the government approval for road use and the insurance coverage If the ABS is switched off completely, the vehicle's approval for road use is invalidated.



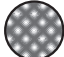





- Only operate the vehicle in closed-off areas remote from public road traffic if the ABS is switched off completely.

The ABS can be switched off with the button ❸.

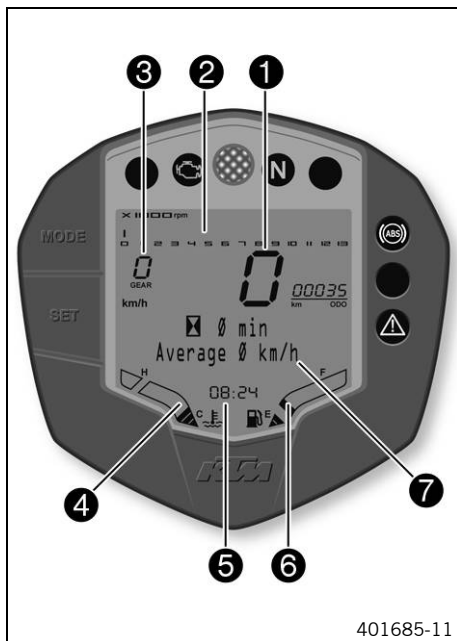
8.5 Indicator lamps



Possible states

	The turn signal indicator lamp flashes green simultaneously with the turn signal – The turn signal is switched on.
	The engine diagnosis warning lamp (MIL) lights up red – The <u>OBD</u> has detected an emission- or safety-critical fault.
	The shift warning lights up/flashes red – The set shift speed has been reached.
	The idling speed indicator lamp lights up green – The transmission is in idle.
	The high beam indicator lamp lights up blue – The high beam is switched on.
	The immobilizer indicator lamp lights up or flashes red – Status or error message for immobilizer/alarm system (optional).
	The general warning lamp lights up yellow – An operating safety (warning) message was detected. This is also shown in the info display.
	ABS warning lamp lights up yellow – Status or error messages relating to <u>ABS</u> .

8.6 Display



The speed **1** is shown in kilometers per hour **km/h** or in miles per hour **mph**.

The tachometer **2** shows the engine speed in revolutions per minute.

The gear display **3** shows the engaged gear.

The coolant temperature appears in segment **4**.

The time appears in segment **5**.

The filling level in the fuel tank is displaced in segment **6**.

The info display **7** shows additional information.



Info

The time must be reset after the battery was disconnected or the fuse was removed.

The intensity of the LED display depends on the ambient brightness.

8.7 Filling level display of the fuel tank

The filling level display consists of 9 bars. The more bars are lit, the more fuel is in the fuel tank.



8.8 TRIP F display



If the fuel level drops to the reserve mark, the display mode automatically changes to **TRIP F** and starts to count from **0.0**, regardless of the previous display mode.



Info

At the same time as the display mode **TRIP F**, the general warning lamp  lights up and the warning note **Low Fuel Level** appears on the info display.

8.9 Coolant temperature indicator



The temperature display consists of 13 bars. The more bars that light up, the hotter the coolant. When all bars light up, the following warning note appears on the info display:

High Coolant Temperature.


Possible states

- Engine cold – Up to three bars light up.
- Engine warm – Four to ten bars light up.
- Engine hot – Eleven to thirteen bars light up.

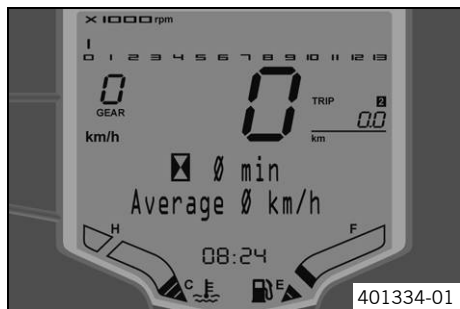
8.10 Info display



Various warning notes appear on info display ❶.

If the general warning lamp  lights up, the corresponding warning note is shown on the info display.

8.11 Riding time/average speed menu



Condition

Alternative 1

- The ignition is on.
- The motorcycle is stationary.

Alternative 2

- The ignition is on.
 - The motorcycle is moving.
- Press the **SET** button briefly and repeatedly until the desired info display appears.
- The riding time and average speed are displayed in this menu.



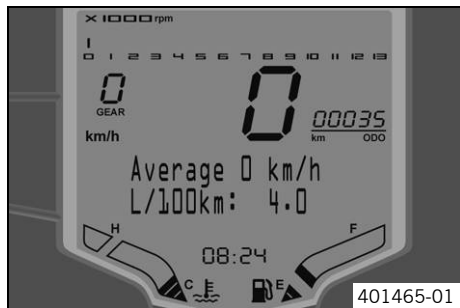
Info

If the ignition was switched off for over 60 minutes, the display is reset to 0.

Press the **SET** button briefly.

Next display mode on the info display

8.12 Average speed/average fuel consumption 1 menu



Condition

Alternative 1

- The ignition is on.
- The motorcycle is stationary.

Alternative 2

- The ignition is on.
 - The motorcycle is moving.
- Press the **SET** button briefly and repeatedly until the desired info display appears.

In this menu, the average speed and the average fuel consumption 1 are displayed in L/100 km (or L/100 miles).



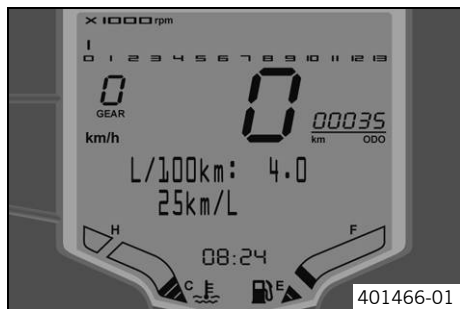
Info

The average fuel consumption 1 is displayed after several 100 meters of travel after the ignition is switched on.

If the ignition was switched off for over 60 minutes, the display of the average speed and average fuel consumption 1 is reset to 0.

Press the SET button briefly.	Next display mode on the info display
--------------------------------------	---------------------------------------

8.13 Average fuel consumption 1/average fuel consumption 2 menu



Condition

Alternative 1

- The ignition is on.
- The motorcycle is stationary.

Alternative 2

- The ignition is on.
- The motorcycle is moving.
- Press the **SET** button briefly and repeatedly until the desired info display appears.

In this menu, the average fuel consumption 1 in L/100 km (or L/100 miles) and the average fuel consumption 2 in km/L (or miles/L) are displayed.



Info

The average fuel consumptions 1 and 2 are displayed after several 100 meters of travel after the ignition is switched on.

If the ignition was switched off for over 60 minutes, the display of the average fuel consumption 1 and 2 is reset to 0.

Press the SET button briefly.	Next display mode on the info display
--------------------------------------	---------------------------------------

8.14 Average fuel consumption 2/service menu



Condition

Alternative 1

- The ignition is on.
- The motorcycle is stationary.

Alternative 2

- The ignition is on.
 - The motorcycle is moving.
- Press the **SET** button briefly and repeatedly until the desired info display appears.

The average fuel consumption 2 in km/L (or miles/L) and the distance to the next service are displayed in this menu.



Info

The average fuel consumption 2 is displayed after several 100 meters of travel after the ignition is switched on.
If the ignition was switched off for over 60 minutes, the display of the average fuel consumption 2 is reset to 0.

Press the SET button briefly.	Next display mode on the info display
--------------------------------------	---------------------------------------

8.15 Service/range menu



Condition

Alternative 1

- The ignition is on.
- The motorcycle is stationary.

Alternative 2

- The ignition is on.
 - The motorcycle is moving.
- Press the **SET** button briefly and repeatedly until the desired info display appears.

This menu shows the distance to the next service and the range.



Info

The range depends on the average fuel consumption and the fuel quantity in the fuel tank.

The range is displayed after several 100 meters of travel after the ignition is switched on.

If the ignition was switched off for over 60 minutes, the display of the range and riding time is reset to 0.

Press the **SET** button briefly.

Next display mode on the info display

8.16 Range/riding time menu



Condition

Alternative 1

- The ignition is on.
- The motorcycle is stationary.

Alternative 2

- The ignition is on.
 - The motorcycle is moving.
- Press the **SET** button briefly and repeatedly until the desired info display appears.

The range and the riding time are displayed in this menu.



Info

The range depends on the average fuel consumption and the fuel quantity in the fuel tank.

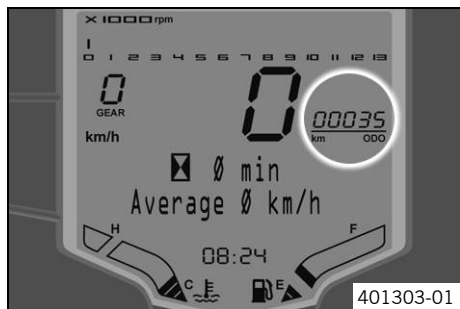
The range is displayed after several 100 meters of travel after the ignition is switched on.

If the ignition was switched off for over 60 minutes, the display of the range and riding time is reset to 0.

Press the **SET** button briefly.

Next display mode on the info display

8.17 Total distance menu ODO



Condition

Alternative 1

- The ignition is on.
- The motorcycle is stationary.

Alternative 2

- The ignition is on.
- The motorcycle is moving.
- Press the **MODE** button briefly and repeatedly until **ODO** appears on the display.

ODO shows the total distance covered.



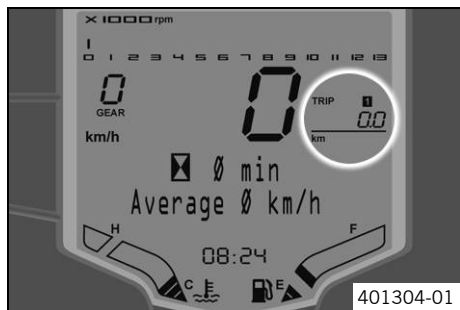
Info

This value is retained, even if the battery is disconnected from the vehicle and/or the fuse blows.

Press the **MODE** button.

Next display mode on the display

8.18 Distance menu 1 TRIP 1



Condition

Alternative 1

- The ignition is on.
- The motorcycle is stationary.

Alternative 2

- The ignition is on.
 - The motorcycle is moving.
- Press the **MODE** button briefly and repeatedly until **TRIP 1** appears on the display.

TRIP 1 shows the distance since the last reset, such as between two refueling stops. **TRIP 1** is always running and counts up to **999.9**.

Press the SET button for 5 - 10 seconds.	Display of TRIP 1 is reset
Press the MODE button.	Next display mode on the display

8.19 Distance menu 2 TRIP 2



Condition

Alternative 1

- The ignition is on.
- The motorcycle is stationary.

Alternative 2

- The ignition is on.
 - The motorcycle is moving.
- Press the **MODE** button briefly and repeatedly until **TRIP 2** appears on the display.

TRIP 2 shows the distance since the last reset, such as between two refueling stops. **TRIP 2** is always running and counts up to **999.9**.

Press the SET button for 5 - 10 seconds.	Display of TRIP 2 is reset
Press the MODE button.	Next display mode on the display

8.20 Setting kilometers or miles



Info

Make the country-specific setting.

Condition

The ignition is on.

The motorcycle is stationary.

- Press the **MODE** button briefly and repeatedly until **ODO** appears on the display.
- Press the **MODE** button for 5 - 10 seconds.
- ✓ The display changes from **km/h** to **mph** or from **mph** to **km/h**.



8.21 Setting the time



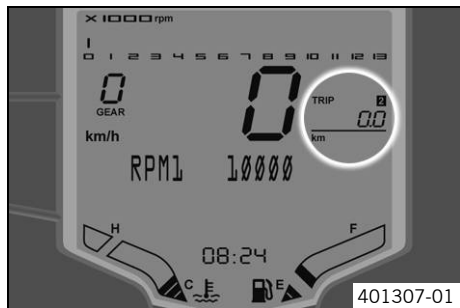
Condition

The ignition is on.

The motorcycle is stationary.

- Press the **MODE** button briefly and repeatedly until **ODO** appears on the display.
- Press the **MODE** and **SET** buttons for 5 - 10 seconds.
 - ✓ The time display begins to flash.
- Set the hours display using the **MODE** button.
- Set the minutes display using the **SET** button.
- Press the **MODE** and **SET** buttons for 5 - 10 seconds.
 - ✓ The time is set.

8.22 Adjusting the shift speed RPM 1



Condition

The ignition is on.

The motorcycle is stationary.

- Press the **MODE** button briefly and repeatedly until **TRIP 2** appears on the display.
- Press the **MODE** button for 5 - 10 seconds.
 - ✓ The display **RPM 1** appears.



Info

The engine speed can be set at intervals of 50.

RPM 1 is the engine speed above which the shift warning light starts flashing.

- Set the speed with the **MODE** and **SET** buttons.



Info

The **MODE** button increases the value.
The **SET** button decreases the value.

- Do not activate the two buttons for approx. 15 seconds.
- ✓ The display **RPM 1** goes out and the set speed is stored.

8.23 Adjusting the shift speed RPM 2

Condition

The ignition is on.
The motorcycle is stationary.

- Press the **MODE** button briefly and repeatedly until **TRIP 2** appears on the display.
- Press the **SET** button for 5 - 10 seconds.
- ✓ The display **RPM 2** appears.



Info

The engine speed can be set at intervals of 50.
RPM 2 is the engine speed above which the shift warning light lights up constantly.
The speed **RPM 2** must always be higher than the speed **RPM 1**.

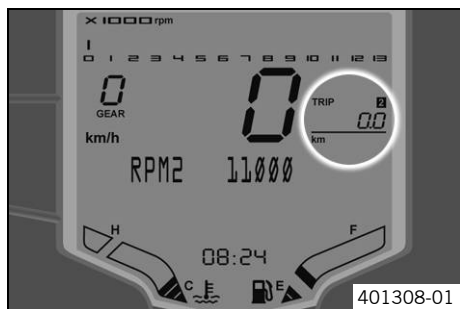
- Set the speed with the **MODE** and **SET** buttons.



Info

The **MODE** button increases the value.
The **SET** button decreases the value.

- Do not activate the two buttons for approx. 15 seconds.
- ✓ The display **RPM 2** goes out and the set speed is stored.



9.1 Advice on first use



Danger

Danger of accidents Danger arising from the rider's judgement being impaired.

- Do not operate the vehicle while under the influence of alcohol, drugs and certain medications or physically or mentally impaired.



Warning

Risk of injury Missing or poor protective clothing presents an increased safety risk.

- Wear protective clothing (helmet, boots, gloves, pants and jacket with protectors) every time you ride the vehicle. Always wear protective clothing that is in good condition and meets the legal requirements.



Warning

Danger of crashing Poor vehicle handling due to different tire tread patterns on front and rear wheels.

- The front and rear wheels must be fitted with tires with similar tread patterns to prevent loss of control over the vehicle.



Warning

Danger of accidents Non-approved or non-recommended tires and wheels impact the handling characteristic.

- Only use tires/wheels approved by KTM with the corresponding speed index.



Warning

Danger of accidents Reduced road grip with new tires.

- New tires have a smooth rolling surface and therefore cannot provide full road grip. The entire rolling surface must be roughened in the first 200 kilometers (124.3 miles) by moderate riding at alternating angles. The full grip levels are not achieved until the tires have been run in.



Info

When using your vehicle, remember that others may feel disturbed by excessive noise.

- Make sure that the pre-delivery inspection work has been carried out by an authorized KTM workshop.
 - ✓ You receive a delivery certificate and the Service and Warranty Booklet at vehicle handover.
- Before your first trip, read the entire operating instructions carefully.
- Get to know the controls.
- Get used to handling the motorcycle on a suitable piece of land before making a longer trip. Try also to ride as slowly as possible to get a better feel for the vehicle.
- Hold the handlebar firmly with both hands and keep your feet on the footrests when riding.
- Run the engine in. (📖 p. 60)

9.2 Running in the engine

- During the running-in phase, do not exceed the specified engine speed.

Guideline

Maximum engine speed	
During the first: 1,000 km (620 mi)	7,500 rpm



Tip

During the running-in phase, set the shift warning light to the specified engine speed.

- Adjust the shift speed **RPM 1**. (📖 p. 57)
- Adjust the shift speed **RPM 2**. (📖 p. 58)
- Avoid fully opening the throttle!

9.3 Loading the vehicle



Warning

Danger of accidents Unstable handling characteristics.

- Do not exceed the maximum permitted weight and axle loads. The overall weight consists of: motorcycle operational and with a full tank, driver and passenger with protective clothing and helmet, baggage.



Warning

Danger of accidents Unstable handling characteristics due to incorrect mounting of suitcase and/or tank rucksack.

- Mount and secure suitcase and tank rucksack according to the manufacturer's instructions.



Warning

Danger of accidents Risk of breakage of suitcase system.

- If you have fitted suitcases on your motorcycle, read the manufacturer's specifications concerning the maximum payload.



Warning

Danger of accidents Poor visibility for other road users due to slipped baggage.

- If the tail light is covered, you are less visible to traffic behind you, especially when it is dark. Check that your baggage is fixed properly at regular intervals.



Warning

Danger of accidents Changed handling characteristics and longer stopping distance with excessive payload.

- Adapt your speed according to your payload.



Warning

Danger of accidents Unstable handling characteristics due to slipped baggage.

- Check the way your baggage is fixed regularly.

9 PREPARING FOR USE

- If you carry any baggage, make sure it is fixed firmly as close as possible to the center of the vehicle and ensure even weight distribution between the front and rear wheels.
- Do not exceed the overall maximum permitted weight and the axle loads.

Guideline

Maximum permissible overall weight	335 kg (739 lb.)
Maximum permissible front axle load	125 kg (276 lb.)
Maximum permissible rear axle load	210 kg (463 lb.)

10.1 Checks and maintenance when preparing for use




Info


Before every trip, check the condition of the vehicle and ensure that it is roadworthy. The vehicle must be in perfect technical condition when used.

- Check the engine oil level. (📖 p. 152)
- Check the brake fluid level of the front brake. (📖 p. 104)
- Check the rear brake fluid level. (📖 p. 108)
- Check the front brake linings. (📖 p. 107)
- Check the rear brake linings. (📖 p. 111)
- Check the brake system function.
- Check the coolant level in the compensating tank. (📖 p. 142)
- Check for chain dirt accumulation. (📖 p. 85)
- Check the chain tension. (📖 p. 86)
- Check the tire condition. (📖 p. 122)
- Check the tire air pressure. (📖 p. 123)
- Check the settings of all controls and ensure that they can be operated smoothly.
- Check the functioning of the electrical equipment.
- Check that baggage is correctly secured.
- Sit on the motorcycle and check the rear mirror setting.
- Check the fuel level.

10.2 Starting

 **Danger**
Danger of poisoning Exhaust gases are toxic and inhaling them may result in unconsciousness and/or death.

- When running the engine, always make sure there is sufficient ventilation, and do not start or run the engine in an enclosed space without an effective exhaust extraction system.

 **Caution**
Danger of accidents If the vehicle is operated with a discharged battery or without a battery, electronic components and safety equipment may be damaged.

- Never operate the vehicle with a discharged battery or without a battery.

Note

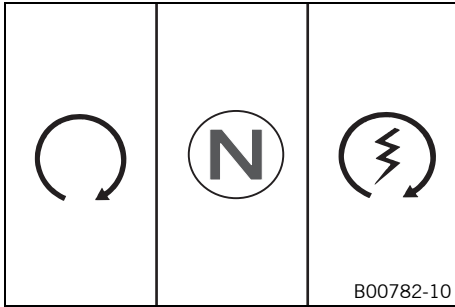
Engine failure Unfiltered intake air has a negative effect on the service life of the engine.

- Never operate the vehicle without an air filter as dust and dirt will enter the engine and lead to increased wear.

Note

Engine failure High engine speeds in cold engines have a negative effect on the service life of the engine.

- Always warm up the engine at low engine speeds.
-



- Unlock the steering. (🔓 p. 27)
- Sit on the vehicle, take the weight off of the side stand, and move up all the way.
- Turn the emergency OFF switch to the position ○.
- Switch on the ignition by turning the ignition key to the position ○.
 - ✓ After you switch on the ignition, you can hear the fuel pump working for about two seconds. The function check of the combination instrument is run at the same time.
- Shift gear to neutral.
 - ✓ The green idling speed indicator lamp **N** lights up.
 - ✓ The ABS warning lamp lights up and goes back out after starting off.
- Press the electric starter button (🔌).

i Info

Do not press the electric starter button until the combination instrument function check is finished.

When starting, **DO NOT** open the throttle. If you open the throttle during the starting procedure, fuel is not injected by the engine management system and the engine cannot start.

Press the starter for a maximum of 5 seconds. Wait for a least 5 seconds before trying again.

This motorcycle is equipped with a safety starting system. You can only start the engine if the transmission is in neutral or if the clutch lever is pulled when a gear is engaged. If the side stand is folded out and you shift into gear and release the clutch, the engine stops.



Switching off ABS

Condition

Vehicle stationary, engine running.



Warning

Voiding of the government approval for road use and the insurance coverage If the ABS is switched off completely, the vehicle's approval for road use is invalidated.

- Only operate the vehicle in closed-off areas remote from public road traffic if the ABS is switched off completely.

- Press button **1** for 3 – 5 seconds.
- ✓ The ABS warning lamp lights up; ABS is deactivated.

10.3 Starting off

- Pull the clutch lever, engage 1st gear, release the clutch lever slowly, and simultaneously open the throttle carefully.



Tip

If the engine dies while starting off, only pull the clutch lever and press the electric starter button. You do not need to shift into neutral.

10.4 Shifting, riding



Warning

Danger of accidents Abrupt load alterations can cause the vehicle to get out of control.

- Avoid abrupt load alterations and sudden braking actions, and adapt your speed to the road conditions.



Warning

Danger of accidents If you change down at high engine speed, the rear wheel can lock up.

- Do not change into a low gear at high engine speed. The engine races and the rear wheel can lock up.



Warning

Danger of accidents Malfunctions caused by incorrect ignition key position.

- Do not change the ignition key position during a journey.



Warning

Danger of accidents Distraction from traffic activity by adjustments to the vehicle.

- Make all adjustments when the vehicle is at a standstill.



Warning

Risk of injury Falling off of the passenger.

- The passenger must be seated properly on the passenger seat and hold on to the front rider or the grab handles. The feet must be positioned on the passenger footrests. Note the regulations governing the minimum age of passengers.



Warning

Danger of accidents Danger of accidents caused by dangerous driving.

- Comply with traffic regulations and ride defensively and foresightedly to detect sources of danger early on.



Warning

Danger of accidents Reduced road grip with cold tires.

- On every journey, take the first miles carefully at moderate speed until the tires reach operating temperature and optimal road grip is ensured.



Warning

Danger of accidents Reduced road grip with new tires.

- New tires have a smooth rolling surface and therefore cannot provide full road grip. The entire rolling surface must be roughened in the first 200 kilometers (124.3 miles) by moderate riding at alternating angles. The full grip levels are not achieved until the tires have been run in.



Warning

Danger of accidents Unstable handling characteristics due to slipped baggage.

- Check the way your baggage is fixed regularly.



Warning

Danger of accidents Lack of roadworthiness.

- After a fall, check the vehicle as usual before preparing for use.

Note

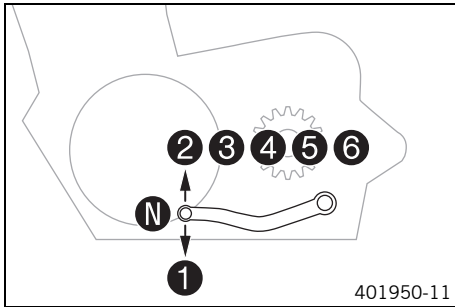
Engine failure Overheating damages the engine.

- If the coolant temperature warning is displayed, stop immediately and take care not to endanger yourself or other traffic participants in the process.
 - Allow the engine and cooling system to cool down.
 - Check and, if necessary, correct the coolant level on the cooling system while it is in a cooled state.
-
-



Info

If you hear unusual noises while riding, stop immediately, switch off the engine and contact an authorized KTM workshop.




- When conditions allow (incline, road situation, etc.), you can shift into a higher gear.
- Release the throttle while simultaneously pulling the clutch lever, shift into the next gear, release the clutch and open the throttle.

i Info

You can see the positions of the 6 forward gears in the figure. The neutral or idle position is between the first and second gears. First gear is used for starting off or for steep inclines.

The operating temperature is reached when 4 bars of the temperature indicator light up.

- Accelerate only up to a speed suitable for the road surface and weather conditions. Particularly in bends, do not shift, and accelerate very carefully.
- To shift down, brake if necessary and close the throttle at the same time.
- Pull the clutch lever and shift into a lower gear, release the clutch lever slowly and open the throttle or shift again.
- Switch off the engine if you expect to be standing for a long time.
- If the engine diagnosis warning lamp  lights up during a trip, stop immediately, switch off the engine, and contact an authorized KTM workshop.

10.5 Applying the brakes



Warning

Danger of accidents Reduced braking efficiency due to a wet or dirty brake system.

- Clean or dry a dirty or wet brake system by riding and braking gently.



Warning

Danger of accidents Reduced braking efficiency caused by spongy pressure point of front or rear brake.

- Check the brake system and do not continue riding. (Your authorized KTM workshop will be glad to help.)



Warning

Danger of accidents Failure of brake system.

- If the foot brake lever is not released, the brake linings drag continuously. The rear brake may fail due to overheating. Take your foot off the foot brake lever when you are not braking.



Warning

Danger of accidents Longer stopping distance due to higher overall weight.

- Take the longer stopping distance into account when carrying a passenger and baggage.



Warning

Danger of accidents Delayed brake action on salted roads.

- There may be salt deposits on the brake discs. In order to restore the normal braking efficiency, you will need to remove the deposits from the discs by carefully applying the brakes.
-



Warning

Danger of accidents Greater stopping distance due to ABS.

- Braking should be appropriate to the driving situation and the road conditions.



Warning

Danger of accidents Very forceful braking can cause the wheels to block.

- ABS must be switched on to be effective.
-

- When braking, release the throttle and apply the front and rear brakes at the same time.
-



Info

When the ABS is enabled, you can achieve maximum braking power even on low grip surfaces such as sandy, wet, or slippery terrain without locking of the wheels.



Warning

Danger of accidents The rear wheel can lock due to the engine braking effect.

- Pull in the clutch, if you perform emergency or full braking, or if you brake on a slippery ground.



Warning

Danger of accidents Banked or laterally sloping ground reduces the maximum possible delay.

- If possible finish braking before going into a bend.

- Always finish braking before you go into a bend. Change down to a lower gear appropriate to your road speed.
- Use the braking effect of the engine on long downhill stretches. Change down one or two gears, but do not over-rev the engine. In this way, you have to brake far less and the brakes do not overheat.

10.6 Stopping, parking



Warning

Risk of misappropriation Usage by unauthorized persons.

- Never leave the vehicle unattended while the engine is running. Secure the vehicle against use by unauthorized persons. If you leave the vehicle, lock the steering and remove the ignition key.



Warning

Danger of burns Some vehicle components become very hot when the vehicle is operated.

- Do not touch hot components such as exhaust system, radiator, engine, shock absorber, and the brake system. Allow these components to cool down before starting work on them.

Note

Material damage The vehicle may be damaged by incorrect procedure when parking.

Significant damage may be caused if the vehicle rolls away or falls over.

The components for parking the vehicle are designed only for the weight of the vehicle.

- Park the vehicle on a firm and level surface.

- Ensure that nobody sits on the vehicle when the vehicle is parked on a stand.

Note

Fire hazard Some vehicle components become very hot when the vehicle is operated.

- Do not park the vehicle near flammable or explosive substances. Do not place objects on the vehicle while it is still warm from being run. Always let the vehicle cool first.
-

- Apply the brakes on the motorcycle.
 - Shift gear to neutral.
 - Switch off the ignition by turning the ignition key to the position ☒.
-



Info

If the engine is switched off with the emergency OFF switch and the ignition remains switched on at the ignition lock, power continues to flow to most power consumers and the battery will discharge. You should therefore always switch off the engine with the ignition key – the emergency OFF switch is intended for emergencies only.

- Park the motorcycle on a firm surface.
- Swing the side stand forward with your foot as far as it will go and lean the vehicle on it.
- Lock the steering. (📖 p. 27)

10.7 Transport

Note

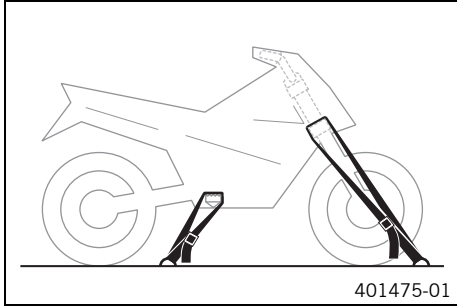
Danger of damage The parked vehicle may roll away or fall over.

- Always place the vehicle on a firm and even surface.

Note

Fire hazard Some vehicle components become very hot when the vehicle is operated.

- Do not park the vehicle near flammable or explosive substances. Do not place objects on the vehicle while it is still warm from being run. Always let the vehicle cool first.



- Switch off the engine and remove the ignition key.
- Use tension belts or other suitable devices to secure the motorcycle against accidents or falling over.

10.8 Refueling



Danger

Fire hazard Fuel is highly flammable.

- Never refuel the vehicle near open flames or burning cigarettes, and always switch off the engine first. Be careful that no fuel is spilt, especially on hot vehicle components. Clean up spilt fuel immediately.
- The fuel in the fuel tank expands when warm and may emerge if overfilled. Follow the instructions on refueling.



Warning

Danger of poisoning Fuel is poisonous and a health hazard.

- Fuel must not come into contact with the skin, eyes, or clothing. Do not breathe in the fuel vapors. If contact occurs with the eyes, rinse with water immediately and contact a physician. Immediately clean contaminated areas on the skin with soap and water. If fuel is swallowed, contact a physician immediately. Change clothing that is contaminated with fuel.

Note

Material damage Premature clogging of the fuel filter.

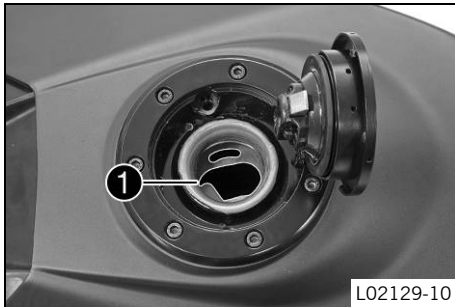
- In some countries and regions, the available fuel quality and cleanliness may not be sufficient. This will result in problems with the fuel system. (Your authorized KTM workshop will be glad to help.)
- Only refuel with clean fuel that meets the specified standards.



Warning

Environmental hazard Improper handling of fuel is a danger to the environment.

- Do not allow fuel to get into the ground water, the ground, or the sewage system.



- Switch off the engine.
- Open the filler cap. (📖 p. 28)
- Fill the fuel tank with fuel up to the lower edge **1** of the fuel filler.

Total fuel tank capacity, approx.	9.5 l (2.51 US gal)	Super unleaded (ROZ 95/RON 95/PON 91) (📖 p. 186)
-----------------------------------	---------------------	--




- Close the filler cap. (📖 p. 29)

11 SERVICE SCHEDULE

11.1 Additional information

Any further work that results from the required work or from the recommended work must be ordered separately and invoiced separately.

11.2 Required work

	Every two years	Every year	Every 15,000 km (9,300 mi)	Every 7,500 km (4,650 mi)	After 1,000 km (620 mi)
Read out the fault memory using the KTM diagnostics tool. 	○	●	●	●	●
Check the functioning of the electrical equipment.	○	●	●	●	●
Change the engine oil and oil filter and clean the oil screens.  (📖 p. 152)	○	●	●	●	●
Check the brake discs. (📖 p. 103)	○	●	●	●	●
Check the front brake linings. (📖 p. 107)	○	●	●	●	●
Check the rear brake linings. (📖 p. 111)	○	●	●	●	●
Check the tire condition. (📖 p. 122)	○	●	●	●	●
Check the tire air pressure. (📖 p. 123)	○	●	●	●	●
Check the brake lines for damage and leakage.	○	●	●	●	●
Check the brake fluid level of the front brake. (📖 p. 104)	○	●	●	●	
Check the rear brake fluid level. (📖 p. 108)	○	●	●	●	
Check the shock absorber and fork for leaks. Perform a fork service and shock absorber service as needed and depending on how the vehicle will be used.	○	●	●	●	●
Clean the dust boots of the fork legs. 		●	●		
Check the chain, rear sprocket, and engine sprocket. (📖 p. 90)		●	●	●	●

11 SERVICE SCHEDULE

	Every two years				
	Every year				
	Every 15,000 km (9,300 mi)				
	Every 7,500 km (4,650 mi)				
	After 1,000 km (620 mi)				
Check the chain tension. (📖 p. 86)	○	●	●	●	●
Check the coolant level in the compensating tank. (📖 p. 142)	○	●	●	●	●
Check that the radiator fan is functioning properly. 🛠️	○	●	●	●	●
Change the air filter, clean the air filter box. 🛠️		●	●		
Check that the throttle cables are undamaged, routed without sharp bends, and set correctly. 🛠️	○	●	●	●	●
Check the cables for damage and routing without sharp bends. 🛠️	○	●	●	●	●
Check the valve clearance. 🛠️	○				
Check the valve clearance, change the spark plugs. 🛠️			●		
Change the front brake fluid. 🛠️					●
Change the rear brake fluid. 🛠️					●
Check the play of the steering head bearing. 🛠️	○	●	●	●	●
Check the low beam headlight adjustment. (📖 p. 137)	○	●	●		
Check the high beam headlight adjustment. (📖 p. 138)	○	●	●		
Final check: Check the vehicle for road worthiness and take a test ride. 🛠️	○	●	●	●	●
Read out the fault memory using the KTM diagnostics tool after a test ride. 🛠️	○	●	●	●	●
Reset the service interval display. 🛠️	○	●	●		
Make the service entry in the KTM Dealer.net and in the Service and Warranty Booklet. 🛠️	○	●	●	●	●

- One-time interval
- Periodic interval

11.3 Recommended work

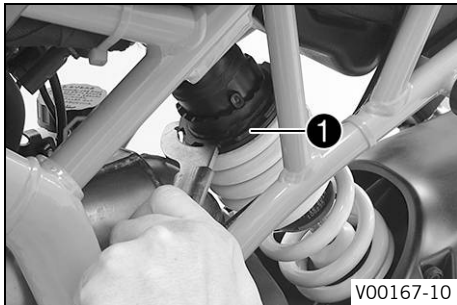
		Every four years		
		Every year		
	Every 7,500 km (4,650 mi)			
	After 1,000 km (620 mi)			
Check the swingarm bearing. 🛠️		●		
Check the wheel bearings. 🛠️		●		
Grease all moving parts (e.g. side stand, hand lever, chain, ...) and check for smooth operation. 🛠️	○	●	●	●
Empty the drainage hoses. 🛠️	○	●	●	●
Check all hoses (e.g. fuel, cooling, bleeder, drainage, etc.) and sleeves for cracking, leaks, and correct routing. 🛠️	○	●	●	●
Check the antifreeze. 🛠️	○	●	●	
Change the coolant. 🛠️				●
Check the screws and nuts for tightness. 🛠️	○	●	●	●

- One-time interval
- Periodic interval

12.1 Adjusting the spring preload of the shock absorber ↘

- Warning**
Danger of accidents Modifications to the suspension settings can seriously alter the vehicle's ride behavior.
- Following modifications, ride slowly at first to get the feel of the new ride behavior.

- Info**
The spring preload defines the initial status of the spring operation on the shock absorber. The best spring preload setting is achieved when it is set for the weight of the rider and that of any baggage and a passenger, thus ensuring an ideal compromise between maneuverability and stability.



- Set the spring preload by turning the adjusting ring **1** using the hook wrench from the tool set.

Guideline

Spring preload	
Standard	4 clicks

Hook wrench, shock absorber (90529077000)

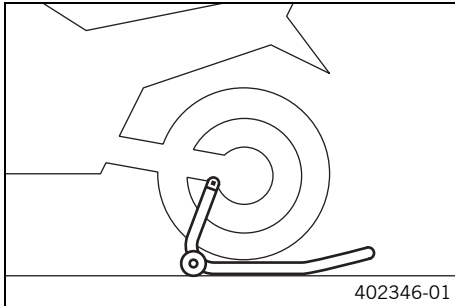
- Info**
The spring preload can be set to 10 different positions. The extension from the tool set can simplify the adjustment.

13.1 Raising the motorcycle with the rear lifting gear

Note

Danger of damage The parked vehicle may roll away or fall over.

- Always place the vehicle on a firm and even surface.



- Mount the supports of the lifting gear.
- Insert the adapter in the rear lifting gear.

Bushing kit for lifting gear (90229955044)
--

Adapter (69329955020)

Lifting gear, rear (69329955000)

- Stand the motorcycle upright, align the lifting gear with the swingarm and the adapters, and lift the motorcycle.

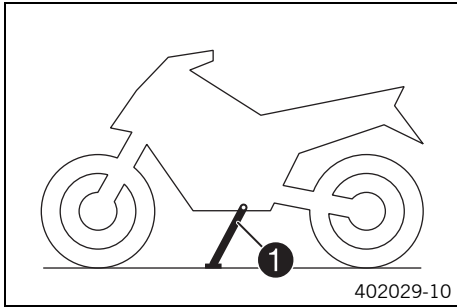
13.2 Taking the motorcycle off of the rear wheel stand

Note

Danger of damage The parked vehicle may roll away or fall over.

- Always place the vehicle on a firm and even surface.

13 SERVICE WORK ON THE CHASSIS



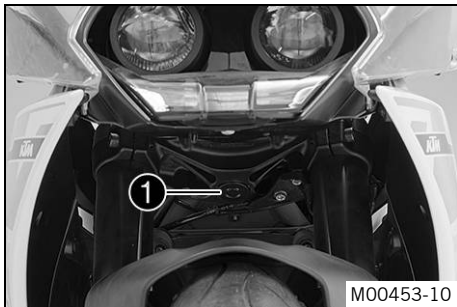
- Secure the motorcycle against falling over.
- Remove the rear wheel stand and lean the vehicle on the side stand ❶.

13.3 Lifting the motorcycle with the front lifting gear

Note

Danger of damage The parked vehicle may roll away or fall over.

- Always place the vehicle on a firm and even surface.

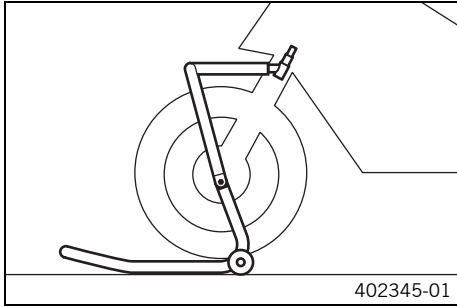


Preparatory work

- Raise the motorcycle with the rear lifting gear. (📖 p. 79)

Condition

- Remove protection cap ❶.



- Move the handlebar to the straight-ahead position. Position the lifting gear.

Adapter (61029955620)

Lifting gear, front (61029055500)



Info

Always raise the motorcycle at the rear first.

- Raise the motorcycle at the front.

13.4 Taking the motorcycle off of the front wheel stand

Note

Danger of damage The parked vehicle may roll away or fall over.

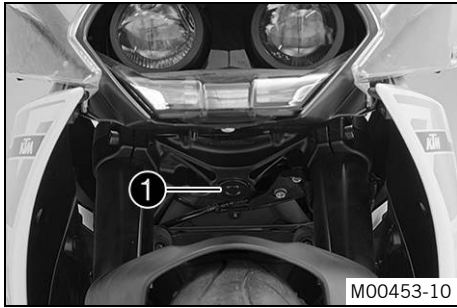
- Always place the vehicle on a firm and even surface.



Main work

- Secure the motorcycle against falling over.
- Remove the front wheel stand.

13 SERVICE WORK ON THE CHASSIS

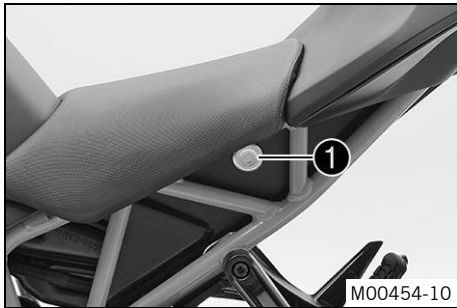


- Mount protection cap ❶.

Finishing work

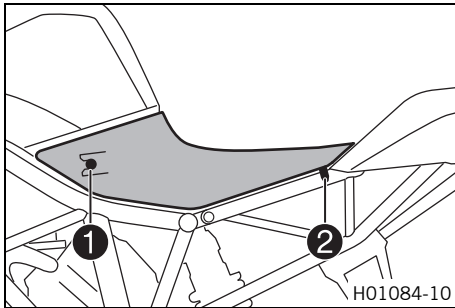
- Take the motorcycle off of the rear wheel stand. (📖 p. 79)

13.5 Removing the front rider's seat



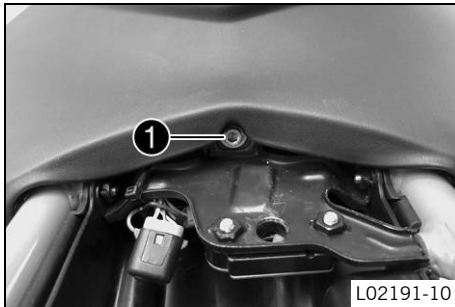
- Insert the ignition key in seat lock ❶ and turn it clockwise.
- Raise the rear of the front rider's seat, pull it toward the rear, and remove it upward.
- Remove the ignition key from the seat lock.

13.6 Mounting the front rider's seat



- Attach recesses **1** on the front rider's seat to the fuel tank, push the front rider's seat forward, and lower at the rear.
- ✓ The pin **2** locks audibly in place.
- Check that the front rider's seat is correctly mounted.

13.7 Removing the passenger seat



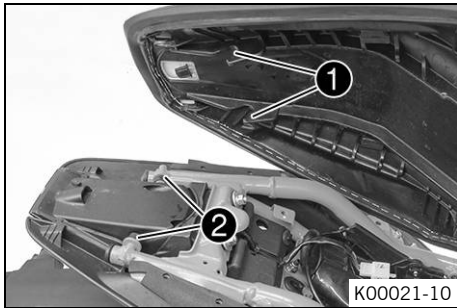
Preparatory work

- Remove the front rider's seat. (🔧 p. 82)

Main work

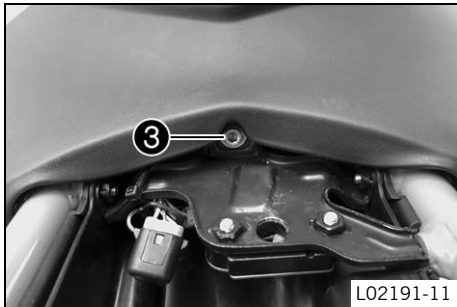
- Remove screw **1** with the washer.
- Lift and take off the passenger seat.

13.8 Mounting the passenger seat



Main work

- Attach hook ① into bracket ②.
- Lower the passenger seat and push back.



- Mount and tighten screw ③ with the washer.

Guideline

Screw, passenger seat	M6	7 Nm (5.2 lbf ft)
-----------------------	----	-------------------



Warning

Danger of accidents The passenger seat can come loose from the anchoring if it is not mounted correctly.

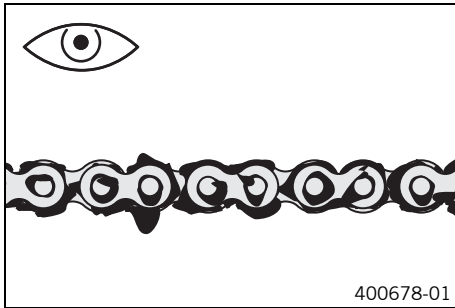
- After mounting the passenger seat, check that it is locked correctly by pulling up.

- Check that the passenger seat is correctly mounted.

Finishing work


- Mount the front rider's seat. (📖 p. 83)


13.9 Checking for chain dirt accumulation




- Check the chain for coarse dirt accumulation.
 - » If the chain is very dirty:
 - Clean the chain. (📖 p. 85)

13.10 Cleaning the chain

-  **Warning**
Danger of accidents Oil or grease on the tires reduces their grip.
- Remove oil and grease with a suitable cleaning material.

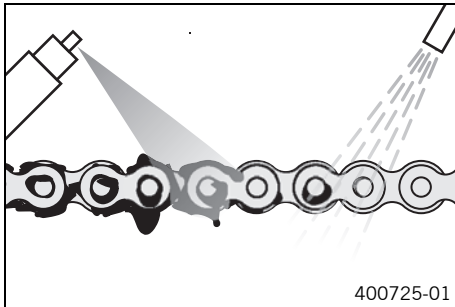
-  **Warning**
Danger of accidents Reduced braking efficiency due to oil or grease on the brake discs.
- Always keep the brake discs free of oil and grease, and clean them with brake cleaner when necessary.

-  **Warning**
Environmental hazard Hazardous substances cause environmental damage.
- Oil, grease, filters, fuel, cleaners, brake fluid, etc., should be disposed of as stipulated in applicable regulations.



Info

The service life of the chain depends largely on its maintenance.



Preparatory work

- Raise the motorcycle with the rear lifting gear. (📖 p. 79)

Main work

- Clean the chain regularly.
- Rinse off loose dirt with a soft jet of water.
- Remove old grease remains with chain cleaner.

Chain cleaner (📖 p. 187)

- After drying, apply chain spray.

Chain lube for road use (📖 p. 187)

Finishing work

- Take the motorcycle off of the rear wheel stand. (📖 p. 79)

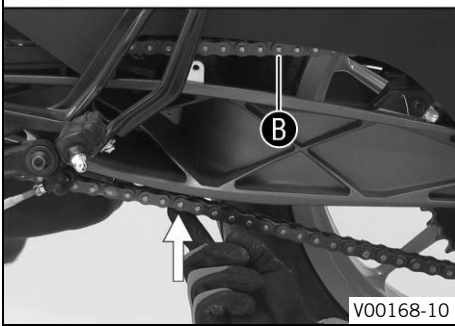
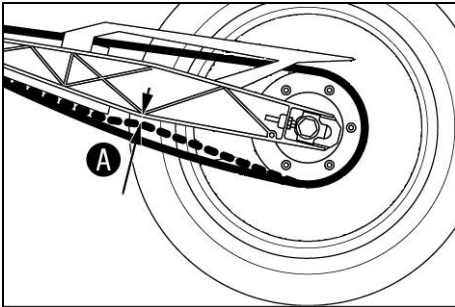
13.11 Checking the chain tension



Warning

Danger of accidents Danger caused by incorrect chain tension.

- If the chain is too taut, the components of the secondary power transmission (chain, engine sprocket, rear sprocket, bearings in the transmission and in the rear wheel) will be under additional load. In addition to premature wear, this can cause the chain or the countershaft of the transmission to break in extreme cases. If the chain is too loose, however, it may fall off the engine sprocket or rear sprocket and block the rear wheel or damage the engine. Ensure that the chain tension is correct and adjust it if necessary.



Preparatory work

- Raise the motorcycle with the rear lifting gear. (📖 p. 79)

Main work

- Shift gear to neutral.
- In the area of the chain sliding guard, press the chain upward toward the swingarm and determine chain tension **A**.

i Info

Upper chain section **B** must be taut.

Chain wear is not always even, so you should repeat this measurement at different chain positions.

Chain tension	5... 7 mm (0.2... 0.28 in)
---------------	----------------------------

- » If the chain tension does not meet the specification:
 - Adjust the chain tension. (📖 p. 88)

Finishing work

- Take the motorcycle off of the rear wheel stand. (📖 p. 79)

13.12 Adjusting the chain tension



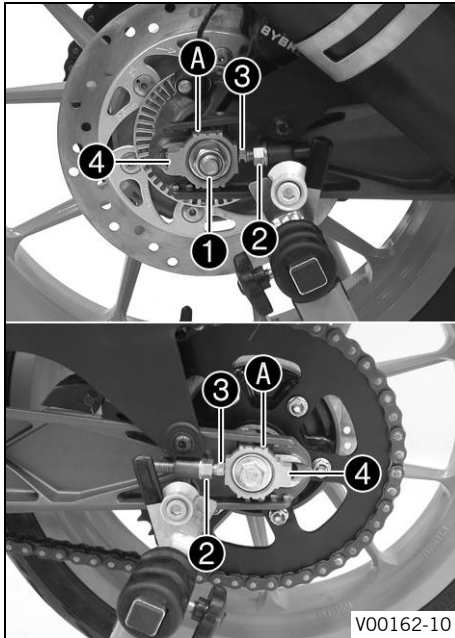
Warning

Danger of accidents Danger caused by incorrect chain tension.

- If the chain is too taut, the components of the secondary power transmission (chain, engine sprocket, rear sprocket, bearings in the transmission and in the rear wheel) will be under additional load. In addition to premature wear, this can cause the chain or the countershaft of the transmission to break in extreme cases. If the chain is too loose, however, it may fall off the engine sprocket or rear sprocket and block the rear wheel or damage the engine. Ensure that the chain tension is correct and adjust it if necessary.

Preparatory work

- Raise the motorcycle with the rear lifting gear. (📖 p. 79)
- Check the chain tension. (📖 p. 86)



Main work

- Loosen nut ①.
- Loosen nuts ②.
- Adjust the chain tension by turning adjusting screws ③ left and right.

Guideline

Chain tension	5... 7 mm (0.2... 0.28 in)
Turn the adjusting screws ③ on the left and right so that the markings on the left and right chain adjusters ④ are in the same position relative to the reference marks A. The rear wheel is then correctly aligned.	

i Info

The upper part of the chain must be taut.
Chain wear is not always even, so you should check the setting at different chain positions.

- Tighten nuts ②.
- Make sure that chain adjusters ④ are fitted correctly on adjusting screws ③.
- Tighten nut ①.

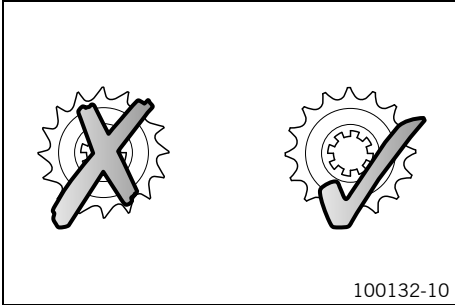
Guideline

Nut, rear wheel spindle	M14x1.5	90 Nm (66.4 lbf ft)
-------------------------	---------	------------------------

Finishing work

- Take the motorcycle off of the rear wheel stand. (📖 p. 79)

13.13 Checking the chain, rear sprocket, and engine sprocket



Preparatory work

- Raise the motorcycle with the rear lifting gear. (📖 p. 79)

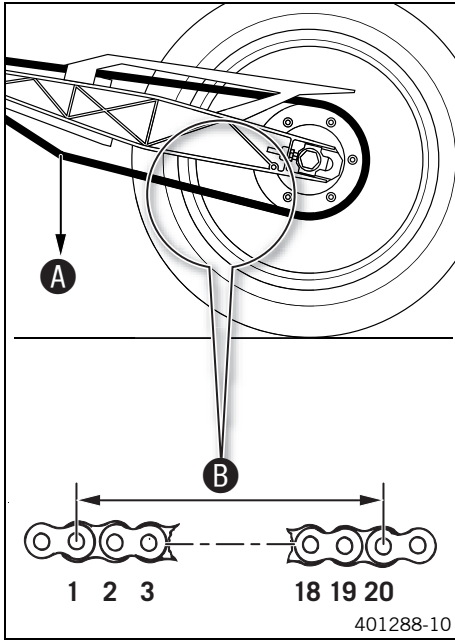
Main work

- Shift gear to neutral.
- Check the rear sprocket and engine sprocket for wear.
 - » If the rear sprocket and engine sprocket are worn:
 - Change the drivetrain kit. 🛠️



Info

The engine sprocket, rear sprocket, and chain should always be replaced together.



- Pull the lower chain section with specified weight **A**.

Guideline

Weight, chain wear measurement	15 kg (33 lb.)
--------------------------------	----------------

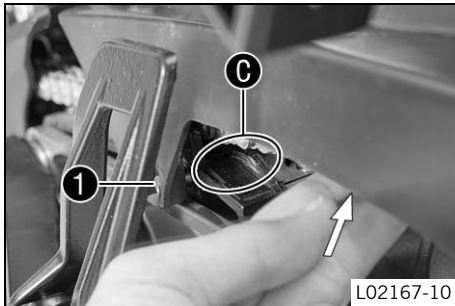
- Measure distance **B** of 20 chain rollers in the lower chain section.

i Info
Chain wear is not always even, so you should repeat this measurement at different chain positions.

Maximum distance B at the longest chain section	301.6 mm (11.874 in)
--	----------------------

- » If distance **B** is greater than the specified measurement:
 - Change the drivetrain kit. 🛠️

i Info
When the chain is replaced, the rear sprocket and engine sprocket should also be changed.
New chains wear out faster on old, worn sprockets.



- Push the chain up in the area behind the chain guide.
- Check the chain sliding guard for wear.
 - » If the chain sliding guard has lost material due to wear to the extent that, in area **C**, the drilled hole of screw **1** is visible from above:
 - Change the chain sliding guard. 🛠️
- Check that the chain sliding guard is firmly seated.
 - » If the chain sliding guard is loose:
 - Tighten the screws on the chain sliding guard.

Finishing work

- Take the motorcycle off of the rear wheel stand. (📖 p. 79)

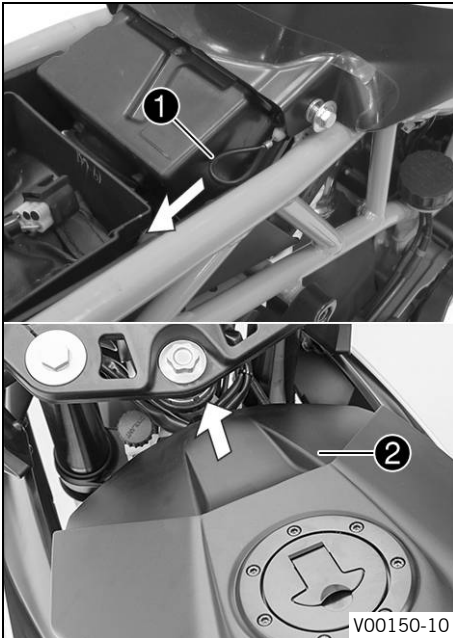
13.14 Removing the battery cover

Preparatory work

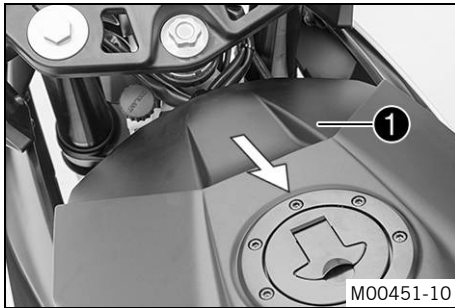
- Remove the front rider's seat. (📖 p. 82)

Main work

- Pull loop **1** toward the rear.
- Pull battery cover **2** forward and remove toward the top.



13.15 Mounting the battery cover



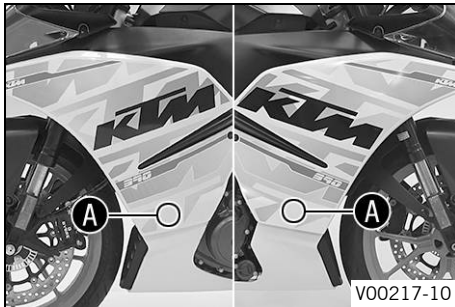
Main work

- Position battery cover **1** and pull toward the rear.
 - ✓ The battery cover engages with an audible click.
- Check the battery cover is seated correctly.

Finishing work

- Mount the front rider's seat. (🗨️ p. 83)

13.16 Removing the front spoiler



- Pull off holding lug in area **A** carefully.

13 SERVICE WORK ON THE CHASSIS



- Remove screws ①.



- Remove screws ②.
- Take off the front spoiler.

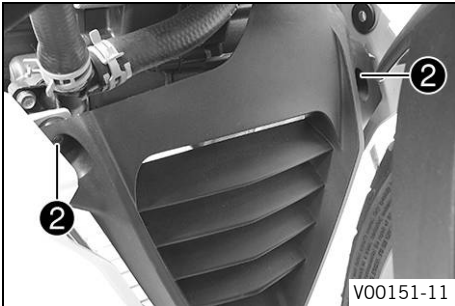
13.17 Fitting front spoiler



- Position the front spoiler.
- Mount and tighten screws ①.

Guideline

Screw, front spoiler rear	M6	6 Nm (4.4 lbf ft)
---------------------------	----	-------------------

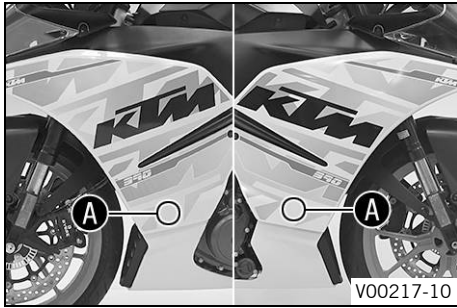


- Mount and tighten screws ②.

Guideline

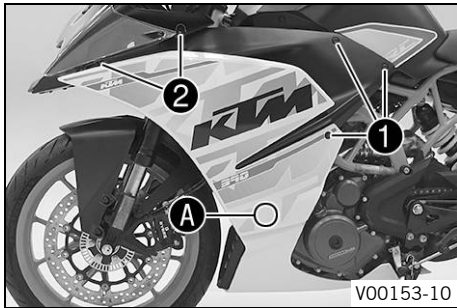
Screw, front spoiler bottom front	M6	6 Nm (4.4 lbf ft)
-----------------------------------	----	-------------------

13 SERVICE WORK ON THE CHASSIS



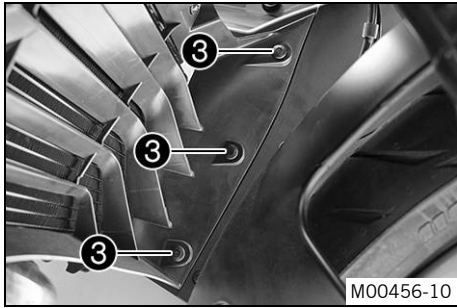
- Press lightly on the side cover in the **A** area in order to snap the side cover on.
✓ The holding lugs engage in the holes on the front spoiler.

13.18 Removing the left side cover 🛠️

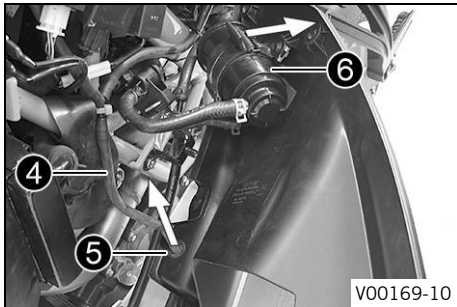


- Remove screws **1**.
- Remove screws **2**.
- Pull off holding lug in area **A**.

13 SERVICE WORK ON THE CHASSIS



- Remove expanding rivet ③.



- Swing the side cover outward.
- Pull hose ④ out of hose guide ⑤.
- Detach active carbon filter ⑥.

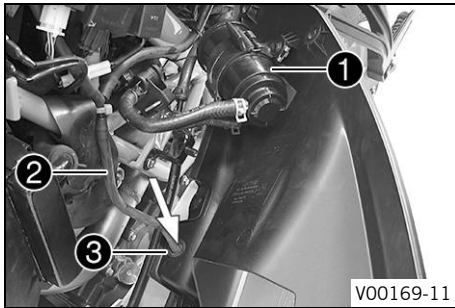


Info

The assistance of a second person can be useful.

- Take off the side cover.

13.19 Installing the left side cover ↩



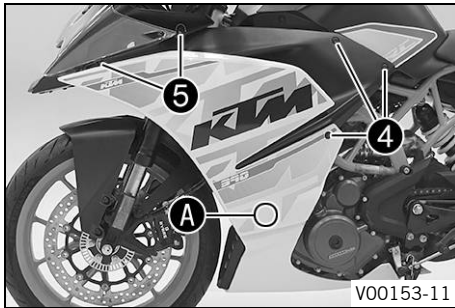
- Position activated charcoal filter **1**.



Info

The assistance of a second person can be useful.

- Position hose **2** in hose guide **3**.



- Position the side cover.
- Mount and tighten screws **4**.

Guideline

Screw, side cover	M6	6 Nm (4.4 lbf ft)
-------------------	----	-------------------

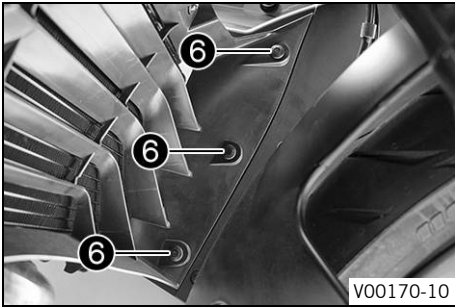
- Press lightly on the side cover in the **A** area in order to snap the side cover on.
 ✓ The holding lug engages in the hole on the front spoiler.

- Mount and tighten screws **5**.

Guideline

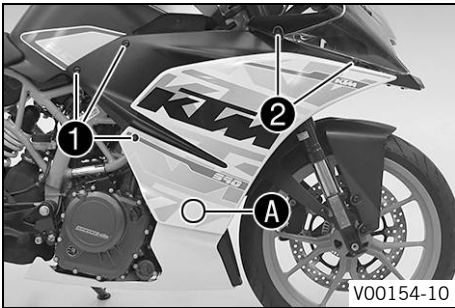
Screw, side cover on front fairing	M6	6 Nm (4.4 lbf ft)
------------------------------------	----	-------------------

13 SERVICE WORK ON THE CHASSIS



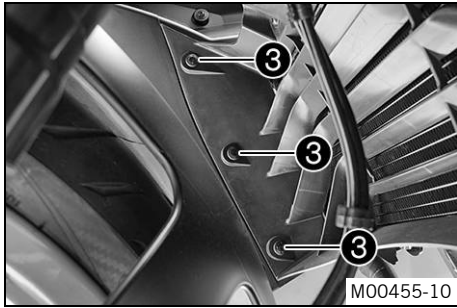
- Mount expanding rivet ⑥.

13.20 Removing the right side cover ↩



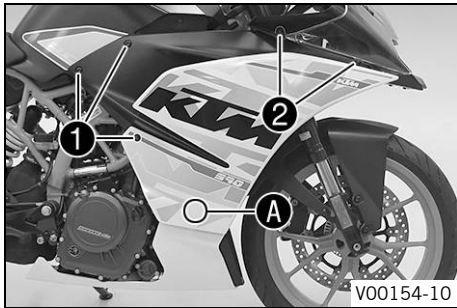
- Remove screws ①.
- Remove screws ②.
- Pull off holding lug in area A.

13 SERVICE WORK ON THE CHASSIS



- Remove expanding rivet ③.
- Take off the side cover.

13.21 Installing the right side cover ↘



- Position the side cover.
- Mount and tighten screws ①.

Guideline

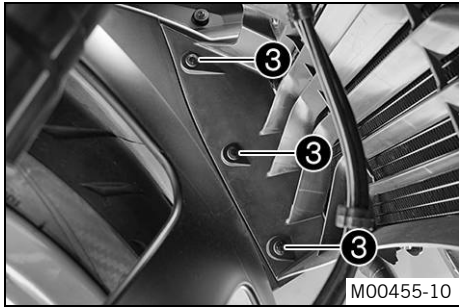
Screw, side cover	M6	6 Nm (4.4 lbf ft)
-------------------	----	-------------------

- Press lightly on the side cover in the **A** area in order to snap the side cover on.
✓ The holding lug engages in the hole on the front spoiler.
- Mount and tighten screws ②.

Guideline

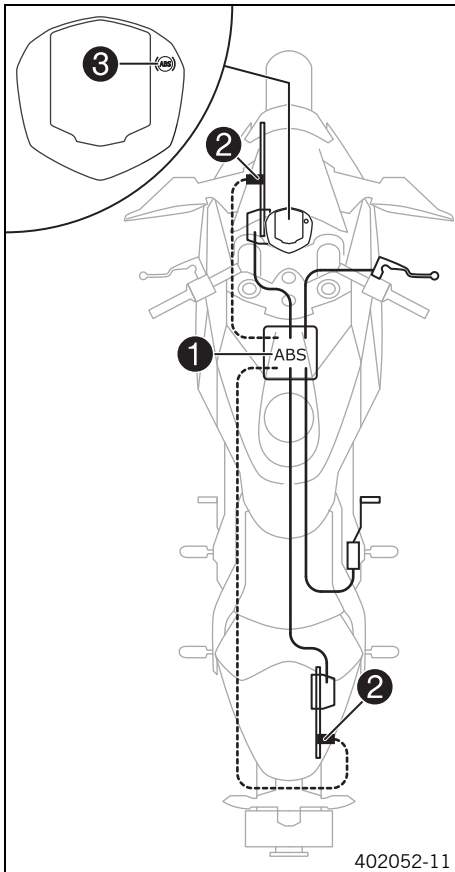
Screw, side cover on front fairing	M6	6 Nm (4.4 lbf ft)
------------------------------------	----	-------------------

13 SERVICE WORK ON THE CHASSIS



- Mount expanding rivet ③.

14.1 Antilock braking system (ABS)



The ABS unit **1**, which consists of a hydraulic unit, ABS control unit, and return pump, is installed under the seat. One wheel speed sensor **2** is located in each case on the front and the rear wheel.



Warning

Danger of accidents Changes to the vehicle impair the function of the ABS.

- Only allow the rear wheel to spin with the front brake applied away from public road traffic if the ABS is switched off.
- Do not make any changes to the suspension travel.
- Only use spare parts on the brake system which have been approved and recommended by KTM.
- Only use tires/wheels approved by KTM with the corresponding speed index.
- Maintain the specified tire air pressure.
- Service work and repairs must be performed professionally. (Your authorized KTM workshop will be glad to help.)



Warning

Voiding of the government approval for road use and the insurance coverage If the ABS is switched off completely, the vehicle's approval for road use is invalidated.

- Only operate the vehicle in closed-off areas remote from public road traffic if the ABS is switched off completely.

The ABS is a safety system that prevents locking of the wheels when driving straight ahead without the influence of lateral forces.




Warning

Danger of accidents Vehicle rollover

- It is not always possible to prevent vehicle rollover in extreme riding situations (e. g. luggage loaded with a high center of gravity, varying road surfaces, steep descents, full braking without disengaging the gear). Adapt your riding style to the road conditions and your driving ability.

The ABS operates with two independent brake circuits (front and rear brakes). During normal operation, the brake system operates like a conventional brake system without ABS. When the ABS control unit detects a locking tendency in a wheel, ABS begins regulating the brake pressure. The regulating process causes a slight pulsing of the hand and foot brake levers.

ABS warning lamp  must light up after the ignition is switched on and go out after starting off. If it does not go out after starting off or if it lights up while riding, this indicates a fault in the ABS. In this case, the ABS is no longer enabled and the wheels may lock during braking. The brake system itself stays functional; only ABS control is not available.

The ABS warning lamp may also light up if the rotating speeds of the front and rear wheels differ greatly under extreme riding conditions, for example when making wheelies or if the rear wheel spins. This causes the ABS to switch off.

To reactivate the ABS, the vehicle must be stopped and the ignition switched off. The ABS is reactivated when the vehicle is switched on again. The ABS warning lamp goes out when you start off.

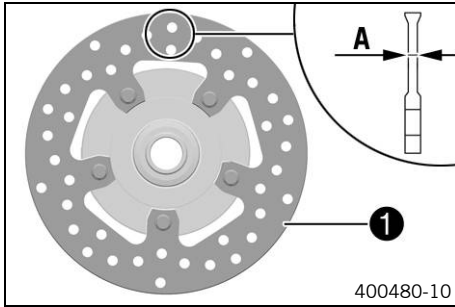
14.2 Checking the brake discs



Warning

Danger of accidents Reduced braking efficiency due to worn brake disc(s).

- Change the worn brake disc(s) without delay. (Your authorized KTM workshop will be glad to help.)



- Check the thickness of the front and rear brake discs at multiple points on each brake disc to ensure it is at least thickness **A**.

i Info

Wear will reduce the thickness of the brake disc at contact surface **1** of the brake linings.

Brake discs - wear limit	
Front	4.0 mm (0.157 in)
Rear	3.6 mm (0.142 in)

- » If the brake disc thickness is less than the specified value.
 - Change the front brake disc. 🛠️
 - Change the rear brake disc. 🛠️
- Check the front and rear brake discs for damage, cracking, and deformation.
 - » If the brake disc exhibits damage, cracking, or deformation:
 - Change the front brake disc. 🛠️
 - Change the rear brake disc. 🛠️

14.3 Checking the brake fluid level of the front brake



Warning

Danger of accidents Failure of the brake system.

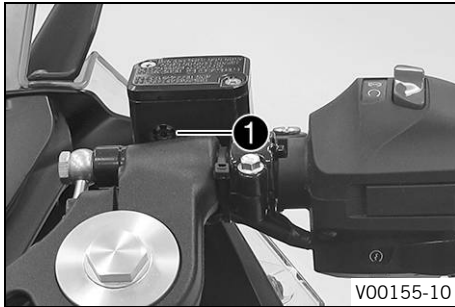
- If the brake fluid level falls below the **MIN** mark, this indicates a leakage in the brake system or worn-out brake linings. Check the brake system and do not continue riding. (Your authorized KTM workshop will be glad to help.)



Warning

Danger of accidents Reduced braking efficiency due to old brake fluid.

- Change the brake fluid of the front and rear brake according to the service schedule. (Your authorized KTM workshop will be glad to help.)



- Move the brake fluid reservoir mounted on the handlebar to a horizontal position.
- Check the brake fluid level in viewer **1**.
 - » If the brake fluid level is below the **MIN** marking:
 - Add front brake fluid. 🛠️ (📖 p. 105)

14.4 Adding front brake fluid 🛠️



Warning

Danger of accidents Failure of the brake system.

- If the brake fluid level falls below the **MIN** mark, this indicates a leakage in the brake system or worn-out brake linings. Check the brake system and do not continue riding. (Your authorized KTM workshop will be glad to help.)



Warning

Skin irritation Brake fluid can cause skin irritation on contact.

- Avoid contact with skin and eyes, and keep out of the reach of children.
- Wear suitable protective clothing and goggles.
- If brake fluid comes into contact with the eyes, flush the eyes thoroughly with water and consult a physician immediately.



Warning

Danger of accidents Reduced braking efficiency due to old brake fluid.

- Change the brake fluid of the front and rear brake according to the service schedule. (Your authorized KTM workshop will be glad to help.)



Warning

Environmental hazard Hazardous substances cause environmental damage.

- Oil, grease, filters, fuel, cleaners, brake fluid, etc., should be disposed of as stipulated in applicable regulations.



Info

Never use DOT 5 brake fluid. It is silicone-based and purple in color. Oil seals and brake lines are not designed for DOT 5 brake fluid.

Avoid contact between brake fluid and painted parts. Brake fluid attacks paint.

Only use clean brake fluid from a sealed container.

Preparatory work

- Check the front brake linings. (📖 p. 107)

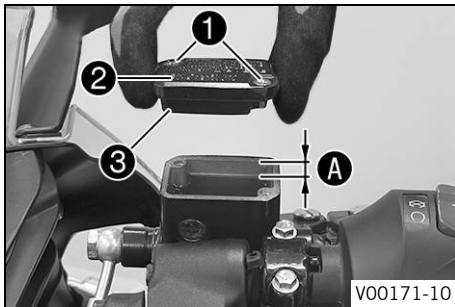
Main work

- Move the brake fluid reservoir mounted on the handlebar to a horizontal position.
- Remove screws ❶.
- Remove cover ❷ with membrane ❸.
- Add brake fluid to level A.

Guideline

Level A	5 mm (0.2 in)
---------	---------------

Brake fluid DOT 4 / DOT 5.1 (📖 p. 185)
--



- Position the cover with the membrane. Mount and tighten the screws.



Info

Clean up overflowed or spilled brake fluid immediately with water.

14.5 Checking the front brake linings



Warning

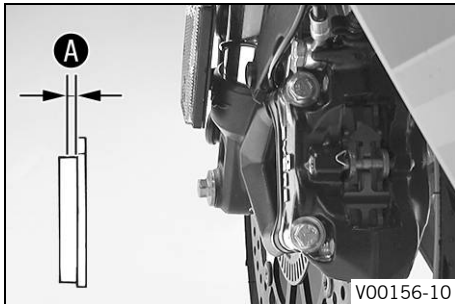
Danger of accidents Reduced braking efficiency caused by worn brake linings.

- Change worn brake linings immediately. (Your authorized KTM workshop will be glad to help.)

Note

Danger of accidents Reduced braking efficiency caused by damaged brake discs.

- If the brake linings are not changed in time, the steel brake lining carriers grind on the brake disc. The braking effect is greatly reduced and the brake discs are destroyed. Check the brake linings regularly.



- Check the brake linings for minimum thickness **A**.

Minimum thickness A	$\geq 1 \text{ mm } (\geq 0.04 \text{ in})$
----------------------------	---

- » If the minimum thickness is less than specified:
 - Change the front brake linings. 🛠️
- Check the brake linings for damage and cracking.
 - » If there is wear or tearing:
 - Change the front brake linings. 🛠️

14.6 Checking the rear brake fluid level



Warning

Danger of accidents Failure of the brake system.

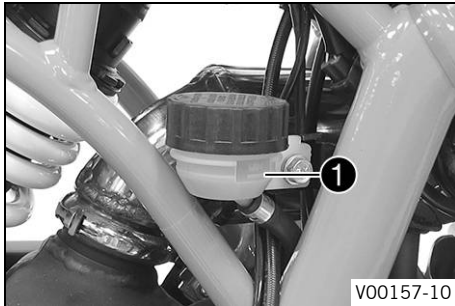
- If the brake fluid level falls below the **MIN** mark, this indicates a leakage in the brake system or worn-out brake linings. Check the brake system and do not continue riding. (Your authorized KTM workshop will be glad to help.)



Warning

Danger of accidents Reduced braking efficiency due to old brake fluid.

- Change the brake fluid of the front and rear brake according to the service schedule. (Your authorized KTM workshop will be glad to help.)



- Stand the vehicle upright.
- Check the brake fluid level in the brake fluid reservoir.
 - » If the fluid level reaches the **MIN** marking ①:
 - Add rear brake fluid. 🛠️ (📖 p. 108)

14.7 Adding rear brake fluid 🛠️



Warning

Danger of accidents Failure of the brake system.

- If the brake fluid level falls below the **MIN** mark, this indicates a leakage in the brake system or worn-out brake linings. Check the brake system and do not continue riding. (Your authorized KTM workshop will be glad to help.)



Warning

Skin irritation Brake fluid can cause skin irritation on contact.

- Avoid contact with skin and eyes, and keep out of the reach of children.
- Wear suitable protective clothing and goggles.
- If brake fluid comes into contact with the eyes, flush the eyes thoroughly with water and consult a physician immediately.



Warning

Danger of accidents Reduced braking efficiency due to old brake fluid.

- Change the brake fluid of the front and rear brake according to the service schedule. (Your authorized KTM workshop will be glad to help.)



Warning

Environmental hazard Hazardous substances cause environmental damage.

- Oil, grease, filters, fuel, cleaners, brake fluid, etc., should be disposed of as stipulated in applicable regulations.
-



Info

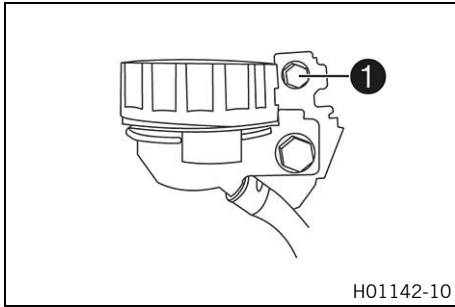
Never use DOT 5 brake fluid. It is silicone-based and purple in color. Oil seals and brake lines are not designed for DOT 5 brake fluid.

Avoid contact between brake fluid and painted parts. Brake fluid attacks paint.

Only use clean brake fluid from a sealed container.

Preparatory work

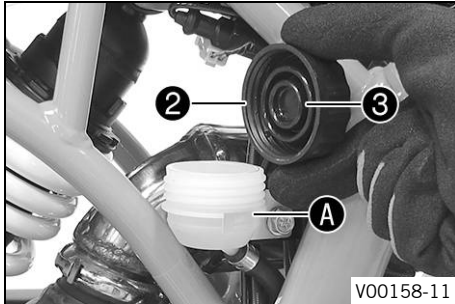
- Check the rear brake linings. (📖 p. 111)



Main work
Condition

The screw cap is locked.

- Remove screw ❶ and take off the screw cap lock.



- Stand the vehicle upright.
- Remove screw cap ❷ with membrane ❸.
- Add brake fluid to level A.

Brake fluid DOT 4 / DOT 5.1 (📖 p. 185)

- Mount screw cap with membrane.



Info

Clean up overflowed or spilled brake fluid immediately with water.

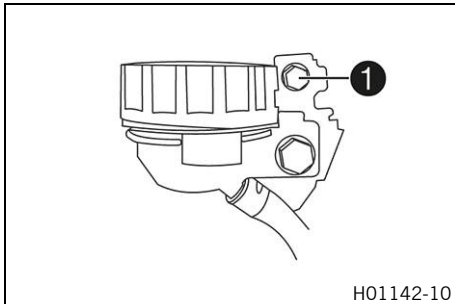
Condition

The screw cap is locked.

- Position the screw cap lock and mount and tighten screw ❶.

Guideline

Screw, compensating tank cap lock, rear brake	M5	7 Nm (5.2 lbf ft)
---	----	-------------------



14.8 Checking the rear brake linings



Warning

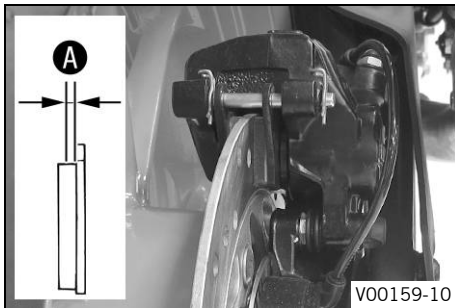
Danger of accidents Reduced braking efficiency caused by worn brake linings.

- Change worn brake linings immediately. (Your authorized KTM workshop will be glad to help.)

Note

Danger of accidents Reduced braking efficiency caused by damaged brake discs.

- If the brake linings are not changed in time, the steel brake lining carriers grind on the brake disc. The braking effect is greatly reduced and the brake discs are destroyed. Check the brake linings regularly.



- Check the brake linings for minimum thickness **A**.

Minimum thickness A	$\geq 1 \text{ mm } (\geq 0.04 \text{ in})$
----------------------------	---

» If the minimum thickness is less than specified:

- Change the rear brake linings. 🛠️
- Check the brake linings for damage and cracking.
 - » If there is wear or tearing:
 - Change the rear brake linings. 🛠️

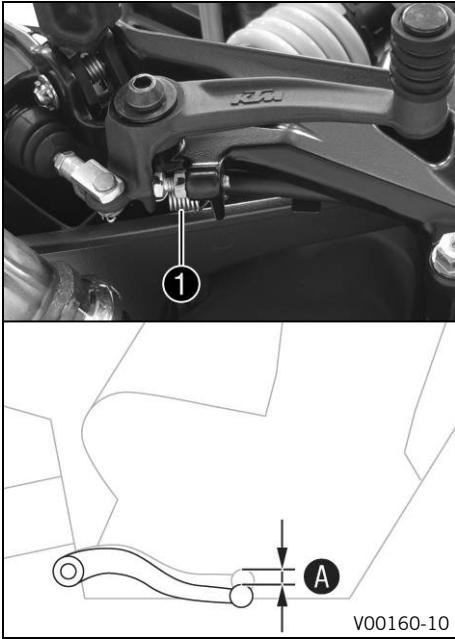
14.9 Checking the free travel of foot brake lever



Warning

Danger of accidents Brake system failure.

- If there is no free travel on the foot brake lever, pressure builds up on the rear brake circuit. The rear brake can fail due to overheating. Adjust the free travel on foot brake lever according to specifications.



- Disconnect spring ❶.
- Move the foot brake lever back and forth between the end stop and the contact to the foot brake cylinder piston and check free travel ❸.

Guideline

Free travel at foot brake lever	3... 5 mm (0.12... 0.2 in)
---------------------------------	----------------------------

- » If the free travel does not meet specifications:
 - Adjust the free travel of the foot brake lever. 🛠️ (📖 p. 112)
- Reconnect spring ❶.

14.10 Adjusting the free travel of the foot brake lever 🛠️

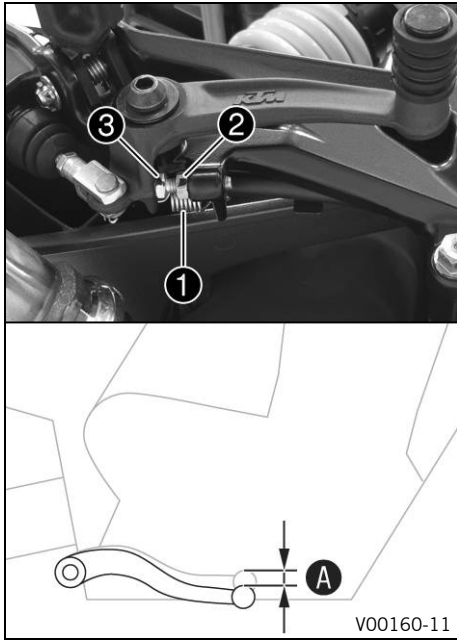


Warning

Danger of accidents Brake system failure.

- If there is no free travel on the foot brake lever, pressure builds up on the rear brake circuit. The rear brake can fail due to overheating. Adjust the free travel on foot brake lever according to specifications.

14 BRAKE SYSTEM



- Detach spring ①.
- Release nut ② and use screw ③ to adjust the specified free travel A.

Guideline

Free travel at foot brake lever	3... 5 mm (0.12... 0.2 in)
---------------------------------	----------------------------

i Info
The range of adjustment is limited.

- Hold screw ③ and tighten nut ②.
- Attach spring ①.

15.1 Removing the front wheel ↩

Preparatory work

- Raise the motorcycle with the rear lifting gear. (📖 p. 79)
- Lift the motorcycle with the front lifting gear. (📖 p. 80)

Main work

- Remove screws ❶, take off reflector and push the fender to the side.
- Remove screw ❷ and pull wheel speed sensor ❸ out of the hole.
- Loosen screw ❹.
- Loosen screws ❺.
- Unscrew screw ❹ about 6 turns and press your hand on the screw to push the wheel spindle out of the axle clamp.
- Remove screw ❹.



Warning

Danger of accidents Reduced braking efficiency due to damaged brake disc.

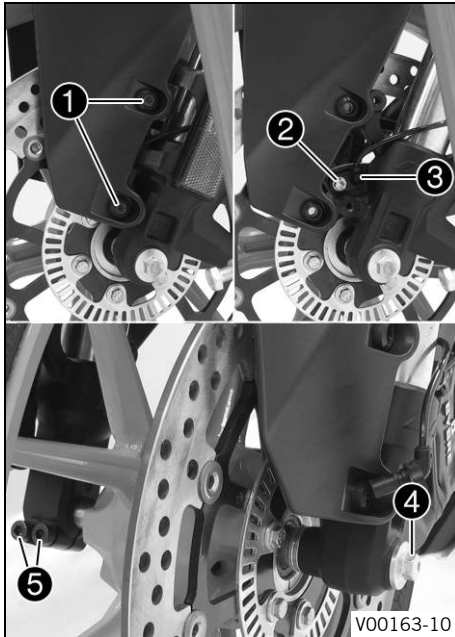
- Always lay the wheel down in such a way that the brake disc is not damaged.

- Holding the front wheel, withdraw the wheel spindle. Take the front wheel out of the fork.



Info

Do not pull the hand brake lever when the front wheel is removed.



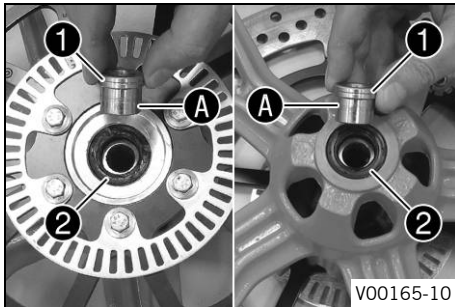
15.2 Installing the front wheel ↴



Warning

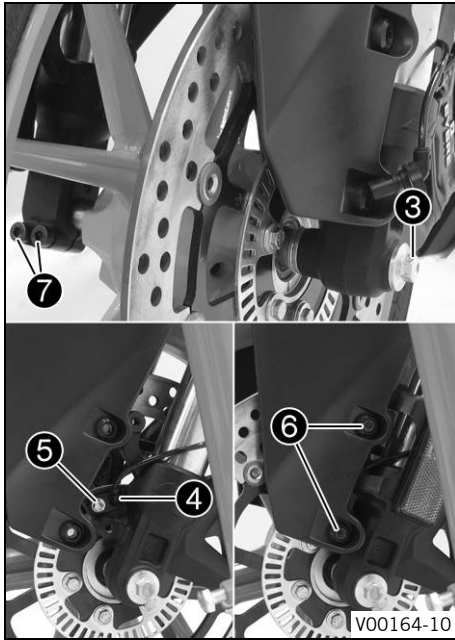
Danger of accidents Reduced braking efficiency due to oil or grease on the brake discs.

- Always keep the brake discs free of oil and grease, and clean them with brake cleaner when necessary.



Main work

- Remove spacers ①.
 - Check the wheel bearing for damage and wear.
 - » If the wheel bearing is damaged or worn:
 - Change the front wheel bearing. ↴
 - Clean and grease shaft seal rings ② and mating surfaces ① of the spacers.
- Long-life grease (📖 p. 187)
- Insert the spacers.



- Clean the thread of the wheel spindle and screw ③.
- Clean and grease wheel spindle.

Long-life grease (📖 p. 187)

- Position the front wheel and insert the wheel spindle.
✓ The brake linings are correctly positioned.
- Tighten screws ⑦.

Guideline

Screw, fork stub	M8	15 Nm (11.1 lbf ft)
------------------	----	------------------------

- Mount and tighten screw ③.

Guideline

Screw, front wheel spindle	M8	26 Nm (19.2 lbf ft)
----------------------------	----	------------------------

- Loosen screws ⑦.
- Position wheel speed sensor ④ in the drill hole. Mount and tighten screw ⑤.

Guideline

Screw, wheel speed sensor holder	M6	8 Nm (5.9 lbf ft)
----------------------------------	----	-------------------

- Position the reflector and fender.
- Mount and tighten screws ⑥.

Guideline

Screw, front fender	M6	7 Nm (5.2 lbf ft)
---------------------	----	-------------------

- Operate the hand brake lever repeatedly until the brake linings are in contact with the brake disc and there is a pressure point.
- Take the motorcycle off of the front wheel stand. (📖 p. 81)

- Operate the front brake and compress the fork a few times firmly.
 - ✓ The fork legs straighten.
- Tighten screws ⑦.

Guideline

Screw, fork stub	M8	15 Nm (11.1 lbf ft)
------------------	----	------------------------

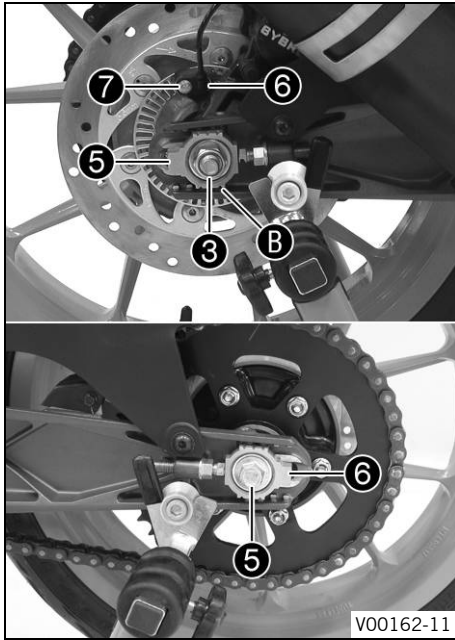
Finishing work

- Take the motorcycle off of the rear wheel stand. (📖 p. 79)

15.3 Removing the rear wheel 🛠️

Preparatory work

- Raise the motorcycle with the rear lifting gear. (📖 p. 79)



Main work

- Remove screw ① and pull wheel speed sensor ② out of the hole.
- Remove nut ③ with the washer. Remove chain adjuster ④.
- Holding the rear wheel, withdraw wheel spindle ⑤ with the washer and chain adjuster ⑥.
- Push the rear wheel forward as far as possible and take the chain off the rear sprocket.



Warning

Danger of accidents Reduced braking efficiency due to damaged brake disc.

- Always lay the wheel down in such a way that the brake disc is not damaged.
- Pull the rear wheel back and take it out of the swingarm.



Info

Do not operate the foot brake lever when the rear wheel is removed.

15.4 Installing the rear wheel 🛠️



Warning

Danger of accidents Reduced braking efficiency due to oil or grease on the brake discs.

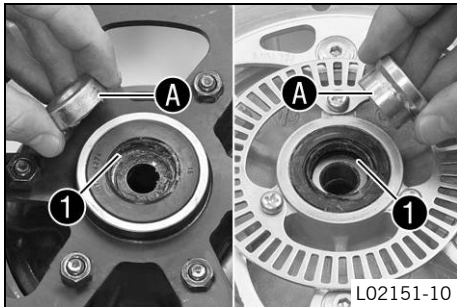
- Always keep the brake discs free of oil and grease, and clean them with brake cleaner when necessary.



Warning

Danger of accidents No braking effect when operating the rear brake.

- After installing the rear wheel, always operate the foot brake until the pressure point is reached.



Main work

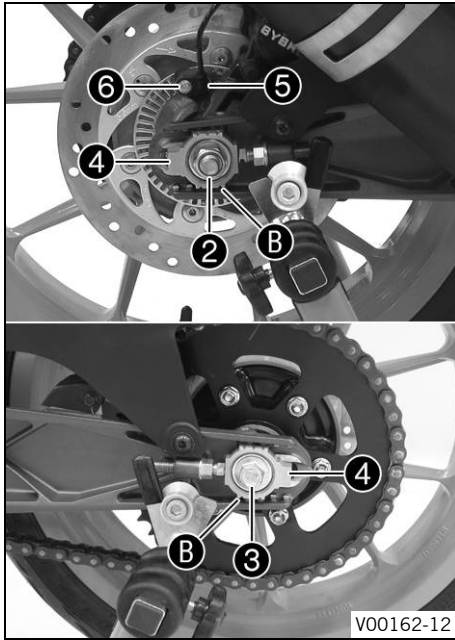
- Check the rear hub rubber dampers. 🛠️ (📖 p. 120)
- Remove the spacers.
- Check the wheel bearing for damage and wear.
 - » If the wheel bearing is damaged or worn:
 - Change the rear wheel bearing. 🛠️
- Clean and grease shaft seal rings **1** and mating surfaces **A** of the spacers.

Long-life grease (📖 p. 187)

- Insert the spacers.
- Clean the thread of the wheel spindle and nut **2**.
- Clean and grease wheel spindle.

Long-life grease (📖 p. 187)

- Clean the mating surfaces of the brake caliper support and swingarm.
- Position the rear wheel.
 - ✓ The brake linings are correctly positioned.
- Push the rear wheel forward as far as possible and lay the chain on the rear sprocket.



- Pull the rear wheel back and mount wheel spindle **3** with the washers and chain adjusters **4**.



Info

Mount the left and right chain adjusters **4** in the same position.

- Mount nut **2**, but do not tighten it yet.
- Ensure that the chain adjusters lie flat on the screws and tighten the nut **2**.

Guideline

In order for the rear wheel to be correctly aligned, the markings on the left and right chain adjusters must be in the same position relative to reference markings **B**.

Nut, rear wheel spindle	M14x1.5	90 Nm (66.4 lbf ft)
-------------------------	---------	------------------------

- Position wheel speed sensor **5** in the drill hole. Mount and tighten screw **6**.

Guideline

Screw, wheel speed sensor holder	M6	8 Nm (5.9 lbf ft)
----------------------------------	----	-------------------

Finishing work

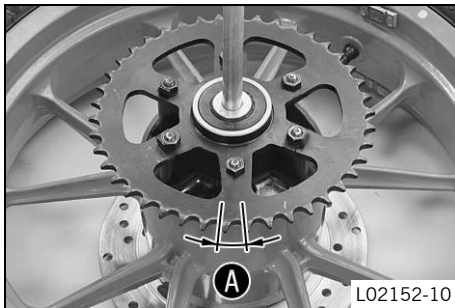
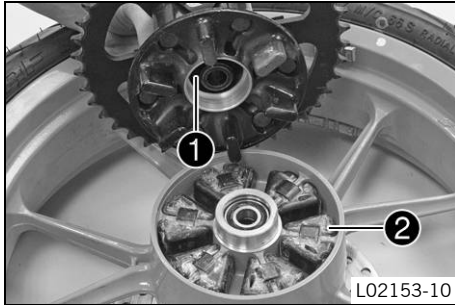
- Take the motorcycle off of the rear wheel stand. (📖 p. 79)

15.5 Checking the rear hub rubber dampers 🐉



Info

The engine power is transmitted from the rear sprocket to the rear wheel via 6 rubber dampers. They eventually wear out during operation. If the rubber dampers are not changed in time, the rear sprocket carrier and the rear hub become damaged.



Preparatory work

- Raise the motorcycle with the rear lifting gear. (📖 p. 79)
- Remove the rear wheel. 🛠️ (📖 p. 117)

Main work

- Check bearing ①.
 - » If the bearing is damaged or worn:
 - Change the rear wheel bearing. 🛠️
- Check rubber dampers ② of the rear hub for damage and wear.
 - » If the rubber dampers of the rear hub are damaged or worn:
 - Change all rubber dampers in the rear hub.



Warning

Danger of accidents Reduced braking efficiency due to damaged brake disc.
 - Always lay the wheel down in such a way that the brake disc is not damaged.

- Lay the rear wheel on a workbench with the rear sprocket facing upwards and insert the wheel spindle in the hub.
- To check the play ①, hold the rear wheel tight and try to rotate the rear sprocket.




Info

Measure the play on the outside of the rear sprocket.

Play in rubber dampers, rear wheel	≤ 5 mm (≤ 0.2 in)
------------------------------------	-------------------

- » If clearance ① is larger than the specified value:
 - Change all rubber dampers in the rear hub.

Finishing work

- Install the rear wheel.  (📖 p. 118)
- Take the motorcycle off of the rear wheel stand. (📖 p. 79)

15.6 Checking the tire condition



Warning

Danger of accidents Uncontrollable vehicle handling in the event of a flat tire.

- In the interest of safety, replace damaged or worn tires immediately. (Your authorized KTM workshop will be glad to help.)



Warning

Danger of crashing Poor vehicle handling due to different tire tread patterns on front and rear wheels.

- The front and rear wheels must be fitted with tires with similar tread patterns to prevent loss of control over the vehicle.



Warning

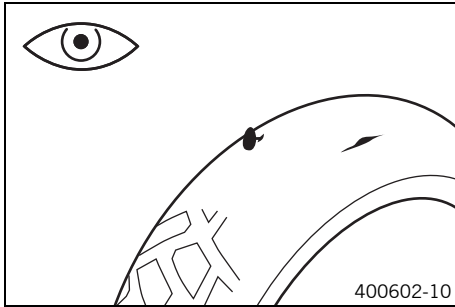
Danger of accidents Non-approved or non-recommended tires and wheels impact the handling characteristic.

- Only use tires/wheels approved by KTM with the corresponding speed index.



Info

The type, condition, and air pressure of the tires all have a major impact on the handling characteristics of the motorcycle. Worn tires have a negative effect on handling characteristics, especially on wet surfaces.



- Check the front and rear tires for cuts, run-in objects, and other damage.
 - » If the tires have cuts, run-in objects, or other damage:
 - Change the tires.
- Check the tread depth.



Info

Adhere to the legally required minimum tread depth.

Minimum tread depth	$\geq 2 \text{ mm } (\geq 0.08 \text{ in})$
---------------------	---

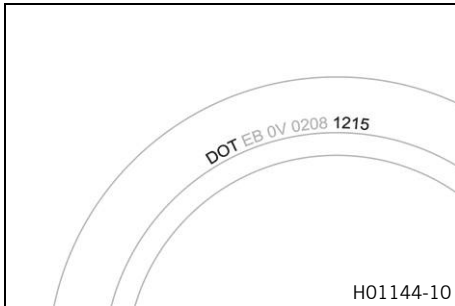
- » If the tread depth is less than the minimum tread depth:
 - Change the tires.
- Check the tire age.



Info

The tire date of manufacture is usually contained in the tire label and is indicated by the last four digits of the **DOT** number. The first two digits indicate the week of manufacture and the last two digits the year of manufacture. KTM recommends that the tires be changed after 5 years at the latest, regardless of the actual state of wear.

- » If the tires are more than 5 years old:
 - Change the tires.



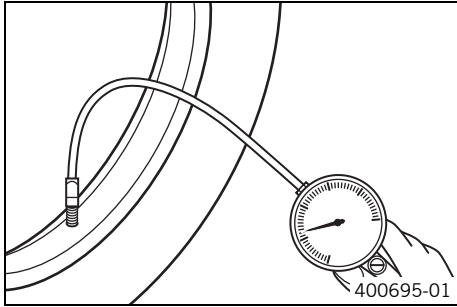
15.7 Checking the tire air pressure



Info

Low tire air pressure leads to abnormal wear and overheating of the tire. Correct tire air pressure ensures optimal riding comfort and maximum tire service life.

15 WHEELS, TIRES



- Remove the dust cap.
- Check tire air pressure when the tires are cold.

Tire air pressure, solo	
Front	2.0 bar (29 psi)
Rear	2.0 bar (29 psi)

Tire air pressure with passenger/full payload	
Front	2.0 bar (29 psi)
Rear	2.1 bar (30 psi)

- » If the tire air pressure does not meet specifications:
 - Correct the tire air pressure.
- Mount the dust cap.

16.1 Removing the battery ↴



Warning

Risk of injury Battery acid and battery gases cause serious chemical burns.

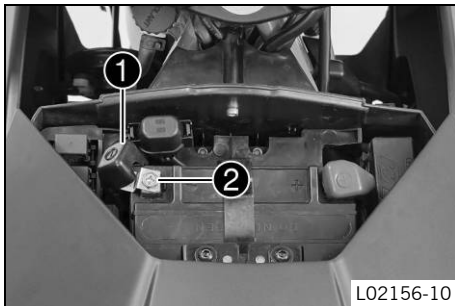
- Keep batteries out of the reach of children.
- Wear suitable protective clothing and goggles.
- Avoid contact with battery acid and battery gases.
- Keep sparks and open flames away from the battery. Only charge in well-ventilated rooms.
- In the event of skin contact, rinse with large amounts of water. If battery acid gets in the eyes, rinse with water for at least 15 minutes and contact a physician.

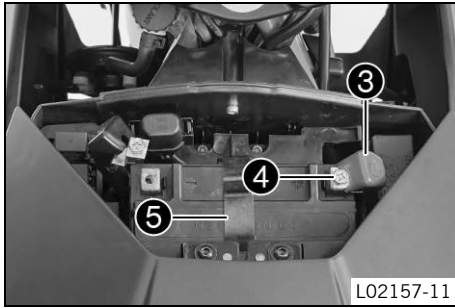
Preparatory work

- Switch off the ignition by turning the ignition key to the position ☒.
- Remove the front rider's seat. (📖 p. 82)
- Remove the battery cover. (📖 p. 92)

Main work

- Pull back negative terminal cover ①.
- Disconnect negative cable ② from the battery.





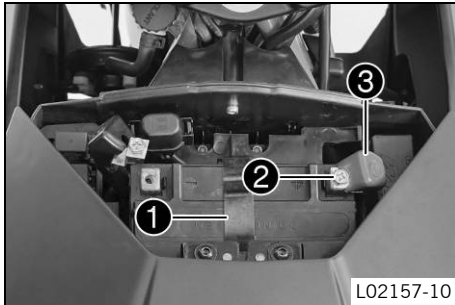
- Pull back positive terminal cover ③.
- Disconnect positive cable ④ from the battery.
- Detach rubber band ⑤.
- Pull the battery up and out of the battery holder.



Info

Never operate the motorcycle with a discharged battery or without a battery. In both cases, electrical components and safety devices can be damaged. In this case the vehicle is no longer roadworthy.

16.2 Installing the battery ↗



Main work

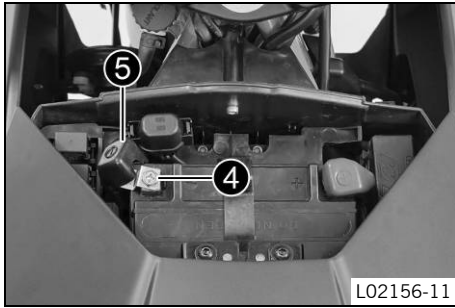
- Position the battery in the battery holder.

Guideline

The terminals of the battery must face upwards.

Battery (ETZ-9-BS) (📖 p. 178)

- Reconnect rubber band ①.
- Position the positive cable ② and mount and tighten the screw.
- Position positive terminal cover ③.



- Position the negative cable ④ and mount and tighten the screw.
- Position the negative terminal cover ⑤.

Finishing work

- Mount the battery cover. (📖 p. 93)
- Mount the front rider's seat. (📖 p. 83)
- Set the clock. (📖 p. 57)

16.3 Recharging the battery ↩



Warning

Risk of injury Battery acid and battery gases cause serious chemical burns.

- Keep batteries out of the reach of children.
- Wear suitable protective clothing and goggles.
- Avoid contact with battery acid and battery gases.
- Keep sparks and open flames away from the battery. Only charge in well-ventilated rooms.
- In the event of skin contact, rinse with large amounts of water. If battery acid gets in the eyes, rinse with water for at least 15 minutes and contact a physician.



Warning

Environmental hazard The battery contains elements that are harmful to the environment.

- Do not dispose of batteries with the household waste. Dispose of a defective battery in an environmentally friendly manner. Give the battery to your authorized KTM dealer or dispose of it at a collection point for used batteries.
-



Info

Even when there is no load on the battery, it discharges steadily.

The charging level and the method of charging are very important for the service life of the battery.

Rapid recharging with a high charging current shortens the service life of the battery.

If the charging current, charging voltage, or charging time is exceeded, electrolyte escapes through the safety valves. This reduces the battery capacity.

If the battery is depleted by repeated starting, the battery must be charged immediately.

If the battery is left in a discharged state for an extended period, it will become over-discharged and sulfated, destroying the battery.

The battery is maintenance-free. The acid level does not have to be checked.

Preparatory work

- Switch off the ignition by turning the ignition key to the position \otimes .
- Remove the front rider's seat. (📖 p. 82)
- Remove the battery cover. (📖 p. 92)
- Disconnect the negative cable of the battery to avoid damage to the onboard electronics.



Main work

- Connect the battery charger to the battery. Switch on the battery charger.

Battery charger (58429074000)

You can also use the battery charger to test the open-circuit voltage and start potential of the battery, and to test the alternator. With this device, you cannot overcharge the battery.



Info

Never remove cover ①.

- Switch off the battery charger after charging and disconnect from the battery.

Guideline

The charging current, charging voltage, and charging time must not be exceeded.	
---	--

Charge the battery regularly when the motorcycle is not in use	3 months
--	----------

- Position the negative cable and mount and tighten the screw.

Finishing work

- Mount the battery cover. (📖 p. 93)
- Mount the front rider's seat. (📖 p. 83)
- Set the clock. (📖 p. 57)

16.4 Changing the ABS fuses



Warning

Fire hazard The electrical system can be overloaded if the wrong fuses are used.

- Use only fuses with the prescribed amperage. Never bypass or repair fuses.



Info

Two fuses for the ABS are located under the protective cap next to the negative terminal of the battery. These fuses protect the return pump and the hydraulic unit of the ABS. The third fuse, which protects the ABS control unit, is located in the fuse box.

Preparatory work

- Switch off the ignition by turning the ignition key to the position \otimes .
- Remove the front rider's seat. (📖 p. 82)
- Remove the battery cover. (📖 p. 92)

To change the fuse of the ABS hydraulic unit:

- Take off the protection cap and remove fuse ①.



Info

You can recognize a defective fuse by a burned-out fuse wire ①.

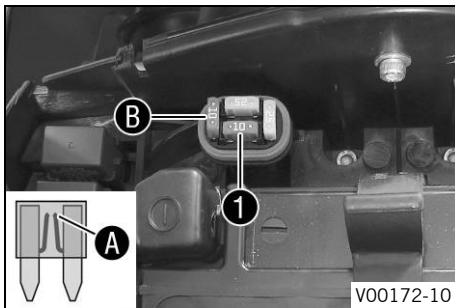


Warning

Fire hazard The electrical system can be overloaded if the wrong fuses are used.

- Use only fuses with the prescribed amperage. Never bypass or repair fuses.

- Use spare fuses with the correct rating only.



Fuse (75011088015) (📖 p. 178)



Tip

Replace spare fuse **B** in the fuse box so that it is available if needed.

- Mount the protection cap.

To change the fuse of the ABS return pump:

- Take off the protection cap and remove fuse **2**.



Info

You can recognize a defective fuse by a burned-out fuse wire **A**.



Warning

Fire hazard The electrical system can be overloaded if the wrong fuses are used.

- Use only fuses with the prescribed amperage. Never bypass or repair fuses.

- Use spare fuses with the correct rating only.

Fuse (90111088025) (📖 p. 178)



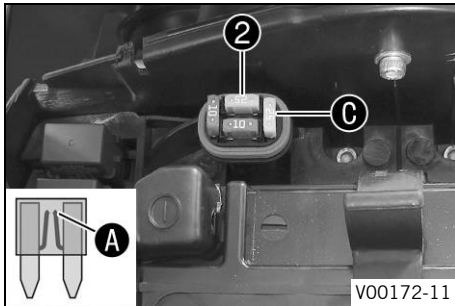
Tip

Replace spare fuse **C** in the fuse box so that it is available if needed.

- Mount the protection cap.

Finishing work

- Mount the battery cover. (📖 p. 93)
- Mount the front rider's seat. (📖 p. 83)

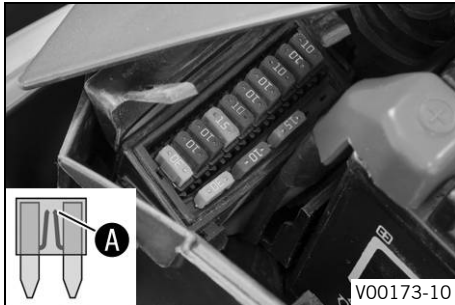


16.5 Changing the fuses of individual power consumers



Info

The fuse box with the main fuse and fuses of the individual power consumers is located next to the positive terminal of the battery.



Preparatory work

- Switch off the ignition by turning the ignition key to the position ☒.
- Remove the front rider's seat. (📖 p. 82)
- Remove the battery cover. (📖 p. 92)


Main work

- Open fuse box cover.
- Remove the defective fuse.

Guideline

Fuse 1 - 30 A - main fuse
Fuse 2 - 15 A - combination instrument, alarm system (optional)
Fuse 3 - 15 A - fuel pump, power relay
Fuse 4 - 15 A - ignition coil
Fuse 5 - 15 A - radiator fan
Fuse 6 - 15 A - horn, brake light, turn signal, high beam, low beam, parking light, tail light, license plate lamp
Fuse 7 - 10 A - combination instrument, control unit
Fuse 8 - 10 A - ABS control unit
Fuse 9 - 10 A - auxiliary equipment
Fuse 10 - 10 A - auxiliary equipment




**Info**

You can recognize a defective fuse by a burned-out fuse wire .

**Warning**

Fire hazard The electrical system can be overloaded if the wrong fuses are used.

- Use only fuses with the prescribed amperage. Never bypass or repair fuses.
 - Use spare fuses with the correct rating only.
-



Fuse (75011088010)  p. 178
Fuse (75011088015)  p. 178
Fuse (75011088030)  p. 178

**Tip**

Replace the spare fuse in the fuse box so that it is available if needed.

- Check that the power consumer is functioning properly.
- Close the fuse box cover.

Finishing work

- Mount the battery cover.  p. 93
- Mount the front rider's seat.  p. 83

16.6 Changing the low beam bulb

Note

Damage to reflector Reduced brightness.

- Grease on the lamp will evaporate due to the heat and be deposited on the reflector. Clean the lamp and keep it free of grease before mounting.

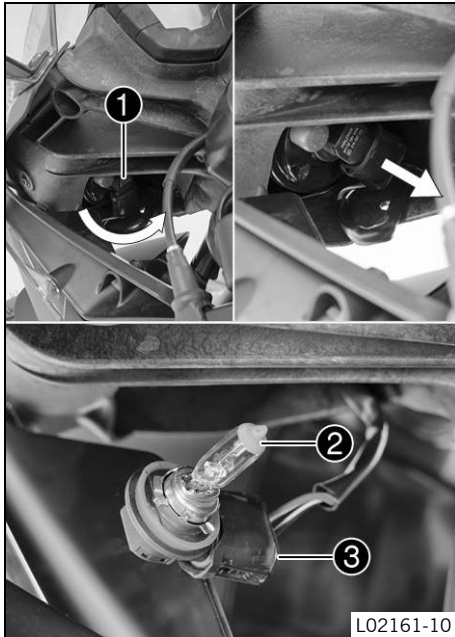
Preparatory work

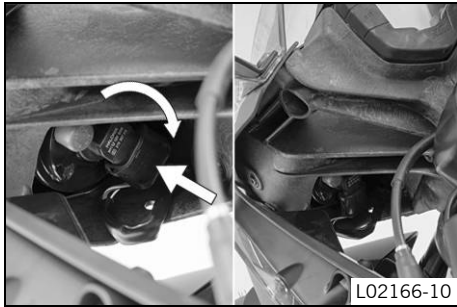
- Switch off the ignition by turning the ignition key to the position \otimes .

Main work

- Turn socket ① counterclockwise.
- Pull the socket with low beam bulb ② out of the headlight housing.
- Disconnect the socket with the low beam bulb from connector ③ and remove.
- Connect the new socket with the low beam bulb to the connector.

Low beam (H11/socket PGJ19-2) (📖 p. 178)





- Position the socket with the low beam bulb in the headlight housing.
- Turn the socket clockwise.
- Check that the lighting is functioning properly.

Finishing work

- Check the low beam headlight adjustment. (📖 p. 137)

16.7 Changing the high beam bulb

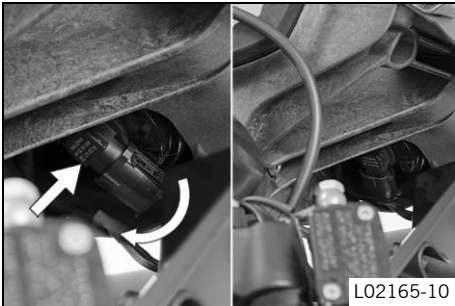
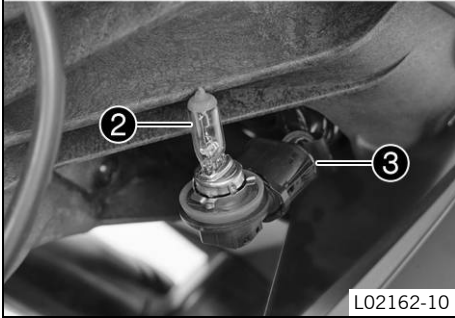
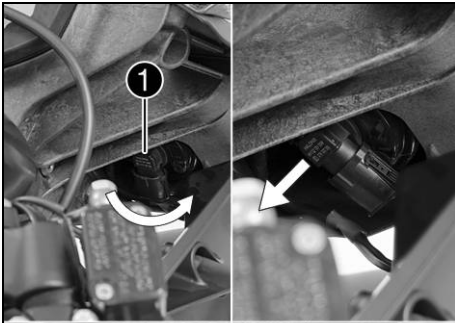
Note

Damage to reflector Reduced brightness.

- Grease on the lamp will evaporate due to the heat and be deposited on the reflector. Clean the lamp and keep it free of grease before mounting.

Preparatory work

- Switch off the ignition by turning the ignition key to the position ⏏.



Main work

- Turn socket ① counterclockwise.
- Pull the socket with high beam bulb ② out of the headlight housing.
- Disconnect the socket with the high beam bulb from connector ③ and remove.
- Connect the new socket with the high beam bulb to the connector.

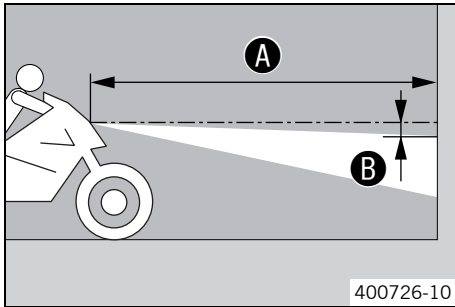
High beam (H9/socket PGJ19-5) (📖 p. 178)

- Position the socket with the high beam bulb in the headlight housing.
- Turn the socket clockwise.
- Check that the lighting is functioning properly.

Finishing work

- Check the high beam headlight adjustment. (📖 p. 138)

16.8 Checking the low beam headlight adjustment



- Position the vehicle upright on a horizontal surface in front of a light wall and make a mark at the height of the center of the low beam headlight.
- Make another mark at a distance **B** under the first mark.

Guideline

Distance B	5 cm (2 in)
-------------------	-------------

- Position the vehicle perpendicular to the wall at a distance **A** from the wall and switch on the low beam.

Guideline

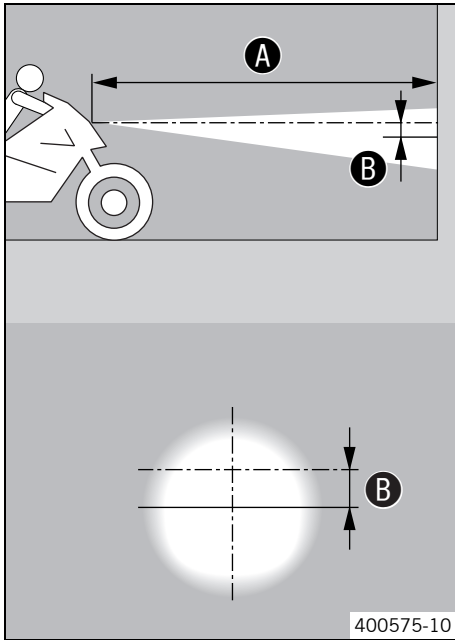
Distance A	5 m (16 ft)
-------------------	-------------

- The rider, with luggage and passenger if applicable, now mounts the motorcycle.
- Check the low beam headlight adjustment.

The light-dark boundary must lie exactly on the lower mark when the motorcycle is ready to operate with the rider mounted along with any luggage and a passenger if applicable.

- » If the light-dark border does not meet specifications:
 - Adjust the headlight range of the low beam. (📖 p. 139)

16.9 Checking the high beam headlight adjustment



- Position the vehicle upright on a horizontal surface in front of a light wall and make a mark at the height of the center of the low beam headlight.
- Make another mark at a distance **B** under the first mark.

Guideline

Distance B	5 cm (2 in)
-------------------	-------------

- Position the vehicle perpendicular to the wall at a distance **A** from the wall and switch on the high beam.

Guideline

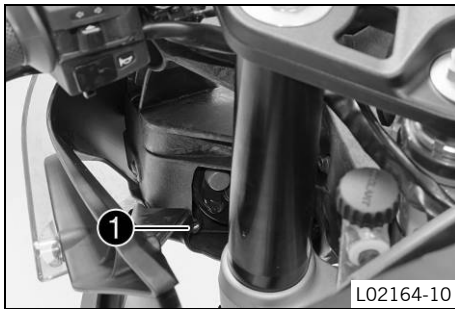
Distance A	5 m (16 ft)
-------------------	-------------

- The rider, with luggage and passenger if applicable, now mounts the motorcycle.
- Check the high beam headlight adjustment.

The center of the light cone must lie exactly on the lower mark when the motorcycle is ready to operate with the rider mounted along with any luggage and a passenger if applicable.

- » If the center of the light cone is not located where specified:
 - Adjust the headlight range of the high beam. (📖 p. 139)

16.10 Adjusting the headlight range of the low beam



Main work

- Adjust the beam range of the low beam by turning screw ①.

Guideline

For a motorcycle with rider, and with luggage and a passenger if applicable, the light/dark boundary must be exactly on the lower mark (applied in: Checking the low beam headlight setting).



Info

Turn clockwise to increase the headlight range; turn counterclockwise to reduce the headlight range.

Finishing work

- Check the low beam headlight adjustment. (📖 p. 137)

16.11 Adjusting the headlight range of the high beam



Main work

- Adjust the beam distance of the high beam by turning screw ①.

Guideline

For a motorcycle with rider, and with luggage and a passenger if applicable, the light/dark boundary must be exactly on the lower mark (applied in: Checking the high beam headlight setting).



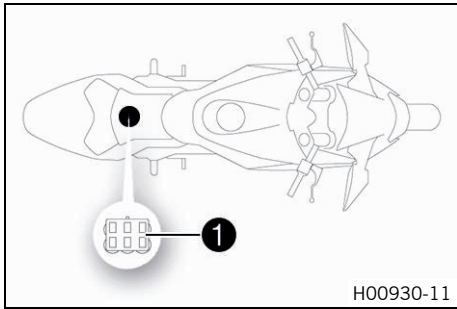
Info

Turn clockwise to increase the headlight range; turn counterclockwise to reduce the headlight range.

Finishing work

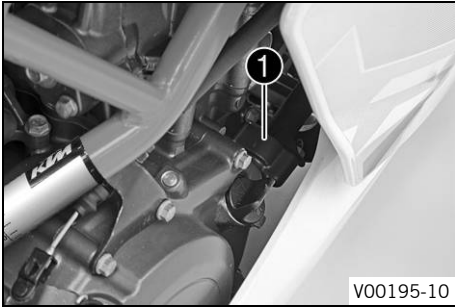
- Check the high beam headlight adjustment. (📖 p. 138)

16.12 Diagnostics connector



Diagnostics connector ① is located under the front rider's seat.

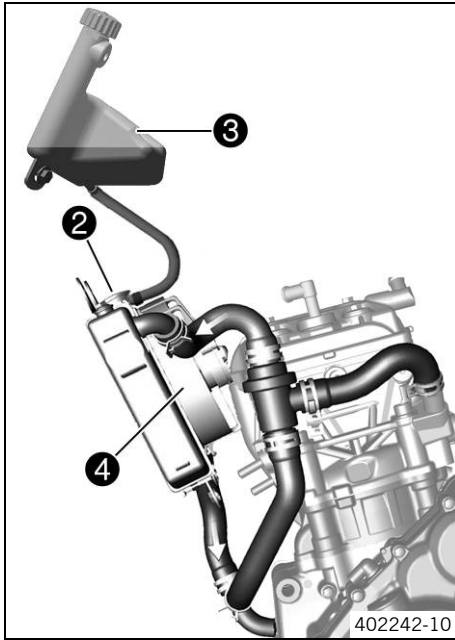
17.1 Cooling system



Water pump ① in the engine circulates the coolant.

The pressure resulting from the warming of the cooling system is regulated by a valve in radiator cap ②. Heat expansion causes excess coolant to flow into compensating tank ③. When the temperature falls, this surplus coolant is sucked back into the cooling system. This ensures that operating the vehicle at the specified coolant temperature will not result in a risk of malfunctions.

125 °C (257 °F)



The coolant is cooled by the air stream and a radiator fan ④, which is controlled by a thermostat.

The lower the speed, the less the cooling effect. Dirty cooling fins also reduce the cooling effect.

17.2 Checking the coolant level in the compensating tank



Warning

Danger of scalding During motorcycle operation, the coolant gets very hot and is under pressure.

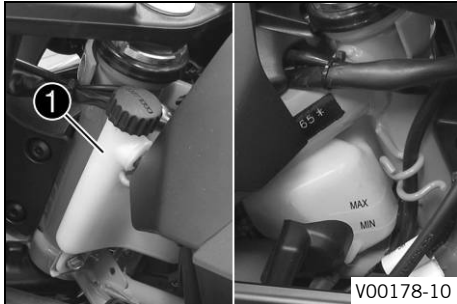
- Do not remove the radiator cap, radiator hoses or other cooling system components when the engine is hot. Allow the engine and cooling system to cool down. In case of scalding, rinse immediately with lukewarm water.



Warning

Danger of poisoning Coolant is poisonous and a health hazard.

- Coolant must not come into contact with the skin, eyes, or clothing. If contact occurs with the eyes, rinse with water immediately and contact a physician. Immediately clean contaminated areas on the skin with soap and water. If fuel is swallowed, contact a physician immediately. Change clothing that is contaminated with coolant. Keep coolant out of reach of children.



Condition

The engine is cold.

The radiator is completely full.

- Stand the motorcycle upright on a horizontal surface.
- Check the coolant level in the compensating tank ①.

The coolant level must be between **MIN** and **MAX**.

- » If there is no coolant in the compensating tank:
 - Check the cooling system for leaks. 🛠️



Info

Do not start up the motorcycle!

- Fill/bleed the cooling system. 🛠️ (📖 p. 148)
- » If the coolant in the compensating tank is not at the required level, but the tank is not empty:
 - Correct the coolant level in the compensating tank. (📖 p. 146)

17.3 Checking the antifreeze and coolant level



Warning

Danger of scalding During motorcycle operation, the coolant gets very hot and is under pressure.

- Do not remove the radiator cap, radiator hoses or other cooling system components when the engine is hot. Allow the engine and cooling system to cool down. In case of scalding, rinse immediately with lukewarm water.



Warning


Danger of poisoning Coolant is poisonous and a health hazard.

- Coolant must not come into contact with the skin, eyes, or clothing. If contact occurs with the eyes, rinse with water immediately and contact a physician. Immediately clean contaminated areas on the skin with soap and water. If fuel is swallowed, contact a physician immediately. Change clothing that is contaminated with coolant. Keep coolant out of reach of children.

Condition

The engine is cold.

Preparatory work

- Remove the right side cover.  (📖 p. 99)

Main work

- Stand the motorcycle upright on a horizontal surface.
- Take off the cover of the compensating **1** tank.
- Check the antifreeze in the coolant.

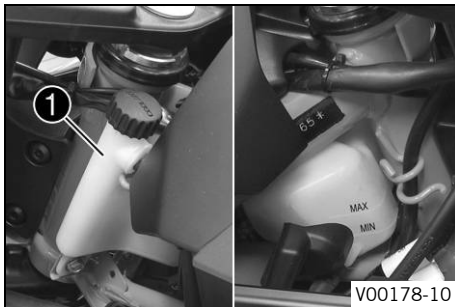
–25... -45 °C (-13... -49 °F)

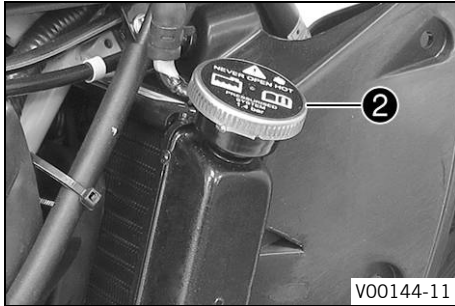
» If the antifreeze in the coolant does not match the specified value:

- Correct the antifreeze in the coolant.

- Check the coolant level in the compensating tank.

The coolant level must be between **MIN** and **MAX**.





- » If the coolant level does not match the specified value:
 - Correct the coolant level.

Coolant (📖 p. 185)

- Mount the cover of the compensating tank.
- Take off radiator cap ②.
- Check the antifreeze in the coolant.

-25... -45 °C (-13... -49 °F)

- » If the antifreeze in the coolant does not match the specified value:
 - Correct the antifreeze in the coolant.
- Check the coolant level in the radiator.

The radiator must be filled completely.

- » If the coolant level does not match the specified value:
 - Check the coolant level and the reason for the loss.

Coolant (📖 p. 185)

- » If you had to add more coolant than the specified amount:
 - > 0.20 l (> 0.21 qt.)
 - Fill/bleed the cooling system. 🛠️ (📖 p. 148)

- Mount the radiator cap.

Finishing work

- Install the right side cover. 🛠️ (📖 p. 100)

17.4 Correcting the coolant level in the compensating tank



Warning

Danger of scalding During motorcycle operation, the coolant gets very hot and is under pressure.

- Do not remove the radiator cap, radiator hoses or other cooling system components when the engine is hot. Allow the engine and cooling system to cool down. In case of scalding, rinse immediately with lukewarm water.



Warning

Danger of poisoning Coolant is poisonous and a health hazard.

- Coolant must not come into contact with the skin, eyes, or clothing. If contact occurs with the eyes, rinse with water immediately and contact a physician. Immediately clean contaminated areas on the skin with soap and water. If fuel is swallowed, contact a physician immediately. Change clothing that is contaminated with coolant. Keep coolant out of reach of children.

Condition

The engine is cold.

The radiator is completely full.

Preparatory work

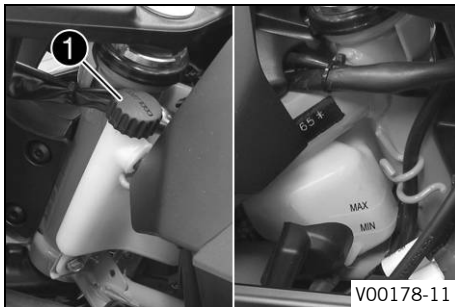
- Check the coolant level in the compensating tank. (📖 p. 142)

Main work

- Remove cover ❶ of the compensating tank.
- Add coolant to the **MAX** marking.

Coolant (📖 p. 185)

- Mount the cover of the compensating tank.



17.5 Draining the coolant



Warning

Danger of scalding During motorcycle operation, the coolant gets very hot and is under pressure.

- Do not remove the radiator cap, radiator hoses or other cooling system components when the engine is hot. Allow the engine and cooling system to cool down. In case of scalding, rinse immediately with lukewarm water.



Warning

Danger of poisoning Coolant is poisonous and a health hazard.

- Coolant must not come into contact with the skin, eyes, or clothing. If contact occurs with the eyes, rinse with water immediately and contact a physician. Immediately clean contaminated areas on the skin with soap and water. If fuel is swallowed, contact a physician immediately. Change clothing that is contaminated with coolant. Keep coolant out of reach of children.

Condition

The engine is cold.

Preparatory work

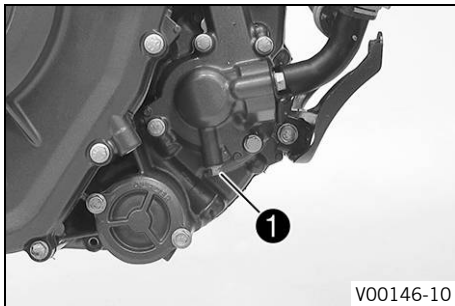
- Remove the front spoiler. (📖 p. 93)

Main work

- Position the motorcycle upright.
- Place a suitable container under the engine.
- Remove screw ❶.
- Remove the radiator cap.
- Completely drain the coolant.
- Mount and tighten screw ❶ with a new seal ring.

Guideline

Plug, water pump drain hole	M6	8 Nm (5.9 lbf ft)
-----------------------------	----	-------------------



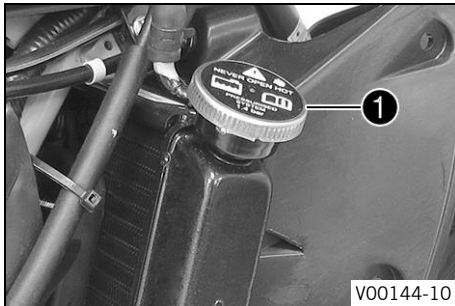
17.6 Filling/bleeding the cooling system ↴



Warning

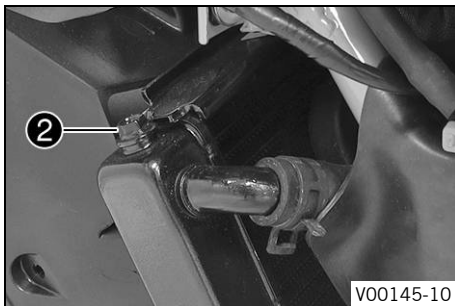
Danger of poisoning Coolant is poisonous and a health hazard.

- Coolant must not come into contact with the skin, eyes, or clothing. If contact occurs with the eyes, rinse with water immediately and contact a physician. Immediately clean contaminated areas on the skin with soap and water. If fuel is swallowed, contact a physician immediately. Change clothing that is contaminated with coolant. Keep coolant out of reach of children.



Main work

- Remove radiator cap ①.



- Loosen bleeder screw ②.

Guideline

3 turns

- Tilt the vehicle slightly to the right.
- Pour in coolant until it emerges without bubbles at the bleeder screw, and then mount and tighten the bleeder screw immediately.

Coolant (📖 p. 185)

- Completely fill the radiator with coolant. Mount the radiator cap.

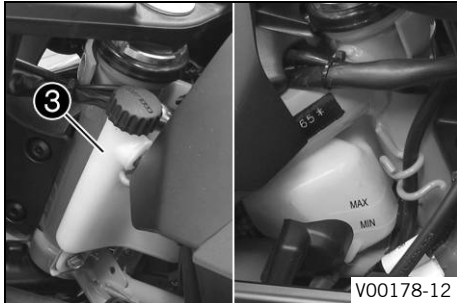
- Rest the vehicle on the side stand.



Danger

Danger of poisoning Exhaust gases are toxic and inhaling them may result in unconsciousness and/or death.

- When running the engine, always make sure there is sufficient ventilation, and do not start or run the engine in an enclosed space without an effective exhaust extraction system.



- Start the engine and let it warm up.
- Stop the engine and allow it to cool down.
- When the engine is cool, check the coolant level in the radiator and, if necessary, add coolant.
- Remove the cover of compensating tank **3** and top up the coolant level up to the **MAX** marking.
- Mount the cap of the compensating tank.

Finishing work

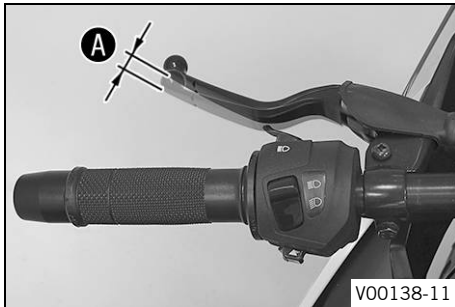
- Fit the front spoiler. (📖 p. 95)

18.1 Checking the clutch lever play

Note

Clutch damage If there is no play on the clutch lever, the clutch will begin to slip.

- Before operating the motorcycle, always check the clutch lever play.



- Check the clutch lever for smooth operation.
- Move the handlebar to the straight-ahead position.
- Pull the clutch lever until resistance is perceptible, and determine the play in the clutch lever **A**.

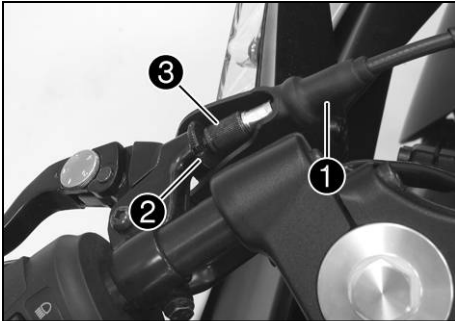
Clutch lever play A	1... 3 mm (0.04... 0.12 in)
----------------------------	-----------------------------

- » If the clutch lever play does not meet the specified value:
 - Adjust the clutch cable play. 🛠️ (📖 p. 151)
- Move the handlebar to and fro over the entire steering range.

The clutch lever play must not change.
--

- » If the clutch lever play changes:
 - Check the routing of the clutch cable.

18.2 Adjusting the clutch cable play

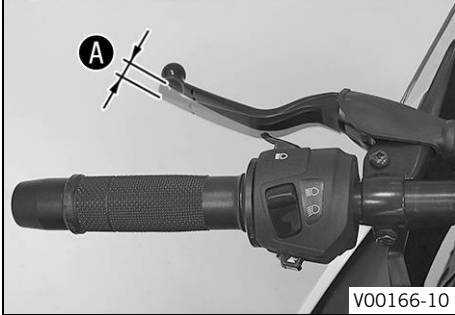


- Move the handlebar to the straight-ahead position.
- Push back sleeve ①.
- Loosen lock nut ②.
- Adjust the play in the clutch level A by turning adjusting screw ③.

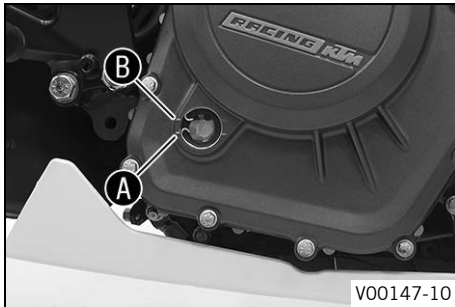
Guideline

Clutch lever play A	1... 3 mm (0.04... 0.12 in)
---------------------	-----------------------------

- Tighten lock nut ②.
- Position bellows ①.



19.1 Checking the engine oil level



Condition

The engine is at operating temperature.

Preparatory work

- Stand the motorcycle upright on a horizontal surface.

Main work

- Check the engine oil level.



Info

After switching off the engine, wait one minute before checking the level.

The engine oil must be between the **A** and **B** markings .

- » When the engine oil level is below the **A** marking:
 - Add the engine oil. (📖 p. 155)
- » When the engine oil level is above the **B** marking:
 - Correct the engine oil level.

19.2 Changing the engine oil and oil filter, cleaning the oil screens 🐾



Warning

Danger of scalding Engine oil and gear oil get very hot when the motorcycle is ridden.

- Wear appropriate protective clothing and safety gloves. In case of burns, rinse immediately with lukewarm water.



Warning

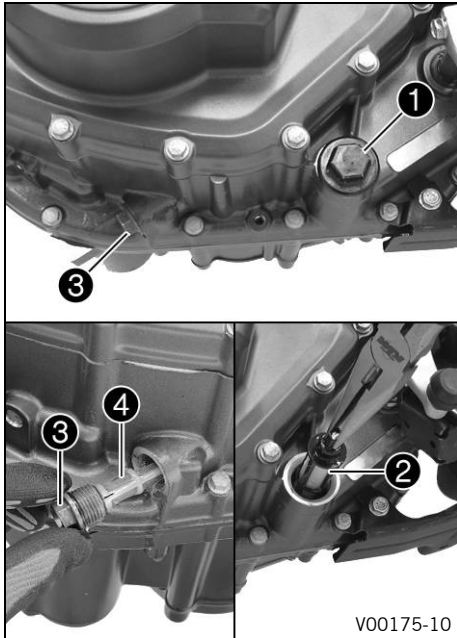
Environmental hazard Hazardous substances cause environmental damage.

- Oil, grease, filters, fuel, cleaners, brake fluid, etc., should be disposed of as stipulated in applicable regulations.



Info

Drain the engine oil while the engine is at operating temperature.



Preparatory work

- Remove the front spoiler. (📖 p. 93)
- Stand the motorcycle on its side stand on a horizontal surface.

Main work

- Place a suitable container under the engine.
- Remove oil drain plug ① with the O-ring.
- Remove oil screen ② with the O-ring.
- Remove screw plug ③ with oil screen ④.
- Completely drain the engine oil.
- Thoroughly clean the oil drain plugs and oil screens.
- Position oil screen ② and mount and tighten oil drain plug ① with the O-ring.

Guideline

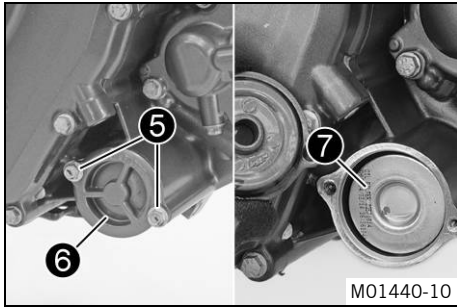
Oil drain plug	M24x1.5	15 Nm (11.1 lbf ft)
----------------	---------	------------------------

- Mount and tighten screw plug ③ with oil screen ④ and the O-ring.

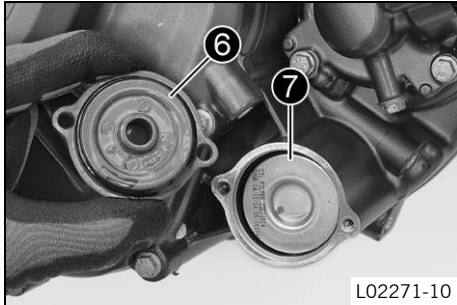
Guideline

Oil screen screw plug, small	M17x1.5	12 Nm (8.9 lbf ft)
------------------------------	---------	--------------------

19 SERVICE WORK ON THE ENGINE



- Remove screws ⑤. Remove oil filter cover ⑥ with the O-ring.
- Pull oil filter ⑦ out of the oil filter housing.
- Completely drain the engine oil.
- Thoroughly clean the parts and sealing surface.



- Insert new oil filter ⑦.
- Lubricate the O-ring of the oil filter cover. Mount oil filter cover ⑥.
- Mount and tighten the screws.

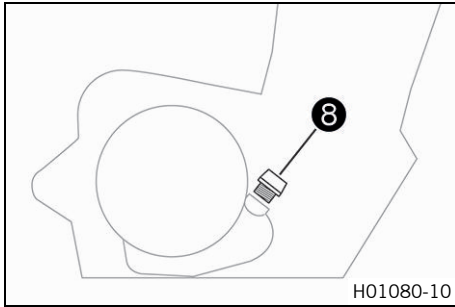
Guideline

Screw, oil filter cover	M5	8 Nm (5.9 lbf ft)
Screw, oil filter cover	M6	12 Nm (8.9 lbf ft)



Info

Too little engine oil or poor-quality engine oil results in premature wear of the engine.



- Remove filler plug **8** and the O-ring from the clutch cover, and fill up with engine oil.

Engine oil	1.7 l (1.8 qt.)	Engine oil (SAE 15W/50) (📖 p. 185)
------------	-----------------	------------------------------------

- Install and tighten the oil filler plug with O-ring.



Danger

Danger of poisoning Exhaust gases are toxic and inhaling them may result in unconsciousness and/or death.

- When running the engine, always make sure there is sufficient ventilation, and do not start or run the engine in an enclosed space without an effective exhaust extraction system.
-
- Start the engine and check that it is oil-tight.

Finishing work

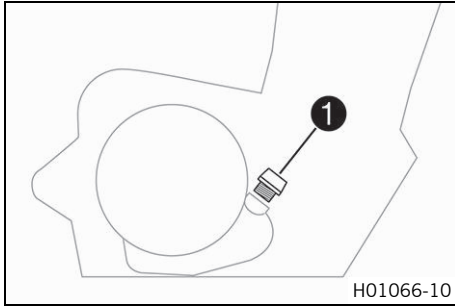
- Fit the front spoiler. (📖 p. 95)
- Check the engine oil level. (📖 p. 152)

19.3 Adding engine oil



Info

Too little engine oil or poor-quality engine oil results in premature wear to the engine.



Main work

- Remove the oil filler plug ❶ with the O-ring from the clutch cover and fill up with engine oil.

Engine oil (SAE 15W/50) (📖 p. 185)

Info

In order to achieve optimal engine performance, it is not advisable to mix different engine oils.

We recommended changing the engine oil when necessary.

- Install and tighten the oil filler plug with the O-ring.

Danger

Danger of poisoning Exhaust gases are toxic and inhaling them may result in unconsciousness and/or death.

- When running the engine, always make sure there is sufficient ventilation, and do not start or run the engine in an enclosed space without an effective exhaust extraction system.
- Start the engine and check that it is oil-tight.

Finishing work

- Check the engine oil level. (📖 p. 152)

20.1 Cleaning the motorcycle

Note

Material damage Damage and destruction of components by high-pressure cleaning equipment.

- When cleaning the vehicle with a pressure cleaner, do not point the water jet directly onto electrical components, connectors, cables, bearings, etc. Maintain a minimum distance of 60 cm between the nozzle of the pressure cleaner and the component. Excessive pressure can cause malfunctions or destroy these parts.



Warning

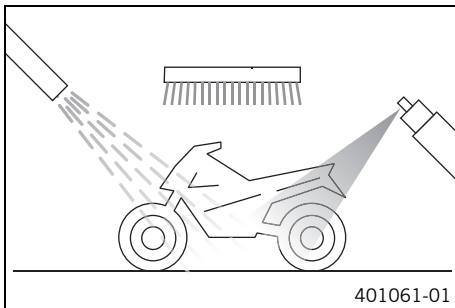
Environmental hazard Hazardous substances cause environmental damage.

- Oil, grease, filters, fuel, cleaners, brake fluid, etc., should be disposed of as stipulated in applicable regulations.



Info

If you clean the motorcycle regularly, its value and appearance will be maintained over a long period.
Avoid direct sunshine on the motorcycle during cleaning.



- Seal the exhaust system to keep water out.
- First remove coarse dirt particles with a gentle spray of water.
- Spray very dirty areas with a normal motorcycle cleaner and then clean with a paint-brush.

Motorcycle cleaner (📖 p. 187)

 **Info**

Use warm water containing normal motorcycle cleaner and a soft sponge. Never apply motorcycle cleaner to a dry vehicle; always rinse the vehicle with water first.
If the vehicle was operated in road salt, clean it with cold water. Warm water would enhance the corrosive effects of salt.

-
- After rinsing the motorcycle with a gentle spray of water, allow it to dry thoroughly.
 - Remove the closure of the exhaust system.

 **Warning**

Danger of accidents Reduced braking efficiency due to a wet or dirty brake system.

- Clean or dry a dirty or wet brake system by riding and braking gently.
-
- After cleaning, ride the vehicle a short distance until the engine warms up.

 **Info**

The heat produced causes water at inaccessible locations in the engine and on the brake system to evaporate.

-
- Push back the sleeves of the handlebar controls to allow any water that has penetrated to evaporate.
 - After the motorcycle has cooled off, lubricate all moving parts and bearings.
 - Clean the chain. (📖 p. 85)
 - Treat bare metal parts (except for brake discs and exhaust system) with anti-corrosion materials.

Preserving materials for paints, metal and rubber (📖 p. 188)

- Treat all painted parts with a mild paint polish.

Perfect Finish and high gloss polish for paints (📖 p. 188)

i Info

Do not polish parts that were matte when delivered as this would strongly impair the material quality.

- Treat all plastic parts and powder-coated parts with a mild cleaning and care product.

Special cleaner for glossy and matte paint finishes, metal and plastic surfaces (📖 p. 188)

- Oil the ignition/steering lock.

Universal oil spray (📖 p. 188)

20.2 Checks and maintenance steps for winter operation

i Info

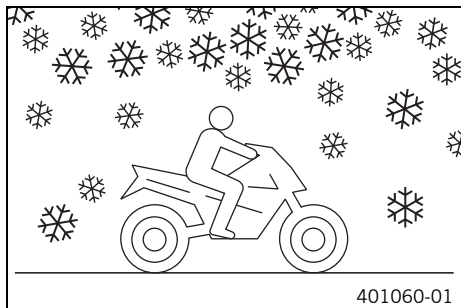
If the motorcycle is used in the winter, salt can be expected on the roads. Precautions need to be taken against road salt corrosion. If the vehicle was operated in road salt, clean it with cold water after riding. Warm water would enhance the corrosive effects of salt.

- Clean the motorcycle. (📖 p. 157)
- Clean the brakes.

i Info

After **EVERY** trip on salted roads, thoroughly wash the brake calipers and brake linings with cold water and dry carefully. This should be done after the parts are cooled down and while they are installed.

After riding on salted roads, thoroughly wash the motorcycle with cold water and dry it well.



- Treat the engine, swingarm, and all other bright and zinc-plated parts (except for the brake discs) with a wax-based corrosion inhibitor.
-



Info

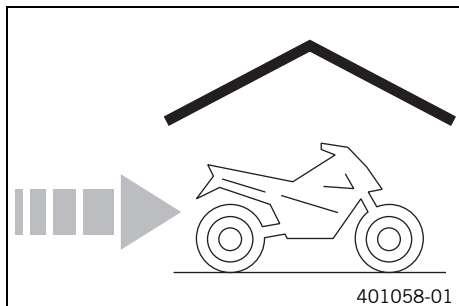
Corrosion inhibitor is not permitted to come in contact with the brake discs as this would greatly reduce the braking force.

- Clean the chain. (📖 p. 85)

21.1 Storage

i Info

If you want to garage the motorcycle for a longer period, take the following steps. Before storing the motorcycle, check all parts for function and wear. If service, repairs or replacements are necessary, you should do this during the storage period (less workshop overload). In this way, you can avoid long workshop waiting times at the start of the new season.



- When refueling for the last time before taking the motorcycle out of service, add fuel additive.

Fuel additive (📖 p. 187)

- Refuel. (📖 p. 73)
- Clean the motorcycle. (📖 p. 157)
- Change the engine oil and oil filter and clean the oil screens. 🛠️ (📖 p. 152)
- Check the antifreeze and coolant level. (📖 p. 144)
- Check the tire air pressure. (📖 p. 123)
- Remove the battery. 🛠️ (📖 p. 125)
- Recharge the battery. 🛠️ (📖 p. 127)

Guideline

Storage temperature of battery without direct sunlight	0... 35 °C (32... 95 °F)
--	--------------------------

- Store the vehicle in a dry location that is not subject to large fluctuations in temperature.

i Info

KTM recommends jacking up the motorcycle.

- Raise the motorcycle with the rear lifting gear. (📖 p. 79)

- Lift the motorcycle with the front lifting gear. (📖 p. 80)
- Cover the motorcycle with a tarp or similar cover that is permeable to air.

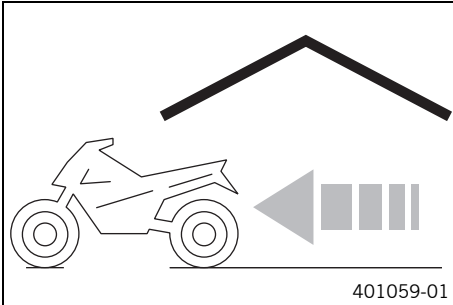


Info

Do not use non-porous materials since they prevent humidity from escaping, thus causing corrosion.

Avoid running the engine for a short time only. Since the engine cannot warm up properly, the water vapor produced during combustion condenses and causes valves and exhaust system to rust.

21.2 Preparing for use after storage











- Take the motorcycle off of the front wheel stand. (📖 p. 81)
- Take the motorcycle off of the rear wheel stand. (📖 p. 79)
- Install the battery. 🗑️ (📖 p. 126)
- Set the clock. (📖 p. 57)
- Perform checks and maintenance steps when preparing for use. (📖 p. 63)
- Take a test ride.



Faults	Possible cause	Action
Engine does not crank when the electric starter button is pressed	Operating error	– Carry out the start procedure. (📖 p. 64)
	Battery discharged	– Recharge the battery. 🛠️ (📖 p. 127)
	Fuse 1 , 3 , 4 , or 7 is blown	– Change the fuses of individual power consumers. (📖 p. 132)
	No ground connection present	– Check the ground connection.
Engine turns only if the clutch lever is drawn	The vehicle is in gear	– Shift gear to neutral.
	The vehicle is in gear and the side stand is folded out	– Shift gear to neutral.
Engine turns but does not start	Operating error	– Carry out the start procedure. (📖 p. 64)
	Fault in fuel injection system	– Read out the fault memory using the KTM diagnostics tool. 🛠️
Engine has too little power	Air filter is very dirty	– Change the air filter.
	Fuel filter is very dirty	– Check the fuel pressure. 🛠️
	Fault in fuel injection system	– Read out the fault memory using the KTM diagnostics tool. 🛠️
Engine overheats	Too little coolant in cooling system	– Check the cooling system for leakage.
		– Check the coolant level in the compensating tank. (📖 p. 142)
	Radiator fins very dirty	– Clean the radiator fins.
	Foam formation in cooling system	– Drain the coolant. 🛠️ (📖 p. 147)
		– Fill/bleed the cooling system. 🛠️ (📖 p. 148)
	Thermostat defective	– Check the thermostat. 🛠️
Fuse 5 blown	– Change the fuses of individual power consumers. (📖 p. 132)	
Defect in radiator fan system	– Check the radiator fan system. 🛠️	

Faults	Possible cause	Action
The engine diagnosis warning lamp (MIL) lights up red	Fault in fuel injection system	– Read out the fault memory using the KTM diagnostics tool. 🛠️
Engine dies during the trip	Lack of fuel	– Refuel. (📖 p. 73)
	Fuse 1 , 3 , 4 , or 7 is blown	– Change the fuses of individual power consumers. (📖 p. 132)
The ABS warning lamp lights up	ABS fuse is blown	– Change the ABS fuses. (📖 p. 130)
	Large difference in wheel speeds of the front and rear wheels	– Stop the vehicle, switch off the ignition, and start it again.
	Malfunction in ABS	– Read out the ABS fault memory using the KTM diagnostics tool. 🛠️
High oil consumption	Engine vent hose bent	– Route the vent hose without bends or change it if necessary.
	Engine oil level too high	– Check the engine oil level. (📖 p. 152)
	Engine oil too thin (low viscosity)	– Change the engine oil and oil filter and clean the oil screens. 🛠️ (📖 p. 152)
Headlight and parking light are not functioning	Fuse 6 blown	– Change the fuses of individual power consumers. (📖 p. 132)
Turn signal, brake light, and horn are not functional	Fuse 6 blown	– Change the fuses of individual power consumers. (📖 p. 132)
Time is not (correctly) displayed	Fuse 7 is blown	– Change the fuses of individual power consumers. (📖 p. 132)
		– Set the clock. (📖 p. 57)
Battery discharged	Ignition was not switched off when vehicle was parked	– Recharge the battery. 🛠️ (📖 p. 127)
	Battery is not being charged by alternator	– Check the charging voltage. 🛠️ – Check the open-circuit current. 🛠️





Faults	Possible cause	Action
The combination instrument shows nothing on the display	Fuse 7 is blown	<ul style="list-style-type: none">– Change the fuses of individual power consumers. (📖 p. 132)– Set the clock. (📖 p. 57)
Speedometer in combination instrument not functioning	Speedometer wiring harness is damaged or plug-in connector is oxidized	<ul style="list-style-type: none">– Check the wiring harness and plug-in connector.

Blink code engine diagnostic warning lamp (MIL)	 <p>02 Engine diagnostic warning lamp (MIL) flashes 2x short</p>
Error level condition	<p>Crankshaft position sensor - measurement range or power problem</p>
Blink code engine diagnostic warning lamp (MIL)	 <p>06 Engine diagnostic warning lamp (MIL) flashes 6x short</p>
Error level condition	<p>Throttle position sensor circuit A - input signal too low</p>
	<p>Throttle position sensor circuit A - input signal too high</p>
Blink code engine diagnostic warning lamp (MIL)	 <p>09 Engine diagnostic warning lamp (MIL) flashes 9x short</p>
Error level condition	<p>Manifold absolute pressure sensor - input signal too low</p>
	<p>Manifold absolute pressure sensor - input signal too high</p>
Blink code engine diagnostic warning lamp (MIL)	 <p>11 Engine diagnostic warning lamp (MIL) flashes 1x long, 1x short</p>
Error level condition	<p>Idle control - engine speed below target value</p>
	<p>Idle control - engine speed above target value</p>
Blink code engine diagnostic warning lamp (MIL)	 <p>12 Engine diagnostic warning lamp (MIL) flashes 1x long, 2x short</p>
Error level condition	<p>Engine coolant temperature sensor - input signal too low</p>
	<p>Engine coolant temperature sensor - input signal too high</p>



Blink code engine diagnostic warning lamp (MIL)	 <p>13 Engine diagnostic warning lamp (MIL) flashes 1x long, 3x short</p>
Error level condition	Intake air temperature sensor - input signal too low
	Intake air temperature sensor - input signal too high
Blink code engine diagnostic warning lamp (MIL)	 <p>14 Engine diagnostic warning lamp (MIL) flashes 1x long, 4x short</p>
Error level condition	Fuel tank sensor - circuit fault
	Fuel tank sensor - short circuit to ground
	Fuel tank sensor - short circuit to plus
Blink code engine diagnostic warning lamp (MIL)	 <p>15 Engine diagnostic warning lamp (MIL) flashes 1x long, 5x short</p>
Error level condition	Rollover sensor - plausibility
	Rollover sensor - circuit fault
	Rollover sensor - short circuit to ground
	Rollover sensor - short circuit to plus
Blink code engine diagnostic warning lamp (MIL)	 <p>16 Engine diagnostic warning lamp (MIL) flashes 1x long, 6x short</p>
Error level condition	Radiator fan motor - circuit fault
	Radiator fan motor - input signal too low
	Radiator fan motor - input signal too high

Blink code engine diagnostic warning lamp (MIL)	 <p>17 Engine diagnostic warning lamp (MIL) flashes 1x long, 7x short</p>
Error level condition	Lambda sensor - circuit fault
	Lambda sensor - input signal too low
	Lambda sensor - input signal too high
	Lambda sensor - no function
Blink code engine diagnostic warning lamp (MIL)	 <p>18 Engine diagnostic warning lamp (MIL) flashes 1x long, 8x short</p>
Error level condition	Engine diagnosis warning lamp (MIL) - circuit fault
	Engine diagnosis warning lamp (MIL) - short circuit to ground
	Engine diagnosis warning lamp (MIL) - short circuit to plus
Blink code engine diagnostic warning lamp (MIL)	 <p>19 Engine diagnostic warning lamp (MIL) flashes 1x long, 9x short</p>
Error level condition	Fuel level warning lamp - circuit fault
	Fuel level warning lamp - input signal too low
	Fuel level warning lamp - input signal too high
Blink code engine diagnostic warning lamp (MIL)	 <p>21 Engine diagnostic warning lamp (MIL) flashes 2x long, 1x short</p>
Error level condition	Engine control relay - switch-off delay

Blink code engine diagnostic warning lamp (MIL)	 <p>22 Engine diagnostic warning lamp (MIL) flashes 2x long, 2x short</p>
Error level condition	Engine speed signal - circuit fault
	Engine speed signal - input signal too low
	Engine speed signal - input signal too high
Blink code engine diagnostic warning lamp (MIL)	 <p>23 Engine diagnostic warning lamp (MIL) flashes 2x long, 3x short</p>
Error level condition	Travel speed sensor - measurement range or power problem
Blink code engine diagnostic warning lamp (MIL)	 <p>24 Engine diagnostic warning lamp (MIL) flashes 2x long, 4x short</p>
Error level condition	System voltage - too low
	System voltage - too high
	System voltage - implausible value
Blink code engine diagnostic warning lamp (MIL)	 <p>25 Engine diagnostic warning lamp (MIL) flashes 2x long, 5x short</p>
Error level condition	Side stand switch - plausibility
	Side stand switch - circuit fault
	Side stand switch - short circuit to ground
	Side stand switch - short circuit to plus

Blink code engine diagnostic warning lamp (MIL)	 <p>26 Engine diagnostic warning lamp (MIL) flashes 2x long, 6x short</p>
Error level condition	<p>Sensor A reference voltage - input signal too low</p>
	<p>Sensor A reference voltage - input signal too high</p>
Blink code engine diagnostic warning lamp (MIL)	 <p>27 Engine diagnostic warning lamp (MIL) flashes 2x long, 7x short</p>
Error level condition	<p>Sensor B reference voltage - input signal too low</p>
	<p>Sensor B reference voltage - input signal too high</p>
Blink code engine diagnostic warning lamp (MIL)	 <p>33 Engine diagnostic warning lamp (MIL) flashes 3x long, 3x short</p>
Error level condition	<p>Injector - circuit fault</p>
	<p>Injector - input signal too low</p>
	<p>Injector - input signal too high</p>
Blink code engine diagnostic warning lamp (MIL)	 <p>41 Engine diagnostic warning lamp (MIL) flashes 4x long, 1x short</p>
Error level condition	<p>Fuel pump relay - circuit fault</p>
	<p>Fuel pump relay - input signal too low</p>
	<p>Fuel pump relay - input signal too high</p>

23 BLINK CODE

Blink code engine diagnostic warning lamp (MIL)	 45 Engine diagnostic warning lamp (MIL) flashes 4x long, 5x short
Error level condition	Lambda sensor heater - circuit fault
	Lambda sensor heater - short circuit to ground or open circuit
	Lambda sensor heater - input signal too high
Blink code engine diagnostic warning lamp (MIL)	 49 Engine diagnostic warning lamp (MIL) flashes 4x long, 9x short
Error level condition	Idle control - input signal too low
	Idle control - input signal too high
	Idle control - circuit fault

24.1 Engine

Design	1-cylinder 4-stroke engine, water-cooled
Displacement	373 cm ³ (22.76 cu in)
Stroke	60 mm (2.36 in)
Bore	89 mm (3.5 in)
Compression ratio	12.9:1
Control	DOHC, 4 valves controlled via cam lever, chain drive
Valve diameter, intake	36 mm (1.42 in)
Valve diameter, exhaust	29 mm (1.14 in)
Valve clearance, intake, cold	0.08... 0.12 mm (0.0031... 0.0047 in)
Valve clearance, exhaust, cold	0.13... 0.17 mm (0.0051... 0.0067 in)
Crankshaft bearing	2 slide bearings
Conrod bearing	Sleeve bearing
Pistons	Forged light alloy
Piston rings	1 compression ring, 1 tapered compression piston ring, 1 oil scraper ring
Engine lubrication	Pressure circulation lubrication with two rotary pumps
Primary transmission	30:80
Clutch	Slipper clutch in oil bath/mechanically operated
Transmission	6-gear, claw shifted
Transmission ratio	
1st gear	12:32
2nd gear	14:26
3rd gear	19:27

4th gear	21:24
5th gear	23:22
6th gear	25:21
Mixture preparation	Electronically controlled fuel injection
Ignition	Contactless controlled fully electronic ignition with digital ignition adjustment
Alternator	12 V, 296 W
Spark plug	BOSCH VR 5 NEU
Spark plug electrode gap	1 mm (0.04 in)
Cooling	Water cooling, permanent circulation of coolant by water pump
Idle speed	1,650... 1,750 rpm
Starting aid	Electric starter

24.2 Engine tightening torques

Oil nozzle	M5	6 Nm (4.4 lbf ft)	Loctite® 243™
Screw, gear sensor	M5	6 Nm (4.4 lbf ft)	Loctite® 243™
Screw, ignition pulse generator	M5	6 Nm (4.4 lbf ft)	Loctite® 243™
Screw, oil filter cover	M5	8 Nm (5.9 lbf ft)	–
Screw, retaining bracket	M5	6 Nm (4.4 lbf ft)	Loctite® 243™
Screw, retaining bracket, stator cable	M5	8 Nm (5.9 lbf ft)	Loctite® 243™
Screw, stator	M5	8 Nm (5.9 lbf ft)	Loctite® 243™
Cylinder head screw	M6	12 Nm (8.9 lbf ft)	–
Nut, water pump impeller	M6	10 Nm (7.4 lbf ft)	Loctite® 243™
Oil nozzle	M6	6 Nm (4.4 lbf ft)	Loctite® 243™

24 TECHNICAL DATA

Plug, water pump drain hole	M6	8 Nm (5.9 lbf ft)	–
Screw, alternator cover	M6	12 Nm (8.9 lbf ft)	–
Screw, bearing retainer	M6	12 Nm (8.9 lbf ft)	Loctite® 243™
Screw, camshaft bearing bridge	M6	11 Nm (8.1 lbf ft)	–
Screw, camshaft, decompression shaft	M6	10 Nm (7.4 lbf ft)	Loctite® 243™
Screw, chain securing guide	M6	11 Nm (8.1 lbf ft)	Loctite® 243™
Screw, clutch cover	M6	12 Nm (8.9 lbf ft)	–
Screw, clutch spring	M6	10 Nm (7.4 lbf ft)	–
Screw, engine case	M6x35	12 Nm (8.9 lbf ft)	Loctite® 243™
Screw, engine case	M6x75	12 Nm (8.9 lbf ft)	–
Screw, engine vent plate	M6	10 Nm (7.4 lbf ft)	Loctite® 243™
Screw, freewheel gear retaining bracket	M6	12 Nm (8.9 lbf ft)	Loctite® 243™
Screw, lock washer, engine sprocket	M6	12 Nm (8.9 lbf ft)	Loctite® 243™
Screw, locking lever	M6	12 Nm (8.9 lbf ft)	Loctite® 243™
Screw, oil filter cover	M6	12 Nm (8.9 lbf ft)	–
Screw, oil pump	M6	12 Nm (8.9 lbf ft)	Loctite® 243™
Screw, retaining bracket	M6	12 Nm (8.9 lbf ft)	Loctite® 243™
Screw, retaining bracket, shaft seal ring, clutch cover	M6	11 Nm (8.1 lbf ft)	Loctite® 243™
Screw, shift drum locating	M6	12 Nm (8.9 lbf ft)	Loctite® 243™
Screw, starter motor	M6	12 Nm (8.9 lbf ft)	–
Screw, timing chain tensioner	M6	12 Nm (8.9 lbf ft)	–
Screw, timing chain tensioning rail	M6	12 Nm (8.9 lbf ft)	Loctite® 243™
Screw, unlocking of timing chain tensioner	M6	6 Nm (4.4 lbf ft)	–

24 TECHNICAL DATA

Screw, valve cover	M6	12 Nm (8.9 lbf ft)	–
Screw, water pump cover	M6	12 Nm (8.9 lbf ft)	–
Nut, exhaust flange	M8	22 Nm (16.2 lbf ft)	–
Screw plug	M8	12 Nm (8.9 lbf ft)	Loctite® 243™
Screw, balancer shaft gear	M8	25 Nm (18.4 lbf ft)	Loctite® 243™
Screw, return spring, quick shifter	M8	20 Nm (14.8 lbf ft)	Loctite® 243™
Stud, exhaust flange	M8	22 Nm (16.2 lbf ft)	–
Screw, conrod bearing	M8x1	34 Nm (25.1 lbf ft)	–
Oil pressure sensor	M10	14 Nm (10.3 lbf ft)	–
Rotor screw	M10	110 Nm (81.1 lbf ft)	Loctite® 243™
Screw, camshaft drive sprocket	M10	32 Nm (23.6 lbf ft)	Loctite® 243™
Screw, cylinder head	M10	1st stage 30 Nm (22.1 lbf ft) 2nd stage 60 Nm (44.3 lbf ft)	Thread is oiled, head flat is greased
Water temperature sensor	M10	14 Nm (10.3 lbf ft)	–
Screw plug, cam lever axis	M10x1	9 Nm (6.6 lbf ft)	–
Spark plug	M12	15 Nm (11.1 lbf ft)	–
Nut, inner clutch hub	M16LHx1.5	120 Nm (88.5 lbf ft)	Loctite® 243™
Nut, primary gear/timing chain sprocket	M16x1.5	120 Nm (88.5 lbf ft)	Loctite® 243™
Oil screen screw plug, small	M17x1.5	12 Nm (8.9 lbf ft)	–
Screw plug, alternator cover	M18x1.5	10 Nm (7.4 lbf ft)	–
Oil drain plug	M24x1.5	15 Nm (11.1 lbf ft)	–
Screw plug, alternator cover	M24x1.5	10 Nm (7.4 lbf ft)	–
Nut, balancer shaft gear	M28x1.5	60 Nm (44.3 lbf ft)	Loctite® 243™

24.3 Capacities

24.3.1 Engine oil

Engine oil	1.7 l (1.8 qt.)	Engine oil (SAE 15W/50) (📖 p. 185)
------------	-----------------	------------------------------------

24.3.2 Coolant

Coolant	1.2 l (1.3 qt.)	Coolant (📖 p. 185)
---------	-----------------	--------------------

24.3.3 Fuel

Total fuel tank capacity, approx.	9.5 l (2.51 US gal)	Super unleaded (ROZ 95/RON 95/PON 91) (📖 p. 186)
-----------------------------------	---------------------	--

Fuel reserve, approx.	1.5 l (1.6 qt.)	
-----------------------	-----------------	--

24.4 Chassis

Frame	Lattice frame of steel tubes, powder-coated	
Fork	WP Suspension	
Shock absorber	WP Suspension	
Brake system		
Front	Disc brake with four-pot brake caliper	
Rear	Disc brake with single-piston brake caliper, floating	
Suspension travel		
Front	125 mm (4.92 in)	
Rear	150 mm (5.91 in)	
Brake discs - diameter		

24 TECHNICAL DATA

Front	320 mm (12.6 in)
Rear	230 mm (9.06 in)
Brake discs - wear limit	
Front	4.0 mm (0.157 in)
Rear	3.6 mm (0.142 in)
Tire air pressure, solo	
Front	2.0 bar (29 psi)
Rear	2.0 bar (29 psi)
Tire air pressure with passenger/full payload	
Front	2.0 bar (29 psi)
Rear	2.1 bar (30 psi)
Secondary ratio	15:45
Chain	5/8 x 1/4" (520) O-ring
Steering head angle	66.5°
Wheelbase	1,340±15 mm (52.76±0.59 in)
Seat height, unloaded	820 mm (32.28 in)
Ground clearance, unloaded	178 mm (7.01 in)
Weight without fuel, approx.	159 kg (351 lb.)
Maximum permissible front axle load	125 kg (276 lb.)
Maximum permissible rear axle load	210 kg (463 lb.)
Maximum permissible overall weight	335 kg (739 lb.)

24.5 Electrical system

Battery	ETZ-9-BS	Battery voltage: 12 V Nominal capacity: 8 Ah Maintenance-free
Fuse	75011088005	5 A
Fuse	75011088010	10 A
Fuse	75011088015	15 A
Fuse	90111088025	25 A
Fuse	75011088030	30 A
Low beam	H11/socket PGJ19-2	12 V 55 W
High beam	H9/socket PGJ19-5	12 V 65 W
Parking light	LED	
Instrument lights and indicator lamps	LED	
Turn signal	LED	
Brake/tail light	LED	
License plate lamp	LED	

24.6 Tires

Front tires	Rear tires
110/70 ZR 17 M/C 54W TL Metzeler SPORTEC M5 Interact	150/60 ZR 17 M/C 66W TL Metzeler SPORTEC M5 Interact
110/70 R 17 M/C 54H TL Pirelli Diablo Rosso II	150/60 R 17 M/C 66H TL Pirelli Diablo Rosso II
Additional information is available in the Service section under: http://www.ktm.com	

24.7 Fork

Fork part number	93701001000
Fork	WP Suspension
Fork length	736 mm (28.98 in)
Fork oil	460 ml (15.55 fl. oz.)
Fork oil (SAE 4)	(48601166S1) (📖 p. 186)

24.8 Shock absorber

Shock absorber article number	93704010000
Shock absorber	WP Suspension
Spring preload	
Standard	4 clicks
Static sag	15 mm (0.59 in)
Riding sag	45... 50 mm (1.77... 1.97 in)
Fitted length	300 mm (11.81 in)

24.9 Chassis tightening torques

Screw, chain guard	EJOT PT® K60x30	4 Nm (3 lbf ft)	–
Remaining screws, chassis	M4	4 Nm (3 lbf ft)	–
Screw, EFI control unit	M4	3 Nm (2.2 lbf ft)	–
Nut, chain guard	M5	7 Nm (5.2 lbf ft)	–
Nut, reflector on retaining plate	M5	5 Nm (3.7 lbf ft)	–
Remaining nuts, chassis	M5	5 Nm (3.7 lbf ft)	–
Remaining screws, chassis	M5	5 Nm (3.7 lbf ft)	–
Screw, anti-rotation lock, handlebar stub	M5	4 Nm (3 lbf ft)	–
Screw, battery compartment	M5	4 Nm (3 lbf ft)	–
Screw, cover in front of battery compartment	M5	4 Nm (3 lbf ft)	–
Screw, fuel pump	M5	5 Nm (3.7 lbf ft)	–
Screw, fuel tank cover	M5	4 Nm (3 lbf ft)	–
Screw, retaining plate on license plate holder	M5	4 Nm (3 lbf ft)	–
Screw, side stand switch	M5	5 Nm (3.7 lbf ft)	Loctite® 243™
Screw, tail end lower part	M5	4 Nm (3 lbf ft)	–
ABS fitting	M6	7 Nm (5.2 lbf ft)	Loctite® 243™
Battery compartment cover lock	M6	6 Nm (4.4 lbf ft)	–
Cap bolt, footrest	M6	9 Nm (6.6 lbf ft)	–
Nut, foot brake lever adjustment	M6	9 Nm (6.6 lbf ft)	–
Nut, license plate holder	M6	7 Nm (5.2 lbf ft)	–
Nut, radiator	M6	5 Nm (3.7 lbf ft)	–

24 TECHNICAL DATA

Nut, shift rod	M6	10 Nm (7.4 lbf ft)	–
Nut, shift rod	M6LH	10 Nm (7.4 lbf ft)	–
Nut, tail light	M6	7 Nm (5.2 lbf ft)	–
Remaining nuts, chassis	M6	10 Nm (7.4 lbf ft)	–
Remaining screws, chassis	M6	9 Nm (6.6 lbf ft)	–
Screw, air filter box lid	M6	6 Nm (4.4 lbf ft)	–
Screw, air filter box, on frame	M6	6 Nm (4.4 lbf ft)	–
Screw, battery compartment	M6	6 Nm (4.4 lbf ft)	–
Screw, brake fluid reservoir, rear brake	M6	8 Nm (5.9 lbf ft)	–
Screw, brake hose clamp	M6	6 Nm (4.4 lbf ft)	–
Screw, brake line guide on bottom triple clamp	M6	7 Nm (5.2 lbf ft)	Loctite® 243™
Screw, cable holder, side stand switch	M6	9 Nm (6.6 lbf ft)	Loctite® 243™
Screw, chain guard	M6	6 Nm (4.4 lbf ft)	–
Screw, chain sliding guard	M6	7 Nm (5.2 lbf ft)	–
Screw, compensating tank	M6	8 Nm (5.9 lbf ft)	–
Screw, engine sprocket cover on frame	M6	8 Nm (5.9 lbf ft)	–
Screw, foot brake cylinder	M6	9 Nm (6.6 lbf ft)	Loctite® 243™
Screw, footrest bracket	M6	7 Nm (5.2 lbf ft)	–
Screw, front fairing	M6	7 Nm (5.2 lbf ft)	–
Screw, front fairing structure on headlight bracket	M6	7 Nm (5.2 lbf ft)	–
Screw, front fender	M6	7 Nm (5.2 lbf ft)	–
Screw, front fender, top side	M6	7 Nm (5.2 lbf ft)	–
Screw, front seat fixing	M6	6 Nm (4.4 lbf ft)	–

24 TECHNICAL DATA

Screw, front spoiler bottom front	M6	6 Nm (4.4 lbf ft)	–
Screw, front spoiler rear	M6	6 Nm (4.4 lbf ft)	–
Screw, front spoiler top front	M6	7 Nm (5.2 lbf ft)	–
Screw, fuel tank trim	M6	6 Nm (4.4 lbf ft)	–
Screw, ground cable, on frame	M6	7 Nm (5.2 lbf ft)	–
Screw, handlebar stub	M6	8 Nm (5.9 lbf ft)	Loctite® 243™
Screw, ignition coil	M6	9 Nm (6.6 lbf ft)	–
Screw, ignition lock	M6	11 Nm (8.1 lbf ft)	–
Screw, license plate holder on license plate bracket	M6	7 Nm (5.2 lbf ft)	–
Screw, magnetic holder on side stand	M6	5 Nm (3.7 lbf ft)	Loctite® 243™
Screw, mirror holder	M6	9 Nm (6.6 lbf ft)	–
Screw, passenger seat	M6	7 Nm (5.2 lbf ft)	–
Screw, radiator shield	M6	6 Nm (4.4 lbf ft)	–
Screw, rear ABS sensor wheel	M6	8 Nm (5.9 lbf ft)	–
Screw, rear fender	M6	7 Nm (5.2 lbf ft)	–
Screw, retaining bracket, EFI control unit	M6	6 Nm (4.4 lbf ft)	–
Screw, rollover sensor	M6	7 Nm (5.2 lbf ft)	Loctite® 243™
Screw, rubber damper for radiator	M6	6 Nm (4.4 lbf ft)	–
Screw, seat lock	M6	7 Nm (5.2 lbf ft)	–
Screw, shift lever linkage	M6	11 Nm (8.1 lbf ft)	Loctite® 243™
Screw, side cover	M6	6 Nm (4.4 lbf ft)	–
Screw, side cover on front fairing	M6	6 Nm (4.4 lbf ft)	–
Screw, side cover retaining bracket	M6	7 Nm (5.2 lbf ft)	–

24 TECHNICAL DATA

Screw, voltage regulator	M6	7 Nm (5.2 lbf ft)	–
Screw, voltage regulator holder	M6	11 Nm (8.1 lbf ft)	–
Screw, wheel speed sensor holder	M6	8 Nm (5.9 lbf ft)	–
Screw, windshield	M6	7 Nm (5.2 lbf ft)	–
Exhaust clamp	M8	20 Nm (14.8 lbf ft)	–
Remaining nuts, chassis	M8	25 Nm (18.4 lbf ft)	–
Remaining screws, chassis	M8	23 Nm (17 lbf ft)	–
Screw, bottom triple clamp	M8	12 Nm (8.9 lbf ft)	–
Screw, chain guard	M8	11 Nm (8.1 lbf ft)	–
Screw, engine bearer on frame	M8	24 Nm (17.7 lbf ft)	–
Screw, foot brake lever	M8	17 Nm (12.5 lbf ft)	Loctite® 243™
Screw, front brake disc	M8	32 Nm (23.6 lbf ft)	Loctite® 243™
Screw, front wheel spindle	M8	26 Nm (19.2 lbf ft)	–
Screw, fuel tank attachment, rear, on frame	M8	17 Nm (12.5 lbf ft)	–
Screw, horn	M8	9 Nm (6.6 lbf ft)	–
Screw, main silencer	M8	18 Nm (13.3 lbf ft)	–
Screw, passenger footrest bracket	M8	20 Nm (14.8 lbf ft)	Loctite® 243™
Screw, presilencer on frame	M8	24 Nm (17.7 lbf ft)	–
Screw, rear brake disc	M8	21 Nm (15.5 lbf ft)	Loctite® 243™
Screw, retaining bracket on fuel tank	M8	13 Nm (9.6 lbf ft)	–
Screw, shift lever	M8	17 Nm (12.5 lbf ft)	Loctite® 243™
Screw, top triple clamp	M8	15 Nm (11.1 lbf ft)	–
Screw, front brake caliper	M8x1	30 Nm (22.1 lbf ft)	Loctite® 204™
Nut, rear sprocket screw	M8x1.25	27 Nm (19.9 lbf ft)	Loctite® 243™

24 TECHNICAL DATA

Banjo bolt, brake line	M10	24 Nm (17.7 lbf ft)	–
Fitting side stand	M10	35 Nm (25.8 lbf ft)	Loctite® 243™
Fitting, engine mounting bracket	M10	45 Nm (33.2 lbf ft)	–
Remaining nuts, chassis	M10	45 Nm (33.2 lbf ft)	–
Remaining screws, chassis	M10	45 Nm (33.2 lbf ft)	–
Screw, side stand pivot	M10	35 Nm (25.8 lbf ft)	–
Fitting, shock absorber, bottom	M10x1.25	50 Nm (36.9 lbf ft)	–
Screw, front footrest bracket / engine bearer	M10x1.25	47 Nm (34.7 lbf ft)	–
Screw, side stand bracket	M10x1.25	33 Nm (24.3 lbf ft)	Loctite® 243™
Stud, rear sprocket	M10x1.25	50 Nm (36.9 lbf ft)	–
Nut, rear wheel spindle	M14x1.5	90 Nm (66.4 lbf ft)	–
Nut, swingarm pivot	M14x1.5	100 Nm (73.8 lbf ft)	–
Screw, steering head, top	M16x1.5	53 Nm (39.1 lbf ft)	Loctite® 204™
Lambda sensor	M18x1.5	19 Nm (14 lbf ft)	–
Swingarm bearing adjusting ring	M22x1	Tighten and ensure that there is no play	–
Nut, steering head	M30x1	<ol style="list-style-type: none"> 1. 55 Nm (40.6 lbf ft) 2. Loosen (counterclockwise) 2 turns 3. 5 Nm (3.7 lbf ft) 	–

Brake fluid DOT 4 / DOT 5.1

Standard/classification

- DOT

Guideline

- Use only brake fluid that complies with the specified standard (see specifications on the container) and that exhibits the corresponding properties.

Recommended supplier

Castrol

- **RESPONSE BRAKE FLUID SUPER DOT 4**

Motorex®

- **Brake Fluid DOT 5.1**

Coolant

Guideline

- Only use high quality coolant with corrosion inhibitor for aluminum motors (even in countries with high temperatures). Using inferior antifreeze can result in corrosion and foaming.

Mixture ratio

Antifreeze protection: -25... -45 °C (-13... -49 °F)	anti-corrosion/antifreeze distilled water
--	--

Recommended supplier

Motorex®

- **COOLANT M3.0**

Engine oil (SAE 15W/50)

Standard/classification

- JASO T903 MA (📖 p. 189)
- SAE (📖 p. 189) (SAE 15W/50)

Guideline

- Use only engine oils that comply with the specified standards (see specifications on the container) and that possess the corresponding properties.

Partially synthetic engine oil

Recommended supplier

Motorex®

- Formula 4T

Fork oil (SAE 4) (48601166S1)

Standard/classification

- SAE (📖 p. 189) (SAE 4)

Guideline

- Use only oils that comply with the specified standards (see specifications on the container) and that possess the corresponding properties.

Super unleaded (ROZ 95/RON 95/PON 91)

Standard/classification

- DIN EN 228 (ROZ 95/RON 95/PON 91)

Guideline

- Only use unleaded super fuel that matches or is equivalent to the specified fuel grade.
- Fuel with an ethanol content of up to 10 % (E10 fuel) is safe to use.



Info

Do **not** use fuel containing methanol (e. g. M15, M85, M100) or more than 10 % ethanol (e. g. E15, E25, E85, E100).

Chain cleaner

Recommended supplier

Motorex®

- Chain Clean

Chain lube for road use

Guideline

Recommended supplier

Motorex®

- Chainlube Road

Fuel additive

Recommended supplier

Motorex®

- Fuel Stabilizer

Long-life grease

Recommended supplier

Motorex®

- Bike Grease 2000

Motorcycle cleaner

Recommended supplier

Motorex®

- Moto Clean

Perfect Finish and high gloss polish for paints

Recommended supplier

Motorex®

- Moto Polish & Shine

Preserving materials for paints, metal and rubber

Recommended supplier

Motorex®

- Moto Protect

Special cleaner for glossy and matte paint finishes, metal and plastic surfaces

Recommended supplier

Motorex®

- Quick Cleaner

Universal oil spray

Recommended supplier

Motorex®

- Joker 440 Synthetic

JASO T903 MA

Different technical development directions required a new specification for 4-stroke motorcycles – the JASO T903 MA Standard. Earlier, engine oils from the automobile industry were used for 4-stroke motorcycles because there was no separate motorcycle specification. Whereas long service intervals are demanded for automobile engines, high performance at high engine speeds are in the foreground for motorcycle engines. In most motorcycles, the gearbox and the clutch are lubricated with the same oil as the engine. The JASO MA Standard meets these special requirements.

SAE

The SAE viscosity classes were defined by the Society of Automotive Engineers and are used for classifying oils according to their viscosity. The viscosity describes only one property of oil and says nothing about quality.

28 INDEX OF SPECIAL TERMS



ABS	ABS	Safety system that prevents locking of the wheels when driving straight ahead without the influence of lateral forces
OBD	On-board diagnosis	Vehicle system that monitors emission- and safety-related values

29 LIST OF ABBREVIATIONS

Art. no.	Article number
ca.	circa
cf.	compare
e.g.	for example
etc.	et cetera
i.a.	inter alia
no.	number
poss.	possibly



30.1 Red symbols

Red symbols indicate an error condition that requires immediate intervention.

	The engine diagnosis warning lamp (MIL) lights up red – The OBD has detected an emission- or safety-critical fault.
	The immobilizer indicator lamp lights up or flashes red – Status or error message for immobilizer/alarm system (optional).




30.2 Yellow and orange symbols

Yellow and orange symbols indicate an error condition that requires prompt intervention. Active driving aids are also represented by yellow or orange symbols.

	The general warning lamp lights up yellow – An operating safety (warning) message was detected. This is also shown in the info display.
	ABS warning lamp lights up yellow – Status or error messages relating to ABS.

30.3 Green and blue symbols

Green and blue symbols reflect information.

	The turn signal indicator lamp flashes green simultaneously with the turn signal – The turn signal is switched on.
	The idling speed indicator lamp lights up green – The transmission is in idle.
	The high beam indicator lamp lights up blue – The high beam is switched on.

A

ABS	102
Accessories	14
Antifreeze	
checking	144
Antilock brake system	102
Applying the brakes	69
Auxiliary substances	14

B

Baggage	61
Battery	
installing	126
recharging	127
removing	125
Battery cover	
mounting	93
removing	92
Blink code	166-171
Brake discs	
checking	103
Brake fluid	
front brake, adding	105
rear brake, adding	108
Brake fluid level	
front brake, checking	104

rear brake, checking	108
----------------------------	-----

Brake linings

front brake, checking	107
rear brake, checking	111

Brakes

.....	69
-------	----

C

Capacity

coolant	176
engine oil	176
fuel	74, 176

Chain

chain dirt accumulation, checking	85
checking	90
cleaning	85

Chain tension

adjusting	88
checking	86

Chassis number

.....	20
-------	----

Clutch cable play

adjusting	151
-----------------	-----

Clutch lever

.....	22
basic position, adjusting	34

Clutch lever play

checking	150
----------------	-----

Combination instrument

activation and test	38
---------------------------	----

average fuel consumption 1/average fuel consumption 2 menu	50
average fuel consumption 2/service menu	51
average speed/average fuel consumption 1 menu	49
coolant temperature indicator	47
display	44
display TRIP F	46
distance menu 1 TRIP 1	55
distance menu 2 TRIP 2	55
filling level display of the fuel tank	45
function buttons	42
indicator lamps	43
info display	48
range/riding time menu	53
riding time/average speed menu	49
service/range menu	52
total distance menu ODO	54
warning notes	39
Coolant	
draining	147
Coolant level	
checking	144
compensating tank, checking	142
compensating tank, correcting	146
Cooling system	141
filling/bleeding	148
Customer service	15

D	
Diagnostics connector	140
E	
Electric starter button	26
Emergency OFF switch	25
Engine	
running in	60
Engine number	21
Engine oil	
adding	155
changing	152
Engine oil level	
checking	152
Engine sprocket	
checking	90
Environment	12
F	
Figures	15
Filler cap	
closing	29
opening	28
Filling up	
fuel	73
Foot brake lever	32
free travel, adjusting	112

free travel, checking	111
Front rider's seat	
mounting	83
removing	82
Front spoiler	
installing	95
removing	93
Front wheel	
installing	115
removing	114
Fuse	
individual power consumers, changing	132
Fuses, ABS	
changing	130
G	
Grab handles	30
H	
Hand brake lever	22
basic position, adjusting	34
Headlight range of low beam	
adjusting	139
Headlight range of the high beam	
adjusting	139
High beam bulb	
changing	135
High beam flasher button	24

High beam headlight adjustment	
checking	138
Horn button	23
I	
Ignition lock	26
Implied warranty	14
Indicator lamps	43
K	
Key number	21
Kilometers or miles	
adjusting	56
L	
Light switch	24
Loading the vehicle	61
Low beam bulb	
changing	134
Low beam headlight adjustment	
checking	137
M	
Motorcycle	
cleaning	157
lifting with front lifting gear	80
raising with the rear lifting gear	79
taking off of the front wheel stand	81
taking off of the rear wheel stand	79

INDEX

0

Oil filter

changing 152

Oil screens

cleaning 152

Operating substances 14

Owner's Manual 13

P

Parking 71

Passenger footrests 31

Passenger seat

mounting 84

removing 83

Preparing for use

advice on first use 59

after storage 162

checks and maintenance when preparing for use 63

Protective clothing 12

R

Rear hub rubber dampers

checking 120

Rear sprocket

checking 90

Rear wheel

installing 118

removing 117

Riding 66

starting off 66

Right side cover

installing 100

removing 99

S

Safe operation 11

Seat lock 29

Service 15

Service schedule 75-77

Shift lever 31

adjusting 35

Shift speed RPM 1

adjusting 57

Shift speed RPM 2

adjusting 58

Shifting 66

Shock absorber

spring preload, adjusting 78

Side cover, left

installing 98

removing 96

Side stand 33

Spare parts 14

Starting 64

INDEX

197

Steering	
locking	27
unlocking	27
Steering lock	26
Stopping	71
Storage	161
T	
Technical data	
capacities	176
chassis	176
chassis tightening torques	180
electrical system	178
engine	172
engine tightening torques	173
fork	179
shock absorber	179
tires	179
Throttle grip	23
Time	
adjusting	57
Tire air pressure	
checking	123
Tire condition	
checking	122
Tool set	30
Transport	72
Troubleshooting	163-165
Turn signal switch	25
Type label	20
U	
Use definition	9
V	
View of vehicle	
front left	16
rear right	18
W	
Warranty	14
Winter operation	
checks and maintenance steps	159
Work rules	12

READY TO RACE

[» www.ktm.com](http://www.ktm.com)



3213453en

03/2016

KTM Sportmotorcycle GmbH
3230 Mattighofen/Austria
<http://www.ktm.com>



Photo: Mitterbauer/KTM