

65 SX

Art. no. 3213635en



KTM

DEAR KTM CUSTOMER

Congratulations on your decision to purchase a KTM motorcycle. You are now the owner of a state-of-the-art sports motorcycle that will give you and your child enormous pleasure if you service and maintain it accordingly.

We hope you enjoy your new vehicle!

Enter the serial numbers of your vehicle below.

Chassis number (📖 p. 11)	Dealer's stamp
Engine number (📖 p. 11)	

The Owner's Manual contained the latest information for this model series at the time of going to print. However, minor differences due to further developments in design cannot be ruled out completely.

All specifications are non-binding. KTM Sportmotorcycle GmbH specifically reserves the right to modify or delete technical specifications, prices, colors, forms, materials, services, designs, equipment, etc., without prior notice and without specifying reasons, to adapt these to local conditions, as well as to stop production of a particular model without prior notice. KTM accepts no liability for delivery options, deviations from illustrations and descriptions, misprints, and other errors. The models portrayed partly contain special equipment that does not belong to the regular scope of supply.

© 2017 KTM Sportmotorcycle GmbH, Mattighofen Austria
All rights reserved

Reproduction, even in part, as well as copying of all kinds, is permitted only with the express written permission of the copyright owner.



ISO 9001(12 100 6061)

According to the international quality management standard ISO 9001, KTM uses quality assurance processes that lead to the maximum possible quality of the products.

Issued by: TÜV Management Service

REG.NO. 12 100 6061

KTM Sportmotorcycle GmbH
5230 Mattighofen, Austria

This document is valid for the following models:

65 SX (F6001R6)





















3213635en

03/2017







TABLE OF CONTENTS

1	MEANS OF REPRESENTATION	4	10.2	Air suspension AER 35	24
1.1	Symbols used	4	10.3	Compression damping of the shock absorber.....	24
1.2	Formats used.....	4	10.4	Adjusting the low-speed compression damping of the shock absorber	25
2	SAFETY ADVICE.....	5	10.5	Adjusting the high-speed compression damping of the shock absorber	25
2.1	Use definition – intended use.....	5	10.6	Adjusting the rebound damping of the shock absorber.....	26
2.2	Misuse.....	5	10.7	Measuring rear wheel sag unloaded.....	26
2.3	Safety advice.....	5	10.8	Checking the static sag of the shock absorber ...	26
2.4	Degrees of risk and symbols	5	10.9	Checking the riding sag of the shock absorber....	27
2.5	Tampering warning.....	5	10.10	Adjusting the spring pretension of the shock absorber 🛠.....	27
2.6	Safe operation	6	10.11	Adjusting the riding sag 🛠.....	28
2.7	Protective clothing	6	10.12	Checking the basic setting of the fork	28
2.8	Work rules.....	6	10.13	Adjusting the fork air pressure.....	28
2.9	Environment.....	6	10.14	Adjusting the rebound damping of the fork.....	29
2.10	Owner's Manual	7	10.15	Handlebar position.....	30
3	IMPORTANT NOTES.....	8	10.16	Adjusting the handlebar position 🛠.....	30
3.1	Manufacturer and implied warranty.....	8	11	SERVICE WORK ON THE CHASSIS.....	31
3.2	Operating and auxiliary substances	8	11.1	Raising the motorcycle with a lift stand.....	31
3.3	Spare parts, accessories	8	11.2	Removing the motorcycle from the lift stand.....	31
3.4	Service	8	11.3	Bleeding the fork legs.....	31
3.5	Figures	8	11.4	Cleaning the dust boots of the fork legs.....	32
3.6	Customer service.....	8	11.5	Removing the fork protector	32
4	VIEW OF VEHICLE	9	11.6	Installing the fork protector.....	32
4.1	View of vehicle, front left (example).....	9	11.7	Removing the fork legs 🛠.....	33
4.2	View of vehicle, rear right (example)	10	11.8	Installing the fork legs 🛠.....	33
5	SERIAL NUMBERS	11	11.9	Removing the lower triple clamp 🛠.....	34
5.1	Chassis number	11	11.10	Installing the lower triple clamp 🛠.....	35
5.2	Engine number	11	11.11	Checking play of steering head bearing	36
5.3	Shock absorber article number.....	11	11.12	Adjusting the steering head bearing play 🛠.....	37
6	CONTROLS.....	12	11.13	Greasing the steering head bearing 🛠.....	37
6.1	Clutch lever.....	12	11.14	Removing the start number plate.....	37
6.2	Hand brake lever.....	12	11.15	Installing the start number plate.....	38
6.3	Throttle grip	12	11.16	Dismounting the front fender	38
6.4	Kill switch	12	11.17	Installing the front fender	38
6.5	Opening the filler cap.....	12	11.18	Removing the shock absorber 🛠.....	39
6.6	Closing the filler cap	13	11.19	Installing shock absorber 🛠.....	39
6.7	Fuel tap	13	11.20	Removing the seat	39
6.8	Choke	13	11.21	Mounting the seat.....	39
6.9	Shift lever	14	11.22	Removing the air filter 🛠.....	40
6.10	Kick starter	14	11.23	Installing the air filter 🛠.....	40
6.11	Foot brake lever	14	11.24	Cleaning the air filter and air filter box 🛠.....	41
6.12	Plug-in stand.....	14	11.25	Removing main silencer.....	41
6.13	Service hour counter	15	11.26	Installing the main silencer.....	41
7	PREPARING FOR USE.....	16	11.27	Changing the glass fiber yarn filling of the main silencer 🛠.....	42
7.1	Advice on first use	16	11.28	Removing the fuel tank 🛠.....	42
7.2	Running in the engine.....	17	11.29	Installing the fuel tank 🛠.....	43
8	RIDING INSTRUCTIONS.....	18	11.30	Checking the chain for dirt.....	44
8.1	Checks and maintenance measures when preparing for use.....	18	11.31	Cleaning the chain	45
8.2	Starting.....	18	11.32	Checking the chain tension	45
8.3	Starting off.....	19	11.33	Adjusting the chain tension.....	46
8.4	Shifting, riding	19	11.34	Checking the chain, rear sprocket, engine sprocket and chain guide.....	46
8.5	Applying the brakes.....	19	11.35	Checking the frame 🛠.....	48
8.6	Stopping, parking.....	20	11.36	Checking the swingarm 🛠.....	48
8.7	Transport	20	11.37	Checking the throttle cable routing.....	48
8.8	Refueling	21	11.38	Checking the rubber grip	49
9	SERVICE SCHEDULE	22	11.39	Additionally securing the rubber grip.....	49
9.1	Additional information.....	22	11.40	Adjusting basic position of clutch lever	49
9.2	Required work	22			
9.3	Recommended work	23			
10	TUNING THE CHASSIS	24			
10.1	Checking the basic chassis setting with the rider's weight.....	24			

11.41	Checking the fluid level of the hydraulic clutch	50	20.4.3	Fuel	83
11.42	Correcting the fluid level of the hydraulic clutch	50	20.5	Fork.....	83
11.43	Changing the hydraulic clutch fluid 	51	20.6	Shock absorber.....	83
12	BRAKE SYSTEM	52	20.7	Chassis	84
12.1	Checking free travel of hand brake lever	52	20.8	Tires	84
12.2	Adjusting the basic position of the hand brake lever	52	20.9	Chassis tightening torques	85
12.3	Checking the brake discs	52	21	SUBSTANCES	86
12.4	Checking the front brake fluid level	53	22	AUXILIARY SUBSTANCES	88
12.5	Adding front brake fluid 	54	23	STANDARDS	90
12.6	Checking the front brake linings	55		INDEX	91
12.7	Changing the front brake linings 	55			
12.8	Checking the free travel of the foot brake lever	57			
12.9	Adjusting the free travel of the foot brake lever 	57			
12.10	Adjusting the basic position of the foot brake lever 	58			
12.11	Checking the rear brake fluid level.....	58			
12.12	Adding rear brake fluid 	59			
12.13	Checking the rear brake linings	60			
12.14	Changing the rear brake linings 	60			
13	WHEELS, TIRES	63			
13.1	Removing the front wheel 	63			
13.2	Installing the front wheel 	63			
13.3	Removing the rear wheel 	64			
13.4	Installing the rear wheel 	65			
13.5	Checking the tire condition	66			
13.6	Checking tire air pressure	66			
13.7	Checking spoke tension	66			
14	COOLING SYSTEM	68			
14.1	Cooling system	68			
14.2	Checking the antifreeze and coolant level	68			
14.3	Checking the coolant level	69			
14.4	Draining the coolant 	69			
14.5	Refilling with coolant 	70			
15	TUNING THE ENGINE.....	71			
15.1	Checking the play in the throttle cable	71			
15.2	Adjusting the play in the throttle cable 	71			
15.3	Carburetor - idle.....	72			
15.4	Carburetor – adjusting the idle speed 	72			
15.5	Emptying the carburetor float chamber 	73			
16	SERVICE WORK ON THE ENGINE	74			
16.1	Checking the gear oil level	74			
16.2	Changing the gear oil 	74			
16.3	Adding gear oil 	75			
17	CLEANING, CARE	76			
17.1	Cleaning the motorcycle	76			
18	STORAGE.....	77			
18.1	Storage	77			
18.2	Preparing for use after storage.....	77			
19	TROUBLESHOOTING	78			
20	TECHNICAL DATA.....	80			
20.1	Engine	80			
20.2	Engine tightening torques	80			
20.3	Carburetor	81			
20.3.1	Carburetor tuning.....	82			
20.4	Capacities	83			
20.4.1	Gear oil.....	83			
20.4.2	Coolant	83			

1.1 Symbols used

The meaning of specific symbols is described below.

-
- | | |
|--|--|
|  | Indicates an expected reaction (e.g. of a work step or a function). |
|  | Indicates an unexpected reaction (e.g. of a work step or a function). |
|  | All work marked with this symbol requires specialist knowledge and technical understanding. In the interest of the safety of your child, have these jobs performed in an authorized KTM workshop. There, your motorcycle will be optimally cared for by specially trained experts using the specialist tools required. |
|  | Indicates a page reference (more information is provided on the specified page). |
|  | Indicates information with more details or tips. |
|  | Indicates the result of a testing step. |
-

1.2 Formats used

The typographical formats used in this document are explained below.

-
- | | |
|--------------------------------|---|
| Proprietary name | Indicates a proprietary name. |
| Name[®] | Indicates a protected name. |
| Brand[™] | Indicates a brand available on the open market. |
| <u>Underlined terms</u> | Refer to technical details of the vehicle or indicate technical terms, which are explained in the glossary. |
-

2.1 Use definition – intended use

This vehicle is designed and built to withstand the normal stresses and strains of competitive use. This vehicle complies with the currently valid regulations and categories of the top international motorsport organizations.



Info

Only operate the vehicle in closed-off areas remote from public road traffic.

2.2 Misuse

The vehicle must only be used as intended.

Dangers can arise for people, property and the environment through use not as intended.

Any use of the vehicle beyond the intended and defined use constitutes misuse.

Misuse also includes the use of operating and auxiliary fluids which do not meet the required specification for the respective use.

2.3 Safety advice

A number of safety instructions need to be followed to operate the vehicle safely. Therefore, read this manual carefully. The safety instructions are highlighted in the text and are referred to at the relevant passages.



Info

The vehicle has various information and warning labels at prominent locations. Do not remove information/warning labels. If they are missing, you or others may not recognize dangers and may therefore be injured.

2.4 Degrees of risk and symbols



Danger

Indicates a danger that will immediately and invariably lead to fatal or serious permanent injury if the appropriate measures are not taken.



Warning

Indicates a danger that is likely to lead to fatal or serious injury if the appropriate measures are not taken.



Caution

Indicates a danger that may lead to minor injuries if the appropriate measures are not taken.

Note

Indicates a danger that will lead to considerable machine and material damage if the appropriate measures are not taken.



Warning

Indicates a danger that will lead to environmental damage if the appropriate measures are not taken.

2.5 Tampering warning

Tampering with the noise control system is prohibited. Federal law prohibits the following acts or the causing thereof:

- 1 The removal or rendering inoperative by any person other than for purposes of maintenance, repair, or replacement, of any device or element of design incorporated into any new vehicle for the purpose of noise control prior to its sale or delivery to the ultimate purchaser or while it is in use, or
- 2 the use of the vehicle after such device or element of design has been removed or rendered inoperative by any person.

Among those acts presumed to constitute tampering are the acts listed below:

- 1 Removal or puncturing of the main silencer, baffles, header pipes or any other components which conduct exhaust gases.
- 2 Removal or puncturing of parts of the intake system.
- 3 Lack of proper maintenance.
- 4 Replacing moving part of the vehicle, or parts of the exhaust or intake system, with parts other than those specified by the manufacturer.

2.6 Safe operation



Danger

Danger of accidents A rider who is not fit to ride poses a danger to him or herself and others.

- Do not operate the vehicle if you are not fit to ride due to alcohol, drugs or medication.
- Do not operate the vehicle if you are physically or mentally impaired.



Danger

Danger of poisoning Exhaust gases are toxic and inhaling them may result in unconsciousness and death.

- Always make sure there is sufficient ventilation when running the engine.
- Use an effective exhaust extraction system when starting or running the engine in an enclosed space.



Warning

Danger of burns Some vehicle components become very hot when the vehicle is operated.

- Do not touch any parts such as the exhaust system, radiator, engine, shock absorber, or brake system before the vehicle parts have cooled down.
- Let the vehicle parts cool down before you perform any work on the vehicle.

Only operate the vehicle when it is in perfect technical condition, in accordance with its intended use and in a safe and environmentally compatible manner.

The vehicle should only be used by trained persons.

Have malfunctions that impair safety promptly eliminated by an authorized KTM workshop.

Adhere to the information and warning labels on the vehicle.

2.7 Protective clothing



Warning

Risk of injury Missing or poor protective clothing presents an increased safety risk.

- Ensure your child wears appropriate protective clothing such as helmet, boots, gloves as well as trousers and a jacket with protectors on all rides.
- Always use protective clothing for your child that is in good condition and meets the legal requirements.
- When you ride a motorcycle, set an example for your child and wear suitable protective clothing.

In the interest of your own safety, KTM recommends that you only operate the vehicle while wearing suitable protective clothing.

2.8 Work rules

Special tools are necessary for certain tasks. The tools are not contained in the vehicle but can be ordered under the number in parentheses. E.g.: bearing puller (15112017000)

During assembly, non-reusable parts (e.g. self-locking screws and nuts, seals and seal rings, O-rings, pins, lock washers) must be replaced by new parts.

In some instances, a thread locker (e.g. **Loctite**®) is required. The manufacturer instructions for use must be followed.

After disassembly, clean the parts that are to be reused and check them for damage and wear. Change damaged or worn parts.

After you complete the repair or service work, check the operating safety of the vehicle.

2.9 Environment

If you use your motorcycle responsibly, you can ensure that problems and conflicts do not occur. To protect the future of the motorcycle sport, make sure that you use your motorcycle legally, display environmental consciousness, and respect the rights of others. When disposing of used oil, other operating and auxiliary fluids, and used components, comply with the laws and regulations of the respective country.

Because motorcycles are not subject to the EU regulations governing the disposal of used vehicles, there are no legal regulations that pertain to the disposal of an end-of-life motorcycle. Your authorized KTM dealer will be glad to advise you.

2.10 Owner's Manual

It is important that you read this Owner's Manual carefully and completely before making your first trip. The Owner's Manual contains useful information and many tips on how to operate, handle, and maintain your motorcycle. Only then will you find out how to customize the vehicle ideally for your own use and how you can protect yourself from injury.

Keep the Owner's Manual in an accessible place to enable you to refer to it as needed.

If you would like to know more about the vehicle or have questions on the material you read, please contact an authorized KTM dealer. The Owner's Manual is an important component of the vehicle and must be handed over to the new owner if the vehicle is sold.

3.1 Manufacturer and implied warranty

The work specified in the service schedule may only be performed in an authorized KTM workshop and must be recorded in both the Service & Warranty Booklet and in **KTM Dealer.net**, otherwise any warranty coverage will become void. Damage or secondary damage caused by tampering with and/or conversions on the vehicle are not covered by the warranty.

Additional information on the manufacturer or implied warranty and the procedures involved can be found in the Service & Warranty Booklet.

3.2 Operating and auxiliary substances



Warning

Environmental hazard Improper handling of fuel is a danger to the environment.

- Do not allow fuel to enter the groundwater, the soil, or the sewage system.

Use operating and auxiliary substances (such as fuel and lubricants) as specified in the Owner's Manual.

3.3 Spare parts, accessories

For your own safety, only use spare parts and accessory products that are approved and/or recommended by KTM and have them installed by an authorized KTM workshop. KTM accepts no liability for other products and any resulting damage or loss. Certain spare parts and accessory products are specified in parentheses in the descriptions. Your authorized KTM dealer will be glad to advise you.

The current **KTM PowerParts** for your vehicle can be found on the KTM website.

International KTM Website: <http://www.ktm.com>

3.4 Service

A prerequisite for perfect operation and prevention of premature wear is that the service, care, and tuning work on the engine and chassis is properly carried out as described in the Owner's Manual. Incorrect adjustment and tuning of the engine and chassis can lead to damage and breakage of components.

Use of the vehicle under difficult conditions, such as on sand or on wet and muddy surfaces, can lead to considerably more rapid wear of components such as the drive train, brake system, or suspension components. For this reason, it may be necessary to inspect or replace parts before the next scheduled service.

It is imperative that you adhere to the stipulated run-in times and service intervals. If you observe these exactly, you will ensure a much longer service life for your motorcycle.

3.5 Figures

The figures contained in the manual may depict special equipment.

In the interest of clarity, some components may be shown disassembled or may not be shown at all. It is not always necessary to disassemble the component to perform the activity in question. Please follow the instructions in the text.

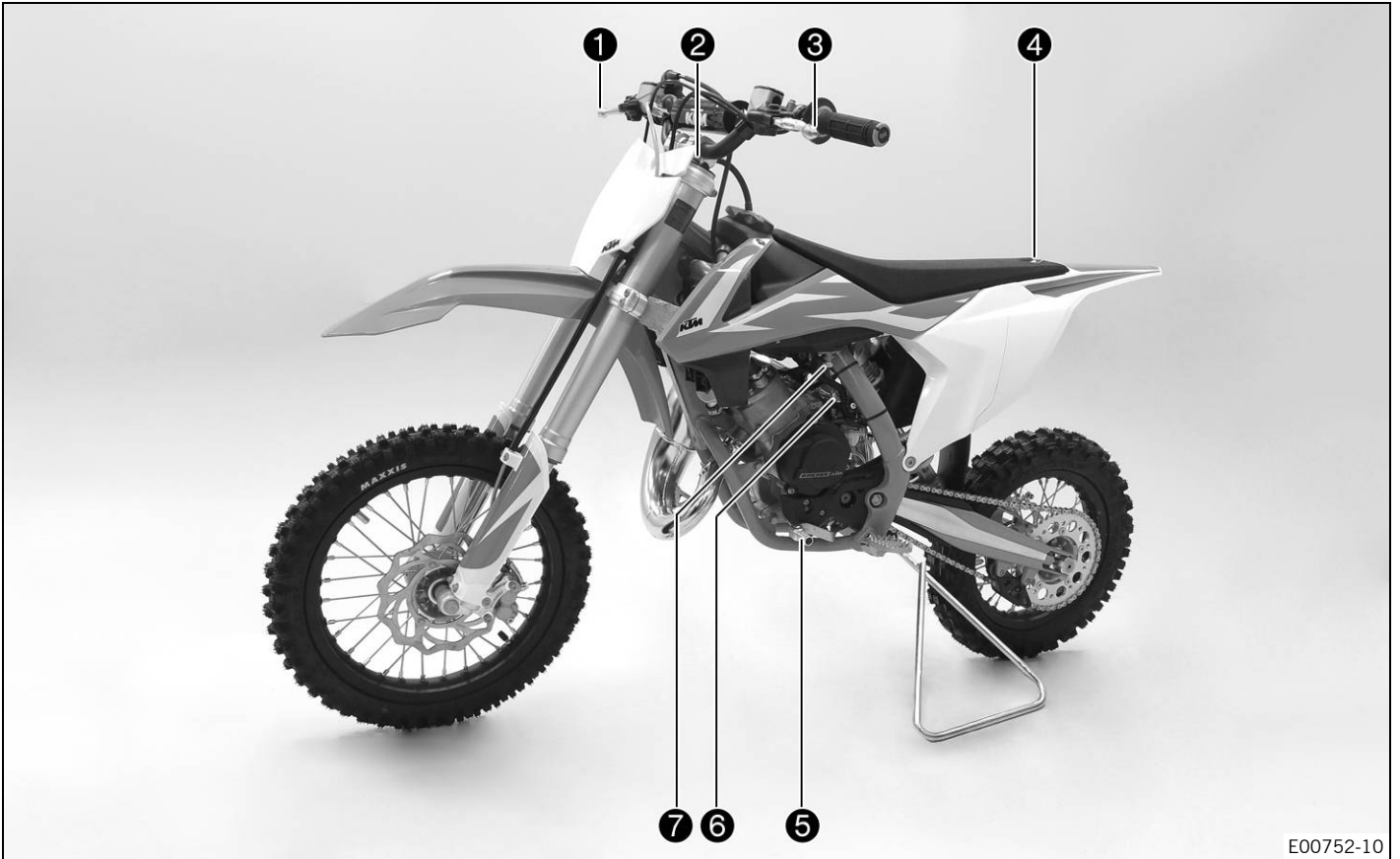
3.6 Customer service

Your authorized KTM dealer will be happy to answer any questions you may have on your vehicle and KTM.

A list of authorized KTM dealers can be found on the KTM website.

International KTM Website: <http://www.ktm.com>

4.1 View of vehicle, front left (example)



- | | |
|---|-----------------------------|
| 1 | Hand brake lever (📖 p. 12) |
| 2 | Valve for fork airpump |
| 3 | Clutch lever (📖 p. 12) |
| 4 | Quick release for seat lock |
| 5 | Shift lever (📖 p. 14) |
| 6 | Choke (📖 p. 13) |
| 7 | Fuel tap (📖 p. 13) |

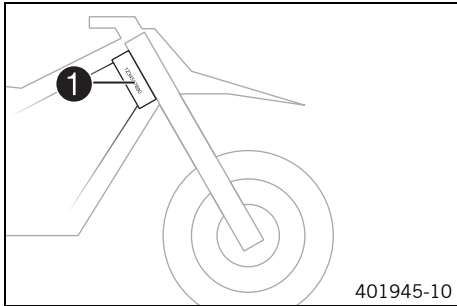
4.2 View of vehicle, rear right (example)



E00753-10

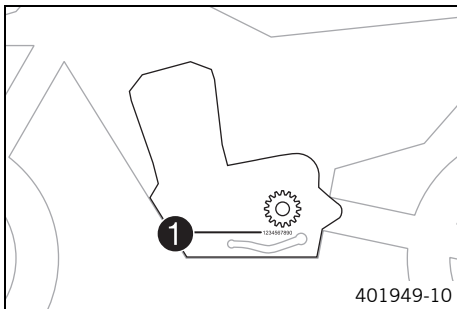
1	Filler cap
2	Kill switch (🗨️ p. 12)
3	Fork rebound adjustment
4	Throttle grip (🗨️ p. 12)
5	Chassis number (🗨️ p. 11)
6	Kick starter (🗨️ p. 14)
7	Foot brake lever (🗨️ p. 14)
8	Shock absorber compression adjustment
9	Level viewer for brake fluid, rear
10	Shock absorber rebound adjustment

5.1 Chassis number



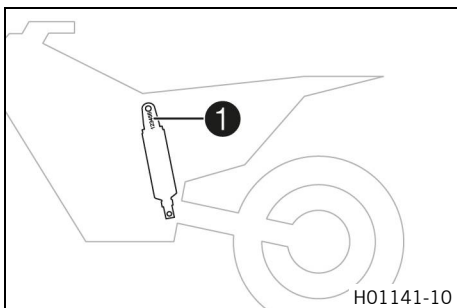
The chassis number ❶ is stamped on the right side of the steering head.

5.2 Engine number



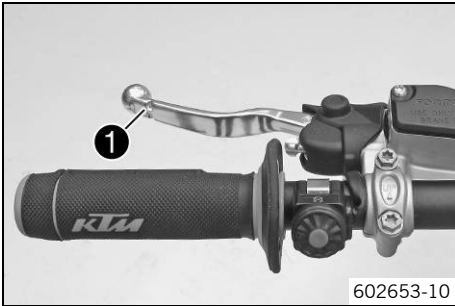
The engine number ❶ is located on the left side of the engine under the engine sprocket.

5.3 Shock absorber article number



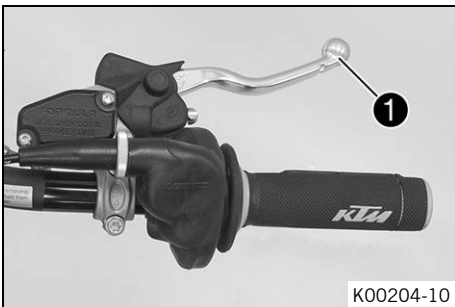
The shock absorber article number ❶ is stamped on the top of the shock absorber above the adjusting ring towards the left-hand side.

6.1 Clutch lever



The clutch lever ① is fitted on the left side of the handlebar. The clutch is hydraulically operated and self-adjusting.

6.2 Hand brake lever



Hand brake lever ① is fitted on the right side of the handlebar. The hand brake lever is used to activate the front brake.

6.3 Throttle grip



Throttle grip ① is fitted on the right side of the handlebar.

6.4 Kill switch



Kill switch ① is fitted on the left side of the handlebar.

Possible states

- Kill switch ☒ in basic position – In this position, the ignition circuit is closed, and the engine can be started.
- Kill switch ☒ pressed – In this position, the ignition circuit is interrupted, a running engine stops, and a non-running engine will not start.

6.5 Opening the filler cap



Danger

Fire hazard Fuel is highly flammable.

The fuel in the fuel tank expands when warm and can escape if overfilled.

- Do not refuel the vehicle in the vicinity of open flames or lit cigarettes.
- Switch off the engine for refueling.
- Make sure that no fuel is spilled; particularly not on hot parts of the vehicle.
- If any fuel is spilled, wipe it off immediately.
- Observe the specifications for refueling.



Warning

Danger of poisoning Fuel is poisonous and a health hazard.

- Avoid skin, eye and clothing contact with fuel.
- Immediately consult a doctor if you swallow fuel.
- Do not inhale fuel vapors.
- In case of skin contact, rinse the affected area with plenty of water.
- Rinse the eyes thoroughly with water, and consult a doctor in case of fuel contact with the eyes.
- Change your clothing in case of fuel spills on them.
- Keep fuels correctly in a suitable canister, and out of the reach of children.



Warning

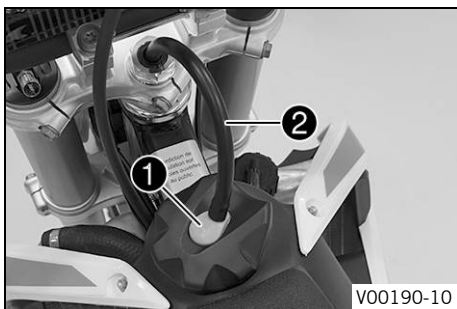
Environmental hazard Improper handling of fuel is a danger to the environment.

- Do not allow fuel to enter the groundwater, the soil, or the sewage system.



- Press release button **1**, turn the filler cap counterclockwise, and lift it free.

6.6 Closing the filler cap

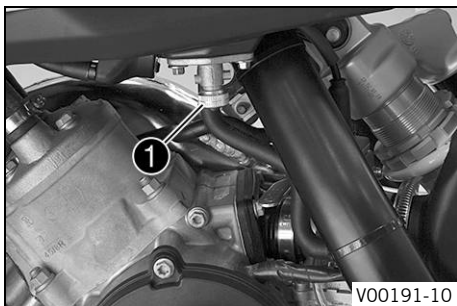


- Replace the filler cap and turn clockwise until the release button **1** locks in place.

i Info

Run the fuel tank breather hose **2** without kinks.

6.7 Fuel tap

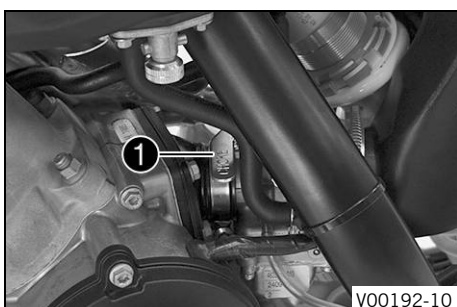


Fuel tap **1** is on the left of the fuel tank.

Possible states

- Fuel tap is closed – The knurled screw is turned all the way clockwise. Fuel cannot flow out of the fuel tank.
- Fuel tap is open – The knurled screw is turned all the way counterclockwise. Fuel can flow out of the fuel tank.

6.8 Choke



Choke lever **1** is fitted on the left side of the carburetor.

Activating the choke function frees a drill hole in the carburetor through which the engine can draw extra fuel. This results in a richer fuel-air mixture, which is needed for a cold start.

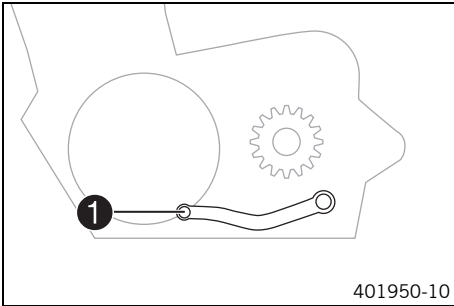
i Info

If the engine is warm, the choke function must be deactivated.

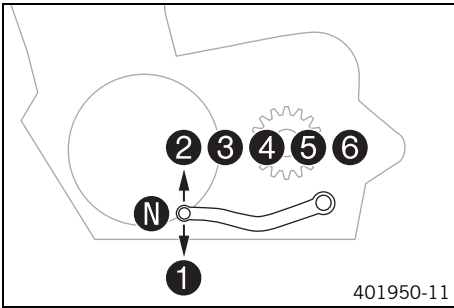
Possible states

- Choke function activated – The choke lever is pushed down all the way to the stop.
- Choke function deactivated – The choke lever is pushed up all the way to the stop.

6.9 Shift lever

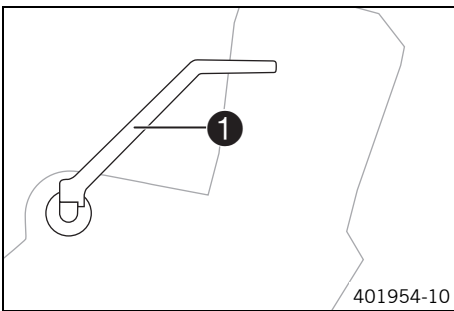


Shift lever ❶ is mounted on the left of the engine.



The gear positions can be seen in the figure.
The neutral or idle position **N** is between the first and second gear.

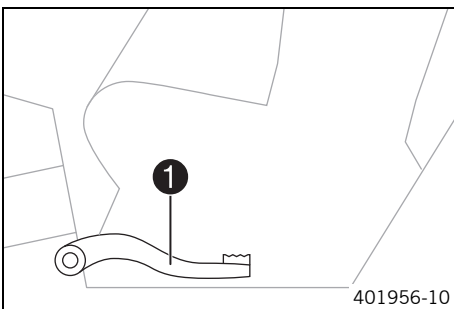
6.10 Kick starter



Kick starter ❶ is fitted on the right side of the engine.
The kick starter can be swiveled.

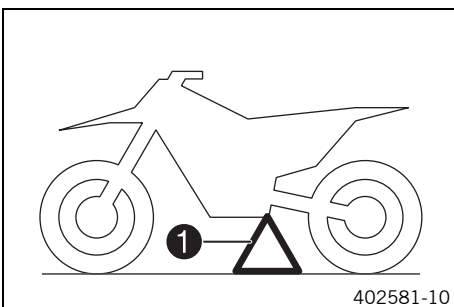
i Info
Before riding, swing the kick starter inwards towards the engine.

6.11 Foot brake lever



Foot brake lever ❶ is located in front of the right footrest.
The rear brake is engaged with the foot brake lever.

6.12 Plug-in stand



The fixture for plug-in stand ❶ is located on the frame on the left side of the vehicle.
The plug-in stand is used to park the motorcycle.

i Info
Remove the plug-in stand before riding.

6.13 Service hour counter



The service hour counter ① is fitted on the right side of the frame. It shows the total number of service hours of the engine. The service hour counter begins counting when the engine is started and stops when the engine is switched off.

i **Info**

The value indicated by the service hour counter cannot be cleared or adjusted.

7.1 Advice on first use



Warning

Danger of accidents A lack of physical and mental readiness on the part of the child poses a major risk.

Children often underestimate or fail to recognize dangerous situations.

- Your child must already be able to ride a bicycle.
- Your child must be able to put the vehicle upright independently after a fall.
- Your child must understand that regulations and instructions from you or from other guardians must be followed.
- Make it clear to your child that he or she should not, under any circumstances, operate the vehicle without supervision.
- Make it clear to your child that he or she may only drive at speeds commensurate with the child's riding abilities and the road conditions.
- Do not ask too much of your child.

Do not consider participation in competitive activities until your child's stamina, riding techniques and motivation are at the necessary levels.

- Only let your child ride on the vehicle if he or she is physically and mentally ready.



Warning

Risk of injury Missing or poor protective clothing presents an increased safety risk.

- Ensure your child wears appropriate protective clothing such as helmet, boots, gloves as well as trousers and a jacket with protectors on all rides.
- Always use protective clothing for your child that is in good condition and meets the legal requirements.
- When you ride a motorcycle, set an example for your child and wear suitable protective clothing.



Warning

Danger of crashing Different tire tread patterns on the front and rear wheel impair the handling characteristic.

Different tire tread patterns can make the vehicle significantly more difficult to control.

- Make sure that only tires with a similar tire tread pattern are fitted to the front and rear wheel.



Warning

Danger of accidents An unadapted riding style constitutes a major risk.

- Ensure that your child adapts the riding speed to the road conditions and to his or her riding abilities.



Warning

Danger of accidents The vehicle is not designed to carry passengers.

- Do not ride with a passenger.



Warning

Danger of accidents The brake system fails in the event of overheating.

If the foot brake lever is not released, the brake linings drag continuously.

- Ensure that your child raises his or her foot from the foot brake lever if he or she does not want to brake.



Warning

Danger of accidents The suspension components will become damaged or destroyed if overloaded.

- Do not exceed the maximum permissible weight of the rider.



Warning

Risk of misappropriation People who act without authorization endanger themselves and others.

- Do not leave the vehicle unattended if the engine is running.
- Protect the vehicle against access by unauthorized persons.



Info

When using your motorcycle, remember that others may feel disturbed by excessive noise.

- Make sure that the pre-delivery inspection work has been carried out by an authorized KTM workshop.
 - ✓ You receive a delivery certificate and the Service and Warranty Booklet at vehicle handover.
- Carefully read the entire Owner's Manual together with your child before going for the first ride.



Info

Pay special attention to the safety warnings and injury risks.
 Explain to your child the techniques of riding and falling, e.g. how shifting weight can influence handling characteristics.

- Familiarize your child with the controls.
- Adjust the basic position of clutch lever. (📖 p. 49)
- Adjust the basic position of the hand brake lever. (📖 p. 52)
- Adjust the basic position of the foot brake lever. 🦶 (📖 p. 58)
- Before using the vehicle for the first time, ensure that the basic settings of the chassis are suitable for the weight of your child.
- Accustom your child to the handling of the motorcycle on suitable terrain, preferably on a large, open meadow.



Info

To give your child a feeling for the brake system, you should push your child at first. Do not start the engine until your child is able to apply the necessary front brake pressure.
 Initially, let your child ride to another person who can help your child stop and turn.

- Erect obstacles for your child to navigate around to accustom your child to handling the vehicle.
- Your child should also try to ride as slowly as possible and in a standing position to get a better feeling for the vehicle.
- Do not let your child ride on terrain that exceeds your child's capabilities and experience.
- Your child should hold the handlebar firmly with both hands and keep his or her feet on the footrests when riding.
- Make sure the maximum permissible weight of the rider is not exceeded.

Guideline

Maximum rider weight	50 kg (110 lb.)
----------------------	-----------------

- Check the spoke tension. (📖 p. 66)



Info

The spoke tension must be checked after half an hour of operation.

- Run the engine in. (📖 p. 17)

7.2 Running in the engine

- During the running-in phase, do not exceed the specified engine performance.

Guideline

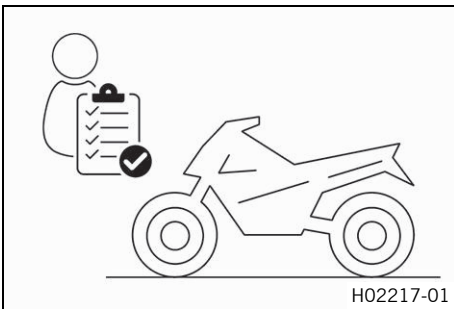
Maximum engine performance	
During the first 3 operating hours	< 70 %
During the first 5 operating hours	< 100 %

- Avoid fully opening the throttle!

8.1 Checks and maintenance measures when preparing for use

**Info**

Before every trip, check the condition of the vehicle and ensure that it is safe to operate. The vehicle must be in perfect technical condition when it is being operated.



- Check the gear oil level. (📖 p. 74)
- Check the front brake fluid level. (📖 p. 53)
- Check the rear brake fluid level. (📖 p. 58)
- Check the front brake linings. (📖 p. 55)
- Check the rear brake linings. (📖 p. 60)
- Check that the brake system is functioning properly.
- Check the coolant level. (📖 p. 69)
- Check the chain for dirt. (📖 p. 44)
- Check the chain, rear sprocket, engine sprocket and chain guide. (📖 p. 46)
- Check the chain tension. (📖 p. 45)
- Check the tire condition. (📖 p. 66)
- Check the tire air pressure. (📖 p. 66)
- Check the spoke tension. (📖 p. 66)

**Info**

The spoke tension must be checked regularly as incorrect spoke tension will strongly impair riding safety.

- Clean the dust boots of the fork legs. (📖 p. 32)
- Bleed the fork legs. (📖 p. 31)
- Check the air filter.
- Check the settings of all controls and ensure that they can be operated smoothly.
- Check all screws, nuts, and hose clamps regularly for tightness.
- Check the fuel level.

8.2 Starting

**Danger**

Danger of poisoning Exhaust gases are toxic and inhaling them may result in unconsciousness and death.

- Always make sure there is sufficient ventilation when running the engine.
- Use an effective exhaust extraction system when starting or running the engine in an enclosed space.

Note

Engine damage High revving speed with a cold engine negatively impacts the lifespan of the engine.

- Always run the engine warm at a low speed.

**Info**

If the motorcycle is unwilling to start, the cause can be old fuel in the float chamber. The flammable elements of the fuel evaporate after a long time of standing.

If the float chamber is filled with fresh fuel, the engine starts immediately.

Engine has been out of use for more than 1 week

- Empty the carburetor float chamber. 🛠️ (📖 p. 73)
- Turn the knurled screw on the fuel tap all the way counterclockwise.
 - ✓ Fuel can flow from the fuel tank to the carburetor.
- Remove the motorcycle from the stand.
- Shift gear to neutral.

The engine is cold

- Push down the choke lever all the way to the stop.

- Forcefully step on the kickstarter, pushing it all the way down.

**Info**

Do not open the throttle.

8.3 Starting off

**Info**

The plug-in stand must be removed prior to riding.

- Pull the clutch lever, engage 1st gear, release the clutch lever slowly and simultaneously open the throttle carefully.

8.4 Shifting, riding

**Warning**

Danger of accidents If you change down at high engine speed, the rear wheel blocks and the engine races.

- Make it clear to your child that he or she must not change into a low gear at high engine speed.

**Info**

If unusual noises occur while riding, stop immediately, switch off the engine and contact an authorized KTM workshop. First gear is used for starting off and for steep inclines.

- When conditions allow (incline, road situation, etc.), your child can shift into a higher gear. To do so, release the throttle while simultaneously pulling the clutch lever, shift into the next gear, release the clutch lever and open the throttle.
- If the choke function was activated, deactivate it after the engine has warmed up.
- After reaching maximum speed by fully opening the throttle grip, turn the throttle back so it is $\frac{3}{4}$ open. This will barely reduce the speed but fuel consumption will be considerably lower.
- Your child should always open the throttle only as much as the engine can handle – abruptly opening the throttle increases fuel consumption.
- To shift down, apply the brakes and close the throttle at the same time.
- Pull the clutch lever and shift into a lower gear, release the clutch lever slowly, and either open the throttle or shift again.
- Your child should switch off the engine if longer periods of engine idling or standing still are expected.

Guideline

≥ 2 min

- Your child should avoid frequent and extended slipping of the clutch. This heats the engine oil, the engine, and the cooling system.
- Insist that your child ride with a low rpm instead of with a high rpm and a slipping clutch.

8.5 Applying the brakes

**Warning**

Danger of accidents Excessively forceful application of the brakes blocks the wheels.

- Explain to your child that he or she must adapt the braking to the traffic situation and the road conditions.

**Warning**

Danger of accidents A spongy pressure point on the front or rear brake reduces braking efficiency.

- Check the brake system and do not allow your child to continue riding until the problem is eliminated. (Your authorized KTM workshop will be glad to help.)

**Warning**

Danger of accidents Moisture and dirt impair the brake system.

- Explain to your child that he or she must brake carefully several times to dry out and remove dirt from the brake linings and the brake discs.

- On sandy, wet, or slippery surfaces, use the rear brake.
- Always finish braking before you go into a bend. Your child should change down to a lower gear appropriate to the road speed.

- Insist that your child take advantage of the braking action of the engine when riding on long downhill. To do so, shift back one or two gears, but do not overrev the engine. Your child will need to apply the brakes far less often and the brake system will not overheat.

8.6 Stopping, parking



Warning

Risk of misappropriation People who act without authorization endanger themselves and others.

- Do not leave the vehicle unattended if the engine is running.
- Protect the vehicle against access by unauthorized persons.



Warning

Danger of burns Some vehicle components become very hot when the vehicle is operated.

- Do not touch any parts such as the exhaust system, radiator, engine, shock absorber, or brake system before the vehicle parts have cooled down.
- Let the vehicle parts cool down before you perform any work on the vehicle.

Note

Danger of damage The parked vehicle can roll away or fall over.

- Park the vehicle on a firm and level surface.

Note

Fire hazard Hot vehicle components pose a fire hazard and explosion risk.

- Do not park the vehicle near to materials which are highly flammable or explosive.
- Allow the vehicle to cool down before covering it.

Note

Material damage The vehicle may be damaged by incorrect procedure when parking.

Significant damage may be caused if the vehicle rolls away or falls over.

The components for parking the vehicle are designed only for the weight of the vehicle.

- Park the vehicle on a firm and level surface.
- Ensure that nobody sits on the vehicle when the vehicle is parked on a stand.

- Apply the brakes on the motorcycle.
- Shift gear to neutral.
- Press and hold the kill switch ☒ while the engine is idling until the engine stops.
- Turn the knurled screw on the fuel tap all the way clockwise.
- Park the motorcycle on firm ground.

8.7 Transport

Note

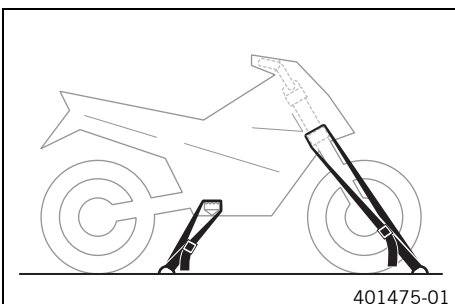
Danger of damage The parked vehicle can roll away or fall over.

- Park the vehicle on a firm and level surface.

Note

Fire hazard Hot vehicle components pose a fire hazard and explosion risk.

- Do not park the vehicle near to materials which are highly flammable or explosive.
- Allow the vehicle to cool down before covering it.



- Switch off the engine.
- Use tension belts or other suitable devices to secure the motorcycle against accidents or falling over.

8.8 Refueling



Danger

Fire hazard Fuel is highly flammable.

The fuel in the fuel tank expands when warm and can escape if overfilled.

- Do not refuel the vehicle in the vicinity of open flames or lit cigarettes.
- Switch off the engine for refueling.
- Make sure that no fuel is spilled; particularly not on hot parts of the vehicle.
- If any fuel is spilled, wipe it off immediately.
- Observe the specifications for refueling.



Warning

Danger of poisoning Fuel is poisonous and a health hazard.

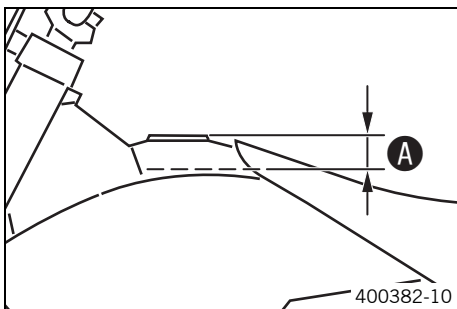
- Avoid skin, eye and clothing contact with fuel.
- Immediately consult a doctor if you swallow fuel.
- Do not inhale fuel vapors.
- In case of skin contact, rinse the affected area with plenty of water.
- Rinse the eyes thoroughly with water, and consult a doctor in case of fuel contact with the eyes.
- Change your clothing in case of fuel spills on them.



Warning

Environmental hazard Improper handling of fuel is a danger to the environment.

- Do not allow fuel to enter the groundwater, the soil, or the sewage system.



- Switch off the engine.
- Open the filler cap. (📖 p. 12)
- Fill the fuel tank with fuel up to measurement **A**.

Guideline

Measurement of A	35 mm (1.38 in)	
Fuel tank capacity, approx.	3.5 l (3.7 qt.)	Super unleaded (95 octane) mixed with 2-stroke engine oil (1:60) (📖 p. 87)
Engine oil, 2-stroke (📖 p. 86)		

- Close the filler cap. (📖 p. 13)

9.1 Additional information

Any further work that results from the required work or from the recommended work must be ordered separately and can be invoiced separately.
 Different service intervals may apply in your country, depending on the local operating conditions.

9.2 Required work

	Every 80 operating hours			
	Every 40 operating hours			
	Every 20 operating hours			
	Once after 10 operating hours			
Check the front brake linings. (📖 p. 55)	○	●	●	●
Check the rear brake linings. (📖 p. 60)	○	●	●	●
Check the brake discs. (📖 p. 52)	○	●	●	●
Check the brake lines for damage and leakage.	○	●	●	●
Change the foot brake cylinder sealing cup. 🛠️		●	●	●
Check the rear brake fluid level. (📖 p. 58)	○	●	●	●
Check the free travel of the foot brake lever. (📖 p. 57)	○	●	●	●
Check the frame. 🛠️ (📖 p. 48)		●	●	●
Check the swingarm. 🛠️ (📖 p. 48)		●	●	●
Check the swingarm bearing for backlash. 🛠️		●	●	●
Check the heim joint for play. 🛠️		●	●	●
Check the tire condition. (📖 p. 66)	○	●	●	●
Check the tire air pressure. (📖 p. 66)	○	●	●	●
Check the wheel bearing for play. 🛠️		●	●	●
Check the wheel hubs. 🛠️		●	●	●
Check the rim run-out. 🛠️	○	●	●	●
Check the spoke tension. (📖 p. 66)	○	●	●	●
Check the chain, rear sprocket, engine sprocket and chain guide. (📖 p. 46)	○	●	●	●
Check the chain tension. (📖 p. 45)	○	●	●	●
Grease all moving parts (e.g., hand lever, chain, ...) and check for smooth operation. 🛠️	○	●	●	●
Check the fluid level of the hydraulic clutch. (📖 p. 50)	○	●	●	●
Check the front brake fluid level. (📖 p. 53)	○	●	●	●
Check the free travel of the hand brake lever. (📖 p. 52)	○	●	●	●
Check play of steering head bearing. (📖 p. 36)	○	●	●	●
Change the spark plug and spark plug connector. 🛠️		●	●	●
Change the gear oil. 🛠️ (📖 p. 74)	○		●	●
Check the gear oil level. (📖 p. 74)		●		
Check the clutch. 🛠️		●	●	●
Check all hoses (e.g. fuel, cooling, bleeder, drainage, etc.) and sleeves for cracking, leaks, and incorrect routing. 🛠️	○	●	●	●
Check the antifreeze and coolant level. (📖 p. 68)	○	●	●	●
Check the cables for damage and routing without sharp bends. 🛠️	○	●	●	●
Check that the throttle cables are undamaged, routed without sharp bends, and set correctly.	○	●	●	●
Clean the air filter and air filter box. 🛠️ (📖 p. 41)	○	●	●	●
Change the glass fiber yarn filling of the main silencer. 🛠️ (📖 p. 42)		●	●	●
Service the fork. 🛠️			●	●
Perform a shock absorber service. 🛠️				●
Check the screws and nuts for tightness. 🛠️	○	●	●	●
Check idle. 🛠️	○	●	●	●
Final check: Check the vehicle for safe operation and take a test ride. 🛠️	○	●	●	●
Make the service entry in the KTM Dealer.net and in the Service and Warranty Booklet. 🛠️	○	●	●	●

- One-time interval
- Periodic interval

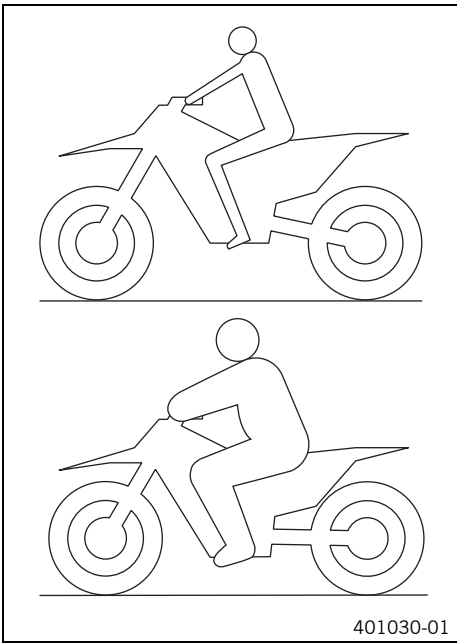
9.3 Recommended work

	Once after 10 operating hours	Once after 20 operating hours / Every 20 operating hours	Every 40 operating hours	Every 80 operating hours	Annually
Change the front brake fluid. 🛠️					●
Change the rear brake fluid. 🛠️					●
Change the hydraulic clutch fluid. 🛠️ (📖 p. 51)					●
Grease the steering head bearing. 🛠️ (📖 p. 37)					●
Service the fork. 🛠️	○				
Perform a shock absorber service. 🛠️			○		
Check/set the carburetor components. 🛠️			●	●	●
Perform minor engine service. Check the cylinder and piston. Check the inlet membrane. Check the exhaust control for functioning and smooth operation.) 🛠️		●	●	●	
Perform major engine service including removing and installing engine. (Change the spring of the exhaust control. Change the piston. Change the connecting rod, conrod bearing, and crank pin. Change the crankshaft bearing. Check the transmission and shift mechanism. Change all engine bearings.) 🛠️					●

- One-time interval
- Periodic interval

10.1 Checking the basic chassis setting with the rider's weight

i Info When adjusting the basic chassis setting, first adjust the shock absorber and then the fork.



- For optimal motorcycle riding characteristics and to avoid damage to forks, shock absorbers, swingarm and frame, the basic settings of the suspension components must match the rider's weight.
- As delivered, KTM offroad motorcycles are adjusted for an average rider's weight (with full protective clothing).

Guideline

Standard rider weight	35... 45 kg (77... 99 lb.)
-----------------------	----------------------------

- If the rider's weight is above or below this range, the basic setting of the suspension components must be adjusted accordingly.
- Small weight differences can be compensated by adjusting the spring preload, but in the case of large weight differences, the springs must be replaced.

10.2 Air suspension AER 35

Air suspension **WP Performance Systems AER 35** is used in the fork. In this system, suspension is located in the left fork leg and damping in the right fork leg. As fork springs are no longer required, a significant weight advantage is achieved when compared to conventional forks. The response on slightly uneven surfaces is significantly improved. In normal driving mode, suspension is provided exclusively by an air cushion. A steel spring is located in the left fork leg as an end stop.

i Info If the fork is frequently overloaded, then the air pressure in the fork must be increased to avoid damage to the fork and frame.

The air pressure in the fork can be quickly adjusted for the rider's weight, surface conditions and the rider's preference using a fork pump. The fork does not have to be detached. The time consuming mounting of harder or softer fork springs is not required. If the air chamber loses air due to a damaged seal, the fork will still not sag. In this case the air is retained in the fork. The suspension travel is maintained as far as possible. The damping becomes harder and the riding comfort reduces. The rebound damping can be adjusted. The rebound adjustment is located at the upper end of the right fork leg.

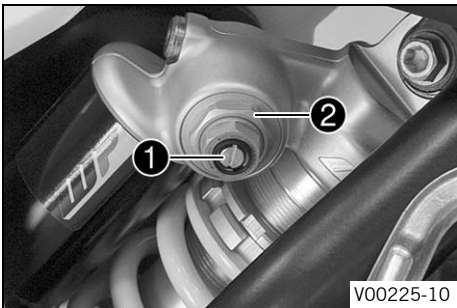
10.3 Compression damping of the shock absorber

The compression damping of the shock absorber is divided into two ranges: high-speed and low-speed. High-speed and low-speed refer to the compression speed of the rear wheel suspension and not to the vehicle speed. The high-speed setting, for example, has an effect on the landing after a jump: the rear wheel suspension compresses quickly. The low-speed setting, for example, has an effect when riding over long ground swells: the rear wheel suspension compresses slowly. These two ranges can be adjusted separately, although the transition between high-speed and low-speed is gradual. Thus, changes in the high-speed range affect the compression damping in the low-speed range and vice versa.

10.4 Adjusting the low-speed compression damping of the shock absorber

Caution
Risk of injury Parts of the shock absorber will fly off if the shock absorber is disassembled incorrectly. The shock absorber is filled with highly compressed nitrogen.
 – Please follow the description provided. (Your authorized KTM workshop will be glad to help.)

Info
 The effect of the low-speed setting can be seen in slow to normal compression of the shock absorber.



- Turn adjusting screw ① clockwise with a screwdriver up to the last perceptible click.

Info
 Do not loosen fitting ②!

- Turn counterclockwise by the number of clicks corresponding to the shock absorber type.

Guideline

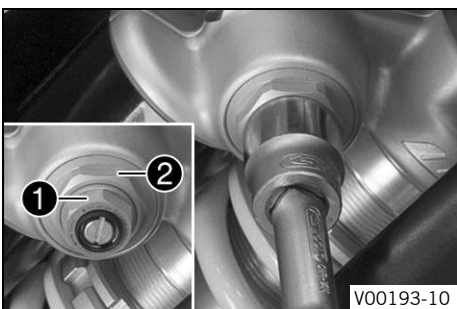
Compression damping, low-speed	
Comfort	18 clicks
Standard	15 clicks
Sport	12 clicks

Info
 Turn clockwise to increase damping; turn counterclockwise to reduce damping.

10.5 Adjusting the high-speed compression damping of the shock absorber

Caution
Risk of injury Parts of the shock absorber will fly off if the shock absorber is disassembled incorrectly. The shock absorber is filled with highly compressed nitrogen.
 – Please follow the description provided. (Your authorized KTM workshop will be glad to help.)

Info
 The effect of the high-speed setting can be seen in fast compression of the shock absorber.



- Turn adjusting screw ① all the way clockwise with a socket wrench.

Info
 Do not loosen fitting ②!

- Turn counterclockwise by the number of turns corresponding to the shock absorber type.

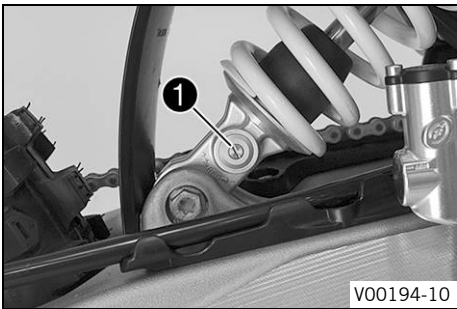
Guideline

Compression damping, high-speed	
Comfort	1.5 turns
Standard	1 turn
Sport	0.5 turns

Info
 Turn clockwise to increase damping; turn counterclockwise to reduce damping.

10.6 Adjusting the rebound damping of the shock absorber

Caution
Risk of injury Parts of the shock absorber will fly off if the shock absorber is disassembled incorrectly. The shock absorber is filled with highly compressed nitrogen.
 – Please follow the description provided. (Your authorized KTM workshop will be glad to help.)



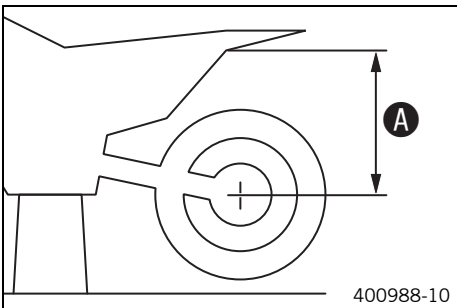
- Turn adjusting screw **1** clockwise up to the last perceptible click.
- Turn counterclockwise by the number of clicks corresponding to the shock absorber type.

Guideline

Rebound damping	
Comfort	8 clicks
Standard	5 clicks
Sport	2 clicks

i Info
 Turn clockwise to increase damping; turn counterclockwise to reduce damping.

10.7 Measuring rear wheel sag unloaded



Preparatory work

- Raise the motorcycle with a lift stand. (📖 p. 31)

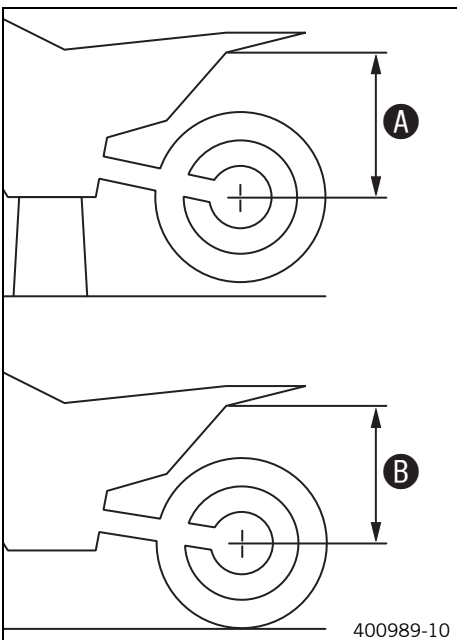
Main work

- Measure the distance – as vertical as possible – between the rear axle and a fixed point, for example, a mark on the side cover.
- Make a note of the value as measurement **A**.

Finishing work

- Remove the motorcycle from the lift stand. (📖 p. 31)

10.8 Checking the static sag of the shock absorber



- Measure distance **A** of rear wheel unloaded. (📖 p. 26)
- Hold the motorcycle upright with the aid of an assistant.
- Measure the distance between the rear axle and the fixed point again.
- Note down the value as dimension **B**.

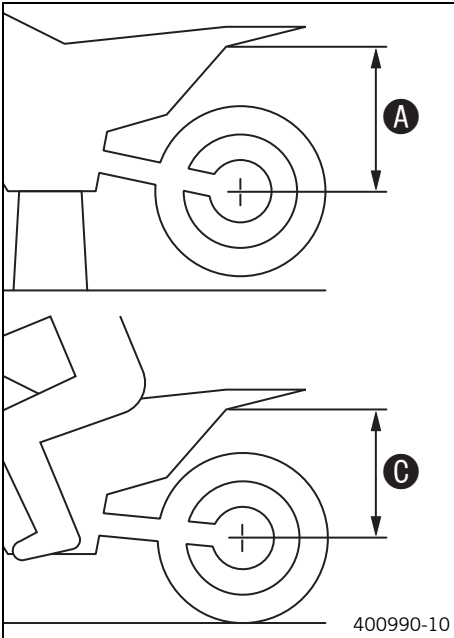
i Info
 The static sag is the difference between measurements **A** and **B**.

- Check the static sag.

Static sag	30 mm (1.18 in)
------------	-----------------

- » If the static sag is less or more than the specified value:
 - Adjust the spring pretension of the shock absorber. 🛠️ (📖 p. 27)

10.9 Checking the riding sag of the shock absorber



- Measure distance **A** of rear wheel unloaded. (📖 p. 26)
- With another person holding the motorcycle, the rider, wearing full protective clothing, sits on the seat in a normal sitting position (feet on footrests) and bounces up and down a few times.
 - ✓ The rear wheel suspension levels out.
- Another person now measures the distance between the rear axle and the fixed point.
- Note down the value as dimension **C**.

i Info

The riding sag is the difference between measurements **A** and **C**.

- Check the riding sag.

Riding sag	70 mm (2.76 in)
------------	-----------------

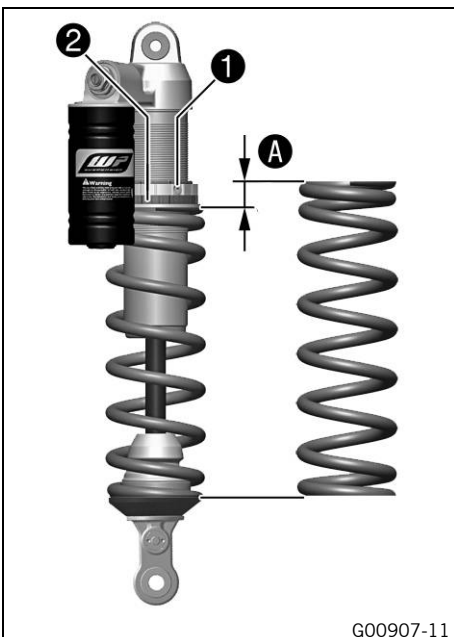
- » If the riding sag differs from the specified measurement:
 - Adjust the riding sag. 🛠️ (📖 p. 28)

10.10 Adjusting the spring pretension of the shock absorber 🛠️

⚠️ Caution

Risk of injury Parts of the shock absorber will fly off if the shock absorber is disassembled incorrectly. The shock absorber is filled with highly compressed nitrogen.

- Please follow the description provided. (Your authorized KTM workshop will be glad to help.)



Preparatory work

- Raise the motorcycle with a lift stand. (📖 p. 31)
- Remove shock absorber. 🛠️ (📖 p. 39)
- After removing the shock absorber, clean it thoroughly.

Main work

- Measure the full spring length while it is under tension and note down the value.
- Loosen retaining ring **1**.
- Turn adjusting ring **2** until the spring is no longer under tension.

Combination wrench (50329080000)
Hook wrench (T106S)

- Measure the overall spring length while the spring is not under tension.
- Tighten the spring by turning adjusting ring **2** to measurement **A**.

Guideline

Spring preload	
Standard	5 mm (0.2 in)

i Info

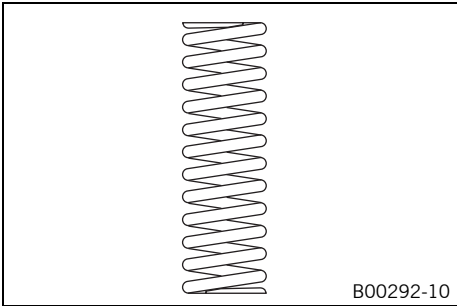
The spring preload is the difference between the relaxed spring length and the tensioned spring length. Depending on the static sag and/or the riding sag, it may be necessary to increase or decrease the spring pretension.

- Tighten retaining ring **1**.

Finishing work

- Install the shock absorber. 🛠️ (📖 p. 39)
- Remove the motorcycle from the lift stand. (📖 p. 31)

10.11 Adjusting the riding sag 🛠️



Preparatory work

- Raise the motorcycle with a lift stand. (📖 p. 31)
- Remove shock absorber. 🛠️ (📖 p. 39)
- After removing the shock absorber, clean it thoroughly.

Main work

- Choose and mount a suitable spring.

Guideline

Spring rate	
Weight of rider: 35 kg (77 lb.)	35 N/mm (200 lb/in)
Weight of rider: 40 kg (88 lb.)	40 N/mm (228 lb/in)
Weight of rider: 45 kg (99 lb.)	45 N/mm (257 lb/in)



Info

The spring rate is shown on the outside of the spring. Smaller weight differences can be compensated by changing the spring preload.

Finishing work

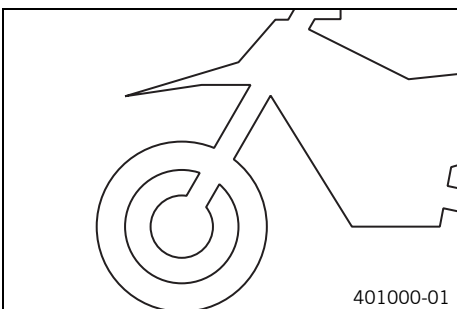
- Install the shock absorber. 🛠️ (📖 p. 39)
- Remove the motorcycle from the lift stand. (📖 p. 31)
- Check the static sag of the shock absorber. (📖 p. 26)
- Check the riding sag of the shock absorber. (📖 p. 27)
- Adjust the rebound damping of the shock absorber. (📖 p. 26)

10.12 Checking the basic setting of the fork



Info

For various reasons, no exact riding sag can be determined for the fork.



- Smaller differences in the rider's weight can be compensated for by the fork air pressure.
- However, if the fork frequently bottoms out (hard end stop on compression), the fork air pressure must be increased, within the specified values, to avoid damage to the fork and frame.

10.13 Adjusting the fork air pressure



Warning

Danger of accidents Modifications to the suspension setting may seriously alter the handling characteristic.

Extreme modifications to the suspension setting may cause a serious deterioration in the handling characteristic and overload components.

- Only make adjustments within the recommended range.
- Make sure your child rides slowly to start with after making adjustments in order that he or she can assess the new handling characteristic.



Info

Check or adjust the air pressure under the same conditions at the earliest 5 minutes after switching off the engine. The air suspension is located in the left fork leg. The rebound damping is located in the right fork leg.

Preparatory work

- Raise the motorcycle with a lift stand. (📖 p. 31)



Main work

- Remove protection cap ①.
- Push fork pump ② together fully.

Fork pump (79412966000)

i Info
The fork pump is included as part of the motorcycle's separate enclosure.

- Connect the fork pump to the left fork leg.
 - ✓ The fork pump indicator switches on automatically.
 - ✓ A little air escapes from the fork leg when connecting.

i Info
This is due to the volume of the hose and not due to a defect in the fork pump or the fork.
Read the accompanying **KTM PowerParts** instructions.

- Adjust the air pressure as specified.

Guideline

Air pressure	3 bar (44 psi)
Gradual changing of the air pressure in steps of	0.2 bar (3 psi)
Minimum air pressure	1.4 bar (20 psi)
Maximum air pressure	4 bar (58 psi)

i Info
Never set the air pressure to a value outside the stated range.

- Disconnect the fork pump from the left fork leg.
 - ✓ When disconnecting, excess pressure will escape from the hose – the fork leg does not lose any air.
 - ✓ The fork pump indicator switches off automatically after 80 seconds.
- Mount the protection cap.

Finishing work

- Remove the motorcycle from the lift stand. (🗨 p. 31)

10.14 Adjusting the rebound damping of the fork

i Info
The hydraulic rebound damping determines the fork suspension behavior.



- Turn adjusting screw ① clockwise all the way.

i Info
Adjusting screw ① is located at the upper end of the right fork leg.

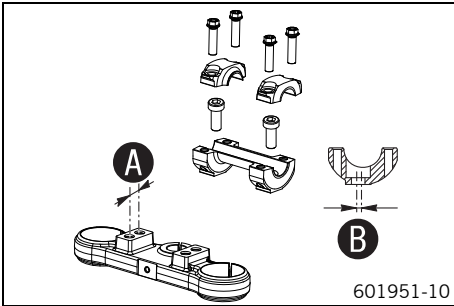
- Turn counterclockwise by the number of clicks corresponding to the fork type.

Guideline

Rebound damping	
Comfort	15 clicks
Standard	12 clicks
Sport	10 clicks

i Info
Turn clockwise to increase damping; turn counterclockwise to reduce damping.

10.15 Handlebar position



On the upper triple clamp, there are 2 holes at a distance of **A** to each other.

Hole distance A	15 mm (0.59 in)
------------------------	-----------------

The holes on the handlebar support are placed at a distance of **B** from the center.

Hole distance B	3.5 mm (0.138 in)
------------------------	-------------------

The handlebar holder can be mounted in four different positions. This allows the handlebar to be mounted in the most comfortable position for the rider.

10.16 Adjusting the handlebar position ↶

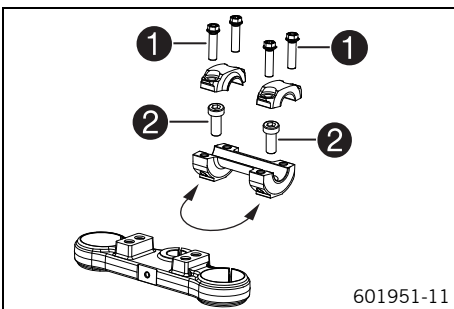


Warning

Danger of accidents A repaired handlebar poses a safety risk.

If the handlebar is bent or straightened, the material becomes fatigued. The handlebar may break as a result.

- Change the handlebar if the handlebar is damaged or bent.



- Remove screws **1**. Take off the handlebar clamps. Remove the handlebar and lay it to one side.



Info

Protect the motorcycle and its attachments against damage by covering them.

Do not kink the cables and lines.

- Remove screws **2**. Remove the handlebar support.
- Place the handlebar support in the required position. Mount and tighten screws **2**.

Guideline

Screw, handlebar support	M10	40 Nm (29.5 lbf ft)	Loctite® 243™
--------------------------	-----	------------------------	----------------------

- Position the handlebar.



Info

Make sure the cables and wiring are positioned correctly.

- Position the handlebar clamps. Mount screws **1** and tighten evenly.

Guideline

Screw, handlebar clamp	M8	20 Nm (14.8 lbf ft)
------------------------	----	------------------------



Info

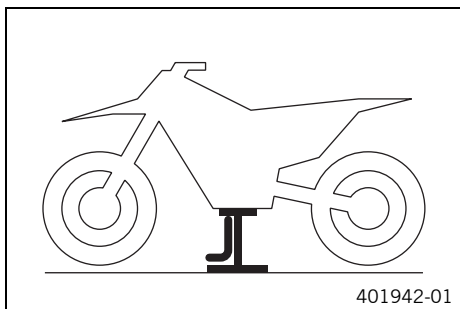
Make sure the gap widths are even.

11.1 Raising the motorcycle with a lift stand

Note

Danger of damage The parked vehicle can roll away or fall over.

- Park the vehicle on a firm and level surface.



- Raise the motorcycle at the frame underneath the engine.

Lift stand (78929955100)

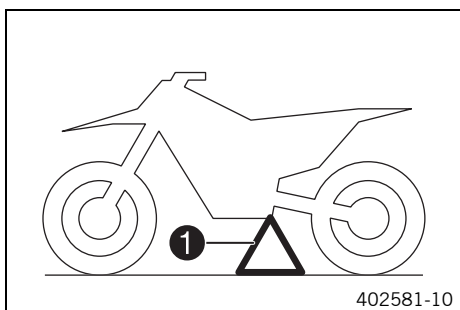
- ✓ Neither wheel is in contact with the ground.
- Secure the motorcycle against falling over.

11.2 Removing the motorcycle from the lift stand

Note

Danger of damage The parked vehicle can roll away or fall over.

- Park the vehicle on a firm and level surface.



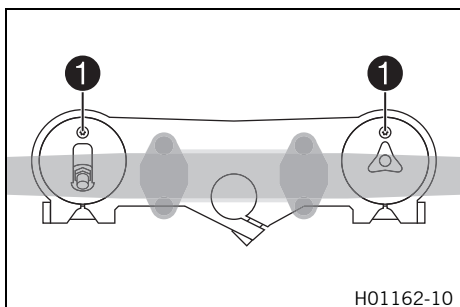
- Remove the motorcycle from the lift stand.
- Remove the lift stand.
- To park the motorcycle, insert plug-in stand ① into the plug-in stand bracket on the left side of the vehicle.



Info

Remove the plug-in stand before riding.

11.3 Bleeding the fork legs



Preparatory work

- Raise the motorcycle with a lift stand. (📖 p. 31)

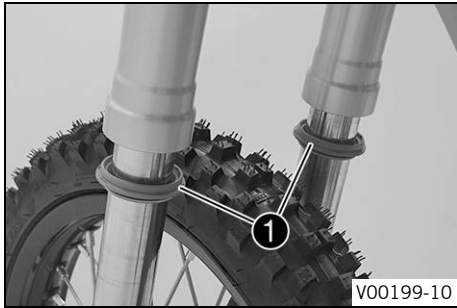
Main work

- Release bleeder screws ①.
- ✓ Any excess pressure escapes from the interior of the fork.
- Tighten the bleeder screws.

Finishing work

- Remove the motorcycle from the lift stand. (📖 p. 31)

11.4 Cleaning the dust boots of the fork legs



Preparatory work

- Raise the motorcycle with a lift stand. (📖 p. 31)
- Remove the fork protector. (📖 p. 32)

Main work

- Push dust boots ❶ of both fork legs downward.



Info

The dust boots remove dust and coarse dirt particles from the inside fork tubes. Over time, dirt can accumulate behind the dust boots. If this dirt is not removed, the oil seals behind can start to leak.



Warning

Danger of accidents Oil or grease on the brake discs reduces the braking effect.

- Always keep the brake discs free of oil and grease.
- Clean the brake discs with brake cleaner when necessary.

- Clean and oil the dust boots and inner fork tubes of both fork legs.

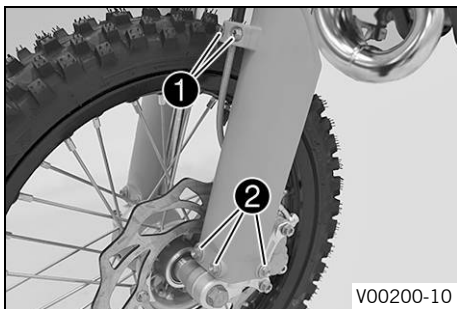
Universal oil spray (📖 p. 89)

- Press the dust boots back into their installation position.
- Remove excess oil.

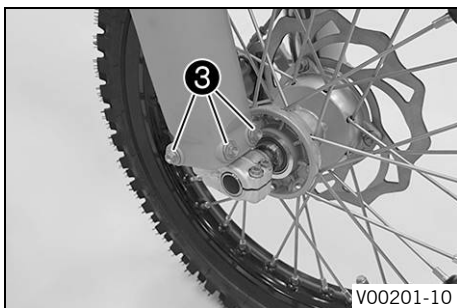
Finishing work

- Install the fork protector. (📖 p. 32)
- Remove the motorcycle from the lift stand. (📖 p. 31)

11.5 Removing the fork protector

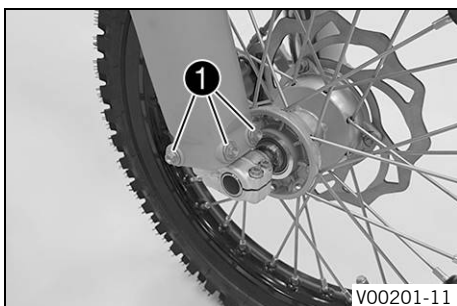


- Remove screws ❶ and take off the clamp.
- Remove screws ❷ on the left fork leg. Take off the fork protector.



- Remove screws ❸ on the right fork leg. Take off the fork protector.

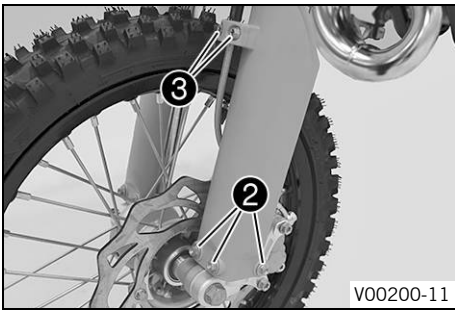
11.6 Installing the fork protector



- Position the fork protector on the right fork leg. Mount and tighten screws ❶.

Guideline

Remaining screws, chassis	M6	10 Nm (7.4 lbf ft)
---------------------------	----	--------------------



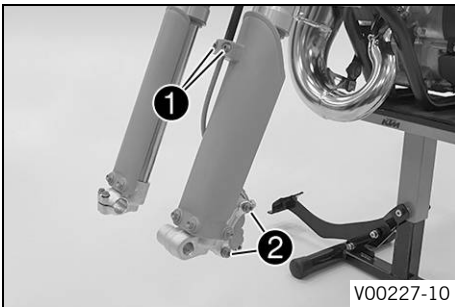
- Position the fork protector on the left fork leg. Mount and tighten screws ②.

Guideline

Remaining screws, chassis	M6	10 Nm (7.4 lbf ft)
---------------------------	----	--------------------

- Position the brake line and clamp. Mount and tighten screws ③.

11.7 Removing the fork legs



Preparatory work

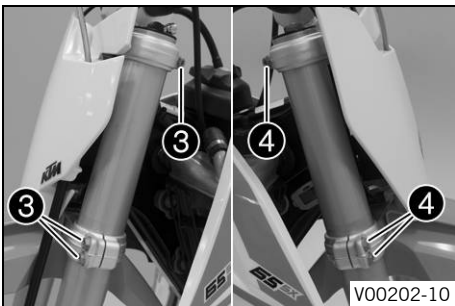
- Raise the motorcycle with a lift stand. (📖 p. 31)
- Remove the front wheel. (🔧 p. 63)

Main work

- Remove screws ① and take off the clamp.
- Remove screws ② and take off the brake caliper.
- Allow the brake caliper and brake line to hang loosely to the side.

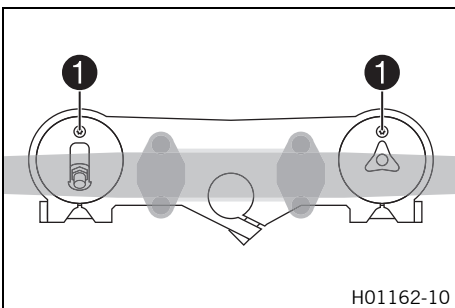
i Info

Do not kink the brake line.



- Loosen screws ③. Remove the left fork leg.
- Loosen screws ④. Remove the right fork leg.

11.8 Installing the fork legs

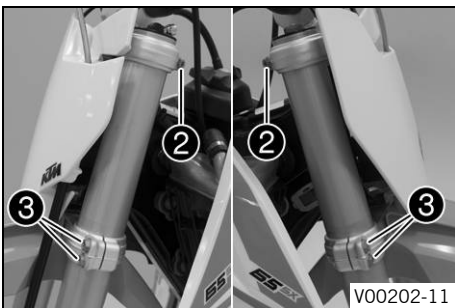


Main work

- Position the fork legs.
- ✓ Bleeder screws ① are positioned toward the front.

i Info

The second milled groove (from the top) must be flush with the top edge of the upper triple clamp.



- Tighten screws ②.

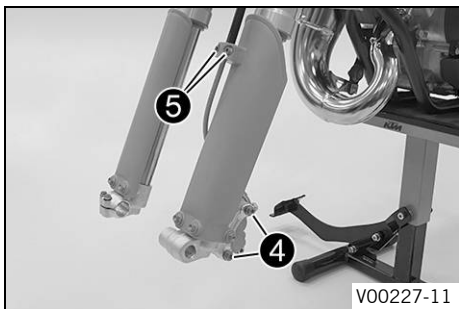
Guideline

Screw, top triple clamp	M8	20 Nm (14.8 lbf ft)
-------------------------	----	---------------------

- Tighten screws ③.

Guideline

Screw, bottom triple clamp	M8	15 Nm (11.1 lbf ft)
----------------------------	----	---------------------



- Position the brake caliper, and mount and tighten screws **4**.

Guideline

Screw, front brake caliper	M8	20 Nm (14.8 lbf ft)	Loctite® 243™
----------------------------	----	------------------------	---------------

- Position the brake line and clamp. Mount and tighten screws **5**.

Finishing work

- Install the front wheel. 🛠️ (📖 p. 63)

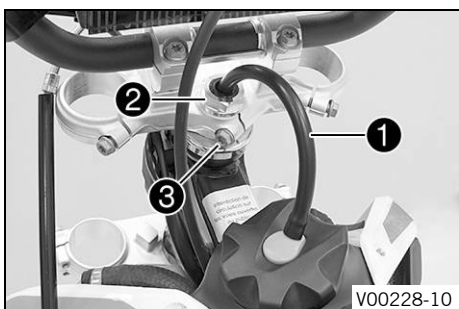
11.9 Removing the lower triple clamp 🛠️

Preparatory work

- Raise the motorcycle with a lift stand. (📖 p. 31)
- Remove the front wheel. 🛠️ (📖 p. 63)
- Remove the fork legs. 🛠️ (📖 p. 33)
- Remove the start number plate. (📖 p. 37)
- Dismount the front fender. (📖 p. 38)

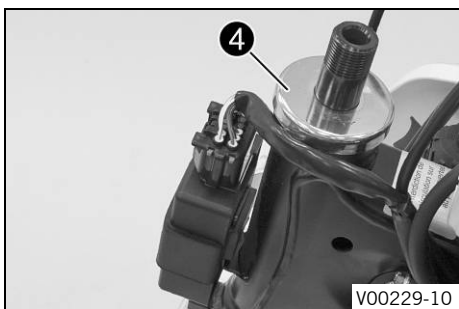
Main work

- Remove fuel tank breather **1**.
- Remove nut **2**.
- Remove screw **3**, take off the upper triple clamp with the handlebar and set it aside.



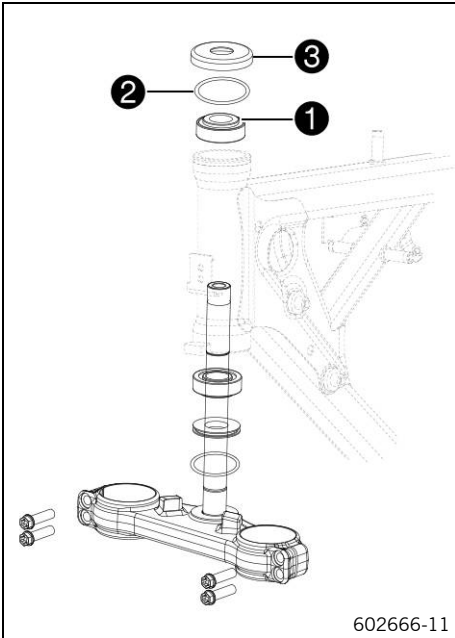
Info

Cover the components to protect them against damage.
Do not kink the cables and lines.



- Remove protective ring **4**.
- Remove the lower triple clamp with the steering stem.
- Remove the upper steering head bearing.

11.10 Installing the lower triple clamp



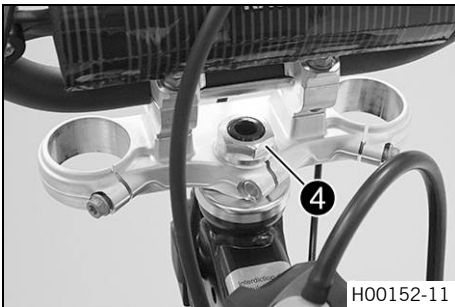
602666-11

Main work

- Clean the bearing and sealing elements, check for damage, and grease.

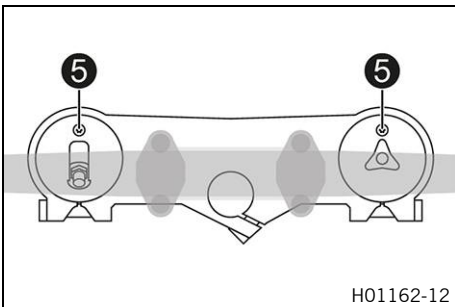
High viscosity grease (📖 p. 88)

- Insert the lower triple clamp with the steering stem. Mount upper steering head bearing **1**.
- Check whether upper steering head seal **2** is correctly positioned.
- Push on protective ring **3**.



H00152-11

- Position the upper triple clamp with the handlebar.
- Mount nut **4**, but do not tighten it yet.

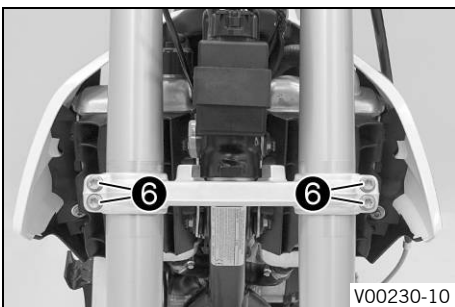


H01162-12

- Position the fork legs.
- ✓ Bleeder screws **5** are positioned toward the front.

Info

The upper milled groove in the fork leg must be flush with the upper edge of the upper triple clamp.

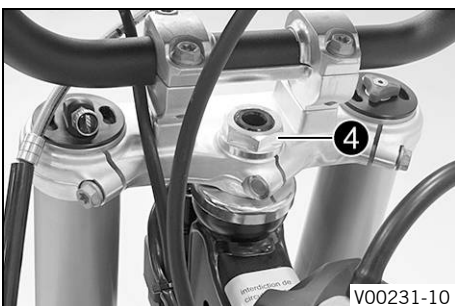


V00230-10

- Tighten screws **6**.

Guideline

Screw, bottom triple clamp	M8	15 Nm (11.1 lbf ft)
----------------------------	----	------------------------



V00231-10

- Tighten nut **4**.

Guideline

Nut, steering stem	M20x1.5	10 Nm (7.4 lbf ft)
--------------------	---------	--------------------

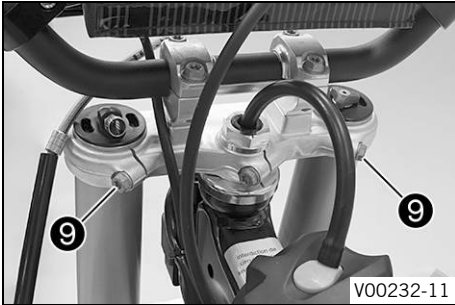


- Mount and tighten screw 7.

Guideline

Screw, steering stem	M8	20 Nm (14.8 lbf ft)
----------------------	----	------------------------

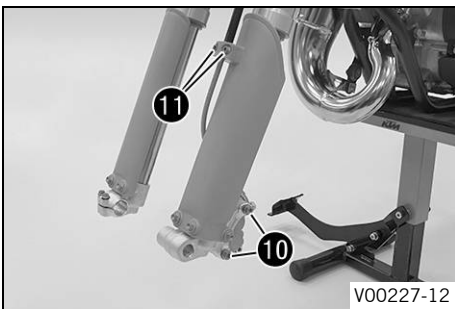
- Position the fuel tank breather 8 in the steering stem.
- Using a plastic hammer, tap lightly on the upper triple clamp to avoid stresses.



- Tighten screws 9.

Guideline

Screw, top triple clamp	M8	20 Nm (14.8 lbf ft)
-------------------------	----	------------------------



- Position the brake caliper, and mount and tighten screws 10.

Guideline

Screw, front brake caliper	M8	20 Nm (14.8 lbf ft)	Loctite® 243™
----------------------------	----	------------------------	---------------

- Position the brake line and clamp. Mount and tighten screws 11.

Finishing work

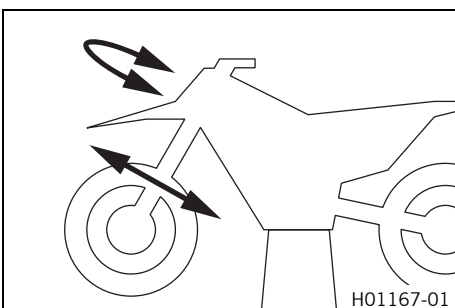
- Check that the wiring harness, throttle cable, and brake and clutch lines can move freely and are routed correctly.
- Install the front fender. (📖 p. 38)
- Install the start number plate. (📖 p. 38)
- Install the front wheel. 🛠️ (📖 p. 63)
- Check play of steering head bearing. (📖 p. 36)
- Remove the motorcycle from the lift stand. (📖 p. 31)

11.11 Checking play of steering head bearing

Warning
Danger of accidents Incorrect steering head bearing play impairs the handling characteristic and damages components.

- Correct incorrect steering head bearing play immediately. (Your authorized KTM workshop will be glad to help.)

i Info
 If the bike is ridden with play in the steering head bearing, the bearing and the bearing seats in the frame can become damaged over time.



Preparatory work

- Raise the motorcycle with a lift stand. (📖 p. 31)

Main work

- Move the handlebar to the straight-ahead position. Move the fork legs to and fro in the direction of travel.

No play should be noticeable in the steering head bearing.

- » If there is noticeable play present:
 - Adjust the steering head bearing play. 🛠️ (📖 p. 37)

- Move the handlebar to and fro over the entire steering range.

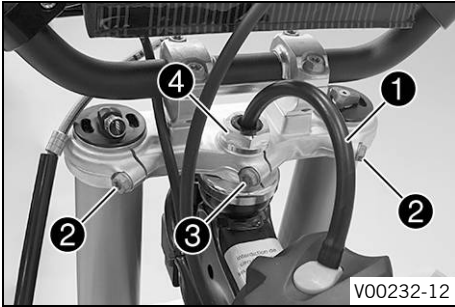
The handlebar must be able to move easily over the entire steering range. No resting locations should be noticeable.

- » If click positions are noticeable:
 - Adjust the steering head bearing play. (📖 p. 37)
 - Check the steering head bearing and replace if required.

Finishing work

- Remove the motorcycle from the lift stand. (📖 p. 31)

11.12 Adjusting the steering head bearing play 🛠️



Preparatory work

- Raise the motorcycle with a lift stand. (📖 p. 31)

Main work

- Remove fuel tank breather ❶.
- Loosen screws ❷.
- Loosen screw ❸.
- Loosen and retighten nut ❹.

Guideline

Nut, steering stem	M20x1.5	10 Nm (7.4 lbf ft)
--------------------	---------	--------------------

- Using a plastic hammer, tap lightly on the upper triple clamp to avoid strains.
- Tighten screw ❸.

Guideline

Screw, steering stem	M8	20 Nm (14.8 lbf ft)
----------------------	----	---------------------

- Tighten screws ❷.

Guideline

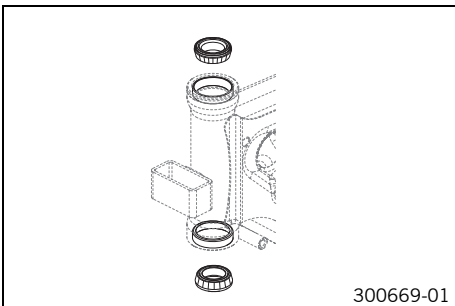
Screw, top triple clamp	M8	20 Nm (14.8 lbf ft)
-------------------------	----	---------------------

- Position fuel tank breather ❶.

Finishing work

- Check play of steering head bearing. (📖 p. 36)
- Remove the motorcycle from the lift stand. (📖 p. 31)

11.13 Greasing the steering head bearing 🛠️



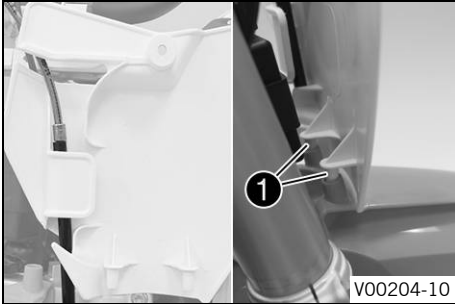
- Remove the lower triple clamp. 🛠️ (📖 p. 34)
- Install the lower triple clamp. 🛠️ (📖 p. 35)

11.14 Removing the start number plate

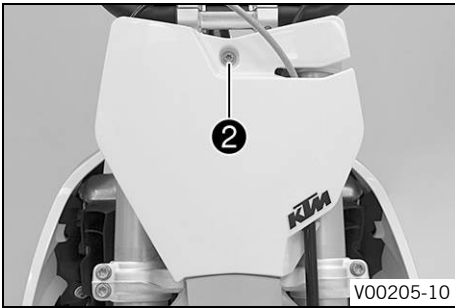


- Remove screw ❶.
- Unhook the start number plate from the brake line and remove it.

11.15 Installing the start number plate



- Attach the start number plate to the brake line.
- Position the start number plate.
- ✓ Holding lugs **1** engage in the fender.

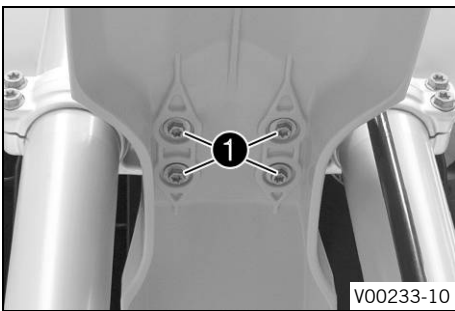


- Mount and tighten screw **2**.

Guideline

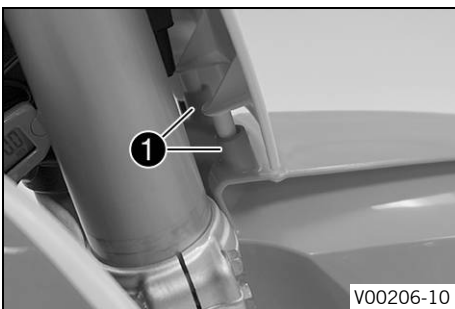
Start number plate screw	M6	4 Nm (3 lbf ft)
--------------------------	----	-----------------

11.16 Dismounting the front fender

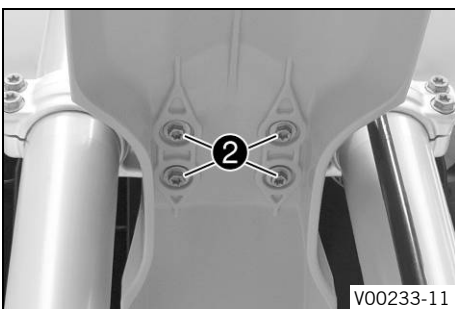


- Remove screws **1**. Remove the front fender.

11.17 Installing the front fender



- Position start number plate on the fender.
- ✓ The holding lugs of the start number plate engage in drill holes **1** of the fender.

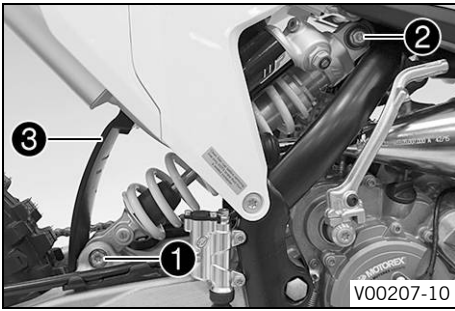


- Position fender on the lower triple clamp, mount and tighten screws **2**.

Guideline

Screw, fender	M6	6 Nm (4.4 lbf ft)
---------------	----	-------------------

11.18 Removing the shock absorber ↗



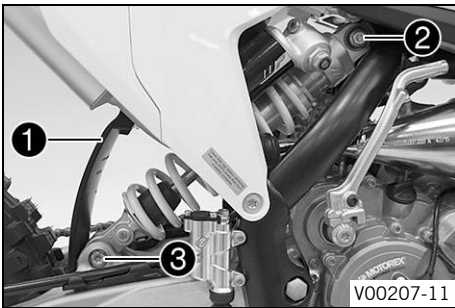
Preparatory work

- Raise the motorcycle with a lift stand. (📖 p. 31)

Main work

- Remove screw ❶ and lower the rear wheel with the swingarm as far as possible without blocking the rear wheel. Fix the rear wheel in this position.
- Remove screw ❷, push splash protector ❸ to the side, and remove the shock absorber.

11.19 Installing shock absorber ↗



Main work

- Push splash protector ❶ to the side and position the shock absorber. Mount and tighten screw ❷.

Guideline

Screw, top shock absorber	M10	45 Nm (33.2 lbf ft)	Loctite® 243™
---------------------------	-----	------------------------	---------------

- Mount and tighten screw ❸.

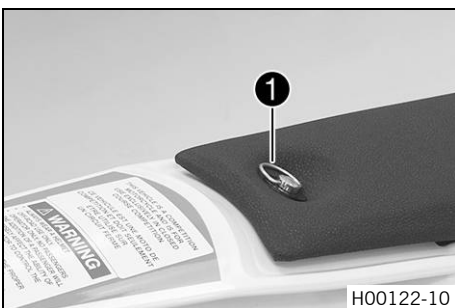
Guideline

Screw, bottom shock absorber	M10	45 Nm (33.2 lbf ft)	Loctite® 243™
------------------------------	-----	------------------------	---------------

Finishing work

- Remove the motorcycle from the lift stand. (📖 p. 31)

11.20 Removing the seat

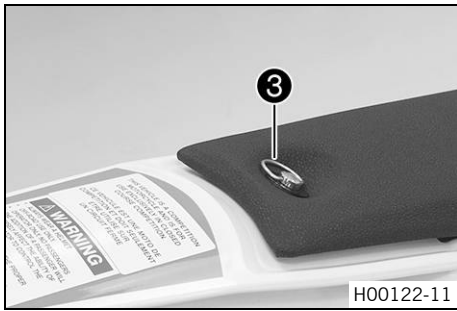


- Open quick release ❶ and raise the rear of the seat.
- Pull back the seat and remove it.

11.21 Mounting the seat



- Hook seat onto screw ❶ and lower the seat at the rear and push it forward.
- ✓ The catch ❷ hooks into the fuel tank.



- Close quick release ③.

11.22 Removing the air filter

Note

Engine damage Unfiltered intake air has a negative effect on the service life of the engine.

Dust and dirt will enter the engine without an air filter.

- Never start to use the vehicle without an air filter.



Warning

Environmental hazard Hazardous substances cause environmental damage.

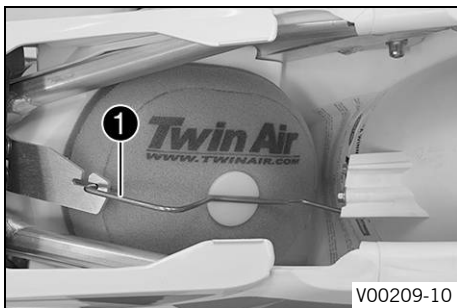
- Dispose of oils, grease, filters, fuel, cleaning agents, brake fluid, etc., correctly and in compliance with the applicable regulations.

Preparatory work

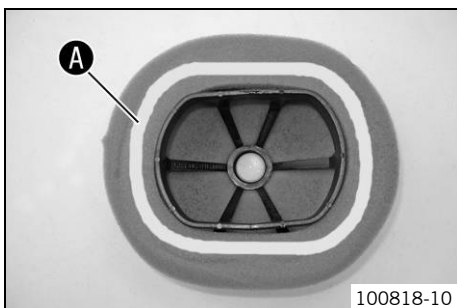
- Remove the seat. (📖 p. 39)

Main work

- Unhook the air filter holder ① and swing it to the side. Remove the air filter with the air filter support.
- Remove the air filter from the air filter support.



11.23 Installing the air filter



Main work

- Mount the clean air filter onto the air filter support.
- Grease the air filter in area A.

Long-life grease (📖 p. 88)



- Put in both parts together, position them and fix them with the air filter support ①.



Info

If the air filter is not correctly mounted, dust and dirt can enter the engine and cause damage.

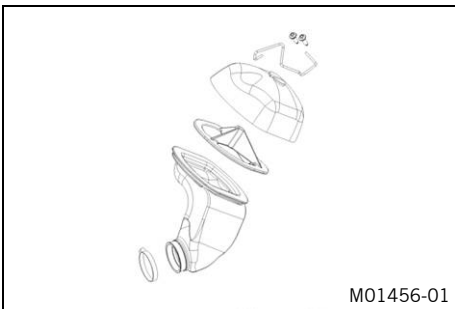
Finishing work

- Mount the seat. (📖 p. 39)

11.24 Cleaning the air filter and air filter box

- Warning**
Environmental hazard Hazardous substances cause environmental damage.
- Dispose of oils, grease, filters, fuel, cleaning agents, brake fluid, etc., correctly and in compliance with the applicable regulations.

- Info**
 Do not clean the air filter with fuel or petroleum since these substances attack the foam.



Preparatory work

- Remove the seat. (p. 39)
- Remove the air filter. (p. 40)

Main work

- Wash the air filter thoroughly in special cleaning liquid and allow it to dry properly.

Air filter cleaner (p. 88)

- Info**
 Only press the air filter to dry it, never wring it out.

- Oil the dry air filter with a high quality filter oil.

Oil for foam air filter (p. 88)

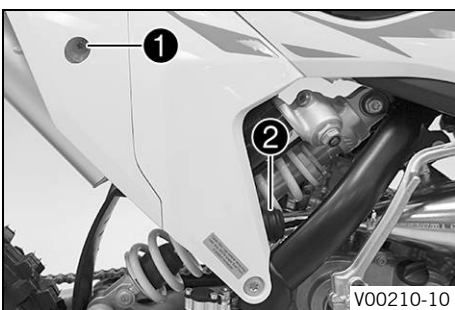
- Clean the air filter box.
- Check the intake flange for damage and looseness.

Finishing work

- Install the air filter. (p. 40)
- Mount the seat. (p. 39)

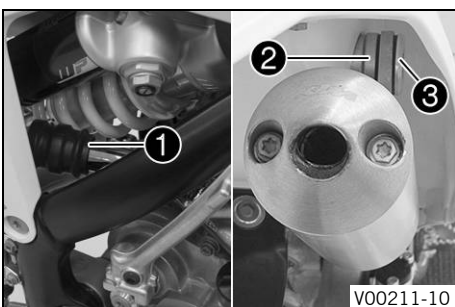
11.25 Removing main silencer

- Warning**
Danger of burns The exhaust system gets very hot when the vehicle is driven.
- Allow the exhaust system to cool down before performing any work on the vehicle.

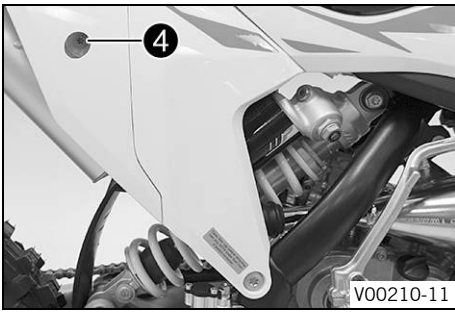


- Remove screw 1.
- Pull the main silencer off of the manifold at the rubber sleeve 2.

11.26 Installing the main silencer



- Mount the main silencer with the rubber sleeve 1.
- Position the wide collar bushing 2 and the narrow collar bushing 3.



- Mount and tighten screw ④.

Guideline

Remaining screws, chassis	M6	10 Nm (7.4 lbf ft)
---------------------------	----	--------------------

11.27 Changing the glass fiber yarn filling of the main silencer ↩



Warning

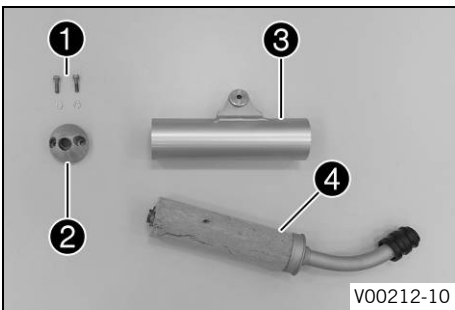
Danger of burns The exhaust system gets very hot when the vehicle is driven.

- Allow the exhaust system to cool down before performing any work on the vehicle.



Info

Over time, the fibers of the glass fiber yarn escape and the damper "burns" out. Not only is the noise level higher, the performance characteristic changes.



Preparatory work

- Remove the main silencer. (📖 p. 41)

Main work

- Remove screws with toothed washers ① from the silencer cap ②.
- Remove end cap and outer tube ③.
- Remove glass fiber yarn filling ④ from the inner tube.
- Clean the parts that need to be reinstalled and check for damage.
- Mount the new glass fiber yarn filling on the inner tube.
- Slide the outer tube over the glass fiber yarn filling.
- Insert the end cap into the outer tube.
- Mount and tighten the screws with the toothed washers.

Guideline

Remaining screws, chassis	M6	10 Nm (7.4 lbf ft)
---------------------------	----	--------------------

Finishing work

- Install the main silencer. (📖 p. 41)

11.28 Removing the fuel tank ↩



Danger

Fire hazard Fuel is highly flammable.

The fuel in the fuel tank expands when warm and can escape if overfilled.

- Do not refuel the vehicle in the vicinity of open flames or lit cigarettes.
- Switch off the engine for refueling.
- Make sure that no fuel is spilled; particularly not on hot parts of the vehicle.
- If any fuel is spilled, wipe it off immediately.
- Observe the specifications for refueling.



Warning

Danger of poisoning Fuel is poisonous and a health hazard.

- Avoid skin, eye and clothing contact with fuel.
- Immediately consult a doctor if you swallow fuel.
- Do not inhale fuel vapors.
- In case of skin contact, rinse the affected area with plenty of water.
- Rinse the eyes thoroughly with water, and consult a doctor in case of fuel contact with the eyes.
- Change your clothing in case of fuel spills on them.
- Keep fuels correctly in a suitable canister, and out of the reach of children.

Preparatory work

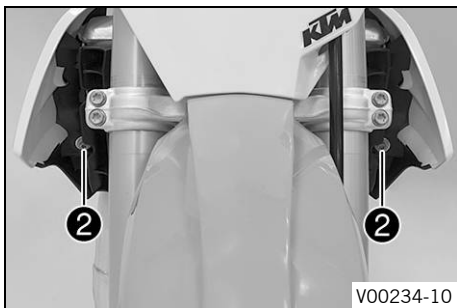
- Remove the seat. (📖 p. 39)
- Turn the knurled screw on the fuel tap all the way clockwise.

Main work

- Remove screw ❶.



- Remove screws ❷.



- Pull off fuel hose ❸.



Info

Remaining fuel may flow out of the fuel hose.

- Pull the fuel tank breather hose out of the steering head nut.
- Pull both spoilers off of the sides of the radiator bracket and lift off the fuel tank.

11.29 Installing the fuel tank 🛠️



Danger

Fire hazard Fuel is highly flammable.

The fuel in the fuel tank expands when warm and can escape if overfilled.

- Do not refuel the vehicle in the vicinity of open flames or lit cigarettes.
- Switch off the engine for refueling.
- Make sure that no fuel is spilled; particularly not on hot parts of the vehicle.
- If any fuel is spilled, wipe it off immediately.
- Observe the specifications for refueling.



Warning

Danger of poisoning Fuel is poisonous and a health hazard.

- Avoid skin, eye and clothing contact with fuel.
- Immediately consult a doctor if you swallow fuel.
- Do not inhale fuel vapors.
- In case of skin contact, rinse the affected area with plenty of water.
- Rinse the eyes thoroughly with water, and consult a doctor in case of fuel contact with the eyes.
- Change your clothing in case of fuel spills on them.
- Keep fuels correctly in a suitable canister, and out of the reach of children.

Main work

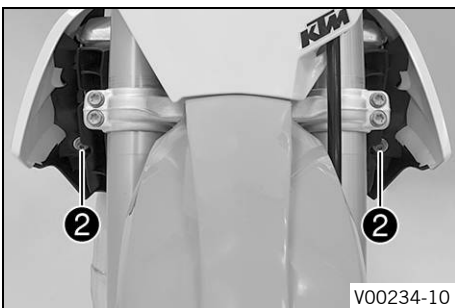
- Check the throttle cable routing. (📖 p. 48)
- Position the fuel tank and fit the two spoilers to the sides of the radiator bracket.
- Make sure that no cables or throttle cables are trapped or damaged.
- Mount fuel hose ①.



- Mount and tighten screws ②.

Guideline

Remaining screws, chassis	M6	10 Nm (7.4 lbf ft)
---------------------------	----	--------------------



- Mount and tighten screw ③.

Guideline

Remaining screws, chassis	M6	10 Nm (7.4 lbf ft)
---------------------------	----	--------------------

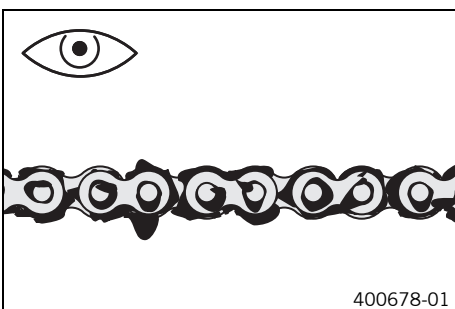


- Position the fuel tank breather in the steering stem.

Finishing work

- Mount the seat. (📖 p. 39)

11.30 Checking the chain for dirt



- Check the chain for coarse dirt accumulation.
 - » If the chain is very dirty:
 - Clean the chain. (📖 p. 45)

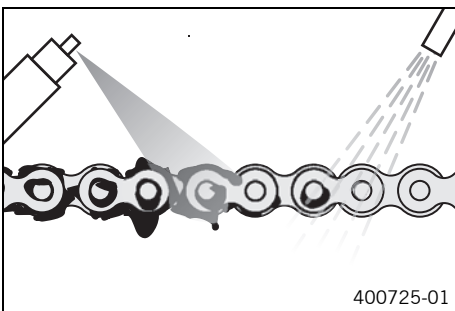
11.31 Cleaning the chain

Warning
Danger of accidents Oil or grease on the tires reduces the road grip.
 – Remove the lubricant from the tires using a suitable cleaning agent.

Warning
Danger of accidents Oil or grease on the brake discs reduces the braking effect.
 – Always keep the brake discs free of oil and grease.
 – Clean the brake discs with brake cleaner when necessary.

Warning
Environmental hazard Hazardous substances cause environmental damage.
 – Dispose of oils, grease, filters, fuel, cleaning agents, brake fluid, etc., correctly and in compliance with the applicable regulations.

Info
 The service life of the chain depends largely on its maintenance.



Preparatory work
 – Raise the motorcycle with a lift stand. (📖 p. 31)

Main work
 – Rinse off loose dirt with a soft jet of water.
 – Remove old grease residue with chain cleaner.

Chain cleaner (📖 p. 88)

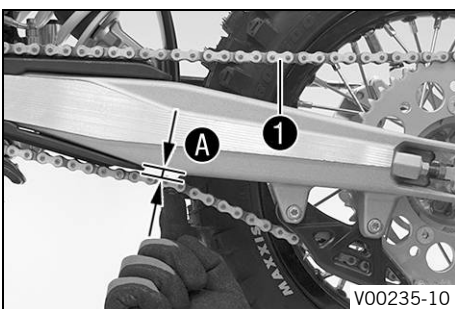
– After drying, apply chain spray.

Off-road chain spray (📖 p. 88)

Finishing work
 – Remove the motorcycle from the lift stand. (📖 p. 31)

11.32 Checking the chain tension

Warning
Danger of accidents Incorrect chain tension damages components and results in accidents.
 If the chain is tensioned too much, the chain, engine sprocket, rear sprocket, transmission and rear wheel bearings wear more quickly. Some components may break if overloaded.
 If the chain is too loose, the chain may fall off the engine sprocket or the rear sprocket. As a result, the rear wheel locks or the engine will be damaged.
 – Check the chain tension regularly.
 – Set the chain tension in accordance with the specification.



Preparatory work
 – Raise the motorcycle with a lift stand. (📖 p. 31)

Main work
 – Press the chain upward at the end of the chain sliding piece and determine chain tension **A**.

Info
 The upper part of the chain **1** must be taut.
 Chain wear is not always even, so you should repeat this measurement at different chain positions.

Chain tension	5... 8 mm (0.2... 0.31 in)
---------------	----------------------------

- » If the chain tension does not meet the specification:
 - Adjust the chain tension. (📖 p. 46)

Finishing work

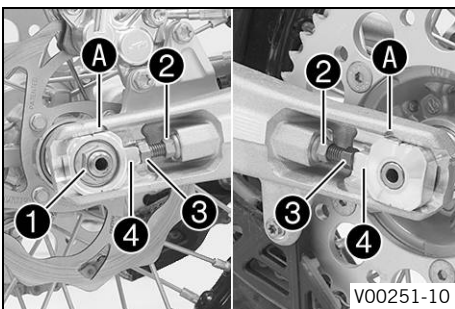
- Remove the motorcycle from the lift stand. (📖 p. 31)

11.33 Adjusting the chain tension

Warning
Danger of accidents Incorrect chain tension damages components and results in accidents.

If the chain is tensioned too much, the chain, engine sprocket, rear sprocket, transmission and rear wheel bearings wear more quickly. Some components may break if overloaded.
 If the chain is too loose, the chain may fall off the engine sprocket or the rear sprocket. As a result, the rear wheel locks or the engine will be damaged.

- Check the chain tension regularly.
- Set the chain tension in accordance with the specification.



Preparatory work

- Raise the motorcycle with a lift stand. (📖 p. 31)
- Check the chain tension. (📖 p. 45)

Main work

- Loosen nut ①.
- Loosen nuts ②.
- Adjust the chain tension by turning adjusting screws ③ left and right.

Guideline

Chain tension	5... 8 mm (0.2... 0.31 in)
Turn the adjusting screws ③ on the left and right so that the markings on the left and right chain adjusters ④ are in the same position relative to the reference marks A. The rear wheel is then correctly aligned.	

- Tighten nuts ②.
- Make sure that chain adjusters ④ are fitted correctly on adjusting screws ③.
- Tighten nut ①.

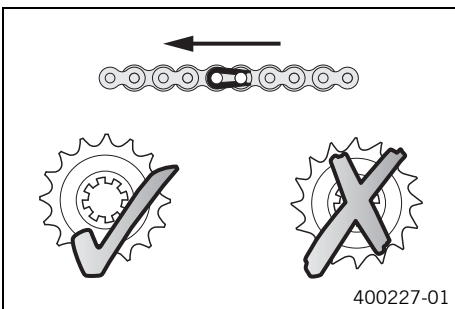
Guideline

Nut, rear wheel spindle	M14x1.5	40 Nm (29.5 lbf ft)
-------------------------	---------	------------------------

Finishing work

- Remove the motorcycle from the lift stand. (📖 p. 31)

11.34 Checking the chain, rear sprocket, engine sprocket and chain guide



Preparatory work

- Raise the motorcycle with a lift stand. (📖 p. 31)

Main work

- Shift gear to neutral.
- Check the rear sprocket and engine sprocket for wear.
 - » If the rear sprocket or engine sprocket is worn:
 - Change the drivetrain kit. 🛠️

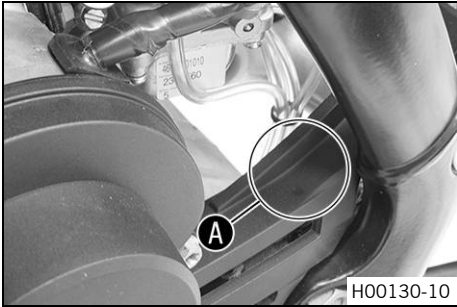
i Info
 The engine sprocket, rear sprocket and chain should always be replaced together.
 When fitting the chain joint, always make sure that the closed side of the joint faces forward (riding direction).

- Check the chain for wear.
 - » If the chain is worn:
 - Change the drivetrain kit. 🛠️



Info

When a new chain is mounted, the rear sprocket and engine sprocket should also be changed.
New chains wear out faster on old, worn sprockets.

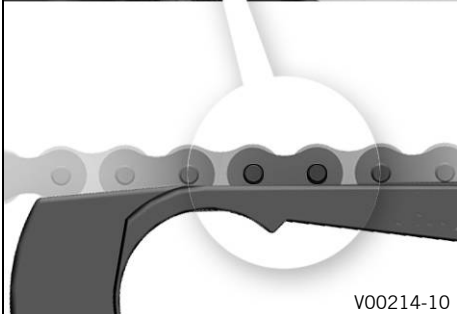


H00130-10

- Check the engine sprocket cover for wear.
 - » If the engine sprocket cover is worn through in the marked area **A**:
 - Change the engine sprocket cover. 🛠️
- Check the engine sprocket cover for tightness.
 - » If the engine sprocket cover is loose:
 - Tighten the engine sprocket cover.

Guideline

Screw, engine sprocket cover	M6	10 Nm (7.4 lbf ft)
------------------------------	----	-----------------------



V00214-10

- Check the chain sliding guard for wear.
 - » If the lower edge of the chain pins is in line with or below the chain sliding guard:
 - Change the chain sliding guard. 🛠️
- Check that the chain sliding guard is firmly seated.
 - » If the chain sliding guard is loose:
 - Tighten the chain sliding guard.

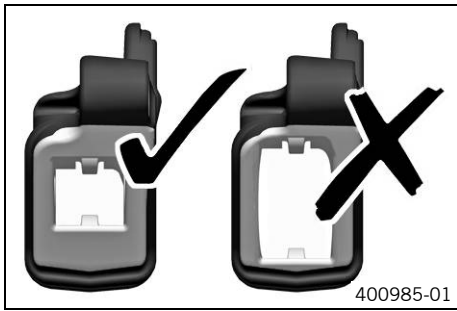


V00215-10

- Check the chain sliding piece for wear.
 - » If the lower edge of the chain pins is in line with or below the chain sliding piece:
 - Change the chain sliding piece. 🛠️
- Check that the chain sliding piece is firmly seated.
 - » If the chain sliding piece is loose:
 - Tighten the chain sliding piece.

Guideline

Remaining screws, chassis	M8	25 Nm (18.4 lbf ft)
---------------------------	----	------------------------



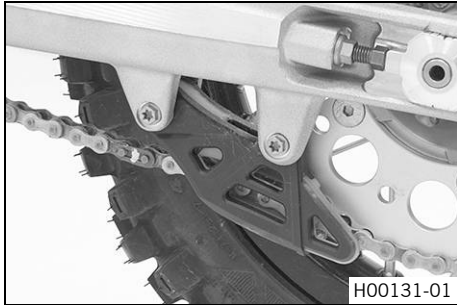
- Check the chain guide for wear.



Info

Wear can be seen on the front of the chain guide.

- » If the light part of the chain guide is worn:
 - Change the chain guide. 🛠️



- Check that the chain guide is firmly seated.

- » If the chain guide is loose:
 - Tighten the chain guide.

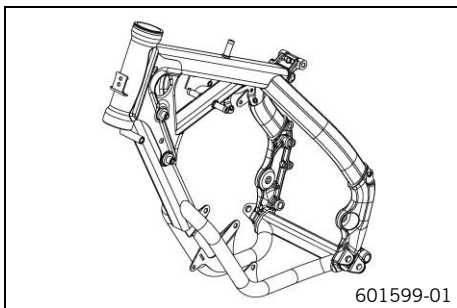
Guideline

Remaining screws, chassis	M6	10 Nm (7.4 lbf ft)
---------------------------	----	-----------------------

Finishing work

- Remove the motorcycle from the lift stand. (📖 p. 31)

11.35 Checking the frame 🛠️



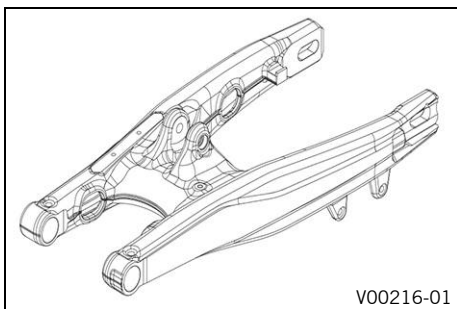
- Check the frame for cracks and deformation.
 - » If the frame exhibits cracks or deformation due to a mechanical impact:
 - Change the frame. 🛠️



Info

Always replace a frame that has been damaged due to a mechanical impact. Repair of the frame is not authorized by KTM.

11.36 Checking the swingarm 🛠️



- Check the swingarm for damage, cracking, and deformation.
 - » If the swingarm shows signs of damage, cracking, or deformation:
 - Change the swingarm. 🛠️



Info

Always change a damaged swingarm. Repair of the swingarm is not authorized by KTM.

11.37 Checking the throttle cable routing



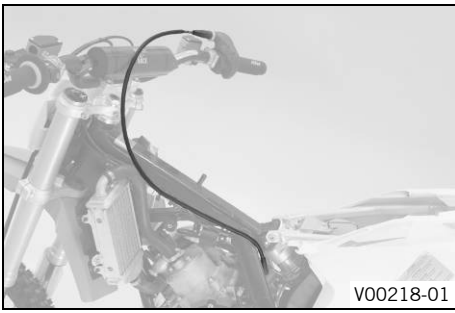
Warning

Danger of accidents The throttle cable may slip out of the guide if routed incorrectly. The throttle slide will then no longer be closed and the speed can no longer be controlled.

- Make sure that the throttle cable routing and the play in throttle cable complies with the specification.

Preparatory work

- Remove the seat. (📖 p. 39)
- Turn the knurled screw on the fuel tap all the way clockwise.
- Remove the fuel tank. 🛠️ (📖 p. 42)



Main work

- Check the throttle cable routing.

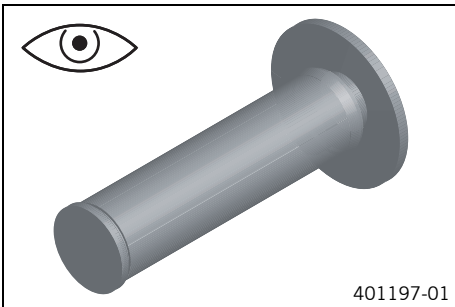
The throttle cable must be routed behind the handlebar, behind the coolant hose and left on the frame.

- » If the throttle cable is not routed as specified:
 - Correct the throttle cable routing.

Finishing work

- Install the fuel tank. (🔧 p. 43)
- Mount the seat. (📖 p. 39)

11.38 Checking the rubber grip



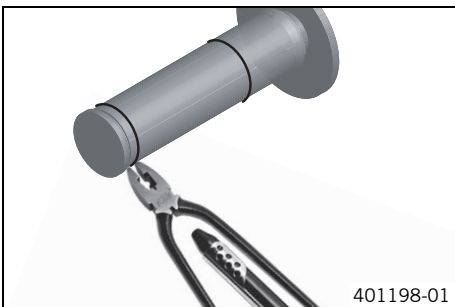
- Check the rubber grips on the handlebar for damage, wear, and looseness.

- » If a rubber grip is damaged, worn, or loose:
 - Change the rubber grip.

Grip adhesive (00062030051) (📖 p. 88)

- Additionally secure the rubber grip. (📖 p. 49)

11.39 Additionally securing the rubber grip



Preparatory work

- Check the rubber grip. (📖 p. 49)

Main work

- Secure the rubber grip at two locations with the retaining wire.

Securing wire (54812016000)

Wire twister forceps (U6907854)

- ✓ The twisted wire ends face away from the palms and are bent in toward the rubber grip.

11.40 Adjusting basic position of clutch lever



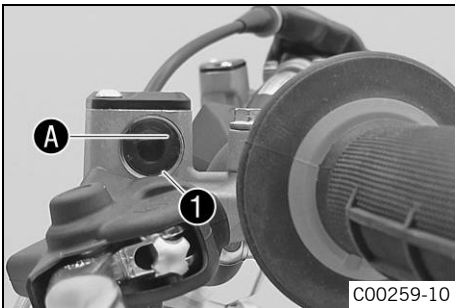
- Adjust the basic position of the clutch lever to the size of the rider's hand using adjusting screw 1.

i Info

Turn the adjusting screw clockwise to increase the distance between the clutch lever and the handlebar.
 Turn the adjusting screw counterclockwise to decrease the distance between the clutch lever and the handlebar.
 The range of adjustment is limited.
 Turn the adjusting screw by hand only, and do not apply any force.
 Do not make any adjustments while riding!

11.41 Checking the fluid level of the hydraulic clutch

i Info
The fluid level rises with increasing wear of the clutch facing discs.



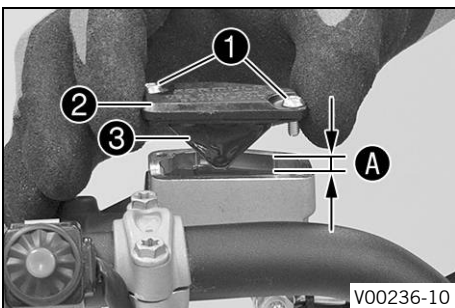
- Move the clutch fluid reservoir mounted on the handlebar to a horizontal position.
- Check the fluid level in viewer **1**.
 - » If the fluid has dropped below marking **A** in the level viewer:
 - Correct the fluid level of the hydraulic clutch. (📖 p. 50)

11.42 Correcting the fluid level of the hydraulic clutch

⚠ Warning
Skin irritation Brake fluid causes skin irritation.

- Keep brake fluid out of the reach of children.
- Wear suitable protective clothing and safety glasses.
- Do not allow brake fluid to come into contact with the skin, the eyes or clothing.
- Consult a doctor immediately if brake fluid has been swallowed.
- Rinse the affected area with plenty of water in the event of contact with the skin.
- Rinse eyes thoroughly with water immediately and consult a doctor if brake fluid comes into contact with the eyes.
- If brake fluid spills on to your clothing, change the clothing.

i Info
The fluid level rises with increasing wear of the clutch facing discs.
Never use DOT 5 brake fluid. It is silicone-based and purple in color. Oil seals and clutch lines are not designed for DOT 5 brake fluid.
Avoid contact between brake fluid and painted parts. Brake fluid attacks paint.
Only use clean brake fluid from a sealed container.



- Move the clutch fluid reservoir mounted on the handlebar to a horizontal position.
- Remove screws **1**.
- Remove cover **2** with membrane **3**.
- Correct the fluid up to level **A**.

Guideline

Level A (fluid level below container rim)	4 mm (0.16 in)
--	----------------

Brake fluid DOT 4 / DOT 5.1 (📖 p. 86)

- Position the cover with the membrane. Mount and tighten the screws.

i Info
Clean up overflowed or spilled brake fluid immediately with water.

11.43 Changing the hydraulic clutch fluid



Warning

Skin irritation Brake fluid causes skin irritation.

- Keep brake fluid out of the reach of children.
- Wear suitable protective clothing and safety glasses.
- Do not allow brake fluid to come into contact with the skin, the eyes or clothing.
- Consult a doctor immediately if brake fluid has been swallowed.
- Rinse the affected area with plenty of water in the event of contact with the skin.
- Rinse eyes thoroughly with water immediately and consult a doctor if brake fluid comes into contact with the eyes.
- If brake fluid spills on to your clothing, change the clothing.



Warning

Environmental hazard Hazardous substances cause environmental damage.

- Dispose of oils, grease, filters, fuel, cleaning agents, brake fluid, etc., correctly and in compliance with the applicable regulations.



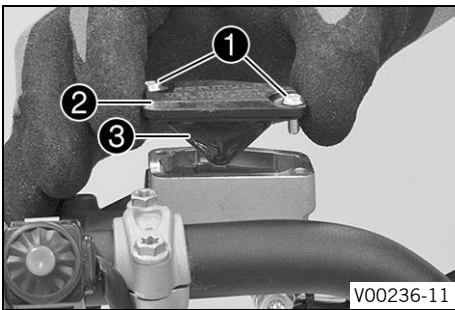
Info

The fluid level rises with increasing wear of the clutch facing discs.

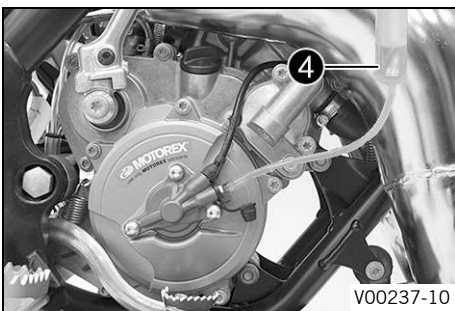
Never use DOT 5 brake fluid. It is silicone-based and purple in color. Oil seals and clutch lines are not designed for DOT 5 brake fluid.

Avoid contact between brake fluid and painted parts. Brake fluid attacks paint.

Only use clean brake fluid from a sealed container.



- Move the clutch fluid reservoir mounted on the handlebar to a horizontal position.
- Remove screws **1**.
- Remove cover **2** with membrane **3**.

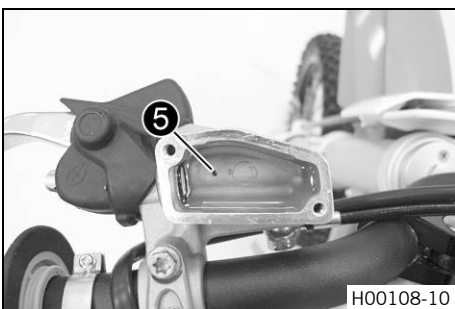


- Fill bleeding syringe **4** with the appropriate hydraulic fluid.

Bleed syringe (50329050000)

Brake fluid DOT 4 / DOT 5.1 (📖 p. 86)

- On the slave cylinder, remove the bleeder screw and mount bleeding syringe **4**.



- Inject the liquid into the system only until it emerges from drill hole **5** of the master cylinder without bubbles.
- Now and then, extract fluid from the master cylinder reservoir to prevent overflow.
- Remove the bleeding syringe. Mount and tighten screws bleeder screw.
- Correct the fluid level of the hydraulic clutch.

Guideline

Fluid level below container rim	4 mm (0.16 in)
---------------------------------	----------------

- Position the cover with the membrane. Mount and tighten the screws.



Info

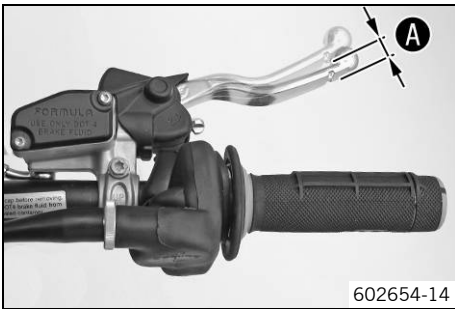
Clean up overflowed or spilled brake fluid immediately with water.

12.1 Checking free travel of hand brake lever

Warning
Danger of accidents The brake system fails in the event of overheating.

If there is no free travel on the hand brake lever, pressure builds up on the front brake circuit.

- Set the free travel on the hand brake lever in accordance with the specification.

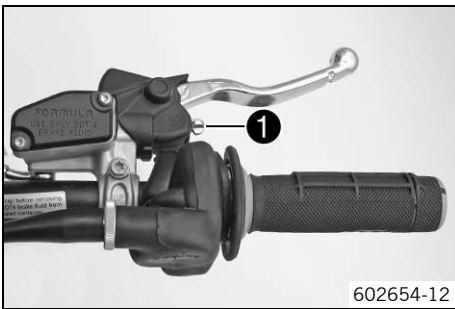


- Push the hand brake lever forwards and check free travel **A**.

Free travel of hand brake lever	≥ 3 mm (≥ 0.12 in)
---------------------------------	--------------------

- » If the free travel does not meet specifications:
 - Adjust the basic position of the hand brake lever. (📖 p. 52)

12.2 Adjusting the basic position of the hand brake lever



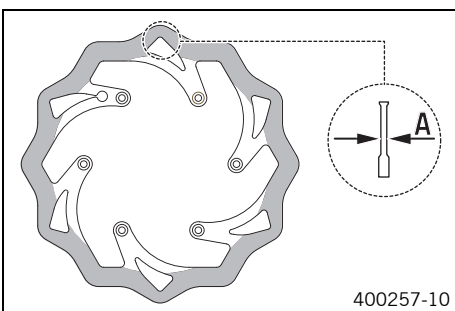
- Check the free travel of the hand brake lever. (📖 p. 52)
- Adjust the basic position of the hand brake lever using adjusting screw **1**.

i Info
 Turn the adjusting screw clockwise to increase the distance between the hand brake lever and the handlebar.
 Turn the adjusting screw counterclockwise to decrease the distance between the hand brake lever and the handlebar.
 The range of adjustment is limited.
 Turn the adjusting screw by hand only, and do not apply any force.
 Do not make any adjustments while riding.

12.3 Checking the brake discs

Warning
Danger of accidents Worn-out brake discs reduce the braking effect.

- Make sure that worn-out brake discs are replaced immediately. (Your authorized KTM workshop will be glad to help.)



- Check the thickness of the front and rear brake discs at multiple points on each brake disc to ensure it is at least thickness **A**.

i Info
 Wear reduces the thickness of the brake disc around the area used by the brake linings.

Brake discs - wear limits	
Front	2.5 mm (0.098 in)
Rear	2.5 mm (0.098 in)

- » If the brake disc thickness is less than the specified value:
 - Change the front brake disc. 🛠️
 - Change the rear brake disc. 🛠️
- Check the front and rear brake discs for damage, cracking, and deformation.
 - » If the brake disc exhibits damage, cracking, or deformation:
 - Change the front brake disc. 🛠️
 - Change the rear brake disc. 🛠️

12.4 Checking the front brake fluid level

Warning
Danger of accidents An insufficient brake fluid level will cause the brake system to fail.
 If the brake fluid level drops below the specified marking or the specified value, the brake system is leaking or the brake linings are worn down.

- Check the brake system and do not continue riding until the problem is eliminated. (Your authorized KTM workshop will be glad to help.)

Warning
Skin irritation Brake fluid causes skin irritation.

- Keep brake fluid out of the reach of children.
- Wear suitable protective clothing and safety glasses.
- Do not allow brake fluid to come into contact with the skin, the eyes or clothing.
- Consult a doctor immediately if brake fluid has been swallowed.
- Rinse the affected area with plenty of water in the event of contact with the skin.
- Rinse eyes thoroughly with water immediately and consult a doctor if brake fluid comes into contact with the eyes.
- If brake fluid spills on to your clothing, change the clothing.

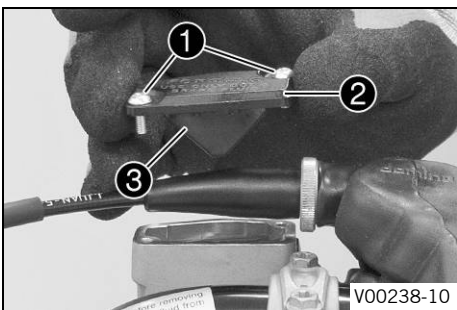
Warning
Danger of accidents Old brake fluid reduces the braking effect.

- Make sure that brake fluid for the front and rear brake is changed in accordance with the service schedule. (Your authorized KTM workshop will be glad to help.)

Warning
Environmental hazard Hazardous substances cause environmental damage.

- Dispose of oils, grease, filters, fuel, cleaning agents, brake fluid, etc., correctly and in compliance with the applicable regulations.

Info
 Never use DOT 5 brake fluid. It is silicone-based and purple in color. Oil seals and brake lines are not designed for DOT 5 brake fluid.
 Avoid contact between brake fluid and painted parts. Brake fluid attacks paint.
 Only use clean brake fluid from a sealed container.



- Move the brake fluid reservoir mounted on the handlebar to a horizontal position.
- Remove screws ①.
- Remove cover ② with membrane ③.
- Check the brake fluid level.

Brake fluid level under top level of container	5 mm (0.2 in)
--	---------------

- » If the brake fluid level does not meet specifications:
 - Add front brake fluid. 🛠️ (p. 54)
- Position the cover with the membrane. Mount and tighten the screws.

Info
 Clean up overflowed or spilled brake fluid immediately with water.

12.5 Adding front brake fluid

Warning
Danger of accidents An insufficient brake fluid level will cause the brake system to fail.
 If the brake fluid level drops below the specified marking or the specified value, the brake system is leaking or the brake linings are worn down.

- Check the brake system and do not continue riding until the problem is eliminated. (Your authorized KTM workshop will be glad to help.)

Warning
Skin irritation Brake fluid causes skin irritation.

- Keep brake fluid out of the reach of children.
- Wear suitable protective clothing and safety glasses.
- Do not allow brake fluid to come into contact with the skin, the eyes or clothing.
- Consult a doctor immediately if brake fluid has been swallowed.
- Rinse the affected area with plenty of water in the event of contact with the skin.
- Rinse eyes thoroughly with water immediately and consult a doctor if brake fluid comes into contact with the eyes.
- If brake fluid spills on to your clothing, change the clothing.

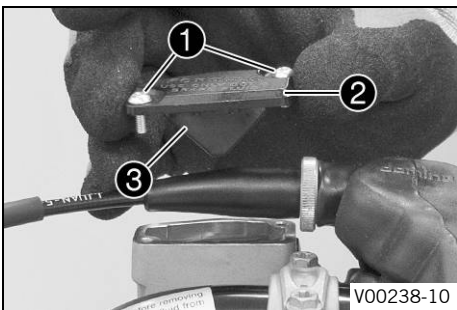
Warning
Danger of accidents Old brake fluid reduces the braking effect.

- Make sure that brake fluid for the front and rear brake is changed in accordance with the service schedule. (Your authorized KTM workshop will be glad to help.)

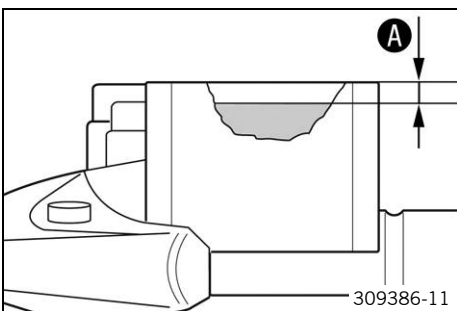
Warning
Environmental hazard Hazardous substances cause environmental damage.

- Dispose of oils, grease, filters, fuel, cleaning agents, brake fluid, etc., correctly and in compliance with the applicable regulations.

i Info
 Never use DOT 5 brake fluid. It is silicone-based and purple in color. Oil seals and brake lines are not designed for DOT 5 brake fluid.
 Avoid contact between brake fluid and painted parts. Brake fluid attacks paint.
 Only use clean brake fluid from a sealed container.




V00238-10



309386-11

Preparatory work

- Check the front brake linings. ( p. 55)


Main work

- Move the brake fluid reservoir mounted on the handlebar to a horizontal position.
- Remove screws **1**.
- Remove cover **2** with membrane **3**.

- Add brake fluid up to level **A**.

Guideline

Brake fluid level under top level of container	5 mm (0.2 in)
--	---------------

Brake fluid DOT 4 / DOT 5.1 ( p. 86)	
--	--

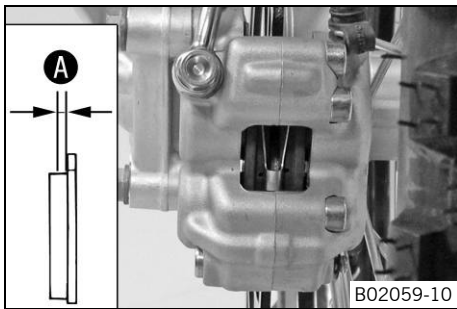
- Position the cover with the membrane. Mount and tighten the screws.

i Info
 Clean up overflowed or spilled brake fluid immediately with water.

12.6 Checking the front brake linings

Warning
Danger of accidents Worn-out brake linings reduce the braking effect.

- Ensure that worn-out brake linings are replaced immediately. (Your authorized KTM workshop will be glad to help.)



- Check the brake linings for minimum thickness **A**.

Minimum thickness A	$\geq 1 \text{ mm } (\geq 0.04 \text{ in})$
----------------------------	---

- » If the minimum thickness is less than specified:
 - Change the front brake linings. 🛠️ (p. 55)
- Check the brake linings for damage and cracking.
 - » If damage or wear is encountered:
 - Change the front brake linings. 🛠️ (p. 55)

12.7 Changing the front brake linings 🛠️

Warning
Danger of accidents Incorrect maintenance will cause the brake system to fail.

- Ensure that service work and repairs are performed professionally. (Your authorized KTM workshop will be glad to help.)

Warning
Skin irritation Brake fluid causes skin irritation.

- Keep brake fluid out of the reach of children.
- Wear suitable protective clothing and safety glasses.
- Do not allow brake fluid to come into contact with the skin, the eyes or clothing.
- Consult a doctor immediately if brake fluid has been swallowed.
- Rinse the affected area with plenty of water in the event of contact with the skin.
- Rinse eyes thoroughly with water immediately and consult a doctor if brake fluid comes into contact with the eyes.
- If brake fluid spills on to your clothing, change the clothing.

Warning
Danger of accidents Old brake fluid reduces the braking effect.

- Make sure that brake fluid for the front and rear brake is changed in accordance with the service schedule. (Your authorized KTM workshop will be glad to help.)

Warning
Danger of accidents Brake linings which have not been approved alter the braking efficiency.

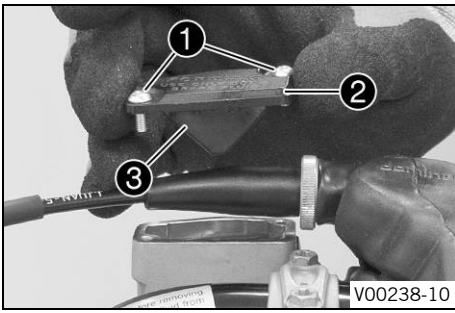
Not all brake linings are tested and approved for KTM motorcycles. The structure and friction coefficient of the brake linings, and thus their brake power, may vary greatly from that of original brake linings. If brake linings are used that differ from the original equipment, compliance with the original homologation is not guaranteed. In this case, the vehicle no longer corresponds to its condition at delivery and the warranty shall be void.

- Only use brake linings approved and recommended by KTM.

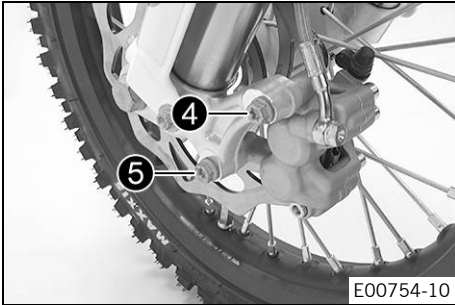
Warning
Environmental hazard Hazardous substances cause environmental damage.

- Dispose of oils, grease, filters, fuel, cleaning agents, brake fluid, etc., correctly and in compliance with the applicable regulations.

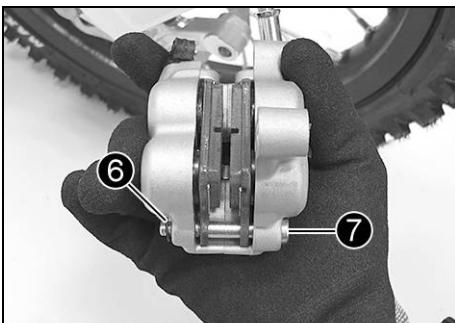
i Info
 Never use DOT 5 brake fluid. It is silicone-based and purple in color. Oil seals and brake lines are not designed for DOT 5 brake fluid.
 Avoid contact between brake fluid and painted parts. Brake fluid attacks paint.
 Only use clean brake fluid from a sealed container.



- Move the brake fluid reservoir mounted on the handlebar to a horizontal position.
- Remove screws ①.
- Remove cover ② with membrane ③.



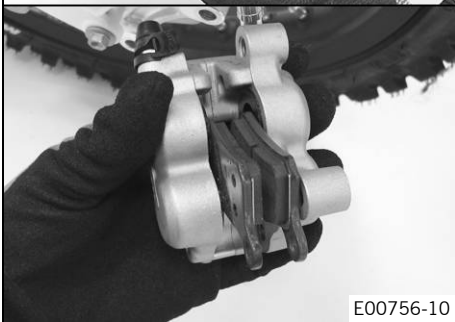
- Remove screws ④ and ⑤.
- Press back the brake linings with a light lateral tilting of the brake caliper on the brake disc. Carefully pull the brake caliper backward from the brake disc.
- Press the brake piston back into the basic position and ensure that brake fluid does not flow out of the brake fluid reservoir; if necessary, draw some off.



- Remove lock washer ⑥.
- Remove screw ⑦.
- Remove the brake linings.
- Clean the brake caliper.
- Position the new brake linings.

i Info

Always change the brake linings in pairs.
Ensure that the brake linings are correctly positioned in the holding spring.



- Mount and tighten screw ⑦.

Guideline

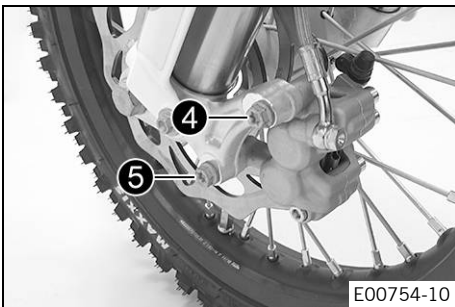
Screw; front brake lining	M6	10 Nm (7.4 lbf ft)
---------------------------	----	--------------------

- Mount lock washer ⑥.

! Warning

Danger of accidents Oil or grease on the brake discs reduces the braking effect.

- Always keep the brake discs free of oil and grease.
- Clean the brake discs with brake cleaner when necessary.

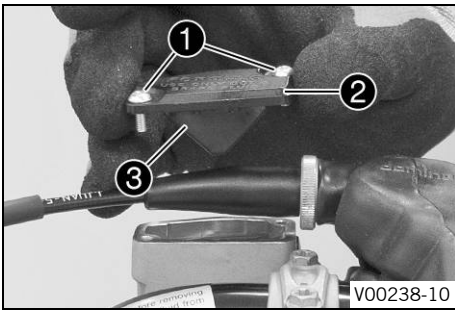


- Check the brake discs. (🗨 p. 52)
- Position the brake caliper.
- Remove screws ④ and ⑤ but do not tighten yet.
- Operate the hand brake lever repeatedly until the brake linings are in contact with the brake disc and there is a pressure point. Fix the hand brake lever in the activated position.
- ✓ The brake caliper straightens.
- Tighten screws ④ and ⑤.

Guideline

Screw, front brake caliper	M8	20 Nm (14.8 lbf ft)	Loctite® 243™
----------------------------	----	---------------------	---------------

- Remove the locking piece of the hand brake lever.



- Correct the brake fluid level.

Guideline

Brake fluid level under top level of container	5 mm (0.2 in)
--	---------------

Brake fluid DOT 4 / DOT 5.1 (📖 p. 86)	
---------------------------------------	--

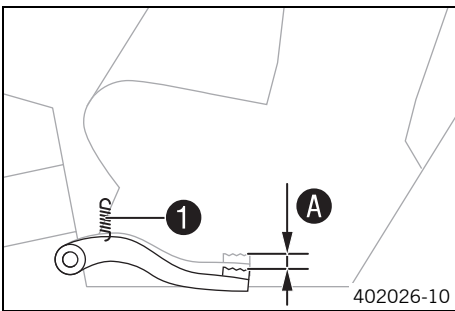
- Position cover ② with membrane ③.
- Mount and tighten screws ①.

i Info
Clean up overflowed or spilled brake fluid immediately with water.

12.8 Checking the free travel of the foot brake lever

⚠ Warning
Danger of accidents The brake system fails in the event of overheating.
If there is no free travel on the foot brake lever, pressure builds up in the brake system on the rear brake.

- Set the free travel on the foot brake lever in accordance with the specification.



- Detach spring ①.
- Move the foot brake lever back and forth between the end stop and the contact to the foot brake cylinder piston and check free travel ①.

Guideline

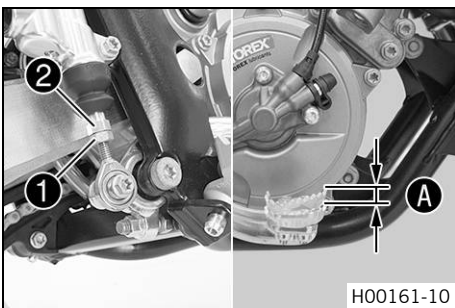
Free travel of foot brake lever	3... 5 mm (0.12... 0.2 in)
---------------------------------	----------------------------

- » If the free travel does not match the specification:
 - Adjust the free travel of the foot brake lever. 🛠 (📖 p. 57)
- Attach spring ①.

12.9 Adjusting the free travel of the foot brake lever 🛠

⚠ Warning
Danger of accidents The brake system fails in the event of overheating.
If there is no free travel on the foot brake lever, pressure builds up in the brake system on the rear brake.

- Set the free travel on the foot brake lever in accordance with the specification.



- Detach foot brake lever spring.
- Loosen nut ①.
- Turn push rod ② accordingly until you have free travel ①.

Guideline

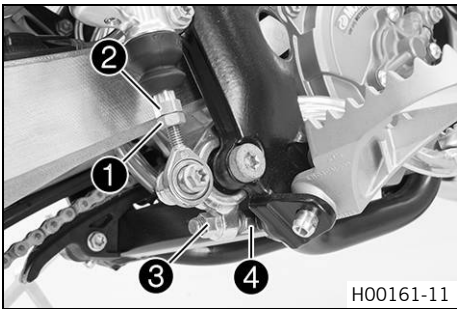
Free travel of foot brake lever	3... 5 mm (0.12... 0.2 in)
---------------------------------	----------------------------

- Hold push rod ② and tighten nut ①.
- Attach foot brake lever spring.
- Check whether the basic position of the foot brake lever is suitable for the rider.
 - » When the basic position of the foot brake lever needs to be adjusted:
 - Adjust the basic position of the foot brake lever. 🛠 (📖 p. 58)

12.10 Adjusting the basic position of the foot brake lever ↗

Warning
Danger of accidents The brake system fails in the event of overheating.
 If there is no free travel on the foot brake lever, pressure builds up in the brake system on the rear brake.

- Set the free travel on the foot brake lever in accordance with the specification.



- Detach foot brake lever spring.
- Loosen nut ①.
- Turn back push rod ②.
- Loosen nut ③.
- To adjust the basic position of the foot brake lever, turn screw ④ accordingly.

Info
 The range of adjustment is limited.

- Hold screw ④ and tighten nut ③.

Guideline

Remaining nuts, chassis	M8	25 Nm (18.4 lbf ft)
-------------------------	----	------------------------

- Check the free travel of the foot brake lever. (📖 p. 57)

Guideline

Free travel of foot brake lever	3... 5 mm (0.12... 0.2 in)
---------------------------------	----------------------------

» If the free travel at the foot brake lever does not meet specifications:

- Adjust the free travel of the foot brake lever. (📖 p. 57)
- Attach foot brake lever spring.

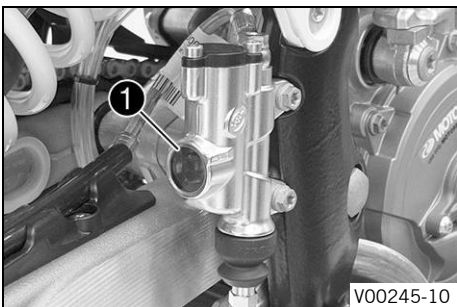
12.11 Checking the rear brake fluid level

Warning
Danger of accidents An insufficient brake fluid level will cause the brake system to fail.
 If the brake fluid level drops below the specified marking or the specified value, the brake system is leaking or the brake linings are worn down.

- Check the brake system and ensure that nobody drives the vehicle before the problem is eliminated. (Your authorized KTM workshop will be glad to help.)

Warning
Danger of accidents Old brake fluid reduces the braking effect.

- Make sure that brake fluid for the front and rear brake is changed in accordance with the service schedule. (Your authorized KTM workshop will be glad to help.)



- Stand the vehicle upright.
- Check the brake fluid level in level viewer ①.
 - » If an air bubble is visible in viewer ①:
 - Add rear brake fluid. (📖 p. 59)

12.12 Adding rear brake fluid

Warning
Danger of accidents An insufficient brake fluid level will cause the brake system to fail.
 If the brake fluid level drops below the specified marking or the specified value, the brake system is leaking or the brake linings are worn down.

- Check the brake system and ensure that nobody drives the vehicle before the problem is eliminated. (Your authorized KTM workshop will be glad to help.)

Warning
Skin irritation Brake fluid causes skin irritation.

- Keep brake fluid out of the reach of children.
- Wear suitable protective clothing and safety glasses.
- Do not allow brake fluid to come into contact with the skin, the eyes or clothing.
- Consult a doctor immediately if brake fluid has been swallowed.
- Rinse the affected area with plenty of water in the event of contact with the skin.
- Rinse eyes thoroughly with water immediately and consult a doctor if brake fluid comes into contact with the eyes.
- If brake fluid spills on to your clothing, change the clothing.

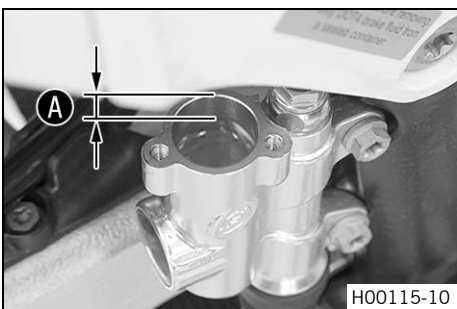
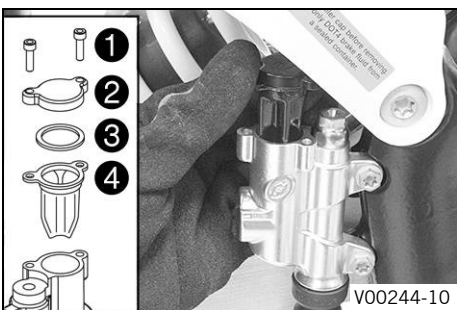
Warning
Danger of accidents Old brake fluid reduces the braking effect.

- Make sure that brake fluid for the front and rear brake is changed in accordance with the service schedule. (Your authorized KTM workshop will be glad to help.)


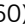
Warning
Environmental hazard Hazardous substances cause environmental damage.

- Dispose of oils, grease, filters, fuel, cleaning agents, brake fluid, etc., correctly and in compliance with the applicable regulations.

i Info
 Never use DOT 5 brake fluid. It is silicone-based and purple in color. Oil seals and brake lines are not designed for DOT 5 brake fluid.
 Avoid contact between brake fluid and painted parts. Brake fluid attacks paint.
 Only use clean brake fluid from a sealed container.



Preparatory work

- Raise the motorcycle with a lift stand. ( p. 31)
- Check the rear brake linings. ( p. 60)


Main work

- Remove screws **1**.
- Take off cover **2** with washer **3** and membrane **4**.

- Add brake fluid up to level **A**.

Guideline

Level A (brake fluid level below reservoir rim)	10 mm (0.39 in)
--	-----------------

Brake fluid DOT 4 / DOT 5.1 ( p. 86)

- Position the cover with the washer and membrane.
- Mount and tighten the screws.

i Info
 Clean up overflowed or spilled brake fluid immediately with water.

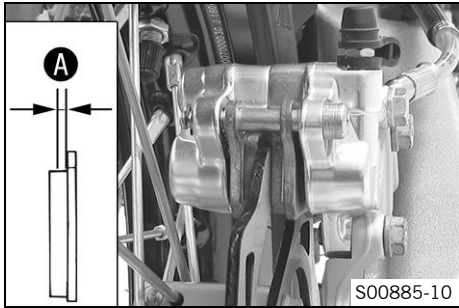
Finishing work

- Remove the motorcycle from the lift stand. (📖 p. 31)

12.13 Checking the rear brake linings

Warning
Danger of accidents Worn-out brake linings reduce the braking effect.

- Ensure that worn-out brake linings are replaced immediately. (Your authorized KTM workshop will be glad to help.)



- Check the brake linings for minimum thickness **A**.

Minimum thickness A	≥ 1 mm (≥ 0.04 in)
----------------------------	--------------------

- » If the minimum thickness is less than specified:
 - Change the rear brake linings. 🛠️ (📖 p. 60)
- Check the brake linings for damage and cracking.
 - » If damage or wear is encountered:
 - Change the rear brake linings. 🛠️ (📖 p. 60)

12.14 Changing the rear brake linings 🛠️

Warning
Skin irritation Brake fluid causes skin irritation.

- Keep brake fluid out of the reach of children.
- Wear suitable protective clothing and safety glasses.
- Do not allow brake fluid to come into contact with the skin, the eyes or clothing.
- Consult a doctor immediately if brake fluid has been swallowed.
- Rinse the affected area with plenty of water in the event of contact with the skin.
- Rinse eyes thoroughly with water immediately and consult a doctor if brake fluid comes into contact with the eyes.
- If brake fluid spills on to your clothing, change the clothing.

Warning
Danger of accidents Old brake fluid reduces the braking effect.

- Make sure that brake fluid for the front and rear brake is changed in accordance with the service schedule. (Your authorized KTM workshop will be glad to help.)

Warning
Danger of accidents Incorrect maintenance will cause the brake system to fail.

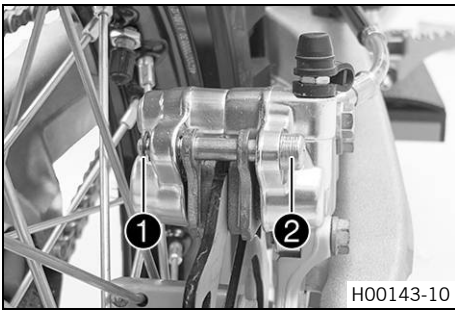
- Ensure that service work and repairs are performed professionally. (Your authorized KTM workshop will be glad to help.)

Warning
Environmental hazard Hazardous substances cause environmental damage.

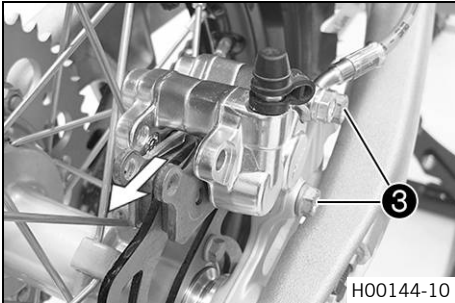
- Dispose of oils, grease, filters, fuel, cleaning agents, brake fluid, etc., correctly and in compliance with the applicable regulations.

i Info

Never use DOT 5 brake fluid. It is silicone-based and purple in color. Oil seals and brake lines are not designed for DOT 5 brake fluid.
 Avoid contact between brake fluid and painted parts. Brake fluid attacks paint.
 Only use clean brake fluid from a sealed container.



- Remove lock washer ①.
- Remove screw ②.



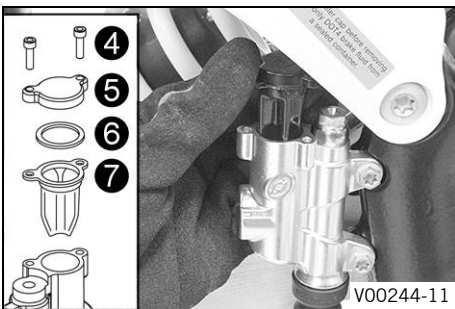
- Remove the brake linings.
- Remove screws ③ and take off the brake caliper.



Info

Cover the components to protect them against damage.
Do not kink the brake line.

- Clean the brake caliper and brake caliper support.



- Remove screws ④.
- Take off cover ⑤ with washer ⑥ and membrane ⑦.
- Press the brake piston back to its basic position and make sure that no brake fluid overflows from the brake fluid reservoir, extracting brake fluid if necessary.
- Position the brake caliper.
- Mount and tighten screws ③.

Guideline

Screw, rear brake caliper	M8	18 Nm (13.3 lbf ft)	Loctite® 243™
---------------------------	----	------------------------	---------------



Warning

Danger of accidents Oil or grease on the brake discs reduces the braking effect.

- Always keep the brake discs free of oil and grease.
- Clean the brake discs with brake cleaner when necessary.

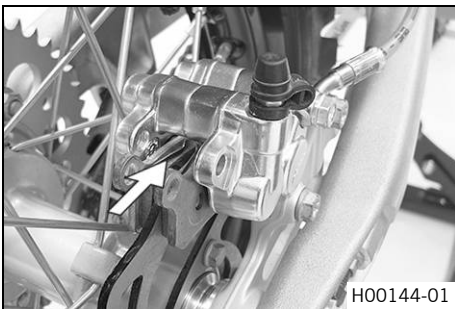


Warning

Danger of accidents Brake linings which have not been approved alter the braking efficiency.

Not all brake linings are tested and approved for KTM motorcycles. The structure and friction coefficient of the brake linings, and thus their brake power, may vary greatly from that of original brake linings. If brake linings are used that differ from the original equipment, compliance with the original homologation is not guaranteed. In this case, the vehicle no longer corresponds to its condition at delivery and the warranty shall be void.

- Only use brake linings approved and recommended by KTM.

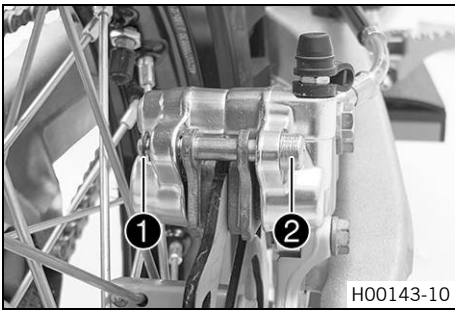


- Position the new brake linings.



Info

Always change the brake linings in pairs.
Ensure that the brake linings are correctly positioned in the holding spring.

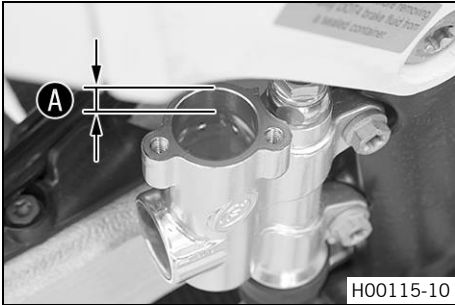


- Mount and tighten screw ②.

Guideline

Screw, rear brake lining	M6	10 Nm (7.4 lbf ft)
--------------------------	----	--------------------

- Mount lock washer ①.
- Check the brake discs. (📖 p. 52)
- Operate the foot brake lever repeatedly until the brake linings are in contact with the brake disc and there is a pressure point.



- Add brake fluid up to level ①.

Guideline

Level ① (brake fluid level below reservoir rim)	10 mm (0.39 in)
---	-----------------

Brake fluid DOT 4 / DOT 5.1 (📖 p. 86)

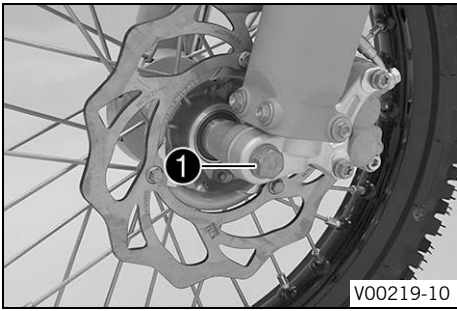
- Position the membrane and the cover with the washer. Mount and tighten the screws.



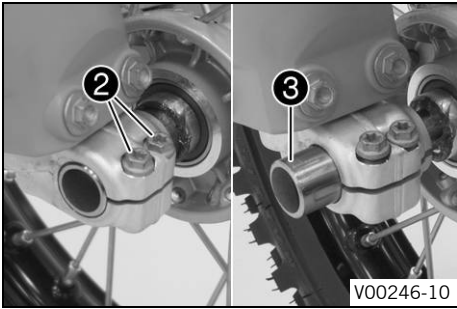
Info

Clean up overflowed or spilled brake fluid immediately with water.

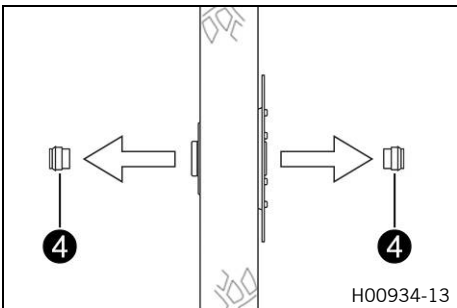
13.1 Removing the front wheel



V00219-10



V00246-10



H00934-13

Preparatory work

- Raise the motorcycle with a lift stand. (📖 p. 31)

Main work

- Remove screw ①.

- Loosen screws ②.



Warning

Danger of accidents Damaged brake discs reduce the braking effect.

- Always lay the wheel down in such a way that the brake disc is not damaged.

- Hold the front wheel and pull out wheel spindle ③. Take the front wheel out of the fork.



Info

Do not pull the hand brake lever when the front wheel is removed.

- Remove spacers ④.

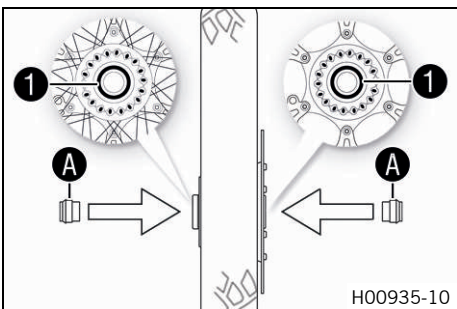
13.2 Installing the front wheel



Warning

Danger of accidents Oil or grease on the brake discs reduces the braking effect.

- Always keep the brake discs free of oil and grease.
- Clean the brake discs with brake cleaner when necessary.

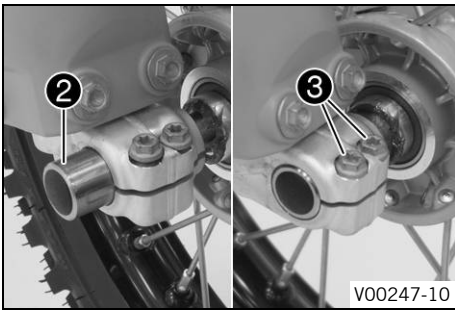


H00935-10

- Check the wheel bearing for damage and wear.
 - » If the wheel bearing is damaged or worn:
 - Change the front wheel bearing. 🛠️
- Clean and grease shaft seal rings ① and contact surfaces A of the spacers.

Long-life grease (📖 p. 88)

- Insert the spacers.



V00247-10

- Clean and grease wheel spindle ②.

Long-life grease (📖 p. 88)

- Position the front wheel.
 - ✓ The brake linings are correctly positioned.
- Insert the wheel spindle.
- Tighten screws ③.

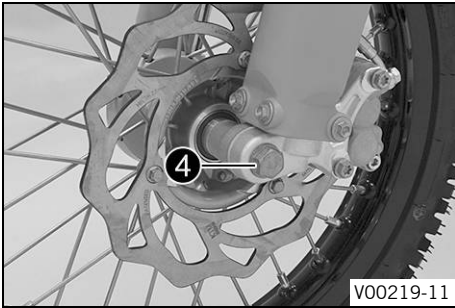
Guideline

Screw, fork stub	M6	10 Nm (7.4 lbf ft)
------------------	----	--------------------

- Mount and tighten screw ④.

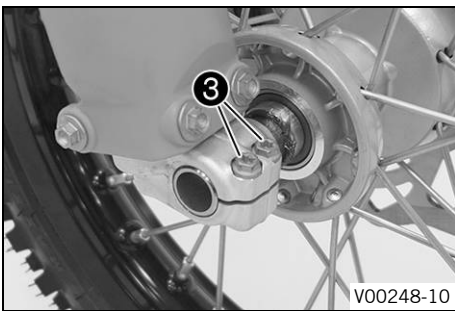
Guideline

Screw, front wheel spindle	M10	40 Nm (29.5 lbf ft)	Loctite® 243™
----------------------------	-----	---------------------	---------------



V00219-11

- Remove the motorcycle from the lift stand. (📖 p. 31)



V00248-10

- Operate the hand brake lever several times until the brake linings are seated correctly against the brake disc.
- Loosen screws ③.
- Operate the front brake and compress the fork a few times firmly.
 - ✓ The fork legs straighten.
- Tighten screws ③.

Guideline

Screw, fork stub	M6	10 Nm (7.4 lbf ft)
------------------	----	--------------------

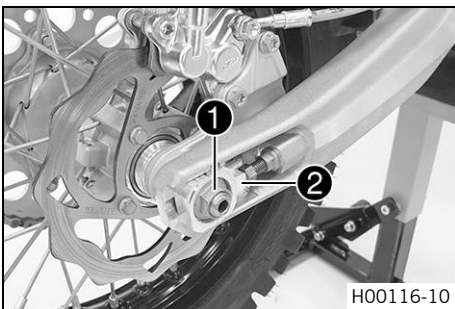
13.3 Removing the rear wheel 🛠️

Preparatory work

- Raise the motorcycle with a lift stand. (📖 p. 31)

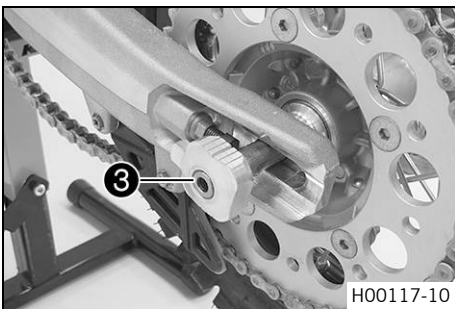
Main work

- Remove nut ①.
- Remove chain adjuster ②.



H00116-10

- Withdraw wheel spindle ③ only enough to allow the rear wheel to be pushed forward.
- Push the rear wheel forward as far as possible. Remove the chain from the rear sprocket.



H00117-10



Info

Cover the components to protect them against damage.



Warning

Danger of accidents Damaged brake discs reduce the braking effect.

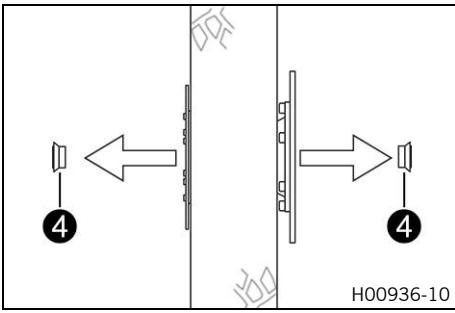
- Always lay the wheel down in such a way that the brake disc is not damaged.

- Holding the rear wheel, withdraw the wheel spindle. Take the rear wheel out of the swingarm.



Info

Do not operate the foot brake lever when the rear wheel is removed.

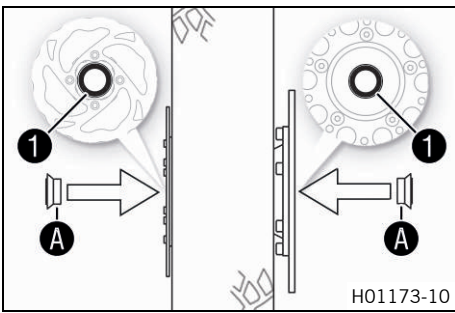


- Remove spacers ④.

13.4 Installing the rear wheel 🛠️

Warning
Danger of accidents Oil or grease on the brake discs reduces the braking effect.

- Always keep the brake discs free of oil and grease.
- Clean the brake discs with brake cleaner when necessary.



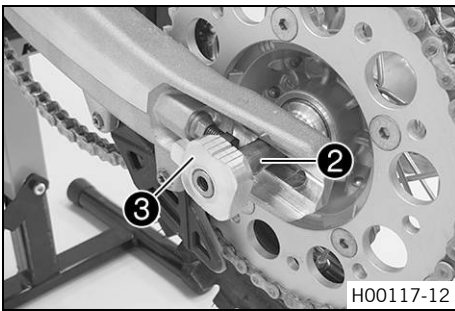
Main work

- Check the wheel bearing for damage and wear.
 - » If the wheel bearing is damaged or worn:
 - Change the rear wheel bearing. 🛠️
- Clean and grease shaft seal rings ① and contact surfaces A of the spacers.

Long-life grease (📖 p. 88)

- Insert the spacers.

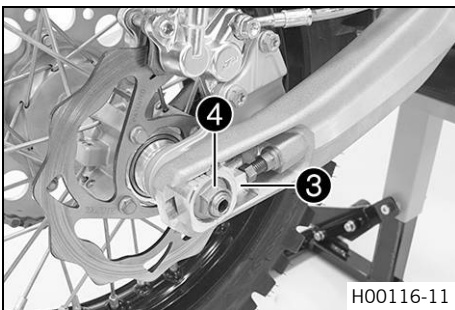
Info
 Insert the wide spacer on the left in the direction of travel.



- Clean and grease wheel spindle ②.

Long-life grease (📖 p. 88)

- Position the rear wheel and insert wheel spindle.
 - ✓ The brake linings are correctly positioned.
- Mount the chain.
- Position chain adjuster ③ on both sides and push the wheel spindle in all the way.



- Mount nut ④, but do not tighten it yet.
- Make sure that the chain adjusters are fitted correctly on the adjusting screws.
- Check the chain tension. (📖 p. 45)
- Tighten nut ④.

Guideline

Nut, rear wheel spindle	M14x1.5	40 Nm (29.5 lbf ft)
-------------------------	---------	------------------------

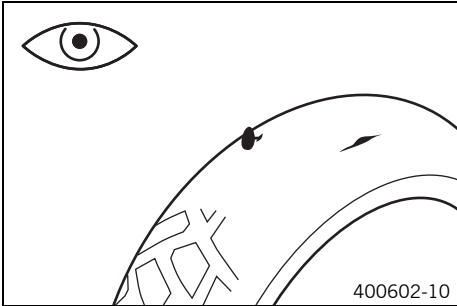
- Operate the foot brake lever repeatedly until the brake linings are in contact with the brake disc and there is a pressure point.

Finishing work

- Remove the motorcycle from the lift stand. (📖 p. 31)

13.5 Checking the tire condition

i Info
 Only mount tires approved and/or recommended by KTM.
 Other tires could have a negative effect on handling characteristics.
 The type, condition, and air pressure of the tires all have a major impact on the handling of the motorcycle.
 The tires mounted on the front and rear wheels must have a similar profile.
 Worn tires have a negative effect on handling characteristics, especially on wet surfaces.



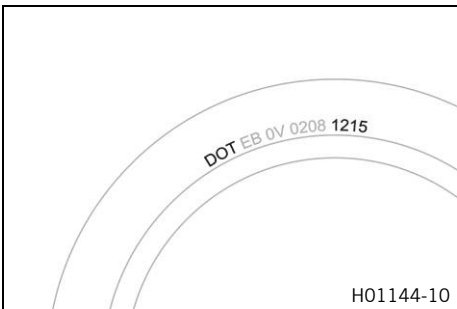
- Check the front and rear tires for cuts, run-in objects, and other damage.
 - » If the tires have cuts, run-in objects, or other damage:
 - Change the tires. 🛠️
- Check the tread depth.

i Info
 Adhere to the legally required minimum tread depth.

Minimum tread depth	≥ 2 mm (≥ 0.08 in)
---------------------	--------------------

- » If the tread depth is less than the minimum tread depth:
 - Change the tires. 🛠️
- Check the tire age.

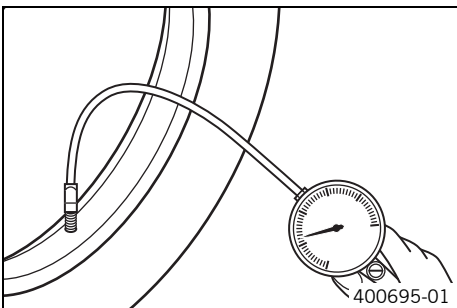
i Info
 The tire date of manufacture is usually contained in the tire label and is indicated by the last four digits of the **DOT** number. The first two digits indicate the week of manufacture and the last two digits the year of manufacture.
 KTM recommends that the tires be changed after 5 years at the latest, regardless of the actual state of wear.



- » If the tires are more than 5 years old:
 - Change the tires. 🛠️

13.6 Checking tire air pressure

i Info
 Low tire air pressure leads to abnormal wear and overheating of the tire.
 Correct tire air pressure ensures optimal riding comfort and maximum tire service life.



- Remove the protection cap.
- Check the tire air pressure when the tires are cold.

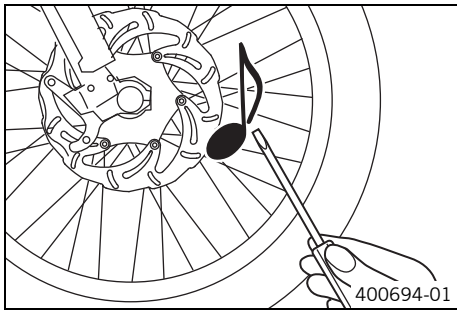
Tire air pressure off road	
Front	1.0 bar (15 psi)
Rear	1.0 bar (15 psi)

- » If the tire pressure does not meet specifications:
 - Correct the tire pressure.
- Mount the protection cap.

13.7 Checking spoke tension

⚠ Warning
Danger of accidents Incorrectly tensioned spokes impair the handling characteristic and result in secondary damage.
 The spokes break due to being overloaded if they are too tightly tensioned. If the tension in the spokes is too low, then lateral and radial run-out will form in the wheel. Other spokes will become looser as a result.

- Check spoke tension regularly, and in particular on a new vehicle. (Your authorized KTM workshop will be glad to help.)



- Strike each spoke briefly using a screwdriver blade.

i Info

The frequency of the sound depends on the spoke length and spoke diameter.
 If you hear different tone frequencies from different spokes of equal length and diameter, this is an indication of different spoke tensions.

You should hear a high note.

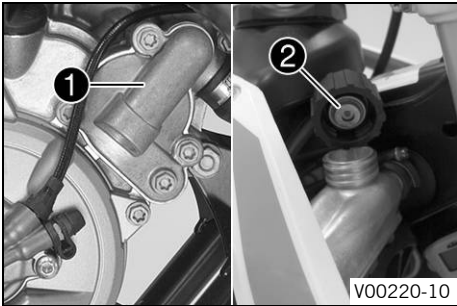
- » If the spoke tension differs:
 - Correct the spoke tension. 🛠️
- Check the spoke torque.

Guideline

Spoke nipple	M3.5	3 Nm (2.2 lbf ft)
--------------	------	-------------------

Torque wrench with various accessories in set (58429094000)

14.1 Cooling system



The water pump ① in the engine forces the coolant to flow. The pressure resulting from the warming of the cooling system is regulated by a valve in the radiator cap ②. This ensures that operating the vehicle at the specified coolant temperature will not result in a risk of malfunctions.

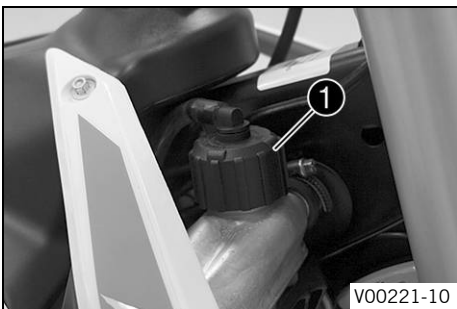
120 °C (248 °F)

Cooling is effected by the air stream. The lower the speed, the less the cooling effect. Dirty cooling fins also reduce the cooling effect.

14.2 Checking the antifreeze and coolant level

- Warning**
Danger of scalding During motorcycle operation, the coolant gets very hot and is under pressure.
- Do not open the radiator, the radiator hoses or other cooling system components if the engine or the cooling system are at operating temperature.
 - Allow the cooling system and the engine to cool down before you open the radiator, the radiator hoses or other components of the cooling system.
 - In the event of scalding, rinse the area affected immediately with lukewarm water.

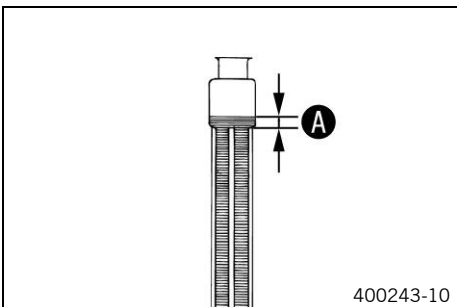
- Warning**
Danger of poisoning Coolant is toxic and a health hazard.
- Keep coolant out of the reach of children.
 - Do not allow coolant to come into contact with the skin, the eyes and clothing.
 - Consult a doctor immediately if coolant is swallowed.
 - Rinse the affected area immediately with plenty of water in the event of contact with the skin.
 - Rinse eyes thoroughly with water and consult a doctor immediately if coolant gets into the eyes.
 - Change clothing if coolant spills onto your clothing.



- Stand the motorcycle upright on a horizontal surface.
- Take off radiator cap ①.
- Check the antifreeze in the coolant.

-25... -45 °C (-13... -49 °F)

- » If the antifreeze in the coolant does not match the specified value:
 - Correct the antifreeze in the coolant.



- Check the coolant level in the radiator.

Coolant level A above the radiator fins	10 mm (0.39 in)
--	-----------------

- » If the coolant level does not match the specified value:
 - Correct the coolant level.

Coolant (📖 p. 86)

- Mount the radiator cap.

14.3 Checking the coolant level



Warning

Danger of scalding During motorcycle operation, the coolant gets very hot and is under pressure.

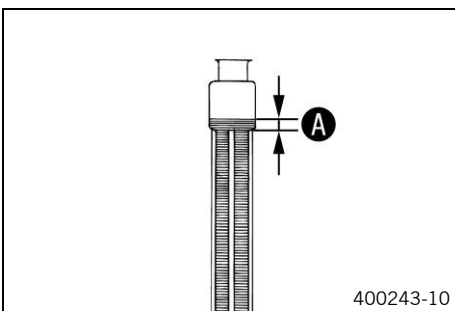
- Do not open the radiator, the radiator hoses or other cooling system components if the engine or the cooling system are at operating temperature.
- Allow the cooling system and the engine to cool down before you open the radiator, the radiator hoses or other components of the cooling system.
- In the event of scalding, rinse the area affected immediately with lukewarm water.



Warning

Danger of poisoning Coolant is toxic and a health hazard.

- Keep coolant out of the reach of children.
- Do not allow coolant to come into contact with the skin, the eyes and clothing.
- Consult a doctor immediately if coolant is swallowed.
- Rinse the affected area immediately with plenty of water in the event of contact with the skin.
- Rinse eyes thoroughly with water and consult a doctor immediately if coolant gets into the eyes.
- Change clothing if coolant spills onto your clothing.



- Stand the motorcycle upright on a horizontal surface.
- Remove the radiator cap.
- Check the coolant level in the radiator.

Coolant level A above the radiator fins	10 mm (0.39 in)
--	-----------------

- » If the coolant level does not match the specified value:
 - Correct the coolant level.

Coolant (📖 p. 86)

- Mount the radiator cap.

14.4 Draining the coolant 🐉



Warning

Danger of scalding During motorcycle operation, the coolant gets very hot and is under pressure.

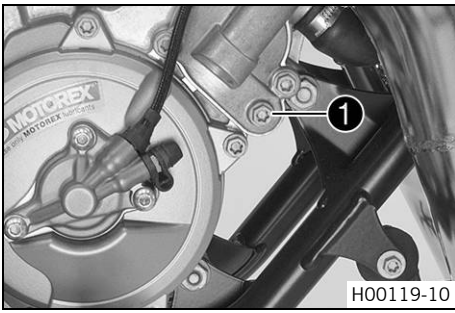
- Do not open the radiator, the radiator hoses or other cooling system components if the engine or the cooling system are at operating temperature.
- Allow the cooling system and the engine to cool down before you open the radiator, the radiator hoses or other components of the cooling system.
- In the event of scalding, rinse the area affected immediately with lukewarm water.



Warning

Danger of poisoning Coolant is toxic and a health hazard.

- Keep coolant out of the reach of children.
- Do not allow coolant to come into contact with the skin, the eyes and clothing.
- Consult a doctor immediately if coolant is swallowed.
- Rinse the affected area immediately with plenty of water in the event of contact with the skin.
- Rinse eyes thoroughly with water and consult a doctor immediately if coolant gets into the eyes.
- Change clothing if coolant spills onto your clothing.



- Position the motorcycle upright.
- Place a suitable container under the water pump cover.
- Remove screw ❶. Remove the radiator cap.
- Completely drain the coolant.
- Mount and tighten screw ❶ with a new seal ring.

Guideline

Drain plug, water pump cover	M6	6 Nm (4.4 lbf ft)
------------------------------	----	-------------------

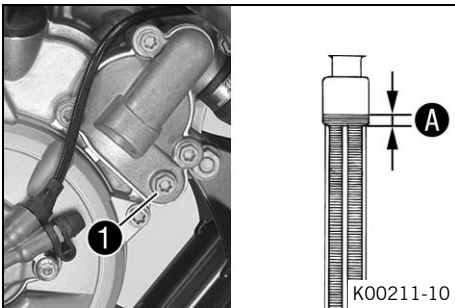
14.5 Refilling with coolant



Warning

Danger of poisoning Coolant is toxic and a health hazard.

- Keep coolant out of the reach of children.
- Do not allow coolant to come into contact with the skin, the eyes and clothing.
- Consult a doctor immediately if coolant is swallowed.
- Rinse the affected area immediately with plenty of water in the event of contact with the skin.
- Rinse eyes thoroughly with water and consult a doctor immediately if coolant gets into the eyes.
- Change clothing if coolant spills onto your clothing.



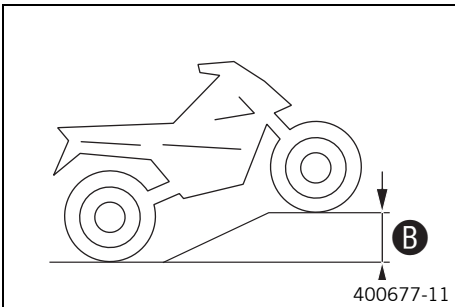
Main work

- Make sure that screw ❶ is tightened.
- Position the motorcycle upright.
- Add coolant to level A.

Guideline

Distance A above the radiator fins	10 mm (0.39 in)
------------------------------------	-----------------

Coolant	0.55 l (0.58 qt.)	Coolant (📖 p. 86)
---------	-------------------	-------------------



- Move the vehicle into the position shown and prevent it from rolling away. Height difference B must be reached.

Guideline

Height difference B	50 cm (19.7 in)
---------------------	-----------------



Info

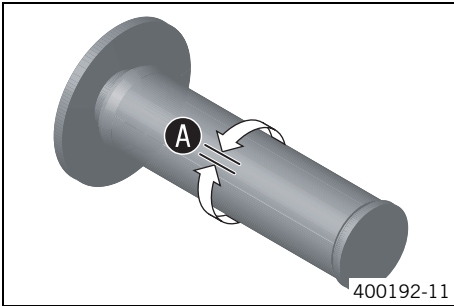
For all of the air to be able to escape from the cooling system, the vehicle must be raised at the front. If the cooling system is poorly de-aerated, its cooling power will be reduced and the engine may overheat.

- Return the vehicle to the horizontal position.
- Add coolant to level A.
- Mount the radiator cap.

Finishing work

- Go for a short test ride.
- Check the cooling system for leaks.
- Check the coolant level. (📖 p. 69)

15.1 Checking the play in the throttle cable



- Check the throttle grip for smooth operation.
- Move the handlebar to the straight-ahead position. Move the throttle grip backwards and forwards to ascertain play **A** in the throttle cable.

Play in gas throttle cable	3... 5 mm (0.12... 0.2 in)
----------------------------	----------------------------

- » If the throttle cable play does not meet specifications:
 - Adjust the play in the throttle cable. 🛠️ (p. 71)



Danger

Danger of poisoning Exhaust gases are toxic and inhaling them may result in unconsciousness and death.

- Always make sure there is sufficient ventilation when running the engine.
- Use an effective exhaust extraction system when starting or running the engine in an enclosed space.

- Start the engine and let it idle. Move the handlebar to and fro over the entire steering range.

The idle speed should not change.

- » If the idle speed changes:
 - Adjust the play in the throttle cable. 🛠️ (p. 71)

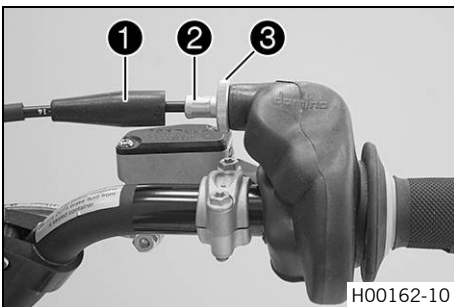
15.2 Adjusting the play in the throttle cable 🛠️

Preparatory work

- Remove the seat. 🛠️ (p. 39)
- Turn the knurled screw on the fuel tap all the way clockwise.
- Remove the fuel tank. 🛠️ (p. 42)
- Check the throttle cable routing. 🛠️ (p. 48)

Main work

- Move the handlebar to the straight-ahead position.
- Push back sleeve **1**.
- Ensure that the throttle cable sleeve is pushed all the way into barrel adjuster **2**.
- Loosen nut **3**.

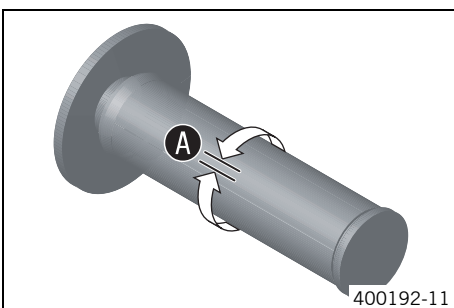


- Turn barrel adjuster **2** until throttle cable play **A** exists at the bottom throttle cable sleeve.

Guideline

Play in gas throttle cable	3... 5 mm (0.12... 0.2 in)
----------------------------	----------------------------

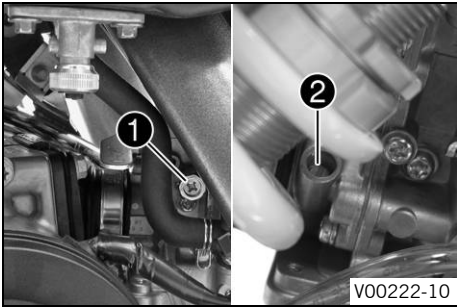
- Tighten nut **3**.
- Slide on sleeve **1**.



Finishing work

- Install the fuel tank. 🛠️ (p. 43)
- Mount the seat. 🛠️ (p. 39)
- Check the play in the throttle cable. 🛠️ (p. 71)

15.3 Carburetor - idle

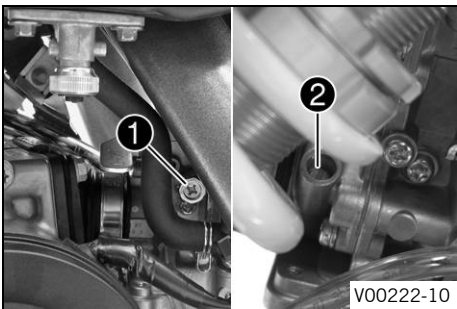


The idle setting of the carburetor has a big influence on the starting behavior, stable idling and the response to throttle opening. That means that an engine with a correctly set idle speed is easier to start than if the idle is set wrongly.

i Info
The carburetor and its components are subject to increased wear caused by engine vibration. Wear can result in malfunctioning.

The idle speed is adjusted with adjusting screw 1.
The idle mixture is adjusted with idle adjusting screw 2.

15.4 Carburetor – adjusting the idle speed



- Screw in idle air adjusting screw 2 all the way and turn it to the specified basic position.

Guideline

Idle air adjusting screw	
Open	3.5 turns

- Run the engine until warm.

Guideline

Warm-up time	≥ 5 min
--------------	---------

- Connect special tool.

Tachometer (45129075000)

! Danger
Danger of poisoning Exhaust gases are toxic and inhaling them may result in unconsciousness and death.

- Always make sure there is sufficient ventilation when running the engine.
- Use an effective exhaust extraction system when starting or running the engine in an enclosed space.


- Adjust the idle speed with adjusting screw 1.

Guideline

Choke function deactivated – The choke lever is pushed up all the way to the stop. (🗨 p. 13)	
Idle speed	1,400... 1,500 rpm

- Turn idle air adjusting screw 2 slowly in a clockwise direction until the idle speed begins to fall.
- Note the position and turn the idle air adjusting screw slowly counterclockwise until the idle speed again begins to fall.
- Adjust to the point between these two positions with the highest idle speed.

i Info
If there is a big engine speed rise, reduce the idle speed to a normal level and repeat the above steps.
If the procedure described here does not lead to satisfactory results, the cause may be a wrongly dimensioned idling jet.
If you can turn the idle air adjusting screw to the end without any change of engine speed, mount a smaller idling jet.
After changing the idling jet, start from the beginning with the adjusting steps.
Following extreme air temperature or altitude changes, adjust the idle speed again.

15.5 Emptying the carburetor float chamber **Danger****Fire hazard** Fuel is highly flammable.

The fuel in the fuel tank expands when warm and can escape if overfilled.

- Do not refuel the vehicle in the vicinity of open flames or lit cigarettes.
- Switch off the engine for refueling.
- Make sure that no fuel is spilled; particularly not on hot parts of the vehicle.
- If any fuel is spilled, wipe it off immediately.
- Observe the specifications for refueling.

**Warning****Danger of poisoning** Fuel is poisonous and a health hazard.

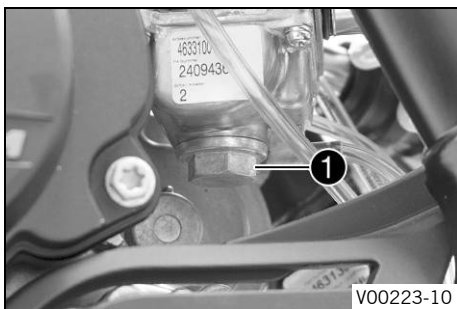
- Avoid skin, eye and clothing contact with fuel.
- Immediately consult a doctor if you swallow fuel.
- Do not inhale fuel vapors.
- In case of skin contact, rinse the affected area with plenty of water.
- Rinse the eyes thoroughly with water, and consult a doctor in case of fuel contact with the eyes.
- Change your clothing in case of fuel spills on them.
- Keep fuels correctly in a suitable canister, and out of the reach of children.

**Warning****Environmental hazard** Improper handling of fuel is a danger to the environment.

- Do not allow fuel to enter the groundwater, the soil, or the sewage system.

**Info**

Carry out work with a cold engine.
Water in the float chamber results in malfunctioning.

**Preparatory work**

- Turn the knurled screw on the fuel tap all the way clockwise.
- ✓ No more fuel flows from the tank to the carburetor.

Main work

- Place a cloth under the carburetor to capture the draining fuel.
- Remove screw plug ①.
- Fully drain the fuel.
- Mount and tighten the screw plug.

16.1 Checking the gear oil level



Condition

The engine is cold.

Preparatory work

- Stand the motorcycle upright on a horizontal surface.

Main work

- Remove screw ❶.
- Check the gear oil level.

A small quantity of gear oil must run out of the drilled hole.

- » If no gear oil runs out:
 - Add gear oil. 📖 (p. 75)

- Mount and tighten screw ❶.

Guideline

Screw, gear oil level check	M6	6 Nm (4.4 lbf ft)
-----------------------------	----	-------------------

16.2 Changing the gear oil 🛠️

Warning

Danger of scalding Engine and gear oil get very hot when the motorcycle is ridden.

- Wear suitable protective clothing and safety gloves.
- In the event of scalding, rinse the area affected immediately with lukewarm water.

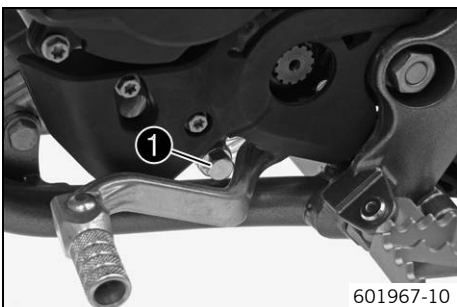
Warning

Environmental hazard Hazardous substances cause environmental damage.

- Dispose of oils, grease, filters, fuel, cleaning agents, brake fluid, etc., correctly and in compliance with the applicable regulations.

Info

Drain gear oil with engine at operating temperature.



Preparatory work

- Stand the motorcycle on the plug-in stand on a horizontal surface.

Main work

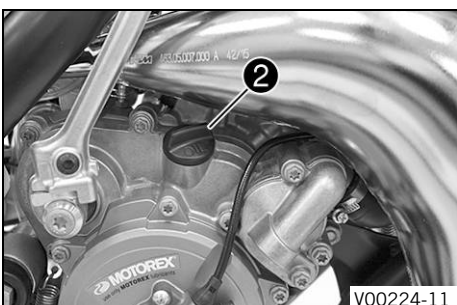
- Place a suitable container under the engine.
- Remove oil drain plug ❶ with the magnet.
- Let the gear oil drain fully.
- Thoroughly clean the oil drain plug with magnet.
- Clean the sealing surface on the engine.
- Mount and tighten the oil drain plug with the magnet and a new seal ring.

Guideline

Oil drain plug with magnet	M12x1.5	20 Nm (14.8 lbf ft)
----------------------------	---------	---------------------

Info

Too little gear oil or poor-quality gear oil results in premature wear to the transmission.



- Remove filler plug ❷ and fill up with gear oil.

Gear oil	0.50 l (0.53 qt.)	Engine oil (15W/50) 📖 (p. 86)
----------	-------------------	-------------------------------

- Mount and tighten the oil filler plug.



Danger

Danger of poisoning Exhaust gases are toxic and inhaling them may result in unconsciousness and death.

- Always make sure there is sufficient ventilation when running the engine.
- Use an effective exhaust extraction system when starting or running the engine in an enclosed space.

- Start the engine and check that it is oil-tight.

Finishing work

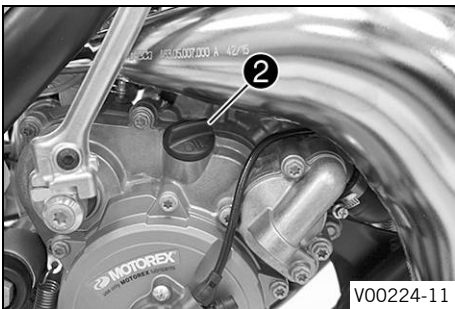
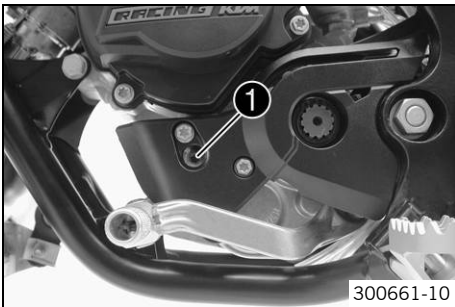
- Check the gear oil level. (📖 p. 74)

16.3 Adding gear oil 🛠️



Info

Too little gear oil or poor-quality gear oil results in premature wear to the transmission.



Preparatory work

- Stand the motorcycle upright on a horizontal surface.

Main work

- Remove screw ❶.

- Remove filler plug ❷.
- Add gear oil until it flows out of the hole of the gear oil level screw.

Engine oil (15W/50) (📖 p. 86)

- Mount and tighten screw ❶.

Guideline

Screw, gear oil level check	M6	6 Nm (4.4 lbf ft)
-----------------------------	----	-------------------

- Mount and tighten filler plug ❷.



Danger

Danger of poisoning Exhaust gases are toxic and inhaling them may result in unconsciousness and death.

- Always make sure there is sufficient ventilation when running the engine.
- Use an effective exhaust extraction system when starting or running the engine in an enclosed space.

- Start the engine and check that it is oil-tight.

17.1 Cleaning the motorcycle

Note

Material damage Components become damaged or destroyed if a pressure cleaner is used incorrectly. The high pressure forces water into the electrical components, connectors, throttle cables, and bearings, etc. Pressure which is too high causes malfunctions and destroys components.

- Do not direct the water jet directly on to electrical components, connectors, throttle cables or bearings.
- Maintain a minimum distance between the nozzle of the pressure cleaner and the component.
Minimum clearance 60 cm (23.6 in)



Warning

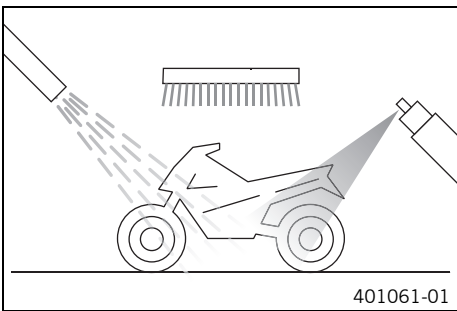
Environmental hazard Hazardous substances cause environmental damage.

- Dispose of oils, grease, filters, fuel, cleaning agents, brake fluid, etc., correctly and in compliance with the applicable regulations.



Info

To maintain the value and appearance of the motorcycle over a long period, clean it regularly. Avoid direct sunshine when cleaning the motorcycle.



- Close off the exhaust system to keep water from entering.
- Remove loose dirt first with a soft jet of water.
- Spray heavily soiled parts with a normal commercial motorcycle cleaner and then brush off with a soft brush.

Motorcycle cleaner (🗨️ p. 88)



Info

Use warm water containing normal motorcycle cleaner and a soft sponge. Never apply motorcycle cleaner to a dry vehicle; always rinse the vehicle with water first.

- After rinsing the motorcycle with a gentle spray of water, allow it to dry thoroughly.
- Remove the closure of the exhaust system.
- Empty the carburetor float chamber. 🗨️ (🗨️ p. 73)



Warning

Danger of accidents Moisture and dirt impair the brake system.

- Explain to your child that he or she must brake carefully several times to dry out and remove dirt from the brake linings and the brake discs.

- After cleaning, let your child ride the vehicle a short distance until the engine warms up and the brakes have dried due to careful application of the brakes.



Info

The heat produced causes water at inaccessible locations in the engine and on the brake system to evaporate.

- Push back the protection caps on the handlebar controls to allow water to evaporate.
- After the motorcycle has cooled off, lubricate all moving parts and bearings.
- Clean the chain. (🗨️ p. 45)
- Treat bare metal (except for brake discs and the exhaust system) with a corrosion inhibitor.

Preserving materials for paints, metal and rubber (🗨️ p. 88)

- Treat all plastic parts and powder-coated parts with a mild cleaning and care product.

Special cleaner for glossy and matte paint finishes, metal and plastic surfaces (🗨️ p. 89)

18.1 Storage

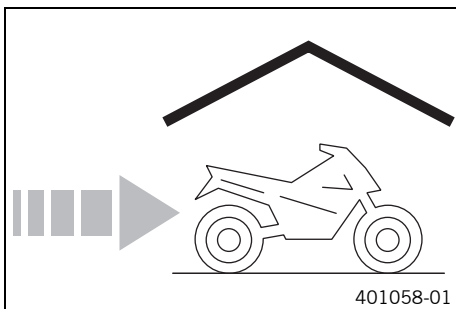
**Warning**

Danger of poisoning Fuel is poisonous and a health hazard.

- Avoid skin, eye and clothing contact with fuel.
- Immediately consult a doctor if you swallow fuel.
- Do not inhale fuel vapors.
- In case of skin contact, rinse the affected area with plenty of water.
- Rinse the eyes thoroughly with water, and consult a doctor in case of fuel contact with the eyes.
- Change your clothing in case of fuel spills on them.
- Keep fuels correctly in a suitable canister, and out of the reach of children.

**Info**

If you plan to garage the motorcycle for a longer period, perform the following steps or have them performed. Before storing the motorcycle, check all parts for function and wear. If service, repairs, or replacements are necessary, you should do this during the storage period (less workshop overload). In this way, you can avoid long workshop waiting times at the start of the new season.



- When refueling for the last time before taking the motorcycle out of service, add fuel additive.

Fuel additive (📖 p. 88)

- Fill up with fuel. (📖 p. 21)
- Clean the motorcycle. (📖 p. 76)
- Change the gear oil. 🛠️ (📖 p. 74)
- Check the antifreeze and coolant level. (📖 p. 68)
- Empty the carburetor float chamber. 🛠️ (📖 p. 73)
- Check the tire air pressure. (📖 p. 66)
- Store the vehicle in a dry location that is not subject to large fluctuations in temperature.

**Info**

KTM recommends jacking up the motorcycle.

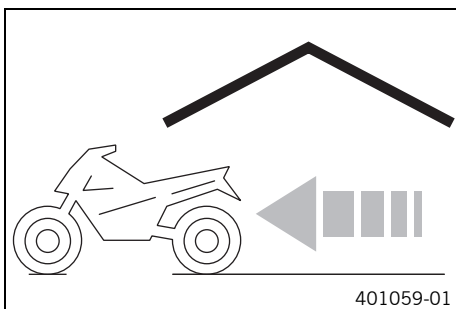
- Raise the motorcycle with a lift stand. (📖 p. 31)
- Cover the vehicle with a tarp or similar cover that is permeable to air.

**Info**

Do not use non-porous materials since they prevent humidity from escaping, thus causing corrosion.

Avoid running the engine for a short time only. Because the engine will not warm up sufficiently, the water vapor produced during combustion will condense, causing engine parts and the exhaust system to rust.

18.2 Preparing for use after storage



- Remove the motorcycle from the lift stand. (📖 p. 31)
- Perform checks and maintenance measures when preparing for use. (📖 p. 18)
- Take a test ride.

Faults	Possible cause	Action
Engine turns but does not start	Operating error	– Go through the steps of starting the engine. (🔧 p. 18)
	Motorcycle was out of use for a long time and there is old fuel in the float chamber	– Empty the carburetor float chamber. 🛠️ (🔧 p. 73)
	Fuel feed interrupted	– Check the fuel tank breather. – Clean the fuel tap. – Check/set the carburetor components. 🛠️
	Spark plug oily or wet	– Clean and dry the spark plug, or change it if necessary.
	Electrode distance (plug gap) of spark plug too wide	– Adjust the plug gap. Guideline Spark plug electrode gap 0.60 mm (0.0236 in)
	Fault in ignition system	– Check the ignition system. 🛠️ – Adjust the ignition. 🛠️
	Short circuit cable in wiring harness frayed, kill switch defective	– Check the kill switch. 🛠️
	The connector or ignition coil is loose or oxidized	– Clean the plug-in connection and treat it with contact spray.
	Water in carburetor or jets blocked	– Check/set the carburetor components. 🛠️
Engine has no idle	Idling jet blocked	– Check/set the carburetor components. 🛠️
	Adjusting screws on carburetor distorted	– Carburetor – adjust the idle speed. 🛠️ (🔧 p. 72)
	Spark plug defective	– Change spark plug.
	Ignition system defective	– Check the ignition coil. 🛠️ – Check the spark plug connector. 🛠️
Engine does not speed up	Carburetor running over because float needle dirty or worn	– Check/set the carburetor components. 🛠️
	Loose carburetor jets	– Check/set the carburetor components. 🛠️
	Fault in ignition system	– Check the ignition system. 🛠️ – Adjust the ignition. 🛠️
Engine has too little power	Fuel feed interrupted	– Check the fuel tank breather. – Clean the fuel tap. – Check/set the carburetor components. 🛠️
	Air filter very dirty	– Clean the air filter and air filter box. 🛠️ (🔧 p. 41)
	Exhaust system leaky, deformed or too little glass fiber yarn filling in main silencer	– Check exhaust system for damage. – Change the glass fiber yarn filling of the main silencer. 🛠️ (🔧 p. 42)
	Fault in ignition system	– Check the ignition system. 🛠️ – Adjust the ignition. 🛠️
	Diaphragm or reed valve housing damaged	– Check the diaphragm and reed valve housing.
	Noticeable wear	– Overhaul the engine.
Engine stalls or is popping into the carburetor	Lack of fuel	– Turn the knurled screw on the fuel tap all the way counterclockwise. – Fill up with fuel. (🔧 p. 21)
	Engine takes in bad air	– Check the intake flange and carburetor for tightness.
	The connector or ignition coil is loose or oxidized	– Clean the plug-in connection and treat it with contact spray.
Engine overheats	Too little coolant in cooling system	– Check the cooling system for leakage. – Check the coolant level. (🔧 p. 69)
	Too little air stream	– Switch off engine when standing.

Faults	Possible cause	Action
Engine overheats	Radiator fins very dirty	– Clean radiator fins.
	Foam formation in cooling system	– Drain the coolant. 🛠️ (📖 p. 69) – Refill with coolant. 🛠️ (📖 p. 70)
	Damaged cylinder head or cylinder head gasket	– Check the cylinder head or cylinder head gasket.
	Bent radiator hose	– Change the radiator hose. 🛠️
	Incorrect ignition point due to loose stator	– Adjust the ignition. 🛠️
White smoke emission (steam in exhaust gas)	Damaged cylinder head or cylinder head gasket	– Check the cylinder head or cylinder head gasket.
Gear oil exits at the vent hose	Too much gear oil added	– Check the gear oil level. (📖 p. 74)
Water in the gear oil	Damaged shaft seal ring or water pump	– Check the shaft seal ring and water pump.

20.1 Engine

Design	1-cylinder 2-stroke engine, water-cooled, with reed intake and exhaust control
Displacement	64.85 cm ³ (3.9574 cu in)
Stroke	40.8 mm (1.606 in)
Bore	45 mm (1.77 in)
Idle speed	1,400... 1,500 rpm
Control	Exhaust control PCEV (Pneumatic Controlled Exhaust Valve)
Crankshaft bearing	2 grooved ball bearings
Conrod bearing	Needle bearing
Piston pin bearing	Needle bearing
Pistons	Aluminum cast
Piston rings	1 rectangular ring
Engine lubrication	Mixture oil lubrication
Primary transmission	23:75 straight cut spur gear
Clutch	Multidisc clutch in oil bath/hydraulically activated
Gearbox	6-gear, claw shifted
Transmission ratio	
1st gear	13:37
2nd gear	16:34
3rd gear	18:31
4th gear	21:30
5th gear	23:28
6th gear	24:26
Ignition	Non-contact controlled fully electronic ignition system with digital ignition adjustment
Spark plug	NGK LR 8 B
Spark plug electrode gap	0.60 mm (0.0236 in)
Cooling	Water-cooled
Starting aid	Kickstarter

20.2 Engine tightening torques

Lower part of control valve	M4	4 Nm (3 lbf ft)	Loctite® 648™
Nut, exhaust control diaphragm	M5	4 Nm (3 lbf ft)	–
Screw, clutch line holder	M5	5 Nm (3.7 lbf ft)	–
Screw, diaphragm cover of exhaust control	M5	4 Nm (3 lbf ft)	–
Screw, ignition system/stator	M5	5 Nm (3.7 lbf ft)	Loctite® 222™
Screw, main shaft bearing retainer	M5	5 Nm (3.7 lbf ft)	Loctite® 648™
Screw, reed valve housing of exhaust control	M5	5 Nm (3.7 lbf ft)	–
Screw, retaining bracket for return spring of shift shaft	M5	6 Nm (4.4 lbf ft)	Loctite® 243™
Screw, shift drum locating	M5	6 Nm (4.4 lbf ft)	Loctite® 243™
Screw, water pump wheel	M5	5 Nm (3.7 lbf ft)	Loctite® 243™
Drain plug, water pump cover	M6	6 Nm (4.4 lbf ft)	–
Screw, alternator cover	M6	8 Nm (5.9 lbf ft)	–
Screw, clutch intermediate cover	M6	10 Nm (7.4 lbf ft)	–
Screw, clutch slave cylinder	M6	10 Nm (7.4 lbf ft)	Loctite® 243™
Screw, clutch springs	M6	10 Nm (7.4 lbf ft)	–
Screw, engine case	M6	10 Nm (7.4 lbf ft)	–
Screw, engine sprocket cover	M6	10 Nm (7.4 lbf ft)	–
Screw, exhaust flange	M6	10 Nm (7.4 lbf ft)	Loctite® 243™

Screw, gear oil level check	M6	6 Nm (4.4 lbf ft)	–
Screw, intake flange/reed valve housing	M6	10 Nm (7.4 lbf ft)	–
Screw, kickstarter stop piece	M6	10 Nm (7.4 lbf ft)	Loctite® 243™
Screw, outer clutch cover	M6	10 Nm (7.4 lbf ft)	–
Screw, reed valve housing of exhaust control	M6	10 Nm (7.4 lbf ft)	–
Screw, shift drum bearing retainer	M6	5 Nm (3.7 lbf ft)	Loctite® 648™
Screw, shift drum locating	M6	10 Nm (7.4 lbf ft)	Loctite® 243™
Screw, shift lever	M6	14 Nm (10.3 lbf ft)	Loctite® 243™
Screw, water pump cover	M6	8 Nm (5.9 lbf ft)	–
Vacuum connection/vent connection	M6	4 Nm (3 lbf ft)	Loctite® 243™
Screw, cylinder head	M7	18 Nm (13.3 lbf ft)	–
Nuts, cylinder base	M8	20 Nm (14.8 lbf ft)	–
Screw, kickstarter	M8	25 Nm (18.4 lbf ft)	Loctite® 243™
Stud, cylinder base (left section of the engine case)	M8	Tightening sequence: screw in until it projects by 27 mm (1.063 in)	Loctite® 243™
Stud, cylinder base (right section of the engine case)	M8	Tightening sequence: screw in until it projects by 29 mm (1.142 in)	Loctite® 243™
Screw, inner clutch hub	M10	60 Nm (44.3 lbf ft)	Loctite® 243™
Spark plug	M10x1	10... 12 Nm (7.4... 8.9 lbf ft)	–
Nut, rotor	M12x1	50 Nm (36.9 lbf ft)	–
Oil drain plug with magnet	M12x1.5	20 Nm (14.8 lbf ft)	–
Nut, primary gear	M14x1.25	40 Nm (29.5 lbf ft)	Loctite® 243™

20.3 Carburetor

Carburetor type	MIKUNI TM 24
Needle position	2nd position from top
Idle air adjusting screw	
Open	3.5 turns
Main jet	210
Jet needle	5IPL43
Idling jet	20
Needle jet	Q-0 (454)
Throttle slide	2.5

20.3.1 Carburetor tuning

MIKUNI TM 24							
M/FT ASL ↓	TEMP →	-20°C ... -7°C	-6°C ... 5°C	6°C ... 15°C	16°C ... 24°C	25°C ... 36°C	37°C ... 49°C
		-2°F ... 20°F	19°F ... 41°F	42°F ... 60°F	61°F ... 78°F	79°F ... 98°F	99°F ... 120°F
3.000 m 10,000 ft ↑ 2.301 m 7,501 ft	ASO IJ NDL POS MJ	3,5 20 5IPL43 2 210	3,5 20 5IPL43 1 210	3,5 15 5IPL43 1 205	3,5 15 5IPL43 1 200	3,5 10 5IPL43 1 195	
2.300 m 7,500 ft ↑ 1.501 m 5,001 ft	ASO IJ NDL POS MJ	3,5 20 5IPL43 2 210	3,5 20 5IPL43 2 210	3,5 20 5IPL43 1 210	3,5 15 5IPL43 1 205	3,5 15 5IPL43 1 200	3,5 10 5IPL43 1 195
1.500 m 5,000 ft ↑ 751 m 2,501 ft	ASO IJ NDL POS MJ	3,5 20 5IPL43 3 215	3,5 20 5IPL43 2 210	3,5 20 5IPL43 2 210	3,5 20 5IPL43 1 210	3,5 15 5IPL43 1 205	3,5 15 5IPL43 1 200
750 m 2,500 ft ↑ 301 m 1,001 ft	ASO IJ NDL POS MJ	2,5 25 5IPL43 3 220	3,5 20 5IPL43 3 215	3,5 20 5IPL43 2 210	3,5 20 5IPL43 2 210	3,5 20 5IPL43 1 210	3,5 15 5IPL43 1 205
300 m 1,000 ft ↑ 0 m 0 ft	ASO IJ NDL POS MJ	2 25 5IPL43 4 225	2,5 25 5IPL43 3 220	3,5 20 5IPL43 3 215	3,5 20 5IPL43 2 210	3,5 20 5IPL43 2 210	3,5 20 5IPL43 1 210

100810-01

M/FT ASL	Above sea level
TEMP	Temperature
ASO	Idle air adjusting screw open (rotations)
IJ	Idling jet
NDL	Jet needle
POS	Needle position from above
MJ	Main jet

The carburetor tuning depends on the defined ambient and operating conditions.

20.4 Capacities

20.4.1 Gear oil

Gear oil	0.50 l (0.53 qt.)	Engine oil (15W/50) (📖 p. 86)
----------	-------------------	-------------------------------

20.4.2 Coolant

Coolant	0.55 l (0.58 qt.)	Coolant (📖 p. 86)
---------	-------------------	-------------------

20.4.3 Fuel

Fuel tank capacity, approx.	3.5 l (3.7 qt.)	Super unleaded (95 octane) mixed with 2-stroke engine oil (1:60) (📖 p. 87)
-----------------------------	-----------------	--

20.5 Fork

Fork part number	07.18.6Q.03	
Fork	WP Performance Systems Upside down AER 35	
Rebound damping		
Comfort	15 clicks	
Standard	12 clicks	
Sport	10 clicks	
Air pressure	3 bar (44 psi)	
Fork length	735 mm (28.94 in)	

Oil capacity external mechanism right	200 \pm ⁴⁰ / ₂₀ ml (6.76 \pm ^{1.35} / _{0.38} fl. oz.)	Fork oil (SAE 4) (48601166S1) (📖 p. 87)
Oil capacity external mechanism left	40 \pm ¹⁵ / ₁₀ ml (1.35 \pm ^{0.34} / _{0.34} fl. oz.)	Fork oil (SAE 4) (48601166S1) (📖 p. 87)
Oil capacity, right cartridge	240 ml (8.11 fl. oz.)	Fork oil (SAE 4) (48601166S1) (📖 p. 87)
Grease capacity, left cartridge	6 ml (0.2 fl. oz.)	Multi-purpose grease (00062010051) (📖 p. 88)

20.6 Shock absorber

Shock absorber article number	03.18.7Q.03	
Shock absorber	WP Performance Systems 3614 BAVP	
Compression damping, high-speed		
Comfort	1.5 turns	
Standard	1 turn	
Sport	0.5 turns	
Compression damping, low-speed		
Comfort	18 clicks	
Standard	15 clicks	
Sport	12 clicks	
Rebound damping		
Comfort	8 clicks	
Standard	5 clicks	
Sport	2 clicks	
Spring preload		
Standard	5 mm (0.2 in)	
Spring rate		
Weight of rider: 35 kg (77 lb.)	35 N/mm (200 lb/in)	
Weight of rider: 40 kg (88 lb.)	40 N/mm (228 lb/in)	
Weight of rider: 45 kg (99 lb.)	45 N/mm (257 lb/in)	
Spring length	210 mm (8.27 in)	
Gas pressure	10 bar (145 psi)	

Static sag	30 mm (1.18 in)
Riding sag	70 mm (2.76 in)
Fitted length	347 mm (13.66 in)

Shock absorber fluid (🔧 p. 87)	SAE 2.5
--------------------------------	---------

20.7 Chassis

Frame	Central tube frame of chrome molybdenum steel tubing, powder-coated
Fork	WP Performance Systems Upside down AER 35
Shock absorber	WP Performance Systems 3614 BAVP
Suspension travel	
Front	215 mm (8.46 in)
Rear	270 mm (10.63 in)
Fork offset	22 mm (0.87 in)
Brake system	
Front	Disc brake with four-pot brake caliper
Rear	Disc brake with four-pot brake caliper
Brake disc diameters	
Front	198 mm (7.8 in)
Rear	160 mm (6.3 in)
Brake discs - wear limits	
Front	2.5 mm (0.098 in)
Rear	2.5 mm (0.098 in)
Tire air pressure off road	
Front	1.0 bar (15 psi)
Rear	1.0 bar (15 psi)
Secondary drive ratio	14:48
Chain	1/2 x 1/4" O-ring
Rear sprockets available	46, 48, 50
Steering head angle	64.5°
Wheelbase	1,137 mm (44.76 in)
Seat height unloaded	750 mm (29.53 in)
Ground clearance unloaded	280 mm (11.02 in)
Weight without fuel, approx.	53 kg (117 lb.)
Maximum rider weight	50 kg (110 lb.)

20.8 Tires

Front tires	Rear tires
60/100 - 14 30M TT MAXXIS MAXX CROSS SI	80/100 - 12 41M TT MAXXIS MAXX CROSS SI
The tires specified represent one of the possible series production tires. Additional information is available in the Service section under: http://www.ktm.com	

20.9 Chassis tightening torques

Spoke nipple	M3.5	3 Nm (2.2 lbf ft)	–
Screw, brake line bracket	M5	2 Nm (1.5 lbf ft)	–
Remaining nuts, chassis	M6	10 Nm (7.4 lbf ft)	–
Remaining screws, chassis	M6	10 Nm (7.4 lbf ft)	–
Screw, ball joint of push rod on foot brake cylinder	M6	10 Nm (7.4 lbf ft)	Loctite® 243™
Screw, fender	M6	6 Nm (4.4 lbf ft)	–
Screw, foot brake cylinder	M6	10 Nm (7.4 lbf ft)	–
Screw, fork stub	M6	10 Nm (7.4 lbf ft)	–
Screw, front brake disc	M6	14 Nm (10.3 lbf ft)	Loctite® 243™
Screw, rear brake disc	M6	14 Nm (10.3 lbf ft)	Loctite® 243™
Screw, rear brake lining	M6	10 Nm (7.4 lbf ft)	–
Screw, throttle grip	M6	4.5 Nm (3.32 lbf ft)	–
Screw; front brake lining	M6	10 Nm (7.4 lbf ft)	–
Start number plate screw	M6	4 Nm (3 lbf ft)	–
Nut, rim lock	M8	10 Nm (7.4 lbf ft)	–
Remaining nuts, chassis	M8	25 Nm (18.4 lbf ft)	–
Remaining screws, chassis	M8	25 Nm (18.4 lbf ft)	–
Screw, bottom triple clamp	M8	15 Nm (11.1 lbf ft)	–
Screw, engine bracket	M8	30 Nm (22.1 lbf ft)	Loctite® 243™
Screw, front brake caliper	M8	20 Nm (14.8 lbf ft)	Loctite® 243™
Screw, handlebar clamp	M8	20 Nm (14.8 lbf ft)	–
Screw, rear brake caliper	M8	18 Nm (13.3 lbf ft)	Loctite® 243™
Screw, rear sprocket	M8	25 Nm (18.4 lbf ft)	Loctite® 243™
Screw, steering stem	M8	20 Nm (14.8 lbf ft)	–
Screw, tail assembly	M8	35 Nm (25.8 lbf ft)	Loctite® 2701™
Screw, top triple clamp	M8	20 Nm (14.8 lbf ft)	–
Remaining nuts, chassis	M10	45 Nm (33.2 lbf ft)	–
Remaining screws, chassis	M10	45 Nm (33.2 lbf ft)	–
Screw, bottom shock absorber	M10	45 Nm (33.2 lbf ft)	Loctite® 243™
Screw, foot brake lever	M10	35 Nm (25.8 lbf ft)	Loctite® 243™
Screw, front wheel spindle	M10	40 Nm (29.5 lbf ft)	Loctite® 243™
Screw, handlebar support	M10	40 Nm (29.5 lbf ft)	Loctite® 243™
Screw, top shock absorber	M10	45 Nm (33.2 lbf ft)	Loctite® 243™
Nut, swingarm pivot	M12x1	40 Nm (29.5 lbf ft)	–
Nut, rear wheel spindle	M14x1.5	40 Nm (29.5 lbf ft)	–
Nut, steering stem	M20x1.5	10 Nm (7.4 lbf ft)	–

Brake fluid DOT 4 / DOT 5.1

Standard/classification

- DOT

Guideline

- Use only brake fluid that complies with the specified standard (see specifications on the container) and that exhibits the corresponding properties.

Recommended supplier

Castrol

- **REACT PERFORMANCE DOT 4**

Motorex®

- **Brake Fluid DOT 5.1**

Coolant

Guideline

- Only use high-grade, silicate-free coolant with corrosion inhibitor additive for aluminum motors. Low grade and unsuitable antifreeze causes corrosion, deposits and frothing.
- Do not use pure water as only coolant is able to meet the requirements needed in terms of corrosion protection and lubrication properties.
- Only use coolant that complies with the requirements stated (see specifications on the container) and that has the relevant properties.

Antifreeze protection to at least	-25 °C (-13 °F)
-----------------------------------	-----------------

The mixture ratio must be adjusted to the necessary antifreeze protection. Use distilled water if the coolant needs to be diluted.

The use of premixed coolant is recommended.

Observe the coolant manufacturer specifications for antifreeze protection, dilution and miscibility (compatibility) with other coolants.

Recommended supplier

Motorex®

- **COOLANT M3.0**

Engine oil (15W/50)

Standard/classification

- JASO T903 MA (📖 p. 90)
- SAE (📖 p. 90) (15W/50)

Guideline

- Use only engine oils that comply with the specified standards (see specifications on the container) and that possess the corresponding properties.

Recommended supplier

Motorex®

- **Top Speed 4T**

Engine oil, 2-stroke

Standard/classification

- JASO FD (📖 p. 90)

Guideline

- Only use high grade 2-stroke engine oil of a reputable brand.

Fully synthetic

Recommended supplier

Motorex®

- **Cross Power 2T**

Fork oil (SAE 4) (48601166S1)

Standard/classification

- SAE (📖 p. 90) (SAE 4)

Guideline

- Use only oils that comply with the specified standards (see specifications on the container) and that exhibit the corresponding properties.

Shock absorber fluid (SAE 2.5) (50180751S1)

Standard/classification

- SAE (📖 p. 90) (SAE 2.5)

Guideline

- Use only oils that comply with the specified standards (see specifications on the container) and that exhibit the corresponding properties.

Super unleaded (ROZ 95/RON 95/PON 91)

Standard/classification

- DIN EN 228 (ROZ 95/RON 95/PON 91)

Guideline

- Only use unleaded super fuel that matches or is equivalent to the specified fuel grade.
- Fuel with an ethanol content of up to 10 % (E10 fuel) is safe to use.



Info

Do **not** use fuel containing methanol (e. g. M15, M85, M100) or more than 10 % ethanol (e. g. E15, E25, E85, E100).

Super unleaded (95 octane) mixed with 2-stroke engine oil (1:60)

Standard/classification

- DIN EN 228
- JASO FD (📖 p. 90) (1:60)

Mixture ratio

1:60	Engine oil, 2-stroke (📖 p. 86) Super unleaded (ROZ 95/RON 95/PON 91) (📖 p. 87)
------	---

Recommended supplier

Motorex®

- **Cross Power 2T**

Air filter cleaner

Recommended supplier

Motorex®

- Racing Bio Dirt Remover

Chain cleaner

Recommended supplier

Motorex®

- Chain Clean

Fuel additive

Recommended supplier

Motorex®

- Fuel Stabilizer

Grip adhesive (00062030051)

Recommended supplier

KTM AG

- GRIP GLUE

High viscosity grease

Recommended supplier

SKF®

- LGHB 2

Long-life grease

Recommended supplier

Motorex®

- Bike Grease 2000

Motorcycle cleaner

Recommended supplier

Motorex®

- Moto Clean

Multi-purpose grease (00062010051)

Recommended supplier

Klüber Lubrication®

- CENTOPLEX 2 EP

Off-road chain spray

Recommended supplier

Motorex®

- Chainlube Offroad

Oil for foam air filter

Recommended supplier

Motorex®

- Racing Bio Liquid Power

Preserving materials for paints, metal and rubber

Recommended supplier

Motorex®

- Moto Protect

Special cleaner for glossy and matte paint finishes, metal and plastic surfaces

Recommended supplier

Motorex®

- Quick Cleaner

Universal oil spray

Recommended supplier

Motorex®

- Joker 440 Synthetic

JASO T903 MA

Different technical development directions required a separate specification for 4-stroke motorcycles – the **JASO T903 MA** standard. Earlier, engine oils from the automobile industry were used for 4-stroke motorcycles because there was no separate motorcycle specification.

Whereas long service intervals are demanded for automobile engines, the focus for motorcycle engines is on high performance at high engine speeds.

In most motorcycle engines, the transmission and the clutch are lubricated with the same oil.

The **JASO MA** standard meets these special requirements.

SAE

The SAE viscosity classes were defined by the Society of Automotive Engineers and are used for classifying oils according to their viscosity. The viscosity describes only one property of oil and says nothing about quality.

JASO FD

JASO FD is a classification for a 2-stroke engine oil that was specifically developed for the extreme demands of racing. Thanks to first rate synthetic esters and specially designed additives, superb combustion is achieved even under extreme operating conditions.

A	
Accessories	8
Air filter	
cleaning	41
installing	40
removing	40
Air filter box	
cleaning	41
Air suspension AER 35	24
Antifreeze	
checking	68
Auxiliary substances	8
B	
Basic chassis setting	
checking with rider's weight	24
Brake discs	
checking	52
Brake fluid	
front brake, adding	54
rear brake, adding	59
Brake fluid level	
front brake, checking	53
rear brake, checking	58
Brake linings	
front brake, changing	55
front brake, checking	55
rear brake, changing	60
rear brake, checking	60
C	
Capacity	
coolant	70, 83
fuel	21, 83
gear oil	74, 83
Carburetor	
float chamber, emptying	73
idle	72
idle speed, adjusting	72
Chain	
checking	46
cleaning	45
Chain guide	
checking	46
Chain tension	
adjusting	46
checking	45
Chassis number	11
Choke	13
Cleaning	76
Clutch	
fluid level, checking	50
fluid level, correcting	50
fluid, changing	51
Clutch lever	12
basic position, adjusting	49

Compression damping, high-speed	
shock absorber, adjusting	25
Compression damping, low-speed	
shock absorber, adjusting	25
Coolant	
draining	69
refilling	70
Coolant level	
checking	68-69
Cooling system	68
Customer service	8
E	
Engine	
running in	17
Engine number	11
Engine sprocket	
checking	46
Environment	6
F	
Figures	8
Filler cap	
closing	13
opening	12
Filling up	
fuel	21
Foot brake lever	14
basic position, adjusting	58
free travel, adjusting	57
free travel, checking	57
Fork	
air pressure, adjusting	28
Fork legs	
basic setting, checking	28
bleeding	31
dust boots, cleaning	32
installing	33
removing	33
Fork protector	
installing	32
removing	32
Frame	
checking	48
Front fender	
installing	38
removing	38
Front wheel	
installing	63
removing	63
Fuel tank	
installing	43
removing	42
Fuel tap	13
G	
Gear oil	
adding	75

changing	74
Gear oil level	
checking	74
H	
Hand brake lever	12
basic position, adjusting	52
free travel, checking	52
Handlebar position	30
adjusting	30
I	
Implied warranty	8
Intended use	5
K	
Kick starter	14
Kill switch	12
L	
Lower triple clamp	
installing	35
removing	34
M	
Main silencer	
glass fiber yarn filling, changing	42
installing	41
removing	41
Misuse	5
Motorcycle	
cleaning	76
lift stand, raising with	31
lift stand, removing from	31
O	
Operating substances	8
Owner's Manual	7
P	
Plug-in stand	14
Preparing for use	
advice on first use	16
after storage	77
checks and maintenance measures when preparing for use	18
Protective clothing	6
R	
Rear sprocket	
checking	46
Rear wheel	
installing	65
removing	64
Rebound damping	
fork, adjusting	29
shock absorber, adjusting	26
Riding sag	
adjusting	28
Rubber grip	
checking	49
securing	49

S	
Safe operation	6
Seat	
mounting	39
removing	39
Service	8
Service hour counter	15
Service schedule	22-23
Shift lever	14
Shock absorber	
installing	39
removing	39
riding sag, checking	27
spring pretension, adjusting	27
static sag, checking	26
Shock absorber article number	11
Spare parts	8
Spoke tension	
checking	66
Start number plate	
installing	38
removing	37
Starting	18
Steering head bearing	
greasing	37
Steering head bearing play	
adjusting	37
checking	36
Storage	77
Swingarm	
checking	48
T	
Technical data	
capacities	83
carburetor	81
chassis	84
chassis tightening torques	85
engine	80
engine tightening torques	80
fork	83
shock absorber	83
tires	84
Throttle cable play	
adjusting	71
checking	71
Throttle cable routing	
checking	48
Throttle grip	12
Tire air pressure	
checking	66
Tire condition	
checking	66
Transport	20
Troubleshooting	78-79

U	
Use definition	5
V	
View of vehicle	
front left	9
rear right	10
W	
Warranty	8
Work rules	6

READY TO RACE

>> www.ktm.com



3213635en

03/2017



KTM

KTM Sportmotorcycle GmbH
5230 Mattighofen/Austria
<http://www.ktm.com>



KTM Group Partner



REG. NO. 12 100 6061

Photo: Mitterbauer/KTM