

## 350 SX-F 350 XC-F

Art. no. 3213877en



**KTM**



Perform the work described in these setup instructions before the vehicle is delivered to the customer.

Read the setup instructions in their entirety before beginning work.

These setup instructions were written to correspond to the latest state of this series. We reserve the right to make changes in the interest of technical advancement without at the same time updating this manual. We shall not provide a description of general workshop methods. Likewise, safety rules that apply in a workshop are not specified here. It is assumed that the work will be performed by a fully trained mechanic.

All specifications are non-binding. KTM Sportmotorcycle GmbH specifically reserves the right to modify or delete technical specifications, prices, colors, forms, materials, services, designs, equipment, etc., without prior notice and without specifying reasons, to adapt these to local conditions, as well as to stop production of a particular model without prior notice. KTM accepts no liability for delivery options, deviations from figures and descriptions, misprints, and other errors. The models portrayed partly contain special equipment that does not belong to the regular scope of supply.

© 2018 KTM Sportmotorcycle GmbH, Mattighofen Austria

All rights reserved

Reproduction, even in part, as well as copying of all kinds, is permitted only with the express written permission of the copyright owner.



ISO 9001(12 100 6061)

According to the international quality management standard ISO 9001, KTM uses quality assurance processes that lead to the maximum possible quality of the products.

Issued by: TÜV Management Service

REG.NO. 12 100 6061

KTM Sportmotorcycle GmbH

Stallhofnerstraße 3

5230 Mattighofen, Austria

This document is valid for the following models:

350 SX-F EU (F8201S5)

350 SX-F US (F8275S5)

350 XC-F US (F8275S0)



# 1 MEANS OF REPRESENTATION

## 1.1 Symbols used

The meaning of specific symbols is described below.



Indicates an expected reaction (e.g. of a work step or a function).



Indicates an unexpected reaction (e.g. of a work step or a function).



Indicates a page reference (more information is provided on the specified page).



Indicates information with more details or tips.



Indicates the result of a testing step.



Indicates a voltage measurement.



Indicates a current measurement.



Indicates a resistance measurement.



Indicates the end of an activity including potential rework.

## 1.2 Formats used

The typographical formats used in this document are explained below.

**Proprietary name**

Indicates a proprietary name.

**Name®**

Indicates a protected name.

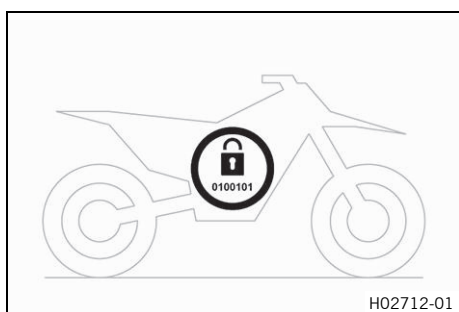
**Brand™**

Indicates a brand available on the open market.

**Underlined terms**

Refer to technical details of the vehicle or indicate technical terms, which are explained in the glossary.

## 2.1 Transport mode



This vehicle was blocked for transport in the software. To operate the vehicle, the vehicle electronics must be enabled. This process is conducted during initial setup in KTM Dealer.net. Enabling ensures that the initial setup in KTM Dealer.net is documented.

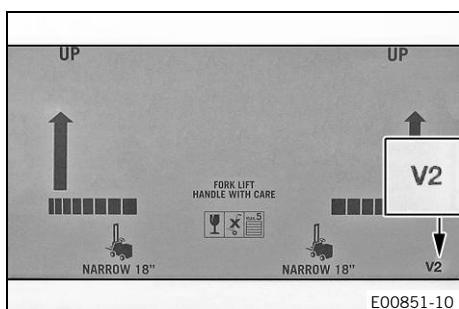
Enabling can be performed either temporarily, e.g. for a test ride, or permanently for vehicle handover.



### Info

Make sure that the vehicle is permanently enabled before handing it over to the customer.

## 2.2 Unpacking and setting up the vehicle



### Package 2

- Remove the box and the plastic packaging.



### Info

To avoid damaging the motorcycle during the setup, leave the protective film on the vehicle until you have finished.

- Remove the separate enclosure and unpack it. Check that the scope of supply is complete on the basis of the enclosed packing list.
- Remove cable ties on rear wheel, take off front wheel and fender.
- Have a lift stand available.

Lift stand (78129955100)

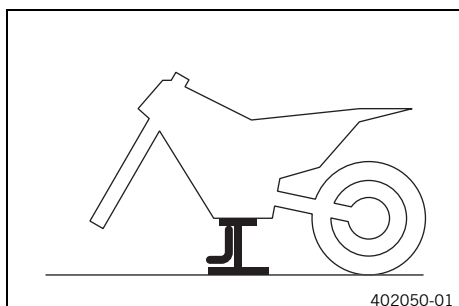
- Carefully loosen and remove the tension belt of the footrest mount.

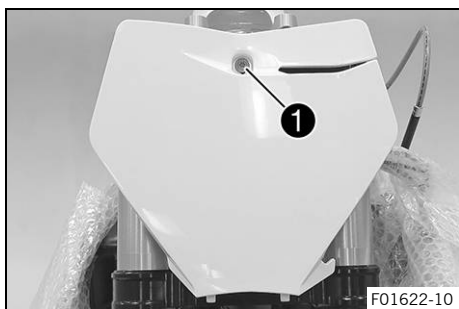


### Info

An assistant prevents the motorcycle from falling over.

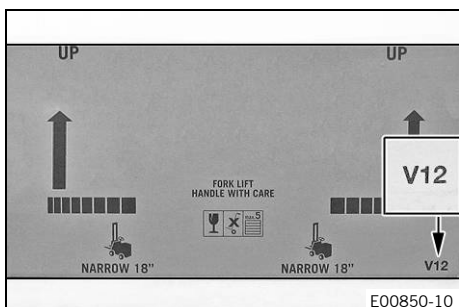
- Together with an assistant, take the vehicle off the pallet.
- Position the vehicle on a lift stand.
- Check the vehicle for transport damage.





F01622-10

- Remove screw **1** and take off start number plate.



E00850-10

### Package 12

- Remove the box and the plastic packaging.

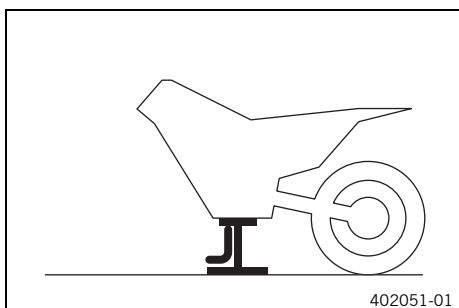
**i Info**  
An assistant prevents the motorcycle from falling over. To avoid damaging the motorcycle during the setup, leave the protective film on the vehicle until you have finished.

- Remove the separate enclosure and unpack it. Check that the scope of supply is complete on the basis of the enclosed packing list.

- Have a lift stand available.

Lift stand (78129955100)

- Together with an assistant, take the vehicle off the pallet.
- Position the vehicle on a lift stand.
- Check the vehicle for transport damage.



402051-01

- Remove the cardboard from around the shock absorber.
- Position the angle lever and linkage lever.
- Mount and tighten fitting **1**.

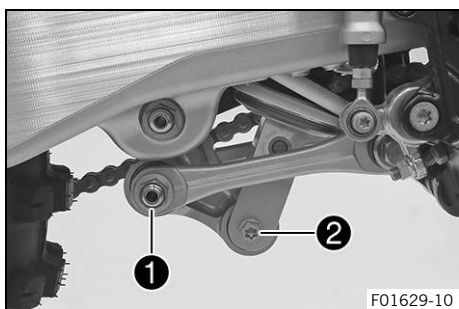
Guideline

Nut, linkage lever on angle lever	M14x1.5	60 Nm (44.3 lbf ft)
-----------------------------------	---------	---------------------

- Mount and tighten screw **2**.

Guideline

Screw, bottom shock absorber	M10	60 Nm (44.3 lbf ft) <b>Loctite®2701™</b>
------------------------------	-----	---



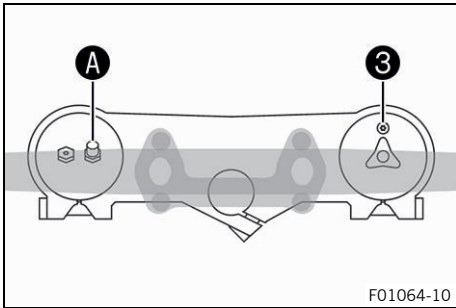
F01629-10

**i Info**  
Raise the wheel slightly to be able to mount the screw more easily.



F01623-01

- Route the clutch line with the clutch master cylinder toward the front between the upper and lower triple clamps.



F01064-10

- Position the fork legs and tighten the screws of the triple clamp.

Guideline

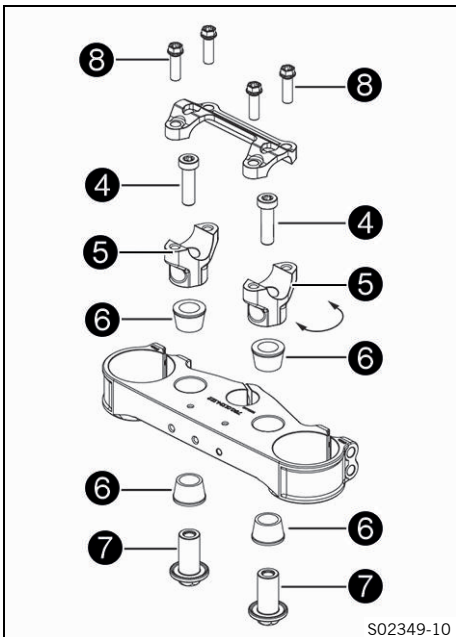
Screw, top triple clamp	M8	17 Nm (12.5 lbf ft)
Screw, bottom triple clamp	M8	12 Nm (8.9 lbf ft)

- ✓ Air bleeder screw ③ of the right fork leg is positioned to the front.
- ✓ Valve ① of the left fork leg faces the front.

**i Info**

Grooves are milled into the side of the upper end of the fork legs. The second milled groove (from the top) must be flush with the upper edge of the upper triple clamp.

The air suspension is located in the left fork leg. The pressure and rebound damping is located in the right fork leg.



S02349-10

- Remove screws ④. Take off handlebar supports ⑤.
- Position rubber bushings ⑥ and push through nuts ⑦ from below.
- Place the handlebar supports in the required position.

**i Info**

The handlebar supports are longer and higher on one side. Position the left and right handlebar supports evenly.

- Mount and tighten screws ④.

Guideline

Screw, handlebar support	M10	40 Nm (29.5 lbf ft) <b>Loctite®243™</b>
--------------------------	-----	--



- Remove cable ties on the side cover and remove film from the handlebar.



### Warning

**Danger of accidents** A repaired handlebar poses a safety risk.

If the handlebar is bent or straightened, the material becomes fatigued. The handlebar may break as a result.

- Change the handlebar if the handlebar is damaged or bent.

- Position handlebar.



### Info

Make sure the cables and wiring are positioned correctly.

Do not kink the cables and lines.

- Position the handlebar clamp.
- Mount screws ⑧ but do not tighten yet.
- First bolt the handlebar clamp with screws ⑧ onto the longer, higher side of the handlebar supports so that both parts touch.
- Tighten screws ⑧ evenly.

Guideline

Screw, handlebar clamp	M8	20 Nm (14.8 lbf ft)
------------------------	----	---------------------



### Info

The markings on the handlebar should be at the center of the handlebar clamps.

- Position the controls on the right half of the handlebar.

Guideline

Screw, throttle grip	M6	5 Nm (3.7 lbf ft)
----------------------	----	-------------------



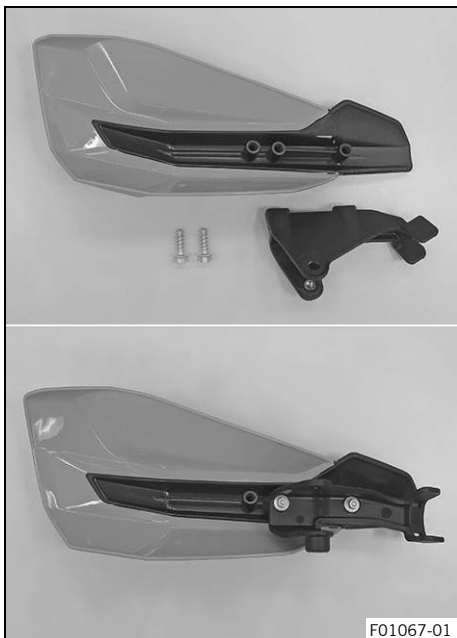
- Position the controls on the left half of the handlebar.

Guideline

Screw, fixed grip	M4	5 Nm (3.7 lbf ft) <b>Loctite®243™</b>
-------------------	----	--

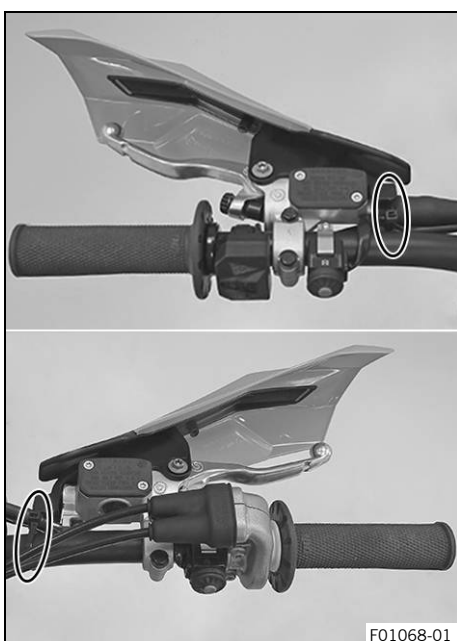




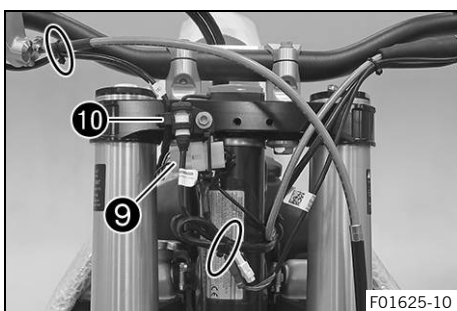


**(XC-F US)**

- Preassemble the hand guards on the left and right.

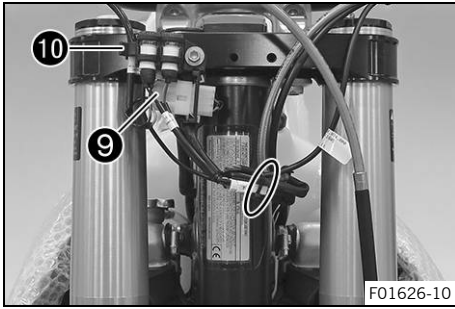


- Mount the left hand guard.
- Mount the right hand guard.



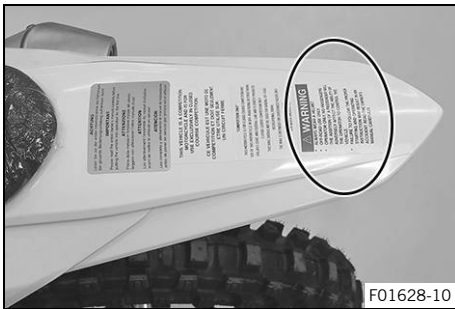
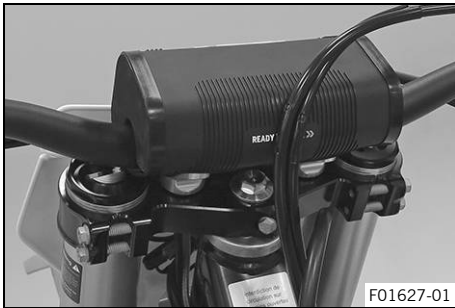
**(All SX-F models)**

- Join plug-in connector **9**.
- Attach cable in the indicator lamp bracket **10**.
- Route the cable without tension and secure with a cable tie.



**(XC-F US)**

- Join plug-in connector 9.
- Attach cable in the indicator lamp bracket 10.
- Route the cable without tension and secure with a cable tie.
- Install front fender. (📖 p. 15)
- Install the front wheel. (📖 p. 14)
- Install the start number plate. (📖 p. 15)
- Mount the handlebar cushion.



**(SX-F EU)**

- **WARNING**-Apply sticker to the rear fender.



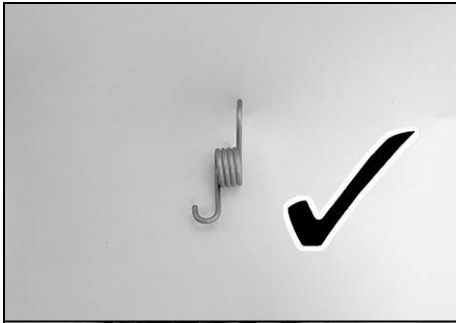
**Left and right footrest (All SX-F models)**

- Position the new footrest and pin.

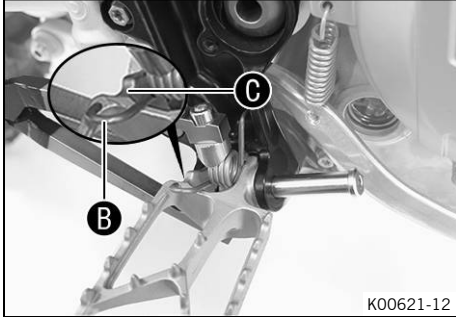
---

**i Info** Only insert the pin to the extent that the spring can still be mounted.

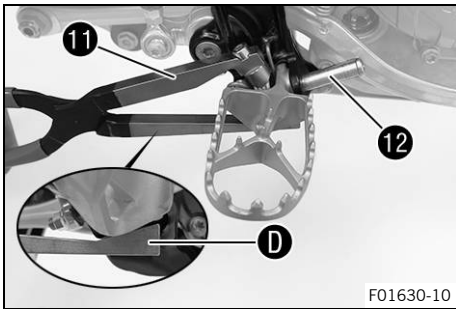
---



- Position spring as shown.
- ✓ Spring **B** engages in area **C**.

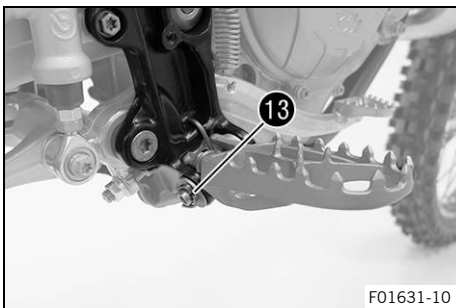


K00621-12



F01630-10

- Press the spring with special tool **11**.
- Footrest spring plier (79029083000)
- ✓ The special tool is applied to area **D** on the footrest.
  - Mount pin **12**.



F01631-10

- Mount the washer and split pin **13**.
- Repeat these steps on the opposite side.



D00674-10

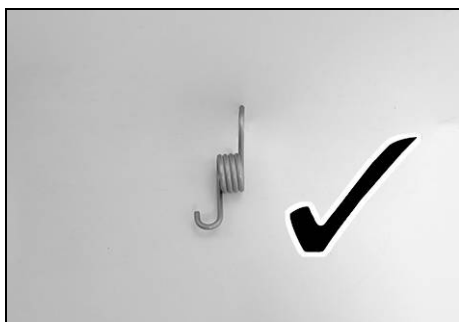
### Right footrest (XC-F US)

- Position the right footrest and pin.

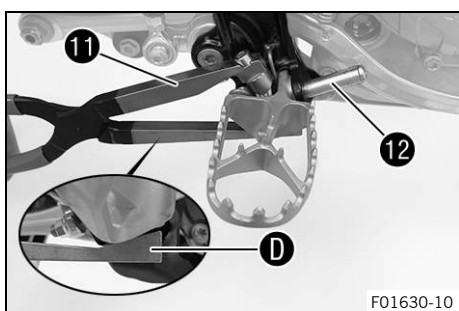
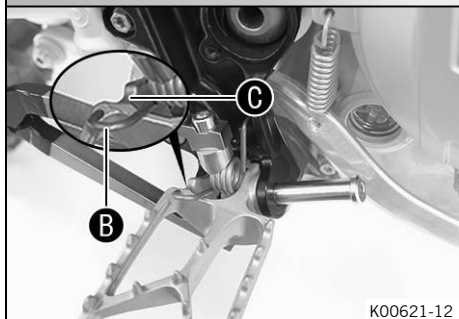


#### Info

Only insert the pin to the extent that the spring can still be mounted.



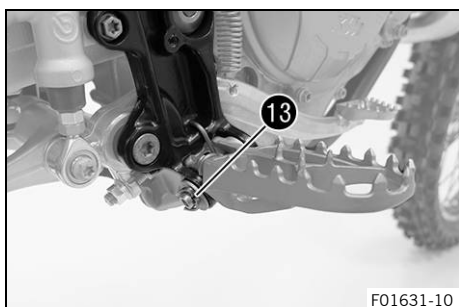
- Position spring as shown.
- ✓ Spring **B** engages in area **C**.



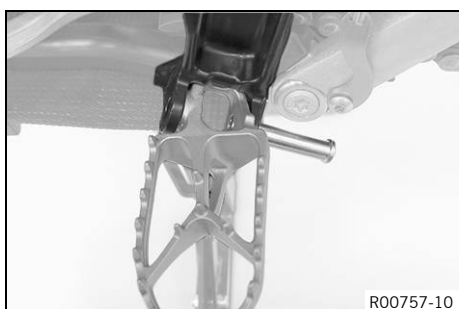
- Press the spring with special tool **11**.

Footrest spring plier (79029083000)

- ✓ The special tool is applied to area **D** on the footrest.
- Mount pin **12**.



- Mount the washer and split pin **13**.



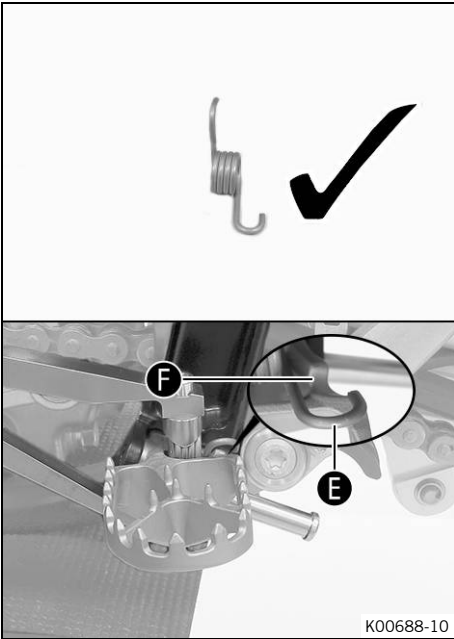
### Left footrest (XC-F US)

- Position the left footrest and pin.

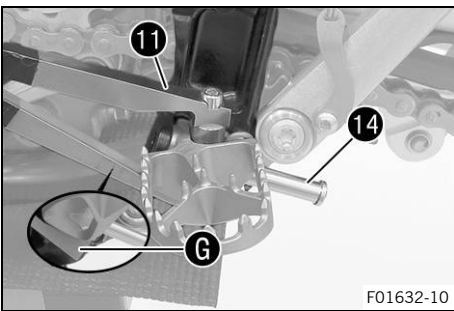


#### Info

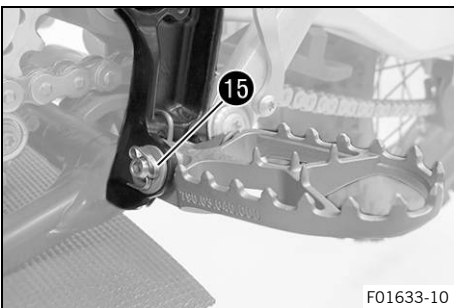
Only insert the pin to the extent that the spring can still be mounted.



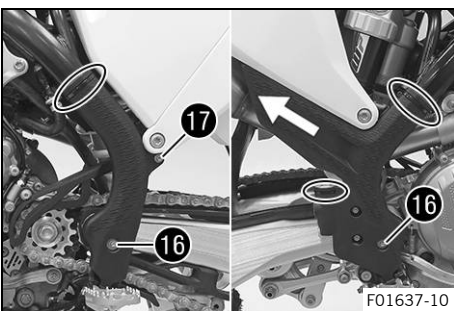
- Position spring as shown.
- ✓ Spring **E** engages in area **F**.



- Press the spring with special tool **11**.
- |                                     |
|-------------------------------------|
| Footrest spring plier (79029083000) |
|-------------------------------------|
- ✓ The special tool is applied to area **G** on the footrest.
  - Mount pin **14**.



- Mount the washer and split pin **15**.



- Position left frame protector.
- Insert right frame protector from below and push to the rear.
- Mount and tighten screws **16** with the washers.

Guideline

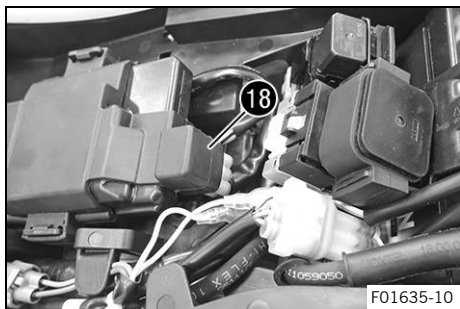
Screw, frame protector	M5	3 Nm (2.2 lbf ft)
------------------------	----	-------------------

- Mount and tighten screw **17**.

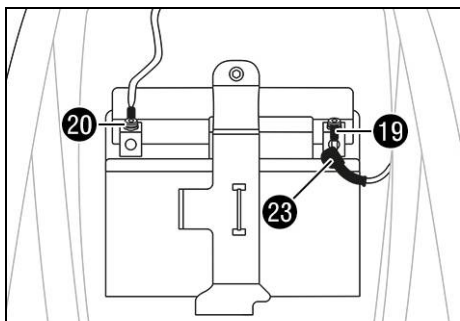
Guideline

Screw, frame protector	M5	3 Nm (2.2 lbf ft)
------------------------	----	-------------------

- Mount the cable tie.



- Remove the seat. (📖 p. 15)
- Remove the air filter box cover. (📖 p. 16)
- Route diagnostics connector and positive cable upwards to the battery.
- Position diagnostics connector in the holder 18.
- Install the air filter box cover. (📖 p. 17)



- Connect positive cable 19 to the battery.

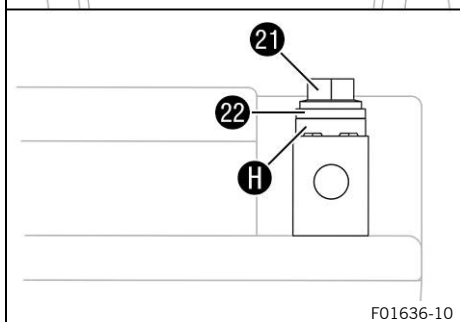
Guideline

Screw, battery terminal	M5	2.5 Nm (1.84 lbf ft)
-------------------------	----	-------------------------

- Connect negative cable 20 to the battery.

Guideline

Screw, battery terminal	M5	2.5 Nm (1.84 lbf ft)
-------------------------	----	-------------------------



Contact disks **H** must be mounted under screws **21** and cable sockets **22** with the claws toward the battery terminal.

- Slide positive terminal cover 23 over the positive terminal.
- Recharge the battery. (📖 p. 18)
- Unpack and mount the **KTM PowerParts** included in the delivery (optional).



**Info**

Read the accompanying **KTM PowerParts** fitting instructions.

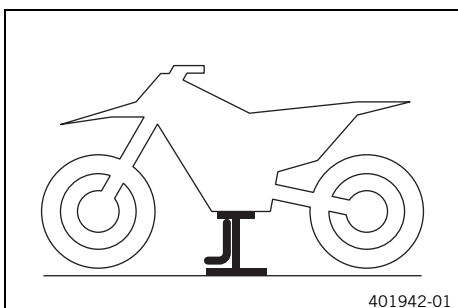
- Attach the stickers included in the scope of supply (optional).
- Refuel. (📖 p. 21)
- Position all controls in their exact positions on the handlebar. Tighten all screws.
- Prepare the vehicle according to the specifications in the **KTM Dealer.net** for handover to the customer.

### 3.1 Raising the motorcycle with a lift stand

**Note**

**Material damage** The vehicle may be damaged by incorrect procedure when parking. Significant damage may be caused if the vehicle rolls away or falls over. The components for parking the vehicle are designed only for the weight of the vehicle.

- Park the vehicle on a firm and level surface.
- Ensure that nobody sits on the vehicle when the vehicle is parked on a stand.



- Raise the motorcycle at the frame underneath the engine.

Lift stand (78129955100)

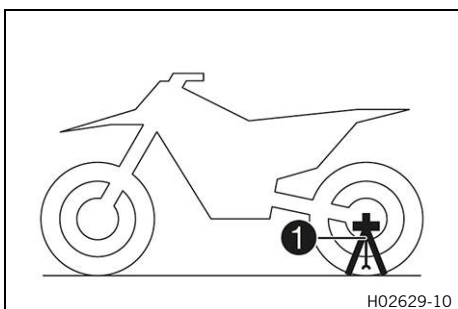
- ✓ Neither wheel is in contact with the ground.
- Secure the motorcycle against falling over.

### 3.2 Removing the motorcycle from the lift stand

**Note**

**Material damage** The vehicle may be damaged by incorrect procedure when parking. Significant damage may be caused if the vehicle rolls away or falls over. The components for parking the vehicle are designed only for the weight of the vehicle.

- Park the vehicle on a firm and level surface.
- Ensure that nobody sits on the vehicle when the vehicle is parked on a stand.



**(All SX-F models)**

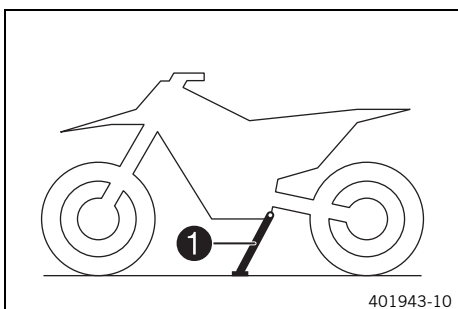
- Remove the motorcycle from the lift stand.
- Remove the lift stand.
- To park the motorcycle, insert plug-in stand ① into the left side of the wheel spindle.

Plug-in stand (79029094000)



**Info**

The plug-in stand is included. Remove the plug-in stand before riding.



**(XC-F US)**

- Remove the motorcycle from the lift stand.
- Remove the lift stand.
- To park the motorcycle, press side stand ① to the ground with your foot and lean the motorcycle on it.



**Info**

While riding, the side stand must be folded up and secured with the rubber band.

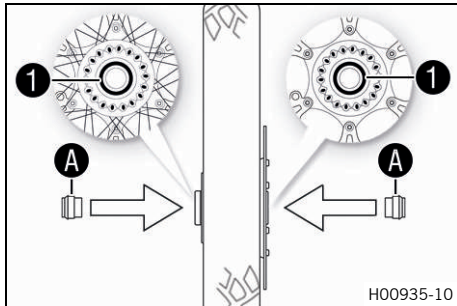
## 3.3 Installing the front wheel



### Warning

**Danger of accidents** Oil or grease on the brake discs reduces the braking effect.

- Always keep the brake discs free of oil and grease.
- Clean the brake discs with brake cleaner when necessary.



- Check the wheel bearing for damage and wear.
  - » If the wheel bearing is damaged or worn:
    - Change front wheel bearing.
- Clean and grease shaft seal rings 1 and contact surfaces A of the spacers.

Long-life grease (📖 p. 25)

- Insert the spacers.
- Clean and grease the wheel spindle.

Long-life grease (📖 p. 25)

- Position the front wheel and insert the wheel spindle.
  - ✓ The brake linings are correctly positioned.

- Mount and tighten screw 2.

Guideline

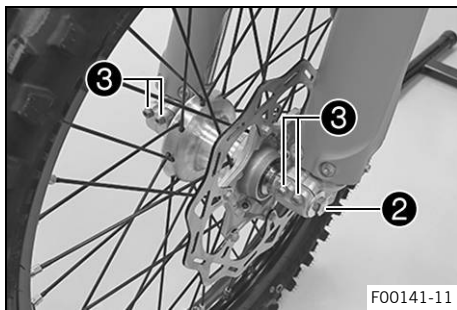
Screw, front wheel spindle	M20x1.5	35 Nm (25.8 lbf ft)
----------------------------	---------	---------------------

- Operate the hand brake lever several times until the brake linings are seated correctly against the brake disc.
- Remove the motorcycle from the lift stand. (📖 p. 13)
- Operate the front brake and compress the fork a few times firmly.
  - ✓ The fork legs straighten.

- Tighten screws 3.

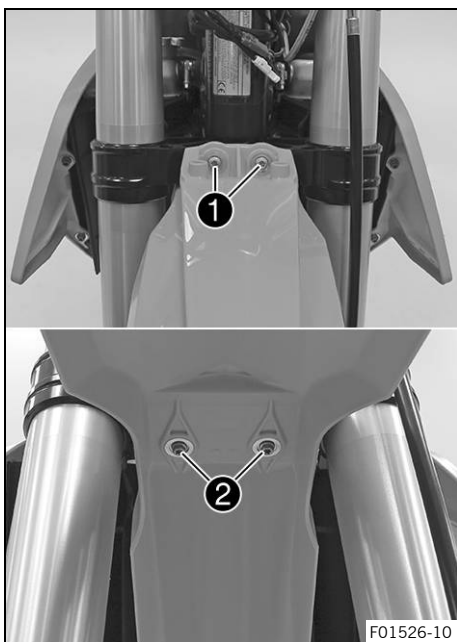
Guideline

Screw, fork stub	M8	15 Nm (11.1 lbf ft)
------------------	----	---------------------





### 3.4 Installing front fender



**Main work**

- Position front fender. Mount and tighten screws ① and ②.

Guideline

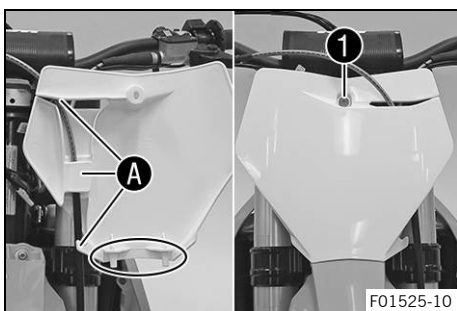
Remaining screws, chassis	M6	10 Nm (7.4 lbf ft)
---------------------------	----	--------------------

**Finishing work**

- Install the start number plate. (📖 p. 15)



### 3.5 Installing the start number plate



- Position the brake line in holders A on the start number plate.
- Position the start number plate. Mount and tighten screw ①.
- ✓ The holding lugs engage in the fender.



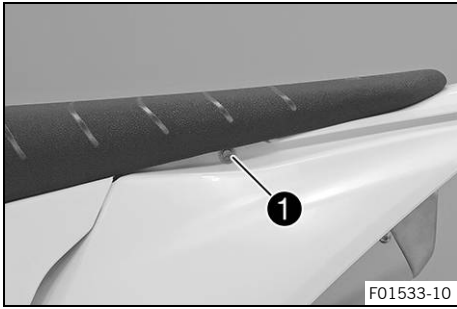
### 3.6 Removing the seat



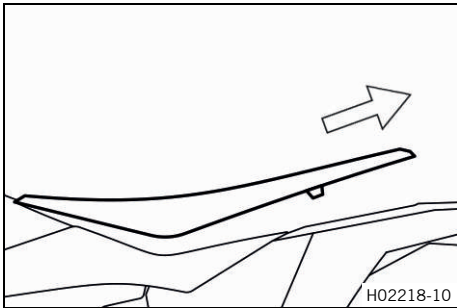
**Caution**

**Danger of burns** The voltage regulator gets very hot when the vehicle is driven.

- Allow the voltage regulator to cool down before performing any work.

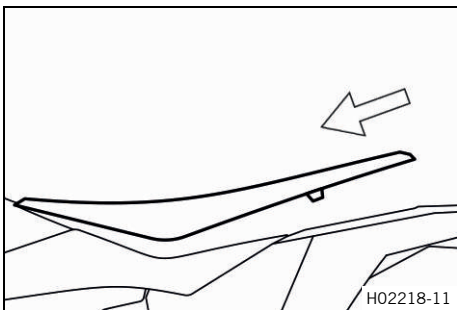


- Remove screw ❶.

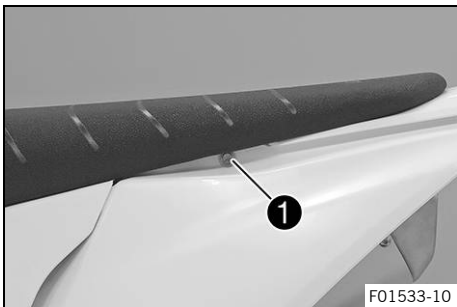


- Raise the rear of the seat, pull the seat back, and lift it off.

### 3.7 Mounting the seat



- Mount the front of the seat on the collar bushing of the fuel tank, lower the seat at the rear, and push the seat forward.



- Mount and tighten screw ❶.

Guideline

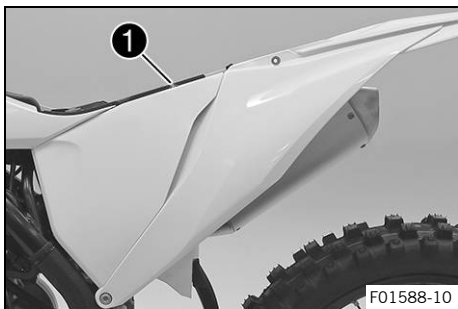
Remaining screws, chassis	M6	10 Nm (7.4 lbf ft)
---------------------------	----	--------------------

### 3.8 Removing the air filter box cover

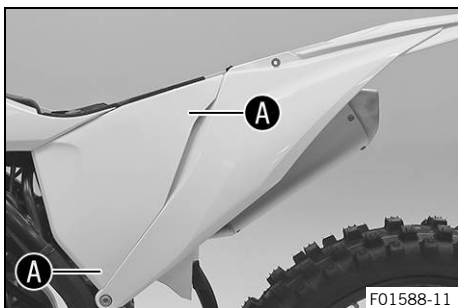
**Condition**

The air filter box cover is secured.

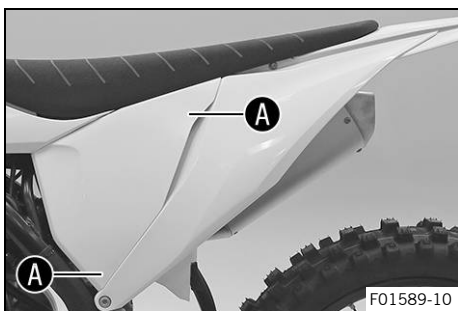
- Remove the seat. (🗨 p. 15)



- Remove screw 1.



- Pull off the air filter box cover in area A sideways and take off toward the front.

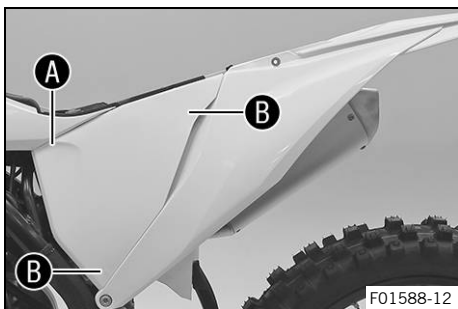


**Condition**

The air filter box cover is not secured.

- Pull off the air filter box cover in area A sideways and take off toward the front.

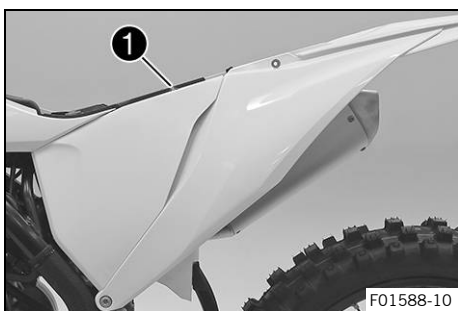
**3.9 Installing the air filter box cover**



**Condition**

The air filter box cover is secured.

- Insert the air filter box cover in area A and clip it into area B.

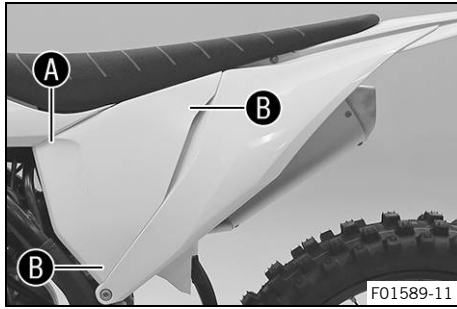


- Mount and tighten screw 1.

**Guideline**

Screw, air filter box cover	EJOT PT® K60x20-Z	3 Nm (2.2 lbf ft)
-----------------------------	----------------------	-------------------

- Mount the seat. (📖 p. 16)



### Condition

The air filter box cover is not secured.

- Insert the air filter box cover in area **A** and clip it into area **B**.

## 3.10 Recharging the battery



### Warning

**Risk of injury** Batteries contain harmful substances.

- Keep batteries out of the reach of children.
- Keep sparks and open flames away from the batteries.
- Only charge batteries in well-ventilated rooms.
- Maintain a minimum clearance from inflammable materials when charging batteries.  
Minimum clearance 1 m (3 ft)
- Do not charge deeply discharged batteries if charge is already below the minimum voltage.  
Minimum voltage before the start of the charge 9 V
- Dispose of batteries with less than the minimum voltage correctly.



### Note

**Environmental hazard** Batteries contain environmentally-hazardous materials.

- Do not dispose of batteries as household waste.
- Dispose of batteries at a collection point for used batteries.



### Note

**Environmental hazard** Hazardous substances cause environmental damage.

- Dispose of oils, grease, filters, fuel, cleaning agents, brake fluid, etc., correctly and in compliance with the applicable regulations.



### Info

Even when there is no load on the battery, it discharges steadily.

The charging level and the method of charging are very important for the service life of the battery.

Rapid recharging with a high charging current shortens the service life of the battery.

If the charging current, charging voltage, or charging time are exceeded, the battery will be destroyed.

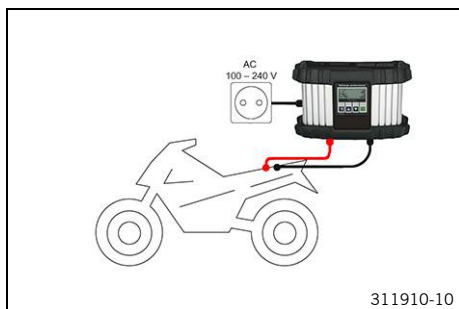
If the battery is depleted by repeated starting, the battery must be charged immediately.

If the battery is left in a discharged state for an extended period, it will become over-discharged and sulfated, destroying the battery.

The battery is maintenance-free.

### Preparatory work

- Remove the seat. (📖 p. 15)



**Main work**

- Connect the battery charger to the battery. Adjust the battery charger.

EU battery charger **XCharge-professional** (00029095050)

**Alternative 1**

US battery charger **XCharge-professional** (00029095051)

**Alternative 2**

UK battery charger **XCharge-professional** (00029095052)

**Alternative 3**

CH battery charger **XCharge-professional** (00029095053)

**i Info**

Follow the instructions of the charger and the manual.

- Disconnect the battery charger after charging the battery.

**Guideline**

The charging current, charging voltage, and charging time must not be exceeded.	
Charge the battery regularly when the motorcycle is not in use	3 months

**Finishing work**

- Mount the seat. (📖 p. 16)



**3.11 Opening the filler cap**



**Danger**

**Fire hazard** Fuel is highly flammable.

The fuel in the fuel tank expands when warm and can escape if overfilled.

- Do not refuel the vehicle in the vicinity of open flames or lit cigarettes.
- Switch off the engine for refueling.
- Make sure that no fuel is spilled; particularly not on hot parts of the vehicle.
- If any fuel is spilled, wipe it off immediately.
- Observe the specifications for refueling.



**Warning**

**Danger of poisoning** Fuel is poisonous and a health hazard.

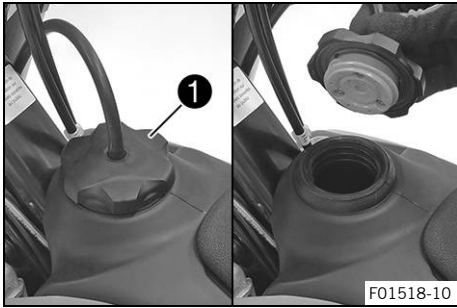
- Avoid skin, eye and clothing contact with fuel.
- Immediately consult a doctor if you swallow fuel.
- Do not inhale fuel vapors.
- In case of skin contact, rinse the affected area with plenty of water.
- Rinse the eyes thoroughly with water, and consult a doctor in case of fuel contact with the eyes.
- Change your clothing in case of fuel spills on them.
- Keep fuels correctly in a suitable canister, and out of the reach of children.



**Note**

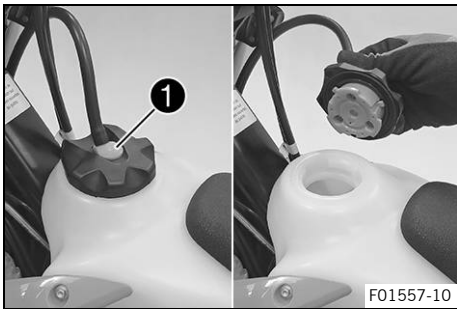
**Environmental hazard** Improper handling of fuel is a danger to the environment.

- Do not allow fuel to enter the groundwater, the soil, or the sewage system.



**(All SX-F models)**

- Turn filler cap ① counterclockwise and lift it off.



**(XC-F US)**

- Press release button ①, turn the filler cap counterclockwise, and lift it free.

## 3.12 Closing the filler cap



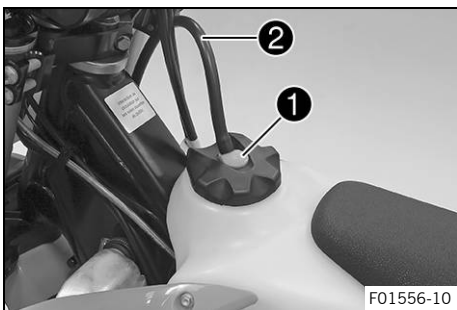
**(All SX-F models)**

- Mount filler cap ① and turn it clockwise until the fuel tank is tightly closed.



**Info**

Route fuel tank breather hose ② without kinks.



**(XC-F US)**

- Replace the filler cap and turn clockwise until release button ① locks in place.



**Info**

Route fuel tank breather hose ② without kinks.

3.13 Refueling



**Danger**

**Fire hazard** Fuel is highly flammable.

The fuel in the fuel tank expands when warm and can escape if overfilled.

- Do not refuel the vehicle in the vicinity of open flames or lit cigarettes.
- Switch off the engine for refueling.
- Make sure that no fuel is spilled; particularly not on hot parts of the vehicle.
- If any fuel is spilled, wipe it off immediately.
- Observe the specifications for refueling.



**Warning**

**Danger of poisoning** Fuel is poisonous and a health hazard.

- Avoid skin, eye and clothing contact with fuel.
- Immediately consult a doctor if you swallow fuel.
- Do not inhale fuel vapors.
- In case of skin contact, rinse the affected area with plenty of water.
- Rinse the eyes thoroughly with water, and consult a doctor in case of fuel contact with the eyes.
- Change your clothing in case of fuel spills on them.

**Note**

**Material damage** Inadequate fuel quality causes the fuel filter to quickly become clogged.

In some countries and regions, the available fuel quality and cleanliness may not be sufficient. This will result in problems with the fuel system.

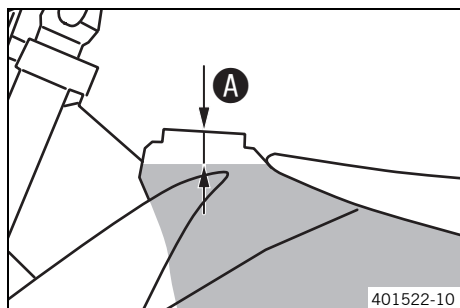
- Refuel only with clean fuel that meets the specified standards.



**Note**

**Environmental hazard** Improper handling of fuel is a danger to the environment.

- Do not allow fuel to enter the groundwater, the soil, or the sewage system.



- Switch off the engine.
- Open the filler cap. (📖 p. 19)
- Fill the fuel tank with fuel up to measurement **A**.

Guideline

Measurement of <b>A</b>	35 mm (1.38 in)
Total fuel tank capacity, approx. (All SX-F models)	
Super unleaded (ROZ 95/RON 95/PON 91) (📖 p. 24)	7 l (1.8 US gal)
Total fuel tank capacity, approx. (XC-F US)	
Super unleaded (ROZ 95/RON 95/PON 91) (📖 p. 24)	8.5 l (2.25 US gal)

- Close the filler cap. (📖 p. 20)

## 4 TECHNICAL DATA

### 4.1 Chassis tightening torques

Screw, air filter box cover	<b>EJOT PT®</b> K60x20-Z	3 Nm (2.2 lbf ft)	
Screw, combination switch	<b>EJOT PT®</b> K50x18 T20	2 Nm (1.5 lbf ft)	
Screw, intake air temperature sensor	<b>EJOT DELTA PT®</b> 45x12-Z	0.7 Nm (0.52 lbf ft)	
Screw, pressure regulator	<b>EJOT PT®</b> K60x25-Z	2.3 Nm (1.7 lbf ft)	
Fitting, E-starter button	M3	1 Nm (0.7 lbf ft)	
Fitting, kill switch	M3	1 Nm (0.7 lbf ft)	
Screw, fixed grip	M4	5 Nm (3.7 lbf ft)	<b>Loctite®243™</b>
Screw, service hour counter	M4	1 Nm (0.7 lbf ft)	
Spoke nipple, front wheel	M4.5	6 Nm (4.4 lbf ft)	
Spoke nipple, rear wheel	M4.5	6 Nm (4.4 lbf ft)	
Remaining nuts, chassis	M5	5 Nm (3.7 lbf ft)	
Remaining screws, chassis	M5	5 Nm (3.7 lbf ft)	
Screw, battery terminal	M5	2.5 Nm (1.84 lbf ft)	
Screw, frame protector	M5	3 Nm (2.2 lbf ft)	
Screw, shock absorber adjusting ring	M5	5 Nm (3.7 lbf ft)	
Nut, cable on starter motor	M6	4 Nm (3 lbf ft)	
Remaining nuts, chassis	M6	10 Nm (7.4 lbf ft)	
Remaining screws, chassis	M6	10 Nm (7.4 lbf ft)	
Screw, ball joint of push rod on foot brake cylinder	M6	10 Nm (7.4 lbf ft)	<b>Loctite®243™</b>
Screw, chain sliding guard	M6	6 Nm (4.4 lbf ft)	<b>Loctite®243™</b>
Screw, front brake disc	M6	14 Nm (10.3 lbf ft)	<b>Loctite®243™</b>
Screw, rear brake disc	M6	14 Nm (10.3 lbf ft)	<b>Loctite®243™</b>
Screw, throttle grip	M6	5 Nm (3.7 lbf ft)	
Fuel connection on fuel tank	M8	15 Nm (11.1 lbf ft)	
Nut, foot brake lever stop	M8	20 Nm (14.8 lbf ft)	
Nut, rear sprocket screw	M8	35 Nm (25.8 lbf ft)	<b>Loctite®2701™</b>
Nut, rim lock	M8	12 Nm (8.9 lbf ft)	
Remaining nuts, chassis	M8	25 Nm (18.4 lbf ft)	
Remaining screws, chassis	M8	25 Nm (18.4 lbf ft)	
Screw, bottom triple clamp	M8	12 Nm (8.9 lbf ft)	
Screw, chain sliding piece	M8	15 Nm (11.1 lbf ft)	
Screw, engine brace on engine	M8x20	25 Nm (18.4 lbf ft)	<b>Loctite®243™</b>
Screw, engine brace on frame	M8x15	25 Nm (18.4 lbf ft)	<b>Loctite®2701™</b>
Screw, fork stub	M8	15 Nm (11.1 lbf ft)	
Screw, front brake caliper	M8	25 Nm (18.4 lbf ft)	<b>Loctite®243™</b>



Screw, handlebar clamp	M8	20 Nm (14.8 lbf ft)
Screw, manifold on cylinder head brace	M8	15 Nm (11.1 lbf ft)
Screw, side stand attachment (XC-F US)	M8	35 Nm (25.8 lbf ft) <b>Loctite®2701™</b>
Screw, subframe	M8	35 Nm (25.8 lbf ft) <b>Loctite®2701™</b>
Screw, top steering stem	M8	20 Nm (14.8 lbf ft) <b>Loctite®243™</b>
Screw, top triple clamp	M8	17 Nm (12.5 lbf ft)
Engine carrying screw	M10	60 Nm (44.3 lbf ft)
Remaining nuts, chassis	M10	45 Nm (33.2 lbf ft)
Remaining screws, chassis	M10	45 Nm (33.2 lbf ft)
Screw, bottom shock absorber	M10	60 Nm (44.3 lbf ft) <b>Loctite®2701™</b>
Screw, handlebar support	M10	40 Nm (29.5 lbf ft) <b>Loctite®243™</b>
Screw, top shock absorber	M10	60 Nm (44.3 lbf ft) <b>Loctite®2701™</b>
Nut, fuel pump	M12	15 Nm (11.1 lbf ft)
Nut, angle lever on swingarm	M14x1.5	60 Nm (44.3 lbf ft)
Nut, frame on linkage lever	M14x1.5	60 Nm (44.3 lbf ft)
Nut, linkage lever on angle lever	M14x1.5	60 Nm (44.3 lbf ft)
Nut, swingarm pivot	M16x1.5	100 Nm (73.8 lbf ft)
Screw, front wheel spindle	M20x1.5	35 Nm (25.8 lbf ft)
Screw, top steering head	M20x1.5	12 Nm (8.9 lbf ft)
Screw-in fitting, cooling system	M24x1.5	15 Nm (11.1 lbf ft) <b>Loctite®243™</b>
Nut, rear wheel spindle	M25x1.5	80 Nm (59 lbf ft)

### Super unleaded (ROZ 95/RON 95/PON 91)

#### Standard/classification

- DIN EN 228 (ROZ 95/RON 95/PON 91)

#### Guideline

- Only use unleaded super fuel that matches or is equivalent to the specified fuel grade.
- Fuel with an ethanol content of up to 10 % (E10 fuel) is safe to use.



#### Info

Do **not** use fuel containing methanol (e. g. M15, M85, M100) or more than 10 % ethanol (e. g. E15, E25, E85, E100).

---

## Long-life grease

Recommended supplier

Motorex®

– Bike Grease 2000



3213877en

04/2018

