

690 SMC R

Art. no. 3213921en



KTM

Congratulations on your decision to purchase a KTM motorcycle. You are now the owner of a state-of-the-art sports vehicle that will continue giving you pleasure for a long time if you maintain it properly. We wish you good and safe riding at all times!

Enter the serial numbers of your vehicle below.

Vehicle identification number (📖 p. 24)	Dealer's stamp
Engine number (📖 p. 25)	
Key number (📖 p. 25)	

The Owner's Manual contained the latest information for this model series at the time of going to print. However, minor differences due to further developments in design cannot be ruled out completely.

All specifications are non-binding. KTM Sportmotorcycle GmbH specifically reserves the right to modify or delete technical specifications, prices, colors, forms, materials, services, designs, equipment, etc., without prior notice and without specifying reasons, to adapt these to local conditions, as well as to stop production of a particular model without prior notice. KTM accepts no liability for delivery options, deviations from figures and descriptions, misprints, and other errors. The models portrayed partly contain special equipment that does not belong to the regular scope of supply.

© 2018 KTM Sportmotorcycle GmbH, Mattighofen Austria
All rights reserved



3213921en

12/2018

DEAR KTM CUSTOMER

Reproduction, even in part, as well as copying of all kinds, is permitted only with the express written permission of the copyright owner.



REG.NO. 12 100 6061

KTM Sportmotorcycle GmbH
Stallhofnerstraße 3
5230 Mattighofen, Austria

ISO 9001(12 100 6061)

KTM applies quality assurance processes that lead to the highest possible product quality as defined in the ISO 9001 international quality management standard.

Issued by: TÜV Management Service

This document is valid for the following models:

690 SMC R EU (F9703S9)

1	MEANS OF REPRESENTATION	9	4	VIEW OF VEHICLE	20
	1.1 Symbols used	9	4.1	View of vehicle, front left (example) ...	20
	1.2 Formats used.....	10	4.2	View of vehicle, rear right (example).....	22
2	SAFETY ADVICE.....	11	5	SERIAL NUMBERS	24
	2.1 Use definition – intended use.....	11	5.1	Vehicle identification number.....	24
	2.2 Misuse.....	11	5.2	Type label	24
	2.3 Safety advice.....	11	5.3	Key number.....	25
	2.4 Degrees of risk and symbols	12	5.4	Engine number	25
	2.5 Tampering warning.....	13	5.5	Fork part number	26
	2.6 Safe operation	13	5.6	Shock absorber article number	26
	2.7 Protective clothing	14	6	CONTROLS.....	27
	2.8 Work rules.....	15	6.1	Clutch lever.....	27
	2.9 Environment.....	15	6.2	Hand brake lever.....	27
	2.10 Owner's Manual	16	6.3	Throttle grip	28
3	IMPORTANT NOTES.....	17	6.4	Horn button.....	28
	3.1 Manufacturer and implied warranty....	17	6.5	Light switch	29
	3.2 Fuel, auxiliary substances	17	6.6	Turn signal switch.....	29
	3.3 Spare parts, accessories	17	6.7	Emergency OFF switch	30
	3.4 Service	18	6.8	Electric starter button.....	31
	3.5 Figures	18	6.9	ABS button	31
	3.6 Customer service.....	18	6.10	Combination switch.....	32
			6.11	Ignition and steering lock.....	34

TABLE OF CONTENTS

6.12	Overview of indicator lamps	35	7	PREPARING FOR USE.....	52
6.13	Seat unlocking.....	37	7.1	Advice on preparing for first use	52
6.14	Grab handles	37	7.2	Running in the engine	54
6.15	Passenger foot pegs	38	7.3	Loading the vehicle	55
6.16	Shift lever	38	8	RIDING INSTRUCTIONS.....	58
6.17	Foot brake lever	39	8.1	Checks and maintenance measures when preparing for use	58
6.18	Side stand.....	40	8.2	Starting the vehicle	59
6.19	Opening fuel tank filler cap.....	41	8.3	Starting off.....	62
6.20	Closing the fuel tank filler cap.....	43	8.4	Shifting, riding	63
6.21	Combination instrument	43	8.5	Quickshifter + (optional).....	70
6.21.1	Overview	43	8.6	Motorcycle traction control (MTC)	71
6.21.2	Activation	44	8.7	Applying the brakes.....	72
6.21.3	Messages on the combination instrument	44	8.8	Stopping, parking.....	74
6.21.4	Setting the combination instrument	45	8.9	Transport	76
6.21.5	Setting kilometers or miles	45	8.10	Refueling	77
6.21.6	Setting the clock	46	9	SERVICE SCHEDULE	80
6.21.7	Setting the service display	47	9.1	Additional information	80
6.21.8	Speed, time, and DST distance 1.....	49	9.2	Required work	80
6.21.9	Speed, time, and DST2 distance 2.....	50	9.3	Recommended work	83
6.21.10	AVG average speed, ART operating hours, and ODO total distance covered.....	51	10	TUNING THE CHASSIS	84
			10.1	Fork/shock absorber	84

10.2	Adjusting the compression damping of the fork	84	11.5	Lifting the motorcycle with the front lifting gear	98
10.3	Adjusting the rebound damping of the fork	86	11.6	Taking the motorcycle off the front lifting gear	99
10.4	Compression damping of the shock absorber.....	87	11.7	Cleaning the dust boots of the fork legs	100
10.5	Adjusting the low-speed compression damping of the shock absorber.....	87	11.8	Removing fork protector.....	102
10.6	Adjusting the high-speed compression damping of the shock absorber.....	89	11.9	Installing the fork protector.....	102
10.7	Adjusting the rebound damping of the shock absorber.....	90	11.10	Bleeding the fork legs.....	103
10.8	Handlebar position.....	92	11.11	Removing the seat	104
10.9	Adjusting the handlebar position 🖐.....	92	11.12	Mounting the seat	104
11	SERVICE WORK ON THE CHASSIS.....	95	11.13	Removing the tool set.....	105
11.1	Raising the motorcycle with a lift stand	95	11.14	Storing the tool set.....	106
11.2	Removing the motorcycle from the lift stand	95	11.15	Take off the side cover	108
11.3	Raising the motorcycle with rear lifting gear	96	11.16	Mounting side cover	109
11.4	Removing the rear of the motorcycle from the wheel stand.....	97	11.17	Removing the front fender	110
			11.18	Installing the front fender	111
			11.19	Removing the air filter 🖐	111
			11.20	Installing the air filter 🖐	113
			11.21	Checking the chain for dirt.....	114
			11.22	Cleaning the chain	114
			11.23	Checking the chain tension	116
			11.24	Adjusting the chain tension.....	118
			11.25	Checking the chain, rear sprocket, engine sprocket, and chain guide	120
			11.26	Adjusting chain guide 🖐.....	125

TABLE OF CONTENTS

11.27	Adjusting the basic position of the clutch lever	126	13.3	Removing the rear wheel 🛞.....	153
11.28	Checking/correcting the fluid level of hydraulic clutch	127	13.4	Installing the rear wheel 🛞.....	155
12	BRAKE SYSTEM	130	13.5	Checking the rear hub damping rubber pieces 🛞.....	159
12.1	Anti-lock braking system (ABS)	130	13.6	Checking the tire condition	161
12.2	Adjusting the basic position of the hand brake lever	133	13.7	Tubeless tire system.....	164
12.3	Checking the brake discs	134	13.8	Checking tire pressure	165
12.4	Checking the front brake fluid level	135	13.9	Checking the spoke tension.....	166
12.5	Adding the front brake fluid 🛞.....	136	13.10	Using tire repair spray	167
12.6	Checking the front brake linings	139	14	ELECTRICAL SYSTEM	168
12.7	Checking the free travel of foot brake lever	140	14.1	Removing the 12-V battery 🛞.....	168
12.8	Adjusting the basic position of the foot brake lever 🛞.....	141	14.2	Installing the 12-V battery 🛞.....	170
12.9	Checking the rear brake fluid level	143	14.3	Charging the 12-V battery 🛞.....	173
12.10	Adding rear brake fluid 🛞.....	144	14.4	Changing the main fuse	176
12.11	Checking the rear brake linings	146	14.5	Changing the ABS fuses	178
13	WHEELS, TIRES	148	14.6	Changing the fuses of individual power consumers	180
13.1	Removing the front wheel 🛞.....	148	14.7	Removing the headlight mask with the headlight	183
13.2	Installing the front wheel 🛞.....	150	14.8	Installing the headlight mask with the headlight	184
			14.9	Changing the headlight bulb	185
			14.10	Changing the position light lamp	187
			14.11	Checking the headlight setting	189
			14.12	Adjusting the headlight range.....	190

14.13	Changing the combination instrument battery.....	190	17.2	Changing the engine oil and oil filter, cleaning the oil screens 🛠️.....	214
14.14	USB socket	193	17.3	Adding engine oil	220
14.15	ACC1 and ACC2.....	193	18	CLEANING, CARE	222
14.16	Diagnostics connector	194	18.1	Cleaning the motorcycle	222
15	COOLING SYSTEM	195	18.2	Checks and maintenance steps for winter operation.....	225
15.1	Cooling system	195	19	STORAGE.....	227
15.2	Checking the antifreeze and coolant level.....	196	19.1	Storage	227
15.3	Checking the coolant level	199	19.2	Preparing for use after storage.....	229
15.4	Draining the coolant 🛠️.....	201	20	TROUBLESHOOTING	230
15.5	Filling/bleeding the cooling system 🛠️	202	21	TECHNICAL DATA.....	234
15.6	Changing the coolant 🛠️.....	205	21.1	Engine.....	234
16	TUNING THE ENGINE.....	209	21.2	Engine tightening torques	236
16.1	Changing the drive mode	209	21.3	Capacities	241
16.2	Adjusting traction control.....	210	21.3.1	Engine oil	241
16.3	Checking the basic position of the shift lever.....	211	21.3.2	Coolant.....	241
16.4	Adjusting the basic position of the shift lever 🛠️.....	212	21.3.3	Fuel	241
17	SERVICE WORK ON THE ENGINE	213	21.4	Chassis	242
17.1	Checking the engine oil level.....	213	21.5	Electrical system.....	243
			21.6	Tires.....	244
			21.7	Fork.....	245

TABLE OF CONTENTS

21.8	Shock absorber	246
21.9	Chassis tightening torques	247
22	SUBSTANCES	253
23	AUXILIARY SUBSTANCES	256
24	STANDARDS	258
25	INDEX OF SPECIAL TERMS	259
26	LIST OF ABBREVIATIONS.....	260
27	LIST OF SYMBOLS.....	261
27.1	Red symbols.....	261
27.2	Yellow and orange symbols.....	261
27.3	Green and blue symbols.....	262
	INDEX	263

1.1 Symbols used

The meaning of specific symbols is described below.



Indicates an expected reaction (e.g. of a work step or a function).



Indicates an unexpected reaction (e.g. of a work step or a function).



All work marked with this symbol requires specialist knowledge and technical understanding. In the interest of your own safety, have these jobs performed by an authorized KTM workshop! Your motorcycle will be optimally cared for there by specially trained experts using the auxiliary tools required.



Indicates a page reference (more information is provided on the specified page).



Indicates information with more details or tips.



Indicates the result of a testing step.

1 MEANS OF REPRESENTATION

V

Indicates a voltage measurement.

A

Indicates a current measurement.



Indicates the end of an activity, including potential rework.

1.2 Formats used

The typographical formats used in this document are explained below.

Proprietary name

Indicates a proprietary name.

Name®

Indicates a protected name.

Brand™

Indicates a brand available on the open market.

Underlined terms

Refer to technical details of the vehicle or indicate technical terms, which are explained in the glossary.

2.1 Use definition – intended use

The vehicle is designed and constructed to withstand the usual demands of regular traffic and use on gentle terrain (unpaved roads).

This vehicle is not suitable for use on race tracks.



Info

This vehicle is only authorized for operation on public roads in its homologated version.

2.2 Misuse

The vehicle must only be used as intended.

Dangers can arise for people, property and the environment through use not as intended.

Any use of the vehicle beyond the intended and defined use constitutes misuse.

Misuse also includes the use of operating and auxiliary fluids which do not meet the required specification for the respective use.

2.3 Safety advice

A number of safety instructions need to be followed to operate the product described safely. Therefore read this instruction and all further instructions included carefully. The safety instructions are highlighted in the text and are referred to at the relevant passages.

2 SAFETY ADVICE



Info

Various information and warning labels are attached in prominent locations on the product described. Do not remove any information or warning labels. If they are missing, you or others may not recognize dangers and may therefore be injured.

2.4 Degrees of risk and symbols



Danger

Identifies a danger that will immediately and invariably lead to fatal or serious permanent injury if the appropriate measures are not taken.



Warning

Identifies a danger that is likely to lead to fatal or serious injury if the appropriate measures are not taken.



Caution

Identifies a danger that may lead to minor injuries if the appropriate measures are not taken.

Note

Identifies a danger that will lead to considerable machine and material damage if the appropriate measures are not taken.



Note

Indicates a danger that will lead to environmental damage if the appropriate measures are not taken.

2.5 Tampering warning

Tampering with the noise control system is prohibited. Federal law prohibits the following acts or the causing thereof:

- 1 The removal or rendering inoperative by any person other than for purposes of servicing, repair, or replacement, of any device or element of design incorporated into any new vehicle for the purpose of noise control prior to its sale or delivery to the ultimate purchaser or while it is in use, or
- 2 the use of the vehicle after such device or element of design has been removed or rendered inoperative by any person.

Among those acts presumed to constitute tampering are the acts listed below:

- 1 Removal or puncturing of the main silencers, baffles, header pipes or any other components which conduct exhaust gases.
- 2 Removal or puncturing of parts of the intake system.
- 3 Lack of proper maintenance.
- 4 Replacing moving parts of the vehicle, or parts of the exhaust system or intake system, with parts other than those specified by the manufacturer.

2.6 Safe operation



Danger

Danger of accidents A rider who is not fit to ride poses a danger to him or herself and others.

- Do not operate the vehicle if you are not fit to ride due to alcohol, drugs or medication.
- Do not operate the vehicle if you are physically or mentally impaired.

2 SAFETY ADVICE



Danger

Danger of poisoning Exhaust gases are toxic and inhaling them may result in unconsciousness and death.

- Always make sure there is sufficient ventilation when running the engine.
- Use effective exhaust extraction when starting or running the engine in an enclosed space.



Warning

Danger of burns Some vehicle components become very hot when the vehicle is operated.

- Do not touch any parts such as the exhaust system, radiator, engine, shock absorber, or brake system before the vehicle parts have cooled down.
- Let the vehicle parts cool down before you perform any work on the vehicle.

Only operate the vehicle when it is in perfect technical condition, in accordance with its intended use, and in a safe and environmentally compatible manner.

An appropriate driver's license is needed to drive the vehicle on public roads.

Have malfunctions that impair safety promptly eliminated by an authorized KTM workshop.

Adhere to the information and warning labels on the vehicle.

2.7 Protective clothing



Warning

Risk of injury Missing or poor protective clothing presents an increased safety risk.

- Wear appropriate protective clothing such as helmet, boots, gloves as well as trousers and a jacket with protectors on all rides.
 - Always wear protective clothing that is in good condition and meets the legal regulations.
-

In the interest of your own safety, KTM recommends that you only operate the vehicle while wearing protective clothing.

2.8 Work rules

Special tools are necessary for certain tasks. The tools are not a component of the vehicle, but can be ordered using the number in parentheses. Example: bearing puller (15112017000)

During assembly, use new parts to replace parts which cannot be reused (e.g. self-locking screws and nuts, seals, sealing rings, O-rings, pins, and lock washers).

In the case of certain screws, a screw adhesive (e.g. **Loctite®**) is required. Observe the manufacturer's instructions.

After disassembly, clean the parts that are to be reused and check them for damage and wear. Change damaged or worn parts.

After completing a repair or service work, check the operating safety of the vehicle.

2.9 Environment

If you use your motorcycle responsibly, you can ensure that problems and conflicts do not occur. To protect the future of the motorcycle sport, make sure that you use your motorcycle legally, display environmental consciousness, and respect the rights of others.

When disposing of used oil, other operating and auxiliary fluids, and used components, comply with the laws and regulations of the respective country.

Because motorcycles are not subject to the EU regulations governing the disposal of used vehicles, there are no legal regulations that pertain to the disposal of an end-of-life motorcycle. Your authorized KTM dealer will be glad to advise you.

2.10 Owner's Manual

It is important that you read this Owner's Manual carefully and completely before making your first trip. The Owner's Manual contains useful information and many tips on how to operate, handle, and service your motorcycle. Only then will you find out how to customize the vehicle ideally for your own use and how you can protect yourself from injury.

Keep the Owner's Manual in an accessible place to enable you to refer to it as needed.

If you would like to know more about the vehicle or have questions on the material you read, please contact an authorized KTM dealer.

The Owner's Manual is an important component of the vehicle and must be handed over to the new owner if the vehicle is sold.

The Owner's Manual is also available for download from your authorized KTM dealer and on the KTM website.
International KTM Website: <http://www.ktm.com>

3.1 Manufacturer and implied warranty

The work specified in the service schedule may only be performed in an authorized KTM workshop and must be recorded in both the Service & Warranty Booklet and in the **KTM Dealer.net**, otherwise any warranty coverage will become void. Damage or secondary damage caused by tampering with and/or conversions on the vehicle is not covered by the manufacturer warranty.

Additional information on the manufacturer or manufacturer warranty and the procedures involved can be found in the Service & Warranty Booklet.

3.2 Fuel, auxiliary substances



Note

Environmental hazard Improper handling of fuel is a danger to the environment.

- Do not allow fuel to enter the groundwater, the soil, or the sewage system.

Use fuels and auxiliary substances in accordance with the Owner's Manual and specification.

3.3 Spare parts, accessories

For your own safety, only use spare parts and accessory products that are approved and/or recommended by KTM and have them installed by an authorized KTM workshop. KTM accepts no liability for other products and any resulting damage or loss.

Certain spare parts and accessory products are specified in parentheses in the descriptions. Your authorized KTM dealer will be glad to advise you.

3 IMPORTANT NOTES

The current **KTM PowerParts** for your vehicle can be found on the KTM website.
International KTM Website: <http://www.ktm.com>

3.4 Service

A prerequisite for perfect operation and prevention of premature wear is that the service, care, and tuning work on the engine and chassis is properly carried out as described in the Owner's Manual. Incorrect adjustment and tuning of the engine and chassis can lead to damage and breakage of components.

Use of the vehicle under difficult conditions, such in rain, high heat or with a heavy load, can lead to considerably more rapid wear of components such as the drive train, brake system, or suspension components. For this reason, it may be necessary to inspect or replace parts before the next scheduled service.

It is imperative that you adhere to the stipulated run-in times and service intervals. If you observe these exactly, you will ensure a much longer service life for your motorcycle.

3.5 Figures

The figures contained in the manual may depict special equipment.

In the interest of clarity, some components may be shown disassembled or may not be shown at all. It is not always necessary to disassemble the component to perform the activity in question. Please follow the instructions in the text.

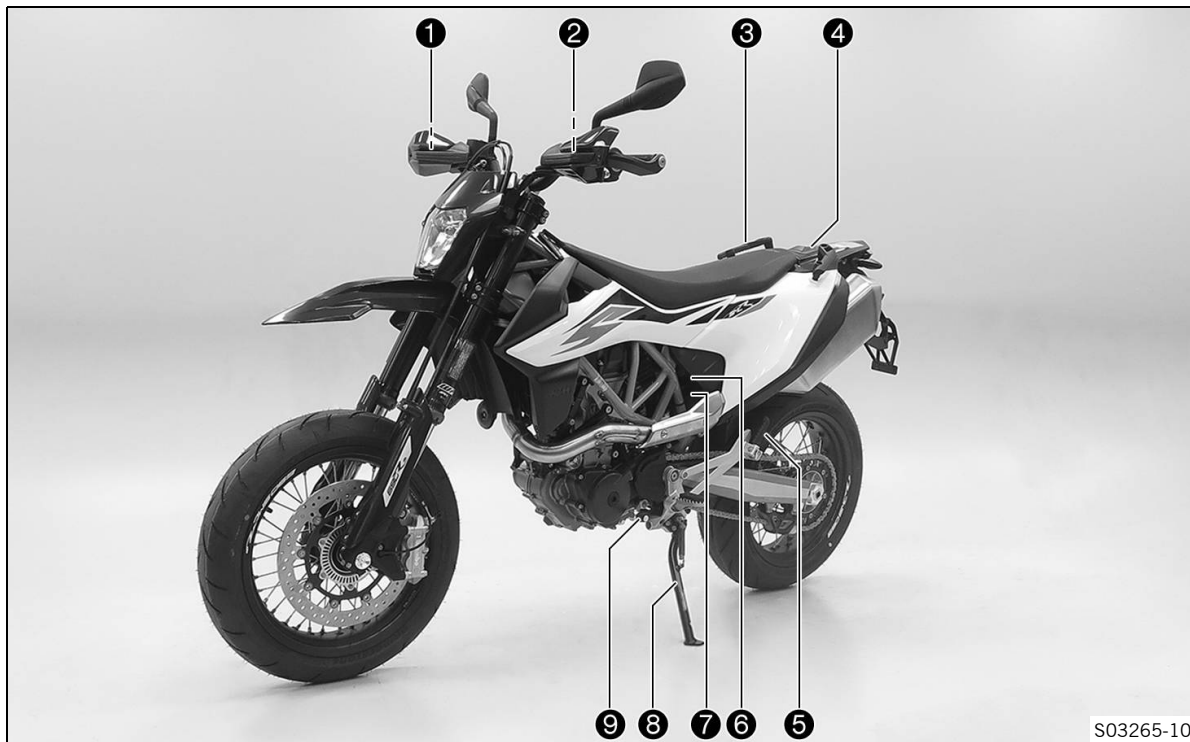
3.6 Customer service

Your authorized KTM dealer will be happy to answer any questions you may have on your vehicle and KTM.

A list of authorized KTM dealers can be found on the KTM website.
International KTM Website: <http://www.ktm.com>

4 VIEW OF VEHICLE

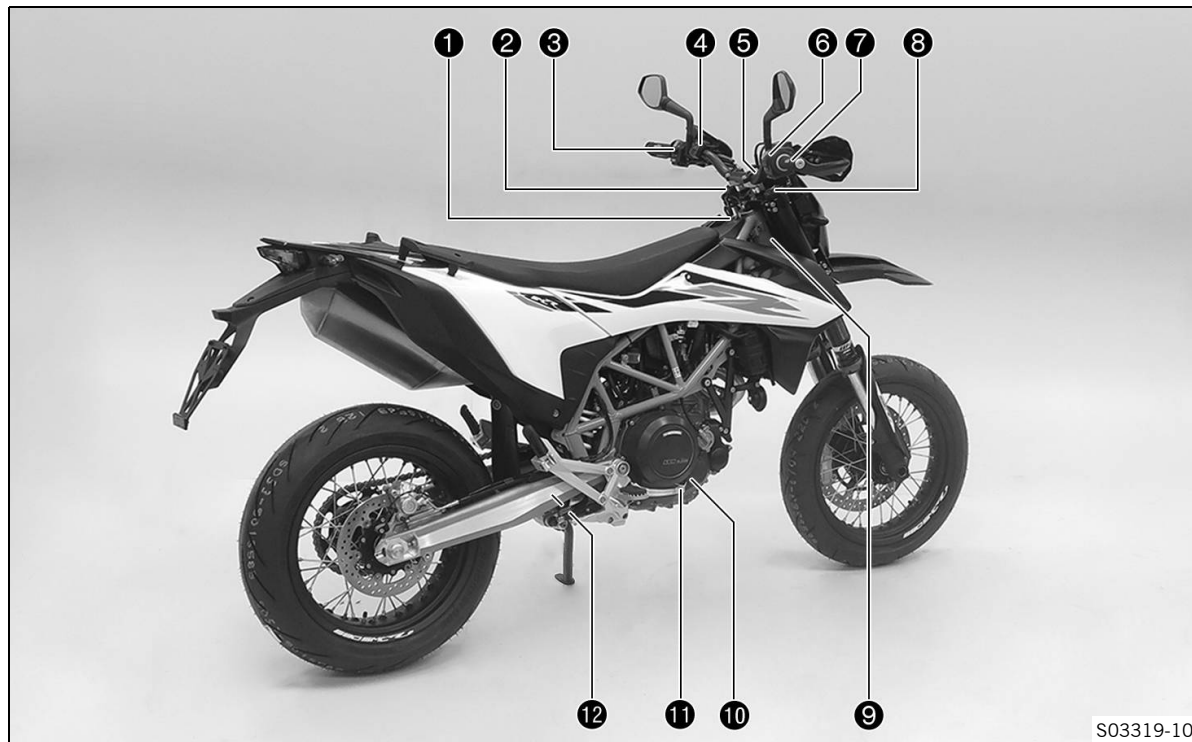
4.1 View of vehicle, front left (example)



- ① Hand brake lever (📖 p. 27)
- ② Clutch lever (📖 p. 27)
- ③ Grab handles (📖 p. 37)
- ④ Fuel tank filler cap
- ⑤ Passenger foot pegs (📖 p. 38)
- ⑥ Compression damping of the shock absorber (📖 p. 87)
- ⑦ Seat unlocking (📖 p. 37)
- ⑧ Side stand (📖 p. 40)
- ⑨ Shift lever (📖 p. 38)

4 VIEW OF VEHICLE

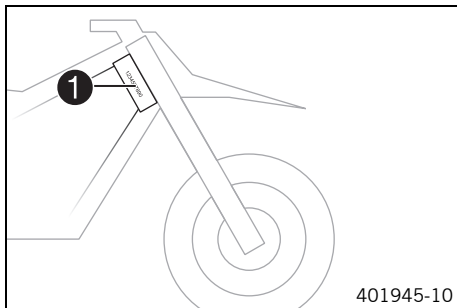
4.2 View of vehicle, rear right (example)



- ❶ Ignition and steering lock (📖 p. 34)
- ❷ Fork compression adjuster
- ❸ Light switch (📖 p. 29)
- ❸ Turn signal switch (📖 p. 29)
- ❸ Horn button (📖 p. 28)
- ❹ Combination switch (📖 p. 32)
- ❺ Overview of indicator lamps (📖 p. 35)
- ❻ Emergency OFF switch (📖 p. 30)
- ❻ Electric starter button (📖 p. 31)
- ❼ Throttle grip (📖 p. 28)
- ❽ Fork rebound adjustment
- ❾ Vehicle identification number (📖 p. 24)
- ❿ Level viewer, engine oil
- ⓫ Foot brake lever (📖 p. 39)
- ⓬ Shock absorber rebound adjustment

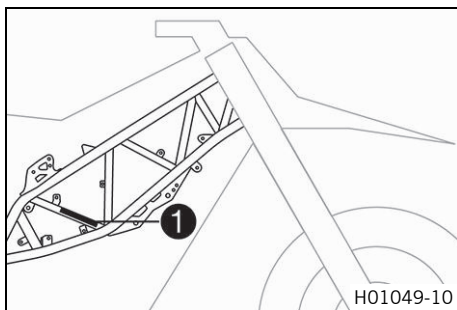
5 SERIAL NUMBERS

5.1 Vehicle identification number



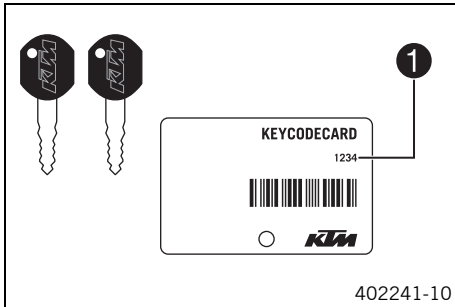
The vehicle identification number **1** is stamped on the right side of the steering head.

5.2 Type label



The type label **1** is located on the right side of the frame.

5.3 Key number



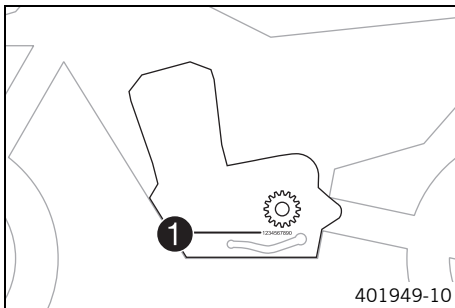
The key number **1** can be found on the **KEYCODECARD**.



Info

You need the key number to order a spare key. Keep the **KEYCODECARD** in a safe place.

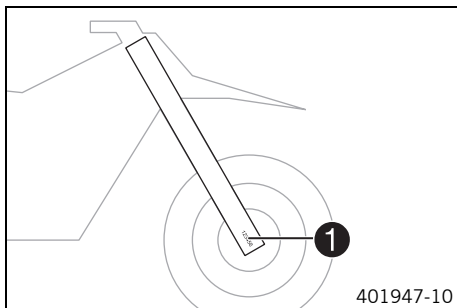
5.4 Engine number



The engine number **1** is stamped on the left side of the engine under the engine sprocket.

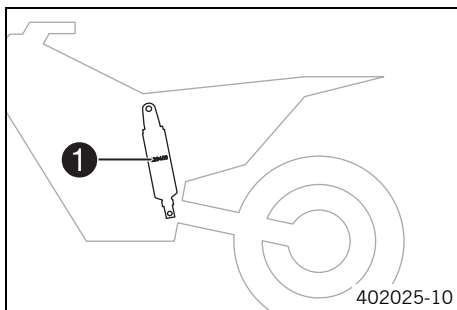
5 SERIAL NUMBERS

5.5 Fork part number



The fork part number **1** is stamped on the inner side of the fork stub.

5.6 Shock absorber article number



The shock absorber article number **1** is on the left side of the shock absorber.

6.1 Clutch lever



Clutch lever **1** is fitted on the handlebar on the left. The clutch is activated hydraulically and adjusts itself automatically.

6.2 Hand brake lever



The hand brake lever **1** is fitted on the right side of the handlebar. The hand brake lever operates the front brake.

6 CONTROLS

6.3 Throttle grip





The throttle grip ❶ is fitted on the right side of the handlebar.

6.4 Horn button



The horn button ❶ is fitted on the left side of the handlebar.

Possible states

- Horn button  in neutral position
- Horn button  pressed – The horn is operated in this position.

6.5 Light switch



The light switch **1** is fitted on the left side of the handlebar.

Possible states

	Low beam on – Light switch is turned downward. In this position, the low beam and tail light are switched on.
	High beam on – Light switch is turned upward. In this position, the high beam and tail light are switched on.

6.6 Turn signal switch



The turn signal switch **1** is fitted on the left side of the handlebar.

Possible states

	Turn signal off
	Turn signal light, left, on – Turn signal switch pressed to the left. The turn signal switch returns automatically to the central position after use.
	Turn signal light, right, on – Turn signal switch pressed to the right. The turn signal switch returns automatically to the central position after use.



To switch off the turn signal light, press the turn signal switch towards the switch case.

6.7 Emergency OFF switch



The emergency OFF switch **1** is fitted on the right side of the handlebar.

Possible states

	Emergency OFF switch off – In this position, the ignition circuit is interrupted, a running engine stops, and the engine cannot be started.
	Emergency OFF switch on – This position is necessary for operation as the ignition circuit is closed.

6.8 Electric starter button

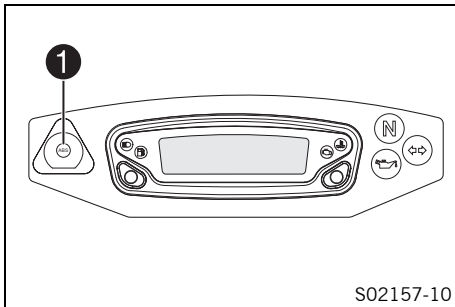


The electric starter button **1** is fitted on the right side of the handlebar.

Possible states

- Electric starter button **1** in basic position
- Electric starter button **1** is pressed – In this position, the starter motor is actuated.

6.9 ABS button



The ABS button **1** is fitted next to the combination instrument on the left.

i Info

The ABS button is also used as the ABS warning lamp (📖 p. 130).

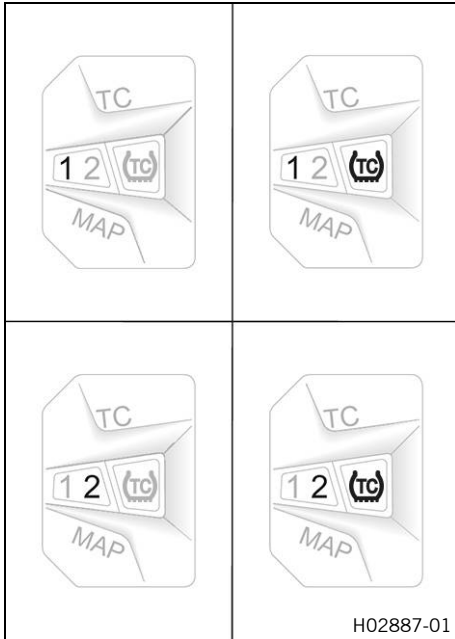
6.10 Combination switch



The combination switch is fitted on the left side of the handlebar.

Possible states

1	ROAD – Drive mode ROAD and traction control are activated when LED 1 lights up.
1TC	ROAD without TC – When LEDs 1 and TC light up, drive mode ROAD is active and traction control is deactivated.
2	SUPERMOTO – Drive mode SUPERMOTO and traction control are activated when LED 2 lights up.
2TC	SUPERMOTO without TC – When LEDs 2 and TC light up, drive mode SUPERMOTO is active and traction control is deactivated.



The combination switch displays the current drive mode and traction control setting.

The drive mode is changed using button **MAP** on the combination switch.

The traction control is activated or deactivated using button **TC** on the combination switch.

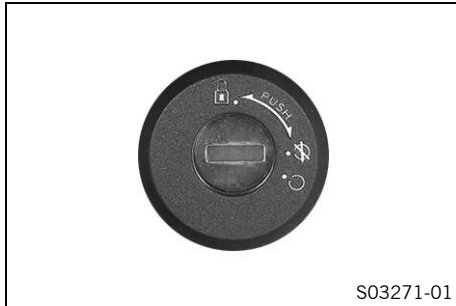


Info

Each time the ignition is switched on, all three switch LEDs light up for a function check.




If all three LEDs light up during operation, an error has been detected by the engine control unit. Contact an authorized KTM workshop immediately.

6.11 Ignition and steering lock

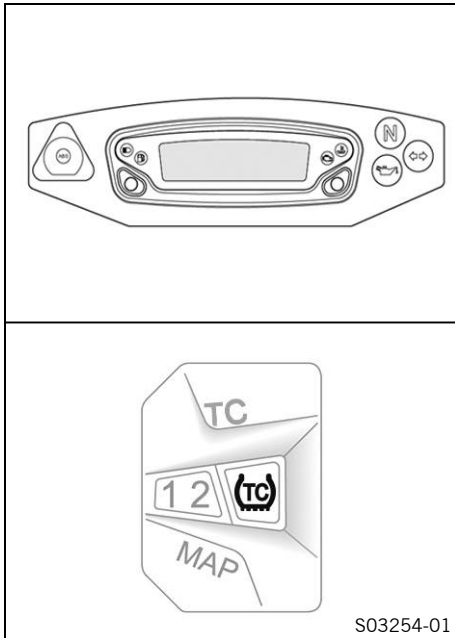


The ignition and steering lock is located in front of the seat.






Possible states





	Ignition off – In this position, the ignition circuit is interrupted, a running engine stops, and a non-running engine will not start. The ignition key can be removed.
	Ignition on – In this position, the ignition circuit is closed and the engine can be started.
	Steering locked – In this position, the ignition circuit is interrupted and the steering locked. The ignition key can be removed.

6.12 Overview of indicator lamps

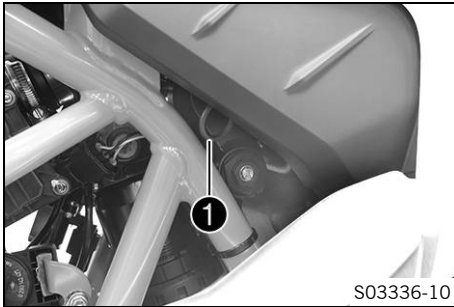


Possible states

	<p>ABS warning lamp lights up/flashes yellow – If the ABS warning lamp lights up, the ABS is not active. The ABS warning lamp also lights up if an error is detected. Contact an authorized KTM workshop. The ABS warning lamp flashes, if the ABS actively engages.</p>
	<p>The high beam indicator lamp lights up blue – The high beam is switched on.</p>
	<p>Fuel level warning lamp lights up orange – The fuel level has reached the reserve mark.</p>
	<p>Malfunction indicator lamp lights up orange – The OBD has detected an error in the vehicle electronics. Come safely to a halt, and contact an authorized KTM workshop.</p>
	<p>The coolant temperature warning lamp lights up red – The coolant temperature has reached a critical value. Stop immediately (taking care not to endanger yourself or other road users in the process), switch off the engine, allow it to cool down and check the coolant level.</p>

	The idle indicator lamp lights up green – The transmission is in neutral.
	Turn signal indicator lamp flashes green – The turn signal is switched on.
	The oil pressure warning lamp lights up red – The oil pressure is too low. Stop immediately, taking care not to endanger yourself or other road users in the process, and switch off the engine.
	TC indicator lamp lights up/flashes yellow – If the TC indicator lamp lights up, the <u>MTC</u> (📖 p. 71) is not active. If the TC indicator lamp and both drive mode lamps light up at same time, an error as been detected. Contact an authorized KTM workshop. The TC indicator lamp flashes if the <u>MTC</u> actively engages.

6.13 Seat unlocking



The loop ① unlocks the seat.

6.14 Grab handles



The grab handles ① are used for moving the motorcycle around. If you carry a passenger, the passenger can hold onto the grab handles during the trip.

6 CONTROLS

6.15 Passenger foot pegs

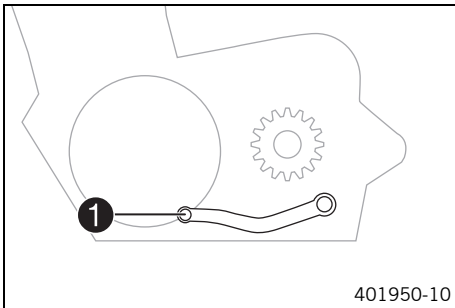


The passenger foot pegs can be folded up and down.

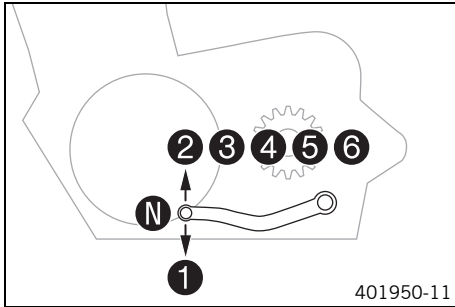
Possible states

- Passenger foot pegs folded up – For operation without a passenger.
- Passenger foot pegs folded down – For operation with a passenger.

6.16 Shift lever

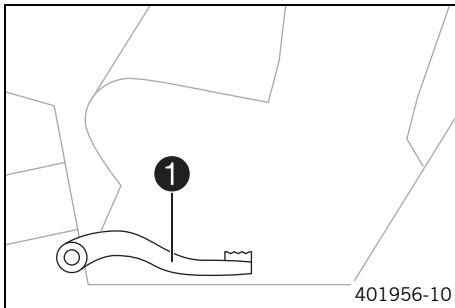


The shift lever ❶ is mounted on the left side of the engine.



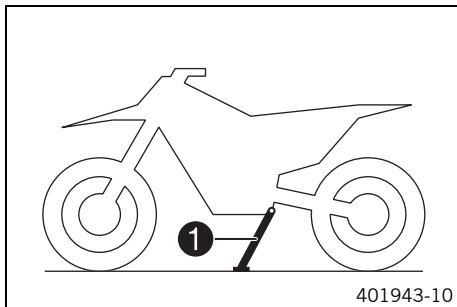
The gear positions can be seen in the photograph.
The neutral or idle position is between the first and second gears.

6.17 Foot brake lever



Foot brake lever **1** is located in front of the right footrest.
The rear brake is engaged with the foot brake lever.

6.18 Side stand



Side stand **1** is located on the left of the vehicle.
The side stand is used for parking the motorcycle.

i Info

The side stand must be folded up during motorcycle use.
The side stand is coupled with the safety starting system – see the riding instructions.

Possible states

- Side stand folded out – The vehicle can be supported on the side stand. The safety starting system is active.
- Side stand folded in – This position is mandatory when riding the motorcycle. The safety starting system is inactive.

6.19 Opening fuel tank filler cap



Danger

Fire hazard Fuel is highly flammable.

The fuel in the fuel tank expands when warm and can escape if overfilled.

- Do not refuel the vehicle in the vicinity of open flames or lit cigarettes.
- Switch off the engine for refueling.
- Make sure that no fuel is spilled; particularly not on hot parts of the vehicle.
- If any fuel is spilled, wipe it off immediately.
- Observe the specifications for refueling.



Warning

Danger of poisoning Fuel is poisonous and a health hazard.

- Avoid skin, eye and clothing contact with fuel.
- Immediately consult a doctor if you swallow fuel.
- Do not inhale fuel vapors.
- In case of skin contact, rinse the affected area with plenty of water.
- Rinse the eyes thoroughly with water, and consult a doctor in case of fuel contact with the eyes.
- Change your clothing in case of fuel spills on them.
- Keep fuels correctly in a suitable canister, and out of the reach of children.

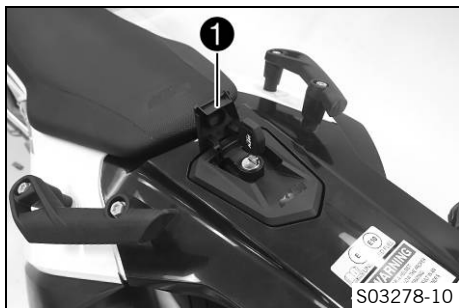
6 CONTROLS



Note

Environmental hazard Improper handling of fuel is a danger to the environment.

- Do not allow fuel to enter the groundwater, the soil, or the sewage system.



- Lift cover **1** of fuel tank filler cap and insert the ignition key.
- Turn the ignition key 90° counterclockwise and take off the fuel tank filler cap.



Info

The fuel tank filler cap has a fuel tank breather.

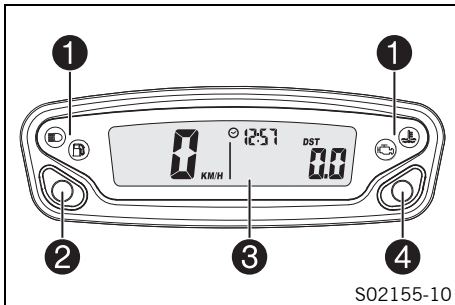
6.20 Closing the fuel tank filler cap



- Put the fuel tank filler cap back on and turn the ignition key 90° clockwise.
- Remove the ignition key and fold down the cover.

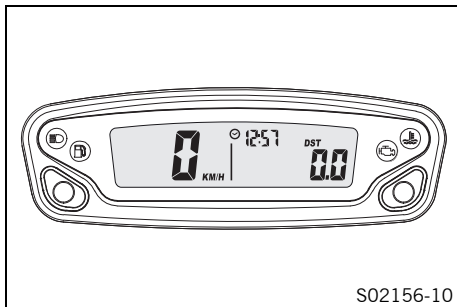
6.21 Combination instrument

6.21.1 Overview



- ① Overview of indicator lamps (📖 p. 35)
- ② Left button
- ③ Display
- ④ Right button

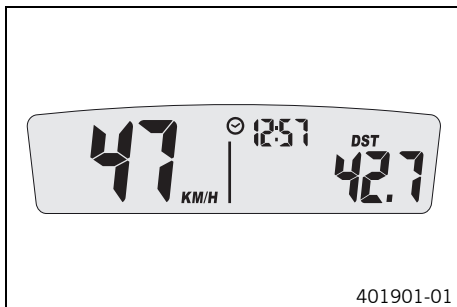
6.21.2 Activation



Activating combination instrument

The combination instrument is activated when one of the buttons is pressed or an impulse comes from the wheel speed sensor.

6.21.3 Messages on the combination instrument

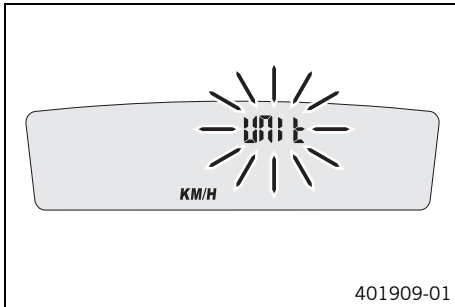


Possible states



Battery voltage of the combination instrument – The battery voltage of the combination instrument is too low. Change combination instrument battery.

6.21.4 Setting the combination instrument



Condition

The motorcycle is stationary.

- Press and hold both buttons for 3 - 5 seconds.
- ✓ The Setup menu is displayed. The **UNIT** display flashes.



Info

Combination settings can be made once the set-up menu is active. If no setting has been made, the set-up menu automatically changes to the next menu item after 5 seconds.

6.21.5 Setting kilometers or miles



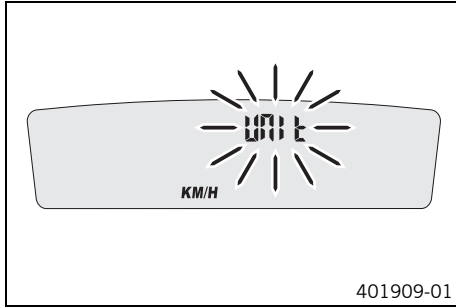
Info

If the unit is changed, the value is retained and converted accordingly. Make the setting according to the country.

Condition

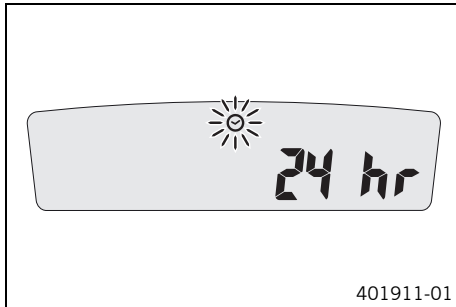
The motorcycle is stationary.

6 CONTROLS



- Press and hold both buttons for 3 - 5 seconds.
 - ✓ The Setup menu is displayed. The **UNIT** display flashes.
- Change the display mode from **KM/H** to **M/H** or from **M/H** to **KM/H** using the left or right button.
- Wait for 5 seconds.
 - ✓ The setting made is adopted and the combination instrument automatically changes to the next menu item.

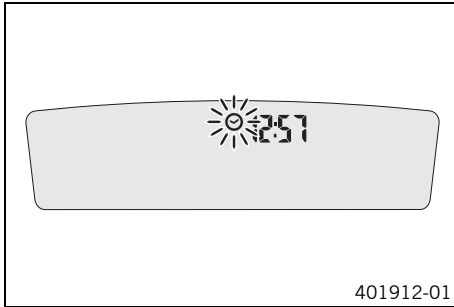
6.21.6 Setting the clock



Condition

The motorcycle is stationary.

- Press and hold both buttons for 3 - 5 seconds.
 - ✓ The Setup menu is displayed. The **UNIT** display flashes.
- Wait for the menu of the clock ☉ to flash.
- Press the left or right button to select the 24 h display or 12 h display for the clock.
- Wait for 5 seconds.
 - ✓ The setting is adopted and the combination instrument automatically changes to the next menu item. The clock ☉ symbol flashes.



- Set the time using the left and the right button.

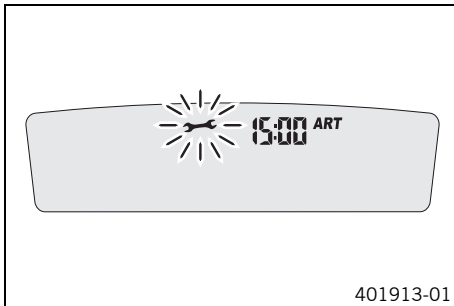
Resetting the time

- Press the left button.
 - ✓ The value decreases.

Advancing the time


- Press the right button.
 - ✓ The value increases.
- Wait for 5 seconds.
 - ✓ The setting is adopted and the combination instrument automatically changes to the next menu item.

6.21.7 Setting the service display



Condition

The motorcycle is stationary.

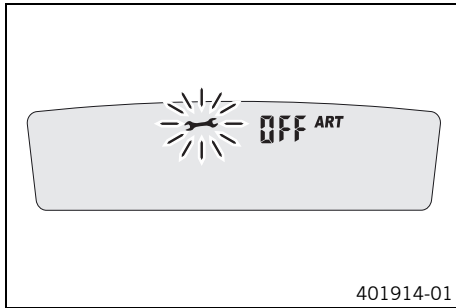
- Press and hold both buttons for 3 - 5 seconds.
 - ✓ The Setup menu is displayed. The **UNIT** display flashes.
- Wait for the menu of the service display  to flash.
- Set the service.

Guideline

Service display switched off

Shortening the service interval

- Press the left button.



✓ The value decreases.

Extending the service interval

– Press the right button.

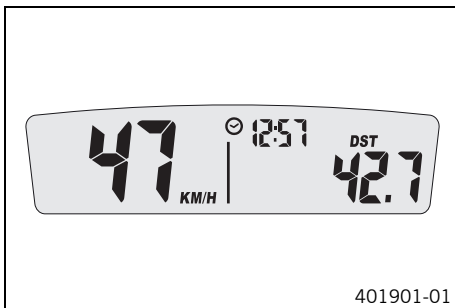
✓ The value increases.

Switching off the service interval display

– Press and hold the left button.

✓ **off** appears in the display.

6.21.8 Speed, time, and DST distance 1



- Press one of the buttons until **DST** appears on the combination instrument.

KM/H or **M/H** shows the speed.

⌚ shows the time.

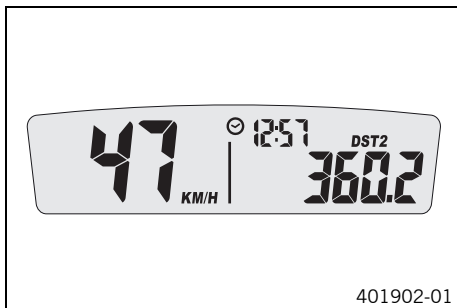
DST shows the distance since the last reset, such as between two refueling stops.

i Info

If the value of 39999.9 is exceeded, **DST** is automatically reset to 0.0.

Press the left button briefly.	Next display mode
Press the left button for 3 – 5 seconds.	DST can be preset to a value between 0.0 and 39999.9 by pressing the buttons.
Press the right button briefly.	Next display mode
Press the right button for 3 – 5 seconds.	DST is reset to 0.0.

6.21.9 Speed, time, and DST2 distance 2



- Press one of the buttons until **DST2** appears on the combination instrument.

KM/H or **M/H** shows the speed.

☉ shows the time.

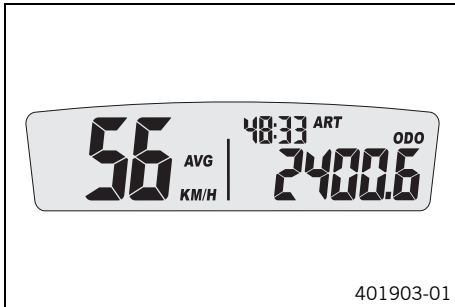
DST2 shows the distance 2 since the last reset, such as between two refueling stops.

i Info

If the value of 39999.9 is exceeded, **DST2** is automatically reset to 0.0.

Press the left button briefly.	Next display mode
Press the left button for 3 – 5 seconds.	DST2 can be preset to a value between 0.0 and 39999.9 by pressing the buttons.
Press the right button briefly.	Next display mode
Press the right button for 3 – 5 seconds.	DST2 is reset to 0.0.

6.21.10 AVG average speed, ART operating hours, and ODO total distance covered



- Press one of the buttons until **AVG**, **ART** and **ODO** appear on the combination instrument.

AVG shows the average speed since the last reset.

ART shows the operating hours.

ODO shows the total distance covered.

Press the left button briefly.	Next display mode
Press the left button for 3 – 5 seconds.	The OPEN END WRENCH SYMBOL shows the remaining operating hours until the next service is due.
Press the right button briefly.	Next display mode
Press the right button for 3 – 5 seconds.	AVG is reset to 0.0.

7.1 Advice on preparing for first use



Danger

Danger of accidents A rider who is not fit to ride poses a danger to him or herself and others.

- Do not operate the vehicle if you are not fit to ride due to alcohol, drugs or medication.
- Do not operate the vehicle if you are physically or mentally impaired.



Warning

Risk of injury Missing or poor protective clothing presents an increased safety risk.

- Wear appropriate protective clothing such as helmet, boots, gloves as well as trousers and a jacket with protectors on all rides.
- Always wear protective clothing that is in good condition and meets the legal regulations.



Warning

Danger of crashing Different tire tread patterns on the front and rear wheel impair the handling characteristic.

Different tire tread patterns can make the vehicle significantly more difficult to control.

- Make sure that only tires with a similar tire tread pattern are fitted to the front and rear wheel.



Warning

Danger of accidents Non-approved or non-recommended tires and wheels impact the handling characteristic.

- Only use tires/wheels approved by KTM with the corresponding speed index.



Warning

Danger of accidents New tires have reduced road grip.

The contact surface on new tires is not yet roughened.

- Run in new tires with moderate riding at alternating angles.
Running-in phase 200 km (124 mi)



Warning

Danger of accidents The brake system fails in the event of overheating.

If the foot brake lever is not released, the brake linings drag continuously.

- Take your foot off the foot brake lever when you are not braking.



Info

When using your vehicle, remember that others may feel disturbed by excessive noise.

- Make sure that the pre-sales inspection work has been carried out by an authorized KTM workshop.
 - ✓ You receive a delivery certificate and the Service & Manufacturer Warranty Booklet at vehicle handover.
- Before riding for the first time, read the entire Owner's Manual carefully.
- Get to know the controls.
- Adjust basic position of the clutch lever. (📖 p. 126)
- Adjust basic position of the hand brake lever. (📖 p. 133)
- Adjust the basic position of the foot brake lever. 🦶 (📖 p. 141)

7 PREPARING FOR USE

- Get used to handling the motorcycle in a suitable area before making a longer trip. Try also to ride as slowly as possible and in a standing position to get a better feel for the motorcycle.
- Hold the handlebar firmly with both hands and keep your feet on the footrests when riding.
- Run the engine in. (📖 p. 54)

7.2 Running in the engine

- During the run-in phase, do not exceed the specified vehicle speed in the respective gear.

Guideline

During the first	1,000 km (620 mi)
Maximum speed per gear	
First gear	50 km/h (31.1 mph)
Second gear	70 km/h (43.5 mph)
Third gear	90 km/h (55.9 mph)
Fourth gear	110 km/h (68.4 mph)
Fifth gear	125 km/h (77.7 mph)
Sixth gear	140 km/h (87 mph)

- Avoid fully opening the throttle!

7.3 Loading the vehicle



Warning

Danger of accidents Total weight and axle loads influence the handling characteristic.

The total weight consists of: motorcycle ready for operation and with a full tank, driver and passenger with protective clothing and helmet, and luggage.

- Do not exceed the maximum permissible overall weight or the axle loads.



Warning

Danger of accidents Improper mounting of cases or the tank rucksack impairs the handling characteristic.

- Mount and secure cases and tank rucksack according to the manufacturer's instructions.



Warning

Danger of accidents Unstable handling characteristics at high speed.

- Adapt your speed according to your payload. Ride more slowly if your motorcycle is loaded with cases or other baggage.

Maximum speed with baggage 130 km/h (80.8 mph)



Warning

Danger of accidents The luggage system will be damaged if it is overloaded.

- Read the manufacturer information on maximum payload when mounting cases.

7 PREPARING FOR USE



Warning

Danger of accidents Luggage which has slipped impairs visibility.

If the tail light is covered, you are less visible to traffic behind you, especially when it is dark.

- Check that your luggage is fixed properly at regular intervals.



Warning

Danger of accidents A high payload alters the handling characteristic and increases the stopping distance.

- Adapt your speed to your payload.



Warning

Danger of accidents Pieces of luggage which have slipped impair the handling characteristic.

- Check that your luggage is fixed properly at regular intervals.



Warning

Fire hazard The hot exhaust system may burn luggage.

- Fasten your luggage in such a way that it cannot be burned or singed by the hot exhaust system.

-
- If you carry luggage, make sure you secure it firmly as close as possible to the center of the vehicle and ensure even weight distribution between the front and rear wheels.
 - Do not exceed the maximum permissible weight and the maximum permissible axle loads.

Guideline

Maximum permissible overall weight	350 kg (772 lb.)
Maximum permissible front axle load	150 kg (331 lb.)
Maximum permissible rear axle load	200 kg (441 lb.)

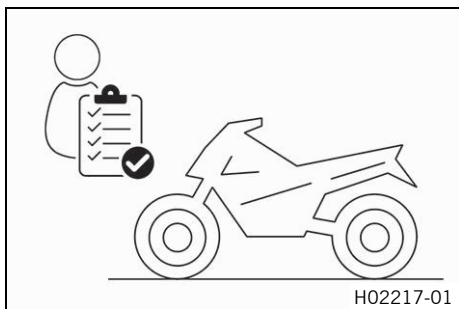


8.1 Checks and maintenance measures when preparing for use



Info

Before every trip, check the condition of the vehicle and ensure that it is roadworthy. The vehicle must be in perfect technical condition when it is being operated.



- Check the engine oil level. (📖 p. 213)
- Check the front brake fluid level. (📖 p. 135)
- Check the rear brake fluid level. (📖 p. 143)
- Check the front brake linings. (📖 p. 139)
- Check the rear brake linings. (📖 p. 146)
- Check that the brake system is functioning properly.
- Check the coolant level. (📖 p. 199)
- Check the chain for dirt. (📖 p. 114)
- Check the chain tension. (📖 p. 116)
- Check the tire condition. (📖 p. 161)
- Check tire pressure. (📖 p. 165)
- Check the settings of all controls and ensure that they can be operated smoothly.
- Check that the electrical system is functioning properly.
- Check that luggage is properly secured.
- Sit on the motorcycle and check the rear mirror setting.
- Check the fuel level.

8.2 Starting the vehicle



Danger

- Danger of poisoning** Exhaust gases are toxic and inhaling them may result in unconsciousness and death.
- Always make sure there is sufficient ventilation when running the engine.
 - Use effective exhaust extraction when starting or running the engine in an enclosed space.



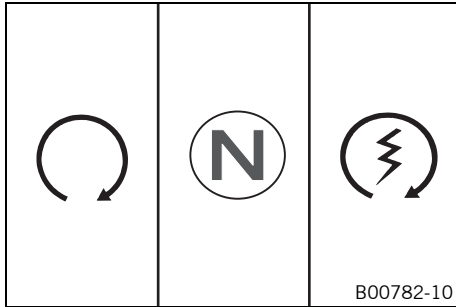
Caution

- Danger of accidents** Electronic components and safety devices will be damaged if the 12-V battery is discharged or missing.
- Never operate the vehicle with a discharged 12-V battery or without a 12-V battery.

Note

- Engine damage** High revving speed with a cold engine negatively impacts the lifespan of the engine.
- Always run the engine warm at a low speed.

8 RIDING INSTRUCTIONS



- Turn the emergency OFF switch to the position ○.
- Switch on the ignition by turning the ignition key to the position ○.
 - ✓ After you switch on the ignition, you can hear the fuel pump working for about two seconds. The function check of the combination instrument is run at the same time.
 - ✓ The ABS warning lamp lights up and goes back out after starting off.
- Shift the transmission to neutral position.
 - ✓ The green idle indicator lamp **N** lights up.
- Press the electric starter button Ⓢ.

**Info**

Do not press the electric starter button until the combination instrument function check is finished.

When starting, **DO NOT** open the throttle. If you open the throttle during the starting procedure, fuel is not injected by the engine management system and the engine cannot start.

Press the starter for a maximum of 5 seconds. Wait for a least 5 seconds before trying again.

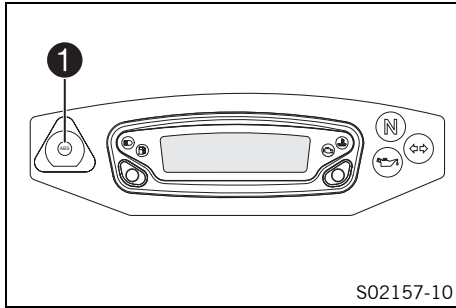
This motorcycle is equipped with a safety starting system. You can only start the engine if the transmission is in neutral or if the clutch lever is pulled when a gear is engaged. If the side stand is folded out and you shift into gear and release the clutch, the engine stops.

-
- Take the weight off the side stand and swing it back up with your foot as far as it will go.

Switching off the ABS

KTM recommends riding with ABS at all times. However, situations may arise in which ABS is not advantageous.

8 RIDING INSTRUCTIONS



Condition

The motorcycle is stationary.

Vehicle speed before stopping: ≥ 5 km/h (≥ 3.1 mph)

Note

Voiding of the government approval for road use and the insurance coverage If the ABS is switched off completely, the vehicle's approval for road use is invalidated.

- Only operate the vehicle in closed-off areas remote from public road traffic if the ABS is switched off completely.
- Press and hold the button **1** for 3 - 5 seconds.
 - ✓ The ABS warning lamp lights up; ABS is deactivated.

8.3 Starting off

- Pull the clutch lever, engage 1st gear, release the clutch lever slowly and simultaneously open the throttle carefully.

8.4 Shifting, riding



Warning

Danger of accidents Abrupt load alterations can cause the vehicle to get out of control.

- Avoid abrupt load alterations and sudden braking actions.
- Adapt your speed to the road conditions.



Warning

Danger of accidents If you change down at high engine speed, the rear wheel blocks and the engine races.

- Do not change into a low gear at high engine speed.



Warning

Danger of accidents An incorrect ignition key position causes malfunctions.

- Do not change the ignition key position while driving.



Warning

Danger of accidents Adjustments to the vehicle distract attention from traffic activity.

- Make all adjustments when the vehicle is at a standstill.

8 RIDING INSTRUCTIONS



Warning

Risk of injury The passenger may fall from the motorcycle if they conduct themselves incorrectly.

- Ensure that the passenger sits correctly on the passenger seat, places his or her feet on the passenger foot pegs and holds on to the rider or the grab handles.
- Note the regulations governing the minimum age of passengers in your country.



Warning

Danger of accidents A risky riding style constitutes a major risk.

- Comply with traffic regulations and ride defensively and with foresight to detect sources of danger as early as possible.



Warning

Danger of accidents Cold tires have reduced road grip.

- Ride the first miles carefully on every journey at moderate speed until the tires reach operating temperature.



Warning

Danger of accidents New tires have reduced road grip.

The contact surface on new tires is not yet roughened.

- Run in new tires with moderate riding at alternating angles.
Running-in phase 200 km (124 mi)

**Warning**

Danger of accidents Total weight and axle loads influence the handling characteristic.

The total weight consists of: motorcycle ready for operation and with a full tank, driver and passenger with protective clothing and helmet, and luggage.

- Do not exceed the maximum permissible overall weight or the axle loads.

**Warning**

Danger of accidents Pieces of luggage which have slipped impair the handling characteristic.

- Check that your luggage is fixed properly at regular intervals.

**Warning**

Danger of accidents A fall can damage the vehicle more seriously than it may first appear.

- Check the vehicle after a fall as you do when preparing for use.

Note

Engine damage Unfiltered intake air has a negative effect on the service life of the engine.

Dust and dirt will enter the engine without an air filter.

- Never start to use the vehicle without an air filter.

8 RIDING INSTRUCTIONS

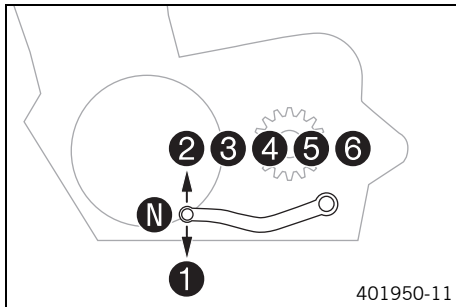
Note

Engine failure Overheating damages the engine.

- If the coolant temperature warning is displayed, stop immediately and take care not to endanger yourself or other traffic participants in the process.
- Allow the engine and cooling system to cool down.
- Check and, if necessary, correct the coolant level on the cooling system while it is in a cooled state.

i Info

If unusual noises arise during operation, stop immediately, switch off the engine, park the vehicle properly, and contact an authorized KTM workshop.





- Shift into a higher gear when conditions allow (incline, road situation, etc.).
- Release throttle while simultaneously pulling the clutch lever, shift into the next gear, release the clutch lever, and open the throttle.

i Info

The gear positions can be seen in the figure. The neutral or idle position is between the first and second gears. First gear is used for starting off and for steep inclines.

- After reaching maximum speed by fully opening the throttle grip, turn the throttle back so it is $\frac{3}{4}$ open. This will barely

reduce the speed, but fuel consumption will be considerably lower.

- Accelerate only up to a speed suitable for the road surface and weather conditions. Particularly in bends, do not shift, and accelerate very carefully.
- Brake if necessary and close the throttle at the same time in order to shift down.
- Pull clutch lever and shift into a lower gear, release the clutch lever slowly, and open the throttle or shift again.
- If the engine stalls (e.g. at a crossroads), just pull the clutch lever and press the electric starter button. The transmission must not be shifted into neutral.
- Switch off the engine if you are likely to be running at idle speed or stationary for a long time.
- Avoid frequent and lengthy slipping of the clutch. This causes the engine oil, engine and cooling system to heat up.
- Ride at a low engine speed instead of at a high engine speed with a slipping clutch.
- If the oil pressure warning lamp  lights up, stop immediately, taking care not to endanger yourself or other road users in the process, and switch off the engine. Contact an authorized KTM workshop.
- If the malfunction indicator lamp  lights up during a trip, please contact an authorized KTM workshop as soon as possible.

Condition

The quickshifter + (optional) is enabled.

- Quickshifter + allows you to shift up in the speed range shown without pulling the clutch lever.

Guideline

Minimum speed before gear change	
First gear to second gear	30 km/h (18.6 mph)
Second gear to third gear	40 km/h (24.9 mph)
Third gear to fourth gear	50 km/h (31.1 mph)
Fourth gear to fifth gear	55 km/h (34.2 mph)
Fifth gear to sixth gear	60 km/h (37.3 mph)

- Quickshifter + allows you to shift down in the speed range shown without pulling the clutch lever.

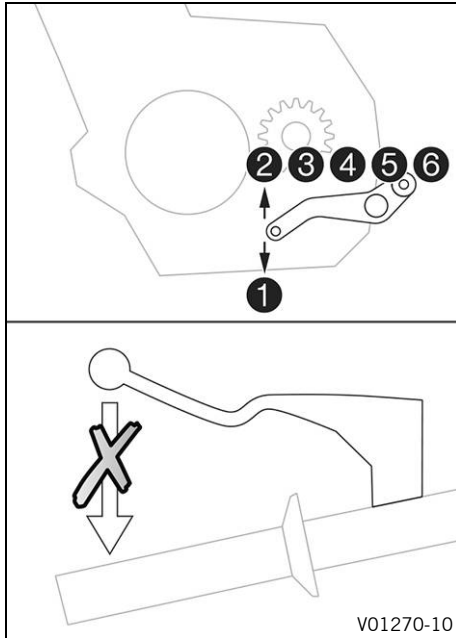
Guideline

Maximum speed before gear change	
Sixth gear to fifth gear	175 km/h (108.7 mph)
Fifth gear to fourth gear	155 km/h (96.3 mph)
Fourth gear to third gear	125 km/h (77.7 mph)
Third gear to second gear	95 km/h (59 mph)
Second gear to first gear	65 km/h (40.4 mph)



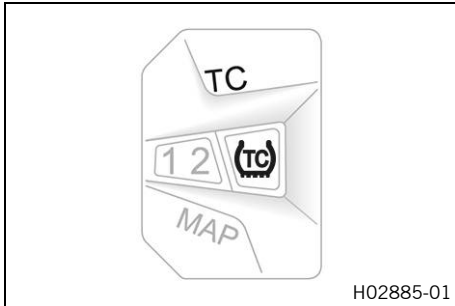
8 RIDING INSTRUCTIONS

8.5 Quickshifter + (optional)



If the quickshifter + (optional) is activated, you can shift up and down without actuating the clutch. Because there is no need to close the throttle grip, uninterrupted gear shifts are possible. The quickshifter + uses the shifter shaft position to check whether or not a shift should be initiated, and sends a corresponding signal to the engine control.

8.6 Motorcycle traction control (MTC)





The motorcycle traction control (MTC) lowers the engine torque in case of loss of traction in the rear wheel.

i Info

When motorcycle traction control is switched off, the rear wheel may spin during strong acceleration and on surfaces with low grip, resulting in a risk of crashing. After the ignition is switched on, motorcycle traction control is enabled again.

The motorcycle traction control **MTC** is switched on and off on the left combination switch using the **TC** button.

i Info

When the motorcycle traction control is active, the TC indicator lamp  flashes. When motorcycle traction control is switched off, the TC indicator lamp  lights up.

8.7 Applying the brakes



Warning

Danger of accidents Moisture and dirt impair the brake system.

- Brake carefully several times to dry out and remove dirt from the brake linings and the brake discs.



Warning

Danger of accidents A spongy pressure point on the front or rear brake reduces braking efficiency.

- Check the brake system and do not continue riding until the problem is eliminated. (Your authorized KTM workshop will be glad to help.)



Warning

Danger of accidents The brake system fails in the event of overheating.

If the foot brake lever is not released, the brake linings drag continuously.

- Take your foot off the foot brake lever when you are not braking.



Warning

Danger of accidents Higher total weight increases the stopping distance.

- Take the longer stopping distance into account when carrying a passenger or luggage with you.



Warning

Danger of accidents Salt on the roads impairs the brake system.

- Brake carefully several times to remove salt from the brake linings and the brake discs.

**Warning**

Danger of accidents ABS may increase the stopping distance in certain situations.

- Adjust application of the brakes to the respective riding situation and riding surface conditions.

**Warning**

Danger of accidents Excessively forceful application of the brakes blocks the wheels.

The ABS effectiveness is only ensured if it is switched on.

- Leave the ABS switched on in order to benefit from the protective effect.

**Warning**

Danger of accidents The rear wheel can lock due to the engine braking effect.

- Pull in the clutch, if you perform emergency or full braking, or if you brake on a slippery ground.

-
- When braking, release the throttle and apply the front and rear brakes at the same time.

**Info**

When the ABS is enabled, you can achieve maximum braking power even on low grip surfaces such as sandy, wet, or slippery terrain without locking of the wheels.

**Warning**

Danger of accidents Banked or laterally sloping ground reduces the maximum possible delay.

- If possible finish braking before going into a bend.

-
- Always finish braking before you go into a bend. Change down to a lower gear appropriate to your road speed.

8 RIDING INSTRUCTIONS

- Use the braking effect of the engine on long downhill stretches. Change down one or two gears, but do not over-rev the engine. You will have to apply the brakes far less frequently as a result and the brake system will not overheat.

8.8 Stopping, parking



Warning

Risk of injury People who act without authorization endanger themselves and others.

- Do not leave the vehicle unattended if the engine is running.
- Protect the vehicle against access by unauthorized persons.
- Lock the steering and remove the ignition key if you leave the vehicle unattended.



Warning

Danger of burns Some vehicle components become very hot when the vehicle is operated.

- Do not touch any parts such as the exhaust system, radiator, engine, shock absorber, or brake system before the vehicle parts have cooled down.
- Let the vehicle parts cool down before you perform any work on the vehicle.

Note

Material damage The vehicle may be damaged by incorrect procedure when parking.

Significant damage may be caused if the vehicle rolls away or falls over.

The components for parking the vehicle are designed only for the weight of the vehicle.

- Park the vehicle on a firm and level surface.
- Ensure that nobody sits on the vehicle when the vehicle is parked on a stand.

Note

Fire hazard Hot vehicle components pose a fire hazard and explosion risk.

- Do not park the vehicle near to materials which are highly flammable or explosive.
 - Allow the vehicle to cool down before covering it.
-

- Apply the brakes on the motorcycle.
 - Shift the transmission to neutral position.
 - Switch off the ignition by turning the ignition key to the position ☒.
-

**Info**

If the engine is switched off with the emergency OFF switch and the ignition remains switched on at the ignition lock, power continues to flow to most power consumers. This discharges the 12-V battery. You should therefore always switch off the engine with the ignition lock – the emergency OFF switch is intended for emergencies only.

- Park the motorcycle on a firm surface.
 - Swing the side stand forward with your foot as far as it will go and lean the vehicle on it.
 - Lock the steering by turning the handlebar fully to the left, pressing down the ignition key to the position ☒ and turning it to the position ☑. To make the steering lock engage more easily, move the handlebar a little to the left and right. Remove the ignition key.
-



8 RIDING INSTRUCTIONS

8.9 Transport

Note

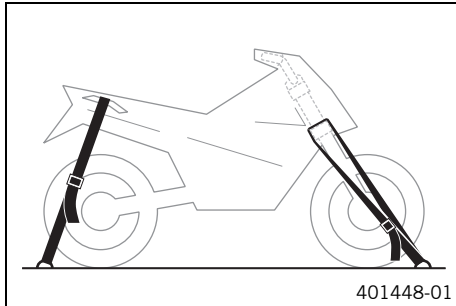
Danger of damage The parked vehicle can roll away or fall over.

- Park the vehicle on a firm and level surface.

Note

Fire hazard Hot vehicle components pose a fire hazard and explosion risk.

- Do not park the vehicle near to materials which are highly flammable or explosive.
- Allow the vehicle to cool down before covering it.



- Switch off the engine and remove the ignition key.
- Use tension belts or other suitable devices to secure the motorcycle against accidents or falling over.

8.10 Refueling



Danger

Fire hazard Fuel is highly flammable.

The fuel in the fuel tank expands when warm and can escape if overfilled.

- Do not refuel the vehicle in the vicinity of open flames or lit cigarettes.
- Switch off the engine for refueling.
- Make sure that no fuel is spilled; particularly not on hot parts of the vehicle.
- If any fuel is spilled, wipe it off immediately.
- Observe the specifications for refueling.



Warning

Danger of poisoning Fuel is poisonous and a health hazard.

- Avoid skin, eye and clothing contact with fuel.
- Immediately consult a doctor if you swallow fuel.
- Do not inhale fuel vapors.
- In case of skin contact, rinse the affected area with plenty of water.
- Rinse the eyes thoroughly with water, and consult a doctor in case of fuel contact with the eyes.
- Change your clothing in case of fuel spills on them.

Note

Material damage Inadequate fuel quality causes the fuel filter to quickly become clogged.

8 RIDING INSTRUCTIONS

In some countries and regions, the available fuel quality and cleanliness may not be sufficient. This will result in problems with the fuel system.

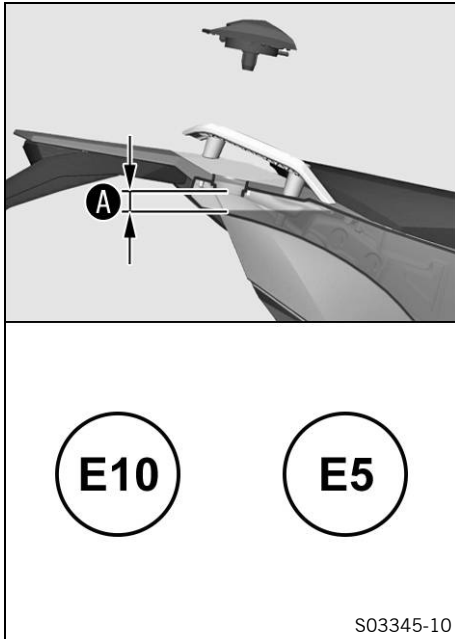
- Refuel only with clean fuel that meets the specified standards. (Your authorized KTM workshop will be glad to help.)



Note

Environmental hazard Improper handling of fuel is a danger to the environment.

- Do not allow fuel to enter the groundwater, the soil, or the sewage system.
-



- Switch off the engine.
- Open fuel tank filler cap. (📖 p. 41)
- Fill the fuel tank with fuel up to level **A**.

Guideline

Dimension A	20 mm (0.79 in)	
Total fuel tank capacity, approx.	13.5 l (3.57 US gal)	Super unleaded (ROZ 95/RON 95/PON 91) (📖 p. 255)

- Close the fuel tank filler cap. (📖 p. 43)



9 SERVICE SCHEDULE

9.1 Additional information

Any further work that results from the compulsory work or from the recommended work must be ordered separately and invoiced separately.

Different service intervals may apply in your country, depending on the local operating conditions.

Individual service intervals and scopes may change in the course of technical developments. The most up-to-date service schedule can always be found on KTM Dealer.net. Your authorized KTM dealer will be happy to advise you.

9.2 Required work

	after every sporting use					
		Every two years				
		Every year				
	every 20,000 km (12,400 mi)					
	every 10,000 km (6,200 mi)					
	after 1,000 km (620 mi)					
Read out the fault memory using the KTM diagnostics tool. 🛠️	○	●	●	●	●	●
Check that the electrical system is functioning properly.	○	●	●	●	●	●
Change the engine oil and oil filter, clean the oil screens. 🛠️ (📖 p. 214)	○	●	●	●	●	●
Check the front brake linings. (📖 p. 139)	○	●	●	●	●	●
Check the rear brake linings. (📖 p. 146)	○	●	●	●	●	●
Check the brake discs. (📖 p. 134)	○	●	●	●	●	●
Check the brake lines for damage and leakage.	○	●	●	●	●	●

	after every sporting use				
	Every two years				
	Every year				
	every 20,000 km (12,400 mi)				
	every 10,000 km (6,200 mi)				
	after 1,000 km (620 mi)				
Change the front brake fluid. 🛠️					•
Change the rear brake fluid. 🛠️					•
Change the hydraulic clutch fluid. 🛠️					•
Check the front brake fluid level. (📖 p. 135)	○	•	•	•	•
Check the rear brake fluid level. (📖 p. 143)	○	•	•	•	•
Check/correct the fluid level of hydraulic clutch. (📖 p. 127)		•	•	•	•
Check the free travel of the foot brake lever. (📖 p. 140)	○	•	•	•	•
Check the shock absorber and fork for leaks. Perform a fork service and shock absorber service as needed and depending on how the vehicle is used. 🛠️	○	•	•	•	•
Clean the dust boots of the fork legs. (📖 p. 100)		•	•		•
Check the steering head bearing play.	○	•	•	•	•
Check the tire condition. (📖 p. 161)	○	•	•	•	•
Check tire pressure. (📖 p. 165)	○	•	•	•	•
Check the spoke tension. (📖 p. 166)	○	•	•	•	•
Check the rim run-out. 🛠️	○	•	•	•	•
Check the chain, rear sprocket, engine sprocket, and chain guide. (📖 p. 120)		•	•	•	•

9 SERVICE SCHEDULE

	after every sporting use					
		Every two years				
			Every year			
				every 20,000 km (12,400 mi)		
					every 10,000 km (6,200 mi)	
						after 1,000 km (620 mi)
Check the chain tension. (📖 p. 116)	○	●	●	●	●	●
Change the fuel screen. 🛠️	○	●	●	●	●	●
Change the spark plug. 🛠️			●			
Check the valve clearance. 🛠️		●	●			●
Check the antifreeze and coolant level. (📖 p. 196)	○	●	●	●	●	●
Check the cables for damage and for routing without kinks. 🛠️		●	●	●	●	●
Change the air filter. Clean the air filter box. 🛠️		●	●			●
Check the fuel pressure. 🛠️		●	●	●	●	●
Check the headlight setting. (📖 p. 189)	○	●	●			●
Check that the radiator fan is functioning properly. 🛠️	○	●	●	●	●	●
Final check: Check the vehicle is roadworthy and take a test ride. 🛠️	○	●	●	●	●	●
Read out the fault memory using the KTM diagnostics tool after a test ride. 🛠️	○	●	●	●	●	●
Make the service entry in KTM Dealer.net and in the Service & Manufacturer Warranty booklet. 🛠️	○	●	●	●	●	●

- One-time interval
- Periodic interval

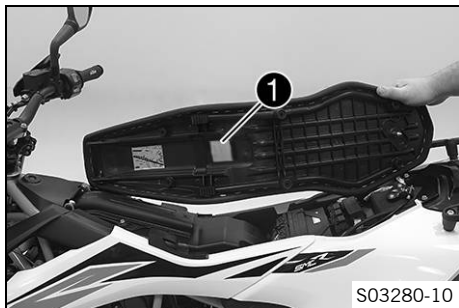
9.3 Recommended work

	after every sporting use					
	Every four years		Every year			
	every 30,000 km (18,600 mi)					
	every 10,000 km (6,200 mi)					
	after 1,000 km (620 mi)					
Check the frame. 🛠️			●			
Check the link fork. 🛠️			●			
Check the link fork bearing for play. 🛠️		●	●			●
Check the wheel bearing for play. 🛠️	○	●	●	●	●	●
Grease all moving parts (e.g. side stand, hand lever, chain, etc.) and check for smooth operation. 🛠️	○	●	●	●	●	●
Check all hoses (e.g. fuel, cooling, bleeder, drainage hoses, etc.) and sleeves for cracking, tightness, and correct routing. 🛠️		●	●	●	●	●
Check the screws and nuts for tightness. 🛠️	○	●	●	●	●	●
Change the coolant. 🛠️ (📖 p. 205)					●	

- One-time interval
- Periodic interval

10 TUNING THE CHASSIS

10.1 Fork/shock absorber



The fork and the shock absorber offer many options for adapting the chassis to the riding style and the payload.



Info

The recommendations for the suspension setting are shown in table 1. The table is located on the underside of the front rider's seat.

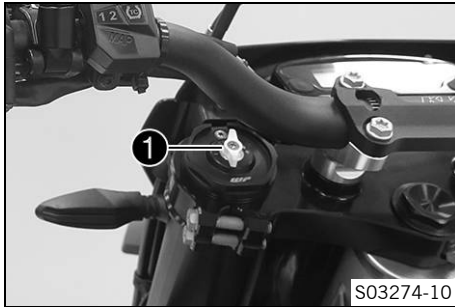
These adjustments should be understood as a guideline and should always be the basis for one's own personal suspension setting. Do not change the adjustments at random, as otherwise the riding characteristics could deteriorate, particularly at high speeds.

10.2 Adjusting the compression damping of the fork



Info

The hydraulic compression damping determines the fork suspension behavior.



- Turn white adjusting screw **1** clockwise as far as it will go.



Info

Adjusting screw **1** is located at the upper end of the left fork leg. The compression damping is located in left fork leg **COMP** (white adjusting screw). The rebound damping is located in right fork leg **REB** (red adjusting screw).

- Turn counterclockwise by the number of clicks corresponding to the fork type.

Guideline

Compression damping	
Comfort	20 clicks
Standard	15 clicks
Sport	10 clicks
Full payload	10 clicks



Info

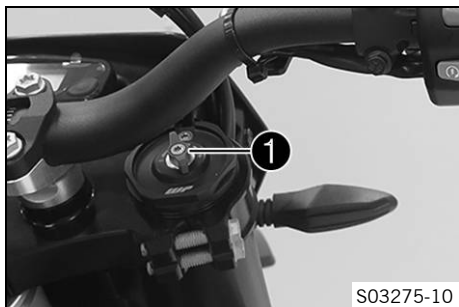
Turn clockwise to increase damping; turn counterclockwise to reduce damping.

10.3 Adjusting the rebound damping of the fork



Info

The hydraulic rebound damping determines the fork suspension behavior.



- Turn red adjusting screw ❶ clockwise as far as it will go.



Info

Adjusting screw ❶ is located at the upper end of the right fork leg.

The rebound damping is located in right fork leg **REB** (red adjusting screw). The compression damping is located in left fork leg **COMP** (white adjusting screw).

- Turn counterclockwise by the number of clicks corresponding to the fork type.

Guideline

Rebound damping	
Comfort	20 clicks
Standard	15 clicks
Sport	10 clicks
Full payload	10 clicks

**Info**

Turn clockwise to increase damping; turn counterclockwise to reduce damping.



10.4 Compression damping of the shock absorber

The compression damping of the shock absorber is divided into two ranges: high-speed and low-speed. High-speed and low-speed refer to the compression speed of the rear wheel suspension and not to the vehicle speed.

The high-speed setting, for example, has an effect when riding over an asphalt edge: the rear wheel suspension compresses quickly.

The low-speed setting, for example, has an effect when riding over long ground swells: the rear wheel suspension compresses slowly.

These two ranges can be adjusted separately, although the transition between high-speed and low-speed is gradual. Thus, modifications in the high-speed range affect the compression damping in the low-speed range and vice versa.

10.5 Adjusting the low-speed compression damping of the shock absorber

**Caution**

Risk of injury Parts of the shock absorber will move around if the shock absorber is detached incorrectly. The shock absorber is filled with highly compressed nitrogen.

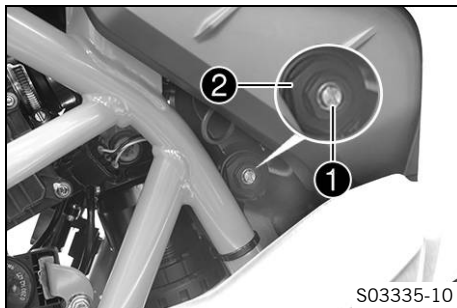
- Please follow the description provided. (Your authorized KTM workshop will be glad to help.)

10 TUNING THE CHASSIS



Info

The effect of the low-speed setting can be seen in slow to normal compression of the shock absorber.



- Turn adjusting screw ① clockwise with a screwdriver as far as the last perceptible click.



Info

Do not loosen fitting ②!

- Turn counterclockwise by the number of clicks corresponding to the shock absorber type.

Guideline

Low-speed compression damping	
Comfort	20 clicks
Standard	15 clicks
Sport	10 clicks
Full payload	10 clicks



Info

Turn clockwise to increase damping; turn counterclockwise to reduce damping.

10.6 Adjusting the high-speed compression damping of the shock absorber



Caution

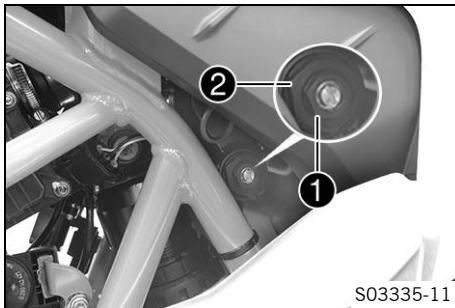
Risk of injury Parts of the shock absorber will move around if the shock absorber is detached incorrectly. The shock absorber is filled with highly compressed nitrogen.

- Please follow the description provided. (Your authorized KTM workshop will be glad to help.)



Info

The effect of the high-speed setting can be seen in fast compression of the shock absorber.



- Turn adjusting screw **1** all the way clockwise with a socket wrench.



Info

Do not loosen fitting **2**!

- Turn counterclockwise by the number of turns corresponding to the shock absorber type.

Guideline

High-speed compression damping	
Comfort	2 turns
Standard	1.5 turns
Sport	1 turn
Full payload	1 turn



Info

Turn clockwise to increase damping; turn counterclockwise to reduce damping.

10.7 Adjusting the rebound damping of the shock absorber



Caution

Risk of injury Parts of the shock absorber will move around if the shock absorber is detached incorrectly. The shock absorber is filled with highly compressed nitrogen.

- Please follow the description provided. (Your authorized KTM workshop will be glad to help.)



- Turn adjusting screw **1** clockwise up to the last perceptible click.
- Turn counterclockwise by the number of clicks corresponding to the shock absorber type.

Guideline

Rebound damping	
Comfort	20 clicks
Standard	15 clicks
Sport	10 clicks
Full payload	10 clicks

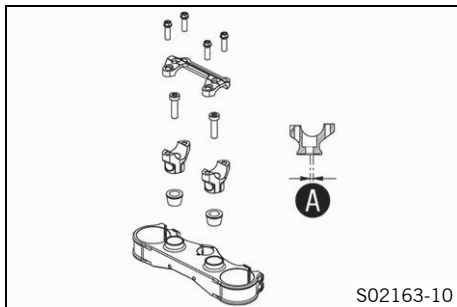


Info

Turn clockwise to increase damping; turn counterclockwise to reduce damping.

10 TUNING THE CHASSIS

10.8 Handlebar position



The holes on the handlebar support are placed at a distance of **A** from the center.

Hole distance A	3.5 mm (0.138 in)
------------------------	-------------------

The handlebar can be mounted in 2 different positions. This allows the handlebar to be mounted in the most comfortable position for the rider.

10.9 Adjusting the handlebar position

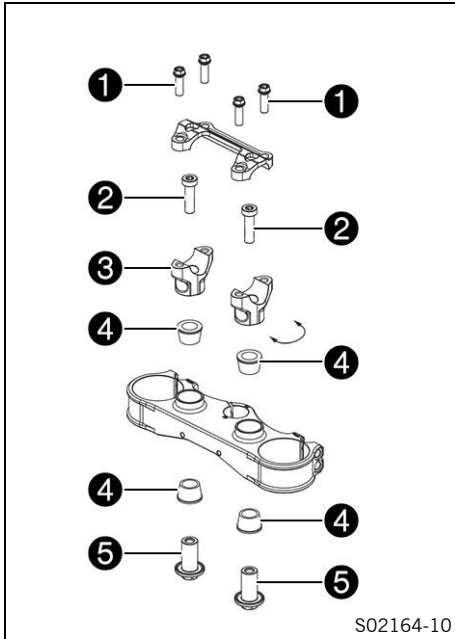


Warning

Danger of accidents A repaired handlebar poses a safety risk.

If the handlebar is bent or straightened, the material becomes fatigued. The handlebar may break as a result.

- Change the handlebar if the handlebar is damaged or bent.



S02164-10

- Remove screws **1**. Take off the handlebar clamp. Remove the handlebar and lay it to one side.



Info

Cover the components to protect them against damage. Do not kink the cables and lines.

- Remove screws **2**. Remove handlebar support **3**.
- Position rubber bushings **4** and push through nuts **5** from below.
- Place the handlebar support in the required position.



Info

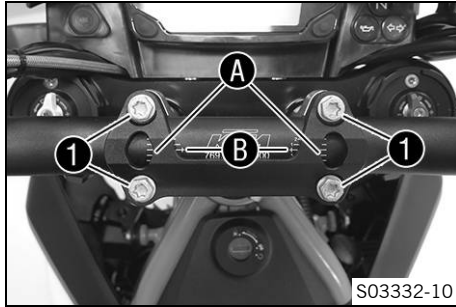
The handlebar supports are longer and higher on one side. Position the left and right handlebar supports evenly.

- Mount and tighten screws **2**.

Guideline

Screw, handlebar support	M10	45 Nm (33.2 lbf ft) Loctite®243™
--------------------------	-----	--

10 TUNING THE CHASSIS



- Position the handlebar.



Info

Make sure the cables and wiring are positioned correctly.

- Position handlebar clamp.
- Mount screws ①, but do not tighten yet.
 - ✓ Handlebar clamp marking **A** is aligned with centre line **B** of the handlebar scale.
- First bolt the handlebar clamp with screws ① onto the longer, higher side of the handlebar supports so that both parts touch.
- Tighten screws ① evenly.

Guideline

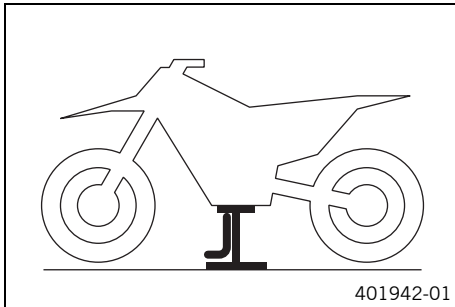
Screw, handlebar clamp	M8	20 Nm (14.8 lbf ft)
------------------------	----	---------------------

11.1 Raising the motorcycle with a lift stand

Note

Danger of damage The parked vehicle can roll away or fall over.

- Park the vehicle on a firm and level surface.



- Raise the motorcycle in the area of the footrest bracket.
 - ✓ Neither wheel is in contact with the ground.
- Secure the motorcycle against falling over.



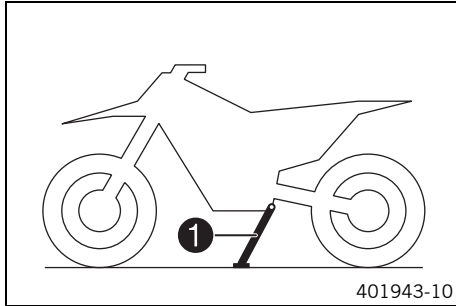
11.2 Removing the motorcycle from the lift stand

Note

Danger of damage The parked vehicle can roll away or fall over.

- Park the vehicle on a firm and level surface.

11 SERVICE WORK ON THE CHASSIS



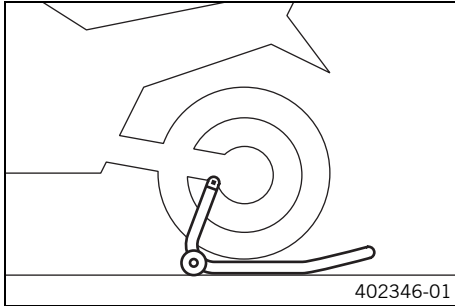
- Remove the motorcycle from the lift stand and rest it on side stand ①.
- Remove the lift stand.

11.3 Raising the motorcycle with rear lifting gear

Note

Danger of damage The parked vehicle can roll away or fall over.

- Park the vehicle on a firm and level surface.



- Insert the adapter in the rear of the lifting gear and screw into the link fork on both sides.

Retaining adapter (69329955010)

Rear wheel work stand (69329955000)

- Position the motorcycle vertically, align the lifting gear, and raise the motorcycle.

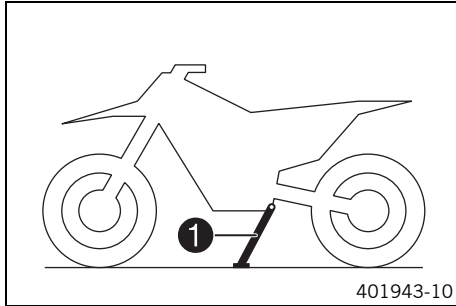
11.4 Removing the rear of the motorcycle from the wheel stand

Note

Danger of damage The parked vehicle can roll away or fall over.

- Park the vehicle on a firm and level surface.

11 SERVICE WORK ON THE CHASSIS



- Secure the motorcycle against falling over.
- Remove the rear wheel stand and lean the vehicle on side stand ①.

11.5 Lifting the motorcycle with the front lifting gear

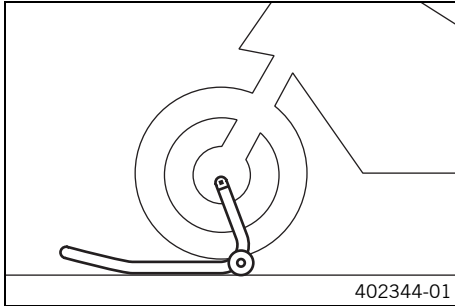
Note

Danger of damage The parked vehicle can roll away or fall over.

- Park the vehicle on a firm and level surface.

Preparatory work

- Raise the motorcycle with the rear lifting gear. (📖 p. 96)



Main work

- Move the handlebar to the straight-ahead position. Align the lifting gear at the front with the adapters to the fork legs.

Front wheel work stand, small (61129965000)



Info

Always raise the motorcycle at the rear first.

- Lift the motorcycle at the front.



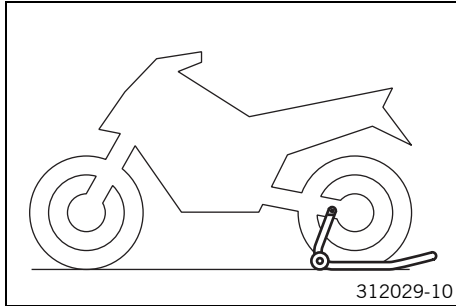
11.6 Taking the motorcycle off the front lifting gear

Note

Danger of damage The parked vehicle can roll away or fall over.

- Park the vehicle on a firm and level surface.

11 SERVICE WORK ON THE CHASSIS



- Secure the motorcycle against falling over.
- Remove the front lifting gear.

11.7 Cleaning the dust boots of the fork legs

Preparatory work

- Raise the motorcycle with a lift stand. (📖 p. 95)
- Remove fork protector. (📖 p. 102)

Main work

- Push dust boots ❶ of both fork legs downward.



Info

The dust boots remove dust and coarse dirt particles from the inside fork tubes. Over time, dirt can accumulate behind the dust boots. If this dirt is not removed, the oil seals behind can start to leak.



Warning

Danger of accidents Oil or grease on the brake discs reduces the braking effect.

- Always keep the brake discs free of oil and grease.
- Clean the brake discs with brake cleaner when necessary.

- Clean and oil the dust boots and inner fork tubes of both fork legs.

Universal oil spray (📖 p. 257)

- Press the dust boots back into the installation position.
- Remove the excess oil.

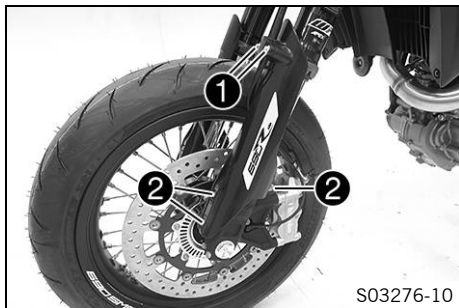
Finishing work

- Install the fork protector. (📖 p. 102)
- Remove the motorcycle from the lift stand. (📖 p. 95)



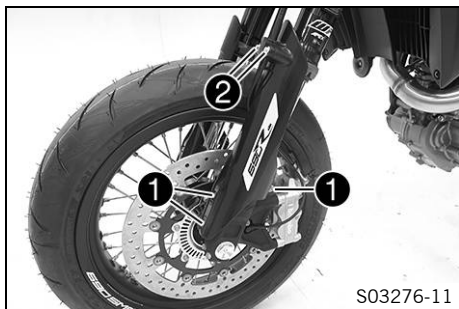
11 SERVICE WORK ON THE CHASSIS

11.8 Removing fork protector



- Remove screws ① and take off the clamp.
- Remove screws ② on the left fork leg. Take off the fork protector.
- Remove screws ② on the right fork leg. Take off the fork protector.

11.9 Installing the fork protector



- Position the left fork protector. Mount and tighten screws ①.

Guideline

Remaining screws, chassis	M6	10 Nm (7.4 lbf ft)
---------------------------	----	--------------------

- Position brake line, wiring harness, and clamp. Mount and tighten screws ②.
- Position the right fork protector. Mount and tighten screws ①.

Guideline

Remaining screws, chassis	M6	10 Nm (7.4 lbf ft)
------------------------------	----	--------------------



11.10 Bleeding the fork legs



Preparatory work

- Raise the motorcycle with a lift stand. (📖 p. 95)

Main work

- Release bleeder screws ①.
- ✓ Any excess pressure escapes from the interior of the fork.
- Tighten the bleeder screws.



Info

Carry out this operation on both fork legs.

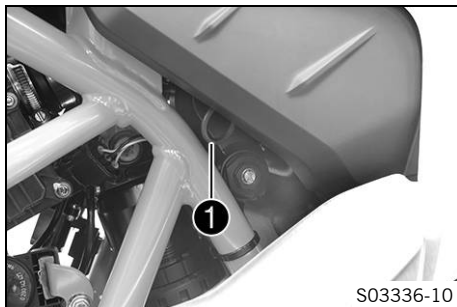
Finishing work

- Remove the motorcycle from the lift stand. (📖 p. 95)



11 SERVICE WORK ON THE CHASSIS

11.11 Removing the seat



- Pull on loop **1** and raise the rear of the seat.
- Pull the seat back and lift it off.

11.12 Mounting the seat



- Hook the seat using holding lugs **1** on to bushings **2**, lower the seat at the rear and push it forward.

- Push locking pin ③ into lock housing ④ and push the back of the seat down until the locking pin locks in place with an audible click.
- Check that the seat is correctly mounted.

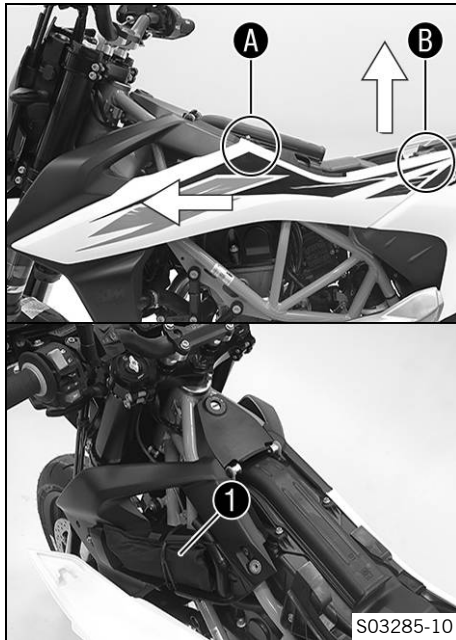


11.13 Removing the tool set

Preparatory work

- Remove the seat. (📖 p. 104)

11 SERVICE WORK ON THE CHASSIS



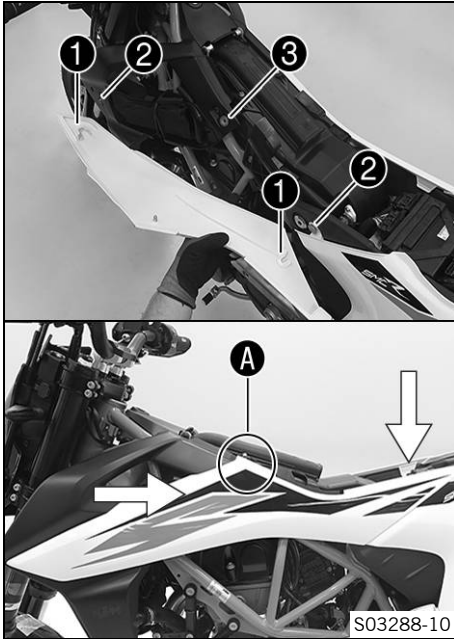
Main work

- Remove the left side cover from the rubber bushing in area **A**.
- Remove the left side cover upwards from the bushing in area **B**.
- Take off the left side cover from the front.
- Open the tool set compartment and take out tool set **1**.

11.14 Storing the tool set

Preparatory work

- Remove the seat. (📖 p. 104)



Main work

- Store the tool set in the tool set compartment.
- Position the left side cover using holding lugs **1** on bushings **2** and push towards the rear and, in the rear section, downward.
- Press the side cover into rubber bushing **3** in area **A**.

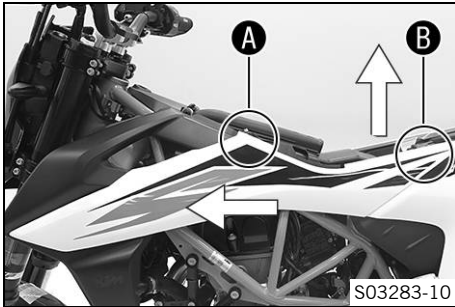
Finishing work

- Mount the seat. (📖 p. 104)



11 SERVICE WORK ON THE CHASSIS

11.15 Take off the side cover



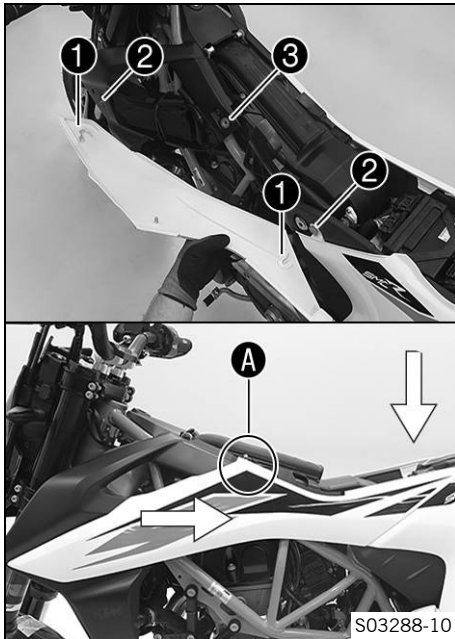
Preparatory work

- Remove the seat. (📖 p. 104)

Main work

- Remove the left side cover from the rubber bushing in area **A**.
- Remove the left side cover upwards from the bushing in area **B**.
- Take off the left side cover from the front.
- Repeat these steps on the opposite side.

11.16 Mounting side cover



Main work

- Position the left side cover using holding lugs ❶ on bushings ❷ and push towards the rear and, in the rear section, downward.
- Press the left side cover into the rubber bushing ❸ in area A.
- Repeat these steps on the opposite side.

Finishing work

- Mount the seat. (📖 p. 104)



11 SERVICE WORK ON THE CHASSIS

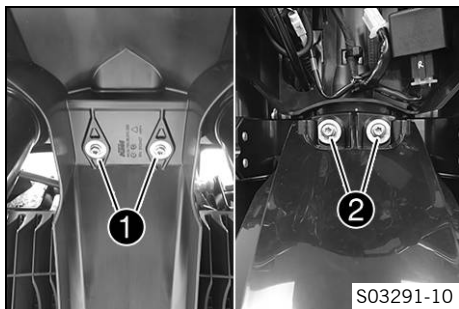
11.17 Removing the front fender

Preparatory work

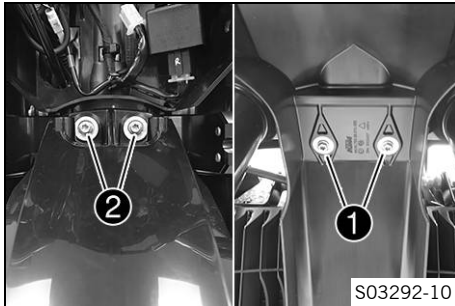
- Remove the headlight mask with the headlight. (📖 p. 183)

Main work

- Remove screws ①.
- Remove screws ② and take off the fender.



11.18 Installing the front fender



Main work

- Position the front fender. Mount and tighten screws ❶.

Guideline

Remaining screws, chassis	M6	10 Nm (7.4 lbf ft)
------------------------------	----	--------------------

- Mount and tighten screws ❷.

Guideline

Remaining screws, chassis	M6	10 Nm (7.4 lbf ft)
------------------------------	----	--------------------

Finishing work

- Install the headlight mask with the headlight. (📖 p. 184)
- Check the headlight setting. (📖 p. 189)

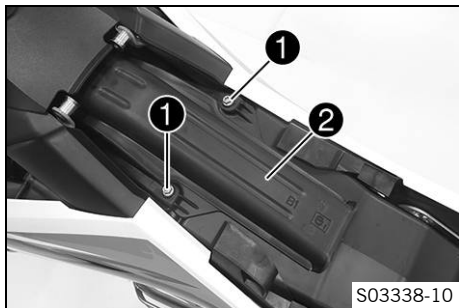


11.19 Removing the air filter 🗑️

Preparatory work

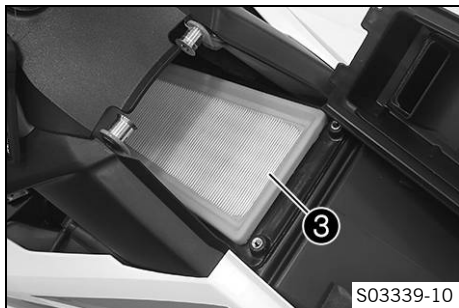
- Remove the seat. (📖 p. 104)

11 SERVICE WORK ON THE CHASSIS



Main work

- Remove screws ①.
- Remove the upper part of the air filter box ②.



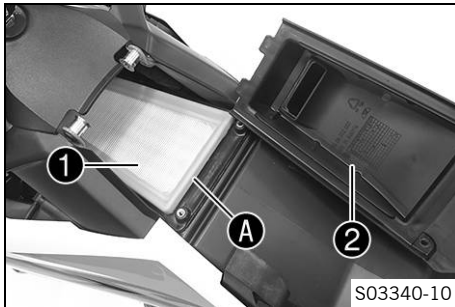
Note

Engine damage Unfiltered intake air has a negative effect on the service life of the engine.

Dust and dirt will enter the engine without an air filter.

- Never start to use the vehicle without an air filter.
-
- Remove air filter ③.

11.20 Installing the air filter



Main work

- Clean the air filter box.
- Mount air filter **1**.



Info

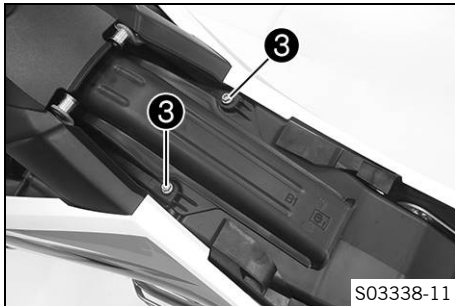
The air filter must lie flush against the air filter box along the entire sealing surface **A**.

If the air filter is not mounted correctly, dust and dirt may enter the engine and result in damage.


- Hook air filter box top **2** into the front of the air filter box and swing down.
- Mount and tighten screws **3**.

Guideline

Screw, upper part of the air filter box	M6	2 Nm (1.5 lbf ft)
---	----	-------------------



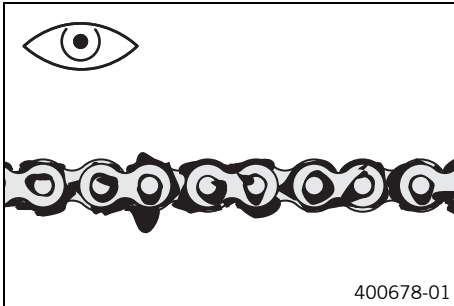
Finishing work

- Mount the seat. ( p. 104)



11 SERVICE WORK ON THE CHASSIS

11.21 Checking the chain for dirt



- Check the chain for heavy soiling.
 - » If the chain is very dirty:
 - Clean the chain. (📖 p. 114)

11.22 Cleaning the chain



Warning

Danger of accidents Lubricants on the tires reduces the road grip.

- Remove lubricants from the tires using a suitable cleaning agent.



Warning

Danger of accidents Oil or grease on the brake discs reduces the braking effect.

- Always keep the brake discs free of oil and grease.
- Clean the brake discs with brake cleaner when necessary.



Note

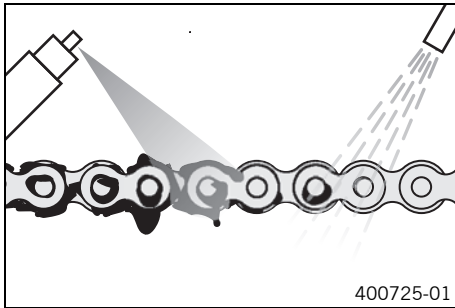
Environmental hazard Hazardous substances cause environmental damage.

- Dispose of oils, grease, filters, fuel, cleaning agents, brake fluid, etc., correctly and in compliance with the applicable regulations.



Info

The service life of the chain depends largely on its maintenance.



Preparatory work

- Raise the motorcycle with the rear lifting gear. (📖 p. 96)

Main work

- Rinse off loose dirt with a soft jet of water.
- Remove old grease residue with chain cleaner.

Chain cleaner (📖 p. 256)

- After drying, apply chain spray.

Street chain spray (📖 p. 257)

Finishing work

- Remove the rear of the motorcycle from the wheel stand. (📖 p. 97)



11.23 Checking the chain tension



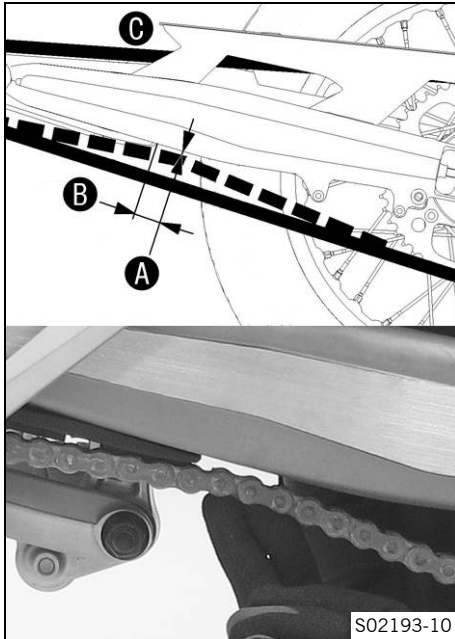
Warning

Danger of accidents Incorrect chain tension damages components and results in accidents.

If the chain is tensioned too much, the chain, engine sprocket, rear sprocket, transmission and rear wheel bearings wear more quickly. Some components may break if overloaded.

If the chain is too loose, the chain may fall off the engine sprocket or the rear sprocket. As a result, the rear wheel locks or the engine will be damaged.

- Check the chain tension regularly.
- Set the chain tension in accordance with the specification.



- Place the motorcycle onto the side stand.
- Shift the transmission to neutral position.
- Push the chain upward at a distance **B** from the chain sliding guard and determine chain tension **A**.



Info

Top chain section **C** must be taut.
Chain wear is not always even. Repeat this measurement at different chain positions.

Chain tension	5 mm (0.2 in)
Distance to chain sliding guard	30 mm (1.18 in)

- » If the chain tension does not meet the specification:
 - Adjust the chain tension. (📖 p. 118)



11.24 Adjusting the chain tension



Warning

Danger of accidents Incorrect chain tension damages components and results in accidents.

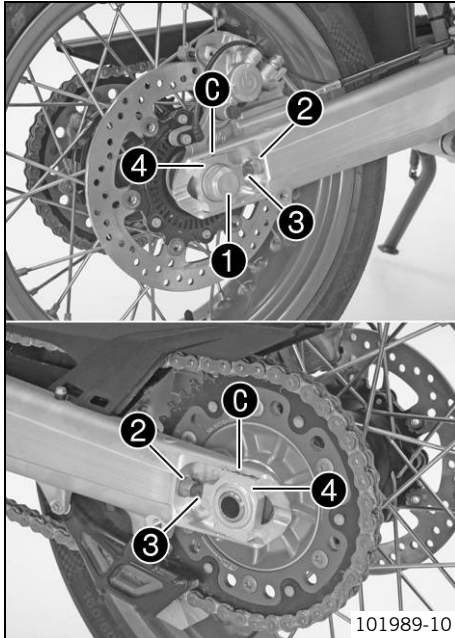
If the chain is tensioned too much, the chain, engine sprocket, rear sprocket, transmission and rear wheel bearings wear more quickly. Some components may break if overloaded.

If the chain is too loose, the chain may fall off the engine sprocket or the rear sprocket. As a result, the rear wheel locks or the engine will be damaged.

- Check the chain tension regularly.
- Set the chain tension in accordance with the specification.

Preparatory work

- Check the chain tension. (📖 p. 116)



Main work

- Loosen nut **1**.
- Loosen nuts **2**.
- Adjust the chain tension by turning adjusting screws **3** left and right.

Guideline

Chain tension	5 mm (0.2 in)
Turn the adjusting screws 3 on the left and right so that the markings on the left and right chain adjusters 4 are in the same position relative to the reference marks C . The rear wheel is then correctly aligned.	



Info

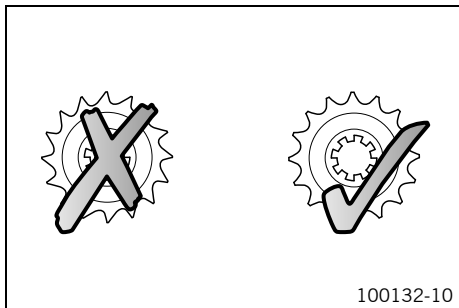
The top chain section must be taut.
Chain wear is not always even. Repeat this measurement at different chain positions.

- Tighten nuts **2**.
- Make sure that chain adjusters **4** are fitted correctly on adjusting screws **3**.
- Tighten nut **1**.

Guideline

Nut, rear wheel spindle	M25x1.5	90 Nm (66.4 lbf ft)
-------------------------	---------	---------------------

11.25 Checking the chain, rear sprocket, engine sprocket, and chain guide



Preparatory work

- Raise the motorcycle with the rear lifting gear. (📖 p. 96)

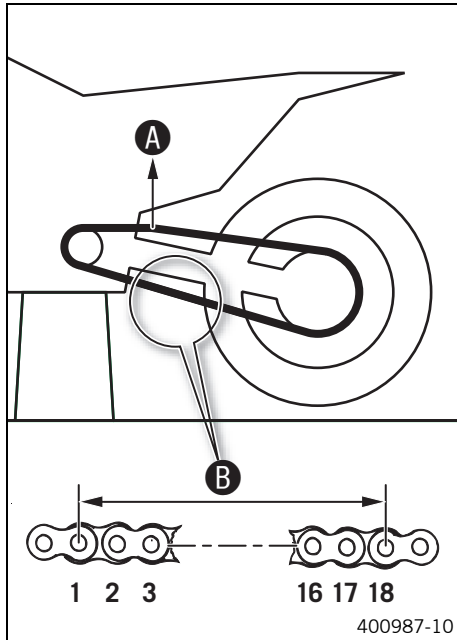
Main work

- Shift the transmission into neutral.
- Check the chain, rear sprocket, and engine sprocket for wear.
 - » If the chain, rear sprocket or engine sprocket is worn:
 - Change the drivetrain kit. 🛠️



Info

The engine sprocket, rear sprocket, and chain should always be replaced together.



- Pull on the top section of the chain with the specified weight **A**.

Guideline

Weight of chain wear measurement	15 kg (33 lb.)
----------------------------------	----------------

- Measure distance **B** of 18 chain rollers in the lower chain section.

i **Info**

Chain wear is not always even, so you should repeat this measurement at different chain positions.

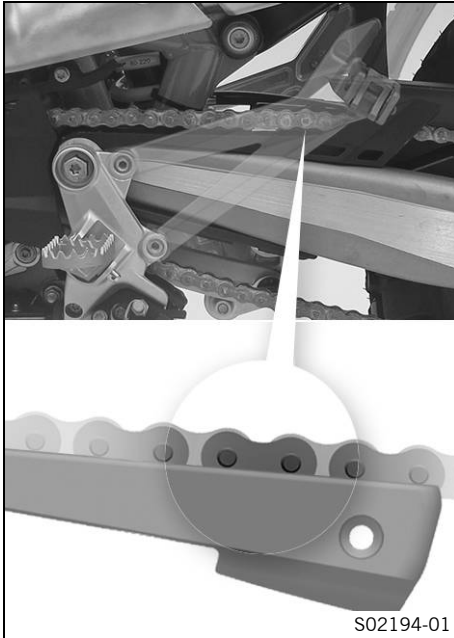
Maximum distance B from 18 chain rollers at the longest chain section	272 mm (10.71 in)
--	-------------------

- » If distance **B** is greater than the specified measurement:
 - Change the drivetrain kit. 🛠️

i **Info**

When a new chain is mounted, the rear sprocket and engine sprocket should also be changed. New chains wear out faster on an old, worn rear sprocket or engine sprocket.

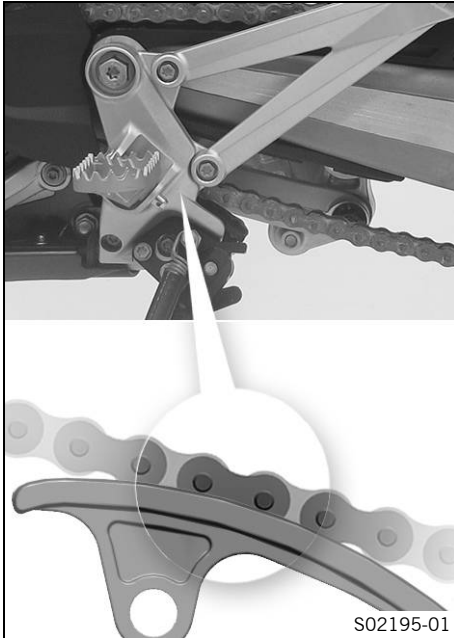
11 SERVICE WORK ON THE CHASSIS



- Check the chain sliding guard for wear.
 - » If the lower edge of the chain pins is in line with, or below, the chain sliding guard:
 - Replace the chain sliding guard. 🛠️
- Check that the chain sliding guard is firmly seated.
 - » If the chain sliding guard is loose:
 - Tighten screws on the chain sliding guard.

Guideline

Screw, chain sliding guard	M6	8 Nm (5.9 lbf ft) Loctite®243™
----------------------------	----	--

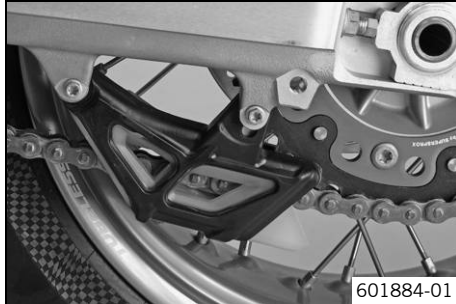
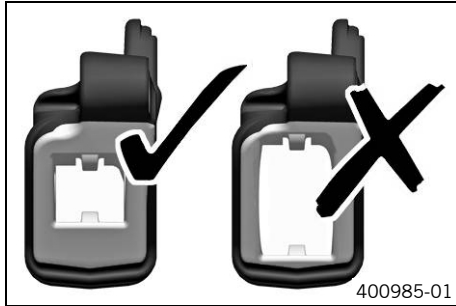


- Check the chain sliding piece for wear.
 - » If the lower edge of the chain pins is in line with or below the chain sliding piece:
 - Change the chain sliding piece. 🛠️
- Check that the chain sliding piece is firmly seated.
 - » If the chain sliding piece is loose:
 - Tighten screw on the chain sliding piece.

Guideline

Screw, chain sliding piece	M8	15 Nm (11.1 lbf ft)
----------------------------	----	------------------------

11 SERVICE WORK ON THE CHASSIS



- Check the chain guide for wear.



Info

Wear can be seen on the front of the chain guide.

- » If the light part of the chain guide is worn:
 - Change the chain guide. 🛠️

- Check that the chain guide is firmly seated.

- » If the chain guide is loose:
 - Tighten the screws on the chain guide.

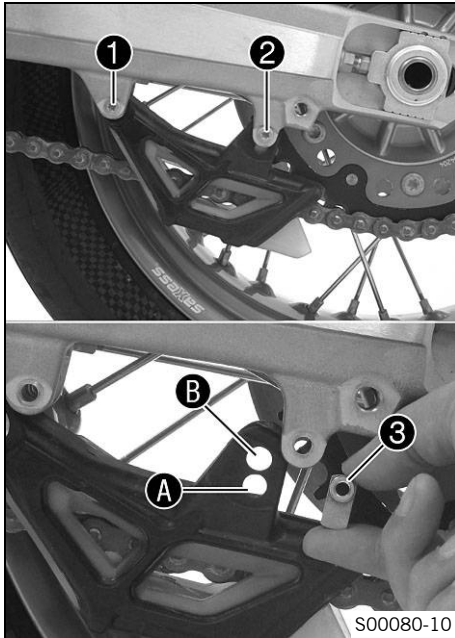
Guideline

Remaining screws, chassis	M6	10 Nm (7.4 lbf ft)
---------------------------	----	-----------------------

Finishing work

- Remove the rear of the motorcycle from the wheel stand.
(📖 p. 97)

11.26 Adjusting chain guide



- Remove screws ① and ②. Take off the chain guide.

Condition

Number of teeth: ≤ 44 teeth

- Insert nut ③ in hole ①. Position the chain guide.
- Mount and tighten screws ① and ②.

Guideline

Screw, chain guide	M6	8 Nm (5.9 lbf ft)
--------------------	----	-------------------

Condition

Number of teeth: ≥ 45 teeth

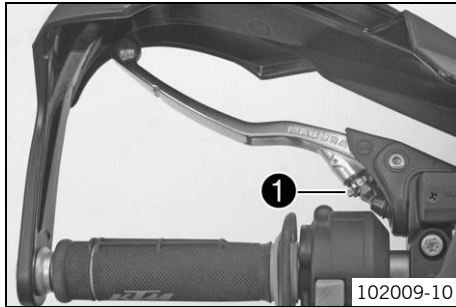
- Insert nut ③ in hole ②. Position the chain guide.
- Mount and tighten screws ① and ②.

Guideline

Screw, chain guide	M6	8 Nm (5.9 lbf ft)
--------------------	----	-------------------

11 SERVICE WORK ON THE CHASSIS

11.27 Adjusting the basic position of the clutch lever



- Adjust basic position of the clutch lever to your hand size by turning adjusting screw **1**.

i Info

Do not make any adjustments while riding.
Push the clutch lever forward and turn the adjusting wheel.
The range of adjustment is limited.
Only turn the adjusting screw by hand, and do not use force.

- When adjusting the clutch lever, make sure to leave a minimum clearance to other parts of the vehicle.

Guideline

Minimum clearance	5 mm (0.2 in)
-------------------	---------------

11.28 Checking/correcting the fluid level of hydraulic clutch



Warning

Skin irritation Brake fluid causes skin irritation.

- Keep brake fluid out of the reach of children.
- Wear suitable protective clothing and safety glasses.
- Do not allow brake fluid to come into contact with the skin, the eyes or clothing.
- Consult a doctor immediately if brake fluid has been swallowed.
- Rinse the affected area with plenty of water in the event of contact with the skin.
- Rinse eyes thoroughly with water immediately and consult a doctor if brake fluid comes into contact with the eyes.
- If brake fluid spills on to your clothing, change the clothing.



Note

Environmental hazard Hazardous substances cause environmental damage.

- Dispose of oils, grease, filters, fuel, cleaning agents, brake fluid, etc., correctly and in compliance with the applicable regulations.

11 SERVICE WORK ON THE CHASSIS

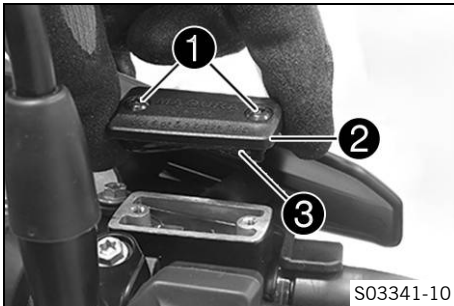
i Info

The fluid level rises with increasing wear of the clutch facing discs.

Never use DOT 5 brake fluid. It is silicone-based and purple in color. Oil seals and clutch lines are not designed for DOT 5 brake fluid.

Avoid contact between brake fluid and painted parts. Brake fluid attacks paint.

Only use clean brake fluid from a sealed container.



- Move the clutch fluid reservoir mounted on the handlebar to a horizontal position.
- Remove screws ❶.
- Take off cover ❷ with membrane ❸.
- Check the fluid level.

Fluid level below container rim	4 mm (0.16 in)
---------------------------------	----------------

- » If the fluid level does not meet specifications:
 - Correct the fluid level of the hydraulic clutch.

Brake fluid DOT 4 / DOT 5.1 (📖 p. 253)

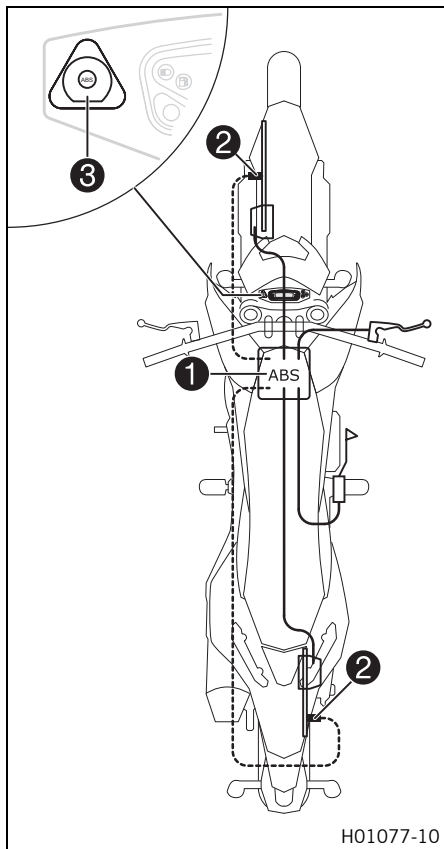
- Position the cover with the membrane. Mount and tighten the screws.

**Info**

Clean up the overflowed or spilled brake fluid immediately with water.



12.1 Anti-lock braking system (ABS)



The ABS unit ①, which consists of a hydraulic unit, ABS control unit, and return pump, is installed under the seat. One wheel speed sensor ② is located in each case on the front and the rear wheel.



Warning

Danger of accidents Changes to the vehicle impair the function of the ABS.

- Only allow the rear wheel to spin with the front brake applied away from public road traffic if the ABS is switched off.
- Do not make any changes to the suspension travel.
- Only use spare parts on the brake system which have been approved and recommended by KTM.
- Only use tires/wheels approved by KTM with the corresponding speed index.
- Maintain specified tire pressure.
- Ensure that service work and repairs are performed professionally. (Your authorized KTM workshop will be glad to help.)

The ABS is a safety system that, within physical limitations, can prevent locking and slipping of the wheels during braking.

**Warning**

Danger of accidents Driving aids can only prevent a rollover within the physical limitations.

It is not always possible to compensate for extreme riding situations, for example with luggage loaded with a high center of gravity, varying road surfaces, steep descents or full braking without disengaging the gear.

- Adapt your riding style to the road conditions and your driving ability.

The ABS operates with two independent brake circuits (front and rear brakes). During normal operation, the brake system operates like a conventional brake system without ABS. When the ABS control unit detects a locking tendency in a wheel, ABS begins regulating the brake pressure. The control function causes a slight pulsing of the hand and foot brake levers.

The ABS warning lamp **3** must light up after the ignition is switched on and go out after starting off. If it does not go out after starting off or if it lights up while riding, this indicates a fault in the ABS system. In this case, the ABS is no longer enabled and the wheels may lock during braking. The brake system itself stays functional; only ABS control is not available.


The ABS warning lamp may also light up if the rotating speeds of the front and rear wheels differ greatly under extreme riding con-

ditions, for example when making "wheelies" or if the rear wheel spins. This causes the ABS to switch off. To reactivate the ABS, the vehicle must be stopped and the ignition switched off. The ABS is reactivated when the vehicle is switched on again. The ABS warning lamp goes out when you start off.

Note

Voiding of the government approval for road use and the insurance coverage If the ABS is switched off completely, the vehicle's approval for road use is invalidated.

- Only operate the vehicle in closed-off areas remote from public road traffic if the ABS is switched off completely.
-

The  button can be used to switch the ABS off manually (see Starting).



Info

The motorcycle has an additional 5-D sensor. The 5-D sensor makes the ABS control dependent on the angle of inclination and pitch. This can prevent locking and slipping of the wheels during braking when the vehicle is inclined (riding in curves) within the physical limitations.

12.2 Adjusting the basic position of the hand brake lever



- Adjust the basic position of the hand brake lever to your hand size by turning adjusting wheel **1**.



Info

Do not make any adjustments while riding.
 Push the hand brake lever forward and turn the adjusting wheel.
 The range of adjustment is limited.
 Only turn the adjusting screw by hand, and do not use force.

- When adjusting the brake lever, maintain a minimum clearance to other parts of the vehicle.

Guideline

Minimum clearance	5 mm (0.2 in)
-------------------	---------------

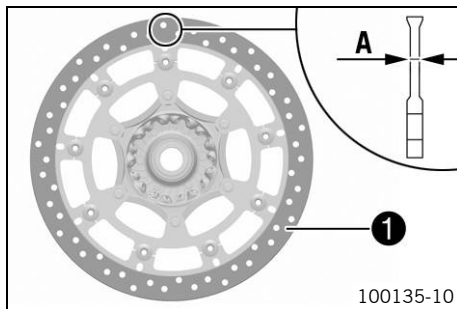
12.3 Checking the brake discs



Warning

Danger of accidents Worn-out brake discs reduce the braking effect.

- Make sure that worn-out brake discs are replaced immediately. (Your authorized KTM workshop will be glad to help.)



- Check the front and rear brake disc thickness at multiple points for the dimension **A**.



Info

Wear will reduce the thickness of the brake disc at contact surface **1** of the brake linings.

Brake discs - wear limit

front	4.0 mm (0.157 in)
rear	4.5 mm (0.177 in)

- » If the brake disc thickness is less than the specified value.
 - Change the brake disc.
- Check the front and rear brake discs for damage, cracking, and deformation.
 - » If the brake disc exhibits damage, cracking, or deformation:

- Change the brake disc.



12.4 Checking the front brake fluid level



Warning

Danger of accidents An insufficient brake fluid level will cause the brake system to fail.

If the brake fluid level drops below the specified marking or the specified value, the brake system is leaking or the brake linings are worn down.

- Check the brake system and do not continue riding until the problem is eliminated. (Your authorized KTM workshop will be glad to help.)

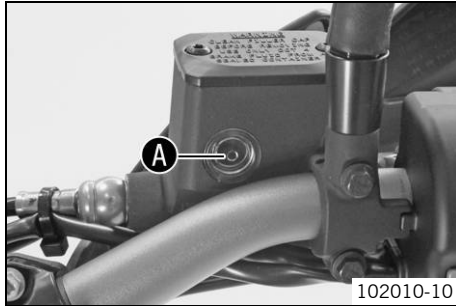


Warning

Danger of accidents Old brake fluid reduces the braking effect.

- Make sure that brake fluid for the front and rear brake is changed in accordance with the service schedule. (Your authorized KTM workshop will be glad to help.)

12 BRAKE SYSTEM



- Move the brake fluid reservoir mounted on the handlebar to a horizontal position.
- Check the brake fluid level in the level viewer.
 - » If the brake fluid level has dropped below the marking **A**:
 - Add the front brake fluid. 📖 (p. 136)

12.5 Adding the front brake fluid 📖



Warning

Danger of accidents An insufficient brake fluid level will cause the brake system to fail.

If the brake fluid level drops below the specified marking or the specified value, the brake system is leaking or the brake linings are worn down.

- Check the brake system and do not continue riding until the problem is eliminated. (Your authorized KTM workshop will be glad to help.)

**Warning**

Skin irritation Brake fluid causes skin irritation.

- Keep brake fluid out of the reach of children.
- Wear suitable protective clothing and safety glasses.
- Do not allow brake fluid to come into contact with the skin, the eyes or clothing.
- Consult a doctor immediately if brake fluid has been swallowed.
- Rinse the affected area with plenty of water in the event of contact with the skin.
- Rinse eyes thoroughly with water immediately and consult a doctor if brake fluid comes into contact with the eyes.
- If brake fluid spills on to your clothing, change the clothing.

**Warning**

Danger of accidents Old brake fluid reduces the braking effect.

- Make sure that brake fluid for the front and rear brake is changed in accordance with the service schedule. (Your authorized KTM workshop will be glad to help.)

**Note**

Environmental hazard Hazardous substances cause environmental damage.

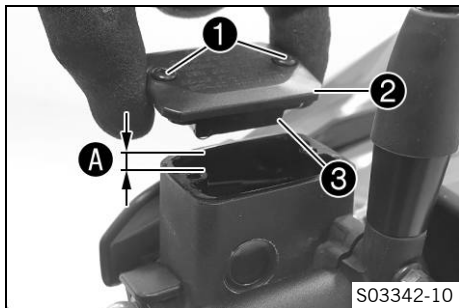
- Dispose of oils, grease, filters, fuel, cleaning agents, brake fluid, etc., correctly and in compliance with the applicable regulations.
-

i Info

Never use DOT 5 brake fluid. It is silicone-based and purple in color. Oil seals and brake lines are not designed for DOT 5 brake fluid.

Avoid contact between brake fluid and painted parts. Brake fluid attacks paint.

Only use clean brake fluid from a sealed container.



Preparatory work

- Check the front brake linings. (📖 p. 139)

Main work

- Move the brake fluid reservoir mounted on the handlebar to a horizontal position.
- Remove screws ①.
- Take off cover ② with membrane ③.
- Add brake fluid to level A.

Guideline

Level A (brake fluid level below reservoir rim)	5 mm (0.2 in)
---	---------------

Brake fluid DOT 4 / DOT 5.1 (📖 p. 253)
--

- Position the cover with the membrane. Mount and tighten the screws.

**Info**

Clean up the overflowed or spilled brake fluid immediately with water.



12.6 Checking the front brake linings

**Warning**

Danger of accidents Worn-out brake linings reduce the braking effect.

- Ensure that worn-out brake linings are replaced immediately. (Your authorized KTM workshop will be glad to help.)

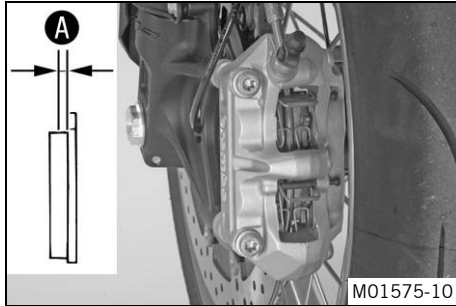
**Warning**

Danger of accidents Damaged brake discs reduce the braking effect.

If the brake linings are not changed in time, the brake lining carriers grind against the brake disc. As a consequence, the braking effect is greatly reduced and the brake discs are destroyed.

- Check the brake linings regularly.

12 BRAKE SYSTEM



- Check the brake linings for minimum thickness **A**.

Minimum thickness A	$\geq 1 \text{ mm } (\geq 0.04 \text{ in})$
----------------------------	---

- » If the minimum thickness is less than specified:
 - Change the front brake linings. 🛠️
- Check the brake linings for damage and cracking.
 - » If there is wear or tearing:
 - Change the front brake linings. 🛠️

12.7 Checking the free travel of foot brake lever

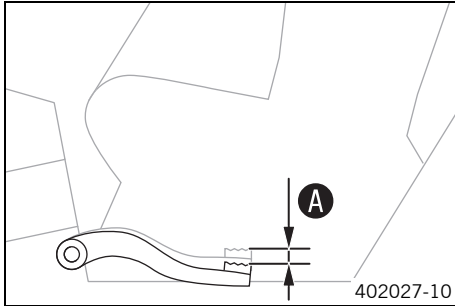


Warning

Danger of accidents The brake system fails in the event of overheating.

If there is no free travel on the foot brake lever, pressure builds up in the brake system on the rear brake.

- Set the free travel on the foot brake lever in accordance with the specification.



- Move the foot brake lever back and forth between the end stop and the contact to the foot brake cylinder piston and check free travel **A**.


Guideline

Free travel at foot brake lever	3 ... 5 mm (0.12 ... 0.2 in)
---------------------------------	------------------------------



Info

You will know that contact has been made with the foot brake cylinder piston when there is increased resistance when you activate the foot brake lever.

- » If the free travel does not meet specifications:
 - Adjust the basic position of the foot brake lever.  (📖 p. 141)



12.8 Adjusting the basic position of the foot brake lever



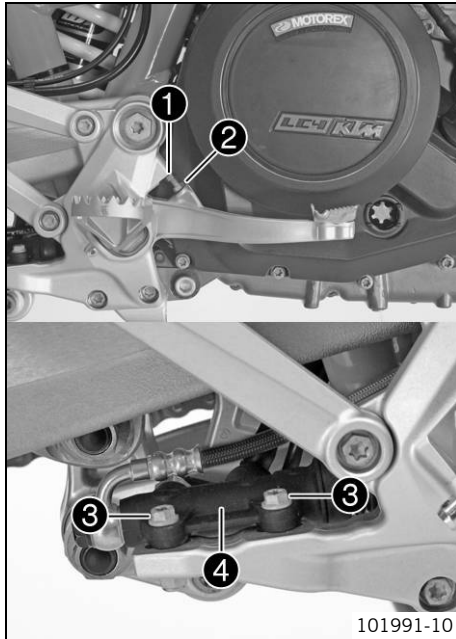
Warning

Danger of accidents The brake system fails in the event of overheating.

If there is no free travel on the foot brake lever, pressure builds up in the brake system on the rear brake.

- Set the free travel on the foot brake lever in accordance with the specification.

12 BRAKE SYSTEM



- Loosen fittings **3** on foot brake cylinder **4**.
- To adjust the basic position of the foot brake lever to individual requirements, loosen nut **1** and turn screw **2** accordingly.

i Info

The range of adjustment is limited. The screw must be screwed into the footrest bracket by at least four turns.

- Position foot brake cylinder **4** so that the foot brake lever has the necessary free travel.
- Mount and tighten fittings **3**.

Guideline

Screw connection, foot brake cylinder	M6	10 Nm (7.4 lbf ft)
---------------------------------------	----	--------------------

- Check the free travel of the foot brake lever. (📖 p. 140)
- Tighten nut **1**.

12.9 Checking the rear brake fluid level



Warning

Danger of accidents An insufficient brake fluid level will cause the brake system to fail.

If the brake fluid level drops below the **MIN** marking, the brake system is leaking or the brake linings are worn down.

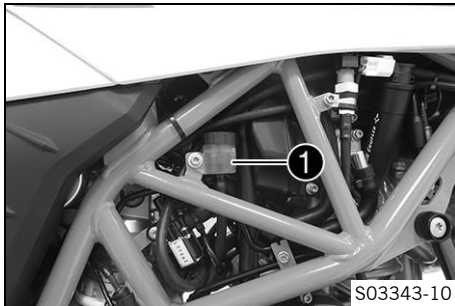
- Check the brake system and do not continue riding until the problem is eliminated. (Your authorized KTM workshop will be glad to help.)



Warning

Danger of accidents Old brake fluid reduces the braking effect.

- Make sure that brake fluid for the front and rear brake is changed in accordance with the service schedule. (Your authorized KTM workshop will be glad to help.)



- Stand the vehicle upright.
- Check the brake fluid level in the brake fluid reservoir.
 - » If the fluid level reaches the **MIN** marking ①:
 - Add rear brake fluid. 🛠️ (📖 p. 144)



12.10 Adding rear brake fluid



Warning

Danger of accidents An insufficient brake fluid level will cause the brake system to fail.

If the brake fluid level drops below the **MIN** marking, the brake system is leaking or the brake linings are worn down.

- Check the brake system and do not continue riding until the problem is eliminated. (Your authorized KTM workshop will be glad to help.)



Warning

Skin irritation Brake fluid causes skin irritation.

- Keep brake fluid out of the reach of children.
- Wear suitable protective clothing and safety glasses.
- Do not allow brake fluid to come into contact with the skin, the eyes or clothing.
- Consult a doctor immediately if brake fluid has been swallowed.
- Rinse the affected area with plenty of water in the event of contact with the skin.
- Rinse eyes thoroughly with water immediately and consult a doctor if brake fluid comes into contact with the eyes.
- If brake fluid spills on to your clothing, change the clothing.

**Warning**

Danger of accidents Old brake fluid reduces the braking effect.

- Make sure that brake fluid for the front and rear brake is changed in accordance with the service schedule. (Your authorized KTM workshop will be glad to help.)

**Note**

Environmental hazard Hazardous substances cause environmental damage.

- Dispose of oils, grease, filters, fuel, cleaning agents, brake fluid, etc., correctly and in compliance with the applicable regulations.

**Info**

Never use DOT 5 brake fluid. It is silicone-based and purple in color. Oil seals and brake lines are not designed for DOT 5 brake fluid.

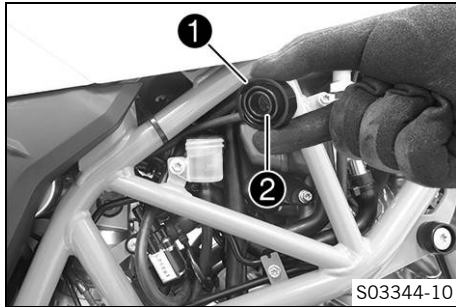
Avoid contact between brake fluid and painted parts. Brake fluid attacks paint.

Only use clean brake fluid from a sealed container.

Preparatory work

- Check the rear brake linings. (📖 p. 146)

12 BRAKE SYSTEM



Main work

- Position the vehicle vertically.
- Remove screw cap ① with the washer and membrane ②.
- Add brake fluid up to the **MAX** marking.

Brake fluid DOT 4 / DOT 5.1 (📖 p. 253)

- Mount screw cap with washer and membrane.



Info

Clean up the overflowed or spilled brake fluid immediately with water.

12.11 Checking the rear brake linings



Warning

Danger of accidents Worn-out brake linings reduce the braking effect.

- Ensure that worn-out brake linings are replaced immediately. (Your authorized KTM workshop will be glad to help.)

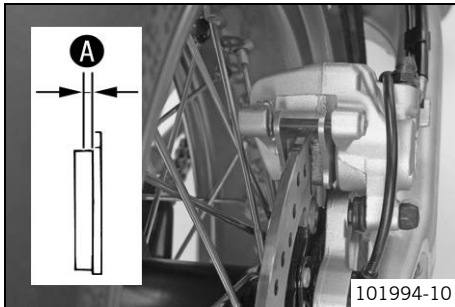


Warning

Danger of accidents Damaged brake discs reduce the braking effect.

If the brake linings are not changed in time, the brake lining carriers grind against the brake disc. As a consequence, the braking effect is greatly reduced and the brake discs are destroyed.

- Check the brake linings regularly.

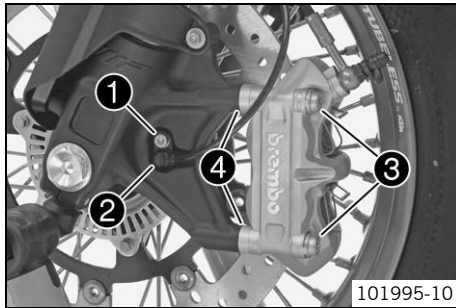


- Check the brake linings for minimum thickness **A**.

Minimum thickness A	$\geq 1 \text{ mm } (\geq 0.04 \text{ in})$
----------------------------	---

- » If the minimum thickness is less than specified:
 - Change the rear brake linings. 🛠️
- Check the brake linings for damage and cracking.
 - » If there is wear or tearing:
 - Change the rear brake linings. 🛠️

13.1 Removing the front wheel



Preparatory work

- Raise the motorcycle with the rear lifting gear. (📖 p. 96)
- Lift the motorcycle with the front lifting gear. (📖 p. 98)

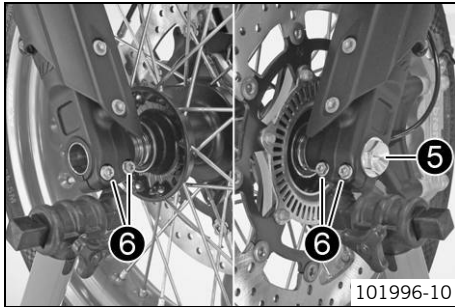
Main work

- Remove screw **1** and pull wheel speed sensor **2** out of the hole.
- Remove screws **3** and spacers **4**.
- Press back the brake linings by slightly tilting the brake caliper laterally on the brake disc.
- Pull the brake caliper carefully back from the brake disc and hang to the side.



Info

Do not operate the hand brake lever if the brake caliper has been removed.



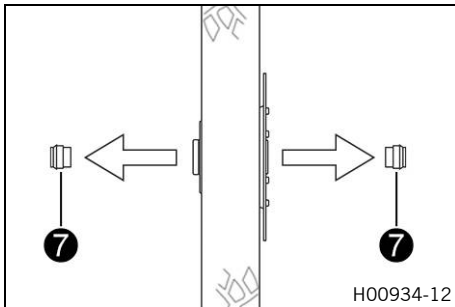
- Loosen screw ⑤ by several rotations.
- Loosen screws ⑥.
- Press on screw ⑤ to push the wheel spindle out of the axle clamp.
- Remove screw ⑤.



Warning

Danger of accidents Damaged brake discs reduce the braking effect.

- Always lay the wheel down in such a way that the brake disc is not damaged.



- Hold the front wheel and remove the wheel spindle. Take the front wheel out of the fork.
- Remove spacers ⑦.

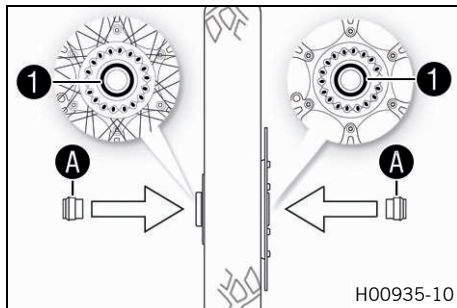
13.2 Installing the front wheel ↩



Warning

Danger of accidents Oil or grease on the brake discs reduces the braking effect.

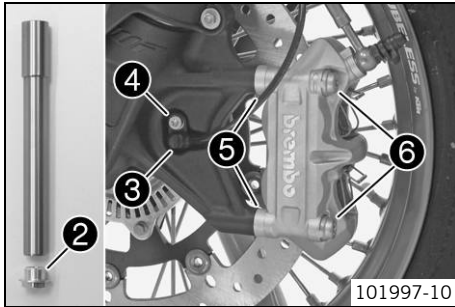
- Always keep the brake discs free of oil and grease.
- Clean the brake discs with brake cleaner when necessary.



Main work

- Check the wheel bearing for damage and wear.
 - » If the wheel bearing is damaged or worn:
 - Change front wheel bearing. ↩
- Clean and grease shaft seal rings (1) and contact surfaces (A) of the spacers.

Long-life grease (📖 p. 256)
- Insert the spacers.



- Clean and grease the wheel spindle.

Long-life grease (📖 p. 256)

- Jack up the front wheel into the fork, position it, and insert the wheel spindle.
- Mount and tighten screw ②.

Guideline

Screw, front wheel spindle	M24x1.5	45 Nm (33.2 lbf ft)
----------------------------	---------	---------------------

- Position wheel speed sensor ③ in the hole.
- Mount and tighten screw ④.

Guideline

Screw, wheel speed sensor	M6	6 Nm (4.4 lbf ft)
---------------------------	----	-------------------

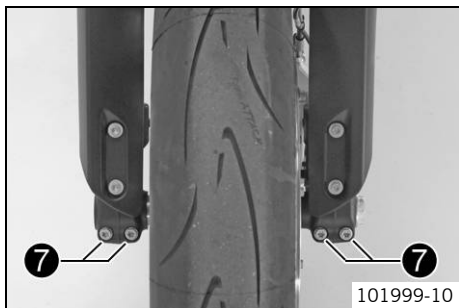
- Position the brake caliper on the brake disc.
✓ The brake linings are correctly positioned.
- Position spacers ⑤. Mount screws ⑥, but do not tighten yet.

Guideline

Screw, front brake caliper	M10x1.25	45 Nm (33.2 lbf ft) Loctite®243™
----------------------------	----------	--

- Operate the hand brake lever repeatedly until the brake linings are in contact with the brake disc and there is a pressure point. Fix hand brake lever in the activated position.

13 WHEELS, TIRES



✓ The brake caliper straightens.

- Tighten screws ⑥.

Guideline

Screw, front brake caliper	M10x1.25	45 Nm (33.2 lbf ft) Loctite®243™
----------------------------	----------	--

- Remove the locking piece of the hand brake lever.
- Take the motorcycle off the front lifting gear. (📖 p. 99)
- Operate the front brake and compress the fork a few times firmly.
- ✓ The fork legs straighten.
- Tighten screws ⑦.

Guideline


Screw, fork stub	M8	15 Nm (11.1 lbf ft)
------------------	----	---------------------

Finishing work

- Remove the rear of the motorcycle from the wheel stand. (📖 p. 97)

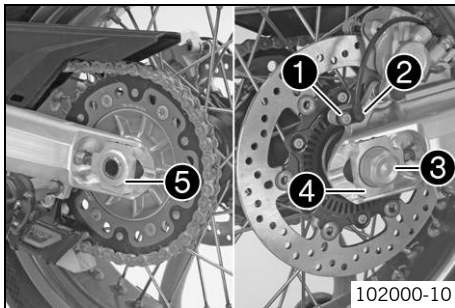
13.3 Removing the rear wheel

Preparatory work

- Raise the motorcycle with the rear lifting gear. ( p. 96)

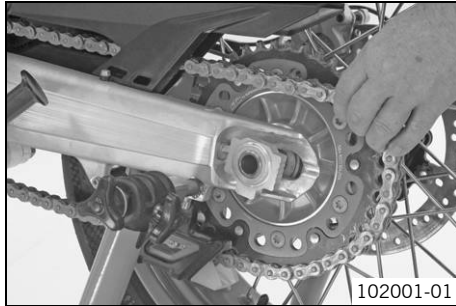
Main work

- Take the brake line out of the guide.



- Manually press the brake caliper toward the brake disc to push back the brake piston.
- Remove screw ① and pull wheel speed sensor ② out of the hole.
- Remove nut ③. Take off chain adjuster ④.
- Pull out wheel spindle ⑤ to the point where the chain adjuster is no longer in contact with the adjusting screw.

13 WHEELS, TIRES



- Push the rear wheel forward as far as possible and take the chain off the rear sprocket.



Info

Cover the components to protect them against damage.

-
- Hold the rear wheel and remove the wheel spindle.



Warning

Danger of accidents Damaged brake discs reduce the braking effect.

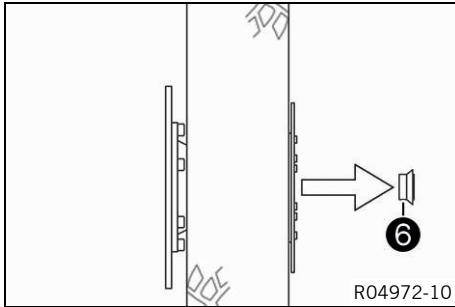
- Always lay the wheel down in such a way that the brake disc is not damaged.

-
- Take the rear wheel out of the link fork.



Info

Do not operate the foot brake when the rear wheel is removed.



- Remove spacer ⑥.

13.4 Installing the rear wheel



Warning

Danger of accidents Oil or grease on the brake discs reduces the braking effect.

- Always keep the brake discs free of oil and grease.
- Clean the brake discs with brake cleaner when necessary.



Warning

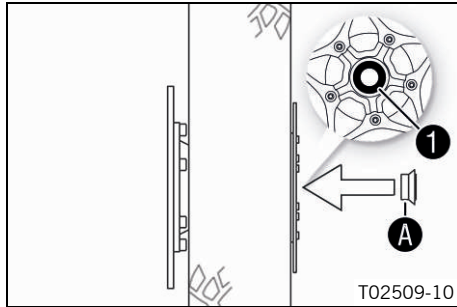
Danger of accidents There is no braking effect to start with at the rear brake after installing the rear wheel.

- Actuate the foot brake several times before going on a ride until you can feel a firm pressure point.

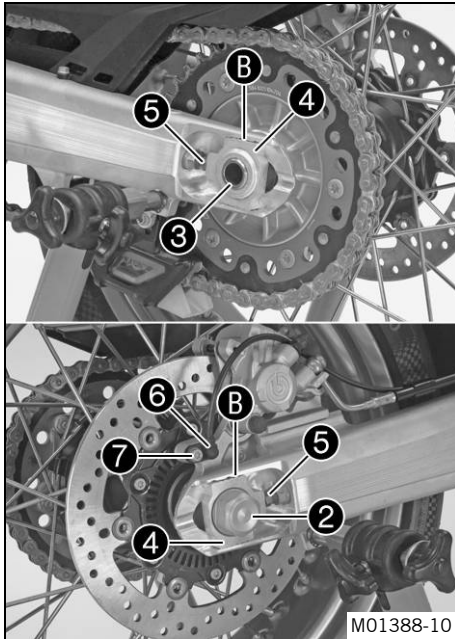
Main work

- Check the rear hub damping rubber pieces. 🛠️ (📖 p. 159)

13 WHEELS, TIRES



- Check the wheel bearing for damage and wear.
 - » If the wheel bearing is damaged or worn:
 - Change the rear wheel bearing. 🛠️
 - Clean and grease shaft seal ring **1** and contact surface **A** of the spacer.
- Long-life grease (📖 p. 256)
- Insert a spacer.



- Clean and grease the thread of the wheel spindle and nut ②.

Long-life grease (📖 p. 256)

- Clean and grease the wheel spindle.

Long-life grease (📖 p. 256)

- Mount the damping rubber and rear sprocket carrier in the rear wheel.
- Position the rear wheel.
 - ✓ The brake linings are correctly positioned.
- Push the rear wheel forward as far as possible and lay chain on the rear sprocket.
- Mount wheel spindle ③ and chain adjuster ④. Mount nut ②, but do not tighten it yet.
- Make sure that chain adjusters ④ are fitted correctly on adjusting screws ⑤.

Guideline

In order for the rear wheel to be correctly aligned, the markings on the left and right chain adjusters must be in the same position relative to reference markings B.



Info

Mount left and right chain adjusters ④ in the same position.

- Tighten nut ②.

Guideline

Nut, rear wheel spindle	M25x1.5	90 Nm (66.4 lbf ft)
-------------------------	---------	---------------------

- Position wheel speed sensor ⑥ in the hole.
- Mount and tighten screw ⑦.

Guideline

Screw, wheel speed sensor	M6	6 Nm (4.4 lbf ft)
---------------------------	----	-------------------

- Position the brake line in the guide.
- Operate the foot brake lever repeatedly until the brake linings are in contact with the brake disc and there is a pressure point.



Finishing work

- Remove the rear of the motorcycle from the wheel stand. (📖 p. 97)
- Check the chain tension. (📖 p. 116)

13.5 Checking the rear hub damping rubber pieces 🛠️



Info

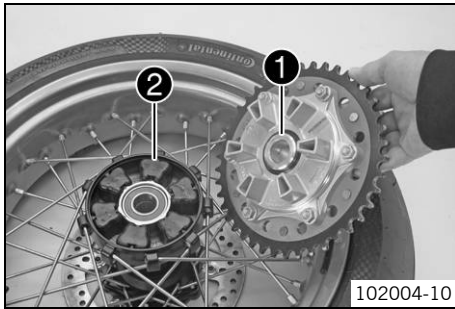
The engine power is transmitted from the rear sprocket to the rear wheel via the 6 damping rubber pieces. They eventually wear out during operation. If the damping rubber pieces are not changed in time, the rear sprocket carrier and the rear hub will be damaged.

Preparatory work

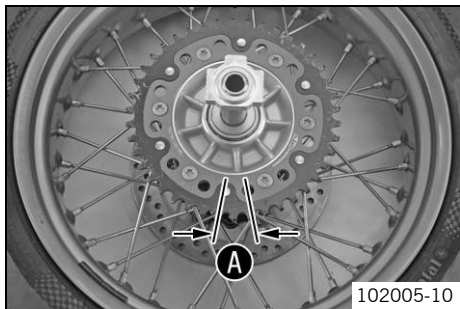
- Raise the motorcycle with the rear lifting gear. (📖 p. 96)
- Remove the rear wheel. 🛠️ (📖 p. 153)

Main work

- Check bearing ❶.
 - » If the bearing is damaged or worn:
 - Change the bearing of the rear sprocket carrier. 🛠️
- Check damping rubber pieces ❷ of the rear hub for damage and wear.
 - » If the damping rubber pieces of the rear hub are damaged or worn:
 - Change all the damping rubber pieces of the rear hub.



13 WHEELS, TIRES



- Lay the rear wheel on a workbench with the rear sprocket facing upwards and insert the wheel spindle in the hub.
- To check play **A**, hold the rear wheel tight and try to turn the rear sprocket with your hand.

i Info

Measure the play on the outside of the rear sprocket.

Play of damping rubber pieces on rear wheel	$\leq 5 \text{ mm } (\leq 0.2 \text{ in})$
---	--

- » If clearance **A** is larger than the specified value:
 - Change all the damping rubber pieces of the rear hub.

Finishing work

- Install the rear wheel. 🛠️ (📖 p. 155)
- Remove the rear of the motorcycle from the wheel stand. (📖 p. 97)
- Check the chain tension. (📖 p. 116)

13.6 Checking the tire condition



Warning

Danger of accidents If a tire bursts while riding, the vehicle becomes uncontrollable.

- Ensure that damaged or worn tires are replaced immediately. (Your authorized KTM workshop will be glad to help.)



Warning

Danger of crashing Different tire tread patterns on the front and rear wheel impair the handling characteristic.

Different tire tread patterns can make the vehicle significantly more difficult to control.

- Make sure that only tires with a similar tire tread pattern are fitted to the front and rear wheel.



Warning

Danger of accidents Non-approved or non-recommended tires and wheels impact the handling characteristic.

- Only use tires/wheels approved by KTM with the corresponding speed index.



Warning

Danger of accidents New tires have reduced road grip.

The contact surface on new tires is not yet roughened.

- Run in new tires with moderate riding at alternating angles.
Running-in phase 200 km (124 mi)

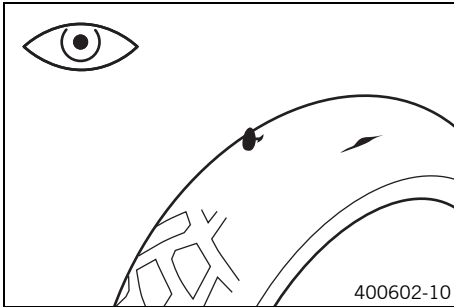
13 WHEELS, TIRES



Info

The type, condition, and pressure of the tires all have a major impact on the handling characteristic of the motorcycle.

Worn tires have a negative effect on handling characteristics, especially on wet surfaces.



- Check the front and rear tires for cuts, run-in objects, and other damage.
 - » If the tires have cuts, run-in objects, or other damage:
 - Change the tires. 🛠️
- Check the tread depth.

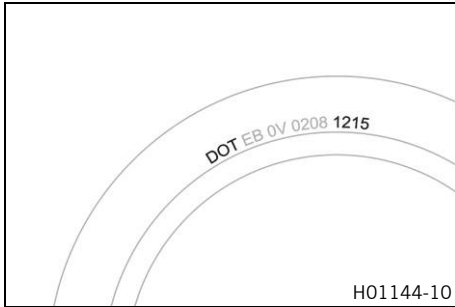


Info

Adhere to the legally required minimum tread depth.

Minimum tread depth	$\geq 2 \text{ mm } (\geq 0.08 \text{ in})$
---------------------	---

- » If the tread depth is less than the minimum tread depth:
 - Change the tires. 🛠️



- Check the tire age.



Info

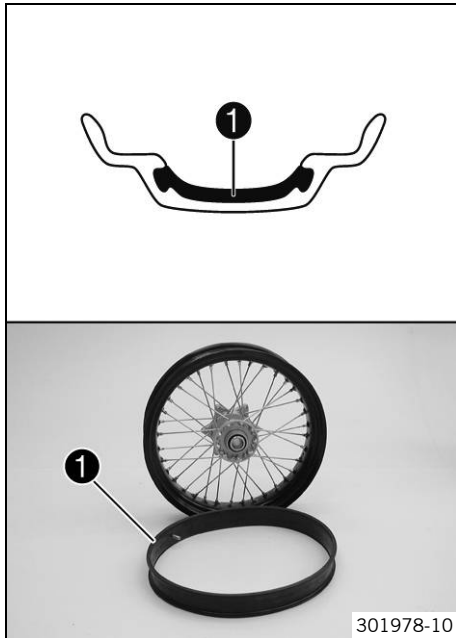
The tire date of manufacture is usually contained in the tire label and is indicated by the last four digits of the **DOT** number. The first two digits indicate the week of manufacture and the last two digits the year of manufacture.

KTM recommends that the tires be changed after 5 years at the latest, regardless of the actual state of wear.

- » If the tires are more than 5 years old:
 - Change the tires. 🛠️



13.7 Tubeless tire system



This vehicle uses a tubeless tire system in which a rim seal band **1** is used instead of the conventional tube.

The advantages of the tubeless system lie in the absence of danger from a faulty tube. This greatly reduces the risk of a sudden loss in pressure.

The masses and moments of inertia of these wheels are smaller than in conventional spoke wheels with a tube. This results in better handling and riding comfort.

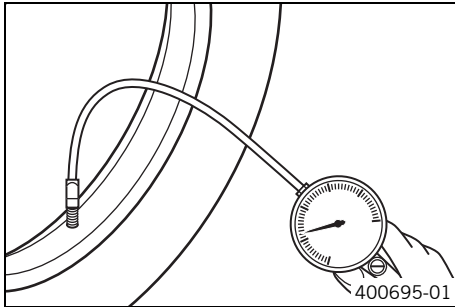
The rigid rim design results in a spoke wheel that is almost entirely maintenance-free.

KTM recommends that the rim seal band be changed after 5 years at the latest, regardless of the actual state of wear.

13.8 Checking tire pressure

i Info

Low tire pressure leads to abnormal wear and overheating of the tire.
Correct tire pressure ensures optimal riding comfort and maximum tire service life.



- Remove the protection cap.
- Check the tire pressure when the tires are cold.

Tire pressure when solo	
front	2.3 bar (33 psi)
rear	2.5 bar (36 psi)

Tire pressure with passenger / full payload	
front	2.3 bar (33 psi)
rear	2.5 bar (36 psi)

- » If the tire pressure does not meet specifications:
 - Correct the tire pressure.
- Mount the protection cap.



13.9 Checking the spoke tension

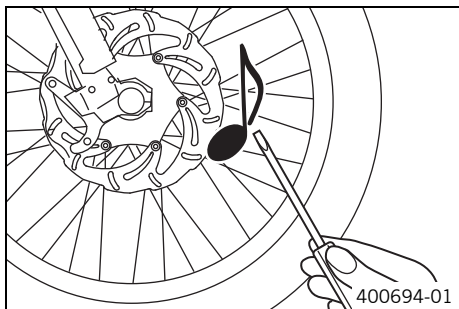


Warning

Danger of accidents Incorrectly tensioned spokes impair the handling characteristic and result in secondary damage.

The spokes break due to being overloaded if they are too tightly tensioned. If the tension in the spokes is too low, then lateral and radial run-out will form in the wheel. Other spokes will become looser as a result.

- Check spoke tension regularly, and in particular on a new vehicle. (Your authorized KTM workshop will be glad to help.)



- Strike each spoke briefly using a screwdriver blade.



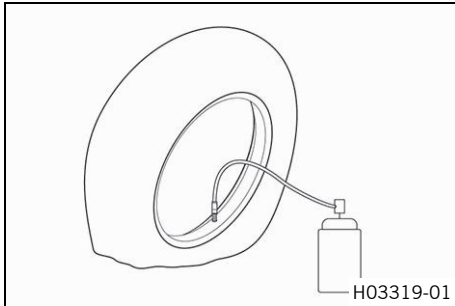
Info

The frequency of the sound depends on the spoke length and spoke diameter. If spokes of the same length and diameter vibrate with a different tone, this is an indication that the spoke tensions differ.

You should hear a high note.

- » If the spoke tension differs:
 - Correct the spoke tension. 🛠️

13.10 Using tire repair spray



Warning

Danger of accidents Incorrect use of tire repair spray will result in the repaired tire losing pressure.

Tire repair spray cannot be used for all types of damage.

- Observe the instructions and specifications of the manufacturer of the tire repair spray.
- After repairing a tire with tire repair spray, ride slowly and carefully.
- Ride no further than to the nearest workshop and have the tire changed.

Tire repair spray should only be used in an emergency. We recommend transporting the broken down vehicle to the nearest workshop instead of using tire repair spray.

14.1 Removing the 12-V battery





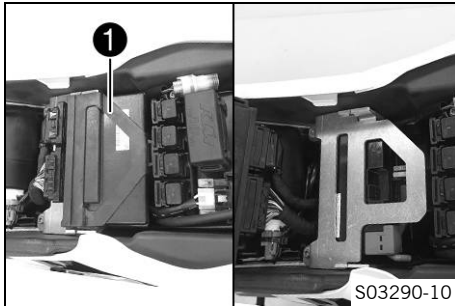
Warning

Risk of injury Battery acid and battery gases cause serious chemical burns.

- Keep 12 V batteries out of the reach of children.
- Wear suitable protective clothing and safety glasses.
- Avoid contact with battery acid and battery gases.
- Keep sparks or open flames away from the 12 V battery.
- Only charge 12 V batteries in well-ventilated rooms.
- Rinse the affected area immediately with plenty of water in the event of contact with the skin.
- Rinse eyes with water for at least 15 minutes and consult a doctor immediately if battery acid and battery gases get into the eyes.

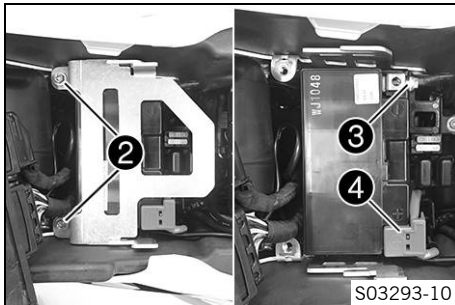
Preparatory work

- Switch off the ignition by turning the ignition key to the position .
- Remove the seat. ( p. 104)



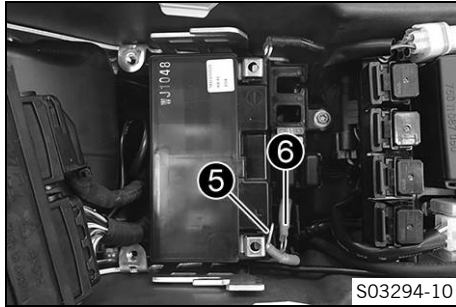
Main work

- Pull engine electronics control unit ① off the holder and set it to one side.



- Remove screws ②.
- Pull the retaining bracket forward and remove it.
- Disconnect negative cable ③ from the 12-V battery.
- Take off positive terminal cover ④.

14 ELECTRICAL SYSTEM

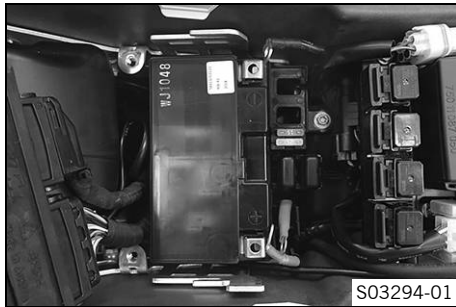


- Disconnect ABS connection cable ⑤ and positive cable ⑥ from the 12-V battery.
- Lift out the 12-V battery.

i Info

Never operate the motorcycle with a discharged 12-V battery or without a 12-V battery. In both cases, electrical components and safety devices can be damaged. The vehicle will therefore no longer be roadworthy.

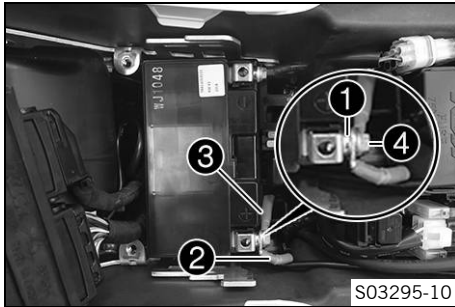
14.2 Installing the 12-V battery



Main work

- Insert the 12-V battery into the battery compartment with the terminals facing to the rear.

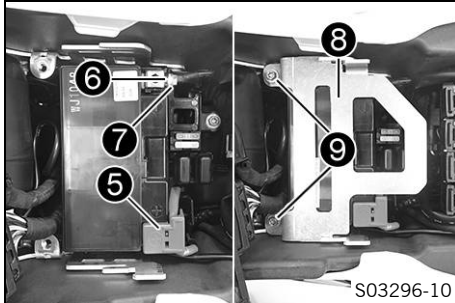
12-V battery (YTZ10S) (📖 p. 243)



- Position washer **1**, positive cable **2**, and ABS connection cable **3**.
- Mount and tighten screw **4**.

Guideline

Screw, battery terminal	M6	4.5 Nm (3.32 lbf ft)
-------------------------	----	-------------------------



- Position positive terminal cover **5**.
- Position washer **6** and negative cable **7**, and mount and tighten the screw.

Guideline

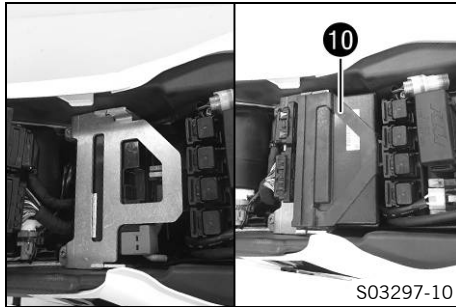
Screw, battery terminal	M6	4.5 Nm (3.32 lbf ft)
-------------------------	----	-------------------------

- Position retaining bracket **8** and mount and tighten screws **9**.

Guideline

Remaining screws, chassis	M6	10 Nm (7.4 lbf ft)
---------------------------	----	--------------------

14 ELECTRICAL SYSTEM



- Position the engine electronics control unit ⑩.

Finishing work

- Mount the seat. (📖 p. 104)
- Set the clock. (📖 p. 46)



14.3 Charging the 12-V battery



Warning

Risk of injury Battery acid and battery gases cause serious chemical burns.

- Keep 12 V batteries out of the reach of children.
- Wear suitable protective clothing and safety glasses.
- Avoid contact with battery acid and battery gases.
- Keep sparks or open flames away from the 12 V battery.
- Only charge 12 V batteries in well-ventilated rooms.
- Rinse the affected area immediately with plenty of water in the event of contact with the skin.
- Rinse eyes with water for at least 15 minutes and consult a doctor immediately if battery acid and battery gases get into the eyes.



Note

Environmental hazard 12 V batteries contain environmentally hazardous materials.

- Do not dispose of 12 V batteries as household waste.
- Dispose of 12 V batteries at a collection point for used batteries.



Note

Environmental hazard Hazardous substances cause environmental damage.

- Dispose of oils, grease, filters, fuel, cleaning agents, brake fluid, etc., correctly and in compliance with the applicable regulations.



Info

Even if there is no load on the 12-V battery, it discharges steadily.

The charging level and the method of charging are very important for the service life of the 12-V battery.

Rapid recharging with a high charging current shortens the service life of the battery.





If the charging current, charging voltage and charging time are exceeded, electrolyte escapes through the safety valves. This reduces the capacity of the 12-V battery.

If the 12-V battery is depleted from starting the vehicle repeatedly, the battery must be charged immediately.

If the 12-V battery is left in a discharged state for an extended period, it will become deeply discharged and sulfating occurs, destroying the battery.

The 12-V battery is maintenance-free, i.e. the acid level does not have to be checked.

Preparatory work

- Switch off the ignition by turning the ignition key to the position .
- Remove the seat.  p. 104)
- Remove the 12-V battery.   p. 168)



Main work

- Connect the battery charger to the 12-V battery. Switch on the battery charger.

Battery charger (58429074000)

You can also use the battery charger to test the open-circuit voltage and starting ability of the 12-V battery, and to test the alternator. In addition, you cannot overcharge the 12-V battery with this device.



Info

Never remove cover ❶.

Charge the 12 V battery to a maximum of 10% of the capacity specified on battery housing ❷.

- Switch off the battery charger after charging and disconnect it from the 12-V battery.

Guideline

The charging current, charging voltage, and charging time must not be exceeded.

Recharge the 12-V battery regularly when the motorcycle is not being used	3 months
---	----------

Finishing work

- Install the 12-V battery. 🛠️ (📖 p. 170)
- Mount the seat. (📖 p. 104)

- Set the clock. (📖 p. 46)

14.4 Changing the main fuse



Warning

Fire hazard Incorrect fuses overload the electrical system.

- Only use fuses with the required ampere value.
- Do not bypass or repair fuses.

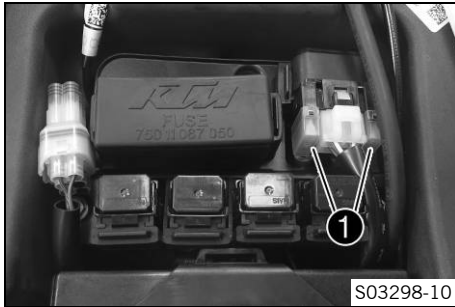


Info

The main fuse protects all power consumers of the vehicle. It is in the housing of the starter relay next to the 12-V battery.

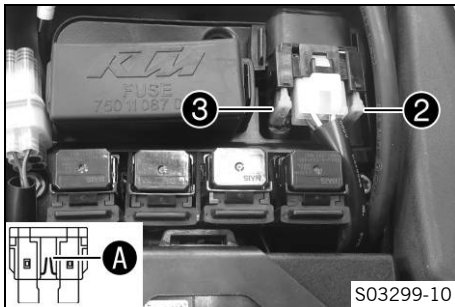
Preparatory work

- Switch off the ignition by turning the ignition key to the position ☒.
- Remove the seat. (📖 p. 104)



Main work

- Take off protection caps ①.



- Remove a defective main fuse ② with needle nose pliers.

i Info

A faulty fuse has a burned-out fuse wire **A**.
A spare fuse ③ is located in the starter relay.

- Insert a new main fuse.

Fuse (58011109130) (📖 p. 244)

i Info

Insert a new spare fuse into the starter relay to have it available when needed.

- Check that the electrical system is functioning properly.
- Mount the protection caps.

Finishing work

- Mount the seat. (📖 p. 104)
- Set the clock. (📖 p. 46)

14.5 Changing the ABS fuses



Warning

Fire hazard Incorrect fuses overload the electrical system.

- Only use fuses with the required ampere value.
- Do not bypass or repair fuses.

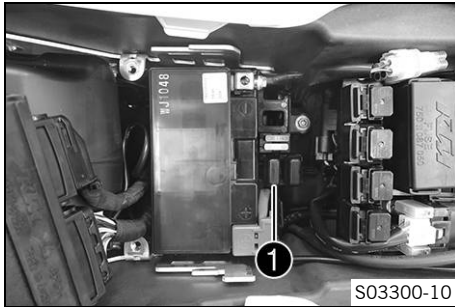


Info

Two fuses for the ABS are located under the seat. These fuses protect the return pump and the hydraulic unit of the ABS. The third fuse, which protects the ABS control unit, is located in the fuse box.

Preparatory work

- Switch off the ignition by turning the ignition key to the position ☒.
- Remove the seat. (📖 p. 104)
- Pull off the EFI control unit and set it to one side.
- Remove the battery support.

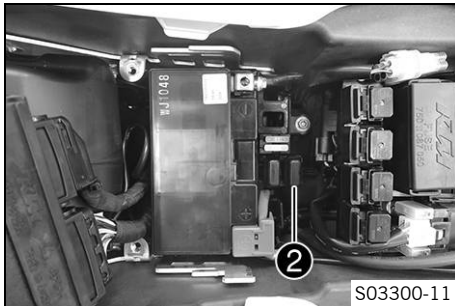


To change the fuse of the ABS hydraulic unit:

- Take off protection cap ❶ and remove the fuse.
- Insert a new fuse.

Fuse (58011109115) (📖 p. 244)

- Mount the protection cap.



To change the fuse of the ABS return pump:

- Take off protection cap ❷ and remove the fuse.
- Insert a new fuse.

Fuse (58011109125) (📖 p. 244)

- Mount the protection cap.

Finishing work

- Mount the battery support.
- Position the EFI control unit.
- Mount the seat. (📖 p. 104)



14.6 Changing the fuses of individual power consumers



Info

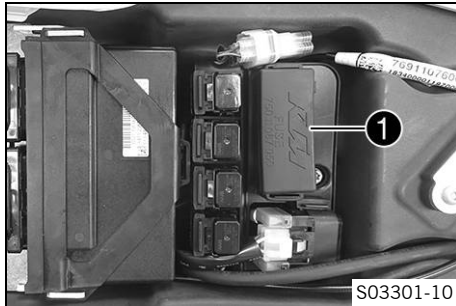
The fuse box containing the fuses of individual power consumers is located under the seat.

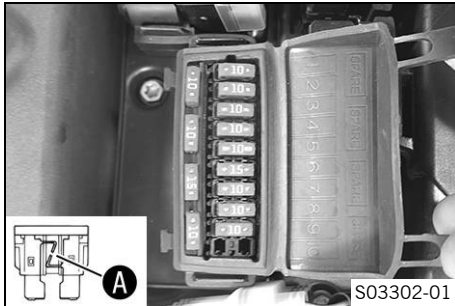
Preparatory work

- Switch off the ignition by turning the ignition key to the position \otimes .
- Remove the seat. (📖 p. 104)

Main work

- Open fuse box cover **1**.





- Remove the faulty fuse.

Guideline

Fuse 1 - 10 A - ignition, combination instrument, clock, engine electronics control unit
Fuse 2 - 10 A - ignition, combination instrument, engine electronics control unit
Fuse 3 - 10 A - fuel pump
Fuse 4 - 10 A - radiator fan
Fuse 5 - 10 A - horn, brake light, turn signal
Fuse 6 - 15 A - high beam, low beam, position light, tail light, license plate lamp
Fuse 7 - 10 A - for auxiliary equipment ACC 1 (permanent positive)
Fuse 8 - 10 A - for auxiliary equipment ACC 2 (ignition plus), USB charging socket
Fuse 9 - 10 A - ABS
Fuse 10 - not assigned
Fuse SPARE - 10 A/15 A - spare fuses



Info

A faulty fuse has a burned-out fuse wire **A**.



Warning

Fire hazard Incorrect fuses overload the electrical system.

- Only use fuses with the required ampere value.
- Do not bypass or repair fuses.

- Insert a spare fuse with the correct rating.

Fuse (75011088010) (📖 p. 244)

Fuse (75011088015) (📖 p. 244)



Tip

Replace the spare fuse in the fuse box so that it is available if needed.

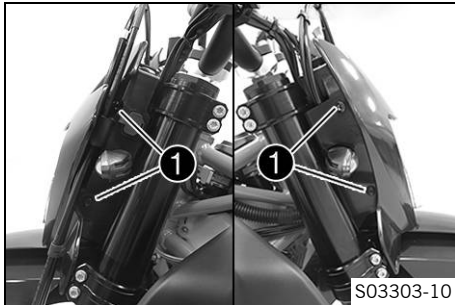
- Check that the power consumer is functioning properly.
- Close the fuse box cover.

Finishing work

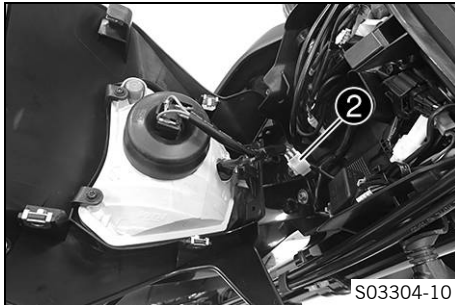
- Mount the seat. (📖 p. 104)

14.7 Removing the headlight mask with the headlight

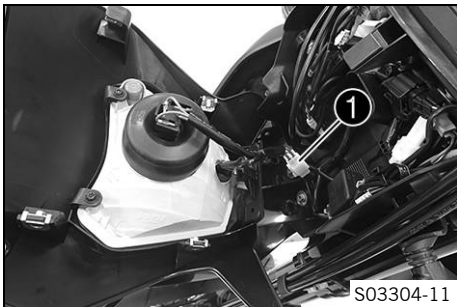
- Switch off the ignition by turning the ignition key to the position \otimes .
- Cover the fender with a cloth.
- Remove screws **1** on both sides.
- Tip the headlight mask forward.



- Disconnect plug-in connector **2** of the headlight.
- Take off the headlight mask.

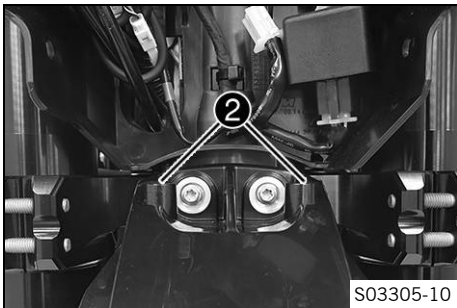


14.8 Installing the headlight mask with the headlight

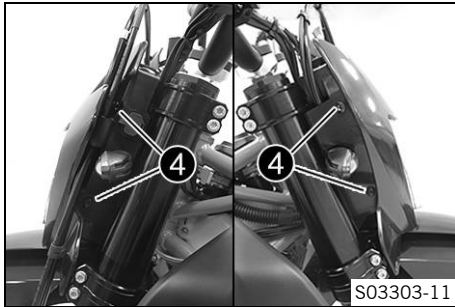


Main work

- Connect plug-in connector ① of the headlight.
- Check that the lighting is functioning properly.



- Remove the cloth from the fender and position the headlight mask.
- ✓ Headlight mask engages in the fender on the bushings ②.



- Position the headlight mask.



Info

Pay attention to routing of the brake line.

- Mount and tighten screws ④.

Guideline

Screw, headlight mask	M5	5 Nm (3.7 lbf ft)
-----------------------	----	-------------------

Finishing work

- Check the headlight setting. (📖 p. 189)



14.9 Changing the headlight bulb

Note

Damage to reflector Grease on the reflector reduces the light intensity.

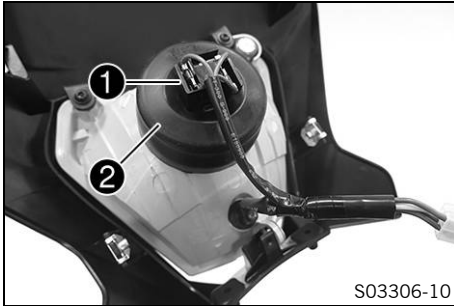
Grease on the bulb will evaporate due to the heat and be deposited on the reflector.

- Clean and degrease the bulbs before mounting.
- Do not touch the bulbs with your bare hands.

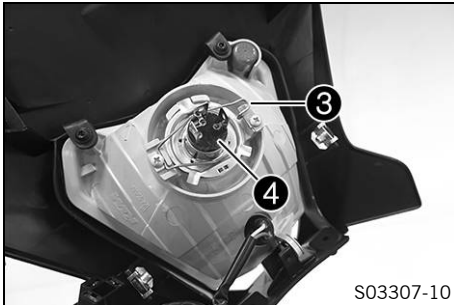
Preparatory work

- Remove the headlight mask with the headlight. (📖 p. 183)

14 ELECTRICAL SYSTEM



S03306-10



S03307-10

Main work

- Unplug connector ①.
- Take off protection cap ② of the headlight bulb.

- Detach spring bar ③.
- Remove headlight bulb ④.
- Insert a new headlight bulb into the headlight housing.

Headlight (H4 / socket P43t) (📖 p. 244)

- Fix the headlight bulb in the headlight using the spring bar.
- Mount the protection cap. Plug in the connector.

Finishing work

- Install the headlight mask with the headlight. (📖 p. 184)
- Check the headlight setting. (📖 p. 189)

14.10 Changing the position light lamp

Note

Damage to reflector Grease on the reflector reduces the light intensity.

Grease on the bulb will evaporate due to the heat and be deposited on the reflector.

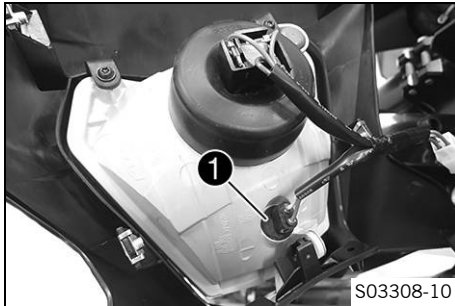
- Clean and degrease the bulbs before mounting.
- Do not touch the bulbs with your bare hands.

Preparatory work

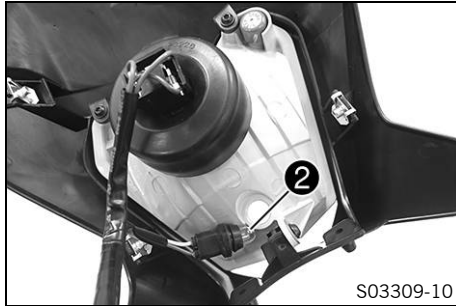
- Remove the headlight mask with the headlight. (📖 p. 183)

Main work

- Remove bulb socket ①.



14 ELECTRICAL SYSTEM



- Pull position light lamp ② out of the bulb socket.
- Insert a new position light lamp in the bulb socket.

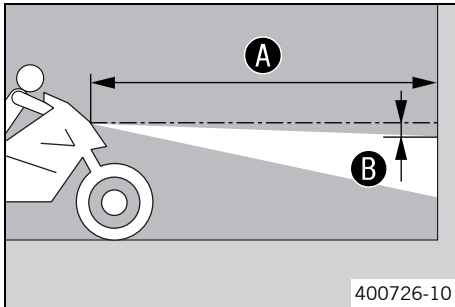
Position light (W5W / socket W2.1x9.5d) (📖 p. 244)

- Insert the bulb socket in the reflector.

Finishing work

- Install the headlight mask with the headlight. (📖 p. 184)
- Check the headlight setting. (📖 p. 189)

14.11 Checking the headlight setting



- Position the vehicle upright on a horizontal surface in front of a light wall and make a marking at the height of the center of the low beam headlight.
- Make another mark at a distance **B** under the first marking.

Guideline

Distance B	5 cm (2 in)
-------------------	-------------

- Position the vehicle vertically at a distance **A** away from the wall.

Guideline

Distance A	5 m (16 ft)
-------------------	-------------

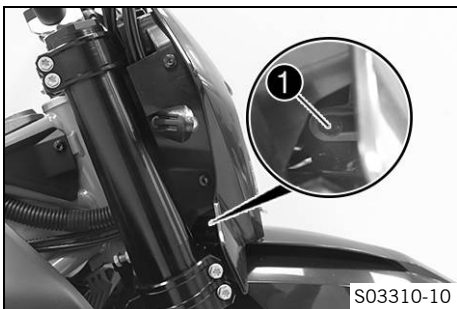
- The rider now mounts the motorcycle with luggage and passenger if applicable.
- Switch on the low beam.
- Check the headlight setting.

The light-dark boundary must be exactly on the lower marking when the motorcycle is ready to be operated with the rider mounted along with any luggage and a passenger if applicable.

- » If the boundary between light and dark does not meet specifications:
 - Adjust headlight range. (📖 p. 190)



14.12 Adjusting the headlight range



Preparatory work

- Check the headlight setting. (📖 p. 189)

Main work

- Loosen screw ①.
- Adjust the headlight range by pivoting the headlight.

Guideline

The boundary between light and dark must be exactly on the lower mark for a motorcycle with rider (instructions on how to apply the mark: Checking the headlight setting).



Info

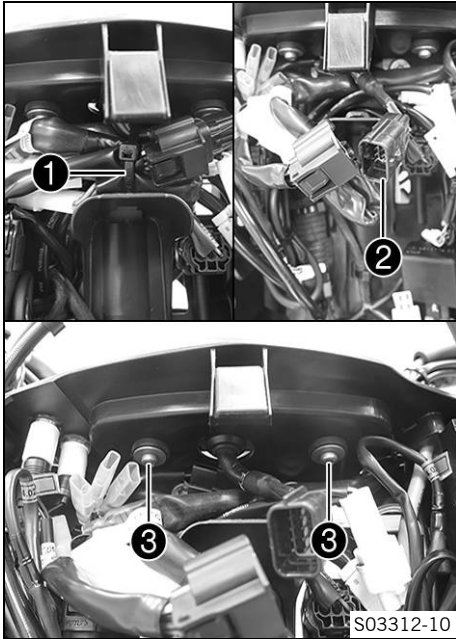
If you have a payload, you may have to correct the headlight range.

- Tighten screw ①.

14.13 Changing the combination instrument battery

Preparatory work

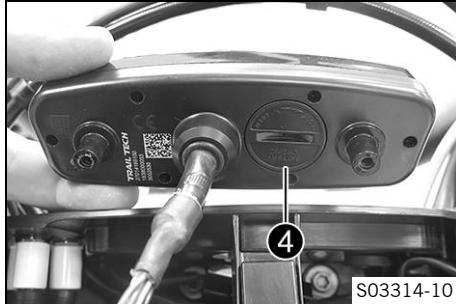
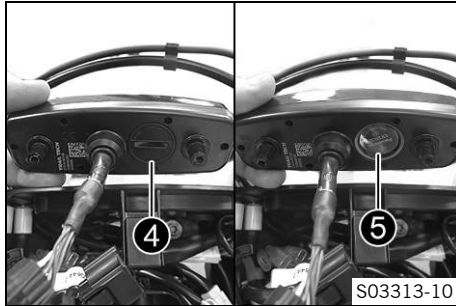
- Remove the headlight mask with the headlight. (📖 p. 183)



Main work

- Remove cable tie(s) ①.
- Disconnect plug-in connector ②.
- Remove screws ③.

14 ELECTRICAL SYSTEM



- Using a coin, turn protection cap ④ all the way counterclockwise and take it off.
- Remove combination instrument battery ⑤.
- Insert the combination instrument battery with the label facing outward.

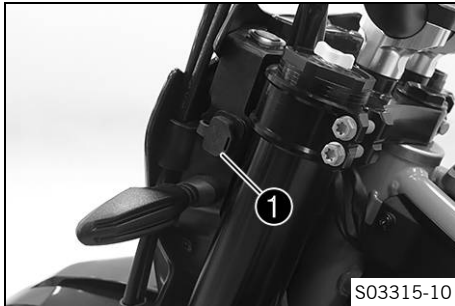
Combination instrument battery (CR 2430) (📖 p. 243)

- Check the O-ring of the protection cap for correct seating.
- Position protection cap ④ and turn all the way clockwise using a coin.
- Press any button on the combination instrument.
 - ✓ The combination instrument is activated.
- Position the combination instrument in the holder.
- Mount and tighten the screws with washers.
- Join plug-in connector ②.
- Position the wiring harness and fasten it with cable ties ①.

Finishing work

- Install the headlight mask with the headlight. (📖 p. 184)
- Check the headlight setting. (📖 p. 189)
- Set kilometers or miles. (📖 p. 45)
- Set the clock. (📖 p. 46)

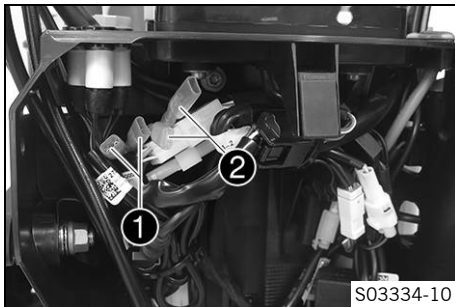
14.14 USB socket



A USB socket ① for supplying power to external devices is located on the left side of the headlight mask. The USB socket is activated when the ignition is switched on.

USB socket	
Voltage	5 V
Maximum current consumption	2.1 A

14.15 ACC1 and ACC2



Installation location

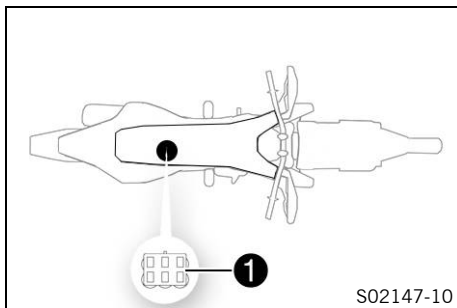
- The power supplies ACC1 ① and ACC2 ② are located behind the headlight mask.

i Info

The power supplies are protected by a fuse, however this fuse also protects other power consumers. The maximum continuous load is therefore significantly lower than the value of the fuse. Do not use a stronger fuse.

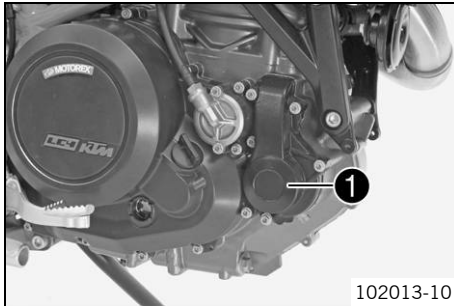
14 ELECTRICAL SYSTEM

14.16 Diagnostics connector



Diagnostics connector **1** is located under the engine electronics control unit.

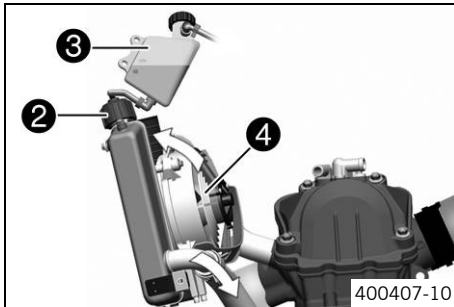
15.1 Cooling system



Water pump **1** in the engine ensures forced circulation of the coolant.

The pressure resulting from the warming of the cooling system is regulated by a valve in radiator cap **2**. Heat expansion causes excess coolant to flow into compensating tank **3**. When the temperature falls, this surplus coolant is sucked back into the cooling system. This ensures that operating the vehicle at the specified coolant temperature will not result in a risk of malfunctions.

125 °C (257 °F)



The coolant is cooled by the air stream and radiator fan **4**, which is activated depending on the temperature.

The lower the speed, the less the cooling effect. Dirty cooling fins also reduce the cooling effect.

15.2 Checking the antifreeze and coolant level



Warning

Danger of scalding During motorcycle operation, the coolant gets very hot and is under pressure.

- Do not open the radiator, the radiator hoses or other cooling system components if the engine or the cooling system are at operating temperature.
- Allow the cooling system and the engine to cool down before you open the radiator, the radiator hoses or other components of the cooling system.
- In the event of scalding, rinse the area affected immediately with lukewarm water.



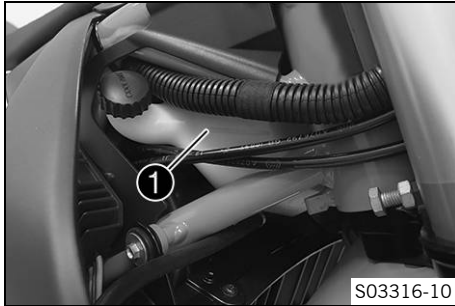
Warning

Danger of poisoning Coolant is toxic and a health hazard.

- Keep coolant out of the reach of children.
- Do not allow coolant to come into contact with the skin, the eyes and clothing.
- Consult a doctor immediately if coolant is swallowed.
- Rinse the affected area immediately with plenty of water in the event of contact with the skin.
- Rinse eyes thoroughly with water and consult a doctor immediately if coolant gets into the eyes.
- Change clothing if coolant spills onto your clothing.

Condition

The engine is cold.



- Place the motorcycle on a horizontal surface using the side stand.
- Remove the cover of compensating tank ❶.
- Check the antifreeze in the coolant.

-25 ... -45 °C (-13 ... -49 °F)

- » If the antifreeze in the coolant does not match the specified value:
 - Correct the antifreeze in the coolant.

- Check the coolant level in the compensating tank.

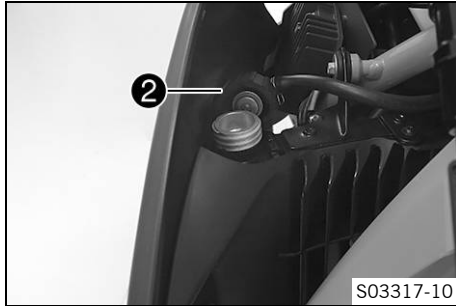
The coolant level must be between the two markings.

- » If the coolant level does not match the specified value:
 - Correct the coolant level.

Coolant (📖 p. 253)

- Mount the cover of the compensating tank.

15 COOLING SYSTEM



- Remove radiator cap ②.
- Check the antifreeze in the coolant.

-25 ... -45 °C (-13 ... -49 °F)

- » If the antifreeze in the coolant does not match the specified value:
 - Correct the antifreeze in the coolant.

- Check the coolant level in the radiator.

The radiator must be filled completely.

- » If the coolant level does not match the specified value:
 - Check the coolant level and the reason for the loss.

Coolant (📖 p. 253)

- Mount the radiator cap.

15.3 Checking the coolant level



Warning

Danger of scalding During motorcycle operation, the coolant gets very hot and is under pressure.

- Do not open the radiator, the radiator hoses or other cooling system components if the engine or the cooling system are at operating temperature.
- Allow the cooling system and the engine to cool down before you open the radiator, the radiator hoses or other components of the cooling system.
- In the event of scalding, rinse the area affected immediately with lukewarm water.



Warning

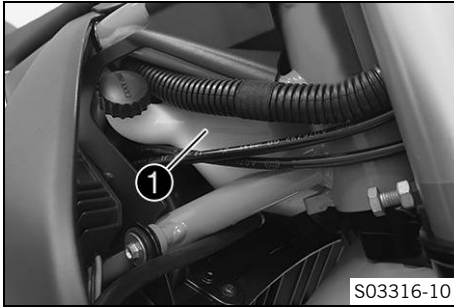
Danger of poisoning Coolant is toxic and a health hazard.

- Keep coolant out of the reach of children.
- Do not allow coolant to come into contact with the skin, the eyes and clothing.
- Consult a doctor immediately if coolant is swallowed.
- Rinse the affected area immediately with plenty of water in the event of contact with the skin.
- Rinse eyes thoroughly with water and consult a doctor immediately if coolant gets into the eyes.
- Change clothing if coolant spills onto your clothing.

Condition

The engine is cold.

15 COOLING SYSTEM

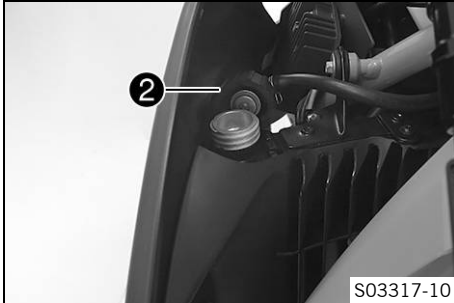


- Place the motorcycle on a horizontal surface using the side stand.
- Check the coolant level in compensating tank ①.

The coolant level must be between the two markings.

- » If the coolant level does not match the specified value:
 - Correct the coolant level.

Coolant (📖 p. 253)



- Remove radiator cap ② and check the coolant level in the radiator.

The radiator must be filled completely.

- » If the coolant level does not match the specified value:
 - Check the coolant level and the reason for the loss.

Coolant (📖 p. 253)

- Mount the radiator cap.

15.4 Draining the coolant



Warning

Danger of scalding During motorcycle operation, the coolant gets very hot and is under pressure.

- Do not open the radiator, the radiator hoses or other cooling system components if the engine or the cooling system are at operating temperature.
- Allow the cooling system and the engine to cool down before you open the radiator, the radiator hoses or other components of the cooling system.
- In the event of scalding, rinse the area affected immediately with lukewarm water.

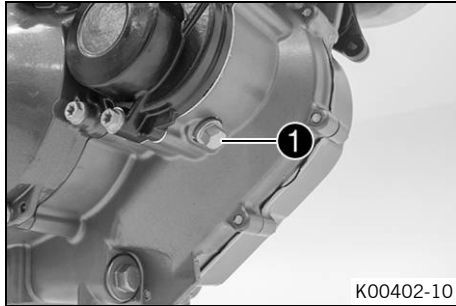


Warning

Danger of poisoning Coolant is toxic and a health hazard.

- Keep coolant out of the reach of children.
- Do not allow coolant to come into contact with the skin, the eyes and clothing.
- Consult a doctor immediately if coolant is swallowed.
- Rinse the affected area immediately with plenty of water in the event of contact with the skin.
- Rinse eyes thoroughly with water and consult a doctor immediately if coolant gets into the eyes.
- Change clothing if coolant spills onto your clothing.

15 COOLING SYSTEM



- Position the motorcycle vertically.
- Place an appropriate container under the engine.
- Remove screw ❶. Take off the radiator cap.
- Completely drain the coolant.
- Mount and tighten screw ❶ with a new seal ring.

Guideline

Screw plug, water pump drain hole	M10x1	15 Nm (11.1 lbf ft)
-----------------------------------	-------	---------------------

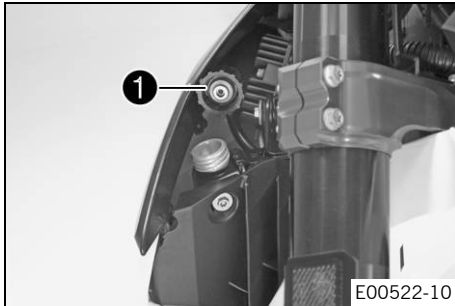
15.5 Filling/bleeding the cooling system ↗



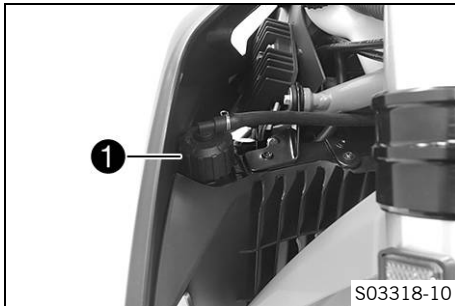
Warning

Danger of poisoning Coolant is toxic and a health hazard.

- Keep coolant out of the reach of children.
- Do not allow coolant to come into contact with the skin, the eyes and clothing.
- Consult a doctor immediately if coolant is swallowed.
- Rinse the affected area immediately with plenty of water in the event of contact with the skin.
- Rinse eyes thoroughly with water and consult a doctor immediately if coolant gets into the eyes.
- Change clothing if coolant spills onto your clothing.



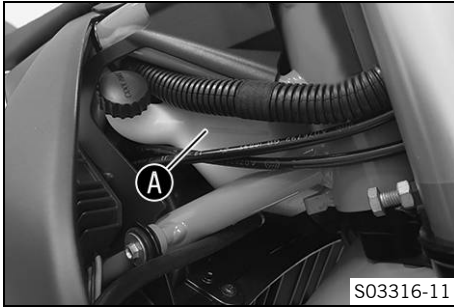
- Place the motorcycle on a horizontal surface using the side stand.
- Remove radiator cap ❶.



- Refill with coolant.
- Completely fill the radiator with coolant.
- Mount radiator cap ❶.

Coolant (📖 p. 253)

15 COOLING SYSTEM



- Remove the cover of the compensating tank.
- Add coolant up to the marking **A**.
- Mount the cover of the compensating tank.



Danger

Danger of poisoning Exhaust gases are toxic and inhaling them may result in unconsciousness and death.

- Always make sure there is sufficient ventilation when running the engine.
 - Use effective exhaust extraction when starting or running the engine in an enclosed space.
-
- Start the engine and let it warm up.
 - Stop the engine and allow it to cool down.
 - Check the coolant level. (📖 p. 199)

15.6 Changing the coolant



Warning

Danger of scalding During motorcycle operation, the coolant gets very hot and is under pressure.

- Do not open the radiator, the radiator hoses or other cooling system components if the engine or the cooling system are at operating temperature.
- Allow the cooling system and the engine to cool down before you open the radiator, the radiator hoses or other components of the cooling system.
- In the event of scalding, rinse the area affected immediately with lukewarm water.

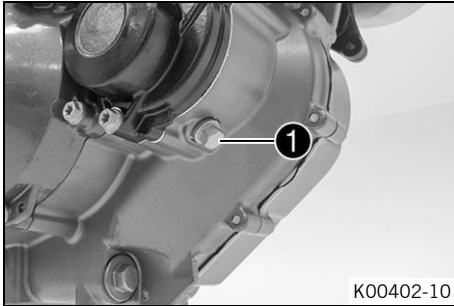


Warning

Danger of poisoning Coolant is toxic and a health hazard.

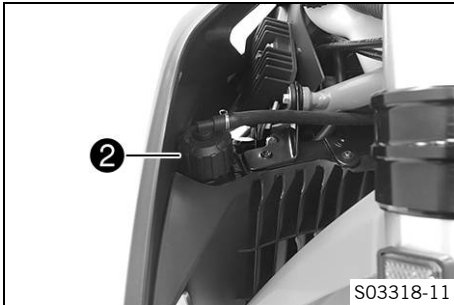
- Keep coolant out of the reach of children.
- Do not allow coolant to come into contact with the skin, the eyes and clothing.
- Consult a doctor immediately if coolant is swallowed.
- Rinse the affected area immediately with plenty of water in the event of contact with the skin.
- Rinse eyes thoroughly with water and consult a doctor immediately if coolant gets into the eyes.
- Change clothing if coolant spills onto your clothing.

15 COOLING SYSTEM

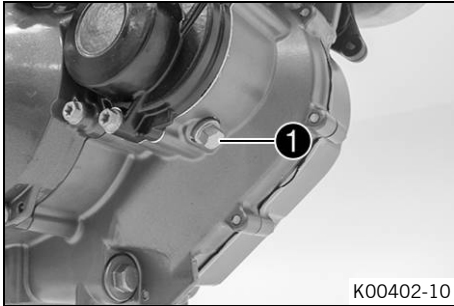


Main work

- Position the motorcycle upright.
- Place an appropriate container under the engine.
- Remove screw **1** with the seal ring.



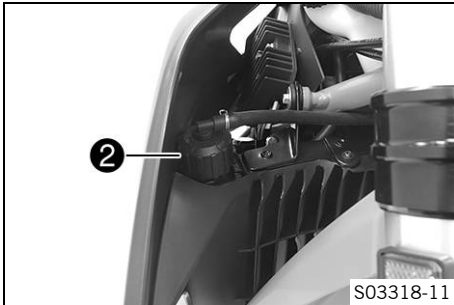
- Remove radiator cap **2**.
- Completely drain the coolant.



- Mount and tighten screw **1** with a new seal ring.

Guideline

Screw plug, water pump drain hole	M10x1	15 Nm (11.1 lbf ft)
-----------------------------------	-------	---------------------

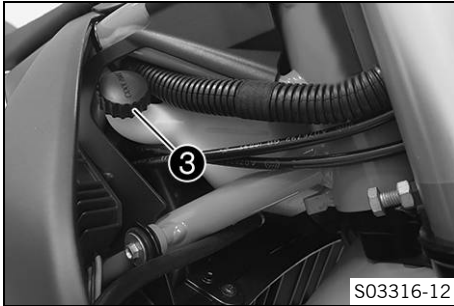


- Place the motorcycle on a horizontal surface using the side stand.
- Refill with coolant.

Coolant	1.20 l (1.27 qt.)	Coolant (📖 p. 253)
---------	----------------------	--------------------

- Completely fill the radiator with coolant.
- Mount radiator cap **2**.

15 COOLING SYSTEM



- Remove cover ③ of the compensating tank.
- Add coolant to the top marking.
- Mount the cover of the compensating tank.



Danger

Danger of poisoning Exhaust gases are toxic and inhaling them may result in unconsciousness and death.

- Always make sure there is sufficient ventilation when running the engine.
- Use effective exhaust extraction when starting or running the engine in an enclosed space.

- Start the engine and let it warm up.
- Stop the engine and allow it to cool down.

Finishing work

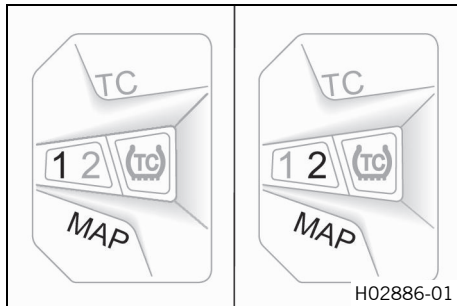
- Check the coolant level. (📖 p. 199)

16.1 Changing the drive mode



Info

The desired drive mode can be activated via the **MAP** button on the combination switch.
The setting most recently selected is activated again when restarting.
The drive mode can also be changed during the ride.



Condition

Throttle grip closed.

- Press **MAP** button until the LED displays the desired drive mode. Drive mode **1** is **ROAD** and drive mode **2** is **SUPERMOTO**.
 - ✓ ROAD – balanced response
 - ✓ SUPERMOTO – direct response



Info

The drive mode only influences the throttle response. The homologated performance is available in both drive modes.
The traction control allows greater slip in drive mode **2**.



16.2 Adjusting traction control

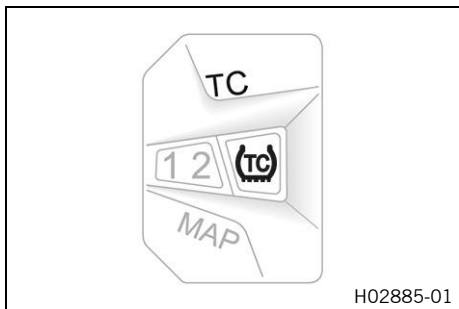


Info

Traction control is activated when the ignition is switched on.

When traction control is switched off, the rear wheel may spin during high acceleration and on surfaces with low grip.

Traction control can be switched on or off during the ride.



Deactivating traction control:

Condition

Throttle grip closed.

- Press and hold the **TC** button for 3 - 5 seconds.
 - ✓ The **TC** LED lights up when the traction control is deactivated.

Activating traction control:

Condition

Throttle grip closed.

- Press and hold the **TC** button for 3 - 5 seconds.
 - ✓ The **TC** LED does not light up when the traction control is activated.



Info

If the TC indicator lamp and both drive mode lamps light up at same time, an error as been detected in the traction control. Contact an authorized KTM workshop.

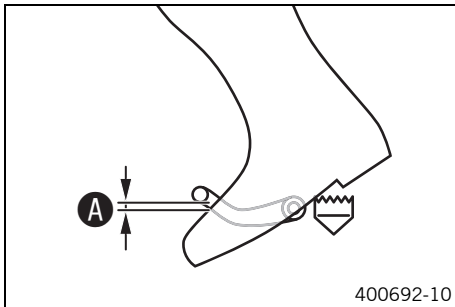


16.3 Checking the basic position of the shift lever



Info

When driving, the shift lever must not touch the rider's boot when in the basic position. If the shift lever is permanently touching the boot, the transmission will be subject to excessive load; this can cause a malfunction of the quickshifter (optional).



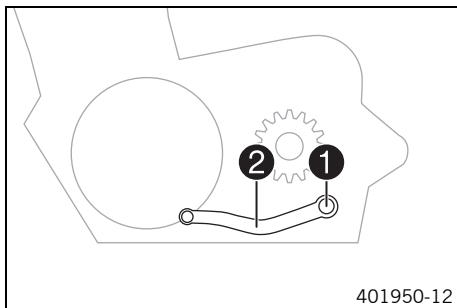
- Sit on the vehicle in the riding position and determine distance **A** between the upper edge of your boot and the shift lever.

Distance between shift lever and upper edge of boot	10 ... 20 mm (0.39 ... 0.79 in)
---	---------------------------------

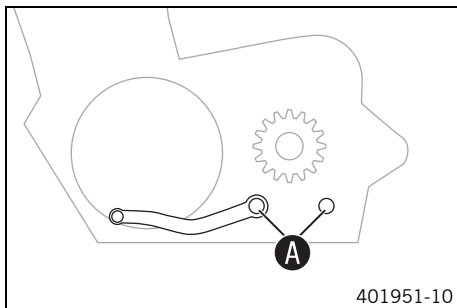
- » If the distance does not meet specifications:
 - Adjust the basic position of the shift lever.
 - (📖 p. 212)



16.4 Adjusting the basic position of the shift lever ↩



- Remove screw 1 with the washers and take off shift lever 2.



- Clean gear teeth A of the shift lever and shift shaft.
- Mount shift lever 2 on the shift shaft in the required position and engage the gearing.

i Info

The range of adjustment is limited.

The shift lever must not come into contact with any other vehicle components during the shift procedure.

- Mount and tighten screw 1 with the washers.

Guideline

Screw, shift lever	M6	14 Nm (10.3 lbf ft) Loctite®243™
--------------------	----	--

17.1 Checking the engine oil level



Info

The engine oil level must be checked when the engine is warm.

Condition

The engine is at operating temperature.

Preparatory work

- Stand the motorcycle upright on a horizontal surface.

Main work

- Check the engine oil level.



Info

After switching off the engine, wait one minute before checking the level.

The engine oil must be between the lower and upper edge of the oil level viewer.

- » If the engine oil level is not at the specified level:
 - Add engine oil. (📖 p. 220)



17.2 Changing the engine oil and oil filter, cleaning the oil screens



Warning

Danger of scalding Engine and gear oil get very hot when the motorcycle is ridden.

- Wear suitable protective clothing and safety gloves.
- In the event of scalding, rinse the area affected immediately with lukewarm water.



Note

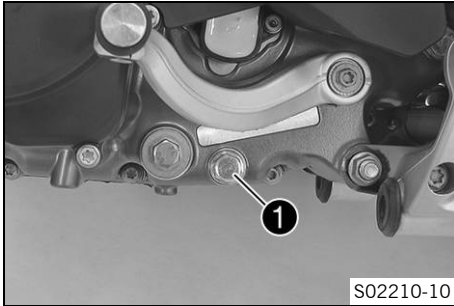
Environmental hazard Hazardous substances cause environmental damage.

- Dispose of oils, grease, filters, fuel, cleaning agents, brake fluid, etc., correctly and in compliance with the applicable regulations.

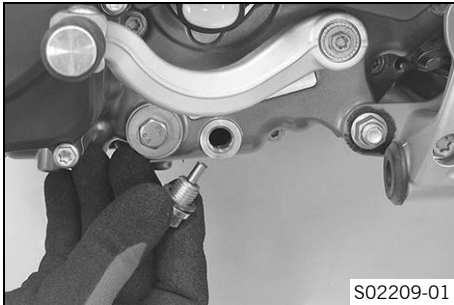


Info

Drain the engine oil while the engine is at operating temperature.



- Place an appropriate container under the engine.
- Remove oil drain plug **1** with the magnet and seal ring.
- Completely drain the engine oil.

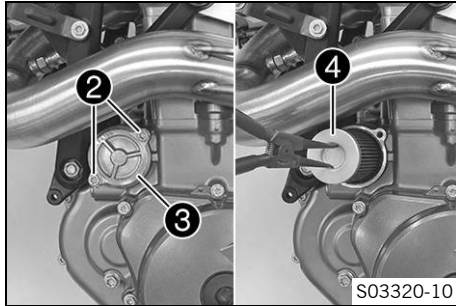


- Thoroughly clean the oil drain plug with magnet.
- Mount the oil drain plug with the magnet and seal ring and tighten it.

Guideline

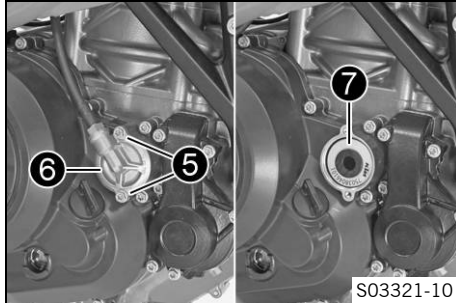
Oil drain plug with magnet	M12x1.5	20 Nm (14.8 lbf ft)
----------------------------	---------	---------------------

17 SERVICE WORK ON THE ENGINE



- Remove screws ②. Take off oil filter cover ③ with the O-ring.
- Pull oil filter ④ out of the oil filter housing.

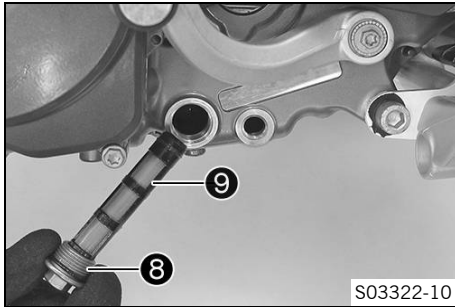
Lock ring plier (51012011000)



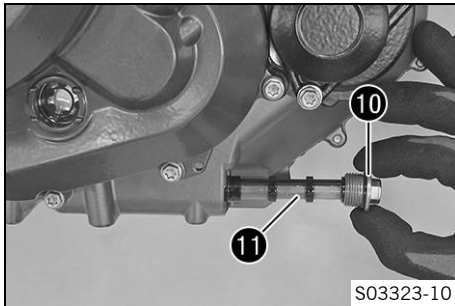
- Remove screws ⑤. Take off oil filter cover ⑥ with the O-ring.
- Pull oil filter ⑦ out of the oil filter housing.

Lock ring plier (51012011000)

- Completely drain the engine oil.
- Thoroughly clean the parts and sealing surface.

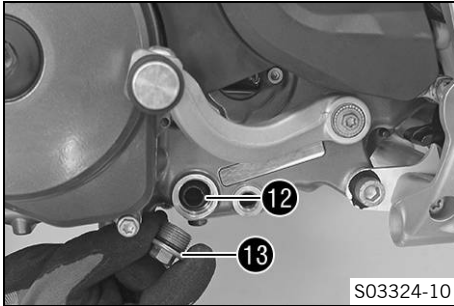


- Remove screw plug **8** with oil screen **9** and the O-rings.



- Remove screw plug **10** with oil screen **11** and the O-rings.
- Completely drain the engine oil.
- Thoroughly clean the parts and sealing surface.

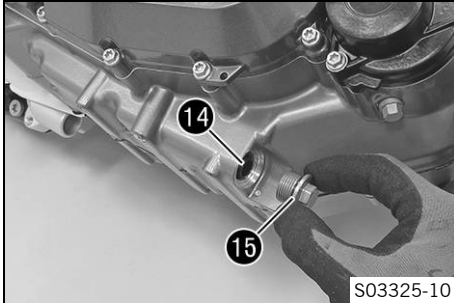
17 SERVICE WORK ON THE ENGINE



- Position oil screen 12 with the O-rings.
- Mount and tighten screw plug 13 with the O-ring.

Guideline

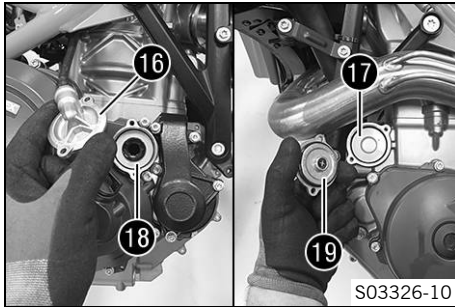
Plug, oil screen	M20x1.5	15 Nm (11.1 lbf ft)
------------------	---------	---------------------



- Position oil screen 14 with the O-rings.
- Mount and tighten screw plug 15 with the O-ring.

Guideline

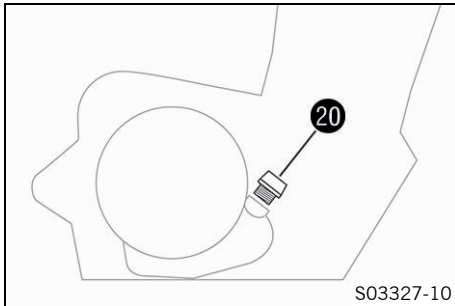
Plug, oil screen	M20x1.5	15 Nm (11.1 lbf ft)
------------------	---------	---------------------



- Insert oil filters **16** and **17**.
- Oil the O-rings of the oil filter covers. Mount oil filter covers **18** and **19**.
- Mount and tighten the screws.

Guideline

Screw, oil filter cover	M5	6 Nm (4.4 lbf ft)
-------------------------	----	-------------------



- Remove filler plug with O-ring **20** and fill up with engine oil.

Engine oil	1.70 l (1.8 qt.)	Engine oil (SAE 10W/50) (📖 p. 254)
------------	---------------------	--

- Mount and tighten the filler plug with O-ring **20**.



Danger

Danger of poisoning Exhaust gases are toxic and inhaling them may result in unconsciousness and death.

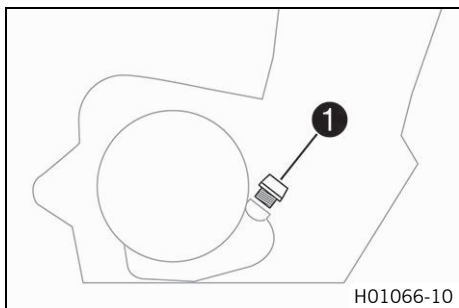
- Always make sure there is sufficient ventilation when running the engine.
- Use effective exhaust extraction when starting or running the engine in an enclosed space.

- Start the engine and check that it is oil-tight.

17.3 Adding engine oil

i Info

Too little engine oil or poor-quality engine oil will result in premature wear of the engine.



Main work

- Remove filler plug ❶ with the O-ring, and fill up with engine oil.
- Fill engine oil to the middle of the level viewer.

Engine oil (SAE 10W/50) (📖 p. 254)

i Info

In order to achieve optimal engine oil performance, it is not advisable to mix different engine oils. We recommend changing the engine oil when necessary.

- Mount and tighten filler plug ❶ with the O-ring.



Danger

Danger of poisoning Exhaust gases are toxic and inhaling them may result in unconsciousness and death.

- Always make sure there is sufficient ventilation when running the engine.
- Use effective exhaust extraction when starting or running the engine in an enclosed space.

- Start the engine and check for tightness.

Finishing work

- Check the engine oil level. (📖 p. 213)



18.1 Cleaning the motorcycle

Note

Material damage Components become damaged or destroyed if a pressure cleaner is used incorrectly. The high pressure forces water into the electrical components, connectors, throttle cables, and bearings, etc. Pressure which is too high causes malfunctions and destroys components.

- Do not direct the water jet directly on to electrical components, connectors, throttle cables or bearings.
- Maintain a minimum distance between the nozzle of the pressure cleaner and the component.

Minimum clearance

60 cm (23.6 in)



Note

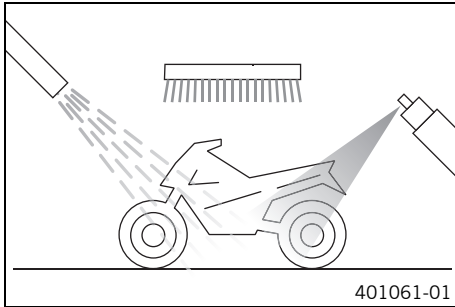
Environmental hazard Hazardous substances cause environmental damage.

- Dispose of oils, grease, filters, fuel, cleaning agents, brake fluid, etc., correctly and in compliance with the applicable regulations.
-



Info

To maintain the value and appearance of the motorcycle over a long period, clean it regularly. Avoid direct sunshine when cleaning the motorcycle.



- Close off the exhaust system to keep water from entering.
- Remove loose dirt first with a soft jet of water.
- Spray heavily soiled parts with a normal commercial motorcycle cleaner and then brush off with a soft brush.

Motorcycle cleaner (📖 p. 256)



Info

Use warm water containing normal motorcycle cleaner and a soft sponge.
 Never apply motorcycle cleaner to a dry vehicle; always rinse the vehicle with water first.
 If the vehicle was operated in road salt, clean it with cold water. Warm water would enhance the corrosive effects of salt.

- After rinsing the motorcycle with a gentle spray of water, allow it to dry thoroughly.
- Remove the closure of the exhaust system.



Warning

Danger of accidents Moisture and dirt impair the brake system.

- Brake carefully several times to dry out and remove dirt from the brake linings and the brake discs.

- After cleaning, ride the vehicle a short distance until the engine warms up.

**Info**

The heat produced causes water at inaccessible locations in the engine and on the brake system to evaporate.

- Push back the protection caps of the handlebar controls to allow any water that has penetrated to evaporate.
- After the motorcycle has cooled down, lubricate all moving parts and pivot points.
- Clean the chain. (📖 p. 114)
- Treat bare metal (except for brake discs and the exhaust system) with a corrosion inhibitor.

Preserving materials for paints, metal and rubber
(📖 p. 257)

- Treat all painted parts with a mild paint care product.

Perfect finish and high gloss polish for paints (📖 p. 256)

**Info**

Do not polish parts that were matte when delivered as this would strongly impair the material quality.

- Treat all plastic parts and powder-coated parts with a mild cleaning and care product.

Special cleaner for glossy and matte paint finishes, metal and plastic surfaces (📖 p. 257)

- Lubricate the ignition/steering lock.

Universal oil spray (📖 p. 257)



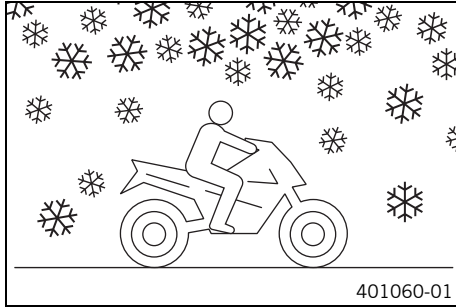
18.2 Checks and maintenance steps for winter operation



Info

If you use the motorcycle in winter, salt can be expected on the roads. You should therefore take precautions against aggressive road salt.

After riding on salted roads, thoroughly clean the vehicle with cold water and dry it well. Warm water enhances the corrosive effects of salt.



- Clean motorcycle. (📖 p. 222)
- Clean the brake system.



Info

After **EVERY** trip on salted roads, thoroughly clean the brake calipers and brake linings, after they have cooled down and without removing them, with cold water and dry them carefully.

After riding on salted roads, thoroughly clean the motorcycle with cold water and dry it well.

-
- Treat the engine, the swingarm, and all other bare or zinc-plated parts (except the brake discs) with a wax-based corrosion inhibitor.



Info

Corrosion inhibitor must not come in contact with the brake discs as this would greatly reduce the braking force.

-
- Clean the chain. (📖 p. 114)
- 

19.1 Storage



Warning

Danger of poisoning Fuel is poisonous and a health hazard.

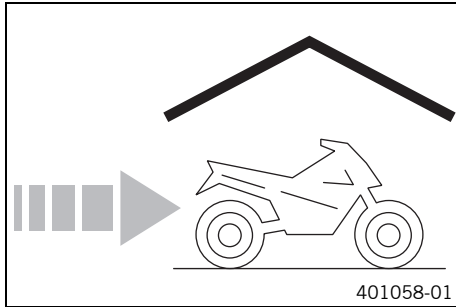
- Avoid skin, eye and clothing contact with fuel.
- Immediately consult a doctor if you swallow fuel.
- Do not inhale fuel vapors.
- In case of skin contact, rinse the affected area with plenty of water.
- Rinse the eyes thoroughly with water, and consult a doctor in case of fuel contact with the eyes.
- Change your clothing in case of fuel spills on them.
- Keep fuels correctly in a suitable canister, and out of the reach of children.



Info

If you plan to garage the motorcycle for a longer period, perform the following steps or have them performed.

Before storing the motorcycle, check all parts for function and wear. If service, repairs, or replacements are necessary, you should do this during the storage period (less workshop overload). In this way, you can avoid long workshop waiting times at the start of the new season.



- When refueling for the last time before taking the motorcycle out of service, add fuel additive.

Fuel additive (📖 p. 256)

- Refuel. (📖 p. 77)
- Clean motorcycle. (📖 p. 222)
- Change the engine oil and oil filter, clean the oil screens. 🛠️ (📖 p. 214)
- Check the antifreeze and coolant level. (📖 p. 196)
- Check tire pressure. (📖 p. 165)
- Remove the 12-V battery. 🛠️ (📖 p. 168)
- Charge the 12-V battery. 🛠️ (📖 p. 173)

Guideline

Storage temperature of the 12-V battery without direct sunlight	0 ... 35 °C (32 ... 95 °F)
---	----------------------------

- Store the vehicle in a dry location that is not subject to large fluctuations in temperature.



Info

KTM recommends jacking up the motorcycle.

- Raise the motorcycle with the rear lifting gear. (📖 p. 96)
- Lift the motorcycle with the front lifting gear. (📖 p. 98)

- Cover the motorcycle with a tarp or cover that is permeable to air.

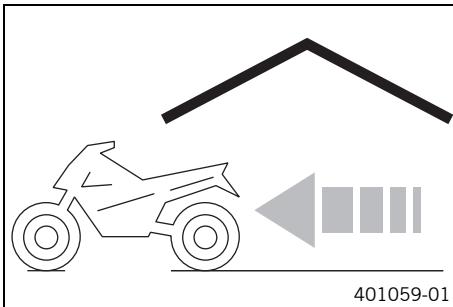


Info

Do not use non-porous materials since they prevent humidity from escaping, thus causing corrosion. Avoid running the engine for a short time only. Since the engine cannot warm up properly, the water vapor produced during combustion condenses and causes valves and the exhaust system to rust.



19.2 Preparing for use after storage



- Take the motorcycle off the front lifting gear. (📖 p. 99)
- Remove the rear of the motorcycle from the wheel stand. (📖 p. 97)
- Charge the 12-V battery. ⚡ (📖 p. 173)
- Install the 12-V battery. ⚡ (📖 p. 170)
- Set the clock. (📖 p. 46)
- Perform checks and maintenance measures when preparing for use. (📖 p. 58)
- Take a test ride.



Faults	Possible cause	Action
The engine does not turn when the starter button is pressed	Operating error	– Carry out the start procedure. (📖 p. 59)
	12 V battery discharged	– Charge the 12-V battery. 🛠️ (📖 p. 173) – Check the open-circuit current. 🛠️
	Fuse 1 or 2 blown	– Change the fuses of individual power consumers. (📖 p. 180) – Set the clock. (📖 p. 46)
	Main fuse burned out	– Change the main fuse. (📖 p. 176)
	No ground connection present	– Check the ground connection.
Engine turns only if the clutch lever is drawn	The vehicle is in gear	– Shift the transmission to neutral position.
	The vehicle is in gear and the side stand is folded out	– Shift the transmission to neutral position.
The engine turns but does not start	Operating error	– Carry out the start procedure. (📖 p. 59)
	Fuse 3 blown	– Change the fuses of individual power consumers. (📖 p. 180)
	The plug-in connection of the fuel hose connection is not connected	– Connect the plug-in connection of the fuel line.
	Error in the electronic fuel injection	– Read out the fault memory using the KTM diagnostics tool. 🛠️

Faults	Possible cause	Action
The engine turns but does not start	Throttle opened while starting	<ul style="list-style-type: none"> – When starting, DO NOT open the throttle. – Carry out the start procedure. (📖 p. 59)
Engine has too little power.	Air filter is very dirty	<ul style="list-style-type: none"> – Remove the air filter. 🛠️ (📖 p. 111) – Install the air filter. 🛠️ (📖 p. 113)
	Fuel screen is very dirty	<ul style="list-style-type: none"> – Change fuel screen. 🛠️
	Fuel filter is very dirty	<ul style="list-style-type: none"> – Check the fuel pressure. 🛠️
	Error in the electronic fuel injection	<ul style="list-style-type: none"> – Read out the fault memory using the KTM diagnostics tool. 🛠️
Engine overheats.	Too little coolant in cooling system	<ul style="list-style-type: none"> – Check the cooling system for leakage. – Check the coolant level. (📖 p. 199)
	Radiator fins very dirty	<ul style="list-style-type: none"> – Clean radiator fins.
	Foam formation in cooling system	<ul style="list-style-type: none"> – Drain the coolant. 🛠️ (📖 p. 201) – Fill/bleed the cooling system. 🛠️ (📖 p. 202)
	Buckled or damaged radiator hose	<ul style="list-style-type: none"> – Change the radiator hose. 🛠️
	Thermostat is faulty	<ul style="list-style-type: none"> – Check the thermostat. 🛠️
	Fuse 5 blown	<ul style="list-style-type: none"> – Change the fuses of individual power consumers. (📖 p. 180)
	Defect in radiator fan system	<ul style="list-style-type: none"> – Check the radiator fan system. 🛠️

Faults	Possible cause	Action
Engine overheats.	Air in cooling system	– Fill/bleed the cooling system. 🛠️ (📖 p. 202)
Malfunction indicator lamp lights up	Error in the electronic fuel injection	– Read out the fault memory using the KTM diagnostics tool. 🛠️
Engine dies during the journey	Lack of fuel	– Refuel. (📖 p. 77)
	Fuse 1 , 2 or 3 blown	– Change the fuses of individual power consumers. (📖 p. 180)
ABS warning lamp lights up	The ABS fuse is blown	– Change the ABS fuses. (📖 p. 178)
	Large difference in wheel speeds of the front and rear wheels	– Stop the vehicle, switch off the ignition, and start it again.
	Malfunction in ABS	– Read out the ABS fault memory using the KTM diagnostics tool. 🛠️
High oil consumption	Engine vent hose bent	– Route the vent hose without bends or change it if necessary.
	Engine oil level too high	– Check the engine oil level. (📖 p. 213)
	Engine oil too thin (low viscosity)	– Change the engine oil and oil filter, clean the oil screens. 🛠️ (📖 p. 214)
Headlight and parking light are not functioning	Fuse 6 blown	– Change the fuses of individual power consumers. (📖 p. 180)
Turn signal, brake light and horn not functioning	Fuse 5 blown	– Change the fuses of individual power consumers. (📖 p. 180)

Faults	Possible cause	Action
Time is not (correctly) displayed	Fuse 1 blown	<ul style="list-style-type: none"> – Change the fuses of individual power consumers. (📖 p. 180) – Set the clock. (📖 p. 46)
12 V battery discharged	Ignition not switched off when vehicle was parked	<ul style="list-style-type: none"> – Charge the 12-V battery. 🛡️ (📖 p. 173)
	The 12-V battery is not being charged by the alternator	<ul style="list-style-type: none"> – Check the charging voltage. 🛡️ – Check the open-circuit current. 🛡️
Combination instrument shows nothing in the display	Fuse 1 or 2 blown	<ul style="list-style-type: none"> – Change the fuses of individual power consumers. (📖 p. 180) – Set the clock. (📖 p. 46)
Speedometer in combination instrument not functioning	Speedometer wiring harness is damaged or plug-in connection is oxidized	<ul style="list-style-type: none"> – Check the wiring harness and plug-in connection.

21.1 Engine

Design	1-cylinder 4-stroke engine, water-cooled
Displacement	692.7 cm ³ (42.271 cu in)
Stroke	80 mm (3.15 in)
Bore	105 mm (4.13 in)
Compression ratio	12.7:1
Idle speed	
Coolant temperature: $\geq 70\text{ }^{\circ}\text{C}$ ($\geq 158\text{ }^{\circ}\text{F}$)	1,600 \pm 50 rpm
Control	OHC, intake with cam levers, exhaust controlled by rocker arm, chain drive
Valve diameter, intake	42 mm (1.65 in)
Valve diameter, exhaust	34 mm (1.34 in)
Valve play, cold	
Intake at: 20 $^{\circ}\text{C}$ (68 $^{\circ}\text{F}$)	0.10 ... 0.15 mm (0.0039 ... 0.0059 in)
Exhaust at: 20 $^{\circ}\text{C}$ (68 $^{\circ}\text{F}$)	0.22 ... 0.27 mm (0.0087 ... 0.0106 in)
Crankshaft bearing	2 roller bearings
Conrod bearing	Slide bearing
Piston pin bearing	Piston pin with DLC coating
Pistons	Forged light alloy
Piston rings	1 compression ring, 1 lower compression ring, 1 oil ring with spring expander

Engine lubrication	Semi-dry sump lubrication system with two rotor pumps
Primary transmission	36:79
Clutch	APTCTM antihopping clutch in oil bath/hydraulically operated
Transmission	6-gear transmission, claw shifted
Transmission ratio	
First gear	14:35
Second gear	16:28
Third gear	20:27
Fourth gear	21:23
Fifth gear	23:22
Sixth gear	23:20
Mixture preparation	Electronic fuel injection
Ignition	Contactless controlled fully electronic ignition with digital ignition adjustment
Alternator	12 V, 300 W
Spark plug	
Inside spark plug	NGK LKAR9BI-10
Outside spark plug	NGK LMAR7DI-10
Spark plug electrode gap	1.0 mm (0.039 in)

Cooling	Water cooling, permanent circulation of coolant by water pump
Starting aid	Starter motor, automatic decompression

21.2 Engine tightening torques

Screw, membrane fixation	M3	2 Nm (1.5 lbf ft) Loctite®243™
Hose clamp, intake flange	M4	2.5 Nm (1.84 lbf ft)
Oil nozzle for conrod bearing lubrication	M4	0.8 Nm (0.59 lbf ft)
Locking screw for bearing	M5	6 Nm (4.4 lbf ft) Loctite®243™
Remaining screws, engine	M5	6 Nm (4.4 lbf ft)
Screw, axial lock of camshaft	M5	6 Nm (4.4 lbf ft) Loctite®243™
Screw, clutch spring	M5	8 Nm (5.9 lbf ft)
Screw, cover plate for oil return line	M5	6 Nm (4.4 lbf ft)
Screw, gear sensor	M5	5 Nm (3.7 lbf ft) Loctite®243™
Screw, oil filter cover	M5	6 Nm (4.4 lbf ft)
Screw, oil pump cover, top	M5	6 Nm (4.4 lbf ft) Loctite®243™

Remaining screws, engine	M6	10 Nm (7.4 lbf ft)	
Screw in alternator cover	M6	10 Nm (7.4 lbf ft)	
Screw timing chain guide rail	M6x30	10 Nm (7.4 lbf ft)	Loctite®2701™
Screw timing chain tensioning rail	M6x30	10 Nm (7.4 lbf ft)	Loctite®2701™
Screw, alternator cover (timing chain shaft through-hole)	M6	10 Nm (7.4 lbf ft)	Loctite®243™
Screw, clutch cover	M6	10 Nm (7.4 lbf ft)	
Screw, clutch slave cylinder	M6x20	10 Nm (7.4 lbf ft)	Loctite®243™
Screw, clutch slave cylinder	M6x35	10 Nm (7.4 lbf ft)	
Screw, crankshaft speed sensor	M6	10 Nm (7.4 lbf ft)	Loctite®243™
Screw, cylinder	M6	10 Nm (7.4 lbf ft)	Loctite®243™
Screw, cylinder head	M6	10 Nm (7.4 lbf ft)	Loctite®243™
Screw, engine case	M6	10 Nm (7.4 lbf ft)	
Screw, ignition coil	M6	10 Nm (7.4 lbf ft)	
Screw, locking lever	M6	10 Nm (7.4 lbf ft)	Loctite®243™

21 TECHNICAL DATA

Screw, shift drum locating	M6	10 Nm (7.4 lbf ft) Loctite®243™
Screw, shift lever	M6	14 Nm (10.3 lbf ft) Loctite®243™
Screw, starter motor	M6	10 Nm (7.4 lbf ft) Loctite®243™
Screw, stator	M6	10 Nm (7.4 lbf ft) Loctite®243™
Screw, thermostat housing	M6	10 Nm (7.4 lbf ft) Loctite®243™
Screw, valve cover	M6	10 Nm (7.4 lbf ft)
Screw, water pump cover	M6	10 Nm (7.4 lbf ft)
Screw, water pump wheel	M6	10 Nm (7.4 lbf ft) Loctite®243™
Intake channel vacuum connection	M6x0.75	2.5 Nm (1.84 lbf ft) Loctite®243™
Oil jet, piston cooling	M6x0.75	4 Nm (3 lbf ft) Loctite®243™
Nut, exhaust flange	M8	20 Nm (14.8 lbf ft) Copper paste
Screw plug, locking screw	M8	15 Nm (11.1 lbf ft)
Screw, rocker arm shaft	M8	15 Nm (11.1 lbf ft)
Stud, exhaust flange	M8	10 Nm (7.4 lbf ft) Loctite®243™

Cylinder head screw	M10	<p>Tightening sequence: Tighten diagonally, beginning with the rear screw on the timing chain shaft.</p> <p>Step 1 15 Nm (11.1 lbf ft)</p> <p>Step 2 30 Nm (22.1 lbf ft)</p> <p>Step 3 45 Nm (33.2 lbf ft)</p> <p>Step 4 60 Nm (44.3 lbf ft)</p> <p style="text-align: right;">Lubricated with engine oil</p>
Oil line for oil pressure sensor	M10x1	10 Nm (7.4 lbf ft)
Oil pressure sensor	M10x1	10 Nm (7.4 lbf ft)
Screw plug, oil channel	M10x1	15 Nm (11.1 lbf ft) Loctite®243™
Screw plug, oil channel, for oil radiator	M10x1	15 Nm (11.1 lbf ft)
Screw plug, water pump drain hole	M10x1	15 Nm (11.1 lbf ft)
Screw, unlocking of timing chain tensioner	M10x1	10 Nm (7.4 lbf ft)
Spark plug outside	M10x1	11 Nm (8.1 lbf ft)
Spark plug inside	M12x1.25	18 Nm (13.3 lbf ft)

21 TECHNICAL DATA

Coolant temperature sensor on the cylinder head	M12x1.5	12 Nm (8.9 lbf ft)
Oil drain plug with magnet	M12x1.5	20 Nm (14.8 lbf ft)
Screw plug, oil pressure control valve	M12x1.5	20 Nm (14.8 lbf ft)
Screw plug, oil channel	M14x1.5	15 Nm (11.1 lbf ft) Loctite®243™
Engine case stud	M16x1.5	25 Nm (18.4 lbf ft) Loctite®243™
Rotor nut	M18x1.5	100 Nm (73.8 lbf ft)
Nut, engine sprocket	M20x1.5	80 Nm (59 lbf ft) Loctite®243™
Nut, inner clutch hub	M20x1.5	120 Nm (88.5 lbf ft) Loctite®243™
Nut, primary gear wheel	M20LHx1.5	90 Nm (66.4 lbf ft) Loctite®243™
Plug, oil screen	M20x1.5	15 Nm (11.1 lbf ft)
Plug, oil thermostat	M24x1.5	15 Nm (11.1 lbf ft)
Plug, timing chain tensioner	M24x1.5	25 Nm (18.4 lbf ft)
Screw in alternator cover	M24x1.5	8 Nm (5.9 lbf ft)

21.3 Capacities

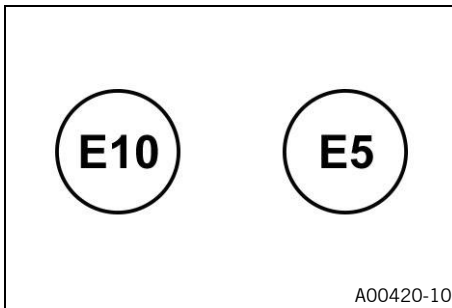
21.3.1 Engine oil

Engine oil	1.70 l (1.8 qt.)	Engine oil (SAE 10W/50) (📖 p. 254)
------------	------------------	---------------------------------------

21.3.2 Coolant

Coolant	1.20 l (1.27 qt.)	Coolant (📖 p. 253)
---------	-------------------	--------------------

21.3.3 Fuel



Please observe the labels on EU fuel pumps.

Total fuel tank capacity, approx.	13.5 l (3.57 US gal)	Super unleaded (ROZ 95/RON 95/PON 91) (📖 p. 255)
-----------------------------------	----------------------	--

21 TECHNICAL DATA

Fuel reserve, approx.	1.8 l (1.9 qt.)
-----------------------	-----------------

21.4 Chassis

Frame	Lattice frame made of chrome molybdenum steel tubing, powder-coated
Fork	WP Suspension APEX 5448
Shock absorber	WP Suspension APEX 4618
Suspension travel	
front	215 mm (8.46 in)
rear	240 mm (9.45 in)
Brake system	
front	Disc brake with radially mounted four-piston brake caliper, floating brake disc
rear	Disc brake with single-piston brake caliper, floating
Brake discs - diameter	
front	320 mm (12.6 in)
rear	240 mm (9.45 in)
Brake discs - wear limit	
front	4.0 mm (0.157 in)
rear	4.5 mm (0.177 in)
Tire pressure when solo	

front	2.3 bar (33 psi)
rear	2.5 bar (36 psi)
Tire pressure with passenger / full payload	
front	2.3 bar (33 psi)
rear	2.5 bar (36 psi)
Secondary drive ratio	16:42
Chain	5/8 x 1/4" X-ring
Steering head angle	63.6°
Wheelbase	1,480 ± 15 mm (58.27 ± 0.59 in)
Seat height unloaded	890 mm (35.04 in)
Ground clearance unloaded	270 mm (10.63 in)
Weight without fuel, approx.	150 kg (331 lb.)
Maximum permissible front axle load	150 kg (331 lb.)
Maximum permissible rear axle load	200 kg (441 lb.)
Maximum permissible overall weight	350 kg (772 lb.)

21.5 Electrical system

12-V battery	YTZ10S	Battery voltage: 12 V Nominal capacity: 8.6 Ah Maintenance-free
Combination instrument battery	CR 2430	Battery voltage: 3 V

21 TECHNICAL DATA

Fuse	58011109130	30 A
Fuse	58011109115	15 A
Fuse	58011109125	25 A
Fuse	75011088015	15 A
Fuse	75011088010	10 A
Headlight	H4 / socket P43t	12 V 60/55 W
Position light	W5W / socket W2.1x9.5d	12 V 5 W
Combination instrument lighting and indicator lamps	LED	
Turn signal	LED	
Brake/tail light	LED	
License plate lamp	LED	

21.6 Tires

Front tire	Rear tire
120/70 ZR 17 M/C (58W) TL Bridgestone Battlax Hypersport S21 F	160/60 ZR 17 M/C (69W) TL Bridgestone Battlax Hypersport S21 R
The tires specified represent one of the possible series production tires. Additional information is available in the Service section under: http://www.ktm.com	

21.7 Fork

Fork article number	14.18.8S.12	
Fork	WP Suspension APEX 5448	
Compression damping		
Comfort	20 clicks	
Standard	15 clicks	
Sport	10 clicks	
Full payload	10 clicks	
Rebound damping		
Comfort	20 clicks	
Standard	15 clicks	
Sport	10 clicks	
Full payload	10 clicks	
Spring length with preload spacer(s)	463 mm (18.23 in)	
Spring rate		
Medium (standard)	5.3 N/mm (30.3 lb/in)	
Fork length	879 mm (34.61 in)	
Fork oil per fork leg	590 ml (19.95 fl. oz.)	Fork oil (SAE 4) (48601166S1) (📖 p. 255)

21.8 Shock absorber

Shock absorber article number	15.18.7S.12
Shock absorber	WP Suspension APEX 4618
High-speed compression damping	
Comfort	2 turns
Standard	1.5 turns
Sport	1 turn
Full payload	1 turn
Low-speed compression damping	
Comfort	20 clicks
Standard	15 clicks
Sport	10 clicks
Full payload	10 clicks
Rebound damping	
Comfort	20 clicks
Standard	15 clicks
Sport	10 clicks
Full payload	10 clicks
Fitted length	391 mm (15.39 in)
Shock absorber fluid (🗨️ p. 255)	SAE 2.5

21.9 Chassis tightening torques

Screw, chain guard	EJOT	2 Nm (1.5 lbf ft)
Screw, combination instrument	EJOT	1 Nm (0.7 lbf ft)
Screw, combination switch	EJOT PT® K50x18 T20	2 Nm (1.5 lbf ft)
Screw, side cover on spoiler	EJOT	1 Nm (0.7 lbf ft)
Screw, side stand switch	EJOT	2 Nm (1.5 lbf ft)
Fitting, side stand switch	M4	2 Nm (1.5 lbf ft)
Spoke nipple, front wheel	M4.5	4 Nm (3 lbf ft)
Spoke nipple, rear wheel	M4.5	4 Nm (3 lbf ft)
Remaining nuts, chassis	M5	4 Nm (3 lbf ft)
Remaining screws, chassis	M5	4 Nm (3 lbf ft)
Screw, brake line holder on swingarm	M5	4 Nm (3 lbf ft)
Screw, cable on starter motor	M5	3 Nm (2.2 lbf ft)
Screw, combination switch, left	M5	3.5 Nm (2.58 lbf ft)
Screw, electrical holder	M5	3 Nm (2.2 lbf ft)
Screw, exhaust heat shield	M5	8 Nm (5.9 lbf ft) Loctite®243™
Screw, foot brake lever stub	M5	6 Nm (4.4 lbf ft) Loctite®243™
Screw, fuel hose clamp on fuel tank	M5	5 Nm (3.7 lbf ft)

21 TECHNICAL DATA

Screw, fuel level sensor	M5	3 Nm (2.2 lbf ft)	
Screw, fuel pump	M5	4 Nm (3 lbf ft)	
Screw, fuel tank closure flange	M5	2.5 Nm (1.84 lbf ft)	
Screw, headlight mask	M5	5 Nm (3.7 lbf ft)	
Screw, pressure regulator	M5	4 Nm (3 lbf ft)	
Screw, radiator fan cover	M5	4 Nm (3 lbf ft)	
Screw, radiator guard	M5	4 Nm (3 lbf ft)	
Screw, throttle grip	M5	3.5 Nm (2.58 lbf ft)	
Remaining nuts, chassis	M6	10 Nm (7.4 lbf ft)	
Remaining screws on fuel tank	M6	5 Nm (3.7 lbf ft)	
Remaining screws, chassis	M6	10 Nm (7.4 lbf ft)	
Screw connection, foot brake cylinder	M6	10 Nm (7.4 lbf ft)	
Screw, ABS control unit	M6	5 Nm (3.7 lbf ft)	
Screw, ball joint of push rod on foot brake cylinder	M6	10 Nm (7.4 lbf ft)	Loctite®243™
Screw, brake assembly	M6	5 Nm (3.7 lbf ft)	
Screw, brake fluid reservoir for rear brake	M6	5 Nm (3.7 lbf ft)	
Screw, chain guard	M6	2 Nm (1.5 lbf ft)	Loctite®243™
Screw, chain guide	M6	8 Nm (5.9 lbf ft)	

Screw, chain sliding guard	M6	8 Nm (5.9 lbf ft) Loctite®243™
Screw, clutch assembly	M6	5 Nm (3.7 lbf ft)
Screw, front brake disc	M6	14 Nm (10.3 lbf ft) Loctite®243™
Screw, ignition lock	M6	10 Nm (7.4 lbf ft) Loctite®243™
Screw, license plate holder, bottom	M6	8 Nm (5.9 lbf ft)
Screw, license plate holder, top	M6	8 Nm (5.9 lbf ft)
Screw, lower radiator bracket	M6	8 Nm (5.9 lbf ft)
Screw, magnetic holder on side stand	M6	6 Nm (4.4 lbf ft) Loctite®243™
Screw, main silencer clamp	M6	8 Nm (5.9 lbf ft) Copper paste
Screw, radiator bleeding	M6	8 Nm (5.9 lbf ft)
Screw, rear brake disc	M6	14 Nm (10.3 lbf ft) Loctite®243™
Screw, SAS valve	M6	4 Nm (3 lbf ft)
Screw, seat lock	M6	5 Nm (3.7 lbf ft)
Screw, side cover	M6	5 Nm (3.7 lbf ft)
Screw, upper part of the air filter box	M6	2 Nm (1.5 lbf ft)

21 TECHNICAL DATA

Screw, upper radiator bracket	M6	10 Nm (7.4 lbf ft)
Screw, voltage regulator	M6	8 Nm (5.9 lbf ft)
Screw, wheel speed sensor	M6	6 Nm (4.4 lbf ft)
Nut, rear sprocket screw	M8	35 Nm (25.8 lbf ft) Loctite®2701™
Remaining nuts, chassis	M8	25 Nm (18.4 lbf ft)
Remaining screws, chassis	M8	25 Nm (18.4 lbf ft)
Screw, bottom triple clamp	M8	12 Nm (8.9 lbf ft)
Screw, chain sliding piece	M8	15 Nm (11.1 lbf ft)
Screw, connection lever on frame	M8	30 Nm (22.1 lbf ft) Loctite®243™
Screw, foot brake lever	M8	25 Nm (18.4 lbf ft) Loctite®243™
Screw, fork stub	M8	15 Nm (11.1 lbf ft)
Screw, front footrest bracket	M8	25 Nm (18.4 lbf ft)
Screw, fuel tank bracket	M8	15 Nm (11.1 lbf ft)
Screw, fuel tank, bottom	M8	25 Nm (18.4 lbf ft) Loctite®243™
Screw, fuel tank, top	M8	25 Nm (18.4 lbf ft) Loctite®243™
Screw, grab handle	M8	10 Nm (7.4 lbf ft)
Screw, handlebar clamp	M8	20 Nm (14.8 lbf ft)

Screw, heel protector	M8x12	5 Nm (3.7 lbf ft) Loctite®243™
Screw, main silencer holder	M8	25 Nm (18.4 lbf ft)
Screw, main silencer holder on fuel tank	M8	25 Nm (18.4 lbf ft)
Screw, rear footrest bracket	M8x16	25 Nm (18.4 lbf ft)
Screw, side stand bracket	M8	25 Nm (18.4 lbf ft) Loctite®243™
Screw, spring holder plate on side stand bracket	M8	25 Nm (18.4 lbf ft) Loctite®243™
Screw, steering stem	M8	20 Nm (14.8 lbf ft)
Screw, top triple clamp	M8	17 Nm (12.5 lbf ft)
Engine carrying screw	M10	45 Nm (33.2 lbf ft) Loctite®243™
Remaining nuts, chassis	M10	45 Nm (33.2 lbf ft)
Remaining screws, chassis	M10	45 Nm (33.2 lbf ft)
Screw, bottom shock absorber	M10	45 Nm (33.2 lbf ft) Loctite®243™
Screw, engine bearer on frame	M10	45 Nm (33.2 lbf ft)
Screw, handlebar support	M10	45 Nm (33.2 lbf ft) Loctite®243™
Screw, side stand	M10	35 Nm (25.8 lbf ft) Loctite®243™

21 TECHNICAL DATA

Screw, top shock absorber	M10	45 Nm (33.2 lbf ft) Loctite®243™
Banjo bolt, brake line	M10x1	25 Nm (18.4 lbf ft)
Screw, front brake caliper	M10x1.25	45 Nm (33.2 lbf ft) Loctite®243™
Screw, swingarm pivot	M12	80 Nm (59 lbf ft)
Lambda sensor	M12x1.25	25 Nm (18.4 lbf ft) Copper paste
Nut, angle lever to link fork	M14x1.5	100 Nm (73.8 lbf ft)
Nut, linkage lever to rocker arm	M14x1.5	100 Nm (73.8 lbf ft)
Screw, radiator temperature sensor	M18	20 Nm (14.8 lbf ft)
Screw, bottom steering head	M20x1.5	60 Nm (44.3 lbf ft) Loctite®243™
Screw, top steering head	M20x1.5	12 Nm (8.9 lbf ft)
Screw, front wheel spindle	M24x1.5	45 Nm (33.2 lbf ft)
Nut, rear wheel spindle	M25x1.5	90 Nm (66.4 lbf ft)

Brake fluid DOT 4 / DOT 5.1

Standard/classification

- DOT

Guideline

- Use only brake fluid that complies with the specified standard (see specifications on the container) and that exhibits the corresponding properties.

Recommended supplier

Castrol

- REACT PERFORMANCE DOT 4

MOTOREX®

- Brake Fluid DOT 5.1

Coolant

Guideline

- Only use high-grade, silicate-free coolant with corrosion inhibitor additive for aluminum motors. Low grade and unsuitable antifreeze causes corrosion, deposits and frothing.
- Do not use pure water as only coolant is able to meet the requirements needed in terms of corrosion protection and lubrication properties.
- Only use coolant that complies with the requirements stated (see specifications on the container) and that has the relevant properties.

Antifreeze protection to at least	-25 °C (-13 °F)
-----------------------------------	-----------------

The mixture ratio must be adjusted to the necessary antifreeze protection. Use distilled water if the coolant needs to be diluted.

The use of premixed coolant is recommended.

Observe the coolant manufacturer specifications for antifreeze protection, dilution and miscibility (compatibility) with other coolants.

Recommended supplier

MOTOREX®

- **COOLANT M3.0**

Engine oil (SAE 10W/50)

Standard/classification

- JASO T903 MA2 (📖 p. 258)
- SAE (📖 p. 258) (SAE 10W/50)

Guideline

- Use only engine oils that comply with the specified standards (see specifications on the container) and that possess the corresponding properties.

Fully synthetic engine oil

Recommended supplier

MOTOREX®

- **Power Synt 4T**

Fork oil (SAE 4) (48601166S1)**Standard/classification**

- SAE (📖 p. 258) (SAE 4)

Guideline

- Use only oils that comply with the specified standards (see specifications on the container) and that exhibit the corresponding properties.

Shock absorber fluid (SAE 2.5) (50180751S1)**Standard/classification**

- SAE (📖 p. 258) (SAE 2.5)

Guideline

- Use only oils that comply with the specified standards (see specifications on the container) and that exhibit the corresponding properties.

Super unleaded (ROZ 95/RON 95/PON 91)**Standard/classification**

- DIN EN 228 (ROZ 95/RON 95/PON 91)

Guideline

- Only use unleaded super fuel that matches or is equivalent to the specified fuel grade.
- Fuel with an ethanol content of up to 10 % (E10 fuel) is safe to use.

**Info**

Do **not** use fuel containing methanol (e. g. M15, M85, M100) or more than 10 % ethanol (e. g. E15, E25, E85, E100).

Chain cleaner

Recommended supplier

MOTOREX®

- Chain Clean

Fuel additive

Recommended supplier

MOTOREX®

- Fuel Stabilizer

Long-life grease

Recommended supplier

MOTOREX®

- Bike Grease 2000

Motorcycle cleaner

Recommended supplier

MOTOREX®

- Moto Clean

Perfect finish and high gloss polish for paints

Recommended supplier

MOTOREX®

- Moto Shine

Preserving materials for paints, metal and rubber

Recommended supplier

MOTOREX®

- Moto Protect

Special cleaner for glossy and matte paint finishes, metal and plastic surfaces

Recommended supplier

MOTOREX®

- Quick Cleaner

Street chain spray

Guideline

Recommended supplier

MOTOREX®

- Chainlube Road Strong

Universal oil spray

Recommended supplier

MOTOREX®

- Joker 440 Synthetic

JASO T903 MA2

Different technical development directions required a separate specification for motorcycles – the **JASO T903 MA2** standard.

Earlier, engine oils from the automobile industry were used for motorcycles because there was no separate motorcycle specification.

Whereas long service intervals are demanded for automobile engines, the focus for motorcycle engines is on high performance at high engine speeds.

In most motorcycle engines, the transmission and clutch are lubricated with the same oil.

The **JASO T903 MA2** standard meets these special requirements.

SAE

The SAE viscosity classes were defined by the Society of Automotive Engineers and are used for classifying oils according to their viscosity. The viscosity describes only one property of oil and says nothing about quality.



ABS	Anti-lock braking system	Safety system that prevents locking of the wheels when driving straight ahead without the influence of lateral forces
MTC	Motorcycle Traction Control	Auxiliary function of the motor control that reduces engine torque with spinning rear wheel
OBD	On-board diagnosis	Vehicle system, which monitors the specified parameters of the vehicle electronics
-	Quickshifter +	Engine electronics function for shifting up and down without clutch actuation

26 LIST OF ABBREVIATIONS

Art. no.	Article number
ca.	circa
cf.	compare
e.g.	for example
etc.	et cetera
i.a.	inter alia
no.	number
poss.	possibly




27.1 Red symbols


Red symbols indicate an error condition that requires immediate intervention.

	The coolant temperature warning lamp lights up red – The coolant temperature has reached a critical value. Stop immediately (taking care not to endanger yourself or other road users in the process), switch off the engine, allow it to cool down and check the coolant level.
	The oil pressure warning lamp lights up red – The oil pressure is too low. Stop immediately, taking care not to endanger yourself or other road users in the process, and switch off the engine.

27.2 Yellow and orange symbols




Yellow and orange symbols indicate an error condition that requires prompt intervention. Active driving aids are also represented by yellow or orange symbols.

	ABS warning lamp lights up/flashes yellow – If the ABS warning lamp lights up, the ABS is not active. The ABS warning lamp also lights up if an error is detected. Contact an authorized KTM workshop. The ABS warning lamp flashes, if the ABS actively engages.
	Fuel level warning lamp lights up orange – The fuel level has reached the reserve mark.
	Malfunction indicator lamp lights up orange – The OBD has detected an error in the vehicle electronics. Come safely to a halt, and contact an authorized KTM workshop.

	TC indicator lamp lights up/flashes yellow – If the TC indicator lamp lights up, the MTC (📖 p. 71) is not active. If the TC indicator lamp and both drive mode lamps light up at same time, an error as been detected. Contact an authorized KTM workshop. The TC indicator lamp flashes if the MTC actively engages.
---	---

27.3 Green and blue symbols

Green and blue symbols reflect information.

	The high beam indicator lamp lights up blue – The high beam is switched on.
	The idle indicator lamp lights up green – The transmission is in neutral.
	Turn signal indicator lamp flashes green – The turn signal is switched on.

1

12-V battery	
charging	173
installing	170
removing	168

A

ABS	130
ABS button	31
ABS fuses	
changing	178
ACC1	
front	193
ACC2	
front	193
Accessories	17
Air filter	
installing	113
removing	111
Anti-lock braking system	130
Applying the brakes	72
Auxiliary substances	17

B

Brake discs	
checking	134
Brake fluid	
front brake, adding	136
of rear brake, adding	144
Brake fluid level	
front brake, checking	135
rear brake, checking	143
Brake linings	
front brake, checking	139
rear brake, checking	146
Brakes	72

C

Capacity	
coolant	207, 241
engine oil	219, 241
fuel	79, 241
Chain	
checking	120
cleaning	114
dirt, checking for	114

Chain guide		
adjusting	125	
checking	120	
Chain tension		
adjusting	118	
checking	116	
Changing the headlight bulb	185	
Clutch		
fluid level, checking/correcting	127	
Clutch lever	27	
basic position, adjusting	126	
Combination instrument		
activation	44	
adjusting	45	
clock, setting	46	
combination instrument battery, changing	190	
kilometers or miles, setting	45	
messages	44	
overview	43	
service display, setting	47	
Coolant		
antifreeze and coolant level, checking	196	
changing	205	
draining	201	
		level, checking
		199
Cooling system	195	
filling/bleeding	202	
Customer service	18	
D		
Diagnostics connector	194	
Driving mode		
changing	209	
E		
Electric starter button	31	
Emergency OFF switch	30	
Engine		
running in	54	
Engine number	25	
Engine oil		
adding	220	
changing	214	
Engine oil level		
checking	213	
Engine sprocket		
checking	120	
Environment	15	

F	
Figures	18
Foot brake lever	39
basic position, adjusting	141
free travel, checking	140
Fork	84
compression damping, adjusting	84
dust boots, cleaning	100
fork legs, bleeding	103
rebound, adjusting	86
Fork part number	26
Fork protector	
installing	102
removing	102
Front fender	
installing	111
removing	110
Front wheel	
installing	150
removing	148
Fuel tank filler cap	
closing	43
opening	41

Fuel, oils, etc.	17
-----------------------------------	----

Fuse	
individual power consumers, changing	180

G	
Grab handles	37

H	
----------	--

Hand brake lever	27
basic position, adjusting	133

Handlebar position	92
adjusting	92

Headlight	
range, adjusting	190
setting, checking	189

Headlight mask with headlight	
installing	184
removing	183

Horn button	28
------------------------------	----

I	
Ignition lock	34

Implied warranty	17
-----------------------------------	----

Intended use	11
-------------------------------	----

K

Key number 25

L

Light switch 29

Loading the vehicle 55

Luggage 55

M

Main fuse

changing 176

Manufacturer warranty 17

Misuse 11

Motorcycle

cleaning 222

lift stand, raising with 95

lift stand, removing from 95

lifting with front lifting gear 98

rear lifting gear, raising with 96

removing the rear from the wheel stand 97

taking off front lifting gear 99

Motorcycle traction control 71

MTC 71

O

Oil filter

changing 214

Oil screens

cleaning 214

Overview of indicator lamps 35

Owner's Manual 16

P

Parking 74

Passenger foot pegs 38

Position light lamp

changing 187

Preparing for use

advice on preparing for first use 52

after storage 229

checks and maintenance measures when
preparing for use 58

Protective clothing 14

Q

Quickshifter + 70

R

Rear hub damping rubber pieces	
checking	159
Rear sprocket	
checking	120
Rear wheel	
installing	155
removing	153
Refueling	
fuel	77
Riding	63
starting off	62

S

Safe operation	13
Seat	
mounting	104
removing	104
unlocking	37
Service	18
Service schedule	80-83
Shift lever	38
basic position, adjusting	212
basic position, checking	211

Shifting	63
Shock absorber	84
compression damping, general	87
high-speed compression damping, adjusting	89
low-speed compression damping, adjusting	87
rebound damping, adjusting	90
Shock absorber article number	26
Side cover	
mounting	109
removing	108
Side stand	40
Spare parts	17
Spoke tension	
checking	166
Starting	59
Steering lock	34
Stopping	74
Storage	227

T

Technical data	
capacities	241
chassis	242
chassis tightening torques	247

electrical system	243
engine	234
engine tightening torques	236
fork	245
shock absorber	246
tires	244
Throttle grip	28
Tire condition	
checking	161
Tire pressure	
checking	165
Tire repair spray	
using	167
Tool set	
removing	105
storing	106
Traction control	
adjusting	210
Transport	76
Troubleshooting	230-233
Tubeless tire system	164
Turn signal switch	29
Type label	24

U

USB

USB socket	193
----------------------	-----

USB socket	193
-----------------------------	-----

Use definition	11
---------------------------------	----

V

Vehicle identification number	24
--	----

View of vehicle

front left	20
----------------------	----

rear right	22
----------------------	----

W

Winter operation

checks and maintenance steps	225
--	-----

Work rules	15
-----------------------------	----

READY TO RACE

[» www.ktm.com](http://www.ktm.com)



3213921en

12/2018

KTM Sportmotorcycle GmbH
3230 Mattighofen/Austria
<http://www.ktm.com>



REG. NO. 12 100 6061

Photo:
Mitterbauer/KISKA/KTM